

**COMMONWEALTH OF KENTUCKY
BEFORE THE PUBLIC SERVICE COMMISSION**

In the Matter of:

THE APPLICATION OF)
NEW CINGULAR WIRELESS PCS, LLC,)
A DELAWARE LIMITED LIABILITY COMPANY,)
D/B/A AT&T MOBILITY)
FOR ISSUANCE OF A CERTIFICATE OF PUBLIC) CASE NO.: 2024-00111
CONVENIENCE AND NECESSITY TO CONSTRUCT)
A WIRELESS COMMUNICATIONS FACILITY)
IN THE COMMONWEALTH OF KENTUCKY)
IN THE COUNTY OF GRAVES)

SITE NAME: KALER MILL

* * * * *

**APPLICATION FOR
CERTIFICATE OF PUBLIC CONVENIENCE AND NECESSITY
FOR CONSTRUCTION OF A WIRELESS COMMUNICATIONS FACILITY**

New Cingular Wireless PCS, LLC, a Delaware limited liability company, d/b/a AT&T Mobility (“Applicant”), by counsel, pursuant to (i) KRS §§ 278.020, 278.040, 278.650, 278.665, and other statutory authority, and the rules and regulations applicable thereto, and (ii) the Telecommunications Act of 1996, respectfully submits this Application requesting issuance of a Certificate of Public Convenience and Necessity (“CPCN”) from the Kentucky Public Service Commission (“PSC”) to construct, maintain, and operate a Wireless Communications Facility (“WCF”) to serve the customers of AT&T Mobility with wireless communications services.

In support of this Application, Applicant respectfully provides and states the following information:

1. The complete name and address of the Applicants is: New Cingular Wireless PCS, LLC, a Delaware limited liability company, d/b/a AT&T Mobility, having an address of

534 Armory Place, Louisville , Kentucky 40202.

2. Applicant proposes construction of an antenna tower for communications services, which is to be located in an area outside the jurisdiction of a planning commission, and Applicant submits this application to the PSC for a certificate of public convenience and necessity pursuant to KRS §§ 278.020(1), 278.040, 278.650, 278.665, and other statutory authority.

3. AT&T Mobility is a limited liability company organized in the State of Delaware on October 20, 1994. AT&T Mobility's Certificate of Good standing issued by the State of Delaware is attached as part of **Exhibit A** and hereby incorporated by reference.

4. Applicant attests that they are in good standing in the state in which they are organized and further state that they are authorized to transact business in Kentucky. A copy of Applicant's Certificate of Authorization issued by the Kentucky Secretary of State is attached as part of **Exhibit A** and are hereby incorporated by reference.

5. AT&T Mobility operates on frequencies licensed by the Federal Communications Commission ("FCC") pursuant to applicable FCC requirements. A copy of AT&T Mobility's FCC applications and licenses to provide wireless services are attached to this Application or described as part of **Exhibit A**, and the facility will be constructed and operated in accordance with applicable FCC regulations.

6. The public convenience and necessity require the construction of the proposed WCF. The construction of the WCF will bring or improve Applicant's wireless services to an area currently not served or not adequately served by Applicant by increasing coverage or capacity and thereby enhancing the public's access to innovative and competitive wireless communications services. The WCF will provide a necessary link

in AT&T Mobility's communications network that is designed to meet the increasing demands for wireless services in Kentucky's wireless communications service area. The WCF is an integral link in AT&T Mobility's network design that must be in place to provide adequate coverage to the service area.

7. To address the above-described service needs, Applicant proposes to construct a WCF in a lease area located on 1950 State Route 1684, Boaz, KY 42027 (36° 53' 41.349908" North latitude, 88° 34' 37.685318" West longitude), on a parcel of land located entirely within the county referenced in the caption of this application. The property on which the WCF will be located is owned by Robert O. & Cynthia M. Davis pursuant to a Deed recorded at Deed Book 361, Page 675 in the office of the County Clerk. The proposed WCF will consist of a 190-foot tall tower, with an approximately 5-foot tall lightning arrestor attached at the top, for a total height of 195-feet. The WCF will also include concrete foundations and a shelter or cabinets to accommodate the placement of radio electronics equipment and appurtenant equipment. The equipment cabinet or shelter will be approved for use in the Commonwealth of Kentucky by the relevant building inspector. The WCF compound will be fenced and all access gate(s) will be secured. A description of the manner in which the proposed WCF will be constructed is attached as **Exhibit B** and **Exhibit C**.

8. A list of utilities, corporations, or persons with whom the proposed WCF is likely to compete is attached as **Exhibit D**.

9. The site development plan and a vertical profile sketch of the WCF signed and sealed by a professional engineer registered in Kentucky depicting the tower height, as well as a proposed configuration for the antennas of AT&T Mobility has also been included

as part of **Exhibit B**.

10. Foundation design plans signed and sealed by a professional engineer registered in Kentucky and a description of the standards according to which the tower was designed are included as part of **Exhibit C**.

11. Applicant has considered the likely effects of the installation of the proposed WCF on nearby land uses and values and have concluded that there is no more suitable location reasonably available from which adequate services can be provided, and that there are no reasonably available opportunities to co-locate Applicant's antennas on an existing structure. When suitable towers or structures exist, AT&T Mobility attempts to co-locate on existing structures such as communications towers or other structures capable of supporting AT&T Mobility's facilities; however, no other suitable or available co-location site was found to be located in the vicinity of the site.

12. Documentation confirming that notice of the proposed construction to the Federal Aviation Administration ("FAA") is not required is attached as **Exhibit E**.

13. A copy of the Kentucky Airport Zoning Commission ("KAZC") application is attached as **Exhibit F**.

14. A geotechnical engineering firm has performed soil boring(s) and subsequent geotechnical engineering studies at the WCF site. A copy of the geotechnical engineering report, signed and sealed by a professional engineer registered in the Commonwealth of Kentucky, is attached as **Exhibit G**. The name and address of the geotechnical engineering firm and the professional engineer registered in the Commonwealth of Kentucky who supervised the examination of this WCF site are included as part of this exhibit.

15. Clear directions to the proposed WCF site from the County seat are attached as **Exhibit H**. The name and telephone number of the preparer of **Exhibit H** are included as part of this exhibit.

16. Applicant, pursuant to a written agreement, has acquired the right to use the WCF site and associated property rights. A copy of the agreement or an abbreviated agreement recorded with the County Clerk is attached as **Exhibit I**.

17. Personnel directly responsible for the design and construction of the proposed WCF are well qualified and experienced. The tower and foundation drawings for the proposed tower submitted as part of **Exhibit C** bear the signature and stamp of a professional engineer registered in the Commonwealth of Kentucky. All tower designs meet or exceed the minimum requirements of applicable laws and regulations.

18. The Construction Manager for the proposed facility is John Lounsbury and the identity and qualifications of each person directly responsible for design and construction of the proposed tower are contained in **Exhibits B & C**.

19. As noted on the Survey attached as part of **Exhibit B**, the surveyor has determined that the site is not within any flood hazard area.

20. **Exhibit B** includes a map drawn to an appropriate scale that shows the location of the proposed tower and identifies every owner of real estate within 500 feet of the proposed tower (according to the records maintained by the County Property Valuation Administrator). Every structure and every easement within 500 feet of the proposed tower or within 200 feet of the access road including intersection with the public street system is illustrated in **Exhibit B**.

21. Applicants have sent notice to every person who, according to the records of

the County Property Valuation Administrator (“PVA”), owns property which is within 500 feet of the proposed tower or contiguous to the site property, by certified mail, return receipt requested, of the proposed construction. Each notified property owner has been provided with a map of the location of the proposed construction, the PSC docket number for this application, the address of the PSC, and has been informed of his or her right to request intervention. A list of the notified property owners and a copy of the form of the notice sent by certified mail to each landowner are attached as **Exhibit J** and **Exhibit K**, respectively.

22. Copies of the Graves County PVA records obtained on April 5, 2024 (and re-verified on May 13, 2024) and used to generate the notice list are attached as part of **Exhibit J**.

23. Eleven notice letters were sent to the landowners on the notice list at the mailing addresses shown on the County’s PVA records on April 17, 2024. Copies of the eleven “Certified Mail Receipts” confirming the date on which the letters were sent are attached as part of **Exhibit J**.

24. To date, ten signed United States Postal Service Form 3811 “green cards” have been returned. Copies of the ten returned “green cards” are attached as a part of **Exhibit J**. One notice letter is pending rescheduling of delivery by the landowner according to USPS tracking data, which is attached as part of **Exhibit J**. There are no unaccountable notices.

25. Applicants have notified the applicable County Judge/Executive by certified mail, return receipt requested, of the proposed construction. This notice included the PSC docket number under which the application will be processed and informed the County Judge/Executive of his/her right to request intervention. A copy of this notice is attached as

Exhibit L. A copy of the “Certified Mail Receipt” is attached as a part of **Exhibit L.** That notice was returned as undeliverable on or about April 24, 2024. A copy of the returned letter is also attached as part of **Exhibit L.** After receipt of the returned letter, Applicant contacted the Judge/Executive and was provided with another viable address. Notice was sent to that address on April 24, 2024 and a copy of the “Certified Mail Receipt” for that mailing is attached as **Exhibit L.** According to the USPS tracking data, which is also attached as **Exhibit L,** that notice was delivered on April 29, 2024.

26. Notice signs meeting the requirements prescribed by 807 KAR 5:063, Section 1(2) that measure at least 2 feet in height and 4 feet in width and that contain all required language in letters of required height, have been posted, one in a visible location on the proposed site and one on the nearest public road. Such signs shall remain posted for at least two weeks after filing of the Application, and a copy of the posted text is attached as **Exhibit M.** A legal notice advertisement regarding the location of the proposed facility will be published in a newspaper of general circulation in the county in which the WCF is proposed to be located. A copy of the text of the newspaper legal notice advertisement is attached as part of **Exhibit M.**

27. The general area where the proposed facility is to be located is rural in character.

28. The process that was used by AT&T Mobility’s radio frequency engineers in selecting the site for the proposed WCF was consistent with the general process used for selecting all other existing and proposed WCF facilities within the proposed network design area. AT&T Mobility’s radio frequency engineers have conducted studies and tests in order to develop a highly efficient network that is designed to handle voice and data traffic in the

service area. The engineers determined an optimum area for the placement of the proposed facility in terms of elevation and location to provide the best quality service to customers in the service area. A radio frequency design search area prepared in reference to these radio frequency studies was considered by the Applicant when searching for sites for its antennas that would provide the coverage deemed necessary by AT&T Mobility's Radio Frequency Engineers. A map of the area in which the tower is proposed to be located which is drawn to scale and clearly depicts the necessary search area within which the site should be located pursuant to radio frequency requirements is attached as **Exhibit N**.

29. The tower must be located at the proposed location and proposed height to provide necessary service to wireless communications users in the subject area.

30. All Exhibits to this Application are hereby incorporated by reference as if fully set out as part of the Application.

31. All responses and requests associated with this Application may be directed to:

David A. Pike and
F. Keith Brown
Pike Legal Group, PLLC
1578 Highway 44 East, Suite 6
P. O. Box 369
Shepherdsville, KY 40165-0369
Telephone: (502) 955-4400
Telefax: (502) 543-4410
Email: dpike@pikelegal.com
kbrown@pikelegal.com

WHEREFORE, Applicants respectfully request that the PSC accept the foregoing Application for filing, and having met the requirements of KRS §§ 278.020(1), 278.650, and 278.665 and all applicable rules and regulations of the PSC, grant a Certificate of Public Convenience and Necessity to construct and operate the WCF at the location set forth herein.

Respectfully submitted,



David A. Pike
And



F. Keith Brown

Pike Legal Group, PLLC
1578 Highway 44 East, Suite 6
P. O. Box 369
Shepherdsville, KY 40165-0369
Telephone: (502) 955-4400
Telefax: (502) 543-4410
Email: dpike@pikelegal.com
Email: kbrown@pikelegal.com
Attorneys for Applicant

LIST OF EXHIBITS

- A - Corporate Documentation & FCC Documentation
- B - Site Development Plan:
 - 500' Vicinity Map
 - Legal Descriptions
 - Flood Plain Certification
 - Site Plan
 - Vertical Tower Profile
- C - Tower and Foundation Design
 - Construction Manager Letter
 - List of Qualified Professionals
 - Tower and Foundation Drawings
- D - Competing Utilities, Corporations, or Persons List
- E - FAA
- F - Kentucky Airport Zoning Commission
- G - Geotechnical Report
- H - Directions to WCF Site
- I - Copy of Real Estate Agreement
- J - Notification Listing, PVA Records & Proof of Notice
- K - Copy of Property Owner Notification
- L - Copy of County Judge/Executive Notice & Proof of Notice
- M - Copy of Posted Notices and Newspaper Notice Advertisement
- N - Copy of Radio Frequency Design Search Area

EXHIBIT A
CORPORATE DOCUMENTATION & FCC LICENSE
DOCUMENTATION

Delaware

Page 1

The First State

I, JEFFREY W. BULLOCK, SECRETARY OF STATE OF THE STATE OF DELAWARE, DO HEREBY CERTIFY "NEW CINGULAR WIRELESS PCS, LLC" IS DULY FORMED UNDER THE LAWS OF THE STATE OF DELAWARE AND IS IN GOOD STANDING AND HAS A LEGAL EXISTENCE SO FAR AS THE RECORDS OF THIS OFFICE SHOW, AS OF THE TWELFTH DAY OF APRIL, A.D. 2024.

AND I DO HEREBY FURTHER CERTIFY THAT THE SAID "NEW CINGULAR WIRELESS PCS, LLC" WAS FORMED ON THE TWENTIETH DAY OF OCTOBER, A.D. 1994.

AND I DO HEREBY FURTHER CERTIFY THAT THE ANNUAL TAXES HAVE BEEN PAID TO DATE.



2445544 8300

SR# 20241423461

You may verify this certificate online at corp.delaware.gov/authver.shtml

A handwritten signature in black ink, appearing to read "JBULLOCK", is written over a horizontal line. Below the line, the text "Jeffrey W. Bullock, Secretary of State" is printed in a small font.

Authentication: 203243800

Date: 04-12-24

Commonwealth of Kentucky
Michael G. Adams, Secretary of State

Michael G. Adams
Secretary of State
P. O. Box 718
Frankfort, KY 40602-0718
(502) 564-3490
<http://www.sos.ky.gov>

Certificate of Authorization

Authentication number: 307635
Visit <https://web.sos.ky.gov/ftshow/certvalidate.aspx> to authenticate this certificate.

I, Michael G. Adams, Secretary of State of the Commonwealth of Kentucky, do hereby certify that according to the records in the Office of the Secretary of State,

NEW CINGULAR WIRELESS PCS, LLC

, a limited liability company authorized under the laws of the state of Delaware, is authorized to transact business in the Commonwealth of Kentucky, and received the authority to transact business in Kentucky on October 14, 1999.

I further certify that all fees and penalties owed to the Secretary of State have been paid; that an application for certificate of withdrawal has not been filed; and that the most recent annual report required by KRS 14A.6-010 has been delivered to the Secretary of State.

IN WITNESS WHEREOF, I have hereunto set my hand and affixed my Official Seal at Frankfort, Kentucky, this 21st day of March, 2024, in the 232nd year of the Commonwealth.



Michael G. Adams

Michael G. Adams
Secretary of State
Commonwealth of Kentucky
307635/0481848

REFERENCE COPY

This is not an official FCC license. It is a record of public information contained in the FCC's licensing database on the date that this reference copy was generated. In cases where FCC rules require the presentation, posting, or display of an FCC license, this document may not be used in place of an official FCC license.



**Federal Communications Commission
Wireless Telecommunications Bureau**

RADIO STATION AUTHORIZATION

LICENSEE: NEW CINGULAR WIRELESS PCS, LLC

ATTN: NATIONAL REGULATORY COMPLIANCE
NEW CINGULAR WIRELESS PCS, LLC
208 S AKARD ST, 20F
DALLAS, TX 75202

Call Sign KNKN830	File Number
Radio Service CL - Cellular	
Market Numer CMA443	Channel Block A
Sub-Market Designator 0	

FCC Registration Number (FRN): 0003291192

Market Name Kentucky 1 - Fulton

Grant Date 09-08-2021	Effective Date 01-23-2024	Expiration Date 10-01-2031	Five Yr Build-Out Date	Print Date
---------------------------------	-------------------------------------	--------------------------------------	-------------------------------	-------------------

Site Information:

Location	Latitude	Longitude	Ground Elevation (meters)	Structure Hgt to Tip (meters)	Antenna Structure Registration No.
4	36-32-58.2 N	088-19-52.1 W	162.8	215.9	1044609

Address: SOUTH OF 521 MIDWAY ROAD (76098)

City: MURRAY **County:** CALLOWAY **State:** KY **Construction Deadline:**

Antenna: 1

Maximum Transmitting ERP in Watts: 140.820								
Azimuth(from true north)	0	45	90	135	180	225	270	315
Antenna Height AAT (meters)	94.300	98.100	103.900	91.600	77.400	92.600	89.800	92.800
Transmitting ERP (watts)	90.905	315.534	257.251	45.036	1.831	0.631	0.653	5.479

Antenna: 2

Maximum Transmitting ERP in Watts: 140.820								
Azimuth(from true north)	0	45	90	135	180	225	270	315
Antenna Height AAT (meters)	94.300	98.100	103.900	91.600	77.400	92.600	89.800	92.800
Transmitting ERP (watts)	0.189	0.181	2.710	24.477	46.412	26.231	3.140	0.165

Antenna: 3

Maximum Transmitting ERP in Watts: 140.820								
Azimuth(from true north)	0	45	90	135	180	225	270	315
Antenna Height AAT (meters)	94.300	98.100	103.900	91.600	77.400	92.600	89.800	92.800
Transmitting ERP (watts)	93.187	5.247	0.653	0.792	2.286	40.640	253.641	324.312

Conditions:

Pursuant to §309(h) of the Communications Act of 1934, as amended, 47 U.S.C. §309(h), this license is subject to the following conditions: This license shall not vest in the licensee any right to operate the station nor any right in the use of the frequencies designated in the license beyond the term thereof nor in any other manner than authorized herein. Neither the license nor the right granted thereunder shall be assigned or otherwise transferred in violation of the Communications Act of 1934, as amended. See 47 U.S.C. § 310(d). This license is subject in terms to the right of use or control conferred by §706 of the Communications Act of 1934, as amended. See 47 U.S.C. §606.

Licensee Name: NEW CINGULAR WIRELESS PCS, LLC

Call Sign: KNKN830

File Number:

Print Date:

Location	Latitude	Longitude	Ground Elevation (meters)	Structure Hgt to Tip (meters)	Antenna Structure Registration No.
7	36-40-48.5 N	088-59-38.9 W	125.6	97.5	1043413

Address: 368 US HIGHWAY 51 NORTH (76095)

City: Clinton County: HICKMAN State: KY Construction Deadline:

Antenna: 1

Maximum Transmitting ERP in Watts:	140.820							
Azimuth(from true north)	0	45	90	135	180	225	270	315
Antenna Height AAT (meters)	99.500	101.100	87.000	99.800	107.400	111.400	116.100	103.500
Transmitting ERP (watts)	46.473	43.365	8.875	2.867	0.271	1.698	13.116	39.622

Antenna: 2

Maximum Transmitting ERP in Watts:	140.820							
Azimuth(from true north)	0	45	90	135	180	225	270	315
Antenna Height AAT (meters)	99.500	101.100	87.000	99.800	107.400	111.400	116.100	103.500
Transmitting ERP (watts)	16.262	75.054	100.598	95.375	87.529	27.061	32.457	15.298

Antenna: 3

Maximum Transmitting ERP in Watts:	140.820							
Azimuth(from true north)	0	45	90	135	180	225	270	315
Antenna Height AAT (meters)	99.500	101.100	87.000	99.800	107.400	111.400	116.100	103.500
Transmitting ERP (watts)	26.123	10.219	13.943	31.412	138.549	180.577	193.913	76.304

Location	Latitude	Longitude	Ground Elevation (meters)	Structure Hgt to Tip (meters)	Antenna Structure Registration No.
8	36-45-30.7 N	088-10-11.4 W	156.1	96.3	1043411

Address: 771 Rudolph Road (76099)

City: Hardin County: MARSHALL State: KY Construction Deadline:

Antenna: 1

Maximum Transmitting ERP in Watts:	140.820							
Azimuth(from true north)	0	45	90	135	180	225	270	315
Antenna Height AAT (meters)	130.300	111.500	104.000	127.200	98.400	106.100	109.000	115.300
Transmitting ERP (watts)	138.810	181.853	201.332	78.257	26.754	10.412	13.921	31.435

Antenna: 2

Maximum Transmitting ERP in Watts:	140.820							
Azimuth(from true north)	0	45	90	135	180	225	270	315
Antenna Height AAT (meters)	130.300	111.500	104.000	127.200	98.400	106.100	109.000	115.300
Transmitting ERP (watts)	0.495	0.767	13.331	103.933	243.934	88.607	9.081	2.358

Antenna: 3

Maximum Transmitting ERP in Watts:	140.820							
Azimuth(from true north)	0	45	90	135	180	225	270	315
Antenna Height AAT (meters)	130.300	111.500	104.000	127.200	98.400	106.100	109.000	115.300
Transmitting ERP (watts)	121.085	34.811	25.322	9.647	14.734	94.724	185.217	194.265

Licensee Name: NEW CINGULAR WIRELESS PCS, LLC

Call Sign: KNKN830

File Number:

Print Date:

Location	Latitude	Longitude	Ground Elevation (meters)	Structure Hgt to Tip (meters)	Antenna Structure Registration No.
9	36-57-02.0 N	089-04-57.4 W	139.6	35.1	

Address: 966 Westvaco Road (76102)

City: WICKLIFFE County: BALLARD State: KY Construction Deadline:

Antenna: 1

Maximum Transmitting ERP in Watts:	140.820							
Azimuth(from true north)	0	45	90	135	180	225	270	315
Antenna Height AAT (meters)	66.700	39.500	47.700	59.600	40.400	76.800	74.900	77.800
Transmitting ERP (watts)	208.387	279.525	57.987	6.279	2.348	0.861	2.044	43.197

Antenna: 2

Maximum Transmitting ERP in Watts:	140.820							
Azimuth(from true north)	0	45	90	135	180	225	270	315
Antenna Height AAT (meters)	66.700	39.500	47.700	59.600	40.400	76.800	74.900	77.800
Transmitting ERP (watts)	13.096	122.483	310.652	139.984	16.567	3.121	0.637	1.151

Antenna: 3

Maximum Transmitting ERP in Watts:	140.820							
Azimuth(from true north)	0	45	90	135	180	225	270	315
Antenna Height AAT (meters)	66.700	39.500	47.700	59.600	40.400	76.800	74.900	77.800
Transmitting ERP (watts)	1.083	3.141	55.641	235.301	265.480	45.044	5.015	1.649

Location	Latitude	Longitude	Ground Elevation (meters)	Structure Hgt to Tip (meters)	Antenna Structure Registration No.
14	36-31-12.4 N	088-50-41.5 W	144.2	122.2	1030665

Address: 550 Powell Road (76108)

City: FULTON County: HICKMAN State: KY Construction Deadline: 10-17-2014

Antenna: 1

Maximum Transmitting ERP in Watts:	140.820							
Azimuth(from true north)	0	45	90	135	180	225	270	315
Antenna Height AAT (meters)	54.600	50.500	50.000	62.400	74.100	82.600	70.400	68.900
Transmitting ERP (watts)	54.186	259.791	165.189	15.440	1.821	0.520	0.538	2.272

Antenna: 2

Maximum Transmitting ERP in Watts:	140.820							
Azimuth(from true north)	0	45	90	135	180	225	270	315
Antenna Height AAT (meters)	54.600	50.500	50.000	62.400	74.100	82.600	70.400	68.900
Transmitting ERP (watts)	37.483	3.445	0.681	0.543	0.696	23.278	173.429	255.845

Location	Latitude	Longitude	Ground Elevation (meters)	Structure Hgt to Tip (meters)	Antenna Structure Registration No.
15	36-38-43.9 N	088-28-32.2 W	171.9	129.8	1210819

Address: 1211 Bazzell Cemetery Road (76104)

City: Murray County: CALLOWAY State: KY Construction Deadline: 10-17-2014

Antenna: 1

Maximum Transmitting ERP in Watts:	140.820							
Azimuth(from true north)	0	45	90	135	180	225	270	315
Antenna Height AAT (meters)	119.500	104.900	100.600	100.600	101.500	99.400	106.900	111.600
Transmitting ERP (watts)	90.670	314.927	257.500	45.061	1.817	0.634	0.658	5.547

Licensee Name: NEW CINGULAR WIRELESS PCS, LLC

Call Sign: KNKN830

File Number:

Print Date:

Location	Latitude	Longitude	Ground Elevation (meters)	Structure Hgt to Tip (meters)	Antenna Structure Registration No.
15	36-38-43.9 N	088-28-32.2 W	171.9	129.8	1210819

Address: 1211 Bazzell Cemetery Road (76104)

City: Murray County: CALLOWAY State: KY Construction Deadline: 10-17-2014

Antenna: 4

Maximum Transmitting ERP in Watts:	140.820							
Azimuth(from true north)	0	45	90	135	180	225	270	315
Antenna Height AAT (meters)	119.500	104.900	100.600	100.600	101.500	99.400	106.900	111.600
Transmitting ERP (watts)	0.367	0.330	5.484	55.361	112.914	58.679	6.523	0.289

Antenna: 5

Maximum Transmitting ERP in Watts:	140.820							
Azimuth(from true north)	0	45	90	135	180	225	270	315
Antenna Height AAT (meters)	119.500	104.900	100.600	100.600	101.500	99.400	106.900	111.600
Transmitting ERP (watts)	92.571	5.224	0.656	0.800	2.278	41.111	254.363	324.895

Location	Latitude	Longitude	Ground Elevation (meters)	Structure Hgt to Tip (meters)	Antenna Structure Registration No.
19	36-36-41.4 N	088-47-03.9 W	155.7	98.4	1215493

Address: 13111 State Route 45 South (76105)

City: Wingo County: GRAVES State: KY Construction Deadline: 10-17-2014

Antenna: 1

Maximum Transmitting ERP in Watts:	140.820							
Azimuth(from true north)	0	45	90	135	180	225	270	315
Antenna Height AAT (meters)	113.900	104.300	100.500	100.100	118.200	120.600	142.500	118.400
Transmitting ERP (watts)	75.324	249.922	174.975	24.513	3.151	0.522	1.154	5.702

Antenna: 2

Maximum Transmitting ERP in Watts:	140.820							
Azimuth(from true north)	0	45	90	135	180	225	270	315
Antenna Height AAT (meters)	113.900	104.300	100.500	100.100	118.200	120.600	142.500	118.400
Transmitting ERP (watts)	0.327	2.041	16.058	48.846	56.920	53.682	10.688	3.498

Antenna: 3

Maximum Transmitting ERP in Watts:	140.820							
Azimuth(from true north)	0	45	90	135	180	225	270	315
Antenna Height AAT (meters)	113.900	104.300	100.500	100.100	118.200	120.600	142.500	118.400
Transmitting ERP (watts)	52.956	5.694	1.994	0.772	1.841	39.724	185.306	249.412

Location	Latitude	Longitude	Ground Elevation (meters)	Structure Hgt to Tip (meters)	Antenna Structure Registration No.
21	37-01-59.6 N	088-55-53.8 W	137.2	81.7	1061534

Address: HIGHWAY 358 SOUTH (76094)

City: LA CENTER County: BALLARD State: KY Construction Deadline: 10-17-2014

Antenna: 1

Maximum Transmitting ERP in Watts:	140.820							
Azimuth(from true north)	0	45	90	135	180	225	270	315
Antenna Height AAT (meters)	89.800	81.800	70.500	81.800	84.100	79.400	91.200	97.100
Transmitting ERP (watts)	112.389	322.213	224.476	23.789	1.892	0.660	0.706	9.624

Licensee Name: NEW CINGULAR WIRELESS PCS, LLC

Call Sign: KNKN830

File Number:

Print Date:

Location	Latitude	Longitude	Ground Elevation (meters)	Structure Hgt to Tip (meters)	Antenna Structure Registration No.
21	37-01-59.6 N	088-55-53.8 W	137.2	81.7	1061534

Address: HIGHWAY 358 SOUTH (76094)

City: LA CENTER County: BALLARD State: KY Construction Deadline: 10-17-2014

Antenna: 2

Maximum Transmitting ERP in Watts:	140.820							
Azimuth(from true north)	0	45	90	135	180	225	270	315
Antenna Height AAT (meters)	89.800	81.800	70.500	81.800	84.100	79.400	91.200	97.100
Transmitting ERP (watts)	0.245	0.296	9.047	63.327	119.917	49.080	4.913	0.289

Antenna: 3

Maximum Transmitting ERP in Watts:	140.820							
Azimuth(from true north)	0	45	90	135	180	225	270	315
Antenna Height AAT (meters)	89.800	81.800	70.500	81.800	84.100	79.400	91.200	97.100
Transmitting ERP (watts)	61.077	6.560	2.321	0.892	2.139	46.212	218.148	287.895

Location	Latitude	Longitude	Ground Elevation (meters)	Structure Hgt to Tip (meters)	Antenna Structure Registration No.
22	37-02-00.0 N	088-22-10.0 W	105.5	106.7	1040303

Address: 641 GARY JOHNSON ROAD (76096)

City: CALVERT CITY County: MARSHALL State: KY Construction Deadline: 10-17-2014

Antenna: 1

Maximum Transmitting ERP in Watts:	140.820							
Azimuth(from true north)	0	45	90	135	180	225	270	315
Antenna Height AAT (meters)	86.900	86.100	95.100	91.700	77.400	93.100	107.000	101.600
Transmitting ERP (watts)	19.290	27.291	31.707	11.704	2.348	0.517	1.589	4.904

Antenna: 2

Maximum Transmitting ERP in Watts:	140.820							
Azimuth(from true north)	0	45	90	135	180	225	270	315
Antenna Height AAT (meters)	86.900	86.100	95.100	91.700	77.400	93.100	107.000	101.600
Transmitting ERP (watts)	0.103	0.173	3.333	26.500	50.592	22.618	2.382	0.161

Antenna: 3

Maximum Transmitting ERP in Watts:	140.820							
Azimuth(from true north)	0	45	90	135	180	225	270	315
Antenna Height AAT (meters)	86.900	86.100	95.100	91.700	77.400	93.100	107.000	101.600
Transmitting ERP (watts)	51.334	5.515	1.916	0.726	1.742	37.531	178.683	239.865

Location	Latitude	Longitude	Ground Elevation (meters)	Structure Hgt to Tip (meters)	Antenna Structure Registration No.
24	36-52-41.6 N	088-12-19.4 W	132.3	94.5	1223751

Address: 3018 Barge Island Road (76116)

City: Benton County: MARSHALL State: KY Construction Deadline: 10-17-2014

Antenna: 1

Maximum Transmitting ERP in Watts:	140.820							
Azimuth(from true north)	0	45	90	135	180	225	270	315
Antenna Height AAT (meters)	100.900	74.800	82.900	90.300	83.200	75.100	82.700	89.800
Transmitting ERP (watts)	64.257	218.461	153.987	21.410	2.758	0.447	1.004	4.863

Licensee Name: NEW CINGULAR WIRELESS PCS, LLC

Call Sign: KNKN830

File Number:

Print Date:

Location	Latitude	Longitude	Ground Elevation (meters)	Structure Hgt to Tip (meters)	Antenna Structure Registration No.
24	36-52-41.6 N	088-12-19.4 W	132.3	94.5	1223751

Address: 3018 Barge Island Road (76116)

City: Benton County: MARSHALL State: KY Construction Deadline: 10-17-2014

Antenna: 2

Maximum Transmitting ERP in Watts:	140.820							
Azimuth(from true north)	0	45	90	135	180	225	270	315
Antenna Height AAT (meters)	100.900	74.800	82.900	90.300	83.200	75.100	82.700	89.800
Transmitting ERP (watts)	0.516	0.812	13.931	109.389	254.428	92.990	9.535	2.468
Antenna: 3								
Maximum Transmitting ERP in Watts:	140.820							
Azimuth(from true north)	0	45	90	135	180	225	270	315
Antenna Height AAT (meters)	100.900	74.800	82.900	90.300	83.200	75.100	82.700	89.800
Transmitting ERP (watts)	126.395	36.677	26.446	10.150	15.357	99.601	194.625	203.444

Location	Latitude	Longitude	Ground Elevation (meters)	Structure Hgt to Tip (meters)	Antenna Structure Registration No.
26	37-06-39.7 N	088-57-32.4 W	118.3	86.6	1244919

Address: 2967 BANDANA ROAD (76122)

City: LA CENTER County: BALLARD State: KY Construction Deadline: 10-17-2014

Antenna: 1

Maximum Transmitting ERP in Watts:	140.820							
Azimuth(from true north)	0	45	90	135	180	225	270	315
Antenna Height AAT (meters)	98.000	96.700	81.000	73.300	74.700	89.200	104.100	92.500
Transmitting ERP (watts)	40.898	65.024	70.503	22.298	3.898	0.957	2.616	9.032
Antenna: 2								
Maximum Transmitting ERP in Watts:	140.820							
Azimuth(from true north)	0	45	90	135	180	225	270	315
Antenna Height AAT (meters)	98.000	96.700	81.000	73.300	74.700	89.200	104.100	92.500
Transmitting ERP (watts)	0.519	25.920	110.565	221.603	140.992	214.122	87.608	63.085
Antenna: 3								
Maximum Transmitting ERP in Watts:	140.820							
Azimuth(from true north)	0	45	90	135	180	225	270	315
Antenna Height AAT (meters)	98.000	96.700	81.000	73.300	74.700	89.200	104.100	92.500
Transmitting ERP (watts)	37.744	5.696	3.296	2.226	3.676	28.040	60.416	72.478

Location	Latitude	Longitude	Ground Elevation (meters)	Structure Hgt to Tip (meters)	Antenna Structure Registration No.
27	36-48-47.4 N	089-01-13.9 W	114.0	92.7	1244912

Address: 461 COUNTY ROAD 1235 (76123)

City: ARLINGTON County: CARLISLE State: KY Construction Deadline: 10-17-2014

Antenna: 1

Maximum Transmitting ERP in Watts:	140.820							
Azimuth(from true north)	0	45	90	135	180	225	270	315
Antenna Height AAT (meters)	90.300	82.200	73.600	91.100	97.500	88.700	101.500	87.500
Transmitting ERP (watts)	106.670	236.325	87.322	9.136	2.326	0.497	0.777	13.791

Licensee Name: NEW CINGULAR WIRELESS PCS, LLC

Call Sign: KNKN830

File Number:

Print Date:

Location	Latitude	Longitude	Ground Elevation (meters)	Structure Hgt to Tip (meters)	Antenna Structure Registration No.
27	36-48-47.4 N	089-01-13.9 W	114.0	92.7	1244912

Address: 461 COUNTY ROAD 1235 (76123)

City: ARLINGTON County: CARLISLE State: KY Construction Deadline: 10-17-2014

Antenna: 2

Maximum Transmitting ERP in Watts:	140.820							
Azimuth(from true north)	0	45	90	135	180	225	270	315
Antenna Height AAT (meters)	90.300	82.200	73.600	91.100	97.500	88.700	101.500	87.500
Transmitting ERP (watts)	3.771	6.725	70.667	194.932	224.510	93.220	19.059	10.392

Antenna: 3

Maximum Transmitting ERP in Watts:	140.820							
Azimuth(from true north)	0	45	90	135	180	225	270	315
Antenna Height AAT (meters)	90.300	82.200	73.600	91.100	97.500	88.700	101.500	87.500
Transmitting ERP (watts)	17.405	2.960	0.738	2.081	7.101	31.894	50.141	56.076

Location	Latitude	Longitude	Ground Elevation (meters)	Structure Hgt to Tip (meters)	Antenna Structure Registration No.
28	36-32-49.7 N	088-09-16.0 W	128.6	77.7	1245399

Address: 10475 STATE ROAD 121 (76124)

City: NEW CONCORD County: CALLOWAY State: KY Construction Deadline: 10-17-2014

Antenna: 1

Maximum Transmitting ERP in Watts:	140.820							
Azimuth(from true north)	0	45	90	135	180	225	270	315
Antenna Height AAT (meters)	65.300	82.000	68.100	72.000	52.100	54.800	45.900	46.700
Transmitting ERP (watts)	103.508	96.740	121.896	67.061	24.395	17.896	22.126	33.816

Antenna: 2

Maximum Transmitting ERP in Watts:	140.820							
Azimuth(from true north)	0	45	90	135	180	225	270	315
Antenna Height AAT (meters)	65.300	82.000	68.100	72.000	52.100	54.800	45.900	46.700
Transmitting ERP (watts)	0.291	1.775	14.241	42.943	50.803	47.977	9.728	3.207

Antenna: 3

Maximum Transmitting ERP in Watts:	140.820							
Azimuth(from true north)	0	45	90	135	180	225	270	315
Antenna Height AAT (meters)	65.300	82.000	68.100	72.000	52.100	54.800	45.900	46.700
Transmitting ERP (watts)	131.978	37.385	27.253	10.383	15.864	101.405	199.819	210.869

Location	Latitude	Longitude	Ground Elevation (meters)	Structure Hgt to Tip (meters)	Antenna Structure Registration No.
29	36-33-30.0 N	088-35-22.0 W	172.2	98.7	1041880

Address: 2539 State Rte 94E (100720)

City: Sedalia County: GRAVES State: KY Construction Deadline: 10-17-2014

Antenna: 3

Maximum Transmitting ERP in Watts:	140.820							
Azimuth(from true north)	0	45	90	135	180	225	270	315
Antenna Height AAT (meters)	88.800	79.000	80.100	102.800	107.300	113.300	86.100	90.300
Transmitting ERP (watts)	118.798	346.026	241.383	25.538	2.032	0.686	0.737	10.121

Licensee Name: NEW CINGULAR WIRELESS PCS, LLC

Call Sign: KNKN830

File Number:

Print Date:

Location	Latitude	Longitude	Ground Elevation (meters)	Structure Hgt to Tip (meters)	Antenna Structure Registration No.
29	36-33-30.0 N	088-35-22.0 W	172.2	98.7	1041880

Address: 2539 State Rte 94E (100720)

City: Sedalia County: GRAVES State: KY Construction Deadline: 10-17-2014

Antenna: 4

Maximum Transmitting ERP in Watts:	140.820							
Azimuth(from true north)	0	45	90	135	180	225	270	315
Antenna Height AAT (meters)	88.800	79.000	80.100	102.800	107.300	113.300	86.100	90.300
Transmitting ERP (watts)	0.101	0.148	0.723	2.670	2.039	2.501	0.544	0.100

Antenna: 5

Maximum Transmitting ERP in Watts:	140.820							
Azimuth(from true north)	0	45	90	135	180	225	270	315
Antenna Height AAT (meters)	88.800	79.000	80.100	102.800	107.300	113.300	86.100	90.300
Transmitting ERP (watts)	39.858	3.632	0.525	0.681	3.083	30.083	155.327	190.084

Antenna: 6

Maximum Transmitting ERP in Watts:	140.820							
Azimuth(from true north)	0	45	90	135	180	225	270	315
Antenna Height AAT (meters)	88.800	79.000	80.100	102.800	107.300	113.300	86.100	90.300
Transmitting ERP (watts)	116.175	337.516	238.141	25.039	2.002	0.669	0.719	9.904

Antenna: 7

Maximum Transmitting ERP in Watts:	140.820							
Azimuth(from true north)	0	45	90	135	180	225	270	315
Antenna Height AAT (meters)	88.800	79.000	80.100	102.800	107.300	113.300	86.100	90.300
Transmitting ERP (watts)	0.100	0.100	0.108	1.032	1.990	0.939	0.099	0.100

Antenna: 8

Maximum Transmitting ERP in Watts:	140.820							
Azimuth(from true north)	0	45	90	135	180	225	270	315
Antenna Height AAT (meters)	88.800	79.000	80.100	102.800	107.300	113.300	86.100	90.300
Transmitting ERP (watts)	39.129	3.555	0.510	0.662	3.020	29.428	154.053	187.149

Location	Latitude	Longitude	Ground Elevation (meters)	Structure Hgt to Tip (meters)	Antenna Structure Registration No.
30	36-38-26.2 N	088-16-00.1 W	165.8	90.8	1030663

Address: 1431 Van Cleave Road

City: MURRAY County: CALLOWAY State: KY Construction Deadline: 03-19-2014

Antenna: 1

Maximum Transmitting ERP in Watts:	140.820							
Azimuth(from true north)	0	45	90	135	180	225	270	315
Antenna Height AAT (meters)	95.400	94.000	102.000	97.700	75.000	79.400	73.500	84.000
Transmitting ERP (watts)	99.973	347.694	284.408	49.684	2.009	0.693	0.722	6.047

Antenna: 2

Maximum Transmitting ERP in Watts:	140.820							
Azimuth(from true north)	0	45	90	135	180	225	270	315
Antenna Height AAT (meters)	95.400	94.000	102.000	97.700	75.000	79.400	73.500	84.000
Transmitting ERP (watts)	0.658	0.593	9.481	98.900	202.269	103.412	11.469	0.466

Antenna: 3

Maximum Transmitting ERP in Watts:	140.820							
Azimuth(from true north)	0	45	90	135	180	225	270	315
Antenna Height AAT (meters)	95.400	94.000	102.000	97.700	75.000	79.400	73.500	84.000
Transmitting ERP (watts)	102.904	5.789	0.721	0.870	2.492	44.530	280.630	358.642

Licensee Name: NEW CINGULAR WIRELESS PCS, LLC

Call Sign: KNKN830

File Number:

Print Date:

Location	Latitude	Longitude	Ground Elevation (meters)	Structure Hgt to Tip (meters)	Antenna Structure Registration No.
31	37-01-59.2 N	088-32-46.3 W	104.9	60.7	

Address: 311 PUGH ROAD (82847)
City: PADUCAH County: MCCRACKEN State: KY Construction Deadline: 10-17-2014

Antenna: 1

Maximum Transmitting ERP in Watts:	140.820							
Azimuth(from true north)	0	45	90	135	180	225	270	315
Antenna Height AAT (meters)	56.200	65.400	62.700	44.400	60.400	47.900	41.900	64.900
Transmitting ERP (watts)	138.239	395.682	273.086	31.636	2.365	0.791	0.870	14.102

Antenna: 2

Maximum Transmitting ERP in Watts:	140.820							
Azimuth(from true north)	0	45	90	135	180	225	270	315
Antenna Height AAT (meters)	56.200	65.400	62.700	44.400	60.400	47.900	41.900	64.900
Transmitting ERP (watts)	0.870	0.945	31.495	230.326	421.829	159.645	11.045	1.137

Antenna: 3

Maximum Transmitting ERP in Watts:	140.820							
Azimuth(from true north)	0	45	90	135	180	225	270	315
Antenna Height AAT (meters)	56.200	65.400	62.700	44.400	60.400	47.900	41.900	64.900
Transmitting ERP (watts)	1.780	0.299	0.112	0.233	0.252	1.208	2.817	2.371

Location	Latitude	Longitude	Ground Elevation (meters)	Structure Hgt to Tip (meters)	Antenna Structure Registration No.
32	36-59-09.8 N	088-21-18.6 W	108.2	95.4	1222232

Address: 1285 US HIGHWAY 95 (93609)
City: CALVERT CITY County: MARSHALL State: KY Construction Deadline: 10-17-2014

Antenna: 1

Maximum Transmitting ERP in Watts:	140.820							
Azimuth(from true north)	0	45	90	135	180	225	270	315
Antenna Height AAT (meters)	57.000	62.900	62.000	50.300	45.400	47.200	53.800	67.500
Transmitting ERP (watts)	114.888	331.792	230.236	24.563	1.953	0.671	0.707	9.579

Antenna: 2

Maximum Transmitting ERP in Watts:	140.820							
Azimuth(from true north)	0	45	90	135	180	225	270	315
Antenna Height AAT (meters)	57.000	62.900	62.000	50.300	45.400	47.200	53.800	67.500
Transmitting ERP (watts)	0.719	1.299	23.038	188.836	348.890	135.248	7.214	1.404

Antenna: 3

Maximum Transmitting ERP in Watts:	140.820							
Azimuth(from true north)	0	45	90	135	180	225	270	315
Antenna Height AAT (meters)	57.000	62.900	62.000	50.300	45.400	47.200	53.800	67.500
Transmitting ERP (watts)	38.772	3.498	0.494	0.647	2.930	29.401	150.126	182.816

Licensee Name: NEW CINGULAR WIRELESS PCS, LLC

Call Sign: KNKN830

File Number:

Print Date:

Location	Latitude	Longitude	Ground Elevation (meters)	Structure Hgt to Tip (meters)	Antenna Structure Registration No.
33	37-03-27.6 N	088-39-35.9 W	126.5	56.4	1261390

Address: 4147 Alben Barkley Drive (99179)

City: Paducah County: MCCRACKEN State: KY Construction Deadline: 10-17-2014

Antenna: 1

Maximum Transmitting ERP in Watts:	140.820							
Azimuth(from true north)	0	45	90	135	180	225	270	315
Antenna Height AAT (meters)	75.600	77.100	83.500	78.100	49.200	54.800	60.700	73.700
Transmitting ERP (watts)	63.658	183.190	130.542	23.950	3.395	0.525	0.398	6.814

Antenna: 2

Maximum Transmitting ERP in Watts:	140.820							
Azimuth(from true north)	0	45	90	135	180	225	270	315
Antenna Height AAT (meters)	75.600	77.100	83.500	78.100	49.200	54.800	60.700	73.700
Transmitting ERP (watts)	0.323	0.908	12.412	76.128	155.305	62.287	7.839	1.323

Antenna: 3

Maximum Transmitting ERP in Watts:	140.820							
Azimuth(from true north)	0	45	90	135	180	225	270	315
Antenna Height AAT (meters)	75.600	77.100	83.500	78.100	49.200	54.800	60.700	73.700
Transmitting ERP (watts)	47.164	5.084	1.161	0.385	3.481	30.943	146.763	183.338

Location	Latitude	Longitude	Ground Elevation (meters)	Structure Hgt to Tip (meters)	Antenna Structure Registration No.
34	36-36-12.1 N	089-01-51.1 W	101.2	60.7	

Address: 5151 State Route 1529 (115776)

City: Clinton County: HICKMAN State: KY Construction Deadline: 10-17-2014

Antenna: 1

Maximum Transmitting ERP in Watts:	140.820							
Azimuth(from true north)	0	45	90	135	180	225	270	315
Antenna Height AAT (meters)	52.300	37.600	51.800	46.600	43.300	54.500	71.100	62.300
Transmitting ERP (watts)	278.250	103.782	10.449	2.715	0.593	0.966	15.867	122.648

Antenna: 2

Maximum Transmitting ERP in Watts:	140.820							
Azimuth(from true north)	0	45	90	135	180	225	270	315
Antenna Height AAT (meters)	52.300	37.600	51.800	46.600	43.300	54.500	71.100	62.300
Transmitting ERP (watts)	7.844	85.062	223.646	261.822	111.972	23.150	11.903	4.338

Antenna: 3

Maximum Transmitting ERP in Watts:	140.820							
Azimuth(from true north)	0	45	90	135	180	225	270	315
Antenna Height AAT (meters)	52.300	37.600	51.800	46.600	43.300	54.500	71.100	62.300
Transmitting ERP (watts)	30.528	12.489	16.284	37.081	166.124	217.556	229.754	89.752

Licensee Name: NEW CINGULAR WIRELESS PCS, LLC

Call Sign: KNKN830

File Number:

Print Date:

Location	Latitude	Longitude	Ground Elevation (meters)	Structure Hgt to Tip (meters)	Antenna Structure Registration No.
35	37-00-56.6 N	088-43-49.8 W	143.3	71.6	1261050

Address: 2136 Mayfield Metropolis Road (109666)

City: Paducah County: MCCRACKEN State: KY Construction Deadline: 10-17-2014

Antenna: 1

Maximum Transmitting ERP in Watts:	140.820							
Azimuth(from true north)	0	45	90	135	180	225	270	315
Antenna Height AAT (meters)	105.700	96.700	95.000	75.800	73.800	88.800	68.000	82.900
Transmitting ERP (watts)	156.876	63.244	5.131	0.692	0.325	0.405	10.985	82.231

Antenna: 2

Maximum Transmitting ERP in Watts:	140.820							
Azimuth(from true north)	0	45	90	135	180	225	270	315
Antenna Height AAT (meters)	105.700	96.700	95.000	75.800	73.800	88.800	68.000	82.900
Transmitting ERP (watts)	3.414	33.471	169.860	202.694	40.839	2.592	0.626	0.446

Antenna: 3

Maximum Transmitting ERP in Watts:	140.820							
Azimuth(from true north)	0	45	90	135	180	225	270	315
Antenna Height AAT (meters)	105.700	96.700	95.000	75.800	73.800	88.800	68.000	82.900
Transmitting ERP (watts)	1.525	0.525	0.550	7.646	91.503	257.113	180.615	19.227

Control Points:

Control Pt. No. 1

Address: 1650 Lyndon Farms Court

City: LOUISVILLE County: State: KY Telephone Number: (502)332-4700

Waivers/Conditions:

Commission approval of this application and the licenses contained therein are subject to the conditions set forth in the Memorandum Opinion and Order, adopted on December 29, 2006 and released on March 26, 2007, and revised in the Order on Reconsideration, adopted and released on March 26, 2007. See AT&T Inc. and BellSouth Corporation Application for Transfer of Control, WC Docket No. 06-74, Memorandum Opinion and Order, FCC 06-189 (rel. Mar. 26, 2007); AT&T Inc. and BellSouth Corporation, WC Docket No. 06-74, Order on Reconsideration, FCC 07-44 (rel. Mar. 26, 2007).

**FCC Form 608 FCC Application or Notification for Spectrum Leasing Arrangement/
Main Form Notification of a Private Commons Arrangement**
Wireless Telecommunications Bureau
Public Safety and Homeland Security Bureau

3060-1058

Submitted: 07/24/2023 at
17:27:15
File Number: 0010538682

See 608 Main Form Instructions
For public burden estimate

General Information

Application/Notification Purpose

1a) Purpose of Filing (Select only one):	
<input type="checkbox"/> LN – New	<input type="checkbox"/> LM – Modification
<input type="checkbox"/> LT – Transfer of Control	<input type="checkbox"/> LE – Extend the Term
<input type="checkbox"/> LI – Light Touch Leasing Certification	<input checked="" type="checkbox"/> AM – Amendment
	<input type="checkbox"/> LU – Administrative Update
	<input type="checkbox"/> LC – Cancel
	<input type="checkbox"/> WD – Withdraw
1b) If this filing is for an Amendment (AM) or Withdrawal (WD), enter the File Number of the pending Application/Notification currently on file with the FCC.	File Number: 0010538682

Classification of Filing

For Leases/Subleases Only

2a) Classification of Filing (Select only one):	2b) Type of Filing
<input checked="" type="checkbox"/> ML – Spectrum Manager Lease	<input checked="" type="checkbox"/> L – Lease
<input type="checkbox"/> TL – De Facto Transfer Lease	<input type="checkbox"/> S – Sublease (Must be filed manually)

For Private Commons Arrangements Only (Must be filed Manually)

2c) This filing will be a Private Commons Arrangement pursuant to a (Select only one):	2d) If a Private Commons Arrangement pursuant to a Lease or Sublease, choose the legal type (Select only one):
<input type="checkbox"/> N – License	<input type="checkbox"/> M – Spectrum Manager
<input type="checkbox"/> L – Lease	<input type="checkbox"/> T – De Facto Transfer
<input type="checkbox"/> S – Sublease	

Term of Lease/Sublease

3) Indicate whether the existing Lease/Sublease is:	<input checked="" type="checkbox"/> Long-Term	or	<input type="checkbox"/> Short-Term
---	---	----	-------------------------------------

Other Wireless Licenses

4a) Is this filing part of a series of filings involving other wireless license(s) or lease(s) held by the Applicant, affiliates of the Licensee (e.g., parents, subsidiaries, or commonly-controlled entities), or third parties that are not included on this filing and for which Commission approval or notification is required?	<input checked="" type="checkbox"/> Yes <input type="checkbox"/> No
4b) If the answer to 4a is 'Y', is this filing the lead Application/Notification?	<input checked="" type="checkbox"/> Yes <input type="checkbox"/> No
4c) If the answer to 4a is 'Y' and the answer to 4b is 'N', provide the File Number of the lead Application/Notification.	File Number: 0010538493

Attachments

5) Are attachments (other than associated schedules) being filed with this Application/Notification?	(<input checked="" type="checkbox"/>) <u>Yes</u> <input type="checkbox"/> <u>No</u>
--	---

Fees and Waivers**Exemption from Application Fees**

6) Is the Applicant exempt from FCC application fees? If the answer to 6 is 'Y', attach an exhibit demonstrating how the applicant is exempt from FCC application fees.	(<input type="checkbox"/>) <u>Yes</u> <input checked="" type="checkbox"/> <u>No</u>
--	---

Waiver/Deferral of Fees

7) Is a waiver/deferral of the FCC application fees being requested? If the answer to 7 is 'Y', attach a date-stamped copy of the request for waiver/deferral of the FCC application fees.	(<input type="checkbox"/>) <u>Yes</u> <input checked="" type="checkbox"/> <u>No</u>
---	---

Waiver of Commission Rules

8) Does this filing include a request for waiver of the Commission's Rules (other than a request for application fee waivers)? If the answer to 8 is 'Y', attach an exhibit specifying the rule section(s) for which a waiver is being requested and including a justification for the waiver request.	(<input checked="" type="checkbox"/>) <u>Yes</u> <input type="checkbox"/> <u>No</u>
---	---

Regulatory Status and Offerings**Radio Service Offerings**

9) The Applicant will provide the following type(s) of radio service offerings (select all that apply): (<input type="checkbox"/>) Common Carrier (<input type="checkbox"/>) Non-common Carrier (<input type="checkbox"/>) Private, internal communications (<input type="checkbox"/>) Broadcast Services All entities that are planning to use the leased spectrum for telecommunications services should select common carrier in this item. The term 'telecommunications service' means the offering of telecommunications (i.e., the transmission, between or among points specified by the user, of information of the user's choosing, without change in the form or content of the information as sent and received) for a fee directly to the public, or to such classes of users as to be effectively available directly to the public, regardless of the facilities used. Non-common carriers do not hold themselves out indiscriminately for hire as carriers of communications provided by the customer. A person engaged in radio broadcasting shall not, insofar as such person is so engaged, be deemed a common carrier. Thus, those entities meeting this definition would select non-common carrier for this item. Private internal users are those entities that utilize telecommunications services purely for internal business purposes or public safety communications and not on a for-hire or for-profit basis. Such entities should select 'Private' for this item. The term 'Broadcast Services' shall have the same meaning as that for "broadcasting" in § 3(6) of the Communications Act of 1934, i.e., the dissemination of radio communications intended to be received by the public, directly or by the intermediary of relay stations." 47 U.S.C. § 153(6). If the Applicant is modifying the type of radio service offerings it provides, please provide an exhibit explaining the modification.
--

Radio Service

10) The Applicant will provide the following type(s) of radio service (select all that apply): (<input type="checkbox"/>) Fixed (<input type="checkbox"/>) Mobile (<input type="checkbox"/>) Radiolocation (<input type="checkbox"/>) Satellite (sound) (<input type="checkbox"/>) Broadcast Services	
11) Does the Applicant propose to provide service interconnected to the public telephone network?	(<input type="checkbox"/>) <u>Yes</u> <input checked="" type="checkbox"/> <u>No</u>

Designated Entity Information (If the answer to 12a, 12b or 12c is 'Y', Schedule A must be completed.)

Bidding Credits

12a) Does this filing involve any spectrum associated with any licenses that were awarded with bidding credits within the last five years? If the response to this item is 'Y', the licenses may be subject to the FCC's unjust enrichment rules, and the Applicant should answer relevant bidding credit questions.	(<input type="radio"/>) <u>Yes</u> <input type="radio"/> <u>No</u>
---	--

Closed Bidding

12b) Does this filing involve any spectrum associated with any licenses that were originally granted pursuant to closed bidding within the last five years? If the response to this item is 'Y', the Applicant should answer relevant closed bidding questions.	(<input type="radio"/>) <u>Yes</u> <input type="radio"/> <u>No</u>
--	--

Competition-Related Information

13) Does this filing involve a license authorization or Spectrum Lease/Sublease that may be used to provide interconnected mobile voice and/or data services that would create a geographic overlap with another license authorization(s) or spectrum leasing arrangement(s), that also could be used to provide interconnected mobile voice and/or data services, in which the Applicant already holds attributable interests, as defined in Section 20.22(b) of the Commission's Rules, either as a licensee or spectrum lessee/sublessee? If 'Y', specify in an exhibit all geographic areas/markets (e.g., BTA, CMA, county, etc.) where there are spectrum overlaps and the total amount of spectrum that the Assignee/Transferee will hold and/or lease in each geographic area/market.	(<input type="radio"/>) <u>Yes</u> <input type="radio"/> <u>No</u>
--	--

14) If the answer to Item 13 is 'Y', would/does this application for a spectrum leasing or subleasing arrangement reduce the number of entities providing service in the affected market(s)?	(<input type="radio"/>) <u>Yes</u> <input type="radio"/> <u>No</u>
--	--

Broadband Radio Service and Educational Broadband Service Information

15a) Will the requested facilities be used to provide multichannel video programming service?	(<input type="radio"/>) <u>Yes</u> <input type="radio"/> <u>No</u>
15b) If the answer to 15a is 'Y', does the Applicant operate, control or have an attributable interest (as defined in Section 27.1202 of the Commission's Rules) in a cable television system whose franchise area is located within the geographic service area of the requested facilities? If 'Y', provide an exhibit explaining how the Applicant (Lessee/Sublessee) complies with Section 27.1202 of the Commission's Rules or justifying a waiver of that rule. If a waiver of the Commission's Rule(s) is being requested, 8a must be answered 'Y'.	(<input type="radio"/>) <u>Yes</u> <input type="radio"/> <u>No</u>

16) Does the Applicant comply with the programming requirements contained in Section 27.1203 of the Commission's Rules? If 'N', provide an exhibit explaining how the Applicant complies with Section 27.1203 of the Commission's Rules or justifying a waiver of that rule. If a waiver of the Commission's Rule(s) is being requested, 8a must be answered 'Y'.	(<input type="radio"/>) <u>Yes</u> <input type="radio"/> <u>No</u>
--	--

Part 90 Public Safety Services

Eligibility

17) Is the Applicant a public safety entity or otherwise an entity that will use the leased spectrum to provide communications in support of public safety operations pursuant to Section 90.523 of the Commission's Rules?	(<input type="radio"/>) <u>Yes</u> <input type="radio"/> <u>No</u>
---	--

600 MHz Band Information

<p>18) Is the spectrum leasing/subleasing arrangement for a term of one year or more (either initially or cumulatively) and involves any licenses in the 600 MHz Band initially granted in the last six years that would, if leased, create a geographic overlap with another licenses(s) in which the Lessee/Sublessee already holds attributable interests, as defined in Section 20.22(b) of the Commission's Rules, either as a licensee or spectrum Lessee/Sublessee, and that would result in the Lessee/Sublessee holding an attributable interest, as defined in Section 20.22(b) of the Commission's Rules, in one-third or more of the total suitable and available below-1-GHz spectrum as calculated on a county-by-county population-weighted basis in the relevant license area, utilizing 2010 U.S. Census data?</p> <p>The initial grant date is the date that the license was originally granted by the Commission after an auction, even if the license was acquired in the secondary market. The initial grant date is not the date on which the Commission granted an assignment or transfer of control of the license.</p> <p>If 'Y', provide an exhibit detailing the proposed spectrum leasing/subleasing exchange of 600 MHz band spectrum in the same market(s), including a list of all file numbers for applications associated with the proposed spectrum leasing arrangement exchange, or describing the <i>pro forma</i> nature of the spectrum leasing arrangement, as appropriate.</p>	<p>(<input checked="" type="radio"/>) <u>Yes</u> <input type="radio"/> <u>No</u></p>
<p>19) Is the spectrum leasing/subleasing arrangement for a term of one year or more (either initially or cumulatively) and involves any licenses that were initially granted as reserved spectrum licenses in the 600 MHz Band in the last six years? Otherwise, enter 'N'.</p> <p>The initial grant date is the date that the license was originally granted by the Commission after an auction, even if the license was acquired in the secondary market. The initial grant date is not the date on which the Commission granted an assignment or transfer of control of the license.</p> <p>If 'Y', provide an exhibit demonstrating how the Lessee/Sublessee would have qualified to bid on that reserved spectrum license(s) in Auction 1002 as of the FCC Form 175 filing deadline (February 10, 2016) for Auction 1002, the forward auction of the Broadcast Incentive Auction.</p>	<p>(<input type="radio"/>) <u>Yes</u> <input checked="" type="radio"/> <u>No</u></p>

Licensee Information

FRN

20) FCC Registration Number: **0003291192**

Entity

21) Licensee is a(n) (Select One):

() Individual () Unincorporated Association () Trust () Government Entity () Corporation () Limited Liability Company

() General Partnership () Limited Partnership () Limited Liability Partnership

() Other: _____

Licensee Name

22) Licensee Name (if entity): **New Cingular Wireless PCS, LLC**

23) Licensee Name (if individual): First: MI: Last: Suffix:

24) Attention To: **Cecil J. Mathew**

Address

25) P.O. Box: **And /Or** 26) Street Address: **208 S. Akard Street, RM 1016**

27) City: **Dallas** 28) State: **TX** 29) Zip Code: **75202**

30) Telephone Number: **(855)699-7073** 31) FAX Number: **(214)746-6410**

32) E-Mail Address: **FCCMW@att.com**

33) Demographics (Optional):

Race:

() American Indian or Alaska Native

() Asian

() Black or African-American

() Native Hawaiian or Other Pacific Islander

() White

Ethnicity:

() Hispanic or Latino

() Not Hispanic or Latino

Gender:

() Male

() Female

Licensee Contact Information

Contact Name (if other than Licensee)

() **Check here if same as Licensee Information**

34) Name: First: MI: Last: Suffix:

35) Company Name: **AT&T Mobility LLC**

36) Attention To: **Michael P. Goggin**

Address

37) P.O. Box: **And /Or** 38) Street Address: **1120 20th Street NW, Suite 1000**

39) City: **Washington** 40) State: **DC** 41) Zip Code: **20036**

42) Telephone Number: **(202)457-2055** 43) FAX Number:

44) E-Mail Address: **michael.p.goggin@att.com**

Lessee Information

FRN

45) FCC Registration Number: **0027863257**

Entity

46) Lessee is a(n) (Select One):

() Individual () Unincorporated Association () Trust () Government Entity () Corporation () Limited Liability Company

() General Partnership () Limited Partnership () Limited Liability Partnership

() Other: _____

Lessee Name

47) If the Lessee name is being updated, is the update a result of a change in ownership, corporate structure, or entity for which proper Commission approval has not been received or proper notification not provided? () Yes No

48) Lessee Name (if entity): **AST & Science, LLC**

49) Lessee Name (if individual): First: _____ MI: _____ Last: _____ Suffix: _____

50) Attention To: **Abel Avellan**

Name of Real Party in Interest

51) Name of Real Party in Interest: **AST & Science, LLC**

52) FCC Registration Number (FRN): **0027863257**

Address

53) P.O. Box: _____ And /Or 54) Street Address: **2901 Enterprise Lane**

55) City: **Midland** 56) State: **TX** 57) Zip Code: **79706**

58) Telephone Number: **(432)276-3966** 59) FAX Number: _____

60) E-Mail Address: **aavellan@ast-science.com**

61) Demographics (Optional):

Race:	Ethnicity:	Gender:
() American Indian or Alaska Native	() Hispanic or Latino	() Male
() Asian	() Not Hispanic or Latino	() Female
() Black or African-American		
() Native Hawaiian or Other Pacific Islander		
() White		

Lessee Contact Information

Contact Name (if other than Lessee)

() Check here if same as Lessee Information

62) Name: First: **Timothy** MI: _____ Last: **Bransford** Suffix: _____

63) Company Name: **Morgan, Lewis, and Bockius LLP**

64) Attention To: **Timothy Bransford**

Address

65) P.O. Box: _____ And /Or 66) Street Address: **1111 Pennsylvania Avenue**

67) City: **Washington** 68) State: **DC** 69) Zip Code: **20004**

70) Telephone Number: **(202)373-6140** 71) FAX Number: _____

72) E-Mail Address: **Timothy.bransford@morganlewis.com**

Sublessee Information

FRN

73) FCC Registration Number:

Entity

74) Sublessee is a(n) (Select One):

() Individual () Unincorporated Association () Trust () Government Entity () Corporation () Limited Liability Company

() General Partnership () Limited Partnership () Limited Liability Partnership

() Other: _____

Sublessee Name

75) If the Sublessee name is being updated, is the update a result of a change in ownership, corporate structure, or entity for which proper Commission approval has not been received or proper notification not provided?

() Yes **No**

76) Sublessee Name (if entity):

77) Sublessee Name (if individual):

First:

MI:

Last:

Suffix:

78) Attention To:

Name of Real Party in Interest

79) Name of Real Party in Interest:

80) FCC Registration Number (FRN):

Address

81) P.O. Box:

**And
/Or**

82) Street Address:

83) City:

84) State:

85) Zip Code:

86) Telephone Number:

87) FAX Number:

88) E-Mail Address:

89) Demographics (Optional):

Race:

() American Indian or Alaska Native

() Asian

() Black or African-American

() Native Hawaiian or Other Pacific Islander

() White

Ethnicity:

() Hispanic or Latino

() Not Hispanic or Latino

Gender:

() Male

() Female

Sublessee Contact Information

Contact Name (if other than Sublessee)

() Check here if same as Sublessee Information

90) Name:

First:

MI:

Last:

Suffix:

91) Company Name:

92) Attention To:

Address

93) P.O. Box:

**And
/Or**

94) Street Address:

95) City:

96) State:

97) Zip Code:

98) Telephone Number:

99) FAX Number:

100) E-Mail Address:

Transferee Information

FRN

101) FCC Registration Number:

Entity

102) Transferee is a(n) (Select One):

() Individual () Unincorporated Association () Trust () Government Entity () Corporation () Limited Liability Company

() General Partnership () Limited Partnership () Limited Liability Partnership

() Other: _____

Transferee Name

103) Transferee Name (if entity):

104) Transferee Name (if individual):

First:

MI:

Last:

Suffix:

105) Attention To:

Name of Real Party in Interest

106) Name of Real Party in Interest:

107) FCC Registration Number (FRN):

Address

108) P.O. Box:

And
/Or

109) Street Address:

110) City:

111) State:

112) Zip Code:

113) Telephone Number:

114) FAX Number:

115) E-Mail Address:

116) Demographics (Optional):

Race:

() American Indian or Alaska Native

() Asian

() Black or African-American

() Native Hawaiian or Other Pacific Islander

() White

Ethnicity:

() Hispanic or Latino

() Not Hispanic or Latino

Gender:

() Male

() Female

Transferee Contact Information

Contact Name (if other than Transferee)

() Check here if same as Transferee Information

117) Name:

First:

MI:

Last:

Suffix:

118) Company Name:

119) Attention To:

Address

120) P.O. Box:

And
/Or

121) Street Address:

122) City:

123) State:

124) Zip Code:

125) Telephone Number:

126) FAX Number:

127) E-Mail Address:

Transferor Information

FRN

128) FCC Registration Number:

Entity

129) Transferor is a(n) (Select One):

() Individual () Unincorporated Association () Trust () Government Entity () Corporation () Limited Liability Company

() General Partnership () Limited Partnership () Limited Liability Partnership

() Other: _____

Transferor Name

130) Transferor Name (if entity):

131) Transferor Name (if individual):

First:

MI:

Last:

Suffix:

132) Attention To:

Address

133) P.O. Box:

And
/Or

134) Street Address:

135) City:

136) State:

137) Zip Code:

138) Telephone Number:

139) FAX Number:

140) E-Mail Address:

139) Demographics (Optional):

Race:

() American Indian or Alaska Native

() Asian

() Black or African-American

() Native Hawaiian or Other Pacific Islander

() White

Ethnicity:

() Hispanic or Latino

() Not Hispanic or Latino

Gender:

() Male

() Female

Transferor Contact Information

Contact Name (if other than Transferor)

() Check here if same as Transferor Information

140) Name:

First:

MI:

Last:

Suffix:

141) Company Name:

142) Attention To:

Address

143) P.O. Box:

And
/Or

144) Street Address:

145) City:

146) State:

147) Zip Code:

148) Telephone Number:

149) FAX Number:

150) E-Mail Address:

Ownership Disclosure Information

FCC Form 602

153a) Is the Applicant required to file FCC Form 602, Ownership Disclosure Information for the Wireless Telecommunications Services?	(<input checked="" type="radio"/>) <u>Yes</u> <input type="radio"/> <u>No</u>
153b) If the answer to 151a is 'Y', provide the File Number of FCC Form 602 that has been filed in conjunction with application or is already on file with the FCC.	File Number: <u>0010535261</u>

Alien Ownership Questions

Alien Ownership (If any answer is 'Y', provide an attachment explaining the circumstances. In preparing the attachment, refer to the Main Form Instructions for the "Alien Ownership Questions".)

154) Is the Lessee/Sublessee or Post-Transfer Lessee/Sublessee a foreign government or the representative of any foreign government?	(<input type="radio"/>) <u>Yes</u> <input checked="" type="radio"/> <u>No</u>
155) Is the Lessee/Sublessee or Post-Transfer Lessee/Sublessee an alien or the representative of an alien?	(<input type="radio"/>) <u>Yes</u> <input checked="" type="radio"/> <u>No</u>
156) Is the Lessee/Sublessee or Post-Transfer Lessee/Sublessee a corporation organized under the laws of a foreign government?	(<input type="radio"/>) <u>Yes</u> <input checked="" type="radio"/> <u>No</u>
157) Is the Lessee/Sublessee or Post-Transfer Lessee/Sublessee a corporation of which more than one-fifth of the capital stock is owned of record or voted by aliens or their representatives, or by a foreign government or representative thereof, or by any corporation organized under the laws of a foreign country?	(<input type="radio"/>) <u>Yes</u> <input checked="" type="radio"/> <u>No</u>
158a) Is the Lessee/Sublessee or Post-Transfer Lessee/Sublessee directly or indirectly controlled by any other corporation of which more than one-fourth of the capital stock is owned of record or voted by aliens or their representatives, or by a foreign government or representative thereof, or by any corporation organized under the laws of a foreign country?	(<input checked="" type="radio"/>) <u>Yes</u> <input type="radio"/> <u>No</u>

158b) If the answer to 155 or 156a is 'Y' select one of the choices below.

The Lessee/Sublessee or Post-Transfer Lessee/Sublessee is exempt from the provisions of Section 310(b).

It is not necessary to file a petition for declaratory ruling if the Lessee/Sublessee or Post-Transfer Lessee/Sublessee includes in the attachment required by Item 155 or Item 156a a showing that the subject Lease(s) is exempt from the provisions of Section 310(b).

The Lessee/Sublessee or Post-Transfer Lessee/Sublessee has received a declaratory ruling(s) approving its foreign ownership, and the application/notification involves only the acquisition/use of additional spectrum for the provision of a wireless service in a geographic coverage area for which the Lessee/Sublessee or Post-Transfer Lessee/Sublessee has been previously authorized.

If checked, include in the attachment required by Item 155 or Item 156a the citation(s) of the applicable declaratory ruling(s) by DA/FCC number, the FCC Record citation, if available, release date, and a statement that there has been no change in the foreign ownership of the Lessee/Sublessee or Post-Transfer Lessee/Sublessee since the issuance of its ruling.

The Lessee/Sublessee or Post-Transfer Lessee/Sublessee: (i) has received a declaratory ruling(s) approving its foreign ownership, but is not able to make the certification specified immediately above; or (ii) is an "affiliate" of a Licensee or Lessee/SubLessee that received a declaratory ruling(s) under Section 1.990(a) of the Commission's Rules, 47 CFR § 1.990(a), and is relying on the affiliate's ruling for purposes of filing this application/notification as permitted under the affiliate's ruling and Section 1.994(b) of the Rules, 47 CFR § 1.994(b).

If checked, and if the Lessee/Sublessee or Post-Transfer Lessee/Sublessee received its declaratory ruling(s) on or after August 9, 2013, include in the attachment required by Item 155 or Item 156a the citation(s) of the Lessee/Sublessee or Post-Transfer Lessee/Sublessee's declaratory ruling(s) by DA/FCC number, the FCC Record citation, if available, release date, and a statement that the Lessee/Sublessee or Post-Transfer Lessee/Sublessee is in compliance with the terms and conditions of its ruling and with the Commission's Rules.

If checked, and if the Lessee/Sublessee or Post-Transfer Lessee/Sublessee received its declaratory ruling(s) prior to August 9, 2013, include in the attachment required by Item 156a a copy of a petition for declaratory ruling filed contemporaneously with the Commission to extend the Lessee/Sublessee or Post-Transfer Lessee/Sublessee's existing ruling(s) to cover the same radio service(s) and geographic coverage area(s) involved in the application/notification. Alternatively, the Lessee/Sublessee or Post-Transfer Lessee/Sublessee may request a new declaratory ruling pursuant to Section 1.990(a) of the Commission's Rules, 47 CFR § 1.990(a). Petitions for declaratory ruling may be filed electronically on the Internet through the International Bureau Filing System (IBFS) (with a copy attached hereto).

If checked, and if the Lessee/Sublessee or Post-Transfer Lessee/Sublessee is relying on an affiliate's ruling for purposes of filing this application/notification, include in the attachment required by Item 155 or Item 156a the citation(s) of the applicable declaratory ruling(s) by DA/FCC number, the FCC Record citation, if available, release date, and a statement that the Lessee/Sublessee or Post-Transfer Lessee/Sublessee is in compliance with the terms and conditions of the named affiliate's ruling and with the Commission's Rules. The Lessee/Sublessee or Post-Transfer Lessee/Sublessee must also include a certification of compliance signed by the named affiliate or other qualified entity as specified in Section 1.994(b) of the Rules, 47 CFR § 1.994(b). See Main Form Instructions for Items 155 or 156a, as applicable.

The Lessee/Sublessee or Post-Transfer Lessee/Sublessee has not received a declaratory ruling approving its foreign ownership and is requesting a declaratory ruling under Section 1.990(a) of the Commission's Rules, 47 CFR § 1.990(a), in a petition filed contemporaneously with the Commission.

If checked, include in the attachment required by Item 155 or 156a a copy of the petition for declaratory ruling filed contemporaneously with the Commission pursuant to Section 1.990(a) of the Commission's Rules, 47 CFR § 1.990(a). Petitions for declaratory ruling may be filed electronically on the Internet through the International Bureau Filing System (IBFS) (with a copy attached hereto).

Basic Qualification Information

Basic Qualification Questions (If any answer is 'Y', provide an attachment explaining the circumstances)

159) Has the Applicant or any party to this application had any FCC station authorization, license, or construction permit revoked or had any application for an initial, modification, or renewal of FCC station authorization, license, or construction permit denied by the Commission?	(N) <u>Yes</u> <u>No</u>
160) Has the Applicant or any party to this filing, or any party directly or indirectly controlling the Applicant or any party to this filing ever been convicted of a felony by any state or federal court?	(N) <u>Yes</u> <u>No</u>
161) Has any court finally adjudged the Applicant or any party directly or indirectly controlling the Applicant guilty of unlawfully monopolizing or attempting unlawfully to monopolize radio communication, directly or indirectly, through control of manufacture or sale of radio apparatus, exclusive traffic arrangement, or any other means or unfair methods of competition?	(N) <u>Yes</u> <u>No</u>

Spectrum Aggregation Limit Certification(s)

<p>162) The Licensee/Lessor/Sublessor certifies that grant of this application would not cause the Licensee/Lessor/Sublessor to be in violation of the 40 megahertz in-band spectrum aggregation limit set forth under section 96.31 of the Commission's rules for 3.5 GHz licenses, taking into consideration the spectrum attribution rules under section 20.22(b) of the Commission's rules.</p> <p>If the Licensee/Lessor/Sublessor has sought a waiver of section 96.31 in connection with this application, it may make this certification subject to the outcome of the waiver request.</p>	<p>() <u>Yes</u> <u>No</u></p>
<p>163) The Licensee/Lessor/Sublessor certifies that grant of this application would not cause the Licensee/Lessor/Sublessor to be in violation of the 40 megahertz in-band spectrum aggregation limit set forth under section 27.1606 of the Commission's rules for 3.45 GHz licenses, taking into consideration the spectrum attribution rules under section 20.22(b) of the Commission's rules.</p> <p>If the Licensee/Lessor/Sublessor has sought a waiver of section 27.1606 in connection with this application, it may make this certification subject to the outcome of the waiver request.</p>	<p>() <u>Yes</u> <u>No</u></p>
<p>164) The Lessee/Sublessee/Transferee certifies that grant of this application would not cause the Lessee/Sublessee/Transferee to be in violation of the 40 megahertz in-band spectrum aggregation limit set forth under section 96.31 of the Commission's rules for 3.5 GHz licenses, taking into consideration the spectrum attribution rules under section 20.22(b) of the Commission's rules.</p> <p>If the Lessee/Sublessee/Transferee has sought a waiver of section 96.31 in connection with this application, it may make this certification subject to the outcome of the waiver request.</p>	<p>() <u>Yes</u> <u>No</u></p>
<p>165) The Lessee/Sublessee/Transferee certifies that grant of this application would not cause the Lessee/Sublessee/Transferee to be in violation of the 40 megahertz in-band spectrum aggregation limit set forth under section 27.1606 of the Commission's rules for 3.45 GHz licenses, taking into consideration the spectrum attribution rules under section 20.22(b) of the Commission's rules.</p> <p>If the Lessee/Sublessee/Transferee has sought a waiver of section 27.1606 in connection with this application, it may make this certification subject to the outcome of the waiver request.</p>	<p>() <u>Yes</u> <u>No</u></p>

Licensee Certification Statements

- | | |
|----|---|
| 1) | The Licensee agrees that the Lease is not a sale or transfer of the license itself. |
| 2) | The Licensee certifies that it will not consent to assignment of the Lease except to the extent such assignment complies with the Commission's Rules and Regulations. |
| 3) | The Licensee certifies that it holds exclusive use rights to use the licensed spectrum. |
| 4) | The Licensee certifies that it is not in default on any payment for Commission licenses and that it is not delinquent on any non-tax debt owed to any federal agency. |

The Licensee certifies that all of its statements made in this Application/Notification and in the schedules, exhibits, attachments, or documents incorporated by reference are material, are part of this Application/Notification, and are true, complete, correct, and made in good faith.

Type or Printed Name of Party Authorized to Sign

166) First Name: Michael	MI: P	Last Name: Goggin	Suffix:
167) Title: Asst. Secretary of Manager			
168) Signature: Michael P Goggin		165) Date: 07/24/2023	
FAILURE TO SIGN THIS APPLICATION MAY RESULT IN DISMISSAL OF THE APPLICATION AND FORFEITURE OF ANY FEES PAID.			
WILLFUL FALSE STATEMENTS MADE ON THIS FORM OR ANY ATTACHMENTS ARE PUNISHABLE BY FINE AND/OR IMPRISONMENT (U.S. Code, Title 18, Section 1001) AND/OR REVOCATION OF ANY STATION LICENSE OR CONSTRUCTION PERMIT (U.S. Code, Title 47, Section 312(a)(1)), AND/OR FORFEITURE (U.S. Code, Title 47, Section 503).			

Lessee Certification Statements

1)	The Lessee agrees that the Lease is not a sale or transfer of the license itself.
2)	The Lessee acknowledges that it is required to comply with the Commission's Rules and Regulations and other applicable law at all times, and if the Lessee fails to so comply, the Lease/Sublease may be revoked, cancelled, or terminated by either the Licensee or the Commission.
3)	The Lessee certifies that neither it nor any other party to the Application/Notification is subject to a denial of Federal benefits pursuant to Section 5301 of the Anti-Drug Abuse Act of 1988, 21 U.S.C. § 862, because of a conviction for possession or distribution of a controlled substance. This certification does not apply to applications filed in services exempted under Section 1.2002(c) of the Commission's Rules. See Section 1.2002(b) of the Commission's Rules for the definition of "party to the application" as used in this certification.
4)	The Lessee hereby accepts Commission oversight and enforcement consistent with the license and lease authorization. The Lessee acknowledges that it must cooperate fully with any investigation or inquiry conducted either by the Commission or the Licensee, allow the Commission or the Licensee to conduct on-site inspections of transmission facilities, and suspend operations at the direction of the Commission or the Licensee and to the extent that such suspension of operation would be consistent with applicable Commission policies.
5)	The Lessee acknowledges that in the event an authorization held by a Licensee that has associated with it a spectrum leasing arrangement that is the subject of this filing is revoked, cancelled, terminated, or otherwise ceases to be in effect, the Lessee will have no continuing authority to use the leased spectrum and will be required to terminate its operations no later than the date on which the Licensee ceases to have any authority to operate under the license, unless otherwise authorized by the Commission.
6)	The Lessee agrees the Lease shall not be assigned to any entity that is not eligible or qualified to enter into a spectrum leasing arrangement under the Commission's Rules and Regulations.
7)	The Lessee waives any claim to the use of any particular frequency or of the electromagnetic spectrum as against the regulatory power of the United States because of the previous use of the same, whether by spectrum lease or otherwise.
8)	The Lessee certifies that it is not in default on any payment for Commission licenses and that it is not delinquent on any non-tax debt owed to any federal agency.
9)	The Lessee certifies that it and all of the related individuals and entities required to be disclosed on this application and FCC Form 602 (FCC Ownership Disclosure Information for the Wireless Telecommunications Services) are not person(s) who have been, for reasons of national security, barred by any agency of the Federal Government from bidding on a contract, participating in an auction, or receiving a grant. This certification applies only to applications for licenses for spectrum that is required by Sections 6103, 6401-6403 of the Middle Class Tax Relief and Job Creation Act of 2012, codified at 47 U.S.C. §§ 309, 1413, 1451-1452, to be assigned by a system of competitive bidding under 47 U.S.C. § 309(j).
<p>The Lessee certifies that all of its statements made in this Application/Notification and in the schedules, exhibits, attachments, or documents incorporated by reference are material, are part of this Application/Notification, and are true, complete, correct, and made in good faith.</p>	

Type or Printed Name of Party Authorized to Sign

168) First Name: Abel	MI:	Last Name: Avellan	Suffix:
169) Title: Chairman & CEO			
170) Signature: Abel Avellan		171) Date: 07/24/2023	
<p>FAILURE TO SIGN THIS APPLICATION MAY RESULT IN DISMISSAL OF THE APPLICATION AND FORFEITURE OF ANY FEES PAID.</p> <p>WILLFUL FALSE STATEMENTS MADE ON THIS FORM OR ANY ATTACHMENTS ARE PUNISHABLE BY FINE AND/OR IMPRISONMENT (U.S. Code, Title 18, Section 1001) AND/OR REVOCATION OF ANY STATION LICENSE OR CONSTRUCTION PERMIT (U.S. Code, Title 47, Section 312(a)(1)), AND/OR FORFEITURE (U.S. Code, Title 47, Section 503).</p>			

Sublessee Certification Statements

1)	The Sublessee agrees that the Lease is not a sale or transfer of the license itself.
2)	The Sublessee acknowledges that it is required to comply with the Commission's Rules and regulations and other applicable law at all times, and if the Sublessee fails to so comply, the Lease may be revoked, cancelled, or terminated by either the licensee or the Commission.
3)	The Sublessee certifies that neither it nor any other party to the Application/Notification is subject to a denial of Federal benefits pursuant to Section 5301 of the Anti-Drug Abuse Act of 1988, 21 U.S.C. § 862, because of a conviction for possession or distribution of a controlled substance. This certification does not apply to applications filed in services exempted under Section 1.2002(c) of the Commission's Rules. See Section 1.2002(b) of the Commission's Rules for the definition of "party to the application" as used in this certification.
4)	The Sublessee hereby accepts Commission oversight and enforcement consistent with the license authorization. The Sublessee acknowledges that it must cooperate fully with any investigation or inquiry conducted either by the Commission or the Licensee, allow the Commission or the licensee to conduct on-site inspections of transmission facilities, and suspend operations at the direction of the Commission or the Licensee and to the extent that such suspension of operation would be consistent with the applicable Commission policies.
5)	The Sublessee acknowledges that in the event an authorization held by a Licensee that has entered into a spectrum leasing arrangement is revoked, cancelled, terminated, or otherwise ceases to be in effect, the Sublessee will have no continuing authority to use the leased spectrum and will be required to terminate its operations no later than the date on which the Licensee ceases to have any authority to operate under the license, unless otherwise authorized by the Commission.
6)	The Sublessee agrees the Lease/Sublease shall not be assigned to any entity that is not eligible or qualified to enter into a spectrum leasing arrangement under the Commission's Rules and regulations.
7)	The Sublessee waives any claim to the use of any particular frequency or of the electromagnetic spectrum as against the regulatory power of the United States because of the previous use of the same, whether by spectrum lease or otherwise.
8)	The Sublessee certifies that it is not in default on any payment for Commission licenses and that it is not delinquent on any non-tax debt owed to any federal agency.
9)	The Sublessee certifies that it and all of the related individuals and entities required to be disclosed on this application and FCC Form 602 (FCC Ownership Disclosure Information for the Wireless Telecommunications Services) are not person(s) who have been, for reasons of national security, barred by any agency of the Federal Government from bidding on a contract, participating in an auction, or receiving a grant. This certification applies only to applications for licenses for spectrum that is required by Sections 6103, 6401-6403 of the Middle Class Tax Relief and Job Creation Act of 2012, codified at 47 U.S.C. §§ 309, 1413, 1451-1452, to be assigned by a system of competitive bidding under 47 U.S.C. § 309(j).
The Sublessee certifies that all of its statements made in this Application/Notification and in the schedules, exhibits, attachments, or documents incorporated by reference are material, are part of this Application/Notification, and are true, complete, correct, and made in good faith.	

Type or Printed Name of Party Authorized to Sign

172) First Name:	MI:	Last Name:	Suffix:
173) Title:			
174) Signature:		175) Date:	

FAILURE TO SIGN THIS APPLICATION MAY RESULT IN DISMISSAL OF THE APPLICATION AND FORFEITURE OF ANY FEES PAID.

WILLFUL FALSE STATEMENTS MADE ON THIS FORM OR ANY ATTACHMENTS ARE PUNISHABLE BY FINE AND/OR IMPRISONMENT (U.S. Code, Title 18, Section 1001) AND/OR REVOCATION OF ANY STATION LICENSE OR CONSTRUCTION PERMIT (U.S. Code, Title 47, Section 312(a)(1)), AND/OR FORFEITURE (U.S. Code, Title 47, Section 503).

Transferee Certification Statements

1)	The Transferee agrees that the Lease/Sublease is not a sale or transfer of the license itself.
2)	The Transferee acknowledges that it is required to comply with the Commission's Rules and Regulations and other applicable law at all times, and if the Transferee fails to so comply, the Lease/Sublease may be revoked, cancelled, or terminated by either the licensee or the Commission.
3)	The Transferee certifies that neither it nor any other party to the Application/Notification is subject to a denial of Federal benefits pursuant to Section 5301 of the Anti-Drug Abuse Act of 1988, 21 U.S.C. § 862, because of a conviction for possession or distribution of a controlled substance. This certification does not apply to applications filed in services exempted under Section 1.2002(c) of the Commission's Rules. See Section 1.2002(b) of the Commission's Rules for the definition of "party to the application" as used in this certification.)
4)	The Transferee hereby accepts Commission oversight and enforcement consistent with the license authorization. The Transferee acknowledges that it must cooperate fully with any investigation or inquiry conducted either by the Commission or the Licensee, allow the Commission or the licensee to conduct on-site inspections of transmission facilities, and suspend operations at the direction of the Commission or the Licensee and to the extent that such suspension of operation would be consistent with the applicable Commission policies.
5)	The Transferee acknowledges that in the event an authorization held by a Licensee that has entered into a spectrum leasing arrangement is revoked, cancelled, terminated, or otherwise ceases to be in effect, the Transferee will have no continuing authority to use the leased spectrum and will be required to terminate its operations no later than the date on which the Licensee ceases to have any authority to operate under the license, unless otherwise authorized by the Commission.
6)	The Transferee agrees the Lease shall not be assigned to any entity that is not eligible or qualified to enter into a spectrum leasing arrangement under the Commission's Rules and Regulations.
7)	The Transferee waives any claim to the use of any particular frequency or of the electromagnetic spectrum as against the regulatory power of the United States because of the previous use of the same, whether by spectrum lease or otherwise.
8)	The Transferee certifies that it is not in default on any payment for Commission licenses and that it is not delinquent on any non-tax debt owed to any federal agency.
9)	The Transferee certifies that it and all of the related individuals and entities required to be disclosed on this application and FCC Form 602 (FCC Ownership Disclosure Information for the Wireless Telecommunications Services) are not person(s) who have been, for reasons of national security, barred by any agency of the Federal Government from bidding on a contract, participating in an auction, or receiving a grant. This certification applies only to applications for licenses for spectrum that is required by Sections 6103, 6401-6403 of the Middle Class Tax Relief and Job Creation Act of 2012, codified at 47 U.S.C. §§ 309, 1413, 1451-1452, to be assigned by a system of competitive bidding under 47 U.S.C. § 309(j).
The Transferee certifies that all of its statements made in this Application/Notification and in the schedules, exhibits, attachments, or documents incorporated by reference are material, are part of this Application/Notification, and are true, complete, correct, and made in good faith.	

Type or Printed Name of Party Authorized to Sign

176) First Name:	MI:	Last Name:	Suffix:
177) Title:			
178) Signature:		179) Date:	

FAILURE TO SIGN THIS APPLICATION MAY RESULT IN DISMISSAL OF THE APPLICATION AND FORFEITURE OF ANY FEES PAID.

WILLFUL FALSE STATEMENTS MADE ON THIS FORM OR ANY ATTACHMENTS ARE PUNISHABLE BY FINE AND/OR IMPRISONMENT (U.S. Code, Title 18, Section 1001) AND/OR REVOCATION OF ANY STATION LICENSE OR CONSTRUCTION PERMIT (U.S. Code, Title 47, Section 312(a)(1)), AND/OR FORFEITURE (U.S. Code, Title 47, Section 503).

Transferor Certification Statements

1)	The Transferor certifies either (1) that control of the Lessee/Sublessee will not be transferred until consent of the Federal Communications Commission has been given, or (2) that prior Commission consent is not required because the Lease/Sublease is subject to streamlined notification procedures for <i>pro forma</i> transfers of control. See <i>Federal Communications Bar Association's Petition for Forbearance from Section 310(d) of the Communications Act Regarding Non-Substantial Assignments of Wireless Licenses and Transfers of Control Involving Telecommunications Carriers and Personal Communications Industry Association's Broadband Personal Communications Services Alliance's Petition for Forbearance For Broadband Personal Communications Services</i> , Memorandum Opinion and Order, 13 FCC Rcd 6293 (1998)
2)	The Transferor certifies that it is not in default on any payment for Commission licenses and that it is not delinquent on any non-tax debt owed to any federal agency.
The Transferor certifies that all of its statements made in this Application/Notification and in the schedules, exhibits, attachments, or documents incorporated by reference are material, are part of this Application/Notification, and are true, complete, correct, and made in good faith.	

Type or Printed Name of Party Authorized to Sign

180) First Name:	MI:	Last Name:	Suffix:
181) Title:			
182) Signature:		183) Date:	
FAILURE TO SIGN THIS APPLICATION MAY RESULT IN DISMISSAL OF THE APPLICATION AND FORFEITURE OF ANY FEES PAID.			
WILLFUL FALSE STATEMENTS MADE ON THIS FORM OR ANY ATTACHMENTS ARE PUNISHABLE BY FINE AND/OR IMPRISONMENT (U.S. Code, Title 18, Section 1001) AND/OR REVOCATION OF ANY STATION LICENSE OR CONSTRUCTION PERMIT (U.S. Code, Title 47, Section 312(a)(1)), AND/OR FORFEITURE (U.S. Code, Title 47, Section 503).			

Private Commons Manager Certification Statements

1)	The Licensee/Lessee/Sublessee manager of the Private Commons certifies that it will retain <i>de facto</i> control of the use of the spectrum under the Private Commons arrangement, including that it will maintain reasonable oversight over the users' use of the spectrum under the arrangement so as to ensure that the use of the spectrum, and communications equipment employed, comply with all technical and service rules applicable under the license authorization.
2)	The Licensee/Lessee/Sublessee manager of the Private Commons arrangement certifies that it will maintain the ability to ensure that users under the arrangement comply with all the technical and service rules applicable under the license authorization.
3)	The Licensee/Lessee/Sublessee manager of the Private Commons certifies that it and all of the related individuals and entities required to be disclosed on this application and FCC Form 602 (FCC Ownership Disclosure Information for the Wireless Telecommunications Services) are not person(s) who have been, for reasons of national security, barred by any agency of the Federal Government from bidding on a contract, participating in an auction, or receiving a grant. This certification applies only to applications for licenses for spectrum that is required by Sections 6103, 6401-6403 of the Middle Class Tax Relief and Job Creation Act of 2012, codified at 47 U.S.C. §§ 309, 1413, 1451-1452, to be assigned by a system of competitive bidding under 47 U.S.C. § 309(j).
The Licensee/Lessee/Sublessee manager of the Private Commons arrangement certifies that all of its statements made in this Notification and in the schedules, exhibits, attachments, or documents incorporated by reference are material, are part of this Notification, and are true, complete, correct, and made in good faith.	

Type or Printed Name of Party Authorized to Sign

184) First Name:	MI:	Last Name:	Suffix:
185) Title:			
186) Signature:		187) Date:	

**FAILURE TO SIGN THIS APPLICATION MAY RESULT IN DISMISSAL OF THE APPLICATION AND FORFEITURE OF ANY FEES PAID.
WILLFUL FALSE STATEMENTS MADE ON THIS FORM OR ANY ATTACHMENTS ARE PUNISHABLE BY FINE AND/OR IMPRISONMENT (U.S. Code, Title 18, Section 1001) AND/OR REVOCATION OF ANY STATION LICENSE OR CONSTRUCTION PERMIT (U.S. Code, Title 47, Section 312(a)(1)), AND/OR FORFEITURE (U.S. Code, Title 47, Section 503).**

License Authorization(s) or Identifiers (pertaining to Lease(s)/Sublease(s)/Private Commons) Associated with the Spectrum To Be Included in the Filing

188) Call Sign(s) or Lease/Sublease/ Private Commons Identifier(s)	189) Radio Service Code	190) Location Number	191) Path Number (Microwave only)	192) Frequency Number	193) Lower Frequency (MHz)	194) Upper Frequency (MHz)
KNKA210	CL - Cellular					
KNKA218	CL - Cellular					
KNKA223	CL - Cellular					
KNKA239	CL - Cellular					
KNKA241	CL - Cellular					
KNKA243	CL - Cellular					
KNKA245	CL - Cellular					
KNKA261	CL - Cellular					
KNKA262	CL - Cellular					
KNKA263	CL - Cellular					
KNKA264	CL - Cellular					
KNKA268	CL - Cellular					
KNKA277	CL - Cellular					
KNKA287	CL - Cellular					
KNKA292	CL - Cellular					
KNKA294	CL - Cellular					
KNKA298	CL - Cellular					

* Note: Items 190 – 194 are for New Leases involving spectrum associated with site-based authorizations when only a portion of the licensed locations, paths and/or frequencies will be leased.

188) Call Sign(s) or Lease/Sublease/ Private Commons Identifier(s)	189) Radio Service Code	190) Location Number	191) Path Number (Microwave only)	192) Frequency Number	193) Lower Frequency (MHz)	194) Upper Frequency (MHz)
KNKA310	CL - Cellular					
KNKA311	CL - Cellular					
KNKA314	CL - Cellular					
KNKA317	CL - Cellular					
KNKA319	CL - Cellular					
KNKA338	CL - Cellular					
KNKA339	CL - Cellular					
KNKA342	CL - Cellular					
KNKA347	CL - Cellular					
KNKA353	CL - Cellular					
KNKA355	CL - Cellular					
KNKA392	CL - Cellular					
KNKA394	CL - Cellular					
KNKA406	CL - Cellular					
KNKA418	CL - Cellular					
KNKA426	CL - Cellular					
KNKA434	CL - Cellular					

* Note: Items 190 – 194 are for New Leases involving spectrum associated with site-based authorizations when only a portion of the licensed locations, paths and/or frequencies will be leased.

188) Call Sign(s) or Lease/Sublease/ Private Commons Identifier(s)	189) Radio Service Code	190) Location Number	191) Path Number (Microwave only)	192) Frequency Number	193) Lower Frequency (MHz)	194) Upper Frequency (MHz)
KNKA445	CL - Cellular					
KNKA457	CL - Cellular					
KNKA461	CL - Cellular					
KNKA468	CL - Cellular					
KNKA470	CL - Cellular					
KNKA476	CL - Cellular					
KNKA479	CL - Cellular					
KNKA481	CL - Cellular					
KNKA486	CL - Cellular					
KNKA488	CL - Cellular					
KNKA494	CL - Cellular					
KNKA513	CL - Cellular					
KNKA515	CL - Cellular					
KNKA517	CL - Cellular					
KNKA528	CL - Cellular					
KNKA531	CL - Cellular					
KNKA534	CL - Cellular					

* Note: Items 190 – 194 are for New Leases involving spectrum associated with site-based authorizations when only a portion of the licensed locations, paths and/or frequencies will be leased.

188) Call Sign(s) or Lease/Sublease/ Private Commons Identifier(s)	189) Radio Service Code	190) Location Number	191) Path Number (Microwave only)	192) Frequency Number	193) Lower Frequency (MHz)	194) Upper Frequency (MHz)
KNKA543	CL - Cellular					
KNKA555	CL - Cellular					
KNKA573	CL - Cellular					
KNKA575	CL - Cellular					
KNKA576	CL - Cellular					
KNKA583	CL - Cellular					
KNKA609	CL - Cellular					
KNKA610	CL - Cellular					
KNKA617	CL - Cellular					
KNKA621	CL - Cellular					
KNKA631	CL - Cellular					
KNKA647	CL - Cellular					
KNKA653	CL - Cellular					
KNKA655	CL - Cellular					
KNKA660	CL - Cellular					
KNKA672	CL - Cellular					
KNKA687	CL - Cellular					

* Note: Items 190 – 194 are for New Leases involving spectrum associated with site-based authorizations when only a portion of the licensed locations, paths and/or frequencies will be leased.

188) Call Sign(s) or Lease/Sublease/ Private Commons Identifier(s)	189) Radio Service Code	190) Location Number	191) Path Number (Microwave only)	192) Frequency Number	193) Lower Frequency (MHz)	194) Upper Frequency (MHz)
KNKA694	CL - Cellular					
KNKA696	CL - Cellular					
KNKA701	CL - Cellular					
KNKA712	CL - Cellular					
KNKA738	CL - Cellular					
KNKA739	CL - Cellular					
KNKA743	CL - Cellular					
KNKA748	CL - Cellular					
KNKA749	CL - Cellular					
KNKA754	CL - Cellular					
KNKA759	CL - Cellular					
KNKA766	CL - Cellular					
KNKA775	CL - Cellular					
KNKA776	CL - Cellular					
KNKA779	CL - Cellular					
KNKA780	CL - Cellular					
KNKA788	CL - Cellular					

* Note: Items 190 – 194 are for New Leases involving spectrum associated with site-based authorizations when only a portion of the licensed locations, paths and/or frequencies will be leased.

188) Call Sign(s) or Lease/Sublease/ Private Commons Identifier(s)	189) Radio Service Code	190) Location Number	191) Path Number (Microwave only)	192) Frequency Number	193) Lower Frequency (MHz)	194) Upper Frequency (MHz)
KNKA791	CL - Cellular					
KNKA807	CL - Cellular					
KNKA810	CL - Cellular					
KNKA816	CL - Cellular					
KNKA818	CL - Cellular					
KNKA820	CL - Cellular					
KNKN231	CL - Cellular					
KNKN320	CL - Cellular					
KNKN376	CL - Cellular					
KNKN391	CL - Cellular					
KNKN436	CL - Cellular					
KNKN475	CL - Cellular					
KNKN496	CL - Cellular					
KNKN497	CL - Cellular					
KNKN508	CL - Cellular					
KNKN511	CL - Cellular					
KNKN512	CL - Cellular					

* Note: Items 190 – 194 are for New Leases involving spectrum associated with site-based authorizations when only a portion of the licensed locations, paths and/or frequencies will be leased.

188) Call Sign(s) or Lease/Sublease/ Private Commons Identifier(s)	189) Radio Service Code	190) Location Number	191) Path Number (Microwave only)	192) Frequency Number	193) Lower Frequency (MHz)	194) Upper Frequency (MHz)
KNKN544	CL - Cellular					
KNKN545	CL - Cellular					
KNKN548	CL - Cellular					
KNKN550	CL - Cellular					
KNKN553	CL - Cellular					
KNKN555	CL - Cellular					
KNKN556	CL - Cellular					
KNKN562	CL - Cellular					
KNKN566	CL - Cellular					
KNKN569	CL - Cellular					
KNKN570	CL - Cellular					
KNKN571	CL - Cellular					
KNKN573	CL - Cellular					
KNKN589	CL - Cellular					
KNKN598	CL - Cellular					
KNKN600	CL - Cellular					
KNKN620	CL - Cellular					

* Note: Items 190 – 194 are for New Leases involving spectrum associated with site-based authorizations when only a portion of the licensed locations, paths and/or frequencies will be leased.

188) Call Sign(s) or Lease/Sublease/ Private Commons Identifier(s)	189) Radio Service Code	190) Location Number	191) Path Number (Microwave only)	192) Frequency Number	193) Lower Frequency (MHz)	194) Upper Frequency (MHz)
KNKN625	CL - Cellular					
KNKN628	CL - Cellular					
KNKN629	CL - Cellular					
KNKN633	CL - Cellular					
KNKN634	CL - Cellular					
KNKN652	CL - Cellular					
KNKN653	CL - Cellular					
KNKN666	CL - Cellular					
KNKN669	CL - Cellular					
KNKN674	CL - Cellular					
KNKN678	CL - Cellular					
KNKN679	CL - Cellular					
KNKN685	CL - Cellular					
KNKN697	CL - Cellular					
KNKN717	CL - Cellular					
KNKN720	CL - Cellular					
KNKN723	CL - Cellular					

* Note: Items 190 – 194 are for New Leases involving spectrum associated with site-based authorizations when only a portion of the licensed locations, paths and/or frequencies will be leased.

188) Call Sign(s) or Lease/Sublease/ Private Commons Identifier(s)	189) Radio Service Code	190) Location Number	191) Path Number (Microwave only)	192) Frequency Number	193) Lower Frequency (MHz)	194) Upper Frequency (MHz)
KNKN725	CL - Cellular					
KNKN732	CL - Cellular					
KNKN738	CL - Cellular					
KNKN740	CL - Cellular					
KNKN748	CL - Cellular					
KNKN758	CL - Cellular					
KNKN759	CL - Cellular					
KNKN761	CL - Cellular					
KNKN773	CL - Cellular					
KNKN779	CL - Cellular					
KNKN781	CL - Cellular					
KNKN791	CL - Cellular					
KNKN793	CL - Cellular					
KNKN803	CL - Cellular					
KNKN805	CL - Cellular					
KNKN822	CL - Cellular					
KNKN823	CL - Cellular					

* Note: Items 190 – 194 are for New Leases involving spectrum associated with site-based authorizations when only a portion of the licensed locations, paths and/or frequencies will be leased.

188) Call Sign(s) or Lease/Sublease/ Private Commons Identifier(s)	189) Radio Service Code	190) Location Number	191) Path Number (Microwave only)	192) Frequency Number	193) Lower Frequency (MHz)	194) Upper Frequency (MHz)
KNKN827	CL - Cellular					
KNKN829	CL - Cellular					
KNKN830	CL - Cellular					
KNKN836	CL - Cellular					
KNKN838	CL - Cellular					
KNKN841	CL - Cellular					
KNKN849	CL - Cellular					
KNKN851	CL - Cellular					
KNKN854	CL - Cellular					
KNKN856	CL - Cellular					
KNKN863	CL - Cellular					
KNKN864	CL - Cellular					
KNKN865	CL - Cellular					
KNKN872	CL - Cellular					
KNKN873	CL - Cellular					
KNKN874	CL - Cellular					
KNKN878	CL - Cellular					

* Note: Items 190 – 194 are for New Leases involving spectrum associated with site-based authorizations when only a portion of the licensed locations, paths and/or frequencies will be leased.

188) Call Sign(s) or Lease/Sublease/ Private Commons Identifier(s)	189) Radio Service Code	190) Location Number	191) Path Number (Microwave only)	192) Frequency Number	193) Lower Frequency (MHz)	194) Upper Frequency (MHz)
KNKN883	CL - Cellular					
KNKN903	CL - Cellular					
KNKN904	CL - Cellular					
KNKN913	CL - Cellular					
KNKN917	CL - Cellular					
KNKN920	CL - Cellular					
KNKN937	CL - Cellular					
KNKN938	CL - Cellular					
KNKN946	CL - Cellular					
KNKN947	CL - Cellular					
KNKN950	CL - Cellular					
KNKN956	CL - Cellular					
KNKN958	CL - Cellular					
KNKN959	CL - Cellular					
KNKN960	CL - Cellular					
KNKN961	CL - Cellular					
KNKN963	CL - Cellular					

* Note: Items 190 – 194 are for New Leases involving spectrum associated with site-based authorizations when only a portion of the licensed locations, paths and/or frequencies will be leased.

188) Call Sign(s) or Lease/Sublease/ Private Commons Identifier(s)	189) Radio Service Code	190) Location Number	191) Path Number (Microwave only)	192) Frequency Number	193) Lower Frequency (MHz)	194) Upper Frequency (MHz)
KNKN964	CL - Cellular					
KNKN965	CL - Cellular					
KNKN966	CL - Cellular					
KNKN970	CL - Cellular					
KNKN977	CL - Cellular					
KNKN980	CL - Cellular					
KNKN985	CL - Cellular					
KNKN987	CL - Cellular					
KNKN993	CL - Cellular					
KNKQ253	CL - Cellular					
KNKQ255	CL - Cellular					
KNKQ261	CL - Cellular					
KNKQ262	CL - Cellular					
KNKQ263	CL - Cellular					
KNKQ269	CL - Cellular					
KNKQ276	CL - Cellular					
KNKQ279	CL - Cellular					

* Note: Items 190 – 194 are for New Leases involving spectrum associated with site-based authorizations when only a portion of the licensed locations, paths and/or frequencies will be leased.

188) Call Sign(s) or Lease/Sublease/ Private Commons Identifier(s)	189) Radio Service Code	190) Location Number	191) Path Number (Microwave only)	192) Frequency Number	193) Lower Frequency (MHz)	194) Upper Frequency (MHz)
KNKQ286	CL - Cellular					
KNKQ288	CL - Cellular					
KNKQ290	CL - Cellular					
KNKQ293	CL - Cellular					
KNKQ294	CL - Cellular					
KNKQ298	CL - Cellular					
KNKQ305	CL - Cellular					
KNKQ309	CL - Cellular					
KNKQ318	CL - Cellular					
KNKQ328	CL - Cellular					
KNKQ335	CL - Cellular					
KNKQ344	CL - Cellular					
KNKQ346	CL - Cellular					
KNKQ353	CL - Cellular					
KNKQ360	CL - Cellular					
KNKQ361	CL - Cellular					
KNKQ368	CL - Cellular					

* Note: Items 190 – 194 are for New Leases involving spectrum associated with site-based authorizations when only a portion of the licensed locations, paths and/or frequencies will be leased.

188) Call Sign(s) or Lease/Sublease/ Private Commons Identifier(s)	189) Radio Service Code	190) Location Number	191) Path Number (Microwave only)	192) Frequency Number	193) Lower Frequency (MHz)	194) Upper Frequency (MHz)
KNKQ369	CL - Cellular					
KNKQ371	CL - Cellular					
KNKQ372	CL - Cellular					
KNKQ382	CL - Cellular					
KNKQ384	CL - Cellular					
KNKQ386	CL - Cellular					
KNKQ391	CL - Cellular					
KNKQ394	CL - Cellular					
KNKQ395	CL - Cellular					
KNKQ397	CL - Cellular					
KNKQ415	CL - Cellular					
KNKQ422	CL - Cellular					
KNKQ434	CL - Cellular					
KNKQ436	CL - Cellular					
KNKQ440	CL - Cellular					
KNKQ442	CL - Cellular					
KNKQ455	CL - Cellular					

* Note: Items 190 – 194 are for New Leases involving spectrum associated with site-based authorizations when only a portion of the licensed locations, paths and/or frequencies will be leased.

188) Call Sign(s) or Lease/Sublease/ Private Commons Identifier(s)	189) Radio Service Code	190) Location Number	191) Path Number (Microwave only)	192) Frequency Number	193) Lower Frequency (MHz)	194) Upper Frequency (MHz)
KNKR212	CL - Cellular					
WPOM853	CL - Cellular					
WPQL801	CL - Cellular					
WPQS583	CL - Cellular					
WPQS584	CL - Cellular					
WPSJ791	CL - Cellular					
WPSJ792	CL - Cellular					
WPTD845	CL - Cellular					
WPVV299	CL - Cellular					
WPZP958	CL - Cellular					
WQDY775	CL - Cellular					
WQRD957	CL - Cellular					
WPWU896	WZ - 700 MHz Lower Band (Blocks C, D)					
WPWU913	WZ - 700 MHz Lower Band (Blocks C, D)					
WPWU914	WZ - 700 MHz Lower Band (Blocks C, D)					
WPWU916	WZ - 700 MHz Lower Band (Blocks C, D)					
WPWU917	WZ - 700 MHz Lower Band (Blocks C, D)					

* Note: Items 190 – 194 are for New Leases involving spectrum associated with site-based authorizations when only a portion of the licensed locations, paths and/or frequencies will be leased.

188) Call Sign(s) or Lease/Sublease/ Private Commons Identifier(s)	189) Radio Service Code	190) Location Number	191) Path Number (Microwave only)	192) Frequency Number	193) Lower Frequency (MHz)	194) Upper Frequency (MHz)
WPWU918	WZ - 700 MHz Lower Band (Blocks C, D)					
WPWU919	WZ - 700 MHz Lower Band (Blocks C, D)					
WPWU921	WZ - 700 MHz Lower Band (Blocks C, D)					
WPWU928	WZ - 700 MHz Lower Band (Blocks C, D)					
WPWU930	WZ - 700 MHz Lower Band (Blocks C, D)					
WPWU934	WZ - 700 MHz Lower Band (Blocks C, D)					
WPWU936	WZ - 700 MHz Lower Band (Blocks C, D)					
WPWU948	WZ - 700 MHz Lower Band (Blocks C, D)					
WPWU953	WZ - 700 MHz Lower Band (Blocks C, D)					
WPWU954	WZ - 700 MHz Lower Band (Blocks C, D)					
WPWU961	WZ - 700 MHz Lower Band (Blocks C, D)					
WPWU962	WZ - 700 MHz Lower Band (Blocks C, D)					
WPWU968	WZ - 700 MHz Lower Band (Blocks C, D)					
WPWU971	WZ - 700 MHz Lower Band (Blocks C, D)					
WPWU979	WZ - 700 MHz Lower Band (Blocks C, D)					
WPWU995	WZ - 700 MHz Lower Band (Blocks C, D)					
WPWV201	WZ - 700 MHz Lower Band (Blocks C, D)					

* Note: Items 190 – 194 are for New Leases involving spectrum associated with site-based authorizations when only a portion of the licensed locations, paths and/or frequencies will be leased.

188) Call Sign(s) or Lease/Sublease/ Private Commons Identifier(s)	189) Radio Service Code	190) Location Number	191) Path Number (Microwave only)	192) Frequency Number	193) Lower Frequency (MHz)	194) Upper Frequency (MHz)
WPWV203	WZ - 700 MHz Lower Band (Blocks C, D)					
WPWV211	WZ - 700 MHz Lower Band (Blocks C, D)					
WPWV215	WZ - 700 MHz Lower Band (Blocks C, D)					
WPWV218	WZ - 700 MHz Lower Band (Blocks C, D)					
WPWV222	WZ - 700 MHz Lower Band (Blocks C, D)					
WPWV224	WZ - 700 MHz Lower Band (Blocks C, D)					
WPWV234	WZ - 700 MHz Lower Band (Blocks C, D)					
WPWV263	WZ - 700 MHz Lower Band (Blocks C, D)					
WPWV268	WZ - 700 MHz Lower Band (Blocks C, D)					
WPWV279	WZ - 700 MHz Lower Band (Blocks C, D)					
WPWV280	WZ - 700 MHz Lower Band (Blocks C, D)					
WPWV281	WZ - 700 MHz Lower Band (Blocks C, D)					
WPWV286	WZ - 700 MHz Lower Band (Blocks C, D)					
WPWV295	WZ - 700 MHz Lower Band (Blocks C, D)					
WPWV305	WZ - 700 MHz Lower Band (Blocks C, D)					
WPWV310	WZ - 700 MHz Lower Band (Blocks C, D)					
WPWV311	WZ - 700 MHz Lower Band (Blocks C, D)					

* Note: Items 190 – 194 are for New Leases involving spectrum associated with site-based authorizations when only a portion of the licensed locations, paths and/or frequencies will be leased.

188) Call Sign(s) or Lease/Sublease/ Private Commons Identifier(s)	189) Radio Service Code	190) Location Number	191) Path Number (Microwave only)	192) Frequency Number	193) Lower Frequency (MHz)	194) Upper Frequency (MHz)
WPWV312	WZ - 700 MHz Lower Band (Blocks C, D)					
WPWV315	WZ - 700 MHz Lower Band (Blocks C, D)					
WPWV321	WZ - 700 MHz Lower Band (Blocks C, D)					
WPWV324	WZ - 700 MHz Lower Band (Blocks C, D)					
WPWV325	WZ - 700 MHz Lower Band (Blocks C, D)					
WPWV326	WZ - 700 MHz Lower Band (Blocks C, D)					
WPWV328	WZ - 700 MHz Lower Band (Blocks C, D)					
WPWV329	WZ - 700 MHz Lower Band (Blocks C, D)					
WPWV331	WZ - 700 MHz Lower Band (Blocks C, D)					
WPWV332	WZ - 700 MHz Lower Band (Blocks C, D)					
WPWV333	WZ - 700 MHz Lower Band (Blocks C, D)					
WPWV335	WZ - 700 MHz Lower Band (Blocks C, D)					
WPWV341	WZ - 700 MHz Lower Band (Blocks C, D)					
WPWV342	WZ - 700 MHz Lower Band (Blocks C, D)					
WPWV357	WZ - 700 MHz Lower Band (Blocks C, D)					
WPWV358	WZ - 700 MHz Lower Band (Blocks C, D)					
WPWV359	WZ - 700 MHz Lower Band (Blocks C, D)					

* Note: Items 190 – 194 are for New Leases involving spectrum associated with site-based authorizations when only a portion of the licensed locations, paths and/or frequencies will be leased.

188) Call Sign(s) or Lease/Sublease/ Private Commons Identifier(s)	189) Radio Service Code	190) Location Number	191) Path Number (Microwave only)	192) Frequency Number	193) Lower Frequency (MHz)	194) Upper Frequency (MHz)
WPWV360	WZ - 700 MHz Lower Band (Blocks C, D)					
WPWV366	WZ - 700 MHz Lower Band (Blocks C, D)					
WPWV367	WZ - 700 MHz Lower Band (Blocks C, D)					
WPWV369	WZ - 700 MHz Lower Band (Blocks C, D)					
WPWV373	WZ - 700 MHz Lower Band (Blocks C, D)					
WPWV376	WZ - 700 MHz Lower Band (Blocks C, D)					
WPWV377	WZ - 700 MHz Lower Band (Blocks C, D)					
WPWV380	WZ - 700 MHz Lower Band (Blocks C, D)					
WPWV385	WZ - 700 MHz Lower Band (Blocks C, D)					
WPWV388	WZ - 700 MHz Lower Band (Blocks C, D)					
WPWV398	WZ - 700 MHz Lower Band (Blocks C, D)					
WPWV401	WZ - 700 MHz Lower Band (Blocks C, D)					
WPWV408	WZ - 700 MHz Lower Band (Blocks C, D)					
WPWV424	WZ - 700 MHz Lower Band (Blocks C, D)					
WPWV425	WZ - 700 MHz Lower Band (Blocks C, D)					
WPWV427	WZ - 700 MHz Lower Band (Blocks C, D)					
WPWV456	WZ - 700 MHz Lower Band (Blocks C, D)					

* Note: Items 190 – 194 are for New Leases involving spectrum associated with site-based authorizations when only a portion of the licensed locations, paths and/or frequencies will be leased.

188) Call Sign(s) or Lease/Sublease/ Private Commons Identifier(s)	189) Radio Service Code	190) Location Number	191) Path Number (Microwave only)	192) Frequency Number	193) Lower Frequency (MHz)	194) Upper Frequency (MHz)
WPWV462	WZ - 700 MHz Lower Band (Blocks C, D)					
WPWV465	WZ - 700 MHz Lower Band (Blocks C, D)					
WPWV482	WZ - 700 MHz Lower Band (Blocks C, D)					
WPWV511	WZ - 700 MHz Lower Band (Blocks C, D)					
WPWV513	WZ - 700 MHz Lower Band (Blocks C, D)					
WPWV514	WZ - 700 MHz Lower Band (Blocks C, D)					
WPWV518	WZ - 700 MHz Lower Band (Blocks C, D)					
WPWV522	WZ - 700 MHz Lower Band (Blocks C, D)					
WPWV523	WZ - 700 MHz Lower Band (Blocks C, D)					
WPWV524	WZ - 700 MHz Lower Band (Blocks C, D)					
WPWV525	WZ - 700 MHz Lower Band (Blocks C, D)					
WPWV526	WZ - 700 MHz Lower Band (Blocks C, D)					
WPWV547	WZ - 700 MHz Lower Band (Blocks C, D)					
WPWV548	WZ - 700 MHz Lower Band (Blocks C, D)					
WPXD984	WZ - 700 MHz Lower Band (Blocks C, D)					
WPXD987	WZ - 700 MHz Lower Band (Blocks C, D)					
WPXD988	WZ - 700 MHz Lower Band (Blocks C, D)					

* Note: Items 190 – 194 are for New Leases involving spectrum associated with site-based authorizations when only a portion of the licensed locations, paths and/or frequencies will be leased.

188) Call Sign(s) or Lease/Sublease/ Private Commons Identifier(s)	189) Radio Service Code	190) Location Number	191) Path Number (Microwave only)	192) Frequency Number	193) Lower Frequency (MHz)	194) Upper Frequency (MHz)
WPYZ849	WZ - 700 MHz Lower Band (Blocks C, D)					
WPYZ851	WZ - 700 MHz Lower Band (Blocks C, D)					
WPYZ852	WZ - 700 MHz Lower Band (Blocks C, D)					
WPYZ856	WZ - 700 MHz Lower Band (Blocks C, D)					
WPYZ857	WZ - 700 MHz Lower Band (Blocks C, D)					
WPYZ859	WZ - 700 MHz Lower Band (Blocks C, D)					
WPYZ864	WZ - 700 MHz Lower Band (Blocks C, D)					
WPYZ868	WZ - 700 MHz Lower Band (Blocks C, D)					
WPYZ872	WZ - 700 MHz Lower Band (Blocks C, D)					
WPYZ873	WZ - 700 MHz Lower Band (Blocks C, D)					
WPYZ880	WZ - 700 MHz Lower Band (Blocks C, D)					
WPYZ881	WZ - 700 MHz Lower Band (Blocks C, D)					
WPYZ886	WZ - 700 MHz Lower Band (Blocks C, D)					
WPYZ891	WZ - 700 MHz Lower Band (Blocks C, D)					
WPYZ892	WZ - 700 MHz Lower Band (Blocks C, D)					
WPYZ894	WZ - 700 MHz Lower Band (Blocks C, D)					
WPYZ895	WZ - 700 MHz Lower Band (Blocks C, D)					

* Note: Items 190 – 194 are for New Leases involving spectrum associated with site-based authorizations when only a portion of the licensed locations, paths and/or frequencies will be leased.

188) Call Sign(s) or Lease/Sublease/ Private Commons Identifier(s)	189) Radio Service Code	190) Location Number	191) Path Number (Microwave only)	192) Frequency Number	193) Lower Frequency (MHz)	194) Upper Frequency (MHz)
WPYZ896	WZ - 700 MHz Lower Band (Blocks C, D)					
WPYZ897	WZ - 700 MHz Lower Band (Blocks C, D)					
WPYZ898	WZ - 700 MHz Lower Band (Blocks C, D)					
WPYZ899	WZ - 700 MHz Lower Band (Blocks C, D)					
WPYZ907	WZ - 700 MHz Lower Band (Blocks C, D)					
WPYZ908	WZ - 700 MHz Lower Band (Blocks C, D)					
WPYZ909	WZ - 700 MHz Lower Band (Blocks C, D)					
WPYZ911	WZ - 700 MHz Lower Band (Blocks C, D)					
WPYZ912	WZ - 700 MHz Lower Band (Blocks C, D)					
WPYZ915	WZ - 700 MHz Lower Band (Blocks C, D)					
WPYZ917	WZ - 700 MHz Lower Band (Blocks C, D)					
WPYZ919	WZ - 700 MHz Lower Band (Blocks C, D)					
WPYZ922	WZ - 700 MHz Lower Band (Blocks C, D)					
WPYZ926	WZ - 700 MHz Lower Band (Blocks C, D)					
WPYZ927	WZ - 700 MHz Lower Band (Blocks C, D)					
WPYZ928	WZ - 700 MHz Lower Band (Blocks C, D)					
WPYZ929	WZ - 700 MHz Lower Band (Blocks C, D)					

* Note: Items 190 – 194 are for New Leases involving spectrum associated with site-based authorizations when only a portion of the licensed locations, paths and/or frequencies will be leased.

188) Call Sign(s) or Lease/Sublease/ Private Commons Identifier(s)	189) Radio Service Code	190) Location Number	191) Path Number (Microwave only)	192) Frequency Number	193) Lower Frequency (MHz)	194) Upper Frequency (MHz)
WPYZ930	WZ - 700 MHz Lower Band (Blocks C, D)					
WPYZ931	WZ - 700 MHz Lower Band (Blocks C, D)					
WPYZ932	WZ - 700 MHz Lower Band (Blocks C, D)					
WPYZ939	WZ - 700 MHz Lower Band (Blocks C, D)					
WPYZ942	WZ - 700 MHz Lower Band (Blocks C, D)					
WPYZ945	WZ - 700 MHz Lower Band (Blocks C, D)					
WPYZ946	WZ - 700 MHz Lower Band (Blocks C, D)					
WPYZ950	WZ - 700 MHz Lower Band (Blocks C, D)					
WPYZ951	WZ - 700 MHz Lower Band (Blocks C, D)					
WPYZ952	WZ - 700 MHz Lower Band (Blocks C, D)					
WPYZ953	WZ - 700 MHz Lower Band (Blocks C, D)					
WPYZ954	WZ - 700 MHz Lower Band (Blocks C, D)					
WPYZ956	WZ - 700 MHz Lower Band (Blocks C, D)					
WPYZ957	WZ - 700 MHz Lower Band (Blocks C, D)					
WPYZ958	WZ - 700 MHz Lower Band (Blocks C, D)					
WPYZ960	WZ - 700 MHz Lower Band (Blocks C, D)					
WPYZ962	WZ - 700 MHz Lower Band (Blocks C, D)					

* Note: Items 190 – 194 are for New Leases involving spectrum associated with site-based authorizations when only a portion of the licensed locations, paths and/or frequencies will be leased.

188) Call Sign(s) or Lease/Sublease/ Private Commons Identifier(s)	189) Radio Service Code	190) Location Number	191) Path Number (Microwave only)	192) Frequency Number	193) Lower Frequency (MHz)	194) Upper Frequency (MHz)
WPYZ963	WZ - 700 MHz Lower Band (Blocks C, D)					
WPYZ964	WZ - 700 MHz Lower Band (Blocks C, D)					
WPYZ973	WZ - 700 MHz Lower Band (Blocks C, D)					
WPYZ974	WZ - 700 MHz Lower Band (Blocks C, D)					
WPYZ975	WZ - 700 MHz Lower Band (Blocks C, D)					
WPYZ976	WZ - 700 MHz Lower Band (Blocks C, D)					
WPYZ977	WZ - 700 MHz Lower Band (Blocks C, D)					
WPYZ979	WZ - 700 MHz Lower Band (Blocks C, D)					
WPYZ981	WZ - 700 MHz Lower Band (Blocks C, D)					
WPYZ982	WZ - 700 MHz Lower Band (Blocks C, D)					
WPYZ983	WZ - 700 MHz Lower Band (Blocks C, D)					
WPYZ984	WZ - 700 MHz Lower Band (Blocks C, D)					
WPYZ985	WZ - 700 MHz Lower Band (Blocks C, D)					
WPYZ986	WZ - 700 MHz Lower Band (Blocks C, D)					
WPYZ988	WZ - 700 MHz Lower Band (Blocks C, D)					
WPYZ989	WZ - 700 MHz Lower Band (Blocks C, D)					
WPYZ990	WZ - 700 MHz Lower Band (Blocks C, D)					

* Note: Items 190 – 194 are for New Leases involving spectrum associated with site-based authorizations when only a portion of the licensed locations, paths and/or frequencies will be leased.

188) Call Sign(s) or Lease/Sublease/ Private Commons Identifier(s)	189) Radio Service Code	190) Location Number	191) Path Number (Microwave only)	192) Frequency Number	193) Lower Frequency (MHz)	194) Upper Frequency (MHz)
WPYZ994	WZ - 700 MHz Lower Band (Blocks C, D)					
WPYZ995	WZ - 700 MHz Lower Band (Blocks C, D)					
WPYZ996	WZ - 700 MHz Lower Band (Blocks C, D)					
WPYZ997	WZ - 700 MHz Lower Band (Blocks C, D)					
WPYZ998	WZ - 700 MHz Lower Band (Blocks C, D)					
WPZA201	WZ - 700 MHz Lower Band (Blocks C, D)					
WPZA210	WZ - 700 MHz Lower Band (Blocks C, D)					
WPZA227	WZ - 700 MHz Lower Band (Blocks C, D)					
WPZA231	WZ - 700 MHz Lower Band (Blocks C, D)					
WPZA265	WZ - 700 MHz Lower Band (Blocks C, D)					
WPZA266	WZ - 700 MHz Lower Band (Blocks C, D)					
WPZA267	WZ - 700 MHz Lower Band (Blocks C, D)					
WPZA268	WZ - 700 MHz Lower Band (Blocks C, D)					
WPZA273	WZ - 700 MHz Lower Band (Blocks C, D)					
WPZA275	WZ - 700 MHz Lower Band (Blocks C, D)					
WPZA277	WZ - 700 MHz Lower Band (Blocks C, D)					
WPZA278	WZ - 700 MHz Lower Band (Blocks C, D)					

* Note: Items 190 – 194 are for New Leases involving spectrum associated with site-based authorizations when only a portion of the licensed locations, paths and/or frequencies will be leased.

188) Call Sign(s) or Lease/Sublease/ Private Commons Identifier(s)	189) Radio Service Code	190) Location Number	191) Path Number (Microwave only)	192) Frequency Number	193) Lower Frequency (MHz)	194) Upper Frequency (MHz)
WPZL272	WZ - 700 MHz Lower Band (Blocks C, D)					
WPZL273	WZ - 700 MHz Lower Band (Blocks C, D)					
WPZL274	WZ - 700 MHz Lower Band (Blocks C, D)					
WPZL282	WZ - 700 MHz Lower Band (Blocks C, D)					
WPZL284	WZ - 700 MHz Lower Band (Blocks C, D)					
WPZL285	WZ - 700 MHz Lower Band (Blocks C, D)					
WPZL286	WZ - 700 MHz Lower Band (Blocks C, D)					
WPZL287	WZ - 700 MHz Lower Band (Blocks C, D)					
WPZL288	WZ - 700 MHz Lower Band (Blocks C, D)					
WPZL290	WZ - 700 MHz Lower Band (Blocks C, D)					
WPZW674	WZ - 700 MHz Lower Band (Blocks C, D)					
WQBQ590	WZ - 700 MHz Lower Band (Blocks C, D)					
WQBQ591	WZ - 700 MHz Lower Band (Blocks C, D)					
WQBQ592	WZ - 700 MHz Lower Band (Blocks C, D)					
WQBQ593	WZ - 700 MHz Lower Band (Blocks C, D)					
WQBQ595	WZ - 700 MHz Lower Band (Blocks C, D)					
WQBQ596	WZ - 700 MHz Lower Band (Blocks C, D)					

* Note: Items 190 – 194 are for New Leases involving spectrum associated with site-based authorizations when only a portion of the licensed locations, paths and/or frequencies will be leased.

188) Call Sign(s) or Lease/Sublease/ Private Commons Identifier(s)	189) Radio Service Code	190) Location Number	191) Path Number (Microwave only)	192) Frequency Number	193) Lower Frequency (MHz)	194) Upper Frequency (MHz)
WQBQ597	WZ - 700 MHz Lower Band (Blocks C, D)					
WQBQ598	WZ - 700 MHz Lower Band (Blocks C, D)					
WQBQ600	WZ - 700 MHz Lower Band (Blocks C, D)					
WQBQ601	WZ - 700 MHz Lower Band (Blocks C, D)					
WQBQ602	WZ - 700 MHz Lower Band (Blocks C, D)					
WQBQ604	WZ - 700 MHz Lower Band (Blocks C, D)					
WQBQ605	WZ - 700 MHz Lower Band (Blocks C, D)					
WQBQ606	WZ - 700 MHz Lower Band (Blocks C, D)					
WQBQ609	WZ - 700 MHz Lower Band (Blocks C, D)					
WQBQ610	WZ - 700 MHz Lower Band (Blocks C, D)					
WQBQ611	WZ - 700 MHz Lower Band (Blocks C, D)					
WQBQ612	WZ - 700 MHz Lower Band (Blocks C, D)					
WQBQ614	WZ - 700 MHz Lower Band (Blocks C, D)					
WQBQ615	WZ - 700 MHz Lower Band (Blocks C, D)					
WQBQ616	WZ - 700 MHz Lower Band (Blocks C, D)					
WQBQ617	WZ - 700 MHz Lower Band (Blocks C, D)					
WQBQ618	WZ - 700 MHz Lower Band (Blocks C, D)					

* Note: Items 190 – 194 are for New Leases involving spectrum associated with site-based authorizations when only a portion of the licensed locations, paths and/or frequencies will be leased.

188) Call Sign(s) or Lease/Sublease/ Private Commons Identifier(s)	189) Radio Service Code	190) Location Number	191) Path Number (Microwave only)	192) Frequency Number	193) Lower Frequency (MHz)	194) Upper Frequency (MHz)
WQBQ619	WZ - 700 MHz Lower Band (Blocks C, D)					
WQBQ620	WZ - 700 MHz Lower Band (Blocks C, D)					
WQBQ622	WZ - 700 MHz Lower Band (Blocks C, D)					
WQBQ623	WZ - 700 MHz Lower Band (Blocks C, D)					
WQBQ624	WZ - 700 MHz Lower Band (Blocks C, D)					
WQBQ625	WZ - 700 MHz Lower Band (Blocks C, D)					
WQBQ626	WZ - 700 MHz Lower Band (Blocks C, D)					
WQBQ629	WZ - 700 MHz Lower Band (Blocks C, D)					
WQBQ637	WZ - 700 MHz Lower Band (Blocks C, D)					
WQDH434	WZ - 700 MHz Lower Band (Blocks C, D)					
WQDX566	WZ - 700 MHz Lower Band (Blocks C, D)					
WQGK594	WZ - 700 MHz Lower Band (Blocks C, D)					
WQGV418	WZ - 700 MHz Lower Band (Blocks C, D)					
WQGV419	WZ - 700 MHz Lower Band (Blocks C, D)					
WQHM481	WZ - 700 MHz Lower Band (Blocks C, D)					
WQHM482	WZ - 700 MHz Lower Band (Blocks C, D)					
WQIZ365	WY - 700 MHz Lower Band (Blocks A, B &					

* Note: Items 190 – 194 are for New Leases involving spectrum associated with site-based authorizations when only a portion of the licensed locations, paths and/or frequencies will be leased.

188) Call Sign(s) or Lease/Sublease/ Private Commons Identifier(s)	189) Radio Service Code	190) Location Number	191) Path Number (Microwave only)	192) Frequency Number	193) Lower Frequency (MHz)	194) Upper Frequency (MHz)
WQIZ366	WY - 700 MHz Lower Band (Blocks A, B &					
WQIZ367	WY - 700 MHz Lower Band (Blocks A, B &					
WQIZ369	WY - 700 MHz Lower Band (Blocks A, B &					
WQIZ370	WY - 700 MHz Lower Band (Blocks A, B &					
WQIZ372	WY - 700 MHz Lower Band (Blocks A, B &					
WQIZ376	WY - 700 MHz Lower Band (Blocks A, B &					
WQIZ378	WY - 700 MHz Lower Band (Blocks A, B &					
WQIZ379	WY - 700 MHz Lower Band (Blocks A, B &					
WQIZ380	WY - 700 MHz Lower Band (Blocks A, B &					
WQIZ381	WY - 700 MHz Lower Band (Blocks A, B &					
WQIZ383	WY - 700 MHz Lower Band (Blocks A, B &					
WQIZ411	WY - 700 MHz Lower Band (Blocks A, B &					
WQIZ412	WY - 700 MHz Lower Band (Blocks A, B &					
WQIZ413	WY - 700 MHz Lower Band (Blocks A, B &					
WQIZ414	WY - 700 MHz Lower Band (Blocks A, B &					
WQIZ415	WY - 700 MHz Lower Band (Blocks A, B &					
WQIZ416	WY - 700 MHz Lower Band (Blocks A, B &					

* Note: Items 190 – 194 are for New Leases involving spectrum associated with site-based authorizations when only a portion of the licensed locations, paths and/or frequencies will be leased.

188) Call Sign(s) or Lease/Sublease/ Private Commons Identifier(s)	189) Radio Service Code	190) Location Number	191) Path Number (Microwave only)	192) Frequency Number	193) Lower Frequency (MHz)	194) Upper Frequency (MHz)
WQIZ419	WY - 700 MHz Lower Band (Blocks A, B &					
WQIZ420	WY - 700 MHz Lower Band (Blocks A, B &					
WQIZ421	WY - 700 MHz Lower Band (Blocks A, B &					
WQIZ437	WY - 700 MHz Lower Band (Blocks A, B &					
WQIZ438	WY - 700 MHz Lower Band (Blocks A, B &					
WQIZ440	WY - 700 MHz Lower Band (Blocks A, B &					
WQIZ441	WY - 700 MHz Lower Band (Blocks A, B &					
WQIZ442	WY - 700 MHz Lower Band (Blocks A, B &					
WQIZ443	WY - 700 MHz Lower Band (Blocks A, B &					
WQIZ444	WY - 700 MHz Lower Band (Blocks A, B &					
WQIZ446	WY - 700 MHz Lower Band (Blocks A, B &					
WQIZ477	WY - 700 MHz Lower Band (Blocks A, B &					
WQIZ478	WY - 700 MHz Lower Band (Blocks A, B &					
WQIZ479	WY - 700 MHz Lower Band (Blocks A, B &					
WQIZ480	WY - 700 MHz Lower Band (Blocks A, B &					
WQIZ481	WY - 700 MHz Lower Band (Blocks A, B &					
WQIZ484	WY - 700 MHz Lower Band (Blocks A, B &					

* Note: Items 190 – 194 are for New Leases involving spectrum associated with site-based authorizations when only a portion of the licensed locations, paths and/or frequencies will be leased.

188) Call Sign(s) or Lease/Sublease/ Private Commons Identifier(s)	189) Radio Service Code	190) Location Number	191) Path Number (Microwave only)	192) Frequency Number	193) Lower Frequency (MHz)	194) Upper Frequency (MHz)
WQIZ485	WY - 700 MHz Lower Band (Blocks A, B &					
WQIZ486	WY - 700 MHz Lower Band (Blocks A, B &					
WQIZ487	WY - 700 MHz Lower Band (Blocks A, B &					
WQIZ488	WY - 700 MHz Lower Band (Blocks A, B &					
WQIZ489	WY - 700 MHz Lower Band (Blocks A, B &					
WQIZ490	WY - 700 MHz Lower Band (Blocks A, B &					
WQIZ491	WY - 700 MHz Lower Band (Blocks A, B &					
WQIZ492	WY - 700 MHz Lower Band (Blocks A, B &					
WQIZ494	WY - 700 MHz Lower Band (Blocks A, B &					
WQIZ495	WY - 700 MHz Lower Band (Blocks A, B &					
WQIZ496	WY - 700 MHz Lower Band (Blocks A, B &					
WQIZ497	WY - 700 MHz Lower Band (Blocks A, B &					
WQIZ498	WY - 700 MHz Lower Band (Blocks A, B &					
WQIZ499	WY - 700 MHz Lower Band (Blocks A, B &					
WQIZ502	WY - 700 MHz Lower Band (Blocks A, B &					
WQIZ508	WY - 700 MHz Lower Band (Blocks A, B &					
WQIZ510	WY - 700 MHz Lower Band (Blocks A, B &					

* Note: Items 190 – 194 are for New Leases involving spectrum associated with site-based authorizations when only a portion of the licensed locations, paths and/or frequencies will be leased.

188) Call Sign(s) or Lease/Sublease/ Private Commons Identifier(s)	189) Radio Service Code	190) Location Number	191) Path Number (Microwave only)	192) Frequency Number	193) Lower Frequency (MHz)	194) Upper Frequency (MHz)
WQIZ512	WY - 700 MHz Lower Band (Blocks A, B &					
WQIZ513	WY - 700 MHz Lower Band (Blocks A, B &					
WQIZ514	WY - 700 MHz Lower Band (Blocks A, B &					
WQIZ515	WY - 700 MHz Lower Band (Blocks A, B &					
WQIZ516	WY - 700 MHz Lower Band (Blocks A, B &					
WQIZ517	WY - 700 MHz Lower Band (Blocks A, B &					
WQIZ518	WY - 700 MHz Lower Band (Blocks A, B &					
WQIZ519	WY - 700 MHz Lower Band (Blocks A, B &					
WQIZ520	WY - 700 MHz Lower Band (Blocks A, B &					
WQIZ521	WY - 700 MHz Lower Band (Blocks A, B &					
WQIZ523	WY - 700 MHz Lower Band (Blocks A, B &					
WQIZ524	WY - 700 MHz Lower Band (Blocks A, B &					
WQIZ532	WY - 700 MHz Lower Band (Blocks A, B &					
WQIZ548	WY - 700 MHz Lower Band (Blocks A, B &					
WQIZ550	WY - 700 MHz Lower Band (Blocks A, B &					
WQIZ551	WY - 700 MHz Lower Band (Blocks A, B &					
WQIZ552	WY - 700 MHz Lower Band (Blocks A, B &					

* Note: Items 190 – 194 are for New Leases involving spectrum associated with site-based authorizations when only a portion of the licensed locations, paths and/or frequencies will be leased.

188) Call Sign(s) or Lease/Sublease/ Private Commons Identifier(s)	189) Radio Service Code	190) Location Number	191) Path Number (Microwave only)	192) Frequency Number	193) Lower Frequency (MHz)	194) Upper Frequency (MHz)
WQIZ553	WY - 700 MHz Lower Band (Blocks A, B &					
WQIZ555	WY - 700 MHz Lower Band (Blocks A, B &					
WQIZ574	WY - 700 MHz Lower Band (Blocks A, B &					
WQIZ577	WY - 700 MHz Lower Band (Blocks A, B &					
WQIZ584	WY - 700 MHz Lower Band (Blocks A, B &					
WQIZ586	WY - 700 MHz Lower Band (Blocks A, B &					
WQIZ590	WY - 700 MHz Lower Band (Blocks A, B &					
WQIZ591	WY - 700 MHz Lower Band (Blocks A, B &					
WQIZ592	WY - 700 MHz Lower Band (Blocks A, B &					
WQIZ593	WY - 700 MHz Lower Band (Blocks A, B &					
WQIZ594	WY - 700 MHz Lower Band (Blocks A, B &					
WQIZ615	WY - 700 MHz Lower Band (Blocks A, B &					
WQIZ636	WY - 700 MHz Lower Band (Blocks A, B &					
WQJQ678	WY - 700 MHz Lower Band (Blocks A, B &					
WQJQ725	WY - 700 MHz Lower Band (Blocks A, B &					
WQJQ732	WY - 700 MHz Lower Band (Blocks A, B &					
WQJQ738	WY - 700 MHz Lower Band (Blocks A, B &					

* Note: Items 190 – 194 are for New Leases involving spectrum associated with site-based authorizations when only a portion of the licensed locations, paths and/or frequencies will be leased.

188) Call Sign(s) or Lease/Sublease/ Private Commons Identifier(s)	189) Radio Service Code	190) Location Number	191) Path Number (Microwave only)	192) Frequency Number	193) Lower Frequency (MHz)	194) Upper Frequency (MHz)
WQJQ742	WY - 700 MHz Lower Band (Blocks A, B &					
WQJQ744	WY - 700 MHz Lower Band (Blocks A, B &					
WQJQ759	WY - 700 MHz Lower Band (Blocks A, B &					
WQJQ767	WY - 700 MHz Lower Band (Blocks A, B &					
WQJQ768	WY - 700 MHz Lower Band (Blocks A, B &					
WQJQ769	WY - 700 MHz Lower Band (Blocks A, B &					
WQJQ770	WY - 700 MHz Lower Band (Blocks A, B &					
WQJQ779	WY - 700 MHz Lower Band (Blocks A, B &					
WQJQ793	WY - 700 MHz Lower Band (Blocks A, B &					
WQJU424	WY - 700 MHz Lower Band (Blocks A, B &					
WQJU429	WY - 700 MHz Lower Band (Blocks A, B &					
WQJU432	WY - 700 MHz Lower Band (Blocks A, B &					
WQJU433	WY - 700 MHz Lower Band (Blocks A, B &					
WQJU442	WY - 700 MHz Lower Band (Blocks A, B &					
WQJU443	WY - 700 MHz Lower Band (Blocks A, B &					
WQJU444	WY - 700 MHz Lower Band (Blocks A, B &					
WQJU449	WY - 700 MHz Lower Band (Blocks A, B &					

* Note: Items 190 – 194 are for New Leases involving spectrum associated with site-based authorizations when only a portion of the licensed locations, paths and/or frequencies will be leased.

188) Call Sign(s) or Lease/Sublease/ Private Commons Identifier(s)	189) Radio Service Code	190) Location Number	191) Path Number (Microwave only)	192) Frequency Number	193) Lower Frequency (MHz)	194) Upper Frequency (MHz)
WQJU451	WY - 700 MHz Lower Band (Blocks A, B &					
WQJU454	WY - 700 MHz Lower Band (Blocks A, B &					
WQJU455	WY - 700 MHz Lower Band (Blocks A, B &					
WQJU458	WY - 700 MHz Lower Band (Blocks A, B &					
WQJU461	WY - 700 MHz Lower Band (Blocks A, B &					
WQJU462	WY - 700 MHz Lower Band (Blocks A, B &					
WQJU464	WY - 700 MHz Lower Band (Blocks A, B &					
WQJU466	WY - 700 MHz Lower Band (Blocks A, B &					
WQJU467	WY - 700 MHz Lower Band (Blocks A, B &					
WQJU468	WY - 700 MHz Lower Band (Blocks A, B &					
WQJU471	WY - 700 MHz Lower Band (Blocks A, B &					
WQJU473	WY - 700 MHz Lower Band (Blocks A, B &					
WQJU474	WY - 700 MHz Lower Band (Blocks A, B &					
WQJU475	WY - 700 MHz Lower Band (Blocks A, B &					
WQJU476	WY - 700 MHz Lower Band (Blocks A, B &					
WQJU479	WY - 700 MHz Lower Band (Blocks A, B &					
WQJU482	WY - 700 MHz Lower Band (Blocks A, B &					

* Note: Items 190 – 194 are for New Leases involving spectrum associated with site-based authorizations when only a portion of the licensed locations, paths and/or frequencies will be leased.

188) Call Sign(s) or Lease/Sublease/ Private Commons Identifier(s)	189) Radio Service Code	190) Location Number	191) Path Number (Microwave only)	192) Frequency Number	193) Lower Frequency (MHz)	194) Upper Frequency (MHz)
WQJU483	WY - 700 MHz Lower Band (Blocks A, B &					
WQJU490	WY - 700 MHz Lower Band (Blocks A, B &					
WQJU491	WY - 700 MHz Lower Band (Blocks A, B &					
WQJU494	WY - 700 MHz Lower Band (Blocks A, B &					
WQJU495	WY - 700 MHz Lower Band (Blocks A, B &					
WQJU496	WY - 700 MHz Lower Band (Blocks A, B &					
WQJU498	WY - 700 MHz Lower Band (Blocks A, B &					
WQJU502	WY - 700 MHz Lower Band (Blocks A, B &					
WQJU509	WY - 700 MHz Lower Band (Blocks A, B &					
WQJU510	WY - 700 MHz Lower Band (Blocks A, B &					
WQJU513	WY - 700 MHz Lower Band (Blocks A, B &					
WQJU514	WY - 700 MHz Lower Band (Blocks A, B &					
WQJU523	WY - 700 MHz Lower Band (Blocks A, B &					
WQJU524	WY - 700 MHz Lower Band (Blocks A, B &					
WQJU526	WY - 700 MHz Lower Band (Blocks A, B &					
WQJU527	WY - 700 MHz Lower Band (Blocks A, B &					
WQJU528	WY - 700 MHz Lower Band (Blocks A, B &					

* Note: Items 190 – 194 are for New Leases involving spectrum associated with site-based authorizations when only a portion of the licensed locations, paths and/or frequencies will be leased.

188) Call Sign(s) or Lease/Sublease/ Private Commons Identifier(s)	189) Radio Service Code	190) Location Number	191) Path Number (Microwave only)	192) Frequency Number	193) Lower Frequency (MHz)	194) Upper Frequency (MHz)
WQJU529	WY - 700 MHz Lower Band (Blocks A, B &					
WQJU534	WY - 700 MHz Lower Band (Blocks A, B &					
WQJU540	WY - 700 MHz Lower Band (Blocks A, B &					
WQJU541	WY - 700 MHz Lower Band (Blocks A, B &					
WQJU542	WY - 700 MHz Lower Band (Blocks A, B &					
WQJU544	WY - 700 MHz Lower Band (Blocks A, B &					
WQJU547	WY - 700 MHz Lower Band (Blocks A, B &					
WQJU548	WY - 700 MHz Lower Band (Blocks A, B &					
WQJU549	WY - 700 MHz Lower Band (Blocks A, B &					
WQJU550	WY - 700 MHz Lower Band (Blocks A, B &					
WQJU558	WY - 700 MHz Lower Band (Blocks A, B &					
WQJU559	WY - 700 MHz Lower Band (Blocks A, B &					
WQJU560	WY - 700 MHz Lower Band (Blocks A, B &					
WQJU561	WY - 700 MHz Lower Band (Blocks A, B &					
WQJU564	WY - 700 MHz Lower Band (Blocks A, B &					
WQJU567	WY - 700 MHz Lower Band (Blocks A, B &					
WQJU569	WY - 700 MHz Lower Band (Blocks A, B &					

* Note: Items 190 – 194 are for New Leases involving spectrum associated with site-based authorizations when only a portion of the licensed locations, paths and/or frequencies will be leased.

188) Call Sign(s) or Lease/Sublease/ Private Commons Identifier(s)	189) Radio Service Code	190) Location Number	191) Path Number (Microwave only)	192) Frequency Number	193) Lower Frequency (MHz)	194) Upper Frequency (MHz)
WQJU574	WY - 700 MHz Lower Band (Blocks A, B &					
WQJU575	WY - 700 MHz Lower Band (Blocks A, B &					
WQJU582	WY - 700 MHz Lower Band (Blocks A, B &					
WQJU583	WY - 700 MHz Lower Band (Blocks A, B &					
WQJU584	WY - 700 MHz Lower Band (Blocks A, B &					
WQJU585	WY - 700 MHz Lower Band (Blocks A, B &					
WQJU587	WY - 700 MHz Lower Band (Blocks A, B &					
WQJU597	WY - 700 MHz Lower Band (Blocks A, B &					
WQJU598	WY - 700 MHz Lower Band (Blocks A, B &					
WQJU599	WY - 700 MHz Lower Band (Blocks A, B &					
WQJU600	WY - 700 MHz Lower Band (Blocks A, B &					
WQJU601	WY - 700 MHz Lower Band (Blocks A, B &					
WQJU603	WY - 700 MHz Lower Band (Blocks A, B &					
WQJU607	WY - 700 MHz Lower Band (Blocks A, B &					
WQJU608	WY - 700 MHz Lower Band (Blocks A, B &					
WQJU609	WY - 700 MHz Lower Band (Blocks A, B &					
WQJU610	WY - 700 MHz Lower Band (Blocks A, B &					

* Note: Items 190 – 194 are for New Leases involving spectrum associated with site-based authorizations when only a portion of the licensed locations, paths and/or frequencies will be leased.

188) Call Sign(s) or Lease/Sublease/ Private Commons Identifier(s)	189) Radio Service Code	190) Location Number	191) Path Number (Microwave only)	192) Frequency Number	193) Lower Frequency (MHz)	194) Upper Frequency (MHz)
WQJU611	WY - 700 MHz Lower Band (Blocks A, B &					
WQJU613	WY - 700 MHz Lower Band (Blocks A, B &					
WQJU615	WY - 700 MHz Lower Band (Blocks A, B &					
WQJU616	WY - 700 MHz Lower Band (Blocks A, B &					
WQJU622	WY - 700 MHz Lower Band (Blocks A, B &					
WQJU623	WY - 700 MHz Lower Band (Blocks A, B &					
WQJU631	WY - 700 MHz Lower Band (Blocks A, B &					
WQJU632	WY - 700 MHz Lower Band (Blocks A, B &					
WQJU633	WY - 700 MHz Lower Band (Blocks A, B &					
WQJU634	WY - 700 MHz Lower Band (Blocks A, B &					
WQJU635	WY - 700 MHz Lower Band (Blocks A, B &					
WQJU636	WY - 700 MHz Lower Band (Blocks A, B &					
WQJU657	WY - 700 MHz Lower Band (Blocks A, B &					
WQJU658	WY - 700 MHz Lower Band (Blocks A, B &					
WQJU662	WY - 700 MHz Lower Band (Blocks A, B &					
WQJU666	WY - 700 MHz Lower Band (Blocks A, B &					
WQJU671	WY - 700 MHz Lower Band (Blocks A, B &					

* Note: Items 190 – 194 are for New Leases involving spectrum associated with site-based authorizations when only a portion of the licensed locations, paths and/or frequencies will be leased.

188) Call Sign(s) or Lease/Sublease/ Private Commons Identifier(s)	189) Radio Service Code	190) Location Number	191) Path Number (Microwave only)	192) Frequency Number	193) Lower Frequency (MHz)	194) Upper Frequency (MHz)
WQJU672	WY - 700 MHz Lower Band (Blocks A, B &					
WQJU673	WY - 700 MHz Lower Band (Blocks A, B &					
WQJU674	WY - 700 MHz Lower Band (Blocks A, B &					
WQJU680	WY - 700 MHz Lower Band (Blocks A, B &					
WQJU684	WY - 700 MHz Lower Band (Blocks A, B &					
WQJU686	WY - 700 MHz Lower Band (Blocks A, B &					
WQJU688	WY - 700 MHz Lower Band (Blocks A, B &					
WQJU704	WY - 700 MHz Lower Band (Blocks A, B &					
WQJU707	WY - 700 MHz Lower Band (Blocks A, B &					
WQJU708	WY - 700 MHz Lower Band (Blocks A, B &					
WQJZ319	WY - 700 MHz Lower Band (Blocks A, B &					
WQKH486	WY - 700 MHz Lower Band (Blocks A, B &					
WQPY814	WZ - 700 MHz Lower Band (Blocks C, D)					
WQQI317	WY - 700 MHz Lower Band (Blocks A, B &					
WQRN260	WZ - 700 MHz Lower Band (Blocks C, D)					
WQTM551	WY - 700 MHz Lower Band (Blocks A, B &					
WQWN346	WZ - 700 MHz Lower Band (Blocks C, D)					

* Note: Items 190 – 194 are for New Leases involving spectrum associated with site-based authorizations when only a portion of the licensed locations, paths and/or frequencies will be leased.

188) Call Sign(s) or Lease/Sublease/ Private Commons Identifier(s)	189) Radio Service Code	190) Location Number	191) Path Number (Microwave only)	192) Frequency Number	193) Lower Frequency (MHz)	194) Upper Frequency (MHz)
WRBS571	WZ - 700 MHz Lower Band (Blocks C, D)					
WREK331	WZ - 700 MHz Lower Band (Blocks C, D)					
WREK332	WZ - 700 MHz Lower Band (Blocks C, D)					

* Note: Items 190 – 194 are for New Leases involving spectrum associated with site-based authorizations when only a portion of the licensed locations, paths and/or frequencies will be leased.

**Schedule for Licensees that Received Bidding Credits
or
Involving Licenses Won in Closed Bidding**

**Designated Entity Information
Bidding Credits**

1) Has the full amount of the bidding credits awarded with regard to each of the subject license(s) been paid as part of unjust enrichment payment(s) in previous transaction(s)? If the response to Item 1 is 'Y', Items 2 and 3 are not required to be completed.	() <u>Yes</u> <u>No</u>
--	--------------------------

Bidding Credits - (Spectrum Manager Leases Only)

2a) Does the Applicant have a general partnership interest or have a direct or indirect ownership interests of ten percent or greater in the Licensee?	() <u>Yes</u> <u>No</u>
2b) Is the Applicant a "controlling interest holder" or "affiliate" of the current Licensee? For purposes of determining whether the Licensee has retained the requisite degree of ownership and control over the leased spectrum in order to remain eligible for the license or for bidding credits, the <i>de jure</i> control standard in 47 CFR § 1.2110 and the <i>de facto</i> control standard in 47 CFR § 1.9010 will be applied (pursuant to the conditions set forth in 47 CFR § 1.9020).	() <u>Yes</u> <u>No</u>
2c) Does the Applicant share office space, equipment, or other facilities with any party controlling the entity from which spectrum is being leased/subleased?	() <u>Yes</u> <u>No</u>
2d) Is the Applicant a disclosable interest holder that holds a ten percent or greater interest of any kind in the Licensee and is the Lease/Sublease for more than 25% of the spectrum capacity of the subject license(s)?	() <u>Yes</u> <u>No</u>
2e) Does the Licensee certify that the Lease/Sublease does not affect its continuing eligibility to retain bidding credit(s)?	() <u>Yes</u> <u>No</u>

**Bidding Credits – (Long-Term De Facto Transfer Leases Only)
Eligibility**

3a) With respect to each of the subject licenses, the Applicant: <input type="checkbox"/> qualifies for the same designated entity benefit as the current Licensee <input type="checkbox"/> qualifies for a different designated entity benefit than the current Licensee <input type="checkbox"/> does not qualify for any designated entity status	
---	--

3b) If the Applicant states in Item 3a that it qualifies for the same designated entity benefit as the current Licensee or qualifies for a different designated entity status than the current Licensee, the Applicant qualifies for a (select one): <input type="checkbox"/> small business bidding credit (___%) <input type="checkbox"/> rural service provider bidding credit	
3c) Is the Applicant a disclosable interest holder that holds a ten percent or greater interest of any kind in the Licensee and is the Lease/Sublease for more than 25% of the spectrum capacity of the subject license(s)?	() <u>Yes</u> <u>No</u>

Closed Bidding Licenses

4) Have construction notifications been submitted as required by the Commission's Rules for each of the subject licenses? If the response to Item 4 is 'Y', Items 5 and 6 are not required to be completed.	() <u>Yes</u> <u>No</u>
--	--------------------------

Closed Bidding Licenses – (Spectrum Manager Leases Only)

5a) Does the Applicant have a general partnership interest or have a direct or indirect ownership interest of ten percent or greater in the Licensee?	() <u>Yes</u> <u>No</u>
5b) Is the Applicant a "controlling interest holder" or "affiliate" of the current Licensee?	() <u>Yes</u> <u>No</u>
5c) Does the Applicant share office space, equipment or other facilities with any party controlling the entity from which spectrum is being leased?	() <u>Yes</u> <u>No</u>
5d) Does the Licensee certify that the Lease/Sublease does not affect its continuing eligibility to retain closed bidding licenses?	() <u>Yes</u> <u>No</u>

Closed Bidding Licenses – (Long-Term *De Facto* Transfer Leases Only)**Eligibility**

6) With respect to each of the subject licenses, the Applicant: () a) qualifies for closed bidding () b) does not qualify for closed bidding
--

7) Revenue and Asset Information for the Applicant

Purpose (Check Modify if filing an Amendment application and changing the Revenue and Asset Information from what was provided on the original filing)

<input type="checkbox"/> Modify

Gross Revenue Disclosure Most Recent Reportable Year

8a) Were the Applicant and any predecessors-in-interest in existence for a full year of the relevant period? If 'N', explain why in an attachment.	() <u>Yes</u> <u>No</u>
If 'Y', provide the following information.	
8b) Gross Revenues	\$ _____ (Format: 99,999.99)
8c) Year-end Date:	_____ (Date Format: MM/DD/YYYY)

One Year Prior to Most Recent Reportable Year

9a) Were the Applicant and any predecessors-in-interest in existence for a full year of the relevant period? If 'N', explain why in an attachment.	() <u>Yes</u> <u>No</u>
If 'Y', provide the following information.	
9b) Gross Revenues	\$ _____ (Format: 99,999.99)
9c) Year-end Date:	_____ (Date Format: MM/DD/YYYY)

Two Years Prior to Most Recent Reportable Year

10a) Were the Applicant and any predecessors-in-interest in existence for a full year of the relevant period? If 'N', explain why in an attachment.	() <u>Yes</u> <u>No</u>
If 'Y', provide the following information.	
10b) Gross Revenues	\$ _____ (Format: 99,999.99)
10c) Year-end Date:	_____ (Date Format: MM/DD/YYYY)

Three Years Prior to Most Recent Reportable Year

11a) Were the Applicant and any predecessors-in-interest in existence for a full year of the relevant period? If 'N', explain why in an attachment.	() <u>Yes</u> <u>No</u>
If 'Y', provide the following information.	
11b) Gross Revenues	\$ _____ (Format: 99,999.99)
11c) Year-end Date:	_____ (Date Format: MM/DD/YYYY)

Four Years Prior to Most Recent Reportable Year

12a) Were the Applicant and any predecessors-in-interest in existence for a full year of the relevant period? If 'N', explain why in an attachment.	() <u>Yes</u> <u>No</u>
If 'Y', provide the following information.	
12b) Gross Revenues	\$ _____ (Format: 99,999.99)
12c) Year-end Date:	_____ (Date Format: MM/DD/YYYY)

Average Gross Revenue

13) Average Gross Revenue of Reported Years: \$ _____ (Format: 99,999.99)

Asset Disclosure

14) Total Assets as of Application Filing Date: \$ _____

Financial Statements

15) Audited or Unaudited (Check One)

The Applicant used audited financial statements.

The Applicant used unaudited financial statements prepared in accordance with Generally Accepted Accounting Principles (GAAP) and certified by the Applicant's chief financial officer or the equivalent.

Reference Copy

Reference Copy

Closed Bidding/Designated Entity Eligibility

Total Gross Revenues for Most Recent Reportable Year

36a) Gross Revenues:	\$ _____	(Format: 99,999.99)
36b) Year-end Date:	_____	(Date Format: MM/DD/YYYY)

Total Gross Revenues for One Year Prior to Most Recent Reportable Year

37a) Gross Revenues:	\$ _____	(Format: 99,999.99)
37b) Year-end Date:	_____	(Date Format: MM/DD/YYYY)

Total Gross Revenues for Two Years Prior to Most Recent Reportable Year

38a) Gross Revenues:	\$ _____	(Format: 99,999.99)
38b) Year-end Date:	_____	(Date Format: MM/DD/YYYY)

Total Gross Revenues for Three Years Prior to the Most Recent Reportable Year

39a) Gross Revenues:	\$ _____	(Format: _____)
39b) Year-end Date:	_____	(Date Format: _____)

Total Gross Revenues for Four Years Prior to the Most Recent Reportable Year

40a) Gross Revenues:	\$ _____	(Format: 99,999.99)
40b) Year-end Date:	_____	(Date Format: MM/DD/YYYY)

Total Aggregate Average Gross Revenues for Designated Entity (License(s) Requiring Disclosure of Three Years of Gross Revenue Data)

41) Aggregate Average Gross Revenue:	\$ _____	(Format: 99,999.99)
--------------------------------------	----------	---------------------

Total Aggregate Average Gross Revenues for Designated Entity (License(s) Requiring Disclosure of Five Years of Gross Revenue Data)

41) Aggregate Average Gross Revenue:	\$ _____	(Format: 99,999.99)
--------------------------------------	----------	---------------------

Total Aggregate Average Gross Revenues for Closed Bidding

42) Aggregate Average Gross Revenue:	\$ _____	(Format: 99,999.99)
--------------------------------------	----------	---------------------

Total Assets Disclosure for Closed Bidding

43) Total Assets:	\$ _____	(Format: 99,999.99)
-------------------	----------	---------------------

Rural Service Provider Bidding Credit

36) Is the Applicant seeking a Rural Service Provider (RSP) bidding credit?	(<input type="checkbox"/>) <u>Yes</u> <input checked="" type="checkbox"/> <u>No</u>
---	---

If the Applicant (the Lessee/Sublessee/Transferee) is seeking a rural service provider (RSP) bidding credit, provide in an exhibit the following information requested in a-e.

a) for the Applicant, submit the combined number of commercial communications service subscribers to wireless, wireline, broadband, and cable services that the Applicant serves and provide a list of the name(s) and the Federal Information Processing Standard (FIPS) number(s) for each county in which the Applicant has at least one commercial wireless, wireline, broadband, or cable subscriber;

b) for each of the Applicant's Affiliates, Controlling Interests, and the Affiliates of its Controlling Interests, submit the individual or entity's name, its FCC Registration Number (FRN), its relationship to the Applicant, and its combined number of commercial communications service subscribers to wireless, wireline, broadband, and cable services. For each of the Applicant's Affiliates, Controlling Interests, and the Affiliates of its Controlling Interests, also provide a list of the name(s) and the FIPS number(s) for each county in which it has at least one commercial wireless, wireline, broadband, or cable subscriber;

c) if neither the Applicant, nor any of its Affiliates, its Controlling Interests, or the Affiliates of its Controlling Interests have at least one wireless, wireline, broadband, or cable subscriber in a market for which the Applicant is applying for a license, list the market(s) in which the Applicant, its Affiliates, its Controlling Interests, and the Affiliates of its Controlling Interests have no such subscribers;

d) a detailed explanation demonstrating that: (i) the Applicant is in the business of providing commercial communications services; (ii) the Applicant serves predominantly rural areas; and (iii) the primary focus of the Applicant's business activity is the provision of services to rural areas (defined as counties with a population density of 100 or fewer persons per square mile); and

e) If the Applicant is an existing rural partnership that was providing service as of July 16, 2015, provide a detailed explanation demonstrating that each member of the partnership is independently eligible for the RSP bidding credit by providing, with respect to each member of the partnership, the same information as is required in a-d above.

**Schedule for Supplemental Information Pertaining to a New Lease, New Sublease,
Revision to Extend the Term of an Existing Lease or Sublease, or
Revision to Cancel an Existing Lease or Sublease**

License Authorizations/Lease Identifiers/Sublease Identifiers (Complete as many Schedule E's as necessary)

1) Call Sign(s) or Lease/Sublease Identifier(s)	2) Radio Service Code	3) Commencement Date (MM/DD/YYYY) OR Check box for FCC Grant Date	4) Expiration Date (MM/DD/YYYY)	5) Revised Expiration Date (MM/DD/YYYY)	6) Cancellation Date (MM/DD/YYYY) OR Check box if Lease/Sublease Never Commenced
KNKA210	CL	06/01/2023 <input type="checkbox"/>	10/01/2023		<input type="checkbox"/>
KNKA218	CL	06/01/2023 <input type="checkbox"/>	10/01/2023		<input type="checkbox"/>
KNKA223	CL	06/01/2023 <input type="checkbox"/>	10/01/2023		<input type="checkbox"/>
KNKA239	CL	06/01/2023 <input type="checkbox"/>	10/01/2024		<input type="checkbox"/>
KNKA241	CL	06/01/2023 <input type="checkbox"/>	10/01/2024		<input type="checkbox"/>
KNKA243	CL	06/01/2023 <input type="checkbox"/>	10/01/2023		<input type="checkbox"/>
KNKA245	CL	06/01/2023 <input type="checkbox"/>	10/01/2024		<input type="checkbox"/>
KNKA261	CL	06/01/2023 <input type="checkbox"/>	10/01/2026		<input type="checkbox"/>
KNKA262	CL	06/01/2023 <input type="checkbox"/>	10/01/2024		<input type="checkbox"/>
KNKA263	CL	06/01/2023 <input type="checkbox"/>	10/01/2026		<input type="checkbox"/>
KNKA264	CL	06/01/2023 <input type="checkbox"/>	10/01/2024		<input type="checkbox"/>
KNKA268	CL	06/01/2023 <input type="checkbox"/>	10/01/2024		<input type="checkbox"/>

1) Call Sign(s) or Lease/Sublease Identifier(s)	2) Radio Service Code	3) Commencement Date (MM/DD/YYYY) OR Check box for FCC Grant Date	4) Expiration Date (MM/DD/YYYY)	5) Revised Expiration Date (MM/DD/YYYY)	6) Cancellation Date (MM/DD/YYYY) OR Check box if Lease/Sublease Never Commenced
KNKA277	CL	06/01/2023 <input type="checkbox"/>	10/01/2024		<input type="checkbox"/>
KNKA287	CL	06/01/2023 <input type="checkbox"/>	10/01/2024		<input type="checkbox"/>
KNKA292	CL	06/01/2023 <input type="checkbox"/>	10/01/2026		<input type="checkbox"/>
KNKA294	CL	06/01/2023 <input type="checkbox"/>	10/01/2025		<input type="checkbox"/>
KNKA298	CL	06/01/2023 <input type="checkbox"/>	05/15/2025		<input type="checkbox"/>
KNKA310	CL	06/01/2023 <input type="checkbox"/>	10/01/2025		<input type="checkbox"/>
KNKA311	CL	06/01/2023 <input type="checkbox"/>	10/01/2026		<input type="checkbox"/>
KNKA314	CL	06/01/2023 <input type="checkbox"/>	10/01/2025		<input type="checkbox"/>
KNKA317	CL	06/01/2023 <input type="checkbox"/>	10/01/2025		<input type="checkbox"/>
KNKA319	CL	06/01/2023 <input type="checkbox"/>	10/01/2026		<input type="checkbox"/>
KNKA338	CL	06/01/2023 <input type="checkbox"/>	10/01/2025		<input type="checkbox"/>
KNKA339	CL	06/01/2023 <input type="checkbox"/>	10/01/2024		<input type="checkbox"/>
KNKA342	CL	06/01/2023 <input type="checkbox"/>	10/01/2026		<input type="checkbox"/>
KNKA347	CL	06/01/2023 <input type="checkbox"/>	10/01/2026		<input type="checkbox"/>
KNKA353	CL	06/01/2023 <input type="checkbox"/>	10/01/2025		<input type="checkbox"/>

1) Call Sign(s) or Lease/Sublease Identifier(s)	2) Radio Service Code	3) Commencement Date (MM/DD/YYYY) OR Check box for FCC Grant Date	4) Expiration Date (MM/DD/YYYY)	5) Revised Expiration Date (MM/DD/YYYY)	6) Cancellation Date (MM/DD/YYYY) OR Check box if Lease/Sublease Never Commenced
KNKA355	CL	06/01/2023 <input type="checkbox"/>	10/01/2026		<input type="checkbox"/>
KNKA392	CL	06/01/2023 <input type="checkbox"/>	10/01/2026		<input type="checkbox"/>
KNKA394	CL	06/01/2023 <input type="checkbox"/>	10/01/2026		<input type="checkbox"/>
KNKA406	CL	06/01/2023 <input type="checkbox"/>	10/01/2026		<input type="checkbox"/>
KNKA418	CL	06/01/2023 <input type="checkbox"/>	10/01/2026		<input type="checkbox"/>
KNKA426	CL	06/01/2023 <input type="checkbox"/>	10/01/2026		<input type="checkbox"/>
KNKA434	CL	06/01/2023 <input type="checkbox"/>	10/01/2026		<input type="checkbox"/>
KNKA445	CL	06/01/2023 <input type="checkbox"/>	10/01/2026		<input type="checkbox"/>
KNKA457	CL	06/01/2023 <input type="checkbox"/>	10/01/2026		<input type="checkbox"/>
KNKA461	CL	06/01/2023 <input type="checkbox"/>	10/01/2026		<input type="checkbox"/>
KNKA468	CL	06/01/2023 <input type="checkbox"/>	10/01/2026		<input type="checkbox"/>
KNKA470	CL	06/01/2023 <input type="checkbox"/>	10/01/2027		<input type="checkbox"/>
KNKA476	CL	06/01/2023 <input type="checkbox"/>	10/01/2026		<input type="checkbox"/>
KNKA479	CL	06/01/2023 <input type="checkbox"/>	10/01/2027		<input type="checkbox"/>
KNKA481	CL	06/01/2023 <input type="checkbox"/>	01/22/2028		<input type="checkbox"/>

1) Call Sign(s) or Lease/Sublease Identifier(s)	2) Radio Service Code	3) Commencement Date (MM/DD/YYYY) OR Check box for FCC Grant Date	4) Expiration Date (MM/DD/YYYY)	5) Revised Expiration Date (MM/DD/YYYY)	6) Cancellation Date (MM/DD/YYYY) OR Check box if Lease/Sublease Never Commenced
KNKA486	CL	06/01/2023 <input type="checkbox"/>	10/01/2027		<input type="checkbox"/>
KNKA488	CL	06/01/2023 <input type="checkbox"/>	10/01/2026		<input type="checkbox"/>
KNKA494	CL	06/01/2023 <input type="checkbox"/>	10/01/2027		<input type="checkbox"/>
KNKA513	CL	06/01/2023 <input type="checkbox"/>	10/01/2027		<input type="checkbox"/>
KNKA515	CL	06/01/2023 <input type="checkbox"/>	10/01/2026		<input type="checkbox"/>
KNKA517	CL	06/01/2023 <input type="checkbox"/>	10/01/2027		<input type="checkbox"/>
KNKA528	CL	06/01/2023 <input type="checkbox"/>	10/01/2027		<input type="checkbox"/>
KNKA531	CL	06/01/2023 <input type="checkbox"/>	10/01/2027		<input type="checkbox"/>
KNKA534	CL	06/01/2023 <input type="checkbox"/>	10/01/2026		<input type="checkbox"/>
KNKA543	CL	06/01/2023 <input type="checkbox"/>	11/29/2026		<input type="checkbox"/>
KNKA555	CL	06/01/2023 <input type="checkbox"/>	11/29/2026		<input type="checkbox"/>
KNKA573	CL	06/01/2023 <input type="checkbox"/>	05/09/2028		<input type="checkbox"/>
KNKA575	CL	06/01/2023 <input type="checkbox"/>	10/01/2027		<input type="checkbox"/>
KNKA576	CL	06/01/2023 <input type="checkbox"/>	10/01/2026		<input type="checkbox"/>
KNKA583	CL	06/01/2023 <input type="checkbox"/>	01/22/2028		<input type="checkbox"/>

1) Call Sign(s) or Lease/Sublease Identifier(s)	2) Radio Service Code	3) Commencement Date (MM/DD/YYYY) OR Check box for FCC Grant Date	4) Expiration Date (MM/DD/YYYY)	5) Revised Expiration Date (MM/DD/YYYY)	6) Cancellation Date (MM/DD/YYYY) OR Check box if Lease/Sublease Never Commenced
KNKA609	CL	06/01/2023 <input type="checkbox"/>	10/01/2027		<input type="checkbox"/>
KNKA610	CL	06/01/2023 <input type="checkbox"/>	05/09/2028		<input type="checkbox"/>
KNKA617	CL	06/01/2023 <input type="checkbox"/>	10/01/2027		<input type="checkbox"/>
KNKA621	CL	06/01/2023 <input type="checkbox"/>	05/09/2028		<input type="checkbox"/>
KNKA631	CL	06/01/2023 <input type="checkbox"/>	10/01/2026		<input type="checkbox"/>
KNKA647	CL	06/01/2023 <input type="checkbox"/>	10/01/2027		<input type="checkbox"/>
KNKA653	CL	06/01/2023 <input type="checkbox"/>	10/01/2027		<input type="checkbox"/>
KNKA655	CL	06/01/2023 <input type="checkbox"/>	01/22/2028		<input type="checkbox"/>
KNKA660	CL	06/01/2023 <input type="checkbox"/>	05/09/2028		<input type="checkbox"/>
KNKA672	CL	06/01/2023 <input type="checkbox"/>	10/01/2027		<input type="checkbox"/>
KNKA687	CL	06/01/2023 <input type="checkbox"/>	10/01/2027		<input type="checkbox"/>
KNKA694	CL	06/01/2023 <input type="checkbox"/>	05/09/2028		<input type="checkbox"/>
KNKA696	CL	06/01/2023 <input type="checkbox"/>	10/01/2027		<input type="checkbox"/>
KNKA701	CL	06/01/2023 <input type="checkbox"/>	05/09/2028		<input type="checkbox"/>
KNKA712	CL	06/01/2023 <input type="checkbox"/>	05/09/2028		<input type="checkbox"/>

1) Call Sign(s) or Lease/Sublease Identifier(s)	2) Radio Service Code	3) Commencement Date (MM/DD/YYYY) OR Check box for FCC Grant Date	4) Expiration Date (MM/DD/YYYY)	5) Revised Expiration Date (MM/DD/YYYY)	6) Cancellation Date (MM/DD/YYYY) OR Check box if Lease/Sublease Never Commenced
KNKA738	CL	06/01/2023 <input type="checkbox"/>	05/09/2028		<input type="checkbox"/>
KNKA739	CL	06/01/2023 <input type="checkbox"/>	10/01/2027		<input type="checkbox"/>
KNKA743	CL	06/01/2023 <input type="checkbox"/>	05/09/2028		<input type="checkbox"/>
KNKA748	CL	06/01/2023 <input type="checkbox"/>	05/09/2028		<input type="checkbox"/>
KNKA749	CL	06/01/2023 <input type="checkbox"/>	10/01/2027		<input type="checkbox"/>
KNKA754	CL	06/01/2023	10/01/2027		<input type="checkbox"/>
KNKA759	CL	06/01/2023	05/09/2028		<input type="checkbox"/>
KNKA766	CL	06/01/2023 <input type="checkbox"/>	05/09/2028		<input type="checkbox"/>
KNKA775	CL	06/01/2023 <input type="checkbox"/>	05/09/2028		<input type="checkbox"/>
KNKA776	CL	06/01/2023 <input type="checkbox"/>	05/09/2028		<input type="checkbox"/>
KNKA779	CL	06/01/2023 <input type="checkbox"/>	05/09/2028		<input type="checkbox"/>
KNKA780	CL	06/01/2023 <input type="checkbox"/>	05/09/2028		<input type="checkbox"/>
KNKA788	CL	06/01/2023 <input type="checkbox"/>	05/09/2028		<input type="checkbox"/>
KNKA791	CL	06/01/2023 <input type="checkbox"/>	05/09/2028		<input type="checkbox"/>
KNKA807	CL	06/01/2023 <input type="checkbox"/>	05/09/2028		<input type="checkbox"/>

1) Call Sign(s) or Lease/Sublease Identifier(s)	2) Radio Service Code	3) Commencement Date (MM/DD/YYYY) OR Check box for FCC Grant Date	4) Expiration Date (MM/DD/YYYY)	5) Revised Expiration Date (MM/DD/YYYY)	6) Cancellation Date (MM/DD/YYYY) OR Check box if Lease/Sublease Never Commenced
KNKA810	CL	06/01/2023 <input type="checkbox"/>	05/09/2028		<input type="checkbox"/>
KNKA816	CL	06/01/2023 <input type="checkbox"/>	05/09/2028		<input type="checkbox"/>
KNKA818	CL	06/01/2023 <input type="checkbox"/>	05/09/2028		<input type="checkbox"/>
KNKA820	CL	06/01/2023 <input type="checkbox"/>	05/09/2028		<input type="checkbox"/>
KNKN231	CL	06/01/2023 <input type="checkbox"/>	05/09/2028		<input type="checkbox"/>
KNKN320	CL	06/01/2023 <input type="checkbox"/>	05/09/2028		<input type="checkbox"/>
KNKN376	CL	06/01/2023 <input type="checkbox"/>	05/09/2028		<input type="checkbox"/>
KNKN391	CL	06/01/2023 <input type="checkbox"/>	05/09/2028		<input type="checkbox"/>
KNKN436	CL	06/01/2023 <input type="checkbox"/>	05/09/2028		<input type="checkbox"/>
KNKN475	CL	06/01/2023 <input type="checkbox"/>	05/09/2028		<input type="checkbox"/>
KNKN496	CL	06/01/2023 <input type="checkbox"/>	05/09/2028		<input type="checkbox"/>
KNKN497	CL	06/01/2023 <input type="checkbox"/>	05/09/2028		<input type="checkbox"/>
KNKN508	CL	06/01/2023 <input type="checkbox"/>	05/09/2028		<input type="checkbox"/>
KNKN511	CL	06/01/2023 <input type="checkbox"/>	05/09/2028		<input type="checkbox"/>
KNKN512	CL	06/01/2023 <input type="checkbox"/>	05/09/2028		<input type="checkbox"/>

1) Call Sign(s) or Lease/Sublease Identifier(s)	2) Radio Service Code	3) Commencement Date (MM/DD/YYYY) OR Check box for FCC Grant Date	4) Expiration Date (MM/DD/YYYY)	5) Revised Expiration Date (MM/DD/YYYY)	6) Cancellation Date (MM/DD/YYYY) OR Check box if Lease/Sublease Never Commenced
KNKN544	CL	06/01/2023 <input type="checkbox"/>	05/09/2028		<input type="checkbox"/>
KNKN545	CL	06/01/2023 <input type="checkbox"/>	05/09/2028		<input type="checkbox"/>
KNKN548	CL	06/01/2023 <input type="checkbox"/>	05/09/2028		<input type="checkbox"/>
KNKN550	CL	06/01/2023 <input type="checkbox"/>	05/09/2028		<input type="checkbox"/>
KNKN553	CL	06/01/2023 <input type="checkbox"/>	05/09/2028		<input type="checkbox"/>
KNKN555	CL	06/01/2023	05/09/2028		<input type="checkbox"/>
KNKN556	CL	06/01/2023	05/09/2028		<input type="checkbox"/>
KNKN562	CL	06/01/2023 <input type="checkbox"/>	05/09/2028		<input type="checkbox"/>
KNKN566	CL	06/01/2023 <input type="checkbox"/>	05/09/2028		<input type="checkbox"/>
KNKN569	CL	06/01/2023 <input type="checkbox"/>	05/09/2028		<input type="checkbox"/>
KNKN570	CL	06/01/2023 <input type="checkbox"/>	05/09/2028		<input type="checkbox"/>
KNKN571	CL	06/01/2023 <input type="checkbox"/>	05/09/2028		<input type="checkbox"/>
KNKN573	CL	06/01/2023 <input type="checkbox"/>	05/09/2028		<input type="checkbox"/>
KNKN589	CL	06/01/2023 <input type="checkbox"/>	05/09/2028		<input type="checkbox"/>
KNKN598	CL	06/01/2023 <input type="checkbox"/>	05/09/2028		<input type="checkbox"/>

1) Call Sign(s) or Lease/Sublease Identifier(s)	2) Radio Service Code	3) Commencement Date (MM/DD/YYYY) OR Check box for FCC Grant Date	4) Expiration Date (MM/DD/YYYY)	5) Revised Expiration Date (MM/DD/YYYY)	6) Cancellation Date (MM/DD/YYYY) OR Check box if Lease/Sublease Never Commenced
KNKN600	CL	06/01/2023 <input type="checkbox"/>	05/09/2028		<input type="checkbox"/>
KNKN620	CL	06/01/2023 <input type="checkbox"/>	05/09/2028		<input type="checkbox"/>
KNKN625	CL	06/01/2023 <input type="checkbox"/>	05/09/2028		<input type="checkbox"/>
KNKN628	CL	06/01/2023 <input type="checkbox"/>	05/09/2028		<input type="checkbox"/>
KNKN629	CL	06/01/2023 <input type="checkbox"/>	05/09/2028		<input type="checkbox"/>
KNKN633	CL	06/01/2023	05/09/2028		<input type="checkbox"/>
KNKN634	CL	06/01/2023	05/09/2028		<input type="checkbox"/>
KNKN652	CL	06/01/2023 <input type="checkbox"/>	05/09/2028		<input type="checkbox"/>
KNKN653	CL	06/01/2023 <input type="checkbox"/>	05/09/2028		<input type="checkbox"/>
KNKN666	CL	06/01/2023 <input type="checkbox"/>	05/09/2028		<input type="checkbox"/>
KNKN669	CL	06/01/2023 <input type="checkbox"/>	05/09/2028		<input type="checkbox"/>
KNKN674	CL	06/01/2023 <input type="checkbox"/>	05/09/2028		<input type="checkbox"/>
KNKN678	CL	06/01/2023 <input type="checkbox"/>	05/09/2028		<input type="checkbox"/>
KNKN679	CL	06/01/2023 <input type="checkbox"/>	05/09/2028		<input type="checkbox"/>
KNKN685	CL	06/01/2023 <input type="checkbox"/>	05/09/2028		<input type="checkbox"/>

1) Call Sign(s) or Lease/Sublease Identifier(s)	2) Radio Service Code	3) Commencement Date (MM/DD/YYYY) OR Check box for FCC Grant Date	4) Expiration Date (MM/DD/YYYY)	5) Revised Expiration Date (MM/DD/YYYY)	6) Cancellation Date (MM/DD/YYYY) OR Check box if Lease/Sublease Never Commenced
KNKN697	CL	06/01/2023 <input type="checkbox"/>	05/09/2028		<input type="checkbox"/>
KNKN717	CL	06/01/2023 <input type="checkbox"/>	05/09/2028		<input type="checkbox"/>
KNKN720	CL	06/01/2023 <input type="checkbox"/>	05/09/2028		<input type="checkbox"/>
KNKN723	CL	06/01/2023 <input type="checkbox"/>	05/09/2028		<input type="checkbox"/>
KNKN725	CL	06/01/2023 <input type="checkbox"/>	05/09/2028		<input type="checkbox"/>
KNKN732	CL	06/01/2023	05/09/2028		<input type="checkbox"/>
KNKN738	CL	06/01/2023	05/09/2028		<input type="checkbox"/>
KNKN740	CL	06/01/2023 <input type="checkbox"/>	05/09/2028		<input type="checkbox"/>
KNKN748	CL	06/01/2023 <input type="checkbox"/>	05/09/2028		<input type="checkbox"/>
KNKN758	CL	06/01/2023 <input type="checkbox"/>	05/09/2028		<input type="checkbox"/>
KNKN759	CL	06/01/2023 <input type="checkbox"/>	05/09/2028		<input type="checkbox"/>
KNKN761	CL	06/01/2023 <input type="checkbox"/>	05/09/2028		<input type="checkbox"/>
KNKN773	CL	06/01/2023 <input type="checkbox"/>	05/09/2028		<input type="checkbox"/>
KNKN779	CL	06/01/2023 <input type="checkbox"/>	05/09/2028		<input type="checkbox"/>
KNKN781	CL	06/01/2023 <input type="checkbox"/>	05/09/2028		<input type="checkbox"/>

1) Call Sign(s) or Lease/Sublease Identifier(s)	2) Radio Service Code	3) Commencement Date (MM/DD/YYYY) OR Check box for FCC Grant Date	4) Expiration Date (MM/DD/YYYY)	5) Revised Expiration Date (MM/DD/YYYY)	6) Cancellation Date (MM/DD/YYYY) OR Check box if Lease/Sublease Never Commenced
KNKN791	CL	06/01/2023 <input type="checkbox"/>	05/09/2028		<input type="checkbox"/>
KNKN793	CL	06/01/2023 <input type="checkbox"/>	05/09/2028		<input type="checkbox"/>
KNKN803	CL	06/01/2023 <input type="checkbox"/>	05/09/2028		<input type="checkbox"/>
KNKN805	CL	06/01/2023 <input type="checkbox"/>	05/09/2028		<input type="checkbox"/>
KNKN822	CL	06/01/2023 <input type="checkbox"/>	05/09/2028		<input type="checkbox"/>
KNKN823	CL	06/01/2023 <input type="checkbox"/>	05/09/2028		<input type="checkbox"/>
KNKN827	CL	06/01/2023 <input type="checkbox"/>	05/09/2028		<input type="checkbox"/>
KNKN829	CL	06/01/2023 <input type="checkbox"/>	05/09/2028		<input type="checkbox"/>
KNKN830	CL	06/01/2023 <input type="checkbox"/>	05/09/2028		<input type="checkbox"/>
KNKN836	CL	06/01/2023 <input type="checkbox"/>	05/09/2028		<input type="checkbox"/>
KNKN838	CL	06/01/2023 <input type="checkbox"/>	05/09/2028		<input type="checkbox"/>
KNKN841	CL	06/01/2023 <input type="checkbox"/>	05/09/2028		<input type="checkbox"/>
KNKN849	CL	06/01/2023 <input type="checkbox"/>	05/09/2028		<input type="checkbox"/>
KNKN851	CL	06/01/2023 <input type="checkbox"/>	05/09/2028		<input type="checkbox"/>
KNKN854	CL	06/01/2023 <input type="checkbox"/>	05/09/2028		<input type="checkbox"/>

1) Call Sign(s) or Lease/Sublease Identifier(s)	2) Radio Service Code	3) Commencement Date (MM/DD/YYYY) OR Check box for FCC Grant Date	4) Expiration Date (MM/DD/YYYY)	5) Revised Expiration Date (MM/DD/YYYY)	6) Cancellation Date (MM/DD/YYYY) OR Check box if Lease/Sublease Never Commenced
KNKN856	CL	06/01/2023 <input type="checkbox"/>	05/09/2028		<input type="checkbox"/>
KNKN863	CL	06/01/2023 <input type="checkbox"/>	05/09/2028		<input type="checkbox"/>
KNKN864	CL	06/01/2023 <input type="checkbox"/>	05/09/2028		<input type="checkbox"/>
KNKN865	CL	06/01/2023 <input type="checkbox"/>	05/09/2028		<input type="checkbox"/>
KNKN872	CL	06/01/2023 <input type="checkbox"/>	05/09/2028		<input type="checkbox"/>
KNKN873	CL	06/01/2023 <input type="checkbox"/>	05/09/2028		<input type="checkbox"/>
KNKN874	CL	06/01/2023 <input type="checkbox"/>	05/09/2028		<input type="checkbox"/>
KNKN878	CL	06/01/2023 <input type="checkbox"/>	05/09/2028		<input type="checkbox"/>
KNKN883	CL	06/01/2023 <input type="checkbox"/>	05/09/2028		<input type="checkbox"/>
KNKN903	CL	06/01/2023 <input type="checkbox"/>	05/09/2028		<input type="checkbox"/>
KNKN904	CL	06/01/2023 <input type="checkbox"/>	05/09/2028		<input type="checkbox"/>
KNKN913	CL	06/01/2023 <input type="checkbox"/>	05/09/2028		<input type="checkbox"/>
KNKN917	CL	06/01/2023 <input type="checkbox"/>	05/09/2028		<input type="checkbox"/>
KNKN920	CL	06/01/2023 <input type="checkbox"/>	05/09/2028		<input type="checkbox"/>
KNKN937	CL	06/01/2023 <input type="checkbox"/>	05/09/2028		<input type="checkbox"/>

1) Call Sign(s) or Lease/Sublease Identifier(s)	2) Radio Service Code	3) Commencement Date (MM/DD/YYYY) OR Check box for FCC Grant Date	4) Expiration Date (MM/DD/YYYY)	5) Revised Expiration Date (MM/DD/YYYY)	6) Cancellation Date (MM/DD/YYYY) OR Check box if Lease/Sublease Never Commenced
KNKN938	CL	06/01/2023 <input type="checkbox"/>	05/09/2028		<input type="checkbox"/>
KNKN946	CL	06/01/2023 <input type="checkbox"/>	05/09/2028		<input type="checkbox"/>
KNKN947	CL	06/01/2023 <input type="checkbox"/>	05/09/2028		<input type="checkbox"/>
KNKN950	CL	06/01/2023 <input type="checkbox"/>	05/09/2028		<input type="checkbox"/>
KNKN956	CL	06/01/2023 <input type="checkbox"/>	05/09/2028		<input type="checkbox"/>
KNKN958	CL	06/01/2023	05/09/2028		<input type="checkbox"/>
KNKN959	CL	06/01/2023	05/09/2028		<input type="checkbox"/>
KNKN960	CL	06/01/2023 <input type="checkbox"/>	05/09/2028		<input type="checkbox"/>
KNKN961	CL	06/01/2023 <input type="checkbox"/>	05/09/2028		<input type="checkbox"/>
KNKN963	CL	06/01/2023 <input type="checkbox"/>	05/09/2028		<input type="checkbox"/>
KNKN964	CL	06/01/2023 <input type="checkbox"/>	05/09/2028		<input type="checkbox"/>
KNKN965	CL	06/01/2023 <input type="checkbox"/>	05/09/2028		<input type="checkbox"/>
KNKN966	CL	06/01/2023 <input type="checkbox"/>	05/09/2028		<input type="checkbox"/>
KNKN970	CL	06/01/2023 <input type="checkbox"/>	05/09/2028		<input type="checkbox"/>
KNKN977	CL	06/01/2023 <input type="checkbox"/>	05/09/2028		<input type="checkbox"/>

1) Call Sign(s) or Lease/Sublease Identifier(s)	2) Radio Service Code	3) Commencement Date (MM/DD/YYYY) OR Check box for FCC Grant Date	4) Expiration Date (MM/DD/YYYY)	5) Revised Expiration Date (MM/DD/YYYY)	6) Cancellation Date (MM/DD/YYYY) OR Check box if Lease/Sublease Never Commenced
KNKN980	CL	06/01/2023 <input type="checkbox"/>	05/09/2028		<input type="checkbox"/>
KNKN985	CL	06/01/2023 <input type="checkbox"/>	05/09/2028		<input type="checkbox"/>
KNKN987	CL	06/01/2023 <input type="checkbox"/>	05/09/2028		<input type="checkbox"/>
KNKN993	CL	06/01/2023 <input type="checkbox"/>	05/09/2028		<input type="checkbox"/>
KNKQ253	CL	06/01/2023 <input type="checkbox"/>	05/09/2028		<input type="checkbox"/>
KNKQ255	CL	06/01/2023	05/09/2028		<input type="checkbox"/>
KNKQ261	CL	06/01/2023	05/09/2028		<input type="checkbox"/>
KNKQ262	CL	06/01/2023 <input type="checkbox"/>	05/09/2028		<input type="checkbox"/>
KNKQ263	CL	06/01/2023 <input type="checkbox"/>	05/09/2028		<input type="checkbox"/>
KNKQ269	CL	06/01/2023 <input type="checkbox"/>	05/09/2028		<input type="checkbox"/>
KNKQ276	CL	06/01/2023 <input type="checkbox"/>	05/09/2028		<input type="checkbox"/>
KNKQ279	CL	06/01/2023 <input type="checkbox"/>	05/09/2028		<input type="checkbox"/>
KNKQ286	CL	06/01/2023 <input type="checkbox"/>	05/09/2028		<input type="checkbox"/>
KNKQ288	CL	06/01/2023 <input type="checkbox"/>	05/09/2028		<input type="checkbox"/>
KNKQ290	CL	06/01/2023 <input type="checkbox"/>	05/09/2028		<input type="checkbox"/>

1) Call Sign(s) or Lease/Sublease Identifier(s)	2) Radio Service Code	3) Commencement Date (MM/DD/YYYY) OR Check box for FCC Grant Date	4) Expiration Date (MM/DD/YYYY)	5) Revised Expiration Date (MM/DD/YYYY)	6) Cancellation Date (MM/DD/YYYY) OR Check box if Lease/Sublease Never Commenced
KNKQ293	CL	06/01/2023 <input type="checkbox"/>	05/09/2028		<input type="checkbox"/>
KNKQ294	CL	06/01/2023 <input type="checkbox"/>	05/09/2028		<input type="checkbox"/>
KNKQ298	CL	06/01/2023 <input type="checkbox"/>	05/09/2028		<input type="checkbox"/>
KNKQ305	CL	06/01/2023 <input type="checkbox"/>	05/09/2028		<input type="checkbox"/>
KNKQ309	CL	06/01/2023 <input type="checkbox"/>	05/09/2028		<input type="checkbox"/>
KNKQ318	CL	06/01/2023	05/09/2028		<input type="checkbox"/>
KNKQ328	CL	06/01/2023	05/09/2028		<input type="checkbox"/>
KNKQ335	CL	06/01/2023 <input type="checkbox"/>	05/09/2028		<input type="checkbox"/>
KNKQ344	CL	06/01/2023 <input type="checkbox"/>	05/09/2028		<input type="checkbox"/>
KNKQ346	CL	06/01/2023 <input type="checkbox"/>	05/09/2028		<input type="checkbox"/>
KNKQ353	CL	06/01/2023 <input type="checkbox"/>	05/09/2028		<input type="checkbox"/>
KNKQ360	CL	06/01/2023 <input type="checkbox"/>	05/09/2028		<input type="checkbox"/>
KNKQ361	CL	06/01/2023 <input type="checkbox"/>	05/09/2028		<input type="checkbox"/>
KNKQ368	CL	06/01/2023 <input type="checkbox"/>	05/09/2028		<input type="checkbox"/>
KNKQ369	CL	06/01/2023 <input type="checkbox"/>	10/01/2023		<input type="checkbox"/>

1) Call Sign(s) or Lease/Sublease Identifier(s)	2) Radio Service Code	3) Commencement Date (MM/DD/YYYY) OR Check box for FCC Grant Date	4) Expiration Date (MM/DD/YYYY)	5) Revised Expiration Date (MM/DD/YYYY)	6) Cancellation Date (MM/DD/YYYY) OR Check box if Lease/Sublease Never Commenced
KNKQ371	CL	06/01/2023 <input type="checkbox"/>	10/01/2023		<input type="checkbox"/>
KNKQ372	CL	06/01/2023 <input type="checkbox"/>	10/01/2023		<input type="checkbox"/>
KNKQ382	CL	06/01/2023 <input type="checkbox"/>	10/01/2023		<input type="checkbox"/>
KNKQ384	CL	06/01/2023 <input type="checkbox"/>	10/01/2023		<input type="checkbox"/>
KNKQ386	CL	06/01/2023 <input type="checkbox"/>	10/01/2024		<input type="checkbox"/>
KNKQ391	CL	06/01/2023	05/09/2028		<input type="checkbox"/>
KNKQ394	CL	06/01/2023	05/09/2028		<input type="checkbox"/>
KNKQ395	CL	06/01/2023 <input type="checkbox"/>	05/09/2028		<input type="checkbox"/>
KNKQ397	CL	06/01/2023 <input type="checkbox"/>	05/09/2028		<input type="checkbox"/>
KNKQ415	CL	06/01/2023 <input type="checkbox"/>	05/09/2028		<input type="checkbox"/>
KNKQ422	CL	06/01/2023 <input type="checkbox"/>	05/09/2028		<input type="checkbox"/>
KNKQ434	CL	06/01/2023 <input type="checkbox"/>	05/09/2028		<input type="checkbox"/>
KNKQ436	CL	06/01/2023 <input type="checkbox"/>	10/01/2025		<input type="checkbox"/>
KNKQ440	CL	06/01/2023 <input type="checkbox"/>	05/09/2028		<input type="checkbox"/>
KNKQ442	CL	06/01/2023 <input type="checkbox"/>	05/09/2028		<input type="checkbox"/>

1) Call Sign(s) or Lease/Sublease Identifier(s)	2) Radio Service Code	3) Commencement Date (MM/DD/YYYY) OR Check box for FCC Grant Date	4) Expiration Date (MM/DD/YYYY)	5) Revised Expiration Date (MM/DD/YYYY)	6) Cancellation Date (MM/DD/YYYY) OR Check box if Lease/Sublease Never Commenced
KNKQ455	CL	06/01/2023 <input type="checkbox"/>	10/01/2027		<input type="checkbox"/>
KNKR212	CL	06/01/2023 <input type="checkbox"/>	04/02/2026		<input type="checkbox"/>
WPOM853	CL	06/01/2023 <input type="checkbox"/>	05/09/2028		<input type="checkbox"/>
WPQL801	CL	06/01/2023 <input type="checkbox"/>	10/01/2023		<input type="checkbox"/>
WPQS583	CL	06/01/2023 <input type="checkbox"/>	05/09/2028		<input type="checkbox"/>
WPQS584	CL	06/01/2023 <input type="checkbox"/>	05/09/2028		<input type="checkbox"/>
WPSJ791	CL	06/01/2023 <input type="checkbox"/>	05/09/2028		<input type="checkbox"/>
WPSJ792	CL	06/01/2023 <input type="checkbox"/>	05/09/2028		<input type="checkbox"/>
WPTD845	CL	06/01/2023 <input type="checkbox"/>	05/09/2028		<input type="checkbox"/>
WPVV299	CL	06/01/2023 <input type="checkbox"/>	05/09/2028		<input type="checkbox"/>
WPWU896	WZ	06/01/2023 <input type="checkbox"/>	05/09/2028		<input type="checkbox"/>
WPWU913	WZ	06/01/2023 <input type="checkbox"/>	05/09/2028		<input type="checkbox"/>
WPWU914	WZ	06/01/2023 <input type="checkbox"/>	05/09/2028		<input type="checkbox"/>
WPWU916	WZ	06/01/2023 <input type="checkbox"/>	05/09/2028		<input type="checkbox"/>
WPWU917	WZ	06/01/2023 <input type="checkbox"/>	05/09/2028		<input type="checkbox"/>

1) Call Sign(s) or Lease/Sublease Identifier(s)	2) Radio Service Code	3) Commencement Date (MM/DD/YYYY) OR Check box for FCC Grant Date	4) Expiration Date (MM/DD/YYYY)	5) Revised Expiration Date (MM/DD/YYYY)	6) Cancellation Date (MM/DD/YYYY) OR Check box if Lease/Sublease Never Commenced
WPWU918	WZ	06/01/2023 <input type="checkbox"/>	05/09/2028		<input type="checkbox"/>
WPWU919	WZ	06/01/2023 <input type="checkbox"/>	05/09/2028		<input type="checkbox"/>
WPWU921	WZ	06/01/2023 <input type="checkbox"/>	05/09/2028		<input type="checkbox"/>
WPWU928	WZ	06/01/2023 <input type="checkbox"/>	05/09/2028		<input type="checkbox"/>
WPWU930	WZ	06/01/2023 <input type="checkbox"/>	05/09/2028		<input type="checkbox"/>
WPWU934	WZ	06/01/2023	05/09/2028		<input type="checkbox"/>
WPWU936	WZ	06/01/2023	05/09/2028		<input type="checkbox"/>
WPWU948	WZ	06/01/2023 <input type="checkbox"/>	05/09/2028		<input type="checkbox"/>
WPWU953	WZ	06/01/2023 <input type="checkbox"/>	05/09/2028		<input type="checkbox"/>
WPWU954	WZ	06/01/2023 <input type="checkbox"/>	05/09/2028		<input type="checkbox"/>
WPWU961	WZ	06/01/2023 <input type="checkbox"/>	05/09/2028		<input type="checkbox"/>
WPWU962	WZ	06/01/2023 <input type="checkbox"/>	05/09/2028		<input type="checkbox"/>
WPWU968	WZ	06/01/2023 <input type="checkbox"/>	05/09/2028		<input type="checkbox"/>
WPWU971	WZ	06/01/2023 <input type="checkbox"/>	05/09/2028		<input type="checkbox"/>
WPWU979	WZ	06/01/2023 <input type="checkbox"/>	05/09/2028		<input type="checkbox"/>

1) Call Sign(s) or Lease/Sublease Identifier(s)	2) Radio Service Code	3) Commencement Date (MM/DD/YYYY) OR Check box for FCC Grant Date	4) Expiration Date (MM/DD/YYYY)	5) Revised Expiration Date (MM/DD/YYYY)	6) Cancellation Date (MM/DD/YYYY) OR Check box if Lease/Sublease Never Commenced
WPWU995	WZ	06/01/2023 <input type="checkbox"/>	05/09/2028		<input type="checkbox"/>
WPWV201	WZ	06/01/2023 <input type="checkbox"/>	05/09/2028		<input type="checkbox"/>
WPWV203	WZ	06/01/2023 <input type="checkbox"/>	05/09/2028		<input type="checkbox"/>
WPWV211	WZ	06/01/2023 <input type="checkbox"/>	05/09/2028		<input type="checkbox"/>
WPWV215	WZ	06/01/2023 <input type="checkbox"/>	05/09/2028		<input type="checkbox"/>
WPWV218	WZ	06/01/2023	05/09/2028		<input type="checkbox"/>
WPWV222	WZ	06/01/2023	05/09/2028		<input type="checkbox"/>
WPWV224	WZ	06/01/2023 <input type="checkbox"/>	05/09/2028		<input type="checkbox"/>
WPWV234	WZ	06/01/2023 <input type="checkbox"/>	05/09/2028		<input type="checkbox"/>
WPWV263	WZ	06/01/2023 <input type="checkbox"/>	05/09/2028		<input type="checkbox"/>
WPWV268	WZ	06/01/2023 <input type="checkbox"/>	05/09/2028		<input type="checkbox"/>
WPWV279	WZ	06/01/2023 <input type="checkbox"/>	05/09/2028		<input type="checkbox"/>
WPWV280	WZ	06/01/2023 <input type="checkbox"/>	05/09/2028		<input type="checkbox"/>
WPWV281	WZ	06/01/2023 <input type="checkbox"/>	05/09/2028		<input type="checkbox"/>
WPWV286	WZ	06/01/2023 <input type="checkbox"/>	05/09/2028		<input type="checkbox"/>

1) Call Sign(s) or Lease/Sublease Identifier(s)	2) Radio Service Code	3) Commencement Date (MM/DD/YYYY) OR Check box for FCC Grant Date	4) Expiration Date (MM/DD/YYYY)	5) Revised Expiration Date (MM/DD/YYYY)	6) Cancellation Date (MM/DD/YYYY) OR Check box if Lease/Sublease Never Commenced
WPWV295	WZ	06/01/2023 <input type="checkbox"/>	05/09/2028		<input type="checkbox"/>
WPWV305	WZ	06/01/2023 <input type="checkbox"/>	05/09/2028		<input type="checkbox"/>
WPWV310	WZ	06/01/2023 <input type="checkbox"/>	05/09/2028		<input type="checkbox"/>
WPWV311	WZ	06/01/2023 <input type="checkbox"/>	05/09/2028		<input type="checkbox"/>
WPWV312	WZ	06/01/2023 <input type="checkbox"/>	05/09/2028		<input type="checkbox"/>
WPWV315	WZ	06/01/2023	05/09/2028		<input type="checkbox"/>
WPWV321	WZ	06/01/2023	05/09/2028		<input type="checkbox"/>
WPWV324	WZ	06/01/2023 <input type="checkbox"/>	05/09/2028		<input type="checkbox"/>
WPWV325	WZ	06/01/2023 <input type="checkbox"/>	05/09/2028		<input type="checkbox"/>
WPWV326	WZ	06/01/2023 <input type="checkbox"/>	05/09/2028		<input type="checkbox"/>
WPWV328	WZ	06/01/2023 <input type="checkbox"/>	05/09/2028		<input type="checkbox"/>
WPWV329	WZ	06/01/2023 <input type="checkbox"/>	05/09/2028		<input type="checkbox"/>
WPWV331	WZ	06/01/2023 <input type="checkbox"/>	05/09/2028		<input type="checkbox"/>
WPWV332	WZ	06/01/2023 <input type="checkbox"/>	05/09/2028		<input type="checkbox"/>
WPWV333	WZ	06/01/2023 <input type="checkbox"/>	05/09/2028		<input type="checkbox"/>

1) Call Sign(s) or Lease/Sublease Identifier(s)	2) Radio Service Code	3) Commencement Date (MM/DD/YYYY) OR Check box for FCC Grant Date	4) Expiration Date (MM/DD/YYYY)	5) Revised Expiration Date (MM/DD/YYYY)	6) Cancellation Date (MM/DD/YYYY) OR Check box if Lease/Sublease Never Commenced
WPWV335	WZ	06/01/2023 <input type="checkbox"/>	05/09/2028		<input type="checkbox"/>
WPWV341	WZ	06/01/2023 <input type="checkbox"/>	05/09/2028		<input type="checkbox"/>
WPWV342	WZ	06/01/2023 <input type="checkbox"/>	05/09/2028		<input type="checkbox"/>
WPWV357	WZ	06/01/2023 <input type="checkbox"/>	05/09/2028		<input type="checkbox"/>
WPWV358	WZ	06/01/2023 <input type="checkbox"/>	05/09/2028		<input type="checkbox"/>
WPWV359	WZ	06/01/2023	05/09/2028		<input type="checkbox"/>
WPWV360	WZ	06/01/2023	05/09/2028		<input type="checkbox"/>
WPWV366	WZ	06/01/2023 <input type="checkbox"/>	05/09/2028		<input type="checkbox"/>
WPWV367	WZ	06/01/2023 <input type="checkbox"/>	05/09/2028		<input type="checkbox"/>
WPWV369	WZ	06/01/2023 <input type="checkbox"/>	05/09/2028		<input type="checkbox"/>
WPWV373	WZ	06/01/2023 <input type="checkbox"/>	05/09/2028		<input type="checkbox"/>
WPWV376	WZ	06/01/2023 <input type="checkbox"/>	05/09/2028		<input type="checkbox"/>
WPWV377	WZ	06/01/2023 <input type="checkbox"/>	05/09/2028		<input type="checkbox"/>
WPWV380	WZ	06/01/2023 <input type="checkbox"/>	05/09/2028		<input type="checkbox"/>
WPWV385	WZ	06/01/2023 <input type="checkbox"/>	05/09/2028		<input type="checkbox"/>

1) Call Sign(s) or Lease/Sublease Identifier(s)	2) Radio Service Code	3) Commencement Date (MM/DD/YYYY) OR Check box for FCC Grant Date	4) Expiration Date (MM/DD/YYYY)	5) Revised Expiration Date (MM/DD/YYYY)	6) Cancellation Date (MM/DD/YYYY) OR Check box if Lease/Sublease Never Commenced
WPWV388	WZ	06/01/2023 <input type="checkbox"/>	05/09/2028		<input type="checkbox"/>
WPWV398	WZ	06/01/2023 <input type="checkbox"/>	05/09/2028		<input type="checkbox"/>
WPWV401	WZ	06/01/2023 <input type="checkbox"/>	05/09/2028		<input type="checkbox"/>
WPWV408	WZ	06/01/2023 <input type="checkbox"/>	05/09/2028		<input type="checkbox"/>
WPWV424	WZ	06/01/2023 <input type="checkbox"/>	05/09/2028		<input type="checkbox"/>
WPWV425	WZ	06/01/2023	05/09/2028		<input type="checkbox"/>
WPWV427	WZ	06/01/2023	05/09/2028		<input type="checkbox"/>
WPWV456	WZ	06/01/2023 <input type="checkbox"/>	05/09/2028		<input type="checkbox"/>
WPWV462	WZ	06/01/2023 <input type="checkbox"/>	05/09/2028		<input type="checkbox"/>
WPWV465	WZ	06/01/2023 <input type="checkbox"/>	05/09/2028		<input type="checkbox"/>
WPWV482	WZ	06/01/2023 <input type="checkbox"/>	05/09/2028		<input type="checkbox"/>
WPWV511	WZ	06/01/2023 <input type="checkbox"/>	05/09/2028		<input type="checkbox"/>
WPWV513	WZ	06/01/2023 <input type="checkbox"/>	05/09/2028		<input type="checkbox"/>
WPWV514	WZ	06/01/2023 <input type="checkbox"/>	05/09/2028		<input type="checkbox"/>
WPWV518	WZ	06/01/2023 <input type="checkbox"/>	05/09/2028		<input type="checkbox"/>

1) Call Sign(s) or Lease/Sublease Identifier(s)	2) Radio Service Code	3) Commencement Date (MM/DD/YYYY) OR Check box for FCC Grant Date	4) Expiration Date (MM/DD/YYYY)	5) Revised Expiration Date (MM/DD/YYYY)	6) Cancellation Date (MM/DD/YYYY) OR Check box if Lease/Sublease Never Commenced
WPWV522	WZ	06/01/2023 <input type="checkbox"/>	05/09/2028		<input type="checkbox"/>
WPWV523	WZ	06/01/2023 <input type="checkbox"/>	05/09/2028		<input type="checkbox"/>
WPWV524	WZ	06/01/2023 <input type="checkbox"/>	05/09/2028		<input type="checkbox"/>
WPWV525	WZ	06/01/2023 <input type="checkbox"/>	05/09/2028		<input type="checkbox"/>
WPWV526	WZ	06/01/2023 <input type="checkbox"/>	05/09/2028		<input type="checkbox"/>
WPWV547	WZ	06/01/2023	05/09/2028		<input type="checkbox"/>
WPWV548	WZ	06/01/2023	05/09/2028		<input type="checkbox"/>
WPXD984	WZ	06/01/2023 <input type="checkbox"/>	05/09/2028		<input type="checkbox"/>
WPXD987	WZ	06/01/2023 <input type="checkbox"/>	05/09/2028		<input type="checkbox"/>
WPXD988	WZ	06/01/2023 <input type="checkbox"/>	05/09/2028		<input type="checkbox"/>
WPYZ849	WZ	06/01/2023 <input type="checkbox"/>	05/09/2028		<input type="checkbox"/>
WPYZ851	WZ	06/01/2023 <input type="checkbox"/>	05/09/2028		<input type="checkbox"/>
WPYZ852	WZ	06/01/2023 <input type="checkbox"/>	05/09/2028		<input type="checkbox"/>
WPYZ856	WZ	06/01/2023 <input type="checkbox"/>	05/09/2028		<input type="checkbox"/>
WPYZ857	WZ	06/01/2023 <input type="checkbox"/>	05/09/2028		<input type="checkbox"/>

1) Call Sign(s) or Lease/Sublease Identifier(s)	2) Radio Service Code	3) Commencement Date (MM/DD/YYYY) OR Check box for FCC Grant Date	4) Expiration Date (MM/DD/YYYY)	5) Revised Expiration Date (MM/DD/YYYY)	6) Cancellation Date (MM/DD/YYYY) OR Check box if Lease/Sublease Never Commenced
WPYZ859	WZ	06/01/2023 <input type="checkbox"/>	05/09/2028		<input type="checkbox"/>
WPYZ864	WZ	06/01/2023 <input type="checkbox"/>	05/09/2028		<input type="checkbox"/>
WPYZ868	WZ	06/01/2023 <input type="checkbox"/>	05/09/2028		<input type="checkbox"/>
WPYZ872	WZ	06/01/2023 <input type="checkbox"/>	05/09/2028		<input type="checkbox"/>
WPYZ873	WZ	06/01/2023 <input type="checkbox"/>	05/09/2028		<input type="checkbox"/>
WPYZ880	WZ	06/01/2023	05/09/2028		<input type="checkbox"/>
WPYZ881	WZ	06/01/2023	05/09/2028		<input type="checkbox"/>
WPYZ886	WZ	06/01/2023 <input type="checkbox"/>	05/09/2028		<input type="checkbox"/>
WPYZ891	WZ	06/01/2023 <input type="checkbox"/>	05/09/2028		<input type="checkbox"/>
WPYZ892	WZ	06/01/2023 <input type="checkbox"/>	05/09/2028		<input type="checkbox"/>
WPYZ894	WZ	06/01/2023 <input type="checkbox"/>	05/09/2028		<input type="checkbox"/>
WPYZ895	WZ	06/01/2023 <input type="checkbox"/>	05/09/2028		<input type="checkbox"/>
WPYZ896	WZ	06/01/2023 <input type="checkbox"/>	05/09/2028		<input type="checkbox"/>
WPYZ897	WZ	06/01/2023 <input type="checkbox"/>	05/09/2028		<input type="checkbox"/>
WPYZ898	WZ	06/01/2023 <input type="checkbox"/>	05/09/2028		<input type="checkbox"/>

1) Call Sign(s) or Lease/Sublease Identifier(s)	2) Radio Service Code	3) Commencement Date (MM/DD/YYYY) OR Check box for FCC Grant Date	4) Expiration Date (MM/DD/YYYY)	5) Revised Expiration Date (MM/DD/YYYY)	6) Cancellation Date (MM/DD/YYYY) OR Check box if Lease/Sublease Never Commenced
WPYZ899	WZ	06/01/2023 <input type="checkbox"/>	05/09/2028		<input type="checkbox"/>
WPYZ907	WZ	06/01/2023 <input type="checkbox"/>	05/09/2028		<input type="checkbox"/>
WPYZ908	WZ	06/01/2023 <input type="checkbox"/>	05/09/2028		<input type="checkbox"/>
WPYZ909	WZ	06/01/2023 <input type="checkbox"/>	05/09/2028		<input type="checkbox"/>
WPYZ911	WZ	06/01/2023 <input type="checkbox"/>	05/09/2028		<input type="checkbox"/>
WPYZ912	WZ	06/01/2023	05/09/2028		<input type="checkbox"/>
WPYZ915	WZ	06/01/2023	05/09/2028		<input type="checkbox"/>
WPYZ917	WZ	06/01/2023 <input type="checkbox"/>	05/09/2028		<input type="checkbox"/>
WPYZ919	WZ	06/01/2023 <input type="checkbox"/>	05/09/2028		<input type="checkbox"/>
WPYZ922	WZ	06/01/2023 <input type="checkbox"/>	05/09/2028		<input type="checkbox"/>
WPYZ926	WZ	06/01/2023 <input type="checkbox"/>	05/09/2028		<input type="checkbox"/>
WPYZ927	WZ	06/01/2023 <input type="checkbox"/>	05/09/2028		<input type="checkbox"/>
WPYZ928	WZ	06/01/2023 <input type="checkbox"/>	05/09/2028		<input type="checkbox"/>
WPYZ929	WZ	06/01/2023 <input type="checkbox"/>	05/09/2028		<input type="checkbox"/>
WPYZ930	WZ	06/01/2023 <input type="checkbox"/>	05/09/2028		<input type="checkbox"/>

1) Call Sign(s) or Lease/Sublease Identifier(s)	2) Radio Service Code	3) Commencement Date (MM/DD/YYYY) OR Check box for FCC Grant Date	4) Expiration Date (MM/DD/YYYY)	5) Revised Expiration Date (MM/DD/YYYY)	6) Cancellation Date (MM/DD/YYYY) OR Check box if Lease/Sublease Never Commenced
WPYZ931	WZ	06/01/2023 <input type="checkbox"/>	05/09/2028		<input type="checkbox"/>
WPYZ932	WZ	06/01/2023 <input type="checkbox"/>	05/09/2028		<input type="checkbox"/>
WPYZ939	WZ	06/01/2023 <input type="checkbox"/>	05/09/2028		<input type="checkbox"/>
WPYZ942	WZ	06/01/2023 <input type="checkbox"/>	05/09/2028		<input type="checkbox"/>
WPYZ945	WZ	06/01/2023 <input type="checkbox"/>	05/09/2028		<input type="checkbox"/>
WPYZ946	WZ	06/01/2023	05/09/2028		<input type="checkbox"/>
WPYZ950	WZ	06/01/2023	05/09/2028		<input type="checkbox"/>
WPYZ951	WZ	06/01/2023 <input type="checkbox"/>	05/09/2028		<input type="checkbox"/>
WPYZ952	WZ	06/01/2023 <input type="checkbox"/>	05/09/2028		<input type="checkbox"/>
WPYZ953	WZ	06/01/2023 <input type="checkbox"/>	05/09/2028		<input type="checkbox"/>
WPYZ954	WZ	06/01/2023 <input type="checkbox"/>	05/09/2028		<input type="checkbox"/>
WPYZ956	WZ	06/01/2023 <input type="checkbox"/>	05/09/2028		<input type="checkbox"/>
WPYZ957	WZ	06/01/2023 <input type="checkbox"/>	05/09/2028		<input type="checkbox"/>
WPYZ958	WZ	06/01/2023 <input type="checkbox"/>	05/09/2028		<input type="checkbox"/>
WPYZ960	WZ	06/01/2023 <input type="checkbox"/>	05/09/2028		<input type="checkbox"/>

1) Call Sign(s) or Lease/Sublease Identifier(s)	2) Radio Service Code	3) Commencement Date (MM/DD/YYYY) OR Check box for FCC Grant Date	4) Expiration Date (MM/DD/YYYY)	5) Revised Expiration Date (MM/DD/YYYY)	6) Cancellation Date (MM/DD/YYYY) OR Check box if Lease/Sublease Never Commenced
WPYZ962	WZ	06/01/2023 <input type="checkbox"/>	05/09/2028		<input type="checkbox"/>
WPYZ963	WZ	06/01/2023 <input type="checkbox"/>	05/09/2028		<input type="checkbox"/>
WPYZ964	WZ	06/01/2023 <input type="checkbox"/>	05/09/2028		<input type="checkbox"/>
WPYZ973	WZ	06/01/2023 <input type="checkbox"/>	05/09/2028		<input type="checkbox"/>
WPYZ974	WZ	06/01/2023 <input type="checkbox"/>	05/09/2028		<input type="checkbox"/>
WPYZ975	WZ	06/01/2023	05/09/2028		<input type="checkbox"/>
WPYZ976	WZ	06/01/2023	05/09/2028		<input type="checkbox"/>
WPYZ977	WZ	06/01/2023 <input type="checkbox"/>	05/09/2028		<input type="checkbox"/>
WPYZ979	WZ	06/01/2023 <input type="checkbox"/>	05/09/2028		<input type="checkbox"/>
WPYZ981	WZ	06/01/2023 <input type="checkbox"/>	05/09/2028		<input type="checkbox"/>
WPYZ982	WZ	06/01/2023 <input type="checkbox"/>	05/09/2028		<input type="checkbox"/>
WPYZ983	WZ	06/01/2023 <input type="checkbox"/>	05/09/2028		<input type="checkbox"/>
WPYZ984	WZ	06/01/2023 <input type="checkbox"/>	05/09/2028		<input type="checkbox"/>
WPYZ985	WZ	06/01/2023 <input type="checkbox"/>	05/09/2028		<input type="checkbox"/>
WPYZ986	WZ	06/01/2023 <input type="checkbox"/>	05/09/2028		<input type="checkbox"/>

1) Call Sign(s) or Lease/Sublease Identifier(s)	2) Radio Service Code	3) Commencement Date (MM/DD/YYYY) OR Check box for FCC Grant Date	4) Expiration Date (MM/DD/YYYY)	5) Revised Expiration Date (MM/DD/YYYY)	6) Cancellation Date (MM/DD/YYYY) OR Check box if Lease/Sublease Never Commenced
WPYZ988	WZ	06/01/2023 <input type="checkbox"/>	05/09/2028		<input type="checkbox"/>
WPYZ989	WZ	06/01/2023 <input type="checkbox"/>	05/09/2028		<input type="checkbox"/>
WPYZ990	WZ	06/01/2023 <input type="checkbox"/>	05/09/2028		<input type="checkbox"/>
WPYZ994	WZ	06/01/2023 <input type="checkbox"/>	05/09/2028		<input type="checkbox"/>
WPYZ995	WZ	06/01/2023 <input type="checkbox"/>	05/09/2028		<input type="checkbox"/>
WPYZ996	WZ	06/01/2023	05/09/2028		<input type="checkbox"/>
WPYZ997	WZ	06/01/2023	05/09/2028		<input type="checkbox"/>
WPYZ998	WZ	06/01/2023 <input type="checkbox"/>	05/09/2028		<input type="checkbox"/>
WPZA201	WZ	06/01/2023 <input type="checkbox"/>	05/09/2028		<input type="checkbox"/>
WPZA210	WZ	06/01/2023 <input type="checkbox"/>	05/09/2028		<input type="checkbox"/>
WPZA227	WZ	06/01/2023 <input type="checkbox"/>	05/09/2028		<input type="checkbox"/>
WPZA231	WZ	06/01/2023 <input type="checkbox"/>	05/09/2028		<input type="checkbox"/>
WPZA265	WZ	06/01/2023 <input type="checkbox"/>	05/09/2028		<input type="checkbox"/>
WPZA266	WZ	06/01/2023 <input type="checkbox"/>	05/09/2028		<input type="checkbox"/>
WPZA267	WZ	06/01/2023 <input type="checkbox"/>	05/09/2028		<input type="checkbox"/>

1) Call Sign(s) or Lease/Sublease Identifier(s)	2) Radio Service Code	3) Commencement Date (MM/DD/YYYY) OR Check box for FCC Grant Date	4) Expiration Date (MM/DD/YYYY)	5) Revised Expiration Date (MM/DD/YYYY)	6) Cancellation Date (MM/DD/YYYY) OR Check box if Lease/Sublease Never Commenced
WPZA268	WZ	06/01/2023 <input type="checkbox"/>	05/09/2028		<input type="checkbox"/>
WPZA273	WZ	06/01/2023 <input type="checkbox"/>	05/09/2028		<input type="checkbox"/>
WPZA275	WZ	06/01/2023 <input type="checkbox"/>	05/09/2028		<input type="checkbox"/>
WPZA277	WZ	06/01/2023 <input type="checkbox"/>	05/09/2028		<input type="checkbox"/>
WPZA278	WZ	06/01/2023 <input type="checkbox"/>	05/09/2028		<input type="checkbox"/>
WPZL272	WZ	06/01/2023	05/09/2028		<input type="checkbox"/>
WPZL273	WZ	06/01/2023	05/09/2028		<input type="checkbox"/>
WPZL274	WZ	06/01/2023 <input type="checkbox"/>	05/09/2028		<input type="checkbox"/>
WPZL282	WZ	06/01/2023 <input type="checkbox"/>	05/09/2028		<input type="checkbox"/>
WPZL284	WZ	06/01/2023 <input type="checkbox"/>	05/09/2028		<input type="checkbox"/>
WPZL285	WZ	06/01/2023 <input type="checkbox"/>	05/09/2028		<input type="checkbox"/>
WPZL286	WZ	06/01/2023 <input type="checkbox"/>	05/09/2028		<input type="checkbox"/>
WPZL287	WZ	06/01/2023 <input type="checkbox"/>	05/09/2028		<input type="checkbox"/>
WPZL288	WZ	06/01/2023 <input type="checkbox"/>	05/09/2028		<input type="checkbox"/>
WPZL290	WZ	06/01/2023 <input type="checkbox"/>	05/09/2028		<input type="checkbox"/>

1) Call Sign(s) or Lease/Sublease Identifier(s)	2) Radio Service Code	3) Commencement Date (MM/DD/YYYY) OR Check box for FCC Grant Date	4) Expiration Date (MM/DD/YYYY)	5) Revised Expiration Date (MM/DD/YYYY)	6) Cancellation Date (MM/DD/YYYY) OR Check box if Lease/Sublease Never Commenced
WPZP958	CL	06/01/2023 <input type="checkbox"/>	10/01/2025		<input type="checkbox"/>
WPZW674	WZ	06/01/2023 <input type="checkbox"/>	05/09/2028		<input type="checkbox"/>
WQBQ590	WZ	06/01/2023 <input type="checkbox"/>	05/09/2028		<input type="checkbox"/>
WQBQ591	WZ	06/01/2023 <input type="checkbox"/>	05/09/2028		<input type="checkbox"/>
WQBQ592	WZ	06/01/2023 <input type="checkbox"/>	05/09/2028		<input type="checkbox"/>
WQBQ593	WZ	06/01/2023	05/09/2028		<input type="checkbox"/>
WQBQ595	WZ	06/01/2023	05/09/2028		<input type="checkbox"/>
WQBQ596	WZ	06/01/2023 <input type="checkbox"/>	05/09/2028		<input type="checkbox"/>
WQBQ597	WZ	06/01/2023 <input type="checkbox"/>	05/09/2028		<input type="checkbox"/>
WQBQ598	WZ	06/01/2023 <input type="checkbox"/>	05/09/2028		<input type="checkbox"/>
WQBQ600	WZ	06/01/2023 <input type="checkbox"/>	05/09/2028		<input type="checkbox"/>
WQBQ601	WZ	06/01/2023 <input type="checkbox"/>	05/09/2028		<input type="checkbox"/>
WQBQ602	WZ	06/01/2023 <input type="checkbox"/>	05/09/2028		<input type="checkbox"/>
WQBQ604	WZ	06/01/2023 <input type="checkbox"/>	05/09/2028		<input type="checkbox"/>
WQBQ605	WZ	06/01/2023 <input type="checkbox"/>	05/09/2028		<input type="checkbox"/>

1) Call Sign(s) or Lease/Sublease Identifier(s)	2) Radio Service Code	3) Commencement Date (MM/DD/YYYY) OR Check box for FCC Grant Date	4) Expiration Date (MM/DD/YYYY)	5) Revised Expiration Date (MM/DD/YYYY)	6) Cancellation Date (MM/DD/YYYY) OR Check box if Lease/Sublease Never Commenced
WQBQ606	WZ	06/01/2023 <input type="checkbox"/>	05/09/2028		<input type="checkbox"/>
WQBQ609	WZ	06/01/2023 <input type="checkbox"/>	05/09/2028		<input type="checkbox"/>
WQBQ610	WZ	06/01/2023 <input type="checkbox"/>	05/09/2028		<input type="checkbox"/>
WQBQ611	WZ	06/01/2023 <input type="checkbox"/>	05/09/2028		<input type="checkbox"/>
WQBQ612	WZ	06/01/2023 <input type="checkbox"/>	05/09/2028		<input type="checkbox"/>
WQBQ614	WZ	06/01/2023	05/09/2028		<input type="checkbox"/>
WQBQ615	WZ	06/01/2023	05/09/2028		<input type="checkbox"/>
WQBQ616	WZ	06/01/2023 <input type="checkbox"/>	05/09/2028		<input type="checkbox"/>
WQBQ617	WZ	06/01/2023 <input type="checkbox"/>	05/09/2028		<input type="checkbox"/>
WQBQ618	WZ	06/01/2023 <input type="checkbox"/>	05/09/2028		<input type="checkbox"/>
WQBQ619	WZ	06/01/2023 <input type="checkbox"/>	05/09/2028		<input type="checkbox"/>
WQBQ620	WZ	06/01/2023 <input type="checkbox"/>	05/09/2028		<input type="checkbox"/>
WQBQ622	WZ	06/01/2023 <input type="checkbox"/>	05/09/2028		<input type="checkbox"/>
WQBQ623	WZ	06/01/2023 <input type="checkbox"/>	05/09/2028		<input type="checkbox"/>
WQBQ624	WZ	06/01/2023 <input type="checkbox"/>	05/09/2028		<input type="checkbox"/>

1) Call Sign(s) or Lease/Sublease Identifier(s)	2) Radio Service Code	3) Commencement Date (MM/DD/YYYY) OR Check box for FCC Grant Date	4) Expiration Date (MM/DD/YYYY)	5) Revised Expiration Date (MM/DD/YYYY)	6) Cancellation Date (MM/DD/YYYY) OR Check box if Lease/Sublease Never Commenced
WQBQ625	WZ	06/01/2023 <input type="checkbox"/>	05/09/2028		<input type="checkbox"/>
WQBQ626	WZ	06/01/2023 <input type="checkbox"/>	05/09/2028		<input type="checkbox"/>
WQBQ629	WZ	06/01/2023 <input type="checkbox"/>	05/09/2028		<input type="checkbox"/>
WQBQ637	WZ	06/01/2023 <input type="checkbox"/>	05/09/2028		<input type="checkbox"/>
WQDH434	WZ	06/01/2023 <input type="checkbox"/>	05/09/2028		<input type="checkbox"/>
WQDX566	WZ	06/01/2023	05/09/2028		<input type="checkbox"/>
WQDY775	CL	06/01/2023	12/02/2025		<input type="checkbox"/>
WQGK594	WZ	06/01/2023 <input type="checkbox"/>	05/09/2028		<input type="checkbox"/>
WQGV418	WZ	06/01/2023 <input type="checkbox"/>	05/09/2028		<input type="checkbox"/>
WQGV419	WZ	06/01/2023 <input type="checkbox"/>	05/09/2028		<input type="checkbox"/>
WQHM481	WZ	06/01/2023 <input type="checkbox"/>	05/09/2028		<input type="checkbox"/>
WQHM482	WZ	06/01/2023 <input type="checkbox"/>	05/09/2028		<input type="checkbox"/>
WQIZ365	WY	06/01/2023 <input type="checkbox"/>	05/09/2028		<input type="checkbox"/>
WQIZ366	WY	06/01/2023 <input type="checkbox"/>	05/09/2028		<input type="checkbox"/>
WQIZ367	WY	06/01/2023 <input type="checkbox"/>	05/09/2028		<input type="checkbox"/>

1) Call Sign(s) or Lease/Sublease Identifier(s)	2) Radio Service Code	3) Commencement Date (MM/DD/YYYY) OR Check box for FCC Grant Date	4) Expiration Date (MM/DD/YYYY)	5) Revised Expiration Date (MM/DD/YYYY)	6) Cancellation Date (MM/DD/YYYY) OR Check box if Lease/Sublease Never Commenced
WQIZ369	WY	06/01/2023 <input type="checkbox"/>	05/09/2028		<input type="checkbox"/>
WQIZ370	WY	06/01/2023 <input type="checkbox"/>	05/09/2028		<input type="checkbox"/>
WQIZ372	WY	06/01/2023 <input type="checkbox"/>	05/09/2028		<input type="checkbox"/>
WQIZ376	WY	06/01/2023 <input type="checkbox"/>	05/09/2028		<input type="checkbox"/>
WQIZ378	WY	06/01/2023 <input type="checkbox"/>	05/09/2028		<input type="checkbox"/>
WQIZ379	WY	06/01/2023	05/09/2028		<input type="checkbox"/>
WQIZ380	WY	06/01/2023	05/09/2028		<input type="checkbox"/>
WQIZ381	WY	06/01/2023 <input type="checkbox"/>	05/09/2028		<input type="checkbox"/>
WQIZ383	WY	06/01/2023 <input type="checkbox"/>	05/09/2028		<input type="checkbox"/>
WQIZ411	WY	06/01/2023 <input type="checkbox"/>	05/09/2028		<input type="checkbox"/>
WQIZ412	WY	06/01/2023 <input type="checkbox"/>	05/09/2028		<input type="checkbox"/>
WQIZ413	WY	06/01/2023 <input type="checkbox"/>	05/09/2028		<input type="checkbox"/>
WQIZ414	WY	06/01/2023 <input type="checkbox"/>	05/09/2028		<input type="checkbox"/>
WQIZ415	WY	06/01/2023 <input type="checkbox"/>	05/09/2028		<input type="checkbox"/>
WQIZ416	WY	06/01/2023 <input type="checkbox"/>	05/09/2028		<input type="checkbox"/>

1) Call Sign(s) or Lease/Sublease Identifier(s)	2) Radio Service Code	3) Commencement Date (MM/DD/YYYY) OR Check box for FCC Grant Date	4) Expiration Date (MM/DD/YYYY)	5) Revised Expiration Date (MM/DD/YYYY)	6) Cancellation Date (MM/DD/YYYY) OR Check box if Lease/Sublease Never Commenced
WQIZ419	WY	06/01/2023 <input type="checkbox"/>	05/09/2028		<input type="checkbox"/>
WQIZ420	WY	06/01/2023 <input type="checkbox"/>	05/09/2028		<input type="checkbox"/>
WQIZ421	WY	06/01/2023 <input type="checkbox"/>	05/09/2028		<input type="checkbox"/>
WQIZ437	WY	06/01/2023 <input type="checkbox"/>	05/09/2028		<input type="checkbox"/>
WQIZ438	WY	06/01/2023 <input type="checkbox"/>	05/09/2028		<input type="checkbox"/>
WQIZ440	WY	06/01/2023	05/09/2028		<input type="checkbox"/>
WQIZ441	WY	06/01/2023	05/09/2028		<input type="checkbox"/>
WQIZ442	WY	06/01/2023 <input type="checkbox"/>	05/09/2028		<input type="checkbox"/>
WQIZ443	WY	06/01/2023 <input type="checkbox"/>	05/09/2028		<input type="checkbox"/>
WQIZ444	WY	06/01/2023 <input type="checkbox"/>	05/09/2028		<input type="checkbox"/>
WQIZ446	WY	06/01/2023 <input type="checkbox"/>	05/09/2028		<input type="checkbox"/>
WQIZ477	WY	06/01/2023 <input type="checkbox"/>	05/09/2028		<input type="checkbox"/>
WQIZ478	WY	06/01/2023 <input type="checkbox"/>	05/09/2028		<input type="checkbox"/>
WQIZ479	WY	06/01/2023 <input type="checkbox"/>	05/09/2028		<input type="checkbox"/>
WQIZ480	WY	06/01/2023 <input type="checkbox"/>	05/09/2028		<input type="checkbox"/>

1) Call Sign(s) or Lease/Sublease Identifier(s)	2) Radio Service Code	3) Commencement Date (MM/DD/YYYY) OR Check box for FCC Grant Date	4) Expiration Date (MM/DD/YYYY)	5) Revised Expiration Date (MM/DD/YYYY)	6) Cancellation Date (MM/DD/YYYY) OR Check box if Lease/Sublease Never Commenced
WQIZ481	WY	06/01/2023 <input type="checkbox"/>	05/09/2028		<input type="checkbox"/>
WQIZ484	WY	06/01/2023 <input type="checkbox"/>	05/09/2028		<input type="checkbox"/>
WQIZ485	WY	06/01/2023 <input type="checkbox"/>	05/09/2028		<input type="checkbox"/>
WQIZ486	WY	06/01/2023 <input type="checkbox"/>	05/09/2028		<input type="checkbox"/>
WQIZ487	WY	06/01/2023 <input type="checkbox"/>	05/09/2028		<input type="checkbox"/>
WQIZ488	WY	06/01/2023	05/09/2028		<input type="checkbox"/>
WQIZ489	WY	06/01/2023	05/09/2028		<input type="checkbox"/>
WQIZ490	WY	06/01/2023 <input type="checkbox"/>	05/09/2028		<input type="checkbox"/>
WQIZ491	WY	06/01/2023 <input type="checkbox"/>	05/09/2028		<input type="checkbox"/>
WQIZ492	WY	06/01/2023 <input type="checkbox"/>	05/09/2028		<input type="checkbox"/>
WQIZ494	WY	06/01/2023 <input type="checkbox"/>	05/09/2028		<input type="checkbox"/>
WQIZ495	WY	06/01/2023 <input type="checkbox"/>	05/09/2028		<input type="checkbox"/>
WQIZ496	WY	06/01/2023 <input type="checkbox"/>	05/09/2028		<input type="checkbox"/>
WQIZ497	WY	06/01/2023 <input type="checkbox"/>	05/09/2028		<input type="checkbox"/>
WQIZ498	WY	06/01/2023 <input type="checkbox"/>	05/09/2028		<input type="checkbox"/>

1) Call Sign(s) or Lease/Sublease Identifier(s)	2) Radio Service Code	3) Commencement Date (MM/DD/YYYY) OR Check box for FCC Grant Date	4) Expiration Date (MM/DD/YYYY)	5) Revised Expiration Date (MM/DD/YYYY)	6) Cancellation Date (MM/DD/YYYY) OR Check box if Lease/Sublease Never Commenced
WQIZ499	WY	06/01/2023 <input type="checkbox"/>	05/09/2028		<input type="checkbox"/>
WQIZ502	WY	06/01/2023 <input type="checkbox"/>	05/09/2028		<input type="checkbox"/>
WQIZ508	WY	06/01/2023 <input type="checkbox"/>	05/09/2028		<input type="checkbox"/>
WQIZ510	WY	06/01/2023 <input type="checkbox"/>	05/09/2028		<input type="checkbox"/>
WQIZ512	WY	06/01/2023 <input type="checkbox"/>	05/09/2028		<input type="checkbox"/>
WQIZ513	WY	06/01/2023	05/09/2028		<input type="checkbox"/>
WQIZ514	WY	06/01/2023	05/09/2028		<input type="checkbox"/>
WQIZ515	WY	06/01/2023 <input type="checkbox"/>	05/09/2028		<input type="checkbox"/>
WQIZ516	WY	06/01/2023 <input type="checkbox"/>	05/09/2028		<input type="checkbox"/>
WQIZ517	WY	06/01/2023 <input type="checkbox"/>	05/09/2028		<input type="checkbox"/>
WQIZ518	WY	06/01/2023 <input type="checkbox"/>	05/09/2028		<input type="checkbox"/>
WQIZ519	WY	06/01/2023 <input type="checkbox"/>	05/09/2028		<input type="checkbox"/>
WQIZ520	WY	06/01/2023 <input type="checkbox"/>	05/09/2028		<input type="checkbox"/>
WQIZ521	WY	06/01/2023 <input type="checkbox"/>	05/09/2028		<input type="checkbox"/>
WQIZ523	WY	06/01/2023 <input type="checkbox"/>	05/09/2028		<input type="checkbox"/>

1) Call Sign(s) or Lease/Sublease Identifier(s)	2) Radio Service Code	3) Commencement Date (MM/DD/YYYY) OR Check box for FCC Grant Date	4) Expiration Date (MM/DD/YYYY)	5) Revised Expiration Date (MM/DD/YYYY)	6) Cancellation Date (MM/DD/YYYY) OR Check box if Lease/Sublease Never Commenced
WQIZ524	WY	06/01/2023 <input type="checkbox"/>	05/09/2028		<input type="checkbox"/>
WQIZ532	WY	06/01/2023 <input type="checkbox"/>	05/09/2028		<input type="checkbox"/>
WQIZ548	WY	06/01/2023 <input type="checkbox"/>	05/09/2028		<input type="checkbox"/>
WQIZ550	WY	06/01/2023 <input type="checkbox"/>	05/09/2028		<input type="checkbox"/>
WQIZ551	WY	06/01/2023 <input type="checkbox"/>	05/09/2028		<input type="checkbox"/>
WQIZ552	WY	06/01/2023	05/09/2028		<input type="checkbox"/>
WQIZ553	WY	06/01/2023	05/09/2028		<input type="checkbox"/>
WQIZ555	WY	06/01/2023 <input type="checkbox"/>	05/09/2028		<input type="checkbox"/>
WQIZ574	WY	06/01/2023 <input type="checkbox"/>	05/09/2028		<input type="checkbox"/>
WQIZ577	WY	06/01/2023 <input type="checkbox"/>	05/09/2028		<input type="checkbox"/>
WQIZ584	WY	06/01/2023 <input type="checkbox"/>	05/09/2028		<input type="checkbox"/>
WQIZ586	WY	06/01/2023 <input type="checkbox"/>	05/09/2028		<input type="checkbox"/>
WQIZ590	WY	06/01/2023 <input type="checkbox"/>	05/09/2028		<input type="checkbox"/>
WQIZ591	WY	06/01/2023 <input type="checkbox"/>	05/09/2028		<input type="checkbox"/>
WQIZ592	WY	06/01/2023 <input type="checkbox"/>	05/09/2028		<input type="checkbox"/>

1) Call Sign(s) or Lease/Sublease Identifier(s)	2) Radio Service Code	3) Commencement Date (MM/DD/YYYY) OR Check box for FCC Grant Date	4) Expiration Date (MM/DD/YYYY)	5) Revised Expiration Date (MM/DD/YYYY)	6) Cancellation Date (MM/DD/YYYY) OR Check box if Lease/Sublease Never Commenced
WQIZ593	WY	06/01/2023 <input type="checkbox"/>	05/09/2028		<input type="checkbox"/>
WQIZ594	WY	06/01/2023 <input type="checkbox"/>	05/09/2028		<input type="checkbox"/>
WQIZ615	WY	06/01/2023 <input type="checkbox"/>	05/09/2028		<input type="checkbox"/>
WQIZ636	WY	06/01/2023 <input type="checkbox"/>	05/09/2028		<input type="checkbox"/>
WQJQ678	WY	06/01/2023 <input type="checkbox"/>	05/09/2028		<input type="checkbox"/>
WQJQ725	WY	06/01/2023	05/09/2028		<input type="checkbox"/>
WQJQ732	WY	06/01/2023	05/09/2028		<input type="checkbox"/>
WQJQ738	WY	06/01/2023 <input type="checkbox"/>	05/09/2028		<input type="checkbox"/>
WQJQ742	WY	06/01/2023 <input type="checkbox"/>	05/09/2028		<input type="checkbox"/>
WQJQ744	WY	06/01/2023 <input type="checkbox"/>	05/09/2028		<input type="checkbox"/>
WQJQ759	WY	06/01/2023 <input type="checkbox"/>	05/09/2028		<input type="checkbox"/>
WQJQ767	WY	06/01/2023 <input type="checkbox"/>	05/09/2028		<input type="checkbox"/>
WQJQ768	WY	06/01/2023 <input type="checkbox"/>	05/09/2028		<input type="checkbox"/>
WQJQ769	WY	06/01/2023 <input type="checkbox"/>	05/09/2028		<input type="checkbox"/>
WQJQ770	WY	06/01/2023 <input type="checkbox"/>	05/09/2028		<input type="checkbox"/>

1) Call Sign(s) or Lease/Sublease Identifier(s)	2) Radio Service Code	3) Commencement Date (MM/DD/YYYY) OR Check box for FCC Grant Date	4) Expiration Date (MM/DD/YYYY)	5) Revised Expiration Date (MM/DD/YYYY)	6) Cancellation Date (MM/DD/YYYY) OR Check box if Lease/Sublease Never Commenced
WQJQ779	WY	06/01/2023 <input type="checkbox"/>	05/09/2028		<input type="checkbox"/>
WQJQ793	WY	06/01/2023 <input type="checkbox"/>	05/09/2028		<input type="checkbox"/>
WQJU424	WY	06/01/2023 <input type="checkbox"/>	05/09/2028		<input type="checkbox"/>
WQJU429	WY	06/01/2023 <input type="checkbox"/>	05/09/2028		<input type="checkbox"/>
WQJU432	WY	06/01/2023 <input type="checkbox"/>	05/09/2028		<input type="checkbox"/>
WQJU433	WY	06/01/2023	05/09/2028		<input type="checkbox"/>
WQJU442	WY	06/01/2023	05/09/2028		<input type="checkbox"/>
WQJU443	WY	06/01/2023 <input type="checkbox"/>	05/09/2028		<input type="checkbox"/>
WQJU444	WY	06/01/2023 <input type="checkbox"/>	05/09/2028		<input type="checkbox"/>
WQJU449	WY	06/01/2023 <input type="checkbox"/>	05/09/2028		<input type="checkbox"/>
WQJU451	WY	06/01/2023 <input type="checkbox"/>	05/09/2028		<input type="checkbox"/>
WQJU454	WY	06/01/2023 <input type="checkbox"/>	05/09/2028		<input type="checkbox"/>
WQJU455	WY	06/01/2023 <input type="checkbox"/>	05/09/2028		<input type="checkbox"/>
WQJU458	WY	06/01/2023 <input type="checkbox"/>	05/09/2028		<input type="checkbox"/>
WQJU461	WY	06/01/2023 <input type="checkbox"/>	05/09/2028		<input type="checkbox"/>

1) Call Sign(s) or Lease/Sublease Identifier(s)	2) Radio Service Code	3) Commencement Date (MM/DD/YYYY) OR Check box for FCC Grant Date	4) Expiration Date (MM/DD/YYYY)	5) Revised Expiration Date (MM/DD/YYYY)	6) Cancellation Date (MM/DD/YYYY) OR Check box if Lease/Sublease Never Commenced
WQJU462	WY	06/01/2023 <input type="checkbox"/>	05/09/2028		<input type="checkbox"/>
WQJU464	WY	06/01/2023 <input type="checkbox"/>	05/09/2028		<input type="checkbox"/>
WQJU466	WY	06/01/2023 <input type="checkbox"/>	05/09/2028		<input type="checkbox"/>
WQJU467	WY	06/01/2023 <input type="checkbox"/>	05/09/2028		<input type="checkbox"/>
WQJU468	WY	06/01/2023 <input type="checkbox"/>	05/09/2028		<input type="checkbox"/>
WQJU471	WY	06/01/2023	05/09/2028		<input type="checkbox"/>
WQJU473	WY	06/01/2023	05/09/2028		<input type="checkbox"/>
WQJU474	WY	06/01/2023 <input type="checkbox"/>	05/09/2028		<input type="checkbox"/>
WQJU475	WY	06/01/2023 <input type="checkbox"/>	05/09/2028		<input type="checkbox"/>
WQJU476	WY	06/01/2023 <input type="checkbox"/>	05/09/2028		<input type="checkbox"/>
WQJU479	WY	06/01/2023 <input type="checkbox"/>	05/09/2028		<input type="checkbox"/>
WQJU482	WY	06/01/2023 <input type="checkbox"/>	05/09/2028		<input type="checkbox"/>
WQJU483	WY	06/01/2023 <input type="checkbox"/>	05/09/2028		<input type="checkbox"/>
WQJU490	WY	06/01/2023 <input type="checkbox"/>	05/09/2028		<input type="checkbox"/>
WQJU491	WY	06/01/2023 <input type="checkbox"/>	05/09/2028		<input type="checkbox"/>

1) Call Sign(s) or Lease/Sublease Identifier(s)	2) Radio Service Code	3) Commencement Date (MM/DD/YYYY) OR Check box for FCC Grant Date	4) Expiration Date (MM/DD/YYYY)	5) Revised Expiration Date (MM/DD/YYYY)	6) Cancellation Date (MM/DD/YYYY) OR Check box if Lease/Sublease Never Commenced
WQJU494	WY	06/01/2023 <input type="checkbox"/>	05/09/2028		<input type="checkbox"/>
WQJU495	WY	06/01/2023 <input type="checkbox"/>	05/09/2028		<input type="checkbox"/>
WQJU496	WY	06/01/2023 <input type="checkbox"/>	05/09/2028		<input type="checkbox"/>
WQJU498	WY	06/01/2023 <input type="checkbox"/>	05/09/2028		<input type="checkbox"/>
WQJU502	WY	06/01/2023 <input type="checkbox"/>	05/09/2028		<input type="checkbox"/>
WQJU509	WY	06/01/2023	05/09/2028		<input type="checkbox"/>
WQJU510	WY	06/01/2023	05/09/2028		<input type="checkbox"/>
WQJU513	WY	06/01/2023 <input type="checkbox"/>	05/09/2028		<input type="checkbox"/>
WQJU514	WY	06/01/2023 <input type="checkbox"/>	05/09/2028		<input type="checkbox"/>
WQJU523	WY	06/01/2023 <input type="checkbox"/>	05/09/2028		<input type="checkbox"/>
WQJU524	WY	06/01/2023 <input type="checkbox"/>	05/09/2028		<input type="checkbox"/>
WQJU526	WY	06/01/2023 <input type="checkbox"/>	05/09/2028		<input type="checkbox"/>
WQJU527	WY	06/01/2023 <input type="checkbox"/>	05/09/2028		<input type="checkbox"/>
WQJU528	WY	06/01/2023 <input type="checkbox"/>	05/09/2028		<input type="checkbox"/>
WQJU529	WY	06/01/2023 <input type="checkbox"/>	05/09/2028		<input type="checkbox"/>

1) Call Sign(s) or Lease/Sublease Identifier(s)	2) Radio Service Code	3) Commencement Date (MM/DD/YYYY) OR Check box for FCC Grant Date	4) Expiration Date (MM/DD/YYYY)	5) Revised Expiration Date (MM/DD/YYYY)	6) Cancellation Date (MM/DD/YYYY) OR Check box if Lease/Sublease Never Commenced
WQJU534	WY	06/01/2023 <input type="checkbox"/>	05/09/2028		<input type="checkbox"/>
WQJU540	WY	06/01/2023 <input type="checkbox"/>	05/09/2028		<input type="checkbox"/>
WQJU541	WY	06/01/2023 <input type="checkbox"/>	05/09/2028		<input type="checkbox"/>
WQJU542	WY	06/01/2023 <input type="checkbox"/>	05/09/2028		<input type="checkbox"/>
WQJU544	WY	06/01/2023 <input type="checkbox"/>	05/09/2028		<input type="checkbox"/>
WQJU547	WY	06/01/2023	05/09/2028		<input type="checkbox"/>
WQJU548	WY	06/01/2023	05/09/2028		<input type="checkbox"/>
WQJU549	WY	06/01/2023 <input type="checkbox"/>	05/09/2028		<input type="checkbox"/>
WQJU550	WY	06/01/2023 <input type="checkbox"/>	05/09/2028		<input type="checkbox"/>
WQJU558	WY	06/01/2023 <input type="checkbox"/>	05/09/2028		<input type="checkbox"/>
WQJU559	WY	06/01/2023 <input type="checkbox"/>	05/09/2028		<input type="checkbox"/>
WQJU560	WY	06/01/2023 <input type="checkbox"/>	05/09/2028		<input type="checkbox"/>
WQJU561	WY	06/01/2023 <input type="checkbox"/>	05/09/2028		<input type="checkbox"/>
WQJU564	WY	06/01/2023 <input type="checkbox"/>	05/09/2028		<input type="checkbox"/>
WQJU567	WY	06/01/2023 <input type="checkbox"/>	05/09/2028		<input type="checkbox"/>

1) Call Sign(s) or Lease/Sublease Identifier(s)	2) Radio Service Code	3) Commencement Date (MM/DD/YYYY) OR Check box for FCC Grant Date	4) Expiration Date (MM/DD/YYYY)	5) Revised Expiration Date (MM/DD/YYYY)	6) Cancellation Date (MM/DD/YYYY) OR Check box if Lease/Sublease Never Commenced
WQJU569	WY	06/01/2023 <input type="checkbox"/>	05/09/2028		<input type="checkbox"/>
WQJU574	WY	06/01/2023 <input type="checkbox"/>	05/09/2028		<input type="checkbox"/>
WQJU575	WY	06/01/2023 <input type="checkbox"/>	05/09/2028		<input type="checkbox"/>
WQJU582	WY	06/01/2023 <input type="checkbox"/>	05/09/2028		<input type="checkbox"/>
WQJU583	WY	06/01/2023 <input type="checkbox"/>	05/09/2028		<input type="checkbox"/>
WQJU584	WY	06/01/2023	05/09/2028		<input type="checkbox"/>
WQJU585	WY	06/01/2023	05/09/2028		<input type="checkbox"/>
WQJU587	WY	06/01/2023 <input type="checkbox"/>	05/09/2028		<input type="checkbox"/>
WQJU597	WY	06/01/2023 <input type="checkbox"/>	05/09/2028		<input type="checkbox"/>
WQJU598	WY	06/01/2023 <input type="checkbox"/>	05/09/2028		<input type="checkbox"/>
WQJU599	WY	06/01/2023 <input type="checkbox"/>	05/09/2028		<input type="checkbox"/>
WQJU600	WY	06/01/2023 <input type="checkbox"/>	05/09/2028		<input type="checkbox"/>
WQJU601	WY	06/01/2023 <input type="checkbox"/>	05/09/2028		<input type="checkbox"/>
WQJU603	WY	06/01/2023 <input type="checkbox"/>	05/09/2028		<input type="checkbox"/>
WQJU607	WY	06/01/2023 <input type="checkbox"/>	05/09/2028		<input type="checkbox"/>

1) Call Sign(s) or Lease/Sublease Identifier(s)	2) Radio Service Code	3) Commencement Date (MM/DD/YYYY) OR Check box for FCC Grant Date	4) Expiration Date (MM/DD/YYYY)	5) Revised Expiration Date (MM/DD/YYYY)	6) Cancellation Date (MM/DD/YYYY) OR Check box if Lease/Sublease Never Commenced
WQJU608	WY	06/01/2023 <input type="checkbox"/>	05/09/2028		<input type="checkbox"/>
WQJU609	WY	06/01/2023 <input type="checkbox"/>	05/09/2028		<input type="checkbox"/>
WQJU610	WY	06/01/2023 <input type="checkbox"/>	05/09/2028		<input type="checkbox"/>
WQJU611	WY	06/01/2023 <input type="checkbox"/>	05/09/2028		<input type="checkbox"/>
WQJU613	WY	06/01/2023 <input type="checkbox"/>	05/09/2028		<input type="checkbox"/>
WQJU615	WY	06/01/2023	05/09/2028		<input type="checkbox"/>
WQJU616	WY	06/01/2023	05/09/2028		<input type="checkbox"/>
WQJU622	WY	06/01/2023 <input type="checkbox"/>	05/09/2028		<input type="checkbox"/>
WQJU623	WY	06/01/2023 <input type="checkbox"/>	05/09/2028		<input type="checkbox"/>
WQJU631	WY	06/01/2023 <input type="checkbox"/>	05/09/2028		<input type="checkbox"/>
WQJU632	WY	06/01/2023 <input type="checkbox"/>	05/09/2028		<input type="checkbox"/>
WQJU633	WY	06/01/2023 <input type="checkbox"/>	05/09/2028		<input type="checkbox"/>
WQJU634	WY	06/01/2023 <input type="checkbox"/>	05/09/2028		<input type="checkbox"/>
WQJU635	WY	06/01/2023 <input type="checkbox"/>	05/09/2028		<input type="checkbox"/>
WQJU636	WY	06/01/2023 <input type="checkbox"/>	05/09/2028		<input type="checkbox"/>

1) Call Sign(s) or Lease/Sublease Identifier(s)	2) Radio Service Code	3) Commencement Date (MM/DD/YYYY) OR Check box for FCC Grant Date	4) Expiration Date (MM/DD/YYYY)	5) Revised Expiration Date (MM/DD/YYYY)	6) Cancellation Date (MM/DD/YYYY) OR Check box if Lease/Sublease Never Commenced
WQJU657	WY	06/01/2023 <input type="checkbox"/>	05/09/2028		<input type="checkbox"/>
WQJU658	WY	06/01/2023 <input type="checkbox"/>	05/09/2028		<input type="checkbox"/>
WQJU662	WY	06/01/2023 <input type="checkbox"/>	05/09/2028		<input type="checkbox"/>
WQJU666	WY	06/01/2023 <input type="checkbox"/>	05/09/2028		<input type="checkbox"/>
WQJU671	WY	06/01/2023 <input type="checkbox"/>	05/09/2028		<input type="checkbox"/>
WQJU672	WY	06/01/2023	05/09/2028		<input type="checkbox"/>
WQJU673	WY	06/01/2023	05/09/2028		<input type="checkbox"/>
WQJU674	WY	06/01/2023 <input type="checkbox"/>	05/09/2028		<input type="checkbox"/>
WQJU680	WY	06/01/2023 <input type="checkbox"/>	05/09/2028		<input type="checkbox"/>
WQJU684	WY	06/01/2023 <input type="checkbox"/>	05/09/2028		<input type="checkbox"/>
WQJU686	WY	06/01/2023 <input type="checkbox"/>	05/09/2028		<input type="checkbox"/>
WQJU688	WY	06/01/2023 <input type="checkbox"/>	05/09/2028		<input type="checkbox"/>
WQJU704	WY	06/01/2023 <input type="checkbox"/>	05/09/2028		<input type="checkbox"/>
WQJU707	WY	06/01/2023 <input type="checkbox"/>	05/09/2028		<input type="checkbox"/>
WQJU708	WY	06/01/2023 <input type="checkbox"/>	05/09/2028		<input type="checkbox"/>

1) Call Sign(s) or Lease/Sublease Identifier(s)	2) Radio Service Code	3) Commencement Date (MM/DD/YYYY) OR Check box for FCC Grant Date	4) Expiration Date (MM/DD/YYYY)	5) Revised Expiration Date (MM/DD/YYYY)	6) Cancellation Date (MM/DD/YYYY) OR Check box if Lease/Sublease Never Commenced
WQJZ319	WY	06/01/2023 <input type="checkbox"/>	05/09/2028		<input type="checkbox"/>
WQKH486	WY	06/01/2023 <input type="checkbox"/>	05/09/2028		<input type="checkbox"/>
WQPY814	WZ	06/01/2023 <input type="checkbox"/>	05/09/2028		<input type="checkbox"/>
WQQI317	WY	06/01/2023 <input type="checkbox"/>	05/09/2028		<input type="checkbox"/>
WQRD957	CL	06/01/2023 <input type="checkbox"/>	05/09/2028		<input type="checkbox"/>
WQRN260	WZ	06/01/2023	05/09/2028		<input type="checkbox"/>
WQTM551	WY	06/01/2023	05/09/2028		<input type="checkbox"/>
WQWN346	WZ	06/01/2023 <input type="checkbox"/>	05/09/2028		<input type="checkbox"/>
WRBS571	WZ	06/01/2023 <input type="checkbox"/>	05/09/2028		<input type="checkbox"/>
WREK331	WZ	06/01/2023 <input type="checkbox"/>	05/09/2028		<input type="checkbox"/>
WREK332	WZ	06/01/2023 <input type="checkbox"/>	05/09/2028		<input type="checkbox"/>

Attachment(s):

Type	Description	Date Entered
O	Exhibit 3 - Technical Information	07/24/2023
P	T-Mobile - Ex Parte on AT&T-AST Lease	05/25/2023
O	Ex. 2 Leased Spectrum	05/10/2023
W	Ex. 1 PIS and Waiver	05/10/2023

Reference Copy Only. Do Not Mail to the FCC as an Application.

Submitted: 01/22/2024 at 15:00:08
 File Number: 0010868314

FCC 601
Main Form

FCC Application for Radio Service Authorization: Wireless Telecommunications Bureau Public Safety and Homeland Security Bureau

Approved by OMB
 3060 - 0798
 See instructions for
 public burden estimate

1) Radio Service Code: CL	1a) Existing Radio Service Code:
---	----------------------------------

General Information

2) (Select only one) (AU) NE - New RO - Renewal Only AU - Administrative Update NT - Required Notifications MD - Modification RM - Renewal/Modification WD - Withdrawal of Application EX - Requests for Extension of Time AM - Amendment CA - Cancellation of License RL - Registered Location/Link	
3a) If this application is for a Demonstration License or a Special Temporary Authorization (STA) , enter the code and attach the required exhibit as described in the instructions. Otherwise enter ' N/A ' (Not Applicable).	(N) <u>M</u> <u>S</u> <u>N/A</u>
3b) If this application is for Special Temporary Authority due to an emergency situation, enter 'Y'; otherwise enter 'N'. Refer to Rule 1.915 for an explanation of situations considered to be an emergency.	() <u>Y</u> es <u>N</u> o
4) If this application is for an Amendment or Withdrawal, enter the file number of the pending application currently on file with the FCC.	File Number
5) If this application is for a Modification, Renewal Only, Renewal/Modification, Cancellation of License, or Administrative Update, enter the call sign of the existing FCC license. If this is a request for Registered Location/Link, enter the FCC call sign assigned to the geographic license.	Call Sign KNKN830
6a) If this application is for a New, Amendment, Renewal Only, or Renewal/Modification, enter the requested authorization expiration date (this item is optional).	MM DD /
6b) If this application is for a Renewal Only or Renewal/Modification and the license is a geographic area license, is the license used to provide service to customers (C), or is the license used for private business (internal) purposes or to meet the licensee's public interest/public safety communications needs (P)?	() <u>C</u> <u>P</u>
7) Is this application "major" as defined in § 1.929 of the Commission's Rules when read in conjunction with the applicable radio service rules found in Parts 22 and 90 of the Commission's Rules? (NOTE: This question only applies to certain site-specific applications. See the instructions for applicability and full text of § 1.929).	() <u>Y</u> es <u>N</u> o
8) Are attachments (other than associated schedules) being filed with this application?	() <u>Y</u> es <u>N</u> o

Fees, Waivers, and Exemptions

9) Is the Applicant exempt from FCC application fees?	(N) <u>Y</u> es <u>N</u> o
10) Is the Applicant exempt from FCC regulatory fees?	(N) <u>Y</u> es <u>N</u> o
11) Does this application include a request for a Waiver of the Commission's Rule(s)? If 'Yes', attach an exhibit providing rule number(s) and explaining circumstances.	(N) <u>Y</u> es <u>N</u> o
12) Are the frequencies or parameters requested in this filing covered by grandfathered privileges, previously approved by waiver, or functionally integrated with an existing station?	() <u>Y</u> es <u>N</u> o

Applicant Information

13) FCC Registration Number (FRN): 0003291192			
14) Applicant/Licensee Legal Entity Type: (Select One) <input type="checkbox"/> Individual <input type="checkbox"/> Unincorporated Association <input type="checkbox"/> Trust <input type="checkbox"/> Government Entity <input type="checkbox"/> Corporation <input checked="" type="checkbox"/> Limited Liability Company <input type="checkbox"/> General Partnership <input type="checkbox"/> Limited Partnership <input type="checkbox"/> Limited Liability Partnership <input type="checkbox"/> Consortium <input type="checkbox"/> Other: _____			
15) If the Licensee name is being updated, is the update a result from the sale (or transfer of control) of the license(s) to party and for which proper Commission approval has not been received or proper notification not provided?			<input type="checkbox"/> Yes <input checked="" type="checkbox"/> No
16) First Name (if individual):	MI:	Last Name:	Suffix:
17) Legal Entity Name (if other than individual): NEW CINGULAR WIRELESS PCS, LLC			
18) Attention To: National Regulatory Compliance			
19) P.O. Box:	And/Or	20) Street Address: 208 S Akard St, 20F	
21) City: Dallas	22) State: TX	23) Zip Code: 75202	
24) Telephone Number: (855)699-7073		25) Fax:	
26) E-Mail Address: FCCMW@att.com			

27) Demographics (Optional)

Race: <input type="checkbox"/> American Indian or Alaska Native <input type="checkbox"/> Asian <input type="checkbox"/> Black or African-American <input type="checkbox"/> Native Hawaiian or Other Pacific Islander <input type="checkbox"/> White	Ethnicity: <input type="checkbox"/> Hispanic or Latino <input type="checkbox"/> Not Hispanic or Latino	Gender: <input type="checkbox"/> Male <input type="checkbox"/> Female
--	--	---

Real Party in Interest

28) Name of Real Party in Interest of Applicant (If different from Applicant):	29) FCC Registration Number (FRN) of Real Party in Interest:
--	--

Contact Information (If different from the Applicant) Check here if same as Applicant.

30) First Name: Jessica	MI: J	Last Name: Dunk	Suffix:
31) Company Name: AT&T Services, Inc.			
32) Attention To: NRC			
33) P.O. Box:	And /Or	34) Street Address: 208 S Akard St, 20F	
35) City: Dallas	36) State: TX	37) Zip Code: 75202	
38) Telephone Number: (855)699-7073		39) Fax:	
40) E-Mail Address: FCCMW@att.com			

Regulatory Status

41) This filing is for authorization to provide or use the following type(s) of radio service offering (enter all that apply): (<input type="checkbox"/>) <u>C</u> ommon Carrier (<input type="checkbox"/>) <u>N</u> on-Common Carrier (<input type="checkbox"/>) <u>P</u> rivate, internal communications (<input type="checkbox"/>) <u>B</u> roadcast Services (<input type="checkbox"/>) <u>B</u> and <u>M</u> anager

Type of Radio Service

42) This filing is for authorization to provide the following type(s) of radio service (choose all that apply): (<input type="checkbox"/>) <u>F</u> ixed (<input type="checkbox"/>) <u>M</u> obile (<input type="checkbox"/>) <u>R</u> adiolocation (<input type="checkbox"/>) <u>S</u> atellite (sound) (<input type="checkbox"/>) <u>B</u> roadcast Services
43) Does the Applicant propose to provide service interconnected to the public telephone network? (<input type="checkbox"/>) <u>Y</u> es <u>N</u> o

Alien Ownership Questions (If any answer is 'Y', provide an attachment explaining the circumstances. In preparing the attachment, refer to the Main Form Instructions for the "Alien Ownership Questions".)

44) Is the Applicant a foreign government or the representative of any foreign government? (<input type="checkbox"/>) <u>Y</u> es <u>N</u> o
45) Is the Applicant an alien or the representative of an alien? (<input type="checkbox"/>) <u>Y</u> es <u>N</u> o
46) Is the Applicant a corporation organized under the laws of any foreign government? (<input type="checkbox"/>) <u>Y</u> es <u>N</u> o
47) Is the Applicant a corporation of which more than one-fifth of the capital stock is owned of record or voted by aliens or their representatives, or by a foreign government or representative thereof, or by any corporation organized under the laws of a foreign country? (<input type="checkbox"/>) <u>Y</u> es <u>N</u> o

48a) Is the Applicant directly or indirectly controlled by any other corporation of which more than one-fourth of the capital stock () Yes No is owned of record or voted by aliens or their representatives, or by a foreign government or representative thereof, or by any corporation organized under the laws of a foreign country?

48b) If the answer to 47 or 48a is 'Y' select one of the choices below.

The Applicant is exempt from the provisions of Section 310(b).

If checked, it is not necessary to file a petition for declaratory ruling if the Applicant includes in the attachment required by Item 47 or Item 48a a showing that the requested license(s) is exempt from the provisions of Section 310(b).

The Applicant has received a declaratory ruling(s) approving its foreign ownership, and the application involves only the acquisition of additional spectrum for the provision of a wireless service in a geographic coverage area for which the Applicant has been previously authorized.

If checked, include in the attachment required by Item 47 or Item 48a the citation(s) of the applicable declaratory ruling(s) by DA/FCC number, the FCC Record citation, if available, release date, and a statement that there has been no change in the foreign ownership of the Applicant since the issuance of its ruling.

The Applicant: (i) has received a declaratory ruling(s) approving its foreign ownership, but is not able to make the certification specified immediately above; or (ii) is an "affiliate" of a Licensee or Lessee/Sublessee that received a declaratory ruling(s) under 47 CFR § 1.5000(a) and is relying on the affiliate's ruling for purposes of filing this application as permitted under the affiliate's ruling and 47 CFR § 1.5004(b)

If checked, and if the Applicant received its declaratory ruling(s) on or after August 9, 2013, include in the attachment required by Item 47 or Item 48a the citation(s) of the Applicant's declaratory ruling(s) by DA/FCC number, the FCC Record citation, if available, release date, and a statement that the Applicant is in compliance with the terms and conditions of its ruling and with the Commission's Rules.

If checked, and if the Applicant received its declaratory ruling(s) prior to August 9, 2013, include in the attachment required by Item 48a a copy of a petition for declaratory ruling filed contemporaneously with the Commission to extend the Applicant's existing ruling(s) to cover the same radio service(s) and geographic coverage area(s) involved in the application. Alternatively, the Applicant may request a new declaratory ruling pursuant to Section 1.5000(a) of the Commission's Rules, 47 CFR § 1.5000 (a). Petitions for declaratory ruling may be filed electronically on the Internet through the International Bureau Filing System (IBFS) (with a copy attached hereto).

If checked, and if the Applicant is relying on an affiliate's ruling for purposes of filing this application, include in the attachment required by Item 47 or Item 48a the citation(s) of the applicable declaratory ruling(s) by DA/FCC number, the FCC Record citation, if available, release date, and a statement that the Applicant is in compliance with the terms and conditions of the named affiliate's ruling and with the Commission's Rules. The Applicant must also include a certification of compliance signed by the named affiliate or other qualified entity as specified in 47 CFR § 1.5004(b). See Main Form Instructions for Items 47 or 48a, as applicable.

The Applicant has not received a declaratory ruling approving its foreign ownership and is requesting a declaratory ruling under 47 CFR § 1.5004(b) in a petition filed contemporaneously with the Commission.

If checked, include in the attachment required by Item 47 or 48a a copy of the petition for declaratory ruling filed contemporaneously with the Commission pursuant to 47 CFR § 1.5004(b). Petitions for declaratory ruling may be filed electronically on the Internet through the International Bureau Filing System (IBFS) (with a copy attached hereto).

Basic Qualification Questions

49) Has the Applicant or any party to this application had any FCC station authorization, license or construction permit revoked or had any application for an initial, modification or renewal of FCC station authorization, license, or construction permit denied by the Commission?	(<input type="checkbox"/>) <u>Yes</u> <u>No</u>
50) Has the Applicant or any party to this application, or any party directly or indirectly controlling the Applicant, ever been convicted of a felony by any state or federal court?	(<input type="checkbox"/>) <u>Yes</u> <u>No</u>
51) Has any court finally adjudged the Applicant or any party directly or indirectly controlling the Applicant guilty of unlawfully monopolizing or attempting unlawfully to monopolize radio communication, directly or indirectly, through control of manufacture or sale of radio apparatus, exclusive traffic arrangement, or any other means or unfair methods of competition?	(<input type="checkbox"/>) <u>Yes</u> <u>No</u>

Note: If the answer to any of 49-51 is 'Y', attach an exhibit explaining the circumstances.

Aeronautical Advisory Station (Unicom) Certification

52) (<input type="checkbox"/>) I certify that the station will be located on property of the airport to be served, and, in cases where the airport does not have a control tower, RCO, or FAA flight service station, that I have notified the owner of the airport and all aviation service organizations located at the airport within ten days prior to application.

Broadband Radio Service and Educational Broadband Service Cable Cross-Ownership

53a) Will the requested facilities be used to provide multichannel video programming service?	(<input type="checkbox"/>) <u>Yes</u> <u>No</u>
53b) If the answer to question 53a is 'Y', does the Applicant operate, control or have an attributable interest (as defined in 47 CFR § 27.1202) in a cable television system whose franchise area is located within the geographic service area of the requested facilities?	(<input type="checkbox"/>) <u>Yes</u> <u>No</u>

Note: If the answer to question 53b is 'Y', attach an exhibit explaining how the Applicant complies with 47 CFR § 27.1202 or justifying a waiver of that rule. If a waiver of the Commission Rule(s) is being requested, Item 11a must be answered 'Y'.

Broadband Radio Service and Educational Broadband Service (Part 27)

54) (For EBS only) Does the Applicant comply with the programming requirements contained in 47 CFR § 27.1203?	(<input type="checkbox"/>) <u>Yes</u> <u>No</u>
---	---

Note: If the answer to item 54 is 'N', attach an exhibit explaining how the Applicant complies with 47 CFR § 27.1203 of the Commission's Rules or justifying a waiver of that rule. If a waiver of the Commission Rule(s) is being requested, Item 11a must be answered 'Y'.

55) (For BRS and EBS) Does the Applicant comply with 47 CFR §§ 27.50, 27.55, and 27.1221?	(<input type="checkbox"/>) <u>Yes</u> <u>No</u>
---	---

Note: If the answer to item 55 is 'N', attach an exhibit justifying a waiver of that rule(s). If a waiver of the Commission Rule(s) is being requested, Item 11a must be answered 'Y'.

For Applicants Who Participated in an Auction

56) Is the Applicant a qualifying rural wireless partnership or a member of a qualifying rural wireless partnership?	(<input type="checkbox"/>) <u>Yes</u> <u>No</u>
--	---

Note: If the answer to item 56 is 'Y', attach an exhibit listing all members of the qualifying rural wireless partnership, including their FRN numbers.

For Renewal Applicants

57) Operation/Performance Requirement Certification	
[For a site-based license]: Applicant certifies that it is continuing to operate consistent with its most recently filed construction notification (or most recent authorization, if no construction notification was required).	(<input type="checkbox"/>) <u>Yes</u> <u>No</u>
[For a geographic license, commercial service - licensee in its initial license term with an interim performance requirement]: Applicant certifies that it has met its interim performance requirement, that over the portion of the license term following the interim performance requirement, it continues to use its facilities to provide at least the level of service required by its interim performance requirement, it has met its final performance requirement, and it continues to use its facilities to provide at least the level of service required by its final performance requirement through the end of the license term.	(<input type="checkbox"/>) <u>Yes</u> <u>No</u>
[For a geographic license, commercial service - licensee in its initial license term with no interim performance requirement]: Applicant certifies that it has met its final performance requirement and it continues to use its facilities to provide at least the level of service required by its final performance requirement through the end of the license term. [Note: licensee must provide a showing demonstrating that the final performance requirement has been met, either separately in a timely application for notification of completion of construction, or as part of its renewal application, depending on the radio service.]	(<input type="checkbox"/>) <u>Yes</u> <u>No</u>
[For a geographic license, commercial service - licensee in any subsequent term]: Applicant certifies that it continues to use its facilities to provide at least the level of service required by its final performance requirement through the end of any subsequent license terms.	(<input type="checkbox"/>) <u>Yes</u> <u>No</u>
[For a geographic license, private systems - licensee in its initial license term with an interim performance requirement]: Applicant certifies that it has met its interim performance requirement, that over the portion of the license term following the interim performance requirement, it continues to use its facilities to further its private business or public interest/public safety communications needs at or above the level required to meet its interim performance requirement, it has met its final performance requirement, and it continues to use its facilities to provide at least the level of operation required by its final performance requirement through the end of the license term.	(<input type="checkbox"/>) <u>Yes</u> <u>No</u>
[For a geographic license, private systems - licensee in its initial license term with no interim performance requirement]: Applicant certifies that it has met its final performance requirement, it continues to use its facilities to further its private business or public interest/public safety communications needs, and it continues to use its facilities to provide at least the level of operation required by its final performance requirement through the end of the license term. [Note: licensee must provide a showing demonstrating that the final performance requirement has been met, either separately in a timely application for notification of completion of construction, or as part of its renewal application, depending on the radio service.]	(<input type="checkbox"/>) <u>Yes</u> <u>No</u>

[For a geographic license, private systems - licensee in any subsequent term]: Applicant certifies that it continues to use its facilities to further its private business or public interest/public safety communications needs at or above the level required to meet its final performance requirement through the end of any subsequent license terms.	(<input type="checkbox"/>) <u>Yes</u> <u>No</u>
[For a partitioned or disaggregated license without a performance requirement, for the first renewal application filed after effective date of the rules]: Applicant certifies that the partitioned and/or disaggregated license that is the subject of this renewal application has no separate performance requirement and that this is the first renewal of this license filed subsequent to the effective date of the rules.	(<input type="checkbox"/>) <u>Yes</u> <u>No</u>
[For a partitioned or disaggregated license without a performance requirement, for any subsequent renewal filings]: Applicant certifies that it continues to use its facilities to provide service or to further the applicant's private business or public interest/public safety needs.	(<input type="checkbox"/>) <u>Yes</u> <u>No</u>

Discontinuance of Service Certification

58) Applicant certifies that no permanent discontinuance of service or operation, as applicable, occurred during its current license term. Note: If the response to either item 57 or item 58 is 'N', attach an exhibit that demonstrates that over the course of the license term, the Applicant provided and continues to provide service to the public, or operated and continues to operate the license to meet the Applicant's private business or public interest/public safety communications needs. This exhibit must include a detailed description of the Applicant's provision of service or, when allowed under the relevant service rules or pursuant to waiver, use of the spectrum for private business or public interest/public safety communications needs, during the entire license period and address, as applicable: 1) the level and quality of service provided by the applicant (e.g., the population served, the area served, the number of subscribers, the services offered); (2) the date service commenced, whether service was ever interrupted, and the duration of any interruption or outage; (3) the extent to which service is provided to rural areas; (4) the extent to which service is provided to qualifying tribal land as defined in 47 CFR § 1.2110(e)(3)(i); and (5) any other factors associated with the level of service to the public. The licensee may note in its exhibit: 1) any grant(s) of waiver or extension of a performance deadline or license renewal subject to meeting a performance requirement; or 2) if the final performance deadline and/or expiration date for the license accelerated because the licensee did not meet an interim performance requirement.	(<input type="checkbox"/>) <u>Yes</u> <u>No</u>
--	---

Regulatory Compliance Certification [same for all]

59) Applicant certifies that it has substantially complied with all applicable FCC rules, policies, and the Communications Act of 1934, as amended. Note: If the response to item 59 is 'N', attach an exhibit explaining the circumstances and demonstrating why Applicant's license should be renewed.	(<input type="checkbox"/>) <u>Yes</u> <u>No</u>
--	---

General Certification Statements

1) The Applicant waives any claim to the use of any particular frequency or of the electromagnetic spectrum as against the regulatory power of the United States because of the previous use of the same, whether by license or otherwise, and requests an authorization in accordance with this application.
2) The Applicant certifies that grant of this application would not cause the Applicant to be in violation of any pertinent cross-ownership or attribution rules.* *If the Applicant has sought a waiver of any such rule in connection with this application, it may make this certification subject to the outcome of the waiver request.
3) The Applicant certifies that all statements made in this application and in the exhibits, attachments, or documents incorporated by reference are material, are part of this application, and are true, complete, correct, and made in good faith.
4) The Applicant certifies that neither the Applicant nor any other party to the application is subject to a denial of Federal benefits pursuant to § 5301 of the Anti-Drug Abuse Act of 1988, 21 U.S.C. § 862, because of a conviction for possession or distribution of a controlled substance. This certification does not apply to applications filed in services exempted under § 1.2002(c) of the rules, 47 CFR § 1.2002(c). See 47 CFR § 1.2002(b) for the definition of "party to the application" as used in this certification.
5) The Applicant certifies that it either (1) has current required ownership data on file with the Commission, (2) is filing updated ownership data simultaneously with this application, or (3) is not required to file ownership data under the Commission's Rules.
6) The Applicant certifies that the facilities, operations, and transmitters for which this authorization is hereby requested are either: (1) categorically excluded from routine environmental evaluation for RF exposure as set forth in 47 CFR § 1.1307(b); or, (2) have been found not to cause human exposure to levels of radiofrequency radiation in excess of the limits specified in 47 CFR §§ 1.1310 and 2.1093; or, (3) are the subject of one or more Environmental Assessments filed with the Commission.
7) The Applicant certifies that it has reviewed the appropriate Commission Rules defining eligibility to hold the requested license(s) and is eligible to hold the requested license(s).
8) The Applicant certifies that it is not in default on any payment for Commission licenses and that it is not delinquent on any non-tax debt owed to any federal agency.
9) The Applicant certifies that the Applicant and all of the related individuals and entities required to be disclosed on this application and FCC Form 602 (FCC Ownership Disclosure Information for the Wireless Telecommunications Services) are not person(s) who have been, for reasons of national security, barred by any agency of the Federal Government from bidding on a contract, participating in an auction, or receiving a grant. This certification applies only to applications for licenses for spectrum that is required by Sections 6103, 6401-6403 of the Middle Class Tax Relief and Job Creation Act of 2012, codified at 47 U.S.C. §§ 309, 1413, 1451-1452, to be assigned by a system of competitive bidding under 47 U.S.C. § 309(j).

Signature

60) Typed or Printed Name of Party Authorized to Sign

First Name: Jessica	MI:	Last Name: Dunk	Suffix:
61) Title: Assistant Secretary - Compliance			
Signature: Jessica Dunk			62) Date: 01/22/2024
FAILURE TO SIGN THIS APPLICATION MAY RESULT IN DISMISSAL OF THE APPLICATION AND FORFEITURE OF ANY FEES PAID.			
Upon grant of this license application, the Licensee may be subject to certain construction or coverage requirements. Failure to meet the construction or coverage requirements will result in termination of the license. Consult appropriate FCC regulations to determine the construction or coverage requirements that apply to the type of license requested in this application.			
WILLFUL FALSE STATEMENTS MADE ON THIS FORM OR ANY ATTACHMENTS ARE PUNISHABLE BY FINE AND/OR IMPRISONMENT (U.S. Code, Title 18, § 1001) AND/OR REVOCATION OF ANY STATION LICENSE OR CONSTRUCTION PERMIT (U.S. Code, Title 47, § 312(a)(1)), AND/OR FORFEITURE (U.S. Code, Title 47, § 503).			

Cellular Unserved Area Information

1) Identify whether this is a New or Modification application for Unserved Area. () Yes () No			
If claiming Unserved Area, complete Items 2 through 5, as applicable.			
2) Market Designator	3) Market Name	4) Sub-Market Designator	5) Channel Block

Control Points

6) Action A/M/D	7) Control Point Number	8) Location Street Address, City or Town, County/Borough/Parish, State	9) Telephone Number

Commercial Air-ground Technical Parameters (Antenna Data)

10) Action A/M/D	11) Channel Block	12) Location Number	13) Antenna Number	14) Height to Tip of Antenna AGL (meters)	15) Maximum ERP (watts)

Cellular Radial Data

16) Action: () <u>A</u> dd <u>M</u> odify <u>D</u> elete	17) Location Number:		
18) Identify whether this is a New or Modification application using the non-PSD methodology (in accordance with 47 CFR § 22.911(a) or (b)), or using the PSD methodology (in accordance with 47 CFR § 22.911(c)).			
<input type="checkbox"/> Non-PSD <input type="checkbox"/> PSD			
19) Sector Number:			
20) Provide the Maximum ERP in watts/MHz (per sector) if the PSD option for determining the CGSA was selected under Item 18 of this Schedule F.			
Watts/MHz			
21) If this location/PSD sector contributes to the CGSA, and you are requesting that the CGSA boundary be determined using the PSD methodology (in accordance with 47 CFR § 22.911(c)), have you attached the required exhibit? If 'N/A', attach an exhibit explaining the circumstances.			
<input type="checkbox"/> Yes <input type="checkbox"/> No <input type="checkbox"/> N/A – Not applicable			
22) Antenna Number:			
23) Provide the Maximum ERP in watts (per emission) if the Non-PSD option for determining the CGSA was selected under Item 18 of this Schedule F.			
Watts			
24) If this location/Non-PSD antenna contributes to the CGSA, are you requesting that the CGSA boundary be determined using an alternative methodology under 47 CFR § 22.911(b) (non-PSD)? If 'Yes', attach an exhibit explaining the circumstances.			
<input type="checkbox"/> Yes <input checked="" type="checkbox"/> No			
25-27) If this location contributes to the CGSA and you are requesting that the CGSA boundary be determined using the Non-PSD methodology (in accordance with 47 CFR § 22.911(a) or (b)), please provide the following information:			
Azimuth (degrees from true north)	25) Antenna Height AAT (meters)	26) Transmitting ERP (watts)	27) Distance to CGSA (kilometers)
0°			
45°			
90°			
135°			
180°			
225°			
270°			
315°			

I certify that the proposed Cellular base or repeater stations comply with the ERP limits and all other applicable requirements in the Commission's rules, including 47 CFR § 22.913.

REFERENCE COPY

This is not an official FCC license. It is a record of public information contained in the FCC's licensing database on the date that this reference copy was generated. In cases where FCC rules require the presentation, posting, or display of an FCC license, this document may not be used in place of an official FCC license.



**Federal Communications Commission
Wireless Telecommunications Bureau
RADIO STATION AUTHORIZATION**

LICENSEE: NEW CINGULAR WIRELESS PCS, LLC

ATTN: NATIONAL REGULATORY COMPLIANCE
NEW CINGULAR WIRELESS PCS, LLC
208 S AKARD ST, 20F
DALLAS, TX 75202

Call Sign KNLF256	File Number
Radio Service CW - PCS Broadband	

FCC Registration Number (FRN): 0003291192

Grant Date 05-26-2015	Effective Date 01-24-2024	Expiration Date 06-23-2025	Print Date
Market Number MTA028	Channel Block B	Sub-Market Designator 19	
Market Name Memphis-Jackson			
1st Build-out Date 06-23-2000	2nd Build-out Date 06-23-2005	3rd Build-out Date	4th Build-out Date

Waivers/Conditions:

This authorization is subject to the condition that, in the event that systems using the same frequencies as granted herein are authorized in an adjacent foreign territory (Canada/United States), future coordination of any base station transmitters within 72 km (45 miles) of the United States/Canada border shall be required to eliminate any harmful interference to operations in the adjacent foreign territory and to ensure continuance of equal access to the frequencies by both countries.

This authorization is subject to the condition that the remaining balance of the winning bid amount will be paid in accordance with Part 1 of the Commission's rules, 47 C.F.R. Part 1.

Conditions:

Pursuant to §309(h) of the Communications Act of 1934, as amended, 47 U.S.C. §309(h), this license is subject to the following conditions: This license shall not vest in the licensee any right to operate the station nor any right in the use of the frequencies designated in the license beyond the term thereof nor in any other manner than authorized herein. Neither the license nor the right granted thereunder shall be assigned or otherwise transferred in violation of the Communications Act of 1934, as amended. See 47 U.S.C. § 310(d). This license is subject in terms to the right of use or control conferred by §706 of the Communications Act of 1934, as amended. See 47 U.S.C. §606.

This license may not authorize operation throughout the entire geographic area or spectrum identified on the hardcopy version. To view the specific geographic area and spectrum authorized by this license, refer to the Spectrum and Market Area information under the Market Tab of the license record in the Universal Licensing System (ULS). To view the license record, go to the ULS homepage at <http://wireless.fcc.gov/uls/index.htm?job=home> and select "License Search". Follow the instructions on how to search for license information.

Licensee Name: NEW CINGULAR WIRELESS PCS, LLC

Call Sign: KNLF256

File Number:

Print Date:

This license is conditioned upon compliance with the provisions of Applications of AT&T Wireless Services, Inc. and Cingular Wireless Corporation For Consent to Transfer Control of Licenses and Authorizations, Memorandum Opinion and Order, FCC 04-255 (rel. Oct. 26, 2004).

Spectrum Lease Associated with this License. See Spectrum Leasing Arrangement Letter dated 12/06/2004 and File # 0001918522.

The Spectrum Leasing Arrangement, which became effective upon approval of application file number 0001918522 was terminated, in part, on 03/03/2005. See file number 0002072114.

The Spectrum Leasing Arrangement, which became effective upon approval of application file number 0001918522 was terminated, in part, on 03/10/2005. See file number 0002092570.

The Spectrum Leasing Arrangement, which became effective upon approval of application file number 0001918522, was terminated on 04/14/2005. See file number 0002135370.

Commission approval of this application and the licenses contained therein are subject to the conditions set forth in the Memorandum Opinion and Order, adopted on December 29, 2006 and released on March 26, 2007, and revised in the Order on Reconsideration, adopted and released on March 26, 2007. See AT&T Inc. and BellSouth Corporation Application for Transfer of Control, WC Docket No. 06-74, Memorandum Opinion and Order, FCC 06-189 (rel. Mar. 26, 2007); AT&T Inc. and BellSouth Corporation, WC Docket No. 06-74, Order on Reconsideration, FCC 07-44 (rel. Mar. 26, 2007).

Licensee Name: NEW CINGULAR WIRELESS PCS, LLC

Call Sign: KNLF256

File Number:

Print Date:

700 MHz Relicensed Area Information:

Market	Market Name	Buildout Deadline	Buildout Notification	Status
---------------	--------------------	--------------------------	------------------------------	---------------

Reference Copy

Reference Copy Only. Do Not Mail to the FCC as an Application.

Submitted: 01/23/2024 at 17:43:02
 File Number: 0010873710

FCC 601
Main Form

FCC Application for Radio Service Authorization: Wireless Telecommunications Bureau Public Safety and Homeland Security Bureau

Approved by OMB
 3060 - 0798
 See instructions for
 public burden estimate

1) Radio Service Code: CW	1a) Existing Radio Service Code:
---	----------------------------------

General Information

2) (Select only one) (AU) NE - New RO - Renewal Only AU - Administrative Update NT - Required Notifications MD - Modification RM - Renewal/Modification WD - Withdrawal of Application EX - Requests for Extension of Time AM - Amendment CA - Cancellation of License RL - Registered Location/Link	
3a) If this application is for a Demonstration License or a Special Temporary Authorization (STA), enter the code and attach the required exhibit as described in the instructions. Otherwise enter ' <u>N/A</u> ' (Not Applicable).	(N) <u>M</u> <u>S</u> <u>N/A</u>
3b) If this application is for Special Temporary Authority due to an emergency situation, enter 'Y'; otherwise enter 'N'. Refer to Rule 1.915 for an explanation of situations considered to be an emergency.	() <u>Y</u> es <u>N</u> o
4) If this application is for an Amendment or Withdrawal, enter the file number of the pending application currently on file with the FCC.	File Number
5) If this application is for a Modification, Renewal Only, Renewal/Modification, Cancellation of License, or Administrative Update, enter the call sign of the existing FCC license. If this is a request for Registered Location/Link, enter the FCC call sign assigned to the geographic license.	Call Sign KNLF256
6a) If this application is for a New, Amendment, Renewal Only, or Renewal/Modification, enter the requested authorization expiration date (this item is optional).	MM DD /
6b) If this application is for a Renewal Only or Renewal/Modification and the license is a geographic area license, is the license used to provide service to customers (C), or is the license used for private business (internal) purposes or to meet the licensee's public interest/public safety communications needs (P)?	() <u>C</u> <u>P</u>
7) Is this application "major" as defined in § 1.929 of the Commission's Rules when read in conjunction with the applicable radio service rules found in Parts 22 and 90 of the Commission's Rules? (NOTE: This question only applies to certain site-specific applications. See the instructions for applicability and full text of § 1.929).	() <u>Y</u> es <u>N</u> o
8) Are attachments (other than associated schedules) being filed with this application?	() <u>Y</u> es <u>N</u> o

Fees, Waivers, and Exemptions

9) Is the Applicant exempt from FCC application fees?	(N) <u>Y</u> es <u>N</u> o
10) Is the Applicant exempt from FCC regulatory fees?	(N) <u>Y</u> es <u>N</u> o
11) Does this application include a request for a Waiver of the Commission's Rule(s)? If 'Yes', attach an exhibit providing rule number(s) and explaining circumstances.	(N) <u>Y</u> es <u>N</u> o
12) Are the frequencies or parameters requested in this filing covered by grandfathered privileges, previously approved by waiver, or functionally integrated with an existing station?	() <u>Y</u> es <u>N</u> o

Applicant Information

13) FCC Registration Number (FRN): 0003291192			
14) Applicant/Licensee Legal Entity Type: (Select One) () Individual () Unincorporated Association () Trust () Government Entity (<input checked="" type="checkbox"/>) Corporation () Limited Liability Company () General Partnership () Limited Partnership () Limited Liability Partnership () Consortium () Other: _____			
15) If the Licensee name is being updated, is the update a result from the sale (or transfer of control) of the license(s) to party and for which proper Commission approval has not been received or proper notification not provided?			() Yes <input checked="" type="checkbox"/> No
16) First Name (if individual):	MI:	Last Name:	Suffix:
17) Legal Entity Name (if other than individual): NEW CINGULAR WIRELESS PCS, LLC			
18) Attention To: National Regulatory Compliance			
19) P.O. Box:	And/Or	20) Street Address: 208 S Akard St, 20F	
21) City: Dallas	22) State: TX	23) Zip Code: 75202	
24) Telephone Number: (855)699-7073		25) Fax: (214)746-6410	
26) E-Mail Address: FCCMW@att.com			

27) Demographics (Optional)

Race: () American Indian or Alaska Native () Asian () Black or African-American () Native Hawaiian or Other Pacific Islander () White	Ethnicity: () Hispanic or Latino () Not Hispanic or Latino	Gender: () Male () Female
---	--	-----------------------------------

Real Party in Interest

28) Name of Real Party in Interest of Applicant (If different from Applicant):	29) FCC Registration Number (FRN) of Real Party in Interest:
--	--

Contact Information (If different from the Applicant) Check here if same as Applicant.

30) First Name: Jessica	MI: J	Last Name: Dunk	Suffix:
31) Company Name: AT&T Services, Inc.			
32) Attention To: NRC			
33) P.O. Box:	And /Or	34) Street Address: 208 S Akard St, 20F	
35) City: Dallas	36) State: TX	37) Zip Code: 75202	
38) Telephone Number: (855)699-7073		39) Fax: (214)746-6410	
40) E-Mail Address: FCCMW@att.com			

Regulatory Status

41) This filing is for authorization to provide or use the following type(s) of radio service offering (enter all that apply): (<input type="checkbox"/>) <u>C</u> ommon Carrier (<input type="checkbox"/>) <u>N</u> on-Common Carrier (<input type="checkbox"/>) <u>P</u> rivate, internal communications (<input type="checkbox"/>) <u>B</u> roadcast Services (<input type="checkbox"/>) <u>B</u> and <u>M</u> anager

Type of Radio Service

42) This filing is for authorization to provide the following type(s) of radio service (choose all that apply): (<input type="checkbox"/>) <u>F</u> ixed (<input type="checkbox"/>) <u>M</u> obile (<input type="checkbox"/>) <u>R</u> adiolocation (<input type="checkbox"/>) <u>S</u> atellite (sound) (<input type="checkbox"/>) <u>B</u> roadcast Services
43) Does the Applicant propose to provide service interconnected to the public telephone network? (<input type="checkbox"/>) <u>Y</u> es <u>N</u> o

Alien Ownership Questions (If any answer is 'Y', provide an attachment explaining the circumstances. In preparing the attachment, refer to the Main Form Instructions for the "Alien Ownership Questions".)

44) Is the Applicant a foreign government or the representative of any foreign government? (<input type="checkbox"/>) <u>Y</u> es <u>N</u> o
45) Is the Applicant an alien or the representative of an alien? (<input type="checkbox"/>) <u>Y</u> es <u>N</u> o
46) Is the Applicant a corporation organized under the laws of any foreign government? (<input type="checkbox"/>) <u>Y</u> es <u>N</u> o
47) Is the Applicant a corporation of which more than one-fifth of the capital stock is owned of record or voted by aliens or their representatives, or by a foreign government or representative thereof, or by any corporation organized under the laws of a foreign country? (<input type="checkbox"/>) <u>Y</u> es <u>N</u> o

48a) Is the Applicant directly or indirectly controlled by any other corporation of which more than one-fourth of the capital stock () Yes No is owned of record or voted by aliens or their representatives, or by a foreign government or representative thereof, or by any corporation organized under the laws of a foreign country?

48b) If the answer to 47 or 48a is 'Y' select one of the choices below.

The Applicant is exempt from the provisions of Section 310(b).

If checked, it is not necessary to file a petition for declaratory ruling if the Applicant includes in the attachment required by Item 47 or Item 48a a showing that the requested license(s) is exempt from the provisions of Section 310(b).

The Applicant has received a declaratory ruling(s) approving its foreign ownership, and the application involves only the acquisition of additional spectrum for the provision of a wireless service in a geographic coverage area for which the Applicant has been previously authorized.

If checked, include in the attachment required by Item 47 or Item 48a the citation(s) of the applicable declaratory ruling(s) by DA/FCC number, the FCC Record citation, if available, release date, and a statement that there has been no change in the foreign ownership of the Applicant since the issuance of its ruling.

The Applicant: (i) has received a declaratory ruling(s) approving its foreign ownership, but is not able to make the certification specified immediately above; or (ii) is an "affiliate" of a Licensee or Lessee/Sublessee that received a declaratory ruling(s) under 47 CFR § 1.5000(a) and is relying on the affiliate's ruling for purposes of filing this application as permitted under the affiliate's ruling and 47 CFR § 1.5004(b)

If checked, and if the Applicant received its declaratory ruling(s) on or after August 9, 2013, include in the attachment required by Item 47 or Item 48a the citation(s) of the Applicant's declaratory ruling(s) by DA/FCC number, the FCC Record citation, if available, release date, and a statement that the Applicant is in compliance with the terms and conditions of its ruling and with the Commission's Rules.

If checked, and if the Applicant received its declaratory ruling(s) prior to August 9, 2013, include in the attachment required by Item 48a a copy of a petition for declaratory ruling filed contemporaneously with the Commission to extend the Applicant's existing ruling(s) to cover the same radio service(s) and geographic coverage area(s) involved in the application. Alternatively, the Applicant may request a new declaratory ruling pursuant to Section 1.5000(a) of the Commission's Rules, 47 CFR § 1.5000 (a). Petitions for declaratory ruling may be filed electronically on the Internet through the International Bureau Filing System (IBFS) (with a copy attached hereto).

If checked, and if the Applicant is relying on an affiliate's ruling for purposes of filing this application, include in the attachment required by Item 47 or Item 48a the citation(s) of the applicable declaratory ruling(s) by DA/FCC number, the FCC Record citation, if available, release date, and a statement that the Applicant is in compliance with the terms and conditions of the named affiliate's ruling and with the Commission's Rules. The Applicant must also include a certification of compliance signed by the named affiliate or other qualified entity as specified in 47 CFR § 1.5004(b). See Main Form Instructions for Items 47 or 48a, as applicable.

The Applicant has not received a declaratory ruling approving its foreign ownership and is requesting a declaratory ruling under 47 CFR § 1.5004(b) in a petition filed contemporaneously with the Commission.

If checked, include in the attachment required by Item 47 or 48a a copy of the petition for declaratory ruling filed contemporaneously with the Commission pursuant to 47 CFR § 1.5004(b). Petitions for declaratory ruling may be filed electronically on the Internet through the International Bureau Filing System (IBFS) (with a copy attached hereto).

Basic Qualification Questions

49) Has the Applicant or any party to this application had any FCC station authorization, license or construction permit revoked or had any application for an initial, modification or renewal of FCC station authorization, license, or construction permit denied by the Commission?	(<input type="checkbox"/>) <u>Yes</u> <u>No</u>
50) Has the Applicant or any party to this application, or any party directly or indirectly controlling the Applicant, ever been convicted of a felony by any state or federal court?	(<input type="checkbox"/>) <u>Yes</u> <u>No</u>
51) Has any court finally adjudged the Applicant or any party directly or indirectly controlling the Applicant guilty of unlawfully monopolizing or attempting unlawfully to monopolize radio communication, directly or indirectly, through control of manufacture or sale of radio apparatus, exclusive traffic arrangement, or any other means or unfair methods of competition?	(<input type="checkbox"/>) <u>Yes</u> <u>No</u>

Note: If the answer to any of 49-51 is 'Y', attach an exhibit explaining the circumstances.

Aeronautical Advisory Station (Unicom) Certification

52) (<input type="checkbox"/>) I certify that the station will be located on property of the airport to be served, and, in cases where the airport does not have a control tower, RCO, or FAA flight service station, that I have notified the owner of the airport and all aviation service organizations located at the airport within ten days prior to application.

Broadband Radio Service and Educational Broadband Service Cable Cross-Ownership

53a) Will the requested facilities be used to provide multichannel video programming service?	(<input type="checkbox"/>) <u>Yes</u> <u>No</u>
53b) If the answer to question 53a is 'Y', does the Applicant operate, control or have an attributable interest (as defined in 47 CFR § 27.1202) in a cable television system whose franchise area is located within the geographic service area of the requested facilities?	(<input type="checkbox"/>) <u>Yes</u> <u>No</u>

Note: If the answer to question 53b is 'Y', attach an exhibit explaining how the Applicant complies with 47 CFR § 27.1202 or justifying a waiver of that rule. If a waiver of the Commission Rule(s) is being requested, Item 11a must be answered 'Y'.

Broadband Radio Service and Educational Broadband Service (Part 27)

54) (For EBS only) Does the Applicant comply with the programming requirements contained in 47 CFR § 27.1203?	(<input type="checkbox"/>) <u>Yes</u> <u>No</u>
Note: If the answer to item 54 is 'N', attach an exhibit explaining how the Applicant complies with 47 CFR § 27.1203 of the Commission's Rules or justifying a waiver of that rule. If a waiver of the Commission Rule(s) is being requested, Item 11a must be answered 'Y'.	
55) (For BRS and EBS) Does the Applicant comply with 47 CFR §§ 27.50, 27.55, and 27.1221?	(<input type="checkbox"/>) <u>Yes</u> <u>No</u>
Note: If the answer to item 55 is 'N', attach an exhibit justifying a waiver of that rule(s). If a waiver of the Commission Rule(s) is being requested, Item 11a must be answered 'Y'.	

For Applicants Who Participated in an Auction

56) Is the Applicant a qualifying rural wireless partnership or a member of a qualifying rural wireless partnership?	(<input type="checkbox"/>) <u>Yes</u> <u>No</u>
Note: If the answer to item 56 is 'Y', attach an exhibit listing all members of the qualifying rural wireless partnership, including their FRN numbers.	

For Renewal Applicants

57) Operation/Performance Requirement Certification

[For a site-based license]: Applicant certifies that it is continuing to operate consistent with its most recently filed construction notification (or most recent authorization, if no construction notification was required).	(<input type="checkbox"/>) <u>Yes</u> <u>No</u>
[For a geographic license, commercial service - licensee in its initial license term with an interim performance requirement]: Applicant certifies that it has met its interim performance requirement, that over the portion of the license term following the interim performance requirement, it continues to use its facilities to provide at least the level of service required by its interim performance requirement, it has met its final performance requirement, and it continues to use its facilities to provide at least the level of service required by its final performance requirement through the end of the license term.	(<input type="checkbox"/>) <u>Yes</u> <u>No</u>
[For a geographic license, commercial service - licensee in its initial license term with no interim performance requirement]: Applicant certifies that it has met its final performance requirement and it continues to use its facilities to provide at least the level of service required by its final performance requirement through the end of the license term. [Note: licensee must provide a showing demonstrating that the final performance requirement has been met, either separately in a timely application for notification of completion of construction, or as part of its renewal application, depending on the radio service.]	(<input type="checkbox"/>) <u>Yes</u> <u>No</u>
[For a geographic license, commercial service - licensee in any subsequent term]: Applicant certifies that it continues to use its facilities to provide at least the level of service required by its final performance requirement through the end of any subsequent license terms.	(<input type="checkbox"/>) <u>Yes</u> <u>No</u>
[For a geographic license, private systems - licensee in its initial license term with an interim performance requirement]: Applicant certifies that it has met its interim performance requirement, that over the portion of the license term following the interim performance requirement, it continues to use its facilities to further its private business or public interest/public safety communications needs at or above the level required to meet its interim performance requirement, it has met its final performance requirement, and it continues to use its facilities to provide at least the level of operation required by its final performance requirement through the end of the license term.	(<input type="checkbox"/>) <u>Yes</u> <u>No</u>
[For a geographic license, private systems - licensee in its initial license term with no interim performance requirement]: Applicant certifies that it has met its final performance requirement, it continues to use its facilities to further its private business or public interest/public safety communications needs, and it continues to use its facilities to provide at least the level of operation required by its final performance requirement through the end of the license term. [Note: licensee must provide a showing demonstrating that the final performance requirement has been met, either separately in a timely application for notification of completion of construction, or as part of its renewal application, depending on the radio service.]	(<input type="checkbox"/>) <u>Yes</u> <u>No</u>

[For a geographic license, private systems - licensee in any subsequent term]: Applicant certifies that it continues to use its facilities to further its private business or public interest/public safety communications needs at or above the level required to meet its final performance requirement through the end of any subsequent license terms.	(<input type="checkbox"/>) <u>Yes</u> <u>No</u>
[For a partitioned or disaggregated license without a performance requirement, for the first renewal application filed after effective date of the rules]: Applicant certifies that the partitioned and/or disaggregated license that is the subject of this renewal application has no separate performance requirement and that this is the first renewal of this license filed subsequent to the effective date of the rules.	(<input type="checkbox"/>) <u>Yes</u> <u>No</u>
[For a partitioned or disaggregated license without a performance requirement, for any subsequent renewal filings]: Applicant certifies that it continues to use its facilities to provide service or to further the applicant's private business or public interest/public safety needs.	(<input type="checkbox"/>) <u>Yes</u> <u>No</u>

Discontinuance of Service Certification

58) Applicant certifies that no permanent discontinuance of service or operation, as applicable, occurred during its current license term. Note: If the response to either item 57 or item 58 is 'N', attach an exhibit that demonstrates that over the course of the license term, the Applicant provided and continues to provide service to the public, or operated and continues to operate the license to meet the Applicant's private business or public interest/public safety communications needs. This exhibit must include a detailed description of the Applicant's provision of service or, when allowed under the relevant service rules or pursuant to waiver, use of the spectrum for private business or public interest/public safety communications needs, during the entire license period and address, as applicable: 1) the level and quality of service provided by the applicant (e.g., the population served, the area served, the number of subscribers, the services offered); (2) the date service commenced, whether service was ever interrupted, and the duration of any interruption or outage; (3) the extent to which service is provided to rural areas; (4) the extent to which service is provided to qualifying tribal land as defined in 47 CFR § 1.2110(e)(3)(i); and (5) any other factors associated with the level of service to the public. The licensee may note in its exhibit: 1) any grant(s) of waiver or extension of a performance deadline or license renewal subject to meeting a performance requirement; or 2) if the final performance deadline and/or expiration date for the license accelerated because the licensee did not meet an interim performance requirement.	(<input type="checkbox"/>) <u>Yes</u> <u>No</u>
--	---

Regulatory Compliance Certification [same for all]

59) Applicant certifies that it has substantially complied with all applicable FCC rules, policies, and the Communications Act of 1934, as amended. Note: If the response to item 59 is 'N', attach an exhibit explaining the circumstances and demonstrating why Applicant's license should be renewed.	(<input type="checkbox"/>) <u>Yes</u> <u>No</u>
--	---

General Certification Statements

1) The Applicant waives any claim to the use of any particular frequency or of the electromagnetic spectrum as against the regulatory power of the United States because of the previous use of the same, whether by license or otherwise, and requests an authorization in accordance with this application.
2) The Applicant certifies that grant of this application would not cause the Applicant to be in violation of any pertinent cross-ownership or attribution rules.* *If the Applicant has sought a waiver of any such rule in connection with this application, it may make this certification subject to the outcome of the waiver request.
3) The Applicant certifies that all statements made in this application and in the exhibits, attachments, or documents incorporated by reference are material, are part of this application, and are true, complete, correct, and made in good faith.
4) The Applicant certifies that neither the Applicant nor any other party to the application is subject to a denial of Federal benefits pursuant to § 5301 of the Anti-Drug Abuse Act of 1988, 21 U.S.C. § 862, because of a conviction for possession or distribution of a controlled substance. This certification does not apply to applications filed in services exempted under § 1.2002(c) of the rules, 47 CFR § 1.2002(c). See 47 CFR § 1.2002(b) for the definition of "party to the application" as used in this certification.
5) The Applicant certifies that it either (1) has current required ownership data on file with the Commission, (2) is filing updated ownership data simultaneously with this application, or (3) is not required to file ownership data under the Commission's Rules.
6) The Applicant certifies that the facilities, operations, and transmitters for which this authorization is hereby requested are either: (1) categorically excluded from routine environmental evaluation for RF exposure as set forth in 47 CFR § 1.1307(b); or, (2) have been found not to cause human exposure to levels of radiofrequency radiation in excess of the limits specified in 47 CFR §§ 1.1310 and 2.1093; or, (3) are the subject of one or more Environmental Assessments filed with the Commission.
7) The Applicant certifies that it has reviewed the appropriate Commission Rules defining eligibility to hold the requested license(s) and is eligible to hold the requested license(s).
8) The Applicant certifies that it is not in default on any payment for Commission licenses and that it is not delinquent on any non-tax debt owed to any federal agency.
9) The Applicant certifies that the Applicant and all of the related individuals and entities required to be disclosed on this application and FCC Form 602 (FCC Ownership Disclosure Information for the Wireless Telecommunications Services) are not person(s) who have been, for reasons of national security, barred by any agency of the Federal Government from bidding on a contract, participating in an auction, or receiving a grant. This certification applies only to applications for licenses for spectrum that is required by Sections 6103, 6401-6403 of the Middle Class Tax Relief and Job Creation Act of 2012, codified at 47 U.S.C. §§ 309, 1413, 1451-1452, to be assigned by a system of competitive bidding under 47 U.S.C. § 309(j).

Signature

60) Typed or Printed Name of Party Authorized to Sign

First Name: Jessica	MI:	Last Name: Dunk	Suffix:
61) Title: Assistant Secretary - Compliance			
Signature: Jessica Dunk			62) Date: 01/23/2024
FAILURE TO SIGN THIS APPLICATION MAY RESULT IN DISMISSAL OF THE APPLICATION AND FORFEITURE OF ANY FEES PAID.			
Upon grant of this license application, the Licensee may be subject to certain construction or coverage requirements. Failure to meet the construction or coverage requirements will result in termination of the license. Consult appropriate FCC regulations to determine the construction or coverage requirements that apply to the type of license requested in this application.			
WILLFUL FALSE STATEMENTS MADE ON THIS FORM OR ANY ATTACHMENTS ARE PUNISHABLE BY FINE AND/OR IMPRISONMENT (U.S. Code, Title 18, § 1001) AND/OR REVOCATION OF ANY STATION LICENSE OR CONSTRUCTION PERMIT (U.S. Code, Title 47, § 312(a)(1)), AND/OR FORFEITURE (U.S. Code, Title 47, § 503).			

**FCC Form 608 FCC Application or Notification for Spectrum Leasing Arrangement/
Main Form Notification of a Private Commons Arrangement**
Wireless Telecommunications Bureau
Public Safety and Homeland Security Bureau

3060-1058

Submitted: 01/23/2023 at
18:42:37
File Number: 0010338098

See 608 Main Form Instructions
For public burden estimate

General Information

Application/Notification Purpose

1a) Purpose of Filing (Select only one):	
<input checked="" type="checkbox"/> LN – New	<input type="checkbox"/> LM – Modification
<input type="checkbox"/> LT – Transfer of Control	<input type="checkbox"/> LE – Extend the Term
<input type="checkbox"/> LI – Light Touch Leasing Certification	<input type="checkbox"/> AM – Amendment
	<input type="checkbox"/> LU – Administrative Update
	<input type="checkbox"/> LC – Cancel
	<input type="checkbox"/> WD – Withdraw
1b) If this filing is for an Amendment (AM) or Withdrawal (WD), enter the File Number of the pending Application/Notification currently on file with the FCC.	File Number: _____

Classification of Filing

For Leases/Subleases Only

2a) Classification of Filing (Select only one):	2b) Type of Filing
<input type="checkbox"/> ML – Spectrum Manager Lease	<input checked="" type="checkbox"/> L – Lease
<input checked="" type="checkbox"/> TL – <i>De Facto</i> Transfer Lease	<input type="checkbox"/> S – Sublease (Must be filed manually)

For Private Commons Arrangements Only (Must be filed Manually)

2c) This filing will be a Private Commons Arrangement pursuant to a (Select only one):	2d) If a Private Commons Arrangement pursuant to a Lease or Sublease, choose the legal type (Select only one):
<input type="checkbox"/> N – License	<input type="checkbox"/> M – Spectrum Manager
<input type="checkbox"/> L – Lease	<input type="checkbox"/> T – <i>De Facto</i> Transfer
<input type="checkbox"/> S – Sublease	

Term of Lease/Sublease

3) Indicate whether the existing Lease/Sublease is:	<input checked="" type="checkbox"/> Long-Term	or	<input type="checkbox"/> Short-Term
---	---	----	-------------------------------------

Other Wireless Licenses

4a) Is this filing part of a series of filings involving other wireless license(s) or lease(s) held by the Applicant, affiliates of the Licensee (e.g., parents, subsidiaries, or commonly-controlled entities), or third parties that are not included on this filing and for which Commission approval or notification is required?	<input checked="" type="checkbox"/> Yes <input type="checkbox"/> No
4b) If the answer to 4a is 'Y', is this filing the lead Application/Notification?	<input type="checkbox"/> Yes <input type="checkbox"/> No
4c) If the answer to 4a is 'Y' and the answer to 4b is 'N', provide the File Number of the lead Application/Notification.	File Number: _____

Attachments

5) Are attachments (other than associated schedules) being filed with this Application/Notification?	(<input checked="" type="checkbox"/>) <u>Yes</u> <input type="checkbox"/> <u>No</u>
--	---

Fees and Waivers**Exemption from Application Fees**

6) Is the Applicant exempt from FCC application fees? If the answer to 6 is 'Y', attach an exhibit demonstrating how the applicant is exempt from FCC application fees.	(<input type="checkbox"/>) <u>Yes</u> <input checked="" type="checkbox"/> <u>No</u>
--	---

Waiver/Deferral of Fees

7) Is a waiver/deferral of the FCC application fees being requested? If the answer to 7 is 'Y', attach a date-stamped copy of the request for waiver/deferral of the FCC application fees.	(<input type="checkbox"/>) <u>Yes</u> <input checked="" type="checkbox"/> <u>No</u>
---	---

Waiver of Commission Rules

8) Does this filing include a request for waiver of the Commission's Rules (other than a request for application fee waivers)? If the answer to 8 is 'Y', attach an exhibit specifying the rule section(s) for which a waiver is being requested and including a justification for the waiver request.	(<input type="checkbox"/>) <u>Yes</u> <input checked="" type="checkbox"/> <u>No</u>
---	---

Regulatory Status and Offerings**Radio Service Offerings**

9) The Applicant will provide the following type(s) of radio service offerings (select all that apply): (<input type="checkbox"/>) Common Carrier (<input type="checkbox"/>) Non-common Carrier (<input type="checkbox"/>) Private, internal communications (<input type="checkbox"/>) Broadcast Services All entities that are planning to use the leased spectrum for telecommunications services should select common carrier in this item. The term 'telecommunications service' means the offering of telecommunications (i.e., the transmission, between or among points specified by the user, of information of the user's choosing, without change in the form or content of the information as sent and received) for a fee directly to the public, or to such classes of users as to be effectively available directly to the public, regardless of the facilities used. Non-common carriers do not hold themselves out indiscriminately for hire as carriers of communications provided by the customer. A person engaged in radio broadcasting shall not, insofar as such person is so engaged, be deemed a common carrier. Thus, those entities meeting this definition would select non-common carrier for this item. Private internal users are those entities that utilize telecommunications services purely for internal business purposes or public safety communications and not on a for-hire or for-profit basis. Such entities should select 'Private' for this item. The term 'Broadcast Services' shall have the same meaning as that for "broadcasting" in § 3(6) of the Communications Act of 1934, i.e., the dissemination of radio communications intended to be received by the public, directly or by the intermediary of relay stations." 47 U.S.C. § 153(6). If the Applicant is modifying the type of radio service offerings it provides, please provide an exhibit explaining the modification.
--

Radio Service

10) The Applicant will provide the following type(s) of radio service (select all that apply): (<input type="checkbox"/>) Fixed (<input type="checkbox"/>) Mobile (<input type="checkbox"/>) Radiolocation (<input type="checkbox"/>) Satellite (sound) (<input type="checkbox"/>) Broadcast Services	
11) Does the Applicant propose to provide service interconnected to the public telephone network?	(<input type="checkbox"/>) <u>Yes</u> <input checked="" type="checkbox"/> <u>No</u>

Designated Entity Information (If the answer to 12a, 12b or 12c is 'Y', Schedule A must be completed.)

Bidding Credits

12a) Does this filing involve any spectrum associated with any licenses that were awarded with bidding credits within the last five years? If the response to this item is 'Y', the licenses may be subject to the FCC's unjust enrichment rules, and the Applicant should answer relevant bidding credit questions.	(<input type="radio"/>) <u>Yes</u> <input checked="" type="radio"/> <u>No</u>
---	---

Closed Bidding

12b) Does this filing involve any spectrum associated with any licenses that were originally granted pursuant to closed bidding within the last five years? If the response to this item is 'Y', the Applicant should answer relevant closed bidding questions.	(<input type="radio"/>) <u>Yes</u> <input checked="" type="radio"/> <u>No</u>
--	---

Competition-Related Information

13) Does this filing involve a license authorization or Spectrum Lease/Sublease that may be used to provide interconnected mobile voice and/or data services that would create a geographic overlap with another license authorization(s) or spectrum leasing arrangement(s), that also could be used to provide interconnected mobile voice and/or data services, in which the Applicant already holds attributable interests, as defined in Section 20.22(b) of the Commission's Rules, either as a licensee or spectrum lessee/sublessee? If 'Y', specify in an exhibit all geographic areas/markets (e.g., BTA, CMA, county, etc.) where there are spectrum overlaps and the total amount of spectrum that the Assignee/Transferee will hold and/or lease in each geographic area/market.	(<input checked="" type="radio"/>) <u>Yes</u> <input type="radio"/> <u>No</u>
--	---

14) If the answer to Item 13 is 'Y', would/does this application for a spectrum leasing or subleasing arrangement reduce the number of entities providing service in the affected market(s)?	(<input type="radio"/>) <u>Yes</u> <input checked="" type="radio"/> <u>No</u>
--	---

Broadband Radio Service and Educational Broadband Service Information

15a) Will the requested facilities be used to provide multichannel video programming service?	(<input type="radio"/>) <u>Yes</u> <input checked="" type="radio"/> <u>No</u>
15b) If the answer to 15a is 'Y', does the Applicant operate, control or have an attributable interest (as defined in Section 27.1202 of the Commission's Rules) in a cable television system whose franchise area is located within the geographic service area of the requested facilities? If 'Y', provide an exhibit explaining how the Applicant (Lessee/Sublessee) complies with Section 27.1202 of the Commission's Rules or justifying a waiver of that rule. If a waiver of the Commission's Rule(s) is being requested, 8a must be answered 'Y'.	(<input type="radio"/>) <u>Yes</u> <input checked="" type="radio"/> <u>No</u>

16) Does the Applicant comply with the programming requirements contained in Section 27.1203 of the Commission's Rules? If 'N', provide an exhibit explaining how the Applicant complies with Section 27.1203 of the Commission's Rules or justifying a waiver of that rule. If a waiver of the Commission's Rule(s) is being requested, 8a must be answered 'Y'.	(<input type="radio"/>) <u>Yes</u> <input checked="" type="radio"/> <u>No</u>
--	---

Part 90 Public Safety Services

Eligibility

17) Is the Applicant a public safety entity or otherwise an entity that will use the leased spectrum to provide communications in support of public safety operations pursuant to Section 90.523 of the Commission's Rules?	(<input type="radio"/>) <u>Yes</u> <input checked="" type="radio"/> <u>No</u>
---	---

600 MHz Band Information

<p>18) Is the spectrum leasing/subleasing arrangement for a term of one year or more (either initially or cumulatively) and involves any licenses in the 600 MHz Band initially granted in the last six years that would, if leased, create a geographic overlap with another licenses(s) in which the Lessee/Sublessee already holds attributable interests, as defined in Section 20.22(b) of the Commission's Rules, either as a licensee or spectrum Lessee/Sublessee, and that would result in the Lessee/Sublessee holding an attributable interest, as defined in Section 20.22(b) of the Commission's Rules, in one-third or more of the total suitable and available below-1-GHz spectrum as calculated on a county-by-county population-weighted basis in the relevant license area, utilizing 2010 U.S. Census data?</p> <p>The initial grant date is the date that the license was originally granted by the Commission after an auction, even if the license was acquired in the secondary market. The initial grant date is not the date on which the Commission granted an assignment or transfer of control of the license.</p> <p>If 'Y', provide an exhibit detailing the proposed spectrum leasing/subleasing exchange of 600 MHz band spectrum in the same market(s), including a list of all file numbers for applications associated with the proposed spectrum leasing arrangement exchange, or describing the <i>pro forma</i> nature of the spectrum leasing arrangement, as appropriate.</p>	<p>(<input checked="" type="radio"/>) <u>Yes</u> <input type="radio"/> <u>No</u></p>
<p>19) Is the spectrum leasing/subleasing arrangement for a term of one year or more (either initially or cumulatively) and involves any licenses that were initially granted as reserved spectrum licenses in the 600 MHz Band in the last six years? Otherwise, enter 'N'.</p> <p>The initial grant date is the date that the license was originally granted by the Commission after an auction, even if the license was acquired in the secondary market. The initial grant date is not the date on which the Commission granted an assignment or transfer of control of the license.</p> <p>If 'Y', provide an exhibit demonstrating how the Lessee/Sublessee would have qualified to bid on that reserved spectrum license(s) in Auction 1002 as of the FCC Form 175 filing deadline (February 10, 2016) for Auction 1002, the forward auction of the Broadcast Incentive Auction.</p>	<p>(<input type="radio"/>) <u>Yes</u> <input checked="" type="radio"/> <u>No</u></p>

Licensee Information

FRN

20) FCC Registration Number: **0003291192**

Entity

21) Licensee is a(n) (Select One):

() Individual () Unincorporated Association () Trust () Government Entity () Corporation () Limited Liability Company

() General Partnership () Limited Partnership () Limited Liability Partnership

() Other: _____

Licensee Name

22) Licensee Name (if entity): **New Cingular Wireless PCS, LLC**

23) Licensee Name (if individual): First: _____ MI: _____ Last: _____ Suffix: _____

24) Attention To: **Cecil J. Mathew**

Address

25) P.O. Box: _____ **And /Or** 26) Street Address: **208 S. Akard Street, RM 1016**

27) City: **Dallas** 28) State: **TX** 29) Zip Code: **75202**

30) Telephone Number: **(855)699-7073** 31) FAX Number: **(214)746-6410**

32) E-Mail Address: **FCCMW@att.com**

33) Demographics (Optional):

Race:

() American Indian or Alaska Native

() Asian

() Black or African-American

() Native Hawaiian or Other Pacific Islander

() White

Ethnicity:

() Hispanic or Latino

() Not Hispanic or Latino

Gender:

() Male

() Female

Licensee Contact Information

Contact Name (if other than Licensee)

() Check here if same as Licensee Information

34) Name: First: _____ MI: _____ Last: _____ Suffix: _____

35) Company Name: **AT&T Mobility LLC**

36) Attention To: **Michael P. Goggin**

Address

37) P.O. Box: _____ **And /Or** 38) Street Address: **1120 20th Street NW, Suite 1000**

39) City: **Washington** 40) State: **DC** 41) Zip Code: **20036**

42) Telephone Number: **(202)457-2055** 43) FAX Number: _____

44) E-Mail Address: **michael.p.goggin@att.com**

Lessee Information

FRN

45) FCC Registration Number: **0030856223**

Entity

46) Lessee is a(n) (Select One):

() Individual () Unincorporated Association () Trust () Government Entity () Corporation () Limited Liability Company

() General Partnership () Limited Partnership () Limited Liability Partnership

() Other: _____

Lessee Name

47) If the Lessee name is being updated, is the update a result of a change in ownership, corporate structure, or entity for which proper Commission approval has not been received or proper notification not provided? () Yes **No**

48) Lessee Name (if entity): **Trace-Tek**

49) Lessee Name (if individual): First: MI: Last: Suffix:

50) Attention To: **licenses@trace-tek.com**

Name of Real Party in Interest

51) Name of Real Party in Interest: **Trace-Tek**

52) FCC Registration Number (FRN): **0030856223**

Address

53) P.O. Box: **And /Or** 54) Street Address: **2625 Commons Boulevard**

55) City: **Beavercreek** 56) State: **OH** 57) Zip Code: **45341**

58) Telephone Number: **(972)672-0477** 59) FAX Number:

60) E-Mail Address: **licenses@trace-tek.com**

61) Demographics (Optional):

Race: () American Indian or Alaska Native () Asian () Black or African-American () Native Hawaiian or Other Pacific Islander () White	Ethnicity: () Hispanic or Latino () Not Hispanic or Latino	Gender: () Male () Female
--	---	--

Lessee Contact Information

Contact Name (if other than Lessee)

() Check here if same as Lessee Information

62) Name: First: **Dan** MI: Last: **Burgess** Suffix:

63) Company Name: **Trace-Tek**

64) Attention To: **licenses@trace-tek.com**

Address

65) P.O. Box: **And /Or** 66) Street Address: **2625 Commons Boulevard**

67) City: **Beavercreek** 68) State: **OH** 69) Zip Code: **45341**

70) Telephone Number: **(972)672-0477** 71) FAX Number:

72) E-Mail Address: **licenses@trace-tek.com**

Sublessee Information

FRN

73) FCC Registration Number:

Entity

74) Sublessee is a(n) (Select One):

() Individual () Unincorporated Association () Trust () Government Entity () Corporation () Limited Liability Company

() General Partnership () Limited Partnership () Limited Liability Partnership

() Other: _____

Sublessee Name

75) If the Sublessee name is being updated, is the update a result of a change in ownership, corporate structure, or entity for which proper Commission approval has not been received or proper notification not provided?

() Yes **No**

76) Sublessee Name (if entity):

77) Sublessee Name (if individual):

First:

MI:

Last:

Suffix:

78) Attention To:

Name of Real Party in Interest

79) Name of Real Party in Interest:

80) FCC Registration Number (FRN):

Address

81) P.O. Box:

**And
/Or**

82) Street Address:

83) City:

84) State:

85) Zip Code:

86) Telephone Number:

87) FAX Number:

88) E-Mail Address:

89) Demographics (Optional):

Race:

() American Indian or Alaska Native

() Asian

() Black or African-American

() Native Hawaiian or Other Pacific Islander

() White

Ethnicity:

() Hispanic or Latino

() Not Hispanic or Latino

Gender:

() Male

() Female

Sublessee Contact Information

Contact Name (if other than Sublessee)

() Check here if same as Sublessee Information

90) Name:

First:

MI:

Last:

Suffix:

91) Company Name:

92) Attention To:

Address

93) P.O. Box:

**And
/Or**

94) Street Address:

95) City:

96) State:

97) Zip Code:

98) Telephone Number:

99) FAX Number:

100) E-Mail Address:

Transferee Information

FRN

101) FCC Registration Number:

Entity

102) Transferee is a(n) (Select One):

() Individual () Unincorporated Association () Trust () Government Entity () Corporation () Limited Liability Company

() General Partnership () Limited Partnership () Limited Liability Partnership

() Other: _____

Transferee Name

103) Transferee Name (if entity):

104) Transferee Name (if individual):

First:

MI:

Last:

Suffix:

105) Attention To:

Name of Real Party in Interest

106) Name of Real Party in Interest:

107) FCC Registration Number (FRN):

Address

108) P.O. Box:

And
/Or

109) Street Address:

110) City:

111) State:

112) Zip Code:

113) Telephone Number:

114) FAX Number:

115) E-Mail Address:

116) Demographics (Optional):

Race:

() American Indian or Alaska Native

() Asian

() Black or African-American

() Native Hawaiian or Other Pacific Islander

() White

Ethnicity:

() Hispanic or Latino

() Not Hispanic or Latino

Gender:

() Male

() Female

Transferee Contact Information

Contact Name (if other than Transferee)

() Check here if same as Transferee Information

117) Name:

First:

MI:

Last:

Suffix:

118) Company Name:

119) Attention To:

Address

120) P.O. Box:

And
/Or

121) Street Address:

122) City:

123) State:

124) Zip Code:

125) Telephone Number:

126) FAX Number:

127) E-Mail Address:

Transferor Information**FRN**

128) FCC Registration Number:

Entity

129) Transferor is a(n) (Select One):

 Individual Unincorporated Association Trust Government Entity Corporation Limited Liability Company General Partnership Limited Partnership Limited Liability Partnership Other: _____**Transferor Name**

130) Transferor Name (if entity):

131) Transferor Name (if individual):

First:

MI:

Last:

Suffix:

132) Attention To:

Address

133) P.O. Box:

**And
/Or**

134) Street Address:

135) City:

136) State:

137) Zip Code:

138) Telephone Number:

139) FAX Number:

140) E-Mail Address:

139) Demographics (Optional):**Race:** American Indian or Alaska Native Asian Black or African-American Native Hawaiian or Other Pacific Islander White**Ethnicity:** Hispanic or Latino Not Hispanic or Latino**Gender:** Male Female**Transferor Contact Information****Contact Name** (if other than Transferor) **Check here if same as Transferor Information**

140) Name:

First:

MI:

Last:

Suffix:

141) Company Name:

142) Attention To:

Address

143) P.O. Box:

**And
/Or**

144) Street Address:

145) City:

146) State:

147) Zip Code:

148) Telephone Number:

149) FAX Number:

150) E-Mail Address:

Ownership Disclosure Information

FCC Form 602

153a) Is the Applicant required to file FCC Form 602, Ownership Disclosure Information for the Wireless Telecommunications Services?	(<input checked="" type="radio"/>) <u>Yes</u> <input type="radio"/> <u>No</u>
153b) If the answer to 151a is 'Y', provide the File Number of FCC Form 602 that has been filed in conjunction with application or is already on file with the FCC.	File Number: <u>0009774970</u>

Alien Ownership Questions

Alien Ownership (If any answer is 'Y', provide an attachment explaining the circumstances. In preparing the attachment, refer to the Main Form Instructions for the "Alien Ownership Questions".)

154) Is the Lessee/Sublessee or Post-Transfer Lessee/Sublessee a foreign government or the representative of any foreign government?	(<input type="radio"/>) <u>Yes</u> <input type="radio"/> <u>No</u>
155) Is the Lessee/Sublessee or Post-Transfer Lessee/Sublessee an alien or the representative of an alien?	(<input type="radio"/>) <u>Yes</u> <input type="radio"/> <u>No</u>
156) Is the Lessee/Sublessee or Post-Transfer Lessee/Sublessee a corporation organized under the laws of a foreign government?	(<input type="radio"/>) <u>Yes</u> <input type="radio"/> <u>No</u>
157) Is the Lessee/Sublessee or Post-Transfer Lessee/Sublessee a corporation of which more than one-fifth of the capital stock is owned of record or voted by aliens or their representatives, or by a foreign government or representative thereof, or by any corporation organized under the laws of a foreign country?	(<input type="radio"/>) <u>Yes</u> <input type="radio"/> <u>No</u>
158a) Is the Lessee/Sublessee or Post-Transfer Lessee/Sublessee directly or indirectly controlled by any other corporation of which more than one-fourth of the capital stock is owned of record or voted by aliens or their representatives, or by a foreign government or representative thereof, or by any corporation organized under the laws of a foreign country?	(<input type="radio"/>) <u>Yes</u> <input type="radio"/> <u>No</u>

158b) If the answer to 155 or 156a is 'Y' select one of the choices below.

The Lessee/Sublessee or Post-Transfer Lessee/Sublessee is exempt from the provisions of Section 310(b).

It is not necessary to file a petition for declaratory ruling if the Lessee/Sublessee or Post-Transfer Lessee/Sublessee includes in the attachment required by Item 155 or Item 156a a showing that the subject Lease(s) is exempt from the provisions of Section 310(b).

The Lessee/Sublessee or Post-Transfer Lessee/Sublessee has received a declaratory ruling(s) approving its foreign ownership, and the application/notification involves only the acquisition/use of additional spectrum for the provision of a wireless service in a geographic coverage area for which the Lessee/Sublessee or Post-Transfer Lessee/Sublessee has been previously authorized.

If checked, include in the attachment required by Item 155 or Item 156a the citation(s) of the applicable declaratory ruling(s) by DA/FCC number, the FCC Record citation, if available, release date, and a statement that there has been no change in the foreign ownership of the Lessee/Sublessee or Post-Transfer Lessee/Sublessee since the issuance of its ruling.

The Lessee/Sublessee or Post-Transfer Lessee/Sublessee: (i) has received a declaratory ruling(s) approving its foreign ownership, but is not able to make the certification specified immediately above; or (ii) is an "affiliate" of a Licensee or Lessee/SubLessee that received a declaratory ruling(s) under Section 1.990(a) of the Commission's Rules, 47 CFR § 1.990(a), and is relying on the affiliate's ruling for purposes of filing this application/notification as permitted under the affiliate's ruling and Section 1.994(b) of the Rules, 47 CFR § 1.994(b).

If checked, and if the Lessee/Sublessee or Post-Transfer Lessee/Sublessee received its declaratory ruling(s) on or after August 9, 2013, include in the attachment required by Item 155 or Item 156a the citation(s) of the Lessee/Sublessee or Post-Transfer Lessee/Sublessee's declaratory ruling(s) by DA/FCC number, the FCC Record citation, if available, release date, and a statement that the Lessee/Sublessee or Post-Transfer Lessee/Sublessee is in compliance with the terms and conditions of its ruling and with the Commission's Rules.

If checked, and if the Lessee/Sublessee or Post-Transfer Lessee/Sublessee received its declaratory ruling(s) prior to August 9, 2013, include in the attachment required by Item 156a a copy of a petition for declaratory ruling filed contemporaneously with the Commission to extend the Lessee/Sublessee or Post-Transfer Lessee/Sublessee's existing ruling(s) to cover the same radio service(s) and geographic coverage area(s) involved in the application/notification. Alternatively, the Lessee/Sublessee or Post-Transfer Lessee/Sublessee may request a new declaratory ruling pursuant to Section 1.990(a) of the Commission's Rules, 47 CFR § 1.990(a). Petitions for declaratory ruling may be filed electronically on the Internet through the International Bureau Filing System (IBFS) (with a copy attached hereto).

If checked, and if the Lessee/Sublessee or Post-Transfer Lessee/Sublessee is relying on an affiliate's ruling for purposes of filing this application/notification, include in the attachment required by Item 155 or Item 156a the citation(s) of the applicable declaratory ruling(s) by DA/FCC number, the FCC Record citation, if available, release date, and a statement that the Lessee/Sublessee or Post-Transfer Lessee/Sublessee is in compliance with the terms and conditions of the named affiliate's ruling and with the Commission's Rules. The Lessee/Sublessee or Post-Transfer Lessee/Sublessee must also include a certification of compliance signed by the named affiliate or other qualified entity as specified in Section 1.994(b) of the Rules, 47 CFR § 1.994(b). See Main Form Instructions for Items 155 or 156a, as applicable.

The Lessee/Sublessee or Post-Transfer Lessee/Sublessee has not received a declaratory ruling approving its foreign ownership and is requesting a declaratory ruling under Section 1.990(a) of the Commission's Rules, 47 CFR § 1.990(a), in a petition filed contemporaneously with the Commission.

If checked, include in the attachment required by Item 155 or 156a a copy of the petition for declaratory ruling filed contemporaneously with the Commission pursuant to Section 1.990(a) of the Commission's Rules, 47 CFR § 1.990(a). Petitions for declaratory ruling may be filed electronically on the Internet through the International Bureau Filing System (IBFS) (with a copy attached hereto).

Basic Qualification Information

Basic Qualification Questions (If any answer is 'Y', provide an attachment explaining the circumstances)

159) Has the Applicant or any party to this application had any FCC station authorization, license, or construction permit revoked or had any application for an initial, modification, or renewal of FCC station authorization, license, or construction permit denied by the Commission?	(N) <u>Yes</u> <u>No</u>
160) Has the Applicant or any party to this filing, or any party directly or indirectly controlling the Applicant or any party to this filing ever been convicted of a felony by any state or federal court?	(N) <u>Yes</u> <u>No</u>
161) Has any court finally adjudged the Applicant or any party directly or indirectly controlling the Applicant guilty of unlawfully monopolizing or attempting unlawfully to monopolize radio communication, directly or indirectly, through control of manufacture or sale of radio apparatus, exclusive traffic arrangement, or any other means or unfair methods of competition?	(N) <u>Yes</u> <u>No</u>

Spectrum Aggregation Limit Certification(s)

<p>162) The Licensee/Lessor/Sublessor certifies that grant of this application would not cause the Licensee/Lessor/Sublessor to be in violation of the 40 megahertz in-band spectrum aggregation limit set forth under section 96.31 of the Commission's rules for 3.5 GHz licenses, taking into consideration the spectrum attribution rules under section 20.22(b) of the Commission's rules.</p> <p>If the Licensee/Lessor/Sublessor has sought a waiver of section 96.31 in connection with this application, it may make this certification subject to the outcome of the waiver request.</p>	<p>() <u>Yes</u> <u>No</u></p>
<p>163) The Licensee/Lessor/Sublessor certifies that grant of this application would not cause the Licensee/Lessor/Sublessor to be in violation of the 40 megahertz in-band spectrum aggregation limit set forth under section 27.1606 of the Commission's rules for 3.45 GHz licenses, taking into consideration the spectrum attribution rules under section 20.22(b) of the Commission's rules.</p> <p>If the Licensee/Lessor/Sublessor has sought a waiver of section 27.1606 in connection with this application, it may make this certification subject to the outcome of the waiver request.</p>	<p>() <u>Yes</u> <u>No</u></p>
<p>164) The Lessee/Sublessee/Transferee certifies that grant of this application would not cause the Lessee/Sublessee/Transferee to be in violation of the 40 megahertz in-band spectrum aggregation limit set forth under section 96.31 of the Commission's rules for 3.5 GHz licenses, taking into consideration the spectrum attribution rules under section 20.22(b) of the Commission's rules.</p> <p>If the Lessee/Sublessee/Transferee has sought a waiver of section 96.31 in connection with this application, it may make this certification subject to the outcome of the waiver request.</p>	<p>() <u>Yes</u> <u>No</u></p>
<p>165) The Lessee/Sublessee/Transferee certifies that grant of this application would not cause the Lessee/Sublessee/Transferee to be in violation of the 40 megahertz in-band spectrum aggregation limit set forth under section 27.1606 of the Commission's rules for 3.45 GHz licenses, taking into consideration the spectrum attribution rules under section 20.22(b) of the Commission's rules.</p> <p>If the Lessee/Sublessee/Transferee has sought a waiver of section 27.1606 in connection with this application, it may make this certification subject to the outcome of the waiver request.</p>	<p>() <u>Yes</u> <u>No</u></p>

Licensee Certification Statements

- | | |
|----|---|
| 1) | The Licensee agrees that the Lease is not a sale or transfer of the license itself. |
| 2) | The Licensee certifies that it will not consent to assignment of the Lease except to the extent such assignment complies with the Commission's Rules and Regulations. |
| 3) | The Licensee certifies that it holds exclusive use rights to use the licensed spectrum. |
| 4) | The Licensee certifies that it is not in default on any payment for Commission licenses and that it is not delinquent on any non-tax debt owed to any federal agency. |

The Licensee certifies that all of its statements made in this Application/Notification and in the schedules, exhibits, attachments, or documents incorporated by reference are material, are part of this Application/Notification, and are true, complete, correct, and made in good faith.

Type or Printed Name of Party Authorized to Sign

166) First Name: Jessica	MI: B	Last Name: Lyons	Suffix:
167) Title: Asst. Secretary of Manager			
168) Signature: Jessica B Lyons		165) Date: 01/23/2023	

FAILURE TO SIGN THIS APPLICATION MAY RESULT IN DISMISSAL OF THE APPLICATION AND FORFEITURE OF ANY FEES PAID.

WILLFUL FALSE STATEMENTS MADE ON THIS FORM OR ANY ATTACHMENTS ARE PUNISHABLE BY FINE AND/OR IMPRISONMENT (U.S. Code, Title 18, Section 1001) AND/OR REVOCATION OF ANY STATION LICENSE OR CONSTRUCTION PERMIT (U.S. Code, Title 47, Section 312(a)(1)), AND/OR FORFEITURE (U.S. Code, Title 47, Section 503).

Lessee Certification Statements

1)	The Lessee agrees that the Lease is not a sale or transfer of the license itself.
2)	The Lessee acknowledges that it is required to comply with the Commission's Rules and Regulations and other applicable law at all times, and if the Lessee fails to so comply, the Lease/Sublease may be revoked, cancelled, or terminated by either the Licensee or the Commission.
3)	The Lessee certifies that neither it nor any other party to the Application/Notification is subject to a denial of Federal benefits pursuant to Section 5301 of the Anti-Drug Abuse Act of 1988, 21 U.S.C. § 862, because of a conviction for possession or distribution of a controlled substance. This certification does not apply to applications filed in services exempted under Section 1.2002(c) of the Commission's Rules. See Section 1.2002(b) of the Commission's Rules for the definition of "party to the application" as used in this certification.
4)	The Lessee hereby accepts Commission oversight and enforcement consistent with the license and lease authorization. The Lessee acknowledges that it must cooperate fully with any investigation or inquiry conducted either by the Commission or the Licensee, allow the Commission or the Licensee to conduct on-site inspections of transmission facilities, and suspend operations at the direction of the Commission or the Licensee and to the extent that such suspension of operation would be consistent with applicable Commission policies.
5)	The Lessee acknowledges that in the event an authorization held by a Licensee that has associated with it a spectrum leasing arrangement that is the subject of this filing is revoked, cancelled, terminated, or otherwise ceases to be in effect, the Lessee will have no continuing authority to use the leased spectrum and will be required to terminate its operations no later than the date on which the Licensee ceases to have any authority to operate under the license, unless otherwise authorized by the Commission.
6)	The Lessee agrees the Lease shall not be assigned to any entity that is not eligible or qualified to enter into a spectrum leasing arrangement under the Commission's Rules and Regulations.
7)	The Lessee waives any claim to the use of any particular frequency or of the electromagnetic spectrum as against the regulatory power of the United States because of the previous use of the same, whether by spectrum lease or otherwise.
8)	The Lessee certifies that it is not in default on any payment for Commission licenses and that it is not delinquent on any non-tax debt owed to any federal agency.
9)	The Lessee certifies that it and all of the related individuals and entities required to be disclosed on this application and FCC Form 602 (FCC Ownership Disclosure Information for the Wireless Telecommunications Services) are not person(s) who have been, for reasons of national security, barred by any agency of the Federal Government from bidding on a contract, participating in an auction, or receiving a grant. This certification applies only to applications for licenses for spectrum that is required by Sections 6103, 6401-6403 of the Middle Class Tax Relief and Job Creation Act of 2012, codified at 47 U.S.C. §§ 309, 1413, 1451-1452, to be assigned by a system of competitive bidding under 47 U.S.C. § 309(j).
<p>The Lessee certifies that all of its statements made in this Application/Notification and in the schedules, exhibits, attachments, or documents incorporated by reference are material, are part of this Application/Notification, and are true, complete, correct, and made in good faith.</p>	

Type or Printed Name of Party Authorized to Sign

168) First Name: Dan	MI:	Last Name: Burgess	Suffix:
169) Title: Manager			
170) Signature: Dan Burgess		171) Date: 01/23/2023	
<p>FAILURE TO SIGN THIS APPLICATION MAY RESULT IN DISMISSAL OF THE APPLICATION AND FORFEITURE OF ANY FEES PAID.</p> <p>WILLFUL FALSE STATEMENTS MADE ON THIS FORM OR ANY ATTACHMENTS ARE PUNISHABLE BY FINE AND/OR IMPRISONMENT (U.S. Code, Title 18, Section 1001) AND/OR REVOCATION OF ANY STATION LICENSE OR CONSTRUCTION PERMIT (U.S. Code, Title 47, Section 312(a)(1)), AND/OR FORFEITURE (U.S. Code, Title 47, Section 503).</p>			

Sublessee Certification Statements

1)	The Sublessee agrees that the Lease is not a sale or transfer of the license itself.
2)	The Sublessee acknowledges that it is required to comply with the Commission's Rules and regulations and other applicable law at all times, and if the Sublessee fails to so comply, the Lease may be revoked, cancelled, or terminated by either the licensee or the Commission.
3)	The Sublessee certifies that neither it nor any other party to the Application/Notification is subject to a denial of Federal benefits pursuant to Section 5301 of the Anti-Drug Abuse Act of 1988, 21 U.S.C. § 862, because of a conviction for possession or distribution of a controlled substance. This certification does not apply to applications filed in services exempted under Section 1.2002(c) of the Commission's Rules. See Section 1.2002(b) of the Commission's Rules for the definition of "party to the application" as used in this certification.
4)	The Sublessee hereby accepts Commission oversight and enforcement consistent with the license authorization. The Sublessee acknowledges that it must cooperate fully with any investigation or inquiry conducted either by the Commission or the Licensee, allow the Commission or the licensee to conduct on-site inspections of transmission facilities, and suspend operations at the direction of the Commission or the Licensee and to the extent that such suspension of operation would be consistent with the applicable Commission policies.
5)	The Sublessee acknowledges that in the event an authorization held by a Licensee that has entered into a spectrum leasing arrangement is revoked, cancelled, terminated, or otherwise ceases to be in effect, the Sublessee will have no continuing authority to use the leased spectrum and will be required to terminate its operations no later than the date on which the Licensee ceases to have any authority to operate under the license, unless otherwise authorized by the Commission.
6)	The Sublessee agrees the Lease/Sublease shall not be assigned to any entity that is not eligible or qualified to enter into a spectrum leasing arrangement under the Commission's Rules and regulations.
7)	The Sublessee waives any claim to the use of any particular frequency or of the electromagnetic spectrum as against the regulatory power of the United States because of the previous use of the same, whether by spectrum lease or otherwise.
8)	The Sublessee certifies that it is not in default on any payment for Commission licenses and that it is not delinquent on any non-tax debt owed to any federal agency.
9)	The Sublessee certifies that it and all of the related individuals and entities required to be disclosed on this application and FCC Form 602 (FCC Ownership Disclosure Information for the Wireless Telecommunications Services) are not person(s) who have been, for reasons of national security, barred by any agency of the Federal Government from bidding on a contract, participating in an auction, or receiving a grant. This certification applies only to applications for licenses for spectrum that is required by Sections 6103, 6401-6403 of the Middle Class Tax Relief and Job Creation Act of 2012, codified at 47 U.S.C. §§ 309, 1413, 1451-1452, to be assigned by a system of competitive bidding under 47 U.S.C. § 309(j).
The Sublessee certifies that all of its statements made in this Application/Notification and in the schedules, exhibits, attachments, or documents incorporated by reference are material, are part of this Application/Notification, and are true, complete, correct, and made in good faith.	

Type or Printed Name of Party Authorized to Sign

172) First Name:	MI:	Last Name:	Suffix:
173) Title:			
174) Signature:		175) Date:	

FAILURE TO SIGN THIS APPLICATION MAY RESULT IN DISMISSAL OF THE APPLICATION AND FORFEITURE OF ANY FEES PAID.

WILLFUL FALSE STATEMENTS MADE ON THIS FORM OR ANY ATTACHMENTS ARE PUNISHABLE BY FINE AND/OR IMPRISONMENT (U.S. Code, Title 18, Section 1001) AND/OR REVOCATION OF ANY STATION LICENSE OR CONSTRUCTION PERMIT (U.S. Code, Title 47, Section 312(a)(1)), AND/OR FORFEITURE (U.S. Code, Title 47, Section 503).

Transferee Certification Statements

1)	The Transferee agrees that the Lease/Sublease is not a sale or transfer of the license itself.
2)	The Transferee acknowledges that it is required to comply with the Commission's Rules and Regulations and other applicable law at all times, and if the Transferee fails to so comply, the Lease/Sublease may be revoked, cancelled, or terminated by either the licensee or the Commission.
3)	The Transferee certifies that neither it nor any other party to the Application/Notification is subject to a denial of Federal benefits pursuant to Section 5301 of the Anti-Drug Abuse Act of 1988, 21 U.S.C. § 862, because of a conviction for possession or distribution of a controlled substance. This certification does not apply to applications filed in services exempted under Section 1.2002(c) of the Commission's Rules. See Section 1.2002(b) of the Commission's Rules for the definition of "party to the application" as used in this certification.)
4)	The Transferee hereby accepts Commission oversight and enforcement consistent with the license authorization. The Transferee acknowledges that it must cooperate fully with any investigation or inquiry conducted either by the Commission or the Licensee, allow the Commission or the licensee to conduct on-site inspections of transmission facilities, and suspend operations at the direction of the Commission or the Licensee and to the extent that such suspension of operation would be consistent with the applicable Commission policies.
5)	The Transferee acknowledges that in the event an authorization held by a Licensee that has entered into a spectrum leasing arrangement is revoked, cancelled, terminated, or otherwise ceases to be in effect, the Transferee will have no continuing authority to use the leased spectrum and will be required to terminate its operations no later than the date on which the Licensee ceases to have any authority to operate under the license, unless otherwise authorized by the Commission.
6)	The Transferee agrees the Lease shall not be assigned to any entity that is not eligible or qualified to enter into a spectrum leasing arrangement under the Commission's Rules and Regulations.
7)	The Transferee waives any claim to the use of any particular frequency or of the electromagnetic spectrum as against the regulatory power of the United States because of the previous use of the same, whether by spectrum lease or otherwise.
8)	The Transferee certifies that it is not in default on any payment for Commission licenses and that it is not delinquent on any non-tax debt owed to any federal agency.
9)	The Transferee certifies that it and all of the related individuals and entities required to be disclosed on this application and FCC Form 602 (FCC Ownership Disclosure Information for the Wireless Telecommunications Services) are not person(s) who have been, for reasons of national security, barred by any agency of the Federal Government from bidding on a contract, participating in an auction, or receiving a grant. This certification applies only to applications for licenses for spectrum that is required by Sections 6103, 6401-6403 of the Middle Class Tax Relief and Job Creation Act of 2012, codified at 47 U.S.C. §§ 309, 1413, 1451-1452, to be assigned by a system of competitive bidding under 47 U.S.C. § 309(j).
The Transferee certifies that all of its statements made in this Application/Notification and in the schedules, exhibits, attachments, or documents incorporated by reference are material, are part of this Application/Notification, and are true, complete, correct, and made in good faith.	

Type or Printed Name of Party Authorized to Sign

176) First Name:	MI:	Last Name:	Suffix:
177) Title:			
178) Signature:		179) Date:	

FAILURE TO SIGN THIS APPLICATION MAY RESULT IN DISMISSAL OF THE APPLICATION AND FORFEITURE OF ANY FEES PAID.

WILLFUL FALSE STATEMENTS MADE ON THIS FORM OR ANY ATTACHMENTS ARE PUNISHABLE BY FINE AND/OR IMPRISONMENT (U.S. Code, Title 18, Section 1001) AND/OR REVOCATION OF ANY STATION LICENSE OR CONSTRUCTION PERMIT (U.S. Code, Title 47, Section 312(a)(1)), AND/OR FORFEITURE (U.S. Code, Title 47, Section 503).

Transferor Certification Statements

1)	The Transferor certifies either (1) that control of the Lessee/Sublessee will not be transferred until consent of the Federal Communications Commission has been given, or (2) that prior Commission consent is not required because the Lease/Sublease is subject to streamlined notification procedures for <i>pro forma</i> transfers of control. See <i>Federal Communications Bar Association's Petition for Forbearance from Section 310(d) of the Communications Act Regarding Non-Substantial Assignments of Wireless Licenses and Transfers of Control Involving Telecommunications Carriers and Personal Communications Industry Association's Broadband Personal Communications Services Alliance's Petition for Forbearance For Broadband Personal Communications Services</i> , Memorandum Opinion and Order, 13 FCC Rcd 6293 (1998)
2)	The Transferor certifies that it is not in default on any payment for Commission licenses and that it is not delinquent on any non-tax debt owed to any federal agency.
The Transferor certifies that all of its statements made in this Application/Notification and in the schedules, exhibits, attachments, or documents incorporated by reference are material, are part of this Application/Notification, and are true, complete, correct, and made in good faith.	

Type or Printed Name of Party Authorized to Sign

180) First Name:	MI:	Last Name:	Suffix:
181) Title:			
182) Signature:		183) Date:	
FAILURE TO SIGN THIS APPLICATION MAY RESULT IN DISMISSAL OF THE APPLICATION AND FORFEITURE OF ANY FEES PAID.			
WILLFUL FALSE STATEMENTS MADE ON THIS FORM OR ANY ATTACHMENTS ARE PUNISHABLE BY FINE AND/OR IMPRISONMENT (U.S. Code, Title 18, Section 1001) AND/OR REVOCATION OF ANY STATION LICENSE OR CONSTRUCTION PERMIT (U.S. Code, Title 47, Section 312(a)(1)), AND/OR FORFEITURE (U.S. Code, Title 47, Section 503).			

Private Commons Manager Certification Statements

1)	The Licensee/Lessee/Sublessee manager of the Private Commons certifies that it will retain <i>de facto</i> control of the use of the spectrum under the Private Commons arrangement, including that it will maintain reasonable oversight over the users' use of the spectrum under the arrangement so as to ensure that the use of the spectrum, and communications equipment employed, comply with all technical and service rules applicable under the license authorization.
2)	The Licensee/Lessee/Sublessee manager of the Private Commons arrangement certifies that it will maintain the ability to ensure that users under the arrangement comply with all the technical and service rules applicable under the license authorization.
3)	The Licensee/Lessee/Sublessee manager of the Private Commons certifies that it and all of the related individuals and entities required to be disclosed on this application and FCC Form 602 (FCC Ownership Disclosure Information for the Wireless Telecommunications Services) are not person(s) who have been, for reasons of national security, barred by any agency of the Federal Government from bidding on a contract, participating in an auction, or receiving a grant. This certification applies only to applications for licenses for spectrum that is required by Sections 6103, 6401-6403 of the Middle Class Tax Relief and Job Creation Act of 2012, codified at 47 U.S.C. §§ 309, 1413, 1451-1452, to be assigned by a system of competitive bidding under 47 U.S.C. § 309(j).
The Licensee/Lessee/Sublessee manager of the Private Commons arrangement certifies that all of its statements made in this Notification and in the schedules, exhibits, attachments, or documents incorporated by reference are material, are part of this Notification, and are true, complete, correct, and made in good faith.	

Type or Printed Name of Party Authorized to Sign

184) First Name:	MI:	Last Name:	Suffix:
185) Title:			
186) Signature:		187) Date:	

**FAILURE TO SIGN THIS APPLICATION MAY RESULT IN DISMISSAL OF THE APPLICATION AND FORFEITURE OF ANY FEES PAID.
WILLFUL FALSE STATEMENTS MADE ON THIS FORM OR ANY ATTACHMENTS ARE PUNISHABLE BY FINE AND/OR IMPRISONMENT (U.S. Code, Title 18, Section 1001) AND/OR REVOCATION OF ANY STATION LICENSE OR CONSTRUCTION PERMIT (U.S. Code, Title 47, Section 312(a)(1)), AND/OR FORFEITURE (U.S. Code, Title 47, Section 503).**

License Authorization(s) or Identifiers (pertaining to Lease(s)/Sublease(s)/Private Commons) Associated with the Spectrum To Be Included in the Filing

188) Call Sign(s) or Lease/Sublease/ Private Commons Identifier(s)	189) Radio Service Code	190) Location Number	191) Path Number (Microwave only)	192) Frequency Number	193) Lower Frequency (MHz)	194) Upper Frequency (MHz)
KNLF235	CW - PCS Broadband					
KNLF237	CW - PCS Broadband					
KNLF251	CW - PCS Broadband					
KNLF256	CW - PCS Broadband					
KNLF367	CW - PCS Broadband					
KNLF367	CW - PCS Broadband					
KNLF391	CW - PCS Broadband					
KNLF467	CW - PCS Broadband					
KNLF882	CW - PCS Broadband					
KNLF928	CW - PCS Broadband					
KNLF948	CW - PCS Broadband					
KNLF948	CW - PCS Broadband					
KNLG485	CW - PCS Broadband					
KNLG502	CW - PCS Broadband					
KNLG518	CW - PCS Broadband					

* Note: Items 190 – 194 are for New Leases involving spectrum associated with site-based authorizations when only a portion of the licensed locations, paths and/or frequencies will be leased.

**Schedule for Licensees that Received Bidding Credits
or
Involving Licenses Won in Closed Bidding**

**Designated Entity Information
Bidding Credits**

1) Has the full amount of the bidding credits awarded with regard to each of the subject license(s) been paid as part of unjust enrichment payment(s) in previous transaction(s)?	() <u>Yes</u> <u>No</u>
If the response to Item 1 is 'Y', Items 2 and 3 are not required to be completed.	

Bidding Credits - (Spectrum Manager Leases Only)

2a) Does the Applicant have a general partnership interest or have a direct or indirect ownership interests of ten percent or greater in the Licensee?	() <u>Yes</u> <u>No</u>
2b) Is the Applicant a "controlling interest holder" or "affiliate" of the current Licensee? For purposes of determining whether the Licensee has retained the requisite degree of ownership and control over the leased spectrum in order to remain eligible for the license or for bidding credits, the <i>de jure</i> control standard in 47 CFR § 1.2110 and the <i>de facto</i> control standard in 47 CFR § 1.9010 will be applied (pursuant to the conditions set forth in 47 CFR § 1.9020).	() <u>Yes</u> <u>No</u>
2c) Does the Applicant share office space, equipment, or other facilities with any party controlling the entity from which spectrum is being leased/subleased?	() <u>Yes</u> <u>No</u>
2d) Is the Applicant a disclosable interest holder that holds a ten percent or greater interest of any kind in the Licensee and is the Lease/Sublease for more than 25% of the spectrum capacity of the subject license(s)?	() <u>Yes</u> <u>No</u>
2e) Does the Licensee certify that the Lease/Sublease does not affect its continuing eligibility to retain bidding credit(s)?	() <u>Yes</u> <u>No</u>

**Bidding Credits - (Long-Term De Facto Transfer Leases Only)
Eligibility**

3a) With respect to each of the subject licenses, the Applicant: () qualifies for the same designated entity benefit as the current Licensee () qualifies for a different designated entity benefit than the current Licensee () does not qualify for any designated entity status
--

3b) If the Applicant states in Item 3a that it qualifies for the same designated entity benefit as the current Licensee or qualifies for a different designated entity status than the current Licensee, the Applicant qualifies for a (select one): () small business bidding credit (___%) () rural service provider bidding credit	
3c) Is the Applicant a disclosable interest holder that holds a ten percent or greater interest of any kind in the Licensee and is the Lease/Sublease for more than 25% of the spectrum capacity of the subject license(s)?	() <u>Yes</u> <u>No</u>

Closed Bidding Licenses

4) Have construction notifications been submitted as required by the Commission's Rules for each of the subject licenses? If the response to Item 4 is 'Y', Items 5 and 6 are not required to be completed.	() <u>Yes</u> <u>No</u>
--	--------------------------

Closed Bidding Licenses – (Spectrum Manager Leases Only)

5a) Does the Applicant have a general partnership interest or have a direct or indirect ownership interest of ten percent or greater in the Licensee?	() <u>Yes</u> <u>No</u>
5b) Is the Applicant a "controlling interest holder" or "affiliate" of the current Licensee?	() <u>Yes</u> <u>No</u>
5c) Does the Applicant share office space, equipment or other facilities with any party controlling the entity from which spectrum is being leased?	() <u>Yes</u> <u>No</u>
5d) Does the Licensee certify that the Lease/Sublease does not affect its continuing eligibility to retain closed bidding licenses?	() <u>Yes</u> <u>No</u>

Closed Bidding Licenses – (Long-Term *De Facto* Transfer Leases Only)**Eligibility**

6) With respect to each of the subject licenses, the Applicant: () a) qualifies for closed bidding () b) does not qualify for closed bidding
--

7) Revenue and Asset Information for the Applicant

Purpose (Check Modify if filing an Amendment application and changing the Revenue and Asset Information from what was provided on the original filing)

<input type="checkbox"/> Modify

Gross Revenue Disclosure Most Recent Reportable Year

8a) Were the Applicant and any predecessors-in-interest in existence for a full year of the relevant period? If 'N', explain why in an attachment.	() <u>Yes</u> <u>No</u>
If 'Y', provide the following information.	
8b) Gross Revenues	\$ _____ (Format: 99,999.99)
8c) Year-end Date:	_____ (Date Format: MM/DD/YYYY)

One Year Prior to Most Recent Reportable Year

9a) Were the Applicant and any predecessors-in-interest in existence for a full year of the relevant period? If 'N', explain why in an attachment.	() <u>Yes</u> <u>No</u>
If 'Y', provide the following information.	
9b) Gross Revenues	\$ _____ (Format: 99,999.99)
9c) Year-end Date:	_____ (Date Format: MM/DD/YYYY)

Two Years Prior to Most Recent Reportable Year

10a) Were the Applicant and any predecessors-in-interest in existence for a full year of the relevant period? If 'N', explain why in an attachment.	() <u>Yes</u> <u>No</u>
If 'Y', provide the following information.	
10b) Gross Revenues	\$ _____ (Format: 99,999.99)
10c) Year-end Date:	_____ (Date Format: MM/DD/YYYY)

Three Years Prior to Most Recent Reportable Year

11a) Were the Applicant and any predecessors-in-interest in existence for a full year of the relevant period? If 'N', explain why in an attachment.	() <u>Yes</u> <u>No</u>
If 'Y', provide the following information.	
11b) Gross Revenues	\$ _____ (Format: 99,999.99)
11c) Year-end Date:	_____ (Date Format: MM/DD/YYYY)

Four Years Prior to Most Recent Reportable Year

12a) Were the Applicant and any predecessors-in-interest in existence for a full year of the relevant period? If 'N', explain why in an attachment.	() <u>Yes</u> <u>No</u>
If 'Y', provide the following information.	
12b) Gross Revenues	\$ _____ (Format: 99,999.99)
12c) Year-end Date:	_____ (Date Format: MM/DD/YYYY)

Average Gross Revenue

13) Average Gross Revenue of Reported Years: \$ _____ (Format: 99,999.99)

Asset Disclosure

14) Total Assets as of Application Filing Date: \$ _____

Financial Statements

15) Audited or Unaudited (Check One)

The Applicant used audited financial statements.

The Applicant used unaudited financial statements prepared in accordance with Generally Accepted Accounting Principles (GAAP) and certified by the Applicant's chief financial officer or the equivalent.

Reference Copy

Reference Copy

Closed Bidding/Designated Entity Eligibility

Total Gross Revenues for Most Recent Reportable Year

36a) Gross Revenues:	\$ _____	(Format: 99,999.99)
36b) Year-end Date:	_____	(Date Format: MM/DD/YYYY)

Total Gross Revenues for One Year Prior to Most Recent Reportable Year

37a) Gross Revenues:	\$ _____	(Format: 99,999.99)
37b) Year-end Date:	_____	(Date Format: MM/DD/YYYY)

Total Gross Revenues for Two Years Prior to Most Recent Reportable Year

38a) Gross Revenues:	\$ _____	(Format: 99,999.99)
38b) Year-end Date:	_____	(Date Format: MM/DD/YYYY)

Total Gross Revenues for Three Years Prior to the Most Recent Reportable Year

39a) Gross Revenues:	\$ _____	(Format: _____)
39b) Year-end Date:	_____	(Date Format: _____)

Total Gross Revenues for Four Years Prior to the Most Recent Reportable Year

40a) Gross Revenues:	\$ _____	(Format: 99,999.99)
40b) Year-end Date:	_____	(Date Format: MM/DD/YYYY)

Total Aggregate Average Gross Revenues for Designated Entity (License(s) Requiring Disclosure of Three Years of Gross Revenue Data)

41) Aggregate Average Gross Revenue:	\$ _____	(Format: 99,999.99)
--------------------------------------	----------	---------------------

Total Aggregate Average Gross Revenues for Designated Entity (License(s) Requiring Disclosure of Five Years of Gross Revenue Data)

41) Aggregate Average Gross Revenue:	\$ _____	(Format: 99,999.99)
--------------------------------------	----------	---------------------

Total Aggregate Average Gross Revenues for Closed Bidding

42) Aggregate Average Gross Revenue:	\$ _____	(Format: 99,999.99)
--------------------------------------	----------	---------------------

Total Assets Disclosure for Closed Bidding

43) Total Assets:	\$ _____	(Format: 99,999.99)
-------------------	----------	---------------------

Rural Service Provider Bidding Credit

36) Is the Applicant seeking a Rural Service Provider (RSP) bidding credit?	() <u>Yes</u> No
---	--------------------------

If the Applicant (the Lessee/Sublessee/Transferee) is seeking a rural service provider (RSP) bidding credit, provide in an exhibit the following information requested in a-e.

a) for the Applicant, submit the combined number of commercial communications service subscribers to wireless, wireline, broadband, and cable services that the Applicant serves and provide a list of the name(s) and the Federal Information Processing Standard (FIPS) number(s) for each county in which the Applicant has at least one commercial wireless, wireline, broadband, or cable subscriber;

b) for each of the Applicant's Affiliates, Controlling Interests, and the Affiliates of its Controlling Interests, submit the individual or entity's name, its FCC Registration Number (FRN), its relationship to the Applicant, and its combined number of commercial communications service subscribers to wireless, wireline, broadband, and cable services. For each of the Applicant's Affiliates, Controlling Interests, and the Affiliates of its Controlling Interests, also provide a list of the name(s) and the FIPS number(s) for each county in which it has at least one commercial wireless, wireline, broadband, or cable subscriber;

c) if neither the Applicant, nor any of its Affiliates, its Controlling Interests, or the Affiliates of its Controlling Interests have at least one wireless, wireline, broadband, or cable subscriber in a market for which the Applicant is applying for a license, list the market(s) in which the Applicant, its Affiliates, its Controlling Interests, and the Affiliates of its Controlling Interests have no such subscribers;

d) a detailed explanation demonstrating that: (i) the Applicant is in the business of providing commercial communications services; (ii) the Applicant serves predominantly rural areas; and (iii) the primary focus of the Applicant's business activity is the provision of services to rural areas (defined as counties with a population density of 100 or fewer persons per square mile); and

e) If the Applicant is an existing rural partnership that was providing service as of July 16, 2015, provide a detailed explanation demonstrating that each member of the partnership is independently eligible for the RSP bidding credit by providing, with respect to each member of the partnership, the same information as is required in a-d above.

**Schedule for Supplemental Information Pertaining to a New Lease, New Sublease,
Revision to Extend the Term of an Existing Lease or Sublease, or
Revision to Cancel an Existing Lease or Sublease**

License Authorizations/Lease Identifiers/Sublease Identifiers (Complete as many Schedule E's as necessary)

1) Call Sign(s) or Lease/Sublease Identifier(s)	2) Radio Service Code	3) Commencement Date (MM/DD/YYYY) OR Check box for FCC Grant Date	4) Expiration Date (MM/DD/YYYY)	5) Revised Expiration Date (MM/DD/YYYY)	6) Cancellation Date (MM/DD/YYYY) OR Check box if Lease/Sublease Never Commenced
KNLF235	CW	<input checked="" type="checkbox"/>	06/23/2025		<input type="checkbox"/>
KNLF237	CW	<input checked="" type="checkbox"/>	06/23/2025		<input type="checkbox"/>
KNLF251	CW	<input checked="" type="checkbox"/>	06/23/2025		<input type="checkbox"/>
KNLF256	CW	<input checked="" type="checkbox"/>	06/23/2025		<input type="checkbox"/>
KNLF367	CW	<input checked="" type="checkbox"/>	09/16/2026		<input type="checkbox"/>
KNLF391	CW	<input checked="" type="checkbox"/>	09/16/2026		<input type="checkbox"/>
KNLF467	CW	<input checked="" type="checkbox"/>	09/16/2026		<input type="checkbox"/>
KNLF882	CW	<input checked="" type="checkbox"/>	09/16/2026		<input type="checkbox"/>
KNLF928	CW	<input checked="" type="checkbox"/>	09/16/2026		<input type="checkbox"/>
KNLF948	CW	<input checked="" type="checkbox"/>	09/16/2026		<input type="checkbox"/>
KNLG485	CW	<input checked="" type="checkbox"/>	09/16/2026		<input type="checkbox"/>
KNLG502	CW	<input checked="" type="checkbox"/>	09/16/2026		<input type="checkbox"/>

1) Call Sign(s) or Lease/Sublease Identifier(s)	2) Radio Service Code	3) Commencement Date (MM/DD/YYYY) OR Check box for FCC Grant Date	4) Expiration Date (MM/DD/YYYY)	5) Revised Expiration Date (MM/DD/YYYY)	6) Cancellation Date (MM/DD/YYYY) OR Check box if Lease/Sublease Never Commenced
KNLG518	CW	<input checked="" type="checkbox"/>	09/16/2026		<input type="checkbox"/>

Reference Copy

**Schedule for Defined Geographic Area To Be Leased
 (Geographically-Licensed Services)**

Call Sign

1) Call Sign: <u>KNLF235</u>

Geographic Area of Spectrum To Be Included in Lease

2) Defined Area to be Leased	3) Undefined Area to be Leased (Complete Schedule G)	4a) Population of Leased Area
	Schedule G # Attached:1	

5) Frequencies of Spectrum To Be Included in Lease (MHz)

Spectrum Leased	
Lower Frequency/Bandwidth	Upper Frequency/Bandwidth
001850.00000000	001860.00000000
001930.00000000	001940.00000000

Schedule for Defined Geographic Area To Be Leased
(Geographically-Licensed Services)

Call Sign

1) Call Sign: KNLF237

Geographic Area of Spectrum To Be Included in Lease

2) Defined Area to be Leased	3) Undefined Area to be Leased (Complete Schedule G)	4a) Population of Leased Area
	Schedule G # Attached:2	

5) Frequencies of Spectrum To Be Included in Lease (MHz)

Spectrum Leased

Lower Frequency/Bandwidth	Upper Frequency/Bandwidth

**Schedule for Defined Geographic Area To Be Leased
(Geographically-Licensed Services)**

Call Sign

1) Call Sign: KNLF251

Geographic Area of Spectrum To Be Included in Lease

2) Defined Area to be Leased	3) Undefined Area to be Leased (Complete Schedule G)	4a) Population of Leased Area
	Schedule G # Attached:3	

5) Frequencies of Spectrum To Be Included in Lease (MHz)

Spectrum Leased

Lower Frequency/Bandwidth	Upper Frequency/Bandwidth

**Schedule for Defined Geographic Area To Be Leased
(Geographically-Licensed Services)**

Call Sign

1) Call Sign: KNLF256

Geographic Area of Spectrum To Be Included in Lease

2) Defined Area to be Leased	3) Undefined Area to be Leased (Complete Schedule G)	4a) Population of Leased Area
	Schedule G # Attached:4	

5) Frequencies of Spectrum To Be Included in Lease (MHz)

Spectrum Leased

Lower Frequency/Bandwidth	Upper Frequency/Bandwidth

**Schedule for Defined Geographic Area To Be Leased
(Geographically-Licensed Services)**

Call Sign

1) Call Sign: KNLF367

Geographic Area of Spectrum To Be Included in Lease

2) Defined Area to be Leased	3) Undefined Area to be Leased (Complete Schedule G)	4a) Population of Leased Area
	Schedule G # Attached:5	

5) Frequencies of Spectrum To Be Included in Lease (MHz)

Spectrum Leased

Lower Frequency/Bandwidth	Upper Frequency/Bandwidth

**Schedule for Defined Geographic Area To Be Leased
(Geographically-Licensed Services)**

Call Sign

1) Call Sign: KNLF367

Geographic Area of Spectrum To Be Included in Lease

2) Defined Area to be Leased	3) Undefined Area to be Leased (Complete Schedule G)	4a) Population of Leased Area
	Schedule G # Attached:6	

5) Frequencies of Spectrum To Be Included in Lease (MHz)

Spectrum Leased

Lower Frequency/Bandwidth	Upper Frequency/Bandwidth

**Schedule for Defined Geographic Area To Be Leased
(Geographically-Licensed Services)**

Call Sign

1) Call Sign: KNLF391

Geographic Area of Spectrum To Be Included in Lease

2) Defined Area to be Leased	3) Undefined Area to be Leased (Complete Schedule G)	4a) Population of Leased Area
	Schedule G # Attached:7	

5) Frequencies of Spectrum To Be Included in Lease (MHz)

Spectrum Leased

Lower Frequency/Bandwidth	Upper Frequency/Bandwidth

**Schedule for Defined Geographic Area To Be Leased
 (Geographically-Licensed Services)**

Call Sign

1) Call Sign: <u>KNLF467</u>

Geographic Area of Spectrum To Be Included in Lease

2) Defined Area to be Leased	3) Undefined Area to be Leased (Complete Schedule G)	4a) Population of Leased Area
	Schedule G # Attached:8	

5) Frequencies of Spectrum To Be Included in Lease (MHz)

Spectrum Leased	
Lower Frequency/Bandwidth	Upper Frequency/Bandwidth

**Schedule for Defined Geographic Area To Be Leased
(Geographically-Licensed Services)**

Call Sign

1) Call Sign: KNLF882

Geographic Area of Spectrum To Be Included in Lease

2) Defined Area to be Leased	3) Undefined Area to be Leased (Complete Schedule G)	4a) Population of Leased Area
	Schedule G # Attached:9	

5) Frequencies of Spectrum To Be Included in Lease (MHz)

Spectrum Leased

Lower Frequency/Bandwidth	Upper Frequency/Bandwidth

**Schedule for Defined Geographic Area To Be Leased
(Geographically-Licensed Services)**

Call Sign

1) Call Sign: KNLF928

Geographic Area of Spectrum To Be Included in Lease

2) Defined Area to be Leased	3) Undefined Area to be Leased (Complete Schedule G)	4a) Population of Leased Area
	Schedule G # Attached:10	

5) Frequencies of Spectrum To Be Included in Lease (MHz)

Spectrum Leased

Lower Frequency/Bandwidth	Upper Frequency/Bandwidth

**Schedule for Defined Geographic Area To Be Leased
(Geographically-Licensed Services)**

Call Sign

1) Call Sign: KNLF948

Geographic Area of Spectrum To Be Included in Lease

2) Defined Area to be Leased	3) Undefined Area to be Leased (Complete Schedule G)	4a) Population of Leased Area
	Schedule G # Attached:11	

5) Frequencies of Spectrum To Be Included in Lease (MHz)

Spectrum Leased

Lower Frequency/Bandwidth	Upper Frequency/Bandwidth

**Schedule for Defined Geographic Area To Be Leased
(Geographically-Licensed Services)**

Call Sign

1) Call Sign: KNLF948

Geographic Area of Spectrum To Be Included in Lease

2) Defined Area to be Leased	3) Undefined Area to be Leased (Complete Schedule G)	4a) Population of Leased Area
	Schedule G # Attached:12	

5) Frequencies of Spectrum To Be Included in Lease (MHz)

Spectrum Leased

Lower Frequency/Bandwidth	Upper Frequency/Bandwidth

**Schedule for Defined Geographic Area To Be Leased
(Geographically-Licensed Services)**

Call Sign

1) Call Sign: KNLG485

Geographic Area of Spectrum To Be Included in Lease

2) Defined Area to be Leased	3) Undefined Area to be Leased (Complete Schedule G)	4a) Population of Leased Area
	Schedule G # Attached:13	

5) Frequencies of Spectrum To Be Included in Lease (MHz)

Spectrum Leased

Lower Frequency/Bandwidth	Upper Frequency/Bandwidth

**Schedule for Defined Geographic Area To Be Leased
(Geographically-Licensed Services)**

Call Sign

1) Call Sign: KNLG502

Geographic Area of Spectrum To Be Included in Lease

2) Defined Area to be Leased	3) Undefined Area to be Leased (Complete Schedule G)	4a) Population of Leased Area
	Schedule G # Attached:14	

5) Frequencies of Spectrum To Be Included in Lease (MHz)

Spectrum Leased

Lower Frequency/Bandwidth	Upper Frequency/Bandwidth

**Schedule for Defined Geographic Area To Be Leased
(Geographically-Licensed Services)**

Call Sign

1) Call Sign: KNLG518

Geographic Area of Spectrum To Be Included in Lease

2) Defined Area to be Leased	3) Undefined Area to be Leased (Complete Schedule G)	4a) Population of Leased Area
	Schedule G # Attached:15	

5) Frequencies of Spectrum To Be Included in Lease (MHz)

Spectrum Leased

Lower Frequency/Bandwidth	Upper Frequency/Bandwidth

Number: 1

Schedule for Leases that Involve an Undefined Geographic Area

For each undefined geographic area, complete up to 300 Latitude/Longitude combinations for every 3 degrees azimuth, using NAD83 Datum.

	Latitude (DD-MM-SS.S-D)	Longitude (DDD-MM-SS.S-D)
1	38-26-13.5 N	082-42-26.7 W
2	38-26-12.8 N	082-42-08.2 W
3	38-26-05.8 N	082-42-06.6 W
4	38-26-00.5 N	082-42-13.5 W
5	38-26-00.7 N	082-42-25.2 W
6	38-26-13.5 N	082-42-26.7 W

Number: 2

Schedule for Leases that Involve an Undefined Geographic Area

For each undefined geographic area, complete up to 300 Latitude/Longitude combinations for every 3 degrees azimuth, using NAD83 Datum.

	Latitude (DD-MM-SS.S-D)	Longitude (DDD-MM-SS.S-D)
1	38-52-15.4 N	089-24-33.8 W
2	38-52-15.4 N	089-24-23.5 W
3	38-51-59.9 N	089-24-19.2 W
4	38-51-51.5 N	089-24-26.0 W
5	38-51-51.5 N	089-24-43.2 W
6	38-52-00.8 N	089-24-43.2 W
7	38-52-15.4 N	089-24-33.8 W

Number: 3

Schedule for Leases that Involve an Undefined Geographic Area

For each undefined geographic area, complete up to 300 Latitude/Longitude combinations for every 3 degrees azimuth, using NAD83 Datum.

	Latitude (DD-MM-SS.S-D)	Longitude (DDD-MM-SS.S-D)
1	37-10-52.2 N	083-47-34.4 W
2	37-10-55.7 N	083-47-29.6 W
3	37-10-50.5 N	083-47-15.2 W
4	37-10-44.4 N	083-47-12.3 W
5	37-10-38.8 N	083-47-16.8 W
6	37-10-37.7 N	083-47-24.1 W
7	37-10-41.2 N	083-47-28.2 W
8	37-10-52.2 N	083-47-34.4 W

Number: 4

Schedule for Leases that Involve an Undefined Geographic Area

For each undefined geographic area, complete up to 300 Latitude/Longitude combinations for every 3 degrees azimuth, using NAD83 Datum.

	Latitude (DD-MM-SS.S-D)	Longitude (DDD-MM-SS.S-D)
1	32-53-41.3 N	090-27-04.6 W
2	32-53-44.5 N	090-25-39.4 W
3	32-52-45.6 N	090-25-38.1 W
4	32-52-47.0 N	090-27-01.3 W
5	32-53-41.3 N	090-27-04.6 W

Number: 5

Schedule for Leases that Involve an Undefined Geographic Area

For each undefined geographic area, complete up to 300 Latitude/Longitude combinations for every 3 degrees azimuth, using NAD83 Datum.

	Latitude (DD-MM-SS.S-D)	Longitude (DDD-MM-SS.S-D)
1	32-43-31.6 N	081-15-29.8 W
2	32-43-28.5 N	081-14-56.8 W
3	32-43-01.5 N	081-14-59.6 W
4	32-43-04.3 N	081-15-33.8 W
5	32-43-31.6 N	081-15-29.8 W

Number: 6

Schedule for Leases that Involve an Undefined Geographic Area

For each undefined geographic area, complete up to 300 Latitude/Longitude combinations for every 3 degrees azimuth, using NAD83 Datum.

	Latitude (DD-MM-SS.S-D)	Longitude (DDD-MM-SS.S-D)
1	31-33-55.8 N	081-54-19.2 W
2	31-33-56.7 N	081-54-11.4 W
3	31-33-52.0 N	081-53-55.9 W
4	31-33-45.5 N	081-53-55.0 W
5	31-33-43.7 N	081-54-18.2 W
6	31-33-55.8 N	081-54-19.2 W

Number: 7

Schedule for Leases that Involve an Undefined Geographic Area

For each undefined geographic area, complete up to 300 Latitude/Longitude combinations for every 3 degrees azimuth, using NAD83 Datum.

	Latitude (DD-MM-SS.S-D)	Longitude (DDD-MM-SS.S-D)
1	31-28-20.6 N	092-27-03.8 W
2	31-28-20.4 N	092-25-59.5 W
3	31-27-39.4 N	092-26-05.1 W
4	31-27-41.9 N	092-27-06.3 W
5	31-28-20.6 N	092-27-03.8 W

Number: 8

Schedule for Leases that Involve an Undefined Geographic Area

For each undefined geographic area, complete up to 300 Latitude/Longitude combinations for every 3 degrees azimuth, using NAD83 Datum.

	Latitude (DD-MM-SS.S-D)	Longitude (DDD-MM-SS.S-D)
1	34-59-04.6 N	090-48-28.4 W
2	34-59-03.1 N	090-47-26.3 W
3	34-58-23.7 N	090-47-26.6 W
4	34-58-25.8 N	090-48-30.6 W
5	34-59-04.6 N	090-48-28.4 W

Number: 9

Schedule for Leases that Involve an Undefined Geographic Area

For each undefined geographic area, complete up to 300 Latitude/Longitude combinations for every 3 degrees azimuth, using NAD83 Datum.

	Latitude (DD-MM-SS.S-D)	Longitude (DDD-MM-SS.S-D)
1	34-40-11.1 N	079-43-15.3 W
2	34-40-30.9 N	079-43-11.2 W
3	34-40-28.8 N	079-42-56.7 W
4	34-40-08.9 N	079-43-01.1 W
5	34-40-11.1 N	079-43-15.3 W

Number: 10

Schedule for Leases that Involve an Undefined Geographic Area

For each undefined geographic area, complete up to 300 Latitude/Longitude combinations for every 3 degrees azimuth, using NAD83 Datum.

	Latitude (DD-MM-SS.S-D)	Longitude (DDD-MM-SS.S-D)
1	31-28-20.6 N	092-27-03.8 W
2	31-28-20.4 N	092-25-59.5 W
3	31-27-39.4 N	092-26-05.1 W
4	31-27-41.9 N	092-27-06.3 W
5	31-28-20.6 N	092-27-03.8 W

Number: 11

Schedule for Leases that Involve an Undefined Geographic Area

For each undefined geographic area, complete up to 300 Latitude/Longitude combinations for every 3 degrees azimuth, using NAD83 Datum.

	Latitude (DD-MM-SS.S-D)	Longitude (DDD-MM-SS.S-D)
1	32-43-31.6 N	081-15-29.8 W
2	32-43-28.5 N	081-14-56.8 W
3	32-43-01.5 N	081-14-59.6 W
4	32-43-04.3 N	081-15-33.8 W
5	32-43-31.6 N	081-15-29.8 W

Number: 12

Schedule for Leases that Involve an Undefined Geographic Area

For each undefined geographic area, complete up to 300 Latitude/Longitude combinations for every 3 degrees azimuth, using NAD83 Datum.

	Latitude (DD-MM-SS.S-D)	Longitude (DDD-MM-SS.S-D)
1	31-33-55.8 N	081-54-19.2 W
2	31-33-56.7 N	081-54-11.4 W
3	31-33-52.0 N	081-53-55.9 W
4	31-33-45.5 N	081-53-55.0 W
5	31-33-43.7 N	081-54-18.2 W
6	31-33-55.8 N	081-54-19.2 W

Number: 13

Schedule for Leases that Involve an Undefined Geographic Area

For each undefined geographic area, complete up to 300 Latitude/Longitude combinations for every 3 degrees azimuth, using NAD83 Datum.

	Latitude (DD-MM-SS.S-D)	Longitude (DDD-MM-SS.S-D)
1	25-37-06.5 N	080-24-48.7 W
2	25-37-14.5 N	080-24-41.2 W
3	25-37-07.9 N	080-24-28.2 W
4	25-36-59.4 N	080-24-27.9 W
5	25-36-58.9 N	080-24-39.8 W
6	25-37-06.5 N	080-24-48.7 W

Number: 14

Schedule for Leases that Involve an Undefined Geographic Area

For each undefined geographic area, complete up to 300 Latitude/Longitude combinations for every 3 degrees azimuth, using NAD83 Datum.

	Latitude (DD-MM-SS.S-D)	Longitude (DDD-MM-SS.S-D)
1	41-26-18.6 N	073-28-18.5 W
2	41-26-19.8 N	073-27-51.5 W
3	41-26-02.2 N	073-27-50.9 W
4	41-26-00.4 N	073-28-06.5 W
5	41-26-18.6 N	073-28-18.5 W

Number: 15

Schedule for Leases that Involve an Undefined Geographic Area

For each undefined geographic area, complete up to 300 Latitude/Longitude combinations for every 3 degrees azimuth, using NAD83 Datum.

	Latitude (DD-MM-SS.S-D)	Longitude (DDD-MM-SS.S-D)
1	45-05-13.0 N	123-23-26.1 W
2	45-05-12.7 N	123-22-40.1 W
3	45-04-55.2 N	123-22-38.7 W
4	45-04-55.6 N	123-23-28.0 W
5	45-05-13.0 N	123-23-26.1 W

Attachment(s):

Type	Description	Date Entered
O	Exhibit 3 - Site Information	01/04/2023
O	Exhibit 2 - Description of Licenses	01/04/2023
O	Exhibit 1 - Description of Transaction	01/04/2023

REFERENCE COPY

This is not an official FCC license. It is a record of public information contained in the FCC's licensing database on the date that this reference copy was generated. In cases where FCC rules require the presentation, posting, or display of an FCC license, this document may not be used in place of an official FCC license.



Federal Communications Commission
Wireless Telecommunications Bureau
RADIO STATION AUTHORIZATION

LICENSEE: NEW CINGULAR WIRELESS PCS, LLC

ATTN: NATIONAL REGULATORY COMPLIANCE
 NEW CINGULAR WIRELESS PCS, LLC
 208 S AKARD ST, 20F
 DALLAS, TX 75202

Call Sign KNLF286	File Number
Radio Service CW - PCS Broadband	

FCC Registration Number (FRN): 0003291192

Grant Date 06-05-2015	Effective Date 01-24-2024	Expiration Date 06-23-2025	Print Date
Market Number MTA043	Channel Block B	Sub-Market Designator 5	
Market Name Nashville			
1st Build-out Date 06-23-2000	2nd Build-out Date 06-23-2005	3rd Build-out Date	4th Build-out Date

Waivers/Conditions:

This authorization is subject to the condition that, in the event that systems using the same frequencies as granted herein are authorized in an adjacent foreign territory (Canada/United States), future coordination of any base station transmitters within 72 km (45 miles) of the United States/Canada border shall be required to eliminate any harmful interference to operations in the adjacent foreign territory and to ensure continuance of equal access to the frequencies by both countries.

This authorization is subject to the condition that the remaining balance of the winning bid amount will be paid in accordance with Part 1 of the Commission's rules, 47 C.F.R. Part 1.

Conditions:

Pursuant to §309(h) of the Communications Act of 1934, as amended, 47 U.S.C. §309(h), this license is subject to the following conditions: This license shall not vest in the licensee any right to operate the station nor any right in the use of the frequencies designated in the license beyond the term thereof nor in any other manner than authorized herein. Neither the license nor the right granted thereunder shall be assigned or otherwise transferred in violation of the Communications Act of 1934, as amended. See 47 U.S.C. § 310(d). This license is subject in terms to the right of use or control conferred by §706 of the Communications Act of 1934, as amended. See 47 U.S.C. §606.

This license may not authorize operation throughout the entire geographic area or spectrum identified on the hardcopy version. To view the specific geographic area and spectrum authorized by this license, refer to the Spectrum and Market Area information under the Market Tab of the license record in the Universal Licensing System (ULS). To view the license record, go to the ULS homepage at <http://wireless.fcc.gov/uls/index.htm?job=home> and select "License Search". Follow the instructions on how to search for license information.

Licensee Name: NEW CINGULAR WIRELESS PCS, LLC

Call Sign: KNLF286

File Number:

Print Date:

This license is conditioned upon compliance with the provisions of Applications of AT&T Wireless Services, Inc. and Cingular Wireless Corporation For Consent to Transfer Control of Licenses and Authorizations, Memorandum Opinion and Order, FCC 04-255 (rel. Oct. 26, 2004).

Commission approval of this application and the licenses contained therein are subject to the conditions set forth in the Memorandum Opinion and Order, adopted on December 29, 2006 and released on March 26, 2007, and revised in the Order on Reconsideration, adopted and released on March 26, 2007. See AT&T Inc. and BellSouth Corporation Application for Transfer of Control, WC Docket No. 06-74, Memorandum Opinion and Order, FCC 06-189 (rel. Mar. 26, 2007); AT&T Inc. and BellSouth Corporation, WC Docket No. 06-74, Order on Reconsideration, FCC 07-44 (rel. Mar. 26, 2007).

Licensee Name: NEW CINGULAR WIRELESS PCS, LLC

Call Sign: KNLF286

File Number:

Print Date:

700 MHz Relicensed Area Information:

Market	Market Name	Buildout Deadline	Buildout Notification	Status
---------------	--------------------	--------------------------	------------------------------	---------------

Reference Copy

Reference Copy Only. Do Not Mail to the FCC as an Application.

Submitted: 01/23/2024 at 17:43:02
 File Number: 0010873512

FCC 601
Main Form

FCC Application for Radio Service Authorization: Wireless Telecommunications Bureau Public Safety and Homeland Security Bureau

Approved by OMB
 3060 - 0798
 See instructions for
 public burden estimate

1) Radio Service Code: CW	1a) Existing Radio Service Code:
---	----------------------------------

General Information

2) (Select only one) (AU) NE - New RO - Renewal Only AU - Administrative Update NT - Required Notifications MD - Modification RM - Renewal/Modification WD - Withdrawal of Application EX - Requests for Extension of Time AM - Amendment CA - Cancellation of License RL - Registered Location/Link	
3a) If this application is for a Demonstration License or a Special Temporary Authorization (STA), enter the code and attach the required exhibit as described in the instructions. Otherwise enter ' <u>N/A</u> ' (Not Applicable).	(N) <u>M</u> <u>S</u> <u>N/A</u>
3b) If this application is for Special Temporary Authority due to an emergency situation, enter 'Y'; otherwise enter 'N'. Refer to Rule 1.915 for an explanation of situations considered to be an emergency.	() <u>Y</u> es <u>N</u> o
4) If this application is for an Amendment or Withdrawal, enter the file number of the pending application currently on file with the FCC.	File Number
5) If this application is for a Modification, Renewal Only, Renewal/Modification, Cancellation of License, or Administrative Update, enter the call sign of the existing FCC license. If this is a request for Registered Location/Link, enter the FCC call sign assigned to the geographic license.	Call Sign KNLF286
6a) If this application is for a New, Amendment, Renewal Only, or Renewal/Modification, enter the requested authorization expiration date (this item is optional).	MM DD /
6b) If this application is for a Renewal Only or Renewal/Modification and the license is a geographic area license, is the license used to provide service to customers (C), or is the license used for private business (internal) purposes or to meet the licensee's public interest/public safety communications needs (P)?	() <u>C</u> <u>P</u>
7) Is this application "major" as defined in § 1.929 of the Commission's Rules when read in conjunction with the applicable radio service rules found in Parts 22 and 90 of the Commission's Rules? (NOTE: This question only applies to certain site-specific applications. See the instructions for applicability and full text of § 1.929).	() <u>Y</u> es <u>N</u> o
8) Are attachments (other than associated schedules) being filed with this application?	() <u>Y</u> es <u>N</u> o

Fees, Waivers, and Exemptions

9) Is the Applicant exempt from FCC application fees?	(N) <u>Y</u> es <u>N</u> o
10) Is the Applicant exempt from FCC regulatory fees?	(N) <u>Y</u> es <u>N</u> o
11) Does this application include a request for a Waiver of the Commission's Rule(s)? If 'Yes', attach an exhibit providing rule number(s) and explaining circumstances.	(N) <u>Y</u> es <u>N</u> o
12) Are the frequencies or parameters requested in this filing covered by grandfathered privileges, previously approved by waiver, or functionally integrated with an existing station?	() <u>Y</u> es <u>N</u> o

Applicant Information

13) FCC Registration Number (FRN): 0003291192			
14) Applicant/Licensee Legal Entity Type: (Select One) () Individual () Unincorporated Association () Trust () Government Entity (<input checked="" type="checkbox"/>) Corporation () Limited Liability Company () General Partnership () Limited Partnership () Limited Liability Partnership () Consortium () Other: _____			
15) If the Licensee name is being updated, is the update a result from the sale (or transfer of control) of the license(s) to party and for which proper Commission approval has not been received or proper notification not provided?			() Yes <input checked="" type="checkbox"/> No
16) First Name (if individual):	MI:	Last Name:	Suffix:
17) Legal Entity Name (if other than individual): New Cingular Wireless PCS, LLC			
18) Attention To: National Regulatory Compliance			
19) P.O. Box:	And/Or	20) Street Address: 208 S Akard St, 20F	
21) City: Dallas	22) State: TX		23) Zip Code: 75202
24) Telephone Number: (855)699-7073		25) Fax: (214)746-6410	
26) E-Mail Address: FCCMW@att.com			

27) Demographics (Optional)

Race: () American Indian or Alaska Native () Asian () Black or African-American () Native Hawaiian or Other Pacific Islander () White	Ethnicity: () Hispanic or Latino () Not Hispanic or Latino	Gender: () Male () Female
---	--	-----------------------------------

Real Party in Interest

28) Name of Real Party in Interest of Applicant (If different from Applicant):	29) FCC Registration Number (FRN) of Real Party in Interest:
--	--

Contact Information (If different from the Applicant) Check here if same as Applicant.

30) First Name: Jessica	MI: J	Last Name: Dunk	Suffix: Esq
31) Company Name: AT&T Services, Inc.			
32) Attention To: NRC			
33) P.O. Box:	And /Or	34) Street Address: 208 S Akard St, 20F	
35) City: Dallas	36) State: TX		37) Zip Code: 75202
38) Telephone Number: (855)699-7073		39) Fax: (214)746-6410	
40) E-Mail Address: FCCMW@att.com			

Regulatory Status

41) This filing is for authorization to provide or use the following type(s) of radio service offering (enter all that apply):
 Common Carrier Non-Common Carrier Private, internal communications Broadcast Services Band Manager

Type of Radio Service

42) This filing is for authorization to provide the following type(s) of radio service (choose all that apply):
 Fixed Mobile Radiolocation Satellite (sound) Broadcast Services

43) Does the Applicant propose to provide service interconnected to the public telephone network? Yes No

Alien Ownership Questions (If any answer is "Y", provide an attachment explaining the circumstances. In preparing the attachment, refer to the Main Form Instructions for the "Alien Ownership Questions".)

44) Is the Applicant a foreign government or the representative of any foreign government? Yes No

45) Is the Applicant an alien or the representative of an alien? Yes No

46) Is the Applicant a corporation organized under the laws of any foreign government? Yes No

47) Is the Applicant a corporation of which more than one-fifth of the capital stock is owned of record or voted by aliens or their representatives, or by a foreign government or representative thereof, or by any corporation organized under the laws of a foreign country? Yes No

48a) Is the Applicant directly or indirectly controlled by any other corporation of which more than one-fourth of the capital stock () Yes No is owned of record or voted by aliens or their representatives, or by a foreign government or representative thereof, or by any corporation organized under the laws of a foreign country?

48b) If the answer to 47 or 48a is 'Y' select one of the choices below.

The Applicant is exempt from the provisions of Section 310(b).

If checked, it is not necessary to file a petition for declaratory ruling if the Applicant includes in the attachment required by Item 47 or Item 48a a showing that the requested license(s) is exempt from the provisions of Section 310(b).

The Applicant has received a declaratory ruling(s) approving its foreign ownership, and the application involves only the acquisition of additional spectrum for the provision of a wireless service in a geographic coverage area for which the Applicant has been previously authorized.

If checked, include in the attachment required by Item 47 or Item 48a the citation(s) of the applicable declaratory ruling(s) by DA/FCC number, the FCC Record citation, if available, release date, and a statement that there has been no change in the foreign ownership of the Applicant since the issuance of its ruling.

The Applicant: (i) has received a declaratory ruling(s) approving its foreign ownership, but is not able to make the certification specified immediately above; or (ii) is an "affiliate" of a Licensee or Lessee/Sublessee that received a declaratory ruling(s) under 47 CFR § 1.5000(a) and is relying on the affiliate's ruling for purposes of filing this application as permitted under the affiliate's ruling and 47 CFR § 1.5004(b)

If checked, and if the Applicant received its declaratory ruling(s) on or after August 9, 2013, include in the attachment required by Item 47 or Item 48a the citation(s) of the Applicant's declaratory ruling(s) by DA/FCC number, the FCC Record citation, if available, release date, and a statement that the Applicant is in compliance with the terms and conditions of its ruling and with the Commission's Rules.

If checked, and if the Applicant received its declaratory ruling(s) prior to August 9, 2013, include in the attachment required by Item 48a a copy of a petition for declaratory ruling filed contemporaneously with the Commission to extend the Applicant's existing ruling(s) to cover the same radio service(s) and geographic coverage area(s) involved in the application. Alternatively, the Applicant may request a new declaratory ruling pursuant to Section 1.5000(a) of the Commission's Rules, 47 CFR § 1.5000 (a). Petitions for declaratory ruling may be filed electronically on the Internet through the International Bureau Filing System (IBFS) (with a copy attached hereto).

If checked, and if the Applicant is relying on an affiliate's ruling for purposes of filing this application, include in the attachment required by Item 47 or Item 48a the citation(s) of the applicable declaratory ruling(s) by DA/FCC number, the FCC Record citation, if available, release date, and a statement that the Applicant is in compliance with the terms and conditions of the named affiliate's ruling and with the Commission's Rules. The Applicant must also include a certification of compliance signed by the named affiliate or other qualified entity as specified in 47 CFR § 1.5004(b). See Main Form Instructions for Items 47 or 48a, as applicable.

The Applicant has not received a declaratory ruling approving its foreign ownership and is requesting a declaratory ruling under 47 CFR § 1.5004(b) in a petition filed contemporaneously with the Commission.

If checked, include in the attachment required by Item 47 or 48a a copy of the petition for declaratory ruling filed contemporaneously with the Commission pursuant to 47 CFR § 1.5004(b). Petitions for declaratory ruling may be filed electronically on the Internet through the International Bureau Filing System (IBFS) (with a copy attached hereto).

Basic Qualification Questions

49) Has the Applicant or any party to this application had any FCC station authorization, license or construction permit revoked or had any application for an initial, modification or renewal of FCC station authorization, license, or construction permit denied by the Commission?	(<input type="checkbox"/>) <u>Yes</u> <u>No</u>
50) Has the Applicant or any party to this application, or any party directly or indirectly controlling the Applicant, ever been convicted of a felony by any state or federal court?	(<input type="checkbox"/>) <u>Yes</u> <u>No</u>
51) Has any court finally adjudged the Applicant or any party directly or indirectly controlling the Applicant guilty of unlawfully monopolizing or attempting unlawfully to monopolize radio communication, directly or indirectly, through control of manufacture or sale of radio apparatus, exclusive traffic arrangement, or any other means or unfair methods of competition?	(<input type="checkbox"/>) <u>Yes</u> <u>No</u>

Note: If the answer to any of 49-51 is 'Y', attach an exhibit explaining the circumstances.

Aeronautical Advisory Station (Unicom) Certification

52) (<input type="checkbox"/>) I certify that the station will be located on property of the airport to be served, and, in cases where the airport does not have a control tower, RCO, or FAA flight service station, that I have notified the owner of the airport and all aviation service organizations located at the airport within ten days prior to application.

Broadband Radio Service and Educational Broadband Service Cable Cross-Ownership

53a) Will the requested facilities be used to provide multichannel video programming service?	(<input type="checkbox"/>) <u>Yes</u> <u>No</u>
53b) If the answer to question 53a is 'Y', does the Applicant operate, control or have an attributable interest (as defined in 47 CFR § 27.1202) in a cable television system whose franchise area is located within the geographic service area of the requested facilities?	(<input type="checkbox"/>) <u>Yes</u> <u>No</u>

Note: If the answer to question 53b is 'Y', attach an exhibit explaining how the Applicant complies with 47 CFR § 27.1202 or justifying a waiver of that rule. If a waiver of the Commission Rule(s) is being requested, Item 11a must be answered 'Y'.

Broadband Radio Service and Educational Broadband Service (Part 27)

54) (For EBS only) Does the Applicant comply with the programming requirements contained in 47 CFR § 27.1203?	(<input type="checkbox"/>) <u>Yes</u> <u>No</u>
Note: If the answer to item 54 is 'N', attach an exhibit explaining how the Applicant complies with 47 CFR § 27.1203 of the Commission's Rules or justifying a waiver of that rule. If a waiver of the Commission Rule(s) is being requested, Item 11a must be answered 'Y'.	
55) (For BRS and EBS) Does the Applicant comply with 47 CFR §§ 27.50, 27.55, and 27.1221?	(<input type="checkbox"/>) <u>Yes</u> <u>No</u>
Note: If the answer to item 55 is 'N', attach an exhibit justifying a waiver of that rule(s). If a waiver of the Commission Rule(s) is being requested, Item 11a must be answered 'Y'.	

For Applicants Who Participated in an Auction

56) Is the Applicant a qualifying rural wireless partnership or a member of a qualifying rural wireless partnership?	(<input type="checkbox"/>) <u>Yes</u> <u>No</u>
Note: If the answer to item 56 is 'Y', attach an exhibit listing all members of the qualifying rural wireless partnership, including their FRN numbers.	

For Renewal Applicants

57) Operation/Performance Requirement Certification	
[For a site-based license]: Applicant certifies that it is continuing to operate consistent with its most recently filed construction notification (or most recent authorization, if no construction notification was required).	(<input type="checkbox"/>) <u>Yes</u> <u>No</u>
[For a geographic license, commercial service - licensee in its initial license term with an interim performance requirement]: Applicant certifies that it has met its interim performance requirement, that over the portion of the license term following the interim performance requirement, it continues to use its facilities to provide at least the level of service required by its interim performance requirement, it has met its final performance requirement, and it continues to use its facilities to provide at least the level of service required by its final performance requirement through the end of the license term.	(<input type="checkbox"/>) <u>Yes</u> <u>No</u>
[For a geographic license, commercial service - licensee in its initial license term with no interim performance requirement]: Applicant certifies that it has met its final performance requirement and it continues to use its facilities to provide at least the level of service required by its final performance requirement through the end of the license term. [Note: licensee must provide a showing demonstrating that the final performance requirement has been met, either separately in a timely application for notification of completion of construction, or as part of its renewal application, depending on the radio service.]	(<input type="checkbox"/>) <u>Yes</u> <u>No</u>
[For a geographic license, commercial service - licensee in any subsequent term]: Applicant certifies that it continues to use its facilities to provide at least the level of service required by its final performance requirement through the end of any subsequent license terms.	(<input type="checkbox"/>) <u>Yes</u> <u>No</u>
[For a geographic license, private systems - licensee in its initial license term with an interim performance requirement]: Applicant certifies that it has met its interim performance requirement, that over the portion of the license term following the interim performance requirement, it continues to use its facilities to further its private business or public interest/public safety communications needs at or above the level required to meet its interim performance requirement, it has met its final performance requirement, and it continues to use its facilities to provide at least the level of operation required by its final performance requirement through the end of the license term.	(<input type="checkbox"/>) <u>Yes</u> <u>No</u>
[For a geographic license, private systems - licensee in its initial license term with no interim performance requirement]: Applicant certifies that it has met its final performance requirement, it continues to use its facilities to further its private business or public interest/public safety communications needs, and it continues to use its facilities to provide at least the level of operation required by its final performance requirement through the end of the license term. [Note: licensee must provide a showing demonstrating that the final performance requirement has been met, either separately in a timely application for notification of completion of construction, or as part of its renewal application, depending on the radio service.]	(<input type="checkbox"/>) <u>Yes</u> <u>No</u>

[For a geographic license, private systems - licensee in any subsequent term]: Applicant certifies that it continues to use its facilities to further its private business or public interest/public safety communications needs at or above the level required to meet its final performance requirement through the end of any subsequent license terms.	(<input type="checkbox"/>) <u>Yes</u> <u>No</u>
[For a partitioned or disaggregated license without a performance requirement, for the first renewal application filed after effective date of the rules]: Applicant certifies that the partitioned and/or disaggregated license that is the subject of this renewal application has no separate performance requirement and that this is the first renewal of this license filed subsequent to the effective date of the rules.	(<input type="checkbox"/>) <u>Yes</u> <u>No</u>
[For a partitioned or disaggregated license without a performance requirement, for any subsequent renewal filings]: Applicant certifies that it continues to use its facilities to provide service or to further the applicant's private business or public interest/public safety needs.	(<input type="checkbox"/>) <u>Yes</u> <u>No</u>

Discontinuance of Service Certification

58) Applicant certifies that no permanent discontinuance of service or operation, as applicable, occurred during its current license term. Note: If the response to either item 57 or item 58 is 'N', attach an exhibit that demonstrates that over the course of the license term, the Applicant provided and continues to provide service to the public, or operated and continues to operate the license to meet the Applicant's private business or public interest/public safety communications needs. This exhibit must include a detailed description of the Applicant's provision of service or, when allowed under the relevant service rules or pursuant to waiver, use of the spectrum for private business or public interest/public safety communications needs, during the entire license period and address, as applicable: 1) the level and quality of service provided by the applicant (e.g., the population served, the area served, the number of subscribers, the services offered); (2) the date service commenced, whether service was ever interrupted, and the duration of any interruption or outage; (3) the extent to which service is provided to rural areas; (4) the extent to which service is provided to qualifying tribal land as defined in 47 CFR § 1.2110(e)(3)(i); and (5) any other factors associated with the level of service to the public. The licensee may note in its exhibit: 1) any grant(s) of waiver or extension of a performance deadline or license renewal subject to meeting a performance requirement; or 2) if the final performance deadline and/or expiration date for the license accelerated because the licensee did not meet an interim performance requirement.	(<input type="checkbox"/>) <u>Yes</u> <u>No</u>
--	---

Regulatory Compliance Certification [same for all]

59) Applicant certifies that it has substantially complied with all applicable FCC rules, policies, and the Communications Act of 1934, as amended. Note: If the response to item 59 is 'N', attach an exhibit explaining the circumstances and demonstrating why Applicant's license should be renewed.	(<input type="checkbox"/>) <u>Yes</u> <u>No</u>
--	---

General Certification Statements

1) The Applicant waives any claim to the use of any particular frequency or of the electromagnetic spectrum as against the regulatory power of the United States because of the previous use of the same, whether by license or otherwise, and requests an authorization in accordance with this application.
2) The Applicant certifies that grant of this application would not cause the Applicant to be in violation of any pertinent cross-ownership or attribution rules.* *If the Applicant has sought a waiver of any such rule in connection with this application, it may make this certification subject to the outcome of the waiver request.
3) The Applicant certifies that all statements made in this application and in the exhibits, attachments, or documents incorporated by reference are material, are part of this application, and are true, complete, correct, and made in good faith.
4) The Applicant certifies that neither the Applicant nor any other party to the application is subject to a denial of Federal benefits pursuant to § 5301 of the Anti-Drug Abuse Act of 1988, 21 U.S.C. § 862, because of a conviction for possession or distribution of a controlled substance. This certification does not apply to applications filed in services exempted under § 1.2002(c) of the rules, 47 CFR § 1.2002(c). See 47 CFR § 1.2002(b) for the definition of "party to the application" as used in this certification.
5) The Applicant certifies that it either (1) has current required ownership data on file with the Commission, (2) is filing updated ownership data simultaneously with this application, or (3) is not required to file ownership data under the Commission's Rules.
6) The Applicant certifies that the facilities, operations, and transmitters for which this authorization is hereby requested are either: (1) categorically excluded from routine environmental evaluation for RF exposure as set forth in 47 CFR § 1.1307(b); or, (2) have been found not to cause human exposure to levels of radiofrequency radiation in excess of the limits specified in 47 CFR §§ 1.1310 and 2.1093; or, (3) are the subject of one or more Environmental Assessments filed with the Commission.
7) The Applicant certifies that it has reviewed the appropriate Commission Rules defining eligibility to hold the requested license(s) and is eligible to hold the requested license(s).
8) The Applicant certifies that it is not in default on any payment for Commission licenses and that it is not delinquent on any non-tax debt owed to any federal agency.
9) The Applicant certifies that the Applicant and all of the related individuals and entities required to be disclosed on this application and FCC Form 602 (FCC Ownership Disclosure Information for the Wireless Telecommunications Services) are not person(s) who have been, for reasons of national security, barred by any agency of the Federal Government from bidding on a contract, participating in an auction, or receiving a grant. This certification applies only to applications for licenses for spectrum that is required by Sections 6103, 6401-6403 of the Middle Class Tax Relief and Job Creation Act of 2012, codified at 47 U.S.C. §§ 309, 1413, 1451-1452, to be assigned by a system of competitive bidding under 47 U.S.C. § 309(j).

Signature

60) Typed or Printed Name of Party Authorized to Sign

First Name: Jessica	MI:	Last Name: Dunk	Suffix:
61) Title: Assistant Secretary - Compliance			
Signature: Jessica Dunk			62) Date: 01/23/2024
FAILURE TO SIGN THIS APPLICATION MAY RESULT IN DISMISSAL OF THE APPLICATION AND FORFEITURE OF ANY FEES PAID.			
Upon grant of this license application, the Licensee may be subject to certain construction or coverage requirements. Failure to meet the construction or coverage requirements will result in termination of the license. Consult appropriate FCC regulations to determine the construction or coverage requirements that apply to the type of license requested in this application.			
WILLFUL FALSE STATEMENTS MADE ON THIS FORM OR ANY ATTACHMENTS ARE PUNISHABLE BY FINE AND/OR IMPRISONMENT (U.S. Code, Title 18, § 1001) AND/OR REVOCATION OF ANY STATION LICENSE OR CONSTRUCTION PERMIT (U.S. Code, Title 47, § 312(a)(1)), AND/OR FORFEITURE (U.S. Code, Title 47, § 503).			

Reference Copy Only. Do Not Mail to the FCC as an Application.

Submitted: 01/13/2023 at 18:08:22
 File Number: 0010371577

FCC 601
Main Form

FCC Application for Radio Service Authorization: Wireless Telecommunications Bureau Public Safety and Homeland Security Bureau

Approved by OMB
 3060 - 0798
 See instructions for
 public burden estimate

1) Radio Service Code: CW	1a) Existing Radio Service Code:
---	----------------------------------

General Information

2) (Select only one) (AU) NE - New RO - Renewal Only AU - Administrative Update NT - Required Notifications MD - Modification RM - Renewal/Modification WD - Withdrawal of Application EX - Requests for Extension of Time AM - Amendment CA - Cancellation of License RL - Registered Location/Link	
3a) If this application is for a Demonstration License or a Special Temporary Authorization (STA), enter the code and attach the required exhibit as described in the instructions. Otherwise enter ' <u>N/A</u> ' (Not Applicable).	(N) <u>M</u> <u>S</u> <u>N/A</u>
3b) If this application is for Special Temporary Authority due to an emergency situation, enter 'Y'; otherwise enter 'N'. Refer to Rule 1.915 for an explanation of situations considered to be an emergency.	() <u>Y</u> es <u>N</u> o
4) If this application is for an Amendment or Withdrawal, enter the file number of the pending application currently on file with the FCC.	File Number
5) If this application is for a Modification, Renewal Only, Renewal/Modification, Cancellation of License, or Administrative Update, enter the call sign of the existing FCC license. If this is a request for Registered Location/Link, enter the FCC call sign assigned to the geographic license.	Call Sign KNLF286
6a) If this application is for a New, Amendment, Renewal Only, or Renewal/Modification, enter the requested authorization expiration date (this item is optional).	MM DD /
6b) If this application is for a Renewal Only or Renewal/Modification and the license is a geographic area license, is the license used to provide service to customers (C), or is the license used for private business (internal) purposes or to meet the licensee's public interest/public safety communications needs (P)?	() <u>C</u> <u>P</u>
7) Is this application "major" as defined in § 1.929 of the Commission's Rules when read in conjunction with the applicable radio service rules found in Parts 22 and 90 of the Commission's Rules? (NOTE: This question only applies to certain site-specific applications. See the instructions for applicability and full text of § 1.929).	() <u>Y</u> es <u>N</u> o
8) Are attachments (other than associated schedules) being filed with this application?	() <u>Y</u> es <u>N</u> o

Fees, Waivers, and Exemptions

9) Is the Applicant exempt from FCC application fees?	(N) <u>Y</u> es <u>N</u> o
10) Is the Applicant exempt from FCC regulatory fees?	(N) <u>Y</u> es <u>N</u> o
11) Does this application include a request for a Waiver of the Commission's Rule(s)? If 'Yes', attach an exhibit providing rule number(s) and explaining circumstances.	(N) <u>Y</u> es <u>N</u> o
12) Are the frequencies or parameters requested in this filing covered by grandfathered privileges, previously approved by waiver, or functionally integrated with an existing station?	() <u>Y</u> es <u>N</u> o

Applicant Information

13) FCC Registration Number (FRN): 0003291192			
14) Applicant/Licensee Legal Entity Type: (Select One) () Individual () Unincorporated Association () Trust () Government Entity (<input checked="" type="checkbox"/>) Corporation () Limited Liability Company () General Partnership () Limited Partnership () Limited Liability Partnership () Consortium () Other: _____			
15) If the Licensee name is being updated, is the update a result from the sale (or transfer of control) of the license(s) to party and for which proper Commission approval has not been received or proper notification not provided?			() Yes <input checked="" type="checkbox"/> No
16) First Name (if individual):	MI:	Last Name:	Suffix:
17) Legal Entity Name (if other than individual): NEW CINGULAR WIRELESS PCS, LLC			
18) Attention To: FCC Group			
19) P.O. Box:	And/Or	20) Street Address: 208 S. Akard St. 20F	
21) City: Dallas	22) State: TX	23) Zip Code: 75202	
24) Telephone Number: (855)699-7073		25) Fax: (214)746-6410	
26) E-Mail Address: FCCMW@att.com			

27) Demographics (Optional)

Race: () American Indian or Alaska Native () Asian () Black or African-American () Native Hawaiian or Other Pacific Islander () White	Ethnicity: () Hispanic or Latino () Not Hispanic or Latino	Gender: () Male () Female
---	--	-----------------------------------

Real Party in Interest

28) Name of Real Party in Interest of Applicant (If different from Applicant):	29) FCC Registration Number (FRN) of Real Party in Interest:
--	--

Contact Information (If different from the Applicant) Check here if same as Applicant.

30) First Name: Cecil	MI: J	Last Name: Mathew	Suffix: Esq
31) Company Name: AT&T Services, Inc.			
32) Attention To: FCC Group			
33) P.O. Box:	And /Or	34) Street Address: 208 S. Akard St. 20F	
35) City: Dallas	36) State: TX	37) Zip Code: 75202	
38) Telephone Number: (855)699-7073		39) Fax: (214)746-6410	
40) E-Mail Address: FCCMW@att.com			

Regulatory Status

41) This filing is for authorization to provide or use the following type(s) of radio service offering (enter all that apply): (<input type="checkbox"/>) <u>C</u> ommon Carrier (<input type="checkbox"/>) <u>N</u> on-Common Carrier (<input type="checkbox"/>) <u>P</u> rivate, internal communications (<input type="checkbox"/>) <u>B</u> roadcast Services (<input type="checkbox"/>) <u>B</u> and <u>M</u> anager

Type of Radio Service

42) This filing is for authorization to provide the following type(s) of radio service (choose all that apply): (<input type="checkbox"/>) <u>F</u> ixed (<input type="checkbox"/>) <u>M</u> obile (<input type="checkbox"/>) <u>R</u> adiolocation (<input type="checkbox"/>) <u>S</u> atellite (sound) (<input type="checkbox"/>) <u>B</u> roadcast Services
43) Does the Applicant propose to provide service interconnected to the public telephone network? (<input type="checkbox"/>) <u>Y</u> es <u>N</u> o

Alien Ownership Questions (If any answer is 'Y', provide an attachment explaining the circumstances. In preparing the attachment, refer to the Main Form Instructions for the "Alien Ownership Questions".)

44) Is the Applicant a foreign government or the representative of any foreign government? (<input type="checkbox"/>) <u>Y</u> es <u>N</u> o
45) Is the Applicant an alien or the representative of an alien? (<input type="checkbox"/>) <u>Y</u> es <u>N</u> o
46) Is the Applicant a corporation organized under the laws of any foreign government? (<input type="checkbox"/>) <u>Y</u> es <u>N</u> o
47) Is the Applicant a corporation of which more than one-fifth of the capital stock is owned of record or voted by aliens or their representatives, or by a foreign government or representative thereof, or by any corporation organized under the laws of a foreign country? (<input type="checkbox"/>) <u>Y</u> es <u>N</u> o

48a) Is the Applicant directly or indirectly controlled by any other corporation of which more than one-fourth of the capital stock () Yes No is owned of record or voted by aliens or their representatives, or by a foreign government or representative thereof, or by any corporation organized under the laws of a foreign country?

48b) If the answer to 47 or 48a is 'Y' select one of the choices below.

The Applicant is exempt from the provisions of Section 310(b).

If checked, it is not necessary to file a petition for declaratory ruling if the Applicant includes in the attachment required by Item 47 or Item 48a a showing that the requested license(s) is exempt from the provisions of Section 310(b).

The Applicant has received a declaratory ruling(s) approving its foreign ownership, and the application involves only the acquisition of additional spectrum for the provision of a wireless service in a geographic coverage area for which the Applicant has been previously authorized.

If checked, include in the attachment required by Item 47 or Item 48a the citation(s) of the applicable declaratory ruling(s) by DA/FCC number, the FCC Record citation, if available, release date, and a statement that there has been no change in the foreign ownership of the Applicant since the issuance of its ruling.

The Applicant: (i) has received a declaratory ruling(s) approving its foreign ownership, but is not able to make the certification specified immediately above; or (ii) is an "affiliate" of a Licensee or Lessee/Sublessee that received a declaratory ruling(s) under 47 CFR § 1.5000(a) and is relying on the affiliate's ruling for purposes of filing this application as permitted under the affiliate's ruling and 47 CFR § 1.5004(b)

If checked, and if the Applicant received its declaratory ruling(s) on or after August 9, 2013, include in the attachment required by Item 47 or Item 48a the citation(s) of the Applicant's declaratory ruling(s) by DA/FCC number, the FCC Record citation, if available, release date, and a statement that the Applicant is in compliance with the terms and conditions of its ruling and with the Commission's Rules.

If checked, and if the Applicant received its declaratory ruling(s) prior to August 9, 2013, include in the attachment required by Item 48a a copy of a petition for declaratory ruling filed contemporaneously with the Commission to extend the Applicant's existing ruling(s) to cover the same radio service(s) and geographic coverage area(s) involved in the application. Alternatively, the Applicant may request a new declaratory ruling pursuant to Section 1.5000(a) of the Commission's Rules, 47 CFR § 1.5000 (a). Petitions for declaratory ruling may be filed electronically on the Internet through the International Bureau Filing System (IBFS) (with a copy attached hereto).

If checked, and if the Applicant is relying on an affiliate's ruling for purposes of filing this application, include in the attachment required by Item 47 or Item 48a the citation(s) of the applicable declaratory ruling(s) by DA/FCC number, the FCC Record citation, if available, release date, and a statement that the Applicant is in compliance with the terms and conditions of the named affiliate's ruling and with the Commission's Rules. The Applicant must also include a certification of compliance signed by the named affiliate or other qualified entity as specified in 47 CFR § 1.5004(b). See Main Form Instructions for Items 47 or 48a, as applicable.

The Applicant has not received a declaratory ruling approving its foreign ownership and is requesting a declaratory ruling under 47 CFR § 1.5004(b) in a petition filed contemporaneously with the Commission.

If checked, include in the attachment required by Item 47 or 48a a copy of the petition for declaratory ruling filed contemporaneously with the Commission pursuant to 47 CFR § 1.5004(b). Petitions for declaratory ruling may be filed electronically on the Internet through the International Bureau Filing System (IBFS) (with a copy attached hereto).

Basic Qualification Questions

49) Has the Applicant or any party to this application had any FCC station authorization, license or construction permit revoked or had any application for an initial, modification or renewal of FCC station authorization, license, or construction permit denied by the Commission?	() <u>Yes</u> <u>No</u>
50) Has the Applicant or any party to this application, or any party directly or indirectly controlling the Applicant, ever been convicted of a felony by any state or federal court?	() <u>Yes</u> <u>No</u>
51) Has any court finally adjudged the Applicant or any party directly or indirectly controlling the Applicant guilty of unlawfully monopolizing or attempting unlawfully to monopolize radio communication, directly or indirectly, through control of manufacture or sale of radio apparatus, exclusive traffic arrangement, or any other means or unfair methods of competition?	() <u>Yes</u> <u>No</u>

Note: If the answer to any of 49-51 is 'Y', attach an exhibit explaining the circumstances.

Aeronautical Advisory Station (Unicom) Certification

52) () I certify that the station will be located on property of the airport to be served, and, in cases where the airport does not have a control tower, RCO, or FAA flight service station, that I have notified the owner of the airport and all aviation service organizations located at the airport within ten days prior to application.
--

Broadband Radio Service and Educational Broadband Service Cable Cross-Ownership

53a) Will the requested facilities be used to provide multichannel video programming service?	() <u>Yes</u> <u>No</u>
53b) If the answer to question 53a is 'Y', does the Applicant operate, control or have an attributable interest (as defined in 47 CFR § 27.1202) in a cable television system whose franchise area is located within the geographic service area of the requested facilities?	() <u>Yes</u> <u>No</u>

Note: If the answer to question 53b is 'Y', attach an exhibit explaining how the Applicant complies with 47 CFR § 27.1202 or justifying a waiver of that rule. If a waiver of the Commission Rule(s) is being requested, Item 11a must be answered 'Y'.

Broadband Radio Service and Educational Broadband Service (Part 27)

54) (For EBS only) Does the Applicant comply with the programming requirements contained in 47 CFR § 27.1203?	() <u>Yes</u> <u>No</u>
---	--------------------------

Note: If the answer to item 54 is 'N', attach an exhibit explaining how the Applicant complies with 47 CFR § 27.1203 of the Commission's Rules or justifying a waiver of that rule. If a waiver of the Commission Rule(s) is being requested, Item 11a must be answered 'Y'.

55) (For BRS and EBS) Does the Applicant comply with 47 CFR §§ 27.50, 27.55, and 27.1221?	() <u>Yes</u> <u>No</u>
---	--------------------------

Note: If the answer to item 55 is 'N', attach an exhibit justifying a waiver of that rule(s). If a waiver of the Commission Rule(s) is being requested, Item 11a must be answered 'Y'.

For Applicants Who Participated in an Auction

56) Is the Applicant a qualifying rural wireless partnership or a member of a qualifying rural wireless partnership?	() <u>Yes</u> <u>No</u>
--	--------------------------

Note: If the answer to item 56 is 'Y', attach an exhibit listing all members of the qualifying rural wireless partnership, including their FRN numbers.

For Renewal Applicants

57) Operation/Performance Requirement Certification

[For a site-based license]: Applicant certifies that it is continuing to operate consistent with its most recently filed construction notification (or most recent authorization, if no construction notification was required).	() <u>Yes</u> <u>No</u>
[For a geographic license, commercial service - licensee in its initial license term with an interim performance requirement]: Applicant certifies that it has met its interim performance requirement, that over the portion of the license term following the interim performance requirement, it continues to use its facilities to provide at least the level of service required by its interim performance requirement, it has met its final performance requirement, and it continues to use its facilities to provide at least the level of service required by its final performance requirement through the end of the license term.	() <u>Yes</u> <u>No</u>
[For a geographic license, commercial service - licensee in its initial license term with no interim performance requirement]: Applicant certifies that it has met its final performance requirement and it continues to use its facilities to provide at least the level of service required by its final performance requirement through the end of the license term. [Note: licensee must provide a showing demonstrating that the final performance requirement has been met, either separately in a timely application for notification of completion of construction, or as part of its renewal application, depending on the radio service.]	() <u>Yes</u> <u>No</u>
[For a geographic license, commercial service - licensee in any subsequent term]: Applicant certifies that it continues to use its facilities to provide at least the level of service required by its final performance requirement through the end of any subsequent license terms.	() <u>Yes</u> <u>No</u>
[For a geographic license, private systems - licensee in its initial license term with an interim performance requirement]: Applicant certifies that it has met its interim performance requirement, that over the portion of the license term following the interim performance requirement, it continues to use its facilities to further its private business or public interest/public safety communications needs at or above the level required to meet its interim performance requirement, it has met its final performance requirement, and it continues to use its facilities to provide at least the level of operation required by its final performance requirement through the end of the license term.	() <u>Yes</u> <u>No</u>
[For a geographic license, private systems - licensee in its initial license term with no interim performance requirement]: Applicant certifies that it has met its final performance requirement, it continues to use its facilities to further its private business or public interest/public safety communications needs, and it continues to use its facilities to provide at least the level of operation required by its final performance requirement through the end of the license term. [Note: licensee must provide a showing demonstrating that the final performance requirement has been met, either separately in a timely application for notification of completion of construction, or as part of its renewal application, depending on the radio service.]	() <u>Yes</u> <u>No</u>

[For a geographic license, private systems - licensee in any subsequent term]: Applicant certifies that it continues to use its facilities to further its private business or public interest/public safety communications needs at or above the level required to meet its final performance requirement through the end of any subsequent license terms.	(<input type="checkbox"/>) <u>Yes</u> <u>No</u>
[For a partitioned or disaggregated license without a performance requirement, for the first renewal application filed after effective date of the rules]: Applicant certifies that the partitioned and/or disaggregated license that is the subject of this renewal application has no separate performance requirement and that this is the first renewal of this license filed subsequent to the effective date of the rules.	(<input type="checkbox"/>) <u>Yes</u> <u>No</u>
[For a partitioned or disaggregated license without a performance requirement, for any subsequent renewal filings]: Applicant certifies that it continues to use its facilities to provide service or to further the applicant's private business or public interest/public safety needs.	(<input type="checkbox"/>) <u>Yes</u> <u>No</u>

Discontinuance of Service Certification

58) Applicant certifies that no permanent discontinuance of service or operation, as applicable, occurred during its current license term. Note: If the response to either item 57 or item 58 is 'N', attach an exhibit that demonstrates that over the course of the license term, the Applicant provided and continues to provide service to the public, or operated and continues to operate the license to meet the Applicant's private business or public interest/public safety communications needs. This exhibit must include a detailed description of the Applicant's provision of service or, when allowed under the relevant service rules or pursuant to waiver, use of the spectrum for private business or public interest/public safety communications needs, during the entire license period and address, as applicable: 1) the level and quality of service provided by the applicant (e.g., the population served, the area served, the number of subscribers, the services offered); (2) the date service commenced, whether service was ever interrupted, and the duration of any interruption or outage; (3) the extent to which service is provided to rural areas; (4) the extent to which service is provided to qualifying tribal land as defined in 47 CFR § 1.2110(e)(3)(i); and (5) any other factors associated with the level of service to the public. The licensee may note in its exhibit: 1) any grant(s) of waiver or extension of a performance deadline or license renewal subject to meeting a performance requirement; or 2) if the final performance deadline and/or expiration date for the license accelerated because the licensee did not meet an interim performance requirement.	(<input type="checkbox"/>) <u>Yes</u> <u>No</u>
--	---

Regulatory Compliance Certification [same for all]

59) Applicant certifies that it has substantially complied with all applicable FCC rules, policies, and the Communications Act of 1934, as amended. Note: If the response to item 59 is 'N', attach an exhibit explaining the circumstances and demonstrating why Applicant's license should be renewed.	(<input type="checkbox"/>) <u>Yes</u> <u>No</u>
--	---

General Certification Statements

1) The Applicant waives any claim to the use of any particular frequency or of the electromagnetic spectrum as against the regulatory power of the United States because of the previous use of the same, whether by license or otherwise, and requests an authorization in accordance with this application.
2) The Applicant certifies that grant of this application would not cause the Applicant to be in violation of any pertinent cross-ownership or attribution rules.* *If the Applicant has sought a waiver of any such rule in connection with this application, it may make this certification subject to the outcome of the waiver request.
3) The Applicant certifies that all statements made in this application and in the exhibits, attachments, or documents incorporated by reference are material, are part of this application, and are true, complete, correct, and made in good faith.
4) The Applicant certifies that neither the Applicant nor any other party to the application is subject to a denial of Federal benefits pursuant to § 5301 of the Anti-Drug Abuse Act of 1988, 21 U.S.C. § 862, because of a conviction for possession or distribution of a controlled substance. This certification does not apply to applications filed in services exempted under § 1.2002(c) of the rules, 47 CFR § 1.2002(c). See 47 CFR § 1.2002(b) for the definition of "party to the application" as used in this certification.
5) The Applicant certifies that it either (1) has current required ownership data on file with the Commission, (2) is filing updated ownership data simultaneously with this application, or (3) is not required to file ownership data under the Commission's Rules.
6) The Applicant certifies that the facilities, operations, and transmitters for which this authorization is hereby requested are either: (1) categorically excluded from routine environmental evaluation for RF exposure as set forth in 47 CFR § 1.1307(b); or, (2) have been found not to cause human exposure to levels of radiofrequency radiation in excess of the limits specified in 47 CFR §§ 1.1310 and 2.1093; or, (3) are the subject of one or more Environmental Assessments filed with the Commission.
7) The Applicant certifies that it has reviewed the appropriate Commission Rules defining eligibility to hold the requested license(s) and is eligible to hold the requested license(s).
8) The Applicant certifies that it is not in default on any payment for Commission licenses and that it is not delinquent on any non-tax debt owed to any federal agency.
9) The Applicant certifies that the Applicant and all of the related individuals and entities required to be disclosed on this application and FCC Form 602 (FCC Ownership Disclosure Information for the Wireless Telecommunications Services) are not person(s) who have been, for reasons of national security, barred by any agency of the Federal Government from bidding on a contract, participating in an auction, or receiving a grant. This certification applies only to applications for licenses for spectrum that is required by Sections 6103, 6401-6403 of the Middle Class Tax Relief and Job Creation Act of 2012, codified at 47 U.S.C. §§ 309, 1413, 1451-1452, to be assigned by a system of competitive bidding under 47 U.S.C. § 309(j).

Signature

60) Typed or Printed Name of Party Authorized to Sign

First Name: Cecil	MI: J	Last Name: Mathew	Suffix:
61) Title: Assistant Secretary - Compliance			
Signature: Cecil J Mathew			62) Date: 01/13/2023
FAILURE TO SIGN THIS APPLICATION MAY RESULT IN DISMISSAL OF THE APPLICATION AND FORFEITURE OF ANY FEES PAID.			
Upon grant of this license application, the Licensee may be subject to certain construction or coverage requirements. Failure to meet the construction or coverage requirements will result in termination of the license. Consult appropriate FCC regulations to determine the construction or coverage requirements that apply to the type of license requested in this application.			
WILLFUL FALSE STATEMENTS MADE ON THIS FORM OR ANY ATTACHMENTS ARE PUNISHABLE BY FINE AND/OR IMPRISONMENT (U.S. Code, Title 18, § 1001) AND/OR REVOCATION OF ANY STATION LICENSE OR CONSTRUCTION PERMIT (U.S. Code, Title 47, § 312(a)(1)), AND/OR FORFEITURE (U.S. Code, Title 47, § 503).			

REFERENCE COPY

This is not an official FCC license. It is a record of public information contained in the FCC's licensing database on the date that this reference copy was generated. In cases where FCC rules require the presentation, posting, or display of an FCC license, this document may not be used in place of an official FCC license.



**Federal Communications Commission
Wireless Telecommunications Bureau
RADIO STATION AUTHORIZATION**

LICENSEE: NEW CINGULAR WIRELESS PCS, LLC

ATTN: NATIONAL REGULATORY COMPLIANCE
NEW CINGULAR WIRELESS PCS, LLC
208 S AKARD ST, 20F
DALLAS, TX 75202

Call Sign KNLF469	File Number
Radio Service CW - PCS Broadband	

FCC Registration Number (FRN): 0003291192

Grant Date 09-01-2016	Effective Date 01-24-2024	Expiration Date 09-17-2026	Print Date
Market Number BTA314	Channel Block C	Sub-Market Designator 1	
Market Name Nashville, TN			
1st Build-out Date 09-17-2001	2nd Build-out Date	3rd Build-out Date	4th Build-out Date

Waivers/Conditions:

This authorization is subject to the condition that, in the event that systems using the same frequencies as granted herein are authorized in an adjacent foreign territory (Canada/United States), future coordination of any base station transmitters within 72 km (45 miles) of the United States/Canada border shall be required to eliminate any harmful interference to operations in the adjacent foreign territory and to ensure continuance of equal access to the frequencies by both countries.

This authorization is conditioned upon the full and timely payment of all monies due pursuant to Sections 1.2110 and 24.711 of the Commission's Rules and the terms of the Commission's installment plan as set forth in the Note and Security Agreement executed by the licensee. Failure to comply with this condition will result in the automatic cancellation of this authorization.

Conditions:

Pursuant to §309(h) of the Communications Act of 1934, as amended, 47 U.S.C. §309(h), this license is subject to the following conditions: This license shall not vest in the licensee any right to operate the station nor any right in the use of the frequencies designated in the license beyond the term thereof nor in any other manner than authorized herein. Neither the license nor the right granted thereunder shall be assigned or otherwise transferred in violation of the Communications Act of 1934, as amended. See 47 U.S.C. § 310(d). This license is subject in terms to the right of use or control conferred by §706 of the Communications Act of 1934, as amended. See 47 U.S.C. §606.

This license may not authorize operation throughout the entire geographic area or spectrum identified on the hardcopy version. To view the specific geographic area and spectrum authorized by this license, refer to the Spectrum and Market Area information under the Market Tab of the license record in the Universal Licensing System (ULS). To view the license record, go to the ULS homepage at <http://wireless.fcc.gov/uls/index.htm?job=home> and select "License Search". Follow the instructions on how to search for license information.

Licensee Name: NEW CINGULAR WIRELESS PCS, LLC

Call Sign: KNLF469

File Number:

Print Date:

700 MHz Relicensed Area Information:

Market	Market Name	Buildout Deadline	Buildout Notification	Status
---------------	--------------------	--------------------------	------------------------------	---------------

Reference Copy

Reference Copy Only. Do Not Mail to the FCC as an Application.

Submitted: 01/13/2023 at 18:08:22
 File Number: 0010372362

FCC 601
Main Form

FCC Application for Radio Service Authorization: Wireless Telecommunications Bureau Public Safety and Homeland Security Bureau

Approved by OMB
 3060 - 0798
 See instructions for
 public burden estimate

1) Radio Service Code: CW	1a) Existing Radio Service Code:
---	----------------------------------

General Information

2) (Select only one) (AU) NE - New RO - Renewal Only AU - Administrative Update NT - Required Notifications MD - Modification RM - Renewal/Modification WD - Withdrawal of Application EX - Requests for Extension of Time AM - Amendment CA - Cancellation of License RL - Registered Location/Link	
3a) If this application is for a Demonstration License or a Special Temporary Authorization (STA), enter the code and attach the required exhibit as described in the instructions. Otherwise enter ' <u>N/A</u> ' (Not Applicable).	(N) <u>M</u> <u>S</u> <u>N/A</u>
3b) If this application is for Special Temporary Authority due to an emergency situation, enter 'Y'; otherwise enter 'N'. Refer to Rule 1.915 for an explanation of situations considered to be an emergency.	() <u>Y</u> es <u>N</u> o
4) If this application is for an Amendment or Withdrawal, enter the file number of the pending application currently on file with the FCC.	File Number
5) If this application is for a Modification, Renewal Only, Renewal/Modification, Cancellation of License, or Administrative Update, enter the call sign of the existing FCC license. If this is a request for Registered Location/Link, enter the FCC call sign assigned to the geographic license.	Call Sign KNLF469
6a) If this application is for a New, Amendment, Renewal Only, or Renewal/Modification, enter the requested authorization expiration date (this item is optional).	MM DD /
6b) If this application is for a Renewal Only or Renewal/Modification and the license is a geographic area license, is the license used to provide service to customers (C), or is the license used for private business (internal) purposes or to meet the licensee's public interest/public safety communications needs (P)?	() <u>C</u> <u>P</u>
7) Is this application "major" as defined in § 1.929 of the Commission's Rules when read in conjunction with the applicable radio service rules found in Parts 22 and 90 of the Commission's Rules? (NOTE: This question only applies to certain site-specific applications. See the instructions for applicability and full text of § 1.929).	() <u>Y</u> es <u>N</u> o
8) Are attachments (other than associated schedules) being filed with this application?	() <u>Y</u> es <u>N</u> o

Fees, Waivers, and Exemptions

9) Is the Applicant exempt from FCC application fees?	(N) <u>Y</u> es <u>N</u> o
10) Is the Applicant exempt from FCC regulatory fees?	(N) <u>Y</u> es <u>N</u> o
11) Does this application include a request for a Waiver of the Commission's Rule(s)? If 'Yes', attach an exhibit providing rule number(s) and explaining circumstances.	(N) <u>Y</u> es <u>N</u> o
12) Are the frequencies or parameters requested in this filing covered by grandfathered privileges, previously approved by waiver, or functionally integrated with an existing station?	() <u>Y</u> es <u>N</u> o

Applicant Information

13) FCC Registration Number (FRN): 0003291192			
14) Applicant/Licensee Legal Entity Type: (Select One) () Individual () Unincorporated Association () Trust () Government Entity () Corporation (<input checked="" type="checkbox"/>) Limited Liability Company () General Partnership () Limited Partnership () Limited Liability Partnership () Consortium () Other: _____			
15) If the Licensee name is being updated, is the update a result from the sale (or transfer of control) of the license(s) to party and for which proper Commission approval has not been received or proper notification not provided?			() Yes <input checked="" type="checkbox"/> No
16) First Name (if individual):	MI:	Last Name:	Suffix:
17) Legal Entity Name (if other than individual): NEW CINGULAR WIRELESS PCS, LLC			
18) Attention To: FCC Group			
19) P.O. Box:	And/Or	20) Street Address: 208 S. Akard St. 20F	
21) City: Dallas	22) State: TX	23) Zip Code: 75202	
24) Telephone Number: (855)699-7073		25) Fax: (214)746-6410	
26) E-Mail Address: FCCMW@att.com			

27) Demographics (Optional)

Race: () American Indian or Alaska Native () Asian () Black or African-American () Native Hawaiian or Other Pacific Islander () White	Ethnicity: () Hispanic or Latino () Not Hispanic or Latino	Gender: () Male () Female
---	--	-----------------------------------

Real Party in Interest

28) Name of Real Party in Interest of Applicant (If different from Applicant):	29) FCC Registration Number (FRN) of Real Party in Interest:
--	--

Contact Information (If different from the Applicant) Check here if same as Applicant.

30) First Name: Cecil	MI: J	Last Name: Mathew	Suffix:
31) Company Name: AT&T Services, Inc.			
32) Attention To: FCC Group			
33) P.O. Box:	And /Or	34) Street Address: 208 S. Akard St. 20F	
35) City: Dallas	36) State: TX	37) Zip Code: 75202	
38) Telephone Number: (855)699-7073		39) Fax: (214)746-6410	
40) E-Mail Address: FCCMW@att.com			

Regulatory Status

41) This filing is for authorization to provide or use the following type(s) of radio service offering (enter all that apply): (<input type="checkbox"/>) <u>C</u> ommon Carrier (<input type="checkbox"/>) <u>N</u> on-Common Carrier (<input type="checkbox"/>) <u>P</u> rivate, internal communications (<input type="checkbox"/>) <u>B</u> roadcast Services (<input type="checkbox"/>) <u>B</u> and <u>M</u> anager

Type of Radio Service

42) This filing is for authorization to provide the following type(s) of radio service (choose all that apply): (<input type="checkbox"/>) <u>F</u> ixed (<input type="checkbox"/>) <u>M</u> obile (<input type="checkbox"/>) <u>R</u> adiolocation (<input type="checkbox"/>) <u>S</u> atellite (sound) (<input type="checkbox"/>) <u>B</u> roadcast Services
43) Does the Applicant propose to provide service interconnected to the public telephone network? (<input type="checkbox"/>) <u>Y</u> es <u>N</u> o

Alien Ownership Questions (If any answer is 'Y', provide an attachment explaining the circumstances. In preparing the attachment, refer to the Main Form Instructions for the "Alien Ownership Questions".)

44) Is the Applicant a foreign government or the representative of any foreign government? (<input type="checkbox"/>) <u>Y</u> es <u>N</u> o
45) Is the Applicant an alien or the representative of an alien? (<input type="checkbox"/>) <u>Y</u> es <u>N</u> o
46) Is the Applicant a corporation organized under the laws of any foreign government? (<input type="checkbox"/>) <u>Y</u> es <u>N</u> o
47) Is the Applicant a corporation of which more than one-fifth of the capital stock is owned of record or voted by aliens or their representatives, or by a foreign government or representative thereof, or by any corporation organized under the laws of a foreign country? (<input type="checkbox"/>) <u>Y</u> es <u>N</u> o

48a) Is the Applicant directly or indirectly controlled by any other corporation of which more than one-fourth of the capital stock () Yes No is owned of record or voted by aliens or their representatives, or by a foreign government or representative thereof, or by any corporation organized under the laws of a foreign country?

48b) If the answer to 47 or 48a is 'Y' select one of the choices below.

The Applicant is exempt from the provisions of Section 310(b).

If checked, include in the attachment required by Item 47 or Item 48a a showing that the requested license(s) is exempt from the provisions of Section 310(b).

The Applicant has received a declaratory ruling(s) approving its foreign ownership, and the application involves only the acquisition of additional spectrum for the provision of a wireless service in a geographic coverage area for which the Applicant has been previously authorized.

If checked, include in the attachment required by Item 47 or Item 48a the citation(s) of the applicable declaratory ruling(s) by DA/FCC number, the FCC Record citation, if available, release date, and a statement that there has been no change in the foreign ownership of the Applicant since the issuance of its ruling.

The Applicant: (i) has received a declaratory ruling(s) approving its foreign ownership, but is not able to make the certification specified immediately above; or (ii) is an "affiliate" of a Licensee or Lessee/Sublessee that received a declaratory ruling(s) under 47 CFR § 1.5000(a) and is relying on the affiliate's ruling for purposes of filing this application as permitted under the affiliate's ruling and 47 CFR § 1.5004(b)

If checked, and if the Applicant received its declaratory ruling(s) on or after August 9, 2013, include in the attachment required by Item 47 or Item 48a the citation(s) of the Applicant's declaratory ruling(s) by DA/FCC number, the FCC Record citation, if available, release date, and a statement that the Applicant is in compliance with the terms and conditions of its ruling and with the Commission's Rules.

If checked, and if the Applicant received its declaratory ruling(s) prior to August 9, 2013, include in the attachment required by Item 48a a copy of a petition for declaratory ruling filed contemporaneously with the Commission to extend the Applicant's existing ruling(s) to cover the same radio service(s) and geographic coverage area(s) involved in the application. Alternatively, the Applicant may request a new declaratory ruling pursuant to Section 1.5000(a) of the Commission's Rules, 47 CFR § 1.5000 (a). Petitions for declaratory ruling may be filed electronically on the Internet through the International Bureau Filing System (IBFS) (with a copy attached hereto).

If checked, and if the Applicant is relying on an affiliate's ruling for purposes of filing this application, include in the attachment required by Item 47 or Item 48a the citation(s) of the applicable declaratory ruling(s) by DA/FCC number, the FCC Record citation, if available, release date, and a statement that the Applicant is in compliance with the terms and conditions of the named affiliate's ruling and with the Commission's Rules. The Applicant must also include a certification of compliance signed by the named affiliate or other qualified entity as specified in 47 CFR § 1.5004(b). See Main Form Instructions for Items 47 or 48a, as applicable.

The Applicant has not received a declaratory ruling approving its foreign ownership and is requesting a declaratory ruling under 47 CFR § 1.5004(b) in a petition filed contemporaneously with the Commission.

If checked, include in the attachment required by Item 47 or 48a a copy of the petition for declaratory ruling filed contemporaneously with the Commission pursuant to 47 CFR § 1.5004(b). Petitions for declaratory ruling may be filed electronically on the Internet through the International Bureau Filing System (IBFS) (with a copy attached hereto).

Basic Qualification Questions

49) Has the Applicant or any party to this application had any FCC station authorization, license or construction permit revoked or had any application for an initial, modification or renewal of FCC station authorization, license, or construction permit denied by the Commission?	(<input type="checkbox"/>) <u>Yes</u> <u>No</u>
50) Has the Applicant or any party to this application, or any party directly or indirectly controlling the Applicant, ever been convicted of a felony by any state or federal court?	(<input type="checkbox"/>) <u>Yes</u> <u>No</u>
51) Has any court finally adjudged the Applicant or any party directly or indirectly controlling the Applicant guilty of unlawfully monopolizing or attempting unlawfully to monopolize radio communication, directly or indirectly, through control of manufacture or sale of radio apparatus, exclusive traffic arrangement, or any other means or unfair methods of competition?	(<input type="checkbox"/>) <u>Yes</u> <u>No</u>

Note: If the answer to any of 49-51 is 'Y', attach an exhibit explaining the circumstances.

Aeronautical Advisory Station (Unicom) Certification

52) (<input type="checkbox"/>) I certify that the station will be located on property of the airport to be served, and, in cases where the airport does not have a control tower, RCO, or FAA flight service station, that I have notified the owner of the airport and all aviation service organizations located at the airport within ten days prior to application.

Broadband Radio Service and Educational Broadband Service Cable Cross-Ownership

53a) Will the requested facilities be used to provide multichannel video programming service?	(<input type="checkbox"/>) <u>Yes</u> <u>No</u>
53b) If the answer to question 53a is 'Y', does the Applicant operate, control or have an attributable interest (as defined in 47 CFR § 27.1202) in a cable television system whose franchise area is located within the geographic service area of the requested facilities?	(<input type="checkbox"/>) <u>Yes</u> <u>No</u>

Note: If the answer to question 53b is 'Y', attach an exhibit explaining how the Applicant complies with 47 CFR § 27.1202 or justifying a waiver of that rule. If a waiver of the Commission Rule(s) is being requested, Item 11a must be answered 'Y'.

Broadband Radio Service and Educational Broadband Service (Part 27)

54) (For EBS only) Does the Applicant comply with the programming requirements contained in 47 CFR § 27.1203?	(<input type="checkbox"/>) <u>Yes</u> <u>No</u>
---	---

Note: If the answer to item 54 is 'N', attach an exhibit explaining how the Applicant complies with 47 CFR § 27.1203 of the Commission's Rules or justifying a waiver of that rule. If a waiver of the Commission Rule(s) is being requested, Item 11a must be answered 'Y'.

55) (For BRS and EBS) Does the Applicant comply with 47 CFR §§ 27.50, 27.55, and 27.1221?	(<input type="checkbox"/>) <u>Yes</u> <u>No</u>
---	---

Note: If the answer to item 55 is 'N', attach an exhibit justifying a waiver of that rule(s). If a waiver of the Commission Rule(s) is being requested, Item 11a must be answered 'Y'.

For Applicants Who Participated in an Auction

56) Is the Applicant a qualifying rural wireless partnership or a member of a qualifying rural wireless partnership?	(<input type="checkbox"/>) <u>Yes</u> <u>No</u>
--	---

Note: If the answer to item 56 is 'Y', attach an exhibit listing all members of the qualifying rural wireless partnership, including their FRN numbers.

For Renewal Applicants

57) Operation/Performance Requirement Certification	
[For a site-based license]: Applicant certifies that it is continuing to operate consistent with its most recently filed construction notification (or most recent authorization, if no construction notification was required).	(<input type="checkbox"/>) <u>Yes</u> <u>No</u>
[For a geographic license, commercial service - licensee in its initial license term with an interim performance requirement]: Applicant certifies that it has met its interim performance requirement, that over the portion of the license term following the interim performance requirement, it continues to use its facilities to provide at least the level of service required by its interim performance requirement, it has met its final performance requirement, and it continues to use its facilities to provide at least the level of service required by its final performance requirement through the end of the license term.	(<input type="checkbox"/>) <u>Yes</u> <u>No</u>
[For a geographic license, commercial service - licensee in its initial license term with no interim performance requirement]: Applicant certifies that it has met its final performance requirement and it continues to use its facilities to provide at least the level of service required by its final performance requirement through the end of the license term. [Note: licensee must provide a showing demonstrating that the final performance requirement has been met, either separately in a timely application for notification of completion of construction, or as part of its renewal application, depending on the radio service.]	(<input type="checkbox"/>) <u>Yes</u> <u>No</u>
[For a geographic license, commercial service - licensee in any subsequent term]: Applicant certifies that it continues to use its facilities to provide at least the level of service required by its final performance requirement through the end of any subsequent license terms.	(<input type="checkbox"/>) <u>Yes</u> <u>No</u>
[For a geographic license, private systems - licensee in its initial license term with an interim performance requirement]: Applicant certifies that it has met its interim performance requirement, that over the portion of the license term following the interim performance requirement, it continues to use its facilities to further its private business or public interest/public safety communications needs at or above the level required to meet its interim performance requirement, it has met its final performance requirement, and it continues to use its facilities to provide at least the level of operation required by its final performance requirement through the end of the license term.	(<input type="checkbox"/>) <u>Yes</u> <u>No</u>
[For a geographic license, private systems - licensee in its initial license term with no interim performance requirement]: Applicant certifies that it has met its final performance requirement, it continues to use its facilities to further its private business or public interest/public safety communications needs, and it continues to use its facilities to provide at least the level of operation required by its final performance requirement through the end of the license term. [Note: licensee must provide a showing demonstrating that the final performance requirement has been met, either separately in a timely application for notification of completion of construction, or as part of its renewal application, depending on the radio service.]	(<input type="checkbox"/>) <u>Yes</u> <u>No</u>

[For a geographic license, private systems - licensee in any subsequent term]: Applicant certifies that it continues to use its facilities to further its private business or public interest/public safety communications needs at or above the level required to meet its final performance requirement through the end of any subsequent license terms.	(<input type="checkbox"/>) <u>Yes</u> <u>No</u>
[For a partitioned or disaggregated license without a performance requirement, for the first renewal application filed after effective date of the rules]: Applicant certifies that the partitioned and/or disaggregated license that is the subject of this renewal application has no separate performance requirement and that this is the first renewal of this license filed subsequent to the effective date of the rules.	(<input type="checkbox"/>) <u>Yes</u> <u>No</u>
[For a partitioned or disaggregated license without a performance requirement, for any subsequent renewal filings]: Applicant certifies that it continues to use its facilities to provide service or to further the applicant's private business or public interest/public safety needs.	(<input type="checkbox"/>) <u>Yes</u> <u>No</u>

Discontinuance of Service Certification

58) Applicant certifies that no permanent discontinuance of service or operation, as applicable, occurred during its current license term. Note: If the response to either item 57 or item 58 is 'N', attach an exhibit that demonstrates that over the course of the license term, the Applicant provided and continues to provide service to the public, or operated and continues to operate the license to meet the Applicant's private business or public interest/public safety communications needs. This exhibit must include a detailed description of the Applicant's provision of service or, when allowed under the relevant service rules or pursuant to waiver, use of the spectrum for private business or public interest/public safety communications needs, during the entire license period and address, as applicable: 1) the level and quality of service provided by the applicant (e.g., the population served, the area served, the number of subscribers, the services offered); (2) the date service commenced, whether service was ever interrupted, and the duration of any interruption or outage; (3) the extent to which service is provided to rural areas; (4) the extent to which service is provided to qualifying tribal land as defined in 47 CFR § 1.2110(e)(3)(i); and (5) any other factors associated with the level of service to the public. The licensee may note in its exhibit: 1) any grant(s) of waiver or extension of a performance deadline or license renewal subject to meeting a performance requirement; or 2) if the final performance deadline and/or expiration date for the license accelerated because the licensee did not meet an interim performance requirement.	(<input type="checkbox"/>) <u>Yes</u> <u>No</u>
--	---

Regulatory Compliance Certification [same for all]

59) Applicant certifies that it has substantially complied with all applicable FCC rules, policies, and the Communications Act of 1934, as amended. Note: If the response to item 59 is 'N', attach an exhibit explaining the circumstances and demonstrating why Applicant's license should be renewed.	(<input type="checkbox"/>) <u>Yes</u> <u>No</u>
--	---

General Certification Statements

1) The Applicant waives any claim to the use of any particular frequency or of the electromagnetic spectrum as against the regulatory power of the United States because of the previous use of the same, whether by license or otherwise, and requests an authorization in accordance with this application.
2) The Applicant certifies that grant of this application would not cause the Applicant to be in violation of any pertinent cross-ownership or attribution rules.* *If the Applicant has sought a waiver of any such rule in connection with this application, it may make this certification subject to the outcome of the waiver request.
3) The Applicant certifies that all statements made in this application and in the exhibits, attachments, or documents incorporated by reference are material, are part of this application, and are true, complete, correct, and made in good faith.
4) The Applicant certifies that neither the Applicant nor any other party to the application is subject to a denial of Federal benefits pursuant to § 5301 of the Anti-Drug Abuse Act of 1988, 21 U.S.C. § 862, because of a conviction for possession or distribution of a controlled substance. This certification does not apply to applications filed in services exempted under § 1.2002(c) of the rules, 47 CFR § 1.2002(c). See 47 CFR § 1.2002(b) for the definition of "party to the application" as used in this certification.
5) The Applicant certifies that it either (1) has current required ownership data on file with the Commission, (2) is filing updated ownership data simultaneously with this application, or (3) is not required to file ownership data under the Commission's Rules.
6) The Applicant certifies that the facilities, operations, and transmitters for which this authorization is hereby requested are either: (1) categorically excluded from routine environmental evaluation for RF exposure as set forth in 47 CFR § 1.1307(b); or, (2) have been found not to cause human exposure to levels of radiofrequency radiation in excess of the limits specified in 47 CFR §§ 1.1310 and 2.1093; or, (3) are the subject of one or more Environmental Assessments filed with the Commission.
7) The Applicant certifies that it has reviewed the appropriate Commission Rules defining eligibility to hold the requested license(s) and is eligible to hold the requested license(s).
8) The Applicant certifies that it is not in default on any payment for Commission licenses and that it is not delinquent on any non-tax debt owed to any federal agency.
9) The Applicant certifies that the Applicant and all of the related individuals and entities required to be disclosed on this application and FCC Form 602 (FCC Ownership Disclosure Information for the Wireless Telecommunications Services) are not person(s) who have been, for reasons of national security, barred by any agency of the Federal Government from bidding on a contract, participating in an auction, or receiving a grant. This certification applies only to applications for licenses for spectrum that is required by Sections 6103, 6401-6403 of the Middle Class Tax Relief and Job Creation Act of 2012, codified at 47 U.S.C. §§ 309, 1413, 1451-1452, to be assigned by a system of competitive bidding under 47 U.S.C. § 309(j).

Signature

60) Typed or Printed Name of Party Authorized to Sign

First Name: Cecil	MI: J	Last Name: Mathew	Suffix:
61) Title: Assistant Secretary - Compliance			
Signature: Cecil J Mathew			62) Date: 01/13/2023
FAILURE TO SIGN THIS APPLICATION MAY RESULT IN DISMISSAL OF THE APPLICATION AND FORFEITURE OF ANY FEES PAID.			
Upon grant of this license application, the Licensee may be subject to certain construction or coverage requirements. Failure to meet the construction or coverage requirements will result in termination of the license. Consult appropriate FCC regulations to determine the construction or coverage requirements that apply to the type of license requested in this application.			
WILLFUL FALSE STATEMENTS MADE ON THIS FORM OR ANY ATTACHMENTS ARE PUNISHABLE BY FINE AND/OR IMPRISONMENT (U.S. Code, Title 18, § 1001) AND/OR REVOCATION OF ANY STATION LICENSE OR CONSTRUCTION PERMIT (U.S. Code, Title 47, § 312(a)(1)), AND/OR FORFEITURE (U.S. Code, Title 47, § 503).			

Reference Copy Only. Do Not Mail to the FCC as an Application.

Submitted: 01/23/2024 at 17:43:02
 File Number: 0010873529

FCC 601
Main Form

FCC Application for Radio Service Authorization: Wireless Telecommunications Bureau Public Safety and Homeland Security Bureau

Approved by OMB
 3060 - 0798
 See instructions for
 public burden estimate

1) Radio Service Code: <p style="text-align: center;">CW</p>	1a) Existing Radio Service Code:
--	----------------------------------

General Information

2) (Select only one) (AU) NE - New RO - Renewal Only AU - Administrative Update NT - Required Notifications MD - Modification RM - Renewal/Modification WD - Withdrawal of Application EX - Requests for Extension of Time AM - Amendment CA - Cancellation of License RL - Registered Location/Link	
3a) If this application is for a Demonstration License or a Special Temporary Authorization (STA) , enter the code and attach the required exhibit as described in the instructions. Otherwise enter ' N/A ' (Not Applicable).	(N) <u>M</u> <u>S</u> <u>N/A</u>
3b) If this application is for Special Temporary Authority due to an emergency situation, enter 'Y'; otherwise enter 'N'. Refer to Rule 1.915 for an explanation of situations considered to be an emergency.	() <u>Y</u> es <u>N</u> o
4) If this application is for an Amendment or Withdrawal, enter the file number of the pending application currently on file with the FCC.	File Number
5) If this application is for a Modification, Renewal Only, Renewal/Modification, Cancellation of License, or Administrative Update, enter the call sign of the existing FCC license. If this is a request for Registered Location/Link, enter the FCC call sign assigned to the geographic license.	Call Sign KNLF469
6a) If this application is for a New, Amendment, Renewal Only, or Renewal/Modification, enter the requested authorization expiration date (this item is optional).	MM DD /
6b) If this application is for a Renewal Only or Renewal/Modification and the license is a geographic area license, is the license used to provide service to customers (C), or is the license used for private business (internal) purposes or to meet the licensee's public interest/public safety communications needs (P)?	() <u>C</u> <u>P</u>
7) Is this application "major" as defined in § 1.929 of the Commission's Rules when read in conjunction with the applicable radio service rules found in Parts 22 and 90 of the Commission's Rules? (NOTE: This question only applies to certain site-specific applications. See the instructions for applicability and full text of § 1.929).	() <u>Y</u> es <u>N</u> o
8) Are attachments (other than associated schedules) being filed with this application?	() <u>Y</u> es <u>N</u> o

Fees, Waivers, and Exemptions

9) Is the Applicant exempt from FCC application fees?	(N) <u>Y</u> es <u>N</u> o
10) Is the Applicant exempt from FCC regulatory fees?	(N) <u>Y</u> es <u>N</u> o
11) Does this application include a request for a Waiver of the Commission's Rule(s)? If 'Yes', attach an exhibit providing rule number(s) and explaining circumstances.	(N) <u>Y</u> es <u>N</u> o
12) Are the frequencies or parameters requested in this filing covered by grandfathered privileges, previously approved by waiver, or functionally integrated with an existing station?	() <u>Y</u> es <u>N</u> o

Applicant Information

13) FCC Registration Number (FRN): 0003291192			
14) Applicant/Licensee Legal Entity Type: (Select One) () Individual () Unincorporated Association () Trust () Government Entity () Corporation (<input checked="" type="checkbox"/>) Limited Liability Company () General Partnership () Limited Partnership () Limited Liability Partnership () Consortium () Other: _____			
15) If the Licensee name is being updated, is the update a result from the sale (or transfer of control) of the license(s) to party and for which proper Commission approval has not been received or proper notification not provided?			() Yes No
16) First Name (if individual):	MI:	Last Name:	Suffix:
17) Legal Entity Name (if other than individual): New Cingular Wireless PCS, LLC			
18) Attention To: National Regulatory Compliance			
19) P.O. Box:	And/Or	20) Street Address: 208 S Akard St, 20F	
21) City: Dallas	22) State: TX		23) Zip Code: 75202
24) Telephone Number: (855)699-7073		25) Fax: (214)746-6410	
26) E-Mail Address: FCCMW@att.com			

27) Demographics (Optional)

Race: () American Indian or Alaska Native () Asian () Black or African-American () Native Hawaiian or Other Pacific Islander () White	Ethnicity: () Hispanic or Latino () Not Hispanic or Latino	Gender: () Male () Female
---	--	-----------------------------------

Real Party in Interest

28) Name of Real Party in Interest of Applicant (If different from Applicant):	29) FCC Registration Number (FRN) of Real Party in Interest:
--	--

Contact Information (If different from the Applicant)**() Check here if same as Applicant.**

30) First Name: Jessica	MI: J	Last Name: Dunk	Suffix:
31) Company Name: AT&T Services, Inc.			
32) Attention To: NRC			
33) P.O. Box:	And /Or	34) Street Address: 208 S Akard St, 20F	
35) City: Dallas	36) State: TX		37) Zip Code: 75202
38) Telephone Number: (855)699-7073		39) Fax: (214)746-6410	
40) E-Mail Address: FCCMW@att.com			

Regulatory Status

41) This filing is for authorization to provide or use the following type(s) of radio service offering (enter all that apply): (<input type="checkbox"/>) <u>C</u> ommon Carrier (<input type="checkbox"/>) <u>N</u> on-Common Carrier (<input type="checkbox"/>) <u>P</u> rivate, internal communications (<input type="checkbox"/>) <u>B</u> roadcast Services (<input type="checkbox"/>) <u>B</u> and <u>M</u> anager

Type of Radio Service

42) This filing is for authorization to provide the following type(s) of radio service (choose all that apply): (<input type="checkbox"/>) <u>F</u> ixed (<input type="checkbox"/>) <u>M</u> obile (<input type="checkbox"/>) <u>R</u> adiolocation (<input type="checkbox"/>) <u>S</u> atellite (sound) (<input type="checkbox"/>) <u>B</u> roadcast Services
43) Does the Applicant propose to provide service interconnected to the public telephone network? (<input type="checkbox"/>) <u>Y</u> es <u>N</u> o

Alien Ownership Questions (If any answer is 'Y', provide an attachment explaining the circumstances. In preparing the attachment, refer to the Main Form Instructions for the "Alien Ownership Questions".)

44) Is the Applicant a foreign government or the representative of any foreign government? (<input type="checkbox"/>) <u>Y</u> es <u>N</u> o
45) Is the Applicant an alien or the representative of an alien? (<input type="checkbox"/>) <u>Y</u> es <u>N</u> o
46) Is the Applicant a corporation organized under the laws of any foreign government? (<input type="checkbox"/>) <u>Y</u> es <u>N</u> o
47) Is the Applicant a corporation of which more than one-fifth of the capital stock is owned of record or voted by aliens or their representatives, or by a foreign government or representative thereof, or by any corporation organized under the laws of a foreign country? (<input type="checkbox"/>) <u>Y</u> es <u>N</u> o

48a) Is the Applicant directly or indirectly controlled by any other corporation of which more than one-fourth of the capital stock () Yes No is owned of record or voted by aliens or their representatives, or by a foreign government or representative thereof, or by any corporation organized under the laws of a foreign country?

48b) If the answer to 47 or 48a is 'Y' select one of the choices below.

The Applicant is exempt from the provisions of Section 310(b).

If checked, it is not necessary to file a petition for declaratory ruling if the Applicant includes in the attachment required by Item 47 or Item 48a a showing that the requested license(s) is exempt from the provisions of Section 310(b).

The Applicant has received a declaratory ruling(s) approving its foreign ownership, and the application involves only the acquisition of additional spectrum for the provision of a wireless service in a geographic coverage area for which the Applicant has been previously authorized.

If checked, include in the attachment required by Item 47 or Item 48a the citation(s) of the applicable declaratory ruling(s) by DA/FCC number, the FCC Record citation, if available, release date, and a statement that there has been no change in the foreign ownership of the Applicant since the issuance of its ruling.

The Applicant: (i) has received a declaratory ruling(s) approving its foreign ownership, but is not able to make the certification specified immediately above; or (ii) is an "affiliate" of a Licensee or Lessee/Sublessee that received a declaratory ruling(s) under 47 CFR § 1.5000(a) and is relying on the affiliate's ruling for purposes of filing this application as permitted under the affiliate's ruling and 47 CFR § 1.5004(b)

If checked, and if the Applicant received its declaratory ruling(s) on or after August 9, 2013, include in the attachment required by Item 47 or Item 48a the citation(s) of the Applicant's declaratory ruling(s) by DA/FCC number, the FCC Record citation, if available, release date, and a statement that the Applicant is in compliance with the terms and conditions of its ruling and with the Commission's Rules.

If checked, and if the Applicant received its declaratory ruling(s) prior to August 9, 2013, include in the attachment required by Item 48a a copy of a petition for declaratory ruling filed contemporaneously with the Commission to extend the Applicant's existing ruling(s) to cover the same radio service(s) and geographic coverage area(s) involved in the application. Alternatively, the Applicant may request a new declaratory ruling pursuant to Section 1.5000(a) of the Commission's Rules, 47 CFR § 1.5000 (a). Petitions for declaratory ruling may be filed electronically on the Internet through the International Bureau Filing System (IBFS) (with a copy attached hereto).

If checked, and if the Applicant is relying on an affiliate's ruling for purposes of filing this application, include in the attachment required by Item 47 or Item 48a the citation(s) of the applicable declaratory ruling(s) by DA/FCC number, the FCC Record citation, if available, release date, and a statement that the Applicant is in compliance with the terms and conditions of the named affiliate's ruling and with the Commission's Rules. The Applicant must also include a certification of compliance signed by the named affiliate or other qualified entity as specified in 47 CFR § 1.5004(b). See Main Form Instructions for Items 47 or 48a, as applicable.

The Applicant has not received a declaratory ruling approving its foreign ownership and is requesting a declaratory ruling under 47 CFR § 1.5004(b) in a petition filed contemporaneously with the Commission.

If checked, include in the attachment required by Item 47 or 48a a copy of the petition for declaratory ruling filed contemporaneously with the Commission pursuant to 47 CFR § 1.5004(b). Petitions for declaratory ruling may be filed electronically on the Internet through the International Bureau Filing System (IBFS) (with a copy attached hereto).

Basic Qualification Questions

49) Has the Applicant or any party to this application had any FCC station authorization, license or construction permit revoked or had any application for an initial, modification or renewal of FCC station authorization, license, or construction permit denied by the Commission?	() <u>Yes</u> <u>No</u>
50) Has the Applicant or any party to this application, or any party directly or indirectly controlling the Applicant, ever been convicted of a felony by any state or federal court?	() <u>Yes</u> <u>No</u>
51) Has any court finally adjudged the Applicant or any party directly or indirectly controlling the Applicant guilty of unlawfully monopolizing or attempting unlawfully to monopolize radio communication, directly or indirectly, through control of manufacture or sale of radio apparatus, exclusive traffic arrangement, or any other means or unfair methods of competition?	() <u>Yes</u> <u>No</u>
Note: If the answer to any of 49-51 is 'Y', attach an exhibit explaining the circumstances.	

Aeronautical Advisory Station (Unicom) Certification

52) () I certify that the station will be located on property of the airport to be served, and, in cases where the airport does not have a control tower, RCO, or FAA flight service station, that I have notified the owner of the airport and all aviation service organizations located at the airport within ten days prior to application.
--

Broadband Radio Service and Educational Broadband Service Cable Cross-Ownership

53a) Will the requested facilities be used to provide multichannel video programming service?	() <u>Yes</u> <u>No</u>
53b) If the answer to question 53a is 'Y', does the Applicant operate, control or have an attributable interest (as defined in 47 CFR § 27.1202) in a cable television system whose franchise area is located within the geographic service area of the requested facilities?	() <u>Yes</u> <u>No</u>
Note: If the answer to question 53b is 'Y', attach an exhibit explaining how the Applicant complies with 47 CFR § 27.1202 or justifying a waiver of that rule. If a waiver of the Commission Rule(s) is being requested, Item 11a must be answered 'Y'.	

Broadband Radio Service and Educational Broadband Service (Part 27)

54) (For EBS only) Does the Applicant comply with the programming requirements contained in 47 CFR § 27.1203?	() <u>Yes</u> <u>No</u>
Note: If the answer to item 54 is 'N', attach an exhibit explaining how the Applicant complies with 47 CFR § 27.1203 of the Commission's Rules or justifying a waiver of that rule. If a waiver of the Commission Rule(s) is being requested, Item 11a must be answered 'Y'.	
55) (For BRS and EBS) Does the Applicant comply with 47 CFR §§ 27.50, 27.55, and 27.1221?	() <u>Yes</u> <u>No</u>
Note: If the answer to item 55 is 'N', attach an exhibit justifying a waiver of that rule(s). If a waiver of the Commission Rule(s) is being requested, Item 11a must be answered 'Y'.	

For Applicants Who Participated in an Auction

56) Is the Applicant a qualifying rural wireless partnership or a member of a qualifying rural wireless partnership?	() <u>Yes</u> <u>No</u>
Note: If the answer to item 56 is 'Y', attach an exhibit listing all members of the qualifying rural wireless partnership, including their FRN numbers.	

For Renewal Applicants

57) Operation/Performance Requirement Certification

[For a site-based license]: Applicant certifies that it is continuing to operate consistent with its most recently filed construction notification (or most recent authorization, if no construction notification was required).	() <u>Yes</u> <u>No</u>
[For a geographic license, commercial service - licensee in its initial license term with an interim performance requirement]: Applicant certifies that it has met its interim performance requirement, that over the portion of the license term following the interim performance requirement, it continues to use its facilities to provide at least the level of service required by its interim performance requirement, it has met its final performance requirement, and it continues to use its facilities to provide at least the level of service required by its final performance requirement through the end of the license term.	() <u>Yes</u> <u>No</u>
[For a geographic license, commercial service - licensee in its initial license term with no interim performance requirement]: Applicant certifies that it has met its final performance requirement and it continues to use its facilities to provide at least the level of service required by its final performance requirement through the end of the license term. [Note: licensee must provide a showing demonstrating that the final performance requirement has been met, either separately in a timely application for notification of completion of construction, or as part of its renewal application, depending on the radio service.]	() <u>Yes</u> <u>No</u>
[For a geographic license, commercial service - licensee in any subsequent term]: Applicant certifies that it continues to use its facilities to provide at least the level of service required by its final performance requirement through the end of any subsequent license terms.	() <u>Yes</u> <u>No</u>
[For a geographic license, private systems - licensee in its initial license term with an interim performance requirement]: Applicant certifies that it has met its interim performance requirement, that over the portion of the license term following the interim performance requirement, it continues to use its facilities to further its private business or public interest/public safety communications needs at or above the level required to meet its interim performance requirement, it has met its final performance requirement, and it continues to use its facilities to provide at least the level of operation required by its final performance requirement through the end of the license term.	() <u>Yes</u> <u>No</u>
[For a geographic license, private systems - licensee in its initial license term with no interim performance requirement]: Applicant certifies that it has met its final performance requirement, it continues to use its facilities to further its private business or public interest/public safety communications needs, and it continues to use its facilities to provide at least the level of operation required by its final performance requirement through the end of the license term. [Note: licensee must provide a showing demonstrating that the final performance requirement has been met, either separately in a timely application for notification of completion of construction, or as part of its renewal application, depending on the radio service.]	() <u>Yes</u> <u>No</u>

[For a geographic license, private systems - licensee in any subsequent term]: Applicant certifies that it continues to use its facilities to further its private business or public interest/public safety communications needs at or above the level required to meet its final performance requirement through the end of any subsequent license terms.	(<input type="checkbox"/>) <u>Yes</u> <u>No</u>
[For a partitioned or disaggregated license without a performance requirement, for the first renewal application filed after effective date of the rules]: Applicant certifies that the partitioned and/or disaggregated license that is the subject of this renewal application has no separate performance requirement and that this is the first renewal of this license filed subsequent to the effective date of the rules.	(<input type="checkbox"/>) <u>Yes</u> <u>No</u>
[For a partitioned or disaggregated license without a performance requirement, for any subsequent renewal filings]: Applicant certifies that it continues to use its facilities to provide service or to further the applicant's private business or public interest/public safety needs.	(<input type="checkbox"/>) <u>Yes</u> <u>No</u>

Discontinuance of Service Certification

58) Applicant certifies that no permanent discontinuance of service or operation, as applicable, occurred during its current license term. Note: If the response to either item 57 or item 58 is 'N', attach an exhibit that demonstrates that over the course of the license term, the Applicant provided and continues to provide service to the public, or operated and continues to operate the license to meet the Applicant's private business or public interest/public safety communications needs. This exhibit must include a detailed description of the Applicant's provision of service or, when allowed under the relevant service rules or pursuant to waiver, use of the spectrum for private business or public interest/public safety communications needs, during the entire license period and address, as applicable: 1) the level and quality of service provided by the applicant (e.g., the population served, the area served, the number of subscribers, the services offered); (2) the date service commenced, whether service was ever interrupted, and the duration of any interruption or outage; (3) the extent to which service is provided to rural areas; (4) the extent to which service is provided to qualifying tribal land as defined in 47 CFR § 1.2110(e)(3)(i); and (5) any other factors associated with the level of service to the public. The licensee may note in its exhibit: 1) any grant(s) of waiver or extension of a performance deadline or license renewal subject to meeting a performance requirement; or 2) if the final performance deadline and/or expiration date for the license accelerated because the licensee did not meet an interim performance requirement.	(<input type="checkbox"/>) <u>Yes</u> <u>No</u>
--	---

Regulatory Compliance Certification [same for all]

59) Applicant certifies that it has substantially complied with all applicable FCC rules, policies, and the Communications Act of 1934, as amended. Note: If the response to item 59 is 'N', attach an exhibit explaining the circumstances and demonstrating why Applicant's license should be renewed.	(<input type="checkbox"/>) <u>Yes</u> <u>No</u>
--	---

General Certification Statements

1) The Applicant waives any claim to the use of any particular frequency or of the electromagnetic spectrum as against the regulatory power of the United States because of the previous use of the same, whether by license or otherwise, and requests an authorization in accordance with this application.
2) The Applicant certifies that grant of this application would not cause the Applicant to be in violation of any pertinent cross-ownership or attribution rules.* *If the Applicant has sought a waiver of any such rule in connection with this application, it may make this certification subject to the outcome of the waiver request.
3) The Applicant certifies that all statements made in this application and in the exhibits, attachments, or documents incorporated by reference are material, are part of this application, and are true, complete, correct, and made in good faith.
4) The Applicant certifies that neither the Applicant nor any other party to the application is subject to a denial of Federal benefits pursuant to § 5301 of the Anti-Drug Abuse Act of 1988, 21 U.S.C. § 862, because of a conviction for possession or distribution of a controlled substance. This certification does not apply to applications filed in services exempted under § 1.2002(c) of the rules, 47 CFR § 1.2002(c). See 47 CFR § 1.2002(b) for the definition of "party to the application" as used in this certification.
5) The Applicant certifies that it either (1) has current required ownership data on file with the Commission, (2) is filing updated ownership data simultaneously with this application, or (3) is not required to file ownership data under the Commission's Rules.
6) The Applicant certifies that the facilities, operations, and transmitters for which this authorization is hereby requested are either: (1) categorically excluded from routine environmental evaluation for RF exposure as set forth in 47 CFR § 1.1307(b); or, (2) have been found not to cause human exposure to levels of radiofrequency radiation in excess of the limits specified in 47 CFR §§ 1.1310 and 2.1093; or, (3) are the subject of one or more Environmental Assessments filed with the Commission.
7) The Applicant certifies that it has reviewed the appropriate Commission Rules defining eligibility to hold the requested license(s) and is eligible to hold the requested license(s).
8) The Applicant certifies that it is not in default on any payment for Commission licenses and that it is not delinquent on any non-tax debt owed to any federal agency.
9) The Applicant certifies that the Applicant and all of the related individuals and entities required to be disclosed on this application and FCC Form 602 (FCC Ownership Disclosure Information for the Wireless Telecommunications Services) are not person(s) who have been, for reasons of national security, barred by any agency of the Federal Government from bidding on a contract, participating in an auction, or receiving a grant. This certification applies only to applications for licenses for spectrum that is required by Sections 6103, 6401-6403 of the Middle Class Tax Relief and Job Creation Act of 2012, codified at 47 U.S.C. §§ 309, 1413, 1451-1452, to be assigned by a system of competitive bidding under 47 U.S.C. § 309(j).

Signature

60) Typed or Printed Name of Party Authorized to Sign

First Name: Jessica	MI:	Last Name: Dunk	Suffix:
-------------------------------	-----	---------------------------	---------

61) Title: **Assistant Secretary - Compliance**

Signature: Jessica Dunk	62) Date: 01/23/2024
-----------------------------------	--------------------------------

FAILURE TO SIGN THIS APPLICATION MAY RESULT IN DISMISSAL OF THE APPLICATION AND FORFEITURE OF ANY FEES PAID.

Upon grant of this license application, the Licensee may be subject to certain construction or coverage requirements. Failure to meet the construction or coverage requirements will result in termination of the license. Consult appropriate FCC regulations to determine the construction or coverage requirements that apply to the type of license requested in this application.

WILLFUL FALSE STATEMENTS MADE ON THIS FORM OR ANY ATTACHMENTS ARE PUNISHABLE BY FINE AND/OR IMPRISONMENT (U.S. Code, Title 18, § 1001) AND/OR REVOCATION OF ANY STATION LICENSE OR CONSTRUCTION PERMIT (U.S. Code, Title 47, § 312(a)(1)), AND/OR FORFEITURE (U.S. Code, Title 47, § 503).

Reference Copy

REFERENCE COPY

This is not an official FCC license. It is a record of public information contained in the FCC's licensing database on the date that this reference copy was generated. In cases where FCC rules require the presentation, posting, or display of an FCC license, this document may not be used in place of an official FCC license.



**Federal Communications Commission
Wireless Telecommunications Bureau
RADIO STATION AUTHORIZATION**

LICENSEE: NEW CINGULAR WIRELESS PCS, LLC

ATTN: NATIONAL REGULATORY COMPLIANCE
NEW CINGULAR WIRELESS PCS, LLC
208 S AKARD ST, 20F
DALLAS, TX 75202

Call Sign KNLG615	File Number
Radio Service CW - PCS Broadband	

FCC Registration Number (FRN): 0003291192

Grant Date 04-13-2017	Effective Date 01-24-2024	Expiration Date 04-28-2027	Print Date
Market Number BTA120	Channel Block E	Sub-Market Designator 0	
Market Name Dyersburg-Union City, TN			
1st Build-out Date 04-28-2002	2nd Build-out Date	3rd Build-out Date	4th Build-out Date

Waivers/Conditions:

This authorization is subject to the condition that, in the event that systems using the same frequencies as granted herein are authorized in an adjacent foreign territory (Canada/United States), future coordination of any base station transmitters within 72 km (45 miles) of the United States/Canada border shall be required to eliminate any harmful interference to operations in the adjacent foreign territory and to ensure continuance of equal access to the frequencies by both countries.

This authorization is subject to the condition that the remaining balance of the winning bid amount will be paid in accordance with Part 1 of the Commission's rules, 47 C.F.R. Part 1.

Conditions:

Pursuant to §309(h) of the Communications Act of 1934, as amended, 47 U.S.C. §309(h), this license is subject to the following conditions: This license shall not vest in the licensee any right to operate the station nor any right in the use of the frequencies designated in the license beyond the term thereof nor in any other manner than authorized herein. Neither the license nor the right granted thereunder shall be assigned or otherwise transferred in violation of the Communications Act of 1934, as amended. See 47 U.S.C. § 310(d). This license is subject in terms to the right of use or control conferred by §706 of the Communications Act of 1934, as amended. See 47 U.S.C. §606.

This license may not authorize operation throughout the entire geographic area or spectrum identified on the hardcopy version. To view the specific geographic area and spectrum authorized by this license, refer to the Spectrum and Market Area information under the Market Tab of the license record in the Universal Licensing System (ULS). To view the license record, go to the ULS homepage at <http://wireless.fcc.gov/uls/index.htm?job=home> and select "License Search". Follow the instructions on how to search for license information.

Licensee Name: NEW CINGULAR WIRELESS PCS, LLC

Call Sign: KNLG615

File Number:

Print Date:

Commission approval of this application and the licenses contained therein are subject to the conditions set forth in the Memorandum Opinion and Order, adopted on December 29, 2006 and released on March 26, 2007, and revised in the Order on Reconsideration, adopted and released on March 26, 2007. See AT&T Inc. and BellSouth Corporation Application for Transfer of Control, WC Docket No. 06-74, Memorandum Opinion and Order, FCC 06-189 (rel. Mar. 26, 2007); AT&T Inc. and BellSouth Corporation, WC Docket No. 06-74, Order on Reconsideration, FCC 07-44 (rel. Mar. 26, 2007).

Reference Copy

Licensee Name: NEW CINGULAR WIRELESS PCS, LLC

Call Sign: KNLG615

File Number:

Print Date:

700 MHz Relicensed Area Information:

Market	Market Name	Buildout Deadline	Buildout Notification	Status
---------------	--------------------	--------------------------	------------------------------	---------------

Reference Copy

Reference Copy Only. Do Not Mail to the FCC as an Application.

Submitted: 01/13/2023 at 18:08:22
 File Number: 0010374940

FCC 601
Main Form

FCC Application for Radio Service Authorization: Wireless Telecommunications Bureau Public Safety and Homeland Security Bureau

Approved by OMB
 3060 - 0798
 See instructions for
 public burden estimate

1) Radio Service Code: CW	1a) Existing Radio Service Code:
---	----------------------------------

General Information

2) (Select only one) (AU) NE - New RO - Renewal Only AU - Administrative Update NT - Required Notifications MD - Modification RM - Renewal/Modification WD - Withdrawal of Application EX - Requests for Extension of Time AM - Amendment CA - Cancellation of License RL - Registered Location/Link	
3a) If this application is for a Demonstration License or a Special Temporary Authorization (STA) , enter the code and attach the required exhibit as described in the instructions. Otherwise enter ' N/A ' (Not Applicable).	(N) <u>M</u> <u>S</u> <u>N/A</u>
3b) If this application is for Special Temporary Authority due to an emergency situation, enter 'Y'; otherwise enter 'N'. Refer to Rule 1.915 for an explanation of situations considered to be an emergency.	() <u>Y</u> es <u>N</u> o
4) If this application is for an Amendment or Withdrawal, enter the file number of the pending application currently on file with the FCC.	File Number
5) If this application is for a Modification, Renewal Only, Renewal/Modification, Cancellation of License, or Administrative Update, enter the call sign of the existing FCC license. If this is a request for Registered Location/Link, enter the FCC call sign assigned to the geographic license.	Call Sign KNLG615
6a) If this application is for a New, Amendment, Renewal Only, or Renewal/Modification, enter the requested authorization expiration date (this item is optional).	MM DD /
6b) If this application is for a Renewal Only or Renewal/Modification and the license is a geographic area license, is the license used to provide service to customers (C), or is the license used for private business (internal) purposes or to meet the licensee's public interest/public safety communications needs (P)?	() <u>C</u> <u>P</u>
7) Is this application "major" as defined in § 1.929 of the Commission's Rules when read in conjunction with the applicable radio service rules found in Parts 22 and 90 of the Commission's Rules? (NOTE: This question only applies to certain site-specific applications. See the instructions for applicability and full text of § 1.929).	() <u>Y</u> es <u>N</u> o
8) Are attachments (other than associated schedules) being filed with this application?	() <u>Y</u> es <u>N</u> o

Fees, Waivers, and Exemptions

9) Is the Applicant exempt from FCC application fees?	(N) <u>Y</u> es <u>N</u> o
10) Is the Applicant exempt from FCC regulatory fees?	(N) <u>Y</u> es <u>N</u> o
11) Does this application include a request for a Waiver of the Commission's Rule(s)? If 'Yes', attach an exhibit providing rule number(s) and explaining circumstances.	(N) <u>Y</u> es <u>N</u> o
12) Are the frequencies or parameters requested in this filing covered by grandfathered privileges, previously approved by waiver, or functionally integrated with an existing station?	() <u>Y</u> es <u>N</u> o

Applicant Information

13) FCC Registration Number (FRN): 0003291192			
14) Applicant/Licensee Legal Entity Type: (Select One) () Individual () Unincorporated Association () Trust () Government Entity () Corporation (<input checked="" type="checkbox"/>) Limited Liability Company () General Partnership () Limited Partnership () Limited Liability Partnership () Consortium () Other: _____			
15) If the Licensee name is being updated, is the update a result from the sale (or transfer of control) of the license(s) to party and for which proper Commission approval has not been received or proper notification not provided?			() Yes <input checked="" type="checkbox"/> No
16) First Name (if individual):	MI:	Last Name:	Suffix:
17) Legal Entity Name (if other than individual): NEW CINGULAR WIRELESS PCS, LLC			
18) Attention To: FCC Group			
19) P.O. Box:	And/Or	20) Street Address: 208 S. Akard St. 20F	
21) City: Dallas	22) State: TX	23) Zip Code: 75202	
24) Telephone Number: (855)699-7073		25) Fax: (214)746-6410	
26) E-Mail Address: FCCMW@att.com			

27) Demographics (Optional)

Race: () American Indian or Alaska Native () Asian () Black or African-American () Native Hawaiian or Other Pacific Islander () White	Ethnicity: () Hispanic or Latino () Not Hispanic or Latino	Gender: () Male () Female
---	--	-----------------------------------

Real Party in Interest

28) Name of Real Party in Interest of Applicant (If different from Applicant):	29) FCC Registration Number (FRN) of Real Party in Interest:
--	--

Contact Information (If different from the Applicant) Check here if same as Applicant.

30) First Name: Cecil	MI: J	Last Name: Mathew	Suffix:
31) Company Name: AT&T Services, Inc.			
32) Attention To: FCC Group			
33) P.O. Box:	And /Or	34) Street Address: 208 S. Akard St. 20F	
35) City: Dallas	36) State: TX	37) Zip Code: 75202	
38) Telephone Number: (855)699-7073		39) Fax: (214)746-6410	
40) E-Mail Address: FCCMW@att.com			

Regulatory Status

41) This filing is for authorization to provide or use the following type(s) of radio service offering (enter all that apply): (<input type="checkbox"/>) <u>C</u> ommon Carrier (<input type="checkbox"/>) <u>N</u> on-Common Carrier (<input type="checkbox"/>) <u>P</u> rivate, internal communications (<input type="checkbox"/>) <u>B</u> roadcast Services (<input type="checkbox"/>) <u>B</u> and <u>M</u> anager

Type of Radio Service

42) This filing is for authorization to provide the following type(s) of radio service (choose all that apply): (<input type="checkbox"/>) <u>F</u> ixed (<input type="checkbox"/>) <u>M</u> obile (<input type="checkbox"/>) <u>R</u> adiolocation (<input type="checkbox"/>) <u>S</u> atellite (sound) (<input type="checkbox"/>) <u>B</u> roadcast Services
43) Does the Applicant propose to provide service interconnected to the public telephone network? (<input type="checkbox"/>) <u>Y</u> es (<input type="checkbox"/>) <u>N</u> o

Alien Ownership Questions (If any answer is 'Y', provide an attachment explaining the circumstances. In preparing the attachment, refer to the Main Form Instructions for the "Alien Ownership Questions".)

44) Is the Applicant a foreign government or the representative of any foreign government? (<input type="checkbox"/>) <u>Y</u> es (<input type="checkbox"/>) <u>N</u> o
45) Is the Applicant an alien or the representative of an alien? (<input type="checkbox"/>) <u>Y</u> es (<input type="checkbox"/>) <u>N</u> o
46) Is the Applicant a corporation organized under the laws of any foreign government? (<input type="checkbox"/>) <u>Y</u> es (<input type="checkbox"/>) <u>N</u> o
47) Is the Applicant a corporation of which more than one-fifth of the capital stock is owned of record or voted by aliens or their representatives, or by a foreign government or representative thereof, or by any corporation organized under the laws of a foreign country? (<input type="checkbox"/>) <u>Y</u> es (<input type="checkbox"/>) <u>N</u> o

48a) Is the Applicant directly or indirectly controlled by any other corporation of which more than one-fourth of the capital stock () Yes No is owned of record or voted by aliens or their representatives, or by a foreign government or representative thereof, or by any corporation organized under the laws of a foreign country?

48b) If the answer to 47 or 48a is 'Y' select one of the choices below.

The Applicant is exempt from the provisions of Section 310(b).

If checked, include in the attachment required by Item 47 or Item 48a a showing that the requested license(s) is exempt from the provisions of Section 310(b).

The Applicant has received a declaratory ruling(s) approving its foreign ownership, and the application involves only the acquisition of additional spectrum for the provision of a wireless service in a geographic coverage area for which the Applicant has been previously authorized.

If checked, include in the attachment required by Item 47 or Item 48a the citation(s) of the applicable declaratory ruling(s) by DA/FCC number, the FCC Record citation, if available, release date, and a statement that there has been no change in the foreign ownership of the Applicant since the issuance of its ruling.

The Applicant: (i) has received a declaratory ruling(s) approving its foreign ownership, but is not able to make the certification specified immediately above; or (ii) is an "affiliate" of a Licensee or Lessee/Sublessee that received a declaratory ruling(s) under 47 CFR § 1.5000(a) and is relying on the affiliate's ruling for purposes of filing this application as permitted under the affiliate's ruling and 47 CFR § 1.5004(b)

If checked, and if the Applicant received its declaratory ruling(s) on or after August 9, 2013, include in the attachment required by Item 47 or Item 48a the citation(s) of the Applicant's declaratory ruling(s) by DA/FCC number, the FCC Record citation, if available, release date, and a statement that the Applicant is in compliance with the terms and conditions of its ruling and with the Commission's Rules.

If checked, and if the Applicant received its declaratory ruling(s) prior to August 9, 2013, include in the attachment required by Item 48a a copy of a petition for declaratory ruling filed contemporaneously with the Commission to extend the Applicant's existing ruling(s) to cover the same radio service(s) and geographic coverage area(s) involved in the application. Alternatively, the Applicant may request a new declaratory ruling pursuant to Section 1.5000(a) of the Commission's Rules, 47 CFR § 1.5000 (a). Petitions for declaratory ruling may be filed electronically on the Internet through the International Bureau Filing System (IBFS) (with a copy attached hereto).

If checked, and if the Applicant is relying on an affiliate's ruling for purposes of filing this application, include in the attachment required by Item 47 or Item 48a the citation(s) of the applicable declaratory ruling(s) by DA/FCC number, the FCC Record citation, if available, release date, and a statement that the Applicant is in compliance with the terms and conditions of the named affiliate's ruling and with the Commission's Rules. The Applicant must also include a certification of compliance signed by the named affiliate or other qualified entity as specified in 47 CFR § 1.5004(b). See Main Form Instructions for Items 47 or 48a, as applicable.

The Applicant has not received a declaratory ruling approving its foreign ownership and is requesting a declaratory ruling under 47 CFR § 1.5004(b) in a petition filed contemporaneously with the Commission.

If checked, include in the attachment required by Item 47 or 48a a copy of the petition for declaratory ruling filed contemporaneously with the Commission pursuant to 47 CFR § 1.5004(b). Petitions for declaratory ruling may be filed electronically on the Internet through the International Bureau Filing System (IBFS) (with a copy attached hereto).

Basic Qualification Questions

49) Has the Applicant or any party to this application had any FCC station authorization, license or construction permit revoked or had any application for an initial, modification or renewal of FCC station authorization, license, or construction permit denied by the Commission?	(<input type="checkbox"/>) <u>Yes</u> <u>No</u>
50) Has the Applicant or any party to this application, or any party directly or indirectly controlling the Applicant, ever been convicted of a felony by any state or federal court?	(<input type="checkbox"/>) <u>Yes</u> <u>No</u>
51) Has any court finally adjudged the Applicant or any party directly or indirectly controlling the Applicant guilty of unlawfully monopolizing or attempting unlawfully to monopolize radio communication, directly or indirectly, through control of manufacture or sale of radio apparatus, exclusive traffic arrangement, or any other means or unfair methods of competition?	(<input type="checkbox"/>) <u>Yes</u> <u>No</u>

Note: If the answer to any of 49-51 is 'Y', attach an exhibit explaining the circumstances.

Aeronautical Advisory Station (Unicom) Certification

52) (<input type="checkbox"/>) I certify that the station will be located on property of the airport to be served, and, in cases where the airport does not have a control tower, RCO, or FAA flight service station, that I have notified the owner of the airport and all aviation service organizations located at the airport within ten days prior to application.

Broadband Radio Service and Educational Broadband Service Cable Cross-Ownership

53a) Will the requested facilities be used to provide multichannel video programming service?	(<input type="checkbox"/>) <u>Yes</u> <u>No</u>
53b) If the answer to question 53a is 'Y', does the Applicant operate, control or have an attributable interest (as defined in 47 CFR § 27.1202) in a cable television system whose franchise area is located within the geographic service area of the requested facilities?	(<input type="checkbox"/>) <u>Yes</u> <u>No</u>

Note: If the answer to question 53b is 'Y', attach an exhibit explaining how the Applicant complies with 47 CFR § 27.1202 or justifying a waiver of that rule. If a waiver of the Commission Rule(s) is being requested, Item 11a must be answered 'Y'.

Broadband Radio Service and Educational Broadband Service (Part 27)

54) (For EBS only) Does the Applicant comply with the programming requirements contained in 47 CFR § 27.1203?	(<input type="checkbox"/>) <u>Yes</u> <u>No</u>
---	---

Note: If the answer to item 54 is 'N', attach an exhibit explaining how the Applicant complies with 47 CFR § 27.1203 of the Commission's Rules or justifying a waiver of that rule. If a waiver of the Commission Rule(s) is being requested, Item 11a must be answered 'Y'.

55) (For BRS and EBS) Does the Applicant comply with 47 CFR §§ 27.50, 27.55, and 27.1221?	(<input type="checkbox"/>) <u>Yes</u> <u>No</u>
---	---

Note: If the answer to item 55 is 'N', attach an exhibit justifying a waiver of that rule(s). If a waiver of the Commission Rule(s) is being requested, Item 11a must be answered 'Y'.

For Applicants Who Participated in an Auction

56) Is the Applicant a qualifying rural wireless partnership or a member of a qualifying rural wireless partnership?	(<input type="checkbox"/>) <u>Yes</u> <u>No</u>
--	---

Note: If the answer to item 56 is 'Y', attach an exhibit listing all members of the qualifying rural wireless partnership, including their FRN numbers.

For Renewal Applicants

57) Operation/Performance Requirement Certification	
[For a site-based license]: Applicant certifies that it is continuing to operate consistent with its most recently filed construction notification (or most recent authorization, if no construction notification was required).	(<input type="checkbox"/>) <u>Yes</u> <u>No</u>
[For a geographic license, commercial service - licensee in its initial license term with an interim performance requirement]: Applicant certifies that it has met its interim performance requirement, that over the portion of the license term following the interim performance requirement, it continues to use its facilities to provide at least the level of service required by its interim performance requirement, it has met its final performance requirement, and it continues to use its facilities to provide at least the level of service required by its final performance requirement through the end of the license term.	(<input type="checkbox"/>) <u>Yes</u> <u>No</u>
[For a geographic license, commercial service - licensee in its initial license term with no interim performance requirement]: Applicant certifies that it has met its final performance requirement and it continues to use its facilities to provide at least the level of service required by its final performance requirement through the end of the license term. [Note: licensee must provide a showing demonstrating that the final performance requirement has been met, either separately in a timely application for notification of completion of construction, or as part of its renewal application, depending on the radio service.]	(<input type="checkbox"/>) <u>Yes</u> <u>No</u>
[For a geographic license, commercial service - licensee in any subsequent term]: Applicant certifies that it continues to use its facilities to provide at least the level of service required by its final performance requirement through the end of any subsequent license terms.	(<input type="checkbox"/>) <u>Yes</u> <u>No</u>
[For a geographic license, private systems - licensee in its initial license term with an interim performance requirement]: Applicant certifies that it has met its interim performance requirement, that over the portion of the license term following the interim performance requirement, it continues to use its facilities to further its private business or public interest/public safety communications needs at or above the level required to meet its interim performance requirement, it has met its final performance requirement, and it continues to use its facilities to provide at least the level of operation required by its final performance requirement through the end of the license term.	(<input type="checkbox"/>) <u>Yes</u> <u>No</u>
[For a geographic license, private systems - licensee in its initial license term with no interim performance requirement]: Applicant certifies that it has met its final performance requirement, it continues to use its facilities to further its private business or public interest/public safety communications needs, and it continues to use its facilities to provide at least the level of operation required by its final performance requirement through the end of the license term. [Note: licensee must provide a showing demonstrating that the final performance requirement has been met, either separately in a timely application for notification of completion of construction, or as part of its renewal application, depending on the radio service.]	(<input type="checkbox"/>) <u>Yes</u> <u>No</u>

[For a geographic license, private systems - licensee in any subsequent term]: Applicant certifies that it continues to use its facilities to further its private business or public interest/public safety communications needs at or above the level required to meet its final performance requirement through the end of any subsequent license terms.	(<input type="checkbox"/>) <u>Yes</u> <u>No</u>
[For a partitioned or disaggregated license without a performance requirement, for the first renewal application filed after effective date of the rules]: Applicant certifies that the partitioned and/or disaggregated license that is the subject of this renewal application has no separate performance requirement and that this is the first renewal of this license filed subsequent to the effective date of the rules.	(<input type="checkbox"/>) <u>Yes</u> <u>No</u>
[For a partitioned or disaggregated license without a performance requirement, for any subsequent renewal filings]: Applicant certifies that it continues to use its facilities to provide service or to further the applicant's private business or public interest/public safety needs.	(<input type="checkbox"/>) <u>Yes</u> <u>No</u>

Discontinuance of Service Certification

58) Applicant certifies that no permanent discontinuance of service or operation, as applicable, occurred during its current license term. Note: If the response to either item 57 or item 58 is 'N', attach an exhibit that demonstrates that over the course of the license term, the Applicant provided and continues to provide service to the public, or operated and continues to operate the license to meet the Applicant's private business or public interest/public safety communications needs. This exhibit must include a detailed description of the Applicant's provision of service or, when allowed under the relevant service rules or pursuant to waiver, use of the spectrum for private business or public interest/public safety communications needs, during the entire license period and address, as applicable: 1) the level and quality of service provided by the applicant (e.g., the population served, the area served, the number of subscribers, the services offered); (2) the date service commenced, whether service was ever interrupted, and the duration of any interruption or outage; (3) the extent to which service is provided to rural areas; (4) the extent to which service is provided to qualifying tribal land as defined in 47 CFR § 1.2110(e)(3)(i); and (5) any other factors associated with the level of service to the public. The licensee may note in its exhibit: 1) any grant(s) of waiver or extension of a performance deadline or license renewal subject to meeting a performance requirement; or 2) if the final performance deadline and/or expiration date for the license accelerated because the licensee did not meet an interim performance requirement.	(<input type="checkbox"/>) <u>Yes</u> <u>No</u>
--	---

Regulatory Compliance Certification [same for all]

59) Applicant certifies that it has substantially complied with all applicable FCC rules, policies, and the Communications Act of 1934, as amended. Note: If the response to item 59 is 'N', attach an exhibit explaining the circumstances and demonstrating why Applicant's license should be renewed.	(<input type="checkbox"/>) <u>Yes</u> <u>No</u>
--	---

General Certification Statements

1) The Applicant waives any claim to the use of any particular frequency or of the electromagnetic spectrum as against the regulatory power of the United States because of the previous use of the same, whether by license or otherwise, and requests an authorization in accordance with this application.
2) The Applicant certifies that grant of this application would not cause the Applicant to be in violation of any pertinent cross-ownership or attribution rules.* *If the Applicant has sought a waiver of any such rule in connection with this application, it may make this certification subject to the outcome of the waiver request.
3) The Applicant certifies that all statements made in this application and in the exhibits, attachments, or documents incorporated by reference are material, are part of this application, and are true, complete, correct, and made in good faith.
4) The Applicant certifies that neither the Applicant nor any other party to the application is subject to a denial of Federal benefits pursuant to § 5301 of the Anti-Drug Abuse Act of 1988, 21 U.S.C. § 862, because of a conviction for possession or distribution of a controlled substance. This certification does not apply to applications filed in services exempted under § 1.2002(c) of the rules, 47 CFR § 1.2002(c). See 47 CFR § 1.2002(b) for the definition of "party to the application" as used in this certification.
5) The Applicant certifies that it either (1) has current required ownership data on file with the Commission, (2) is filing updated ownership data simultaneously with this application, or (3) is not required to file ownership data under the Commission's Rules.
6) The Applicant certifies that the facilities, operations, and transmitters for which this authorization is hereby requested are either: (1) categorically excluded from routine environmental evaluation for RF exposure as set forth in 47 CFR § 1.1307(b); or, (2) have been found not to cause human exposure to levels of radiofrequency radiation in excess of the limits specified in 47 CFR §§ 1.1310 and 2.1093; or, (3) are the subject of one or more Environmental Assessments filed with the Commission.
7) The Applicant certifies that it has reviewed the appropriate Commission Rules defining eligibility to hold the requested license(s) and is eligible to hold the requested license(s).
8) The Applicant certifies that it is not in default on any payment for Commission licenses and that it is not delinquent on any non-tax debt owed to any federal agency.
9) The Applicant certifies that the Applicant and all of the related individuals and entities required to be disclosed on this application and FCC Form 602 (FCC Ownership Disclosure Information for the Wireless Telecommunications Services) are not person(s) who have been, for reasons of national security, barred by any agency of the Federal Government from bidding on a contract, participating in an auction, or receiving a grant. This certification applies only to applications for licenses for spectrum that is required by Sections 6103, 6401-6403 of the Middle Class Tax Relief and Job Creation Act of 2012, codified at 47 U.S.C. §§ 309, 1413, 1451-1452, to be assigned by a system of competitive bidding under 47 U.S.C. § 309(j).

Signature

60) Typed or Printed Name of Party Authorized to Sign

First Name: Cecil	MI: J	Last Name: Mathew	Suffix:
61) Title: Assistant Secretary - Compliance			
Signature: Cecil J Mathew			62) Date: 01/13/2023
FAILURE TO SIGN THIS APPLICATION MAY RESULT IN DISMISSAL OF THE APPLICATION AND FORFEITURE OF ANY FEES PAID.			
Upon grant of this license application, the Licensee may be subject to certain construction or coverage requirements. Failure to meet the construction or coverage requirements will result in termination of the license. Consult appropriate FCC regulations to determine the construction or coverage requirements that apply to the type of license requested in this application.			
WILLFUL FALSE STATEMENTS MADE ON THIS FORM OR ANY ATTACHMENTS ARE PUNISHABLE BY FINE AND/OR IMPRISONMENT (U.S. Code, Title 18, § 1001) AND/OR REVOCATION OF ANY STATION LICENSE OR CONSTRUCTION PERMIT (U.S. Code, Title 47, § 312(a)(1)), AND/OR FORFEITURE (U.S. Code, Title 47, § 503).			

Reference Copy Only. Do Not Mail to the FCC as an Application.

Submitted: 01/23/2024 at 17:43:02
 File Number: 0010873601

FCC 601
Main Form

FCC Application for Radio Service Authorization: Wireless Telecommunications Bureau Public Safety and Homeland Security Bureau

Approved by OMB
 3060 - 0798
 See instructions for
 public burden estimate

1) Radio Service Code: CW	1a) Existing Radio Service Code:
---	----------------------------------

General Information

2) (Select only one) (AU) NE - New RO - Renewal Only AU - Administrative Update NT - Required Notifications MD - Modification RM - Renewal/Modification WD - Withdrawal of Application EX - Requests for Extension of Time AM - Amendment CA - Cancellation of License RL - Registered Location/Link	
3a) If this application is for a Demonstration License or a Special Temporary Authorization (STA), enter the code and attach the required exhibit as described in the instructions. Otherwise enter ' <u>N/A</u> ' (Not Applicable).	(N) <u>M</u> <u>S</u> <u>N/A</u>
3b) If this application is for Special Temporary Authority due to an emergency situation, enter 'Y'; otherwise enter 'N'. Refer to Rule 1.915 for an explanation of situations considered to be an emergency.	() <u>Y</u> es <u>N</u> o
4) If this application is for an Amendment or Withdrawal, enter the file number of the pending application currently on file with the FCC.	File Number
5) If this application is for a Modification, Renewal Only, Renewal/Modification, Cancellation of License, or Administrative Update, enter the call sign of the existing FCC license. If this is a request for Registered Location/Link, enter the FCC call sign assigned to the geographic license.	Call Sign KNLG615
6a) If this application is for a New, Amendment, Renewal Only, or Renewal/Modification, enter the requested authorization expiration date (this item is optional).	MM DD /
6b) If this application is for a Renewal Only or Renewal/Modification and the license is a geographic area license, is the license used to provide service to customers (C), or is the license used for private business (internal) purposes or to meet the licensee's public interest/public safety communications needs (P)?	() <u>C</u> <u>P</u>
7) Is this application "major" as defined in § 1.929 of the Commission's Rules when read in conjunction with the applicable radio service rules found in Parts 22 and 90 of the Commission's Rules? (NOTE: This question only applies to certain site-specific applications. See the instructions for applicability and full text of § 1.929).	() <u>Y</u> es <u>N</u> o
8) Are attachments (other than associated schedules) being filed with this application?	() <u>Y</u> es <u>N</u> o

Fees, Waivers, and Exemptions

9) Is the Applicant exempt from FCC application fees?	(N) <u>Y</u> es <u>N</u> o
10) Is the Applicant exempt from FCC regulatory fees?	(N) <u>Y</u> es <u>N</u> o
11) Does this application include a request for a Waiver of the Commission's Rule(s)? If 'Yes', attach an exhibit providing rule number(s) and explaining circumstances.	(N) <u>Y</u> es <u>N</u> o
12) Are the frequencies or parameters requested in this filing covered by grandfathered privileges, previously approved by waiver, or functionally integrated with an existing station?	() <u>Y</u> es <u>N</u> o

Applicant Information

13) FCC Registration Number (FRN): 0003291192			
14) Applicant/Licensee Legal Entity Type: (Select One) <input type="checkbox"/> Individual <input type="checkbox"/> Unincorporated Association <input type="checkbox"/> Trust <input type="checkbox"/> Government Entity <input type="checkbox"/> Corporation <input checked="" type="checkbox"/> Limited Liability Company <input type="checkbox"/> General Partnership <input type="checkbox"/> Limited Partnership <input type="checkbox"/> Limited Liability Partnership <input type="checkbox"/> Consortium <input type="checkbox"/> Other: _____			
15) If the Licensee name is being updated, is the update a result from the sale (or transfer of control) of the license(s) to party and for which proper Commission approval has not been received or proper notification not provided?			<input type="checkbox"/> Yes <input checked="" type="checkbox"/> No
16) First Name (if individual):	MI:	Last Name:	Suffix:
17) Legal Entity Name (if other than individual): NEW CINGULAR WIRELESS PCS, LLC			
18) Attention To: National Regulatory Compliance			
19) P.O. Box:	And/Or	20) Street Address: 208 S Akard St, 20F	
21) City: Dallas	22) State: TX	23) Zip Code: 75202	
24) Telephone Number: (855)699-7073		25) Fax: (214)746-6410	
26) E-Mail Address: FCCMW@att.com			

27) Demographics (Optional)

Race: <input type="checkbox"/> American Indian or Alaska Native <input type="checkbox"/> Asian <input type="checkbox"/> Black or African-American <input type="checkbox"/> Native Hawaiian or Other Pacific Islander <input type="checkbox"/> White	Ethnicity: <input type="checkbox"/> Hispanic or Latino <input type="checkbox"/> Not Hispanic or Latino	Gender: <input type="checkbox"/> Male <input type="checkbox"/> Female
--	--	---

Real Party in Interest

28) Name of Real Party in Interest of Applicant (If different from Applicant):	29) FCC Registration Number (FRN) of Real Party in Interest:
--	--

Contact Information (If different from the Applicant) Check here if same as Applicant.

30) First Name: Jessica	MI: J	Last Name: Dunk	Suffix:
31) Company Name: AT&T Services, Inc.			
32) Attention To: NRC			
33) P.O. Box:	And /Or	34) Street Address: 208 S Akard St, 20F	
35) City: Dallas	36) State: TX	37) Zip Code: 75202	
38) Telephone Number: (855)699-7073		39) Fax: (214)746-6410	
40) E-Mail Address: FCCMW@att.com			

Regulatory Status

41) This filing is for authorization to provide or use the following type(s) of radio service offering (enter all that apply): (<input type="checkbox"/>) <u>C</u> ommon Carrier (<input type="checkbox"/>) <u>N</u> on-Common Carrier (<input type="checkbox"/>) <u>P</u> rivate, internal communications (<input type="checkbox"/>) <u>B</u> roadcast Services (<input type="checkbox"/>) <u>B</u> and <u>M</u> anager

Type of Radio Service

42) This filing is for authorization to provide the following type(s) of radio service (choose all that apply): (<input type="checkbox"/>) <u>F</u> ixed (<input type="checkbox"/>) <u>M</u> obile (<input type="checkbox"/>) <u>R</u> adiolocation (<input type="checkbox"/>) <u>S</u> atellite (sound) (<input type="checkbox"/>) <u>B</u> roadcast Services
43) Does the Applicant propose to provide service interconnected to the public telephone network? (<input type="checkbox"/>) <u>Y</u> es <u>N</u> o

Alien Ownership Questions (If any answer is 'Y', provide an attachment explaining the circumstances. In preparing the attachment, refer to the Main Form Instructions for the "Alien Ownership Questions".)

44) Is the Applicant a foreign government or the representative of any foreign government? (<input type="checkbox"/>) <u>Y</u> es <u>N</u> o
45) Is the Applicant an alien or the representative of an alien? (<input type="checkbox"/>) <u>Y</u> es <u>N</u> o
46) Is the Applicant a corporation organized under the laws of any foreign government? (<input type="checkbox"/>) <u>Y</u> es <u>N</u> o
47) Is the Applicant a corporation of which more than one-fifth of the capital stock is owned of record or voted by aliens or their representatives, or by a foreign government or representative thereof, or by any corporation organized under the laws of a foreign country? (<input type="checkbox"/>) <u>Y</u> es <u>N</u> o

48a) Is the Applicant directly or indirectly controlled by any other corporation of which more than one-fourth of the capital stock () Yes No is owned of record or voted by aliens or their representatives, or by a foreign government or representative thereof, or by any corporation organized under the laws of a foreign country?

48b) If the answer to 47 or 48a is 'Y' select one of the choices below.

The Applicant is exempt from the provisions of Section 310(b).

If checked, it is not necessary to file a petition for declaratory ruling if the Applicant includes in the attachment required by Item 47 or Item 48a a showing that the requested license(s) is exempt from the provisions of Section 310(b).

The Applicant has received a declaratory ruling(s) approving its foreign ownership, and the application involves only the acquisition of additional spectrum for the provision of a wireless service in a geographic coverage area for which the Applicant has been previously authorized.

If checked, include in the attachment required by Item 47 or Item 48a the citation(s) of the applicable declaratory ruling(s) by DA/FCC number, the FCC Record citation, if available, release date, and a statement that there has been no change in the foreign ownership of the Applicant since the issuance of its ruling.

The Applicant: (i) has received a declaratory ruling(s) approving its foreign ownership, but is not able to make the certification specified immediately above; or (ii) is an "affiliate" of a Licensee or Lessee/Sublessee that received a declaratory ruling(s) under 47 CFR § 1.5000(a) and is relying on the affiliate's ruling for purposes of filing this application as permitted under the affiliate's ruling and 47 CFR § 1.5004(b)

If checked, and if the Applicant received its declaratory ruling(s) on or after August 9, 2013, include in the attachment required by Item 47 or Item 48a the citation(s) of the Applicant's declaratory ruling(s) by DA/FCC number, the FCC Record citation, if available, release date, and a statement that the Applicant is in compliance with the terms and conditions of its ruling and with the Commission's Rules.

If checked, and if the Applicant received its declaratory ruling(s) prior to August 9, 2013, include in the attachment required by Item 48a a copy of a petition for declaratory ruling filed contemporaneously with the Commission to extend the Applicant's existing ruling(s) to cover the same radio service(s) and geographic coverage area(s) involved in the application. Alternatively, the Applicant may request a new declaratory ruling pursuant to Section 1.5000(a) of the Commission's Rules, 47 CFR § 1.5000 (a). Petitions for declaratory ruling may be filed electronically on the Internet through the International Bureau Filing System (IBFS) (with a copy attached hereto).

If checked, and if the Applicant is relying on an affiliate's ruling for purposes of filing this application, include in the attachment required by Item 47 or Item 48a the citation(s) of the applicable declaratory ruling(s) by DA/FCC number, the FCC Record citation, if available, release date, and a statement that the Applicant is in compliance with the terms and conditions of the named affiliate's ruling and with the Commission's Rules. The Applicant must also include a certification of compliance signed by the named affiliate or other qualified entity as specified in 47 CFR § 1.5004(b). See Main Form Instructions for Items 47 or 48a, as applicable.

The Applicant has not received a declaratory ruling approving its foreign ownership and is requesting a declaratory ruling under 47 CFR § 1.5004(b) in a petition filed contemporaneously with the Commission.

If checked, include in the attachment required by Item 47 or 48a a copy of the petition for declaratory ruling filed contemporaneously with the Commission pursuant to 47 CFR § 1.5004(b). Petitions for declaratory ruling may be filed electronically on the Internet through the International Bureau Filing System (IBFS) (with a copy attached hereto).

Basic Qualification Questions

49) Has the Applicant or any party to this application had any FCC station authorization, license or construction permit revoked or had any application for an initial, modification or renewal of FCC station authorization, license, or construction permit denied by the Commission?	() <u>Yes</u> <u>No</u>
50) Has the Applicant or any party to this application, or any party directly or indirectly controlling the Applicant, ever been convicted of a felony by any state or federal court?	() <u>Yes</u> <u>No</u>
51) Has any court finally adjudged the Applicant or any party directly or indirectly controlling the Applicant guilty of unlawfully monopolizing or attempting unlawfully to monopolize radio communication, directly or indirectly, through control of manufacture or sale of radio apparatus, exclusive traffic arrangement, or any other means or unfair methods of competition?	() <u>Yes</u> <u>No</u>

Note: If the answer to any of 49-51 is 'Y', attach an exhibit explaining the circumstances.

Aeronautical Advisory Station (Unicom) Certification

52) () I certify that the station will be located on property of the airport to be served, and, in cases where the airport does not have a control tower, RCO, or FAA flight service station, that I have notified the owner of the airport and all aviation service organizations located at the airport within ten days prior to application.
--

Broadband Radio Service and Educational Broadband Service Cable Cross-Ownership

53a) Will the requested facilities be used to provide multichannel video programming service?	() <u>Yes</u> <u>No</u>
53b) If the answer to question 53a is 'Y', does the Applicant operate, control or have an attributable interest (as defined in 47 CFR § 27.1202) in a cable television system whose franchise area is located within the geographic service area of the requested facilities?	() <u>Yes</u> <u>No</u>

Note: If the answer to question 53b is 'Y', attach an exhibit explaining how the Applicant complies with 47 CFR § 27.1202 or justifying a waiver of that rule. If a waiver of the Commission Rule(s) is being requested, Item 11a must be answered 'Y'.

Broadband Radio Service and Educational Broadband Service (Part 27)

54) (For EBS only) Does the Applicant comply with the programming requirements contained in 47 CFR § 27.1203?	() <u>Yes</u> <u>No</u>
---	--------------------------

Note: If the answer to item 54 is 'N', attach an exhibit explaining how the Applicant complies with 47 CFR § 27.1203 of the Commission's Rules or justifying a waiver of that rule. If a waiver of the Commission Rule(s) is being requested, Item 11a must be answered 'Y'.

55) (For BRS and EBS) Does the Applicant comply with 47 CFR §§ 27.50, 27.55, and 27.1221?	() <u>Yes</u> <u>No</u>
---	--------------------------

Note: If the answer to item 55 is 'N', attach an exhibit justifying a waiver of that rule(s). If a waiver of the Commission Rule(s) is being requested, Item 11a must be answered 'Y'.

For Applicants Who Participated in an Auction

56) Is the Applicant a qualifying rural wireless partnership or a member of a qualifying rural wireless partnership?	() <u>Yes</u> <u>No</u>
--	--------------------------

Note: If the answer to item 56 is 'Y', attach an exhibit listing all members of the qualifying rural wireless partnership, including their FRN numbers.

For Renewal Applicants

57) Operation/Performance Requirement Certification	
[For a site-based license]: Applicant certifies that it is continuing to operate consistent with its most recently filed construction notification (or most recent authorization, if no construction notification was required).	() <u>Yes</u> <u>No</u>
[For a geographic license, commercial service - licensee in its initial license term with an interim performance requirement]: Applicant certifies that it has met its interim performance requirement, that over the portion of the license term following the interim performance requirement, it continues to use its facilities to provide at least the level of service required by its interim performance requirement, it has met its final performance requirement, and it continues to use its facilities to provide at least the level of service required by its final performance requirement through the end of the license term.	() <u>Yes</u> <u>No</u>
[For a geographic license, commercial service - licensee in its initial license term with no interim performance requirement]: Applicant certifies that it has met its final performance requirement and it continues to use its facilities to provide at least the level of service required by its final performance requirement through the end of the license term. [Note: licensee must provide a showing demonstrating that the final performance requirement has been met, either separately in a timely application for notification of completion of construction, or as part of its renewal application, depending on the radio service.]	() <u>Yes</u> <u>No</u>
[For a geographic license, commercial service - licensee in any subsequent term]: Applicant certifies that it continues to use its facilities to provide at least the level of service required by its final performance requirement through the end of any subsequent license terms.	() <u>Yes</u> <u>No</u>
[For a geographic license, private systems - licensee in its initial license term with an interim performance requirement]: Applicant certifies that it has met its interim performance requirement, that over the portion of the license term following the interim performance requirement, it continues to use its facilities to further its private business or public interest/public safety communications needs at or above the level required to meet its interim performance requirement, it has met its final performance requirement, and it continues to use its facilities to provide at least the level of operation required by its final performance requirement through the end of the license term.	() <u>Yes</u> <u>No</u>
[For a geographic license, private systems - licensee in its initial license term with no interim performance requirement]: Applicant certifies that it has met its final performance requirement, it continues to use its facilities to further its private business or public interest/public safety communications needs, and it continues to use its facilities to provide at least the level of operation required by its final performance requirement through the end of the license term. [Note: licensee must provide a showing demonstrating that the final performance requirement has been met, either separately in a timely application for notification of completion of construction, or as part of its renewal application, depending on the radio service.]	() <u>Yes</u> <u>No</u>

[For a geographic license, private systems - licensee in any subsequent term]: Applicant certifies that it continues to use its facilities to further its private business or public interest/public safety communications needs at or above the level required to meet its final performance requirement through the end of any subsequent license terms.	(<input type="checkbox"/>) <u>Yes</u> <u>No</u>
[For a partitioned or disaggregated license without a performance requirement, for the first renewal application filed after effective date of the rules]: Applicant certifies that the partitioned and/or disaggregated license that is the subject of this renewal application has no separate performance requirement and that this is the first renewal of this license filed subsequent to the effective date of the rules.	(<input type="checkbox"/>) <u>Yes</u> <u>No</u>
[For a partitioned or disaggregated license without a performance requirement, for any subsequent renewal filings]: Applicant certifies that it continues to use its facilities to provide service or to further the applicant's private business or public interest/public safety needs.	(<input type="checkbox"/>) <u>Yes</u> <u>No</u>

Discontinuance of Service Certification

58) Applicant certifies that no permanent discontinuance of service or operation, as applicable, occurred during its current license term. Note: If the response to either item 57 or item 58 is 'N', attach an exhibit that demonstrates that over the course of the license term, the Applicant provided and continues to provide service to the public, or operated and continues to operate the license to meet the Applicant's private business or public interest/public safety communications needs. This exhibit must include a detailed description of the Applicant's provision of service or, when allowed under the relevant service rules or pursuant to waiver, use of the spectrum for private business or public interest/public safety communications needs, during the entire license period and address, as applicable: 1) the level and quality of service provided by the applicant (e.g., the population served, the area served, the number of subscribers, the services offered); (2) the date service commenced, whether service was ever interrupted, and the duration of any interruption or outage; (3) the extent to which service is provided to rural areas; (4) the extent to which service is provided to qualifying tribal land as defined in 47 CFR § 1.2110(e)(3)(i); and (5) any other factors associated with the level of service to the public. The licensee may note in its exhibit: 1) any grant(s) of waiver or extension of a performance deadline or license renewal subject to meeting a performance requirement; or 2) if the final performance deadline and/or expiration date for the license accelerated because the licensee did not meet an interim performance requirement.	(<input type="checkbox"/>) <u>Yes</u> <u>No</u>
--	---

Regulatory Compliance Certification [same for all]

59) Applicant certifies that it has substantially complied with all applicable FCC rules, policies, and the Communications Act of 1934, as amended. Note: If the response to item 59 is 'N', attach an exhibit explaining the circumstances and demonstrating why Applicant's license should be renewed.	(<input type="checkbox"/>) <u>Yes</u> <u>No</u>
--	---

General Certification Statements

1) The Applicant waives any claim to the use of any particular frequency or of the electromagnetic spectrum as against the regulatory power of the United States because of the previous use of the same, whether by license or otherwise, and requests an authorization in accordance with this application.
2) The Applicant certifies that grant of this application would not cause the Applicant to be in violation of any pertinent cross-ownership or attribution rules.* *If the Applicant has sought a waiver of any such rule in connection with this application, it may make this certification subject to the outcome of the waiver request.
3) The Applicant certifies that all statements made in this application and in the exhibits, attachments, or documents incorporated by reference are material, are part of this application, and are true, complete, correct, and made in good faith.
4) The Applicant certifies that neither the Applicant nor any other party to the application is subject to a denial of Federal benefits pursuant to § 5301 of the Anti-Drug Abuse Act of 1988, 21 U.S.C. § 862, because of a conviction for possession or distribution of a controlled substance. This certification does not apply to applications filed in services exempted under § 1.2002(c) of the rules, 47 CFR § 1.2002(c). See 47 CFR § 1.2002(b) for the definition of "party to the application" as used in this certification.
5) The Applicant certifies that it either (1) has current required ownership data on file with the Commission, (2) is filing updated ownership data simultaneously with this application, or (3) is not required to file ownership data under the Commission's Rules.
6) The Applicant certifies that the facilities, operations, and transmitters for which this authorization is hereby requested are either: (1) categorically excluded from routine environmental evaluation for RF exposure as set forth in 47 CFR § 1.1307(b); or, (2) have been found not to cause human exposure to levels of radiofrequency radiation in excess of the limits specified in 47 CFR §§ 1.1310 and 2.1093; or, (3) are the subject of one or more Environmental Assessments filed with the Commission.
7) The Applicant certifies that it has reviewed the appropriate Commission Rules defining eligibility to hold the requested license(s) and is eligible to hold the requested license(s).
8) The Applicant certifies that it is not in default on any payment for Commission licenses and that it is not delinquent on any non-tax debt owed to any federal agency.
9) The Applicant certifies that the Applicant and all of the related individuals and entities required to be disclosed on this application and FCC Form 602 (FCC Ownership Disclosure Information for the Wireless Telecommunications Services) are not person(s) who have been, for reasons of national security, barred by any agency of the Federal Government from bidding on a contract, participating in an auction, or receiving a grant. This certification applies only to applications for licenses for spectrum that is required by Sections 6103, 6401-6403 of the Middle Class Tax Relief and Job Creation Act of 2012, codified at 47 U.S.C. §§ 309, 1413, 1451-1452, to be assigned by a system of competitive bidding under 47 U.S.C. § 309(j).

Signature

60) Typed or Printed Name of Party Authorized to Sign

First Name: Jessica	MI:	Last Name: Dunk	Suffix:
61) Title: Assistant Secretary - Compliance			
Signature: Jessica Dunk			62) Date: 01/23/2024
FAILURE TO SIGN THIS APPLICATION MAY RESULT IN DISMISSAL OF THE APPLICATION AND FORFEITURE OF ANY FEES PAID.			
Upon grant of this license application, the Licensee may be subject to certain construction or coverage requirements. Failure to meet the construction or coverage requirements will result in termination of the license. Consult appropriate FCC regulations to determine the construction or coverage requirements that apply to the type of license requested in this application.			
WILLFUL FALSE STATEMENTS MADE ON THIS FORM OR ANY ATTACHMENTS ARE PUNISHABLE BY FINE AND/OR IMPRISONMENT (U.S. Code, Title 18, § 1001) AND/OR REVOCATION OF ANY STATION LICENSE OR CONSTRUCTION PERMIT (U.S. Code, Title 47, § 312(a)(1)), AND/OR FORFEITURE (U.S. Code, Title 47, § 503).			

REFERENCE COPY

This is not an official FCC license. It is a record of public information contained in the FCC's licensing database on the date that this reference copy was generated. In cases where FCC rules require the presentation, posting, or display of an FCC license, this document may not be used in place of an official FCC license.



**Federal Communications Commission
Wireless Telecommunications Bureau
RADIO STATION AUTHORIZATION**

LICENSEE: NEW CINGULAR WIRELESS PCS, LLC

ATTN: NATIONAL REGULATORY COMPLIANCE
NEW CINGULAR WIRELESS PCS, LLC
208 S AKARD ST, 20F
DALLAS, TX 75202

Call Sign KNLH356	File Number
Radio Service CW - PCS Broadband	

FCC Registration Number (FRN): 0003291192

Grant Date 05-03-2017	Effective Date 01-24-2024	Expiration Date 04-17-2027	Print Date
Market Number BTA120	Channel Block F	Sub-Market Designator 0	
Market Name Dyersburg-Union City, TN			
1st Build-out Date 04-28-2002	2nd Build-out Date	3rd Build-out Date	4th Build-out Date

Waivers/Conditions:

This authorization is subject to the condition that, in the event that systems using the same frequencies as granted herein are authorized in an adjacent foreign territory (Canada/United States), future coordination of any base station transmitters within 72 km (45 miles) of the United States/Canada border shall be required to eliminate any harmful interference to operations in the adjacent foreign territory and to ensure continuance of equal access to the frequencies by both countries.

Conditions:

Pursuant to §309(h) of the Communications Act of 1934, as amended, 47 U.S.C. §309(h), this license is subject to the following conditions: This license shall not vest in the licensee any right to operate the station nor any right in the use of the frequencies designated in the license beyond the term thereof nor in any other manner than authorized herein. Neither the license nor the right granted thereunder shall be assigned or otherwise transferred in violation of the Communications Act of 1934, as amended. See 47 U.S.C. § 310(d). This license is subject in terms to the right of use or control conferred by §706 of the Communications Act of 1934, as amended. See 47 U.S.C. §606.

This license may not authorize operation throughout the entire geographic area or spectrum identified on the hardcopy version. To view the specific geographic area and spectrum authorized by this license, refer to the Spectrum and Market Area information under the Market Tab of the license record in the Universal Licensing System (ULS). To view the license record, go to the ULS homepage at <http://wireless.fcc.gov/uls/index.htm?job=home> and select "License Search". Follow the instructions on how to search for license information.

Licensee Name: NEW CINGULAR WIRELESS PCS, LLC

Call Sign: KNLH356

File Number:

Print Date:

700 MHz Relicensed Area Information:

Market	Market Name	Buildout Deadline	Buildout Notification	Status
---------------	--------------------	--------------------------	------------------------------	---------------

Reference Copy

Reference Copy Only. Do Not Mail to the FCC as an Application.

Submitted: 01/22/2024 at 14:43:18
 File Number: 0010867927

FCC 601
Main Form

FCC Application for Radio Service Authorization: Wireless Telecommunications Bureau Public Safety and Homeland Security Bureau

Approved by OMB
 3060 - 0798
 See instructions for
 public burden estimate

1) Radio Service Code: CW	1a) Existing Radio Service Code:
---	----------------------------------

General Information

2) (Select only one) (AU) NE - New RO - Renewal Only AU - Administrative Update NT - Required Notifications MD - Modification RM - Renewal/Modification WD - Withdrawal of Application EX - Requests for Extension of Time AM - Amendment CA - Cancellation of License RL - Registered Location/Link	
3a) If this application is for a Demonstration License or a Special Temporary Authorization (STA) , enter the code and attach the required exhibit as described in the instructions. Otherwise enter ' N/A ' (Not Applicable).	(N) <u>M</u> <u>S</u> <u>N/A</u>
3b) If this application is for Special Temporary Authority due to an emergency situation, enter 'Y'; otherwise enter 'N'. Refer to Rule 1.915 for an explanation of situations considered to be an emergency.	() <u>Y</u> es <u>N</u> o
4) If this application is for an Amendment or Withdrawal, enter the file number of the pending application currently on file with the FCC.	File Number
5) If this application is for a Modification, Renewal Only, Renewal/Modification, Cancellation of License, or Administrative Update, enter the call sign of the existing FCC license. If this is a request for Registered Location/Link, enter the FCC call sign assigned to the geographic license.	Call Sign KNLH356
6a) If this application is for a New, Amendment, Renewal Only, or Renewal/Modification, enter the requested authorization expiration date (this item is optional).	MM DD /
6b) If this application is for a Renewal Only or Renewal/Modification and the license is a geographic area license, is the license used to provide service to customers (C), or is the license used for private business (internal) purposes or to meet the licensee's public interest/public safety communications needs (P)?	() <u>C</u> <u>P</u>
7) Is this application "major" as defined in § 1.929 of the Commission's Rules when read in conjunction with the applicable radio service rules found in Parts 22 and 90 of the Commission's Rules? (NOTE: This question only applies to certain site-specific applications. See the instructions for applicability and full text of § 1.929).	() <u>Y</u> es <u>N</u> o
8) Are attachments (other than associated schedules) being filed with this application?	() <u>Y</u> es <u>N</u> o

Fees, Waivers, and Exemptions

9) Is the Applicant exempt from FCC application fees?	(N) <u>Y</u> es <u>N</u> o
10) Is the Applicant exempt from FCC regulatory fees?	(N) <u>Y</u> es <u>N</u> o
11) Does this application include a request for a Waiver of the Commission's Rule(s)? If 'Yes', attach an exhibit providing rule number(s) and explaining circumstances.	(N) <u>Y</u> es <u>N</u> o
12) Are the frequencies or parameters requested in this filing covered by grandfathered privileges, previously approved by waiver, or functionally integrated with an existing station?	() <u>Y</u> es <u>N</u> o

Applicant Information

13) FCC Registration Number (FRN): 0003291192			
14) Applicant/Licensee Legal Entity Type: (Select One) <input type="checkbox"/> Individual <input type="checkbox"/> Unincorporated Association <input type="checkbox"/> Trust <input type="checkbox"/> Government Entity <input type="checkbox"/> Corporation <input checked="" type="checkbox"/> Limited Liability Company <input type="checkbox"/> General Partnership <input type="checkbox"/> Limited Partnership <input type="checkbox"/> Limited Liability Partnership <input type="checkbox"/> Consortium <input type="checkbox"/> Other: _____			
15) If the Licensee name is being updated, is the update a result from the sale (or transfer of control) of the license(s) to party and for which proper Commission approval has not been received or proper notification not provided?			<input type="checkbox"/> Yes <input checked="" type="checkbox"/> No
16) First Name (if individual):	MI:	Last Name:	Suffix:
17) Legal Entity Name (if other than individual): New Cingular Wireless PCS, LLC			
18) Attention To: National Regulatory Compliance			
19) P.O. Box:	And/Or	20) Street Address: 208 S Akard St, 20F	
21) City: Dallas	22) State: TX	23) Zip Code: 75202	
24) Telephone Number: (855)699-7073		25) Fax: (214)746-6410	
26) E-Mail Address: FCCMW@att.com			

27) Demographics (Optional)

Race: <input type="checkbox"/> American Indian or Alaska Native <input type="checkbox"/> Asian <input type="checkbox"/> Black or African-American <input type="checkbox"/> Native Hawaiian or Other Pacific Islander <input type="checkbox"/> White	Ethnicity: <input type="checkbox"/> Hispanic or Latino <input type="checkbox"/> Not Hispanic or Latino	Gender: <input type="checkbox"/> Male <input type="checkbox"/> Female
--	--	---

Real Party in Interest

28) Name of Real Party in Interest of Applicant (If different from Applicant):	29) FCC Registration Number (FRN) of Real Party in Interest:
--	--

Contact Information (If different from the Applicant) Check here if same as Applicant.

30) First Name: Cecil	MI: J	Last Name: Mathew	Suffix:
31) Company Name: AT&T Services, Inc.			
32) Attention To: Michael P. Goggin			
33) P.O. Box:	And /Or	34) Street Address: 208 S. Akard St. 20F	
35) City: Dallas	36) State: TX	37) Zip Code: 75202	
38) Telephone Number: (855)699-7073		39) Fax:	
40) E-Mail Address: FCCMW@att.com			

Regulatory Status

41) This filing is for authorization to provide or use the following type(s) of radio service offering (enter all that apply):
() **Common Carrier** () **Non-Common Carrier** () **Private, internal communications** () **Broadcast Services** () **Band Manager**

Type of Radio Service

42) This filing is for authorization to provide the following type(s) of radio service (choose all that apply):
() **Fixed** () **Mobile** () **Radiolocation** () **Satellite (sound)** () **Broadcast Services**
43) Does the Applicant propose to provide service interconnected to the public telephone network? () **Yes** **No**

Alien Ownership Questions (If any answer is "Y", provide an attachment explaining the circumstances. In preparing the attachment, refer to the Main Form Instructions for the "Alien Ownership Questions".)

44) Is the Applicant a foreign government or the representative of any foreign government? () **Yes** **No**
45) Is the Applicant an alien or the representative of an alien? () **Yes** **No**
46) Is the Applicant a corporation organized under the laws of any foreign government? () **Yes** **No**
47) Is the Applicant a corporation of which more than one-fifth of the capital stock is owned of record or voted by aliens or their representatives, or by a foreign government or representative thereof, or by any corporation organized under the laws of a foreign country? () **Yes** **No**

48a) Is the Applicant directly or indirectly controlled by any other corporation of which more than one-fourth of the capital stock () Yes No is owned of record or voted by aliens or their representatives, or by a foreign government or representative thereof, or by any corporation organized under the laws of a foreign country?

48b) If the answer to 47 or 48a is 'Y' select one of the choices below.

The Applicant is exempt from the provisions of Section 310(b).

If checked, it is not necessary to file a petition for declaratory ruling if the Applicant includes in the attachment required by Item 47 or Item 48a a showing that the requested license(s) is exempt from the provisions of Section 310(b).

The Applicant has received a declaratory ruling(s) approving its foreign ownership, and the application involves only the acquisition of additional spectrum for the provision of a wireless service in a geographic coverage area for which the Applicant has been previously authorized.

If checked, include in the attachment required by Item 47 or Item 48a the citation(s) of the applicable declaratory ruling(s) by DA/FCC number, the FCC Record citation, if available, release date, and a statement that there has been no change in the foreign ownership of the Applicant since the issuance of its ruling.

The Applicant: (i) has received a declaratory ruling(s) approving its foreign ownership, but is not able to make the certification specified immediately above; or (ii) is an "affiliate" of a Licensee or Lessee/Sublessee that received a declaratory ruling(s) under 47 CFR § 1.5000(a) and is relying on the affiliate's ruling for purposes of filing this application as permitted under the affiliate's ruling and 47 CFR § 1.5004(b)

If checked, and if the Applicant received its declaratory ruling(s) on or after August 9, 2013, include in the attachment required by Item 47 or Item 48a the citation(s) of the Applicant's declaratory ruling(s) by DA/FCC number, the FCC Record citation, if available, release date, and a statement that the Applicant is in compliance with the terms and conditions of its ruling and with the Commission's Rules.

If checked, and if the Applicant received its declaratory ruling(s) prior to August 9, 2013, include in the attachment required by Item 48a a copy of a petition for declaratory ruling filed contemporaneously with the Commission to extend the Applicant's existing ruling(s) to cover the same radio service(s) and geographic coverage area(s) involved in the application. Alternatively, the Applicant may request a new declaratory ruling pursuant to Section 1.5000(a) of the Commission's Rules, 47 CFR § 1.5000 (a). Petitions for declaratory ruling may be filed electronically on the Internet through the International Bureau Filing System (IBFS) (with a copy attached hereto).

If checked, and if the Applicant is relying on an affiliate's ruling for purposes of filing this application, include in the attachment required by Item 47 or Item 48a the citation(s) of the applicable declaratory ruling(s) by DA/FCC number, the FCC Record citation, if available, release date, and a statement that the Applicant is in compliance with the terms and conditions of the named affiliate's ruling and with the Commission's Rules. The Applicant must also include a certification of compliance signed by the named affiliate or other qualified entity as specified in 47 CFR § 1.5004(b). See Main Form Instructions for Items 47 or 48a, as applicable.

The Applicant has not received a declaratory ruling approving its foreign ownership and is requesting a declaratory ruling under 47 CFR § 1.5004(b) in a petition filed contemporaneously with the Commission.

If checked, include in the attachment required by Item 47 or 48a a copy of the petition for declaratory ruling filed contemporaneously with the Commission pursuant to 47 CFR § 1.5004(b). Petitions for declaratory ruling may be filed electronically on the Internet through the International Bureau Filing System (IBFS) (with a copy attached hereto).

Basic Qualification Questions

49) Has the Applicant or any party to this application had any FCC station authorization, license or construction permit revoked or had any application for an initial, modification or renewal of FCC station authorization, license, or construction permit denied by the Commission?	() <u>Yes</u> <u>No</u>
50) Has the Applicant or any party to this application, or any party directly or indirectly controlling the Applicant, ever been convicted of a felony by any state or federal court?	() <u>Yes</u> <u>No</u>
51) Has any court finally adjudged the Applicant or any party directly or indirectly controlling the Applicant guilty of unlawfully monopolizing or attempting unlawfully to monopolize radio communication, directly or indirectly, through control of manufacture or sale of radio apparatus, exclusive traffic arrangement, or any other means or unfair methods of competition?	() <u>Yes</u> <u>No</u>

Note: If the answer to any of 49-51 is 'Y', attach an exhibit explaining the circumstances.

Aeronautical Advisory Station (Unicom) Certification

52) () I certify that the station will be located on property of the airport to be served, and, in cases where the airport does not have a control tower, RCO, or FAA flight service station, that I have notified the owner of the airport and all aviation service organizations located at the airport within ten days prior to application.
--

Broadband Radio Service and Educational Broadband Service Cable Cross-Ownership

53a) Will the requested facilities be used to provide multichannel video programming service?	() <u>Yes</u> <u>No</u>
53b) If the answer to question 53a is 'Y', does the Applicant operate, control or have an attributable interest (as defined in 47 CFR § 27.1202) in a cable television system whose franchise area is located within the geographic service area of the requested facilities?	() <u>Yes</u> <u>No</u>

Note: If the answer to question 53b is 'Y', attach an exhibit explaining how the Applicant complies with 47 CFR § 27.1202 or justifying a waiver of that rule. If a waiver of the Commission Rule(s) is being requested, Item 11a must be answered 'Y'.

Broadband Radio Service and Educational Broadband Service (Part 27)

54) (For EBS only) Does the Applicant comply with the programming requirements contained in 47 CFR § 27.1203?	() <u>Yes</u> <u>No</u>
---	--------------------------

Note: If the answer to item 54 is 'N', attach an exhibit explaining how the Applicant complies with 47 CFR § 27.1203 of the Commission's Rules or justifying a waiver of that rule. If a waiver of the Commission Rule(s) is being requested, Item 11a must be answered 'Y'.

55) (For BRS and EBS) Does the Applicant comply with 47 CFR §§ 27.50, 27.55, and 27.1221?	() <u>Yes</u> <u>No</u>
---	--------------------------

Note: If the answer to item 55 is 'N', attach an exhibit justifying a waiver of that rule(s). If a waiver of the Commission Rule(s) is being requested, Item 11a must be answered 'Y'.

For Applicants Who Participated in an Auction

56) Is the Applicant a qualifying rural wireless partnership or a member of a qualifying rural wireless partnership?	() <u>Yes</u> <u>No</u>
--	--------------------------

Note: If the answer to item 56 is 'Y', attach an exhibit listing all members of the qualifying rural wireless partnership, including their FRN numbers.

For Renewal Applicants

57) Operation/Performance Requirement Certification

[For a site-based license]: Applicant certifies that it is continuing to operate consistent with its most recently filed construction notification (or most recent authorization, if no construction notification was required).	() <u>Yes</u> <u>No</u>
[For a geographic license, commercial service - licensee in its initial license term with an interim performance requirement]: Applicant certifies that it has met its interim performance requirement, that over the portion of the license term following the interim performance requirement, it continues to use its facilities to provide at least the level of service required by its interim performance requirement, it has met its final performance requirement, and it continues to use its facilities to provide at least the level of service required by its final performance requirement through the end of the license term.	() <u>Yes</u> <u>No</u>
[For a geographic license, commercial service - licensee in its initial license term with no interim performance requirement]: Applicant certifies that it has met its final performance requirement and it continues to use its facilities to provide at least the level of service required by its final performance requirement through the end of the license term. [Note: licensee must provide a showing demonstrating that the final performance requirement has been met, either separately in a timely application for notification of completion of construction, or as part of its renewal application, depending on the radio service.]	() <u>Yes</u> <u>No</u>
[For a geographic license, commercial service - licensee in any subsequent term]: Applicant certifies that it continues to use its facilities to provide at least the level of service required by its final performance requirement through the end of any subsequent license terms.	() <u>Yes</u> <u>No</u>
[For a geographic license, private systems - licensee in its initial license term with an interim performance requirement]: Applicant certifies that it has met its interim performance requirement, that over the portion of the license term following the interim performance requirement, it continues to use its facilities to further its private business or public interest/public safety communications needs at or above the level required to meet its interim performance requirement, it has met its final performance requirement, and it continues to use its facilities to provide at least the level of operation required by its final performance requirement through the end of the license term.	() <u>Yes</u> <u>No</u>
[For a geographic license, private systems - licensee in its initial license term with no interim performance requirement]: Applicant certifies that it has met its final performance requirement, it continues to use its facilities to further its private business or public interest/public safety communications needs, and it continues to use its facilities to provide at least the level of operation required by its final performance requirement through the end of the license term. [Note: licensee must provide a showing demonstrating that the final performance requirement has been met, either separately in a timely application for notification of completion of construction, or as part of its renewal application, depending on the radio service.]	() <u>Yes</u> <u>No</u>

[For a geographic license, private systems - licensee in any subsequent term]: Applicant certifies that it continues to use its facilities to further its private business or public interest/public safety communications needs at or above the level required to meet its final performance requirement through the end of any subsequent license terms.	(<input type="checkbox"/>) <u>Yes</u> <u>No</u>
[For a partitioned or disaggregated license without a performance requirement, for the first renewal application filed after effective date of the rules]: Applicant certifies that the partitioned and/or disaggregated license that is the subject of this renewal application has no separate performance requirement and that this is the first renewal of this license filed subsequent to the effective date of the rules.	(<input type="checkbox"/>) <u>Yes</u> <u>No</u>
[For a partitioned or disaggregated license without a performance requirement, for any subsequent renewal filings]: Applicant certifies that it continues to use its facilities to provide service or to further the applicant's private business or public interest/public safety needs.	(<input type="checkbox"/>) <u>Yes</u> <u>No</u>

Discontinuance of Service Certification

58) Applicant certifies that no permanent discontinuance of service or operation, as applicable, occurred during its current license term. Note: If the response to either item 57 or item 58 is 'N', attach an exhibit that demonstrates that over the course of the license term, the Applicant provided and continues to provide service to the public, or operated and continues to operate the license to meet the Applicant's private business or public interest/public safety communications needs. This exhibit must include a detailed description of the Applicant's provision of service or, when allowed under the relevant service rules or pursuant to waiver, use of the spectrum for private business or public interest/public safety communications needs, during the entire license period and address, as applicable: 1) the level and quality of service provided by the applicant (e.g., the population served, the area served, the number of subscribers, the services offered); (2) the date service commenced, whether service was ever interrupted, and the duration of any interruption or outage; (3) the extent to which service is provided to rural areas; (4) the extent to which service is provided to qualifying tribal land as defined in 47 CFR § 1.2110(e)(3)(i); and (5) any other factors associated with the level of service to the public. The licensee may note in its exhibit: 1) any grant(s) of waiver or extension of a performance deadline or license renewal subject to meeting a performance requirement; or 2) if the final performance deadline and/or expiration date for the license accelerated because the licensee did not meet an interim performance requirement.	(<input type="checkbox"/>) <u>Yes</u> <u>No</u>
--	---

Regulatory Compliance Certification [same for all]

59) Applicant certifies that it has substantially complied with all applicable FCC rules, policies, and the Communications Act of 1934, as amended. Note: If the response to item 59 is 'N', attach an exhibit explaining the circumstances and demonstrating why Applicant's license should be renewed.	(<input type="checkbox"/>) <u>Yes</u> <u>No</u>
--	---

General Certification Statements

1) The Applicant waives any claim to the use of any particular frequency or of the electromagnetic spectrum as against the regulatory power of the United States because of the previous use of the same, whether by license or otherwise, and requests an authorization in accordance with this application.
2) The Applicant certifies that grant of this application would not cause the Applicant to be in violation of any pertinent cross-ownership or attribution rules.* *If the Applicant has sought a waiver of any such rule in connection with this application, it may make this certification subject to the outcome of the waiver request.
3) The Applicant certifies that all statements made in this application and in the exhibits, attachments, or documents incorporated by reference are material, are part of this application, and are true, complete, correct, and made in good faith.
4) The Applicant certifies that neither the Applicant nor any other party to the application is subject to a denial of Federal benefits pursuant to § 5301 of the Anti-Drug Abuse Act of 1988, 21 U.S.C. § 862, because of a conviction for possession or distribution of a controlled substance. This certification does not apply to applications filed in services exempted under § 1.2002(c) of the rules, 47 CFR § 1.2002(c). See 47 CFR § 1.2002(b) for the definition of "party to the application" as used in this certification.
5) The Applicant certifies that it either (1) has current required ownership data on file with the Commission, (2) is filing updated ownership data simultaneously with this application, or (3) is not required to file ownership data under the Commission's Rules.
6) The Applicant certifies that the facilities, operations, and transmitters for which this authorization is hereby requested are either: (1) categorically excluded from routine environmental evaluation for RF exposure as set forth in 47 CFR § 1.1307(b); or, (2) have been found not to cause human exposure to levels of radiofrequency radiation in excess of the limits specified in 47 CFR §§ 1.1310 and 2.1093; or, (3) are the subject of one or more Environmental Assessments filed with the Commission.
7) The Applicant certifies that it has reviewed the appropriate Commission Rules defining eligibility to hold the requested license(s) and is eligible to hold the requested license(s).
8) The Applicant certifies that it is not in default on any payment for Commission licenses and that it is not delinquent on any non-tax debt owed to any federal agency.
9) The Applicant certifies that the Applicant and all of the related individuals and entities required to be disclosed on this application and FCC Form 602 (FCC Ownership Disclosure Information for the Wireless Telecommunications Services) are not person(s) who have been, for reasons of national security, barred by any agency of the Federal Government from bidding on a contract, participating in an auction, or receiving a grant. This certification applies only to applications for licenses for spectrum that is required by Sections 6103, 6401-6403 of the Middle Class Tax Relief and Job Creation Act of 2012, codified at 47 U.S.C. §§ 309, 1413, 1451-1452, to be assigned by a system of competitive bidding under 47 U.S.C. § 309(j).

Signature

60) Typed or Printed Name of Party Authorized to Sign

First Name: Jessica	MI:	Last Name: Dunk	Suffix:
61) Title: Assistant Secretary - Compliance			
Signature: Jessica Dunk			62) Date: 01/22/2024
FAILURE TO SIGN THIS APPLICATION MAY RESULT IN DISMISSAL OF THE APPLICATION AND FORFEITURE OF ANY FEES PAID.			
Upon grant of this license application, the Licensee may be subject to certain construction or coverage requirements. Failure to meet the construction or coverage requirements will result in termination of the license. Consult appropriate FCC regulations to determine the construction or coverage requirements that apply to the type of license requested in this application.			
WILLFUL FALSE STATEMENTS MADE ON THIS FORM OR ANY ATTACHMENTS ARE PUNISHABLE BY FINE AND/OR IMPRISONMENT (U.S. Code, Title 18, § 1001) AND/OR REVOCATION OF ANY STATION LICENSE OR CONSTRUCTION PERMIT (U.S. Code, Title 47, § 312(a)(1)), AND/OR FORFEITURE (U.S. Code, Title 47, § 503).			

Reference Copy Only. Do Not Mail to the FCC as an Application.

Submitted: 01/23/2024 at 17:43:02
 File Number: 0010873284

FCC 601
Main Form

FCC Application for Radio Service Authorization: Wireless Telecommunications Bureau Public Safety and Homeland Security Bureau

Approved by OMB
 3060 - 0798
 See instructions for
 public burden estimate

1) Radio Service Code: <p style="text-align: center;">CW</p>	1a) Existing Radio Service Code:
--	----------------------------------

General Information

2) (Select only one) (AU) NE - New RO - Renewal Only AU - Administrative Update NT - Required Notifications MD - Modification RM - Renewal/Modification WD - Withdrawal of Application EX - Requests for Extension of Time AM - Amendment CA - Cancellation of License RL - Registered Location/Link	
3a) If this application is for a Demonstration License or a Special Temporary Authorization (STA) , enter the code and attach the required exhibit as described in the instructions. Otherwise enter ' N/A ' (Not Applicable).	(N) <u>M</u> <u>S</u> <u>N/A</u>
3b) If this application is for Special Temporary Authority due to an emergency situation, enter 'Y'; otherwise enter 'N'. Refer to Rule 1.915 for an explanation of situations considered to be an emergency.	() <u>Y</u> es <u>N</u> o
4) If this application is for an Amendment or Withdrawal, enter the file number of the pending application currently on file with the FCC.	File Number
5) If this application is for a Modification, Renewal Only, Renewal/Modification, Cancellation of License, or Administrative Update, enter the call sign of the existing FCC license. If this is a request for Registered Location/Link, enter the FCC call sign assigned to the geographic license.	Call Sign KNLH356
6a) If this application is for a New, Amendment, Renewal Only, or Renewal/Modification, enter the requested authorization expiration date (this item is optional).	MM DD /
6b) If this application is for a Renewal Only or Renewal/Modification and the license is a geographic area license, is the license used to provide service to customers (C), or is the license used for private business (internal) purposes or to meet the licensee's public interest/public safety communications needs (P)?	() <u>C</u> <u>P</u>
7) Is this application "major" as defined in § 1.929 of the Commission's Rules when read in conjunction with the applicable radio service rules found in Parts 22 and 90 of the Commission's Rules? (NOTE: This question only applies to certain site-specific applications. See the instructions for applicability and full text of § 1.929).	() <u>Y</u> es <u>N</u> o
8) Are attachments (other than associated schedules) being filed with this application?	() <u>Y</u> es <u>N</u> o

Fees, Waivers, and Exemptions

9) Is the Applicant exempt from FCC application fees?	(N) <u>Y</u> es <u>N</u> o
10) Is the Applicant exempt from FCC regulatory fees?	(N) <u>Y</u> es <u>N</u> o
11) Does this application include a request for a Waiver of the Commission's Rule(s)? If 'Yes', attach an exhibit providing rule number(s) and explaining circumstances.	(N) <u>Y</u> es <u>N</u> o
12) Are the frequencies or parameters requested in this filing covered by grandfathered privileges, previously approved by waiver, or functionally integrated with an existing station?	() <u>Y</u> es <u>N</u> o

Applicant Information

13) FCC Registration Number (FRN): 0003291192			
14) Applicant/Licensee Legal Entity Type: (Select One) <input type="checkbox"/> Individual <input type="checkbox"/> Unincorporated Association <input type="checkbox"/> Trust <input type="checkbox"/> Government Entity <input type="checkbox"/> Corporation <input checked="" type="checkbox"/> Limited Liability Company <input type="checkbox"/> General Partnership <input type="checkbox"/> Limited Partnership <input type="checkbox"/> Limited Liability Partnership <input type="checkbox"/> Consortium <input type="checkbox"/> Other: _____			
15) If the Licensee name is being updated, is the update a result from the sale (or transfer of control) of the license(s) to party and for which proper Commission approval has not been received or proper notification not provided?			<input type="checkbox"/> Yes <input checked="" type="checkbox"/> No
16) First Name (if individual):	MI:	Last Name:	Suffix:
17) Legal Entity Name (if other than individual): New Cingular Wireless PCS, LLC			
18) Attention To: National Regulatory Compliance			
19) P.O. Box:	And/Or	20) Street Address: 208 S Akard St, 20F	
21) City: Dallas	22) State: TX	23) Zip Code: 75202	
24) Telephone Number: (855)699-7073		25) Fax: (214)746-6410	
26) E-Mail Address: FCCMW@att.com			

27) Demographics (Optional)

Race: <input type="checkbox"/> American Indian or Alaska Native <input type="checkbox"/> Asian <input type="checkbox"/> Black or African-American <input type="checkbox"/> Native Hawaiian or Other Pacific Islander <input type="checkbox"/> White	Ethnicity: <input type="checkbox"/> Hispanic or Latino <input type="checkbox"/> Not Hispanic or Latino	Gender: <input type="checkbox"/> Male <input type="checkbox"/> Female
--	--	---

Real Party in Interest

28) Name of Real Party in Interest of Applicant (If different from Applicant):	29) FCC Registration Number (FRN) of Real Party in Interest:
--	--

Contact Information (If different from the Applicant) Check here if same as Applicant.

30) First Name: Jessica	MI: J	Last Name: Dunk	Suffix:
31) Company Name: AT&T Services, Inc.			
32) Attention To: NRC			
33) P.O. Box:	And /Or	34) Street Address: 208 S Akard St, 20F	
35) City: Dallas	36) State: TX	37) Zip Code: 75202	
38) Telephone Number: (855)699-7073		39) Fax:	
40) E-Mail Address: FCCMW@att.com			

Regulatory Status

41) This filing is for authorization to provide or use the following type(s) of radio service offering (enter all that apply):
() **C**ommon Carrier () **N**on-Common Carrier () **P**rivate, internal communications () **B**roadcast Services () **B**and **M**anager

Type of Radio Service

42) This filing is for authorization to provide the following type(s) of radio service (choose all that apply):
() **F**ixed () **M**obile () **R**adiolocation () **S**atellite (sound) () **B**roadcast Services
43) Does the Applicant propose to provide service interconnected to the public telephone network? () **Y**es **N**o

Alien Ownership Questions (If any answer is "Y", provide an attachment explaining the circumstances. In preparing the attachment, refer to the Main Form Instructions for the "Alien Ownership Questions".)

44) Is the Applicant a foreign government or the representative of any foreign government? () **Y**es **N**o
45) Is the Applicant an alien or the representative of an alien? () **Y**es **N**o
46) Is the Applicant a corporation organized under the laws of any foreign government? () **Y**es **N**o
47) Is the Applicant a corporation of which more than one-fifth of the capital stock is owned of record or voted by aliens or their representatives, or by a foreign government or representative thereof, or by any corporation organized under the laws of a foreign country? () **Y**es **N**o

48a) Is the Applicant directly or indirectly controlled by any other corporation of which more than one-fourth of the capital stock () Yes No is owned of record or voted by aliens or their representatives, or by a foreign government or representative thereof, or by any corporation organized under the laws of a foreign country?

48b) If the answer to 47 or 48a is 'Y' select one of the choices below.

The Applicant is exempt from the provisions of Section 310(b).

If checked, it is not necessary to file a petition for declaratory ruling if the Applicant includes in the attachment required by Item 47 or Item 48a a showing that the requested license(s) is exempt from the provisions of Section 310(b).

The Applicant has received a declaratory ruling(s) approving its foreign ownership, and the application involves only the acquisition of additional spectrum for the provision of a wireless service in a geographic coverage area for which the Applicant has been previously authorized.

If checked, include in the attachment required by Item 47 or Item 48a the citation(s) of the applicable declaratory ruling(s) by DA/FCC number, the FCC Record citation, if available, release date, and a statement that there has been no change in the foreign ownership of the Applicant since the issuance of its ruling.

The Applicant: (i) has received a declaratory ruling(s) approving its foreign ownership, but is not able to make the certification specified immediately above; or (ii) is an "affiliate" of a Licensee or Lessee/Sublessee that received a declaratory ruling(s) under 47 CFR § 1.5000(a) and is relying on the affiliate's ruling for purposes of filing this application as permitted under the affiliate's ruling and 47 CFR § 1.5004(b)

If checked, and if the Applicant received its declaratory ruling(s) on or after August 9, 2013, include in the attachment required by Item 47 or Item 48a the citation(s) of the Applicant's declaratory ruling(s) by DA/FCC number, the FCC Record citation, if available, release date, and a statement that the Applicant is in compliance with the terms and conditions of its ruling and with the Commission's Rules.

If checked, and if the Applicant received its declaratory ruling(s) prior to August 9, 2013, include in the attachment required by Item 48a a copy of a petition for declaratory ruling filed contemporaneously with the Commission to extend the Applicant's existing ruling(s) to cover the same radio service(s) and geographic coverage area(s) involved in the application. Alternatively, the Applicant may request a new declaratory ruling pursuant to Section 1.5000(a) of the Commission's Rules, 47 CFR § 1.5000 (a). Petitions for declaratory ruling may be filed electronically on the Internet through the International Bureau Filing System (IBFS) (with a copy attached hereto).

If checked, and if the Applicant is relying on an affiliate's ruling for purposes of filing this application, include in the attachment required by Item 47 or Item 48a the citation(s) of the applicable declaratory ruling(s) by DA/FCC number, the FCC Record citation, if available, release date, and a statement that the Applicant is in compliance with the terms and conditions of the named affiliate's ruling and with the Commission's Rules. The Applicant must also include a certification of compliance signed by the named affiliate or other qualified entity as specified in 47 CFR § 1.5004(b). See Main Form Instructions for Items 47 or 48a, as applicable.

The Applicant has not received a declaratory ruling approving its foreign ownership and is requesting a declaratory ruling under 47 CFR § 1.5004(b) in a petition filed contemporaneously with the Commission.

If checked, include in the attachment required by Item 47 or 48a a copy of the petition for declaratory ruling filed contemporaneously with the Commission pursuant to 47 CFR § 1.5004(b). Petitions for declaratory ruling may be filed electronically on the Internet through the International Bureau Filing System (IBFS) (with a copy attached hereto).

Basic Qualification Questions

49) Has the Applicant or any party to this application had any FCC station authorization, license or construction permit revoked or had any application for an initial, modification or renewal of FCC station authorization, license, or construction permit denied by the Commission?	(<input type="checkbox"/>) <u>Yes</u> <u>No</u>
50) Has the Applicant or any party to this application, or any party directly or indirectly controlling the Applicant, ever been convicted of a felony by any state or federal court?	(<input type="checkbox"/>) <u>Yes</u> <u>No</u>
51) Has any court finally adjudged the Applicant or any party directly or indirectly controlling the Applicant guilty of unlawfully monopolizing or attempting unlawfully to monopolize radio communication, directly or indirectly, through control of manufacture or sale of radio apparatus, exclusive traffic arrangement, or any other means or unfair methods of competition?	(<input type="checkbox"/>) <u>Yes</u> <u>No</u>

Note: If the answer to any of 49-51 is 'Y', attach an exhibit explaining the circumstances.

Aeronautical Advisory Station (Unicom) Certification

52) (<input type="checkbox"/>) I certify that the station will be located on property of the airport to be served, and, in cases where the airport does not have a control tower, RCO, or FAA flight service station, that I have notified the owner of the airport and all aviation service organizations located at the airport within ten days prior to application.

Broadband Radio Service and Educational Broadband Service Cable Cross-Ownership

53a) Will the requested facilities be used to provide multichannel video programming service?	(<input type="checkbox"/>) <u>Yes</u> <u>No</u>
53b) If the answer to question 53a is 'Y', does the Applicant operate, control or have an attributable interest (as defined in 47 CFR § 27.1202) in a cable television system whose franchise area is located within the geographic service area of the requested facilities?	(<input type="checkbox"/>) <u>Yes</u> <u>No</u>

Note: If the answer to question 53b is 'Y', attach an exhibit explaining how the Applicant complies with 47 CFR § 27.1202 or justifying a waiver of that rule. If a waiver of the Commission Rule(s) is being requested, Item 11a must be answered 'Y'.

Broadband Radio Service and Educational Broadband Service (Part 27)

54) (For EBS only) Does the Applicant comply with the programming requirements contained in 47 CFR § 27.1203?	(<input type="checkbox"/>) <u>Yes</u> <u>No</u>
---	---

Note: If the answer to item 54 is 'N', attach an exhibit explaining how the Applicant complies with 47 CFR § 27.1203 of the Commission's Rules or justifying a waiver of that rule. If a waiver of the Commission Rule(s) is being requested, Item 11a must be answered 'Y'.

55) (For BRS and EBS) Does the Applicant comply with 47 CFR §§ 27.50, 27.55, and 27.1221?	(<input type="checkbox"/>) <u>Yes</u> <u>No</u>
---	---

Note: If the answer to item 55 is 'N', attach an exhibit justifying a waiver of that rule(s). If a waiver of the Commission Rule(s) is being requested, Item 11a must be answered 'Y'.

For Applicants Who Participated in an Auction

56) Is the Applicant a qualifying rural wireless partnership or a member of a qualifying rural wireless partnership?	(<input type="checkbox"/>) <u>Yes</u> <u>No</u>
--	---

Note: If the answer to item 56 is 'Y', attach an exhibit listing all members of the qualifying rural wireless partnership, including their FRN numbers.

For Renewal Applicants

57) Operation/Performance Requirement Certification	
[For a site-based license]: Applicant certifies that it is continuing to operate consistent with its most recently filed construction notification (or most recent authorization, if no construction notification was required).	(<input type="checkbox"/>) <u>Yes</u> <u>No</u>
[For a geographic license, commercial service - licensee in its initial license term with an interim performance requirement]: Applicant certifies that it has met its interim performance requirement, that over the portion of the license term following the interim performance requirement, it continues to use its facilities to provide at least the level of service required by its interim performance requirement, it has met its final performance requirement, and it continues to use its facilities to provide at least the level of service required by its final performance requirement through the end of the license term.	(<input type="checkbox"/>) <u>Yes</u> <u>No</u>
[For a geographic license, commercial service - licensee in its initial license term with no interim performance requirement]: Applicant certifies that it has met its final performance requirement and it continues to use its facilities to provide at least the level of service required by its final performance requirement through the end of the license term. [Note: licensee must provide a showing demonstrating that the final performance requirement has been met, either separately in a timely application for notification of completion of construction, or as part of its renewal application, depending on the radio service.]	(<input type="checkbox"/>) <u>Yes</u> <u>No</u>
[For a geographic license, commercial service - licensee in any subsequent term]: Applicant certifies that it continues to use its facilities to provide at least the level of service required by its final performance requirement through the end of any subsequent license terms.	(<input type="checkbox"/>) <u>Yes</u> <u>No</u>
[For a geographic license, private systems - licensee in its initial license term with an interim performance requirement]: Applicant certifies that it has met its interim performance requirement, that over the portion of the license term following the interim performance requirement, it continues to use its facilities to further its private business or public interest/public safety communications needs at or above the level required to meet its interim performance requirement, it has met its final performance requirement, and it continues to use its facilities to provide at least the level of operation required by its final performance requirement through the end of the license term.	(<input type="checkbox"/>) <u>Yes</u> <u>No</u>
[For a geographic license, private systems - licensee in its initial license term with no interim performance requirement]: Applicant certifies that it has met its final performance requirement, it continues to use its facilities to further its private business or public interest/public safety communications needs, and it continues to use its facilities to provide at least the level of operation required by its final performance requirement through the end of the license term. [Note: licensee must provide a showing demonstrating that the final performance requirement has been met, either separately in a timely application for notification of completion of construction, or as part of its renewal application, depending on the radio service.]	(<input type="checkbox"/>) <u>Yes</u> <u>No</u>

[For a geographic license, private systems - licensee in any subsequent term]: Applicant certifies that it continues to use its facilities to further its private business or public interest/public safety communications needs at or above the level required to meet its final performance requirement through the end of any subsequent license terms.	(<input type="checkbox"/>) <u>Yes</u> <u>No</u>
[For a partitioned or disaggregated license without a performance requirement, for the first renewal application filed after effective date of the rules]: Applicant certifies that the partitioned and/or disaggregated license that is the subject of this renewal application has no separate performance requirement and that this is the first renewal of this license filed subsequent to the effective date of the rules.	(<input type="checkbox"/>) <u>Yes</u> <u>No</u>
[For a partitioned or disaggregated license without a performance requirement, for any subsequent renewal filings]: Applicant certifies that it continues to use its facilities to provide service or to further the applicant's private business or public interest/public safety needs.	(<input type="checkbox"/>) <u>Yes</u> <u>No</u>

Discontinuance of Service Certification

58) Applicant certifies that no permanent discontinuance of service or operation, as applicable, occurred during its current license term. Note: If the response to either item 57 or item 58 is 'N', attach an exhibit that demonstrates that over the course of the license term, the Applicant provided and continues to provide service to the public, or operated and continues to operate the license to meet the Applicant's private business or public interest/public safety communications needs. This exhibit must include a detailed description of the Applicant's provision of service or, when allowed under the relevant service rules or pursuant to waiver, use of the spectrum for private business or public interest/public safety communications needs, during the entire license period and address, as applicable: 1) the level and quality of service provided by the applicant (e.g., the population served, the area served, the number of subscribers, the services offered); (2) the date service commenced, whether service was ever interrupted, and the duration of any interruption or outage; (3) the extent to which service is provided to rural areas; (4) the extent to which service is provided to qualifying tribal land as defined in 47 CFR § 1.2110(e)(3)(i); and (5) any other factors associated with the level of service to the public. The licensee may note in its exhibit: 1) any grant(s) of waiver or extension of a performance deadline or license renewal subject to meeting a performance requirement; or 2) if the final performance deadline and/or expiration date for the license accelerated because the licensee did not meet an interim performance requirement.	(<input type="checkbox"/>) <u>Yes</u> <u>No</u>
--	---

Regulatory Compliance Certification [same for all]

59) Applicant certifies that it has substantially complied with all applicable FCC rules, policies, and the Communications Act of 1934, as amended. Note: If the response to item 59 is 'N', attach an exhibit explaining the circumstances and demonstrating why Applicant's license should be renewed.	(<input type="checkbox"/>) <u>Yes</u> <u>No</u>
--	---

General Certification Statements

1) The Applicant waives any claim to the use of any particular frequency or of the electromagnetic spectrum as against the regulatory power of the United States because of the previous use of the same, whether by license or otherwise, and requests an authorization in accordance with this application.
2) The Applicant certifies that grant of this application would not cause the Applicant to be in violation of any pertinent cross-ownership or attribution rules.* *If the Applicant has sought a waiver of any such rule in connection with this application, it may make this certification subject to the outcome of the waiver request.
3) The Applicant certifies that all statements made in this application and in the exhibits, attachments, or documents incorporated by reference are material, are part of this application, and are true, complete, correct, and made in good faith.
4) The Applicant certifies that neither the Applicant nor any other party to the application is subject to a denial of Federal benefits pursuant to § 5301 of the Anti-Drug Abuse Act of 1988, 21 U.S.C. § 862, because of a conviction for possession or distribution of a controlled substance. This certification does not apply to applications filed in services exempted under § 1.2002(c) of the rules, 47 CFR § 1.2002(c). See 47 CFR § 1.2002(b) for the definition of "party to the application" as used in this certification.
5) The Applicant certifies that it either (1) has current required ownership data on file with the Commission, (2) is filing updated ownership data simultaneously with this application, or (3) is not required to file ownership data under the Commission's Rules.
6) The Applicant certifies that the facilities, operations, and transmitters for which this authorization is hereby requested are either: (1) categorically excluded from routine environmental evaluation for RF exposure as set forth in 47 CFR § 1.1307(b); or, (2) have been found not to cause human exposure to levels of radiofrequency radiation in excess of the limits specified in 47 CFR §§ 1.1310 and 2.1093; or, (3) are the subject of one or more Environmental Assessments filed with the Commission.
7) The Applicant certifies that it has reviewed the appropriate Commission Rules defining eligibility to hold the requested license(s) and is eligible to hold the requested license(s).
8) The Applicant certifies that it is not in default on any payment for Commission licenses and that it is not delinquent on any non-tax debt owed to any federal agency.
9) The Applicant certifies that the Applicant and all of the related individuals and entities required to be disclosed on this application and FCC Form 602 (FCC Ownership Disclosure Information for the Wireless Telecommunications Services) are not person(s) who have been, for reasons of national security, barred by any agency of the Federal Government from bidding on a contract, participating in an auction, or receiving a grant. This certification applies only to applications for licenses for spectrum that is required by Sections 6103, 6401-6403 of the Middle Class Tax Relief and Job Creation Act of 2012, codified at 47 U.S.C. §§ 309, 1413, 1451-1452, to be assigned by a system of competitive bidding under 47 U.S.C. § 309(j).

Signature

60) Typed or Printed Name of Party Authorized to Sign

First Name: Jessica	MI:	Last Name: Dunk	Suffix:
61) Title: Assistant Secretary - Compliance			
Signature: Jessica Dunk			62) Date: 01/23/2024
FAILURE TO SIGN THIS APPLICATION MAY RESULT IN DISMISSAL OF THE APPLICATION AND FORFEITURE OF ANY FEES PAID.			
Upon grant of this license application, the Licensee may be subject to certain construction or coverage requirements. Failure to meet the construction or coverage requirements will result in termination of the license. Consult appropriate FCC regulations to determine the construction or coverage requirements that apply to the type of license requested in this application.			
WILLFUL FALSE STATEMENTS MADE ON THIS FORM OR ANY ATTACHMENTS ARE PUNISHABLE BY FINE AND/OR IMPRISONMENT (U.S. Code, Title 18, § 1001) AND/OR REVOCATION OF ANY STATION LICENSE OR CONSTRUCTION PERMIT (U.S. Code, Title 47, § 312(a)(1)), AND/OR FORFEITURE (U.S. Code, Title 47, § 503).			

REFERENCE COPY

This is not an official FCC license. It is a record of public information contained in the FCC's licensing database on the date that this reference copy was generated. In cases where FCC rules require the presentation, posting, or display of an FCC license, this document may not be used in place of an official FCC license.



**Federal Communications Commission
Wireless Telecommunications Bureau
RADIO STATION AUTHORIZATION**

LICENSEE: NEW CINGULAR WIRELESS PCS, LLC

ATTN: NATIONAL REGULATORY COMPLIANCE
NEW CINGULAR WIRELESS PCS, LLC
208 S AKARD ST, 20F
DALLAS, TX 75202

Call Sign KNLH415	File Number
Radio Service CW - PCS Broadband	

FCC Registration Number (FRN): 0003291192

Grant Date 04-10-2017	Effective Date 01-24-2024	Expiration Date 04-28-2027	Print Date
Market Number BTA314	Channel Block E	Sub-Market Designator 0	
Market Name Nashville, TN			
1st Build-out Date 04-28-2002	2nd Build-out Date	3rd Build-out Date	4th Build-out Date

Waivers/Conditions:

This authorization is subject to the condition that, in the event that systems using the same frequencies as granted herein are authorized in an adjacent foreign territory (Canada/United States), future coordination of any base station transmitters within 72 km (45 miles) of the United States/Canada border shall be required to eliminate any harmful interference to operations in the adjacent foreign territory and to ensure continuance of equal access to the frequencies by both countries.

This authorization is subject to the condition that the remaining balance of the winning bid amount will be paid in accordance with Part 1 of the Commission's rules, 47 C.F.R. Part 1.

Conditions:

Pursuant to §309(h) of the Communications Act of 1934, as amended, 47 U.S.C. §309(h), this license is subject to the following conditions: This license shall not vest in the licensee any right to operate the station nor any right in the use of the frequencies designated in the license beyond the term thereof nor in any other manner than authorized herein. Neither the license nor the right granted thereunder shall be assigned or otherwise transferred in violation of the Communications Act of 1934, as amended. See 47 U.S.C. § 310(d). This license is subject in terms to the right of use or control conferred by §706 of the Communications Act of 1934, as amended. See 47 U.S.C. §606.

This license may not authorize operation throughout the entire geographic area or spectrum identified on the hardcopy version. To view the specific geographic area and spectrum authorized by this license, refer to the Spectrum and Market Area information under the Market Tab of the license record in the Universal Licensing System (ULS). To view the license record, go to the ULS homepage at <http://wireless.fcc.gov/uls/index.htm?job=home> and select "License Search". Follow the instructions on how to search for license information.

Licensee Name: NEW CINGULAR WIRELESS PCS, LLC

Call Sign: KNLH415

File Number:

Print Date:

700 MHz Relicensed Area Information:

Market	Market Name	Buildout Deadline	Buildout Notification	Status
---------------	--------------------	--------------------------	------------------------------	---------------

Reference Copy

Reference Copy Only. Do Not Mail to the FCC as an Application.

Submitted: 01/23/2024 at 17:43:02
 File Number: 0010873311

FCC 601
Main Form

FCC Application for Radio Service Authorization: Wireless Telecommunications Bureau Public Safety and Homeland Security Bureau

Approved by OMB
 3060 - 0798
 See instructions for
 public burden estimate

1) Radio Service Code: CW	1a) Existing Radio Service Code:
---	----------------------------------

General Information

2) (Select only one) (AU) NE - New RO - Renewal Only AU - Administrative Update NT - Required Notifications MD - Modification RM - Renewal/Modification WD - Withdrawal of Application EX - Requests for Extension of Time AM - Amendment CA - Cancellation of License RL - Registered Location/Link	
3a) If this application is for a Demonstration License or a Special Temporary Authorization (STA) , enter the code and attach the required exhibit as described in the instructions. Otherwise enter ' N/A ' (Not Applicable).	(N) <u>M</u> <u>S</u> <u>N/A</u>
3b) If this application is for Special Temporary Authority due to an emergency situation, enter 'Y'; otherwise enter 'N'. Refer to Rule 1.915 for an explanation of situations considered to be an emergency.	() <u>Y</u> es <u>N</u> o
4) If this application is for an Amendment or Withdrawal, enter the file number of the pending application currently on file with the FCC.	File Number
5) If this application is for a Modification, Renewal Only, Renewal/Modification, Cancellation of License, or Administrative Update, enter the call sign of the existing FCC license. If this is a request for Registered Location/Link, enter the FCC call sign assigned to the geographic license.	Call Sign KNLH415
6a) If this application is for a New, Amendment, Renewal Only, or Renewal/Modification, enter the requested authorization expiration date (this item is optional).	MM DD /
6b) If this application is for a Renewal Only or Renewal/Modification and the license is a geographic area license, is the license used to provide service to customers (C), or is the license used for private business (internal) purposes or to meet the licensee's public interest/public safety communications needs (P)?	() <u>C</u> <u>P</u>
7) Is this application "major" as defined in § 1.929 of the Commission's Rules when read in conjunction with the applicable radio service rules found in Parts 22 and 90 of the Commission's Rules? (NOTE: This question only applies to certain site-specific applications. See the instructions for applicability and full text of § 1.929).	() <u>Y</u> es <u>N</u> o
8) Are attachments (other than associated schedules) being filed with this application?	() <u>Y</u> es <u>N</u> o

Fees, Waivers, and Exemptions

9) Is the Applicant exempt from FCC application fees?	(N) <u>Y</u> es <u>N</u> o
10) Is the Applicant exempt from FCC regulatory fees?	(N) <u>Y</u> es <u>N</u> o
11) Does this application include a request for a Waiver of the Commission's Rule(s)? If 'Yes', attach an exhibit providing rule number(s) and explaining circumstances.	(N) <u>Y</u> es <u>N</u> o
12) Are the frequencies or parameters requested in this filing covered by grandfathered privileges, previously approved by waiver, or functionally integrated with an existing station?	() <u>Y</u> es <u>N</u> o

Applicant Information

13) FCC Registration Number (FRN): 0003291192			
14) Applicant/Licensee Legal Entity Type: (Select One) () Individual () Unincorporated Association () Trust () Government Entity () Corporation (<input checked="" type="checkbox"/>) Limited Liability Company () General Partnership () Limited Partnership () Limited Liability Partnership () Consortium () Other: _____			
15) If the Licensee name is being updated, is the update a result from the sale (or transfer of control) of the license(s) to party and for which proper Commission approval has not been received or proper notification not provided?			() Yes <input checked="" type="checkbox"/> No
16) First Name (if individual):	MI:	Last Name:	Suffix:
17) Legal Entity Name (if other than individual): New Cingular Wireless PCS, LLC			
18) Attention To: National Regulatory Compliance			
19) P.O. Box:	And/Or	20) Street Address: 208 S Akard St, 20F	
21) City: Dallas	22) State: TX	23) Zip Code: 75202	
24) Telephone Number: (855)699-7073		25) Fax: (214)746-6410	
26) E-Mail Address: FCCMW@att.com			

27) Demographics (Optional)

Race: () American Indian or Alaska Native () Asian () Black or African-American () Native Hawaiian or Other Pacific Islander () White	Ethnicity: () Hispanic or Latino () Not Hispanic or Latino	Gender: () Male () Female
---	--	-----------------------------------

Real Party in Interest

28) Name of Real Party in Interest of Applicant (If different from Applicant):	29) FCC Registration Number (FRN) of Real Party in Interest:
--	--

Contact Information (If different from the Applicant) Check here if same as Applicant.

30) First Name: Jessica	MI: J	Last Name: Dunk	Suffix:
31) Company Name: AT&T Services, Inc.			
32) Attention To: NRC			
33) P.O. Box:	And /Or	34) Street Address: 208 S Akard St, 20F	
35) City: Dallas	36) State: TX	37) Zip Code: 75202	
38) Telephone Number: (855)699-7073		39) Fax: (214)746-6410	
40) E-Mail Address: FCCMW@att.com			

Regulatory Status

41) This filing is for authorization to provide or use the following type(s) of radio service offering (enter all that apply):
 Common Carrier Non-Common Carrier Private, internal communications Broadcast Services Band Manager

Type of Radio Service

42) This filing is for authorization to provide the following type(s) of radio service (choose all that apply):
 Fixed Mobile Radiolocation Satellite (sound) Broadcast Services

43) Does the Applicant propose to provide service interconnected to the public telephone network? Yes No

Alien Ownership Questions (If any answer is "Y", provide an attachment explaining the circumstances. In preparing the attachment, refer to the Main Form Instructions for the "Alien Ownership Questions".)

44) Is the Applicant a foreign government or the representative of any foreign government? Yes No

45) Is the Applicant an alien or the representative of an alien? Yes No

46) Is the Applicant a corporation organized under the laws of any foreign government? Yes No

47) Is the Applicant a corporation of which more than one-fifth of the capital stock is owned of record or voted by aliens or their representatives, or by a foreign government or representative thereof, or by any corporation organized under the laws of a foreign country? Yes No

48a) Is the Applicant directly or indirectly controlled by any other corporation of which more than one-fourth of the capital stock () Yes No is owned of record or voted by aliens or their representatives, or by a foreign government or representative thereof, or by any corporation organized under the laws of a foreign country?

48b) If the answer to 47 or 48a is 'Y' select one of the choices below.

The Applicant is exempt from the provisions of Section 310(b).

If checked, it is not necessary to file a petition for declaratory ruling if the Applicant includes in the attachment required by Item 47 or Item 48a a showing that the requested license(s) is exempt from the provisions of Section 310(b).

The Applicant has received a declaratory ruling(s) approving its foreign ownership, and the application involves only the acquisition of additional spectrum for the provision of a wireless service in a geographic coverage area for which the Applicant has been previously authorized.

If checked, include in the attachment required by Item 47 or Item 48a the citation(s) of the applicable declaratory ruling(s) by DA/FCC number, the FCC Record citation, if available, release date, and a statement that there has been no change in the foreign ownership of the Applicant since the issuance of its ruling.

The Applicant: (i) has received a declaratory ruling(s) approving its foreign ownership, but is not able to make the certification specified immediately above; or (ii) is an "affiliate" of a Licensee or Lessee/Sublessee that received a declaratory ruling(s) under 47 CFR § 1.5000(a) and is relying on the affiliate's ruling for purposes of filing this application as permitted under the affiliate's ruling and 47 CFR § 1.5004(b)

If checked, and if the Applicant received its declaratory ruling(s) on or after August 9, 2013, include in the attachment required by Item 47 or Item 48a the citation(s) of the Applicant's declaratory ruling(s) by DA/FCC number, the FCC Record citation, if available, release date, and a statement that the Applicant is in compliance with the terms and conditions of its ruling and with the Commission's Rules.

If checked, and if the Applicant received its declaratory ruling(s) prior to August 9, 2013, include in the attachment required by Item 48a a copy of a petition for declaratory ruling filed contemporaneously with the Commission to extend the Applicant's existing ruling(s) to cover the same radio service(s) and geographic coverage area(s) involved in the application. Alternatively, the Applicant may request a new declaratory ruling pursuant to Section 1.5000(a) of the Commission's Rules, 47 CFR § 1.5000 (a). Petitions for declaratory ruling may be filed electronically on the Internet through the International Bureau Filing System (IBFS) (with a copy attached hereto).

If checked, and if the Applicant is relying on an affiliate's ruling for purposes of filing this application, include in the attachment required by Item 47 or Item 48a the citation(s) of the applicable declaratory ruling(s) by DA/FCC number, the FCC Record citation, if available, release date, and a statement that the Applicant is in compliance with the terms and conditions of the named affiliate's ruling and with the Commission's Rules. The Applicant must also include a certification of compliance signed by the named affiliate or other qualified entity as specified in 47 CFR § 1.5004(b). See Main Form Instructions for Items 47 or 48a, as applicable.

The Applicant has not received a declaratory ruling approving its foreign ownership and is requesting a declaratory ruling under 47 CFR § 1.5004(b) in a petition filed contemporaneously with the Commission.

If checked, include in the attachment required by Item 47 or 48a a copy of the petition for declaratory ruling filed contemporaneously with the Commission pursuant to 47 CFR § 1.5004(b). Petitions for declaratory ruling may be filed electronically on the Internet through the International Bureau Filing System (IBFS) (with a copy attached hereto).

Basic Qualification Questions

49) Has the Applicant or any party to this application had any FCC station authorization, license or construction permit revoked or had any application for an initial, modification or renewal of FCC station authorization, license, or construction permit denied by the Commission?	(<input type="checkbox"/>) <u>Yes</u> <u>No</u>
50) Has the Applicant or any party to this application, or any party directly or indirectly controlling the Applicant, ever been convicted of a felony by any state or federal court?	(<input type="checkbox"/>) <u>Yes</u> <u>No</u>
51) Has any court finally adjudged the Applicant or any party directly or indirectly controlling the Applicant guilty of unlawfully monopolizing or attempting unlawfully to monopolize radio communication, directly or indirectly, through control of manufacture or sale of radio apparatus, exclusive traffic arrangement, or any other means or unfair methods of competition?	(<input type="checkbox"/>) <u>Yes</u> <u>No</u>

Note: If the answer to any of 49-51 is 'Y', attach an exhibit explaining the circumstances.

Aeronautical Advisory Station (Unicom) Certification

52) (<input type="checkbox"/>) I certify that the station will be located on property of the airport to be served, and, in cases where the airport does not have a control tower, RCO, or FAA flight service station, that I have notified the owner of the airport and all aviation service organizations located at the airport within ten days prior to application.

Broadband Radio Service and Educational Broadband Service Cable Cross-Ownership

53a) Will the requested facilities be used to provide multichannel video programming service?	(<input type="checkbox"/>) <u>Yes</u> <u>No</u>
53b) If the answer to question 53a is 'Y', does the Applicant operate, control or have an attributable interest (as defined in 47 CFR § 27.1202) in a cable television system whose franchise area is located within the geographic service area of the requested facilities?	(<input type="checkbox"/>) <u>Yes</u> <u>No</u>

Note: If the answer to question 53b is 'Y', attach an exhibit explaining how the Applicant complies with 47 CFR § 27.1202 or justifying a waiver of that rule. If a waiver of the Commission Rule(s) is being requested, Item 11a must be answered 'Y'.

Broadband Radio Service and Educational Broadband Service (Part 27)

54) (For EBS only) Does the Applicant comply with the programming requirements contained in 47 CFR § 27.1203?	(<input type="checkbox"/>) <u>Yes</u> <u>No</u>
Note: If the answer to item 54 is 'N', attach an exhibit explaining how the Applicant complies with 47 CFR § 27.1203 of the Commission's Rules or justifying a waiver of that rule. If a waiver of the Commission Rule(s) is being requested, Item 11a must be answered 'Y'.	
55) (For BRS and EBS) Does the Applicant comply with 47 CFR §§ 27.50, 27.55, and 27.1221?	(<input type="checkbox"/>) <u>Yes</u> <u>No</u>
Note: If the answer to item 55 is 'N', attach an exhibit justifying a waiver of that rule(s). If a waiver of the Commission Rule(s) is being requested, Item 11a must be answered 'Y'.	

For Applicants Who Participated in an Auction

56) Is the Applicant a qualifying rural wireless partnership or a member of a qualifying rural wireless partnership?	(<input type="checkbox"/>) <u>Yes</u> <u>No</u>
Note: If the answer to item 56 is 'Y', attach an exhibit listing all members of the qualifying rural wireless partnership, including their FRN numbers.	

For Renewal Applicants

57) Operation/Performance Requirement Certification

[For a site-based license]: Applicant certifies that it is continuing to operate consistent with its most recently filed construction notification (or most recent authorization, if no construction notification was required).	(<input type="checkbox"/>) <u>Yes</u> <u>No</u>
[For a geographic license, commercial service - licensee in its initial license term with an interim performance requirement]: Applicant certifies that it has met its interim performance requirement, that over the portion of the license term following the interim performance requirement, it continues to use its facilities to provide at least the level of service required by its interim performance requirement, it has met its final performance requirement, and it continues to use its facilities to provide at least the level of service required by its final performance requirement through the end of the license term.	(<input type="checkbox"/>) <u>Yes</u> <u>No</u>
[For a geographic license, commercial service - licensee in its initial license term with no interim performance requirement]: Applicant certifies that it has met its final performance requirement and it continues to use its facilities to provide at least the level of service required by its final performance requirement through the end of the license term. [Note: licensee must provide a showing demonstrating that the final performance requirement has been met, either separately in a timely application for notification of completion of construction, or as part of its renewal application, depending on the radio service.]	(<input type="checkbox"/>) <u>Yes</u> <u>No</u>
[For a geographic license, commercial service - licensee in any subsequent term]: Applicant certifies that it continues to use its facilities to provide at least the level of service required by its final performance requirement through the end of any subsequent license terms.	(<input type="checkbox"/>) <u>Yes</u> <u>No</u>
[For a geographic license, private systems - licensee in its initial license term with an interim performance requirement]: Applicant certifies that it has met its interim performance requirement, that over the portion of the license term following the interim performance requirement, it continues to use its facilities to further its private business or public interest/public safety communications needs at or above the level required to meet its interim performance requirement, it has met its final performance requirement, and it continues to use its facilities to provide at least the level of operation required by its final performance requirement through the end of the license term.	(<input type="checkbox"/>) <u>Yes</u> <u>No</u>
[For a geographic license, private systems - licensee in its initial license term with no interim performance requirement]: Applicant certifies that it has met its final performance requirement, it continues to use its facilities to further its private business or public interest/public safety communications needs, and it continues to use its facilities to provide at least the level of operation required by its final performance requirement through the end of the license term. [Note: licensee must provide a showing demonstrating that the final performance requirement has been met, either separately in a timely application for notification of completion of construction, or as part of its renewal application, depending on the radio service.]	(<input type="checkbox"/>) <u>Yes</u> <u>No</u>

[For a geographic license, private systems - licensee in any subsequent term]: Applicant certifies that it continues to use its facilities to further its private business or public interest/public safety communications needs at or above the level required to meet its final performance requirement through the end of any subsequent license terms.	(<input type="checkbox"/>) <u>Yes</u> <u>No</u>
[For a partitioned or disaggregated license without a performance requirement, for the first renewal application filed after effective date of the rules]: Applicant certifies that the partitioned and/or disaggregated license that is the subject of this renewal application has no separate performance requirement and that this is the first renewal of this license filed subsequent to the effective date of the rules.	(<input type="checkbox"/>) <u>Yes</u> <u>No</u>
[For a partitioned or disaggregated license without a performance requirement, for any subsequent renewal filings]: Applicant certifies that it continues to use its facilities to provide service or to further the applicant's private business or public interest/public safety needs.	(<input type="checkbox"/>) <u>Yes</u> <u>No</u>

Discontinuance of Service Certification

58) Applicant certifies that no permanent discontinuance of service or operation, as applicable, occurred during its current license term. Note: If the response to either item 57 or item 58 is 'N', attach an exhibit that demonstrates that over the course of the license term, the Applicant provided and continues to provide service to the public, or operated and continues to operate the license to meet the Applicant's private business or public interest/public safety communications needs. This exhibit must include a detailed description of the Applicant's provision of service or, when allowed under the relevant service rules or pursuant to waiver, use of the spectrum for private business or public interest/public safety communications needs, during the entire license period and address, as applicable: 1) the level and quality of service provided by the applicant (e.g., the population served, the area served, the number of subscribers, the services offered); (2) the date service commenced, whether service was ever interrupted, and the duration of any interruption or outage; (3) the extent to which service is provided to rural areas; (4) the extent to which service is provided to qualifying tribal land as defined in 47 CFR § 1.2110(e)(3)(i); and (5) any other factors associated with the level of service to the public. The licensee may note in its exhibit: 1) any grant(s) of waiver or extension of a performance deadline or license renewal subject to meeting a performance requirement; or 2) if the final performance deadline and/or expiration date for the license accelerated because the licensee did not meet an interim performance requirement.	(<input type="checkbox"/>) <u>Yes</u> <u>No</u>
--	---

Regulatory Compliance Certification [same for all]

59) Applicant certifies that it has substantially complied with all applicable FCC rules, policies, and the Communications Act of 1934, as amended. Note: If the response to item 59 is 'N', attach an exhibit explaining the circumstances and demonstrating why Applicant's license should be renewed.	(<input type="checkbox"/>) <u>Yes</u> <u>No</u>
--	---

General Certification Statements

1) The Applicant waives any claim to the use of any particular frequency or of the electromagnetic spectrum as against the regulatory power of the United States because of the previous use of the same, whether by license or otherwise, and requests an authorization in accordance with this application.
2) The Applicant certifies that grant of this application would not cause the Applicant to be in violation of any pertinent cross-ownership or attribution rules.* *If the Applicant has sought a waiver of any such rule in connection with this application, it may make this certification subject to the outcome of the waiver request.
3) The Applicant certifies that all statements made in this application and in the exhibits, attachments, or documents incorporated by reference are material, are part of this application, and are true, complete, correct, and made in good faith.
4) The Applicant certifies that neither the Applicant nor any other party to the application is subject to a denial of Federal benefits pursuant to § 5301 of the Anti-Drug Abuse Act of 1988, 21 U.S.C. § 862, because of a conviction for possession or distribution of a controlled substance. This certification does not apply to applications filed in services exempted under § 1.2002(c) of the rules, 47 CFR § 1.2002(c). See 47 CFR § 1.2002(b) for the definition of "party to the application" as used in this certification.
5) The Applicant certifies that it either (1) has current required ownership data on file with the Commission, (2) is filing updated ownership data simultaneously with this application, or (3) is not required to file ownership data under the Commission's Rules.
6) The Applicant certifies that the facilities, operations, and transmitters for which this authorization is hereby requested are either: (1) categorically excluded from routine environmental evaluation for RF exposure as set forth in 47 CFR § 1.1307(b); or, (2) have been found not to cause human exposure to levels of radiofrequency radiation in excess of the limits specified in 47 CFR §§ 1.1310 and 2.1093; or, (3) are the subject of one or more Environmental Assessments filed with the Commission.
7) The Applicant certifies that it has reviewed the appropriate Commission Rules defining eligibility to hold the requested license(s) and is eligible to hold the requested license(s).
8) The Applicant certifies that it is not in default on any payment for Commission licenses and that it is not delinquent on any non-tax debt owed to any federal agency.
9) The Applicant certifies that the Applicant and all of the related individuals and entities required to be disclosed on this application and FCC Form 602 (FCC Ownership Disclosure Information for the Wireless Telecommunications Services) are not person(s) who have been, for reasons of national security, barred by any agency of the Federal Government from bidding on a contract, participating in an auction, or receiving a grant. This certification applies only to applications for licenses for spectrum that is required by Sections 6103, 6401-6403 of the Middle Class Tax Relief and Job Creation Act of 2012, codified at 47 U.S.C. §§ 309, 1413, 1451-1452, to be assigned by a system of competitive bidding under 47 U.S.C. § 309(j).

Signature

60) Typed or Printed Name of Party Authorized to Sign

First Name: Jessica	MI:	Last Name: Dunk	Suffix:
61) Title: Assistant Secretary - Compliance			
Signature: Jessica Dunk			62) Date: 01/23/2024
FAILURE TO SIGN THIS APPLICATION MAY RESULT IN DISMISSAL OF THE APPLICATION AND FORFEITURE OF ANY FEES PAID.			
Upon grant of this license application, the Licensee may be subject to certain construction or coverage requirements. Failure to meet the construction or coverage requirements will result in termination of the license. Consult appropriate FCC regulations to determine the construction or coverage requirements that apply to the type of license requested in this application.			
WILLFUL FALSE STATEMENTS MADE ON THIS FORM OR ANY ATTACHMENTS ARE PUNISHABLE BY FINE AND/OR IMPRISONMENT (U.S. Code, Title 18, § 1001) AND/OR REVOCATION OF ANY STATION LICENSE OR CONSTRUCTION PERMIT (U.S. Code, Title 47, § 312(a)(1)), AND/OR FORFEITURE (U.S. Code, Title 47, § 503).			

Reference Copy Only. Do Not Mail to the FCC as an Application.

Submitted: 01/22/2024 at 14:43:18
 File Number: 0010867953

FCC 601
Main Form

FCC Application for Radio Service Authorization: Wireless Telecommunications Bureau Public Safety and Homeland Security Bureau

Approved by OMB
 3060 - 0798
 See instructions for
 public burden estimate

1) Radio Service Code: CW	1a) Existing Radio Service Code:
---	----------------------------------

General Information

2) (Select only one) (AU) NE - New RO - Renewal Only AU - Administrative Update NT - Required Notifications MD - Modification RM - Renewal/Modification WD - Withdrawal of Application EX - Requests for Extension of Time AM - Amendment CA - Cancellation of License RL - Registered Location/Link	
3a) If this application is for a Demonstration License or a Special Temporary Authorization (STA), enter the code and attach the required exhibit as described in the instructions. Otherwise enter ' <u>N/A</u> ' (Not Applicable).	(N) <u>M</u> <u>S</u> <u>N/A</u>
3b) If this application is for Special Temporary Authority due to an emergency situation, enter 'Y'; otherwise enter 'N'. Refer to Rule 1.915 for an explanation of situations considered to be an emergency.	() <u>Y</u> es <u>N</u> o
4) If this application is for an Amendment or Withdrawal, enter the file number of the pending application currently on file with the FCC.	File Number
5) If this application is for a Modification, Renewal Only, Renewal/Modification, Cancellation of License, or Administrative Update, enter the call sign of the existing FCC license. If this is a request for Registered Location/Link, enter the FCC call sign assigned to the geographic license.	Call Sign KNLH415
6a) If this application is for a New, Amendment, Renewal Only, or Renewal/Modification, enter the requested authorization expiration date (this item is optional).	MM DD /
6b) If this application is for a Renewal Only or Renewal/Modification and the license is a geographic area license, is the license used to provide service to customers (C), or is the license used for private business (internal) purposes or to meet the licensee's public interest/public safety communications needs (P)?	() <u>C</u> <u>P</u>
7) Is this application "major" as defined in § 1.929 of the Commission's Rules when read in conjunction with the applicable radio service rules found in Parts 22 and 90 of the Commission's Rules? (NOTE: This question only applies to certain site-specific applications. See the instructions for applicability and full text of § 1.929).	() <u>Y</u> es <u>N</u> o
8) Are attachments (other than associated schedules) being filed with this application?	() <u>Y</u> es <u>N</u> o

Fees, Waivers, and Exemptions

9) Is the Applicant exempt from FCC application fees?	(N) <u>Y</u> es <u>N</u> o
10) Is the Applicant exempt from FCC regulatory fees?	(N) <u>Y</u> es <u>N</u> o
11) Does this application include a request for a Waiver of the Commission's Rule(s)? If 'Yes', attach an exhibit providing rule number(s) and explaining circumstances.	(N) <u>Y</u> es <u>N</u> o
12) Are the frequencies or parameters requested in this filing covered by grandfathered privileges, previously approved by waiver, or functionally integrated with an existing station?	() <u>Y</u> es <u>N</u> o

Applicant Information

13) FCC Registration Number (FRN): 0003291192			
14) Applicant/Licensee Legal Entity Type: (Select One) () Individual () Unincorporated Association () Trust () Government Entity () Corporation (<input checked="" type="checkbox"/>) Limited Liability Company () General Partnership () Limited Partnership () Limited Liability Partnership () Consortium () Other: _____			
15) If the Licensee name is being updated, is the update a result from the sale (or transfer of control) of the license(s) to party and for which proper Commission approval has not been received or proper notification not provided?			() Yes No
16) First Name (if individual):	MI:	Last Name:	Suffix:
17) Legal Entity Name (if other than individual): New Cingular Wireless PCS, LLC			
18) Attention To: National Regulatory Compliance			
19) P.O. Box:	And/Or	20) Street Address: 208 S Akard St, 20F	
21) City: Dallas	22) State: TX		23) Zip Code: 75202
24) Telephone Number: (855)699-7073		25) Fax: (214)746-6410	
26) E-Mail Address: FCCMW@att.com			

27) Demographics (Optional)

Race: () American Indian or Alaska Native () Asian () Black or African-American () Native Hawaiian or Other Pacific Islander () White	Ethnicity: () Hispanic or Latino () Not Hispanic or Latino	Gender: () Male () Female
---	--	-----------------------------------

Real Party in Interest

28) Name of Real Party in Interest of Applicant (If different from Applicant):	29) FCC Registration Number (FRN) of Real Party in Interest:
--	--

Contact Information (If different from the Applicant)**() Check here if same as Applicant.**

30) First Name: Cecil	MI: J	Last Name: Mathew	Suffix:
31) Company Name: AT&T Services, Inc.			
32) Attention To: FCC Group			
33) P.O. Box:	And /Or	34) Street Address: 208 S. Akard St. 20F	
35) City: Dallas	36) State: TX		37) Zip Code: 75202
38) Telephone Number: (855)699-7073		39) Fax: (214)746-6410	
40) E-Mail Address: FCCMW@att.com			

Regulatory Status

41) This filing is for authorization to provide or use the following type(s) of radio service offering (enter all that apply):
 Common Carrier Non-Common Carrier Private, internal communications Broadcast Services Band Manager

Type of Radio Service

42) This filing is for authorization to provide the following type(s) of radio service (choose all that apply):
 Fixed Mobile Radiolocation Satellite (sound) Broadcast Services

43) Does the Applicant propose to provide service interconnected to the public telephone network? Yes No

Alien Ownership Questions (If any answer is "Y", provide an attachment explaining the circumstances. In preparing the attachment, refer to the Main Form Instructions for the "Alien Ownership Questions".)

44) Is the Applicant a foreign government or the representative of any foreign government? Yes No

45) Is the Applicant an alien or the representative of an alien? Yes No

46) Is the Applicant a corporation organized under the laws of any foreign government? Yes No

47) Is the Applicant a corporation of which more than one-fifth of the capital stock is owned of record or voted by aliens or their representatives, or by a foreign government or representative thereof, or by any corporation organized under the laws of a foreign country? Yes No

48a) Is the Applicant directly or indirectly controlled by any other corporation of which more than one-fourth of the capital stock () Yes No is owned of record or voted by aliens or their representatives, or by a foreign government or representative thereof, or by any corporation organized under the laws of a foreign country?

48b) If the answer to 47 or 48a is 'Y' select one of the choices below.

The Applicant is exempt from the provisions of Section 310(b).

If checked, it is not necessary to file a petition for declaratory ruling if the Applicant includes in the attachment required by Item 47 or Item 48a a showing that the requested license(s) is exempt from the provisions of Section 310(b).

The Applicant has received a declaratory ruling(s) approving its foreign ownership, and the application involves only the acquisition of additional spectrum for the provision of a wireless service in a geographic coverage area for which the Applicant has been previously authorized.

If checked, include in the attachment required by Item 47 or Item 48a the citation(s) of the applicable declaratory ruling(s) by DA/FCC number, the FCC Record citation, if available, release date, and a statement that there has been no change in the foreign ownership of the Applicant since the issuance of its ruling.

The Applicant: (i) has received a declaratory ruling(s) approving its foreign ownership, but is not able to make the certification specified immediately above; or (ii) is an "affiliate" of a Licensee or Lessee/Sublessee that received a declaratory ruling(s) under 47 CFR § 1.5000(a) and is relying on the affiliate's ruling for purposes of filing this application as permitted under the affiliate's ruling and 47 CFR § 1.5004(b)

If checked, and if the Applicant received its declaratory ruling(s) on or after August 9, 2013, include in the attachment required by Item 47 or Item 48a the citation(s) of the Applicant's declaratory ruling(s) by DA/FCC number, the FCC Record citation, if available, release date, and a statement that the Applicant is in compliance with the terms and conditions of its ruling and with the Commission's Rules.

If checked, and if the Applicant received its declaratory ruling(s) prior to August 9, 2013, include in the attachment required by Item 48a a copy of a petition for declaratory ruling filed contemporaneously with the Commission to extend the Applicant's existing ruling(s) to cover the same radio service(s) and geographic coverage area(s) involved in the application. Alternatively, the Applicant may request a new declaratory ruling pursuant to Section 1.5000(a) of the Commission's Rules, 47 CFR § 1.5000 (a). Petitions for declaratory ruling may be filed electronically on the Internet through the International Bureau Filing System (IBFS) (with a copy attached hereto).

If checked, and if the Applicant is relying on an affiliate's ruling for purposes of filing this application, include in the attachment required by Item 47 or Item 48a the citation(s) of the applicable declaratory ruling(s) by DA/FCC number, the FCC Record citation, if available, release date, and a statement that the Applicant is in compliance with the terms and conditions of the named affiliate's ruling and with the Commission's Rules. The Applicant must also include a certification of compliance signed by the named affiliate or other qualified entity as specified in 47 CFR § 1.5004(b). See Main Form Instructions for Items 47 or 48a, as applicable.

The Applicant has not received a declaratory ruling approving its foreign ownership and is requesting a declaratory ruling under 47 CFR § 1.5004(b) in a petition filed contemporaneously with the Commission.

If checked, include in the attachment required by Item 47 or 48a a copy of the petition for declaratory ruling filed contemporaneously with the Commission pursuant to 47 CFR § 1.5004(b). Petitions for declaratory ruling may be filed electronically on the Internet through the International Bureau Filing System (IBFS) (with a copy attached hereto).

Basic Qualification Questions

49) Has the Applicant or any party to this application had any FCC station authorization, license or construction permit revoked or had any application for an initial, modification or renewal of FCC station authorization, license, or construction permit denied by the Commission?	() <u>Yes</u> <u>No</u>
50) Has the Applicant or any party to this application, or any party directly or indirectly controlling the Applicant, ever been convicted of a felony by any state or federal court?	() <u>Yes</u> <u>No</u>
51) Has any court finally adjudged the Applicant or any party directly or indirectly controlling the Applicant guilty of unlawfully monopolizing or attempting unlawfully to monopolize radio communication, directly or indirectly, through control of manufacture or sale of radio apparatus, exclusive traffic arrangement, or any other means or unfair methods of competition?	() <u>Yes</u> <u>No</u>

Note: If the answer to any of 49-51 is 'Y', attach an exhibit explaining the circumstances.

Aeronautical Advisory Station (Unicom) Certification

52) () I certify that the station will be located on property of the airport to be served, and, in cases where the airport does not have a control tower, RCO, or FAA flight service station, that I have notified the owner of the airport and all aviation service organizations located at the airport within ten days prior to application.
--

Broadband Radio Service and Educational Broadband Service Cable Cross-Ownership

53a) Will the requested facilities be used to provide multichannel video programming service?	() <u>Yes</u> <u>No</u>
53b) If the answer to question 53a is 'Y', does the Applicant operate, control or have an attributable interest (as defined in 47 CFR § 27.1202) in a cable television system whose franchise area is located within the geographic service area of the requested facilities?	() <u>Yes</u> <u>No</u>

Note: If the answer to question 53b is 'Y', attach an exhibit explaining how the Applicant complies with 47 CFR § 27.1202 or justifying a waiver of that rule. If a waiver of the Commission Rule(s) is being requested, Item 11a must be answered 'Y'.

Broadband Radio Service and Educational Broadband Service (Part 27)

54) (For EBS only) Does the Applicant comply with the programming requirements contained in 47 CFR § 27.1203?	() <u>Yes</u> <u>No</u>
---	--------------------------

Note: If the answer to item 54 is 'N', attach an exhibit explaining how the Applicant complies with 47 CFR § 27.1203 of the Commission's Rules or justifying a waiver of that rule. If a waiver of the Commission Rule(s) is being requested, Item 11a must be answered 'Y'.

55) (For BRS and EBS) Does the Applicant comply with 47 CFR §§ 27.50, 27.55, and 27.1221?	() <u>Yes</u> <u>No</u>
---	--------------------------

Note: If the answer to item 55 is 'N', attach an exhibit justifying a waiver of that rule(s). If a waiver of the Commission Rule(s) is being requested, Item 11a must be answered 'Y'.

For Applicants Who Participated in an Auction

56) Is the Applicant a qualifying rural wireless partnership or a member of a qualifying rural wireless partnership?	() <u>Yes</u> <u>No</u>
--	--------------------------

Note: If the answer to item 56 is 'Y', attach an exhibit listing all members of the qualifying rural wireless partnership, including their FRN numbers.

For Renewal Applicants

57) Operation/Performance Requirement Certification	
[For a site-based license]: Applicant certifies that it is continuing to operate consistent with its most recently filed construction notification (or most recent authorization, if no construction notification was required).	() <u>Yes</u> <u>No</u>
[For a geographic license, commercial service - licensee in its initial license term with an interim performance requirement]: Applicant certifies that it has met its interim performance requirement, that over the portion of the license term following the interim performance requirement, it continues to use its facilities to provide at least the level of service required by its interim performance requirement, it has met its final performance requirement, and it continues to use its facilities to provide at least the level of service required by its final performance requirement through the end of the license term.	() <u>Yes</u> <u>No</u>
[For a geographic license, commercial service - licensee in its initial license term with no interim performance requirement]: Applicant certifies that it has met its final performance requirement and it continues to use its facilities to provide at least the level of service required by its final performance requirement through the end of the license term. [Note: licensee must provide a showing demonstrating that the final performance requirement has been met, either separately in a timely application for notification of completion of construction, or as part of its renewal application, depending on the radio service.]	() <u>Yes</u> <u>No</u>
[For a geographic license, commercial service - licensee in any subsequent term]: Applicant certifies that it continues to use its facilities to provide at least the level of service required by its final performance requirement through the end of any subsequent license terms.	() <u>Yes</u> <u>No</u>
[For a geographic license, private systems - licensee in its initial license term with an interim performance requirement]: Applicant certifies that it has met its interim performance requirement, that over the portion of the license term following the interim performance requirement, it continues to use its facilities to further its private business or public interest/public safety communications needs at or above the level required to meet its interim performance requirement, it has met its final performance requirement, and it continues to use its facilities to provide at least the level of operation required by its final performance requirement through the end of the license term.	() <u>Yes</u> <u>No</u>
[For a geographic license, private systems - licensee in its initial license term with no interim performance requirement]: Applicant certifies that it has met its final performance requirement, it continues to use its facilities to further its private business or public interest/public safety communications needs, and it continues to use its facilities to provide at least the level of operation required by its final performance requirement through the end of the license term. [Note: licensee must provide a showing demonstrating that the final performance requirement has been met, either separately in a timely application for notification of completion of construction, or as part of its renewal application, depending on the radio service.]	() <u>Yes</u> <u>No</u>

[For a geographic license, private systems - licensee in any subsequent term]: Applicant certifies that it continues to use its facilities to further its private business or public interest/public safety communications needs at or above the level required to meet its final performance requirement through the end of any subsequent license terms.	(<input type="checkbox"/>) <u>Yes</u> <u>No</u>
[For a partitioned or disaggregated license without a performance requirement, for the first renewal application filed after effective date of the rules]: Applicant certifies that the partitioned and/or disaggregated license that is the subject of this renewal application has no separate performance requirement and that this is the first renewal of this license filed subsequent to the effective date of the rules.	(<input type="checkbox"/>) <u>Yes</u> <u>No</u>
[For a partitioned or disaggregated license without a performance requirement, for any subsequent renewal filings]: Applicant certifies that it continues to use its facilities to provide service or to further the applicant's private business or public interest/public safety needs.	(<input type="checkbox"/>) <u>Yes</u> <u>No</u>

Discontinuance of Service Certification

58) Applicant certifies that no permanent discontinuance of service or operation, as applicable, occurred during its current license term. Note: If the response to either item 57 or item 58 is 'N', attach an exhibit that demonstrates that over the course of the license term, the Applicant provided and continues to provide service to the public, or operated and continues to operate the license to meet the Applicant's private business or public interest/public safety communications needs. This exhibit must include a detailed description of the Applicant's provision of service or, when allowed under the relevant service rules or pursuant to waiver, use of the spectrum for private business or public interest/public safety communications needs, during the entire license period and address, as applicable: 1) the level and quality of service provided by the applicant (e.g., the population served, the area served, the number of subscribers, the services offered); (2) the date service commenced, whether service was ever interrupted, and the duration of any interruption or outage; (3) the extent to which service is provided to rural areas; (4) the extent to which service is provided to qualifying tribal land as defined in 47 CFR § 1.2110(e)(3)(i); and (5) any other factors associated with the level of service to the public. The licensee may note in its exhibit: 1) any grant(s) of waiver or extension of a performance deadline or license renewal subject to meeting a performance requirement; or 2) if the final performance deadline and/or expiration date for the license accelerated because the licensee did not meet an interim performance requirement.	(<input type="checkbox"/>) <u>Yes</u> <u>No</u>
--	---

Regulatory Compliance Certification [same for all]

59) Applicant certifies that it has substantially complied with all applicable FCC rules, policies, and the Communications Act of 1934, as amended. Note: If the response to item 59 is 'N', attach an exhibit explaining the circumstances and demonstrating why Applicant's license should be renewed.	(<input type="checkbox"/>) <u>Yes</u> <u>No</u>
--	---

General Certification Statements

1) The Applicant waives any claim to the use of any particular frequency or of the electromagnetic spectrum as against the regulatory power of the United States because of the previous use of the same, whether by license or otherwise, and requests an authorization in accordance with this application.
2) The Applicant certifies that grant of this application would not cause the Applicant to be in violation of any pertinent cross-ownership or attribution rules.* *If the Applicant has sought a waiver of any such rule in connection with this application, it may make this certification subject to the outcome of the waiver request.
3) The Applicant certifies that all statements made in this application and in the exhibits, attachments, or documents incorporated by reference are material, are part of this application, and are true, complete, correct, and made in good faith.
4) The Applicant certifies that neither the Applicant nor any other party to the application is subject to a denial of Federal benefits pursuant to § 5301 of the Anti-Drug Abuse Act of 1988, 21 U.S.C. § 862, because of a conviction for possession or distribution of a controlled substance. This certification does not apply to applications filed in services exempted under § 1.2002(c) of the rules, 47 CFR § 1.2002(c). See 47 CFR § 1.2002(b) for the definition of "party to the application" as used in this certification.
5) The Applicant certifies that it either (1) has current required ownership data on file with the Commission, (2) is filing updated ownership data simultaneously with this application, or (3) is not required to file ownership data under the Commission's Rules.
6) The Applicant certifies that the facilities, operations, and transmitters for which this authorization is hereby requested are either: (1) categorically excluded from routine environmental evaluation for RF exposure as set forth in 47 CFR § 1.1307(b); or, (2) have been found not to cause human exposure to levels of radiofrequency radiation in excess of the limits specified in 47 CFR §§ 1.1310 and 2.1093; or, (3) are the subject of one or more Environmental Assessments filed with the Commission.
7) The Applicant certifies that it has reviewed the appropriate Commission Rules defining eligibility to hold the requested license(s) and is eligible to hold the requested license(s).
8) The Applicant certifies that it is not in default on any payment for Commission licenses and that it is not delinquent on any non-tax debt owed to any federal agency.
9) The Applicant certifies that the Applicant and all of the related individuals and entities required to be disclosed on this application and FCC Form 602 (FCC Ownership Disclosure Information for the Wireless Telecommunications Services) are not person(s) who have been, for reasons of national security, barred by any agency of the Federal Government from bidding on a contract, participating in an auction, or receiving a grant. This certification applies only to applications for licenses for spectrum that is required by Sections 6103, 6401-6403 of the Middle Class Tax Relief and Job Creation Act of 2012, codified at 47 U.S.C. §§ 309, 1413, 1451-1452, to be assigned by a system of competitive bidding under 47 U.S.C. § 309(j).

Signature

60) Typed or Printed Name of Party Authorized to Sign

First Name: Jessica	MI:	Last Name: Dunk	Suffix:
-------------------------------	-----	---------------------------	---------

61) Title: **Assistant Secretary - Compliance**

Signature: Jessica Dunk	62) Date: 01/22/2024
-----------------------------------	--------------------------------

FAILURE TO SIGN THIS APPLICATION MAY RESULT IN DISMISSAL OF THE APPLICATION AND FORFEITURE OF ANY FEES PAID.

Upon grant of this license application, the Licensee may be subject to certain construction or coverage requirements. Failure to meet the construction or coverage requirements will result in termination of the license. Consult appropriate FCC regulations to determine the construction or coverage requirements that apply to the type of license requested in this application.

WILLFUL FALSE STATEMENTS MADE ON THIS FORM OR ANY ATTACHMENTS ARE PUNISHABLE BY FINE AND/OR IMPRISONMENT (U.S. Code, Title 18, § 1001) AND/OR REVOCATION OF ANY STATION LICENSE OR CONSTRUCTION PERMIT (U.S. Code, Title 47, § 312(a)(1)), AND/OR FORFEITURE (U.S. Code, Title 47, § 503).

REFERENCE COPY

This is not an official FCC license. It is a record of public information contained in the FCC's licensing database on the date that this reference copy was generated. In cases where FCC rules require the presentation, posting, or display of an FCC license, this document may not be used in place of an official FCC license.



Federal Communications Commission
Wireless Telecommunications Bureau
RADIO STATION AUTHORIZATION

LICENSEE: NEW CINGULAR WIRELESS PCS, LLC

ATTN: NATIONAL REGULATORY COMPLIANCE
 NEW CINGULAR WIRELESS PCS, LLC
 208 S AKARD ST, 20F
 DALLAS, TX 75202

Call Sign KNLH653	File Number
Radio Service CW - PCS Broadband	

FCC Registration Number (FRN): 0003291192

Grant Date 04-11-2017	Effective Date 01-24-2024	Expiration Date 04-28-2027	Print Date
Market Number BTA339	Channel Block F	Sub-Market Designator 0	
Market Name Paducah-Murray-Mayfield, KY			
1st Build-out Date 04-28-2002	2nd Build-out Date	3rd Build-out Date	4th Build-out Date

Waivers/Conditions:

This authorization is subject to the condition that, in the event that systems using the same frequencies as granted herein are authorized in an adjacent foreign territory (Canada/United States), future coordination of any base station transmitters within 72 km (45 miles) of the United States/Canada border shall be required to eliminate any harmful interference to operations in the adjacent foreign territory and to ensure continuance of equal access to the frequencies by both countries.

Grant conditioned upon consummation of the assignment of license to Banana Communications, LLC within 180 days of June 9, 2008, per Memorandum Opinion and Order, DA 08-1380, released June 9, 2008.

Conditions:
 Pursuant to §309(h) of the Communications Act of 1934, as amended, 47 U.S.C. §309(h), this license is subject to the following conditions: This license shall not vest in the licensee any right to operate the station nor any right in the use of the frequencies designated in the license beyond the term thereof nor in any other manner than authorized herein. Neither the license nor the right granted thereunder shall be assigned or otherwise transferred in violation of the Communications Act of 1934, as amended. See 47 U.S.C. § 310(d). This license is subject in terms to the right of use or control conferred by §706 of the Communications Act of 1934, as amended. See 47 U.S.C. §606.

This license may not authorize operation throughout the entire geographic area or spectrum identified on the hardcopy version. To view the specific geographic area and spectrum authorized by this license, refer to the Spectrum and Market Area information under the Market Tab of the license record in the Universal Licensing System (ULS). To view the license record, go to the ULS homepage at <http://wireless.fcc.gov/uls/index.htm?job=home> and select "License Search". Follow the instructions on how to search for license information.

Licensee Name: NEW CINGULAR WIRELESS PCS, LLC

Call Sign: KNLH653

File Number:

Print Date:

700 MHz Relicensed Area Information:

Market	Market Name	Buildout Deadline	Buildout Notification	Status
---------------	--------------------	--------------------------	------------------------------	---------------

Reference Copy

Reference Copy Only. Do Not Mail to the FCC as an Application.

Submitted: 01/23/2024 at 17:43:02
 File Number: 0010873334

FCC 601
Main Form

FCC Application for Radio Service Authorization: Wireless Telecommunications Bureau Public Safety and Homeland Security Bureau

Approved by OMB
 3060 - 0798
 See instructions for
 public burden estimate

1) Radio Service Code: CW	1a) Existing Radio Service Code:
---	----------------------------------

General Information

2) (Select only one) (AU) NE - New RO - Renewal Only AU - Administrative Update NT - Required Notifications MD - Modification RM - Renewal/Modification WD - Withdrawal of Application EX - Requests for Extension of Time AM - Amendment CA - Cancellation of License RL - Registered Location/Link	
3a) If this application is for a Demonstration License or a Special Temporary Authorization (STA), enter the code and attach the required exhibit as described in the instructions. Otherwise enter ' <u>N/A</u> ' (Not Applicable).	(N) <u>M</u> <u>S</u> <u>N/A</u>
3b) If this application is for Special Temporary Authority due to an emergency situation, enter 'Y'; otherwise enter 'N'. Refer to Rule 1.915 for an explanation of situations considered to be an emergency.	() <u>Y</u> es <u>N</u> o
4) If this application is for an Amendment or Withdrawal, enter the file number of the pending application currently on file with the FCC.	File Number
5) If this application is for a Modification, Renewal Only, Renewal/Modification, Cancellation of License, or Administrative Update, enter the call sign of the existing FCC license. If this is a request for Registered Location/Link, enter the FCC call sign assigned to the geographic license.	Call Sign KNLH653
6a) If this application is for a New, Amendment, Renewal Only, or Renewal/Modification, enter the requested authorization expiration date (this item is optional).	MM DD /
6b) If this application is for a Renewal Only or Renewal/Modification and the license is a geographic area license, is the license used to provide service to customers (C), or is the license used for private business (internal) purposes or to meet the licensee's public interest/public safety communications needs (P)?	() <u>C</u> <u>P</u>
7) Is this application "major" as defined in § 1.929 of the Commission's Rules when read in conjunction with the applicable radio service rules found in Parts 22 and 90 of the Commission's Rules? (NOTE: This question only applies to certain site-specific applications. See the instructions for applicability and full text of § 1.929).	() <u>Y</u> es <u>N</u> o
8) Are attachments (other than associated schedules) being filed with this application?	() <u>Y</u> es <u>N</u> o

Fees, Waivers, and Exemptions

9) Is the Applicant exempt from FCC application fees?	(N) <u>Y</u> es <u>N</u> o
10) Is the Applicant exempt from FCC regulatory fees?	(N) <u>Y</u> es <u>N</u> o
11) Does this application include a request for a Waiver of the Commission's Rule(s)? If 'Yes', attach an exhibit providing rule number(s) and explaining circumstances.	(N) <u>Y</u> es <u>N</u> o
12) Are the frequencies or parameters requested in this filing covered by grandfathered privileges, previously approved by waiver, or functionally integrated with an existing station?	() <u>Y</u> es <u>N</u> o

Applicant Information

13) FCC Registration Number (FRN): 0003291192			
14) Applicant/Licensee Legal Entity Type: (Select One) <input type="checkbox"/> Individual <input type="checkbox"/> Unincorporated Association <input type="checkbox"/> Trust <input type="checkbox"/> Government Entity <input type="checkbox"/> Corporation <input checked="" type="checkbox"/> Limited Liability Company <input type="checkbox"/> General Partnership <input type="checkbox"/> Limited Partnership <input type="checkbox"/> Limited Liability Partnership <input type="checkbox"/> Consortium <input type="checkbox"/> Other: _____			
15) If the Licensee name is being updated, is the update a result from the sale (or transfer of control) of the license(s) to party and for which proper Commission approval has not been received or proper notification not provided?			<input type="checkbox"/> Yes <input checked="" type="checkbox"/> No
16) First Name (if individual):	MI:	Last Name:	Suffix:
17) Legal Entity Name (if other than individual): New Cingular Wireless PCS, LLC			
18) Attention To: National Regulatory Compliance			
19) P.O. Box:	And/Or	20) Street Address: 208 S Akard St, 20F	
21) City: Dallas	22) State: TX	23) Zip Code: 75202	
24) Telephone Number: (855)699-7073		25) Fax: (214)746-6410	
26) E-Mail Address: FCCMW@att.com			

27) Demographics (Optional)

Race: <input type="checkbox"/> American Indian or Alaska Native <input type="checkbox"/> Asian <input type="checkbox"/> Black or African-American <input type="checkbox"/> Native Hawaiian or Other Pacific Islander <input type="checkbox"/> White	Ethnicity: <input type="checkbox"/> Hispanic or Latino <input type="checkbox"/> Not Hispanic or Latino	Gender: <input type="checkbox"/> Male <input type="checkbox"/> Female
--	--	---

Real Party in Interest

28) Name of Real Party in Interest of Applicant (If different from Applicant):	29) FCC Registration Number (FRN) of Real Party in Interest:
--	--

Contact Information (If different from the Applicant) Check here if same as Applicant.

30) First Name: Jessica	MI: J	Last Name: Dunk	Suffix:
31) Company Name: AT&T Services, Inc.			
32) Attention To: NRC			
33) P.O. Box:	And /Or	34) Street Address: 208 S Akard St, 20F	
35) City: Dallas	36) State: TX	37) Zip Code: 75202	
38) Telephone Number: (855)699-7073		39) Fax: (214)746-6410	
40) E-Mail Address: FCCMW@att.com			

Regulatory Status

41) This filing is for authorization to provide or use the following type(s) of radio service offering (enter all that apply): (<input type="checkbox"/>) <u>C</u> ommon Carrier (<input type="checkbox"/>) <u>N</u> on-Common Carrier (<input type="checkbox"/>) <u>P</u> rivate, internal communications (<input type="checkbox"/>) <u>B</u> roadcast Services (<input type="checkbox"/>) <u>B</u> and <u>M</u> anager

Type of Radio Service

42) This filing is for authorization to provide the following type(s) of radio service (choose all that apply): (<input type="checkbox"/>) <u>F</u> ixed (<input type="checkbox"/>) <u>M</u> obile (<input type="checkbox"/>) <u>R</u> adiolocation (<input type="checkbox"/>) <u>S</u> atellite (sound) (<input type="checkbox"/>) <u>B</u> roadcast Services
43) Does the Applicant propose to provide service interconnected to the public telephone network? (<input type="checkbox"/>) <u>Y</u> es <u>N</u> o

Alien Ownership Questions (If any answer is 'Y', provide an attachment explaining the circumstances. In preparing the attachment, refer to the Main Form Instructions for the "Alien Ownership Questions".)

44) Is the Applicant a foreign government or the representative of any foreign government? (<input type="checkbox"/>) <u>Y</u> es <u>N</u> o
45) Is the Applicant an alien or the representative of an alien? (<input type="checkbox"/>) <u>Y</u> es <u>N</u> o
46) Is the Applicant a corporation organized under the laws of any foreign government? (<input type="checkbox"/>) <u>Y</u> es <u>N</u> o
47) Is the Applicant a corporation of which more than one-fifth of the capital stock is owned of record or voted by aliens or their representatives, or by a foreign government or representative thereof, or by any corporation organized under the laws of a foreign country? (<input type="checkbox"/>) <u>Y</u> es <u>N</u> o

48a) Is the Applicant directly or indirectly controlled by any other corporation of which more than one-fourth of the capital stock () Yes No is owned of record or voted by aliens or their representatives, or by a foreign government or representative thereof, or by any corporation organized under the laws of a foreign country?

48b) If the answer to 47 or 48a is 'Y' select one of the choices below.

The Applicant is exempt from the provisions of Section 310(b).

If checked, it is not necessary to file a petition for declaratory ruling if the Applicant includes in the attachment required by Item 47 or Item 48a a showing that the requested license(s) is exempt from the provisions of Section 310(b).

The Applicant has received a declaratory ruling(s) approving its foreign ownership, and the application involves only the acquisition of additional spectrum for the provision of a wireless service in a geographic coverage area for which the Applicant has been previously authorized.

If checked, include in the attachment required by Item 47 or Item 48a the citation(s) of the applicable declaratory ruling(s) by DA/FCC number, the FCC Record citation, if available, release date, and a statement that there has been no change in the foreign ownership of the Applicant since the issuance of its ruling.

The Applicant: (i) has received a declaratory ruling(s) approving its foreign ownership, but is not able to make the certification specified immediately above; or (ii) is an "affiliate" of a Licensee or Lessee/Sublessee that received a declaratory ruling(s) under 47 CFR § 1.5000(a) and is relying on the affiliate's ruling for purposes of filing this application as permitted under the affiliate's ruling and 47 CFR § 1.5004(b)

If checked, and if the Applicant received its declaratory ruling(s) on or after August 9, 2013, include in the attachment required by Item 47 or Item 48a the citation(s) of the Applicant's declaratory ruling(s) by DA/FCC number, the FCC Record citation, if available, release date, and a statement that the Applicant is in compliance with the terms and conditions of its ruling and with the Commission's Rules.

If checked, and if the Applicant received its declaratory ruling(s) prior to August 9, 2013, include in the attachment required by Item 48a a copy of a petition for declaratory ruling filed contemporaneously with the Commission to extend the Applicant's existing ruling(s) to cover the same radio service(s) and geographic coverage area(s) involved in the application. Alternatively, the Applicant may request a new declaratory ruling pursuant to Section 1.5000(a) of the Commission's Rules, 47 CFR § 1.5000 (a). Petitions for declaratory ruling may be filed electronically on the Internet through the International Bureau Filing System (IBFS) (with a copy attached hereto).

If checked, and if the Applicant is relying on an affiliate's ruling for purposes of filing this application, include in the attachment required by Item 47 or Item 48a the citation(s) of the applicable declaratory ruling(s) by DA/FCC number, the FCC Record citation, if available, release date, and a statement that the Applicant is in compliance with the terms and conditions of the named affiliate's ruling and with the Commission's Rules. The Applicant must also include a certification of compliance signed by the named affiliate or other qualified entity as specified in 47 CFR § 1.5004(b). See Main Form Instructions for Items 47 or 48a, as applicable.

The Applicant has not received a declaratory ruling approving its foreign ownership and is requesting a declaratory ruling under 47 CFR § 1.5004(b) in a petition filed contemporaneously with the Commission.

If checked, include in the attachment required by Item 47 or 48a a copy of the petition for declaratory ruling filed contemporaneously with the Commission pursuant to 47 CFR § 1.5004(b). Petitions for declaratory ruling may be filed electronically on the Internet through the International Bureau Filing System (IBFS) (with a copy attached hereto).

Basic Qualification Questions

49) Has the Applicant or any party to this application had any FCC station authorization, license or construction permit revoked or had any application for an initial, modification or renewal of FCC station authorization, license, or construction permit denied by the Commission?	() <u>Yes</u> <u>No</u>
50) Has the Applicant or any party to this application, or any party directly or indirectly controlling the Applicant, ever been convicted of a felony by any state or federal court?	() <u>Yes</u> <u>No</u>
51) Has any court finally adjudged the Applicant or any party directly or indirectly controlling the Applicant guilty of unlawfully monopolizing or attempting unlawfully to monopolize radio communication, directly or indirectly, through control of manufacture or sale of radio apparatus, exclusive traffic arrangement, or any other means or unfair methods of competition?	() <u>Yes</u> <u>No</u>

Note: If the answer to any of 49-51 is 'Y', attach an exhibit explaining the circumstances.

Aeronautical Advisory Station (Unicom) Certification

52) () I certify that the station will be located on property of the airport to be served, and, in cases where the airport does not have a control tower, RCO, or FAA flight service station, that I have notified the owner of the airport and all aviation service organizations located at the airport within ten days prior to application.
--

Broadband Radio Service and Educational Broadband Service Cable Cross-Ownership

53a) Will the requested facilities be used to provide multichannel video programming service?	() <u>Yes</u> <u>No</u>
53b) If the answer to question 53a is 'Y', does the Applicant operate, control or have an attributable interest (as defined in 47 CFR § 27.1202) in a cable television system whose franchise area is located within the geographic service area of the requested facilities?	() <u>Yes</u> <u>No</u>

Note: If the answer to question 53b is 'Y', attach an exhibit explaining how the Applicant complies with 47 CFR § 27.1202 or justifying a waiver of that rule. If a waiver of the Commission Rule(s) is being requested, Item 11a must be answered 'Y'.

Broadband Radio Service and Educational Broadband Service (Part 27)

54) (For EBS only) Does the Applicant comply with the programming requirements contained in 47 CFR § 27.1203?	() <u>Yes</u> <u>No</u>
---	--------------------------

Note: If the answer to item 54 is 'N', attach an exhibit explaining how the Applicant complies with 47 CFR § 27.1203 of the Commission's Rules or justifying a waiver of that rule. If a waiver of the Commission Rule(s) is being requested, Item 11a must be answered 'Y'.

55) (For BRS and EBS) Does the Applicant comply with 47 CFR §§ 27.50, 27.55, and 27.1221?	() <u>Yes</u> <u>No</u>
---	--------------------------

Note: If the answer to item 55 is 'N', attach an exhibit justifying a waiver of that rule(s). If a waiver of the Commission Rule(s) is being requested, Item 11a must be answered 'Y'.

For Applicants Who Participated in an Auction

56) Is the Applicant a qualifying rural wireless partnership or a member of a qualifying rural wireless partnership?	() <u>Yes</u> <u>No</u>
--	--------------------------

Note: If the answer to item 56 is 'Y', attach an exhibit listing all members of the qualifying rural wireless partnership, including their FRN numbers.

For Renewal Applicants

57) Operation/Performance Requirement Certification

[For a site-based license]: Applicant certifies that it is continuing to operate consistent with its most recently filed construction notification (or most recent authorization, if no construction notification was required).	() <u>Yes</u> <u>No</u>
[For a geographic license, commercial service - licensee in its initial license term with an interim performance requirement]: Applicant certifies that it has met its interim performance requirement, that over the portion of the license term following the interim performance requirement, it continues to use its facilities to provide at least the level of service required by its interim performance requirement, it has met its final performance requirement, and it continues to use its facilities to provide at least the level of service required by its final performance requirement through the end of the license term.	() <u>Yes</u> <u>No</u>
[For a geographic license, commercial service - licensee in its initial license term with no interim performance requirement]: Applicant certifies that it has met its final performance requirement and it continues to use its facilities to provide at least the level of service required by its final performance requirement through the end of the license term. [Note: licensee must provide a showing demonstrating that the final performance requirement has been met, either separately in a timely application for notification of completion of construction, or as part of its renewal application, depending on the radio service.]	() <u>Yes</u> <u>No</u>
[For a geographic license, commercial service - licensee in any subsequent term]: Applicant certifies that it continues to use its facilities to provide at least the level of service required by its final performance requirement through the end of any subsequent license terms.	() <u>Yes</u> <u>No</u>
[For a geographic license, private systems - licensee in its initial license term with an interim performance requirement]: Applicant certifies that it has met its interim performance requirement, that over the portion of the license term following the interim performance requirement, it continues to use its facilities to further its private business or public interest/public safety communications needs at or above the level required to meet its interim performance requirement, it has met its final performance requirement, and it continues to use its facilities to provide at least the level of operation required by its final performance requirement through the end of the license term.	() <u>Yes</u> <u>No</u>
[For a geographic license, private systems - licensee in its initial license term with no interim performance requirement]: Applicant certifies that it has met its final performance requirement, it continues to use its facilities to further its private business or public interest/public safety communications needs, and it continues to use its facilities to provide at least the level of operation required by its final performance requirement through the end of the license term. [Note: licensee must provide a showing demonstrating that the final performance requirement has been met, either separately in a timely application for notification of completion of construction, or as part of its renewal application, depending on the radio service.]	() <u>Yes</u> <u>No</u>

[For a geographic license, private systems - licensee in any subsequent term]: Applicant certifies that it continues to use its facilities to further its private business or public interest/public safety communications needs at or above the level required to meet its final performance requirement through the end of any subsequent license terms.	(<input type="checkbox"/>) <u>Yes</u> <u>No</u>
[For a partitioned or disaggregated license without a performance requirement, for the first renewal application filed after effective date of the rules]: Applicant certifies that the partitioned and/or disaggregated license that is the subject of this renewal application has no separate performance requirement and that this is the first renewal of this license filed subsequent to the effective date of the rules.	(<input type="checkbox"/>) <u>Yes</u> <u>No</u>
[For a partitioned or disaggregated license without a performance requirement, for any subsequent renewal filings]: Applicant certifies that it continues to use its facilities to provide service or to further the applicant's private business or public interest/public safety needs.	(<input type="checkbox"/>) <u>Yes</u> <u>No</u>

Discontinuance of Service Certification

58) Applicant certifies that no permanent discontinuance of service or operation, as applicable, occurred during its current license term. Note: If the response to either item 57 or item 58 is 'N', attach an exhibit that demonstrates that over the course of the license term, the Applicant provided and continues to provide service to the public, or operated and continues to operate the license to meet the Applicant's private business or public interest/public safety communications needs. This exhibit must include a detailed description of the Applicant's provision of service or, when allowed under the relevant service rules or pursuant to waiver, use of the spectrum for private business or public interest/public safety communications needs, during the entire license period and address, as applicable: 1) the level and quality of service provided by the applicant (e.g., the population served, the area served, the number of subscribers, the services offered); (2) the date service commenced, whether service was ever interrupted, and the duration of any interruption or outage; (3) the extent to which service is provided to rural areas; (4) the extent to which service is provided to qualifying tribal land as defined in 47 CFR § 1.2110(e)(3)(i); and (5) any other factors associated with the level of service to the public. The licensee may note in its exhibit: 1) any grant(s) of waiver or extension of a performance deadline or license renewal subject to meeting a performance requirement; or 2) if the final performance deadline and/or expiration date for the license accelerated because the licensee did not meet an interim performance requirement.	(<input type="checkbox"/>) <u>Yes</u> <u>No</u>
--	---

Regulatory Compliance Certification [same for all]

59) Applicant certifies that it has substantially complied with all applicable FCC rules, policies, and the Communications Act of 1934, as amended. Note: If the response to item 59 is 'N', attach an exhibit explaining the circumstances and demonstrating why Applicant's license should be renewed.	(<input type="checkbox"/>) <u>Yes</u> <u>No</u>
--	---

General Certification Statements

1) The Applicant waives any claim to the use of any particular frequency or of the electromagnetic spectrum as against the regulatory power of the United States because of the previous use of the same, whether by license or otherwise, and requests an authorization in accordance with this application.
2) The Applicant certifies that grant of this application would not cause the Applicant to be in violation of any pertinent cross-ownership or attribution rules.* *If the Applicant has sought a waiver of any such rule in connection with this application, it may make this certification subject to the outcome of the waiver request.
3) The Applicant certifies that all statements made in this application and in the exhibits, attachments, or documents incorporated by reference are material, are part of this application, and are true, complete, correct, and made in good faith.
4) The Applicant certifies that neither the Applicant nor any other party to the application is subject to a denial of Federal benefits pursuant to § 5301 of the Anti-Drug Abuse Act of 1988, 21 U.S.C. § 862, because of a conviction for possession or distribution of a controlled substance. This certification does not apply to applications filed in services exempted under § 1.2002(c) of the rules, 47 CFR § 1.2002(c). See 47 CFR § 1.2002(b) for the definition of "party to the application" as used in this certification.
5) The Applicant certifies that it either (1) has current required ownership data on file with the Commission, (2) is filing updated ownership data simultaneously with this application, or (3) is not required to file ownership data under the Commission's Rules.
6) The Applicant certifies that the facilities, operations, and transmitters for which this authorization is hereby requested are either: (1) categorically excluded from routine environmental evaluation for RF exposure as set forth in 47 CFR § 1.1307(b); or, (2) have been found not to cause human exposure to levels of radiofrequency radiation in excess of the limits specified in 47 CFR §§ 1.1310 and 2.1093; or, (3) are the subject of one or more Environmental Assessments filed with the Commission.
7) The Applicant certifies that it has reviewed the appropriate Commission Rules defining eligibility to hold the requested license(s) and is eligible to hold the requested license(s).
8) The Applicant certifies that it is not in default on any payment for Commission licenses and that it is not delinquent on any non-tax debt owed to any federal agency.
9) The Applicant certifies that the Applicant and all of the related individuals and entities required to be disclosed on this application and FCC Form 602 (FCC Ownership Disclosure Information for the Wireless Telecommunications Services) are not person(s) who have been, for reasons of national security, barred by any agency of the Federal Government from bidding on a contract, participating in an auction, or receiving a grant. This certification applies only to applications for licenses for spectrum that is required by Sections 6103, 6401-6403 of the Middle Class Tax Relief and Job Creation Act of 2012, codified at 47 U.S.C. §§ 309, 1413, 1451-1452, to be assigned by a system of competitive bidding under 47 U.S.C. § 309(j).

Signature

60) Typed or Printed Name of Party Authorized to Sign

First Name: Jessica	MI:	Last Name: Dunk	Suffix:
61) Title: Assistant Secretary - Compliance			
Signature: Jessica Dunk			62) Date: 01/23/2024
FAILURE TO SIGN THIS APPLICATION MAY RESULT IN DISMISSAL OF THE APPLICATION AND FORFEITURE OF ANY FEES PAID.			
Upon grant of this license application, the Licensee may be subject to certain construction or coverage requirements. Failure to meet the construction or coverage requirements will result in termination of the license. Consult appropriate FCC regulations to determine the construction or coverage requirements that apply to the type of license requested in this application.			
WILLFUL FALSE STATEMENTS MADE ON THIS FORM OR ANY ATTACHMENTS ARE PUNISHABLE BY FINE AND/OR IMPRISONMENT (U.S. Code, Title 18, § 1001) AND/OR REVOCATION OF ANY STATION LICENSE OR CONSTRUCTION PERMIT (U.S. Code, Title 47, § 312(a)(1)), AND/OR FORFEITURE (U.S. Code, Title 47, § 503).			

Reference Copy Only. Do Not Mail to the FCC as an Application.

Submitted: 01/22/2024 at 14:43:18
 File Number: 0010867974

FCC 601
Main Form

FCC Application for Radio Service Authorization: Wireless Telecommunications Bureau Public Safety and Homeland Security Bureau

Approved by OMB
 3060 - 0798
 See instructions for
 public burden estimate

1) Radio Service Code: CW	1a) Existing Radio Service Code:
---	----------------------------------

General Information

2) (Select only one) (AU) NE - New RO - Renewal Only AU - Administrative Update NT - Required Notifications MD - Modification RM - Renewal/Modification WD - Withdrawal of Application EX - Requests for Extension of Time AM - Amendment CA - Cancellation of License RL - Registered Location/Link	
3a) If this application is for a Demonstration License or a Special Temporary Authorization (STA), enter the code and attach the required exhibit as described in the instructions. Otherwise enter ' <u>N/A</u> ' (Not Applicable).	(N) <u>M</u> <u>S</u> <u>N/A</u>
3b) If this application is for Special Temporary Authority due to an emergency situation, enter 'Y'; otherwise enter 'N'. Refer to Rule 1.915 for an explanation of situations considered to be an emergency.	() <u>Y</u> es <u>N</u> o
4) If this application is for an Amendment or Withdrawal, enter the file number of the pending application currently on file with the FCC.	File Number
5) If this application is for a Modification, Renewal Only, Renewal/Modification, Cancellation of License, or Administrative Update, enter the call sign of the existing FCC license. If this is a request for Registered Location/Link, enter the FCC call sign assigned to the geographic license.	Call Sign KNLH653
6a) If this application is for a New, Amendment, Renewal Only, or Renewal/Modification, enter the requested authorization expiration date (this item is optional).	MM DD /
6b) If this application is for a Renewal Only or Renewal/Modification and the license is a geographic area license, is the license used to provide service to customers (C), or is the license used for private business (internal) purposes or to meet the licensee's public interest/public safety communications needs (P)?	() <u>C</u> <u>P</u>
7) Is this application "major" as defined in § 1.929 of the Commission's Rules when read in conjunction with the applicable radio service rules found in Parts 22 and 90 of the Commission's Rules? (NOTE: This question only applies to certain site-specific applications. See the instructions for applicability and full text of § 1.929).	() <u>Y</u> es <u>N</u> o
8) Are attachments (other than associated schedules) being filed with this application?	() <u>Y</u> es <u>N</u> o

Fees, Waivers, and Exemptions

9) Is the Applicant exempt from FCC application fees?	(N) <u>Y</u> es <u>N</u> o
10) Is the Applicant exempt from FCC regulatory fees?	(N) <u>Y</u> es <u>N</u> o
11) Does this application include a request for a Waiver of the Commission's Rule(s)? If 'Yes', attach an exhibit providing rule number(s) and explaining circumstances.	(N) <u>Y</u> es <u>N</u> o
12) Are the frequencies or parameters requested in this filing covered by grandfathered privileges, previously approved by waiver, or functionally integrated with an existing station?	() <u>Y</u> es <u>N</u> o

Applicant Information

13) FCC Registration Number (FRN): 0003291192			
14) Applicant/Licensee Legal Entity Type: (Select One) <input type="checkbox"/> Individual <input type="checkbox"/> Unincorporated Association <input type="checkbox"/> Trust <input type="checkbox"/> Government Entity <input type="checkbox"/> Corporation <input checked="" type="checkbox"/> Limited Liability Company <input type="checkbox"/> General Partnership <input type="checkbox"/> Limited Partnership <input type="checkbox"/> Limited Liability Partnership <input type="checkbox"/> Consortium <input type="checkbox"/> Other: _____			
15) If the Licensee name is being updated, is the update a result from the sale (or transfer of control) of the license(s) to party and for which proper Commission approval has not been received or proper notification not provided?			<input type="checkbox"/> Yes <input checked="" type="checkbox"/> No
16) First Name (if individual):	MI:	Last Name:	Suffix:
17) Legal Entity Name (if other than individual): New Cingular Wireless PCS, LLC			
18) Attention To: National Regulatory Compliance			
19) P.O. Box:	And/Or	20) Street Address: 208 S Akard St, 20F	
21) City: Dallas	22) State: TX		23) Zip Code: 75202
24) Telephone Number: (855)699-7073		25) Fax: (214)746-6410	
26) E-Mail Address: FCCMW@att.com			

27) Demographics (Optional)

Race: <input type="checkbox"/> American Indian or Alaska Native <input type="checkbox"/> Asian <input type="checkbox"/> Black or African-American <input type="checkbox"/> Native Hawaiian or Other Pacific Islander <input type="checkbox"/> White	Ethnicity: <input type="checkbox"/> Hispanic or Latino <input type="checkbox"/> Not Hispanic or Latino	Gender: <input type="checkbox"/> Male <input type="checkbox"/> Female
--	--	---

Real Party in Interest

28) Name of Real Party in Interest of Applicant (If different from Applicant):	29) FCC Registration Number (FRN) of Real Party in Interest:
--	--

Contact Information (If different from the Applicant) Check here if same as Applicant.

30) First Name: Cecil	MI: J	Last Name: Mathew	Suffix:
31) Company Name: AT&T Services, Inc.			
32) Attention To: FCC Group			
33) P.O. Box:	And /Or	34) Street Address: 208 S. Akard St. 20F	
35) City: Dallas	36) State: TX		37) Zip Code: 75202
38) Telephone Number: (855)699-7073		39) Fax: (214)746-6410	
40) E-Mail Address: FCCMW@att.com			

Regulatory Status

41) This filing is for authorization to provide or use the following type(s) of radio service offering (enter all that apply):
() **Common Carrier** () **Non-Common Carrier** () **Private, internal communications** () **Broadcast Services** () **Band Manager**

Type of Radio Service

42) This filing is for authorization to provide the following type(s) of radio service (choose all that apply):
() **Fixed** () **Mobile** () **Radiolocation** () **Satellite (sound)** () **Broadcast Services**
43) Does the Applicant propose to provide service interconnected to the public telephone network? () **Yes** **No**

Alien Ownership Questions (If any answer is "Y", provide an attachment explaining the circumstances. In preparing the attachment, refer to the Main Form Instructions for the "Alien Ownership Questions".)

44) Is the Applicant a foreign government or the representative of any foreign government? () **Yes** **No**
45) Is the Applicant an alien or the representative of an alien? () **Yes** **No**
46) Is the Applicant a corporation organized under the laws of any foreign government? () **Yes** **No**
47) Is the Applicant a corporation of which more than one-fifth of the capital stock is owned of record or voted by aliens or their representatives, or by a foreign government or representative thereof, or by any corporation organized under the laws of a foreign country? () **Yes** **No**

48a) Is the Applicant directly or indirectly controlled by any other corporation of which more than one-fourth of the capital stock () Yes No is owned of record or voted by aliens or their representatives, or by a foreign government or representative thereof, or by any corporation organized under the laws of a foreign country?

48b) If the answer to 47 or 48a is 'Y' select one of the choices below.

The Applicant is exempt from the provisions of Section 310(b).

If checked, it is not necessary to file a petition for declaratory ruling if the Applicant includes in the attachment required by Item 47 or Item 48a a showing that the requested license(s) is exempt from the provisions of Section 310(b).

The Applicant has received a declaratory ruling(s) approving its foreign ownership, and the application involves only the acquisition of additional spectrum for the provision of a wireless service in a geographic coverage area for which the Applicant has been previously authorized.

If checked, include in the attachment required by Item 47 or Item 48a the citation(s) of the applicable declaratory ruling(s) by DA/FCC number, the FCC Record citation, if available, release date, and a statement that there has been no change in the foreign ownership of the Applicant since the issuance of its ruling.

The Applicant: (i) has received a declaratory ruling(s) approving its foreign ownership, but is not able to make the certification specified immediately above; or (ii) is an "affiliate" of a Licensee or Lessee/Sublessee that received a declaratory ruling(s) under 47 CFR § 1.5000(a) and is relying on the affiliate's ruling for purposes of filing this application as permitted under the affiliate's ruling and 47 CFR § 1.5004(b)

If checked, and if the Applicant received its declaratory ruling(s) on or after August 9, 2013, include in the attachment required by Item 47 or Item 48a the citation(s) of the Applicant's declaratory ruling(s) by DA/FCC number, the FCC Record citation, if available, release date, and a statement that the Applicant is in compliance with the terms and conditions of its ruling and with the Commission's Rules.

If checked, and if the Applicant received its declaratory ruling(s) prior to August 9, 2013, include in the attachment required by Item 48a a copy of a petition for declaratory ruling filed contemporaneously with the Commission to extend the Applicant's existing ruling(s) to cover the same radio service(s) and geographic coverage area(s) involved in the application. Alternatively, the Applicant may request a new declaratory ruling pursuant to Section 1.5000(a) of the Commission's Rules, 47 CFR § 1.5000 (a). Petitions for declaratory ruling may be filed electronically on the Internet through the International Bureau Filing System (IBFS) (with a copy attached hereto).

If checked, and if the Applicant is relying on an affiliate's ruling for purposes of filing this application, include in the attachment required by Item 47 or Item 48a the citation(s) of the applicable declaratory ruling(s) by DA/FCC number, the FCC Record citation, if available, release date, and a statement that the Applicant is in compliance with the terms and conditions of the named affiliate's ruling and with the Commission's Rules. The Applicant must also include a certification of compliance signed by the named affiliate or other qualified entity as specified in 47 CFR § 1.5004(b). See Main Form Instructions for Items 47 or 48a, as applicable.

The Applicant has not received a declaratory ruling approving its foreign ownership and is requesting a declaratory ruling under 47 CFR § 1.5004(b) in a petition filed contemporaneously with the Commission.

If checked, include in the attachment required by Item 47 or 48a a copy of the petition for declaratory ruling filed contemporaneously with the Commission pursuant to 47 CFR § 1.5004(b). Petitions for declaratory ruling may be filed electronically on the Internet through the International Bureau Filing System (IBFS) (with a copy attached hereto).

Basic Qualification Questions

49) Has the Applicant or any party to this application had any FCC station authorization, license or construction permit revoked or had any application for an initial, modification or renewal of FCC station authorization, license, or construction permit denied by the Commission?	() <u>Yes</u> <u>No</u>
50) Has the Applicant or any party to this application, or any party directly or indirectly controlling the Applicant, ever been convicted of a felony by any state or federal court?	() <u>Yes</u> <u>No</u>
51) Has any court finally adjudged the Applicant or any party directly or indirectly controlling the Applicant guilty of unlawfully monopolizing or attempting unlawfully to monopolize radio communication, directly or indirectly, through control of manufacture or sale of radio apparatus, exclusive traffic arrangement, or any other means or unfair methods of competition?	() <u>Yes</u> <u>No</u>

Note: If the answer to any of 49-51 is 'Y', attach an exhibit explaining the circumstances.

Aeronautical Advisory Station (Unicom) Certification

52) () I certify that the station will be located on property of the airport to be served, and, in cases where the airport does not have a control tower, RCO, or FAA flight service station, that I have notified the owner of the airport and all aviation service organizations located at the airport within ten days prior to application.
--

Broadband Radio Service and Educational Broadband Service Cable Cross-Ownership

53a) Will the requested facilities be used to provide multichannel video programming service?	() <u>Yes</u> <u>No</u>
53b) If the answer to question 53a is 'Y', does the Applicant operate, control or have an attributable interest (as defined in 47 CFR § 27.1202) in a cable television system whose franchise area is located within the geographic service area of the requested facilities?	() <u>Yes</u> <u>No</u>

Note: If the answer to question 53b is 'Y', attach an exhibit explaining how the Applicant complies with 47 CFR § 27.1202 or justifying a waiver of that rule. If a waiver of the Commission Rule(s) is being requested, Item 11a must be answered 'Y'.

Broadband Radio Service and Educational Broadband Service (Part 27)

54) (For EBS only) Does the Applicant comply with the programming requirements contained in 47 CFR § 27.1203?	() <u>Yes</u> <u>No</u>
---	--------------------------

Note: If the answer to item 54 is 'N', attach an exhibit explaining how the Applicant complies with 47 CFR § 27.1203 of the Commission's Rules or justifying a waiver of that rule. If a waiver of the Commission Rule(s) is being requested, Item 11a must be answered 'Y'.

55) (For BRS and EBS) Does the Applicant comply with 47 CFR §§ 27.50, 27.55, and 27.1221?	() <u>Yes</u> <u>No</u>
---	--------------------------

Note: If the answer to item 55 is 'N', attach an exhibit justifying a waiver of that rule(s). If a waiver of the Commission Rule(s) is being requested, Item 11a must be answered 'Y'.

For Applicants Who Participated in an Auction

56) Is the Applicant a qualifying rural wireless partnership or a member of a qualifying rural wireless partnership?	() <u>Yes</u> <u>No</u>
--	--------------------------

Note: If the answer to item 56 is 'Y', attach an exhibit listing all members of the qualifying rural wireless partnership, including their FRN numbers.

For Renewal Applicants

57) Operation/Performance Requirement Certification

[For a site-based license]: Applicant certifies that it is continuing to operate consistent with its most recently filed construction notification (or most recent authorization, if no construction notification was required).	() <u>Yes</u> <u>No</u>
[For a geographic license, commercial service - licensee in its initial license term with an interim performance requirement]: Applicant certifies that it has met its interim performance requirement, that over the portion of the license term following the interim performance requirement, it continues to use its facilities to provide at least the level of service required by its interim performance requirement, it has met its final performance requirement, and it continues to use its facilities to provide at least the level of service required by its final performance requirement through the end of the license term.	() <u>Yes</u> <u>No</u>
[For a geographic license, commercial service - licensee in its initial license term with no interim performance requirement]: Applicant certifies that it has met its final performance requirement and it continues to use its facilities to provide at least the level of service required by its final performance requirement through the end of the license term. [Note: licensee must provide a showing demonstrating that the final performance requirement has been met, either separately in a timely application for notification of completion of construction, or as part of its renewal application, depending on the radio service.]	() <u>Yes</u> <u>No</u>
[For a geographic license, commercial service - licensee in any subsequent term]: Applicant certifies that it continues to use its facilities to provide at least the level of service required by its final performance requirement through the end of any subsequent license terms.	() <u>Yes</u> <u>No</u>
[For a geographic license, private systems - licensee in its initial license term with an interim performance requirement]: Applicant certifies that it has met its interim performance requirement, that over the portion of the license term following the interim performance requirement, it continues to use its facilities to further its private business or public interest/public safety communications needs at or above the level required to meet its interim performance requirement, it has met its final performance requirement, and it continues to use its facilities to provide at least the level of operation required by its final performance requirement through the end of the license term.	() <u>Yes</u> <u>No</u>
[For a geographic license, private systems - licensee in its initial license term with no interim performance requirement]: Applicant certifies that it has met its final performance requirement, it continues to use its facilities to further its private business or public interest/public safety communications needs, and it continues to use its facilities to provide at least the level of operation required by its final performance requirement through the end of the license term. [Note: licensee must provide a showing demonstrating that the final performance requirement has been met, either separately in a timely application for notification of completion of construction, or as part of its renewal application, depending on the radio service.]	() <u>Yes</u> <u>No</u>

[For a geographic license, private systems - licensee in any subsequent term]: Applicant certifies that it continues to use its facilities to further its private business or public interest/public safety communications needs at or above the level required to meet its final performance requirement through the end of any subsequent license terms.	(<input type="checkbox"/>) <u>Yes</u> <u>No</u>
[For a partitioned or disaggregated license without a performance requirement, for the first renewal application filed after effective date of the rules]: Applicant certifies that the partitioned and/or disaggregated license that is the subject of this renewal application has no separate performance requirement and that this is the first renewal of this license filed subsequent to the effective date of the rules.	(<input type="checkbox"/>) <u>Yes</u> <u>No</u>
[For a partitioned or disaggregated license without a performance requirement, for any subsequent renewal filings]: Applicant certifies that it continues to use its facilities to provide service or to further the applicant's private business or public interest/public safety needs.	(<input type="checkbox"/>) <u>Yes</u> <u>No</u>

Discontinuance of Service Certification

58) Applicant certifies that no permanent discontinuance of service or operation, as applicable, occurred during its current license term. Note: If the response to either item 57 or item 58 is 'N', attach an exhibit that demonstrates that over the course of the license term, the Applicant provided and continues to provide service to the public, or operated and continues to operate the license to meet the Applicant's private business or public interest/public safety communications needs. This exhibit must include a detailed description of the Applicant's provision of service or, when allowed under the relevant service rules or pursuant to waiver, use of the spectrum for private business or public interest/public safety communications needs, during the entire license period and address, as applicable: 1) the level and quality of service provided by the applicant (e.g., the population served, the area served, the number of subscribers, the services offered); (2) the date service commenced, whether service was ever interrupted, and the duration of any interruption or outage; (3) the extent to which service is provided to rural areas; (4) the extent to which service is provided to qualifying tribal land as defined in 47 CFR § 1.2110(e)(3)(i); and (5) any other factors associated with the level of service to the public. The licensee may note in its exhibit: 1) any grant(s) of waiver or extension of a performance deadline or license renewal subject to meeting a performance requirement; or 2) if the final performance deadline and/or expiration date for the license accelerated because the licensee did not meet an interim performance requirement.	(<input type="checkbox"/>) <u>Yes</u> <u>No</u>
--	---

Regulatory Compliance Certification [same for all]

59) Applicant certifies that it has substantially complied with all applicable FCC rules, policies, and the Communications Act of 1934, as amended. Note: If the response to item 59 is 'N', attach an exhibit explaining the circumstances and demonstrating why Applicant's license should be renewed.	(<input type="checkbox"/>) <u>Yes</u> <u>No</u>
--	---

General Certification Statements

1) The Applicant waives any claim to the use of any particular frequency or of the electromagnetic spectrum as against the regulatory power of the United States because of the previous use of the same, whether by license or otherwise, and requests an authorization in accordance with this application.
2) The Applicant certifies that grant of this application would not cause the Applicant to be in violation of any pertinent cross-ownership or attribution rules.* *If the Applicant has sought a waiver of any such rule in connection with this application, it may make this certification subject to the outcome of the waiver request.
3) The Applicant certifies that all statements made in this application and in the exhibits, attachments, or documents incorporated by reference are material, are part of this application, and are true, complete, correct, and made in good faith.
4) The Applicant certifies that neither the Applicant nor any other party to the application is subject to a denial of Federal benefits pursuant to § 5301 of the Anti-Drug Abuse Act of 1988, 21 U.S.C. § 862, because of a conviction for possession or distribution of a controlled substance. This certification does not apply to applications filed in services exempted under § 1.2002(c) of the rules, 47 CFR § 1.2002(c). See 47 CFR § 1.2002(b) for the definition of "party to the application" as used in this certification.
5) The Applicant certifies that it either (1) has current required ownership data on file with the Commission, (2) is filing updated ownership data simultaneously with this application, or (3) is not required to file ownership data under the Commission's Rules.
6) The Applicant certifies that the facilities, operations, and transmitters for which this authorization is hereby requested are either: (1) categorically excluded from routine environmental evaluation for RF exposure as set forth in 47 CFR § 1.1307(b); or, (2) have been found not to cause human exposure to levels of radiofrequency radiation in excess of the limits specified in 47 CFR §§ 1.1310 and 2.1093; or, (3) are the subject of one or more Environmental Assessments filed with the Commission.
7) The Applicant certifies that it has reviewed the appropriate Commission Rules defining eligibility to hold the requested license(s) and is eligible to hold the requested license(s).
8) The Applicant certifies that it is not in default on any payment for Commission licenses and that it is not delinquent on any non-tax debt owed to any federal agency.
9) The Applicant certifies that the Applicant and all of the related individuals and entities required to be disclosed on this application and FCC Form 602 (FCC Ownership Disclosure Information for the Wireless Telecommunications Services) are not person(s) who have been, for reasons of national security, barred by any agency of the Federal Government from bidding on a contract, participating in an auction, or receiving a grant. This certification applies only to applications for licenses for spectrum that is required by Sections 6103, 6401-6403 of the Middle Class Tax Relief and Job Creation Act of 2012, codified at 47 U.S.C. §§ 309, 1413, 1451-1452, to be assigned by a system of competitive bidding under 47 U.S.C. § 309(j).

Signature

60) Typed or Printed Name of Party Authorized to Sign

First Name: Jessica	MI:	Last Name: Dunk	Suffix:
-------------------------------	-----	---------------------------	---------

61) Title: **Assistant Secretary - Compliance**

Signature: Jessica Dunk	62) Date: 01/22/2024
-----------------------------------	--------------------------------

FAILURE TO SIGN THIS APPLICATION MAY RESULT IN DISMISSAL OF THE APPLICATION AND FORFEITURE OF ANY FEES PAID.

Upon grant of this license application, the Licensee may be subject to certain construction or coverage requirements. Failure to meet the construction or coverage requirements will result in termination of the license. Consult appropriate FCC regulations to determine the construction or coverage requirements that apply to the type of license requested in this application.

WILLFUL FALSE STATEMENTS MADE ON THIS FORM OR ANY ATTACHMENTS ARE PUNISHABLE BY FINE AND/OR IMPRISONMENT (U.S. Code, Title 18, § 1001) AND/OR REVOCATION OF ANY STATION LICENSE OR CONSTRUCTION PERMIT (U.S. Code, Title 47, § 312(a)(1)), AND/OR FORFEITURE (U.S. Code, Title 47, § 503).

ereference Copy

REFERENCE COPY

This is not an official FCC license. It is a record of public information contained in the FCC's licensing database on the date that this reference copy was generated. In cases where FCC rules require the presentation, posting, or display of an FCC license, this document may not be used in place of an official FCC license.



**Federal Communications Commission
Wireless Telecommunications Bureau
RADIO STATION AUTHORIZATION**

LICENSEE: NEW CINGULAR WIRELESS PCS, LLC

ATTN: NATIONAL REGULATORY COMPLIANCE
NEW CINGULAR WIRELESS PCS, LLC
208 S AKARD ST, 20F
DALLAS, TX 75202

Call Sign WPOI212	File Number
Radio Service CW - PCS Broadband	

FCC Registration Number (FRN): 0003291192

Grant Date 05-27-2015	Effective Date 01-24-2024	Expiration Date 06-23-2025	Print Date
Market Number MTA028	Channel Block B	Sub-Market Designator 29	
Market Name Memphis-Jackson			
1st Build-out Date 06-23-2000	2nd Build-out Date 06-23-2005	3rd Build-out Date	4th Build-out Date

Waivers/Conditions:

This authorization is subject to the condition that, in the event that systems using the same frequencies as granted herein are authorized in an adjacent foreign territory (Canada/United States), future coordination of any base station transmitters within 72 km (45 miles) of the United States/Canada border shall be required to eliminate any harmful interference to operations in the adjacent foreign territory and to ensure continuance of equal access to the frequencies by both countries.

This authorization is subject to the condition that the remaining balance of the winning bid amount will be paid in accordance with Part 1 of the Commission's rules, 47 C.F.R. Part 1.

Conditions:

Pursuant to §309(h) of the Communications Act of 1934, as amended, 47 U.S.C. §309(h), this license is subject to the following conditions: This license shall not vest in the licensee any right to operate the station nor any right in the use of the frequencies designated in the license beyond the term thereof nor in any other manner than authorized herein. Neither the license nor the right granted thereunder shall be assigned or otherwise transferred in violation of the Communications Act of 1934, as amended. See 47 U.S.C. § 310(d). This license is subject in terms to the right of use or control conferred by §706 of the Communications Act of 1934, as amended. See 47 U.S.C. §606.

This license may not authorize operation throughout the entire geographic area or spectrum identified on the hardcopy version. To view the specific geographic area and spectrum authorized by this license, refer to the Spectrum and Market Area information under the Market Tab of the license record in the Universal Licensing System (ULS). To view the license record, go to the ULS homepage at <http://wireless.fcc.gov/uls/index.htm?job=home> and select "License Search". Follow the instructions on how to search for license information.

Licensee Name: NEW CINGULAR WIRELESS PCS, LLC

Call Sign: WPOI212

File Number:

Print Date:

This license is conditioned upon compliance with the provisions of Applications of AT&T Wireless Services, Inc. and Cingular Wireless Corporation For Consent to Transfer Control of Licenses and Authorizations, Memorandum Opinion and Order, FCC 04-255 (rel. Oct. 26, 2004).

Spectrum Lease Associated with this License. See Spectrum Leasing Arrangement Letter dated 12/06/2004 and File # 0001918579.

The Spectrum Leasing Arrangement, which became effective upon approval of application file number 0001918579 was terminated, in part, on 03/03/2005. See file number 0002072114.

The Spectrum Leasing Arrangement, which became effective upon approval of application file number 0001918579 was terminated, in part, on 03/10/2005. See file number 0002092570.

The Spectrum Leasing Arrangement, which became effective upon approval of application file number 0001918512, was terminated on 04/14/2005. See file number 0002135370.

Commission approval of this application and the licenses contained therein are subject to the conditions set forth in the Memorandum Opinion and Order, adopted on December 29, 2006 and released on March 26, 2007, and revised in the Order on Reconsideration, adopted and released on March 26, 2007. See AT&T Inc. and BellSouth Corporation Application for Transfer of Control, WC Docket No. 06-74, Memorandum Opinion and Order, FCC 06-189 (rel. Mar. 26, 2007); AT&T Inc. and BellSouth Corporation, WC Docket No. 06-74, Order on Reconsideration, FCC 07-44 (rel. Mar. 26, 2007).

Licensee Name: NEW CINGULAR WIRELESS PCS, LLC

Call Sign: WPOI212

File Number:

Print Date:

700 MHz Relicensed Area Information:

Market	Market Name	Buildout Deadline	Buildout Notification	Status
---------------	--------------------	--------------------------	------------------------------	---------------

Reference Copy

Reference Copy Only. Do Not Mail to the FCC as an Application.

Submitted: 01/13/2023 at 18:08:22
File Number: 0010368047

FCC 601
Main Form

FCC Application for Radio Service Authorization: Wireless Telecommunications Bureau Public Safety and Homeland Security Bureau

Approved by OMB
3060 - 0798
See instructions for
public burden estimate

1) Radio Service Code: <p style="text-align: center;">CW</p>	1a) Existing Radio Service Code:
--	----------------------------------

General Information

2) (Select only one) (AU) NE - New RO - Renewal Only AU - Administrative Update NT - Required Notifications MD - Modification RM - Renewal/Modification WD - Withdrawal of Application EX - Requests for Extension of Time AM - Amendment CA - Cancellation of License RL - Registered Location/Link	
3a) If this application is for a Demonstration License or a Special Temporary Authorization (STA) , enter the code and attach the required exhibit as described in the instructions. Otherwise enter ' N/A ' (Not Applicable).	(N) <u>M</u> <u>S</u> <u>N/A</u>
3b) If this application is for Special Temporary Authority due to an emergency situation, enter 'Y'; otherwise enter 'N'. Refer to Rule 1.915 for an explanation of situations considered to be an emergency.	() <u>Y</u> es <u>N</u> o
4) If this application is for an Amendment or Withdrawal, enter the file number of the pending application currently on file with the FCC.	File Number
5) If this application is for a Modification, Renewal Only, Renewal/Modification, Cancellation of License, or Administrative Update, enter the call sign of the existing FCC license. If this is a request for Registered Location/Link, enter the FCC call sign assigned to the geographic license.	Call Sign WPO1212
6a) If this application is for a New, Amendment, Renewal Only, or Renewal/Modification, enter the requested authorization expiration date (this item is optional).	MM DD /
6b) If this application is for a Renewal Only or Renewal/Modification and the license is a geographic area license, is the license used to provide service to customers (C), or is the license used for private business (internal) purposes or to meet the licensee's public interest/public safety communications needs (P)?	() <u>C</u> <u>P</u>
7) Is this application "major" as defined in § 1.929 of the Commission's Rules when read in conjunction with the applicable radio service rules found in Parts 22 and 90 of the Commission's Rules? (NOTE: This question only applies to certain site-specific applications. See the instructions for applicability and full text of § 1.929).	() <u>Y</u> es <u>N</u> o
8) Are attachments (other than associated schedules) being filed with this application?	() <u>Y</u> es <u>N</u> o

Fees, Waivers, and Exemptions

9) Is the Applicant exempt from FCC application fees?	(N) <u>Y</u> es <u>N</u> o
10) Is the Applicant exempt from FCC regulatory fees?	(N) <u>Y</u> es <u>N</u> o
11) Does this application include a request for a Waiver of the Commission's Rule(s)? If 'Yes', attach an exhibit providing rule number(s) and explaining circumstances.	(N) <u>Y</u> es <u>N</u> o
12) Are the frequencies or parameters requested in this filing covered by grandfathered privileges, previously approved by waiver, or functionally integrated with an existing station?	() <u>Y</u> es <u>N</u> o

Applicant Information

13) FCC Registration Number (FRN): 0003291192			
14) Applicant/Licensee Legal Entity Type: (Select One) () Individual () Unincorporated Association () Trust () Government Entity () Corporation (<input checked="" type="checkbox"/>) Limited Liability Company () General Partnership () Limited Partnership () Limited Liability Partnership () Consortium () Other: _____			
15) If the Licensee name is being updated, is the update a result from the sale (or transfer of control) of the license(s) to party and for which proper Commission approval has not been received or proper notification not provided?			() Yes <input checked="" type="checkbox"/> No
16) First Name (if individual):	MI:	Last Name:	Suffix:
17) Legal Entity Name (if other than individual): NEW CINGULAR WIRELESS PCS, LLC			
18) Attention To: FCC Group			
19) P.O. Box:	And/Or	20) Street Address: 208 S. Akard St. 20F	
21) City: Dallas	22) State: TX	23) Zip Code: 75202	
24) Telephone Number: (855)699-7073		25) Fax: (214)746-6410	
26) E-Mail Address: FCCMW@att.com			

27) Demographics (Optional)

Race: () American Indian or Alaska Native () Asian () Black or African-American () Native Hawaiian or Other Pacific Islander () White	Ethnicity: () Hispanic or Latino () Not Hispanic or Latino	Gender: () Male () Female
---	--	-----------------------------------

Real Party in Interest

28) Name of Real Party in Interest of Applicant (If different from Applicant):	29) FCC Registration Number (FRN) of Real Party in Interest:
--	--

Contact Information (If different from the Applicant) Check here if same as Applicant.

30) First Name: Cecil	MI: J	Last Name: Mathew	Suffix:
31) Company Name: AT&T Services, Inc.			
32) Attention To: FCC Group			
33) P.O. Box:	And /Or	34) Street Address: 208 S. Akard St. 20F	
35) City: Dallas	36) State: TX	37) Zip Code: 75202	
38) Telephone Number: (855)699-7073		39) Fax: (214)746-6410	
40) E-Mail Address: FCCMW@att.com			

Regulatory Status

41) This filing is for authorization to provide or use the following type(s) of radio service offering (enter all that apply):
 Common Carrier Non-Common Carrier Private, internal communications Broadcast Services Band Manager

Type of Radio Service

42) This filing is for authorization to provide the following type(s) of radio service (choose all that apply):
 Fixed Mobile Radiolocation Satellite (sound) Broadcast Services

43) Does the Applicant propose to provide service interconnected to the public telephone network? Yes No

Alien Ownership Questions (If any answer is "Y", provide an attachment explaining the circumstances. In preparing the attachment, refer to the Main Form Instructions for the "Alien Ownership Questions".)

44) Is the Applicant a foreign government or the representative of any foreign government? Yes No

45) Is the Applicant an alien or the representative of an alien? Yes No

46) Is the Applicant a corporation organized under the laws of any foreign government? Yes No

47) Is the Applicant a corporation of which more than one-fifth of the capital stock is owned of record or voted by aliens or their representatives, or by a foreign government or representative thereof, or by any corporation organized under the laws of a foreign country? Yes No

48a) Is the Applicant directly or indirectly controlled by any other corporation of which more than one-fourth of the capital stock () Yes No is owned of record or voted by aliens or their representatives, or by a foreign government or representative thereof, or by any corporation organized under the laws of a foreign country?

48b) If the answer to 47 or 48a is 'Y' select one of the choices below.

The Applicant is exempt from the provisions of Section 310(b).

If checked, include in the attachment required by Item 47 or Item 48a a showing that the requested license(s) is exempt from the provisions of Section 310(b).

The Applicant has received a declaratory ruling(s) approving its foreign ownership, and the application involves only the acquisition of additional spectrum for the provision of a wireless service in a geographic coverage area for which the Applicant has been previously authorized.

If checked, include in the attachment required by Item 47 or Item 48a the citation(s) of the applicable declaratory ruling(s) by DA/FCC number, the FCC Record citation, if available, release date, and a statement that there has been no change in the foreign ownership of the Applicant since the issuance of its ruling.

The Applicant: (i) has received a declaratory ruling(s) approving its foreign ownership, but is not able to make the certification specified immediately above; or (ii) is an "affiliate" of a Licensee or Lessee/Sublessee that received a declaratory ruling(s) under 47 CFR § 1.5000(a) and is relying on the affiliate's ruling for purposes of filing this application as permitted under the affiliate's ruling and 47 CFR § 1.5004(b)

If checked, and if the Applicant received its declaratory ruling(s) on or after August 9, 2013, include in the attachment required by Item 47 or Item 48a the citation(s) of the Applicant's declaratory ruling(s) by DA/FCC number, the FCC Record citation, if available, release date, and a statement that the Applicant is in compliance with the terms and conditions of its ruling and with the Commission's Rules.

If checked, and if the Applicant received its declaratory ruling(s) prior to August 9, 2013, include in the attachment required by Item 48a a copy of a petition for declaratory ruling filed contemporaneously with the Commission to extend the Applicant's existing ruling(s) to cover the same radio service(s) and geographic coverage area(s) involved in the application. Alternatively, the Applicant may request a new declaratory ruling pursuant to Section 1.5000(a) of the Commission's Rules, 47 CFR § 1.5000 (a). Petitions for declaratory ruling may be filed electronically on the Internet through the International Bureau Filing System (IBFS) (with a copy attached hereto).

If checked, and if the Applicant is relying on an affiliate's ruling for purposes of filing this application, include in the attachment required by Item 47 or Item 48a the citation(s) of the applicable declaratory ruling(s) by DA/FCC number, the FCC Record citation, if available, release date, and a statement that the Applicant is in compliance with the terms and conditions of the named affiliate's ruling and with the Commission's Rules. The Applicant must also include a certification of compliance signed by the named affiliate or other qualified entity as specified in 47 CFR § 1.5004(b). See Main Form Instructions for Items 47 or 48a, as applicable.

The Applicant has not received a declaratory ruling approving its foreign ownership and is requesting a declaratory ruling under 47 CFR § 1.5004(b) in a petition filed contemporaneously with the Commission.

If checked, include in the attachment required by Item 47 or 48a a copy of the petition for declaratory ruling filed contemporaneously with the Commission pursuant to 47 CFR § 1.5004(b). Petitions for declaratory ruling may be filed electronically on the Internet through the International Bureau Filing System (IBFS) (with a copy attached hereto).

Basic Qualification Questions

49) Has the Applicant or any party to this application had any FCC station authorization, license or construction permit revoked or had any application for an initial, modification or renewal of FCC station authorization, license, or construction permit denied by the Commission?	() <u>Yes</u> <u>No</u>
50) Has the Applicant or any party to this application, or any party directly or indirectly controlling the Applicant, ever been convicted of a felony by any state or federal court?	() <u>Yes</u> <u>No</u>
51) Has any court finally adjudged the Applicant or any party directly or indirectly controlling the Applicant guilty of unlawfully monopolizing or attempting unlawfully to monopolize radio communication, directly or indirectly, through control of manufacture or sale of radio apparatus, exclusive traffic arrangement, or any other means or unfair methods of competition?	() <u>Yes</u> <u>No</u>

Note: If the answer to any of 49-51 is 'Y', attach an exhibit explaining the circumstances.

Aeronautical Advisory Station (Unicom) Certification

52) () I certify that the station will be located on property of the airport to be served, and, in cases where the airport does not have a control tower, RCO, or FAA flight service station, that I have notified the owner of the airport and all aviation service organizations located at the airport within ten days prior to application.
--

Broadband Radio Service and Educational Broadband Service Cable Cross-Ownership

53a) Will the requested facilities be used to provide multichannel video programming service?	() <u>Yes</u> <u>No</u>
53b) If the answer to question 53a is 'Y', does the Applicant operate, control or have an attributable interest (as defined in 47 CFR § 27.1202) in a cable television system whose franchise area is located within the geographic service area of the requested facilities?	() <u>Yes</u> <u>No</u>

Note: If the answer to question 53b is 'Y', attach an exhibit explaining how the Applicant complies with 47 CFR § 27.1202 or justifying a waiver of that rule. If a waiver of the Commission Rule(s) is being requested, Item 11a must be answered 'Y'.

Broadband Radio Service and Educational Broadband Service (Part 27)

54) (For EBS only) Does the Applicant comply with the programming requirements contained in 47 CFR § 27.1203?	() <u>Yes</u> <u>No</u>
---	--------------------------

Note: If the answer to item 54 is 'N', attach an exhibit explaining how the Applicant complies with 47 CFR § 27.1203 of the Commission's Rules or justifying a waiver of that rule. If a waiver of the Commission Rule(s) is being requested, Item 11a must be answered 'Y'.

55) (For BRS and EBS) Does the Applicant comply with 47 CFR §§ 27.50, 27.55, and 27.1221?	() <u>Yes</u> <u>No</u>
---	--------------------------

Note: If the answer to item 55 is 'N', attach an exhibit justifying a waiver of that rule(s). If a waiver of the Commission Rule(s) is being requested, Item 11a must be answered 'Y'.

For Applicants Who Participated in an Auction

56) Is the Applicant a qualifying rural wireless partnership or a member of a qualifying rural wireless partnership?	() <u>Yes</u> <u>No</u>
--	--------------------------

Note: If the answer to item 56 is 'Y', attach an exhibit listing all members of the qualifying rural wireless partnership, including their FRN numbers.

For Renewal Applicants

57) Operation/Performance Requirement Certification

[For a site-based license]: Applicant certifies that it is continuing to operate consistent with its most recently filed construction notification (or most recent authorization, if no construction notification was required).	() <u>Yes</u> <u>No</u>
[For a geographic license, commercial service - licensee in its initial license term with an interim performance requirement]: Applicant certifies that it has met its interim performance requirement, that over the portion of the license term following the interim performance requirement, it continues to use its facilities to provide at least the level of service required by its interim performance requirement, it has met its final performance requirement, and it continues to use its facilities to provide at least the level of service required by its final performance requirement through the end of the license term.	() <u>Yes</u> <u>No</u>
[For a geographic license, commercial service - licensee in its initial license term with no interim performance requirement]: Applicant certifies that it has met its final performance requirement and it continues to use its facilities to provide at least the level of service required by its final performance requirement through the end of the license term. [Note: licensee must provide a showing demonstrating that the final performance requirement has been met, either separately in a timely application for notification of completion of construction, or as part of its renewal application, depending on the radio service.]	() <u>Yes</u> <u>No</u>
[For a geographic license, commercial service - licensee in any subsequent term]: Applicant certifies that it continues to use its facilities to provide at least the level of service required by its final performance requirement through the end of any subsequent license terms.	() <u>Yes</u> <u>No</u>
[For a geographic license, private systems - licensee in its initial license term with an interim performance requirement]: Applicant certifies that it has met its interim performance requirement, that over the portion of the license term following the interim performance requirement, it continues to use its facilities to further its private business or public interest/public safety communications needs at or above the level required to meet its interim performance requirement, it has met its final performance requirement, and it continues to use its facilities to provide at least the level of operation required by its final performance requirement through the end of the license term.	() <u>Yes</u> <u>No</u>
[For a geographic license, private systems - licensee in its initial license term with no interim performance requirement]: Applicant certifies that it has met its final performance requirement, it continues to use its facilities to further its private business or public interest/public safety communications needs, and it continues to use its facilities to provide at least the level of operation required by its final performance requirement through the end of the license term. [Note: licensee must provide a showing demonstrating that the final performance requirement has been met, either separately in a timely application for notification of completion of construction, or as part of its renewal application, depending on the radio service.]	() <u>Yes</u> <u>No</u>

[For a geographic license, private systems - licensee in any subsequent term]: Applicant certifies that it continues to use its facilities to further its private business or public interest/public safety communications needs at or above the level required to meet its final performance requirement through the end of any subsequent license terms.	(<input type="checkbox"/>) <u>Yes</u> <u>No</u>
[For a partitioned or disaggregated license without a performance requirement, for the first renewal application filed after effective date of the rules]: Applicant certifies that the partitioned and/or disaggregated license that is the subject of this renewal application has no separate performance requirement and that this is the first renewal of this license filed subsequent to the effective date of the rules.	(<input type="checkbox"/>) <u>Yes</u> <u>No</u>
[For a partitioned or disaggregated license without a performance requirement, for any subsequent renewal filings]: Applicant certifies that it continues to use its facilities to provide service or to further the applicant's private business or public interest/public safety needs.	(<input type="checkbox"/>) <u>Yes</u> <u>No</u>

Discontinuance of Service Certification

58) Applicant certifies that no permanent discontinuance of service or operation, as applicable, occurred during its current license term. Note: If the response to either item 57 or item 58 is 'N', attach an exhibit that demonstrates that over the course of the license term, the Applicant provided and continues to provide service to the public, or operated and continues to operate the license to meet the Applicant's private business or public interest/public safety communications needs. This exhibit must include a detailed description of the Applicant's provision of service or, when allowed under the relevant service rules or pursuant to waiver, use of the spectrum for private business or public interest/public safety communications needs, during the entire license period and address, as applicable: 1) the level and quality of service provided by the applicant (e.g., the population served, the area served, the number of subscribers, the services offered); (2) the date service commenced, whether service was ever interrupted, and the duration of any interruption or outage; (3) the extent to which service is provided to rural areas; (4) the extent to which service is provided to qualifying tribal land as defined in 47 CFR § 1.2110(e)(3)(i); and (5) any other factors associated with the level of service to the public. The licensee may note in its exhibit: 1) any grant(s) of waiver or extension of a performance deadline or license renewal subject to meeting a performance requirement; or 2) if the final performance deadline and/or expiration date for the license accelerated because the licensee did not meet an interim performance requirement.	(<input type="checkbox"/>) <u>Yes</u> <u>No</u>
--	---

Regulatory Compliance Certification [same for all]

59) Applicant certifies that it has substantially complied with all applicable FCC rules, policies, and the Communications Act of 1934, as amended. Note: If the response to item 59 is 'N', attach an exhibit explaining the circumstances and demonstrating why Applicant's license should be renewed.	(<input type="checkbox"/>) <u>Yes</u> <u>No</u>
--	---

General Certification Statements

1) The Applicant waives any claim to the use of any particular frequency or of the electromagnetic spectrum as against the regulatory power of the United States because of the previous use of the same, whether by license or otherwise, and requests an authorization in accordance with this application.
2) The Applicant certifies that grant of this application would not cause the Applicant to be in violation of any pertinent cross-ownership or attribution rules.* *If the Applicant has sought a waiver of any such rule in connection with this application, it may make this certification subject to the outcome of the waiver request.
3) The Applicant certifies that all statements made in this application and in the exhibits, attachments, or documents incorporated by reference are material, are part of this application, and are true, complete, correct, and made in good faith.
4) The Applicant certifies that neither the Applicant nor any other party to the application is subject to a denial of Federal benefits pursuant to § 5301 of the Anti-Drug Abuse Act of 1988, 21 U.S.C. § 862, because of a conviction for possession or distribution of a controlled substance. This certification does not apply to applications filed in services exempted under § 1.2002(c) of the rules, 47 CFR § 1.2002(c). See 47 CFR § 1.2002(b) for the definition of "party to the application" as used in this certification.
5) The Applicant certifies that it either (1) has current required ownership data on file with the Commission, (2) is filing updated ownership data simultaneously with this application, or (3) is not required to file ownership data under the Commission's Rules.
6) The Applicant certifies that the facilities, operations, and transmitters for which this authorization is hereby requested are either: (1) categorically excluded from routine environmental evaluation for RF exposure as set forth in 47 CFR § 1.1307(b); or, (2) have been found not to cause human exposure to levels of radiofrequency radiation in excess of the limits specified in 47 CFR §§ 1.1310 and 2.1093; or, (3) are the subject of one or more Environmental Assessments filed with the Commission.
7) The Applicant certifies that it has reviewed the appropriate Commission Rules defining eligibility to hold the requested license(s) and is eligible to hold the requested license(s).
8) The Applicant certifies that it is not in default on any payment for Commission licenses and that it is not delinquent on any non-tax debt owed to any federal agency.
9) The Applicant certifies that the Applicant and all of the related individuals and entities required to be disclosed on this application and FCC Form 602 (FCC Ownership Disclosure Information for the Wireless Telecommunications Services) are not person(s) who have been, for reasons of national security, barred by any agency of the Federal Government from bidding on a contract, participating in an auction, or receiving a grant. This certification applies only to applications for licenses for spectrum that is required by Sections 6103, 6401-6403 of the Middle Class Tax Relief and Job Creation Act of 2012, codified at 47 U.S.C. §§ 309, 1413, 1451-1452, to be assigned by a system of competitive bidding under 47 U.S.C. § 309(j).

Signature

60) Typed or Printed Name of Party Authorized to Sign

First Name: Cecil	MI: J	Last Name: Mathew	Suffix:
61) Title: Assistant Secretary - Compliance			
Signature: Cecil J Mathew			62) Date: 01/13/2023
FAILURE TO SIGN THIS APPLICATION MAY RESULT IN DISMISSAL OF THE APPLICATION AND FORFEITURE OF ANY FEES PAID.			
Upon grant of this license application, the Licensee may be subject to certain construction or coverage requirements. Failure to meet the construction or coverage requirements will result in termination of the license. Consult appropriate FCC regulations to determine the construction or coverage requirements that apply to the type of license requested in this application.			
WILLFUL FALSE STATEMENTS MADE ON THIS FORM OR ANY ATTACHMENTS ARE PUNISHABLE BY FINE AND/OR IMPRISONMENT (U.S. Code, Title 18, § 1001) AND/OR REVOCATION OF ANY STATION LICENSE OR CONSTRUCTION PERMIT (U.S. Code, Title 47, § 312(a)(1)), AND/OR FORFEITURE (U.S. Code, Title 47, § 503).			

Reference Copy Only. Do Not Mail to the FCC as an Application.

Submitted: 01/23/2024 at 17:43:02
 File Number: 0010873683

FCC 601
Main Form

FCC Application for Radio Service Authorization: Wireless Telecommunications Bureau Public Safety and Homeland Security Bureau

Approved by OMB
 3060 - 0798
 See instructions for
 public burden estimate

1) Radio Service Code: CW	1a) Existing Radio Service Code:
---	----------------------------------

General Information

2) (Select only one) (AU) NE - New RO - Renewal Only AU - Administrative Update NT - Required Notifications MD - Modification RM - Renewal/Modification WD - Withdrawal of Application EX - Requests for Extension of Time AM - Amendment CA - Cancellation of License RL - Registered Location/Link	
3a) If this application is for a Demonstration License or a Special Temporary Authorization (STA) , enter the code and attach the required exhibit as described in the instructions. Otherwise enter ' N/A ' (Not Applicable).	(N) <u>M</u> <u>S</u> <u>N/A</u>
3b) If this application is for Special Temporary Authority due to an emergency situation, enter 'Y'; otherwise enter 'N'. Refer to Rule 1.915 for an explanation of situations considered to be an emergency.	() <u>Y</u> es <u>N</u> o
4) If this application is for an Amendment or Withdrawal, enter the file number of the pending application currently on file with the FCC.	File Number
5) If this application is for a Modification, Renewal Only, Renewal/Modification, Cancellation of License, or Administrative Update, enter the call sign of the existing FCC license. If this is a request for Registered Location/Link, enter the FCC call sign assigned to the geographic license.	Call Sign WPO1212
6a) If this application is for a New, Amendment, Renewal Only, or Renewal/Modification, enter the requested authorization expiration date (this item is optional).	MM DD /
6b) If this application is for a Renewal Only or Renewal/Modification and the license is a geographic area license, is the license used to provide service to customers (C), or is the license used for private business (internal) purposes or to meet the licensee's public interest/public safety communications needs (P)?	() <u>C</u> <u>P</u>
7) Is this application "major" as defined in § 1.929 of the Commission's Rules when read in conjunction with the applicable radio service rules found in Parts 22 and 90 of the Commission's Rules? (NOTE: This question only applies to certain site-specific applications. See the instructions for applicability and full text of § 1.929).	() <u>Y</u> es <u>N</u> o
8) Are attachments (other than associated schedules) being filed with this application?	() <u>Y</u> es <u>N</u> o

Fees, Waivers, and Exemptions

9) Is the Applicant exempt from FCC application fees?	(N) <u>Y</u> es <u>N</u> o
10) Is the Applicant exempt from FCC regulatory fees?	(N) <u>Y</u> es <u>N</u> o
11) Does this application include a request for a Waiver of the Commission's Rule(s)? If 'Yes', attach an exhibit providing rule number(s) and explaining circumstances.	(N) <u>Y</u> es <u>N</u> o
12) Are the frequencies or parameters requested in this filing covered by grandfathered privileges, previously approved by waiver, or functionally integrated with an existing station?	() <u>Y</u> es <u>N</u> o

Applicant Information

13) FCC Registration Number (FRN): 0003291192			
14) Applicant/Licensee Legal Entity Type: (Select One) <input type="checkbox"/> Individual <input type="checkbox"/> Unincorporated Association <input type="checkbox"/> Trust <input type="checkbox"/> Government Entity <input type="checkbox"/> Corporation <input checked="" type="checkbox"/> Limited Liability Company <input type="checkbox"/> General Partnership <input type="checkbox"/> Limited Partnership <input type="checkbox"/> Limited Liability Partnership <input type="checkbox"/> Consortium <input type="checkbox"/> Other: _____			
15) If the Licensee name is being updated, is the update a result from the sale (or transfer of control) of the license(s) to party and for which proper Commission approval has not been received or proper notification not provided?			<input type="checkbox"/> Yes <input checked="" type="checkbox"/> No
16) First Name (if individual):	MI:	Last Name:	Suffix:
17) Legal Entity Name (if other than individual): NEW CINGULAR WIRELESS PCS, LLC			
18) Attention To: National Regulatory Compliance			
19) P.O. Box:	And/Or	20) Street Address: 208 S Akard St, 20F	
21) City: Dallas	22) State: TX	23) Zip Code: 75202	
24) Telephone Number: (855)699-7073		25) Fax: (214)746-6410	
26) E-Mail Address: FCCMW@att.com			

27) Demographics (Optional)

Race: <input type="checkbox"/> American Indian or Alaska Native <input type="checkbox"/> Asian <input type="checkbox"/> Black or African-American <input type="checkbox"/> Native Hawaiian or Other Pacific Islander <input type="checkbox"/> White	Ethnicity: <input type="checkbox"/> Hispanic or Latino <input type="checkbox"/> Not Hispanic or Latino	Gender: <input type="checkbox"/> Male <input type="checkbox"/> Female
--	--	---

Real Party in Interest

28) Name of Real Party in Interest of Applicant (If different from Applicant):	29) FCC Registration Number (FRN) of Real Party in Interest:
--	--

Contact Information (If different from the Applicant) Check here if same as Applicant.

30) First Name: Jessica	MI: J	Last Name: Dunk	Suffix:
31) Company Name: AT&T Services, Inc.			
32) Attention To: NRC			
33) P.O. Box:	And /Or	34) Street Address: 208 S Akard St, 20F	
35) City: Dallas	36) State: TX	37) Zip Code: 75202	
38) Telephone Number: (855)699-7073		39) Fax: (214)746-6410	
40) E-Mail Address: FCCMW@att.com			

Regulatory Status

41) This filing is for authorization to provide or use the following type(s) of radio service offering (enter all that apply):
() **C**ommon Carrier () **N**on-Common Carrier () **P**rivate, internal communications () **B**roadcast Services () **B**and **M**anager

Type of Radio Service

42) This filing is for authorization to provide the following type(s) of radio service (choose all that apply):
() **F**ixed () **M**obile () **R**adiolocation () **S**atellite (sound) () **B**roadcast Services
43) Does the Applicant propose to provide service interconnected to the public telephone network? () **Y**es **N**o

Alien Ownership Questions (If any answer is "Y", provide an attachment explaining the circumstances. In preparing the attachment, refer to the Main Form Instructions for the "Alien Ownership Questions".)

44) Is the Applicant a foreign government or the representative of any foreign government? () **Y**es **N**o
45) Is the Applicant an alien or the representative of an alien? () **Y**es **N**o
46) Is the Applicant a corporation organized under the laws of any foreign government? () **Y**es **N**o
47) Is the Applicant a corporation of which more than one-fifth of the capital stock is owned of record or voted by aliens or their representatives, or by a foreign government or representative thereof, or by any corporation organized under the laws of a foreign country? () **Y**es **N**o

48a) Is the Applicant directly or indirectly controlled by any other corporation of which more than one-fourth of the capital stock () Yes No is owned of record or voted by aliens or their representatives, or by a foreign government or representative thereof, or by any corporation organized under the laws of a foreign country?

48b) If the answer to 47 or 48a is 'Y' select one of the choices below.

The Applicant is exempt from the provisions of Section 310(b).

If checked, include in the attachment required by Item 47 or Item 48a a showing that the requested license(s) is exempt from the provisions of Section 310(b).

The Applicant has received a declaratory ruling(s) approving its foreign ownership, and the application involves only the acquisition of additional spectrum for the provision of a wireless service in a geographic coverage area for which the Applicant has been previously authorized.

If checked, include in the attachment required by Item 47 or Item 48a the citation(s) of the applicable declaratory ruling(s) by DA/FCC number, the FCC Record citation, if available, release date, and a statement that there has been no change in the foreign ownership of the Applicant since the issuance of its ruling.

The Applicant: (i) has received a declaratory ruling(s) approving its foreign ownership, but is not able to make the certification specified immediately above; or (ii) is an "affiliate" of a Licensee or Lessee/Sublessee that received a declaratory ruling(s) under 47 CFR § 1.5000(a) and is relying on the affiliate's ruling for purposes of filing this application as permitted under the affiliate's ruling and 47 CFR § 1.5004(b)

If checked, and if the Applicant received its declaratory ruling(s) on or after August 9, 2013, include in the attachment required by Item 47 or Item 48a the citation(s) of the Applicant's declaratory ruling(s) by DA/FCC number, the FCC Record citation, if available, release date, and a statement that the Applicant is in compliance with the terms and conditions of its ruling and with the Commission's Rules.

If checked, and if the Applicant received its declaratory ruling(s) prior to August 9, 2013, include in the attachment required by Item 48a a copy of a petition for declaratory ruling filed contemporaneously with the Commission to extend the Applicant's existing ruling(s) to cover the same radio service(s) and geographic coverage area(s) involved in the application. Alternatively, the Applicant may request a new declaratory ruling pursuant to Section 1.5000(a) of the Commission's Rules, 47 CFR § 1.5000 (a). Petitions for declaratory ruling may be filed electronically on the Internet through the International Bureau Filing System (IBFS) (with a copy attached hereto).

If checked, and if the Applicant is relying on an affiliate's ruling for purposes of filing this application, include in the attachment required by Item 47 or Item 48a the citation(s) of the applicable declaratory ruling(s) by DA/FCC number, the FCC Record citation, if available, release date, and a statement that the Applicant is in compliance with the terms and conditions of the named affiliate's ruling and with the Commission's Rules. The Applicant must also include a certification of compliance signed by the named affiliate or other qualified entity as specified in 47 CFR § 1.5004(b). See Main Form Instructions for Items 47 or 48a, as applicable.

The Applicant has not received a declaratory ruling approving its foreign ownership and is requesting a declaratory ruling under 47 CFR § 1.5004(b) in a petition filed contemporaneously with the Commission.

If checked, include in the attachment required by Item 47 or 48a a copy of the petition for declaratory ruling filed contemporaneously with the Commission pursuant to 47 CFR § 1.5004(b). Petitions for declaratory ruling may be filed electronically on the Internet through the International Bureau Filing System (IBFS) (with a copy attached hereto).

Basic Qualification Questions

49) Has the Applicant or any party to this application had any FCC station authorization, license or construction permit revoked or had any application for an initial, modification or renewal of FCC station authorization, license, or construction permit denied by the Commission?	() <u>Yes</u> <u>No</u>
50) Has the Applicant or any party to this application, or any party directly or indirectly controlling the Applicant, ever been convicted of a felony by any state or federal court?	() <u>Yes</u> <u>No</u>
51) Has any court finally adjudged the Applicant or any party directly or indirectly controlling the Applicant guilty of unlawfully monopolizing or attempting unlawfully to monopolize radio communication, directly or indirectly, through control of manufacture or sale of radio apparatus, exclusive traffic arrangement, or any other means or unfair methods of competition?	() <u>Yes</u> <u>No</u>

Note: If the answer to any of 49-51 is 'Y', attach an exhibit explaining the circumstances.

Aeronautical Advisory Station (Unicom) Certification

52) () I certify that the station will be located on property of the airport to be served, and, in cases where the airport does not have a control tower, RCO, or FAA flight service station, that I have notified the owner of the airport and all aviation service organizations located at the airport within ten days prior to application.
--

Broadband Radio Service and Educational Broadband Service Cable Cross-Ownership

53a) Will the requested facilities be used to provide multichannel video programming service?	() <u>Yes</u> <u>No</u>
53b) If the answer to question 53a is 'Y', does the Applicant operate, control or have an attributable interest (as defined in 47 CFR § 27.1202) in a cable television system whose franchise area is located within the geographic service area of the requested facilities?	() <u>Yes</u> <u>No</u>

Note: If the answer to question 53b is 'Y', attach an exhibit explaining how the Applicant complies with 47 CFR § 27.1202 or justifying a waiver of that rule. If a waiver of the Commission Rule(s) is being requested, Item 11a must be answered 'Y'.

Broadband Radio Service and Educational Broadband Service (Part 27)

54) (For EBS only) Does the Applicant comply with the programming requirements contained in 47 CFR § 27.1203?	() <u>Yes</u> <u>No</u>
---	--------------------------

Note: If the answer to item 54 is 'N', attach an exhibit explaining how the Applicant complies with 47 CFR § 27.1203 of the Commission's Rules or justifying a waiver of that rule. If a waiver of the Commission Rule(s) is being requested, Item 11a must be answered 'Y'.

55) (For BRS and EBS) Does the Applicant comply with 47 CFR §§ 27.50, 27.55, and 27.1221?	() <u>Yes</u> <u>No</u>
---	--------------------------

Note: If the answer to item 55 is 'N', attach an exhibit justifying a waiver of that rule(s). If a waiver of the Commission Rule(s) is being requested, Item 11a must be answered 'Y'.

For Applicants Who Participated in an Auction

56) Is the Applicant a qualifying rural wireless partnership or a member of a qualifying rural wireless partnership?	() <u>Yes</u> <u>No</u>
--	--------------------------

Note: If the answer to item 56 is 'Y', attach an exhibit listing all members of the qualifying rural wireless partnership, including their FRN numbers.

For Renewal Applicants

57) Operation/Performance Requirement Certification	
[For a site-based license]: Applicant certifies that it is continuing to operate consistent with its most recently filed construction notification (or most recent authorization, if no construction notification was required).	() <u>Yes</u> <u>No</u>
[For a geographic license, commercial service - licensee in its initial license term with an interim performance requirement]: Applicant certifies that it has met its interim performance requirement, that over the portion of the license term following the interim performance requirement, it continues to use its facilities to provide at least the level of service required by its interim performance requirement, it has met its final performance requirement, and it continues to use its facilities to provide at least the level of service required by its final performance requirement through the end of the license term.	() <u>Yes</u> <u>No</u>
[For a geographic license, commercial service - licensee in its initial license term with no interim performance requirement]: Applicant certifies that it has met its final performance requirement and it continues to use its facilities to provide at least the level of service required by its final performance requirement through the end of the license term. [Note: licensee must provide a showing demonstrating that the final performance requirement has been met, either separately in a timely application for notification of completion of construction, or as part of its renewal application, depending on the radio service.]	() <u>Yes</u> <u>No</u>
[For a geographic license, commercial service - licensee in any subsequent term]: Applicant certifies that it continues to use its facilities to provide at least the level of service required by its final performance requirement through the end of any subsequent license terms.	() <u>Yes</u> <u>No</u>
[For a geographic license, private systems - licensee in its initial license term with an interim performance requirement]: Applicant certifies that it has met its interim performance requirement, that over the portion of the license term following the interim performance requirement, it continues to use its facilities to further its private business or public interest/public safety communications needs at or above the level required to meet its interim performance requirement, it has met its final performance requirement, and it continues to use its facilities to provide at least the level of operation required by its final performance requirement through the end of the license term.	() <u>Yes</u> <u>No</u>
[For a geographic license, private systems - licensee in its initial license term with no interim performance requirement]: Applicant certifies that it has met its final performance requirement, it continues to use its facilities to further its private business or public interest/public safety communications needs, and it continues to use its facilities to provide at least the level of operation required by its final performance requirement through the end of the license term. [Note: licensee must provide a showing demonstrating that the final performance requirement has been met, either separately in a timely application for notification of completion of construction, or as part of its renewal application, depending on the radio service.]	() <u>Yes</u> <u>No</u>

[For a geographic license, private systems - licensee in any subsequent term]: Applicant certifies that it continues to use its facilities to further its private business or public interest/public safety communications needs at or above the level required to meet its final performance requirement through the end of any subsequent license terms.	(<input type="checkbox"/>) <u>Yes</u> <u>No</u>
[For a partitioned or disaggregated license without a performance requirement, for the first renewal application filed after effective date of the rules]: Applicant certifies that the partitioned and/or disaggregated license that is the subject of this renewal application has no separate performance requirement and that this is the first renewal of this license filed subsequent to the effective date of the rules.	(<input type="checkbox"/>) <u>Yes</u> <u>No</u>
[For a partitioned or disaggregated license without a performance requirement, for any subsequent renewal filings]: Applicant certifies that it continues to use its facilities to provide service or to further the applicant's private business or public interest/public safety needs.	(<input type="checkbox"/>) <u>Yes</u> <u>No</u>

Discontinuance of Service Certification

58) Applicant certifies that no permanent discontinuance of service or operation, as applicable, occurred during its current license term. Note: If the response to either item 57 or item 58 is 'N', attach an exhibit that demonstrates that over the course of the license term, the Applicant provided and continues to provide service to the public, or operated and continues to operate the license to meet the Applicant's private business or public interest/public safety communications needs. This exhibit must include a detailed description of the Applicant's provision of service or, when allowed under the relevant service rules or pursuant to waiver, use of the spectrum for private business or public interest/public safety communications needs, during the entire license period and address, as applicable: 1) the level and quality of service provided by the applicant (e.g., the population served, the area served, the number of subscribers, the services offered); (2) the date service commenced, whether service was ever interrupted, and the duration of any interruption or outage; (3) the extent to which service is provided to rural areas; (4) the extent to which service is provided to qualifying tribal land as defined in 47 CFR § 1.2110(e)(3)(i); and (5) any other factors associated with the level of service to the public. The licensee may note in its exhibit: 1) any grant(s) of waiver or extension of a performance deadline or license renewal subject to meeting a performance requirement; or 2) if the final performance deadline and/or expiration date for the license accelerated because the licensee did not meet an interim performance requirement.	(<input type="checkbox"/>) <u>Yes</u> <u>No</u>
--	---

Regulatory Compliance Certification [same for all]

59) Applicant certifies that it has substantially complied with all applicable FCC rules, policies, and the Communications Act of 1934, as amended. Note: If the response to item 59 is 'N', attach an exhibit explaining the circumstances and demonstrating why Applicant's license should be renewed.	(<input type="checkbox"/>) <u>Yes</u> <u>No</u>
--	---

General Certification Statements

1) The Applicant waives any claim to the use of any particular frequency or of the electromagnetic spectrum as against the regulatory power of the United States because of the previous use of the same, whether by license or otherwise, and requests an authorization in accordance with this application.
2) The Applicant certifies that grant of this application would not cause the Applicant to be in violation of any pertinent cross-ownership or attribution rules.* *If the Applicant has sought a waiver of any such rule in connection with this application, it may make this certification subject to the outcome of the waiver request.
3) The Applicant certifies that all statements made in this application and in the exhibits, attachments, or documents incorporated by reference are material, are part of this application, and are true, complete, correct, and made in good faith.
4) The Applicant certifies that neither the Applicant nor any other party to the application is subject to a denial of Federal benefits pursuant to § 5301 of the Anti-Drug Abuse Act of 1988, 21 U.S.C. § 862, because of a conviction for possession or distribution of a controlled substance. This certification does not apply to applications filed in services exempted under § 1.2002(c) of the rules, 47 CFR § 1.2002(c). See 47 CFR § 1.2002(b) for the definition of "party to the application" as used in this certification.
5) The Applicant certifies that it either (1) has current required ownership data on file with the Commission, (2) is filing updated ownership data simultaneously with this application, or (3) is not required to file ownership data under the Commission's Rules.
6) The Applicant certifies that the facilities, operations, and transmitters for which this authorization is hereby requested are either: (1) categorically excluded from routine environmental evaluation for RF exposure as set forth in 47 CFR § 1.1307(b); or, (2) have been found not to cause human exposure to levels of radiofrequency radiation in excess of the limits specified in 47 CFR §§ 1.1310 and 2.1093; or, (3) are the subject of one or more Environmental Assessments filed with the Commission.
7) The Applicant certifies that it has reviewed the appropriate Commission Rules defining eligibility to hold the requested license(s) and is eligible to hold the requested license(s).
8) The Applicant certifies that it is not in default on any payment for Commission licenses and that it is not delinquent on any non-tax debt owed to any federal agency.
9) The Applicant certifies that the Applicant and all of the related individuals and entities required to be disclosed on this application and FCC Form 602 (FCC Ownership Disclosure Information for the Wireless Telecommunications Services) are not person(s) who have been, for reasons of national security, barred by any agency of the Federal Government from bidding on a contract, participating in an auction, or receiving a grant. This certification applies only to applications for licenses for spectrum that is required by Sections 6103, 6401-6403 of the Middle Class Tax Relief and Job Creation Act of 2012, codified at 47 U.S.C. §§ 309, 1413, 1451-1452, to be assigned by a system of competitive bidding under 47 U.S.C. § 309(j).

Signature

60) Typed or Printed Name of Party Authorized to Sign

First Name: Jessica	MI:	Last Name: Dunk	Suffix:
61) Title: Assistant Secretary - Compliance			
Signature: Jessica Dunk			62) Date: 01/23/2024
FAILURE TO SIGN THIS APPLICATION MAY RESULT IN DISMISSAL OF THE APPLICATION AND FORFEITURE OF ANY FEES PAID.			
Upon grant of this license application, the Licensee may be subject to certain construction or coverage requirements. Failure to meet the construction or coverage requirements will result in termination of the license. Consult appropriate FCC regulations to determine the construction or coverage requirements that apply to the type of license requested in this application.			
WILLFUL FALSE STATEMENTS MADE ON THIS FORM OR ANY ATTACHMENTS ARE PUNISHABLE BY FINE AND/OR IMPRISONMENT (U.S. Code, Title 18, § 1001) AND/OR REVOCATION OF ANY STATION LICENSE OR CONSTRUCTION PERMIT (U.S. Code, Title 47, § 312(a)(1)), AND/OR FORFEITURE (U.S. Code, Title 47, § 503).			

REFERENCE COPY

This is not an official FCC license. It is a record of public information contained in the FCC's licensing database on the date that this reference copy was generated. In cases where FCC rules require the presentation, posting, or display of an FCC license, this document may not be used in place of an official FCC license.



**Federal Communications Commission
Wireless Telecommunications Bureau
RADIO STATION AUTHORIZATION**

LICENSEE: NEW CINGULAR WIRELESS PCS, LLC

ATTN: NATIONAL REGULATORY COMPLIANCE
NEW CINGULAR WIRELESS PCS, LLC
208 S AKARD ST, 20F
DALLAS, TX 75202

Call Sign WPOI256	File Number
Radio Service CW - PCS Broadband	

FCC Registration Number (FRN): 0003291192

Grant Date 06-02-2015	Effective Date 01-24-2024	Expiration Date 06-23-2025	Print Date
Market Number MTA043	Channel Block B	Sub-Market Designator 2	
Market Name Nashville			
1st Build-out Date 06-23-2000	2nd Build-out Date 06-23-2005	3rd Build-out Date	4th Build-out Date

Waivers/Conditions:

This authorization is subject to the condition that, in the event that systems using the same frequencies as granted herein are authorized in an adjacent foreign territory (Canada/United States), future coordination of any base station transmitters within 72 km (45 miles) of the United States/Canada border shall be required to eliminate any harmful interference to operations in the adjacent foreign territory and to ensure continuance of equal access to the frequencies by both countries.

This authorization is subject to the condition that the remaining balance of the winning bid amount will be paid in accordance with Part 1 of the Commission's rules, 47 C.F.R. Part 1.

Conditions:

Pursuant to §309(h) of the Communications Act of 1934, as amended, 47 U.S.C. §309(h), this license is subject to the following conditions: This license shall not vest in the licensee any right to operate the station nor any right in the use of the frequencies designated in the license beyond the term thereof nor in any other manner than authorized herein. Neither the license nor the right granted thereunder shall be assigned or otherwise transferred in violation of the Communications Act of 1934, as amended. See 47 U.S.C. § 310(d). This license is subject in terms to the right of use or control conferred by §706 of the Communications Act of 1934, as amended. See 47 U.S.C. §606.

This license may not authorize operation throughout the entire geographic area or spectrum identified on the hardcopy version. To view the specific geographic area and spectrum authorized by this license, refer to the Spectrum and Market Area information under the Market Tab of the license record in the Universal Licensing System (ULS). To view the license record, go to the ULS homepage at <http://wireless.fcc.gov/uls/index.htm?job=home> and select "License Search". Follow the instructions on how to search for license information.

Licensee Name: NEW CINGULAR WIRELESS PCS, LLC

Call Sign: WPOI256

File Number:

Print Date:

This license is conditioned upon compliance with the provisions of Applications of AT&T Wireless Services, Inc. and Cingular Wireless Corporation For Consent to Transfer Control of Licenses and Authorizations, Memorandum Opinion and Order, FCC 04-255 (rel. Oct. 26, 2004).

Commission approval of this application and the licenses contained therein are subject to the conditions set forth in the Memorandum Opinion and Order, adopted on December 29, 2006 and released on March 26, 2007, and revised in the Order on Reconsideration, adopted and released on March 26, 2007. See AT&T Inc. and BellSouth Corporation Application for Transfer of Control, WC Docket No. 06-74, Memorandum Opinion and Order, FCC 06-189 (rel. Mar. 26, 2007); AT&T Inc. and BellSouth Corporation, WC Docket No. 06-74, Order on Reconsideration, FCC 07-44 (rel. Mar. 26, 2007).

Licensee Name: NEW CINGULAR WIRELESS PCS, LLC

Call Sign: WPOI256

File Number:

Print Date:

700 MHz Relicensed Area Information:

Market	Market Name	Buildout Deadline	Buildout Notification	Status
---------------	--------------------	--------------------------	------------------------------	---------------

Reference Copy

Reference Copy Only. Do Not Mail to the FCC as an Application.

Submitted: 01/23/2024 at 17:43:02
 File Number: 0010873348

FCC 601
Main Form

FCC Application for Radio Service Authorization: Wireless Telecommunications Bureau Public Safety and Homeland Security Bureau

Approved by OMB
 3060 - 0798
 See instructions for
 public burden estimate

1) Radio Service Code: CW	1a) Existing Radio Service Code:
---	----------------------------------

General Information

2) (Select only one) (AU) NE - New RO - Renewal Only AU - Administrative Update NT - Required Notifications MD - Modification RM - Renewal/Modification WD - Withdrawal of Application EX - Requests for Extension of Time AM - Amendment CA - Cancellation of License RL - Registered Location/Link	
3a) If this application is for a Demonstration License or a Special Temporary Authorization (STA), enter the code and attach the required exhibit as described in the instructions. Otherwise enter ' <u>N/A</u> ' (Not Applicable).	(N) <u>M</u> <u>S</u> <u>N/A</u>
3b) If this application is for Special Temporary Authority due to an emergency situation, enter 'Y'; otherwise enter 'N'. Refer to Rule 1.915 for an explanation of situations considered to be an emergency.	() <u>Y</u> es <u>N</u> o
4) If this application is for an Amendment or Withdrawal, enter the file number of the pending application currently on file with the FCC.	File Number
5) If this application is for a Modification, Renewal Only, Renewal/Modification, Cancellation of License, or Administrative Update, enter the call sign of the existing FCC license. If this is a request for Registered Location/Link, enter the FCC call sign assigned to the geographic license.	Call Sign WPO1256
6a) If this application is for a New, Amendment, Renewal Only, or Renewal/Modification, enter the requested authorization expiration date (this item is optional).	MM DD /
6b) If this application is for a Renewal Only or Renewal/Modification and the license is a geographic area license, is the license used to provide service to customers (C), or is the license used for private business (internal) purposes or to meet the licensee's public interest/public safety communications needs (P)?	() <u>C</u> <u>P</u>
7) Is this application "major" as defined in § 1.929 of the Commission's Rules when read in conjunction with the applicable radio service rules found in Parts 22 and 90 of the Commission's Rules? (NOTE: This question only applies to certain site-specific applications. See the instructions for applicability and full text of § 1.929).	() <u>Y</u> es <u>N</u> o
8) Are attachments (other than associated schedules) being filed with this application?	() <u>Y</u> es <u>N</u> o

Fees, Waivers, and Exemptions

9) Is the Applicant exempt from FCC application fees?	(N) <u>Y</u> es <u>N</u> o
10) Is the Applicant exempt from FCC regulatory fees?	(N) <u>Y</u> es <u>N</u> o
11) Does this application include a request for a Waiver of the Commission's Rule(s)? If 'Yes', attach an exhibit providing rule number(s) and explaining circumstances.	(N) <u>Y</u> es <u>N</u> o
12) Are the frequencies or parameters requested in this filing covered by grandfathered privileges, previously approved by waiver, or functionally integrated with an existing station?	() <u>Y</u> es <u>N</u> o

Applicant Information

13) FCC Registration Number (FRN): 0003291192			
14) Applicant/Licensee Legal Entity Type: (Select One) <input type="checkbox"/> Individual <input type="checkbox"/> Unincorporated Association <input type="checkbox"/> Trust <input type="checkbox"/> Government Entity <input type="checkbox"/> Corporation <input checked="" type="checkbox"/> Limited Liability Company <input type="checkbox"/> General Partnership <input type="checkbox"/> Limited Partnership <input type="checkbox"/> Limited Liability Partnership <input type="checkbox"/> Consortium <input type="checkbox"/> Other: _____			
15) If the Licensee name is being updated, is the update a result from the sale (or transfer of control) of the license(s) to party and for which proper Commission approval has not been received or proper notification not provided?			<input type="checkbox"/> Yes <input checked="" type="checkbox"/> No
16) First Name (if individual):	MI:	Last Name:	Suffix:
17) Legal Entity Name (if other than individual): NEW CINGULAR WIRELESS PCS, LLC			
18) Attention To: National Regulatory Compliance			
19) P.O. Box:	And/Or	20) Street Address: 208 S Akard St, 20F	
21) City: Dallas	22) State: TX	23) Zip Code: 75202	
24) Telephone Number: (855)699-7073		25) Fax: (214)746-6410	
26) E-Mail Address: FCCMW@att.com			

27) Demographics (Optional)

Race: <input type="checkbox"/> American Indian or Alaska Native <input type="checkbox"/> Asian <input type="checkbox"/> Black or African-American <input type="checkbox"/> Native Hawaiian or Other Pacific Islander <input type="checkbox"/> White	Ethnicity: <input type="checkbox"/> Hispanic or Latino <input type="checkbox"/> Not Hispanic or Latino	Gender: <input type="checkbox"/> Male <input type="checkbox"/> Female
--	--	---

Real Party in Interest

28) Name of Real Party in Interest of Applicant (If different from Applicant):	29) FCC Registration Number (FRN) of Real Party in Interest:
--	--

Contact Information (If different from the Applicant) Check here if same as Applicant.

30) First Name: Jessica	MI: J	Last Name: Dunk	Suffix:
31) Company Name: AT&T Services, Inc.			
32) Attention To: NRC			
33) P.O. Box:	And /Or	34) Street Address: 208 S Akard St, 20F	
35) City: Dallas	36) State: TX	37) Zip Code: 75202	
38) Telephone Number: (855)699-7073		39) Fax: (214)746-6410	
40) E-Mail Address: FCCMW@att.com			

Regulatory Status

41) This filing is for authorization to provide or use the following type(s) of radio service offering (enter all that apply): (<input type="checkbox"/>) <u>C</u> ommon Carrier (<input type="checkbox"/>) <u>N</u> on-Common Carrier (<input type="checkbox"/>) <u>P</u> rivate, internal communications (<input type="checkbox"/>) <u>B</u> roadcast Services (<input type="checkbox"/>) <u>B</u> and <u>M</u> anager

Type of Radio Service

42) This filing is for authorization to provide the following type(s) of radio service (choose all that apply): (<input type="checkbox"/>) <u>F</u> ixed (<input type="checkbox"/>) <u>M</u> obile (<input type="checkbox"/>) <u>R</u> adiolocation (<input type="checkbox"/>) <u>S</u> atellite (sound) (<input type="checkbox"/>) <u>B</u> roadcast Services
43) Does the Applicant propose to provide service interconnected to the public telephone network? (<input type="checkbox"/>) <u>Y</u> es <u>N</u> o

Alien Ownership Questions (If any answer is 'Y', provide an attachment explaining the circumstances. In preparing the attachment, refer to the Main Form Instructions for the "Alien Ownership Questions".)

44) Is the Applicant a foreign government or the representative of any foreign government? (<input type="checkbox"/>) <u>Y</u> es <u>N</u> o
45) Is the Applicant an alien or the representative of an alien? (<input type="checkbox"/>) <u>Y</u> es <u>N</u> o
46) Is the Applicant a corporation organized under the laws of any foreign government? (<input type="checkbox"/>) <u>Y</u> es <u>N</u> o
47) Is the Applicant a corporation of which more than one-fifth of the capital stock is owned of record or voted by aliens or their representatives, or by a foreign government or representative thereof, or by any corporation organized under the laws of a foreign country? (<input type="checkbox"/>) <u>Y</u> es <u>N</u> o

48a) Is the Applicant directly or indirectly controlled by any other corporation of which more than one-fourth of the capital stock () Yes No is owned of record or voted by aliens or their representatives, or by a foreign government or representative thereof, or by any corporation organized under the laws of a foreign country?

48b) If the answer to 47 or 48a is 'Y' select one of the choices below.

The Applicant is exempt from the provisions of Section 310(b).

If checked, include in the attachment required by Item 47 or Item 48a a showing that the requested license(s) is exempt from the provisions of Section 310(b).

The Applicant has received a declaratory ruling(s) approving its foreign ownership, and the application involves only the acquisition of additional spectrum for the provision of a wireless service in a geographic coverage area for which the Applicant has been previously authorized.

If checked, include in the attachment required by Item 47 or Item 48a the citation(s) of the applicable declaratory ruling(s) by DA/FCC number, the FCC Record citation, if available, release date, and a statement that there has been no change in the foreign ownership of the Applicant since the issuance of its ruling.

The Applicant: (i) has received a declaratory ruling(s) approving its foreign ownership, but is not able to make the certification specified immediately above; or (ii) is an "affiliate" of a Licensee or Lessee/Sublessee that received a declaratory ruling(s) under 47 CFR § 1.5000(a) and is relying on the affiliate's ruling for purposes of filing this application as permitted under the affiliate's ruling and 47 CFR § 1.5004(b)

If checked, and if the Applicant received its declaratory ruling(s) on or after August 9, 2013, include in the attachment required by Item 47 or Item 48a the citation(s) of the Applicant's declaratory ruling(s) by DA/FCC number, the FCC Record citation, if available, release date, and a statement that the Applicant is in compliance with the terms and conditions of its ruling and with the Commission's Rules.

If checked, and if the Applicant received its declaratory ruling(s) prior to August 9, 2013, include in the attachment required by Item 48a a copy of a petition for declaratory ruling filed contemporaneously with the Commission to extend the Applicant's existing ruling(s) to cover the same radio service(s) and geographic coverage area(s) involved in the application. Alternatively, the Applicant may request a new declaratory ruling pursuant to Section 1.5000(a) of the Commission's Rules, 47 CFR § 1.5000 (a). Petitions for declaratory ruling may be filed electronically on the Internet through the International Bureau Filing System (IBFS) (with a copy attached hereto).

If checked, and if the Applicant is relying on an affiliate's ruling for purposes of filing this application, include in the attachment required by Item 47 or Item 48a the citation(s) of the applicable declaratory ruling(s) by DA/FCC number, the FCC Record citation, if available, release date, and a statement that the Applicant is in compliance with the terms and conditions of the named affiliate's ruling and with the Commission's Rules. The Applicant must also include a certification of compliance signed by the named affiliate or other qualified entity as specified in 47 CFR § 1.5004(b). See Main Form Instructions for Items 47 or 48a, as applicable.

The Applicant has not received a declaratory ruling approving its foreign ownership and is requesting a declaratory ruling under 47 CFR § 1.5004(b) in a petition filed contemporaneously with the Commission.

If checked, include in the attachment required by Item 47 or 48a a copy of the petition for declaratory ruling filed contemporaneously with the Commission pursuant to 47 CFR § 1.5004(b). Petitions for declaratory ruling may be filed electronically on the Internet through the International Bureau Filing System (IBFS) (with a copy attached hereto).

Basic Qualification Questions

49) Has the Applicant or any party to this application had any FCC station authorization, license or construction permit revoked or had any application for an initial, modification or renewal of FCC station authorization, license, or construction permit denied by the Commission?	() <u>Yes</u> <u>No</u>
50) Has the Applicant or any party to this application, or any party directly or indirectly controlling the Applicant, ever been convicted of a felony by any state or federal court?	() <u>Yes</u> <u>No</u>
51) Has any court finally adjudged the Applicant or any party directly or indirectly controlling the Applicant guilty of unlawfully monopolizing or attempting unlawfully to monopolize radio communication, directly or indirectly, through control of manufacture or sale of radio apparatus, exclusive traffic arrangement, or any other means or unfair methods of competition?	() <u>Yes</u> <u>No</u>

Note: If the answer to any of 49-51 is 'Y', attach an exhibit explaining the circumstances.

Aeronautical Advisory Station (Unicom) Certification

52) () I certify that the station will be located on property of the airport to be served, and, in cases where the airport does not have a control tower, RCO, or FAA flight service station, that I have notified the owner of the airport and all aviation service organizations located at the airport within ten days prior to application.
--

Broadband Radio Service and Educational Broadband Service Cable Cross-Ownership

53a) Will the requested facilities be used to provide multichannel video programming service?	() <u>Yes</u> <u>No</u>
53b) If the answer to question 53a is 'Y', does the Applicant operate, control or have an attributable interest (as defined in 47 CFR § 27.1202) in a cable television system whose franchise area is located within the geographic service area of the requested facilities?	() <u>Yes</u> <u>No</u>

Note: If the answer to question 53b is 'Y', attach an exhibit explaining how the Applicant complies with 47 CFR § 27.1202 or justifying a waiver of that rule. If a waiver of the Commission Rule(s) is being requested, Item 11a must be answered 'Y'.

Broadband Radio Service and Educational Broadband Service (Part 27)

54) (For EBS only) Does the Applicant comply with the programming requirements contained in 47 CFR § 27.1203?	() <u>Yes</u> <u>No</u>
---	--------------------------

Note: If the answer to item 54 is 'N', attach an exhibit explaining how the Applicant complies with 47 CFR § 27.1203 of the Commission's Rules or justifying a waiver of that rule. If a waiver of the Commission Rule(s) is being requested, Item 11a must be answered 'Y'.

55) (For BRS and EBS) Does the Applicant comply with 47 CFR §§ 27.50, 27.55, and 27.1221?	() <u>Yes</u> <u>No</u>
---	--------------------------

Note: If the answer to item 55 is 'N', attach an exhibit justifying a waiver of that rule(s). If a waiver of the Commission Rule(s) is being requested, Item 11a must be answered 'Y'.

For Applicants Who Participated in an Auction

56) Is the Applicant a qualifying rural wireless partnership or a member of a qualifying rural wireless partnership?	() <u>Yes</u> <u>No</u>
--	--------------------------

Note: If the answer to item 56 is 'Y', attach an exhibit listing all members of the qualifying rural wireless partnership, including their FRN numbers.

For Renewal Applicants

57) Operation/Performance Requirement Certification

[For a site-based license]: Applicant certifies that it is continuing to operate consistent with its most recently filed construction notification (or most recent authorization, if no construction notification was required).	() <u>Yes</u> <u>No</u>
[For a geographic license, commercial service - licensee in its initial license term with an interim performance requirement]: Applicant certifies that it has met its interim performance requirement, that over the portion of the license term following the interim performance requirement, it continues to use its facilities to provide at least the level of service required by its interim performance requirement, it has met its final performance requirement, and it continues to use its facilities to provide at least the level of service required by its final performance requirement through the end of the license term.	() <u>Yes</u> <u>No</u>
[For a geographic license, commercial service - licensee in its initial license term with no interim performance requirement]: Applicant certifies that it has met its final performance requirement and it continues to use its facilities to provide at least the level of service required by its final performance requirement through the end of the license term. [Note: licensee must provide a showing demonstrating that the final performance requirement has been met, either separately in a timely application for notification of completion of construction, or as part of its renewal application, depending on the radio service.]	() <u>Yes</u> <u>No</u>
[For a geographic license, commercial service - licensee in any subsequent term]: Applicant certifies that it continues to use its facilities to provide at least the level of service required by its final performance requirement through the end of any subsequent license terms.	() <u>Yes</u> <u>No</u>
[For a geographic license, private systems - licensee in its initial license term with an interim performance requirement]: Applicant certifies that it has met its interim performance requirement, that over the portion of the license term following the interim performance requirement, it continues to use its facilities to further its private business or public interest/public safety communications needs at or above the level required to meet its interim performance requirement, it has met its final performance requirement, and it continues to use its facilities to provide at least the level of operation required by its final performance requirement through the end of the license term.	() <u>Yes</u> <u>No</u>
[For a geographic license, private systems - licensee in its initial license term with no interim performance requirement]: Applicant certifies that it has met its final performance requirement, it continues to use its facilities to further its private business or public interest/public safety communications needs, and it continues to use its facilities to provide at least the level of operation required by its final performance requirement through the end of the license term. [Note: licensee must provide a showing demonstrating that the final performance requirement has been met, either separately in a timely application for notification of completion of construction, or as part of its renewal application, depending on the radio service.]	() <u>Yes</u> <u>No</u>

[For a geographic license, private systems - licensee in any subsequent term]: Applicant certifies that it continues to use its facilities to further its private business or public interest/public safety communications needs at or above the level required to meet its final performance requirement through the end of any subsequent license terms.	(<input type="checkbox"/>) <u>Yes</u> <u>No</u>
[For a partitioned or disaggregated license without a performance requirement, for the first renewal application filed after effective date of the rules]: Applicant certifies that the partitioned and/or disaggregated license that is the subject of this renewal application has no separate performance requirement and that this is the first renewal of this license filed subsequent to the effective date of the rules.	(<input type="checkbox"/>) <u>Yes</u> <u>No</u>
[For a partitioned or disaggregated license without a performance requirement, for any subsequent renewal filings]: Applicant certifies that it continues to use its facilities to provide service or to further the applicant's private business or public interest/public safety needs.	(<input type="checkbox"/>) <u>Yes</u> <u>No</u>

Discontinuance of Service Certification

58) Applicant certifies that no permanent discontinuance of service or operation, as applicable, occurred during its current license term. Note: If the response to either item 57 or item 58 is 'N', attach an exhibit that demonstrates that over the course of the license term, the Applicant provided and continues to provide service to the public, or operated and continues to operate the license to meet the Applicant's private business or public interest/public safety communications needs. This exhibit must include a detailed description of the Applicant's provision of service or, when allowed under the relevant service rules or pursuant to waiver, use of the spectrum for private business or public interest/public safety communications needs, during the entire license period and address, as applicable: 1) the level and quality of service provided by the applicant (e.g., the population served, the area served, the number of subscribers, the services offered); (2) the date service commenced, whether service was ever interrupted, and the duration of any interruption or outage; (3) the extent to which service is provided to rural areas; (4) the extent to which service is provided to qualifying tribal land as defined in 47 CFR § 1.2110(e)(3)(i); and (5) any other factors associated with the level of service to the public. The licensee may note in its exhibit: 1) any grant(s) of waiver or extension of a performance deadline or license renewal subject to meeting a performance requirement; or 2) if the final performance deadline and/or expiration date for the license accelerated because the licensee did not meet an interim performance requirement.	(<input type="checkbox"/>) <u>Yes</u> <u>No</u>
--	---

Regulatory Compliance Certification [same for all]

59) Applicant certifies that it has substantially complied with all applicable FCC rules, policies, and the Communications Act of 1934, as amended. Note: If the response to item 59 is 'N', attach an exhibit explaining the circumstances and demonstrating why Applicant's license should be renewed.	(<input type="checkbox"/>) <u>Yes</u> <u>No</u>
--	---

General Certification Statements

1) The Applicant waives any claim to the use of any particular frequency or of the electromagnetic spectrum as against the regulatory power of the United States because of the previous use of the same, whether by license or otherwise, and requests an authorization in accordance with this application.
2) The Applicant certifies that grant of this application would not cause the Applicant to be in violation of any pertinent cross-ownership or attribution rules.* *If the Applicant has sought a waiver of any such rule in connection with this application, it may make this certification subject to the outcome of the waiver request.
3) The Applicant certifies that all statements made in this application and in the exhibits, attachments, or documents incorporated by reference are material, are part of this application, and are true, complete, correct, and made in good faith.
4) The Applicant certifies that neither the Applicant nor any other party to the application is subject to a denial of Federal benefits pursuant to § 5301 of the Anti-Drug Abuse Act of 1988, 21 U.S.C. § 862, because of a conviction for possession or distribution of a controlled substance. This certification does not apply to applications filed in services exempted under § 1.2002(c) of the rules, 47 CFR § 1.2002(c). See 47 CFR § 1.2002(b) for the definition of "party to the application" as used in this certification.
5) The Applicant certifies that it either (1) has current required ownership data on file with the Commission, (2) is filing updated ownership data simultaneously with this application, or (3) is not required to file ownership data under the Commission's Rules.
6) The Applicant certifies that the facilities, operations, and transmitters for which this authorization is hereby requested are either: (1) categorically excluded from routine environmental evaluation for RF exposure as set forth in 47 CFR § 1.1307(b); or, (2) have been found not to cause human exposure to levels of radiofrequency radiation in excess of the limits specified in 47 CFR §§ 1.1310 and 2.1093; or, (3) are the subject of one or more Environmental Assessments filed with the Commission.
7) The Applicant certifies that it has reviewed the appropriate Commission Rules defining eligibility to hold the requested license(s) and is eligible to hold the requested license(s).
8) The Applicant certifies that it is not in default on any payment for Commission licenses and that it is not delinquent on any non-tax debt owed to any federal agency.
9) The Applicant certifies that the Applicant and all of the related individuals and entities required to be disclosed on this application and FCC Form 602 (FCC Ownership Disclosure Information for the Wireless Telecommunications Services) are not person(s) who have been, for reasons of national security, barred by any agency of the Federal Government from bidding on a contract, participating in an auction, or receiving a grant. This certification applies only to applications for licenses for spectrum that is required by Sections 6103, 6401-6403 of the Middle Class Tax Relief and Job Creation Act of 2012, codified at 47 U.S.C. §§ 309, 1413, 1451-1452, to be assigned by a system of competitive bidding under 47 U.S.C. § 309(j).

Signature

60) Typed or Printed Name of Party Authorized to Sign

First Name: Jessica	MI:	Last Name: Dunk	Suffix:
61) Title: Assistant Secretary - Compliance			
Signature: Jessica Dunk			62) Date: 01/23/2024
FAILURE TO SIGN THIS APPLICATION MAY RESULT IN DISMISSAL OF THE APPLICATION AND FORFEITURE OF ANY FEES PAID.			
Upon grant of this license application, the Licensee may be subject to certain construction or coverage requirements. Failure to meet the construction or coverage requirements will result in termination of the license. Consult appropriate FCC regulations to determine the construction or coverage requirements that apply to the type of license requested in this application.			
WILLFUL FALSE STATEMENTS MADE ON THIS FORM OR ANY ATTACHMENTS ARE PUNISHABLE BY FINE AND/OR IMPRISONMENT (U.S. Code, Title 18, § 1001) AND/OR REVOCATION OF ANY STATION LICENSE OR CONSTRUCTION PERMIT (U.S. Code, Title 47, § 312(a)(1)), AND/OR FORFEITURE (U.S. Code, Title 47, § 503).			

Reference Copy Only. Do Not Mail to the FCC as an Application.

Submitted: 01/22/2024 at 14:43:18
 File Number: 0010867985

FCC 601
Main Form

FCC Application for Radio Service Authorization: Wireless Telecommunications Bureau Public Safety and Homeland Security Bureau

Approved by OMB
 3060 - 0798
 See instructions for
 public burden estimate

1) Radio Service Code: CW	1a) Existing Radio Service Code:
---	----------------------------------

General Information

2) (Select only one) (AU) NE - New RO - Renewal Only AU - Administrative Update NT - Required Notifications MD - Modification RM - Renewal/Modification WD - Withdrawal of Application EX - Requests for Extension of Time AM - Amendment CA - Cancellation of License RL - Registered Location/Link	
3a) If this application is for a Demonstration License or a Special Temporary Authorization (STA) , enter the code and attach the required exhibit as described in the instructions. Otherwise enter ' N/A ' (Not Applicable).	(N) <u>M</u> <u>S</u> <u>N/A</u>
3b) If this application is for Special Temporary Authority due to an emergency situation, enter 'Y'; otherwise enter 'N'. Refer to Rule 1.915 for an explanation of situations considered to be an emergency.	() <u>Y</u> <u>N</u>
4) If this application is for an Amendment or Withdrawal, enter the file number of the pending application currently on file with the FCC.	File Number
5) If this application is for a Modification, Renewal Only, Renewal/Modification, Cancellation of License, or Administrative Update, enter the call sign of the existing FCC license. If this is a request for Registered Location/Link, enter the FCC call sign assigned to the geographic license.	Call Sign WPO1256
6a) If this application is for a New, Amendment, Renewal Only, or Renewal/Modification, enter the requested authorization expiration date (this item is optional).	MM DD /
6b) If this application is for a Renewal Only or Renewal/Modification and the license is a geographic area license, is the license used to provide service to customers (C), or is the license used for private business (internal) purposes or to meet the licensee's public interest/public safety communications needs (P)?	() <u>C</u> <u>P</u>
7) Is this application "major" as defined in § 1.929 of the Commission's Rules when read in conjunction with the applicable radio service rules found in Parts 22 and 90 of the Commission's Rules? (NOTE: This question only applies to certain site-specific applications. See the instructions for applicability and full text of § 1.929).	() <u>Y</u> <u>N</u>
8) Are attachments (other than associated schedules) being filed with this application?	() <u>Y</u> <u>N</u>

Fees, Waivers, and Exemptions

9) Is the Applicant exempt from FCC application fees?	(N) <u>Y</u> <u>N</u>
10) Is the Applicant exempt from FCC regulatory fees?	(N) <u>Y</u> <u>N</u>
11) Does this application include a request for a Waiver of the Commission's Rule(s)? If 'Yes', attach an exhibit providing rule number(s) and explaining circumstances.	(N) <u>Y</u> <u>N</u>
12) Are the frequencies or parameters requested in this filing covered by grandfathered privileges, previously approved by waiver, or functionally integrated with an existing station?	() <u>Y</u> <u>N</u>

Applicant Information

13) FCC Registration Number (FRN): 0003291192			
14) Applicant/Licensee Legal Entity Type: (Select One) <input type="checkbox"/> Individual <input type="checkbox"/> Unincorporated Association <input type="checkbox"/> Trust <input type="checkbox"/> Government Entity <input type="checkbox"/> Corporation <input checked="" type="checkbox"/> Limited Liability Company <input type="checkbox"/> General Partnership <input type="checkbox"/> Limited Partnership <input type="checkbox"/> Limited Liability Partnership <input type="checkbox"/> Consortium <input type="checkbox"/> Other: _____			
15) If the Licensee name is being updated, is the update a result from the sale (or transfer of control) of the license(s) to party and for which proper Commission approval has not been received or proper notification not provided?			<input type="checkbox"/> Yes <input checked="" type="checkbox"/> No
16) First Name (if individual):	MI:	Last Name:	Suffix:
17) Legal Entity Name (if other than individual): NEW CINGULAR WIRELESS PCS, LLC			
18) Attention To: National Regulatory Compliance			
19) P.O. Box:	And/Or	20) Street Address: 208 S Akard St, 20F	
21) City: Dallas	22) State: TX	23) Zip Code: 75202	
24) Telephone Number: (855)699-7073		25) Fax: (214)746-6410	
26) E-Mail Address: FCCMW@att.com			

27) Demographics (Optional)

Race: <input type="checkbox"/> American Indian or Alaska Native <input type="checkbox"/> Asian <input type="checkbox"/> Black or African-American <input type="checkbox"/> Native Hawaiian or Other Pacific Islander <input type="checkbox"/> White	Ethnicity: <input type="checkbox"/> Hispanic or Latino <input type="checkbox"/> Not Hispanic or Latino	Gender: <input type="checkbox"/> Male <input type="checkbox"/> Female
--	--	---

Real Party in Interest

28) Name of Real Party in Interest of Applicant (If different from Applicant):	29) FCC Registration Number (FRN) of Real Party in Interest:
--	--

Contact Information (If different from the Applicant) Check here if same as Applicant.

30) First Name: Cecil	MI: J	Last Name: Mathew	Suffix:
31) Company Name: AT&T Services, Inc.			
32) Attention To: FCC Group			
33) P.O. Box:	And /Or	34) Street Address: 208 S. Akard St. 20F	
35) City: Dallas	36) State: TX	37) Zip Code: 75202	
38) Telephone Number: (855)699-7073		39) Fax: (214)746-6410	
40) E-Mail Address: FCCMW@att.com			

Regulatory Status

41) This filing is for authorization to provide or use the following type(s) of radio service offering (enter all that apply):
() Common Carrier () Non-Common Carrier () Private, internal communications () Broadcast Services () Band Manager

Type of Radio Service

42) This filing is for authorization to provide the following type(s) of radio service (choose all that apply):
() Fixed () Mobile () Radiolocation () Satellite (sound) () Broadcast Services
43) Does the Applicant propose to provide service interconnected to the public telephone network? () Yes No

Alien Ownership Questions (If any answer is "Y", provide an attachment explaining the circumstances. In preparing the attachment, refer to the Main Form Instructions for the "Alien Ownership Questions".)

44) Is the Applicant a foreign government or the representative of any foreign government? () Yes No
45) Is the Applicant an alien or the representative of an alien? () Yes No
46) Is the Applicant a corporation organized under the laws of any foreign government? () Yes No
47) Is the Applicant a corporation of which more than one-fifth of the capital stock is owned of record or voted by aliens or their representatives, or by a foreign government or representative thereof, or by any corporation organized under the laws of a foreign country? () Yes No

48a) Is the Applicant directly or indirectly controlled by any other corporation of which more than one-fourth of the capital stock () Yes No is owned of record or voted by aliens or their representatives, or by a foreign government or representative thereof, or by any corporation organized under the laws of a foreign country?

48b) If the answer to 47 or 48a is 'Y' select one of the choices below.

The Applicant is exempt from the provisions of Section 310(b).

If checked, include in the attachment required by Item 47 or Item 48a a showing that the requested license(s) is exempt from the provisions of Section 310(b).

The Applicant has received a declaratory ruling(s) approving its foreign ownership, and the application involves only the acquisition of additional spectrum for the provision of a wireless service in a geographic coverage area for which the Applicant has been previously authorized.

If checked, include in the attachment required by Item 47 or Item 48a the citation(s) of the applicable declaratory ruling(s) by DA/FCC number, the FCC Record citation, if available, release date, and a statement that there has been no change in the foreign ownership of the Applicant since the issuance of its ruling.

The Applicant: (i) has received a declaratory ruling(s) approving its foreign ownership, but is not able to make the certification specified immediately above; or (ii) is an "affiliate" of a Licensee or Lessee/Sublessee that received a declaratory ruling(s) under 47 CFR § 1.5000(a) and is relying on the affiliate's ruling for purposes of filing this application as permitted under the affiliate's ruling and 47 CFR § 1.5004(b)

If checked, and if the Applicant received its declaratory ruling(s) on or after August 9, 2013, include in the attachment required by Item 47 or Item 48a the citation(s) of the Applicant's declaratory ruling(s) by DA/FCC number, the FCC Record citation, if available, release date, and a statement that the Applicant is in compliance with the terms and conditions of its ruling and with the Commission's Rules.

If checked, and if the Applicant received its declaratory ruling(s) prior to August 9, 2013, include in the attachment required by Item 48a a copy of a petition for declaratory ruling filed contemporaneously with the Commission to extend the Applicant's existing ruling(s) to cover the same radio service(s) and geographic coverage area(s) involved in the application. Alternatively, the Applicant may request a new declaratory ruling pursuant to Section 1.5000(a) of the Commission's Rules, 47 CFR § 1.5000 (a). Petitions for declaratory ruling may be filed electronically on the Internet through the International Bureau Filing System (IBFS) (with a copy attached hereto).

If checked, and if the Applicant is relying on an affiliate's ruling for purposes of filing this application, include in the attachment required by Item 47 or Item 48a the citation(s) of the applicable declaratory ruling(s) by DA/FCC number, the FCC Record citation, if available, release date, and a statement that the Applicant is in compliance with the terms and conditions of the named affiliate's ruling and with the Commission's Rules. The Applicant must also include a certification of compliance signed by the named affiliate or other qualified entity as specified in 47 CFR § 1.5004(b). See Main Form Instructions for Items 47 or 48a, as applicable.

The Applicant has not received a declaratory ruling approving its foreign ownership and is requesting a declaratory ruling under 47 CFR § 1.5004(b) in a petition filed contemporaneously with the Commission.

If checked, include in the attachment required by Item 47 or 48a a copy of the petition for declaratory ruling filed contemporaneously with the Commission pursuant to 47 CFR § 1.5004(b). Petitions for declaratory ruling may be filed electronically on the Internet through the International Bureau Filing System (IBFS) (with a copy attached hereto).

Basic Qualification Questions

49) Has the Applicant or any party to this application had any FCC station authorization, license or construction permit revoked or had any application for an initial, modification or renewal of FCC station authorization, license, or construction permit denied by the Commission?	() <u>Yes</u> <u>No</u>
50) Has the Applicant or any party to this application, or any party directly or indirectly controlling the Applicant, ever been convicted of a felony by any state or federal court?	() <u>Yes</u> <u>No</u>
51) Has any court finally adjudged the Applicant or any party directly or indirectly controlling the Applicant guilty of unlawfully monopolizing or attempting unlawfully to monopolize radio communication, directly or indirectly, through control of manufacture or sale of radio apparatus, exclusive traffic arrangement, or any other means or unfair methods of competition?	() <u>Yes</u> <u>No</u>

Note: If the answer to any of 49-51 is 'Y', attach an exhibit explaining the circumstances.

Aeronautical Advisory Station (Unicom) Certification

52) () I certify that the station will be located on property of the airport to be served, and, in cases where the airport does not have a control tower, RCO, or FAA flight service station, that I have notified the owner of the airport and all aviation service organizations located at the airport within ten days prior to application.
--

Broadband Radio Service and Educational Broadband Service Cable Cross-Ownership

53a) Will the requested facilities be used to provide multichannel video programming service?	() <u>Yes</u> <u>No</u>
53b) If the answer to question 53a is 'Y', does the Applicant operate, control or have an attributable interest (as defined in 47 CFR § 27.1202) in a cable television system whose franchise area is located within the geographic service area of the requested facilities?	() <u>Yes</u> <u>No</u>

Note: If the answer to question 53b is 'Y', attach an exhibit explaining how the Applicant complies with 47 CFR § 27.1202 or justifying a waiver of that rule. If a waiver of the Commission Rule(s) is being requested, Item 11a must be answered 'Y'.

Broadband Radio Service and Educational Broadband Service (Part 27)

54) (For EBS only) Does the Applicant comply with the programming requirements contained in 47 CFR § 27.1203?	() <u>Yes</u> <u>No</u>
---	--------------------------

Note: If the answer to item 54 is 'N', attach an exhibit explaining how the Applicant complies with 47 CFR § 27.1203 of the Commission's Rules or justifying a waiver of that rule. If a waiver of the Commission Rule(s) is being requested, Item 11a must be answered 'Y'.

55) (For BRS and EBS) Does the Applicant comply with 47 CFR §§ 27.50, 27.55, and 27.1221?	() <u>Yes</u> <u>No</u>
---	--------------------------

Note: If the answer to item 55 is 'N', attach an exhibit justifying a waiver of that rule(s). If a waiver of the Commission Rule(s) is being requested, Item 11a must be answered 'Y'.

For Applicants Who Participated in an Auction

56) Is the Applicant a qualifying rural wireless partnership or a member of a qualifying rural wireless partnership?	() <u>Yes</u> <u>No</u>
--	--------------------------

Note: If the answer to item 56 is 'Y', attach an exhibit listing all members of the qualifying rural wireless partnership, including their FRN numbers.

For Renewal Applicants

57) Operation/Performance Requirement Certification	
[For a site-based license]: Applicant certifies that it is continuing to operate consistent with its most recently filed construction notification (or most recent authorization, if no construction notification was required).	() <u>Yes</u> <u>No</u>
[For a geographic license, commercial service - licensee in its initial license term with an interim performance requirement]: Applicant certifies that it has met its interim performance requirement, that over the portion of the license term following the interim performance requirement, it continues to use its facilities to provide at least the level of service required by its interim performance requirement, it has met its final performance requirement, and it continues to use its facilities to provide at least the level of service required by its final performance requirement through the end of the license term.	() <u>Yes</u> <u>No</u>
[For a geographic license, commercial service - licensee in its initial license term with no interim performance requirement]: Applicant certifies that it has met its final performance requirement and it continues to use its facilities to provide at least the level of service required by its final performance requirement through the end of the license term. [Note: licensee must provide a showing demonstrating that the final performance requirement has been met, either separately in a timely application for notification of completion of construction, or as part of its renewal application, depending on the radio service.]	() <u>Yes</u> <u>No</u>
[For a geographic license, commercial service - licensee in any subsequent term]: Applicant certifies that it continues to use its facilities to provide at least the level of service required by its final performance requirement through the end of any subsequent license terms.	() <u>Yes</u> <u>No</u>
[For a geographic license, private systems - licensee in its initial license term with an interim performance requirement]: Applicant certifies that it has met its interim performance requirement, that over the portion of the license term following the interim performance requirement, it continues to use its facilities to further its private business or public interest/public safety communications needs at or above the level required to meet its interim performance requirement, it has met its final performance requirement, and it continues to use its facilities to provide at least the level of operation required by its final performance requirement through the end of the license term.	() <u>Yes</u> <u>No</u>
[For a geographic license, private systems - licensee in its initial license term with no interim performance requirement]: Applicant certifies that it has met its final performance requirement, it continues to use its facilities to further its private business or public interest/public safety communications needs, and it continues to use its facilities to provide at least the level of operation required by its final performance requirement through the end of the license term. [Note: licensee must provide a showing demonstrating that the final performance requirement has been met, either separately in a timely application for notification of completion of construction, or as part of its renewal application, depending on the radio service.]	() <u>Yes</u> <u>No</u>

[For a geographic license, private systems - licensee in any subsequent term]: Applicant certifies that it continues to use its facilities to further its private business or public interest/public safety communications needs at or above the level required to meet its final performance requirement through the end of any subsequent license terms.	(<input type="checkbox"/>) <u>Yes</u> <u>No</u>
[For a partitioned or disaggregated license without a performance requirement, for the first renewal application filed after effective date of the rules]: Applicant certifies that the partitioned and/or disaggregated license that is the subject of this renewal application has no separate performance requirement and that this is the first renewal of this license filed subsequent to the effective date of the rules.	(<input type="checkbox"/>) <u>Yes</u> <u>No</u>
[For a partitioned or disaggregated license without a performance requirement, for any subsequent renewal filings]: Applicant certifies that it continues to use its facilities to provide service or to further the applicant's private business or public interest/public safety needs.	(<input type="checkbox"/>) <u>Yes</u> <u>No</u>

Discontinuance of Service Certification

58) Applicant certifies that no permanent discontinuance of service or operation, as applicable, occurred during its current license term. Note: If the response to either item 57 or item 58 is 'N', attach an exhibit that demonstrates that over the course of the license term, the Applicant provided and continues to provide service to the public, or operated and continues to operate the license to meet the Applicant's private business or public interest/public safety communications needs. This exhibit must include a detailed description of the Applicant's provision of service or, when allowed under the relevant service rules or pursuant to waiver, use of the spectrum for private business or public interest/public safety communications needs, during the entire license period and address, as applicable: 1) the level and quality of service provided by the applicant (e.g., the population served, the area served, the number of subscribers, the services offered); (2) the date service commenced, whether service was ever interrupted, and the duration of any interruption or outage; (3) the extent to which service is provided to rural areas; (4) the extent to which service is provided to qualifying tribal land as defined in 47 CFR § 1.2110(e)(3)(i); and (5) any other factors associated with the level of service to the public. The licensee may note in its exhibit: 1) any grant(s) of waiver or extension of a performance deadline or license renewal subject to meeting a performance requirement; or 2) if the final performance deadline and/or expiration date for the license accelerated because the licensee did not meet an interim performance requirement.	(<input type="checkbox"/>) <u>Yes</u> <u>No</u>
--	---

Regulatory Compliance Certification [same for all]

59) Applicant certifies that it has substantially complied with all applicable FCC rules, policies, and the Communications Act of 1934, as amended. Note: If the response to item 59 is 'N', attach an exhibit explaining the circumstances and demonstrating why Applicant's license should be renewed.	(<input type="checkbox"/>) <u>Yes</u> <u>No</u>
--	---

General Certification Statements

1) The Applicant waives any claim to the use of any particular frequency or of the electromagnetic spectrum as against the regulatory power of the United States because of the previous use of the same, whether by license or otherwise, and requests an authorization in accordance with this application.
2) The Applicant certifies that grant of this application would not cause the Applicant to be in violation of any pertinent cross-ownership or attribution rules.* *If the Applicant has sought a waiver of any such rule in connection with this application, it may make this certification subject to the outcome of the waiver request.
3) The Applicant certifies that all statements made in this application and in the exhibits, attachments, or documents incorporated by reference are material, are part of this application, and are true, complete, correct, and made in good faith.
4) The Applicant certifies that neither the Applicant nor any other party to the application is subject to a denial of Federal benefits pursuant to § 5301 of the Anti-Drug Abuse Act of 1988, 21 U.S.C. § 862, because of a conviction for possession or distribution of a controlled substance. This certification does not apply to applications filed in services exempted under § 1.2002(c) of the rules, 47 CFR § 1.2002(c). See 47 CFR § 1.2002(b) for the definition of "party to the application" as used in this certification.
5) The Applicant certifies that it either (1) has current required ownership data on file with the Commission, (2) is filing updated ownership data simultaneously with this application, or (3) is not required to file ownership data under the Commission's Rules.
6) The Applicant certifies that the facilities, operations, and transmitters for which this authorization is hereby requested are either: (1) categorically excluded from routine environmental evaluation for RF exposure as set forth in 47 CFR § 1.1307(b); or, (2) have been found not to cause human exposure to levels of radiofrequency radiation in excess of the limits specified in 47 CFR §§ 1.1310 and 2.1093; or, (3) are the subject of one or more Environmental Assessments filed with the Commission.
7) The Applicant certifies that it has reviewed the appropriate Commission Rules defining eligibility to hold the requested license(s) and is eligible to hold the requested license(s).
8) The Applicant certifies that it is not in default on any payment for Commission licenses and that it is not delinquent on any non-tax debt owed to any federal agency.
9) The Applicant certifies that the Applicant and all of the related individuals and entities required to be disclosed on this application and FCC Form 602 (FCC Ownership Disclosure Information for the Wireless Telecommunications Services) are not person(s) who have been, for reasons of national security, barred by any agency of the Federal Government from bidding on a contract, participating in an auction, or receiving a grant. This certification applies only to applications for licenses for spectrum that is required by Sections 6103, 6401-6403 of the Middle Class Tax Relief and Job Creation Act of 2012, codified at 47 U.S.C. §§ 309, 1413, 1451-1452, to be assigned by a system of competitive bidding under 47 U.S.C. § 309(j).

Signature

60) Typed or Printed Name of Party Authorized to Sign

First Name: Jessica	MI:	Last Name: Dunk	Suffix:
61) Title: Assistant Secretary - Compliance			
Signature: Jessica Dunk			62) Date: 01/22/2024
FAILURE TO SIGN THIS APPLICATION MAY RESULT IN DISMISSAL OF THE APPLICATION AND FORFEITURE OF ANY FEES PAID.			
Upon grant of this license application, the Licensee may be subject to certain construction or coverage requirements. Failure to meet the construction or coverage requirements will result in termination of the license. Consult appropriate FCC regulations to determine the construction or coverage requirements that apply to the type of license requested in this application.			
WILLFUL FALSE STATEMENTS MADE ON THIS FORM OR ANY ATTACHMENTS ARE PUNISHABLE BY FINE AND/OR IMPRISONMENT (U.S. Code, Title 18, § 1001) AND/OR REVOCATION OF ANY STATION LICENSE OR CONSTRUCTION PERMIT (U.S. Code, Title 47, § 312(a)(1)), AND/OR FORFEITURE (U.S. Code, Title 47, § 503).			

REFERENCE COPY

This is not an official FCC license. It is a record of public information contained in the FCC's licensing database on the date that this reference copy was generated. In cases where FCC rules require the presentation, posting, or display of an FCC license, this document may not be used in place of an official FCC license.



**Federal Communications Commission
Wireless Telecommunications Bureau
RADIO STATION AUTHORIZATION**

LICENSEE: NEW CINGULAR WIRELESS PCS, LLC

ATTN: NATIONAL REGULATORY COMPLIANCE
NEW CINGULAR WIRELESS PCS, LLC
208 S AKARD ST, 20F
DALLAS, TX 75202

Call Sign WPOJ770	File Number
Radio Service CW - PCS Broadband	

FCC Registration Number (FRN): 0003291192

Grant Date 07-15-2019	Effective Date 01-24-2024	Expiration Date 06-30-2029	Print Date
Market Number BTA120	Channel Block C	Sub-Market Designator 2	
Market Name Dyersburg-Union City, TN			
1st Build-out Date 06-30-2004	2nd Build-out Date	3rd Build-out Date	4th Build-out Date

Waivers/Conditions:

This authorization is subject to the condition that, in the event that systems using the same frequencies as granted herein are authorized in an adjacent foreign territory (Canada/United States), future coordination of any base station transmitters within 72 km (45 miles) of the United States/Canada border shall be required to eliminate any harmful interference to operations in the adjacent foreign territory and to ensure continuance of equal access to the frequencies by both countries.

Conditions:

Pursuant to §309(h) of the Communications Act of 1934, as amended, 47 U.S.C. §309(h), this license is subject to the following conditions: This license shall not vest in the licensee any right to operate the station nor any right in the use of the frequencies designated in the license beyond the term thereof nor in any other manner than authorized herein. Neither the license nor the right granted thereunder shall be assigned or otherwise transferred in violation of the Communications Act of 1934, as amended. See 47 U.S.C. § 310(d). This license is subject in terms to the right of use or control conferred by §706 of the Communications Act of 1934, as amended. See 47 U.S.C. §606.

This license may not authorize operation throughout the entire geographic area or spectrum identified on the hardcopy version. To view the specific geographic area and spectrum authorized by this license, refer to the Spectrum and Market Area information under the Market Tab of the license record in the Universal Licensing System (ULS). To view the license record, go to the ULS homepage at <http://wireless.fcc.gov/uls/index.htm?job=home> and select "License Search". Follow the instructions on how to search for license information.

Licensee Name: NEW CINGULAR WIRELESS PCS, LLC

Call Sign: WPOJ770

File Number:

Print Date:

700 MHz Relicensed Area Information:

Market	Market Name	Buildout Deadline	Buildout Notification	Status
---------------	--------------------	--------------------------	------------------------------	---------------

Reference Copy

Reference Copy Only. Do Not Mail to the FCC as an Application.

Submitted: 01/13/2023 at 18:08:22
 File Number: 0010368092

FCC 601
Main Form

FCC Application for Radio Service Authorization: Wireless Telecommunications Bureau Public Safety and Homeland Security Bureau

Approved by OMB
 3060 - 0798
 See instructions for
 public burden estimate

1) Radio Service Code: CW	1a) Existing Radio Service Code:
---	----------------------------------

General Information

2) (Select only one) (AU) NE - New RO - Renewal Only AU - Administrative Update NT - Required Notifications MD - Modification RM - Renewal/Modification WD - Withdrawal of Application EX - Requests for Extension of Time AM - Amendment CA - Cancellation of License RL - Registered Location/Link	
3a) If this application is for a Demonstration License or a Special Temporary Authorization (STA) , enter the code and attach the required exhibit as described in the instructions. Otherwise enter ' N/A ' (Not Applicable).	(N) <u>M</u> <u>S</u> <u>N/A</u>
3b) If this application is for Special Temporary Authority due to an emergency situation, enter 'Y'; otherwise enter 'N'. Refer to Rule 1.915 for an explanation of situations considered to be an emergency.	() <u>Y</u> es <u>N</u> o
4) If this application is for an Amendment or Withdrawal, enter the file number of the pending application currently on file with the FCC.	File Number
5) If this application is for a Modification, Renewal Only, Renewal/Modification, Cancellation of License, or Administrative Update, enter the call sign of the existing FCC license. If this is a request for Registered Location/Link, enter the FCC call sign assigned to the geographic license.	Call Sign WPOJ770
6a) If this application is for a New, Amendment, Renewal Only, or Renewal/Modification, enter the requested authorization expiration date (this item is optional).	MM DD /
6b) If this application is for a Renewal Only or Renewal/Modification and the license is a geographic area license, is the license used to provide service to customers (C), or is the license used for private business (internal) purposes or to meet the licensee's public interest/public safety communications needs (P)?	() <u>C</u> <u>P</u>
7) Is this application "major" as defined in § 1.929 of the Commission's Rules when read in conjunction with the applicable radio service rules found in Parts 22 and 90 of the Commission's Rules? (NOTE: This question only applies to certain site-specific applications. See the instructions for applicability and full text of § 1.929).	() <u>Y</u> es <u>N</u> o
8) Are attachments (other than associated schedules) being filed with this application?	() <u>Y</u> es <u>N</u> o

Fees, Waivers, and Exemptions

9) Is the Applicant exempt from FCC application fees?	(N) <u>Y</u> es <u>N</u> o
10) Is the Applicant exempt from FCC regulatory fees?	(N) <u>Y</u> es <u>N</u> o
11) Does this application include a request for a Waiver of the Commission's Rule(s)? If 'Yes', attach an exhibit providing rule number(s) and explaining circumstances.	(N) <u>Y</u> es <u>N</u> o
12) Are the frequencies or parameters requested in this filing covered by grandfathered privileges, previously approved by waiver, or functionally integrated with an existing station?	() <u>Y</u> es <u>N</u> o

Applicant Information

13) FCC Registration Number (FRN): 0003291192			
14) Applicant/Licensee Legal Entity Type: (Select One) () Individual () Unincorporated Association () Trust () Government Entity () Corporation (<input checked="" type="checkbox"/>) Limited Liability Company () General Partnership () Limited Partnership () Limited Liability Partnership () Consortium () Other: _____			
15) If the Licensee name is being updated, is the update a result from the sale (or transfer of control) of the license(s) to party and for which proper Commission approval has not been received or proper notification not provided?			() Yes <input checked="" type="checkbox"/> No
16) First Name (if individual):	MI:	Last Name:	Suffix:
17) Legal Entity Name (if other than individual): NEW CINGULAR WIRELESS PCS, LLC			
18) Attention To: FCC Group			
19) P.O. Box:	And/Or	20) Street Address: 208 S. Akard St. 20F	
21) City: Dallas	22) State: TX		23) Zip Code: 75202
24) Telephone Number: (855)699-7073		25) Fax: (214)746-6410	
26) E-Mail Address: FCCMW@att.com			

27) Demographics (Optional)

Race: () American Indian or Alaska Native () Asian () Black or African-American () Native Hawaiian or Other Pacific Islander () White	Ethnicity: () Hispanic or Latino () Not Hispanic or Latino	Gender: () Male () Female
---	--	-----------------------------------

Real Party in Interest

28) Name of Real Party in Interest of Applicant (If different from Applicant):	29) FCC Registration Number (FRN) of Real Party in Interest:
--	--

Contact Information (If different from the Applicant) Check here if same as Applicant.

30) First Name: Cecil	MI: J	Last Name: Mathew	Suffix:
31) Company Name: AT&T Services, Inc.			
32) Attention To: FCC Group			
33) P.O. Box:	And /Or	34) Street Address: 208 S. Akard St. 20F	
35) City: Dallas	36) State: TX		37) Zip Code: 75202
38) Telephone Number: (855)699-7073		39) Fax: (214)746-6410	
40) E-Mail Address: FCCMW@att.com			

Regulatory Status

41) This filing is for authorization to provide or use the following type(s) of radio service offering (enter all that apply):
() **C**ommon Carrier () **N**on-Common Carrier () **P**rivate, internal communications () **B**roadcast Services () **B**and **M**anager

Type of Radio Service

42) This filing is for authorization to provide the following type(s) of radio service (choose all that apply):
() **F**ixed () **M**obile () **R**adiolocation () **S**atellite (sound) () **B**roadcast Services
43) Does the Applicant propose to provide service interconnected to the public telephone network? () **Y**es **N**o

Alien Ownership Questions (If any answer is "Y", provide an attachment explaining the circumstances. In preparing the attachment, refer to the Main Form Instructions for the "Alien Ownership Questions".)

44) Is the Applicant a foreign government or the representative of any foreign government? () **Y**es **N**o
45) Is the Applicant an alien or the representative of an alien? () **Y**es **N**o
46) Is the Applicant a corporation organized under the laws of any foreign government? () **Y**es **N**o
47) Is the Applicant a corporation of which more than one-fifth of the capital stock is owned of record or voted by aliens or their representatives, or by a foreign government or representative thereof, or by any corporation organized under the laws of a foreign country? () **Y**es **N**o

48a) Is the Applicant directly or indirectly controlled by any other corporation of which more than one-fourth of the capital stock () Yes No is owned of record or voted by aliens or their representatives, or by a foreign government or representative thereof, or by any corporation organized under the laws of a foreign country?

48b) If the answer to 47 or 48a is 'Y' select one of the choices below.

The Applicant is exempt from the provisions of Section 310(b).

If checked, include in the attachment required by Item 47 or Item 48a a showing that the requested license(s) is exempt from the provisions of Section 310(b).

The Applicant has received a declaratory ruling(s) approving its foreign ownership, and the application involves only the acquisition of additional spectrum for the provision of a wireless service in a geographic coverage area for which the Applicant has been previously authorized.

If checked, include in the attachment required by Item 47 or Item 48a the citation(s) of the applicable declaratory ruling(s) by DA/FCC number, the FCC Record citation, if available, release date, and a statement that there has been no change in the foreign ownership of the Applicant since the issuance of its ruling.

The Applicant: (i) has received a declaratory ruling(s) approving its foreign ownership, but is not able to make the certification specified immediately above; or (ii) is an "affiliate" of a Licensee or Lessee/Sublessee that received a declaratory ruling(s) under 47 CFR § 1.5000(a) and is relying on the affiliate's ruling for purposes of filing this application as permitted under the affiliate's ruling and 47 CFR § 1.5004(b)

If checked, and if the Applicant received its declaratory ruling(s) on or after August 9, 2013, include in the attachment required by Item 47 or Item 48a the citation(s) of the Applicant's declaratory ruling(s) by DA/FCC number, the FCC Record citation, if available, release date, and a statement that the Applicant is in compliance with the terms and conditions of its ruling and with the Commission's Rules.

If checked, and if the Applicant received its declaratory ruling(s) prior to August 9, 2013, include in the attachment required by Item 48a a copy of a petition for declaratory ruling filed contemporaneously with the Commission to extend the Applicant's existing ruling(s) to cover the same radio service(s) and geographic coverage area(s) involved in the application. Alternatively, the Applicant may request a new declaratory ruling pursuant to Section 1.5000(a) of the Commission's Rules, 47 CFR § 1.5000 (a). Petitions for declaratory ruling may be filed electronically on the Internet through the International Bureau Filing System (IBFS) (with a copy attached hereto).

If checked, and if the Applicant is relying on an affiliate's ruling for purposes of filing this application, include in the attachment required by Item 47 or Item 48a the citation(s) of the applicable declaratory ruling(s) by DA/FCC number, the FCC Record citation, if available, release date, and a statement that the Applicant is in compliance with the terms and conditions of the named affiliate's ruling and with the Commission's Rules. The Applicant must also include a certification of compliance signed by the named affiliate or other qualified entity as specified in 47 CFR § 1.5004(b). See Main Form Instructions for Items 47 or 48a, as applicable.

The Applicant has not received a declaratory ruling approving its foreign ownership and is requesting a declaratory ruling under 47 CFR § 1.5004(b) in a petition filed contemporaneously with the Commission.

If checked, include in the attachment required by Item 47 or 48a a copy of the petition for declaratory ruling filed contemporaneously with the Commission pursuant to 47 CFR § 1.5004(b). Petitions for declaratory ruling may be filed electronically on the Internet through the International Bureau Filing System (IBFS) (with a copy attached hereto).

Basic Qualification Questions

49) Has the Applicant or any party to this application had any FCC station authorization, license or construction permit revoked or had any application for an initial, modification or renewal of FCC station authorization, license, or construction permit denied by the Commission?	() <u>Yes</u> <u>No</u>
50) Has the Applicant or any party to this application, or any party directly or indirectly controlling the Applicant, ever been convicted of a felony by any state or federal court?	() <u>Yes</u> <u>No</u>
51) Has any court finally adjudged the Applicant or any party directly or indirectly controlling the Applicant guilty of unlawfully monopolizing or attempting unlawfully to monopolize radio communication, directly or indirectly, through control of manufacture or sale of radio apparatus, exclusive traffic arrangement, or any other means or unfair methods of competition?	() <u>Yes</u> <u>No</u>

Note: If the answer to any of 49-51 is 'Y', attach an exhibit explaining the circumstances.

Aeronautical Advisory Station (Unicom) Certification

52) () I certify that the station will be located on property of the airport to be served, and, in cases where the airport does not have a control tower, RCO, or FAA flight service station, that I have notified the owner of the airport and all aviation service organizations located at the airport within ten days prior to application.
--

Broadband Radio Service and Educational Broadband Service Cable Cross-Ownership

53a) Will the requested facilities be used to provide multichannel video programming service?	() <u>Yes</u> <u>No</u>
53b) If the answer to question 53a is 'Y', does the Applicant operate, control or have an attributable interest (as defined in 47 CFR § 27.1202) in a cable television system whose franchise area is located within the geographic service area of the requested facilities?	() <u>Yes</u> <u>No</u>

Note: If the answer to question 53b is 'Y', attach an exhibit explaining how the Applicant complies with 47 CFR § 27.1202 or justifying a waiver of that rule. If a waiver of the Commission Rule(s) is being requested, Item 11a must be answered 'Y'.

Broadband Radio Service and Educational Broadband Service (Part 27)

54) (For EBS only) Does the Applicant comply with the programming requirements contained in 47 CFR § 27.1203?	() <u>Yes</u> <u>No</u>
---	--------------------------

Note: If the answer to item 54 is 'N', attach an exhibit explaining how the Applicant complies with 47 CFR § 27.1203 of the Commission's Rules or justifying a waiver of that rule. If a waiver of the Commission Rule(s) is being requested, Item 11a must be answered 'Y'.

55) (For BRS and EBS) Does the Applicant comply with 47 CFR §§ 27.50, 27.55, and 27.1221?	() <u>Yes</u> <u>No</u>
---	--------------------------

Note: If the answer to item 55 is 'N', attach an exhibit justifying a waiver of that rule(s). If a waiver of the Commission Rule(s) is being requested, Item 11a must be answered 'Y'.

For Applicants Who Participated in an Auction

56) Is the Applicant a qualifying rural wireless partnership or a member of a qualifying rural wireless partnership?	() <u>Yes</u> <u>No</u>
--	--------------------------

Note: If the answer to item 56 is 'Y', attach an exhibit listing all members of the qualifying rural wireless partnership, including their FRN numbers.

For Renewal Applicants

57) Operation/Performance Requirement Certification

[For a site-based license]: Applicant certifies that it is continuing to operate consistent with its most recently filed construction notification (or most recent authorization, if no construction notification was required).	() <u>Yes</u> <u>No</u>
[For a geographic license, commercial service - licensee in its initial license term with an interim performance requirement]: Applicant certifies that it has met its interim performance requirement, that over the portion of the license term following the interim performance requirement, it continues to use its facilities to provide at least the level of service required by its interim performance requirement, it has met its final performance requirement, and it continues to use its facilities to provide at least the level of service required by its final performance requirement through the end of the license term.	() <u>Yes</u> <u>No</u>
[For a geographic license, commercial service - licensee in its initial license term with no interim performance requirement]: Applicant certifies that it has met its final performance requirement and it continues to use its facilities to provide at least the level of service required by its final performance requirement through the end of the license term. [Note: licensee must provide a showing demonstrating that the final performance requirement has been met, either separately in a timely application for notification of completion of construction, or as part of its renewal application, depending on the radio service.]	() <u>Yes</u> <u>No</u>
[For a geographic license, commercial service - licensee in any subsequent term]: Applicant certifies that it continues to use its facilities to provide at least the level of service required by its final performance requirement through the end of any subsequent license terms.	() <u>Yes</u> <u>No</u>
[For a geographic license, private systems - licensee in its initial license term with an interim performance requirement]: Applicant certifies that it has met its interim performance requirement, that over the portion of the license term following the interim performance requirement, it continues to use its facilities to further its private business or public interest/public safety communications needs at or above the level required to meet its interim performance requirement, it has met its final performance requirement, and it continues to use its facilities to provide at least the level of operation required by its final performance requirement through the end of the license term.	() <u>Yes</u> <u>No</u>
[For a geographic license, private systems - licensee in its initial license term with no interim performance requirement]: Applicant certifies that it has met its final performance requirement, it continues to use its facilities to further its private business or public interest/public safety communications needs, and it continues to use its facilities to provide at least the level of operation required by its final performance requirement through the end of the license term. [Note: licensee must provide a showing demonstrating that the final performance requirement has been met, either separately in a timely application for notification of completion of construction, or as part of its renewal application, depending on the radio service.]	() <u>Yes</u> <u>No</u>

[For a geographic license, private systems - licensee in any subsequent term]: Applicant certifies that it continues to use its facilities to further its private business or public interest/public safety communications needs at or above the level required to meet its final performance requirement through the end of any subsequent license terms.	(<input type="checkbox"/>) <u>Yes</u> <u>No</u>
[For a partitioned or disaggregated license without a performance requirement, for the first renewal application filed after effective date of the rules]: Applicant certifies that the partitioned and/or disaggregated license that is the subject of this renewal application has no separate performance requirement and that this is the first renewal of this license filed subsequent to the effective date of the rules.	(<input type="checkbox"/>) <u>Yes</u> <u>No</u>
[For a partitioned or disaggregated license without a performance requirement, for any subsequent renewal filings]: Applicant certifies that it continues to use its facilities to provide service or to further the applicant's private business or public interest/public safety needs.	(<input type="checkbox"/>) <u>Yes</u> <u>No</u>

Discontinuance of Service Certification

58) Applicant certifies that no permanent discontinuance of service or operation, as applicable, occurred during its current license term. Note: If the response to either item 57 or item 58 is 'N', attach an exhibit that demonstrates that over the course of the license term, the Applicant provided and continues to provide service to the public, or operated and continues to operate the license to meet the Applicant's private business or public interest/public safety communications needs. This exhibit must include a detailed description of the Applicant's provision of service or, when allowed under the relevant service rules or pursuant to waiver, use of the spectrum for private business or public interest/public safety communications needs, during the entire license period and address, as applicable: 1) the level and quality of service provided by the applicant (e.g., the population served, the area served, the number of subscribers, the services offered); (2) the date service commenced, whether service was ever interrupted, and the duration of any interruption or outage; (3) the extent to which service is provided to rural areas; (4) the extent to which service is provided to qualifying tribal land as defined in 47 CFR § 1.2110(e)(3)(i); and (5) any other factors associated with the level of service to the public. The licensee may note in its exhibit: 1) any grant(s) of waiver or extension of a performance deadline or license renewal subject to meeting a performance requirement; or 2) if the final performance deadline and/or expiration date for the license accelerated because the licensee did not meet an interim performance requirement.	(<input type="checkbox"/>) <u>Yes</u> <u>No</u>
--	---

Regulatory Compliance Certification [same for all]

59) Applicant certifies that it has substantially complied with all applicable FCC rules, policies, and the Communications Act of 1934, as amended. Note: If the response to item 59 is 'N', attach an exhibit explaining the circumstances and demonstrating why Applicant's license should be renewed.	(<input type="checkbox"/>) <u>Yes</u> <u>No</u>
--	---

General Certification Statements

1) The Applicant waives any claim to the use of any particular frequency or of the electromagnetic spectrum as against the regulatory power of the United States because of the previous use of the same, whether by license or otherwise, and requests an authorization in accordance with this application.
2) The Applicant certifies that grant of this application would not cause the Applicant to be in violation of any pertinent cross-ownership or attribution rules.* *If the Applicant has sought a waiver of any such rule in connection with this application, it may make this certification subject to the outcome of the waiver request.
3) The Applicant certifies that all statements made in this application and in the exhibits, attachments, or documents incorporated by reference are material, are part of this application, and are true, complete, correct, and made in good faith.
4) The Applicant certifies that neither the Applicant nor any other party to the application is subject to a denial of Federal benefits pursuant to § 5301 of the Anti-Drug Abuse Act of 1988, 21 U.S.C. § 862, because of a conviction for possession or distribution of a controlled substance. This certification does not apply to applications filed in services exempted under § 1.2002(c) of the rules, 47 CFR § 1.2002(c). See 47 CFR § 1.2002(b) for the definition of "party to the application" as used in this certification.
5) The Applicant certifies that it either (1) has current required ownership data on file with the Commission, (2) is filing updated ownership data simultaneously with this application, or (3) is not required to file ownership data under the Commission's Rules.
6) The Applicant certifies that the facilities, operations, and transmitters for which this authorization is hereby requested are either: (1) categorically excluded from routine environmental evaluation for RF exposure as set forth in 47 CFR § 1.1307(b); or, (2) have been found not to cause human exposure to levels of radiofrequency radiation in excess of the limits specified in 47 CFR §§ 1.1310 and 2.1093; or, (3) are the subject of one or more Environmental Assessments filed with the Commission.
7) The Applicant certifies that it has reviewed the appropriate Commission Rules defining eligibility to hold the requested license(s) and is eligible to hold the requested license(s).
8) The Applicant certifies that it is not in default on any payment for Commission licenses and that it is not delinquent on any non-tax debt owed to any federal agency.
9) The Applicant certifies that the Applicant and all of the related individuals and entities required to be disclosed on this application and FCC Form 602 (FCC Ownership Disclosure Information for the Wireless Telecommunications Services) are not person(s) who have been, for reasons of national security, barred by any agency of the Federal Government from bidding on a contract, participating in an auction, or receiving a grant. This certification applies only to applications for licenses for spectrum that is required by Sections 6103, 6401-6403 of the Middle Class Tax Relief and Job Creation Act of 2012, codified at 47 U.S.C. §§ 309, 1413, 1451-1452, to be assigned by a system of competitive bidding under 47 U.S.C. § 309(j).

Signature

60) Typed or Printed Name of Party Authorized to Sign

First Name: Cecil	MI: J	Last Name: Mathew	Suffix:
61) Title: Assistant Secretary - Compliance			
Signature: Cecil J Mathew			62) Date: 01/13/2023
FAILURE TO SIGN THIS APPLICATION MAY RESULT IN DISMISSAL OF THE APPLICATION AND FORFEITURE OF ANY FEES PAID.			
Upon grant of this license application, the Licensee may be subject to certain construction or coverage requirements. Failure to meet the construction or coverage requirements will result in termination of the license. Consult appropriate FCC regulations to determine the construction or coverage requirements that apply to the type of license requested in this application.			
WILLFUL FALSE STATEMENTS MADE ON THIS FORM OR ANY ATTACHMENTS ARE PUNISHABLE BY FINE AND/OR IMPRISONMENT (U.S. Code, Title 18, § 1001) AND/OR REVOCATION OF ANY STATION LICENSE OR CONSTRUCTION PERMIT (U.S. Code, Title 47, § 312(a)(1)), AND/OR FORFEITURE (U.S. Code, Title 47, § 503).			

Reference Copy Only. Do Not Mail to the FCC as an Application.

Submitted: 01/23/2024 at 17:43:02
 File Number: 0010873884

FCC 601
Main Form

FCC Application for Radio Service Authorization: Wireless Telecommunications Bureau Public Safety and Homeland Security Bureau

Approved by OMB
 3060 - 0798
 See instructions for
 public burden estimate

1) Radio Service Code: CW	1a) Existing Radio Service Code:
---	----------------------------------

General Information

2) (Select only one) (AU) NE - New RO - Renewal Only AU - Administrative Update NT - Required Notifications MD - Modification RM - Renewal/Modification WD - Withdrawal of Application EX - Requests for Extension of Time AM - Amendment CA - Cancellation of License RL - Registered Location/Link	
3a) If this application is for a Demonstration License or a Special Temporary Authorization (STA), enter the code and attach the required exhibit as described in the instructions. Otherwise enter ' <u>N/A</u> ' (Not Applicable).	(N) <u>M</u> <u>S</u> <u>N/A</u>
3b) If this application is for Special Temporary Authority due to an emergency situation, enter 'Y'; otherwise enter 'N'. Refer to Rule 1.915 for an explanation of situations considered to be an emergency.	() <u>Y</u> es <u>N</u> o
4) If this application is for an Amendment or Withdrawal, enter the file number of the pending application currently on file with the FCC.	File Number
5) If this application is for a Modification, Renewal Only, Renewal/Modification, Cancellation of License, or Administrative Update, enter the call sign of the existing FCC license. If this is a request for Registered Location/Link, enter the FCC call sign assigned to the geographic license.	Call Sign WPOJ770
6a) If this application is for a New, Amendment, Renewal Only, or Renewal/Modification, enter the requested authorization expiration date (this item is optional).	MM DD /
6b) If this application is for a Renewal Only or Renewal/Modification and the license is a geographic area license, is the license used to provide service to customers (C), or is the license used for private business (internal) purposes or to meet the licensee's public interest/public safety communications needs (P)?	() <u>C</u> <u>P</u>
7) Is this application "major" as defined in § 1.929 of the Commission's Rules when read in conjunction with the applicable radio service rules found in Parts 22 and 90 of the Commission's Rules? (NOTE: This question only applies to certain site-specific applications. See the instructions for applicability and full text of § 1.929).	() <u>Y</u> es <u>N</u> o
8) Are attachments (other than associated schedules) being filed with this application?	() <u>Y</u> es <u>N</u> o

Fees, Waivers, and Exemptions

9) Is the Applicant exempt from FCC application fees?	(N) <u>Y</u> es <u>N</u> o
10) Is the Applicant exempt from FCC regulatory fees?	(N) <u>Y</u> es <u>N</u> o
11) Does this application include a request for a Waiver of the Commission's Rule(s)? If 'Yes', attach an exhibit providing rule number(s) and explaining circumstances.	(N) <u>Y</u> es <u>N</u> o
12) Are the frequencies or parameters requested in this filing covered by grandfathered privileges, previously approved by waiver, or functionally integrated with an existing station?	() <u>Y</u> es <u>N</u> o

Applicant Information

13) FCC Registration Number (FRN): 0003291192			
14) Applicant/Licensee Legal Entity Type: (Select One) <input type="checkbox"/> Individual <input type="checkbox"/> Unincorporated Association <input type="checkbox"/> Trust <input type="checkbox"/> Government Entity <input type="checkbox"/> Corporation <input checked="" type="checkbox"/> Limited Liability Company <input type="checkbox"/> General Partnership <input type="checkbox"/> Limited Partnership <input type="checkbox"/> Limited Liability Partnership <input type="checkbox"/> Consortium <input type="checkbox"/> Other: _____			
15) If the Licensee name is being updated, is the update a result from the sale (or transfer of control) of the license(s) to party and for which proper Commission approval has not been received or proper notification not provided?			<input type="checkbox"/> Yes <input checked="" type="checkbox"/> No
16) First Name (if individual):	MI:	Last Name:	Suffix:
17) Legal Entity Name (if other than individual): New Cingular Wireless PCS, LLC			
18) Attention To: National Regulatory Compliance			
19) P.O. Box:	And/Or	20) Street Address: 208 S Akard St, 20F	
21) City: Dallas	22) State: TX		23) Zip Code: 75202
24) Telephone Number: (855)699-7073		25) Fax: (214)746-6410	
26) E-Mail Address: FCCMW@att.com			

27) Demographics (Optional)

Race: <input type="checkbox"/> American Indian or Alaska Native <input type="checkbox"/> Asian <input type="checkbox"/> Black or African-American <input type="checkbox"/> Native Hawaiian or Other Pacific Islander <input type="checkbox"/> White	Ethnicity: <input type="checkbox"/> Hispanic or Latino <input type="checkbox"/> Not Hispanic or Latino	Gender: <input type="checkbox"/> Male <input type="checkbox"/> Female
--	--	---

Real Party in Interest

28) Name of Real Party in Interest of Applicant (If different from Applicant):	29) FCC Registration Number (FRN) of Real Party in Interest:
--	--

Contact Information (If different from the Applicant) Check here if same as Applicant.

30) First Name: Jessica	MI: J	Last Name: Dunk	Suffix:
31) Company Name: AT&T Services, Inc.			
32) Attention To: NRC			
33) P.O. Box:	And /Or	34) Street Address: 208 S Akard St, 20F	
35) City: Dallas	36) State: TX		37) Zip Code: 75202
38) Telephone Number: (855)699-7073		39) Fax: (214)746-6410	
40) E-Mail Address: FCCMW@att.com			

Regulatory Status

41) This filing is for authorization to provide or use the following type(s) of radio service offering (enter all that apply):
() Common Carrier () Non-Common Carrier () Private, internal communications () Broadcast Services () Band Manager

Type of Radio Service

42) This filing is for authorization to provide the following type(s) of radio service (choose all that apply):
() Fixed () Mobile () Radiolocation () Satellite (sound) () Broadcast Services
43) Does the Applicant propose to provide service interconnected to the public telephone network? () Yes No

Alien Ownership Questions (If any answer is "Y", provide an attachment explaining the circumstances. In preparing the attachment, refer to the Main Form Instructions for the "Alien Ownership Questions".)

44) Is the Applicant a foreign government or the representative of any foreign government? () Yes No
45) Is the Applicant an alien or the representative of an alien? () Yes No
46) Is the Applicant a corporation organized under the laws of any foreign government? () Yes No
47) Is the Applicant a corporation of which more than one-fifth of the capital stock is owned of record or voted by aliens or their representatives, or by a foreign government or representative thereof, or by any corporation organized under the laws of a foreign country? () Yes No

48a) Is the Applicant directly or indirectly controlled by any other corporation of which more than one-fourth of the capital stock () Yes No is owned of record or voted by aliens or their representatives, or by a foreign government or representative thereof, or by any corporation organized under the laws of a foreign country?

48b) If the answer to 47 or 48a is 'Y' select one of the choices below.

The Applicant is exempt from the provisions of Section 310(b).

If checked, include in the attachment required by Item 47 or Item 48a a showing that the requested license(s) is exempt from the provisions of Section 310(b).

The Applicant has received a declaratory ruling(s) approving its foreign ownership, and the application involves only the acquisition of additional spectrum for the provision of a wireless service in a geographic coverage area for which the Applicant has been previously authorized.

If checked, include in the attachment required by Item 47 or Item 48a the citation(s) of the applicable declaratory ruling(s) by DA/FCC number, the FCC Record citation, if available, release date, and a statement that there has been no change in the foreign ownership of the Applicant since the issuance of its ruling.

The Applicant: (i) has received a declaratory ruling(s) approving its foreign ownership, but is not able to make the certification specified immediately above; or (ii) is an "affiliate" of a Licensee or Lessee/Sublessee that received a declaratory ruling(s) under 47 CFR § 1.5000(a) and is relying on the affiliate's ruling for purposes of filing this application as permitted under the affiliate's ruling and 47 CFR § 1.5004(b)

If checked, and if the Applicant received its declaratory ruling(s) on or after August 9, 2013, include in the attachment required by Item 47 or Item 48a the citation(s) of the Applicant's declaratory ruling(s) by DA/FCC number, the FCC Record citation, if available, release date, and a statement that the Applicant is in compliance with the terms and conditions of its ruling and with the Commission's Rules.

If checked, and if the Applicant received its declaratory ruling(s) prior to August 9, 2013, include in the attachment required by Item 48a a copy of a petition for declaratory ruling filed contemporaneously with the Commission to extend the Applicant's existing ruling(s) to cover the same radio service(s) and geographic coverage area(s) involved in the application. Alternatively, the Applicant may request a new declaratory ruling pursuant to Section 1.5000(a) of the Commission's Rules, 47 CFR § 1.5000 (a). Petitions for declaratory ruling may be filed electronically on the Internet through the International Bureau Filing System (IBFS) (with a copy attached hereto).

If checked, and if the Applicant is relying on an affiliate's ruling for purposes of filing this application, include in the attachment required by Item 47 or Item 48a the citation(s) of the applicable declaratory ruling(s) by DA/FCC number, the FCC Record citation, if available, release date, and a statement that the Applicant is in compliance with the terms and conditions of the named affiliate's ruling and with the Commission's Rules. The Applicant must also include a certification of compliance signed by the named affiliate or other qualified entity as specified in 47 CFR § 1.5004(b). See Main Form Instructions for Items 47 or 48a, as applicable.

The Applicant has not received a declaratory ruling approving its foreign ownership and is requesting a declaratory ruling under 47 CFR § 1.5004(b) in a petition filed contemporaneously with the Commission.

If checked, include in the attachment required by Item 47 or 48a a copy of the petition for declaratory ruling filed contemporaneously with the Commission pursuant to 47 CFR § 1.5004(b). Petitions for declaratory ruling may be filed electronically on the Internet through the International Bureau Filing System (IBFS) (with a copy attached hereto).

Basic Qualification Questions

49) Has the Applicant or any party to this application had any FCC station authorization, license or construction permit revoked or had any application for an initial, modification or renewal of FCC station authorization, license, or construction permit denied by the Commission?	() <u>Yes</u> <u>No</u>
50) Has the Applicant or any party to this application, or any party directly or indirectly controlling the Applicant, ever been convicted of a felony by any state or federal court?	() <u>Yes</u> <u>No</u>
51) Has any court finally adjudged the Applicant or any party directly or indirectly controlling the Applicant guilty of unlawfully monopolizing or attempting unlawfully to monopolize radio communication, directly or indirectly, through control of manufacture or sale of radio apparatus, exclusive traffic arrangement, or any other means or unfair methods of competition?	() <u>Yes</u> <u>No</u>

Note: If the answer to any of 49-51 is 'Y', attach an exhibit explaining the circumstances.

Aeronautical Advisory Station (Unicom) Certification

52) () I certify that the station will be located on property of the airport to be served, and, in cases where the airport does not have a control tower, RCO, or FAA flight service station, that I have notified the owner of the airport and all aviation service organizations located at the airport within ten days prior to application.
--

Broadband Radio Service and Educational Broadband Service Cable Cross-Ownership

53a) Will the requested facilities be used to provide multichannel video programming service?	() <u>Yes</u> <u>No</u>
53b) If the answer to question 53a is 'Y', does the Applicant operate, control or have an attributable interest (as defined in 47 CFR § 27.1202) in a cable television system whose franchise area is located within the geographic service area of the requested facilities?	() <u>Yes</u> <u>No</u>

Note: If the answer to question 53b is 'Y', attach an exhibit explaining how the Applicant complies with 47 CFR § 27.1202 or justifying a waiver of that rule. If a waiver of the Commission Rule(s) is being requested, Item 11a must be answered 'Y'.

Broadband Radio Service and Educational Broadband Service (Part 27)

54) (For EBS only) Does the Applicant comply with the programming requirements contained in 47 CFR § 27.1203?	() <u>Yes</u> <u>No</u>
---	--------------------------

Note: If the answer to item 54 is 'N', attach an exhibit explaining how the Applicant complies with 47 CFR § 27.1203 of the Commission's Rules or justifying a waiver of that rule. If a waiver of the Commission Rule(s) is being requested, Item 11a must be answered 'Y'.

55) (For BRS and EBS) Does the Applicant comply with 47 CFR §§ 27.50, 27.55, and 27.1221?	() <u>Yes</u> <u>No</u>
---	--------------------------

Note: If the answer to item 55 is 'N', attach an exhibit justifying a waiver of that rule(s). If a waiver of the Commission Rule(s) is being requested, Item 11a must be answered 'Y'.

For Applicants Who Participated in an Auction

56) Is the Applicant a qualifying rural wireless partnership or a member of a qualifying rural wireless partnership?	() <u>Yes</u> <u>No</u>
--	--------------------------

Note: If the answer to item 56 is 'Y', attach an exhibit listing all members of the qualifying rural wireless partnership, including their FRN numbers.

For Renewal Applicants

57) Operation/Performance Requirement Certification

[For a site-based license]: Applicant certifies that it is continuing to operate consistent with its most recently filed construction notification (or most recent authorization, if no construction notification was required).	() <u>Yes</u> <u>No</u>
[For a geographic license, commercial service - licensee in its initial license term with an interim performance requirement]: Applicant certifies that it has met its interim performance requirement, that over the portion of the license term following the interim performance requirement, it continues to use its facilities to provide at least the level of service required by its interim performance requirement, it has met its final performance requirement, and it continues to use its facilities to provide at least the level of service required by its final performance requirement through the end of the license term.	() <u>Yes</u> <u>No</u>
[For a geographic license, commercial service - licensee in its initial license term with no interim performance requirement]: Applicant certifies that it has met its final performance requirement and it continues to use its facilities to provide at least the level of service required by its final performance requirement through the end of the license term. [Note: licensee must provide a showing demonstrating that the final performance requirement has been met, either separately in a timely application for notification of completion of construction, or as part of its renewal application, depending on the radio service.]	() <u>Yes</u> <u>No</u>
[For a geographic license, commercial service - licensee in any subsequent term]: Applicant certifies that it continues to use its facilities to provide at least the level of service required by its final performance requirement through the end of any subsequent license terms.	() <u>Yes</u> <u>No</u>
[For a geographic license, private systems - licensee in its initial license term with an interim performance requirement]: Applicant certifies that it has met its interim performance requirement, that over the portion of the license term following the interim performance requirement, it continues to use its facilities to further its private business or public interest/public safety communications needs at or above the level required to meet its interim performance requirement, it has met its final performance requirement, and it continues to use its facilities to provide at least the level of operation required by its final performance requirement through the end of the license term.	() <u>Yes</u> <u>No</u>
[For a geographic license, private systems - licensee in its initial license term with no interim performance requirement]: Applicant certifies that it has met its final performance requirement, it continues to use its facilities to further its private business or public interest/public safety communications needs, and it continues to use its facilities to provide at least the level of operation required by its final performance requirement through the end of the license term. [Note: licensee must provide a showing demonstrating that the final performance requirement has been met, either separately in a timely application for notification of completion of construction, or as part of its renewal application, depending on the radio service.]	() <u>Yes</u> <u>No</u>

[For a geographic license, private systems - licensee in any subsequent term]: Applicant certifies that it continues to use its facilities to further its private business or public interest/public safety communications needs at or above the level required to meet its final performance requirement through the end of any subsequent license terms.	(<input type="checkbox"/>) <u>Yes</u> <u>No</u>
[For a partitioned or disaggregated license without a performance requirement, for the first renewal application filed after effective date of the rules]: Applicant certifies that the partitioned and/or disaggregated license that is the subject of this renewal application has no separate performance requirement and that this is the first renewal of this license filed subsequent to the effective date of the rules.	(<input type="checkbox"/>) <u>Yes</u> <u>No</u>
[For a partitioned or disaggregated license without a performance requirement, for any subsequent renewal filings]: Applicant certifies that it continues to use its facilities to provide service or to further the applicant's private business or public interest/public safety needs.	(<input type="checkbox"/>) <u>Yes</u> <u>No</u>

Discontinuance of Service Certification

58) Applicant certifies that no permanent discontinuance of service or operation, as applicable, occurred during its current license term. Note: If the response to either item 57 or item 58 is 'N', attach an exhibit that demonstrates that over the course of the license term, the Applicant provided and continues to provide service to the public, or operated and continues to operate the license to meet the Applicant's private business or public interest/public safety communications needs. This exhibit must include a detailed description of the Applicant's provision of service or, when allowed under the relevant service rules or pursuant to waiver, use of the spectrum for private business or public interest/public safety communications needs, during the entire license period and address, as applicable: 1) the level and quality of service provided by the applicant (e.g., the population served, the area served, the number of subscribers, the services offered); (2) the date service commenced, whether service was ever interrupted, and the duration of any interruption or outage; (3) the extent to which service is provided to rural areas; (4) the extent to which service is provided to qualifying tribal land as defined in 47 CFR § 1.2110(e)(3)(i); and (5) any other factors associated with the level of service to the public. The licensee may note in its exhibit: 1) any grant(s) of waiver or extension of a performance deadline or license renewal subject to meeting a performance requirement; or 2) if the final performance deadline and/or expiration date for the license accelerated because the licensee did not meet an interim performance requirement.	(<input type="checkbox"/>) <u>Yes</u> <u>No</u>
--	---

Regulatory Compliance Certification [same for all]

59) Applicant certifies that it has substantially complied with all applicable FCC rules, policies, and the Communications Act of 1934, as amended. Note: If the response to item 59 is 'N', attach an exhibit explaining the circumstances and demonstrating why Applicant's license should be renewed.	(<input type="checkbox"/>) <u>Yes</u> <u>No</u>
--	---

General Certification Statements

1) The Applicant waives any claim to the use of any particular frequency or of the electromagnetic spectrum as against the regulatory power of the United States because of the previous use of the same, whether by license or otherwise, and requests an authorization in accordance with this application.
2) The Applicant certifies that grant of this application would not cause the Applicant to be in violation of any pertinent cross-ownership or attribution rules.* *If the Applicant has sought a waiver of any such rule in connection with this application, it may make this certification subject to the outcome of the waiver request.
3) The Applicant certifies that all statements made in this application and in the exhibits, attachments, or documents incorporated by reference are material, are part of this application, and are true, complete, correct, and made in good faith.
4) The Applicant certifies that neither the Applicant nor any other party to the application is subject to a denial of Federal benefits pursuant to § 5301 of the Anti-Drug Abuse Act of 1988, 21 U.S.C. § 862, because of a conviction for possession or distribution of a controlled substance. This certification does not apply to applications filed in services exempted under § 1.2002(c) of the rules, 47 CFR § 1.2002(c). See 47 CFR § 1.2002(b) for the definition of "party to the application" as used in this certification.
5) The Applicant certifies that it either (1) has current required ownership data on file with the Commission, (2) is filing updated ownership data simultaneously with this application, or (3) is not required to file ownership data under the Commission's Rules.
6) The Applicant certifies that the facilities, operations, and transmitters for which this authorization is hereby requested are either: (1) categorically excluded from routine environmental evaluation for RF exposure as set forth in 47 CFR § 1.1307(b); or, (2) have been found not to cause human exposure to levels of radiofrequency radiation in excess of the limits specified in 47 CFR §§ 1.1310 and 2.1093; or, (3) are the subject of one or more Environmental Assessments filed with the Commission.
7) The Applicant certifies that it has reviewed the appropriate Commission Rules defining eligibility to hold the requested license(s) and is eligible to hold the requested license(s).
8) The Applicant certifies that it is not in default on any payment for Commission licenses and that it is not delinquent on any non-tax debt owed to any federal agency.
9) The Applicant certifies that the Applicant and all of the related individuals and entities required to be disclosed on this application and FCC Form 602 (FCC Ownership Disclosure Information for the Wireless Telecommunications Services) are not person(s) who have been, for reasons of national security, barred by any agency of the Federal Government from bidding on a contract, participating in an auction, or receiving a grant. This certification applies only to applications for licenses for spectrum that is required by Sections 6103, 6401-6403 of the Middle Class Tax Relief and Job Creation Act of 2012, codified at 47 U.S.C. §§ 309, 1413, 1451-1452, to be assigned by a system of competitive bidding under 47 U.S.C. § 309(j).

Signature

60) Typed or Printed Name of Party Authorized to Sign

First Name: Jessica	MI:	Last Name: Dunk	Suffix:
61) Title: Assistant Secretary - Compliance			
Signature: Jessica Dunk			62) Date: 01/23/2024
FAILURE TO SIGN THIS APPLICATION MAY RESULT IN DISMISSAL OF THE APPLICATION AND FORFEITURE OF ANY FEES PAID.			
Upon grant of this license application, the Licensee may be subject to certain construction or coverage requirements. Failure to meet the construction or coverage requirements will result in termination of the license. Consult appropriate FCC regulations to determine the construction or coverage requirements that apply to the type of license requested in this application.			
WILLFUL FALSE STATEMENTS MADE ON THIS FORM OR ANY ATTACHMENTS ARE PUNISHABLE BY FINE AND/OR IMPRISONMENT (U.S. Code, Title 18, § 1001) AND/OR REVOCATION OF ANY STATION LICENSE OR CONSTRUCTION PERMIT (U.S. Code, Title 47, § 312(a)(1)), AND/OR FORFEITURE (U.S. Code, Title 47, § 503).			

REFERENCE COPY

This is not an official FCC license. It is a record of public information contained in the FCC's licensing database on the date that this reference copy was generated. In cases where FCC rules require the presentation, posting, or display of an FCC license, this document may not be used in place of an official FCC license.



**Federal Communications Commission
Wireless Telecommunications Bureau
RADIO STATION AUTHORIZATION**

LICENSEE: NEW CINGULAR WIRELESS PCS, LLC

ATTN: NATIONAL REGULATORY COMPLIANCE
NEW CINGULAR WIRELESS PCS, LLC
208 S AKARD ST, 20F
DALLAS, TX 75202

Call Sign WPSJ971	File Number
Radio Service CW - PCS Broadband	

FCC Registration Number (FRN): 0003291192

Grant Date 04-29-2021	Effective Date 01-24-2024	Expiration Date 05-29-2031	Print Date
Market Number BTA339	Channel Block C	Sub-Market Designator 1	
Market Name Paducah-Murray-Mayfield, KY			
1st Build-out Date 05-29-2006	2nd Build-out Date	3rd Build-out Date	4th Build-out Date

Waivers/Conditions:

This authorization is subject to the condition that, in the event that systems using the same frequencies as granted herein are authorized in an adjacent foreign territory (Canada/United States), future coordination of any base station transmitters within 72 km (45 miles) of the United States/Canada border shall be required to eliminate any harmful interference to operations in the adjacent foreign territory and to ensure continuance of equal access to the frequencies by both countries.

Conditions:

Pursuant to §309(h) of the Communications Act of 1934, as amended, 47 U.S.C. §309(h), this license is subject to the following conditions: This license shall not vest in the licensee any right to operate the station nor any right in the use of the frequencies designated in the license beyond the term thereof nor in any other manner than authorized herein. Neither the license nor the right granted thereunder shall be assigned or otherwise transferred in violation of the Communications Act of 1934, as amended. See 47 U.S.C. § 310(d). This license is subject in terms to the right of use or control conferred by §706 of the Communications Act of 1934, as amended. See 47 U.S.C. §606.

This license may not authorize operation throughout the entire geographic area or spectrum identified on the hardcopy version. To view the specific geographic area and spectrum authorized by this license, refer to the Spectrum and Market Area information under the Market Tab of the license record in the Universal Licensing System (ULS). To view the license record, go to the ULS homepage at <http://wireless.fcc.gov/uls/index.htm?job=home> and select "License Search". Follow the instructions on how to search for license information.

Licensee Name: NEW CINGULAR WIRELESS PCS, LLC

Call Sign: WPSJ971

File Number:

Print Date:

700 MHz Relicensed Area Information:

Market	Market Name	Buildout Deadline	Buildout Notification	Status
---------------	--------------------	--------------------------	------------------------------	---------------

Reference Copy

Reference Copy Only. Do Not Mail to the FCC as an Application.

Submitted: 01/13/2023 at 18:08:22
 File Number: 0010368098

FCC 601
Main Form

FCC Application for Radio Service Authorization: Wireless Telecommunications Bureau Public Safety and Homeland Security Bureau

Approved by OMB
 3060 - 0798
 See instructions for
 public burden estimate

1) Radio Service Code: CW	1a) Existing Radio Service Code:
---	----------------------------------

General Information

2) (Select only one) (AU) NE - New RO - Renewal Only AU - Administrative Update NT - Required Notifications MD - Modification RM - Renewal/Modification WD - Withdrawal of Application EX - Requests for Extension of Time AM - Amendment CA - Cancellation of License RL - Registered Location/Link	
3a) If this application is for a Demonstration License or a Special Temporary Authorization (STA), enter the code and attach the required exhibit as described in the instructions. Otherwise enter ' <u>N/A</u> ' (Not Applicable).	(N) <u>M</u> <u>S</u> <u>N/A</u>
3b) If this application is for Special Temporary Authority due to an emergency situation, enter 'Y'; otherwise enter 'N'. Refer to Rule 1.915 for an explanation of situations considered to be an emergency.	() <u>Y</u> es <u>N</u> o
4) If this application is for an Amendment or Withdrawal, enter the file number of the pending application currently on file with the FCC.	File Number
5) If this application is for a Modification, Renewal Only, Renewal/Modification, Cancellation of License, or Administrative Update, enter the call sign of the existing FCC license. If this is a request for Registered Location/Link, enter the FCC call sign assigned to the geographic license.	Call Sign WPSJ971
6a) If this application is for a New, Amendment, Renewal Only, or Renewal/Modification, enter the requested authorization expiration date (this item is optional).	MM DD /
6b) If this application is for a Renewal Only or Renewal/Modification and the license is a geographic area license, is the license used to provide service to customers (C), or is the license used for private business (internal) purposes or to meet the licensee's public interest/public safety communications needs (P)?	() <u>C</u> <u>P</u>
7) Is this application "major" as defined in § 1.929 of the Commission's Rules when read in conjunction with the applicable radio service rules found in Parts 22 and 90 of the Commission's Rules? (NOTE: This question only applies to certain site-specific applications. See the instructions for applicability and full text of § 1.929).	() <u>Y</u> es <u>N</u> o
8) Are attachments (other than associated schedules) being filed with this application?	() <u>Y</u> es <u>N</u> o

Fees, Waivers, and Exemptions

9) Is the Applicant exempt from FCC application fees?	(N) <u>Y</u> es <u>N</u> o
10) Is the Applicant exempt from FCC regulatory fees?	(N) <u>Y</u> es <u>N</u> o
11) Does this application include a request for a Waiver of the Commission's Rule(s)? If 'Yes', attach an exhibit providing rule number(s) and explaining circumstances.	(N) <u>Y</u> es <u>N</u> o
12) Are the frequencies or parameters requested in this filing covered by grandfathered privileges, previously approved by waiver, or functionally integrated with an existing station?	() <u>Y</u> es <u>N</u> o

Applicant Information

13) FCC Registration Number (FRN): 0003291192			
14) Applicant/Licensee Legal Entity Type: (Select One) () Individual () Unincorporated Association () Trust () Government Entity () Corporation (<input checked="" type="checkbox"/>) Limited Liability Company () General Partnership () Limited Partnership () Limited Liability Partnership () Consortium () Other: _____			
15) If the Licensee name is being updated, is the update a result from the sale (or transfer of control) of the license(s) to party and for which proper Commission approval has not been received or proper notification not provided?			() Yes <input checked="" type="checkbox"/> No
16) First Name (if individual):	MI:	Last Name:	Suffix:
17) Legal Entity Name (if other than individual): NEW CINGULAR WIRELESS PCS, LLC			
18) Attention To: FCC Group			
19) P.O. Box:	And/Or	20) Street Address: 208 S. Akard St. 20F	
21) City: Dallas	22) State: TX	23) Zip Code: 75202	
24) Telephone Number: (855)699-7073		25) Fax:	
26) E-Mail Address: FCCMW@att.com			

27) Demographics (Optional)

Race: () American Indian or Alaska Native () Asian () Black or African-American () Native Hawaiian or Other Pacific Islander () White	Ethnicity: () Hispanic or Latino () Not Hispanic or Latino	Gender: () Male () Female
---	--	-----------------------------------

Real Party in Interest

28) Name of Real Party in Interest of Applicant (If different from Applicant):	29) FCC Registration Number (FRN) of Real Party in Interest:
--	--

Contact Information (If different from the Applicant) Check here if same as Applicant.

30) First Name: Cecil	MI: J	Last Name: Mathew	Suffix:
31) Company Name: AT&T Services, Inc.			
32) Attention To:			
33) P.O. Box:	And /Or	34) Street Address: 208 S. Akard St. 20F	
35) City: Dallas	36) State: TX	37) Zip Code: 75202	
38) Telephone Number: (855)699-7073		39) Fax:	
40) E-Mail Address: FCCMW@att.com			

Regulatory Status

41) This filing is for authorization to provide or use the following type(s) of radio service offering (enter all that apply):
() **Common Carrier** () **Non-Common Carrier** () **Private, internal communications** () **Broadcast Services** () **Band Manager**

Type of Radio Service

42) This filing is for authorization to provide the following type(s) of radio service (choose all that apply):
() **Fixed** () **Mobile** () **Radiolocation** () **Satellite (sound)** () **Broadcast Services**
43) Does the Applicant propose to provide service interconnected to the public telephone network? () **Yes** **No**

Alien Ownership Questions (If any answer is "Y", provide an attachment explaining the circumstances. In preparing the attachment, refer to the Main Form Instructions for the "Alien Ownership Questions".)

44) Is the Applicant a foreign government or the representative of any foreign government? () **Yes** **No**
45) Is the Applicant an alien or the representative of an alien? () **Yes** **No**
46) Is the Applicant a corporation organized under the laws of any foreign government? () **Yes** **No**
47) Is the Applicant a corporation of which more than one-fifth of the capital stock is owned of record or voted by aliens or their representatives, or by a foreign government or representative thereof, or by any corporation organized under the laws of a foreign country? () **Yes** **No**

48a) Is the Applicant directly or indirectly controlled by any other corporation of which more than one-fourth of the capital stock () Yes No is owned of record or voted by aliens or their representatives, or by a foreign government or representative thereof, or by any corporation organized under the laws of a foreign country?

48b) If the answer to 47 or 48a is 'Y' select one of the choices below.

The Applicant is exempt from the provisions of Section 310(b).

If checked, include in the attachment required by Item 47 or Item 48a a showing that the requested license(s) is exempt from the provisions of Section 310(b).

The Applicant has received a declaratory ruling(s) approving its foreign ownership, and the application involves only the acquisition of additional spectrum for the provision of a wireless service in a geographic coverage area for which the Applicant has been previously authorized.

If checked, include in the attachment required by Item 47 or Item 48a the citation(s) of the applicable declaratory ruling(s) by DA/FCC number, the FCC Record citation, if available, release date, and a statement that there has been no change in the foreign ownership of the Applicant since the issuance of its ruling.

The Applicant: (i) has received a declaratory ruling(s) approving its foreign ownership, but is not able to make the certification specified immediately above; or (ii) is an "affiliate" of a Licensee or Lessee/Sublessee that received a declaratory ruling(s) under 47 CFR § 1.5000(a) and is relying on the affiliate's ruling for purposes of filing this application as permitted under the affiliate's ruling and 47 CFR § 1.5004(b)

If checked, and if the Applicant received its declaratory ruling(s) on or after August 9, 2013, include in the attachment required by Item 47 or Item 48a the citation(s) of the Applicant's declaratory ruling(s) by DA/FCC number, the FCC Record citation, if available, release date, and a statement that the Applicant is in compliance with the terms and conditions of its ruling and with the Commission's Rules.

If checked, and if the Applicant received its declaratory ruling(s) prior to August 9, 2013, include in the attachment required by Item 48a a copy of a petition for declaratory ruling filed contemporaneously with the Commission to extend the Applicant's existing ruling(s) to cover the same radio service(s) and geographic coverage area(s) involved in the application. Alternatively, the Applicant may request a new declaratory ruling pursuant to Section 1.5000(a) of the Commission's Rules, 47 CFR § 1.5000 (a). Petitions for declaratory ruling may be filed electronically on the Internet through the International Bureau Filing System (IBFS) (with a copy attached hereto).

If checked, and if the Applicant is relying on an affiliate's ruling for purposes of filing this application, include in the attachment required by Item 47 or Item 48a the citation(s) of the applicable declaratory ruling(s) by DA/FCC number, the FCC Record citation, if available, release date, and a statement that the Applicant is in compliance with the terms and conditions of the named affiliate's ruling and with the Commission's Rules. The Applicant must also include a certification of compliance signed by the named affiliate or other qualified entity as specified in 47 CFR § 1.5004(b). See Main Form Instructions for Items 47 or 48a, as applicable.

The Applicant has not received a declaratory ruling approving its foreign ownership and is requesting a declaratory ruling under 47 CFR § 1.5004(b) in a petition filed contemporaneously with the Commission.

If checked, include in the attachment required by Item 47 or 48a a copy of the petition for declaratory ruling filed contemporaneously with the Commission pursuant to 47 CFR § 1.5004(b). Petitions for declaratory ruling may be filed electronically on the Internet through the International Bureau Filing System (IBFS) (with a copy attached hereto).

Basic Qualification Questions

49) Has the Applicant or any party to this application had any FCC station authorization, license or construction permit revoked or had any application for an initial, modification or renewal of FCC station authorization, license, or construction permit denied by the Commission?	(<input type="checkbox"/>) <u>Yes</u> <u>No</u>
50) Has the Applicant or any party to this application, or any party directly or indirectly controlling the Applicant, ever been convicted of a felony by any state or federal court?	(<input type="checkbox"/>) <u>Yes</u> <u>No</u>
51) Has any court finally adjudged the Applicant or any party directly or indirectly controlling the Applicant guilty of unlawfully monopolizing or attempting unlawfully to monopolize radio communication, directly or indirectly, through control of manufacture or sale of radio apparatus, exclusive traffic arrangement, or any other means or unfair methods of competition?	(<input type="checkbox"/>) <u>Yes</u> <u>No</u>

Note: If the answer to any of 49-51 is 'Y', attach an exhibit explaining the circumstances.

Aeronautical Advisory Station (Unicom) Certification

52) (<input type="checkbox"/>) I certify that the station will be located on property of the airport to be served, and, in cases where the airport does not have a control tower, RCO, or FAA flight service station, that I have notified the owner of the airport and all aviation service organizations located at the airport within ten days prior to application.

Broadband Radio Service and Educational Broadband Service Cable Cross-Ownership

53a) Will the requested facilities be used to provide multichannel video programming service?	(<input type="checkbox"/>) <u>Yes</u> <u>No</u>
53b) If the answer to question 53a is 'Y', does the Applicant operate, control or have an attributable interest (as defined in 47 CFR § 27.1202) in a cable television system whose franchise area is located within the geographic service area of the requested facilities?	(<input type="checkbox"/>) <u>Yes</u> <u>No</u>

Note: If the answer to question 53b is 'Y', attach an exhibit explaining how the Applicant complies with 47 CFR § 27.1202 or justifying a waiver of that rule. If a waiver of the Commission Rule(s) is being requested, Item 11a must be answered 'Y'.

Broadband Radio Service and Educational Broadband Service (Part 27)

54) (For EBS only) Does the Applicant comply with the programming requirements contained in 47 CFR § 27.1203?	(<input type="checkbox"/>) <u>Yes</u> <u>No</u>
---	---

Note: If the answer to item 54 is 'N', attach an exhibit explaining how the Applicant complies with 47 CFR § 27.1203 of the Commission's Rules or justifying a waiver of that rule. If a waiver of the Commission Rule(s) is being requested, Item 11a must be answered 'Y'.

55) (For BRS and EBS) Does the Applicant comply with 47 CFR §§ 27.50, 27.55, and 27.1221?	(<input type="checkbox"/>) <u>Yes</u> <u>No</u>
---	---

Note: If the answer to item 55 is 'N', attach an exhibit justifying a waiver of that rule(s). If a waiver of the Commission Rule(s) is being requested, Item 11a must be answered 'Y'.

For Applicants Who Participated in an Auction

56) Is the Applicant a qualifying rural wireless partnership or a member of a qualifying rural wireless partnership?	(<input type="checkbox"/>) <u>Yes</u> <u>No</u>
--	---

Note: If the answer to item 56 is 'Y', attach an exhibit listing all members of the qualifying rural wireless partnership, including their FRN numbers.

For Renewal Applicants

57) Operation/Performance Requirement Certification

[For a site-based license]: Applicant certifies that it is continuing to operate consistent with its most recently filed construction notification (or most recent authorization, if no construction notification was required).	(<input type="checkbox"/>) <u>Yes</u> <u>No</u>
[For a geographic license, commercial service - licensee in its initial license term with an interim performance requirement]: Applicant certifies that it has met its interim performance requirement, that over the portion of the license term following the interim performance requirement, it continues to use its facilities to provide at least the level of service required by its interim performance requirement, it has met its final performance requirement, and it continues to use its facilities to provide at least the level of service required by its final performance requirement through the end of the license term.	(<input type="checkbox"/>) <u>Yes</u> <u>No</u>
[For a geographic license, commercial service - licensee in its initial license term with no interim performance requirement]: Applicant certifies that it has met its final performance requirement and it continues to use its facilities to provide at least the level of service required by its final performance requirement through the end of the license term. [Note: licensee must provide a showing demonstrating that the final performance requirement has been met, either separately in a timely application for notification of completion of construction, or as part of its renewal application, depending on the radio service.]	(<input type="checkbox"/>) <u>Yes</u> <u>No</u>
[For a geographic license, commercial service - licensee in any subsequent term]: Applicant certifies that it continues to use its facilities to provide at least the level of service required by its final performance requirement through the end of any subsequent license terms.	(<input type="checkbox"/>) <u>Yes</u> <u>No</u>
[For a geographic license, private systems - licensee in its initial license term with an interim performance requirement]: Applicant certifies that it has met its interim performance requirement, that over the portion of the license term following the interim performance requirement, it continues to use its facilities to further its private business or public interest/public safety communications needs at or above the level required to meet its interim performance requirement, it has met its final performance requirement, and it continues to use its facilities to provide at least the level of operation required by its final performance requirement through the end of the license term.	(<input type="checkbox"/>) <u>Yes</u> <u>No</u>
[For a geographic license, private systems - licensee in its initial license term with no interim performance requirement]: Applicant certifies that it has met its final performance requirement, it continues to use its facilities to further its private business or public interest/public safety communications needs, and it continues to use its facilities to provide at least the level of operation required by its final performance requirement through the end of the license term. [Note: licensee must provide a showing demonstrating that the final performance requirement has been met, either separately in a timely application for notification of completion of construction, or as part of its renewal application, depending on the radio service.]	(<input type="checkbox"/>) <u>Yes</u> <u>No</u>

[For a geographic license, private systems - licensee in any subsequent term]: Applicant certifies that it continues to use its facilities to further its private business or public interest/public safety communications needs at or above the level required to meet its final performance requirement through the end of any subsequent license terms.	(<input type="checkbox"/>) <u>Yes</u> <u>No</u>
[For a partitioned or disaggregated license without a performance requirement, for the first renewal application filed after effective date of the rules]: Applicant certifies that the partitioned and/or disaggregated license that is the subject of this renewal application has no separate performance requirement and that this is the first renewal of this license filed subsequent to the effective date of the rules.	(<input type="checkbox"/>) <u>Yes</u> <u>No</u>
[For a partitioned or disaggregated license without a performance requirement, for any subsequent renewal filings]: Applicant certifies that it continues to use its facilities to provide service or to further the applicant's private business or public interest/public safety needs.	(<input type="checkbox"/>) <u>Yes</u> <u>No</u>

Discontinuance of Service Certification

58) Applicant certifies that no permanent discontinuance of service or operation, as applicable, occurred during its current license term. Note: If the response to either item 57 or item 58 is 'N', attach an exhibit that demonstrates that over the course of the license term, the Applicant provided and continues to provide service to the public, or operated and continues to operate the license to meet the Applicant's private business or public interest/public safety communications needs. This exhibit must include a detailed description of the Applicant's provision of service or, when allowed under the relevant service rules or pursuant to waiver, use of the spectrum for private business or public interest/public safety communications needs, during the entire license period and address, as applicable: 1) the level and quality of service provided by the applicant (e.g., the population served, the area served, the number of subscribers, the services offered); (2) the date service commenced, whether service was ever interrupted, and the duration of any interruption or outage; (3) the extent to which service is provided to rural areas; (4) the extent to which service is provided to qualifying tribal land as defined in 47 CFR § 1.2110(e)(3)(i); and (5) any other factors associated with the level of service to the public. The licensee may note in its exhibit: 1) any grant(s) of waiver or extension of a performance deadline or license renewal subject to meeting a performance requirement; or 2) if the final performance deadline and/or expiration date for the license accelerated because the licensee did not meet an interim performance requirement.	(<input type="checkbox"/>) <u>Yes</u> <u>No</u>
--	---

Regulatory Compliance Certification [same for all]

59) Applicant certifies that it has substantially complied with all applicable FCC rules, policies, and the Communications Act of 1934, as amended. Note: If the response to item 59 is 'N', attach an exhibit explaining the circumstances and demonstrating why Applicant's license should be renewed.	(<input type="checkbox"/>) <u>Yes</u> <u>No</u>
--	---

General Certification Statements

1) The Applicant waives any claim to the use of any particular frequency or of the electromagnetic spectrum as against the regulatory power of the United States because of the previous use of the same, whether by license or otherwise, and requests an authorization in accordance with this application.
2) The Applicant certifies that grant of this application would not cause the Applicant to be in violation of any pertinent cross-ownership or attribution rules.* *If the Applicant has sought a waiver of any such rule in connection with this application, it may make this certification subject to the outcome of the waiver request.
3) The Applicant certifies that all statements made in this application and in the exhibits, attachments, or documents incorporated by reference are material, are part of this application, and are true, complete, correct, and made in good faith.
4) The Applicant certifies that neither the Applicant nor any other party to the application is subject to a denial of Federal benefits pursuant to § 5301 of the Anti-Drug Abuse Act of 1988, 21 U.S.C. § 862, because of a conviction for possession or distribution of a controlled substance. This certification does not apply to applications filed in services exempted under § 1.2002(c) of the rules, 47 CFR § 1.2002(c). See 47 CFR § 1.2002(b) for the definition of "party to the application" as used in this certification.
5) The Applicant certifies that it either (1) has current required ownership data on file with the Commission, (2) is filing updated ownership data simultaneously with this application, or (3) is not required to file ownership data under the Commission's Rules.
6) The Applicant certifies that the facilities, operations, and transmitters for which this authorization is hereby requested are either: (1) categorically excluded from routine environmental evaluation for RF exposure as set forth in 47 CFR § 1.1307(b); or, (2) have been found not to cause human exposure to levels of radiofrequency radiation in excess of the limits specified in 47 CFR §§ 1.1310 and 2.1093; or, (3) are the subject of one or more Environmental Assessments filed with the Commission.
7) The Applicant certifies that it has reviewed the appropriate Commission Rules defining eligibility to hold the requested license(s) and is eligible to hold the requested license(s).
8) The Applicant certifies that it is not in default on any payment for Commission licenses and that it is not delinquent on any non-tax debt owed to any federal agency.
9) The Applicant certifies that the Applicant and all of the related individuals and entities required to be disclosed on this application and FCC Form 602 (FCC Ownership Disclosure Information for the Wireless Telecommunications Services) are not person(s) who have been, for reasons of national security, barred by any agency of the Federal Government from bidding on a contract, participating in an auction, or receiving a grant. This certification applies only to applications for licenses for spectrum that is required by Sections 6103, 6401-6403 of the Middle Class Tax Relief and Job Creation Act of 2012, codified at 47 U.S.C. §§ 309, 1413, 1451-1452, to be assigned by a system of competitive bidding under 47 U.S.C. § 309(j).

Signature

60) Typed or Printed Name of Party Authorized to Sign

First Name: Cecil	MI: J	Last Name: Mathew	Suffix:
61) Title: Assistant Secretary - Compliance			
Signature: Cecil J Mathew			62) Date: 01/13/2023
FAILURE TO SIGN THIS APPLICATION MAY RESULT IN DISMISSAL OF THE APPLICATION AND FORFEITURE OF ANY FEES PAID.			
Upon grant of this license application, the Licensee may be subject to certain construction or coverage requirements. Failure to meet the construction or coverage requirements will result in termination of the license. Consult appropriate FCC regulations to determine the construction or coverage requirements that apply to the type of license requested in this application.			
WILLFUL FALSE STATEMENTS MADE ON THIS FORM OR ANY ATTACHMENTS ARE PUNISHABLE BY FINE AND/OR IMPRISONMENT (U.S. Code, Title 18, § 1001) AND/OR REVOCATION OF ANY STATION LICENSE OR CONSTRUCTION PERMIT (U.S. Code, Title 47, § 312(a)(1)), AND/OR FORFEITURE (U.S. Code, Title 47, § 503).			

Reference Copy Only. Do Not Mail to the FCC as an Application.

Submitted: 01/23/2024 at 17:43:02
 File Number: 0010873666

FCC 601
Main Form

FCC Application for Radio Service Authorization: Wireless Telecommunications Bureau Public Safety and Homeland Security Bureau

Approved by OMB
 3060 - 0798
 See instructions for
 public burden estimate

1) Radio Service Code: CW	1a) Existing Radio Service Code:
---	----------------------------------

General Information

2) (Select only one) (AU) NE - New RO - Renewal Only AU - Administrative Update NT - Required Notifications MD - Modification RM - Renewal/Modification WD - Withdrawal of Application EX - Requests for Extension of Time AM - Amendment CA - Cancellation of License RL - Registered Location/Link	
3a) If this application is for a Demonstration License or a Special Temporary Authorization (STA), enter the code and attach the required exhibit as described in the instructions. Otherwise enter ' <u>N/A</u> ' (Not Applicable).	(N) <u>M</u> <u>S</u> <u>N/A</u>
3b) If this application is for Special Temporary Authority due to an emergency situation, enter 'Y'; otherwise enter 'N'. Refer to Rule 1.915 for an explanation of situations considered to be an emergency.	() <u>Y</u> es <u>N</u> o
4) If this application is for an Amendment or Withdrawal, enter the file number of the pending application currently on file with the FCC.	File Number
5) If this application is for a Modification, Renewal Only, Renewal/Modification, Cancellation of License, or Administrative Update, enter the call sign of the existing FCC license. If this is a request for Registered Location/Link, enter the FCC call sign assigned to the geographic license.	Call Sign WPSJ971
6a) If this application is for a New, Amendment, Renewal Only, or Renewal/Modification, enter the requested authorization expiration date (this item is optional).	MM DD /
6b) If this application is for a Renewal Only or Renewal/Modification and the license is a geographic area license, is the license used to provide service to customers (C), or is the license used for private business (internal) purposes or to meet the licensee's public interest/public safety communications needs (P)?	() <u>C</u> <u>P</u>
7) Is this application "major" as defined in § 1.929 of the Commission's Rules when read in conjunction with the applicable radio service rules found in Parts 22 and 90 of the Commission's Rules? (NOTE: This question only applies to certain site-specific applications. See the instructions for applicability and full text of § 1.929).	() <u>Y</u> es <u>N</u> o
8) Are attachments (other than associated schedules) being filed with this application?	() <u>Y</u> es <u>N</u> o

Fees, Waivers, and Exemptions

9) Is the Applicant exempt from FCC application fees?	(N) <u>Y</u> es <u>N</u> o
10) Is the Applicant exempt from FCC regulatory fees?	(N) <u>Y</u> es <u>N</u> o
11) Does this application include a request for a Waiver of the Commission's Rule(s)? If 'Yes', attach an exhibit providing rule number(s) and explaining circumstances.	(N) <u>Y</u> es <u>N</u> o
12) Are the frequencies or parameters requested in this filing covered by grandfathered privileges, previously approved by waiver, or functionally integrated with an existing station?	() <u>Y</u> es <u>N</u> o

Applicant Information

13) FCC Registration Number (FRN): 0003291192			
14) Applicant/Licensee Legal Entity Type: (Select One) <input type="checkbox"/> Individual <input type="checkbox"/> Unincorporated Association <input type="checkbox"/> Trust <input type="checkbox"/> Government Entity <input type="checkbox"/> Corporation <input checked="" type="checkbox"/> Limited Liability Company <input type="checkbox"/> General Partnership <input type="checkbox"/> Limited Partnership <input type="checkbox"/> Limited Liability Partnership <input type="checkbox"/> Consortium <input type="checkbox"/> Other: _____			
15) If the Licensee name is being updated, is the update a result from the sale (or transfer of control) of the license(s) to party and for which proper Commission approval has not been received or proper notification not provided?			<input type="checkbox"/> Yes <input checked="" type="checkbox"/> No
16) First Name (if individual):	MI:	Last Name:	Suffix:
17) Legal Entity Name (if other than individual): New Cingular Wireless PCS, LLC			
18) Attention To: National Regulatory Compliance			
19) P.O. Box:	And/Or	20) Street Address: 208 S Akard St, 20F	
21) City: Dallas	22) State: TX	23) Zip Code: 75202	
24) Telephone Number: (855)699-7073		25) Fax:	
26) E-Mail Address: FCCMW@att.com			

27) Demographics (Optional)

Race: <input type="checkbox"/> American Indian or Alaska Native <input type="checkbox"/> Asian <input type="checkbox"/> Black or African-American <input type="checkbox"/> Native Hawaiian or Other Pacific Islander <input type="checkbox"/> White	Ethnicity: <input type="checkbox"/> Hispanic or Latino <input type="checkbox"/> Not Hispanic or Latino	Gender: <input type="checkbox"/> Male <input type="checkbox"/> Female
--	--	---

Real Party in Interest

28) Name of Real Party in Interest of Applicant (If different from Applicant):	29) FCC Registration Number (FRN) of Real Party in Interest:
--	--

Contact Information (If different from the Applicant) Check here if same as Applicant.

30) First Name: Jessica	MI: J	Last Name: Dunk	Suffix:
31) Company Name: AT&T Services, Inc.			
32) Attention To: NRC			
33) P.O. Box:	And /Or	34) Street Address: 208 S Akard St, 20F	
35) City: Dallas	36) State: TX	37) Zip Code: 75202	
38) Telephone Number: (855)699-7073		39) Fax:	
40) E-Mail Address: FCCMW@att.com			

Regulatory Status

41) This filing is for authorization to provide or use the following type(s) of radio service offering (enter all that apply):
() **Common Carrier** () **Non-Common Carrier** () **Private, internal communications** () **Broadcast Services** () **Band Manager**

Type of Radio Service

42) This filing is for authorization to provide the following type(s) of radio service (choose all that apply):
() **Fixed** () **Mobile** () **Radiolocation** () **Satellite (sound)** () **Broadcast Services**
43) Does the Applicant propose to provide service interconnected to the public telephone network? () **Yes** **No**

Alien Ownership Questions (If any answer is "Y", provide an attachment explaining the circumstances. In preparing the attachment, refer to the Main Form Instructions for the "Alien Ownership Questions".)

44) Is the Applicant a foreign government or the representative of any foreign government? () **Yes** **No**
45) Is the Applicant an alien or the representative of an alien? () **Yes** **No**
46) Is the Applicant a corporation organized under the laws of any foreign government? () **Yes** **No**
47) Is the Applicant a corporation of which more than one-fifth of the capital stock is owned of record or voted by aliens or their representatives, or by a foreign government or representative thereof, or by any corporation organized under the laws of a foreign country? () **Yes** **No**

48a) Is the Applicant directly or indirectly controlled by any other corporation of which more than one-fourth of the capital stock () Yes No is owned of record or voted by aliens or their representatives, or by a foreign government or representative thereof, or by any corporation organized under the laws of a foreign country?

48b) If the answer to 47 or 48a is 'Y' select one of the choices below.

The Applicant is exempt from the provisions of Section 310(b).

If checked, it is not necessary to file a petition for declaratory ruling if the Applicant includes in the attachment required by Item 47 or Item 48a a showing that the requested license(s) is exempt from the provisions of Section 310(b).

The Applicant has received a declaratory ruling(s) approving its foreign ownership, and the application involves only the acquisition of additional spectrum for the provision of a wireless service in a geographic coverage area for which the Applicant has been previously authorized.

If checked, include in the attachment required by Item 47 or Item 48a the citation(s) of the applicable declaratory ruling(s) by DA/FCC number, the FCC Record citation, if available, release date, and a statement that there has been no change in the foreign ownership of the Applicant since the issuance of its ruling.

The Applicant: (i) has received a declaratory ruling(s) approving its foreign ownership, but is not able to make the certification specified immediately above; or (ii) is an "affiliate" of a Licensee or Lessee/Sublessee that received a declaratory ruling(s) under 47 CFR § 1.5000(a) and is relying on the affiliate's ruling for purposes of filing this application as permitted under the affiliate's ruling and 47 CFR § 1.5004(b)

If checked, and if the Applicant received its declaratory ruling(s) on or after August 9, 2013, include in the attachment required by Item 47 or Item 48a the citation(s) of the Applicant's declaratory ruling(s) by DA/FCC number, the FCC Record citation, if available, release date, and a statement that the Applicant is in compliance with the terms and conditions of its ruling and with the Commission's Rules.

If checked, and if the Applicant received its declaratory ruling(s) prior to August 9, 2013, include in the attachment required by Item 48a a copy of a petition for declaratory ruling filed contemporaneously with the Commission to extend the Applicant's existing ruling(s) to cover the same radio service(s) and geographic coverage area(s) involved in the application. Alternatively, the Applicant may request a new declaratory ruling pursuant to Section 1.5000(a) of the Commission's Rules, 47 CFR § 1.5000 (a). Petitions for declaratory ruling may be filed electronically on the Internet through the International Bureau Filing System (IBFS) (with a copy attached hereto).

If checked, and if the Applicant is relying on an affiliate's ruling for purposes of filing this application, include in the attachment required by Item 47 or Item 48a the citation(s) of the applicable declaratory ruling(s) by DA/FCC number, the FCC Record citation, if available, release date, and a statement that the Applicant is in compliance with the terms and conditions of the named affiliate's ruling and with the Commission's Rules. The Applicant must also include a certification of compliance signed by the named affiliate or other qualified entity as specified in 47 CFR § 1.5004(b). See Main Form Instructions for Items 47 or 48a, as applicable.

The Applicant has not received a declaratory ruling approving its foreign ownership and is requesting a declaratory ruling under 47 CFR § 1.5004(b) in a petition filed contemporaneously with the Commission.

If checked, include in the attachment required by Item 47 or 48a a copy of the petition for declaratory ruling filed contemporaneously with the Commission pursuant to 47 CFR § 1.5004(b). Petitions for declaratory ruling may be filed electronically on the Internet through the International Bureau Filing System (IBFS) (with a copy attached hereto).

Basic Qualification Questions

49) Has the Applicant or any party to this application had any FCC station authorization, license or construction permit revoked or had any application for an initial, modification or renewal of FCC station authorization, license, or construction permit denied by the Commission?	() <u>Yes</u> <u>No</u>
50) Has the Applicant or any party to this application, or any party directly or indirectly controlling the Applicant, ever been convicted of a felony by any state or federal court?	() <u>Yes</u> <u>No</u>
51) Has any court finally adjudged the Applicant or any party directly or indirectly controlling the Applicant guilty of unlawfully monopolizing or attempting unlawfully to monopolize radio communication, directly or indirectly, through control of manufacture or sale of radio apparatus, exclusive traffic arrangement, or any other means or unfair methods of competition?	() <u>Yes</u> <u>No</u>

Note: If the answer to any of 49-51 is 'Y', attach an exhibit explaining the circumstances.

Aeronautical Advisory Station (Unicom) Certification

52) () I certify that the station will be located on property of the airport to be served, and, in cases where the airport does not have a control tower, RCO, or FAA flight service station, that I have notified the owner of the airport and all aviation service organizations located at the airport within ten days prior to application.
--

Broadband Radio Service and Educational Broadband Service Cable Cross-Ownership

53a) Will the requested facilities be used to provide multichannel video programming service?	() <u>Yes</u> <u>No</u>
53b) If the answer to question 53a is 'Y', does the Applicant operate, control or have an attributable interest (as defined in 47 CFR § 27.1202) in a cable television system whose franchise area is located within the geographic service area of the requested facilities?	() <u>Yes</u> <u>No</u>

Note: If the answer to question 53b is 'Y', attach an exhibit explaining how the Applicant complies with 47 CFR § 27.1202 or justifying a waiver of that rule. If a waiver of the Commission Rule(s) is being requested, Item 11a must be answered 'Y'.

Broadband Radio Service and Educational Broadband Service (Part 27)

54) (For EBS only) Does the Applicant comply with the programming requirements contained in 47 CFR § 27.1203?	() <u>Yes</u> <u>No</u>
---	--------------------------

Note: If the answer to item 54 is 'N', attach an exhibit explaining how the Applicant complies with 47 CFR § 27.1203 of the Commission's Rules or justifying a waiver of that rule. If a waiver of the Commission Rule(s) is being requested, Item 11a must be answered 'Y'.

55) (For BRS and EBS) Does the Applicant comply with 47 CFR §§ 27.50, 27.55, and 27.1221?	() <u>Yes</u> <u>No</u>
---	--------------------------

Note: If the answer to item 55 is 'N', attach an exhibit justifying a waiver of that rule(s). If a waiver of the Commission Rule(s) is being requested, Item 11a must be answered 'Y'.

For Applicants Who Participated in an Auction

56) Is the Applicant a qualifying rural wireless partnership or a member of a qualifying rural wireless partnership?	() <u>Yes</u> <u>No</u>
--	--------------------------

Note: If the answer to item 56 is 'Y', attach an exhibit listing all members of the qualifying rural wireless partnership, including their FRN numbers.

For Renewal Applicants

57) Operation/Performance Requirement Certification

[For a site-based license]: Applicant certifies that it is continuing to operate consistent with its most recently filed construction notification (or most recent authorization, if no construction notification was required).	() <u>Yes</u> <u>No</u>
[For a geographic license, commercial service - licensee in its initial license term with an interim performance requirement]: Applicant certifies that it has met its interim performance requirement, that over the portion of the license term following the interim performance requirement, it continues to use its facilities to provide at least the level of service required by its interim performance requirement, it has met its final performance requirement, and it continues to use its facilities to provide at least the level of service required by its final performance requirement through the end of the license term.	() <u>Yes</u> <u>No</u>
[For a geographic license, commercial service - licensee in its initial license term with no interim performance requirement]: Applicant certifies that it has met its final performance requirement and it continues to use its facilities to provide at least the level of service required by its final performance requirement through the end of the license term. [Note: licensee must provide a showing demonstrating that the final performance requirement has been met, either separately in a timely application for notification of completion of construction, or as part of its renewal application, depending on the radio service.]	() <u>Yes</u> <u>No</u>
[For a geographic license, commercial service - licensee in any subsequent term]: Applicant certifies that it continues to use its facilities to provide at least the level of service required by its final performance requirement through the end of any subsequent license terms.	() <u>Yes</u> <u>No</u>
[For a geographic license, private systems - licensee in its initial license term with an interim performance requirement]: Applicant certifies that it has met its interim performance requirement, that over the portion of the license term following the interim performance requirement, it continues to use its facilities to further its private business or public interest/public safety communications needs at or above the level required to meet its interim performance requirement, it has met its final performance requirement, and it continues to use its facilities to provide at least the level of operation required by its final performance requirement through the end of the license term.	() <u>Yes</u> <u>No</u>
[For a geographic license, private systems - licensee in its initial license term with no interim performance requirement]: Applicant certifies that it has met its final performance requirement, it continues to use its facilities to further its private business or public interest/public safety communications needs, and it continues to use its facilities to provide at least the level of operation required by its final performance requirement through the end of the license term. [Note: licensee must provide a showing demonstrating that the final performance requirement has been met, either separately in a timely application for notification of completion of construction, or as part of its renewal application, depending on the radio service.]	() <u>Yes</u> <u>No</u>

[For a geographic license, private systems - licensee in any subsequent term]: Applicant certifies that it continues to use its facilities to further its private business or public interest/public safety communications needs at or above the level required to meet its final performance requirement through the end of any subsequent license terms.	() <u>Yes</u> <u>No</u>
[For a partitioned or disaggregated license without a performance requirement, for the first renewal application filed after effective date of the rules]: Applicant certifies that the partitioned and/or disaggregated license that is the subject of this renewal application has no separate performance requirement and that this is the first renewal of this license filed subsequent to the effective date of the rules.	() <u>Yes</u> <u>No</u>
[For a partitioned or disaggregated license without a performance requirement, for any subsequent renewal filings]: Applicant certifies that it continues to use its facilities to provide service or to further the applicant's private business or public interest/public safety needs.	() <u>Yes</u> <u>No</u>

Discontinuance of Service Certification

58) Applicant certifies that no permanent discontinuance of service or operation, as applicable, occurred during its current license term. Note: If the response to either item 57 or item 58 is 'N', attach an exhibit that demonstrates that over the course of the license term, the Applicant provided and continues to provide service to the public, or operated and continues to operate the license to meet the Applicant's private business or public interest/public safety communications needs. This exhibit must include a detailed description of the Applicant's provision of service or, when allowed under the relevant service rules or pursuant to waiver, use of the spectrum for private business or public interest/public safety communications needs, during the entire license period and address, as applicable: 1) the level and quality of service provided by the applicant (e.g., the population served, the area served, the number of subscribers, the services offered); (2) the date service commenced, whether service was ever interrupted, and the duration of any interruption or outage; (3) the extent to which service is provided to rural areas; (4) the extent to which service is provided to qualifying tribal land as defined in 47 CFR § 1.2110(e)(3)(i); and (5) any other factors associated with the level of service to the public. The licensee may note in its exhibit: 1) any grant(s) of waiver or extension of a performance deadline or license renewal subject to meeting a performance requirement; or 2) if the final performance deadline and/or expiration date for the license accelerated because the licensee did not meet an interim performance requirement.	() <u>Yes</u> <u>No</u>
--	--------------------------

Regulatory Compliance Certification [same for all]

59) Applicant certifies that it has substantially complied with all applicable FCC rules, policies, and the Communications Act of 1934, as amended. Note: If the response to item 59 is 'N', attach an exhibit explaining the circumstances and demonstrating why Applicant's license should be renewed.	() <u>Yes</u> <u>No</u>
--	--------------------------

General Certification Statements

1) The Applicant waives any claim to the use of any particular frequency or of the electromagnetic spectrum as against the regulatory power of the United States because of the previous use of the same, whether by license or otherwise, and requests an authorization in accordance with this application.
2) The Applicant certifies that grant of this application would not cause the Applicant to be in violation of any pertinent cross-ownership or attribution rules.* *If the Applicant has sought a waiver of any such rule in connection with this application, it may make this certification subject to the outcome of the waiver request.
3) The Applicant certifies that all statements made in this application and in the exhibits, attachments, or documents incorporated by reference are material, are part of this application, and are true, complete, correct, and made in good faith.
4) The Applicant certifies that neither the Applicant nor any other party to the application is subject to a denial of Federal benefits pursuant to § 5301 of the Anti-Drug Abuse Act of 1988, 21 U.S.C. § 862, because of a conviction for possession or distribution of a controlled substance. This certification does not apply to applications filed in services exempted under § 1.2002(c) of the rules, 47 CFR § 1.2002(c). See 47 CFR § 1.2002(b) for the definition of "party to the application" as used in this certification.
5) The Applicant certifies that it either (1) has current required ownership data on file with the Commission, (2) is filing updated ownership data simultaneously with this application, or (3) is not required to file ownership data under the Commission's Rules.
6) The Applicant certifies that the facilities, operations, and transmitters for which this authorization is hereby requested are either: (1) categorically excluded from routine environmental evaluation for RF exposure as set forth in 47 CFR § 1.1307(b); or, (2) have been found not to cause human exposure to levels of radiofrequency radiation in excess of the limits specified in 47 CFR §§ 1.1310 and 2.1093; or, (3) are the subject of one or more Environmental Assessments filed with the Commission.
7) The Applicant certifies that it has reviewed the appropriate Commission Rules defining eligibility to hold the requested license(s) and is eligible to hold the requested license(s).
8) The Applicant certifies that it is not in default on any payment for Commission licenses and that it is not delinquent on any non-tax debt owed to any federal agency.
9) The Applicant certifies that the Applicant and all of the related individuals and entities required to be disclosed on this application and FCC Form 602 (FCC Ownership Disclosure Information for the Wireless Telecommunications Services) are not person(s) who have been, for reasons of national security, barred by any agency of the Federal Government from bidding on a contract, participating in an auction, or receiving a grant. This certification applies only to applications for licenses for spectrum that is required by Sections 6103, 6401-6403 of the Middle Class Tax Relief and Job Creation Act of 2012, codified at 47 U.S.C. §§ 309, 1413, 1451-1452, to be assigned by a system of competitive bidding under 47 U.S.C. § 309(j).

Signature

60) Typed or Printed Name of Party Authorized to Sign

First Name: Jessica	MI:	Last Name: Dunk	Suffix:
61) Title: Assistant Secretary - Compliance			
Signature: Jessica Dunk			62) Date: 01/23/2024
FAILURE TO SIGN THIS APPLICATION MAY RESULT IN DISMISSAL OF THE APPLICATION AND FORFEITURE OF ANY FEES PAID.			
Upon grant of this license application, the Licensee may be subject to certain construction or coverage requirements. Failure to meet the construction or coverage requirements will result in termination of the license. Consult appropriate FCC regulations to determine the construction or coverage requirements that apply to the type of license requested in this application.			
WILLFUL FALSE STATEMENTS MADE ON THIS FORM OR ANY ATTACHMENTS ARE PUNISHABLE BY FINE AND/OR IMPRISONMENT (U.S. Code, Title 18, § 1001) AND/OR REVOCATION OF ANY STATION LICENSE OR CONSTRUCTION PERMIT (U.S. Code, Title 47, § 312(a)(1)), AND/OR FORFEITURE (U.S. Code, Title 47, § 503).			

REFERENCE COPY

This is not an official FCC license. It is a record of public information contained in the FCC's licensing database on the date that this reference copy was generated. In cases where FCC rules require the presentation, posting, or display of an FCC license, this document may not be used in place of an official FCC license.



**Federal Communications Commission
Wireless Telecommunications Bureau
RADIO STATION AUTHORIZATION**

LICENSEE: NEW CINGULAR WIRELESS PCS, LLC

ATTN: CECIL J MATHEW
NEW CINGULAR WIRELESS PCS, LLC
208 S. AKARD STREET, RM 1016
DALLAS, TX 75202

Call Sign WPTB358	File Number 0010345939
Radio Service CW - PCS Broadband	

FCC Registration Number (FRN): 0003291192

Grant Date 09-10-2021	Effective Date 02-15-2024	Expiration Date 08-22-2031	Print Date 04-04-2024
Market Number BTA339	Channel Block C	Sub-Market Designator 3	
Market Name Paducah-Murray-Mayfield, KY			
1st Build-out Date 08-22-2006	2nd Build-out Date	3rd Build-out Date	4th Build-out Date

Waivers/Conditions:

This authorization is subject to the condition that, in the event that systems using the same frequencies as granted herein are authorized in an adjacent foreign territory (Canada/United States), future coordination of any base station transmitters within 72 km (45 miles) of the United States/Canada border shall be required to eliminate any harmful interference to operations in the adjacent foreign territory and to ensure continuance of equal access to the frequencies by both countries.

Grant of the request to update licensee name is conditioned on it not reflecting an assignment or transfer of control (see Rule 1.948); if an assignment or transfer occurred without proper notification or FCC approval, the grant is void and the station is licensed under the prior name.

Conditions:

Pursuant to §309(h) of the Communications Act of 1934, as amended, 47 U.S.C. §309(h), this license is subject to the following conditions: This license shall not vest in the licensee any right to operate the station nor any right in the use of the frequencies designated in the license beyond the term thereof nor in any other manner than authorized herein. Neither the license nor the right granted thereunder shall be assigned or otherwise transferred in violation of the Communications Act of 1934, as amended. See 47 U.S.C. § 310(d). This license is subject in terms to the right of use or control conferred by §706 of the Communications Act of 1934, as amended. See 47 U.S.C. §606.

This license may not authorize operation throughout the entire geographic area or spectrum identified on the hardcopy version. To view the specific geographic area and spectrum authorized by this license, refer to the Spectrum and Market Area information under the Market Tab of the license record in the Universal Licensing System (ULS). To view the license record, go to the ULS homepage at <http://wireless.fcc.gov/uls/index.htm?job=home> and select "License Search". Follow the instructions on how to search for license information.

Licensee Name: NEW CINGULAR WIRELESS PCS, LLC

Call Sign: WPTB358

File Number: 0010345939

Print Date: 04-04-2024

700 MHz Relicensed Area Information:

Market	Market Name	Buildout Deadline	Buildout Notification	Status
---------------	--------------------	--------------------------	------------------------------	---------------

Reference Copy

Submitted: 03/15/2024 at 14:59:38

File Number: 0010976490

**FCC Form 603
Main Form**

**FCC Application for Assignments of Authorization or Transfers of Control:
Wireless Telecommunications Bureau
Public Safety and Homeland Security Bureau**

Approved by
OMB 3060 - 0800
See instructions for
public burden estimate

General Information

1) Application Purpose (Select only one) (<input type="checkbox"/> NT)	
AA - Assignment of Authorization TC - Transfer of Control	AM - Amendment WD - Withdrawal
NT - Required Notification (For Consummation of an Assignment or Transfer) EX - Request for Extension of Time To Consummate an Assignment or Transfer)	
2) If this application is for an Amendment (AM) or Withdrawal (WD), enter the File Number of the pending or consented to application currently on file with the FCC.	File Number:
3a) Is this application for Assignment of Authorization or Transfer of Control part of a series of applications involving other wireless license(s) held by the Licensee, affiliates of the Licensee (e.g., parents, subsidiaries, or commonly-controlled entities), or third parties that are not included on this application and for which Commission approval or notification is required?	(<input type="checkbox"/>) Yes No
3b) If the answer to 3a is 'Y', is this filing the lead application?	(<input type="checkbox"/>) Yes No
3c) If the answer to 3b is 'N', provide the File Number of the lead application.	File Number:
3d) Does this transaction for Assignment of Authorization or Transfer of Control involve the assignment or transfer of non-wireless licenses/authorizations for which Commission approval or notification is required?	(<input type="checkbox"/>) Yes No
4) Are attachments (other than associated schedules) being filed with this application?	(<input type="checkbox"/>) Yes No

Fees and Waivers

5a) Is the Applicant exempt from FCC application fees? If 'Y', attach an exhibit demonstrating how the Applicant is exempt from FCC application fees.	(<input type="checkbox"/> N) Yes No
5b) Is a waiver/deferral of the FCC application fees being requested and the application fees are not being submitted in conjunction with this application? If 'Y', attach a date-stamped copy of the request for waiver/deferral of the FCC application fees.	(<input type="checkbox"/>) Yes No
6) Does this application include a request for waiver of the Commission's Rules (other than a request for application fee waivers)? If 'Y', attach an exhibit specifying the rule section(s) for which a waiver is being requested and including a justification for the waiver request.	(<input type="checkbox"/> N) Yes No

Additional Transaction Information

7a) Has this application for Assignment of Authorization or Transfer of Control already occurred?	(<input type="checkbox"/>) Yes No
7b) If the response to Item 7a is 'Y', provide the date the event occurred:	(MM/DD/YYYY)
8) The Assignment of Authorization or Transfer of Control is:	(<input type="checkbox"/>) Voluntary (<input type="checkbox"/>) Involuntary
9a) Is this application a <i>pro forma</i> Assignment of Authorization or Transfer of Control?	(<input type="checkbox"/>) Yes No
9b) If Item 9a is 'Y', is this a post-consummation notification that is being filed under the Commission's forbearance procedures pursuant to Section 1.948(c)(1) of the Commission's Rules?	(<input type="checkbox"/>) Yes No
10a) Does this application involve the partitioning and/or disaggregation of geographic-area licenses? If 'Y', complete Schedule B and, if applicable, Schedule C.	(<input type="checkbox"/>) Yes No
10b) If 10a is 'N', does this application involve the partial assignment of site-based licenses?	(<input type="checkbox"/>) Yes No

11) How will/has the Assignment of Authorization or Transfer of Control be/been accomplished? Select One: ()

Sale or other assignment of assets Court order Reorganization or liquidation

Transfer of stock or other ownership interests

Other (voting trust agreement, management contract, etc.): _____

12) Is this Assignment of Authorization being filed under the Enhanced Competition Incentive Program (ECIP)? (N) Yes No

13) Is this Assignment of Authorization application being filed under the 'Small Carrier or Tribal Nation Transaction' Prong or the 'Rural-Focused Transaction' Prong?

() Small Carrier or Tribal Nation Transaction

() Rural-Focused Transaction

Designated Entity Information (If 14a or 14b is 'Y', Schedule A is required to be completed.)

<p>14a) Enter 'Y' if this application for Assignment of Authorization or Transfer of Control involve any licenses that were awarded with bidding credits within the last five years. Otherwise, enter 'N'.</p> <p>The initial grant date is the date that the license was originally granted by the Commission after an auction, even if the license was acquired in the secondary market. The initial grant date is not the date on which the Commission granted an assignment or transfer of control of the license.</p> <p>If the response to this item is 'Y', the licenses may be subject to the FCC's unjust enrichment rules, and the Applicant should answer relevant bidding credit questions. See Section 1.2111 of the Commission's Rules.</p>	<p>(<input type="checkbox"/>) Yes <input type="checkbox"/> No</p>
<p>14b) Does this application for Assignment of Authorization or Transfer of Control involve any licenses that were originally granted pursuant to closed bidding within the last five years?</p> <p>If the response to this item is 'Y', the license may be subject to assignment or transfer restrictions, and the Applicant should answer relevant closed bidding questions. See Sections 24.709 and 24.839 of the Commission's Rules.</p>	<p>(<input type="checkbox"/>) Yes <input type="checkbox"/> No</p>

Competition Related Information

<p>15) Does this application for Assignment of Authorization or Transfer of Control involve a license(s) that may be used for interconnected mobile voice and/or data services that would, if assigned or transferred, create a geographic overlap with another license(s) in which the Assignee/Transferee already holds attributable interests, as defined in Section 20.22(b) of the Commission's Rules, either as a licensee or spectrum lessee/sublessee, and that also could be used to provide interconnected mobile voice and/or data services?</p> <p>If 'Y', specify in an exhibit all geographic areas/markets (e.g., BTA, CMA, county, etc.) where there are spectrum overlaps and the total amount of spectrum that the Assignee/Transferee will hold and/or lease in each geographic area/market.</p>	<p>(<input type="checkbox"/>) Yes <input type="checkbox"/> No</p>
<p>16) If the answer to Item 13 is 'Yes,' would/does this application for Assignment of Authorization or Transfer of Control reduce the number of entities providing service in the affected market(s)?</p>	<p>(<input type="checkbox"/>) Yes <input type="checkbox"/> No</p>

Broadband Radio Service and Educational Broadband Service Information

<p>17a) Will the requested facilities be used to provide multichannel video programming service?</p>	<p>(<input type="checkbox"/>) Yes <input type="checkbox"/> No</p>
--	---

<p>17b) If 15a is 'Y', does the Assignee/Transferee operate, control, or have an attributable interest (as defined in Section 27.1202 of the Commission's Rules) in a cable television system whose franchise area is located within the geographic area of the requested facilities?</p> <p>If 'Y', provide an exhibit explaining how the Assignee/Transferee complies with Section 27.1202 of the Commission's Rules or request a waiver of that rule pursuant to Commission Rules. If a waiver of the Commission's Rule(s) is being requested, 6a must be answered 'Y'.</p>	<p>() <u>Yes</u> No</p>
<p>18) Does the Assignee/Transferee comply with the programming requirements contained in Section 27.1203 of the Commission's Rules?</p> <p>If 'N', provide an exhibit explaining how the Assignee/Transferee complies with Section 27.1203 of the Commission's Rules or request a waiver of that rule pursuant to Commission Rules. If a waiver of the Commission's Rule(s) is being requested, 6a must be answered 'Y'.</p>	<p>() <u>Yes</u> No</p>

600 MHz Band Information

<p>19) Does the Assignment or Transfer involve any licenses in the 600 MHz Band initially granted in the last six years that would, if assigned/transferred, create a geographic overlap with another licenses(s) in which the Assignee/Transferee already holds attributable interests, either as a licensee or Assignee/Transferee, and that would result in the Assignee/Transferee holding an attributable interest in one-third or more of the total suitable and available below-1-GHz spectrum as calculated on a county-by-county population-weighted basis in the relevant license area, utilizing 2010 U.S. Census data?</p> <p>The initial grant date is the date that the license was originally granted by the Commission after an auction, even if the license was acquired in the secondary market. The initial grant date is not the date on which the Commission granted an assignment or transfer of control of the license.</p> <p>If the response to this item is 'Y', this application for Assignment or Transfer application must be part of an exchange of 600 MHz band spectrum in the same market(s) or must be a pro forma Assignment or Transfer. If 'Y', provide an exhibit detailing the proposed exchange of 600 MHz band spectrum in the same market(s), including a list of all file numbers for applications associated with the proposed exchange.</p>	<p>() <u>Yes</u> No</p>
<p>20) Does the Assignment or Transfer involve any licenses that were initially granted as reserved spectrum licenses in the 600 MHz Band in the last six years? Otherwise, enter 'N'.</p> <p>The initial grant date is the date that the license was originally granted by the Commission after an auction, even if the license was acquired in the secondary market. The initial grant date is not the date on which the Commission granted an assignment or transfer of control of the license.</p> <p>If 'Y', provide an exhibit demonstrating how the Assignee/Transferee would have qualified to bid on that reserved spectrum license(s) in Auction 1002 as of the FCC Form 175 filing deadline (February 10, 2016) for Auction 1002, the forward auction of the Broadcast Incentive Auction.</p>	<p>() <u>Yes</u> No</p>

Assignor/Licensee Information

21) Assignor/Licensee is a(n): (Select One)			
<input type="checkbox"/> Individual <input type="checkbox"/> Unincorporated Association <input type="checkbox"/> Trust <input type="checkbox"/> Government Entity <input type="checkbox"/> Corporation <input type="checkbox"/> Limited Liability Company			
<input type="checkbox"/> General Partnership <input type="checkbox"/> Limited Partnership <input type="checkbox"/> Limited Liability Partnership			
<input type="checkbox"/> Other: _____			
22) FCC Registration Number (FRN): _____			
23) First Name (if individual):	MI:	Last Name:	Suffix:
24) Legal Entity Name (if not an individual): _____			
25) Attention To: _____			
26) P.O. Box:	And /Or	27) Street Address:	
28) City:	29) State:	30) Zip Code:	
31) Telephone Number:	32) Fax Number:		
33) E-Mail Address: _____			

34) Demographics of Assignor/Licensee (Optional):

Race: <input type="checkbox"/> American Indian or Alaska Native <input type="checkbox"/> Asian <input type="checkbox"/> Black or African-American <input type="checkbox"/> Native Hawaiian or Other Pacific Islander <input type="checkbox"/> White	Ethnicity: <input type="checkbox"/> Hispanic or Latino <input type="checkbox"/> Not Hispanic or Latino	Gender: <input type="checkbox"/> Male <input type="checkbox"/> Female
---	---	--

Assignor/Licensee Contact Representative

35) First Name:	MI:	Last Name:	Suffix:
36) Company Name: _____			
37) Attention To: _____			
38) P.O. Box:	And /Or	39) Street Address:	
40) City:	41) State:	42) Zip Code:	
43) Telephone Number:	44) Fax Number:		
45) E-Mail Address: _____			

Transferor Information (for Transfers of Control only)

46) Transferor is a(n): (Select One)			
<input type="checkbox"/> Individual <input type="checkbox"/> Unincorporated Association <input type="checkbox"/> Trust <input type="checkbox"/> Government Entity <input type="checkbox"/> Corporation <input type="checkbox"/> Limited Liability Company <input type="checkbox"/> General Partnership <input type="checkbox"/> Limited Partnership <input type="checkbox"/> Limited Liability Partnership <input type="checkbox"/> Other: _____			
47) FCC Registration Number (FRN): _____			
48) First Name (if individual): _____	MI: _____	Last Name: _____	Suffix: _____
49) Legal Entity Name (if not an individual): _____			
50) Attention To: _____			
51) P.O. Box: _____	And /Or	52) Street Address: _____	
53) City: _____	54) State: _____	55) Zip Code: _____	
56) Telephone Number: _____	57) Fax Number: _____		
58) E-Mail Address: _____			

59) Demographics of Transferor (Optional):

Race: <input type="checkbox"/> American Indian or Alaska Native <input type="checkbox"/> Asian <input type="checkbox"/> Black or African-American <input type="checkbox"/> Native Hawaiian or Other Pacific Islander <input type="checkbox"/> White	Ethnicity: <input type="checkbox"/> Hispanic or Latino <input type="checkbox"/> Not Hispanic or Latino	Gender: <input type="checkbox"/> Male <input type="checkbox"/> Female
---	---	--

Transferor Contact Representative

60) First Name: _____	MI: _____	Last Name: _____	Suffix: _____
61) Company Name: _____			
62) Attention To: _____			
63) P.O. Box: _____	And /Or	64) Street Address: _____	
65) City: _____	66) State: _____	67) Zip Code: _____	
68) Telephone Number: _____	69) Fax Number: _____		
70) E-Mail Address: _____			

Assignee/Transferee Information

71) Assignee/Transferee is a(n): (Select One) <input type="checkbox"/> Individual <input type="checkbox"/> Unincorporated Association <input type="checkbox"/> Trust <input type="checkbox"/> Government Entity <input type="checkbox"/> Corporation <input checked="" type="checkbox"/> Limited Liability Company <input type="checkbox"/> General Partnership <input type="checkbox"/> Limited Partnership <input type="checkbox"/> Limited Liability Partnership <input type="checkbox"/> Other: _____			
72) FCC Registration Number (FRN): 0003291192			
73) First Name (if individual): _____	MI: _____	Last Name: _____	Suffix: _____
74) Legal Entity Name (if not an individual): _____			
75) Attention To: Cecil J Mathew			
76) Real Party in Interest FCC Registration Number (FRN): _____			
77) Name of Real Party in Interest: _____			
78) P.O. Box: _____	And /Or	79) Street Address: 208 S. Akard Street, RM 1016	
80) City: Dallas	81) State: TX	80) Zip Code: 75202	
83) Telephone Number: (855)699-7073		84) Fax Number: (214)746-6410	
85) E-Mail Address: FCCMW@att.com			

86) Demographics of Assignee/Transferee (Optional):

Race: <input type="checkbox"/> American Indian or Alaska Native <input type="checkbox"/> Asian <input type="checkbox"/> Black or African-American <input type="checkbox"/> Native Hawaiian or Other Pacific Islander <input type="checkbox"/> White	Ethnicity: <input type="checkbox"/> Hispanic or Latino <input type="checkbox"/> Not Hispanic or Latino	Gender: <input type="checkbox"/> Male <input type="checkbox"/> Female
---	---	--

Assignee/Transferee Contact Representative (if other than Assignee/Transferee) **Check here if same as Assignee/Transferee.**

87) First Name: _____	MI: _____	Last Name: _____	Suffix: _____
88) Company Name: AT&T Mobility LLC			
89) Attention To: Michael P. Goggin			
90) P.O. Box: _____	And /Or	91) Street Address: 1120 20th Street NW, Suite 1000	
92) City: Washington	93) State: DC	94) Zip Code: 20036	
95) Telephone Number: (202)457-2055		96) Fax Number: _____	
97) E-Mail Address: michael.p.goggin@att.com			

Ownership Disclosure Information

98a) Is the Assignee/Transferee required to file FCC Form 602, Ownership Disclosure Information for the Wireless Telecommunications Services?	() Yes <u>No</u>
98b) If 94a is 'Y', provide the File Number of the FCC Form 602 that is required to be submitted in conjunction with this application or is already on file with the FCC.	File Number: _____

Alien Ownership (If any answer is 'Y', provide an attachment explaining the circumstances. In preparing the attachment, refer to the Main Form Instructions for the "Alien Ownership Questions".)

99) Is the Assignee/Post-transfer Licensee a foreign government or the representative of any foreign government?	() Yes <u>No</u>
100) Is the Assignee/Post-Transfer Licensee an alien or the representative of an alien?	() Yes <u>No</u>
101) Is the Assignee/Post-Transfer Licensee a corporation organized under the laws of any foreign government?	() Yes <u>No</u>
102) Is the Assignee/Post-Transfer Licensee a corporation of which more than one-fifth of the capital stock is owned of record or voted by aliens or their representatives, or by a foreign government or representative thereof, or by any corporation organized under the laws of a foreign country?	() Yes <u>No</u>
103a) Is the Assignee/Post-Transfer Licensee directly or indirectly controlled by any other corporation of which more than one-fourth of the capital stock is owned of record or voted by aliens or their representatives, or by a foreign government or representative thereof, or by any corporation organized under the laws of a foreign country?	() Yes <u>No</u>

103b) If the answer to 102 or 103a is 'Y' select one of the choices below.

The Assignee or Post-Transfer Licensee is exempt from the provisions of Section 310(b).

It is not necessary to file a petition for declaratory ruling if the Assignee or Post-Transfer Licensee includes in the attachment required by Item 100 or Item 101a a showing that the subject License(s) is exempt from the provisions of Section 310(b).

The Assignee or Post-Transfer Licensee has received a declaratory ruling(s) approving its foreign ownership, and the application involves only the acquisition of additional spectrum for the provision of a wireless service in a geographic coverage area for which the Assignee or Post-Transfer Licensee has been previously authorized.

If checked, include in the attachment required by Item 100 or Item 101a the citation(s) of the applicable declaratory ruling(s) by DA/FCC number, the FCC Record citation, if available, release date, and a statement that there has been no change in the foreign ownership of the Assignee or Post-Transfer Licensee since the issuance of its ruling.

The Assignee or Post-Transfer Licensee: (i) has received a declaratory ruling(s) approving its foreign ownership, but is not able to make the certification specified immediately above; or (ii) is an "affiliate" of a Licensee or Lessee/SubLessee that received a declaratory ruling(s) under Section 1.990(a) of the Commission's Rules, 47 C.F.R. § 1.990(a), and is relying on the affiliate's ruling for purposes of filing this application as permitted under the affiliate's ruling and Section 1.994(b) of the Rules, 47 C.F.R. § 1.994(b).

If checked, and if the Assignee or Post-Transfer Licensee received its declaratory ruling(s) on or after August 9, 2013, include in the attachment required by Item 102 or Item 103a the citation(s) of the Assignee or Post-Transfer Licensee's declaratory ruling(s) by DA/FCC number, the FCC Record citation, if available, release date, and a statement that the Assignee or Post-Transfer Licensee is in compliance with the terms and conditions of its ruling and with the Commission's Rules.

If checked, and if the Assignee or Post-Transfer Licensee received its declaratory ruling(s) prior to August 9, 2013, include in the attachment required by Item 103a a copy of a petition for declaratory ruling filed contemporaneously with the Commission to extend the Assignee or Post-Transfer Licensee's existing ruling(s) to cover the same radio service(s) and geographic coverage area(s) involved in the application. Alternatively, the Assignee or Post-Transfer Licensee may request a new declaratory ruling pursuant to Section 1.990(a) of the Commission's Rules, 47 C.F.R. § 1.990(a). Petitions for declaratory ruling may be filed electronically on the Internet through the International Bureau Filing System (IBFS) (with a copy attached hereto).

If checked, and if the Assignee or Post-Transfer Licensee is relying on an affiliate's ruling for purposes of filing this application/notification, include in the attachment required by Item 100 or Item 101a the citation(s) of the applicable declaratory ruling(s) by DA/FCC number, the FCC Record citation, if available, release date, and a statement that the Assignee or Post-Transfer Licensee is in compliance with the terms and conditions of the named affiliate(s)'s ruling and with the Commission's Rules. The Assignee or Post-Transfer Licensee must also include a certification of compliance signed by the named affiliate or other qualified entity as specified in Section 1.994(b) of the Rules, 47 C.F.R. § 1.994(b). See Main Form Instructions for Items 102 or 103a, as applicable.

The Assignee or Post-Transfer Licensee has not received a declaratory ruling approving its foreign ownership and is requesting a declaratory ruling under Section 1.990(a) of the Commission's Rules, 47 C.F.R. § 1.990(a), in a petition filed contemporaneously with the Commission.

If checked, include in the attachment required by Item 102 or 103a a copy of the petition for declaratory ruling filed contemporaneously with the Commission pursuant to Section 1.990(a) of the Commission's Rules, 47 C.F.R. § 1.990(a). Petitions for declaratory ruling may be filed electronically on the Internet through the International Bureau Filing System (IBFS) (with a copy attached hereto).

Basic Qualification Information

<p>104) Has the Assignee/Transferee or any party to this application had any FCC station authorization, license or construction permit revoked or had any application for an initial, modification, or renewal of FCC station authorization, license, or construction permit denied by the Commission?</p> <p>If 'Y', attach an exhibit explaining the circumstances.</p>	<p>() <u>Yes</u> <u>No</u></p>
<p>105) Has the Assignee/Transferee or any party to this application, or any party directly or indirectly controlling the Assignee/Transferee ever been convicted of a felony by any state or federal court?</p> <p>If 'Y', attach an exhibit explaining the circumstances.</p>	<p>() <u>Yes</u> <u>No</u></p>
<p>106) Has any court finally adjudged the Assignee/Transferee, or any party directly or indirectly controlling the Assignee/Transferee guilty of unlawfully monopolizing or attempting unlawfully to monopolize radio communication, directly or indirectly, through control of manufacture or sale of radio apparatus, exclusive traffic arrangement, or any other means or unfair methods of competition?</p> <p>If 'Y', attach an exhibit explaining the circumstances.</p>	<p>() <u>Yes</u> <u>No</u></p>

Assignor/Transferor Certification Statements

<p>1) The Assignor/Transferor certifies either that (1) the authorization will not be assigned or that control of the license(s) will not be transferred until the consent of the Federal Communications Commission has been given, or (2) prior Commission consent is not required because the transaction is subject to streamlined notification procedures for <i>pro forma</i> assignments and transfers by telecommunications carriers. See Section 1.948(c) (1) of the Commission's Rules.</p>
<p>2) The Assignor/Transferor certifies that all statements made in this application and in the exhibits, attachments, or documents incorporated by reference are material, are part of this application, and are true, complete, correct, and made in good faith.</p>
<p>3) The Assignor/Transferor certifies that it is not in default on any payment for Commission licenses and that it is not delinquent on any non-tax debt owed to any federal agency.</p>

Typed or Printed Name of Party Authorized to Sign

<p>107) First Name:</p>	<p>MI:</p>	<p>Last Name:</p>	<p>Suffix:</p>
<p>108) Title:</p>			
<p>Signature:</p>			<p>109) Date:</p>

FAILURE TO SIGN THIS APPLICATION MAY RESULT IN DISMISSAL OF THE APPLICATION AND FORFEITURE OF ANY FEES PAID.

WILLFUL FALSE STATEMENTS MADE ON THIS FORM OR ANY ATTACHMENTS ARE PUNISHABLE BY FINE AND/OR IMPRISONMENT (U.S. Code, Title 18, Section 1001) AND/OR REVOCATION OF ANY STATION LICENSE OR CONSTRUCTION PERMIT (U.S. Code, Title 47, Section 312(a)(1)), AND/OR FORFEITURE (U.S. Code, Title 47, Section 503).

Spectrum Aggregation Limit Certifications

<p>110) The Assignee/Transferee certifies that grant of this application would not cause the Assignee/Transferee to be in violation of the 40 megahertz in-band spectrum aggregation limit set forth under Section 96.31 of the Commission's Rules for 3.5 GHz licenses, taking into consideration the spectrum attribution rules under Section 20.22(b) of the Commission's Rules.</p> <p>*If the Assignee/Transferee has sought a waiver of Section 96.31 in connection with this application, it may make this certification subject to the outcome of the waiver request.</p>	<p>(<input type="checkbox"/>) <u>Yes</u> <u>No</u></p>
<p>111) The Assignee/Transferee certifies that grant of this application would not cause the Assignee/Transferee to be in violation of the 40 megahertz in-band spectrum aggregation limit set forth under Section 27.1606 of the Commission's Rules for 3.45 GHz licenses, taking into consideration the spectrum attribution rules under Section 20.22(b) of the Commission's Rules.</p> <p>*If the Assignee/Transferee has sought a waiver of Section 27.1606 in connection with this application, it may make this certification subject to the outcome of the waiver request..</p>	<p>(<input type="checkbox"/>) <u>Yes</u> <u>No</u></p>

Assignee/Transferee Certification Statements

<p>1) The Assignee/Transferee certifies either that (1) the authorization(s) will not be assigned or that control of the license(s) will not be transferred until the consent of the Federal Communications Commission has been given, or (2) prior Commission consent is not required because the transaction is subject to streamlined notification procedures for <i>pro forma</i> assignments and transfers by telecommunications carriers. See Section 1.948(c)(1) of the Commission's Rules.</p>
<p>2) The Assignee/Transferee waives any claim to the use of any particular frequency or of the electromagnetic spectrum as against the regulatory power of the United States because of the previous use of the same, whether by license or otherwise, and requests an authorization in accordance with this application.</p>
<p>3) The Assignee/Transferee certifies that grant of this application would not cause the Assignee or Transferee to be in violation of any pertinent cross-ownership or attribution rules.* *If the Assignee/Transferee has sought a waiver of any such rule in connection with this application, it may make this certification subject to the outcome of the waiver request.</p>
<p>4) The Assignee/Transferee agrees to assume all obligations and abide by all conditions imposed on the Assignor/Transferor under the subject authorization(s), unless the Federal Communications Commission pursuant to a request made herein otherwise allows, except for liability for any act done by, or any right accrued by, or any suit or proceeding had or commenced against the Assignor/Transferor prior to this assignment/transfer.</p>
<p>5) The Assignee/Transferee certifies that all statements made in this application and in the exhibits, attachments, or documents incorporated by reference are material, are part of this application, and are true, complete, correct, and made in good faith.</p>
<p>6) The Assignee/Transferee certifies that neither it nor any other party to the application is subject to a denial of Federal benefits pursuant to Section 5301 of the Anti-Drug Abuse Act of 1988, 21 U.S.C. § 862, because of a conviction for possession or distribution of a controlled substance. This certification does not apply to applications filed in services exempted under Section 1.2002(c) of the Commission's Rules. See Section 1.2002(b) of the Commission's Rules for the definition of "party to the application" as used in this certification.</p>

- 7) The Assignee/Transferee certifies that it is not in default on any payment for Commission licenses and that it is not delinquent on any non-tax debt owed to any federal agency.
- 8) The Assignee/Transferee certifies that it and all of the related individuals and entities required to be disclosed on this application and FCC Form 602 (FCC Ownership Disclosure Information for the Wireless Telecommunications Services) are not person(s) who have been, for reasons of national security, barred by any agency of the Federal Government from bidding on a contract, participating in an auction, or receiving a grant. This certification applies only to applications for licenses for spectrum that is required by Sections 6103, 6401-6403 of the Middle Class Tax Relief and Job Creation Act of 2012, codified at 47 U.S.C. §§ 309, 1413, 1451-1452, to be assigned by a system of competitive bidding under 47 U.S.C. § 309(j).

Typed or Printed Name of Party Authorized to Sign

112) First Name: Jessica	MI: B	Last Name: Lyons	Suffix:
113) Title: Asst. Secretary of Manager			
Signature: Jessica B Lyons			1140) Date: 03/15/2024

FAILURE TO SIGN THIS APPLICATION MAY RESULT IN DISMISSAL OF THE APPLICATION AND FORFEITURE OF ANY FEES PAID.

WILLFUL FALSE STATEMENTS MADE ON THIS FORM OR ANY ATTACHMENTS ARE PUNISHABLE BY FINE AND/OR IMPRISONMENT (U.S. Code, Title 18, Section 1001) AND/OR REVOCATION OF ANY STATION LICENSE OR CONSTRUCTION PERMIT (U.S. Code, Title 47, Section 312(a)(1)), AND/OR FORFEITURE (U.S. Code, Title 47, Section 503).

Authorizations To Be Assigned or Transferred

115) Call Sign	116) Radio Service Code	117) Location Number	118) Path Number (Microwave only)	119) Frequency Number	120) Lower or Center Frequency (MHz)	121) Upper Frequency (MHz)	122) Constructed Yes / No

Reference Copy

**Schedule for Notification of Consummation of an
Assignment of Authorization or a Transfer of Control**

Approved by OMB
3060 - 0800
See Main Form instructions
for public burden estimate

1) Provide the File Number of the Assignment of Authorization or Transfer of Control application.	File Number: <u>0010345939</u>
2) Provide the actual date of consummation for the Assignment of Authorization or Transfer of Control.	(MM/DD/YYYY) <u>03/15/2024</u>

Reference Copy

**FCC Form 608 FCC Application or Notification for Spectrum Leasing Arrangement/
Main Form Notification of a Private Commons Arrangement**

3060-1058

Submitted: 02/21/2024 at
08:39:27
File Number: 0010931462

**Wireless Telecommunications Bureau
Public Safety and Homeland Security Bureau**

See 608 Main Form Instructions
For public burden estimate

General Information

Application/Notification Purpose

1a) Purpose of Filing (Select only one):	
<input checked="" type="checkbox"/> LN – New	<input type="checkbox"/> LM – Modification
<input type="checkbox"/> LU – Administrative Update	<input type="checkbox"/> LT – Transfer of Control
<input type="checkbox"/> LE – Extend the Term	<input type="checkbox"/> LC – Cancel
<input type="checkbox"/> LI – Light Touch Leasing Certification	<input type="checkbox"/> AM – Amendment
<input type="checkbox"/> WD – Withdraw	<input type="checkbox"/> NT – Required Notifications
1b) If this filing is for an Amendment (AM) or Withdrawal (WD), enter the File Number of the pending Application/Notification currently on file with the FCC.	File Number: _____

Classification of Filing

For Leases/Subleases Only

2a) Classification of Filing (Select only one):	2b) Type of Filing
<input checked="" type="checkbox"/> ML – Spectrum Manager Lease	<input checked="" type="checkbox"/> L – Lease
<input type="checkbox"/> TL – <i>De Facto</i> Transfer Lease	<input type="checkbox"/> S – Sublease (Must be filed manually)

For Private Commons Arrangements Only (Must be filed Manually)

2c) This filing will be a Private Commons Arrangement pursuant to a (Select only one):	2d) If a Private Commons Arrangement pursuant to a Lease or Sublease, choose the legal type (Select only one):
<input type="checkbox"/> N – License	<input type="checkbox"/> M – Spectrum Manager
<input type="checkbox"/> L – Lease	<input type="checkbox"/> T – <i>De Facto</i> Transfer
<input type="checkbox"/> S – Sublease	

Term of Lease/Sublease

3) Indicate whether the existing Lease/Sublease is: <input checked="" type="checkbox"/> Long-Term or <input type="checkbox"/> Short-Term
--

ECIP

4) Is this lease being filed under the Enhanced Competition Incentive Program (ECIP)? <input checked="" type="checkbox"/> Yes <input type="checkbox"/> No
5) Is this ECIP lease being filed under the 'Small Carrier or Tribal Nation Transaction' Prong or the 'Rural-Focused Transaction' Prong? <input type="checkbox"/> Small Carrier or Tribal Nation Transaction Prong <input type="checkbox"/> Rural-Focused Transaction Prong

Other Wireless Licenses

6a) Is this filing part of a series of filings involving other wireless license(s) or lease(s) held by the Applicant, affiliates of the Licensee (e.g., parents, subsidiaries, or commonly-controlled entities), or third parties that are not included on this filing and for which Commission approval or notification is required?	(<input type="radio"/>) <u>Y</u> <input type="radio"/> <u>No</u>
6b) If the answer to 4a is 'Y', is this filing the lead Application/Notification?	(<input type="radio"/>) <u>Y</u> <input type="radio"/> <u>No</u>
6c) If the answer to 4a is 'Y' and the answer to 4b is 'N', provide the File Number of the lead Application/Notification.	File Number: 0010345161

Attachments

7) Are attachments (other than associated schedules) being filed with this Application/Notification?	(<input type="radio"/>) <u>Y</u> <input type="radio"/> <u>No</u>
--	--

Fees and Waivers

Exemption from Application Fees

8) Is the Applicant exempt from FCC application fees? If the answer to 6 is 'Y', attach an exhibit demonstrating how the applicant is exempt from FCC application fees.	(<input type="radio"/>) <u>Y</u> <input type="radio"/> <u>No</u>
--	--

Waiver/Deferral of Fees

9) Is a waiver/deferral of the FCC application fees being requested? If the answer to 7 is 'Y', attach a date-stamped copy of the request for waiver/deferral of the FCC application fees.	(<input type="radio"/>) <u>Y</u> <input type="radio"/> <u>No</u>
---	--

Waiver of Commission Rules

10) Does this filing include a request for waiver of the Commission's Rules (other than a request for application fee waivers)? If the answer to 8a is 'Y', attach an exhibit specifying the rule section(s) for which a waiver is being requested and including a justification for the waiver request.	(<input type="radio"/>) <u>Y</u> <input type="radio"/> <u>No</u>
---	--

Regulatory Status and Offerings

Radio Service Offerings

11) The Applicant will provide the following type(s) of radio service offerings (select all that apply): (<input type="checkbox"/>) Common Carrier (<input type="checkbox"/>) Non-common Carrier (<input type="checkbox"/>) Private, internal communications (<input type="checkbox"/>) Broadcast Services All entities that are planning to use the leased spectrum for telecommunications services should select common carrier in this item. The term 'telecommunications service' means the offering of telecommunications (i.e., the transmission, between or among points specified by the user, of information of the user's choosing, without change in the form or content of the information as sent and received) for a fee directly to the public, or to such classes of users as to be effectively available directly to the public, regardless of the facilities used. Non-common carriers do not hold themselves out indiscriminately for hire as carriers of communications provided by the customer. A person engaged in radio broadcasting shall not, insofar as such person is so engaged, be deemed a common carrier. Thus, those entities meeting this definition would select non-common carrier for this item. Private internal users are those entities that utilize telecommunications services purely for internal business purposes or public safety communications and not on a for-hire or for-profit basis. Such entities should select 'Private' for this item. The term 'Broadcast Services' shall have the same meaning as that for "broadcasting" in § 3(6) of the Communications Act of 1934, i.e., the dissemination of radio communications intended to be received by the public, directly or by the intermediary of relay stations." 47 U.S.C. § 153(6). If the Applicant is modifying the type of radio service offerings it provides, please provide an exhibit explaining the modification.

Radio Service

12) The Applicant will provide the following type(s) of radio service (select all that apply): <input type="checkbox"/> Fixed <input type="checkbox"/> Mobile <input type="checkbox"/> Radiolocation <input type="checkbox"/> Satellite (sound) <input type="checkbox"/> Broadcast Services	
13) Does the Applicant propose to provide service interconnected to the public telephone network?	<input type="checkbox"/> Yes <input checked="" type="checkbox"/> No

Designated Entity Information (If the answer to 12a, 12b or 12c is 'Y', Schedule A must be completed.)

Bidding Credits

14a) Does this filing involve any spectrum associated with any licenses that were awarded with bidding credits within the last five years? If the response to this item is 'Y', the licenses may be subject to the FCC's unjust enrichment rules, and the Applicant should answer relevant bidding credit questions.	<input type="checkbox"/> Yes <input checked="" type="checkbox"/> No
---	---

Closed Bidding

14b) Does this filing involve any spectrum associated with any licenses that were originally granted pursuant to closed bidding within the last five years? If the response to this item is 'Y', the Applicant should answer relevant closed bidding questions.	<input type="checkbox"/> Yes <input checked="" type="checkbox"/> No
--	---

Competition-Related Information

15) Does this filing involve a license authorization or Spectrum Lease/Sublease that may be used to provide interconnected mobile voice and/or data services that would create a geographic overlap with another license authorization(s) or spectrum leasing arrangement(s), that also could be used to provide interconnected mobile voice and/or data services, in which the Applicant already holds attributable interests, as defined in Section 20.22(b) of the Commission's Rules, either as a licensee or spectrum lessee/sublessee? If 'Y', specify in an exhibit all geographic areas/markets (e.g., BTA, CMA, county, etc.) where there are spectrum overlaps and the total amount of spectrum that the Assignee/Transferee will hold and/or lease in each geographic area/market.	<input checked="" type="checkbox"/> Yes <input type="checkbox"/> No
16) If the answer to Item 13 is 'Y', would/does this application for a spectrum leasing or subleasing arrangement reduce the number of entities providing service in the affected market(s)?	<input type="checkbox"/> Yes <input checked="" type="checkbox"/> No

Broadband Radio Service and Educational Broadband Service Information

17a) Will the requested facilities be used to provide multichannel video programming service?	<input type="checkbox"/> Yes <input checked="" type="checkbox"/> No
17b) If the answer to 15a is 'Y', does the Applicant operate, control or have an attributable interest (as defined in Section 27.1202 of the Commission's Rules) in a cable television system whose franchise area is located within the geographic service area of the requested facilities? If 'Y', provide an exhibit explaining how the Applicant (Lessee/Sublessee) complies with Section 27.1202 of the Commission's Rules or justifying a waiver of that rule. If a waiver of the Commission's Rule(s) is being requested, 8a must be answered 'Y'.	<input type="checkbox"/> Yes <input checked="" type="checkbox"/> No
18) Does the Applicant comply with the programming requirements contained in Section 27.1203 of the Commission's Rules? If 'N', provide an exhibit explaining how the Applicant complies with Section 27.1203 of the Commission's Rules or justifying a waiver of that rule. If a waiver of the Commission's Rule(s) is being requested, 8a must be answered 'Y'.	<input type="checkbox"/> Yes <input checked="" type="checkbox"/> No

Part 90 Public Safety Services

Eligibility

19) Is the Applicant a public safety entity or otherwise an entity that will use the leased spectrum to provide communications in support of public safety operations pursuant to Section 90.523 of the Commission's Rules?	() <u>Yes</u> <u>No</u>
---	--------------------------

600 MHz Band Information

20) Is the spectrum leasing/subleasing arrangement for a term of one year or more (either initially or cumulatively) and involves any licenses in the 600 MHz Band initially granted in the last six years that would, if leased, create a geographic overlap with another licenses(s) in which the Lessee/Sublessee already holds attributable interests, as defined in Section 20.22(b) of the Commission's Rules, either as a licensee or spectrum Lessee/Sublessee, and that would result in the Lessee/Sublessee holding an attributable interest, as defined in Section 20.22(b) of the Commission's Rules, in one-third or more of the total suitable and available below-1-GHz spectrum as calculated on a county-by-county population-weighted basis in the relevant license area, utilizing 2010 U.S. Census data? The initial grant date is the date that the license was originally granted by the Commission after an auction, even if the license was acquired in the secondary market. The initial grant date is not the date on which the Commission granted an assignment or transfer of control of the license. If 'Y', provide an exhibit detailing the proposed spectrum leasing/subleasing exchange of 600 MHz band spectrum in the same market(s), including a list of all file numbers for applications associated with the proposed spectrum leasing arrangement exchange, or describing the <i>pro forma</i> nature of the spectrum leasing arrangement, as appropriate.	(<u>N</u>) <u>Yes</u> <u>No</u>
21) Is the spectrum leasing/subleasing arrangement for a term of one year or more (either initially or cumulatively) and involves any licenses that were initially granted as reserved spectrum licenses in the 600 MHz Band in the last six years? Otherwise, enter 'N'. The initial grant date is the date that the license was originally granted by the Commission after an auction, even if the license was acquired in the secondary market. The initial grant date is not the date on which the Commission granted an assignment or transfer of control of the license. If 'Y', provide an exhibit demonstrating how the Lessee/Sublessee would have qualified to bid on that reserved spectrum license(s) in Auction 1002 as of the FCC Form 175 filing deadline (February 10, 2016) for Auction 1002, the forward auction of the Broadcast Incentive Auction.	() <u>Yes</u> <u>No</u>

Licensee Information

FRN

22) FCC Registration Number: **0001608363**

Entity

23) Licensee is a(n) (Select One):

() Individual () Unincorporated Association () Trust () Government Entity () Corporation () Limited Liability Company

() General Partnership () Limited Partnership () Limited Liability Partnership

() Other: _____

Licensee Name

24) Licensee Name (if entity): **Nextel West Corp.**

25) Licensee Name (if individual): First: MI: Last: Suffix:

26) Attention To: **FCC Regulatory Compliance**

Address

27) P.O. Box: And /Or 28) Street Address: **12920 SE 38th Street**

29) City: **Bellevue** 30) State: **WA** 31) Zip Code: **98006**

32) Telephone Number: **(425)383-8401** 33) FAX Number: **(425)383-4840**

34) E-Mail Address: **FCCRegulatoryComplianceContact@t-mobile.com**

35) Demographics (Optional):

Race:	Ethnicity:	Gender:
() American Indian or Alaska Native	() Hispanic or Latino	() Male
() Asian	() Not Hispanic or Latino	() Female
() Black or African-American		
() Native Hawaiian or Other Pacific Islander		
() White		

Licensee Contact Information

Contact Name (if other than Licensee)

() Check here if same as Licensee Information

36) Name: First: MI: Last: Suffix:

37) Company Name: **Kiechel Law**

38) Attention To: **Doane F. Kiechel**

Address

39) P.O. Box: And /Or 40) Street Address: **4005 Garrison Street, NW**

41) City: **Washington** 42) State: **DC** 43) Zip Code: **20016**

44) Telephone Number: **(202)487-6770** 45) FAX Number:

46) E-Mail Address: **doane@kiechellaw.com**

Lessee Information

FRN

47) FCC Registration Number: **0003291192**

Entity

48) Lessee is a(n) (Select One):

() Individual () Unincorporated Association () Trust () Government Entity () Corporation () Limited Liability Company

() General Partnership () Limited Partnership () Limited Liability Partnership

() Other: _____

Lessee Name

49) If the Lessee name is being updated, is the update a result of a change in ownership, corporate structure, or entity for which proper Commission approval has not been received or proper notification not provided?" () Yes No

50) Lessee Name (if entity): **New Cingular Wireless PCS, LLC**

51) Lessee Name (if individual): First: MI: Last: Suffix:

52) Attention To: **Cecil J. Mathew**

Name of Real Party in Interest

53) Name of Real Party in Interest: **AT&T Inc.**

54) FCC Registration Number (FRN): **0005193701**

Address

55) P.O. Box: **And /Or** 56) Street Address: **208 S. Akard Street, RM 1016**

57) City: **Dallas** 58) State: **TX** 59) Zip Code: **75202**

60) Telephone Number: **(855)699-7073** 61) FAX Number: **(214)746-6410**

62) E-Mail Address: **FCCMW@att.com**

63) Demographics (Optional):

Race:	Ethnicity:	Gender:
() American Indian or Alaska Native	() Hispanic or Latino	() Male
() Asian	() Not Hispanic or Latino	() Female
() Black or African-American		
() Native Hawaiian or Other Pacific Islander		
() White		

Lessee Contact Information

Contact Name (if other than Lessee)

() Check here if same as Lessee Information

64) Name: First: MI: Last: Suffix:

65) Company Name: **AT&T Mobility LLC**

66) Attention To: **Jessica B. Lyons**

Address

67) P.O. Box: **And /Or** 68) Street Address: **601 New Jersey Ave. NW, Suite 650**

69) City: **Washington** 70) State: **DC** 71) Zip Code: **20001**

72) Telephone Number: **(202)457-2100** 73) FAX Number:

74) E-Mail Address: **jessica.lyons@att.com**

Sublessee Information

FRN

75) FCC Registration Number:

Entity

76) Sublessee is a(n) (Select One):

() Individual () Unincorporated Association () Trust () Government Entity () Corporation () Limited Liability Company

() General Partnership () Limited Partnership () Limited Liability Partnership

() Other: _____

Sublessee Name

77) If the Sublessee name is being updated, is the update a result of a change in ownership, corporate structure, or entity for which proper Commission approval has not been received or proper notification not provided?

() Yes **No**

78) Sublessee Name (if entity):

79) Sublessee Name (if individual):

First:

MI:

Last:

Suffix:

80) Attention To:

Name of Real Party in Interest

81) Name of Real Party in Interest:

82) FCC Registration Number (FRN):

Address

83) P.O. Box:

**And
/Or**

84) Street Address:

85) City:

86) State:

87) Zip Code:

88) Telephone Number:

89) FAX Number:

90) E-Mail Address:

91) Demographics (Optional):

Race:

() American Indian or Alaska Native

() Asian

() Black or African-American

() Native Hawaiian or Other Pacific Islander

() White

Ethnicity:

() Hispanic or Latino

() Not Hispanic or Latino

Gender:

() Male

() Female

Sublessee Contact Information

Contact Name (if other than Sublessee)

() Check here if same as Sublessee Information

92) Name:

First:

MI:

Last:

Suffix:

93) Company Name:

94) Attention To:

Address

95) P.O. Box:

**And
/Or**

96) Street Address:

97) City:

98) State:

99) Zip Code:

100) Telephone Number:

101) FAX Number:

102) E-Mail Address:

Transferee Information

FRN

103) FCC Registration Number:

Entity

104) Transferee is a(n) (Select One):

() Individual () Unincorporated Association () Trust () Government Entity () Corporation () Limited Liability Company

() General Partnership () Limited Partnership () Limited Liability Partnership

() Other: _____

Transferee Name

105) Transferee Name (if entity):

106) Transferee Name (if individual):

First:

MI:

Last:

Suffix:

107) Attention To:

Name of Real Party in Interest

108) Name of Real Party in Interest:

109) FCC Registration Number (FRN):

Address

110) P.O. Box:

And
/Or

111) Street Address:

112) City:

113) State:

114) Zip Code:

115) Telephone Number:

116) FAX Number:

117) E-Mail Address:

118) Demographics (Optional):

Race:

() American Indian or Alaska Native

() Asian

() Black or African-American

() Native Hawaiian or Other Pacific Islander

() White

Ethnicity:

() Hispanic or Latino

() Not Hispanic or Latino

Gender:

() Male

() Female

Transferee Contact Information

Contact Name (if other than Transferee)

() Check here if same as Transferee Information

119) Name:

First:

MI:

Last:

Suffix:

120) Company Name:

121) Attention To:

Address

122) P.O. Box:

And
/Or

123) Street Address:

124) City:

125) State:

126) Zip Code:

127) Telephone Number:

128) FAX Number:

128) E-Mail Address:

Transferor Information

FRN

130) FCC Registration Number:

Entity

131) Transferor is a(n) (Select One):

() Individual () Unincorporated Association () Trust () Government Entity () Corporation () Limited Liability Company

() General Partnership () Limited Partnership () Limited Liability Partnership

() Other: _____

Transferor Name

132) Transferor Name (if entity):

133) Transferor Name (if individual):

First:

MI:

Last:

Suffix:

134) Attention To:

Address

135) P.O. Box:

And
/Or

134) Street Address:

137) City:

138) State:

139) Zip Code:

140) Telephone Number:

140) FAX Number:

142) E-Mail Address:

141) Demographics (Optional):

Race:

() American Indian or Alaska Native

() Asian

() Black or African-American

() Native Hawaiian or Other Pacific Islander

() White

Ethnicity:

() Hispanic or Latino

() Not Hispanic or Latino

Gender:

() Male

() Female

Transferor Contact Information

Contact Name (if other than Transferor)

() **Check here if same as Transferor Information**

142) Name:

First:

MI:

Last:

Suffix:

143) Company Name:

144) Attention To:

Address

145) P.O. Box:

And
/Or

146) Street Address:

147) City:

148) State:

149) Zip Code:

150) Telephone Number:

151) FAX Number:

152) E-Mail Address:

Ownership Disclosure Information

FCC Form 602

155a) Is the Applicant required to file FCC Form 602, Ownership Disclosure Information for the Wireless Telecommunications Services?	(<input checked="" type="radio"/>) <u>Yes</u> <input type="radio"/> <u>No</u>
155b) If the answer to 153a is 'Y', provide the File Number of FCC Form 602 that has been filed in conjunction with application or is already on file with the FCC.	File Number: <u>0010394287</u>

Alien Ownership Questions

Alien Ownership (If any answer is 'Y', provide an attachment explaining the circumstances. In preparing the attachment, refer to the Main Form Instructions for the "Alien Ownership Questions".)

156) Is the Lessee/Sublessee or Post-Transfer Lessee/Sublessee a foreign government or the representative of any foreign government?	(<input type="radio"/>) <u>Yes</u> <input checked="" type="radio"/> <u>No</u>
157) Is the Lessee/Sublessee or Post-Transfer Lessee/Sublessee an alien or the representative of an alien?	(<input type="radio"/>) <u>Yes</u> <input checked="" type="radio"/> <u>No</u>
158) Is the Lessee/Sublessee or Post-Transfer Lessee/Sublessee a corporation organized under the laws of a foreign government?	(<input type="radio"/>) <u>Yes</u> <input checked="" type="radio"/> <u>No</u>
159) Is the Lessee/Sublessee or Post-Transfer Lessee/Sublessee a corporation of which more than one-fifth of the capital stock is owned of record or voted by aliens or their representatives, or by a foreign government or representative thereof, or by any corporation organized under the laws of a foreign country?	(<input type="radio"/>) <u>Yes</u> <input checked="" type="radio"/> <u>No</u>
160a) Is the Lessee/Sublessee or Post-Transfer Lessee/Sublessee directly or indirectly controlled by any other corporation of which more than one-fourth of the capital stock is owned of record or voted by aliens or their representatives, or by a foreign government or representative thereof, or by any corporation organized under the laws of a foreign country?	(<input type="radio"/>) <u>Yes</u> <input checked="" type="radio"/> <u>No</u>

160b) If the answer to 157 or 158a is 'Y' select one of the choices below.

The Lessee/Sublessee or Post-Transfer Lessee/Sublessee is exempt from the provisions of Section 310(b).

It is not necessary to file a petition for declaratory ruling if the Lessee/Sublessee or Post-Transfer Lessee/Sublessee includes in the attachment required by Item 157 or Item 158a a showing that the subject Lease(s) is exempt from the provisions of Section 310(b).

The Lessee/Sublessee or Post-Transfer Lessee/Sublessee has received a declaratory ruling(s) approving its foreign ownership, and the application/notification involves only the acquisition/use of additional spectrum for the provision of a wireless service in a geographic coverage area for which the Lessee/Sublessee or Post-Transfer Lessee/Sublessee has been previously authorized.

If checked, include in the attachment required by Item 157 or Item 158a the citation(s) of the applicable declaratory ruling(s) by DA/FCC number, the FCC Record citation, if available, release date, and a statement that there has been no change in the foreign ownership of the Lessee/Sublessee or Post-Transfer Lessee/Sublessee since the issuance of its ruling.

The Lessee/Sublessee or Post-Transfer Lessee/Sublessee: (i) has received a declaratory ruling(s) approving its foreign ownership, but is not able to make the certification specified immediately above; or (ii) is an "affiliate" of a Licensee or Lessee/SubLessee that received a declaratory ruling(s) under Section 1.990(a) of the Commission's Rules, 47 CFR § 1.990(a), and is relying on the affiliate's ruling for purposes of filing this application/notification as permitted under the affiliate's ruling and Section 1.994(b) of the Rules, 47 CFR § 1.994(b).

If checked, and if the Lessee/Sublessee or Post-Transfer Lessee/Sublessee received its declaratory ruling(s) on or after August 9, 2013, include in the attachment required by Item 157 or Item 158a the citation(s) of the Lessee/Sublessee or Post-Transfer Lessee/Sublessee's declaratory ruling(s) by DA/FCC number, the FCC Record citation, if available, release date, and a statement that the Lessee/Sublessee or Post-Transfer Lessee/Sublessee is in compliance with the terms and conditions of its ruling and with the Commission's Rules.

If checked, and if the Lessee/Sublessee or Post-Transfer Lessee/Sublessee received its declaratory ruling(s) prior to August 9, 2013, include in the attachment required by Item 156a a copy of a petition for declaratory ruling filed contemporaneously with the Commission to extend the Lessee/Sublessee or Post-Transfer Lessee/Sublessee's existing ruling(s) to cover the same radio service(s) and geographic coverage area(s) involved in the application/notification. Alternatively, the Lessee/Sublessee or Post-Transfer Lessee/Sublessee may request a new declaratory ruling pursuant to Section 1.990(a) of the Commission's Rules, 47 CFR § 1.990(a). Petitions for declaratory ruling may be filed electronically on the Internet through the International Bureau Filing System (IBFS) (with a copy attached hereto).

If checked, and if the Lessee/Sublessee or Post-Transfer Lessee/Sublessee is relying on an affiliate's ruling for purposes of filing this application/notification, include in the attachment required by Item 157 or Item 158a the citation(s) of the applicable declaratory ruling(s) by DA/FCC number, the FCC Record citation, if available, release date, and a statement that the Lessee/Sublessee or Post-Transfer Lessee/Sublessee is in compliance with the terms and conditions of the named affiliate's ruling and with the Commission's Rules. The Lessee/Sublessee or Post-Transfer Lessee/Sublessee must also include a certification of compliance signed by the named affiliate or other qualified entity as specified in Section 1.994(b) of the Rules, 47 CFR § 1.994(b). See Main Form Instructions for Items 155 or 156a, as applicable.

The Lessee/Sublessee or Post-Transfer Lessee/Sublessee has not received a declaratory ruling approving its foreign ownership and is requesting a declaratory ruling under Section 1.990(a) of the Commission's Rules, 47 CFR § 1.990(a), in a petition filed contemporaneously with the Commission.

If checked, include in the attachment required by Item 157 or 158a a copy of the petition for declaratory ruling filed contemporaneously with the Commission pursuant to Section 1.990(a) of the Commission's Rules, 47 CFR § 1.990(a). Petitions for declaratory ruling may be filed electronically on the Internet through the International Bureau Filing System (IBFS) (with a copy attached hereto).

Basic Qualification Information

Basic Qualification Questions (If any answer is 'Y', provide an attachment explaining the circumstances)

161) Has the Applicant or any party to this application had any FCC station authorization, license, or construction permit revoked or had any application for an initial, modification, or renewal of FCC station authorization, license, or construction permit denied by the Commission?	(N) <u>Y</u> es No
162) Has the Applicant or any party to this filing, or any party directly or indirectly controlling the Applicant or any party to this filing ever been convicted of a felony by any state or federal court?	(N) <u>Y</u> es No
163) Has any court finally adjudged the Applicant or any party directly or indirectly controlling the Applicant guilty of unlawfully monopolizing or attempting unlawfully to monopolize radio communication, directly or indirectly, through control of manufacture or sale of radio apparatus, exclusive traffic arrangement, or any other means or unfair methods of competition?	(N) <u>Y</u> es No

Licensee Certification Statements

1)	The Licensee agrees that the Lease is not a sale or transfer of the license itself.
2)	The Licensee certifies that it will not consent to assignment of the Lease except to the extent such assignment complies with the Commission's Rules and Regulations.
3)	The Licensee certifies that it holds exclusive use rights to use the licensed spectrum.
4)	The Licensee certifies that it is not in default on any payment for Commission licenses and that it is not delinquent on any non-tax debt owed to any federal agency.
The Licensee certifies that all of its statements made in this Application/Notification and in the schedules, exhibits, attachments, or documents incorporated by reference are material, are part of this Application/Notification, and are true, complete, correct, and made in good faith.	

Type or Printed Name of Party Authorized to Sign

164) First Name: Jenny	MI:	Last Name: Knopf	Suffix:
165) Title: Sr. Director			
166) Signature: Jenny Knopf		167) Date: 02/21/2024	
FAILURE TO SIGN THIS APPLICATION MAY RESULT IN DISMISSAL OF THE APPLICATION AND FORFEITURE OF ANY FEES PAID.			
WILLFUL FALSE STATEMENTS MADE ON THIS FORM OR ANY ATTACHMENTS ARE PUNISHABLE BY FINE AND/OR IMPRISONMENT (U.S. Code, Title 18, Section 1001) AND/OR REVOCATION OF ANY STATION LICENSE OR CONSTRUCTION PERMIT (U.S. Code, Title 47, Section 312(a)(1)), AND/OR FORFEITURE (U.S. Code, Title 47, Section 503).			

Spectrum Aggregation Limit Certification(s)

<p>167) The Licensee/Lessor/Lessee/Sublessor/Sublessee/Transferee certifies that grant of this application would not cause the Licensee/Lessor/Lessee/Sublessor/Sublessee/Transferee to be in violation of the 40 megahertz in-band spectrum aggregation limit set forth under section 96.31 of the Commission's rules for 3.5 GHz licenses, taking into consideration the spectrum attribution rules under section 20.22(b) of the Commission's rules.</p> <p>If the Licensee/Lessor/Lessee/Sublessor/Sublessee/Transferee has sought a waiver of section 96.31 or any related rule in connection with this application, it may make this certification subject to the outcome of the waiver request.</p>	<input type="checkbox"/> Yes <input type="checkbox"/> No
<p>168) The Licensee/Lessor/Lessee/Sublessor/Sublessee/Transferee certifies that grant of this application would not cause the Licensee/Lessor/Lessee/Sublessor/Sublessee/Transferee to be in violation of the 40 megahertz in-band spectrum aggregation limit set forth under section 27.1606 of the Commission's rules for 3.45 GHz licenses, taking into consideration the spectrum attribution rules under section 20.22(b) of the Commission's rules.</p> <p>If the Licensee/Lessor/Lessee/Sublessor/Sublessee/Transferee has sought a waiver of section 27.1606 or any related rule in connection with this application, it may make this certification subject to the outcome of the waiver request.</p>	<input type="checkbox"/> Yes <input type="checkbox"/> No

Lessee Certification Statements

1)	The Lessee agrees that the Lease is not a sale or transfer of the license itself.
2)	The Lessee acknowledges that it is required to comply with the Commission's Rules and Regulations and other applicable law at all times, and if the Lessee fails to so comply, the Lease/Sublease may be revoked, cancelled, or terminated by either the Licensee or the Commission.
3)	The Lessee certifies that neither it nor any other party to the Application/Notification is subject to a denial of Federal benefits pursuant to Section 5301 of the Anti-Drug Abuse Act of 1988, 21 U.S.C. § 862, because of a conviction for possession or distribution of a controlled substance. This certification does not apply to applications filed in services exempted under Section 1.2002(c) of the Commission's Rules. See Section 1.2002(b) of the Commission's Rules for the definition of "party to the application" as used in this certification.
4)	The Lessee hereby accepts Commission oversight and enforcement consistent with the license and lease authorization. The Lessee acknowledges that it must cooperate fully with any investigation or inquiry conducted either by the Commission or the Licensee, allow the Commission or the Licensee to conduct on-site inspections of transmission facilities, and suspend operations at the direction of the Commission or the Licensee and to the extent that such suspension of operation would be consistent with applicable Commission policies.
5)	The Lessee acknowledges that in the event an authorization held by a Licensee that has associated with it a spectrum leasing arrangement that is the subject of this filing is revoked, cancelled, terminated, or otherwise ceases to be in effect, the Lessee will have no continuing authority to use the leased spectrum and will be required to terminate its operations no later than the date on which the Licensee ceases to have any authority to operate under the license, unless otherwise authorized by the Commission.
6)	The Lessee agrees the Lease shall not be assigned to any entity that is not eligible or qualified to enter into a spectrum leasing arrangement under the Commission's Rules and Regulations.
7)	The Lessee waives any claim to the use of any particular frequency or of the electromagnetic spectrum as against the regulatory power of the United States because of the previous use of the same, whether by spectrum lease or otherwise.
8)	The Lessee certifies that it is not in default on any payment for Commission licenses and that it is not delinquent on any non-tax debt owed to any federal agency.
9)	The Lessee certifies that it and all of the related individuals and entities required to be disclosed on this application and FCC Form 602 (FCC Ownership Disclosure Information for the Wireless Telecommunications Services) are not person(s) who have been, for reasons of national security, barred by any agency of the Federal Government from bidding on a contract, participating in an auction, or receiving a grant. This certification applies only to applications for licenses for spectrum that is required by Sections 6103, 6401-6403 of the Middle Class Tax Relief and Job Creation Act of 2012, codified at 47 U.S.C. §§ 309, 1413, 1451-1452, to be assigned by a system of competitive bidding under 47 U.S.C. § 309(j).
<p>The Lessee certifies that all of its statements made in this Application/Notification and in the schedules, exhibits, attachments, or documents incorporated by reference are material, are part of this Application/Notification, and are true, complete, correct, and made in good faith.</p>	

Type or Printed Name of Party Authorized to Sign

170) First Name: Jessica	MI: B	Last Name: Lyons	Suffix:
171) Title: Asst. Secretary of Manager			
172) Signature: Jessica B Lyons		173) Date: 02/21/2024	

FAILURE TO SIGN THIS APPLICATION MAY RESULT IN DISMISSAL OF THE APPLICATION AND FORFEITURE OF ANY FEES PAID.
WILLFUL FALSE STATEMENTS MADE ON THIS FORM OR ANY ATTACHMENTS ARE PUNISHABLE BY FINE AND/OR IMPRISONMENT (U.S. Code, Title 18, Section 1001) AND/OR REVOCATION OF ANY STATION LICENSE OR CONSTRUCTION PERMIT (U.S. Code, Title 47, Section 312(a)(1)), AND/OR FORFEITURE (U.S. Code, Title 47, Section 503).

Sublessee Certification Statements

1)	The Sublessee agrees that the Lease is not a, sale or transfer of the license itself.
2)	The Sublessee acknowledges that it is required to comply with the Commission's Rules and regulations and other applicable law at all times, and if the Sublessee fails to so comply, the Lease may be revoked, cancelled, or terminated by either the licensee or the Commission.
3)	The Sublessee certifies that neither it nor any other party to the Application/Notification is subject to a denial of Federal benefits pursuant to Section 5301 of the Anti-Drug Abuse Act of 1988, 21 U.S.C. § 862, because of a conviction for possession or distribution of a controlled substance. This certification does not apply to applications filed in services exempted under Section 1.2002(c) of the Commission's Rules. See Section 1.2002(b) of the Commission's Rules for the definition of "party to the application" as used in this certification.
4)	The Sublessee hereby accepts Commission oversight and enforcement consistent with the license authorization. The Sublessee acknowledges that it must cooperate fully with any investigation or inquiry conducted either by the Commission or the Licensee, allow the Commission or the licensee to conduct on-site inspections of transmission facilities, and suspend operations at the direction of the Commission or the Licensee and to the extent that such suspension of operation would be consistent with the applicable Commission policies.
5)	The Sublessee acknowledges that in the event an authorization held by a Licensee that has entered into a spectrum leasing arrangement is revoked, cancelled, terminated, or otherwise ceases to be in effect, the Sublessee will have no continuing authority to use the leased spectrum and will be required to terminate its operations no later than the date on which the Licensee ceases to have any authority to operate under the license, unless otherwise authorized by the Commission.
6)	The Sublessee agrees the Lease/Sublease shall not be assigned to any entity that is not eligible or qualified to enter into a spectrum leasing arrangement under the Commission's Rules and regulations.
7)	The Sublessee waives any claim to the use of any particular frequency or of the electromagnetic spectrum as against the regulatory power of the United States because of the previous use of the same, whether by spectrum lease or otherwise.
8)	The Sublessee certifies that it is not in default on any payment for Commission licenses and that it is not delinquent on any non-tax debt owed to any federal agency.
9)	The Sublessee certifies that it and all of the related individuals and entities required to be disclosed on this application and FCC Form 602 (FCC Ownership Disclosure Information for the Wireless Telecommunications Services) are not person(s) who have been, for reasons of national security, barred by any agency of the Federal Government from bidding on a contract, participating in an auction, or receiving a grant. This certification applies only to applications for licenses for spectrum that is required by Sections 6103, 6401-6403 of the Middle Class Tax Relief and Job Creation Act of 2012, codified at 47 U.S.C. §§ 309, 1413, 1451-1452, to be assigned by a system of competitive bidding under 47 U.S.C. § 309(j).
The Sublessee certifies that all of its statements made in this Application/Notification and in the schedules, exhibits, attachments, or documents incorporated by reference are material, are part of this Application/Notification, and are true, complete, correct, and made in good faith.	

Type or Printed Name of Party Authorized to Sign

174) First Name:	MI:	Last Name:	Suffix:
175) Title:			
176) Signature:		177) Date:	

FAILURE TO SIGN THIS APPLICATION MAY RESULT IN DISMISSAL OF THE APPLICATION AND FORFEITURE OF ANY FEES PAID.
WILLFUL FALSE STATEMENTS MADE ON THIS FORM OR ANY ATTACHMENTS ARE PUNISHABLE BY FINE AND/OR IMPRISONMENT (U.S. Code, Title 18, Section 1001) AND/OR REVOCATION OF ANY STATION LICENSE OR CONSTRUCTION PERMIT (U.S. Code, Title 47, Section 312(a)(1)), AND/OR FORFEITURE (U.S. Code, Title 47, Section 503).

Transferee Certification Statements

1)	The Transferee agrees that the Lease/Sublease is not a sale or transfer of the license itself.
2)	The Transferee acknowledges that it is required to comply with the Commission's Rules and Regulations and other applicable law at all times, and if the Transferee fails to so comply, the Lease/Sublease may be revoked, cancelled, or terminated by either the licensee or the Commission.
3)	The Transferee certifies that neither it nor any other party to the Application/Notification is subject to a denial of Federal benefits pursuant to Section 5301 of the Anti-Drug Abuse Act of 1988, 21 U.S.C. § 862, because of a conviction for possession or distribution of a controlled substance. This certification does not apply to applications filed in services exempted under Section 1.2002(c) of the Commission's Rules. See Section 1.2002(b) of the Commission's Rules for the definition of "party to the application" as used in this certification.)
4)	The Transferee hereby accepts Commission oversight and enforcement consistent with the license authorization. The Transferee acknowledges that it must cooperate fully with any investigation or inquiry conducted either by the Commission or the Licensee, allow the Commission or the licensee to conduct on-site inspections of transmission facilities, and suspend operations at the direction of the Commission or the Licensee and to the extent that such suspension of operation would be consistent with the applicable Commission policies.
5)	The Transferee acknowledges that in the event an authorization held by a Licensee that has entered into a spectrum leasing arrangement is revoked, cancelled, terminated, or otherwise ceases to be in effect, the Transferee will have no continuing authority to use the leased spectrum and will be required to terminate its operations no later than the date on which the Licensee ceases to have any authority to operate under the license, unless otherwise authorized by the Commission.
6)	The Transferee agrees the Lease shall not be assigned to any entity that is not eligible or qualified to enter into a spectrum leasing arrangement under the Commission's Rules and Regulations.
7)	The Transferee waives any claim to the use of any particular frequency or of the electromagnetic spectrum as against the regulatory power of the United States because of the previous use of the same, whether by spectrum lease or otherwise.
8)	The Transferee certifies that it is not in default on any payment for Commission licenses and that it is not delinquent on any non-tax debt owed to any federal agency.
9)	The Transferee certifies that it and all of the related individuals and entities required to be disclosed on this application and FCC Form 602 (FCC Ownership Disclosure Information for the Wireless Telecommunications Services) are not person(s) who have been, for reasons of national security, barred by any agency of the Federal Government from bidding on a contract, participating in an auction, or receiving a grant. This certification applies only to applications for licenses for spectrum that is required by Sections 6103, 6401-6403 of the Middle Class Tax Relief and Job Creation Act of 2012, codified at 47 U.S.C. §§ 309, 1413, 1451-1452, to be assigned by a system of competitive bidding under 47 U.S.C. § 309(j).
The Transferee certifies that all of its statements made in this Application/Notification and in the schedules, exhibits, attachments, or documents incorporated by reference are material, are part of this Application/Notification, and are true, complete, correct, and made in good faith.	

Type or Printed Name of Party Authorized to Sign

178) First Name:	MI:	Last Name:	Suffix:
179) Title:			
180) Signature:		181) Date:	
FAILURE TO SIGN THIS APPLICATION MAY RESULT IN DISMISSAL OF THE APPLICATION AND FORFEITURE OF ANY FEES PAID.			
WILLFUL FALSE STATEMENTS MADE ON THIS FORM OR ANY ATTACHMENTS ARE PUNISHABLE BY FINE AND/OR IMPRISONMENT (U.S. Code, Title 18, Section 1001) AND/OR REVOCATION OF ANY STATION LICENSE OR CONSTRUCTION PERMIT (U.S. Code, Title 47, Section 312(a)(1)), AND/OR FORFEITURE (U.S. Code, Title 47, Section 503).			

Transferor Certification Statements

1)	The Transferor certifies either (1) that control of the Lessee/Sublessee will not be transferred until consent of the Federal Communications Commission has been given, or (2) that prior Commission consent is not required because the Lease/Sublease is subject to streamlined notification procedures for <i>pro forma</i> transfers of control. See <i>Federal Communications Bar Association's Petition for Forbearance from Section 310(d) of the Communications Act Regarding Non-Substantial Assignments of Wireless Licenses and Transfers of Control Involving Telecommunications Carriers and Personal Communications Industry Association's Broadband Personal Communications Services Alliance's Petition for Forbearance For Broadband Personal Communications Services, Memorandum Opinion and Order, 13 FCC Rcd 6293 (1998)</i>
2)	The Transferor certifies that it is not in default on any payment for Commission licenses and that it is not delinquent on any non-tax debt owed to any federal agency.
The Transferor certifies that all of its statements made in this Application/Notification and in the schedules, exhibits, attachments, or documents incorporated by reference are material, are part of this Application/Notification, and are true, complete, correct, and made in good faith.	

Type or Printed Name of Party Authorized to Sign

182) First Name:	MI:	Last Name:	Suffix:
183) Title:			
184) Signature:		185) Date:	

FAILURE TO SIGN THIS APPLICATION MAY RESULT IN DISMISSAL OF THE APPLICATION AND FORFEITURE OF ANY FEES PAID.
WILLFUL FALSE STATEMENTS MADE ON THIS FORM OR ANY ATTACHMENTS ARE PUNISHABLE BY FINE AND/OR IMPRISONMENT (U.S. Code, Title 18, Section 1001) AND/OR REVOCATION OF ANY STATION LICENSE OR CONSTRUCTION PERMIT (U.S. Code, Title 47, Section 312(a)(1)), AND/OR FORFEITURE (U.S. Code, Title 47, Section 503).

Private Commons Manager Certification Statements

1)	The Licensee/Lessee/Sublessee manager of the Private Commons certifies that it will retain <i>de facto</i> control of the use of the spectrum under the Private Commons arrangement, including that it will maintain reasonable oversight over the users' use of the spectrum under the arrangement so as to ensure that the use of the spectrum, and communications equipment employed, comply with all technical and service rules applicable under the license authorization.
2)	The Licensee/Lessee/Sublessee manager of the Private Commons arrangement certifies that it will maintain the ability to ensure that users under the arrangement comply with all the technical and service rules applicable under the license authorization.
3)	The Licensee/Lessee/Sublessee manager of the Private Commons certifies that it and all of the related individuals and entities required to be disclosed on this application and FCC Form 602 (FCC Ownership Disclosure Information for the Wireless Telecommunications Services) are not person(s) who have been, for reasons of national security, barred by any agency of the Federal Government from bidding on a contract, participating in an auction, or receiving a grant. This certification applies only to applications for licenses for spectrum that is required by Sections 6103, 6401-6403 of the Middle Class Tax Relief and Job Creation Act of 2012, codified at 47 U.S.C. §§ 309, 1413, 1451-1452, to be assigned by a system of competitive bidding under 47 U.S.C. § 309(j).
The Licensee/Lessee/Sublessee manager of the Private Commons arrangement certifies that all of its statements made in this Notification and in the schedules, exhibits, attachments, or documents incorporated by reference are material, are part of this Notification, and are true, complete, correct, and made in good faith.	

Type or Printed Name of Party Authorized to Sign

186) First Name:	MI:	Last Name:	Suffix:
187) Title:			
188) Signature:		189) Date:	
FAILURE TO SIGN THIS APPLICATION MAY RESULT IN DISMISSAL OF THE APPLICATION AND FORFEITURE OF ANY FEES PAID.			
WILLFUL FALSE STATEMENTS MADE ON THIS FORM OR ANY ATTACHMENTS ARE PUNISHABLE BY FINE AND/OR IMPRISONMENT (U.S. Code, Title 18, Section 1001) AND/OR REVOCATION OF ANY STATION LICENSE OR CONSTRUCTION PERMIT (U.S. Code, Title 47, Section 312(a)(1)), AND/OR FORFEITURE (U.S. Code, Title 47, Section 503).			

License Authorization(s) or Identifiers (pertaining to Lease(s)/Sublease(s)/Private Commons) Associated with the Spectrum To Be Included in the Filing

190) Call Sign(s) or Lease/Sublease/ Private Commons Identifier(s)	191) Radio Service Code	192) Location Number	193 Path Number (Microwave only)	194) Frequency Number	195) Lower Frequency (MHz)	196) Upper Frequency (MHz)
KNLH495	CW - PCS Broadband					
KNLH605	CW - PCS Broadband					
WPTB358	CW - PCS Broadband					

* Note: Items 192 – 196 are for New Leases involving spectrum associated with site-based authorizations when only a portion of the licensed locations, paths and/or frequencies will be leased.

**Schedule for Licensees that Received Bidding Credits
or
Involving Licenses Won in Closed Bidding**

**Designated Entity Information
Bidding Credits**

1) Has the full amount of the bidding credits awarded with regard to each of the subject license(s) been paid as part of unjust enrichment payment(s) in previous transaction(s)? If the response to Item 1 is 'Y', Items 2 and 3 are not required to be completed.	() <u>Yes</u> <u>No</u>
--	--------------------------

Bidding Credits - (Spectrum Manager Leases Only)

2a) Does the Applicant have a general partnership interest or have a direct or indirect ownership interests of ten percent or greater in the Licensee?	() <u>Yes</u> <u>No</u>
2b) Is the Applicant a "controlling interest holder" or "affiliate" of the current Licensee? For purposes of determining whether the Licensee has retained the requisite degree of ownership and control over the leased spectrum in order to remain eligible for the license or for bidding credits, the <i>de jure</i> control standard in 47 CFR § 1.2110 and the <i>de facto</i> control standard in 47 CFR § 1.9010 will be applied (pursuant to the conditions set forth in 47 CFR § 1.9020).	() <u>Yes</u> <u>No</u>
2c) Does the Applicant share office space, equipment, or other facilities with any party controlling the entity from which spectrum is being leased/subleased?	() <u>Yes</u> <u>No</u>
2d) Is the Applicant a disclosable interest holder that holds a ten percent or greater interest of any kind in the Licensee and is the Lease/Sublease for more than 25% of the spectrum capacity of the subject license(s)?	() <u>Yes</u> <u>No</u>
2e) Does the Licensee certify that the Lease/Sublease does not affect its continuing eligibility to retain bidding credit(s)?	() <u>Yes</u> <u>No</u>

**Bidding Credits – (Long-Term De Facto Transfer Leases Only)
Eligibility**

3a) With respect to each of the subject licenses, the Applicant: () qualifies for the same designated entity benefit as the current Licensee () qualifies for a different designated entity benefit than the current Licensee () does not qualify for any designated entity status	
--	--

3b) If the Applicant states in Item 3a that it qualifies for the same designated entity benefit as the current Licensee or qualifies for a different designated entity status than the current Licensee, the Applicant qualifies for a (select one): () small business bidding credit (___%) () rural service provider bidding credit	
3c) Is the Applicant a disclosable interest holder that holds a ten percent or greater interest of any kind in the Licensee and is the Lease/Sublease for more than 25% of the spectrum capacity of the subject license(s)?	() <u>Yes</u> <u>No</u>

Closed Bidding Licenses

4) Have construction notifications been submitted as required by the Commission's Rules for each of the subject licenses? If the response to Item 4 is 'Y', Items 5 and 6 are not required to be completed.	() <u>Yes</u> <u>No</u>
--	--------------------------

Closed Bidding Licenses – (Spectrum Manager Leases Only)

5a) Does the Applicant have a general partnership interest or have a direct or indirect ownership interest of ten percent or greater in the Licensee?	() <u>Yes</u> <u>No</u>
5b) Is the Applicant a "controlling interest holder" or "affiliate" of the current Licensee?	() <u>Yes</u> <u>No</u>
5c) Does the Applicant share office space, equipment or other facilities with any party controlling the entity from which spectrum is being leased?	() <u>Yes</u> <u>No</u>
5d) Does the Licensee certify that the Lease/Sublease does not affect its continuing eligibility to retain closed bidding licenses?	() <u>Yes</u> <u>No</u>

Closed Bidding Licenses – (Long-Term *De Facto* Transfer Leases Only)**Eligibility**

6) With respect to each of the subject licenses, the Applicant: () a) qualifies for closed bidding () b) does not qualify for closed bidding
--

7) Revenue and Asset Information for the Applicant

Purpose (Check Modify if filing an Amendment application and changing the Revenue and Asset Information from what was provided on the original filing)

<input type="checkbox"/> Modify

Gross Revenue Disclosure Most Recent Reportable Year

8a) Were the Applicant and any predecessors-in-interest in existence for a full year of the relevant period? If 'N', explain why in an attachment.	() <u>Yes</u> <u>No</u>
If 'Y', provide the following information.	
8b) Gross Revenues \$ _____ (Format: 99,999.99)	
8c) Year-end Date: _____ (Date Format: MM/DD/YYYY)	

One Year Prior to Most Recent Reportable Year

9a) Were the Applicant and any predecessors-in-interest in existence for a full year of the relevant period? If 'N', explain why in an attachment.	() <u>Yes</u> <u>No</u>
If 'Y', provide the following information.	
9b) Gross Revenues \$ _____ (Format: 99,999.99)	
9c) Year-end Date: _____ (Date Format: MM/DD/YYYY)	

Two Years Prior to Most Recent Reportable Year

10a) Were the Applicant and any predecessors-in-interest in existence for a full year of the relevant period? If 'N', explain why in an attachment.	() <u>Yes</u> <u>No</u>
If 'Y', provide the following information.	
10b) Gross Revenues \$ _____ (Format: 99,999.99)	
10c) Year-end Date: _____ (Date Format: MM/DD/YYYY)	

Three Years Prior to Most Recent Reportable Year

11a) Were the Applicant and any predecessors-in-interest in existence for a full year of the relevant period? If 'N', explain why in an attachment.	() <u>Yes</u> <u>No</u>
If 'Y', provide the following information.	
11b) Gross Revenues \$ _____ (Format: 99,999.99)	
11c) Year-end Date: _____ (Date Format: MM/DD/YYYY)	

Four Years Prior to Most Recent Reportable Year

12a) Were the Applicant and any predecessors-in-interest in existence for a full year of the relevant period? If 'N', explain why in an attachment.	() <u>Yes</u> <u>No</u>
If 'Y', provide the following information.	
12b) Gross Revenues \$ _____ (Format: 99,999.99)	
12c) Year-end Date: _____ (Date Format: MM/DD/YYYY)	

Average Gross Revenue

13) Average Gross Revenue of Reported Years: \$ _____ (Format: 99,999.99)

Asset Disclosure

14) Total Assets as of Application Filing Date: \$ _____

Financial Statements

15) Audited or Unaudited (Check One)

The Applicant used audited financial statements.

The Applicant used unaudited financial statements prepared in accordance with Generally Accepted Accounting Principles (GAAP) and certified by the Applicant's chief financial officer or the equivalent.

Reference Copy

Reference Copy

Closed Bidding/Designated Entity Eligibility

Total Gross Revenues for Most Recent Reportable Year

36a) Gross Revenues:	\$ _____	(Format: 99,999.99)
36b) Year-end Date:	_____	(Date Format: MM/DD/YYYY)

Total Gross Revenues for One Year Prior to Most Recent Reportable Year

37a) Gross Revenues:	\$ _____	(Format: 99,999.99)
37b) Year-end Date:	_____	(Date Format: MM/DD/YYYY)

Total Gross Revenues for Two Years Prior to Most Recent Reportable Year

38a) Gross Revenues:	\$ _____	(Format: 99,999.99)
38b) Year-end Date:	_____	(Date Format: MM/DD/YYYY)

Total Gross Revenues for Three Years Prior to the Most Recent Reportable Year

39a) Gross Revenues:	\$ _____	(Format: _____)
39b) Year-end Date:	_____	(Date Format: _____)

Total Gross Revenues for Four Years Prior to the Most Recent Reportable Year

40a) Gross Revenues:	\$ _____	(Format: 99,999.99)
40b) Year-end Date:	_____	(Date Format: MM/DD/YYYY)

Total Aggregate Average Gross Revenues for Designated Entity (License(s) Requiring Disclosure of Three Years of Gross Revenue Data)

41) Aggregate Average Gross Revenue:	\$ _____	(Format: 99,999.99)
--------------------------------------	----------	---------------------

Total Aggregate Average Gross Revenues for Designated Entity (License(s) Requiring Disclosure of Five Years of Gross Revenue Data)

41) Aggregate Average Gross Revenue:	\$ _____	(Format: 99,999.99)
--------------------------------------	----------	---------------------

Total Aggregate Average Gross Revenues for Closed Bidding

42) Aggregate Average Gross Revenue:	\$ _____	(Format: 99,999.99)
--------------------------------------	----------	---------------------

Total Assets Disclosure for Closed Bidding

43) Total Assets:	\$ _____	(Format: 99,999.99)
-------------------	----------	---------------------

Rural Service Provider Bidding Credit

36) Is the Applicant seeking a Rural Service Provider (RSP) bidding credit?	(<input type="checkbox"/>) <u>Yes</u> <input checked="" type="checkbox"/> <u>No</u>
---	---

If the Applicant (the Lessee/Sublessee/Transferee) is seeking a rural service provider (RSP) bidding credit, provide in an exhibit the following information requested in a-e.

a) for the Applicant, submit the combined number of commercial communications service subscribers to wireless, wireline, broadband, and cable services that the Applicant serves and provide a list of the name(s) and the Federal Information Processing Standard (FIPS) number(s) for each county in which the Applicant has at least one commercial wireless, wireline, broadband, or cable subscriber;

b) for each of the Applicant's Affiliates, Controlling Interests, and the Affiliates of its Controlling Interests, submit the individual or entity's name, its FCC Registration Number (FRN), its relationship to the Applicant, and its combined number of commercial communications service subscribers to wireless, wireline, broadband, and cable services. For each of the Applicant's Affiliates, Controlling Interests, and the Affiliates of its Controlling Interests, also provide a list of the name(s) and the FIPS number(s) for each county in which it has at least one commercial wireless, wireline, broadband, or cable subscriber;

c) if neither the Applicant, nor any of its Affiliates, its Controlling Interests, or the Affiliates of its Controlling Interests have at least one wireless, wireline, broadband, or cable subscriber in a market for which the Applicant is applying for a license, list the market(s) in which the Applicant, its Affiliates, its Controlling Interests, and the Affiliates of its Controlling Interests have no such subscribers;

d) a detailed explanation demonstrating that: (i) the Applicant is in the business of providing commercial communications services; (ii) the Applicant serves predominantly rural areas; and (iii) the primary focus of the Applicant's business activity is the provision of services to rural areas (defined as counties with a population density of 100 or fewer persons per square mile); and

e) If the Applicant is an existing rural partnership that was providing service as of July 16, 2015, provide a detailed explanation demonstrating that each member of the partnership is independently eligible for the RSP bidding credit by providing, with respect to each member of the partnership, the same information as is required in a-d above.

**Schedule for Supplemental Information Pertaining to a New Lease, New Sublease,
 Revision to Extend the Term of an Existing Lease or Sublease, or
 Revision to Cancel an Existing Lease or Sublease**

License Authorizations/Lease Identifiers/Sublease Identifiers (Complete as many Schedule E's as necessary)

1) Call Sign(s) or Lease/Sublease Identifier(s)	2) Radio Service Code	3) Commencement Date (MM/DD/YYYY) OR Check box for FCC Grant Date	4) Expiration Date (MM/DD/YYYY)	5) Revised Expiration Date (MM/DD/YYYY)	6) Cancellation Date (MM/DD/YYYY) OR Check box if Lease/Sublease Never Commenced
KNLH495	CW	04/01/2024 <input type="checkbox"/>	03/31/2025		<input type="checkbox"/>
KNLH605	CW	03/20/2024 <input type="checkbox"/>	03/19/2025		<input type="checkbox"/>
WPTB358	CW	04/01/2024 <input type="checkbox"/>	03/31/2025		<input type="checkbox"/>

Attachment(s):

Type	Description	Date Entered
O	Exhibit 1--Public Interest Statement	02/21/2024

REFERENCE COPY

This is not an official FCC license. It is a record of public information contained in the FCC's licensing database on the date that this reference copy was generated. In cases where FCC rules require the presentation, posting, or display of an FCC license, this document may not be used in place of an official FCC license.



**Federal Communications Commission
Wireless Telecommunications Bureau
RADIO STATION AUTHORIZATION**

LICENSEE: NEW CINGULAR WIRELESS PCS, LLC

ATTN: NATIONAL REGULATORY COMPLIANCE
NEW CINGULAR WIRELESS PCS, LLC
208 S AKARD ST, 20F
DALLAS, TX 75202

Call Sign WQGD472	File Number
Radio Service AW - AWS (1710-1755 MHz and 2110-2155 MHz)	

FCC Registration Number (FRN): 0003291192

Grant Date 12-21-2021	Effective Date 01-23-2024	Expiration Date 12-18-2036	Print Date
Market Number CMA443	Channel Block A	Sub-Market Designator 0	
Market Name Kentucky 1 - Fulton			
1st Build-out Date	2nd Build-out Date	3rd Build-out Date	4th Build-out Date

Waivers/Conditions:

This authorization is conditioned upon the licensee, prior to initiating operations from any base or fixed station, making reasonable efforts to coordinate frequency usage with known co-channel and adjacent channel incumbent federal users operating in the 1710-1755 MHz band whose facilities could be affected by the proposed operations. See, e.g., FCC and NTIA Coordination Procedures in the 1710-1755 MHz Band, Public Notice, FCC 06-50, WTB Docket No. 02-353, rel. April 20, 2006.

Grant of the request to update licensee name is conditioned on it not reflecting an assignment or transfer of control (see Rule 1.948); if an assignment or transfer occurred without proper notification or FCC approval, the grant is void and the station is licensed under the prior name.

Conditions:

Pursuant to §309(h) of the Communications Act of 1934, as amended, 47 U.S.C. §309(h), this license is subject to the following conditions: This license shall not vest in the licensee any right to operate the station nor any right in the use of the frequencies designated in the license beyond the term thereof nor in any other manner than authorized herein. Neither the license nor the right granted thereunder shall be assigned or otherwise transferred in violation of the Communications Act of 1934, as amended. See 47 U.S.C. § 310(d). This license is subject in terms to the right of use or control conferred by §706 of the Communications Act of 1934, as amended. See 47 U.S.C. §606.

This license may not authorize operation throughout the entire geographic area or spectrum identified on the hardcopy version. To view the specific geographic area and spectrum authorized by this license, refer to the Spectrum and Market Area information under the Market Tab of the license record in the Universal Licensing System (ULS). To view the license record, go to the ULS homepage at <http://wireless.fcc.gov/uls/index.htm?job=home> and select "License Search". Follow the instructions on how to search for license information.

Licensee Name: NEW CINGULAR WIRELESS PCS, LLC

Call Sign: WQGD472

File Number:

Print Date:

700 MHz Relicensed Area Information:

Market	Market Name	Buildout Deadline	Buildout Notification	Status
---------------	--------------------	--------------------------	------------------------------	---------------

Reference Copy

Reference Copy Only. Do Not Mail to the FCC as an Application.

Submitted: 01/13/2023 at 18:08:22
 File Number: 0010368546

FCC 601
Main Form

FCC Application for Radio Service Authorization: Wireless Telecommunications Bureau Public Safety and Homeland Security Bureau

Approved by OMB
 3060 - 0798
 See instructions for
 public burden estimate

1) Radio Service Code: AW	1a) Existing Radio Service Code:
---	----------------------------------

General Information

2) (Select only one) (AU) NE - New RO - Renewal Only AU - Administrative Update NT - Required Notifications MD - Modification RM - Renewal/Modification WD - Withdrawal of Application EX - Requests for Extension of Time AM - Amendment CA - Cancellation of License RL - Registered Location/Link	
3a) If this application is for a Demonstration License or a Special Temporary Authorization (STA), enter the code and attach the required exhibit as described in the instructions. Otherwise enter ' <u>N/A</u> ' (Not Applicable).	(N) <u>M</u> <u>S</u> <u>N/A</u>
3b) If this application is for Special Temporary Authority due to an emergency situation, enter 'Y'; otherwise enter 'N'. Refer to Rule 1.915 for an explanation of situations considered to be an emergency.	() <u>Y</u> es <u>N</u> o
4) If this application is for an Amendment or Withdrawal, enter the file number of the pending application currently on file with the FCC.	File Number
5) If this application is for a Modification, Renewal Only, Renewal/Modification, Cancellation of License, or Administrative Update, enter the call sign of the existing FCC license. If this is a request for Registered Location/Link, enter the FCC call sign assigned to the geographic license.	Call Sign WQGD472
6a) If this application is for a New, Amendment, Renewal Only, or Renewal/Modification, enter the requested authorization expiration date (this item is optional).	MM DD /
6b) If this application is for a Renewal Only or Renewal/Modification and the license is a geographic area license, is the license used to provide service to customers (C), or is the license used for private business (internal) purposes or to meet the licensee's public interest/public safety communications needs (P)?	() <u>C</u> <u>P</u>
7) Is this application "major" as defined in § 1.929 of the Commission's Rules when read in conjunction with the applicable radio service rules found in Parts 22 and 90 of the Commission's Rules? (NOTE: This question only applies to certain site-specific applications. See the instructions for applicability and full text of § 1.929).	() <u>Y</u> es <u>N</u> o
8) Are attachments (other than associated schedules) being filed with this application?	() <u>Y</u> es <u>N</u> o

Fees, Waivers, and Exemptions

9) Is the Applicant exempt from FCC application fees?	(N) <u>Y</u> es <u>N</u> o
10) Is the Applicant exempt from FCC regulatory fees?	(N) <u>Y</u> es <u>N</u> o
11) Does this application include a request for a Waiver of the Commission's Rule(s)? If 'Yes', attach an exhibit providing rule number(s) and explaining circumstances.	(N) <u>Y</u> es <u>N</u> o
12) Are the frequencies or parameters requested in this filing covered by grandfathered privileges, previously approved by waiver, or functionally integrated with an existing station?	() <u>Y</u> es <u>N</u> o

Applicant Information

13) FCC Registration Number (FRN): 0003291192			
14) Applicant/Licensee Legal Entity Type: (Select One) () Individual () Unincorporated Association () Trust () Government Entity () Corporation (<input checked="" type="checkbox"/>) Limited Liability Company () General Partnership () Limited Partnership () Limited Liability Partnership () Consortium () Other: _____			
15) If the Licensee name is being updated, is the update a result from the sale (or transfer of control) of the license(s) to party and for which proper Commission approval has not been received or proper notification not provided?			() Yes <input checked="" type="checkbox"/> No
16) First Name (if individual):	MI:	Last Name:	Suffix:
17) Legal Entity Name (if other than individual): NEW CINGULAR WIRELESS PCS, LLC			
18) Attention To: FCC Group			
19) P.O. Box:	And/Or	20) Street Address: 208 S. Akard St. 20F	
21) City: Dallas	22) State: TX	23) Zip Code: 75202	
24) Telephone Number: (855)699-7073		25) Fax:	
26) E-Mail Address: FCCMW@att.com			

27) Demographics (Optional)

Race: () American Indian or Alaska Native () Asian () Black or African-American () Native Hawaiian or Other Pacific Islander () White	Ethnicity: () Hispanic or Latino () Not Hispanic or Latino	Gender: () Male () Female
---	--	-----------------------------------

Real Party in Interest

28) Name of Real Party in Interest of Applicant (If different from Applicant):	29) FCC Registration Number (FRN) of Real Party in Interest:
--	--

Contact Information (If different from the Applicant) Check here if same as Applicant.

30) First Name: Cecil	MI: J	Last Name: Mathew	Suffix:
31) Company Name: AT&T Services, Inc.			
32) Attention To:			
33) P.O. Box:	And /Or	34) Street Address: 208 S. Akard St. 20F	
35) City: Dallas	36) State: TX	37) Zip Code: 75202	
38) Telephone Number: (855)699-7073		39) Fax:	
40) E-Mail Address: FCCMW@att.com			

Regulatory Status

41) This filing is for authorization to provide or use the following type(s) of radio service offering (enter all that apply):
 Common Carrier Non-Common Carrier Private, internal communications Broadcast Services Band Manager

Type of Radio Service

42) This filing is for authorization to provide the following type(s) of radio service (choose all that apply):
 Fixed Mobile Radiolocation Satellite (sound) Broadcast Services

43) Does the Applicant propose to provide service interconnected to the public telephone network? Yes No

Alien Ownership Questions (If any answer is "Y", provide an attachment explaining the circumstances. In preparing the attachment, refer to the Main Form Instructions for the "Alien Ownership Questions".)

44) Is the Applicant a foreign government or the representative of any foreign government? Yes No

45) Is the Applicant an alien or the representative of an alien? Yes No

46) Is the Applicant a corporation organized under the laws of any foreign government? Yes No

47) Is the Applicant a corporation of which more than one-fifth of the capital stock is owned of record or voted by aliens or their representatives, or by a foreign government or representative thereof, or by any corporation organized under the laws of a foreign country? Yes No

48a) Is the Applicant directly or indirectly controlled by any other corporation of which more than one-fourth of the capital stock () Yes No is owned of record or voted by aliens or their representatives, or by a foreign government or representative thereof, or by any corporation organized under the laws of a foreign country?

48b) If the answer to 47 or 48a is 'Y' select one of the choices below.

The Applicant is exempt from the provisions of Section 310(b).

If checked, it is not necessary to file a petition for declaratory ruling if the Applicant includes in the attachment required by Item 47 or Item 48a a showing that the requested license(s) is exempt from the provisions of Section 310(b).

The Applicant has received a declaratory ruling(s) approving its foreign ownership, and the application involves only the acquisition of additional spectrum for the provision of a wireless service in a geographic coverage area for which the Applicant has been previously authorized.

If checked, include in the attachment required by Item 47 or Item 48a the citation(s) of the applicable declaratory ruling(s) by DA/FCC number, the FCC Record citation, if available, release date, and a statement that there has been no change in the foreign ownership of the Applicant since the issuance of its ruling.

The Applicant: (i) has received a declaratory ruling(s) approving its foreign ownership, but is not able to make the certification specified immediately above; or (ii) is an "affiliate" of a Licensee or Lessee/Sublessee that received a declaratory ruling(s) under 47 CFR § 1.5000(a) and is relying on the affiliate's ruling for purposes of filing this application as permitted under the affiliate's ruling and 47 CFR § 1.5004(b)

If checked, and if the Applicant received its declaratory ruling(s) on or after August 9, 2013, include in the attachment required by Item 47 or Item 48a the citation(s) of the Applicant's declaratory ruling(s) by DA/FCC number, the FCC Record citation, if available, release date, and a statement that the Applicant is in compliance with the terms and conditions of its ruling and with the Commission's Rules.

If checked, and if the Applicant received its declaratory ruling(s) prior to August 9, 2013, include in the attachment required by Item 48a a copy of a petition for declaratory ruling filed contemporaneously with the Commission to extend the Applicant's existing ruling(s) to cover the same radio service(s) and geographic coverage area(s) involved in the application. Alternatively, the Applicant may request a new declaratory ruling pursuant to Section 1.5000(a) of the Commission's Rules, 47 CFR § 1.5000 (a). Petitions for declaratory ruling may be filed electronically on the Internet through the International Bureau Filing System (IBFS) (with a copy attached hereto).

If checked, and if the Applicant is relying on an affiliate's ruling for purposes of filing this application, include in the attachment required by Item 47 or Item 48a the citation(s) of the applicable declaratory ruling(s) by DA/FCC number, the FCC Record citation, if available, release date, and a statement that the Applicant is in compliance with the terms and conditions of the named affiliate's ruling and with the Commission's Rules. The Applicant must also include a certification of compliance signed by the named affiliate or other qualified entity as specified in 47 CFR § 1.5004(b). See Main Form Instructions for Items 47 or 48a, as applicable.

The Applicant has not received a declaratory ruling approving its foreign ownership and is requesting a declaratory ruling under 47 CFR § 1.5004(b) in a petition filed contemporaneously with the Commission.

If checked, include in the attachment required by Item 47 or 48a a copy of the petition for declaratory ruling filed contemporaneously with the Commission pursuant to 47 CFR § 1.5004(b). Petitions for declaratory ruling may be filed electronically on the Internet through the International Bureau Filing System (IBFS) (with a copy attached hereto).

Basic Qualification Questions

49) Has the Applicant or any party to this application had any FCC station authorization, license or construction permit revoked or had any application for an initial, modification or renewal of FCC station authorization, license, or construction permit denied by the Commission?	(<input type="checkbox"/>) <u>Yes</u> <u>No</u>
50) Has the Applicant or any party to this application, or any party directly or indirectly controlling the Applicant, ever been convicted of a felony by any state or federal court?	(<input type="checkbox"/>) <u>Yes</u> <u>No</u>
51) Has any court finally adjudged the Applicant or any party directly or indirectly controlling the Applicant guilty of unlawfully monopolizing or attempting unlawfully to monopolize radio communication, directly or indirectly, through control of manufacture or sale of radio apparatus, exclusive traffic arrangement, or any other means or unfair methods of competition?	(<input type="checkbox"/>) <u>Yes</u> <u>No</u>

Note: If the answer to any of 49-51 is 'Y', attach an exhibit explaining the circumstances.

Aeronautical Advisory Station (Unicom) Certification

52) (<input type="checkbox"/>) I certify that the station will be located on property of the airport to be served, and, in cases where the airport does not have a control tower, RCO, or FAA flight service station, that I have notified the owner of the airport and all aviation service organizations located at the airport within ten days prior to application.

Broadband Radio Service and Educational Broadband Service Cable Cross-Ownership

53a) Will the requested facilities be used to provide multichannel video programming service?	(<input type="checkbox"/>) <u>Yes</u> <u>No</u>
53b) If the answer to question 53a is 'Y', does the Applicant operate, control or have an attributable interest (as defined in 47 CFR § 27.1202) in a cable television system whose franchise area is located within the geographic service area of the requested facilities?	(<input type="checkbox"/>) <u>Yes</u> <u>No</u>

Note: If the answer to question 53b is 'Y', attach an exhibit explaining how the Applicant complies with 47 CFR § 27.1202 or justifying a waiver of that rule. If a waiver of the Commission Rule(s) is being requested, Item 11a must be answered 'Y'.

Broadband Radio Service and Educational Broadband Service (Part 27)

54) (For EBS only) Does the Applicant comply with the programming requirements contained in 47 CFR § 27.1203?	(<input type="checkbox"/>) <u>Yes</u> <u>No</u>
Note: If the answer to item 54 is 'N', attach an exhibit explaining how the Applicant complies with 47 CFR § 27.1203 of the Commission's Rules or justifying a waiver of that rule. If a waiver of the Commission Rule(s) is being requested, Item 11a must be answered 'Y'.	
55) (For BRS and EBS) Does the Applicant comply with 47 CFR §§ 27.50, 27.55, and 27.1221?	(<input type="checkbox"/>) <u>Yes</u> <u>No</u>
Note: If the answer to item 55 is 'N', attach an exhibit justifying a waiver of that rule(s). If a waiver of the Commission Rule(s) is being requested, Item 11a must be answered 'Y'.	

For Applicants Who Participated in an Auction

56) Is the Applicant a qualifying rural wireless partnership or a member of a qualifying rural wireless partnership?	(<input type="checkbox"/>) <u>Yes</u> <u>No</u>
Note: If the answer to item 56 is 'Y', attach an exhibit listing all members of the qualifying rural wireless partnership, including their FRN numbers.	

For Renewal Applicants

57) Operation/Performance Requirement Certification

[For a site-based license]: Applicant certifies that it is continuing to operate consistent with its most recently filed construction notification (or most recent authorization, if no construction notification was required).	(<input type="checkbox"/>) <u>Yes</u> <u>No</u>
[For a geographic license, commercial service - licensee in its initial license term with an interim performance requirement]: Applicant certifies that it has met its interim performance requirement, that over the portion of the license term following the interim performance requirement, it continues to use its facilities to provide at least the level of service required by its interim performance requirement, it has met its final performance requirement, and it continues to use its facilities to provide at least the level of service required by its final performance requirement through the end of the license term.	(<input type="checkbox"/>) <u>Yes</u> <u>No</u>
[For a geographic license, commercial service - licensee in its initial license term with no interim performance requirement]: Applicant certifies that it has met its final performance requirement and it continues to use its facilities to provide at least the level of service required by its final performance requirement through the end of the license term. [Note: licensee must provide a showing demonstrating that the final performance requirement has been met, either separately in a timely application for notification of completion of construction, or as part of its renewal application, depending on the radio service.]	(<input type="checkbox"/>) <u>Yes</u> <u>No</u>
[For a geographic license, commercial service - licensee in any subsequent term]: Applicant certifies that it continues to use its facilities to provide at least the level of service required by its final performance requirement through the end of any subsequent license terms.	(<input type="checkbox"/>) <u>Yes</u> <u>No</u>
[For a geographic license, private systems - licensee in its initial license term with an interim performance requirement]: Applicant certifies that it has met its interim performance requirement, that over the portion of the license term following the interim performance requirement, it continues to use its facilities to further its private business or public interest/public safety communications needs at or above the level required to meet its interim performance requirement, it has met its final performance requirement, and it continues to use its facilities to provide at least the level of operation required by its final performance requirement through the end of the license term.	(<input type="checkbox"/>) <u>Yes</u> <u>No</u>
[For a geographic license, private systems - licensee in its initial license term with no interim performance requirement]: Applicant certifies that it has met its final performance requirement, it continues to use its facilities to further its private business or public interest/public safety communications needs, and it continues to use its facilities to provide at least the level of operation required by its final performance requirement through the end of the license term. [Note: licensee must provide a showing demonstrating that the final performance requirement has been met, either separately in a timely application for notification of completion of construction, or as part of its renewal application, depending on the radio service.]	(<input type="checkbox"/>) <u>Yes</u> <u>No</u>

[For a geographic license, private systems - licensee in any subsequent term]: Applicant certifies that it continues to use its facilities to further its private business or public interest/public safety communications needs at or above the level required to meet its final performance requirement through the end of any subsequent license terms.	(<input type="checkbox"/>) <u>Yes</u> <u>No</u>
[For a partitioned or disaggregated license without a performance requirement, for the first renewal application filed after effective date of the rules]: Applicant certifies that the partitioned and/or disaggregated license that is the subject of this renewal application has no separate performance requirement and that this is the first renewal of this license filed subsequent to the effective date of the rules.	(<input type="checkbox"/>) <u>Yes</u> <u>No</u>
[For a partitioned or disaggregated license without a performance requirement, for any subsequent renewal filings]: Applicant certifies that it continues to use its facilities to provide service or to further the applicant's private business or public interest/public safety needs.	(<input type="checkbox"/>) <u>Yes</u> <u>No</u>

Discontinuance of Service Certification

58) Applicant certifies that no permanent discontinuance of service or operation, as applicable, occurred during its current license term. Note: If the response to either item 57 or item 58 is 'N', attach an exhibit that demonstrates that over the course of the license term, the Applicant provided and continues to provide service to the public, or operated and continues to operate the license to meet the Applicant's private business or public interest/public safety communications needs. This exhibit must include a detailed description of the Applicant's provision of service or, when allowed under the relevant service rules or pursuant to waiver, use of the spectrum for private business or public interest/public safety communications needs, during the entire license period and address, as applicable: 1) the level and quality of service provided by the applicant (e.g., the population served, the area served, the number of subscribers, the services offered); (2) the date service commenced, whether service was ever interrupted, and the duration of any interruption or outage; (3) the extent to which service is provided to rural areas; (4) the extent to which service is provided to qualifying tribal land as defined in 47 CFR § 1.2110(e)(3)(i); and (5) any other factors associated with the level of service to the public. The licensee may note in its exhibit: 1) any grant(s) of waiver or extension of a performance deadline or license renewal subject to meeting a performance requirement; or 2) if the final performance deadline and/or expiration date for the license accelerated because the licensee did not meet an interim performance requirement.	(<input type="checkbox"/>) <u>Yes</u> <u>No</u>
--	---

Regulatory Compliance Certification [same for all]

59) Applicant certifies that it has substantially complied with all applicable FCC rules, policies, and the Communications Act of 1934, as amended. Note: If the response to item 59 is 'N', attach an exhibit explaining the circumstances and demonstrating why Applicant's license should be renewed.	(<input type="checkbox"/>) <u>Yes</u> <u>No</u>
--	---

General Certification Statements

1) The Applicant waives any claim to the use of any particular frequency or of the electromagnetic spectrum as against the regulatory power of the United States because of the previous use of the same, whether by license or otherwise, and requests an authorization in accordance with this application.
2) The Applicant certifies that grant of this application would not cause the Applicant to be in violation of any pertinent cross-ownership or attribution rules.* *If the Applicant has sought a waiver of any such rule in connection with this application, it may make this certification subject to the outcome of the waiver request.
3) The Applicant certifies that all statements made in this application and in the exhibits, attachments, or documents incorporated by reference are material, are part of this application, and are true, complete, correct, and made in good faith.
4) The Applicant certifies that neither the Applicant nor any other party to the application is subject to a denial of Federal benefits pursuant to § 5301 of the Anti-Drug Abuse Act of 1988, 21 U.S.C. § 862, because of a conviction for possession or distribution of a controlled substance. This certification does not apply to applications filed in services exempted under § 1.2002(c) of the rules, 47 CFR § 1.2002(c). See 47 CFR § 1.2002(b) for the definition of "party to the application" as used in this certification.
5) The Applicant certifies that it either (1) has current required ownership data on file with the Commission, (2) is filing updated ownership data simultaneously with this application, or (3) is not required to file ownership data under the Commission's Rules.
6) The Applicant certifies that the facilities, operations, and transmitters for which this authorization is hereby requested are either: (1) categorically excluded from routine environmental evaluation for RF exposure as set forth in 47 CFR § 1.1307(b); or, (2) have been found not to cause human exposure to levels of radiofrequency radiation in excess of the limits specified in 47 CFR §§ 1.1310 and 2.1093; or, (3) are the subject of one or more Environmental Assessments filed with the Commission.
7) The Applicant certifies that it has reviewed the appropriate Commission Rules defining eligibility to hold the requested license(s) and is eligible to hold the requested license(s).
8) The Applicant certifies that it is not in default on any payment for Commission licenses and that it is not delinquent on any non-tax debt owed to any federal agency.
9) The Applicant certifies that the Applicant and all of the related individuals and entities required to be disclosed on this application and FCC Form 602 (FCC Ownership Disclosure Information for the Wireless Telecommunications Services) are not person(s) who have been, for reasons of national security, barred by any agency of the Federal Government from bidding on a contract, participating in an auction, or receiving a grant. This certification applies only to applications for licenses for spectrum that is required by Sections 6103, 6401-6403 of the Middle Class Tax Relief and Job Creation Act of 2012, codified at 47 U.S.C. §§ 309, 1413, 1451-1452, to be assigned by a system of competitive bidding under 47 U.S.C. § 309(j).

Signature

60) Typed or Printed Name of Party Authorized to Sign

First Name: Cecil	MI: J	Last Name: Mathew	Suffix:
61) Title: Assistant Secretary - Compliance			
Signature: Cecil J Mathew			62) Date: 01/13/2023
FAILURE TO SIGN THIS APPLICATION MAY RESULT IN DISMISSAL OF THE APPLICATION AND FORFEITURE OF ANY FEES PAID.			
Upon grant of this license application, the Licensee may be subject to certain construction or coverage requirements. Failure to meet the construction or coverage requirements will result in termination of the license. Consult appropriate FCC regulations to determine the construction or coverage requirements that apply to the type of license requested in this application.			
WILLFUL FALSE STATEMENTS MADE ON THIS FORM OR ANY ATTACHMENTS ARE PUNISHABLE BY FINE AND/OR IMPRISONMENT (U.S. Code, Title 18, § 1001) AND/OR REVOCATION OF ANY STATION LICENSE OR CONSTRUCTION PERMIT (U.S. Code, Title 47, § 312(a)(1)), AND/OR FORFEITURE (U.S. Code, Title 47, § 503).			

Reference Copy Only. Do Not Mail to the FCC as an Application.

Submitted: 01/22/2024 at 14:24:20
 File Number: 0010867648

FCC 601
Main Form

FCC Application for Radio Service Authorization: Wireless Telecommunications Bureau Public Safety and Homeland Security Bureau

Approved by OMB
 3060 - 0798
 See instructions for
 public burden estimate

1) Radio Service Code: AW	1a) Existing Radio Service Code:
---	----------------------------------

General Information

2) (Select only one) (AU) NE - New RO - Renewal Only AU - Administrative Update NT - Required Notifications MD - Modification RM - Renewal/Modification WD - Withdrawal of Application EX - Requests for Extension of Time AM - Amendment CA - Cancellation of License RL - Registered Location/Link	
3a) If this application is for a Demonstration License or a Special Temporary Authorization (STA) , enter the code and attach the required exhibit as described in the instructions. Otherwise enter ' <u>N/A</u> ' (Not Applicable).	(N) <u>M</u> <u>S</u> <u>N/A</u>
3b) If this application is for Special Temporary Authority due to an emergency situation, enter 'Y'; otherwise enter 'N'. Refer to Rule 1.915 for an explanation of situations considered to be an emergency.	() <u>Y</u> es <u>N</u> o
4) If this application is for an Amendment or Withdrawal, enter the file number of the pending application currently on file with the FCC.	File Number
5) If this application is for a Modification, Renewal Only, Renewal/Modification, Cancellation of License, or Administrative Update, enter the call sign of the existing FCC license. If this is a request for Registered Location/Link, enter the FCC call sign assigned to the geographic license.	Call Sign WQGD472
6a) If this application is for a New, Amendment, Renewal Only, or Renewal/Modification, enter the requested authorization expiration date (this item is optional).	MM DD /
6b) If this application is for a Renewal Only or Renewal/Modification and the license is a geographic area license, is the license used to provide service to customers (C), or is the license used for private business (internal) purposes or to meet the licensee's public interest/public safety communications needs (P)?	() <u>C</u> <u>P</u>
7) Is this application "major" as defined in § 1.929 of the Commission's Rules when read in conjunction with the applicable radio service rules found in Parts 22 and 90 of the Commission's Rules? (NOTE: This question only applies to certain site-specific applications. See the instructions for applicability and full text of § 1.929).	() <u>Y</u> es <u>N</u> o
8) Are attachments (other than associated schedules) being filed with this application?	() <u>Y</u> es <u>N</u> o

Fees, Waivers, and Exemptions

9) Is the Applicant exempt from FCC application fees?	(N) <u>Y</u> es <u>N</u> o
10) Is the Applicant exempt from FCC regulatory fees?	(N) <u>Y</u> es <u>N</u> o
11) Does this application include a request for a Waiver of the Commission's Rule(s)? If 'Yes', attach an exhibit providing rule number(s) and explaining circumstances.	(N) <u>Y</u> es <u>N</u> o
12) Are the frequencies or parameters requested in this filing covered by grandfathered privileges, previously approved by waiver, or functionally integrated with an existing station?	() <u>Y</u> es <u>N</u> o

Applicant Information

13) FCC Registration Number (FRN): 0003291192			
14) Applicant/Licensee Legal Entity Type: (Select One) <input type="checkbox"/> Individual <input type="checkbox"/> Unincorporated Association <input type="checkbox"/> Trust <input type="checkbox"/> Government Entity <input type="checkbox"/> Corporation <input checked="" type="checkbox"/> Limited Liability Company <input type="checkbox"/> General Partnership <input type="checkbox"/> Limited Partnership <input type="checkbox"/> Limited Liability Partnership <input type="checkbox"/> Consortium <input type="checkbox"/> Other: _____			
15) If the Licensee name is being updated, is the update a result from the sale (or transfer of control) of the license(s) to party and for which proper Commission approval has not been received or proper notification not provided?			<input type="checkbox"/> Yes <input checked="" type="checkbox"/> No
16) First Name (if individual):	MI:	Last Name:	Suffix:
17) Legal Entity Name (if other than individual): New Cingular Wireless PCS, LLC			
18) Attention To: National Regulatory Compliance			
19) P.O. Box:	And/Or	20) Street Address: 208 S Akard St, 20F	
21) City: Dallas	22) State: TX	23) Zip Code: 75202	
24) Telephone Number: (855)699-7073		25) Fax:	
26) E-Mail Address: FCCMW@att.com			

27) Demographics (Optional)

Race: <input type="checkbox"/> American Indian or Alaska Native <input type="checkbox"/> Asian <input type="checkbox"/> Black or African-American <input type="checkbox"/> Native Hawaiian or Other Pacific Islander <input type="checkbox"/> White	Ethnicity: <input type="checkbox"/> Hispanic or Latino <input type="checkbox"/> Not Hispanic or Latino	Gender: <input type="checkbox"/> Male <input type="checkbox"/> Female
--	--	---

Real Party in Interest

28) Name of Real Party in Interest of Applicant (If different from Applicant):	29) FCC Registration Number (FRN) of Real Party in Interest:
--	--

Contact Information (If different from the Applicant) Check here if same as Applicant.

30) First Name: Jessica	MI: J	Last Name: Dunk	Suffix:
31) Company Name: AT&T Services, Inc.			
32) Attention To: NRC			
33) P.O. Box:	And /Or	34) Street Address: 208 S Akard St, 20F	
35) City: Dallas	36) State: TX	37) Zip Code: 75202	
38) Telephone Number: (855)699-7073		39) Fax:	
40) E-Mail Address: FCCMW@att.com			

Regulatory Status

41) This filing is for authorization to provide or use the following type(s) of radio service offering (enter all that apply): (<input type="checkbox"/>) <u>C</u> ommon Carrier (<input type="checkbox"/>) <u>N</u> on-Common Carrier (<input type="checkbox"/>) <u>P</u> rivate, internal communications (<input type="checkbox"/>) <u>B</u> roadcast Services (<input type="checkbox"/>) <u>B</u> and <u>M</u> anager

Type of Radio Service

42) This filing is for authorization to provide the following type(s) of radio service (choose all that apply): (<input type="checkbox"/>) <u>F</u> ixed (<input type="checkbox"/>) <u>M</u> obile (<input type="checkbox"/>) <u>R</u> adiolocation (<input type="checkbox"/>) <u>S</u> atellite (sound) (<input type="checkbox"/>) <u>B</u> roadcast Services
43) Does the Applicant propose to provide service interconnected to the public telephone network? (<input type="checkbox"/>) <u>Y</u> es <u>N</u> o

Alien Ownership Questions (If any answer is 'Y', provide an attachment explaining the circumstances. In preparing the attachment, refer to the Main Form Instructions for the "Alien Ownership Questions".)

44) Is the Applicant a foreign government or the representative of any foreign government? (<input type="checkbox"/>) <u>Y</u> es <u>N</u> o
45) Is the Applicant an alien or the representative of an alien? (<input type="checkbox"/>) <u>Y</u> es <u>N</u> o
46) Is the Applicant a corporation organized under the laws of any foreign government? (<input type="checkbox"/>) <u>Y</u> es <u>N</u> o
47) Is the Applicant a corporation of which more than one-fifth of the capital stock is owned of record or voted by aliens or their representatives, or by a foreign government or representative thereof, or by any corporation organized under the laws of a foreign country? (<input type="checkbox"/>) <u>Y</u> es <u>N</u> o

48a) Is the Applicant directly or indirectly controlled by any other corporation of which more than one-fourth of the capital stock () Yes No is owned of record or voted by aliens or their representatives, or by a foreign government or representative thereof, or by any corporation organized under the laws of a foreign country?

48b) If the answer to 47 or 48a is 'Y' select one of the choices below.

The Applicant is exempt from the provisions of Section 310(b).

If checked, it is not necessary to file a petition for declaratory ruling if the Applicant includes in the attachment required by Item 47 or Item 48a a showing that the requested license(s) is exempt from the provisions of Section 310(b).

The Applicant has received a declaratory ruling(s) approving its foreign ownership, and the application involves only the acquisition of additional spectrum for the provision of a wireless service in a geographic coverage area for which the Applicant has been previously authorized.

If checked, include in the attachment required by Item 47 or Item 48a the citation(s) of the applicable declaratory ruling(s) by DA/FCC number, the FCC Record citation, if available, release date, and a statement that there has been no change in the foreign ownership of the Applicant since the issuance of its ruling.

The Applicant: (i) has received a declaratory ruling(s) approving its foreign ownership, but is not able to make the certification specified immediately above; or (ii) is an "affiliate" of a Licensee or Lessee/Sublessee that received a declaratory ruling(s) under 47 CFR § 1.5000(a) and is relying on the affiliate's ruling for purposes of filing this application as permitted under the affiliate's ruling and 47 CFR § 1.5004(b)

If checked, and if the Applicant received its declaratory ruling(s) on or after August 9, 2013, include in the attachment required by Item 47 or Item 48a the citation(s) of the Applicant's declaratory ruling(s) by DA/FCC number, the FCC Record citation, if available, release date, and a statement that the Applicant is in compliance with the terms and conditions of its ruling and with the Commission's Rules.

If checked, and if the Applicant received its declaratory ruling(s) prior to August 9, 2013, include in the attachment required by Item 48a a copy of a petition for declaratory ruling filed contemporaneously with the Commission to extend the Applicant's existing ruling(s) to cover the same radio service(s) and geographic coverage area(s) involved in the application. Alternatively, the Applicant may request a new declaratory ruling pursuant to Section 1.5000(a) of the Commission's Rules, 47 CFR § 1.5000 (a). Petitions for declaratory ruling may be filed electronically on the Internet through the International Bureau Filing System (IBFS) (with a copy attached hereto).

If checked, and if the Applicant is relying on an affiliate's ruling for purposes of filing this application, include in the attachment required by Item 47 or Item 48a the citation(s) of the applicable declaratory ruling(s) by DA/FCC number, the FCC Record citation, if available, release date, and a statement that the Applicant is in compliance with the terms and conditions of the named affiliate's ruling and with the Commission's Rules. The Applicant must also include a certification of compliance signed by the named affiliate or other qualified entity as specified in 47 CFR § 1.5004(b). See Main Form Instructions for Items 47 or 48a, as applicable.

The Applicant has not received a declaratory ruling approving its foreign ownership and is requesting a declaratory ruling under 47 CFR § 1.5004(b) in a petition filed contemporaneously with the Commission.

If checked, include in the attachment required by Item 47 or 48a a copy of the petition for declaratory ruling filed contemporaneously with the Commission pursuant to 47 CFR § 1.5004(b). Petitions for declaratory ruling may be filed electronically on the Internet through the International Bureau Filing System (IBFS) (with a copy attached hereto).

Basic Qualification Questions

49) Has the Applicant or any party to this application had any FCC station authorization, license or construction permit revoked or had any application for an initial, modification or renewal of FCC station authorization, license, or construction permit denied by the Commission?	(<input type="checkbox"/>) <u>Yes</u> <u>No</u>
50) Has the Applicant or any party to this application, or any party directly or indirectly controlling the Applicant, ever been convicted of a felony by any state or federal court?	(<input type="checkbox"/>) <u>Yes</u> <u>No</u>
51) Has any court finally adjudged the Applicant or any party directly or indirectly controlling the Applicant guilty of unlawfully monopolizing or attempting unlawfully to monopolize radio communication, directly or indirectly, through control of manufacture or sale of radio apparatus, exclusive traffic arrangement, or any other means or unfair methods of competition?	(<input type="checkbox"/>) <u>Yes</u> <u>No</u>

Note: If the answer to any of 49-51 is 'Y', attach an exhibit explaining the circumstances.

Aeronautical Advisory Station (Unicom) Certification

52) (<input type="checkbox"/>) I certify that the station will be located on property of the airport to be served, and, in cases where the airport does not have a control tower, RCO, or FAA flight service station, that I have notified the owner of the airport and all aviation service organizations located at the airport within ten days prior to application.

Broadband Radio Service and Educational Broadband Service Cable Cross-Ownership

53a) Will the requested facilities be used to provide multichannel video programming service?	(<input type="checkbox"/>) <u>Yes</u> <u>No</u>
53b) If the answer to question 53a is 'Y', does the Applicant operate, control or have an attributable interest (as defined in 47 CFR § 27.1202) in a cable television system whose franchise area is located within the geographic service area of the requested facilities?	(<input type="checkbox"/>) <u>Yes</u> <u>No</u>

Note: If the answer to question 53b is 'Y', attach an exhibit explaining how the Applicant complies with 47 CFR § 27.1202 or justifying a waiver of that rule. If a waiver of the Commission Rule(s) is being requested, Item 11a must be answered 'Y'.

Broadband Radio Service and Educational Broadband Service (Part 27)

54) (For EBS only) Does the Applicant comply with the programming requirements contained in 47 CFR § 27.1203?	(<input type="checkbox"/>) <u>Yes</u> <u>No</u>
Note: If the answer to item 54 is 'N', attach an exhibit explaining how the Applicant complies with 47 CFR § 27.1203 of the Commission's Rules or justifying a waiver of that rule. If a waiver of the Commission Rule(s) is being requested, Item 11a must be answered 'Y'.	
55) (For BRS and EBS) Does the Applicant comply with 47 CFR §§ 27.50, 27.55, and 27.1221?	(<input type="checkbox"/>) <u>Yes</u> <u>No</u>
Note: If the answer to item 55 is 'N', attach an exhibit justifying a waiver of that rule(s). If a waiver of the Commission Rule(s) is being requested, Item 11a must be answered 'Y'.	

For Applicants Who Participated in an Auction

56) Is the Applicant a qualifying rural wireless partnership or a member of a qualifying rural wireless partnership?	(<input type="checkbox"/>) <u>Yes</u> <u>No</u>
Note: If the answer to item 56 is 'Y', attach an exhibit listing all members of the qualifying rural wireless partnership, including their FRN numbers.	

For Renewal Applicants

57) Operation/Performance Requirement Certification

[For a site-based license]: Applicant certifies that it is continuing to operate consistent with its most recently filed construction notification (or most recent authorization, if no construction notification was required).	(<input type="checkbox"/>) <u>Yes</u> <u>No</u>
[For a geographic license, commercial service - licensee in its initial license term with an interim performance requirement]: Applicant certifies that it has met its interim performance requirement, that over the portion of the license term following the interim performance requirement, it continues to use its facilities to provide at least the level of service required by its interim performance requirement, it has met its final performance requirement, and it continues to use its facilities to provide at least the level of service required by its final performance requirement through the end of the license term.	(<input type="checkbox"/>) <u>Yes</u> <u>No</u>
[For a geographic license, commercial service - licensee in its initial license term with no interim performance requirement]: Applicant certifies that it has met its final performance requirement and it continues to use its facilities to provide at least the level of service required by its final performance requirement through the end of the license term. [Note: licensee must provide a showing demonstrating that the final performance requirement has been met, either separately in a timely application for notification of completion of construction, or as part of its renewal application, depending on the radio service.]	(<input type="checkbox"/>) <u>Yes</u> <u>No</u>
[For a geographic license, commercial service - licensee in any subsequent term]: Applicant certifies that it continues to use its facilities to provide at least the level of service required by its final performance requirement through the end of any subsequent license terms.	(<input type="checkbox"/>) <u>Yes</u> <u>No</u>
[For a geographic license, private systems - licensee in its initial license term with an interim performance requirement]: Applicant certifies that it has met its interim performance requirement, that over the portion of the license term following the interim performance requirement, it continues to use its facilities to further its private business or public interest/public safety communications needs at or above the level required to meet its interim performance requirement, it has met its final performance requirement, and it continues to use its facilities to provide at least the level of operation required by its final performance requirement through the end of the license term.	(<input type="checkbox"/>) <u>Yes</u> <u>No</u>
[For a geographic license, private systems - licensee in its initial license term with no interim performance requirement]: Applicant certifies that it has met its final performance requirement, it continues to use its facilities to further its private business or public interest/public safety communications needs, and it continues to use its facilities to provide at least the level of operation required by its final performance requirement through the end of the license term. [Note: licensee must provide a showing demonstrating that the final performance requirement has been met, either separately in a timely application for notification of completion of construction, or as part of its renewal application, depending on the radio service.]	(<input type="checkbox"/>) <u>Yes</u> <u>No</u>

[For a geographic license, private systems - licensee in any subsequent term]: Applicant certifies that it continues to use its facilities to further its private business or public interest/public safety communications needs at or above the level required to meet its final performance requirement through the end of any subsequent license terms.	(<input type="checkbox"/>) <u>Yes</u> <u>No</u>
[For a partitioned or disaggregated license without a performance requirement, for the first renewal application filed after effective date of the rules]: Applicant certifies that the partitioned and/or disaggregated license that is the subject of this renewal application has no separate performance requirement and that this is the first renewal of this license filed subsequent to the effective date of the rules.	(<input type="checkbox"/>) <u>Yes</u> <u>No</u>
[For a partitioned or disaggregated license without a performance requirement, for any subsequent renewal filings]: Applicant certifies that it continues to use its facilities to provide service or to further the applicant's private business or public interest/public safety needs.	(<input type="checkbox"/>) <u>Yes</u> <u>No</u>

Discontinuance of Service Certification

58) Applicant certifies that no permanent discontinuance of service or operation, as applicable, occurred during its current license term. Note: If the response to either item 57 or item 58 is 'N', attach an exhibit that demonstrates that over the course of the license term, the Applicant provided and continues to provide service to the public, or operated and continues to operate the license to meet the Applicant's private business or public interest/public safety communications needs. This exhibit must include a detailed description of the Applicant's provision of service or, when allowed under the relevant service rules or pursuant to waiver, use of the spectrum for private business or public interest/public safety communications needs, during the entire license period and address, as applicable: 1) the level and quality of service provided by the applicant (e.g., the population served, the area served, the number of subscribers, the services offered); (2) the date service commenced, whether service was ever interrupted, and the duration of any interruption or outage; (3) the extent to which service is provided to rural areas; (4) the extent to which service is provided to qualifying tribal land as defined in 47 CFR § 1.2110(e)(3)(i); and (5) any other factors associated with the level of service to the public. The licensee may note in its exhibit: 1) any grant(s) of waiver or extension of a performance deadline or license renewal subject to meeting a performance requirement; or 2) if the final performance deadline and/or expiration date for the license accelerated because the licensee did not meet an interim performance requirement.	(<input type="checkbox"/>) <u>Yes</u> <u>No</u>
--	---

Regulatory Compliance Certification [same for all]

59) Applicant certifies that it has substantially complied with all applicable FCC rules, policies, and the Communications Act of 1934, as amended. Note: If the response to item 59 is 'N', attach an exhibit explaining the circumstances and demonstrating why Applicant's license should be renewed.	(<input type="checkbox"/>) <u>Yes</u> <u>No</u>
--	---

General Certification Statements

1) The Applicant waives any claim to the use of any particular frequency or of the electromagnetic spectrum as against the regulatory power of the United States because of the previous use of the same, whether by license or otherwise, and requests an authorization in accordance with this application.
2) The Applicant certifies that grant of this application would not cause the Applicant to be in violation of any pertinent cross-ownership or attribution rules.* *If the Applicant has sought a waiver of any such rule in connection with this application, it may make this certification subject to the outcome of the waiver request.
3) The Applicant certifies that all statements made in this application and in the exhibits, attachments, or documents incorporated by reference are material, are part of this application, and are true, complete, correct, and made in good faith.
4) The Applicant certifies that neither the Applicant nor any other party to the application is subject to a denial of Federal benefits pursuant to § 5301 of the Anti-Drug Abuse Act of 1988, 21 U.S.C. § 862, because of a conviction for possession or distribution of a controlled substance. This certification does not apply to applications filed in services exempted under § 1.2002(c) of the rules, 47 CFR § 1.2002(c). See 47 CFR § 1.2002(b) for the definition of "party to the application" as used in this certification.
5) The Applicant certifies that it either (1) has current required ownership data on file with the Commission, (2) is filing updated ownership data simultaneously with this application, or (3) is not required to file ownership data under the Commission's Rules.
6) The Applicant certifies that the facilities, operations, and transmitters for which this authorization is hereby requested are either: (1) categorically excluded from routine environmental evaluation for RF exposure as set forth in 47 CFR § 1.1307(b); or, (2) have been found not to cause human exposure to levels of radiofrequency radiation in excess of the limits specified in 47 CFR §§ 1.1310 and 2.1093; or, (3) are the subject of one or more Environmental Assessments filed with the Commission.
7) The Applicant certifies that it has reviewed the appropriate Commission Rules defining eligibility to hold the requested license(s) and is eligible to hold the requested license(s).
8) The Applicant certifies that it is not in default on any payment for Commission licenses and that it is not delinquent on any non-tax debt owed to any federal agency.
9) The Applicant certifies that the Applicant and all of the related individuals and entities required to be disclosed on this application and FCC Form 602 (FCC Ownership Disclosure Information for the Wireless Telecommunications Services) are not person(s) who have been, for reasons of national security, barred by any agency of the Federal Government from bidding on a contract, participating in an auction, or receiving a grant. This certification applies only to applications for licenses for spectrum that is required by Sections 6103, 6401-6403 of the Middle Class Tax Relief and Job Creation Act of 2012, codified at 47 U.S.C. §§ 309, 1413, 1451-1452, to be assigned by a system of competitive bidding under 47 U.S.C. § 309(j).

Signature

60) Typed or Printed Name of Party Authorized to Sign

First Name: Jessica	MI:	Last Name: Dunk	Suffix:
61) Title: Assistant Secretary - Compliance			
Signature: Jessica Dunk			62) Date: 01/22/2024
FAILURE TO SIGN THIS APPLICATION MAY RESULT IN DISMISSAL OF THE APPLICATION AND FORFEITURE OF ANY FEES PAID.			
Upon grant of this license application, the Licensee may be subject to certain construction or coverage requirements. Failure to meet the construction or coverage requirements will result in termination of the license. Consult appropriate FCC regulations to determine the construction or coverage requirements that apply to the type of license requested in this application.			
WILLFUL FALSE STATEMENTS MADE ON THIS FORM OR ANY ATTACHMENTS ARE PUNISHABLE BY FINE AND/OR IMPRISONMENT (U.S. Code, Title 18, § 1001) AND/OR REVOCATION OF ANY STATION LICENSE OR CONSTRUCTION PERMIT (U.S. Code, Title 47, § 312(a)(1)), AND/OR FORFEITURE (U.S. Code, Title 47, § 503).			

REFERENCE COPY

This is not an official FCC license. It is a record of public information contained in the FCC's licensing database on the date that this reference copy was generated. In cases where FCC rules require the presentation, posting, or display of an FCC license, this document may not be used in place of an official FCC license.



**Federal Communications Commission
Wireless Telecommunications Bureau
RADIO STATION AUTHORIZATION**

LICENSEE: NEW CINGULAR WIRELESS PCS, LLC

ATTN: NATIONAL REGULATORY COMPLIANCE
NEW CINGULAR WIRELESS PCS, LLC
208 S AKARD ST, 20F
DALLAS, TX 75202

Call Sign WQGD759	File Number
Radio Service AW - AWS (1710-1755 MHz and 2110-2155 MHz)	

FCC Registration Number (FRN): 0003291192

Grant Date 12-22-2021	Effective Date 01-23-2024	Expiration Date 12-18-2036	Print Date
Market Number BEA073	Channel Block C	Sub-Market Designator 0	
Market Name Memphis, TN-AR-MS-KY			
1st Build-out Date	2nd Build-out Date	3rd Build-out Date	4th Build-out Date

Waivers/Conditions:

This authorization is conditioned upon the licensee, prior to initiating operations from any base or fixed station, making reasonable efforts to coordinate frequency usage with known co-channel and adjacent channel incumbent federal users operating in the 1710-1755 MHz band whose facilities could be affected by the proposed operations. See, e.g., FCC and NTIA Coordination Procedures in the 1710-1755 MHz Band, Public Notice, FCC 06-50, WTB Docket No. 02-353, rel. April 20, 2006.

Grant of the request to update licensee name is conditioned on it not reflecting an assignment or transfer of control (see Rule 1.948); if an assignment or transfer occurred without proper notification or FCC approval, the grant is void and the station is licensed under the prior name.

Conditions:

Pursuant to §309(h) of the Communications Act of 1934, as amended, 47 U.S.C. §309(h), this license is subject to the following conditions: This license shall not vest in the licensee any right to operate the station nor any right in the use of the frequencies designated in the license beyond the term thereof nor in any other manner than authorized herein. Neither the license nor the right granted thereunder shall be assigned or otherwise transferred in violation of the Communications Act of 1934, as amended. See 47 U.S.C. § 310(d). This license is subject in terms to the right of use or control conferred by §706 of the Communications Act of 1934, as amended. See 47 U.S.C. §606.

This license may not authorize operation throughout the entire geographic area or spectrum identified on the hardcopy version. To view the specific geographic area and spectrum authorized by this license, refer to the Spectrum and Market Area information under the Market Tab of the license record in the Universal Licensing System (ULS). To view the license record, go to the ULS homepage at <http://wireless.fcc.gov/uls/index.htm?job=home> and select "License Search". Follow the instructions on how to search for license information.

Licensee Name: NEW CINGULAR WIRELESS PCS, LLC

Call Sign: WQGD759

File Number:

Print Date:

700 MHz Relicensed Area Information:

Market	Market Name	Buildout Deadline	Buildout Notification	Status
---------------	--------------------	--------------------------	------------------------------	---------------

Reference Copy

**FCC Form 608 FCC Application or Notification for Spectrum Leasing Arrangement/
Main Form Notification of a Private Commons Arrangement**
Wireless Telecommunications Bureau
Public Safety and Homeland Security Bureau

3060-1058

Submitted: 01/24/2023 at
10:57:43
File Number: 0010339771

See 608 Main Form Instructions
For public burden estimate

General Information

Application/Notification Purpose

1a) Purpose of Filing (Select only one):	
<input checked="" type="checkbox"/> LN – New	<input type="checkbox"/> LM – Modification
<input type="checkbox"/> LT – Transfer of Control	<input type="checkbox"/> LE – Extend the Term
<input type="checkbox"/> LI – Light Touch Leasing Certification	<input type="checkbox"/> AM – Amendment
	<input type="checkbox"/> LU – Administrative Update
	<input type="checkbox"/> LC – Cancel
	<input type="checkbox"/> WD – Withdraw
1b) If this filing is for an Amendment (AM) or Withdrawal (WD), enter the File Number of the pending Application/Notification currently on file with the FCC.	File Number: _____

Classification of Filing

For Leases/Subleases Only

2a) Classification of Filing (Select only one):	2b) Type of Filing
<input type="checkbox"/> ML – Spectrum Manager Lease	<input checked="" type="checkbox"/> L – Lease
<input checked="" type="checkbox"/> TL – <i>De Facto</i> Transfer Lease	<input type="checkbox"/> S – Sublease (Must be filed manually)

For Private Commons Arrangements Only (Must be filed Manually)

2c) This filing will be a Private Commons Arrangement pursuant to a (Select only one):	2d) If a Private Commons Arrangement pursuant to a Lease or Sublease, choose the legal type (Select only one):
<input type="checkbox"/> N – License	<input type="checkbox"/> M – Spectrum Manager
<input type="checkbox"/> L – Lease	<input type="checkbox"/> T – <i>De Facto</i> Transfer
<input type="checkbox"/> S – Sublease	

Term of Lease/Sublease

3) Indicate whether the existing Lease/Sublease is:	<input checked="" type="checkbox"/> Long-Term	or	<input type="checkbox"/> Short-Term
---	---	----	-------------------------------------

Other Wireless Licenses

4a) Is this filing part of a series of filings involving other wireless license(s) or lease(s) held by the Applicant, affiliates of the Licensee (e.g., parents, subsidiaries, or commonly-controlled entities), or third parties that are not included on this filing and for which Commission approval or notification is required?	<input checked="" type="checkbox"/> Yes <input type="checkbox"/> No
4b) If the answer to 4a is 'Y', is this filing the lead Application/Notification?	<input type="checkbox"/> Yes <input type="checkbox"/> No
4c) If the answer to 4a is 'Y' and the answer to 4b is 'N', provide the File Number of the lead Application/Notification.	File Number: _____

Attachments

5) Are attachments (other than associated schedules) being filed with this Application/Notification?	(<input checked="" type="checkbox"/>) <u>Yes</u> <input type="checkbox"/> <u>No</u>
--	---

Fees and Waivers**Exemption from Application Fees**

6) Is the Applicant exempt from FCC application fees? If the answer to 6 is 'Y', attach an exhibit demonstrating how the applicant is exempt from FCC application fees.	(<input type="checkbox"/> <u>N</u>) <u>Yes</u> <input type="checkbox"/> <u>No</u>
--	---

Waiver/Deferral of Fees

7) Is a waiver/deferral of the FCC application fees being requested? If the answer to 7 is 'Y', attach a date-stamped copy of the request for waiver/deferral of the FCC application fees.	(<input type="checkbox"/> <u>N</u>) <u>Yes</u> <input type="checkbox"/> <u>No</u>
---	---

Waiver of Commission Rules

8) Does this filing include a request for waiver of the Commission's Rules (other than a request for application fee waivers)? If the answer to 8 is 'Y', attach an exhibit specifying the rule section(s) for which a waiver is being requested and including a justification for the waiver request.	(<input type="checkbox"/> <u>N</u>) <u>Yes</u> <input type="checkbox"/> <u>No</u>
---	---

Regulatory Status and Offerings**Radio Service Offerings**

9) The Applicant will provide the following type(s) of radio service offerings (select all that apply): (<input type="checkbox"/>) Common Carrier (<input type="checkbox"/>) Non-common Carrier (<input type="checkbox"/>) Private, internal communications (<input type="checkbox"/>) Broadcast Services All entities that are planning to use the leased spectrum for telecommunications services should select common carrier in this item. The term 'telecommunications service' means the offering of telecommunications (i.e., the transmission, between or among points specified by the user, of information of the user's choosing, without change in the form or content of the information as sent and received) for a fee directly to the public, or to such classes of users as to be effectively available directly to the public, regardless of the facilities used. Non-common carriers do not hold themselves out indiscriminately for hire as carriers of communications provided by the customer. A person engaged in radio broadcasting shall not, insofar as such person is so engaged, be deemed a common carrier. Thus, those entities meeting this definition would select non-common carrier for this item. Private internal users are those entities that utilize telecommunications services purely for internal business purposes or public safety communications and not on a for-hire or for-profit basis. Such entities should select 'Private' for this item. The term 'Broadcast Services' shall have the same meaning as that for "broadcasting" in § 3(6) of the Communications Act of 1934, i.e., the dissemination of radio communications intended to be received by the public, directly or by the intermediary of relay stations." 47 U.S.C. § 153(6). If the Applicant is modifying the type of radio service offerings it provides, please provide an exhibit explaining the modification.
--

Radio Service

10) The Applicant will provide the following type(s) of radio service (select all that apply): (<input type="checkbox"/>) Fixed (<input type="checkbox"/>) Mobile (<input type="checkbox"/>) Radiolocation (<input type="checkbox"/>) Satellite (sound) (<input type="checkbox"/>) Broadcast Services	
11) Does the Applicant propose to provide service interconnected to the public telephone network?	(<input type="checkbox"/>) <u>Yes</u> <input type="checkbox"/> <u>No</u>

Designated Entity Information (If the answer to 12a, 12b or 12c is 'Y', Schedule A must be completed.)

Bidding Credits

12a) Does this filing involve any spectrum associated with any licenses that were awarded with bidding credits within the last five years? If the response to this item is 'Y', the licenses may be subject to the FCC's unjust enrichment rules, and the Applicant should answer relevant bidding credit questions.	(<input type="radio"/>) <u>Yes</u> <input checked="" type="radio"/> <u>No</u>
---	---

Closed Bidding

12b) Does this filing involve any spectrum associated with any licenses that were originally granted pursuant to closed bidding within the last five years? If the response to this item is 'Y', the Applicant should answer relevant closed bidding questions.	(<input type="radio"/>) <u>Yes</u> <input checked="" type="radio"/> <u>No</u>
--	---

Competition-Related Information

13) Does this filing involve a license authorization or Spectrum Lease/Sublease that may be used to provide interconnected mobile voice and/or data services that would create a geographic overlap with another license authorization(s) or spectrum leasing arrangement(s), that also could be used to provide interconnected mobile voice and/or data services, in which the Applicant already holds attributable interests, as defined in Section 20.22(b) of the Commission's Rules, either as a licensee or spectrum lessee/sublessee? If 'Y', specify in an exhibit all geographic areas/markets (e.g., BTA, CMA, county, etc.) where there are spectrum overlaps and the total amount of spectrum that the Assignee/Transferee will hold and/or lease in each geographic area/market.	(<input checked="" type="radio"/>) <u>Yes</u> <input type="radio"/> <u>No</u>
--	---

14) If the answer to Item 13 is 'Y', would/does this application for a spectrum leasing or subleasing arrangement reduce the number of entities providing service in the affected market(s)?	(<input type="radio"/>) <u>Yes</u> <input checked="" type="radio"/> <u>No</u>
--	---

Broadband Radio Service and Educational Broadband Service Information

15a) Will the requested facilities be used to provide multichannel video programming service?	(<input type="radio"/>) <u>Yes</u> <input checked="" type="radio"/> <u>No</u>
15b) If the answer to 15a is 'Y', does the Applicant operate, control or have an attributable interest (as defined in Section 27.1202 of the Commission's Rules) in a cable television system whose franchise area is located within the geographic service area of the requested facilities? If 'Y', provide an exhibit explaining how the Applicant (Lessee/Sublessee) complies with Section 27.1202 of the Commission's Rules or justifying a waiver of that rule. If a waiver of the Commission's Rule(s) is being requested, 8a must be answered 'Y'.	(<input type="radio"/>) <u>Yes</u> <input checked="" type="radio"/> <u>No</u>

16) Does the Applicant comply with the programming requirements contained in Section 27.1203 of the Commission's Rules? If 'N', provide an exhibit explaining how the Applicant complies with Section 27.1203 of the Commission's Rules or justifying a waiver of that rule. If a waiver of the Commission's Rule(s) is being requested, 8a must be answered 'Y'.	(<input type="radio"/>) <u>Yes</u> <input checked="" type="radio"/> <u>No</u>
--	---

Part 90 Public Safety Services

Eligibility

17) Is the Applicant a public safety entity or otherwise an entity that will use the leased spectrum to provide communications in support of public safety operations pursuant to Section 90.523 of the Commission's Rules?	(<input type="radio"/>) <u>Yes</u> <input checked="" type="radio"/> <u>No</u>
---	---

600 MHz Band Information

<p>18) Is the spectrum leasing/subleasing arrangement for a term of one year or more (either initially or cumulatively) and involves any licenses in the 600 MHz Band initially granted in the last six years that would, if leased, create a geographic overlap with another licenses(s) in which the Lessee/Sublessee already holds attributable interests, as defined in Section 20.22(b) of the Commission's Rules, either as a licensee or spectrum Lessee/Sublessee, and that would result in the Lessee/Sublessee holding an attributable interest, as defined in Section 20.22(b) of the Commission's Rules, in one-third or more of the total suitable and available below-1-GHz spectrum as calculated on a county-by-county population-weighted basis in the relevant license area, utilizing 2010 U.S. Census data?</p> <p>The initial grant date is the date that the license was originally granted by the Commission after an auction, even if the license was acquired in the secondary market. The initial grant date is not the date on which the Commission granted an assignment or transfer of control of the license.</p> <p>If 'Y', provide an exhibit detailing the proposed spectrum leasing/subleasing exchange of 600 MHz band spectrum in the same market(s), including a list of all file numbers for applications associated with the proposed spectrum leasing arrangement exchange, or describing the <i>pro forma</i> nature of the spectrum leasing arrangement, as appropriate.</p>	<p>(<input checked="" type="radio"/>) <u>Yes</u> <input type="radio"/> <u>No</u></p>
<p>19) Is the spectrum leasing/subleasing arrangement for a term of one year or more (either initially or cumulatively) and involves any licenses that were initially granted as reserved spectrum licenses in the 600 MHz Band in the last six years? Otherwise, enter 'N'.</p> <p>The initial grant date is the date that the license was originally granted by the Commission after an auction, even if the license was acquired in the secondary market. The initial grant date is not the date on which the Commission granted an assignment or transfer of control of the license.</p> <p>If 'Y', provide an exhibit demonstrating how the Lessee/Sublessee would have qualified to bid on that reserved spectrum license(s) in Auction 1002 as of the FCC Form 175 filing deadline (February 10, 2016) for Auction 1002, the forward auction of the Broadcast Incentive Auction.</p>	<p>(<input type="radio"/>) <u>Yes</u> <input checked="" type="radio"/> <u>No</u></p>

Licensee Information

FRN

20) FCC Registration Number: **0003291192**

Entity

21) Licensee is a(n) (Select One):

() Individual () Unincorporated Association () Trust () Government Entity () Corporation () Limited Liability Company

() General Partnership () Limited Partnership () Limited Liability Partnership

() Other: _____

Licensee Name

22) Licensee Name (if entity): **New Cingular Wireless PCS, LLC**

23) Licensee Name (if individual): First: _____ MI: _____ Last: _____ Suffix: _____

24) Attention To: **Cecil J. Mathew**

Address

25) P.O. Box: _____ **And /Or** 26) Street Address: **208 S. Akard Street, RM 1016**

27) City: **Dallas** 28) State: **TX** 29) Zip Code: **75202**

30) Telephone Number: **(855)699-7073** 31) FAX Number: **(214)746-6410**

32) E-Mail Address: **FCCMW@att.com**

33) Demographics (Optional):

Race:

() American Indian or Alaska Native

() Asian

() Black or African-American

() Native Hawaiian or Other Pacific Islander

() White

Ethnicity:

() Hispanic or Latino

() Not Hispanic or Latino

Gender:

() Male

() Female

Licensee Contact Information

Contact Name (if other than Licensee)

() Check here if same as Licensee Information

34) Name: First: _____ MI: _____ Last: _____ Suffix: _____

35) Company Name: **AT&T Mobility LLC**

36) Attention To: **Michael P. Goggin**

Address

37) P.O. Box: _____ **And /Or** 38) Street Address: **1120 20th Street NW, Suite 1000**

39) City: **Washington** 40) State: **DC** 41) Zip Code: **20036**

42) Telephone Number: **(202)457-2055** 43) FAX Number: _____

44) E-Mail Address: **michael.p.goggin@att.com**

Lessee Information

FRN

45) FCC Registration Number: **0030856223**

Entity

46) Lessee is a(n) (Select One):

() Individual () Unincorporated Association () Trust () Government Entity () Corporation () Limited Liability Company

() General Partnership () Limited Partnership () Limited Liability Partnership

() Other: _____

Lessee Name

47) If the Lessee name is being updated, is the update a result of a change in ownership, corporate structure, or entity for which proper Commission approval has not been received or proper notification not provided? () Yes No

48) Lessee Name (if entity): **Trace-Tek**

49) Lessee Name (if individual): First: MI: Last: Suffix:

50) Attention To: **licenses@trace-tek.com**

Name of Real Party in Interest

51) Name of Real Party in Interest: **Trace-Tek**

52) FCC Registration Number (FRN): **0030856223**

Address

53) P.O. Box: **And /Or** 54) Street Address: **2625 Commons Boulevard**

55) City: **Beavercreek** 56) State: **OH** 57) Zip Code: **45341**

58) Telephone Number: **(972)672-0477** 59) FAX Number:

60) E-Mail Address: **licenses@trace-tek.com**

61) Demographics (Optional):

Race: () American Indian or Alaska Native () Asian () Black or African-American () Native Hawaiian or Other Pacific Islander () White	Ethnicity: () Hispanic or Latino () Not Hispanic or Latino	Gender: () Male () Female
--	---	--

Lessee Contact Information

Contact Name (if other than Lessee)

() Check here if same as Lessee Information

62) Name: First: **Dan** MI: Last: **Burgess** Suffix:

63) Company Name: **Trace-Tek**

64) Attention To: **licenses@trace-tek.com**

Address

65) P.O. Box: **And /Or** 66) Street Address: **2625 Commons Boulevard**

67) City: **Beavercreek** 68) State: **OH** 69) Zip Code: **45341**

70) Telephone Number: **(972)672-0477** 71) FAX Number:

72) E-Mail Address: **licenses@trace-tek.com**

Sublessee Information

FRN

73) FCC Registration Number:

Entity

74) Sublessee is a(n) (Select One):

() Individual () Unincorporated Association () Trust () Government Entity () Corporation () Limited Liability Company

() General Partnership () Limited Partnership () Limited Liability Partnership

() Other: _____

Sublessee Name

75) If the Sublessee name is being updated, is the update a result of a change in ownership, corporate structure, or entity for which proper Commission approval has not been received or proper notification not provided?

() Yes **No**

76) Sublessee Name (if entity):

77) Sublessee Name (if individual):

First:

MI:

Last:

Suffix:

78) Attention To:

Name of Real Party in Interest

79) Name of Real Party in Interest:

80) FCC Registration Number (FRN):

Address

81) P.O. Box:

**And
/Or**

82) Street Address:

83) City:

84) State:

85) Zip Code:

86) Telephone Number:

87) FAX Number:

88) E-Mail Address:

89) Demographics (Optional):

Race:

() American Indian or Alaska Native

() Asian

() Black or African-American

() Native Hawaiian or Other Pacific Islander

() White

Ethnicity:

() Hispanic or Latino

() Not Hispanic or Latino

Gender:

() Male

() Female

Sublessee Contact Information

Contact Name (if other than Sublessee)

() Check here if same as Sublessee Information

90) Name:

First:

MI:

Last:

Suffix:

91) Company Name:

92) Attention To:

Address

93) P.O. Box:

**And
/Or**

94) Street Address:

95) City:

96) State:

97) Zip Code:

98) Telephone Number:

99) FAX Number:

100) E-Mail Address:

Transferee Information

FRN

101) FCC Registration Number:

Entity

102) Transferee is a(n) (Select One):

() Individual () Unincorporated Association () Trust () Government Entity () Corporation () Limited Liability Company

() General Partnership () Limited Partnership () Limited Liability Partnership

() Other: _____

Transferee Name

103) Transferee Name (if entity):

104) Transferee Name (if individual):

First:

MI:

Last:

Suffix:

105) Attention To:

Name of Real Party in Interest

106) Name of Real Party in Interest:

107) FCC Registration Number (FRN):

Address

108) P.O. Box:

And
/Or

109) Street Address:

110) City:

111) State:

112) Zip Code:

113) Telephone Number:

114) FAX Number:

115) E-Mail Address:

116) Demographics (Optional):

Race:

() American Indian or Alaska Native

() Asian

() Black or African-American

() Native Hawaiian or Other Pacific Islander

() White

Ethnicity:

() Hispanic or Latino

() Not Hispanic or Latino

Gender:

() Male

() Female

Transferee Contact Information

Contact Name (if other than Transferee)

() Check here if same as Transferee Information

117) Name:

First:

MI:

Last:

Suffix:

118) Company Name:

119) Attention To:

Address

120) P.O. Box:

And
/Or

121) Street Address:

122) City:

123) State:

124) Zip Code:

125) Telephone Number:

126) FAX Number:

127) E-Mail Address:

Transferor Information**FRN**

128) FCC Registration Number:

Entity

129) Transferor is a(n) (Select One):

 Individual Unincorporated Association Trust Government Entity Corporation Limited Liability Company General Partnership Limited Partnership Limited Liability Partnership Other: _____**Transferor Name**

130) Transferor Name (if entity):

131) Transferor Name (if individual):

First:

MI:

Last:

Suffix:

132) Attention To:

Address

133) P.O. Box:

**And
/Or**

134) Street Address:

135) City:

136) State:

137) Zip Code:

138) Telephone Number:

139) FAX Number:

140) E-Mail Address:

139) Demographics (Optional):**Race:** American Indian or Alaska Native Asian Black or African-American Native Hawaiian or Other Pacific Islander White**Ethnicity:** Hispanic or Latino Not Hispanic or Latino**Gender:** Male Female**Transferor Contact Information****Contact Name** (if other than Transferor) **Check here if same as Transferor Information**

140) Name:

First:

MI:

Last:

Suffix:

141) Company Name:

142) Attention To:

Address

143) P.O. Box:

**And
/Or**

144) Street Address:

145) City:

146) State:

147) Zip Code:

148) Telephone Number:

149) FAX Number:

150) E-Mail Address:

Ownership Disclosure Information

FCC Form 602

153a) Is the Applicant required to file FCC Form 602, Ownership Disclosure Information for the Wireless Telecommunications Services?	(<input checked="" type="radio"/>) <u>Yes</u> <input type="radio"/> <u>No</u>
153b) If the answer to 151a is 'Y', provide the File Number of FCC Form 602 that has been filed in conjunction with application or is already on file with the FCC.	File Number: <u>0009774970</u>

Alien Ownership Questions

Alien Ownership (If any answer is 'Y', provide an attachment explaining the circumstances. In preparing the attachment, refer to the Main Form Instructions for the "Alien Ownership Questions".)

154) Is the Lessee/Sublessee or Post-Transfer Lessee/Sublessee a foreign government or the representative of any foreign government?	(<input type="radio"/>) <u>Yes</u> <input checked="" type="radio"/> <u>No</u>
155) Is the Lessee/Sublessee or Post-Transfer Lessee/Sublessee an alien or the representative of an alien?	(<input type="radio"/>) <u>Yes</u> <input checked="" type="radio"/> <u>No</u>
156) Is the Lessee/Sublessee or Post-Transfer Lessee/Sublessee a corporation organized under the laws of a foreign government?	(<input type="radio"/>) <u>Yes</u> <input checked="" type="radio"/> <u>No</u>
157) Is the Lessee/Sublessee or Post-Transfer Lessee/Sublessee a corporation of which more than one-fifth of the capital stock is owned of record or voted by aliens or their representatives, or by a foreign government or representative thereof, or by any corporation organized under the laws of a foreign country?	(<input type="radio"/>) <u>Yes</u> <input checked="" type="radio"/> <u>No</u>
158a) Is the Lessee/Sublessee or Post-Transfer Lessee/Sublessee directly or indirectly controlled by any other corporation of which more than one-fourth of the capital stock is owned of record or voted by aliens or their representatives, or by a foreign government or representative thereof, or by any corporation organized under the laws of a foreign country?	(<input type="radio"/>) <u>Yes</u> <input checked="" type="radio"/> <u>No</u>

158b) If the answer to 155 or 156a is 'Y' select one of the choices below.

The Lessee/Sublessee or Post-Transfer Lessee/Sublessee is exempt from the provisions of Section 310(b).

It is not necessary to file a petition for declaratory ruling if the Lessee/Sublessee or Post-Transfer Lessee/Sublessee includes in the attachment required by Item 155 or Item 156a a showing that the subject Lease(s) is exempt from the provisions of Section 310(b).

The Lessee/Sublessee or Post-Transfer Lessee/Sublessee has received a declaratory ruling(s) approving its foreign ownership, and the application/notification involves only the acquisition/use of additional spectrum for the provision of a wireless service in a geographic coverage area for which the Lessee/Sublessee or Post-Transfer Lessee/Sublessee has been previously authorized.

If checked, include in the attachment required by Item 155 or Item 156a the citation(s) of the applicable declaratory ruling(s) by DA/FCC number, the FCC Record citation, if available, release date, and a statement that there has been no change in the foreign ownership of the Lessee/Sublessee or Post-Transfer Lessee/Sublessee since the issuance of its ruling.

The Lessee/Sublessee or Post-Transfer Lessee/Sublessee: (i) has received a declaratory ruling(s) approving its foreign ownership, but is not able to make the certification specified immediately above; or (ii) is an "affiliate" of a Licensee or Lessee/SubLessee that received a declaratory ruling(s) under Section 1.990(a) of the Commission's Rules, 47 CFR § 1.990(a), and is relying on the affiliate's ruling for purposes of filing this application/notification as permitted under the affiliate's ruling and Section 1.994(b) of the Rules, 47 CFR § 1.994(b).

If checked, and if the Lessee/Sublessee or Post-Transfer Lessee/Sublessee received its declaratory ruling(s) on or after August 9, 2013, include in the attachment required by Item 155 or Item 156a the citation(s) of the Lessee/Sublessee or Post-Transfer Lessee/Sublessee's declaratory ruling(s) by DA/FCC number, the FCC Record citation, if available, release date, and a statement that the Lessee/Sublessee or Post-Transfer Lessee/Sublessee is in compliance with the terms and conditions of its ruling and with the Commission's Rules.

If checked, and if the Lessee/Sublessee or Post-Transfer Lessee/Sublessee received its declaratory ruling(s) prior to August 9, 2013, include in the attachment required by Item 156a a copy of a petition for declaratory ruling filed contemporaneously with the Commission to extend the Lessee/Sublessee or Post-Transfer Lessee/Sublessee's existing ruling(s) to cover the same radio service(s) and geographic coverage area(s) involved in the application/notification. Alternatively, the Lessee/Sublessee or Post-Transfer Lessee/Sublessee may request a new declaratory ruling pursuant to Section 1.990(a) of the Commission's Rules, 47 CFR § 1.990(a). Petitions for declaratory ruling may be filed electronically on the Internet through the International Bureau Filing System (IBFS) (with a copy attached hereto).

If checked, and if the Lessee/Sublessee or Post-Transfer Lessee/Sublessee is relying on an affiliate's ruling for purposes of filing this application/notification, include in the attachment required by Item 155 or Item 156a the citation(s) of the applicable declaratory ruling(s) by DA/FCC number, the FCC Record citation, if available, release date, and a statement that the Lessee/Sublessee or Post-Transfer Lessee/Sublessee is in compliance with the terms and conditions of the named affiliate's ruling and with the Commission's Rules. The Lessee/Sublessee or Post-Transfer Lessee/Sublessee must also include a certification of compliance signed by the named affiliate or other qualified entity as specified in Section 1.994(b) of the Rules, 47 CFR § 1.994(b). See Main Form Instructions for Items 155 or 156a, as applicable.

The Lessee/Sublessee or Post-Transfer Lessee/Sublessee has not received a declaratory ruling approving its foreign ownership and is requesting a declaratory ruling under Section 1.990(a) of the Commission's Rules, 47 CFR § 1.990(a), in a petition filed contemporaneously with the Commission.

If checked, include in the attachment required by Item 155 or 156a a copy of the petition for declaratory ruling filed contemporaneously with the Commission pursuant to Section 1.990(a) of the Commission's Rules, 47 CFR § 1.990(a). Petitions for declaratory ruling may be filed electronically on the Internet through the International Bureau Filing System (IBFS) (with a copy attached hereto).

Basic Qualification Information

Basic Qualification Questions (If any answer is 'Y', provide an attachment explaining the circumstances)

159) Has the Applicant or any party to this application had any FCC station authorization, license, or construction permit revoked or had any application for an initial, modification, or renewal of FCC station authorization, license, or construction permit denied by the Commission?	(N) <u>Yes</u> <u>No</u>
160) Has the Applicant or any party to this filing, or any party directly or indirectly controlling the Applicant or any party to this filing ever been convicted of a felony by any state or federal court?	(N) <u>Yes</u> <u>No</u>
161) Has any court finally adjudged the Applicant or any party directly or indirectly controlling the Applicant guilty of unlawfully monopolizing or attempting unlawfully to monopolize radio communication, directly or indirectly, through control of manufacture or sale of radio apparatus, exclusive traffic arrangement, or any other means or unfair methods of competition?	(N) <u>Yes</u> <u>No</u>

Spectrum Aggregation Limit Certification(s)

<p>162) The Licensee/Lessor/Sublessor certifies that grant of this application would not cause the Licensee/Lessor/Sublessor to be in violation of the 40 megahertz in-band spectrum aggregation limit set forth under section 96.31 of the Commission's rules for 3.5 GHz licenses, taking into consideration the spectrum attribution rules under section 20.22(b) of the Commission's rules.</p> <p>If the Licensee/Lessor/Sublessor has sought a waiver of section 96.31 in connection with this application, it may make this certification subject to the outcome of the waiver request.</p>	<p>() <u>Yes</u> <u>No</u></p>
<p>163) The Licensee/Lessor/Sublessor certifies that grant of this application would not cause the Licensee/Lessor/Sublessor to be in violation of the 40 megahertz in-band spectrum aggregation limit set forth under section 27.1606 of the Commission's rules for 3.45 GHz licenses, taking into consideration the spectrum attribution rules under section 20.22(b) of the Commission's rules.</p> <p>If the Licensee/Lessor/Sublessor has sought a waiver of section 27.1606 in connection with this application, it may make this certification subject to the outcome of the waiver request.</p>	<p>() <u>Yes</u> <u>No</u></p>
<p>164) The Lessee/Sublessee/Transferee certifies that grant of this application would not cause the Lessee/Sublessee/Transferee to be in violation of the 40 megahertz in-band spectrum aggregation limit set forth under section 96.31 of the Commission's rules for 3.5 GHz licenses, taking into consideration the spectrum attribution rules under section 20.22(b) of the Commission's rules.</p> <p>If the Lessee/Sublessee/Transferee has sought a waiver of section 96.31 in connection with this application, it may make this certification subject to the outcome of the waiver request.</p>	<p>() <u>Yes</u> <u>No</u></p>
<p>165) The Lessee/Sublessee/Transferee certifies that grant of this application would not cause the Lessee/Sublessee/Transferee to be in violation of the 40 megahertz in-band spectrum aggregation limit set forth under section 27.1606 of the Commission's rules for 3.45 GHz licenses, taking into consideration the spectrum attribution rules under section 20.22(b) of the Commission's rules.</p> <p>If the Lessee/Sublessee/Transferee has sought a waiver of section 27.1606 in connection with this application, it may make this certification subject to the outcome of the waiver request.</p>	<p>() <u>Yes</u> <u>No</u></p>

Licensee Certification Statements

- | | |
|----|---|
| 1) | The Licensee agrees that the Lease is not a sale or transfer of the license itself. |
| 2) | The Licensee certifies that it will not consent to assignment of the Lease except to the extent such assignment complies with the Commission's Rules and Regulations. |
| 3) | The Licensee certifies that it holds exclusive use rights to use the licensed spectrum. |
| 4) | The Licensee certifies that it is not in default on any payment for Commission licenses and that it is not delinquent on any non-tax debt owed to any federal agency. |

The Licensee certifies that all of its statements made in this Application/Notification and in the schedules, exhibits, attachments, or documents incorporated by reference are material, are part of this Application/Notification, and are true, complete, correct, and made in good faith.

Type or Printed Name of Party Authorized to Sign

166) First Name: Jessica	MI: B	Last Name: Lyons	Suffix:
167) Title: Asst. Secretary of Manager			
168) Signature: Jessica B Lyons		165) Date: 01/24/2023	

FAILURE TO SIGN THIS APPLICATION MAY RESULT IN DISMISSAL OF THE APPLICATION AND FORFEITURE OF ANY FEES PAID.

WILLFUL FALSE STATEMENTS MADE ON THIS FORM OR ANY ATTACHMENTS ARE PUNISHABLE BY FINE AND/OR IMPRISONMENT (U.S. Code, Title 18, Section 1001) AND/OR REVOCATION OF ANY STATION LICENSE OR CONSTRUCTION PERMIT (U.S. Code, Title 47, Section 312(a)(1)), AND/OR FORFEITURE (U.S. Code, Title 47, Section 503).

Lessee Certification Statements

1)	The Lessee agrees that the Lease is not a sale or transfer of the license itself.
2)	The Lessee acknowledges that it is required to comply with the Commission's Rules and Regulations and other applicable law at all times, and if the Lessee fails to so comply, the Lease/Sublease may be revoked, cancelled, or terminated by either the Licensee or the Commission.
3)	The Lessee certifies that neither it nor any other party to the Application/Notification is subject to a denial of Federal benefits pursuant to Section 5301 of the Anti-Drug Abuse Act of 1988, 21 U.S.C. § 862, because of a conviction for possession or distribution of a controlled substance. This certification does not apply to applications filed in services exempted under Section 1.2002(c) of the Commission's Rules. See Section 1.2002(b) of the Commission's Rules for the definition of "party to the application" as used in this certification.
4)	The Lessee hereby accepts Commission oversight and enforcement consistent with the license and lease authorization. The Lessee acknowledges that it must cooperate fully with any investigation or inquiry conducted either by the Commission or the Licensee, allow the Commission or the Licensee to conduct on-site inspections of transmission facilities, and suspend operations at the direction of the Commission or the Licensee and to the extent that such suspension of operation would be consistent with applicable Commission policies.
5)	The Lessee acknowledges that in the event an authorization held by a Licensee that has associated with it a spectrum leasing arrangement that is the subject of this filing is revoked, cancelled, terminated, or otherwise ceases to be in effect, the Lessee will have no continuing authority to use the leased spectrum and will be required to terminate its operations no later than the date on which the Licensee ceases to have any authority to operate under the license, unless otherwise authorized by the Commission.
6)	The Lessee agrees the Lease shall not be assigned to any entity that is not eligible or qualified to enter into a spectrum leasing arrangement under the Commission's Rules and Regulations.
7)	The Lessee waives any claim to the use of any particular frequency or of the electromagnetic spectrum as against the regulatory power of the United States because of the previous use of the same, whether by spectrum lease or otherwise.
8)	The Lessee certifies that it is not in default on any payment for Commission licenses and that it is not delinquent on any non-tax debt owed to any federal agency.
9)	The Lessee certifies that it and all of the related individuals and entities required to be disclosed on this application and FCC Form 602 (FCC Ownership Disclosure Information for the Wireless Telecommunications Services) are not person(s) who have been, for reasons of national security, barred by any agency of the Federal Government from bidding on a contract, participating in an auction, or receiving a grant. This certification applies only to applications for licenses for spectrum that is required by Sections 6103, 6401-6403 of the Middle Class Tax Relief and Job Creation Act of 2012, codified at 47 U.S.C. §§ 309, 1413, 1451-1452, to be assigned by a system of competitive bidding under 47 U.S.C. § 309(j).
<p>The Lessee certifies that all of its statements made in this Application/Notification and in the schedules, exhibits, attachments, or documents incorporated by reference are material, are part of this Application/Notification, and are true, complete, correct, and made in good faith.</p>	

Type or Printed Name of Party Authorized to Sign

168) First Name: Dan	MI:	Last Name: Burgess	Suffix:
169) Title: Manager			
170) Signature: Dan Burgess		171) Date: 01/24/2023	
<p>FAILURE TO SIGN THIS APPLICATION MAY RESULT IN DISMISSAL OF THE APPLICATION AND FORFEITURE OF ANY FEES PAID.</p> <p>WILLFUL FALSE STATEMENTS MADE ON THIS FORM OR ANY ATTACHMENTS ARE PUNISHABLE BY FINE AND/OR IMPRISONMENT (U.S. Code, Title 18, Section 1001) AND/OR REVOCATION OF ANY STATION LICENSE OR CONSTRUCTION PERMIT (U.S. Code, Title 47, Section 312(a)(1)), AND/OR FORFEITURE (U.S. Code, Title 47, Section 503).</p>			

Sublessee Certification Statements

1)	The Sublessee agrees that the Lease is not a sale or transfer of the license itself.
2)	The Sublessee acknowledges that it is required to comply with the Commission's Rules and regulations and other applicable law at all times, and if the Sublessee fails to so comply, the Lease may be revoked, cancelled, or terminated by either the licensee or the Commission.
3)	The Sublessee certifies that neither it nor any other party to the Application/Notification is subject to a denial of Federal benefits pursuant to Section 5301 of the Anti-Drug Abuse Act of 1988, 21 U.S.C. § 862, because of a conviction for possession or distribution of a controlled substance. This certification does not apply to applications filed in services exempted under Section 1.2002(c) of the Commission's Rules. See Section 1.2002(b) of the Commission's Rules for the definition of "party to the application" as used in this certification.
4)	The Sublessee hereby accepts Commission oversight and enforcement consistent with the license authorization. The Sublessee acknowledges that it must cooperate fully with any investigation or inquiry conducted either by the Commission or the Licensee, allow the Commission or the licensee to conduct on-site inspections of transmission facilities, and suspend operations at the direction of the Commission or the Licensee and to the extent that such suspension of operation would be consistent with the applicable Commission policies.
5)	The Sublessee acknowledges that in the event an authorization held by a Licensee that has entered into a spectrum leasing arrangement is revoked, cancelled, terminated, or otherwise ceases to be in effect, the Sublessee will have no continuing authority to use the leased spectrum and will be required to terminate its operations no later than the date on which the Licensee ceases to have any authority to operate under the license, unless otherwise authorized by the Commission.
6)	The Sublessee agrees the Lease/Sublease shall not be assigned to any entity that is not eligible or qualified to enter into a spectrum leasing arrangement under the Commission's Rules and regulations.
7)	The Sublessee waives any claim to the use of any particular frequency or of the electromagnetic spectrum as against the regulatory power of the United States because of the previous use of the same, whether by spectrum lease or otherwise.
8)	The Sublessee certifies that it is not in default on any payment for Commission licenses and that it is not delinquent on any non-tax debt owed to any federal agency.
9)	The Sublessee certifies that it and all of the related individuals and entities required to be disclosed on this application and FCC Form 602 (FCC Ownership Disclosure Information for the Wireless Telecommunications Services) are not person(s) who have been, for reasons of national security, barred by any agency of the Federal Government from bidding on a contract, participating in an auction, or receiving a grant. This certification applies only to applications for licenses for spectrum that is required by Sections 6103, 6401-6403 of the Middle Class Tax Relief and Job Creation Act of 2012, codified at 47 U.S.C. §§ 309, 1413, 1451-1452, to be assigned by a system of competitive bidding under 47 U.S.C. § 309(j).
The Sublessee certifies that all of its statements made in this Application/Notification and in the schedules, exhibits, attachments, or documents incorporated by reference are material, are part of this Application/Notification, and are true, complete, correct, and made in good faith.	

Type or Printed Name of Party Authorized to Sign

172) First Name:	MI:	Last Name:	Suffix:
173) Title:			
174) Signature:		175) Date:	

FAILURE TO SIGN THIS APPLICATION MAY RESULT IN DISMISSAL OF THE APPLICATION AND FORFEITURE OF ANY FEES PAID.

WILLFUL FALSE STATEMENTS MADE ON THIS FORM OR ANY ATTACHMENTS ARE PUNISHABLE BY FINE AND/OR IMPRISONMENT (U.S. Code, Title 18, Section 1001) AND/OR REVOCATION OF ANY STATION LICENSE OR CONSTRUCTION PERMIT (U.S. Code, Title 47, Section 312(a)(1)), AND/OR FORFEITURE (U.S. Code, Title 47, Section 503).

Transferee Certification Statements

1)	The Transferee agrees that the Lease/Sublease is not a sale or transfer of the license itself.
2)	The Transferee acknowledges that it is required to comply with the Commission's Rules and Regulations and other applicable law at all times, and if the Transferee fails to so comply, the Lease/Sublease may be revoked, cancelled, or terminated by either the licensee or the Commission.
3)	The Transferee certifies that neither it nor any other party to the Application/Notification is subject to a denial of Federal benefits pursuant to Section 5301 of the Anti-Drug Abuse Act of 1988, 21 U.S.C. § 862, because of a conviction for possession or distribution of a controlled substance. This certification does not apply to applications filed in services exempted under Section 1.2002(c) of the Commission's Rules. See Section 1.2002(b) of the Commission's Rules for the definition of "party to the application" as used in this certification.)
4)	The Transferee hereby accepts Commission oversight and enforcement consistent with the license authorization. The Transferee acknowledges that it must cooperate fully with any investigation or inquiry conducted either by the Commission or the Licensee, allow the Commission or the licensee to conduct on-site inspections of transmission facilities, and suspend operations at the direction of the Commission or the Licensee and to the extent that such suspension of operation would be consistent with the applicable Commission policies.
5)	The Transferee acknowledges that in the event an authorization held by a Licensee that has entered into a spectrum leasing arrangement is revoked, cancelled, terminated, or otherwise ceases to be in effect, the Transferee will have no continuing authority to use the leased spectrum and will be required to terminate its operations no later than the date on which the Licensee ceases to have any authority to operate under the license, unless otherwise authorized by the Commission.
6)	The Transferee agrees the Lease shall not be assigned to any entity that is not eligible or qualified to enter into a spectrum leasing arrangement under the Commission's Rules and Regulations.
7)	The Transferee waives any claim to the use of any particular frequency or of the electromagnetic spectrum as against the regulatory power of the United States because of the previous use of the same, whether by spectrum lease or otherwise.
8)	The Transferee certifies that it is not in default on any payment for Commission licenses and that it is not delinquent on any non-tax debt owed to any federal agency.
9)	The Transferee certifies that it and all of the related individuals and entities required to be disclosed on this application and FCC Form 602 (FCC Ownership Disclosure Information for the Wireless Telecommunications Services) are not person(s) who have been, for reasons of national security, barred by any agency of the Federal Government from bidding on a contract, participating in an auction, or receiving a grant. This certification applies only to applications for licenses for spectrum that is required by Sections 6103, 6401-6403 of the Middle Class Tax Relief and Job Creation Act of 2012, codified at 47 U.S.C. §§ 309, 1413, 1451-1452, to be assigned by a system of competitive bidding under 47 U.S.C. § 309(j).
The Transferee certifies that all of its statements made in this Application/Notification and in the schedules, exhibits, attachments, or documents incorporated by reference are material, are part of this Application/Notification, and are true, complete, correct, and made in good faith.	

Type or Printed Name of Party Authorized to Sign

176) First Name:	MI:	Last Name:	Suffix:
177) Title:			
178) Signature:		179) Date:	

FAILURE TO SIGN THIS APPLICATION MAY RESULT IN DISMISSAL OF THE APPLICATION AND FORFEITURE OF ANY FEES PAID.

WILLFUL FALSE STATEMENTS MADE ON THIS FORM OR ANY ATTACHMENTS ARE PUNISHABLE BY FINE AND/OR IMPRISONMENT (U.S. Code, Title 18, Section 1001) AND/OR REVOCATION OF ANY STATION LICENSE OR CONSTRUCTION PERMIT (U.S. Code, Title 47, Section 312(a)(1)), AND/OR FORFEITURE (U.S. Code, Title 47, Section 503).

Transferor Certification Statements

1)	The Transferor certifies either (1) that control of the Lessee/Sublessee will not be transferred until consent of the Federal Communications Commission has been given, or (2) that prior Commission consent is not required because the Lease/Sublease is subject to streamlined notification procedures for <i>pro forma</i> transfers of control. See <i>Federal Communications Bar Association's Petition for Forbearance from Section 310(d) of the Communications Act Regarding Non-Substantial Assignments of Wireless Licenses and Transfers of Control Involving Telecommunications Carriers and Personal Communications Industry Association's Broadband Personal Communications Services Alliance's Petition for Forbearance For Broadband Personal Communications Services</i> , Memorandum Opinion and Order, 13 FCC Rcd 6293 (1998)
2)	The Transferor certifies that it is not in default on any payment for Commission licenses and that it is not delinquent on any non-tax debt owed to any federal agency.
The Transferor certifies that all of its statements made in this Application/Notification and in the schedules, exhibits, attachments, or documents incorporated by reference are material, are part of this Application/Notification, and are true, complete, correct, and made in good faith.	

Type or Printed Name of Party Authorized to Sign

180) First Name:	MI:	Last Name:	Suffix:
181) Title:			
182) Signature:		183) Date:	
FAILURE TO SIGN THIS APPLICATION MAY RESULT IN DISMISSAL OF THE APPLICATION AND FORFEITURE OF ANY FEES PAID.			
WILLFUL FALSE STATEMENTS MADE ON THIS FORM OR ANY ATTACHMENTS ARE PUNISHABLE BY FINE AND/OR IMPRISONMENT (U.S. Code, Title 18, Section 1001) AND/OR REVOCATION OF ANY STATION LICENSE OR CONSTRUCTION PERMIT (U.S. Code, Title 47, Section 312(a)(1)), AND/OR FORFEITURE (U.S. Code, Title 47, Section 503).			

Private Commons Manager Certification Statements

1)	The Licensee/Lessee/Sublessee manager of the Private Commons certifies that it will retain <i>de facto</i> control of the use of the spectrum under the Private Commons arrangement, including that it will maintain reasonable oversight over the users' use of the spectrum under the arrangement so as to ensure that the use of the spectrum, and communications equipment employed, comply with all technical and service rules applicable under the license authorization.
2)	The Licensee/Lessee/Sublessee manager of the Private Commons arrangement certifies that it will maintain the ability to ensure that users under the arrangement comply with all the technical and service rules applicable under the license authorization.
3)	The Licensee/Lessee/Sublessee manager of the Private Commons certifies that it and all of the related individuals and entities required to be disclosed on this application and FCC Form 602 (FCC Ownership Disclosure Information for the Wireless Telecommunications Services) are not person(s) who have been, for reasons of national security, barred by any agency of the Federal Government from bidding on a contract, participating in an auction, or receiving a grant. This certification applies only to applications for licenses for spectrum that is required by Sections 6103, 6401-6403 of the Middle Class Tax Relief and Job Creation Act of 2012, codified at 47 U.S.C. §§ 309, 1413, 1451-1452, to be assigned by a system of competitive bidding under 47 U.S.C. § 309(j).
The Licensee/Lessee/Sublessee manager of the Private Commons arrangement certifies that all of its statements made in this Notification and in the schedules, exhibits, attachments, or documents incorporated by reference are material, are part of this Notification, and are true, complete, correct, and made in good faith.	

Type or Printed Name of Party Authorized to Sign

184) First Name:	MI:	Last Name:	Suffix:
185) Title:			
186) Signature:		187) Date:	

**FAILURE TO SIGN THIS APPLICATION MAY RESULT IN DISMISSAL OF THE APPLICATION AND FORFEITURE OF ANY FEES PAID.
WILLFUL FALSE STATEMENTS MADE ON THIS FORM OR ANY ATTACHMENTS ARE PUNISHABLE BY FINE AND/OR IMPRISONMENT (U.S. Code, Title 18, Section 1001) AND/OR REVOCATION OF ANY STATION LICENSE OR CONSTRUCTION PERMIT (U.S. Code, Title 47, Section 312(a)(1)), AND/OR FORFEITURE (U.S. Code, Title 47, Section 503).**

License Authorization(s) or Identifiers (pertaining to Lease(s)/Sublease(s)/Private Commons) Associated with the Spectrum To Be Included in the Filing

188) Call Sign(s) or Lease/Sublease/ Private Commons Identifier(s)	189) Radio Service Code	190) Location Number	191) Path Number (Microwave only)	192) Frequency Number	193) Lower Frequency (MHz)	194) Upper Frequency (MHz)
WQGD703	AW - AWS (1710-1755 MHz and 2110-2155					
WQGD734	AW - AWS (1710-1755 MHz and 2110-2155					
WQGD749	AW - AWS (1710-1755 MHz and 2110-2155					
WQGD759	AW - AWS (1710-1755 MHz and 2110-2155					
WQGD769	AW - AWS (1710-1755 MHz and 2110-2155					
WQGD769	AW - AWS (1710-1755 MHz and 2110-2155					
WQGD769	AW - AWS (1710-1755 MHz and 2110-2155					
WQGG892	CW - PCS Broadband					
WQGV773	AW - AWS (1710-1755 MHz and 2110-2155					
WQIZ371	WY - 700 MHz Lower Band (Blocks A, B &					
WQIZ371	WY - 700 MHz Lower Band (Blocks A, B &					
WQIZ493	WY - 700 MHz Lower Band (Blocks A, B &					
WQIZ511	WY - 700 MHz Lower Band (Blocks A, B &					
WQIZ617	WY - 700 MHz Lower Band (Blocks A, B &					
WQIZ617	WY - 700 MHz Lower Band (Blocks A, B &					
WQIZ618	WY - 700 MHz Lower Band (Blocks A, B &					
WQIZ618	WY - 700 MHz Lower Band (Blocks A, B &					

* Note: Items 190 – 194 are for New Leases involving spectrum associated with site-based authorizations when only a portion of the licensed locations, paths and/or frequencies will be leased.

**Schedule for Licensees that Received Bidding Credits
or
Involving Licenses Won in Closed Bidding**

**Designated Entity Information
Bidding Credits**

1) Has the full amount of the bidding credits awarded with regard to each of the subject license(s) been paid as part of unjust enrichment payment(s) in previous transaction(s)?	() <u>Yes</u> <u>No</u>
If the response to Item 1 is 'Y', Items 2 and 3 are not required to be completed.	

Bidding Credits - (Spectrum Manager Leases Only)

2a) Does the Applicant have a general partnership interest or have a direct or indirect ownership interests of ten percent or greater in the Licensee?	() <u>Yes</u> <u>No</u>
2b) Is the Applicant a "controlling interest holder" or "affiliate" of the current Licensee? For purposes of determining whether the Licensee has retained the requisite degree of ownership and control over the leased spectrum in order to remain eligible for the license or for bidding credits, the <i>de jure</i> control standard in 47 CFR § 1.2110 and the <i>de facto</i> control standard in 47 CFR § 1.9010 will be applied (pursuant to the conditions set forth in 47 CFR § 1.9020).	() <u>Yes</u> <u>No</u>
2c) Does the Applicant share office space, equipment, or other facilities with any party controlling the entity from which spectrum is being leased/subleased?	() <u>Yes</u> <u>No</u>
2d) Is the Applicant a disclosable interest holder that holds a ten percent or greater interest of any kind in the Licensee and is the Lease/Sublease for more than 25% of the spectrum capacity of the subject license(s)?	() <u>Yes</u> <u>No</u>
2e) Does the Licensee certify that the Lease/Sublease does not affect its continuing eligibility to retain bidding credit(s)?	() <u>Yes</u> <u>No</u>

**Bidding Credits - (Long-Term De Facto Transfer Leases Only)
Eligibility**

3a) With respect to each of the subject licenses, the Applicant: () qualifies for the same designated entity benefit as the current Licensee () qualifies for a different designated entity benefit than the current Licensee () does not qualify for any designated entity status
--

3b) If the Applicant states in Item 3a that it qualifies for the same designated entity benefit as the current Licensee or qualifies for a different designated entity status than the current Licensee, the Applicant qualifies for a (select one): () small business bidding credit (___%) () rural service provider bidding credit	
3c) Is the Applicant a disclosable interest holder that holds a ten percent or greater interest of any kind in the Licensee and is the Lease/Sublease for more than 25% of the spectrum capacity of the subject license(s)?	() <u>Yes</u> <u>No</u>

Closed Bidding Licenses

4) Have construction notifications been submitted as required by the Commission's Rules for each of the subject licenses? If the response to Item 4 is 'Y', Items 5 and 6 are not required to be completed.	() <u>Yes</u> <u>No</u>
--	--------------------------

Closed Bidding Licenses – (Spectrum Manager Leases Only)

5a) Does the Applicant have a general partnership interest or have a direct or indirect ownership interest of ten percent or greater in the Licensee?	() <u>Yes</u> <u>No</u>
5b) Is the Applicant a "controlling interest holder" or "affiliate" of the current Licensee?	() <u>Yes</u> <u>No</u>
5c) Does the Applicant share office space, equipment or other facilities with any party controlling the entity from which spectrum is being leased?	() <u>Yes</u> <u>No</u>
5d) Does the Licensee certify that the Lease/Sublease does not affect its continuing eligibility to retain closed bidding licenses?	() <u>Yes</u> <u>No</u>

Closed Bidding Licenses – (Long-Term *De Facto* Transfer Leases Only)**Eligibility**

6) With respect to each of the subject licenses, the Applicant: () a) qualifies for closed bidding () b) does not qualify for closed bidding
--

7) Revenue and Asset Information for the Applicant

Purpose (Check Modify if filing an Amendment application and changing the Revenue and Asset Information from what was provided on the original filing)

<input type="checkbox"/> Modify

Gross Revenue Disclosure Most Recent Reportable Year

8a) Were the Applicant and any predecessors-in-interest in existence for a full year of the relevant period? If 'N', explain why in an attachment.	() <u>Yes</u> <u>No</u>
If 'Y', provide the following information.	
8b) Gross Revenues \$ _____ (Format: 99,999.99)	
8c) Year-end Date: _____ (Date Format: MM/DD/YYYY)	

One Year Prior to Most Recent Reportable Year

9a) Were the Applicant and any predecessors-in-interest in existence for a full year of the relevant period? If 'N', explain why in an attachment.	() <u>Yes</u> <u>No</u>
If 'Y', provide the following information.	
9b) Gross Revenues \$ _____ (Format: 99,999.99)	
9c) Year-end Date: _____ (Date Format: MM/DD/YYYY)	

Two Years Prior to Most Recent Reportable Year

10a) Were the Applicant and any predecessors-in-interest in existence for a full year of the relevant period? If 'N', explain why in an attachment.	() <u>Yes</u> <u>No</u>
If 'Y', provide the following information.	
10b) Gross Revenues \$ _____ (Format: 99,999.99)	
10c) Year-end Date: _____ (Date Format: MM/DD/YYYY)	

Three Years Prior to Most Recent Reportable Year

11a) Were the Applicant and any predecessors-in-interest in existence for a full year of the relevant period? If 'N', explain why in an attachment.	() <u>Yes</u> <u>No</u>
If 'Y', provide the following information.	
11b) Gross Revenues \$ _____ (Format: 99,999.99)	
11c) Year-end Date: _____ (Date Format: MM/DD/YYYY)	

Four Years Prior to Most Recent Reportable Year

12a) Were the Applicant and any predecessors-in-interest in existence for a full year of the relevant period? If 'N', explain why in an attachment.	() <u>Yes</u> <u>No</u>
If 'Y', provide the following information.	
12b) Gross Revenues \$ _____ (Format: 99,999.99)	
12c) Year-end Date: _____ (Date Format: MM/DD/YYYY)	

Average Gross Revenue

13) Average Gross Revenue of Reported Years: \$ _____ (Format: 99,999.99)

Asset Disclosure

14) Total Assets as of Application Filing Date: \$ _____

Financial Statements

15) Audited or Unaudited (Check One)

The Applicant used audited financial statements.

The Applicant used unaudited financial statements prepared in accordance with Generally Accepted Accounting Principles (GAAP) and certified by the Applicant's chief financial officer or the equivalent.

Reference Copy

Reference Copy

Closed Bidding/Designated Entity Eligibility

Total Gross Revenues for Most Recent Reportable Year

36a) Gross Revenues:	\$ _____	(Format: 99,999.99)
36b) Year-end Date:	_____	(Date Format: MM/DD/YYYY)

Total Gross Revenues for One Year Prior to Most Recent Reportable Year

37a) Gross Revenues:	\$ _____	(Format: 99,999.99)
37b) Year-end Date:	_____	(Date Format: MM/DD/YYYY)

Total Gross Revenues for Two Years Prior to Most Recent Reportable Year

38a) Gross Revenues:	\$ _____	(Format: 99,999.99)
38b) Year-end Date:	_____	(Date Format: MM/DD/YYYY)

Total Gross Revenues for Three Years Prior to the Most Recent Reportable Year

39a) Gross Revenues:	\$ _____	(Format: _____)
39b) Year-end Date:	_____	(Date Format: _____)

Total Gross Revenues for Four Years Prior to the Most Recent Reportable Year

40a) Gross Revenues:	\$ _____	(Format: 99,999.99)
40b) Year-end Date:	_____	(Date Format: MM/DD/YYYY)

Total Aggregate Average Gross Revenues for Designated Entity (License(s) Requiring Disclosure of Three Years of Gross Revenue Data)

41) Aggregate Average Gross Revenue:	\$ _____	(Format: 99,999.99)
--------------------------------------	----------	---------------------

Total Aggregate Average Gross Revenues for Designated Entity (License(s) Requiring Disclosure of Five Years of Gross Revenue Data)

41) Aggregate Average Gross Revenue:	\$ _____	(Format: 99,999.99)
--------------------------------------	----------	---------------------

Total Aggregate Average Gross Revenues for Closed Bidding

42) Aggregate Average Gross Revenue:	\$ _____	(Format: 99,999.99)
--------------------------------------	----------	---------------------

Total Assets Disclosure for Closed Bidding

43) Total Assets:	\$ _____	(Format: 99,999.99)
-------------------	----------	---------------------

Rural Service Provider Bidding Credit

36) Is the Applicant seeking a Rural Service Provider (RSP) bidding credit?	() <u>Yes</u> No
---	--------------------------

If the Applicant (the Lessee/Sublessee/Transferee) is seeking a rural service provider (RSP) bidding credit, provide in an exhibit the following information requested in a-e.

a) for the Applicant, submit the combined number of commercial communications service subscribers to wireless, wireline, broadband, and cable services that the Applicant serves and provide a list of the name(s) and the Federal Information Processing Standard (FIPS) number(s) for each county in which the Applicant has at least one commercial wireless, wireline, broadband, or cable subscriber;

b) for each of the Applicant's Affiliates, Controlling Interests, and the Affiliates of its Controlling Interests, submit the individual or entity's name, its FCC Registration Number (FRN), its relationship to the Applicant, and its combined number of commercial communications service subscribers to wireless, wireline, broadband, and cable services. For each of the Applicant's Affiliates, Controlling Interests, and the Affiliates of its Controlling Interests, also provide a list of the name(s) and the FIPS number(s) for each county in which it has at least one commercial wireless, wireline, broadband, or cable subscriber;

c) if neither the Applicant, nor any of its Affiliates, its Controlling Interests, or the Affiliates of its Controlling Interests have at least one wireless, wireline, broadband, or cable subscriber in a market for which the Applicant is applying for a license, list the market(s) in which the Applicant, its Affiliates, its Controlling Interests, and the Affiliates of its Controlling Interests have no such subscribers;

d) a detailed explanation demonstrating that: (i) the Applicant is in the business of providing commercial communications services; (ii) the Applicant serves predominantly rural areas; and (iii) the primary focus of the Applicant's business activity is the provision of services to rural areas (defined as counties with a population density of 100 or fewer persons per square mile); and

e) If the Applicant is an existing rural partnership that was providing service as of July 16, 2015, provide a detailed explanation demonstrating that each member of the partnership is independently eligible for the RSP bidding credit by providing, with respect to each member of the partnership, the same information as is required in a-d above.

**Schedule for Supplemental Information Pertaining to a New Lease, New Sublease,
Revision to Extend the Term of an Existing Lease or Sublease, or
Revision to Cancel an Existing Lease or Sublease**

License Authorizations/Lease Identifiers/Sublease Identifiers (Complete as many Schedule E's as necessary)

1) Call Sign(s) or Lease/Sublease Identifier(s)	2) Radio Service Code	3) Commencement Date (MM/DD/YYYY) OR Check box for FCC Grant Date	4) Expiration Date (MM/DD/YYYY)	5) Revised Expiration Date (MM/DD/YYYY)	6) Cancellation Date (MM/DD/YYYY) OR Check box if Lease/Sublease Never Commenced
WQGD703	AW	<input checked="" type="checkbox"/>	09/16/2026		<input type="checkbox"/>
WQGD734	AW	<input checked="" type="checkbox"/>	09/16/2026		<input type="checkbox"/>
WQGD749	AW	<input checked="" type="checkbox"/>	09/16/2026		<input type="checkbox"/>
WQGD759	AW	<input checked="" type="checkbox"/>	09/16/2026		<input type="checkbox"/>
WQGD769	AW	<input checked="" type="checkbox"/>	09/16/2026		<input type="checkbox"/>
WQGG892	CW	<input checked="" type="checkbox"/>	12/14/2024		<input type="checkbox"/>
WQGV773	AW	<input checked="" type="checkbox"/>	09/16/2026		<input type="checkbox"/>
WQIZ371	WY	<input checked="" type="checkbox"/>	09/16/2026		<input type="checkbox"/>
WQIZ493	WY	<input checked="" type="checkbox"/>	09/16/2026		<input type="checkbox"/>
WQIZ511	WY	<input checked="" type="checkbox"/>	09/16/2026		<input type="checkbox"/>
WQIZ617	WY	<input checked="" type="checkbox"/>	09/16/2026		<input type="checkbox"/>
WQIZ618	WY	<input checked="" type="checkbox"/>	09/16/2026		<input type="checkbox"/>

**Schedule for Defined Geographic Area To Be Leased
(Geographically-Licensed Services)**

Call Sign

1) Call Sign: WQGD703

Geographic Area of Spectrum To Be Included in Lease

2) Defined Area to be Leased	3) Undefined Area to be Leased (Complete Schedule G)	4a) Population of Leased Area
	Schedule G # Attached:1	

5) Frequencies of Spectrum To Be Included in Lease (MHz)

Spectrum Leased

Lower Frequency/Bandwidth	Upper Frequency/Bandwidth

**Schedule for Defined Geographic Area To Be Leased
(Geographically-Licensed Services)**

Call Sign

1) Call Sign: WQGD734

Geographic Area of Spectrum To Be Included in Lease

2) Defined Area to be Leased	3) Undefined Area to be Leased (Complete Schedule G)	4a) Population of Leased Area
	Schedule G # Attached:2	

5) Frequencies of Spectrum To Be Included in Lease (MHz)

Spectrum Leased

Lower Frequency/Bandwidth	Upper Frequency/Bandwidth

**Schedule for Defined Geographic Area To Be Leased
(Geographically-Licensed Services)**

Call Sign

1) Call Sign: WQGD749

Geographic Area of Spectrum To Be Included in Lease

2) Defined Area to be Leased	3) Undefined Area to be Leased (Complete Schedule G)	4a) Population of Leased Area
	Schedule G # Attached:3	

5) Frequencies of Spectrum To Be Included in Lease (MHz)

Spectrum Leased

Lower Frequency/Bandwidth	Upper Frequency/Bandwidth

**Schedule for Defined Geographic Area To Be Leased
(Geographically-Licensed Services)**

Call Sign

1) Call Sign: WQGD759

Geographic Area of Spectrum To Be Included in Lease

2) Defined Area to be Leased	3) Undefined Area to be Leased (Complete Schedule G)	4a) Population of Leased Area
	Schedule G # Attached:4	

5) Frequencies of Spectrum To Be Included in Lease (MHz)

Spectrum Leased

Lower Frequency/Bandwidth	Upper Frequency/Bandwidth

**Schedule for Defined Geographic Area To Be Leased
 (Geographically-Licensed Services)**

Call Sign

1) Call Sign: <u>WQGD769</u>

Geographic Area of Spectrum To Be Included in Lease

2) Defined Area to be Leased	3) Undefined Area to be Leased (Complete Schedule G)	4a) Population of Leased Area
	Schedule G # Attached:5	

5) Frequencies of Spectrum To Be Included in Lease (MHz)

Spectrum Leased	
Lower Frequency/Bandwidth	Upper Frequency/Bandwidth

**Schedule for Defined Geographic Area To Be Leased
(Geographically-Licensed Services)**

Call Sign

1) Call Sign: WQGD769

Geographic Area of Spectrum To Be Included in Lease

2) Defined Area to be Leased	3) Undefined Area to be Leased (Complete Schedule G)	4a) Population of Leased Area
	Schedule G # Attached:6	

5) Frequencies of Spectrum To Be Included in Lease (MHz)

Spectrum Leased

Lower Frequency/Bandwidth	Upper Frequency/Bandwidth

**Schedule for Defined Geographic Area To Be Leased
(Geographically-Licensed Services)**

Call Sign

1) Call Sign: WQGD769

Geographic Area of Spectrum To Be Included in Lease

2) Defined Area to be Leased	3) Undefined Area to be Leased (Complete Schedule G)	4a) Population of Leased Area
	Schedule G # Attached:7	

5) Frequencies of Spectrum To Be Included in Lease (MHz)

Spectrum Leased

Lower Frequency/Bandwidth	Upper Frequency/Bandwidth

**Schedule for Defined Geographic Area To Be Leased
(Geographically-Licensed Services)**

Call Sign

1) Call Sign: WQGG892

Geographic Area of Spectrum To Be Included in Lease

2) Defined Area to be Leased	3) Undefined Area to be Leased (Complete Schedule G)	4a) Population of Leased Area
	Schedule G # Attached:8	

5) Frequencies of Spectrum To Be Included in Lease (MHz)

Spectrum Leased

Lower Frequency/Bandwidth	Upper Frequency/Bandwidth

**Schedule for Defined Geographic Area To Be Leased
 (Geographically-Licensed Services)**

Call Sign

1) Call Sign: <u>WQGV773</u>

Geographic Area of Spectrum To Be Included in Lease

2) Defined Area to be Leased	3) Undefined Area to be Leased (Complete Schedule G)	4a) Population of Leased Area
	Schedule G # Attached:9	

5) Frequencies of Spectrum To Be Included in Lease (MHz)

Spectrum Leased	
Lower Frequency/Bandwidth	Upper Frequency/Bandwidth

**Schedule for Defined Geographic Area To Be Leased
(Geographically-Licensed Services)**

Call Sign

1) Call Sign: WQIZ371

Geographic Area of Spectrum To Be Included in Lease

2) Defined Area to be Leased	3) Undefined Area to be Leased (Complete Schedule G)	4a) Population of Leased Area
	Schedule G # Attached:10	

5) Frequencies of Spectrum To Be Included in Lease (MHz)

Spectrum Leased

Lower Frequency/Bandwidth	Upper Frequency/Bandwidth

**Schedule for Defined Geographic Area To Be Leased
(Geographically-Licensed Services)**

Call Sign

1) Call Sign: WQIZ371

Geographic Area of Spectrum To Be Included in Lease

2) Defined Area to be Leased	3) Undefined Area to be Leased (Complete Schedule G)	4a) Population of Leased Area
	Schedule G # Attached:11	

5) Frequencies of Spectrum To Be Included in Lease (MHz)

Spectrum Leased

Lower Frequency/Bandwidth	Upper Frequency/Bandwidth

**Schedule for Defined Geographic Area To Be Leased
 (Geographically-Licensed Services)**

Call Sign

1) Call Sign: <u>WQIZ493</u>

Geographic Area of Spectrum To Be Included in Lease

2) Defined Area to be Leased	3) Undefined Area to be Leased (Complete Schedule G)	4a) Population of Leased Area
	Schedule G # Attached:12	

5) Frequencies of Spectrum To Be Included in Lease (MHz)

Spectrum Leased	
Lower Frequency/Bandwidth	Upper Frequency/Bandwidth

**Schedule for Defined Geographic Area To Be Leased
(Geographically-Licensed Services)**

Call Sign

1) Call Sign: WQIZ511

Geographic Area of Spectrum To Be Included in Lease

2) Defined Area to be Leased	3) Undefined Area to be Leased (Complete Schedule G)	4a) Population of Leased Area
	Schedule G # Attached:13	

5) Frequencies of Spectrum To Be Included in Lease (MHz)

Spectrum Leased

Lower Frequency/Bandwidth	Upper Frequency/Bandwidth

**Schedule for Defined Geographic Area To Be Leased
(Geographically-Licensed Services)**

Call Sign

1) Call Sign: WQIZ617

Geographic Area of Spectrum To Be Included in Lease

2) Defined Area to be Leased	3) Undefined Area to be Leased (Complete Schedule G)	4a) Population of Leased Area
	Schedule G # Attached:14	

5) Frequencies of Spectrum To Be Included in Lease (MHz)

Spectrum Leased

Lower Frequency/Bandwidth	Upper Frequency/Bandwidth

**Schedule for Defined Geographic Area To Be Leased
(Geographically-Licensed Services)**

Call Sign

1) Call Sign: WQIZ617

Geographic Area of Spectrum To Be Included in Lease

2) Defined Area to be Leased	3) Undefined Area to be Leased (Complete Schedule G)	4a) Population of Leased Area
	Schedule G # Attached:15	

5) Frequencies of Spectrum To Be Included in Lease (MHz)

Spectrum Leased

Lower Frequency/Bandwidth	Upper Frequency/Bandwidth

**Schedule for Defined Geographic Area To Be Leased
 (Geographically-Licensed Services)**

Call Sign

1) Call Sign: <u>WQIZ618</u>

Geographic Area of Spectrum To Be Included in Lease

2) Defined Area to be Leased	3) Undefined Area to be Leased (Complete Schedule G)	4a) Population of Leased Area
	Schedule G # Attached:16	

5) Frequencies of Spectrum To Be Included in Lease (MHz)

Spectrum Leased

Lower Frequency/Bandwidth	Upper Frequency/Bandwidth

**Schedule for Defined Geographic Area To Be Leased
 (Geographically-Licensed Services)**

Call Sign

1) Call Sign: <u>WQIZ618</u>

Geographic Area of Spectrum To Be Included in Lease

2) Defined Area to be Leased	3) Undefined Area to be Leased (Complete Schedule G)	4a) Population of Leased Area
	Schedule G # Attached:17	

5) Frequencies of Spectrum To Be Included in Lease (MHz)

Spectrum Leased

Lower Frequency/Bandwidth	Upper Frequency/Bandwidth

Number: 1

Schedule for Leases that Involve an Undefined Geographic Area

For each undefined geographic area, complete up to 300 Latitude/Longitude combinations for every 3 degrees azimuth, using NAD83 Datum.

	Latitude (DD-MM-SS.S-D)	Longitude (DDD-MM-SS.S-D)
1	37-18-24.8 N	077-20-56.0 W
2	37-18-25.7 N	077-20-42.1 W
3	37-18-16.5 N	077-20-39.5 W
4	37-18-05.9 N	077-20-40.3 W
5	37-18-05.3 N	077-20-48.4 W
6	37-18-11.7 N	077-20-55.7 W
7	37-18-24.8 N	077-20-56.0 W

Number: 2

Schedule for Leases that Involve an Undefined Geographic Area

For each undefined geographic area, complete up to 300 Latitude/Longitude combinations for every 3 degrees azimuth, using NAD83 Datum.

	Latitude (DD-MM-SS.S-D)	Longitude (DDD-MM-SS.S-D)
1	45-05-13.0 N	123-23-26.1 W
2	45-05-12.7 N	123-22-40.1 W
3	45-04-55.2 N	123-22-38.7 W
4	45-04-55.6 N	123-23-28.0 W
5	45-05-13.0 N	123-23-26.1 W

Number: 3

Schedule for Leases that Involve an Undefined Geographic Area

For each undefined geographic area, complete up to 300 Latitude/Longitude combinations for every 3 degrees azimuth, using NAD83 Datum.

	Latitude (DD-MM-SS.S-D)	Longitude (DDD-MM-SS.S-D)
1	34-40-11.1 N	079-43-15.3 W
2	34-40-30.9 N	079-43-11.2 W
3	34-40-28.8 N	079-42-56.7 W
4	34-40-08.9 N	079-43-01.1 W
5	34-40-11.1 N	079-43-15.3 W

Number: 4

Schedule for Leases that Involve an Undefined Geographic Area

For each undefined geographic area, complete up to 300 Latitude/Longitude combinations for every 3 degrees azimuth, using NAD83 Datum.

	Latitude (DD-MM-SS.S-D)	Longitude (DDD-MM-SS.S-D)
1	34-59-04.6 N	090-48-28.4 W
2	34-59-03.1 N	090-47-26.3 W
3	34-58-23.7 N	090-47-26.6 W
4	34-58-25.8 N	090-48-30.6 W
5	34-59-04.6 N	090-48-28.4 W

Number: 5

Schedule for Leases that Involve an Undefined Geographic Area

For each undefined geographic area, complete up to 300 Latitude/Longitude combinations for every 3 degrees azimuth, using NAD83 Datum.

	Latitude (DD-MM-SS.S-D)	Longitude (DDD-MM-SS.S-D)
1	39-38-38.4 N	105-06-31.9 W
2	39-38-38.7 N	105-06-14.9 W
3	39-38-20.8 N	105-06-15.4 W
4	39-38-21.4 N	105-06-24.6 W
5	39-38-33.6 N	105-06-32.2 W
6	39-38-38.4 N	105-06-31.9 W

Number: 6

Schedule for Leases that Involve an Undefined Geographic Area

For each undefined geographic area, complete up to 300 Latitude/Longitude combinations for every 3 degrees azimuth, using NAD83 Datum.

	Latitude (DD-MM-SS.S-D)	Longitude (DDD-MM-SS.S-D)
1	31-28-20.6 N	092-27-03.8 W
2	31-28-20.4 N	092-25-59.5 W
3	31-27-39.4 N	092-26-05.1 W
4	31-27-41.9 N	092-27-06.3 W
5	31-28-20.6 N	092-27-03.8 W

Number: 7

Schedule for Leases that Involve an Undefined Geographic Area

For each undefined geographic area, complete up to 300 Latitude/Longitude combinations for every 3 degrees azimuth, using NAD83 Datum.

	Latitude (DD-MM-SS.S-D)	Longitude (DDD-MM-SS.S-D)
1	32-43-10.6 N	109-43-27.1 W
2	32-42-58.5 N	109-43-19.9 W
3	32-42-53.7 N	109-43-31.8 W
4	32-42-59.2 N	109-43-34.9 W
5	32-43-03.3 N	109-43-34.9 W
6	32-43-10.6 N	109-43-27.1 W

Number: 8

Schedule for Leases that Involve an Undefined Geographic Area

For each undefined geographic area, complete up to 300 Latitude/Longitude combinations for every 3 degrees azimuth, using NAD83 Datum.

	Latitude (DD-MM-SS.S-D)	Longitude (DDD-MM-SS.S-D)
1	41-26-18.6 N	073-28-18.5 W
2	41-26-19.8 N	073-27-51.5 W
3	41-26-02.2 N	073-27-50.9 W
4	41-26-00.4 N	073-28-06.5 W
5	41-26-18.6 N	073-28-18.5 W

Number: 9

Schedule for Leases that Involve an Undefined Geographic Area

For each undefined geographic area, complete up to 300 Latitude/Longitude combinations for every 3 degrees azimuth, using NAD83 Datum.

	Latitude (DD-MM-SS.S-D)	Longitude (DDD-MM-SS.S-D)
1	40-46-13.4 N	080-42-25.5 W
2	40-46-19.4 N	080-42-28.9 W
3	40-46-26.9 N	080-42-23.0 W
4	40-46-28.2 N	080-42-17.8 W
5	40-46-24.8 N	080-42-06.9 W
6	40-46-18.7 N	080-42-03.9 W
7	40-46-15.2 N	080-42-13.6 W
8	40-46-14.5 N	080-42-16.6 W
9	40-46-13.4 N	080-42-25.5 W

Number: 10

Schedule for Leases that Involve an Undefined Geographic Area

For each undefined geographic area, complete up to 300 Latitude/Longitude combinations for every 3 degrees azimuth, using NAD83 Datum.

	Latitude (DD-MM-SS.S-D)	Longitude (DDD-MM-SS.S-D)
1	37-17-51.7 N	077-20-56.5 W
2	37-17-59.2 N	077-21-01.2 W
3	37-18-03.8 N	077-20-51.0 W
4	37-18-04.5 N	077-20-39.0 W
5	37-17-58.5 N	077-20-37.3 W
6	37-17-51.7 N	077-20-56.5 W

Number: 11

Schedule for Leases that Involve an Undefined Geographic Area

For each undefined geographic area, complete up to 300 Latitude/Longitude combinations for every 3 degrees azimuth, using NAD83 Datum.

	Latitude (DD-MM-SS.S-D)	Longitude (DDD-MM-SS.S-D)
1	37-18-24.8 N	077-20-56.0 W
2	37-18-25.7 N	077-20-42.1 W
3	37-18-16.5 N	077-20-39.5 W
4	37-18-05.9 N	077-20-40.3 W
5	37-18-05.3 N	077-20-48.4 W
6	37-18-11.7 N	077-20-55.7 W
7	37-18-24.8 N	077-20-56.0 W

Number: 12

Schedule for Leases that Involve an Undefined Geographic Area

For each undefined geographic area, complete up to 300 Latitude/Longitude combinations for every 3 degrees azimuth, using NAD83 Datum.

	Latitude (DD-MM-SS.S-D)	Longitude (DDD-MM-SS.S-D)
1	34-59-04.6 N	090-48-28.4 W
2	34-59-03.1 N	090-47-26.3 W
3	34-58-23.7 N	090-47-26.6 W
4	34-58-25.8 N	090-48-30.6 W
5	34-59-04.6 N	090-48-28.4 W

Number: 13

Schedule for Leases that Involve an Undefined Geographic Area

For each undefined geographic area, complete up to 300 Latitude/Longitude combinations for every 3 degrees azimuth, using NAD83 Datum.

	Latitude (DD-MM-SS.S-D)	Longitude (DDD-MM-SS.S-D)
1	32-53-41.3 N	090-27-04.6 W
2	32-53-44.5 N	090-25-39.4 W
3	32-52-45.6 N	090-25-38.1 W
4	32-52-47.0 N	090-27-01.3 W
5	32-53-41.3 N	090-27-04.6 W

Number: 14

Schedule for Leases that Involve an Undefined Geographic Area

For each undefined geographic area, complete up to 300 Latitude/Longitude combinations for every 3 degrees azimuth, using NAD83 Datum.

	Latitude (DD-MM-SS.S-D)	Longitude (DDD-MM-SS.S-D)
1	41-08-11.4 N	076-56-10.6 W
2	41-08-13.2 N	076-55-04.6 W
3	41-07-28.8 N	076-54-47.3 W
4	41-07-24.9 N	076-56-11.2 W
5	41-08-11.4 N	076-56-10.6 W

Number: 15

Schedule for Leases that Involve an Undefined Geographic Area

For each undefined geographic area, complete up to 300 Latitude/Longitude combinations for every 3 degrees azimuth, using NAD83 Datum.

	Latitude (DD-MM-SS.S-D)	Longitude (DDD-MM-SS.S-D)
1	41-26-18.6 N	073-28-18.5 W
2	41-26-19.8 N	073-27-51.5 W
3	41-26-02.2 N	073-27-50.9 W
4	41-26-00.4 N	073-28-06.5 W
5	41-26-18.6 N	073-28-18.5 W

Number: 16

Schedule for Leases that Involve an Undefined Geographic Area

For each undefined geographic area, complete up to 300 Latitude/Longitude combinations for every 3 degrees azimuth, using NAD83 Datum.

	Latitude (DD-MM-SS.S-D)	Longitude (DDD-MM-SS.S-D)
1	39-23-07.6 N	075-09-51.9 W
2	39-23-15.7 N	075-09-29.3 W
3	39-22-58.0 N	075-09-18.1 W
4	39-22-55.9 N	075-09-23.1 W
5	39-22-55.1 N	075-09-44.0 W
6	39-23-07.6 N	075-09-51.9 W

Number: 17

Schedule for Leases that Involve an Undefined Geographic Area

For each undefined geographic area, complete up to 300 Latitude/Longitude combinations for every 3 degrees azimuth, using NAD83 Datum.

	Latitude (DD-MM-SS.S-D)	Longitude (DDD-MM-SS.S-D)
1	40-44-09.6 N	076-21-11.0 W
2	40-44-06.8 N	076-20-19.5 W
3	40-43-43.4 N	076-20-17.2 W
4	40-43-41.9 N	076-21-08.8 W
5	40-44-09.6 N	076-21-11.0 W

Attachment(s):

Type	Description	Date Entered
O	Exhibit 3 - Site Information	01/04/2023
O	Exhibit 2 - Description of Licenses	01/04/2023
O	Exhibit 1 - Description of Transaction	01/04/2023

Reference Copy Only. Do Not Mail to the FCC as an Application.

Submitted: 01/22/2024 at 14:24:20
 File Number: 0010867738

FCC 601
Main Form

FCC Application for Radio Service Authorization: Wireless Telecommunications Bureau Public Safety and Homeland Security Bureau

Approved by OMB
 3060 - 0798
 See instructions for
 public burden estimate

1) Radio Service Code: AW	1a) Existing Radio Service Code:
---	----------------------------------

General Information

2) (Select only one) (AU) NE - New RO - Renewal Only AU - Administrative Update NT - Required Notifications MD - Modification RM - Renewal/Modification WD - Withdrawal of Application EX - Requests for Extension of Time AM - Amendment CA - Cancellation of License RL - Registered Location/Link	
3a) If this application is for a Demonstration License or a Special Temporary Authorization (STA), enter the code and attach the required exhibit as described in the instructions. Otherwise enter ' <u>N/A</u> ' (Not Applicable).	(N) <u>M</u> <u>S</u> <u>N/A</u>
3b) If this application is for Special Temporary Authority due to an emergency situation, enter 'Y'; otherwise enter 'N'. Refer to Rule 1.915 for an explanation of situations considered to be an emergency.	() <u>Y</u> es <u>N</u> o
4) If this application is for an Amendment or Withdrawal, enter the file number of the pending application currently on file with the FCC.	File Number
5) If this application is for a Modification, Renewal Only, Renewal/Modification, Cancellation of License, or Administrative Update, enter the call sign of the existing FCC license. If this is a request for Registered Location/Link, enter the FCC call sign assigned to the geographic license.	Call Sign WQGD759
6a) If this application is for a New, Amendment, Renewal Only, or Renewal/Modification, enter the requested authorization expiration date (this item is optional).	MM DD /
6b) If this application is for a Renewal Only or Renewal/Modification and the license is a geographic area license, is the license used to provide service to customers (C), or is the license used for private business (internal) purposes or to meet the licensee's public interest/public safety communications needs (P)?	() <u>C</u> <u>P</u>
7) Is this application "major" as defined in § 1.929 of the Commission's Rules when read in conjunction with the applicable radio service rules found in Parts 22 and 90 of the Commission's Rules? (NOTE: This question only applies to certain site-specific applications. See the instructions for applicability and full text of § 1.929).	() <u>Y</u> es <u>N</u> o
8) Are attachments (other than associated schedules) being filed with this application?	() <u>Y</u> es <u>N</u> o

Fees, Waivers, and Exemptions

9) Is the Applicant exempt from FCC application fees?	(N) <u>Y</u> es <u>N</u> o
10) Is the Applicant exempt from FCC regulatory fees?	(N) <u>Y</u> es <u>N</u> o
11) Does this application include a request for a Waiver of the Commission's Rule(s)? If 'Yes', attach an exhibit providing rule number(s) and explaining circumstances.	(N) <u>Y</u> es <u>N</u> o
12) Are the frequencies or parameters requested in this filing covered by grandfathered privileges, previously approved by waiver, or functionally integrated with an existing station?	() <u>Y</u> es <u>N</u> o

Applicant Information

13) FCC Registration Number (FRN): 0003291192			
14) Applicant/Licensee Legal Entity Type: (Select One) <input type="checkbox"/> Individual <input type="checkbox"/> Unincorporated Association <input type="checkbox"/> Trust <input type="checkbox"/> Government Entity <input type="checkbox"/> Corporation <input checked="" type="checkbox"/> Limited Liability Company <input type="checkbox"/> General Partnership <input type="checkbox"/> Limited Partnership <input type="checkbox"/> Limited Liability Partnership <input type="checkbox"/> Consortium <input type="checkbox"/> Other: _____			
15) If the Licensee name is being updated, is the update a result from the sale (or transfer of control) of the license(s) to party and for which proper Commission approval has not been received or proper notification not provided?			<input type="checkbox"/> Yes <input checked="" type="checkbox"/> No
16) First Name (if individual):	MI:	Last Name:	Suffix:
17) Legal Entity Name (if other than individual): New Cingular Wireless PCS, LLC			
18) Attention To: National Regulatory Compliance			
19) P.O. Box:	And/Or	20) Street Address: 208 S Akard St, 20F	
21) City: Dallas	22) State: TX	23) Zip Code: 75202	
24) Telephone Number: (855)699-7073		25) Fax:	
26) E-Mail Address: FCCMW@att.com			

27) Demographics (Optional)

Race: <input type="checkbox"/> American Indian or Alaska Native <input type="checkbox"/> Asian <input type="checkbox"/> Black or African-American <input type="checkbox"/> Native Hawaiian or Other Pacific Islander <input type="checkbox"/> White	Ethnicity: <input type="checkbox"/> Hispanic or Latino <input type="checkbox"/> Not Hispanic or Latino	Gender: <input type="checkbox"/> Male <input type="checkbox"/> Female
--	--	---

Real Party in Interest

28) Name of Real Party in Interest of Applicant (If different from Applicant):	29) FCC Registration Number (FRN) of Real Party in Interest:
--	--

Contact Information (If different from the Applicant) Check here if same as Applicant.

30) First Name: Jessica	MI: J	Last Name: Dunk	Suffix:
31) Company Name: AT&T Services, Inc.			
32) Attention To: NRC			
33) P.O. Box:	And /Or	34) Street Address: 208 S Akard St, 20F	
35) City: Dallas	36) State: TX	37) Zip Code: 75202	
38) Telephone Number: (855)699-7073		39) Fax:	
40) E-Mail Address: FCCMW@att.com			

Regulatory Status

41) This filing is for authorization to provide or use the following type(s) of radio service offering (enter all that apply):
 Common Carrier Non-Common Carrier Private, internal communications Broadcast Services Band Manager

Type of Radio Service

42) This filing is for authorization to provide the following type(s) of radio service (choose all that apply):
 Fixed Mobile Radiolocation Satellite (sound) Broadcast Services

43) Does the Applicant propose to provide service interconnected to the public telephone network? Yes No

Alien Ownership Questions (If any answer is "Y", provide an attachment explaining the circumstances. In preparing the attachment, refer to the Main Form Instructions for the "Alien Ownership Questions".)

44) Is the Applicant a foreign government or the representative of any foreign government? Yes No

45) Is the Applicant an alien or the representative of an alien? Yes No

46) Is the Applicant a corporation organized under the laws of any foreign government? Yes No

47) Is the Applicant a corporation of which more than one-fifth of the capital stock is owned of record or voted by aliens or their representatives, or by a foreign government or representative thereof, or by any corporation organized under the laws of a foreign country? Yes No

48a) Is the Applicant directly or indirectly controlled by any other corporation of which more than one-fourth of the capital stock () Yes No is owned of record or voted by aliens or their representatives, or by a foreign government or representative thereof, or by any corporation organized under the laws of a foreign country?

48b) If the answer to 47 or 48a is 'Y' select one of the choices below.

The Applicant is exempt from the provisions of Section 310(b).

If checked, it is not necessary to file a petition for declaratory ruling if the Applicant includes in the attachment required by Item 47 or Item 48a a showing that the requested license(s) is exempt from the provisions of Section 310(b).

The Applicant has received a declaratory ruling(s) approving its foreign ownership, and the application involves only the acquisition of additional spectrum for the provision of a wireless service in a geographic coverage area for which the Applicant has been previously authorized.

If checked, include in the attachment required by Item 47 or Item 48a the citation(s) of the applicable declaratory ruling(s) by DA/FCC number, the FCC Record citation, if available, release date, and a statement that there has been no change in the foreign ownership of the Applicant since the issuance of its ruling.

The Applicant: (i) has received a declaratory ruling(s) approving its foreign ownership, but is not able to make the certification specified immediately above; or (ii) is an "affiliate" of a Licensee or Lessee/Sublessee that received a declaratory ruling(s) under 47 CFR § 1.5000(a) and is relying on the affiliate's ruling for purposes of filing this application as permitted under the affiliate's ruling and 47 CFR § 1.5004(b)

If checked, and if the Applicant received its declaratory ruling(s) on or after August 9, 2013, include in the attachment required by Item 47 or Item 48a the citation(s) of the Applicant's declaratory ruling(s) by DA/FCC number, the FCC Record citation, if available, release date, and a statement that the Applicant is in compliance with the terms and conditions of its ruling and with the Commission's Rules.

If checked, and if the Applicant received its declaratory ruling(s) prior to August 9, 2013, include in the attachment required by Item 48a a copy of a petition for declaratory ruling filed contemporaneously with the Commission to extend the Applicant's existing ruling(s) to cover the same radio service(s) and geographic coverage area(s) involved in the application. Alternatively, the Applicant may request a new declaratory ruling pursuant to Section 1.5000(a) of the Commission's Rules, 47 CFR § 1.5000 (a). Petitions for declaratory ruling may be filed electronically on the Internet through the International Bureau Filing System (IBFS) (with a copy attached hereto).

If checked, and if the Applicant is relying on an affiliate's ruling for purposes of filing this application, include in the attachment required by Item 47 or Item 48a the citation(s) of the applicable declaratory ruling(s) by DA/FCC number, the FCC Record citation, if available, release date, and a statement that the Applicant is in compliance with the terms and conditions of the named affiliate's ruling and with the Commission's Rules. The Applicant must also include a certification of compliance signed by the named affiliate or other qualified entity as specified in 47 CFR § 1.5004(b). See Main Form Instructions for Items 47 or 48a, as applicable.

The Applicant has not received a declaratory ruling approving its foreign ownership and is requesting a declaratory ruling under 47 CFR § 1.5004(b) in a petition filed contemporaneously with the Commission.

If checked, include in the attachment required by Item 47 or 48a a copy of the petition for declaratory ruling filed contemporaneously with the Commission pursuant to 47 CFR § 1.5004(b). Petitions for declaratory ruling may be filed electronically on the Internet through the International Bureau Filing System (IBFS) (with a copy attached hereto).

Basic Qualification Questions

49) Has the Applicant or any party to this application had any FCC station authorization, license or construction permit revoked or had any application for an initial, modification or renewal of FCC station authorization, license, or construction permit denied by the Commission?	() <u>Yes</u> <u>No</u>
50) Has the Applicant or any party to this application, or any party directly or indirectly controlling the Applicant, ever been convicted of a felony by any state or federal court?	() <u>Yes</u> <u>No</u>
51) Has any court finally adjudged the Applicant or any party directly or indirectly controlling the Applicant guilty of unlawfully monopolizing or attempting unlawfully to monopolize radio communication, directly or indirectly, through control of manufacture or sale of radio apparatus, exclusive traffic arrangement, or any other means or unfair methods of competition?	() <u>Yes</u> <u>No</u>

Note: If the answer to any of 49-51 is 'Y', attach an exhibit explaining the circumstances.

Aeronautical Advisory Station (Unicom) Certification

52) () I certify that the station will be located on property of the airport to be served, and, in cases where the airport does not have a control tower, RCO, or FAA flight service station, that I have notified the owner of the airport and all aviation service organizations located at the airport within ten days prior to application.
--

Broadband Radio Service and Educational Broadband Service Cable Cross-Ownership

53a) Will the requested facilities be used to provide multichannel video programming service?	() <u>Yes</u> <u>No</u>
53b) If the answer to question 53a is 'Y', does the Applicant operate, control or have an attributable interest (as defined in 47 CFR § 27.1202) in a cable television system whose franchise area is located within the geographic service area of the requested facilities?	() <u>Yes</u> <u>No</u>

Note: If the answer to question 53b is 'Y', attach an exhibit explaining how the Applicant complies with 47 CFR § 27.1202 or justifying a waiver of that rule. If a waiver of the Commission Rule(s) is being requested, Item 11a must be answered 'Y'.

Broadband Radio Service and Educational Broadband Service (Part 27)

54) (For EBS only) Does the Applicant comply with the programming requirements contained in 47 CFR § 27.1203?	() <u>Yes</u> <u>No</u>
---	--------------------------

Note: If the answer to item 54 is 'N', attach an exhibit explaining how the Applicant complies with 47 CFR § 27.1203 of the Commission's Rules or justifying a waiver of that rule. If a waiver of the Commission Rule(s) is being requested, Item 11a must be answered 'Y'.

55) (For BRS and EBS) Does the Applicant comply with 47 CFR §§ 27.50, 27.55, and 27.1221?	() <u>Yes</u> <u>No</u>
---	--------------------------

Note: If the answer to item 55 is 'N', attach an exhibit justifying a waiver of that rule(s). If a waiver of the Commission Rule(s) is being requested, Item 11a must be answered 'Y'.

For Applicants Who Participated in an Auction

56) Is the Applicant a qualifying rural wireless partnership or a member of a qualifying rural wireless partnership?	() <u>Yes</u> <u>No</u>
--	--------------------------

Note: If the answer to item 56 is 'Y', attach an exhibit listing all members of the qualifying rural wireless partnership, including their FRN numbers.

For Renewal Applicants

57) Operation/Performance Requirement Certification	
[For a site-based license]: Applicant certifies that it is continuing to operate consistent with its most recently filed construction notification (or most recent authorization, if no construction notification was required).	() <u>Yes</u> <u>No</u>
[For a geographic license, commercial service - licensee in its initial license term with an interim performance requirement]: Applicant certifies that it has met its interim performance requirement, that over the portion of the license term following the interim performance requirement, it continues to use its facilities to provide at least the level of service required by its interim performance requirement, it has met its final performance requirement, and it continues to use its facilities to provide at least the level of service required by its final performance requirement through the end of the license term.	() <u>Yes</u> <u>No</u>
[For a geographic license, commercial service - licensee in its initial license term with no interim performance requirement]: Applicant certifies that it has met its final performance requirement and it continues to use its facilities to provide at least the level of service required by its final performance requirement through the end of the license term. [Note: licensee must provide a showing demonstrating that the final performance requirement has been met, either separately in a timely application for notification of completion of construction, or as part of its renewal application, depending on the radio service.]	() <u>Yes</u> <u>No</u>
[For a geographic license, commercial service - licensee in any subsequent term]: Applicant certifies that it continues to use its facilities to provide at least the level of service required by its final performance requirement through the end of any subsequent license terms.	() <u>Yes</u> <u>No</u>
[For a geographic license, private systems - licensee in its initial license term with an interim performance requirement]: Applicant certifies that it has met its interim performance requirement, that over the portion of the license term following the interim performance requirement, it continues to use its facilities to further its private business or public interest/public safety communications needs at or above the level required to meet its interim performance requirement, it has met its final performance requirement, and it continues to use its facilities to provide at least the level of operation required by its final performance requirement through the end of the license term.	() <u>Yes</u> <u>No</u>
[For a geographic license, private systems - licensee in its initial license term with no interim performance requirement]: Applicant certifies that it has met its final performance requirement, it continues to use its facilities to further its private business or public interest/public safety communications needs, and it continues to use its facilities to provide at least the level of operation required by its final performance requirement through the end of the license term. [Note: licensee must provide a showing demonstrating that the final performance requirement has been met, either separately in a timely application for notification of completion of construction, or as part of its renewal application, depending on the radio service.]	() <u>Yes</u> <u>No</u>

[For a geographic license, private systems - licensee in any subsequent term]: Applicant certifies that it continues to use its facilities to further its private business or public interest/public safety communications needs at or above the level required to meet its final performance requirement through the end of any subsequent license terms.	(<input type="checkbox"/>) <u>Yes</u> <u>No</u>
[For a partitioned or disaggregated license without a performance requirement, for the first renewal application filed after effective date of the rules]: Applicant certifies that the partitioned and/or disaggregated license that is the subject of this renewal application has no separate performance requirement and that this is the first renewal of this license filed subsequent to the effective date of the rules.	(<input type="checkbox"/>) <u>Yes</u> <u>No</u>
[For a partitioned or disaggregated license without a performance requirement, for any subsequent renewal filings]: Applicant certifies that it continues to use its facilities to provide service or to further the applicant's private business or public interest/public safety needs.	(<input type="checkbox"/>) <u>Yes</u> <u>No</u>

Discontinuance of Service Certification

58) Applicant certifies that no permanent discontinuance of service or operation, as applicable, occurred during its current license term. Note: If the response to either item 57 or item 58 is 'N', attach an exhibit that demonstrates that over the course of the license term, the Applicant provided and continues to provide service to the public, or operated and continues to operate the license to meet the Applicant's private business or public interest/public safety communications needs. This exhibit must include a detailed description of the Applicant's provision of service or, when allowed under the relevant service rules or pursuant to waiver, use of the spectrum for private business or public interest/public safety communications needs, during the entire license period and address, as applicable: 1) the level and quality of service provided by the applicant (e.g., the population served, the area served, the number of subscribers, the services offered); (2) the date service commenced, whether service was ever interrupted, and the duration of any interruption or outage; (3) the extent to which service is provided to rural areas; (4) the extent to which service is provided to qualifying tribal land as defined in 47 CFR § 1.2110(e)(3)(i); and (5) any other factors associated with the level of service to the public. The licensee may note in its exhibit: 1) any grant(s) of waiver or extension of a performance deadline or license renewal subject to meeting a performance requirement; or 2) if the final performance deadline and/or expiration date for the license accelerated because the licensee did not meet an interim performance requirement.	(<input type="checkbox"/>) <u>Yes</u> <u>No</u>
--	---

Regulatory Compliance Certification [same for all]

59) Applicant certifies that it has substantially complied with all applicable FCC rules, policies, and the Communications Act of 1934, as amended. Note: If the response to item 59 is 'N', attach an exhibit explaining the circumstances and demonstrating why Applicant's license should be renewed.	(<input type="checkbox"/>) <u>Yes</u> <u>No</u>
--	---

General Certification Statements

1) The Applicant waives any claim to the use of any particular frequency or of the electromagnetic spectrum as against the regulatory power of the United States because of the previous use of the same, whether by license or otherwise, and requests an authorization in accordance with this application.
2) The Applicant certifies that grant of this application would not cause the Applicant to be in violation of any pertinent cross-ownership or attribution rules.* *If the Applicant has sought a waiver of any such rule in connection with this application, it may make this certification subject to the outcome of the waiver request.
3) The Applicant certifies that all statements made in this application and in the exhibits, attachments, or documents incorporated by reference are material, are part of this application, and are true, complete, correct, and made in good faith.
4) The Applicant certifies that neither the Applicant nor any other party to the application is subject to a denial of Federal benefits pursuant to § 5301 of the Anti-Drug Abuse Act of 1988, 21 U.S.C. § 862, because of a conviction for possession or distribution of a controlled substance. This certification does not apply to applications filed in services exempted under § 1.2002(c) of the rules, 47 CFR § 1.2002(c). See 47 CFR § 1.2002(b) for the definition of "party to the application" as used in this certification.
5) The Applicant certifies that it either (1) has current required ownership data on file with the Commission, (2) is filing updated ownership data simultaneously with this application, or (3) is not required to file ownership data under the Commission's Rules.
6) The Applicant certifies that the facilities, operations, and transmitters for which this authorization is hereby requested are either: (1) categorically excluded from routine environmental evaluation for RF exposure as set forth in 47 CFR § 1.1307(b); or, (2) have been found not to cause human exposure to levels of radiofrequency radiation in excess of the limits specified in 47 CFR §§ 1.1310 and 2.1093; or, (3) are the subject of one or more Environmental Assessments filed with the Commission.
7) The Applicant certifies that it has reviewed the appropriate Commission Rules defining eligibility to hold the requested license(s) and is eligible to hold the requested license(s).
8) The Applicant certifies that it is not in default on any payment for Commission licenses and that it is not delinquent on any non-tax debt owed to any federal agency.
9) The Applicant certifies that the Applicant and all of the related individuals and entities required to be disclosed on this application and FCC Form 602 (FCC Ownership Disclosure Information for the Wireless Telecommunications Services) are not person(s) who have been, for reasons of national security, barred by any agency of the Federal Government from bidding on a contract, participating in an auction, or receiving a grant. This certification applies only to applications for licenses for spectrum that is required by Sections 6103, 6401-6403 of the Middle Class Tax Relief and Job Creation Act of 2012, codified at 47 U.S.C. §§ 309, 1413, 1451-1452, to be assigned by a system of competitive bidding under 47 U.S.C. § 309(j).

Signature

60) Typed or Printed Name of Party Authorized to Sign

First Name: Jessica	MI:	Last Name: Dunk	Suffix:
61) Title: Assistant Secretary - Compliance			
Signature: Jessica Dunk			62) Date: 01/22/2024
FAILURE TO SIGN THIS APPLICATION MAY RESULT IN DISMISSAL OF THE APPLICATION AND FORFEITURE OF ANY FEES PAID.			
Upon grant of this license application, the Licensee may be subject to certain construction or coverage requirements. Failure to meet the construction or coverage requirements will result in termination of the license. Consult appropriate FCC regulations to determine the construction or coverage requirements that apply to the type of license requested in this application.			
WILLFUL FALSE STATEMENTS MADE ON THIS FORM OR ANY ATTACHMENTS ARE PUNISHABLE BY FINE AND/OR IMPRISONMENT (U.S. Code, Title 18, § 1001) AND/OR REVOCATION OF ANY STATION LICENSE OR CONSTRUCTION PERMIT (U.S. Code, Title 47, § 312(a)(1)), AND/OR FORFEITURE (U.S. Code, Title 47, § 503).			

REFERENCE COPY

This is not an official FCC license. It is a record of public information contained in the FCC's licensing database on the date that this reference copy was generated. In cases where FCC rules require the presentation, posting, or display of an FCC license, this document may not be used in place of an official FCC license.



**Federal Communications Commission
Wireless Telecommunications Bureau
RADIO STATION AUTHORIZATION**

LICENSEE: NEW CINGULAR WIRELESS PCS, LLC

ATTN: NATIONAL REGULATORY COMPLIANCE
NEW CINGULAR WIRELESS PCS, LLC
208 S AKARD ST, 20F
DALLAS, TX 75202

Call Sign WQQQ237	File Number
Radio Service CW - PCS Broadband	

FCC Registration Number (FRN): 0003291192

Grant Date 04-11-2017	Effective Date 01-24-2024	Expiration Date 04-28-2027	Print Date
Market Number BTA314	Channel Block F	Sub-Market Designator 2	
Market Name Nashville, TN			
1st Build-out Date	2nd Build-out Date	3rd Build-out Date	4th Build-out Date

Waivers/Conditions:

This authorization is subject to the condition that, in the event that systems using the same frequencies as granted herein are authorized in an adjacent foreign territory (Canada/United States), future coordination of any base station transmitters within 72 km (45 miles) of the United States/Canada border shall be required to eliminate any harmful interference to operations in the adjacent foreign territory and to ensure continuance of equal access to the frequencies by both countries.

This authorization is conditioned upon the full and timely payment of all monies due pursuant to Sections 1.2110 and 24.716 of the Commission's Rules and the terms of the Commission's installment plan as set forth in the Note and Security Agreement executed by the licensee. Failure to comply with this condition will result in the automatic cancellation of this authorization.

Conditions:

Pursuant to §309(h) of the Communications Act of 1934, as amended, 47 U.S.C. §309(h), this license is subject to the following conditions: This license shall not vest in the licensee any right to operate the station nor any right in the use of the frequencies designated in the license beyond the term thereof nor in any other manner than authorized herein. Neither the license nor the right granted thereunder shall be assigned or otherwise transferred in violation of the Communications Act of 1934, as amended. See 47 U.S.C. § 310(d). This license is subject in terms to the right of use or control conferred by §706 of the Communications Act of 1934, as amended. See 47 U.S.C. §606.

This license may not authorize operation throughout the entire geographic area or spectrum identified on the hardcopy version. To view the specific geographic area and spectrum authorized by this license, refer to the Spectrum and Market Area information under the Market Tab of the license record in the Universal Licensing System (ULS). To view the license record, go to the ULS homepage at <http://wireless.fcc.gov/uls/index.htm?job=home> and select "License Search". Follow the instructions on how to search for license information.

Licensee Name: NEW CINGULAR WIRELESS PCS, LLC

Call Sign: WQQQ237

File Number:

Print Date:

700 MHz Relicensed Area Information:

Market	Market Name	Buildout Deadline	Buildout Notification	Status
---------------	--------------------	--------------------------	------------------------------	---------------

Reference Copy

Reference Copy Only. Do Not Mail to the FCC as an Application.

Submitted: 01/13/2023 at 18:08:22
 File Number: 0010369386

FCC 601
Main Form

FCC Application for Radio Service Authorization: Wireless Telecommunications Bureau Public Safety and Homeland Security Bureau

Approved by OMB
 3060 - 0798
 See instructions for
 public burden estimate

1) Radio Service Code: CW	1a) Existing Radio Service Code:
---	----------------------------------

General Information

2) (Select only one) (AU) NE - New RO - Renewal Only AU - Administrative Update NT - Required Notifications MD - Modification RM - Renewal/Modification WD - Withdrawal of Application EX - Requests for Extension of Time AM - Amendment CA - Cancellation of License RL - Registered Location/Link	
3a) If this application is for a Demonstration License or a Special Temporary Authorization (STA) , enter the code and attach the required exhibit as described in the instructions. Otherwise enter ' N/A ' (Not Applicable).	(N) <u>M</u> <u>S</u> <u>N/A</u>
3b) If this application is for Special Temporary Authority due to an emergency situation, enter 'Y'; otherwise enter 'N'. Refer to Rule 1.915 for an explanation of situations considered to be an emergency.	() <u>Y</u> es <u>N</u> o
4) If this application is for an Amendment or Withdrawal, enter the file number of the pending application currently on file with the FCC.	File Number
5) If this application is for a Modification, Renewal Only, Renewal/Modification, Cancellation of License, or Administrative Update, enter the call sign of the existing FCC license. If this is a request for Registered Location/Link, enter the FCC call sign assigned to the geographic license.	Call Sign WQQQ237
6a) If this application is for a New, Amendment, Renewal Only, or Renewal/Modification, enter the requested authorization expiration date (this item is optional).	MM DD /
6b) If this application is for a Renewal Only or Renewal/Modification and the license is a geographic area license, is the license used to provide service to customers (C), or is the license used for private business (internal) purposes or to meet the licensee's public interest/public safety communications needs (P)?	() <u>C</u> <u>P</u>
7) Is this application "major" as defined in § 1.929 of the Commission's Rules when read in conjunction with the applicable radio service rules found in Parts 22 and 90 of the Commission's Rules? (NOTE: This question only applies to certain site-specific applications. See the instructions for applicability and full text of § 1.929).	() <u>Y</u> es <u>N</u> o
8) Are attachments (other than associated schedules) being filed with this application?	() <u>Y</u> es <u>N</u> o

Fees, Waivers, and Exemptions

9) Is the Applicant exempt from FCC application fees?	(N) <u>Y</u> es <u>N</u> o
10) Is the Applicant exempt from FCC regulatory fees?	(N) <u>Y</u> es <u>N</u> o
11) Does this application include a request for a Waiver of the Commission's Rule(s)? If 'Yes', attach an exhibit providing rule number(s) and explaining circumstances.	(N) <u>Y</u> es <u>N</u> o
12) Are the frequencies or parameters requested in this filing covered by grandfathered privileges, previously approved by waiver, or functionally integrated with an existing station?	() <u>Y</u> es <u>N</u> o

Applicant Information

13) FCC Registration Number (FRN): 0003291192			
14) Applicant/Licensee Legal Entity Type: (Select One) () Individual () Unincorporated Association () Trust () Government Entity () Corporation (<input checked="" type="checkbox"/>) Limited Liability Company () General Partnership () Limited Partnership () Limited Liability Partnership () Consortium () Other: _____			
15) If the Licensee name is being updated, is the update a result from the sale (or transfer of control) of the license(s) to party and for which proper Commission approval has not been received or proper notification not provided?			() Yes <input checked="" type="checkbox"/> No
16) First Name (if individual):	MI:	Last Name:	Suffix:
17) Legal Entity Name (if other than individual): NEW CINGULAR WIRELESS PCS, LLC			
18) Attention To: FCC Group			
19) P.O. Box:	And/Or	20) Street Address: 208 S. Akard St. 20F	
21) City: Dallas	22) State: TX	23) Zip Code: 75202	
24) Telephone Number: (855)699-7073		25) Fax: (214)746-6410	
26) E-Mail Address: FCCMW@att.com			

27) Demographics (Optional)

Race: () American Indian or Alaska Native () Asian () Black or African-American () Native Hawaiian or Other Pacific Islander () White	Ethnicity: () Hispanic or Latino () Not Hispanic or Latino	Gender: () Male () Female
---	--	-----------------------------------

Real Party in Interest

28) Name of Real Party in Interest of Applicant (If different from Applicant):	29) FCC Registration Number (FRN) of Real Party in Interest:
--	--

Contact Information (If different from the Applicant) Check here if same as Applicant.

30) First Name: Cecil	MI: J	Last Name: Mathew	Suffix:
31) Company Name: AT&T Services, Inc.			
32) Attention To: FCC Group			
33) P.O. Box:	And /Or	34) Street Address: 208 S. Akard St. 20F	
35) City: Dallas	36) State: TX	37) Zip Code: 75202	
38) Telephone Number: (855)699-7073		39) Fax: (214)746-6410	
40) E-Mail Address: FCCMW@att.com			

Regulatory Status

41) This filing is for authorization to provide or use the following type(s) of radio service offering (enter all that apply): (<input type="checkbox"/>) <u>C</u> ommon Carrier (<input type="checkbox"/>) <u>N</u> on-Common Carrier (<input type="checkbox"/>) <u>P</u> rivate, internal communications (<input type="checkbox"/>) <u>B</u> roadcast Services (<input type="checkbox"/>) <u>B</u> and <u>M</u> anager

Type of Radio Service

42) This filing is for authorization to provide the following type(s) of radio service (choose all that apply): (<input type="checkbox"/>) <u>F</u> ixed (<input type="checkbox"/>) <u>M</u> obile (<input type="checkbox"/>) <u>R</u> adiolocation (<input type="checkbox"/>) <u>S</u> atellite (sound) (<input type="checkbox"/>) <u>B</u> roadcast Services
43) Does the Applicant propose to provide service interconnected to the public telephone network? (<input type="checkbox"/>) <u>Y</u> es <u>N</u> o

Alien Ownership Questions (If any answer is 'Y', provide an attachment explaining the circumstances. In preparing the attachment, refer to the Main Form Instructions for the "Alien Ownership Questions".)

44) Is the Applicant a foreign government or the representative of any foreign government? (<input type="checkbox"/>) <u>Y</u> es <u>N</u> o
45) Is the Applicant an alien or the representative of an alien? (<input type="checkbox"/>) <u>Y</u> es <u>N</u> o
46) Is the Applicant a corporation organized under the laws of any foreign government? (<input type="checkbox"/>) <u>Y</u> es <u>N</u> o
47) Is the Applicant a corporation of which more than one-fifth of the capital stock is owned of record or voted by aliens or their representatives, or by a foreign government or representative thereof, or by any corporation organized under the laws of a foreign country? (<input type="checkbox"/>) <u>Y</u> es <u>N</u> o

48a) Is the Applicant directly or indirectly controlled by any other corporation of which more than one-fourth of the capital stock () Yes No is owned of record or voted by aliens or their representatives, or by a foreign government or representative thereof, or by any corporation organized under the laws of a foreign country?

48b) If the answer to 47 or 48a is 'Y' select one of the choices below.

The Applicant is exempt from the provisions of Section 310(b).

If checked, it is not necessary to file a petition for declaratory ruling if the Applicant includes in the attachment required by Item 47 or Item 48a a showing that the requested license(s) is exempt from the provisions of Section 310(b).

The Applicant has received a declaratory ruling(s) approving its foreign ownership, and the application involves only the acquisition of additional spectrum for the provision of a wireless service in a geographic coverage area for which the Applicant has been previously authorized.

If checked, include in the attachment required by Item 47 or Item 48a the citation(s) of the applicable declaratory ruling(s) by DA/FCC number, the FCC Record citation, if available, release date, and a statement that there has been no change in the foreign ownership of the Applicant since the issuance of its ruling.

The Applicant: (i) has received a declaratory ruling(s) approving its foreign ownership, but is not able to make the certification specified immediately above; or (ii) is an "affiliate" of a Licensee or Lessee/Sublessee that received a declaratory ruling(s) under 47 CFR § 1.5000(a) and is relying on the affiliate's ruling for purposes of filing this application as permitted under the affiliate's ruling and 47 CFR § 1.5004(b)

If checked, and if the Applicant received its declaratory ruling(s) on or after August 9, 2013, include in the attachment required by Item 47 or Item 48a the citation(s) of the Applicant's declaratory ruling(s) by DA/FCC number, the FCC Record citation, if available, release date, and a statement that the Applicant is in compliance with the terms and conditions of its ruling and with the Commission's Rules.

If checked, and if the Applicant received its declaratory ruling(s) prior to August 9, 2013, include in the attachment required by Item 48a a copy of a petition for declaratory ruling filed contemporaneously with the Commission to extend the Applicant's existing ruling(s) to cover the same radio service(s) and geographic coverage area(s) involved in the application. Alternatively, the Applicant may request a new declaratory ruling pursuant to Section 1.5000(a) of the Commission's Rules, 47 CFR § 1.5000 (a). Petitions for declaratory ruling may be filed electronically on the Internet through the International Bureau Filing System (IBFS) (with a copy attached hereto).

If checked, and if the Applicant is relying on an affiliate's ruling for purposes of filing this application, include in the attachment required by Item 47 or Item 48a the citation(s) of the applicable declaratory ruling(s) by DA/FCC number, the FCC Record citation, if available, release date, and a statement that the Applicant is in compliance with the terms and conditions of the named affiliate's ruling and with the Commission's Rules. The Applicant must also include a certification of compliance signed by the named affiliate or other qualified entity as specified in 47 CFR § 1.5004(b). See Main Form Instructions for Items 47 or 48a, as applicable.

The Applicant has not received a declaratory ruling approving its foreign ownership and is requesting a declaratory ruling under 47 CFR § 1.5004(b) in a petition filed contemporaneously with the Commission.

If checked, include in the attachment required by Item 47 or 48a a copy of the petition for declaratory ruling filed contemporaneously with the Commission pursuant to 47 CFR § 1.5004(b). Petitions for declaratory ruling may be filed electronically on the Internet through the International Bureau Filing System (IBFS) (with a copy attached hereto).

Basic Qualification Questions

49) Has the Applicant or any party to this application had any FCC station authorization, license or construction permit revoked or had any application for an initial, modification or renewal of FCC station authorization, license, or construction permit denied by the Commission?	() <u>Yes</u> <u>No</u>
50) Has the Applicant or any party to this application, or any party directly or indirectly controlling the Applicant, ever been convicted of a felony by any state or federal court?	() <u>Yes</u> <u>No</u>
51) Has any court finally adjudged the Applicant or any party directly or indirectly controlling the Applicant guilty of unlawfully monopolizing or attempting unlawfully to monopolize radio communication, directly or indirectly, through control of manufacture or sale of radio apparatus, exclusive traffic arrangement, or any other means or unfair methods of competition?	() <u>Yes</u> <u>No</u>

Note: If the answer to any of 49-51 is 'Y', attach an exhibit explaining the circumstances.

Aeronautical Advisory Station (Unicom) Certification

52) () I certify that the station will be located on property of the airport to be served, and, in cases where the airport does not have a control tower, RCO, or FAA flight service station, that I have notified the owner of the airport and all aviation service organizations located at the airport within ten days prior to application.
--

Broadband Radio Service and Educational Broadband Service Cable Cross-Ownership

53a) Will the requested facilities be used to provide multichannel video programming service?	() <u>Yes</u> <u>No</u>
53b) If the answer to question 53a is 'Y', does the Applicant operate, control or have an attributable interest (as defined in 47 CFR § 27.1202) in a cable television system whose franchise area is located within the geographic service area of the requested facilities?	() <u>Yes</u> <u>No</u>

Note: If the answer to question 53b is 'Y', attach an exhibit explaining how the Applicant complies with 47 CFR § 27.1202 or justifying a waiver of that rule. If a waiver of the Commission Rule(s) is being requested, Item 11a must be answered 'Y'.

Broadband Radio Service and Educational Broadband Service (Part 27)

54) (For EBS only) Does the Applicant comply with the programming requirements contained in 47 CFR § 27.1203?	() <u>Yes</u> <u>No</u>
---	--------------------------

Note: If the answer to item 54 is 'N', attach an exhibit explaining how the Applicant complies with 47 CFR § 27.1203 of the Commission's Rules or justifying a waiver of that rule. If a waiver of the Commission Rule(s) is being requested, Item 11a must be answered 'Y'.

55) (For BRS and EBS) Does the Applicant comply with 47 CFR §§ 27.50, 27.55, and 27.1221?	() <u>Yes</u> <u>No</u>
---	--------------------------

Note: If the answer to item 55 is 'N', attach an exhibit justifying a waiver of that rule(s). If a waiver of the Commission Rule(s) is being requested, Item 11a must be answered 'Y'.

For Applicants Who Participated in an Auction

56) Is the Applicant a qualifying rural wireless partnership or a member of a qualifying rural wireless partnership?	() <u>Yes</u> <u>No</u>
--	--------------------------

Note: If the answer to item 56 is 'Y', attach an exhibit listing all members of the qualifying rural wireless partnership, including their FRN numbers.

For Renewal Applicants

57) Operation/Performance Requirement Certification

[For a site-based license]: Applicant certifies that it is continuing to operate consistent with its most recently filed construction notification (or most recent authorization, if no construction notification was required).	() <u>Yes</u> <u>No</u>
[For a geographic license, commercial service - licensee in its initial license term with an interim performance requirement]: Applicant certifies that it has met its interim performance requirement, that over the portion of the license term following the interim performance requirement, it continues to use its facilities to provide at least the level of service required by its interim performance requirement, it has met its final performance requirement, and it continues to use its facilities to provide at least the level of service required by its final performance requirement through the end of the license term.	() <u>Yes</u> <u>No</u>
[For a geographic license, commercial service - licensee in its initial license term with no interim performance requirement]: Applicant certifies that it has met its final performance requirement and it continues to use its facilities to provide at least the level of service required by its final performance requirement through the end of the license term. [Note: licensee must provide a showing demonstrating that the final performance requirement has been met, either separately in a timely application for notification of completion of construction, or as part of its renewal application, depending on the radio service.]	() <u>Yes</u> <u>No</u>
[For a geographic license, commercial service - licensee in any subsequent term]: Applicant certifies that it continues to use its facilities to provide at least the level of service required by its final performance requirement through the end of any subsequent license terms.	() <u>Yes</u> <u>No</u>
[For a geographic license, private systems - licensee in its initial license term with an interim performance requirement]: Applicant certifies that it has met its interim performance requirement, that over the portion of the license term following the interim performance requirement, it continues to use its facilities to further its private business or public interest/public safety communications needs at or above the level required to meet its interim performance requirement, it has met its final performance requirement, and it continues to use its facilities to provide at least the level of operation required by its final performance requirement through the end of the license term.	() <u>Yes</u> <u>No</u>
[For a geographic license, private systems - licensee in its initial license term with no interim performance requirement]: Applicant certifies that it has met its final performance requirement, it continues to use its facilities to further its private business or public interest/public safety communications needs, and it continues to use its facilities to provide at least the level of operation required by its final performance requirement through the end of the license term. [Note: licensee must provide a showing demonstrating that the final performance requirement has been met, either separately in a timely application for notification of completion of construction, or as part of its renewal application, depending on the radio service.]	() <u>Yes</u> <u>No</u>

[For a geographic license, private systems - licensee in any subsequent term]: Applicant certifies that it continues to use its facilities to further its private business or public interest/public safety communications needs at or above the level required to meet its final performance requirement through the end of any subsequent license terms.	(<input type="checkbox"/>) <u>Yes</u> <u>No</u>
[For a partitioned or disaggregated license without a performance requirement, for the first renewal application filed after effective date of the rules]: Applicant certifies that the partitioned and/or disaggregated license that is the subject of this renewal application has no separate performance requirement and that this is the first renewal of this license filed subsequent to the effective date of the rules.	(<input type="checkbox"/>) <u>Yes</u> <u>No</u>
[For a partitioned or disaggregated license without a performance requirement, for any subsequent renewal filings]: Applicant certifies that it continues to use its facilities to provide service or to further the applicant's private business or public interest/public safety needs.	(<input type="checkbox"/>) <u>Yes</u> <u>No</u>

Discontinuance of Service Certification

58) Applicant certifies that no permanent discontinuance of service or operation, as applicable, occurred during its current license term. Note: If the response to either item 57 or item 58 is 'N', attach an exhibit that demonstrates that over the course of the license term, the Applicant provided and continues to provide service to the public, or operated and continues to operate the license to meet the Applicant's private business or public interest/public safety communications needs. This exhibit must include a detailed description of the Applicant's provision of service or, when allowed under the relevant service rules or pursuant to waiver, use of the spectrum for private business or public interest/public safety communications needs, during the entire license period and address, as applicable: 1) the level and quality of service provided by the applicant (e.g., the population served, the area served, the number of subscribers, the services offered); (2) the date service commenced, whether service was ever interrupted, and the duration of any interruption or outage; (3) the extent to which service is provided to rural areas; (4) the extent to which service is provided to qualifying tribal land as defined in 47 CFR § 1.2110(e)(3)(i); and (5) any other factors associated with the level of service to the public. The licensee may note in its exhibit: 1) any grant(s) of waiver or extension of a performance deadline or license renewal subject to meeting a performance requirement; or 2) if the final performance deadline and/or expiration date for the license accelerated because the licensee did not meet an interim performance requirement.	(<input type="checkbox"/>) <u>Yes</u> <u>No</u>
--	---

Regulatory Compliance Certification [same for all]

59) Applicant certifies that it has substantially complied with all applicable FCC rules, policies, and the Communications Act of 1934, as amended. Note: If the response to item 59 is 'N', attach an exhibit explaining the circumstances and demonstrating why Applicant's license should be renewed.	(<input type="checkbox"/>) <u>Yes</u> <u>No</u>
--	---

General Certification Statements

1) The Applicant waives any claim to the use of any particular frequency or of the electromagnetic spectrum as against the regulatory power of the United States because of the previous use of the same, whether by license or otherwise, and requests an authorization in accordance with this application.
2) The Applicant certifies that grant of this application would not cause the Applicant to be in violation of any pertinent cross-ownership or attribution rules.* *If the Applicant has sought a waiver of any such rule in connection with this application, it may make this certification subject to the outcome of the waiver request.
3) The Applicant certifies that all statements made in this application and in the exhibits, attachments, or documents incorporated by reference are material, are part of this application, and are true, complete, correct, and made in good faith.
4) The Applicant certifies that neither the Applicant nor any other party to the application is subject to a denial of Federal benefits pursuant to § 5301 of the Anti-Drug Abuse Act of 1988, 21 U.S.C. § 862, because of a conviction for possession or distribution of a controlled substance. This certification does not apply to applications filed in services exempted under § 1.2002(c) of the rules, 47 CFR § 1.2002(c). See 47 CFR § 1.2002(b) for the definition of "party to the application" as used in this certification.
5) The Applicant certifies that it either (1) has current required ownership data on file with the Commission, (2) is filing updated ownership data simultaneously with this application, or (3) is not required to file ownership data under the Commission's Rules.
6) The Applicant certifies that the facilities, operations, and transmitters for which this authorization is hereby requested are either: (1) categorically excluded from routine environmental evaluation for RF exposure as set forth in 47 CFR § 1.1307(b); or, (2) have been found not to cause human exposure to levels of radiofrequency radiation in excess of the limits specified in 47 CFR §§ 1.1310 and 2.1093; or, (3) are the subject of one or more Environmental Assessments filed with the Commission.
7) The Applicant certifies that it has reviewed the appropriate Commission Rules defining eligibility to hold the requested license(s) and is eligible to hold the requested license(s).
8) The Applicant certifies that it is not in default on any payment for Commission licenses and that it is not delinquent on any non-tax debt owed to any federal agency.
9) The Applicant certifies that the Applicant and all of the related individuals and entities required to be disclosed on this application and FCC Form 602 (FCC Ownership Disclosure Information for the Wireless Telecommunications Services) are not person(s) who have been, for reasons of national security, barred by any agency of the Federal Government from bidding on a contract, participating in an auction, or receiving a grant. This certification applies only to applications for licenses for spectrum that is required by Sections 6103, 6401-6403 of the Middle Class Tax Relief and Job Creation Act of 2012, codified at 47 U.S.C. §§ 309, 1413, 1451-1452, to be assigned by a system of competitive bidding under 47 U.S.C. § 309(j).

Signature

60) Typed or Printed Name of Party Authorized to Sign

First Name: Cecil	MI: J	Last Name: Mathew	Suffix:
61) Title: Assistant Secretary - Compliance			
Signature: Cecil J Mathew			62) Date: 01/13/2023
FAILURE TO SIGN THIS APPLICATION MAY RESULT IN DISMISSAL OF THE APPLICATION AND FORFEITURE OF ANY FEES PAID.			
Upon grant of this license application, the Licensee may be subject to certain construction or coverage requirements. Failure to meet the construction or coverage requirements will result in termination of the license. Consult appropriate FCC regulations to determine the construction or coverage requirements that apply to the type of license requested in this application.			
WILLFUL FALSE STATEMENTS MADE ON THIS FORM OR ANY ATTACHMENTS ARE PUNISHABLE BY FINE AND/OR IMPRISONMENT (U.S. Code, Title 18, § 1001) AND/OR REVOCATION OF ANY STATION LICENSE OR CONSTRUCTION PERMIT (U.S. Code, Title 47, § 312(a)(1)), AND/OR FORFEITURE (U.S. Code, Title 47, § 503).			

Reference Copy Only. Do Not Mail to the FCC as an Application.

Submitted: 01/23/2024 at 17:43:02
 File Number: 0010873886

FCC 601
Main Form

FCC Application for Radio Service Authorization: Wireless Telecommunications Bureau Public Safety and Homeland Security Bureau

Approved by OMB
 3060 - 0798
 See instructions for
 public burden estimate

1) Radio Service Code: CW	1a) Existing Radio Service Code:
---	----------------------------------

General Information

2) (Select only one) (AU) NE - New RO - Renewal Only AU - Administrative Update NT - Required Notifications MD - Modification RM - Renewal/Modification WD - Withdrawal of Application EX - Requests for Extension of Time AM - Amendment CA - Cancellation of License RL - Registered Location/Link	
3a) If this application is for a Demonstration License or a Special Temporary Authorization (STA) , enter the code and attach the required exhibit as described in the instructions. Otherwise enter ' N/A ' (Not Applicable).	(N) <u>M</u> <u>S</u> <u>N/A</u>
3b) If this application is for Special Temporary Authority due to an emergency situation, enter 'Y'; otherwise enter 'N'. Refer to Rule 1.915 for an explanation of situations considered to be an emergency.	() <u>Y</u> es <u>N</u> o
4) If this application is for an Amendment or Withdrawal, enter the file number of the pending application currently on file with the FCC.	File Number
5) If this application is for a Modification, Renewal Only, Renewal/Modification, Cancellation of License, or Administrative Update, enter the call sign of the existing FCC license. If this is a request for Registered Location/Link, enter the FCC call sign assigned to the geographic license.	Call Sign WQQQ237
6a) If this application is for a New, Amendment, Renewal Only, or Renewal/Modification, enter the requested authorization expiration date (this item is optional).	MM DD /
6b) If this application is for a Renewal Only or Renewal/Modification and the license is a geographic area license, is the license used to provide service to customers (C), or is the license used for private business (internal) purposes or to meet the licensee's public interest/public safety communications needs (P)?	() <u>C</u> <u>P</u>
7) Is this application "major" as defined in § 1.929 of the Commission's Rules when read in conjunction with the applicable radio service rules found in Parts 22 and 90 of the Commission's Rules? (NOTE: This question only applies to certain site-specific applications. See the instructions for applicability and full text of § 1.929).	() <u>Y</u> es <u>N</u> o
8) Are attachments (other than associated schedules) being filed with this application?	() <u>Y</u> es <u>N</u> o

Fees, Waivers, and Exemptions

9) Is the Applicant exempt from FCC application fees?	(N) <u>Y</u> es <u>N</u> o
10) Is the Applicant exempt from FCC regulatory fees?	(N) <u>Y</u> es <u>N</u> o
11) Does this application include a request for a Waiver of the Commission's Rule(s)? If 'Yes', attach an exhibit providing rule number(s) and explaining circumstances.	(N) <u>Y</u> es <u>N</u> o
12) Are the frequencies or parameters requested in this filing covered by grandfathered privileges, previously approved by waiver, or functionally integrated with an existing station?	() <u>Y</u> es <u>N</u> o

Applicant Information

13) FCC Registration Number (FRN): 0003291192			
14) Applicant/Licensee Legal Entity Type: (Select One) <input type="checkbox"/> Individual <input type="checkbox"/> Unincorporated Association <input type="checkbox"/> Trust <input type="checkbox"/> Government Entity <input type="checkbox"/> Corporation <input checked="" type="checkbox"/> Limited Liability Company <input type="checkbox"/> General Partnership <input type="checkbox"/> Limited Partnership <input type="checkbox"/> Limited Liability Partnership <input type="checkbox"/> Consortium <input type="checkbox"/> Other: _____			
15) If the Licensee name is being updated, is the update a result from the sale (or transfer of control) of the license(s) to party and for which proper Commission approval has not been received or proper notification not provided?			<input type="checkbox"/> Yes <input checked="" type="checkbox"/> No
16) First Name (if individual):	MI:	Last Name:	Suffix:
17) Legal Entity Name (if other than individual): New Cingular Wireless PCS, LLC			
18) Attention To: National Regulatory Compliance			
19) P.O. Box:	And/Or	20) Street Address: 208 S Akard St, 20F	
21) City: Dallas	22) State: TX	23) Zip Code: 75202	
24) Telephone Number: (855)699-7073		25) Fax: (214)746-6410	
26) E-Mail Address: FCCMW@att.com			

27) Demographics (Optional)

Race: <input type="checkbox"/> American Indian or Alaska Native <input type="checkbox"/> Asian <input type="checkbox"/> Black or African-American <input type="checkbox"/> Native Hawaiian or Other Pacific Islander <input type="checkbox"/> White	Ethnicity: <input type="checkbox"/> Hispanic or Latino <input type="checkbox"/> Not Hispanic or Latino	Gender: <input type="checkbox"/> Male <input type="checkbox"/> Female
--	--	---

Real Party in Interest

28) Name of Real Party in Interest of Applicant (If different from Applicant):	29) FCC Registration Number (FRN) of Real Party in Interest:
--	--

Contact Information (If different from the Applicant) Check here if same as Applicant.

30) First Name: Jessica	MI: J	Last Name: Dunk	Suffix:
31) Company Name: AT&T Services, Inc.			
32) Attention To: NRC			
33) P.O. Box:	And /Or	34) Street Address: 208 S Akard St, 20F	
35) City: Dallas	36) State: TX	37) Zip Code: 75202	
38) Telephone Number: (855)699-7073		39) Fax: (214)746-6410	
40) E-Mail Address: FCCMW@att.com			

Regulatory Status

41) This filing is for authorization to provide or use the following type(s) of radio service offering (enter all that apply):
() **C**ommon Carrier () **N**on-Common Carrier () **P**rivate, internal communications () **B**roadcast Services () **B**and **M**anager

Type of Radio Service

42) This filing is for authorization to provide the following type(s) of radio service (choose all that apply):
() **F**ixed () **M**obile () **R**adiolocation () **S**atellite (sound) () **B**roadcast Services
43) Does the Applicant propose to provide service interconnected to the public telephone network? () **Y**es **N**o

Alien Ownership Questions (If any answer is "Y", provide an attachment explaining the circumstances. In preparing the attachment, refer to the Main Form Instructions for the "Alien Ownership Questions".)

44) Is the Applicant a foreign government or the representative of any foreign government? () **Y**es **N**o
45) Is the Applicant an alien or the representative of an alien? () **Y**es **N**o
46) Is the Applicant a corporation organized under the laws of any foreign government? () **Y**es **N**o
47) Is the Applicant a corporation of which more than one-fifth of the capital stock is owned of record or voted by aliens or their representatives, or by a foreign government or representative thereof, or by any corporation organized under the laws of a foreign country? () **Y**es **N**o

48a) Is the Applicant directly or indirectly controlled by any other corporation of which more than one-fourth of the capital stock () Yes No is owned of record or voted by aliens or their representatives, or by a foreign government or representative thereof, or by any corporation organized under the laws of a foreign country?

48b) If the answer to 47 or 48a is 'Y' select one of the choices below.

The Applicant is exempt from the provisions of Section 310(b).

If checked, it is not necessary to file a petition for declaratory ruling if the Applicant includes in the attachment required by Item 47 or Item 48a a showing that the requested license(s) is exempt from the provisions of Section 310(b).

The Applicant has received a declaratory ruling(s) approving its foreign ownership, and the application involves only the acquisition of additional spectrum for the provision of a wireless service in a geographic coverage area for which the Applicant has been previously authorized.

If checked, include in the attachment required by Item 47 or Item 48a the citation(s) of the applicable declaratory ruling(s) by DA/FCC number, the FCC Record citation, if available, release date, and a statement that there has been no change in the foreign ownership of the Applicant since the issuance of its ruling.

The Applicant: (i) has received a declaratory ruling(s) approving its foreign ownership, but is not able to make the certification specified immediately above; or (ii) is an "affiliate" of a Licensee or Lessee/Sublessee that received a declaratory ruling(s) under 47 CFR § 1.5000(a) and is relying on the affiliate's ruling for purposes of filing this application as permitted under the affiliate's ruling and 47 CFR § 1.5004(b)

If checked, and if the Applicant received its declaratory ruling(s) on or after August 9, 2013, include in the attachment required by Item 47 or Item 48a the citation(s) of the Applicant's declaratory ruling(s) by DA/FCC number, the FCC Record citation, if available, release date, and a statement that the Applicant is in compliance with the terms and conditions of its ruling and with the Commission's Rules.

If checked, and if the Applicant received its declaratory ruling(s) prior to August 9, 2013, include in the attachment required by Item 48a a copy of a petition for declaratory ruling filed contemporaneously with the Commission to extend the Applicant's existing ruling(s) to cover the same radio service(s) and geographic coverage area(s) involved in the application. Alternatively, the Applicant may request a new declaratory ruling pursuant to Section 1.5000(a) of the Commission's Rules, 47 CFR § 1.5000 (a). Petitions for declaratory ruling may be filed electronically on the Internet through the International Bureau Filing System (IBFS) (with a copy attached hereto).

If checked, and if the Applicant is relying on an affiliate's ruling for purposes of filing this application, include in the attachment required by Item 47 or Item 48a the citation(s) of the applicable declaratory ruling(s) by DA/FCC number, the FCC Record citation, if available, release date, and a statement that the Applicant is in compliance with the terms and conditions of the named affiliate's ruling and with the Commission's Rules. The Applicant must also include a certification of compliance signed by the named affiliate or other qualified entity as specified in 47 CFR § 1.5004(b). See Main Form Instructions for Items 47 or 48a, as applicable.

The Applicant has not received a declaratory ruling approving its foreign ownership and is requesting a declaratory ruling under 47 CFR § 1.5004(b) in a petition filed contemporaneously with the Commission.

If checked, include in the attachment required by Item 47 or 48a a copy of the petition for declaratory ruling filed contemporaneously with the Commission pursuant to 47 CFR § 1.5004(b). Petitions for declaratory ruling may be filed electronically on the Internet through the International Bureau Filing System (IBFS) (with a copy attached hereto).

Basic Qualification Questions

49) Has the Applicant or any party to this application had any FCC station authorization, license or construction permit revoked or had any application for an initial, modification or renewal of FCC station authorization, license, or construction permit denied by the Commission?	() <u>Yes</u> <u>No</u>
50) Has the Applicant or any party to this application, or any party directly or indirectly controlling the Applicant, ever been convicted of a felony by any state or federal court?	() <u>Yes</u> <u>No</u>
51) Has any court finally adjudged the Applicant or any party directly or indirectly controlling the Applicant guilty of unlawfully monopolizing or attempting unlawfully to monopolize radio communication, directly or indirectly, through control of manufacture or sale of radio apparatus, exclusive traffic arrangement, or any other means or unfair methods of competition?	() <u>Yes</u> <u>No</u>

Note: If the answer to any of 49-51 is 'Y', attach an exhibit explaining the circumstances.

Aeronautical Advisory Station (Unicom) Certification

52) () I certify that the station will be located on property of the airport to be served, and, in cases where the airport does not have a control tower, RCO, or FAA flight service station, that I have notified the owner of the airport and all aviation service organizations located at the airport within ten days prior to application.
--

Broadband Radio Service and Educational Broadband Service Cable Cross-Ownership

53a) Will the requested facilities be used to provide multichannel video programming service?	() <u>Yes</u> <u>No</u>
53b) If the answer to question 53a is 'Y', does the Applicant operate, control or have an attributable interest (as defined in 47 CFR § 27.1202) in a cable television system whose franchise area is located within the geographic service area of the requested facilities?	() <u>Yes</u> <u>No</u>

Note: If the answer to question 53b is 'Y', attach an exhibit explaining how the Applicant complies with 47 CFR § 27.1202 or justifying a waiver of that rule. If a waiver of the Commission Rule(s) is being requested, Item 11a must be answered 'Y'.

Broadband Radio Service and Educational Broadband Service (Part 27)

54) (For EBS only) Does the Applicant comply with the programming requirements contained in 47 CFR § 27.1203?	() <u>Yes</u> <u>No</u>
---	--------------------------

Note: If the answer to item 54 is 'N', attach an exhibit explaining how the Applicant complies with 47 CFR § 27.1203 of the Commission's Rules or justifying a waiver of that rule. If a waiver of the Commission Rule(s) is being requested, Item 11a must be answered 'Y'.

55) (For BRS and EBS) Does the Applicant comply with 47 CFR §§ 27.50, 27.55, and 27.1221?	() <u>Yes</u> <u>No</u>
---	--------------------------

Note: If the answer to item 55 is 'N', attach an exhibit justifying a waiver of that rule(s). If a waiver of the Commission Rule(s) is being requested, Item 11a must be answered 'Y'.

For Applicants Who Participated in an Auction

56) Is the Applicant a qualifying rural wireless partnership or a member of a qualifying rural wireless partnership?	() <u>Yes</u> <u>No</u>
--	--------------------------

Note: If the answer to item 56 is 'Y', attach an exhibit listing all members of the qualifying rural wireless partnership, including their FRN numbers.

For Renewal Applicants

57) Operation/Performance Requirement Certification

[For a site-based license]: Applicant certifies that it is continuing to operate consistent with its most recently filed construction notification (or most recent authorization, if no construction notification was required).	() <u>Yes</u> <u>No</u>
[For a geographic license, commercial service - licensee in its initial license term with an interim performance requirement]: Applicant certifies that it has met its interim performance requirement, that over the portion of the license term following the interim performance requirement, it continues to use its facilities to provide at least the level of service required by its interim performance requirement, it has met its final performance requirement, and it continues to use its facilities to provide at least the level of service required by its final performance requirement through the end of the license term.	() <u>Yes</u> <u>No</u>
[For a geographic license, commercial service - licensee in its initial license term with no interim performance requirement]: Applicant certifies that it has met its final performance requirement and it continues to use its facilities to provide at least the level of service required by its final performance requirement through the end of the license term. [Note: licensee must provide a showing demonstrating that the final performance requirement has been met, either separately in a timely application for notification of completion of construction, or as part of its renewal application, depending on the radio service.]	() <u>Yes</u> <u>No</u>
[For a geographic license, commercial service - licensee in any subsequent term]: Applicant certifies that it continues to use its facilities to provide at least the level of service required by its final performance requirement through the end of any subsequent license terms.	() <u>Yes</u> <u>No</u>
[For a geographic license, private systems - licensee in its initial license term with an interim performance requirement]: Applicant certifies that it has met its interim performance requirement, that over the portion of the license term following the interim performance requirement, it continues to use its facilities to further its private business or public interest/public safety communications needs at or above the level required to meet its interim performance requirement, it has met its final performance requirement, and it continues to use its facilities to provide at least the level of operation required by its final performance requirement through the end of the license term.	() <u>Yes</u> <u>No</u>
[For a geographic license, private systems - licensee in its initial license term with no interim performance requirement]: Applicant certifies that it has met its final performance requirement, it continues to use its facilities to further its private business or public interest/public safety communications needs, and it continues to use its facilities to provide at least the level of operation required by its final performance requirement through the end of the license term. [Note: licensee must provide a showing demonstrating that the final performance requirement has been met, either separately in a timely application for notification of completion of construction, or as part of its renewal application, depending on the radio service.]	() <u>Yes</u> <u>No</u>

[For a geographic license, private systems - licensee in any subsequent term]: Applicant certifies that it continues to use its facilities to further its private business or public interest/public safety communications needs at or above the level required to meet its final performance requirement through the end of any subsequent license terms.	(<input type="checkbox"/>) <u>Yes</u> <u>No</u>
[For a partitioned or disaggregated license without a performance requirement, for the first renewal application filed after effective date of the rules]: Applicant certifies that the partitioned and/or disaggregated license that is the subject of this renewal application has no separate performance requirement and that this is the first renewal of this license filed subsequent to the effective date of the rules.	(<input type="checkbox"/>) <u>Yes</u> <u>No</u>
[For a partitioned or disaggregated license without a performance requirement, for any subsequent renewal filings]: Applicant certifies that it continues to use its facilities to provide service or to further the applicant's private business or public interest/public safety needs.	(<input type="checkbox"/>) <u>Yes</u> <u>No</u>

Discontinuance of Service Certification

58) Applicant certifies that no permanent discontinuance of service or operation, as applicable, occurred during its current license term. Note: If the response to either item 57 or item 58 is 'N', attach an exhibit that demonstrates that over the course of the license term, the Applicant provided and continues to provide service to the public, or operated and continues to operate the license to meet the Applicant's private business or public interest/public safety communications needs. This exhibit must include a detailed description of the Applicant's provision of service or, when allowed under the relevant service rules or pursuant to waiver, use of the spectrum for private business or public interest/public safety communications needs, during the entire license period and address, as applicable: 1) the level and quality of service provided by the applicant (e.g., the population served, the area served, the number of subscribers, the services offered); (2) the date service commenced, whether service was ever interrupted, and the duration of any interruption or outage; (3) the extent to which service is provided to rural areas; (4) the extent to which service is provided to qualifying tribal land as defined in 47 CFR § 1.2110(e)(3)(i); and (5) any other factors associated with the level of service to the public. The licensee may note in its exhibit: 1) any grant(s) of waiver or extension of a performance deadline or license renewal subject to meeting a performance requirement; or 2) if the final performance deadline and/or expiration date for the license accelerated because the licensee did not meet an interim performance requirement.	(<input type="checkbox"/>) <u>Yes</u> <u>No</u>
--	---

Regulatory Compliance Certification [same for all]

59) Applicant certifies that it has substantially complied with all applicable FCC rules, policies, and the Communications Act of 1934, as amended. Note: If the response to item 59 is 'N', attach an exhibit explaining the circumstances and demonstrating why Applicant's license should be renewed.	(<input type="checkbox"/>) <u>Yes</u> <u>No</u>
--	---

General Certification Statements

1) The Applicant waives any claim to the use of any particular frequency or of the electromagnetic spectrum as against the regulatory power of the United States because of the previous use of the same, whether by license or otherwise, and requests an authorization in accordance with this application.
2) The Applicant certifies that grant of this application would not cause the Applicant to be in violation of any pertinent cross-ownership or attribution rules.* *If the Applicant has sought a waiver of any such rule in connection with this application, it may make this certification subject to the outcome of the waiver request.
3) The Applicant certifies that all statements made in this application and in the exhibits, attachments, or documents incorporated by reference are material, are part of this application, and are true, complete, correct, and made in good faith.
4) The Applicant certifies that neither the Applicant nor any other party to the application is subject to a denial of Federal benefits pursuant to § 5301 of the Anti-Drug Abuse Act of 1988, 21 U.S.C. § 862, because of a conviction for possession or distribution of a controlled substance. This certification does not apply to applications filed in services exempted under § 1.2002(c) of the rules, 47 CFR § 1.2002(c). See 47 CFR § 1.2002(b) for the definition of "party to the application" as used in this certification.
5) The Applicant certifies that it either (1) has current required ownership data on file with the Commission, (2) is filing updated ownership data simultaneously with this application, or (3) is not required to file ownership data under the Commission's Rules.
6) The Applicant certifies that the facilities, operations, and transmitters for which this authorization is hereby requested are either: (1) categorically excluded from routine environmental evaluation for RF exposure as set forth in 47 CFR § 1.1307(b); or, (2) have been found not to cause human exposure to levels of radiofrequency radiation in excess of the limits specified in 47 CFR §§ 1.1310 and 2.1093; or, (3) are the subject of one or more Environmental Assessments filed with the Commission.
7) The Applicant certifies that it has reviewed the appropriate Commission Rules defining eligibility to hold the requested license(s) and is eligible to hold the requested license(s).
8) The Applicant certifies that it is not in default on any payment for Commission licenses and that it is not delinquent on any non-tax debt owed to any federal agency.
9) The Applicant certifies that the Applicant and all of the related individuals and entities required to be disclosed on this application and FCC Form 602 (FCC Ownership Disclosure Information for the Wireless Telecommunications Services) are not person(s) who have been, for reasons of national security, barred by any agency of the Federal Government from bidding on a contract, participating in an auction, or receiving a grant. This certification applies only to applications for licenses for spectrum that is required by Sections 6103, 6401-6403 of the Middle Class Tax Relief and Job Creation Act of 2012, codified at 47 U.S.C. §§ 309, 1413, 1451-1452, to be assigned by a system of competitive bidding under 47 U.S.C. § 309(j).

Signature

60) Typed or Printed Name of Party Authorized to Sign

First Name: Jessica	MI:	Last Name: Dunk	Suffix:
61) Title: Assistant Secretary - Compliance			
Signature: Jessica Dunk			62) Date: 01/23/2024
FAILURE TO SIGN THIS APPLICATION MAY RESULT IN DISMISSAL OF THE APPLICATION AND FORFEITURE OF ANY FEES PAID.			
Upon grant of this license application, the Licensee may be subject to certain construction or coverage requirements. Failure to meet the construction or coverage requirements will result in termination of the license. Consult appropriate FCC regulations to determine the construction or coverage requirements that apply to the type of license requested in this application.			
WILLFUL FALSE STATEMENTS MADE ON THIS FORM OR ANY ATTACHMENTS ARE PUNISHABLE BY FINE AND/OR IMPRISONMENT (U.S. Code, Title 18, § 1001) AND/OR REVOCATION OF ANY STATION LICENSE OR CONSTRUCTION PERMIT (U.S. Code, Title 47, § 312(a)(1)), AND/OR FORFEITURE (U.S. Code, Title 47, § 503).			

EXHIBIT B

SITE DEVELOPMENT PLAN:

**500' VICINITY MAP
LEGAL DESCRIPTIONS
FLOOD PLAIN CERTIFICATION
SITE PLAN
VERTICAL TOWER PROFILE**



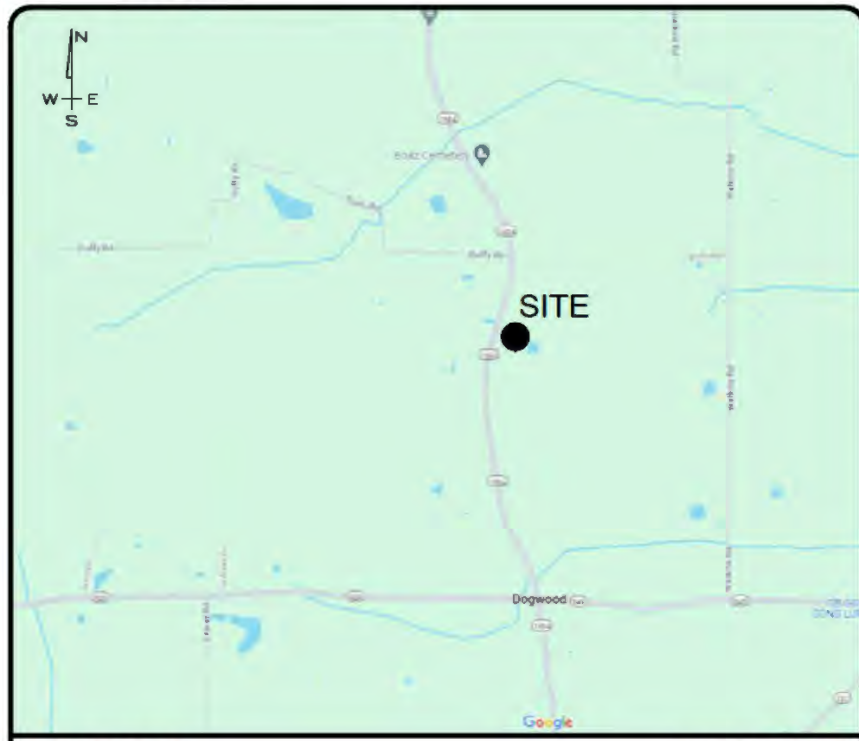
AT&T

SITE NAME:
KALER MILL

FA# 16147975
PACE# MRTNK068634
USID# 329278
IWM# WSTNK0004943

NEW BUILD SITE WITH PROPOSED 190'-0" MONOPOLE WITH
A 5' LIGHTNING ARRESTOR & INSTALLATION OF PROPOSED
WUC & GENERATOR ON A 10' X 17' CONCRETE PAD

CALL KENTUCKY
ONE CALL
(800) 752-6007
CALL 3 WORKING DAYS
BEFORE YOU DIG!



VICINITY MAP

NOT TO SCALE

DRIVE DIRECTIONS

STARTING AT GRAVES CO FISCAL COURT 1102 PARIS RD SUITE 2, MAYFIELD, KY 42066:

TAKE BARTON DR TO KY-121 BYPASS S	0.6 MI
HEAD NORTH TOWARD BARTON DR	203 FT
TURN RIGHT	0.3 MI
TURN LEFT ONTO BARTON DR	0.1 MI
TURN RIGHT ONTO S COMMONWEALTH DR	384 FT
TURN LEFT TOWARD KY-121 BYPASS S	413 FT
TAKE KY-131 N TO KY-1684 N IN BOAZ	13.1 MI
TURN LEFT ONTO KY-121 BYPASS S	1.6 MI
TURN RIGHT ONTO KY-58 E	1.7 MI
TURN LEFT ONTO KY-131 N	7.9 MI
TURN LEFT ONTO KY-1684 N	2.0 MI

ARRIVE AT SITE ACCESS DRIVE ON THE RIGHT

DIRECTIONS PREPARED BY:
MARK PATTERSON
(502) 276-2779

SCOPE OF WORK

CONSTRUCTION DRAWINGS FOR:
CONSTRUCTION OF A NEW UNMANNED TELECOMMUNICATIONS FACILITY.
SITE WORK: NEW TOWER, UNMANNED EQUIPMENT CABINET, AND UTILITY
INSTALLATIONS.

PROJECT INFORMATION

COUNTY: GRAVES
SITE ADDRESS: 1950 STATE ROUTE 1684
BOAZ, KY 42027
APPLICANT: NEW CINGULAR WIRELESS
PSC LLC A DELAWARE
LIMITED LIABILITY
COMPANY, D/B/A AT&T
MOBILITY, 534 ARMORY
PLACE, 4TH FLOOR,
LOUISVILLE, KY 40202.
LATITUDE: 36°53'41.349908"
(36.894819)
LONGITUDE: -88°34'37.685318"
(-88.577135)

CONTACT INFORMATION

EMERGENCY
CALL 911

LANDLORD APPROVAL

SIGNATURE _____ DATE _____

SHEET INDEX

T-1	TITLE SHEET & PROJECT INFORMATION
SURVEY:	
B-1 - B-1.3	SITE SURVEY
B-2 - B-2.1	500' RADIUS & ABUTTERS MAP
GENERAL:	
GN-1	GENERAL NOTES & SPECIFICATIONS
GN-2	ANTENNA INSTALLATION NOTES
CIVIL:	
C-1	OVERALL SITE PLAN
C-2	ENLARGED SITE PLAN
C-3	COMPOUND SITE PLAN
C-4	TOWER ELEVATION
C-4.1	POWER INSTALLATION DETAIL
C-4.2	HANGER SPECS
C-5	WUC SPECS
C-5.1	RECTIFIER SPECS
C-5.2	BATTERY SPECS
C-5.3	OVP & FIBER CABINET SPECS
C-5.4	PTLS & MTS SPECS
C-6	GENERATOR SPECS
C-7	FENCE DETAILS
C-7.1	AT&T SIGNAGE DETAILS
C-8	WUC FOUNDATION PLAN (PAD)
C-9	GROUND EQUIPMENT SPECS
RADIO FREQUENCY DATA SHEETS:	
RF-1	PLUMBING DIAGRAM
RF-2	ANTENNA MOUNT & ORIENTATION
RF-3	PROPOSED EQUIPMENT SCHEDULE
RF-4	EQUIPMENT SPECS
RF-4.1	EQUIPMENT SPECS
RF-5	MOUNT PARTS LIST

ATTACHED:
MOUNT SPECIFICATIONS

PREPARED BY:



PREPARED FOR:



575 MOROSGO DRIVE
ATLANTA, GA 30324-3300



04/10/2024

EN PERMIT: 3594

ZONING DRAWINGS

REV.	DATE	DESCRIPTION
A	11/02/23	PRELIM ISSUE
0	03/05/24	CONSTRUCTION
1	04/10/24	CONSTRUCTION

SITE NAME:
KALER MILL

SITE INFORMATION:
1950 STATE ROUTE 1684
BOAZ, KY 42027
GRAVES COUNTY

FA NUMBER:
16147975

USID:
329278

POD PROJECT NUMBER: 23-157797
DRAWN BY: EW
CHECKED BY: MEP
DATE: 04/10/24

SHEET TITLE:
**TITLE SHEET
& PROJECT
INFORMATION**

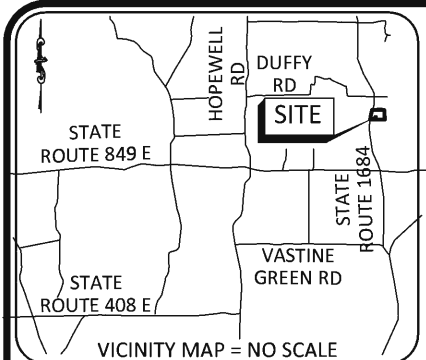
SHEET NUMBER:
T-1

BUILDING CODES AND STANDARDS

CONTRACTOR'S WORK SHALL COMPLY WITH ALL
APPLICABLE NATIONAL, STATE AND LOCAL CODES AS
ADOPTED BY THE LOCAL AUTHORITY HAVING
JURISDICTION FOR THE LOCATION.

- CONTRACTOR'S WORK SHALL COMPLY WITH THE LATEST EDITION OF THE FOLLOWING STANDARDS:
- AMERICAN CONCRETE INSTITUTE 318
- AMERICAN INSTITUTE OF STEEL CONSTRUCTION MANUAL OF STEEL CONSTRUCTION
- TELECOMMUNICATIONS INDUSTRY ASSOCIATION TIA-222
- STRUCTURAL STANDARDS FOR STEEL ANTENNA TOWER AND SUPPORTING STRUCTURES TIA-601
- COMMERCIAL BUILDING GROUNDING AND BONDING REQUIREMENTS FOR TELECOMMUNICATIONS
- INSTITUTE FOR ELECTRICAL AND ELECTRONICS ENGINEERS IEEE-81, IEEE 1100, IEEE C62.41
- ANSI T1.311, FOR TELECOM - DC POWER SYSTEMS - TELECOM, ENVIRONMENTAL PROTECTION
- 2018 KENTUCKY BUILDING CODE, 4TH EDITION/2015 IBC W/ AMENDMENTS
- 2018 KENTUCKY BUILDING CODE, 4TH EDITION/2015 IMC W/ AMENDMENTS
- 2018 KENTUCKY BUILDING CODE, 4TH EDITION/2017 NEC

FOR ANY CONFLICTS BETWEEN SECTIONS OF LISTED CODES AND STANDARDS, THE MOST RESTRICTIVE REQUIREMENT SHALL GOVERN.



TRUE NORTH
GRID NORTH
N
-1° 44' 09"
BASED ON KENTUCKY STATE PLANE SINGLE ZONE. THE SOURCE OF BEARINGS WERE DETERMINED BY A GPS OBSERVATIONS COMPLETED ON AUGUST 24, 2023

PARCEL ID: 115.00.00.025.00
MITCHELL D. BURGESS
DEED BOOK 436, PAGE 246

TEMPORARY BENCHMARK
NORTHING: 3,497,727.767
EASTING: 4,094,564.827
ELEVATION: 407.8' ± AMSL
LOCATION: SET 1/2" REBAR WITH A RED PLASTIC CAP STAMPED "POD TRAV", S44°02'E 44.6' ± FROM THE SOUTHWEST CORNER OF THE PROPOSED LEASE AREA.

FAA COORDINATE POINT
NAD 83
LATITUDE: 36°53'41.349908"
LONGITUDE: -88°34'37.685318"
NAVD 88
ELEVATION: 408'± AMSL
NORTHING: 3,497,809.843
EASTING: 4,094,583.808

PREPARED BY:
POD
POWER OF DESIGN
11490 BLUEGRASS PARKWAY
LOUISVILLE, KY 40299
502-437-5252

PREPARED FOR:
smartlink

PREPARED FOR:
at&t

GENERAL NOTES

NO SEARCH OF PUBLIC RECORDS HAS BEEN COMPLETED BY POD GROUP TO DETERMINE ANY DEFECTS AND/OR AMBIGUITIES IN THE TITLE OF THE SUBJECT PROPERTY.

THIS SURVEY IS FOR THE PROPOSED LEASE AREA AND THE PROPOSED ACCESS & UTILITY EASEMENTS ONLY, AND NO BOUNDARY SURVEY OF THE PARENT TRACT HAS BEEN PERFORMED.

A PORTION OF THIS SURVEY WAS CONDUCTED BY METHOD OF RANDOM TRAVERSE WITH SIDE SHOTS. UNADJUSTED CLOSURE EQUALS 0.040', FOR A PRECISION OF 1:44,239 AND HAS NOT BEEN ADJUSTED.

THIS PROPERTY IS SUBJECT TO ANY RECORDED EASEMENTS AND/OR RIGHTS OF WAY SHOWN HEREON OR NOT.

THIS PLAT IS NOT INTENDED FOR LAND TRANSFER.

THE PARENT PARCEL, THE PROPOSED LEASE AREA AND THE PROPOSED ACCESS & UTILITY EASEMENTS SHOWN HEREON ARE NOT LOCATED IN A 100 YEAR FLOOD PLAIN (ZONE "X") PER FLOOD HAZARD BOUNDARY MAP, COMMUNITY-PANEL NUMBER 21083C0075C, DATED DECEMBER 3, 2009.

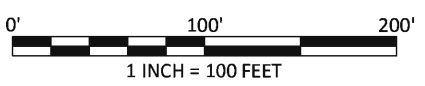
GLOBAL POSITIONING SYSTEMS NOTE

1. RANDOM TRAVERSE CONTROL MONUMENTS WERE SET USING GPS METHODS. A PORTION OF THE TOPOGRAPHY AND FOUND BOUNDARY MONUMENTS WERE ALSO LOCATED USING GPS METHODS.
2. THE TYPE OF GPS UTILIZED WAS NETWORK ADJUSTED REAL TIME KINEMATIC (KYTC VRS NETWORK), NAD 83 KENTUCKY SINGLE ZONE WITH THE ORTHOMETRIC HEIGHT COMPUTED USING GEOID 20B. RELATIVE POSITIONAL ACCURACY VARIED FROM 0.04' TO 0.07' HORIZONTALLY. SPECTRA PRECISION EPOCH 50 DUAL FREQUENCY RECEIVERS WERE USED TO PERFORM THE SURVEY.

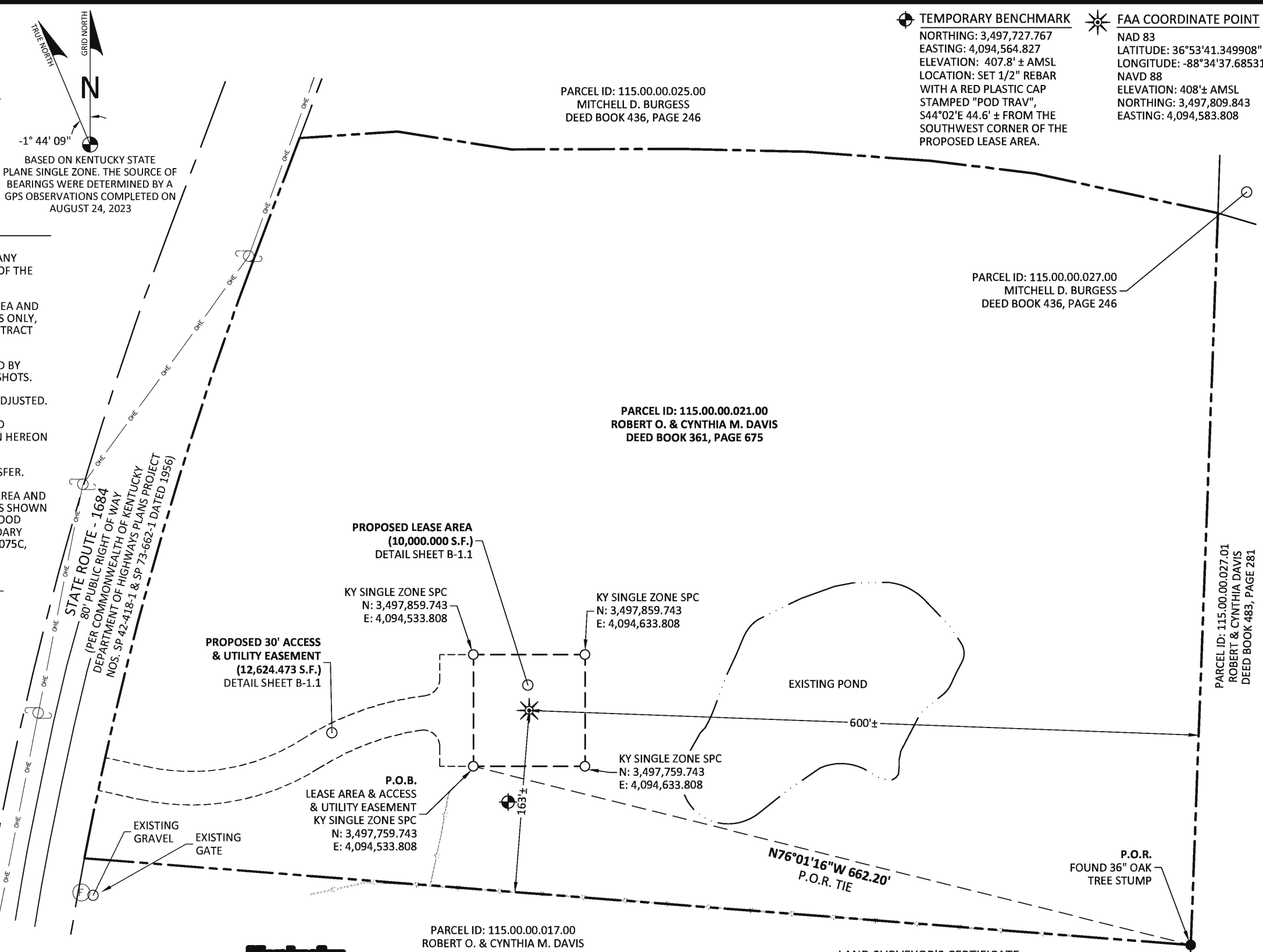
LEGEND

- FIBER MARKER
- UTILITY POLE
- SQUARE FEET
- SPC STATE PLANE COORDINATE
- B.P.R. POINT OF REFERENCE
- P.O.B. POINT OF BEGINNING

- EX. WIRE FENCE
- EX. OVERHEAD ELECTRIC
- SET 1/2" REBAR, 18" LONG WITH A YELLOW PLASTIC CAP STAMPED "PATTERSON KY PLS3136"
- FOUND MONUMENT "AS NOTED"
- PROPERTY LINE
- ADJACENT PROPERTY LINE



PER KENTUCKY STATE LAW, IT IS AGAINST THE LAW TO EXCAVATE WITHOUT NOTIFYING THE UNDERGROUND LOCATION SERVICE TWO (2) WORKING DAYS BEFORE COMMENCING WORK.



PARCEL ID: 115.00.00.021.00
ROBERT O. & CYNTHIA M. DAVIS
DEED BOOK 361, PAGE 675

PARCEL ID: 115.00.00.027.00
MITCHELL D. BURGESS
DEED BOOK 436, PAGE 246

PARCEL ID: 115.00.00.027.01
ROBERT & CYNTHIA DAVIS
DEED BOOK 483, PAGE 281

PARCEL ID: 115.00.00.017.00
ROBERT O. & CYNTHIA M. DAVIS
DEED BOOK 361, PAGE 675

REVISIONS

REV.	DATE	DESCRIPTION
A	8.31.23	PRELIMINARY ISSUE
0	9.19.23	ISSUED AS FINAL

SITE INFORMATION:
KALER MILL
STATE HIGHWAY - 1684
BOAZ, KY 42027
GRAVES COUNTY

PROPERTY OWNER:
ROBERT O. & CYNTHIA M. DAVIS
5972 STATE ROUTE 849 E
BOAZ, KY 42027

TAX PARCEL NUMBER:
115.00.00.021.00

SOURCE OF TITLE:
DEED BOOK 361, PAGE 675

FA NUMBER:
16147975

POD NUMBER: 23-157902
CHECKED BY: MEP
DRAWN BY: ADM
SURVEY DATE: 8.24.23
PLAT DATE: 8.30.23

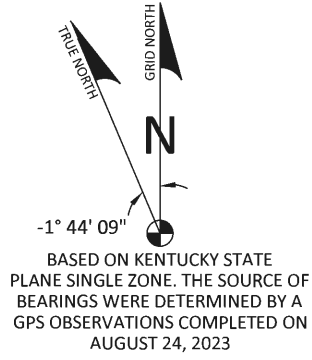
SHEET TITLE:
SITE SURVEY
THIS DOES NOT REPRESENT A BOUNDARY SURVEY OF THE PARENT PARCEL

SHEET NUMBER: (4 pages)
B-1

LAND SURVEYOR'S CERTIFICATE
I, MARK E. PATTERSON, HEREBY CERTIFY THAT I AM A LICENSED PROFESSIONAL LAND SURVEYOR LICENSED IN COMPLIANCE WITH THE LAWS OF THE COMMONWEALTH OF KENTUCKY. I FURTHER CERTIFY THAT THIS PLAT AND THE SURVEY ON THE GROUND WERE PERFORMED BY PERSONS UNDER MY DIRECT SUPERVISION, AND THAT THE DIRECTIONAL AND LINEAR MEASUREMENTS BEING WITNESSED BY MONUMENTS SHOWN HEREON ARE TRUE AND CORRECT TO THE BEST OF MY KNOWLEDGE. THE "RURAL" SURVEY, AND THE PLAT ON WHICH IT IS BASED, MEETS ALL SPECIFICATIONS AS STATED IN KAR 201 18:150.



Mark Patterson
MARK PATTERSON, PLS #3136
09/19/2023
DATE



GENERAL NOTES

NO SEARCH OF PUBLIC RECORDS HAS BEEN COMPLETED BY POD GROUP TO DETERMINE ANY DEFECTS AND/OR AMBIGUITIES IN THE TITLE OF THE SUBJECT PROPERTY.

THIS SURVEY IS FOR THE PROPOSED LEASE AREA AND THE PROPOSED ACCESS & UTILITY EASEMENTS ONLY, AND NO BOUNDARY SURVEY OF THE PARENT TRACT HAS BEEN PERFORMED.

A PORTION OF THIS SURVEY WAS CONDUCTED BY METHOD OF RANDOM TRAVERSE WITH SIDE SHOTS. UNADJUSTED CLOSURE EQUALS 0.040', FOR A PRECISION OF 1:44,239 AND HAS NOT BEEN ADJUSTED.

THIS PROPERTY IS SUBJECT TO ANY RECORDED EASEMENTS AND/OR RIGHTS OF WAY SHOWN HEREON OR NOT.

THIS PLAT IS NOT INTENDED FOR LAND TRANSFER.

THE PARENT PARCEL, THE PROPOSED LEASE AREA AND THE PROPOSED ACCESS & UTILITY EASEMENTS SHOWN HEREON ARE NOT LOCATED IN A 100 YEAR FLOOD PLAIN (ZONE "X") PER FLOOD HAZARD BOUNDARY MAP, COMMUNITY-PANEL NUMBER 21083C0075C, DATED DECEMBER 3, 2009.

TEMPORARY BENCHMARK

NORTHING: 3,497,727.767
 EASTING: 4,094,564.827
 ELEVATION: 407.8' ± AMSL
 LOCATION: SET 1/2" REBAR WITH A RED PLASTIC CAP STAMPED "POD TRAV", S44°02'E 44.6' ± FROM THE SOUTHWEST CORNER OF THE PROPOSED LEASE AREA.

FAA COORDINATE POINT

NAD 83
 LATITUDE: 36°53'41.349908"
 LONGITUDE: -88°34'37.685318"
 NAVD 88
 ELEVATION: 408± AMSL
 NORTHING: 3,497,809.843
 EASTING: 4,094,583.808

GLOBAL POSITIONING SYSTEMS NOTE

1. RANDOM TRAVERSE CONTROL MONUMENTS WERE SET USING GPS METHODS. A PORTION OF THE TOPOGRAPHY AND FOUND BOUNDARY MONUMENTS WERE ALSO LOCATED USING GPS METHODS.
2. THE TYPE OF GPS UTILIZED WAS NETWORK ADJUSTED REAL TIME KINEMATIC (KYTC VRS NETWORK), NAD 83 KENTUCKY SINGLE ZONE WITH THE ORTHOMETRIC HEIGHT COMPUTED USING GEOID 20B. RELATIVE POSITIONAL ACCURACY VARIED FROM 0.04' TO 0.07' HORIZONTALLY.
3. SPECTRA PRECISION EPOCH 50 DUAL FREQUENCY RECEIVERS WERE USED TO PERFORM THE SURVEY.

PREPARED BY:

11490 BLUEGRASS PARKWAY
 LOUISVILLE, KY 40299
 502-437-5252

PREPARED FOR:

PREPARED FOR:

REVISIONS

REV.	DATE	DESCRIPTION
A	8.31.23	PRELIMINARY ISSUE
0	9.19.23	ISSUED AS FINAL

SITE INFORMATION:
KALER MILL
 STATE HIGHWAY - 1684
 BOAZ, KY 42027
 GRAVES COUNTY

PROPERTY OWNER:
 ROBERT O. & CYNTHIA M. DAVIS
 5972 STATE ROUTE 849 E
 BOAZ, KY 42027

TAX PARCEL NUMBER:
 115.00.00.021.00

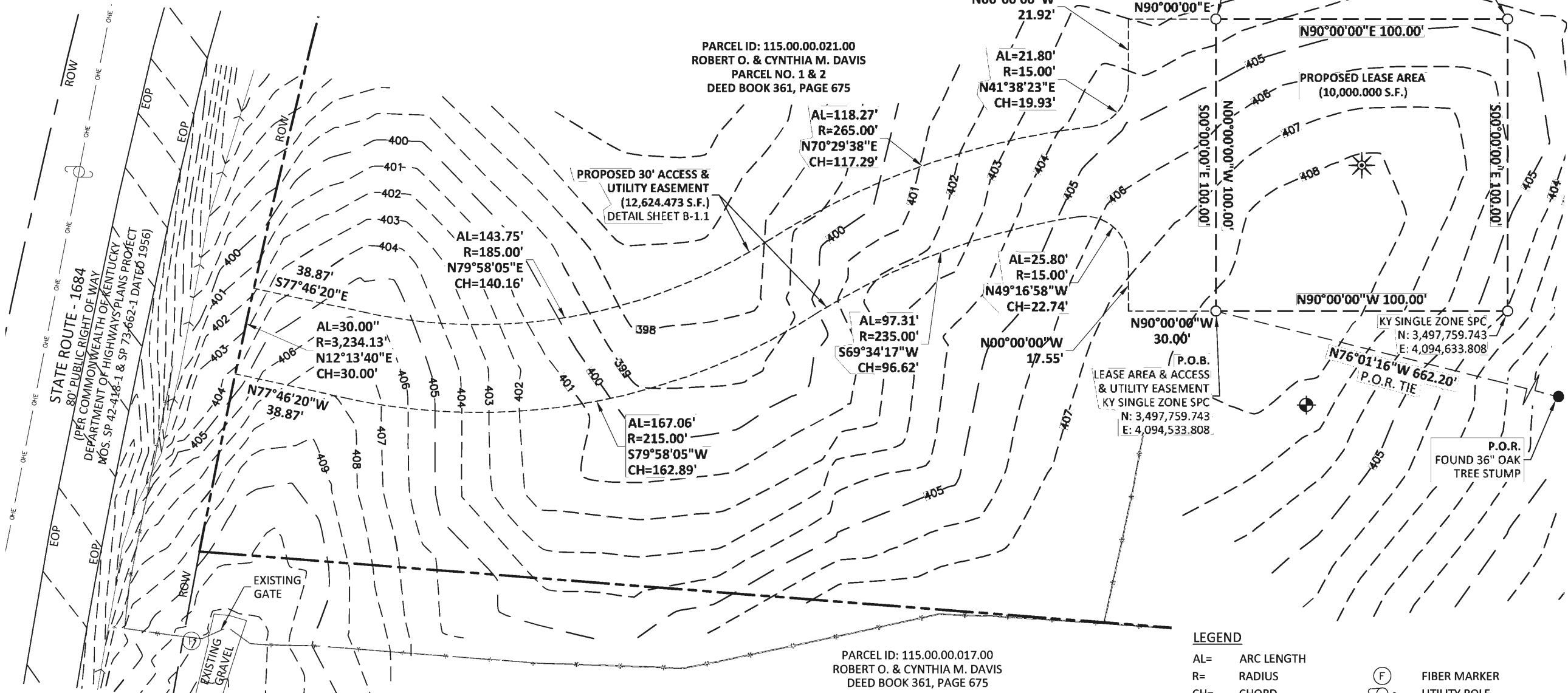
SOURCE OF TITLE:
 DEED BOOK 361, PAGE 675

FA NUMBER:
 16147975

POD NUMBER: 23-157902
 CHECKED BY: MEP
 DRAWN BY: ADM
 SURVEY DATE: 8.24.23
 PLAT DATE: 8.30.23

SHEET TITLE:
SITE SURVEY
 THIS DOES NOT REPRESENT A BOUNDARY SURVEY OF THE PARENT PARCEL

SHEET NUMBER: (4 pages)
B-1.1

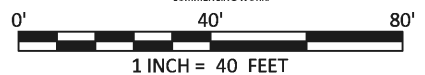
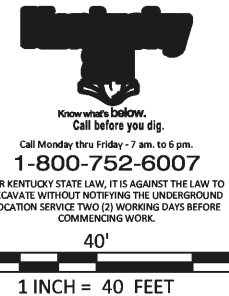


LAND SURVEYOR'S CERTIFICATE

I, MARK E. PATTERSON, HEREBY CERTIFY THAT I AM A LICENSED PROFESSIONAL LAND SURVEYOR LICENSED IN COMPLIANCE WITH THE LAWS OF THE COMMONWEALTH OF KENTUCKY. I FURTHER CERTIFY THAT THIS PLAT AND THE SURVEY ON THE GROUND WERE PERFORMED BY PERSONS UNDER MY DIRECT SUPERVISION, AND THAT THE DIRECTIONAL AND LINEAR MEASUREMENTS BEING WITNESSED BY MONUMENTS SHOWN HEREON ARE TRUE AND CORRECT TO THE BEST OF MY KNOWLEDGE. THE "RURAL" SURVEY, AND THE PLAT ON WHICH IT IS BASED, MEETS ALL SPECIFICATIONS AS STATED IN KAR 201 18:150.

Mark Patterson
 MARK PATTERSON, PLS #3136

09/19/2023
 DATE



LEGEND

AL=	ARC LENGTH	(F)	FIBER MARKER
R=	RADIUS	(UP)	UTILITY POLE
CH=	CHORD	(SP)	STATE PLANE COORDINATES
EOP	EDGE OF PAVEMENT	(P.O.R.)	POINT OF REFERENCE
ROW	RIGHT OF WAY	(P.O.B.)	POINT OF BEGINNING
S.F.	SQUARE FEET	(D)	DITCH & FLOW DIRECTION
(---*)---		(EX)	EX. WIRE FENCE
(---O---		(EX)	EX. OVERHEAD ELECTRIC SET 1/2" REBAR, 18" LONG WITH A YELLOW PLASTIC CAP STAMPED "PATTERSON KY PLS3136"
(---●---		(FM)	FOUND MONUMENT "AS NOTED"
(--- ---		(PL)	PROPERTY LINE
(--- ---		(APL)	ADJACENT PROPERTY LINE

LEGAL DESCRIPTIONS

PROPOSED LEASE AREA

THE FOLLOWING IS A DESCRIPTION OF THE PROPOSED LEASE AREA TO BE GRANTED FROM THE PROPERTY CONVEYED TO ROBERT O. & CYNTHIA M. DAVIS AS RECORDED IN DEED BOOK 361, PAGE 675, PARCEL ID: 115.00.00.021.00, IN THE OFFICE OF THE CLERK OF GRAVES COUNTY, KENTUCKY, WHICH IS MORE PARTICULARLY DESCRIBED AS FOLLOWS:

BEARING DATUM USED HEREIN IS BASED UPON KENTUCKY SINGLE ZONE STATE PLANE COORDINATE SYSTEM, NAD 83, FROM A REAL TIME KINEMATIC GLOBAL POSITIONING SYSTEM OBSERVATION USING THE KENTUCKY TRANSPORTATION CABINET VRS NETWORK COMPLETED ON AUGUST 24, 2023.

BEGINNING AT A SET 1/2" REBAR, 18" LONG WITH A YELLOW PLASTIC CAP STAMPED "PATTERSON KY PLS3136", HEREAFTER REFERRED TO AS A "SET IPC", BEING THE SOUTHWEST CORNER OF THE PROPOSED LEASE AREA, HAVING KY SINGLE ZONE STATE PLANE COORDINATE VALUES N:3,497,759.743 E: 4,094,533.808, FOR REFERENCE, SAID POINT OF BEGINNING BEING N76°01'16"W 662.20' FROM A FOUND 36" OAK TREE STUMP IN THE SOUTHEAST CORNER OF THE PROPERTY CONVEYED TO ROBERT O. & CYNTHIA M. DAVIS AS RECORDED IN DEED BOOK 361, PAGE 675, PARCEL ID: 115.00.00.021.00; THENCE WITH THE WEST LINE OF THE PROPOSED LEASE AREA, N00°00'00"W 100.00' TO A "SET IPC" HAVING KY SINGLE ZONE STATE PLANE COORDINATE VALUES N: 3,497,859.743 E: 4,094,533.808; THENCE N90°00'00"E 100.00' TO A "SET IPC" HAVING KY SINGLE ZONE STATE PLANE COORDINATE VALUES N:3,497,859.743 E: 4,094,633.808; THENCE S00°00'00"E 100.00' TO A "SET IPC" HAVING KY SINGLE ZONE STATE PLANE COORDINATE VALUES N:3,497,759.743 E: 4,094,633.808; THENCE N90°00'00"W 100.00' TO THE POINT OF BEGINNING CONTAINING 10,000.000 SQUARE FEET AS PER SURVEY BY MARK E. PATTERSON, PLS #3136 DATED AUGUST 24, 2023.

PROPOSED 30' ACCESS & UTILITY EASEMENT

THE FOLLOWING IS A DESCRIPTION OF THE PROPOSED 30' ACCESS & UTILITY EASEMENT TO BE GRANTED FROM THE PROPERTY CONVEYED TO ROBERT O. & CYNTHIA M. DAVIS AS RECORDED IN DEED BOOK 361, PAGE 675, PARCEL ID: 115.00.00.021.00, IN THE OFFICE OF THE CLERK OF GRAVES COUNTY, KENTUCKY, WHICH IS MORE PARTICULARLY DESCRIBED AS FOLLOWS:

BEARING DATUM USED HEREIN IS BASED UPON KENTUCKY SINGLE ZONE STATE PLANE COORDINATE SYSTEM, NAD 83, FROM A REAL TIME KINEMATIC GLOBAL POSITIONING SYSTEM OBSERVATION USING THE KENTUCKY TRANSPORTATION CABINET VRS NETWORK COMPLETED ON AUGUST 24, 2023.

BEGINNING AT A SET 1/2" REBAR, 18" LONG WITH A YELLOW PLASTIC CAP STAMPED "PATTERSON KY PLS3136", HEREAFTER REFERRED TO AS A "SET IPC", BEING THE SOUTHWEST CORNER OF THE PROPOSED LEASE AREA, HAVING KY SINGLE ZONE STATE PLANE COORDINATE VALUES N:3,497,759.743 E: 4,094,533.808, AND THE SOUTHEAST CORNER OF THE PROPOSED 30' ACCESS & UTILITY EASEMENT, FOR REFERENCE, SAID POINT OF BEGINNING BEING N76°01'16"W 662.20' FROM A FOUND 36" OAK TREE STUMP IN THE SOUTHEAST CORNER OF THE PROPERTY CONVEYED TO ROBERT O. & CYNTHIA M. DAVIS AS RECORDED IN DEED BOOK 361, PAGE 675, PARCEL ID: 115.00.00.021.00; THENCE WITH THE SOUTH LINE OF THE PROPOSED 30' / VARIABLE WIDTH ACCESS & UTILITY EASEMENT, N90°00'00"W 30.00'; THENCE N00°00'00"W 17.55'; THENCE ALONG THE ARC OF A CURVE TO THE LEFT HAVING A RADIUS OF 15.00', ARC LENGTH OF 25.80', THE CHORD OF WHICH BEARS N49°16'58"W 22.74'; THENCE ALONG THE ARC OF A COMPOUND CURVE TO THE LEFT HAVING A RADIUS OF 235.00', ARC LENGTH OF 97.31', THE CHORD OF WHICH BEARS S69°34'17"W 96.62'; THENCE ALONG THE ARC OF A REVERSE CURVE TO THE RIGHT HAVING A RADIUS OF 215.00', ARC LENGTH OF 167.06', THE CHORD OF WHICH BEARS S79°58'05"W 162.89'; THENCE N77°46'20"W 38.87' TO A POINT IN THE WEST LINE OF SAID DAVIS ALSO BEING IN THE EAST RIGHT OF WAY LINE OF KENTUCKY STATE ROUTE 1684 PER COMMONWEALTH OF KENTUCKY DEPARTMENT OF HIGHWAYS PLANS PROJECT NOS. SP 42-418-1 & SP 73-662-1 DATED 1956; THENCE WITH THE WEST LINE OF SAID DAVIS AND THE EAST RIGHT OF WAY LINE OF KENTUCKY STATE ROUTE 1684, ALONG THE ARC OF A NON-TANGENT CURVE TO THE RIGHT HAVING A RADIUS OF 3,234.13', ARC LENGTH OF 30.00', THE CHORD OF WHICH BEARS N12°13'40"E 30.00'; THENCE LEAVING THE EAST RIGHT OF WAY LINE OF KENTUCKY STATE ROUTE 1684, AND LEAVING THE WEST LINE OF SAID DAVIS AND TRAVERSING THE LAND OF SAID DAVIS, S77°46'20"E 38.87'; THENCE ALONG THE ARC OF A CURVE TO THE LEFT HAVING A RADIUS OF 185.00', ARC LENGTH OF 143.75', THE CHORD OF WHICH BEARS N79°58'05"E 140.16'; THENCE ALONG THE ARC OF A REVERSE CURVE TO THE RIGHT HAVING A RADIUS OF 265.00', ARC LENGTH OF 118.27', THE CHORD OF WHICH BEARS N70°29'38"E 117.29'; THENCE ALONG THE ARC OF A REVERSE CURVE TO THE LEFT HAVING A RADIUS OF 15.00', ARC LENGTH OF 21.80', THE CHORD OF WHICH BEARS N41°38'23"E 19.93'; THENCE N00°00'00"W 21.92'; THENCE N90°00'00"E 30.00' TO A "SET IPC" IN THE NORTHWEST CORNER OF THE PROPOSED LEASE AREA HAVING KY SINGLE ZONE STATE PLANE COORDINATE VALUES N: 3,497,859.743 E:4,094,533.808; THENCE WITH THE WEST LINE OF THE PROPOSED LEASE AREA S00°00'00"E 100.00'; TO THE POINT OF BEGINNING CONTAINING 12,624.473 SQUARE FEET AS PER SURVEY BY MARK E. PATTERSON, PLS #3136 DATED AUGUST 24, 2023.

LAND SURVEYOR'S CERTIFICATE

I, MARK E. PATTERSON, HEREBY CERTIFY THAT I AM A LICENSED PROFESSIONAL LAND SURVEYOR LICENSED IN COMPLIANCE WITH THE LAWS OF THE COMMONWEALTH OF KENTUCKY. I FURTHER CERTIFY THAT THIS PLAT AND THE SURVEY ON THE GROUND WERE PERFORMED BY PERSONS UNDER MY DIRECT SUPERVISION, AND THAT THE DIRECTIONAL AND LINEAR MEASUREMENTS BEING WITNESSED BY MONUMENTS SHOWN HEREON ARE TRUE AND CORRECT TO THE BEST OF MY KNOWLEDGE. THE "RURAL" SURVEY, AND THE PLAT ON WHICH IT IS BASED, MEETS ALL SPECIFICATIONS AS STATED IN KAR 201 18:150.

Mark Patterson

09/19/2023

MARK PATTERSON, PLS #3136

DATE



REPORT OF TITLE - PARCEL NO. 115.00.00.021.00, DEED BOOK 361, PAGE 675

THIS SURVEY DOES NOT CONSTITUTE A TITLE SEARCH BY POD GROUP, LLC AND AS SUCH WE ARE NOT RESPONSIBLE FOR THE INVESTIGATION OR INDEPENDENT SEARCH FOR EASEMENTS OF RECORD, ENCUMBRANCES, RESTRICTIVE COVENANTS, OWNERSHIP TITLE EVIDENCE, UNRECORDED EASEMENTS, AUGMENTING EASEMENTS, IMPLIED OR PRESCRIPTIVE EASEMENTS, OR ANY OTHER FACTS THAT AN ACCURATE AND CURRENT TITLE SEARCH MAY DISCLOSE. INFORMATION REGARDING THESE MATTERS WERE GAINED FROM AMC SETTLEMENT SERVICES, ORDER #: 50030213, DATED JULY 21, 2023. THE FOLLOWING COMMENTS ARE IN REGARD TO SAID REPORT AND THE NUMBERS IN THE COMMENTS CORRESPOND TO THE NUMBERING SYSTEM IN SAID REPORT.

TAX INFORMATION:
 TAXES(YEAR): 2022 TAX TYPE :COUNTY TAX PERIOD:ANNUALLY TAX ID#:115.00.00.021.00

STATUS:PAID AMOUNT:\$432.69 DUE DATE:

ADDITIONAL INFORMATION: ASSESSED AS 110.5 ACRES

ASSESSMENT INFORMATION
 LAND: \$0.00 BUILDING: \$0.00 TOTAL: \$355,000.00

MORTGAGE/ DEED OF TRUST INFORMATION
 MORTGAGEE: FIRST KENTUCKY BANK, INC.
 MORTGAGOR: ROBERT O. DAVIS AND WIFE, CYNTHIA M. DAVIS
 AMOUNT: \$255,000.00
 DATED: 04/11/2016 RECORDED: 04/19/2016
 REFERENCE: BOOK / PAGE : 861 / 529
 OPEN ENDED: YES OPEN ENDED AMOUNT: \$255,000.00
 DOES MORTGAGE COVER MULTIPLE PARCELS/TRACTS:

ADDITIONAL INFORMATION: MODIFICATION TO EXTEND MATURITY DATE TO 3/30/2018 RECORDED 4/12/2017 IN BOOK 882, PAGE 272.
 MODIFICATION TO EXTEND MATURITY DATE TO 4/1/2019 RECORDED 4/3/2018 IN BOOK 901, PAGE 321.
 MODIFICATION TO EXTEND MATURITY DATE TO 4/1/2020 RECORDED 4/2/2019 IN BOOK 919, PAGE 627.
 MODIFICATION TO EXTEND MATURITY DATE TO 3/30/2022 RECORDED 4/13/2020 IN BOOK 941, PAGE 634.
 MODIFICATION TO EXTEND MATURITY DATE TO 2/28/2024 RECORDED 3/2/2022 IN BOOK 1003, PAGE 178.

MORTGAGEE: FIRST KENTUCKY BANK, INC.
 MORTGAGOR: ROBERT O. DAVIS AND WIFE, CYNTHIA M. DAVIS
 AMOUNT: \$50,000.00
 DATED: 02/15/2022 RECORDED: 03/02/2022
 REFERENCE: BOOK / PAGE : 1003 / 184
 OPEN ENDED: NO OPEN ENDED AMOUNT:

DOES MORTGAGE COVER MULTIPLE PARCELS/TRACTS:

IF YES, EXPLAIN:
 ADDITIONAL INFORMATION:

JUDGMENT AND LIEN INFORMATION
 NONE OF RECORD.

OTHER INFORMATION
 NONE OF RECORD.

UCC
 NONE OF RECORD.

EXCEPTIONS
 1. PLEASE NOTE: THE LIABILITY FOR THIS REPORT IS LIMITED TO THE COST OF THE REPORT.

PREPARED BY:

 11490 BLUEGRASS PARKWAY
 LOUISVILLE, KY 40299
 502-437-5252

PREPARED FOR:

PREPARED FOR:

REVISIONS

REV.	DATE	DESCRIPTION
A	8.31.23	PRELIMINARY ISSUE
0	9.19.23	ISSUED AS FINAL

SITE INFORMATION:
KALER MILL
 STATE HIGHWAY - 1684
 BOAZ, KY 42027
 GRAVES COUNTY

PROPERTY OWNER:
 ROBERT O. & CYNTHIA M. DAVIS
 5972 STATE ROUTE 849 E
 BOAZ, KY 42027

TAX PARCEL NUMBER:
 115.00.00.021.00

SOURCE OF TITLE:
 DEED BOOK 361, PAGE 675

FA NUMBER:
 16147975

POD NUMBER: 23-157902
 CHECKED BY: MEP
 DRAWN BY: ADM
 SURVEY DATE: 8.24.23
 PLAT DATE: 8.30.23

SHEET TITLE:
SITE SURVEY
 THIS DOES NOT REPRESENT A
 BOUNDARY SURVEY OF THE
 PARENT PARCEL

SHEET NUMBER: (4 pages)

B-1.2

LEGAL DESCRIPTION, PARCEL NO. 115.00.00.021.00, DEED BOOK 361, PAGE 675 (NOT FIELD SURVEYED)

ALL THAT PARCEL OF LAND IN THE COUNTY OF GRAVES AND COMMONWEALTH OF KENTUCKY AS MORE FULLY DESCRIBED IN DEED BOOK 361 PAGE 675 AND PARCEL #115.00.00.021.00, BEING KNOWN AND DESIGNATED AS:

PARCEL NO. I: BEING 4 ACRES OFF OF THE EAST SIDE OF A 60 ACRE, MORE OR LESS, TRACT CONVEYED TO CRATE BOYD AND WIFE, HAZEL BOYD, BY DEED FROM OLLIE MCNEILL, SINGLE, DATED APRIL 28, 1965, RECORDED APRIL 28, 1956, IN DEED BOOK 160, PAGE 605, GRAVES COUNTY COURT CLERK'S OFFICE, AND BEING ALL OF SAID 60 ACRE TRACT LYING EAST FROM THE CENTER OF THE CREEK AND SAID 4 ACRES IS BOUNDED ON THE EAST BY DAVID GIBSON, ON THE SOUTH BY THE F.H. BOYD PROPERTY, ON THE NORTH BY POWELL AND WHAT WAS FORMERLY THE MCNEILL TRACT, AND ON THE WEST BY THE CENTER OF THE CREEK.

PARCEL NO. II: BEING 3-1/2 ACRES OF LAND MORE OR LESS OUT OF THE NORTHWEST CORNER OF A 32 ACRE AND 151 POLE TRACT OF LAND, AND BEING PART OF THE N E & N W QRS. OF SEC. 19 T 5 R 2 E. THE 3-1/2 ACRES OF LAND HEREIN CONVEYED BY THIS DEED IS DESCRIBED AND BOUNDED AS FOLLOWS: BEGINNING IN THE CENTER OF THE MAYFIELD AND PADUCAH ROAD OR THE MAYFIELD AND HARDMONEY ROAD ON THE NORTH LINE OF SAID TRACT AND ON THE SOUTH LINE OF H.A. BOYD'S LAND; THENCE SOUTH ALONG THE CENTER OF SAID ROAD 25 POLES TO A STAKE; THENCE WEST 23 POLES MORE OR LESS TO THE WEST LINE OF SAID TRACT ON MERRITT COLLIER'S EAST LINE; THENCE NORTH ALONG SAID COLLIER'S EAST LINE 25 POLES TO THE NORTHWEST CORNER OF SAID 32 ACRE 151 POLE TRACT ON H.A. BOYD'S SOUTH LINE; THENCE EAST ALONG SAID H.A. BOYD'S SOUTH LINE 23 POLES MORE OR LESS TO THE BEGINNING CORNER.

THIS PARCEL IS BEING CONVEYED SUBJECT TO A LIFE ESTATE TOGETHER WITH ACCESS THERETO ON THE TWO DWELLING HOUSES AND A CAR GARAGE LOCATED ON THIS PARCEL.

PARCEL NO. III: BEING 2 ACRES OF LAND IN THE NE & N W QUARTERS OF SEC. 19 T 5 R 2 E AND COMING OUT OF THE NORTH EAST CORNER OF THE 13 ACRES AND 32 SQUARE POLES OF LAND, MORE OR LESS, CONVEYED TO MARY T. COLLIER, DEED BOOK 59, PAGE 7 IN THE GRAVES COUNTY COURT CLERK'S OFFICE.

THE 2 ACRES, MORE OR LESS, CONVEYED IS MORE PARTICULARLY DESCRIBED AS BEGINNING AT THE NORTH EAST CORNER OF THE SAID 13 ACRES AND 32 SQUARE POLES OF LAND; THENCE SOUTH 3° E 14 POLES AND 5 FEET TO THE OLD FENCE ROW RUNNING EAST AND WEST THROUGH SAID LAND; THENCE SOUTH 87° W FOLLOWING THE OLD FENCE ROW, 27 POLES TO A STAKE WHERE ANOTHER OLD FENCE ROW STRIKES THIS LINE; THENCE NORTH 3° W FOLLOWING THE OLD FENCE ROW, 14 POLES AND 5 FEET TO THE NORTH LINE OF THE SAID 13 ACRES AND 32 SQUARE POLES; THENCE NORTH 87° E 27 POLES TO THE BEGINNING CORNER, CONTAINING AS AFORESAID, 2 ACRES OF LAND, MORE OR LESS.

PARCEL NO. IV: BEING 3 ACRES OF LAND IN THE N E AND N W QUARTERS OF SECTION 19 T 5 R 2 E AND COMING OUT OF THE NORTH EAST CORNER OF THE 13 ACRES AND 32 SQUARE POLES OF LAND CONVEYED TO MARY T. COLLIER, DEED BOOK 59, PAGE 7 AND THE 3 ACRES CONVEYED IS DESCRIBED AS BEGINNING AT THE NORTHWEST CORNER OF THE 2 ACRES CONVEYED BY GRANTOR TO GRANTEE ON OCTOBER 5, 1944, RECORDED IN DEED BOOK 130, PAGE 429; THENCE SOUTH WITH THE WEST LINE OF SAID 2 ACRES TO THE SOUTH WEST CORNER OF SAME. A FENCE; THENCE WEST WITH THE FENCE TO A DITCH; THENCE NORTH WITH THE DITCH TO THE NORTH LINE OF TRACT AND SOUTH LINE OF LAND OWNED BY CRATE BOYD; THENCE EAST WITH THIS LINE TO THE BEGINNING. CONTAINING 3 ACRES OF LAND, MORE OR LESS.

PARCEL NO. V: BEING 45 ACRES OF LAND, MORE OR LESS, IN THE N E & NW QUARTERS OF SEC. 19 T 5 R 2 E AND MORE PARTICULARLY DESCRIBED AS BEGINNING IN THE CENTER OF A DITCH, AT THE NORTH EAST CORNER OF THE DOWER ALLOTTED TO MRS. BOYD; THENCE SOUTH 87° W 194 POLES 18-1/2 LINKS TO THE NORTH WEST CORNER OF THE 10 ACRE TRACT; THENCE SOUTH 3° E 38 POLES AND 6 LINKS TO THE SOUTH WEST CORNER OF THE 10 ACRE TRACT; THENCE NORTH 87° E 194 POLES 18-1/2 LINKS TO THE SOUTH EAST CORNER OF THE 20 ACRE TRACT; THENCE NORTH 5° W 39 POLES AND 1 LINK TO THE BEGINNING.

THE 10 ACRE TRACT AND THE 20 ACRE TRACT MENTIONED ABOVE AND INCLUDED IN THE ABOVE DESCRIPTION ARE THE SAME THAT WERE CONVEYED TO H.A. BOYD BY F.H. BOYD BY DEED DATED JULY 16, 1918, RECORDED IN DEED BOOK 64, PAGE 527, WHICH ALSO INCLUDED AN INTEREST IN A 16 FOOT ROADWAY, WHICH INTEREST IN SAID ROADWAY IS ALSO INCLUDED IN THE ABOVE DESCRIPTION AND IS CONVEYED BY THIS DEED.

15 ACRES OF THE ABOVE DESCRIBED LAND WHICH LIES SOUTH OF THE 16 FOOT ROADWAY, AND BETWEEN THE 20 ACRE TRACT AND THE 10 ACRE TRACT INCLUDED IN THE ABOVE DESCRIPTION, WAS CONVEYED TO H.A. BOYD BY J.E. CARMAN, SPECIAL COMMISSIONER, BY DEED DATED MARCH 4, 1915, RECORDED IN DEED BOOK 59, PAGE 333, ALL IN THE GRAVES COUNTY COURT CLERK'S OFFICE.

FOR SURVEYOR'S RECORD OF THE LAND ABOVE DESCRIBED, SEE SURVEYOR'S RECORD BOOK 1, PAGE 440, GRAVES COUNTY COURT CLERK'S OFFICE.

EXCEPT: THERE IS EXCEPTED OFF OF THE 45 ACRE PARCEL DESCRIBED ABOVE A PARCEL OF 11TND CONVEYED BY CRATE BOYD AND WIFE, HAZEL BOYD, TO JOHN ALLEN BOYD, DATED AUGUST 25, 1964, RECORDED SEPTEMBER 12, 1964, IN DEED BOOK 192, PAGE 492, GRAVES COUNTY COURT CLERK'S OFFICE SAID REAL ESTATE EXCEPTED BEING MORE PARTICULARLY DESCRIBED AS FOLLOWS:

"BEING A STRIP OF LAND 9 RODS EAST AND WEST AND 18 ROD, NORTH AND SOUTH AND LYING IMMEDIATELY WEST OF A LOT CONVEYED TO JOHN ALLEN BOYD BY CRATE BOYD AND WIFE, HAZEL BOYD BY DEED DATED MARCH 24, 1951, RECORDED IN DEED BOOK 149, PAGE 347, GRAVES COUNTY COURT CLERK'S OFFICE, AND BEING MORE PARTICULARLY DESCRIBED AS FOLLOWS:

BEGINNING AT A STAKE ON THE NORTHWEST CORNER OF A LOT CONVEYED TO JOHN ALLEN BOYD BY CRATE BOYD AND WIFE BY DEED DATED MARCH 24, 1951, DEED BOOK 149, PAGE 347, GRAVES COUNTY COURT CLERK'S OFFICE; THENCE IN A WESTERLY DIRECTION WITH THE SOUTH LINE OF THE S.F. DAVIDSON FARM NOW OWNED BY HEATH 9 RODS TO A STAKE; THENCE IN A SOUTHERLY DIRECTION PARALLEL WITH THE WEST LINE OF THE LOT CONVEYED TO JOHN ALLEN BOYD IN DEED BOOK 149, PAGE 347, GRAVES COUNTY COURT CLERK'S OFFICE, 18 RODS TO A STAKE; THENCE IN AN EASTERLY DIRECTION 9 RODS TO A STAKE, SAID STAKE BEING THE SOUTHWEST CORNER OF THE LOT CONVEYED TO JOHN ALLEN BOYD IN DEED BOOK 149, PAGE 347, GRAVES COUNTY COURT CLERK'S OFFICE; THENCE IN A NORTHERLY DIRECTION ALONG THE WEST LINE OF THE LOT CONVEYED TO JOHN ALLEN BOYD BY DEED FROM C-ATE BOYD AND WIFE IN DEED BOOK 149, PAGE 347, GRAVES COUNTY COURT CLERK'S OFFICE, 18 RODS TO THE POINT OF BEGINNING. THE STRIP OF LAND ABOVE CONVEYED IS PART OF THE SE QR. OF SEC. 19 T 5 R 2 E.

THERE IS ALSO EXCEPTED OFF OF THE ABOVE DESCRIBED REAL ESTATE A PARCEL OF LAND 106 FEET NORTH AND SOUTH AND 288 FEET EAST AND WEST THAT LIES IMMEDIATELY SOUTH OF THE PREVIOUS EXCEPTION MENTIONED ABOVE DESCRIBED IN DEED BOOK 192, PAGE 492, GRAVES COUNTY COURT CLERK'S OFFICE, WHICH FRONTS ON THE DOGWOOD AND WADESBORO ROAD FROM THE WEST EDGE OF SAID ROAD AND WAS CONVEYED TO JOHN ALLEN BOYD BY CRATE BOYD AND WIFE ON OR ABOUT THE YEAR 1969.

THERE IS ALSO EXCEPTED OFF OF THE 45 ACRE PARCEL MENTIONED ABOVE A PARCEL CONVEYED BY CRATE BOYD AND WIFE TO JOHN ALLEN BOYD AND WIFE DATED MARCH 28, 1974, RECORDED MARCH 29, 1974, IN DEED BOOK 244, PAGE 480, GRAVES COUNTY COURT CLERK'S OFFICE, SAID PARCEL EXCEPTED BEING MORE PARTICULARLY DESCRIBED AS FOLLOWS:

"BEING A PARCEL OF LAND THAT LIES IMMEDIATELY WEST OF A PARCEL CONVEYED TO JOHN ALLEN BOYD IN DEED BOOK 192, PAGE 492, GRAVES COUNTY COURT CLERK'S OFFICE, AND BEING MORE PARTICULARLY DESCRIBED AS FOLLOWS:

BEGINNING AT A STAKE AT THE NORTHWEST CORNER OF THE PARCEL CONVEYED TO JOHN ALLEN BOYD IN DEED BOOK 192, PAGE 492, GRAVES COUNTY COURT CLERK'S OFFICE; THENCE IN A SOUTHERLY DIRECTION ALONG THE WEST LINE OF THE PARCEL CONVEYED TO JOHN ALLEN BOYD IN DEED BOOK 192, PAGE 492, GRAVES COUNTY COURT CLERK'S OFFICE, 337 FEET TO A STAKE, SAID STAKE BEING THE SOUTHWEST CORNER OF THE PARCEL CONVEYED TO JOHN ALLEN BOYD IN DEED BOOK 192, PAGE 492, GRAVES COUNTY COURT CLERK'S OFFICE; THENCE IN A WESTERLY DIRECTION 462 FEET TO A STAKE; THENCE IN A NORTHERLY DIRECTION PARALLEL WITH THE WEST LINE OF THE PARCEL CONVEYED TO JOHN ALLEN BOYD IN DEED BOOK 192, PAGE 492, GRAVES COUNTY COURT CLERK'S OFFICE, 337 FEET TO A STAKE; THENCE IN AN EASTERLY DIRECTION 462 FEET TO THE POINT OF BEGINNING."

PARCEL NO. VI: 40 ACRES OF LAND, MORE OR LESS, BEGINNING AT THE S W CORNER OF FRANK DAVIDSON TRACT OF LAND; THENCE NORTH 5N W 59 POLES 10 LINKS TO A STONE; THENCE SOUTH 88°W 22 POLES IN CENTER OF COLLIER CREEK; THENCE SOUTH 5° E 5 POLES; THENCE SOUTH 83° W WITH MEANDERINGS OF SAID CREEK 79 POLES 19 LINKS TO A STONE; THENCE SOUTH 3° E 54 POLES 18 LINKS TO A STONE; THENCE NORTH 88° E 9 POLES TO A STONE; THENCE SOUTH 5° E 31 POLES 15 LINKS TO A STONE; THENCE NORTH 86° E 49 POLES 19 LINKS TO A STONE; THENCE NORTH 3° W 38 POLES 6 LINKS TO A STONE; THENCE NORTH 87° E 30 POLES AND 21 LINKS TO THE BEGINNING CORNER, CONTAINING AS AFORESAID 40 ACRES, MORE OR LESS, OF LAND IN SAID BOUNDARY. BEING A PORTION OF THE SAME LAND CONVEYED TO F.H. BOYD BY DEED OF DATE JULY 16, 1918, OF RECORD IN DEED BOOK 64, PAGE 525.

PARCEL NO. VII: BEGINNING AT A STAKE ON JOE CABELLA CAST LINE WHICH IS THE WEST LINE OF THE N W QR. OF SEC. 19 T 5 R 2 E, THENCE N 30° W WITH SAID TOWNSHIP LINE 48 POLES TO A STAKE IN THE CENTER OF A CREEK WHICH IS SAM MCNEILL'S SOUTH LINE; THENCE WITH THE MEANDERINGS OF SAID CREEK 73 POLES MORE OR LESS TO A ROCK; THENCE S 30° E 49 POLES AND 8 LINKS TO A ROCK ON THE NORTH LINE OF NANCY J. BOYD'S HOMESTEAD; THENCE S 87° W WITH SAID HOMESTEAD LINE 72 POLES TO THE BEGINNING CORNER CONTAINING 24 ACRES MORE OR LESS.

BEING THE SAME REAL ESTATE CONVEYED TO DATHA DAVIS AND HUSBAND, THOMAS H. DAVIS BY DEED FROM CRATE BOYD AND WIFE, HAZEL BOYD, DATED MARCH 28, 1974, AND RECORDED MARCH 29, 1974 IN DEED BOOK 244, PAGE 482, GRAVES COUNTY COURT CLERK'S OFFICE.

PARCEL NO. VIII: BEING 10 ACRES, MORE OR LESS, OF THE NORTH SIDE OF A 32 ACRE TRACT DESCRIBED IN DEED BOOK 145, PAGE 306, AND THE PART CONVEYED BY THIS DEED IS MORE PARTICULARLY DESCRIBED AS BEGINNING AT A STAKE IN THE CENTER OF THE HARDMONEY DOGWOOD ROAD AT A POINT WHICH IS THE SOUTH EAST CORNER OF THE CRATE BOYD PLACE; THENCE NORTH ALONG THE CENTER OF SAID ROAD 25 RODS TO THE CRATE BOYD PROPERTY 011 THE NORTH; THENCE EAST ALONG THE BOYD'S SOUTH LINE TO DAVIDSON PROPERTY; THENCE SOUTH 25 RODS ALONG THE LINE OF THE DAVIDSON PROPERTY TO A STAKE; THENCE WEST TO THE BEGINNING CORNER, LOCATED IN SEC. 19 T 5 R 2 E.

BEING THE SAME REAL ESTATE CONVEYED TO DATHA BOYD DAVIS BY DEED FROM CRATE BOYD AND WIFE, HAZEL BOYD, DATED APRIL 5, 1952, AND RECORDED OCTOBER 18, 1952 IN DEED BOOK 153, PAGE 521, GRAVES COUNTY COURT CLERK'S OFFICE.

PARCEL NUMBER: 115.00.00.021.00

BY FEE SIMPLE DEED FROM THOMAS H. DAVIS AND WIFE, DATHA DAVIS, RESERVING A LIFE ESTATE IN PARCEL NO. 1 AND PARCEL NO. 2 AS SET FORTH IN DEED BOOK / PAGE: 361 / 675, DATED 06/04/1996 AND RECORDED 06/04/1996, GRAVES COUNTY RECORDS, STATE OF KENTUCKY.

LAND SURVEYOR'S CERTIFICATE

I, MARK E. PATTERSON, HEREBY CERTIFY THAT I AM A LICENSED PROFESSIONAL LAND SURVEYOR LICENSED IN COMPLIANCE WITH THE LAWS OF THE COMMONWEALTH OF KENTUCKY. I FURTHER CERTIFY THAT THIS PLAT AND THE SURVEY ON THE GROUND WERE PERFORMED BY PERSONS UNDER MY DIRECT SUPERVISION, AND THAT THE DIRECTIONAL AND LINEAR MEASUREMENTS BEING WITNESSED BY MONUMENTS SHOWN HEREON ARE TRUE AND CORRECT TO THE BEST OF MY KNOWLEDGE. THE "RURAL" SURVEY, AND THE PLAT ON WHICH IT IS BASED, MEETS ALL SPECIFICATIONS AS STATED IN KAR 201 18:150.



Mark Patterson
MARK PATTERSON, PLS #3136

09/19/2023

DATE

PREPARED BY:
POD
POWER OF DESIGN
11490 BLUEGRASS PARKWAY
LOUISVILLE, KY 40299
502-437-5252

PREPARED FOR:
smartlink

PREPARED FOR:
at&t

REVISIONS

REV.	DATE	DESCRIPTION
A	8.31.23	PRELIMINARY ISSUE
0	9.19.23	ISSUED AS FINAL

SITE INFORMATION:
KALER MILL
STATE HIGHWAY - 1684
BOAZ, KY 42027
GRAVES COUNTY

PROPERTY OWNER:
ROBERT O. & CYNTHIA M. DAVIS
5972 STATE ROUTE 849 E
BOAZ, KY 42027

TAX PARCEL NUMBER:
115.00.00.021.00

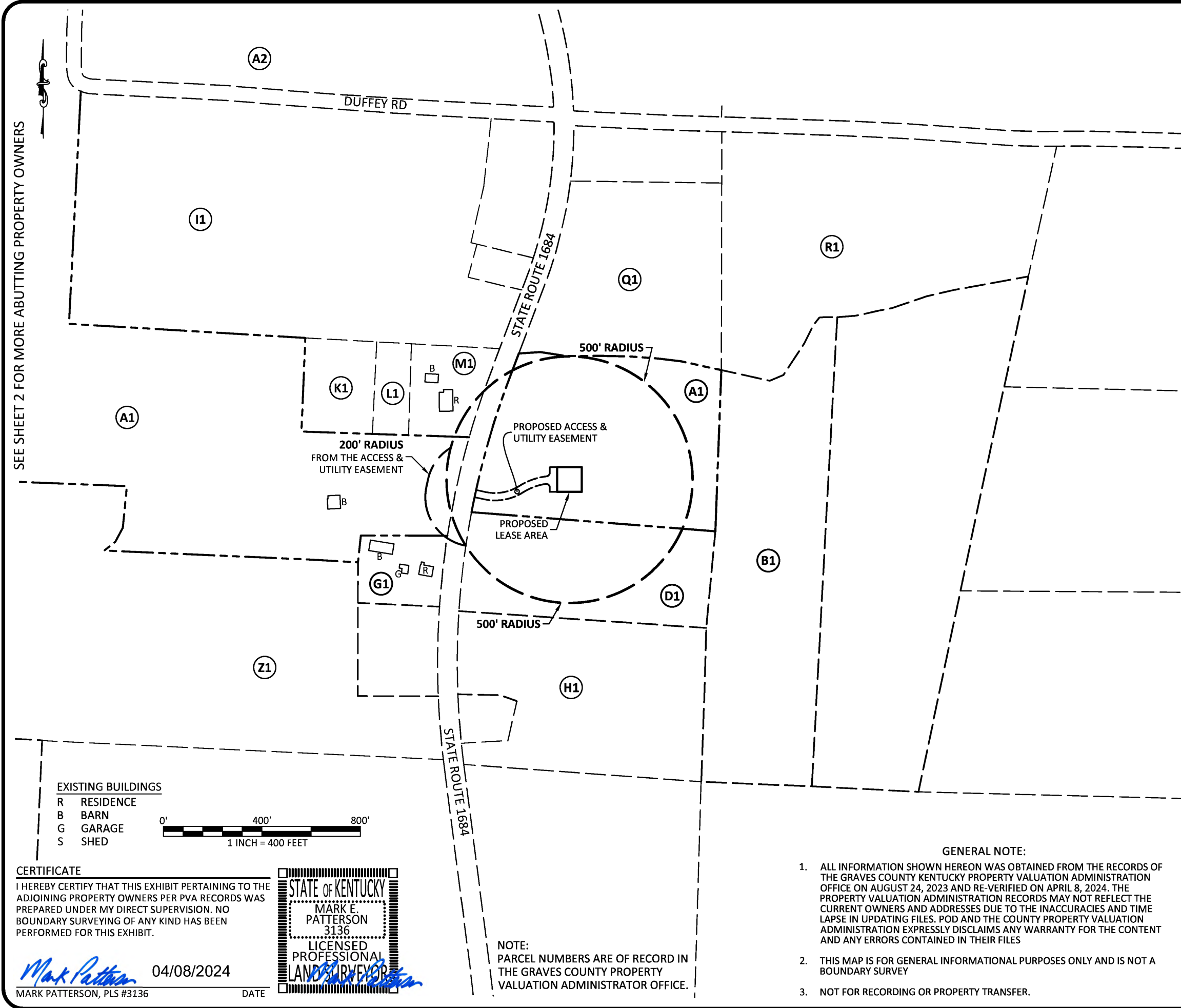
SOURCE OF TITLE:
DEED BOOK 361, PAGE 675

FA NUMBER:
16147975

POD NUMBER: 23-157902
CHECKED BY: MEP
DRAWN BY: ADM
SURVEY DATE: 8.24.23
PLAT DATE: 8.30.23

SHEET TITLE:
SITE SURVEY
THIS DOES NOT REPRESENT A
BOUNDARY SURVEY OF THE
PARENT PARCEL

SHEET NUMBER: (4 pages)
B-1.3



- (A1)** PARCEL ID: 115.00.00.021.00
DAVIS ROBERT O & CYNTHIA
5972 STATE ROUTE 849 EAST
BOAZ, KY 42027
- (B1)** PARCEL ID: 115.00.00.027.01
DAVIS ROBERT O & CYNTHIA
5972 STATE ROUTE 849 EAST
BOAZ, KY 42027
- (D1)** PARCEL ID: 115.00.00.017.00
DAVIS ROBERT O & CYNTHIA
5972 STATE ROUTE 849 EAST
BOAZ, KY 42027
- (G1)** PARCEL ID: 115.00.00.021.01
DAVIS ROBERT
5972 ST RT 849
BOAZ, KY 42027
- (H1)** PARCEL ID: 115.00.00.016.00
HOLSHOUSER JEFFERY DALE
& CANDI
1540 STATE RT 1684
BOAZ, KY 42027
- (I1)** PARCEL ID: 115.00.00.022.00
GARRETT MATTHEW LLOYD
2113 ST RT 1684
BOAZ, KY 42027
- (K1)** PARCEL ID: 115.00.00.020.00
BONEE DAVID & RITA
2019 STATE RT 1684
BOAZ, KY 42027
- (L1)** PARCEL ID: 115.00.00.019.00
BONEE DAVID & RITA
2019 STATE RT 1684
BOAZ, KY 42027
- (M1)** PARCEL ID: 115.00.00.018.00
BONEE DAVID & RITA
2019 STATE RT 1684
BOAZ, KY 42027
- (Q1)** PARCEL ID: 115.00.00.025.00
BURGESS MITCHELL D
314 WATKINS RD
HICKORY, KY 42051
- (R1)** PARCEL ID: 115.00.00.027.00
BURGESS MITCHELL D
314 WATKINS RD
HICKORY, KY 42051
- (Z1)** PARCEL ID: 115.00.00.013.00
ROSE NATHANIEL HOUSTON &
HALEY BROOKE
1883 STATE RT 1684
BOAZ, KY 42027
- (A2)** PARCEL ID: 115.00.00.052.00
GIBSON DAVID B & SHIRLEY
2413 STATE RT 1684
BOAZ, KY 42027

PREPARED BY:

11490 BLUEGRASS PARKWAY
LOUISVILLE, KY 40299
502-437-5252

PREPARED FOR:

PREPARED FOR:

REVISIONS		
REV.	DATE	DESCRIPTION
A	10.30.23	ISSUED FOR REVIEW
B	2.19.24	OLC COMMENTS
0	4.3.24	ISSUED FINAL
1	4.5.24	OLC COMMENTS
2	4.8.24	OLC COMMENTS

SITE INFORMATION:
KALER MILL
 STATE HIGHWAY - 1684
 BOAZ, KY 42027
 GRAVES COUNTY

PROPERTY OWNER:
 ROBERT O. & CYNTHIA M.
 DAVIS
 5972 STATE ROUTE 849 E
 BOAZ, KY 42027

TAX PARCEL NUMBER:
 115.00.00.021.00

SOURCE OF TITLE:
 DEED BOOK 361, PAGE 675

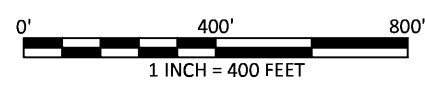
FA NUMBER:
 16147975

POD NUMBER: 23-162122
CHECKED BY: MEP
DRAWN BY: DAP
SURVEY DATE: 8.24.23
PLAT DATE: 10.30.23

SHEET TITLE:
**500' RADIUS AND
 ABUTTERS MAP**

SHEET NUMBER: (2 pages)
B-2

EXISTING BUILDINGS
 R RESIDENCE
 B BARN
 G GARAGE
 S SHED



CERTIFICATE
 I HEREBY CERTIFY THAT THIS EXHIBIT PERTAINING TO THE
 ADJOINING PROPERTY OWNERS PER PVA RECORDS WAS
 PREPARED UNDER MY DIRECT SUPERVISION. NO
 BOUNDARY SURVEYING OF ANY KIND HAS BEEN
 PERFORMED FOR THIS EXHIBIT.

STATE OF KENTUCKY
 MARK E.
 PATTERSON
 3136
 LICENSED
 PROFESSIONAL
 LAND SURVEYOR

Mark Patterson
 MARK PATTERSON, PLS #3136 04/08/2024 DATE

NOTE:
 PARCEL NUMBERS ARE OF RECORD IN
 THE GRAVES COUNTY PROPERTY
 VALUATION ADMINISTRATOR OFFICE.

- GENERAL NOTE:**
- ALL INFORMATION SHOWN HEREON WAS OBTAINED FROM THE RECORDS OF THE GRAVES COUNTY KENTUCKY PROPERTY VALUATION ADMINISTRATION OFFICE ON AUGUST 24, 2023 AND RE-VERIFIED ON APRIL 8, 2024. THE PROPERTY VALUATION ADMINISTRATION RECORDS MAY NOT REFLECT THE CURRENT OWNERS AND ADDRESSES DUE TO THE INACCURACIES AND TIME LAPSE IN UPDATING FILES. POD AND THE COUNTY PROPERTY VALUATION ADMINISTRATION EXPRESSLY DISCLAIMS ANY WARRANTY FOR THE CONTENT AND ANY ERRORS CONTAINED IN THEIR FILES
 - THIS MAP IS FOR GENERAL INFORMATIONAL PURPOSES ONLY AND IS NOT A BOUNDARY SURVEY
 - NOT FOR RECORDING OR PROPERTY TRANSFER.

NOTE:
PARCEL NUMBERS ARE OF RECORD IN
THE GRAVES COUNTY PROPERTY
VALUATION ADMINISTRATOR OFFICE.

- GENERAL NOTE:
1. ALL INFORMATION SHOWN HEREON WAS OBTAINED FROM THE RECORDS OF THE GRAVES COUNTY KENTUCKY PROPERTY VALUATION ADMINISTRATION OFFICE ON AUGUST 24, 2023 AND RE-VERIFIED ON APRIL 8, 2024. THE PROPERTY VALUATION ADMINISTRATION RECORDS MAY NOT REFLECT THE CURRENT OWNERS AND ADDRESSES DUE TO THE INACCURACIES AND TIME LAPSE IN UPDATING FILES. POD AND THE COUNTY PROPERTY VALUATION ADMINISTRATION EXPRESSLY DISCLAIMS ANY WARRANTY FOR THE CONTENT AND ANY ERRORS CONTAINED IN THEIR FILES
 2. THIS MAP IS FOR GENERAL INFORMATIONAL PURPOSES ONLY AND IS NOT A BOUNDARY SURVEY
 3. NOT FOR RECORDING OR PROPERTY TRANSFER.

PREPARED BY:



11490 BLUEGRASS PARKWAY
LOUISVILLE, KY 40299
502-437-5252

PREPARED FOR:



PREPARED FOR:



REVISIONS		
REV.	DATE	DESCRIPTION
A	10.30.23	ISSUED FOR REVIEW
B	2.19.24	OLC COMMENTS
0	4.3.24	ISSUED FINAL
1	4.5.24	OLC COMMENTS
2	4.8.24	OLC COMMENTS

SITE INFORMATION:
KALER MILL
STATE HIGHWAY - 1684
BOAZ, KY 42027
GRAVES COUNTY

PROPERTY OWNER:
ROBERT O. & CYNTHIA M. DAVIS
5972 STATE ROUTE 849 E
BOAZ, KY 42027

TAX PARCEL NUMBER:
115.00.00.021.00

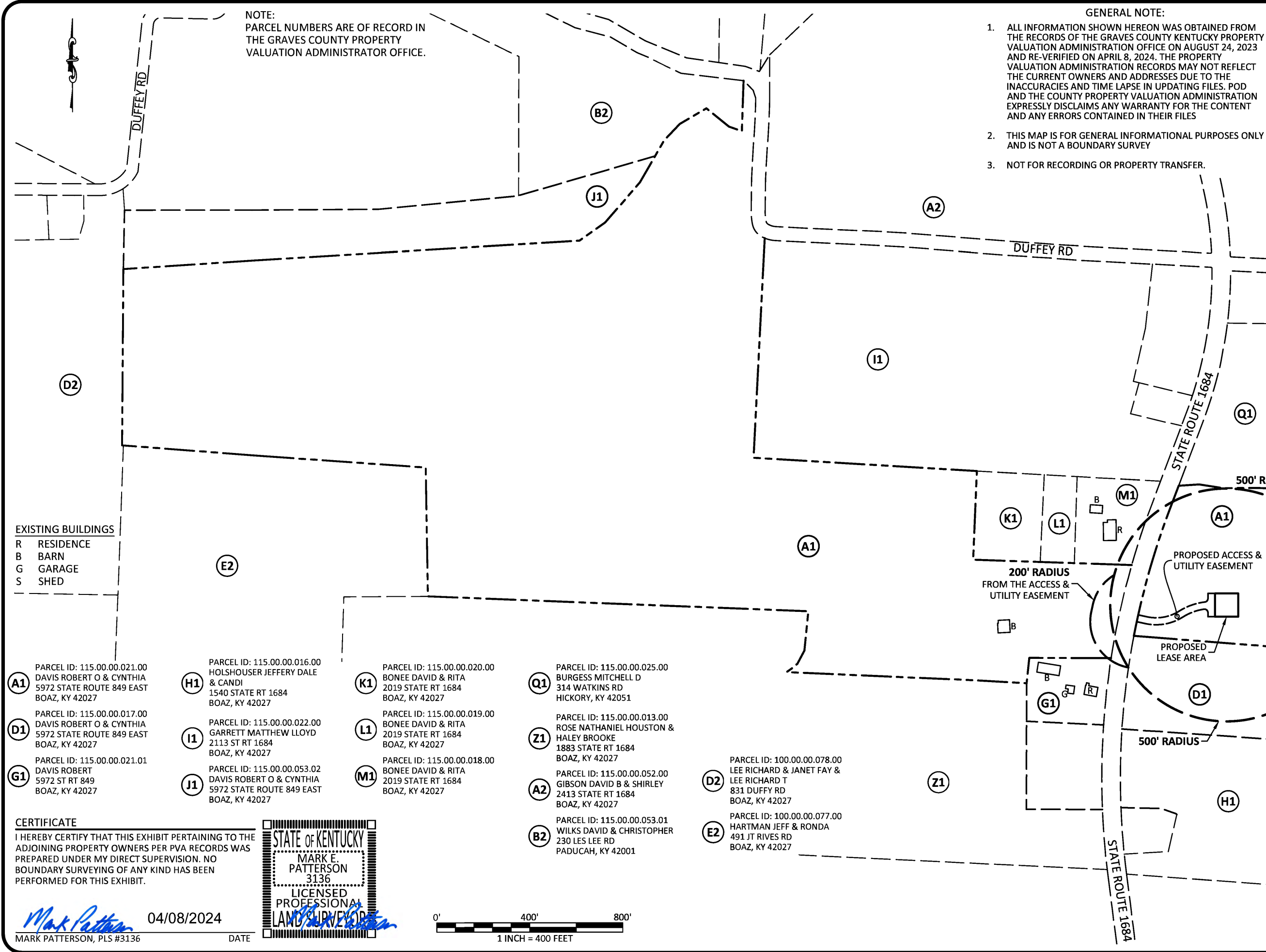
SOURCE OF TITLE:
DEED BOOK 361, PAGE 675

FA NUMBER:
16147975

POD NUMBER: 23-162122
CHECKED BY: MEP
DRAWN BY: DAP
SURVEY DATE: 8.24.23
PLAT DATE: 10.30.23

SHEET TITLE:
**500' RADIUS AND
ABUTTERS MAP**

SHEET NUMBER: (2 pages)
B-2.1

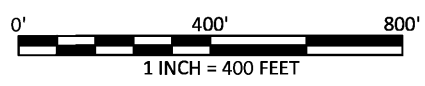


- EXISTING BUILDINGS
- R RESIDENCE
 - B BARN
 - G GARAGE
 - S SHED

- A1** PARCEL ID: 115.00.00.021.00
DAVIS ROBERT O & CYNTHIA
5972 STATE ROUTE 849 EAST
BOAZ, KY 42027
- D1** PARCEL ID: 115.00.00.017.00
DAVIS ROBERT O & CYNTHIA
5972 STATE ROUTE 849 EAST
BOAZ, KY 42027
- G1** PARCEL ID: 115.00.00.021.01
DAVIS ROBERT
5972 ST RT 849
BOAZ, KY 42027
- H1** PARCEL ID: 115.00.00.016.00
HOLSHOUSER JEFFERY DALE
& CANDI
1540 STATE RT 1684
BOAZ, KY 42027
- I1** PARCEL ID: 115.00.00.022.00
GARRETT MATTHEW LLOYD
2113 ST RT 1684
BOAZ, KY 42027
- J1** PARCEL ID: 115.00.00.053.02
DAVIS ROBERT O & CYNTHIA
5972 STATE ROUTE 849 EAST
BOAZ, KY 42027
- K1** PARCEL ID: 115.00.00.020.00
BONEE DAVID & RITA
2019 STATE RT 1684
BOAZ, KY 42027
- L1** PARCEL ID: 115.00.00.019.00
BONEE DAVID & RITA
2019 STATE RT 1684
BOAZ, KY 42027
- M1** PARCEL ID: 115.00.00.018.00
BONEE DAVID & RITA
2019 STATE RT 1684
BOAZ, KY 42027
- Q1** PARCEL ID: 115.00.00.025.00
BURGESS MITCHELL D
314 WATKINS RD
HICKORY, KY 42051
- Z1** PARCEL ID: 115.00.00.013.00
ROSE NATHANIEL HOUSTON &
HALEY BROOKE
1883 STATE RT 1684
BOAZ, KY 42027
- A2** PARCEL ID: 115.00.00.052.00
GIBSON DAVID B & SHIRLEY
2413 STATE RT 1684
BOAZ, KY 42027
- B2** PARCEL ID: 115.00.00.053.01
WILKS DAVID & CHRISTOPHER
230 LES LEE RD
PADUCAH, KY 42001
- D2** PARCEL ID: 100.00.00.078.00
LEE RICHARD & JANET FAY &
LEE RICHARD T
831 DUFFY RD
BOAZ, KY 42027
- E2** PARCEL ID: 100.00.00.077.00
HARTMAN JEFF & RONDA
491 JT RIVES RD
BOAZ, KY 42027

CERTIFICATE
I HEREBY CERTIFY THAT THIS EXHIBIT PERTAINING TO THE
ADJOINING PROPERTY OWNERS PER PVA RECORDS WAS
PREPARED UNDER MY DIRECT SUPERVISION. NO
BOUNDARY SURVEYING OF ANY KIND HAS BEEN
PERFORMED FOR THIS EXHIBIT.

Mark Patterson
MARK PATTERSON, PLS #3136 04/08/2024 DATE



NOTES:

THE CONTRACTOR MUST PROVIDE CLOSE-OUT DOCUMENTS AT THE FINAL INSPECTION WALK BEFORE PAYMENTS WILL BE MADE.

GENERAL REQUIREMENTS:

1. THE CONTRACTOR SHALL GIVE ALL NOTICES AND COMPLY WITH ALL LAWS, ORDINANCES, RULES, REGULATIONS AND LAWFUL ORDERS OF ANY PUBLIC AUTHORITY, MUNICIPAL AND UTILITY COMPANY. SPECIFICATIONS AND LOCAL AND STATE JURISDICTIONAL CODES BEARING ON THE PERFORMANCE OF THE WORK. THE WORK PERFORMED ON THE PROJECT AND THE MATERIALS INSTALLED SHALL BE IN STRICT ACCORDANCE WITH ALL APPLICABLE CODES, REGULATIONS AND ORDINANCES.
2. THE ARCHITECT/ENGINEER HAVE MADE EVERY EFFORT TO SET FORTH IN THE CONSTRUCTION AND CONTRACT DOCUMENTS, THE COMPLETE SCOPE OF WORK. THE CONTRACTOR BIDDING THE JOB IS NEVERTHELESS CAUTIONED THAT MINOR OMISSIONS OR ERRORS IN THE DRAWINGS AND/OR SPECIFICATIONS SHALL NOT EXCUSE SAID CONTRACTOR FROM COMPLETING THE PROJECT AND IMPROVEMENTS IN ACCORDANCE WITH THE INTENT OF THESE DOCUMENTS.
3. THE CONTRACTOR OR BIDDER SHALL BEAR THE RESPONSIBILITY OF NOTIFYING (IN WRITING) AT&T'S REPRESENTATIVE OF ANY CONFLICTS, ERRORS OR OMISSIONS PRIOR TO THE SUBMISSION OF CONTRACTOR'S PROPOSAL OR PERFORMANCE OF WORK.
4. THE SCOPE OF WORK SHALL INCLUDE FURNISHING ALL MATERIALS, EQUIPMENT, LABOR AND ALL OTHER MATERIALS AND LABOR DEEMED NECESSARY TO COMPLETE THE WORK/PROJECT AS DESCRIBED HEREIN.
5. THE CONTRACTOR SHALL VISIT THE JOB SITE PRIOR TO THE SUBMISSION OF BIDS OR PERFORMING WORK AND FAMILIARIZE HIMSELF WITH THE FIELD CONDITIONS AND TO VERIFY THAT THE PROJECT CAN BE CONSTRUCTED IN ACCORDANCE WITH THE CONTRACT.
6. THE CONTRACTOR SHALL OBTAIN AUTHORIZATION TO PROCEED WITH CONSTRUCTION PRIOR TO STARTING WORK ON ANY ITEM NOT CLEARLY DEFINED BY THE CONSTRUCTION DRAWINGS/CONTRACT.
7. THE CONTRACTOR SHALL INSTALL ALL EQUIPMENT AND MATERIALS ACCORDING TO THE MANUFACTURER'S/VENDOR'S SPECIFICATIONS UNLESS OTHERWISE NOTED OR WHERE LOCAL CODES OR ORDINANCES TAKE PRECEDENCE.
8. THE CONTRACTOR SHALL MAINTAIN A FULL SET OF CONSTRUCTION DOCUMENTS AT THE SITE, UPDATED WITH THE LATEST REVISIONS AND ADDENDUMS OR CLARIFICATIONS AVAILABLE FOR THE USE BY ALL PERSONNEL INVOLVED WITH THE PROJECT.
9. THE CONTRACTOR SHALL SUPERVISE AND DIRECT THE PROJECT DESCRIBED HEREIN. THE CONTRACTOR SHALL BE SOLELY RESPONSIBLE FOR ALL CONSTRUCTION MEANS, METHODS, TECHNIQUES, SEQUENCES AND PROCEDURES, AND FOR COORDINATING ALL PORTIONS OF THE WORK UNDER THE CONTRACT.
10. THE CONTRACTOR SHALL BE RESPONSIBLE FOR OBTAINING ALL PERMITS AND INSPECTIONS WHICH MAY BE REQUIRED FOR THE WORK BY THE ARCHITECT/ENGINEER, THE STATE, COUNTY OR LOCAL GOVERNMENT AUTHORITY.
11. THE CONTRACTOR SHALL MAKE NECESSARY PROVISIONS TO PROTECT EXISTING IMPROVEMENTS, EASEMENTS, PAVING, CURBING, ETC., DURING SHALL REPAIR ANY DAMAGE THAT MAY HAVE OCCURRED DUE TO CONSTRUCTION ON OR ABOUT THE PROPERTY.
12. THE CONTRACTOR SHALL KEEP THE GENERAL WORK AREA CLEAN AND HAZARD FREE DURING CONSTRUCTION AND DISPOSE OF ALL DIRT, DEBRIS/RUBBISH AND REMOVE EQUIPMENT NOT SPECIFIED AS REMAINING ON THE PROPERTY.
13. THE CONTRACTOR SHALL COMPLY WITH ALL PERTINENT SECTIONS OF THE APPLICABLE BUILDING CODES AND ALL OSHA REQUIREMENTS AS THEY APPLY TO THIS PROJECT.
14. THE CONTRACTOR SHALL NOTIFY AT&T'S REPRESENTATIVE WHERE A CONFLICT OCCURS ON ANY OF THE CONTRACT DOCUMENTS. THE CONTRACTOR IS NOT TO ORDER MATERIAL OR CONSTRUCT ANY PORTION OF THE WORK THAT IS IN CONFLICT UNTIL THAT CONFLICT IS RESOLVED BY AT&T'S REPRESENTATIVE.
15. THE CONTRACTOR SHALL VERIFY ALL DIMENSIONS, ELEVATIONS.
16. THE CONTRACTOR SHALL NOTIFY THE RF ENGINEER FOR ANTENNA AZIMUTH VERIFICATION (DURING ANTENNA INSTALLATION) PRIOR TO COORDINATING SITE SWEEPING.
17. THE CONTRACTOR SHALL SUBMIT, AT THE END OF THE PROJECT, A COMPLETE SET OF AS-BUILT DRAWINGS TO AT&T'S PROJECT MANAGER.

SITE WORK AND DRAINAGE

EARTHWORK, EXCAVATION AND GRADING

PART 1 GENERAL

- 1.01 WORK INCLUDED: REFER TO SURVEY AND SITE PLAN FOR WORK INCLUDED.
- 1.02 RELATED WORK
 - A. CONSTRUCTION OF EQUIPMENT FOUNDATIONS
 - B. INSTALLATION OF ANTENNA SYSTEM
 - C. SITE PREPARATION
- 1.03 DESCRIPTIONS
 - A. ACCESS ROAD, TURNAROUND AREAS AND SITES ARE CONSTRUCTED TO PROVIDE A WELL DRAINED, EASILY MAINTAINED, EVEN SURFACE FOR MATERIAL AND EQUIPMENT DELIVERIES AND MAINTENANCE PERSONNEL ACCESS.
- 1.04 QUALITY ASSURANCE
 - A. APPLY SOIL STERILIZER IN ACCORDANCE WITH MANUFACTURER'S RECOMMENDATION (USE AS NEEDED)
 - B. VEGETATION LANDSCAPING, IF INCLUDED WITHIN THE CONTRACT WILL BE PLACED AND MAINTAINED AS RECOMMENDED BY NURSERY INDUSTRY STANDARDS.
- 1.05 SEQUENCING
 - A. CONTRACTOR IS RESPONSIBLE FOR LAYOUT AND CONSTRUCTION STAKING.
 - B. GRUB THE COMPLETE ROAD AND SITE AREA PRIOR TO FOUNDATION CONSTRUCTION OR PLACEMENT OF BACK FILL OR SUB-BASE MATERIAL.
 - C. CONSTRUCT TEMPORARY CONSTRUCTION ZONE ALONG ACCESS DRIVE.
 - D. THE SITE AREA WILL BE BROUGHT TO SUB-BASE COURSE ELEVATION AND THE ACCESS ROAD TO BASE COURSE ELEVATION PRIOR TO FORMING FOUNDATIONS.
 - E. APPLY SILT STERILIZER PRIOR TO PLACING BASE MATERIALS.
 - F. IF REQUIRED, GRADE, SEED, FERTILIZE AND MULCH DISTURBED AREAS IMMEDIATELY AFTER BRINGING THE SITE AND ACCESS ROAD TO BASE ELEVATION. WATER TO ENSURE GROWTH.
 - G. REMOVE EXCESS GRAVEL FROM TEMPORARY CONSTRUCTION ZONE.
 - H. AFTER APPLICATIONS OF FINAL SURFACES, APPLY SOIL STERILIZER TO THE STONE SURFACES.
- 1.06 SUBMITTALS
 - A. BEFORE CONSTRUCTION
 1. IF LANDSCAPING IS APPLICABLE TO THE CONTRACT, SUBMIT TWO COPIES OF THE LANDSCAPING PLAN UNDER NURSERY LETTERHEAD. IF A LANDSCAPE ALLOWANCE IS INCLUDED IN THE CONTRACT, PROVIDE AN ITEMIZED LISTING OF PROPOSED COSTS UNDER NURSERY LETTERHEAD (REFER TO SITE PLAN FOR LANDSCAPING REQUIREMENT).
 2. SUBMIT FOR APPROVAL, 1/2 CUBIC FOOT OF THE PROPOSED SURFACE COURSE MATERIAL.
 3. LANDSCAPING WARRANTY STATEMENT, IF REQUIRED.

PART 2 PRODUCTS

- 2.01 MATERIALS
 - A. ROAD AND SITE MATERIALS: FILL MATERIAL SHALL BE ACCEPTABLE, SELECT FILL AND SHALL BE IN ACCORDANCE WITH LOCAL DEPARTMENT OF HIGHWAY AND PUBLIC TRANSPORTATION STANDARD SPECIFICATIONS.
 - B. SOIL STERILIZER SHALL BE EPA REGISTERED OF LIQUID COMPOSITION AND OF PRE-EMERGENCE DESIGN.
 - C. SOIL STABILIZER FABRIC SHALL BE MIRAFI OR EQUAL - 500% AT ACCESS ROAD AND SOAK AT COMPOUND.
 - D. GRAVEL FILL: WELL GRADED, HARD, DURABLE, NATURAL SAND AND GRAVEL, FREE FROM ICE AND SNOW, ROOTS, SOD RUBBISH, AND OTHER DELETERIOUS OR ORGANIC MATTER. MATERIAL SHALL CONFORM TO THE FOLLOWING GRADATION REQUIREMENTS:

U.S. SIEVE NO.	PASSING BY WEIGHT
4"	100
1/2"	50-85
#4	40-75
#10	30-60
#40	10-30
#100	5-20
#200	0-5

GRAVEL FILL TO BE PLACED IN LIFTS OF 9" MAXIMUM THICKNESS AND COMPACTED TO 95% STANDARD PROCTOR DENSITY.

2.02 EQUIPMENT

- A. COMPACTION SHALL BE ACCOMPLISHED BY MECHANICAL MEANS. LARGER AREAS SHALL BE COMPACTED BY SHEEP'S FOOT, VIBRATORY OR RUBBER TIED ROLLERS WEIGHING AT LEAST 5 TONS. SMALLER AREAS SHALL BE COMPACTED BY POWER-DRIVER, HAND-HELD TAMPER.
- B. PRIOR TO OTHER EXCAVATION AND CONSTRUCTION EFFORTS, GRUB ORGANIC MATERIAL TO A MINIMUM OF 6" BELOW ORIGINAL GROUND LEVEL.
- C. UNLESS OTHERWISE INSTRUCTED BY AT&T, REMOVE TREES, BRUSH AND DEBRIS FROM THE PROPERTY TO AN AUTHORIZED DISPOSAL LOCATION.
- D. PRIOR TO PLACEMENT OF FILL OR BASE MATERIALS, ROLL THE SOIL.
- E. WHERE UNSTABLE CONDITIONS ARE ENCOUNTERED, LINE THE RUBBED AREAS WITH STABILIZER MAT PRIOR TO PLACEMENT OF FILL OR BASE MATERIAL.

PART 3 EXECUTION

- 3.30 INSTALLATION
 - A. THE SITE AND TURNAROUND SHALL BE AT THE SUB-BASE COURSE ELEVATION PRIOR TO FORMING FOUNDATIONS. GRADE OR FILL THE SITE AND ACCESS ROAD AS REQUIRED TO PRODUCE EVEN DISTRIBUTION OF SPOILS RESULTING FROM FOUNDATION EXCAVATIONS. THE RESULTING GRADE SHALL CORRESPOND WITH SAID SUB-BASE COURSE. ELEVATIONS ARE TO BE CALCULATED FROM FINISHED GRADES OR SLOPES INDICATED.
 - B. CLEAR EXCESS SPOILS, IF ANY, FROM JOB SITE AND DO NOT SPREAD BEYOND THE LIMITS OF THE LEASE PROPERTY UNLESS AUTHORIZED BY PROJECT MANAGER.
 - C. DO NOT CREATE DEPRESSIONS WHERE WATER MAY POND.
- D. SEED, FERTILIZER AND STRAW COVER SHALL BE APPLIED TO ALL OTHER DISTURBED AREAS AND DITCHES, DRAINAGE SWALES, NOT OTHERWISE RIPRAPPED.
- E. IF A DITCH LIES WITH SLOPES GREATER THAN TEN PERCENT, MOUNT DIVERSIONARY HEADWALLS IN THE DITCH FOR 6'-0" ABOVE THE CULVERT ENTRANCE.
- F. SEED AND FERTILIZER SHALL BE APPLIED TO SURFACE CONDITIONS WHICH WILL ENCOURAGE ROOTING. RAKE AREAS TO BE SEEDED TO EVEN THE SURFACE AND TO LOOSEN THE SOIL.
- G. SOW SEEDS IN TWO DIRECTIONS IN TWICE THE QUANTITY RECOMMENDED BY THE SEED PRODUCER.
- H. IT IS THE CONTRACTOR'S RESPONSIBILITY TO ENSURE GROWTH OF SEEDED AND LANDSCAPED AREAS BY WATERING TO THE POINT OF RELEASE FROM THE CONTRACT. CONTINUE TO REWORK BARE AREAS UNTIL COMPLETE COVERAGE IS OBTAINED.

EROSION AND SEDIMENT CONTROL NOTES:

1. UNLESS OTHERWISE INDICATED, ALL VEGETATIVE AND STRUCTURAL EROSION AND SEDIMENT CONTROL PRACTICES WILL BE CONSTRUCTED AND MAINTAINED ACCORDING TO MINIMUM STANDARDS AND SPECIFICATIONS OF THE EPA "STORMWATER MANAGEMENT FOR CONSTRUCTION ACTIVITIES" MANUAL, (LATEST EDITION).
2. ALL EROSION AND SEDIMENT CONTROL MEASURES ARE TO BE PLACED PRIOR TO OR AS THE FIRST STEP OF CLEARING. ADD MEASURES AS NECESSARY AS DISTURBANCES INCREASE AS PART OF THE PHASED CONSTRUCTION.
3. A COPY OF THE APPROVED EROSION AND SEDIMENT CONTROL PLAN, ALONG WITH THE APPROVED NOTICE OF INTENT AND STORMWATER POLLUTION PREVENTION PLAN SHALL BE MAINTAINED ON THE SITE AT ALL TIMES.
4. PRIOR TO COMMENCING LAND DISTURBING ACTIVITIES IN AREAS OTHER THAN INDICATED ON THESE PLANS (INCLUDING BUT NOT LIMITED TO, OFF-SITE BORROW OR WASTE AREAS), THE CONTRACTOR SHALL SUBMIT A SUPPLEMENTARY EROSION CONTROL PLAN TO THE OWNER FOR REVIEW AND APPROVAL BY THE PLAN APPROVING AUTHORITY.
5. THE CONTRACTOR IS RESPONSIBLE FOR INSTALLATION OF ANY ADDITIONAL EROSION CONTROL MEASURES NECESSARY TO PREVENT EROSION AND SEDIMENTATION AS DETERMINED BY THE PLAN APPROVING AUTHORITY.
6. ALL DISTURBED AREAS ARE TO DRAIN TO APPROVED SEDIMENT CONTROL MEASURES FINAL STABILIZATION IS ACHIEVED.
7. DURING DEWATERING OPERATIONS, WATER WILL BE PUMPED INTO AN APPROVED FILTERING DEVICE.
8. CONSTRUCTION SHALL BE SEQUENCED TO MINIMIZE EXPOSURE TIME OF CLEARED SURFACE AREA. EROSION AND SEDIMENT CONTROL MEASURES SHALL BE IN PLACE AND FUNCTIONAL PRIOR TO EARTH MOVING OPERATIONS. ALL CONTROL MEASURES SHALL BE CHECKED AND REPAIRED AS NECESSARY, AND AT MAXIMUM 14 CALENDAR DAYS IN DRY PERIODS AND WITHIN 24 HOURS AFTER ANY RAINFALL EXCEEDING 0.5 INCH WITHIN A 24 HOUR PERIOD.
9. THE CONTRACTOR SHALL DESIGNATE IN WRITING THE NAME AND PHONE NUMBER OF THE INDIVIDUAL RESPONSIBLE FOR EROSION AND SEDIMENT CONTROLS.
10. PRE-CONSTRUCTION VEGETATIVE GROUND COVER SHALL NOT BE REMOVED MORE THAN 20 CALENDAR DAYS PRIOR TO GRADING. ALL GRADED AREAS EXPECTED TO REMAIN UNFINISHED FOR MORE THAN 30 CALENDAR DAYS SHALL BE COVERED WITH TEMPORARY GRASS, SOD, STRAW, MULCH OR FABRIC MATS. PERMANENT SOIL STABILIZATION SHALL BE INSTALLED WITHIN 15 CALENDAR DAYS OF FINAL GRADING.
11. THE CONTRACTOR SHALL MAINTAIN RECORDS OF EROSION CONTROL INSPECTIONS AND REPAIRS FOR A MINIMUM OF 3 YEARS AFTER CONSTRUCTION COMPLETION.
12. MULCHING SHALL CONSIST OF LOOSE HAY OR STRAW APPLIED AT THE RATE OF 2 TONS/ACRE.
13. THE CONTRACTOR SHALL REMOVE SEDIMENT FROM TRAPS, SILT FENCES, SEDIMENT PONDS, ETC. AS NECESSARY AND WHEN CAPACITY HAS BEEN REDUCED BY 50%.
14. STOCKPILES SHALL BE STABILIZED AND PROTECTED FROM EROSION.

PREPARED BY:



11490 BLUEGRASS PARKWAY
LOUISVILLE, KY 40299
502-437-5252

PREPARED FOR:




575 MOROSGO DRIVE
ATLANTA, GA 30324-3300



04/10/2024

EN PERMIT: 3594

ZONING DRAWINGS

REV.	DATE	DESCRIPTION
A	11/02/23	PRELIM ISSUE
0	03/05/24	CONSTRUCTION
1	04/10/24	CONSTRUCTION

SITE NAME:
KALER MILL

SITE INFORMATION:
1950 STATE ROUTE 1684
BOAZ, KY 42027
GRAVES COUNTY

FA NUMBER:
16147975

USID:
329278

POD PROJECT NUMBER: 23-157797
DRAWN BY: EW
CHECKED BY: MEP
DATE: 04/10/24

SHEET TITLE:
**GENERAL NOTES
& SPECIFICATIONS**

SHEET NUMBER:
GN-1

SPECIAL CONSTRUCTION — ANTENNA INSTALLATION

PART 1 GENERAL

1.01 CODES REQUIREMENTS

- A. INSTALL ANTENNA, COAXIAL CABLES, TMA'S, GROUNDING SYSTEM, AND ALL OTHER EQUIPMENT SHOWN ON THESE DRAWINGS OR THE AT&T RF DESIGN IN ACCORDANCE WITH DRAWINGS AND SPECIFICATIONS IN EFFECT AT THE PROJECT LOCATION AND RECOMMENDATIONS OF STATE AND LOCAL BUILDING CODES HAVING JURISDICTION OVER SPECIFIC PORTIONS OF WORK. THESE CODES INCLUDE, BUT ARE NOT LIMITED TO THE FOLLOWING:
 1. EIA — ELECTRONIC INDUSTRIES ASSOCIATION RS-22. STRUCTURAL STANDARDS FOR STEEL ANTENNA TOWERS AND ANTENNA SUPPORTING STRUCTURES.
 2. FAA — FEDERAL AVIATION ADMINISTRATION ADVISORY CIRCULAR AC 70/7480—II, CONSTRUCTION MARKING AND LIGHTING.
 3. FCC — FEDERAL COMMUNICATION COMMISSION RULES AND REGULATIONS FORM 715, OBSTRUCTION MARKING AND LIGHTING SPECIFICATION FOR ANTENNA STRUCTURES.
 4. AISC — AMERICAN INSTITUTE OF STEEL CONSTRUCTION FOR STRUCTURAL JOINTS USING ASTM 1325 OR A490 BOLTS.
 5. NEC — NATIONAL ELECTRIC CODE — ON TOWER LIGHTING KITS.
 6. UL — UNDERWRITER'S LABORATORIES APPROVED ELECTRICAL PRODUCTS.
 7. IN ALL CASES, PART 77 OF THE FAA RULES AND PARTS 17 AND 22 OR THE FCC RULES ARE APPLICABLE AND IN THE EVENT OF CONFLICT, SUPERSEDE ANY OTHER STANDARDS OR SPECIFICATIONS.
 8. LIFE SAFETY CODE NFPA, LATEST EDITION.

1.02 WORK INCLUDED

- A. INSTALLATION OF GALVANIZED STEEL ANTENNA MOUNTS AS INDICATED ON DRAWINGS.
- B. INSTALLATION OF GALVANIZED STEEL CABLE LADDER AS INDICATED ON DRAWINGS.
- C. INSTALLATION OF ALL ANTENNAS, TMA'S, COAXIAL CABLES, AND OTHER EQUIPMENT AS SPECIFIED ON THE AT&T RF DESIGN.
- D. INSTALLATION OF PROPER GROUNDING FOR LINES, ANTENNAS AND OTHER NEW EQUIPMENT.
- E. TESTING OF ALL LINES, ANTENNAS, AND OTHER EQUIPMENT PER AT&T SPECIFICATIONS.
- F. DAILY CLEAN UP AND REMOVAL OF ALL DEBRIS, EXCESS MATERIALS, AND TRASH FROM THE SITE.
- G. RELATED WORK
 1. FURNISH THE FOLLOWING WORK AS SPECIFIED IN CONSTRUCTION DOCUMENTS, BUT COORDINATE WITH OTHER TRADES PRIOR TO BID:
 - a. FLASHING OF OPENINGS INTO OUTSIDE WALLS.
 - b. SEALING AND CAULKING ALL OPENINGS.
 - c. PAINTING.
 - d. CUTTING AND PATCHING.

1.03 GENERAL

- A. NO WORK SHALL BE PERFORMED ON THE SITE BY THE CONTRACTOR WITHOUT A FINAL RE CONFIGURATION SHEET.
- B. CONTRACTOR IS RESPONSIBLE TO REVIEW AND ADHERE TO RF EXPOSURE OCCUPATIONAL M.O.P. PROVIDED BY OWNER.

PART 2 PRODUCTS

2.01 EQUIPMENT

- A. UNLESS SPECIFIED OTHERWISE BY OWNER, ANTENNAS, COAXIAL CABLES, TMA'S, JUMPERS, CONNECTORS, GROUND KITS, AND ATTACHMENT HARDWARE ARE FURNISHED BY OTHERS UNDER SEPARATE CONTRACT.
- B. ALL WEATHERPROOFING TO BE SUPPLIED BY CONTRACTOR.

PART 3 EXECUTION

3.01 INSTALLATION

- A. ANY EXISTING CONDITIONS THAT WOULD PREVENT THE INSTALLATION OF THE MOUNTS, COAXIAL CABLES, ANTENNAS, OR ANY OTHER EQUIPMENT TO BE INSTALLED ACCORDING TO THE SPECIFIED RE CONFIGURATION OR THAT WOULD CAUSE SHADOWING, SHALL BE BROUGHT TO THE ATTENTION OF THE CONSTRUCTION MANAGER IMMEDIATELY.
- B. THE CONTRACTOR SHOULD CHECK TO VERIFY THAT NO PART OF THE TOWER STRUCTURE OR OTHER OBSTRUCTIONS EXISTS WITHIN A 180 DEGREE VIEW OF THE ANTENNAS AND MOUNT.
- C. INSTALL ANTENNAS AS INDICATED ON DRAWINGS AND AT&T SPECIFICATIONS.
- D. INSTALL GALVANIZED STEEL ANTENNA MOUNTS.
- E. INSTALL COAXIAL CABLES AND TERMINATIONS BETWEEN ANTENNAS AND EQUIPMENT PER MANUFACTURER'S RECOMMENDATIONS. WEATHERPROOF ALL CONNECTORS BETWEEN THE ANTENNA AND EQUIPMENT PER MANUFACTURER'S REQUIREMENTS. TERMINATE ALL COAXIAL CABLE THREE (3) FEET IN EXCESS OF ENTRY PORT LOCATION UNLESS OTHERWISE STATED.
- F. BENDS IN COAXIAL CABLES ARE TO BE KEPT TO A MINIMUM. UNDER NO CIRCUMSTANCES SHOULD COAXIAL CABLE BE BENT TO A RADIUS LESS THAN FOLLOWS:

CABLE SIZE	MINIMUM BENDING RADIUS
1/2" SUPERFLEX	1.25"
1/2"	5"
3/8"	3.75"
5/8"	8"
7/8"	10"
1-1/4"	15"
1-5/8"	20"

- G. JUMPERS SHALL BE INSTALLED WITH MINIMUM BENDS. MINIMUM BENDING RADIUS FOR 1/2" JUMPER IS 5". JUMPERS SHALL NOT BE COILED.
- H. ANTENNA JUMPERS SHALL BE SUPPORTED AT MAXIMUM 3' SPACING WITH SUPPORT SUPPLIED WITHIN 18" OF EACH END OF THE JUMPER.
- I. CABLES THAT EXCEED THE MINIMUM BENDING RADIUS, ARE CRUSHED, OR ARE OTHERWISE DAMAGED SHALL BE DISCARDED AND REPLACED AT CONTRACTOR'S EXPENSE.
- J. DO NOT REMOVE DUST CAPS FROM CONNECTORS OF JUMPERS UNTIL CONNECTION IS READY TO BE MADE. USE CARE IN MAKING CONNECTIONS. VISUALLY INSPECT THE CENTER PIN.
- K. ANTENNAS SHALL BE INSTALLED WITH DOWNTILT BRACKETS AND HEAVY DUTY CLAMPS SUPPLIED BY THE MANUFACTURER.

3.02 GROUNDING

- A. ANTENNA AND COAXIAL CABLE GROUNDING:
 1. GROUNDS SHALL BE INSTALLED ON THE COAXIAL CABLE APPROXIMATELY TWO FEET ABOVE THE VERTICAL TO HORIZONTAL TRANSITION.
 2. ALL EXTERIOR #6 GREEN GROUND WIRE DAISY CHAIN CONNECTIONS TO BE WEATHER SEALED WITH APPROVED WEATHERPROOFING KIT.
 3. ALL COAXIAL CABLE GROUNDING KITS ARE TO BE INSTALLED ON STRAIGHT RUNS OF COAXIAL CABLE (NOT WITHIN BENDS).
 4. ALL COAX GROUNDS SHALL BE BONDED TO THE GROUND BAR UTILIZING TWO HOLE LUGS.
 5. ALL COAX GROUND LEADS ARE TO BE INSTALLED WITH 2" OF SLACK TO ACCOMMODATE MOVEMENT IN THE LINES.
 6. ALL COAX GROUNDS SHALL BE INSTALLED SUCH THAT THE LEADS FALL DOWNWARD TO THE CONNECTION TO THE GROUND BAR.
- B. ALL ANTENNA MOUNTING PIPES TO BE BONDED TO TOWER GROUND BAR.

3.03 COLOR CODING

- A. ALL JUMPERS, COAX RUNS, AND BIAS—T POWER CABLES TO HAVE COLOR CODE BANDS INSTALLED ON BOTH ENDS.
- B. COLOR CODE BANDS TO BE INSTALLED UTILIZING MINIMUM THREE WRAPS OF 3M-35 TAPE. COLOR CODE BANDS ON MAIN COAX CABLES AT TOP OF TOWER TO BE INSTALLED UTILIZING MINIMUM 3" WIDE BANDS WITH MINIMUM 3/4" SPACING BETWEEN BANDS. COLOR CODE BANDS NEAR GROUND LEVEL TO BE INSTALLED UTILIZING 3/4" WIDE BANDS.
- C. ON 'COMMON' ELEMENTS, THOSE CARRYING BOTH 850MHz AND 1900MHz SIGNALS, THE COLOR CODE IS TO MATCH THE 850MHz COLOR CODE (NO WHITE).

3.04 INSPECTION, TESTING, AND CLOSE OUT

- A. MOUNT ORIENTATION MUST BE LESS THAN 10 DEGREES FROM THE DESIRED AZIMUTH. MOUNTS MUST NOT OVERSHADOW OR IMPEDE ANTENNAS ON OTHER SECTORS.
- B. ALL ANTENNAS MUST BE WITHIN ±3 DEGREES FROM THE SPECIFIED RF CONFIGURATION. ALL ANTENNAS IN A SECTOR MUST BE WITHIN ±1 DEGREE FROM OTHER ANTENNAS IN THE SAME SECTOR.
- C. EACH ANTENNA MUST HAVE THE DOWNTILT VERIFIED UTILIZING A DIGITAL LEVEL. A PHOTOGRAPH OF THE ANTENNA WITH THE LEVEL IN PLACE MUST BE TAKEN FOR EACH ANTENNA. ALL PHOTOGRAPHS MUST CLEARLY IDENTIFY THE SECTOR AND ANTENNA BEING DISPLAYED.
- D. THE MODEL NUMBER OF ALL NEW AND EXISTING ANTENNAS SHALL BE PHOTOGRAPHED. THIS INFORMATION SHOULD BE RECORDED ON THE JOB CHECKLIST. ALL PHOTOGRAPHS MUST CLEARLY IDENTIFY THE SECTOR AND ANTENNA BEING DISPLAYED.
- E. THE CONTRACTOR SHALL CONDUCT SWEEP TEST FOR THE COMPLETED ANTENNA SYSTEM PER AT&T REQUIREMENTS.

PREPARED BY:



PREPARED FOR:



EN PERMIT: 3594

ZONING DRAWINGS

REV.	DATE	DESCRIPTION
A	11/02/23	PRELIM ISSUE
0	03/05/24	CONSTRUCTION
1	04/10/24	CONSTRUCTION

SITE NAME:
KALER MILL
SITE INFORMATION:
1950 STATE ROUTE 1684
BOAZ, KY 42027
GRAVES COUNTY

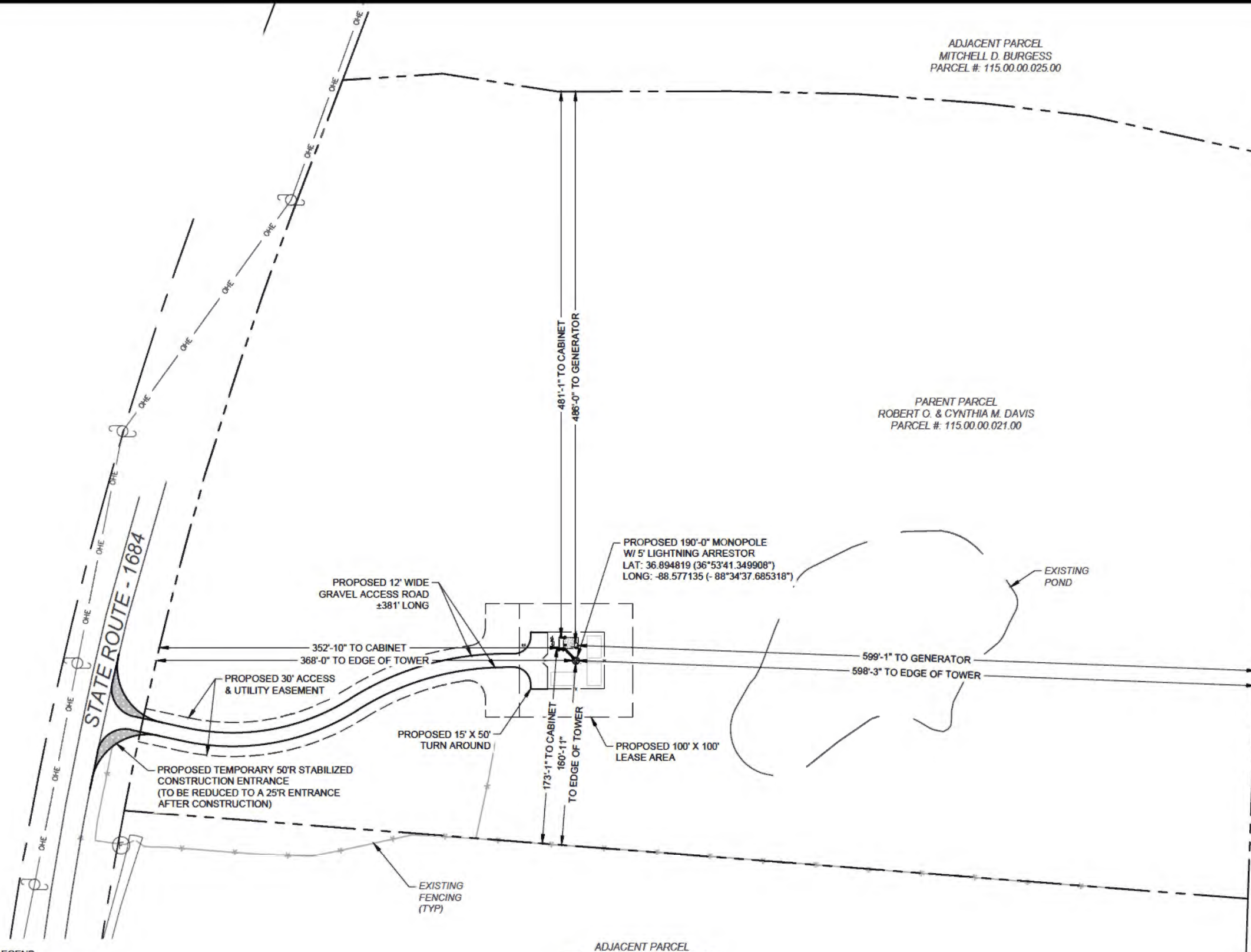
FA NUMBER:
16147975

USID:
329278

POD PROJECT NUMBER: 23-157797
DRAWN BY: EW
CHECKED BY: MEP
DATE: 04/10/24

SHEET TITLE:
ANTENNA
INSTALLATION
NOTES

SHEET NUMBER:
GN-2



ADJACENT PARCEL
MITCHELL D. BURGESS
PARCEL #: 115.00.00.025.00

PARENT PARCEL
ROBERT O. & CYNTHIA M. DAVIS
PARCEL #: 115.00.00.021.00

ADJACENT PARCEL
ROBERT & CYNTHIA DAVIS
PARCEL #: 115.00.00.027.01

ADJACENT PARCEL
ROBERT O. & CYNTHIA M. DAVIS
PARCEL #: 115.00.00.017.00

- LEGEND**
- PROPOSED CONCRETE
 - PROPOSED CHAINLINK FENCE
 - PROPOSED ACCESS ROAD (GRAVEL)
 - PROPOSED LEASE AREA
 - PROPOSED EASEMENT
 - EXISTING LEASE AREA
 - EXISTING POND
 - EXISTING WIRE FENCE
 - EXISTING ROAD (ASPHALT)
 - EXISTING OVERHEAD ELECTRIC
 - EXISTING UTILITY POLE

1 OVERALL SITE PLAN
SCALE: 1" = 100'



PREPARED BY:
 POD
POWER OF DESIGN
11490 BLUEGRASS PARKWAY
LOUISVILLE, KY 40299
502-437-5252

PREPARED FOR:
 smartlink

AT&T
575 MOROSGO DRIVE
ATLANTA, GA 30324-3300

EN PERMIT: 3594

ZONING DRAWINGS

REV.	DATE	DESCRIPTION
A	11/02/23	PRELIM ISSUE
0	03/05/24	CONSTRUCTION
1	04/10/24	CONSTRUCTION

SITE NAME:
KALER MILL
SITE INFORMATION:
1950 STATE ROUTE 1684
BOAZ, KY 42027
GRAVES COUNTY

FA NUMBER:
16147975

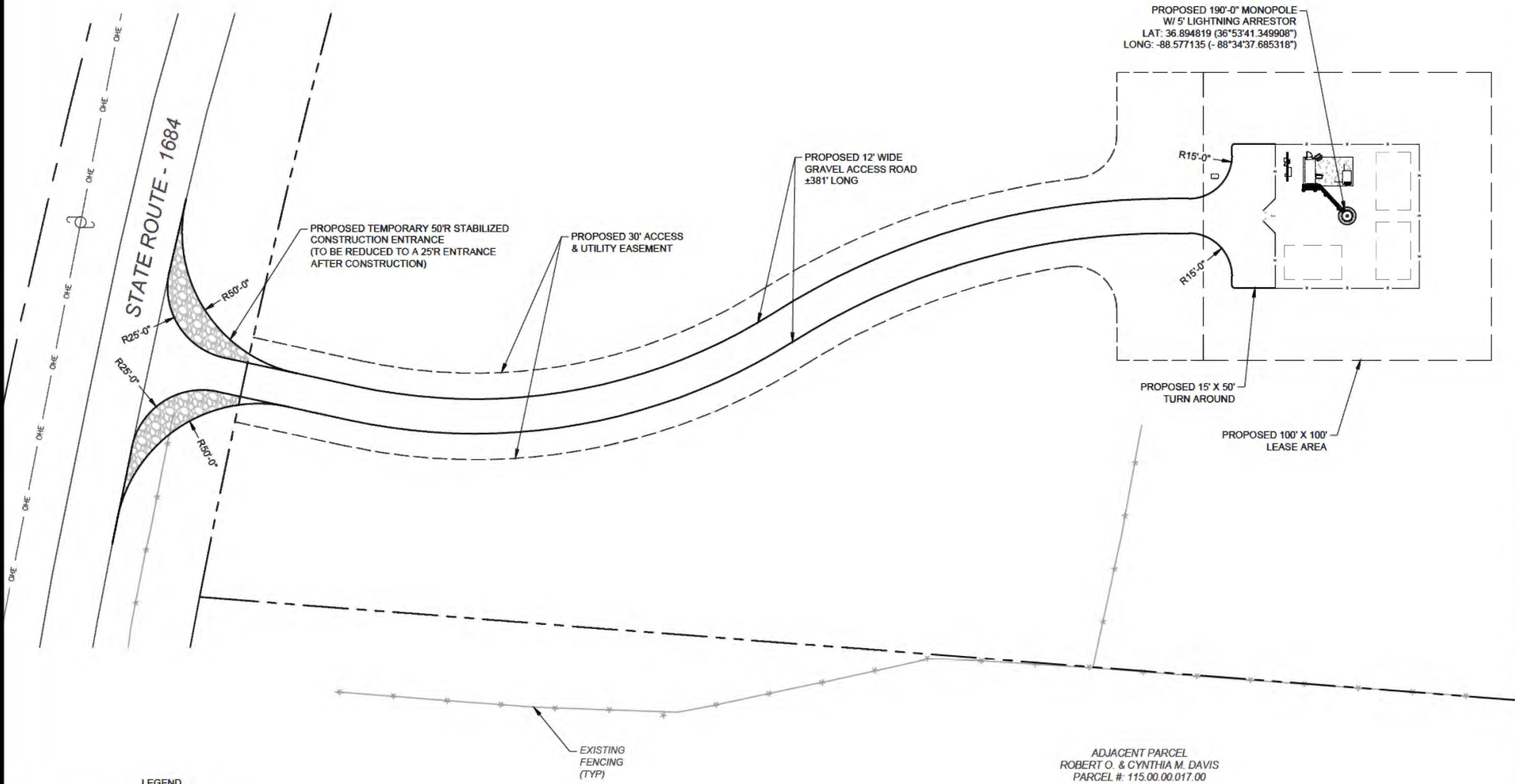
USID:
329278

POD PROJECT NUMBER: 23-157797
DRAWN BY: EW
CHECKED BY: MEP
DATE: 04/10/24

SHEET TITLE:
OVERALL SITE PLAN

SHEET NUMBER:
C-1

PARENT PARCEL
ROBERT O. & CYNTHIA M. DAVIS
PARCEL #: 115.00.00.021.00



PREPARED BY:

11490 BLUEGRASS PARKWAY
LOUISVILLE, KY 40299
502-437-5252

PREPARED FOR:

575 MOROSGO DRIVE
ATLANTA, GA 30324-3300

04/10/2024
EN PERMIT: 3594

ZONING DRAWINGS

REV.	DATE	DESCRIPTION
A	11/02/23	PRELIM ISSUE
0	03/05/24	CONSTRUCTION
1	04/10/24	CONSTRUCTION

SITE NAME:
KALER MILL

SITE INFORMATION:
1950 STATE ROUTE 1684
BOAZ, KY 42027
GRAVES COUNTY

FA NUMBER:
16147975

USID:
329278

POD PROJECT NUMBER: 23-157797
DRAWN BY: EW
CHECKED BY: MEP
DATE: 04/10/24

SHEET TITLE:
ENLARGED SITE PLAN

SHEET NUMBER:
C-2

LEGEND

	PROPOSED CONCRETE
	PROPOSED CHAINLINK FENCE
	PROPOSED ACCESS ROAD (GRAVEL)
	PROPOSED LEASE AREA
	PROPOSED EASEMENT
	EXISTING LEASE AREA
	EXISTING WIRE FENCE
	EXISTING ROAD (ASPHALT)
	EXISTING OVERHEAD ELECTRIC
	EXISTING UTILITY POLE

1 ENLARGED SITE PLAN
SCALE: 1" = 40'

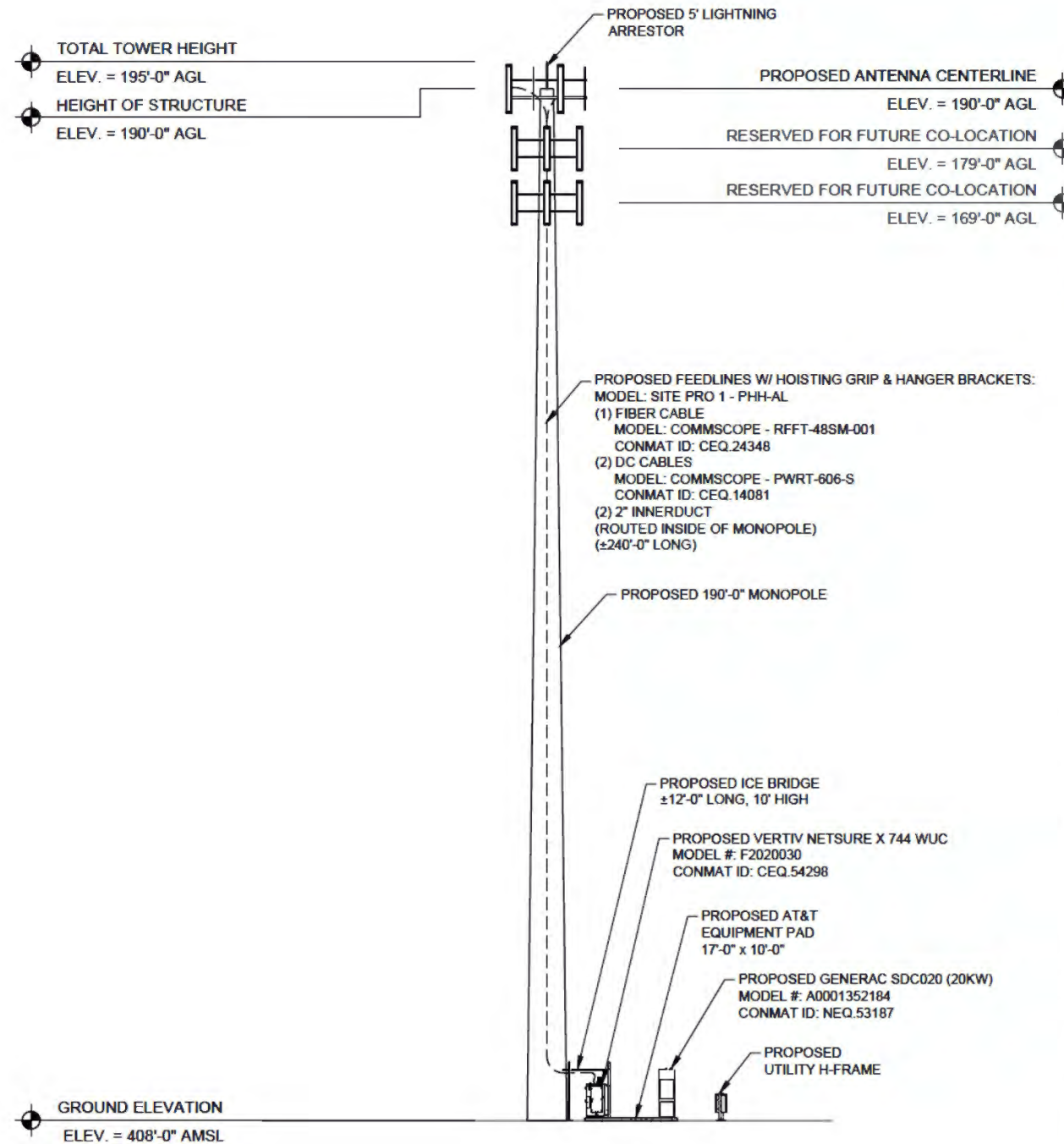
ADJACENT PARCEL
ROBERT O. & CYNTHIA M. DAVIS
PARCEL #: 115.00.00.017.00

TOWER NOTES:

1. THE NEW TOWER, FOUNDATION, ANTENNA MOUNTS, AND ANTENNAS WERE DESIGNED BY OTHERS.
2. THE TOWER ELEVATION SHOWN IS FOR REFERENCE ONLY.
3. TOWER AND FOUNDATION DESIGN WAS NOT PROVIDED TO POWER OF DESIGN GROUP, LLC.
4. CONTRACTOR TO FIELD VERIFY ANTENNA MOUNT CONFIGURATION WITH AT&T. ALL ANTENNAS AND MOUNTING HARDWARE SHALL CONFORM TO DESIGN REQUIREMENTS PER INTERNATIONAL BUILDING CODE (LATEST EDITION) AND EIA/TIA-222-G STRUCTURAL STANDARDS FOR STEEL ANTENNA TOWERS AND ANTENNA SUPPORTING STRUCTURES, BASIC WIND SPEED AS LISTED IN TOWER DRAWINGS.
5. SEE TOWER MANUFACTURER'S DRAWINGS FOR TOWER AND FOUNDATION DETAILS & SPECIFICATIONS.
6. MANUFACTURER'S DRAWINGS SUPERCEDE A&E DRAWINGS.
7. CARRIER LOADING SHOWN IS FOR ILLUSTRATIVE PURPOSES ONLY AND MAY NOT REPRESENT ACTUAL FINAL LOADING. PLEASE REFER TO THE LATEST RFDS OR APPLICATION FOR CONFIRMATION.
8. ONLY ONE SECTOR SHOWN FOR CLARITY.
9. THE TOWER WILL BE PAINTED A GRAY OR NEUTRAL COLOR OR WILL UTILIZE A GALVANIZED STEEL FINISH.
10. TOWER LIGHTING WILL ONLY BE UTILIZED IF STRICTLY REQUIRED BY THE FAA OR OTHER APPLICABLE REGULATORY ORGANIZATION.

GENERAL NOTES:

1. ALL WORK PRESENTED ON THESE DRAWINGS MUST BE COMPLETED BY THE CONTRACTOR UNLESS NOTED OTHERWISE. THE CONTRACTOR MUST HAVE CONSIDERABLE EXPERIENCE IN PERFORMANCE OF WORK SIMILAR TO THAT DESCRIBED HEREIN. BY ACCEPTANCE OF THIS ASSIGNMENT, THE CONTRACTOR IS ATTESTING THAT HE DOES HAVE SUFFICIENT EXPERIENCE AND ABILITY, THAT HE IS KNOWLEDGEABLE OF THE WORK TO BE PERFORMED AND THAT HE IS PROPERLY LICENSED AND PROPERLY REGISTERED TO DO THIS WORK IN THE STATE AND/OR COUNTY IN WHICH IT IS TO BE PERFORMED.
2. ALL MATERIALS AND EQUIPMENT FURNISHED SHALL BE NEW AND OF GOOD QUALITY, FREE FROM FAULTS AND DEFECTS AND IN CONFORMANCE WITH THE CONTRACT DOCUMENTS. ANY AND ALL SUBSTITUTIONS MUST BE PROPERLY APPROVED AND AUTHORIZED IN WRITING BY THE OWNER AND ENGINEER PRIOR TO INSTALLATION. THE CONTRACTOR SHALL FURNISH SATISFACTORY EVIDENCE AS TO THE KIND AND QUALITY OF THE MATERIALS AND EQUIPMENT BEING SUBSTITUTED.
3. THE CONTRACTOR SHALL BE RESPONSIBLE FOR INITIATING, MAINTAINING, AND SUPERVISING ALL SAFETY PRECAUTIONS AND PROGRAMS IN CONNECTION WITH THE WORK. THE CONTRACTOR IS RESPONSIBLE FOR INSURING THAT THIS PROJECT AND RELATED WORK COMPLIES WITH ALL APPLICABLE LOCAL, STATE, AND FEDERAL SAFETY CODES AND REGULATIONS GOVERNING THIS WORK.
4. ALL DIMENSIONS SHALL BE VERIFIED WITH THE PLANS (LATEST REVISION) PRIOR TO COMMENCING CONSTRUCTION. NOTIFY THE OWNER IMMEDIATELY IF DISCREPANCIES ARE DISCOVERED.
5. ALL MATERIALS AND WORKMANSHIP SHALL BE WARRANTED FOR ONE (1) YEAR FROM THE DATE OF ACCEPTANCE.



1 PROPOSED TOWER ELEVATION
SCALE: NOT TO SCALE

PREPARED BY:

11490 BLUEGRASS PARKWAY
LOUISVILLE, KY 40299
502-437-5252

PREPARED FOR:

575 MOROSGO DRIVE
ATLANTA, GA 30324-3300

04/10/2024
EN PERMIT: 3594

ZONING DRAWINGS

REV.	DATE	DESCRIPTION
A	11/02/23	PRELIM ISSUE
0	03/05/24	CONSTRUCTION
1	04/10/24	CONSTRUCTION

SITE NAME:
KALER MILL

SITE INFORMATION:
1950 STATE ROUTE 1684
BOAZ, KY 42027
GRAVES COUNTY

FA NUMBER:
16147975

USID:
329278

POD PROJECT NUMBER: 23-157797
DRAWN BY: EW
CHECKED BY: MEP
DATE: 04/10/24

SHEET TITLE:
TOWER ELEVATION

SHEET NUMBER:
C-4

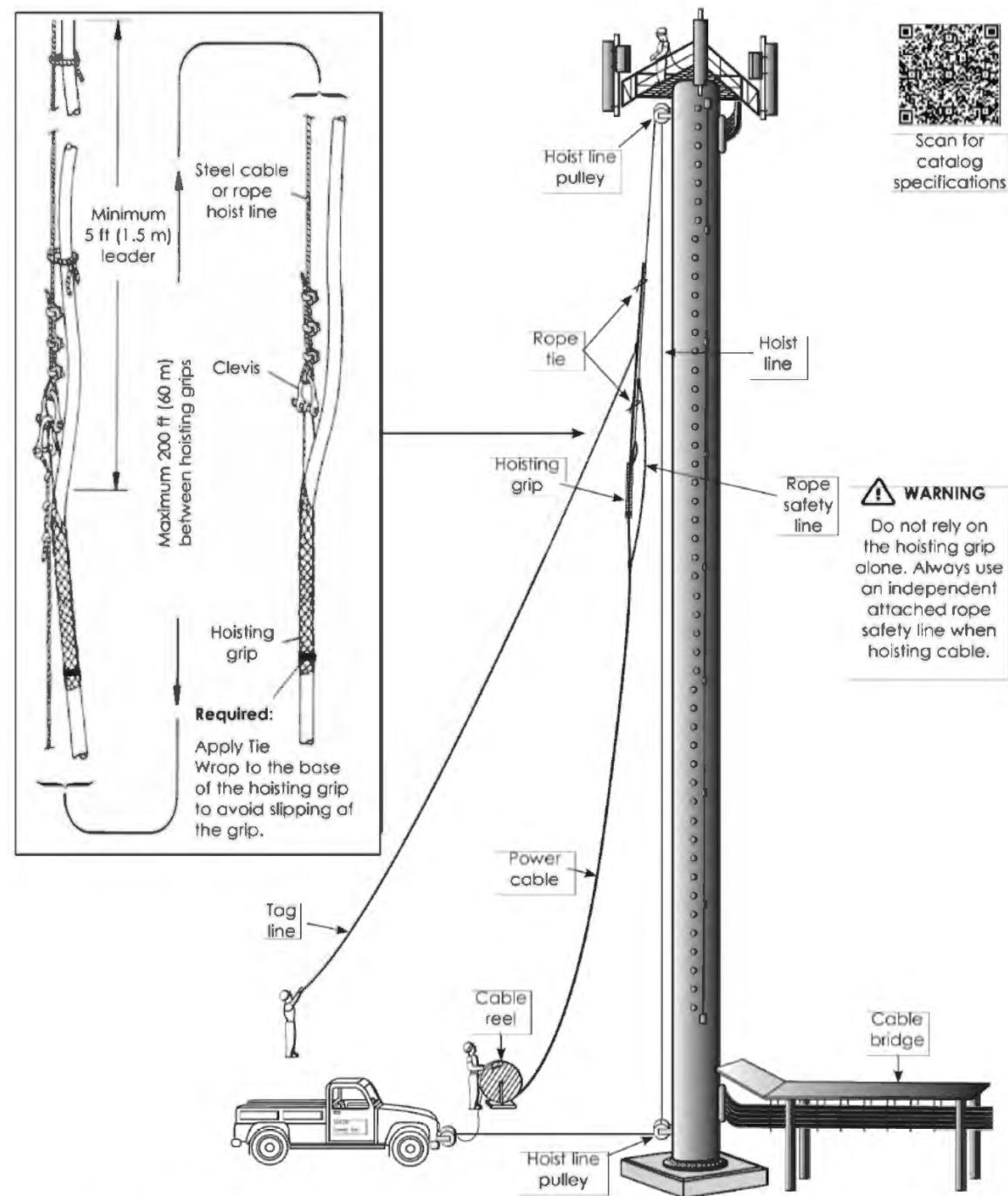
READ ALL WARNINGS AND INSTRUCTIONS BEFORE INSTALLATION.



WARNING

The following warnings alert you to possible dangers in misusing these products. Failure to obey a warning may result in injury or death to you or to others.

Hoisting/Support Grips are meant to be a permanent part of the installation. They are the primary support for the cable weight and must be anchored to the support structure with tension applied. The anchor point should be approved by the engineer of record, and meet the structure owners guidelines. Then the cable hangers whose primary function is to resist wind load are fastened to the support structure in 3 ft (0.9 m) intervals for typical climates. For Hanger Spacing Guidelines scan QR code on page 3 or Contact Technical Support, see bottom of page 3.



CommScope
1100 CommScope Place SE P.O. Box 339, Hickory, NC 28603-0339
(828) 324-2200 (800) 982-1706
www.commscope.com/andrew
© 2014 CommScope

Customer Service 24 hours
North America: +1-800-255-1479 (toll free)
Any country: +1-779-435-6500
email: acicustomersupportcenter@commscope.com

Visit www.commscope.com/andrew for complete specifications on all the products listed

Bulletin # 7692822 Rev. A



NOTE:
POWER OF DESIGN GROUP, NOR OUR ENGINEER IS RESPONSIBLE FOR DESIGN OR MANUFACTURE OF THE SPECS SHOWN ON THIS SHEET. PLEASE CONTACT THE MANUFACTURE FOR ANY QUESTIONS OR CONCERNS

1 POWER CABLE INSTALLATION
SCALE: NOT TO SCALE

PREPARED BY:
POD
POWER OF DESIGN
11490 BLUEGRASS PARKWAY
LOUISVILLE, KY 40299
502-437-5252

PREPARED FOR:
smartlink

AT&T
575 MOROSGO DRIVE
ATLANTA, GA 30324-3300

STATE OF KENTUCKY
MARK E. PATTERSON
16,300
PROFESSIONAL ENGINEER
04/10/2024

EN PERMIT: 3594
ZONING DRAWINGS

REV.	DATE	DESCRIPTION
A	11/02/23	PRELIM ISSUE
0	03/05/24	CONSTRUCTION
1	04/10/24	CONSTRUCTION

SITE NAME:
KALER MILL
SITE INFORMATION:
1950 STATE ROUTE 1684
BOAZ, KY 42027
GRAVES COUNTY

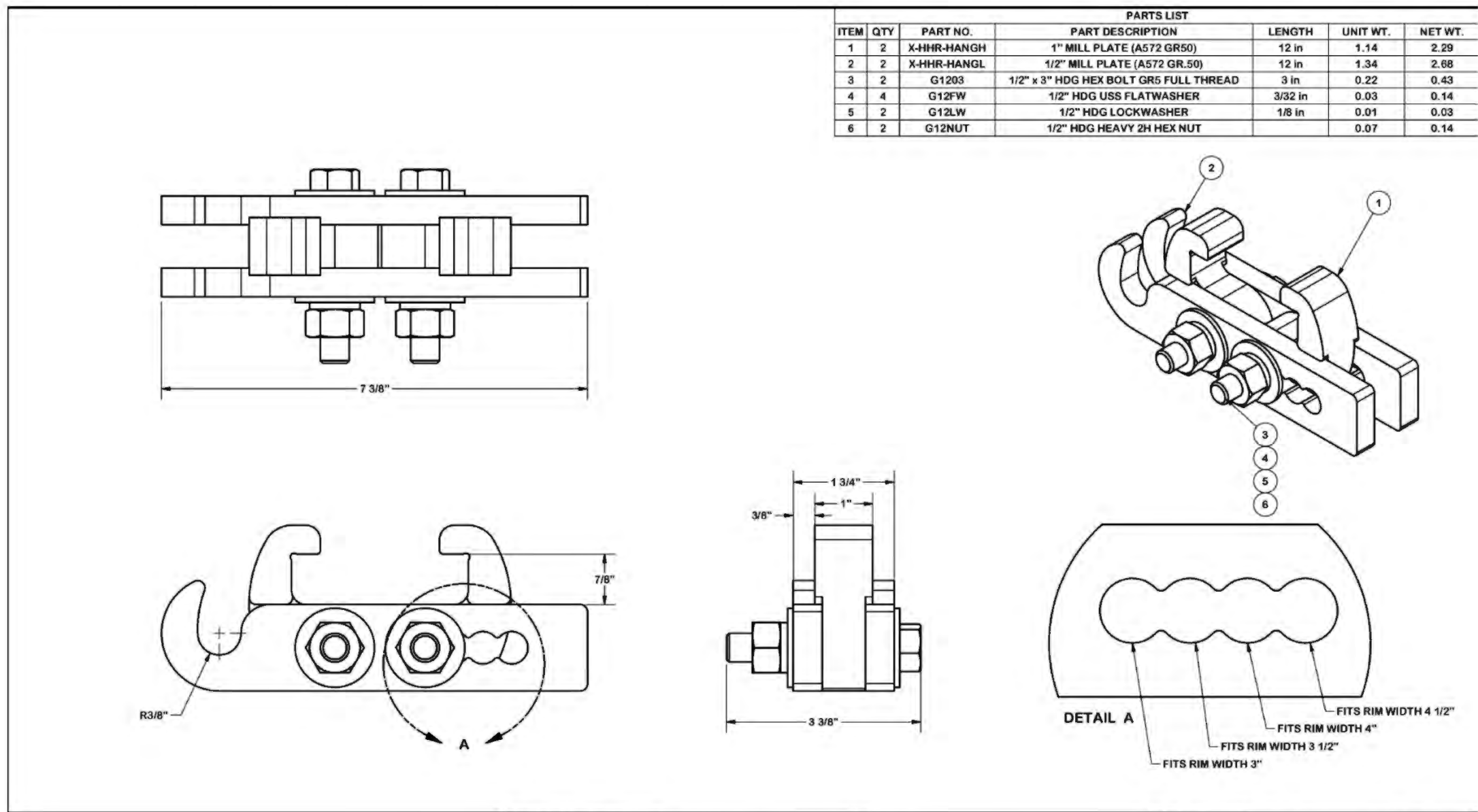
FA NUMBER:
16147975

USID:
329278

POD PROJECT NUMBER: 23-157797
DRAWN BY: EW
CHECKED BY: MEP
DATE: 04/10/24

SHEET TITLE:
**POWER CABLE
INSTALLATION DETAIL**

SHEET NUMBER:
C-4.1



PARTS LIST						
ITEM	QTY	PART NO.	PART DESCRIPTION	LENGTH	UNIT WT.	NET WT.
1	2	X-HHR-HANGH	1" MILL PLATE (A572 GR50)	12 in	1.14	2.29
2	2	X-HHR-HANGL	1/2" MILL PLATE (A572 GR.50)	12 in	1.34	2.68
3	2	G1203	1/2" x 3" HDG HEX BOLT GR5 FULL THREAD	3 in	0.22	0.43
4	4	G12FW	1/2" HDG USS FLATWASHER	3/32 in	0.03	0.14
5	2	G12LW	1/2" HDG LOCKWASHER	1/8 in	0.01	0.03
6	2	G12NUT	1/2" HDG HEAVY 2H HEX NUT		0.07	0.14

TOLERANCE NOTES TOLERANCES ON DIMENSIONS, UNLESS OTHERWISE NOTED ARE: SAWED, SHEARED AND GAS CUT EDGES ($\pm 0.030"$) DRILLED AND GAS CUT HOLES ($\pm 0.030"$) - NO CONING OF HOLES LASER CUT EDGES AND HOLES ($\pm 0.010"$) - NO CONING OF HOLES BENDS ARE $\pm 1/2$ DEGREE ALL OTHER MACHINING ($\pm 0.030"$) ALL OTHER ASSEMBLY ($\pm 0.060"$)		DESCRIPTION COAX HANGER BRACKET	Locations: New York, NY Atlanta, GA Los Angeles, CA Plymouth, IN Salem, OR Dallas, TX
CPD NO. DRAWN BY KS	6/22/2022	ENG. APPROVAL	PART NO. PHH-AL
CLASS 81	SUB 01	DRAWING USAGE SHOP	DWG. NO. PHH-AL

PROPRIETARY NOTE:
 THE DATA AND TECHNIQUES CONTAINED IN THIS DRAWING ARE PROPRIETARY INFORMATION OF VALMONT INDUSTRIES AND CONSIDERED A TRADE SECRET. ANY USE OR DISCLOSURE WITHOUT THE CONSENT OF VALMONT INDUSTRIES IS STRICTLY PROHIBITED.

NOTE:
 POWER OF DESIGN GROUP, NOR OUR ENGINEER IS RESPONSIBLE FOR DESIGN OR MANUFACTURE OF THE SPECS SHOWN ON THIS SHEET. PLEASE CONTACT THE MANUFACTURE FOR ANY QUESTIONS OR CONCERNS

1 SITE PRO 1 - PHH-AL
 SCALE: NOT TO SCALE

PREPARED BY:

 POWER OF DESIGN
 11490 BLUEGRASS PARKWAY
 LOUISVILLE, KY 40299
 502-437-5252

PREPARED FOR:

575 MOROSGO DRIVE
 ATLANTA, GA 30324-3300

04/10/2024
 EN PERMIT: 3594

ZONING DRAWINGS

REV.	DATE	DESCRIPTION
A	11/02/23	PRELIM ISSUE
0	03/05/24	CONSTRUCTION
1	04/10/24	CONSTRUCTION

SITE NAME:
 KALER MILL
 SITE INFORMATION:
 1950 STATE ROUTE 1684
 BOAZ, KY 42027
 GRAVES COUNTY

FA NUMBER:
 16147975

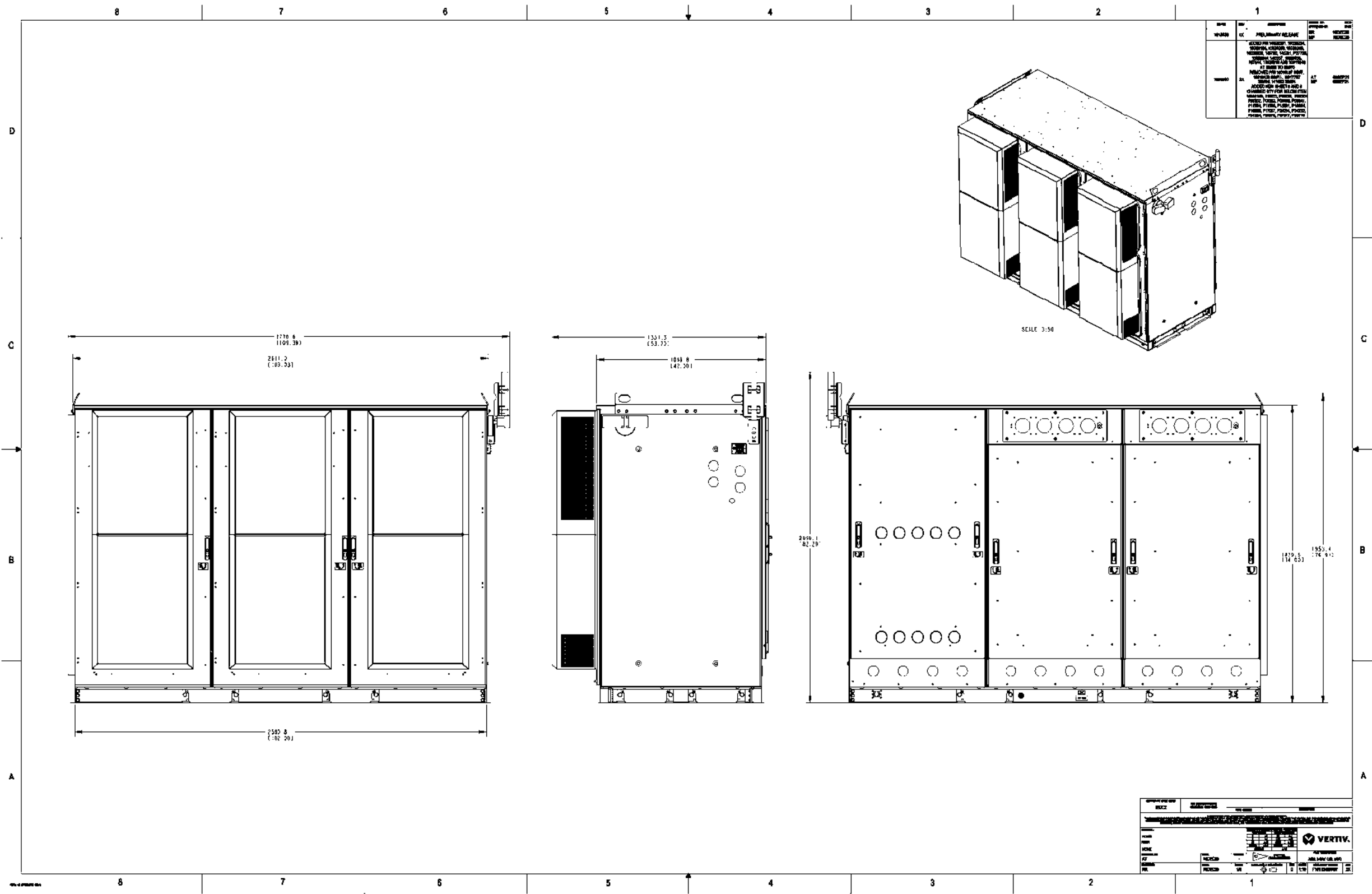
USID:
 329278

POD PROJECT NUMBER: 23-157797
 DRAWN BY: EW
 CHECKED BY: MEP
 DATE: 04/10/24

SHEET TITLE:
HANGER SPECIFICATION

SHEET NUMBER:
C-4.2

1 OF 1



PREPARED BY:



11490 BLUEGRASS PARKWAY
LOUISVILLE, KY 40299
502 497 5252

PREPARED FOR:




575 MOROSGO DRIVE
ATLANTA, GA 30324-3300

ZONING DRAWINGS

REV.	DATE	DESCRIPTION
A	11/02/23	PRELIM ISSUE
0	03/05/24	CONSTRUCTION
1	04/10/24	CONSTRUCTION

SITE NAME:
KALER MILL

SITE INFORMATION:
1950 STATE ROUTE 1684
BOAZ, KY 42027
GRAVES COUNTY

FA NUMBER:
16147975

USID:
329278

POD PROJECT NUMBER: 23-157797
DRAWN BY: EW
CHECKED BY: MEP
DATE: 04/10/24

SHEET TITLE:

WUC SPECS

SHEET NUMBER:

C-5

NOTE:
POWER OF DESIGN GROUP, NOR OUR ENGINEER IS RESPONSIBLE FOR DESIGN OR MANUFACTURE OF THE SPECS SHOWN ON THIS SHEET. PLEASE CONTACT THE MANUFACTURE FOR ANY QUESTIONS OR CONCERNS

1 VERTIV NETSURE X 744 WUC - MODEL #: F2020030
SCALE: NOT TO SCALE

Vertiv™ eSure™ Rectifier

R48-2000e3



Vertiv™ eSure™ Rectifier



Benefits

- Optimize the amount of energy delivered and reduce power consumption with over 96% efficiency
- Increase space for revenue generating equipment with modules that pack more power in a small space with high power density.
- Facilitate easy maintenance, expansion and system changes with hot swappable capabilities.
- Enjoy increased reliability and active load sharing with Digital Signal Processing (DSP) which translates into fewer components and optimized operation.
- Appreciate the flexibility to utilize in a variety of applications with a wide input voltage range of 85 VAC to 300 VAC and full power output at temperatures from -40° C to +65° C.

In addition to reducing power consumption and lowering operating cost, eSure™ high-efficiency rectifiers offer superior performance and uncompromised reliability.

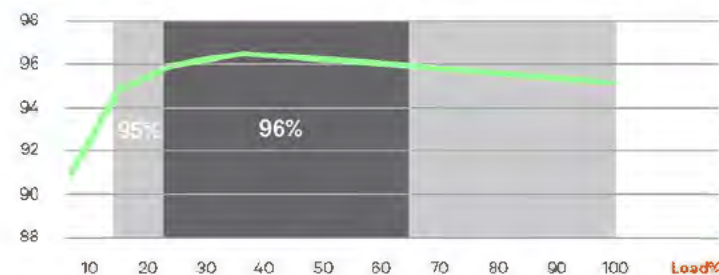
Description

The 2000 watt high-efficiency eSure rectifier (model R48-2000e3) converts standard AC supply voltages into stable nominal -48 VDC voltage that is adjustable to application needs. This constant power rectifier designed with the latest patented switch-mode technology, uses DSP (Digital Signal Processing) for efficient operation.

The R48-2000e3 can be connected in parallel with other rectifiers and converters to support a variety of telecom applications. Unified remote management and control of the power system is enabled when combined with a Vertiv™ controller.



% Efficiency



R48-2000e3 Efficiency Curve at 250 VAC Nominal

Technical Specifications

AC Input	R48-2000E3
Voltage	85 VAC to 300 VAC (see figure 1), 187 VAC to 284 VAC (nominal)
Frequency	45 Hz to 65 Hz
Maximum Current	12 A
Power Factor	>0.99 from 50 to 100% load
Protection	High and low voltage protection, surge and lightning protection Adapts to poor quality grid (voltage dip, weak mains) Disconnection at 415 VAC Mains fuses in both lines

DC Output	
Voltage	-42 VDC to -58 VDC
Maximum Power	2000 W
Maximum Current	42 A @ -48 VDC, limit set point 0 to 42 A (see figure 2)
Peak Efficiency	98.2%
Protection	Fuse for reverse connection and back feeding protection High voltage shutdown High temperature protection
Temperature Derating	Full output power up to +65°C at input voltage range 200 to 250 VAC

Control and Monitoring	
Alarms and Signaling	Alarm and status reported via CAN bus to system controller
Visual Indicators	Green LED: Normal Operation Yellow LED: Alarm Red LED: Failure

Environmental	
Operating Temperature	-40°C to 80°C / -40°F to +176°F (see figure 3)
Storage Temperature	-40°C to +70°C / -40°F to +158°F
Relative Humidity	0 to 95%
Altitude	Full output power up to +65°C at input voltage range @200- 250 VAC

Standards Compliance	
Safety	EN 60950-1; IEC 60950-1; UL 60950-1
EMC	EN55022, CISPR22, ETSI EN300 286 2005, FCC CFR 47 Part 15, Telcordia GR-1089-CORE Issue 5 (Class B conducted and radiated)
Environment	REACH, RoHS, WEEE

Mechanics	
Dimensions (H x W x D)	41 x 84.5 x 252.5 mm / 1.61 x 3.33 x 9.94 inches
Weight	13 kg / 2.88 lbs

Ordering Information

Part Number	Description
R482000E3	eSure™ rectifier, -48 VDC, 2000 W

Vertiv.com | Vertiv Headquarters, 1050 Dearborn Drive, Columbus, OH, 43085, USA

© 2021 Vertiv Group Corp. All rights reserved. Vertiv™ and the Vertiv logo are trademarks registered trademarks of Vertiv Group Corp. All other names and logos referred to are trade names, trademarks or registered trademarks of their respective owners. While every precaution has been taken to ensure accuracy and completeness here, Vertiv Group Corp. assumes no responsibility, and disclaims all liability, for damages resulting from use of this information or for any errors or omissions. Specifications, rebates and other promotional offers are subject to change at Vertiv's sole discretion upon notice.

R48-2000E3 (R02/2021)

Figures

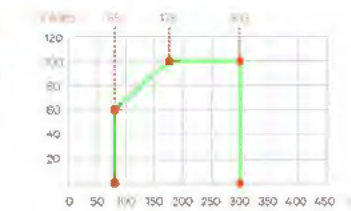


Figure 1: Output Power vs. Input Voltage and Vo > 48 VDC at Tamb < 55°C

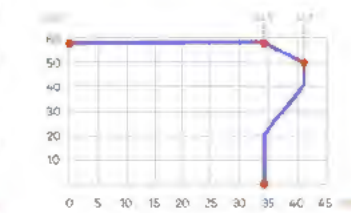


Figure 2: Output Voltage vs. Output Current at Maximum Output Power 2000 W

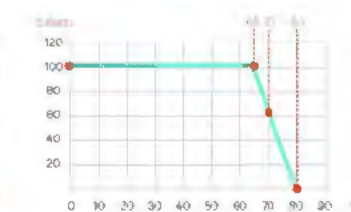


Figure 3: Output Power vs. Temperature at Vin > 200 VAC

PREPARED BY:



PREPARED FOR:



575 MOROSGO DRIVE
ATLANTA, GA 30324-3300

ZONING DRAWINGS

REV.	DATE	DESCRIPTION
A	11/02/23	PRELIM ISSUE
0	03/05/24	CONSTRUCTION
1	04/10/24	CONSTRUCTION

SITE NAME:
KALER MILL
SITE INFORMATION:
1950 STATE ROUTE 1684
BOAZ, KY 42027
GRAVES COUNTY

FA NUMBER:
16147975

USID:
329278

POD PROJECT NUMBER: 23-157797
DRAWN BY: EW
CHECKED BY: MEP
DATE: 04/10/24

SHEET TITLE:
RECTIFIER
SPECS

SHEET NUMBER:
C-5.1

NOTE:

POWER OF DESIGN GROUP, NOR OUR ENGINEER IS RESPONSIBLE FOR DESIGN OR MANUFACTURE OF THE SPECS SHOWN ON THIS SHEET. PLEASE CONTACT THE MANUFACTURE FOR ANY QUESTIONS OR CONCERNS

1 VERTIV -48V RECTIFIER - MODEL #: R48-2000E3 (NEQ.15930)
SCALE: NOT TO SCALE

1. General Operating Instructions

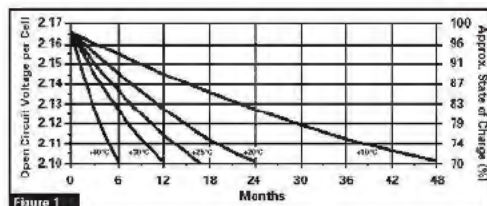
1.1 Operating Temperature Range

The recommended operating temperature range for PowerSafe SBS EON Technology™ batteries in hybrid applications is -40°C to +50°C. Optimum life and performance are attained at +20°C, however, with the correct controls in place, cyclic performance in hybrid applications is not impacted by elevated temperatures (providing that the maximum battery temperature is not allowed to exceed +50°C).

1.2 Storage

PowerSafe SBS EON Technology battery types have a shelf life of 2 years when stored at 20°C. Higher temperatures increase the rate of self discharge and reduce storage life.

Figure 1 gives the relationship between storage time, open circuit voltage (OCV) and state of charge as a function of temperature.



1.3 Freshening Charge

PowerSafe SBS EON Technology battery types must be given a freshening charge when the OCV approaches 2.10 Volts/cell or when maximum storage time is reached (whichever occurs first).

The freshening charge should be conducted using constant voltage in the range of 2.29 to 2.40 volts per cell for a period of 24 hours. The charge current should be limited to a value expressed numerically in Amps as 10% of the 10 hour capacity rating of the battery (i.e. 19 Amps for SBS 190F).

The maximum storage times between refresh charge and recommended OCV audit frequency is given in the table below.

Temperature (°C / °F)	Storage Time (Months)	OCV Audit Interval (Months)
+10 / +50	48	6
+15 / +59	34	6
+20 / +68	24	4
+25 / +77	17	4
+30 / +86	12	3
+35 / +95	8.5	2
+40 / +104	6	2

1.4 Commissioning

Prior to commencement of cyclic duty, the battery must be given a commissioning charge. This shall consist of 24 hours charge at a voltage equivalent to 2.40 Volts/cell with no load connected.

1.5 Fast Charging

Fast charge techniques must be used for frequent discharge cyclic applications. In such applications the rectifier output voltage should be set at 2.40 Volts/cell (20°C).

1.6 Current Limit

Inherent low internal resistance allows PowerSafe SBS EON Technology battery types to accept in-rush currents up to 600% C10 amps (e.g. PowerSafe SBS 190F in-rush current up to 1140 Amps). For reliable cyclic performance and to achieve maximum cycle life potential, the acceptable recharge current limit range is 0.1 to 1C10 Amps (e.g. for PowerSafe SBS 190F the recharge current range is 19 Amps to 190 Amps per series string).

1.7 Disposal

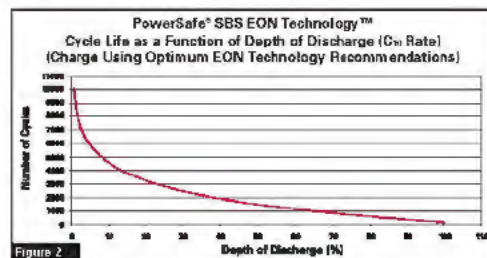
PowerSafe SBS EON Technology batteries are recyclable. End of life batteries must be packaged and transported according to prevailing transportation rules and regulations. End of life batteries must be disposed of in compliance with local and national laws by a licensed battery recycler.

2. Cyclic Operation Guidelines

2.1 Cyclic Performance

PowerSafe SBS EON Technology has been developed from proven SBS Thin Plate Pure Lead (TPPL) technology, to provide the added capability of delivering higher levels of cyclic performance as illustrated in figure 2.

In order to achieve the cycle life shown in figure 2 PowerSafe SBS EON Technology batteries must be returned to full state of charge using the charge regime options recommended by EnerSys® prior to commencement of the next discharge cycle. Operating at partial state of charge will significantly reduce cycle life.



2.2 Discharge

Depth of discharge must be measured using an Ah counting device, with an accuracy ±1% of full range of expected discharge cycle currents. The classification of the shunt should be minimum of 0.2. A low voltage disconnect should be used to protect the battery from abusive deep discharge (typically 1.75 Volts/cell).

2.3 Recharge

Optimum cycle life (figure 2) is achieved by controlling the amount of recharge back into the battery to a level where 103% of discharged Ah is returned. Controlled recharge can be achieved by Ah counting using a device capable of measuring float current equivalent to 100mA/100Ah of installed battery capacity.

Alternatively, where Ah counting during recharge is not available, it is possible to calculate the required recharge time based upon the following formula.

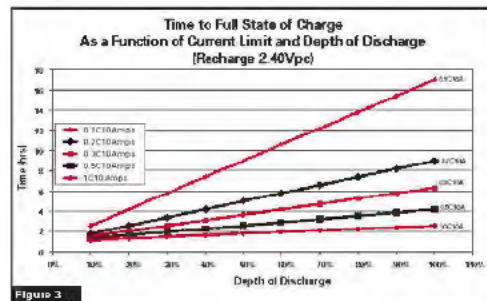
$$\text{Recharge time (hrs)} = \frac{(\text{discharged Ah} \times 0.8) / \text{recharge current limit} \times 2}{1}$$

Example

PowerSafe SBS 190F discharge to 80% depth of discharge removes 152Ah. With a current limit of 0.5C10 A (95 Amps), the time to recharge the battery is:

$$\begin{aligned} \text{Time (hrs)} &= \frac{(152 \times 0.8) / 95 \times 2}{1} \\ &= \frac{121.6 \times 2}{1} \\ &= 120 \times 2 = 1 \\ &= 256 \times 1 \\ &= 356 \text{ hrs} \end{aligned}$$

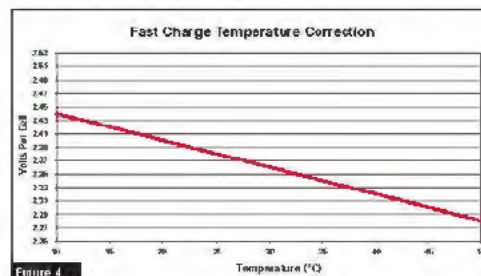
Indication of time to full state of charge using the above formula for various depths of discharge and current limits is shown in figure 3.



The time to reach full state of charge is influenced by battery temperature and charge voltage during the recharge.

1) Where Ah counting is used to control the recharge (i.e. 103% of discharged Ah is returned) the battery voltage can be maintained at a constant 2.40 Volts/cell provided that the battery temperature is controlled at or below +50°C discharged Ah returned.

2) Where time formula recharge is used, temperature compensation for charge voltage should be applied at the rates shown in figure 4.



Where rectifier voltage cannot be adjusted to values >2.40 Volts/cell to compensate for temperatures below 20°C, the time to full state of charge will be increased. For additional information and guidance on this, please contact your EnerSys® representative.

At the end of controlled recharge the battery can revert to either discharge mode, or where the battery is used to provide mains back up the voltage should be reduced to float voltage level of 2.29 Volts/cell.

2.4 Data Recording

In order for the warranty to be valid, the user must provide, by means of routine regular data logging, the following data:

- 1) The number of cycles performed and the depth of discharge ("dod") of each cycle.
- 2) The duration of each discharge and charge cycle, and the Ah in and out.
- 3) Full details of the recharge voltage/current profile for the last 50 cycles.
- 4) A full history of the ambient and battery surface temperatures, recorded at regular intervals throughout battery operation and life.
- 5) The time and date of each "event" (an "event" is defined as the start/stop of the battery discharge, the start/stop of the battery recharge, the start/stop of any generator input power or other input power source, etc).

Warning

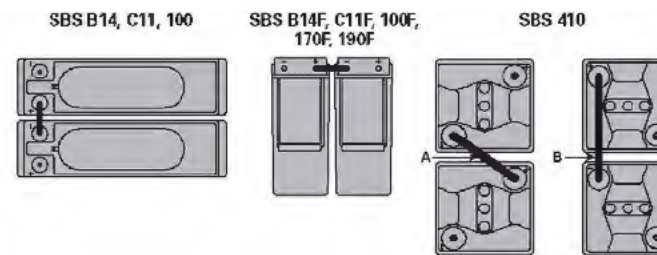
In hybrid applications it is important that the maximum temperature of the battery in operation does not exceed +50°C. Continuous charge at 2.40volts/cell will significantly reduce the battery life.

3. General Specifications

PowerSafe® SBS Battery Type	Nominal Voltage (V)	Nominal Capacity (Ah)		Nominal Dimensions						Weight Kg	Weight lbs	Typical Short Circuit Current (A)	Resistance (mΩ)	Internal Terminals
		to 1.80Vpc @ 20°C	to 1.75Vpc @ 25°C	10 hr rate	8 hr rate	Width	Height	Depth						
SBS B14	12	62	62	280	11.0	97	3.8	264	10.4	19.1	42.0	1000	7.0	M6 F
SBS B14F	12	62	62	303	11.9	97	3.8	264	10.4	19.1	42.0	1800	7.0	M6 M
SBS C11	12	92	91	395	15.6	105	4.1	264	10.4	28.0	61.6	2300	5.5	M8 F
SBS C11F	12	92	91	417	16.4	105	4.1	256	10.1	28.0	61.6	2300	5.5	M6 M
SBS 100	12	100	100	395	15.6	108	4.3	287	11.3	32.6	71.9	2210	5.6	M8 F
SBS 100F	12	100	100	395	15.6	108	4.3	287	11.3	32.6	71.9	2210	5.6	M6 M
SBS 170F	12	170	170	561	22.1	125	4.9	283	11.1	52.5	115.7	3400	4.0	M6 M
SBS 190F	12	190	190	561	22.1	125	4.9	316	12.4	60.0	132.3	3800	3.3	M6 M
SBS 410	2	410	410	200	7.9	200	8.2	230	9.4	23.2	51.1	4725	1.3	M8 M

4. Connectors

PowerSafe® SBS Battery Type	Connector Part No.
SBS B14, C11	2205-8919
SBS B14F, C11F	2205-8881
SBS 100	2205-8750
SBS 100F	2205-8749
SBS 170F & 190F	2205-8769
SBS 410	2205-8887 (A)
SBS 410	2205-8865 (B)



NOTE:
POWER OF DESIGN GROUP, NOR OUR ENGINEER IS RESPONSIBLE FOR DESIGN OR MANUFACTURE OF THE SPECS SHOWN ON THIS SHEET. PLEASE CONTACT THE MANUFACTURE FOR ANY QUESTIONS OR CONCERNS

1 ENERSYS 12V 190AH BATTERY - MODEL #: SBS-190F (NEQ.19858)
SCALE: NOT TO SCALE

PREPARED BY:



11490 BLUEGRASS PARKWAY
LOUISVILLE, KY 40299
502-437-9252

PREPARED FOR:



575 MOROSGO DRIVE
ATLANTA, GA 30324-3300

ZONING DRAWINGS

REV.	DATE	DESCRIPTION
A	11/02/23	PRELIM ISSUE
0	03/05/24	CONSTRUCTION
1	04/10/24	CONSTRUCTION

SITE NAME:
KALER MILL
SITE INFORMATION:
1950 STATE ROUTE 1684
BOAZ, KY 42027
GRAVES COUNTY

FA NUMBER:
16147975

USID:
329278

POD PROJECT NUMBER: 23-157797
DRAWN BY: EW
CHECKED BY: MEP
DATE: 04/10/24

SHEET TITLE:

BATTERY
SPECS

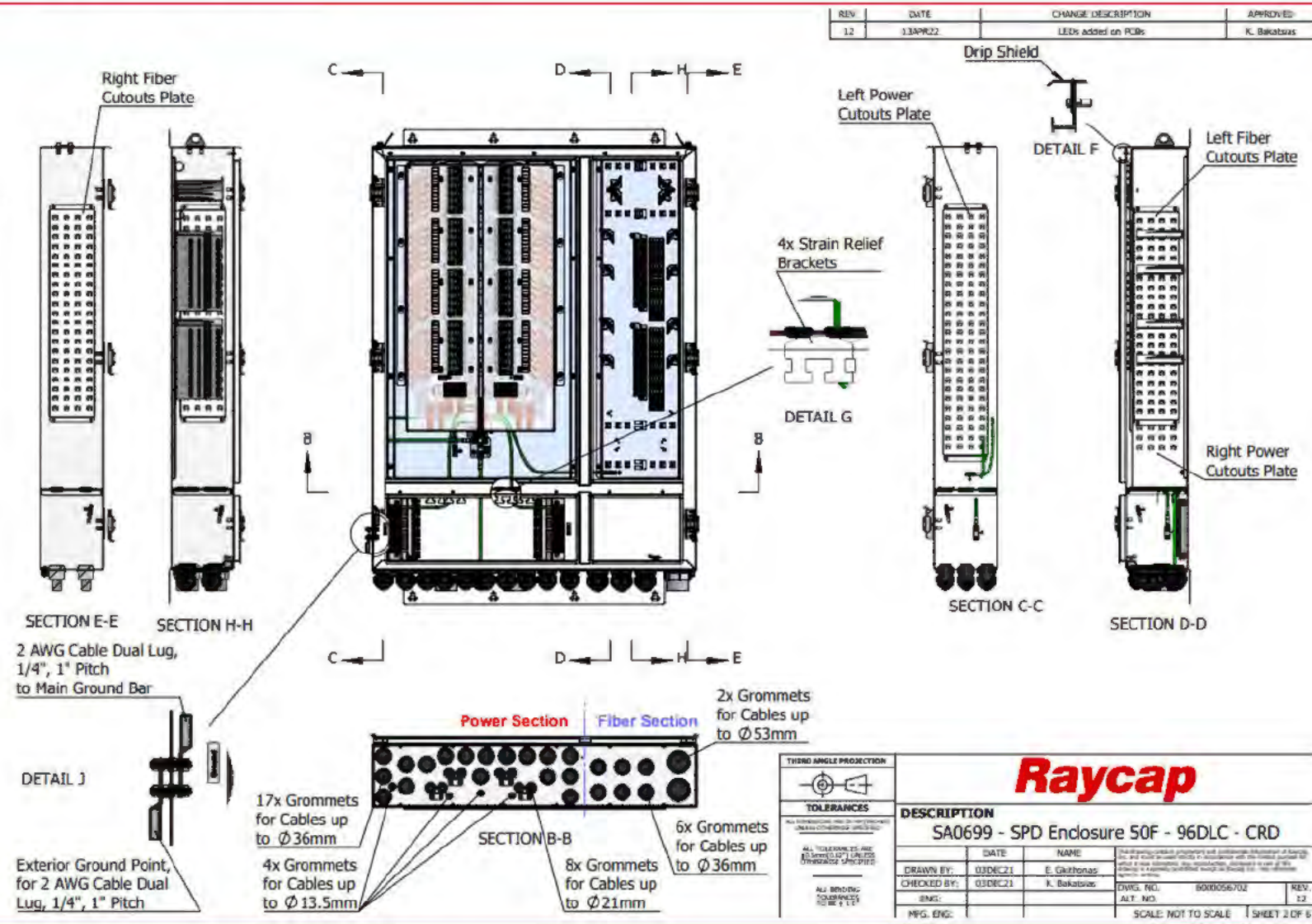
SHEET NUMBER:

C-5.2

DC50-48-60-96-50F

ATT Item Number: CEQ.54898

Raycap DC50-48-60-96-50F
52.24" H, 40" wide, 9" Deep



NOTE:
POWER OF DESIGN GROUP, NOR OUR ENGINEER IS RESPONSIBLE FOR DESIGN OR MANUFACTURE OF THE SPECS SHOWN ON THIS SHEET. PLEASE CONTACT THE MANUFACTURE FOR ANY QUESTIONS OR CONCERNS

1 RAYCAP OVP & FIBER CABINET - MODEL #: DC50-48-60-96-50F (CEQ.54898)
SCALE: NOT TO SCALE

Raycap 3

PREPARED BY:

11490 BLUEGRASS PARKWAY
LOUISVILLE, KY 40299
502.437.9252

PREPARED FOR:

575 MOROSGO DRIVE
ATLANTA, GA 30324-3300

ZONING DRAWINGS

REV.	DATE	DESCRIPTION
A	11/02/23	PRELIM ISSUE
0	03/05/24	CONSTRUCTION
1	04/10/24	CONSTRUCTION

SITE NAME:
KALER MILL

SITE INFORMATION:
1950 STATE ROUTE 1684
BOAZ, KY 42027
GRAVES COUNTY

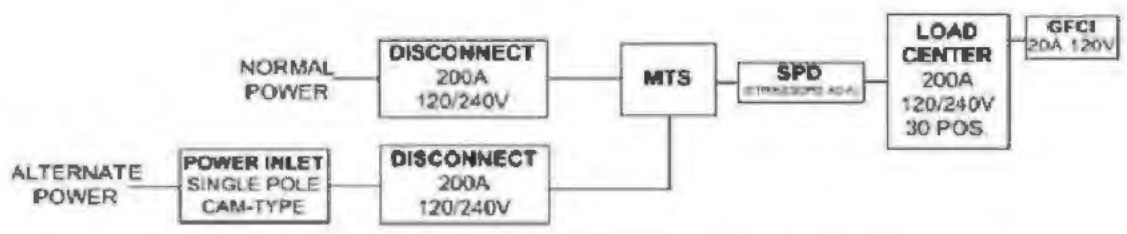
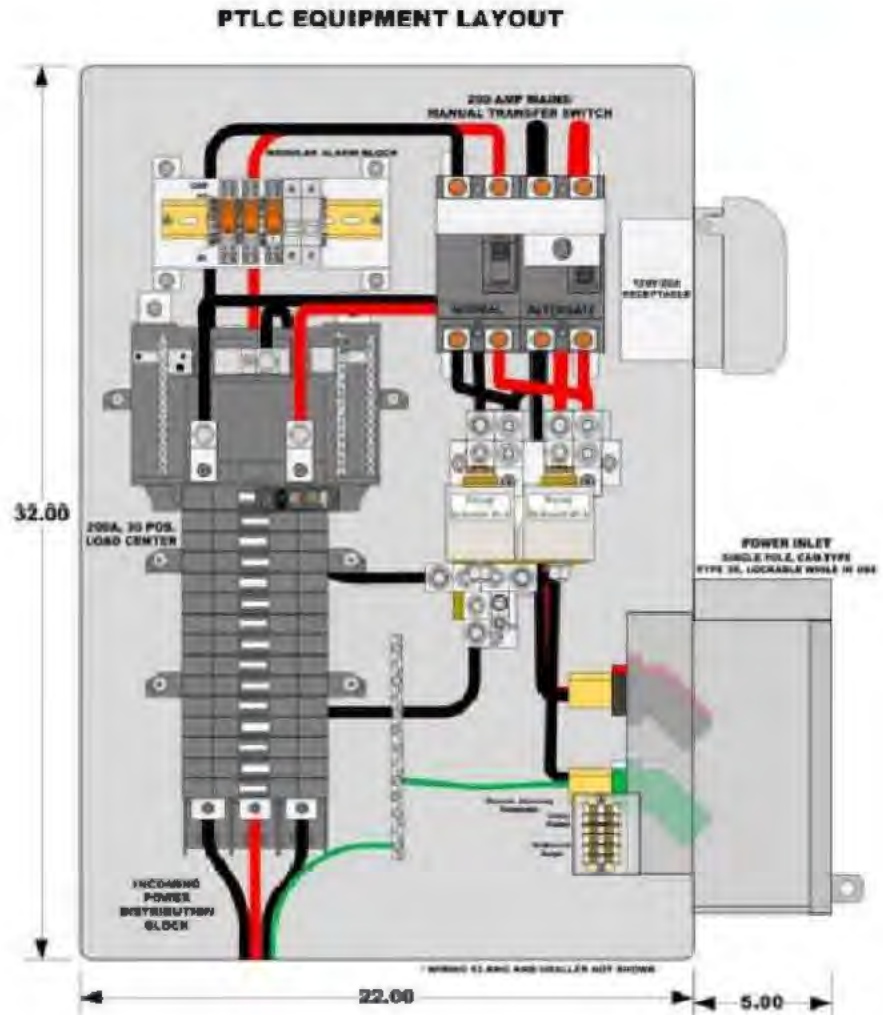
FA NUMBER:
16147975

USID:
329278

POD PROJECT NUMBER: 23-157797
DRAWN BY: EW
CHECKED BY: MEP
DATE: 04/10/24

SHEET TITLE:
**OVP & FIBER
CABINET SPECS**

SHEET NUMBER:
C-5.3



PTLC ELECTRICAL 1-LINE

PTLC-MTS-12200-CL - NEQ19706

- UL 891 Listed, 32x22"x10 (*27 with CamLok Connector Panel), 240/120, 200A Power Transfer Load Center
- Mechanically interlocked "mains" enabling manual transfer between Utility and an Alternative Power Source connected via CamLok style connectors
- PTLC includes Strikesorb surge protection; 30-position Square D QO panel board and alarm monitor for utility power loss.
- Exterior AC receptacle, NEMA 3R enclosure.

NOTE:
 POWER OF DESIGN GROUP, NOR OUR ENGINEER IS RESPONSIBLE FOR DESIGN OR MANUFACTURE OF THE SPECS SHOWN ON THIS SHEET. PLEASE CONTACT THE MANUFACTURE FOR ANY QUESTIONS OR CONCERNS

1 INTERSECT PTLC & MTS - MODEL #: PTLC-MTS-12200-CL (NEQ.19706)
 SCALE: NOT TO SCALE

PREPARED BY:
POD
 POWER OF DESIGN
 11490 BLUEGRASS PARKWAY
 LOUISVILLE, KY 40299
 502-437-5252

PREPARED FOR:
smartlink

AT&T
 575 MOROSGO DRIVE
 ATLANTA, GA 30324-3300

ZONING DRAWINGS

REV.	DATE	DESCRIPTION
A	11/02/23	PRELIM ISSUE
0	03/05/24	CONSTRUCTION
1	04/10/24	CONSTRUCTION

SITE NAME:
 KALER MILL
 SITE INFORMATION:
 1950 STATE ROUTE 1684
 BOAZ, KY 42027
 GRAVES COUNTY

FA NUMBER:
 16147975

USID:
 329278

POD PROJECT NUMBER: 23-157797
 DRAWN BY: EW
 CHECKED BY: MEP
 DATE: 04/10/24

SHEET TITLE:
**PTLC & MTS
 SPECS**

SHEET NUMBER:
C-5.4

SDC020 | 2.2L | 20 kW
INDUSTRIAL DIESEL GENERATOR SET
 EPA Certified Stationary Emergency



Standby Power Rating
 20 kW, 25 kVA, 60 Hz

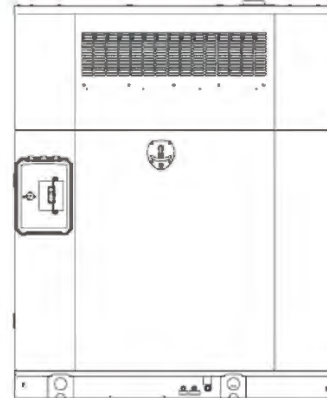


Image used for illustration purposes only



*EPA Certified Prime ratings are not available in the US or its Territories

Codes and Standards

Not all codes and standards apply to all configurations. Contact factory for details.

- UL2200, UL6200, UL1236, UL489, UL142
- CSA C22.2, ULC S601
- BS5514 and DIN 6271
- SAE J1349
- NFPA 37, 70, 99, 110
- NEC700, 701, 702, 708
- ISO 3046, 7637, 8528, 9001
- NEMA ICS10, MG1, 250, ICS6, AB1
- ANSI C62.41

Powering Ahead

For over 60 years, Generac has provided innovative design and superior manufacturing.

Generac ensures superior quality by designing and manufacturing most of its generator components, including alternators, enclosures and base tanks, control systems and communications software.

Generac gensets utilize a wide variety of options, configurations and arrangements, allowing us to meet the standby power needs of practically every application.

Generac searched globally to ensure the most reliable engines power our generators. We choose only engines that have already been proven in heavy-duty industrial applications under adverse conditions.

Generac is committed to ensuring our customers' service support continues after their generator purchase.

SDC020 | 2.2L | 20 kW
INDUSTRIAL DIESEL GENERATOR SET
 EPA Certified Stationary Emergency



APPLICATION AND ENGINEERING DATA

ENGINE SPECIFICATIONS

General

Make	Perkins
EPA Emissions Compliance	Stationary Emergency
EPA Emissions Reference	See Emission Data Sheet
Cylinder #	4
Type	In-Line
Displacement - in ³ (L)	135 (2.22)
Bore - in (mm)	3.3 (84)
Stroke - in (mm)	3.9 (100)
Compression Ratio	23.3:1
Intake Air Method	Naturally Aspirated
Cylinder Head	Cast Iron
Piston Type	Aluminum
Crankshaft Type	Forged Steel

Engine Governing

Governor	Electronic Isochronous
Frequency Regulation (Steady State)	±0.5%

Lubrication System

Oil Pump Type	Gear
Oil Filter Type	Full-Flow Cartridge
Crankcase Capacity - qt (L)	11.2 (10.6)

Cooling System

Cooling System Type	Pressurized Closed
Water Pump Type	Pre-Lubed, Self Sealing
Fan Type	Puller
Fan Speed - RPM	3,000
Fan Diameter - in (mm)	11 (279)

Fuel System

Fuel Type	Ultra Low Sulfur Diesel Fuel
Fuel Specifications	ASTM
Fuel Filtering (Microns)	5
Fuel Inject Pump	Distribution Injection Pump
Fuel Pump Type	Cassette
Injector Type	Indirect, Pintle Nozzle
Fuel Supply Line - in (mm)	0.31 (7.94) ID
Fuel Return Line - in (mm)	0.31 (7.94) ID

Engine Electrical System

System Voltage	12 VDC
Battery Charger Alternator	Standard
Battery Size	See Battery Index 01619706BY
Battery Voltage	12 VDC
Ground Polarity	Negative

ALTERNATOR SPECIFICATIONS

Standard Model	K0035124Y26
Poles	4
Field Type	Revolving
Insulation Class - Rotor	H
Insulation Class - Stator	H
Total Harmonic Distortion	<5% (3-Phase Only)
Telephone Interference Factor (TIF)	<50

Standard Excitation	Permanent Magnet Excitation
Bearings	Single Sealed
Coupling	Direct via Flexible Disc
Load Capacity - Standby	100%
Prototype Short Circuit Test	Yes
Voltage Regulator Type	Digital
Number of Sensed Phases	All
Regulation Accuracy (Steady State)	±0.25%

SPEC SHEET

SPEC SHEET

PREPARED BY:



PREPARED FOR:



575 MOROSGO DRIVE
 ATLANTA, GA 30324-3300

ZONING DRAWINGS

REV.	DATE	DESCRIPTION
A	11/02/23	PRELIM ISSUE
0	03/05/24	CONSTRUCTION
1	04/10/24	CONSTRUCTION

SITE NAME:
 KALER MILL
SITE INFORMATION:
 1950 STATE ROUTE 1684
 BOAZ, KY 42027
 GRAVES COUNTY

FA NUMBER:
 16147975

USID:
 329278

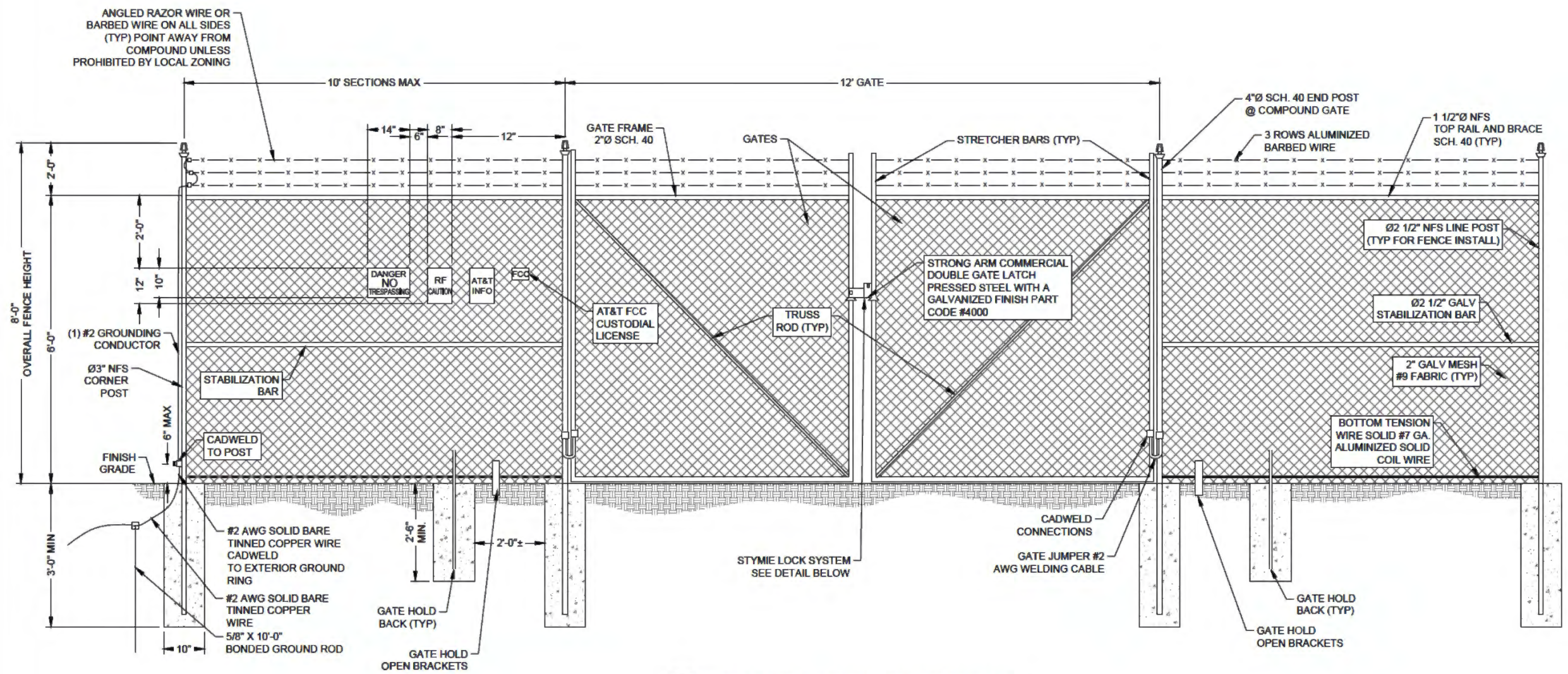
POD PROJECT NUMBER: 23-157797
DRAWN BY: EW
CHECKED BY: MEP
DATE: 04/10/24

SHEET TITLE:
**GENERATOR
 SPECS**

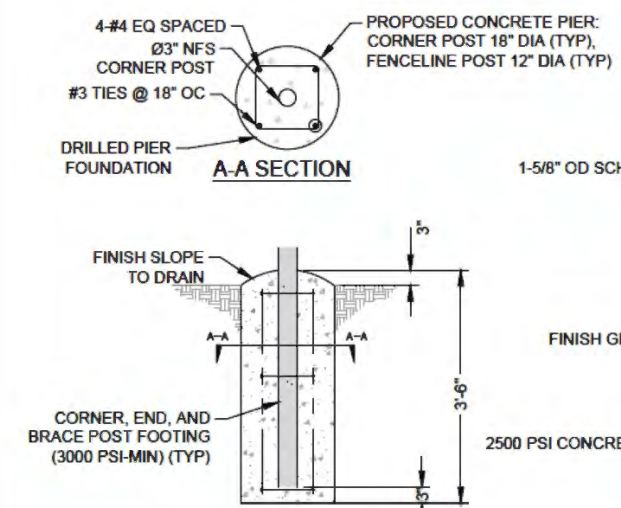
SHEET NUMBER:
C-6

NOTE:
 POWER OF DESIGN GROUP, NOR OUR ENGINEER IS RESPONSIBLE FOR DESIGN OR MANUFACTURE OF THE SPECS SHOWN ON THIS SHEET. PLEASE CONTACT THE MANUFACTURE FOR ANY QUESTIONS OR CONCERNS

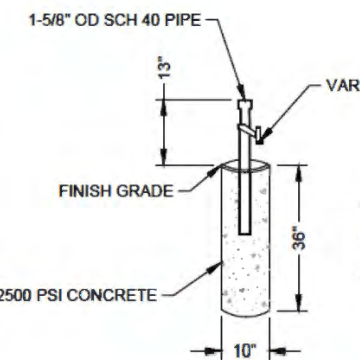
1 GENERAC SDC020 (20KW) - MODEL #: A0001352184
 SCALE: NOT TO SCALE



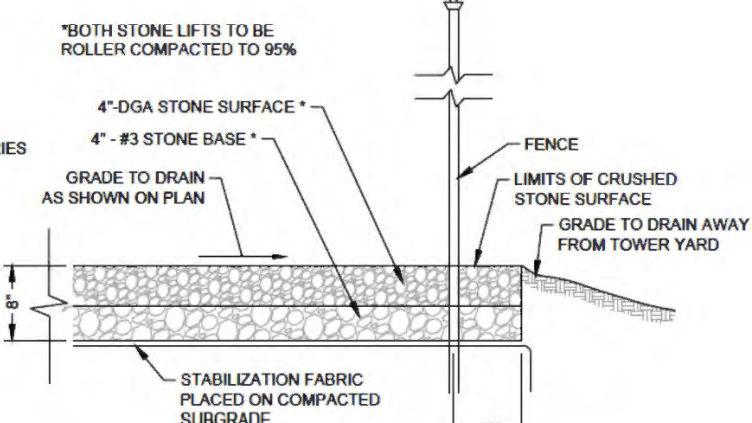
1 FENCE AND SIGNAGE DETAIL AND SPECIFICATIONS
SCALE: NOT TO SCALE



2 FENCE POST DETAIL
SCALE: NOT TO SCALE

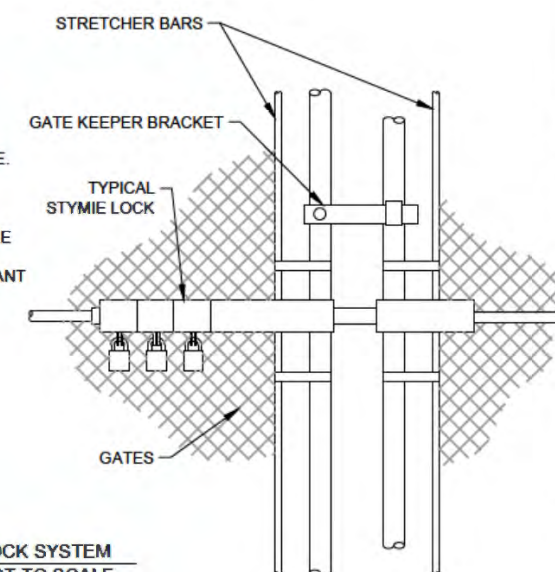


3 GATE STOP DETAIL
SCALE: NOT TO SCALE



4 COMPOUND SURFACING
SCALE: NOT TO SCALE

STANDARD COMBINATION LOCK SPEC
ALL LOCK SHOULD BE MARINE GRADE BRASS LOCK WITH STAINLESS STEEL SHACKLE, SOLID BRASS BODY PROVIDES STRENGTH AND CORROSION RESISTANCE. STAINLESS STEEL SHACKLES RESIST HACKSAWS, BOLT CUTTERS, AND CORROSIVE WEATHER CONDITIONS. ALL LOCKS SHOULD BE A PROGRAMMABLE COMBINATION LOCK THAT IS STRONG, DURABLE AND HIGHLY WEATHER RESISTANT



5 STYMIE LOCK SYSTEM
SCALE: NOT TO SCALE

PREPARED BY:

 11490 BLUEGRASS PARKWAY
 LOUISVILLE, KY 40299
 502-437-5252

PREPARED FOR:

575 MOROSGO DRIVE
 ATLANTA, GA 30324-3300

04/10/2024

EN PERMIT: 3594
 ZONING DRAWINGS

REV.	DATE	DESCRIPTION
A	11/02/23	PRELIM ISSUE
0	03/05/24	CONSTRUCTION
1	04/10/24	CONSTRUCTION

SITE NAME:
 KALER MILL
 SITE INFORMATION:
 1950 STATE ROUTE 1684
 BOAZ, KY 42027
 GRAVES COUNTY

FA NUMBER:
 16147975
 USID:
 329278

POD PROJECT NUMBER: 23-157797
 DRAWN BY: EW
 CHECKED BY: MEP
 DATE: 04/10/24

SHEET TITLE:
FENCE DETAILS

SHEET NUMBER:
C-7

INFORMATION


Federal Communications Commission
Tower Registration Number

1234567

Posted in accordance with Federal Communications
Commission rules on antenna tower registration
47 CFR 17.4(g)



1 12"x18" FCC REGISTRATION SIGN DETAIL
SCALE: NOT TO SCALE

PREPARED BY:




11490 BLUEGRASS PARKWAY
LOUISVILLE, KY 40299
502-437-5252

PREPARED FOR:

575 MOROSGO DRIVE
ATLANTA, GA 30324-3300



04/10/2024
EN PERMIT: 3594

ZONING DRAWINGS

REV.	DATE	DESCRIPTION
A	11/02/23	PRELIM ISSUE
0	03/05/24	CONSTRUCTION
1	04/10/24	CONSTRUCTION

SITE NAME:
KALER MILL

SITE INFORMATION:
1950 STATE ROUTE 1684
BOAZ, KY 42027
GRAVES COUNTY

FA NUMBER:
16147975


USID:
329278

POD PROJECT NUMBER: 23-157797
DRAWN BY: EW
CHECKED BY: MEP
DATE: 04/10/24

SHEET TITLE:
**AT&T SIGNAGE
DETAILS**

SHEET NUMBER:
C-7.1

NOTICE



AT&T operates antennas at this site.
Beyond This Point you are entering an area where radio frequency (RF) fields *may exceed* the FCC General Population Exposure Limits.
Follow safety guidelines for working in an RF environment.
Contact AT&T at 800-638-2822, option 9 and 3, and follow their instructions prior to performing any maintenance or repairs above this point.

NO-2-BTP-AL-128 This is AT&T Site

2 8"x12" NOTICE SIGN DETAIL
SCALE: NOT TO SCALE

WARNING



**Beyond this point:
Radio frequency fields at
this site exceed the FCC rules
for human exposure.**

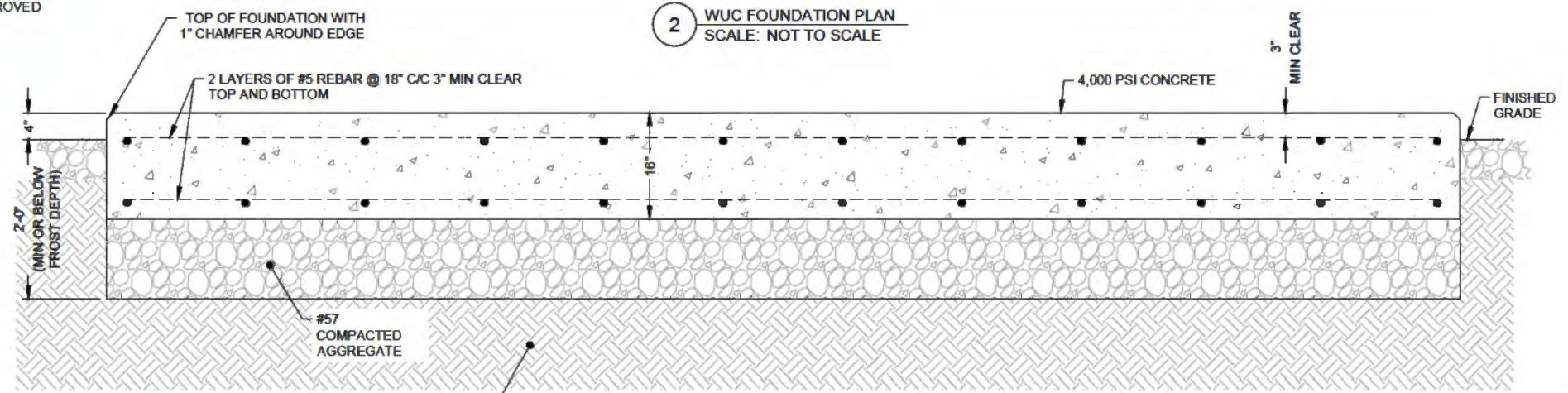
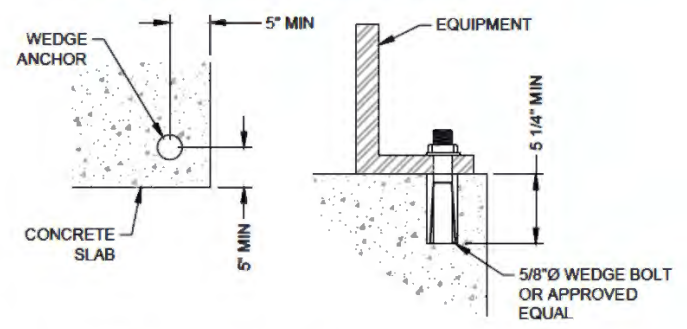
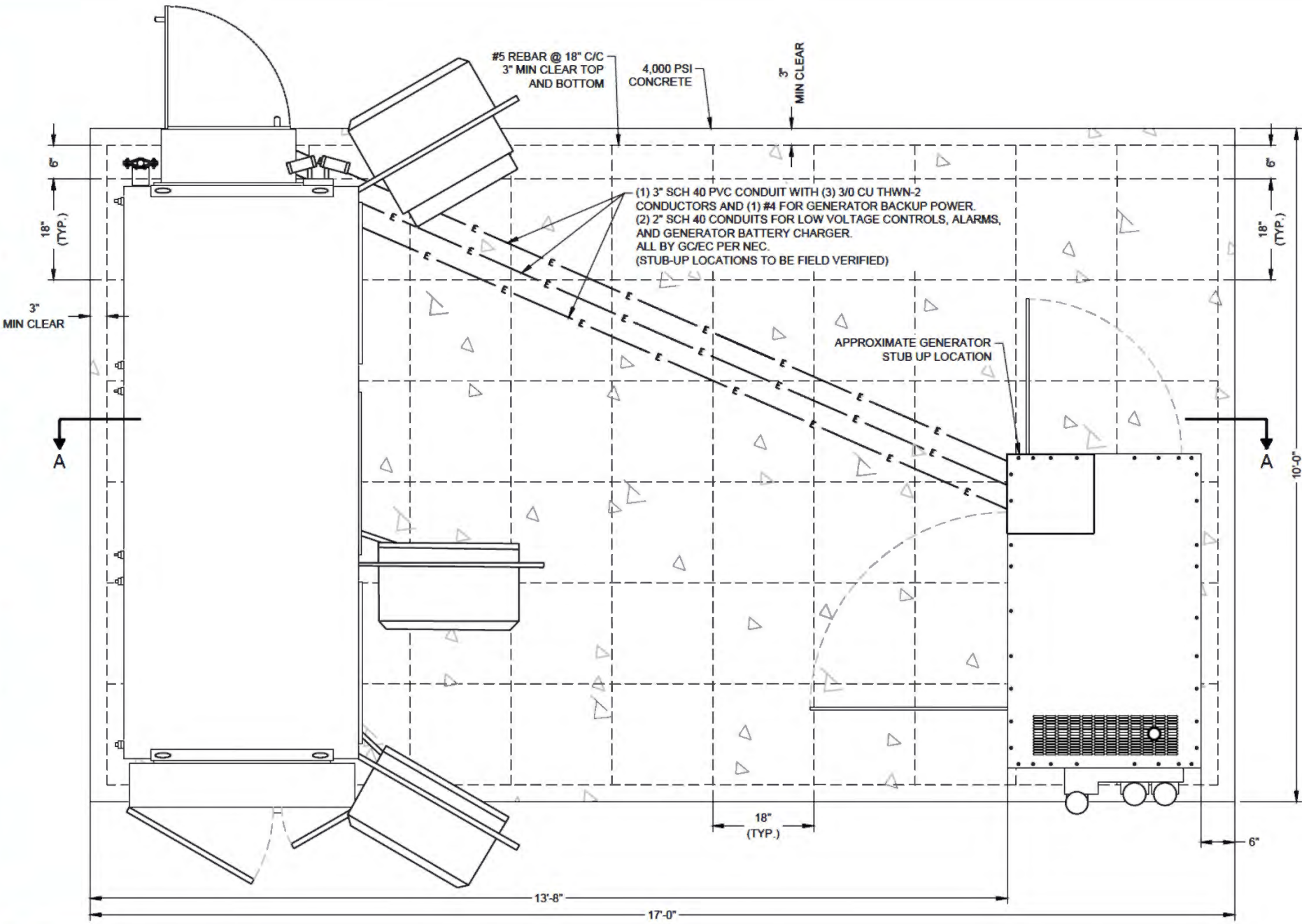
Failure to obey all posted signs and site guidelines for working in radio frequency environments could result in serious injury.

In accordance with Federal Communications Commission rules on radio frequency emissions 47 CFR 1.1307(b)

3 8"x12" WARNING SIGN DETAIL
SCALE: NOT TO SCALE

FOUNDATION NOTES:

1. REFER TO CIVIL DRAWINGS FOR ORIENTATION OF FOUNDATION.
2. USE A HIGH-EARLY STRENGTH CONCRETE MIX SO THE CABINET MAY BE PLACED THREE DAYS FOLLOWING CONCRETE POURING. COARSE AGGREGATE USED IN THE CONCRETE SHALL BE GRADED FROM 3/4" TO NO. 4 ONLY. THE COMPRESSION STRENGTH OF THE CONCRETE MUST BE A MINIMUM OF 4000 PSI AS DETERMINED BY ASTM C39 TEST OF COMPRESSION STRENGTH OF CONCRETE CYLINDERS.
3. CURE THE PAD FOR A MINIMUM OF THREE DAYS BEFORE EQUIPMENT INSTALLATION, OR PER SPECIFICATIONS FOR THE TYPE OF CONCRETE USED AND PER LOCAL CODES AND REQUIREMENTS.
4. ALL CONCRETE SHALL HAVE 28 DAY STRENGTH OF 4000 PSI MINIMUM, WITH A SLUMP OF 3"-7" AND SHALL BE AIR ENTRAINED @ 5.5 ± 1.1%. 5 TEST CYLINDERS SHALL BE MADE FOR THE 3,7, & (2) 28 DAY TESTS WITH ONE SPARE.
5. REINFORCING STEEL SHALL CONFORM TO ASTM A 615, GRADE 60, DEFORMED UNLESS NOTED OTHERWISE. WELDED WIRE REINFORCEMENT SHALL CONFORM TO ASTM A 185 FOR STEEL WELDED WIRE REINFORCEMENT UNLESS NOTED OTHERWISE. SPLICES SHALL BE CLASS "B" AND ALL HOOKS SHALL BE STANDARD UNLESS NOTED OTHERWISE.
6. CONTRACTOR TO ENSURE FOUNDATION / SLAB ARE POURED TO MEET FLATNESS LEVEL TOLERANCES AS INDICATED IN ACI 4.5.6 AND ACI 4.5.7.
7. SLAB TOLERANCE IS ± 1/4".
8. THIS FOUNDATION IS DESIGNED FOR 2,000 PSF ALLOWABLE SOIL BEARING CAPACITY.
9. A CHAMFER, 3/4", SHALL BE PROVIDED AT ALL EXPOSED EDGES OF CONCRETE, IN ACCORDANCE WITH ACI 301 SECTION 4.2.4.
10. FOUNDATION BEARING MATERIAL SHALL BE TESTED & VERIFIED BY A LICENSED GEOTECHNICAL ENGINEER.
11. GROUND REBAR TO GROUND RING IN (2) LOCATIONS USING #2 SOLID BARE TINNED COPPER GROUND WIRE.
12. INSTALLATION OF CONCRETE EXPANSION/WEDGE ANCHORS, SHALL BE PER MANUFACTURER'S WRITTEN RECOMMENDED PROCEDURE. THE ANCHOR BOLT, DOWEL OR ROD SHALL CONFORM TO MANUFACTURER'S RECOMMENDATION FOR EMBEDMENT DEPTH OR AS SHOWN ON THE DRAWINGS. NO REBAR SHALL BE CUT WITHOUT PRIOR ENGINEERING APPROVAL WHEN DRILLING HOLES IN CONCRETE.
13. CONDUITS SHALL EXTEND APPROXIMATELY 2" ABOVE FINISHED SURFACE. SEAL CONDUITS TO PREVENT CONCRETE ENTRY DURING POUR.
14. CONTRACTOR SHALL VERIFY THE PLACEMENT OF CONDUITS WITH THE ACTUAL ENCLOSURE KNOCK-OUT AND OR STUB-UP LOCATIONS TO ENSURE THE PROPER ALIGNMENT OF ALL CONDUITS.
15. FOUNDATION DESIGNED FOR A MINIMUM 2,000 PSF SOIL BEARING CAPACITY.
16. USE SHIMS AS REQUIRED TO ASSURE WUC IS BEARING AT PERIMETER. SEAL PERIMETER W/ CAULK OR GROUT DESIRED.



PREPARED BY:

11490 BLUEGRASS PARKWAY
LOUISVILLE, KY 40299
502-437-5252

PREPARED FOR:

575 MOROSGO DRIVE
ATLANTA, GA 30324-3300

04/10/2024
EN PERMIT: 3594

ZONING DRAWINGS

REV.	DATE	DESCRIPTION
A	11/02/23	PRELIM ISSUE
0	03/05/24	CONSTRUCTION
1	04/10/24	CONSTRUCTION

SITE NAME:
KALER MILL

SITE INFORMATION:
1950 STATE ROUTE 1684
BOAZ, KY 42027
GRAVES COUNTY

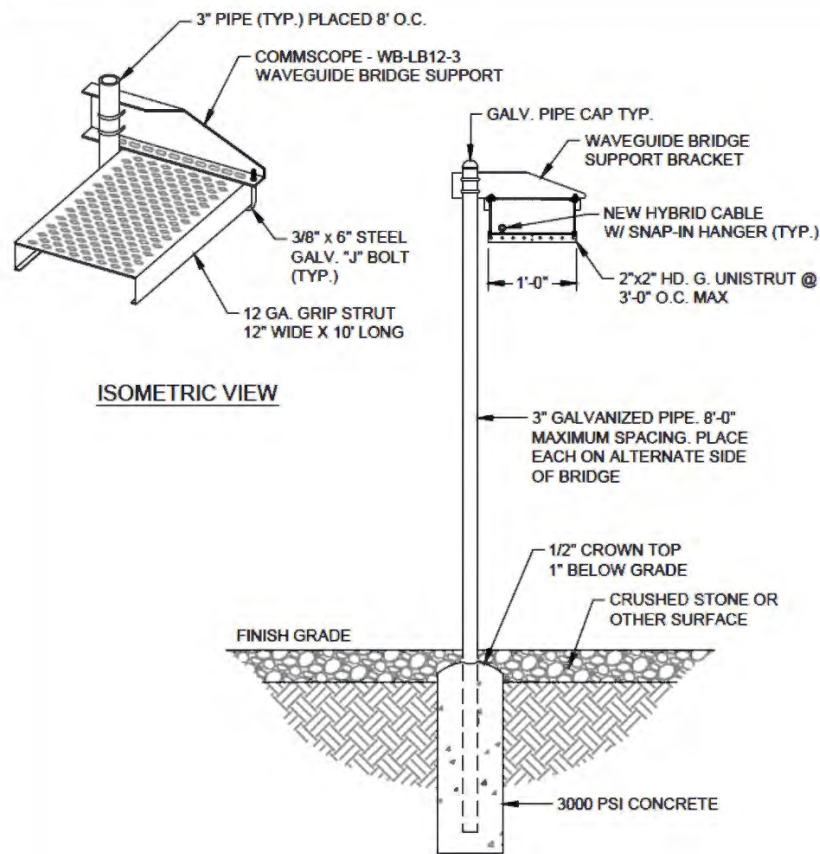
FA NUMBER:
16147975

USID:
329278

POD PROJECT NUMBER: 23-157797
DRAWN BY: EW
CHECKED BY: MEP
DATE: 04/10/24

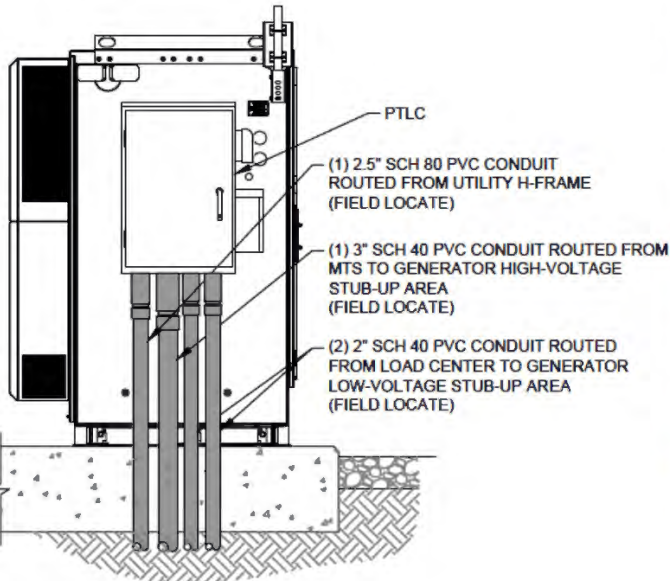
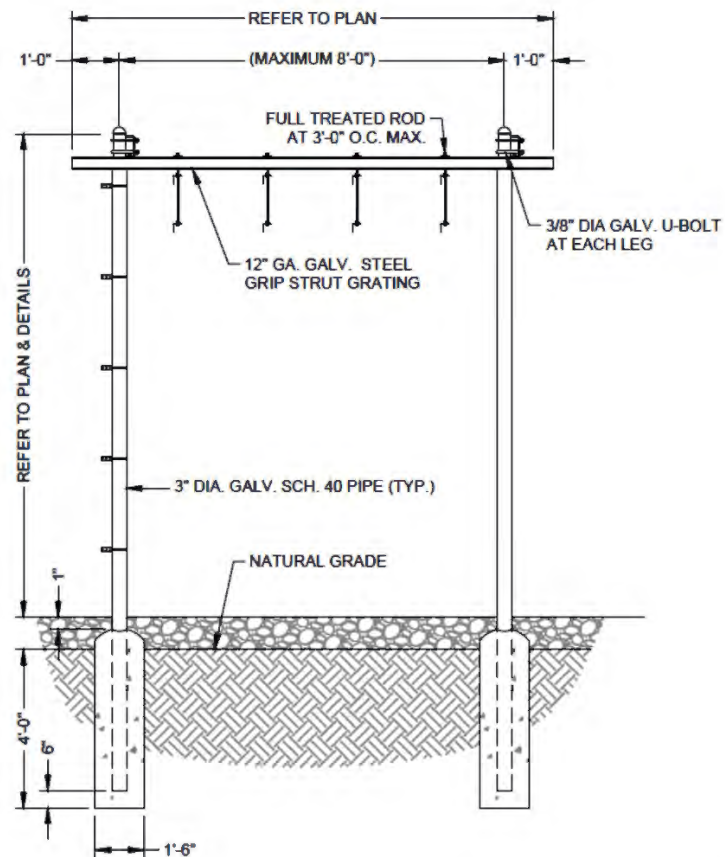
SHEET TITLE:
WUC FOUNDATION
PLAN (PAD)

SHEET NUMBER:
C-8

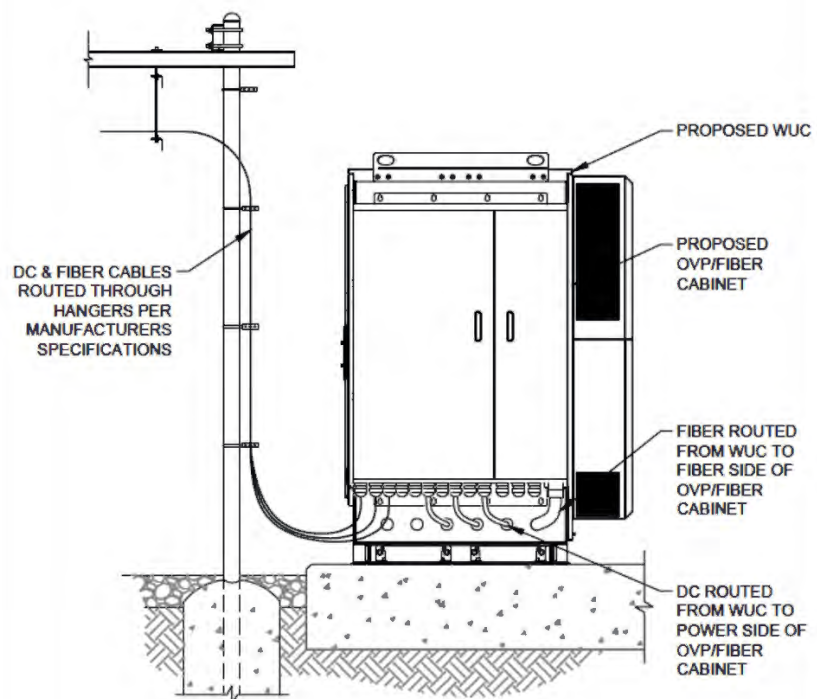


ISOMETRIC VIEW

1 ICE BRIDGE DETAIL
 SCALE: NOT TO SCALE



2 PTLC DETAIL
 SCALE: NOT TO SCALE



3 OVP & FIBER CABINET DETAIL
 SCALE: NOT TO SCALE

4 NOT USED
 SCALE: NOT TO SCALE

5 NOT USED
 SCALE: NOT TO SCALE

PREPARED BY:
POD
 POWER OF DESIGN
 11490 BLUEGRASS PARKWAY
 LOUISVILLE, KY 40299
 502-437-5252

PREPARED FOR:
smartlink

AT&T
 575 MOROSGO DRIVE
 ATLANTA, GA 30324-3300

MARK E. PATTERSON
 16,300
 LICENSED PROFESSIONAL ENGINEER
 04/10/2024

EN PERMIT: 3594

ZONING DRAWINGS

REV.	DATE	DESCRIPTION
A	11/02/23	PRELIM ISSUE
0	03/05/24	CONSTRUCTION
1	04/10/24	CONSTRUCTION

SITE NAME:
 KALER MILL
 SITE INFORMATION:
 1950 STATE ROUTE 1684
 BOAZ, KY 42027
 GRAVES COUNTY

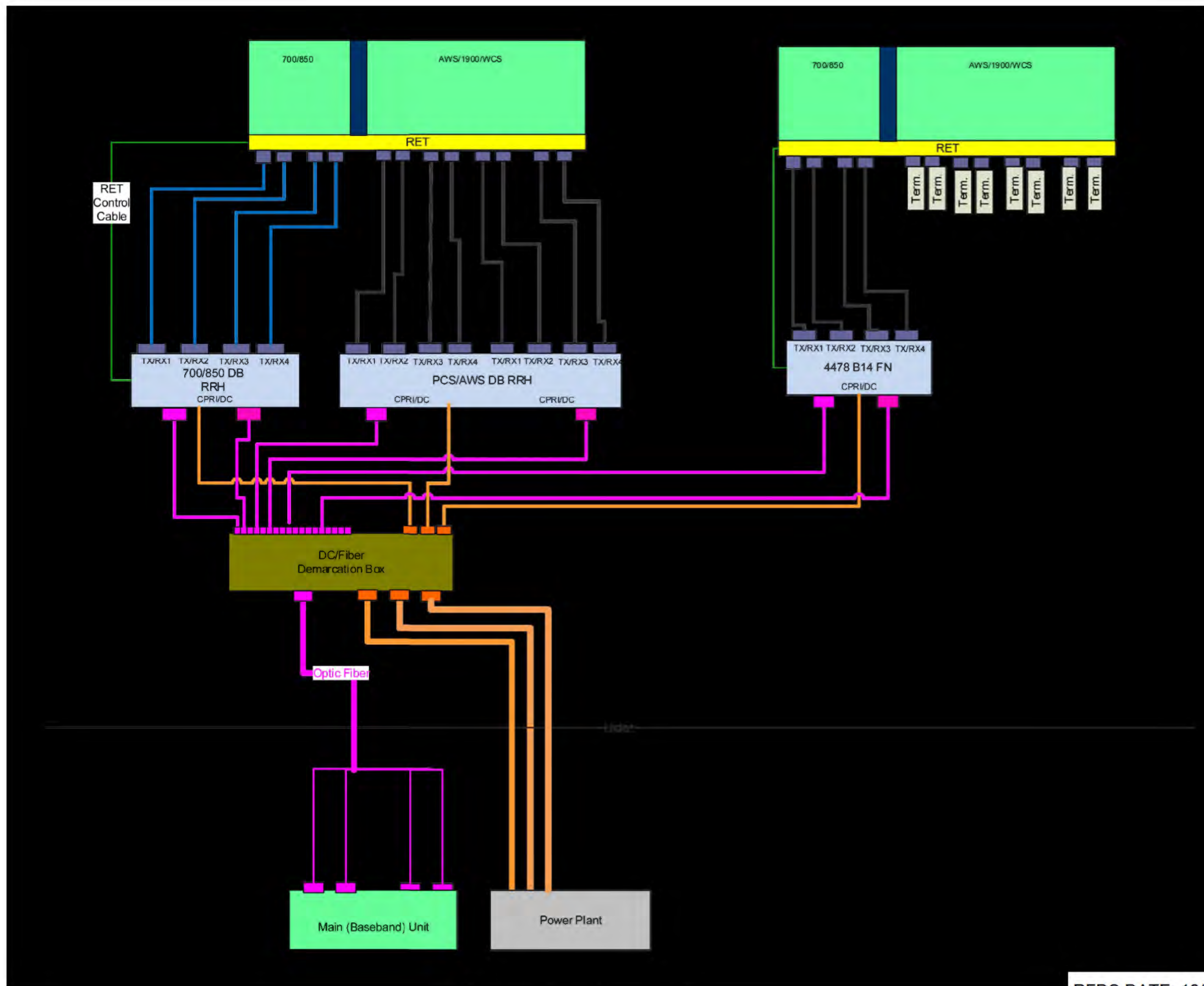
FA NUMBER:
 16147975

USID:
 329278

POD PROJECT NUMBER: 23-157797
 DRAWN BY: EW
 CHECKED BY: MEP
 DATE: 04/10/24

SHEET TITLE:
**EQUIPMENT
 SPECS**

SHEET NUMBER:
C-9



PREPARED BY:

 POWER OF DESIGN
 11490 BLUEGRASS PARKWAY
 LOUISVILLE, KY 40299
 502-437-5252

PREPARED FOR:



 575 MOROSGO DRIVE
 ATLANTA, GA 30324-3300

ZONING DRAWINGS

REV.	DATE	DESCRIPTION
A	11/02/23	PRELIM ISSUE
0	03/05/24	CONSTRUCTION
1	04/10/24	CONSTRUCTION

SITE NAME:
 KALER MILL
 SITE INFORMATION:
 1950 STATE ROUTE 1684
 BOAZ, KY 42027
 GRAVES COUNTY

FA NUMBER:
 16147975

USID:
 329278

POD PROJECT NUMBER: 23-157797
 DRAWN BY: EW
 CHECKED BY: MEP
 DATE: 04/10/24

SHEET TITLE:
PLUMBING DIAGRAM

SHEET NUMBER:
RF-1

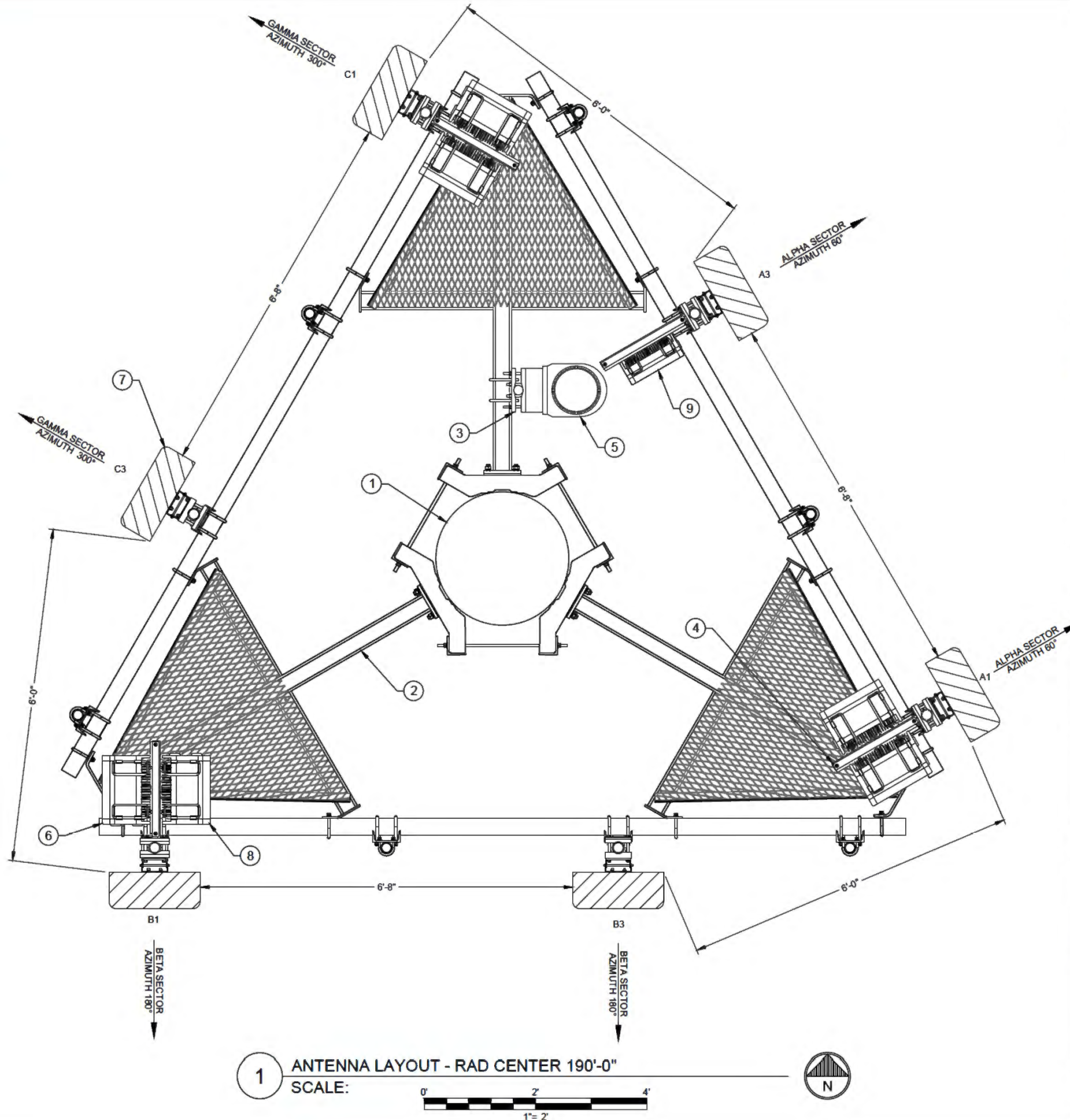
1 PLUMBING DIAGRAM - ALL SECTORS (TYP.)
 SCALE: NOT TO SCALE

RFDS DATE: 10/12/2023
 RFDS REV: 1.00
 USID# 329278

NOTE: THE RF DESIGN AND ANY ASSOCIATED INFORMATION ON THIS SHEET HAS BEEN PREPARED AND DESIGNED BY OTHERS. POWER OF DESIGN DID NOT DESIGN OR PREPARE ANY RF.

EQUIPMENT LEGEND:

- ① PROPOSED 190'-0" MONOPOLE
- ② PROPOSED SITE PRO 1 - RMQLP-4126-HK PLATFORM MOUNT
CONMAT ID: ANT.55229
(1 TOTAL)
- ③ PROPOSED 2-1/2" SCH 40 (2-7/8" O.D.) BY 8'-0" LONG
GALV. PIPE W/ CROSSOVER HARDWARE
CONMAT ID:
(1 TOTAL)
- ④ PROPOSED ERICSSON - SXK1255394/2 BACK-TO-BACK MOUNT
CONMAT ID: CEQ.53714
(2 PER SECTOR, 6 TOTAL)
- ⑤ PROPOSED RAYCAP - DC9-48-60-24-8C-EV SQUID
(1) FIBER LINE AND (2) DC CABLE TO BE INSTALLED
CONMAT ID: CEQ.21427
(1 TOTAL)
- ⑥ PROPOSED ERICSSON - 4490 B5/B12 RADIO
CONMAT ID: CEQ.56842
(1 PER SECTOR, 3 TOTAL)
- ⑦ PROPOSED COMMScope - NNH4-65D-R6 ANTENNA
CONMAT ID: ANT.16194
(2 PER SECTOR, 6 TOTAL)
- ⑧ PROPOSED ERICSSON - 4890 B25/B66 RADIO
CONMAT ID:
(1 PER SECTOR, 3 TOTAL)
- ⑨ PROPOSED ERICSSON - 4478 B14 RADIO
CONMAT ID: CEQ.44942
(1 PER SECTOR, 3 TOTAL)



① ANTENNA LAYOUT - RAD CENTER 190'-0"
SCALE: 1"=2'

PREPARED BY:

 11490 BLUEGRASS PARKWAY
 LOUISVILLE, KY 40299
 502-437-5252

PREPARED FOR:

 575 MOROSGO DRIVE
 ATLANTA, GA 30324-3300

04/10/2024
 EN PERMIT: 3594

ZONING DRAWINGS

REV.	DATE	DESCRIPTION
A	11/02/23	PRELIM ISSUE
0	03/05/24	CONSTRUCTION
1	04/10/24	CONSTRUCTION

SITE NAME:
KALER MILL

SITE INFORMATION:
1950 STATE ROUTE 1684
BOAZ, KY 42027
GRAVES COUNTY

FA NUMBER:
16147975

USID:
329278

POD PROJECT NUMBER: 23-157797
 DRAWN BY: EW
 CHECKED BY: MEP
 DATE: 04/10/24

SHEET TITLE:
**ANTENNA MOUNT
& ORIENTATION**

SHEET NUMBER:
RF-2

FINAL EQUIPMENT SCHEDULE (VERIFY WITH CURRENT RFDS)																		
ALPHA																		
POSITION	ANTENNA				RADIO			DIPLEXER		TMA		SURGE PROTECTION			CABLES			
	TECH.	STATUS/MANUFACTURER MODEL	AZIMUTH	RAD CENTER	QTY.	STATUS/MODEL	LOCATION	QTY.	STATUS	LOCATION	QTY.	STATUS	QTY.	STATUS/MODEL	QTY.	STATUS/TYPE	SIZE	LENGTH
A1	LTE 5G	(P) COMMSCOPE - NNH4-85D-R6	80°	190'-0"	1	(P) ERICSSON - 4490 B5/B12	TOWER	-	-	-	-	-	1	(P) RAYCAP DC9-48-80-24-8C-EV	1	(P) FIBER	3/8"	240'-0"
					1	(P) ERICSSON - 4890 B25/B66	TOWER	-	-	-	-	-	2	(P) DC	7/8"	240'-0"		
A2	-	-	-	-	-	-	-	-	-	-	-	-	-	-	-	-	-	-
A3	LTE	(P) COMMSCOPE - NNH4-85D-R6	80°	190'-0"	1	(P) ERICSSON - 4478 B14	TOWER	-	-	-	-	-	-	-	-	-	-	-
A4	-	-	-	-	-	-	-	-	-	-	-	-	-	-	-	-	-	-
A5	-	-	-	-	-	-	-	-	-	-	-	-	-	-	-	-	-	-
BETA																		
B1	LTE 5G	(P) COMMSCOPE - NNH4-85D-R6	180°	190'-0"	1	(P) ERICSSON - 4490 B5/B12	TOWER	-	-	-	-	-	-	-	-	-	-	-
					1	(P) ERICSSON - 4890 B25/B66	TOWER	-	-	-	-	-	-	-	-	-		
B2	-	-	-	-	-	-	-	-	-	-	-	-	-	-	-	-	-	-
B3	LTE	(P) COMMSCOPE - NNH4-85D-R6	180°	190'-0"	1	(P) ERICSSON - 4478 B14	TOWER	-	-	-	-	-	-	-	-	-	-	-
B4	-	-	-	-	-	-	-	-	-	-	-	-	-	-	-	-	-	-
B5	-	-	-	-	-	-	-	-	-	-	-	-	-	-	-	-	-	-
GAMMA																		
C1	LTE 5G	(P) COMMSCOPE - NNH4-85D-R6	300°	190'-0"	1	(P) ERICSSON - 4490 B5/B12	TOWER	-	-	-	-	-	-	-	-	-	-	-
					1	(P) ERICSSON - 4890 B25/B66	TOWER	-	-	-	-	-	-	-	-			
C2	-	-	-	-	-	-	-	-	-	-	-	-	-	-	-	-	-	-
C3	LTE	(P) COMMSCOPE - NNH4-85D-R6	300°	190'-0"	1	(P) ERICSSON - 4478 B14	TOWER	-	-	-	-	-	-	-	-	-	-	-
C4	-	-	-	-	-	-	-	-	-	-	-	-	-	-	-	-	-	-
C5	-	-	-	-	-	-	-	-	-	-	-	-	-	-	-	-	-	-

NOTE:
(E) - EXISTING
(R) - RELOCATED
(P) - PROPOSED

1 PROPOSED EQUIPMENT SCHEDULE
SCALE: NOT TO SCALE

RFDS DATE: 10/12/2023
RFDS REV: 1.00
USID# 329278

PREPARED BY:

 11490 BLUEGRASS PARKWAY
 LOUISVILLE, KY 40299
 502-437-5252

PREPARED FOR:



 575 MOROSGO DRIVE
 ATLANTA, GA 30324-3300


 04/10/24

EN PERMIT: 3594

ZONING DRAWINGS

REV.	DATE	DESCRIPTION
A	11/02/23	PRELIM ISSUE
0	03/05/24	CONSTRUCTION
1	04/10/24	CONSTRUCTION

SITE NAME:
KALER MILL
 SITE INFORMATION:
1950 STATE ROUTE 1684
BOAZ, KY 42027
GRAVES COUNTY

FA NUMBER:
16147975

USID:
329278

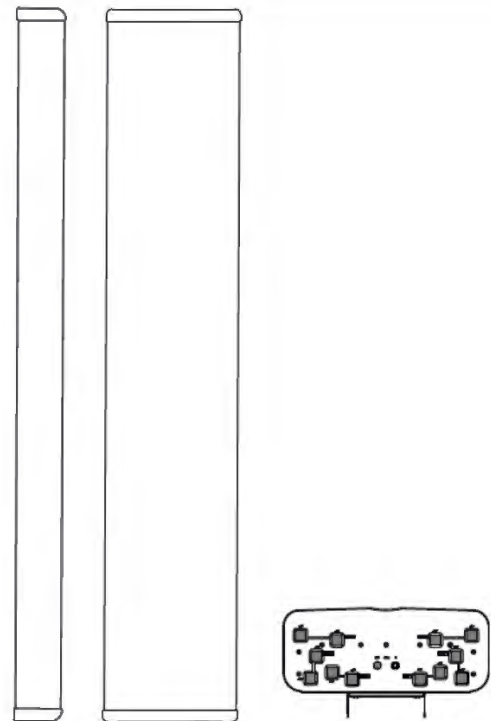
POD PROJECT NUMBER: 23-157797
 DRAWN BY: EW
 CHECKED BY: MEP
 DATE: 04/10/24

SHEET TITLE:

TOWER ELEVATION

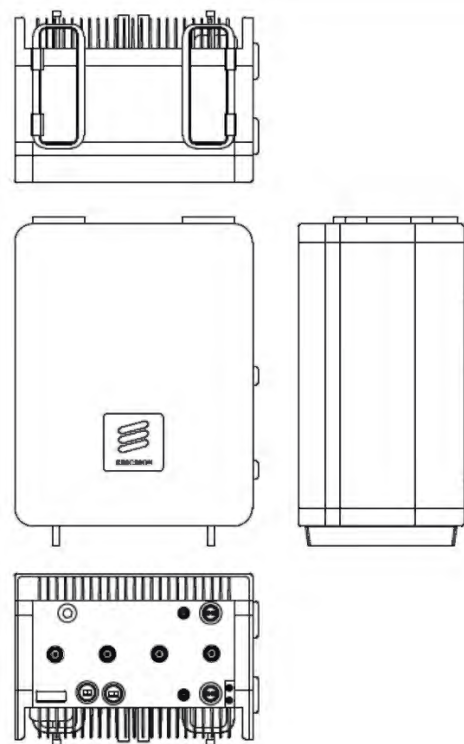
SHEET NUMBER:

RF-3



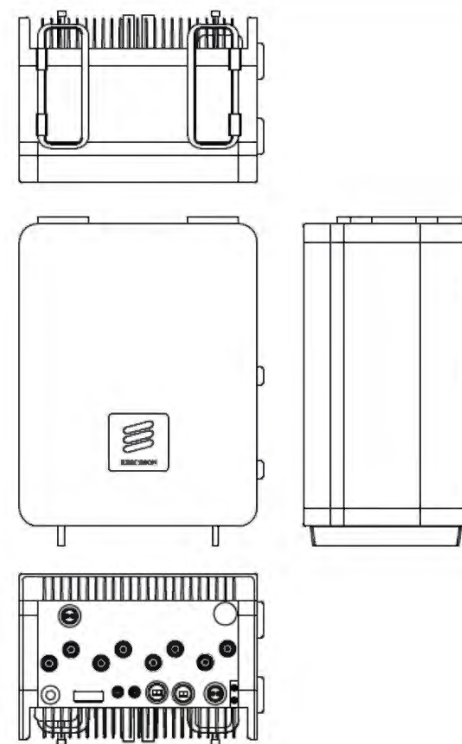
COMMSCOPE - NNH4-65D-R6
 WEIGHT (FULLY EQUIPPED): 88.2 LBS
 SIZE (HxWxD): 105.8x19.6x7.8 IN.
 CONNECTOR TYPE: 4.3-10 FEMALE (12 TOTAL PORTS)

1 COMMSCOPE - NNH4-65D-R6 (ANT.16194)
 SCALE: NOT TO SCALE



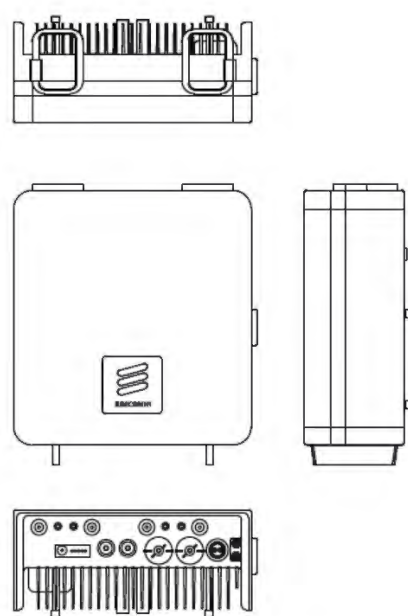
ERICSSON - 4490 B5/B12
 WEIGHT: 20.83 LBS
 SIZE (HxWxD): 17.48x15.12x6.77 IN.

2 ERICSSON - RADIO 4449 B5/B12 (CEQ.44476)
 SCALE: NOT TO SCALE



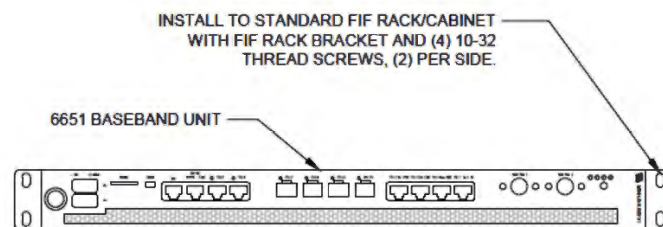
ERICSSON - 4890 B25/B66
 WEIGHT: 20.83 LBS
 SIZE (HxWxD): 17.48x15.12x6.93 IN.

3 ERICSSON - 4890 B25/B66 (CEQ.57137)
 SCALE: NOT TO SCALE



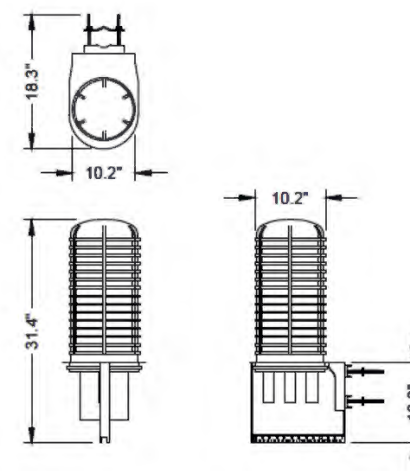
ERICSSON - RADIO 4478 B14
 WEIGHT: 59.4 LBS
 SIZE (HxWxD): 18.1x13.4x8.26 IN.

4 ERICSSON - RADIO 4478 B14 (CEQ.44942)
 SCALE: NOT TO SCALE



ERICSSON - 6651 STAND-ALONE BASEBAND
 WEIGHT: 10.0 LBS
 SIZE (HxWxD): 1.7x17.6x9.4 IN.

5 ERICSSON - BB 6651
 SCALE: NOT TO SCALE



RAYCAP - DC9-48-60-24-8C
 WEIGHT (WITHOUT MOUNTING HARDWARE): 26.2 LBS
 SIZE (HxWxD): 31.4x10.2x10.2 IN.

6 RAYCAP - DC9-48-60-24-8C-EV (CEQ.21427)
 SCALE: NOT TO SCALE

PREPARED BY:
POD
 POWER OF DESIGN
 11490 BLUEGRASS PARKWAY
 LOUISVILLE, KY 40299
 502-437-5252

PREPARED FOR:
smartlink

AT&T
 575 MOROSGO DRIVE
 ATLANTA, GA 30324-3300

ZONING DRAWINGS

REV.	DATE	DESCRIPTION
A	11/02/23	PRELIM ISSUE
0	03/05/24	CONSTRUCTION
1	04/10/24	CONSTRUCTION

SITE NAME:
 KALER MILL
 SITE INFORMATION:
 1950 STATE ROUTE 1684
 BOAZ, KY 42027
 GRAVES COUNTY

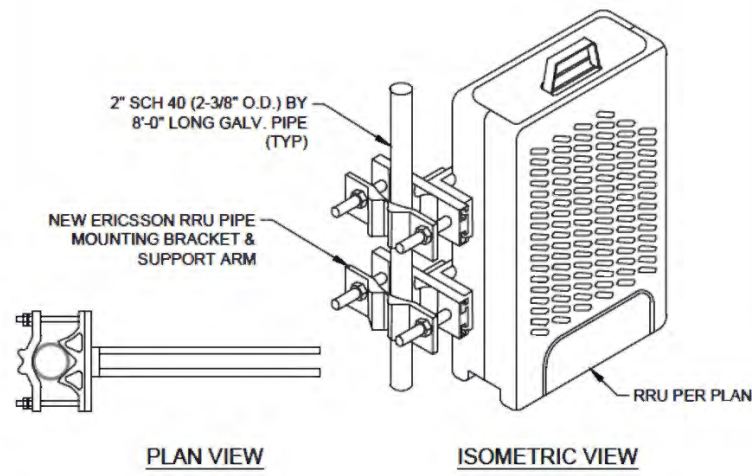
FA NUMBER:
 16147975

USID:
 329278

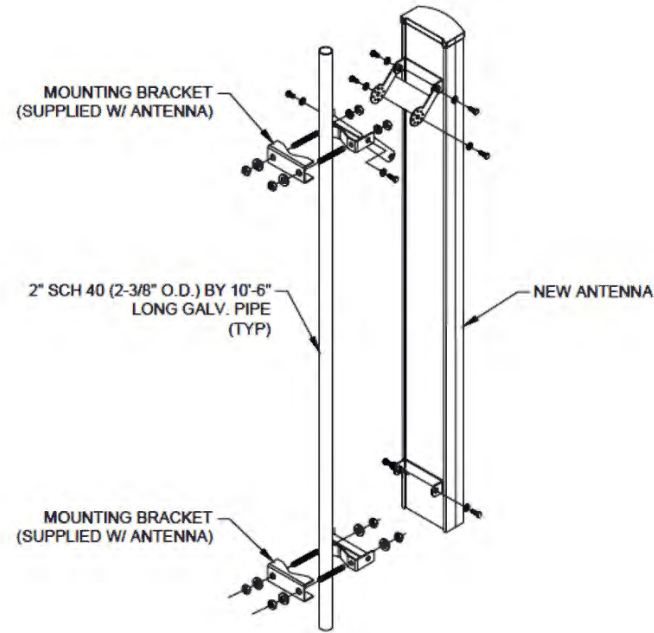
POD PROJECT NUMBER: 23-157797
 DRAWN BY: EW
 CHECKED BY: MEP
 DATE: 04/10/24

SHEET TITLE:
**EQUIPMENT
 SPECS**

SHEET NUMBER:
RF-4



1 ERICSSON - SXK1255394/2 (CEQ.53714)
SCALE: NOT TO SCALE

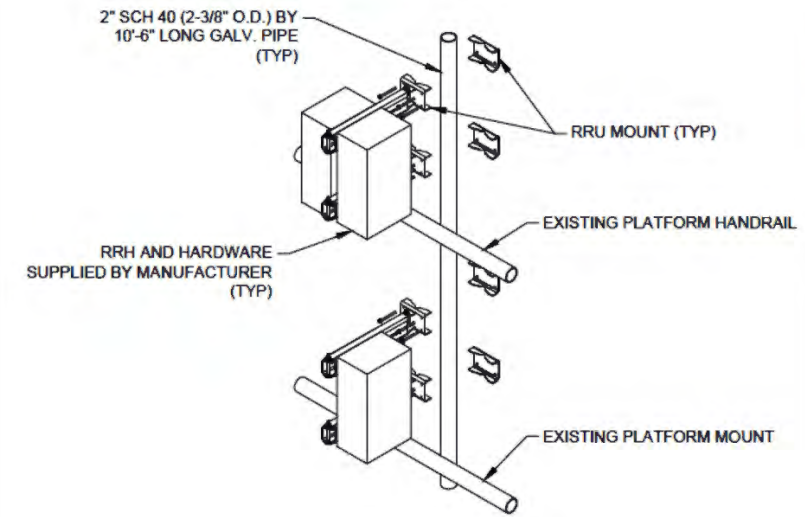


2 ANTENNA MOUNTING DETAIL
SCALE: NOT TO SCALE

INSTALLER NOTES:

1. COMPLY WITH MANUFACTURERS INSTRUCTIONS TO ENSURE THAT ALL RRHs RECEIVE ELECTRICAL POWER WITHIN 24 HOURS OF BEING REMOVED FROM THE MANUFACTURER'S PACKAGING.
2. DO NOT OPEN RRH PACKAGES IN THE RAIN.
3. ALL PIPES, BRACKETS, AND MISCELLANEOUS HARDWARE TO BE GALVANIZED UNLESS NOTED OTHERWISE.

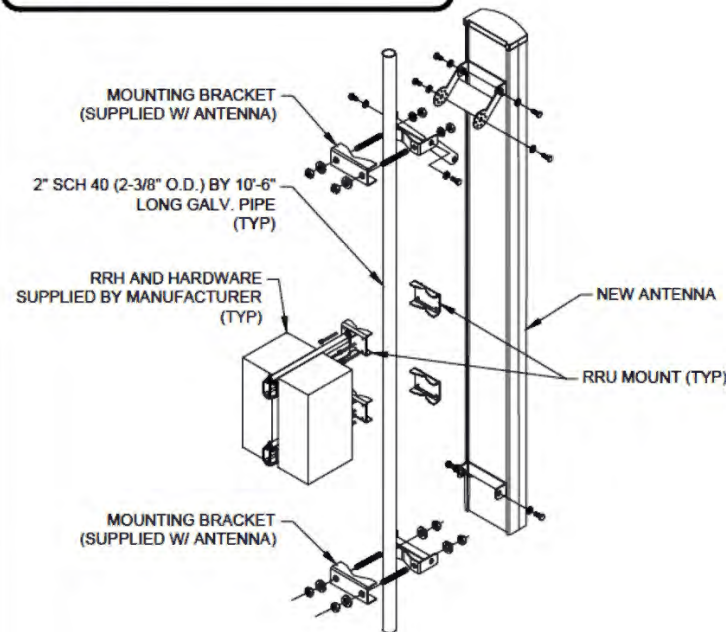
NOTE:
ANTENNA NOT SHOWN FOR CLARITY



3 BACK-TO-BACK MOUNTING DETAIL
SCALE: NOT TO SCALE

INSTALLER NOTES:

1. COMPLY WITH MANUFACTURERS INSTRUCTIONS TO ENSURE THAT ALL RRHs RECEIVE ELECTRICAL POWER WITHIN 24 HOURS OF BEING REMOVED FROM THE MANUFACTURER'S PACKAGING.
2. DO NOT OPEN RRH PACKAGES IN THE RAIN.
3. ALL PIPES, BRACKETS, AND MISCELLANEOUS HARDWARE TO BE GALVANIZED UNLESS NOTED OTHERWISE.



4 ANTENNA WITH RRHs MOUNTING DETAIL
SCALE: NOT TO SCALE

5 NOT USED
SCALE: NOT TO SCALE

6 NOT USED
SCALE: NOT TO SCALE

PREPARED BY:
POD
POWER OF DESIGN
11490 BLUEGRASS PARKWAY
LOUISVILLE, KY 40299
502-437-5252

PREPARED FOR:
smartlink

AT&T
575 MOROSGO DRIVE
ATLANTA, GA 30324-3300

ZONING DRAWINGS

REV.	DATE	DESCRIPTION
A	11/02/23	PRELIM ISSUE
0	03/05/24	CONSTRUCTION
1	04/10/24	CONSTRUCTION

SITE NAME:
KALER MILL
SITE INFORMATION:
1950 STATE ROUTE 1684
BOAZ, KY 42027
GRAVES COUNTY

FA NUMBER:
16147975

USID:
329278

POD PROJECT NUMBER: 23-157797
DRAWN BY: EW
CHECKED BY: MEP
DATE: 04/10/24

SHEET TITLE:
**EQUIPMENT
SPECS**

SHEET NUMBER:
RF-4.1

ITEM	QTY	PART	PART DESCRIPTION	LENGTH	UNIT WT.	NET WT.
1	6	X-LWRM	RING MOUNT WELDMENT		68.81	412.85
2	66	G58LW	5/8" HOG LOCKWASHER		0.03	1.72
3	60	A58NUT	5/8" HOG A325 HEX NUT		0.13	7.79
4	18	G58R-24	5/8" x 24" THREADED ROD (HOG		2.09	37.63
4	18	G58R-48	5/8" x 48" THREADED ROD (HOG.)		4.18	75.27
5	24	A58234	5/8" x 2-3/4" HOG A325 HEX BOLT	2 3/4 in	0.36	8.54
6	24	A58FW	5/8" HOG A325 FLATWASHER		0.03	0.82
7	36	X-UB1306	1/2" X 3-5/8" X 6" X 3" U-BOLT (HOG.)		0.83	29.82
8	264	G12FW	1/2" HOG USS FLATWASHER	3/32 in	0.03	9
9	252	G12LW	1/2" HOG LOCKWASHER	1/8 in	0.01	3.5
10	252	G12NUT	1/2" HOG HEAVY 2H HEX NUT		0.07	18.05
11	12	P2126	2-3/8" X 126" (2" SCH. 40) GALVANIZED PIPE	126 in	40.75	489.03
12	84	X-UB1212	1/2" X 2-4/2" X 4-1/2" X 2" U-BOLT (HOG		0.63	52.51
13	3	P3174	3-1/2" X 74" SCH 40 GALVANIZED PIPE	174 in	109.97	329.9
14	3	X-SV196L	LONG PLATFORM WELDMENT		230.94	692.81
15	3	P2174	2-3/8" OD X 74" SCH 40 GALVANIZED PIPE	174 in	55.75	167.24
16	12	SCX1	CROSSOVER PLATE 2-3/8" X 2-3/8"	6 in	3.71	44.5
17	15	SCX4	CROSSOVER PLATE	8 1/2 in	6.02	90.32
18	6	G58NUT	5/8" HOG HEAVY 2H HEX NUT		0.13	0.78
19	6	X-254923	PLATFORM REINFORCEMENT KIT ANGLE	84 in	22.83	137
20	6	X-TBW	T-BRACKET WELDMENT		13.6	81.6
21	6	G5802	5/8" x 2" HOG HEX BOLT GR5		0.27	1.62
22	12	G12065	4/2" x 6-4/2" HOG HEX BOLT GR5 FULL THREAD	5 1/2 in	0.41	4.91
23	3	X-AHCP	ANGLE HANDRAIL CORNER PLATE		12.92	38.76
					TOTAL WT. #	2735.65

1 SITE PRO 1 - RMQLP-4126-HK PLATFORM MOUNT
SCALE: NOT TO SCALE

PREPARED BY:

POD
 POWER OF DESIGN
 11490 BLUEGRASS PARKWAY
 LOUISVILLE, KY 40299
 502-497-9252

PREPARED FOR:



 575 MOROSGO DRIVE
 ATLANTA, GA 30324-3300


 04/10/2024

EN PERMIT: 3594

ZONING DRAWINGS

REV.	DATE	DESCRIPTION
A	11/02/23	PRELIM ISSUE
0	03/05/24	CONSTRUCTION
1	04/10/24	CONSTRUCTION

SITE NAME:
KALER MILL
 SITE INFORMATION:
 1950 STATE ROUTE 1684
 BOAZ, KY 42027
 GRAVES COUNTY

FA NUMBER:
16147975

USID:
329278

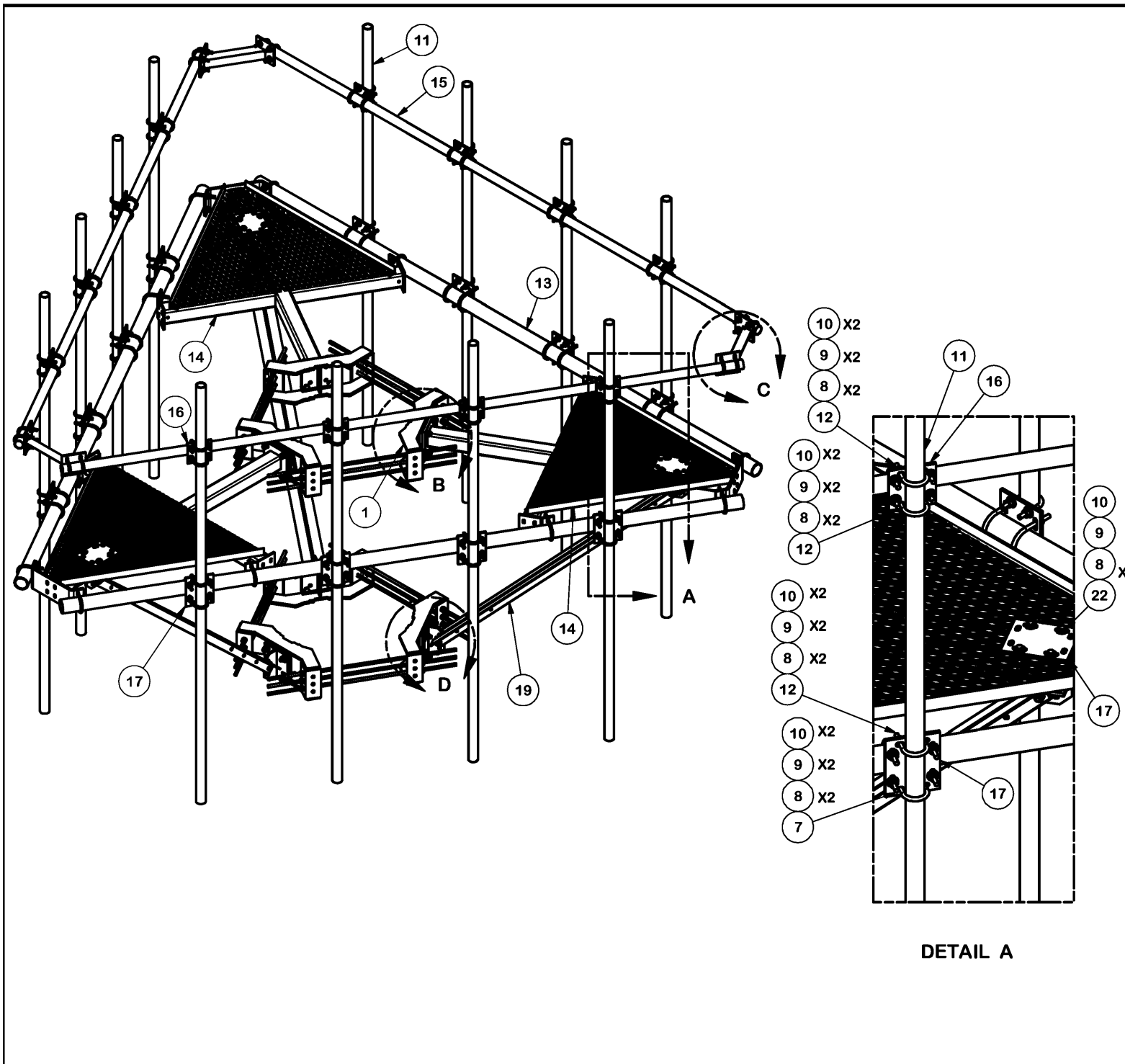
POD PROJECT NUMBER: 23-157797
 DRAWN BY: EW
 CHECKED BY: MEP
 DATE: 04/10/24

SHEET TITLE:

MOUNT PARTS LIST

SHEET NUMBER:

RF-5



PARTS LIST						
ITEM	QTY	PART NO.	PART DESCRIPTION	LENGTH	UNIT WT.	NET WT.
1	6	X-LWRM	RING MOUNT WELDMENT		68.81	412.85
2	66	G58LW	5/8" HDG LOCKWASHER		0.03	1.72
3	60	A58NUT	5/8" HDG A325 HEX NUT		0.13	7.79
4	18	G58R-24	5/8" x 24" THREADED ROD (HDG.)		2.09	37.63
4	18	G58R-48	5/8" x 48" THREADED ROD (HDG.)		4.18	75.27
5	24	A58234	5/8" x 2-3/4" HDG A325 HEX BOLT	2 3/4 in	0.36	8.54
6	24	A58FW	5/8" HDG A325 FLATWASHER		0.03	0.82
7	36	X-UB1306	1/2" X 3-5/8" X 6" X 3" U-BOLT (HDG.)		0.83	29.82
8	264	G12FW	1/2" HDG USS FLATWASHER	3/32 in	0.03	9.00
9	252	G12LW	1/2" HDG LOCKWASHER	1/8 in	0.01	3.50
10	252	G12NUT	1/2" HDG HEAVY 2H HEX NUT		0.07	18.05
11	12	P2126	2-3/8" X 126" (2" SCH. 40) GALVANIZED PIPE	126 in	40.75	489.03
12	84	X-UB1212	1/2" X 2-1/2" X 4-1/2" X 2" U-BOLT (HDG.)		0.63	52.51
13	3	P3174	3-1/2" X 174" SCH 40 GALVANIZED PIPE	174 in	109.97	329.90
14	3	X-SV196L	LONG PLATFORM WELDMENT		230.94	692.81
15	3	P2174	2-3/8" OD X 174" SCH 40 GALVANIZED PIPE	174 in	55.75	167.24
16	12	SCX1	CROSSOVER PLATE 2-3/8" X 2-3/8"	6 in	3.71	44.50
17	15	SCX4	CROSSOVER PLATE	8 1/2 in	6.02	90.32
18	6	G58NUT	5/8" HDG HEAVY 2H HEX NUT		0.13	0.78
19	6	X-254923	PLATFORM REINFORCEMENT KIT ANGLE	84 in	22.83	137.00
20	6	X-TBW	T-BRACKET WELDMENT		13.60	81.60
21	6	G5802	5/8" x 2" HDG HEX BOLT GR5		0.27	1.62
22	12	G12065	1/2" x 6-1/2" HDG HEX BOLT GR5 FULL THREAD	5 1/2 in	0.41	4.91
23	3	X-AHCP	ANGLE HANDRAIL CORNER PLATE		12.92	38.76
					TOTAL WT. #	2735.65

DETAIL A

DETAIL B

DETAIL C

DETAIL D

REV	DESCRIPTION OF REVISIONS	CPD	BY	DATE
B	RELOCATED MAST PIPE LOCATIONS	4488	KC8	5/26/2021
A	CHANGED X-253992 TO X-TBW	4488	CEK	9/20/2018

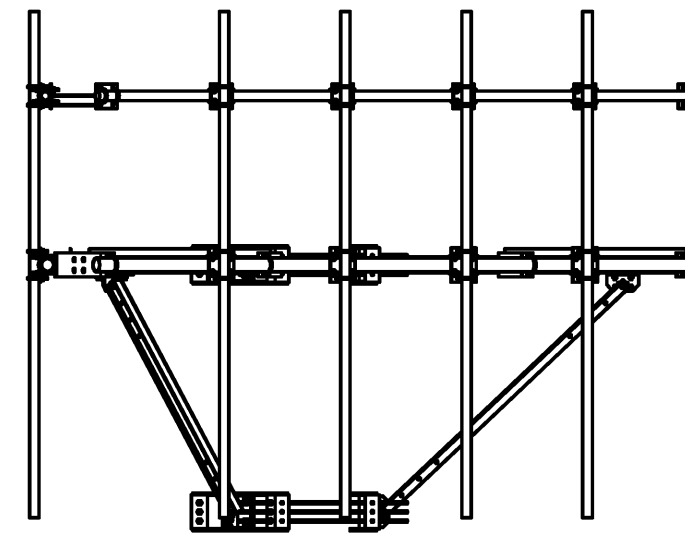
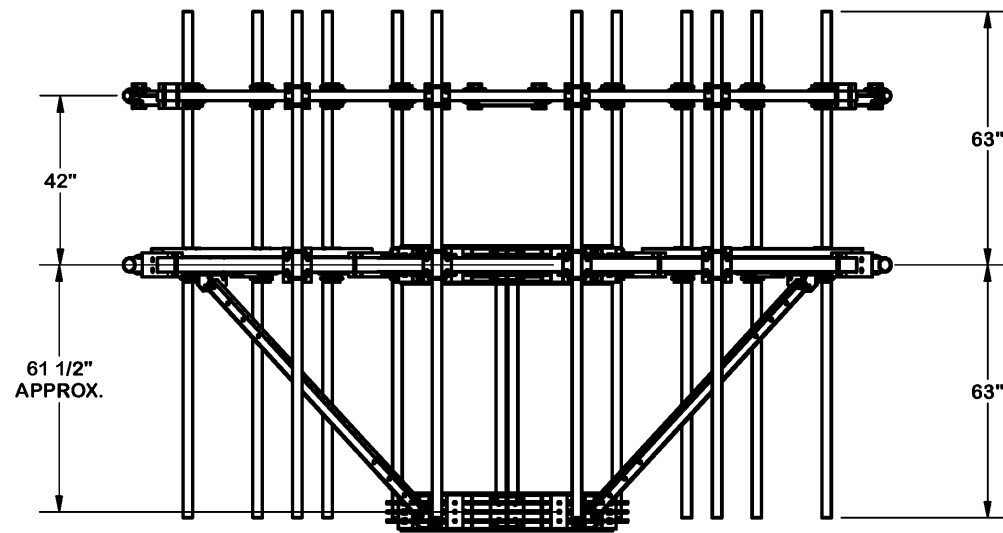
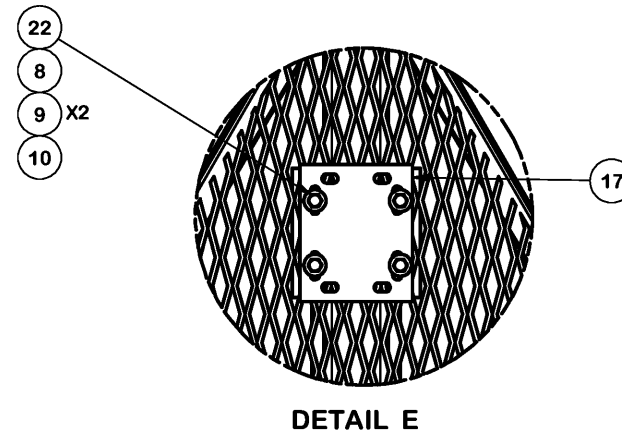
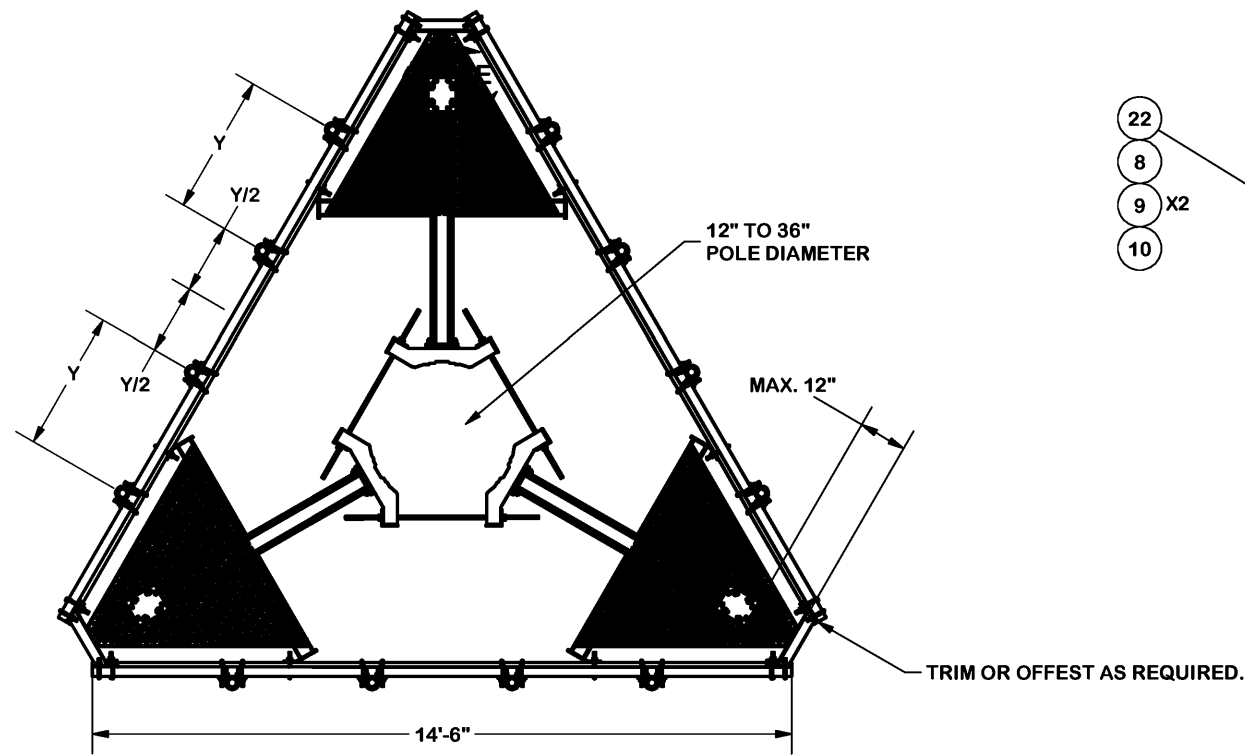
REVISION HISTORY

TOLERANCE NOTES
 TOLERANCES ON DIMENSIONS, UNLESS OTHERWISE NOTED ARE:
 SAWED, SHEARED AND GAS CUT EDGES ($\pm 0.030"$)
 DRILLED AND GAS CUT HOLES ($\pm 0.030"$) - NO CONING OF HOLES
 LASER CUT EDGES AND HOLES ($\pm 0.010"$) - NO CONING OF HOLES
 BENDS ARE $\pm 1/2$ DEGREE
 ALL OTHER MACHINING ($\pm 0.030"$)
 ALL OTHER ASSEMBLY ($\pm 0.060"$)

PROPRIETARY NOTE:
 THE DATA AND TECHNIQUES CONTAINED IN THIS DRAWING ARE PROPRIETARY INFORMATION OF VALMONT INDUSTRIES AND CONSIDERED A TRADE SECRET. ANY USE OR DISCLOSURE WITHOUT THE CONSENT OF VALMONT INDUSTRIES IS STRICTLY PROHIBITED.

DESCRIPTION 14' 6" LOW PROFILE PLATFORM WITH TWELVE 2-3/8" ANTENNA MOUNTING PIPES, AND SUPPORT RAIL			
CPD NO. 4488	DRAWN BY CEK	2/5/2018	ENG. APPROVAL
CLASS 87	SUB 02	DRAWING USAGE CUSTOMER	CHECKED BY BMC 2/6/2018

 A valmont COMPANY	Locations: New York, NY Atlanta, GA Los Angeles, CA Plymouth, IN Salem, OR Dallas, TX
	Engineering Support Team: 1-888-753-7446
PART NO. RMQLP-4126-HK	1 OF 3 PAGE
DWG. NO. RMQLP-4126-HK	



TOLERANCE NOTES

TOLERANCES ON DIMENSIONS, UNLESS OTHERWISE NOTED ARE:
 SAWED, SHEARED AND GAS CUT EDGES ($\pm 0.030"$)
 DRILLED AND GAS CUT HOLES ($\pm 0.030"$) - NO CONING OF HOLES
 LASER CUT EDGES AND HOLES ($\pm 0.010"$) - NO CONING OF HOLES
 BENDS ARE $\pm 1/2$ DEGREE
 ALL OTHER MACHINING ($\pm 0.030"$)
 ALL OTHER ASSEMBLY ($\pm 0.060"$)

PROPRIETARY NOTE:
 THE DATA AND TECHNIQUES CONTAINED IN THIS DRAWING ARE PROPRIETARY INFORMATION OF VALMONT INDUSTRIES AND CONSIDERED A TRADE SECRET. ANY USE OR DISCLOSURE WITHOUT THE CONSENT OF VALMONT INDUSTRIES IS STRICTLY PROHIBITED.

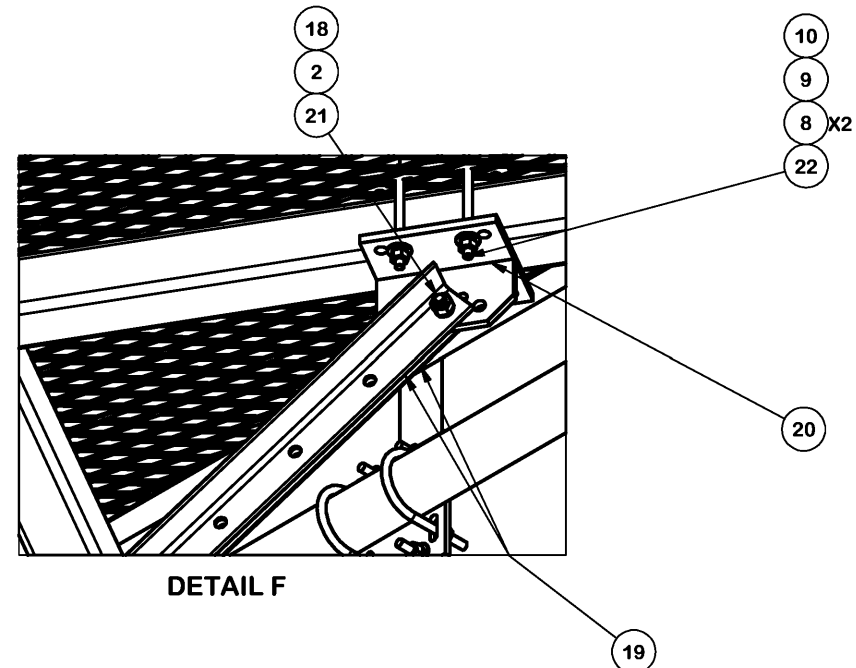
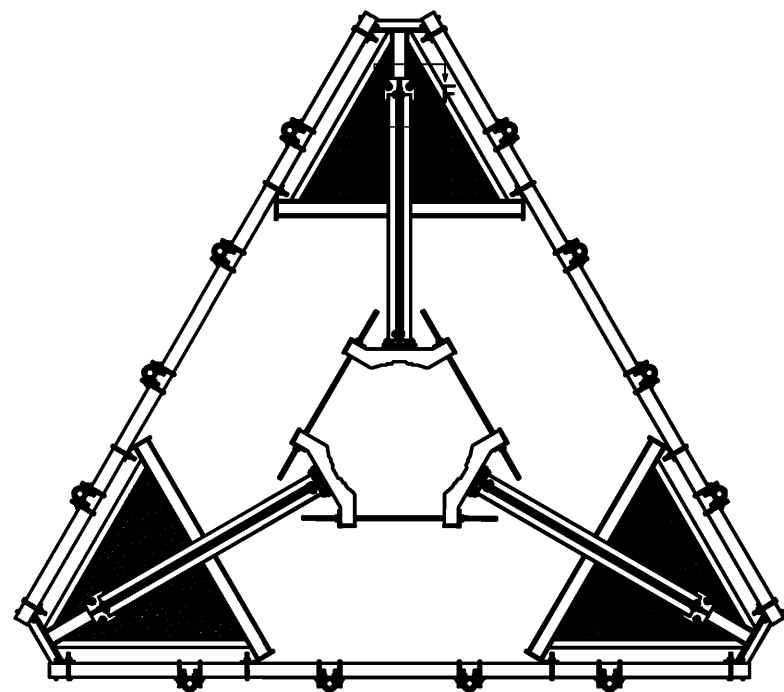
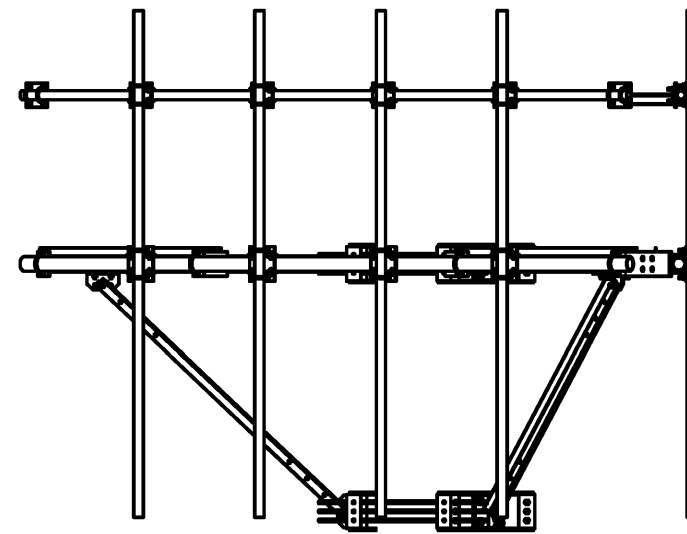
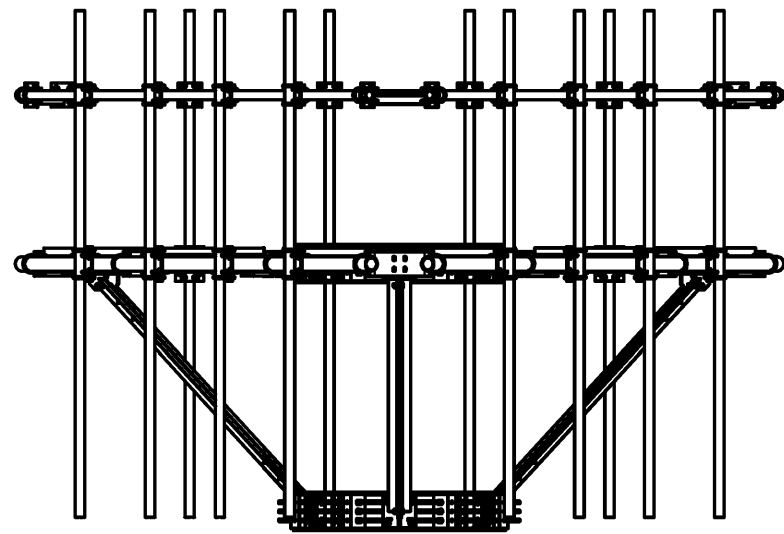
DESCRIPTION
 14' 6" LOW PROFILE PLATFORM
 WITH TWELVE 2-3/8" ANTENNA MOUNTING
 PIPES, AND SUPPORT RAIL

SITE PRO 1
 A valmont COMPANY
 Engineering Support Team:
 1-888-753-7446
 Locations:
 New York, NY
 Atlanta, GA
 Los Angeles, CA
 Plymouth, IN
 Salem, OR
 Dallas, TX

REV	DESCRIPTION OF REVISIONS	CPD	BY	DATE
B	RELOCATED MAST PIPE LOCATIONS	4488	KC8	5/26/2021
A	CHANGED X-253992 TO X-TBW	4488	CEK	9/20/2018
REVISION HISTORY				

CPD NO. 4488	DRAWN BY CEK 2/5/2018	ENG. APPROVAL
CLASS 87	SUB 02	DRAWING USAGE CUSTOMER
CHECKED BY BMC 2/6/2018		

PART NO. RMQLP-4126-HK	2 OF 3 PAGE
DWG. NO. RMQLP-4126-HK	



DETAIL F

<table border="1"> <thead> <tr> <th>REV</th> <th>DESCRIPTION OF REVISIONS</th> <th>CPD</th> <th>BY</th> <th>DATE</th> </tr> </thead> <tbody> <tr> <td>B</td> <td>RELOCATED MAST PIPE LOCATIONS</td> <td>4488</td> <td>KC8</td> <td>5/26/2021</td> </tr> <tr> <td>A</td> <td>CHANGED X-253992 TO X-TBW</td> <td>4488</td> <td>CEK</td> <td>9/20/2018</td> </tr> </tbody> </table>					REV	DESCRIPTION OF REVISIONS	CPD	BY	DATE	B	RELOCATED MAST PIPE LOCATIONS	4488	KC8	5/26/2021	A	CHANGED X-253992 TO X-TBW	4488	CEK	9/20/2018	<p>TOLERANCE NOTES</p> <p>TOLERANCES ON DIMENSIONS, UNLESS OTHERWISE NOTED ARE: SAWED, SHEARED AND GAS CUT EDGES ($\pm 0.030"$) DRILLED AND GAS CUT HOLES ($\pm 0.030"$) - NO CONING OF HOLES LASER CUT EDGES AND HOLES ($\pm 0.010"$) - NO CONING OF HOLES BENDS ARE $\pm 1/2$ DEGREE ALL OTHER MACHINING ($\pm 0.030"$) ALL OTHER ASSEMBLY ($\pm 0.060"$)</p> <p><small>PROPRIETARY NOTE: THE DATA AND TECHNIQUES CONTAINED IN THIS DRAWING ARE PROPRIETARY INFORMATION OF VALMONT INDUSTRIES AND CONSIDERED A TRADE SECRET. ANY USE OR DISCLOSURE WITHOUT THE CONSENT OF VALMONT INDUSTRIES IS STRICTLY PROHIBITED.</small></p>					<p>DESCRIPTION 14' 6" LOW PROFILE PLATFORM WITH TWELVE 2-3/8" ANTENNA MOUNTING PIPES, AND SUPPORT RAIL</p>			<p>SITE PRO 1 A valmont COMPANY</p> <p>Locations: New York, NY Atlanta, GA Los Angeles, CA Plymouth, IN Salem, OR Dallas, TX</p> <p>Engineering Support Team: 1-888-753-7446</p>	
					REV	DESCRIPTION OF REVISIONS	CPD	BY	DATE																				
B	RELOCATED MAST PIPE LOCATIONS	4488	KC8	5/26/2021																									
A	CHANGED X-253992 TO X-TBW	4488	CEK	9/20/2018																									
<p>REVISION HISTORY</p>					<p>CPD NO. 4488 DRAWN BY CEK 2/5/2018 ENG. APPROVAL</p>			<p>PART NO. RMQLP-4126-HK</p>																					
					<p>CLASS 87 SUB 02 DRAWING USAGE CUSTOMER CHECKED BY BMC 2/6/2018</p>			<p>DWG. NO. RMQLP-4126-HK</p>																					

EXHIBIT C
TOWER AND FOUNDATION DESIGN

April 4, 2024

Kentucky Public Service Commission
211 Sower Boulevard
Frankfort, KY 40602

RE: Site Name – Kaler Mill
Proposed Cell Tower
36° 53'41.34" (36.894819°) -88° 34' 37.68" (-88.577135°)

Dear Kentucky Public Service Commission:

The Project / Construction Manager for the proposed new communications facility will be John Lounsbury. His contact information is (770) 865-2254 or jlounsbury@TillmanInfrastructure.com

John has been in the industry completing civil construction and constructing towers since 1996. He has worked at Tillman Infrastructures since 2018 completing project and construction management on new site build projects.

Thank you,

Kendra Moorhead

Kendra Morehead
Director of Construction East Region - Tillman Infrastructure
770-714-9771

Kaler Mill – List of Qualified Professionals

Mark E. Patterson
Professional Engineer, Kentucky License 16,300
Licensed Professional Land Surveyor, License No. 3136
Power of Design
11490 Bluegrass Parkway
Louisville, KY 40299

Keith J. Tindall
Kentucky License 20897
Saber Industries Inc.
8653 East Highway 67
Alvarado, TX 76009

John Lounsbury
Construction Manager
Tillman Infrastructure, LLC.
299 Market St, Suite 350
Saddle Brook, NJ 07663

Sherri Lewis
RF Engineer
1025 Lenox Park Blvd. NE,
3rd Floor
Atlanta, GA 30319

April 25, 2024

Ms. Chelsea Iglesias
Project Controls Coordinator Sr.
Tillman Infrastructure, LLC.
299 Market St, Suite 350
Saddle Brook, NJ 07663

RE: 190' Sabre Monopole for TI-OPP-32955, KY (Sabre #24-5058-TJH)

Dear Ms. Iglesias,

As shown in our Structural Design Report #24-5058-TJH dated April 18, 2024, the above referenced monopole has been designed for a Basic Wind Speed of 106 mph and 30 mph with 1.5" radial ice, Structure Class II, Exposure Category C, Topographic Category 1 in accordance with the Telecommunications Industry Association Standard ANSI/TIA-222-H, "Structural Standard for Antenna Supporting Structures, Antennas and Small Wind Turbine Support Structures".

When designed according to this standard, the wind pressures and steel strength capacities include several safety factors. Therefore, it is highly unlikely that the monopole will fail structurally in a wind event where the design wind speed is exceeded within the range of the built-in safety factors.

Should the wind speed increase beyond the capacity of the built-in safety factors, to the point of failure of one or more structural elements, the most likely location of the failure would be within the monopole shaft, above the base plate. Assuming that the wind pressure profile is similar to that used to design the monopole, the monopole will buckle at the location of the highest combined stress ratio within the monopole shaft. This is likely to result in the portion of the monopole above leaning over and remaining in a permanently deformed condition. **Please note that this letter only applies to the above referenced monopole designed and manufactured by Sabre Industries.** This would effectively result in a fall radius of 50 feet or less.

Sincerely,

Keith J. Tindall, P.E., S.E.
Vice President, Telecom Engineering





Structural Design Report

190' Monopole

Site: TI-OPP-32955, KY

Site Number: 16147975

Prepared for: TILLMAN INFRASTRUCTURE, LLC

by: Sabre Industries™

Job Number: 24-5058-TJH

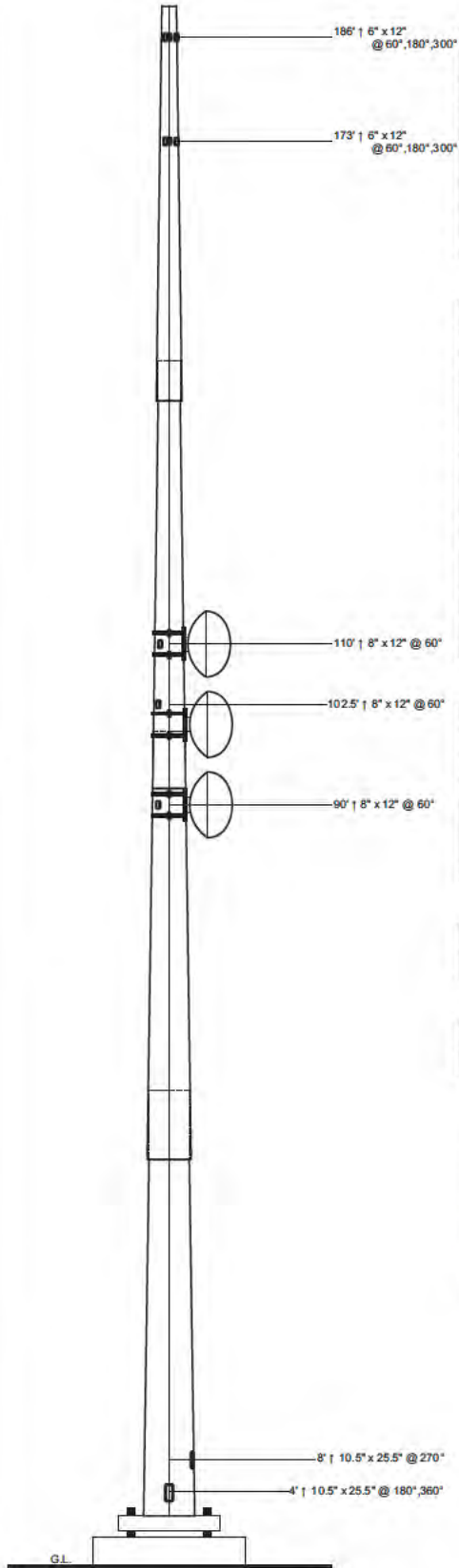
April 18, 2024

Monopole Profile.....	1
Foundation Design Summary (Option 1).....	2
Foundation Design Summary (Option 2).....	3
Pole Calculations.....	4-23
Foundation Calculations.....	24-33



4/19/24

Length (ft)	53'-3"	53'-6"	53'-6"	49'-6"
Number Of Sides	18	18	18	18
Thickness (in)	7/16"	3/8"	5/16"	1/4"
Lap Splice (ft)	8'-9"	7'-0"	5'-0"	
Top Diameter (in)	60.04"	47.3"	33.91"	21"
Bottom Diameter (in)	76.09"	63.43"	50.04"	35.92"
Taper (in/ft)			0.3014	
Grade			A572-65	
Weight (lbs)	20261	12680	9064	4363
Overall Steel Height (ft)				



Designed Appurtenance Loading

Elev	Description	Tx-Line
190	(1) 278 sq. ft. EPA 6000# (no Ice)	(9) 1 5/8"
175	(1) 278 sq. ft. EPA 6000# (no Ice)	(9) 1 5/8"
110	(1) Dish Mount (Monopole Only) - Pipe Mount (8'-10' Dish)	
110	(1) 8' Solid Dish W/ Radome	(1) EW63
100	(1) Dish Mount (Monopole Only) - Pipe Mount (8'-10' Dish)	
100	(1) 8' Solid Dish W/ Radome	(1) EW63
90	(1) Dish Mount (Monopole Only) - Pipe Mount (8'-10' Dish)	
90	(1) 8' Solid Dish W/ Radome	(1) EW63

Design Criteria - ANSI/TIA-222-H

Wind Speed (No Ice)	106 mph
Wind Speed (Ice)	30 mph
Design Ice Thickness	1.50 in
Risk Category	II
Exposure Category	C
Topographic Factor Procedure	Method 1 (Simplified)
Topographic Category	1
Ground Elevation	408 ft
Seismic Importance Factor, Ie	1.00
0.2-sec Spectral Response, Ss	0.996 g
1-sec Spectral Response, S1	0.327 g
Site Class	D (DEFAULT)
Seismic Design Category	D
Basic Seismic Force-Resisting System	Telecommunication Tower (Pole: Steel)

Limit State Load Combination Reactions

Load Combination	Axial (kips)	Shear (kips)	Moment (ft-k)	Deflection (ft)	Sway (deg)
1.2 D + 1.0 Wo	68.5	45.81	6539.93	11.72	8.04
0.9 D + 1.0 Wo	51.4	46.26	6498.47	11.56	7.89
1.2 D + 1.0 Di + 1.0 Wi	111.87	6.47	976.39	1.85	1.27
1.2 D + 1.0 Ev + 1.0 Eh	79.65	8.72	1463.05	2.84	1.95
0.9 D - 1.0 Ev + 1.0 Eh	43.39	8.89	1440.11	2.74	1.87
1.0 D + 1.0 Wo (Service @ 60 mph)	57.03	13.11	1861.9	3.38	2.3

Base Plate Dimensions

Shape	Diameter	Thickness	Bolt Circle	Bolt Qty	Bolt Diameter
Round	89.25"	2.25"	83.5"	20	2.25"

Anchor Bolt Dimensions

Length	Diameter	Hole Diameter	Weight	Type	Finish
84"	2.25"	2.625"	2422	A615-75	Galv

Notes

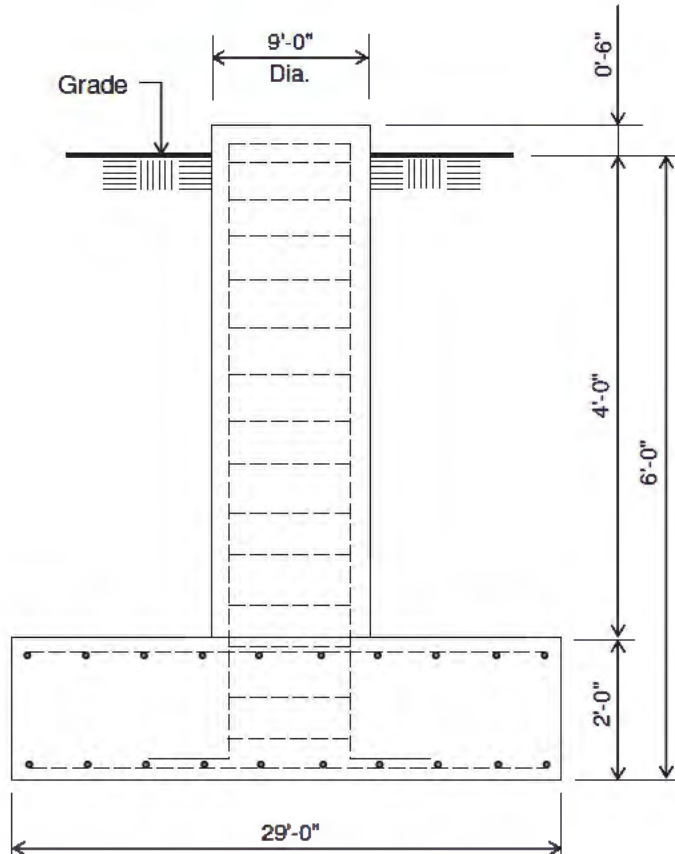
- 1) Antenna Feed Lines Run Inside Pole
- 2) All dimensions are above ground level, unless otherwise specified.
- 3) Weights shown are estimates. Final weights may vary.
- 4) Full Height Step Bolts
- 5) This tower design and, if applicable, the foundation design(s) shown on the following page(s) also meet or exceed the requirements of the 2015 International Building Code.
- 6) Tower Rating: 84.2%

 <p>Sabre Industries 7101 Southbridge Drive P.O. Box 658 Sioux City, IA 51102-0658 Phone: (712) 259-6990 Fax: (712) 279-0914</p> <p><small>Information contained herein is the sole property of Sabre Communications Corporation, constitutes a trade secret as defined by Iowa Code Ch. 550 and shall not be reproduced, copied or used in whole or part for any purpose whatsoever without the prior written consent of Sabre Communications Corporation.</small></p>	Job:	24-5058-TJH
	Customer:	TILLMAN INFRASTRUCTURE, LLC
	Site Name:	TI-OPP-32955, KY 16147975
	Description:	190' Monopole
	Date:	4/18/2024

Customer: TILLMAN INFRASTRUCTURE, LLC

Site: TI-OPP-32955, KY 16147975

190' Monopole



ELEVATION VIEW

(72.90 Cu. Yds.)

(1 REQUIRED; NQT TO SCALE)

Notes:

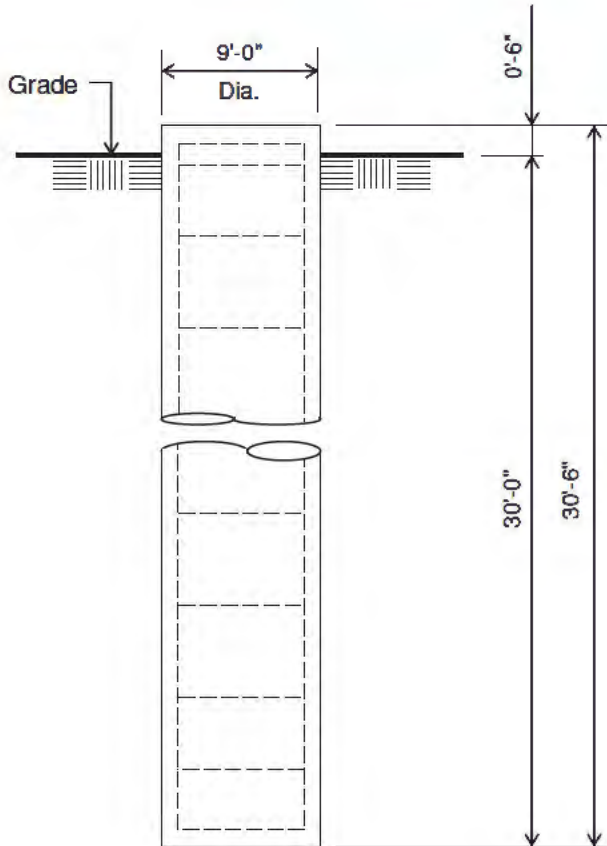
- 1) Concrete shall have a minimum 28-day compressive strength of 4,500 psi, in accordance with ACI 318-14.
- 2) Rebar to conform to ASTM specification A615 Grade 60.
- 3) All rebar to have a minimum of 3" concrete cover.
- 4) All exposed concrete corners to be chamfered 3/4".
- 5) The foundation design is based on the geotechnical report by POD, Project No. 23-157981, dated April 11, 2024.
- 6) See the geotechnical report for compaction requirements, if specified.
- 7) 4 ft of soil cover is required over the entire area of the foundation slab.
- 8) This foundation is designed for a max capacity ratio of 90%.
- 9) The bottom anchor bolt template shall be positioned as closely as possible to the bottom of the anchor bolts.

Rebar Schedule for Pad and Pier	
Pier	(58) #9 vertical rebar w/ hooks at bottom w/ #5 ties, (2) within top 5" of pier, then 4" C/C
Pad	(42) #10 horizontal rebar evenly spaced each way top and bottom (168 total)

Customer: TILLMAN INFRASTRUCTURE, LLC

Site: TI-OPP-32955, KY 16147975

190' Monopole



ELEVATION VIEW

(71.86 Cu. Yds.)

(1 REQUIRED; NQT TO SCALE)

Notes:

- 1) Concrete shall have a minimum 28-day compressive strength of 4,500 psi, in accordance with ACI 318-14.
- 2) Rebar to conform to ASTM specification A615 Grade 60.
- 3) All rebar to have a minimum of 3" concrete cover.
- 4) All exposed concrete corners to be chamfered 3/4".
- 5) The foundation design is based on the geotechnical report by POD, Project No. 23-157981, dated April 11, 2024.
- 6) See the geotechnical report for drilled pier installation requirements, if specified.
- 7) This foundation is designed for a max capacity ratio of 90%.
- 8) The bottom anchor bolt template shall be positioned as closely as possible to the bottom of the anchor bolts.

Rebar Schedule for Pier	
Pier	(58) #9 vertical rebar w/ #5 ties, (2) within top 5" of pier, then 6" C/C

Tel: (416) 736-7453 Fax: (416) 736-4372 Web: www.guymast.com

Processed under license at:

Sabre Towers and Poles on: 18 apr 2024 at: 11:25:43
 =====

190' Monopole / TI-OPP-32955, KY

* All pole diameters shown on the following pages are across corners.
 See profile drawing for widths across flats.

POLE GEOMETRY
 =====

ELEV	SECTION	No.	OUTSIDE	THICK	RESISTANCES		SPLICE	...OVERLAP...		w/t
ft	NAME	SIDE	DIAM	-NESS	*Pn	*Mn	TYPE	LENGTH	RATIO	
			in	in	kip	ft-kip		ft		
189.0	A	18	21.32	0.250	1223.3	520.0				13.6
			34.94	0.250	1812.5	1274.0				
144.5	A/B	18	34.94	0.250	1812.5	1274.0	SLIP	5.00	1.69	
			35.97	0.312	2480.5	1789.7				
139.5	B	18	35.97	0.312	2480.5	1789.7				18.9
			48.66	0.312	3010.6	2951.7				
98.0	B/C	18	48.66	0.312	3010.6	2951.7	SLIP	7.00	1.70	
			50.18	0.375	3949.6	3985.3				
91.0	C	18	50.18	0.375	3949.6	3985.3				22.3
			61.72	0.375	4457.7	5547.4				
53.2	C/D	18	61.72	0.375	4457.7	5547.4	SLIP	8.75	1.67	
			63.66	0.438	5655.2	7247.1				
44.5	D	18	63.66	0.438	5655.2	7247.1				24.4
			77.26	0.438	6272.0	9779.6				
0.0										

POLE ASSEMBLY
 =====

SECTION	BASEBOLTS AT BASE OF SECTION.....				CALC
NAME	ELEV	NUMBER	TYPE	DIAM	STRENGTH	BASE
	ft			in	ksi	ELEV
						ft
A	139.500	0	A325	0.00	92.0	139.500
B	91.000	0	A325	0.00	92.0	91.000
C	44.500	0	A325	0.00	92.0	44.500
D	0.000	0	A325	0.00	92.0	0.000

POLE SECTIONS
 =====

SECTION	No. of	LENGTH	OUTSIDE DIAMETER		BEND	MAT-	FLANGE ID		FLANGE WELD	
NAME	SIDES		BOT	TOP	RAD	ERIAL	BOT	TOP	..GROUP.ID..	
		ft	*	*	in	ID			BOT	TOP
			in	in						
A	18	49.50	36.47	21.32	0.625	1	0	0	0	0
B	18	53.50	50.81	34.44	0.625	2	0	0	0	0
C	18	53.50	64.41	48.03	0.625	3	0	0	0	0
D	18	53.25	77.26	60.97	0.625	4	0	0	0	0

* - Diameter of circumscribed circle

MATERIAL TYPES

=====

TYPE OF SHAPE	TYPE NO	NO OF ELEM.	ORIENT	HEIGHT	WIDTH	.THICKNESS.		IRREGULARITY	
			& deg	in	in	WEB	FLANGE	.PROJECTION. % OF AREA	ORIENT deg
PL	1	1	0.0	36.47	0.25	0.250	0.250	0.00	0.0
PL	2	1	0.0	50.81	0.31	0.312	0.312	0.00	0.0
PL	3	1	0.0	64.41	0.38	0.375	0.375	0.00	0.0
PL	4	1	0.0	77.26	0.44	0.438	0.438	0.00	0.0

& - With respect to vertical

MATERIAL PROPERTIES

=====

MATERIAL TYPE NO.	ELASTIC MODULUS ksi	UNIT WEIGHT pcf	.. STRENGTH ..		THERMAL COEFFICIENT /deg
			Fu ksi	Fy ksi	
1	29000.0	490.0	80.0	65.0	0.00001170
2	29000.0	490.0	80.0	65.0	0.00001170
3	29000.0	490.0	80.0	65.0	0.00001170
4	29000.0	490.0	80.0	65.0	0.00001170

* Only 5 condition(s) shown in full

* Some concentrated wind loads may have been derived from full-scale wind tunnel testing

LOADING CONDITION A

106 mph wind with no ice. Wind Azimuth: 0° (1.2 D + 1.0 Wo)

LOADS ON POLE

=====

LOAD TYPE	ELEV ft	APPLY. RADIUS ft	LOAD. AT AZI	LOAD AZI FORCES MOMENTS	
					HORIZ kip	DOWN kip	VERTICAL ft-kip	TORSNAL ft-kip
C	189.000	0.00	0.0	0.0	11.9285	7.2000	0.0000	0.0000
C	187.000	0.00	0.0	0.0	0.0000	2.1004	0.0000	0.0000
C	184.500	0.00	0.0	0.0	0.0280	0.0151	0.0000	0.0000
C	175.000	0.00	0.0	0.0	0.0308	0.0168	0.0000	0.0000
C	174.000	0.00	0.0	0.0	0.0000	1.9544	0.0000	0.0000
C	174.000	0.00	0.0	0.0	11.7238	7.2000	0.0000	0.0000
C	165.000	0.00	0.0	0.0	0.0304	0.0168	0.0000	0.0000
C	155.000	0.00	0.0	0.0	0.0300	0.0168	0.0000	0.0000
C	145.000	0.00	0.0	0.0	0.0296	0.0168	0.0000	0.0000
C	135.000	0.00	0.0	0.0	0.0291	0.0168	0.0000	0.0000
C	125.000	0.00	0.0	0.0	0.0287	0.0168	0.0000	0.0000
C	115.000	0.00	0.0	0.0	0.0282	0.0168	0.0000	0.0000
C	109.000	0.00	0.0	0.0	0.0000	0.0667	0.0000	0.0000
C	105.000	0.00	0.0	0.0	0.0276	0.0168	0.0000	0.0000
C	99.000	0.00	0.0	0.0	0.0000	0.0606	0.0000	0.0000
C	95.000	0.00	0.0	0.0	0.0271	0.0168	0.0000	0.0000
C	89.000	0.00	0.0	0.0	0.0000	0.0545	0.0000	0.0000
C	85.000	0.00	0.0	0.0	0.0264	0.0168	0.0000	0.0000
C	75.000	0.00	0.0	0.0	0.0258	0.0168	0.0000	0.0000
C	65.000	0.00	0.0	0.0	0.0250	0.0168	0.0000	0.0000
C	55.000	0.00	0.0	0.0	0.0241	0.0168	0.0000	0.0000
C	45.000	0.00	0.0	0.0	0.0231	0.0168	0.0000	0.0000
C	35.000	0.00	0.0	0.0	0.0219	0.0168	0.0000	0.0000
C	25.000	0.00	0.0	0.0	0.0204	0.0168	0.0000	0.0000
C	15.000	0.00	0.0	0.0	0.0184	0.0168	0.0000	0.0000
D	189.000	0.00	180.0	0.0	0.0502	0.0705	0.0000	0.0000
D	144.500	0.00	180.0	0.0	0.0729	0.1075	0.0000	0.0000
D	144.500	0.00	180.0	0.0	0.0758	0.2523	0.0000	0.0000

D	139.500	0.00	180.0	0.0	0.0758	0.2523	0.0000	0.0000
D	139.500	0.00	180.0	0.0	0.0779	0.1460	0.0000	0.0000
D	98.000	0.00	180.0	0.0	0.0947	0.1891	0.0000	0.0000
D	98.000	0.00	180.0	0.0	0.0969	0.4304	0.0000	0.0000
D	91.000	0.00	180.0	0.0	0.0969	0.4304	0.0000	0.0000
D	91.000	0.00	180.0	0.0	0.0985	0.2425	0.0000	0.0000
D	53.250	0.00	180.0	0.0	0.1070	0.2895	0.0000	0.0000
D	53.250	0.00	180.0	0.0	0.1072	0.6455	0.0000	0.0000
D	44.500	0.00	180.0	0.0	0.1072	0.6455	0.0000	0.0000
D	44.500	0.00	180.0	0.0	0.1077	0.3579	0.0000	0.0000
D	11.125	0.00	180.0	0.0	0.0979	0.4051	0.0000	0.0000
D	11.125	0.00	180.0	0.0	0.0987	0.4145	0.0000	0.0000
D	0.000	0.00	180.0	0.0	0.1010	0.4240	0.0000	0.0000

ANTENNA LOADING
=====

..... ANTENNA	ATTACHMENT			 ANTENNA FORCES			
TYPE	ELEV	AZI	RAD	AZI	AXIAL	SHEAR	GRAVITY	TORSION
	ft		ft		kip	kip	kip	ft-kip
STD+R	89.0	0.0	2.8	0.0	1.59	0.00	0.40	0.00
STD+R	99.0	0.0	2.7	0.0	1.63	0.00	0.40	0.00
STD+R	109.0	0.0	2.6	0.0	1.66	0.00	0.40	0.00

LOADING CONDITION M =====

106 mph wind with no ice. Wind Azimuth: 0* (0.9 D + 1.0 Wo)

LOADS ON POLE
=====

LOAD	ELEV	APPLY	LOAD	AT	LOAD FORCES MOMENTS	
TYPE	ft	RADIUS	ft	AZI	AZI	HORIZ	DOWN	VERTICAL	TORSNAL
						kip	kip	ft-kip	ft-kip
C	189.000	0.00	0.0	0.0	0.0	11.9285	5.4000	0.0000	0.0000
C	187.000	0.00	0.0	0.0	0.0	0.0000	1.5753	0.0000	0.0000
C	184.500	0.00	0.0	0.0	0.0	0.0280	0.0113	0.0000	0.0000
C	175.000	0.00	0.0	0.0	0.0	0.0308	0.0126	0.0000	0.0000
C	174.000	0.00	0.0	0.0	0.0	0.0000	1.4658	0.0000	0.0000
C	174.000	0.00	0.0	0.0	0.0	11.7238	5.4000	0.0000	0.0000
C	165.000	0.00	0.0	0.0	0.0	0.0304	0.0126	0.0000	0.0000
C	155.000	0.00	0.0	0.0	0.0	0.0300	0.0126	0.0000	0.0000
C	145.000	0.00	0.0	0.0	0.0	0.0296	0.0126	0.0000	0.0000
C	135.000	0.00	0.0	0.0	0.0	0.0291	0.0126	0.0000	0.0000
C	125.000	0.00	0.0	0.0	0.0	0.0287	0.0126	0.0000	0.0000
C	115.000	0.00	0.0	0.0	0.0	0.0282	0.0126	0.0000	0.0000
C	109.000	0.00	0.0	0.0	0.0	0.0000	0.0500	0.0000	0.0000
C	105.000	0.00	0.0	0.0	0.0	0.0276	0.0126	0.0000	0.0000
C	99.000	0.00	0.0	0.0	0.0	0.0000	0.0454	0.0000	0.0000
C	95.000	0.00	0.0	0.0	0.0	0.0271	0.0126	0.0000	0.0000
C	89.000	0.00	0.0	0.0	0.0	0.0000	0.0409	0.0000	0.0000
C	85.000	0.00	0.0	0.0	0.0	0.0264	0.0126	0.0000	0.0000
C	75.000	0.00	0.0	0.0	0.0	0.0258	0.0126	0.0000	0.0000
C	65.000	0.00	0.0	0.0	0.0	0.0250	0.0126	0.0000	0.0000
C	55.000	0.00	0.0	0.0	0.0	0.0241	0.0126	0.0000	0.0000
C	45.000	0.00	0.0	0.0	0.0	0.0231	0.0126	0.0000	0.0000
C	35.000	0.00	0.0	0.0	0.0	0.0219	0.0126	0.0000	0.0000
C	25.000	0.00	0.0	0.0	0.0	0.0204	0.0126	0.0000	0.0000
C	15.000	0.00	0.0	0.0	0.0	0.0184	0.0126	0.0000	0.0000
D	189.000	0.00	180.0	0.0	0.0	0.0502	0.0529	0.0000	0.0000
D	144.500	0.00	180.0	0.0	0.0	0.0729	0.0806	0.0000	0.0000
D	144.500	0.00	180.0	0.0	0.0	0.0758	0.1892	0.0000	0.0000
D	139.500	0.00	180.0	0.0	0.0	0.0758	0.1892	0.0000	0.0000
D	139.500	0.00	180.0	0.0	0.0	0.0779	0.1095	0.0000	0.0000
D	98.000	0.00	180.0	0.0	0.0	0.0947	0.1418	0.0000	0.0000
D	98.000	0.00	180.0	0.0	0.0	0.0969	0.3228	0.0000	0.0000
D	91.000	0.00	180.0	0.0	0.0	0.0969	0.3228	0.0000	0.0000
D	91.000	0.00	180.0	0.0	0.0	0.0985	0.1818	0.0000	0.0000
D	53.250	0.00	180.0	0.0	0.0	0.1070	0.2172	0.0000	0.0000
D	53.250	0.00	180.0	0.0	0.0	0.1072	0.4842	0.0000	0.0000
D	44.500	0.00	180.0	0.0	0.0	0.1072	0.4842	0.0000	0.0000
D	44.500	0.00	180.0	0.0	0.0	0.1077	0.2684	0.0000	0.0000
D	11.125	0.00	180.0	0.0	0.0	0.0979	0.3038	0.0000	0.0000
D	11.125	0.00	180.0	0.0	0.0	0.0987	0.3109	0.0000	0.0000

D 0.000 0.00 180.0 0.0 0.1010 0.3180 0.0000 0.0000

ANTENNA LOADING

=====

..... ANTENNA	ATTACHMENT			 ANTENNA FORCES			
	TYPE	ELEV ft	AZI	RAD ft	AZI	AXIAL kip	SHEAR kip	GRAVITY kip
STD+R	89.0	0.0	2.8	0.0	1.59	0.00	0.30	0.00
STD+R	99.0	0.0	2.7	0.0	1.63	0.00	0.30	0.00
STD+R	109.0	0.0	2.6	0.0	1.66	0.00	0.30	0.00

=====

LOADING CONDITION Y

30 mph wind with 1.5 ice. Wind Azimuth: 0° (1.2 D + 1.0 Di + 1.0 Wi)

LOADS ON POLE

=====

LOAD TYPE	ELEV ft	APPLY. RADIUS	LOAD AT AZI	LOAD AZI FORCES MOMENTS	
					HORIZ kip	DOWN kip	VERTICAL ft-kip	TORSIONAL ft-kip
C	189.000	0.00	0.0	0.0	1.6384	17.9218	0.0000	0.0000
C	187.000	0.00	0.0	0.0	0.0000	2.1004	0.0000	0.0000
C	184.500	0.00	0.0	0.0	0.0180	0.0271	0.0000	0.0000
C	175.000	0.00	0.0	0.0	0.0197	0.0288	0.0000	0.0000
C	174.000	0.00	0.0	0.0	0.0000	1.9544	0.0000	0.0000
C	174.000	0.00	0.0	0.0	1.6048	17.8340	0.0000	0.0000
C	165.000	0.00	0.0	0.0	0.0194	0.0288	0.0000	0.0000
C	155.000	0.00	0.0	0.0	0.0190	0.0288	0.0000	0.0000
C	145.000	0.00	0.0	0.0	0.0186	0.0288	0.0000	0.0000
C	135.000	0.00	0.0	0.0	0.0182	0.0288	0.0000	0.0000
C	125.000	0.00	0.0	0.0	0.0178	0.0288	0.0000	0.0000
C	115.000	0.00	0.0	0.0	0.0174	0.0288	0.0000	0.0000
C	109.000	0.00	0.0	0.0	0.0000	0.0667	0.0000	0.0000
C	105.000	0.00	0.0	0.0	0.0169	0.0288	0.0000	0.0000
C	99.000	0.00	0.0	0.0	0.0000	0.0606	0.0000	0.0000
C	95.000	0.00	0.0	0.0	0.0164	0.0288	0.0000	0.0000
C	89.000	0.00	0.0	0.0	0.0000	0.0545	0.0000	0.0000
C	85.000	0.00	0.0	0.0	0.0159	0.0288	0.0000	0.0000
C	75.000	0.00	0.0	0.0	0.0153	0.0288	0.0000	0.0000
C	65.000	0.00	0.0	0.0	0.0147	0.0288	0.0000	0.0000
C	55.000	0.00	0.0	0.0	0.0140	0.0288	0.0000	0.0000
C	45.000	0.00	0.0	0.0	0.0132	0.0288	0.0000	0.0000
C	35.000	0.00	0.0	0.0	0.0122	0.0288	0.0000	0.0000
C	25.000	0.00	0.0	0.0	0.0111	0.0288	0.0000	0.0000
C	15.000	0.00	0.0	0.0	0.0095	0.0288	0.0000	0.0000
D	189.000	0.00	180.0	0.0	0.0081	0.1230	0.0000	0.0000
D	182.643	0.00	180.0	0.0	0.0081	0.1230	0.0000	0.0000
D	182.643	0.00	180.0	0.0	0.0087	0.1332	0.0000	0.0000
D	176.286	0.00	180.0	0.0	0.0087	0.1332	0.0000	0.0000
D	176.286	0.00	180.0	0.0	0.0092	0.1433	0.0000	0.0000
D	169.929	0.00	180.0	0.0	0.0092	0.1433	0.0000	0.0000
D	169.929	0.00	180.0	0.0	0.0097	0.1535	0.0000	0.0000
D	163.571	0.00	180.0	0.0	0.0097	0.1535	0.0000	0.0000
D	163.571	0.00	180.0	0.0	0.0102	0.1635	0.0000	0.0000
D	157.214	0.00	180.0	0.0	0.0102	0.1635	0.0000	0.0000
D	157.214	0.00	180.0	0.0	0.0107	0.1736	0.0000	0.0000
D	144.500	0.00	180.0	0.0	0.0112	0.1835	0.0000	0.0000
D	144.500	0.00	180.0	0.0	0.0116	0.3318	0.0000	0.0000
D	139.500	0.00	180.0	0.0	0.0116	0.3318	0.0000	0.0000
D	139.500	0.00	180.0	0.0	0.0119	0.2277	0.0000	0.0000
D	98.000	0.00	180.0	0.0	0.0142	0.2907	0.0000	0.0000
D	98.000	0.00	180.0	0.0	0.0145	0.5351	0.0000	0.0000
D	91.000	0.00	180.0	0.0	0.0145	0.5351	0.0000	0.0000
D	91.000	0.00	180.0	0.0	0.0147	0.3493	0.0000	0.0000
D	53.250	0.00	180.0	0.0	0.0157	0.4108	0.0000	0.0000
D	53.250	0.00	180.0	0.0	0.0157	0.7690	0.0000	0.0000
D	44.500	0.00	180.0	0.0	0.0157	0.7690	0.0000	0.0000
D	44.500	0.00	180.0	0.0	0.0158	0.4830	0.0000	0.0000
D	11.125	0.00	180.0	0.0	0.0142	0.5321	0.0000	0.0000
D	11.125	0.00	180.0	0.0	0.0143	0.5373	0.0000	0.0000
D	0.000	0.00	180.0	0.0	0.0146	0.5385	0.0000	0.0000

ANTENNA LOADING

=====

..... ANTENNA	ATTACHMENT			 ANTENNA FORCES			
	TYPE	ELEV ft	AZI	RAD ft	AZI	AXIAL kip	SHEAR kip	GRAVITY kip
STD+R	89.0	0.0	2.8	0.0	0.14	0.00	1.45	0.00
STD+R	99.0	0.0	2.7	0.0	0.14	0.00	1.46	0.00
STD+R	109.0	0.0	2.6	0.0	0.14	0.00	1.47	0.00

LOADING CONDITION AK

Seismic - Azimuth: 0° (1.2 D + 1.0 Ev + 1.0 Eh)

LOADS ON POLE

=====

LOAD TYPE	ELEV ft	APPLY. RADIUS ft	LOAD AZI	AT AZI FORCES MOMENTS	
					HORIZ kip	DOWN kip	VERTICAL ft-kip	TORSNAL ft-kip
C	189.000	0.00	0.0	0.0	2.3097	8.1564	0.0000	0.0000
C	187.000	0.00	0.0	0.0	0.6596	2.3794	0.0000	0.0000
C	184.500	0.00	0.0	0.0	0.0046	0.0171	0.0000	0.0000
C	175.000	0.00	0.0	0.0	0.0046	0.0190	0.0000	0.0000
C	174.000	0.00	0.0	0.0	0.5314	2.2139	0.0000	0.0000
C	174.000	0.00	0.0	0.0	1.9576	8.1564	0.0000	0.0000
C	165.000	0.00	0.0	0.0	0.0041	0.0190	0.0000	0.0000
C	164.250	0.00	0.0	0.0	1.0934	5.1127	0.0000	0.0000
C	155.000	0.00	0.0	0.0	0.0036	0.0190	0.0000	0.0000
C	145.000	0.00	0.0	0.0	0.0032	0.0190	0.0000	0.0000
C	135.000	0.00	0.0	0.0	0.0027	0.0190	0.0000	0.0000
C	125.000	0.00	0.0	0.0	0.0024	0.0190	0.0000	0.0000
C	117.750	0.00	0.0	0.0	1.1212	10.2012	0.0000	0.0000
C	115.000	0.00	0.0	0.0	0.0020	0.0190	0.0000	0.0000
C	109.000	0.00	0.0	0.0	0.1146	1.2167	0.0000	0.0000
C	109.000	0.00	0.0	0.0	0.0071	0.0756	0.0000	0.0000
C	105.000	0.00	0.0	0.0	0.0017	0.0190	0.0000	0.0000
C	99.000	0.00	0.0	0.0	0.0945	1.2167	0.0000	0.0000
C	99.000	0.00	0.0	0.0	0.0053	0.0686	0.0000	0.0000
C	95.000	0.00	0.0	0.0	0.0014	0.0190	0.0000	0.0000
C	89.000	0.00	0.0	0.0	0.0764	1.2167	0.0000	0.0000
C	89.000	0.00	0.0	0.0	0.0039	0.0617	0.0000	0.0000
C	85.000	0.00	0.0	0.0	0.0011	0.0190	0.0000	0.0000
C	75.000	0.00	0.0	0.0	0.0008	0.0190	0.0000	0.0000
C	71.250	0.00	0.0	0.0	0.6502	16.1564	0.0000	0.0000
C	65.000	0.00	0.0	0.0	0.0006	0.0190	0.0000	0.0000
C	55.000	0.00	0.0	0.0	0.0005	0.0190	0.0000	0.0000
C	45.000	0.00	0.0	0.0	0.0003	0.0190	0.0000	0.0000
C	35.000	0.00	0.0	0.0	0.0002	0.0190	0.0000	0.0000
C	26.620	0.00	0.0	0.0	0.1296	23.0733	0.0000	0.0000
C	25.000	0.00	0.0	0.0	0.0001	0.0190	0.0000	0.0000
C	15.000	0.00	0.0	0.0	0.0000	0.0190	0.0000	0.0000
D	189.000	0.00	180.0	180.0	0.0000	0.0000	0.0000	0.0000
D	0.000	0.00	180.0	180.0	0.0000	0.0000	0.0000	0.0000

ANTENNA LOADING

=====

..... ANTENNA	ATTACHMENT			 ANTENNA FORCES			
	TYPE	ELEV ft	AZI	RAD ft	AZI	AXIAL kip	SHEAR kip	GRAVITY kip
STD+R	89.0	0.0	2.8	0.0	0.00	0.00	0.00	0.00
STD+R	99.0	0.0	2.7	0.0	0.00	0.00	0.00	0.00
STD+R	109.0	0.0	2.6	0.0	0.00	0.00	0.00	0.00

LOADING CONDITION AL

Seismic - Azimuth: 0° (0.9 D - 1.0 Ev + 1.0 Eh)

LOADS ON POLE

=====

LOAD TYPE	ELEV ft	APPLY. RADIUS ft	LOAD AT AZI	LOAD AZI	FORCES		MOMENTS	
					HORIZ kip	DOWN kip	VERTICAL ft-kip	TORSNAL ft-kip
C	189.000	0.00	0.0	0.0	2.3097	4.4436	0.0000	0.0000
C	187.000	0.00	0.0	0.0	0.6596	1.2963	0.0000	0.0000
C	184.500	0.00	0.0	0.0	0.0046	0.0093	0.0000	0.0000
C	175.000	0.00	0.0	0.0	0.0046	0.0104	0.0000	0.0000
C	174.000	0.00	0.0	0.0	0.5314	1.2061	0.0000	0.0000
C	174.000	0.00	0.0	0.0	1.9576	4.4436	0.0000	0.0000
C	165.000	0.00	0.0	0.0	0.0041	0.0104	0.0000	0.0000
C	164.250	0.00	0.0	0.0	1.0934	2.7854	0.0000	0.0000
C	155.000	0.00	0.0	0.0	0.0036	0.0104	0.0000	0.0000
C	145.000	0.00	0.0	0.0	0.0032	0.0104	0.0000	0.0000
C	135.000	0.00	0.0	0.0	0.0027	0.0104	0.0000	0.0000
C	125.000	0.00	0.0	0.0	0.0024	0.0104	0.0000	0.0000
C	117.750	0.00	0.0	0.0	1.1212	5.5576	0.0000	0.0000
C	115.000	0.00	0.0	0.0	0.0020	0.0104	0.0000	0.0000
C	109.000	0.00	0.0	0.0	0.1146	0.6628	0.0000	0.0000
C	109.000	0.00	0.0	0.0	0.0071	0.0411	0.0000	0.0000
C	105.000	0.00	0.0	0.0	0.0017	0.0104	0.0000	0.0000
C	99.000	0.00	0.0	0.0	0.0945	0.6628	0.0000	0.0000
C	99.000	0.00	0.0	0.0	0.0053	0.0375	0.0000	0.0000
C	95.000	0.00	0.0	0.0	0.0014	0.0104	0.0000	0.0000
C	89.000	0.00	0.0	0.0	0.0764	0.6628	0.0000	0.0000
C	89.000	0.00	0.0	0.0	0.0039	0.0337	0.0000	0.0000
C	85.000	0.00	0.0	0.0	0.0011	0.0104	0.0000	0.0000
C	75.000	0.00	0.0	0.0	0.0008	0.0104	0.0000	0.0000
C	71.250	0.00	0.0	0.0	0.6502	8.8019	0.0000	0.0000
C	65.000	0.00	0.0	0.0	0.0006	0.0104	0.0000	0.0000
C	55.000	0.00	0.0	0.0	0.0005	0.0104	0.0000	0.0000
C	45.000	0.00	0.0	0.0	0.0003	0.0104	0.0000	0.0000
C	35.000	0.00	0.0	0.0	0.0002	0.0104	0.0000	0.0000
C	26.620	0.00	0.0	0.0	0.1296	12.5704	0.0000	0.0000
C	25.000	0.00	0.0	0.0	0.0001	0.0104	0.0000	0.0000
C	15.000	0.00	0.0	0.0	0.0000	0.0104	0.0000	0.0000
D	189.000	0.00	180.0	180.0	0.0000	0.0000	0.0000	0.0000
D	0.000	0.00	180.0	180.0	0.0000	0.0000	0.0000	0.0000

ANTENNA LOADING

=====

ANTENNA TYPE	ELEV ft	AZI	ATTACHMENT		ANTENNA FORCES			
			RAD ft	AZI	AXIAL kip	SHEAR kip	GRAVITY kip	TORSION ft-kip
STD+R	89.0	0.0	2.8	0.0	0.00	0.00	0.00	0.00
STD+R	99.0	0.0	2.7	0.0	0.00	0.00	0.00	0.00
STD+R	109.0	0.0	2.6	0.0	0.00	0.00	0.00	0.00

=====

(USA 222-H) - Monopole Spatial Analysis (c)2017 Guymast Inc.

Tel: (416) 736-7453 Fax: (416) 736-4372 Web: www.guymast.com

Processed under license at:

Sabre Towers and Poles on: 18 apr 2024 at: 11:25:43

=====

190' Monopole / TI-OPP-32955, KY

MAXIMUM POLE DEFORMATIONS CALCULATED (w.r.t. wind direction)

=====

MAST ELEV ft	DEFLECTIONS (ft)			DOWN	ROTATIONS (deg)			TWIST
	ALONG	ACROSS			ALONG	ACROSS		
189.0	11.72A	-0.06V	1.10A		8.04A	-0.02V	0.02E	

.....

182.6	10.85A	-0.06V	0.98A	7.97A	-0.02V	0.02E
176.3	9.99A	-0.06V	0.86A	7.80A	-0.02V	0.02E
169.9	9.16A	0.05P	0.75A	7.55A	-0.02V	0.02E
163.6	8.35A	0.05P	0.64A	7.21A	-0.02V	0.02E
157.2	7.58A	0.05P	0.55A	6.81A	-0.02V	0.02E
150.9	6.86A	0.04P	0.47A	6.37A	-0.02V	0.02E
144.5	6.19A	0.04P	0.39A	5.92A	-0.02V	0.02E
139.5	5.69A	0.04P	0.34A	5.63A	-0.02V	0.02E
133.6	5.13A	0.04P	0.29A	5.27A	-0.02V	0.02E
127.6	4.60A	0.03P	0.24A	4.92A	-0.02V	0.02E
121.7	4.12A	0.03P	0.20A	4.58A	-0.02V	0.02E
115.8	3.66A	0.03P	0.17A	4.24A	-0.02V	0.02E
109.9	3.24A	0.03P	0.14A	3.91A	-0.02V	0.02E
103.9	2.86A	0.02P	0.11A	3.59A	0.02P	0.01E
98.0	2.50A	0.02P	0.09A	3.28A	0.02P	0.01E
91.0	2.12A	0.02P	0.07A	2.99A	0.02P	0.01E
85.6	1.85A	0.02P	0.06A	2.76A	0.02P	0.01E
80.2	1.60A	0.02P	0.05A	2.53A	0.02P	0.01E
74.8	1.38A	0.01P	0.04A	2.31A	0.02P	0.01D
69.4	1.17A	0.01P	0.03A	2.10A	0.02P	0.01D
64.0	0.98A	0.01P	0.02A	1.89A	0.02P	0.01D
58.6	0.81A	0.01P	0.02A	1.69A	0.02P	0.01D
53.2	0.66A	0.01P	0.01A	1.49A	0.01P	0.00D
44.5	0.46A	0.00P	0.01A	1.22A	0.01P	0.00D
38.9	0.35A	0.00P	0.00A	1.05A	0.01P	0.00D
33.4	0.25A	0.00P	0.00A	0.89A	0.01P	0.00D
27.8	0.17A	0.00P	0.00A	0.73A	0.01P	0.00D
22.2	0.11A	0.00P	0.00A	0.58A	0.01P	0.00D
16.7	0.06A	0.00P	0.00A	0.43A	0.00P	0.00D
11.1	0.03A	0.00P	0.00AE	0.28A	0.00P	0.00D
5.6	0.01A	0.00P	0.00AE	0.14A	0.00P	0.00D
0.0	0.00A	0.00A	0.00A	0.00A	0.00A	0.00A

MAXIMUM ANTENNA AND REFLECTOR ROTATIONS

=====

ELEV ft	ANT AZI deg	ANT TYPE BEAM DEFLECTIONS (deg)			
			ROLL	YAW	PITCH	TOTAL
109.0	0.0	STD+R	-3.767 J	0.119 K	3.865 A	3.865 A
99.0	0.0	STD+R	-3.240 J	0.089 K	3.335 A	3.335 A
89.0	0.0	STD+R	-2.810 J	0.068 K	2.901 A	2.901 A

MAXIMUM POLE FORCES CALCULATED(w.r.t. to wind direction)

MAST ELEV ft	TOTAL AXIAL kip	SHEAR.w.r.t.WIND.DIR ALONG kip	WIND.DIR ACROSS kip	MOMENT.w.r.t.WIND.DIR ALONG ft-kip	WIND.DIR ACROSS ft-kip	TORSION ft-kip
189.0	17.92 Y	11.95 D	-0.01 C	0.07 D	-0.03 C	0.00 C
182.6	20.83 Y	12.30 D	-0.01 C	-83.17 D	0.03 F	0.04 W
176.3	21.68 AH	12.66 R	0.03 C	-169.58 A	-0.20 C	0.10 W
169.9	21.68 AF	12.70 Q	0.03 T	-169.59 A	-0.23 C	0.11 W
163.6	42.41 AF	24.82 Q	0.03 T	-310.51 A	-0.38 T	0.18 W
157.2	42.41 AH	24.83 T	0.07 T	-310.59 A	-0.35 T	0.18 W
150.9	43.41 AH	25.25 T	0.07 T	-482.88 A	-0.83 T	0.30 W
144.5	43.41 AH	25.26 O	0.07 W	-482.88 A	-0.86 T	0.29 W
139.5	44.45 AH	25.67 O	0.07 W	-657.82 A	-1.09 T	0.43 W
133.6	44.45 AH	25.67 O	0.09 L	-657.86 A	-1.10 T	0.43 W
127.6	45.60 AH	26.13 O	0.09 L	-835.46 B	-1.41 T	0.57 W
121.7	45.60 AH	26.20 S	0.09 L	-835.43 I	-1.40 T	0.57 W
115.8	46.78 AH	26.68 S	0.09 L	-1015.85 B	-1.78 W	0.71 W
109.9	46.78 AH	26.67 U	-0.10 N	-1015.86 I	-1.90 W	0.72 W
103.9	48.44 AH	27.04 U	-0.10 N	-1159.85 B	-2.18 W	0.82 W
98.0	48.44 Y	27.09 M	0.15 B	-1159.76 I	-2.23 W	0.82 W
91.0	49.84 Y	27.59 M	0.15 B	-1333.51 B	-2.67 W	0.95 W
85.6	49.84 AH	27.77 M	-0.21 C	-1333.47 B	-2.66 W	0.95 W
80.2	51.27 AH	28.25 M	-0.21 C	-1509.73 I	-2.94 W	1.06 W
	51.27 AA	28.26 M	-0.22 C	-1509.60 I	-3.02 W	1.07 W
	52.78 AA	28.79 M	-0.22 C	-1689.14 B	3.68 O	1.17 W
	52.78 AH	28.78 M	-0.15 O	-1689.23 B	3.56 O	1.16 W
	54.32 AH	29.29 M	-0.15 O	-1870.70 B	4.38 O	1.28 W
	54.32 Y	29.27 M	-0.16 O	-1870.81 B	4.25 O	1.29 W
	55.94 Y	29.82 M	-0.16 O	-2055.94 B	5.14 O	1.41 W
	55.94 Y	29.89 M	-0.19 C	-2056.13 B	5.25 O	1.41 W
	59.15 Y	32.12 M	-0.26 V	-2251.37 B	5.63 O	4.37 E
	59.15 Y	32.14 M	-0.26 K	-2251.51 B	5.51 O	4.37 E
	62.37 Y	34.32 M	-0.51 V	-2452.96 B	8.12 AB	8.56 E
	62.37 Y	34.42 M	-0.51 V	-2452.89 B	8.12 AB	8.56 E
	66.14 Y	35.13 M	-0.51 V	-2705.01 B	7.88 AB	8.66 E
	66.14 Y	34.88 M	-0.51 V	-2704.82 B	7.88 AB	8.65 E
	69.55 Y	37.01 M	-0.75 V	-2907.43 A	11.64 AB	12.82 E
	69.55 Y	37.11 M	0.75 D	-2907.33 A	11.64 AB	12.82 E
	71.53 Y	37.68 M	0.75 D	-3117.43 A	12.62 V	12.89 E

	71.53	Y	37.75	M	0.75	P	-3117.46	A	12.62	V	12.90	E
	73.57	Y	38.33	M	0.75	P	-3330.00	A	16.70	V	12.93	E
74.8	73.57	Y	38.23	M	0.75	P	-3330.10	A	16.71	V	12.93	E
	75.61	Y	38.79	M	0.75	P	-3545.57	A	20.80	V	12.96	E
69.4	75.61	Y	38.88	M	0.75	P	-3545.69	A	20.80	V	12.96	E
	77.74	Y	39.46	M	0.75	P	-3763.39	A	24.89	V	12.98	E
64.0	77.74	Y	39.40	A	0.75	P	-3763.32	A	24.89	V	12.98	E
	79.88	Y	39.96	A	0.75	P	-3984.32	A	-28.99	P	13.01	E
58.6	79.88	Y	40.03	M	0.75	P	-3984.30	A	-28.99	P	13.00	E
	82.10	Y	40.63	M	0.75	P	-4206.91	A	-33.09	P	13.03	E
53.2	82.10	Y	40.69	M	0.75	P	-4206.90	A	-33.09	P	13.03	E
	88.86	Y	41.65	M	0.75	P	-4574.02	A	-39.75	P	13.06	E
44.5	88.86	Y	41.62	M	0.75	P	-4574.01	A	-39.75	P	13.06	E
	91.57	Y	42.22	M	0.75	P	-4811.09	A	-43.98	P	13.07	E
38.9	91.57	Y	42.22	M	0.75	P	-4811.20	A	-43.98	P	13.07	E
	94.35	Y	42.83	M	0.75	P	-5050.50	A	-48.20	P	13.09	E
33.4	94.36	Y	42.85	M	0.75	P	-5050.43	A	-48.20	P	13.09	E
	97.16	Y	43.43	M	0.75	P	-5292.87	A	-52.42	P	13.11	D
27.8	97.16	Y	43.42	M	0.75	P	-5292.91	A	-52.42	P	13.11	D
	100.03	Y	44.01	M	0.75	P	-5537.79	A	-56.63	P	13.13	D
22.2	100.03	Y	44.03	M	0.75	D	-5537.77	A	-56.63	P	13.13	D
	102.92	Y	44.58	M	0.75	D	-5785.27	A	-60.84	P	13.14	D
16.7	102.92	Y	44.58	M	0.75	D	-5785.28	A	-60.84	P	13.14	D
	105.89	Y	45.15	M	0.75	D	-6034.63	A	-65.03	P	13.15	D
11.1	105.89	Y	45.14	M	0.75	D	-6034.62	A	-65.03	P	13.15	D
	108.88	Y	45.70	M	0.75	D	-6286.25	A	-69.22	P	13.16	D
5.6	108.88	Y	45.70	M	0.75	D	-6286.24	A	-69.22	P	13.16	D
	111.87	Y	46.26	M	0.75	D	-6539.93	A	-73.41	P	13.16	D

base	111.87	Y	-46.26	M	-0.75	D	6539.93	A	73.41	P	-13.16	D
reaction	-----											

COMPLIANCE WITH 4.8.2 & 4.5.4

=====

ELEV	AXIAL	BENDING	SHEAR +	TOTAL	SATISFIED	D/t (w/t)	MAX
ft			TORSIONAL				ALLOWED
189.00	0.01Y	0.00D	0.02D	0.01Y	YES	13.58A	45.2
	0.02Y	0.13D	0.02D	0.14F	YES	14.93A	45.2
182.64	0.02AH	0.13H	0.02R	0.14H	YES	14.93A	45.2
	0.02AH	0.23A	0.02R	0.24A	YES	16.28A	45.2
176.29	0.02AF	0.23A	0.02Q	0.24A	YES	16.28A	45.2
	0.03AF	0.37A	0.03Q	0.39A	YES	17.63A	45.2
169.93							

	0.03AH	0.37A	0.03T	0.39A	YES	17.63A	45.2
	0.03AH	0.52A	0.03T	0.53A	YES	18.98A	45.2
163.57	0.03AH	0.52A	0.03O	0.53A	YES	18.98A	45.2
	0.03AH	0.63A	0.03O	0.64A	YES	20.33A	45.2
157.21	0.03AH	0.63A	0.03O	0.64A	YES	20.33A	45.2
	0.03AH	0.72B	0.03O	0.73B	YES	21.69A	45.2
150.86	0.03AH	0.72I	0.03S	0.73I	YES	21.69A	45.2
	0.03AH	0.80B	0.03S	0.81B	YES	23.04A	45.2
144.50	0.02AH	0.60I	0.02U	0.61I	YES	18.36A	45.2
	0.02AH	0.63B	0.02U	0.64B	YES	19.21A	45.2
139.50	0.02Y	0.65I	0.02M	0.66I	YES	18.93A	45.2
	0.02Y	0.68B	0.02M	0.69B	YES	19.94A	45.2
133.57	0.02AH	0.68B	0.02M	0.69B	YES	19.94A	45.2
	0.02AH	0.72I	0.02M	0.73I	YES	20.94A	45.2
127.64	0.02AA	0.72I	0.02M	0.73I	YES	20.94A	45.2
	0.02AA	0.74B	0.02M	0.75B	YES	21.95A	45.2
121.71	0.02AH	0.74B	0.02M	0.75B	YES	21.95A	45.2
	0.02AH	0.77B	0.02M	0.78B	YES	22.96A	45.2
115.79	0.02Y	0.77B	0.02O	0.78B	YES	22.96A	45.2
	0.02Y	0.79B	0.02O	0.80B	YES	23.97A	45.2
109.86	0.02Y	0.79B	0.02M	0.80B	YES	23.97A	45.2
	0.02Y	0.81B	0.02M	0.82B	YES	24.98A	45.2
103.93	0.02Y	0.81B	0.02M	0.82B	YES	24.98A	45.2
	0.02Y	0.83B	0.02M	0.84B	YES	25.99A	45.2
98.00	0.02Y	0.65B	0.02M	0.66B	YES	21.60A	45.2
	0.02Y	0.66B	0.02M	0.67B	YES	22.59A	45.2
91.00	0.02Y	0.68B	0.02M	0.69B	YES	22.29A	45.2
	0.02Y	0.69A	0.02M	0.70A	YES	23.06A	45.2
85.61	0.02Y	0.69B	0.02M	0.70A	YES	23.06A	45.2
	0.02Y	0.70A	0.02M	0.71A	YES	23.82A	45.2
80.21	0.02Y	0.70A	0.02M	0.71A	YES	23.82A	45.2
	0.02Y	0.72A	0.02M	0.73A	YES	24.59A	45.2
74.82	0.02Y	0.72A	0.02M	0.73A	YES	24.59A	45.2
	0.02Y	0.73A	0.02M	0.74A	YES	25.35A	45.2
69.43	0.02Y	0.73A	0.02M	0.74A	YES	25.35A	45.2
	0.02Y	0.74A	0.02M	0.75A	YES	26.12A	45.2
64.04	0.02Y	0.74A	0.02A	0.75A	YES	26.12A	45.2
	0.02Y	0.75A	0.02A	0.76A	YES	26.88A	45.2
58.64	0.02Y	0.75A	0.02M	0.76A	YES	26.88A	45.2
	0.02Y	0.76A	0.02M	0.77A	YES	27.64A	45.2
53.25	0.01Y	0.61A	0.01M	0.62A	YES	23.64A	45.2

44.50	0.02Y	0.62A	0.01M	0.63A	YES	24.71A	45.2
	0.02Y	0.63A	0.01M	0.64A	YES	24.41A	45.2
38.94	0.02Y	0.64A	0.01M	0.65A	YES	25.08A	45.2
	0.02Y	0.64A	0.01M	0.65A	YES	25.08A	45.2
33.37	0.02Y	0.64A	0.01M	0.65A	YES	25.76A	45.2
	0.02Y	0.64A	0.01M	0.65A	YES	25.76A	45.2
27.81	0.02Y	0.65A	0.01M	0.66A	YES	26.43A	45.2
	0.02Y	0.65A	0.01M	0.66A	YES	26.43A	45.2
22.25	0.02Y	0.65A	0.01M	0.66A	YES	27.11A	45.2
	0.02Y	0.65A	0.01M	0.66A	YES	27.11A	45.2
16.69	0.02Y	0.66A	0.01M	0.67A	YES	27.78A	45.2
	0.02Y	0.66A	0.01M	0.67A	YES	27.78A	45.2
11.12	0.02Y	0.66A	0.01M	0.67A	YES	28.46A	45.2
	0.02Y	0.66A	0.01M	0.67A	YES	28.46A	45.2
5.56	0.02Y	0.66A	0.01X	0.68A	YES	29.14A	45.2
	0.02Y	0.66A	0.01M	0.68A	YES	29.14A	45.2
0.00	0.02Y	0.67A	0.01K	0.68A	YES	29.81A	45.2

MAXIMUM LOADS ONTO FOUNDATION(w.r.t. wind direction)

DOWN	SHEAR.w.r.t.WIND.DIR	MOMENT.w.r.t.WIND.DIR	TORSION
kip	ALONG ACROSS kip	ALONG ACROSS ft-kip	ft-kip
111.87	46.26	0.75	-6539.93
Y	M	D	A
			P
			D

(USA 222-H) - Monopole Spatial Analysis (c)2017 Guymast Inc.

Tel:(416)736-7453 Fax:(416)736-4372 Web:www.guymast.com

Processed under license at:

Sabre Towers and Poles on: 18 apr 2024 at: 11:26:01

190' Monopole / TI-OPP-32955, KY

 ***** Service Load Condition *****

* Only 1 condition(s) shown in full
 * Some concentrated wind loads may have been derived from full-scale wind tunnel testing

LOADING CONDITION A =====

60 mph wind with no ice. Wind Azimuth: 0° (1.0 D + 1.0 Wo)

LOADS ON POLE
 =====

LOAD TYPE	ELEV ft	APPLY . RADIUS ft	LOAD . AZI	AT AZI	LOAD AZI	FORCES		MOMENTS	
						HORIZ kip	DOWN kip	VERTICAL ft-kip	TORSNAL ft-kip
C	189.000	0.00	0.0	0.0	0.0	3.4196	6.0000	0.0000	0.0000
C	187.000	0.00	0.0	0.0	0.0	0.0000	1.7503	0.0000	0.0000
C	184.500	0.00	0.0	0.0	0.0	0.0080	0.0126	0.0000	0.0000
C	175.000	0.00	0.0	0.0	0.0	0.0088	0.0140	0.0000	0.0000
C	174.000	0.00	0.0	0.0	0.0	0.0000	1.6286	0.0000	0.0000
C	174.000	0.00	0.0	0.0	0.0	3.3609	6.0000	0.0000	0.0000
C	165.000	0.00	0.0	0.0	0.0	0.0087	0.0140	0.0000	0.0000
C	155.000	0.00	0.0	0.0	0.0	0.0086	0.0140	0.0000	0.0000
C	145.000	0.00	0.0	0.0	0.0	0.0085	0.0140	0.0000	0.0000
C	135.000	0.00	0.0	0.0	0.0	0.0084	0.0140	0.0000	0.0000
C	125.000	0.00	0.0	0.0	0.0	0.0082	0.0140	0.0000	0.0000
C	115.000	0.00	0.0	0.0	0.0	0.0081	0.0140	0.0000	0.0000
C	109.000	0.00	0.0	0.0	0.0	0.0000	0.0556	0.0000	0.0000
C	105.000	0.00	0.0	0.0	0.0	0.0079	0.0140	0.0000	0.0000
C	99.000	0.00	0.0	0.0	0.0	0.0000	0.0505	0.0000	0.0000
C	95.000	0.00	0.0	0.0	0.0	0.0078	0.0140	0.0000	0.0000
C	89.000	0.00	0.0	0.0	0.0	0.0000	0.0454	0.0000	0.0000
C	85.000	0.00	0.0	0.0	0.0	0.0076	0.0140	0.0000	0.0000
C	75.000	0.00	0.0	0.0	0.0	0.0074	0.0140	0.0000	0.0000
C	65.000	0.00	0.0	0.0	0.0	0.0072	0.0140	0.0000	0.0000
C	55.000	0.00	0.0	0.0	0.0	0.0069	0.0140	0.0000	0.0000
C	45.000	0.00	0.0	0.0	0.0	0.0066	0.0140	0.0000	0.0000
C	35.000	0.00	0.0	0.0	0.0	0.0063	0.0140	0.0000	0.0000
C	25.000	0.00	0.0	0.0	0.0	0.0059	0.0140	0.0000	0.0000
C	15.000	0.00	0.0	0.0	0.0	0.0053	0.0140	0.0000	0.0000
D	189.000	0.00	180.0	0.0	0.0	0.0144	0.0588	0.0000	0.0000
D	144.500	0.00	180.0	0.0	0.0	0.0209	0.0895	0.0000	0.0000
D	144.500	0.00	180.0	0.0	0.0	0.0217	0.2103	0.0000	0.0000
D	139.500	0.00	180.0	0.0	0.0	0.0217	0.2103	0.0000	0.0000
D	139.500	0.00	180.0	0.0	0.0	0.0223	0.1217	0.0000	0.0000
D	98.000	0.00	180.0	0.0	0.0	0.0271	0.1576	0.0000	0.0000
D	98.000	0.00	180.0	0.0	0.0	0.0278	0.3586	0.0000	0.0000
D	91.000	0.00	180.0	0.0	0.0	0.0278	0.3586	0.0000	0.0000
D	91.000	0.00	180.0	0.0	0.0	0.0282	0.2021	0.0000	0.0000
D	53.250	0.00	180.0	0.0	0.0	0.0307	0.2413	0.0000	0.0000
D	53.250	0.00	180.0	0.0	0.0	0.0307	0.5379	0.0000	0.0000
D	44.500	0.00	180.0	0.0	0.0	0.0307	0.5379	0.0000	0.0000
D	44.500	0.00	180.0	0.0	0.0	0.0309	0.2982	0.0000	0.0000
D	11.125	0.00	180.0	0.0	0.0	0.0281	0.3376	0.0000	0.0000
D	11.125	0.00	180.0	0.0	0.0	0.0283	0.3454	0.0000	0.0000
D	0.000	0.00	180.0	0.0	0.0	0.0290	0.3533	0.0000	0.0000

ANTENNA LOADING
=====

ANTENNA TYPE	ELEV ft	AZI	ATTACHMENT		ANTENNA FORCES			
			RAD ft	AZI	AXIAL kip	SHEAR kip	GRAVITY kip	TORSION ft-kip
STD+R	89.0	0.0	2.8	0.0	0.46	0.00	0.34	0.00
STD+R	99.0	0.0	2.7	0.0	0.47	0.00	0.34	0.00
STD+R	109.0	0.0	2.6	0.0	0.48	0.00	0.34	0.00

MAXIMUM POLE DEFORMATIONS CALCULATED (w.r.t. wind direction)
=====

MAST ELEV ft	DEFLECTIONS (ft)			ROTATIONS (deg)		
	HORIZONTAL ALONG	ACROSS	DOWN	TILT ALONG	ACROSS	TWIST
189.0	3.38L	0.01D	0.09L	2.30L	-0.01E	0.00D
182.6	3.12L	0.01D	0.08L	2.28L	-0.01E	0.00D
176.3	2.87L	0.01D	0.07L	2.23L	-0.01E	0.00D
169.9	2.63L	0.01D	0.06L	2.16L	-0.01E	0.00D
163.6	2.40L	0.01D	0.06L	2.06L	-0.01E	0.00D
157.2	2.17L	0.01D	0.05L	1.95L	-0.01E	0.00D

150.9	1.96L	0.01D	0.04L	1.82L	-0.01E	0.00D
144.5	1.77L	0.01D	0.03L	1.69L	-0.01E	0.00D
139.5	1.63L	0.01D	0.03L	1.61L	-0.01E	0.00D
133.6	1.46L	0.01D	0.03L	1.50L	-0.01E	0.00D
127.6	1.31L	0.01D	0.02L	1.40L	0.00E	0.00D
121.7	1.17L	0.01D	0.02L	1.30L	0.00E	0.00D
115.8	1.04L	0.01D	0.02L	1.21L	0.00D	0.00D
109.9	0.92L	0.01D	0.01L	1.11L	0.00D	0.00D
103.9	0.81L	0.01D	0.01L	1.02L	0.00D	0.00D
98.0	0.71L	0.01D	0.01L	0.93L	0.00D	0.00D
91.0	0.60L	0.00D	0.01L	0.85L	0.00D	0.00D
85.6	0.53L	0.00D	0.01L	0.78L	0.00D	0.00D
80.2	0.46L	0.00D	0.01L	0.72L	0.00D	0.00D
74.8	0.39L	0.00D	0.00L	0.66L	0.00D	0.00D
69.4	0.33L	0.00D	0.00L	0.60L	0.00D	0.00D
64.0	0.28L	0.00D	0.00L	0.54L	0.00D	0.00D
58.6	0.23L	0.00D	0.00L	0.48L	0.00D	0.00D
53.2	0.19L	0.00D	0.00L	0.42L	0.00D	0.00D
44.5	0.13L	0.00D	0.00L	0.35L	0.00D	0.00D
38.9	0.10L	0.00D	0.00L	0.30L	0.00D	0.00D
33.4	0.07L	0.00D	0.00L	0.25L	0.00D	0.00D
27.8	0.05L	0.00D	0.00L	0.21L	0.00D	0.00D
22.2	0.03L	0.00D	0.00L	0.16L	0.00D	0.00D
16.7	0.02L	0.00D	0.00L	0.12L	0.00D	0.00D
11.1	0.01L	0.00D	0.00L	0.08L	0.00D	0.00D
5.6	0.00L	0.00D	0.00B	0.04L	0.00D	0.00D
0.0	0.00A	0.00A	0.00A	0.00A	0.00A	0.00A

MAXIMUM ANTENNA AND REFLECTOR ROTATIONS

=====

ELEV ft	ANT AZI deg	ANT TYPE BEAM DEFLECTIONS (deg)			
			ROLL	YAW	PITCH	TOTAL
109.0	0.0	STD+R	-1.076 J	0.012 K	1.099 A	1.099 A
99.0	0.0	STD+R	-0.925 J	0.009 K	0.948 A	0.948 A
89.0	0.0	STD+R	-0.802 J	0.007 K	0.824 A	0.824 A

MAXIMUM POLE FORCES CALCULATED(w.r.t. to wind direction)

=====

MAST ELEV ft	TOTAL AXIAL kip	SHEAR.w.r.t.WIND.DIR		MOMENT.w.r.t.WIND.DIR		TORSION ft-kip
		ALONG kip	ACROSS kip	ALONG ft-kip	ACROSS ft-kip	
189.0	6.00 I	3.42 C	0.00 F	0.01 L	-0.01 F	0.00 F

182.6	8.15 I	3.52 C	0.00 F	-23.91 L	0.01 F	0.00 J
	8.15 G	3.53 B	-0.01 E	-23.90 C	0.01 C	0.00 F
176.3	8.57 G	3.63 B	-0.01 E	-48.68 B	0.06 E	0.00 J
	8.58 E	3.64 C	-0.01 E	-48.69 B	0.05 F	0.00 J
169.9	16.66 E	7.11 C	-0.01 E	-89.10 B	0.11 E	0.01 J
	16.66 E	7.10 B	-0.01 H	-89.10 B	0.12 E	0.01 J
163.6	17.14 E	7.22 B	-0.01 H	-138.51 B	0.16 H	0.01 J
	17.14 G	7.23 G	0.01 F	-138.49 L	0.17 H	0.01 J
157.2	17.64 G	7.35 G	0.01 F	-188.64 L	0.20 H	0.02 F
	17.64 B	7.35 A	-0.01 K	-188.66 L	0.20 H	0.02 F
150.9	18.18 B	7.48 A	-0.01 K	-239.46 L	0.24 H	0.02 F
	18.18 J	7.49 A	0.01 C	-239.44 L	0.24 E	0.02 F
144.5	18.75 J	7.63 A	0.01 C	-291.02 L	0.28 E	0.03 F
	18.76 J	7.64 A	0.02 B	-291.07 L	0.27 E	0.03 F
139.5	19.81 J	7.75 A	0.02 B	-332.17 A	0.38 E	0.03 F
	19.81 J	7.74 A	-0.03 C	-332.18 L	0.38 E	0.03 F
133.6	20.56 J	7.89 A	-0.03 C	-381.67 A	0.46 E	0.03 F
	20.56 J	7.89 B	-0.05 C	-381.67 A	0.47 E	0.03 F
127.6	21.32 J	8.03 B	-0.05 C	-431.91 A	0.63 E	0.04 F
	21.32 J	8.03 B	-0.05 C	-431.93 A	0.61 E	0.04 F
121.7	22.13 J	8.18 B	-0.05 C	-482.90 A	0.74 E	0.05 F
	22.14 J	8.19 K	-0.06 C	-482.84 A	0.74 E	0.05 F
115.8	22.96 J	8.33 K	-0.06 C	-534.52 A	0.98 E	0.06 F
	22.96 J	8.34 K	-0.06 C	-534.49 A	0.97 E	0.06 F
109.9	23.84 J	8.50 K	-0.06 C	-586.90 A	1.25 C	0.06 F
	23.84 J	8.50 K	-0.08 C	-586.90 A	1.26 C	0.06 F
103.9	25.13 J	9.12 A	0.07 D	-642.39 G	2.16 C	1.20 D
	25.13 J	9.11 L	-0.07 J	-642.45 G	2.15 C	1.20 D
98.0	26.44 J	9.73 L	-0.15 J	-700.12 G	2.96 E	2.45 D
	26.44 J	9.73 L	-0.15 J	-700.15 G	2.98 E	2.45 D
91.0	28.96 J	9.93 L	-0.15 J	-770.64 G	3.01 E	2.46 D
	28.96 J	9.98 A	0.15 D	-770.66 G	3.02 E	2.46 D
85.6	30.45 J	10.59 A	0.22 D	-827.86 G	3.82 E	3.71 D
	30.45 J	10.56 L	-0.21 J	-827.89 G	3.84 E	3.71 D
80.2	31.60 J	10.72 L	-0.21 J	-886.80 L	3.92 E	3.72 D
	31.60 J	10.72 L	0.22 D	-886.81 L	3.91 E	3.72 D
74.8	32.78 J	10.88 L	0.22 D	-947.11 L	4.10 E	3.73 D
	32.78 J	10.88 L	0.22 D	-947.13 L	4.13 E	3.73 D
69.4	33.97 J	11.04 L	0.22 D	-1008.17 L	4.20 E	3.74 D
	33.97 J	11.02 L	0.22 D	-1008.22 L	4.19 E	3.74 D

64.0	35.21 J	11.19 L	0.22 D	-1069.97 L	-5.09 D	3.75 D
	35.21 J	11.21 L	0.22 D	-1069.97 L	-5.09 D	3.75 D
58.6	36.47 J	11.37 L	0.22 D	-1132.60 L	-6.26 D	3.75 D
	36.47 J	11.39 L	0.22 D	-1132.60 L	-6.26 D	3.75 D
53.2	37.77 J	11.56 L	0.22 D	-1196.06 L	-7.44 D	3.76 D
	37.77 J	11.54 L	0.22 D	-1196.05 L	-7.44 D	3.76 D
44.5	42.49 J	11.82 L	0.22 D	-1300.60 L	-9.34 D	3.76 D
	42.49 J	11.81 L	0.22 D	-1300.61 L	-9.34 D	3.76 D
38.9	44.17 J	11.98 L	0.22 D	-1368.14 L	-10.55 D	3.77 D
	44.17 J	12.00 L	0.22 D	-1368.17 L	-10.55 D	3.77 D
33.4	45.89 J	12.18 L	0.22 D	-1436.63 L	-11.76 D	3.77 D
	45.89 J	12.15 L	0.22 D	-1436.63 L	-11.76 D	3.77 D
27.8	47.64 J	12.31 L	0.22 D	-1505.72 L	-12.97 D	3.77 D
	47.64 J	12.31 L	0.22 D	-1505.72 L	-12.97 D	3.77 D
22.2	49.44 J	12.48 L	0.22 D	-1575.54 L	-14.17 D	3.77 D
	49.44 J	12.50 L	0.22 D	-1575.52 L	-14.17 D	3.77 D
16.7	51.27 J	12.66 L	0.22 D	-1646.19 L	-15.38 D	3.77 D
	51.27 J	12.63 L	0.22 D	-1646.19 L	-15.38 D	3.77 D
11.1	53.14 J	12.79 L	0.22 D	-1717.39 L	-16.58 D	3.78 D
	53.14 J	12.79 L	0.22 D	-1717.39 L	-16.58 D	3.78 D
5.6	55.07 J	12.95 L	0.22 D	-1789.32 L	-17.78 D	3.78 D
	55.07 J	12.95 L	0.22 D	-1789.32 L	-17.78 D	3.78 D
	57.03 J	13.11 L	0.22 D	-1861.90 L	-18.98 D	3.78 D
base reaction	57.03 J	-13.11 L	-0.22 D	1861.90 L	18.98 D	-3.78 D

COMPLIANCE WITH 4.8.2 & 4.5.4
=====

ELEV ft	AXIAL	BENDING	SHEAR + TORSIONAL	TOTAL	SATISFIED	D/t (w/t)	MAX ALLOWED
189.00	0.00I	0.00L	0.01C	0.00L	YES	13.58A	45.2
182.64	0.01I	0.04L	0.01C	0.04L	YES	14.93A	45.2
	0.01G	0.04C	0.01B	0.04C	YES	14.93A	45.2
176.29	0.01G	0.07B	0.01B	0.07B	YES	16.28A	45.2
	0.01E	0.07B	0.01C	0.07B	YES	16.28A	45.2
169.93	0.01E	0.11B	0.01C	0.12B	YES	17.63A	45.2
	0.01E	0.11B	0.01B	0.12B	YES	17.63A	45.2
163.57	0.01E	0.15B	0.01B	0.16B	YES	18.98A	45.2
	0.01G	0.15L	0.01G	0.16L	YES	18.98A	45.2
157.21	0.01G	0.18L	0.01G	0.19L	YES	20.33A	45.2
	0.01B	0.18L	0.01A	0.19L	YES	20.33A	45.2

150.86	0.01B	0.21L	0.01A	0.22L	YES	21.69A	45.2
	0.01J	0.21L	0.01A	0.22L	YES	21.69A	45.2
144.50	0.01J	0.23L	0.01A	0.24L	YES	23.04A	45.2
	0.01J	0.17L	0.01A	0.18L	YES	18.36A	45.2
139.50	0.01J	0.18A	0.01A	0.19A	YES	19.21A	45.2
	0.01J	0.19L	0.01A	0.19L	YES	18.93A	45.2
133.57	0.01J	0.20A	0.01A	0.20A	YES	19.94A	45.2
	0.01J	0.20A	0.01B	0.20A	YES	19.94A	45.2
127.64	0.01J	0.20A	0.01B	0.21A	YES	20.94A	45.2
	0.01J	0.20A	0.01B	0.21A	YES	20.94A	45.2
121.71	0.01J	0.21A	0.01B	0.22A	YES	21.95A	45.2
	0.01J	0.21A	0.01K	0.22A	YES	21.95A	45.2
115.79	0.01J	0.22A	0.01K	0.23A	YES	22.96A	45.2
	0.01J	0.22A	0.01K	0.23A	YES	22.96A	45.2
109.86	0.01J	0.22A	0.01K	0.23A	YES	23.97A	45.2
	0.01J	0.22A	0.01K	0.23A	YES	23.97A	45.2
103.93	0.01J	0.23G	0.01A	0.24G	YES	24.98A	45.2
	0.01J	0.23G	0.01L	0.24G	YES	24.98A	45.2
98.00	0.01J	0.24G	0.01L	0.25G	YES	25.99A	45.2
	0.01J	0.18G	0.01L	0.19G	YES	21.60A	45.2
91.00	0.01J	0.19G	0.00L	0.20G	YES	22.59A	45.2
	0.01J	0.19G	0.01A	0.20G	YES	22.29A	45.2
85.61	0.01J	0.20G	0.01A	0.20G	YES	23.06A	45.2
	0.01J	0.20G	0.01L	0.20G	YES	23.06A	45.2
80.21	0.01J	0.20L	0.01L	0.21L	YES	23.82A	45.2
	0.01J	0.20L	0.01L	0.21L	YES	23.82A	45.2
74.82	0.01J	0.20L	0.01L	0.21L	YES	24.59A	45.2
	0.01J	0.20L	0.01L	0.21L	YES	24.59A	45.2
69.43	0.01J	0.21L	0.01L	0.22L	YES	25.35A	45.2
	0.01J	0.21L	0.01L	0.22L	YES	25.35A	45.2
64.04	0.01J	0.21L	0.01L	0.22L	YES	26.12A	45.2
	0.01J	0.21L	0.01L	0.22L	YES	26.12A	45.2
58.64	0.01J	0.21L	0.01L	0.22L	YES	26.88A	45.2
	0.01J	0.21L	0.01L	0.22L	YES	26.88A	45.2
53.25	0.01J	0.22L	0.01L	0.22L	YES	27.64A	45.2
	0.01J	0.17L	0.00L	0.18L	YES	23.64A	45.2
44.50	0.01J	0.18L	0.00L	0.18L	YES	24.71A	45.2
	0.01J	0.18L	0.00L	0.19L	YES	24.41A	45.2
38.94	0.01J	0.18L	0.00L	0.19L	YES	25.08A	45.2
	0.01J	0.18L	0.00L	0.19L	YES	25.08A	45.2
	0.01J	0.18L	0.00L	0.19L	YES	25.76A	45.2

33.37	0.01J	0.18L	0.00L	0.19L	YES	25.76A	45.2
	0.01J	0.18L	0.00K	0.19L	YES	26.43A	45.2
27.81	0.01J	0.18L	0.00K	0.19L	YES	26.43A	45.2
	0.01J	0.19L	0.00K	0.19L	YES	27.11A	45.2
22.25	0.01J	0.19L	0.00K	0.19L	YES	27.11A	45.2
	0.01J	0.19L	0.00K	0.19L	YES	27.78A	45.2
16.69	0.01J	0.19L	0.00K	0.19L	YES	27.78A	45.2
	0.01J	0.19L	0.00K	0.20L	YES	28.46A	45.2
11.12	0.01J	0.19L	0.00K	0.20L	YES	28.46A	45.2
	0.01J	0.19L	0.00K	0.20L	YES	29.14A	45.2
5.56	0.01J	0.19L	0.00K	0.20L	YES	29.14A	45.2
	0.01J	0.19L	0.00K	0.20L	YES	29.81A	45.2
0.00							

MAXIMUM LOADS ONTO FOUNDATION(w.r.t. wind direction)

DOWN	SHEAR.w.r.t.WIND.DIR		MOMENT.w.r.t.WIND.DIR		TORSION
	ALONG	ACROSS	ALONG	ACROSS	
kip	kip	kip	ft-kip	ft-kip	ft-kip
57.03	13.11	0.22	-1861.90	-18.98	3.78
J	L	D	L	D	D

Seismic Load Effects
Equivalent Lateral Force Procedure
ANSI/TIA-222-H

		Vertical Distribution of Seismic Forces							
		h_n (ft.)	w_n (kips)	W_n (kips)	$\frac{w_n h_n^k}{\sum w_n h_n^k}$	F_{sz} or E_{fb} (kips)	E_v (kips)	$1.2 D + 1.0 E_v$ (kips)	$0.9 D - 1.0 E_v$ (kips)
Parameters									
Risk Category	II								
R	1.500	189.00	6.0000	6.0000	214,326.0000	2.3097	0.9564	8.1564	4.4436
S_S	0.996	187.00	1.7503	0.0000	61,206.2407	0.6596	0.2790	2.3794	1.2963
S_1	0.327	184.50	0.0126	0.0000	428.9072	0.0046	0.0020	0.0171	0.0093
Site Class	D (default)	175.00	0.0140	0.0000	428.7500	0.0046	0.0022	0.0190	0.0104
T_L (sec)	12.000	174.00	6.0000	6.0000	181,656.0000	1.9576	0.9564	8.1564	4.4436
F_a	1.200	174.00	1.6286	0.0000	49,307.4936	0.5314	0.2596	2.2139	1.2061
F_v	1.973	165.00	0.0140	0.0000	381.1500	0.0041	0.0022	0.0190	0.0104
S_{MS}	1.195	164.25	3.7610	0.0000	101,464.4931	1.0934	0.5995	5.1127	2.7854
S_{M1}	0.645	155.00	0.0140	0.0000	336.3500	0.0036	0.0022	0.0190	0.0104
S_{D5}	0.797	145.00	0.0140	0.0000	294.3500	0.0032	0.0022	0.0190	0.0104
S_{D1}	0.430	135.00	0.0140	0.0000	255.1500	0.0027	0.0022	0.0190	0.0104
T_s	0.540	125.00	0.0140	0.0000	218.7500	0.0024	0.0022	0.0190	0.0104
I_e	1.000	117.75	7.5042	0.0000	104,046.2020	1.1212	1.1962	10.2012	5.5576
Ω	1.500	115.00	0.0140	0.0000	185.1500	0.0020	0.0022	0.0190	0.0104
C_S	0.150	109.00	0.0556	0.0000	660.5836	0.0071	0.0089	0.0756	0.0411
E (ksi)	29,000	109.00	0.8950	0.0000	10,633.4950	0.1146	0.1427	1.2167	0.6628
l_{top} (in ⁴)	898	105.00	0.0140	0.0000	154.3500	0.0017	0.0022	0.0190	0.0104
l_{bot} (in ⁴)	76,136	99.00	0.0505	0.0000	494.9505	0.0053	0.0080	0.0686	0.0375
l_{avg} (in ⁴)	38,517	99.00	0.8950	0.0000	8,771.8950	0.0945	0.1427	1.2167	0.6628
g (in/s ²)	386.4	95.00	0.0140	0.0000	126.3500	0.0014	0.0022	0.0190	0.0104
W_t (kips)	58.589	89.00	0.0454	0.0000	359.6134	0.0039	0.0072	0.0617	0.0337
W_u (kips)	12.000	89.00	0.8950	0.0000	7,089.2950	0.0764	0.1427	1.2167	0.6628
W_L (kips)	46.589	85.00	0.0140	0.0000	101.1500	0.0011	0.0022	0.0190	0.0104
L_p (in)	2268	75.00	0.0140	0.0000	78.7500	0.0008	0.0022	0.0190	0.0104
f_1 (Hertz)	2.860	71.25	11.8849	0.0000	60,334.4377	0.6502	1.8945	16.1564	8.8019
T (sec)	2.0000	65.00	0.0140	0.0000	59.1500	0.0006	0.0022	0.0190	0.0104
k_e	8.788	55.00	0.0140	0.0000	42.3500	0.0005	0.0022	0.0190	0.0104
V_s (kips)	D	45.00	0.0140	0.0000	28.3500	0.0003	0.0022	0.0190	0.0104
Seismic Design Category	D	35.00	0.0140	0.0000	17.1500	0.0002	0.0022	0.0190	0.0104
		26.62	16.9732	0.0000	12,027.6237	0.1296	2.7055	23.0733	12.5704
		25.00	0.0140	0.0000	8.7500	0.0001	0.0022	0.0190	0.0104
		15.00	0.0140	0.0000	3.1500	0.0000	0.0022	0.0190	0.0104
		Σ	58.59	12.0000	815,526.38	8.79	9.34	79.65	43.39

Round Flange Plate and Bolts per ANSI/TIA 222-H Elevation = 189 feet

Pole Data

Diameter: 21 in
 Thickness: 0.25 in
 Yield (Fy): 65 ksi
 # of Sides: 18 "0" IF Round
 Strength (Fu): 80 ksi

Reactions

Moment, Mu: 520 ft-kips
 Axial, Pu: 0 kips
 Shear, Vu: 0 kips

Bolt Data

Quantity: 16
 Diameter: 1.25 in
 Bolt Material: A325
 Strength (Fu): 105 ksi
 Yield (Fy): 81 ksi
 BC Diam. (in): 24.75 BC Override:

Flange Bolt Results

Allowable Φ *Rnt: 76.31 kips
 Adjusted Φ *Rnt (due to shear): 76.31 kips
 Maximum Bolt Tension: 63.03 kips
 Bolt Interaction Ratio: **82.6% Pass**

Plate Data

Diameter (in): 28 Dia. Override:
 Thickness: 1.5 in
 Center Hole Diam.: 15 in
 Yield (Fy): 50 ksi
 Single-Rod B-eff: 4.17 in
 Drain Hole: 1 in. diameter
 Drain Location: 9.5 in. center of pole to center of drain hole

Flange Plate Results

Compression Side Plate (Mu/Z): 30.8 ksi
 Allowable Φ *Fy: 45.0 ksi
 Compr. Plate Interaction Ratio: **68.4% Pass**

Round Base Plate and Anchor Rods, per ANSI/TIA 222-H

Pole Data

Diameter: 76.090 in (flat to flat)
 Thickness: 0.4375 in
 Yield (Fy): 65 ksi
 # of Sides: 18 "0" IF Round
 Strength (Fu): 80 ksi

Reactions

Moment, Mu: 6539.93 ft-kips
 Axial, Pu: 68.5 kips
 Shear, Vu: 45.81 kips

Anchor Rod Data

Quantity: 20
 Diameter: 2.25 in
 Rod Material: A615
 Strength (Fu): 100 ksi
 Yield (Fy): 75 ksi
 BC Diam. (in): 83.5 BC Override:

Plate Data

Diameter (in): 89.25 Dia. Override:
 Thickness: 2.25 in
 Yield (Fy): 50 ksi
 Eff Width/Rod: 12.08 in
 Drain Hole: 2.625 in. diameter
 Drain Location: 36 in. center of pole to center of drain hole
 Center Hole: 64 in. diameter

Anchor Rod Results

(per 4.9.9)

Maximum Put: 185.41 Kips
 $\Phi_t^*R_{nt}$: 243.75 Kips
 Vu: 2.29 Kips
 $\Phi_v^*R_{nv}$: 149.10 Kips
 Tension Interaction Ratio: 0.58
 Maximum Puc: 191.40 Kips
 $\Phi_c^*R_{nc}$: 268.39 Kips
 Vu: 2.29 Kips
 $\Phi_c^*R_{nc}$: 120.77 Kips
 Compression Interaction Ratio: 0.71
 Maximum Interaction Ratio: **71.4% Pass**

Base Plate Results

Base Plate (Mu/Z): 30.2 ksi
 Allowable Φ^*F_y : 45.0 ksi (per AISC)
 Base Plate Interaction Ratio: **67.1% Pass**

MAT FOUNDATION DESIGN BY SABRE INDUSTRIES

190' Monopole TILLMAN INFRASTRUCTURE, LLC TI-OPP-32955, KY (24-5058-TJH) 04/18/24 TTW

Overall Loads:

Factored Moment (ft-kips)	7266.588889
Factored Axial (kips)	76.11111111
Factored Shear (kips)	50.9
Bearing Design Strength (ksf)	5.25
Water Table Below Grade (ft)	999
Width of Mat (ft)	29
Thickness of Mat (ft)	2
Depth to Bottom of Slab (ft)	6
Quantity of Bolts in Bolt Circle	20
Bolt Circle Diameter (in)	83.5
Effective Anchor Bolt Embedment (in)	66.5
Diameter of Pier (ft)	9
Ht. of Pier Above Ground (ft)	0.5
Ht. of Pier Below Ground (ft)	4
Quantity of Bars in Mat	42
Bar Diameter in Mat (in)	1.27
Area of Bars in Mat (in ²)	53.20
Spacing of Bars in Mat (in)	8.31
Quantity of Bars Pier	58
Bar Diameter in Pier (in)	1.128
Tie Bar Diameter in Pier (in)	0.625
Spacing of Ties (in)	4
Area of Bars in Pier (in ²)	57.96
Spacing of Bars in Pier (in)	5.40
f'c (ksi)	4.5
fy (ksi)	60
Unit Wt. of Soil (kcf)	0.112
Unit Wt. of Concrete (kcf)	0.15

Max. Net Bearing Press. (ksf)	4.96
Allowable Bearing Pressure (ksf)	3.50
Safety Factor	2.00
Ultimate Bearing Pressure (ksf)	7.00
Bearing Φs	0.75

Minimum Pier Diameter (ft)	9.00
Equivalent Square b (ft)	7.98
Square Pier? (Y/N)	N

Recommended Spacing (in)	5 to 12
--------------------------	---------

Minimum Pier A _s (in ²)	45.80
Recommended Spacing (in)	5 to 12

Volume of Concrete (yd³) 72.90

Two-Way Shear Action:

Average d (in)	19.73
φv _c (ksi)	0.187
φv _c = φ(2 + 4/β _c)f' _c ^{1/2}	0.302
φv _c = φ(α _s d/b _o +2)f' _c ^{1/2}	0.187
φv _c = φ4f' _c ^{1/2}	0.201
Shear perimeter, b _o (in)	461.77
β _c	1

v _u (ksi)	0.110
----------------------	-------

J (in ³)	2.038E+07
c + d (in)	115.44
0.40M _{sc} (ft-kips)	2998.3

One-Way Shear:

φV _c (kips)	690.9
------------------------	-------

V _u (kips)	469.4
-----------------------	-------

Stability:

Overturning Design Strength (ft-k)	9225.5
------------------------------------	--------

Total Applied M (ft-k)	7597.4
------------------------	--------

Pier-Slab Transfer by Flexure:

b_{slab} (ft)	15.00		
ϕM_n (ft-kips)	4589.6	$0.60M_{sc}$ (ft-kips)	4497.4

Pier Design:

ϕV_n (kips)	1539.2	V_u (kips)	50.9
$\phi V_c = \phi 2(1 + N_u / (2000 A_g)) f'_c {}^{1/2} b_w d$	942.8		
V_s (kips)	795.2	*** $V_s \text{ max} = 4 f'_c {}^{1/2} b_w d$ (kips)	2503.8
Maximum Spacing (in)	6.78	(Only if Shear Ties are Required)	
Actual Hook Development (in)	18.46	Req'd Hook Development l_{dh} (in) - Tension	14.12
		Req'd Hook Development l_{dc} (in) - Compression	15.23

Flexure in Slab:

ϕM_n (ft-kips)	4436.7	M_u (ft-kips)	3692.9
a (in)	2.40		
Steel Ratio	0.00775		
β_1	0.825		
Maximum Steel Ratio (ρ_t)	0.0197		
Minimum Steel Ratio	0.0018		
Rebar Development in Pad (in)	117.00	Required Development in Pad (in)	34.08

Condition	1 is OK, 0 Fails
Maximum Soil Bearing Pressure	1
Pier Area of Steel	1
Pier Shear	1
Interaction Diagram	1
Two-Way Shear Action	1
One-Way Shear Action	1
Overturning	1
Flexure	1
Steel Ratio	1
Length of Development in Pad	1
Hook Development	1
Anchor Bolt Pullout	1
Anchor Bolt Punching Shear	1

=====
LFile for Windows, Version 2019-11.009

Analysis of Individual Files and Drilled Shafts
Subjected to Lateral Loading Using the p-y Method
© 1985-2019 by Ensoft, Inc.
All Rights Reserved

=====
This copy of LFile is being used by:

TTW
Sioux City

Serial Number of Security Device: 227885655

This copy of LFile is licensed for exclusive use by:

Sabre Communications Corporation

Use of this program by any entity other than Sabre Communications Corporation
is a violation of the software license agreement.

Files Used for Analysis

Path to file locations:
\Program Files (x86)\Ensoft\Lpile2019\files\

Name of input data file:
24-5058-TJH.lp11d

Name of output report file:
24-5058-TJH.lp11o

Name of plot output file:
24-5058-TJH.lp11p

Name of runtime message file:
24-5058-TJH.lp11r

Date and Time of Analysis

Date: April 18, 2024

Time: 15:45:08

Problem Title

Site : TI-OPP-32955, KY

Tower : 190' Monopole

Prepared for : TILLMAN INFRASTRUCTURE, LLC

Job Number : 24-5058-TJH

Engineer : TTW

Program Options and Settings

Computational Options:

- Conventional Analysis
- Engineering Units Used for Data Input and Computations:
- US Customary System Units (pounds, feet, inches)

Analysis Control Options:

- Maximum number of iterations allowed = 999
- Deflection tolerance for convergence = 1.0000E-05 in
- Maximum allowable deflection = 100.0000 in
- Number of pile increments = 100

Loading Type and Number of Cycles of Loading:

- Static loading specified
- Use of p-y modification factors for p-y curves not selected
- Analysis uses layering correction (Method of Georgiadis)
- No distributed lateral loads are entered
- Loading by lateral soil movements acting on pile not selected
- Input of shear resistance at the pile tip not selected
- Input of moment resistance at the pile tip not selected
- Input of side resistance moment along pile not selected
- Computation of pile-head foundation stiffness matrix not selected
- Push-over analysis of pile not selected
- Buckling analysis of pile not selected

Output Options:

- Output files use decimal points to denote decimal symbols.
- Report only summary tables of pile-head deflection, maximum bending moment, and maximum shear force in output report file.
- No p-y curves to be computed and reported for user-specified depths
- Print using wide report formats

Pile Structural Properties and Geometry

- Number of pile sections defined = 1
- Total length of pile = 30.500 ft
- Depth of ground surface below top of pile = 0.5000 ft

Pile diameters used for p-y curve computations are defined using 2 points.

p-y curves are computed using pile diameter values interpolated with depth over the length of the pile. A summary of values of pile diameter vs. depth follows.

Point No.	Depth Below Pile Head feet	Pile Diameter inches
1	0.000	108.0000
2	30.500	108.0000

Input Structural Properties for Pile Sections:

Pile Section No. 1:

- Section 1 is a round drilled shaft, bored pile, or CIDH pile
- Length of section = 30.500000 ft
- Shaft Diameter = 108.000000 in
- Shear capacity of section = 0.0000 lbs

Ground Slope and Pile Batter Angles

- Ground Slope Angle = 0.000 degrees
- = 0.000 radians
- Pile Batter Angle = 0.000 degrees
- = 0.000 radians

Soil and Rock Layering Information

 The soil profile is modelled using 4 layers

Layer 1 is stiff clay without free water

Distance from top of pile to top of layer = 0.500000 ft
 Distance from top of pile to bottom of layer = 3.500000 ft
 Effective unit weight at top of layer = 110.000000 pcf
 Effective unit weight at bottom of layer = 110.000000 pcf
 Undrained cohesion at top of layer = 500.000000 psf
 Undrained cohesion at bottom of layer = 500.000000 psf
 Epsilon-50 at top of layer = 0.020000
 Epsilon-50 at bottom of layer = 0.020000

Layer 2 is stiff clay without free water

Distance from top of pile to top of layer = 3.500000 ft
 Distance from top of pile to bottom of layer = 23.500000 ft
 Effective unit weight at top of layer = 120.000000 pcf
 Effective unit weight at bottom of layer = 120.000000 pcf
 Undrained cohesion at top of layer = 2500. psf
 Undrained cohesion at bottom of layer = 2500. psf
 Epsilon-50 at top of layer = 0.005000
 Epsilon-50 at bottom of layer = 0.005000

Layer 3 is stiff clay without free water

Distance from top of pile to top of layer = 23.500000 ft
 Distance from top of pile to bottom of layer = 33.500000 ft
 Effective unit weight at top of layer = 120.000000 pcf
 Effective unit weight at bottom of layer = 120.000000 pcf
 Undrained cohesion at top of layer = 1500. psf
 Undrained cohesion at bottom of layer = 1500. psf
 Epsilon-50 at top of layer = 0.007000
 Epsilon-50 at bottom of layer = 0.007000

Layer 4 is sand, p-y criteria by Reese et al., 1974

Distance from top of pile to top of layer = 33.500000 ft
 Distance from top of pile to bottom of layer = 40.500000 ft
 Effective unit weight at top of layer = 90.000000 pcf
 Effective unit weight at bottom of layer = 90.000000 pcf
 Friction angle at top of layer = 32.000000 deg.
 Friction angle at bottom of layer = 32.000000 deg.
 Subgrade k at top of layer = 90.000000 pci
 Subgrade k at bottom of layer = 90.000000 pci

(Depth of the lowest soil layer extends 10.000 ft below the pile tip)

 Summary of Input Soil Properties

Layer Num.	Soil Type Name (p-y Curve Type)	Layer Depth ft	Effective Unit Wt. pcf	Cohesion psf	Angle of Friction deg.	E50 or krm	kp pci
1	Stiff Clay	0.5000	110.0000	500.0000	--	0.02000	--
	w/o Free Water	3.5000	110.0000	500.0000	--	0.02000	--
2	Stiff Clay	3.5000	120.0000	2500.	--	0.00500	--
	w/o Free Water	23.5000	120.0000	2500.	--	0.00500	--
3	Stiff Clay	23.5000	120.0000	1500.	--	0.00700	--
	w/o Free Water	33.5000	120.0000	1500.	--	0.00700	--
4	Sand	33.5000	90.0000	--	32.0000	--	90.0000

(Reese, et al.) 40.5000 90.0000 -- 32.0000 -- 90.0000

 Static Loading Type

Static loading criteria were used when computing p-y curves for all analyses.

 Pile-head Loading and Pile-head Fixity Conditions

Number of loads specified = 2

Load Analysis No.	Load Type	Condition 1	Condition 2	Axial Thrust Force, lbs	Compute Top y vs. Pile Length	Run
1	1	V = 67867. lbs	M = 116265422. in-lbs	101481.	No	
2	1	V = 14567. lbs	M = 24825333. in-lbs	63367.	No	

V = shear force applied normal to pile axis
 M = bending moment applied to pile head
 y = lateral deflection normal to pile axis
 S = pile slope relative to original pile batter angle
 R = rotational stiffness applied to pile head
 Values of top y vs. pile lengths can be computed only for load types with specified shear loading (Load Types 1, 2, and 3).
 Thrust force is assumed to be acting axially for all pile batter angles.

 Computations of Nominal Moment Capacity and Nonlinear Bending Stiffness

Axial thrust force values were determined from pile-head loading conditions

Number of Pile Sections Analyzed = 1

Pile Section No. 1:

Dimensions and Properties of Drilled Shaft (Bored Pile):

Length of Section	=	30.500000 ft
Shaft Diameter	=	108.000000 in
Concrete Cover Thickness (to edge of long. rebar)	=	3.625000 in
Number of Reinforcing Bars	=	58 bars
Yield Stress of Reinforcing Bars	=	60000. psi
Modulus of Elasticity of Reinforcing Bars	=	29000000. psi
Gross Area of Shaft	=	9161. sq. in.
Total Area of Reinforcing Steel	=	57.961027 sq. in.
Area Ratio of Steel Reinforcement	=	0.63 percent
Edge-to-Edge Bar Spacing	=	4.265426 in
Maximum Concrete Aggregate Size	=	0.750000 in
Ratio of Bar Spacing to Aggregate Size	=	5.69
Offset of Center of Rebar Cage from Center of Pile	=	0.0000 in

Axial Structural Capacities:

Nom. Axial Structural Capacity = $0.85 F_c A_c + F_y A_s$	=	38296.343 kips
Tensile Load for Cracking of Concrete	=	-4201.762 kips
Nominal Axial Tensile Capacity	=	-3477.662 kips

Reinforcing Bar Dimensions and Positions Used in Computations:

Bar Number	Bar Diam. inches	Bar Area sq. in.	X inches	Y inches
-----	-----	-----	-----	-----

1	1.128000	0.999328	49.811000	0.00000
2	1.128000	0.999328	49.519006	5.385516
3	1.128000	0.999328	48.646447	10.707893
4	1.128000	0.999328	47.203552	15.904729
5	1.128000	0.999328	45.207239	20.915096
6	1.128000	0.999328	42.680913	25.680253
7	1.128000	0.999328	39.654192	30.144333
8	1.128000	0.999328	36.162561	34.254998
9	1.128000	0.999328	32.246958	37.964054
10	1.128000	0.999328	27.953289	41.228017
11	1.128000	0.999328	23.331893	44.008618
12	1.128000	0.999328	18.436952	46.273259
13	1.128000	0.999328	13.325854	47.995389
14	1.128000	0.999328	8.058523	49.154816
15	1.128000	0.999328	2.696713	49.737948
16	1.128000	0.999328	-2.696713	49.737948
17	1.128000	0.999328	-8.058523	49.154816
18	1.128000	0.999328	-13.325854	47.995389
19	1.128000	0.999328	-18.436952	46.273259
20	1.128000	0.999328	-23.331893	44.008618
21	1.128000	0.999328	-27.953289	41.228017
22	1.128000	0.999328	-32.246958	37.964054
23	1.128000	0.999328	-36.162561	34.254998
24	1.128000	0.999328	-39.654192	30.144333
25	1.128000	0.999328	-42.680913	25.680253
26	1.128000	0.999328	-45.207239	20.915096
27	1.128000	0.999328	-47.203552	15.904729
28	1.128000	0.999328	-48.646447	10.707893
29	1.128000	0.999328	-49.519006	5.385516
30	1.128000	0.999328	-49.811000	0.00000
31	1.128000	0.999328	-49.519006	-5.385516
32	1.128000	0.999328	-48.646447	-10.707893
33	1.128000	0.999328	-47.203552	-15.904729
34	1.128000	0.999328	-45.207239	-20.915096
35	1.128000	0.999328	-42.680913	-25.680253
36	1.128000	0.999328	-39.654192	-30.144333
37	1.128000	0.999328	-36.162561	-34.254998
38	1.128000	0.999328	-32.246958	-37.964054
39	1.128000	0.999328	-27.953289	-41.228017
40	1.128000	0.999328	-23.331893	-44.008618
41	1.128000	0.999328	-18.436952	-46.273259
42	1.128000	0.999328	-13.325854	-47.995389
43	1.128000	0.999328	-8.058523	-49.154816
44	1.128000	0.999328	-2.696713	-49.737948
45	1.128000	0.999328	2.696713	-49.737948
46	1.128000	0.999328	8.058523	-49.154816
47	1.128000	0.999328	13.325854	-47.995389
48	1.128000	0.999328	18.436952	-46.273259
49	1.128000	0.999328	23.331893	-44.008618
50	1.128000	0.999328	27.953289	-41.228017
51	1.128000	0.999328	32.246958	-37.964054
52	1.128000	0.999328	36.162561	-34.254998
53	1.128000	0.999328	39.654192	-30.144333
54	1.128000	0.999328	42.680913	-25.680253
55	1.128000	0.999328	45.207239	-20.915096
56	1.128000	0.999328	47.203552	-15.904729
57	1.128000	0.999328	48.646447	-10.707893
58	1.128000	0.999328	49.519006	-5.385516

NOTE: The positions of the above rebars were computed by LFile

Minimum spacing between any two bars not equal to zero = 4.265 inches
between bars 1 and 58.

Ratio of bar spacing to maximum aggregate size = 5.69

Concrete Properties:

Compressive Strength of Concrete	=	4500. psi
Modulus of Elasticity of Concrete	=	3823676. psi
Modulus of Rupture of Concrete	=	-503.115295 psi
Compression Strain at Peak Stress	=	0.002001
Tensile Strain at Fracture of Concrete	=	-0.0001152
Maximum Coarse Aggregate Size	=	0.750000 in

Number of Axial Thrust Force Values Determined from Pile-head Loadings = 2

Number	Axial Thrust Force kips
1	63.367
2	101.481

 Summary of Results for Nominal Moment Capacity for Section 1

Moment values interpolated at maximum compressive strain = 0.003
 or maximum developed moment if pile fails at smaller strains.

Load No.	Axial Thrust kips	Nominal Mom. Cap. in-kip	Max. Comp. Strain
1	63.367	164716.598	0.00300000
2	101.481	166299.377	0.00300000

Note that the values of moment capacity in the table above are not factored by a strength reduction factor (ϕ -factor).

In ACI 318, the value of the strength reduction factor depends on whether the transverse reinforcing steel bars are tied hoops (0.65) or spirals (0.75).

The above values should be multiplied by the appropriate strength reduction factor to compute ultimate moment capacity according to ACI 318, or the value required by the design standard being followed.

The following table presents factored moment capacities and corresponding bending stiffnesses computed for common resistance factor values used for reinforced concrete sections.

Axial Load No.	Resist. Factor	Nominal Ax. Thrust kips	Nominal Moment Cap in-kips	Ult. (Fac) Ax. Thrust kips	Ult. (Fac) Moment Cap in-kips	Bend. Stiff. at Ult Mom kip-in ²
1	0.65	63.366667	164717.	41.188333	107066.	4.4983E+09
2	0.65	101.481481	166299.	65.962963	108095.	4.5477E+09
1	0.75	63.366667	164717.	47.525000	123537.	4.3302E+09
2	0.75	101.481481	166299.	76.111111	124725.	4.3790E+09
1	0.90	63.366667	164717.	57.030000	148245.	2.7753E+09
2	0.90	101.481481	166299.	91.333333	149669.	2.8093E+09

 Layering Correction Equivalent Depths of Soil & Rock Layers

Layer No.	Top of Layer Below Pile Head ft	Equivalent Top Depth Below Grnd Surf ft	Same Layer Type As Layer Above	Layer is Rock or is Below Rock Layer	F0 Integral for Layer lbs	F1 Integral for Layer lbs
1	0.5000	0.00	N.A.	No	0.00	46365.
2	3.5000	0.6792	Yes	No	46365.	1840461.
3	23.5000	28.4364	Yes	No	1886826.	690807.
4	33.5000	33.0000	No	No	2577633.	N.A.

Notes: The F0 integral of Layer n+1 equals the sum of the F0 and F1 integrals for Layer n. Layering correction equivalent depths are computed only for soil types with both shallow-depth and deep-depth expressions for peak lateral load transfer. These soil types are soft and stiff clays, non-liquefied sands, and cemented c-phi soil.

 Summary of Pile-head Responses for Conventional Analyses

Definitions of Pile-head Loading Conditions:

Load Type 1: Load 1 = Shear, V, lbs, and Load 2 = Moment, M, in-lbs
 Load Type 2: Load 1 = Shear, V, lbs, and Load 2 = Slope, S, radians
 Load Type 3: Load 1 = Shear, V, lbs, and Load 2 = Rot. Stiffness, R, in-lbs/rad.

Load Type 4: Load 1 = Top Deflection, y, inches, and Load 2 = Moment, M, in-lbs
 Load Type 5: Load 1 = Top Deflection, y, inches, and Load 2 = Slope, S, radians

Load Case No.	Load Type 1	Pile-head Load 1	Load Type 2	Pile-head Load 2	Axial Loading lbs	Pile-head Deflection inches	Pile-head Rotation radians	Max Shear in Pile lbs	Max Moment in Pile in-lbs
1	V, lb	67867.	M, in-lb	1.16E+08	101481.	9.9392	-0.04847	-715557.	1.19E+08
2	V, lb	14567.	M, in-lb	2.48E+07	63367.	0.03090	-2.26E-04	-143774.	2.54E+07

Maximum pile-head deflection = 9.9392206219 inches
 Maximum pile-head rotation = -0.0484679496 radians = -2.777009 deg.

The analysis ended normally.

IBC 1807.3.2.1

Moment (ft·k)	7,266.59	
Shear (k)	50.90	
Caisson diameter (ft)	9	
Caisson height above ground (ft)	0.5	
Caisson height below ground (ft)	30	
Lateral soil pressure (lb/ft ²)	300.00	
Ground to application of force, h (ft)	143.26	
Applied lateral force, P (lb)	50,900	
Lateral soil bearing pressure, S ₁ (lb/ft)	3,000.00	
Diameter, b (ft)	9	
A	4.41	$= (2.34P)/(S_1 b)$
Minimum depth of embedment, d (ft)	28.54	$= 0.5A[1 + (1 + (4.36h / A))^{1/2}]$

EXHIBIT D
COMPETING UTILITIES, CORPORATIONS, OR PERSONS LIST

KY Public Service Commission

Master Utility Search

- Search for the utility of interest by using any single or combination of criteria.
- Enter Partial names to return the closest match for Utility Name and Address/City/Contact entries.

Utility ID	Utility Name	Address/City/Contact	Utility Type	Status
<input type="text"/>	<input type="text"/>	<input type="text"/>	<input type="text"/>	Active <input type="text"/>
<input type="button" value="Search"/>				

	Utility ID	Utility Name	Utility Type	Class	City	State
<input type="button" value="View"/>	4111300	2600Hz, Inc. dba ZSWITCH	Cellular	D	Henderson	NV
<input type="button" value="View"/>	4115150	ACN Communication Services, LLC dba Flash Wireless dba Flash Mobile	Cellular	D	Concord	
<input type="button" value="View"/>	4113600	AFNET, LLC	Cellular	D	Alpharetta	GA
<input type="button" value="View"/>	4108300	Air Voice Wireless, LLC d/b/a AirTalk Wireless	Cellular	A	Houston	TX
<input type="button" value="View"/>	4113150	ALLDATA COMMUNICATIONS CORP.	Cellular	D	Brooklyn	NY
<input type="button" value="View"/>	4111900	ALLNETAIR, INC.	Cellular	D	West Palm Beach	FL
<input type="button" value="View"/>	44451184	Alltel Corporation d/b/a Verizon Wireless	Cellular	A	Lisle	IL
<input type="button" value="View"/>	4110850	AltaWorx, LLC	Cellular	D	Fairhope	AL
<input type="button" value="View"/>	4107800	American Broadband and Telecommunications Company	Cellular	D	Toledo	OH
<input type="button" value="View"/>	4108650	AmeriMex Communications Corp.	Cellular	A	Safety Harbor	FL
<input type="button" value="View"/>	4105100	AmeriVision Communications, Inc.	Cellular	D	Virginia Beach	VA

		d/b/a Affinity 4				
View	4114250	Approved Contact LLC	Cellular	C	Reno	NV
View	4115050	Aquarius Silver LLC	Cellular	C	Sheridan	WY
View	4105700	Assurance Wireless USA, L.P.	Cellular	D	Atlanta	GA
View	4114150	Atlantic Mobile US LLC d/b/a Angel Mobile	Cellular	D	Wilmington	DE
View	4113100	BARK TECHNOLOGIES, INC.	Cellular	D	Atlanta	GA
View	4108600	BCN Telecom, Inc.	Cellular	D	Morristown	NJ
View	4106000	Best Buy Health, Inc. d/b/a GreatCall d/b/a Jitterbug	Cellular	A	San Diego	CA
View	4111050	BlueBird Communications, LLC	Cellular	D	New York	NY
View	4107600	Boomerang Wireless, LLC	Cellular	A	Dallas	TX
View	4100700	Cellco Partnership dba Verizon Wireless	Cellular	A	Basking Ridge	NJ
View	4106600	Cintex Wireless, LLC	Cellular	D	Houston	TX
View	4112900	Clear Mobile, LLC	Cellular	D	Tulsa	OK
View	4114550	Cliq Communications LLC d/b/a Cliq Mobile	Cellular	D	Coral Gables	FL
View	4111150	Comcast OTR1, LLC	Cellular	A	Phoeniexville	PA
View	4113550	Comlink Total Solutions Corp	Cellular	D	Fort Myers	FL
View	4101900	Consumer Cellular, Incorporated	Cellular	A	Portland	OR
View	4112700	Cox Wireless, LLC	Cellular	D	Atlanta	GA
View	4108850	Cricket Wireless, LLC	Cellular	A	San Antonio	TX
View	4111500	CSC Wireless, LLC d/b/a Altice Wireless	Cellular	B	Long Island City	NY
View	4114000	Daywalker Mobile Inc.	Cellular	D	Bartlesville	OK
View	4112000	DISH Wireless L.L.C.	Cellular	A	Englewood	CO
View	4111200	Dynalink Communications, Inc.	Cellular	C	Brooklyn	NY
View	4111800	Earthlink, LLC	Cellular	B	Atlanta	GA
View	4101000	East Kentucky Network, LLC dba Appalachian Wireless	Cellular	A	Ivel	KY
View	4002300	Easy Telephone Service Company dba Easy Wireless	Cellular	D	Ocala	FL
View	4113250	Elevate Platforms, LLC	Cellular	D	Nashville	TN
View	4109500	Enhanced Communications Group, LLC	Cellular	D	Bartlesville	OK

View	4113800	EVOLVE WIRELESS LLC	Cellular	D	Maumee	OH
View	4110450	Excellus Communications, LLC	Cellular	D	Harrisburg	SD
View	4112400	Excess Telecom Inc.	Cellular	D	Beverly Hills	CA
View	4104800	France Telecom Corporate Solutions L.L.C.	Cellular	D	Herndon	VA
View	4111750	Gabb Wireless, Inc.	Cellular	A	Lehi	UT
View	4109350	Global Connection Inc. of America	Cellular	D	Newport	KY
View	4102200	Globalstar USA, LLC	Cellular	C	Covington	LA
View	4112850	GO TECHNOLOGY MANAGEMENT, LLC	Cellular	D	Atlanta	GA
View	4109600	Google North America Inc.	Cellular	A	Mountain View	CA
View	4113500	GR8 CONNECT Corp.	Cellular	C	Brooklyn	NY
View	33350363	Granite Telecommunications, LLC	Cellular	D	Quincy	MA
View	4114300	Group F Consulting, LLC	Cellular	D		
View	4114050	Helix Wireless Inc.	Cellular	D	Monmouth Junction	NJ
View	4111350	HELLO MOBILE TELECOM LLC	Cellular	D	Dania Beach	FL
View	4112950	Hoop Wireless, LLC	Cellular	D	Lakewood	NJ
View	4103100	i-Wireless, LLC	Cellular	C	Newport	KY
View	4112550	IDT Domestic Telecom, Inc.	Cellular	D	Newark	NJ
View	4109800	IM Telecom, LLC d/b/a Infiniti Mobile	Cellular	D	Plano	TX
View	4112650	Insight Mobile, Inc.	Cellular	D	Los Angeles	CA
View	4111950	J Rhodes Enterprises LLC	Cellular	D	Gulf Breeze	FL
View	22215360	KDDI America, Inc.	Cellular	D	Staten Island	NY
View	10872	Kentucky RSA #1 Partnership	Cellular	A	Basking Ridge	NJ
View	4112200	Lexvor Inc.	Cellular	D	Irvine	CA
View	4111250	Liberty Mobile Wireless, LLC	Cellular	B	Sunny Isles Beach	FL
View	4114900	Liberty Wireless, LLC	Cellular	C	Rockville	MD
View	4114750	Link Mobile, Inc.	Cellular	C	New York	NY
View	4111400	Locus Telecommunications, LLC	Cellular	D	Fort Lee	NJ
View	4114500	Lux Mobile USA, Inc	Cellular	D	Baton Rouge	LA
View	4107300	Lycamobile USA, Inc.	Cellular	D	Newark	NJ
View	4112500	Marconi Wireless Holdings, LLC	Cellular	B	Westlake Village	CA

View	4113850	MAXSIP TEL KENTUCKY LLC d/b/a Maxsip Telecom	Cellular	D	Woodmere	NY
View	4114800	Mediacom Wireless LLC	Cellular	C	Mediacom Park	NY
View	4108800	MetroPCS Michigan, LLC	Cellular	A	Bellevue	WA
View	4111700	Mint Mobile, LLC	Cellular	A	Costa Mesa	CA
View	4111850	Mobi, Inc.	Cellular	D	Honolulu	HI
View	4115100	Mobile 13, Inc	Cellular	C	South Jordan	UT
View	4114100	MVNO Connect LLC	Cellular	D	St. Petersburg	FL
View	4113350	NatWireless, LLC	Cellular	D	Houston	TX
View	4202400	New Cingular Wireless PCS, LLC dba AT&T Mobility, PCS	Cellular	A	San Antonio	TX
View	4110700	Norcell, LLC	Cellular	D	Clayton	WA
View	4113700	Nova Labs, Inc. dba Helium Mobile	Cellular	D	Las Vegas	NV
View	4110750	Onvoy Spectrum, LLC	Cellular	D	Chicago	IL
View	4114950	Panda Mobile LLC	Cellular	C	Sparks	NV
View	4109050	Patriot Mobile LLC	Cellular	B	Grapevine	TX
View	4110250	Plintron Technologies USA LLC	Cellular	D	Bellevue	WA
View	33351182	PNG Telecommunications, Inc. dba PowerNet Global Communications	Cellular	D	Cincinnati	OH
View	4114850	POWER MOBILE LLC	Cellular	C	Rockville Centre	NY
View	4112800	Prepaid Wireless Group, LLC dba Prepaid Wireless Wholesale	Cellular	D	Rockville	MD
View	4114350	PRESTO WIRELESS Corp.	Cellular	D	Fair Lawn	NJ
View	4115000	Prosper Wireless LLC	Cellular	D	Sherman Oaks	CA
View	4107700	Puretalk Holdings, Inc.	Cellular	A	Covington	GA
View	4106700	Q Link Wireless, LLC	Cellular	A	Dania	FL
View	4108700	Ready Wireless, LLC	Cellular	D	Cedar Rapids	IA
View	4113200	Red Pocket Inc.	Cellular	D	Thousand Oaks	CA
View	4114200	Rocstar Wireless LLC	Cellular	D	Bedford	TX
View	4114700	Rocket Mobile LLC	Cellular	C	West Palm Beach	FL
View	4106200	Rural Cellular Corporation	Cellular	A	Basking Ridge	NJ
View	4108550	Sage Telecom Communications, LLC	Cellular	A	Los Angeles	CA

		dba TruConnect				
View	4113050	Sarver Corporation	Cellular	D	Rancho Cucamonga	CA
View	4109150	SelecTel, Inc. d/b/a SelecTel Wireless	Cellular	A	Fremont	NE
View	4110150	Spectrotel of the South LLC dba Touch Base Communications	Cellular	D	Neptune	NJ
View	4111450	Spectrum Mobile, LLC	Cellular	A	St. Louis	MO
View	4114400	Splash Cellular Inc.	Cellular	C	Bountiful	UT
View	4200100	Sprint Spectrum, L.P.	Cellular	A	Atlanta	GA
View	4200500	SprintCom, LLC	Cellular	A	Atlanta	GA
View	4111600	STX Group LLC dba Twigby	Cellular	D	Murfreesboro	TN
View	4113450	Syntegra North America, LLC	Cellular	D	Denton	TX
View	4202200	T-Mobile Central, LLC dba T-Mobile	Cellular	A	Bellevue	WA
View	4002500	TAG Mobile Bankruptcy Sale Entity, LLC	Cellular	D	Plano	TX
View	4107200	Telefonica Global Solutions USA, Inc.	Cellular	D	Miami	FL
View	4112100	Tello LLC	Cellular	A	Atlanta	GA
View	4108900	Telrite Corporation	Cellular	D	Covington	GA
View	4108450	Tempo Telecom, LLC	Cellular	D	Dallas	TX
View	4113900	TERRACOM Inc. d/b/a Maxsip Tel	Cellular	C	Chattanooga	TN
View	4113950	THE LIGHT PHONE INC.	Cellular	D	Brooklyn	NY
View	4110400	Torch Wireless Corp.	Cellular	B	Bartlett	TN
View	4103300	Touchtone Communications, Inc.	Cellular	D	Cedar Knolls	NJ
View	4104200	TracFone Wireless, Inc.	Cellular	D	Miami	FL
View	4112250	TROOMI WIRELESS, Inc.	Cellular	D	Orem	UT
View	4114600	TruConnect Communications, Inc.	Cellular	C	Los Angeles	CA
View	4002000	Truphone, Inc.	Cellular	D	Durham	NC
View	4112600	Tube Incorporated dba Reach Mobile	Cellular	D	Atlanta	GA
View	4112750	Unity Wireless, Inc.	Cellular	D	Pembroke Pines	FL
View	4110300	UVNV, Inc. d/b/a Mint Mobile	Cellular	C	Costa Mesa	CA
View	10630	Verizon Americas LLC dba Verizon Wireless	Cellular	A	Basking Ridge	NJ
View	4113300	Via Wireless, LLC	Cellular	D	Houston	TX
View	4110800	Visible Service LLC	Cellular	D	Basking Ridge	NJ

View	4113750	VOLT MOBILE Inc	Cellular	D	Delray Beach	FL
View	4114450	WeIncentivize LLC d/b/a ChosenWireless	Cellular	D	San Diego	CA
View	4113000	Whoop Connect Inc.	Cellular	D	Melbourne	FL
View	4106500	WiMacTel, Inc.	Cellular	D	Calgary, AB	CA
View	4110950	Wing Tel Inc.	Cellular	D	New York	NY
View	4113400	Wrizzle, Inc.	Cellular	D	New Milford	CT
View	4113650	XCHANGE TELECOM LLC	Cellular	D	Brooklyn	NY
View	4112150	Zefcom, LLC	Cellular	C	Wichita Falls	TX

EXHIBIT E
FAA

Federal Airways & Airspace
Summary Report: New Construction
Antenna Tower

Airspace User: Not Identified

File: 16147975

Location: Boaz,KY

Latitude: 36°53'41.35"N(36.894819) Longitude: 88°34'37.69"W(-88.577135)

SITE ELEVATION AMSL.....408 ft.

STRUCTURE HEIGHT.....195 ft.

OVERALL HEIGHT AMSL.....603 ft.

NOTICE CRITERIA

- FAR 77.9(a): NNR (DNE 200 ft AGL)
- FAR 77.9(b): NNR (DNE Notice Slope)
- FAR 77.9(c): NNR (Not a Traverse Way)
- FAR 77.9: NNR FAR 77.9 IFR Straight-In Notice Criteria
- FAR 77.9: NNR FAR 77.9 IFR Offset Notice Criteria
- FAR 77.9: NNR (DNE EMI Notice Screening Criteria)
- FAR 77.9(d): NNR (Off Airport Construction)

NR = Notice Required

NNR = Notice Not Required

PNR = Possible Notice Required (depends upon actual IFR procedure) For new construction review Air Navigation Facilities at bottom of this report.

Notice to the FAA is not required at the analyzed location and height for slope, height or Straight-In procedures. Please review the 'Air Navigation' section for notice requirements for offset IFR procedures and EMI. The maximum height to avoid notice is 608 ft AMSL.

OBSTRUCTION STANDARDS

- FAR 77.17(a)(1): DNE 499 ft AGL
- FAR 77.17(a)(2): DNE - Airport Surface
- FAR 77.19(a): DNE - Horizontal Surface
- FAR 77.19(b): DNE - Conical Surface
- FAR 77.19(c): DNE - Primary Surface
- FAR 77.19(d): DNE - Approach Surface
- FAR 77.19(e): DNE - Transitional Surface
- FAR 77.21(a)(1): DNE - Inner Horizontal Surface
- FAR 77.21(a)(2): DNE - Conical Surface
- FAR 77.21(a)(3): DNE - Outer Horizontal Surface
- FAR 77.21(b)(1): DNE - Primary Surface
- FAR 77.21(b)(2): DNE - Clear Zone Surface
- FAR 77.21(b)(3): DNE - Approach Surface
- FAR 77.21(b)(4): DNE - Transitional Surface
- FAR 77.23(b): DNE - Approach Surface

VFR TRAFFIC PATTERN AIRSPACE FOR :M25: MAYFIELD GRAVES COUNTY

Type: A RD: 43132.87 RE: 522.3

- FAR 77.17(a)(1): DNE 499 ft AGL
- FAR 77.17(a)(2): DNE - Greater than 5.99 NM
- VFR Horizontal Surface: DNE
- VFR Conical Surface: DNE
- VFR Primary Surface: DNE
- VFR Approach Surface: DNE
- FVFR Transitional Surface: DNE

VFR TRAFFIC PATTERN AIRSPACE FOR :PAH: BARKLEY RGNL

Type: A RD: 80246.18 RE: 409.4

- FAR 77.17(a)(1): DNE 499 ft AGL

FAR 77.17(a)(2): DNE - Greater than 5.99 NM
 VFR Horizontal Surface: DNE
 VFR Conical Surface: DNE
 VFR Primary Surface: DNE
 VFR Approach Surface: DNE
 FVFR Transitional Surface: DNE

AIR NAVIGATION ELECTRONIC FACILITIES

APCH		FAC	ST	DIST			DELTA	GRND		
IDNT	TYPE	AT	FREQ	VECTOR	(ft)	ELEVA	ST	LOCATION	ANGLE	
BEAR										
PAH	CO	Y	A/G	316.24	82096	+202	KY	PADUCAH	.14	
PAH	ATCT	I	A/G	316.25	82129	+93	KY	BARKLEY	.06	
PAH	LOCALIZER	I	108.5	319.28	83446	+222	KY	REGIONAL RWY 05 BARKLEY	.15	
KPAH	RADAR WXL	Y		318.04	85049	+97	KY	RG PADUCAH WXL	.07	
CNG	VOR/DME	R	113.1	298.7	86471	+118	KY	CUNNINGHAM	.08	
EUY	LOCALIZER	I	110.5	146.79	103416	+23	KY	RWY 23 KYLE-	.01	
CIR	NDB	I	39	287.98	198191	+287	IL	OAKLE CAIRO	.08	
UCY	LOCALIZER	I	109.7	212.96	218750	+297	TN	RWY 01 EVERETT-	.08	
								ST		

CFR Title 47, §1.30000-§1.30004 AM STUDY NOT REQUIRED: Structure is not near a FCC licensed AM station. Movement Method Proof specified in §73.151(c) is not required. Please review AM Station Report for details.

SECTION 2110 FAA EXTENSION, SAFETY AND SECURITY ACT - RURAL AREA ANALYSIS

Object Located Within Rural Area, User has identified location is on or adjacent to Agricultural Land.
 ***** Rural Tower Registration Required Once FAA Begins Program. *****

Airspace® Summary Version 20.11.602

AIRSPACE® and TERPS® are registered ® trademarks of Federal Airways & Airspace® Copyright © 1989 - 2020

18/03/2024 02:46

EXHIBIT F
KENTUCKY AIRPORT ZONING COMMISSION



APPLICATION FOR PERMIT TO CONSTRUCT OR ALTER A STRUCTURE

JURISDICTION

602 KAR 50:030

- Section 1. The commission has zoning jurisdiction over that airspace over and around the public use and military airports within the Commonwealth which lies above the imaginary surface that extends outward and upward at one (1) of the following slopes:
- (1) 100 to one (1) for a horizontal distance of 20,000 feet from the nearest point of the nearest runway of each public use airport and military airport with at least one (1) runway 3,200 feet or more in length; or
 - (2) fifty (50) to one (1) for a horizontal distance of 10,000 feet from the nearest point of the nearest runway of each public use and military airport with its longest runway less than 3,200 feet in length.
- Section 2. The commission has zoning jurisdiction over the use of land and structures within public use airports within the state.
- Section 3. The commission has jurisdiction from the ground upward within the limits of the primary and approach surfaces of each public use airport and military airport as depicted on airport zoning maps approved by the Kentucky Airport Zoning Commission.
- Section 4. The Commission has jurisdiction over the airspace of the Commonwealth that exceeds 200 feet in height above the ground.
- Section 5. The owner or person who has control over a structure which penetrates or will penetrate the airspace over which the Commission has Jurisdiction shall apply for a permit from the Commission in accordance with 602 KAR 50:090.

INSTRUCTIONS

1. "Alteration" means to increase or decrease the height of a structure or change the obstruction marking and lighting.
2. "Applicant" means the person who will own or have control over the completed structure.
3. "Certification by Applicant" shall be made by the individual who will own or control the completed structure; or a partner in a partnership; or the president or authorized officer of a corporation company, or association; or the authorized official of a body politic; or the legally designated representative of a trustee, receiver, or assignee.
4. Prepare the application and forward to the Kentucky Dept. of Aviation, ATTN: Airport Zoning Commission, 90 Airport Drive, Frankfort KY 40601. For questions, telephone 502-564-0151.
5. The statutes applicable to the Kentucky Airport Commission are KRS 183.861 to 183.990 and the administrative regulations are 602 KAR Chapter 50.
6. When applicable, attach the following appendices to the application:
 - Appendix A. A 7.5 minute quadrangle topographical map prepared by the U.S. Geological Survey and the Kentucky Geological Survey with the exact location of the structure which is the subject of the application indicated thereon. (*The 7.5 minute quadrangle map may be obtained from the Kentucky Geological Survey, Department of Mines and Minerals, Lexington, KY 40506.*)
 - Appendix B. For structures on or very near to property of a public use airport, a copy of the airport layout drawing (ALP) with the exact location of the structure which is the subject of this application indicated thereon. (*The ALP may be obtained from the Chairperson of the local airport board or the Kentucky Airport Zoning Commission.*)
 - Appendix C. Copies of Federal Aviation Administration Applications (*FFA Form 7460-1*) or any orders issued by the manager, Air Traffic Division, FAA regional office.
 - Appendix D. If the applicant has indicated in item number 7 of the application that the structure will not be marked or lighted in accordance with the regulations of the Commission, the applicant shall attach a written request for a determination by the commission that the marking and lighting are not necessary. The applicant shall specifically state the reasons that the absence of marking and lighting will not impair the safety of air navigation.
 - Appendix E. The overall height in feet of the overhead transmission line or static wire above ground level or mean water level with span length 1,000 feet and over shall be depicted on a blueprint profile map.

PENALTIES

1. Persons failing to comply with the Airport Zoning Commission statutes and regulations are liable for a fine or imprisonment as set forth in KRS 183.990(3).
2. Applicants are cautioned: Noncompliance with Federal Aviation Administration Regulations may provide for further penalties.



APPLICATION FOR PERMIT TO CONSTRUCT OR ALTER A STRUCTURE

APPLICANT (name) AT&T-New Cellsite "Kaler Mill"		PHONE 919-760-7923		
ADDRESS (street) 1950 State Route 1684		CITY Boaz	STATE KY	ZIP 42027
APPLICANT'S REPRESENTATIVE (name) Tania Rogers		PHONE 919-760-7923		
ADDRESS (street) 10 Church Street		CITY Annapolis	STATE MD	ZIP 21401
APPLICATION FOR <input checked="" type="checkbox"/> New Construction <input type="checkbox"/> Alteration <input type="checkbox"/>			WORK SCHEDULE	
DURATION <input checked="" type="checkbox"/> Permanent <input type="checkbox"/> Temporary (months days)			Start	End 10-5-24/4-1-2025
TYPE <input type="checkbox"/> Crane <input type="checkbox"/> Building <input type="checkbox"/> Antenna <input checked="" type="checkbox"/> Tower Other (describe) <input type="checkbox"/> Power Line <input type="checkbox"/>		MARKING/PAINTING/LIGHTING PREFERRED <input type="checkbox"/> Flag-Orange & White White- medium intensity <input type="checkbox"/> Dual- red & medium intensity white <input type="checkbox"/> Dual- red & high intensity white <input checked="" type="checkbox"/> Other		
LATITUDE 36 ° 53 ' 41.34 "		LONGITUDE -88 ° 34 ' 37 . 685 "		DATUM <input checked="" type="checkbox"/> NAD83 <input type="checkbox"/> NAD27 <input type="checkbox"/> Other
NEAREST KENTUCKY City Boaz		Name and Phone # of on-site POC N/A		
SITE ELEVATION (AMSL, feet) 408		TOTAL STRUCTURE HEIGHT (AGL, feet) 195		CURRENT (FAA aeronautical study #) N/A
OVERALL HEIGHT (site elevation plus total structure height, feet) 603			PREVIOUS (FAA aeronautical study #) N/A	
DISTANCE (from nearest Kentucky public use or Military airport to structure) 23 miles Barkley Regional Airport				
DIRECTION (from nearest Kentucky public use or Military airport to structure) <small>Drive from KY-649 W, Us -45 N , Lovelaceville Florence Sta Rd W, Mayfield Rd and St Hwy 756</small>				
DESCRIPTION OF LOCATION (Marked drawing, Google Map, or any certified survey.) New tower with proposed 190 monopole with 5' lightning arrestor. Will have a WUC and generator on a 10x17 pad.				
DESCRIPTION OF PROPOSAL Accessing site from state route 1684. There will be a proposed 30' access and utility easement to the proposed 100x100 lease area.				
FAA Form 7460-1 (Has the "Notice of Construction or Alteration" been filed with the Federal Aviation Administration?) <input checked="" type="checkbox"/> No <input type="checkbox"/> Yes, when?				
CERTIFICATION (I hereby certify that all the above entries, made by me, are true, complete, and correct to the best of my knowledge and belief.)				
PENALTIES (Persons failing to comply with KRS 183.861 to 183.990 and 602 KAR 050 are liable for fines and/or imprisonment as set forth in KRS 183.990(3). Noncompliance with FAA regulations may result in further penalties.)				
NAME Tania Rogers	TITLE Project Manager	SIGNATURE <i>Tania Rogers</i>	DATE 3-14-24	

EXHIBIT G
GEOTECHNICAL REPORT

GEOTECHNICAL REPORT

KALER MILL

(16147975)

36° 53' 41.35" N

88° 34' 37.69" W

Kentucky Highway 1684
Boaz, Graves County, Kentucky

Prepared For:



Prepared By:





April 11, 2024

Ms. Michelle Ward
AT&T Mobility, LLC
1120 20th Street
Washington, DC 20036

Re: Geotechnical Report – **PROPOSED MONOPOLE TOWER**
Site Name: **Kaler Mill**
Site Address: Kentucky Highway 1684, Boaz, Graves County, Kentucky
Coordinates: N36° 53' 41.35" W88° 34' 37.69"
POD Project No. 23-157981

Dear Ms. Michelle Ward:

Attached is our geotechnical engineering report for the referenced project. This report contains our findings, an engineering interpretation of these findings with respect to the available project characteristics, and recommendations to aid design and construction of the tower and equipment support foundations.

We appreciate the opportunity to be of service to you on this project. If you have any questions regarding this report, please contact our office.

Cordially,

Mark Patterson, P.E.
Geotechnical Engineer



Copies submitted: (3) Ms. Michelle Ward

LETTER OF TRANSMITTAL

TABLE OF CONTENTS

	<u>Page</u>
1. PURPOSE AND SCOPE.....	1
2. PROJECT CHARACTERISTICS	1
3. SUBSURFACE CONDITIONS	1
4. FOUNDATION DESIGN RECOMMENDATIONS	2
4.1. PROPOSED TOWER	2
4.1.1. Drilled Piers	3
4.1.2. Mat Foundation	4
4.2. EQUIPMENT PLATFORM.....	4
4.3. EQUIPMENT SLAB.....	4
4.4. EQUIPMENT BUILDING	4
4.5. DRAINAGE AND GROUNDWATER CONSIDERATIONS	5
5. GENERAL CONSTRUCTION PROCEDURES AND RECOMMENDATIONS.....	5
5.1 DRILLED PIERS	5
5.2 FILL COMPACTION	6
5.3 CONSTRUCTION DEWATERING	6
6 FIELD INVESTIGATION	7
7 WARRANTY AND LIMITATIONS OF STUDY	7

APPENDIX

BORING LOCATION PLAN
BORING LOG
SOIL SAMPLE CLASSIFICATION

Geotechnical Report
PROPOSED MONOPOLE TOWER

Site Name: **Kaler Mill**
Kentucky Highway 1684, Boaz, Graves County, Kentucky
N36° 53' 41.35" W88° 34' 37.69"

1. PURPOSE AND SCOPE

The purpose of this study was to determine the general subsurface conditions at the site of the proposed tower by drilling three borings and to evaluate this data with respect to foundation concept and design for the proposed tower and shelter. Also included is an evaluation of the site with respect to potential construction problems and recommendations dealing with quality control during construction.

2. PROJECT CHARACTERISTICS

Our client is proposing to construct a tower and either an equipment shelter, slab or platform at N36° 53' 41.35" W88° 34' 37.69", Kentucky Highway 1684, Boaz, Graves County, Kentucky. The site located in a farm field on KY Hwy 1684 on the east of Boaz. The proposed lease area will be 10,000 square feet and will be accessed from KY Hwy 1684 east to the proposed lease area. The elevation at the proposed tower location is about EL 408 and there is about 4 feet change in elevation across the proposed lease area. The development will also include a small equipment shelter near the base of the tower. The proposed tower location is shown on the Boring Location Plan in the Appendix.

3. SUBSURFACE CONDITIONS

The subsurface conditions were explored by drilling three test borings near the base of the proposed tower. The Geotechnical Soil Test Boring Logs, which are included in the Appendix, describes the materials and conditions encountered. A sheet defining the terms and symbols used on the boring logs is also included in the Appendix. The general subsurface conditions disclosed by the test borings are discussed in the following paragraphs.

According to the Kentucky Geological Survey, Kentucky Geologic Map Information Services, the site is underlain by Continental Deposits of gravel, sand and clay with chert. There is no karst activity in this area.

The borings encountered between topsoil at the existing ground surface. Below the topsoil, the borings encountered silty clay (CL-CH) of medium to high plasticity. The SPT N-values in the silty soil were between 6 to over 50 blows per foot (bpf) generally indicating a medium stiff to hard consistency. Chert fragments in the soil may have artificially increased the blows counts. Borings B-2 and B-3 were terminated in the silty clay at the scheduled depth of 20 feet.

Boring B-1 encountered fine sand (SP) that was medium dense to dense with SPT N-values ranging from 22 to 40 from about 33.5 feet to the scheduled termination depth 40 feet.

Observations made at the completion of soil drilling operations indicated the boring to be dry. It must be noted, however, that short-term water readings in test borings are not necessarily a reliable indication of the actual groundwater level. Furthermore, it must be emphasized that the groundwater level is not stationary, but will fluctuate seasonally.

Based on the limited subsurface conditions encountered at the site and using Table 1615.1.1 of the 2018 Kentucky Building Code, the site class is considered "C". Seismic design requirements for telecommunication towers are given in section 1622 of the code. A detailed seismic study was beyond the scope of this report.

4. FOUNDATION DESIGN RECOMMENDATIONS

The following design recommendations are based on the previously described project information, the subsurface conditions encountered in our borings, the results of our laboratory testing, empirical correlations for the soil types encountered, our analyses, and our experience. If there is any change in the project criteria or structure location, you should retain us to review our recommendations so that we can determine if any modifications are required. The findings of such a review can then be presented in a supplemental report or addendum.

We recommend that the geotechnical engineer be retained to review the near-final project plans and specifications, pertaining to the geotechnical aspects of the project, prior to bidding and construction. We recommend this review to check that our assumptions and evaluations are appropriate based on the current project information provided to us, and to check that our foundation and earthwork recommendations were properly interpreted and implemented.

4.1. Proposed Tower

Our findings indicate that the proposed tower can be supported on drilled piers or on a common mat foundation.

4.1.1. Drilled Piers

The following table summarizes the recommended values for use in analyzing lateral and frictional resistance for the various strata encountered at the test boring. It is important to note that these values are estimated based on the standard penetration test results and soil types, and were not directly measured. The all values provided are ultimate values and appropriate factors of safety should be used in conjunction with these values. If the piers will bear deeper than about 40 feet, a deeper boring should be drilled to determine the nature of the deeper material.

2Depth Below Ground Surface, feet	0 – 3	3 - 23	23 - 33	33 - 40
Ultimate Bearing Pressure (psf)		13,800	8,300	29,500
C	500	2,500	1,500	0
Undrained Shear Strength, psf				
ϕ	0	0	0	32°
Angle of Internal Friction degrees				
Total Unit Weight, pcf	110	120	120	90
Soil Modulus Parameter k, pci	30	750	750	90
Passive Soil Pressure, psf/one foot of depth		1,675 + 40(D-3)	1,000 + 40(D-23)	360 (D ²)
Side Friction, psf	100	500	300	2,500

Note: D = Depth below ground surface (in feet) to point at which the passive pressure is calculated.

It is important that the drilled piers be installed by an experienced, competent drilled pier contractor who will be responsible for properly installing the piers in accordance with industry standards and generally accepted methods, without causing deterioration of the subgrade. The recommendations contained herein relate only to the soil-pier interaction and do not account for the structural design of the piers.

4.1.2. Mat Foundation

A common mat foundation may be used for the tower. The foundation can be designed using a net ultimate bearing pressure of 7,000 pounds per square foot. The foundation should bear at a minimum depth of 4 feet. A friction value of 0.30 may be used between the concrete and the clay soil. The passive pressures given for the drilled pier foundation may be used to resist lateral forces.

It is important that the mat be designed with an adequate factor of safety with regard to overturning under the maximum design wind load.

4.2. Equipment Platform

An equipment platform may be supported on shallow piers bearing in the natural clay and designed for a net ultimate soil pressure of 5,000 pounds per square foot. The piers should bear at a depth of at least 30 inches to minimize the effects of frost action. All existing topsoil or soft natural soil should be removed beneath footings.

4.3. Equipment Slab

A concrete slab supporting the equipment must be supported on at least 6-inch layer of relatively clean granular material such as gravel or crushed stone containing not more than 10 percent material that passes through a No. 4 sieve. This is to help distribute concentrated loads and equalize moisture conditions beneath the slab. Provided that a minimum of 6 in. of granular material is placed below the slab, a modulus of subgrade reaction (k_{30}) of 110 lbs/cu.in. can be used for design of the slab. All existing topsoil or soft natural soil should be removed beneath crushed stone layer.

4.4. Equipment Building

If an equipment building support on a slab is chosen in place of the equipment platform, it may be supported on shallow spread footings bearing in the natural clay soil and designed for a net ultimate soil pressure of 5,000 pounds per square foot.

The footings should be at least ten inches wide. If the footings bear on soil they should bear at a depth of at least 30 inches to minimize the effects of frost action. All existing topsoil or soft natural soil should be removed beneath footings.

The floor slab for the new equipment building can be supported on firm natural soils or on new compacted structural fill. Floor slabs must be supported on at least 4-inch layer of relatively clean granular material such as gravel or crushed stone containing not more than 10 percent material that passes through a No. 4 sieve. This is to help distribute concentrated loads and equalize moisture conditions beneath the slab. Provided that a minimum of 4 in. of granular material is placed below the slab, a modulus of subgrade reaction (k_{30}) of 110 lbs/cu.in. can be used for design of the floor slabs.

4.5. Drainage and Groundwater Considerations

Good site drainage must be provided. Surface run-off water should be drained away from the tower and platform and not allowed to pond. It is recommended that all foundation concrete be placed the same day the excavation is made.

At the time of this investigation, groundwater was not encountered and no special provisions regarding groundwater control are considered necessary for shallow foundations. Any seepage should be able to be pumped with sumps.

5. GENERAL CONSTRUCTION PROCEDURES AND RECOMMENDATIONS

It is possible that variations in subsurface conditions will be encountered during construction. Although only minor variations that can be readily evaluated and adjusted for during construction are anticipated, it is recommended the geotechnical engineer, or a qualified representative be retained to perform continuous inspection and review during construction of the soils-related phases of the work. This will permit correlation between the test boring data and the actual soil conditions encountered during construction.

5.1 Drilled Piers

The following recommendations are recommended for drilled pier construction:

- All piers must be poured the same day drilling is completed so that any shale is not allowed to swell. Clean the foundation bearing area so it is nearly level or suitably benched and is free of ponded water or loose material.
- Make provisions for ground water removal from the drilled shaft excavation. While the borings were dry at completion and significant seepage is not anticipated, the drilled pier contractor should have pumps on hand to remove water in the event seepage into the drilled pier is encountered.
- Specify concrete slumps ranging from 4 to 7 inches for the drilled shaft construction. These slumps are recommended to fill irregularities along the sides and bottom of the drilled hole, displace water as it is placed, and permit placement of reinforcing cages into the fluid concrete.

- ◀ Retain the geotechnical engineer to observe foundation excavations after the bottom of the hole is leveled, cleaned of any mud or extraneous material, and dewatered.
- ◀ Install a temporary protective steel casing to prevent side wall collapse, prevent excessive mud and water intrusion in the drilled shaft.
- ◀ The protective steel casing may be extracted as the concrete is placed provided a sufficient head of concrete is maintained inside the steel casing to prevent soil or water intrusion into the newly placed concrete.
- ◀ Direct the concrete placement into the drilled hole through a centering chute to reduce side flow or segregation.

5.2 Fill Compaction

All engineered fill placed adjacent to and above the tower foundation should be compacted to a dry density of at least 95 percent of the standard Proctor maximum dry density (ASTM D-698). This minimum compaction requirement should be increased to 98 percent for any fill placed below the tower foundation bearing elevation. Any fill placed beneath the tower foundation should be limited to well-graded sand and gravel or crushed stone. The compaction should be accomplished by placing the fill in about 8 inch (or less) loose lifts and mechanically compacting each lift to at least the specified minimum dry density. Field density tests should be performed on each lift as necessary to ensure that adequate moisture conditioning and compaction is being achieved.

Compaction by flooding is not considered acceptable. This method will generally not achieve the desired compaction and the large quantities of water will tend to soften the foundation soils.

5.3 Construction Dewatering

If groundwater is encountered in the shallow foundations, it should be minor and can be handled by conventional dewatering methods such as pumping from sumps.

If groundwater is encountered in the drilled pier excavations, it may be more difficult since pumping directly from the excavations could cause a deterioration of the bottom of the excavation. If the pier excavations are not dewatered, concrete should be placed by the tremie method. If groundwater sits on the bottom of the foundation for longer than an hour, the bottom should be cleaned again before the pier is poured.

6 FIELD INVESTIGATION

Three soil test boring was drilled near the base of the existing tower. Split-spoon samples were obtained by the Standard Penetration Test (SPT) procedure (ASTM D1586) in all test borings. The borings were terminated at the scheduled depths of 20 and 40 feet. The split-spoon samples were inspected and visually classified by a geotechnical engineer. Representative portions of the soil samples were sealed in glass jars and returned to our laboratory.

The boring log is included in the Appendix along with a sheet defining the terms and symbols used on the logs and an explanation of the Standard Penetration Test (SPT) procedure. The log presents visual descriptions of the soil strata encountered, Unified System soil classifications, groundwater observations, sampling information, laboratory test results, and other pertinent field data and observations.

7 WARRANTY AND LIMITATIONS OF STUDY

Our professional services have been performed, our findings obtained, and our recommendations prepared in accordance with generally accepted geotechnical engineering principles and practices. This warranty is in lieu of all other warranties, either express or implied. POD Group is not responsible for the independent conclusions, opinions or recommendations made by others based on the field exploration and laboratory test data presented in this report.

A geotechnical study is inherently limited since the engineering recommendations are developed from information obtained from test borings, which depict subsurface conditions only at the specific locations, times and depths shown on the log. Soil conditions at other locations may differ from those encountered in the test borings, and the passage of time may cause the soil conditions to change from those described in this report.

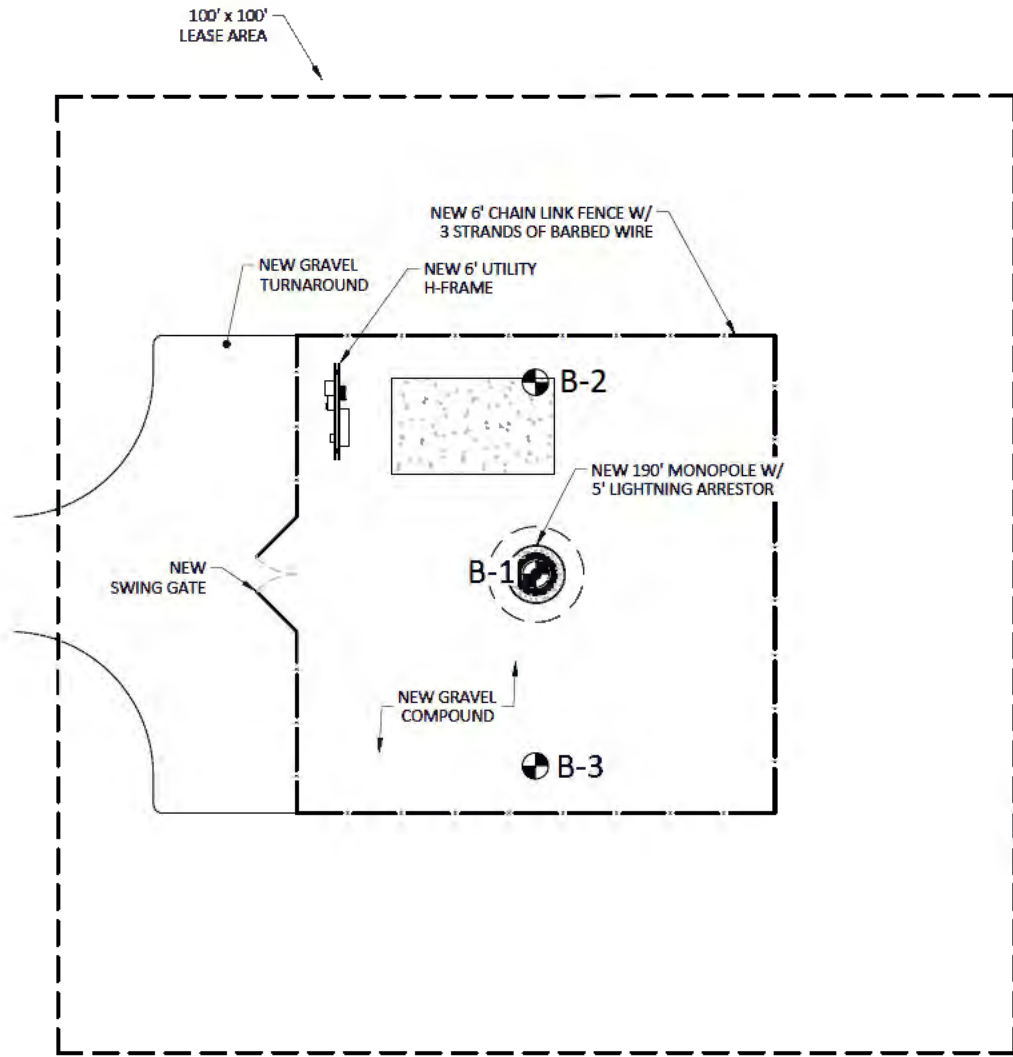
The nature and extent of variation and change in the subsurface conditions at the site may not become evident until the course of construction. Construction monitoring by the geotechnical engineer or a representative is therefore considered necessary to verify the subsurface conditions and to check that the soils connected construction phases are properly completed. If significant variations or changes are in evidence, it may then be necessary to reevaluate the recommendations of this report. Furthermore, if the project characteristics are altered significantly from those discussed in this report, if the project information contained in this report is incorrect, or if additional information becomes available, a review must be made by this office to determine if any modification in the recommendations will be required.

APPENDIX


BORING LOCATION PLAN

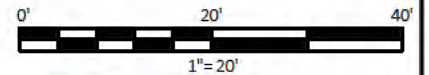
BORING LOG


SOIL SAMPLE CLASSIFICATION



LEGEND

 BORING LOCATION



SHEET TITLE: BORING LOCATION PLAN	FA NUMBER: 16147975	SITE INFORMATION: KALER MILL STATE HIGHWAY - 1684 BOAZ, KY 42027 GRAVES COUNTY	PREPARED BY:  POD POWER OF DESIGN 11490 BLUEGRASS PKWY LOUISVILLE, KY 40299 502-437-5252
	LATITUDE: 36° 53' 41.35" N LONGITUDE: 88° 34' 37.68" W		
SHEET NUMBER: 1	POD NUMBER: 23-157902 DRAWN BY: CR CHECKED BY: MEP DATE: 4.3.2024		



Boring Log

Boring: B-1

Page 1 of 1

Project: Kaler Mill

City, State

Boaz, KY

Method: S.F.A.

Boring Date: 30-Mar-24

Location: Proposed Tower

Inside Diameter:

Drill Rig Type: D-25 Truck

Hammer Type: Auto

Groundwater: DRY

Weather:

Driller: Cornerstone Geotach Serv

Note: Topsoil were encountered at the ground surface

From (ft)	To (ft)	Material Description	Sample Depth (ft)	Sample Type	Blows per 6-inch increment	Recovery (in)	SPT-N value	Rock Quality (RQD,%)	Atterberg Limits	Moisture Content (%)	% Fines (clay & silt)	Unconfined Compressive Strength (ksf)
0.0	33.5	SILTY CLAY (CL-CH) - medium stiff. brown	1-2.5	SS	2, 3, 5		8,			22%		
	3.5	- very stiff to hard, dry, brown and light gray mottled	3.5-5	SS	6, 14, 18		32,			15%		
			6-7.5	SS	12, 15, 18		33,		CL	13%		
			8.5-10	SS	13, 13, 18		31,			12%		
	13.5	- trace fine sand	13.5-15	SS	16, 15, 17		32,			10%		
	18.5	- hard with chert fragments	18.5-20	SS	16, 10, 10		20,			12%		
	23.5	- medium stiff	23.5-25	SS	5, 4, 6		10,		CL	23%		
	28.5	- stiff	28.5-30	SS	5, 6, 9		15,			17%		
33.5	40.0	SAND (SP) - medium dense, orange brown with trace clay	33.5-35	SS	11, 10, 12		22,			15%		
	38.5	- tan fine sand	38.5-40	SS	11, 20, 20		40,			8%		
		Boring Terminated at 40 feet										



Boring Log

Boring: B-2
Page 1 of 1

Project: **Kaler Mill** **City, State** **Boaz, KY**

Method: **S.F.A.** **Boring Date:** **30-Mar-24** **Location:** **Proposed Tower**

Inside Diameter: **Drill Rig Type:** **D-25 Truck** **Hammer Type:** **Auto**

Groundwater: **DRY** **Weather:**

Driller: **Cornerstone Geotach Serv** **Note:** **Topsoil were encountered at the ground surface**

From (ft)	To (ft)	Material Description	Sample Depth (ft)	Sample Type	Blows per 6-inch increment	Recovery (in)	SPT-N value	Rock Quality (RQD,%)	Atterberg Limits	Moisture Content (%)	% Fines (clay & silt)	Unconfined Compressive Strength, (ksf)
0.0	20.0	SILTY CLAY (CL-CH) - stiff. Brown-light gray mottled										
	3.5	- very stiff	1-2.5	SS	2, 4, 7		11,					
	6.0	- dry	3.5 - 5	SS	6, 9, 11		20,					
	8.5	- hard	6 - 7.5	SS	7, 11, 14		25,					
	13.5	- trace chert fragments	8.5 - 10	SS	8, 23, 28		51,					
	18.5	- trace fine sand	13.5-15	SS	7, 19, 34		53,					
		Boring Terminated at 20 feet	18.5-20	SS	10, 8, 21		29,					



Boring Log

Boring: B-3

Page 1 of 1

Project: Kaler Mill

City, State

Boaz, KY

Method: S.F.A.

Boring Date: 30-Mar-24

Location: Proposed Tower

Inside Diameter:

Drill Rig Type: D-25 Truck

Hammer Type: Auto

Groundwater: DRY

Weather:

Driller: Cornerstone Geotach Serv

Note: Topsoil were encountered at the ground surface

From (ft)	To (ft)	Material Description	Sample Depth (ft)	Sample Type	Blows per 6-inch increment	Recovery (in)	SPT-N value	Rock Quality (RQD,%)	Atterberg Limits	Moisture Content (%)	% Fines (clay & silt)	Unconfined Compressive Strength, (ksf)
0.0	18.5	SILTY CLAY (CL-CH) - medium stiff. Brown-light gray mottled	1-2.5	SS	2, 3, 3		6,					
	3.5		- very stiff, moist	3.5 - 5	SS	5, 7, 15		22,				
	6.0		- dry, trace chert fragments	6 - 7.5	SS	9, 13, 19		32,				
	8.5		- hard	8.5 - 10	SS	8, 14, 23		37,				
				13.5-15	SS	9, 34, 26		60,				
18.5	20.0	SAND (SP) - medium dense, fine, trace clay and chert fragments	18.5-20	SS	6, 5, 9		14,					
		Boring Terminated at 20 feet										

SOIL SAMPLE CLASSIFICATION

FINE AND COARSE GRAINED SOIL INFORMATION						
COARSE GRAINED SOILS (SANDS & GRAVELS)		FINE GRAINED SOILS (SILTS & CLAYS)			PARTICLE SIZE	
N	Relative Density	N	Consistency	Qu, KSF Estimated		
0-4	Very Loose	0-1	Very Soft	0-0.5	Boulders	Greater than 300 mm (12 in)
5-10	Loose	2-4	Soft	0.5-1	Cobbles	75 mm to 300 mm (3 to 12 in)
11-20	Firm	5-8	Firm	1-2	Gravel	4.74 mm to 75 mm (3/16 to 3 in)
21-30	Very Firm	9-15	Stiff	2-4	Coarse Sand	2 mm to 4.75 mm
31-50	Dense	16-30	Very Stiff	4-8	Medium Sand	0.425 mm to 2 mm
Over 50	Very Dense	Over 31	Hard	8+	Fine Sand	0.075 mm to 0.425 mm
					Silts & Clays	Less than 0.075 mm

The **STANDARD PENETRATION TEST** as defined by ASTM D 1586 is a method to obtain a disturbed soil sample for examination and testing and to obtain relative density and consistency information. A standard 1.4-inch I.D./2-inch O.D. split-barrel sampler is driven three 6-inch increments with a 140 lb. hammer falling 30 inches. The hammer can either be of a trip, free-fall design, or actuated by a rope and cathead. The blow counts required to drive the sampler the final two increments are added together and designate the N-value defined in the above tables.

ROCK PROPERTIES			
ROCK QUALITY DESIGNATION (RQD)		ROCK HARDNESS	
Percent RQD	Quality		
0-25	Very Poor	Very Hard:	Rock can be broken by heavy hammer blows.
25-50	Poor	Hard:	Rock cannot be broken by thumb pressure, but can be broken by moderate hammer blows.
50-75	Fair	Moderately Hard:	Small pieces can be broken off along sharp edges by considerable hard thumb pressure; can be broken with light hammer blows.
75-90	Good	Soft:	Rock is coherent but breaks very easily with thumb pressure at sharp edges and crumbles with firm hand pressure.
90-100	Excellent	Very Soft:	Rock disintegrates or easily compresses when touched; can be hard to very hard soil.

Recovery =	$\frac{\text{Length of Rock Core Recovered}}{\text{Length of Core Run}} \times 100$	63 REC	BQ	1-7/16
		NQ	NQ	1-7/8
RQD =	$\frac{\text{Sum of 4 in. and longer Rock Pieces Recovered}}{\text{Length of Core Run}} \times 100$	43 RQD	HQ	2-1/2

SYMBOLS

KEY TO MATERIAL TYPES		SOIL PROPERTY SYMBOLS	
SOILS		ROCKS	
Group Symbols	Typical Names	Symbols	Typical Names
GW	Well graded gravel - sand mixture, little or no fines		Limestone or Dolomite
GP	Poorly graded gravels or gravel - sand mixture, little or no fines		Shale
GM	Silty gravels, gravel - sand silt mixtures		Sandstone
GC	Clayey gravels, gravel - sand - clay mixtures		
SW	Well graded sands, gravelly sands, little or no fines		
SP	Poorly graded sands or gravelly sands, little or no fines		
SM	Silty sands, sand - silt mixtures		
SC	Clayey sands, sand - clay mixtures		
ML	Inorganic silts and very fine sands, rock flour, silty or clayey fine sands, or clayey silts		
OL	Organic silts and organic silty clays of low plasticity		
CL	Inorganic clays of low range plasticity, gravelly clays, sandy clays, silty clays, lean clays		
MH	Inorganic silts, micaceous or diatomaceous fine sandy or silty soils, elastic silts		
CH	Inorganic clays of high range plasticity, fat clays		

SAMPLING SYMBOLS	
SS	Split Spoon Sample
	Relatively Undisturbed Sample
	Rock Core Sample

EXHIBIT H
DIRECTIONS TO WCF SITE

Driving Directions to Proposed Tower Site

1. Beginning at 1102 Paris Road, Mayfield, KY 42066, turn left onto Barton Drive then travel approximately 0.1 miles.
2. Turn right onto S. Commonwealth Drive and travel approximately 384 feet.
3. Turn left and travel approximately 413 feet.
4. Turn left onto KY-121 Bypass S and travel approximately 1.6 miles.
5. Turn right onto KY-58 E and travel approximately 1.7 miles.
6. Turn left onto KY-131 N and travel approximately 7.9 miles.
7. Turn left onto KY-1684 N and travel approximately 2.0 miles.
8. The access road to the site is located on the right. The site address is 1950 State Route 1684, Boaz, KY 42027.
9. The site coordinates are:
 - 36° 53' 41.349908" North latitude
 - 88° 34' 37.685318" West longitude



Prepared by:
Chris Shouse
Pike Legal Group
1578 Highway 44 East, Suite 6
P.O. Box 396
Shepherdsville, KY 40165-3069
Telephone: 502-955-4400 or 800-516-4293

EXHIBIT I
COPY OF REAL ESTATE AGREEMENT

Market: KY/TN
Cell Site Number: SIKY010174
Cell Site Name: Kaler Mill
Fixed Asset Number: J6147975

OPTION AND LAND LEASE AGREEMENT

THIS OPTION AND LAND LEASE AGREEMENT ("Agreement"), dated as of the latter of the signature dates below (the "Effective Date"), is entered into by Robert O. Davis and wife, Cynthia M. Davis, having a mailing address of 5972 State Route 849 E Boaz, KY 42027 ("Landlord") and New Cingular Wireless PCS, LLC, a Delaware limited liability company, having a mailing address of 1025 Lenox Park Blvd NE, 3rd Floor, Atlanta, GA 30319 ("Tenant").

BACKGROUND

Landlord owns or controls that certain plot, parcel or tract of land, as described on Exhibit 1, together with all rights and privileges arising in connection therewith, located at Parcel ID#115.00.00.021.00, in the County of Graves, State of Kentucky (collectively, the "Property"). Landlord desires to grant to Tenant the right to use a portion of the Property in accordance with this Agreement.

The parties agree as follows:

1. OPTION TO LEASE.

(a) Landlord grants to Tenant an exclusive option (the "Option") to lease a certain portion of the Property containing approximately 10,000 square feet including the air space above such ground space, as described on attached Exhibit 1, (the "Premises"), for the placement of a Communication Facility in accordance with the terms of this Agreement.

(b) During the Option Term, and during the Term, Tenant and its agents, engineers, surveyors and other representatives will have the right to enter upon the Property to inspect, examine, conduct soil borings, drainage testing, material sampling, radio frequency testing and other geological or engineering tests or studies of the Property (collectively, the "Tests"), to apply for and obtain licenses, permits, approvals, or other relief required of or deemed necessary or appropriate at Tenant's sole discretion for its use of the Premises and include, without limitation, applications for zoning variances, zoning ordinances, amendments, special use permits, and construction permits (collectively, the "Government Approvals"), initiate the ordering and/or scheduling of necessary utilities, and otherwise to do those things on or off the Property that, in the opinion of Tenant, are necessary in Tenant's sole discretion to determine the physical condition of the Property, the environmental history of the Property, Landlord's title to the Property and the feasibility or suitability of the Property for Tenant's Permitted Use, all at Tenant's expense. Tenant will not be liable to Landlord or any third party on account of any pre-existing defect or condition on or with respect to the Property, whether or not such defect or condition is disclosed by Tenant's inspection. Tenant will restore the Property to its condition as it existed at the commencement of the Option Term, reasonable wear and tear and loss by casualty or other causes beyond Tenant's control excepted.

(c) In consideration of Landlord granting Tenant the Option, Tenant agrees to pay Landlord the sum of [REDACTED] within ninety (90) business days after the Effective Date. The Option may be exercised during an initial term of one (1) year commencing on the Effective Date (the "Initial Option Term") which term may be renewed by Tenant for an additional one (1) year (the "Renewal Option Term") upon written notification to Landlord and the payment of an additional [REDACTED] no later than five (5) days prior to the expiration date of the Initial Option Term. The Initial Option Term and any Renewal Option Term are collectively referred to as the "Option Term."

(d) The Option may be sold, assigned or transferred at any time by Tenant without the written consent of Landlord. Upon notification to Landlord of such sale, assignment or transfer, Tenant shall immediately

be released from any and all liability under this Agreement, including the payment of any rental or other sums due, without any further action.

(e) During the Option Term, Tenant may exercise the Option by notifying Landlord in writing. If Tenant exercises the Option, then Landlord leases the Premises to Tenant subject to the terms and conditions of this Agreement. If Tenant does not exercise the Option during the Initial Option Term or any extension thereof, then this Agreement will terminate, and the parties will have no further liability to each other.

(f) If during the Option Term, or during the Term if the Option is exercised, Landlord decides to subdivide, sell, or change the status of the zoning of the Premises, the Property or any of Landlord's contiguous, adjoining or surrounding property (the "Surrounding Property"), or in the event of a threatened foreclosure on any of the foregoing, Landlord shall immediately notify Tenant in writing. Landlord agrees that during the Option Term, or during the Term if the Option is exercised, Landlord shall not initiate or consent to any change in the zoning of the Premises, the Property or the Surrounding Property or impose or consent to any other use or restriction that would prevent or limit Tenant from using the Premises for the Permitted Use. Any and all terms and conditions of this Agreement that by their sense and context are intended to be applicable during the Option Term shall be so applicable.

2. **PERMITTED USE.** Tenant may use the Premises for the transmission and reception of communications signals and the installation, construction, maintenance, operation, repair, replacement and upgrade of communications fixtures and related equipment, cables, accessories and improvements, which may include a suitable support structure ("Structure"), associated antennas, equipment shelters or cabinets and fencing and any other items necessary to the successful and secure use of the Premises (the "Communication Facility"), as well as the right to test, survey and review title on the Property; Tenant further has the right but not the obligation to add, modify and/or replace equipment in order to be in compliance with any current or future federal, state or local mandated application, including, but not limited to, emergency 911 communication services, (collectively, the "Permitted Use"). Landlord and Tenant agree that any portion of the Communication Facility that may be conceptually described on Exhibit 1 will not be deemed to limit Tenant's Permitted Use. If Exhibit 1 includes drawings of the initial installation of the Communication Facility, Landlord's execution of this Agreement will signify Landlord's approval of Exhibit 1. For a period of ninety (90) days following the start of construction, Landlord grants Tenant, its subtenants, licensees and sublicensees, the right to use Landlord's contiguous, adjoining or surrounding property (the "Surrounding Property") as may reasonably be required during construction and installation of the Communication Facility. Tenant has the right to install and operate transmission cables from the equipment shelter or cabinet to the antennas, electric lines from the main feed to the equipment shelter or cabinet and communication lines from the Property's main entry point to the equipment shelter or cabinet, install a generator and to make other improvements, alterations, upgrades or additions appropriate for Tenant's Permitted Use, including the right to construct a fence around the Premises or equipment, install warning signs to make individuals aware of risks, install protective barriers, install any other control measures reasonably required by Tenant's safety procedures or applicable law, and undertake any other appropriate means to secure the Premises or equipment at Tenant's expense. Tenant has the right to modify, supplement, replace, upgrade, expand the Communication Facility (including, for example, increasing the number of antennas or adding microwave dishes) or relocate the Communication Facility within the Premises at any time during the Term. Tenant will be allowed to make such alterations to the Property in order to ensure that the Communication Facility complies with all applicable federal, state or local laws, rules or regulations. In the event Tenant desires to modify or upgrade the Communication Facility, in a manner that requires an additional portion of the Property (the "Additional Premises") for such modification or upgrade, Landlord agrees to lease to Tenant the Additional Premises, upon the same terms and conditions set forth herein, except that the Rent shall increase, in conjunction with the lease of the Additional Premises by the amount equivalent to the then-current per square foot rental rate charged by Landlord to Tenant times the square footage of the Additional Premises. Landlord agrees to take such actions and enter into and deliver to Tenant such documents as Tenant reasonably requests in order to effect and memorialize the lease of the Additional Premises to Tenant.

3. **TERM.**

(a) The initial lease term will be five (5) years (the "Initial Term"), commencing on the effective date of written notification by Tenant to Landlord of Tenant's exercise of the Option (the "Term Commencement Date"). The Initial Term will terminate on the fifth (5th) anniversary of the Term Commencement Date.

(b) This Agreement will automatically renew for seventeen (17) additional five (5) year term(s) (each additional five (5) year term shall be defined as an "Extension Term"), upon the same terms and conditions set forth herein unless Tenant notifies Landlord in writing of Tenant's intention not to renew this Agreement at least sixty (60) days prior to the expiration of the Initial Term or the then-existing Extension Term.

(c) Unless (i) Landlord or Tenant notifies the other in writing of its intention to terminate this Agreement at least six (6) months prior to the expiration of the final Extension Term, or (ii) the Agreement is terminated as otherwise permitted by this Agreement prior to the end of the final Extension Term, this Agreement shall continue in force upon the same covenants, terms and conditions for a further term of one (1) year, and for annual terms thereafter ("Annual Term") until terminated by either party hereto by giving to the other party hereto written notice of its intention to so terminate at least six (6) months prior to the end of any such Annual Term. Monthly rent during such Annual Terms shall be [REDACTED]

If Tenant remains in possession of the Premises after the termination of this Agreement, then Tenant will be deemed to be occupying the Premises on a month-to-month basis (the "Holdover Term"), subject to the terms and conditions of this Agreement.

(d) The Initial Term, any Extension Terms, any Annual Terms and any Holdover Term are collectively referred to as the "Term."

4. RENT.

(a) Commencing on the first day of the month following the date that Tenant commences construction (the "Rent Commencement Date"), Tenant will pay Landlord on or before the fifth (5th) day of each calendar month in advance, [REDACTED] (the "Rent"), at the address set forth above. In any partial month occurring after the Rent Commencement Date, the Rent will be prorated. The initial Rent payment will be forwarded by Tenant to Landlord within ninety (90) days after the Rent Commencement Date.

(b) Upon the commencement of each Extension Term, the monthly Rent will increase by [REDACTED] over the Rent paid during the previous five (5) year term.

(c) All charges payable under this Agreement such as utilities and taxes shall be billed by Landlord within one (1) year from the end of the calendar year in which the charges were incurred; any charges beyond such period shall not be billed by Landlord, and shall not be payable by Tenant. The foregoing shall not apply to monthly Rent which is due and payable without a requirement that it be billed by Landlord. The provisions of this subsection shall survive the termination or expiration of this Agreement.

5. APPROVALS.

(a) Landlord agrees that Tenant's ability to use the Premises is contingent upon the suitability of the Premises and Property for the Permitted Use and Tenant's ability to obtain and maintain all Government Approvals. Landlord authorizes Tenant to prepare, execute and file all required applications to obtain Government Approvals for the Permitted Use and agrees to reasonably assist Tenant with such applications and with obtaining and maintaining the Government Approvals.

(b) Tenant has the right to obtain a title report or commitment for a leasehold title policy from a title insurance company of its choice and to have the Property surveyed by a surveyor of its choice.

(c) Tenant may also perform and obtain, at Tenant's sole cost and expense, soil borings, percolation tests, engineering procedures, environmental investigation or other tests or reports on, over, and under the Property, necessary to determine if Tenant's use of the Premises will be compatible with Tenant's engineering specifications, system, design, operations or Government Approvals.

6. TERMINATION. This Agreement may be terminated, without penalty or further liability, as follows:

(a) by either party on thirty (30) days prior written notice, if the other party remains in default under Section 15 of this Agreement after the applicable cure periods;

R.O.D.
C.M.O.
G

(b) by Tenant upon written notice to Landlord, if Tenant is unable to obtain, or maintain, any required approval(s) or the issuance of a license or permit by any agency, board, court or other governmental authority necessary for the construction or operation of the Communication Facility as now or hereafter intended by Tenant; or if Tenant determines, in its sole discretion that the cost of or delay in obtaining or retaining the same is commercially unreasonable;

(c) by Tenant, upon written notice to Landlord, if Tenant determines, in its sole discretion, due to the title report results or survey results, that the condition of the Premises is unsatisfactory for its intended uses;

(d) by Tenant upon written notice to Landlord for any reason or no reason, at any time prior to commencement of construction by Tenant; or

(e) by Tenant upon sixty (60) days' prior written notice to Landlord for any reason or no reason, so long as Tenant pays Landlord a termination fee equal to [REDACTED] provided, however, that no such termination fee will be payable on account of the termination of this Agreement by Tenant under any termination provision contained in any other Section of this Agreement, including the following: Section 5 Approvals, Section 6(a) Termination, Section 6(b) Termination, Section 6(c) Termination, Section 6(d) Termination, Section 11(d) Environmental, Section 08 Condemnation or Section 19 Casualty.

7. **INSURANCE.** During the Option Term and throughout the Term, Tenant will purchase and maintain in full force and effect such general liability policy as Tenant may deem necessary. Said policy of general liability insurance will at a minimum provide a combined single limit of [REDACTED]. Notwithstanding the foregoing, Tenant shall have the right to self-insure such general liability coverage.

8. **INTERFERENCE.**

(a) Prior to or concurrent with the execution of this Agreement, Landlord has provided or will provide Tenant with a list of radio frequency user(s) and frequencies used on the Property as of the Effective Date. Tenant warrants that its use of the Premises will not interfere with those existing radio frequency uses on the Property, as long as the existing radio frequency user(s) operate and continue to operate within their respective frequencies and in accordance with all applicable laws and regulations.

(b) Landlord will not grant, after the Effective Date, a lease, license or any other right to any third party, if the exercise of such grant may in any way adversely affect or interfere with the Communication Facility, the operations of Tenant or the rights of Tenant under this Agreement. Landlord will notify Tenant in writing prior to granting any third party the right to install and operate communications equipment on the Property.

(c) Landlord will not, nor will Landlord permit its employees, tenants, licensees, invitees, agents or independent contractors to interfere in any way with the Communication Facility, the operations of Tenant or the rights of Tenant under this Agreement. Landlord will cause such interference to cease within twenty-four (24) hours after receipt of notice of interference from Tenant. In the event any such interference does not cease within the aforementioned cure period, Landlord shall cease all operations which are suspected of causing interference (except for intermittent testing to determine the cause of such interference) until the interference has been corrected.

(d) For the purposes of this Agreement, "interference" may include, but is not limited to, any use on the Property or Surrounding Property that causes electronic or physical obstruction with, or degradation of, the communications signals from the Communication Facility.

9. **INDEMNIFICATION.**

(a) Tenant agrees to indemnify, defend and hold Landlord harmless from and against any and all injury, loss, damage or liability, costs or expenses in connection with a third party claim (including reasonable attorneys' fees and court costs) arising directly from the installation, use, maintenance, repair or removal of the Communication Facility or Tenant's breach of any provision of this Agreement, except to the extent attributable to the negligent or intentional act or omission of Landlord, its employees, invitees, agents or independent contractors.

(b) Landlord agrees to indemnify, defend and hold Tenant harmless from and against any and all injury, loss, damage or liability, costs or expenses in connection with a third party claim (including reasonable

attorneys' fees and court costs) arising directly from the actions or failure to act of Landlord, its employees, invitees, agents or independent contractors, or Landlord's breach of any provision of this Agreement, except to the extent attributable to the negligent or intentional act or omission of Tenant, its employees, agents or independent contractors.

(c) The indemnified party: (i) shall promptly provide the indemnifying party with written notice of any claim, demand, lawsuit, or the like for which it seeks indemnification pursuant to this Section 9 and provide the indemnifying party with copies of any demands, notices, summonses, or legal papers received in connection with such claim, demand, lawsuit, or the like; (ii) shall not settle any such claim, demand, lawsuit, or the like without the prior written consent of the indemnifying party; and (iii) shall fully cooperate with the indemnifying party in the defense of the claim, demand, lawsuit, or the like. A delay in notice shall not relieve the indemnifying party of its indemnity obligation, except (1) to the extent the indemnifying party can show it was prejudiced by the delay; and (2) the indemnifying party shall not be liable for any settlement or litigation expenses incurred before the time when notice is given.

10. WARRANTIES.

(a) Each of Tenant and Landlord (to the extent not a natural person) each acknowledge and represent that it is duly organized, validly existing and in good standing and has the right, power, and authority or capacity, as applicable, to enter into this Agreement and bind itself hereto through the party or individual set forth as signatory for the party below.

(b) Landlord represents, warrants and agrees that: (i) Landlord solely owns the Property as a legal lot in fee simple, or controls the Property by lease or license; (ii) the Property is not and will not be encumbered by any liens, restrictions, mortgages, covenants, conditions, easements, leases, or any other agreements of record or not of record, which would adversely affect Tenant's Permitted Use and enjoyment of the Premises under this Agreement; (iii) then Landlord grants to Tenant sole, actual, quiet and peaceful use, enjoyment and possession of the Premises in accordance with the terms of this Agreement without hindrance or ejection by any persons lawfully claiming under Landlord; (iv) Landlord's execution and performance of this Agreement will not violate any laws, ordinances, covenants or the provisions of any mortgage, lease or other agreement binding on Landlord; and (v) if the Property is or becomes encumbered by a deed to secure a debt, mortgage or other security interest, then Landlord will provide promptly to Tenant a mutually agreeable subordination, non-disturbance and attornment agreement executed by Landlord and the holder of such security interest in the form attached hereto as Exhibit 10(b).

11. ENVIRONMENTAL.

(a) Landlord represents and warrants, except as may be identified in Exhibit 11 attached to this Agreement, (i) the Property, as of the Effective Date, is free of hazardous substances, including asbestos-containing materials and lead paint, and (ii) the Property has never been subject to any contamination or hazardous conditions resulting in any environmental investigation, inquiry or remediation. Landlord and Tenant agree that each will be responsible for compliance with any and all applicable governmental laws, rules, statutes, regulations, codes, ordinances, or principles of common law regulating or imposing standards of liability or standards of conduct with regard to protection of the environment or worker health and safety, as may now or at any time hereafter be in effect, to the extent such apply to that party's activity conducted in or on the Property.

(b) Landlord and Tenant agree to hold harmless and indemnify the other from, and to assume all duties, responsibilities and liabilities at the sole cost and expense of the indemnifying party for, payment of penalties, sanctions, forfeitures, losses, costs or damages, and for responding to any action, notice, claim, order, summons, citation, directive, litigation, investigation or proceeding ("Claims"), to the extent arising from that party's breach of its obligations or representations under Section 11(a). Landlord agrees to hold harmless and indemnify Tenant from, and to assume all duties, responsibilities and liabilities at the sole cost and expense of Landlord for, payment of penalties, sanctions, forfeitures, losses, costs or damages, and for responding to any Claims, to the extent arising from subsurface or other contamination of the Property with hazardous substances prior to the Effective Date or from such contamination caused by the acts or omissions of Landlord during the Term. Tenant agrees to hold harmless and indemnify Landlord from, and to assume all duties, responsibilities

and liabilities at the sole cost and expense of Tenant for, payment of penalties, sanctions, forfeitures, losses, costs or damages, and for responding to any Claims, to the extent arising from hazardous substances brought onto the Property by Tenant.

(c) The indemnification provisions contained in this Section 11 specifically include reasonable costs, expenses and fees incurred in connection with any investigation of Property conditions or any clean-up, remediation, removal or restoration work required by any governmental authority. The provisions of this Section 01 will survive the expiration or termination of this Agreement.

(d) In the event Tenant becomes aware of any hazardous materials on the Property, or any environmental, health or safety condition or matter relating to the Property, that, in Tenant's sole determination, renders the condition of the Premises or Property unsuitable for Tenant's use, or if Tenant believes that the leasing or continued leasing of the Premises would expose Tenant to undue risks of liability to a government agency or other third party, then Tenant will have the right, in addition to any other rights it may have at law or in equity, to terminate this Agreement upon written notice to Landlord.

12. **ACCESS.** At all times throughout the Term of this Agreement, Tenant, Tenant and its employees, agents, and subcontractors, will have twenty-four (24) hour per day, seven (7) day per week pedestrian and vehicular access ("Access") to and over the Property, from an open and improved public road to the Premises, for the installation, maintenance and operation of the Communication Facility and any utilities serving the Premises. As may be described more fully in Exhibit 1, Landlord grants to Tenant an easement for such Access and Landlord agrees to provide to Tenant such codes, keys and other instruments necessary for such Access to Tenant. Upon Tenant's request, Landlord will execute a separate recordable easement evidencing this right. Landlord shall execute a letter granting Tenant Access to the Property substantially in the form attached as Exhibit 12; upon Tenant's request, Landlord shall execute additional letters during the Term. If Tenant elects to utilize an Unmanned Aircraft System ("UAS") in connection with its installation, construction, monitoring, site audits, inspections, maintenance, repair, modification, or alteration activities at a Property, Landlord hereby grants Tenant, or any UAS operator acting on Tenant's behalf, express permission to fly over the applicable Property and Premises, and consents to the use of audio and video navigation and recording in connection with the use of the UAS. Landlord acknowledges that in the event Tenant cannot obtain Access to the Premises, Tenant shall incur significant damage. If Landlord fails to provide the Access granted by this Section 12, such failure shall be a default under this Agreement. In connection with such default, in addition to any other rights or remedies available to Tenant under this Agreement or at law or equity, Landlord shall pay Tenant, as liquidated damages and not as a penalty, [REDACTED] per day in consideration of Tenant's damages until Landlord cures such default. Landlord and Tenant agree that Tenant's damages in the event of a denial of Access are difficult, if not impossible, to ascertain, and the liquidated damages set forth above are a reasonable approximation of such damages.

13. **REMOVAL/RESTORATION.** All portions of the Communication Facility brought onto the Property by Tenant will be and remain Tenant's personal property and, at Tenant's option, may be removed by Tenant at any time during the Term. Landlord covenants and agrees that no part of the Communication Facility constructed, erected or placed on the Premises by Tenant will become, or be considered as being affixed to or a part of, the Property, it being the specific intention of the Landlord that all improvements of every kind and nature constructed, erected or placed by Tenant on the Premises will be and remain the property of the Tenant and may be removed by Tenant at any time during the Term. Within one hundred twenty (120) days after the termination of this Agreement, Tenant will, to the extent reasonable, restore the Premises to its condition at the commencement of the Agreement, reasonable wear and tear and loss by casualty or other causes beyond Tenant's control excepted. To the extent required by law, Tenant will remove above-ground facilities. Notwithstanding the foregoing, Tenant will not be responsible for the replacement of any trees, shrubs, or other vegetation, nor will Tenant be required to remove from the Premises or the Property any underground utilities.

14. **MAINTENANCE/UTILITIES.**

(a) Tenant will keep and maintain the Premises in good condition, reasonable wear and tear and damage from the elements excepted. Landlord will maintain and repair the Property and access thereto and all

areas of the Premises where Tenant does not have exclusive control, in good and tenable condition, subject to reasonable wear and tear and damage from the elements. Landlord will be responsible for maintenance of landscaping on the Property, including any landscaping installed by Tenant as a condition of this Agreement or any required permit.

(b) Tenant will be responsible for paying on a monthly or quarterly basis all utilities charges for electricity, telephone service or any other utility used or consumed by Tenant on the Premises. In the event Tenant cannot secure its own metered electrical supply, Tenant will have the right, at its own cost and expense, to sub-meter from Landlord. When sub-metering is required under this Agreement, Landlord will read the meter and provide Tenant with an invoice and usage data on a monthly basis. Tenant shall reimburse Landlord for such utility usage at the same rate charged to Landlord by the utility service provider. Landlord further agrees to provide the usage data and invoice on forms provided by Tenant and to send such forms to such address and/or agent designated by Tenant. Tenant will remit payment within sixty (60) days of receipt of the usage data and required forms. Landlord shall maintain accurate and detailed records of all utility expenses, invoices and payments applicable to Tenant's reimbursement obligations hereunder. Within fifteen (15) days after a request from Tenant, Landlord shall provide copies of such utility billing records to the Tenant in the form of copies of invoices, contracts and cancelled checks. If the utility billing records reflect an overpayment by Tenant, Tenant shall have the right to deduct the amount of such overpayment from any monies due to Landlord from Tenant.

(c) As noted in Section 0(c) above, any utility fee recovery by Landlord is limited to a twelve (12) month period. If Tenant submeters electricity from Landlord, Landlord agrees to give Tenant at least twenty-four (24) hours advance notice of any planned interruptions of said electricity. Landlord acknowledges that Tenant provides a communication service which requires electrical power to operate and must operate twenty-four (24) hours per day, seven (7) days per week. If the interruption is for an extended period of time, in Tenant's reasonable determination, Landlord agrees to allow Tenant the right to bring in a temporary source of power for the duration of the interruption. Landlord will not be responsible for interference with, interruption of or failure, beyond the reasonable control of Landlord, of such services to be furnished or supplied by Landlord.

(d) Tenant will have the right to install utilities, at Tenant's expense, and to improve present utilities on the Property and the Premises. Landlord hereby grants to any service company providing utility or similar services, including electric power and telecommunications, to Tenant an easement over the Property, from an open and improved public road to the Premises, and upon the Premises, for the purpose of constructing, operating and maintaining such lines, wires, circuits, and conduits, associated equipment cabinets and such appurtenances thereto, as such service companies may from time to time require in order to provide such services to the Premises. Upon Tenant's or service company's request, Landlord will execute a separate recordable easement evidencing this grant, at no cost to Tenant or the service company.

15. DEFAULT AND RIGHT TO CURE.

(a) The following will be deemed a default by Tenant and a breach of this Agreement: (i) non-payment of Rent if such Rent remains unpaid for more than thirty (30) days after written notice from Landlord of such failure to pay; or (ii) Tenant's failure to perform any other term or condition under this Agreement within forty-five (45) days after written notice from Landlord specifying the failure. No such failure, however, will be deemed to exist if Tenant has commenced to cure such default within such period and provided that such efforts are prosecuted to completion with reasonable diligence. Delay in curing a default will be excused if due to causes beyond the reasonable control of Tenant. If Tenant remains in default beyond any applicable cure period, then Landlord will have the right to exercise any and all rights and remedies available to it under law and equity.

(b) The following will be deemed a default by Landlord and a breach of this Agreement: (i) Landlord's failure to provide Access to the Premises as required by Section 12 within twenty-four (24) hours after written notice of such failure; (ii) Landlord's failure to cure an interference problem as required by Section 8 within twenty-four (24) hours after written notice of such failure; or (iii) Landlord's failure to perform any term, condition or breach of any warranty or covenant under this Agreement within forty-five (45) days after written notice from Tenant specifying the failure. No such failure, however, will be deemed to exist if Landlord has commenced to cure the default within such period and provided such efforts are prosecuted to completion with reasonable diligence. Delay in curing a default will be excused if due to causes beyond the reasonable control of Landlord. If Landlord remains in default beyond any applicable cure period, Tenant will have: (i) the

right to cure Landlord's default and to deduct the costs of such cure from any monies due to Landlord from Tenant, and (ii) any and all other rights available to it under law and equity.

16. **ASSIGNMENT/SUBLEASE.** Tenant will have the right to assign this Agreement or sublease the Premises and its rights herein, in whole or in part, without Landlord's consent. Upon notification to Landlord of such assignment, Tenant will be relieved of all future performance, liabilities and obligations under this Agreement to the extent of such assignment.

17. **NOTICES.** All notices, requests and demands hereunder will be given by first class certified or registered mail, return receipt requested, or by a nationally recognized overnight courier, postage prepaid, to be effective when properly sent and received, refused or returned undelivered. Notices will be addressed to the parties hereto as follows:

If to Tenant: New Cingular Wireless PCS, LLC
Attn: Tower Asset Group - Lease Administration
Re: Cell Site #: SKY010174; Cell Site Name: Kaler Mill (KY)
Fixed Asset #: 16147975
1025 Lenox Park Blvd NE 3rd Floor
Atlanta, Georgia 30319

With a copy to: New Cingular Wireless PCS, LLC
Attn.: Legal Dept - Network Operations
Re: Cell Site #: SKY010174; Cell Site Name: Kaler Mill (KY)
Fixed Asset #: 16147975
208 S. Akard Street
Dallas, TX 75202-4206

The copy sent to the Legal Department is an administrative step which alone does not constitute legal notice.

If to Landlord: Robert O. Davis and wife, Cynthia M. Davis
5972 State Route 849 E Boaz KY 42027

Either party hereto may change the place for the giving of notice to it by thirty (30) days' prior written notice to the other party hereto as provided herein.

18. **CONDEMNATION.** In the event Landlord receives notification of any condemnation proceedings affecting the Property, Landlord will provide notice of the proceeding to Tenant within twenty-four (24) hours. If a condemning authority takes all of the Property, or a portion sufficient, in Tenant's sole determination, to render the Premises unsuitable for Tenant, this Agreement will terminate as of the date the title vests in the condemning authority. The parties will each be entitled to pursue their own separate awards in the condemnation proceeds, which for Tenant will include, where applicable, the value of its Communication Facility, moving expenses, prepaid Rent, and business dislocation expenses. Tenant will be entitled to reimbursement for any prepaid Rent on a *pro rata* basis.

19. **CASUALTY.** Landlord will provide notice to Tenant of any casualty or other harm affecting the Property within twenty-four (24) hours of the casualty or other harm. If any part of the Communication Facility or the Property is damaged by casualty or other harm as to render the Premises unsuitable, in Tenant's sole determination, then Tenant may terminate this Agreement by providing written notice to Landlord, which termination will be effective as of the date of such casualty or other harm. Upon such termination, Tenant will be entitled to collect all insurance proceeds payable to Tenant on account thereof and to be reimbursed for any prepaid Rent on a *pro rata* basis. Landlord agrees to permit Tenant to place temporary transmission and reception facilities on the Property, but only until such time as Tenant is able to activate a replacement transmission facility at another location; notwithstanding the termination of this Agreement, such temporary facilities will be governed

by all of the terms and conditions of this Agreement, including Rent. If Landlord or Tenant undertakes to rebuild or restore the Premises and/or the Communication Facility, as applicable, Landlord agrees to permit Tenant to place temporary transmission and reception facilities on the Property until the reconstruction of the Premises and/or the Communication Facility is completed. If Landlord determines not to rebuild or restore the Property, Landlord will notify Tenant of such determination within thirty (30) days after the casualty or other harm. If Landlord does not so notify Tenant and Tenant decides not to terminate under this Section 19, then Landlord will promptly rebuild or restore any portion of the Property interfering with or required for Tenant's Permitted Use of the Premises to substantially the same condition as existed before the casualty or other harm. Landlord agrees that the Rent shall be abated until the Property and/or the Premises are rebuilt or restored, unless Tenant places temporary transmission and reception facilities on the Property.

20. WAIVER OF LANDLORD'S LIENS. Landlord waives any and all lien rights it may have, statutory or otherwise, concerning the Communication Facility or any portion thereof. The Communication Facility shall be deemed personal property for purposes of this Agreement, regardless of whether any portion is deemed real or personal property under applicable law; Landlord consents to Tenant's right to remove all or any portion of the Communication Facility from time to time in Tenant's sole discretion and without Landlord's consent.

21. TAXES.

(a) Landlord shall be responsible for (i) all taxes and assessments levied upon the lands, improvements and other property of Landlord including any such taxes that may be calculated by a taxing authority using any method, including the income method, (ii) all sales, use, license, value added, documentary, stamp, gross receipts, registration, real estate transfer, conveyance, excise, recording, and other similar taxes and fees imposed in connection with this Agreement, and (iii) all sales, use, license, value added, documentary, stamp, gross receipts, registration, real estate transfer, conveyance, excise, recording, and other similar taxes and fees imposed in connection with a sale of the Property or assignment of Rent payments by Landlord. Tenant shall be responsible for (y) any taxes and assessments attributable to and levied upon Tenant's leasehold improvements on the Premises if and as set forth in this Section 21 and (z) all sales, use, license, value added, documentary, stamp, gross receipts, registration, real estate transfer, conveyance, excise, recording, and other similar taxes and fees imposed in connection with an assignment of this Agreement or sublease by Tenant. Nothing herein shall require Tenant to pay any inheritance, franchise, income, payroll, excise, privilege, rent, capital stock, stamp, documentary, estate or profit tax, or any tax of similar nature, that is or may be imposed upon Landlord.

(b) In the event Landlord receives a notice of assessment with respect to which taxes or assessments are imposed on Tenant's leasehold improvements on the Premises, Landlord shall provide Tenant with copies of each such notice immediately upon receipt, but in no event later than thirty (30) days after the date of such notice of assessment. If Landlord does not provide such notice or notices to Tenant in a timely manner and Tenant's rights with respect to such taxes are prejudiced by the delay, Landlord shall reimburse Tenant for any increased costs directly resulting from the delay and Landlord shall be responsible for payment of the tax or assessment set forth in the notice, and Landlord shall not have the right to reimbursement of such amount from Tenant. If Landlord provides a notice of assessment to Tenant within such time period and requests reimbursement from Tenant as set forth below, then Tenant shall reimburse Landlord for the tax or assessments identified on the notice of assessment on Tenant's leasehold improvements, which has been paid by Landlord. If Landlord seeks reimbursement from Tenant, Landlord shall, no later than thirty (30) days after Landlord's payment of the taxes or assessments for the assessed tax year, provide Tenant with written notice including evidence that Landlord has timely paid same, and Landlord shall provide to Tenant any other documentation reasonably requested by Tenant to allow Tenant to evaluate the payment and to reimburse Landlord.

(c) For any tax amount for which Tenant is responsible under this Agreement, Tenant shall have the right to contest, in good faith, the validity or the amount thereof using such administrative, appellate or other proceedings as may be appropriate in the jurisdiction, and may defer payment of such obligations, pay same under protest, or take such other steps as permitted by law. This right shall include the ability to institute any legal, regulatory or informal action in the name of Landlord, Tenant, or both, with respect to the valuation of the Premises. Landlord shall cooperate with respect to the commencement and prosecution of any such proceedings and will execute any documents required therefor. The expense of any such proceedings shall be borne by Tenant

and any refunds or rebates secured as a result of Tenant's action shall belong to Tenant, to the extent the amounts were originally paid by Tenant. In the event Tenant notifies Landlord by the due date for assessment of Tenant's intent to contest the assessment, Landlord shall not pay the assessment pending conclusion of the contest, unless required by applicable law.

(d) Landlord shall not split or cause the tax parcel on which the Premises are located to be split, bifurcated, separated or divided without the prior written consent of Tenant.

(e) Tenant shall have the right but not the obligation to pay any taxes due by Landlord hereunder if Landlord fails to timely do so, in addition to any other rights or remedies of Tenant. In the event that Tenant exercises its rights under this Section 21(e) due to such Landlord default, Tenant shall have the right to deduct such tax amounts paid from any monies due to Landlord from Tenant as provided in Section 15(b), provided that Tenant may exercise such right without having provided to Landlord notice and the opportunity to cure per Section 15(b).

(f) Any tax-related notices shall be sent to Tenant in the manner set forth in Section 17. Promptly after the Effective Date, Landlord shall provide the following address to the taxing authority for the authority's use in the event the authority needs to communicate with Tenant. In the event that Tenant's tax address changes by notice to Landlord, Landlord shall be required to provide Tenant's new tax address to the taxing authority or authorities.

(g) Notwithstanding anything to the contrary contained in this Section 21, Tenant shall have no obligation to reimburse any tax or assessment for which the Landlord is reimbursed or rebated by a third party.

22. SALE OF PROPERTY.

(a) Landlord may sell the Property or a portion thereof to a third party, provided: (i) the sale is made subject to the terms of this Agreement; and (ii) if the sale does not include the assignment of Landlord's full interest in this Agreement, the purchaser must agree to perform, without requiring compensation from Tenant or any subtenant, any obligation of Landlord under this Agreement, including Landlord's obligation to cooperate with Tenant as provided hereunder.

(b) If Landlord, at any time during the Term of this Agreement, decides to rezone or sell, subdivide or otherwise transfer all or any part of the Premises, or all or any part of the Property or the Surrounding Property, to a purchaser other than Tenant, Landlord shall promptly notify Tenant in writing, and such rezoning, sale, subdivision or transfer shall be subject to this Agreement and Tenant's rights hereunder. In the event of a change in ownership, transfer or sale of the Property, within ten (10) days of such transfer, Landlord or its successor shall send the documents listed below in this Section 2222(b) to Tenant. Until Tenant receives all such documents, Tenant's failure to make payments under this Agreement shall not be an event of default and Tenant reserves the right to hold payments due under this Agreement.

- i. Old deed to Property
- ii. New deed to Property
- iii. Bill of Sale or Transfer
- iv. Copy of current Tax Bill
- v. New IRS Form W-9
- vi. Completed and Signed Tenant Payment Direction Form
- vii. Full contact information for new Landlord including phone number(s)

(c) Landlord agrees not to sell, lease or use any areas of the Property or the Surrounding Property for the installation, operation or maintenance of other wireless communication facilities if such installation, operation or maintenance would interfere with Tenant's Permitted Use or communications equipment as determined by radio propagation tests performed by Tenant in its sole discretion. Landlord or Landlord's prospective purchaser shall reimburse Tenant for any costs and expenses of such testing. If the radio frequency propagation tests demonstrate levels of interference unacceptable to Tenant, Landlord shall be prohibited from selling, leasing or using any areas of the Property or the Surrounding Property for purposes of any installation, operation or maintenance of any other wireless communication facility or equipment.

(d) The provisions of this Section 22 shall in no way limit or impair the obligations of Landlord under this Agreement, including interference and access obligations.

23. RIGHT OF FIRST REFUSAL. Notwithstanding the provisions contained in Section 22, if at any time after the Effective Date, Landlord receives a bona fide written offer from a third party seeking any sale, conveyance, assignment or transfer, whether in whole or in part, of any property interest in or related to the Premises, including without limitation any offer seeking an assignment or transfer of the Rent payments associated with this Agreement or an offer to purchase an easement with respect to the Premises ("Offer"), Landlord shall immediately furnish Tenant with a copy of the Offer. Tenant shall have the right within ninety (90) days after it receives such copy to match the financial terms of the Offer and agree in writing to match such terms of the Offer. Such writing shall be in the form of a contract substantially similar to the Offer but Tenant may assign its rights to a third party. If Tenant chooses not to exercise this right or fails to provide written notice to Landlord within the ninety (90) day period, Landlord may sell, convey, assign or transfer such property interest in or related to the Premises pursuant to the Offer, subject to the terms of this Agreement. If Landlord attempts to sell, convey, assign or transfer such property interest in or related to the Premises without complying with this Section 23, the sale, conveyance, assignment or transfer shall be void. Tenant shall not be responsible for any failure to make payments under this Agreement and reserves the right to hold payments due under this Agreement until Landlord complies with this Section 23. Tenant's failure to exercise the right of first refusal shall not be deemed a waiver of the rights contained in this Section 23 with respect to any future proposed conveyances as described herein.

24. MISCELLANEOUS.

(a) **Amendment/Waiver.** This Agreement cannot be amended, modified or revised unless done in writing and signed by Landlord and Tenant. No provision may be waived except in a writing signed by both parties. The failure by a party to enforce any provision of this Agreement or to require performance by the other party will not be construed to be a waiver, or in any way affect the right of either party to enforce such provision thereafter.

(b) **Memorandum of Lease.** Contemporaneously with the execution of this Agreement, the parties will execute a recordable Memorandum of Lease substantially in the form attached as Exhibit 24(b). Either party may record this Memorandum of Lease at any time during the Term, in its absolute discretion. Thereafter during the Term, either party will, at any time upon fifteen (15) business days' prior written notice from the other, execute, acknowledge and deliver to the other a recordable Memorandum of Lease.

(c) **Limitation of Liability.** Except for the indemnity obligations set forth in this Agreement, and otherwise notwithstanding anything to the contrary in this Agreement, Tenant and Landlord each waives any claims that each may have against the other with respect to consequential, incidental or special damages, however caused, based on any theory of liability.

(d) **Compliance with Law.** Tenant agrees to comply with all federal, state and local laws, orders, rules and regulations ("Laws") applicable to Tenant's use of the Communication Facility on the Property. Landlord agrees to comply with all Laws relating to Landlord's ownership and use of the Property and any improvements on the Property.

(e) **Bind and Benefit.** The terms and conditions contained in this Agreement will run with the Property and bind and inure to the benefit of the parties, their respective heirs, executors, administrators, successors and assigns.

(f) **Entire Agreement.** This Agreement and the exhibits attached hereto, all being a part hereof, constitute the entire agreement of the parties hereto and will supersede all prior offers, negotiations and agreements with respect to the subject matter of this Agreement. Exhibits are numbered to correspond to the Section wherein they are first referenced. Except as otherwise stated in this Agreement, each party shall bear its own fees and expenses (including the fees and expenses of its agents, brokers, representatives, attorneys, and accountants) incurred in connection with the negotiation, drafting, execution and performance of this Agreement and the transactions it contemplates.

(g) **Governing Law.** This Agreement will be governed by the laws of the state in which the Premises are located, without regard to conflicts of law.

(h) **Interpretation.** Unless otherwise specified, the following rules of construction and interpretation apply: (i) captions are for convenience and reference only and in no way define or limit the construction of the terms and conditions hereof; (ii) use of the term "including" will be interpreted to mean "including but not limited to"; (iii) whenever a party's consent is required under this Agreement, except as otherwise stated in the Agreement or as same may be duplicative, such consent will not be unreasonably withheld, conditioned or delayed; (iv) exhibits are an integral part of this Agreement and are incorporated by reference into this Agreement; (v) use of the terms "termination" or "expiration" are interchangeable; (vi) reference to a default will take into consideration any applicable notice, grace and cure periods; (vii) to the extent there is any issue with respect to any alleged, perceived or actual ambiguity in this Agreement, the ambiguity shall not be resolved on the basis of who drafted the Agreement; (viii) the singular use of words includes the plural where appropriate; and (ix) if any provision of this Agreement is held invalid, illegal or unenforceable, the remaining provisions of this Agreement shall remain in full force if the overall purpose of the Agreement is not rendered impossible and the original purpose, intent or consideration is not materially impaired.

(i) **Affiliates.** All references to "Tenant" shall be deemed to include any Affiliate of New Cingular Wireless PCS, LLC using the Premises for any Permitted Use or otherwise exercising the rights of Tenant pursuant to this Agreement. "Affiliate" means with respect to a party to this Agreement, any person or entity that (directly or indirectly) controls, is controlled by, or under common control with, that party. "Control" of a person or entity means the power (directly or indirectly) to direct the management or policies of that person or entity, whether through the ownership of voting securities, by contract, by agency or otherwise.

(j) **Survival.** Any provisions of this Agreement relating to indemnification shall survive the termination or expiration hereof. In addition, any terms and conditions contained in this Agreement that by their sense and context are intended to survive the termination or expiration of this Agreement shall so survive.

(k) **W-9.** As a condition precedent to payment, Landlord agrees to provide Tenant with a completed IRS Form W-9, or its equivalent, upon execution of this Agreement and at such other times as may be reasonably requested by Tenant, including any change in Landlord's name or address.

(l) **Execution/No Option.** The submission of this Agreement to any party for examination or consideration does not constitute an offer, reservation of or option for the Premises based on the terms set forth herein. This Agreement will become effective as a binding Agreement only upon the handwritten legal execution, acknowledgment and delivery hereof by Landlord and Tenant. This Agreement may be executed in two (2) or more counterparts, all of which shall be considered one and the same agreement and shall become effective when one or more counterparts have been signed by each of the parties. All parties need not sign the same counterpart.

(m) **Attorneys' Fees.** In the event that any dispute between the parties related to this Agreement should result in litigation, the prevailing party in such litigation shall be entitled to recover from the other party all reasonable fees and expenses of enforcing any right of the prevailing party, including reasonable attorneys' fees and expenses. Prevailing party means the party determined by the court to have most nearly prevailed even if such party did not prevail in all matters. This provision will not be construed to entitle any party other than Landlord, Tenant and their respective Affiliates to recover their fees and expenses.

(n) **WAIVER OF JURY TRIAL.** EACH PARTY, TO THE EXTENT PERMITTED BY LAW, KNOWINGLY, VOLUNTARILY AND INTENTIONALLY WAIVES ITS RIGHT TO A TRIAL BY JURY IN ANY ACTION OR PROCEEDING UNDER ANY THEORY OF LIABILITY ARISING OUT OF OR IN ANY WAY CONNECTED WITH THIS AGREEMENT OR THE TRANSACTIONS IT CONTEMPLATES.

(o) **No Additional Fees/Incidental Fees.** Unless otherwise specified in this Agreement, all rights and obligations set forth in the Agreement shall be provided by Landlord and/or Tenant, as the case may be, at no additional cost. No unilateral fees or additional costs or expenses are to be applied by either party to the other party, for any task or service including, but not limited to, review of plans, structural analyses, consents, provision of documents or other communications between the parties.

(p) **Further Acts.** Upon request, Landlord will cause to be promptly and duly taken, executed, acknowledged and delivered all such further acts, documents, and assurances as Tenant may request from time to time in order to effectuate, carry out and perform all of the terms, provisions and conditions of this Agreement and all transactions and permitted use contemplated by this Agreement.

[SIGNATURES APPEAR ON NEXT PAGE]

IN WITNESS WHEREOF, the parties have caused this Agreement to be effective as of the Effective Date.

"LANDLORD"

Robert O. Davis and wife, Cynthia M. Davis

By: Robert O. Davis

Print Name: Robert O. Davis

Date: 9-25-23

By: Cynthia M. Davis

Print Name: Cynthia M. Davis

Date: 9-25-23

"TENANT"

New Cingular Wireless PCS, LLC,
a Delaware limited liability company

By: AT&T Mobility Corporation

Its: Manager

By: Chris Tharp

Print Name: Chris Tharp

Its: Area Manager

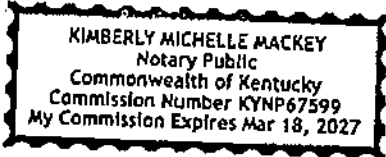
Date: 10-3-23

[ACKNOWLEDGMENTS APPEAR ON NEXT PAGE]

TENANT ACKNOWLEDGMENT

STATE OF Kentucky)
COUNTY OF Jefferson) ss:

On the 3rd day of October, 2023, before me personally appeared Chris Sharp, and acknowledged under oath that he/she is the Area Manager of AT&T Mobility Corporation, the Manager of New Cingular Wireless PCS, LLC, the Tenant named in the attached instrument, and as such was authorized to execute this instrument on behalf of the Tenant.

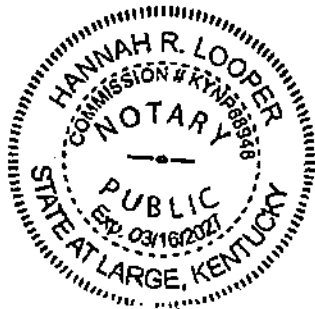


Kimberly Mackey
Notary Public: Kimberly Mackey # KYNP67599
My Commission Expires: March 18, 2027

LANDLORD ACKNOWLEDGMENT

STATE OF Kentucky)
COUNTY OF Graves) ss:

On the 25th day of September, 2023 before me, personally appeared **Robert O. Davis and wife, Cynthia M. Davis**, who acknowledged under oath, that they are the individuals named in the within instrument, and that they executed the same in their stated capacity as the voluntary act and deed of the Landlord for the purposes therein contained.



Hannah Looper
Notary Public: KYNP68948
My Commission Expires: 3/18/27

**EXHIBIT J
NOTIFICATION LIST
PVA RECORDS
PROOF OF NOTICE**

Kaler Mill – Notice List

DAVIS ROBERT O & CYNTHIA
5972 STATE ROUTE 849 EAST
BOAZ, KY 42027

DAVIS ROBERT
5972 ST RT 849
BOAZ, KY 42027

HOLSHOUSER JEFFERY DALE
& CANDI
1540 STATE RT 1684
BOAZ, KY 42027

GARRETT MATTHEW LLOYD
2113 ST RT 1684
BOAZ, KY 42027

BONEE DAVID & RITA
2019 STATE RT 1684
BOAZ, KY 42027

BURGESS MITCHELL D
314 WATKINS RD
HICKORY, KY 42051

ROSE NATHANIEL HOUSTON &
HALEY BROOKE
1883 STATE RT 1684
BOAZ, KY 42027

GIBSON DAVID B & SHIRLEY
2413 STATE RT 1684
BOAZ, KY 42027

WILKS DAVID & CHRISTOPHER
230 LES LEE RD
PADUCAH, KY 42001

LEE RICHARD & JANET FAY &
LEE RICHARD T
831 DUFFY RD
BOAZ, KY 42027

HARTMAN JEFF & RONDA
491 JT RIVES RD
BOAZ, KY 42027



Results:

Parcel ID - 115.00.00.021.00
 Alt Id - 378765
 Address - 1950 ST RT 1684
 Owner - DAVIS ROBERT O & CYNTHIA
 Acres - 111.0
 View: [Report](#) | [Google Maps](#)

560 ft



812370.37, 1856134.13

Parcel ID 115.00.00.021.00
 Property Class FARM (20)
 Taxing District 05 Symsonia
 Acres 111.0

Physical Address 1950 ST RT 1684
 Mailing Address DAVIS ROBERT O & CYNTHIA
 5972 STATE ROUTE 849 EAST
 BOAZ, KY 42027

Land Value \$69,000
 Improvement Value \$0
 Total Value \$69,000

Last 2 Sales

Date	Price	Reason	Qual
6/1/1996	\$82500	n/a	Q
n/a	0	n/a	n/a

Map tip normal mode
 Map tip hover mode
 Don't show map tips



Results:
 Parcel ID - 115.00.00.021.00
 AltId - 378765
 Address - 1950 ST RT 1684
 Owner - DAVIS ROBERT O & CYNTHIA
 Acres - 111.0
 View: [Report](#) | [Google Maps](#)

Parcel ID 115.00.00.021.00
 Property Class FARM (20)
 Taxing District 05 Symsonia
 Acres 111.0

Physical Address 1950 ST RT 1684
 Mailing Address DAVIS ROBERT O & CYNTHIA
 5972 STATE ROUTE 849 EAST
 BOAZ, KY 42027

Land Value \$69,000
 Improvement Value \$0
 Total Value \$69,000

Last 2 Sales

Date	Price	Reason	Qual
6/1/1996	\$82500	n/a	Q
n/a	0	n/a	n/a

POWERED BY
esri
 813635.37, 1856299.13



Results:

Parcel ID - 115.00.00.027.01
 Alt Id - 378773
 Owner - DAVIS ROBERT O & CYNTHIA
[View Report](#) | [Google Maps](#)

- Map tip normal mode
- Map tip hover mode
- Don't show map tips

POWERED BY
esri
 806890.99, 1855274.75

Parcel ID 115.00.00.027.01
 Property Class FARM (20)
 Taxing District 05 Symsonia
 Acres n/a

Physical Address
 Mailing Address DAVIS ROBERT O & CYNTHIA
 5972 STATE ROUTE 849 EAST
 BOAZ, KY 42027

Land Value \$13,000
 Improvement Value \$0
 Total Value \$13,000

Last 2 Sales

Date	Price	Reason	Qual
8/27/2013	\$60000	n/a	Q
n/a	0	n/a	n/a

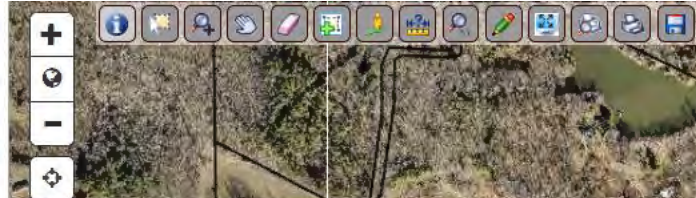
Map tip normal mode
 Map tip hover mode
 Don't show map tips



Results:

Parcel ID - 115.00.00.017.00
 Alt Id - 378761
 Owner - DAVIS ROBERT O & CYNTHIA
[View Report](#) | [Google Maps](#)

Parcel ID	115.00.00.017.00	Physical Address	DAVIS ROBERT O & CYNTHIA		Land Value	\$8,000	Last 2 Sales			
Property Class	FARM (20)	Mailing Address	5972 STATE ROUTE 849 EAST		Improvement Value	\$0	Date	Price	Reason	Qual
Taxing District	05 Symsonia		BOAZ, KY 42027		Total Value	\$8,000	1/1/1900	0	n/a	Q
Acres	n/a						n/a	0	n/a	n/a



Results:

Parcel ID - 115.00.00.021.01
 Alt Id - 378766
 Address - 1893 ST RT 1684
 Owner - DAVIS ROBERT
 Acres - 3.5
 View: [Report](#) | [Google Maps](#)

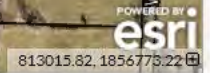
Parcel ID 115.00.00.021.01
 Property Class RESIDENTIAL (10)
 Taxing District 02 Graves County
 Acres 3.5

Physical Address 1893 ST RT 1684
 Mailing Address DAVIS ROBERT
 5972 ST RT 849
 BOAZ, KY 42027

Land Value \$112,000
 Improvement Value \$0
 Total Value \$112,000

Last 2 Sales

Date	Price	Reason	Qual
3/1/1974	0	n/a	Q
n/a	0	n/a	n/a



813015.82, 1856775.22



Results:

Parcel ID - 115.00.00.016.00
 Alt Id - 378760
 Owner - HOLSHOUSER
 JEFFERY DALE & CANDI
 Acres - 3.99
 View: [Report](#) | [Google Maps](#)

Parcel ID 115.00.00.016.00
 Property Class FARM (20)
 Taxing District 05 Symsonia
 Acres 3.99

Physical Address
 Mailing Address HOLSHOUSER JEFFERY DALE & CANDI
 1540 STATE RT 1684
 BOAZ, KY 42027

Land Value \$2,000
 Improvement Value \$0
 Total Value \$2,000

Last 2 Sales

Date	Price	Reason	Qual
2/11/2020	0	Multiple Properties (K)	Q
10/15/2019	0	Transfer Tax Not Paid (U)	Q

POWERED BY
esri
 810272.70, 1855350.09

Map tip normal mode
 Map tip hover mode
 Don't show map tips



Results:
 Parcel ID - 115.00.00.022.00
 Alt Id - 378767
 Address - ST RT 1684
 Owner - GARRETT MATTHEW LLOYD
 Acres - 0.9219
[View Report](#) | [Google Maps](#)

400 ft

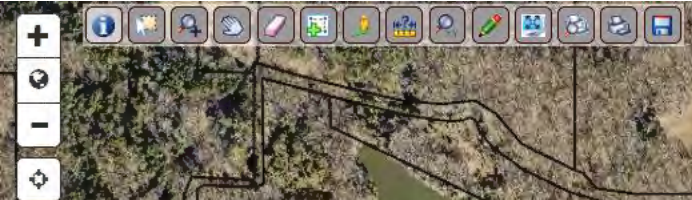
POWERED BY
esri
 810755.41, 1858549.02

Parcel ID 115.00.00.022.00
 Property Class RESIDENTIAL (10)
 Taxing District 02 Graves County
 Acres 0.9219

Physical Address ST RT 1684
 Mailing Address GARRETT MATTHEW LLOYD
 2113 ST RT 1684
 BOAZ, KY 42027

Land Value \$4,500
 Improvement Value \$0
 Total Value \$4,500

Last 2 Sales			
Date	Price	Reason	Qual
10/16/2023	0	Multiple Properties (K)	Q
6/23/2023	0	Multiple Properties (K)	Q



Results:

Parcel ID - 115.00.00.053.02
 Alt Id - 378805
 Owner - DAVIS ROBERT O & CYNTHIA
 View: [Report](#) | [Google Maps](#)

660 ft



Parcel ID 115.00.00.053.02
 Property Class FARM (20)
 Taxing District 02 Graves County
 Acres n/a

Physical Address
 Mailing Address DAVIS ROBERT O & CYNTHIA
 5972 STATE ROUTE 849 EAST
 BOAZ, KY 42027

Land Value \$6,400
 Improvement Value \$0
 Total Value \$6,400

Last 2 Sales

Date	Price	Reason	Qual
12/23/2015	\$49875	Arms-Length Transaction (Z)	Q
4/2/1974	0	n/a	Q

812005.20, 1857818.22



Results:

Parcel ID - 115.00.00.020.00
 Alt Id - 378764
 Owner - BONEE DAVID & RITA
[View Report](#) | [Google Maps](#)

Parcel ID 115.00.00.020.00
 Property Class RESIDENTIAL (10)
 Taxing District 02 Graves County
 Acres n/a

Physical Address
 Mailing Address BONEE DAVID & RITA
 2019 STATE RT 1684
 RD#7 KY 42027

Land Value \$1
 Improvement Value \$0
 Total Value \$1

Last 2 Sales			
Date	Price	Reason	Qual
2/9/2022	0	Construction/Destruction (H)	Q
1/17/2019	0	Master Commissioner (N)	Q

POWERED BY
esri
 812788.95, 1857426.34



Results:

Parcel ID - 115.00.00.020.00
 Alt Id - 378764
 Owner - BONEE DAVID & RITA
[View Report](#) | [Google Maps](#)

Parcel ID 115.00.00.020.00
 Property Class RESIDENTIAL (10)
 Taxing District 02 Graves County
 Acres n/a

Physical Address
 Mailing Address BONEE DAVID & RITA
 2019 STATE RT 1684
 RD07 KY 42027

Land Value \$1
 Improvement Value \$0
 Total Value \$1

Last 2 Sales			
Date	Price	Reason	Qual
2/9/2022	0	Construction/Destruction (H)	Q
1/17/2019	0	Master Commissioner (N)	Q

POWERED BY
esri
 812788.95, 1857426.34



Results: ⊗

Parcel ID - 115.00.00.019.00
 Alt Id - 378763
 Owner - BONEE DAVID & RITA
 View: [Report](#) | [Google Maps](#)

Parcel ID 115.00.00.019.00
 Property Class RESIDENTIAL (10)
 Taxing District 02 Graves County
 Acres n/a

Physical Address
 Mailing Address BONEE DAVID & RITA
 2019 STATE RT 1684
 BOAZ, KY 42027

Land Value \$1
 Improvement Value \$0
 Total Value \$1

Last 2 Sales

Date	Price	Reason	Qual
2/9/2022	0	Multiple Properties (K)	Q
1/17/2019	0	Arms-Length Transaction (Z)	Q



Results:

Parcel ID - 115.00.00.018.00
 Alt Id - 378762
 Address - 2019 ST RT 1684
 Owner - BONEE DAVID & RITA
 Acres - 1.6
[View Report](#) | [Google Maps](#)



Parcel ID 115.00.00.018.00
 Property Class RESIDENTIAL (10)
 Taxing District 02 Graves County
 Acres 1.6

Physical Address 2019 ST RT 1684
 Mailing Address BONEE DAVID & RITA
 2019 STATE RT 1684
 BOAZ, KY 42027

Land Value \$50,000
 Improvement Value \$0
 Total Value \$50,000

Last 2 Sales

Date	Price	Reason	Qual
2/9/2022	\$40000	Construction/Destruction (H)	Q
3/5/2019	0	Other (S)	Q

POWERED BY
esri
 814892.70, 1855652.59

Map tip normal mode
 Map tip hover mode
 Don't show map tips



Results:

Parcel ID - 115.00.00.025.00
 Alt Id - 378770
 Owner - BURGESS MITCHELL D
 View: [Report](#) | [Google Maps](#)

660 ft

POWERED BY
esri
 813209.12, 1855659.75

Parcel ID 115.00.00.025.00
 Property Class FARM (20)
 Taxing District 02 Graves County
 Acres n/a

Physical Address
 Mailing Address BURGESS MITCHELL D
 314 WATKINS RD
 HICKORY, KY 42051

Land Value \$8,800
 Improvement Value \$0
 Total Value \$8,800

Last 2 Sales

Date	Price	Reason	Qual
12/21/2006	0	n/a	Q
n/a	0	n/a	n/a



Map tip normal mode
 Map tip hover mode
 Don't show map tips



Results:

Parcel ID - 115.00.00.027.00
 Alt Id - 378772
 Address - 2355 DUFFEY RD
 Owner - BURGESS MITCHELL D
 Acres - 19.0
[View: Report](#) | [Google Maps](#)

660 ft

POWERED BY
esri
 814570.37, 1855487.88

Parcel ID 115.00.00.027.00
 Property Class FARM (20)
 Taxing District 02 Graves County
 Acres 19.0

Physical Address 2355 DUFFEY RD
 Mailing Address BURGESS MITCHELL D
 314 WATKINS RD
 HICKORY, KY 42051

Land Value \$15,000
 Improvement Value \$175,000
 Total Value \$190,000

Last 2 Sales

Date	Price	Reason	Qual
12/21/2006	\$160000	n/a	Q
12/1/1995	\$100000	Multiple Properties (K)	Q



Results:

Parcel ID - 115.00.00.013.00
 Alt Id - 378757
 Address - 1755 ST RT 1684
 Owner - ROSE NATHANIEL
 HOUSTON & HALEY BROOKE
 View: [Report](#) | [Google Maps](#)

POWERED BY
esri
 813827.07, 1856312.59

Parcel ID 115.00.00.013.00
 Property Class FARM (20)
 Taxing District 05 Symsonia
 Acres n/a

Physical Address 1755 ST RT 1684
 Mailing Address ROSE NATHANIEL HOUSTON & HALEY BROOKE
 1883 STATE RT 1684
 BOAZ, KY 42027

Land Value \$40,000
 Improvement Value \$0
 Total Value \$40,000

Last 2 Sales			
Date	Price	Reason	Qual
12/18/2017	\$265000	Arms-Length Transaction (Z)	Q
12/18/2009	0	n/a	Q



Results: ⊗

Parcel ID - 115.00.00.052.00
Alt Id - 378802
Address - 2413 ST RT 1684
Owner - GIBSON DAVID B & SHIRLEY
Acres - 54.0
[View Report](#) | [Google Maps](#)

660 ft ▲

POWERED BY
esri

814459.57, 1856257.59 ⊗

Parcel ID 115.00.00.052.00
Property Class FARM (20)
Taxing District 02 Graves County
Acres 54.0

Physical Address 2413 ST RT 1684
Mailing Address GIBSON DAVID B & SHIRLEY
2413 STATE RT 1684
BOAZ, KY 42027

Land Value \$31,000
Improvement Value \$115,000
Total Value \$99,650

Last 2 Sales
Date Price Reason Qual
1/1/1900 \$63360 n/a Q
n/a 0 n/a n/a



Results:

Parcel ID - 115.00.00.053.01
 Alt Id - 378804
 Owner - WILKS DAVID & CHRISTOPHER
 View: [Report](#) | [Google Maps](#)

Parcel ID 115.00.00.053.01
 Property Class FARM (20)
 Taxing District 02 Graves County
 Acres n/a

Physical Address
 Mailing Address WILKS DAVID & CHRISTOPHER
 230 LES LEE RD
 PADUCAH, KY 42001

Land Value \$10,000
 Improvement Value \$0
 Total Value \$10,000

Last 2 Sales

Date	Price	Reason	Qual
1/26/2010	\$45000	Arms-Length Transaction (Z)	Q
n/a	0	n/a	n/a

812843;95.1856106.34

POWERED BY
esri



Results:

Parcel ID - 100.00.00.078.00
 Alt Id - 375233
 Address - 831 DUFFEY RD
 Owner - LEE RICHARD &
 JANET FAY & LEE RICHARD T
 Acres - 27.02
[View Report](#) | [Google Maps](#)

660 ft



809633.32, 1857605.09

Parcel ID 100.00.00.078.00
 Property Class FARM (20)
 Taxing District 02 Graves County
 Acres 27.02

Physical Address 831 DUFFEY RD
 BOAZ
 Mailing Address LEE RICHARD & JANET FAY & LEE RICHARD T
 831 DUFFY RD
 BOAZ, KY 42027

Land Value \$17,000
 Improvement Value \$20,000
 Total Value \$37,000

Last 2 Sales

Date	Price	Reason	Qual
7/17/2019	\$77,000	Arms-Length Transaction (Z)	Q
11/1/1994	\$6,450	n/a	Q



Results:

Parcel ID - 100.00.00.077.00
 Alt Id - 375232
 Address - JT RIVES DR
 Owner - HARTMAN JEFF & RONDA
 Acres - 39.0
[View Report](#) | [Google Maps](#)

660 ft



810382.70, 1855618.22

Parcel ID 100.00.00.077.00
 Property Class FARM (20)
 Taxing District 02 Graves County
 Acres 39.0

Physical Address JT RIVES DR
 Mailing Address HARTMAN JEFF & RONDA
 491 JT RIVES RD
 BOAZ, KY 42027

Land Value \$18,000
 Improvement Value \$0
 Total Value \$18,000

Last 2 Sales

Date	Price	Reason	Qual
1/1/1999	\$25000	n/a	Q
6/1/1992	\$18000	n/a	Q

7017 0190 0000 9587 9469

**U.S. Postal Service™
CERTIFIED MAIL® RECEIPT**
Domestic Mail Only

For delivery information, visit our website at www.usps.com®.

Certified Mail Fee
\$

Extra Services & Fees (check box, add fee as appropriate)

Return Receipt (hardcopy) \$

Return Receipt (electronic) \$

Certified Mail Restricted Delivery \$

Adult Signature Required \$

Adult Signature Restricted Delivery \$

Postage
\$

Total P_t \$

Sent To
Street a
City, Sta

**Jesse Perry
County Judge Executive
101 East South Street
Mayfield, KY 42066**

40165

APR 17 2024

PS Form 3800, April 2015 PSN 7530-02-000-9047 See Reverse for Instructions

7021 1970 0000 8657 0915

**U.S. Postal Service™
CERTIFIED MAIL® RECEIPT**
Domestic Mail Only

For delivery information, visit our website at www.usps.com®.

Certified Mail Fee
\$

Extra Services & Fees (check box, add fee as appropriate)

Return Receipt (hardcopy) \$

Return Receipt (electronic) \$

Certified Mail Restricted Delivery \$

Adult Signature Required \$

Adult Signature Restricted Delivery \$

Postage
\$

Total P_t \$

Sent To
Street a
City, Sta

**HARTMAN JEFF & RONDA
491 JT RIVES RD
BOAZ, KY 42027**

40165

APR 17 2024

PS Form 3800, April 2015 PSN 7530-02-000-9047 See Reverse for Instructions

7017 0190 0000 9587 9445

**U.S. Postal Service™
CERTIFIED MAIL® RECEIPT**
Domestic Mail Only

For delivery information, visit our website at www.usps.com®.

Certified Mail Fee
\$

Extra Services & Fees (check box, add fee as appropriate)

Return Receipt (hardcopy) \$

Return Receipt (electronic) \$

Certified Mail Restricted Delivery \$

Adult Signature Required \$

Adult Signature Restricted Delivery \$

Postage
\$

Total P_t \$

Sent To
Street a
City, Sta

**DAVIS ROBERT
5972 ST RT 849
BOAZ, KY 42027**

40165

APR 17 2024

PS Form 3800, April 2015 PSN 7530-02-000-9047 See Reverse for Instructions

7017 0190 0000 9587 9452

**U.S. Postal Service™
CERTIFIED MAIL® RECEIPT**
Domestic Mail Only

For delivery information, visit our website at www.usps.com®.

Certified Mail Fee
\$

Extra Services & Fees (check box, add fee as appropriate)

Return Receipt (hardcopy) \$

Return Receipt (electronic) \$

Certified Mail Restricted Delivery \$

Adult Signature Required \$

Adult Signature Restricted Delivery \$

Postage
\$

Total P_t \$

Sent To
Street a
City, Sta

**DAVIS ROBERT Q & CYNTHIA
5972 STATE ROUTE 849 EAST
BOAZ, KY 42027**

40165

APR 17 2024

PS Form 3800, April 2015 PSN 7530-02-000-9047 See Reverse for Instructions

7017 0190 0000 9587 9421

**U.S. Postal Service™
CERTIFIED MAIL® RECEIPT**
Domestic Mail Only

For delivery information, visit our website at www.usps.com®.

Certified Mail Fee
\$

Extra Services & Fees (check box, add fee as appropriate)

Return Receipt (hardcopy) \$

Return Receipt (electronic) \$

Certified Mail Restricted Delivery \$

Adult Signature Required \$

Adult Signature Restricted Delivery \$

Postage
\$

Total P_t \$

Sent To
Street a
City, Sta

**GARRETT MATTHEW LLOYD
2113 ST RT 1684
BOAZ, KY 42027**

40165

APR 17 2024

PS Form 3800, April 2015 PSN 7530-02-000-9047 See Reverse for Instructions

7017 0190 0000 9587 9438

**U.S. Postal Service™
CERTIFIED MAIL® RECEIPT**
Domestic Mail Only

For delivery information, visit our website at www.usps.com®.

Certified Mail Fee
\$

Extra Services & Fees (check box, add fee as appropriate)

Return Receipt (hardcopy) \$

Return Receipt (electronic) \$

Certified Mail Restricted Delivery \$

Adult Signature Required \$

Adult Signature Restricted Delivery \$

Postage
\$

Total P_t \$

Sent To
Street a
City, Sta

**HOLSHOUSER JEFFERY DALE
& CANDI
1540 STATE RT 1684
BOAZ, KY 42027**

40165

APR 17 2024

PS Form 3800, April 2015 PSN 7530-02-000-9047 See Reverse for Instructions

7021 1970 0000 8657 0977

**U.S. Postal Service™
CERTIFIED MAIL® RECEIPT**
Domestic Mail Only

For delivery information, visit our website at www.usps.com®.

OFFICIAL USE

Certified Mail Fee
\$

Extra Services & Fees (check box, add fee as appropriate)

<input type="checkbox"/> Return Receipt (hardcopy)	\$
<input type="checkbox"/> Return Receipt (electronic)	\$
<input type="checkbox"/> Certified Mail Restricted Delivery	\$
<input type="checkbox"/> Adult Signature Required	\$
<input type="checkbox"/> Adult Signature Restricted Delivery	\$

Postage
\$

Total **BURGESS MITCHELL D**
\$ **314 WATKINS RD**
\$ **HICKORY, KY 42051**

Sent To
Street address
City, State, ZIP+4®

PS Form 3800, April 2015 PSN 7530-02-000-9047 See Reverse for Instructions



7021 0190 0000 9587 9414

**U.S. Postal Service™
CERTIFIED MAIL® RECEIPT**
Domestic Mail Only

For delivery information, visit our website at www.usps.com®.

OFFICIAL USE

Certified Mail Fee
\$

Extra Services & Fees (check box, add fee as appropriate)

<input type="checkbox"/> Return Receipt (hardcopy)	\$
<input type="checkbox"/> Return Receipt (electronic)	\$
<input type="checkbox"/> Certified Mail Restricted Delivery	\$
<input type="checkbox"/> Adult Signature Required	\$
<input type="checkbox"/> Adult Signature Restricted Delivery	\$

Postage
\$

Total **BONEE DAVID & RITA**
\$ **2019 STATE RT 1684**
\$ **BOAZ, KY 42027**

Sent To
Street address
City, State, ZIP+4®

PS Form 3800, April 2015 PSN 7530-02-000-9047 See Reverse for Instructions



7021 1970 0000 8657 0946

**U.S. Postal Service™
CERTIFIED MAIL® RECEIPT**
Domestic Mail Only

For delivery information, visit our website at www.usps.com®.

OFFICIAL USE

Certified Mail Fee
\$

Extra Services & Fees (check box, add fee as appropriate)

<input type="checkbox"/> Return Receipt (hardcopy)	\$
<input type="checkbox"/> Return Receipt (electronic)	\$
<input type="checkbox"/> Certified Mail Restricted Delivery	\$
<input type="checkbox"/> Adult Signature Required	\$
<input type="checkbox"/> Adult Signature Restricted Delivery	\$

Postage
\$

Total **GIBSON DAVID B & SHIRLEY**
\$ **2413 STATE RT 1684**
\$ **BOAZ, KY 42027**

Sent To
Street address
City, State, ZIP+4®

PS Form 3800, April 2015 PSN 7530-02-000-9047 See Reverse for Instructions



7021 1970 0000 8657 0960

**U.S. Postal Service™
CERTIFIED MAIL® RECEIPT**
Domestic Mail Only

For delivery information, visit our website at www.usps.com®.

OFFICIAL USE

Certified Mail Fee
\$

Extra Services & Fees (check box, add fee as appropriate)

<input type="checkbox"/> Return Receipt (hardcopy)	\$
<input type="checkbox"/> Return Receipt (electronic)	\$
<input type="checkbox"/> Certified Mail Restricted Delivery	\$
<input type="checkbox"/> Adult Signature Required	\$
<input type="checkbox"/> Adult Signature Restricted Delivery	\$

Postage
\$

Total **ROSE NATHANIEL HOUSTON &
HALEY BROOKE**
\$ **1883 STATE RT 1684**
\$ **BOAZ, KY 42027**

Sent To
Street address
City, State, ZIP+4®

PS Form 3800, April 2015 PSN 7530-02-000-9047 See Reverse for Instructions



7021 1970 0000 8657 0939

**U.S. Postal Service™
CERTIFIED MAIL® RECEIPT**
Domestic Mail Only

For delivery information, visit our website at www.usps.com®.

OFFICIAL USE

Certified Mail Fee
\$

Extra Services & Fees (check box, add fee as appropriate)

<input type="checkbox"/> Return Receipt (hardcopy)	\$
<input type="checkbox"/> Return Receipt (electronic)	\$
<input type="checkbox"/> Certified Mail Restricted Delivery	\$
<input type="checkbox"/> Adult Signature Required	\$
<input type="checkbox"/> Adult Signature Restricted Delivery	\$

Postage
\$

Total **LEE RICHARD & JANET FAY &
LEE RICHARD T**
\$ **831 DUFFY RD**
\$ **BOAZ, KY 42027**

Sent To
Street address
City, State, ZIP+4®

PS Form 3800, April 2015 PSN 7530-02-000-9047 See Reverse for Instructions



7021 1970 0000 8657 0953

**U.S. Postal Service™
CERTIFIED MAIL® RECEIPT**
Domestic Mail Only

For delivery information, visit our website at www.usps.com®.

OFFICIAL USE

Certified Mail Fee
\$

Extra Services & Fees (check box, add fee as appropriate)

<input type="checkbox"/> Return Receipt (hardcopy)	\$
<input type="checkbox"/> Return Receipt (electronic)	\$
<input type="checkbox"/> Certified Mail Restricted Delivery	\$
<input type="checkbox"/> Adult Signature Required	\$
<input type="checkbox"/> Adult Signature Restricted Delivery	\$

Postage
\$

Total **WILKS DAVID & CHRISTOPHER**
\$ **230 LES LEE RD**
\$ **PADUCAH, KY 42001**

Sent To
Street address
City, State, ZIP+4®

PS Form 3800, April 2015 PSN 7530-02-000-9047 See Reverse for Instructions



SENDER: COMPLETE THIS SECTION

- Complete items 1, 2, and 3.
- Print your name and address on the reverse so that we can return the card to you.
- Attach this card to the back of the mailpiece, or on the front if space permits.

GARRETT MATTHEW LLOYD
2113 ST RT 1684
BOAZ, KY 42027



9590 9402 7548 2098 3123 40

2. Article Number (Transfer from service label)

7017 0190 0000 9587 9421

PS Form 3811, July 2020 PSN 7530-02-000-9053

COMPLETE THIS SECTION ON DELIVERY

A. Signature Agent Addressee
 X *Matthew Garrett*

B. Received by (Printed Name) *Matt Garrett* C. Date of Delivery *4/20/24*

D. Is delivery address different from item 1? Yes No
 If YES, enter delivery address below:

3. Service Type Priority Mail Express®
 Adult Signature Registered Mail™
 Adult Signature Restricted Delivery Registered Mail Restricted Delivery
 Certified Mail® Signature Confirmation™
 Certified Mail Restricted Delivery Signature Confirmation Restricted Delivery
 Collect on Delivery Signature Confirmation Restricted Delivery
 Collect on Delivery Restricted Delivery Restricted Delivery
 Insured Mail
 Insured Mail Restricted Delivery (over \$500)

Domestic Return Receipt

SENDER: COMPLETE THIS SECTION

- Complete items 1, 2, and 3.
- Print your name and address on the reverse so that we can return the card to you.
- Attach this card to the back of the mailpiece, or on the front if space permits.

1. Article Addressed to:

WILKS DAVID & CHRISTOPHER
230 LES LEE RD
PADUCAH, KY 42001



9590 9402 7548 2098 3242 51

2. Article Number (Transfer from service label)

7021 1970 0000 8657 0953

PS Form 3811, July 2020 PSN 7530-02-000-9053

COMPLETE THIS SECTION ON DELIVERY

A. Signature Agent Addressee
 X *David Wilks*

B. Received by (Printed Name) *David Wilks* C. Date of Delivery *1/22/24*

D. Is delivery address different from item 1? Yes No
 If YES, enter delivery address below:

3. Service Type Priority Mail Express®
 Adult Signature Registered Mail™
 Adult Signature Restricted Delivery Registered Mail Restricted Delivery
 Certified Mail® Signature Confirmation™
 Certified Mail Restricted Delivery Signature Confirmation Restricted Delivery
 Collect on Delivery Signature Confirmation Restricted Delivery
 Collect on Delivery Restricted Delivery Restricted Delivery
 Insured Mail
 Insured Mail Restricted Delivery (over \$500)

Domestic Return Receipt

SENDER: COMPLETE THIS SECTION

- Complete items 1, 2, and 3.
- Print your name and address on the reverse so that we can return the card to you.
- Attach this card to the back of the mailpiece, or on the front if space permits.

1. Article Addressed to:

BONEE DAVID & RITA
2019 STATE RT 1684
BOAZ, KY 42027



9590 9402 7548 2098 3123 57

2. Article Number (Transfer from service label)

7017 0190 0000 9587 9414

PS Form 3811, July 2020 PSN 7530-02-000-9053

COMPLETE THIS SECTION ON DELIVERY

A. Signature

X *Wendy Ray*

- Agent
 Addressee

B. Received by (Printed Name)

Wendy Ray

C. Date of Delivery

4/20/24

D. Is delivery address different from item 1? Yes

If YES, enter delivery address below: NO

3. Service Type

- Adult Signature
 Adult Signature Restricted Delivery
 Certified Mail®
 Certified Mail Restricted Delivery
 Collect on Delivery
 Collect on Delivery Restricted Delivery
 Registered Mail™
 Registered Mail Restricted Delivery
 Signature Confirmation™
 Signature Confirmation Restricted Delivery
 Priority Mail Express®
 Registered Mail™
 Registered Mail Restricted Delivery
 Signature Confirmation™
 Signature Confirmation Restricted Delivery

SENDER: COMPLETE THIS SECTION

- Complete items 1, 2, and 3.
- Print your name and address on the reverse so that we can return the card to you.
- Attach this card to the back of the mailpiece, or on the front if space permits.

1. Article Addressed to:

DAVIS ROBERT
5972 ST RT 849
BOAZ, KY 42027



9590 9402 7548 2098 3123 71

2. Article Number (Transfer from service label)

7017 0190 0000 9587 9445

PS Form 3811, July 2020 PSN 7530-02-000-9053

COMPLETE THIS SECTION ON DELIVERY

A. Signature

X *Robert Davis*

- Agent
 Addressee

B. Received by (Printed Name)

Robert Davis

C. Date of Delivery

D. Is delivery address different from item 1? Yes

If YES, enter delivery address below: No

3. Service Type

- Adult Signature
 Adult Signature Restricted Delivery
 Certified Mail®
 Certified Mail Restricted Delivery
 Collect on Delivery
 Collect on Delivery Restricted Delivery
 Registered Mail™
 Registered Mail Restrict. Delivery
 Signature Confirmation™
 Signature Confirmation Restricted Delivery
 Priority Mail Express®
 Registered Mail™
 Registered Mail Restrict. Delivery
 Signature Confirmation™
 Signature Confirmation Restricted Delivery

SENDER: COMPLETE THIS SECTION

- Complete items 1, 2, and 3.
- Print your name and address on the reverse so that we can return the card to you.
- Attach this card to the back of the mailpiece, or on the front if space permits.

1. Article Addressed to:

HOLSHOUSER JEFFERY DALE & CANDI
1540 STATE RT 1684
BOAZ, KY 42027



9590 9402 7548 2098 3123 64

2. Article Number (Transfer from service label)

7017 0190 0000 9587 9438

PS Form 3811, July 2020 PSN 7530-02-000-9053

COMPLETE THIS SECTION ON DELIVERY

A. Signature

X *Jeff Holshouser*

- Agent
 Addressee

B. Received by (Printed Name)

Jeff Holshouser

C. Date of Delivery

4/20/24

D. Is delivery address different from item 1? Yes

If YES, enter delivery address below: NO

3. Service Type

- Adult Signature
 Adult Signature Restricted Delivery
 Certified Mail®
 Certified Mail Restricted Delivery
 Collect on Delivery
 Collect on Delivery Restricted Delivery
 Registered Mail™
 Registered Mail Restricted Delivery
 Signature Confirmation™
 Signature Confirmation Restricted Delivery
 Priority Mail Express®
 Registered Mail™
 Registered Mail Restricted Delivery
 Signature Confirmation™
 Signature Confirmation Restricted Delivery

Domestic Return Receipt

SENDER: COMPLETE THIS SECTION

- Complete items 1, 2, and 3.
- Print your name and address on the reverse so that we can return the card to you.
- Attach this card to the back of the mailpiece, or on the front if space permits.

1. Article Addressed to:
**LEE RICHARD & JANET FAY &
 LEE RICHARD T
 831 DUFFY RD
 BOAZ, KY 42027**



9590 9402 7548 2098 3242 82

2. Article Number (Transfer from service label)
7021 1970 0000 8657 0939

PS Form 3811, July 2020 PSN 7530-02-000-9053

COMPLETE THIS SECTION ON DELIVERY

A. Signature
 Janet Lee Agent
 Addressee

B. Received by (Printed Name)
Janet Lee

C. Date of Delivery

D. Is delivery address different from item 1? Yes
 If YES, enter delivery address below: No

3. Service Type

<input type="checkbox"/> Adult Signature	<input type="checkbox"/> Priority Mail Express®
<input type="checkbox"/> Adult Signature Restricted Delivery	<input type="checkbox"/> Registered Mail™
<input checked="" type="checkbox"/> Certified Mail®	<input type="checkbox"/> Registered Mail Restricted Delivery
<input type="checkbox"/> Certified Mail Restricted Delivery	<input type="checkbox"/> Signature Confirmation™
<input type="checkbox"/> Collect on Delivery	<input type="checkbox"/> Signature Confirmation Restricted Delivery
<input type="checkbox"/> Collect on Delivery Restricted Delivery	

Registered Mail Restricted Delivery (over \$500)

SENDER: COMPLETE THIS SECTION

- Complete items 1, 2, and 3.
- Print your name and address on the reverse so that we can return the card to you.
- Attach this card to the back of the mailpiece, or on the front if space permits.

1. Article Addressed to:
**GIBSON DAVID B & SHIRLEY
 2413 STATE RT 1684
 BOAZ, KY 42027**



9590 9402 7548 2098 3242 68

2. Article Number (Transfer from service label)
7021 1970 0000 8657 0946

PS Form 3811, July 2020 PSN 7530-02-000-9053

COMPLETE THIS SECTION ON DELIVERY

A. Signature
 David Gibson Agent
 Addressee

B. Received by (Printed Name)
David B. Gibson

C. Date of Delivery

D. Is delivery address different from item 1? Yes
 If YES, enter delivery address below: No

3. Service Type

<input type="checkbox"/> Adult Signature	<input type="checkbox"/> Priority Mail Express®
<input type="checkbox"/> Adult Signature Restricted Delivery	<input type="checkbox"/> Registered Mail™
<input checked="" type="checkbox"/> Certified Mail®	<input type="checkbox"/> Registered Mail Restricted Delivery
<input type="checkbox"/> Certified Mail Restricted Delivery	<input type="checkbox"/> Signature Confirmation™
<input type="checkbox"/> Collect on Delivery	<input type="checkbox"/> Signature Confirmation Restricted Delivery
<input type="checkbox"/> Collect on Delivery Restricted Delivery	

Registered Mail Restricted Delivery (over \$500)

SENDER: COMPLETE THIS SECTION

- Complete items 1, 2, and 3.
- Print your name and address on the reverse so that we can return the card to you.
- Attach this card to the back of the mailpiece, or on the front if space permits.

1. Article Addressed to:
**DAVIS ROBERT O & CYNTHIA
 5972 STATE ROUTE 849 EAST
 BOAZ, KY 42027**



9590 9402 7548 2098 3123 88

2. Article Number (Transfer from service label)
7017 0190 0000 9587 9452

PS Form 3811, July 2020 PSN 7530-02-000-9053

COMPLETE THIS SECTION ON DELIVERY

A. Signature
 Robert Davis Agent
 Addressee

B. Received by (Printed Name)
Robert Davis

C. Date of Delivery

D. Is delivery address different from item 1? Yes
 If YES, enter delivery address below: No

3. Service Type

<input type="checkbox"/> Adult Signature	<input type="checkbox"/> Priority Mail Express®
<input type="checkbox"/> Adult Signature Restricted Delivery	<input type="checkbox"/> Registered Mail™
<input checked="" type="checkbox"/> Certified Mail®	<input type="checkbox"/> Registered Mail Restricted Delivery
<input type="checkbox"/> Certified Mail Restricted Delivery	<input type="checkbox"/> Signature Confirmation™
<input type="checkbox"/> Collect on Delivery	<input type="checkbox"/> Signature Confirmation Restricted Delivery
<input type="checkbox"/> Collect on Delivery Restricted Delivery	

Registered Mail Restricted Delivery (over \$500)

PS Form 3811, July 2020 PSN 7530-02-000-9053

Domestic Return Receipt

Domestic Return Receipt

Domestic Return Receipt

SENDER: COMPLETE THIS SECTION

- Complete items 1, 2, and 3.
- Print your name and address on the reverse so that we can return the card to you.
- Attach this card to the back of the mailpiece, or on the front if space permits.

1. Article Addressed to:

**ROSE NATHANIEL HOUSTON &
 HALLEY BROOKE
 1883 STATE RT 1684
 BOAZ, KY 42027**



9590 9402 7548 2098 3242 37

2. Article Number (Transfer from service label)

7021 1970 0000 8657 0960

PS Form 3811, July 2020 PSN 7530-02-000-9053

COMPLETE THIS SECTION ON DELIVERY

A. Signature

X *Nathaniel Rose*

- Agent
- Addressee

B. Received by (Printed Name)

Nathaniel Rose

C. Date of Delivery

4-30-24

D. Is delivery address different from item 1? Yes
If YES, enter delivery address below: No

3. Service Type

- Adult Signature
- Adult Signature Restricted Delivery
- Certified Mail®
- Certified Mail Restricted Delivery
- Collect on Delivery
- Collect on Delivery Restricted Delivery

- Priority Mail Express®
- Registered Mail™
- Registered Mail Restricted Delivery
- Signature Confirmation™
- Signature Confirmation Restricted Delivery

Registered Mail Restricted Delivery (over \$500)

Domestic Return Receipt

SENDER: COMPLETE THIS SECTION

- Complete items 1, 2, and 3.
- Print your name and address on the reverse so that we can return the card to you.
- Attach this card to the back of the mailpiece, or on the front if space permits.

1. Article Addressed to:

**BURGESS MITCHELL D
 314 WATKINS RD
 HICKORY, KY 42051**



9590 9402 7548 2098 3242 44

2. Article Number (Transfer from service label)

7021 1970 0000 8657 0977

PS Form 3811, July 2020 PSN 7530-02-000-9053

COMPLETE THIS SECTION ON DELIVERY

A. Signature

X *Shirley Burgess*

- Agent
- Addressee

B. Received by (Printed Name)

Shirley Burgess

C. Date of Delivery

04/12/24

D. Is delivery address different from item 1? Yes
If YES, enter delivery address below: No

3. Service Type

- Adult Signature
- Adult Signature Restricted Delivery
- Certified Mail®
- Certified Mail Restricted Delivery
- Collect on Delivery
- Collect on Delivery Restricted Delivery

- Priority Mail Express®
- Registered Mail™
- Registered Mail Restricted Delivery
- Signature Confirmation™
- Signature Confirmation Restricted Delivery

Registered Mail Restricted Delivery (over \$500)

Domestic Return Receipt

Tracking Number:

Remove X

7021197000086570915

Copy

Schedule a Redelivery (<https://tools.usps.com/redelivery.htm>)

Latest Update

This is a reminder to arrange for redelivery of your item before May 3, 2024 or your item will be returned on May 4, 2024. You may arrange redelivery by using the Schedule a Redelivery feature on this page or may pick up the item at the Post Office indicated on the notice.

Get More Out of USPS Tracking:

USPS Tracking Plus®

Feedback

Delivery Attempt: Action Needed

Reminder to Schedule Redelivery of your item before May 3, 2024

April 24, 2024

Notice Left (No Authorized Recipient Available)

BOAZ, KY 42027

April 19, 2024, 3:19 pm

See All Tracking History

[What Do USPS Tracking Statuses Mean? \(https://faq.usps.com/s/article/Where-is-my-package\)](https://faq.usps.com/s/article/Where-is-my-package)

Text & Email Updates



Schedule Redelivery



USPS Tracking Plus®





Product Information

See Less ^

Track Another Package

Enter tracking or barcode numbers

Need More Help?

Contact USPS Tracking support for further assistance.

[FAQs](#)

EXHIBIT K
COPY OF PROPERTY OWNER NOTIFICATION



PIKE LEGAL GROUP PLLC
1578 Highway 44 East, Unit 6
PO Box 369
Shepherdsville, KY 40165-0369
Phone: 502-955-4400
Fax: 502-543-4410

VIA CERTIFIED MAIL

**Notice of Proposed Construction of
Wireless Communications Facility
Site Name: Kaler Mill**

Dear Landowner:

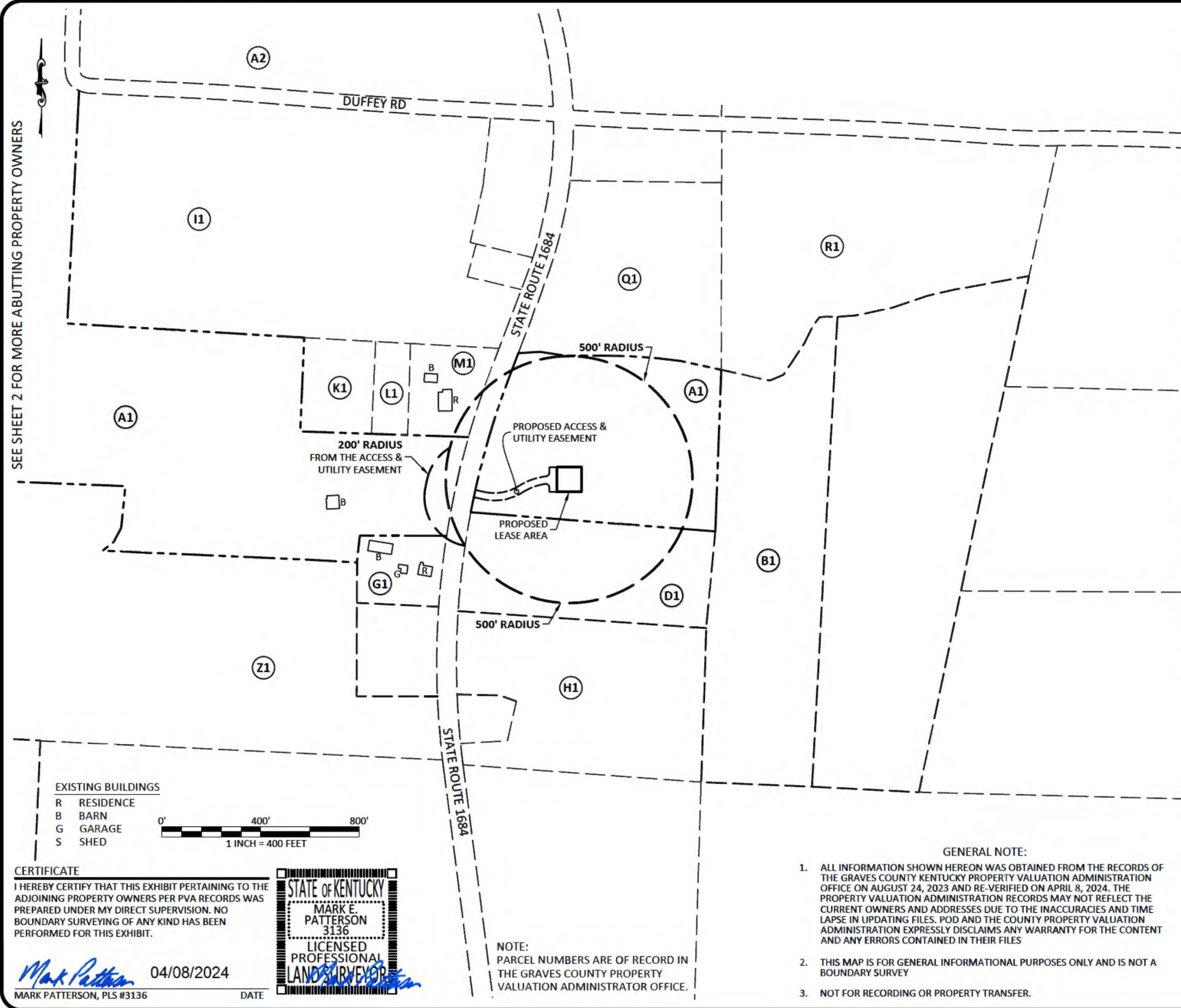
New Cingular Wireless PCS, LLC, a Delaware limited liability company, d/b/a AT&T Mobility is filing an application with the Kentucky Public Service Commission ("PSC") to construct a new wireless communications facility on a site located at 1950 State Route 1684, Boaz, KY 42027 (36° 53' 41.349908" North latitude, 88° 34' 37.685318" West longitude). The proposed facility will include a 190-foot tall tower with a 5-foot tall lightning arrestor attached at the top for a total height of 195 feet, plus related ground facilities. This facility is needed to provide improved service for wireless communications in the area.

This notice is being sent to you because the County Property Valuation Administrator's records indicate that you may own property that is within a 500' radius of the proposed tower site or contiguous to the property on which the tower is to be constructed. You have a right to submit testimony to the PSC, either in writing or to request intervention in the PSC's proceedings on the application. You may contact the PSC for additional information concerning this matter at: Kentucky Public Service Commission, Executive Director, 211 Sower Boulevard, P.O. Box 615, Frankfort, Kentucky 40602. Please refer to docket number 2024-00111 in any correspondence sent in connection with this matter.

We have attached a map showing the site location for the proposed tower. AT&T Mobility's radio frequency engineers assisted in selecting the proposed site for the facility, and they have determined it is the proper location and elevation needed to provide quality service to wireless customers in the area. Please feel free to contact us toll free at (800) 516-4293 if you have any comments or questions about this proposal.

Sincerely,
David A. Pike
Attorney for Applicant

enclosures



- (A1)** PARCEL ID: 115.00.00.021.00
DAVIS ROBERT O & CYNTHIA
5972 STATE ROUTE 849 EAST
BOAZ, KY 42027
- (B1)** PARCEL ID: 115.00.00.027.01
DAVIS ROBERT O & CYNTHIA
5972 STATE ROUTE 849 EAST
BOAZ, KY 42027
- (D1)** PARCEL ID: 115.00.00.017.00
DAVIS ROBERT O & CYNTHIA
5972 STATE ROUTE 849 EAST
BOAZ, KY 42027
- (G1)** PARCEL ID: 115.00.00.021.01
DAVIS ROBERT
5972 ST RT 849
BOAZ, KY 42027
- (H1)** PARCEL ID: 115.00.00.016.00
HOLSHOUSER JEFFERY DALE
& CANDI
1540 STATE RT 1684
BOAZ, KY 42027
- (I1)** PARCEL ID: 115.00.00.022.00
GARRETT MATTHEW LLOYD
2113 ST RT 1684
BOAZ, KY 42027
- (K1)** PARCEL ID: 115.00.00.020.00
BONEE DAVID & RITA
2019 STATE RT 1684
BOAZ, KY 42027
- (L1)** PARCEL ID: 115.00.00.019.00
BONEE DAVID & RITA
2019 STATE RT 1684
BOAZ, KY 42027
- (M1)** PARCEL ID: 115.00.00.018.00
BONEE DAVID & RITA
2019 STATE RT 1684
BOAZ, KY 42027
- (Q1)** PARCEL ID: 115.00.00.025.00
BURGESS MITCHELL D
314 WATKINS RD
HICKORY, KY 42051
- (R1)** PARCEL ID: 115.00.00.027.00
BURGESS MITCHELL D
314 WATKINS RD
HICKORY, KY 42051
- (Z1)** PARCEL ID: 115.00.00.013.00
ROSE NATHANIEL HOUSTON &
HALEY BROOKE
1883 STATE RT 1684
BOAZ, KY 42027
- (A2)** PARCEL ID: 115.00.00.052.00
GIBSON DAVID B & SHIRLEY
2413 STATE RT 1684
BOAZ, KY 42027

PREPARED BY:

11490 BLUEGRASS PARKWAY
LOUISVILLE, KY 40299
502-437-5252

PREPARED FOR:

PREPARED FOR:

REVISIONS

REV.	DATE	DESCRIPTION
A	10.30.23	ISSUED FOR REVIEW
B	2.19.24	OLC COMMENTS
0	4.3.24	ISSUED FINAL
1	4.5.24	OLC COMMENTS
2	4.8.24	OLC COMMENTS

SITE INFORMATION:
KALER MILL
 STATE HIGHWAY - 1684
 BOAZ, KY 42027
 GRAVES COUNTY

PROPERTY OWNER:
 ROBERT O. & CYNTHIA M.
 DAVIS
 5972 STATE ROUTE 849 E
 BOAZ, KY 42027

TAX PARCEL NUMBER:
 115.00.00.021.00

SOURCE OF TITLE:
 DEED BOOK 361, PAGE 675

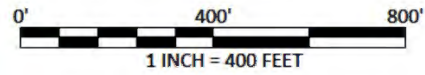
FA NUMBER:
 16147975

POD NUMBER: 23-162122
 CHECKED BY: MEP
 DRAWN BY: DAP
 SURVEY DATE: 8.24.23
 PLAT DATE: 10.30.23

SHEET TITLE:
**500' RADIUS AND
 ABUTTERS MAP**

SHEET NUMBER: (2 pages)
B-2

- EXISTING BUILDINGS**
- R RESIDENCE
 - B BARN
 - G GARAGE
 - S SHED



CERTIFICATE
 I HEREBY CERTIFY THAT THIS EXHIBIT PERTAINING TO THE
 ADJOINING PROPERTY OWNERS PER PVA RECORDS WAS
 PREPARED UNDER MY DIRECT SUPERVISION. NO
 BOUNDARY SURVEYING OF ANY KIND HAS BEEN
 PERFORMED FOR THIS EXHIBIT.

STATE OF KENTUCKY
**MARK E.
 PATTERSON**
 3136
 LICENSED
 PROFESSIONAL
 LAND SURVEYOR

Mark Patterson 04/08/2024
 MARK PATTERSON, PLS #3136 DATE

NOTE:
 PARCEL NUMBERS ARE OF RECORD IN
 THE GRAVES COUNTY PROPERTY
 VALUATION ADMINISTRATOR OFFICE.

- GENERAL NOTE:**
1. ALL INFORMATION SHOWN HEREON WAS OBTAINED FROM THE RECORDS OF THE GRAVES COUNTY KENTUCKY PROPERTY VALUATION ADMINISTRATION OFFICE ON AUGUST 24, 2023 AND RE-VERIFIED ON APRIL 8, 2024. THE PROPERTY VALUATION ADMINISTRATION RECORDS MAY NOT REFLECT THE CURRENT OWNERS AND ADDRESSES DUE TO THE INACCURACIES AND TIME LAPSE IN UPDATING FILES. POD AND THE COUNTY PROPERTY VALUATION ADMINISTRATION EXPRESSLY DISCLAIMS ANY WARRANTY FOR THE CONTENT AND ANY ERRORS CONTAINED IN THEIR FILES
 2. THIS MAP IS FOR GENERAL INFORMATIONAL PURPOSES ONLY AND IS NOT A BOUNDARY SURVEY
 3. NOT FOR RECORDING OR PROPERTY TRANSFER.

NOTE:
PARCEL NUMBERS ARE OF RECORD IN
THE GRAVES COUNTY PROPERTY
VALUATION ADMINISTRATOR OFFICE.

- GENERAL NOTE:
1. ALL INFORMATION SHOWN HEREON WAS OBTAINED FROM THE RECORDS OF THE GRAVES COUNTY KENTUCKY PROPERTY VALUATION ADMINISTRATION OFFICE ON AUGUST 24, 2023 AND RE-VERIFIED ON APRIL 8, 2024. THE PROPERTY VALUATION ADMINISTRATION RECORDS MAY NOT REFLECT THE CURRENT OWNERS AND ADDRESSES DUE TO THE INACCURACIES AND TIME LAPSE IN UPDATING FILES. POD AND THE COUNTY PROPERTY VALUATION ADMINISTRATION EXPRESSLY DISCLAIMS ANY WARRANTY FOR THE CONTENT AND ANY ERRORS CONTAINED IN THEIR FILES
 2. THIS MAP IS FOR GENERAL INFORMATIONAL PURPOSES ONLY AND IS NOT A BOUNDARY SURVEY
 3. NOT FOR RECORDING OR PROPERTY TRANSFER.

PREPARED BY:



11490 BLUEGRASS PARKWAY
LOUISVILLE, KY 40299
502-437-5252

PREPARED FOR:



PREPARED FOR:



REVISIONS		
REV.	DATE	DESCRIPTION
A	10.30.23	ISSUED FOR REVIEW
B	2.19.24	OLC COMMENTS
0	4.3.24	ISSUED FINAL
1	4.5.24	OLC COMMENTS
2	4.8.24	OLC COMMENTS

SITE INFORMATION:
KALER MILL
STATE HIGHWAY - 1684
BOAZ, KY 42027
GRAVES COUNTY

PROPERTY OWNER:
ROBERT O. & CYNTHIA M. DAVIS
5972 STATE ROUTE 849 E
BOAZ, KY 42027

TAX PARCEL NUMBER:
115.00.00.021.00

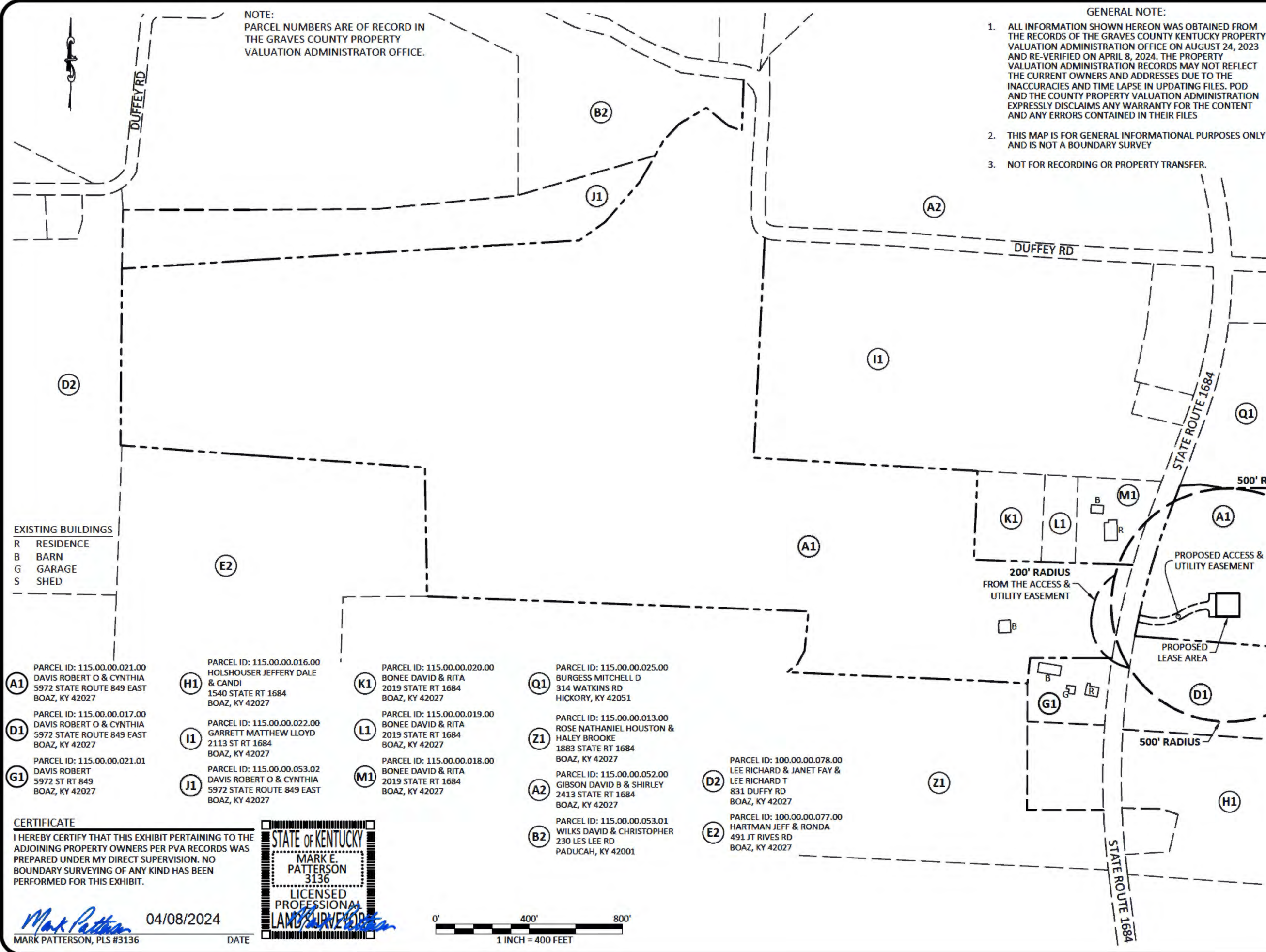
SOURCE OF TITLE:
DEED BOOK 361, PAGE 675

FA NUMBER:
16147975

POD NUMBER: 23-162122
CHECKED BY: MEP
DRAWN BY: DAP
SURVEY DATE: 8.24.23
PLAT DATE: 10.30.23

SHEET TITLE:
**500' RADIUS AND
ABUTTERS MAP**

SHEET NUMBER: (2 pages)
B-2.1



- EXISTING BUILDINGS
- R RESIDENCE
 - B BARN
 - G GARAGE
 - S SHED

- A1** PARCEL ID: 115.00.00.021.00 DAVIS ROBERT O & CYNTHIA 5972 STATE ROUTE 849 EAST BOAZ, KY 42027
- D1** PARCEL ID: 115.00.00.017.00 DAVIS ROBERT O & CYNTHIA 5972 STATE ROUTE 849 EAST BOAZ, KY 42027
- G1** PARCEL ID: 115.00.00.021.01 DAVIS ROBERT 5972 ST RT 849 BOAZ, KY 42027
- H1** PARCEL ID: 115.00.00.016.00 HOLSHOUSER JEFFERY DALE & CANDI 1540 STATE RT 1684 BOAZ, KY 42027
- I1** PARCEL ID: 115.00.00.022.00 GARRETT MATTHEW LLOYD 2113 ST RT 1684 BOAZ, KY 42027
- J1** PARCEL ID: 115.00.00.053.02 DAVIS ROBERT O & CYNTHIA 5972 STATE ROUTE 849 EAST BOAZ, KY 42027
- K1** PARCEL ID: 115.00.00.020.00 BONEE DAVID & RITA 2019 STATE RT 1684 BOAZ, KY 42027
- L1** PARCEL ID: 115.00.00.019.00 BONEE DAVID & RITA 2019 STATE RT 1684 BOAZ, KY 42027
- M1** PARCEL ID: 115.00.00.018.00 BONEE DAVID & RITA 2019 STATE RT 1684 BOAZ, KY 42027
- Q1** PARCEL ID: 115.00.00.025.00 BURGESS MITCHELL D 314 WATKINS RD HICKORY, KY 42051
- Z1** PARCEL ID: 115.00.00.013.00 ROSE NATHANIEL HOUSTON & HALEY BROOKE 1883 STATE RT 1684 BOAZ, KY 42027
- A2** PARCEL ID: 115.00.00.052.00 GIBSON DAVID B & SHIRLEY 2413 STATE RT 1684 BOAZ, KY 42027
- B2** PARCEL ID: 115.00.00.053.01 WILKS DAVID & CHRISTOPHER 230 LES LEE RD PADUCAH, KY 42001
- D2** PARCEL ID: 100.00.00.078.00 LEE RICHARD & JANET FAY & LEE RICHARD T 831 DUFFY RD BOAZ, KY 42027
- E2** PARCEL ID: 100.00.00.077.00 HARTMAN JEFF & RONDA 491 JT RIVES RD BOAZ, KY 42027

CERTIFICATE
I HEREBY CERTIFY THAT THIS EXHIBIT PERTAINING TO THE ADJOINING PROPERTY OWNERS PER PVA RECORDS WAS PREPARED UNDER MY DIRECT SUPERVISION. NO BOUNDARY SURVEYING OF ANY KIND HAS BEEN PERFORMED FOR THIS EXHIBIT.



Mark Patterson
MARK PATTERSON, PLS #3136
DATE: 04/08/2024

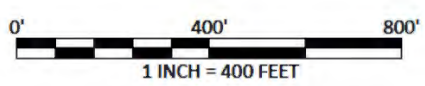


EXHIBIT L
COPY OF COUNTY JUDGE/EXECUTIVE NOTICE



PIKE LEGAL GROUP PLLC
1578 Highway 44 East, Unit 6
PO Box 369
Shepherdsville, KY 40165-0369
Phone: 502-955-4400
Fax: 502-543-4410

VIA CERTIFIED MAIL

Jesse Perry
County Judge Executive
1102 Paris Road
Suite 2
Mayfield, KY 42066

RE: Notice of Proposal to Construct Wireless Communications Facility
Kentucky Public Service Commission Docket No. 2024-00111
Site Name: Kaler Mill

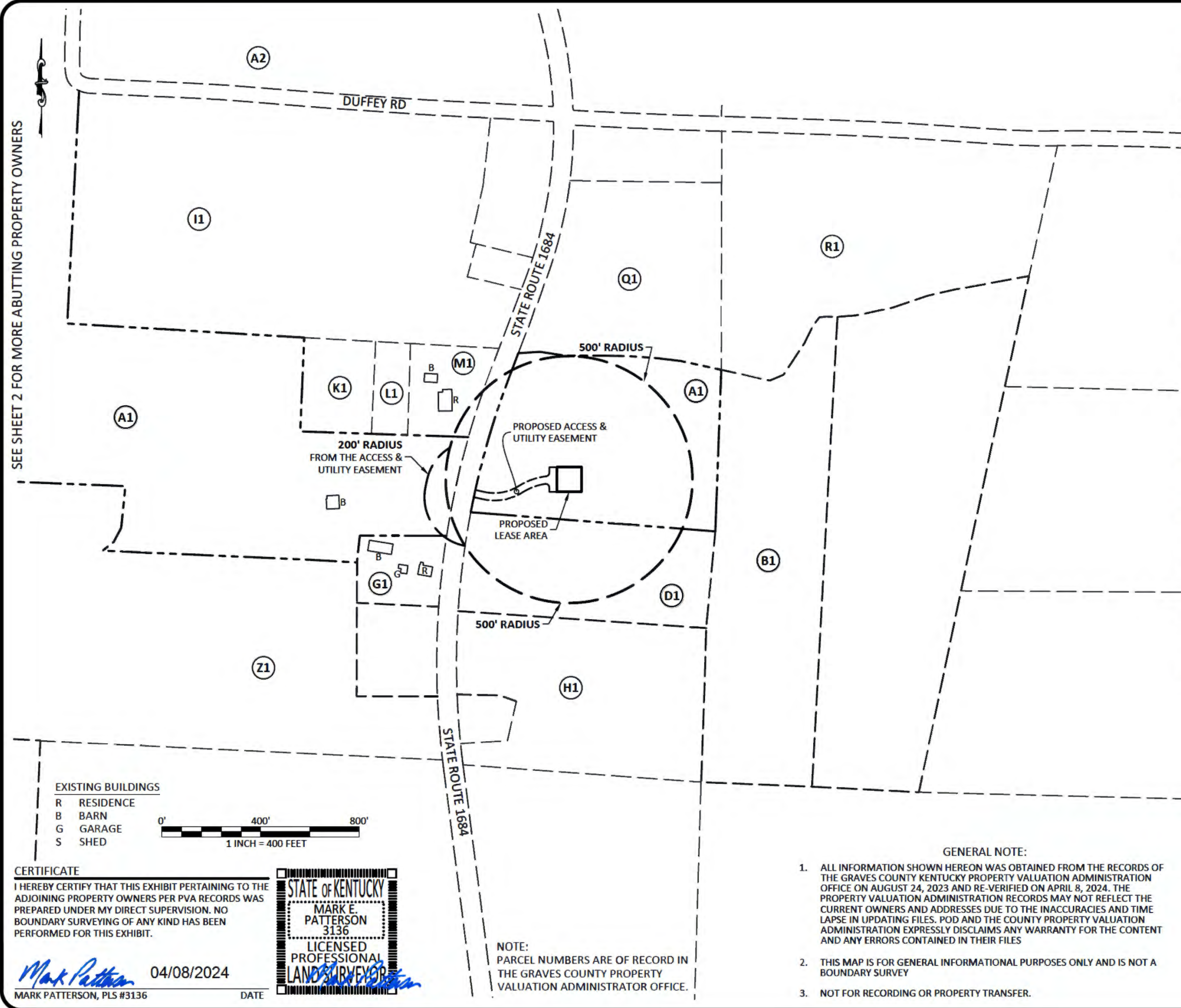
Dear Judge/Executive:

New Cingular Wireless PCS, LLC, a Delaware limited liability company, d/b/a AT&T Mobility is filing an application with the Kentucky Public Service Commission ("PSC") to construct a new wireless communications facility on a site located at 1950 State Route 1684, Boaz, KY 42027 (36° 53' 41.349908" North latitude, 88° 34' 37.685318" West longitude). The proposed facility will include a 190-foot tall tower with a 5-foot tall lightning arrestor attached at the top for a total height of 195 feet, plus related ground facilities. This facility is needed to provide improved service for wireless communications in the area.

You have a right to submit comments to the PSC or to request intervention in the PSC's proceedings on the application. You may contact the PSC at: Executive Director, Public Service Commission, 211 Sower Boulevard, P.O. Box 615, Frankfort, Kentucky 40602. Please refer to docket number 2024-00111 in any correspondence sent in connection with this matter.

We have attached a map showing the site location for the proposed tower. AT&T Mobility's radio frequency engineers assisted in selecting the proposed site for the facility, and they have determined it is the proper location and elevation needed to provide quality service to wireless customers in the area. Please feel free to contact us toll free at (800) 516-4293 if you have any comments or questions about this proposal.

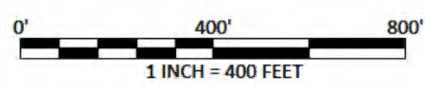
Sincerely,
David A. Pike
Attorney for Applicant
enclosures



- (A1)** PARCEL ID: 115.00.00.021.00
DAVIS ROBERT O & CYNTHIA
5972 STATE ROUTE 849 EAST
BOAZ, KY 42027
- (B1)** PARCEL ID: 115.00.00.027.01
DAVIS ROBERT O & CYNTHIA
5972 STATE ROUTE 849 EAST
BOAZ, KY 42027
- (D1)** PARCEL ID: 115.00.00.017.00
DAVIS ROBERT O & CYNTHIA
5972 STATE ROUTE 849 EAST
BOAZ, KY 42027
- (G1)** PARCEL ID: 115.00.00.021.01
DAVIS ROBERT
5972 ST RT 849
BOAZ, KY 42027
- (H1)** PARCEL ID: 115.00.00.016.00
HOLSHOUSER JEFFERY DALE
& CANDI
1540 STATE RT 1684
BOAZ, KY 42027
- (I1)** PARCEL ID: 115.00.00.022.00
GARRETT MATTHEW LLOYD
2113 ST RT 1684
BOAZ, KY 42027
- (K1)** PARCEL ID: 115.00.00.020.00
BONEE DAVID & RITA
2019 STATE RT 1684
BOAZ, KY 42027
- (L1)** PARCEL ID: 115.00.00.019.00
BONEE DAVID & RITA
2019 STATE RT 1684
BOAZ, KY 42027
- (M1)** PARCEL ID: 115.00.00.018.00
BONEE DAVID & RITA
2019 STATE RT 1684
BOAZ, KY 42027
- (Q1)** PARCEL ID: 115.00.00.025.00
BURGESS MITCHELL D
314 WATKINS RD
HICKORY, KY 42051
- (R1)** PARCEL ID: 115.00.00.027.00
BURGESS MITCHELL D
314 WATKINS RD
HICKORY, KY 42051
- (Z1)** PARCEL ID: 115.00.00.013.00
ROSE NATHANIEL HOUSTON &
HALEY BROOKE
1883 STATE RT 1684
BOAZ, KY 42027
- (A2)** PARCEL ID: 115.00.00.052.00
GIBSON DAVID B & SHIRLEY
2413 STATE RT 1684
BOAZ, KY 42027

SEE SHEET 2 FOR MORE ABUTTING PROPERTY OWNERS

EXISTING BUILDINGS
 R RESIDENCE
 B BARN
 G GARAGE
 S SHED



CERTIFICATE
 I HEREBY CERTIFY THAT THIS EXHIBIT PERTAINING TO THE
 ADJOINING PROPERTY OWNERS PER PVA RECORDS WAS
 PREPARED UNDER MY DIRECT SUPERVISION. NO
 BOUNDARY SURVEYING OF ANY KIND HAS BEEN
 PERFORMED FOR THIS EXHIBIT.



Mark Patterson 04/08/2024
 MARK PATTERSON, PLS #3136 DATE

NOTE:
 PARCEL NUMBERS ARE OF RECORD IN
 THE GRAVES COUNTY PROPERTY
 VALUATION ADMINISTRATOR OFFICE.

GENERAL NOTE:

1. ALL INFORMATION SHOWN HEREON WAS OBTAINED FROM THE RECORDS OF THE GRAVES COUNTY KENTUCKY PROPERTY VALUATION ADMINISTRATION OFFICE ON AUGUST 24, 2023 AND RE-VERIFIED ON APRIL 8, 2024. THE PROPERTY VALUATION ADMINISTRATION RECORDS MAY NOT REFLECT THE CURRENT OWNERS AND ADDRESSES DUE TO THE INACCURACIES AND TIME LAPSE IN UPDATING FILES. POD AND THE COUNTY PROPERTY VALUATION ADMINISTRATION EXPRESSLY DISCLAIMS ANY WARRANTY FOR THE CONTENT AND ANY ERRORS CONTAINED IN THEIR FILES
2. THIS MAP IS FOR GENERAL INFORMATIONAL PURPOSES ONLY AND IS NOT A BOUNDARY SURVEY
3. NOT FOR RECORDING OR PROPERTY TRANSFER.

PREPARED BY:

 11490 BLUEGRASS PARKWAY
 LOUISVILLE, KY 40299
 502-437-5252

PREPARED FOR:

PREPARED FOR:

REVISIONS		
REV.	DATE	DESCRIPTION
A	10.30.23	ISSUED FOR REVIEW
B	2.19.24	OLC COMMENTS
0	4.3.24	ISSUED FINAL
1	4.5.24	OLC COMMENTS
2	4.8.24	OLC COMMENTS

SITE INFORMATION:
KALER MILL
 STATE HIGHWAY - 1684
 BOAZ, KY 42027
 GRAVES COUNTY

PROPERTY OWNER:
 ROBERT O. & CYNTHIA M.
 DAVIS
 5972 STATE ROUTE 849 E
 BOAZ, KY 42027

TAX PARCEL NUMBER:
 115.00.00.021.00

SOURCE OF TITLE:
 DEED BOOK 361, PAGE 675

FA NUMBER:
 16147975

POD NUMBER: 23-162122
 CHECKED BY: MEP
 DRAWN BY: DAP
 SURVEY DATE: 8.24.23
 PLAT DATE: 10.30.23

SHEET TITLE:
**500' RADIUS AND
 ABUTTERS MAP**

SHEET NUMBER: (2 pages)
B-2

NOTE:
PARCEL NUMBERS ARE OF RECORD IN
THE GRAVES COUNTY PROPERTY
VALUATION ADMINISTRATOR OFFICE.

- GENERAL NOTE:
1. ALL INFORMATION SHOWN HEREON WAS OBTAINED FROM THE RECORDS OF THE GRAVES COUNTY KENTUCKY PROPERTY VALUATION ADMINISTRATION OFFICE ON AUGUST 24, 2023 AND RE-VERIFIED ON APRIL 8, 2024. THE PROPERTY VALUATION ADMINISTRATION RECORDS MAY NOT REFLECT THE CURRENT OWNERS AND ADDRESSES DUE TO THE INACCURACIES AND TIME LAPSE IN UPDATING FILES. POD AND THE COUNTY PROPERTY VALUATION ADMINISTRATION EXPRESSLY DISCLAIMS ANY WARRANTY FOR THE CONTENT AND ANY ERRORS CONTAINED IN THEIR FILES
 2. THIS MAP IS FOR GENERAL INFORMATIONAL PURPOSES ONLY AND IS NOT A BOUNDARY SURVEY
 3. NOT FOR RECORDING OR PROPERTY TRANSFER.

PREPARED BY:



11490 BLUEGRASS PARKWAY
LOUISVILLE, KY 40299
502-437-5252

PREPARED FOR:



PREPARED FOR:



REVISIONS		
REV.	DATE	DESCRIPTION
A	10.30.23	ISSUED FOR REVIEW
B	2.19.24	OLC COMMENTS
0	4.3.24	ISSUED FINAL
1	4.5.24	OLC COMMENTS
2	4.8.24	OLC COMMENTS

SITE INFORMATION:
KALER MILL
STATE HIGHWAY - 1684
BOAZ, KY 42027
GRAVES COUNTY

PROPERTY OWNER:
ROBERT O. & CYNTHIA M. DAVIS
5972 STATE ROUTE 849 E
BOAZ, KY 42027

TAX PARCEL NUMBER:
115.00.00.021.00

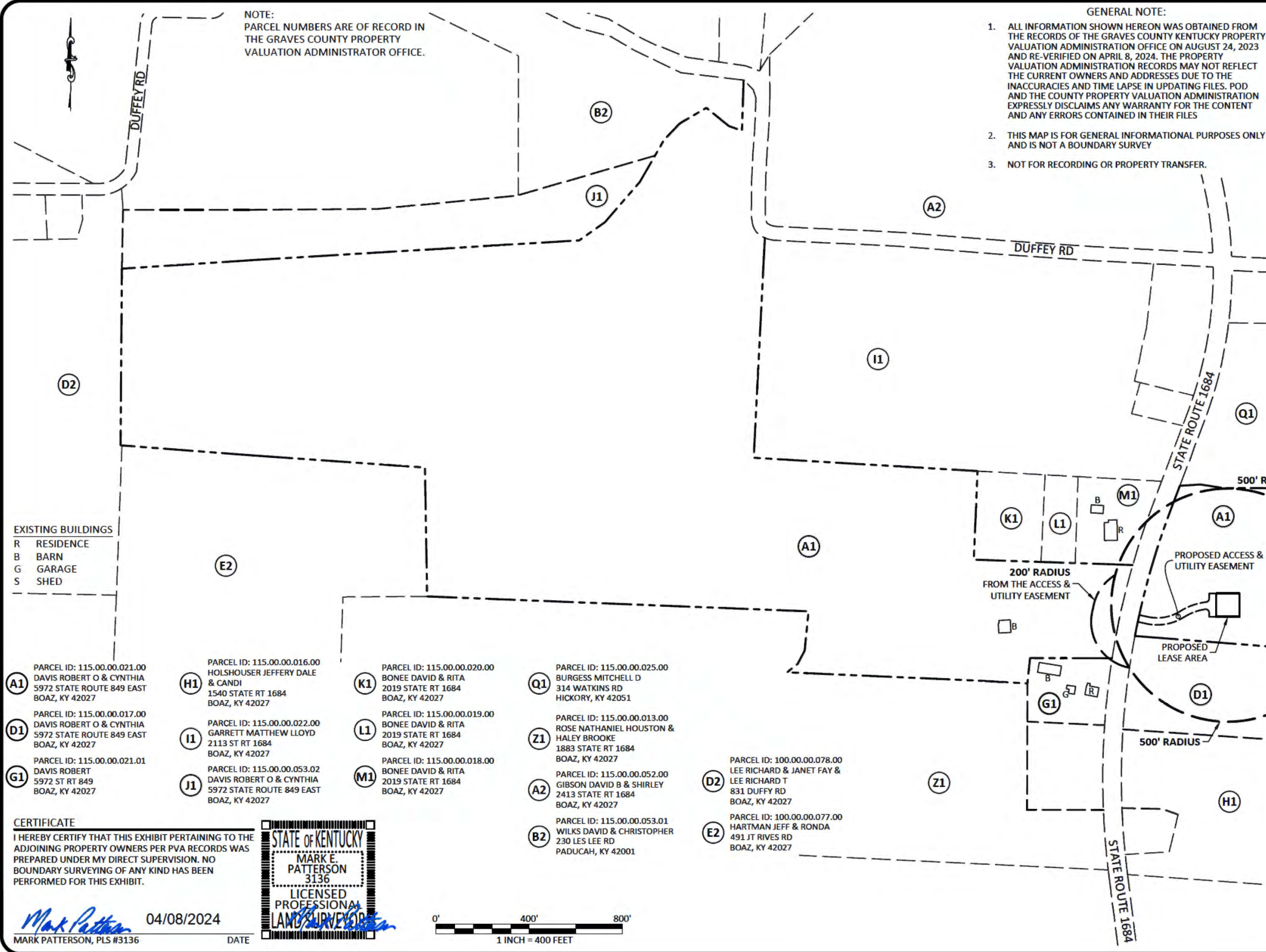
SOURCE OF TITLE:
DEED BOOK 361, PAGE 675

FA NUMBER:
16147975

POD NUMBER: 23-162122
CHECKED BY: MEP
DRAWN BY: DAP
SURVEY DATE: 8.24.23
PLAT DATE: 10.30.23

SHEET TITLE:
**500' RADIUS AND
ABUTTERS MAP**

SHEET NUMBER: (2 pages)
B-2.1



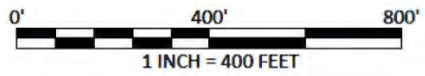
- EXISTING BUILDINGS
- R RESIDENCE
 - B BARN
 - G GARAGE
 - S SHED

- A1** PARCEL ID: 115.00.00.021.00 DAVIS ROBERT O & CYNTHIA 5972 STATE ROUTE 849 EAST BOAZ, KY 42027
- D1** PARCEL ID: 115.00.00.017.00 DAVIS ROBERT O & CYNTHIA 5972 STATE ROUTE 849 EAST BOAZ, KY 42027
- G1** PARCEL ID: 115.00.00.021.01 DAVIS ROBERT 5972 ST RT 849 BOAZ, KY 42027
- H1** PARCEL ID: 115.00.00.016.00 HOLSHOUSER JEFFERY DALE & CANDI 1540 STATE RT 1684 BOAZ, KY 42027
- I1** PARCEL ID: 115.00.00.022.00 GARRETT MATTHEW LLOYD 2113 ST RT 1684 BOAZ, KY 42027
- J1** PARCEL ID: 115.00.00.053.02 DAVIS ROBERT O & CYNTHIA 5972 STATE ROUTE 849 EAST BOAZ, KY 42027
- K1** PARCEL ID: 115.00.00.020.00 BONEE DAVID & RITA 2019 STATE RT 1684 BOAZ, KY 42027
- L1** PARCEL ID: 115.00.00.019.00 BONEE DAVID & RITA 2019 STATE RT 1684 BOAZ, KY 42027
- M1** PARCEL ID: 115.00.00.018.00 BONEE DAVID & RITA 2019 STATE RT 1684 BOAZ, KY 42027
- Q1** PARCEL ID: 115.00.00.025.00 BURGESS MITCHELL D 314 WATKINS RD HICKORY, KY 42051
- Z1** PARCEL ID: 115.00.00.013.00 ROSE NATHANIEL HOUSTON & HALEY BROOKE 1883 STATE RT 1684 BOAZ, KY 42027
- A2** PARCEL ID: 115.00.00.052.00 GIBSON DAVID B & SHIRLEY 2413 STATE RT 1684 BOAZ, KY 42027
- B2** PARCEL ID: 115.00.00.053.01 WILKS DAVID & CHRISTOPHER 230 LES LEE RD PADUCAH, KY 42001
- D2** PARCEL ID: 100.00.00.078.00 LEE RICHARD & JANET FAY & LEE RICHARD T 831 DUFFY RD BOAZ, KY 42027
- E2** PARCEL ID: 100.00.00.077.00 HARTMAN JEFF & RONDA 491 JT RIVES RD BOAZ, KY 42027

CERTIFICATE
I HEREBY CERTIFY THAT THIS EXHIBIT PERTAINING TO THE ADJOINING PROPERTY OWNERS PER PVA RECORDS WAS PREPARED UNDER MY DIRECT SUPERVISION. NO BOUNDARY SURVEYING OF ANY KIND HAS BEEN PERFORMED FOR THIS EXHIBIT.

STATE OF KENTUCKY
MARK E. PATTERSON
3136
LICENSED PROFESSIONAL LAND SURVEYOR

Mark Patterson
MARK PATTERSON, PLS #3136
DATE: 04/08/2024



U.S. Postal Service
CERTIFIED MAIL® RECEIPT
 Domestic Mail Only

For delivery information, visit our website at www.usps.com®.

7017 0190 0000 9587 9469

OFFICIAL RECEIPT

Certified Mail Fee \$ _____

Extra Services & Fees (check box, add fee as appropriate)

Return Receipt (hardcopy) \$ _____

Return Receipt (electronic) \$ _____

Certified Mail Restricted Delivery \$ _____

Adult Signature Required \$ _____

Adult Signature Restricted Delivery \$ _____

Postage \$ _____

Total Price \$ _____

Sent To _____

Street or PO Box _____

City, State, ZIP+4® _____

Jesse Perry
County Judge Executive
101 East South Street
Mayfield, KY 42066

APR 17 2024
 POST OFFICE
 SHEPHERDSVILLE KY 40165

PS Form 3800, April 2015 PSN 7530-02-000 9047 See Reverse for Instructions

CERTIFIED MAIL®



1578 Highway 44 East, Suite 6
 P.O. Box 369
 Shepherdsville, KY 40165-0369



7017 0190 0000 9587 9469

FIRST-CLASS



US POSTAGE™
 PITNEY BOWES
 ZIP 40165 \$ **008.69**⁰⁰
 02 7H
 0006034260 APR 17 2024

WTF

Jesse Perry
 County Judge Executive
 101 East South Street
 Mayfield, KY 42066

4/24

NEXIE 402 FE 1 6004/22/24
 RETURN TO SENDER
 NOT DELIVERABLE AS ADDRESSED
 UNABLE TO FORWARD
 RET 40365034260 *9578-01059-17-25

42065034260

7017 0190 0000 9587 7526

U.S. Postal Service™
CERTIFIED MAIL® RECEIPT
Domestic Mail Only

For delivery information, visit our website at www.usps.com®.

OFFICIAL USE

Certified Mail Fee \$ _____

Extra Services & Fees (check box, add fee as appropriate)

<input type="checkbox"/> Return Receipt (hardcopy)	\$ _____
<input type="checkbox"/> Return Receipt (electronic)	\$ _____
<input type="checkbox"/> Certified Mail Restricted Delivery	\$ _____
<input type="checkbox"/> Adult Signature Required	\$ _____
<input type="checkbox"/> Adult Signature Restricted Delivery	\$ _____

Postage \$ _____

Total \$ _____

Service \$ _____

Street _____

City _____

Jesse Perry
County Judge Executive
1102 Paris Road Suite 2
Mayfield, KY 42066

SHEPHERDSTOWN KY
APR 24 2024
40165

PS Form 3800, April 2015 PSN 7530-02-000-9047 See Reverse for Instructions

USPS Tracking®

[FAQs >](#)

Tracking Number:

[Remove X](#)

7017019000095877526

[Copy](#)

[Add to Informed Delivery \(https://informedelivery.usps.com/\)](https://informedelivery.usps.com/)

Latest Update

Your item was delivered to an individual at the address at 12:51 pm on April 29, 2024 in MAYFIELD, KY 42066.

Get More Out of USPS Tracking:

[USPS Tracking Plus®](#)

Delivered

Delivered, Left with Individual

MAYFIELD, KY 42066

April 29, 2024, 12:51 pm

[See All Tracking History](#)

Feedback

[What Do USPS Tracking Statuses Mean? \(https://faq.usps.com/s/article/Where-is-my-package\)](https://faq.usps.com/s/article/Where-is-my-package)

[Text & Email Updates](#) 

[USPS Tracking Plus®](#) 

[Product Information](#) 

[See Less ^](#)

Track Another Package

Enter tracking or barcode numbers

Need More Help?

Contact USPS Tracking support for further assistance.

[FAQs](#)

**EXHIBIT M
COPY OF POSTED NOTICES
AND NEWSPAPER NOTICE ADVERTISEMENT**

SITE NAME: KALER MILL
NOTICE SIGNS

The signs are at least (2) feet by four (4) feet in size, of durable material, with the text printed in black letters at least one (1) inch in height against a white background, except for the word “**tower**,” which is at least four (4) inches in height.

New Cingular Wireless PCS, LLC, a Delaware limited liability company, d/b/a AT&T Mobility proposes to construct a telecommunications **tower** on this site. If you have questions, please contact Pike Legal Group, PLLC, P.O. Box 369, Shepherdsville, KY 40165; telephone: (800) 516-4293, or the Executive Director, Public Service Commission, 211 Sower Boulevard, PO Box 615, Frankfort, Kentucky 40602. Please refer to docket number 2024-00111 in your correspondence.

New Cingular Wireless PCS, LLC, a Delaware limited liability company, d/b/a AT&T Mobility proposes to construct a telecommunications **tower** near this site. If you have questions, please contact Pike Legal Group, PLLC, P.O. Box 369, Shepherdsville, KY 40165; telephone: (800) 516-4293, or the Executive Director, Public Service Commission, 211 Sower Boulevard, PO Box 615, Frankfort, Kentucky 40602. Please refer to docket number 2024-00111 in your correspondence.



PIKE LEGAL GROUP PLLC
1578 Highway 44 East, Unit 6
PO Box 369
Shepherdsville, KY 40165-0369
Phone: 502-955-4400
Fax: 502-543-4410

Telephone: (270) 442-7389
Email: sbrennan@timesleader.net

Mayfield Graves Guardian
c/o Kentucky Publishing Inc.
1540 McCracken Blvd.
Paducah, KY 42001

RE: Legal Notice Advertisement
Site Name: Kaler Mill

Dear Advertising Department:

Please publish the following legal notice advertisement in the next edition of *Mayfield Graves Guardian*:

NOTICE

New Cingular Wireless PCS, LLC, a Delaware limited liability company, d/b/a AT&T Mobility has filed an application with the Kentucky Public Service Commission ("PSC") to construct a new wireless communications facility on a site located at 1950 State Route 1684, Boaz, KY 42027 (36° 53' 41.349908" North latitude, 88° 34' 37.685318" West longitude). You may contact the PSC for additional information concerning this matter at: Kentucky Public Service Commission, Executive Director, 211 Sower Boulevard, P.O. Box 615, Frankfort, Kentucky 40602. Please refer to docket number 2024-00111 in any correspondence sent in connection with this matter.

After this advertisement has been published, please forward a tearsheet copy, affidavit of publication, and invoice to Pike Legal Group, PLLC, P. O. Box 369, Shepherdsville, KY 40165. Please call me at (800) 516-4293 if you have any questions. Thank you for your assistance.

Sincerely,
Chris Shouse
Pike Legal Group, PLLC

EXHIBIT N
COPY OF RADIO FREQUENCY DESIGN SEARCH AREA



Lat: 36.899446
Long: -88.577071
Radius: .45 miles

Kaler Mill Search Area