

**COMMONWEALTH OF KENTUCKY
BEFORE THE PUBLIC SERVICE COMMISSION**

In the Matter of:

THE APPLICATION OF)
NEW CINGULAR WIRELESS PCS, LLC,)
A DELAWARE LIMITED LIABILITY COMPANY,)
D/B/A AT&T MOBILITY)
FOR ISSUANCE OF A CERTIFICATE OF PUBLIC) CASE NO.: 2024-00095
CONVENIENCE AND NECESSITY TO CONSTRUCT)
A WIRELESS COMMUNICATIONS FACILITY)
IN THE COMMONWEALTH OF KENTUCKY)
IN THE COUNTY OF CALDWELL)

SITE NAME: MEADOWVIEW

* * * * *

**APPLICATION FOR
CERTIFICATE OF PUBLIC CONVENIENCE AND NECESSITY
FOR CONSTRUCTION OF A WIRELESS COMMUNICATIONS FACILITY**

New Cingular Wireless PCS, LLC, a Delaware limited liability company, d/b/a AT&T Mobility (“Applicant”), by counsel, pursuant to (i) KRS §§ 278.020, 278.040, 278.650, 278.665, and other statutory authority, and the rules and regulations applicable thereto, and (ii) the Telecommunications Act of 1996, respectfully submits this Application requesting issuance of a Certificate of Public Convenience and Necessity (“CPCN”) from the Kentucky Public Service Commission (“PSC”) to construct, maintain, and operate a Wireless Communications Facility (“WCF”) to serve the customers of Applicant with wireless communications services.

In support of this Application, Applicant respectfully provides and states the following information:

1. The complete name and address of the Applicant is: New Cingular Wireless PCS, LLC, a Delaware limited liability company, d/b/a AT&T Mobility, having an address of

1025 Lenox Park Blvd NE, 3rd Floor, Atlanta, GA 30319.

2. Applicant proposes construction of an antenna tower for communications services, which is to be located in an area outside the jurisdiction of a planning commission, and Applicant submit this application to the PSC for a certificate of public convenience and necessity pursuant to KRS §§ 278.020(1), 278.040, 278.650, 278.665, and other statutory authority.

3. AT&T Mobility is a limited liability company organized in the State of Delaware on October 20, 1994. AT&T Mobility's Certificate of Good standing issued by the State of Delaware is attached as part of **Exhibit A** and hereby incorporated by reference.

5. Applicant attest that it is in good standing in the state in which they are organized and further state that they are authorized to transact business in Kentucky. A copy of Applicant's Certificate of Authorization issued by the Kentucky Secretary of State are attached as part of **Exhibit A** and are hereby incorporated by reference.

6. AT&T Mobility operates on frequencies licensed by the Federal Communications Commission ("FCC") pursuant to applicable FCC requirements. A copy of AT&T Mobility's FCC applications and licenses to provide wireless services are attached to this Application or described as part of **Exhibit A**, and the facility will be constructed and operated in accordance with applicable FCC regulations.

7. The public convenience and necessity require the construction of the proposed WCF. The construction of the WCF will bring or improve Applicant's services to an area currently not served or not adequately served by Applicant by increasing coverage or capacity and thereby enhancing the public's access to innovative and competitive wireless communications services. The WCF will provide a necessary link in Applicant's

communications network that is designed to meet the increasing demands for wireless services in Kentucky's wireless communications service area. The WCF is an integral link in Applicant's network design that must be in place to provide adequate coverage to the service area.

8. To address the above-described service needs, Applicant proposes to construct a WCF in a lease area located off Kentucky Highway 1272, Princeton, KY 42445 (37° 00' 42.419046" North latitude, -87° 54' 25.326762" West longitude), on a parcel of land located entirely within the county referenced in the caption of this application. The property on which the WCF will be located is owned by Andrew Perry Lester and his spouse, Linda Diane Lester pursuant to a Deed recorded at Deed Book 112, Page 99 in the office of the County Clerk. The proposed WCF will consist of a 190-foot tall tower, with an approximately 5-foot tall lightning arrestor attached at the top, for a total height of 195-feet. The WCF will also include concrete foundations and a shelter or cabinets to accommodate the placement of the Applicant's radio electronics equipment and appurtenant equipment. Applicant's equipment cabinet or shelter will be approved for use in the Commonwealth of Kentucky by the relevant building inspector. The WCF compound will be fenced and all access gate(s) will be secured. A description of the manner in which the proposed WCF will be constructed is attached as **Exhibit B** and **Exhibit C**.

9. A list of utilities, corporations, or persons with whom the proposed WCF is likely to compete is attached as **Exhibit D**.

10. The site development plan and a vertical profile sketch of the WCF signed and sealed by a professional engineer registered in Kentucky depicting the tower height, as well as a proposed configuration for the antennas of Applicant has also been included as

part of **Exhibit B**.

11. Foundation design plans signed and sealed by a professional engineer registered in Kentucky and a description of the standards according to which the tower was designed are included as part of **Exhibit C**.

12. Applicant has considered the likely effects of the installation of the proposed WCF on nearby land uses and values and has concluded that there is no more suitable location reasonably available from which adequate services can be provided, and that there are no reasonably available opportunities to co-locate Applicant's antennas on an existing structure. When suitable towers or structures exist, Applicant attempts to co-locate on existing structures such as communications towers or other structures capable of supporting Applicant's facilities; however, no other suitable or available co-location site was found to be located in the vicinity of the site.

13. Documentation confirming that notice of the proposed construction to the Federal Aviation Administration ("FAA") is not required is attached as **Exhibit E**.

14. A copy of the Kentucky Airport Zoning Commission ("KAZC") application along with documentation from the KAZC Administrator confirming KAZC approval for the proposed construction is not required is attached as **Exhibit F**.

15. A geotechnical engineering firm has performed soil boring(s) and subsequent geotechnical engineering studies at the WCF site. A copy of the geotechnical engineering report, signed and sealed by a professional engineer registered in the Commonwealth of Kentucky, is attached as **Exhibit G**. The name and address of the geotechnical engineering firm and the professional engineer registered in the Commonwealth of Kentucky who supervised the examination of this WCF site are included as part of this

exhibit.

16. Clear directions to the proposed WCF site from the County seat are attached as **Exhibit H**. The name and telephone number of the preparer of **Exhibit H** are included as part of this exhibit.

17. Applicant, pursuant to a written agreement, has acquired the right to use the WCF site and associated property rights. A copy of the agreement or an abbreviated agreement recorded with the County Clerk is attached as **Exhibit I**.

18. Personnel directly responsible for the design and construction of the proposed WCF are well qualified and experienced. The tower and foundation drawings for the proposed tower submitted as part of **Exhibit C** bear the signature and stamp of a professional engineer registered in the Commonwealth of Kentucky. All tower designs meet or exceed the minimum requirements of applicable laws and regulations.

19. The Construction Manager for the proposed facility is John Lounsbury and the identity and qualifications of each person directly responsible for design and construction of the proposed tower are contained in **Exhibits B & C**.

20. As noted on the Survey attached as part of **Exhibit B**, the surveyor has determined that the site is not within any flood hazard area.

21. **Exhibit B** includes a map drawn to an appropriate scale that shows the location of the proposed tower and identifies every owner of real estate within 500 feet of the proposed tower (according to the records maintained by the County Property Valuation Administrator). Every structure and every easement within 500 feet of the proposed tower or within 200 feet of the access road including intersection with the public street system is illustrated in **Exhibit B**.

22. Applicant has notified every person who, according to the records of the County Property Valuation Administrator, owns property which is within 500 feet of the proposed tower or contiguous to the site property, by certified mail, return receipt requested, of the proposed construction. Each notified property owner has been provided with a map of the location of the proposed construction, the PSC docket number for this application, the address of the PSC, and has been informed of his or her right to request intervention. A list of the notified property owners and a copy of the form of the notice sent by certified mail to each landowner are attached as **Exhibit J** and **Exhibit K**, respectively. Copies of the certified green card receipts for each of the landowners who were provided notice are also included as part of **Exhibit J**.

23. Applicant has notified the applicable County Judge/Executive by certified mail, return receipt requested, of the proposed construction. This notice included the PSC docket number under which the application will be processed and informed the County Judge/Executive of his/her right to request intervention. A copy of this notice is attached as **Exhibit L**.

24. Notice signs meeting the requirements prescribed by 807 KAR 5:063, Section 1(2) that measure at least 2 feet in height and 4 feet in width and that contain all required language in letters of required height, have been posted, one in a visible location on the proposed site and one on the nearest public road. Such signs shall remain posted for at least two weeks after filing of the Application, and a copy of the posted text is attached as **Exhibit M**. A legal notice advertisement regarding the location of the proposed facility has been published in a newspaper of general circulation in the county in which the WCF is proposed to be located. A copy of the newspaper legal notice advertisement is attached as

part of **Exhibit M**.

25. The general area where the proposed facility is to be located is rural in character.

26. The process that was used by Applicant's radio frequency engineers in selecting the site for the proposed WCF was consistent with the general process used for selecting all other existing and proposed WCF facilities within the proposed network design area. Applicant's radio frequency engineers have conducted studies and tests in order to develop a highly efficient network that is designed to handle voice and data traffic in the service area. The engineers determined an optimum area for the placement of the proposed facility in terms of elevation and location to provide the best quality service to customers in the service area. A radio frequency design search area prepared in reference to these radio frequency studies was considered by the Applicant when searching for sites for its antennas that would provide the coverage deemed necessary by Applicant's Radio Frequency Engineers. A map of the area in which the tower is proposed to be located which is drawn to scale and clearly depicts the necessary search area within which the site should be located pursuant to radio frequency requirements is attached as **Exhibit N**.

27. The tower must be located at the proposed location and proposed height to provide necessary service to wireless communications users in the subject area.

28. All Exhibits to this Application are hereby incorporated by reference as if fully set out as part of the Application.

29. All responses and requests associated with this Application may be directed to:

David A. Pike

Pike Legal Group, PLLC
1578 Highway 44 East, Suite 6
P. O. Box 369
Shepherdsville, KY 40165-0369
Telephone: (502) 955-4400
Telefax: (502) 543-4410
Email: dpike@pikelegal.com

WHEREFORE, Applicant respectfully requests that the PSC accept the foregoing Application for filing, and having met the requirements of KRS §§ 278.020(1), 278.650, and 278.665 and all applicable rules and regulations of the PSC, grant a Certificate of Public Convenience and Necessity to construct and operate the WCF at the location set forth herein.

Respectfully submitted,



David A. Pike
Pike Legal Group, PLLC
1578 Highway 44 East, Suite 6
P. O. Box 369
Shepherdsville, KY 40165-0369
Telephone: (502) 955-4400
Telefax: (502) 543-4410
Email: dpike@pikelegal.com
Attorney for Applicant

LIST OF EXHIBITS

- A - Corporate Documentation & FCC License Documentation
- B - Site Development Plan:
 - 500' Vicinity Map
 - Legal Descriptions
 - Flood Plain Certification
 - Site Plan
 - Vertical Tower Profile
- C - Tower and Foundation Design
 - Construction Manager Letter
 - List of Qualified Professionals
 - Tower and Foundation Drawings
- D - Competing Utilities, Corporations, or Persons List
- E - FAA
- F - Kentucky Airport Zoning Commission
- G - Geotechnical Report
- H - Directions to WCF Site
- I - Copy of Real Estate Agreement
- J - Notification Listing & Certified Green Receipts
- K - Copy of Property Owner Notification
- L - Copy of County Judge/Executive Notice
- M - Copy of Posted Notices and Newspaper Notice Advertisement
- N - Copy of Radio Frequency Design Search Area

EXHIBIT A
CORPORATE DOCUMENTATION & FCC LICENSE
DOCUMENTATION

Delaware

Page 1

The First State

I, JEFFREY W. BULLOCK, SECRETARY OF STATE OF THE STATE OF DELAWARE, DO HEREBY CERTIFY "NEW CINGULAR WIRELESS PCS, LLC" IS DULY FORMED UNDER THE LAWS OF THE STATE OF DELAWARE AND IS IN GOOD STANDING AND HAS A LEGAL EXISTENCE SO FAR AS THE RECORDS OF THIS OFFICE SHOW, AS OF THE TWELFTH DAY OF APRIL, A.D. 2024.

AND I DO HEREBY FURTHER CERTIFY THAT THE SAID "NEW CINGULAR WIRELESS PCS, LLC" WAS FORMED ON THE TWENTIETH DAY OF OCTOBER, A.D. 1994.

AND I DO HEREBY FURTHER CERTIFY THAT THE ANNUAL TAXES HAVE BEEN PAID TO DATE.



2445544 8300

SR# 20241423461

You may verify this certificate online at corp.delaware.gov/authver.shtml

A handwritten signature in black ink, appearing to read "JBULLOCK", is written over a horizontal line. Below the line, the text "Jeffrey W. Bullock, Secretary of State" is printed.

Authentication: 203243800

Date: 04-12-24

Commonwealth of Kentucky
Michael G. Adams, Secretary of State

Michael G. Adams
Secretary of State
P. O. Box 718
Frankfort, KY 40602-0718
(502) 564-3490
<http://www.sos.ky.gov>

Certificate of Authorization

Authentication number: 307635

Visit <https://web.sos.ky.gov/ftshow/certvalidate.aspx> to authenticate this certificate.

I, Michael G. Adams, Secretary of State of the Commonwealth of Kentucky, do hereby certify that according to the records in the Office of the Secretary of State,

NEW CINGULAR WIRELESS PCS, LLC

, a limited liability company authorized under the laws of the state of Delaware, is authorized to transact business in the Commonwealth of Kentucky, and received the authority to transact business in Kentucky on October 14, 1999.

I further certify that all fees and penalties owed to the Secretary of State have been paid; that an application for certificate of withdrawal has not been filed; and that the most recent annual report required by KRS 14A.6-010 has been delivered to the Secretary of State.

IN WITNESS WHEREOF, I have hereunto set my hand and affixed my Official Seal at Frankfort, Kentucky, this 21st day of March, 2024, in the 232nd year of the Commonwealth.

Michael G. Adams
Secretary of State
Commonwealth of Kentucky
307635/0481848

REFERENCE COPY

This is not an official FCC license. It is a record of public information contained in the FCC's licensing database on the date that this reference copy was generated. In cases where FCC rules require the presentation, posting, or display of an FCC license, this document may not be used in place of an official FCC license.

**Federal Communications Commission
Wireless Telecommunications Bureau**

RADIO STATION AUTHORIZATION

LICENSEE: NEW CINGULAR WIRELESS PCS, LLC

ATTN: FCC GROUP
NEW CINGULAR WIRELESS PCS, LLC
208 S. AKARD ST. 20F
DALLAS, TX 75202

Call Sign
KNLF251
File Number

Radio Service
CW - PCS Broadband

FCC Registration Number (FRN): 0003291192

Grant Date **Effective Date** **Expiration Date** **Print Date**
06-02-2015 01-14-2023 06-23-2025

Market Number **Channel Block** **Sub-Market Designator**
MTA026 A 15

Market Name
Louisville-Lexington-Evansville

1st Build-out Date **2nd Build-out Date** **3rd Build-out Date** **4th Build-out Date**
06-23-2000 06-23-2005

Waivers/Conditions:

This authorization is subject to the condition that, in the event that systems using the same frequencies as granted herein are authorized in an adjacent foreign territory (Canada/United States), future coordination of any base station transmitters within 72 km (45 miles) of the United States/Canada border shall be required to eliminate any harmful interference to operations in the adjacent foreign territory and to ensure continuance of equal access to the frequencies by both countries.

This authorization is subject to the condition that the remaining balance of the winning bid amount will be paid in accordance with Part 1 of the Commission's rules, 47 C.F.R. Part 1.

Conditions:

Pursuant to §309(h) of the Communications Act of 1934, as amended, 47 U.S.C. §309(h), this license is subject to the following conditions: This license shall not vest in the licensee any right to operate the station nor any right in the use of the frequencies designated in the license beyond the term thereof nor in any other manner than authorized herein. Neither the license nor the right granted thereunder shall be assigned or otherwise transferred in violation of the Communications Act of 1934, as amended. See 47 U.S.C. § 310(d). This license is subject in terms to the right of use or control conferred by §706 of the Communications Act of 1934, as amended. See 47 U.S.C. §606.

This license may not authorize operation throughout the entire geographic area or spectrum identified on the hardcopy version. To view the specific geographic area and spectrum authorized by this license, refer to the Spectrum and Market Area information under the Market Tab of the license record in the Universal Licensing System (ULS). To view the license record, go to the ULS homepage at <http://wireless.fcc.gov/uls/index.htm?job=home> and select "License Search". Follow the instructions on how to search for license information.

Licensee Name: NEW CINGULAR WIRELESS PCS, LLC

Call Sign: KNLF251

File Number:

Print Date:

This license is conditioned upon compliance with the provisions of Applications of AT&T Wireless Services, Inc. and Cingular Wireless Corporation For Consent to Transfer Control of Licenses and Authorizations, Memorandum Opinion and Order, FCC 04-255 (rel. Oct. 26, 2004).

Spectrum Lease Associated with this License. See Spectrum Leasing Arrangement Letter dated 12/06/2004 and File # 0001918512.

Commission approval of this application and the licenses contained therein are subject to the conditions set forth in the Memorandum Opinion and Order, adopted on December 29, 2006 and released on March 26, 2007, and revised in the Order on Reconsideration, adopted and released on March 26, 2007. See AT&T Inc. and BellSouth Corporation Application for Transfer of Control, WC Docket No. 06-74, Memorandum Opinion and Order, FCC 06-189 (rel. Mar. 26, 2007); AT&T Inc. and BellSouth Corporation, WC Docket No. 06-74, Order on Reconsideration, FCC 07-44 (rel. Mar. 26, 2007).

Licensee Name: NEW CINGULAR WIRELESS PCS, LLC

Call Sign: KNLF251

File Number:

Print Date:

700 MHz Relicensed Area Information:

Market	Market Name	Buildout Deadline	Buildout Notification	Status
---------------	--------------------	--------------------------	------------------------------	---------------

Reference Copy

Reference Copy Only. Do Not Mail to the FCC as an Application.

Submitted: 01/23/2024 at 17:43:02
File Number: 0010873735

FCC 601

Main Form

FCC Application for Radio Service Authorization: Wireless Telecommunications Bureau Public Safety and Homeland Security Bureau

Approved by OMB

3060 - 0798

See instructions for
public burden estimate

1) Radio Service Code: **CW** 1a) Existing Radio Service Code:

General Information

2) (Select only one) (**AU**)

NE - New	RO - Renewal Only	AU - Administrative Update	NT - Required Notifications
MD - Modification	RM - Renewal/Modification	WD - Withdrawal of Application	EX - Requests for Extension of Time
AM - Amendment	CA - Cancellation of License	RL - Registered Location/Link	

3a) If this application is for a Demonstration License or a Special Temporary Authorization (STA), enter the code and attach the required exhibit as described in the instructions. Otherwise enter 'N/A' (Not Applicable). (**N**) **M S N/A**

3b) If this application is for Special Temporary Authority due to an emergency situation, enter 'Y'; otherwise enter 'N'. Refer to Rule 1.915 for an explanation of situations considered to be an emergency. () **Yes No**

4) If this application is for an Amendment or Withdrawal, enter the file number of the pending application currently on file with the FCC. File Number

5) If this application is for a Modification, Renewal Only, Renewal/Modification, Cancellation of License, , or Administrative Update, enter the call sign of the existing FCC license. Call Sign
If this is a request for Registered Location/Link, enter the FCC call sign assigned to the geographic license. **KNLF251**

6a) If this application is for a New, Amendment, Renewal Only, or Renewal/Modification, enter the requested authorization expiration date (this item is optional). MM / DD

6b) If this application is for a Renewal Only or Renewal/Modification and the license is a geographic area license, is the license used to provide service to customers (C), or is the license used for private business (internal) purposes or to meet the licensee's public interest/public safety communications needs (P)? () **C P**

7) Is this application "major" as defined in § 1.929 of the Commission's Rules when read in conjunction with the applicable radio service rules found in Parts 22 and 90 of the Commission's Rules? (NOTE: This question only applies to certain site-specific applications. See the instructions for applicability and full text of § 1.929). () **Yes No**

8) Are attachments (other than associated schedules) being filed with this application? () **Yes No**

Fees, Waivers, and Exemptions

9) Is the Applicant exempt from FCC application fees? (**N**) **Yes No**

10) Is the Applicant exempt from FCC regulatory fees? (**N**) **Yes No**

11) Does this application include a request for a Waiver of the Commission's Rule(s)? If 'Yes', attach an exhibit providing rule number(s) and explaining circumstances. (**N**) **Yes No**

12) Are the frequencies or parameters requested in this filing covered by grandfathered privileges, previously approved by waiver, or functionally integrated with an existing station? () **Yes No**

Applicant Information

13) FCC Registration Number (FRN):

0003291192

14) Applicant/Licensee Legal Entity Type: (Select One)

() Individual () Unincorporated Association) Government Entity **X**) Corporation () Limited Liability Company

() General Partnership () Limited Partnership () Limited Liability Partnership () Consortium

() Other:

15) If the Licensee name is being updated, is the update a result from the sale (or transfer of control) of the license(s) to party and for which proper Commission approval has not been received or proper notification not provided? () Yes **No**

16) First Name (if individual): MI: Last Name: Suffix:

17) Legal Entity Name (if other than individual):

New Cingular Wireless PCS, LLC

18) Attention To:

National Regulatory Compliance

19) P.O. Box: And/Or 20) Street Address:

208 S Akard St, 20F

21) City: 22) State: 23) Zip Code:

Dallas

TX

75202

24) Telephone Number: 25) Fax:

(855)699-7073

(214)746-6410

26) E-Mail Address:
FCCMW@att.com

27) Demographics (Optional)

Race: Ethnicity: Gender:
() American Indian or Alaska Native () Hispanic or Latino () Male
() Asian () Not Hispanic or Latino () Female
() Black or African-American
() Native Hawaiian or Other Pacific Islander
() White

Real Party in Interest

28) Name of Real Party in Interest of Applicant (If different from Applicant): 29) FCC Registration Number (FRN) of Real Party in Interest:

Contact Information (If different from the Applicant)

() **Check here if same as Applicant.**

30) First Name: MI: Last Name: Suffix:
Jessica J Dunk

31) Company Name:
AT&T Services, Inc.

32) Attention To:
NRC

33) P.O. Box: And /Or 34) Street Address:
208 S Akard St, 20F

35) City: 36) State: 37) Zip Code:
Dallas TX 75202

38) Telephone Number: 39) Fax:
(855)699-7073 (214)757-3706

40) E-Mail Address:
FCCMW@att.com

Regulatory Status

41) This filing is for authorization to provide or use the following type(s) of radio service offering (enter all that apply):

()Common Carrier ()Non-Common Carrier ()Private, internal communications ()Broadcast Services ()Band Manager

Type of Radio Service

42) This filing is for authorization to provide the following type(s) of radio service (choose all that apply):

()Fixed ()Mobile ()Satellite (sound) ()Broadcast Services

43) Does the Applicant propose to provide service interconnected to the public telephone network? ()Yes ()No

Alien Ownership Questions (If any answer is 'Y', provide an attachment explaining the circumstances. In preparing the attachment, refer to the Main Form Instructions for the "Alien Ownership Questions".)

44) Is the Applicant a foreign government or the representative of any foreign government? ()Yes ()No

45) Is the Applicant an alien or the representative of an alien? ()Yes ()No

46) Is the Applicant a corporation organized under the laws of any foreign government? ()Yes ()No

47) Is the Applicant a corporation of which more than one-fifth of the capital stock is owned of record or voted by aliens or their representatives, or by a foreign government or representative thereof, or by any corporation organized under the laws of a foreign country? ()Yes ()No

48a) Is the Applicant directly or indirectly controlled by any other corporation of which more than one-fourth of the capital stock () Yes No is owned of record or voted by aliens or their representatives, or by a foreign government or representative thereof, or by any corporation organized under the laws of a foreign country?

48b) If the answer to 47 or 48a is 'Y' select one of the choices below.

The Applicant is exempt from the provisions of Section 310(b).

It is not necessary to file a petition for declaratory ruling if the Applicant includes in the attachment required by Item 47 or Item 48a a showing that the requested license(s) is exempt from the provisions of Section 310(b).

The Applicant has received a declaratory ruling(s) approving its foreign ownership, and the application involves only the acquisition of additional spectrum for the provision of a wireless service in a geographic coverage area for which the Applicant has been previously authorized.

If checked, include in the attachment required by Item 47 or Item 48a the citation(s) of the applicable declaratory ruling(s) by DA/FCC number, the FCC Record citation, if available, release date, and a statement that there has been no change in the foreign ownership of the Applicant since the issuance of its ruling.

The Applicant: (i) has received a declaratory ruling(s) approving its foreign ownership, but is not able to make the certification specified immediately above; or (ii) is an "affiliate" of a Licensee or Lessee/Sublessee that received a declaratory ruling(s) under 47 CFR § 1.5000(a) and is relying on the affiliate's ruling for purposes of filing this application as permitted under the affiliate's ruling and 47 CFR § 1.5004(b)

If checked, and if the Applicant received its declaratory ruling(s) on or after August 9, 2013, include in the attachment required by Item 47 or Item 48a the citation(s) of the Applicant's declaratory ruling(s) by DA/FCC number, the FCC Record citation, if available, release date, and a statement that the Applicant is in compliance with the terms and conditions of its ruling and with the Commission's Rules.

If checked, and if the Applicant received its declaratory ruling(s) prior to August 9, 2013, include in the attachment required by Item 48a a copy of a petition for declaratory ruling filed contemporaneously with the Commission to extend the Applicant's existing ruling(s) to cover the same radio service(s) and geographic coverage area(s) involved in the application. Alternatively, the Applicant may request a new declaratory ruling pursuant to Section 1.5000(a) of the Commission's Rules, 47 CFR § 1.5000 (a). Petitions for declaratory ruling may be filed electronically on the Internet through the International Bureau Filing System (IBFS) (with a copy attached hereto).

If checked, and if the Applicant is relying on an affiliate's ruling for purposes of filing this application, include in the attachment required by Item 47 or Item 48a the citation(s) of the applicable declaratory ruling(s) by DA/FCC number, the FCC Record citation, if available, release date, and a statement that the Applicant is in compliance with the terms and conditions of the named affiliate's ruling and with the Commission's Rules. The Applicant must also include a certification of compliance signed by the named affiliate or other qualified entity as specified in 47 CFR § 1.5004(b). See Main Form Instructions for Items 47 or 48a, as applicable.

The Applicant has not received a declaratory ruling approving its foreign ownership and is requesting a declaratory ruling under 47 CFR § 1.5004(b) in a petition filed contemporaneously with the Commission.

If checked, include in the attachment required by Item 47 or 48a a copy of the petition for declaratory ruling filed contemporaneously with the Commission pursuant to 47 CFR § 1.5004(b). Petitions for declaratory ruling may be filed electronically on the Internet through the International Bureau Filing System (IBFS) (with a copy attached hereto).

Basic Qualification Questions

- 49) Has the Applicant or any party to this application had any FCC station authorization, license or construction permit revoked or had any application for an initial, modification or renewal of FCC station authorization, license, or construction permit denied by the Commission? () Yes No
- 50) Has the Applicant or any party to this application, or any party directly or indirectly controlling the Applicant, ever been convicted of a felony by any state or federal court? () Yes No
- 51) Has any court finally adjudged the Applicant or any party directly or indirectly controlling the Applicant guilty of unlawfully monopolizing or attempting unlawfully to monopolize radio communication, directly or indirectly, through control of manufacture or sale of radio apparatus, exclusive traffic arrangement, or any other means or unfair methods of competition? () Yes No

Note: If the answer to any of 49-51 is 'Y', attach an exhibit explaining the circumstances.

Aeronautical Advisory Station (Unicom) Certification

- 52) () I certify that the station will be located on property of the airport to be served, and, in cases where the airport does not have a control tower, RCO, or FAA flight service station, that I have notified the owner of the airport and all aviation service organizations located at the airport within ten days prior to application.

Broadband Radio Service and Educational Broadband Service Cable Cross-Ownership

- 53a) Will the requested facilities be used to provide multichannel video programming service?) Yes No
- 53b) If the answer to question 53a is 'Y', does the Applicant operate, control or have an attributable interest (as defined in 47 CFR § 27.1202) in a cable television system whose franchise area is located within the geographic service area of the requested facilities? () Yes No

Note: If the answer to question 53b is 'Y', attach an exhibit explaining how the Applicant complies with 47 CFR § 27.1202 or justifying a waiver of that rule. If a waiver of the Commission Rule(s) is being requested, Item 11a must be answered 'Y'.

Broadband Radio Service and Educational Broadband Service (Part 27)

- 54) (For EBS only) Does the Applicant comply with the programming requirements contained in 47 CFR § 27.1203?) Yes No

Note: If the answer to item 54 is 'N', attach an exhibit explaining how the Applicant complies with 47 CFR § 27.1203 of the Commission's Rules or justifying a waiver of that rule. If a waiver of the Commission Rule(s) is being requested, Item 11a must be answered 'Y'.

- 55) (For BRS and EBS) Does the Applicant comply with 47 CFR §§ 27.50, 27.55, and 27.1221?) Yes No

Note: If the answer to item 55 is 'N', attach an exhibit justifying a waiver of that rule(s). If a waiver of the Commission Rule(s) is being requested, Item 11a must be answered 'Y'.

For Applicants Who Participated in an Auction

- 56) Is the Applicant a qualifying rural wireless partnership or a member of a qualifying rural wireless partnership? () Yes No

Note: If the answer to item 56 is 'Y', attach an exhibit listing all members of the qualifying rural wireless partnership, including their FRN numbers.

For Renewal Applicants

57) Operation/Performance Requirement Certification

[For a site-based license]: Applicant certifies that it is continuing to operate consistent with its most recently filed construction notification (or most recent authorization, if no construction notification was required). () Yes No

[For a geographic license, commercial service - licensee in its initial license term with an interim performance requirement]: Applicant certifies that it has met its interim performance requirement, that over the portion of the license term following the interim performance requirement, it continues to use its facilities to provide at least the level of service required by its interim performance requirement, it has met its final performance requirement, and it continues to use its facilities to provide at least the level of service required by its final performance requirement through the end of the license term. () Yes No

[For a geographic license, commercial service - licensee in its initial license term with no interim performance requirement]: Applicant certifies that it has met its final performance requirement and it continues to use its facilities to provide at least the level of service required by its final performance requirement through the end of the license term. [Note: licensee must provide a showing demonstrating that the final performance requirement has been met, either separately in a timely application for notification of completion of construction, or as part of its renewal application, depending on the radio service.] () Yes No

[For a geographic license, commercial service - licensee in any subsequent term]: Applicant certifies that it continues to use its facilities to provide at least the level of service required by its final performance requirement through the end of any subsequent license terms. () Yes No

[For a geographic license, private systems - licensee in its initial license term with an interim performance requirement]: Applicant certifies that it has met its interim performance requirement, that over the portion of the license term following the interim performance requirement, it continues to use its facilities to further its private business or public interest/public safety communications needs at or above the level required to meet its interim performance requirement, it has met its final performance requirement, and it continues to use its facilities to provide at least the level of operation required by its final performance requirement through the end of the license term. () Yes No

[For a geographic license, private systems - licensee in its initial license term with no interim performance requirement]: Applicant certifies that it has met its final performance requirement, it continues to use its facilities to further its private business or public interest/public safety communications needs, and it continues to use its facilities to provide at least the level of operation required by its final performance requirement through the end of the license term. [Note: licensee must provide a showing demonstrating that the final performance requirement has been met, either separately in a timely application for notification of completion of construction, or as part of its renewal application, depending on the radio service.] () Yes No

[For a geographic license, private systems - licensee in any subsequent term]: Applicant certifies that it continues to use its facilities to further its private business or public interest/public safety communications needs at or above the level required to meet its final performance requirement through the end of any subsequent license terms. () Yes No

[For a partitioned or disaggregated license without a performance requirement, for the first renewal application filed after effective date of the rules]: Applicant certifies that the partitioned and/or disaggregated license that is the subject of this renewal application has no separate performance requirement and that this is the first renewal of this license filed subsequent to the effective date of the rules. () Yes No

[For a partitioned or disaggregated license without a performance requirement, for any subsequent renewal filings]: Applicant certifies that it continues to use its facilities to provide service or to further the applicant's private business or public interest/public safety needs. () Yes No

Discontinuance of Service Certification

58) Applicant certifies that no permanent discontinuance of service or operation, as applicable, occurred during its current license term. () Yes No

Note: If the response to either item 57 or item 58 is 'N', attach an exhibit that demonstrates that over the course of the license term, the Applicant provided and continues to provide service to the public, or operated and continues to operate the license to meet the Applicant's private business or public interest/public safety communications needs. This exhibit must include a detailed description of the Applicant's provision of service or, when allowed under the relevant service rules or pursuant to waiver, use of the spectrum for private business or public interest/public safety communications needs, during the entire license period and address, as applicable: 1) the level and quality of service provided by the applicant (e.g., the population served, the area served, the number of subscribers, the services offered); (2) the date service commenced, whether service was ever interrupted, and the duration of any interruption or outage; (3) the extent to which service is provided to rural areas; (4) the extent to which service is provided to qualifying tribal land as defined in 47 CFR § 1.2110(e)(3)(i); and (5) any other factors associated with the level of service to the public. The licensee may note in its exhibit: 1) any grant(s) of waiver or extension of a performance deadline or license renewal subject to meeting a performance requirement; or 2) if the final performance deadline and/or expiration date for the license accelerated because the licensee did not meet an interim performance requirement.

Regulatory Compliance Certification [same for all]

59) Applicant certifies that it has substantially complied with all applicable FCC rules, policies, and the Communications Act of 1934, as amended. () Yes No

Note: If the response to item 59 is 'N', attach an exhibit explaining the circumstances and demonstrating why Applicant's license should be renewed.

General Certification Statements

- 1) The Applicant waives any claim to the use of any particular frequency or of the electromagnetic spectrum as against the regulatory power of the United States because of the previous use of the same, whether by license or otherwise, and requests an authorization in accordance with this application.
- 2) The Applicant certifies that grant of this application would not cause the Applicant to be in violation of any pertinent cross-ownership or attribution rules.*
*If the Applicant has sought a waiver of any such rule in connection with this application, it may make this certification subject to the outcome of the waiver request.
- 3) The Applicant certifies that all statements made in this application and in the exhibits, attachments, or documents incorporated by reference are material, are part of this application, and are true, complete, correct, and made in good faith.
- 4) The Applicant certifies that neither the Applicant nor any other party to the application is subject to a denial of Federal benefits pursuant to § 5301 of the Anti-Drug Abuse Act of 1988, 21 U.S.C. § 862, because of a conviction for possession or distribution of a controlled substance. This certification does not apply to applications filed in services exempted under § 1.2002(c) of the rules, 47 CFR § 1.2002(c). See 47 CFR § 1.2002(b) for the definition of "party to the application" as used in this certification.
- 5) The Applicant certifies that it either (1) has current required ownership data on file with the Commission, (2) is filing updated ownership data simultaneously with this application, or (3) is not required to file ownership data under the Commission's Rules.
- 6) The Applicant certifies that the facilities, operations, and transmitters for which this authorization is hereby requested are either: (1) categorically excluded from routine environmental evaluation for RF exposure as set forth in 47 CFR § 1.1307(b); or, (2) have been found not to cause human exposure to levels of radiofrequency radiation in excess of the limits specified in 47 CFR §§ 1.1310 and 2.1093; or, (3) are the subject of one or more Environmental Assessments filed with the Commission.
- 7) The Applicant certifies that it has reviewed the appropriate Commission Rules defining eligibility to hold the requested license(s) and is eligible to hold the requested license(s).
- 8) The Applicant certifies that it is not in default on any payment for Commission licenses and that it is not delinquent on any non-tax debt owed to any federal agency.
- 9) The Applicant certifies that the Applicant and all of the related individuals and entities required to be disclosed on this application and FCC Form 602 (FCC Ownership Disclosure Information for the Wireless Telecommunications Services) are not person(s) who have been, for reasons of national security, barred by any agency of the Federal Government from bidding on a contract, participating in an auction, or receiving a grant. This certification applies only to applications for licenses for spectrum that is required by Sections 6103, 6401-6403 of the Middle Class Tax Relief and Job Creation Act of 2012, codified at 47 U.S.C. §§ 309, 1413, 1451-1452, to be assigned by a system of competitive bidding under 47 U.S.C. § 309(j).

Signature

60) Typed or Printed Name of Party Authorized to Sign

First Name:

Jessica

MI: Last Name:

Dunk

Suffix:

61) Title:

Assistant Secretary - Compliance

Signature:

Jessica Dunk

62) Date:

01/23/2024

FAILURE TO SIGN THIS APPLICATION MAY RESULT IN DISMISSAL OF THE APPLICATION AND FORFEITURE OF ANY FEES PAID.

Upon grant of this license application, the Licensee may be subject to certain construction or coverage requirements. Failure to meet the construction or coverage requirements will result in termination of the license. Consult appropriate FCC regulations to determine the construction or coverage requirements that apply to the type of license requested in this application.

WILLFUL FALSE STATEMENTS MADE ON THIS FORM OR ANY ATTACHMENTS ARE PUNISHABLE BY FINE AND/OR IMPRISONMENT (U.S. Code, Title 18, § 1001) AND/OR REVOCATION OF ANY STATION LICENSE OR CONSTRUCTION PERMIT (U.S. Code, Title 47, § 312(a)(1)), AND/OR FORFEITURE (U.S. Code, Title 47, § 503).

**FCC Form 608 FCC Application or Notification for Spectrum Leasing Arrangement/
Main Form Notification of a Private Commons Arrangement**
Wireless Telecommunications Bureau
Public Safety and Homeland Security Bureau

3060-1058

Submitted: 08/31/2023 at
17:24:59
File Number: 0010658931

See 608 Main Form Instructions
For public burden estimate

General Information

Application/Notification Purpose

1a) Purpose of Filing (Select only one):

- LN** – New **LM** – Modification **LU** – Administrative Update
 LT – Transfer of Control **LE** – Extend the Term **LC** – Cancel
 LI – Light Touch Leasing Certification **AM** – Amendment **WD** – Withdraw

1b) If this filing is for an Amendment (AM) or Withdrawal (WD), enter the File Number of the pending Application/Notification currently on file with the FCC. File Number:

Classification of Filing

For Leases/Subleases Only

2a) Classification of Filing (Select only one):

- ML** – Spectrum Manager Lease
 TL – *De Facto* Transfer Lease

2b) Type of Filing

- L** – Lease
 S – Sublease (Must be filed manually)

For Private Commons Arrangements Only (Must be filed Manually)

2c) This filing will be a Private Commons Arrangement pursuant to a (Select only one):

- N** – License
 L – Lease
 S – Sublease

2d) If a Private Commons Arrangement pursuant to a Lease or Sublease, choose the legal type (Select only one):

- M** – Spectrum Manager
 T – *De Facto* Transfer

Term of Lease/Sublease

3) Indicate whether the existing Lease/Sublease is: Long-Term or Short-Term

Other Wireless Licenses

4a) Is this filing part of a series of filings involving other wireless license(s) or lease(s) held by the Applicant, affiliates of the Licensee (e.g., parents, subsidiaries, or commonly-controlled entities), or third parties that are not included on this filing and for which Commission approval or notification is required? Yes No

4b) If the answer to 4a is 'Y', is this filing the lead Application/Notification? Yes No

4c) If the answer to 4a is 'Y' and the answer to 4b is 'N', provide the File Number of the lead Application/Notification. File Number:

Attachments

- 5) Are attachments (other than associated schedules) being filed with this Application/Notification? (**Y**) Yes No

Fees and Waivers

Exemption from Application Fees

- 6) Is the Applicant exempt from FCC application fees? (**N**) Yes No

If the answer to 6 is 'Y', attach an exhibit demonstrating how the applicant is exempt from FCC application fees.

Waiver/Deferral of Fees

- 7) Is a waiver/deferral of the FCC application fees being requested? (**N**) Yes No

If the answer to 7 is 'Y', attach a date-stamped copy of the request for waiver/deferral of the FCC application fees.

Waiver of Commission Rules

- 8) Does this filing include a request for waiver of the Commission's Rules (other than a request for application fee waivers)? (**N**) Yes No

If the answer to 8 is 'Y', attach an exhibit specifying the rule section(s) for which a waiver is being requested and including a justification for the waiver request.

Regulatory Status and Offerings

Radio Service Offerings

- 9) The Applicant will provide the following type(s) of radio service offerings (select all that apply):

() Common Carrier () Non-common Carrier () Private, internal communications () Broadcast Services

All entities that are planning to use the leased spectrum for telecommunications services should select common carrier in this item. The term 'telecommunications service' means the offering of telecommunications (i.e., the transmission, between or among points specified by the user, of information of the user's choosing, without change in the form or content of the information as sent and received) for a fee directly to the public, or to such classes of users as to be effectively available directly to the public, regardless of the facilities used. Non-common carriers do not hold themselves out indiscriminately for hire as carriers of communications provided by the customer. A person engaged in radio broadcasting shall not, insofar as such person is so engaged, be deemed a common carrier. Thus, those entities meeting this definition would select non-common carrier for this item. Private internal users are those entities that utilize telecommunications services purely for internal business purposes or public safety communications and not on a for-hire or for-profit basis. Such entities should select 'Private' for this item. The term 'Broadcast Services' shall have the same meaning as that for "broadcasting" in § 3(6) of the Communications Act of 1934, i.e., the dissemination of radio communications intended to be received by the public, directly or by the intermediary of relay stations." 47 U.S.C. § 153(6).

If the Applicant is modifying the type of radio service offerings it provides, please provide an exhibit explaining the modification.

Radio Service

- 10) The Applicant will provide the following type(s) of radio service (select all that apply):

() Fixed () Mobile () Radiolocation () Satellite (sound) () Broadcast Services

- 11) Does the Applicant propose to provide service interconnected to the public telephone network? () Yes No

Designated Entity Information (If the answer to 12a, 12b or 12c is 'Y', Schedule A must be completed.)

Bidding Credits

12a) Does this filing involve any spectrum associated with any licenses that were awarded with bidding credits within the last five years? () Yes No

If the response to this item is 'Y', the licenses may be subject to the FCC's unjust enrichment rules, and the Applicant should answer relevant bidding credit questions.

Closed Bidding

12b) Does this filing involve any spectrum associated with any licenses that were originally granted pursuant to closed bidding within the last five years? () Yes No

If the response to this item is 'Y', the Applicant should answer relevant closed bidding questions.

Competition-Related Information

13) Does this filing involve a license authorization or Spectrum Lease/Sublease that may be used to provide interconnected mobile voice and/or data services that would create a geographic overlap with another license authorization(s) or spectrum leasing arrangement(s), that also could be used to provide interconnected mobile voice and/or data services, in which the Applicant already holds attributable interests, as defined in Section 20.22(b) of the Commission's Rules, either as a licensee or spectrum lessee/sublessee? () Yes No

If 'Y', specify in an exhibit all geographic areas/markets (e.g., BTA, CMA, county, etc.) where there are spectrum overlaps and the total amount of spectrum that the Assignee/Transferee will hold and/or lease in each geographic area/market.

14) If the answer to Item 13 is 'Y', would/does this application for a spectrum leasing or subleasing arrangement reduce the number of entities providing service in the affected market(s)? () Yes No

Broadband Radio Service and Educational Broadband Service Information

15a) Will the requested facilities be used to provide multichannel video programming service? () Yes No

15b) If the answer to 15a is 'Y', does the Applicant operate, control or have an attributable interest (as defined in Section 27.1202 of the Commission's Rules) in a cable television system whose franchise area is located within the geographic service area of the requested facilities? () Yes No

If 'Y', provide an exhibit explaining how the Applicant (Lessee/Sublessee) complies with Section 27.1202 of the Commission's Rules or justifying a waiver of that rule. If a waiver of the Commission's Rule(s) is being requested, 8a must be answered 'Y'.

16) Does the Applicant comply with the programming requirements contained in Section 27.1203 of the Commission's Rules? () Yes No

If 'N', provide an exhibit explaining how the Applicant complies with Section 27.1203 of the Commission's Rules or justifying a waiver of that rule. If a waiver of the Commission's Rule(s) is being requested, 8a must be answered 'Y'.

Part 90 Public Safety Services

Eligibility

17) Is the Applicant a public safety entity or otherwise an entity that will use the leased spectrum to provide communications in support of public safety operations pursuant to Section 90.523 of the Commission's Rules? () Yes No

600 MHz Band Information

- 18) Is the spectrum leasing/subleasing arrangement for a term of one year or more (either initially or cumulatively) and involves any licenses in the 600 MHz Band initially granted in the last six years that would, if leased, create a geographic overlap with another licenses(s) in which the Lessee/Sublessee already holds attributable interests, as defined in Section 20.22(b) of the Commission's Rules, either as a licensee or spectrum Lessee/Sublessee, and that would result in the Lessee/Sublessee holding an attributable interest, as defined in Section 20.22(b) of the Commission's Rules, in one-third or more of the total suitable and available below-1-GHz spectrum as calculated on a county-by-county population-weighted basis in the relevant license area, utilizing 2010 U.S. Census data?

() Yes No

The initial grant date is the date that the license was originally granted by the Commission after an auction, even if the license was acquired in the secondary market. The initial grant date is not the date on which the Commission granted an assignment or transfer of control of the license.

If 'Y', provide an exhibit detailing the proposed spectrum leasing/subleasing exchange of 600 MHz band spectrum in the same market(s), including a list of all file numbers for applications associated with the proposed spectrum leasing arrangement exchange, or describing the *pro forma* nature of the spectrum leasing arrangement, as appropriate.

- 19) Is the spectrum leasing/subleasing arrangement for a term of one year or more (either initially or cumulatively) and involves any licenses that were initially granted as reserved spectrum licenses in the 600 MHz Band in the last six years? Otherwise, enter 'N'.

() Yes No

The initial grant date is the date that the license was originally granted by the Commission after an auction, even if the license was acquired in the secondary market. The initial grant date is not the date on which the Commission granted an assignment or transfer of control of the license.

If 'Y', provide an exhibit demonstrating how the Lessee/Sublessee would have qualified to bid on that reserved spectrum license(s) in Auction 1002 as of the FCC Form 175 filing deadline (February 10, 2016) for Auction 1002, the forward auction of the Broadcast Incentive Auction.

Licensee Information

FRN

20) FCC Registration Number: **0003291192**

Entity

21) Licensee is a(n) (Select One):

() Individual () Unincorporated Association () Government Entity () Corporation () Limited Liability Company

() General Partnership () Limited Partnership () Limited Liability Partnership

() Other:

Licensee Name

22) Licensee Name (if entity): **New Cingular Wireless PCS, LLC**

23) Licensee Name (if individual): First: MI: Last: Suffix:

24) Attention To: **Cecil J. Mathew**

Address

25) P.O. Box:

And /Or 26) Street Address: **208 S. Akard Street, RM 1016**

27) City: **Dallas**

28) State: **TX**

29) Zip Code: **75202**

30) Telephone Number: **(855)699-7073**

31) FAX Number: **(214)746-6410**

32) E-Mail Address: **FCCMW@att.com**

33) Demographics (Optional):

Race:

() American Indian or Alaska Native

() Asian

() Black or African-American

() Native Hawaiian or Other Pacific Islander

() White

Ethnicity:

() Hispanic or Latino

() Not Hispanic or Latino

Gender:

() Male

() Female

Licensee Contact Information

Contact Name (if other than Licensee)

() Check here if same as Licensee Information

34) Name: First: MI: Last: Suffix:

35) Company Name: **AT&T Mobility LLC**

36) Attention To: **Jessica B. Lyons**

Address

37) P.O. Box:

And /Or 38) Street Address: **601 New Jersey Ave. NW, Suite 650**

39) City: **Washington**

40) State: **DC**

41) Zip Code: **20001**

42) Telephone Number: **(202)457-2100**

43) FAX Number:

44) E-Mail Address: **jessica.lyons@att.com**

Lessee Information

FRN

45) FCC Registration Number: **0030856223**

Entity

46) Lessee is a(n) (Select One):

() Individual () Unincorporated Association () Government Entity () Corporation () Limited Liability Company

() General Partnership () Limited Partnership () Limited Liability Partnership

() Other:

Lessee Name

47) If the Lessee name is being updated, is the update a result of a change in ownership, corporate structure, or entity for which proper Commission approval has not been received or proper notification not provided?" () Yes **No**

48) Lessee Name (if entity): **Trace-Tek**

49) Lessee Name (if individual): First: MI: Last: Suffix:

50) Attention To: **licenses@trace-tek.com**

Name of Real Party in Interest

51) Name of Real Party in Interest: **Trace-Tek**

52) FCC Registration Number (FRN): **0030856223**

Address

53) P.O. Box: **And /Or** 54) Street Address: **2625 Commons Boulevard**
55) City: **Beavercreek** 56) State: **OH** 57) Zip Code: **45341**

58) Telephone Number: **(972)672-0477** 59) FAX Number:

60) E-Mail Address: **licenses@trace-tek.com**

61) Demographics (Optional):

Race:

() American Indian or Alaska Native

() Asian

() Black or African-American

() Native Hawaiian or Other Pacific Islander

() White

Ethnicity:

() Hispanic or Latino

() Not Hispanic or Latino

Gender:

() Male

() Female

Lessee Contact Information

Contact Name (if other than Lessee)

() **Check here if same as Lessee Information**

62) Name: First: **Dan** MI: Last: **Burgess** Suffix:

63) Company Name: **Trace-Tek**

64) Attention To: **licenses@trace-tek.com**

Address

65) P.O. Box: **And /Or** 66) Street Address: **2625 Commons Boulevard**
67) City: **Beavercreek** 68) State: **OH** 69) Zip Code: **45341**

70) Telephone Number: **(972)672-0477** 71) FAX Number:

72) E-Mail Address: **licenses@trace-tek.com**

Sublessee Information

FRN

73) FCC Registration Number:

Entity

74) Sublessee is a(n) (Select One):

() Individual () Unincorporated Association () Government Entity () Corporation () Limited Liability Company

() General Partnership () Limited Partnership () Limited Liability Partnership

() Other:

Sublessee Name

75) If the Sublessee name is being updated, is the update a result of a change in ownership, corporate structure, or entity for which proper Commission approval has not been received or proper notification not provided? () Yes No

76) Sublessee Name (if entity):

77) Sublessee Name (if individual): First: MI: Last: Suffix:

78) Attention To:

Name of Real Party in Interest

79) Name of Real Party in Interest:

80) FCC Registration Number (FRN):

Address

81) P.O. Box:

And /Or 82) Street Address:

83) City:

84) State:

85) Zip Code:

86) Telephone Number:

87) FAX Number:

88) E-Mail Address:

89) Demographics (Optional):

Race:

() American Indian or Alaska Native

() Asian

() Black or African-American

() Native Hawaiian or Other Pacific Islander

() White

Ethnicity:

() Hispanic or Latino

() Not Hispanic or Latino

Gender:

() Male

() Female

Sublessee Contact Information

Contact Name (if other than Sublessee)

() Check here if same as Sublessee Information

90) Name: First: MI: Last: Suffix:

91) Company Name:

92) Attention To:

Address

93) P.O. Box:

And /Or 94) Street Address:

95) City:

96) State:

97) Zip Code:

98) Telephone Number:

99) FAX Number:

100) E-Mail Address:

Transferee Information

FRN

101) FCC Registration Number:

Entity

102) Transferee is a(n) (Select One):

() Individual () Unincorporated Association () Government Entity () Corporation () Limited Liability Company

() General Partnership () Limited Partnership () Limited Liability Partnership

() Other:

Transferee Name

103) Transferee Name (if entity):

104) Transferee Name (if individual): First: MI: Last: Suffix:

105) Attention To:

Name of Real Party in Interest

106) Name of Real Party in Interest:

107) FCC Registration Number (FRN):

Address

108) P.O. Box:

And /Or 109) Street Address:

110) City:

111) State:

112) Zip Code:

113) Telephone Number:

114) FAX Number:

115) E-Mail Address:

116) Demographics (Optional):

Race:

() American Indian or Alaska Native

() Asian

() Black or African-American

() Native Hawaiian or Other Pacific Islander

() White

Ethnicity:

() Hispanic or Latino

() Not Hispanic or Latino

Gender:

() Male

() Female

Transferee Contact Information

Contact Name (if other than Transferee)

() Check here if same as Transferee Information

117) Name: First: MI: Last: Suffix:

118) Company Name:

119) Attention To:

Address

120) P.O. Box:

And /Or 121) Street Address:

122) City:

123) State:

124) Zip Code:

125) Telephone Number:

126) FAX Number:

127) E-Mail Address:

Transferor Information

FRN

128) FCC Registration Number:

Entity

129) Transferor is a(n) (Select One):

Individual Unincorporated Association Government Entity Corporation Limited Liability Company

General Partnership Limited Partnership Limited Liability Partnership

Other:

Transferor Name

130) Transferor Name (if entity):

131) Transferor Name (if individual): First: MI: Last: Suffix:

132) Attention To:

Address

133) P.O. Box:

And /Or 134) Street Address:

135) City:

136) State:

137) Zip Code:

138) Telephone Number:

139) FAX Number:

140) E-Mail Address:

139) Demographics (Optional):

Race:

American Indian or Alaska Native

Asian

Black or African-American

Native Hawaiian or Other Pacific Islander

White

Ethnicity:

Hispanic or Latino

Not Hispanic or Latino

Gender:

Male

Female

Transferor Contact Information

Contact Name (if other than Transferor)

Check here if same as Transferor Information

140) Name: First: MI: Last: Suffix:

141) Company Name:

142) Attention To:

Address

143) P.O. Box:

And /Or 144) Street Address:

145) City:

146) State:

147) Zip Code:

148) Telephone Number:

149) FAX Number:

150) E-Mail Address:

Ownership Disclosure Information

FCC Form 602

153a) Is the Applicant required to file FCC Form 602, Ownership Disclosure Information for the Wireless Telecommunications Services?

() Yes No

153b) If the answer to 151a is 'Y', provide the File Number of FCC Form 602 that has been filed in conjunction with application or is already on file with the FCC.

File Number: **0009774970**

Alien Ownership Questions

Alien Ownership (If any answer is 'Y', provide an attachment explaining the circumstances. In preparing the attachment, refer to the Main Form Instructions for the "Alien Ownership Questions".)

154) Is the Lessee/Sublessee or Post-Transfer Lessee/Sublessee a foreign government or the representative of any foreign government?

() Yes No

155) Is the Lessee/Sublessee or Post-Transfer Lessee/Sublessee an alien or the representative of an alien?

() Yes No

156) Is the Lessee/Sublessee or Post-Transfer Lessee/Sublessee a corporation organized under the laws of a foreign government?

() Yes No

157) Is the Lessee/Sublessee or Post-Transfer Lessee/Sublessee a corporation of which more than one-fifth of the capital stock is owned of record or voted by aliens or their representatives, or by a foreign government or representative thereof, or by any corporation organized under the laws of a foreign country?

() Yes No

158a) Is the Lessee/Sublessee or Post-Transfer Lessee/Sublessee directly or indirectly controlled by any other corporation of which more than one-fourth of the capital stock is owned of record or voted by aliens or their representatives, or by a foreign government or representative thereof, or by any corporation organized under the laws of a foreign country?

() Yes No

158b) If the answer to 155 or 156a is 'Y' select one of the choices below.

The Lessee/Sublessee or Post-Transfer Lessee/Sublessee is exempt from the provisions of Section 310(b).

It is not necessary to file a petition for declaratory ruling if the Lessee/Sublessee or Post-Transfer Lessee/Sublessee includes in the attachment required by Item 155 or Item 156a a showing that the subject Lease(s) is exempt from the provisions of Section 310(b).

The Lessee/Sublessee or Post-Transfer Lessee/Sublessee has received a declaratory ruling(s) approving its foreign ownership, and the application/notification involves only the acquisition/use of additional spectrum for the provision of a wireless service in a geographic coverage area for which the Lessee/Sublessee or Post-Transfer Lessee/Sublessee has been previously authorized.

If checked, include in the attachment required by Item 155 or Item 156a the citation(s) of the applicable declaratory ruling(s) by DA/FCC number, the FCC Record citation, if available, release date, and a statement that there has been no change in the foreign ownership of the Lessee/Sublessee or Post-Transfer Lessee/Sublessee since the issuance of its ruling.

The Lessee/Sublessee or Post-Transfer Lessee/Sublessee: (i) has received a declaratory ruling(s) approving its foreign ownership, but is not able to make the certification specified immediately above; or (ii) is an "affiliate" of a Licensee or Lessee/SubLessee that received a declaratory ruling(s) under Section 1.990(a) of the Commission's Rules, 47 CFR § 1.990(a), and is relying on the affiliate's ruling for purposes of filing this application/notification as permitted under the affiliate's ruling and Section 1.994(b) of the Rules, 47 CFR § 1.994(b).

If checked, and if the Lessee/Sublessee or Post-Transfer Lessee/Sublessee received its declaratory ruling(s) on or after August 9, 2013, include in the attachment required by Item 155 or Item 156a the citation(s) of the Lessee/Sublessee or Post-Transfer Lessee/Sublessee's declaratory ruling(s) by DA/FCC number, the FCC Record citation, if available, release date, and a statement that the Lessee/Sublessee or Post-Transfer Lessee/Sublessee is in compliance with the terms and conditions of its ruling and with the Commission's Rules.

If checked, and if the Lessee/Sublessee or Post-Transfer Lessee/Sublessee received its declaratory ruling(s) prior to August 9, 2013, include in the attachment required by Item 156a a copy of a petition for declaratory ruling filed contemporaneously with the Commission to extend the Lessee/Sublessee or Post-Transfer Lessee/Sublessee's existing ruling(s) to cover the same radio service(s) and geographic coverage area(s) involved in the application/notification. Alternatively, the Lessee/Sublessee or Post-Transfer Lessee/Sublessee may request a new declaratory ruling pursuant to Section 1.990(a) of the Commission's Rules, 47 CFR § 1.990(a). Petitions for declaratory ruling may be filed electronically on the Internet through the International Bureau Filing System (IBFS) (with a copy attached hereto).

If checked, and if the Lessee/Sublessee or Post-Transfer Lessee/Sublessee is relying on an affiliate's ruling for purposes of filing this application/notification, include in the attachment required by Item 155 or Item 156a the citation(s) of the applicable declaratory ruling(s) by DA/FCC number, the FCC Record citation, if available, release date, and a statement that the Lessee/Sublessee or Post-Transfer Lessee/Sublessee is in compliance with the terms and conditions of the named affiliate's ruling and with the Commission's Rules. The Lessee/Sublessee or Post-Transfer Lessee/Sublessee must also include a certification of compliance signed by the named affiliate or other qualified entity as specified in Section 1.994(b) of the Rules, 47 CFR § 1.994(b). See Main Form Instructions for Items 155 or 156a, as applicable.

The Lessee/Sublessee or Post-Transfer Lessee/Sublessee has not received a declaratory ruling approving its foreign ownership and is requesting a declaratory ruling under Section 1.990(a) of the Commission's Rules, 47 CFR § 1.990(a), in a petition filed contemporaneously with the Commission.

If checked, include in the attachment required by Item 155 or 156a a copy of the petition for declaratory ruling filed contemporaneously with the Commission pursuant to Section 1.990(a) of the Commission's Rules, 47 CFR § 1.990(a). Petitions for declaratory ruling may be filed electronically on the Internet through the International Bureau Filing System (IBFS) (with a copy attached hereto).

Basic Qualification Information

Basic Qualification Questions (If any answer is 'Y', provide an attachment explaining the circumstances)

- 159) Has the Applicant or any party to this application had any FCC station authorization, license, or construction permit revoked or had any application for an initial, modification, or renewal of FCC station authorization, license, or construction permit denied by the Commission? (N) Yes No
- 160) Has the Applicant or any party to this filing, or any party directly or indirectly controlling the Applicant or any party to this filing ever been convicted of a felony by any state or federal court? (N) Yes No
- 161) Has any court finally adjudged the Applicant or any party directly or indirectly controlling the Applicant guilty of unlawfully monopolizing or attempting unlawfully to monopolize radio communication, directly or indirectly, through control of manufacture or sale of radio apparatus, exclusive traffic arrangement, or any other means or unfair methods of competition? (N) Yes No

Spectrum Aggregation Limit Certification(s)

<p>162) The Licensee/Lessor/Sublessor certifies that grant of this application would not cause the Licensee/Lessor/Sublessor to be in violation of the 40 megahertz in-band spectrum aggregation limit set forth under section 96.31 of the Commission's rules for 3.5 GHz licenses, taking into consideration the spectrum attribution rules under section 20.22(b) of the Commission's rules.</p> <p>If the Licensee/Lessor/Sublessor has sought a waiver of section 96.31 in connection with this application, it may make this certification subject to the outcome of the waiver request.</p>	<p>() <u>Yes</u> <u>No</u></p>
<p>163) The Licensee/Lessor/Sublessor certifies that grant of this application would not cause the Licensee/Lessor/Sublessor to be in violation of the 40 megahertz in-band spectrum aggregation limit set forth under section 27.1606 of the Commission's rules for 3.45 GHz licenses, taking into consideration the spectrum attribution rules under section 20.22(b) of the Commission's rules.</p> <p>If the Licensee/Lessor/Sublessor has sought a waiver of section 27.1606 in connection with this application, it may make this certification subject to the outcome of the waiver request.</p>	<p>() <u>Yes</u> <u>No</u></p>
<p>164) The Lessee/Sublessee/Transferee certifies that grant of this application would not cause the Lessee/Sublessee/Transferee to be in violation of the 40 megahertz in-band spectrum aggregation limit set forth under section 96.31 of the Commission's rules for 3.5 GHz licenses, taking into consideration the spectrum attribution rules under section 20.22(b) of the Commission's rules.</p> <p>If the Lessee/Sublessee/Transferee has sought a waiver of section 96.31 in connection with this application, it may make this certification subject to the outcome of the waiver request.</p>	<p>() <u>Yes</u> <u>No</u></p>
<p>165) The Lessee/Sublessee/Transferee certifies that grant of this application would not cause the Lessee/Sublessee/Transferee to be in violation of the 40 megahertz in-band spectrum aggregation limit set forth under section 27.1606 of the Commission's rules for 3.45 GHz licenses, taking into consideration the spectrum attribution rules under section 20.22(b) of the Commission's rules.</p> <p>If the Lessee/Sublessee/Transferee has sought a waiver of section 27.1606 in connection with this application, it may make this certification subject to the outcome of the waiver request.</p>	<p>() <u>Yes</u> <u>No</u></p>

Licensee Certification Statements

- | | |
|----|---|
| 1) | The Licensee agrees that the Lease is not a sale or transfer of the license itself. |
| 2) | The Licensee certifies that it will not consent to assignment of the Lease except to the extent such assignment complies with the Commission's Rules and Regulations. |
| 3) | The Licensee certifies that it holds exclusive use rights to use the licensed spectrum. |
| 4) | The Licensee certifies that it is not in default on any payment for Commission licenses and that it is not delinquent on any non-tax debt owed to any federal agency. |

The Licensee certifies that all of its statements made in this Application/Notification and in the schedules, exhibits, attachments, or documents incorporated by reference are material, are part of this Application/Notification, and are true, complete, correct, and made in good faith.

Type or Printed Name of Party Authorized to Sign

166) First Name: Jessica	MI: B	Last Name: Lyons	Suffix:
167) Title: Asst. Secretary of Manager			
168) Signature: Jessica B Lyons		165) Date: 08/31/2023	

FAILURE TO SIGN THIS APPLICATION MAY RESULT IN DISMISSAL OF THE APPLICATION AND FORFEITURE OF ANY FEES PAID.

WILLFUL FALSE STATEMENTS MADE ON THIS FORM OR ANY ATTACHMENTS ARE PUNISHABLE BY FINE AND/OR IMPRISONMENT (U.S. Code, Title 18, Section 1001) AND/OR REVOCATION OF ANY STATION LICENSE OR CONSTRUCTION PERMIT (U.S. Code, Title 47, Section 312(a)(1)), AND/OR FORFEITURE (U.S. Code, Title 47, Section 503).

Lessee Certification Statements

1)	The Lessee agrees that the Lease is not a sale or transfer of the license itself.
2)	The Lessee acknowledges that it is required to comply with the Commission's Rules and Regulations and other applicable law at all times, and if the Lessee fails to so comply, the Lease/Sublease may be revoked, cancelled, or terminated by either the Licensee or the Commission.
3)	The Lessee certifies that neither it nor any other party to the Application/Notification is subject to a denial of Federal benefits pursuant to Section 5301 of the Anti-Drug Abuse Act of 1988, 21 U.S.C. § 862, because of a conviction for possession or distribution of a controlled substance. This certification does not apply to applications filed in services exempted under Section 1.2002(c) of the Commission's Rules. See Section 1.2002(b) of the Commission's Rules for the definition of "party to the application" as used in this certification.
4)	The Lessee hereby accepts Commission oversight and enforcement consistent with the license and lease authorization. The Lessee acknowledges that it must cooperate fully with any investigation or inquiry conducted either by the Commission or the Licensee, allow the Commission or the Licensee to conduct on-site inspections of transmission facilities, and suspend operations at the direction of the Commission or the Licensee and to the extent that such suspension of operation would be consistent with applicable Commission policies.
5)	The Lessee acknowledges that in the event an authorization held by a Licensee that has associated with it a spectrum leasing arrangement that is the subject of this filing is revoked, cancelled, terminated, or otherwise ceases to be in effect, the Lessee will have no continuing authority to use the leased spectrum and will be required to terminate its operations no later than the date on which the Licensee ceases to have any authority to operate under the license, unless otherwise authorized by the Commission.
6)	The Lessee agrees the Lease shall not be assigned to any entity that is not eligible or qualified to enter into a spectrum leasing arrangement under the Commission's Rules and Regulations.
7)	The Lessee waives any claim to the use of any particular frequency or of the electromagnetic spectrum as against the regulatory power of the United States because of the previous use of the same, whether by spectrum lease or otherwise.
8)	The Lessee certifies that it is not in default on any payment for Commission licenses and that it is not delinquent on any non-tax debt owed to any federal agency.
9)	The Lessee certifies that it and all of the related individuals and entities required to be disclosed on this application and FCC Form 602 (FCC Ownership Disclosure Information for the Wireless Telecommunications Services) are not person(s) who have been, for reasons of national security, barred by any agency of the Federal Government from bidding on a contract, participating in an auction, or receiving a grant. This certification applies only to applications for licenses for spectrum that is required by Sections 6103, 6401-6403 of the Middle Class Tax Relief and Job Creation Act of 2012, codified at 47 U.S.C. §§ 309, 1413, 1451-1452, to be assigned by a system of competitive bidding under 47 U.S.C. § 309(j).
<p>The Lessee certifies that all of its statements made in this Application/Notification and in the schedules, exhibits, attachments, or documents incorporated by reference are material, are part of this Application/Notification, and are true, complete, correct, and made in good faith.</p>	

Type or Printed Name of Party Authorized to Sign

168) First Name: Shantell	MI:	Last Name: Brown	Suffix:
169) Title: Manager			
170) Signature: Shantell Brown		171) Date: 08/31/2023	
<p>FAILURE TO SIGN THIS APPLICATION MAY RESULT IN DISMISSAL OF THE APPLICATION AND FORFEITURE OF ANY FEES PAID.</p> <p>WILLFUL FALSE STATEMENTS MADE ON THIS FORM OR ANY ATTACHMENTS ARE PUNISHABLE BY FINE AND/OR IMPRISONMENT (U.S. Code, Title 18, Section 1001) AND/OR REVOCATION OF ANY STATION LICENSE OR CONSTRUCTION PERMIT (U.S. Code, Title 47, Section 312(a)(1)), AND/OR FORFEITURE (U.S. Code, Title 47, Section 503).</p>			

Sublessee Certification Statements

1)	The Sublessee agrees that the Lease is not a, sale or transfer of the license itself.
2)	The Sublessee acknowledges that it is required to comply with the Commission's Rules and regulations and other applicable law at all times, and if the Sublessee fails to so comply, the Lease may be revoked, cancelled, or terminated by either the licensee or the Commission.
3)	The Sublessee certifies that neither it nor any other party to the Application/Notification is subject to a denial of Federal benefits pursuant to Section 5301 of the Anti-Drug Abuse Act of 1988, 21 U.S.C. § 862, because of a conviction for possession or distribution of a controlled substance. This certification does not apply to applications filed in services exempted under Section 1.2002(c) of the Commission's Rules. See Section 1.2002(b) of the Commission's Rules for the definition of "party to the application" as used in this certification.
4)	The Sublessee hereby accepts Commission oversight and enforcement consistent with the license authorization. The Sublessee acknowledges that it must cooperate fully with any investigation or inquiry conducted either by the Commission or the Licensee, allow the Commission or the licensee to conduct on-site inspections of transmission facilities, and suspend operations at the direction of the Commission or the Licensee and to the extent that such suspension of operation would be consistent with the applicable Commission policies.
5)	The Sublessee acknowledges that in the event an authorization held by a Licensee that has entered into a spectrum leasing arrangement is revoked, cancelled, terminated, or otherwise ceases to be in effect, the Sublessee will have no continuing authority to use the leased spectrum and will be required to terminate its operations no later than the date on which the Licensee ceases to have any authority to operate under the license, unless otherwise authorized by the Commission.
6)	The Sublessee agrees the Lease/Sublease shall not be assigned to any entity that is not eligible or qualified to enter into a spectrum leasing arrangement under the Commission's Rules and regulations.
7)	The Sublessee waives any claim to the use of any particular frequency or of the electromagnetic spectrum as against the regulatory power of the United States because of the previous use of the same, whether by spectrum lease or otherwise.
8)	The Sublessee certifies that it is not in default on any payment for Commission licenses and that it is not delinquent on any non-tax debt owed to any federal agency.
9)	The Sublessee certifies that it and all of the related individuals and entities required to be disclosed on this application and FCC Form 602 (FCC Ownership Disclosure Information for the Wireless Telecommunications Services) are not person(s) who have been, for reasons of national security, barred by any agency of the Federal Government from bidding on a contract, participating in an auction, or receiving a grant. This certification applies only to applications for licenses for spectrum that is required by Sections 6103, 6401-6403 of the Middle Class Tax Relief and Job Creation Act of 2012, codified at 47 U.S.C. §§ 309, 1413, 1451-1452, to be assigned by a system of competitive bidding under 47 U.S.C. § 309(j).
The Sublessee certifies that all of its statements made in this Application/Notification and in the schedules, exhibits, attachments, or documents incorporated by reference are material, are part of this Application/Notification, and are true, complete, correct, and made in good faith.	

Type or Printed Name of Party Authorized to Sign

172) First Name:	MI:	Last Name:	Suffix:
173) Title:			
174) Signature:		175) Date:	

**FAILURE TO SIGN THIS APPLICATION MAY RESULT IN DISMISSAL OF THE APPLICATION AND FORFEITURE OF ANY FEES PAID.
WILLFUL FALSE STATEMENTS MADE ON THIS FORM OR ANY ATTACHMENTS ARE PUNISHABLE BY FINE AND/OR IMPRISONMENT (U.S. Code, Title 18, Section 1001) AND/OR REVOCATION OF ANY STATION LICENSE OR CONSTRUCTION PERMIT (U.S. Code, Title 47, Section 312(a)(1)), AND/OR FORFEITURE (U.S. Code, Title 47, Section 503).**

Transferee Certification Statements

1)	The Transferee agrees that the Lease/Sublease is not a sale or transfer of the license itself.
2)	The Transferee acknowledges that it is required to comply with the Commission's Rules and Regulations and other applicable law at all times, and if the Transferee fails to so comply, the Lease/Sublease may be revoked, cancelled, or terminated by either the licensee or the Commission.
3)	The Transferee certifies that neither it nor any other party to the Application/Notification is subject to a denial of Federal benefits pursuant to Section 5301 of the Anti-Drug Abuse Act of 1988, 21 U.S.C. § 862, because of a conviction for possession or distribution of a controlled substance. This certification does not apply to applications filed in services exempted under Section 1.2002(c) of the Commission's Rules. See Section 1.2002(b) of the Commission's Rules for the definition of "party to the application" as used in this certification.)
4)	The Transferee hereby accepts Commission oversight and enforcement consistent with the license authorization. The Transferee acknowledges that it must cooperate fully with any investigation or inquiry conducted either by the Commission or the Licensee, allow the Commission or the licensee to conduct on-site inspections of transmission facilities, and suspend operations at the direction of the Commission or the Licensee and to the extent that such suspension of operation would be consistent with the applicable Commission policies.
5)	The Transferee acknowledges that in the event an authorization held by a Licensee that has entered into a spectrum leasing arrangement is revoked, cancelled, terminated, or otherwise ceases to be in effect, the Transferee will have no continuing authority to use the leased spectrum and will be required to terminate its operations no later than the date on which the Licensee ceases to have any authority to operate under the license, unless otherwise authorized by the Commission.
6)	The Transferee agrees the Lease shall not be assigned to any entity that is not eligible or qualified to enter into a spectrum leasing arrangement under the Commission's Rules and Regulations.
7)	The Transferee waives any claim to the use of any particular frequency or of the electromagnetic spectrum as against the regulatory power of the United States because of the previous use of the same, whether by spectrum lease or otherwise.
8)	The Transferee certifies that it is not in default on any payment for Commission licenses and that it is not delinquent on any non-tax debt owed to any federal agency.
9)	The Transferee certifies that it and all of the related individuals and entities required to be disclosed on this application and FCC Form 602 (FCC Ownership Disclosure Information for the Wireless Telecommunications Services) are not person(s) who have been, for reasons of national security, barred by any agency of the Federal Government from bidding on a contract, participating in an auction, or receiving a grant. This certification applies only to applications for licenses for spectrum that is required by Sections 6103, 6401-6403 of the Middle Class Tax Relief and Job Creation Act of 2012, codified at 47 U.S.C. §§ 309, 1413, 1451-1452, to be assigned by a system of competitive bidding under 47 U.S.C. § 309(j).
The Transferee certifies that all of its statements made in this Application/Notification and in the schedules, exhibits, attachments, or documents incorporated by reference are material, are part of this Application/Notification, and are true, complete, correct, and made in good faith.	

Type or Printed Name of Party Authorized to Sign

176) First Name:	MI:	Last Name:	Suffix:
177) Title:			
178) Signature:		179) Date:	

FAILURE TO SIGN THIS APPLICATION MAY RESULT IN DISMISSAL OF THE APPLICATION AND FORFEITURE OF ANY FEES PAID.

WILLFUL FALSE STATEMENTS MADE ON THIS FORM OR ANY ATTACHMENTS ARE PUNISHABLE BY FINE AND/OR IMPRISONMENT (U.S. Code, Title 18, Section 1001) AND/OR REVOCATION OF ANY STATION LICENSE OR CONSTRUCTION PERMIT (U.S. Code, Title 47, Section 312(a)(1)), AND/OR FORFEITURE (U.S. Code, Title 47, Section 503).

Transferor Certification Statements

1)	The Transferor certifies either (1) that control of the Lessee/Sublessee will not be transferred until consent of the Federal Communications Commission has been given, or (2) that prior Commission consent is not required because the Lease/Sublease is subject to streamlined notification procedures for <i>pro forma</i> transfers of control. See <i>Federal Communications Bar Association's Petition for Forbearance from Section 310(d) of the Communications Act Regarding Non-Substantial Assignments of Wireless Licenses and Transfers of Control Involving Telecommunications Carriers and Personal Communications Industry Association's Broadband Personal Communications Services Alliance's Petition for Forbearance For Broadband Personal Communications Services</i> , Memorandum Opinion and Order, 13 FCC Rcd 6293 (1998)
2)	The Transferor certifies that it is not in default on any payment for Commission licenses and that it is not delinquent on any non-tax debt owed to any federal agency.
The Transferor certifies that all of its statements made in this Application/Notification and in the schedules, exhibits, attachments, or documents incorporated by reference are material, are part of this Application/Notification, and are true, complete, correct, and made in good faith.	

Type or Printed Name of Party Authorized to Sign

180) First Name:	MI:	Last Name:	Suffix:
181) Title:			
182) Signature:		183) Date:	
FAILURE TO SIGN THIS APPLICATION MAY RESULT IN DISMISSAL OF THE APPLICATION AND FORFEITURE OF ANY FEES PAID.			
WILLFUL FALSE STATEMENTS MADE ON THIS FORM OR ANY ATTACHMENTS ARE PUNISHABLE BY FINE AND/OR IMPRISONMENT (U.S. Code, Title 18, Section 1001) AND/OR REVOCATION OF ANY STATION LICENSE OR CONSTRUCTION PERMIT (U.S. Code, Title 47, Section 312(a)(1)), AND/OR FORFEITURE (U.S. Code, Title 47, Section 503).			

Private Commons Manager Certification Statements

1)	The Licensee/Lessee/Sublessee manager of the Private Commons certifies that it will retain <i>de facto</i> control of the use of the spectrum under the Private Commons arrangement, including that it will maintain reasonable oversight over the users' use of the spectrum under the arrangement so as to ensure that the use of the spectrum, and communications equipment employed, comply with all technical and service rules applicable under the license authorization.
2)	The Licensee/Lessee/Sublessee manager of the Private Commons arrangement certifies that it will maintain the ability to ensure that users under the arrangement comply with all the technical and service rules applicable under the license authorization.
3)	The Licensee/Lessee/Sublessee manager of the Private Commons certifies that it and all of the related individuals and entities required to be disclosed on this application and FCC Form 602 (FCC Ownership Disclosure Information for the Wireless Telecommunications Services) are not person(s) who have been, for reasons of national security, barred by any agency of the Federal Government from bidding on a contract, participating in an auction, or receiving a grant. This certification applies only to applications for licenses for spectrum that is required by Sections 6103, 6401-6403 of the Middle Class Tax Relief and Job Creation Act of 2012, codified at 47 U.S.C. §§ 309, 1413, 1451-1452, to be assigned by a system of competitive bidding under 47 U.S.C. § 309(j).
The Licensee/Lessee/Sublessee manager of the Private Commons arrangement certifies that all of its statements made in this Notification and in the schedules, exhibits, attachments, or documents incorporated by reference are material, are part of this Notification, and are true, complete, correct, and made in good faith.	

Type or Printed Name of Party Authorized to Sign

184) First Name:	MI:	Last Name:	Suffix:
185) Title:			
186) Signature:		187) Date:	
FAILURE TO SIGN THIS APPLICATION MAY RESULT IN DISMISSAL OF THE APPLICATION AND FORFEITURE OF ANY FEES PAID.			
WILLFUL FALSE STATEMENTS MADE ON THIS FORM OR ANY ATTACHMENTS ARE PUNISHABLE BY FINE AND/OR IMPRISONMENT (U.S. Code, Title 18, Section 1001) AND/OR REVOCATION OF ANY STATION LICENSE OR CONSTRUCTION PERMIT (U.S. Code, Title 47, Section 312(a)(1)), AND/OR FORFEITURE (U.S. Code, Title 47, Section 503).			

License Authorization(s) or Identifiers (pertaining to Lease(s)/Sublease(s)/Private Commons) Associated with the Spectrum To Be Included in the Filing

188) Call Sign(s) or Lease/Sublease/ Private Commons Identifier(s)	189) Radio Service Code	190) Location Number	191) Path Number (Microwave only)	192) Frequency Number	193) Lower Frequency (MHz)	194) Upper Frequency (MHz)
KNLB305	WS - Wireless Communication s Service					
KNLB305	WS - Wireless Communication s Service					
KNLB305	WS - Wireless Communication s Service					
KNLF206	CW - PCS Broadband					
KNLF206	CW - PCS Broadband					
KNLF206	CW - PCS Broadband					
KNLF251	CW - PCS Broadband					
KNLF251	CW - PCS Broadband					
KNLG209	CW - PCS Broadband					
WPOI215	CW - PCS Broadband					
WPOI255	CW - PCS Broadband					
WPWU915	WZ - 700 MHz Lower Band (Blocks C, D)					

* Note: Items 190 – 194 are for New Leases involving spectrum associated with site-based authorizations when only a portion of the licensed locations, paths and/or frequencies will be leased.

**Schedule for Licensees that Received Bidding Credits
or
Involving Licenses Won in Closed Bidding**

**Designated Entity Information
Bidding Credits**

1) Has the full amount of the bidding credits awarded with regard to each of the subject license(s) been paid as part of unjust enrichment payment(s) in previous transaction(s)?	() <u>Yes</u> <u>No</u>
If the response to Item 1 is 'Y', Items 2 and 3 are not required to be completed.	

Bidding Credits - (Spectrum Manager Leases Only)

2a) Does the Applicant have a general partnership interest or have a direct or indirect ownership interests of ten percent or greater in the Licensee?	() <u>Yes</u> <u>No</u>
2b) Is the Applicant a "controlling interest holder" or "affiliate" of the current Licensee? For purposes of determining whether the Licensee has retained the requisite degree of ownership and control over the leased spectrum in order to remain eligible for the license or for bidding credits, the <i>de jure</i> control standard in 47 CFR § 1.2110 and the <i>de facto</i> control standard in 47 CFR § 1.9010 will be applied (pursuant to the conditions set forth in 47 CFR § 1.9020).	() <u>Yes</u> <u>No</u>
2c) Does the Applicant share office space, equipment, or other facilities with any party controlling the entity from which spectrum is being leased/subleased?	() <u>Yes</u> <u>No</u>
2d) Is the Applicant a disclosable interest holder that holds a ten percent or greater interest of any kind in the Licensee and is the Lease/Sublease for more than 25% of the spectrum capacity of the subject license(s)?	() <u>Yes</u> <u>No</u>
2e) Does the Licensee certify that the Lease/Sublease does not affect its continuing eligibility to retain bidding credit(s)?	() <u>Yes</u> <u>No</u>

**Bidding Credits – (Long-Term De Facto Transfer Leases Only)
Eligibility**

3a) With respect to each of the subject licenses, the Applicant: () qualifies for the same designated entity benefit as the current Licensee () qualifies for a different designated entity benefit than the current Licensee () does not qualify for any designated entity status
--

3b) If the Applicant states in Item 3a that it qualifies for the same designated entity benefit as the current Licensee or qualifies for a different designated entity status than the current Licensee, the Applicant qualifies for a (select one): () small business bidding credit (___%) () rural service provider bidding credit	
3c) Is the Applicant a disclosable interest holder that holds a ten percent or greater interest of any kind in the Licensee and is the Lease/Sublease for more than 25% of the spectrum capacity of the subject license(s)?	() <u>Yes</u> <u>No</u>

Closed Bidding Licenses

4) Have construction notifications been submitted as required by the Commission's Rules for each of the subject licenses? If the response to Item 4 is 'Y', Items 5 and 6 are not required to be completed.	() <u>Yes</u> <u>No</u>
--	--------------------------

Closed Bidding Licenses – (Spectrum Manager Leases Only)

5a) Does the Applicant have a general partnership interest or have a direct or indirect ownership interest of ten percent or greater in the Licensee?	() <u>Yes</u> <u>No</u>
5b) Is the Applicant a "controlling interest holder" or "affiliate" of the current Licensee?	() <u>Yes</u> <u>No</u>
5c) Does the Applicant share office space, equipment or other facilities with any party controlling the entity from which spectrum is being leased?	() <u>Yes</u> <u>No</u>
5d) Does the Licensee certify that the Lease/Sublease does not affect its continuing eligibility to retain closed bidding licenses?	() <u>Yes</u> <u>No</u>

Closed Bidding Licenses – (Long-Term *De Facto* Transfer Leases Only)**Eligibility**

6) With respect to each of the subject licenses, the Applicant: () a) qualifies for closed bidding () b) does not qualify for closed bidding
--

7) Revenue and Asset Information for the Applicant

Purpose (Check Modify if filing an Amendment application and changing the Revenue and Asset Information from what was provided on the original filing)

Modify

Gross Revenue Disclosure Most Recent Reportable Year

8a) Were the Applicant and any predecessors-in-interest in existence for a full year of the relevant period? If 'N', explain why in an attachment.	() <u>Yes</u> <u>No</u>
If 'Y', provide the following information.	
8b) Gross Revenues	\$ _____ (Format: 99,999.99)
8c) Year-end Date:	_____ (Date Format: MM/DD/YYYY)

One Year Prior to Most Recent Reportable Year

9a) Were the Applicant and any predecessors-in-interest in existence for a full year of the relevant period? If 'N', explain why in an attachment.	() <u>Yes</u> <u>No</u>
If 'Y', provide the following information.	
9b) Gross Revenues	\$ _____ (Format: 99,999.99)
9c) Year-end Date:	_____ (Date Format: MM/DD/YYYY)

Two Years Prior to Most Recent Reportable Year

10a) Were the Applicant and any predecessors-in-interest in existence for a full year of the relevant period? If 'N', explain why in an attachment.	() <u>Yes</u> <u>No</u>
If 'Y', provide the following information.	
10b) Gross Revenues	\$ _____ (Format: 99,999.99)
10c) Year-end Date:	_____ (Date Format: MM/DD/YYYY)

Three Years Prior to Most Recent Reportable Year

11a) Were the Applicant and any predecessors-in-interest in existence for a full year of the relevant period? If 'N', explain why in an attachment.	() <u>Yes</u> <u>No</u>
If 'Y', provide the following information.	
11b) Gross Revenues	\$ _____ (Format: 99,999.99)
11c) Year-end Date:	_____ (Date Format: MM/DD/YYYY)

Four Years Prior to Most Recent Reportable Year

12a) Were the Applicant and any predecessors-in-interest in existence for a full year of the relevant period? If 'N', explain why in an attachment.	() <u>Yes</u> <u>No</u>
If 'Y', provide the following information.	
12b) Gross Revenues	\$ _____ (Format: 99,999.99)
12c) Year-end Date:	_____ (Date Format: MM/DD/YYYY)

Average Gross Revenue

13) Average Gross Revenue of Reported Years: \$ _____ (Format: 99,999.99)

Asset Disclosure

14) Total Assets as of Application Filing Date: \$ _____

Financial Statements

15) Audited or Unaudited (Check One)

The Applicant used audited financial statements.

The Applicant used unaudited financial statements prepared in accordance with Generally Accepted Accounting Principles (GAAP) and certified by the Applicant's chief financial officer or the equivalent.

Reference Copy

Reference Copy

Closed Bidding/Designated Entity Eligibility

Total Gross Revenues for Most Recent Reportable Year

36a) Gross Revenues	\$ _____	(Format: 99,999.99)
36b) Year-end Date:	_____	(Date Format: MM/DD/YYYY)

Total Gross Revenues for One Year Prior to Most Recent Reportable Year

37a) Gross Revenues:	\$ _____	(Format: 99,999.99)
37b) Year-end Date:	_____	(Date Format: MM/DD/YYYY)

Total Gross Revenues for Two Years Prior to Most Recent Reportable Year

38a) Gross Revenues:	\$ _____	(Format: 99,999.99)
38b) Year-end Date:	_____	(Date Format: MM/DD/YYYY)

Total Gross Revenues for Three Years Prior to the Most Recent Reportable Year

39a) Gross Revenues:	\$ _____	(Format: _____)
39b) Year-end Date:	_____	(Date Format: _____)

Total Gross Revenues for Four Years Prior to the Most Recent Reportable Year

40a) Gross Revenues:	\$ _____	(Format: 99,999.99)
40b) Year-end Date:	_____	(Date Format: MM/DD/YYYY)

Total Aggregate Average Gross Revenues for Designated Entity (License(s) Requiring Disclosure of Three Years of Gross Revenue Data)

41) Aggregate Average Gross Revenue:	\$ _____	(Format: 99,999.99)
--------------------------------------	----------	---------------------

Total Aggregate Average Gross Revenues for Designated Entity (License(s) Requiring Disclosure of Five Years of Gross Revenue Data)

41) Aggregate Average Gross Revenue:	\$ _____	(Format: 99,999.99)
--------------------------------------	----------	---------------------

Total Aggregate Average Gross Revenues for Closed Bidding

42) Aggregate Average Gross Revenue:	\$ _____	(Format: 99,999.99)
--------------------------------------	----------	---------------------

Total Assets Disclosure for Closed Bidding

43) Total Assets:	\$ _____	(Format: 99,999.99)
-------------------	----------	---------------------

Rural Service Provider Bidding Credit

36) Is the Applicant seeking a Rural Service Provider (RSP) bidding credit?	() <u>Yes</u> No
---	--------------------------

If the Applicant (the Lessee/Sublessee/Transferee) is seeking a rural service provider (RSP) bidding credit, provide in an exhibit the following information requested in a-e.

a) for the Applicant, submit the combined number of commercial communications service subscribers to wireless, wireline, broadband, and cable services that the Applicant serves and provide a list of the name(s) and the Federal Information Processing Standard (FIPS) number(s) for each county in which the Applicant has at least one commercial wireless, wireline, broadband, or cable subscriber;

b) for each of the Applicant's Affiliates, Controlling Interests, and the Affiliates of its Controlling Interests, submit the individual or entity's name, its FCC Registration Number (FRN), its relationship to the Applicant, and its combined number of commercial communications service subscribers to wireless, wireline, broadband, and cable services. For each of the Applicant's Affiliates, Controlling Interests, and the Affiliates of its Controlling Interests, also provide a list of the name(s) and the FIPS number(s) for each county in which it has at least one commercial wireless, wireline, broadband, or cable subscriber;

c) if neither the Applicant, nor any of its Affiliates, its Controlling Interests, or the Affiliates of its Controlling Interests have at least one wireless, wireline, broadband, or cable subscriber in a market for which the Applicant is applying for a license, list the market(s) in which the Applicant, its Affiliates, its Controlling Interests, and the Affiliates of its Controlling Interests have no such subscribers;

d) a detailed explanation demonstrating that: (i) the Applicant is in the business of providing commercial communications services; (ii) the Applicant serves predominantly rural areas; and (iii) the primary focus of the Applicant's business activity is the provision of services to rural areas (defined as counties with a population density of 100 or fewer persons per square mile); and

e) If the Applicant is an existing rural partnership that was providing service as of July 16, 2015, provide a detailed explanation demonstrating that each member of the partnership is independently eligible for the RSP bidding credit by providing, with respect to each member of the partnership, the same information as is required in a-d above.

Schedule for New Lease or New Sublease

Term of Lease [For New Leases Only]

<p>1) Indicate whether the Lease is:</p> <p>(<input checked="" type="checkbox"/>) Long-Term or () Short-Term*</p> <p>* The cumulative lease period for a Short-Term Lease cannot exceed 365 days from the original commencement date.</p>	
<p>2) If this filing is for a Long-Term <i>De Facto</i> Transfer Lease, have the Licensee and Lessee entered into any Short-Term <i>De Facto</i> Transfer Lease(s) with regard to any spectrum covered by the license(s) that are part of this filing or within the same geographic area(s) of the license(s) that are part of this filing?</p>	<p>(<input type="checkbox"/>) Yes <input type="checkbox"/> No</p>

Leased Spectrum (For Geographically-Licensed Services) [For New Leases Only]

<p>3a) Does this filing involve geographic-area licenses where only a portion of the licensed spectrum and/or the licensed geographic area will be leased?</p>	<p>(<input checked="" type="checkbox"/>) Yes <input type="checkbox"/> No</p>
<p>3b) If the answer to 3a is 'Yes', does this filing involve one or more individual point-to-point microwave links that will be leased?</p> <p>If the response to 3b is 'Yes', complete Schedule H. If the response to 3b is 'No', complete Schedule F and, if applicable, Schedule G.</p>	<p>(<input type="checkbox"/>) Yes <input type="checkbox"/> No</p>

Leased Spectrum (For Site-Based Services) [For New Leases Only]

<p>3c) Does this filing involve site-based licenses where only a portion of the licensed locations, paths and/or frequencies will be leased?</p> <p>If the response to 3c is 'No', complete Items 184 (Call Sign) and 185 (Radio Service Code) on the Main Form. If the response to 3c is 'Yes', in addition to Items 184 (Call Sign) and 185 (Radio Service Code), complete Items 186-190 (Location Number, Path Number, Frequency Number, Lower Frequency and Upper Frequency), as appropriate, on the Main Form.</p>	<p>() Yes <input type="checkbox"/> No</p>
---	--

Type and Term of Sublease [For New Subleases Only]

<p>4a) If the existing Lease is a Long-Term <i>De Facto</i> Transfer Lease, are the Lessee and Sublessee entering into a Spectrum Manager Sublease or a Long-Term <i>De Facto</i> Transfer Sublease?</p> <p>() Spectrum Manager Sublease or () Long-Term <i>De Facto</i> Transfer Sublease</p>	
<p>4b) If the answer to 4a is 'Spectrum Manager Sublease', indicate whether the Sublease is:</p> <p>() Long-Term or () Short-Term</p>	
<p>5) If the existing Lease is a Long-Term Spectrum Manager Lease, indicate whether the Spectrum Manager Sublease is:</p> <p>() Long-Term or () Short-Term</p>	

**Schedule for Supplemental Information Pertaining to a New Lease, New Sublease,
Revision to Extend the Term of an Existing Lease or Sublease, or
Revision to Cancel an Existing Lease or Sublease**

License Authorizations/Lease Identifiers/Sublease Identifiers (Complete as many Schedule E's as necessary)

1) Call Sign(s) or Lease/Sublease Identifier(s)	2) Radio Service Code	3) Commencement Date (MM/DD/YYYY) OR Check box for FCC Grant Date	4) Expiration Date (MM/DD/YYYY)	5) Revised Expiration Date (MM/DD/YYYY)	6) Cancellation Date (MM/DD/YYYY) OR Check box if Lease/Sublease Never Commenced
KNLB305	WS	<input checked="" type="checkbox"/>	05/30/2027		<input type="checkbox"/>
KNLF206	CW	<input checked="" type="checkbox"/>	06/23/2025		<input type="checkbox"/>
KNLF251	CW	<input checked="" type="checkbox"/>	06/23/2025		<input type="checkbox"/>
KNLG209	CW	<input checked="" type="checkbox"/>	04/28/2027		<input type="checkbox"/>
WPOI215	CW	<input checked="" type="checkbox"/>	06/23/2025		<input type="checkbox"/>
WPOI255	CW	<input checked="" type="checkbox"/>	06/23/2025		<input type="checkbox"/>
WPWU915	WZ	<input checked="" type="checkbox"/>	05/30/2027		<input type="checkbox"/>

Schedule for Defined Geographic Area To Be Leased
(Geographically-Licensed Services)

Call Sign

1) Call Sign: <u>KNLB305</u>

Geographic Area of Spectrum To Be Included in Lease

2) Defined Area to be Leased	3) Undefined Area to be Leased (Complete Schedule G)	4a) Population of Leased Area
	Schedule G # Attached:1	

5) Frequencies of Spectrum To Be Included in Lease (MHz)

Spectrum Leased	
Lower Frequency/Bandwidth	Upper Frequency/Bandwidth

Schedule for Defined Geographic Area To Be Leased
(Geographically-Licensed Services)

Call Sign

1) Call Sign: KNLB305

Geographic Area of Spectrum To Be Included in Lease

2) Defined Area to be Leased	3) Undefined Area to be Leased (Complete Schedule G)	4a) Population of Leased Area
	Schedule G # Attached:2	

5) Frequencies of Spectrum To Be Included in Lease (MHz)

Spectrum Leased

Lower Frequency/Bandwidth	Upper Frequency/Bandwidth

**Schedule for Defined Geographic Area To Be Leased
 (Geographically-Licensed Services)**

Call Sign

1) Call Sign: <u>KNLB305</u>

Geographic Area of Spectrum To Be Included in Lease

2) Defined Area to be Leased	3) Undefined Area to be Leased (Complete Schedule G)	4a) Population of Leased Area
	Schedule G # Attached:3	

5) Frequencies of Spectrum To Be Included in Lease (MHz)

Spectrum Leased	
Lower Frequency/Bandwidth	Upper Frequency/Bandwidth

**Schedule for Defined Geographic Area To Be Leased
(Geographically-Licensed Services)**

Call Sign

1) Call Sign: <u>KNLF206</u>

Geographic Area of Spectrum To Be Included in Lease

2) Defined Area to be Leased	3) Undefined Area to be Leased (Complete Schedule G)	4a) Population of Leased Area
	Schedule G # Attached:4	

5) Frequencies of Spectrum To Be Included in Lease (MHz)

Spectrum Leased	
Lower Frequency/Bandwidth	Upper Frequency/Bandwidth

**Schedule for Defined Geographic Area To Be Leased
 (Geographically-Licensed Services)**

Call Sign

1) Call Sign: <u>KNLF206</u>

Geographic Area of Spectrum To Be Included in Lease

2) Defined Area to be Leased	3) Undefined Area to be Leased (Complete Schedule G)	4a) Population of Leased Area
	Schedule G # Attached:5	

5) Frequencies of Spectrum To Be Included in Lease (MHz)

Spectrum Leased	
Lower Frequency/Bandwidth	Upper Frequency/Bandwidth

**Schedule for Defined Geographic Area To Be Leased
 (Geographically-Licensed Services)**

Call Sign

1) Call Sign: <u>KNLF206</u>

Geographic Area of Spectrum To Be Included in Lease

2) Defined Area to be Leased	3) Undefined Area to be Leased (Complete Schedule G)	4a) Population of Leased Area
	Schedule G # Attached:6	

5) Frequencies of Spectrum To Be Included in Lease (MHz)

Spectrum Leased	
Lower Frequency/Bandwidth	Upper Frequency/Bandwidth

**Schedule for Defined Geographic Area To Be Leased
 (Geographically-Licensed Services)**

Call Sign

1) Call Sign: <u>KNLF251</u>

Geographic Area of Spectrum To Be Included in Lease

2) Defined Area to be Leased	3) Undefined Area to be Leased (Complete Schedule G)	4a) Population of Leased Area
	Schedule G # Attached:7	

5) Frequencies of Spectrum To Be Included in Lease (MHz)

Spectrum Leased	
Lower Frequency/Bandwidth	Upper Frequency/Bandwidth

Schedule for Defined Geographic Area To Be Leased
(Geographically-Licensed Services)

Call Sign

1) Call Sign: KNLF251

Geographic Area of Spectrum To Be Included in Lease

2) Defined Area to be Leased	3) Undefined Area to be Leased (Complete Schedule G)	4a) Population of Leased Area
	Schedule G # Attached:8	

5) Frequencies of Spectrum To Be Included in Lease (MHz)

Spectrum Leased

Lower Frequency/Bandwidth	Upper Frequency/Bandwidth

**Schedule for Defined Geographic Area To Be Leased
 (Geographically-Licensed Services)**

Call Sign

1) Call Sign: <u>KNLG209</u>

Geographic Area of Spectrum To Be Included in Lease

2) Defined Area to be Leased	3) Undefined Area to be Leased (Complete Schedule G)	4a) Population of Leased Area
	Schedule G # Attached:9	

5) Frequencies of Spectrum To Be Included in Lease (MHz)

Spectrum Leased	
Lower Frequency/Bandwidth	Upper Frequency/Bandwidth

**Schedule for Defined Geographic Area To Be Leased
(Geographically-Licensed Services)**

Call Sign

1) Call Sign: WPOI215

Geographic Area of Spectrum To Be Included in Lease

2) Defined Area to be Leased	3) Undefined Area to be Leased (Complete Schedule G)	4a) Population of Leased Area
	Schedule G # Attached:10	

5) Frequencies of Spectrum To Be Included in Lease (MHz)

Spectrum Leased

Lower Frequency/Bandwidth	Upper Frequency/Bandwidth

**Schedule for Defined Geographic Area To Be Leased
 (Geographically-Licensed Services)**

Call Sign

1) Call Sign: <u>WPOI255</u>

Geographic Area of Spectrum To Be Included in Lease

2) Defined Area to be Leased	3) Undefined Area to be Leased (Complete Schedule G)	4a) Population of Leased Area
	Schedule G # Attached:11	

5) Frequencies of Spectrum To Be Included in Lease (MHz)

Spectrum Leased	
Lower Frequency/Bandwidth	Upper Frequency/Bandwidth

**Schedule for Defined Geographic Area To Be Leased
 (Geographically-Licensed Services)**

Call Sign

1) Call Sign: <u>WPWU915</u>

Geographic Area of Spectrum To Be Included in Lease

2) Defined Area to be Leased	3) Undefined Area to be Leased (Complete Schedule G)	4a) Population of Leased Area
	Schedule G # Attached:12	

5) Frequencies of Spectrum To Be Included in Lease (MHz)

Spectrum Leased	
Lower Frequency/Bandwidth	Upper Frequency/Bandwidth

Number: 1

Schedule for Leases that Involve an Undefined Geographic Area

For each undefined geographic area, complete up to 300 Latitude/Longitude combinations for every 3 degrees azimuth, using NAD83 Datum.

Latitude (DD-MM-SS.S-D)

Longitude (DDD-MM-SS.S-D)

1	41-31-50.3 N	086-54-14.8 W
2	41-31-18.0 N	086-54-14.2 W
3	41-31-17.3 N	086-54-47.1 W
4	41-31-44.6 N	086-54-47.9 W
5	41-31-50.3 N	086-54-14.8 W

Number: 2

Schedule for Leases that Involve an Undefined Geographic Area

For each undefined geographic area, complete up to 300 Latitude/Longitude combinations for every 3 degrees azimuth, using NAD83 Datum.

Latitude (DD-MM-SS.S-D)

Longitude (DDD-MM-SS.S-D)

1	41-42-18.5 N	086-54-56.2 W
2	41-42-03.9 N	086-54-55.2 W
3	41-42-03.1 N	086-55-09.3 W
4	41-42-18.2 N	086-55-09.3 W
5	41-42-18.5 N	086-54-56.2 W

Number: 3

Schedule for Leases that Involve an Undefined Geographic Area

For each undefined geographic area, complete up to 300 Latitude/Longitude combinations for every 3 degrees azimuth, using NAD83 Datum.

Latitude (DD-MM-SS.S-D)

Longitude (DDD-MM-SS.S-D)

1	41-43-15.5 N	086-18-47.6 W
2	41-43-21.0 N	086-18-47.8 W
3	41-43-21.1 N	086-18-38.9 W
4	41-43-15.5 N	086-18-38.9 W
5	41-43-15.5 N	086-18-47.6 W

Number: 4

Schedule for Leases that Involve an Undefined Geographic Area

For each undefined geographic area, complete up to 300 Latitude/Longitude combinations for every 3 degrees azimuth, using NAD83 Datum.

Latitude (DD-MM-SS.S-D)

Longitude (DDD-MM-SS.S-D)

1	41-31-50.3 N	086-54-14.8 W
2	41-31-18.0 N	086-54-14.2 W
3	41-31-17.3 N	086-54-47.1 W
4	41-31-44.6 N	086-54-47.9 W
5	41-31-50.3 N	086-54-14.8 W

Number: 5

Schedule for Leases that Involve an Undefined Geographic Area

For each undefined geographic area, complete up to 300 Latitude/Longitude combinations for every 3 degrees azimuth, using NAD83 Datum.

	Latitude (DD-MM-SS.S-D)	Longitude (DDD-MM-SS.S-D)
1	41-42-18.5 N	086-54-56.2 W
2	41-42-03.9 N	086-54-55.2 W
3	41-42-03.1 N	086-55-09.3 W
4	41-42-18.2 N	086-55-09.3 W
5	41-42-18.5 N	086-54-56.2 W

Number: 6

Schedule for Leases that Involve an Undefined Geographic Area

For each undefined geographic area, complete up to 300 Latitude/Longitude combinations for every 3 degrees azimuth, using NAD83 Datum.

Latitude (DD-MM-SS.S-D)

Longitude (DDD-MM-SS.S-D)

1	41-43-15.5 N	086-18-47.6 W
2	41-43-21.0 N	086-18-47.8 W
3	41-43-21.1 N	086-18-38.9 W
4	41-43-15.5 N	086-18-38.9 W
5	41-43-15.5 N	086-18-47.6 W

Number: 7

Schedule for Leases that Involve an Undefined Geographic Area

For each undefined geographic area, complete up to 300 Latitude/Longitude combinations for every 3 degrees azimuth, using NAD83 Datum.

Latitude (DD-MM-SS.S-D)

Longitude (DDD-MM-SS.S-D)

1	38-09-12.9 N	086-36-02.4 W
2	38-09-09.3 N	086-35-50.4 W
3	38-09-01.9 N	086-35-51.0 W
4	38-09-00.5 N	086-36-12.6 W
5	38-09-12.9 N	086-36-02.4 W

Number: 8

Schedule for Leases that Involve an Undefined Geographic Area

For each undefined geographic area, complete up to 300 Latitude/Longitude combinations for every 3 degrees azimuth, using NAD83 Datum.

Latitude (DD-MM-SS.S-D)

Longitude (DDD-MM-SS.S-D)

1	38-45-01.5 N	085-24-18.6 W
2	38-45-01.2 N	085-23-54.5 W
3	38-44-40.8 N	085-23-53.4 W
4	38-44-41.4 N	085-24-21.0 W
5	38-45-01.5 N	085-24-18.6 W

Number: 9

Schedule for Leases that Involve an Undefined Geographic Area

For each undefined geographic area, complete up to 300 Latitude/Longitude combinations for every 3 degrees azimuth, using NAD83 Datum.

Latitude (DD-MM-SS.S-D)

Longitude (DDD-MM-SS.S-D)

1	38-45-01.5 N	085-24-18.6 W
2	38-45-01.2 N	085-23-54.5 W
3	38-44-40.8 N	085-23-53.4 W
4	38-44-41.4 N	085-24-21.0 W
5	38-45-01.5 N	085-24-18.6 W

Number: 10

Schedule for Leases that Involve an Undefined Geographic Area

For each undefined geographic area, complete up to 300 Latitude/Longitude combinations for every 3 degrees azimuth, using NAD83 Datum.

Latitude (DD-MM-SS.S-D)

Longitude (DDD-MM-SS.S-D)

1	38-09-12.9 N	086-36-02.4 W
2	38-09-09.3 N	086-35-50.4 W
3	38-09-01.9 N	086-35-51.0 W
4	38-09-00.5 N	086-36-12.6 W
5	38-09-12.9 N	086-36-02.4 W

Number: 11

Schedule for Leases that Involve an Undefined Geographic Area

For each undefined geographic area, complete up to 300 Latitude/Longitude combinations for every 3 degrees azimuth, using NAD83 Datum.

Latitude (DD-MM-SS.S-D)

Longitude (DDD-MM-SS.S-D)

1	38-45-01.5 N	085-24-18.6 W
2	38-45-01.2 N	085-23-54.5 W
3	38-44-40.8 N	085-23-53.4 W
4	38-44-41.4 N	085-24-21.0 W
5	38-45-01.5 N	085-24-18.6 W

Number: 12

Schedule for Leases that Involve an Undefined Geographic Area

For each undefined geographic area, complete up to 300 Latitude/Longitude combinations for every 3 degrees azimuth, using NAD83 Datum.

Latitude (DD-MM-SS.S-D)

Longitude (DDD-MM-SS.S-D)

1	38-09-12.9 N	086-36-02.4 W
2	38-09-09.3 N	086-35-50.4 W
3	38-09-01.9 N	086-35-51.0 W
4	38-09-00.5 N	086-36-12.6 W
5	38-09-12.9 N	086-36-02.4 W

Attachment(s):

Type	Description	Date Entered
O	Exhibit 3 - Site Information	08/22/2023
O	Exhibit 2 - Licenses	08/16/2023
O	Exhibit 1 - Description of Leases	08/16/2023

**FCC Form 608 FCC Application or Notification for Spectrum Leasing Arrangement/
Main Form Notification of a Private Commons Arrangement**

3060-1058

Submitted: 01/23/2023 at
18:42:37
File Number: 0010338098

**Wireless Telecommunications Bureau
Public Safety and Homeland Security Bureau**

See 608 Main Form Instructions
For public burden estimate

General Information
Application/Notification Purpose

1a) Purpose of Filing (Select only one):	
<input checked="" type="checkbox"/> LN – New	<input type="checkbox"/> LM – Modification
<input type="checkbox"/> LT – Transfer of Control	<input type="checkbox"/> LE – Extend the Term
<input type="checkbox"/> LI – Light Touch Leasing Certification	<input type="checkbox"/> AM – Amendment
	<input type="checkbox"/> LU – Administrative Update
	<input type="checkbox"/> LC – Cancel
	<input type="checkbox"/> WD – Withdraw
1b) If this filing is for an Amendment (AM) or Withdrawal (WD), enter the File Number of the pending Application/Notification currently on file with the FCC.	File Number: _____

Classification of Filing
For Leases/Subleases Only

2a) Classification of Filing (Select only one):	2b) Type of Filing
<input type="checkbox"/> ML – Spectrum Manager Lease	<input checked="" type="checkbox"/> L – Lease
<input checked="" type="checkbox"/> TL – <i>De Facto</i> Transfer Lease	<input type="checkbox"/> S – Sublease (Must be filed manually)

For Private Commons Arrangements Only (Must be filed Manually)

2c) This filing will be a Private Commons Arrangement pursuant to a (Select only one):	2d) If a Private Commons Arrangement pursuant to a Lease or Sublease, choose the legal type (Select only one):
<input type="checkbox"/> N – License	<input type="checkbox"/> M – Spectrum Manager
<input type="checkbox"/> L – Lease	<input type="checkbox"/> T – <i>De Facto</i> Transfer
<input type="checkbox"/> S – Sublease	

Term of Lease/Sublease

3) Indicate whether the existing Lease/Sublease is:	<input checked="" type="checkbox"/> Long-Term	or	<input type="checkbox"/> Short-Term
---	---	----	-------------------------------------

Other Wireless Licenses

4a) Is this filing part of a series of filings involving other wireless license(s) or lease(s) held by the Applicant, affiliates of the Licensee (e.g., parents, subsidiaries, or commonly-controlled entities), or third parties that are not included on this filing and for which Commission approval or notification is required?	<input type="checkbox"/> Yes <input checked="" type="checkbox"/> No
4b) If the answer to 4a is 'Y', is this filing the lead Application/Notification?	<input type="checkbox"/> Yes <input checked="" type="checkbox"/> No
4c) If the answer to 4a is 'Y' and the answer to 4b is 'N', provide the File Number of the lead Application/Notification.	File Number: _____

Attachments

5) Are attachments (other than associated schedules) being filed with this Application/Notification?	(<input checked="" type="checkbox"/>) <u>Yes</u> <u>No</u>
--	--

Fees and Waivers**Exemption from Application Fees**

6) Is the Applicant exempt from FCC application fees? If the answer to 6 is 'Y', attach an exhibit demonstrating how the applicant is exempt from FCC application fees.	(<input type="checkbox"/>) <u>Yes</u> <u>No</u>
--	---

Waiver/Deferral of Fees

7) Is a waiver/deferral of the FCC application fees being requested? If the answer to 7 is 'Y', attach a date-stamped copy of the request for waiver/deferral of the FCC application fees.	(<input type="checkbox"/>) <u>Yes</u> <u>No</u>
---	---

Waiver of Commission Rules

8) Does this filing include a request for waiver of the Commission's Rules (other than a request for application fee waivers)? If the answer to 8 is 'Y', attach an exhibit specifying the rule section(s) for which a waiver is being requested and including a justification for the waiver request.	(<input type="checkbox"/>) <u>Yes</u> <u>No</u>
---	---

Regulatory Status and Offerings**Radio Service Offerings**

9) The Applicant will provide the following type(s) of radio service offerings (select all that apply): (<input type="checkbox"/>) Common Carrier (<input type="checkbox"/>) Non-common Carrier (<input type="checkbox"/>) Private, internal communications (<input type="checkbox"/>) Broadcast Services All entities that are planning to use the leased spectrum for telecommunications services should select common carrier in this item. The term 'telecommunications service' means the offering of telecommunications (i.e., the transmission, between or among points specified by the user, of information of the user's choosing, without change in the form or content of the information as sent and received) for a fee directly to the public, or to such classes of users as to be effectively available directly to the public, regardless of the facilities used. Non-common carriers do not hold themselves out indiscriminately for hire as carriers of communications provided by the customer. A person engaged in radio broadcasting shall not, insofar as such person is so engaged, be deemed a common carrier. Thus, those entities meeting this definition would select non- common carrier for this item. Private internal users are those entities that utilize telecommunications services purely for internal business purposes or public safety communications and not on a for-hire or for-profit basis. Such entities should select 'Private' for this item. The term 'Broadcast Services' shall have the same meaning as that for "broadcasting" in § 3(6) of the Communications Act of 1934, i.e., the dissemination of radio communications intended to be received by the public, directly or by the intermediary of relay stations." 47 U.S.C. § 153(6). If the Applicant is modifying the type of radio service offerings it provides, please provide an exhibit explaining the modification.

Radio Service

10) The Applicant will provide the following type(s) of radio service (select all that apply): (<input type="checkbox"/>) Fixed (<input type="checkbox"/>) Mobile (<input type="checkbox"/>) Radiolocation (<input type="checkbox"/>) Satellite (sound) (<input type="checkbox"/>) Broadcast Services	
11) Does the Applicant propose to provide service interconnected to the public telephone network?	(<input type="checkbox"/>) <u>Yes</u> <u>No</u>

Designated Entity Information (If the answer to 12a, 12b or 12c is 'Y', Schedule A must be completed.)

Bidding Credits

12a) Does this filing involve any spectrum associated with any licenses that were awarded with bidding credits within the last five years? If the response to this item is 'Y', the licenses may be subject to the FCC's unjust enrichment rules, and the Applicant should answer relevant bidding credit questions.	(<input type="radio"/>) <u>Yes</u> <input type="radio"/> <u>No</u>
---	--

Closed Bidding

12b) Does this filing involve any spectrum associated with any licenses that were originally granted pursuant to closed bidding within the last five years? If the response to this item is 'Y', the Applicant should answer relevant closed bidding questions.	(<input type="radio"/>) <u>Yes</u> <input type="radio"/> <u>No</u>
--	--

Competition-Related Information

13) Does this filing involve a license authorization or Spectrum Lease/Sublease that may be used to provide interconnected mobile voice and/or data services that would create a geographic overlap with another license authorization(s) or spectrum leasing arrangement(s), that also could be used to provide interconnected mobile voice and/or data services, in which the Applicant already holds attributable interests, as defined in Section 20.22(b) of the Commission's Rules, either as a licensee or spectrum lessee/sublessee? If 'Y', specify in an exhibit all geographic areas/markets (e.g., BTA, CMA, county, etc.) where there are spectrum overlaps and the total amount of spectrum that the Assignee/Transferee will hold and/or lease in each geographic area/market.	(<input checked="" type="radio"/>) <u>Yes</u> <input type="radio"/> <u>No</u>
14) If the answer to Item 13 is 'Y', would/does this application for a spectrum leasing or subleasing arrangement reduce the number of entities providing service in the affected market(s)?	(<input type="radio"/>) <u>Yes</u> <input type="radio"/> <u>No</u>

Broadband Radio Service and Educational Broadband Service Information

15a) Will the requested facilities be used to provide multichannel video programming service?	(<input type="radio"/>) <u>Yes</u> <input type="radio"/> <u>No</u>
15b) If the answer to 15a is 'Y', does the Applicant operate, control or have an attributable interest (as defined in Section 27.1202 of the Commission's Rules) in a cable television system whose franchise area is located within the geographic service area of the requested facilities? If 'Y', provide an exhibit explaining how the Applicant (Lessee/Sublessee) complies with Section 27.1202 of the Commission's Rules or justifying a waiver of that rule. If a waiver of the Commission's Rule(s) is being requested, 8a must be answered 'Y'.	(<input type="radio"/>) <u>Yes</u> <input type="radio"/> <u>No</u>
16) Does the Applicant comply with the programming requirements contained in Section 27.1203 of the Commission's Rules? If 'N', provide an exhibit explaining how the Applicant complies with Section 27.1203 of the Commission's Rules or justifying a waiver of that rule. If a waiver of the Commission's Rule(s) is being requested, 8a must be answered 'Y'.	(<input type="radio"/>) <u>Yes</u> <input type="radio"/> <u>No</u>

Part 90 Public Safety Services

Eligibility

17) Is the Applicant a public safety entity or otherwise an entity that will use the leased spectrum to provide communications in support of public safety operations pursuant to Section 90.523 of the Commission's Rules?	(<input type="radio"/>) <u>Yes</u> <input type="radio"/> <u>No</u>
---	--

600 MHz Band Information

<p>18) Is the spectrum leasing/subleasing arrangement for a term of one year or more (either initially or cumulatively) and involves any licenses in the 600 MHz Band initially granted in the last six years that would, if leased, create a geographic overlap with another licenses(s) in which the Lessee/Sublessee already holds attributable interests, as defined in Section 20.22(b) of the Commission's Rules, either as a licensee or spectrum Lessee/Sublessee, and that would result in the Lessee/Sublessee holding an attributable interest, as defined in Section 20.22(b) of the Commission's Rules, in one-third or more of the total suitable and available below-1-GHz spectrum as calculated on a county-by-county population-weighted basis in the relevant license area, utilizing 2010 U.S. Census data?</p> <p>The initial grant date is the date that the license was originally granted by the Commission after an auction, even if the license was acquired in the secondary market. The initial grant date is not the date on which the Commission granted an assignment or transfer of control of the license.</p> <p>If 'Y', provide an exhibit detailing the proposed spectrum leasing/subleasing exchange of 600 MHz band spectrum in the same market(s), including a list of all file numbers for applications associated with the proposed spectrum leasing arrangement exchange, or describing the <i>pro forma</i> nature of the spectrum leasing arrangement, as appropriate.</p>	<p>(<input checked="" type="radio"/>) <u>Yes</u> <input type="radio"/> <u>No</u></p>
<p>19) Is the spectrum leasing/subleasing arrangement for a term of one year or more (either initially or cumulatively) and involves any licenses that were initially granted as reserved spectrum licenses in the 600 MHz Band in the last six years? Otherwise, enter 'N'.</p> <p>The initial grant date is the date that the license was originally granted by the Commission after an auction, even if the license was acquired in the secondary market. The initial grant date is not the date on which the Commission granted an assignment or transfer of control of the license.</p> <p>If 'Y', provide an exhibit demonstrating how the Lessee/Sublessee would have qualified to bid on that reserved spectrum license(s) in Auction 1002 as of the FCC Form 175 filing deadline (February 10, 2016) for Auction 1002, the forward auction of the Broadcast Incentive Auction.</p>	<p>(<input type="radio"/>) <u>Yes</u> <input checked="" type="radio"/> <u>No</u></p>

Licensee Information

FRN

20) FCC Registration Number: **0003291192**

Entity

21) Licensee is a(n) (Select One):

() Individual () Unincorporated Association () Trust () Government Entity () Corporation () Limited Liability Company

() General Partnership () Limited Partnership () Limited Liability Partnership

() Other: _____

Licensee Name

22) Licensee Name (if entity): **New Cingular Wireless PCS, LLC**

23) Licensee Name (if individual): First: MI: Last: Suffix:

24) Attention To: **Cecil J. Mathew**

Address

25) P.O. Box: **And /Or** 26) Street Address: **208 S. Akard Street, RM 1016**

27) City: **Dallas** 28) State: **TX** 29) Zip Code: **75202**

30) Telephone Number: **(855)699-7073** 31) FAX Number: **(214)746-6410**

32) E-Mail Address: **FCCMW@att.com**

33) Demographics (Optional):

Race:

() American Indian or Alaska Native
() Asian
() Black or African-American
() Native Hawaiian or Other Pacific Islander
() White

Ethnicity:

() Hispanic or Latino
() Not Hispanic or Latino

Gender:

() Male
() Female

Licensee Contact Information

Contact Name (if other than Licensee)

() Check here if same as Licensee Information

34) Name: First: MI: Last: Suffix:

35) Company Name: **AT&T Mobility LLC**

36) Attention To: **Michael P. Goggin**

Address

37) P.O. Box: **And /Or** 38) Street Address: **1120 20th Street NW, Suite 1000**

39) City: **Washington** 40) State: **DC** 41) Zip Code: **20036**

42) Telephone Number: **(202)457-2055** 43) FAX Number:

44) E-Mail Address: **michael.p.goggin@att.com**

Lessee Information

FRN

45) FCC Registration Number: **0030856223**

Entity

46) Lessee is a(n) (Select One):

() Individual () Unincorporated Association () Trust () Government Entity () Corporation () Limited Liability Company

() General Partnership () Limited Partnership () Limited Liability Partnership

() Other: _____

Lessee Name

47) If the Lessee name is being updated, is the update a result of a change in ownership, corporate structure, or entity for which proper Commission approval has not been received or proper notification not provided? () Yes No

48) Lessee Name (if entity): **Trace-Tek**

49) Lessee Name (if individual): First: MI: Last: Suffix:

50) Attention To: **licenses@trace-tek.com**

Name of Real Party in Interest

51) Name of Real Party in Interest: **Trace-Tek**

52) FCC Registration Number (FRN): **0030856223**

Address

53) P.O. Box: **And /Or** 54) Street Address: **2625 Commons Boulevard**

55) City: **Beavercreek** 56) State: **OH** 57) Zip Code: **45341**

58) Telephone Number: **(972)672-0477** 59) FAX Number:

60) E-Mail Address: **licenses@trace-tek.com**

61) Demographics (Optional):

Race:

() American Indian or Alaska Native

() Asian

() Black or African-American

() Native Hawaiian or Other Pacific Islander

() White

Ethnicity:

() Hispanic or Latino

() Not Hispanic or Latino

Gender:

() Male

() Female

Lessee Contact Information

Contact Name (if other than Lessee)

() **Check here if same as Lessee Information**

62) Name: First: **Dan** MI: Last: **Burgess** Suffix:

63) Company Name: **Trace-Tek**

64) Attention To: **licenses@trace-tek.com**

Address

65) P.O. Box: **And /Or** 66) Street Address: **2625 Commons Boulevard**

67) City: **Beavercreek** 68) State: **OH** 69) Zip Code: **45341**

70) Telephone Number: **(972)672-0477** 71) FAX Number:

72) E-Mail Address: **licenses@trace-tek.com**

Sublessee Information

FRN

73) FCC Registration Number:

Entity

74) Sublessee is a(n) (Select One):

() Individual () Unincorporated Association () Trust () Government Entity () Corporation () Limited Liability Company

() General Partnership () Limited Partnership () Limited Liability Partnership

() Other: _____

Sublessee Name

75) If the Sublessee name is being updated, is the update a result of a change in ownership, corporate structure, or entity for which proper Commission approval has not been received or proper notification not provided?

() Yes **No**

76) Sublessee Name (if entity):

77) Sublessee Name (if individual):

First:

MI:

Last:

Suffix:

78) Attention To:

Name of Real Party in Interest

79) Name of Real Party in Interest:

80) FCC Registration Number (FRN):

Address

81) P.O. Box:

**And
/Or**

82) Street Address:

83) City:

84) State:

85) Zip Code:

86) Telephone Number:

87) FAX Number:

88) E-Mail Address:

89) Demographics (Optional):

Race:

() American Indian or Alaska Native

() Asian

() Black or African-American

() Native Hawaiian or Other Pacific Islander

() White

Ethnicity:

() Hispanic or Latino

() Not Hispanic or Latino

Gender:

() Male

() Female

Sublessee Contact Information

Contact Name (if other than Sublessee)

() **Check here if same as Sublessee Information**

90) Name:

First:

MI:

Last:

Suffix:

91) Company Name:

92) Attention To:

Address

93) P.O. Box:

**And
/Or**

94) Street Address:

95) City:

96) State:

97) Zip Code:

98) Telephone Number:

99) FAX Number:

100) E-Mail Address:

Transferee Information

FRN

101) FCC Registration Number:

Entity

102) Transferee is a(n) (Select One):

() Individual () Unincorporated Association () Trust () Government Entity () Corporation () Limited Liability Company

() General Partnership () Limited Partnership () Limited Liability Partnership

() Other: _____

Transferee Name

103) Transferee Name (if entity):

104) Transferee Name (if individual):

First:

MI:

Last:

Suffix:

105) Attention To:

Name of Real Party in Interest

106) Name of Real Party in Interest:

107) FCC Registration Number (FRN):

Address

108) P.O. Box:

And
/Or

109) Street Address:

110) City:

111) State:

112) Zip Code:

113) Telephone Number:

114) FAX Number:

115) E-Mail Address:

116) Demographics (Optional):

Race:

() American Indian or Alaska Native

() Asian

() Black or African-American

() Native Hawaiian or Other Pacific Islander

() White

Ethnicity:

() Hispanic or Latino

() Not Hispanic or Latino

Gender:

() Male

() Female

Transferee Contact Information

Contact Name (if other than Transferee)

() Check here if same as Transferee Information

117) Name:

First:

MI:

Last:

Suffix:

118) Company Name:

119) Attention To:

Address

120) P.O. Box:

And
/Or

121) Street Address:

122) City:

123) State:

124) Zip Code:

125) Telephone Number:

126) FAX Number:

127) E-Mail Address:

Transferor Information

FRN

128) FCC Registration Number:

Entity

129) Transferor is a(n) (Select One):

() Individual () Unincorporated Association () Trust () Government Entity () Corporation () Limited Liability Company

() General Partnership () Limited Partnership () Limited Liability Partnership

() Other: _____

Transferor Name

130) Transferor Name (if entity):

131) Transferor Name (if individual):

First:

MI:

Last:

Suffix:

132) Attention To:

Address

133) P.O. Box:

And
/Or

134) Street Address:

135) City:

136) State:

137) Zip Code:

138) Telephone Number:

139) FAX Number:

140) E-Mail Address:

139) Demographics (Optional):

Race:

() American Indian or Alaska Native

() Asian

() Black or African-American

() Native Hawaiian or Other Pacific Islander

() White

Ethnicity:

() Hispanic or Latino

() Not Hispanic or Latino

Gender:

() Male

() Female

Transferor Contact Information

Contact Name (if other than Transferor)

() Check here if same as Transferor Information

140) Name:

First:

MI:

Last:

Suffix:

141) Company Name:

142) Attention To:

Address

143) P.O. Box:

And
/Or

144) Street Address:

145) City:

146) State:

147) Zip Code:

148) Telephone Number:

149) FAX Number:

150) E-Mail Address:

Ownership Disclosure Information

FCC Form 602

153a) Is the Applicant required to file FCC Form 602, Ownership Disclosure Information for the Wireless Telecommunications Services?	(<input checked="" type="radio"/>) <u>Yes</u> <input type="radio"/> <u>No</u>
153b) If the answer to 151a is 'Y', provide the File Number of FCC Form 602 that has been filed in conjunction with application or is already on file with the FCC.	File Number: <u>0009774970</u>

Alien Ownership Questions

Alien Ownership (If any answer is 'Y', provide an attachment explaining the circumstances. In preparing the attachment, refer to the Main Form Instructions for the "Alien Ownership Questions".)

154) Is the Lessee/Sublessee or Post-Transfer Lessee/Sublessee a foreign government or the representative of any foreign government?	(<input type="radio"/>) <u>Yes</u> <input checked="" type="radio"/> <u>No</u>
155) Is the Lessee/Sublessee or Post-Transfer Lessee/Sublessee an alien or the representative of an alien?	(<input type="radio"/>) <u>Yes</u> <input checked="" type="radio"/> <u>No</u>
156) Is the Lessee/Sublessee or Post-Transfer Lessee/Sublessee a corporation organized under the laws of a foreign government?	(<input type="radio"/>) <u>Yes</u> <input checked="" type="radio"/> <u>No</u>
157) Is the Lessee/Sublessee or Post-Transfer Lessee/Sublessee a corporation of which more than one-fifth of the capital stock is owned of record or voted by aliens or their representatives, or by a foreign government or representative thereof, or by any corporation organized under the laws of a foreign country?	(<input type="radio"/>) <u>Yes</u> <input checked="" type="radio"/> <u>No</u>
158a) Is the Lessee/Sublessee or Post-Transfer Lessee/Sublessee directly or indirectly controlled by any other corporation of which more than one-fourth of the capital stock is owned of record or voted by aliens or their representatives, or by a foreign government or representative thereof, or by any corporation organized under the laws of a foreign country?	(<input type="radio"/>) <u>Yes</u> <input checked="" type="radio"/> <u>No</u>

158b) If the answer to 155 or 156a is 'Y' select one of the choices below.

The Lessee/Sublessee or Post-Transfer Lessee/Sublessee is exempt from the provisions of Section 310(b).

It is not necessary to file a petition for declaratory ruling if the Lessee/Sublessee or Post-Transfer Lessee/Sublessee includes in the attachment required by Item 155 or Item 156a a showing that the subject Lease(s) is exempt from the provisions of Section 310(b).

The Lessee/Sublessee or Post-Transfer Lessee/Sublessee has received a declaratory ruling(s) approving its foreign ownership, and the application/notification involves only the acquisition/use of additional spectrum for the provision of a wireless service in a geographic coverage area for which the Lessee/Sublessee or Post-Transfer Lessee/Sublessee has been previously authorized.

If checked, include in the attachment required by Item 155 or Item 156a the citation(s) of the applicable declaratory ruling(s) by DA/FCC number, the FCC Record citation, if available, release date, and a statement that there has been no change in the foreign ownership of the Lessee/Sublessee or Post-Transfer Lessee/Sublessee since the issuance of its ruling.

The Lessee/Sublessee or Post-Transfer Lessee/Sublessee: (i) has received a declaratory ruling(s) approving its foreign ownership, but is not able to make the certification specified immediately above; or (ii) is an "affiliate" of a Licensee or Lessee/SubLessee that received a declaratory ruling(s) under Section 1.990(a) of the Commission's Rules, 47 CFR § 1.990(a), and is relying on the affiliate's ruling for purposes of filing this application/notification as permitted under the affiliate's ruling and Section 1.994(b) of the Rules, 47 CFR § 1.994(b).

If checked, and if the Lessee/Sublessee or Post-Transfer Lessee/Sublessee received its declaratory ruling(s) on or after August 9, 2013, include in the attachment required by Item 155 or Item 156a the citation(s) of the Lessee/Sublessee or Post-Transfer Lessee/Sublessee's declaratory ruling(s) by DA/FCC number, the FCC Record citation, if available, release date, and a statement that the Lessee/Sublessee or Post-Transfer Lessee/Sublessee is in compliance with the terms and conditions of its ruling and with the Commission's Rules.

If checked, and if the Lessee/Sublessee or Post-Transfer Lessee/Sublessee received its declaratory ruling(s) prior to August 9, 2013, include in the attachment required by Item 156a a copy of a petition for declaratory ruling filed contemporaneously with the Commission to extend the Lessee/Sublessee or Post-Transfer Lessee/Sublessee's existing ruling(s) to cover the same radio service(s) and geographic coverage area(s) involved in the application/notification. Alternatively, the Lessee/Sublessee or Post-Transfer Lessee/Sublessee may request a new declaratory ruling pursuant to Section 1.990(a) of the Commission's Rules, 47 CFR § 1.990(a). Petitions for declaratory ruling may be filed electronically on the Internet through the International Bureau Filing System (IBFS) (with a copy attached hereto).

If checked, and if the Lessee/Sublessee or Post-Transfer Lessee/Sublessee is relying on an affiliate's ruling for purposes of filing this application/notification, include in the attachment required by Item 155 or Item 156a the citation(s) of the applicable declaratory ruling(s) by DA/FCC number, the FCC Record citation, if available, release date, and a statement that the Lessee/Sublessee or Post-Transfer Lessee/Sublessee is in compliance with the terms and conditions of the named affiliate's ruling and with the Commission's Rules. The Lessee/Sublessee or Post-Transfer Lessee/Sublessee must also include a certification of compliance signed by the named affiliate or other qualified entity as specified in Section 1.994(b) of the Rules, 47 CFR § 1.994(b). See Main Form Instructions for Items 155 or 156a, as applicable.

The Lessee/Sublessee or Post-Transfer Lessee/Sublessee has not received a declaratory ruling approving its foreign ownership and is requesting a declaratory ruling under Section 1.990(a) of the Commission's Rules, 47 CFR § 1.990(a), in a petition filed contemporaneously with the Commission.

If checked, include in the attachment required by Item 155 or 156a a copy of the petition for declaratory ruling filed contemporaneously with the Commission pursuant to Section 1.990(a) of the Commission's Rules, 47 CFR § 1.990(a). Petitions for declaratory ruling may be filed electronically on the Internet through the International Bureau Filing System (IBFS) (with a copy attached hereto).

Basic Qualification Information

Basic Qualification Questions (If any answer is 'Y', provide an attachment explaining the circumstances)

159) Has the Applicant or any party to this application had any FCC station authorization, license, or construction permit revoked or had any application for an initial, modification, or renewal of FCC station authorization, license, or construction permit denied by the Commission?	(N) <u>Yes</u> No
160) Has the Applicant or any party to this filing, or any party directly or indirectly controlling the Applicant or any party to this filing ever been convicted of a felony by any state or federal court?	(N) <u>Yes</u> No
161) Has any court finally adjudged the Applicant or any party directly or indirectly controlling the Applicant guilty of unlawfully monopolizing or attempting unlawfully to monopolize radio communication, directly or indirectly, through control of manufacture or sale of radio apparatus, exclusive traffic arrangement, or any other means or unfair methods of competition?	(N) <u>Yes</u> No

Spectrum Aggregation Limit Certification(s)

<p>162) The Licensee/Lessor/Sublessor certifies that grant of this application would not cause the Licensee/Lessor/Sublessor to be in violation of the 40 megahertz in-band spectrum aggregation limit set forth under section 96.31 of the Commission's rules for 3.5 GHz licenses, taking into consideration the spectrum attribution rules under section 20.22(b) of the Commission's rules.</p> <p>If the Licensee/Lessor/Sublessor has sought a waiver of section 96.31 in connection with this application, it may make this certification subject to the outcome of the waiver request.</p>	<p>() <u>Yes</u> <u>No</u></p>
<p>163) The Licensee/Lessor/Sublessor certifies that grant of this application would not cause the Licensee/Lessor/Sublessor to be in violation of the 40 megahertz in-band spectrum aggregation limit set forth under section 27.1606 of the Commission's rules for 3.45 GHz licenses, taking into consideration the spectrum attribution rules under section 20.22(b) of the Commission's rules.</p> <p>If the Licensee/Lessor/Sublessor has sought a waiver of section 27.1606 in connection with this application, it may make this certification subject to the outcome of the waiver request.</p>	<p>() <u>Yes</u> <u>No</u></p>
<p>164) The Lessee/Sublessee/Transferee certifies that grant of this application would not cause the Lessee/Sublessee/Transferee to be in violation of the 40 megahertz in-band spectrum aggregation limit set forth under section 96.31 of the Commission's rules for 3.5 GHz licenses, taking into consideration the spectrum attribution rules under section 20.22(b) of the Commission's rules.</p> <p>If the Lessee/Sublessee/Transferee has sought a waiver of section 96.31 in connection with this application, it may make this certification subject to the outcome of the waiver request.</p>	<p>() <u>Yes</u> <u>No</u></p>
<p>165) The Lessee/Sublessee/Transferee certifies that grant of this application would not cause the Lessee/Sublessee/Transferee to be in violation of the 40 megahertz in-band spectrum aggregation limit set forth under section 27.1606 of the Commission's rules for 3.45 GHz licenses, taking into consideration the spectrum attribution rules under section 20.22(b) of the Commission's rules.</p> <p>If the Lessee/Sublessee/Transferee has sought a waiver of section 27.1606 in connection with this application, it may make this certification subject to the outcome of the waiver request.</p>	<p>() <u>Yes</u> <u>No</u></p>

Licensee Certification Statements

- | | |
|----|---|
| 1) | The Licensee agrees that the Lease is not a sale or transfer of the license itself. |
| 2) | The Licensee certifies that it will not consent to assignment of the Lease except to the extent such assignment complies with the Commission's Rules and Regulations. |
| 3) | The Licensee certifies that it holds exclusive use rights to use the licensed spectrum. |
| 4) | The Licensee certifies that it is not in default on any payment for Commission licenses and that it is not delinquent on any non-tax debt owed to any federal agency. |

The Licensee certifies that all of its statements made in this Application/Notification and in the schedules, exhibits, attachments, or documents incorporated by reference are material, are part of this Application/Notification, and are true, complete, correct, and made in good faith.

Type or Printed Name of Party Authorized to Sign

166) First Name: Jessica	MI: B	Last Name: Lyons	Suffix:
167) Title: Asst. Secretary of Manager			
168) Signature: Jessica B Lyons		165) Date: 01/23/2023	

FAILURE TO SIGN THIS APPLICATION MAY RESULT IN DISMISSAL OF THE APPLICATION AND FORFEITURE OF ANY FEES PAID.

WILLFUL FALSE STATEMENTS MADE ON THIS FORM OR ANY ATTACHMENTS ARE PUNISHABLE BY FINE AND/OR IMPRISONMENT (U.S. Code, Title 18, Section 1001) AND/OR REVOCATION OF ANY STATION LICENSE OR CONSTRUCTION PERMIT (U.S. Code, Title 47, Section 312(a)(1)), AND/OR FORFEITURE (U.S. Code, Title 47, Section 503).

Lessee Certification Statements

1)	The Lessee agrees that the Lease is not a sale or transfer of the license itself.
2)	The Lessee acknowledges that it is required to comply with the Commission's Rules and Regulations and other applicable law at all times, and if the Lessee fails to so comply, the Lease/Sublease may be revoked, cancelled, or terminated by either the Licensee or the Commission.
3)	The Lessee certifies that neither it nor any other party to the Application/Notification is subject to a denial of Federal benefits pursuant to Section 5301 of the Anti-Drug Abuse Act of 1988, 21 U.S.C. § 862, because of a conviction for possession or distribution of a controlled substance. This certification does not apply to applications filed in services exempted under Section 1.2002(c) of the Commission's Rules. See Section 1.2002(b) of the Commission's Rules for the definition of "party to the application" as used in this certification.
4)	The Lessee hereby accepts Commission oversight and enforcement consistent with the license and lease authorization. The Lessee acknowledges that it must cooperate fully with any investigation or inquiry conducted either by the Commission or the Licensee, allow the Commission or the Licensee to conduct on-site inspections of transmission facilities, and suspend operations at the direction of the Commission or the Licensee and to the extent that such suspension of operation would be consistent with applicable Commission policies.
5)	The Lessee acknowledges that in the event an authorization held by a Licensee that has associated with it a spectrum leasing arrangement that is the subject of this filing is revoked, cancelled, terminated, or otherwise ceases to be in effect, the Lessee will have no continuing authority to use the leased spectrum and will be required to terminate its operations no later than the date on which the Licensee ceases to have any authority to operate under the license, unless otherwise authorized by the Commission.
6)	The Lessee agrees the Lease shall not be assigned to any entity that is not eligible or qualified to enter into a spectrum leasing arrangement under the Commission's Rules and Regulations.
7)	The Lessee waives any claim to the use of any particular frequency or of the electromagnetic spectrum as against the regulatory power of the United States because of the previous use of the same, whether by spectrum lease or otherwise.
8)	The Lessee certifies that it is not in default on any payment for Commission licenses and that it is not delinquent on any non-tax debt owed to any federal agency.
9)	The Lessee certifies that it and all of the related individuals and entities required to be disclosed on this application and FCC Form 602 (FCC Ownership Disclosure Information for the Wireless Telecommunications Services) are not person(s) who have been, for reasons of national security, barred by any agency of the Federal Government from bidding on a contract, participating in an auction, or receiving a grant. This certification applies only to applications for licenses for spectrum that is required by Sections 6103, 6401-6403 of the Middle Class Tax Relief and Job Creation Act of 2012, codified at 47 U.S.C. §§ 309, 1413, 1451-1452, to be assigned by a system of competitive bidding under 47 U.S.C. § 309(j).
<p>The Lessee certifies that all of its statements made in this Application/Notification and in the schedules, exhibits, attachments, or documents incorporated by reference are material, are part of this Application/Notification, and are true, complete, correct, and made in good faith.</p>	

Type or Printed Name of Party Authorized to Sign

168) First Name: Dan	MI:	Last Name: Burgess	Suffix:
169) Title: Manager			
170) Signature: Dan Burgess		171) Date: 01/23/2023	
<p>FAILURE TO SIGN THIS APPLICATION MAY RESULT IN DISMISSAL OF THE APPLICATION AND FORFEITURE OF ANY FEES PAID.</p> <p>WILLFUL FALSE STATEMENTS MADE ON THIS FORM OR ANY ATTACHMENTS ARE PUNISHABLE BY FINE AND/OR IMPRISONMENT (U.S. Code, Title 18, Section 1001) AND/OR REVOCATION OF ANY STATION LICENSE OR CONSTRUCTION PERMIT (U.S. Code, Title 47, Section 312(a)(1)), AND/OR FORFEITURE (U.S. Code, Title 47, Section 503).</p>			

Sublessee Certification Statements

1)	The Sublessee agrees that the Lease is not a, sale or transfer of the license itself.
2)	The Sublessee acknowledges that it is required to comply with the Commission's Rules and regulations and other applicable law at all times, and if the Sublessee fails to so comply, the Lease may be revoked, cancelled, or terminated by either the licensee or the Commission.
3)	The Sublessee certifies that neither it nor any other party to the Application/Notification is subject to a denial of Federal benefits pursuant to Section 5301 of the Anti-Drug Abuse Act of 1988, 21 U.S.C. § 862, because of a conviction for possession or distribution of a controlled substance. This certification does not apply to applications filed in services exempted under Section 1.2002(c) of the Commission's Rules. See Section 1.2002(b) of the Commission's Rules for the definition of "party to the application" as used in this certification.
4)	The Sublessee hereby accepts Commission oversight and enforcement consistent with the license authorization. The Sublessee acknowledges that it must cooperate fully with any investigation or inquiry conducted either by the Commission or the Licensee, allow the Commission or the licensee to conduct on-site inspections of transmission facilities, and suspend operations at the direction of the Commission or the Licensee and to the extent that such suspension of operation would be consistent with the applicable Commission policies.
5)	The Sublessee acknowledges that in the event an authorization held by a Licensee that has entered into a spectrum leasing arrangement is revoked, cancelled, terminated, or otherwise ceases to be in effect, the Sublessee will have no continuing authority to use the leased spectrum and will be required to terminate its operations no later than the date on which the Licensee ceases to have any authority to operate under the license, unless otherwise authorized by the Commission.
6)	The Sublessee agrees the Lease/Sublease shall not be assigned to any entity that is not eligible or qualified to enter into a spectrum leasing arrangement under the Commission's Rules and regulations.
7)	The Sublessee waives any claim to the use of any particular frequency or of the electromagnetic spectrum as against the regulatory power of the United States because of the previous use of the same, whether by spectrum lease or otherwise.
8)	The Sublessee certifies that it is not in default on any payment for Commission licenses and that it is not delinquent on any non-tax debt owed to any federal agency.
9)	The Sublessee certifies that it and all of the related individuals and entities required to be disclosed on this application and FCC Form 602 (FCC Ownership Disclosure Information for the Wireless Telecommunications Services) are not person(s) who have been, for reasons of national security, barred by any agency of the Federal Government from bidding on a contract, participating in an auction, or receiving a grant. This certification applies only to applications for licenses for spectrum that is required by Sections 6103, 6401-6403 of the Middle Class Tax Relief and Job Creation Act of 2012, codified at 47 U.S.C. §§ 309, 1413, 1451-1452, to be assigned by a system of competitive bidding under 47 U.S.C. § 309(j).
The Sublessee certifies that all of its statements made in this Application/Notification and in the schedules, exhibits, attachments, or documents incorporated by reference are material, are part of this Application/Notification, and are true, complete, correct, and made in good faith.	

Type or Printed Name of Party Authorized to Sign

172) First Name:	MI:	Last Name:	Suffix:
173) Title:			
174) Signature:		175) Date:	

**FAILURE TO SIGN THIS APPLICATION MAY RESULT IN DISMISSAL OF THE APPLICATION AND FORFEITURE OF ANY FEES PAID.
WILLFUL FALSE STATEMENTS MADE ON THIS FORM OR ANY ATTACHMENTS ARE PUNISHABLE BY FINE AND/OR IMPRISONMENT (U.S. Code, Title 18, Section 1001) AND/OR REVOCATION OF ANY STATION LICENSE OR CONSTRUCTION PERMIT (U.S. Code, Title 47, Section 312(a)(1)), AND/OR FORFEITURE (U.S. Code, Title 47, Section 503).**

Transferee Certification Statements

1)	The Transferee agrees that the Lease/Sublease is not a sale or transfer of the license itself.
2)	The Transferee acknowledges that it is required to comply with the Commission's Rules and Regulations and other applicable law at all times, and if the Transferee fails to so comply, the Lease/Sublease may be revoked, cancelled, or terminated by either the licensee or the Commission.
3)	The Transferee certifies that neither it nor any other party to the Application/Notification is subject to a denial of Federal benefits pursuant to Section 5301 of the Anti-Drug Abuse Act of 1988, 21 U.S.C. § 862, because of a conviction for possession or distribution of a controlled substance. This certification does not apply to applications filed in services exempted under Section 1.2002(c) of the Commission's Rules. See Section 1.2002(b) of the Commission's Rules for the definition of "party to the application" as used in this certification.)
4)	The Transferee hereby accepts Commission oversight and enforcement consistent with the license authorization. The Transferee acknowledges that it must cooperate fully with any investigation or inquiry conducted either by the Commission or the Licensee, allow the Commission or the licensee to conduct on-site inspections of transmission facilities, and suspend operations at the direction of the Commission or the Licensee and to the extent that such suspension of operation would be consistent with the applicable Commission policies.
5)	The Transferee acknowledges that in the event an authorization held by a Licensee that has entered into a spectrum leasing arrangement is revoked, cancelled, terminated, or otherwise ceases to be in effect, the Transferee will have no continuing authority to use the leased spectrum and will be required to terminate its operations no later than the date on which the Licensee ceases to have any authority to operate under the license, unless otherwise authorized by the Commission.
6)	The Transferee agrees the Lease shall not be assigned to any entity that is not eligible or qualified to enter into a spectrum leasing arrangement under the Commission's Rules and Regulations.
7)	The Transferee waives any claim to the use of any particular frequency or of the electromagnetic spectrum as against the regulatory power of the United States because of the previous use of the same, whether by spectrum lease or otherwise.
8)	The Transferee certifies that it is not in default on any payment for Commission licenses and that it is not delinquent on any non-tax debt owed to any federal agency.
9)	The Transferee certifies that it and all of the related individuals and entities required to be disclosed on this application and FCC Form 602 (FCC Ownership Disclosure Information for the Wireless Telecommunications Services) are not person(s) who have been, for reasons of national security, barred by any agency of the Federal Government from bidding on a contract, participating in an auction, or receiving a grant. This certification applies only to applications for licenses for spectrum that is required by Sections 6103, 6401-6403 of the Middle Class Tax Relief and Job Creation Act of 2012, codified at 47 U.S.C. §§ 309, 1413, 1451-1452, to be assigned by a system of competitive bidding under 47 U.S.C. § 309(j).
The Transferee certifies that all of its statements made in this Application/Notification and in the schedules, exhibits, attachments, or documents incorporated by reference are material, are part of this Application/Notification, and are true, complete, correct, and made in good faith.	

Type or Printed Name of Party Authorized to Sign

176) First Name:	MI:	Last Name:	Suffix:
177) Title:			
178) Signature:		179) Date:	

FAILURE TO SIGN THIS APPLICATION MAY RESULT IN DISMISSAL OF THE APPLICATION AND FORFEITURE OF ANY FEES PAID.

WILLFUL FALSE STATEMENTS MADE ON THIS FORM OR ANY ATTACHMENTS ARE PUNISHABLE BY FINE AND/OR IMPRISONMENT (U.S. Code, Title 18, Section 1001) AND/OR REVOCATION OF ANY STATION LICENSE OR CONSTRUCTION PERMIT (U.S. Code, Title 47, Section 312(a)(1)), AND/OR FORFEITURE (U.S. Code, Title 47, Section 503).

Transferor Certification Statements

1)	The Transferor certifies either (1) that control of the Lessee/Sublessee will not be transferred until consent of the Federal Communications Commission has been given, or (2) that prior Commission consent is not required because the Lease/Sublease is subject to streamlined notification procedures for <i>pro forma</i> transfers of control. See <i>Federal Communications Bar Association's Petition for Forbearance from Section 310(d) of the Communications Act Regarding Non-Substantial Assignments of Wireless Licenses and Transfers of Control Involving Telecommunications Carriers and Personal Communications Industry Association's Broadband Personal Communications Services Alliance's Petition for Forbearance For Broadband Personal Communications Services</i> , Memorandum Opinion and Order, 13 FCC Rcd 6293 (1998)
2)	The Transferor certifies that it is not in default on any payment for Commission licenses and that it is not delinquent on any non-tax debt owed to any federal agency.
The Transferor certifies that all of its statements made in this Application/Notification and in the schedules, exhibits, attachments, or documents incorporated by reference are material, are part of this Application/Notification, and are true, complete, correct, and made in good faith.	

Type or Printed Name of Party Authorized to Sign

180) First Name:	MI:	Last Name:	Suffix:
181) Title:			
182) Signature:		183) Date:	
FAILURE TO SIGN THIS APPLICATION MAY RESULT IN DISMISSAL OF THE APPLICATION AND FORFEITURE OF ANY FEES PAID.			
WILLFUL FALSE STATEMENTS MADE ON THIS FORM OR ANY ATTACHMENTS ARE PUNISHABLE BY FINE AND/OR IMPRISONMENT (U.S. Code, Title 18, Section 1001) AND/OR REVOCATION OF ANY STATION LICENSE OR CONSTRUCTION PERMIT (U.S. Code, Title 47, Section 312(a)(1)), AND/OR FORFEITURE (U.S. Code, Title 47, Section 503).			

Private Commons Manager Certification Statements

1)	The Licensee/Lessee/Sublessee manager of the Private Commons certifies that it will retain <i>de facto</i> control of the use of the spectrum under the Private Commons arrangement, including that it will maintain reasonable oversight over the users' use of the spectrum under the arrangement so as to ensure that the use of the spectrum, and communications equipment employed, comply with all technical and service rules applicable under the license authorization.
2)	The Licensee/Lessee/Sublessee manager of the Private Commons arrangement certifies that it will maintain the ability to ensure that users under the arrangement comply with all the technical and service rules applicable under the license authorization.
3)	The Licensee/Lessee/Sublessee manager of the Private Commons certifies that it and all of the related individuals and entities required to be disclosed on this application and FCC Form 602 (FCC Ownership Disclosure Information for the Wireless Telecommunications Services) are not person(s) who have been, for reasons of national security, barred by any agency of the Federal Government from bidding on a contract, participating in an auction, or receiving a grant. This certification applies only to applications for licenses for spectrum that is required by Sections 6103, 6401-6403 of the Middle Class Tax Relief and Job Creation Act of 2012, codified at 47 U.S.C. §§ 309, 1413, 1451-1452, to be assigned by a system of competitive bidding under 47 U.S.C. § 309(j).
The Licensee/Lessee/Sublessee manager of the Private Commons arrangement certifies that all of its statements made in this Notification and in the schedules, exhibits, attachments, or documents incorporated by reference are material, are part of this Notification, and are true, complete, correct, and made in good faith.	

Type or Printed Name of Party Authorized to Sign

184) First Name:	MI:	Last Name:	Suffix:
185) Title:			
186) Signature:		187) Date:	

**FAILURE TO SIGN THIS APPLICATION MAY RESULT IN DISMISSAL OF THE APPLICATION AND FORFEITURE OF ANY FEES PAID.
WILLFUL FALSE STATEMENTS MADE ON THIS FORM OR ANY ATTACHMENTS ARE PUNISHABLE BY FINE AND/OR IMPRISONMENT (U.S. Code, Title 18, Section 1001) AND/OR REVOCATION OF ANY STATION LICENSE OR CONSTRUCTION PERMIT (U.S. Code, Title 47, Section 312(a)(1)), AND/OR FORFEITURE (U.S. Code, Title 47, Section 503).**

License Authorization(s) or Identifiers (pertaining to Lease(s)/Sublease(s)/Private Commons) Associated with the Spectrum To Be Included in the Filing

188) Call Sign(s) or Lease/Sublease/ Private Commons Identifier(s)	189) Radio Service Code	190) Location Number	191) Path Number (Microwave only)	192) Frequency Number	193) Lower Frequency (MHz)	194) Upper Frequency (MHz)
KNLF235	CW - PCS Broadband					
KNLF237	CW - PCS Broadband					
KNLF251	CW - PCS Broadband					
KNLF256	CW - PCS Broadband					
KNLF367	CW - PCS Broadband					
KNLF367	CW - PCS Broadband					
KNLF391	CW - PCS Broadband					
KNLF467	CW - PCS Broadband					
KNLF882	CW - PCS Broadband					
KNLF928	CW - PCS Broadband					
KNLF948	CW - PCS Broadband					
KNLF948	CW - PCS Broadband					
KNLG485	CW - PCS Broadband					
KNLG502	CW - PCS Broadband					
KNLG518	CW - PCS Broadband					

* Note: Items 190 – 194 are for New Leases involving spectrum associated with site-based authorizations when only a portion of the licensed locations, paths and/or frequencies will be leased.

**Schedule for Licensees that Received Bidding Credits
or
Involving Licenses Won in Closed Bidding**

**Designated Entity Information
Bidding Credits**

1) Has the full amount of the bidding credits awarded with regard to each of the subject license(s) been paid as part of unjust enrichment payment(s) in previous transaction(s)?	() <u>Yes</u> <u>No</u>
If the response to Item 1 is 'Y', Items 2 and 3 are not required to be completed.	

Bidding Credits - (Spectrum Manager Leases Only)

2a) Does the Applicant have a general partnership interest or have a direct or indirect ownership interests of ten percent or greater in the Licensee?	() <u>Yes</u> <u>No</u>
2b) Is the Applicant a "controlling interest holder" or "affiliate" of the current Licensee? For purposes of determining whether the Licensee has retained the requisite degree of ownership and control over the leased spectrum in order to remain eligible for the license or for bidding credits, the <i>de jure</i> control standard in 47 CFR § 1.2110 and the <i>de facto</i> control standard in 47 CFR § 1.9010 will be applied (pursuant to the conditions set forth in 47 CFR § 1.9020).	() <u>Yes</u> <u>No</u>
2c) Does the Applicant share office space, equipment, or other facilities with any party controlling the entity from which spectrum is being leased/subleased?	() <u>Yes</u> <u>No</u>
2d) Is the Applicant a disclosable interest holder that holds a ten percent or greater interest of any kind in the Licensee and is the Lease/Sublease for more than 25% of the spectrum capacity of the subject license(s)?	() <u>Yes</u> <u>No</u>
2e) Does the Licensee certify that the Lease/Sublease does not affect its continuing eligibility to retain bidding credit(s)?	() <u>Yes</u> <u>No</u>

**Bidding Credits – (Long-Term De Facto Transfer Leases Only)
Eligibility**

3a) With respect to each of the subject licenses, the Applicant: () qualifies for the same designated entity benefit as the current Licensee () qualifies for a different designated entity benefit than the current Licensee () does not qualify for any designated entity status
--

3b) If the Applicant states in Item 3a that it qualifies for the same designated entity benefit as the current Licensee or qualifies for a different designated entity status than the current Licensee, the Applicant qualifies for a (select one): () small business bidding credit (___%) () rural service provider bidding credit	
3c) Is the Applicant a disclosable interest holder that holds a ten percent or greater interest of any kind in the Licensee and is the Lease/Sublease for more than 25% of the spectrum capacity of the subject license(s)?	() <u>Yes</u> <u>No</u>

Closed Bidding Licenses

4) Have construction notifications been submitted as required by the Commission's Rules for each of the subject licenses? If the response to Item 4 is 'Y', Items 5 and 6 are not required to be completed.	() <u>Yes</u> <u>No</u>
--	--------------------------

Closed Bidding Licenses – (Spectrum Manager Leases Only)

5a) Does the Applicant have a general partnership interest or have a direct or indirect ownership interest of ten percent or greater in the Licensee?	() <u>Yes</u> <u>No</u>
5b) Is the Applicant a "controlling interest holder" or "affiliate" of the current Licensee?	() <u>Yes</u> <u>No</u>
5c) Does the Applicant share office space, equipment or other facilities with any party controlling the entity from which spectrum is being leased?	() <u>Yes</u> <u>No</u>
5d) Does the Licensee certify that the Lease/Sublease does not affect its continuing eligibility to retain closed bidding licenses?	() <u>Yes</u> <u>No</u>

Closed Bidding Licenses – (Long-Term *De Facto* Transfer Leases Only)**Eligibility**

6) With respect to each of the subject licenses, the Applicant: () a) qualifies for closed bidding () b) does not qualify for closed bidding
--

7) Revenue and Asset Information for the Applicant

Purpose (Check Modify if filing an Amendment application and changing the Revenue and Asset Information from what was provided on the original filing)

Modify

Gross Revenue Disclosure Most Recent Reportable Year

8a) Were the Applicant and any predecessors-in-interest in existence for a full year of the relevant period? If 'N', explain why in an attachment.	() <u>Yes</u> <u>No</u>
If 'Y', provide the following information.	
8b) Gross Revenues	\$ _____ (Format: 99,999.99)
8c) Year-end Date:	_____ (Date Format: MM/DD/YYYY)

One Year Prior to Most Recent Reportable Year

9a) Were the Applicant and any predecessors-in-interest in existence for a full year of the relevant period? If 'N', explain why in an attachment.	() <u>Yes</u> <u>No</u>
If 'Y', provide the following information.	
9b) Gross Revenues	\$ _____ (Format: 99,999.99)
9c) Year-end Date:	_____ (Date Format: MM/DD/YYYY)

Two Years Prior to Most Recent Reportable Year

10a) Were the Applicant and any predecessors-in-interest in existence for a full year of the relevant period? If 'N', explain why in an attachment.	() <u>Yes</u> <u>No</u>
If 'Y', provide the following information.	
10b) Gross Revenues	\$ _____ (Format: 99,999.99)
10c) Year-end Date:	_____ (Date Format: MM/DD/YYYY)

Three Years Prior to Most Recent Reportable Year

11a) Were the Applicant and any predecessors-in-interest in existence for a full year of the relevant period? If 'N', explain why in an attachment.	() <u>Yes</u> <u>No</u>
If 'Y', provide the following information.	
11b) Gross Revenues	\$ _____ (Format: 99,999.99)
11c) Year-end Date:	_____ (Date Format: MM/DD/YYYY)

Four Years Prior to Most Recent Reportable Year

12a) Were the Applicant and any predecessors-in-interest in existence for a full year of the relevant period? If 'N', explain why in an attachment.	() <u>Yes</u> <u>No</u>
If 'Y', provide the following information.	
12b) Gross Revenues	\$ _____ (Format: 99,999.99)
12c) Year-end Date:	_____ (Date Format: MM/DD/YYYY)

Average Gross Revenue

13) Average Gross Revenue of Reported Years: \$ _____ (Format: 99,999.99)

Asset Disclosure

14) Total Assets as of Application Filing Date: \$ _____

Financial Statements

15) Audited or Unaudited (Check One)

The Applicant used audited financial statements.

The Applicant used unaudited financial statements prepared in accordance with Generally Accepted Accounting Principles (GAAP) and certified by the Applicant's chief financial officer or the equivalent.

Reference Copy

Reference Copy

Closed Bidding/Designated Entity Eligibility

Total Gross Revenues for Most Recent Reportable Year

36a) Gross Revenues	\$ _____	(Format: 99,999.99)
36b) Year-end Date:	_____	(Date Format: MM/DD/YYYY)

Total Gross Revenues for One Year Prior to Most Recent Reportable Year

37a) Gross Revenues:	\$ _____	(Format: 99,999.99)
37b) Year-end Date:	_____	(Date Format: MM/DD/YYYY)

Total Gross Revenues for Two Years Prior to Most Recent Reportable Year

38a) Gross Revenues:	\$ _____	(Format: 99,999.99)
38b) Year-end Date:	_____	(Date Format: MM/DD/YYYY)

Total Gross Revenues for Three Years Prior to the Most Recent Reportable Year

39a) Gross Revenues:	\$ _____	(Format:
39b) Year-end Date:	_____	(Date Format:

Total Gross Revenues for Four Years Prior to the Most Recent Reportable Year

40a) Gross Revenues:	\$ _____	(Format: 99,999.99)
40b) Year-end Date:	_____	(Date Format: MM/DD/YYYY)

Total Aggregate Average Gross Revenues for Designated Entity (License(s) Requiring Disclosure of Three Years of Gross Revenue Data)

41) Aggregate Average Gross Revenue:	\$ _____	(Format: 99,999.99)
--------------------------------------	----------	---------------------

Total Aggregate Average Gross Revenues for Designated Entity (License(s) Requiring Disclosure of Five Years of Gross Revenue Data)

41) Aggregate Average Gross Revenue:	\$ _____	(Format: 99,999.99)
--------------------------------------	----------	---------------------

Total Aggregate Average Gross Revenues for Closed Bidding

42) Aggregate Average Gross Revenue:	\$ _____	(Format: 99,999.99)
--------------------------------------	----------	---------------------

Total Assets Disclosure for Closed Bidding

43) Total Assets:	\$ _____	(Format: 99,999.99)
-------------------	----------	---------------------

Rural Service Provider Bidding Credit

36) Is the Applicant seeking a Rural Service Provider (RSP) bidding credit?	() Yes No
---	--------------------------

If the Applicant (the Lessee/Sublessee/Transferee) is seeking a rural service provider (RSP) bidding credit, provide in an exhibit the following information requested in a-e.

a) for the Applicant, submit the combined number of commercial communications service subscribers to wireless, wireline, broadband, and cable services that the Applicant serves and provide a list of the name(s) and the Federal Information Processing Standard (FIPS) number(s) for each county in which the Applicant has at least one commercial wireless, wireline, broadband, or cable subscriber;

b) for each of the Applicant's Affiliates, Controlling Interests, and the Affiliates of its Controlling Interests, submit the individual or entity's name, its FCC Registration Number (FRN), its relationship to the Applicant, and its combined number of commercial communications service subscribers to wireless, wireline, broadband, and cable services. For each of the Applicant's Affiliates, Controlling Interests, and the Affiliates of its Controlling Interests, also provide a list of the name(s) and the FIPS number(s) for each county in which it has at least one commercial wireless, wireline, broadband, or cable subscriber;

c) if neither the Applicant, nor any of its Affiliates, its Controlling Interests, or the Affiliates of its Controlling Interests have at least one wireless, wireline, broadband, or cable subscriber in a market for which the Applicant is applying for a license, list the market(s) in which the Applicant, its Affiliates, its Controlling Interests, and the Affiliates of its Controlling Interests have no such subscribers;

d) a detailed explanation demonstrating that: (i) the Applicant is in the business of providing commercial communications services; (ii) the Applicant serves predominantly rural areas; and (iii) the primary focus of the Applicant's business activity is the provision of services to rural areas (defined as counties with a population density of 100 or fewer persons per square mile); and

e) If the Applicant is an existing rural partnership that was providing service as of July 16, 2015, provide a detailed explanation demonstrating that each member of the partnership is independently eligible for the RSP bidding credit by providing, with respect to each member of the partnership, the same information as is required in a-d above.

Schedule for New Lease or New Sublease

Term of Lease [For New Leases Only]

1) Indicate whether the Lease is: (<input checked="" type="checkbox"/>) Long-Term or () Short-Term* * The cumulative lease period for a Short-Term Lease cannot exceed 365 days from the original commencement date.	
2) If this filing is for a Long-Term <i>De Facto</i> Transfer Lease, have the Licensee and Lessee entered into any Short-Term <i>De Facto</i> Transfer Lease(s) with regard to any spectrum covered by the license(s) that are part of this filing or within the same geographic area(s) of the license(s) that are part of this filing?	(<input type="checkbox"/>) Yes <input type="checkbox"/> No

Leased Spectrum (For Geographically-Licensed Services) [For New Leases Only]

3a) Does this filing involve geographic-area licenses where only a portion of the licensed spectrum and/or the licensed geographic area will be leased?	(<input checked="" type="checkbox"/>) Yes <input type="checkbox"/> No
3b) If the answer to 3a is 'Yes', does this filing involve one or more individual point-to-point microwave links that will be leased? If the response to 3b is 'Yes', complete Schedule H. If the response to 3b is 'No', complete Schedule F and, if applicable, Schedule G.	(<input type="checkbox"/>) Yes <input type="checkbox"/> No

Leased Spectrum (For Site-Based Services) [For New Leases Only]

3c) Does this filing involve site-based licenses where only a portion of the licensed locations, paths and/or frequencies will be leased? If the response to 3c is 'No', complete Items 184 (Call Sign) and 185 (Radio Service Code) on the Main Form. If the response to 3c is 'Yes', in addition to Items 184 (Call Sign) and 185 (Radio Service Code), complete Items 186-190 (Location Number, Path Number, Frequency Number, Lower Frequency and Upper Frequency), as appropriate, on the Main Form.	() Yes <input type="checkbox"/> No
---	-------------------------------------

Type and Term of Sublease [For New Subleases Only]

4a) If the existing Lease is a Long-Term <i>De Facto</i> Transfer Lease, are the Lessee and Sublessee entering into a Spectrum Manager Sublease or a Long-Term <i>De Facto</i> Transfer Sublease? () Spectrum Manager Sublease or () Long-Term <i>De Facto</i> Transfer Sublease
4b) If the answer to 4a is 'Spectrum Manager Sublease', indicate whether the Sublease is: () Long-Term or () Short-Term
5) If the existing Lease is a Long-Term Spectrum Manager Lease, indicate whether the Spectrum Manager Sublease is: () Long-Term or () Short-Term

**Schedule for Supplemental Information Pertaining to a New Lease, New Sublease,
Revision to Extend the Term of an Existing Lease or Sublease, or
Revision to Cancel an Existing Lease or Sublease**

License Authorizations/Lease Identifiers/Sublease Identifiers (Complete as many Schedule E's as necessary)

1) Call Sign(s) or Lease/Sublease Identifier(s)	2) Radio Service Code	3) Commencement Date (MM/DD/YYYY) OR Check box for FCC Grant Date	4) Expiration Date (MM/DD/YYYY)	5) Revised Expiration Date (MM/DD/YYYY)	6) Cancellation Date (MM/DD/YYYY) OR Check box if Lease/Sublease Never Commenced
KNLF235	CW	<input checked="" type="checkbox"/>	06/23/2025		<input type="checkbox"/>
KNLF237	CW	<input checked="" type="checkbox"/>	06/23/2025		<input type="checkbox"/>
KNLF251	CW	<input checked="" type="checkbox"/>	06/23/2025		<input type="checkbox"/>
KNLF256	CW	<input checked="" type="checkbox"/>	06/23/2025		<input type="checkbox"/>
KNLF367	CW	<input checked="" type="checkbox"/>	09/16/2026		<input type="checkbox"/>
KNLF391	CW	<input checked="" type="checkbox"/>	09/16/2026		<input type="checkbox"/>
KNLF467	CW	<input checked="" type="checkbox"/>	09/16/2026		<input type="checkbox"/>
KNLF882	CW	<input checked="" type="checkbox"/>	09/16/2026		<input type="checkbox"/>
KNLF928	CW	<input checked="" type="checkbox"/>	09/16/2026		<input type="checkbox"/>
KNLF948	CW	<input checked="" type="checkbox"/>	09/16/2026		<input type="checkbox"/>
KNLG485	CW	<input checked="" type="checkbox"/>	09/16/2026		<input type="checkbox"/>
KNLG502	CW	<input checked="" type="checkbox"/>	09/16/2026		<input type="checkbox"/>

1) Call Sign(s) or Lease/Sublease Identifier(s)	2) Radio Service Code	3) Commencement Date (MM/DD/YYYY) OR Check box for FCC Grant Date	4) Expiration Date (MM/DD/YYYY)	5) Revised Expiration Date (MM/DD/YYYY)	6) Cancellation Date (MM/DD/YYYY) OR Check box if Lease/Sublease Never Commenced
KNLG518	CW	<input checked="" type="checkbox"/>	09/16/2026		<input type="checkbox"/>

**Schedule for Defined Geographic Area To Be Leased
 (Geographically-Licensed Services)**

Call Sign

1) Call Sign: <u>KNLF235</u>

Geographic Area of Spectrum To Be Included in Lease

2) Defined Area to be Leased	3) Undefined Area to be Leased (Complete Schedule G)	4a) Population of Leased Area
	Schedule G # Attached:1	

5) Frequencies of Spectrum To Be Included in Lease (MHz)

Spectrum Leased	
Lower Frequency/Bandwidth	Upper Frequency/Bandwidth
001850.00000000	001860.00000000
001930.00000000	001940.00000000

**Schedule for Defined Geographic Area To Be Leased
(Geographically-Licensed Services)**

Call Sign

1) Call Sign: KNLF237

Geographic Area of Spectrum To Be Included in Lease

2) Defined Area to be Leased	3) Undefined Area to be Leased (Complete Schedule G)	4a) Population of Leased Area
	Schedule G # Attached:2	

5) Frequencies of Spectrum To Be Included in Lease (MHz)

Spectrum Leased

Lower Frequency/Bandwidth	Upper Frequency/Bandwidth

Schedule for Defined Geographic Area To Be Leased
(Geographically-Licensed Services)

Call Sign

1) Call Sign: <u>KNLF251</u>

Geographic Area of Spectrum To Be Included in Lease

2) Defined Area to be Leased	3) Undefined Area to be Leased (Complete Schedule G)	4a) Population of Leased Area
	Schedule G # Attached:3	

5) Frequencies of Spectrum To Be Included in Lease (MHz)

Spectrum Leased	
Lower Frequency/Bandwidth	Upper Frequency/Bandwidth

**Schedule for Defined Geographic Area To Be Leased
(Geographically-Licensed Services)**

Call Sign

1) Call Sign: <u>KNLF256</u>

Geographic Area of Spectrum To Be Included in Lease

2) Defined Area to be Leased	3) Undefined Area to be Leased (Complete Schedule G)	4a) Population of Leased Area
	Schedule G # Attached:4	

5) Frequencies of Spectrum To Be Included in Lease (MHz)

Spectrum Leased	
Lower Frequency/Bandwidth	Upper Frequency/Bandwidth

**Schedule for Defined Geographic Area To Be Leased
(Geographically-Licensed Services)**

Call Sign

1) Call Sign: <u>KNLF367</u>

Geographic Area of Spectrum To Be Included in Lease

2) Defined Area to be Leased	3) Undefined Area to be Leased (Complete Schedule G)	4a) Population of Leased Area
	Schedule G # Attached:5	

5) Frequencies of Spectrum To Be Included in Lease (MHz)

Spectrum Leased	
Lower Frequency/Bandwidth	Upper Frequency/Bandwidth

**Schedule for Defined Geographic Area To Be Leased
 (Geographically-Licensed Services)**

Call Sign

1) Call Sign: <u>KNLF367</u>

Geographic Area of Spectrum To Be Included in Lease

2) Defined Area to be Leased	3) Undefined Area to be Leased (Complete Schedule G)	4a) Population of Leased Area
	Schedule G # Attached:6	

5) Frequencies of Spectrum To Be Included in Lease (MHz)

Spectrum Leased	
Lower Frequency/Bandwidth	Upper Frequency/Bandwidth

**Schedule for Defined Geographic Area To Be Leased
 (Geographically-Licensed Services)**

Call Sign

1) Call Sign: <u>KNLF391</u>

Geographic Area of Spectrum To Be Included in Lease

2) Defined Area to be Leased	3) Undefined Area to be Leased (Complete Schedule G)	4a) Population of Leased Area
	Schedule G # Attached:7	

5) Frequencies of Spectrum To Be Included in Lease (MHz)

Spectrum Leased	
Lower Frequency/Bandwidth	Upper Frequency/Bandwidth

**Schedule for Defined Geographic Area To Be Leased
 (Geographically-Licensed Services)**

Call Sign

1) Call Sign: <u>KNLF467</u>

Geographic Area of Spectrum To Be Included in Lease

2) Defined Area to be Leased	3) Undefined Area to be Leased (Complete Schedule G)	4a) Population of Leased Area
	Schedule G # Attached:8	

5) Frequencies of Spectrum To Be Included in Lease (MHz)

Spectrum Leased	
Lower Frequency/Bandwidth	Upper Frequency/Bandwidth

**Schedule for Defined Geographic Area To Be Leased
 (Geographically-Licensed Services)**

Call Sign

1) Call Sign: <u>KNLF882</u>

Geographic Area of Spectrum To Be Included in Lease

2) Defined Area to be Leased	3) Undefined Area to be Leased (Complete Schedule G)	4a) Population of Leased Area
	Schedule G # Attached:9	

5) Frequencies of Spectrum To Be Included in Lease (MHz)

Spectrum Leased	
Lower Frequency/Bandwidth	Upper Frequency/Bandwidth

**Schedule for Defined Geographic Area To Be Leased
 (Geographically-Licensed Services)**

Call Sign

1) Call Sign: <u>KNLF928</u>

Geographic Area of Spectrum To Be Included in Lease

2) Defined Area to be Leased	3) Undefined Area to be Leased (Complete Schedule G)	4a) Population of Leased Area
	Schedule G # Attached:10	

5) Frequencies of Spectrum To Be Included in Lease (MHz)

Spectrum Leased	
Lower Frequency/Bandwidth	Upper Frequency/Bandwidth

**Schedule for Defined Geographic Area To Be Leased
 (Geographically-Licensed Services)**

Call Sign

1) Call Sign: <u>KNLF948</u>

Geographic Area of Spectrum To Be Included in Lease

2) Defined Area to be Leased	3) Undefined Area to be Leased (Complete Schedule G)	4a) Population of Leased Area
	Schedule G # Attached:11	

5) Frequencies of Spectrum To Be Included in Lease (MHz)

Spectrum Leased	
Lower Frequency/Bandwidth	Upper Frequency/Bandwidth

**Schedule for Defined Geographic Area To Be Leased
 (Geographically-Licensed Services)**

Call Sign

1) Call Sign: <u>KNLF948</u>

Geographic Area of Spectrum To Be Included in Lease

2) Defined Area to be Leased	3) Undefined Area to be Leased (Complete Schedule G)	4a) Population of Leased Area
	Schedule G # Attached:12	

5) Frequencies of Spectrum To Be Included in Lease (MHz)

Spectrum Leased	
Lower Frequency/Bandwidth	Upper Frequency/Bandwidth

**Schedule for Defined Geographic Area To Be Leased
 (Geographically-Licensed Services)**

Call Sign

1) Call Sign: <u>KNLG485</u>

Geographic Area of Spectrum To Be Included in Lease

2) Defined Area to be Leased	3) Undefined Area to be Leased (Complete Schedule G)	4a) Population of Leased Area
	Schedule G # Attached:13	

5) Frequencies of Spectrum To Be Included in Lease (MHz)

Spectrum Leased	
Lower Frequency/Bandwidth	Upper Frequency/Bandwidth

**Schedule for Defined Geographic Area To Be Leased
 (Geographically-Licensed Services)**

Call Sign

1) Call Sign: <u>KNLG502</u>

Geographic Area of Spectrum To Be Included in Lease

2) Defined Area to be Leased	3) Undefined Area to be Leased (Complete Schedule G)	4a) Population of Leased Area
	Schedule G # Attached:14	

5) Frequencies of Spectrum To Be Included in Lease (MHz)

Spectrum Leased	
Lower Frequency/Bandwidth	Upper Frequency/Bandwidth

**Schedule for Defined Geographic Area To Be Leased
 (Geographically-Licensed Services)**

Call Sign

1) Call Sign: <u>KNLG518</u>

Geographic Area of Spectrum To Be Included in Lease

2) Defined Area to be Leased	3) Undefined Area to be Leased (Complete Schedule G)	4a) Population of Leased Area
	Schedule G # Attached:15	

5) Frequencies of Spectrum To Be Included in Lease (MHz)

Spectrum Leased	
Lower Frequency/Bandwidth	Upper Frequency/Bandwidth

Number: 1

Schedule for Leases that Involve an Undefined Geographic Area

For each undefined geographic area, complete up to 300 Latitude/Longitude combinations for every 3 degrees azimuth, using NAD83 Datum.

Latitude (DD-MM-SS.S-D)

Longitude (DDD-MM-SS.S-D)

1	38-26-13.5 N	082-42-26.7 W
2	38-26-12.8 N	082-42-08.2 W
3	38-26-05.8 N	082-42-06.6 W
4	38-26-00.5 N	082-42-13.5 W
5	38-26-00.7 N	082-42-25.2 W
6	38-26-13.5 N	082-42-26.7 W

Number: 2

Schedule for Leases that Involve an Undefined Geographic Area

For each undefined geographic area, complete up to 300 Latitude/Longitude combinations for every 3 degrees azimuth, using NAD83 Datum.

	Latitude (DD-MM-SS.S-D)	Longitude (DDD-MM-SS.S-D)
1	38-52-15.4 N	089-24-33.8 W
2	38-52-15.4 N	089-24-23.5 W
3	38-51-59.9 N	089-24-19.2 W
4	38-51-51.5 N	089-24-26.0 W
5	38-51-51.5 N	089-24-43.2 W
6	38-52-00.8 N	089-24-43.2 W
7	38-52-15.4 N	089-24-33.8 W

Number: 3

Schedule for Leases that Involve an Undefined Geographic Area

For each undefined geographic area, complete up to 300 Latitude/Longitude combinations for every 3 degrees azimuth, using NAD83 Datum.

Latitude (DD-MM-SS.S-D)

Longitude (DDD-MM-SS.S-D)

1	37-10-52.2 N	083-47-34.4 W
2	37-10-55.7 N	083-47-29.6 W
3	37-10-50.5 N	083-47-15.2 W
4	37-10-44.4 N	083-47-12.3 W
5	37-10-38.8 N	083-47-16.8 W
6	37-10-37.7 N	083-47-24.1 W
7	37-10-41.2 N	083-47-28.2 W
8	37-10-52.2 N	083-47-34.4 W

Number: 4

Schedule for Leases that Involve an Undefined Geographic Area

For each undefined geographic area, complete up to 300 Latitude/Longitude combinations for every 3 degrees azimuth, using NAD83 Datum.

Latitude (DD-MM-SS.S-D)

Longitude (DDD-MM-SS.S-D)

1	32-53-41.3 N	090-27-04.6 W
2	32-53-44.5 N	090-25-39.4 W
3	32-52-45.6 N	090-25-38.1 W
4	32-52-47.0 N	090-27-01.3 W
5	32-53-41.3 N	090-27-04.6 W

Number: 5

Schedule for Leases that Involve an Undefined Geographic Area

For each undefined geographic area, complete up to 300 Latitude/Longitude combinations for every 3 degrees azimuth, using NAD83 Datum.

Latitude (DD-MM-SS.S-D)

Longitude (DDD-MM-SS.S-D)

1	32-43-31.6 N	081-15-29.8 W
2	32-43-28.5 N	081-14-56.8 W
3	32-43-01.5 N	081-14-59.6 W
4	32-43-04.3 N	081-15-33.8 W
5	32-43-31.6 N	081-15-29.8 W

Number: 6

Schedule for Leases that Involve an Undefined Geographic Area

For each undefined geographic area, complete up to 300 Latitude/Longitude combinations for every 3 degrees azimuth, using NAD83 Datum.

Latitude (DD-MM-SS.S-D)

Longitude (DDD-MM-SS.S-D)

1	31-33-55.8 N	081-54-19.2 W
2	31-33-56.7 N	081-54-11.4 W
3	31-33-52.0 N	081-53-55.9 W
4	31-33-45.5 N	081-53-55.0 W
5	31-33-43.7 N	081-54-18.2 W
6	31-33-55.8 N	081-54-19.2 W

Number: 7

Schedule for Leases that Involve an Undefined Geographic Area

For each undefined geographic area, complete up to 300 Latitude/Longitude combinations for every 3 degrees azimuth, using NAD83 Datum.

Latitude (DD-MM-SS.S-D)

Longitude (DDD-MM-SS.S-D)

1	31-28-20.6 N	092-27-03.8 W
2	31-28-20.4 N	092-25-59.5 W
3	31-27-39.4 N	092-26-05.1 W
4	31-27-41.9 N	092-27-06.3 W
5	31-28-20.6 N	092-27-03.8 W

Number: 8

Schedule for Leases that Involve an Undefined Geographic Area

For each undefined geographic area, complete up to 300 Latitude/Longitude combinations for every 3 degrees azimuth, using NAD83 Datum.

Latitude (DD-MM-SS.S-D)

Longitude (DDD-MM-SS.S-D)

1	34-59-04.6 N	090-48-28.4 W
2	34-59-03.1 N	090-47-26.3 W
3	34-58-23.7 N	090-47-26.6 W
4	34-58-25.8 N	090-48-30.6 W
5	34-59-04.6 N	090-48-28.4 W

Number: 9

Schedule for Leases that Involve an Undefined Geographic Area

For each undefined geographic area, complete up to 300 Latitude/Longitude combinations for every 3 degrees azimuth, using NAD83 Datum.

Latitude (DD-MM-SS.S-D)

Longitude (DDD-MM-SS.S-D)

1	34-40-11.1 N	079-43-15.3 W
2	34-40-30.9 N	079-43-11.2 W
3	34-40-28.8 N	079-42-56.7 W
4	34-40-08.9 N	079-43-01.1 W
5	34-40-11.1 N	079-43-15.3 W

Number: 10

Schedule for Leases that Involve an Undefined Geographic Area

For each undefined geographic area, complete up to 300 Latitude/Longitude combinations for every 3 degrees azimuth, using NAD83 Datum.

Latitude (DD-MM-SS.S-D)

Longitude (DDD-MM-SS.S-D)

1	31-28-20.6 N	092-27-03.8 W
2	31-28-20.4 N	092-25-59.5 W
3	31-27-39.4 N	092-26-05.1 W
4	31-27-41.9 N	092-27-06.3 W
5	31-28-20.6 N	092-27-03.8 W

Number: 11

Schedule for Leases that Involve an Undefined Geographic Area

For each undefined geographic area, complete up to 300 Latitude/Longitude combinations for every 3 degrees azimuth, using NAD83 Datum.

Latitude (DD-MM-SS.S-D)

Longitude (DDD-MM-SS.S-D)

1	32-43-31.6 N	081-15-29.8 W
2	32-43-28.5 N	081-14-56.8 W
3	32-43-01.5 N	081-14-59.6 W
4	32-43-04.3 N	081-15-33.8 W
5	32-43-31.6 N	081-15-29.8 W

Number: 12

Schedule for Leases that Involve an Undefined Geographic Area

For each undefined geographic area, complete up to 300 Latitude/Longitude combinations for every 3 degrees azimuth, using NAD83 Datum.

Latitude (DD-MM-SS.S-D)

Longitude (DDD-MM-SS.S-D)

1	31-33-55.8 N	081-54-19.2 W
2	31-33-56.7 N	081-54-11.4 W
3	31-33-52.0 N	081-53-55.9 W
4	31-33-45.5 N	081-53-55.0 W
5	31-33-43.7 N	081-54-18.2 W
6	31-33-55.8 N	081-54-19.2 W

Number: 13

Schedule for Leases that Involve an Undefined Geographic Area

For each undefined geographic area, complete up to 300 Latitude/Longitude combinations for every 3 degrees azimuth, using NAD83 Datum.

	Latitude (DD-MM-SS.S-D)	Longitude (DDD-MM-SS.S-D)
1	25-37-06.5 N	080-24-48.7 W
2	25-37-14.5 N	080-24-41.2 W
3	25-37-07.9 N	080-24-28.2 W
4	25-36-59.4 N	080-24-27.9 W
5	25-36-58.9 N	080-24-39.8 W
6	25-37-06.5 N	080-24-48.7 W

Number: 14

Schedule for Leases that Involve an Undefined Geographic Area

For each undefined geographic area, complete up to 300 Latitude/Longitude combinations for every 3 degrees azimuth, using NAD83 Datum.

Latitude (DD-MM-SS.S-D)

Longitude (DDD-MM-SS.S-D)

1	41-26-18.6 N	073-28-18.5 W
2	41-26-19.8 N	073-27-51.5 W
3	41-26-02.2 N	073-27-50.9 W
4	41-26-00.4 N	073-28-06.5 W
5	41-26-18.6 N	073-28-18.5 W

Number: 15

Schedule for Leases that Involve an Undefined Geographic Area

For each undefined geographic area, complete up to 300 Latitude/Longitude combinations for every 3 degrees azimuth, using NAD83 Datum.

Latitude (DD-MM-SS.S-D)

Longitude (DDD-MM-SS.S-D)

1	45-05-13.0 N	123-23-26.1 W
2	45-05-12.7 N	123-22-40.1 W
3	45-04-55.2 N	123-22-38.7 W
4	45-04-55.6 N	123-23-28.0 W
5	45-05-13.0 N	123-23-26.1 W

Attachment(s):

Type	Description	Date Entered
O	Exhibit 3 - Site Information	01/04/2023
O	Exhibit 2 - Description of Licenses	01/04/2023
O	Exhibit 1 - Description of Transaction	01/04/2023

REFERENCE COPY

This is not an official FCC license. It is a record of public information contained in the FCC's licensing database on the date that this reference copy was generated. In cases where FCC rules require the presentation, posting, or display of an FCC license, this document may not be used in place of an official FCC license.



Federal Communications Commission
Wireless Telecommunications Bureau

RADIO STATION AUTHORIZATION

LICENSEE: NEW CINGULAR WIRELESS PCS, LLC

ATTN: FCC GROUP
NEW CINGULAR WIRELESS PCS, LLC
208 S. AKARD ST. 20F
DALLAS, TX 75202

Table with Call Sign (KNLF460), File Number, and Radio Service (CW - PCS Broadband).

FCC Registration Number (FRN): 0003291192

Table with columns: Grant Date, Effective Date, Expiration Date, Print Date, Market Number, Channel Block, Sub-Market Designator, Market Name, 1st Build-out Date, 2nd Build-out Date, 3rd Build-out Date, 4th Build-out Date.

Waivers/Conditions:

This authorization is subject to the condition that, in the event that systems using the same frequencies as granted herein are authorized in an adjacent foreign territory (Canada/United States), future coordination of any base station transmitters within 72 km (45 miles) of the United States/Canada border shall be required to eliminate any harmful interference to operations in the adjacent foreign territory and to ensure continuance of equal access to the frequencies by both countries.

This authorization is conditioned upon the full and timely payment of all monies due pursuant to Sections 1.2110 and 24.711 of the Commission's Rules and the terms of the Commission's installment plan as set forth in the Note and Security Agreement executed by the licensee. Failure to comply with this condition will result in the automatic cancellation of this authorization.

Conditions:

Pursuant to §309(h) of the Communications Act of 1934, as amended, 47 U.S.C. §309(h), this license is subject to the following conditions: This license shall not vest in the licensee any right to operate the station nor any right in the use of the frequencies designated in the license beyond the term thereof nor in any other manner than authorized herein. Neither the license nor the right granted thereunder shall be assigned or otherwise transferred in violation of the Communications Act of 1934, as amended. See 47 U.S.C. § 310(d). This license is subject in terms to the right of use or control conferred by §706 of the Communications Act of 1934, as amended. See 47 U.S.C. §606.

This license may not authorize operation throughout the entire geographic area or spectrum identified on the hardcopy version. To view the specific geographic area and spectrum authorized by this license, refer to the Spectrum and Market Area information under the Market Tab of the license record in the Universal Licensing System (ULS). To view the license record, go to the ULS homepage at http://wireless.fcc.gov/uls/index.htm?job=home and select "License Search". Follow the instructions on how to search for license information.

Licensee Name: NEW CINGULAR WIRELESS PCS, LLC

Call Sign: KNLF460

File Number:

Print Date:

700 MHz Relicensed Area Information:

Market	Market Name	Buildout Deadline	Buildout Notification	Status
---------------	--------------------	--------------------------	------------------------------	---------------

Reference Copy

Reference Copy Only. Do Not Mail to the FCC as an Application.

Submitted: 01/23/2024 at 17:43:02
 File Number: 0010873887

FCC 601
Main Form

FCC Application for Radio Service Authorization: Wireless Telecommunications Bureau Public Safety and Homeland Security Bureau

Approved by OMB
 3060 - 0798
 See instructions for
 public burden estimate

1) Radio Service Code: <p style="text-align: center;">CW</p>	1a) Existing Radio Service Code:
--	----------------------------------

General Information

2) (Select only one) (AU) NE - New RO - Renewal Only AU - Administrative Update NT - Required Notifications MD - Modification RM - Renewal/Modification WD - Withdrawal of Application EX - Requests for Extension of Time AM - Amendment CA - Cancellation of License RL - Registered Location/Link	
3a) If this application is for a Demonstration License or a S pecial Temporary Authorization (STA), enter the code and attach the required exhibit as described in the instructions. Otherwise enter ' N/A ' (Not Applicable).	(N) <u>M</u> <u>S</u> <u>N/A</u>
3b) If this application is for Special Temporary Authority due to an emergency situation, enter 'Y'; otherwise enter 'N'. Refer to Rule 1.915 for an explanation of situations considered to be an emergency.	() <u>Y</u> es N o
4) If this application is for an Amendment or Withdrawal, enter the file number of the pending application currently on file with the FCC.	File Number
5) If this application is for a Modification, Renewal Only, Renewal/Modification, Cancellation of License, , or Administrative Update, enter the call sign of the existing FCC license. If this is a request for Registered Location/Link, enter the FCC call sign assigned to the geographic license.	Call Sign KNLF460
6a) If this application is for a New, Amendment, Renewal Only, or Renewal/Modification, enter the requested authorization expiration date (this item is optional).	MM DD _____ / _____
6b) If this application is for a Renewal Only or Renewal/Modification and the license is a geographic area license, is the license used to provide service to customers (C), or is the license used for private business (internal) purposes or to meet the licensee's public interest/public safety communications needs (P)?	() <u>C</u> <u>P</u>
7) Is this application "major" as defined in § 1.929 of the Commission's Rules when read in conjunction with the applicable radio service rules found in Parts 22 and 90 of the Commission's Rules? (NOTE: This question only applies to certain site-specific applications. See the instructions for applicability and full text of § 1.929).	() <u>Y</u> es N o
8) Are attachments (other than associated schedules) being filed with this application?	() <u>Y</u> es N o

Fees, Waivers, and Exemptions

9) Is the Applicant exempt from FCC application fees?	(N) <u>Y</u> es N o
10) Is the Applicant exempt from FCC regulatory fees?	(N) <u>Y</u> es N o
11) Does this application include a request for a Waiver of the Commission's Rule(s)? If 'Yes', attach an exhibit providing rule number(s) and explaining circumstances.	(N) <u>Y</u> es N o
12) Are the frequencies or parameters requested in this filing covered by grandfathered privileges, previously approved by waiver, or functionally integrated with an existing station?	() <u>Y</u> es N o

Applicant Information

13) FCC Registration Number (FRN): 0003291192			
14) Applicant/Licensee Legal Entity Type: (Select One) <input type="checkbox"/> Individual <input type="checkbox"/> Unincorporated Association <input type="checkbox"/> Trust <input type="checkbox"/> Government Entity <input type="checkbox"/> Corporation <input checked="" type="checkbox"/> Limited Liability Company <input type="checkbox"/> General Partnership <input type="checkbox"/> Limited Partnership <input type="checkbox"/> Limited Liability Partnership <input type="checkbox"/> Consortium <input type="checkbox"/> Other: _____			
15) If the Licensee name is being updated, is the update a result from the sale (or transfer of control) of the license(s) to party and for which proper Commission approval has not been received or proper notification not provided?			<input type="checkbox"/> Yes <input checked="" type="checkbox"/> No
16) First Name (if individual):	MI:	Last Name:	Suffix:
17) Legal Entity Name (if other than individual): New Cingular Wireless PCS, LLC			
18) Attention To: National Regulatory Compliance			
19) P.O. Box:	And/Or	20) Street Address: 208 S Akard St, 20F	
21) City: Dallas	22) State: TX	23) Zip Code: 75202	
24) Telephone Number: (855)699-7073		25) Fax: (214)746-6410	
26) E-Mail Address: FCCMW@att.com			

27) Demographics (Optional)

Race: <input type="checkbox"/> American Indian or Alaska Native <input type="checkbox"/> Asian <input type="checkbox"/> Black or African-American <input type="checkbox"/> Native Hawaiian or Other Pacific Islander <input type="checkbox"/> White	Ethnicity: <input type="checkbox"/> Hispanic or Latino <input type="checkbox"/> Not Hispanic or Latino	Gender: <input type="checkbox"/> Male <input type="checkbox"/> Female
--	--	---

Real Party in Interest

28) Name of Real Party in Interest of Applicant (If different from Applicant):	29) FCC Registration Number (FRN) of Real Party in Interest:
--	--

Contact Information (If different from the Applicant) Check here if same as Applicant.

30) First Name: Jessica	MI: J	Last Name: Dunk	Suffix:
31) Company Name: AT&T Services, Inc.			
32) Attention To: NRC			
33) P.O. Box:	And /Or	34) Street Address: 208 S Akard St, 20F	
35) City: Dallas	36) State: TX	37) Zip Code: 75202	
38) Telephone Number: (855)699-7073		39) Fax: (214)746-6410	
40) E-Mail Address: FCCMW@att.com			

Regulatory Status

41) This filing is for authorization to provide or use the following type(s) of radio service offering (enter all that apply):
() Common Carrier () Non-Common Carrier () Private, internal communications () Broadcast Services () Band Manager

Type of Radio Service

42) This filing is for authorization to provide the following type(s) of radio service (choose all that apply):
() Fixed () Mobile () Radiolocation () Satellite (sound) () Broadcast Services
43) Does the Applicant propose to provide service interconnected to the public telephone network? () Yes () No

Alien Ownership Questions (If any answer is 'Y', provide an attachment explaining the circumstances. In preparing the attachment, refer to the Main Form Instructions for the "Alien Ownership Questions".)

44) Is the Applicant a foreign government or the representative of any foreign government? () Yes () No
45) Is the Applicant an alien or the representative of an alien? () Yes () No
46) Is the Applicant a corporation organized under the laws of any foreign government? () Yes () No
47) Is the Applicant a corporation of which more than one-fifth of the capital stock is owned of record or voted by aliens or their representatives, or by a foreign government or representative thereof, or by any corporation organized under the laws of a foreign country? () Yes () No

48a) Is the Applicant directly or indirectly controlled by any other corporation of which more than one-fourth of the capital stock (Yes No) is owned of record or voted by aliens or their representatives, or by a foreign government or representative thereof, or by any corporation organized under the laws of a foreign country?

48b) If the answer to 47 or 48a is 'Y' select one of the choices below.

The Applicant is exempt from the provisions of Section 310(b).

If checked, it is not necessary to file a petition for declaratory ruling if the Applicant includes in the attachment required by Item 47 or Item 48a a showing that the requested license(s) is exempt from the provisions of Section 310(b).

The Applicant has received a declaratory ruling(s) approving its foreign ownership, and the application involves only the acquisition of additional spectrum for the provision of a wireless service in a geographic coverage area for which the Applicant has been previously authorized.

If checked, include in the attachment required by Item 47 or Item 48a the citation(s) of the applicable declaratory ruling(s) by DA/FCC number, the FCC Record citation, if available, release date, and a statement that there has been no change in the foreign ownership of the Applicant since the issuance of its ruling.

The Applicant: (i) has received a declaratory ruling(s) approving its foreign ownership, but is not able to make the certification specified immediately above; or (ii) is an "affiliate" of a Licensee or Lessee/Sublessee that received a declaratory ruling(s) under 47 CFR § 1.5000(a) and is relying on the affiliate's ruling for purposes of filing this application as permitted under the affiliate's ruling and 47 CFR § 1.5004(b)

If checked, and if the Applicant received its declaratory ruling(s) on or after August 9, 2013, include in the attachment required by Item 47 or Item 48a the citation(s) of the Applicant's declaratory ruling(s) by DA/FCC number, the FCC Record citation, if available, release date, and a statement that the Applicant is in compliance with the terms and conditions of its ruling and with the Commission's Rules.

If checked, and if the Applicant received its declaratory ruling(s) prior to August 9, 2013, include in the attachment required by Item 48a a copy of a petition for declaratory ruling filed contemporaneously with the Commission to extend the Applicant's existing ruling(s) to cover the same radio service(s) and geographic coverage area(s) involved in the application. Alternatively, the Applicant may request a new declaratory ruling pursuant to Section 1.5000(a) of the Commission's Rules, 47 CFR § 1.5000 (a). Petitions for declaratory ruling may be filed electronically on the Internet through the International Bureau Filing System (IBFS) (with a copy attached hereto).

If checked, and if the Applicant is relying on an affiliate's ruling for purposes of filing this application, include in the attachment required by Item 47 or Item 48a the citation(s) of the applicable declaratory ruling(s) by DA/FCC number, the FCC Record citation, if available, release date, and a statement that the Applicant is in compliance with the terms and conditions of the named affiliate's ruling and with the Commission's Rules. The Applicant must also include a certification of compliance signed by the named affiliate or other qualified entity as specified in 47 CFR § 1.5004(b). See Main Form Instructions for Items 47 or 48a, as applicable.

The Applicant has not received a declaratory ruling approving its foreign ownership and is requesting a declaratory ruling under 47 CFR § 1.5004(b) in a petition filed contemporaneously with the Commission.

If checked, include in the attachment required by Item 47 or 48a a copy of the petition for declaratory ruling filed contemporaneously with the Commission pursuant to 47 CFR § 1.5004(b). Petitions for declaratory ruling may be filed electronically on the Internet through the International Bureau Filing System (IBFS) (with a copy attached hereto).

Basic Qualification Questions

49) Has the Applicant or any party to this application had any FCC station authorization, license or construction permit revoked or had any application for an initial, modification or renewal of FCC station authorization, license, or construction permit denied by the Commission?	() <u>Yes</u> <u>No</u>
50) Has the Applicant or any party to this application, or any party directly or indirectly controlling the Applicant, ever been convicted of a felony by any state or federal court?	() <u>Yes</u> <u>No</u>
51) Has any court finally adjudged the Applicant or any party directly or indirectly controlling the Applicant guilty of unlawfully monopolizing or attempting unlawfully to monopolize radio communication, directly or indirectly, through control of manufacture or sale of radio apparatus, exclusive traffic arrangement, or any other means or unfair methods of competition?	() <u>Yes</u> <u>No</u>

Note: If the answer to any of 49-51 is 'Y', attach an exhibit explaining the circumstances.

Aeronautical Advisory Station (Unicom) Certification

52) () I certify that the station will be located on property of the airport to be served, and, in cases where the airport does not have a control tower, RCO, or FAA flight service station, that I have notified the owner of the airport and all aviation service organizations located at the airport within ten days prior to application.
--

Broadband Radio Service and Educational Broadband Service Cable Cross-Ownership

53a) Will the requested facilities be used to provide multichannel video programming service?	() <u>Yes</u> <u>No</u>
53b) If the answer to question 53a is 'Y', does the Applicant operate, control or have an attributable interest (as defined in 47 CFR § 27.1202) in a cable television system whose franchise area is located within the geographic service area of the requested facilities?	() <u>Yes</u> <u>No</u>

Note: If the answer to question 53b is 'Y', attach an exhibit explaining how the Applicant complies with 47 CFR § 27.1202 or justifying a waiver of that rule. If a waiver of the Commission Rule(s) is being requested, Item 11a must be answered 'Y'.

Broadband Radio Service and Educational Broadband Service (Part 27)

54) (For EBS only) Does the Applicant comply with the programming requirements contained in 47 CFR § 27.1203?	() <u>Yes</u> <u>No</u>
---	--------------------------

Note: If the answer to item 54 is 'N', attach an exhibit explaining how the Applicant complies with 47 CFR § 27.1203 of the Commission's Rules or justifying a waiver of that rule. If a waiver of the Commission Rule(s) is being requested, Item 11a must be answered 'Y'.

55) (For BRS and EBS) Does the Applicant comply with 47 CFR §§ 27.50, 27.55, and 27.1221?	() <u>Yes</u> <u>No</u>
---	--------------------------

Note: If the answer to item 55 is 'N', attach an exhibit justifying a waiver of that rule(s). If a waiver of the Commission Rule(s) is being requested, Item 11a must be answered 'Y'.

For Applicants Who Participated in an Auction

56) Is the Applicant a qualifying rural wireless partnership or a member of a qualifying rural wireless partnership?	() <u>Yes</u> <u>No</u>
--	--------------------------

Note: If the answer to item 56 is 'Y', attach an exhibit listing all members of the qualifying rural wireless partnership, including their FRN numbers.

For Renewal Applicants**57) Operation/Performance Requirement Certification**

[For a site-based license]: Applicant certifies that it is continuing to operate consistent with its most recently filed construction notification (or most recent authorization, if no construction notification was required).	() <u>Yes</u> <u>No</u>
[For a geographic license, commercial service - licensee in its initial license term with an interim performance requirement]: Applicant certifies that it has met its interim performance requirement, that over the portion of the license term following the interim performance requirement, it continues to use its facilities to provide at least the level of service required by its interim performance requirement, it has met its final performance requirement, and it continues to use its facilities to provide at least the level of service required by its final performance requirement through the end of the license term.	() <u>Yes</u> <u>No</u>
[For a geographic license, commercial service - licensee in its initial license term with no interim performance requirement]: Applicant certifies that it has met its final performance requirement and it continues to use its facilities to provide at least the level of service required by its final performance requirement through the end of the license term. [Note: licensee must provide a showing demonstrating that the final performance requirement has been met, either separately in a timely application for notification of completion of construction, or as part of its renewal application, depending on the radio service.]	() <u>Yes</u> <u>No</u>
[For a geographic license, commercial service - licensee in any subsequent term]: Applicant certifies that it continues to use its facilities to provide at least the level of service required by its final performance requirement through the end of any subsequent license terms.	() <u>Yes</u> <u>No</u>
[For a geographic license, private systems - licensee in its initial license term with an interim performance requirement]: Applicant certifies that it has met its interim performance requirement, that over the portion of the license term following the interim performance requirement, it continues to use its facilities to further its private business or public interest/public safety communications needs at or above the level required to meet its interim performance requirement, it has met its final performance requirement, and it continues to use its facilities to provide at least the level of operation required by its final performance requirement through the end of the license term.	() <u>Yes</u> <u>No</u>
[For a geographic license, private systems - licensee in its initial license term with no interim performance requirement]: Applicant certifies that it has met its final performance requirement, it continues to use its facilities to further its private business or public interest/public safety communications needs, and it continues to use its facilities to provide at least the level of operation required by its final performance requirement through the end of the license term. [Note: licensee must provide a showing demonstrating that the final performance requirement has been met, either separately in a timely application for notification of completion of construction, or as part of its renewal application, depending on the radio service.]	() <u>Yes</u> <u>No</u>

[For a geographic license, private systems - licensee in any subsequent term]: Applicant certifies that it continues to use its facilities to further its private business or public interest/public safety communications needs at or above the level required to meet its final performance requirement through the end of any subsequent license terms.	(<input type="checkbox"/>) <u>Yes</u> <u>No</u>
[For a partitioned or disaggregated license without a performance requirement, for the first renewal application filed after effective date of the rules]: Applicant certifies that the partitioned and/or disaggregated license that is the subject of this renewal application has no separate performance requirement and that this is the first renewal of this license filed subsequent to the effective date of the rules.	(<input type="checkbox"/>) <u>Yes</u> <u>No</u>
[For a partitioned or disaggregated license without a performance requirement, for any subsequent renewal filings]: Applicant certifies that it continues to use its facilities to provide service or to further the applicant's private business or public interest/public safety needs.	(<input type="checkbox"/>) <u>Yes</u> <u>No</u>

Discontinuance of Service Certification

58) Applicant certifies that no permanent discontinuance of service or operation, as applicable, occurred during its current license term. Note: If the response to either item 57 or item 58 is 'N', attach an exhibit that demonstrates that over the course of the license term, the Applicant provided and continues to provide service to the public, or operated and continues to operate the license to meet the Applicant's private business or public interest/public safety communications needs. This exhibit must include a detailed description of the Applicant's provision of service or, when allowed under the relevant service rules or pursuant to waiver, use of the spectrum for private business or public interest/public safety communications needs, during the entire license period and address, as applicable: 1) the level and quality of service provided by the applicant (e.g., the population served, the area served, the number of subscribers, the services offered); (2) the date service commenced, whether service was ever interrupted, and the duration of any interruption or outage; (3) the extent to which service is provided to rural areas; (4) the extent to which service is provided to qualifying tribal land as defined in 47 CFR § 1.2110(e)(3)(i); and (5) any other factors associated with the level of service to the public. The licensee may note in its exhibit: 1) any grant(s) of waiver or extension of a performance deadline or license renewal subject to meeting a performance requirement; or 2) if the final performance deadline and/or expiration date for the license accelerated because the licensee did not meet an interim performance requirement.	(<input type="checkbox"/>) <u>Yes</u> <u>No</u>
--	---

Regulatory Compliance Certification [same for all]

59) Applicant certifies that it has substantially complied with all applicable FCC rules, policies, and the Communications Act of 1934, as amended. Note: If the response to item 59 is 'N', attach an exhibit explaining the circumstances and demonstrating why Applicant's license should be renewed.	(<input type="checkbox"/>) <u>Yes</u> <u>No</u>
--	---

General Certification Statements

1) The Applicant waives any claim to the use of any particular frequency or of the electromagnetic spectrum as against the regulatory power of the United States because of the previous use of the same, whether by license or otherwise, and requests an authorization in accordance with this application.
2) The Applicant certifies that grant of this application would not cause the Applicant to be in violation of any pertinent cross-ownership or attribution rules.* *If the Applicant has sought a waiver of any such rule in connection with this application, it may make this certification subject to the outcome of the waiver request.
3) The Applicant certifies that all statements made in this application and in the exhibits, attachments, or documents incorporated by reference are material, are part of this application, and are true, complete, correct, and made in good faith.
4) The Applicant certifies that neither the Applicant nor any other party to the application is subject to a denial of Federal benefits pursuant to § 5301 of the Anti-Drug Abuse Act of 1988, 21 U.S.C. § 862, because of a conviction for possession or distribution of a controlled substance. This certification does not apply to applications filed in services exempted under § 1.2002(c) of the rules, 47 CFR § 1.2002(c). See 47 CFR § 1.2002(b) for the definition of "party to the application" as used in this certification.
5) The Applicant certifies that it either (1) has current required ownership data on file with the Commission, (2) is filing updated ownership data simultaneously with this application, or (3) is not required to file ownership data under the Commission's Rules.
6) The Applicant certifies that the facilities, operations, and transmitters for which this authorization is hereby requested are either: (1) categorically excluded from routine environmental evaluation for RF exposure as set forth in 47 CFR § 1.1307(b); or, (2) have been found not to cause human exposure to levels of radiofrequency radiation in excess of the limits specified in 47 CFR §§ 1.1310 and 2.1093; or, (3) are the subject of one or more Environmental Assessments filed with the Commission.
7) The Applicant certifies that it has reviewed the appropriate Commission Rules defining eligibility to hold the requested license(s) and is eligible to hold the requested license(s).
8) The Applicant certifies that it is not in default on any payment for Commission licenses and that it is not delinquent on any non-tax debt owed to any federal agency.
9) The Applicant certifies that the Applicant and all of the related individuals and entities required to be disclosed on this application and FCC Form 602 (FCC Ownership Disclosure Information for the Wireless Telecommunications Services) are not person(s) who have been, for reasons of national security, barred by any agency of the Federal Government from bidding on a contract, participating in an auction, or receiving a grant. This certification applies only to applications for licenses for spectrum that is required by Sections 6103, 6401-6403 of the Middle Class Tax Relief and Job Creation Act of 2012, codified at 47 U.S.C. §§ 309, 1413, 1451-1452, to be assigned by a system of competitive bidding under 47 U.S.C. § 309(j).

Signature

60) Typed or Printed Name of Party Authorized to Sign

First Name: Jessica	MI:	Last Name: Dunk	Suffix:
61) Title: Assistant Secretary - Compliance			
Signature: Jessica Dunk			62) Date: 01/23/2024
FAILURE TO SIGN THIS APPLICATION MAY RESULT IN DISMISSAL OF THE APPLICATION AND FORFEITURE OF ANY FEES PAID.			
Upon grant of this license application, the Licensee may be subject to certain construction or coverage requirements. Failure to meet the construction or coverage requirements will result in termination of the license. Consult appropriate FCC regulations to determine the construction or coverage requirements that apply to the type of license requested in this application.			
WILLFUL FALSE STATEMENTS MADE ON THIS FORM OR ANY ATTACHMENTS ARE PUNISHABLE BY FINE AND/OR IMPRISONMENT (U.S. Code, Title 18, § 1001) AND/OR REVOCATION OF ANY STATION LICENSE OR CONSTRUCTION PERMIT (U.S. Code, Title 47, § 312(a)(1)), AND/OR FORFEITURE (U.S. Code, Title 47, § 503).			

Reference Copy Only. Do Not Mail to the FCC as an Application.

Submitted: 01/13/2023 at 18:08:22
 File Number: 0010373074

FCC 601
Main Form

FCC Application for Radio Service Authorization: Wireless Telecommunications Bureau Public Safety and Homeland Security Bureau

Approved by OMB
 3060 - 0798
 See instructions for
 public burden estimate

1) Radio Service Code: <p style="text-align: center;">CW</p>	1a) Existing Radio Service Code:
--	----------------------------------

General Information

2) (Select only one) (AU) NE - New RO - Renewal Only AU - Administrative Update NT - Required Notifications MD - Modification RM - Renewal/Modification WD - Withdrawal of Application EX - Requests for Extension of Time AM - Amendment CA - Cancellation of License RL - Registered Location/Link	
3a) If this application is for a Demonstration License or a S pecial Temporary Authorization (STA), enter the code and attach the required exhibit as described in the instructions. Otherwise enter ' N/A ' (Not Applicable).	(N) <u>M</u> <u>S</u> <u>N/A</u>
3b) If this application is for Special Temporary Authority due to an emergency situation, enter 'Y'; otherwise enter 'N'. Refer to Rule 1.915 for an explanation of situations considered to be an emergency.	() <u>Y</u> <u>N</u>
4) If this application is for an Amendment or Withdrawal, enter the file number of the pending application currently on file with the FCC.	File Number
5) If this application is for a Modification, Renewal Only, Renewal/Modification, Cancellation of License, , or Administrative Update, enter the call sign of the existing FCC license. If this is a request for Registered Location/Link, enter the FCC call sign assigned to the geographic license.	Call Sign KNLF460
6a) If this application is for a New, Amendment, Renewal Only, or Renewal/Modification, enter the requested authorization expiration date (this item is optional).	MM DD _____ / _____
6b) If this application is for a Renewal Only or Renewal/Modification and the license is a geographic area license, is the license used to provide service to customers (C), or is the license used for private business (internal) purposes or to meet the licensee's public interest/public safety communications needs (P)?	() <u>C</u> <u>P</u>
7) Is this application "major" as defined in § 1.929 of the Commission's Rules when read in conjunction with the applicable radio service rules found in Parts 22 and 90 of the Commission's Rules? (NOTE: This question only applies to certain site-specific applications. See the instructions for applicability and full text of § 1.929).	() <u>Y</u> <u>N</u>
8) Are attachments (other than associated schedules) being filed with this application?	() <u>Y</u> <u>N</u>

Fees, Waivers, and Exemptions

9) Is the Applicant exempt from FCC application fees?	(N) <u>Y</u> <u>N</u>
10) Is the Applicant exempt from FCC regulatory fees?	(N) <u>Y</u> <u>N</u>
11) Does this application include a request for a Waiver of the Commission's Rule(s)? If 'Yes', attach an exhibit providing rule number(s) and explaining circumstances.	(N) <u>Y</u> <u>N</u>
12) Are the frequencies or parameters requested in this filing covered by grandfathered privileges, previously approved by waiver, or functionally integrated with an existing station?	() <u>Y</u> <u>N</u>

Applicant Information

13) FCC Registration Number (FRN): 0003291192			
14) Applicant/Licensee Legal Entity Type: (Select One) <input type="checkbox"/> Individual <input type="checkbox"/> Unincorporated Association <input type="checkbox"/> Trust <input type="checkbox"/> Government Entity <input type="checkbox"/> Corporation <input checked="" type="checkbox"/> Limited Liability Company <input type="checkbox"/> General Partnership <input type="checkbox"/> Limited Partnership <input type="checkbox"/> Limited Liability Partnership <input type="checkbox"/> Consortium <input type="checkbox"/> Other: _____			
15) If the Licensee name is being updated, is the update a result from the sale (or transfer of control) of the license(s) to party and for which proper Commission approval has not been received or proper notification not provided?			<input type="checkbox"/> Yes <input checked="" type="checkbox"/> No
16) First Name (if individual):	MI:	Last Name:	Suffix:
17) Legal Entity Name (if other than individual): NEW CINGULAR WIRELESS PCS, LLC			
18) Attention To: FCC Group			
19) P.O. Box:	And/Or	20) Street Address: 208 S. Akard St. 20F	
21) City: Dallas	22) State: TX	23) Zip Code: 75202	
24) Telephone Number: (855)699-7073		25) Fax: (214)746-6410	
26) E-Mail Address: FCCMW@att.com			

27) Demographics (Optional)

Race: <input type="checkbox"/> American Indian or Alaska Native <input type="checkbox"/> Asian <input type="checkbox"/> Black or African-American <input type="checkbox"/> Native Hawaiian or Other Pacific Islander <input type="checkbox"/> White	Ethnicity: <input type="checkbox"/> Hispanic or Latino <input type="checkbox"/> Not Hispanic or Latino	Gender: <input type="checkbox"/> Male <input type="checkbox"/> Female
--	--	---

Real Party in Interest

28) Name of Real Party in Interest of Applicant (If different from Applicant):	29) FCC Registration Number (FRN) of Real Party in Interest:
--	--

Contact Information (If different from the Applicant) Check here if same as Applicant.

30) First Name: Cecil	MI: J	Last Name: Mathew	Suffix:
31) Company Name: AT&T Services, Inc.			
32) Attention To: FCC Group			
33) P.O. Box:	And /Or	34) Street Address: 208 S. Akard St. 20F	
35) City: Dallas	36) State: TX	37) Zip Code: 75202	
38) Telephone Number: (855)699-7073		39) Fax: (214)746-6410	
40) E-Mail Address: FCCMW@att.com			

Regulatory Status

41) This filing is for authorization to provide or use the following type(s) of radio service offering (enter all that apply):
() Common Carrier () Non-Common Carrier () Private, internal communications () Broadcast Services () Band Manager

Type of Radio Service

42) This filing is for authorization to provide the following type(s) of radio service (choose all that apply):
() Fixed () Mobile () Radiolocation () Satellite (sound) () Broadcast Services
43) Does the Applicant propose to provide service interconnected to the public telephone network? () Yes () No

Alien Ownership Questions (If any answer is 'Y', provide an attachment explaining the circumstances. In preparing the attachment, refer to the Main Form Instructions for the "Alien Ownership Questions".)

44) Is the Applicant a foreign government or the representative of any foreign government? () Yes () No
45) Is the Applicant an alien or the representative of an alien? () Yes () No
46) Is the Applicant a corporation organized under the laws of any foreign government? () Yes () No
47) Is the Applicant a corporation of which more than one-fifth of the capital stock is owned of record or voted by aliens or their representatives, or by a foreign government or representative thereof, or by any corporation organized under the laws of a foreign country? () Yes () No

48a) Is the Applicant directly or indirectly controlled by any other corporation of which more than one-fourth of the capital stock () Yes No is owned of record or voted by aliens or their representatives, or by a foreign government or representative thereof, or by any corporation organized under the laws of a foreign country?

48b) If the answer to 47 or 48a is 'Y' select one of the choices below.

The Applicant is exempt from the provisions of Section 310(b).

If checked, it is not necessary to file a petition for declaratory ruling if the Applicant includes in the attachment required by Item 47 or Item 48a a showing that the requested license(s) is exempt from the provisions of Section 310(b).

The Applicant has received a declaratory ruling(s) approving its foreign ownership, and the application involves only the acquisition of additional spectrum for the provision of a wireless service in a geographic coverage area for which the Applicant has been previously authorized.

If checked, include in the attachment required by Item 47 or Item 48a the citation(s) of the applicable declaratory ruling(s) by DA/FCC number, the FCC Record citation, if available, release date, and a statement that there has been no change in the foreign ownership of the Applicant since the issuance of its ruling.

The Applicant: (i) has received a declaratory ruling(s) approving its foreign ownership, but is not able to make the certification specified immediately above; or (ii) is an "affiliate" of a Licensee or Lessee/Sublessee that received a declaratory ruling(s) under 47 CFR § 1.5000(a) and is relying on the affiliate's ruling for purposes of filing this application as permitted under the affiliate's ruling and 47 CFR § 1.5004(b)

If checked, and if the Applicant received its declaratory ruling(s) on or after August 9, 2013, include in the attachment required by Item 47 or Item 48a the citation(s) of the Applicant's declaratory ruling(s) by DA/FCC number, the FCC Record citation, if available, release date, and a statement that the Applicant is in compliance with the terms and conditions of its ruling and with the Commission's Rules.

If checked, and if the Applicant received its declaratory ruling(s) prior to August 9, 2013, include in the attachment required by Item 48a a copy of a petition for declaratory ruling filed contemporaneously with the Commission to extend the Applicant's existing ruling(s) to cover the same radio service(s) and geographic coverage area(s) involved in the application. Alternatively, the Applicant may request a new declaratory ruling pursuant to Section 1.5000(a) of the Commission's Rules, 47 CFR § 1.5000 (a). Petitions for declaratory ruling may be filed electronically on the Internet through the International Bureau Filing System (IBFS) (with a copy attached hereto).

If checked, and if the Applicant is relying on an affiliate's ruling for purposes of filing this application, include in the attachment required by Item 47 or Item 48a the citation(s) of the applicable declaratory ruling(s) by DA/FCC number, the FCC Record citation, if available, release date, and a statement that the Applicant is in compliance with the terms and conditions of the named affiliate's ruling and with the Commission's Rules. The Applicant must also include a certification of compliance signed by the named affiliate or other qualified entity as specified in 47 CFR § 1.5004(b). See Main Form Instructions for Items 47 or 48a, as applicable.

The Applicant has not received a declaratory ruling approving its foreign ownership and is requesting a declaratory ruling under 47 CFR § 1.5004(b) in a petition filed contemporaneously with the Commission.

If checked, include in the attachment required by Item 47 or 48a a copy of the petition for declaratory ruling filed contemporaneously with the Commission pursuant to 47 CFR § 1.5004(b). Petitions for declaratory ruling may be filed electronically on the Internet through the International Bureau Filing System (IBFS) (with a copy attached hereto).

Basic Qualification Questions

49) Has the Applicant or any party to this application had any FCC station authorization, license or construction permit revoked or had any application for an initial, modification or renewal of FCC station authorization, license, or construction permit denied by the Commission?	() <u>Yes</u> <u>No</u>
50) Has the Applicant or any party to this application, or any party directly or indirectly controlling the Applicant, ever been convicted of a felony by any state or federal court?	() <u>Yes</u> <u>No</u>
51) Has any court finally adjudged the Applicant or any party directly or indirectly controlling the Applicant guilty of unlawfully monopolizing or attempting unlawfully to monopolize radio communication, directly or indirectly, through control of manufacture or sale of radio apparatus, exclusive traffic arrangement, or any other means or unfair methods of competition?	() <u>Yes</u> <u>No</u>

Note: If the answer to any of 49-51 is 'Y', attach an exhibit explaining the circumstances.

Aeronautical Advisory Station (Unicom) Certification

52) () I certify that the station will be located on property of the airport to be served, and, in cases where the airport does not have a control tower, RCO, or FAA flight service station, that I have notified the owner of the airport and all aviation service organizations located at the airport within ten days prior to application.
--

Broadband Radio Service and Educational Broadband Service Cable Cross-Ownership

53a) Will the requested facilities be used to provide multichannel video programming service?	() <u>Yes</u> <u>No</u>
53b) If the answer to question 53a is 'Y', does the Applicant operate, control or have an attributable interest (as defined in 47 CFR § 27.1202) in a cable television system whose franchise area is located within the geographic service area of the requested facilities?	() <u>Yes</u> <u>No</u>

Note: If the answer to question 53b is 'Y', attach an exhibit explaining how the Applicant complies with 47 CFR § 27.1202 or justifying a waiver of that rule. If a waiver of the Commission Rule(s) is being requested, Item 11a must be answered 'Y'.

Broadband Radio Service and Educational Broadband Service (Part 27)

54) (For EBS only) Does the Applicant comply with the programming requirements contained in 47 CFR § 27.1203?	() <u>Yes</u> <u>No</u>
---	--------------------------

Note: If the answer to item 54 is 'N', attach an exhibit explaining how the Applicant complies with 47 CFR § 27.1203 of the Commission's Rules or justifying a waiver of that rule. If a waiver of the Commission Rule(s) is being requested, Item 11a must be answered 'Y'.

55) (For BRS and EBS) Does the Applicant comply with 47 CFR §§ 27.50, 27.55, and 27.1221?	() <u>Yes</u> <u>No</u>
---	--------------------------

Note: If the answer to item 55 is 'N', attach an exhibit justifying a waiver of that rule(s). If a waiver of the Commission Rule(s) is being requested, Item 11a must be answered 'Y'.

For Applicants Who Participated in an Auction

56) Is the Applicant a qualifying rural wireless partnership or a member of a qualifying rural wireless partnership?	() <u>Yes</u> <u>No</u>
--	--------------------------

Note: If the answer to item 56 is 'Y', attach an exhibit listing all members of the qualifying rural wireless partnership, including their FRN numbers.

For Renewal Applicants**57) Operation/Performance Requirement Certification**

[For a site-based license]: Applicant certifies that it is continuing to operate consistent with its most recently filed construction notification (or most recent authorization, if no construction notification was required).	() <u>Yes</u> <u>No</u>
[For a geographic license, commercial service - licensee in its initial license term with an interim performance requirement]: Applicant certifies that it has met its interim performance requirement, that over the portion of the license term following the interim performance requirement, it continues to use its facilities to provide at least the level of service required by its interim performance requirement, it has met its final performance requirement, and it continues to use its facilities to provide at least the level of service required by its final performance requirement through the end of the license term.	() <u>Yes</u> <u>No</u>
[For a geographic license, commercial service - licensee in its initial license term with no interim performance requirement]: Applicant certifies that it has met its final performance requirement and it continues to use its facilities to provide at least the level of service required by its final performance requirement through the end of the license term. [Note: licensee must provide a showing demonstrating that the final performance requirement has been met, either separately in a timely application for notification of completion of construction, or as part of its renewal application, depending on the radio service.]	() <u>Yes</u> <u>No</u>
[For a geographic license, commercial service - licensee in any subsequent term]: Applicant certifies that it continues to use its facilities to provide at least the level of service required by its final performance requirement through the end of any subsequent license terms.	() <u>Yes</u> <u>No</u>
[For a geographic license, private systems - licensee in its initial license term with an interim performance requirement]: Applicant certifies that it has met its interim performance requirement, that over the portion of the license term following the interim performance requirement, it continues to use its facilities to further its private business or public interest/public safety communications needs at or above the level required to meet its interim performance requirement, it has met its final performance requirement, and it continues to use its facilities to provide at least the level of operation required by its final performance requirement through the end of the license term.	() <u>Yes</u> <u>No</u>
[For a geographic license, private systems - licensee in its initial license term with no interim performance requirement]: Applicant certifies that it has met its final performance requirement, it continues to use its facilities to further its private business or public interest/public safety communications needs, and it continues to use its facilities to provide at least the level of operation required by its final performance requirement through the end of the license term. [Note: licensee must provide a showing demonstrating that the final performance requirement has been met, either separately in a timely application for notification of completion of construction, or as part of its renewal application, depending on the radio service.]	() <u>Yes</u> <u>No</u>

[For a geographic license, private systems - licensee in any subsequent term]: Applicant certifies that it continues to use its facilities to further its private business or public interest/public safety communications needs at or above the level required to meet its final performance requirement through the end of any subsequent license terms.	(<input type="checkbox"/>) <u>Yes</u> <u>No</u>
[For a partitioned or disaggregated license without a performance requirement, for the first renewal application filed after effective date of the rules]: Applicant certifies that the partitioned and/or disaggregated license that is the subject of this renewal application has no separate performance requirement and that this is the first renewal of this license filed subsequent to the effective date of the rules.	(<input type="checkbox"/>) <u>Yes</u> <u>No</u>
[For a partitioned or disaggregated license without a performance requirement, for any subsequent renewal filings]: Applicant certifies that it continues to use its facilities to provide service or to further the applicant's private business or public interest/public safety needs.	(<input type="checkbox"/>) <u>Yes</u> <u>No</u>

Discontinuance of Service Certification

58) Applicant certifies that no permanent discontinuance of service or operation, as applicable, occurred during its current license term. Note: If the response to either item 57 or item 58 is 'N', attach an exhibit that demonstrates that over the course of the license term, the Applicant provided and continues to provide service to the public, or operated and continues to operate the license to meet the Applicant's private business or public interest/public safety communications needs. This exhibit must include a detailed description of the Applicant's provision of service or, when allowed under the relevant service rules or pursuant to waiver, use of the spectrum for private business or public interest/public safety communications needs, during the entire license period and address, as applicable: 1) the level and quality of service provided by the applicant (e.g., the population served, the area served, the number of subscribers, the services offered); (2) the date service commenced, whether service was ever interrupted, and the duration of any interruption or outage; (3) the extent to which service is provided to rural areas; (4) the extent to which service is provided to qualifying tribal land as defined in 47 CFR § 1.2110(e)(3)(i); and (5) any other factors associated with the level of service to the public. The licensee may note in its exhibit: 1) any grant(s) of waiver or extension of a performance deadline or license renewal subject to meeting a performance requirement; or 2) if the final performance deadline and/or expiration date for the license accelerated because the licensee did not meet an interim performance requirement.	(<input type="checkbox"/>) <u>Yes</u> <u>No</u>
--	---

Regulatory Compliance Certification [same for all]

59) Applicant certifies that it has substantially complied with all applicable FCC rules, policies, and the Communications Act of 1934, as amended. Note: If the response to item 59 is 'N', attach an exhibit explaining the circumstances and demonstrating why Applicant's license should be renewed.	(<input type="checkbox"/>) <u>Yes</u> <u>No</u>
--	---

General Certification Statements

1) The Applicant waives any claim to the use of any particular frequency or of the electromagnetic spectrum as against the regulatory power of the United States because of the previous use of the same, whether by license or otherwise, and requests an authorization in accordance with this application.
2) The Applicant certifies that grant of this application would not cause the Applicant to be in violation of any pertinent cross-ownership or attribution rules.* *If the Applicant has sought a waiver of any such rule in connection with this application, it may make this certification subject to the outcome of the waiver request.
3) The Applicant certifies that all statements made in this application and in the exhibits, attachments, or documents incorporated by reference are material, are part of this application, and are true, complete, correct, and made in good faith.
4) The Applicant certifies that neither the Applicant nor any other party to the application is subject to a denial of Federal benefits pursuant to § 5301 of the Anti-Drug Abuse Act of 1988, 21 U.S.C. § 862, because of a conviction for possession or distribution of a controlled substance. This certification does not apply to applications filed in services exempted under § 1.2002(c) of the rules, 47 CFR § 1.2002(c). See 47 CFR § 1.2002(b) for the definition of "party to the application" as used in this certification.
5) The Applicant certifies that it either (1) has current required ownership data on file with the Commission, (2) is filing updated ownership data simultaneously with this application, or (3) is not required to file ownership data under the Commission's Rules.
6) The Applicant certifies that the facilities, operations, and transmitters for which this authorization is hereby requested are either: (1) categorically excluded from routine environmental evaluation for RF exposure as set forth in 47 CFR § 1.1307(b); or, (2) have been found not to cause human exposure to levels of radiofrequency radiation in excess of the limits specified in 47 CFR §§ 1.1310 and 2.1093; or, (3) are the subject of one or more Environmental Assessments filed with the Commission.
7) The Applicant certifies that it has reviewed the appropriate Commission Rules defining eligibility to hold the requested license(s) and is eligible to hold the requested license(s).
8) The Applicant certifies that it is not in default on any payment for Commission licenses and that it is not delinquent on any non-tax debt owed to any federal agency.
9) The Applicant certifies that the Applicant and all of the related individuals and entities required to be disclosed on this application and FCC Form 602 (FCC Ownership Disclosure Information for the Wireless Telecommunications Services) are not person(s) who have been, for reasons of national security, barred by any agency of the Federal Government from bidding on a contract, participating in an auction, or receiving a grant. This certification applies only to applications for licenses for spectrum that is required by Sections 6103, 6401-6403 of the Middle Class Tax Relief and Job Creation Act of 2012, codified at 47 U.S.C. §§ 309, 1413, 1451-1452, to be assigned by a system of competitive bidding under 47 U.S.C. § 309(j).

Signature

60) Typed or Printed Name of Party Authorized to Sign

First Name: Cecil	MI: J	Last Name: Mathew	Suffix:
61) Title: Assistant Secretary - Compliance			
Signature: Cecil J Mathew			62) Date: 01/13/2023
FAILURE TO SIGN THIS APPLICATION MAY RESULT IN DISMISSAL OF THE APPLICATION AND FORFEITURE OF ANY FEES PAID.			
Upon grant of this license application, the Licensee may be subject to certain construction or coverage requirements. Failure to meet the construction or coverage requirements will result in termination of the license. Consult appropriate FCC regulations to determine the construction or coverage requirements that apply to the type of license requested in this application.			
WILLFUL FALSE STATEMENTS MADE ON THIS FORM OR ANY ATTACHMENTS ARE PUNISHABLE BY FINE AND/OR IMPRISONMENT (U.S. Code, Title 18, § 1001) AND/OR REVOCATION OF ANY STATION LICENSE OR CONSTRUCTION PERMIT (U.S. Code, Title 47, § 312(a)(1)), AND/OR FORFEITURE (U.S. Code, Title 47, § 503).			

Submitted: 01/29/2019 at 14:04:23

File Number: 0008494942

FCC Form 603

Main Form

FCC Application for Assignments of Authorization and Transfers of Control:

Wireless Telecommunications Bureau
Public Safety and Homeland Security Bureau

Approved by OMB

3060 - 0800

See instructions for
public burden estimate

General Information

1) Application Purpose (Select only one) (TC)	
AA - Assignment of Authorization TC - Transfer of Control	AM - Amendment WD - Withdrawal
NT - Required Notification (For Consummation of an Assignment or Transfer) EX - Request for Extension of Time (To Consummate an Assignment or Transfer)	
2) If this application is for an Amendment (AM) or Withdrawal (WD), enter the File Number of the pending or consented to application currently on file with the FCC.	File Number: _____
3a) Is this application for Assignment of Authorization or Transfer of Control part of a series of applications involving other wireless license(s) held by the Licensee, affiliates of the Licensee (e.g., parents, subsidiaries, or commonly-controlled entities), or third parties that are not included on this application and for which Commission approval or notification is required?	(Y) <u>Yes</u> <u>No</u>
3b) If the answer to 3a is 'Y', is this filing the lead application?	(N) <u>Yes</u> <u>No</u>
3c) If the answer to 3b is 'N', provide the File Number of the lead application.	File Number: 0008484882
3d) Does this transaction for Assignment of Authorization or Transfer of Control involve the assignment or transfer of non-wireless licenses/authorizations for which Commission approval or notification is required?	(Y) <u>Yes</u> <u>No</u>
4) Are attachments (other than associated schedules) being filed with this application?	(Y) <u>Yes</u> <u>No</u>

Fees and Waivers

5a) Is the Applicant exempt from FCC application fees? If 'Y', attach an exhibit demonstrating how the Applicant is exempt from FCC application fees.	(N) <u>Yes</u> <u>No</u>
5b) Is a waiver/deferral of the FCC application fees being requested and the application fees are not being submitted in conjunction with this application? If 'Y', attach a date-stamped copy of the request for waiver/deferral of the FCC application fees.	(N) <u>Yes</u> <u>No</u>
6a) Does this application include a request for waiver of the Commission's Rules (other than a request for application fee waivers)? If 'Y', attach an exhibit specifying the rule section(s) for which a waiver is being requested and including a justification for the waiver request.	(N) <u>Yes</u> <u>No</u>
6b) If 6a is 'Y', enter the number of rule sections involved.	Number of Rule Sections: _____

Additional Transaction Information

7a) Has this application for Assignment of Authorization or Transfer of Control already occurred?	(Y) <u>Yes</u> <u>No</u>
7b) If the response to Item 7a is 'Y', provide the date the event occurred:	(MM/DD/YYYY) 01/01/2019
8) The Assignment of Authorization or Transfer of Control is:	(X) Voluntary () Involuntary
9a) Is this application a <i>pro forma</i> Assignment of Authorization or Transfer of Control?	(Y) <u>Yes</u> <u>No</u>
9b) If Item 9a is 'Y', is this a post-consummation notification that is being filed under the Commission's forbearance procedures pursuant to Section 1.948(c)(1) of the Commission's Rules?	(Y) <u>Yes</u> <u>No</u>
10a) Does this application involve the partitioning and/or disaggregation of geographic-area licenses? If 'Y', complete Schedule B and, if applicable, Schedule C.	() <u>Yes</u> <u>No</u>
10b) If 10a is 'N', does this application involve the partial assignment of site-based licenses?	() <u>Yes</u> <u>No</u>

11) How will/has the Assignment of Authorization or Transfer of Control be/been accomplished? Select One: ()

Sale or other assignment of assets Court order Reorganization or liquidation

Transfer of stock or other ownership interests

Other (voting trust agreement, management contract, etc.): Internal Reorganization

Designated Entity Information (If 12a or 12b is 'Y', Schedule A is required to be completed.)

<p>12a) Enter 'Y' if this application for Assignment of Authorization or Transfer of Control involve any licenses that were awarded with bidding credits within the last five years. Otherwise, enter 'N'.</p> <p>The initial grant date is the date that the license was originally granted by the Commission after an auction, even if the license was acquired in the secondary market. The initial grant date is not the date on which the Commission granted an assignment or transfer of control of the license.</p> <p>If the response to this item is 'Y', the licenses may be subject to the FCC's unjust enrichment rules, and the Applicant should answer relevant bidding credit questions. See Section 1.2111 of the Commission's Rules.</p>	<p>(<input type="radio"/>) <u>Yes</u> <input type="radio"/> No</p>
<p>12b) Does this application for Assignment of Authorization or Transfer of Control involve any licenses that were originally granted pursuant to closed bidding within the last five years?</p> <p>If the response to this item is 'Y', the license may be subject to assignment or transfer restrictions, and the Applicant should answer relevant closed bidding questions. See Sections 24.709 and 24.839 of the Commission's Rules.</p>	<p>(<input type="radio"/>) <u>Yes</u> <input type="radio"/> No</p>

Competition Related Information

<p>13) Does this application for Assignment of Authorization or Transfer of Control involve a license(s) that may be used for interconnected mobile voice and/or data services that would, if assigned or transferred, create a geographic overlap with another license(s) in which the Assignee/Transferee already holds attributable interests, as defined in Section 20.22(b) of the Commission's Rules, either as a licensee or spectrum lessee/sublessee, and that also could be used to provide interconnected mobile voice and/or data services?</p> <p>If 'Y', specify in an exhibit all geographic areas/markets (e.g., BTA, CMA, county, etc.) where there are spectrum overlaps and the total amount of spectrum that the Assignee/Transferee will hold and/or lease in each geographic area/market.</p>	<p>(<input type="radio"/>) <u>Yes</u> <input type="radio"/> No</p>
<p>14) If the answer to Item 13 is 'Yes,' would/does this application for Assignment of Authorization or Transfer of Control reduce the number of entities providing service in the affected market(s)?</p>	<p>(<input type="radio"/>) <u>Yes</u> <input type="radio"/> No</p>

Broadband Radio Service and Educational Broadband Service Information

<p>15a) Will the requested facilities be used to provide multichannel video programming service?</p>	<p>(<input type="radio"/>) <u>Yes</u> <input type="radio"/> No</p>
<p>15b) If 15a is 'Y', does the Assignee/Transferee operate, control, or have an attributable interest (as defined in Section 27.1202 of the Commission's Rules) in a cable television system whose franchise area is located within the geographic area of the requested facilities?</p> <p>If 'Y', provide an exhibit explaining how the Assignee/Transferee complies with Section 27.1202 of the Commission's Rules or request a waiver of that rule pursuant to Commission Rules. If a waiver of the Commission's Rule(s) is being requested, 6a must be answered 'Y'.</p>	<p>(<input type="radio"/>) <u>Yes</u> <input type="radio"/> No</p>
<p>16) Does the Assignee/Transferee comply with the programming requirements contained in Section 27.1203 of the Commission's Rules?</p> <p>If 'N', provide an exhibit explaining how the Assignee/Transferee complies with Section 27.1203 of the Commission's Rules or request a waiver of that rule pursuant to Commission Rules. If a waiver of the Commission's Rule(s) is being requested, 6a must be answered 'Y'.</p>	<p>(<input type="radio"/>) <u>Yes</u> <input type="radio"/> No</p>

600 MHz Band Information

<p>17) Does the Assignment or Transfer involve any licenses in the 600 MHz Band initially granted in the last six years that would, if assigned/transferred, create a geographic overlap with another licenses(s) in which the Assignee/Transferee already holds attributable interests, either as a licensee or Assignee/Transferee, and that would result in the Assignee/Transferee holding an attributable interest in one-third or more of the total suitable and available below-1-GHz spectrum as calculated on a county-by-county population-weighted basis in the relevant license area, utilizing 2010 U.S. Census data?</p> <p>The initial grant date is the date that the license was originally granted by the Commission after an auction, even if the license was acquired in the secondary market. The initial grant date is not the date on which the Commission granted an assignment or transfer of control of the license.</p> <p>If the response to this item is 'Y', this application for Assignment or Transfer application must be part of an exchange of 600 MHz band spectrum in the same market(s) or must be a pro forma Assignment or Transfer. If 'Y', provide an exhibit detailing the proposed exchange of 600 MHz band spectrum in the same market(s), including a list of all file numbers for applications associated with the proposed exchange.</p>	<p>(<input checked="" type="radio"/>) <u>Yes</u> <input type="radio"/> <u>No</u></p>
<p>18) Does the Assignment or Transfer involve any licenses that were initially granted as reserved spectrum licenses in the 600 MHz Band in the last six years? Otherwise, enter 'N'.</p> <p>The initial grant date is the date that the license was originally granted by the Commission after an auction, even if the license was acquired in the secondary market. The initial grant date is not the date on which the Commission granted an assignment or transfer of control of the license.</p> <p>If 'Y', provide an exhibit demonstrating how the Assignee/Transferee would have qualified to bid on that reserved spectrum license(s) in Auction 1002 as of the FCC Form 175 filing deadline (February 10, 2016) for Auction 1002, the forward auction of the Broadcast Incentive Auction.</p>	<p>(<input type="radio"/>) <u>Yes</u> <input checked="" type="radio"/> <u>No</u></p>

Assignor/Licensee Information

19) Assignor/Licensee is a(n): (Select One)			
<input type="checkbox"/> Individual <input type="checkbox"/> Unincorporated Association <input type="checkbox"/> Trust <input type="checkbox"/> Government Entity <input type="checkbox"/> Corporation <input checked="" type="checkbox"/> Limited Liability Company <input type="checkbox"/> General Partnership <input type="checkbox"/> Limited Partnership <input type="checkbox"/> Limited Liability Partnership <input type="checkbox"/> Other: _____			
20) FCC Registration Number (FRN): 0003291192			
21) First Name (if individual):	MI:	Last Name:	Suffix:
22) Legal Entity Name (if not an individual): New Cingular Wireless PCS, LLC			
23) Attention To: Leslie A. Wilson			
24) P.O. Box:	And /Or	25) Street Address: 208 S. Akard Street, RM 1016	
26) City: Dallas	27) State: TX	28) Zip Code: 75202	
29) Telephone Number: (855)699-7073		30) Fax Number: (214)746-6410	
31) E-Mail Address: FCCMW@att.com			

32) Demographics of Assignor/Licensee (Optional):

Race:	Ethnicity:	Gender:
<input type="checkbox"/> American Indian or Alaska Native	<input type="checkbox"/> Hispanic or Latino	<input type="checkbox"/> Male
<input type="checkbox"/> Asian	<input type="checkbox"/> Not Hispanic or Latino	<input type="checkbox"/> Female
<input type="checkbox"/> Black or African-American		
<input type="checkbox"/> Native Hawaiian or Other Pacific Islander		
<input type="checkbox"/> White		

Assignor/Licensee Contact Representative

33) First Name:	MI:	Last Name:	Suffix:
34) Company Name: AT&T Mobility LLC			
35) Attention To: Michael P. Goggin			
36) P.O. Box:	And /Or	37) Street Address: 1120 20th Street NW - Suite 1000	
38) City: Washington	39) State: DC	40) Zip Code: 20036	
41) Telephone Number: (202)457-2055		42) Fax Number:	
43) E-Mail Address: michael.p.goggin@att.com			

Transferor Information (for Transfers of Control only)

44) Transferor is a(n): (Select One) <input type="checkbox"/> Individual <input type="checkbox"/> Unincorporated Association <input type="checkbox"/> Trust <input type="checkbox"/> Government Entity <input checked="" type="checkbox"/> Corporation <input type="checkbox"/> Limited Liability Company <input type="checkbox"/> General Partnership <input type="checkbox"/> Limited Partnership <input type="checkbox"/> Limited Liability Partnership <input type="checkbox"/> Other: _____			
45) FCC Registration Number (FRN): 0020559076			
46) First Name (if individual):	MI:	Last Name:	Suffix:
47) Legal Entity Name (if not an individual): AT&T Teleholdings, Inc.			
48) Attention To: James J.R. Talbot			
49) P.O. Box:	And /Or	50) Street Address: 1120 20th Street, NW, Suite 1000	
51) City: Washington		52) State: DC	53) Zip Code: 20036
54) Telephone Number: (202)457-3048		55) Fax Number:	
56) E-Mail Address: jt8232@att.com			

57) Demographics of Transferor (Optional):

Race: <input type="checkbox"/> American Indian or Alaska Native <input type="checkbox"/> Asian <input type="checkbox"/> Black or African-American <input type="checkbox"/> Native Hawaiian or Other Pacific Islander <input type="checkbox"/> White	Ethnicity: <input type="checkbox"/> Hispanic or Latino <input type="checkbox"/> Not Hispanic or Latino	Gender: <input type="checkbox"/> Male <input type="checkbox"/> Female
---	---	--

Transferor Contact Representative

58) First Name: James	MI:	Last Name: Talbot	Suffix:
59) Company Name: AT&T Services, Inc.			
60) Attention To:			
61) P.O. Box:	And /Or	62) Street Address: 1120 20th Street, NW, Suite 1000	
63) City: Washington		64) State: DC	65) Zip Code: 20036
66) Telephone Number: (202)457-3048		67) Fax Number:	
68) E-Mail Address: jt8232@att.com			

Assignee/Transferee Information

69) Assignee/Transferee is a(n): (Select One) <input type="checkbox"/> Individual <input type="checkbox"/> Unincorporated Association <input type="checkbox"/> Trust <input type="checkbox"/> Government Entity <input checked="" type="checkbox"/> Corporation <input type="checkbox"/> Limited Liability Company <input type="checkbox"/> General Partnership <input type="checkbox"/> Limited Partnership <input type="checkbox"/> Limited Liability Partnership <input type="checkbox"/> Other: _____			
70) FCC Registration Number (FRN): 0020559076			
71) First Name (if individual):	MI:	Last Name:	Suffix:
72) Legal Entity Name (if not an individual): AT&T Teleholdings, Inc.			
73) Attention To: James J.R. Talbot			
74) Real Party in Interest FCC Registration Number (FRN): 0020559076			
75) Name of Real Party in Interest: AT&T Teleholdings, Inc.			
76) P.O. Box:	And /Or	77) Street Address: 1120 20th Street, NW, Suite 1000	
78) City: Washington	79) State: DC	80) Zip Code: 20036	
81) Telephone Number: (202)457-3048		82) Fax Number:	
83) E-Mail Address: jt8232@att.com			

84) Demographics of Assignee/Transferee (Optional):

Race: <input type="checkbox"/> American Indian or Alaska Native <input type="checkbox"/> Asian <input type="checkbox"/> Black or African-American <input type="checkbox"/> Native Hawaiian or Other Pacific Islander <input type="checkbox"/> White	Ethnicity: <input type="checkbox"/> Hispanic or Latino <input type="checkbox"/> Not Hispanic or Latino	Gender: <input type="checkbox"/> Male <input type="checkbox"/> Female
---	---	--

Assignee/Transferee Contact Representative (if other than Assignee/Transferee)**() Check here if same as Assignee/Transferee.**

85) First Name: James	MI:	Last Name: Talbot	Suffix:
86) Company Name: AT&T Services, Inc.			
87) Attention To:			
88) P.O. Box:	And /Or	89) Street Address: 1120 20th Street, NW, Suite 1000	
90) City: Washington	91) State: DC	92) Zip Code: 20036	
93) Telephone Number: (202)457-3048		94) Fax Number:	
95) E-Mail Address: jt8232@att.com			

Ownership Disclosure Information

96a) Is the Assignee/Transferee required to file FCC Form 602, Ownership Disclosure Information for the Wireless Telecommunications Services?	(Y) Yes <u>No</u>
96b) If 94a is 'Y', provide the File Number of the FCC Form 602 that is required to be submitted in conjunction with this application or is already on file with the FCC.	File Number: <u>0008491710</u>

Alien Ownership (If any answer is 'Y', provide an attachment explaining the circumstances. In preparing the attachment, refer to the Main Form Instructions for the "Alien Ownership Questions".)

97) Is the Assignee/Post-transfer Licensee a foreign government or the representative of any foreign government?	(N) Yes <u>No</u>
98) Is the Assignee/Post-Transfer Licensee an alien or the representative of an alien?	(N) Yes <u>No</u>
99) Is the Assignee/Post-Transfer Licensee a corporation organized under the laws of any foreign government?	(N) Yes <u>No</u>
100) Is the Assignee/Post-Transfer Licensee a corporation of which more than one-fifth of the capital stock is owned of record or voted by aliens or their representatives, or by a foreign government or representative thereof, or by any corporation organized under the laws of a foreign country?	(N) <u>Yes</u> <u>No</u>
101a) Is the Assignee/Post-Transfer Licensee directly or indirectly controlled by any other corporation of which more than one-fourth of the capital stock is owned of record or voted by aliens or their representatives, or by a foreign government or representative thereof, or by any corporation organized under the laws of a foreign country?	(N) <u>Yes</u> <u>No</u>

101b) If the answer to 100 or 101a is 'Y' select one of the choices below.

The Assignee or Post-Transfer Licensee is exempt from the provisions of Section 310(b).

It is not necessary to file a petition for declaratory ruling if the Assignee or Post-Transfer Licensee includes in the attachment required by Item 100 or Item 101a a showing that the subject License(s) is exempt from the provisions of Section 310(b).

The Assignee or Post-Transfer Licensee has received a declaratory ruling(s) approving its foreign ownership, and the application involves only the acquisition of additional spectrum for the provision of a wireless service in a geographic coverage area for which the Assignee or Post-Transfer Licensee has been previously authorized.

If checked, include in the attachment required by Item 100 or Item 101a the citation(s) of the applicable declaratory ruling(s) by DA/FCC number, the FCC Record citation, if available, release date, and a statement that there has been no change in the foreign ownership of the Assignee or Post-Transfer Licensee since the issuance of its ruling.

The Assignee or Post-Transfer Licensee: (i) has received a declaratory ruling(s) approving its foreign ownership, but is not able to make the certification specified immediately above; or (ii) is an "affiliate" of a Licensee or Lessee/SubLessee that received a declaratory ruling(s) under Section 1.990(a) of the Commission's Rules, 47 C.F.R. § 1.990(a), and is relying on the affiliate's ruling for purposes of filing this application as permitted under the affiliate's ruling and Section 1.994(b) of the Rules, 47 C.F.R. § 1.994(b).

If checked, and if the Assignee or Post-Transfer Licensee received its declaratory ruling(s) on or after August 9, 2013, include in the attachment required by Item 100 or Item 101a the citation(s) of the Assignee or Post-Transfer Licensee's declaratory ruling(s) by DA/FCC number, the FCC Record citation, if available, release date, and a statement that the Assignee or Post-Transfer Licensee is in compliance with the terms and conditions of its ruling and with the Commission's Rules.

If checked, and if the Assignee or Post-Transfer Licensee received its declaratory ruling(s) prior to August 9, 2013, include in the attachment required by Item 101a a copy of a petition for declaratory ruling filed contemporaneously with the Commission to extend the Assignee or Post-Transfer Licensee's existing ruling(s) to cover the same radio service(s) and geographic coverage area(s) involved in the application. Alternatively, the Assignee or Post-Transfer Licensee may request a new declaratory ruling pursuant to Section 1.990(a) of the Commission's Rules, 47 C.F.R. § 1.990(a). Petitions for declaratory ruling may be filed electronically on the Internet through the International Bureau Filing System (IBFS) (with a copy attached hereto).

If checked, and if the Assignee or Post-Transfer Licensee is relying on an affiliate's ruling for purposes of filing this application/notification, include in the attachment required by Item 100 or Item 101a the citation(s) of the applicable declaratory ruling(s) by DA/FCC number, the FCC Record citation, if available, release date, and a statement that the Assignee or Post-Transfer Licensee is in compliance with the terms and conditions of the named affiliate(s)'s ruling and with the Commission's Rules. The Assignee or Post-Transfer Licensee must also include a certification of compliance signed by the named affiliate or other qualified entity as specified in Section 1.994(b) of the Rules, 47 C.F.R. § 1.994(b). See Main Form Instructions for Items 100 or 101a, as applicable.

The Assignee or Post-Transfer Licensee has not received a declaratory ruling approving its foreign ownership and is requesting a declaratory ruling under Section 1.990(a) of the Commission's Rules, 47 C.F.R. § 1.990(a), in a petition filed contemporaneously with the Commission.

If checked, include in the attachment required by Item 100 or 101a a copy of the petition for declaratory ruling filed contemporaneously with the Commission pursuant to Section 1.990(a) of the Commission's Rules, 47 C.F.R. § 1.990(a). Petitions for declaratory ruling may be filed electronically on the Internet through the International Bureau Filing System (IBFS) (with a copy attached hereto).

Basic Qualification Information

<p>102) Has the Assignee/Transferee or any party to this application had any FCC station authorization, license or construction permit revoked or had any application for an initial, modification, or renewal of FCC station authorization, license, or construction permit denied by the Commission?</p> <p>If 'Y', attach an exhibit explaining the circumstances.</p>	<p>(<input type="radio"/> N) <u>Y</u>es <u>N</u>o</p>
<p>103) Has the Assignee/Transferee or any party to this application, or any party directly or indirectly controlling the Assignee/Transferee ever been convicted of a felony by any state or federal court?</p> <p>If 'Y', attach an exhibit explaining the circumstances.</p>	<p>(<input type="radio"/> N) <u>Y</u>es <u>N</u>o</p>
<p>104) Has any court finally adjudged the Assignee/Transferee, or any party directly or indirectly controlling the Assignee/Transferee guilty of unlawfully monopolizing or attempting unlawfully to monopolize radio communication, directly or indirectly, through control of manufacture or sale of radio apparatus, exclusive traffic arrangement, or any other means or unfair methods of competition?</p> <p>If 'Y', attach an exhibit explaining the circumstances.</p>	<p>(<input type="radio"/> N) <u>Y</u>es <u>N</u>o</p>

Assignor/Transferor Certification Statements

<p>1) The Assignor/Transferor certifies either that (1) the authorization will not be assigned or that control of the license(s) will not be transferred until the consent of the Federal Communications Commission has been given, or (2) prior Commission consent is not required because the transaction is subject to streamlined notification procedures for <i>pro forma</i> assignments and transfers by telecommunications carriers. See Section 1.948(c) (1) of the Commission's Rules.</p>
<p>2) The Assignor/Transferor certifies that all statements made in this application and in the exhibits, attachments, or documents incorporated by reference are material, are part of this application, and are true, complete, correct, and made in good faith.</p>
<p>3) The Assignor/Transferor certifies that it is not in default on any payment for Commission licenses and that it is not delinquent on any non-tax debt owed to any federal agency.</p>

Typed or Printed Name of Party Authorized to Sign

<p>105) First Name: Paul</p>	<p>MI: M</p>	<p>Last Name: Wilson</p>	<p>Suffix:</p>
<p>106) Title: Assistant Secretary</p>			
<p>Signature: Paul M Wilson</p>			<p>107) Date: 01/29/2019</p>

FAILURE TO SIGN THIS APPLICATION MAY RESULT IN DISMISSAL OF THE APPLICATION AND FORFEITURE OF ANY FEES PAID.

WILLFUL FALSE STATEMENTS MADE ON THIS FORM OR ANY ATTACHMENTS ARE PUNISHABLE BY FINE AND/OR IMPRISONMENT (U.S. Code, Title 18, Section 1001) AND/OR REVOCATION OF ANY STATION LICENSE OR CONSTRUCTION PERMIT (U.S. Code, Title 47, Section 312(a)(1)), AND/OR FORFEITURE (U.S. Code, Title 47, Section 503).

Assignee/Transferee Certification Statements

1) The Assignee/Transferee certifies either that (1) the authorization(s) will not be assigned or that control of the license(s) will not be transferred until the consent of the Federal Communications Commission has been given, or (2) prior Commission consent is not required because the transaction is subject to streamlined notification procedures for <i>pro forma</i> assignments and transfers by telecommunications carriers. See Section 1.948(c)(1) of the Commission's Rules.
2) The Assignee/Transferee waives any claim to the use of any particular frequency or of the electromagnetic spectrum as against the regulatory power of the United States because of the previous use of the same, whether by license or otherwise, and requests an authorization in accordance with this application.
3) The Assignee/Transferee certifies that grant of this application would not cause the Assignee or Transferee to be in violation of any pertinent cross-ownership or attribution rules.* *If the Assignee/Transferee has sought a waiver of any such rule in connection with this application, it may make this certification subject to the outcome of the waiver request.
4) The Assignee/Transferee agrees to assume all obligations and abide by all conditions imposed on the Assignor/Transferor under the subject authorization(s), unless the Federal Communications Commission pursuant to a request made herein otherwise allows, except for liability for any act done by, or any right accrued by, or any suit or proceeding had or commenced against the Assignor/Transferor prior to this assignment/transfer.
5) The Assignee/Transferee certifies that all statements made in this application and in the exhibits, attachments, or documents incorporated by reference are material, are part of this application, and are true, complete, correct, and made in good faith.
6) The Assignee/Transferee certifies that neither it nor any other party to the application is subject to a denial of Federal benefits pursuant to Section 5301 of the Anti-Drug Abuse Act of 1988, 21 U.S.C. § 862, because of a conviction for possession or distribution of a controlled substance. This certification does not apply to applications filed in services exempted under Section 1.2002(c) of the Commission's Rules. See Section 1.2002(b) of the Commission's Rules for the definition of "party to the application" as used in this certification.
7) The Assignee/Transferee certifies that it is not in default on any payment for Commission licenses and that it is not delinquent on any non-tax debt owed to any federal agency.
8) The Assignee/Transferee certifies that it and all of the related individuals and entities required to be disclosed on this application and FCC Form 602 (FCC Ownership Disclosure Information for the Wireless Telecommunications Services) are not person(s) who have been, for reasons of national security, barred by any agency of the Federal Government from bidding on a contract, participating in an auction, or receiving a grant. This certification applies only to applications for licenses for spectrum that is required by Sections 6103, 6401-6403 of the Middle Class Tax Relief and Job Creation Act of 2012, codified at 47 U.S.C. §§ 309, 1413, 1451-1452, to be assigned by a system of competitive bidding under 47 U.S.C. § 309(j).

Typed or Printed Name of Party Authorized to Sign

108) First Name: Paul	MI: M	Last Name: Wilson	Suffix:
109) Title: Assistant Secretary			
Signature: Paul M Wilson		110) Date: 01/29/2019	
FAILURE TO SIGN THIS APPLICATION MAY RESULT IN DISMISSAL OF THE APPLICATION AND FORFEITURE OF ANY FEES PAID.			
WILLFUL FALSE STATEMENTS MADE ON THIS FORM OR ANY ATTACHMENTS ARE PUNISHABLE BY FINE AND/OR IMPRISONMENT (U.S. Code, Title 18, Section 1001) AND/OR REVOCATION OF ANY STATION LICENSE OR CONSTRUCTION PERMIT (U.S. Code, Title 47, Section 312(a)(1)), AND/OR FORFEITURE (U.S. Code, Title 47, Section 503).			

Authorizations To Be Assigned or Transferred

111) Call Sign	112) Radio Service Code	113) Location Number	114) Path Number (Microwave only)	115) Frequency Number	116) Lower or Center Frequency (MHz)	117) Upper Frequency (MHz)	118) Constructed Yes / No
KNKA210	CL - Cellular						Y
KNKA217	CL - Cellular						Y
KNKA218	CL - Cellular						Y
KNKA222	CL - Cellular						Y
KNKA223	CL - Cellular						Y
KNKA224	CL - Cellular						Y
KNKA225	CL - Cellular						Y
KNKA239	CL - Cellular						Y
KNKA241	CL - Cellular						Y
KNKA242	CL - Cellular						Y
KNKA243	CL - Cellular						Y
KNKA245	CL - Cellular						Y
KNKA249	CL - Cellular						Y
KNKA256	CL - Cellular						Y
KNKA261	CL - Cellular						Y
KNKA262	CL - Cellular						Y
KNKA263	CL - Cellular						Y
KNKA264	CL - Cellular						Y

111) Call Sign	112) Radio Service Code	113) Location Number	114) Path Number (Microwave only)	115) Frequency Number	116) Lower or Center Frequency (MHz)	117) Upper Frequency (MHz)	118) Constructed Yes / No
KNKA268	CL - Cellular						Y
KNKA277	CL - Cellular						Y
KNKA285	CL - Cellular						Y
KNKA287	CL - Cellular						Y
KNKA288	CL - Cellular						Y
KNKA292	CL - Cellular						Y
KNKA294	CL - Cellular						Y
KNKA298	CL - Cellular						Y
KNKA310	CL - Cellular						Y
KNKA311	CL - Cellular						Y
KNKA314	CL - Cellular						Y
KNKA317	CL - Cellular						Y
KNKA318	CL - Cellular						Y
KNKA319	CL - Cellular						Y
KNKA338	CL - Cellular						Y
KNKA339	CL - Cellular						Y
KNKA342	CL - Cellular						Y
KNKA347	CL - Cellular						Y
KNKA353	CL - Cellular						Y

111) Call Sign	112) Radio Service Code	113) Location Number	114) Path Number (Microwave only)	115) Frequency Number	116) Lower or Center Frequency (MHz)	117) Upper Frequency (MHz)	118) Constructed Yes / No
KNKA355	CL - Cellular						Y
KNKA356	CL - Cellular						Y
KNKA364	CL - Cellular						Y
KNKA382	CL - Cellular						Y
KNKA392	CL - Cellular						Y
KNKA394	CL - Cellular						Y
KNKA403	CL - Cellular						Y
KNKA406	CL - Cellular						Y
KNKA418	CL - Cellular						Y
KNKA424	CL - Cellular						Y
KNKA426	CL - Cellular						Y
KNKA434	CL - Cellular						Y
KNKA436	CL - Cellular						Y
KNKA445	CL - Cellular						Y
KNKA455	CL - Cellular						Y
KNKA457	CL - Cellular						Y
KNKA461	CL - Cellular						Y
KNKA468	CL - Cellular						Y
KNKA470	CL - Cellular						Y

111) Call Sign	112) Radio Service Code	113) Location Number	114) Path Number (Microwave only)	115) Frequency Number	116) Lower or Center Frequency (MHz)	117) Upper Frequency (MHz)	118) Constructed Yes / No
KNKA476	CL - Cellular						Y
KNKA479	CL - Cellular						Y
KNKA481	CL - Cellular						Y
KNKA486	CL - Cellular						Y
KNKA488	CL - Cellular						Y
KNKA494	CL - Cellular						Y
KNKA505	CL - Cellular						Y
KNKA513	CL - Cellular						Y
KNKA515	CL - Cellular						Y
KNKA517	CL - Cellular						Y
KNKA528	CL - Cellular						Y
KNKA531	CL - Cellular						Y
KNKA534	CL - Cellular						Y
KNKA543	CL - Cellular						Y
KNKA548	CL - Cellular						Y
KNKA550	CL - Cellular						Y
KNKA555	CL - Cellular						Y
KNKA565	CL - Cellular						Y
KNKA570	CL - Cellular						Y

111) Call Sign	112) Radio Service Code	113) Location Number	114) Path Number (Microwave only)	115) Frequency Number	116) Lower or Center Frequency (MHz)	117) Upper Frequency (MHz)	118) Constructed Yes / No
KNKA573	CL - Cellular						Y
KNKA575	CL - Cellular						Y
KNKA576	CL - Cellular						Y
KNKA583	CL - Cellular						Y
KNKA609	CL - Cellular						Y
KNKA610	CL - Cellular						Y
KNKA617	CL - Cellular						Y
KNKA621	CL - Cellular						Y
KNKA631	CL - Cellular						Y
KNKA645	CL - Cellular						Y
KNKA647	CL - Cellular						Y
KNKA652	CL - Cellular						Y
KNKA653	CL - Cellular						Y
KNKA655	CL - Cellular						Y
KNKA660	CL - Cellular						Y
KNKA672	CL - Cellular						Y
KNKA687	CL - Cellular						Y
KNKA694	CL - Cellular						Y
KNKA696	CL - Cellular						Y

111) Call Sign	112) Radio Service Code	113) Location Number	114) Path Number (Microwave only)	115) Frequency Number	116) Lower or Center Frequency (MHz)	117) Upper Frequency (MHz)	118) Constructed Yes / No
KNKA701	CL - Cellular						Y
KNKA712	CL - Cellular						Y
KNKA738	CL - Cellular						Y
KNKA739	CL - Cellular						Y
KNKA743	CL - Cellular						Y
KNKA748	CL - Cellular						Y
KNKA749	CL - Cellular						Y
KNKA754	CL - Cellular						Y
KNKA759	CL - Cellular						Y
KNKA766	CL - Cellular						Y
KNKA773	CL - Cellular						Y
KNKA775	CL - Cellular						Y
KNKA776	CL - Cellular						Y
KNKA779	CL - Cellular						Y
KNKA780	CL - Cellular						Y
KNKA788	CL - Cellular						Y
KNKA791	CL - Cellular						Y
KNKA807	CL - Cellular						Y
KNKA810	CL - Cellular						Y

111) Call Sign	112) Radio Service Code	113) Location Number	114) Path Number (Microwave only)	115) Frequency Number	116) Lower or Center Frequency (MHz)	117) Upper Frequency (MHz)	118) Constructed Yes / No
KNKA816	CL - Cellular						Y
KNKA818	CL - Cellular						Y
KNKA820	CL - Cellular						Y
KNKN231	CL - Cellular						Y
KNKN309	CL - Cellular						Y
KNKN320	CL - Cellular						Y
KNKN376	CL - Cellular						Y
KNKN391	CL - Cellular						Y
KNKN436	CL - Cellular						Y
KNKN475	CL - Cellular						Y
KNKN496	CL - Cellular						Y
KNKN497	CL - Cellular						Y
KNKN508	CL - Cellular						Y
KNKN511	CL - Cellular						Y
KNKN512	CL - Cellular						Y
KNKN544	CL - Cellular						Y
KNKN545	CL - Cellular						Y
KNKN548	CL - Cellular						Y
KNKN550	CL - Cellular						Y

111) Call Sign	112) Radio Service Code	113) Location Number	114) Path Number (Microwave only)	115) Frequency Number	116) Lower or Center Frequency (MHz)	117) Upper Frequency (MHz)	118) Constructed Yes / No
KNKN553	CL - Cellular						Y
KNKN555	CL - Cellular						Y
KNKN556	CL - Cellular						Y
KNKN562	CL - Cellular						Y
KNKN566	CL - Cellular						Y
KNKN569	CL - Cellular						Y
KNKN570	CL - Cellular						Y
KNKN571	CL - Cellular						Y
KNKN573	CL - Cellular						Y
KNKN587	CL - Cellular						Y
KNKN589	CL - Cellular						Y
KNKN596	CL - Cellular						Y
KNKN598	CL - Cellular						Y
KNKN600	CL - Cellular						Y
KNKN620	CL - Cellular						Y
KNKN622	CL - Cellular						Y
KNKN625	CL - Cellular						Y
KNKN628	CL - Cellular						Y
KNKN629	CL - Cellular						Y

111) Call Sign	112) Radio Service Code	113) Location Number	114) Path Number (Microwave only)	115) Frequency Number	116) Lower or Center Frequency (MHz)	117) Upper Frequency (MHz)	118) Constructed Yes / No
KNKN633	CL - Cellular						Y
KNKN634	CL - Cellular						Y
KNKN652	CL - Cellular						Y
KNKN653	CL - Cellular						Y
KNKN660	CL - Cellular						Y
KNKN662	CL - Cellular						Y
KNKN666	CL - Cellular						Y
KNKN669	CL - Cellular						Y
KNKN673	CL - Cellular						Y
KNKN674	CL - Cellular						Y
KNKN678	CL - Cellular						Y
KNKN679	CL - Cellular						Y
KNKN685	CL - Cellular						Y
KNKN697	CL - Cellular						Y
KNKN706	CL - Cellular						Y
KNKN713	CL - Cellular						Y
KNKN717	CL - Cellular						Y
KNKN719	CL - Cellular						Y
KNKN720	CL - Cellular						Y

111) Call Sign	112) Radio Service Code	113) Location Number	114) Path Number (Microwave only)	115) Frequency Number	116) Lower or Center Frequency (MHz)	117) Upper Frequency (MHz)	118) Constructed Yes / No
KNKN723	CL - Cellular						Y
KNKN725	CL - Cellular						Y
KNKN732	CL - Cellular						Y
KNKN738	CL - Cellular						Y
KNKN740	CL - Cellular						Y
KNKN748	CL - Cellular						Y
KNKN753	CL - Cellular						Y
KNKN756	CL - Cellular						Y
KNKN758	CL - Cellular						Y
KNKN759	CL - Cellular						Y
KNKN761	CL - Cellular						Y
KNKN765	CL - Cellular						Y
KNKN773	CL - Cellular						Y
KNKN779	CL - Cellular						Y
KNKN781	CL - Cellular						Y
KNKN791	CL - Cellular						Y
KNKN793	CL - Cellular						Y
KNKN803	CL - Cellular						Y
KNKN805	CL - Cellular						Y

111) Call Sign	112) Radio Service Code	113) Location Number	114) Path Number (Microwave only)	115) Frequency Number	116) Lower or Center Frequency (MHz)	117) Upper Frequency (MHz)	118) Constructed Yes / No
KNKN822	CL - Cellular						Y
KNKN823	CL - Cellular						Y
KNKN827	CL - Cellular						Y
KNKN829	CL - Cellular						Y
KNKN830	CL - Cellular						Y
KNKN836	CL - Cellular						Y
KNKN838	CL - Cellular						Y
KNKN841	CL - Cellular						Y
KNKN849	CL - Cellular						Y
KNKN851	CL - Cellular						Y
KNKN854	CL - Cellular						Y
KNKN856	CL - Cellular						Y
KNKN861	CL - Cellular						Y
KNKN863	CL - Cellular						Y
KNKN864	CL - Cellular						Y
KNKN865	CL - Cellular						Y
KNKN872	CL - Cellular						Y
KNKN873	CL - Cellular						Y
KNKN874	CL - Cellular						Y

111) Call Sign	112) Radio Service Code	113) Location Number	114) Path Number (Microwave only)	115) Frequency Number	116) Lower or Center Frequency (MHz)	117) Upper Frequency (MHz)	118) Constructed Yes / No
KNKN877	CL - Cellular						Y
KNKN878	CL - Cellular						Y
KNKN883	CL - Cellular						Y
KNKN899	CL - Cellular						Y
KNKN901	CL - Cellular						Y
KNKN903	CL - Cellular						Y
KNKN904	CL - Cellular						Y
KNKN913	CL - Cellular						Y
KNKN917	CL - Cellular						Y
KNKN920	CL - Cellular						Y
KNKN937	CL - Cellular						Y
KNKN938	CL - Cellular						Y
KNKN946	CL - Cellular						Y
KNKN947	CL - Cellular						Y
KNKN950	CL - Cellular						Y
KNKN956	CL - Cellular						Y
KNKN958	CL - Cellular						Y
KNKN959	CL - Cellular						Y
KNKN960	CL - Cellular						Y

111) Call Sign	112) Radio Service Code	113) Location Number	114) Path Number (Microwave only)	115) Frequency Number	116) Lower or Center Frequency (MHz)	117) Upper Frequency (MHz)	118) Constructed Yes / No
KNKN961	CL - Cellular						Y
KNKN963	CL - Cellular						Y
KNKN964	CL - Cellular						Y
KNKN965	CL - Cellular						Y
KNKN966	CL - Cellular						Y
KNKN970	CL - Cellular						Y
KNKN976	CL - Cellular						Y
KNKN977	CL - Cellular						Y
KNKN980	CL - Cellular						Y
KNKN982	CL - Cellular						Y
KNKN985	CL - Cellular						Y
KNKN987	CL - Cellular						Y
KNKQ253	CL - Cellular						Y
KNKQ255	CL - Cellular						Y
KNKQ258	CL - Cellular						Y
KNKQ261	CL - Cellular						Y
KNKQ262	CL - Cellular						Y
KNKQ263	CL - Cellular						Y
KNKQ264	CL - Cellular						Y

111) Call Sign	112) Radio Service Code	113) Location Number	114) Path Number (Microwave only)	115) Frequency Number	116) Lower or Center Frequency (MHz)	117) Upper Frequency (MHz)	118) Constructed Yes / No
KNKQ265	CL - Cellular						Y
KNKQ269	CL - Cellular						Y
KNKQ270	CL - Cellular						Y
KNKQ276	CL - Cellular						Y
KNKQ279	CL - Cellular						Y
KNKQ280	CL - Cellular						Y
KNKQ286	CL - Cellular						Y
KNKQ288	CL - Cellular						Y
KNKQ290	CL - Cellular						Y
KNKQ293	CL - Cellular						Y
KNKQ294	CL - Cellular						Y
KNKQ295	CL - Cellular						Y
KNKQ297	CL - Cellular						Y
KNKQ298	CL - Cellular						Y
KNKQ305	CL - Cellular						Y
KNKQ309	CL - Cellular						Y
KNKQ310	CL - Cellular						Y
KNKQ318	CL - Cellular						Y
KNKQ328	CL - Cellular						Y

111) Call Sign	112) Radio Service Code	113) Location Number	114) Path Number (Microwave only)	115) Frequency Number	116) Lower or Center Frequency (MHz)	117) Upper Frequency (MHz)	118) Constructed Yes / No
KNKQ335	CL - Cellular						Y
KNKQ344	CL - Cellular						Y
KNKQ346	CL - Cellular						Y
KNKQ353	CL - Cellular						Y
KNKQ360	CL - Cellular						Y
KNKQ361	CL - Cellular						Y
KNKQ368	CL - Cellular						Y
KNKQ369	CL - Cellular						Y
KNKQ371	CL - Cellular						Y
KNKQ372	CL - Cellular						Y
KNKQ382	CL - Cellular						Y
KNKQ384	CL - Cellular						Y
KNKQ386	CL - Cellular						Y
KNKQ391	CL - Cellular						Y
KNKQ394	CL - Cellular						Y
KNKQ395	CL - Cellular						Y
KNKQ397	CL - Cellular						Y
KNKQ415	CL - Cellular						Y
KNKQ422	CL - Cellular						Y

111) Call Sign	112) Radio Service Code	113) Location Number	114) Path Number (Microwave only)	115) Frequency Number	116) Lower or Center Frequency (MHz)	117) Upper Frequency (MHz)	118) Constructed Yes / No
KNKQ434	CL - Cellular						Y
KNKQ436	CL - Cellular						Y
KNKQ440	CL - Cellular						Y
KNKQ442	CL - Cellular						Y
KNKQ455	CL - Cellular						Y
KNKR212	CL - Cellular						Y
KNKR271	CL - Cellular						Y
KNLB200	WS - Wireless Communications Service						Y
KNLB204	WS - Wireless Communications Service						Y
KNLB205	WS - Wireless Communications Service						Y
KNLB206	WS - Wireless Communications Service						Y
KNLB207	WS - Wireless Communications Service						Y
KNLB208	WS - Wireless Communications Service						Y
KNLB210	WS - Wireless Communications Service						Y
KNLB213	WS - Wireless Communications Service						Y
KNLB217	WS - Wireless Communications Service						Y
KNLB218	WS - Wireless Communications Service						Y
KNLB232	WS - Wireless Communications Service						Y
KNLB235	WS - Wireless Communications Service						Y

111) Call Sign	112) Radio Service Code	113) Location Number	114) Path Number (Microwave only)	115) Frequency Number	116) Lower or Center Frequency (MHz)	117) Upper Frequency (MHz)	118) Constructed Yes / No
KNLB243	WS - Wireless Communications Service						Y
KNLB275	WS - Wireless Communications Service						Y
KNLB276	WS - Wireless Communications Service						Y
KNLB278	WS - Wireless Communications Service						Y
KNLB282	WS - Wireless Communications Service						Y
KNLB283	WS - Wireless Communications Service						Y
KNLB284	WS - Wireless Communications Service						Y
KNLB291	WS - Wireless Communications Service						Y
KNLB292	WS - Wireless Communications Service						Y
KNLB293	WS - Wireless Communications Service						Y
KNLB294	WS - Wireless Communications Service						Y
KNLB295	WS - Wireless Communications Service						Y
KNLB298	WS - Wireless Communications Service						Y
KNLB299	WS - Wireless Communications Service						Y
KNLB301	WS - Wireless Communications Service						Y
KNLB302	WS - Wireless Communications Service						Y
KNLB304	WS - Wireless Communications Service						Y
KNLB305	WS - Wireless Communications Service						Y
KNLB312	WS - Wireless Communications Service						Y

111) Call Sign	112) Radio Service Code	113) Location Number	114) Path Number (Microwave only)	115) Frequency Number	116) Lower or Center Frequency (MHz)	117) Upper Frequency (MHz)	118) Constructed Yes / No
KNLB313	WS - Wireless Communications Service						Y
KNLB315	WS - Wireless Communications Service						Y
KNLB316	WS - Wireless Communications Service						Y
KNLB318	WS - Wireless Communications Service						Y
KNLB322	WS - Wireless Communications Service						Y
KNLF205	CW - PCS Broadband						Y
KNLF206	CW - PCS Broadband						Y
KNLF212	CW - PCS Broadband						Y
KNLF216	CW - PCS Broadband						Y
KNLF221	CW - PCS Broadband						Y
KNLF231	CW - PCS Broadband						Y
KNLF237	CW - PCS Broadband						Y
KNLF245	CW - PCS Broadband						Y
KNLF256	CW - PCS Broadband						Y
KNLF275	CW - PCS Broadband						Y
KNLF279	CW - PCS Broadband						Y
KNLF283	CW - PCS Broadband						Y
KNLF287	CW - PCS Broadband						Y
KNLF288	CW - PCS Broadband						Y

111) Call Sign	112) Radio Service Code	113) Location Number	114) Path Number (Microwave only)	115) Frequency Number	116) Lower or Center Frequency (MHz)	117) Upper Frequency (MHz)	118) Constructed Yes / No
KNLF291	CW - PCS Broadband						Y
KNLF325	CW - PCS Broadband						Y
KNLF361	CW - PCS Broadband						Y
KNLF367	CW - PCS Broadband						Y
KNLF392	CW - PCS Broadband						Y
KNLF393	CW - PCS Broadband						Y
KNLF459	CW - PCS Broadband						Y
KNLF466	CW - PCS Broadband						Y
KNLF467	CW - PCS Broadband						Y
KNLF473	CW - PCS Broadband						Y
KNLF587	CW - PCS Broadband						Y
KNLF606	CW - PCS Broadband						Y
KNLF607	CW - PCS Broadband						Y
KNLF769	CW - PCS Broadband						Y
KNLF880	CW - PCS Broadband						Y
KNLF891	CW - PCS Broadband						Y
KNLF902	CW - PCS Broadband						Y
KNLF913	CW - PCS Broadband						Y
KNLF928	CW - PCS Broadband						Y

111) Call Sign	112) Radio Service Code	113) Location Number	114) Path Number (Microwave only)	115) Frequency Number	116) Lower or Center Frequency (MHz)	117) Upper Frequency (MHz)	118) Constructed Yes / No
KNLF944	CW - PCS Broadband						Y
KNLF949	CW - PCS Broadband						Y
KNLF951	CW - PCS Broadband						Y
KNLF952	CW - PCS Broadband						Y
KNLF962	CW - PCS Broadband						Y
KNLF984	CW - PCS Broadband						Y
KNLG208	CW - PCS Broadband						Y
KNLG209	CW - PCS Broadband						Y
KNLG219	CW - PCS Broadband						Y
KNLG225	CW - PCS Broadband						Y
KNLG230	CW - PCS Broadband						Y
KNLG243	CW - PCS Broadband						Y
KNLG277	CW - PCS Broadband						Y
KNLG290	CW - PCS Broadband						Y
KNLG307	CW - PCS Broadband						Y
KNLG313	CW - PCS Broadband						Y
KNLG329	CW - PCS Broadband						Y
KNLG338	CW - PCS Broadband						Y
KNLG342	CW - PCS Broadband						Y

111) Call Sign	112) Radio Service Code	113) Location Number	114) Path Number (Microwave only)	115) Frequency Number	116) Lower or Center Frequency (MHz)	117) Upper Frequency (MHz)	118) Constructed Yes / No
KNLG362	CW - PCS Broadband						Y
KNLG373	CW - PCS Broadband						Y
KNLG381	CW - PCS Broadband						Y
KNLG382	CW - PCS Broadband						Y
KNLG389	CW - PCS Broadband						Y
KNLG396	CW - PCS Broadband						Y
KNLG408	CW - PCS Broadband						Y
KNLG412	CW - PCS Broadband						Y
KNLG413	CW - PCS Broadband						Y
KNLG420	CW - PCS Broadband						Y
KNLG424	CW - PCS Broadband						Y
KNLG433	CW - PCS Broadband						Y
KNLG442	CW - PCS Broadband						Y
KNLG449	CW - PCS Broadband						Y
KNLG453	CW - PCS Broadband						Y
KNLG467	CW - PCS Broadband						Y
KNLG474	CW - PCS Broadband						Y
KNLG485	CW - PCS Broadband						Y
KNLG494	CW - PCS Broadband						Y

111) Call Sign	112) Radio Service Code	113) Location Number	114) Path Number (Microwave only)	115) Frequency Number	116) Lower or Center Frequency (MHz)	117) Upper Frequency (MHz)	118) Constructed Yes / No
KNLG497	CW - PCS Broadband						Y
KNLG501	CW - PCS Broadband						Y
KNLG502	CW - PCS Broadband						Y
KNLG504	CW - PCS Broadband						Y
KNLG508	CW - PCS Broadband						Y
KNLG510	CW - PCS Broadband						Y
KNLG512	CW - PCS Broadband						Y
KNLG514	CW - PCS Broadband						Y
KNLG520	CW - PCS Broadband						Y
KNLG529	CW - PCS Broadband						Y
KNLG535	CW - PCS Broadband						Y
KNLG546	CW - PCS Broadband						Y
KNLG549	CW - PCS Broadband						Y
KNLG555	CW - PCS Broadband						Y
KNLG560	CW - PCS Broadband						Y
KNLG563	CW - PCS Broadband						Y
KNLG570	CW - PCS Broadband						Y
KNLG577	CW - PCS Broadband						Y
KNLG581	CW - PCS Broadband						Y

111) Call Sign	112) Radio Service Code	113) Location Number	114) Path Number (Microwave only)	115) Frequency Number	116) Lower or Center Frequency (MHz)	117) Upper Frequency (MHz)	118) Constructed Yes / No
KNLG608	CW - PCS Broadband						Y
KNLG614	CW - PCS Broadband						Y
KNLG616	CW - PCS Broadband						Y
KNLG617	CW - PCS Broadband						Y
KNLG619	CW - PCS Broadband						Y
KNLG622	CW - PCS Broadband						Y
KNLG624	CW - PCS Broadband						Y
KNLG627	CW - PCS Broadband						Y
KNLG629	CW - PCS Broadband						Y
KNLG630	CW - PCS Broadband						Y
KNLG632	CW - PCS Broadband						Y
KNLG633	CW - PCS Broadband						Y
KNLG637	CW - PCS Broadband						Y
KNLG639	CW - PCS Broadband						Y
KNLG640	CW - PCS Broadband						Y
KNLG642	CW - PCS Broadband						Y
KNLG644	CW - PCS Broadband						Y
KNLG645	CW - PCS Broadband						Y
KNLG678	CW - PCS Broadband						Y

111) Call Sign	112) Radio Service Code	113) Location Number	114) Path Number (Microwave only)	115) Frequency Number	116) Lower or Center Frequency (MHz)	117) Upper Frequency (MHz)	118) Constructed Yes / No
KNLG684	CW - PCS Broadband						Y
KNLG689	CW - PCS Broadband						Y
KNLG691	CW - PCS Broadband						Y
KNLG696	CW - PCS Broadband						Y
KNLG699	CW - PCS Broadband						Y
KNLG714	CW - PCS Broadband						Y
KNLG718	CW - PCS Broadband						Y
KNLG739	CW - PCS Broadband						Y
KNLG741	CW - PCS Broadband						Y
KNLG766	CW - PCS Broadband						Y
KNLG779	CW - PCS Broadband						Y
KNLG784	CW - PCS Broadband						Y
KNLG794	CW - PCS Broadband						Y
KNLG801	CW - PCS Broadband						Y
KNLG802	CW - PCS Broadband						Y
KNLG831	CW - PCS Broadband						Y
KNLG860	CW - PCS Broadband						Y
KNLG862	CW - PCS Broadband						Y
KNLG867	CW - PCS Broadband						Y

111) Call Sign	112) Radio Service Code	113) Location Number	114) Path Number (Microwave only)	115) Frequency Number	116) Lower or Center Frequency (MHz)	117) Upper Frequency (MHz)	118) Constructed Yes / No
KNLG885	CW - PCS Broadband						Y
KNLG896	CW - PCS Broadband						Y
KNLG900	CW - PCS Broadband						Y
KNLG902	CW - PCS Broadband						Y
KNLG906	CW - PCS Broadband						Y
KNLG909	CW - PCS Broadband						Y
KNLG910	CW - PCS Broadband						Y
KNLG915	CW - PCS Broadband						Y
KNLG918	CW - PCS Broadband						Y
KNLG922	CW - PCS Broadband						Y
KNLG925	CW - PCS Broadband						Y
KNLG928	CW - PCS Broadband						Y
KNLG931	CW - PCS Broadband						Y
KNLG933	CW - PCS Broadband						Y
KNLG935	CW - PCS Broadband						Y
KNLG944	CW - PCS Broadband						Y
KNLH204	CW - PCS Broadband						Y
KNLH213	CW - PCS Broadband						Y
KNLH220	CW - PCS Broadband						Y

111) Call Sign	112) Radio Service Code	113) Location Number	114) Path Number (Microwave only)	115) Frequency Number	116) Lower or Center Frequency (MHz)	117) Upper Frequency (MHz)	118) Constructed Yes / No
KNLH226	CW - PCS Broadband						Y
KNLH324	CW - PCS Broadband						Y
KNLH341	CW - PCS Broadband						Y
KNLH378	CW - PCS Broadband						Y
KNLH381	CW - PCS Broadband						Y
KNLH406	CW - PCS Broadband						Y
KNLH416	CW - PCS Broadband						Y
KNLH418	CW - PCS Broadband						Y
KNLH419	CW - PCS Broadband						Y
KNLH425	CW - PCS Broadband						Y
KNLH429	CW - PCS Broadband						Y
KNLH444	CW - PCS Broadband						Y
KNLH449	CW - PCS Broadband						Y
KNLH456	CW - PCS Broadband						Y
KNLH460	CW - PCS Broadband						Y
KNLH482	CW - PCS Broadband						Y
KNLH524	CW - PCS Broadband						Y
KNLH550	CW - PCS Broadband						Y
KNLH564	CW - PCS Broadband						Y

111) Call Sign	112) Radio Service Code	113) Location Number	114) Path Number (Microwave only)	115) Frequency Number	116) Lower or Center Frequency (MHz)	117) Upper Frequency (MHz)	118) Constructed Yes / No
KNLH579	CW - PCS Broadband						Y
KNLH584	CW - PCS Broadband						Y
KNLH617	CW - PCS Broadband						Y
KNLH627	CW - PCS Broadband						Y
KNLH629	CW - PCS Broadband						Y
KNLH631	CW - PCS Broadband						Y
KNLH650	CW - PCS Broadband						Y
KNLH651	CW - PCS Broadband						Y
KNLH654	CW - PCS Broadband						Y
KNLH678	CW - PCS Broadband						Y
KNLH748	CW - PCS Broadband						Y
WHA732	CF - Common Carrier Fixed Point to Point Microwave						Y
WHB502	CF - Common Carrier Fixed Point to Point Microwave						Y
WHB596	CF - Common Carrier Fixed Point to Point Microwave						Y
WHC927	CF - Common Carrier Fixed Point to Point Microwave						Y
WHC931	CF - Common Carrier Fixed Point to Point Microwave						Y
WHC932	CF - Common Carrier Fixed Point to Point Microwave						Y
WHC984	CF - Common Carrier Fixed Point to Point Microwave						Y
WHC985	CF - Common Carrier Fixed Point to Point Microwave						Y

111) Call Sign	112) Radio Service Code	113) Location Number	114) Path Number (Microwave only)	115) Frequency Number	116) Lower or Center Frequency (MHz)	117) Upper Frequency (MHz)	118) Constructed Yes / No
WHD244	CF - Common Carrier Fixed Point to Point Microwave						Y
WHE479	CF - Common Carrier Fixed Point to Point Microwave						Y
WHE481	CF - Common Carrier Fixed Point to Point Microwave						Y
WHE484	CF - Common Carrier Fixed Point to Point Microwave						Y
WHF500	CF - Common Carrier Fixed Point to Point Microwave						Y
WHF501	CF - Common Carrier Fixed Point to Point Microwave						Y
WHF503	CF - Common Carrier Fixed Point to Point Microwave						Y
WHF504	CF - Common Carrier Fixed Point to Point Microwave						Y
WHF586	CF - Common Carrier Fixed Point to Point Microwave						Y
WHF588	CF - Common Carrier Fixed Point to Point Microwave						Y
WHO690	CF - Common Carrier Fixed Point to Point Microwave						Y
WHO999	CF - Common Carrier Fixed Point to Point Microwave						Y
WHT212	CF - Common Carrier Fixed Point to Point Microwave						Y
WLA336	CF - Common Carrier Fixed Point to Point Microwave						Y
WLA338	CF - Common Carrier Fixed Point to Point Microwave						Y
WLA342	CF - Common Carrier Fixed Point to Point Microwave						Y
WLA359	CF - Common Carrier Fixed Point to Point Microwave						Y
WLA364	CF - Common Carrier Fixed Point to Point Microwave						Y
WLA723	CF - Common Carrier Fixed Point to Point Microwave						Y

111) Call Sign	112) Radio Service Code	113) Location Number	114) Path Number (Microwave only)	115) Frequency Number	116) Lower or Center Frequency (MHz)	117) Upper Frequency (MHz)	118) Constructed Yes / No
WLA782	CF - Common Carrier Fixed Point to Point Microwave						Y
WLA907	CF - Common Carrier Fixed Point to Point Microwave						Y
WLC334	CF - Common Carrier Fixed Point to Point Microwave						Y
WLC336	CF - Common Carrier Fixed Point to Point Microwave						Y
WLC578	CF - Common Carrier Fixed Point to Point Microwave						Y
WLK479	CF - Common Carrier Fixed Point to Point Microwave						Y
WLK622	CF - Common Carrier Fixed Point to Point Microwave						Y
WLK631	CF - Common Carrier Fixed Point to Point Microwave						Y
WLK638	CF - Common Carrier Fixed Point to Point Microwave						Y
WLK640	CF - Common Carrier Fixed Point to Point Microwave						Y
WLK717	CF - Common Carrier Fixed Point to Point Microwave						Y
WLK853	CF - Common Carrier Fixed Point to Point Microwave						Y
WLL207	CF - Common Carrier Fixed Point to Point Microwave						Y
WLL209	CF - Common Carrier Fixed Point to Point Microwave						Y
WLL211	CF - Common Carrier Fixed Point to Point Microwave						Y
WLL246	CF - Common Carrier Fixed Point to Point Microwave						Y
WLL248	CF - Common Carrier Fixed Point to Point Microwave						Y
WLL249	CF - Common Carrier Fixed Point to Point Microwave						Y
WLL275	CF - Common Carrier Fixed Point to Point Microwave						Y

111) Call Sign	112) Radio Service Code	113) Location Number	114) Path Number (Microwave only)	115) Frequency Number	116) Lower or Center Frequency (MHz)	117) Upper Frequency (MHz)	118) Constructed Yes / No
WLL295	CF - Common Carrier Fixed Point to Point Microwave						Y
WLL357	CF - Common Carrier Fixed Point to Point Microwave						Y
WLL425	CF - Common Carrier Fixed Point to Point Microwave						Y
WLL481	CF - Common Carrier Fixed Point to Point Microwave						Y
WLL483	CF - Common Carrier Fixed Point to Point Microwave						Y
WLL501	CF - Common Carrier Fixed Point to Point Microwave						Y
WLL503	CF - Common Carrier Fixed Point to Point Microwave						Y
WLL747	CF - Common Carrier Fixed Point to Point Microwave						Y
WLL872	CF - Common Carrier Fixed Point to Point Microwave						Y
WLL873	CF - Common Carrier Fixed Point to Point Microwave						Y
WLL874	CF - Common Carrier Fixed Point to Point Microwave						Y
WLL875	CF - Common Carrier Fixed Point to Point Microwave						Y
WLL924	CF - Common Carrier Fixed Point to Point Microwave						Y
WLL972	CF - Common Carrier Fixed Point to Point Microwave						Y
WLM330	CF - Common Carrier Fixed Point to Point Microwave						Y
WLM381	CF - Common Carrier Fixed Point to Point Microwave						Y
WLM382	CF - Common Carrier Fixed Point to Point Microwave						Y
WLM383	CF - Common Carrier Fixed Point to Point Microwave						Y
WLM384	CF - Common Carrier Fixed Point to Point Microwave						Y

111) Call Sign	112) Radio Service Code	113) Location Number	114) Path Number (Microwave only)	115) Frequency Number	116) Lower or Center Frequency (MHz)	117) Upper Frequency (MHz)	118) Constructed Yes / No
WLM385	CF - Common Carrier Fixed Point to Point Microwave						Y
WLM386	CF - Common Carrier Fixed Point to Point Microwave						Y
WLM400	CF - Common Carrier Fixed Point to Point Microwave						Y
WLM409	CF - Common Carrier Fixed Point to Point Microwave						Y
WLM612	CF - Common Carrier Fixed Point to Point Microwave						Y
WLM613	CF - Common Carrier Fixed Point to Point Microwave						Y
WLM708	CF - Common Carrier Fixed Point to Point Microwave						Y
WLM757	CF - Common Carrier Fixed Point to Point Microwave						Y
WLM762	CF - Common Carrier Fixed Point to Point Microwave						Y
WLN276	CF - Common Carrier Fixed Point to Point Microwave						Y
WLN418	CF - Common Carrier Fixed Point to Point Microwave						Y
WLN491	CF - Common Carrier Fixed Point to Point Microwave						Y
WLN555	CF - Common Carrier Fixed Point to Point Microwave						Y
WLN568	CF - Common Carrier Fixed Point to Point Microwave						Y
WLN637	CF - Common Carrier Fixed Point to Point Microwave						Y
WLN692	CF - Common Carrier Fixed Point to Point Microwave						Y
WLN693	CF - Common Carrier Fixed Point to Point Microwave						Y
WLN694	CF - Common Carrier Fixed Point to Point Microwave						Y
WLN696	CF - Common Carrier Fixed Point to Point Microwave						Y

111) Call Sign	112) Radio Service Code	113) Location Number	114) Path Number (Microwave only)	115) Frequency Number	116) Lower or Center Frequency (MHz)	117) Upper Frequency (MHz)	118) Constructed Yes / No
WLN731	CF - Common Carrier Fixed Point to Point Microwave						Y
WLN849	CF - Common Carrier Fixed Point to Point Microwave						Y
WLN862	CF - Common Carrier Fixed Point to Point Microwave						Y
WLR200	CF - Common Carrier Fixed Point to Point Microwave						Y
WLR201	CF - Common Carrier Fixed Point to Point Microwave						Y
WLR211	CF - Common Carrier Fixed Point to Point Microwave						Y
WLR263	CF - Common Carrier Fixed Point to Point Microwave						Y
WLR297	CF - Common Carrier Fixed Point to Point Microwave						Y
WLR453	CF - Common Carrier Fixed Point to Point Microwave						Y
WLR613	CF - Common Carrier Fixed Point to Point Microwave						Y
WLR614	CF - Common Carrier Fixed Point to Point Microwave						Y
WLR615	CF - Common Carrier Fixed Point to Point Microwave						Y
WLR645	CF - Common Carrier Fixed Point to Point Microwave						Y
WLS539	CF - Common Carrier Fixed Point to Point Microwave						Y
WLS540	CF - Common Carrier Fixed Point to Point Microwave						Y
WLS671	CF - Common Carrier Fixed Point to Point Microwave						Y
WLS673	CF - Common Carrier Fixed Point to Point Microwave						Y
WLS724	CF - Common Carrier Fixed Point to Point Microwave						Y
WLS731	CF - Common Carrier Fixed Point to Point Microwave						Y

111) Call Sign	112) Radio Service Code	113) Location Number	114) Path Number (Microwave only)	115) Frequency Number	116) Lower or Center Frequency (MHz)	117) Upper Frequency (MHz)	118) Constructed Yes / No
WLS737	CF - Common Carrier Fixed Point to Point Microwave						Y
WLS740	CF - Common Carrier Fixed Point to Point Microwave						Y
WLS744	CF - Common Carrier Fixed Point to Point Microwave						Y
WLS753	CF - Common Carrier Fixed Point to Point Microwave						Y
WLS754	CF - Common Carrier Fixed Point to Point Microwave						Y
WLS773	CF - Common Carrier Fixed Point to Point Microwave						Y
WLS775	CF - Common Carrier Fixed Point to Point Microwave						Y
WLS777	CF - Common Carrier Fixed Point to Point Microwave						Y
WLS816	CF - Common Carrier Fixed Point to Point Microwave						Y
WLT273	CF - Common Carrier Fixed Point to Point Microwave						Y
WLT426	CF - Common Carrier Fixed Point to Point Microwave						Y
WLT555	CF - Common Carrier Fixed Point to Point Microwave						Y
WLT565	CF - Common Carrier Fixed Point to Point Microwave						Y
WLT612	CF - Common Carrier Fixed Point to Point Microwave						Y
WLT631	CF - Common Carrier Fixed Point to Point Microwave						Y
WLT717	CF - Common Carrier Fixed Point to Point Microwave						Y
WLT718	CF - Common Carrier Fixed Point to Point Microwave						Y
WLT762	CF - Common Carrier Fixed Point to Point Microwave						Y
WLT763	CF - Common Carrier Fixed Point to Point Microwave						Y

111) Call Sign	112) Radio Service Code	113) Location Number	114) Path Number (Microwave only)	115) Frequency Number	116) Lower or Center Frequency (MHz)	117) Upper Frequency (MHz)	118) Constructed Yes / No
WLT846	CF - Common Carrier Fixed Point to Point Microwave						Y
WLT932	CF - Common Carrier Fixed Point to Point Microwave						Y
WLT996	CF - Common Carrier Fixed Point to Point Microwave						Y
WLU216	CF - Common Carrier Fixed Point to Point Microwave						Y
WLU218	CF - Common Carrier Fixed Point to Point Microwave						Y
WLU228	CF - Common Carrier Fixed Point to Point Microwave						Y
WLU229	CF - Common Carrier Fixed Point to Point Microwave						Y
WLU230	CF - Common Carrier Fixed Point to Point Microwave						Y
WLU251	CF - Common Carrier Fixed Point to Point Microwave						Y
WLU410	CF - Common Carrier Fixed Point to Point Microwave						Y
WLU483	CF - Common Carrier Fixed Point to Point Microwave						Y
WLU513	CF - Common Carrier Fixed Point to Point Microwave						Y
WLU581	CF - Common Carrier Fixed Point to Point Microwave						Y
WLU611	CF - Common Carrier Fixed Point to Point Microwave						Y
WLU612	CF - Common Carrier Fixed Point to Point Microwave						Y
WLU685	CF - Common Carrier Fixed Point to Point Microwave						Y
WLU721	CF - Common Carrier Fixed Point to Point Microwave						Y
WLU830	CF - Common Carrier Fixed Point to Point Microwave						Y
WLU831	CF - Common Carrier Fixed Point to Point Microwave						Y

111) Call Sign	112) Radio Service Code	113) Location Number	114) Path Number (Microwave only)	115) Frequency Number	116) Lower or Center Frequency (MHz)	117) Upper Frequency (MHz)	118) Constructed Yes / No
WLU846	CF - Common Carrier Fixed Point to Point Microwave						Y
WLU886	CF - Common Carrier Fixed Point to Point Microwave						Y
WLU897	CF - Common Carrier Fixed Point to Point Microwave						Y
WLU918	CF - Common Carrier Fixed Point to Point Microwave						Y
WLV222	CF - Common Carrier Fixed Point to Point Microwave						Y
WLV226	CF - Common Carrier Fixed Point to Point Microwave						Y
WLV255	CF - Common Carrier Fixed Point to Point Microwave						Y
WLV296	CF - Common Carrier Fixed Point to Point Microwave						Y
WLV349	CF - Common Carrier Fixed Point to Point Microwave						Y
WLV383	CF - Common Carrier Fixed Point to Point Microwave						Y
WLV431	CF - Common Carrier Fixed Point to Point Microwave						Y
WLV439	CF - Common Carrier Fixed Point to Point Microwave						Y
WLV473	CF - Common Carrier Fixed Point to Point Microwave						Y
WLV483	CF - Common Carrier Fixed Point to Point Microwave						Y
WLV490	CF - Common Carrier Fixed Point to Point Microwave						Y
WLV511	CF - Common Carrier Fixed Point to Point Microwave						Y
WLV515	CF - Common Carrier Fixed Point to Point Microwave						Y
WLV528	CF - Common Carrier Fixed Point to Point Microwave						Y
WLV548	CF - Common Carrier Fixed Point to Point Microwave						Y

111) Call Sign	112) Radio Service Code	113) Location Number	114) Path Number (Microwave only)	115) Frequency Number	116) Lower or Center Frequency (MHz)	117) Upper Frequency (MHz)	118) Constructed Yes / No
WLV552	CF - Common Carrier Fixed Point to Point Microwave						Y
WLV556	CF - Common Carrier Fixed Point to Point Microwave						Y
WLV565	CF - Common Carrier Fixed Point to Point Microwave						Y
WLV597	CF - Common Carrier Fixed Point to Point Microwave						Y
WLV608	CF - Common Carrier Fixed Point to Point Microwave						Y
WLV638	CF - Common Carrier Fixed Point to Point Microwave						Y
WLV692	CF - Common Carrier Fixed Point to Point Microwave						Y
WLV728	CF - Common Carrier Fixed Point to Point Microwave						Y
WLV749	CF - Common Carrier Fixed Point to Point Microwave						Y
WLV762	CF - Common Carrier Fixed Point to Point Microwave						Y
WLV763	CF - Common Carrier Fixed Point to Point Microwave						Y
WLV764	CF - Common Carrier Fixed Point to Point Microwave						Y
WLV784	CF - Common Carrier Fixed Point to Point Microwave						Y
WLV835	CF - Common Carrier Fixed Point to Point Microwave						Y
WLV912	CF - Common Carrier Fixed Point to Point Microwave						Y
WLV959	CF - Common Carrier Fixed Point to Point Microwave						Y
WLV980	CF - Common Carrier Fixed Point to Point Microwave						Y
WLV981	CF - Common Carrier Fixed Point to Point Microwave						Y
WLV982	CF - Common Carrier Fixed Point to Point Microwave						Y

111) Call Sign	112) Radio Service Code	113) Location Number	114) Path Number (Microwave only)	115) Frequency Number	116) Lower or Center Frequency (MHz)	117) Upper Frequency (MHz)	118) Constructed Yes / No
WLW246	CF - Common Carrier Fixed Point to Point Microwave						Y
WLW268	CF - Common Carrier Fixed Point to Point Microwave						Y
WLW272	CF - Common Carrier Fixed Point to Point Microwave						Y
WLW273	CF - Common Carrier Fixed Point to Point Microwave						Y
WLW274	CF - Common Carrier Fixed Point to Point Microwave						Y
WLW275	CF - Common Carrier Fixed Point to Point Microwave						Y
WLW287	CF - Common Carrier Fixed Point to Point Microwave						Y
WLW288	CF - Common Carrier Fixed Point to Point Microwave						Y
WLW300	CF - Common Carrier Fixed Point to Point Microwave						Y
WLW354	CF - Common Carrier Fixed Point to Point Microwave						Y
WLW356	CF - Common Carrier Fixed Point to Point Microwave						Y
WLW491	CF - Common Carrier Fixed Point to Point Microwave						Y
WLW594	CF - Common Carrier Fixed Point to Point Microwave						Y
WLW608	CF - Common Carrier Fixed Point to Point Microwave						Y
WLW612	CF - Common Carrier Fixed Point to Point Microwave						Y
WLW613	CF - Common Carrier Fixed Point to Point Microwave						Y
WLW659	CF - Common Carrier Fixed Point to Point Microwave						Y
WLW675	CF - Common Carrier Fixed Point to Point Microwave						Y
WLW676	CF - Common Carrier Fixed Point to Point Microwave						Y

111) Call Sign	112) Radio Service Code	113) Location Number	114) Path Number (Microwave only)	115) Frequency Number	116) Lower or Center Frequency (MHz)	117) Upper Frequency (MHz)	118) Constructed Yes / No
WLW683	CF - Common Carrier Fixed Point to Point Microwave						Y
WVG745	CF - Common Carrier Fixed Point to Point Microwave						Y
WVG761	CF - Common Carrier Fixed Point to Point Microwave						Y
WVG844	CF - Common Carrier Fixed Point to Point Microwave						Y
WMI729	CF - Common Carrier Fixed Point to Point Microwave						Y
WMI757	CF - Common Carrier Fixed Point to Point Microwave						Y
WMJ207	CF - Common Carrier Fixed Point to Point Microwave						Y
WMJ208	CF - Common Carrier Fixed Point to Point Microwave						Y
WMJ209	CF - Common Carrier Fixed Point to Point Microwave						Y
WMJ241	CF - Common Carrier Fixed Point to Point Microwave						Y
WMJ338	CF - Common Carrier Fixed Point to Point Microwave						Y
WMJ339	CF - Common Carrier Fixed Point to Point Microwave						Y
WMJ340	CF - Common Carrier Fixed Point to Point Microwave						Y
WMJ341	CF - Common Carrier Fixed Point to Point Microwave						Y
WMJ357	CF - Common Carrier Fixed Point to Point Microwave						Y
WMJ358	CF - Common Carrier Fixed Point to Point Microwave						Y
WMJ361	CF - Common Carrier Fixed Point to Point Microwave						Y
WMJ362	CF - Common Carrier Fixed Point to Point Microwave						Y
WMJ386	CF - Common Carrier Fixed Point to Point Microwave						Y

111) Call Sign	112) Radio Service Code	113) Location Number	114) Path Number (Microwave only)	115) Frequency Number	116) Lower or Center Frequency (MHz)	117) Upper Frequency (MHz)	118) Constructed Yes / No
WMJ387	CF - Common Carrier Fixed Point to Point Microwave						Y
WMJ455	CF - Common Carrier Fixed Point to Point Microwave						Y
WMJ466	CF - Common Carrier Fixed Point to Point Microwave						Y
WMJ484	CF - Common Carrier Fixed Point to Point Microwave						Y
WMJ551	CF - Common Carrier Fixed Point to Point Microwave						Y
WMJ640	CF - Common Carrier Fixed Point to Point Microwave						Y
WMJ669	CF - Common Carrier Fixed Point to Point Microwave						Y
WMJ670	CF - Common Carrier Fixed Point to Point Microwave						Y
WMJ710	CF - Common Carrier Fixed Point to Point Microwave						Y
WMJ711	CF - Common Carrier Fixed Point to Point Microwave						Y
WMJ712	CF - Common Carrier Fixed Point to Point Microwave						Y
WMJ901	CF - Common Carrier Fixed Point to Point Microwave						Y
WMJ965	CF - Common Carrier Fixed Point to Point Microwave						Y
WMJ971	CF - Common Carrier Fixed Point to Point Microwave						Y
WMJ979	CF - Common Carrier Fixed Point to Point Microwave						Y
WMK203	CF - Common Carrier Fixed Point to Point Microwave						Y
WMK526	CF - Common Carrier Fixed Point to Point Microwave						Y
WMK667	CF - Common Carrier Fixed Point to Point Microwave						Y
WMK714	CF - Common Carrier Fixed Point to Point Microwave						Y

111) Call Sign	112) Radio Service Code	113) Location Number	114) Path Number (Microwave only)	115) Frequency Number	116) Lower or Center Frequency (MHz)	117) Upper Frequency (MHz)	118) Constructed Yes / No
WMK716	CF - Common Carrier Fixed Point to Point Microwave						Y
WMK791	CF - Common Carrier Fixed Point to Point Microwave						Y
WMK807	CF - Common Carrier Fixed Point to Point Microwave						Y
WMK818	CF - Common Carrier Fixed Point to Point Microwave						Y
WMK866	CF - Common Carrier Fixed Point to Point Microwave						Y
WMK957	CF - Common Carrier Fixed Point to Point Microwave						Y
WMK958	CF - Common Carrier Fixed Point to Point Microwave						Y
WMK981	CF - Common Carrier Fixed Point to Point Microwave						Y
WML369	CF - Common Carrier Fixed Point to Point Microwave						Y
WML374	CF - Common Carrier Fixed Point to Point Microwave						Y
WML377	CF - Common Carrier Fixed Point to Point Microwave						Y
WML556	CF - Common Carrier Fixed Point to Point Microwave						Y
WML682	CF - Common Carrier Fixed Point to Point Microwave						Y
WML745	CF - Common Carrier Fixed Point to Point Microwave						Y
WML943	CF - Common Carrier Fixed Point to Point Microwave						Y
WMM390	CF - Common Carrier Fixed Point to Point Microwave						Y
WMM460	CF - Common Carrier Fixed Point to Point Microwave						Y
WMM466	CF - Common Carrier Fixed Point to Point Microwave						Y
WMM467	CF - Common Carrier Fixed Point to Point Microwave						Y

111) Call Sign	112) Radio Service Code	113) Location Number	114) Path Number (Microwave only)	115) Frequency Number	116) Lower or Center Frequency (MHz)	117) Upper Frequency (MHz)	118) Constructed Yes / No
WMM468	CF - Common Carrier Fixed Point to Point Microwave						Y
WMM672	CF - Common Carrier Fixed Point to Point Microwave						Y
WMM712	CF - Common Carrier Fixed Point to Point Microwave						Y
WMM846	CF - Common Carrier Fixed Point to Point Microwave						Y
WMM868	CF - Common Carrier Fixed Point to Point Microwave						Y
WMM870	CF - Common Carrier Fixed Point to Point Microwave						Y
WMM871	CF - Common Carrier Fixed Point to Point Microwave						Y
WMM886	CF - Common Carrier Fixed Point to Point Microwave						Y
WMM888	CF - Common Carrier Fixed Point to Point Microwave						Y
WMM892	CF - Common Carrier Fixed Point to Point Microwave						Y
WMM893	CF - Common Carrier Fixed Point to Point Microwave						Y
WMM903	CF - Common Carrier Fixed Point to Point Microwave						Y
WMM904	CF - Common Carrier Fixed Point to Point Microwave						Y
WMM905	CF - Common Carrier Fixed Point to Point Microwave						Y
WMM927	CF - Common Carrier Fixed Point to Point Microwave						Y
WMM933	CF - Common Carrier Fixed Point to Point Microwave						Y
WMM934	CF - Common Carrier Fixed Point to Point Microwave						Y
WMM935	CF - Common Carrier Fixed Point to Point Microwave						Y
WMM965	CF - Common Carrier Fixed Point to Point Microwave						Y

111) Call Sign	112) Radio Service Code	113) Location Number	114) Path Number (Microwave only)	115) Frequency Number	116) Lower or Center Frequency (MHz)	117) Upper Frequency (MHz)	118) Constructed Yes / No
WMN205	CF - Common Carrier Fixed Point to Point Microwave						Y
WMN206	CF - Common Carrier Fixed Point to Point Microwave						Y
WMN207	CF - Common Carrier Fixed Point to Point Microwave						Y
WMN208	CF - Common Carrier Fixed Point to Point Microwave						Y
WMN209	CF - Common Carrier Fixed Point to Point Microwave						Y
WMN226	CF - Common Carrier Fixed Point to Point Microwave						Y
WMN248	CF - Common Carrier Fixed Point to Point Microwave						Y
WMN249	CF - Common Carrier Fixed Point to Point Microwave						Y
WMN389	CF - Common Carrier Fixed Point to Point Microwave						Y
WMN402	CF - Common Carrier Fixed Point to Point Microwave						Y
WMN478	CF - Common Carrier Fixed Point to Point Microwave						Y
WMN479	CF - Common Carrier Fixed Point to Point Microwave						Y
WMN486	CF - Common Carrier Fixed Point to Point Microwave						Y
WMN496	CF - Common Carrier Fixed Point to Point Microwave						Y
WMN498	CF - Common Carrier Fixed Point to Point Microwave						Y
WMN517	CF - Common Carrier Fixed Point to Point Microwave						Y
WMN529	CF - Common Carrier Fixed Point to Point Microwave						Y
WMN554	CF - Common Carrier Fixed Point to Point Microwave						Y
WMN555	CF - Common Carrier Fixed Point to Point Microwave						Y

111) Call Sign	112) Radio Service Code	113) Location Number	114) Path Number (Microwave only)	115) Frequency Number	116) Lower or Center Frequency (MHz)	117) Upper Frequency (MHz)	118) Constructed Yes / No
WMN558	CF - Common Carrier Fixed Point to Point Microwave						Y
WMN559	CF - Common Carrier Fixed Point to Point Microwave						Y
WMN560	CF - Common Carrier Fixed Point to Point Microwave						Y
WMN639	CF - Common Carrier Fixed Point to Point Microwave						Y
WMN640	CF - Common Carrier Fixed Point to Point Microwave						Y
WMN679	CF - Common Carrier Fixed Point to Point Microwave						Y
WMN687	CF - Common Carrier Fixed Point to Point Microwave						Y
WMN688	CF - Common Carrier Fixed Point to Point Microwave						Y
WMN697	CF - Common Carrier Fixed Point to Point Microwave						Y
WMN698	CF - Common Carrier Fixed Point to Point Microwave						Y
WMN699	CF - Common Carrier Fixed Point to Point Microwave						Y
WMN713	CF - Common Carrier Fixed Point to Point Microwave						Y
WMN741	CF - Common Carrier Fixed Point to Point Microwave						Y
WMN745	CF - Common Carrier Fixed Point to Point Microwave						Y
WMN754	CF - Common Carrier Fixed Point to Point Microwave						Y
WMN776	CF - Common Carrier Fixed Point to Point Microwave						Y
WMN807	CF - Common Carrier Fixed Point to Point Microwave						Y
WMN808	CF - Common Carrier Fixed Point to Point Microwave						Y
WMN813	CF - Common Carrier Fixed Point to Point Microwave						Y

111) Call Sign	112) Radio Service Code	113) Location Number	114) Path Number (Microwave only)	115) Frequency Number	116) Lower or Center Frequency (MHz)	117) Upper Frequency (MHz)	118) Constructed Yes / No
WMN889	CF - Common Carrier Fixed Point to Point Microwave						Y
WMQ246	CF - Common Carrier Fixed Point to Point Microwave						Y
WMQ247	CF - Common Carrier Fixed Point to Point Microwave						Y
WMQ248	CF - Common Carrier Fixed Point to Point Microwave						Y
WMQ257	CF - Common Carrier Fixed Point to Point Microwave						Y
WMQ269	CF - Common Carrier Fixed Point to Point Microwave						Y
WMQ275	CF - Common Carrier Fixed Point to Point Microwave						Y
WMQ281	CF - Common Carrier Fixed Point to Point Microwave						Y
WMQ286	CF - Common Carrier Fixed Point to Point Microwave						Y
WMQ290	CF - Common Carrier Fixed Point to Point Microwave						Y
WMQ315	CF - Common Carrier Fixed Point to Point Microwave						Y
WMQ323	CF - Common Carrier Fixed Point to Point Microwave						Y
WMQ338	CF - Common Carrier Fixed Point to Point Microwave						Y
WMQ339	CF - Common Carrier Fixed Point to Point Microwave						Y
WMQ361	CF - Common Carrier Fixed Point to Point Microwave						Y
WMQ391	CF - Common Carrier Fixed Point to Point Microwave						Y
WMQ394	CF - Common Carrier Fixed Point to Point Microwave						Y
WMQ396	CF - Common Carrier Fixed Point to Point Microwave						Y
WMQ397	CF - Common Carrier Fixed Point to Point Microwave						Y

111) Call Sign	112) Radio Service Code	113) Location Number	114) Path Number (Microwave only)	115) Frequency Number	116) Lower or Center Frequency (MHz)	117) Upper Frequency (MHz)	118) Constructed Yes / No
WMQ401	CF - Common Carrier Fixed Point to Point Microwave						Y
WMQ403	CF - Common Carrier Fixed Point to Point Microwave						Y
WMQ448	CF - Common Carrier Fixed Point to Point Microwave						Y
WMQ458	CF - Common Carrier Fixed Point to Point Microwave						Y
WMQ462	CF - Common Carrier Fixed Point to Point Microwave						Y
WMQ503	CF - Common Carrier Fixed Point to Point Microwave						Y
WMQ540	CF - Common Carrier Fixed Point to Point Microwave						Y
WMQ569	CF - Common Carrier Fixed Point to Point Microwave						Y
WMQ579	CF - Common Carrier Fixed Point to Point Microwave						Y
WMQ636	CF - Common Carrier Fixed Point to Point Microwave						Y
WMQ648	CF - Common Carrier Fixed Point to Point Microwave						Y
WMQ667	CF - Common Carrier Fixed Point to Point Microwave						Y
WMQ679	CF - Common Carrier Fixed Point to Point Microwave						Y
WMQ680	CF - Common Carrier Fixed Point to Point Microwave						Y
WMQ681	CF - Common Carrier Fixed Point to Point Microwave						Y
WMQ683	CF - Common Carrier Fixed Point to Point Microwave						Y
WMQ685	CF - Common Carrier Fixed Point to Point Microwave						Y
WMQ687	CF - Common Carrier Fixed Point to Point Microwave						Y
WMQ740	CF - Common Carrier Fixed Point to Point Microwave						Y

111) Call Sign	112) Radio Service Code	113) Location Number	114) Path Number (Microwave only)	115) Frequency Number	116) Lower or Center Frequency (MHz)	117) Upper Frequency (MHz)	118) Constructed Yes / No
WMQ741	CF - Common Carrier Fixed Point to Point Microwave						Y
WMQ768	CF - Common Carrier Fixed Point to Point Microwave						Y
WMQ776	CF - Common Carrier Fixed Point to Point Microwave						Y
WMQ778	CF - Common Carrier Fixed Point to Point Microwave						Y
WMQ786	CF - Common Carrier Fixed Point to Point Microwave						Y
WMQ818	CF - Common Carrier Fixed Point to Point Microwave						Y
WMQ844	CF - Common Carrier Fixed Point to Point Microwave						Y
WMQ845	CF - Common Carrier Fixed Point to Point Microwave						Y
WMQ859	CF - Common Carrier Fixed Point to Point Microwave						Y
WMQ887	CF - Common Carrier Fixed Point to Point Microwave						Y
WMQ913	CF - Common Carrier Fixed Point to Point Microwave						Y
WMQ914	CF - Common Carrier Fixed Point to Point Microwave						Y
WMQ925	CF - Common Carrier Fixed Point to Point Microwave						Y
WMQ926	CF - Common Carrier Fixed Point to Point Microwave						Y
WMQ941	CF - Common Carrier Fixed Point to Point Microwave						Y
WMQ950	CF - Common Carrier Fixed Point to Point Microwave						Y
WMQ951	CF - Common Carrier Fixed Point to Point Microwave						Y
WMQ952	CF - Common Carrier Fixed Point to Point Microwave						Y
WMQ953	CF - Common Carrier Fixed Point to Point Microwave						Y

111) Call Sign	112) Radio Service Code	113) Location Number	114) Path Number (Microwave only)	115) Frequency Number	116) Lower or Center Frequency (MHz)	117) Upper Frequency (MHz)	118) Constructed Yes / No
WMQ954	CF - Common Carrier Fixed Point to Point Microwave						Y
WMQ955	CF - Common Carrier Fixed Point to Point Microwave						Y
WMQ959	CF - Common Carrier Fixed Point to Point Microwave						Y
WMQ971	CF - Common Carrier Fixed Point to Point Microwave						Y
WMR225	CF - Common Carrier Fixed Point to Point Microwave						Y
WMR237	CF - Common Carrier Fixed Point to Point Microwave						Y
WMR261	CF - Common Carrier Fixed Point to Point Microwave						Y
WMR276	CF - Common Carrier Fixed Point to Point Microwave						Y
WMR277	CF - Common Carrier Fixed Point to Point Microwave						Y
WMR297	CF - Common Carrier Fixed Point to Point Microwave						Y
WMR298	CF - Common Carrier Fixed Point to Point Microwave						Y
WMR299	CF - Common Carrier Fixed Point to Point Microwave						Y
WMR300	CF - Common Carrier Fixed Point to Point Microwave						Y
WMR330	CF - Common Carrier Fixed Point to Point Microwave						Y
WMR333	CF - Common Carrier Fixed Point to Point Microwave						Y
WMR334	CF - Common Carrier Fixed Point to Point Microwave						Y
WMR370	CF - Common Carrier Fixed Point to Point Microwave						Y
WMR379	CF - Common Carrier Fixed Point to Point Microwave						Y
WMR428	CF - Common Carrier Fixed Point to Point Microwave						Y

111) Call Sign	112) Radio Service Code	113) Location Number	114) Path Number (Microwave only)	115) Frequency Number	116) Lower or Center Frequency (MHz)	117) Upper Frequency (MHz)	118) Constructed Yes / No
WMR429	CF - Common Carrier Fixed Point to Point Microwave						Y
WMR488	CF - Common Carrier Fixed Point to Point Microwave						Y
WMR489	CF - Common Carrier Fixed Point to Point Microwave						Y
WMR515	CF - Common Carrier Fixed Point to Point Microwave						Y
WMR528	CF - Common Carrier Fixed Point to Point Microwave						Y
WMR534	CF - Common Carrier Fixed Point to Point Microwave						Y
WMR548	CF - Common Carrier Fixed Point to Point Microwave						Y
WMR550	CF - Common Carrier Fixed Point to Point Microwave						Y
WMR554	CF - Common Carrier Fixed Point to Point Microwave						Y
WMR561	CF - Common Carrier Fixed Point to Point Microwave						Y
WMR573	CF - Common Carrier Fixed Point to Point Microwave						Y
WMR577	CF - Common Carrier Fixed Point to Point Microwave						Y
WMR583	CF - Common Carrier Fixed Point to Point Microwave						Y
WMR686	CF - Common Carrier Fixed Point to Point Microwave						Y
WMR688	CF - Common Carrier Fixed Point to Point Microwave						Y
WMR689	CF - Common Carrier Fixed Point to Point Microwave						Y
WMR695	CF - Common Carrier Fixed Point to Point Microwave						Y
WMR697	CF - Common Carrier Fixed Point to Point Microwave						Y
WMR705	CF - Common Carrier Fixed Point to Point Microwave						Y

111) Call Sign	112) Radio Service Code	113) Location Number	114) Path Number (Microwave only)	115) Frequency Number	116) Lower or Center Frequency (MHz)	117) Upper Frequency (MHz)	118) Constructed Yes / No
WMR723	CF - Common Carrier Fixed Point to Point Microwave						Y
WMR724	CF - Common Carrier Fixed Point to Point Microwave						Y
WMR725	CF - Common Carrier Fixed Point to Point Microwave						Y
WMR728	CF - Common Carrier Fixed Point to Point Microwave						Y
WMR754	CF - Common Carrier Fixed Point to Point Microwave						Y
WMR778	CF - Common Carrier Fixed Point to Point Microwave						Y
WMR809	CF - Common Carrier Fixed Point to Point Microwave						Y
WMR810	CF - Common Carrier Fixed Point to Point Microwave						Y
WMR811	CF - Common Carrier Fixed Point to Point Microwave						Y
WMR881	CF - Common Carrier Fixed Point to Point Microwave						Y
WMR884	CF - Common Carrier Fixed Point to Point Microwave						Y
WMR905	CF - Common Carrier Fixed Point to Point Microwave						Y
WMR986	CF - Common Carrier Fixed Point to Point Microwave						Y
WMR987	CF - Common Carrier Fixed Point to Point Microwave						Y
WMR992	CF - Common Carrier Fixed Point to Point Microwave						Y
WMS205	CF - Common Carrier Fixed Point to Point Microwave						Y
WMS249	CF - Common Carrier Fixed Point to Point Microwave						Y
WMS276	CF - Common Carrier Fixed Point to Point Microwave						Y
WMS337	CF - Common Carrier Fixed Point to Point Microwave						Y

111) Call Sign	112) Radio Service Code	113) Location Number	114) Path Number (Microwave only)	115) Frequency Number	116) Lower or Center Frequency (MHz)	117) Upper Frequency (MHz)	118) Constructed Yes / No
WMS338	CF - Common Carrier Fixed Point to Point Microwave						Y
WMS430	CF - Common Carrier Fixed Point to Point Microwave						Y
WMS431	CF - Common Carrier Fixed Point to Point Microwave						Y
WMS441	CF - Common Carrier Fixed Point to Point Microwave						Y
WMS444	CF - Common Carrier Fixed Point to Point Microwave						Y
WMS483	CF - Common Carrier Fixed Point to Point Microwave						Y
WMS644	CF - Common Carrier Fixed Point to Point Microwave						Y
WMS658	CF - Common Carrier Fixed Point to Point Microwave						Y
WMS659	CF - Common Carrier Fixed Point to Point Microwave						Y
WMS681	CF - Common Carrier Fixed Point to Point Microwave						Y
WMS682	CF - Common Carrier Fixed Point to Point Microwave						Y
WMS697	CF - Common Carrier Fixed Point to Point Microwave						Y
WMS739	CF - Common Carrier Fixed Point to Point Microwave						Y
WMS771	CF - Common Carrier Fixed Point to Point Microwave						Y
WMS797	CF - Common Carrier Fixed Point to Point Microwave						Y
WMS798	CF - Common Carrier Fixed Point to Point Microwave						Y
WMS799	CF - Common Carrier Fixed Point to Point Microwave						Y
WMS803	CF - Common Carrier Fixed Point to Point Microwave						Y
WMS804	CF - Common Carrier Fixed Point to Point Microwave						Y

111) Call Sign	112) Radio Service Code	113) Location Number	114) Path Number (Microwave only)	115) Frequency Number	116) Lower or Center Frequency (MHz)	117) Upper Frequency (MHz)	118) Constructed Yes / No
WMS816	CF - Common Carrier Fixed Point to Point Microwave						Y
WMS824	CF - Common Carrier Fixed Point to Point Microwave						Y
WMS829	CF - Common Carrier Fixed Point to Point Microwave						Y
WMS830	CF - Common Carrier Fixed Point to Point Microwave						Y
WMS847	CF - Common Carrier Fixed Point to Point Microwave						Y
WMS848	CF - Common Carrier Fixed Point to Point Microwave						Y
WMS852	CF - Common Carrier Fixed Point to Point Microwave						Y
WMS863	CF - Common Carrier Fixed Point to Point Microwave						Y
WMS864	CF - Common Carrier Fixed Point to Point Microwave						Y
WMS865	CF - Common Carrier Fixed Point to Point Microwave						Y
WMS883	CF - Common Carrier Fixed Point to Point Microwave						Y
WMS888	CF - Common Carrier Fixed Point to Point Microwave						Y
WMS895	CF - Common Carrier Fixed Point to Point Microwave						Y
WMS908	CF - Common Carrier Fixed Point to Point Microwave						Y
WMS909	CF - Common Carrier Fixed Point to Point Microwave						Y
WMS913	CF - Common Carrier Fixed Point to Point Microwave						Y
WMS914	CF - Common Carrier Fixed Point to Point Microwave						Y
WMS928	CF - Common Carrier Fixed Point to Point Microwave						Y
WMS929	CF - Common Carrier Fixed Point to Point Microwave						Y

111) Call Sign	112) Radio Service Code	113) Location Number	114) Path Number (Microwave only)	115) Frequency Number	116) Lower or Center Frequency (MHz)	117) Upper Frequency (MHz)	118) Constructed Yes / No
WMS930	CF - Common Carrier Fixed Point to Point Microwave						Y
WMS931	CF - Common Carrier Fixed Point to Point Microwave						Y
WMS933	CF - Common Carrier Fixed Point to Point Microwave						Y
WMS934	CF - Common Carrier Fixed Point to Point Microwave						Y
WMS935	CF - Common Carrier Fixed Point to Point Microwave						Y
WMS937	CF - Common Carrier Fixed Point to Point Microwave						Y
WMS941	CF - Common Carrier Fixed Point to Point Microwave						Y
WMS942	CF - Common Carrier Fixed Point to Point Microwave						Y
WMS978	CF - Common Carrier Fixed Point to Point Microwave						Y
WMS993	CF - Common Carrier Fixed Point to Point Microwave						Y
WMS997	CF - Common Carrier Fixed Point to Point Microwave						Y
WMT204	CF - Common Carrier Fixed Point to Point Microwave						Y
WMT251	CF - Common Carrier Fixed Point to Point Microwave						Y
WMT302	CF - Common Carrier Fixed Point to Point Microwave						Y
WMT408	CF - Common Carrier Fixed Point to Point Microwave						Y
WMT409	CF - Common Carrier Fixed Point to Point Microwave						Y
WMT414	CF - Common Carrier Fixed Point to Point Microwave						Y
WMT427	CF - Common Carrier Fixed Point to Point Microwave						Y
WMT439	CF - Common Carrier Fixed Point to Point Microwave						Y

111) Call Sign	112) Radio Service Code	113) Location Number	114) Path Number (Microwave only)	115) Frequency Number	116) Lower or Center Frequency (MHz)	117) Upper Frequency (MHz)	118) Constructed Yes / No
WMT527	CF - Common Carrier Fixed Point to Point Microwave						Y
WMT529	CF - Common Carrier Fixed Point to Point Microwave						Y
WMT544	CF - Common Carrier Fixed Point to Point Microwave						Y
WMT574	CF - Common Carrier Fixed Point to Point Microwave						Y
WMT638	CF - Common Carrier Fixed Point to Point Microwave						Y
WMT667	CF - Common Carrier Fixed Point to Point Microwave						Y
WMT668	CF - Common Carrier Fixed Point to Point Microwave						Y
WMT669	CF - Common Carrier Fixed Point to Point Microwave						Y
WMT684	CF - Common Carrier Fixed Point to Point Microwave						Y
WMT730	CF - Common Carrier Fixed Point to Point Microwave						Y
WMT739	CF - Common Carrier Fixed Point to Point Microwave						Y
WMT768	CF - Common Carrier Fixed Point to Point Microwave						Y
WMT792	CF - Common Carrier Fixed Point to Point Microwave						Y
WMT848	CF - Common Carrier Fixed Point to Point Microwave						Y
WMT849	CF - Common Carrier Fixed Point to Point Microwave						Y
WMT850	CF - Common Carrier Fixed Point to Point Microwave						Y
WMT895	CF - Common Carrier Fixed Point to Point Microwave						Y
WMT842	CF - Common Carrier Fixed Point to Point Microwave						Y
WMT843	CF - Common Carrier Fixed Point to Point Microwave						Y

111) Call Sign	112) Radio Service Code	113) Location Number	114) Path Number (Microwave only)	115) Frequency Number	116) Lower or Center Frequency (MHz)	117) Upper Frequency (MHz)	118) Constructed Yes / No
WMV878	CF - Common Carrier Fixed Point to Point Microwave						Y
WMV901	CF - Common Carrier Fixed Point to Point Microwave						Y
WMV902	CF - Common Carrier Fixed Point to Point Microwave						Y
WMV915	CF - Common Carrier Fixed Point to Point Microwave						Y
WMV916	CF - Common Carrier Fixed Point to Point Microwave						Y
WMV923	CF - Common Carrier Fixed Point to Point Microwave						Y
WMV924	CF - Common Carrier Fixed Point to Point Microwave						Y
WMV925	CF - Common Carrier Fixed Point to Point Microwave						Y
WMV927	CF - Common Carrier Fixed Point to Point Microwave						Y
WMV944	CF - Common Carrier Fixed Point to Point Microwave						Y
WMV950	CF - Common Carrier Fixed Point to Point Microwave						Y
WMV977	CF - Common Carrier Fixed Point to Point Microwave						Y
WMV978	CF - Common Carrier Fixed Point to Point Microwave						Y
WMV991	CF - Common Carrier Fixed Point to Point Microwave						Y
WMV994	CF - Common Carrier Fixed Point to Point Microwave						Y
WMV995	CF - Common Carrier Fixed Point to Point Microwave						Y
WMW241	CF - Common Carrier Fixed Point to Point Microwave						Y
WMW246	CF - Common Carrier Fixed Point to Point Microwave						Y
WMW258	CF - Common Carrier Fixed Point to Point Microwave						Y

111) Call Sign	112) Radio Service Code	113) Location Number	114) Path Number (Microwave only)	115) Frequency Number	116) Lower or Center Frequency (MHz)	117) Upper Frequency (MHz)	118) Constructed Yes / No
WMW260	CF - Common Carrier Fixed Point to Point Microwave						Y
WMW261	CF - Common Carrier Fixed Point to Point Microwave						Y
WMW264	CF - Common Carrier Fixed Point to Point Microwave						Y
WMW301	CF - Common Carrier Fixed Point to Point Microwave						Y
WMW337	CF - Common Carrier Fixed Point to Point Microwave						Y
WMW407	CF - Common Carrier Fixed Point to Point Microwave						Y
WMW440	CF - Common Carrier Fixed Point to Point Microwave						Y
WMW568	CF - Common Carrier Fixed Point to Point Microwave						Y
WMW617	CF - Common Carrier Fixed Point to Point Microwave						Y
WMW642	CF - Common Carrier Fixed Point to Point Microwave						Y
WMW662	CF - Common Carrier Fixed Point to Point Microwave						Y
WMW663	CF - Common Carrier Fixed Point to Point Microwave						Y
WMW720	CF - Common Carrier Fixed Point to Point Microwave						Y
WMW757	CF - Common Carrier Fixed Point to Point Microwave						Y
WMW975	CF - Common Carrier Fixed Point to Point Microwave						Y
WPJA494	CF - Common Carrier Fixed Point to Point Microwave						Y
WPJA590	CF - Common Carrier Fixed Point to Point Microwave						Y
WPJA715	CF - Common Carrier Fixed Point to Point Microwave						Y
WPJA720	CF - Common Carrier Fixed Point to Point Microwave						Y

111) Call Sign	112) Radio Service Code	113) Location Number	114) Path Number (Microwave only)	115) Frequency Number	116) Lower or Center Frequency (MHz)	117) Upper Frequency (MHz)	118) Constructed Yes / No
WPJA734	CF - Common Carrier Fixed Point to Point Microwave						Y
WPJA740	CF - Common Carrier Fixed Point to Point Microwave						Y
WPJA756	CF - Common Carrier Fixed Point to Point Microwave						Y
WPJA868	CF - Common Carrier Fixed Point to Point Microwave						Y
WPJB314	CF - Common Carrier Fixed Point to Point Microwave						Y
WPJB321	CF - Common Carrier Fixed Point to Point Microwave						Y
WPJB350	CF - Common Carrier Fixed Point to Point Microwave						Y
WPJB382	CF - Common Carrier Fixed Point to Point Microwave						Y
WPJB547	CF - Common Carrier Fixed Point to Point Microwave						Y
WPJB561	CF - Common Carrier Fixed Point to Point Microwave						Y
WPJB562	CF - Common Carrier Fixed Point to Point Microwave						Y
WPJB972	CF - Common Carrier Fixed Point to Point Microwave						Y
WPJB973	CF - Common Carrier Fixed Point to Point Microwave						Y
WPJC203	CF - Common Carrier Fixed Point to Point Microwave						Y
WPJC227	CF - Common Carrier Fixed Point to Point Microwave						Y
WPJC250	CF - Common Carrier Fixed Point to Point Microwave						Y
WPJC252	CF - Common Carrier Fixed Point to Point Microwave						Y
WPJC253	CF - Common Carrier Fixed Point to Point Microwave						Y
WPJC425	CF - Common Carrier Fixed Point to Point Microwave						Y

111) Call Sign	112) Radio Service Code	113) Location Number	114) Path Number (Microwave only)	115) Frequency Number	116) Lower or Center Frequency (MHz)	117) Upper Frequency (MHz)	118) Constructed Yes / No
WPJC971	CF - Common Carrier Fixed Point to Point Microwave						Y
WPJD224	CF - Common Carrier Fixed Point to Point Microwave						Y
WPJD225	CF - Common Carrier Fixed Point to Point Microwave						Y
WPJD226	CF - Common Carrier Fixed Point to Point Microwave						Y
WPJD248	CF - Common Carrier Fixed Point to Point Microwave						Y
WPJD249	CF - Common Carrier Fixed Point to Point Microwave						Y
WPJD250	CF - Common Carrier Fixed Point to Point Microwave						Y
WPJD262	CF - Common Carrier Fixed Point to Point Microwave						Y
WPJD269	CF - Common Carrier Fixed Point to Point Microwave						Y
WPJD271	CF - Common Carrier Fixed Point to Point Microwave						Y
WPJD296	CF - Common Carrier Fixed Point to Point Microwave						Y
WPJD297	CF - Common Carrier Fixed Point to Point Microwave						Y
WPJD298	CF - Common Carrier Fixed Point to Point Microwave						Y
WPJD301	CF - Common Carrier Fixed Point to Point Microwave						Y
WPJD302	CF - Common Carrier Fixed Point to Point Microwave						Y
WPJD314	CF - Common Carrier Fixed Point to Point Microwave						Y
WPJD315	CF - Common Carrier Fixed Point to Point Microwave						Y
WPJD316	CF - Common Carrier Fixed Point to Point Microwave						Y
WPJD342	CF - Common Carrier Fixed Point to Point Microwave						Y

111) Call Sign	112) Radio Service Code	113) Location Number	114) Path Number (Microwave only)	115) Frequency Number	116) Lower or Center Frequency (MHz)	117) Upper Frequency (MHz)	118) Constructed Yes / No
WPJD814	CF - Common Carrier Fixed Point to Point Microwave						Y
WPJD992	CF - Common Carrier Fixed Point to Point Microwave						Y
WPJE575	CF - Common Carrier Fixed Point to Point Microwave						Y
WPJE608	CF - Common Carrier Fixed Point to Point Microwave						Y
WPJE808	CF - Common Carrier Fixed Point to Point Microwave						Y
WPJE809	CF - Common Carrier Fixed Point to Point Microwave						Y
WPJE810	CF - Common Carrier Fixed Point to Point Microwave						Y
WPJE821	CF - Common Carrier Fixed Point to Point Microwave						Y
WPJE832	CF - Common Carrier Fixed Point to Point Microwave						Y
WPJE833	CF - Common Carrier Fixed Point to Point Microwave						Y
WPJE834	CF - Common Carrier Fixed Point to Point Microwave						Y
WPJE865	CF - Common Carrier Fixed Point to Point Microwave						Y
WPJE866	CF - Common Carrier Fixed Point to Point Microwave						Y
WPJF456	CF - Common Carrier Fixed Point to Point Microwave						Y
WPJF463	CF - Common Carrier Fixed Point to Point Microwave						Y
WPJF465	CF - Common Carrier Fixed Point to Point Microwave						Y
WPJF476	CF - Common Carrier Fixed Point to Point Microwave						Y
WPJF529	CF - Common Carrier Fixed Point to Point Microwave						Y
WPJF592	CF - Common Carrier Fixed Point to Point Microwave						Y

111) Call Sign	112) Radio Service Code	113) Location Number	114) Path Number (Microwave only)	115) Frequency Number	116) Lower or Center Frequency (MHz)	117) Upper Frequency (MHz)	118) Constructed Yes / No
WPJF593	CF - Common Carrier Fixed Point to Point Microwave						Y
WPJF594	CF - Common Carrier Fixed Point to Point Microwave						Y
WPJF598	CF - Common Carrier Fixed Point to Point Microwave						Y
WPJF606	CF - Common Carrier Fixed Point to Point Microwave						Y
WPJF614	CF - Common Carrier Fixed Point to Point Microwave						Y
WPJF816	CF - Common Carrier Fixed Point to Point Microwave						Y
WPJF817	CF - Common Carrier Fixed Point to Point Microwave						Y
WPNA575	CF - Common Carrier Fixed Point to Point Microwave						Y
WPNA602	CF - Common Carrier Fixed Point to Point Microwave						Y
WPNA603	CF - Common Carrier Fixed Point to Point Microwave						Y
WPNB324	CF - Common Carrier Fixed Point to Point Microwave						Y
WPNB339	CF - Common Carrier Fixed Point to Point Microwave						Y
WPNB342	CF - Common Carrier Fixed Point to Point Microwave						Y
WPNB356	CF - Common Carrier Fixed Point to Point Microwave						Y
WPNB382	CF - Common Carrier Fixed Point to Point Microwave						Y
WPNB383	CF - Common Carrier Fixed Point to Point Microwave						Y
WPNB385	CF - Common Carrier Fixed Point to Point Microwave						Y
WPNB386	CF - Common Carrier Fixed Point to Point Microwave						Y
WPNB402	CF - Common Carrier Fixed Point to Point Microwave						Y

111) Call Sign	112) Radio Service Code	113) Location Number	114) Path Number (Microwave only)	115) Frequency Number	116) Lower or Center Frequency (MHz)	117) Upper Frequency (MHz)	118) Constructed Yes / No
WPNB578	CF - Common Carrier Fixed Point to Point Microwave						Y
WPNB579	CF - Common Carrier Fixed Point to Point Microwave						Y
WPNB589	CF - Common Carrier Fixed Point to Point Microwave						Y
WPNB606	CF - Common Carrier Fixed Point to Point Microwave						Y
WPNB607	CF - Common Carrier Fixed Point to Point Microwave						Y
WPNC483	CF - Common Carrier Fixed Point to Point Microwave						Y
WPNC532	CF - Common Carrier Fixed Point to Point Microwave						Y
WPNC533	CF - Common Carrier Fixed Point to Point Microwave						Y
WPNC551	CF - Common Carrier Fixed Point to Point Microwave						Y
WPNC592	CF - Common Carrier Fixed Point to Point Microwave						Y
WPNC698	CF - Common Carrier Fixed Point to Point Microwave						Y
WPNC699	CF - Common Carrier Fixed Point to Point Microwave						Y
WPNC701	CF - Common Carrier Fixed Point to Point Microwave						Y
WPNC703	CF - Common Carrier Fixed Point to Point Microwave						Y
WPNC704	CF - Common Carrier Fixed Point to Point Microwave						Y
WPNC705	CF - Common Carrier Fixed Point to Point Microwave						Y
WPNC706	CF - Common Carrier Fixed Point to Point Microwave						Y
WPNC718	CF - Common Carrier Fixed Point to Point Microwave						Y
WPNC719	CF - Common Carrier Fixed Point to Point Microwave						Y

111) Call Sign	112) Radio Service Code	113) Location Number	114) Path Number (Microwave only)	115) Frequency Number	116) Lower or Center Frequency (MHz)	117) Upper Frequency (MHz)	118) Constructed Yes / No
WPNC720	CF - Common Carrier Fixed Point to Point Microwave						Y
WPNC734	CF - Common Carrier Fixed Point to Point Microwave						Y
WPNC992	CF - Common Carrier Fixed Point to Point Microwave						Y
WPNC994	CF - Common Carrier Fixed Point to Point Microwave						Y
WPND442	CF - Common Carrier Fixed Point to Point Microwave						Y
WPND447	CF - Common Carrier Fixed Point to Point Microwave						Y
WPND448	CF - Common Carrier Fixed Point to Point Microwave						Y
WPND449	CF - Common Carrier Fixed Point to Point Microwave						Y
WPND450	CF - Common Carrier Fixed Point to Point Microwave						Y
WPND463	CF - Common Carrier Fixed Point to Point Microwave						Y
WPND464	CF - Common Carrier Fixed Point to Point Microwave						Y
WPND639	CF - Common Carrier Fixed Point to Point Microwave						Y
WPND640	CF - Common Carrier Fixed Point to Point Microwave						Y
WPND642	CF - Common Carrier Fixed Point to Point Microwave						Y
WPND643	CF - Common Carrier Fixed Point to Point Microwave						Y
WPND646	CF - Common Carrier Fixed Point to Point Microwave						Y
WPNE225	CF - Common Carrier Fixed Point to Point Microwave						Y
WPNE374	CF - Common Carrier Fixed Point to Point Microwave						Y
WPNE376	CF - Common Carrier Fixed Point to Point Microwave						Y

111) Call Sign	112) Radio Service Code	113) Location Number	114) Path Number (Microwave only)	115) Frequency Number	116) Lower or Center Frequency (MHz)	117) Upper Frequency (MHz)	118) Constructed Yes / No
WPNE684	CF - Common Carrier Fixed Point to Point Microwave						Y
WPNE703	CF - Common Carrier Fixed Point to Point Microwave						Y
WPNE706	CF - Common Carrier Fixed Point to Point Microwave						Y
WPNE731	CF - Common Carrier Fixed Point to Point Microwave						Y
WPNF212	CF - Common Carrier Fixed Point to Point Microwave						Y
WPNG335	CF - Common Carrier Fixed Point to Point Microwave						Y
WPNG393	CF - Common Carrier Fixed Point to Point Microwave						Y
WPNG402	CF - Common Carrier Fixed Point to Point Microwave						Y
WPNG655	CF - Common Carrier Fixed Point to Point Microwave						Y
WPNG841	CF - Common Carrier Fixed Point to Point Microwave						Y
WPNG846	CF - Common Carrier Fixed Point to Point Microwave						Y
WPNG848	CF - Common Carrier Fixed Point to Point Microwave						Y
WPNG849	CF - Common Carrier Fixed Point to Point Microwave						Y
WPNG850	CF - Common Carrier Fixed Point to Point Microwave						Y
WPNG851	CF - Common Carrier Fixed Point to Point Microwave						Y
WPNG852	CF - Common Carrier Fixed Point to Point Microwave						Y
WPNG887	CF - Common Carrier Fixed Point to Point Microwave						Y
WPNG907	CF - Common Carrier Fixed Point to Point Microwave						Y
WPNG986	CF - Common Carrier Fixed Point to Point Microwave						Y

111) Call Sign	112) Radio Service Code	113) Location Number	114) Path Number (Microwave only)	115) Frequency Number	116) Lower or Center Frequency (MHz)	117) Upper Frequency (MHz)	118) Constructed Yes / No
WPNG987	CF - Common Carrier Fixed Point to Point Microwave						Y
WPNH373	CF - Common Carrier Fixed Point to Point Microwave						Y
WPNH377	CF - Common Carrier Fixed Point to Point Microwave						Y
WPNH399	CF - Common Carrier Fixed Point to Point Microwave						Y
WPNH402	CF - Common Carrier Fixed Point to Point Microwave						Y
WPNH436	CF - Common Carrier Fixed Point to Point Microwave						Y
WPNH437	CF - Common Carrier Fixed Point to Point Microwave						Y
WPNH765	CF - Common Carrier Fixed Point to Point Microwave						Y
WPNH774	CF - Common Carrier Fixed Point to Point Microwave						Y
WPNH778	CF - Common Carrier Fixed Point to Point Microwave						Y
WPNH851	CF - Common Carrier Fixed Point to Point Microwave						Y
WPNH855	CF - Common Carrier Fixed Point to Point Microwave						Y
WPNH856	CF - Common Carrier Fixed Point to Point Microwave						Y
WPNH924	CF - Common Carrier Fixed Point to Point Microwave						Y
WPNI854	CF - Common Carrier Fixed Point to Point Microwave						Y
WPNI856	CF - Common Carrier Fixed Point to Point Microwave						Y
WPNI857	CF - Common Carrier Fixed Point to Point Microwave						Y
WPNI860	CF - Common Carrier Fixed Point to Point Microwave						Y
WPNJ425	CF - Common Carrier Fixed Point to Point Microwave						Y

111) Call Sign	112) Radio Service Code	113) Location Number	114) Path Number (Microwave only)	115) Frequency Number	116) Lower or Center Frequency (MHz)	117) Upper Frequency (MHz)	118) Constructed Yes / No
WPNJ426	CF - Common Carrier Fixed Point to Point Microwave						Y
WPNJ434	CF - Common Carrier Fixed Point to Point Microwave						Y
WPNJ770	CF - Common Carrier Fixed Point to Point Microwave						Y
WPNL212	CF - Common Carrier Fixed Point to Point Microwave						Y
WPNL234	CF - Common Carrier Fixed Point to Point Microwave						Y
WPNL235	CF - Common Carrier Fixed Point to Point Microwave						Y
WPNL268	CF - Common Carrier Fixed Point to Point Microwave						Y
WPNL270	CF - Common Carrier Fixed Point to Point Microwave						Y
WPNL392	CF - Common Carrier Fixed Point to Point Microwave						Y
WPNL393	CF - Common Carrier Fixed Point to Point Microwave						Y
WPNL394	CF - Common Carrier Fixed Point to Point Microwave						Y
WPNL440	CF - Common Carrier Fixed Point to Point Microwave						Y
WPNL490	CF - Common Carrier Fixed Point to Point Microwave						Y
WPNL634	CF - Common Carrier Fixed Point to Point Microwave						Y
WPNL652	CF - Common Carrier Fixed Point to Point Microwave						Y
WPNM646	CF - Common Carrier Fixed Point to Point Microwave						Y
WPNM647	CF - Common Carrier Fixed Point to Point Microwave						Y
WPNM651	CF - Common Carrier Fixed Point to Point Microwave						Y
WPNM661	CF - Common Carrier Fixed Point to Point Microwave						Y

111) Call Sign	112) Radio Service Code	113) Location Number	114) Path Number (Microwave only)	115) Frequency Number	116) Lower or Center Frequency (MHz)	117) Upper Frequency (MHz)	118) Constructed Yes / No
WPNN202	CF - Common Carrier Fixed Point to Point Microwave						Y
WPNN250	CF - Common Carrier Fixed Point to Point Microwave						Y
WPNN251	CF - Common Carrier Fixed Point to Point Microwave						Y
WPNN562	CF - Common Carrier Fixed Point to Point Microwave						Y
WPNN563	CF - Common Carrier Fixed Point to Point Microwave						Y
WPOI206	CW - PCS Broadband						Y
WPOI212	CW - PCS Broadband						Y
WPOI215	CW - PCS Broadband						Y
WPOI244	CW - PCS Broadband						Y
WPOI256	CW - PCS Broadband						Y
WPOI257	CW - PCS Broadband						Y
WPOI259	CW - PCS Broadband						Y
WPOI417	CW - PCS Broadband						Y
WPOJ361	CW - PCS Broadband						Y
WPOJ689	CW - PCS Broadband						Y
WPOJ703	CW - PCS Broadband						Y
WPOJ708	CW - PCS Broadband						Y
WPOJ723	CW - PCS Broadband						Y
WPOJ746	CW - PCS Broadband						Y

111) Call Sign	112) Radio Service Code	113) Location Number	114) Path Number (Microwave only)	115) Frequency Number	116) Lower or Center Frequency (MHz)	117) Upper Frequency (MHz)	118) Constructed Yes / No
WPOJ747	CW - PCS Broadband						Y
WPOJ751	CW - PCS Broadband						Y
WPOJ771	CW - PCS Broadband						Y
WPOJ822	CW - PCS Broadband						Y
WPOJ824	CW - PCS Broadband						Y
WPOJ841	CW - PCS Broadband						Y
WPOK569	CW - PCS Broadband						Y
WPOK580	CW - PCS Broadband						Y
WPOK594	CW - PCS Broadband						Y
WPOK611	CW - PCS Broadband						Y
WPOK614	CW - PCS Broadband						Y
WPOK620	CW - PCS Broadband						Y
WPOK625	CW - PCS Broadband						Y
WPOK629	CW - PCS Broadband						Y
WPOK632	CW - PCS Broadband						Y
WPOK639	CW - PCS Broadband						Y
WPOK640	CW - PCS Broadband						Y
WPOK644	CW - PCS Broadband						Y
WPOK650	CW - PCS Broadband						Y

111) Call Sign	112) Radio Service Code	113) Location Number	114) Path Number (Microwave only)	115) Frequency Number	116) Lower or Center Frequency (MHz)	117) Upper Frequency (MHz)	118) Constructed Yes / No
WPOK652	CW - PCS Broadband						Y
WPOK654	CW - PCS Broadband						Y
WPOK657	CW - PCS Broadband						Y
WPOK659	CW - PCS Broadband						Y
WPOK661	CW - PCS Broadband						Y
WPOK665	CW - PCS Broadband						Y
WPOK674	CW - PCS Broadband						Y
WPOK684	CW - PCS Broadband						Y
WPOK686	CW - PCS Broadband						Y
WPOK794	CW - PCS Broadband						Y
WPOL311	CW - PCS Broadband						Y
WPOL574	CF - Common Carrier Fixed Point to Point Microwave						Y
WPOL682	CF - Common Carrier Fixed Point to Point Microwave						Y
WPOL686	CF - Common Carrier Fixed Point to Point Microwave						Y
WPOL875	CF - Common Carrier Fixed Point to Point Microwave						Y
WPOM321	CF - Common Carrier Fixed Point to Point Microwave						Y
WPOM516	CF - Common Carrier Fixed Point to Point Microwave						Y
WPOM853	CL - Cellular						Y
WPOM911	CF - Common Carrier Fixed Point to Point Microwave						Y

111) Call Sign	112) Radio Service Code	113) Location Number	114) Path Number (Microwave only)	115) Frequency Number	116) Lower or Center Frequency (MHz)	117) Upper Frequency (MHz)	118) Constructed Yes / No
WPOM913	CF - Common Carrier Fixed Point to Point Microwave						Y
WPON209	CF - Common Carrier Fixed Point to Point Microwave						Y
WPON242	CF - Common Carrier Fixed Point to Point Microwave						Y
WPON243	CF - Common Carrier Fixed Point to Point Microwave						Y
WPON244	CF - Common Carrier Fixed Point to Point Microwave						Y
WPON250	CF - Common Carrier Fixed Point to Point Microwave						Y
WPON345	CF - Common Carrier Fixed Point to Point Microwave						Y
WPON423	CW - PCS Broadband						Y
WPON462	CF - Common Carrier Fixed Point to Point Microwave						Y
WPON495	CF - Common Carrier Fixed Point to Point Microwave						Y
WPON496	CF - Common Carrier Fixed Point to Point Microwave						Y
WPON507	CF - Common Carrier Fixed Point to Point Microwave						Y
WPON508	CF - Common Carrier Fixed Point to Point Microwave						Y
WPON509	CF - Common Carrier Fixed Point to Point Microwave						Y
WPON573	CF - Common Carrier Fixed Point to Point Microwave						Y
WPON623	CF - Common Carrier Fixed Point to Point Microwave						Y
WPON843	CF - Common Carrier Fixed Point to Point Microwave						Y
WPOP543	CF - Common Carrier Fixed Point to Point Microwave						Y
WPOP572	CF - Common Carrier Fixed Point to Point Microwave						Y

111) Call Sign	112) Radio Service Code	113) Location Number	114) Path Number (Microwave only)	115) Frequency Number	116) Lower or Center Frequency (MHz)	117) Upper Frequency (MHz)	118) Constructed Yes / No
WPOP573	CF - Common Carrier Fixed Point to Point Microwave						Y
WPOP574	CF - Common Carrier Fixed Point to Point Microwave						Y
WPOP577	CF - Common Carrier Fixed Point to Point Microwave						Y
WPOQ312	CF - Common Carrier Fixed Point to Point Microwave						Y
WPOQ315	CF - Common Carrier Fixed Point to Point Microwave						Y
WPOQ660	CF - Common Carrier Fixed Point to Point Microwave						Y
WPOQ665	CF - Common Carrier Fixed Point to Point Microwave						Y
WPOQ666	CF - Common Carrier Fixed Point to Point Microwave						Y
WPOQ792	CF - Common Carrier Fixed Point to Point Microwave						Y
WPOR257	CF - Common Carrier Fixed Point to Point Microwave						Y
WPOR258	CF - Common Carrier Fixed Point to Point Microwave						Y
WPOR552	CF - Common Carrier Fixed Point to Point Microwave						Y
WPOR641	CF - Common Carrier Fixed Point to Point Microwave						Y
WPOR674	CF - Common Carrier Fixed Point to Point Microwave						Y
WPOR686	CF - Common Carrier Fixed Point to Point Microwave						Y
WPOR692	CF - Common Carrier Fixed Point to Point Microwave						Y
WPOR694	CF - Common Carrier Fixed Point to Point Microwave						Y
WPOR700	CF - Common Carrier Fixed Point to Point Microwave						Y
WPOS340	CF - Common Carrier Fixed Point to Point Microwave						Y

111) Call Sign	112) Radio Service Code	113) Location Number	114) Path Number (Microwave only)	115) Frequency Number	116) Lower or Center Frequency (MHz)	117) Upper Frequency (MHz)	118) Constructed Yes / No
WPOS880	CF - Common Carrier Fixed Point to Point Microwave						Y
WPOS887	CF - Common Carrier Fixed Point to Point Microwave						Y
WPOS933	CF - Common Carrier Fixed Point to Point Microwave						Y
WPOS940	CF - Common Carrier Fixed Point to Point Microwave						Y
WPOS941	CF - Common Carrier Fixed Point to Point Microwave						Y
WPOS965	CF - Common Carrier Fixed Point to Point Microwave						Y
WPOS966	CF - Common Carrier Fixed Point to Point Microwave						Y
WPOT299	CF - Common Carrier Fixed Point to Point Microwave						Y
WPOT300	CF - Common Carrier Fixed Point to Point Microwave						Y
WPOT942	CF - Common Carrier Fixed Point to Point Microwave						Y
WPOT994	CF - Common Carrier Fixed Point to Point Microwave						Y
WPOT995	CF - Common Carrier Fixed Point to Point Microwave						Y
WPOU550	CF - Common Carrier Fixed Point to Point Microwave						Y
WPOV376	CF - Common Carrier Fixed Point to Point Microwave						Y
WPQL250	CF - Common Carrier Fixed Point to Point Microwave						Y
WPQL303	CF - Common Carrier Fixed Point to Point Microwave						Y
WPQL304	CF - Common Carrier Fixed Point to Point Microwave						Y
WPQL432	CF - Common Carrier Fixed Point to Point Microwave						Y
WPQL583	CF - Common Carrier Fixed Point to Point Microwave						Y

111) Call Sign	112) Radio Service Code	113) Location Number	114) Path Number (Microwave only)	115) Frequency Number	116) Lower or Center Frequency (MHz)	117) Upper Frequency (MHz)	118) Constructed Yes / No
WPQL631	WS - Wireless Communications Service						Y
WPQL632	WS - Wireless Communications Service						Y
WPQL655	CF - Common Carrier Fixed Point to Point Microwave						Y
WPQL722	CF - Common Carrier Fixed Point to Point Microwave						Y
WPQL801	CL - Cellular						Y
WPQL825	CF - Common Carrier Fixed Point to Point Microwave						Y
WPQP423	CW - PCS Broadband						Y
WPQP558	CF - Common Carrier Fixed Point to Point Microwave						Y
WPQP589	CF - Common Carrier Fixed Point to Point Microwave						Y
WPQP691	CF - Common Carrier Fixed Point to Point Microwave						Y
WPQP714	CF - Common Carrier Fixed Point to Point Microwave						Y
WPQP799	CF - Common Carrier Fixed Point to Point Microwave						Y
WPQP800	CF - Common Carrier Fixed Point to Point Microwave						Y
WPQP801	CF - Common Carrier Fixed Point to Point Microwave						Y
WPQQ454	CF - Common Carrier Fixed Point to Point Microwave						Y
WPQQ455	CF - Common Carrier Fixed Point to Point Microwave						Y
WPQQ584	CF - Common Carrier Fixed Point to Point Microwave						Y
WPQQ585	CF - Common Carrier Fixed Point to Point Microwave						Y
WPQQ586	CF - Common Carrier Fixed Point to Point Microwave						Y

111) Call Sign	112) Radio Service Code	113) Location Number	114) Path Number (Microwave only)	115) Frequency Number	116) Lower or Center Frequency (MHz)	117) Upper Frequency (MHz)	118) Constructed Yes / No
WPQQ587	CF - Common Carrier Fixed Point to Point Microwave						Y
WPQQ589	CF - Common Carrier Fixed Point to Point Microwave						Y
WPQQ697	CF - Common Carrier Fixed Point to Point Microwave						Y
WPQQ843	CF - Common Carrier Fixed Point to Point Microwave						Y
WPQR328	CF - Common Carrier Fixed Point to Point Microwave						Y
WPQR329	CF - Common Carrier Fixed Point to Point Microwave						Y
WPQR330	CF - Common Carrier Fixed Point to Point Microwave						Y
WPQR432	CF - Common Carrier Fixed Point to Point Microwave						Y
WPQR433	CF - Common Carrier Fixed Point to Point Microwave						Y
WPQR434	CF - Common Carrier Fixed Point to Point Microwave						Y
WPQR454	CF - Common Carrier Fixed Point to Point Microwave						Y
WPQR765	CF - Common Carrier Fixed Point to Point Microwave						Y
WPQR774	CF - Common Carrier Fixed Point to Point Microwave						Y
WPQR883	CF - Common Carrier Fixed Point to Point Microwave						Y
WPQS330	CF - Common Carrier Fixed Point to Point Microwave						Y
WPQS583	CL - Cellular						Y
WPQS584	CL - Cellular						Y
WPQS633	CF - Common Carrier Fixed Point to Point Microwave						Y
WPQT286	CF - Common Carrier Fixed Point to Point Microwave						Y

111) Call Sign	112) Radio Service Code	113) Location Number	114) Path Number (Microwave only)	115) Frequency Number	116) Lower or Center Frequency (MHz)	117) Upper Frequency (MHz)	118) Constructed Yes / No
WPQT287	CF - Common Carrier Fixed Point to Point Microwave						Y
WPQT290	CF - Common Carrier Fixed Point to Point Microwave						Y
WPQT419	CF - Common Carrier Fixed Point to Point Microwave						Y
WPQT460	CF - Common Carrier Fixed Point to Point Microwave						Y
WPQT510	CF - Common Carrier Fixed Point to Point Microwave						Y
WPQT635	CF - Common Carrier Fixed Point to Point Microwave						Y
WPQT638	CF - Common Carrier Fixed Point to Point Microwave						Y
WPQT687	CF - Common Carrier Fixed Point to Point Microwave						Y
WPQT881	CF - Common Carrier Fixed Point to Point Microwave						Y
WPQW481	CF - Common Carrier Fixed Point to Point Microwave						Y
WPQW520	CW - PCS Broadband						Y
WPQW521	CW - PCS Broadband						Y
WPQW524	CF - Common Carrier Fixed Point to Point Microwave						Y
WPQW581	CF - Common Carrier Fixed Point to Point Microwave						Y
WPQW583	CF - Common Carrier Fixed Point to Point Microwave						Y
WPQW607	CF - Common Carrier Fixed Point to Point Microwave						Y
WPQW659	CF - Common Carrier Fixed Point to Point Microwave						Y
WPQW660	CF - Common Carrier Fixed Point to Point Microwave						Y
WPQW742	CF - Common Carrier Fixed Point to Point Microwave						Y

111) Call Sign	112) Radio Service Code	113) Location Number	114) Path Number (Microwave only)	115) Frequency Number	116) Lower or Center Frequency (MHz)	117) Upper Frequency (MHz)	118) Constructed Yes / No
WPQW744	CF - Common Carrier Fixed Point to Point Microwave						Y
WPQW897	CF - Common Carrier Fixed Point to Point Microwave						Y
WPQX605	CF - Common Carrier Fixed Point to Point Microwave						Y
WPQX606	CF - Common Carrier Fixed Point to Point Microwave						Y
WPQX607	CF - Common Carrier Fixed Point to Point Microwave						Y
WPQX697	CF - Common Carrier Fixed Point to Point Microwave						Y
WPQX985	CF - Common Carrier Fixed Point to Point Microwave						Y
WPQX998	CF - Common Carrier Fixed Point to Point Microwave						Y
WPQX999	CF - Common Carrier Fixed Point to Point Microwave						Y
WPQY339	CF - Common Carrier Fixed Point to Point Microwave						Y
WPQY412	CW - PCS Broadband						Y
WPQZ246	CF - Common Carrier Fixed Point to Point Microwave						Y
WPRT221	CF - Common Carrier Fixed Point to Point Microwave						Y
WPRT226	CF - Common Carrier Fixed Point to Point Microwave						Y
WPRT227	CF - Common Carrier Fixed Point to Point Microwave						Y
WPRT720	CF - Common Carrier Fixed Point to Point Microwave						Y
WPRU583	CF - Common Carrier Fixed Point to Point Microwave						Y
WPRU654	CW - PCS Broadband						Y
WPRU658	CW - PCS Broadband						Y

111) Call Sign	112) Radio Service Code	113) Location Number	114) Path Number (Microwave only)	115) Frequency Number	116) Lower or Center Frequency (MHz)	117) Upper Frequency (MHz)	118) Constructed Yes / No
WPRU659	CW - PCS Broadband						Y
WPRU842	CF - Common Carrier Fixed Point to Point Microwave						Y
WPRU843	CF - Common Carrier Fixed Point to Point Microwave						Y
WPRU844	CF - Common Carrier Fixed Point to Point Microwave						Y
WPRU853	CF - Common Carrier Fixed Point to Point Microwave						Y
WPRU989	CF - Common Carrier Fixed Point to Point Microwave						Y
WPRU992	CF - Common Carrier Fixed Point to Point Microwave						Y
WPRU993	CF - Common Carrier Fixed Point to Point Microwave						Y
WPRV204	CF - Common Carrier Fixed Point to Point Microwave						Y
WPRV300	CF - Common Carrier Fixed Point to Point Microwave						Y
WPRV478	CF - Common Carrier Fixed Point to Point Microwave						Y
WPRV483	CF - Common Carrier Fixed Point to Point Microwave						Y
WPRV679	CF - Common Carrier Fixed Point to Point Microwave						Y
WPRW215	CF - Common Carrier Fixed Point to Point Microwave						Y
WPRW302	CF - Common Carrier Fixed Point to Point Microwave						Y
WPRW645	CW - PCS Broadband						Y
WPRW945	CF - Common Carrier Fixed Point to Point Microwave						Y
WPRW979	CF - Common Carrier Fixed Point to Point Microwave						Y
WPRX292	CF - Common Carrier Fixed Point to Point Microwave						Y

111) Call Sign	112) Radio Service Code	113) Location Number	114) Path Number (Microwave only)	115) Frequency Number	116) Lower or Center Frequency (MHz)	117) Upper Frequency (MHz)	118) Constructed Yes / No
WPRX293	CF - Common Carrier Fixed Point to Point Microwave						Y
WPRX298	CF - Common Carrier Fixed Point to Point Microwave						Y
WPRX299	CF - Common Carrier Fixed Point to Point Microwave						Y
WPRX630	CF - Common Carrier Fixed Point to Point Microwave						Y
WPRX632	CF - Common Carrier Fixed Point to Point Microwave						Y
WPRX633	CF - Common Carrier Fixed Point to Point Microwave						Y
WPRX634	CF - Common Carrier Fixed Point to Point Microwave						Y
WPRX635	CF - Common Carrier Fixed Point to Point Microwave						Y
WPRX636	CF - Common Carrier Fixed Point to Point Microwave						Y
WPRX820	CF - Common Carrier Fixed Point to Point Microwave						Y
WPRX823	CF - Common Carrier Fixed Point to Point Microwave						Y
WPRZ818	CF - Common Carrier Fixed Point to Point Microwave						Y
WPSD938	CF - Common Carrier Fixed Point to Point Microwave						Y
WPSD940	CF - Common Carrier Fixed Point to Point Microwave						Y
WPSD943	CF - Common Carrier Fixed Point to Point Microwave						Y
WPSD944	CF - Common Carrier Fixed Point to Point Microwave						Y
WPSE456	CF - Common Carrier Fixed Point to Point Microwave						Y
WPSF245	CW - PCS Broadband						Y
WPSF246	CW - PCS Broadband						Y

111) Call Sign	112) Radio Service Code	113) Location Number	114) Path Number (Microwave only)	115) Frequency Number	116) Lower or Center Frequency (MHz)	117) Upper Frequency (MHz)	118) Constructed Yes / No
WPSF480	CF - Common Carrier Fixed Point to Point Microwave						Y
WPSF560	CF - Common Carrier Fixed Point to Point Microwave						Y
WPSG487	CF - Common Carrier Fixed Point to Point Microwave						Y
WPSG489	CF - Common Carrier Fixed Point to Point Microwave						Y
WPSI618	CW - PCS Broadband						Y
WPSI620	CW - PCS Broadband						Y
WPSI621	CW - PCS Broadband						Y
WPSI646	CF - Common Carrier Fixed Point to Point Microwave						Y
WPSJ335	CF - Common Carrier Fixed Point to Point Microwave						Y
WPSJ337	CF - Common Carrier Fixed Point to Point Microwave						Y
WPSJ596	CF - Common Carrier Fixed Point to Point Microwave						Y
WPSJ791	CL - Cellular						Y
WPSJ792	CL - Cellular						Y
WPSJ971	CW - PCS Broadband						Y
WPSK343	CF - Common Carrier Fixed Point to Point Microwave						Y
WPSK637	CF - Common Carrier Fixed Point to Point Microwave						Y
WPSK663	CF - Common Carrier Fixed Point to Point Microwave						Y
WPSL226	CF - Common Carrier Fixed Point to Point Microwave						Y
WPSL227	CF - Common Carrier Fixed Point to Point Microwave						Y

111) Call Sign	112) Radio Service Code	113) Location Number	114) Path Number (Microwave only)	115) Frequency Number	116) Lower or Center Frequency (MHz)	117) Upper Frequency (MHz)	118) Constructed Yes / No
WPSL228	CF - Common Carrier Fixed Point to Point Microwave						Y
WPSL229	CF - Common Carrier Fixed Point to Point Microwave						Y
WPSL230	CF - Common Carrier Fixed Point to Point Microwave						Y
WPSL351	WS - Wireless Communications Service						Y
WPSL352	WS - Wireless Communications Service						Y
WPSL354	WS - Wireless Communications Service						Y
WPSL356	WS - Wireless Communications Service						Y
WPSL358	WS - Wireless Communications Service						Y
WPSL359	WS - Wireless Communications Service						Y
WPSL361	WS - Wireless Communications Service						Y
WPSL362	WS - Wireless Communications Service						Y
WPSL386	CF - Common Carrier Fixed Point to Point Microwave						Y
WPSN266	CF - Common Carrier Fixed Point to Point Microwave						Y
WPSP792	CW - PCS Broadband						Y
WPSQ219	CF - Common Carrier Fixed Point to Point Microwave						Y
WPSQ228	CF - Common Carrier Fixed Point to Point Microwave						Y
WPSQ231	CF - Common Carrier Fixed Point to Point Microwave						Y
WPSQ351	CF - Common Carrier Fixed Point to Point Microwave						Y
WPSR306	CF - Common Carrier Fixed Point to Point Microwave						Y

111) Call Sign	112) Radio Service Code	113) Location Number	114) Path Number (Microwave only)	115) Frequency Number	116) Lower or Center Frequency (MHz)	117) Upper Frequency (MHz)	118) Constructed Yes / No
WPSR312	CF - Common Carrier Fixed Point to Point Microwave						Y
WPSR321	CF - Common Carrier Fixed Point to Point Microwave						Y
WPSR503	CF - Common Carrier Fixed Point to Point Microwave						Y
WPSS324	CF - Common Carrier Fixed Point to Point Microwave						Y
WPSS570	CF - Common Carrier Fixed Point to Point Microwave						Y
WPTA580	CF - Common Carrier Fixed Point to Point Microwave						Y
WPTA862	CF - Common Carrier Fixed Point to Point Microwave						Y
WPTB528	CW - PCS Broadband						Y
WPTB966	CF - Common Carrier Fixed Point to Point Microwave						Y
WPTD330	CF - Common Carrier Fixed Point to Point Microwave						Y
WPTD340	CF - Common Carrier Fixed Point to Point Microwave						Y
WPTD342	CF - Common Carrier Fixed Point to Point Microwave						Y
WPTD347	CF - Common Carrier Fixed Point to Point Microwave						Y
WPTD391	CF - Common Carrier Fixed Point to Point Microwave						Y
WPTD393	CF - Common Carrier Fixed Point to Point Microwave						Y
WPTD412	CF - Common Carrier Fixed Point to Point Microwave						Y
WPTD414	CF - Common Carrier Fixed Point to Point Microwave						Y
WPTD426	CF - Common Carrier Fixed Point to Point Microwave						Y
WPTD845	CL - Cellular						Y

111) Call Sign	112) Radio Service Code	113) Location Number	114) Path Number (Microwave only)	115) Frequency Number	116) Lower or Center Frequency (MHz)	117) Upper Frequency (MHz)	118) Constructed Yes / No
WPTE349	CF - Common Carrier Fixed Point to Point Microwave						Y
WPTF536	CW - PCS Broadband						Y
WPTG355	CF - Common Carrier Fixed Point to Point Microwave						Y
WPTH379	CF - Common Carrier Fixed Point to Point Microwave						Y
WPTH381	CF - Common Carrier Fixed Point to Point Microwave						Y
WPTI725	CW - PCS Broadband						Y
WPTI729	CW - PCS Broadband						Y
WPTI735	CW - PCS Broadband						Y
WPTI741	CW - PCS Broadband						Y
WPTI745	CW - PCS Broadband						Y
WPTI749	CW - PCS Broadband						Y
WPTI752	CW - PCS Broadband						Y
WPTI756	CW - PCS Broadband						Y
WPTJ404	CW - PCS Broadband						Y
WPTJ829	CF - Common Carrier Fixed Point to Point Microwave						Y
WPTK507	CF - Common Carrier Fixed Point to Point Microwave						Y
WPTL475	CF - Common Carrier Fixed Point to Point Microwave						Y
WPTL751	CF - Common Carrier Fixed Point to Point Microwave						Y
WPTM665	CF - Common Carrier Fixed Point to Point Microwave						Y

111) Call Sign	112) Radio Service Code	113) Location Number	114) Path Number (Microwave only)	115) Frequency Number	116) Lower or Center Frequency (MHz)	117) Upper Frequency (MHz)	118) Constructed Yes / No
WPTM864	CF - Common Carrier Fixed Point to Point Microwave						Y
WPTN212	CF - Common Carrier Fixed Point to Point Microwave						Y
WPTN450	CF - Common Carrier Fixed Point to Point Microwave						Y
WPTN584	CF - Common Carrier Fixed Point to Point Microwave						Y
WPTN952	CF - Common Carrier Fixed Point to Point Microwave						Y
WPTP284	CW - PCS Broadband						Y
WPTP452	CF - Common Carrier Fixed Point to Point Microwave						Y
WPTP460	CF - Common Carrier Fixed Point to Point Microwave						Y
WPTP624	CF - Common Carrier Fixed Point to Point Microwave						Y
WPTQ860	CF - Common Carrier Fixed Point to Point Microwave						Y
WPTR298	CF - Common Carrier Fixed Point to Point Microwave						Y
WPTR855	CF - Common Carrier Fixed Point to Point Microwave						Y
WPTS279	CF - Common Carrier Fixed Point to Point Microwave						Y
WPTS280	CF - Common Carrier Fixed Point to Point Microwave						Y
WPTS281	CF - Common Carrier Fixed Point to Point Microwave						Y
WPTS287	CF - Common Carrier Fixed Point to Point Microwave						Y
WPTS292	CF - Common Carrier Fixed Point to Point Microwave						Y
WPTS300	CF - Common Carrier Fixed Point to Point Microwave						Y
WPTS304	CF - Common Carrier Fixed Point to Point Microwave						Y

111) Call Sign	112) Radio Service Code	113) Location Number	114) Path Number (Microwave only)	115) Frequency Number	116) Lower or Center Frequency (MHz)	117) Upper Frequency (MHz)	118) Constructed Yes / No
WPTS305	CF - Common Carrier Fixed Point to Point Microwave						Y
WPTS309	CF - Common Carrier Fixed Point to Point Microwave						Y
WPTS332	CF - Common Carrier Fixed Point to Point Microwave						Y
WPTS334	CF - Common Carrier Fixed Point to Point Microwave						Y
WPTS336	CF - Common Carrier Fixed Point to Point Microwave						Y
WPTS337	CF - Common Carrier Fixed Point to Point Microwave						Y
WPTS340	CF - Common Carrier Fixed Point to Point Microwave						Y
WPTS888	CF - Common Carrier Fixed Point to Point Microwave						Y
WPTS889	CF - Common Carrier Fixed Point to Point Microwave						Y
WPTU930	CF - Common Carrier Fixed Point to Point Microwave						Y
WPTV801	CF - Common Carrier Fixed Point to Point Microwave						Y
WPTX494	CF - Common Carrier Fixed Point to Point Microwave						Y
WPTY552	CF - Common Carrier Fixed Point to Point Microwave						Y
WPTY553	CF - Common Carrier Fixed Point to Point Microwave						Y
WPTY560	CF - Common Carrier Fixed Point to Point Microwave						Y
WPTY561	CF - Common Carrier Fixed Point to Point Microwave						Y
WPTY563	CF - Common Carrier Fixed Point to Point Microwave						Y
WPTY566	CF - Common Carrier Fixed Point to Point Microwave						Y
WPTY568	CF - Common Carrier Fixed Point to Point Microwave						Y

111) Call Sign	112) Radio Service Code	113) Location Number	114) Path Number (Microwave only)	115) Frequency Number	116) Lower or Center Frequency (MHz)	117) Upper Frequency (MHz)	118) Constructed Yes / No
WPTY570	CF - Common Carrier Fixed Point to Point Microwave						Y
WPTY572	CF - Common Carrier Fixed Point to Point Microwave						Y
WPTY575	CF - Common Carrier Fixed Point to Point Microwave						Y
WPTY580	CF - Common Carrier Fixed Point to Point Microwave						Y
WPTY582	CF - Common Carrier Fixed Point to Point Microwave						Y
WPTY591	CF - Common Carrier Fixed Point to Point Microwave						Y
WPTY614	CF - Common Carrier Fixed Point to Point Microwave						Y
WPTY615	CF - Common Carrier Fixed Point to Point Microwave						Y
WPTY993	CF - Common Carrier Fixed Point to Point Microwave						Y
WPTY994	CF - Common Carrier Fixed Point to Point Microwave						Y
WPTZ534	CF - Common Carrier Fixed Point to Point Microwave						Y
WPTZ536	CF - Common Carrier Fixed Point to Point Microwave						Y
WPUB580	CF - Common Carrier Fixed Point to Point Microwave						Y
WPUC493	CF - Common Carrier Fixed Point to Point Microwave						Y
WPUC494	CF - Common Carrier Fixed Point to Point Microwave						Y
WPUC906	CF - Common Carrier Fixed Point to Point Microwave						Y
WPUC908	CF - Common Carrier Fixed Point to Point Microwave						Y
WPUC910	CF - Common Carrier Fixed Point to Point Microwave						Y
WPUC912	CF - Common Carrier Fixed Point to Point Microwave						Y

111) Call Sign	112) Radio Service Code	113) Location Number	114) Path Number (Microwave only)	115) Frequency Number	116) Lower or Center Frequency (MHz)	117) Upper Frequency (MHz)	118) Constructed Yes / No
WPUE309	CW - PCS Broadband						Y
WPUE960	CF - Common Carrier Fixed Point to Point Microwave						Y
WPUF204	CF - Common Carrier Fixed Point to Point Microwave						Y
WPUF205	CF - Common Carrier Fixed Point to Point Microwave						Y
WPUF206	CF - Common Carrier Fixed Point to Point Microwave						Y
WPUF207	CF - Common Carrier Fixed Point to Point Microwave						Y
WPUF743	CF - Common Carrier Fixed Point to Point Microwave						Y
WPUF952	CF - Common Carrier Fixed Point to Point Microwave						Y
WPUI373	CW - PCS Broadband						Y
WPUI378	CW - PCS Broadband						Y
WPUI510	CF - Common Carrier Fixed Point to Point Microwave						Y
WPUI552	CF - Common Carrier Fixed Point to Point Microwave						Y
WPUL229	CF - Common Carrier Fixed Point to Point Microwave						Y
WPUL230	CF - Common Carrier Fixed Point to Point Microwave						Y
WPUL459	CF - Common Carrier Fixed Point to Point Microwave						Y
WPUN525	CF - Common Carrier Fixed Point to Point Microwave						Y
WPUN549	CF - Common Carrier Fixed Point to Point Microwave						Y
WPUP637	CF - Common Carrier Fixed Point to Point Microwave						Y
WPUP638	CF - Common Carrier Fixed Point to Point Microwave						Y

111) Call Sign	112) Radio Service Code	113) Location Number	114) Path Number (Microwave only)	115) Frequency Number	116) Lower or Center Frequency (MHz)	117) Upper Frequency (MHz)	118) Constructed Yes / No
WPUQ523	CW - PCS Broadband						Y
WPUQ738	CW - PCS Broadband						Y
WPVA651	CF - Common Carrier Fixed Point to Point Microwave						Y
WPVC979	CW - PCS Broadband						Y
WPVJ218	CF - Common Carrier Fixed Point to Point Microwave						Y
WPVL459	CF - Common Carrier Fixed Point to Point Microwave						Y
WPVL808	CF - Common Carrier Fixed Point to Point Microwave						Y
WPVM292	CF - Common Carrier Fixed Point to Point Microwave						Y
WPVM293	CF - Common Carrier Fixed Point to Point Microwave						Y
WPVR574	CF - Common Carrier Fixed Point to Point Microwave						Y
WPVR580	CF - Common Carrier Fixed Point to Point Microwave						Y
WPVS436	CF - Common Carrier Fixed Point to Point Microwave						Y
WPVS437	CF - Common Carrier Fixed Point to Point Microwave						Y
WPVV299	CL - Cellular						Y
WPVV651	CF - Common Carrier Fixed Point to Point Microwave						Y
WPVW305	CF - Common Carrier Fixed Point to Point Microwave						Y
WPVY274	CF - Common Carrier Fixed Point to Point Microwave						Y
WPVY275	CF - Common Carrier Fixed Point to Point Microwave						Y
WPVY276	CF - Common Carrier Fixed Point to Point Microwave						Y

111) Call Sign	112) Radio Service Code	113) Location Number	114) Path Number (Microwave only)	115) Frequency Number	116) Lower or Center Frequency (MHz)	117) Upper Frequency (MHz)	118) Constructed Yes / No
WPWB586	CF - Common Carrier Fixed Point to Point Microwave						Y
WPWD200	CF - Common Carrier Fixed Point to Point Microwave						Y
WPWD202	CF - Common Carrier Fixed Point to Point Microwave						Y
WPWG284	CF - Common Carrier Fixed Point to Point Microwave						Y
WPWG449	CF - Common Carrier Fixed Point to Point Microwave						Y
WPWH534	CF - Common Carrier Fixed Point to Point Microwave						Y
WPWH543	CF - Common Carrier Fixed Point to Point Microwave						Y
WPWH685	CF - Common Carrier Fixed Point to Point Microwave						Y
WPWJ469	CF - Common Carrier Fixed Point to Point Microwave						Y
WPWJ470	CF - Common Carrier Fixed Point to Point Microwave						Y
WPWL460	CW - PCS Broadband						Y
WPWL461	CW - PCS Broadband						Y
WPWL463	CW - PCS Broadband						Y
WPWR490	CF - Common Carrier Fixed Point to Point Microwave						Y
WPWR498	CF - Common Carrier Fixed Point to Point Microwave						Y
WPWR505	CF - Common Carrier Fixed Point to Point Microwave						Y
WPWR508	CF - Common Carrier Fixed Point to Point Microwave						Y
WPWR512	CF - Common Carrier Fixed Point to Point Microwave						Y
WPWS611	CF - Common Carrier Fixed Point to Point Microwave						Y

111) Call Sign	112) Radio Service Code	113) Location Number	114) Path Number (Microwave only)	115) Frequency Number	116) Lower or Center Frequency (MHz)	117) Upper Frequency (MHz)	118) Constructed Yes / No
WPWU896	WZ - 700 MHz Lower Band (Blocks C, D)						Y
WPWU913	WZ - 700 MHz Lower Band (Blocks C, D)						Y
WPWU914	WZ - 700 MHz Lower Band (Blocks C, D)						Y
WPWU916	WZ - 700 MHz Lower Band (Blocks C, D)						Y
WPWU921	WZ - 700 MHz Lower Band (Blocks C, D)						Y
WPWU928	WZ - 700 MHz Lower Band (Blocks C, D)						Y
WPWU930	WZ - 700 MHz Lower Band (Blocks C, D)						Y
WPWU933	WZ - 700 MHz Lower Band (Blocks C, D)						Y
WPWU935	WZ - 700 MHz Lower Band (Blocks C, D)						Y
WPWU936	WZ - 700 MHz Lower Band (Blocks C, D)						Y
WPWU938	WZ - 700 MHz Lower Band (Blocks C, D)						Y
WPWU940	WZ - 700 MHz Lower Band (Blocks C, D)						Y
WPWU942	WZ - 700 MHz Lower Band (Blocks C, D)						Y
WPWU943	WZ - 700 MHz Lower Band (Blocks C, D)						Y
WPWU949	WZ - 700 MHz Lower Band (Blocks C, D)						Y
WPWU951	WZ - 700 MHz Lower Band (Blocks C, D)						Y
WPWU953	WZ - 700 MHz Lower Band (Blocks C, D)						Y
WPWU968	WZ - 700 MHz Lower Band (Blocks C, D)						Y
WPWU969	WZ - 700 MHz Lower Band (Blocks C, D)						Y

111) Call Sign	112) Radio Service Code	113) Location Number	114) Path Number (Microwave only)	115) Frequency Number	116) Lower or Center Frequency (MHz)	117) Upper Frequency (MHz)	118) Constructed Yes / No
WPWU971	WZ - 700 MHz Lower Band (Blocks C, D)						Y
WPWU974	WZ - 700 MHz Lower Band (Blocks C, D)						Y
WPWU981	WZ - 700 MHz Lower Band (Blocks C, D)						Y
WPWU989	WZ - 700 MHz Lower Band (Blocks C, D)						Y
WPWU995	WZ - 700 MHz Lower Band (Blocks C, D)						Y
WPWU996	WZ - 700 MHz Lower Band (Blocks C, D)						Y
WPWU998	WZ - 700 MHz Lower Band (Blocks C, D)						Y
WPWV202	WZ - 700 MHz Lower Band (Blocks C, D)						Y
WPWV203	WZ - 700 MHz Lower Band (Blocks C, D)						Y
WPWV207	WZ - 700 MHz Lower Band (Blocks C, D)						Y
WPWV210	WZ - 700 MHz Lower Band (Blocks C, D)						Y
WPWV212	WZ - 700 MHz Lower Band (Blocks C, D)						Y
WPWV213	WZ - 700 MHz Lower Band (Blocks C, D)						Y
WPWV215	WZ - 700 MHz Lower Band (Blocks C, D)						Y
WPWV222	WZ - 700 MHz Lower Band (Blocks C, D)						Y
WPWV228	WZ - 700 MHz Lower Band (Blocks C, D)						Y
WPWV234	WZ - 700 MHz Lower Band (Blocks C, D)						Y
WPWV263	WZ - 700 MHz Lower Band (Blocks C, D)						Y
WPWV268	WZ - 700 MHz Lower Band (Blocks C, D)						Y

111) Call Sign	112) Radio Service Code	113) Location Number	114) Path Number (Microwave only)	115) Frequency Number	116) Lower or Center Frequency (MHz)	117) Upper Frequency (MHz)	118) Constructed Yes / No
WPWV275	WZ - 700 MHz Lower Band (Blocks C, D)						Y
WPWV279	WZ - 700 MHz Lower Band (Blocks C, D)						Y
WPWV280	WZ - 700 MHz Lower Band (Blocks C, D)						Y
WPWV286	WZ - 700 MHz Lower Band (Blocks C, D)						Y
WPWV295	WZ - 700 MHz Lower Band (Blocks C, D)						Y
WPWV310	WZ - 700 MHz Lower Band (Blocks C, D)						Y
WPWV312	WZ - 700 MHz Lower Band (Blocks C, D)						Y
WPWV314	WZ - 700 MHz Lower Band (Blocks C, D)						Y
WPWV320	WZ - 700 MHz Lower Band (Blocks C, D)						Y
WPWV322	WZ - 700 MHz Lower Band (Blocks C, D)						Y
WPWV324	WZ - 700 MHz Lower Band (Blocks C, D)						Y
WPWV326	WZ - 700 MHz Lower Band (Blocks C, D)						Y
WPWV329	WZ - 700 MHz Lower Band (Blocks C, D)						Y
WPWV331	WZ - 700 MHz Lower Band (Blocks C, D)						Y
WPWV333	WZ - 700 MHz Lower Band (Blocks C, D)						Y
WPWV335	WZ - 700 MHz Lower Band (Blocks C, D)						Y
WPWV342	WZ - 700 MHz Lower Band (Blocks C, D)						Y
WPWV358	WZ - 700 MHz Lower Band (Blocks C, D)						Y
WPWV359	WZ - 700 MHz Lower Band (Blocks C, D)						Y

111) Call Sign	112) Radio Service Code	113) Location Number	114) Path Number (Microwave only)	115) Frequency Number	116) Lower or Center Frequency (MHz)	117) Upper Frequency (MHz)	118) Constructed Yes / No
WPWV362	WZ - 700 MHz Lower Band (Blocks C, D)						Y
WPWV367	WZ - 700 MHz Lower Band (Blocks C, D)						Y
WPWV368	WZ - 700 MHz Lower Band (Blocks C, D)						Y
WPWV373	WZ - 700 MHz Lower Band (Blocks C, D)						Y
WPWV377	WZ - 700 MHz Lower Band (Blocks C, D)						Y
WPWV380	WZ - 700 MHz Lower Band (Blocks C, D)						Y
WPWV385	WZ - 700 MHz Lower Band (Blocks C, D)						Y
WPWV388	WZ - 700 MHz Lower Band (Blocks C, D)						Y
WPWV401	WZ - 700 MHz Lower Band (Blocks C, D)						Y
WPWV424	WZ - 700 MHz Lower Band (Blocks C, D)						Y
WPWV425	WZ - 700 MHz Lower Band (Blocks C, D)						Y
WPWV456	WZ - 700 MHz Lower Band (Blocks C, D)						Y
WPWV462	WZ - 700 MHz Lower Band (Blocks C, D)						Y
WPWV465	WZ - 700 MHz Lower Band (Blocks C, D)						Y
WPWV511	WZ - 700 MHz Lower Band (Blocks C, D)						Y
WPWV513	WZ - 700 MHz Lower Band (Blocks C, D)						Y
WPWV518	WZ - 700 MHz Lower Band (Blocks C, D)						Y
WPWV521	WZ - 700 MHz Lower Band (Blocks C, D)						Y
WPWV523	WZ - 700 MHz Lower Band (Blocks C, D)						Y

111) Call Sign	112) Radio Service Code	113) Location Number	114) Path Number (Microwave only)	115) Frequency Number	116) Lower or Center Frequency (MHz)	117) Upper Frequency (MHz)	118) Constructed Yes / No
WPWV525	WZ - 700 MHz Lower Band (Blocks C, D)						Y
WPWV526	WZ - 700 MHz Lower Band (Blocks C, D)						Y
WPWV540	WZ - 700 MHz Lower Band (Blocks C, D)						Y
WPWV547	WZ - 700 MHz Lower Band (Blocks C, D)						Y
WPWZ273	CF - Common Carrier Fixed Point to Point Microwave						Y
WPWZ275	CF - Common Carrier Fixed Point to Point Microwave						Y
WPWZ277	CF - Common Carrier Fixed Point to Point Microwave						Y
WPWZ281	CF - Common Carrier Fixed Point to Point Microwave						Y
WPXC373	CF - Common Carrier Fixed Point to Point Microwave						Y
WPXC463	CF - Common Carrier Fixed Point to Point Microwave						Y
WPXC468	CF - Common Carrier Fixed Point to Point Microwave						Y
WPXC476	CF - Common Carrier Fixed Point to Point Microwave						Y
WPXD984	WZ - 700 MHz Lower Band (Blocks C, D)						Y
WPXD987	WZ - 700 MHz Lower Band (Blocks C, D)						Y
WPXE259	CF - Common Carrier Fixed Point to Point Microwave						Y
WPXE649	CW - PCS Broadband						Y
WPXG434	CF - Common Carrier Fixed Point to Point Microwave						Y
WPXH869	CF - Common Carrier Fixed Point to Point Microwave						Y
WPXJ680	CF - Common Carrier Fixed Point to Point Microwave						Y

111) Call Sign	112) Radio Service Code	113) Location Number	114) Path Number (Microwave only)	115) Frequency Number	116) Lower or Center Frequency (MHz)	117) Upper Frequency (MHz)	118) Constructed Yes / No
WPXJ682	CF - Common Carrier Fixed Point to Point Microwave						Y
WPXJ686	CF - Common Carrier Fixed Point to Point Microwave						Y
WPXJ688	CF - Common Carrier Fixed Point to Point Microwave						Y
WPXJ692	CF - Common Carrier Fixed Point to Point Microwave						Y
WPXK757	CW - PCS Broadband						Y
WPXK794	CF - Common Carrier Fixed Point to Point Microwave						Y
WPXK830	CF - Common Carrier Fixed Point to Point Microwave						Y
WPXL295	CF - Common Carrier Fixed Point to Point Microwave						Y
WPXL478	CF - Common Carrier Fixed Point to Point Microwave						Y
WPXL483	CF - Common Carrier Fixed Point to Point Microwave						Y
WPXL507	CF - Common Carrier Fixed Point to Point Microwave						Y
WPXL512	CF - Common Carrier Fixed Point to Point Microwave						Y
WPXL541	CF - Common Carrier Fixed Point to Point Microwave						Y
WPXL545	CF - Common Carrier Fixed Point to Point Microwave						Y
WPXN203	CF - Common Carrier Fixed Point to Point Microwave						Y
WPXQ542	CF - Common Carrier Fixed Point to Point Microwave						Y
WPXR635	CF - Common Carrier Fixed Point to Point Microwave						Y
WPXS748	CW - PCS Broadband						Y
WPXS752	CW - PCS Broadband						Y

111) Call Sign	112) Radio Service Code	113) Location Number	114) Path Number (Microwave only)	115) Frequency Number	116) Lower or Center Frequency (MHz)	117) Upper Frequency (MHz)	118) Constructed Yes / No
WPXT205	CW - PCS Broadband						Y
WPXT937	CF - Common Carrier Fixed Point to Point Microwave						Y
WPXW903	CF - Common Carrier Fixed Point to Point Microwave						Y
WPYB553	CF - Common Carrier Fixed Point to Point Microwave						Y
WPYB556	CF - Common Carrier Fixed Point to Point Microwave						Y
WPYC636	CF - Common Carrier Fixed Point to Point Microwave						Y
WPYH452	CF - Common Carrier Fixed Point to Point Microwave						Y
WPYK282	CF - Common Carrier Fixed Point to Point Microwave						Y
WPYN544	CF - Common Carrier Fixed Point to Point Microwave						Y
WPYN547	CF - Common Carrier Fixed Point to Point Microwave						Y
WPYP600	CF - Common Carrier Fixed Point to Point Microwave						Y
WPYP768	WS - Wireless Communications Service						Y
WPYQ582	CF - Common Carrier Fixed Point to Point Microwave						Y
WPYQ583	CF - Common Carrier Fixed Point to Point Microwave						Y
WPYQ584	CF - Common Carrier Fixed Point to Point Microwave						Y
WPYT391	CF - Common Carrier Fixed Point to Point Microwave						Y
WPYT394	CF - Common Carrier Fixed Point to Point Microwave						Y
WPYT411	CF - Common Carrier Fixed Point to Point Microwave						Y
WPYT417	CF - Common Carrier Fixed Point to Point Microwave						Y

111) Call Sign	112) Radio Service Code	113) Location Number	114) Path Number (Microwave only)	115) Frequency Number	116) Lower or Center Frequency (MHz)	117) Upper Frequency (MHz)	118) Constructed Yes / No
WPYU241	CF - Common Carrier Fixed Point to Point Microwave						Y
WPYV689	CF - Common Carrier Fixed Point to Point Microwave						Y
WPYV690	CF - Common Carrier Fixed Point to Point Microwave						Y
WPYW985	CF - Common Carrier Fixed Point to Point Microwave						Y
WPYY374	CF - Common Carrier Fixed Point to Point Microwave						Y
WPYZ263	CF - Common Carrier Fixed Point to Point Microwave						Y
WPYZ849	WZ - 700 MHz Lower Band (Blocks C, D)						Y
WPYZ850	WZ - 700 MHz Lower Band (Blocks C, D)						Y
WPYZ852	WZ - 700 MHz Lower Band (Blocks C, D)						Y
WPYZ854	WZ - 700 MHz Lower Band (Blocks C, D)						Y
WPYZ857	WZ - 700 MHz Lower Band (Blocks C, D)						Y
WPYZ859	WZ - 700 MHz Lower Band (Blocks C, D)						Y
WPYZ864	WZ - 700 MHz Lower Band (Blocks C, D)						Y
WPYZ868	WZ - 700 MHz Lower Band (Blocks C, D)						Y
WPYZ869	WZ - 700 MHz Lower Band (Blocks C, D)						Y
WPYZ873	WZ - 700 MHz Lower Band (Blocks C, D)						Y
WPYZ879	WZ - 700 MHz Lower Band (Blocks C, D)						Y
WPYZ881	WZ - 700 MHz Lower Band (Blocks C, D)						Y
WPYZ882	WZ - 700 MHz Lower Band (Blocks C, D)						Y

111) Call Sign	112) Radio Service Code	113) Location Number	114) Path Number (Microwave only)	115) Frequency Number	116) Lower or Center Frequency (MHz)	117) Upper Frequency (MHz)	118) Constructed Yes / No
WPYZ891	WZ - 700 MHz Lower Band (Blocks C, D)						Y
WPYZ893	WZ - 700 MHz Lower Band (Blocks C, D)						Y
WPYZ894	WZ - 700 MHz Lower Band (Blocks C, D)						Y
WPYZ896	WZ - 700 MHz Lower Band (Blocks C, D)						Y
WPYZ897	WZ - 700 MHz Lower Band (Blocks C, D)						Y
WPYZ899	WZ - 700 MHz Lower Band (Blocks C, D)						Y
WPYZ901	WZ - 700 MHz Lower Band (Blocks C, D)						Y
WPYZ907	WZ - 700 MHz Lower Band (Blocks C, D)						Y
WPYZ909	WZ - 700 MHz Lower Band (Blocks C, D)						Y
WPYZ912	WZ - 700 MHz Lower Band (Blocks C, D)						Y
WPYZ913	WZ - 700 MHz Lower Band (Blocks C, D)						Y
WPYZ915	WZ - 700 MHz Lower Band (Blocks C, D)						Y
WPYZ916	WZ - 700 MHz Lower Band (Blocks C, D)						Y
WPYZ918	WZ - 700 MHz Lower Band (Blocks C, D)						Y
WPYZ919	WZ - 700 MHz Lower Band (Blocks C, D)						Y
WPYZ921	WZ - 700 MHz Lower Band (Blocks C, D)						Y
WPYZ922	WZ - 700 MHz Lower Band (Blocks C, D)						Y
WPYZ926	WZ - 700 MHz Lower Band (Blocks C, D)						Y
WPYZ928	WZ - 700 MHz Lower Band (Blocks C, D)						Y

111) Call Sign	112) Radio Service Code	113) Location Number	114) Path Number (Microwave only)	115) Frequency Number	116) Lower or Center Frequency (MHz)	117) Upper Frequency (MHz)	118) Constructed Yes / No
WPYZ929	WZ - 700 MHz Lower Band (Blocks C, D)						Y
WPYZ931	WZ - 700 MHz Lower Band (Blocks C, D)						Y
WPYZ932	WZ - 700 MHz Lower Band (Blocks C, D)						Y
WPYZ934	WZ - 700 MHz Lower Band (Blocks C, D)						Y
WPYZ942	WZ - 700 MHz Lower Band (Blocks C, D)						Y
WPYZ945	WZ - 700 MHz Lower Band (Blocks C, D)						Y
WPYZ947	WZ - 700 MHz Lower Band (Blocks C, D)						Y
WPYZ949	WZ - 700 MHz Lower Band (Blocks C, D)						Y
WPYZ950	WZ - 700 MHz Lower Band (Blocks C, D)						Y
WPYZ951	WZ - 700 MHz Lower Band (Blocks C, D)						Y
WPYZ953	WZ - 700 MHz Lower Band (Blocks C, D)						Y
WPYZ954	WZ - 700 MHz Lower Band (Blocks C, D)						Y
WPYZ957	WZ - 700 MHz Lower Band (Blocks C, D)						Y
WPYZ958	WZ - 700 MHz Lower Band (Blocks C, D)						Y
WPYZ960	WZ - 700 MHz Lower Band (Blocks C, D)						Y
WPYZ962	WZ - 700 MHz Lower Band (Blocks C, D)						Y
WPYZ964	WZ - 700 MHz Lower Band (Blocks C, D)						Y
WPYZ965	WZ - 700 MHz Lower Band (Blocks C, D)						Y
WPYZ967	WZ - 700 MHz Lower Band (Blocks C, D)						Y

111) Call Sign	112) Radio Service Code	113) Location Number	114) Path Number (Microwave only)	115) Frequency Number	116) Lower or Center Frequency (MHz)	117) Upper Frequency (MHz)	118) Constructed Yes / No
WPYZ970	WZ - 700 MHz Lower Band (Blocks C, D)						Y
WPYZ971	WZ - 700 MHz Lower Band (Blocks C, D)						Y
WPYZ973	WZ - 700 MHz Lower Band (Blocks C, D)						Y
WPYZ975	WZ - 700 MHz Lower Band (Blocks C, D)						Y
WPYZ976	WZ - 700 MHz Lower Band (Blocks C, D)						Y
WPYZ979	WZ - 700 MHz Lower Band (Blocks C, D)						Y
WPYZ981	WZ - 700 MHz Lower Band (Blocks C, D)						Y
WPYZ982	WZ - 700 MHz Lower Band (Blocks C, D)						Y
WPYZ984	WZ - 700 MHz Lower Band (Blocks C, D)						Y
WPYZ986	WZ - 700 MHz Lower Band (Blocks C, D)						Y
WPYZ987	WZ - 700 MHz Lower Band (Blocks C, D)						Y
WPYZ989	WZ - 700 MHz Lower Band (Blocks C, D)						Y
WPYZ994	WZ - 700 MHz Lower Band (Blocks C, D)						Y
WPYZ995	WZ - 700 MHz Lower Band (Blocks C, D)						Y
WPYZ996	WZ - 700 MHz Lower Band (Blocks C, D)						Y
WPYZ998	WZ - 700 MHz Lower Band (Blocks C, D)						Y
WPZA200	WZ - 700 MHz Lower Band (Blocks C, D)						Y
WPZA201	WZ - 700 MHz Lower Band (Blocks C, D)						Y
WPZA210	WZ - 700 MHz Lower Band (Blocks C, D)						Y

111) Call Sign	112) Radio Service Code	113) Location Number	114) Path Number (Microwave only)	115) Frequency Number	116) Lower or Center Frequency (MHz)	117) Upper Frequency (MHz)	118) Constructed Yes / No
WPZA212	WZ - 700 MHz Lower Band (Blocks C, D)						Y
WPZA214	WZ - 700 MHz Lower Band (Blocks C, D)						Y
WPZA227	WZ - 700 MHz Lower Band (Blocks C, D)						Y
WPZA231	WZ - 700 MHz Lower Band (Blocks C, D)						Y
WPZA235	WZ - 700 MHz Lower Band (Blocks C, D)						Y
WPZA236	WZ - 700 MHz Lower Band (Blocks C, D)						Y
WPZA238	WZ - 700 MHz Lower Band (Blocks C, D)						Y
WPZA239	WZ - 700 MHz Lower Band (Blocks C, D)						Y
WPZA265	WZ - 700 MHz Lower Band (Blocks C, D)						Y
WPZA266	WZ - 700 MHz Lower Band (Blocks C, D)						Y
WPZA268	WZ - 700 MHz Lower Band (Blocks C, D)						Y
WPZA275	WZ - 700 MHz Lower Band (Blocks C, D)						Y
WPZA277	WZ - 700 MHz Lower Band (Blocks C, D)						Y
WPZA511	CW - PCS Broadband						Y
WPZA810	WS - Wireless Communications Service						Y
WPZA812	WS - Wireless Communications Service						Y
WPZA813	WS - Wireless Communications Service						Y
WPZB215	CF - Common Carrier Fixed Point to Point Microwave						Y
WPZB216	CF - Common Carrier Fixed Point to Point Microwave						Y

111) Call Sign	112) Radio Service Code	113) Location Number	114) Path Number (Microwave only)	115) Frequency Number	116) Lower or Center Frequency (MHz)	117) Upper Frequency (MHz)	118) Constructed Yes / No
WPZG713	CF - Common Carrier Fixed Point to Point Microwave						Y
WPZI858	CF - Common Carrier Fixed Point to Point Microwave						Y
WPZI865	CF - Common Carrier Fixed Point to Point Microwave						Y
WPZK805	CF - Common Carrier Fixed Point to Point Microwave						Y
WPZL282	WZ - 700 MHz Lower Band (Blocks C, D)						Y
WPZL283	WZ - 700 MHz Lower Band (Blocks C, D)						Y
WPZL286	WZ - 700 MHz Lower Band (Blocks C, D)						Y
WPZL287	WZ - 700 MHz Lower Band (Blocks C, D)						Y
WPZL289	WZ - 700 MHz Lower Band (Blocks C, D)						Y
WPZL414	CF - Common Carrier Fixed Point to Point Microwave						Y
WPZN799	CW - PCS Broadband						Y
WPZP958	CL - Cellular						Y
WPZR481	CW - PCS Broadband						Y
WPZR875	CF - Common Carrier Fixed Point to Point Microwave						Y
WPZS714	CF - Common Carrier Fixed Point to Point Microwave						Y
WPZS716	CF - Common Carrier Fixed Point to Point Microwave						Y
WPZS718	CF - Common Carrier Fixed Point to Point Microwave						Y
WPZS721	CF - Common Carrier Fixed Point to Point Microwave						Y
WPZT694	CW - PCS Broadband						Y

111) Call Sign	112) Radio Service Code	113) Location Number	114) Path Number (Microwave only)	115) Frequency Number	116) Lower or Center Frequency (MHz)	117) Upper Frequency (MHz)	118) Constructed Yes / No
WPZT696	CW - PCS Broadband						Y
WPZU214	CW - PCS Broadband						Y
WPZU235	CF - Common Carrier Fixed Point to Point Microwave						Y
WPZY674	CW - PCS Broadband						Y
WPZY676	CW - PCS Broadband						Y
WPZY678	CW - PCS Broadband						Y
WPZY688	CW - PCS Broadband						Y
WPZZ381	CF - Common Carrier Fixed Point to Point Microwave						Y
WQAA265	CF - Common Carrier Fixed Point to Point Microwave						Y
WQAF337	CW - PCS Broadband						Y
WQAF391	CF - Common Carrier Fixed Point to Point Microwave						Y
WQAF397	CF - Common Carrier Fixed Point to Point Microwave						Y
WQAF398	CF - Common Carrier Fixed Point to Point Microwave						Y
WQAF917	CF - Common Carrier Fixed Point to Point Microwave						Y
WQAG294	CF - Common Carrier Fixed Point to Point Microwave						Y
WQAG297	CF - Common Carrier Fixed Point to Point Microwave						Y
WQAG731	CF - Common Carrier Fixed Point to Point Microwave						Y
WQAI869	CF - Common Carrier Fixed Point to Point Microwave						Y
WQAJ491	CF - Common Carrier Fixed Point to Point Microwave						Y

111) Call Sign	112) Radio Service Code	113) Location Number	114) Path Number (Microwave only)	115) Frequency Number	116) Lower or Center Frequency (MHz)	117) Upper Frequency (MHz)	118) Constructed Yes / No
WQAM303	CW - PCS Broadband						Y
WQAM790	CF - Common Carrier Fixed Point to Point Microwave						Y
WQAM795	CF - Common Carrier Fixed Point to Point Microwave						Y
WQAM798	CF - Common Carrier Fixed Point to Point Microwave						Y
WQAM799	CF - Common Carrier Fixed Point to Point Microwave						Y
WQAM800	CF - Common Carrier Fixed Point to Point Microwave						Y
WQAQ254	CW - PCS Broadband						Y
WQAS216	CF - Common Carrier Fixed Point to Point Microwave						Y
WQBE822	CF - Common Carrier Fixed Point to Point Microwave						Y
WQBE828	CF - Common Carrier Fixed Point to Point Microwave						Y
WQBE829	CF - Common Carrier Fixed Point to Point Microwave						Y
WQBJ559	CF - Common Carrier Fixed Point to Point Microwave						Y
WQBJ561	CF - Common Carrier Fixed Point to Point Microwave						Y
WQBJ595	CF - Common Carrier Fixed Point to Point Microwave						Y
WQBK480	CF - Common Carrier Fixed Point to Point Microwave						Y
WQBL517	CF - Common Carrier Fixed Point to Point Microwave						Y
WQBL526	CF - Common Carrier Fixed Point to Point Microwave						Y
WQBN796	CF - Common Carrier Fixed Point to Point Microwave						Y
WQBQ590	WZ - 700 MHz Lower Band (Blocks C, D)						Y

111) Call Sign	112) Radio Service Code	113) Location Number	114) Path Number (Microwave only)	115) Frequency Number	116) Lower or Center Frequency (MHz)	117) Upper Frequency (MHz)	118) Constructed Yes / No
WQBQ592	WZ - 700 MHz Lower Band (Blocks C, D)						Y
WQBQ593	WZ - 700 MHz Lower Band (Blocks C, D)						Y
WQBQ596	WZ - 700 MHz Lower Band (Blocks C, D)						Y
WQBQ597	WZ - 700 MHz Lower Band (Blocks C, D)						Y
WQBQ599	WZ - 700 MHz Lower Band (Blocks C, D)						Y
WQBQ601	WZ - 700 MHz Lower Band (Blocks C, D)						Y
WQBQ602	WZ - 700 MHz Lower Band (Blocks C, D)						Y
WQBQ605	WZ - 700 MHz Lower Band (Blocks C, D)						Y
WQBQ606	WZ - 700 MHz Lower Band (Blocks C, D)						Y
WQBQ609	WZ - 700 MHz Lower Band (Blocks C, D)						Y
WQBQ610	WZ - 700 MHz Lower Band (Blocks C, D)						Y
WQBQ611	WZ - 700 MHz Lower Band (Blocks C, D)						Y
WQBQ615	WZ - 700 MHz Lower Band (Blocks C, D)						Y
WQBQ617	WZ - 700 MHz Lower Band (Blocks C, D)						Y
WQBQ618	WZ - 700 MHz Lower Band (Blocks C, D)						Y
WQBQ620	WZ - 700 MHz Lower Band (Blocks C, D)						Y
WQBQ622	WZ - 700 MHz Lower Band (Blocks C, D)						Y
WQBQ624	WZ - 700 MHz Lower Band (Blocks C, D)						Y
WQBQ627	WZ - 700 MHz Lower Band (Blocks C, D)						Y

111) Call Sign	112) Radio Service Code	113) Location Number	114) Path Number (Microwave only)	115) Frequency Number	116) Lower or Center Frequency (MHz)	117) Upper Frequency (MHz)	118) Constructed Yes / No
WQBQ629	WZ - 700 MHz Lower Band (Blocks C, D)						Y
WQBS599	CF - Common Carrier Fixed Point to Point Microwave						Y
WQBT317	CW - PCS Broadband						Y
WQBT332	CW - PCS Broadband						Y
WQBT338	CW - PCS Broadband						Y
WQBT340	CW - PCS Broadband						Y
WQBT342	CW - PCS Broadband						Y
WQBT345	CW - PCS Broadband						Y
WQBT357	CW - PCS Broadband						Y
WQBT376	CF - Common Carrier Fixed Point to Point Microwave						Y
WQBU394	CF - Common Carrier Fixed Point to Point Microwave						Y
WQCC488	CF - Common Carrier Fixed Point to Point Microwave						Y
WQCD470	CF - Common Carrier Fixed Point to Point Microwave						Y
WQCE690	CF - Common Carrier Fixed Point to Point Microwave						Y
WQCF654	CF - Common Carrier Fixed Point to Point Microwave						Y
WQCI655	CF - Common Carrier Fixed Point to Point Microwave						Y
WQCI836	CF - Common Carrier Fixed Point to Point Microwave						Y
WQCJ958	CF - Common Carrier Fixed Point to Point Microwave						Y
WQCK340	CF - Common Carrier Fixed Point to Point Microwave						Y

111) Call Sign	112) Radio Service Code	113) Location Number	114) Path Number (Microwave only)	115) Frequency Number	116) Lower or Center Frequency (MHz)	117) Upper Frequency (MHz)	118) Constructed Yes / No
WQCK826	CF - Common Carrier Fixed Point to Point Microwave						Y
WQCK947	CF - Common Carrier Fixed Point to Point Microwave						Y
WQCL201	CF - Common Carrier Fixed Point to Point Microwave						Y
WQCL202	CF - Common Carrier Fixed Point to Point Microwave						Y
WQCL207	CF - Common Carrier Fixed Point to Point Microwave						Y
WQCL289	CF - Common Carrier Fixed Point to Point Microwave						Y
WQCL290	CF - Common Carrier Fixed Point to Point Microwave						Y
WQCL292	CF - Common Carrier Fixed Point to Point Microwave						Y
WQCL692	CW - PCS Broadband						Y
WQCL805	CF - Common Carrier Fixed Point to Point Microwave						Y
WQCL938	CF - Common Carrier Fixed Point to Point Microwave						Y
WQCL966	CF - Common Carrier Fixed Point to Point Microwave						Y
WQCM412	CF - Common Carrier Fixed Point to Point Microwave						Y
WQCM495	WZ - 700 MHz Lower Band (Blocks C, D)						Y
WQCQ676	CF - Common Carrier Fixed Point to Point Microwave						Y
WQCQ677	CF - Common Carrier Fixed Point to Point Microwave						Y
WQCS427	CW - PCS Broadband						Y
WQCT660	CF - Common Carrier Fixed Point to Point Microwave						Y
WQCX667	CW - PCS Broadband						Y

111) Call Sign	112) Radio Service Code	113) Location Number	114) Path Number (Microwave only)	115) Frequency Number	116) Lower or Center Frequency (MHz)	117) Upper Frequency (MHz)	118) Constructed Yes / No
WQDB658	CF - Common Carrier Fixed Point to Point Microwave						Y
WQDH214	CF - Common Carrier Fixed Point to Point Microwave						Y
WQDH434	WZ - 700 MHz Lower Band (Blocks C, D)						Y
WQDI528	CW - PCS Broadband						Y
WQDK702	CF - Common Carrier Fixed Point to Point Microwave						Y
WQDM573	WZ - 700 MHz Lower Band (Blocks C, D)						Y
WQDN631	CF - Common Carrier Fixed Point to Point Microwave						Y
WQDN632	CF - Common Carrier Fixed Point to Point Microwave						Y
WQDS754	CF - Common Carrier Fixed Point to Point Microwave						Y
WQDU929	CW - PCS Broadband						Y
WQDU940	CW - PCS Broadband						Y
WQDX566	WZ - 700 MHz Lower Band (Blocks C, D)						Y
WQDY775	CL - Cellular						Y
WQEB207	CF - Common Carrier Fixed Point to Point Microwave						Y
WQEB350	CW - PCS Broadband						Y
WQEE480	CW - PCS Broadband						Y
WQEH256	CF - Common Carrier Fixed Point to Point Microwave						Y
WQEM938	CW - PCS Broadband						Y
WQEU320	CF - Common Carrier Fixed Point to Point Microwave						Y

111) Call Sign	112) Radio Service Code	113) Location Number	114) Path Number (Microwave only)	115) Frequency Number	116) Lower or Center Frequency (MHz)	117) Upper Frequency (MHz)	118) Constructed Yes / No
WQEW802	CF - Common Carrier Fixed Point to Point Microwave						Y
WQEW881	CW - PCS Broadband						Y
WQEY211	CW - PCS Broadband						Y
WQEY212	CW - PCS Broadband						Y
WQEY215	CW - PCS Broadband						Y
WQEY218	CW - PCS Broadband						Y
WQEY219	CW - PCS Broadband						Y
WQFA871	CW - PCS Broadband						Y
WQFA873	CW - PCS Broadband						Y
WQFA876	CW - PCS Broadband						Y
WQFA881	CW - PCS Broadband						Y
WQFD536	CW - PCS Broadband						Y
WQFD545	CW - PCS Broadband						Y
WQFD733	CF - Common Carrier Fixed Point to Point Microwave						Y
WQFE249	CF - Common Carrier Fixed Point to Point Microwave						Y
WQFI384	CF - Common Carrier Fixed Point to Point Microwave						Y
WQFI388	CF - Common Carrier Fixed Point to Point Microwave						Y
WQFI852	CF - Common Carrier Fixed Point to Point Microwave						Y
WQFI856	CF - Common Carrier Fixed Point to Point Microwave						Y

111) Call Sign	112) Radio Service Code	113) Location Number	114) Path Number (Microwave only)	115) Frequency Number	116) Lower or Center Frequency (MHz)	117) Upper Frequency (MHz)	118) Constructed Yes / No
WQFJ222	CF - Common Carrier Fixed Point to Point Microwave						Y
WQFJ557	CF - Common Carrier Fixed Point to Point Microwave						Y
WQFJ770	CF - Common Carrier Fixed Point to Point Microwave						Y
WQFN782	CW - PCS Broadband						Y
WQFN832	CF - Common Carrier Fixed Point to Point Microwave						Y
WQFT889	CF - Common Carrier Fixed Point to Point Microwave						Y
WQFT919	CF - Common Carrier Fixed Point to Point Microwave						Y
WQFU236	CF - Common Carrier Fixed Point to Point Microwave						Y
WQFU252	CF - Common Carrier Fixed Point to Point Microwave						Y
WQFU318	CF - Common Carrier Fixed Point to Point Microwave						Y
WQFU320	CF - Common Carrier Fixed Point to Point Microwave						Y
WQFU479	CF - Common Carrier Fixed Point to Point Microwave						Y
WQFU501	CF - Common Carrier Fixed Point to Point Microwave						Y
WQFU957	CW - PCS Broadband						Y
WQFU966	CW - PCS Broadband						Y
WQFV605	CF - Common Carrier Fixed Point to Point Microwave						Y
WQFV607	CF - Common Carrier Fixed Point to Point Microwave						Y
WQFV608	CF - Common Carrier Fixed Point to Point Microwave						Y
WQFV755	CF - Common Carrier Fixed Point to Point Microwave						Y

111) Call Sign	112) Radio Service Code	113) Location Number	114) Path Number (Microwave only)	115) Frequency Number	116) Lower or Center Frequency (MHz)	117) Upper Frequency (MHz)	118) Constructed Yes / No
WQFV756	CF - Common Carrier Fixed Point to Point Microwave						Y
WQFW812	CF - Common Carrier Fixed Point to Point Microwave						Y
WQFW813	CF - Common Carrier Fixed Point to Point Microwave						Y
WQFW814	CF - Common Carrier Fixed Point to Point Microwave						Y
WQFW841	CF - Common Carrier Fixed Point to Point Microwave						Y
WQFX218	CF - Common Carrier Fixed Point to Point Microwave						Y
WQFX235	CF - Common Carrier Fixed Point to Point Microwave						Y
WQFX236	CF - Common Carrier Fixed Point to Point Microwave						Y
WQFX322	CF - Common Carrier Fixed Point to Point Microwave						Y
WQFX835	CF - Common Carrier Fixed Point to Point Microwave						Y
WQFY583	CF - Common Carrier Fixed Point to Point Microwave						Y
WQFY584	CF - Common Carrier Fixed Point to Point Microwave						Y
WQFY590	CF - Common Carrier Fixed Point to Point Microwave						Y
WQFY739	CF - Common Carrier Fixed Point to Point Microwave						Y
WQFZ455	CF - Common Carrier Fixed Point to Point Microwave						Y
WQFZ456	CF - Common Carrier Fixed Point to Point Microwave						Y
WQGA705	AW - AWS (1710-1755 MHz and 2110-2155 MHz)						N
WQGA746	AW - AWS (1710-1755 MHz and 2110-2155 MHz)						N
WQGA748	AW - AWS (1710-1755 MHz and 2110-2155 MHz)						N

111) Call Sign	112) Radio Service Code	113) Location Number	114) Path Number (Microwave only)	115) Frequency Number	116) Lower or Center Frequency (MHz)	117) Upper Frequency (MHz)	118) Constructed Yes / No
WQGA753	AW - AWS (1710-1755 MHz and 2110-2155 MHz)						N
WQGA762	AW - AWS (1710-1755 MHz and 2110-2155 MHz)						N
WQGA763	AW - AWS (1710-1755 MHz and 2110-2155 MHz)						N
WQGA765	AW - AWS (1710-1755 MHz and 2110-2155 MHz)						N
WQGA767	AW - AWS (1710-1755 MHz and 2110-2155 MHz)						N
WQGA769	AW - AWS (1710-1755 MHz and 2110-2155 MHz)						N
WQGA772	AW - AWS (1710-1755 MHz and 2110-2155 MHz)						N
WQGA773	AW - AWS (1710-1755 MHz and 2110-2155 MHz)						N
WQGA778	AW - AWS (1710-1755 MHz and 2110-2155 MHz)						N
WQGA784	AW - AWS (1710-1755 MHz and 2110-2155 MHz)						N
WQGA786	AW - AWS (1710-1755 MHz and 2110-2155 MHz)						N
WQGA790	AW - AWS (1710-1755 MHz and 2110-2155 MHz)						N
WQGA792	AW - AWS (1710-1755 MHz and 2110-2155 MHz)						N
WQGA794	AW - AWS (1710-1755 MHz and 2110-2155 MHz)						N
WQGA796	AW - AWS (1710-1755 MHz and 2110-2155 MHz)						N
WQGA797	AW - AWS (1710-1755 MHz and 2110-2155 MHz)						N
WQGA798	AW - AWS (1710-1755 MHz and 2110-2155 MHz)						N
WQGA802	AW - AWS (1710-1755 MHz and 2110-2155 MHz)						N
WQGA803	AW - AWS (1710-1755 MHz and 2110-2155 MHz)						N

111) Call Sign	112) Radio Service Code	113) Location Number	114) Path Number (Microwave only)	115) Frequency Number	116) Lower or Center Frequency (MHz)	117) Upper Frequency (MHz)	118) Constructed Yes / No
WQGA806	AW - AWS (1710-1755 MHz and 2110-2155 MHz)						N
WQGA809	AW - AWS (1710-1755 MHz and 2110-2155 MHz)						N
WQGA810	AW - AWS (1710-1755 MHz and 2110-2155 MHz)						N
WQGA813	AW - AWS (1710-1755 MHz and 2110-2155 MHz)						N
WQGA814	AW - AWS (1710-1755 MHz and 2110-2155 MHz)						N
WQGA816	AW - AWS (1710-1755 MHz and 2110-2155 MHz)						N
WQGA817	AW - AWS (1710-1755 MHz and 2110-2155 MHz)						N
WQGA820	AW - AWS (1710-1755 MHz and 2110-2155 MHz)						N
WQGA822	AW - AWS (1710-1755 MHz and 2110-2155 MHz)						N
WQGA824	AW - AWS (1710-1755 MHz and 2110-2155 MHz)						N
WQGA830	AW - AWS (1710-1755 MHz and 2110-2155 MHz)						N
WQGA831	AW - AWS (1710-1755 MHz and 2110-2155 MHz)						N
WQGA834	AW - AWS (1710-1755 MHz and 2110-2155 MHz)						N
WQGA835	AW - AWS (1710-1755 MHz and 2110-2155 MHz)						N
WQGA837	AW - AWS (1710-1755 MHz and 2110-2155 MHz)						N
WQGA838	AW - AWS (1710-1755 MHz and 2110-2155 MHz)						N
WQGA840	AW - AWS (1710-1755 MHz and 2110-2155 MHz)						N
WQGA843	AW - AWS (1710-1755 MHz and 2110-2155 MHz)						N
WQGA844	AW - AWS (1710-1755 MHz and 2110-2155 MHz)						N

111) Call Sign	112) Radio Service Code	113) Location Number	114) Path Number (Microwave only)	115) Frequency Number	116) Lower or Center Frequency (MHz)	117) Upper Frequency (MHz)	118) Constructed Yes / No
WQGA846	AW - AWS (1710-1755 MHz and 2110-2155 MHz)						N
WQGA847	AW - AWS (1710-1755 MHz and 2110-2155 MHz)						N
WQGA849	AW - AWS (1710-1755 MHz and 2110-2155 MHz)						N
WQGA853	AW - AWS (1710-1755 MHz and 2110-2155 MHz)						N
WQGA864	AW - AWS (1710-1755 MHz and 2110-2155 MHz)						N
WQGA866	AW - AWS (1710-1755 MHz and 2110-2155 MHz)						N
WQGA869	AW - AWS (1710-1755 MHz and 2110-2155 MHz)						N
WQGA878	AW - AWS (1710-1755 MHz and 2110-2155 MHz)						N
WQGA879	AW - AWS (1710-1755 MHz and 2110-2155 MHz)						N
WQGA881	AW - AWS (1710-1755 MHz and 2110-2155 MHz)						N
WQGA882	AW - AWS (1710-1755 MHz and 2110-2155 MHz)						N
WQGA884	AW - AWS (1710-1755 MHz and 2110-2155 MHz)						N
WQGA885	AW - AWS (1710-1755 MHz and 2110-2155 MHz)						N
WQGA887	AW - AWS (1710-1755 MHz and 2110-2155 MHz)						N
WQGA888	AW - AWS (1710-1755 MHz and 2110-2155 MHz)						N
WQGA890	AW - AWS (1710-1755 MHz and 2110-2155 MHz)						N
WQGB236	AW - AWS (1710-1755 MHz and 2110-2155 MHz)						N
WQGB237	AW - AWS (1710-1755 MHz and 2110-2155 MHz)						N
WQGB239	AW - AWS (1710-1755 MHz and 2110-2155 MHz)						N

111) Call Sign	112) Radio Service Code	113) Location Number	114) Path Number (Microwave only)	115) Frequency Number	116) Lower or Center Frequency (MHz)	117) Upper Frequency (MHz)	118) Constructed Yes / No
WQGB240	AW - AWS (1710-1755 MHz and 2110-2155 MHz)						N
WQGB388	AW - AWS (1710-1755 MHz and 2110-2155 MHz)						N
WQGB389	AW - AWS (1710-1755 MHz and 2110-2155 MHz)						N
WQGB416	AW - AWS (1710-1755 MHz and 2110-2155 MHz)						N
WQGB417	AW - AWS (1710-1755 MHz and 2110-2155 MHz)						N
WQGC794	CF - Common Carrier Fixed Point to Point Microwave						Y
WQGC796	CF - Common Carrier Fixed Point to Point Microwave						Y
WQGC797	CF - Common Carrier Fixed Point to Point Microwave						Y
WQGC922	CF - Common Carrier Fixed Point to Point Microwave						Y
WQGD431	AW - AWS (1710-1755 MHz and 2110-2155 MHz)						N
WQGD433	AW - AWS (1710-1755 MHz and 2110-2155 MHz)						N
WQGD435	AW - AWS (1710-1755 MHz and 2110-2155 MHz)						N
WQGD447	AW - AWS (1710-1755 MHz and 2110-2155 MHz)						N
WQGD449	AW - AWS (1710-1755 MHz and 2110-2155 MHz)						N
WQGD452	AW - AWS (1710-1755 MHz and 2110-2155 MHz)						N
WQGD454	AW - AWS (1710-1755 MHz and 2110-2155 MHz)						N
WQGD456	AW - AWS (1710-1755 MHz and 2110-2155 MHz)						N
WQGD472	AW - AWS (1710-1755 MHz and 2110-2155 MHz)						N
WQGD489	AW - AWS (1710-1755 MHz and 2110-2155 MHz)						N

111) Call Sign	112) Radio Service Code	113) Location Number	114) Path Number (Microwave only)	115) Frequency Number	116) Lower or Center Frequency (MHz)	117) Upper Frequency (MHz)	118) Constructed Yes / No
WQGD515	AW - AWS (1710-1755 MHz and 2110-2155 MHz)						N
WQGD517	AW - AWS (1710-1755 MHz and 2110-2155 MHz)						N
WQGD545	AW - AWS (1710-1755 MHz and 2110-2155 MHz)						N
WQGD556	AW - AWS (1710-1755 MHz and 2110-2155 MHz)						N
WQGD558	AW - AWS (1710-1755 MHz and 2110-2155 MHz)						N
WQGD559	AW - AWS (1710-1755 MHz and 2110-2155 MHz)						N
WQGD561	AW - AWS (1710-1755 MHz and 2110-2155 MHz)						N
WQGD562	AW - AWS (1710-1755 MHz and 2110-2155 MHz)						N
WQGD590	AW - AWS (1710-1755 MHz and 2110-2155 MHz)						N
WQGD592	AW - AWS (1710-1755 MHz and 2110-2155 MHz)						N
WQGD601	AW - AWS (1710-1755 MHz and 2110-2155 MHz)						N
WQGD606	AW - AWS (1710-1755 MHz and 2110-2155 MHz)						N
WQGD634	AW - AWS (1710-1755 MHz and 2110-2155 MHz)						N
WQGD660	AW - AWS (1710-1755 MHz and 2110-2155 MHz)						N
WQGD671	AW - AWS (1710-1755 MHz and 2110-2155 MHz)						N
WQGD673	AW - AWS (1710-1755 MHz and 2110-2155 MHz)						N
WQGD674	AW - AWS (1710-1755 MHz and 2110-2155 MHz)						N
WQGD679	AW - AWS (1710-1755 MHz and 2110-2155 MHz)						N
WQGD681	AW - AWS (1710-1755 MHz and 2110-2155 MHz)						N

111) Call Sign	112) Radio Service Code	113) Location Number	114) Path Number (Microwave only)	115) Frequency Number	116) Lower or Center Frequency (MHz)	117) Upper Frequency (MHz)	118) Constructed Yes / No
WQGD683	AW - AWS (1710-1755 MHz and 2110-2155 MHz)						N
WQGD687	AW - AWS (1710-1755 MHz and 2110-2155 MHz)						N
WQGD694	AW - AWS (1710-1755 MHz and 2110-2155 MHz)						N
WQGD706	AW - AWS (1710-1755 MHz and 2110-2155 MHz)						N
WQGD713	AW - AWS (1710-1755 MHz and 2110-2155 MHz)						N
WQGD715	AW - AWS (1710-1755 MHz and 2110-2155 MHz)						N
WQGD716	AW - AWS (1710-1755 MHz and 2110-2155 MHz)						N
WQGD721	AW - AWS (1710-1755 MHz and 2110-2155 MHz)						N
WQGD725	AW - AWS (1710-1755 MHz and 2110-2155 MHz)						N
WQGD731	AW - AWS (1710-1755 MHz and 2110-2155 MHz)						N
WQGD732	AW - AWS (1710-1755 MHz and 2110-2155 MHz)						N
WQGD735	AW - AWS (1710-1755 MHz and 2110-2155 MHz)						N
WQGD738	AW - AWS (1710-1755 MHz and 2110-2155 MHz)						N
WQGD739	AW - AWS (1710-1755 MHz and 2110-2155 MHz)						N
WQGD745	AW - AWS (1710-1755 MHz and 2110-2155 MHz)						N
WQGD747	AW - AWS (1710-1755 MHz and 2110-2155 MHz)						N
WQGD748	AW - AWS (1710-1755 MHz and 2110-2155 MHz)						N
WQGD751	AW - AWS (1710-1755 MHz and 2110-2155 MHz)						N
WQGD753	AW - AWS (1710-1755 MHz and 2110-2155 MHz)						N

111) Call Sign	112) Radio Service Code	113) Location Number	114) Path Number (Microwave only)	115) Frequency Number	116) Lower or Center Frequency (MHz)	117) Upper Frequency (MHz)	118) Constructed Yes / No
WQGD754	AW - AWS (1710-1755 MHz and 2110-2155 MHz)						N
WQGD755	AW - AWS (1710-1755 MHz and 2110-2155 MHz)						N
WQGD758	AW - AWS (1710-1755 MHz and 2110-2155 MHz)						N
WQGD760	AW - AWS (1710-1755 MHz and 2110-2155 MHz)						N
WQGD762	AW - AWS (1710-1755 MHz and 2110-2155 MHz)						N
WQGD769	AW - AWS (1710-1755 MHz and 2110-2155 MHz)						N
WQGE499	CF - Common Carrier Fixed Point to Point Microwave						Y
WQGG303	CW - PCS Broadband						Y
WQGG379	CF - Common Carrier Fixed Point to Point Microwave						Y
WQGG842	CF - Common Carrier Fixed Point to Point Microwave						Y
WQGG843	CF - Common Carrier Fixed Point to Point Microwave						Y
WQGG849	CF - Common Carrier Fixed Point to Point Microwave						Y
WQGH577	CF - Common Carrier Fixed Point to Point Microwave						Y
WQGH578	CF - Common Carrier Fixed Point to Point Microwave						Y
WQGH579	CF - Common Carrier Fixed Point to Point Microwave						Y
WQGH580	CF - Common Carrier Fixed Point to Point Microwave						Y
WQGI297	CF - Common Carrier Fixed Point to Point Microwave						Y
WQGI311	CF - Common Carrier Fixed Point to Point Microwave						Y
WQGI317	CF - Common Carrier Fixed Point to Point Microwave						Y

111) Call Sign	112) Radio Service Code	113) Location Number	114) Path Number (Microwave only)	115) Frequency Number	116) Lower or Center Frequency (MHz)	117) Upper Frequency (MHz)	118) Constructed Yes / No
WQGI329	CF - Common Carrier Fixed Point to Point Microwave						Y
WQGI511	AW - AWS (1710-1755 MHz and 2110-2155 MHz)						N
WQGI535	CF - Common Carrier Fixed Point to Point Microwave						Y
WQGK460	CF - Common Carrier Fixed Point to Point Microwave						Y
WQGK782	CF - Common Carrier Fixed Point to Point Microwave						Y
WQGK845	CW - PCS Broadband						Y
WQGK968	CF - Common Carrier Fixed Point to Point Microwave						Y
WQGL814	AW - AWS (1710-1755 MHz and 2110-2155 MHz)						N
WQGL816	AW - AWS (1710-1755 MHz and 2110-2155 MHz)						N
WQGL817	AW - AWS (1710-1755 MHz and 2110-2155 MHz)						N
WQQQ236	CF - Common Carrier Fixed Point to Point Microwave						Y
WQGS580	CF - Common Carrier Fixed Point to Point Microwave						Y
WQGT283	CF - Common Carrier Fixed Point to Point Microwave						Y
WQGT837	AW - AWS (1710-1755 MHz and 2110-2155 MHz)						N
WQGT843	AW - AWS (1710-1755 MHz and 2110-2155 MHz)						N
WQGT845	AW - AWS (1710-1755 MHz and 2110-2155 MHz)						N
WQGT846	AW - AWS (1710-1755 MHz and 2110-2155 MHz)						N
WQGT848	AW - AWS (1710-1755 MHz and 2110-2155 MHz)						N
WQGT850	AW - AWS (1710-1755 MHz and 2110-2155 MHz)						N

111) Call Sign	112) Radio Service Code	113) Location Number	114) Path Number (Microwave only)	115) Frequency Number	116) Lower or Center Frequency (MHz)	117) Upper Frequency (MHz)	118) Constructed Yes / No
WQGT867	AW - AWS (1710-1755 MHz and 2110-2155 MHz)						N
WQGT879	AW - AWS (1710-1755 MHz and 2110-2155 MHz)						N
WQGT880	AW - AWS (1710-1755 MHz and 2110-2155 MHz)						N
WQGV403	CF - Common Carrier Fixed Point to Point Microwave						Y
WQGV418	WZ - 700 MHz Lower Band (Blocks C, D)						Y
WQGV419	WZ - 700 MHz Lower Band (Blocks C, D)						Y
WQGV771	AW - AWS (1710-1755 MHz and 2110-2155 MHz)						N
WQGV772	AW - AWS (1710-1755 MHz and 2110-2155 MHz)						N
WQGV774	AW - AWS (1710-1755 MHz and 2110-2155 MHz)						N
WQGV779	AW - AWS (1710-1755 MHz and 2110-2155 MHz)						N
WQGV784	AW - AWS (1710-1755 MHz and 2110-2155 MHz)						N
WQGV788	AW - AWS (1710-1755 MHz and 2110-2155 MHz)						N
WQGV930	CF - Common Carrier Fixed Point to Point Microwave						Y
WQGW265	CF - Common Carrier Fixed Point to Point Microwave						Y
WQGX703	CF - Common Carrier Fixed Point to Point Microwave						Y
WQGX704	CF - Common Carrier Fixed Point to Point Microwave						Y
WQGZ566	CF - Common Carrier Fixed Point to Point Microwave						Y
WQHA403	CF - Common Carrier Fixed Point to Point Microwave						Y
WQHA561	CF - Common Carrier Fixed Point to Point Microwave						Y

111) Call Sign	112) Radio Service Code	113) Location Number	114) Path Number (Microwave only)	115) Frequency Number	116) Lower or Center Frequency (MHz)	117) Upper Frequency (MHz)	118) Constructed Yes / No
WQHA913	CF - Common Carrier Fixed Point to Point Microwave						Y
WQHC319	CF - Common Carrier Fixed Point to Point Microwave						Y
WQHE232	CF - Common Carrier Fixed Point to Point Microwave						Y
WQHE233	CF - Common Carrier Fixed Point to Point Microwave						Y
WQHE393	CF - Common Carrier Fixed Point to Point Microwave						Y
WQHE394	CF - Common Carrier Fixed Point to Point Microwave						Y
WQHG445	CW - PCS Broadband						Y
WQHH770	CF - Common Carrier Fixed Point to Point Microwave						Y
WQHH771	CF - Common Carrier Fixed Point to Point Microwave						Y
WQHH772	CF - Common Carrier Fixed Point to Point Microwave						Y
WQHK349	CF - Common Carrier Fixed Point to Point Microwave						Y
WQHK375	CF - Common Carrier Fixed Point to Point Microwave						Y
WQHM212	CF - Common Carrier Fixed Point to Point Microwave						Y
WQHM482	WZ - 700 MHz Lower Band (Blocks C, D)						Y
WQHP258	CF - Common Carrier Fixed Point to Point Microwave						Y
WQHP336	CF - Common Carrier Fixed Point to Point Microwave						Y
WQHP337	CF - Common Carrier Fixed Point to Point Microwave						Y
WQHP338	CF - Common Carrier Fixed Point to Point Microwave						Y
WQHP801	CF - Common Carrier Fixed Point to Point Microwave						Y

111) Call Sign	112) Radio Service Code	113) Location Number	114) Path Number (Microwave only)	115) Frequency Number	116) Lower or Center Frequency (MHz)	117) Upper Frequency (MHz)	118) Constructed Yes / No
WQHP971	CF - Common Carrier Fixed Point to Point Microwave						Y
WQHS338	CF - Common Carrier Fixed Point to Point Microwave						Y
WQHS339	CF - Common Carrier Fixed Point to Point Microwave						Y
WQHT227	CF - Common Carrier Fixed Point to Point Microwave						Y
WQHT248	CF - Common Carrier Fixed Point to Point Microwave						Y
WQHU225	CF - Common Carrier Fixed Point to Point Microwave						Y
WQHW882	CF - Common Carrier Fixed Point to Point Microwave						Y
WQHW937	CF - Common Carrier Fixed Point to Point Microwave						Y
WQHY474	CW - PCS Broadband						Y
WQIB706	CF - Common Carrier Fixed Point to Point Microwave						Y
WQID213	CF - Common Carrier Fixed Point to Point Microwave						Y
WQID286	CF - Common Carrier Fixed Point to Point Microwave						Y
WQID287	CF - Common Carrier Fixed Point to Point Microwave						Y
WQIF351	CF - Common Carrier Fixed Point to Point Microwave						Y
WQIG716	CF - Common Carrier Fixed Point to Point Microwave						Y
WQIG725	CF - Common Carrier Fixed Point to Point Microwave						Y
WQIH441	CF - Common Carrier Fixed Point to Point Microwave						Y
WQIH442	CF - Common Carrier Fixed Point to Point Microwave						Y
WQIK491	CF - Common Carrier Fixed Point to Point Microwave						Y

111) Call Sign	112) Radio Service Code	113) Location Number	114) Path Number (Microwave only)	115) Frequency Number	116) Lower or Center Frequency (MHz)	117) Upper Frequency (MHz)	118) Constructed Yes / No
WQIK492	CF - Common Carrier Fixed Point to Point Microwave						Y
WQIN984	CF - Common Carrier Fixed Point to Point Microwave						Y
WQIS795	CF - Common Carrier Fixed Point to Point Microwave						Y
WQIS796	CF - Common Carrier Fixed Point to Point Microwave						Y
WQIS797	CF - Common Carrier Fixed Point to Point Microwave						Y
WQIS798	CF - Common Carrier Fixed Point to Point Microwave						Y
WQIS803	CF - Common Carrier Fixed Point to Point Microwave						Y
WQIS804	CF - Common Carrier Fixed Point to Point Microwave						Y
WQIU812	CF - Common Carrier Fixed Point to Point Microwave						Y
WQIU813	CF - Common Carrier Fixed Point to Point Microwave						Y
WQIU814	CF - Common Carrier Fixed Point to Point Microwave						Y
WQIV575	CF - Common Carrier Fixed Point to Point Microwave						Y
WQIV577	CF - Common Carrier Fixed Point to Point Microwave						Y
WQIV578	CF - Common Carrier Fixed Point to Point Microwave						Y
WQIW463	CF - Common Carrier Fixed Point to Point Microwave						Y
WQIZ366	WY - 700 MHz Lower Band (Blocks A, B & E)						Y
WQIZ367	WY - 700 MHz Lower Band (Blocks A, B & E)						Y
WQIZ369	WY - 700 MHz Lower Band (Blocks A, B & E)						Y
WQIZ371	WY - 700 MHz Lower Band (Blocks A, B & E)						Y

111) Call Sign	112) Radio Service Code	113) Location Number	114) Path Number (Microwave only)	115) Frequency Number	116) Lower or Center Frequency (MHz)	117) Upper Frequency (MHz)	118) Constructed Yes / No
WQIZ375	WY - 700 MHz Lower Band (Blocks A, B & E)						Y
WQIZ376	WY - 700 MHz Lower Band (Blocks A, B & E)						Y
WQIZ379	WY - 700 MHz Lower Band (Blocks A, B & E)						Y
WQIZ384	WY - 700 MHz Lower Band (Blocks A, B & E)						Y
WQIZ411	WY - 700 MHz Lower Band (Blocks A, B & E)						Y
WQIZ414	WY - 700 MHz Lower Band (Blocks A, B & E)						Y
WQIZ415	WY - 700 MHz Lower Band (Blocks A, B & E)						Y
WQIZ417	WY - 700 MHz Lower Band (Blocks A, B & E)						Y
WQIZ418	WY - 700 MHz Lower Band (Blocks A, B & E)						Y
WQIZ420	WY - 700 MHz Lower Band (Blocks A, B & E)						Y
WQIZ437	WY - 700 MHz Lower Band (Blocks A, B & E)						Y
WQIZ438	WY - 700 MHz Lower Band (Blocks A, B & E)						Y
WQIZ441	WY - 700 MHz Lower Band (Blocks A, B & E)						Y
WQIZ476	WY - 700 MHz Lower Band (Blocks A, B & E)						Y
WQIZ477	WY - 700 MHz Lower Band (Blocks A, B & E)						Y
WQIZ479	WY - 700 MHz Lower Band (Blocks A, B & E)						Y
WQIZ480	WY - 700 MHz Lower Band (Blocks A, B & E)						Y
WQIZ484	WY - 700 MHz Lower Band (Blocks A, B & E)						Y
WQIZ485	WY - 700 MHz Lower Band (Blocks A, B & E)						Y

111) Call Sign	112) Radio Service Code	113) Location Number	114) Path Number (Microwave only)	115) Frequency Number	116) Lower or Center Frequency (MHz)	117) Upper Frequency (MHz)	118) Constructed Yes / No
WQIZ487	WY - 700 MHz Lower Band (Blocks A, B & E)						Y
WQIZ489	WY - 700 MHz Lower Band (Blocks A, B & E)						Y
WQIZ490	WY - 700 MHz Lower Band (Blocks A, B & E)						Y
WQIZ492	WY - 700 MHz Lower Band (Blocks A, B & E)						Y
WQIZ493	WY - 700 MHz Lower Band (Blocks A, B & E)						Y
WQIZ495	WY - 700 MHz Lower Band (Blocks A, B & E)						Y
WQIZ496	WY - 700 MHz Lower Band (Blocks A, B & E)						Y
WQIZ498	WY - 700 MHz Lower Band (Blocks A, B & E)						Y
WQIZ502	WY - 700 MHz Lower Band (Blocks A, B & E)						Y
WQIZ503	WY - 700 MHz Lower Band (Blocks A, B & E)						Y
WQIZ509	WY - 700 MHz Lower Band (Blocks A, B & E)						Y
WQIZ511	WY - 700 MHz Lower Band (Blocks A, B & E)						Y
WQIZ512	WY - 700 MHz Lower Band (Blocks A, B & E)						Y
WQIZ514	WY - 700 MHz Lower Band (Blocks A, B & E)						Y
WQIZ515	WY - 700 MHz Lower Band (Blocks A, B & E)						Y
WQIZ517	WY - 700 MHz Lower Band (Blocks A, B & E)						Y
WQIZ519	WY - 700 MHz Lower Band (Blocks A, B & E)						Y
WQIZ520	WY - 700 MHz Lower Band (Blocks A, B & E)						Y
WQIZ523	WY - 700 MHz Lower Band (Blocks A, B & E)						Y

111) Call Sign	112) Radio Service Code	113) Location Number	114) Path Number (Microwave only)	115) Frequency Number	116) Lower or Center Frequency (MHz)	117) Upper Frequency (MHz)	118) Constructed Yes / No
WQIZ532	WY - 700 MHz Lower Band (Blocks A, B & E)						Y
WQIZ549	WY - 700 MHz Lower Band (Blocks A, B & E)						Y
WQIZ550	WY - 700 MHz Lower Band (Blocks A, B & E)						Y
WQIZ552	WY - 700 MHz Lower Band (Blocks A, B & E)						Y
WQIZ553	WY - 700 MHz Lower Band (Blocks A, B & E)						Y
WQIZ555	WY - 700 MHz Lower Band (Blocks A, B & E)						Y
WQIZ559	WY - 700 MHz Lower Band (Blocks A, B & E)						Y
WQIZ577	WY - 700 MHz Lower Band (Blocks A, B & E)						Y
WQIZ586	WY - 700 MHz Lower Band (Blocks A, B & E)						Y
WQIZ587	WY - 700 MHz Lower Band (Blocks A, B & E)						Y
WQIZ590	WY - 700 MHz Lower Band (Blocks A, B & E)						Y
WQIZ591	WY - 700 MHz Lower Band (Blocks A, B & E)						Y
WQIZ593	WY - 700 MHz Lower Band (Blocks A, B & E)						Y
WQIZ604	WY - 700 MHz Lower Band (Blocks A, B & E)						Y
WQIZ605	WY - 700 MHz Lower Band (Blocks A, B & E)						Y
WQIZ616	WY - 700 MHz Lower Band (Blocks A, B & E)						Y
WQIZ618	WY - 700 MHz Lower Band (Blocks A, B & E)						Y
WQIZ630	WY - 700 MHz Lower Band (Blocks A, B & E)						Y
WQIZ636	WY - 700 MHz Lower Band (Blocks A, B & E)						Y

111) Call Sign	112) Radio Service Code	113) Location Number	114) Path Number (Microwave only)	115) Frequency Number	116) Lower or Center Frequency (MHz)	117) Upper Frequency (MHz)	118) Constructed Yes / No
WQJA469	CF - Common Carrier Fixed Point to Point Microwave						Y
WQJB439	CW - PCS Broadband						Y
WQJB596	CF - Common Carrier Fixed Point to Point Microwave						Y
WQJB718	CF - Common Carrier Fixed Point to Point Microwave						Y
WQJB829	CF - Common Carrier Fixed Point to Point Microwave						Y
WQJC298	CF - Common Carrier Fixed Point to Point Microwave						Y
WQJC299	CF - Common Carrier Fixed Point to Point Microwave						Y
WQJC556	CF - Common Carrier Fixed Point to Point Microwave						Y
WQJC802	CF - Common Carrier Fixed Point to Point Microwave						Y
WQJC816	CF - Common Carrier Fixed Point to Point Microwave						Y
WQJC824	CF - Common Carrier Fixed Point to Point Microwave						Y
WQJC825	CF - Common Carrier Fixed Point to Point Microwave						Y
WQJC832	CF - Common Carrier Fixed Point to Point Microwave						Y
WQJD239	CF - Common Carrier Fixed Point to Point Microwave						Y
WQJD240	CF - Common Carrier Fixed Point to Point Microwave						Y
WQJD951	CF - Common Carrier Fixed Point to Point Microwave						Y
WQJE296	CF - Common Carrier Fixed Point to Point Microwave						Y
WQJE505	CF - Common Carrier Fixed Point to Point Microwave						Y
WQJE829	CF - Common Carrier Fixed Point to Point Microwave						Y

111) Call Sign	112) Radio Service Code	113) Location Number	114) Path Number (Microwave only)	115) Frequency Number	116) Lower or Center Frequency (MHz)	117) Upper Frequency (MHz)	118) Constructed Yes / No
WQJE836	CF - Common Carrier Fixed Point to Point Microwave						Y
WQJE839	CF - Common Carrier Fixed Point to Point Microwave						Y
WQJE919	CF - Common Carrier Fixed Point to Point Microwave						Y
WQJE920	CF - Common Carrier Fixed Point to Point Microwave						Y
WQJE921	CF - Common Carrier Fixed Point to Point Microwave						Y
WQJE922	CF - Common Carrier Fixed Point to Point Microwave						Y
WQJF563	CF - Common Carrier Fixed Point to Point Microwave						Y
WQJF683	CF - Common Carrier Fixed Point to Point Microwave						Y
WQJF910	CF - Common Carrier Fixed Point to Point Microwave						Y
WQJG239	CF - Common Carrier Fixed Point to Point Microwave						Y
WQJG258	CF - Common Carrier Fixed Point to Point Microwave						Y
WQJG356	CF - Common Carrier Fixed Point to Point Microwave						Y
WQJG814	CF - Common Carrier Fixed Point to Point Microwave						Y
WQJI363	CF - Common Carrier Fixed Point to Point Microwave						Y
WQJI368	CF - Common Carrier Fixed Point to Point Microwave						Y
WQJI425	CF - Common Carrier Fixed Point to Point Microwave						Y
WQJI459	CF - Common Carrier Fixed Point to Point Microwave						Y
WQJI462	CF - Common Carrier Fixed Point to Point Microwave						Y
WQJI468	CF - Common Carrier Fixed Point to Point Microwave						Y

111) Call Sign	112) Radio Service Code	113) Location Number	114) Path Number (Microwave only)	115) Frequency Number	116) Lower or Center Frequency (MHz)	117) Upper Frequency (MHz)	118) Constructed Yes / No
WQJI756	CF - Common Carrier Fixed Point to Point Microwave						Y
WQJI763	CF - Common Carrier Fixed Point to Point Microwave						Y
WQJI764	CF - Common Carrier Fixed Point to Point Microwave						Y
WQJJ457	CF - Common Carrier Fixed Point to Point Microwave						Y
WQJJ999	CF - Common Carrier Fixed Point to Point Microwave						Y
WQJK708	CF - Common Carrier Fixed Point to Point Microwave						Y
WQJL829	CF - Common Carrier Fixed Point to Point Microwave						Y
WQJM484	CF - Common Carrier Fixed Point to Point Microwave						Y
WQJM494	CF - Common Carrier Fixed Point to Point Microwave						Y
WQJQ678	WY - 700 MHz Lower Band (Blocks A, B & E)						Y
WQJQ724	WY - 700 MHz Lower Band (Blocks A, B & E)						Y
WQJQ725	WY - 700 MHz Lower Band (Blocks A, B & E)						Y
WQJQ727	WY - 700 MHz Lower Band (Blocks A, B & E)						Y
WQJQ732	WY - 700 MHz Lower Band (Blocks A, B & E)						Y
WQJQ733	WY - 700 MHz Lower Band (Blocks A, B & E)						Y
WQJQ739	WY - 700 MHz Lower Band (Blocks A, B & E)						Y
WQJQ742	WY - 700 MHz Lower Band (Blocks A, B & E)						Y
WQJQ746	WY - 700 MHz Lower Band (Blocks A, B & E)						Y
WQJQ759	WY - 700 MHz Lower Band (Blocks A, B & E)						Y

111) Call Sign	112) Radio Service Code	113) Location Number	114) Path Number (Microwave only)	115) Frequency Number	116) Lower or Center Frequency (MHz)	117) Upper Frequency (MHz)	118) Constructed Yes / No
WQJQ768	WY - 700 MHz Lower Band (Blocks A, B & E)						Y
WQJQ770	WY - 700 MHz Lower Band (Blocks A, B & E)						Y
WQJQ779	WY - 700 MHz Lower Band (Blocks A, B & E)						Y
WQJQ803	WY - 700 MHz Lower Band (Blocks A, B & E)						Y
WQJR796	CW - PCS Broadband						Y
WQJU425	WY - 700 MHz Lower Band (Blocks A, B & E)						Y
WQJU429	WY - 700 MHz Lower Band (Blocks A, B & E)						Y
WQJU433	WY - 700 MHz Lower Band (Blocks A, B & E)						Y
WQJU434	WY - 700 MHz Lower Band (Blocks A, B & E)						Y
WQJU437	WY - 700 MHz Lower Band (Blocks A, B & E)						Y
WQJU442	WY - 700 MHz Lower Band (Blocks A, B & E)						Y
WQJU444	WY - 700 MHz Lower Band (Blocks A, B & E)						Y
WQJU448	WY - 700 MHz Lower Band (Blocks A, B & E)						Y
WQJU450	WY - 700 MHz Lower Band (Blocks A, B & E)						Y
WQJU454	WY - 700 MHz Lower Band (Blocks A, B & E)						Y
WQJU455	WY - 700 MHz Lower Band (Blocks A, B & E)						Y
WQJU458	WY - 700 MHz Lower Band (Blocks A, B & E)						Y
WQJU459	WY - 700 MHz Lower Band (Blocks A, B & E)						Y
WQJU461	WY - 700 MHz Lower Band (Blocks A, B & E)						Y

111) Call Sign	112) Radio Service Code	113) Location Number	114) Path Number (Microwave only)	115) Frequency Number	116) Lower or Center Frequency (MHz)	117) Upper Frequency (MHz)	118) Constructed Yes / No
WQJU463	WY - 700 MHz Lower Band (Blocks A, B & E)						Y
WQJU464	WY - 700 MHz Lower Band (Blocks A, B & E)						Y
WQJU467	WY - 700 MHz Lower Band (Blocks A, B & E)						Y
WQJU468	WY - 700 MHz Lower Band (Blocks A, B & E)						Y
WQJU472	WY - 700 MHz Lower Band (Blocks A, B & E)						Y
WQJU473	WY - 700 MHz Lower Band (Blocks A, B & E)						Y
WQJU475	WY - 700 MHz Lower Band (Blocks A, B & E)						Y
WQJU479	WY - 700 MHz Lower Band (Blocks A, B & E)						Y
WQJU482	WY - 700 MHz Lower Band (Blocks A, B & E)						Y
WQJU490	WY - 700 MHz Lower Band (Blocks A, B & E)						Y
WQJU491	WY - 700 MHz Lower Band (Blocks A, B & E)						Y
WQJU494	WY - 700 MHz Lower Band (Blocks A, B & E)						Y
WQJU496	WY - 700 MHz Lower Band (Blocks A, B & E)						Y
WQJU499	WY - 700 MHz Lower Band (Blocks A, B & E)						Y
WQJU502	WY - 700 MHz Lower Band (Blocks A, B & E)						Y
WQJU509	WY - 700 MHz Lower Band (Blocks A, B & E)						Y
WQJU510	WY - 700 MHz Lower Band (Blocks A, B & E)						Y
WQJU514	WY - 700 MHz Lower Band (Blocks A, B & E)						Y
WQJU515	WY - 700 MHz Lower Band (Blocks A, B & E)						Y

111) Call Sign	112) Radio Service Code	113) Location Number	114) Path Number (Microwave only)	115) Frequency Number	116) Lower or Center Frequency (MHz)	117) Upper Frequency (MHz)	118) Constructed Yes / No
WQJU519	WY - 700 MHz Lower Band (Blocks A, B & E)						Y
WQJU524	WY - 700 MHz Lower Band (Blocks A, B & E)						Y
WQJU526	WY - 700 MHz Lower Band (Blocks A, B & E)						Y
WQJU528	WY - 700 MHz Lower Band (Blocks A, B & E)						Y
WQJU529	WY - 700 MHz Lower Band (Blocks A, B & E)						Y
WQJU540	WY - 700 MHz Lower Band (Blocks A, B & E)						Y
WQJU541	WY - 700 MHz Lower Band (Blocks A, B & E)						Y
WQJU543	WY - 700 MHz Lower Band (Blocks A, B & E)						Y
WQJU544	WY - 700 MHz Lower Band (Blocks A, B & E)						Y
WQJU548	WY - 700 MHz Lower Band (Blocks A, B & E)						Y
WQJU549	WY - 700 MHz Lower Band (Blocks A, B & E)						Y
WQJU553	WY - 700 MHz Lower Band (Blocks A, B & E)						Y
WQJU558	WY - 700 MHz Lower Band (Blocks A, B & E)						Y
WQJU560	WY - 700 MHz Lower Band (Blocks A, B & E)						Y
WQJU561	WY - 700 MHz Lower Band (Blocks A, B & E)						Y
WQJU567	WY - 700 MHz Lower Band (Blocks A, B & E)						Y
WQJU569	WY - 700 MHz Lower Band (Blocks A, B & E)						Y
WQJU570	WY - 700 MHz Lower Band (Blocks A, B & E)						Y
WQJU582	WY - 700 MHz Lower Band (Blocks A, B & E)						Y

111) Call Sign	112) Radio Service Code	113) Location Number	114) Path Number (Microwave only)	115) Frequency Number	116) Lower or Center Frequency (MHz)	117) Upper Frequency (MHz)	118) Constructed Yes / No
WQJU583	WY - 700 MHz Lower Band (Blocks A, B & E)						Y
WQJU585	WY - 700 MHz Lower Band (Blocks A, B & E)						Y
WQJU586	WY - 700 MHz Lower Band (Blocks A, B & E)						Y
WQJU588	WY - 700 MHz Lower Band (Blocks A, B & E)						Y
WQJU589	WY - 700 MHz Lower Band (Blocks A, B & E)						Y
WQJU598	WY - 700 MHz Lower Band (Blocks A, B & E)						Y
WQJU600	WY - 700 MHz Lower Band (Blocks A, B & E)						Y
WQJU601	WY - 700 MHz Lower Band (Blocks A, B & E)						Y
WQJU607	WY - 700 MHz Lower Band (Blocks A, B & E)						Y
WQJU608	WY - 700 MHz Lower Band (Blocks A, B & E)						Y
WQJU610	WY - 700 MHz Lower Band (Blocks A, B & E)						Y
WQJU612	WY - 700 MHz Lower Band (Blocks A, B & E)						Y
WQJU613	WY - 700 MHz Lower Band (Blocks A, B & E)						Y
WQJU616	WY - 700 MHz Lower Band (Blocks A, B & E)						Y
WQJU617	WY - 700 MHz Lower Band (Blocks A, B & E)						Y
WQJU619	WY - 700 MHz Lower Band (Blocks A, B & E)						Y
WQJU622	WY - 700 MHz Lower Band (Blocks A, B & E)						Y
WQJU623	WY - 700 MHz Lower Band (Blocks A, B & E)						Y
WQJU625	WY - 700 MHz Lower Band (Blocks A, B & E)						Y

111) Call Sign	112) Radio Service Code	113) Location Number	114) Path Number (Microwave only)	115) Frequency Number	116) Lower or Center Frequency (MHz)	117) Upper Frequency (MHz)	118) Constructed Yes / No
WQJU631	WY - 700 MHz Lower Band (Blocks A, B & E)						Y
WQJU633	WY - 700 MHz Lower Band (Blocks A, B & E)						Y
WQJU635	WY - 700 MHz Lower Band (Blocks A, B & E)						Y
WQJU636	WY - 700 MHz Lower Band (Blocks A, B & E)						Y
WQJU657	WY - 700 MHz Lower Band (Blocks A, B & E)						Y
WQJU658	WY - 700 MHz Lower Band (Blocks A, B & E)						Y
WQJU662	WY - 700 MHz Lower Band (Blocks A, B & E)						Y
WQJU665	WY - 700 MHz Lower Band (Blocks A, B & E)						Y
WQJU671	WY - 700 MHz Lower Band (Blocks A, B & E)						Y
WQJU673	WY - 700 MHz Lower Band (Blocks A, B & E)						Y
WQJU674	WY - 700 MHz Lower Band (Blocks A, B & E)						Y
WQJU681	WY - 700 MHz Lower Band (Blocks A, B & E)						Y
WQJU682	WY - 700 MHz Lower Band (Blocks A, B & E)						Y
WQJU684	WY - 700 MHz Lower Band (Blocks A, B & E)						Y
WQJU685	WY - 700 MHz Lower Band (Blocks A, B & E)						Y
WQJU688	WY - 700 MHz Lower Band (Blocks A, B & E)						Y
WQJU705	WY - 700 MHz Lower Band (Blocks A, B & E)						Y
WQJU707	WY - 700 MHz Lower Band (Blocks A, B & E)						Y
WQJU898	CW - PCS Broadband						Y

111) Call Sign	112) Radio Service Code	113) Location Number	114) Path Number (Microwave only)	115) Frequency Number	116) Lower or Center Frequency (MHz)	117) Upper Frequency (MHz)	118) Constructed Yes / No
WQJU902	CW - PCS Broadband						Y
WQJV256	CF - Common Carrier Fixed Point to Point Microwave						Y
WQJV443	CF - Common Carrier Fixed Point to Point Microwave						Y
WQJW463	CF - Common Carrier Fixed Point to Point Microwave						Y
WQJW736	CF - Common Carrier Fixed Point to Point Microwave						Y
WQJW737	CF - Common Carrier Fixed Point to Point Microwave						Y
WQJX205	CF - Common Carrier Fixed Point to Point Microwave						Y
WQJX208	CF - Common Carrier Fixed Point to Point Microwave						Y
WQJY686	CF - Common Carrier Fixed Point to Point Microwave						Y
WQKD848	CF - Common Carrier Fixed Point to Point Microwave						Y
WQKE535	CF - Common Carrier Fixed Point to Point Microwave						Y
WQKF411	CF - Common Carrier Fixed Point to Point Microwave						Y
WQKF412	CF - Common Carrier Fixed Point to Point Microwave						Y
WQKF901	CF - Common Carrier Fixed Point to Point Microwave						Y
WQKF903	CF - Common Carrier Fixed Point to Point Microwave						Y
WQKH486	WY - 700 MHz Lower Band (Blocks A, B & E)						Y
WQKH871	CF - Common Carrier Fixed Point to Point Microwave						Y
WQKH872	CF - Common Carrier Fixed Point to Point Microwave						Y
WQKI618	AW - AWS (1710-1755 MHz and 2110-2155 MHz)						N

111) Call Sign	112) Radio Service Code	113) Location Number	114) Path Number (Microwave only)	115) Frequency Number	116) Lower or Center Frequency (MHz)	117) Upper Frequency (MHz)	118) Constructed Yes / No
WQKI626	AW - AWS (1710-1755 MHz and 2110-2155 MHz)						N
WQKI628	AW - AWS (1710-1755 MHz and 2110-2155 MHz)						N
WQKI629	AW - AWS (1710-1755 MHz and 2110-2155 MHz)						N
WQKI992	CF - Common Carrier Fixed Point to Point Microwave						Y
WQKJ216	CF - Common Carrier Fixed Point to Point Microwave						Y
WQKK442	CF - Common Carrier Fixed Point to Point Microwave						Y
WQKL406	CF - Common Carrier Fixed Point to Point Microwave						Y
WQKL549	CF - Common Carrier Fixed Point to Point Microwave						Y
WQKL648	CF - Common Carrier Fixed Point to Point Microwave						Y
WQKL650	CF - Common Carrier Fixed Point to Point Microwave						Y
WQKL670	CF - Common Carrier Fixed Point to Point Microwave						Y
WQKN233	CF - Common Carrier Fixed Point to Point Microwave						Y
WQKN780	CF - Common Carrier Fixed Point to Point Microwave						Y
WQKN791	CF - Common Carrier Fixed Point to Point Microwave						Y
WQKQ359	CF - Common Carrier Fixed Point to Point Microwave						Y
WQKQ363	CF - Common Carrier Fixed Point to Point Microwave						Y
WQKQ365	CF - Common Carrier Fixed Point to Point Microwave						Y
WQKQ373	CF - Common Carrier Fixed Point to Point Microwave						Y
WQKQ374	CF - Common Carrier Fixed Point to Point Microwave						Y

111) Call Sign	112) Radio Service Code	113) Location Number	114) Path Number (Microwave only)	115) Frequency Number	116) Lower or Center Frequency (MHz)	117) Upper Frequency (MHz)	118) Constructed Yes / No
WQKQ854	CF - Common Carrier Fixed Point to Point Microwave						Y
WQKR610	CF - Common Carrier Fixed Point to Point Microwave						Y
WQKR611	CF - Common Carrier Fixed Point to Point Microwave						Y
WQKR638	CF - Common Carrier Fixed Point to Point Microwave						Y
WQKS456	CF - Common Carrier Fixed Point to Point Microwave						Y
WQKS457	CF - Common Carrier Fixed Point to Point Microwave						Y
WQKT298	CW - PCS Broadband						Y
WQKU363	CF - Common Carrier Fixed Point to Point Microwave						Y
WQKU364	CF - Common Carrier Fixed Point to Point Microwave						Y
WQKW380	CF - Common Carrier Fixed Point to Point Microwave						Y
WQKW401	CF - Common Carrier Fixed Point to Point Microwave						Y
WQKX685	CF - Common Carrier Fixed Point to Point Microwave						Y
WQKX686	CF - Common Carrier Fixed Point to Point Microwave						Y
WQLA238	CF - Common Carrier Fixed Point to Point Microwave						Y
WQLA278	CF - Common Carrier Fixed Point to Point Microwave						Y
WQLA918	CF - Common Carrier Fixed Point to Point Microwave						Y
WQLD580	CF - Common Carrier Fixed Point to Point Microwave						Y
WQLD957	CF - Common Carrier Fixed Point to Point Microwave						Y
WQLF540	CF - Common Carrier Fixed Point to Point Microwave						Y

111) Call Sign	112) Radio Service Code	113) Location Number	114) Path Number (Microwave only)	115) Frequency Number	116) Lower or Center Frequency (MHz)	117) Upper Frequency (MHz)	118) Constructed Yes / No
WQLF542	CF - Common Carrier Fixed Point to Point Microwave						Y
WQLF683	CF - Common Carrier Fixed Point to Point Microwave						Y
WQLG292	CF - Common Carrier Fixed Point to Point Microwave						Y
WQLG580	AW - AWS (1710-1755 MHz and 2110-2155 MHz)						N
WQLG952	CF - Common Carrier Fixed Point to Point Microwave						Y
WQLG954	CF - Common Carrier Fixed Point to Point Microwave						Y
WQLI307	CF - Common Carrier Fixed Point to Point Microwave						Y
WQLI308	CF - Common Carrier Fixed Point to Point Microwave						Y
WQLI427	CF - Common Carrier Fixed Point to Point Microwave						Y
WQLK206	CF - Common Carrier Fixed Point to Point Microwave						Y
WQLM443	CF - Common Carrier Fixed Point to Point Microwave						Y
WQLM650	CF - Common Carrier Fixed Point to Point Microwave						Y
WQLM654	CF - Common Carrier Fixed Point to Point Microwave						Y
WQLM753	CF - Common Carrier Fixed Point to Point Microwave						Y
WQLN338	CF - Common Carrier Fixed Point to Point Microwave						Y
WQLN344	CF - Common Carrier Fixed Point to Point Microwave						Y
WQLN345	CF - Common Carrier Fixed Point to Point Microwave						Y
WQLP575	CF - Common Carrier Fixed Point to Point Microwave						Y
WQLP584	CF - Common Carrier Fixed Point to Point Microwave						Y

111) Call Sign	112) Radio Service Code	113) Location Number	114) Path Number (Microwave only)	115) Frequency Number	116) Lower or Center Frequency (MHz)	117) Upper Frequency (MHz)	118) Constructed Yes / No
WQLP958	CF - Common Carrier Fixed Point to Point Microwave						Y
WQLQ528	CF - Common Carrier Fixed Point to Point Microwave						Y
WQLQ529	CF - Common Carrier Fixed Point to Point Microwave						Y
WQLR306	CF - Common Carrier Fixed Point to Point Microwave						Y
WQLR317	CF - Common Carrier Fixed Point to Point Microwave						Y
WQLS244	CF - Common Carrier Fixed Point to Point Microwave						Y
WQLS262	CF - Common Carrier Fixed Point to Point Microwave						Y
WQLV408	CW - PCS Broadband						Y
WQLV411	CW - PCS Broadband						Y
WQLV413	CW - PCS Broadband						Y
WQLV648	CF - Common Carrier Fixed Point to Point Microwave						Y
WQLV649	CF - Common Carrier Fixed Point to Point Microwave						Y
WQLX304	CF - Common Carrier Fixed Point to Point Microwave						Y
WQLX306	CF - Common Carrier Fixed Point to Point Microwave						Y
WQLX458	CF - Common Carrier Fixed Point to Point Microwave						Y
WQLX715	CF - Common Carrier Fixed Point to Point Microwave						Y
WQLX722	CF - Common Carrier Fixed Point to Point Microwave						Y
WQLX725	CF - Common Carrier Fixed Point to Point Microwave						Y
WQLY394	CF - Common Carrier Fixed Point to Point Microwave						Y

111) Call Sign	112) Radio Service Code	113) Location Number	114) Path Number (Microwave only)	115) Frequency Number	116) Lower or Center Frequency (MHz)	117) Upper Frequency (MHz)	118) Constructed Yes / No
WQLY579	CF - Common Carrier Fixed Point to Point Microwave						Y
WQLY707	CF - Common Carrier Fixed Point to Point Microwave						Y
WQLY767	CF - Common Carrier Fixed Point to Point Microwave						Y
WQLZ277	CF - Common Carrier Fixed Point to Point Microwave						Y
WQLZ278	CF - Common Carrier Fixed Point to Point Microwave						Y
WQLZ279	CF - Common Carrier Fixed Point to Point Microwave						Y
WQLZ913	CF - Common Carrier Fixed Point to Point Microwave						Y
WQMA291	CF - Common Carrier Fixed Point to Point Microwave						Y
WQMB412	CF - Common Carrier Fixed Point to Point Microwave						Y
WQMB416	CF - Common Carrier Fixed Point to Point Microwave						Y
WQMB508	CF - Common Carrier Fixed Point to Point Microwave						Y
WQMB872	CF - Common Carrier Fixed Point to Point Microwave						Y
WQMB881	CF - Common Carrier Fixed Point to Point Microwave						Y
WQMC320	CW - PCS Broadband						Y
WQMC330	CW - PCS Broadband						Y
WQMC332	CW - PCS Broadband						Y
WQMC339	CW - PCS Broadband						Y
WQMC343	CW - PCS Broadband						Y
WQMC845	CF - Common Carrier Fixed Point to Point Microwave						Y

111) Call Sign	112) Radio Service Code	113) Location Number	114) Path Number (Microwave only)	115) Frequency Number	116) Lower or Center Frequency (MHz)	117) Upper Frequency (MHz)	118) Constructed Yes / No
WQMC848	CF - Common Carrier Fixed Point to Point Microwave						Y
WQMC849	CF - Common Carrier Fixed Point to Point Microwave						Y
WQMC853	CF - Common Carrier Fixed Point to Point Microwave						Y
WQMD207	CF - Common Carrier Fixed Point to Point Microwave						Y
WQMD208	CF - Common Carrier Fixed Point to Point Microwave						Y
WQMD209	CF - Common Carrier Fixed Point to Point Microwave						Y
WQMD571	CF - Common Carrier Fixed Point to Point Microwave						Y
WQMD573	CF - Common Carrier Fixed Point to Point Microwave						Y
WQMD574	CF - Common Carrier Fixed Point to Point Microwave						Y
WQMD815	CF - Common Carrier Fixed Point to Point Microwave						Y
WQME283	CF - Common Carrier Fixed Point to Point Microwave						Y
WQME286	CF - Common Carrier Fixed Point to Point Microwave						Y
WQME605	CF - Common Carrier Fixed Point to Point Microwave						Y
WQME698	CF - Common Carrier Fixed Point to Point Microwave						Y
WQME700	CF - Common Carrier Fixed Point to Point Microwave						Y
WQMF272	CF - Common Carrier Fixed Point to Point Microwave						Y
WQMF275	CF - Common Carrier Fixed Point to Point Microwave						Y
WQMG867	CF - Common Carrier Fixed Point to Point Microwave						Y
WQMG943	CW - PCS Broadband						Y

111) Call Sign	112) Radio Service Code	113) Location Number	114) Path Number (Microwave only)	115) Frequency Number	116) Lower or Center Frequency (MHz)	117) Upper Frequency (MHz)	118) Constructed Yes / No
WQMH322	CW - PCS Broadband						Y
WQMK347	CF - Common Carrier Fixed Point to Point Microwave						Y
WQMK558	CF - Common Carrier Fixed Point to Point Microwave						Y
WQML401	CF - Common Carrier Fixed Point to Point Microwave						Y
WQML900	CF - Common Carrier Fixed Point to Point Microwave						Y
WQMN203	CF - Common Carrier Fixed Point to Point Microwave						Y
WQMN205	CF - Common Carrier Fixed Point to Point Microwave						Y
WQMN326	CF - Common Carrier Fixed Point to Point Microwave						Y
WQMN719	CF - Common Carrier Fixed Point to Point Microwave						Y
WQMP468	CF - Common Carrier Fixed Point to Point Microwave						Y
WQMX898	CF - Common Carrier Fixed Point to Point Microwave						Y
WQMZ464	CF - Common Carrier Fixed Point to Point Microwave						Y
WQND243	CF - Common Carrier Fixed Point to Point Microwave						Y
WQND991	WS - Wireless Communications Service						Y
WQNE324	CW - PCS Broadband						Y
WQNE327	CW - PCS Broadband						Y
WQNE476	CF - Common Carrier Fixed Point to Point Microwave						Y
WQNF287	CF - Common Carrier Fixed Point to Point Microwave						Y
WQNF299	CF - Common Carrier Fixed Point to Point Microwave						Y

111) Call Sign	112) Radio Service Code	113) Location Number	114) Path Number (Microwave only)	115) Frequency Number	116) Lower or Center Frequency (MHz)	117) Upper Frequency (MHz)	118) Constructed Yes / No
WQNH656	CF - Common Carrier Fixed Point to Point Microwave						Y
WQNH802	AW - AWS (1710-1755 MHz and 2110-2155 MHz)						N
WQNI228	CF - Common Carrier Fixed Point to Point Microwave						Y
WQNI230	CF - Common Carrier Fixed Point to Point Microwave						Y
WQNJ255	CF - Common Carrier Fixed Point to Point Microwave						Y
WQNJ256	CF - Common Carrier Fixed Point to Point Microwave						Y
WQNK445	CF - Common Carrier Fixed Point to Point Microwave						Y
WQNK466	CF - Common Carrier Fixed Point to Point Microwave						Y
WQNL589	CF - Common Carrier Fixed Point to Point Microwave						Y
WQNM653	CF - Common Carrier Fixed Point to Point Microwave						Y
WQNM856	CF - Common Carrier Fixed Point to Point Microwave						Y
WQNP615	CF - Common Carrier Fixed Point to Point Microwave						Y
WQNP616	CF - Common Carrier Fixed Point to Point Microwave						Y
WQNQ295	CF - Common Carrier Fixed Point to Point Microwave						Y
WQNQ297	CF - Common Carrier Fixed Point to Point Microwave						Y
WQNQ625	CF - Common Carrier Fixed Point to Point Microwave						Y
WQNQ850	CF - Common Carrier Fixed Point to Point Microwave						Y
WQNR259	CF - Common Carrier Fixed Point to Point Microwave						Y
WQNR653	CF - Common Carrier Fixed Point to Point Microwave						Y

111) Call Sign	112) Radio Service Code	113) Location Number	114) Path Number (Microwave only)	115) Frequency Number	116) Lower or Center Frequency (MHz)	117) Upper Frequency (MHz)	118) Constructed Yes / No
WQNR654	CF - Common Carrier Fixed Point to Point Microwave						Y
WQNR815	CF - Common Carrier Fixed Point to Point Microwave						Y
WQNR816	CF - Common Carrier Fixed Point to Point Microwave						Y
WQNR890	CF - Common Carrier Fixed Point to Point Microwave						Y
WQNS543	CF - Common Carrier Fixed Point to Point Microwave						Y
WQNS981	CF - Common Carrier Fixed Point to Point Microwave						Y
WQNT207	CF - Common Carrier Fixed Point to Point Microwave						Y
WQNT280	CF - Common Carrier Fixed Point to Point Microwave						Y
WQNT282	CF - Common Carrier Fixed Point to Point Microwave						Y
WQNT963	CF - Common Carrier Fixed Point to Point Microwave						Y
WQNU405	CF - Common Carrier Fixed Point to Point Microwave						Y
WQNU671	CF - Common Carrier Fixed Point to Point Microwave						Y
WQNU672	CF - Common Carrier Fixed Point to Point Microwave						Y
WQNU938	CF - Common Carrier Fixed Point to Point Microwave						Y
WQNU939	CF - Common Carrier Fixed Point to Point Microwave						Y
WQNV772	CF - Common Carrier Fixed Point to Point Microwave						Y
WQNW627	CF - Common Carrier Fixed Point to Point Microwave						Y
WQNW628	CF - Common Carrier Fixed Point to Point Microwave						Y
WQNW631	CF - Common Carrier Fixed Point to Point Microwave						Y

111) Call Sign	112) Radio Service Code	113) Location Number	114) Path Number (Microwave only)	115) Frequency Number	116) Lower or Center Frequency (MHz)	117) Upper Frequency (MHz)	118) Constructed Yes / No
WQNX288	CF - Common Carrier Fixed Point to Point Microwave						Y
WQNX323	CW - PCS Broadband						Y
WQNX361	CF - Common Carrier Fixed Point to Point Microwave						Y
WQNX393	CF - Common Carrier Fixed Point to Point Microwave						Y
WQNX544	CF - Common Carrier Fixed Point to Point Microwave						Y
WQNX547	CF - Common Carrier Fixed Point to Point Microwave						Y
WQNX995	CF - Common Carrier Fixed Point to Point Microwave						Y
WQNY223	CF - Common Carrier Fixed Point to Point Microwave						Y
WQNY224	CF - Common Carrier Fixed Point to Point Microwave						Y
WQNY263	CF - Common Carrier Fixed Point to Point Microwave						Y
WQNY264	CF - Common Carrier Fixed Point to Point Microwave						Y
WQNY369	CF - Common Carrier Fixed Point to Point Microwave						Y
WQNY384	CF - Common Carrier Fixed Point to Point Microwave						Y
WQNY385	CF - Common Carrier Fixed Point to Point Microwave						Y
WQNY509	CF - Common Carrier Fixed Point to Point Microwave						Y
WQNY705	CF - Common Carrier Fixed Point to Point Microwave						Y
WQNY711	CF - Common Carrier Fixed Point to Point Microwave						Y
WQNY829	CF - Common Carrier Fixed Point to Point Microwave						Y
WQNY830	CF - Common Carrier Fixed Point to Point Microwave						Y

111) Call Sign	112) Radio Service Code	113) Location Number	114) Path Number (Microwave only)	115) Frequency Number	116) Lower or Center Frequency (MHz)	117) Upper Frequency (MHz)	118) Constructed Yes / No
WQNY831	CF - Common Carrier Fixed Point to Point Microwave						Y
WQNZ254	CF - Common Carrier Fixed Point to Point Microwave						Y
WQNZ556	CF - Common Carrier Fixed Point to Point Microwave						Y
WQNZ570	CF - Common Carrier Fixed Point to Point Microwave						Y
WQQA247	CF - Common Carrier Fixed Point to Point Microwave						Y
WQQA248	CF - Common Carrier Fixed Point to Point Microwave						Y
WQQA419	CF - Common Carrier Fixed Point to Point Microwave						Y
WQQA502	CF - Common Carrier Fixed Point to Point Microwave						Y
WQQA503	CF - Common Carrier Fixed Point to Point Microwave						Y
WQQA573	CF - Common Carrier Fixed Point to Point Microwave						Y
WQQA575	CF - Common Carrier Fixed Point to Point Microwave						Y
WQOB780	CF - Common Carrier Fixed Point to Point Microwave						Y
WQOB782	CF - Common Carrier Fixed Point to Point Microwave						Y
WQOB887	CF - Common Carrier Fixed Point to Point Microwave						Y
WQOB889	CF - Common Carrier Fixed Point to Point Microwave						Y
WQOB891	CF - Common Carrier Fixed Point to Point Microwave						Y
WQOB892	CF - Common Carrier Fixed Point to Point Microwave						Y
WQOC266	CF - Common Carrier Fixed Point to Point Microwave						Y
WQOC267	CF - Common Carrier Fixed Point to Point Microwave						Y

111) Call Sign	112) Radio Service Code	113) Location Number	114) Path Number (Microwave only)	115) Frequency Number	116) Lower or Center Frequency (MHz)	117) Upper Frequency (MHz)	118) Constructed Yes / No
WQOC438	CF - Common Carrier Fixed Point to Point Microwave						Y
WQOC442	CF - Common Carrier Fixed Point to Point Microwave						Y
WQOC791	CF - Common Carrier Fixed Point to Point Microwave						Y
WQOC792	CF - Common Carrier Fixed Point to Point Microwave						Y
WQOC793	CF - Common Carrier Fixed Point to Point Microwave						Y
WQOD739	CF - Common Carrier Fixed Point to Point Microwave						Y
WQOD740	CF - Common Carrier Fixed Point to Point Microwave						Y
WQOD874	CF - Common Carrier Fixed Point to Point Microwave						Y
WQOE881	CF - Common Carrier Fixed Point to Point Microwave						Y
WQOE885	CF - Common Carrier Fixed Point to Point Microwave						Y
WQOF418	CF - Common Carrier Fixed Point to Point Microwave						Y
WQOF772	CF - Common Carrier Fixed Point to Point Microwave						Y
WQOF773	CF - Common Carrier Fixed Point to Point Microwave						Y
WQOF774	CF - Common Carrier Fixed Point to Point Microwave						Y
WQOF835	CF - Common Carrier Fixed Point to Point Microwave						Y
WQOF971	CF - Common Carrier Fixed Point to Point Microwave						Y
WQOG907	CF - Common Carrier Fixed Point to Point Microwave						Y
WQOG914	CF - Common Carrier Fixed Point to Point Microwave						Y
WQOG916	CF - Common Carrier Fixed Point to Point Microwave						Y

111) Call Sign	112) Radio Service Code	113) Location Number	114) Path Number (Microwave only)	115) Frequency Number	116) Lower or Center Frequency (MHz)	117) Upper Frequency (MHz)	118) Constructed Yes / No
WQOG920	CF - Common Carrier Fixed Point to Point Microwave						Y
WQOG930	CF - Common Carrier Fixed Point to Point Microwave						Y
WQOH386	CF - Common Carrier Fixed Point to Point Microwave						Y
WQOH567	CF - Common Carrier Fixed Point to Point Microwave						Y
WQOH568	CF - Common Carrier Fixed Point to Point Microwave						Y
WQOH591	CF - Common Carrier Fixed Point to Point Microwave						Y
WQOH592	CF - Common Carrier Fixed Point to Point Microwave						Y
WQOH595	CF - Common Carrier Fixed Point to Point Microwave						Y
WQOH990	CF - Common Carrier Fixed Point to Point Microwave						Y
WQOH991	CF - Common Carrier Fixed Point to Point Microwave						Y
WQOH992	CF - Common Carrier Fixed Point to Point Microwave						Y
WQOH993	CF - Common Carrier Fixed Point to Point Microwave						Y
WQOH996	CF - Common Carrier Fixed Point to Point Microwave						Y
WQOH997	CF - Common Carrier Fixed Point to Point Microwave						Y
WQOH998	CF - Common Carrier Fixed Point to Point Microwave						Y
WQOI243	CF - Common Carrier Fixed Point to Point Microwave						Y
WQOI872	CF - Common Carrier Fixed Point to Point Microwave						Y
WQOI873	CF - Common Carrier Fixed Point to Point Microwave						Y
WQOI874	CF - Common Carrier Fixed Point to Point Microwave						Y

111) Call Sign	112) Radio Service Code	113) Location Number	114) Path Number (Microwave only)	115) Frequency Number	116) Lower or Center Frequency (MHz)	117) Upper Frequency (MHz)	118) Constructed Yes / No
WQOI907	CF - Common Carrier Fixed Point to Point Microwave						Y
WQOJ493	CF - Common Carrier Fixed Point to Point Microwave						Y
WQOJ497	CF - Common Carrier Fixed Point to Point Microwave						Y
WQOJ498	CF - Common Carrier Fixed Point to Point Microwave						Y
WQOJ499	CF - Common Carrier Fixed Point to Point Microwave						Y
WQOJ500	CF - Common Carrier Fixed Point to Point Microwave						Y
WQOJ501	CF - Common Carrier Fixed Point to Point Microwave						Y
WQOJ502	CF - Common Carrier Fixed Point to Point Microwave						Y
WQOJ503	CF - Common Carrier Fixed Point to Point Microwave						Y
WQOJ504	CF - Common Carrier Fixed Point to Point Microwave						Y
WQOJ505	CF - Common Carrier Fixed Point to Point Microwave						Y
WQOJ506	CF - Common Carrier Fixed Point to Point Microwave						Y
WQOJ507	CF - Common Carrier Fixed Point to Point Microwave						Y
WQOJ510	CF - Common Carrier Fixed Point to Point Microwave						Y
WQOJ538	CF - Common Carrier Fixed Point to Point Microwave						Y
WQOJ539	CF - Common Carrier Fixed Point to Point Microwave						Y
WQOK326	CF - Common Carrier Fixed Point to Point Microwave						Y
WQOK327	CF - Common Carrier Fixed Point to Point Microwave						Y
WQOK748	CF - Common Carrier Fixed Point to Point Microwave						Y

111) Call Sign	112) Radio Service Code	113) Location Number	114) Path Number (Microwave only)	115) Frequency Number	116) Lower or Center Frequency (MHz)	117) Upper Frequency (MHz)	118) Constructed Yes / No
WQOK750	CF - Common Carrier Fixed Point to Point Microwave						Y
WQOK751	CF - Common Carrier Fixed Point to Point Microwave						Y
WQOK838	CF - Common Carrier Fixed Point to Point Microwave						Y
WQOK839	CF - Common Carrier Fixed Point to Point Microwave						Y
WQOK840	CF - Common Carrier Fixed Point to Point Microwave						Y
WQOK841	CF - Common Carrier Fixed Point to Point Microwave						Y
WQOK842	CF - Common Carrier Fixed Point to Point Microwave						Y
WQOK843	CF - Common Carrier Fixed Point to Point Microwave						Y
WQOK844	CF - Common Carrier Fixed Point to Point Microwave						Y
WQOK845	CF - Common Carrier Fixed Point to Point Microwave						Y
WQOK860	CF - Common Carrier Fixed Point to Point Microwave						Y
WQOK888	CF - Common Carrier Fixed Point to Point Microwave						Y
WQOL601	CF - Common Carrier Fixed Point to Point Microwave						Y
WQOL609	CF - Common Carrier Fixed Point to Point Microwave						Y
WQOL612	CF - Common Carrier Fixed Point to Point Microwave						Y
WQOL613	CF - Common Carrier Fixed Point to Point Microwave						Y
WQOL614	CF - Common Carrier Fixed Point to Point Microwave						Y
WQOL615	CF - Common Carrier Fixed Point to Point Microwave						Y
WQOL996	CF - Common Carrier Fixed Point to Point Microwave						Y

111) Call Sign	112) Radio Service Code	113) Location Number	114) Path Number (Microwave only)	115) Frequency Number	116) Lower or Center Frequency (MHz)	117) Upper Frequency (MHz)	118) Constructed Yes / No
WQOL997	CF - Common Carrier Fixed Point to Point Microwave						Y
WQOM202	CF - Common Carrier Fixed Point to Point Microwave						Y
WQOM225	CF - Common Carrier Fixed Point to Point Microwave						Y
WQOM400	CF - Common Carrier Fixed Point to Point Microwave						Y
WQOM401	CF - Common Carrier Fixed Point to Point Microwave						Y
WQOM548	CF - Common Carrier Fixed Point to Point Microwave						Y
WQOM549	CF - Common Carrier Fixed Point to Point Microwave						Y
WQOM551	CF - Common Carrier Fixed Point to Point Microwave						Y
WQOM554	CF - Common Carrier Fixed Point to Point Microwave						Y
WQOM556	CF - Common Carrier Fixed Point to Point Microwave						Y
WQOM558	CF - Common Carrier Fixed Point to Point Microwave						Y
WQOM559	CF - Common Carrier Fixed Point to Point Microwave						Y
WQOM562	CF - Common Carrier Fixed Point to Point Microwave						Y
WQOM564	CF - Common Carrier Fixed Point to Point Microwave						Y
WQOM568	CF - Common Carrier Fixed Point to Point Microwave						Y
WQOM570	CF - Common Carrier Fixed Point to Point Microwave						Y
WQOM813	CF - Common Carrier Fixed Point to Point Microwave						Y
WQOM814	CF - Common Carrier Fixed Point to Point Microwave						Y
WQOM924	CF - Common Carrier Fixed Point to Point Microwave						Y

111) Call Sign	112) Radio Service Code	113) Location Number	114) Path Number (Microwave only)	115) Frequency Number	116) Lower or Center Frequency (MHz)	117) Upper Frequency (MHz)	118) Constructed Yes / No
WQOM925	CF - Common Carrier Fixed Point to Point Microwave						Y
WQOM926	CF - Common Carrier Fixed Point to Point Microwave						Y
WQOM969	CF - Common Carrier Fixed Point to Point Microwave						Y
WQOM970	CF - Common Carrier Fixed Point to Point Microwave						Y
WQOM998	CF - Common Carrier Fixed Point to Point Microwave						Y
WQON248	CF - Common Carrier Fixed Point to Point Microwave						Y
WQON249	CF - Common Carrier Fixed Point to Point Microwave						Y
WQON388	CF - Common Carrier Fixed Point to Point Microwave						Y
WQON389	CF - Common Carrier Fixed Point to Point Microwave						Y
WQON950	CF - Common Carrier Fixed Point to Point Microwave						Y
WQON951	CF - Common Carrier Fixed Point to Point Microwave						Y
WQON955	CF - Common Carrier Fixed Point to Point Microwave						Y
WQON956	CF - Common Carrier Fixed Point to Point Microwave						Y
WQON958	CF - Common Carrier Fixed Point to Point Microwave						Y
WQON997	AW - AWS (1710-1755 MHz and 2110-2155 MHz)						N
WQOP232	CF - Common Carrier Fixed Point to Point Microwave						Y
WQOP387	CF - Common Carrier Fixed Point to Point Microwave						Y
WQOP454	CF - Common Carrier Fixed Point to Point Microwave						Y
WQOP562	CF - Common Carrier Fixed Point to Point Microwave						Y

111) Call Sign	112) Radio Service Code	113) Location Number	114) Path Number (Microwave only)	115) Frequency Number	116) Lower or Center Frequency (MHz)	117) Upper Frequency (MHz)	118) Constructed Yes / No
WQOP563	CF - Common Carrier Fixed Point to Point Microwave						Y
WQOP605	CF - Common Carrier Fixed Point to Point Microwave						Y
WQOP698	CF - Common Carrier Fixed Point to Point Microwave						Y
WQOP699	CF - Common Carrier Fixed Point to Point Microwave						Y
WQOP701	CF - Common Carrier Fixed Point to Point Microwave						Y
WQOP702	CF - Common Carrier Fixed Point to Point Microwave						Y
WQOP703	CF - Common Carrier Fixed Point to Point Microwave						Y
WQOP704	CF - Common Carrier Fixed Point to Point Microwave						Y
WQOP705	CF - Common Carrier Fixed Point to Point Microwave						Y
WQOP751	CF - Common Carrier Fixed Point to Point Microwave						Y
WQOP765	CF - Common Carrier Fixed Point to Point Microwave						Y
WQOP862	CF - Common Carrier Fixed Point to Point Microwave						Y
WQOP927	CF - Common Carrier Fixed Point to Point Microwave						Y
WQOP928	CF - Common Carrier Fixed Point to Point Microwave						Y
WQOQ228	CF - Common Carrier Fixed Point to Point Microwave						Y
WQOQ366	CF - Common Carrier Fixed Point to Point Microwave						Y
WQOQ597	CF - Common Carrier Fixed Point to Point Microwave						Y
WQOQ598	CF - Common Carrier Fixed Point to Point Microwave						Y
WQOQ809	CF - Common Carrier Fixed Point to Point Microwave						Y

111) Call Sign	112) Radio Service Code	113) Location Number	114) Path Number (Microwave only)	115) Frequency Number	116) Lower or Center Frequency (MHz)	117) Upper Frequency (MHz)	118) Constructed Yes / No
WQOQ810	CF - Common Carrier Fixed Point to Point Microwave						Y
WQOQ853	CF - Common Carrier Fixed Point to Point Microwave						Y
WQOQ854	CF - Common Carrier Fixed Point to Point Microwave						Y
WQOQ855	CF - Common Carrier Fixed Point to Point Microwave						Y
WQOQ918	CF - Common Carrier Fixed Point to Point Microwave						Y
WQOQ919	CF - Common Carrier Fixed Point to Point Microwave						Y
WQOR289	CF - Common Carrier Fixed Point to Point Microwave						Y
WQOR970	CF - Common Carrier Fixed Point to Point Microwave						Y
WQOR973	CF - Common Carrier Fixed Point to Point Microwave						Y
WQOS453	CF - Common Carrier Fixed Point to Point Microwave						Y
WQOS454	CF - Common Carrier Fixed Point to Point Microwave						Y
WQOS517	CF - Common Carrier Fixed Point to Point Microwave						Y
WQOS529	CF - Common Carrier Fixed Point to Point Microwave						Y
WQOS530	CF - Common Carrier Fixed Point to Point Microwave						Y
WQOS584	CF - Common Carrier Fixed Point to Point Microwave						Y
WQOS730	CF - Common Carrier Fixed Point to Point Microwave						Y
WQOS794	CF - Common Carrier Fixed Point to Point Microwave						Y
WQOS799	CF - Common Carrier Fixed Point to Point Microwave						Y
WQOS800	CF - Common Carrier Fixed Point to Point Microwave						Y

111) Call Sign	112) Radio Service Code	113) Location Number	114) Path Number (Microwave only)	115) Frequency Number	116) Lower or Center Frequency (MHz)	117) Upper Frequency (MHz)	118) Constructed Yes / No
WQOS838	CF - Common Carrier Fixed Point to Point Microwave						Y
WQOS839	CF - Common Carrier Fixed Point to Point Microwave						Y
WQOS912	CF - Common Carrier Fixed Point to Point Microwave						Y
WQOS922	CF - Common Carrier Fixed Point to Point Microwave						Y
WQOS923	CF - Common Carrier Fixed Point to Point Microwave						Y
WQOS924	CF - Common Carrier Fixed Point to Point Microwave						Y
WQOS940	CF - Common Carrier Fixed Point to Point Microwave						Y
WQOS941	CF - Common Carrier Fixed Point to Point Microwave						Y
WQOT363	CF - Common Carrier Fixed Point to Point Microwave						Y
WQOT364	CF - Common Carrier Fixed Point to Point Microwave						Y
WQOT365	CF - Common Carrier Fixed Point to Point Microwave						Y
WQOT368	CF - Common Carrier Fixed Point to Point Microwave						Y
WQOT371	CF - Common Carrier Fixed Point to Point Microwave						Y
WQOT396	CF - Common Carrier Fixed Point to Point Microwave						Y
WQOT397	CF - Common Carrier Fixed Point to Point Microwave						Y
WQOT402	CF - Common Carrier Fixed Point to Point Microwave						Y
WQOT442	CF - Common Carrier Fixed Point to Point Microwave						Y
WQOT612	CF - Common Carrier Fixed Point to Point Microwave						Y
WQOT642	CF - Common Carrier Fixed Point to Point Microwave						Y

111) Call Sign	112) Radio Service Code	113) Location Number	114) Path Number (Microwave only)	115) Frequency Number	116) Lower or Center Frequency (MHz)	117) Upper Frequency (MHz)	118) Constructed Yes / No
WQOT643	CF - Common Carrier Fixed Point to Point Microwave						Y
WQOT644	CF - Common Carrier Fixed Point to Point Microwave						Y
WQOT661	CF - Common Carrier Fixed Point to Point Microwave						Y
WQOT692	CW - PCS Broadband						Y
WQOU334	CF - Common Carrier Fixed Point to Point Microwave						Y
WQOU335	CF - Common Carrier Fixed Point to Point Microwave						Y
WQOU336	CF - Common Carrier Fixed Point to Point Microwave						Y
WQOU340	CF - Common Carrier Fixed Point to Point Microwave						Y
WQOU345	CF - Common Carrier Fixed Point to Point Microwave						Y
WQOU348	CF - Common Carrier Fixed Point to Point Microwave						Y
WQOU384	CF - Common Carrier Fixed Point to Point Microwave						Y
WQOU385	CF - Common Carrier Fixed Point to Point Microwave						Y
WQOU386	CF - Common Carrier Fixed Point to Point Microwave						Y
WQOU387	CF - Common Carrier Fixed Point to Point Microwave						Y
WQOU565	CF - Common Carrier Fixed Point to Point Microwave						Y
WQOU566	CF - Common Carrier Fixed Point to Point Microwave						Y
WQOU666	CF - Common Carrier Fixed Point to Point Microwave						Y
WQOU701	CF - Common Carrier Fixed Point to Point Microwave						Y
WQOU947	CF - Common Carrier Fixed Point to Point Microwave						Y

111) Call Sign	112) Radio Service Code	113) Location Number	114) Path Number (Microwave only)	115) Frequency Number	116) Lower or Center Frequency (MHz)	117) Upper Frequency (MHz)	118) Constructed Yes / No
WQOU948	CF - Common Carrier Fixed Point to Point Microwave						Y
WQOV206	CF - Common Carrier Fixed Point to Point Microwave						Y
WQOV268	CF - Common Carrier Fixed Point to Point Microwave						Y
WQOV297	CF - Common Carrier Fixed Point to Point Microwave						Y
WQOV334	CF - Common Carrier Fixed Point to Point Microwave						Y
WQOV336	CF - Common Carrier Fixed Point to Point Microwave						Y
WQOV513	CF - Common Carrier Fixed Point to Point Microwave						Y
WQOV514	CF - Common Carrier Fixed Point to Point Microwave						Y
WQOV554	CF - Common Carrier Fixed Point to Point Microwave						Y
WQOV555	CF - Common Carrier Fixed Point to Point Microwave						Y
WQOV556	CF - Common Carrier Fixed Point to Point Microwave						Y
WQOV557	CF - Common Carrier Fixed Point to Point Microwave						Y
WQOV559	CF - Common Carrier Fixed Point to Point Microwave						Y
WQOV588	CF - Common Carrier Fixed Point to Point Microwave						Y
WQOV624	CF - Common Carrier Fixed Point to Point Microwave						Y
WQOV625	CF - Common Carrier Fixed Point to Point Microwave						Y
WQOV767	CF - Common Carrier Fixed Point to Point Microwave						Y
WQOV769	CF - Common Carrier Fixed Point to Point Microwave						Y
WQOV774	CF - Common Carrier Fixed Point to Point Microwave						Y

111) Call Sign	112) Radio Service Code	113) Location Number	114) Path Number (Microwave only)	115) Frequency Number	116) Lower or Center Frequency (MHz)	117) Upper Frequency (MHz)	118) Constructed Yes / No
WQOV890	CF - Common Carrier Fixed Point to Point Microwave						Y
WQOV988	CF - Common Carrier Fixed Point to Point Microwave						Y
WQOW319	CF - Common Carrier Fixed Point to Point Microwave						Y
WQOW321	CF - Common Carrier Fixed Point to Point Microwave						Y
WQOW325	CF - Common Carrier Fixed Point to Point Microwave						Y
WQOW327	CF - Common Carrier Fixed Point to Point Microwave						Y
WQOW445	CF - Common Carrier Fixed Point to Point Microwave						Y
WQOW448	CF - Common Carrier Fixed Point to Point Microwave						Y
WQOW679	CF - Common Carrier Fixed Point to Point Microwave						Y
WQOW695	CF - Common Carrier Fixed Point to Point Microwave						Y
WQOW696	CF - Common Carrier Fixed Point to Point Microwave						Y
WQOW703	CF - Common Carrier Fixed Point to Point Microwave						Y
WQOW705	CF - Common Carrier Fixed Point to Point Microwave						Y
WQOW707	CF - Common Carrier Fixed Point to Point Microwave						Y
WQOW710	CF - Common Carrier Fixed Point to Point Microwave						Y
WQOW711	CF - Common Carrier Fixed Point to Point Microwave						Y
WQOW744	CF - Common Carrier Fixed Point to Point Microwave						Y
WQOW745	CF - Common Carrier Fixed Point to Point Microwave						Y
WQOW746	CF - Common Carrier Fixed Point to Point Microwave						Y

111) Call Sign	112) Radio Service Code	113) Location Number	114) Path Number (Microwave only)	115) Frequency Number	116) Lower or Center Frequency (MHz)	117) Upper Frequency (MHz)	118) Constructed Yes / No
WQOW851	CF - Common Carrier Fixed Point to Point Microwave						Y
WQOW852	CF - Common Carrier Fixed Point to Point Microwave						Y
WQOX295	CF - Common Carrier Fixed Point to Point Microwave						Y
WQOX441	CF - Common Carrier Fixed Point to Point Microwave						Y
WQOX567	CF - Common Carrier Fixed Point to Point Microwave						Y
WQOX836	CF - Common Carrier Fixed Point to Point Microwave						Y
WQOY275	CF - Common Carrier Fixed Point to Point Microwave						Y
WQOY276	CF - Common Carrier Fixed Point to Point Microwave						Y
WQOY473	CF - Common Carrier Fixed Point to Point Microwave						Y
WQOY474	CF - Common Carrier Fixed Point to Point Microwave						Y
WQOY540	CF - Common Carrier Fixed Point to Point Microwave						Y
WQOY546	CF - Common Carrier Fixed Point to Point Microwave						Y
WQOY547	CF - Common Carrier Fixed Point to Point Microwave						Y
WQOY657	CF - Common Carrier Fixed Point to Point Microwave						Y
WQOY750	CF - Common Carrier Fixed Point to Point Microwave						Y
WQOY762	CF - Common Carrier Fixed Point to Point Microwave						Y
WQOY778	CF - Common Carrier Fixed Point to Point Microwave						Y
WQOY784	CF - Common Carrier Fixed Point to Point Microwave						Y
WQOZ267	CF - Common Carrier Fixed Point to Point Microwave						Y

111) Call Sign	112) Radio Service Code	113) Location Number	114) Path Number (Microwave only)	115) Frequency Number	116) Lower or Center Frequency (MHz)	117) Upper Frequency (MHz)	118) Constructed Yes / No
WQOZ268	CF - Common Carrier Fixed Point to Point Microwave						Y
WQOZ522	CF - Common Carrier Fixed Point to Point Microwave						Y
WQOZ694	CF - Common Carrier Fixed Point to Point Microwave						Y
WQOZ695	CF - Common Carrier Fixed Point to Point Microwave						Y
WQOZ699	CF - Common Carrier Fixed Point to Point Microwave						Y
WQOZ700	CF - Common Carrier Fixed Point to Point Microwave						Y
WQOZ707	CF - Common Carrier Fixed Point to Point Microwave						Y
WQOZ708	CF - Common Carrier Fixed Point to Point Microwave						Y
WQOZ709	CF - Common Carrier Fixed Point to Point Microwave						Y
WQOZ710	CF - Common Carrier Fixed Point to Point Microwave						Y
WQOZ824	CF - Common Carrier Fixed Point to Point Microwave						Y
WQOZ835	CF - Common Carrier Fixed Point to Point Microwave						Y
WQPA241	CF - Common Carrier Fixed Point to Point Microwave						Y
WQPA242	CF - Common Carrier Fixed Point to Point Microwave						Y
WQPA246	CF - Common Carrier Fixed Point to Point Microwave						Y
WQPA280	CF - Common Carrier Fixed Point to Point Microwave						Y
WQPA365	CF - Common Carrier Fixed Point to Point Microwave						Y
WQPA633	CF - Common Carrier Fixed Point to Point Microwave						Y
WQPA635	CF - Common Carrier Fixed Point to Point Microwave						Y

111) Call Sign	112) Radio Service Code	113) Location Number	114) Path Number (Microwave only)	115) Frequency Number	116) Lower or Center Frequency (MHz)	117) Upper Frequency (MHz)	118) Constructed Yes / No
WQPA713	CF - Common Carrier Fixed Point to Point Microwave						Y
WQPA714	CF - Common Carrier Fixed Point to Point Microwave						Y
WQPA771	CF - Common Carrier Fixed Point to Point Microwave						Y
WQPA773	CF - Common Carrier Fixed Point to Point Microwave						Y
WQPA815	CF - Common Carrier Fixed Point to Point Microwave						Y
WQPA817	CF - Common Carrier Fixed Point to Point Microwave						Y
WQPA819	CF - Common Carrier Fixed Point to Point Microwave						Y
WQPA820	CF - Common Carrier Fixed Point to Point Microwave						Y
WQPA821	CF - Common Carrier Fixed Point to Point Microwave						Y
WQPA822	CF - Common Carrier Fixed Point to Point Microwave						Y
WQPA899	CF - Common Carrier Fixed Point to Point Microwave						Y
WQPA982	CF - Common Carrier Fixed Point to Point Microwave						Y
WQPA986	CF - Common Carrier Fixed Point to Point Microwave						Y
WQPA987	CF - Common Carrier Fixed Point to Point Microwave						Y
WQPA989	CF - Common Carrier Fixed Point to Point Microwave						Y
WQPA990	CF - Common Carrier Fixed Point to Point Microwave						Y
WQPA992	CF - Common Carrier Fixed Point to Point Microwave						Y
WQPA993	CF - Common Carrier Fixed Point to Point Microwave						Y
WQPA994	CF - Common Carrier Fixed Point to Point Microwave						Y

111) Call Sign	112) Radio Service Code	113) Location Number	114) Path Number (Microwave only)	115) Frequency Number	116) Lower or Center Frequency (MHz)	117) Upper Frequency (MHz)	118) Constructed Yes / No
WQPA995	CF - Common Carrier Fixed Point to Point Microwave						Y
WQPA999	CF - Common Carrier Fixed Point to Point Microwave						Y
WQPB200	CF - Common Carrier Fixed Point to Point Microwave						Y
WQPB216	CF - Common Carrier Fixed Point to Point Microwave						Y
WQPB217	CF - Common Carrier Fixed Point to Point Microwave						Y
WQPB251	CF - Common Carrier Fixed Point to Point Microwave						Y
WQPB252	CF - Common Carrier Fixed Point to Point Microwave						Y
WQPB253	CF - Common Carrier Fixed Point to Point Microwave						Y
WQPB283	CF - Common Carrier Fixed Point to Point Microwave						Y
WQPB285	CF - Common Carrier Fixed Point to Point Microwave						Y
WQPB386	CF - Common Carrier Fixed Point to Point Microwave						Y
WQPB433	CF - Common Carrier Fixed Point to Point Microwave						Y
WQPB434	CF - Common Carrier Fixed Point to Point Microwave						Y
WQPB521	CF - Common Carrier Fixed Point to Point Microwave						Y
WQPB523	CF - Common Carrier Fixed Point to Point Microwave						Y
WQPB582	CF - Common Carrier Fixed Point to Point Microwave						Y
WQPB583	CF - Common Carrier Fixed Point to Point Microwave						Y
WQPB586	CF - Common Carrier Fixed Point to Point Microwave						Y
WQPB589	CF - Common Carrier Fixed Point to Point Microwave						Y

111) Call Sign	112) Radio Service Code	113) Location Number	114) Path Number (Microwave only)	115) Frequency Number	116) Lower or Center Frequency (MHz)	117) Upper Frequency (MHz)	118) Constructed Yes / No
WQPB590	CF - Common Carrier Fixed Point to Point Microwave						Y
WQPB591	CF - Common Carrier Fixed Point to Point Microwave						Y
WQPB652	CF - Common Carrier Fixed Point to Point Microwave						Y
WQPB653	CF - Common Carrier Fixed Point to Point Microwave						Y
WQPB714	CF - Common Carrier Fixed Point to Point Microwave						Y
WQPB715	CF - Common Carrier Fixed Point to Point Microwave						Y
WQPB716	CF - Common Carrier Fixed Point to Point Microwave						Y
WQPB720	CF - Common Carrier Fixed Point to Point Microwave						Y
WQPB724	CF - Common Carrier Fixed Point to Point Microwave						Y
WQPB726	CF - Common Carrier Fixed Point to Point Microwave						Y
WQPB750	CF - Common Carrier Fixed Point to Point Microwave						Y
WQPB853	CF - Common Carrier Fixed Point to Point Microwave						Y
WQPB947	CF - Common Carrier Fixed Point to Point Microwave						Y
WQPC276	CF - Common Carrier Fixed Point to Point Microwave						Y
WQPC319	CF - Common Carrier Fixed Point to Point Microwave						Y
WQPC320	CF - Common Carrier Fixed Point to Point Microwave						Y
WQPC321	CF - Common Carrier Fixed Point to Point Microwave						Y
WQPC324	CF - Common Carrier Fixed Point to Point Microwave						Y
WQPC382	CF - Common Carrier Fixed Point to Point Microwave						Y

111) Call Sign	112) Radio Service Code	113) Location Number	114) Path Number (Microwave only)	115) Frequency Number	116) Lower or Center Frequency (MHz)	117) Upper Frequency (MHz)	118) Constructed Yes / No
WQPC386	CF - Common Carrier Fixed Point to Point Microwave						Y
WQPC404	CF - Common Carrier Fixed Point to Point Microwave						Y
WQPC413	CF - Common Carrier Fixed Point to Point Microwave						Y
WQPC414	CF - Common Carrier Fixed Point to Point Microwave						Y
WQPC416	CF - Common Carrier Fixed Point to Point Microwave						Y
WQPC417	CF - Common Carrier Fixed Point to Point Microwave						Y
WQPC420	CF - Common Carrier Fixed Point to Point Microwave						Y
WQPC428	CF - Common Carrier Fixed Point to Point Microwave						Y
WQPC429	CF - Common Carrier Fixed Point to Point Microwave						Y
WQPC430	CF - Common Carrier Fixed Point to Point Microwave						Y
WQPC456	CF - Common Carrier Fixed Point to Point Microwave						Y
WQPC457	CF - Common Carrier Fixed Point to Point Microwave						Y
WQPC460	CF - Common Carrier Fixed Point to Point Microwave						Y
WQPC461	CF - Common Carrier Fixed Point to Point Microwave						Y
WQPC462	CF - Common Carrier Fixed Point to Point Microwave						Y
WQPC466	CF - Common Carrier Fixed Point to Point Microwave						Y
WQPC467	CF - Common Carrier Fixed Point to Point Microwave						Y
WQPC601	CF - Common Carrier Fixed Point to Point Microwave						Y
WQPD308	CF - Common Carrier Fixed Point to Point Microwave						Y

111) Call Sign	112) Radio Service Code	113) Location Number	114) Path Number (Microwave only)	115) Frequency Number	116) Lower or Center Frequency (MHz)	117) Upper Frequency (MHz)	118) Constructed Yes / No
WQPD311	CF - Common Carrier Fixed Point to Point Microwave						Y
WQPD313	CF - Common Carrier Fixed Point to Point Microwave						Y
WQPD314	CF - Common Carrier Fixed Point to Point Microwave						Y
WQPD471	CF - Common Carrier Fixed Point to Point Microwave						Y
WQPD475	CF - Common Carrier Fixed Point to Point Microwave						Y
WQPD476	CF - Common Carrier Fixed Point to Point Microwave						Y
WQPD477	CF - Common Carrier Fixed Point to Point Microwave						Y
WQPD609	CF - Common Carrier Fixed Point to Point Microwave						Y
WQPD610	CF - Common Carrier Fixed Point to Point Microwave						Y
WQPD611	CF - Common Carrier Fixed Point to Point Microwave						Y
WQPD629	CF - Common Carrier Fixed Point to Point Microwave						Y
WQPD630	CF - Common Carrier Fixed Point to Point Microwave						Y
WQPD717	CF - Common Carrier Fixed Point to Point Microwave						Y
WQPD791	CF - Common Carrier Fixed Point to Point Microwave						Y
WQPD941	CF - Common Carrier Fixed Point to Point Microwave						Y
WQPD983	CF - Common Carrier Fixed Point to Point Microwave						Y
WQPE306	CF - Common Carrier Fixed Point to Point Microwave						Y
WQPE341	CF - Common Carrier Fixed Point to Point Microwave						Y
WQPE342	CF - Common Carrier Fixed Point to Point Microwave						Y

111) Call Sign	112) Radio Service Code	113) Location Number	114) Path Number (Microwave only)	115) Frequency Number	116) Lower or Center Frequency (MHz)	117) Upper Frequency (MHz)	118) Constructed Yes / No
WQPE370	CF - Common Carrier Fixed Point to Point Microwave						Y
WQPE371	CF - Common Carrier Fixed Point to Point Microwave						Y
WQPE372	CF - Common Carrier Fixed Point to Point Microwave						Y
WQPE373	CF - Common Carrier Fixed Point to Point Microwave						Y
WQPE374	CF - Common Carrier Fixed Point to Point Microwave						Y
WQPE378	CF - Common Carrier Fixed Point to Point Microwave						Y
WQPE415	CF - Common Carrier Fixed Point to Point Microwave						Y
WQPE416	CF - Common Carrier Fixed Point to Point Microwave						Y
WQPE426	CF - Common Carrier Fixed Point to Point Microwave						Y
WQPE458	CF - Common Carrier Fixed Point to Point Microwave						Y
WQPE459	CF - Common Carrier Fixed Point to Point Microwave						Y
WQPE683	CF - Common Carrier Fixed Point to Point Microwave						Y
WQPE684	CF - Common Carrier Fixed Point to Point Microwave						Y
WQPE688	CF - Common Carrier Fixed Point to Point Microwave						Y
WQPE689	CF - Common Carrier Fixed Point to Point Microwave						Y
WQPE723	CF - Common Carrier Fixed Point to Point Microwave						Y
WQPE724	CF - Common Carrier Fixed Point to Point Microwave						Y
WQPE726	CF - Common Carrier Fixed Point to Point Microwave						Y
WQPE727	CF - Common Carrier Fixed Point to Point Microwave						Y

111) Call Sign	112) Radio Service Code	113) Location Number	114) Path Number (Microwave only)	115) Frequency Number	116) Lower or Center Frequency (MHz)	117) Upper Frequency (MHz)	118) Constructed Yes / No
WQPE750	CF - Common Carrier Fixed Point to Point Microwave						Y
WQPE752	CF - Common Carrier Fixed Point to Point Microwave						Y
WQPE833	CF - Common Carrier Fixed Point to Point Microwave						Y
WQPF411	CF - Common Carrier Fixed Point to Point Microwave						Y
WQPF938	CF - Common Carrier Fixed Point to Point Microwave						Y
WQPF940	CF - Common Carrier Fixed Point to Point Microwave						Y
WQPG209	AW - AWS (1710-1755 MHz and 2110-2155 MHz)						N
WQPG218	AW - AWS (1710-1755 MHz and 2110-2155 MHz)						N
WQPG397	CF - Common Carrier Fixed Point to Point Microwave						Y
WQPG658	CF - Common Carrier Fixed Point to Point Microwave						Y
WQPG659	CF - Common Carrier Fixed Point to Point Microwave						Y
WQPG849	CF - Common Carrier Fixed Point to Point Microwave						Y
WQPH261	CF - Common Carrier Fixed Point to Point Microwave						Y
WQPH264	CF - Common Carrier Fixed Point to Point Microwave						Y
WQPH266	CF - Common Carrier Fixed Point to Point Microwave						Y
WQPH619	CF - Common Carrier Fixed Point to Point Microwave						Y
WQPH627	CF - Common Carrier Fixed Point to Point Microwave						Y
WQPH629	CF - Common Carrier Fixed Point to Point Microwave						Y
WQPH632	CF - Common Carrier Fixed Point to Point Microwave						Y

111) Call Sign	112) Radio Service Code	113) Location Number	114) Path Number (Microwave only)	115) Frequency Number	116) Lower or Center Frequency (MHz)	117) Upper Frequency (MHz)	118) Constructed Yes / No
WQPH633	CF - Common Carrier Fixed Point to Point Microwave						Y
WQPH856	CF - Common Carrier Fixed Point to Point Microwave						Y
WQPH857	CF - Common Carrier Fixed Point to Point Microwave						Y
WQPH858	CF - Common Carrier Fixed Point to Point Microwave						Y
WQPH863	CF - Common Carrier Fixed Point to Point Microwave						Y
WQPH940	CF - Common Carrier Fixed Point to Point Microwave						Y
WQPH991	CF - Common Carrier Fixed Point to Point Microwave						Y
WQPH992	CF - Common Carrier Fixed Point to Point Microwave						Y
WQPH993	CF - Common Carrier Fixed Point to Point Microwave						Y
WQPH995	CF - Common Carrier Fixed Point to Point Microwave						Y
WQPI315	CF - Common Carrier Fixed Point to Point Microwave						Y
WQPI379	CF - Common Carrier Fixed Point to Point Microwave						Y
WQPI382	CF - Common Carrier Fixed Point to Point Microwave						Y
WQPI383	CF - Common Carrier Fixed Point to Point Microwave						Y
WQPI474	CF - Common Carrier Fixed Point to Point Microwave						Y
WQPI798	CF - Common Carrier Fixed Point to Point Microwave						Y
WQPI799	CF - Common Carrier Fixed Point to Point Microwave						Y
WQPI800	CF - Common Carrier Fixed Point to Point Microwave						Y
WQPI823	CF - Common Carrier Fixed Point to Point Microwave						Y

111) Call Sign	112) Radio Service Code	113) Location Number	114) Path Number (Microwave only)	115) Frequency Number	116) Lower or Center Frequency (MHz)	117) Upper Frequency (MHz)	118) Constructed Yes / No
WQPI824	CF - Common Carrier Fixed Point to Point Microwave						Y
WQPI825	CF - Common Carrier Fixed Point to Point Microwave						Y
WQPJ295	CF - Common Carrier Fixed Point to Point Microwave						Y
WQPJ300	CF - Common Carrier Fixed Point to Point Microwave						Y
WQPJ317	CF - Common Carrier Fixed Point to Point Microwave						Y
WQPJ319	CF - Common Carrier Fixed Point to Point Microwave						Y
WQPJ559	CF - Common Carrier Fixed Point to Point Microwave						Y
WQPJ669	CF - Common Carrier Fixed Point to Point Microwave						Y
WQPJ670	CF - Common Carrier Fixed Point to Point Microwave						Y
WQPJ672	CF - Common Carrier Fixed Point to Point Microwave						Y
WQPJ677	CF - Common Carrier Fixed Point to Point Microwave						Y
WQPJ679	CF - Common Carrier Fixed Point to Point Microwave						Y
WQPJ726	CF - Common Carrier Fixed Point to Point Microwave						Y
WQPJ741	CF - Common Carrier Fixed Point to Point Microwave						Y
WQPJ742	CF - Common Carrier Fixed Point to Point Microwave						Y
WQPK262	CF - Common Carrier Fixed Point to Point Microwave						Y
WQPK264	CF - Common Carrier Fixed Point to Point Microwave						Y
WQPK457	CF - Common Carrier Fixed Point to Point Microwave						Y
WQPK458	CF - Common Carrier Fixed Point to Point Microwave						Y

111) Call Sign	112) Radio Service Code	113) Location Number	114) Path Number (Microwave only)	115) Frequency Number	116) Lower or Center Frequency (MHz)	117) Upper Frequency (MHz)	118) Constructed Yes / No
WQPK974	CF - Common Carrier Fixed Point to Point Microwave						Y
WQPL358	CF - Common Carrier Fixed Point to Point Microwave						Y
WQPL383	CF - Common Carrier Fixed Point to Point Microwave						Y
WQPL384	CF - Common Carrier Fixed Point to Point Microwave						Y
WQPL385	CF - Common Carrier Fixed Point to Point Microwave						Y
WQPL387	CF - Common Carrier Fixed Point to Point Microwave						Y
WQPL417	CF - Common Carrier Fixed Point to Point Microwave						Y
WQPL663	CF - Common Carrier Fixed Point to Point Microwave						Y
WQPL732	CF - Common Carrier Fixed Point to Point Microwave						Y
WQPL734	CF - Common Carrier Fixed Point to Point Microwave						Y
WQPL902	CF - Common Carrier Fixed Point to Point Microwave						Y
WQPL908	CF - Common Carrier Fixed Point to Point Microwave						Y
WQPL939	CF - Common Carrier Fixed Point to Point Microwave						Y
WQPL940	CF - Common Carrier Fixed Point to Point Microwave						Y
WQPL943	CF - Common Carrier Fixed Point to Point Microwave						Y
WQPM413	CF - Common Carrier Fixed Point to Point Microwave						Y
WQPM417	CF - Common Carrier Fixed Point to Point Microwave						Y
WQPM447	CF - Common Carrier Fixed Point to Point Microwave						Y
WQPM497	CF - Common Carrier Fixed Point to Point Microwave						Y

111) Call Sign	112) Radio Service Code	113) Location Number	114) Path Number (Microwave only)	115) Frequency Number	116) Lower or Center Frequency (MHz)	117) Upper Frequency (MHz)	118) Constructed Yes / No
WQPM498	CF - Common Carrier Fixed Point to Point Microwave						Y
WQPM641	CF - Common Carrier Fixed Point to Point Microwave						Y
WQPM642	CF - Common Carrier Fixed Point to Point Microwave						Y
WQPM824	CF - Common Carrier Fixed Point to Point Microwave						Y
WQPM825	CF - Common Carrier Fixed Point to Point Microwave						Y
WQPN370	CF - Common Carrier Fixed Point to Point Microwave						Y
WQPP327	CF - Common Carrier Fixed Point to Point Microwave						Y
WQPP337	CF - Common Carrier Fixed Point to Point Microwave						Y
WQPP343	CF - Common Carrier Fixed Point to Point Microwave						Y
WQPP344	CF - Common Carrier Fixed Point to Point Microwave						Y
WQPP450	CF - Common Carrier Fixed Point to Point Microwave						Y
WQPP457	CF - Common Carrier Fixed Point to Point Microwave						Y
WQPP853	CF - Common Carrier Fixed Point to Point Microwave						Y
WQPP854	CF - Common Carrier Fixed Point to Point Microwave						Y
WQPP904	CF - Common Carrier Fixed Point to Point Microwave						Y
WQPP954	CF - Common Carrier Fixed Point to Point Microwave						Y
WQPP955	CF - Common Carrier Fixed Point to Point Microwave						Y
WQPQ542	CF - Common Carrier Fixed Point to Point Microwave						Y
WQPQ543	CF - Common Carrier Fixed Point to Point Microwave						Y

111) Call Sign	112) Radio Service Code	113) Location Number	114) Path Number (Microwave only)	115) Frequency Number	116) Lower or Center Frequency (MHz)	117) Upper Frequency (MHz)	118) Constructed Yes / No
WQPQ566	CF - Common Carrier Fixed Point to Point Microwave						Y
WQPQ567	CF - Common Carrier Fixed Point to Point Microwave						Y
WQPQ779	CF - Common Carrier Fixed Point to Point Microwave						Y
WQPQ780	CF - Common Carrier Fixed Point to Point Microwave						Y
WQPQ881	CF - Common Carrier Fixed Point to Point Microwave						Y
WQPQ882	CF - Common Carrier Fixed Point to Point Microwave						Y
WQPQ883	CF - Common Carrier Fixed Point to Point Microwave						Y
WQPQ887	CF - Common Carrier Fixed Point to Point Microwave						Y
WQPQ888	CF - Common Carrier Fixed Point to Point Microwave						Y
WQPQ889	CF - Common Carrier Fixed Point to Point Microwave						Y
WQPQ890	CF - Common Carrier Fixed Point to Point Microwave						Y
WQPQ891	CF - Common Carrier Fixed Point to Point Microwave						Y
WQPQ892	CF - Common Carrier Fixed Point to Point Microwave						Y
WQPQ893	CF - Common Carrier Fixed Point to Point Microwave						Y
WQPQ894	CF - Common Carrier Fixed Point to Point Microwave						Y
WQPR292	CF - Common Carrier Fixed Point to Point Microwave						Y
WQPR293	CF - Common Carrier Fixed Point to Point Microwave						Y
WQPR297	CF - Common Carrier Fixed Point to Point Microwave						Y
WQPR298	CF - Common Carrier Fixed Point to Point Microwave						Y

111) Call Sign	112) Radio Service Code	113) Location Number	114) Path Number (Microwave only)	115) Frequency Number	116) Lower or Center Frequency (MHz)	117) Upper Frequency (MHz)	118) Constructed Yes / No
WQPR488	CF - Common Carrier Fixed Point to Point Microwave						Y
WQPS273	CF - Common Carrier Fixed Point to Point Microwave						Y
WQPS415	CF - Common Carrier Fixed Point to Point Microwave						Y
WQPS417	CF - Common Carrier Fixed Point to Point Microwave						Y
WQPS615	CF - Common Carrier Fixed Point to Point Microwave						Y
WQPS744	CF - Common Carrier Fixed Point to Point Microwave						Y
WQPS745	CF - Common Carrier Fixed Point to Point Microwave						Y
WQPS746	CF - Common Carrier Fixed Point to Point Microwave						Y
WQPS747	CF - Common Carrier Fixed Point to Point Microwave						Y
WQPS748	CF - Common Carrier Fixed Point to Point Microwave						Y
WQPS749	CF - Common Carrier Fixed Point to Point Microwave						Y
WQPS750	CF - Common Carrier Fixed Point to Point Microwave						Y
WQPS751	CF - Common Carrier Fixed Point to Point Microwave						Y
WQPS798	CF - Common Carrier Fixed Point to Point Microwave						Y
WQPT207	CF - Common Carrier Fixed Point to Point Microwave						Y
WQPT208	CF - Common Carrier Fixed Point to Point Microwave						Y
WQPT229	CF - Common Carrier Fixed Point to Point Microwave						Y
WQPT308	CF - Common Carrier Fixed Point to Point Microwave						Y
WQPT360	CF - Common Carrier Fixed Point to Point Microwave						Y

111) Call Sign	112) Radio Service Code	113) Location Number	114) Path Number (Microwave only)	115) Frequency Number	116) Lower or Center Frequency (MHz)	117) Upper Frequency (MHz)	118) Constructed Yes / No
WQPT884	CF - Common Carrier Fixed Point to Point Microwave						Y
WQPU333	CF - Common Carrier Fixed Point to Point Microwave						Y
WQPU335	CF - Common Carrier Fixed Point to Point Microwave						Y
WQPV663	CF - Common Carrier Fixed Point to Point Microwave						Y
WQPV665	CF - Common Carrier Fixed Point to Point Microwave						Y
WQPV668	CF - Common Carrier Fixed Point to Point Microwave						Y
WQPV671	CF - Common Carrier Fixed Point to Point Microwave						Y
WQPV675	CF - Common Carrier Fixed Point to Point Microwave						Y
WQPV676	CF - Common Carrier Fixed Point to Point Microwave						Y
WQPV701	CF - Common Carrier Fixed Point to Point Microwave						Y
WQPV707	CF - Common Carrier Fixed Point to Point Microwave						Y
WQPV711	CF - Common Carrier Fixed Point to Point Microwave						Y
WQPV712	CF - Common Carrier Fixed Point to Point Microwave						Y
WQPV856	CF - Common Carrier Fixed Point to Point Microwave						Y
WQPV858	CF - Common Carrier Fixed Point to Point Microwave						Y
WQPV904	CF - Common Carrier Fixed Point to Point Microwave						Y
WQPV927	CF - Common Carrier Fixed Point to Point Microwave						Y
WQPV988	CF - Common Carrier Fixed Point to Point Microwave						Y
WQPW226	CF - Common Carrier Fixed Point to Point Microwave						Y

111) Call Sign	112) Radio Service Code	113) Location Number	114) Path Number (Microwave only)	115) Frequency Number	116) Lower or Center Frequency (MHz)	117) Upper Frequency (MHz)	118) Constructed Yes / No
WQPW240	CF - Common Carrier Fixed Point to Point Microwave						Y
WQPW350	CF - Common Carrier Fixed Point to Point Microwave						Y
WQPW352	CF - Common Carrier Fixed Point to Point Microwave						Y
WQPW353	CF - Common Carrier Fixed Point to Point Microwave						Y
WQPW355	CF - Common Carrier Fixed Point to Point Microwave						Y
WQPW410	CF - Common Carrier Fixed Point to Point Microwave						Y
WQPW514	CF - Common Carrier Fixed Point to Point Microwave						Y
WQPW533	CF - Common Carrier Fixed Point to Point Microwave						Y
WQPW534	CF - Common Carrier Fixed Point to Point Microwave						Y
WQPW635	CF - Common Carrier Fixed Point to Point Microwave						Y
WQPW636	CF - Common Carrier Fixed Point to Point Microwave						Y
WQPW773	CF - Common Carrier Fixed Point to Point Microwave						Y
WQPW802	CF - Common Carrier Fixed Point to Point Microwave						Y
WQPW803	CF - Common Carrier Fixed Point to Point Microwave						Y
WQPW881	CF - Common Carrier Fixed Point to Point Microwave						Y
WQPX222	CF - Common Carrier Fixed Point to Point Microwave						Y
WQPX281	CF - Common Carrier Fixed Point to Point Microwave						Y
WQPX282	CF - Common Carrier Fixed Point to Point Microwave						Y
WQPX336	CF - Common Carrier Fixed Point to Point Microwave						Y

111) Call Sign	112) Radio Service Code	113) Location Number	114) Path Number (Microwave only)	115) Frequency Number	116) Lower or Center Frequency (MHz)	117) Upper Frequency (MHz)	118) Constructed Yes / No
WQPX337	CF - Common Carrier Fixed Point to Point Microwave						Y
WQPX339	CF - Common Carrier Fixed Point to Point Microwave						Y
WQPX340	CF - Common Carrier Fixed Point to Point Microwave						Y
WQPX435	CF - Common Carrier Fixed Point to Point Microwave						Y
WQPX824	CF - Common Carrier Fixed Point to Point Microwave						Y
WQPX827	CF - Common Carrier Fixed Point to Point Microwave						Y
WQPX998	CF - Common Carrier Fixed Point to Point Microwave						Y
WQPY202	CF - Common Carrier Fixed Point to Point Microwave						Y
WQPY203	CF - Common Carrier Fixed Point to Point Microwave						Y
WQPY296	CF - Common Carrier Fixed Point to Point Microwave						Y
WQPY297	CF - Common Carrier Fixed Point to Point Microwave						Y
WQPY315	CF - Common Carrier Fixed Point to Point Microwave						Y
WQPY316	CF - Common Carrier Fixed Point to Point Microwave						Y
WQPY419	CF - Common Carrier Fixed Point to Point Microwave						Y
WQPY420	CF - Common Carrier Fixed Point to Point Microwave						Y
WQPY535	CF - Common Carrier Fixed Point to Point Microwave						Y
WQPY645	CF - Common Carrier Fixed Point to Point Microwave						Y
WQPY646	CF - Common Carrier Fixed Point to Point Microwave						Y
WQPY779	CF - Common Carrier Fixed Point to Point Microwave						Y

111) Call Sign	112) Radio Service Code	113) Location Number	114) Path Number (Microwave only)	115) Frequency Number	116) Lower or Center Frequency (MHz)	117) Upper Frequency (MHz)	118) Constructed Yes / No
WQPY780	CF - Common Carrier Fixed Point to Point Microwave						Y
WQPY781	CF - Common Carrier Fixed Point to Point Microwave						Y
WQPY814	WZ - 700 MHz Lower Band (Blocks C, D)						Y
WQPZ219	CF - Common Carrier Fixed Point to Point Microwave						Y
WQPZ227	CF - Common Carrier Fixed Point to Point Microwave						Y
WQPZ228	CF - Common Carrier Fixed Point to Point Microwave						Y
WQPZ260	CF - Common Carrier Fixed Point to Point Microwave						Y
WQPZ261	CF - Common Carrier Fixed Point to Point Microwave						Y
WQPZ365	CF - Common Carrier Fixed Point to Point Microwave						Y
WQPZ366	CF - Common Carrier Fixed Point to Point Microwave						Y
WQPZ367	CF - Common Carrier Fixed Point to Point Microwave						Y
WQPZ584	CF - Common Carrier Fixed Point to Point Microwave						Y
WQPZ585	CF - Common Carrier Fixed Point to Point Microwave						Y
WQPZ600	CF - Common Carrier Fixed Point to Point Microwave						Y
WQPZ602	CF - Common Carrier Fixed Point to Point Microwave						Y
WQPZ603	CF - Common Carrier Fixed Point to Point Microwave						Y
WQPZ607	CF - Common Carrier Fixed Point to Point Microwave						Y
WQPZ608	CF - Common Carrier Fixed Point to Point Microwave						Y
WQPZ746	CF - Common Carrier Fixed Point to Point Microwave						Y

111) Call Sign	112) Radio Service Code	113) Location Number	114) Path Number (Microwave only)	115) Frequency Number	116) Lower or Center Frequency (MHz)	117) Upper Frequency (MHz)	118) Constructed Yes / No
WQPZ747	CF - Common Carrier Fixed Point to Point Microwave						Y
WQPZ748	CF - Common Carrier Fixed Point to Point Microwave						Y
WQPZ751	CF - Common Carrier Fixed Point to Point Microwave						Y
WQPZ752	CF - Common Carrier Fixed Point to Point Microwave						Y
WQPZ753	CF - Common Carrier Fixed Point to Point Microwave						Y
WQPZ754	CF - Common Carrier Fixed Point to Point Microwave						Y
WQQA265	CF - Common Carrier Fixed Point to Point Microwave						Y
WQQA397	CF - Common Carrier Fixed Point to Point Microwave						Y
WQQA418	CF - Common Carrier Fixed Point to Point Microwave						Y
WQQA419	CF - Common Carrier Fixed Point to Point Microwave						Y
WQQA529	CF - Common Carrier Fixed Point to Point Microwave						Y
WQQA545	CF - Common Carrier Fixed Point to Point Microwave						Y
WQQA551	CF - Common Carrier Fixed Point to Point Microwave						Y
WQQA552	CF - Common Carrier Fixed Point to Point Microwave						Y
WQQA694	CF - Common Carrier Fixed Point to Point Microwave						Y
WQQA695	CF - Common Carrier Fixed Point to Point Microwave						Y
WQQA703	CF - Common Carrier Fixed Point to Point Microwave						Y
WQQA739	CF - Common Carrier Fixed Point to Point Microwave						Y
WQQA742	CF - Common Carrier Fixed Point to Point Microwave						Y

111) Call Sign	112) Radio Service Code	113) Location Number	114) Path Number (Microwave only)	115) Frequency Number	116) Lower or Center Frequency (MHz)	117) Upper Frequency (MHz)	118) Constructed Yes / No
WQQA744	CF - Common Carrier Fixed Point to Point Microwave						Y
WQQB273	CF - Common Carrier Fixed Point to Point Microwave						Y
WQQB274	CF - Common Carrier Fixed Point to Point Microwave						Y
WQQB275	CF - Common Carrier Fixed Point to Point Microwave						Y
WQQB276	CF - Common Carrier Fixed Point to Point Microwave						Y
WQQB277	CF - Common Carrier Fixed Point to Point Microwave						Y
WQQB278	CF - Common Carrier Fixed Point to Point Microwave						Y
WQQB292	CF - Common Carrier Fixed Point to Point Microwave						Y
WQQB663	CF - Common Carrier Fixed Point to Point Microwave						Y
WQQB665	CF - Common Carrier Fixed Point to Point Microwave						Y
WQQB928	CF - Common Carrier Fixed Point to Point Microwave						Y
WQQB929	CF - Common Carrier Fixed Point to Point Microwave						Y
WQQB930	CF - Common Carrier Fixed Point to Point Microwave						Y
WQQC290	CF - Common Carrier Fixed Point to Point Microwave						Y
WQQC363	CF - Common Carrier Fixed Point to Point Microwave						Y
WQQC364	CF - Common Carrier Fixed Point to Point Microwave						Y
WQQC365	CF - Common Carrier Fixed Point to Point Microwave						Y
WQQC366	CF - Common Carrier Fixed Point to Point Microwave						Y
WQQC377	CF - Common Carrier Fixed Point to Point Microwave						Y

111) Call Sign	112) Radio Service Code	113) Location Number	114) Path Number (Microwave only)	115) Frequency Number	116) Lower or Center Frequency (MHz)	117) Upper Frequency (MHz)	118) Constructed Yes / No
WQQC378	CF - Common Carrier Fixed Point to Point Microwave						Y
WQQC392	CF - Common Carrier Fixed Point to Point Microwave						Y
WQQC404	CF - Common Carrier Fixed Point to Point Microwave						Y
WQQC405	CF - Common Carrier Fixed Point to Point Microwave						Y
WQQC541	CF - Common Carrier Fixed Point to Point Microwave						Y
WQQC542	CF - Common Carrier Fixed Point to Point Microwave						Y
WQQC550	CF - Common Carrier Fixed Point to Point Microwave						Y
WQQC551	CF - Common Carrier Fixed Point to Point Microwave						Y
WQQC555	CF - Common Carrier Fixed Point to Point Microwave						Y
WQQC557	CF - Common Carrier Fixed Point to Point Microwave						Y
WQQC723	CF - Common Carrier Fixed Point to Point Microwave						Y
WQQC725	CF - Common Carrier Fixed Point to Point Microwave						Y
WQQC726	CF - Common Carrier Fixed Point to Point Microwave						Y
WQQC727	CF - Common Carrier Fixed Point to Point Microwave						Y
WQQC912	CF - Common Carrier Fixed Point to Point Microwave						Y
WQQC913	CF - Common Carrier Fixed Point to Point Microwave						Y
WQQC985	CF - Common Carrier Fixed Point to Point Microwave						Y
WQQC986	CF - Common Carrier Fixed Point to Point Microwave						Y
WQQD413	CF - Common Carrier Fixed Point to Point Microwave						Y

111) Call Sign	112) Radio Service Code	113) Location Number	114) Path Number (Microwave only)	115) Frequency Number	116) Lower or Center Frequency (MHz)	117) Upper Frequency (MHz)	118) Constructed Yes / No
WQQD415	CF - Common Carrier Fixed Point to Point Microwave						Y
WQQD493	CF - Common Carrier Fixed Point to Point Microwave						Y
WQQD494	CF - Common Carrier Fixed Point to Point Microwave						Y
WQQD501	CF - Common Carrier Fixed Point to Point Microwave						Y
WQQD523	CF - Common Carrier Fixed Point to Point Microwave						Y
WQQD524	CF - Common Carrier Fixed Point to Point Microwave						Y
WQQD525	CF - Common Carrier Fixed Point to Point Microwave						Y
WQQD558	CF - Common Carrier Fixed Point to Point Microwave						Y
WQQD588	CF - Common Carrier Fixed Point to Point Microwave						Y
WQQD681	CF - Common Carrier Fixed Point to Point Microwave						Y
WQQD733	CF - Common Carrier Fixed Point to Point Microwave						Y
WQQE225	CF - Common Carrier Fixed Point to Point Microwave						Y
WQQE226	CF - Common Carrier Fixed Point to Point Microwave						Y
WQQE228	CF - Common Carrier Fixed Point to Point Microwave						Y
WQQE229	CF - Common Carrier Fixed Point to Point Microwave						Y
WQQE230	CF - Common Carrier Fixed Point to Point Microwave						Y
WQQE232	CF - Common Carrier Fixed Point to Point Microwave						Y
WQQE233	CF - Common Carrier Fixed Point to Point Microwave						Y
WQQE240	CF - Common Carrier Fixed Point to Point Microwave						Y

111) Call Sign	112) Radio Service Code	113) Location Number	114) Path Number (Microwave only)	115) Frequency Number	116) Lower or Center Frequency (MHz)	117) Upper Frequency (MHz)	118) Constructed Yes / No
WQQE241	CF - Common Carrier Fixed Point to Point Microwave						Y
WQQE648	CF - Common Carrier Fixed Point to Point Microwave						Y
WQQE651	CF - Common Carrier Fixed Point to Point Microwave						Y
WQQE803	CF - Common Carrier Fixed Point to Point Microwave						Y
WQQE804	CF - Common Carrier Fixed Point to Point Microwave						Y
WQQE989	CF - Common Carrier Fixed Point to Point Microwave						Y
WQQF304	CF - Common Carrier Fixed Point to Point Microwave						Y
WQQF966	CF - Common Carrier Fixed Point to Point Microwave						Y
WQQF978	CF - Common Carrier Fixed Point to Point Microwave						Y
WQQG254	CF - Common Carrier Fixed Point to Point Microwave						Y
WQQG255	CF - Common Carrier Fixed Point to Point Microwave						Y
WQQG293	CF - Common Carrier Fixed Point to Point Microwave						Y
WQQG370	CF - Common Carrier Fixed Point to Point Microwave						Y
WQQG535	CF - Common Carrier Fixed Point to Point Microwave						Y
WQQG541	CF - Common Carrier Fixed Point to Point Microwave						Y
WQQG542	CF - Common Carrier Fixed Point to Point Microwave						Y
WQQG547	CF - Common Carrier Fixed Point to Point Microwave						Y
WQQG549	CF - Common Carrier Fixed Point to Point Microwave						Y
WQQG607	CF - Common Carrier Fixed Point to Point Microwave						Y

111) Call Sign	112) Radio Service Code	113) Location Number	114) Path Number (Microwave only)	115) Frequency Number	116) Lower or Center Frequency (MHz)	117) Upper Frequency (MHz)	118) Constructed Yes / No
WQQG608	CF - Common Carrier Fixed Point to Point Microwave						Y
WQQG684	CF - Common Carrier Fixed Point to Point Microwave						Y
WQQG685	CF - Common Carrier Fixed Point to Point Microwave						Y
WQQG689	CF - Common Carrier Fixed Point to Point Microwave						Y
WQQG700	CF - Common Carrier Fixed Point to Point Microwave						Y
WQQG701	CF - Common Carrier Fixed Point to Point Microwave						Y
WQQG716	CF - Common Carrier Fixed Point to Point Microwave						Y
WQQG731	CF - Common Carrier Fixed Point to Point Microwave						Y
WQQG741	CF - Common Carrier Fixed Point to Point Microwave						Y
WQQG743	CF - Common Carrier Fixed Point to Point Microwave						Y
WQQG745	CF - Common Carrier Fixed Point to Point Microwave						Y
WQQG751	CF - Common Carrier Fixed Point to Point Microwave						Y
WQQG754	CF - Common Carrier Fixed Point to Point Microwave						Y
WQQG755	CF - Common Carrier Fixed Point to Point Microwave						Y
WQQG757	CF - Common Carrier Fixed Point to Point Microwave						Y
WQQG767	CF - Common Carrier Fixed Point to Point Microwave						Y
WQQG988	CF - Common Carrier Fixed Point to Point Microwave						Y
WQQG989	CF - Common Carrier Fixed Point to Point Microwave						Y
WQQH481	CF - Common Carrier Fixed Point to Point Microwave						Y

111) Call Sign	112) Radio Service Code	113) Location Number	114) Path Number (Microwave only)	115) Frequency Number	116) Lower or Center Frequency (MHz)	117) Upper Frequency (MHz)	118) Constructed Yes / No
WQQH482	CF - Common Carrier Fixed Point to Point Microwave						Y
WQQH483	CF - Common Carrier Fixed Point to Point Microwave						Y
WQQH484	CF - Common Carrier Fixed Point to Point Microwave						Y
WQQH490	CF - Common Carrier Fixed Point to Point Microwave						Y
WQQH516	CF - Common Carrier Fixed Point to Point Microwave						Y
WQQH517	CF - Common Carrier Fixed Point to Point Microwave						Y
WQQH519	CF - Common Carrier Fixed Point to Point Microwave						Y
WQQH520	CF - Common Carrier Fixed Point to Point Microwave						Y
WQQH521	CF - Common Carrier Fixed Point to Point Microwave						Y
WQQH522	CF - Common Carrier Fixed Point to Point Microwave						Y
WQQH635	CF - Common Carrier Fixed Point to Point Microwave						Y
WQQH651	CF - Common Carrier Fixed Point to Point Microwave						Y
WQQH652	CF - Common Carrier Fixed Point to Point Microwave						Y
WQQH917	CF - Common Carrier Fixed Point to Point Microwave						Y
WQQH918	CF - Common Carrier Fixed Point to Point Microwave						Y
WQQH922	CF - Common Carrier Fixed Point to Point Microwave						Y
WQQH945	CF - Common Carrier Fixed Point to Point Microwave						Y
WQQI640	CF - Common Carrier Fixed Point to Point Microwave						Y
WQQI641	CF - Common Carrier Fixed Point to Point Microwave						Y

111) Call Sign	112) Radio Service Code	113) Location Number	114) Path Number (Microwave only)	115) Frequency Number	116) Lower or Center Frequency (MHz)	117) Upper Frequency (MHz)	118) Constructed Yes / No
WQQI642	CF - Common Carrier Fixed Point to Point Microwave						Y
WQQI643	CF - Common Carrier Fixed Point to Point Microwave						Y
WQQI667	CF - Common Carrier Fixed Point to Point Microwave						Y
WQQI668	CF - Common Carrier Fixed Point to Point Microwave						Y
WQQI885	CF - Common Carrier Fixed Point to Point Microwave						Y
WQQI886	CF - Common Carrier Fixed Point to Point Microwave						Y
WQQJ470	CF - Common Carrier Fixed Point to Point Microwave						Y
WQQJ501	CF - Common Carrier Fixed Point to Point Microwave						Y
WQQJ675	CF - Common Carrier Fixed Point to Point Microwave						Y
WQQJ698	CF - Common Carrier Fixed Point to Point Microwave						Y
WQQJ740	CF - Common Carrier Fixed Point to Point Microwave						Y
WQQJ741	CF - Common Carrier Fixed Point to Point Microwave						Y
WQQJ743	CF - Common Carrier Fixed Point to Point Microwave						Y
WQQJ744	CF - Common Carrier Fixed Point to Point Microwave						Y
WQQJ791	CF - Common Carrier Fixed Point to Point Microwave						Y
WQQK246	CF - Common Carrier Fixed Point to Point Microwave						Y
WQQK250	CF - Common Carrier Fixed Point to Point Microwave						Y
WQQK475	CF - Common Carrier Fixed Point to Point Microwave						Y
WQQK492	CF - Common Carrier Fixed Point to Point Microwave						Y

111) Call Sign	112) Radio Service Code	113) Location Number	114) Path Number (Microwave only)	115) Frequency Number	116) Lower or Center Frequency (MHz)	117) Upper Frequency (MHz)	118) Constructed Yes / No
WQK541	CF - Common Carrier Fixed Point to Point Microwave						Y
WQK550	CF - Common Carrier Fixed Point to Point Microwave						Y
WQK615	CF - Common Carrier Fixed Point to Point Microwave						Y
WQK657	CF - Common Carrier Fixed Point to Point Microwave						Y
WQK665	CF - Common Carrier Fixed Point to Point Microwave						Y
WQK667	CF - Common Carrier Fixed Point to Point Microwave						Y
WQK669	CF - Common Carrier Fixed Point to Point Microwave						Y
WQK671	CF - Common Carrier Fixed Point to Point Microwave						Y
WQK699	CF - Common Carrier Fixed Point to Point Microwave						Y
WQK706	CF - Common Carrier Fixed Point to Point Microwave						Y
WQK737	CF - Common Carrier Fixed Point to Point Microwave						Y
WQK758	CF - Common Carrier Fixed Point to Point Microwave						Y
WQK779	CF - Common Carrier Fixed Point to Point Microwave						Y
WQK781	CF - Common Carrier Fixed Point to Point Microwave						Y
WQK809	CF - Common Carrier Fixed Point to Point Microwave						Y
WQK811	CF - Common Carrier Fixed Point to Point Microwave						Y
WQK813	CF - Common Carrier Fixed Point to Point Microwave						Y
WQK846	CF - Common Carrier Fixed Point to Point Microwave						Y
WQK865	CF - Common Carrier Fixed Point to Point Microwave						Y

111) Call Sign	112) Radio Service Code	113) Location Number	114) Path Number (Microwave only)	115) Frequency Number	116) Lower or Center Frequency (MHz)	117) Upper Frequency (MHz)	118) Constructed Yes / No
WQK888	CF - Common Carrier Fixed Point to Point Microwave						Y
WQK893	CF - Common Carrier Fixed Point to Point Microwave						Y
WQK899	CF - Common Carrier Fixed Point to Point Microwave						Y
WQK902	CF - Common Carrier Fixed Point to Point Microwave						Y
WQK906	CF - Common Carrier Fixed Point to Point Microwave						Y
WQK979	CF - Common Carrier Fixed Point to Point Microwave						Y
WQK980	CF - Common Carrier Fixed Point to Point Microwave						Y
WQK984	CF - Common Carrier Fixed Point to Point Microwave						Y
WQK986	CF - Common Carrier Fixed Point to Point Microwave						Y
WQK987	CF - Common Carrier Fixed Point to Point Microwave						Y
WQK989	CF - Common Carrier Fixed Point to Point Microwave						Y
WQL205	CF - Common Carrier Fixed Point to Point Microwave						Y
WQL416	CF - Common Carrier Fixed Point to Point Microwave						Y
WQL417	CF - Common Carrier Fixed Point to Point Microwave						Y
WQL421	CF - Common Carrier Fixed Point to Point Microwave						Y
WQL424	CF - Common Carrier Fixed Point to Point Microwave						Y
WQL438	CF - Common Carrier Fixed Point to Point Microwave						Y
WQL444	CF - Common Carrier Fixed Point to Point Microwave						Y
WQL445	CF - Common Carrier Fixed Point to Point Microwave						Y

111) Call Sign	112) Radio Service Code	113) Location Number	114) Path Number (Microwave only)	115) Frequency Number	116) Lower or Center Frequency (MHz)	117) Upper Frequency (MHz)	118) Constructed Yes / No
WQQL446	CF - Common Carrier Fixed Point to Point Microwave						Y
WQQL447	CF - Common Carrier Fixed Point to Point Microwave						Y
WQQL577	CF - Common Carrier Fixed Point to Point Microwave						Y
WQQL692	CF - Common Carrier Fixed Point to Point Microwave						Y
WQQL790	CF - Common Carrier Fixed Point to Point Microwave						Y
WQQL792	CF - Common Carrier Fixed Point to Point Microwave						Y
WQQL793	CF - Common Carrier Fixed Point to Point Microwave						Y
WQQL794	CF - Common Carrier Fixed Point to Point Microwave						Y
WQQM302	WZ - 700 MHz Lower Band (Blocks C, D)						Y
WQQM359	CF - Common Carrier Fixed Point to Point Microwave						Y
WQQM360	CF - Common Carrier Fixed Point to Point Microwave						Y
WQQM361	CF - Common Carrier Fixed Point to Point Microwave						Y
WQQM362	CF - Common Carrier Fixed Point to Point Microwave						Y
WQQM363	CF - Common Carrier Fixed Point to Point Microwave						Y
WQQM364	CF - Common Carrier Fixed Point to Point Microwave						Y
WQQM368	CF - Common Carrier Fixed Point to Point Microwave						Y
WQQM371	CF - Common Carrier Fixed Point to Point Microwave						Y
WQQM457	CF - Common Carrier Fixed Point to Point Microwave						Y
WQQM459	CF - Common Carrier Fixed Point to Point Microwave						Y

111) Call Sign	112) Radio Service Code	113) Location Number	114) Path Number (Microwave only)	115) Frequency Number	116) Lower or Center Frequency (MHz)	117) Upper Frequency (MHz)	118) Constructed Yes / No
WQQM465	CF - Common Carrier Fixed Point to Point Microwave						Y
WQQM466	CF - Common Carrier Fixed Point to Point Microwave						Y
WQQM473	CF - Common Carrier Fixed Point to Point Microwave						Y
WQQM541	CF - Common Carrier Fixed Point to Point Microwave						Y
WQQM543	CF - Common Carrier Fixed Point to Point Microwave						Y
WQQM544	CF - Common Carrier Fixed Point to Point Microwave						Y
WQQM820	CF - Common Carrier Fixed Point to Point Microwave						Y
WQQM903	CF - Common Carrier Fixed Point to Point Microwave						Y
WQQM904	CF - Common Carrier Fixed Point to Point Microwave						Y
WQQM907	CF - Common Carrier Fixed Point to Point Microwave						Y
WQQM949	CF - Common Carrier Fixed Point to Point Microwave						Y
WQQM951	CF - Common Carrier Fixed Point to Point Microwave						Y
WQQM952	CF - Common Carrier Fixed Point to Point Microwave						Y
WQQM958	CF - Common Carrier Fixed Point to Point Microwave						Y
WQQM959	CF - Common Carrier Fixed Point to Point Microwave						Y
WQQM960	CF - Common Carrier Fixed Point to Point Microwave						Y
WQQM961	CF - Common Carrier Fixed Point to Point Microwave						Y
WQQM962	CF - Common Carrier Fixed Point to Point Microwave						Y
WQQM963	CF - Common Carrier Fixed Point to Point Microwave						Y

111) Call Sign	112) Radio Service Code	113) Location Number	114) Path Number (Microwave only)	115) Frequency Number	116) Lower or Center Frequency (MHz)	117) Upper Frequency (MHz)	118) Constructed Yes / No
WQQM965	CF - Common Carrier Fixed Point to Point Microwave						Y
WQQM979	CF - Common Carrier Fixed Point to Point Microwave						Y
WQQM981	CF - Common Carrier Fixed Point to Point Microwave						Y
WQQM992	CF - Common Carrier Fixed Point to Point Microwave						Y
WQQN302	CF - Common Carrier Fixed Point to Point Microwave						Y
WQQN307	CF - Common Carrier Fixed Point to Point Microwave						Y
WQQN333	CF - Common Carrier Fixed Point to Point Microwave						Y
WQQN336	CF - Common Carrier Fixed Point to Point Microwave						Y
WQQN357	CF - Common Carrier Fixed Point to Point Microwave						Y
WQQN358	CF - Common Carrier Fixed Point to Point Microwave						Y
WQQN359	CF - Common Carrier Fixed Point to Point Microwave						Y
WQQN495	CF - Common Carrier Fixed Point to Point Microwave						Y
WQQN497	CF - Common Carrier Fixed Point to Point Microwave						Y
WQQN654	CF - Common Carrier Fixed Point to Point Microwave						Y
WQQN656	CF - Common Carrier Fixed Point to Point Microwave						Y
WQQN658	CF - Common Carrier Fixed Point to Point Microwave						Y
WQQN660	CF - Common Carrier Fixed Point to Point Microwave						Y
WQQN683	CF - Common Carrier Fixed Point to Point Microwave						Y
WQQN696	CF - Common Carrier Fixed Point to Point Microwave						Y

111) Call Sign	112) Radio Service Code	113) Location Number	114) Path Number (Microwave only)	115) Frequency Number	116) Lower or Center Frequency (MHz)	117) Upper Frequency (MHz)	118) Constructed Yes / No
WQQN706	CF - Common Carrier Fixed Point to Point Microwave						Y
WQQN707	CF - Common Carrier Fixed Point to Point Microwave						Y
WQQN708	CF - Common Carrier Fixed Point to Point Microwave						Y
WQQN710	CF - Common Carrier Fixed Point to Point Microwave						Y
WQQN711	CF - Common Carrier Fixed Point to Point Microwave						Y
WQQN719	CF - Common Carrier Fixed Point to Point Microwave						Y
WQQN720	CF - Common Carrier Fixed Point to Point Microwave						Y
WQQN735	CF - Common Carrier Fixed Point to Point Microwave						Y
WQQN736	CF - Common Carrier Fixed Point to Point Microwave						Y
WQQN741	CF - Common Carrier Fixed Point to Point Microwave						Y
WQQN762	CF - Common Carrier Fixed Point to Point Microwave						Y
WQQN877	CF - Common Carrier Fixed Point to Point Microwave						Y
WQQN878	CF - Common Carrier Fixed Point to Point Microwave						Y
WQQN884	CF - Common Carrier Fixed Point to Point Microwave						Y
WQQN885	CF - Common Carrier Fixed Point to Point Microwave						Y
WQQN886	CF - Common Carrier Fixed Point to Point Microwave						Y
WQQN928	CF - Common Carrier Fixed Point to Point Microwave						Y
WQQP470	CF - Common Carrier Fixed Point to Point Microwave						Y
WQQP585	CF - Common Carrier Fixed Point to Point Microwave						Y

111) Call Sign	112) Radio Service Code	113) Location Number	114) Path Number (Microwave only)	115) Frequency Number	116) Lower or Center Frequency (MHz)	117) Upper Frequency (MHz)	118) Constructed Yes / No
WQQP669	CF - Common Carrier Fixed Point to Point Microwave						Y
WQQP670	CF - Common Carrier Fixed Point to Point Microwave						Y
WQQP690	CF - Common Carrier Fixed Point to Point Microwave						Y
WQQP691	CF - Common Carrier Fixed Point to Point Microwave						Y
WQQP693	CF - Common Carrier Fixed Point to Point Microwave						Y
WQQP791	CF - Common Carrier Fixed Point to Point Microwave						Y
WQQP875	CF - Common Carrier Fixed Point to Point Microwave						Y
WQQP958	CF - Common Carrier Fixed Point to Point Microwave						Y
WQQP959	CF - Common Carrier Fixed Point to Point Microwave						Y
WQQQ238	CW - PCS Broadband						Y
WQQQ243	CW - PCS Broadband						Y
WQQQ277	CF - Common Carrier Fixed Point to Point Microwave						Y
WQQQ278	CF - Common Carrier Fixed Point to Point Microwave						Y
WQQQ294	CF - Common Carrier Fixed Point to Point Microwave						Y
WQQQ335	CF - Common Carrier Fixed Point to Point Microwave						Y
WQQQ337	CF - Common Carrier Fixed Point to Point Microwave						Y
WQQQ340	CF - Common Carrier Fixed Point to Point Microwave						Y
WQQQ341	CF - Common Carrier Fixed Point to Point Microwave						Y
WQQQ361	CF - Common Carrier Fixed Point to Point Microwave						Y

111) Call Sign	112) Radio Service Code	113) Location Number	114) Path Number (Microwave only)	115) Frequency Number	116) Lower or Center Frequency (MHz)	117) Upper Frequency (MHz)	118) Constructed Yes / No
WQQQ362	CF - Common Carrier Fixed Point to Point Microwave						Y
WQQQ482	CF - Common Carrier Fixed Point to Point Microwave						Y
WQQQ483	CF - Common Carrier Fixed Point to Point Microwave						Y
WQQQ484	CF - Common Carrier Fixed Point to Point Microwave						Y
WQQQ486	CF - Common Carrier Fixed Point to Point Microwave						Y
WQQQ630	CF - Common Carrier Fixed Point to Point Microwave						Y
WQQQ631	CF - Common Carrier Fixed Point to Point Microwave						Y
WQQQ637	CF - Common Carrier Fixed Point to Point Microwave						Y
WQQQ638	CF - Common Carrier Fixed Point to Point Microwave						Y
WQQQ643	CF - Common Carrier Fixed Point to Point Microwave						Y
WQQQ645	CF - Common Carrier Fixed Point to Point Microwave						Y
WQQQ744	CF - Common Carrier Fixed Point to Point Microwave						Y
WQQQ745	CF - Common Carrier Fixed Point to Point Microwave						Y
WQQQ746	CF - Common Carrier Fixed Point to Point Microwave						Y
WQQQ747	CF - Common Carrier Fixed Point to Point Microwave						Y
WQQQ748	CF - Common Carrier Fixed Point to Point Microwave						Y
WQQQ749	CF - Common Carrier Fixed Point to Point Microwave						Y
WQQQ784	CF - Common Carrier Fixed Point to Point Microwave						Y
WQQQ785	CF - Common Carrier Fixed Point to Point Microwave						Y

111) Call Sign	112) Radio Service Code	113) Location Number	114) Path Number (Microwave only)	115) Frequency Number	116) Lower or Center Frequency (MHz)	117) Upper Frequency (MHz)	118) Constructed Yes / No
WQQQ928	CF - Common Carrier Fixed Point to Point Microwave						Y
WQQR295	CF - Common Carrier Fixed Point to Point Microwave						Y
WQQR307	CF - Common Carrier Fixed Point to Point Microwave						Y
WQQR457	CF - Common Carrier Fixed Point to Point Microwave						Y
WQQR458	CF - Common Carrier Fixed Point to Point Microwave						Y
WQQR459	CF - Common Carrier Fixed Point to Point Microwave						Y
WQQR460	CF - Common Carrier Fixed Point to Point Microwave						Y
WQQR461	CF - Common Carrier Fixed Point to Point Microwave						Y
WQQR475	CF - Common Carrier Fixed Point to Point Microwave						Y
WQQR476	CF - Common Carrier Fixed Point to Point Microwave						Y
WQQR477	CF - Common Carrier Fixed Point to Point Microwave						Y
WQQR481	CF - Common Carrier Fixed Point to Point Microwave						Y
WQQR482	CF - Common Carrier Fixed Point to Point Microwave						Y
WQQR593	CF - Common Carrier Fixed Point to Point Microwave						Y
WQQR596	CF - Common Carrier Fixed Point to Point Microwave						Y
WQQR597	CF - Common Carrier Fixed Point to Point Microwave						Y
WQQR605	CF - Common Carrier Fixed Point to Point Microwave						Y
WQQR615	CF - Common Carrier Fixed Point to Point Microwave						Y
WQQR861	CF - Common Carrier Fixed Point to Point Microwave						Y

111) Call Sign	112) Radio Service Code	113) Location Number	114) Path Number (Microwave only)	115) Frequency Number	116) Lower or Center Frequency (MHz)	117) Upper Frequency (MHz)	118) Constructed Yes / No
WQQR896	CF - Common Carrier Fixed Point to Point Microwave						Y
WQQR901	CF - Common Carrier Fixed Point to Point Microwave						Y
WQQR932	CF - Common Carrier Fixed Point to Point Microwave						Y
WQQR933	CF - Common Carrier Fixed Point to Point Microwave						Y
WQQR934	CF - Common Carrier Fixed Point to Point Microwave						Y
WQQR944	CF - Common Carrier Fixed Point to Point Microwave						Y
WQQR979	CF - Common Carrier Fixed Point to Point Microwave						Y
WQQR980	CF - Common Carrier Fixed Point to Point Microwave						Y
WQQS206	CF - Common Carrier Fixed Point to Point Microwave						Y
WQQS207	CF - Common Carrier Fixed Point to Point Microwave						Y
WQQS382	CF - Common Carrier Fixed Point to Point Microwave						Y
WQQS383	CF - Common Carrier Fixed Point to Point Microwave						Y
WQQS384	CF - Common Carrier Fixed Point to Point Microwave						Y
WQQS432	CF - Common Carrier Fixed Point to Point Microwave						Y
WQQS433	CF - Common Carrier Fixed Point to Point Microwave						Y
WQQS460	CF - Common Carrier Fixed Point to Point Microwave						Y
WQQS461	CF - Common Carrier Fixed Point to Point Microwave						Y
WQQS463	CF - Common Carrier Fixed Point to Point Microwave						Y
WQQS464	CF - Common Carrier Fixed Point to Point Microwave						Y

111) Call Sign	112) Radio Service Code	113) Location Number	114) Path Number (Microwave only)	115) Frequency Number	116) Lower or Center Frequency (MHz)	117) Upper Frequency (MHz)	118) Constructed Yes / No
WQQS511	CF - Common Carrier Fixed Point to Point Microwave						Y
WQQS668	CF - Common Carrier Fixed Point to Point Microwave						Y
WQQS669	CF - Common Carrier Fixed Point to Point Microwave						Y
WQQS671	CF - Common Carrier Fixed Point to Point Microwave						Y
WQQS672	CF - Common Carrier Fixed Point to Point Microwave						Y
WQQS835	CF - Common Carrier Fixed Point to Point Microwave						Y
WQQS876	CF - Common Carrier Fixed Point to Point Microwave						Y
WQQS879	CF - Common Carrier Fixed Point to Point Microwave						Y
WQQS880	CF - Common Carrier Fixed Point to Point Microwave						Y
WQQS883	CF - Common Carrier Fixed Point to Point Microwave						Y
WQQS884	CF - Common Carrier Fixed Point to Point Microwave						Y
WQQS885	CF - Common Carrier Fixed Point to Point Microwave						Y
WQQS909	CF - Common Carrier Fixed Point to Point Microwave						Y
WQQT346	CF - Common Carrier Fixed Point to Point Microwave						Y
WQQT347	CF - Common Carrier Fixed Point to Point Microwave						Y
WQQT353	CF - Common Carrier Fixed Point to Point Microwave						Y
WQQT359	CF - Common Carrier Fixed Point to Point Microwave						Y
WQQT361	CF - Common Carrier Fixed Point to Point Microwave						Y
WQQT420	CF - Common Carrier Fixed Point to Point Microwave						Y

111) Call Sign	112) Radio Service Code	113) Location Number	114) Path Number (Microwave only)	115) Frequency Number	116) Lower or Center Frequency (MHz)	117) Upper Frequency (MHz)	118) Constructed Yes / No
WQQT421	CF - Common Carrier Fixed Point to Point Microwave						Y
WQQT427	CF - Common Carrier Fixed Point to Point Microwave						Y
WQQT432	CF - Common Carrier Fixed Point to Point Microwave						Y
WQQT433	CF - Common Carrier Fixed Point to Point Microwave						Y
WQQT439	CF - Common Carrier Fixed Point to Point Microwave						Y
WQQT450	CF - Common Carrier Fixed Point to Point Microwave						Y
WQQT451	CF - Common Carrier Fixed Point to Point Microwave						Y
WQQT467	CF - Common Carrier Fixed Point to Point Microwave						Y
WQQT468	CF - Common Carrier Fixed Point to Point Microwave						Y
WQQT471	CF - Common Carrier Fixed Point to Point Microwave						Y
WQQT472	CF - Common Carrier Fixed Point to Point Microwave						Y
WQQT494	CF - Common Carrier Fixed Point to Point Microwave						Y
WQQT495	CF - Common Carrier Fixed Point to Point Microwave						Y
WQQT508	CF - Common Carrier Fixed Point to Point Microwave						Y
WQQT509	CF - Common Carrier Fixed Point to Point Microwave						Y
WQQT518	CF - Common Carrier Fixed Point to Point Microwave						Y
WQQT566	CF - Common Carrier Fixed Point to Point Microwave						Y
WQQT567	CF - Common Carrier Fixed Point to Point Microwave						Y
WQQT586	CF - Common Carrier Fixed Point to Point Microwave						Y

111) Call Sign	112) Radio Service Code	113) Location Number	114) Path Number (Microwave only)	115) Frequency Number	116) Lower or Center Frequency (MHz)	117) Upper Frequency (MHz)	118) Constructed Yes / No
WQQT587	CF - Common Carrier Fixed Point to Point Microwave						Y
WQQT588	CF - Common Carrier Fixed Point to Point Microwave						Y
WQQT589	CF - Common Carrier Fixed Point to Point Microwave						Y
WQQT677	CF - Common Carrier Fixed Point to Point Microwave						Y
WQQT680	CF - Common Carrier Fixed Point to Point Microwave						Y
WQQT685	CF - Common Carrier Fixed Point to Point Microwave						Y
WQQT721	CF - Common Carrier Fixed Point to Point Microwave						Y
WQQT722	CF - Common Carrier Fixed Point to Point Microwave						Y
WQQT860	CF - Common Carrier Fixed Point to Point Microwave						Y
WQQT861	CF - Common Carrier Fixed Point to Point Microwave						Y
WQQT862	CF - Common Carrier Fixed Point to Point Microwave						Y
WQQT904	CF - Common Carrier Fixed Point to Point Microwave						Y
WQQT905	CF - Common Carrier Fixed Point to Point Microwave						Y
WQQT915	CF - Common Carrier Fixed Point to Point Microwave						Y
WQQT917	CF - Common Carrier Fixed Point to Point Microwave						Y
WQQT918	CF - Common Carrier Fixed Point to Point Microwave						Y
WQQT939	CF - Common Carrier Fixed Point to Point Microwave						Y
WQQT943	CF - Common Carrier Fixed Point to Point Microwave						Y
WQQT944	CF - Common Carrier Fixed Point to Point Microwave						Y

111) Call Sign	112) Radio Service Code	113) Location Number	114) Path Number (Microwave only)	115) Frequency Number	116) Lower or Center Frequency (MHz)	117) Upper Frequency (MHz)	118) Constructed Yes / No
WQQT985	CF - Common Carrier Fixed Point to Point Microwave						Y
WQQT988	CF - Common Carrier Fixed Point to Point Microwave						Y
WQQT990	CF - Common Carrier Fixed Point to Point Microwave						Y
WQQT991	CF - Common Carrier Fixed Point to Point Microwave						Y
WQQU289	CF - Common Carrier Fixed Point to Point Microwave						Y
WQQU291	CF - Common Carrier Fixed Point to Point Microwave						Y
WQQU298	CF - Common Carrier Fixed Point to Point Microwave						Y
WQQU299	CF - Common Carrier Fixed Point to Point Microwave						Y
WQQU310	CF - Common Carrier Fixed Point to Point Microwave						Y
WQQU348	CF - Common Carrier Fixed Point to Point Microwave						Y
WQQU481	CF - Common Carrier Fixed Point to Point Microwave						Y
WQQU621	CF - Common Carrier Fixed Point to Point Microwave						Y
WQQU634	CF - Common Carrier Fixed Point to Point Microwave						Y
WQQU640	CF - Common Carrier Fixed Point to Point Microwave						Y
WQQU645	CF - Common Carrier Fixed Point to Point Microwave						Y
WQQU646	CF - Common Carrier Fixed Point to Point Microwave						Y
WQQU649	CF - Common Carrier Fixed Point to Point Microwave						Y
WQQU701	CF - Common Carrier Fixed Point to Point Microwave						Y
WQQU703	CF - Common Carrier Fixed Point to Point Microwave						Y

111) Call Sign	112) Radio Service Code	113) Location Number	114) Path Number (Microwave only)	115) Frequency Number	116) Lower or Center Frequency (MHz)	117) Upper Frequency (MHz)	118) Constructed Yes / No
WQQU706	CF - Common Carrier Fixed Point to Point Microwave						Y
WQQU707	CF - Common Carrier Fixed Point to Point Microwave						Y
WQQU708	CF - Common Carrier Fixed Point to Point Microwave						Y
WQQU709	CF - Common Carrier Fixed Point to Point Microwave						Y
WQQU716	CF - Common Carrier Fixed Point to Point Microwave						Y
WQQU717	CF - Common Carrier Fixed Point to Point Microwave						Y
WQQU718	CF - Common Carrier Fixed Point to Point Microwave						Y
WQQU720	CF - Common Carrier Fixed Point to Point Microwave						Y
WQQU721	CF - Common Carrier Fixed Point to Point Microwave						Y
WQQU722	CF - Common Carrier Fixed Point to Point Microwave						Y
WQQU723	CF - Common Carrier Fixed Point to Point Microwave						Y
WQQU724	CF - Common Carrier Fixed Point to Point Microwave						Y
WQQU787	CF - Common Carrier Fixed Point to Point Microwave						Y
WQQU790	CF - Common Carrier Fixed Point to Point Microwave						Y
WQQU858	CF - Common Carrier Fixed Point to Point Microwave						Y
WQQU945	CF - Common Carrier Fixed Point to Point Microwave						Y
WQQV229	CF - Common Carrier Fixed Point to Point Microwave						Y
WQQV230	CF - Common Carrier Fixed Point to Point Microwave						Y
WQQV246	CF - Common Carrier Fixed Point to Point Microwave						Y

111) Call Sign	112) Radio Service Code	113) Location Number	114) Path Number (Microwave only)	115) Frequency Number	116) Lower or Center Frequency (MHz)	117) Upper Frequency (MHz)	118) Constructed Yes / No
WQQV247	CF - Common Carrier Fixed Point to Point Microwave						Y
WQQV249	CF - Common Carrier Fixed Point to Point Microwave						Y
WQQV250	CF - Common Carrier Fixed Point to Point Microwave						Y
WQQV251	CF - Common Carrier Fixed Point to Point Microwave						Y
WQQV252	CF - Common Carrier Fixed Point to Point Microwave						Y
WQQV292	CF - Common Carrier Fixed Point to Point Microwave						Y
WQQV293	CF - Common Carrier Fixed Point to Point Microwave						Y
WQQV294	CF - Common Carrier Fixed Point to Point Microwave						Y
WQQV295	CF - Common Carrier Fixed Point to Point Microwave						Y
WQQV296	CF - Common Carrier Fixed Point to Point Microwave						Y
WQQV297	CF - Common Carrier Fixed Point to Point Microwave						Y
WQQV302	CF - Common Carrier Fixed Point to Point Microwave						Y
WQQV333	CF - Common Carrier Fixed Point to Point Microwave						Y
WQQV334	CF - Common Carrier Fixed Point to Point Microwave						Y
WQQV336	CF - Common Carrier Fixed Point to Point Microwave						Y
WQQV339	CF - Common Carrier Fixed Point to Point Microwave						Y
WQQV340	CF - Common Carrier Fixed Point to Point Microwave						Y
WQQV344	CF - Common Carrier Fixed Point to Point Microwave						Y
WQQV452	CF - Common Carrier Fixed Point to Point Microwave						Y

111) Call Sign	112) Radio Service Code	113) Location Number	114) Path Number (Microwave only)	115) Frequency Number	116) Lower or Center Frequency (MHz)	117) Upper Frequency (MHz)	118) Constructed Yes / No
WQQV454	CF - Common Carrier Fixed Point to Point Microwave						Y
WQQV457	CF - Common Carrier Fixed Point to Point Microwave						Y
WQQV458	CF - Common Carrier Fixed Point to Point Microwave						Y
WQQV460	CF - Common Carrier Fixed Point to Point Microwave						Y
WQQV461	CF - Common Carrier Fixed Point to Point Microwave						Y
WQQV462	CF - Common Carrier Fixed Point to Point Microwave						Y
WQQV980	CF - Common Carrier Fixed Point to Point Microwave						Y
WQQV981	CF - Common Carrier Fixed Point to Point Microwave						Y
WQQV988	CF - Common Carrier Fixed Point to Point Microwave						Y
WQQV990	CF - Common Carrier Fixed Point to Point Microwave						Y
WQQV993	CF - Common Carrier Fixed Point to Point Microwave						Y
WQQV994	CF - Common Carrier Fixed Point to Point Microwave						Y
WQQV995	CF - Common Carrier Fixed Point to Point Microwave						Y
WQQV996	CF - Common Carrier Fixed Point to Point Microwave						Y
WQQV998	CF - Common Carrier Fixed Point to Point Microwave						Y
WQQW200	CF - Common Carrier Fixed Point to Point Microwave						Y
WQQW201	CF - Common Carrier Fixed Point to Point Microwave						Y
WQQW202	CF - Common Carrier Fixed Point to Point Microwave						Y
WQQW204	CF - Common Carrier Fixed Point to Point Microwave						Y

111) Call Sign	112) Radio Service Code	113) Location Number	114) Path Number (Microwave only)	115) Frequency Number	116) Lower or Center Frequency (MHz)	117) Upper Frequency (MHz)	118) Constructed Yes / No
WQQW207	CF - Common Carrier Fixed Point to Point Microwave						Y
WQQW210	CF - Common Carrier Fixed Point to Point Microwave						Y
WQQW252	CF - Common Carrier Fixed Point to Point Microwave						Y
WQQW253	CF - Common Carrier Fixed Point to Point Microwave						Y
WQQW254	CF - Common Carrier Fixed Point to Point Microwave						Y
WQQW255	CF - Common Carrier Fixed Point to Point Microwave						Y
WQQW256	CF - Common Carrier Fixed Point to Point Microwave						Y
WQQW258	CF - Common Carrier Fixed Point to Point Microwave						Y
WQQW259	CF - Common Carrier Fixed Point to Point Microwave						Y
WQQW265	CF - Common Carrier Fixed Point to Point Microwave						Y
WQQW266	CF - Common Carrier Fixed Point to Point Microwave						Y
WQQW267	CF - Common Carrier Fixed Point to Point Microwave						Y
WQQW280	CF - Common Carrier Fixed Point to Point Microwave						Y
WQQW281	CF - Common Carrier Fixed Point to Point Microwave						Y
WQQW328	CF - Common Carrier Fixed Point to Point Microwave						Y
WQQW330	CF - Common Carrier Fixed Point to Point Microwave						Y
WQQW341	CF - Common Carrier Fixed Point to Point Microwave						Y
WQQW342	CF - Common Carrier Fixed Point to Point Microwave						Y
WQQW416	CF - Common Carrier Fixed Point to Point Microwave						Y

111) Call Sign	112) Radio Service Code	113) Location Number	114) Path Number (Microwave only)	115) Frequency Number	116) Lower or Center Frequency (MHz)	117) Upper Frequency (MHz)	118) Constructed Yes / No
WQQW417	CF - Common Carrier Fixed Point to Point Microwave						Y
WQQW418	CF - Common Carrier Fixed Point to Point Microwave						Y
WQQW419	CF - Common Carrier Fixed Point to Point Microwave						Y
WQQW439	CF - Common Carrier Fixed Point to Point Microwave						Y
WQQW441	CF - Common Carrier Fixed Point to Point Microwave						Y
WQQW443	CF - Common Carrier Fixed Point to Point Microwave						Y
WQQW446	CF - Common Carrier Fixed Point to Point Microwave						Y
WQQW447	CF - Common Carrier Fixed Point to Point Microwave						Y
WQQW449	CF - Common Carrier Fixed Point to Point Microwave						Y
WQQW450	CF - Common Carrier Fixed Point to Point Microwave						Y
WQQW535	CF - Common Carrier Fixed Point to Point Microwave						Y
WQQW536	CF - Common Carrier Fixed Point to Point Microwave						Y
WQQW539	CF - Common Carrier Fixed Point to Point Microwave						Y
WQQW540	CF - Common Carrier Fixed Point to Point Microwave						Y
WQQW541	CF - Common Carrier Fixed Point to Point Microwave						Y
WQQW549	CF - Common Carrier Fixed Point to Point Microwave						Y
WQQW652	CF - Common Carrier Fixed Point to Point Microwave						Y
WQQW653	CF - Common Carrier Fixed Point to Point Microwave						Y
WQQW681	CF - Common Carrier Fixed Point to Point Microwave						Y

111) Call Sign	112) Radio Service Code	113) Location Number	114) Path Number (Microwave only)	115) Frequency Number	116) Lower or Center Frequency (MHz)	117) Upper Frequency (MHz)	118) Constructed Yes / No
WQQW804	CF - Common Carrier Fixed Point to Point Microwave						Y
WQQW805	CF - Common Carrier Fixed Point to Point Microwave						Y
WQQW839	CF - Common Carrier Fixed Point to Point Microwave						Y
WQQW840	CF - Common Carrier Fixed Point to Point Microwave						Y
WQQW844	CF - Common Carrier Fixed Point to Point Microwave						Y
WQQW848	CF - Common Carrier Fixed Point to Point Microwave						Y
WQQW850	CF - Common Carrier Fixed Point to Point Microwave						Y
WQQW854	CF - Common Carrier Fixed Point to Point Microwave						Y
WQQW863	CF - Common Carrier Fixed Point to Point Microwave						Y
WQQW865	CF - Common Carrier Fixed Point to Point Microwave						Y
WQQW868	CF - Common Carrier Fixed Point to Point Microwave						Y
WQQW874	CF - Common Carrier Fixed Point to Point Microwave						Y
WQQW891	CF - Common Carrier Fixed Point to Point Microwave						Y
WQQW892	CF - Common Carrier Fixed Point to Point Microwave						Y
WQQW914	CF - Common Carrier Fixed Point to Point Microwave						Y
WQQW921	CF - Common Carrier Fixed Point to Point Microwave						Y
WQQW928	CF - Common Carrier Fixed Point to Point Microwave						Y
WQQW929	CF - Common Carrier Fixed Point to Point Microwave						Y
WQQW996	CF - Common Carrier Fixed Point to Point Microwave						Y

111) Call Sign	112) Radio Service Code	113) Location Number	114) Path Number (Microwave only)	115) Frequency Number	116) Lower or Center Frequency (MHz)	117) Upper Frequency (MHz)	118) Constructed Yes / No
WQQX217	CF - Common Carrier Fixed Point to Point Microwave						Y
WQQX249	CF - Common Carrier Fixed Point to Point Microwave						Y
WQQX342	CF - Common Carrier Fixed Point to Point Microwave						Y
WQQX344	CF - Common Carrier Fixed Point to Point Microwave						Y
WQQX349	CF - Common Carrier Fixed Point to Point Microwave						Y
WQQX351	CF - Common Carrier Fixed Point to Point Microwave						Y
WQQX353	CF - Common Carrier Fixed Point to Point Microwave						Y
WQQX354	CF - Common Carrier Fixed Point to Point Microwave						Y
WQQX390	CF - Common Carrier Fixed Point to Point Microwave						Y
WQQX391	CF - Common Carrier Fixed Point to Point Microwave						Y
WQQX407	CF - Common Carrier Fixed Point to Point Microwave						Y
WQQX507	CF - Common Carrier Fixed Point to Point Microwave						Y
WQQX509	CF - Common Carrier Fixed Point to Point Microwave						Y
WQQX510	CF - Common Carrier Fixed Point to Point Microwave						Y
WQQX533	CF - Common Carrier Fixed Point to Point Microwave						Y
WQQX535	CF - Common Carrier Fixed Point to Point Microwave						Y
WQQX626	CF - Common Carrier Fixed Point to Point Microwave						Y
WQQX647	CF - Common Carrier Fixed Point to Point Microwave						Y
WQQX656	CF - Common Carrier Fixed Point to Point Microwave						Y

111) Call Sign	112) Radio Service Code	113) Location Number	114) Path Number (Microwave only)	115) Frequency Number	116) Lower or Center Frequency (MHz)	117) Upper Frequency (MHz)	118) Constructed Yes / No
WQQX731	CF - Common Carrier Fixed Point to Point Microwave						Y
WQQX732	CF - Common Carrier Fixed Point to Point Microwave						Y
WQQX733	CF - Common Carrier Fixed Point to Point Microwave						Y
WQQX734	CF - Common Carrier Fixed Point to Point Microwave						Y
WQQX738	CF - Common Carrier Fixed Point to Point Microwave						Y
WQQX756	CF - Common Carrier Fixed Point to Point Microwave						Y
WQQX762	CF - Common Carrier Fixed Point to Point Microwave						Y
WQQX786	CF - Common Carrier Fixed Point to Point Microwave						Y
WQQX851	CF - Common Carrier Fixed Point to Point Microwave						Y
WQQX852	CF - Common Carrier Fixed Point to Point Microwave						Y
WQQX864	CF - Common Carrier Fixed Point to Point Microwave						Y
WQQX866	CF - Common Carrier Fixed Point to Point Microwave						Y
WQQX999	CF - Common Carrier Fixed Point to Point Microwave						Y
WQQY204	CF - Common Carrier Fixed Point to Point Microwave						Y
WQQY206	CF - Common Carrier Fixed Point to Point Microwave						Y
WQQY214	CF - Common Carrier Fixed Point to Point Microwave						Y
WQQY244	CF - Common Carrier Fixed Point to Point Microwave						Y
WQQY245	CF - Common Carrier Fixed Point to Point Microwave						Y
WQQY665	CF - Common Carrier Fixed Point to Point Microwave						Y

111) Call Sign	112) Radio Service Code	113) Location Number	114) Path Number (Microwave only)	115) Frequency Number	116) Lower or Center Frequency (MHz)	117) Upper Frequency (MHz)	118) Constructed Yes / No
WQQY668	CF - Common Carrier Fixed Point to Point Microwave						Y
WQQY669	CF - Common Carrier Fixed Point to Point Microwave						Y
WQQY728	CF - Common Carrier Fixed Point to Point Microwave						Y
WQQY740	CF - Common Carrier Fixed Point to Point Microwave						Y
WQQY742	CF - Common Carrier Fixed Point to Point Microwave						Y
WQQY811	CF - Common Carrier Fixed Point to Point Microwave						Y
WQQY941	CF - Common Carrier Fixed Point to Point Microwave						Y
WQQZ348	CF - Common Carrier Fixed Point to Point Microwave						Y
WQQZ395	CF - Common Carrier Fixed Point to Point Microwave						Y
WQQZ396	CF - Common Carrier Fixed Point to Point Microwave						Y
WQQZ397	CF - Common Carrier Fixed Point to Point Microwave						Y
WQQZ399	CF - Common Carrier Fixed Point to Point Microwave						Y
WQQZ407	CF - Common Carrier Fixed Point to Point Microwave						Y
WQQZ418	CF - Common Carrier Fixed Point to Point Microwave						Y
WQQZ420	CF - Common Carrier Fixed Point to Point Microwave						Y
WQQZ522	CF - Common Carrier Fixed Point to Point Microwave						Y
WQQZ595	CF - Common Carrier Fixed Point to Point Microwave						Y
WQQZ704	CF - Common Carrier Fixed Point to Point Microwave						Y
WQQZ705	CF - Common Carrier Fixed Point to Point Microwave						Y

111) Call Sign	112) Radio Service Code	113) Location Number	114) Path Number (Microwave only)	115) Frequency Number	116) Lower or Center Frequency (MHz)	117) Upper Frequency (MHz)	118) Constructed Yes / No
WQQZ874	CF - Common Carrier Fixed Point to Point Microwave						Y
WQQZ875	CF - Common Carrier Fixed Point to Point Microwave						Y
WQQZ904	CF - Common Carrier Fixed Point to Point Microwave						Y
WQQZ907	CF - Common Carrier Fixed Point to Point Microwave						Y
WQQZ951	CF - Common Carrier Fixed Point to Point Microwave						Y
WQRA274	CF - Common Carrier Fixed Point to Point Microwave						Y
WQRA275	CF - Common Carrier Fixed Point to Point Microwave						Y
WQRA279	CF - Common Carrier Fixed Point to Point Microwave						Y
WQRA283	CF - Common Carrier Fixed Point to Point Microwave						Y
WQRA284	CF - Common Carrier Fixed Point to Point Microwave						Y
WQRA339	CF - Common Carrier Fixed Point to Point Microwave						Y
WQRA341	CF - Common Carrier Fixed Point to Point Microwave						Y
WQRA342	CF - Common Carrier Fixed Point to Point Microwave						Y
WQRA354	CF - Common Carrier Fixed Point to Point Microwave						Y
WQRA363	CF - Common Carrier Fixed Point to Point Microwave						Y
WQRA395	CF - Common Carrier Fixed Point to Point Microwave						Y
WQRA396	CF - Common Carrier Fixed Point to Point Microwave						Y
WQRA401	CF - Common Carrier Fixed Point to Point Microwave						Y
WQRA402	CF - Common Carrier Fixed Point to Point Microwave						Y

111) Call Sign	112) Radio Service Code	113) Location Number	114) Path Number (Microwave only)	115) Frequency Number	116) Lower or Center Frequency (MHz)	117) Upper Frequency (MHz)	118) Constructed Yes / No
WQRA447	CF - Common Carrier Fixed Point to Point Microwave						Y
WQRA508	CF - Common Carrier Fixed Point to Point Microwave						Y
WQRA605	CF - Common Carrier Fixed Point to Point Microwave						Y
WQRA606	CF - Common Carrier Fixed Point to Point Microwave						Y
WQRA610	CF - Common Carrier Fixed Point to Point Microwave						Y
WQRA611	CF - Common Carrier Fixed Point to Point Microwave						Y
WQRA833	CF - Common Carrier Fixed Point to Point Microwave						Y
WQRA835	CF - Common Carrier Fixed Point to Point Microwave						Y
WQRA839	CF - Common Carrier Fixed Point to Point Microwave						Y
WQRA841	CF - Common Carrier Fixed Point to Point Microwave						Y
WQRA968	CF - Common Carrier Fixed Point to Point Microwave						Y
WQRA969	CF - Common Carrier Fixed Point to Point Microwave						Y
WQRA976	CF - Common Carrier Fixed Point to Point Microwave						Y
WQRA981	CF - Common Carrier Fixed Point to Point Microwave						Y
WQRA982	CF - Common Carrier Fixed Point to Point Microwave						Y
WQRB210	CF - Common Carrier Fixed Point to Point Microwave						Y
WQRB211	CF - Common Carrier Fixed Point to Point Microwave						Y
WQRB375	CF - Common Carrier Fixed Point to Point Microwave						Y
WQRB384	CF - Common Carrier Fixed Point to Point Microwave						Y

111) Call Sign	112) Radio Service Code	113) Location Number	114) Path Number (Microwave only)	115) Frequency Number	116) Lower or Center Frequency (MHz)	117) Upper Frequency (MHz)	118) Constructed Yes / No
WQRB424	CF - Common Carrier Fixed Point to Point Microwave						Y
WQRB427	CF - Common Carrier Fixed Point to Point Microwave						Y
WQRB431	CF - Common Carrier Fixed Point to Point Microwave						Y
WQRB434	CF - Common Carrier Fixed Point to Point Microwave						Y
WQRB464	CF - Common Carrier Fixed Point to Point Microwave						Y
WQRB497	CF - Common Carrier Fixed Point to Point Microwave						Y
WQRB513	CF - Common Carrier Fixed Point to Point Microwave						Y
WQRB633	CF - Common Carrier Fixed Point to Point Microwave						Y
WQRB635	CF - Common Carrier Fixed Point to Point Microwave						Y
WQRB711	CF - Common Carrier Fixed Point to Point Microwave						Y
WQRB713	CF - Common Carrier Fixed Point to Point Microwave						Y
WQRB714	CF - Common Carrier Fixed Point to Point Microwave						Y
WQRB715	CF - Common Carrier Fixed Point to Point Microwave						Y
WQRB716	CF - Common Carrier Fixed Point to Point Microwave						Y
WQRB717	CF - Common Carrier Fixed Point to Point Microwave						Y
WQRB718	CF - Common Carrier Fixed Point to Point Microwave						Y
WQRB719	CF - Common Carrier Fixed Point to Point Microwave						Y
WQRB720	CF - Common Carrier Fixed Point to Point Microwave						Y
WQRB725	CF - Common Carrier Fixed Point to Point Microwave						Y

111) Call Sign	112) Radio Service Code	113) Location Number	114) Path Number (Microwave only)	115) Frequency Number	116) Lower or Center Frequency (MHz)	117) Upper Frequency (MHz)	118) Constructed Yes / No
WQRB827	CF - Common Carrier Fixed Point to Point Microwave						Y
WQRB828	CF - Common Carrier Fixed Point to Point Microwave						Y
WQRB859	CF - Common Carrier Fixed Point to Point Microwave						Y
WQRB921	CF - Common Carrier Fixed Point to Point Microwave						Y
WQRB922	CF - Common Carrier Fixed Point to Point Microwave						Y
WQRB996	CF - Common Carrier Fixed Point to Point Microwave						Y
WQRC203	CF - Common Carrier Fixed Point to Point Microwave						Y
WQRC204	CF - Common Carrier Fixed Point to Point Microwave						Y
WQRC237	CF - Common Carrier Fixed Point to Point Microwave						Y
WQRC238	CF - Common Carrier Fixed Point to Point Microwave						Y
WQRC249	CF - Common Carrier Fixed Point to Point Microwave						Y
WQRC250	CF - Common Carrier Fixed Point to Point Microwave						Y
WQRC251	CF - Common Carrier Fixed Point to Point Microwave						Y
WQRC252	CF - Common Carrier Fixed Point to Point Microwave						Y
WQRC278	CF - Common Carrier Fixed Point to Point Microwave						Y
WQRC369	CF - Common Carrier Fixed Point to Point Microwave						Y
WQRC370	CF - Common Carrier Fixed Point to Point Microwave						Y
WQRC372	CF - Common Carrier Fixed Point to Point Microwave						Y
WQRC373	CF - Common Carrier Fixed Point to Point Microwave						Y

111) Call Sign	112) Radio Service Code	113) Location Number	114) Path Number (Microwave only)	115) Frequency Number	116) Lower or Center Frequency (MHz)	117) Upper Frequency (MHz)	118) Constructed Yes / No
WQRC375	CF - Common Carrier Fixed Point to Point Microwave						Y
WQRC377	CF - Common Carrier Fixed Point to Point Microwave						Y
WQRC378	CF - Common Carrier Fixed Point to Point Microwave						Y
WQRC583	CF - Common Carrier Fixed Point to Point Microwave						Y
WQRC584	CF - Common Carrier Fixed Point to Point Microwave						Y
WQRC645	CF - Common Carrier Fixed Point to Point Microwave						Y
WQRC646	CF - Common Carrier Fixed Point to Point Microwave						Y
WQRC649	CF - Common Carrier Fixed Point to Point Microwave						Y
WQRC650	CF - Common Carrier Fixed Point to Point Microwave						Y
WQRC651	CF - Common Carrier Fixed Point to Point Microwave						Y
WQRC652	CF - Common Carrier Fixed Point to Point Microwave						Y
WQRC831	CF - Common Carrier Fixed Point to Point Microwave						Y
WQRC832	CF - Common Carrier Fixed Point to Point Microwave						Y
WQRC833	CF - Common Carrier Fixed Point to Point Microwave						Y
WQRC834	CF - Common Carrier Fixed Point to Point Microwave						Y
WQRC980	CF - Common Carrier Fixed Point to Point Microwave						Y
WQRC982	CF - Common Carrier Fixed Point to Point Microwave						Y
WQRC983	CF - Common Carrier Fixed Point to Point Microwave						Y
WQRC986	CF - Common Carrier Fixed Point to Point Microwave						Y

111) Call Sign	112) Radio Service Code	113) Location Number	114) Path Number (Microwave only)	115) Frequency Number	116) Lower or Center Frequency (MHz)	117) Upper Frequency (MHz)	118) Constructed Yes / No
WQRC987	CF - Common Carrier Fixed Point to Point Microwave						Y
WQRC994	CF - Common Carrier Fixed Point to Point Microwave						Y
WQRC997	CF - Common Carrier Fixed Point to Point Microwave						Y
WQRC998	CF - Common Carrier Fixed Point to Point Microwave						Y
WQRD201	CF - Common Carrier Fixed Point to Point Microwave						Y
WQRD202	CF - Common Carrier Fixed Point to Point Microwave						Y
WQRD203	CF - Common Carrier Fixed Point to Point Microwave						Y
WQRD204	CF - Common Carrier Fixed Point to Point Microwave						Y
WQRD206	CF - Common Carrier Fixed Point to Point Microwave						Y
WQRD207	CF - Common Carrier Fixed Point to Point Microwave						Y
WQRD208	CF - Common Carrier Fixed Point to Point Microwave						Y
WQRD212	CF - Common Carrier Fixed Point to Point Microwave						Y
WQRD213	CF - Common Carrier Fixed Point to Point Microwave						Y
WQRD215	CF - Common Carrier Fixed Point to Point Microwave						Y
WQRD229	CF - Common Carrier Fixed Point to Point Microwave						Y
WQRD230	CF - Common Carrier Fixed Point to Point Microwave						Y
WQRD231	CF - Common Carrier Fixed Point to Point Microwave						Y
WQRD238	CF - Common Carrier Fixed Point to Point Microwave						Y
WQRD240	CF - Common Carrier Fixed Point to Point Microwave						Y

111) Call Sign	112) Radio Service Code	113) Location Number	114) Path Number (Microwave only)	115) Frequency Number	116) Lower or Center Frequency (MHz)	117) Upper Frequency (MHz)	118) Constructed Yes / No
WQRD249	CF - Common Carrier Fixed Point to Point Microwave						Y
WQRD250	CF - Common Carrier Fixed Point to Point Microwave						Y
WQRD251	CF - Common Carrier Fixed Point to Point Microwave						Y
WQRD410	CW - PCS Broadband						Y
WQRD425	CF - Common Carrier Fixed Point to Point Microwave						Y
WQRD426	CF - Common Carrier Fixed Point to Point Microwave						Y
WQRD442	CF - Common Carrier Fixed Point to Point Microwave						Y
WQRD443	CF - Common Carrier Fixed Point to Point Microwave						Y
WQRD444	CF - Common Carrier Fixed Point to Point Microwave						Y
WQRD482	CF - Common Carrier Fixed Point to Point Microwave						Y
WQRD483	CF - Common Carrier Fixed Point to Point Microwave						Y
WQRD487	CF - Common Carrier Fixed Point to Point Microwave						Y
WQRD488	CF - Common Carrier Fixed Point to Point Microwave						Y
WQRD493	CF - Common Carrier Fixed Point to Point Microwave						Y
WQRD494	CF - Common Carrier Fixed Point to Point Microwave						Y
WQRD512	CF - Common Carrier Fixed Point to Point Microwave						Y
WQRD513	CF - Common Carrier Fixed Point to Point Microwave						Y
WQRD547	CF - Common Carrier Fixed Point to Point Microwave						Y
WQRD548	CF - Common Carrier Fixed Point to Point Microwave						Y

111) Call Sign	112) Radio Service Code	113) Location Number	114) Path Number (Microwave only)	115) Frequency Number	116) Lower or Center Frequency (MHz)	117) Upper Frequency (MHz)	118) Constructed Yes / No
WQRD957	CL - Cellular						Y
WQRD988	CF - Common Carrier Fixed Point to Point Microwave						Y
WQRD990	CF - Common Carrier Fixed Point to Point Microwave						Y
WQRD991	CF - Common Carrier Fixed Point to Point Microwave						Y
WQRD992	CF - Common Carrier Fixed Point to Point Microwave						Y
WQRD993	CF - Common Carrier Fixed Point to Point Microwave						Y
WQRD994	CF - Common Carrier Fixed Point to Point Microwave						Y
WQRE334	CF - Common Carrier Fixed Point to Point Microwave						Y
WQRE434	CF - Common Carrier Fixed Point to Point Microwave						Y
WQRE435	CF - Common Carrier Fixed Point to Point Microwave						Y
WQRE476	CF - Common Carrier Fixed Point to Point Microwave						Y
WQRE506	CF - Common Carrier Fixed Point to Point Microwave						Y
WQRE507	CF - Common Carrier Fixed Point to Point Microwave						Y
WQRE508	CF - Common Carrier Fixed Point to Point Microwave						Y
WQRE858	CF - Common Carrier Fixed Point to Point Microwave						Y
WQRE937	CF - Common Carrier Fixed Point to Point Microwave						Y
WQRE938	CF - Common Carrier Fixed Point to Point Microwave						Y
WQRE981	CF - Common Carrier Fixed Point to Point Microwave						Y
WQRE982	CF - Common Carrier Fixed Point to Point Microwave						Y

111) Call Sign	112) Radio Service Code	113) Location Number	114) Path Number (Microwave only)	115) Frequency Number	116) Lower or Center Frequency (MHz)	117) Upper Frequency (MHz)	118) Constructed Yes / No
WQRE983	CF - Common Carrier Fixed Point to Point Microwave						Y
WQRE987	CF - Common Carrier Fixed Point to Point Microwave						Y
WQRE988	CF - Common Carrier Fixed Point to Point Microwave						Y
WQRE989	CF - Common Carrier Fixed Point to Point Microwave						Y
WQRE990	CF - Common Carrier Fixed Point to Point Microwave						Y
WQRF214	CF - Common Carrier Fixed Point to Point Microwave						Y
WQRF220	CF - Common Carrier Fixed Point to Point Microwave						Y
WQRF226	CF - Common Carrier Fixed Point to Point Microwave						Y
WQRF231	CF - Common Carrier Fixed Point to Point Microwave						Y
WQRF232	CF - Common Carrier Fixed Point to Point Microwave						Y
WQRF505	CF - Common Carrier Fixed Point to Point Microwave						Y
WQRF506	CF - Common Carrier Fixed Point to Point Microwave						Y
WQRF595	CF - Common Carrier Fixed Point to Point Microwave						Y
WQRF596	CF - Common Carrier Fixed Point to Point Microwave						Y
WQRF652	CF - Common Carrier Fixed Point to Point Microwave						Y
WQRF653	CF - Common Carrier Fixed Point to Point Microwave						Y
WQRF698	CF - Common Carrier Fixed Point to Point Microwave						Y
WQRF704	CF - Common Carrier Fixed Point to Point Microwave						Y
WQRF705	CF - Common Carrier Fixed Point to Point Microwave						Y

111) Call Sign	112) Radio Service Code	113) Location Number	114) Path Number (Microwave only)	115) Frequency Number	116) Lower or Center Frequency (MHz)	117) Upper Frequency (MHz)	118) Constructed Yes / No
WQRF706	CF - Common Carrier Fixed Point to Point Microwave						Y
WQRF711	CF - Common Carrier Fixed Point to Point Microwave						Y
WQRF712	CF - Common Carrier Fixed Point to Point Microwave						Y
WQRF748	CF - Common Carrier Fixed Point to Point Microwave						Y
WQRF749	CF - Common Carrier Fixed Point to Point Microwave						Y
WQRF842	CF - Common Carrier Fixed Point to Point Microwave						Y
WQRF843	CF - Common Carrier Fixed Point to Point Microwave						Y
WQRF844	CF - Common Carrier Fixed Point to Point Microwave						Y
WQRF848	CF - Common Carrier Fixed Point to Point Microwave						Y
WQRF849	CF - Common Carrier Fixed Point to Point Microwave						Y
WQRF880	CF - Common Carrier Fixed Point to Point Microwave						Y
WQRF881	CF - Common Carrier Fixed Point to Point Microwave						Y
WQRF884	CF - Common Carrier Fixed Point to Point Microwave						Y
WQRF885	CF - Common Carrier Fixed Point to Point Microwave						Y
WQRF910	CF - Common Carrier Fixed Point to Point Microwave						Y
WQRF912	CF - Common Carrier Fixed Point to Point Microwave						Y
WQRF951	CF - Common Carrier Fixed Point to Point Microwave						Y
WQRF952	CF - Common Carrier Fixed Point to Point Microwave						Y
WQRG250	CF - Common Carrier Fixed Point to Point Microwave						Y

111) Call Sign	112) Radio Service Code	113) Location Number	114) Path Number (Microwave only)	115) Frequency Number	116) Lower or Center Frequency (MHz)	117) Upper Frequency (MHz)	118) Constructed Yes / No
WQRG256	CF - Common Carrier Fixed Point to Point Microwave						Y
WQRG257	CF - Common Carrier Fixed Point to Point Microwave						Y
WQRG314	CF - Common Carrier Fixed Point to Point Microwave						Y
WQRG315	CF - Common Carrier Fixed Point to Point Microwave						Y
WQRG316	CF - Common Carrier Fixed Point to Point Microwave						Y
WQRG317	CF - Common Carrier Fixed Point to Point Microwave						Y
WQRG357	CF - Common Carrier Fixed Point to Point Microwave						Y
WQRG358	CF - Common Carrier Fixed Point to Point Microwave						Y
WQRG397	CF - Common Carrier Fixed Point to Point Microwave						Y
WQRG398	CF - Common Carrier Fixed Point to Point Microwave						Y
WQRG399	CF - Common Carrier Fixed Point to Point Microwave						Y
WQRG400	CF - Common Carrier Fixed Point to Point Microwave						Y
WQRG401	CF - Common Carrier Fixed Point to Point Microwave						Y
WQRG402	CF - Common Carrier Fixed Point to Point Microwave						Y
WQRG408	CF - Common Carrier Fixed Point to Point Microwave						Y
WQRG409	CF - Common Carrier Fixed Point to Point Microwave						Y
WQRG410	CF - Common Carrier Fixed Point to Point Microwave						Y
WQRG541	CF - Common Carrier Fixed Point to Point Microwave						Y
WQRG550	CF - Common Carrier Fixed Point to Point Microwave						Y

111) Call Sign	112) Radio Service Code	113) Location Number	114) Path Number (Microwave only)	115) Frequency Number	116) Lower or Center Frequency (MHz)	117) Upper Frequency (MHz)	118) Constructed Yes / No
WQRG551	CF - Common Carrier Fixed Point to Point Microwave						Y
WQRG552	CF - Common Carrier Fixed Point to Point Microwave						Y
WQRG608	CF - Common Carrier Fixed Point to Point Microwave						Y
WQRG609	CF - Common Carrier Fixed Point to Point Microwave						Y
WQRG641	CF - Common Carrier Fixed Point to Point Microwave						Y
WQRG644	CF - Common Carrier Fixed Point to Point Microwave						Y
WQRG750	CF - Common Carrier Fixed Point to Point Microwave						Y
WQRG808	CF - Common Carrier Fixed Point to Point Microwave						Y
WQRG811	CF - Common Carrier Fixed Point to Point Microwave						Y
WQRG874	CF - Common Carrier Fixed Point to Point Microwave						Y
WQRG875	CF - Common Carrier Fixed Point to Point Microwave						Y
WQRG876	CF - Common Carrier Fixed Point to Point Microwave						Y
WQRG877	CF - Common Carrier Fixed Point to Point Microwave						Y
WQRG891	CF - Common Carrier Fixed Point to Point Microwave						Y
WQRG892	CF - Common Carrier Fixed Point to Point Microwave						Y
WQRG895	CF - Common Carrier Fixed Point to Point Microwave						Y
WQRG986	CF - Common Carrier Fixed Point to Point Microwave						Y
WQRG987	CF - Common Carrier Fixed Point to Point Microwave						Y
WQRH211	CF - Common Carrier Fixed Point to Point Microwave						Y

111) Call Sign	112) Radio Service Code	113) Location Number	114) Path Number (Microwave only)	115) Frequency Number	116) Lower or Center Frequency (MHz)	117) Upper Frequency (MHz)	118) Constructed Yes / No
WQRH245	CF - Common Carrier Fixed Point to Point Microwave						Y
WQRH246	CF - Common Carrier Fixed Point to Point Microwave						Y
WQRH266	CF - Common Carrier Fixed Point to Point Microwave						Y
WQRH276	CF - Common Carrier Fixed Point to Point Microwave						Y
WQRH278	CF - Common Carrier Fixed Point to Point Microwave						Y
WQRH364	CF - Common Carrier Fixed Point to Point Microwave						Y
WQRH388	CF - Common Carrier Fixed Point to Point Microwave						Y
WQRH400	CF - Common Carrier Fixed Point to Point Microwave						Y
WQRH401	CF - Common Carrier Fixed Point to Point Microwave						Y
WQRH481	AW - AWS (1710-1755 MHz and 2110-2155 MHz)						N
WQRH620	CF - Common Carrier Fixed Point to Point Microwave						Y
WQRH642	CF - Common Carrier Fixed Point to Point Microwave						Y
WQRH643	CF - Common Carrier Fixed Point to Point Microwave						Y
WQRH646	CF - Common Carrier Fixed Point to Point Microwave						Y
WQRH662	CF - Common Carrier Fixed Point to Point Microwave						Y
WQRH670	CF - Common Carrier Fixed Point to Point Microwave						Y
WQRH671	CF - Common Carrier Fixed Point to Point Microwave						Y
WQRH743	CF - Common Carrier Fixed Point to Point Microwave						Y
WQRH818	CF - Common Carrier Fixed Point to Point Microwave						Y

111) Call Sign	112) Radio Service Code	113) Location Number	114) Path Number (Microwave only)	115) Frequency Number	116) Lower or Center Frequency (MHz)	117) Upper Frequency (MHz)	118) Constructed Yes / No
WQRH847	CF - Common Carrier Fixed Point to Point Microwave						Y
WQRH870	CF - Common Carrier Fixed Point to Point Microwave						Y
WQRH871	CF - Common Carrier Fixed Point to Point Microwave						Y
WQRH875	CF - Common Carrier Fixed Point to Point Microwave						Y
WQRH901	CF - Common Carrier Fixed Point to Point Microwave						Y
WQRH902	CF - Common Carrier Fixed Point to Point Microwave						Y
WQRH986	CF - Common Carrier Fixed Point to Point Microwave						Y
WQRH987	CF - Common Carrier Fixed Point to Point Microwave						Y
WQRI282	CF - Common Carrier Fixed Point to Point Microwave						Y
WQRI299	CF - Common Carrier Fixed Point to Point Microwave						Y
WQRI329	CF - Common Carrier Fixed Point to Point Microwave						Y
WQRI331	CF - Common Carrier Fixed Point to Point Microwave						Y
WQRI336	CF - Common Carrier Fixed Point to Point Microwave						Y
WQRI337	CF - Common Carrier Fixed Point to Point Microwave						Y
WQRI392	CF - Common Carrier Fixed Point to Point Microwave						Y
WQRI394	CF - Common Carrier Fixed Point to Point Microwave						Y
WQRI512	CF - Common Carrier Fixed Point to Point Microwave						Y
WQRI575	CF - Common Carrier Fixed Point to Point Microwave						Y
WQRI580	CF - Common Carrier Fixed Point to Point Microwave						Y

111) Call Sign	112) Radio Service Code	113) Location Number	114) Path Number (Microwave only)	115) Frequency Number	116) Lower or Center Frequency (MHz)	117) Upper Frequency (MHz)	118) Constructed Yes / No
WQRI609	CF - Common Carrier Fixed Point to Point Microwave						Y
WQRI692	CF - Common Carrier Fixed Point to Point Microwave						Y
WQRI701	CF - Common Carrier Fixed Point to Point Microwave						Y
WQRI715	CF - Common Carrier Fixed Point to Point Microwave						Y
WQRI716	CF - Common Carrier Fixed Point to Point Microwave						Y
WQRI741	CF - Common Carrier Fixed Point to Point Microwave						Y
WQRI742	CF - Common Carrier Fixed Point to Point Microwave						Y
WQRI744	CF - Common Carrier Fixed Point to Point Microwave						Y
WQRI775	CF - Common Carrier Fixed Point to Point Microwave						Y
WQRI776	CF - Common Carrier Fixed Point to Point Microwave						Y
WQRI777	CF - Common Carrier Fixed Point to Point Microwave						Y
WQRI785	CF - Common Carrier Fixed Point to Point Microwave						Y
WQRI786	CF - Common Carrier Fixed Point to Point Microwave						Y
WQRI790	CF - Common Carrier Fixed Point to Point Microwave						Y
WQRI791	CF - Common Carrier Fixed Point to Point Microwave						Y
WQRI891	CF - Common Carrier Fixed Point to Point Microwave						Y
WQRI911	CF - Common Carrier Fixed Point to Point Microwave						Y
WQRI958	CF - Common Carrier Fixed Point to Point Microwave						Y
WQRI959	CF - Common Carrier Fixed Point to Point Microwave						Y

111) Call Sign	112) Radio Service Code	113) Location Number	114) Path Number (Microwave only)	115) Frequency Number	116) Lower or Center Frequency (MHz)	117) Upper Frequency (MHz)	118) Constructed Yes / No
WQRI970	CF - Common Carrier Fixed Point to Point Microwave						Y
WQRI971	CF - Common Carrier Fixed Point to Point Microwave						Y
WQRI981	CF - Common Carrier Fixed Point to Point Microwave						Y
WQRI982	CF - Common Carrier Fixed Point to Point Microwave						Y
WQRI985	CF - Common Carrier Fixed Point to Point Microwave						Y
WQRI986	CF - Common Carrier Fixed Point to Point Microwave						Y
WQRI993	CF - Common Carrier Fixed Point to Point Microwave						Y
WQRI995	CF - Common Carrier Fixed Point to Point Microwave						Y
WQRI996	CF - Common Carrier Fixed Point to Point Microwave						Y
WQRJ246	CF - Common Carrier Fixed Point to Point Microwave						Y
WQRJ247	CF - Common Carrier Fixed Point to Point Microwave						Y
WQRJ248	CF - Common Carrier Fixed Point to Point Microwave						Y
WQRJ276	CF - Common Carrier Fixed Point to Point Microwave						Y
WQRJ280	CF - Common Carrier Fixed Point to Point Microwave						Y
WQRJ295	CF - Common Carrier Fixed Point to Point Microwave						Y
WQRJ297	CF - Common Carrier Fixed Point to Point Microwave						Y
WQRJ298	CF - Common Carrier Fixed Point to Point Microwave						Y
WQRJ366	CF - Common Carrier Fixed Point to Point Microwave						Y
WQRJ421	CF - Common Carrier Fixed Point to Point Microwave						Y

111) Call Sign	112) Radio Service Code	113) Location Number	114) Path Number (Microwave only)	115) Frequency Number	116) Lower or Center Frequency (MHz)	117) Upper Frequency (MHz)	118) Constructed Yes / No
WQRJ422	CF - Common Carrier Fixed Point to Point Microwave						Y
WQRJ423	CF - Common Carrier Fixed Point to Point Microwave						Y
WQRJ462	CF - Common Carrier Fixed Point to Point Microwave						Y
WQRJ463	CF - Common Carrier Fixed Point to Point Microwave						Y
WQRJ472	CF - Common Carrier Fixed Point to Point Microwave						Y
WQRJ473	CF - Common Carrier Fixed Point to Point Microwave						Y
WQRJ474	CF - Common Carrier Fixed Point to Point Microwave						Y
WQRJ475	CF - Common Carrier Fixed Point to Point Microwave						Y
WQRJ476	CF - Common Carrier Fixed Point to Point Microwave						Y
WQRJ586	CF - Common Carrier Fixed Point to Point Microwave						Y
WQRJ615	CF - Common Carrier Fixed Point to Point Microwave						Y
WQRJ617	CF - Common Carrier Fixed Point to Point Microwave						Y
WQRJ622	CF - Common Carrier Fixed Point to Point Microwave						Y
WQRJ630	CF - Common Carrier Fixed Point to Point Microwave						Y
WQRJ640	CF - Common Carrier Fixed Point to Point Microwave						Y
WQRJ655	CF - Common Carrier Fixed Point to Point Microwave						Y
WQRJ665	CF - Common Carrier Fixed Point to Point Microwave						Y
WQRJ713	CF - Common Carrier Fixed Point to Point Microwave						Y
WQRJ714	CF - Common Carrier Fixed Point to Point Microwave						Y

111) Call Sign	112) Radio Service Code	113) Location Number	114) Path Number (Microwave only)	115) Frequency Number	116) Lower or Center Frequency (MHz)	117) Upper Frequency (MHz)	118) Constructed Yes / No
WQRJ760	CF - Common Carrier Fixed Point to Point Microwave						Y
WQRJ761	CF - Common Carrier Fixed Point to Point Microwave						Y
WQRJ839	CF - Common Carrier Fixed Point to Point Microwave						Y
WQRJ840	CF - Common Carrier Fixed Point to Point Microwave						Y
WQRJ841	CF - Common Carrier Fixed Point to Point Microwave						Y
WQRJ845	CF - Common Carrier Fixed Point to Point Microwave						Y
WQRJ847	CF - Common Carrier Fixed Point to Point Microwave						Y
WQRJ873	CF - Common Carrier Fixed Point to Point Microwave						Y
WQRJ874	CF - Common Carrier Fixed Point to Point Microwave						Y
WQRJ875	CF - Common Carrier Fixed Point to Point Microwave						Y
WQRJ877	CF - Common Carrier Fixed Point to Point Microwave						Y
WQRJ928	CF - Common Carrier Fixed Point to Point Microwave						Y
WQRJ929	CF - Common Carrier Fixed Point to Point Microwave						Y
WQRJ934	CF - Common Carrier Fixed Point to Point Microwave						Y
WQRJ935	CF - Common Carrier Fixed Point to Point Microwave						Y
WQRJ936	CF - Common Carrier Fixed Point to Point Microwave						Y
WQRJ938	CF - Common Carrier Fixed Point to Point Microwave						Y
WQRJ941	CF - Common Carrier Fixed Point to Point Microwave						Y
WQRJ947	CF - Common Carrier Fixed Point to Point Microwave						Y

111) Call Sign	112) Radio Service Code	113) Location Number	114) Path Number (Microwave only)	115) Frequency Number	116) Lower or Center Frequency (MHz)	117) Upper Frequency (MHz)	118) Constructed Yes / No
WQRJ948	CF - Common Carrier Fixed Point to Point Microwave						Y
WQRJ949	CF - Common Carrier Fixed Point to Point Microwave						Y
WQRJ952	CF - Common Carrier Fixed Point to Point Microwave						Y
WQRJ996	CF - Common Carrier Fixed Point to Point Microwave						Y
WQRJ997	CF - Common Carrier Fixed Point to Point Microwave						Y
WQRJ998	CF - Common Carrier Fixed Point to Point Microwave						Y
WQRK201	CF - Common Carrier Fixed Point to Point Microwave						Y
WQRK209	CF - Common Carrier Fixed Point to Point Microwave						Y
WQRK231	CF - Common Carrier Fixed Point to Point Microwave						Y
WQRK232	CF - Common Carrier Fixed Point to Point Microwave						Y
WQRK259	CF - Common Carrier Fixed Point to Point Microwave						Y
WQRK260	CF - Common Carrier Fixed Point to Point Microwave						Y
WQRK335	CF - Common Carrier Fixed Point to Point Microwave						Y
WQRK431	CF - Common Carrier Fixed Point to Point Microwave						Y
WQRK568	CF - Common Carrier Fixed Point to Point Microwave						Y
WQRK569	CF - Common Carrier Fixed Point to Point Microwave						Y
WQRK604	CF - Common Carrier Fixed Point to Point Microwave						Y
WQRK605	CF - Common Carrier Fixed Point to Point Microwave						Y
WQRK606	CF - Common Carrier Fixed Point to Point Microwave						Y

111) Call Sign	112) Radio Service Code	113) Location Number	114) Path Number (Microwave only)	115) Frequency Number	116) Lower or Center Frequency (MHz)	117) Upper Frequency (MHz)	118) Constructed Yes / No
WQRK607	CF - Common Carrier Fixed Point to Point Microwave						Y
WQRK608	CF - Common Carrier Fixed Point to Point Microwave						Y
WQRK610	CF - Common Carrier Fixed Point to Point Microwave						Y
WQRK612	CF - Common Carrier Fixed Point to Point Microwave						Y
WQRK613	CF - Common Carrier Fixed Point to Point Microwave						Y
WQRK614	CF - Common Carrier Fixed Point to Point Microwave						Y
WQRK615	CF - Common Carrier Fixed Point to Point Microwave						Y
WQRK659	CF - Common Carrier Fixed Point to Point Microwave						Y
WQRK818	CF - Common Carrier Fixed Point to Point Microwave						Y
WQRK847	CF - Common Carrier Fixed Point to Point Microwave						Y
WQRK849	CF - Common Carrier Fixed Point to Point Microwave						Y
WQRK978	CF - Common Carrier Fixed Point to Point Microwave						Y
WQRK985	CF - Common Carrier Fixed Point to Point Microwave						Y
WQRK986	CF - Common Carrier Fixed Point to Point Microwave						Y
WQRK987	CF - Common Carrier Fixed Point to Point Microwave						Y
WQRL371	CF - Common Carrier Fixed Point to Point Microwave						Y
WQRL400	CF - Common Carrier Fixed Point to Point Microwave						Y
WQRL401	CF - Common Carrier Fixed Point to Point Microwave						Y
WQRL438	CF - Common Carrier Fixed Point to Point Microwave						Y

111) Call Sign	112) Radio Service Code	113) Location Number	114) Path Number (Microwave only)	115) Frequency Number	116) Lower or Center Frequency (MHz)	117) Upper Frequency (MHz)	118) Constructed Yes / No
WQRL439	CF - Common Carrier Fixed Point to Point Microwave						Y
WQRL440	CF - Common Carrier Fixed Point to Point Microwave						Y
WQRL451	CF - Common Carrier Fixed Point to Point Microwave						Y
WQRL452	CF - Common Carrier Fixed Point to Point Microwave						Y
WQRL619	CF - Common Carrier Fixed Point to Point Microwave						Y
WQRL627	CF - Common Carrier Fixed Point to Point Microwave						Y
WQRL628	CF - Common Carrier Fixed Point to Point Microwave						Y
WQRL629	CF - Common Carrier Fixed Point to Point Microwave						Y
WQRL630	CF - Common Carrier Fixed Point to Point Microwave						Y
WQRL634	CF - Common Carrier Fixed Point to Point Microwave						Y
WQRL635	CF - Common Carrier Fixed Point to Point Microwave						Y
WQRL639	CF - Common Carrier Fixed Point to Point Microwave						Y
WQRL641	CF - Common Carrier Fixed Point to Point Microwave						Y
WQRL652	CF - Common Carrier Fixed Point to Point Microwave						Y
WQRL653	CF - Common Carrier Fixed Point to Point Microwave						Y
WQRL656	CF - Common Carrier Fixed Point to Point Microwave						Y
WQRL683	CF - Common Carrier Fixed Point to Point Microwave						Y
WQRL779	CF - Common Carrier Fixed Point to Point Microwave						Y
WQRL782	CF - Common Carrier Fixed Point to Point Microwave						Y

111) Call Sign	112) Radio Service Code	113) Location Number	114) Path Number (Microwave only)	115) Frequency Number	116) Lower or Center Frequency (MHz)	117) Upper Frequency (MHz)	118) Constructed Yes / No
WQRL783	CF - Common Carrier Fixed Point to Point Microwave						Y
WQRL784	CF - Common Carrier Fixed Point to Point Microwave						Y
WQRL829	CF - Common Carrier Fixed Point to Point Microwave						Y
WQRL830	CF - Common Carrier Fixed Point to Point Microwave						Y
WQRL831	CF - Common Carrier Fixed Point to Point Microwave						Y
WQRL836	CF - Common Carrier Fixed Point to Point Microwave						Y
WQRL837	CF - Common Carrier Fixed Point to Point Microwave						Y
WQRL852	CF - Common Carrier Fixed Point to Point Microwave						Y
WQRL853	CF - Common Carrier Fixed Point to Point Microwave						Y
WQRM211	CF - Common Carrier Fixed Point to Point Microwave						Y
WQRM212	CF - Common Carrier Fixed Point to Point Microwave						Y
WQRM247	CF - Common Carrier Fixed Point to Point Microwave						Y
WQRM248	CF - Common Carrier Fixed Point to Point Microwave						Y
WQRM260	CF - Common Carrier Fixed Point to Point Microwave						Y
WQRM261	CF - Common Carrier Fixed Point to Point Microwave						Y
WQRM263	CF - Common Carrier Fixed Point to Point Microwave						Y
WQRM264	CF - Common Carrier Fixed Point to Point Microwave						Y
WQRM265	CF - Common Carrier Fixed Point to Point Microwave						Y
WQRM273	CF - Common Carrier Fixed Point to Point Microwave						Y

111) Call Sign	112) Radio Service Code	113) Location Number	114) Path Number (Microwave only)	115) Frequency Number	116) Lower or Center Frequency (MHz)	117) Upper Frequency (MHz)	118) Constructed Yes / No
WQRM300	CF - Common Carrier Fixed Point to Point Microwave						Y
WQRM412	CF - Common Carrier Fixed Point to Point Microwave						Y
WQRM413	CF - Common Carrier Fixed Point to Point Microwave						Y
WQRM414	CF - Common Carrier Fixed Point to Point Microwave						Y
WQRM424	CF - Common Carrier Fixed Point to Point Microwave						Y
WQRM426	CF - Common Carrier Fixed Point to Point Microwave						Y
WQRM432	CF - Common Carrier Fixed Point to Point Microwave						Y
WQRM601	CF - Common Carrier Fixed Point to Point Microwave						Y
WQRM602	CF - Common Carrier Fixed Point to Point Microwave						Y
WQRM640	CF - Common Carrier Fixed Point to Point Microwave						Y
WQRM778	CF - Common Carrier Fixed Point to Point Microwave						Y
WQRM877	CF - Common Carrier Fixed Point to Point Microwave						Y
WQRM889	CF - Common Carrier Fixed Point to Point Microwave						Y
WQRM891	CF - Common Carrier Fixed Point to Point Microwave						Y
WQRM905	CF - Common Carrier Fixed Point to Point Microwave						Y
WQRM906	CF - Common Carrier Fixed Point to Point Microwave						Y
WQRM953	CF - Common Carrier Fixed Point to Point Microwave						Y
WQRM960	CF - Common Carrier Fixed Point to Point Microwave						Y
WQRM970	CF - Common Carrier Fixed Point to Point Microwave						Y

111) Call Sign	112) Radio Service Code	113) Location Number	114) Path Number (Microwave only)	115) Frequency Number	116) Lower or Center Frequency (MHz)	117) Upper Frequency (MHz)	118) Constructed Yes / No
WQRN200	CF - Common Carrier Fixed Point to Point Microwave						Y
WQRN215	CF - Common Carrier Fixed Point to Point Microwave						Y
WQRN260	WZ - 700 MHz Lower Band (Blocks C, D)						Y
WQRN539	CF - Common Carrier Fixed Point to Point Microwave						Y
WQRN540	CF - Common Carrier Fixed Point to Point Microwave						Y
WQRN597	CF - Common Carrier Fixed Point to Point Microwave						Y
WQRN605	CF - Common Carrier Fixed Point to Point Microwave						Y
WQRN615	CF - Common Carrier Fixed Point to Point Microwave						Y
WQRN616	CF - Common Carrier Fixed Point to Point Microwave						Y
WQRN617	CF - Common Carrier Fixed Point to Point Microwave						Y
WQRN633	CF - Common Carrier Fixed Point to Point Microwave						Y
WQRN634	CF - Common Carrier Fixed Point to Point Microwave						Y
WQRN635	CF - Common Carrier Fixed Point to Point Microwave						Y
WQRN659	CF - Common Carrier Fixed Point to Point Microwave						Y
WQRN786	CF - Common Carrier Fixed Point to Point Microwave						Y
WQRN787	CF - Common Carrier Fixed Point to Point Microwave						Y
WQRN793	CF - Common Carrier Fixed Point to Point Microwave						Y
WQRN795	CF - Common Carrier Fixed Point to Point Microwave						Y
WQRN812	CF - Common Carrier Fixed Point to Point Microwave						Y

111) Call Sign	112) Radio Service Code	113) Location Number	114) Path Number (Microwave only)	115) Frequency Number	116) Lower or Center Frequency (MHz)	117) Upper Frequency (MHz)	118) Constructed Yes / No
WQRN813	CF - Common Carrier Fixed Point to Point Microwave						Y
WQRN817	CF - Common Carrier Fixed Point to Point Microwave						Y
WQRN818	CF - Common Carrier Fixed Point to Point Microwave						Y
WQRN829	CF - Common Carrier Fixed Point to Point Microwave						Y
WQRN919	CF - Common Carrier Fixed Point to Point Microwave						Y
WQRN920	CF - Common Carrier Fixed Point to Point Microwave						Y
WQRN925	CF - Common Carrier Fixed Point to Point Microwave						Y
WQRN964	CF - Common Carrier Fixed Point to Point Microwave						Y
WQRN965	CF - Common Carrier Fixed Point to Point Microwave						Y
WQRN970	CF - Common Carrier Fixed Point to Point Microwave						Y
WQRN972	CF - Common Carrier Fixed Point to Point Microwave						Y
WQRN974	CF - Common Carrier Fixed Point to Point Microwave						Y
WQRP391	CF - Common Carrier Fixed Point to Point Microwave						Y
WQRP394	CF - Common Carrier Fixed Point to Point Microwave						Y
WQRP397	CF - Common Carrier Fixed Point to Point Microwave						Y
WQRP400	CF - Common Carrier Fixed Point to Point Microwave						Y
WQRP407	CF - Common Carrier Fixed Point to Point Microwave						Y
WQRP409	CF - Common Carrier Fixed Point to Point Microwave						Y
WQRP410	CF - Common Carrier Fixed Point to Point Microwave						Y

111) Call Sign	112) Radio Service Code	113) Location Number	114) Path Number (Microwave only)	115) Frequency Number	116) Lower or Center Frequency (MHz)	117) Upper Frequency (MHz)	118) Constructed Yes / No
WQRP423	CF - Common Carrier Fixed Point to Point Microwave						Y
WQRP424	CF - Common Carrier Fixed Point to Point Microwave						Y
WQRP425	CF - Common Carrier Fixed Point to Point Microwave						Y
WQRP426	CF - Common Carrier Fixed Point to Point Microwave						Y
WQRP431	CF - Common Carrier Fixed Point to Point Microwave						Y
WQRP434	CF - Common Carrier Fixed Point to Point Microwave						Y
WQRP436	CF - Common Carrier Fixed Point to Point Microwave						Y
WQRP444	CF - Common Carrier Fixed Point to Point Microwave						Y
WQRP452	CF - Common Carrier Fixed Point to Point Microwave						Y
WQRP475	CF - Common Carrier Fixed Point to Point Microwave						Y
WQRP632	CF - Common Carrier Fixed Point to Point Microwave						Y
WQRP633	CF - Common Carrier Fixed Point to Point Microwave						Y
WQRP636	CF - Common Carrier Fixed Point to Point Microwave						Y
WQRP637	CF - Common Carrier Fixed Point to Point Microwave						Y
WQRP639	CF - Common Carrier Fixed Point to Point Microwave						Y
WQRP662	CF - Common Carrier Fixed Point to Point Microwave						Y
WQRP733	CF - Common Carrier Fixed Point to Point Microwave						Y
WQRP734	CF - Common Carrier Fixed Point to Point Microwave						Y
WQRP819	CF - Common Carrier Fixed Point to Point Microwave						Y

111) Call Sign	112) Radio Service Code	113) Location Number	114) Path Number (Microwave only)	115) Frequency Number	116) Lower or Center Frequency (MHz)	117) Upper Frequency (MHz)	118) Constructed Yes / No
WQRP820	CF - Common Carrier Fixed Point to Point Microwave						Y
WQRP821	CF - Common Carrier Fixed Point to Point Microwave						Y
WQRP822	CF - Common Carrier Fixed Point to Point Microwave						Y
WQRP825	CF - Common Carrier Fixed Point to Point Microwave						Y
WQRP827	CF - Common Carrier Fixed Point to Point Microwave						Y
WQRP828	CF - Common Carrier Fixed Point to Point Microwave						Y
WQRP890	CF - Common Carrier Fixed Point to Point Microwave						Y
WQRP990	CF - Common Carrier Fixed Point to Point Microwave						Y
WQRP992	CF - Common Carrier Fixed Point to Point Microwave						Y
WQRP996	CF - Common Carrier Fixed Point to Point Microwave						Y
WQRQ202	CF - Common Carrier Fixed Point to Point Microwave						Y
WQRQ203	CF - Common Carrier Fixed Point to Point Microwave						Y
WQRQ205	CF - Common Carrier Fixed Point to Point Microwave						Y
WQRQ206	CF - Common Carrier Fixed Point to Point Microwave						Y
WQRQ216	CF - Common Carrier Fixed Point to Point Microwave						Y
WQRQ218	CF - Common Carrier Fixed Point to Point Microwave						Y
WQRQ234	CF - Common Carrier Fixed Point to Point Microwave						Y
WQRQ235	CF - Common Carrier Fixed Point to Point Microwave						Y
WQRQ304	CF - Common Carrier Fixed Point to Point Microwave						Y

111) Call Sign	112) Radio Service Code	113) Location Number	114) Path Number (Microwave only)	115) Frequency Number	116) Lower or Center Frequency (MHz)	117) Upper Frequency (MHz)	118) Constructed Yes / No
WQRQ307	CF - Common Carrier Fixed Point to Point Microwave						Y
WQRQ309	CF - Common Carrier Fixed Point to Point Microwave						Y
WQRQ315	CF - Common Carrier Fixed Point to Point Microwave						Y
WQRQ316	CF - Common Carrier Fixed Point to Point Microwave						Y
WQRQ317	CF - Common Carrier Fixed Point to Point Microwave						Y
WQRQ318	CF - Common Carrier Fixed Point to Point Microwave						Y
WQRQ414	CF - Common Carrier Fixed Point to Point Microwave						Y
WQRQ415	CF - Common Carrier Fixed Point to Point Microwave						Y
WQRQ416	CF - Common Carrier Fixed Point to Point Microwave						Y
WQRQ417	CF - Common Carrier Fixed Point to Point Microwave						Y
WQRQ426	CF - Common Carrier Fixed Point to Point Microwave						Y
WQRQ427	CF - Common Carrier Fixed Point to Point Microwave						Y
WQRQ432	CF - Common Carrier Fixed Point to Point Microwave						Y
WQRQ433	CF - Common Carrier Fixed Point to Point Microwave						Y
WQRQ436	CF - Common Carrier Fixed Point to Point Microwave						Y
WQRQ554	CF - Common Carrier Fixed Point to Point Microwave						Y
WQRQ588	CF - Common Carrier Fixed Point to Point Microwave						Y
WQRQ612	CF - Common Carrier Fixed Point to Point Microwave						Y
WQRQ616	CF - Common Carrier Fixed Point to Point Microwave						Y

111) Call Sign	112) Radio Service Code	113) Location Number	114) Path Number (Microwave only)	115) Frequency Number	116) Lower or Center Frequency (MHz)	117) Upper Frequency (MHz)	118) Constructed Yes / No
WQRQ676	CF - Common Carrier Fixed Point to Point Microwave						Y
WQRQ679	CF - Common Carrier Fixed Point to Point Microwave						Y
WQRQ680	CF - Common Carrier Fixed Point to Point Microwave						Y
WQRQ749	CF - Common Carrier Fixed Point to Point Microwave						Y
WQRQ757	CF - Common Carrier Fixed Point to Point Microwave						Y
WQRQ782	CF - Common Carrier Fixed Point to Point Microwave						Y
WQRQ788	CF - Common Carrier Fixed Point to Point Microwave						Y
WQRQ789	CF - Common Carrier Fixed Point to Point Microwave						Y
WQRQ790	CF - Common Carrier Fixed Point to Point Microwave						Y
WQRQ792	CF - Common Carrier Fixed Point to Point Microwave						Y
WQRQ795	CF - Common Carrier Fixed Point to Point Microwave						Y
WQRQ797	CF - Common Carrier Fixed Point to Point Microwave						Y
WQRQ799	CF - Common Carrier Fixed Point to Point Microwave						Y
WQRQ802	CF - Common Carrier Fixed Point to Point Microwave						Y
WQRQ803	CF - Common Carrier Fixed Point to Point Microwave						Y
WQRQ822	CF - Common Carrier Fixed Point to Point Microwave						Y
WQRQ823	CF - Common Carrier Fixed Point to Point Microwave						Y
WQRQ827	CF - Common Carrier Fixed Point to Point Microwave						Y
WQRQ828	CF - Common Carrier Fixed Point to Point Microwave						Y

111) Call Sign	112) Radio Service Code	113) Location Number	114) Path Number (Microwave only)	115) Frequency Number	116) Lower or Center Frequency (MHz)	117) Upper Frequency (MHz)	118) Constructed Yes / No
WQRQ833	CF - Common Carrier Fixed Point to Point Microwave						Y
WQRQ836	CF - Common Carrier Fixed Point to Point Microwave						Y
WQRQ838	CF - Common Carrier Fixed Point to Point Microwave						Y
WQRQ839	CF - Common Carrier Fixed Point to Point Microwave						Y
WQRQ843	CF - Common Carrier Fixed Point to Point Microwave						Y
WQRQ857	CF - Common Carrier Fixed Point to Point Microwave						Y
WQRQ858	CF - Common Carrier Fixed Point to Point Microwave						Y
WQRQ869	CF - Common Carrier Fixed Point to Point Microwave						Y
WQRQ879	CF - Common Carrier Fixed Point to Point Microwave						Y
WQRQ881	CF - Common Carrier Fixed Point to Point Microwave						Y
WQRQ882	CF - Common Carrier Fixed Point to Point Microwave						Y
WQRQ884	CF - Common Carrier Fixed Point to Point Microwave						Y
WQRQ885	CF - Common Carrier Fixed Point to Point Microwave						Y
WQRQ919	CF - Common Carrier Fixed Point to Point Microwave						Y
WQRQ920	CF - Common Carrier Fixed Point to Point Microwave						Y
WQRQ921	CF - Common Carrier Fixed Point to Point Microwave						Y
WQRQ922	CF - Common Carrier Fixed Point to Point Microwave						Y
WQRR233	CF - Common Carrier Fixed Point to Point Microwave						Y
WQRR234	CF - Common Carrier Fixed Point to Point Microwave						Y

111) Call Sign	112) Radio Service Code	113) Location Number	114) Path Number (Microwave only)	115) Frequency Number	116) Lower or Center Frequency (MHz)	117) Upper Frequency (MHz)	118) Constructed Yes / No
WQRR467	CF - Common Carrier Fixed Point to Point Microwave						Y
WQRR510	CF - Common Carrier Fixed Point to Point Microwave						Y
WQRR512	CF - Common Carrier Fixed Point to Point Microwave						Y
WQRR515	CF - Common Carrier Fixed Point to Point Microwave						Y
WQRR522	CF - Common Carrier Fixed Point to Point Microwave						Y
WQRR570	CF - Common Carrier Fixed Point to Point Microwave						Y
WQRR572	CF - Common Carrier Fixed Point to Point Microwave						Y
WQRR595	CF - Common Carrier Fixed Point to Point Microwave						Y
WQRR600	CF - Common Carrier Fixed Point to Point Microwave						Y
WQRR609	CF - Common Carrier Fixed Point to Point Microwave						Y
WQRR611	CF - Common Carrier Fixed Point to Point Microwave						Y
WQRR620	CF - Common Carrier Fixed Point to Point Microwave						Y
WQRR630	CF - Common Carrier Fixed Point to Point Microwave						Y
WQRR631	CF - Common Carrier Fixed Point to Point Microwave						Y
WQRR817	CF - Common Carrier Fixed Point to Point Microwave						Y
WQRR872	CF - Common Carrier Fixed Point to Point Microwave						Y
WQRR929	CF - Common Carrier Fixed Point to Point Microwave						Y
WQRR930	CF - Common Carrier Fixed Point to Point Microwave						Y
WQRR933	CF - Common Carrier Fixed Point to Point Microwave						Y

111) Call Sign	112) Radio Service Code	113) Location Number	114) Path Number (Microwave only)	115) Frequency Number	116) Lower or Center Frequency (MHz)	117) Upper Frequency (MHz)	118) Constructed Yes / No
WQRR960	CF - Common Carrier Fixed Point to Point Microwave						Y
WQRR965	CF - Common Carrier Fixed Point to Point Microwave						Y
WQRS204	CF - Common Carrier Fixed Point to Point Microwave						Y
WQRS388	CF - Common Carrier Fixed Point to Point Microwave						Y
WQRS505	CF - Common Carrier Fixed Point to Point Microwave						Y
WQRS526	CF - Common Carrier Fixed Point to Point Microwave						Y
WQRS527	CF - Common Carrier Fixed Point to Point Microwave						Y
WQRS528	CF - Common Carrier Fixed Point to Point Microwave						Y
WQRS533	CF - Common Carrier Fixed Point to Point Microwave						Y
WQRS534	CF - Common Carrier Fixed Point to Point Microwave						Y
WQRS541	CF - Common Carrier Fixed Point to Point Microwave						Y
WQRS606	CF - Common Carrier Fixed Point to Point Microwave						Y
WQRS608	CF - Common Carrier Fixed Point to Point Microwave						Y
WQRS622	CF - Common Carrier Fixed Point to Point Microwave						Y
WQRS624	CF - Common Carrier Fixed Point to Point Microwave						Y
WQRS625	CF - Common Carrier Fixed Point to Point Microwave						Y
WQRS626	CF - Common Carrier Fixed Point to Point Microwave						Y
WQRS628	CF - Common Carrier Fixed Point to Point Microwave						Y
WQRS629	CF - Common Carrier Fixed Point to Point Microwave						Y

111) Call Sign	112) Radio Service Code	113) Location Number	114) Path Number (Microwave only)	115) Frequency Number	116) Lower or Center Frequency (MHz)	117) Upper Frequency (MHz)	118) Constructed Yes / No
WQRS630	CF - Common Carrier Fixed Point to Point Microwave						Y
WQRS631	CF - Common Carrier Fixed Point to Point Microwave						Y
WQRS741	CF - Common Carrier Fixed Point to Point Microwave						Y
WQRS742	CF - Common Carrier Fixed Point to Point Microwave						Y
WQRS745	CF - Common Carrier Fixed Point to Point Microwave						Y
WQRS747	CF - Common Carrier Fixed Point to Point Microwave						Y
WQRS871	CF - Common Carrier Fixed Point to Point Microwave						Y
WQRS933	CF - Common Carrier Fixed Point to Point Microwave						Y
WQRS934	CF - Common Carrier Fixed Point to Point Microwave						Y
WQRS935	CF - Common Carrier Fixed Point to Point Microwave						Y
WQRS984	CF - Common Carrier Fixed Point to Point Microwave						Y
WQRT220	CF - Common Carrier Fixed Point to Point Microwave						Y
WQRT227	CF - Common Carrier Fixed Point to Point Microwave						Y
WQRT232	CF - Common Carrier Fixed Point to Point Microwave						Y
WQRT234	CF - Common Carrier Fixed Point to Point Microwave						Y
WQRT235	CF - Common Carrier Fixed Point to Point Microwave						Y
WQRT241	CF - Common Carrier Fixed Point to Point Microwave						Y
WQRT252	CF - Common Carrier Fixed Point to Point Microwave						Y
WQRT253	CF - Common Carrier Fixed Point to Point Microwave						Y

111) Call Sign	112) Radio Service Code	113) Location Number	114) Path Number (Microwave only)	115) Frequency Number	116) Lower or Center Frequency (MHz)	117) Upper Frequency (MHz)	118) Constructed Yes / No
WQRT263	CF - Common Carrier Fixed Point to Point Microwave						Y
WQRT270	CF - Common Carrier Fixed Point to Point Microwave						Y
WQRT271	CF - Common Carrier Fixed Point to Point Microwave						Y
WQRT463	CF - Common Carrier Fixed Point to Point Microwave						Y
WQRT464	CF - Common Carrier Fixed Point to Point Microwave						Y
WQRT498	CF - Common Carrier Fixed Point to Point Microwave						Y
WQRT501	CF - Common Carrier Fixed Point to Point Microwave						Y
WQRT506	CF - Common Carrier Fixed Point to Point Microwave						Y
WQRT517	CF - Common Carrier Fixed Point to Point Microwave						Y
WQRT519	CF - Common Carrier Fixed Point to Point Microwave						Y
WQRT520	CF - Common Carrier Fixed Point to Point Microwave						Y
WQRT521	CF - Common Carrier Fixed Point to Point Microwave						Y
WQRT524	CF - Common Carrier Fixed Point to Point Microwave						Y
WQRT525	CF - Common Carrier Fixed Point to Point Microwave						Y
WQRT526	CF - Common Carrier Fixed Point to Point Microwave						Y
WQRT676	CF - Common Carrier Fixed Point to Point Microwave						Y
WQRT812	CF - Common Carrier Fixed Point to Point Microwave						Y
WQRT837	CF - Common Carrier Fixed Point to Point Microwave						Y
WQRT838	CF - Common Carrier Fixed Point to Point Microwave						Y

111) Call Sign	112) Radio Service Code	113) Location Number	114) Path Number (Microwave only)	115) Frequency Number	116) Lower or Center Frequency (MHz)	117) Upper Frequency (MHz)	118) Constructed Yes / No
WQRT853	CF - Common Carrier Fixed Point to Point Microwave						Y
WQRT854	CF - Common Carrier Fixed Point to Point Microwave						Y
WQRT855	CF - Common Carrier Fixed Point to Point Microwave						Y
WQRT941	CF - Common Carrier Fixed Point to Point Microwave						Y
WQRT943	CF - Common Carrier Fixed Point to Point Microwave						Y
WQRT955	CF - Common Carrier Fixed Point to Point Microwave						Y
WQRT956	CF - Common Carrier Fixed Point to Point Microwave						Y
WQRT958	CF - Common Carrier Fixed Point to Point Microwave						Y
WQRT959	CF - Common Carrier Fixed Point to Point Microwave						Y
WQRT961	CF - Common Carrier Fixed Point to Point Microwave						Y
WQRT965	CF - Common Carrier Fixed Point to Point Microwave						Y
WQRT967	CF - Common Carrier Fixed Point to Point Microwave						Y
WQRT968	CF - Common Carrier Fixed Point to Point Microwave						Y
WQRU230	CF - Common Carrier Fixed Point to Point Microwave						Y
WQRU440	CF - Common Carrier Fixed Point to Point Microwave						Y
WQRU447	CF - Common Carrier Fixed Point to Point Microwave						Y
WQRU448	CF - Common Carrier Fixed Point to Point Microwave						Y
WQRU462	CF - Common Carrier Fixed Point to Point Microwave						Y
WQRU463	CF - Common Carrier Fixed Point to Point Microwave						Y

111) Call Sign	112) Radio Service Code	113) Location Number	114) Path Number (Microwave only)	115) Frequency Number	116) Lower or Center Frequency (MHz)	117) Upper Frequency (MHz)	118) Constructed Yes / No
WQRU467	CF - Common Carrier Fixed Point to Point Microwave						Y
WQRU538	CF - Common Carrier Fixed Point to Point Microwave						Y
WQRU540	CF - Common Carrier Fixed Point to Point Microwave						Y
WQRU542	CF - Common Carrier Fixed Point to Point Microwave						Y
WQRU543	CF - Common Carrier Fixed Point to Point Microwave						Y
WQRU636	CF - Common Carrier Fixed Point to Point Microwave						Y
WQRU678	CF - Common Carrier Fixed Point to Point Microwave						Y
WQRU760	CF - Common Carrier Fixed Point to Point Microwave						Y
WQRU799	CF - Common Carrier Fixed Point to Point Microwave						Y
WQRU801	CF - Common Carrier Fixed Point to Point Microwave						Y
WQRU806	CF - Common Carrier Fixed Point to Point Microwave						Y
WQRU808	CF - Common Carrier Fixed Point to Point Microwave						Y
WQRU819	CF - Common Carrier Fixed Point to Point Microwave						Y
WQRU826	CF - Common Carrier Fixed Point to Point Microwave						Y
WQRU859	CF - Common Carrier Fixed Point to Point Microwave						Y
WQRU976	CF - Common Carrier Fixed Point to Point Microwave						Y
WQRU981	CF - Common Carrier Fixed Point to Point Microwave						Y
WQRU982	CF - Common Carrier Fixed Point to Point Microwave						Y
WQRV232	CF - Common Carrier Fixed Point to Point Microwave						Y

111) Call Sign	112) Radio Service Code	113) Location Number	114) Path Number (Microwave only)	115) Frequency Number	116) Lower or Center Frequency (MHz)	117) Upper Frequency (MHz)	118) Constructed Yes / No
WQRV269	CF - Common Carrier Fixed Point to Point Microwave						Y
WQRV273	CF - Common Carrier Fixed Point to Point Microwave						Y
WQRV293	CF - Common Carrier Fixed Point to Point Microwave						Y
WQRV299	CF - Common Carrier Fixed Point to Point Microwave						Y
WQRV308	CF - Common Carrier Fixed Point to Point Microwave						Y
WQRV309	CF - Common Carrier Fixed Point to Point Microwave						Y
WQRV658	CF - Common Carrier Fixed Point to Point Microwave						Y
WQRV660	CF - Common Carrier Fixed Point to Point Microwave						Y
WQRV695	CF - Common Carrier Fixed Point to Point Microwave						Y
WQRV696	CF - Common Carrier Fixed Point to Point Microwave						Y
WQRV699	CF - Common Carrier Fixed Point to Point Microwave						Y
WQRV700	CF - Common Carrier Fixed Point to Point Microwave						Y
WQRV701	CF - Common Carrier Fixed Point to Point Microwave						Y
WQRV729	CF - Common Carrier Fixed Point to Point Microwave						Y
WQRV736	CF - Common Carrier Fixed Point to Point Microwave						Y
WQRV738	CF - Common Carrier Fixed Point to Point Microwave						Y
WQRV740	CF - Common Carrier Fixed Point to Point Microwave						Y
WQRV746	CF - Common Carrier Fixed Point to Point Microwave						Y
WQRV749	CF - Common Carrier Fixed Point to Point Microwave						Y

111) Call Sign	112) Radio Service Code	113) Location Number	114) Path Number (Microwave only)	115) Frequency Number	116) Lower or Center Frequency (MHz)	117) Upper Frequency (MHz)	118) Constructed Yes / No
WQRV856	CF - Common Carrier Fixed Point to Point Microwave						Y
WQRV858	CF - Common Carrier Fixed Point to Point Microwave						Y
WQRV859	CF - Common Carrier Fixed Point to Point Microwave						Y
WQRV961	CF - Common Carrier Fixed Point to Point Microwave						Y
WQRW226	CF - Common Carrier Fixed Point to Point Microwave						Y
WQRW243	CF - Common Carrier Fixed Point to Point Microwave						Y
WQRW525	CF - Common Carrier Fixed Point to Point Microwave						Y
WQRW527	CF - Common Carrier Fixed Point to Point Microwave						Y
WQRW535	CF - Common Carrier Fixed Point to Point Microwave						Y
WQRW536	CF - Common Carrier Fixed Point to Point Microwave						Y
WQRW555	CF - Common Carrier Fixed Point to Point Microwave						Y
WQRW572	CF - Common Carrier Fixed Point to Point Microwave						Y
WQRW573	CF - Common Carrier Fixed Point to Point Microwave						Y
WQRW710	CF - Common Carrier Fixed Point to Point Microwave						Y
WQRW832	CF - Common Carrier Fixed Point to Point Microwave						Y
WQRW835	CF - Common Carrier Fixed Point to Point Microwave						Y
WQRW846	CF - Common Carrier Fixed Point to Point Microwave						Y
WQRW860	CF - Common Carrier Fixed Point to Point Microwave						Y
WQRW980	CF - Common Carrier Fixed Point to Point Microwave						Y

111) Call Sign	112) Radio Service Code	113) Location Number	114) Path Number (Microwave only)	115) Frequency Number	116) Lower or Center Frequency (MHz)	117) Upper Frequency (MHz)	118) Constructed Yes / No
WQRW983	CF - Common Carrier Fixed Point to Point Microwave						Y
WQRW991	CF - Common Carrier Fixed Point to Point Microwave						Y
WQRW992	CF - Common Carrier Fixed Point to Point Microwave						Y
WQRW993	CF - Common Carrier Fixed Point to Point Microwave						Y
WQRW997	CF - Common Carrier Fixed Point to Point Microwave						Y
WQRW998	CF - Common Carrier Fixed Point to Point Microwave						Y
WQRX205	CF - Common Carrier Fixed Point to Point Microwave						Y
WQRX206	CF - Common Carrier Fixed Point to Point Microwave						Y
WQRX207	CF - Common Carrier Fixed Point to Point Microwave						Y
WQRX212	CF - Common Carrier Fixed Point to Point Microwave						Y
WQRX213	CF - Common Carrier Fixed Point to Point Microwave						Y
WQRX225	CF - Common Carrier Fixed Point to Point Microwave						Y
WQRX229	CF - Common Carrier Fixed Point to Point Microwave						Y
WQRX366	CF - Common Carrier Fixed Point to Point Microwave						Y
WQRX367	CF - Common Carrier Fixed Point to Point Microwave						Y
WQRX392	CF - Common Carrier Fixed Point to Point Microwave						Y
WQRX475	CF - Common Carrier Fixed Point to Point Microwave						Y
WQRX477	CF - Common Carrier Fixed Point to Point Microwave						Y
WQRX480	CF - Common Carrier Fixed Point to Point Microwave						Y

111) Call Sign	112) Radio Service Code	113) Location Number	114) Path Number (Microwave only)	115) Frequency Number	116) Lower or Center Frequency (MHz)	117) Upper Frequency (MHz)	118) Constructed Yes / No
WQRX549	CF - Common Carrier Fixed Point to Point Microwave						Y
WQRX550	CF - Common Carrier Fixed Point to Point Microwave						Y
WQRX554	CF - Common Carrier Fixed Point to Point Microwave						Y
WQRX592	CF - Common Carrier Fixed Point to Point Microwave						Y
WQRX865	CF - Common Carrier Fixed Point to Point Microwave						Y
WQRX866	CF - Common Carrier Fixed Point to Point Microwave						Y
WQRX867	CF - Common Carrier Fixed Point to Point Microwave						Y
WQRX922	CF - Common Carrier Fixed Point to Point Microwave						Y
WQRX956	CF - Common Carrier Fixed Point to Point Microwave						Y
WQRX957	CF - Common Carrier Fixed Point to Point Microwave						Y
WQRX960	CF - Common Carrier Fixed Point to Point Microwave						Y
WQRY307	CF - Common Carrier Fixed Point to Point Microwave						Y
WQRY308	CF - Common Carrier Fixed Point to Point Microwave						Y
WQRY311	CF - Common Carrier Fixed Point to Point Microwave						Y
WQRY335	CF - Common Carrier Fixed Point to Point Microwave						Y
WQRY336	CF - Common Carrier Fixed Point to Point Microwave						Y
WQRY485	CF - Common Carrier Fixed Point to Point Microwave						Y
WQRY486	CF - Common Carrier Fixed Point to Point Microwave						Y
WQRY511	CF - Common Carrier Fixed Point to Point Microwave						Y

111) Call Sign	112) Radio Service Code	113) Location Number	114) Path Number (Microwave only)	115) Frequency Number	116) Lower or Center Frequency (MHz)	117) Upper Frequency (MHz)	118) Constructed Yes / No
WQRY561	CF - Common Carrier Fixed Point to Point Microwave						Y
WQRY562	CF - Common Carrier Fixed Point to Point Microwave						Y
WQRY578	CF - Common Carrier Fixed Point to Point Microwave						Y
WQRY580	CF - Common Carrier Fixed Point to Point Microwave						Y
WQRY701	CF - Common Carrier Fixed Point to Point Microwave						Y
WQRY704	CF - Common Carrier Fixed Point to Point Microwave						Y
WQRY720	CF - Common Carrier Fixed Point to Point Microwave						Y
WQRY724	CF - Common Carrier Fixed Point to Point Microwave						Y
WQRY731	CF - Common Carrier Fixed Point to Point Microwave						Y
WQRY733	CF - Common Carrier Fixed Point to Point Microwave						Y
WQRY754	CF - Common Carrier Fixed Point to Point Microwave						Y
WQRY756	CF - Common Carrier Fixed Point to Point Microwave						Y
WQRY757	CF - Common Carrier Fixed Point to Point Microwave						Y
WQRY758	CF - Common Carrier Fixed Point to Point Microwave						Y
WQRY786	CF - Common Carrier Fixed Point to Point Microwave						Y
WQRY790	CF - Common Carrier Fixed Point to Point Microwave						Y
WQRY791	CF - Common Carrier Fixed Point to Point Microwave						Y
WQRY796	CF - Common Carrier Fixed Point to Point Microwave						Y
WQRY797	CF - Common Carrier Fixed Point to Point Microwave						Y

111) Call Sign	112) Radio Service Code	113) Location Number	114) Path Number (Microwave only)	115) Frequency Number	116) Lower or Center Frequency (MHz)	117) Upper Frequency (MHz)	118) Constructed Yes / No
WQRY804	CF - Common Carrier Fixed Point to Point Microwave						Y
WQRY810	CF - Common Carrier Fixed Point to Point Microwave						Y
WQRY812	CF - Common Carrier Fixed Point to Point Microwave						Y
WQRY814	CF - Common Carrier Fixed Point to Point Microwave						Y
WQRY815	CF - Common Carrier Fixed Point to Point Microwave						Y
WQRZ262	CF - Common Carrier Fixed Point to Point Microwave						Y
WQRZ263	CF - Common Carrier Fixed Point to Point Microwave						Y
WQRZ264	CF - Common Carrier Fixed Point to Point Microwave						Y
WQRZ265	CF - Common Carrier Fixed Point to Point Microwave						Y
WQRZ365	CF - Common Carrier Fixed Point to Point Microwave						Y
WQRZ377	CF - Common Carrier Fixed Point to Point Microwave						Y
WQRZ378	CF - Common Carrier Fixed Point to Point Microwave						Y
WQRZ382	CF - Common Carrier Fixed Point to Point Microwave						Y
WQRZ385	CF - Common Carrier Fixed Point to Point Microwave						Y
WQRZ403	CF - Common Carrier Fixed Point to Point Microwave						Y
WQRZ406	CF - Common Carrier Fixed Point to Point Microwave						Y
WQRZ407	CF - Common Carrier Fixed Point to Point Microwave						Y
WQRZ415	CF - Common Carrier Fixed Point to Point Microwave						Y
WQRZ546	CF - Common Carrier Fixed Point to Point Microwave						Y

111) Call Sign	112) Radio Service Code	113) Location Number	114) Path Number (Microwave only)	115) Frequency Number	116) Lower or Center Frequency (MHz)	117) Upper Frequency (MHz)	118) Constructed Yes / No
WQRZ638	CF - Common Carrier Fixed Point to Point Microwave						Y
WQRZ639	CF - Common Carrier Fixed Point to Point Microwave						Y
WQRZ640	CF - Common Carrier Fixed Point to Point Microwave						Y
WQRZ641	CF - Common Carrier Fixed Point to Point Microwave						Y
WQRZ652	CF - Common Carrier Fixed Point to Point Microwave						Y
WQRZ713	CF - Common Carrier Fixed Point to Point Microwave						Y
WQRZ714	CF - Common Carrier Fixed Point to Point Microwave						Y
WQRZ715	CF - Common Carrier Fixed Point to Point Microwave						Y
WQRZ718	CF - Common Carrier Fixed Point to Point Microwave						Y
WQRZ801	CF - Common Carrier Fixed Point to Point Microwave						Y
WQRZ806	CF - Common Carrier Fixed Point to Point Microwave						Y
WQRZ808	CF - Common Carrier Fixed Point to Point Microwave						Y
WQRZ811	CF - Common Carrier Fixed Point to Point Microwave						Y
WQRZ812	CF - Common Carrier Fixed Point to Point Microwave						Y
WQRZ813	CF - Common Carrier Fixed Point to Point Microwave						Y
WQSA245	CF - Common Carrier Fixed Point to Point Microwave						Y
WQSA246	CF - Common Carrier Fixed Point to Point Microwave						Y
WQSA264	CF - Common Carrier Fixed Point to Point Microwave						Y
WQSA305	CF - Common Carrier Fixed Point to Point Microwave						Y

111) Call Sign	112) Radio Service Code	113) Location Number	114) Path Number (Microwave only)	115) Frequency Number	116) Lower or Center Frequency (MHz)	117) Upper Frequency (MHz)	118) Constructed Yes / No
WQSA309	CF - Common Carrier Fixed Point to Point Microwave						Y
WQSA310	CF - Common Carrier Fixed Point to Point Microwave						Y
WQSA501	CF - Common Carrier Fixed Point to Point Microwave						Y
WQSA707	CF - Common Carrier Fixed Point to Point Microwave						Y
WQSA715	CF - Common Carrier Fixed Point to Point Microwave						Y
WQSA716	CF - Common Carrier Fixed Point to Point Microwave						Y
WQSA717	CF - Common Carrier Fixed Point to Point Microwave						Y
WQSA718	CF - Common Carrier Fixed Point to Point Microwave						Y
WQSA768	CF - Common Carrier Fixed Point to Point Microwave						Y
WQSA786	CF - Common Carrier Fixed Point to Point Microwave						Y
WQSA787	CF - Common Carrier Fixed Point to Point Microwave						Y
WQSA897	CF - Common Carrier Fixed Point to Point Microwave						Y
WQSA898	CF - Common Carrier Fixed Point to Point Microwave						Y
WQSA901	CF - Common Carrier Fixed Point to Point Microwave						Y
WQSB224	CF - Common Carrier Fixed Point to Point Microwave						Y
WQSB225	CF - Common Carrier Fixed Point to Point Microwave						Y
WQSB278	CF - Common Carrier Fixed Point to Point Microwave						Y
WQSB367	CF - Common Carrier Fixed Point to Point Microwave						Y
WQSB368	CF - Common Carrier Fixed Point to Point Microwave						Y

111) Call Sign	112) Radio Service Code	113) Location Number	114) Path Number (Microwave only)	115) Frequency Number	116) Lower or Center Frequency (MHz)	117) Upper Frequency (MHz)	118) Constructed Yes / No
WQSB394	CF - Common Carrier Fixed Point to Point Microwave						Y
WQSB401	CF - Common Carrier Fixed Point to Point Microwave						Y
WQSB465	CF - Common Carrier Fixed Point to Point Microwave						Y
WQSB467	CF - Common Carrier Fixed Point to Point Microwave						Y
WQSB471	CF - Common Carrier Fixed Point to Point Microwave						Y
WQSB474	CF - Common Carrier Fixed Point to Point Microwave						Y
WQSB479	CF - Common Carrier Fixed Point to Point Microwave						Y
WQSB482	CF - Common Carrier Fixed Point to Point Microwave						Y
WQSB483	CF - Common Carrier Fixed Point to Point Microwave						Y
WQSB497	CF - Common Carrier Fixed Point to Point Microwave						Y
WQSB498	CF - Common Carrier Fixed Point to Point Microwave						Y
WQSB499	CF - Common Carrier Fixed Point to Point Microwave						Y
WQSB502	CF - Common Carrier Fixed Point to Point Microwave						Y
WQSB504	CF - Common Carrier Fixed Point to Point Microwave						Y
WQSB509	CF - Common Carrier Fixed Point to Point Microwave						Y
WQSB510	CF - Common Carrier Fixed Point to Point Microwave						Y
WQSB580	CF - Common Carrier Fixed Point to Point Microwave						Y
WQSB581	CF - Common Carrier Fixed Point to Point Microwave						Y
WQSB583	CF - Common Carrier Fixed Point to Point Microwave						Y

111) Call Sign	112) Radio Service Code	113) Location Number	114) Path Number (Microwave only)	115) Frequency Number	116) Lower or Center Frequency (MHz)	117) Upper Frequency (MHz)	118) Constructed Yes / No
WQSB659	CF - Common Carrier Fixed Point to Point Microwave						Y
WQSB663	CF - Common Carrier Fixed Point to Point Microwave						Y
WQSB664	CF - Common Carrier Fixed Point to Point Microwave						Y
WQSB667	CF - Common Carrier Fixed Point to Point Microwave						Y
WQSB684	CF - Common Carrier Fixed Point to Point Microwave						Y
WQSB839	CF - Common Carrier Fixed Point to Point Microwave						Y
WQSB841	CF - Common Carrier Fixed Point to Point Microwave						Y
WQSB846	CF - Common Carrier Fixed Point to Point Microwave						Y
WQSB855	CF - Common Carrier Fixed Point to Point Microwave						Y
WQSB858	CF - Common Carrier Fixed Point to Point Microwave						Y
WQSC293	CF - Common Carrier Fixed Point to Point Microwave						Y
WQSC294	CF - Common Carrier Fixed Point to Point Microwave						Y
WQSC296	CF - Common Carrier Fixed Point to Point Microwave						Y
WQSC297	CF - Common Carrier Fixed Point to Point Microwave						Y
WQSC298	CF - Common Carrier Fixed Point to Point Microwave						Y
WQSC299	CF - Common Carrier Fixed Point to Point Microwave						Y
WQSC301	CF - Common Carrier Fixed Point to Point Microwave						Y
WQSC304	CF - Common Carrier Fixed Point to Point Microwave						Y
WQSC307	CF - Common Carrier Fixed Point to Point Microwave						Y

111) Call Sign	112) Radio Service Code	113) Location Number	114) Path Number (Microwave only)	115) Frequency Number	116) Lower or Center Frequency (MHz)	117) Upper Frequency (MHz)	118) Constructed Yes / No
WQSC308	CF - Common Carrier Fixed Point to Point Microwave						Y
WQSC318	CF - Common Carrier Fixed Point to Point Microwave						Y
WQSC320	CF - Common Carrier Fixed Point to Point Microwave						Y
WQSC337	CF - Common Carrier Fixed Point to Point Microwave						Y
WQSC378	CF - Common Carrier Fixed Point to Point Microwave						Y
WQSC379	CF - Common Carrier Fixed Point to Point Microwave						Y
WQSC394	CF - Common Carrier Fixed Point to Point Microwave						Y
WQSC395	CF - Common Carrier Fixed Point to Point Microwave						Y
WQSC400	CF - Common Carrier Fixed Point to Point Microwave						Y
WQSC677	CF - Common Carrier Fixed Point to Point Microwave						Y
WQSC682	CF - Common Carrier Fixed Point to Point Microwave						Y
WQSC686	CF - Common Carrier Fixed Point to Point Microwave						Y
WQSC692	CF - Common Carrier Fixed Point to Point Microwave						Y
WQSC698	CF - Common Carrier Fixed Point to Point Microwave						Y
WQSC703	CF - Common Carrier Fixed Point to Point Microwave						Y
WQSC706	CF - Common Carrier Fixed Point to Point Microwave						Y
WQSC709	CF - Common Carrier Fixed Point to Point Microwave						Y
WQSC725	CF - Common Carrier Fixed Point to Point Microwave						Y
WQSC737	CF - Common Carrier Fixed Point to Point Microwave						Y

111) Call Sign	112) Radio Service Code	113) Location Number	114) Path Number (Microwave only)	115) Frequency Number	116) Lower or Center Frequency (MHz)	117) Upper Frequency (MHz)	118) Constructed Yes / No
WQSC779	CF - Common Carrier Fixed Point to Point Microwave						Y
WQSC785	CF - Common Carrier Fixed Point to Point Microwave						Y
WQSC786	CF - Common Carrier Fixed Point to Point Microwave						Y
WQSC795	CF - Common Carrier Fixed Point to Point Microwave						Y
WQSC796	CF - Common Carrier Fixed Point to Point Microwave						Y
WQSC797	CF - Common Carrier Fixed Point to Point Microwave						Y
WQSC802	CF - Common Carrier Fixed Point to Point Microwave						Y
WQSC806	CF - Common Carrier Fixed Point to Point Microwave						Y
WQSC807	CF - Common Carrier Fixed Point to Point Microwave						Y
WQSC878	CF - Common Carrier Fixed Point to Point Microwave						Y
WQSC979	CF - Common Carrier Fixed Point to Point Microwave						Y
WQSC980	CF - Common Carrier Fixed Point to Point Microwave						Y
WQSC981	CF - Common Carrier Fixed Point to Point Microwave						Y
WQSC982	CF - Common Carrier Fixed Point to Point Microwave						Y
WQSD202	CF - Common Carrier Fixed Point to Point Microwave						Y
WQSD203	CF - Common Carrier Fixed Point to Point Microwave						Y
WQSD204	CF - Common Carrier Fixed Point to Point Microwave						Y
WQSD239	CF - Common Carrier Fixed Point to Point Microwave						Y
WQSD240	CF - Common Carrier Fixed Point to Point Microwave						Y

111) Call Sign	112) Radio Service Code	113) Location Number	114) Path Number (Microwave only)	115) Frequency Number	116) Lower or Center Frequency (MHz)	117) Upper Frequency (MHz)	118) Constructed Yes / No
WQSD241	CF - Common Carrier Fixed Point to Point Microwave						Y
WQSD242	CF - Common Carrier Fixed Point to Point Microwave						Y
WQSD243	CF - Common Carrier Fixed Point to Point Microwave						Y
WQSD244	CF - Common Carrier Fixed Point to Point Microwave						Y
WQSD245	CF - Common Carrier Fixed Point to Point Microwave						Y
WQSD272	CF - Common Carrier Fixed Point to Point Microwave						Y
WQSD351	CF - Common Carrier Fixed Point to Point Microwave						Y
WQSD352	CF - Common Carrier Fixed Point to Point Microwave						Y
WQSD466	CF - Common Carrier Fixed Point to Point Microwave						Y
WQSD467	CF - Common Carrier Fixed Point to Point Microwave						Y
WQSD468	CF - Common Carrier Fixed Point to Point Microwave						Y
WQSD469	CF - Common Carrier Fixed Point to Point Microwave						Y
WQSD800	CF - Common Carrier Fixed Point to Point Microwave						Y
WQSD929	CF - Common Carrier Fixed Point to Point Microwave						Y
WQSD930	CF - Common Carrier Fixed Point to Point Microwave						Y
WQSD931	CF - Common Carrier Fixed Point to Point Microwave						Y
WQSD977	CF - Common Carrier Fixed Point to Point Microwave						Y
WQSD999	CF - Common Carrier Fixed Point to Point Microwave						Y
WQSE208	CF - Common Carrier Fixed Point to Point Microwave						Y

111) Call Sign	112) Radio Service Code	113) Location Number	114) Path Number (Microwave only)	115) Frequency Number	116) Lower or Center Frequency (MHz)	117) Upper Frequency (MHz)	118) Constructed Yes / No
WQSE398	CF - Common Carrier Fixed Point to Point Microwave						Y
WQSE399	CF - Common Carrier Fixed Point to Point Microwave						Y
WQSE400	CF - Common Carrier Fixed Point to Point Microwave						Y
WQSE402	CF - Common Carrier Fixed Point to Point Microwave						Y
WQSE403	CF - Common Carrier Fixed Point to Point Microwave						Y
WQSE404	CF - Common Carrier Fixed Point to Point Microwave						Y
WQSE405	CF - Common Carrier Fixed Point to Point Microwave						Y
WQSE406	CF - Common Carrier Fixed Point to Point Microwave						Y
WQSE407	CF - Common Carrier Fixed Point to Point Microwave						Y
WQSE408	CF - Common Carrier Fixed Point to Point Microwave						Y
WQSE409	CF - Common Carrier Fixed Point to Point Microwave						Y
WQSE410	CF - Common Carrier Fixed Point to Point Microwave						Y
WQSE411	CF - Common Carrier Fixed Point to Point Microwave						Y
WQSE412	CF - Common Carrier Fixed Point to Point Microwave						Y
WQSE413	CF - Common Carrier Fixed Point to Point Microwave						Y
WQSE438	CF - Common Carrier Fixed Point to Point Microwave						Y
WQSE440	CF - Common Carrier Fixed Point to Point Microwave						Y
WQSE474	CF - Common Carrier Fixed Point to Point Microwave						Y
WQSE775	CF - Common Carrier Fixed Point to Point Microwave						Y

111) Call Sign	112) Radio Service Code	113) Location Number	114) Path Number (Microwave only)	115) Frequency Number	116) Lower or Center Frequency (MHz)	117) Upper Frequency (MHz)	118) Constructed Yes / No
WQSE776	CF - Common Carrier Fixed Point to Point Microwave						Y
WQSE779	CF - Common Carrier Fixed Point to Point Microwave						Y
WQSE780	CF - Common Carrier Fixed Point to Point Microwave						Y
WQSF517	CF - Common Carrier Fixed Point to Point Microwave						Y
WQSF530	CF - Common Carrier Fixed Point to Point Microwave						Y
WQSF731	CF - Common Carrier Fixed Point to Point Microwave						Y
WQSF791	CF - Common Carrier Fixed Point to Point Microwave						Y
WQSF792	CF - Common Carrier Fixed Point to Point Microwave						Y
WQSF902	CF - Common Carrier Fixed Point to Point Microwave						Y
WQSG288	CF - Common Carrier Fixed Point to Point Microwave						Y
WQSG317	CF - Common Carrier Fixed Point to Point Microwave						Y
WQSG318	CF - Common Carrier Fixed Point to Point Microwave						Y
WQSG319	CF - Common Carrier Fixed Point to Point Microwave						Y
WQSG326	CF - Common Carrier Fixed Point to Point Microwave						Y
WQSG381	CF - Common Carrier Fixed Point to Point Microwave						Y
WQSG497	CF - Common Carrier Fixed Point to Point Microwave						Y
WQSG589	CF - Common Carrier Fixed Point to Point Microwave						Y
WQSG590	CF - Common Carrier Fixed Point to Point Microwave						Y
WQSG591	CF - Common Carrier Fixed Point to Point Microwave						Y

111) Call Sign	112) Radio Service Code	113) Location Number	114) Path Number (Microwave only)	115) Frequency Number	116) Lower or Center Frequency (MHz)	117) Upper Frequency (MHz)	118) Constructed Yes / No
WQSG595	CF - Common Carrier Fixed Point to Point Microwave						Y
WQSG598	CF - Common Carrier Fixed Point to Point Microwave						Y
WQSG601	CF - Common Carrier Fixed Point to Point Microwave						Y
WQSG602	CF - Common Carrier Fixed Point to Point Microwave						Y
WQSG603	CF - Common Carrier Fixed Point to Point Microwave						Y
WQSG609	CF - Common Carrier Fixed Point to Point Microwave						Y
WQSG610	CF - Common Carrier Fixed Point to Point Microwave						Y
WQSG933	CF - Common Carrier Fixed Point to Point Microwave						Y
WQSG953	CF - Common Carrier Fixed Point to Point Microwave						Y
WQSG955	CF - Common Carrier Fixed Point to Point Microwave						Y
WQSG957	CF - Common Carrier Fixed Point to Point Microwave						Y
WQSG963	CF - Common Carrier Fixed Point to Point Microwave						Y
WQSH371	CF - Common Carrier Fixed Point to Point Microwave						Y
WQSH437	CF - Common Carrier Fixed Point to Point Microwave						Y
WQSH438	CF - Common Carrier Fixed Point to Point Microwave						Y
WQSH444	CF - Common Carrier Fixed Point to Point Microwave						Y
WQSH447	CF - Common Carrier Fixed Point to Point Microwave						Y
WQSH534	CF - Common Carrier Fixed Point to Point Microwave						Y
WQSH549	CF - Common Carrier Fixed Point to Point Microwave						Y

111) Call Sign	112) Radio Service Code	113) Location Number	114) Path Number (Microwave only)	115) Frequency Number	116) Lower or Center Frequency (MHz)	117) Upper Frequency (MHz)	118) Constructed Yes / No
WQSH781	CF - Common Carrier Fixed Point to Point Microwave						Y
WQSH782	CF - Common Carrier Fixed Point to Point Microwave						Y
WQSH785	CF - Common Carrier Fixed Point to Point Microwave						Y
WQSH835	AW - AWS (1710-1755 MHz and 2110-2155 MHz)						N
WQSH888	CF - Common Carrier Fixed Point to Point Microwave						Y
WQSH889	CF - Common Carrier Fixed Point to Point Microwave						Y
WQSH892	CF - Common Carrier Fixed Point to Point Microwave						Y
WQSH940	CF - Common Carrier Fixed Point to Point Microwave						Y
WQSH946	CF - Common Carrier Fixed Point to Point Microwave						Y
WQSH948	CF - Common Carrier Fixed Point to Point Microwave						Y
WQSH950	CF - Common Carrier Fixed Point to Point Microwave						Y
WQSH959	CF - Common Carrier Fixed Point to Point Microwave						Y
WQSH961	CF - Common Carrier Fixed Point to Point Microwave						Y
WQSH963	CF - Common Carrier Fixed Point to Point Microwave						Y
WQSH964	CF - Common Carrier Fixed Point to Point Microwave						Y
WQSI566	CF - Common Carrier Fixed Point to Point Microwave						Y
WQSI885	CF - Common Carrier Fixed Point to Point Microwave						Y
WQSI956	CF - Common Carrier Fixed Point to Point Microwave						Y
WQSI958	CF - Common Carrier Fixed Point to Point Microwave						Y

111) Call Sign	112) Radio Service Code	113) Location Number	114) Path Number (Microwave only)	115) Frequency Number	116) Lower or Center Frequency (MHz)	117) Upper Frequency (MHz)	118) Constructed Yes / No
WQSJ276	CF - Common Carrier Fixed Point to Point Microwave						Y
WQSJ431	CF - Common Carrier Fixed Point to Point Microwave						Y
WQSJ604	CF - Common Carrier Fixed Point to Point Microwave						Y
WQSJ605	CF - Common Carrier Fixed Point to Point Microwave						Y
WQSJ629	CF - Common Carrier Fixed Point to Point Microwave						Y
WQSJ630	CF - Common Carrier Fixed Point to Point Microwave						Y
WQSJ777	CF - Common Carrier Fixed Point to Point Microwave						Y
WQSJ778	CF - Common Carrier Fixed Point to Point Microwave						Y
WQSJ804	CF - Common Carrier Fixed Point to Point Microwave						Y
WQSJ805	CF - Common Carrier Fixed Point to Point Microwave						Y
WQSJ806	CF - Common Carrier Fixed Point to Point Microwave						Y
WQSJ811	CF - Common Carrier Fixed Point to Point Microwave						Y
WQSJ812	CF - Common Carrier Fixed Point to Point Microwave						Y
WQSJ931	CF - Common Carrier Fixed Point to Point Microwave						Y
WQSK219	CF - Common Carrier Fixed Point to Point Microwave						Y
WQSK486	CF - Common Carrier Fixed Point to Point Microwave						Y
WQSM249	CF - Common Carrier Fixed Point to Point Microwave						Y
WQSR635	CF - Common Carrier Fixed Point to Point Microwave						Y
WQSR639	CF - Common Carrier Fixed Point to Point Microwave						Y

111) Call Sign	112) Radio Service Code	113) Location Number	114) Path Number (Microwave only)	115) Frequency Number	116) Lower or Center Frequency (MHz)	117) Upper Frequency (MHz)	118) Constructed Yes / No
WQSR653	CF - Common Carrier Fixed Point to Point Microwave						Y
WQSR736	CF - Common Carrier Fixed Point to Point Microwave						Y
WQSR737	CF - Common Carrier Fixed Point to Point Microwave						Y
WQSR738	CF - Common Carrier Fixed Point to Point Microwave						Y
WQSR752	CF - Common Carrier Fixed Point to Point Microwave						Y
WQSR753	CF - Common Carrier Fixed Point to Point Microwave						Y
WQSR754	CF - Common Carrier Fixed Point to Point Microwave						Y
WQSR804	CF - Common Carrier Fixed Point to Point Microwave						Y
WQSR807	CF - Common Carrier Fixed Point to Point Microwave						Y
WQSR808	CF - Common Carrier Fixed Point to Point Microwave						Y
WQSR809	CF - Common Carrier Fixed Point to Point Microwave						Y
WQSR810	CF - Common Carrier Fixed Point to Point Microwave						Y
WQSR813	CF - Common Carrier Fixed Point to Point Microwave						Y
WQSR814	CF - Common Carrier Fixed Point to Point Microwave						Y
WQSR815	CF - Common Carrier Fixed Point to Point Microwave						Y
WQSR816	CF - Common Carrier Fixed Point to Point Microwave						Y
WQSR818	CF - Common Carrier Fixed Point to Point Microwave						Y
WQSR830	CF - Common Carrier Fixed Point to Point Microwave						Y
WQSR831	CF - Common Carrier Fixed Point to Point Microwave						Y

111) Call Sign	112) Radio Service Code	113) Location Number	114) Path Number (Microwave only)	115) Frequency Number	116) Lower or Center Frequency (MHz)	117) Upper Frequency (MHz)	118) Constructed Yes / No
WQSR832	CF - Common Carrier Fixed Point to Point Microwave						Y
WQSR833	CF - Common Carrier Fixed Point to Point Microwave						Y
WQSR834	CF - Common Carrier Fixed Point to Point Microwave						Y
WQSR844	CF - Common Carrier Fixed Point to Point Microwave						Y
WQSR845	CF - Common Carrier Fixed Point to Point Microwave						Y
WQSR872	CF - Common Carrier Fixed Point to Point Microwave						Y
WQSR873	CF - Common Carrier Fixed Point to Point Microwave						Y
WQSR894	CF - Common Carrier Fixed Point to Point Microwave						Y
WQSS204	CF - Common Carrier Fixed Point to Point Microwave						Y
WQSS205	CF - Common Carrier Fixed Point to Point Microwave						Y
WQSS206	CF - Common Carrier Fixed Point to Point Microwave						Y
WQSS207	CF - Common Carrier Fixed Point to Point Microwave						Y
WQSS208	CF - Common Carrier Fixed Point to Point Microwave						Y
WQSS209	CF - Common Carrier Fixed Point to Point Microwave						Y
WQSS210	CF - Common Carrier Fixed Point to Point Microwave						Y
WQSS211	CF - Common Carrier Fixed Point to Point Microwave						Y
WQSS212	CF - Common Carrier Fixed Point to Point Microwave						Y
WQSS214	CF - Common Carrier Fixed Point to Point Microwave						Y
WQSS215	CF - Common Carrier Fixed Point to Point Microwave						Y

111) Call Sign	112) Radio Service Code	113) Location Number	114) Path Number (Microwave only)	115) Frequency Number	116) Lower or Center Frequency (MHz)	117) Upper Frequency (MHz)	118) Constructed Yes / No
WQSS216	CF - Common Carrier Fixed Point to Point Microwave						Y
WQSS218	CF - Common Carrier Fixed Point to Point Microwave						Y
WQSS219	CF - Common Carrier Fixed Point to Point Microwave						Y
WQSS220	CF - Common Carrier Fixed Point to Point Microwave						Y
WQSS224	CF - Common Carrier Fixed Point to Point Microwave						Y
WQSS279	CF - Common Carrier Fixed Point to Point Microwave						Y
WQSS282	CF - Common Carrier Fixed Point to Point Microwave						Y
WQSS291	CF - Common Carrier Fixed Point to Point Microwave						Y
WQSS292	CF - Common Carrier Fixed Point to Point Microwave						Y
WQSS296	CF - Common Carrier Fixed Point to Point Microwave						Y
WQSS297	CF - Common Carrier Fixed Point to Point Microwave						Y
WQSS298	CF - Common Carrier Fixed Point to Point Microwave						Y
WQSS305	CF - Common Carrier Fixed Point to Point Microwave						Y
WQSS376	CF - Common Carrier Fixed Point to Point Microwave						Y
WQSS382	CF - Common Carrier Fixed Point to Point Microwave						Y
WQSS383	CF - Common Carrier Fixed Point to Point Microwave						Y
WQSS384	CF - Common Carrier Fixed Point to Point Microwave						Y
WQSS439	CF - Common Carrier Fixed Point to Point Microwave						Y
WQSS440	CF - Common Carrier Fixed Point to Point Microwave						Y

111) Call Sign	112) Radio Service Code	113) Location Number	114) Path Number (Microwave only)	115) Frequency Number	116) Lower or Center Frequency (MHz)	117) Upper Frequency (MHz)	118) Constructed Yes / No
WQSS441	CF - Common Carrier Fixed Point to Point Microwave						Y
WQSS442	CF - Common Carrier Fixed Point to Point Microwave						Y
WQSS567	CF - Common Carrier Fixed Point to Point Microwave						Y
WQSS596	CF - Common Carrier Fixed Point to Point Microwave						Y
WQSS597	CF - Common Carrier Fixed Point to Point Microwave						Y
WQSS601	CF - Common Carrier Fixed Point to Point Microwave						Y
WQSS603	CF - Common Carrier Fixed Point to Point Microwave						Y
WQSS605	CF - Common Carrier Fixed Point to Point Microwave						Y
WQSS606	CF - Common Carrier Fixed Point to Point Microwave						Y
WQSS613	CF - Common Carrier Fixed Point to Point Microwave						Y
WQSS615	CF - Common Carrier Fixed Point to Point Microwave						Y
WQSS617	CF - Common Carrier Fixed Point to Point Microwave						Y
WQSS625	CF - Common Carrier Fixed Point to Point Microwave						Y
WQSS743	CF - Common Carrier Fixed Point to Point Microwave						Y
WQSS745	CF - Common Carrier Fixed Point to Point Microwave						Y
WQSS746	CF - Common Carrier Fixed Point to Point Microwave						Y
WQSS749	CF - Common Carrier Fixed Point to Point Microwave						Y
WQSS752	CF - Common Carrier Fixed Point to Point Microwave						Y
WQSS756	CF - Common Carrier Fixed Point to Point Microwave						Y

111) Call Sign	112) Radio Service Code	113) Location Number	114) Path Number (Microwave only)	115) Frequency Number	116) Lower or Center Frequency (MHz)	117) Upper Frequency (MHz)	118) Constructed Yes / No
WQSS757	CF - Common Carrier Fixed Point to Point Microwave						Y
WQSS759	CF - Common Carrier Fixed Point to Point Microwave						Y
WQSS762	CF - Common Carrier Fixed Point to Point Microwave						Y
WQSS763	CF - Common Carrier Fixed Point to Point Microwave						Y
WQSS844	CF - Common Carrier Fixed Point to Point Microwave						Y
WQSS852	CF - Common Carrier Fixed Point to Point Microwave						Y
WQSS857	CF - Common Carrier Fixed Point to Point Microwave						Y
WQSS858	CF - Common Carrier Fixed Point to Point Microwave						Y
WQSS859	CF - Common Carrier Fixed Point to Point Microwave						Y
WQSS860	CF - Common Carrier Fixed Point to Point Microwave						Y
WQSS863	CF - Common Carrier Fixed Point to Point Microwave						Y
WQSS864	CF - Common Carrier Fixed Point to Point Microwave						Y
WQSS865	CF - Common Carrier Fixed Point to Point Microwave						Y
WQSS866	CF - Common Carrier Fixed Point to Point Microwave						Y
WQSS867	CF - Common Carrier Fixed Point to Point Microwave						Y
WQSS868	CF - Common Carrier Fixed Point to Point Microwave						Y
WQST251	CF - Common Carrier Fixed Point to Point Microwave						Y
WQST252	CF - Common Carrier Fixed Point to Point Microwave						Y
WQST254	CF - Common Carrier Fixed Point to Point Microwave						Y

111) Call Sign	112) Radio Service Code	113) Location Number	114) Path Number (Microwave only)	115) Frequency Number	116) Lower or Center Frequency (MHz)	117) Upper Frequency (MHz)	118) Constructed Yes / No
WQST255	CF - Common Carrier Fixed Point to Point Microwave						Y
WQST256	CF - Common Carrier Fixed Point to Point Microwave						Y
WQST257	CF - Common Carrier Fixed Point to Point Microwave						Y
WQST258	CF - Common Carrier Fixed Point to Point Microwave						Y
WQST259	CF - Common Carrier Fixed Point to Point Microwave						Y
WQST260	CF - Common Carrier Fixed Point to Point Microwave						Y
WQST266	CF - Common Carrier Fixed Point to Point Microwave						Y
WQST267	CF - Common Carrier Fixed Point to Point Microwave						Y
WQST269	CF - Common Carrier Fixed Point to Point Microwave						Y
WQST271	CF - Common Carrier Fixed Point to Point Microwave						Y
WQST324	CF - Common Carrier Fixed Point to Point Microwave						Y
WQST404	CF - Common Carrier Fixed Point to Point Microwave						Y
WQST408	CF - Common Carrier Fixed Point to Point Microwave						Y
WQST442	CF - Common Carrier Fixed Point to Point Microwave						Y
WQST443	CF - Common Carrier Fixed Point to Point Microwave						Y
WQST444	CF - Common Carrier Fixed Point to Point Microwave						Y
WQST445	CF - Common Carrier Fixed Point to Point Microwave						Y
WQST446	CF - Common Carrier Fixed Point to Point Microwave						Y
WQST447	CF - Common Carrier Fixed Point to Point Microwave						Y

111) Call Sign	112) Radio Service Code	113) Location Number	114) Path Number (Microwave only)	115) Frequency Number	116) Lower or Center Frequency (MHz)	117) Upper Frequency (MHz)	118) Constructed Yes / No
WQST617	CF - Common Carrier Fixed Point to Point Microwave						Y
WQST618	CF - Common Carrier Fixed Point to Point Microwave						Y
WQST619	CF - Common Carrier Fixed Point to Point Microwave						Y
WQST620	CF - Common Carrier Fixed Point to Point Microwave						Y
WQST621	CF - Common Carrier Fixed Point to Point Microwave						Y
WQST622	CF - Common Carrier Fixed Point to Point Microwave						Y
WQST623	CF - Common Carrier Fixed Point to Point Microwave						Y
WQST669	CF - Common Carrier Fixed Point to Point Microwave						Y
WQST670	CF - Common Carrier Fixed Point to Point Microwave						Y
WQST671	CF - Common Carrier Fixed Point to Point Microwave						Y
WQST675	CF - Common Carrier Fixed Point to Point Microwave						Y
WQST676	CF - Common Carrier Fixed Point to Point Microwave						Y
WQST690	CF - Common Carrier Fixed Point to Point Microwave						Y
WQST691	CF - Common Carrier Fixed Point to Point Microwave						Y
WQST692	CF - Common Carrier Fixed Point to Point Microwave						Y
WQST693	CF - Common Carrier Fixed Point to Point Microwave						Y
WQST694	CF - Common Carrier Fixed Point to Point Microwave						Y
WQST725	CF - Common Carrier Fixed Point to Point Microwave						Y
WQST726	CF - Common Carrier Fixed Point to Point Microwave						Y

111) Call Sign	112) Radio Service Code	113) Location Number	114) Path Number (Microwave only)	115) Frequency Number	116) Lower or Center Frequency (MHz)	117) Upper Frequency (MHz)	118) Constructed Yes / No
WQST817	CF - Common Carrier Fixed Point to Point Microwave						Y
WQST818	CF - Common Carrier Fixed Point to Point Microwave						Y
WQST819	CF - Common Carrier Fixed Point to Point Microwave						Y
WQST893	CF - Common Carrier Fixed Point to Point Microwave						Y
WQST980	CF - Common Carrier Fixed Point to Point Microwave						Y
WQST981	CF - Common Carrier Fixed Point to Point Microwave						Y
WQSU250	CF - Common Carrier Fixed Point to Point Microwave						Y
WQSU253	CF - Common Carrier Fixed Point to Point Microwave						Y
WQSU258	CF - Common Carrier Fixed Point to Point Microwave						Y
WQSU259	CF - Common Carrier Fixed Point to Point Microwave						Y
WQSU302	CF - Common Carrier Fixed Point to Point Microwave						Y
WQSU322	CF - Common Carrier Fixed Point to Point Microwave						Y
WQSU350	CF - Common Carrier Fixed Point to Point Microwave						Y
WQSU363	CF - Common Carrier Fixed Point to Point Microwave						Y
WQSU366	CF - Common Carrier Fixed Point to Point Microwave						Y
WQSU367	CF - Common Carrier Fixed Point to Point Microwave						Y
WQSU368	CF - Common Carrier Fixed Point to Point Microwave						Y
WQSU369	CF - Common Carrier Fixed Point to Point Microwave						Y
WQSU370	CF - Common Carrier Fixed Point to Point Microwave						Y

111) Call Sign	112) Radio Service Code	113) Location Number	114) Path Number (Microwave only)	115) Frequency Number	116) Lower or Center Frequency (MHz)	117) Upper Frequency (MHz)	118) Constructed Yes / No
WQSU376	CF - Common Carrier Fixed Point to Point Microwave						Y
WQSU481	CF - Common Carrier Fixed Point to Point Microwave						Y
WQSU486	CF - Common Carrier Fixed Point to Point Microwave						Y
WQSU493	CF - Common Carrier Fixed Point to Point Microwave						Y
WQSU494	CF - Common Carrier Fixed Point to Point Microwave						Y
WQSU495	CF - Common Carrier Fixed Point to Point Microwave						Y
WQSU496	CF - Common Carrier Fixed Point to Point Microwave						Y
WQSU497	CF - Common Carrier Fixed Point to Point Microwave						Y
WQSU498	CF - Common Carrier Fixed Point to Point Microwave						Y
WQSU660	CF - Common Carrier Fixed Point to Point Microwave						Y
WQSU661	CF - Common Carrier Fixed Point to Point Microwave						Y
WQSU662	CF - Common Carrier Fixed Point to Point Microwave						Y
WQSU664	CF - Common Carrier Fixed Point to Point Microwave						Y
WQSU667	CF - Common Carrier Fixed Point to Point Microwave						Y
WQSU668	CF - Common Carrier Fixed Point to Point Microwave						Y
WQSU669	CF - Common Carrier Fixed Point to Point Microwave						Y
WQSU670	CF - Common Carrier Fixed Point to Point Microwave						Y
WQSU671	CF - Common Carrier Fixed Point to Point Microwave						Y
WQSU672	CF - Common Carrier Fixed Point to Point Microwave						Y

111) Call Sign	112) Radio Service Code	113) Location Number	114) Path Number (Microwave only)	115) Frequency Number	116) Lower or Center Frequency (MHz)	117) Upper Frequency (MHz)	118) Constructed Yes / No
WQSU673	CF - Common Carrier Fixed Point to Point Microwave						Y
WQSU674	CF - Common Carrier Fixed Point to Point Microwave						Y
WQSU675	CF - Common Carrier Fixed Point to Point Microwave						Y
WQSU676	CF - Common Carrier Fixed Point to Point Microwave						Y
WQSU677	CF - Common Carrier Fixed Point to Point Microwave						Y
WQSU689	CF - Common Carrier Fixed Point to Point Microwave						Y
WQSU690	CF - Common Carrier Fixed Point to Point Microwave						Y
WQSU691	CF - Common Carrier Fixed Point to Point Microwave						Y
WQSU692	CF - Common Carrier Fixed Point to Point Microwave						Y
WQSU698	CF - Common Carrier Fixed Point to Point Microwave						Y
WQSU699	CF - Common Carrier Fixed Point to Point Microwave						Y
WQSU742	CF - Common Carrier Fixed Point to Point Microwave						Y
WQSU745	CF - Common Carrier Fixed Point to Point Microwave						Y
WQSU833	CF - Common Carrier Fixed Point to Point Microwave						Y
WQSU836	CF - Common Carrier Fixed Point to Point Microwave						Y
WQSU837	CF - Common Carrier Fixed Point to Point Microwave						Y
WQSU838	CF - Common Carrier Fixed Point to Point Microwave						Y
WQSU839	CF - Common Carrier Fixed Point to Point Microwave						Y
WQSU842	CF - Common Carrier Fixed Point to Point Microwave						Y

111) Call Sign	112) Radio Service Code	113) Location Number	114) Path Number (Microwave only)	115) Frequency Number	116) Lower or Center Frequency (MHz)	117) Upper Frequency (MHz)	118) Constructed Yes / No
WQSU846	CF - Common Carrier Fixed Point to Point Microwave						Y
WQSU982	CF - Common Carrier Fixed Point to Point Microwave						Y
WQSU983	CF - Common Carrier Fixed Point to Point Microwave						Y
WQSU984	CF - Common Carrier Fixed Point to Point Microwave						Y
WQSU986	CF - Common Carrier Fixed Point to Point Microwave						Y
WQSU987	CF - Common Carrier Fixed Point to Point Microwave						Y
WQSU988	CF - Common Carrier Fixed Point to Point Microwave						Y
WQSV203	CF - Common Carrier Fixed Point to Point Microwave						Y
WQSV215	CF - Common Carrier Fixed Point to Point Microwave						Y
WQSV223	CF - Common Carrier Fixed Point to Point Microwave						Y
WQSV225	CF - Common Carrier Fixed Point to Point Microwave						Y
WQSV244	CF - Common Carrier Fixed Point to Point Microwave						Y
WQSV245	CF - Common Carrier Fixed Point to Point Microwave						Y
WQSV263	CF - Common Carrier Fixed Point to Point Microwave						Y
WQSV264	CF - Common Carrier Fixed Point to Point Microwave						Y
WQSV265	CF - Common Carrier Fixed Point to Point Microwave						Y
WQSV266	CF - Common Carrier Fixed Point to Point Microwave						Y
WQSV267	CF - Common Carrier Fixed Point to Point Microwave						Y
WQSV276	CF - Common Carrier Fixed Point to Point Microwave						Y

111) Call Sign	112) Radio Service Code	113) Location Number	114) Path Number (Microwave only)	115) Frequency Number	116) Lower or Center Frequency (MHz)	117) Upper Frequency (MHz)	118) Constructed Yes / No
WQSV281	CF - Common Carrier Fixed Point to Point Microwave						Y
WQSV393	CF - Common Carrier Fixed Point to Point Microwave						Y
WQSV443	CF - Common Carrier Fixed Point to Point Microwave						Y
WQSV447	CF - Common Carrier Fixed Point to Point Microwave						Y
WQSV449	CF - Common Carrier Fixed Point to Point Microwave						Y
WQSV450	CF - Common Carrier Fixed Point to Point Microwave						Y
WQSV451	CF - Common Carrier Fixed Point to Point Microwave						Y
WQSV455	CF - Common Carrier Fixed Point to Point Microwave						Y
WQSV456	CF - Common Carrier Fixed Point to Point Microwave						Y
WQSV457	CF - Common Carrier Fixed Point to Point Microwave						Y
WQSV458	CF - Common Carrier Fixed Point to Point Microwave						Y
WQSV541	CF - Common Carrier Fixed Point to Point Microwave						Y
WQSV542	CF - Common Carrier Fixed Point to Point Microwave						Y
WQSV544	CF - Common Carrier Fixed Point to Point Microwave						Y
WQSV545	CF - Common Carrier Fixed Point to Point Microwave						Y
WQSV547	CF - Common Carrier Fixed Point to Point Microwave						Y
WQSV549	CF - Common Carrier Fixed Point to Point Microwave						Y
WQSV551	CF - Common Carrier Fixed Point to Point Microwave						Y
WQSV552	CF - Common Carrier Fixed Point to Point Microwave						Y

111) Call Sign	112) Radio Service Code	113) Location Number	114) Path Number (Microwave only)	115) Frequency Number	116) Lower or Center Frequency (MHz)	117) Upper Frequency (MHz)	118) Constructed Yes / No
WQSV553	CF - Common Carrier Fixed Point to Point Microwave						Y
WQSV555	CF - Common Carrier Fixed Point to Point Microwave						Y
WQSV557	CF - Common Carrier Fixed Point to Point Microwave						Y
WQSV560	CF - Common Carrier Fixed Point to Point Microwave						Y
WQSV562	CF - Common Carrier Fixed Point to Point Microwave						Y
WQSV563	CF - Common Carrier Fixed Point to Point Microwave						Y
WQSV564	CF - Common Carrier Fixed Point to Point Microwave						Y
WQSV565	CF - Common Carrier Fixed Point to Point Microwave						Y
WQSV566	CF - Common Carrier Fixed Point to Point Microwave						Y
WQSV568	CF - Common Carrier Fixed Point to Point Microwave						Y
WQSV570	CF - Common Carrier Fixed Point to Point Microwave						Y
WQSV577	CF - Common Carrier Fixed Point to Point Microwave						Y
WQSV578	CF - Common Carrier Fixed Point to Point Microwave						Y
WQSV580	CF - Common Carrier Fixed Point to Point Microwave						Y
WQSV581	CF - Common Carrier Fixed Point to Point Microwave						Y
WQSV584	CF - Common Carrier Fixed Point to Point Microwave						Y
WQSV658	CF - Common Carrier Fixed Point to Point Microwave						Y
WQSV659	CF - Common Carrier Fixed Point to Point Microwave						Y
WQSV695	CF - Common Carrier Fixed Point to Point Microwave						Y

111) Call Sign	112) Radio Service Code	113) Location Number	114) Path Number (Microwave only)	115) Frequency Number	116) Lower or Center Frequency (MHz)	117) Upper Frequency (MHz)	118) Constructed Yes / No
WQSV696	CF - Common Carrier Fixed Point to Point Microwave						Y
WQSV697	CF - Common Carrier Fixed Point to Point Microwave						Y
WQSV698	CF - Common Carrier Fixed Point to Point Microwave						Y
WQSV742	CF - Common Carrier Fixed Point to Point Microwave						Y
WQSV762	CF - Common Carrier Fixed Point to Point Microwave						Y
WQSV763	CF - Common Carrier Fixed Point to Point Microwave						Y
WQSV764	CF - Common Carrier Fixed Point to Point Microwave						Y
WQSV766	CF - Common Carrier Fixed Point to Point Microwave						Y
WQSV767	CF - Common Carrier Fixed Point to Point Microwave						Y
WQSV768	CF - Common Carrier Fixed Point to Point Microwave						Y
WQSV772	CF - Common Carrier Fixed Point to Point Microwave						Y
WQSV773	CF - Common Carrier Fixed Point to Point Microwave						Y
WQSV774	CF - Common Carrier Fixed Point to Point Microwave						Y
WQSV775	CF - Common Carrier Fixed Point to Point Microwave						Y
WQSV776	CF - Common Carrier Fixed Point to Point Microwave						Y
WQSV777	CF - Common Carrier Fixed Point to Point Microwave						Y
WQSV778	CF - Common Carrier Fixed Point to Point Microwave						Y
WQSV779	CF - Common Carrier Fixed Point to Point Microwave						Y
WQSV781	CF - Common Carrier Fixed Point to Point Microwave						Y

111) Call Sign	112) Radio Service Code	113) Location Number	114) Path Number (Microwave only)	115) Frequency Number	116) Lower or Center Frequency (MHz)	117) Upper Frequency (MHz)	118) Constructed Yes / No
WQSV782	CF - Common Carrier Fixed Point to Point Microwave						Y
WQSW426	CF - Common Carrier Fixed Point to Point Microwave						Y
WQSW442	CF - Common Carrier Fixed Point to Point Microwave						Y
WQSW450	CF - Common Carrier Fixed Point to Point Microwave						Y
WQSW451	CF - Common Carrier Fixed Point to Point Microwave						Y
WQSW454	CF - Common Carrier Fixed Point to Point Microwave						Y
WQSW455	CF - Common Carrier Fixed Point to Point Microwave						Y
WQSW457	CF - Common Carrier Fixed Point to Point Microwave						Y
WQSW458	CF - Common Carrier Fixed Point to Point Microwave						Y
WQSW474	CF - Common Carrier Fixed Point to Point Microwave						Y
WQSW476	CF - Common Carrier Fixed Point to Point Microwave						Y
WQSW477	CF - Common Carrier Fixed Point to Point Microwave						Y
WQSW478	CF - Common Carrier Fixed Point to Point Microwave						Y
WQSW773	CF - Common Carrier Fixed Point to Point Microwave						Y
WQSW785	CF - Common Carrier Fixed Point to Point Microwave						Y
WQSW786	CF - Common Carrier Fixed Point to Point Microwave						Y
WQSW787	CF - Common Carrier Fixed Point to Point Microwave						Y
WQSW788	CF - Common Carrier Fixed Point to Point Microwave						Y
WQSW789	CF - Common Carrier Fixed Point to Point Microwave						Y

111) Call Sign	112) Radio Service Code	113) Location Number	114) Path Number (Microwave only)	115) Frequency Number	116) Lower or Center Frequency (MHz)	117) Upper Frequency (MHz)	118) Constructed Yes / No
WQSW790	CF - Common Carrier Fixed Point to Point Microwave						Y
WQSW791	CF - Common Carrier Fixed Point to Point Microwave						Y
WQSW792	CF - Common Carrier Fixed Point to Point Microwave						Y
WQSW942	CF - Common Carrier Fixed Point to Point Microwave						Y
WQSW948	CF - Common Carrier Fixed Point to Point Microwave						Y
WQSW952	CF - Common Carrier Fixed Point to Point Microwave						Y
WQSW953	CF - Common Carrier Fixed Point to Point Microwave						Y
WQSW965	CF - Common Carrier Fixed Point to Point Microwave						Y
WQSX313	CF - Common Carrier Fixed Point to Point Microwave						Y
WQSX321	CF - Common Carrier Fixed Point to Point Microwave						Y
WQSX323	CF - Common Carrier Fixed Point to Point Microwave						Y
WQSX325	CF - Common Carrier Fixed Point to Point Microwave						Y
WQSX326	CF - Common Carrier Fixed Point to Point Microwave						Y
WQSX327	CF - Common Carrier Fixed Point to Point Microwave						Y
WQSX328	CF - Common Carrier Fixed Point to Point Microwave						Y
WQSX470	CF - Common Carrier Fixed Point to Point Microwave						Y
WQSX471	CF - Common Carrier Fixed Point to Point Microwave						Y
WQSX472	CF - Common Carrier Fixed Point to Point Microwave						Y
WQSX473	CF - Common Carrier Fixed Point to Point Microwave						Y

111) Call Sign	112) Radio Service Code	113) Location Number	114) Path Number (Microwave only)	115) Frequency Number	116) Lower or Center Frequency (MHz)	117) Upper Frequency (MHz)	118) Constructed Yes / No
WQSX480	CF - Common Carrier Fixed Point to Point Microwave						Y
WQSX481	CF - Common Carrier Fixed Point to Point Microwave						Y
WQSX486	CF - Common Carrier Fixed Point to Point Microwave						Y
WQSX490	CF - Common Carrier Fixed Point to Point Microwave						Y
WQSX491	CF - Common Carrier Fixed Point to Point Microwave						Y
WQSX818	CW - PCS Broadband						Y
WQSY289	CF - Common Carrier Fixed Point to Point Microwave						Y
WQSY290	CF - Common Carrier Fixed Point to Point Microwave						Y
WQSY293	CF - Common Carrier Fixed Point to Point Microwave						Y
WQSY294	CF - Common Carrier Fixed Point to Point Microwave						Y
WQSY296	CF - Common Carrier Fixed Point to Point Microwave						Y
WQSY297	CF - Common Carrier Fixed Point to Point Microwave						Y
WQSY299	CF - Common Carrier Fixed Point to Point Microwave						Y
WQSY300	CF - Common Carrier Fixed Point to Point Microwave						Y
WQSY301	CF - Common Carrier Fixed Point to Point Microwave						Y
WQSY302	CF - Common Carrier Fixed Point to Point Microwave						Y
WQSY306	CF - Common Carrier Fixed Point to Point Microwave						Y
WQSY395	CF - Common Carrier Fixed Point to Point Microwave						Y
WQSY442	CF - Common Carrier Fixed Point to Point Microwave						Y

111) Call Sign	112) Radio Service Code	113) Location Number	114) Path Number (Microwave only)	115) Frequency Number	116) Lower or Center Frequency (MHz)	117) Upper Frequency (MHz)	118) Constructed Yes / No
WQSY546	CF - Common Carrier Fixed Point to Point Microwave						Y
WQSY576	CF - Common Carrier Fixed Point to Point Microwave						Y
WQSY577	CF - Common Carrier Fixed Point to Point Microwave						Y
WQSY578	CF - Common Carrier Fixed Point to Point Microwave						Y
WQSY595	CF - Common Carrier Fixed Point to Point Microwave						Y
WQSY596	CF - Common Carrier Fixed Point to Point Microwave						Y
WQSY597	CF - Common Carrier Fixed Point to Point Microwave						Y
WQSY598	CF - Common Carrier Fixed Point to Point Microwave						Y
WQSY599	CF - Common Carrier Fixed Point to Point Microwave						Y
WQSY687	CF - Common Carrier Fixed Point to Point Microwave						Y
WQSY688	CF - Common Carrier Fixed Point to Point Microwave						Y
WQSY691	CF - Common Carrier Fixed Point to Point Microwave						Y
WQSY694	CF - Common Carrier Fixed Point to Point Microwave						Y
WQSY697	CF - Common Carrier Fixed Point to Point Microwave						Y
WQSY712	CF - Common Carrier Fixed Point to Point Microwave						Y
WQSY713	CF - Common Carrier Fixed Point to Point Microwave						Y
WQSY714	CF - Common Carrier Fixed Point to Point Microwave						Y
WQSY715	CF - Common Carrier Fixed Point to Point Microwave						Y
WQSY716	CF - Common Carrier Fixed Point to Point Microwave						Y

111) Call Sign	112) Radio Service Code	113) Location Number	114) Path Number (Microwave only)	115) Frequency Number	116) Lower or Center Frequency (MHz)	117) Upper Frequency (MHz)	118) Constructed Yes / No
WQSY717	CF - Common Carrier Fixed Point to Point Microwave						Y
WQSY718	CF - Common Carrier Fixed Point to Point Microwave						Y
WQSY719	CF - Common Carrier Fixed Point to Point Microwave						Y
WQSY720	CF - Common Carrier Fixed Point to Point Microwave						Y
WQSY721	CF - Common Carrier Fixed Point to Point Microwave						Y
WQSY722	CF - Common Carrier Fixed Point to Point Microwave						Y
WQSY723	CF - Common Carrier Fixed Point to Point Microwave						Y
WQSY725	CF - Common Carrier Fixed Point to Point Microwave						Y
WQSY726	CF - Common Carrier Fixed Point to Point Microwave						Y
WQSY727	CF - Common Carrier Fixed Point to Point Microwave						Y
WQSY732	CF - Common Carrier Fixed Point to Point Microwave						Y
WQSY733	CF - Common Carrier Fixed Point to Point Microwave						Y
WQSY734	CF - Common Carrier Fixed Point to Point Microwave						Y
WQSY735	CF - Common Carrier Fixed Point to Point Microwave						Y
WQSY736	CF - Common Carrier Fixed Point to Point Microwave						Y
WQSY738	CF - Common Carrier Fixed Point to Point Microwave						Y
WQSY739	CF - Common Carrier Fixed Point to Point Microwave						Y
WQSY740	CF - Common Carrier Fixed Point to Point Microwave						Y
WQSY741	CF - Common Carrier Fixed Point to Point Microwave						Y

111) Call Sign	112) Radio Service Code	113) Location Number	114) Path Number (Microwave only)	115) Frequency Number	116) Lower or Center Frequency (MHz)	117) Upper Frequency (MHz)	118) Constructed Yes / No
WQSY742	CF - Common Carrier Fixed Point to Point Microwave						Y
WQSY743	CF - Common Carrier Fixed Point to Point Microwave						Y
WQSY744	CF - Common Carrier Fixed Point to Point Microwave						Y
WQSY759	CF - Common Carrier Fixed Point to Point Microwave						Y
WQSY760	CF - Common Carrier Fixed Point to Point Microwave						Y
WQSY761	CF - Common Carrier Fixed Point to Point Microwave						Y
WQSY762	CF - Common Carrier Fixed Point to Point Microwave						Y
WQSY763	CF - Common Carrier Fixed Point to Point Microwave						Y
WQSY764	CF - Common Carrier Fixed Point to Point Microwave						Y
WQSY766	CF - Common Carrier Fixed Point to Point Microwave						Y
WQSY767	CF - Common Carrier Fixed Point to Point Microwave						Y
WQSY768	CF - Common Carrier Fixed Point to Point Microwave						Y
WQSY769	CF - Common Carrier Fixed Point to Point Microwave						Y
WQSY770	CF - Common Carrier Fixed Point to Point Microwave						Y
WQSY771	CF - Common Carrier Fixed Point to Point Microwave						Y
WQSY772	CF - Common Carrier Fixed Point to Point Microwave						Y
WQSY773	CF - Common Carrier Fixed Point to Point Microwave						Y
WQSY774	CF - Common Carrier Fixed Point to Point Microwave						Y
WQSY775	CF - Common Carrier Fixed Point to Point Microwave						Y

111) Call Sign	112) Radio Service Code	113) Location Number	114) Path Number (Microwave only)	115) Frequency Number	116) Lower or Center Frequency (MHz)	117) Upper Frequency (MHz)	118) Constructed Yes / No
WQSY776	CF - Common Carrier Fixed Point to Point Microwave						Y
WQSY777	CF - Common Carrier Fixed Point to Point Microwave						Y
WQSY781	CF - Common Carrier Fixed Point to Point Microwave						Y
WQSY783	CF - Common Carrier Fixed Point to Point Microwave						Y
WQSY785	CF - Common Carrier Fixed Point to Point Microwave						Y
WQSY786	CF - Common Carrier Fixed Point to Point Microwave						Y
WQSY787	CF - Common Carrier Fixed Point to Point Microwave						Y
WQSY815	CF - Common Carrier Fixed Point to Point Microwave						Y
WQSY816	CF - Common Carrier Fixed Point to Point Microwave						Y
WQSY817	CF - Common Carrier Fixed Point to Point Microwave						Y
WQSY818	CF - Common Carrier Fixed Point to Point Microwave						Y
WQSY819	CF - Common Carrier Fixed Point to Point Microwave						Y
WQSY820	CF - Common Carrier Fixed Point to Point Microwave						Y
WQSY821	CF - Common Carrier Fixed Point to Point Microwave						Y
WQSY828	CF - Common Carrier Fixed Point to Point Microwave						Y
WQSY829	CF - Common Carrier Fixed Point to Point Microwave						Y
WQSY838	CF - Common Carrier Fixed Point to Point Microwave						Y
WQSY990	CF - Common Carrier Fixed Point to Point Microwave						Y
WQSY999	CF - Common Carrier Fixed Point to Point Microwave						Y

111) Call Sign	112) Radio Service Code	113) Location Number	114) Path Number (Microwave only)	115) Frequency Number	116) Lower or Center Frequency (MHz)	117) Upper Frequency (MHz)	118) Constructed Yes / No
WQSZ309	CF - Common Carrier Fixed Point to Point Microwave						Y
WQSZ348	CF - Common Carrier Fixed Point to Point Microwave						Y
WQSZ352	CF - Common Carrier Fixed Point to Point Microwave						Y
WQSZ369	CF - Common Carrier Fixed Point to Point Microwave						Y
WQSZ375	CF - Common Carrier Fixed Point to Point Microwave						Y
WQSZ421	CF - Common Carrier Fixed Point to Point Microwave						Y
WQSZ500	CF - Common Carrier Fixed Point to Point Microwave						Y
WQSZ820	CF - Common Carrier Fixed Point to Point Microwave						Y
WQSZ828	CF - Common Carrier Fixed Point to Point Microwave						Y
WQSZ830	CF - Common Carrier Fixed Point to Point Microwave						Y
WQSZ866	CF - Common Carrier Fixed Point to Point Microwave						Y
WQSZ870	CF - Common Carrier Fixed Point to Point Microwave						Y
WQSZ872	CF - Common Carrier Fixed Point to Point Microwave						Y
WQSZ875	CF - Common Carrier Fixed Point to Point Microwave						Y
WQSZ876	CF - Common Carrier Fixed Point to Point Microwave						Y
WQSZ877	CF - Common Carrier Fixed Point to Point Microwave						Y
WQSZ879	CF - Common Carrier Fixed Point to Point Microwave						Y
WQSZ988	CF - Common Carrier Fixed Point to Point Microwave						Y
WQTA264	CF - Common Carrier Fixed Point to Point Microwave						Y

111) Call Sign	112) Radio Service Code	113) Location Number	114) Path Number (Microwave only)	115) Frequency Number	116) Lower or Center Frequency (MHz)	117) Upper Frequency (MHz)	118) Constructed Yes / No
WQTA472	CF - Common Carrier Fixed Point to Point Microwave						Y
WQTA485	CF - Common Carrier Fixed Point to Point Microwave						Y
WQTA486	CF - Common Carrier Fixed Point to Point Microwave						Y
WQTA487	CF - Common Carrier Fixed Point to Point Microwave						Y
WQTA532	CF - Common Carrier Fixed Point to Point Microwave						Y
WQTA536	CF - Common Carrier Fixed Point to Point Microwave						Y
WQTA537	CF - Common Carrier Fixed Point to Point Microwave						Y
WQTA539	CF - Common Carrier Fixed Point to Point Microwave						Y
WQTA540	CF - Common Carrier Fixed Point to Point Microwave						Y
WQTA542	CF - Common Carrier Fixed Point to Point Microwave						Y
WQTA596	CF - Common Carrier Fixed Point to Point Microwave						Y
WQTA597	CF - Common Carrier Fixed Point to Point Microwave						Y
WQTA599	CF - Common Carrier Fixed Point to Point Microwave						Y
WQTA600	CF - Common Carrier Fixed Point to Point Microwave						Y
WQTA627	CF - Common Carrier Fixed Point to Point Microwave						Y
WQTA628	CF - Common Carrier Fixed Point to Point Microwave						Y
WQTA629	CF - Common Carrier Fixed Point to Point Microwave						Y
WQTA630	CF - Common Carrier Fixed Point to Point Microwave						Y
WQTA632	CF - Common Carrier Fixed Point to Point Microwave						Y

111) Call Sign	112) Radio Service Code	113) Location Number	114) Path Number (Microwave only)	115) Frequency Number	116) Lower or Center Frequency (MHz)	117) Upper Frequency (MHz)	118) Constructed Yes / No
WQTA633	CF - Common Carrier Fixed Point to Point Microwave						Y
WQTA635	CF - Common Carrier Fixed Point to Point Microwave						Y
WQTA636	CF - Common Carrier Fixed Point to Point Microwave						Y
WQTA637	CF - Common Carrier Fixed Point to Point Microwave						Y
WQTA638	CF - Common Carrier Fixed Point to Point Microwave						Y
WQTA646	CF - Common Carrier Fixed Point to Point Microwave						Y
WQTA681	CF - Common Carrier Fixed Point to Point Microwave						Y
WQTA682	CF - Common Carrier Fixed Point to Point Microwave						Y
WQTA683	CF - Common Carrier Fixed Point to Point Microwave						Y
WQTA684	CF - Common Carrier Fixed Point to Point Microwave						Y
WQTA691	CF - Common Carrier Fixed Point to Point Microwave						Y
WQTA694	CF - Common Carrier Fixed Point to Point Microwave						Y
WQTA696	CF - Common Carrier Fixed Point to Point Microwave						Y
WQTA707	CF - Common Carrier Fixed Point to Point Microwave						Y
WQTA752	CF - Common Carrier Fixed Point to Point Microwave						Y
WQTA753	CF - Common Carrier Fixed Point to Point Microwave						Y
WQTA754	CF - Common Carrier Fixed Point to Point Microwave						Y
WQTA757	CF - Common Carrier Fixed Point to Point Microwave						Y
WQTA760	CF - Common Carrier Fixed Point to Point Microwave						Y

111) Call Sign	112) Radio Service Code	113) Location Number	114) Path Number (Microwave only)	115) Frequency Number	116) Lower or Center Frequency (MHz)	117) Upper Frequency (MHz)	118) Constructed Yes / No
WQTA761	CF - Common Carrier Fixed Point to Point Microwave						Y
WQTA762	CF - Common Carrier Fixed Point to Point Microwave						Y
WQTA791	CF - Common Carrier Fixed Point to Point Microwave						Y
WQTA792	CF - Common Carrier Fixed Point to Point Microwave						Y
WQTA793	CF - Common Carrier Fixed Point to Point Microwave						Y
WQTA794	CF - Common Carrier Fixed Point to Point Microwave						Y
WQTA798	CF - Common Carrier Fixed Point to Point Microwave						Y
WQTA801	CF - Common Carrier Fixed Point to Point Microwave						Y
WQTA814	CF - Common Carrier Fixed Point to Point Microwave						Y
WQTA815	CF - Common Carrier Fixed Point to Point Microwave						Y
WQTB206	CF - Common Carrier Fixed Point to Point Microwave						Y
WQTB210	CF - Common Carrier Fixed Point to Point Microwave						Y
WQTB239	CF - Common Carrier Fixed Point to Point Microwave						Y
WQTB240	CF - Common Carrier Fixed Point to Point Microwave						Y
WQTB241	CF - Common Carrier Fixed Point to Point Microwave						Y
WQTB243	CF - Common Carrier Fixed Point to Point Microwave						Y
WQTB246	CF - Common Carrier Fixed Point to Point Microwave						Y
WQTB247	CF - Common Carrier Fixed Point to Point Microwave						Y
WQTB318	CF - Common Carrier Fixed Point to Point Microwave						Y

111) Call Sign	112) Radio Service Code	113) Location Number	114) Path Number (Microwave only)	115) Frequency Number	116) Lower or Center Frequency (MHz)	117) Upper Frequency (MHz)	118) Constructed Yes / No
WQTB319	CF - Common Carrier Fixed Point to Point Microwave						Y
WQTB381	CF - Common Carrier Fixed Point to Point Microwave						Y
WQTB392	CF - Common Carrier Fixed Point to Point Microwave						Y
WQTB399	CF - Common Carrier Fixed Point to Point Microwave						Y
WQTB402	CF - Common Carrier Fixed Point to Point Microwave						Y
WQTB403	CF - Common Carrier Fixed Point to Point Microwave						Y
WQTB404	CF - Common Carrier Fixed Point to Point Microwave						Y
WQTB405	CF - Common Carrier Fixed Point to Point Microwave						Y
WQTB406	CF - Common Carrier Fixed Point to Point Microwave						Y
WQTB407	CF - Common Carrier Fixed Point to Point Microwave						Y
WQTB408	CF - Common Carrier Fixed Point to Point Microwave						Y
WQTB409	CF - Common Carrier Fixed Point to Point Microwave						Y
WQTB504	CF - Common Carrier Fixed Point to Point Microwave						Y
WQTB505	CF - Common Carrier Fixed Point to Point Microwave						Y
WQTB506	CF - Common Carrier Fixed Point to Point Microwave						Y
WQTB508	CF - Common Carrier Fixed Point to Point Microwave						Y
WQTB509	CF - Common Carrier Fixed Point to Point Microwave						Y
WQTB510	CF - Common Carrier Fixed Point to Point Microwave						Y
WQTB511	CF - Common Carrier Fixed Point to Point Microwave						Y

111) Call Sign	112) Radio Service Code	113) Location Number	114) Path Number (Microwave only)	115) Frequency Number	116) Lower or Center Frequency (MHz)	117) Upper Frequency (MHz)	118) Constructed Yes / No
WQTB512	CF - Common Carrier Fixed Point to Point Microwave						Y
WQTB514	CF - Common Carrier Fixed Point to Point Microwave						Y
WQTB524	CF - Common Carrier Fixed Point to Point Microwave						Y
WQTB525	CF - Common Carrier Fixed Point to Point Microwave						Y
WQTB528	CF - Common Carrier Fixed Point to Point Microwave						Y
WQTB535	CF - Common Carrier Fixed Point to Point Microwave						Y
WQTB542	CF - Common Carrier Fixed Point to Point Microwave						Y
WQTB543	CF - Common Carrier Fixed Point to Point Microwave						Y
WQTB544	CF - Common Carrier Fixed Point to Point Microwave						Y
WQTB545	CF - Common Carrier Fixed Point to Point Microwave						Y
WQTB548	CF - Common Carrier Fixed Point to Point Microwave						Y
WQTB549	CF - Common Carrier Fixed Point to Point Microwave						Y
WQTB550	CF - Common Carrier Fixed Point to Point Microwave						Y
WQTB639	CF - Common Carrier Fixed Point to Point Microwave						Y
WQTB640	CF - Common Carrier Fixed Point to Point Microwave						Y
WQTB641	CF - Common Carrier Fixed Point to Point Microwave						Y
WQTB642	CF - Common Carrier Fixed Point to Point Microwave						Y
WQTB643	CF - Common Carrier Fixed Point to Point Microwave						Y
WQTB644	CF - Common Carrier Fixed Point to Point Microwave						Y

111) Call Sign	112) Radio Service Code	113) Location Number	114) Path Number (Microwave only)	115) Frequency Number	116) Lower or Center Frequency (MHz)	117) Upper Frequency (MHz)	118) Constructed Yes / No
WQTB646	CF - Common Carrier Fixed Point to Point Microwave						Y
WQTB647	CF - Common Carrier Fixed Point to Point Microwave						Y
WQTB697	CF - Common Carrier Fixed Point to Point Microwave						Y
WQTB702	CF - Common Carrier Fixed Point to Point Microwave						Y
WQTB703	CF - Common Carrier Fixed Point to Point Microwave						Y
WQTB709	CF - Common Carrier Fixed Point to Point Microwave						Y
WQTB710	CF - Common Carrier Fixed Point to Point Microwave						Y
WQTB711	CF - Common Carrier Fixed Point to Point Microwave						Y
WQTB712	CF - Common Carrier Fixed Point to Point Microwave						Y
WQTB715	CF - Common Carrier Fixed Point to Point Microwave						Y
WQTB716	CF - Common Carrier Fixed Point to Point Microwave						Y
WQTB717	CF - Common Carrier Fixed Point to Point Microwave						Y
WQTB719	CF - Common Carrier Fixed Point to Point Microwave						Y
WQTB720	CF - Common Carrier Fixed Point to Point Microwave						Y
WQTB721	CF - Common Carrier Fixed Point to Point Microwave						Y
WQTB722	CF - Common Carrier Fixed Point to Point Microwave						Y
WQTB724	CF - Common Carrier Fixed Point to Point Microwave						Y
WQTB726	CF - Common Carrier Fixed Point to Point Microwave						Y
WQTB729	CF - Common Carrier Fixed Point to Point Microwave						Y

111) Call Sign	112) Radio Service Code	113) Location Number	114) Path Number (Microwave only)	115) Frequency Number	116) Lower or Center Frequency (MHz)	117) Upper Frequency (MHz)	118) Constructed Yes / No
WQTB730	CF - Common Carrier Fixed Point to Point Microwave						Y
WQTB732	CF - Common Carrier Fixed Point to Point Microwave						Y
WQTB733	CF - Common Carrier Fixed Point to Point Microwave						Y
WQTB785	CF - Common Carrier Fixed Point to Point Microwave						Y
WQTB786	CF - Common Carrier Fixed Point to Point Microwave						Y
WQTB787	CF - Common Carrier Fixed Point to Point Microwave						Y
WQTB904	CF - Common Carrier Fixed Point to Point Microwave						Y
WQTC245	CF - Common Carrier Fixed Point to Point Microwave						Y
WQTC246	CF - Common Carrier Fixed Point to Point Microwave						Y
WQTC256	CF - Common Carrier Fixed Point to Point Microwave						Y
WQTC259	CF - Common Carrier Fixed Point to Point Microwave						Y
WQTC260	CF - Common Carrier Fixed Point to Point Microwave						Y
WQTC265	CF - Common Carrier Fixed Point to Point Microwave						Y
WQTC426	CF - Common Carrier Fixed Point to Point Microwave						Y
WQTC427	CF - Common Carrier Fixed Point to Point Microwave						Y
WQTC492	CF - Common Carrier Fixed Point to Point Microwave						Y
WQTC572	CF - Common Carrier Fixed Point to Point Microwave						Y
WQTC573	CF - Common Carrier Fixed Point to Point Microwave						Y
WQTC589	CF - Common Carrier Fixed Point to Point Microwave						Y

111) Call Sign	112) Radio Service Code	113) Location Number	114) Path Number (Microwave only)	115) Frequency Number	116) Lower or Center Frequency (MHz)	117) Upper Frequency (MHz)	118) Constructed Yes / No
WQTC594	CF - Common Carrier Fixed Point to Point Microwave						Y
WQTC595	CF - Common Carrier Fixed Point to Point Microwave						Y
WQTC596	CF - Common Carrier Fixed Point to Point Microwave						Y
WQTC597	CF - Common Carrier Fixed Point to Point Microwave						Y
WQTC628	CF - Common Carrier Fixed Point to Point Microwave						Y
WQTC629	CF - Common Carrier Fixed Point to Point Microwave						Y
WQTC692	CF - Common Carrier Fixed Point to Point Microwave						Y
WQTC693	CF - Common Carrier Fixed Point to Point Microwave						Y
WQTC694	CF - Common Carrier Fixed Point to Point Microwave						Y
WQTC780	CF - Common Carrier Fixed Point to Point Microwave						Y
WQTC781	CF - Common Carrier Fixed Point to Point Microwave						Y
WQTC782	CF - Common Carrier Fixed Point to Point Microwave						Y
WQTC783	CF - Common Carrier Fixed Point to Point Microwave						Y
WQTC784	CF - Common Carrier Fixed Point to Point Microwave						Y
WQTC790	CF - Common Carrier Fixed Point to Point Microwave						Y
WQTC791	CF - Common Carrier Fixed Point to Point Microwave						Y
WQTC792	CF - Common Carrier Fixed Point to Point Microwave						Y
WQTC793	CF - Common Carrier Fixed Point to Point Microwave						Y
WQTC856	CF - Common Carrier Fixed Point to Point Microwave						Y

111) Call Sign	112) Radio Service Code	113) Location Number	114) Path Number (Microwave only)	115) Frequency Number	116) Lower or Center Frequency (MHz)	117) Upper Frequency (MHz)	118) Constructed Yes / No
WQTC860	CF - Common Carrier Fixed Point to Point Microwave						Y
WQTC862	CF - Common Carrier Fixed Point to Point Microwave						Y
WQTC864	CF - Common Carrier Fixed Point to Point Microwave						Y
WQTC920	CF - Common Carrier Fixed Point to Point Microwave						Y
WQTC995	CF - Common Carrier Fixed Point to Point Microwave						Y
WQTC996	CF - Common Carrier Fixed Point to Point Microwave						Y
WQTC997	CF - Common Carrier Fixed Point to Point Microwave						Y
WQTC998	CF - Common Carrier Fixed Point to Point Microwave						Y
WQTD496	CF - Common Carrier Fixed Point to Point Microwave						Y
WQTD510	CF - Common Carrier Fixed Point to Point Microwave						Y
WQTD511	CF - Common Carrier Fixed Point to Point Microwave						Y
WQTD512	CF - Common Carrier Fixed Point to Point Microwave						Y
WQTD764	CF - Common Carrier Fixed Point to Point Microwave						Y
WQTD768	CF - Common Carrier Fixed Point to Point Microwave						Y
WQTD769	CF - Common Carrier Fixed Point to Point Microwave						Y
WQTD770	CF - Common Carrier Fixed Point to Point Microwave						Y
WQTD771	CF - Common Carrier Fixed Point to Point Microwave						Y
WQTD772	CF - Common Carrier Fixed Point to Point Microwave						Y
WQTD773	CF - Common Carrier Fixed Point to Point Microwave						Y

111) Call Sign	112) Radio Service Code	113) Location Number	114) Path Number (Microwave only)	115) Frequency Number	116) Lower or Center Frequency (MHz)	117) Upper Frequency (MHz)	118) Constructed Yes / No
WQTD940	CF - Common Carrier Fixed Point to Point Microwave						Y
WQTD986	CF - Common Carrier Fixed Point to Point Microwave						Y
WQTD987	CF - Common Carrier Fixed Point to Point Microwave						Y
WQTD990	CF - Common Carrier Fixed Point to Point Microwave						Y
WQTD999	CF - Common Carrier Fixed Point to Point Microwave						Y
WQTE211	CF - Common Carrier Fixed Point to Point Microwave						Y
WQTE220	CF - Common Carrier Fixed Point to Point Microwave						Y
WQTE222	CF - Common Carrier Fixed Point to Point Microwave						Y
WQTE223	CF - Common Carrier Fixed Point to Point Microwave						Y
WQTE224	CF - Common Carrier Fixed Point to Point Microwave						Y
WQTE225	CF - Common Carrier Fixed Point to Point Microwave						Y
WQTE226	CF - Common Carrier Fixed Point to Point Microwave						Y
WQTE227	CF - Common Carrier Fixed Point to Point Microwave						Y
WQTE229	CF - Common Carrier Fixed Point to Point Microwave						Y
WQTE230	CF - Common Carrier Fixed Point to Point Microwave						Y
WQTE234	CF - Common Carrier Fixed Point to Point Microwave						Y
WQTE277	CF - Common Carrier Fixed Point to Point Microwave						Y
WQTE280	CF - Common Carrier Fixed Point to Point Microwave						Y
WQTE287	CF - Common Carrier Fixed Point to Point Microwave						Y

111) Call Sign	112) Radio Service Code	113) Location Number	114) Path Number (Microwave only)	115) Frequency Number	116) Lower or Center Frequency (MHz)	117) Upper Frequency (MHz)	118) Constructed Yes / No
WQTE290	CF - Common Carrier Fixed Point to Point Microwave						Y
WQTE291	CF - Common Carrier Fixed Point to Point Microwave						Y
WQTE292	CF - Common Carrier Fixed Point to Point Microwave						Y
WQTE578	CF - Common Carrier Fixed Point to Point Microwave						Y
WQTE581	CF - Common Carrier Fixed Point to Point Microwave						Y
WQTE589	CF - Common Carrier Fixed Point to Point Microwave						Y
WQTE590	CF - Common Carrier Fixed Point to Point Microwave						Y
WQTE592	CF - Common Carrier Fixed Point to Point Microwave						Y
WQTE593	CF - Common Carrier Fixed Point to Point Microwave						Y
WQTE727	CF - Common Carrier Fixed Point to Point Microwave						Y
WQTE741	CF - Common Carrier Fixed Point to Point Microwave						Y
WQTE783	CF - Common Carrier Fixed Point to Point Microwave						Y
WQTE785	CF - Common Carrier Fixed Point to Point Microwave						Y
WQTE798	CF - Common Carrier Fixed Point to Point Microwave						Y
WQTE801	CF - Common Carrier Fixed Point to Point Microwave						Y
WQTE802	CF - Common Carrier Fixed Point to Point Microwave						Y
WQTE809	CF - Common Carrier Fixed Point to Point Microwave						Y
WQTE813	CF - Common Carrier Fixed Point to Point Microwave						Y
WQTE816	CF - Common Carrier Fixed Point to Point Microwave						Y

111) Call Sign	112) Radio Service Code	113) Location Number	114) Path Number (Microwave only)	115) Frequency Number	116) Lower or Center Frequency (MHz)	117) Upper Frequency (MHz)	118) Constructed Yes / No
WQTE817	CF - Common Carrier Fixed Point to Point Microwave						Y
WQTE831	CF - Common Carrier Fixed Point to Point Microwave						Y
WQTE832	CF - Common Carrier Fixed Point to Point Microwave						Y
WQTE833	CF - Common Carrier Fixed Point to Point Microwave						Y
WQTE838	CF - Common Carrier Fixed Point to Point Microwave						Y
WQTE839	CF - Common Carrier Fixed Point to Point Microwave						Y
WQTE841	CF - Common Carrier Fixed Point to Point Microwave						Y
WQTE842	CF - Common Carrier Fixed Point to Point Microwave						Y
WQTE867	CF - Common Carrier Fixed Point to Point Microwave						Y
WQTE869	CF - Common Carrier Fixed Point to Point Microwave						Y
WQTE870	CF - Common Carrier Fixed Point to Point Microwave						Y
WQTE874	CF - Common Carrier Fixed Point to Point Microwave						Y
WQTE875	CF - Common Carrier Fixed Point to Point Microwave						Y
WQTF294	CF - Common Carrier Fixed Point to Point Microwave						Y
WQTF339	CF - Common Carrier Fixed Point to Point Microwave						Y
WQTF340	CF - Common Carrier Fixed Point to Point Microwave						Y
WQTF342	CF - Common Carrier Fixed Point to Point Microwave						Y
WQTF343	CF - Common Carrier Fixed Point to Point Microwave						Y
WQTF402	CF - Common Carrier Fixed Point to Point Microwave						Y

111) Call Sign	112) Radio Service Code	113) Location Number	114) Path Number (Microwave only)	115) Frequency Number	116) Lower or Center Frequency (MHz)	117) Upper Frequency (MHz)	118) Constructed Yes / No
WQTF460	CF - Common Carrier Fixed Point to Point Microwave						Y
WQTF463	CF - Common Carrier Fixed Point to Point Microwave						Y
WQTF466	CF - Common Carrier Fixed Point to Point Microwave						Y
WQTF471	CF - Common Carrier Fixed Point to Point Microwave						Y
WQTF472	CF - Common Carrier Fixed Point to Point Microwave						Y
WQTF473	CF - Common Carrier Fixed Point to Point Microwave						Y
WQTF475	CF - Common Carrier Fixed Point to Point Microwave						Y
WQTF477	CF - Common Carrier Fixed Point to Point Microwave						Y
WQTF479	CF - Common Carrier Fixed Point to Point Microwave						Y
WQTF497	CF - Common Carrier Fixed Point to Point Microwave						Y
WQTF501	CF - Common Carrier Fixed Point to Point Microwave						Y
WQTF513	CF - Common Carrier Fixed Point to Point Microwave						Y
WQTF515	CF - Common Carrier Fixed Point to Point Microwave						Y
WQTF518	CF - Common Carrier Fixed Point to Point Microwave						Y
WQTF519	CF - Common Carrier Fixed Point to Point Microwave						Y
WQTF520	CF - Common Carrier Fixed Point to Point Microwave						Y
WQTF528	CF - Common Carrier Fixed Point to Point Microwave						Y
WQTF532	CF - Common Carrier Fixed Point to Point Microwave						Y
WQTF533	CF - Common Carrier Fixed Point to Point Microwave						Y

111) Call Sign	112) Radio Service Code	113) Location Number	114) Path Number (Microwave only)	115) Frequency Number	116) Lower or Center Frequency (MHz)	117) Upper Frequency (MHz)	118) Constructed Yes / No
WQTF537	CF - Common Carrier Fixed Point to Point Microwave						Y
WQTF539	CF - Common Carrier Fixed Point to Point Microwave						Y
WQTF540	CF - Common Carrier Fixed Point to Point Microwave						Y
WQTF562	CF - Common Carrier Fixed Point to Point Microwave						Y
WQTF563	CF - Common Carrier Fixed Point to Point Microwave						Y
WQTF647	CF - Common Carrier Fixed Point to Point Microwave						Y
WQTF672	CF - Common Carrier Fixed Point to Point Microwave						Y
WQTF674	CF - Common Carrier Fixed Point to Point Microwave						Y
WQTF676	CF - Common Carrier Fixed Point to Point Microwave						Y
WQTF682	CF - Common Carrier Fixed Point to Point Microwave						Y
WQTF686	CF - Common Carrier Fixed Point to Point Microwave						Y
WQTF819	CF - Common Carrier Fixed Point to Point Microwave						Y
WQTF862	CF - Common Carrier Fixed Point to Point Microwave						Y
WQTF874	CF - Common Carrier Fixed Point to Point Microwave						Y
WQTF875	CF - Common Carrier Fixed Point to Point Microwave						Y
WQTF876	CF - Common Carrier Fixed Point to Point Microwave						Y
WQTF879	CF - Common Carrier Fixed Point to Point Microwave						Y
WQTF880	CF - Common Carrier Fixed Point to Point Microwave						Y
WQTF881	CF - Common Carrier Fixed Point to Point Microwave						Y

111) Call Sign	112) Radio Service Code	113) Location Number	114) Path Number (Microwave only)	115) Frequency Number	116) Lower or Center Frequency (MHz)	117) Upper Frequency (MHz)	118) Constructed Yes / No
WQTF882	CF - Common Carrier Fixed Point to Point Microwave						Y
WQTF889	CF - Common Carrier Fixed Point to Point Microwave						Y
WQTF890	CF - Common Carrier Fixed Point to Point Microwave						Y
WQTF892	CF - Common Carrier Fixed Point to Point Microwave						Y
WQTF915	CF - Common Carrier Fixed Point to Point Microwave						Y
WQTF960	CF - Common Carrier Fixed Point to Point Microwave						Y
WQTF966	CF - Common Carrier Fixed Point to Point Microwave						Y
WQTF967	CF - Common Carrier Fixed Point to Point Microwave						Y
WQTF968	CF - Common Carrier Fixed Point to Point Microwave						Y
WQTF969	CF - Common Carrier Fixed Point to Point Microwave						Y
WQTF970	CF - Common Carrier Fixed Point to Point Microwave						Y
WQTF971	CF - Common Carrier Fixed Point to Point Microwave						Y
WQTF972	CF - Common Carrier Fixed Point to Point Microwave						Y
WQTF973	CF - Common Carrier Fixed Point to Point Microwave						Y
WQTF974	CF - Common Carrier Fixed Point to Point Microwave						Y
WQTF975	CF - Common Carrier Fixed Point to Point Microwave						Y
WQTF976	CF - Common Carrier Fixed Point to Point Microwave						Y
WQTF977	CF - Common Carrier Fixed Point to Point Microwave						Y
WQTF978	CF - Common Carrier Fixed Point to Point Microwave						Y

111) Call Sign	112) Radio Service Code	113) Location Number	114) Path Number (Microwave only)	115) Frequency Number	116) Lower or Center Frequency (MHz)	117) Upper Frequency (MHz)	118) Constructed Yes / No
WQTF980	CF - Common Carrier Fixed Point to Point Microwave						Y
WQTF981	CF - Common Carrier Fixed Point to Point Microwave						Y
WQTF983	CF - Common Carrier Fixed Point to Point Microwave						Y
WQTF985	CF - Common Carrier Fixed Point to Point Microwave						Y
WQTF986	CF - Common Carrier Fixed Point to Point Microwave						Y
WQTG310	CF - Common Carrier Fixed Point to Point Microwave						Y
WQTG363	CF - Common Carrier Fixed Point to Point Microwave						Y
WQTG372	CF - Common Carrier Fixed Point to Point Microwave						Y
WQTG382	CF - Common Carrier Fixed Point to Point Microwave						Y
WQTG383	CF - Common Carrier Fixed Point to Point Microwave						Y
WQTG385	CF - Common Carrier Fixed Point to Point Microwave						Y
WQTG401	CF - Common Carrier Fixed Point to Point Microwave						Y
WQTG405	CF - Common Carrier Fixed Point to Point Microwave						Y
WQTG416	CF - Common Carrier Fixed Point to Point Microwave						Y
WQTG428	CF - Common Carrier Fixed Point to Point Microwave						Y
WQTG430	CF - Common Carrier Fixed Point to Point Microwave						Y
WQTG434	CF - Common Carrier Fixed Point to Point Microwave						Y
WQTG435	CF - Common Carrier Fixed Point to Point Microwave						Y
WQTG436	CF - Common Carrier Fixed Point to Point Microwave						Y

111) Call Sign	112) Radio Service Code	113) Location Number	114) Path Number (Microwave only)	115) Frequency Number	116) Lower or Center Frequency (MHz)	117) Upper Frequency (MHz)	118) Constructed Yes / No
WQTG437	CF - Common Carrier Fixed Point to Point Microwave						Y
WQTG438	CF - Common Carrier Fixed Point to Point Microwave						Y
WQTG439	CF - Common Carrier Fixed Point to Point Microwave						Y
WQTG441	CF - Common Carrier Fixed Point to Point Microwave						Y
WQTG442	CF - Common Carrier Fixed Point to Point Microwave						Y
WQTG444	CF - Common Carrier Fixed Point to Point Microwave						Y
WQTG447	CF - Common Carrier Fixed Point to Point Microwave						Y
WQTG458	CF - Common Carrier Fixed Point to Point Microwave						Y
WQTG467	CF - Common Carrier Fixed Point to Point Microwave						Y
WQTG468	CF - Common Carrier Fixed Point to Point Microwave						Y
WQTG477	CF - Common Carrier Fixed Point to Point Microwave						Y
WQTG478	CF - Common Carrier Fixed Point to Point Microwave						Y
WQTG479	CF - Common Carrier Fixed Point to Point Microwave						Y
WQTG566	CF - Common Carrier Fixed Point to Point Microwave						Y
WQTG636	CF - Common Carrier Fixed Point to Point Microwave						Y
WQTG679	CF - Common Carrier Fixed Point to Point Microwave						Y
WQTG680	CF - Common Carrier Fixed Point to Point Microwave						Y
WQTG693	CF - Common Carrier Fixed Point to Point Microwave						Y
WQTG694	CF - Common Carrier Fixed Point to Point Microwave						Y

111) Call Sign	112) Radio Service Code	113) Location Number	114) Path Number (Microwave only)	115) Frequency Number	116) Lower or Center Frequency (MHz)	117) Upper Frequency (MHz)	118) Constructed Yes / No
WQTG695	CF - Common Carrier Fixed Point to Point Microwave						Y
WQTG696	CF - Common Carrier Fixed Point to Point Microwave						Y
WQTG698	CF - Common Carrier Fixed Point to Point Microwave						Y
WQTG699	CF - Common Carrier Fixed Point to Point Microwave						Y
WQTG718	CF - Common Carrier Fixed Point to Point Microwave						Y
WQTG719	CF - Common Carrier Fixed Point to Point Microwave						Y
WQTG720	CF - Common Carrier Fixed Point to Point Microwave						Y
WQTG793	CF - Common Carrier Fixed Point to Point Microwave						Y
WQTG803	CF - Common Carrier Fixed Point to Point Microwave						Y
WQTG807	CF - Common Carrier Fixed Point to Point Microwave						Y
WQTG809	CF - Common Carrier Fixed Point to Point Microwave						Y
WQTG811	CF - Common Carrier Fixed Point to Point Microwave						Y
WQTG812	CF - Common Carrier Fixed Point to Point Microwave						Y
WQTG813	CF - Common Carrier Fixed Point to Point Microwave						Y
WQTG866	CF - Common Carrier Fixed Point to Point Microwave						Y
WQTG868	CF - Common Carrier Fixed Point to Point Microwave						Y
WQTG871	CF - Common Carrier Fixed Point to Point Microwave						Y
WQTG874	CF - Common Carrier Fixed Point to Point Microwave						Y
WQTG875	CF - Common Carrier Fixed Point to Point Microwave						Y

111) Call Sign	112) Radio Service Code	113) Location Number	114) Path Number (Microwave only)	115) Frequency Number	116) Lower or Center Frequency (MHz)	117) Upper Frequency (MHz)	118) Constructed Yes / No
WQTG879	CF - Common Carrier Fixed Point to Point Microwave						Y
WQTG880	CF - Common Carrier Fixed Point to Point Microwave						Y
WQTG969	CF - Common Carrier Fixed Point to Point Microwave						Y
WQTH343	CF - Common Carrier Fixed Point to Point Microwave						Y
WQTH373	CF - Common Carrier Fixed Point to Point Microwave						Y
WQTH375	CF - Common Carrier Fixed Point to Point Microwave						Y
WQTH376	CF - Common Carrier Fixed Point to Point Microwave						Y
WQTH378	CF - Common Carrier Fixed Point to Point Microwave						Y
WQTH379	CF - Common Carrier Fixed Point to Point Microwave						Y
WQTH380	CF - Common Carrier Fixed Point to Point Microwave						Y
WQTH381	CF - Common Carrier Fixed Point to Point Microwave						Y
WQTH382	CF - Common Carrier Fixed Point to Point Microwave						Y
WQTH386	CF - Common Carrier Fixed Point to Point Microwave						Y
WQTH387	CF - Common Carrier Fixed Point to Point Microwave						Y
WQTH388	CF - Common Carrier Fixed Point to Point Microwave						Y
WQTH389	CF - Common Carrier Fixed Point to Point Microwave						Y
WQTH391	CF - Common Carrier Fixed Point to Point Microwave						Y
WQTH578	CF - Common Carrier Fixed Point to Point Microwave						Y
WQTH709	CF - Common Carrier Fixed Point to Point Microwave						Y

111) Call Sign	112) Radio Service Code	113) Location Number	114) Path Number (Microwave only)	115) Frequency Number	116) Lower or Center Frequency (MHz)	117) Upper Frequency (MHz)	118) Constructed Yes / No
WQTH786	CF - Common Carrier Fixed Point to Point Microwave						Y
WQTH792	CF - Common Carrier Fixed Point to Point Microwave						Y
WQTI225	CF - Common Carrier Fixed Point to Point Microwave						Y
WQTI226	CF - Common Carrier Fixed Point to Point Microwave						Y
WQTI399	CF - Common Carrier Fixed Point to Point Microwave						Y
WQTI411	CF - Common Carrier Fixed Point to Point Microwave						Y
WQTI414	CF - Common Carrier Fixed Point to Point Microwave						Y
WQTI415	CF - Common Carrier Fixed Point to Point Microwave						Y
WQTI416	CF - Common Carrier Fixed Point to Point Microwave						Y
WQTI417	CF - Common Carrier Fixed Point to Point Microwave						Y
WQTI423	CF - Common Carrier Fixed Point to Point Microwave						Y
WQTI424	CF - Common Carrier Fixed Point to Point Microwave						Y
WQTI429	CF - Common Carrier Fixed Point to Point Microwave						Y
WQTI437	CF - Common Carrier Fixed Point to Point Microwave						Y
WQTI446	CF - Common Carrier Fixed Point to Point Microwave						Y
WQTI447	CF - Common Carrier Fixed Point to Point Microwave						Y
WQTI448	CF - Common Carrier Fixed Point to Point Microwave						Y
WQTI449	CF - Common Carrier Fixed Point to Point Microwave						Y
WQTI450	CF - Common Carrier Fixed Point to Point Microwave						Y

111) Call Sign	112) Radio Service Code	113) Location Number	114) Path Number (Microwave only)	115) Frequency Number	116) Lower or Center Frequency (MHz)	117) Upper Frequency (MHz)	118) Constructed Yes / No
WQTI451	CF - Common Carrier Fixed Point to Point Microwave						Y
WQTI452	CF - Common Carrier Fixed Point to Point Microwave						Y
WQTI453	CF - Common Carrier Fixed Point to Point Microwave						Y
WQTI463	CF - Common Carrier Fixed Point to Point Microwave						Y
WQTI557	CF - Common Carrier Fixed Point to Point Microwave						Y
WQTI559	CF - Common Carrier Fixed Point to Point Microwave						Y
WQTI561	CF - Common Carrier Fixed Point to Point Microwave						Y
WQTI628	CF - Common Carrier Fixed Point to Point Microwave						Y
WQTI639	CF - Common Carrier Fixed Point to Point Microwave						Y
WQTI641	CF - Common Carrier Fixed Point to Point Microwave						Y
WQTI646	CF - Common Carrier Fixed Point to Point Microwave						Y
WQTI651	CF - Common Carrier Fixed Point to Point Microwave						Y
WQTI652	CF - Common Carrier Fixed Point to Point Microwave						Y
WQTI657	CF - Common Carrier Fixed Point to Point Microwave						Y
WQTI661	CF - Common Carrier Fixed Point to Point Microwave						Y
WQTI668	CF - Common Carrier Fixed Point to Point Microwave						Y
WQTI669	CF - Common Carrier Fixed Point to Point Microwave						Y
WQTI675	CF - Common Carrier Fixed Point to Point Microwave						Y
WQTI678	CF - Common Carrier Fixed Point to Point Microwave						Y

111) Call Sign	112) Radio Service Code	113) Location Number	114) Path Number (Microwave only)	115) Frequency Number	116) Lower or Center Frequency (MHz)	117) Upper Frequency (MHz)	118) Constructed Yes / No
WQTI679	CF - Common Carrier Fixed Point to Point Microwave						Y
WQTI682	CF - Common Carrier Fixed Point to Point Microwave						Y
WQTI685	CF - Common Carrier Fixed Point to Point Microwave						Y
WQTI686	CF - Common Carrier Fixed Point to Point Microwave						Y
WQTI694	CF - Common Carrier Fixed Point to Point Microwave						Y
WQTI810	CF - Common Carrier Fixed Point to Point Microwave						Y
WQTI811	CF - Common Carrier Fixed Point to Point Microwave						Y
WQTI881	CF - Common Carrier Fixed Point to Point Microwave						Y
WQTI886	CF - Common Carrier Fixed Point to Point Microwave						Y
WQTI890	CF - Common Carrier Fixed Point to Point Microwave						Y
WQTI892	CF - Common Carrier Fixed Point to Point Microwave						Y
WQTI894	CF - Common Carrier Fixed Point to Point Microwave						Y
WQTI909	CF - Common Carrier Fixed Point to Point Microwave						Y
WQTI997	CF - Common Carrier Fixed Point to Point Microwave						Y
WQTI999	CF - Common Carrier Fixed Point to Point Microwave						Y
WQTJ200	CF - Common Carrier Fixed Point to Point Microwave						Y
WQTJ202	CF - Common Carrier Fixed Point to Point Microwave						Y
WQTJ203	CF - Common Carrier Fixed Point to Point Microwave						Y
WQTJ205	CF - Common Carrier Fixed Point to Point Microwave						Y

111) Call Sign	112) Radio Service Code	113) Location Number	114) Path Number (Microwave only)	115) Frequency Number	116) Lower or Center Frequency (MHz)	117) Upper Frequency (MHz)	118) Constructed Yes / No
WQTJ213	CF - Common Carrier Fixed Point to Point Microwave						Y
WQTJ214	CF - Common Carrier Fixed Point to Point Microwave						Y
WQTJ215	CF - Common Carrier Fixed Point to Point Microwave						Y
WQTJ221	CF - Common Carrier Fixed Point to Point Microwave						Y
WQTJ222	CF - Common Carrier Fixed Point to Point Microwave						Y
WQTJ224	CF - Common Carrier Fixed Point to Point Microwave						Y
WQTJ225	CF - Common Carrier Fixed Point to Point Microwave						Y
WQTJ346	CF - Common Carrier Fixed Point to Point Microwave						Y
WQTJ524	CF - Common Carrier Fixed Point to Point Microwave						Y
WQTJ525	CF - Common Carrier Fixed Point to Point Microwave						Y
WQTJ526	CF - Common Carrier Fixed Point to Point Microwave						Y
WQTJ527	CF - Common Carrier Fixed Point to Point Microwave						Y
WQTJ528	CF - Common Carrier Fixed Point to Point Microwave						Y
WQTJ529	CF - Common Carrier Fixed Point to Point Microwave						Y
WQTJ530	CF - Common Carrier Fixed Point to Point Microwave						Y
WQTJ533	CF - Common Carrier Fixed Point to Point Microwave						Y
WQTJ534	CF - Common Carrier Fixed Point to Point Microwave						Y
WQTJ688	CF - Common Carrier Fixed Point to Point Microwave						Y
WQTJ701	CF - Common Carrier Fixed Point to Point Microwave						Y

111) Call Sign	112) Radio Service Code	113) Location Number	114) Path Number (Microwave only)	115) Frequency Number	116) Lower or Center Frequency (MHz)	117) Upper Frequency (MHz)	118) Constructed Yes / No
WQJT709	CF - Common Carrier Fixed Point to Point Microwave						Y
WQJT735	CF - Common Carrier Fixed Point to Point Microwave						Y
WQJT746	CF - Common Carrier Fixed Point to Point Microwave						Y
WQJT747	CF - Common Carrier Fixed Point to Point Microwave						Y
WQJT748	CF - Common Carrier Fixed Point to Point Microwave						Y
WQJT765	CF - Common Carrier Fixed Point to Point Microwave						Y
WQJT767	CF - Common Carrier Fixed Point to Point Microwave						Y
WQJT779	CF - Common Carrier Fixed Point to Point Microwave						Y
WQJT834	CF - Common Carrier Fixed Point to Point Microwave						Y
WQJT836	CF - Common Carrier Fixed Point to Point Microwave						Y
WQJT925	CF - Common Carrier Fixed Point to Point Microwave						Y
WQJT928	CF - Common Carrier Fixed Point to Point Microwave						Y
WQJT930	CF - Common Carrier Fixed Point to Point Microwave						Y
WQJT935	CF - Common Carrier Fixed Point to Point Microwave						Y
WQJT937	CF - Common Carrier Fixed Point to Point Microwave						Y
WQJT938	CF - Common Carrier Fixed Point to Point Microwave						Y
WQJT950	CF - Common Carrier Fixed Point to Point Microwave						Y
WQJT951	CF - Common Carrier Fixed Point to Point Microwave						Y
WQJT977	CF - Common Carrier Fixed Point to Point Microwave						Y

111) Call Sign	112) Radio Service Code	113) Location Number	114) Path Number (Microwave only)	115) Frequency Number	116) Lower or Center Frequency (MHz)	117) Upper Frequency (MHz)	118) Constructed Yes / No
WQJT979	CF - Common Carrier Fixed Point to Point Microwave						Y
WQJT980	CF - Common Carrier Fixed Point to Point Microwave						Y
WQJT981	CF - Common Carrier Fixed Point to Point Microwave						Y
WQJT982	CF - Common Carrier Fixed Point to Point Microwave						Y
WQJT984	CF - Common Carrier Fixed Point to Point Microwave						Y
WQJT985	CF - Common Carrier Fixed Point to Point Microwave						Y
WQJT997	CF - Common Carrier Fixed Point to Point Microwave						Y
WQTK205	CF - Common Carrier Fixed Point to Point Microwave						Y
WQTK208	CF - Common Carrier Fixed Point to Point Microwave						Y
WQTK210	CF - Common Carrier Fixed Point to Point Microwave						Y
WQTK211	CF - Common Carrier Fixed Point to Point Microwave						Y
WQTK212	CF - Common Carrier Fixed Point to Point Microwave						Y
WQTK216	CF - Common Carrier Fixed Point to Point Microwave						Y
WQTK217	CF - Common Carrier Fixed Point to Point Microwave						Y
WQTK218	CF - Common Carrier Fixed Point to Point Microwave						Y
WQTK223	CF - Common Carrier Fixed Point to Point Microwave						Y
WQTK224	CF - Common Carrier Fixed Point to Point Microwave						Y
WQTK225	CF - Common Carrier Fixed Point to Point Microwave						Y
WQTK226	CF - Common Carrier Fixed Point to Point Microwave						Y

111) Call Sign	112) Radio Service Code	113) Location Number	114) Path Number (Microwave only)	115) Frequency Number	116) Lower or Center Frequency (MHz)	117) Upper Frequency (MHz)	118) Constructed Yes / No
WQTK230	CF - Common Carrier Fixed Point to Point Microwave						Y
WQTK231	CF - Common Carrier Fixed Point to Point Microwave						Y
WQTK324	CF - Common Carrier Fixed Point to Point Microwave						Y
WQTK332	CF - Common Carrier Fixed Point to Point Microwave						Y
WQTK354	CF - Common Carrier Fixed Point to Point Microwave						Y
WQTK355	CF - Common Carrier Fixed Point to Point Microwave						Y
WQTK361	CF - Common Carrier Fixed Point to Point Microwave						Y
WQTK365	CF - Common Carrier Fixed Point to Point Microwave						Y
WQTK367	CF - Common Carrier Fixed Point to Point Microwave						Y
WQTK385	CF - Common Carrier Fixed Point to Point Microwave						Y
WQTK395	CF - Common Carrier Fixed Point to Point Microwave						Y
WQTK401	CF - Common Carrier Fixed Point to Point Microwave						Y
WQTK404	CF - Common Carrier Fixed Point to Point Microwave						Y
WQTK405	CF - Common Carrier Fixed Point to Point Microwave						Y
WQTK410	CF - Common Carrier Fixed Point to Point Microwave						Y
WQTK415	CF - Common Carrier Fixed Point to Point Microwave						Y
WQTK417	CF - Common Carrier Fixed Point to Point Microwave						Y
WQTK419	CF - Common Carrier Fixed Point to Point Microwave						Y
WQTK420	CF - Common Carrier Fixed Point to Point Microwave						Y

111) Call Sign	112) Radio Service Code	113) Location Number	114) Path Number (Microwave only)	115) Frequency Number	116) Lower or Center Frequency (MHz)	117) Upper Frequency (MHz)	118) Constructed Yes / No
WQTK423	CF - Common Carrier Fixed Point to Point Microwave						Y
WQTK424	CF - Common Carrier Fixed Point to Point Microwave						Y
WQTK425	CF - Common Carrier Fixed Point to Point Microwave						Y
WQTK427	CF - Common Carrier Fixed Point to Point Microwave						Y
WQTK429	CF - Common Carrier Fixed Point to Point Microwave						Y
WQTK430	CF - Common Carrier Fixed Point to Point Microwave						Y
WQTK445	CF - Common Carrier Fixed Point to Point Microwave						Y
WQTK446	CF - Common Carrier Fixed Point to Point Microwave						Y
WQTK447	CF - Common Carrier Fixed Point to Point Microwave						Y
WQTK450	CF - Common Carrier Fixed Point to Point Microwave						Y
WQTK451	CF - Common Carrier Fixed Point to Point Microwave						Y
WQTK452	CF - Common Carrier Fixed Point to Point Microwave						Y
WQTK457	CF - Common Carrier Fixed Point to Point Microwave						Y
WQTK458	CF - Common Carrier Fixed Point to Point Microwave						Y
WQTK459	CF - Common Carrier Fixed Point to Point Microwave						Y
WQTK460	CF - Common Carrier Fixed Point to Point Microwave						Y
WQTK511	CF - Common Carrier Fixed Point to Point Microwave						Y
WQTK512	CF - Common Carrier Fixed Point to Point Microwave						Y
WQTK514	CF - Common Carrier Fixed Point to Point Microwave						Y

111) Call Sign	112) Radio Service Code	113) Location Number	114) Path Number (Microwave only)	115) Frequency Number	116) Lower or Center Frequency (MHz)	117) Upper Frequency (MHz)	118) Constructed Yes / No
WQTK515	CF - Common Carrier Fixed Point to Point Microwave						Y
WQTK517	CF - Common Carrier Fixed Point to Point Microwave						Y
WQTK518	CF - Common Carrier Fixed Point to Point Microwave						Y
WQTK521	CF - Common Carrier Fixed Point to Point Microwave						Y
WQTK522	CF - Common Carrier Fixed Point to Point Microwave						Y
WQTK524	CF - Common Carrier Fixed Point to Point Microwave						Y
WQTK550	CF - Common Carrier Fixed Point to Point Microwave						Y
WQTK553	CF - Common Carrier Fixed Point to Point Microwave						Y
WQTK554	CF - Common Carrier Fixed Point to Point Microwave						Y
WQTK578	CF - Common Carrier Fixed Point to Point Microwave						Y
WQTK579	CF - Common Carrier Fixed Point to Point Microwave						Y
WQTK580	CF - Common Carrier Fixed Point to Point Microwave						Y
WQTK588	CF - Common Carrier Fixed Point to Point Microwave						Y
WQTK606	CF - Common Carrier Fixed Point to Point Microwave						Y
WQTK607	CF - Common Carrier Fixed Point to Point Microwave						Y
WQTK664	CF - Common Carrier Fixed Point to Point Microwave						Y
WQTK668	CF - Common Carrier Fixed Point to Point Microwave						Y
WQTK669	CF - Common Carrier Fixed Point to Point Microwave						Y
WQTK675	CF - Common Carrier Fixed Point to Point Microwave						Y

111) Call Sign	112) Radio Service Code	113) Location Number	114) Path Number (Microwave only)	115) Frequency Number	116) Lower or Center Frequency (MHz)	117) Upper Frequency (MHz)	118) Constructed Yes / No
WQTK676	CF - Common Carrier Fixed Point to Point Microwave						Y
WQTK677	CF - Common Carrier Fixed Point to Point Microwave						Y
WQTK678	CF - Common Carrier Fixed Point to Point Microwave						Y
WQTK679	CF - Common Carrier Fixed Point to Point Microwave						Y
WQTK680	CF - Common Carrier Fixed Point to Point Microwave						Y
WQTK682	CF - Common Carrier Fixed Point to Point Microwave						Y
WQTK683	CF - Common Carrier Fixed Point to Point Microwave						Y
WQTK771	CF - Common Carrier Fixed Point to Point Microwave						Y
WQTK907	CF - Common Carrier Fixed Point to Point Microwave						Y
WQTK908	CF - Common Carrier Fixed Point to Point Microwave						Y
WQTK910	CF - Common Carrier Fixed Point to Point Microwave						Y
WQTL349	CF - Common Carrier Fixed Point to Point Microwave						Y
WQTL370	CF - Common Carrier Fixed Point to Point Microwave						Y
WQTL458	CF - Common Carrier Fixed Point to Point Microwave						Y
WQTL459	CF - Common Carrier Fixed Point to Point Microwave						Y
WQTL461	CF - Common Carrier Fixed Point to Point Microwave						Y
WQTL467	CF - Common Carrier Fixed Point to Point Microwave						Y
WQTL469	CF - Common Carrier Fixed Point to Point Microwave						Y
WQTL493	CF - Common Carrier Fixed Point to Point Microwave						Y

111) Call Sign	112) Radio Service Code	113) Location Number	114) Path Number (Microwave only)	115) Frequency Number	116) Lower or Center Frequency (MHz)	117) Upper Frequency (MHz)	118) Constructed Yes / No
WQTL494	CF - Common Carrier Fixed Point to Point Microwave						Y
WQTL495	CF - Common Carrier Fixed Point to Point Microwave						Y
WQTL496	CF - Common Carrier Fixed Point to Point Microwave						Y
WQTL497	CF - Common Carrier Fixed Point to Point Microwave						Y
WQTL498	CF - Common Carrier Fixed Point to Point Microwave						Y
WQTL499	CF - Common Carrier Fixed Point to Point Microwave						Y
WQTL500	CF - Common Carrier Fixed Point to Point Microwave						Y
WQTL502	CF - Common Carrier Fixed Point to Point Microwave						Y
WQTL508	CF - Common Carrier Fixed Point to Point Microwave						Y
WQTL553	CF - Common Carrier Fixed Point to Point Microwave						Y
WQTL555	CF - Common Carrier Fixed Point to Point Microwave						Y
WQTL611	CW - PCS Broadband						Y
WQTL687	CF - Common Carrier Fixed Point to Point Microwave						Y
WQTL706	CF - Common Carrier Fixed Point to Point Microwave						Y
WQTL707	CF - Common Carrier Fixed Point to Point Microwave						Y
WQTL708	CF - Common Carrier Fixed Point to Point Microwave						Y
WQTL709	CF - Common Carrier Fixed Point to Point Microwave						Y
WQTL711	CF - Common Carrier Fixed Point to Point Microwave						Y
WQTL712	CF - Common Carrier Fixed Point to Point Microwave						Y

111) Call Sign	112) Radio Service Code	113) Location Number	114) Path Number (Microwave only)	115) Frequency Number	116) Lower or Center Frequency (MHz)	117) Upper Frequency (MHz)	118) Constructed Yes / No
WQTL732	CF - Common Carrier Fixed Point to Point Microwave						Y
WQTL742	CF - Common Carrier Fixed Point to Point Microwave						Y
WQTL743	CF - Common Carrier Fixed Point to Point Microwave						Y
WQTL746	CF - Common Carrier Fixed Point to Point Microwave						Y
WQTL747	CF - Common Carrier Fixed Point to Point Microwave						Y
WQTL750	CF - Common Carrier Fixed Point to Point Microwave						Y
WQTL752	CF - Common Carrier Fixed Point to Point Microwave						Y
WQTL757	CF - Common Carrier Fixed Point to Point Microwave						Y
WQTL793	CF - Common Carrier Fixed Point to Point Microwave						Y
WQTL796	CF - Common Carrier Fixed Point to Point Microwave						Y
WQTL800	CF - Common Carrier Fixed Point to Point Microwave						Y
WQTM223	CF - Common Carrier Fixed Point to Point Microwave						Y
WQTM225	CF - Common Carrier Fixed Point to Point Microwave						Y
WQTM488	CF - Common Carrier Fixed Point to Point Microwave						Y
WQTM489	CF - Common Carrier Fixed Point to Point Microwave						Y
WQTM490	CF - Common Carrier Fixed Point to Point Microwave						Y
WQTM491	CF - Common Carrier Fixed Point to Point Microwave						Y
WQTM551	WY - 700 MHz Lower Band (Blocks A, B & E)						Y
WQTM576	CF - Common Carrier Fixed Point to Point Microwave						Y

111) Call Sign	112) Radio Service Code	113) Location Number	114) Path Number (Microwave only)	115) Frequency Number	116) Lower or Center Frequency (MHz)	117) Upper Frequency (MHz)	118) Constructed Yes / No
WQTM581	CF - Common Carrier Fixed Point to Point Microwave						Y
WQTM600	CF - Common Carrier Fixed Point to Point Microwave						Y
WQTM604	CF - Common Carrier Fixed Point to Point Microwave						Y
WQTM610	CF - Common Carrier Fixed Point to Point Microwave						Y
WQTM611	CF - Common Carrier Fixed Point to Point Microwave						Y
WQTM638	CF - Common Carrier Fixed Point to Point Microwave						Y
WQTM642	CF - Common Carrier Fixed Point to Point Microwave						Y
WQTM643	CF - Common Carrier Fixed Point to Point Microwave						Y
WQTM644	CF - Common Carrier Fixed Point to Point Microwave						Y
WQTM741	CF - Common Carrier Fixed Point to Point Microwave						Y
WQTM771	CF - Common Carrier Fixed Point to Point Microwave						Y
WQTM951	CF - Common Carrier Fixed Point to Point Microwave						Y
WQTM952	CF - Common Carrier Fixed Point to Point Microwave						Y
WQTM957	CF - Common Carrier Fixed Point to Point Microwave						Y
WQTM959	CF - Common Carrier Fixed Point to Point Microwave						Y
WQTM988	CF - Common Carrier Fixed Point to Point Microwave						Y
WQTM996	CF - Common Carrier Fixed Point to Point Microwave						Y
WQTM997	CF - Common Carrier Fixed Point to Point Microwave						Y
WQTM998	CF - Common Carrier Fixed Point to Point Microwave						Y

111) Call Sign	112) Radio Service Code	113) Location Number	114) Path Number (Microwave only)	115) Frequency Number	116) Lower or Center Frequency (MHz)	117) Upper Frequency (MHz)	118) Constructed Yes / No
WQTM999	CF - Common Carrier Fixed Point to Point Microwave						Y
WQTN201	CF - Common Carrier Fixed Point to Point Microwave						Y
WQTN202	CF - Common Carrier Fixed Point to Point Microwave						Y
WQTN217	CF - Common Carrier Fixed Point to Point Microwave						Y
WQTN240	CF - Common Carrier Fixed Point to Point Microwave						Y
WQTN261	CF - Common Carrier Fixed Point to Point Microwave						Y
WQTN264	CF - Common Carrier Fixed Point to Point Microwave						Y
WQTN266	CF - Common Carrier Fixed Point to Point Microwave						Y
WQTN267	CF - Common Carrier Fixed Point to Point Microwave						Y
WQTN272	CF - Common Carrier Fixed Point to Point Microwave						Y
WQTN273	CF - Common Carrier Fixed Point to Point Microwave						Y
WQTN382	CF - Common Carrier Fixed Point to Point Microwave						Y
WQTN384	CF - Common Carrier Fixed Point to Point Microwave						Y
WQTN388	CF - Common Carrier Fixed Point to Point Microwave						Y
WQTN392	CF - Common Carrier Fixed Point to Point Microwave						Y
WQTN393	CF - Common Carrier Fixed Point to Point Microwave						Y
WQTN402	CF - Common Carrier Fixed Point to Point Microwave						Y
WQTN403	CF - Common Carrier Fixed Point to Point Microwave						Y
WQTN405	CF - Common Carrier Fixed Point to Point Microwave						Y

111) Call Sign	112) Radio Service Code	113) Location Number	114) Path Number (Microwave only)	115) Frequency Number	116) Lower or Center Frequency (MHz)	117) Upper Frequency (MHz)	118) Constructed Yes / No
WQTN408	CF - Common Carrier Fixed Point to Point Microwave						Y
WQTN409	CF - Common Carrier Fixed Point to Point Microwave						Y
WQTN410	CF - Common Carrier Fixed Point to Point Microwave						Y
WQTN411	CF - Common Carrier Fixed Point to Point Microwave						Y
WQTN415	CF - Common Carrier Fixed Point to Point Microwave						Y
WQTN798	CF - Common Carrier Fixed Point to Point Microwave						Y
WQTN818	CF - Common Carrier Fixed Point to Point Microwave						Y
WQTN905	CF - Common Carrier Fixed Point to Point Microwave						Y
WQTN918	CF - Common Carrier Fixed Point to Point Microwave						Y
WQTP235	CF - Common Carrier Fixed Point to Point Microwave						Y
WQTP236	CF - Common Carrier Fixed Point to Point Microwave						Y
WQTP239	CF - Common Carrier Fixed Point to Point Microwave						Y
WQTP243	CF - Common Carrier Fixed Point to Point Microwave						Y
WQTP244	CF - Common Carrier Fixed Point to Point Microwave						Y
WQTP246	CF - Common Carrier Fixed Point to Point Microwave						Y
WQTP357	CF - Common Carrier Fixed Point to Point Microwave						Y
WQTP358	CF - Common Carrier Fixed Point to Point Microwave						Y
WQTP361	CF - Common Carrier Fixed Point to Point Microwave						Y
WQTP362	CF - Common Carrier Fixed Point to Point Microwave						Y

111) Call Sign	112) Radio Service Code	113) Location Number	114) Path Number (Microwave only)	115) Frequency Number	116) Lower or Center Frequency (MHz)	117) Upper Frequency (MHz)	118) Constructed Yes / No
WQTP408	CF - Common Carrier Fixed Point to Point Microwave						Y
WQTP410	CF - Common Carrier Fixed Point to Point Microwave						Y
WQTP411	CF - Common Carrier Fixed Point to Point Microwave						Y
WQTP574	CF - Common Carrier Fixed Point to Point Microwave						Y
WQTP582	CF - Common Carrier Fixed Point to Point Microwave						Y
WQTP583	CF - Common Carrier Fixed Point to Point Microwave						Y
WQTP585	CF - Common Carrier Fixed Point to Point Microwave						Y
WQTP586	CF - Common Carrier Fixed Point to Point Microwave						Y
WQTP607	CF - Common Carrier Fixed Point to Point Microwave						Y
WQTP608	CF - Common Carrier Fixed Point to Point Microwave						Y
WQTP609	CF - Common Carrier Fixed Point to Point Microwave						Y
WQTP611	CF - Common Carrier Fixed Point to Point Microwave						Y
WQTP615	CF - Common Carrier Fixed Point to Point Microwave						Y
WQTP616	CF - Common Carrier Fixed Point to Point Microwave						Y
WQTP617	CF - Common Carrier Fixed Point to Point Microwave						Y
WQTP666	CF - Common Carrier Fixed Point to Point Microwave						Y
WQTP752	CF - Common Carrier Fixed Point to Point Microwave						Y
WQTP753	CF - Common Carrier Fixed Point to Point Microwave						Y
WQTP757	CF - Common Carrier Fixed Point to Point Microwave						Y

111) Call Sign	112) Radio Service Code	113) Location Number	114) Path Number (Microwave only)	115) Frequency Number	116) Lower or Center Frequency (MHz)	117) Upper Frequency (MHz)	118) Constructed Yes / No
WQTP765	CF - Common Carrier Fixed Point to Point Microwave						Y
WQTP772	CF - Common Carrier Fixed Point to Point Microwave						Y
WQTP871	CF - Common Carrier Fixed Point to Point Microwave						Y
WQTP901	CF - Common Carrier Fixed Point to Point Microwave						Y
WQTP915	CF - Common Carrier Fixed Point to Point Microwave						Y
WQTP918	CF - Common Carrier Fixed Point to Point Microwave						Y
WQTP919	CF - Common Carrier Fixed Point to Point Microwave						Y
WQTP920	CF - Common Carrier Fixed Point to Point Microwave						Y
WQTP921	CF - Common Carrier Fixed Point to Point Microwave						Y
WQTP923	CF - Common Carrier Fixed Point to Point Microwave						Y
WQTP924	CF - Common Carrier Fixed Point to Point Microwave						Y
WQTP925	CF - Common Carrier Fixed Point to Point Microwave						Y
WQTP926	CF - Common Carrier Fixed Point to Point Microwave						Y
WQTP929	CF - Common Carrier Fixed Point to Point Microwave						Y
WQTP930	CF - Common Carrier Fixed Point to Point Microwave						Y
WQTP935	CF - Common Carrier Fixed Point to Point Microwave						Y
WQTP936	CF - Common Carrier Fixed Point to Point Microwave						Y
WQTP999	CF - Common Carrier Fixed Point to Point Microwave						Y
WQTP200	CF - Common Carrier Fixed Point to Point Microwave						Y

111) Call Sign	112) Radio Service Code	113) Location Number	114) Path Number (Microwave only)	115) Frequency Number	116) Lower or Center Frequency (MHz)	117) Upper Frequency (MHz)	118) Constructed Yes / No
WQTQ201	CF - Common Carrier Fixed Point to Point Microwave						Y
WQTQ204	CF - Common Carrier Fixed Point to Point Microwave						Y
WQTQ428	CF - Common Carrier Fixed Point to Point Microwave						Y
WQTQ595	CF - Common Carrier Fixed Point to Point Microwave						Y
WQTQ596	CF - Common Carrier Fixed Point to Point Microwave						Y
WQTQ597	CF - Common Carrier Fixed Point to Point Microwave						Y
WQTQ609	CF - Common Carrier Fixed Point to Point Microwave						Y
WQTQ610	CF - Common Carrier Fixed Point to Point Microwave						Y
WQTQ611	CF - Common Carrier Fixed Point to Point Microwave						Y
WQTQ612	CF - Common Carrier Fixed Point to Point Microwave						Y
WQTQ615	CF - Common Carrier Fixed Point to Point Microwave						Y
WQTQ617	CF - Common Carrier Fixed Point to Point Microwave						Y
WQTQ618	CF - Common Carrier Fixed Point to Point Microwave						Y
WQTQ622	CF - Common Carrier Fixed Point to Point Microwave						Y
WQTQ623	CF - Common Carrier Fixed Point to Point Microwave						Y
WQTQ624	CF - Common Carrier Fixed Point to Point Microwave						Y
WQTQ788	CF - Common Carrier Fixed Point to Point Microwave						Y
WQTQ789	CF - Common Carrier Fixed Point to Point Microwave						Y
WQTQ791	CF - Common Carrier Fixed Point to Point Microwave						Y

111) Call Sign	112) Radio Service Code	113) Location Number	114) Path Number (Microwave only)	115) Frequency Number	116) Lower or Center Frequency (MHz)	117) Upper Frequency (MHz)	118) Constructed Yes / No
WQTQ792	CF - Common Carrier Fixed Point to Point Microwave						Y
WQTQ795	CF - Common Carrier Fixed Point to Point Microwave						Y
WQTQ796	CF - Common Carrier Fixed Point to Point Microwave						Y
WQTQ801	CF - Common Carrier Fixed Point to Point Microwave						Y
WQTQ803	CF - Common Carrier Fixed Point to Point Microwave						Y
WQTQ818	CF - Common Carrier Fixed Point to Point Microwave						Y
WQTQ819	CF - Common Carrier Fixed Point to Point Microwave						Y
WQTQ820	CF - Common Carrier Fixed Point to Point Microwave						Y
WQTQ904	CF - Common Carrier Fixed Point to Point Microwave						Y
WQTQ906	CF - Common Carrier Fixed Point to Point Microwave						Y
WQTQ907	CF - Common Carrier Fixed Point to Point Microwave						Y
WQTQ908	CF - Common Carrier Fixed Point to Point Microwave						Y
WQTQ918	CF - Common Carrier Fixed Point to Point Microwave						Y
WQTQ919	CF - Common Carrier Fixed Point to Point Microwave						Y
WQTQ921	CF - Common Carrier Fixed Point to Point Microwave						Y
WQTQ933	CF - Common Carrier Fixed Point to Point Microwave						Y
WQTQ936	CF - Common Carrier Fixed Point to Point Microwave						Y
WQTQ968	CF - Common Carrier Fixed Point to Point Microwave						Y
WQTQ969	CF - Common Carrier Fixed Point to Point Microwave						Y

111) Call Sign	112) Radio Service Code	113) Location Number	114) Path Number (Microwave only)	115) Frequency Number	116) Lower or Center Frequency (MHz)	117) Upper Frequency (MHz)	118) Constructed Yes / No
WQSQ970	CF - Common Carrier Fixed Point to Point Microwave						Y
WQSQ971	CF - Common Carrier Fixed Point to Point Microwave						Y
WQSQ972	CF - Common Carrier Fixed Point to Point Microwave						Y
WQSQ996	CF - Common Carrier Fixed Point to Point Microwave						Y
WQSQ998	CF - Common Carrier Fixed Point to Point Microwave						Y
WQSQ999	CF - Common Carrier Fixed Point to Point Microwave						Y
WQTR200	CF - Common Carrier Fixed Point to Point Microwave						Y
WQTR203	CF - Common Carrier Fixed Point to Point Microwave						Y
WQTR205	CF - Common Carrier Fixed Point to Point Microwave						Y
WQTR206	CF - Common Carrier Fixed Point to Point Microwave						Y
WQTR207	CF - Common Carrier Fixed Point to Point Microwave						Y
WQTR235	CF - Common Carrier Fixed Point to Point Microwave						Y
WQTR237	CF - Common Carrier Fixed Point to Point Microwave						Y
WQTR322	CF - Common Carrier Fixed Point to Point Microwave						Y
WQTR323	CF - Common Carrier Fixed Point to Point Microwave						Y
WQTR347	CF - Common Carrier Fixed Point to Point Microwave						Y
WQTR348	CF - Common Carrier Fixed Point to Point Microwave						Y
WQTR382	CF - Common Carrier Fixed Point to Point Microwave						Y
WQTR416	CF - Common Carrier Fixed Point to Point Microwave						Y

111) Call Sign	112) Radio Service Code	113) Location Number	114) Path Number (Microwave only)	115) Frequency Number	116) Lower or Center Frequency (MHz)	117) Upper Frequency (MHz)	118) Constructed Yes / No
WQTR464	CF - Common Carrier Fixed Point to Point Microwave						Y
WQTR495	CF - Common Carrier Fixed Point to Point Microwave						Y
WQTR497	CF - Common Carrier Fixed Point to Point Microwave						Y
WQTR522	CF - Common Carrier Fixed Point to Point Microwave						Y
WQTR525	CF - Common Carrier Fixed Point to Point Microwave						Y
WQTR611	CF - Common Carrier Fixed Point to Point Microwave						Y
WQTR613	CF - Common Carrier Fixed Point to Point Microwave						Y
WQTR614	CF - Common Carrier Fixed Point to Point Microwave						Y
WQTR677	CF - Common Carrier Fixed Point to Point Microwave						Y
WQTR879	CF - Common Carrier Fixed Point to Point Microwave						Y
WQTR880	CF - Common Carrier Fixed Point to Point Microwave						Y
WQTR881	CF - Common Carrier Fixed Point to Point Microwave						Y
WQTR882	CF - Common Carrier Fixed Point to Point Microwave						Y
WQTR883	CF - Common Carrier Fixed Point to Point Microwave						Y
WQTR884	CF - Common Carrier Fixed Point to Point Microwave						Y
WQTR887	CF - Common Carrier Fixed Point to Point Microwave						Y
WQTR891	CF - Common Carrier Fixed Point to Point Microwave						Y
WQTR892	CF - Common Carrier Fixed Point to Point Microwave						Y
WQTR893	CF - Common Carrier Fixed Point to Point Microwave						Y

111) Call Sign	112) Radio Service Code	113) Location Number	114) Path Number (Microwave only)	115) Frequency Number	116) Lower or Center Frequency (MHz)	117) Upper Frequency (MHz)	118) Constructed Yes / No
WQTR894	CF - Common Carrier Fixed Point to Point Microwave						Y
WQTR895	CF - Common Carrier Fixed Point to Point Microwave						Y
WQTR896	CF - Common Carrier Fixed Point to Point Microwave						Y
WQTR897	CF - Common Carrier Fixed Point to Point Microwave						Y
WQTR898	CF - Common Carrier Fixed Point to Point Microwave						Y
WQTR899	CF - Common Carrier Fixed Point to Point Microwave						Y
WQTR902	CF - Common Carrier Fixed Point to Point Microwave						Y
WQTR903	CF - Common Carrier Fixed Point to Point Microwave						Y
WQTR904	CF - Common Carrier Fixed Point to Point Microwave						Y
WQTR905	CF - Common Carrier Fixed Point to Point Microwave						Y
WQTR906	CF - Common Carrier Fixed Point to Point Microwave						Y
WQTR907	CF - Common Carrier Fixed Point to Point Microwave						Y
WQTR910	CF - Common Carrier Fixed Point to Point Microwave						Y
WQTR911	CF - Common Carrier Fixed Point to Point Microwave						Y
WQTR912	CF - Common Carrier Fixed Point to Point Microwave						Y
WQTR913	CF - Common Carrier Fixed Point to Point Microwave						Y
WQTR914	CF - Common Carrier Fixed Point to Point Microwave						Y
WQTR915	CF - Common Carrier Fixed Point to Point Microwave						Y
WQTR916	CF - Common Carrier Fixed Point to Point Microwave						Y

111) Call Sign	112) Radio Service Code	113) Location Number	114) Path Number (Microwave only)	115) Frequency Number	116) Lower or Center Frequency (MHz)	117) Upper Frequency (MHz)	118) Constructed Yes / No
WQTR918	CF - Common Carrier Fixed Point to Point Microwave						Y
WQTR919	CF - Common Carrier Fixed Point to Point Microwave						Y
WQTR920	CF - Common Carrier Fixed Point to Point Microwave						Y
WQTR923	CF - Common Carrier Fixed Point to Point Microwave						Y
WQTR924	CF - Common Carrier Fixed Point to Point Microwave						Y
WQTR925	CF - Common Carrier Fixed Point to Point Microwave						Y
WQTR926	CF - Common Carrier Fixed Point to Point Microwave						Y
WQTS233	CF - Common Carrier Fixed Point to Point Microwave						Y
WQTS327	CF - Common Carrier Fixed Point to Point Microwave						Y
WQTS413	CF - Common Carrier Fixed Point to Point Microwave						Y
WQTS439	CF - Common Carrier Fixed Point to Point Microwave						Y
WQTS934	CF - Common Carrier Fixed Point to Point Microwave						Y
WQTS936	CF - Common Carrier Fixed Point to Point Microwave						Y
WQTT289	CF - Common Carrier Fixed Point to Point Microwave						Y
WQTT322	CF - Common Carrier Fixed Point to Point Microwave						Y
WQTT323	CF - Common Carrier Fixed Point to Point Microwave						Y
WQTT324	CF - Common Carrier Fixed Point to Point Microwave						Y
WQTT325	CF - Common Carrier Fixed Point to Point Microwave						Y
WQTT327	CF - Common Carrier Fixed Point to Point Microwave						Y

111) Call Sign	112) Radio Service Code	113) Location Number	114) Path Number (Microwave only)	115) Frequency Number	116) Lower or Center Frequency (MHz)	117) Upper Frequency (MHz)	118) Constructed Yes / No
WQTT328	CF - Common Carrier Fixed Point to Point Microwave						Y
WQTT332	CF - Common Carrier Fixed Point to Point Microwave						Y
WQTT333	CF - Common Carrier Fixed Point to Point Microwave						Y
WQTT334	CF - Common Carrier Fixed Point to Point Microwave						Y
WQTT335	CF - Common Carrier Fixed Point to Point Microwave						Y
WQTT336	CF - Common Carrier Fixed Point to Point Microwave						Y
WQTT337	CF - Common Carrier Fixed Point to Point Microwave						Y
WQTT338	CF - Common Carrier Fixed Point to Point Microwave						Y
WQTT356	CF - Common Carrier Fixed Point to Point Microwave						Y
WQTT357	CF - Common Carrier Fixed Point to Point Microwave						Y
WQTT358	CF - Common Carrier Fixed Point to Point Microwave						Y
WQTT359	CF - Common Carrier Fixed Point to Point Microwave						Y
WQTT360	CF - Common Carrier Fixed Point to Point Microwave						Y
WQTT361	CF - Common Carrier Fixed Point to Point Microwave						Y
WQTT362	CF - Common Carrier Fixed Point to Point Microwave						Y
WQTT364	CF - Common Carrier Fixed Point to Point Microwave						Y
WQTT365	CF - Common Carrier Fixed Point to Point Microwave						Y
WQTT366	CF - Common Carrier Fixed Point to Point Microwave						Y
WQTT367	CF - Common Carrier Fixed Point to Point Microwave						Y

111) Call Sign	112) Radio Service Code	113) Location Number	114) Path Number (Microwave only)	115) Frequency Number	116) Lower or Center Frequency (MHz)	117) Upper Frequency (MHz)	118) Constructed Yes / No
WQTT368	CF - Common Carrier Fixed Point to Point Microwave						Y
WQTT369	CF - Common Carrier Fixed Point to Point Microwave						Y
WQTT372	CF - Common Carrier Fixed Point to Point Microwave						Y
WQTT373	CF - Common Carrier Fixed Point to Point Microwave						Y
WQTT374	CF - Common Carrier Fixed Point to Point Microwave						Y
WQTT375	CF - Common Carrier Fixed Point to Point Microwave						Y
WQTT376	CF - Common Carrier Fixed Point to Point Microwave						Y
WQTT377	CF - Common Carrier Fixed Point to Point Microwave						Y
WQTT385	CF - Common Carrier Fixed Point to Point Microwave						Y
WQTT386	CF - Common Carrier Fixed Point to Point Microwave						Y
WQTT387	CF - Common Carrier Fixed Point to Point Microwave						Y
WQTT388	CF - Common Carrier Fixed Point to Point Microwave						Y
WQTT389	CF - Common Carrier Fixed Point to Point Microwave						Y
WQTT390	CF - Common Carrier Fixed Point to Point Microwave						Y
WQTT391	CF - Common Carrier Fixed Point to Point Microwave						Y
WQTT398	CF - Common Carrier Fixed Point to Point Microwave						Y
WQTT428	CF - Common Carrier Fixed Point to Point Microwave						Y
WQTT429	CF - Common Carrier Fixed Point to Point Microwave						Y
WQTT896	CF - Common Carrier Fixed Point to Point Microwave						Y

111) Call Sign	112) Radio Service Code	113) Location Number	114) Path Number (Microwave only)	115) Frequency Number	116) Lower or Center Frequency (MHz)	117) Upper Frequency (MHz)	118) Constructed Yes / No
WQTU411	CF - Common Carrier Fixed Point to Point Microwave						Y
WQTU442	CF - Common Carrier Fixed Point to Point Microwave						Y
WQTU444	CF - Common Carrier Fixed Point to Point Microwave						Y
WQTU445	CF - Common Carrier Fixed Point to Point Microwave						Y
WQTU446	CF - Common Carrier Fixed Point to Point Microwave						Y
WQTU447	CF - Common Carrier Fixed Point to Point Microwave						Y
WQTU448	CF - Common Carrier Fixed Point to Point Microwave						Y
WQTU449	CF - Common Carrier Fixed Point to Point Microwave						Y
WQTU451	CF - Common Carrier Fixed Point to Point Microwave						Y
WQTU453	CF - Common Carrier Fixed Point to Point Microwave						Y
WQTU454	CF - Common Carrier Fixed Point to Point Microwave						Y
WQTU455	CF - Common Carrier Fixed Point to Point Microwave						Y
WQTU456	CF - Common Carrier Fixed Point to Point Microwave						Y
WQTU457	CF - Common Carrier Fixed Point to Point Microwave						Y
WQTU458	CF - Common Carrier Fixed Point to Point Microwave						Y
WQTU459	CF - Common Carrier Fixed Point to Point Microwave						Y
WQTU460	CF - Common Carrier Fixed Point to Point Microwave						Y
WQTU461	CF - Common Carrier Fixed Point to Point Microwave						Y
WQTU462	CF - Common Carrier Fixed Point to Point Microwave						Y

111) Call Sign	112) Radio Service Code	113) Location Number	114) Path Number (Microwave only)	115) Frequency Number	116) Lower or Center Frequency (MHz)	117) Upper Frequency (MHz)	118) Constructed Yes / No
WQTU463	CF - Common Carrier Fixed Point to Point Microwave						Y
WQTU464	CF - Common Carrier Fixed Point to Point Microwave						Y
WQTU465	CF - Common Carrier Fixed Point to Point Microwave						Y
WQTU466	CF - Common Carrier Fixed Point to Point Microwave						Y
WQTU468	CF - Common Carrier Fixed Point to Point Microwave						Y
WQTU791	CF - Common Carrier Fixed Point to Point Microwave						Y
WQTV316	CF - Common Carrier Fixed Point to Point Microwave						Y
WQTV323	CF - Common Carrier Fixed Point to Point Microwave						Y
WQTV325	CF - Common Carrier Fixed Point to Point Microwave						Y
WQTV328	CF - Common Carrier Fixed Point to Point Microwave						Y
WQTV329	CF - Common Carrier Fixed Point to Point Microwave						Y
WQTV330	CF - Common Carrier Fixed Point to Point Microwave						Y
WQTV332	CF - Common Carrier Fixed Point to Point Microwave						Y
WQTV333	CF - Common Carrier Fixed Point to Point Microwave						Y
WQTV364	CF - Common Carrier Fixed Point to Point Microwave						Y
WQTV365	CF - Common Carrier Fixed Point to Point Microwave						Y
WQTV372	CF - Common Carrier Fixed Point to Point Microwave						Y
WQTV373	CF - Common Carrier Fixed Point to Point Microwave						Y
WQTV374	CF - Common Carrier Fixed Point to Point Microwave						Y

111) Call Sign	112) Radio Service Code	113) Location Number	114) Path Number (Microwave only)	115) Frequency Number	116) Lower or Center Frequency (MHz)	117) Upper Frequency (MHz)	118) Constructed Yes / No
WQTV375	CF - Common Carrier Fixed Point to Point Microwave						Y
WQTV376	CF - Common Carrier Fixed Point to Point Microwave						Y
WQTV377	CF - Common Carrier Fixed Point to Point Microwave						Y
WQTV378	CF - Common Carrier Fixed Point to Point Microwave						Y
WQTV379	CF - Common Carrier Fixed Point to Point Microwave						Y
WQTV508	CF - Common Carrier Fixed Point to Point Microwave						Y
WQTV509	CF - Common Carrier Fixed Point to Point Microwave						Y
WQTV510	CF - Common Carrier Fixed Point to Point Microwave						Y
WQTV511	CF - Common Carrier Fixed Point to Point Microwave						Y
WQTV512	CF - Common Carrier Fixed Point to Point Microwave						Y
WQTV515	CF - Common Carrier Fixed Point to Point Microwave						Y
WQTV516	CF - Common Carrier Fixed Point to Point Microwave						Y
WQTV538	CF - Common Carrier Fixed Point to Point Microwave						Y
WQTV548	CF - Common Carrier Fixed Point to Point Microwave						Y
WQTV549	CF - Common Carrier Fixed Point to Point Microwave						Y
WQTV550	CF - Common Carrier Fixed Point to Point Microwave						Y
WQTV551	CF - Common Carrier Fixed Point to Point Microwave						Y
WQTV552	CF - Common Carrier Fixed Point to Point Microwave						Y
WQTV553	CF - Common Carrier Fixed Point to Point Microwave						Y

111) Call Sign	112) Radio Service Code	113) Location Number	114) Path Number (Microwave only)	115) Frequency Number	116) Lower or Center Frequency (MHz)	117) Upper Frequency (MHz)	118) Constructed Yes / No
WQTV554	CF - Common Carrier Fixed Point to Point Microwave						Y
WQTV555	CF - Common Carrier Fixed Point to Point Microwave						Y
WQTV556	CF - Common Carrier Fixed Point to Point Microwave						Y
WQTV557	CF - Common Carrier Fixed Point to Point Microwave						Y
WQTV675	CF - Common Carrier Fixed Point to Point Microwave						Y
WQTV678	CF - Common Carrier Fixed Point to Point Microwave						Y
WQTV680	CF - Common Carrier Fixed Point to Point Microwave						Y
WQTV840	CF - Common Carrier Fixed Point to Point Microwave						Y
WQTV849	CF - Common Carrier Fixed Point to Point Microwave						Y
WQTV853	CF - Common Carrier Fixed Point to Point Microwave						Y
WQTV854	CF - Common Carrier Fixed Point to Point Microwave						Y
WQTW229	CF - Common Carrier Fixed Point to Point Microwave						Y
WQTW878	CF - Common Carrier Fixed Point to Point Microwave						Y
WQTX479	CF - Common Carrier Fixed Point to Point Microwave						Y
WQTX486	CF - Common Carrier Fixed Point to Point Microwave						Y
WQTX487	CF - Common Carrier Fixed Point to Point Microwave						Y
WQTX498	CF - Common Carrier Fixed Point to Point Microwave						Y
WQTX561	CF - Common Carrier Fixed Point to Point Microwave						Y
WQTX562	CF - Common Carrier Fixed Point to Point Microwave						Y

111) Call Sign	112) Radio Service Code	113) Location Number	114) Path Number (Microwave only)	115) Frequency Number	116) Lower or Center Frequency (MHz)	117) Upper Frequency (MHz)	118) Constructed Yes / No
WQTX563	CF - Common Carrier Fixed Point to Point Microwave						Y
WQTX564	CF - Common Carrier Fixed Point to Point Microwave						Y
WQTX566	CF - Common Carrier Fixed Point to Point Microwave						Y
WQTX695	CF - Common Carrier Fixed Point to Point Microwave						Y
WQTX696	CF - Common Carrier Fixed Point to Point Microwave						Y
WQTX698	CF - Common Carrier Fixed Point to Point Microwave						Y
WQTX699	CF - Common Carrier Fixed Point to Point Microwave						Y
WQTX708	CF - Common Carrier Fixed Point to Point Microwave						Y
WQTX709	CF - Common Carrier Fixed Point to Point Microwave						Y
WQTX865	CF - Common Carrier Fixed Point to Point Microwave						Y
WQTX904	CF - Common Carrier Fixed Point to Point Microwave						Y
WQTX905	CF - Common Carrier Fixed Point to Point Microwave						Y
WQTX906	CF - Common Carrier Fixed Point to Point Microwave						Y
WQTX909	CF - Common Carrier Fixed Point to Point Microwave						Y
WQTX910	CF - Common Carrier Fixed Point to Point Microwave						Y
WQTY337	CF - Common Carrier Fixed Point to Point Microwave						Y
WQTY346	CF - Common Carrier Fixed Point to Point Microwave						Y
WQTY347	CF - Common Carrier Fixed Point to Point Microwave						Y
WQTY351	CF - Common Carrier Fixed Point to Point Microwave						Y

111) Call Sign	112) Radio Service Code	113) Location Number	114) Path Number (Microwave only)	115) Frequency Number	116) Lower or Center Frequency (MHz)	117) Upper Frequency (MHz)	118) Constructed Yes / No
WQTY363	CF - Common Carrier Fixed Point to Point Microwave						Y
WQTY364	CF - Common Carrier Fixed Point to Point Microwave						Y
WQTY428	CF - Common Carrier Fixed Point to Point Microwave						Y
WQTY497	CF - Common Carrier Fixed Point to Point Microwave						Y
WQTY794	CF - Common Carrier Fixed Point to Point Microwave						Y
WQTY795	CF - Common Carrier Fixed Point to Point Microwave						Y
WQTY876	CF - Common Carrier Fixed Point to Point Microwave						Y
WQTZ332	CF - Common Carrier Fixed Point to Point Microwave						Y
WQTZ497	CF - Common Carrier Fixed Point to Point Microwave						Y
WQTZ498	CF - Common Carrier Fixed Point to Point Microwave						Y
WQTZ499	CF - Common Carrier Fixed Point to Point Microwave						Y
WQTZ500	CF - Common Carrier Fixed Point to Point Microwave						Y
WQTZ501	CF - Common Carrier Fixed Point to Point Microwave						Y
WQTZ502	CF - Common Carrier Fixed Point to Point Microwave						Y
WQTZ503	CF - Common Carrier Fixed Point to Point Microwave						Y
WQTZ504	CF - Common Carrier Fixed Point to Point Microwave						Y
WQTZ505	CF - Common Carrier Fixed Point to Point Microwave						Y
WQTZ506	CF - Common Carrier Fixed Point to Point Microwave						Y
WQTZ509	CF - Common Carrier Fixed Point to Point Microwave						Y

111) Call Sign	112) Radio Service Code	113) Location Number	114) Path Number (Microwave only)	115) Frequency Number	116) Lower or Center Frequency (MHz)	117) Upper Frequency (MHz)	118) Constructed Yes / No
WQTZ510	CF - Common Carrier Fixed Point to Point Microwave						Y
WQTZ511	CF - Common Carrier Fixed Point to Point Microwave						Y
WQTZ512	CF - Common Carrier Fixed Point to Point Microwave						Y
WQTZ513	CF - Common Carrier Fixed Point to Point Microwave						Y
WQTZ514	CF - Common Carrier Fixed Point to Point Microwave						Y
WQTZ515	CF - Common Carrier Fixed Point to Point Microwave						Y
WQTZ516	CF - Common Carrier Fixed Point to Point Microwave						Y
WQTZ517	CF - Common Carrier Fixed Point to Point Microwave						Y
WQTZ518	CF - Common Carrier Fixed Point to Point Microwave						Y
WQTZ519	CF - Common Carrier Fixed Point to Point Microwave						Y
WQTZ520	CF - Common Carrier Fixed Point to Point Microwave						Y
WQTZ521	CF - Common Carrier Fixed Point to Point Microwave						Y
WQTZ522	CF - Common Carrier Fixed Point to Point Microwave						Y
WQTZ523	CF - Common Carrier Fixed Point to Point Microwave						Y
WQTZ524	CF - Common Carrier Fixed Point to Point Microwave						Y
WQTZ526	CF - Common Carrier Fixed Point to Point Microwave						Y
WQTZ527	CF - Common Carrier Fixed Point to Point Microwave						Y
WQTZ529	CF - Common Carrier Fixed Point to Point Microwave						Y
WQTZ530	CF - Common Carrier Fixed Point to Point Microwave						Y

111) Call Sign	112) Radio Service Code	113) Location Number	114) Path Number (Microwave only)	115) Frequency Number	116) Lower or Center Frequency (MHz)	117) Upper Frequency (MHz)	118) Constructed Yes / No
WQTZ531	CF - Common Carrier Fixed Point to Point Microwave						Y
WQTZ532	CF - Common Carrier Fixed Point to Point Microwave						Y
WQTZ534	CF - Common Carrier Fixed Point to Point Microwave						Y
WQTZ537	CF - Common Carrier Fixed Point to Point Microwave						Y
WQTZ540	CF - Common Carrier Fixed Point to Point Microwave						Y
WQTZ541	CF - Common Carrier Fixed Point to Point Microwave						Y
WQTZ542	CF - Common Carrier Fixed Point to Point Microwave						Y
WQTZ980	CF - Common Carrier Fixed Point to Point Microwave						Y
WQUA263	CF - Common Carrier Fixed Point to Point Microwave						Y
WQUA264	CF - Common Carrier Fixed Point to Point Microwave						Y
WQUA271	CF - Common Carrier Fixed Point to Point Microwave						Y
WQUA272	CF - Common Carrier Fixed Point to Point Microwave						Y
WQUA273	CF - Common Carrier Fixed Point to Point Microwave						Y
WQUA274	CF - Common Carrier Fixed Point to Point Microwave						Y
WQUA439	CF - Common Carrier Fixed Point to Point Microwave						Y
WQUA443	CF - Common Carrier Fixed Point to Point Microwave						Y
WQUA444	CF - Common Carrier Fixed Point to Point Microwave						Y
WQUA445	CF - Common Carrier Fixed Point to Point Microwave						Y
WQUA483	CF - Common Carrier Fixed Point to Point Microwave						Y

111) Call Sign	112) Radio Service Code	113) Location Number	114) Path Number (Microwave only)	115) Frequency Number	116) Lower or Center Frequency (MHz)	117) Upper Frequency (MHz)	118) Constructed Yes / No
WQUA584	CF - Common Carrier Fixed Point to Point Microwave						Y
WQUA585	CF - Common Carrier Fixed Point to Point Microwave						Y
WQUA587	CF - Common Carrier Fixed Point to Point Microwave						Y
WQUA588	CF - Common Carrier Fixed Point to Point Microwave						Y
WQUA589	CF - Common Carrier Fixed Point to Point Microwave						Y
WQUA590	CF - Common Carrier Fixed Point to Point Microwave						Y
WQUA591	CF - Common Carrier Fixed Point to Point Microwave						Y
WQUA592	CF - Common Carrier Fixed Point to Point Microwave						Y
WQUA593	CF - Common Carrier Fixed Point to Point Microwave						Y
WQUA684	CF - Common Carrier Fixed Point to Point Microwave						Y
WQUA689	CF - Common Carrier Fixed Point to Point Microwave						Y
WQUA703	CF - Common Carrier Fixed Point to Point Microwave						Y
WQUA704	CF - Common Carrier Fixed Point to Point Microwave						Y
WQUA705	CF - Common Carrier Fixed Point to Point Microwave						Y
WQUA709	CF - Common Carrier Fixed Point to Point Microwave						Y
WQUA710	CF - Common Carrier Fixed Point to Point Microwave						Y
WQUA711	CF - Common Carrier Fixed Point to Point Microwave						Y
WQUA712	CF - Common Carrier Fixed Point to Point Microwave						Y
WQUA846	CF - Common Carrier Fixed Point to Point Microwave						Y

111) Call Sign	112) Radio Service Code	113) Location Number	114) Path Number (Microwave only)	115) Frequency Number	116) Lower or Center Frequency (MHz)	117) Upper Frequency (MHz)	118) Constructed Yes / No
WQUA860	CF - Common Carrier Fixed Point to Point Microwave						Y
WQUB278	CF - Common Carrier Fixed Point to Point Microwave						Y
WQUB279	CF - Common Carrier Fixed Point to Point Microwave						Y
WQUB280	CF - Common Carrier Fixed Point to Point Microwave						Y
WQUB283	CF - Common Carrier Fixed Point to Point Microwave						Y
WQUB285	CF - Common Carrier Fixed Point to Point Microwave						Y
WQUB308	CF - Common Carrier Fixed Point to Point Microwave						Y
WQUB310	CF - Common Carrier Fixed Point to Point Microwave						Y
WQUB311	CF - Common Carrier Fixed Point to Point Microwave						Y
WQUB549	CF - Common Carrier Fixed Point to Point Microwave						Y
WQUB551	CF - Common Carrier Fixed Point to Point Microwave						Y
WQUB552	CF - Common Carrier Fixed Point to Point Microwave						Y
WQUB593	CF - Common Carrier Fixed Point to Point Microwave						Y
WQUB594	CF - Common Carrier Fixed Point to Point Microwave						Y
WQUB595	CF - Common Carrier Fixed Point to Point Microwave						Y
WQUB596	CF - Common Carrier Fixed Point to Point Microwave						Y
WQUB598	CF - Common Carrier Fixed Point to Point Microwave						Y
WQUB599	CF - Common Carrier Fixed Point to Point Microwave						Y
WQUB602	CF - Common Carrier Fixed Point to Point Microwave						Y

111) Call Sign	112) Radio Service Code	113) Location Number	114) Path Number (Microwave only)	115) Frequency Number	116) Lower or Center Frequency (MHz)	117) Upper Frequency (MHz)	118) Constructed Yes / No
WQUB603	CF - Common Carrier Fixed Point to Point Microwave						Y
WQUB604	CF - Common Carrier Fixed Point to Point Microwave						Y
WQUB607	CF - Common Carrier Fixed Point to Point Microwave						Y
WQUB617	CF - Common Carrier Fixed Point to Point Microwave						Y
WQUB810	CF - Common Carrier Fixed Point to Point Microwave						Y
WQUB811	CF - Common Carrier Fixed Point to Point Microwave						Y
WQUB990	CF - Common Carrier Fixed Point to Point Microwave						Y
WQUC383	CF - Common Carrier Fixed Point to Point Microwave						Y
WQUC385	CF - Common Carrier Fixed Point to Point Microwave						Y
WQUC555	CF - Common Carrier Fixed Point to Point Microwave						Y
WQUC563	CF - Common Carrier Fixed Point to Point Microwave						Y
WQUC566	CF - Common Carrier Fixed Point to Point Microwave						Y
WQUC567	CF - Common Carrier Fixed Point to Point Microwave						Y
WQUC569	CF - Common Carrier Fixed Point to Point Microwave						Y
WQUC570	CF - Common Carrier Fixed Point to Point Microwave						Y
WQUC642	CF - Common Carrier Fixed Point to Point Microwave						Y
WQUC653	CF - Common Carrier Fixed Point to Point Microwave						Y
WQUC655	CF - Common Carrier Fixed Point to Point Microwave						Y
WQUC659	CF - Common Carrier Fixed Point to Point Microwave						Y

111) Call Sign	112) Radio Service Code	113) Location Number	114) Path Number (Microwave only)	115) Frequency Number	116) Lower or Center Frequency (MHz)	117) Upper Frequency (MHz)	118) Constructed Yes / No
WQUC660	CF - Common Carrier Fixed Point to Point Microwave						Y
WQUC664	CF - Common Carrier Fixed Point to Point Microwave						Y
WQUC665	CF - Common Carrier Fixed Point to Point Microwave						Y
WQUC680	CF - Common Carrier Fixed Point to Point Microwave						Y
WQUC684	CF - Common Carrier Fixed Point to Point Microwave						Y
WQUC723	CF - Common Carrier Fixed Point to Point Microwave						Y
WQUC724	CF - Common Carrier Fixed Point to Point Microwave						Y
WQUC760	CF - Common Carrier Fixed Point to Point Microwave						Y
WQUC761	CF - Common Carrier Fixed Point to Point Microwave						Y
WQUC762	CF - Common Carrier Fixed Point to Point Microwave						Y
WQUC763	CF - Common Carrier Fixed Point to Point Microwave						Y
WQUC860	CF - Common Carrier Fixed Point to Point Microwave						Y
WQUC861	CF - Common Carrier Fixed Point to Point Microwave						Y
WQUC862	CF - Common Carrier Fixed Point to Point Microwave						Y
WQUC867	CF - Common Carrier Fixed Point to Point Microwave						Y
WQUC868	CF - Common Carrier Fixed Point to Point Microwave						Y
WQUC869	CF - Common Carrier Fixed Point to Point Microwave						Y
WQUC870	CF - Common Carrier Fixed Point to Point Microwave						Y
WQUC874	CF - Common Carrier Fixed Point to Point Microwave						Y

111) Call Sign	112) Radio Service Code	113) Location Number	114) Path Number (Microwave only)	115) Frequency Number	116) Lower or Center Frequency (MHz)	117) Upper Frequency (MHz)	118) Constructed Yes / No
WQUC876	CF - Common Carrier Fixed Point to Point Microwave						Y
WQUC879	CF - Common Carrier Fixed Point to Point Microwave						Y
WQUC880	CF - Common Carrier Fixed Point to Point Microwave						Y
WQUD486	CF - Common Carrier Fixed Point to Point Microwave						Y
WQUD487	CF - Common Carrier Fixed Point to Point Microwave						Y
WQUD488	CF - Common Carrier Fixed Point to Point Microwave						Y
WQUD489	CF - Common Carrier Fixed Point to Point Microwave						Y
WQUD490	CF - Common Carrier Fixed Point to Point Microwave						Y
WQUD496	CF - Common Carrier Fixed Point to Point Microwave						Y
WQUD497	CF - Common Carrier Fixed Point to Point Microwave						Y
WQUD498	CF - Common Carrier Fixed Point to Point Microwave						Y
WQUD499	CF - Common Carrier Fixed Point to Point Microwave						Y
WQUD500	CF - Common Carrier Fixed Point to Point Microwave						Y
WQUD501	CF - Common Carrier Fixed Point to Point Microwave						Y
WQUD502	CF - Common Carrier Fixed Point to Point Microwave						Y
WQUD515	CF - Common Carrier Fixed Point to Point Microwave						Y
WQUD516	CF - Common Carrier Fixed Point to Point Microwave						Y
WQUD522	CF - Common Carrier Fixed Point to Point Microwave						Y
WQUD523	CF - Common Carrier Fixed Point to Point Microwave						Y

111) Call Sign	112) Radio Service Code	113) Location Number	114) Path Number (Microwave only)	115) Frequency Number	116) Lower or Center Frequency (MHz)	117) Upper Frequency (MHz)	118) Constructed Yes / No
WQUD524	CF - Common Carrier Fixed Point to Point Microwave						Y
WQUD525	CF - Common Carrier Fixed Point to Point Microwave						Y
WQUD526	CF - Common Carrier Fixed Point to Point Microwave						Y
WQUD527	CF - Common Carrier Fixed Point to Point Microwave						Y
WQUD528	CF - Common Carrier Fixed Point to Point Microwave						Y
WQUD529	CF - Common Carrier Fixed Point to Point Microwave						Y
WQUD530	CF - Common Carrier Fixed Point to Point Microwave						Y
WQUD532	CF - Common Carrier Fixed Point to Point Microwave						Y
WQUD535	CF - Common Carrier Fixed Point to Point Microwave						Y
WQUD536	CF - Common Carrier Fixed Point to Point Microwave						Y
WQUD537	CF - Common Carrier Fixed Point to Point Microwave						Y
WQUD538	CF - Common Carrier Fixed Point to Point Microwave						Y
WQUD539	CF - Common Carrier Fixed Point to Point Microwave						Y
WQUD541	CF - Common Carrier Fixed Point to Point Microwave						Y
WQUD542	CF - Common Carrier Fixed Point to Point Microwave						Y
WQUD543	CF - Common Carrier Fixed Point to Point Microwave						Y
WQUD544	CF - Common Carrier Fixed Point to Point Microwave						Y
WQUD549	CF - Common Carrier Fixed Point to Point Microwave						Y
WQUD550	CF - Common Carrier Fixed Point to Point Microwave						Y

111) Call Sign	112) Radio Service Code	113) Location Number	114) Path Number (Microwave only)	115) Frequency Number	116) Lower or Center Frequency (MHz)	117) Upper Frequency (MHz)	118) Constructed Yes / No
WQUD551	CF - Common Carrier Fixed Point to Point Microwave						Y
WQUD552	CF - Common Carrier Fixed Point to Point Microwave						Y
WQUD565	CF - Common Carrier Fixed Point to Point Microwave						Y
WQUD568	CF - Common Carrier Fixed Point to Point Microwave						Y
WQUE365	CF - Common Carrier Fixed Point to Point Microwave						Y
WQUE375	CF - Common Carrier Fixed Point to Point Microwave						Y
WQUE376	CF - Common Carrier Fixed Point to Point Microwave						Y
WQUE377	CF - Common Carrier Fixed Point to Point Microwave						Y
WQUE526	CF - Common Carrier Fixed Point to Point Microwave						Y
WQUE527	CF - Common Carrier Fixed Point to Point Microwave						Y
WQUE528	CF - Common Carrier Fixed Point to Point Microwave						Y
WQUE529	CF - Common Carrier Fixed Point to Point Microwave						Y
WQUE531	CF - Common Carrier Fixed Point to Point Microwave						Y
WQUE536	CF - Common Carrier Fixed Point to Point Microwave						Y
WQUE537	CF - Common Carrier Fixed Point to Point Microwave						Y
WQUE542	CF - Common Carrier Fixed Point to Point Microwave						Y
WQUE543	CF - Common Carrier Fixed Point to Point Microwave						Y
WQUE544	CF - Common Carrier Fixed Point to Point Microwave						Y
WQUE552	CF - Common Carrier Fixed Point to Point Microwave						Y

111) Call Sign	112) Radio Service Code	113) Location Number	114) Path Number (Microwave only)	115) Frequency Number	116) Lower or Center Frequency (MHz)	117) Upper Frequency (MHz)	118) Constructed Yes / No
WQUE553	CF - Common Carrier Fixed Point to Point Microwave						Y
WQUE554	CF - Common Carrier Fixed Point to Point Microwave						Y
WQUE555	CF - Common Carrier Fixed Point to Point Microwave						Y
WQUE556	CF - Common Carrier Fixed Point to Point Microwave						Y
WQUE557	CF - Common Carrier Fixed Point to Point Microwave						Y
WQUE558	CF - Common Carrier Fixed Point to Point Microwave						Y
WQUE574	CF - Common Carrier Fixed Point to Point Microwave						Y
WQUE596	CF - Common Carrier Fixed Point to Point Microwave						Y
WQUE598	CF - Common Carrier Fixed Point to Point Microwave						Y
WQUE599	CF - Common Carrier Fixed Point to Point Microwave						Y
WQUE600	CF - Common Carrier Fixed Point to Point Microwave						Y
WQUE607	CF - Common Carrier Fixed Point to Point Microwave						Y
WQUE609	CF - Common Carrier Fixed Point to Point Microwave						Y
WQUE610	CF - Common Carrier Fixed Point to Point Microwave						Y
WQUE614	CF - Common Carrier Fixed Point to Point Microwave						Y
WQUE618	CF - Common Carrier Fixed Point to Point Microwave						Y
WQUE619	CF - Common Carrier Fixed Point to Point Microwave						Y
WQUE620	CF - Common Carrier Fixed Point to Point Microwave						Y
WQUE750	CF - Common Carrier Fixed Point to Point Microwave						Y

111) Call Sign	112) Radio Service Code	113) Location Number	114) Path Number (Microwave only)	115) Frequency Number	116) Lower or Center Frequency (MHz)	117) Upper Frequency (MHz)	118) Constructed Yes / No
WQUE804	CF - Common Carrier Fixed Point to Point Microwave						Y
WQUE807	CF - Common Carrier Fixed Point to Point Microwave						Y
WQUE808	CF - Common Carrier Fixed Point to Point Microwave						Y
WQUE809	CF - Common Carrier Fixed Point to Point Microwave						Y
WQUE810	CF - Common Carrier Fixed Point to Point Microwave						Y
WQUE945	CF - Common Carrier Fixed Point to Point Microwave						Y
WQUE946	CF - Common Carrier Fixed Point to Point Microwave						Y
WQUF260	CF - Common Carrier Fixed Point to Point Microwave						Y
WQUF262	CF - Common Carrier Fixed Point to Point Microwave						Y
WQUF303	CF - Common Carrier Fixed Point to Point Microwave						Y
WQUF380	CF - Common Carrier Fixed Point to Point Microwave						Y
WQUF413	CF - Common Carrier Fixed Point to Point Microwave						Y
WQUF430	CF - Common Carrier Fixed Point to Point Microwave						Y
WQUF437	CF - Common Carrier Fixed Point to Point Microwave						Y
WQUF451	CF - Common Carrier Fixed Point to Point Microwave						Y
WQUF452	CF - Common Carrier Fixed Point to Point Microwave						Y
WQUF453	CF - Common Carrier Fixed Point to Point Microwave						Y
WQUF454	CF - Common Carrier Fixed Point to Point Microwave						Y
WQUF463	CF - Common Carrier Fixed Point to Point Microwave						Y

111) Call Sign	112) Radio Service Code	113) Location Number	114) Path Number (Microwave only)	115) Frequency Number	116) Lower or Center Frequency (MHz)	117) Upper Frequency (MHz)	118) Constructed Yes / No
WQUF465	CF - Common Carrier Fixed Point to Point Microwave						Y
WQUF466	CF - Common Carrier Fixed Point to Point Microwave						Y
WQUF467	CF - Common Carrier Fixed Point to Point Microwave						Y
WQUF485	CF - Common Carrier Fixed Point to Point Microwave						Y
WQUF486	CF - Common Carrier Fixed Point to Point Microwave						Y
WQUF488	CF - Common Carrier Fixed Point to Point Microwave						Y
WQUF490	CF - Common Carrier Fixed Point to Point Microwave						Y
WQUF550	CF - Common Carrier Fixed Point to Point Microwave						Y
WQUF567	CF - Common Carrier Fixed Point to Point Microwave						Y
WQUF573	CF - Common Carrier Fixed Point to Point Microwave						Y
WQUF792	CF - Common Carrier Fixed Point to Point Microwave						Y
WQUF809	CF - Common Carrier Fixed Point to Point Microwave						Y
WQUF810	CF - Common Carrier Fixed Point to Point Microwave						Y
WQUF811	CF - Common Carrier Fixed Point to Point Microwave						Y
WQUF815	CF - Common Carrier Fixed Point to Point Microwave						Y
WQUF816	CF - Common Carrier Fixed Point to Point Microwave						Y
WQUF907	CF - Common Carrier Fixed Point to Point Microwave						Y
WQUF981	CF - Common Carrier Fixed Point to Point Microwave						Y
WQUF982	CF - Common Carrier Fixed Point to Point Microwave						Y

111) Call Sign	112) Radio Service Code	113) Location Number	114) Path Number (Microwave only)	115) Frequency Number	116) Lower or Center Frequency (MHz)	117) Upper Frequency (MHz)	118) Constructed Yes / No
WQUG346	CF - Common Carrier Fixed Point to Point Microwave						Y
WQUG347	CF - Common Carrier Fixed Point to Point Microwave						Y
WQUG349	CF - Common Carrier Fixed Point to Point Microwave						Y
WQUG351	CF - Common Carrier Fixed Point to Point Microwave						Y
WQUG352	CF - Common Carrier Fixed Point to Point Microwave						Y
WQUG353	CF - Common Carrier Fixed Point to Point Microwave						Y
WQUG357	CF - Common Carrier Fixed Point to Point Microwave						Y
WQUG358	CF - Common Carrier Fixed Point to Point Microwave						Y
WQUG359	CF - Common Carrier Fixed Point to Point Microwave						Y
WQUG361	CF - Common Carrier Fixed Point to Point Microwave						Y
WQUG362	CF - Common Carrier Fixed Point to Point Microwave						Y
WQUG396	CF - Common Carrier Fixed Point to Point Microwave						Y
WQUG398	CF - Common Carrier Fixed Point to Point Microwave						Y
WQUG399	CF - Common Carrier Fixed Point to Point Microwave						Y
WQUG400	CF - Common Carrier Fixed Point to Point Microwave						Y
WQUG401	CF - Common Carrier Fixed Point to Point Microwave						Y
WQUG402	CF - Common Carrier Fixed Point to Point Microwave						Y
WQUG406	CF - Common Carrier Fixed Point to Point Microwave						Y
WQUG407	CF - Common Carrier Fixed Point to Point Microwave						Y

111) Call Sign	112) Radio Service Code	113) Location Number	114) Path Number (Microwave only)	115) Frequency Number	116) Lower or Center Frequency (MHz)	117) Upper Frequency (MHz)	118) Constructed Yes / No
WQUG408	CF - Common Carrier Fixed Point to Point Microwave						Y
WQUG410	CF - Common Carrier Fixed Point to Point Microwave						Y
WQUG412	CF - Common Carrier Fixed Point to Point Microwave						Y
WQUG413	CF - Common Carrier Fixed Point to Point Microwave						Y
WQUG414	CF - Common Carrier Fixed Point to Point Microwave						Y
WQUG415	CF - Common Carrier Fixed Point to Point Microwave						Y
WQUG416	CF - Common Carrier Fixed Point to Point Microwave						Y
WQUG417	CF - Common Carrier Fixed Point to Point Microwave						Y
WQUG526	CF - Common Carrier Fixed Point to Point Microwave						Y
WQUG529	CF - Common Carrier Fixed Point to Point Microwave						Y
WQUG533	CF - Common Carrier Fixed Point to Point Microwave						Y
WQUG567	CF - Common Carrier Fixed Point to Point Microwave						Y
WQUG568	CF - Common Carrier Fixed Point to Point Microwave						Y
WQUG571	CF - Common Carrier Fixed Point to Point Microwave						Y
WQUG572	CF - Common Carrier Fixed Point to Point Microwave						Y
WQUG575	CF - Common Carrier Fixed Point to Point Microwave						Y
WQUG576	CF - Common Carrier Fixed Point to Point Microwave						Y
WQUG577	CF - Common Carrier Fixed Point to Point Microwave						Y
WQUG578	CF - Common Carrier Fixed Point to Point Microwave						Y

111) Call Sign	112) Radio Service Code	113) Location Number	114) Path Number (Microwave only)	115) Frequency Number	116) Lower or Center Frequency (MHz)	117) Upper Frequency (MHz)	118) Constructed Yes / No
WQUG579	CF - Common Carrier Fixed Point to Point Microwave						Y
WQUG587	CF - Common Carrier Fixed Point to Point Microwave						Y
WQUG588	CF - Common Carrier Fixed Point to Point Microwave						Y
WQUG590	CF - Common Carrier Fixed Point to Point Microwave						Y
WQUG592	CF - Common Carrier Fixed Point to Point Microwave						Y
WQUG593	CF - Common Carrier Fixed Point to Point Microwave						Y
WQUG622	CF - Common Carrier Fixed Point to Point Microwave						Y
WQUG625	CF - Common Carrier Fixed Point to Point Microwave						Y
WQUG626	CF - Common Carrier Fixed Point to Point Microwave						Y
WQUG627	CF - Common Carrier Fixed Point to Point Microwave						Y
WQUG630	CF - Common Carrier Fixed Point to Point Microwave						Y
WQUG631	CF - Common Carrier Fixed Point to Point Microwave						Y
WQUG633	CF - Common Carrier Fixed Point to Point Microwave						Y
WQUG636	CF - Common Carrier Fixed Point to Point Microwave						Y
WQUG638	CF - Common Carrier Fixed Point to Point Microwave						Y
WQUG642	CF - Common Carrier Fixed Point to Point Microwave						Y
WQUG643	CF - Common Carrier Fixed Point to Point Microwave						Y
WQUG644	CF - Common Carrier Fixed Point to Point Microwave						Y
WQUG648	CF - Common Carrier Fixed Point to Point Microwave						Y

111) Call Sign	112) Radio Service Code	113) Location Number	114) Path Number (Microwave only)	115) Frequency Number	116) Lower or Center Frequency (MHz)	117) Upper Frequency (MHz)	118) Constructed Yes / No
WQUG651	CF - Common Carrier Fixed Point to Point Microwave						Y
WQUG652	CF - Common Carrier Fixed Point to Point Microwave						Y
WQUG653	CF - Common Carrier Fixed Point to Point Microwave						Y
WQUG748	CF - Common Carrier Fixed Point to Point Microwave						Y
WQUG749	CF - Common Carrier Fixed Point to Point Microwave						Y
WQUG962	CF - Common Carrier Fixed Point to Point Microwave						Y
WQUG963	CF - Common Carrier Fixed Point to Point Microwave						Y
WQUG964	CF - Common Carrier Fixed Point to Point Microwave						Y
WQUH301	CF - Common Carrier Fixed Point to Point Microwave						Y
WQUH302	CF - Common Carrier Fixed Point to Point Microwave						Y
WQUH304	CF - Common Carrier Fixed Point to Point Microwave						Y
WQUH305	CF - Common Carrier Fixed Point to Point Microwave						Y
WQUH307	CF - Common Carrier Fixed Point to Point Microwave						Y
WQUH308	CF - Common Carrier Fixed Point to Point Microwave						Y
WQUH309	CF - Common Carrier Fixed Point to Point Microwave						Y
WQUH310	CF - Common Carrier Fixed Point to Point Microwave						Y
WQUH311	CF - Common Carrier Fixed Point to Point Microwave						Y
WQUH313	CF - Common Carrier Fixed Point to Point Microwave						Y
WQUH320	CF - Common Carrier Fixed Point to Point Microwave						Y

111) Call Sign	112) Radio Service Code	113) Location Number	114) Path Number (Microwave only)	115) Frequency Number	116) Lower or Center Frequency (MHz)	117) Upper Frequency (MHz)	118) Constructed Yes / No
WQUH322	CF - Common Carrier Fixed Point to Point Microwave						Y
WQUH323	CF - Common Carrier Fixed Point to Point Microwave						Y
WQUH324	CF - Common Carrier Fixed Point to Point Microwave						Y
WQUH325	CF - Common Carrier Fixed Point to Point Microwave						Y
WQUH326	CF - Common Carrier Fixed Point to Point Microwave						Y
WQUH327	CF - Common Carrier Fixed Point to Point Microwave						Y
WQUH328	CF - Common Carrier Fixed Point to Point Microwave						Y
WQUH329	CF - Common Carrier Fixed Point to Point Microwave						Y
WQUH330	CF - Common Carrier Fixed Point to Point Microwave						Y
WQUH331	CF - Common Carrier Fixed Point to Point Microwave						Y
WQUH336	CF - Common Carrier Fixed Point to Point Microwave						Y
WQUH337	CF - Common Carrier Fixed Point to Point Microwave						Y
WQUH340	CF - Common Carrier Fixed Point to Point Microwave						Y
WQUH341	CF - Common Carrier Fixed Point to Point Microwave						Y
WQUH494	CF - Common Carrier Fixed Point to Point Microwave						Y
WQUH495	CF - Common Carrier Fixed Point to Point Microwave						Y
WQUH496	CF - Common Carrier Fixed Point to Point Microwave						Y
WQUH613	CF - Common Carrier Fixed Point to Point Microwave						Y
WQUH681	CF - Common Carrier Fixed Point to Point Microwave						Y

111) Call Sign	112) Radio Service Code	113) Location Number	114) Path Number (Microwave only)	115) Frequency Number	116) Lower or Center Frequency (MHz)	117) Upper Frequency (MHz)	118) Constructed Yes / No
WQUH682	CF - Common Carrier Fixed Point to Point Microwave						Y
WQUH685	CF - Common Carrier Fixed Point to Point Microwave						Y
WQUH688	CF - Common Carrier Fixed Point to Point Microwave						Y
WQUH724	CW - PCS Broadband						Y
WQUH883	CF - Common Carrier Fixed Point to Point Microwave						Y
WQUH889	CF - Common Carrier Fixed Point to Point Microwave						Y
WQUH893	CF - Common Carrier Fixed Point to Point Microwave						Y
WQUI222	CF - Common Carrier Fixed Point to Point Microwave						Y
WQUI223	CF - Common Carrier Fixed Point to Point Microwave						Y
WQUI224	CF - Common Carrier Fixed Point to Point Microwave						Y
WQUI225	CF - Common Carrier Fixed Point to Point Microwave						Y
WQUI245	CF - Common Carrier Fixed Point to Point Microwave						Y
WQUI261	CF - Common Carrier Fixed Point to Point Microwave						Y
WQUI262	CF - Common Carrier Fixed Point to Point Microwave						Y
WQUI263	CF - Common Carrier Fixed Point to Point Microwave						Y
WQUI264	CF - Common Carrier Fixed Point to Point Microwave						Y
WQUI265	CF - Common Carrier Fixed Point to Point Microwave						Y
WQUI266	CF - Common Carrier Fixed Point to Point Microwave						Y
WQUI267	CF - Common Carrier Fixed Point to Point Microwave						Y

111) Call Sign	112) Radio Service Code	113) Location Number	114) Path Number (Microwave only)	115) Frequency Number	116) Lower or Center Frequency (MHz)	117) Upper Frequency (MHz)	118) Constructed Yes / No
WQUI268	CF - Common Carrier Fixed Point to Point Microwave						Y
WQUI272	CF - Common Carrier Fixed Point to Point Microwave						Y
WQUI273	CF - Common Carrier Fixed Point to Point Microwave						Y
WQUI275	CF - Common Carrier Fixed Point to Point Microwave						Y
WQUI277	CF - Common Carrier Fixed Point to Point Microwave						Y
WQUI278	CF - Common Carrier Fixed Point to Point Microwave						Y
WQUI281	CF - Common Carrier Fixed Point to Point Microwave						Y
WQUI293	CF - Common Carrier Fixed Point to Point Microwave						Y
WQUI325	CF - Common Carrier Fixed Point to Point Microwave						Y
WQUI697	CW - PCS Broadband						Y
WQUI860	CF - Common Carrier Fixed Point to Point Microwave						Y
WQUI861	CF - Common Carrier Fixed Point to Point Microwave						Y
WQUI962	CF - Common Carrier Fixed Point to Point Microwave						Y
WQUI967	CF - Common Carrier Fixed Point to Point Microwave						Y
WQUI990	CF - Common Carrier Fixed Point to Point Microwave						Y
WQUI991	CF - Common Carrier Fixed Point to Point Microwave						Y
WQUJ235	CF - Common Carrier Fixed Point to Point Microwave						Y
WQUJ236	CF - Common Carrier Fixed Point to Point Microwave						Y
WQUJ251	CF - Common Carrier Fixed Point to Point Microwave						Y

111) Call Sign	112) Radio Service Code	113) Location Number	114) Path Number (Microwave only)	115) Frequency Number	116) Lower or Center Frequency (MHz)	117) Upper Frequency (MHz)	118) Constructed Yes / No
WQUJ252	CF - Common Carrier Fixed Point to Point Microwave						Y
WQUJ263	CF - Common Carrier Fixed Point to Point Microwave						Y
WQUJ264	CF - Common Carrier Fixed Point to Point Microwave						Y
WQUJ265	CF - Common Carrier Fixed Point to Point Microwave						Y
WQUJ347	CF - Common Carrier Fixed Point to Point Microwave						Y
WQUJ414	CF - Common Carrier Fixed Point to Point Microwave						Y
WQUJ705	CF - Common Carrier Fixed Point to Point Microwave						Y
WQUJ707	CF - Common Carrier Fixed Point to Point Microwave						Y
WQUJ708	CF - Common Carrier Fixed Point to Point Microwave						Y
WQUJ744	CF - Common Carrier Fixed Point to Point Microwave						Y
WQUJ746	CF - Common Carrier Fixed Point to Point Microwave						Y
WQUJ747	CF - Common Carrier Fixed Point to Point Microwave						Y
WQUJ748	CF - Common Carrier Fixed Point to Point Microwave						Y
WQUJ749	CF - Common Carrier Fixed Point to Point Microwave						Y
WQUJ750	CF - Common Carrier Fixed Point to Point Microwave						Y
WQUJ845	CF - Common Carrier Fixed Point to Point Microwave						Y
WQUJ846	CF - Common Carrier Fixed Point to Point Microwave						Y
WQUJ847	CF - Common Carrier Fixed Point to Point Microwave						Y
WQUJ848	CF - Common Carrier Fixed Point to Point Microwave						Y

111) Call Sign	112) Radio Service Code	113) Location Number	114) Path Number (Microwave only)	115) Frequency Number	116) Lower or Center Frequency (MHz)	117) Upper Frequency (MHz)	118) Constructed Yes / No
WQUJ849	CF - Common Carrier Fixed Point to Point Microwave						Y
WQUJ850	CF - Common Carrier Fixed Point to Point Microwave						Y
WQUJ859	CF - Common Carrier Fixed Point to Point Microwave						Y
WQUJ860	CF - Common Carrier Fixed Point to Point Microwave						Y
WQUJ861	CF - Common Carrier Fixed Point to Point Microwave						Y
WQUJ865	CF - Common Carrier Fixed Point to Point Microwave						Y
WQUJ866	CF - Common Carrier Fixed Point to Point Microwave						Y
WQUJ868	CF - Common Carrier Fixed Point to Point Microwave						Y
WQUJ869	CF - Common Carrier Fixed Point to Point Microwave						Y
WQUJ892	CF - Common Carrier Fixed Point to Point Microwave						Y
WQUJ893	CF - Common Carrier Fixed Point to Point Microwave						Y
WQUK232	CW - PCS Broadband						Y
WQUK763	CF - Common Carrier Fixed Point to Point Microwave						Y
WQUK764	CF - Common Carrier Fixed Point to Point Microwave						Y
WQUK766	CF - Common Carrier Fixed Point to Point Microwave						Y
WQUK770	CF - Common Carrier Fixed Point to Point Microwave						Y
WQUK773	CF - Common Carrier Fixed Point to Point Microwave						Y
WQUK894	CF - Common Carrier Fixed Point to Point Microwave						Y
WQUK980	CF - Common Carrier Fixed Point to Point Microwave						Y

111) Call Sign	112) Radio Service Code	113) Location Number	114) Path Number (Microwave only)	115) Frequency Number	116) Lower or Center Frequency (MHz)	117) Upper Frequency (MHz)	118) Constructed Yes / No
WQUL226	CF - Common Carrier Fixed Point to Point Microwave						Y
WQUL227	CF - Common Carrier Fixed Point to Point Microwave						Y
WQUL234	CF - Common Carrier Fixed Point to Point Microwave						Y
WQUL235	CF - Common Carrier Fixed Point to Point Microwave						Y
WQUL236	CF - Common Carrier Fixed Point to Point Microwave						Y
WQUL237	CF - Common Carrier Fixed Point to Point Microwave						Y
WQUL244	CF - Common Carrier Fixed Point to Point Microwave						Y
WQUL245	CF - Common Carrier Fixed Point to Point Microwave						Y
WQUL246	CF - Common Carrier Fixed Point to Point Microwave						Y
WQUL247	CF - Common Carrier Fixed Point to Point Microwave						Y
WQUL248	CF - Common Carrier Fixed Point to Point Microwave						Y
WQUL249	CF - Common Carrier Fixed Point to Point Microwave						Y
WQUL263	CF - Common Carrier Fixed Point to Point Microwave						Y
WQUL339	CF - Common Carrier Fixed Point to Point Microwave						Y
WQUL343	CF - Common Carrier Fixed Point to Point Microwave						Y
WQUL346	CF - Common Carrier Fixed Point to Point Microwave						Y
WQUL348	CF - Common Carrier Fixed Point to Point Microwave						Y
WQUL350	CF - Common Carrier Fixed Point to Point Microwave						Y
WQUL351	CF - Common Carrier Fixed Point to Point Microwave						Y

111) Call Sign	112) Radio Service Code	113) Location Number	114) Path Number (Microwave only)	115) Frequency Number	116) Lower or Center Frequency (MHz)	117) Upper Frequency (MHz)	118) Constructed Yes / No
WQUL354	CF - Common Carrier Fixed Point to Point Microwave						Y
WQUL358	CF - Common Carrier Fixed Point to Point Microwave						Y
WQUL359	CF - Common Carrier Fixed Point to Point Microwave						Y
WQUL373	CF - Common Carrier Fixed Point to Point Microwave						Y
WQUL385	CF - Common Carrier Fixed Point to Point Microwave						Y
WQUL410	CF - Common Carrier Fixed Point to Point Microwave						Y
WQUL561	CF - Common Carrier Fixed Point to Point Microwave						Y
WQUL562	CF - Common Carrier Fixed Point to Point Microwave						Y
WQUL589	CF - Common Carrier Fixed Point to Point Microwave						Y
WQUL855	CF - Common Carrier Fixed Point to Point Microwave						Y
WQUL856	CF - Common Carrier Fixed Point to Point Microwave						Y
WQUL858	CF - Common Carrier Fixed Point to Point Microwave						Y
WQUL860	CF - Common Carrier Fixed Point to Point Microwave						Y
WQUL861	CF - Common Carrier Fixed Point to Point Microwave						Y
WQUL875	CF - Common Carrier Fixed Point to Point Microwave						Y
WQUL935	CF - Common Carrier Fixed Point to Point Microwave						Y
WQUL938	CF - Common Carrier Fixed Point to Point Microwave						Y
WQUL939	CF - Common Carrier Fixed Point to Point Microwave						Y
WQUL944	CF - Common Carrier Fixed Point to Point Microwave						Y

111) Call Sign	112) Radio Service Code	113) Location Number	114) Path Number (Microwave only)	115) Frequency Number	116) Lower or Center Frequency (MHz)	117) Upper Frequency (MHz)	118) Constructed Yes / No
WQUL946	CF - Common Carrier Fixed Point to Point Microwave						Y
WQUM418	CF - Common Carrier Fixed Point to Point Microwave						Y
WQUM419	CF - Common Carrier Fixed Point to Point Microwave						Y
WQUM422	CF - Common Carrier Fixed Point to Point Microwave						Y
WQUM423	CF - Common Carrier Fixed Point to Point Microwave						Y
WQUM503	CF - Common Carrier Fixed Point to Point Microwave						Y
WQUM512	CF - Common Carrier Fixed Point to Point Microwave						Y
WQUM515	CF - Common Carrier Fixed Point to Point Microwave						Y
WQUM516	CF - Common Carrier Fixed Point to Point Microwave						Y
WQUM610	CF - Common Carrier Fixed Point to Point Microwave						Y
WQUM611	CF - Common Carrier Fixed Point to Point Microwave						Y
WQUM612	CF - Common Carrier Fixed Point to Point Microwave						Y
WQUM614	CF - Common Carrier Fixed Point to Point Microwave						Y
WQUM615	CF - Common Carrier Fixed Point to Point Microwave						Y
WQUM617	CF - Common Carrier Fixed Point to Point Microwave						Y
WQUM618	CF - Common Carrier Fixed Point to Point Microwave						Y
WQUM619	CF - Common Carrier Fixed Point to Point Microwave						Y
WQUM804	CF - Common Carrier Fixed Point to Point Microwave						Y
WQUM805	CF - Common Carrier Fixed Point to Point Microwave						Y

111) Call Sign	112) Radio Service Code	113) Location Number	114) Path Number (Microwave only)	115) Frequency Number	116) Lower or Center Frequency (MHz)	117) Upper Frequency (MHz)	118) Constructed Yes / No
WQUM820	CF - Common Carrier Fixed Point to Point Microwave						Y
WQUM822	CF - Common Carrier Fixed Point to Point Microwave						Y
WQUM827	CF - Common Carrier Fixed Point to Point Microwave						Y
WQUM828	CF - Common Carrier Fixed Point to Point Microwave						Y
WQUM830	CF - Common Carrier Fixed Point to Point Microwave						Y
WQUM850	CF - Common Carrier Fixed Point to Point Microwave						Y
WQUM852	CF - Common Carrier Fixed Point to Point Microwave						Y
WQUN205	CF - Common Carrier Fixed Point to Point Microwave						Y
WQUN206	CF - Common Carrier Fixed Point to Point Microwave						Y
WQUN207	CF - Common Carrier Fixed Point to Point Microwave						Y
WQUN208	CF - Common Carrier Fixed Point to Point Microwave						Y
WQUN209	CF - Common Carrier Fixed Point to Point Microwave						Y
WQUN210	CF - Common Carrier Fixed Point to Point Microwave						Y
WQUN299	CF - Common Carrier Fixed Point to Point Microwave						Y
WQUN300	CF - Common Carrier Fixed Point to Point Microwave						Y
WQUN369	CF - Common Carrier Fixed Point to Point Microwave						Y
WQUN370	CF - Common Carrier Fixed Point to Point Microwave						Y
WQUN371	CF - Common Carrier Fixed Point to Point Microwave						Y
WQUN372	CF - Common Carrier Fixed Point to Point Microwave						Y

111) Call Sign	112) Radio Service Code	113) Location Number	114) Path Number (Microwave only)	115) Frequency Number	116) Lower or Center Frequency (MHz)	117) Upper Frequency (MHz)	118) Constructed Yes / No
WQUN374	CF - Common Carrier Fixed Point to Point Microwave						Y
WQUN376	CF - Common Carrier Fixed Point to Point Microwave						Y
WQUN379	CF - Common Carrier Fixed Point to Point Microwave						Y
WQUN380	CF - Common Carrier Fixed Point to Point Microwave						Y
WQUN383	CF - Common Carrier Fixed Point to Point Microwave						Y
WQUN384	CF - Common Carrier Fixed Point to Point Microwave						Y
WQUN458	CF - Common Carrier Fixed Point to Point Microwave						Y
WQUN467	CF - Common Carrier Fixed Point to Point Microwave						Y
WQUN469	CF - Common Carrier Fixed Point to Point Microwave						Y
WQUN471	CF - Common Carrier Fixed Point to Point Microwave						Y
WQUN475	CF - Common Carrier Fixed Point to Point Microwave						Y
WQUN487	CF - Common Carrier Fixed Point to Point Microwave						Y
WQUN512	CF - Common Carrier Fixed Point to Point Microwave						Y
WQUN514	CF - Common Carrier Fixed Point to Point Microwave						Y
WQUN515	CF - Common Carrier Fixed Point to Point Microwave						Y
WQUN518	CF - Common Carrier Fixed Point to Point Microwave						Y
WQUN521	CF - Common Carrier Fixed Point to Point Microwave						Y
WQUN524	CF - Common Carrier Fixed Point to Point Microwave						Y
WQUN587	CF - Common Carrier Fixed Point to Point Microwave						Y

111) Call Sign	112) Radio Service Code	113) Location Number	114) Path Number (Microwave only)	115) Frequency Number	116) Lower or Center Frequency (MHz)	117) Upper Frequency (MHz)	118) Constructed Yes / No
WQUN601	CF - Common Carrier Fixed Point to Point Microwave						Y
WQUN602	CF - Common Carrier Fixed Point to Point Microwave						Y
WQUN603	CF - Common Carrier Fixed Point to Point Microwave						Y
WQUN604	CF - Common Carrier Fixed Point to Point Microwave						Y
WQUN605	CF - Common Carrier Fixed Point to Point Microwave						Y
WQUN606	CF - Common Carrier Fixed Point to Point Microwave						Y
WQUN607	CF - Common Carrier Fixed Point to Point Microwave						Y
WQUN608	CF - Common Carrier Fixed Point to Point Microwave						Y
WQUN611	CF - Common Carrier Fixed Point to Point Microwave						Y
WQUN612	CF - Common Carrier Fixed Point to Point Microwave						Y
WQUN633	CF - Common Carrier Fixed Point to Point Microwave						Y
WQUN651	CF - Common Carrier Fixed Point to Point Microwave						Y
WQUN669	CF - Common Carrier Fixed Point to Point Microwave						Y
WQUN678	CF - Common Carrier Fixed Point to Point Microwave						Y
WQUN689	CF - Common Carrier Fixed Point to Point Microwave						Y
WQUP209	CF - Common Carrier Fixed Point to Point Microwave						Y
WQUP245	CF - Common Carrier Fixed Point to Point Microwave						Y
WQUP246	CF - Common Carrier Fixed Point to Point Microwave						Y
WQUP249	CF - Common Carrier Fixed Point to Point Microwave						Y

111) Call Sign	112) Radio Service Code	113) Location Number	114) Path Number (Microwave only)	115) Frequency Number	116) Lower or Center Frequency (MHz)	117) Upper Frequency (MHz)	118) Constructed Yes / No
WQUP251	CF - Common Carrier Fixed Point to Point Microwave						Y
WQUP253	CF - Common Carrier Fixed Point to Point Microwave						Y
WQUP254	CF - Common Carrier Fixed Point to Point Microwave						Y
WQUP257	CF - Common Carrier Fixed Point to Point Microwave						Y
WQUP258	CF - Common Carrier Fixed Point to Point Microwave						Y
WQUP260	CF - Common Carrier Fixed Point to Point Microwave						Y
WQUP271	CF - Common Carrier Fixed Point to Point Microwave						Y
WQUP272	CF - Common Carrier Fixed Point to Point Microwave						Y
WQUP284	CF - Common Carrier Fixed Point to Point Microwave						Y
WQUP285	CF - Common Carrier Fixed Point to Point Microwave						Y
WQUP286	CF - Common Carrier Fixed Point to Point Microwave						Y
WQUP287	CF - Common Carrier Fixed Point to Point Microwave						Y
WQUP288	CF - Common Carrier Fixed Point to Point Microwave						Y
WQUP289	CF - Common Carrier Fixed Point to Point Microwave						Y
WQUP290	CF - Common Carrier Fixed Point to Point Microwave						Y
WQUP291	CF - Common Carrier Fixed Point to Point Microwave						Y
WQUP344	CF - Common Carrier Fixed Point to Point Microwave						Y
WQUP357	CF - Common Carrier Fixed Point to Point Microwave						Y
WQUP376	CF - Common Carrier Fixed Point to Point Microwave						Y

111) Call Sign	112) Radio Service Code	113) Location Number	114) Path Number (Microwave only)	115) Frequency Number	116) Lower or Center Frequency (MHz)	117) Upper Frequency (MHz)	118) Constructed Yes / No
WQUP377	CF - Common Carrier Fixed Point to Point Microwave						Y
WQUP380	CF - Common Carrier Fixed Point to Point Microwave						Y
WQUP381	CF - Common Carrier Fixed Point to Point Microwave						Y
WQUP382	CF - Common Carrier Fixed Point to Point Microwave						Y
WQUP454	CF - Common Carrier Fixed Point to Point Microwave						Y
WQUP495	CF - Common Carrier Fixed Point to Point Microwave						Y
WQUP496	CF - Common Carrier Fixed Point to Point Microwave						Y
WQUP500	CF - Common Carrier Fixed Point to Point Microwave						Y
WQUP504	CF - Common Carrier Fixed Point to Point Microwave						Y
WQUP505	CF - Common Carrier Fixed Point to Point Microwave						Y
WQUP508	CF - Common Carrier Fixed Point to Point Microwave						Y
WQUP509	CF - Common Carrier Fixed Point to Point Microwave						Y
WQUP531	CF - Common Carrier Fixed Point to Point Microwave						Y
WQUP535	CF - Common Carrier Fixed Point to Point Microwave						Y
WQUP536	CF - Common Carrier Fixed Point to Point Microwave						Y
WQUP547	CF - Common Carrier Fixed Point to Point Microwave						Y
WQUP561	CF - Common Carrier Fixed Point to Point Microwave						Y
WQUP566	CF - Common Carrier Fixed Point to Point Microwave						Y
WQUP777	CF - Common Carrier Fixed Point to Point Microwave						Y

111) Call Sign	112) Radio Service Code	113) Location Number	114) Path Number (Microwave only)	115) Frequency Number	116) Lower or Center Frequency (MHz)	117) Upper Frequency (MHz)	118) Constructed Yes / No
WQUP782	CF - Common Carrier Fixed Point to Point Microwave						Y
WQUP784	CF - Common Carrier Fixed Point to Point Microwave						Y
WQUP787	CF - Common Carrier Fixed Point to Point Microwave						Y
WQUP788	CF - Common Carrier Fixed Point to Point Microwave						Y
WQUP991	CF - Common Carrier Fixed Point to Point Microwave						Y
WQUP993	CF - Common Carrier Fixed Point to Point Microwave						Y
WQUP994	CF - Common Carrier Fixed Point to Point Microwave						Y
WQUP996	CF - Common Carrier Fixed Point to Point Microwave						Y
WQUP999	CF - Common Carrier Fixed Point to Point Microwave						Y
WQUQ200	CF - Common Carrier Fixed Point to Point Microwave						Y
WQUQ202	CF - Common Carrier Fixed Point to Point Microwave						Y
WQUQ203	CF - Common Carrier Fixed Point to Point Microwave						Y
WQUQ205	CF - Common Carrier Fixed Point to Point Microwave						Y
WQUQ264	CF - Common Carrier Fixed Point to Point Microwave						Y
WQUQ265	CF - Common Carrier Fixed Point to Point Microwave						Y
WQUQ266	CF - Common Carrier Fixed Point to Point Microwave						Y
WQUQ267	CF - Common Carrier Fixed Point to Point Microwave						Y
WQUQ268	CF - Common Carrier Fixed Point to Point Microwave						Y
WQUQ273	CF - Common Carrier Fixed Point to Point Microwave						Y

111) Call Sign	112) Radio Service Code	113) Location Number	114) Path Number (Microwave only)	115) Frequency Number	116) Lower or Center Frequency (MHz)	117) Upper Frequency (MHz)	118) Constructed Yes / No
WQUQ274	CF - Common Carrier Fixed Point to Point Microwave						Y
WQUQ275	CF - Common Carrier Fixed Point to Point Microwave						Y
WQUQ276	CF - Common Carrier Fixed Point to Point Microwave						Y
WQUQ280	CF - Common Carrier Fixed Point to Point Microwave						Y
WQUQ282	CF - Common Carrier Fixed Point to Point Microwave						Y
WQUQ284	CF - Common Carrier Fixed Point to Point Microwave						Y
WQUQ285	CF - Common Carrier Fixed Point to Point Microwave						Y
WQUQ288	CF - Common Carrier Fixed Point to Point Microwave						Y
WQUQ635	CF - Common Carrier Fixed Point to Point Microwave						Y
WQUQ644	CF - Common Carrier Fixed Point to Point Microwave						Y
WQUQ645	CF - Common Carrier Fixed Point to Point Microwave						Y
WQUQ885	CF - Common Carrier Fixed Point to Point Microwave						Y
WQUQ938	CF - Common Carrier Fixed Point to Point Microwave						Y
WQUR208	CF - Common Carrier Fixed Point to Point Microwave						Y
WQUR210	CF - Common Carrier Fixed Point to Point Microwave						Y
WQUR215	CF - Common Carrier Fixed Point to Point Microwave						Y
WQUR216	CF - Common Carrier Fixed Point to Point Microwave						Y
WQUR256	CF - Common Carrier Fixed Point to Point Microwave						Y
WQUR258	CF - Common Carrier Fixed Point to Point Microwave						Y

111) Call Sign	112) Radio Service Code	113) Location Number	114) Path Number (Microwave only)	115) Frequency Number	116) Lower or Center Frequency (MHz)	117) Upper Frequency (MHz)	118) Constructed Yes / No
WQUR259	CF - Common Carrier Fixed Point to Point Microwave						Y
WQUR314	CF - Common Carrier Fixed Point to Point Microwave						Y
WQUR315	CF - Common Carrier Fixed Point to Point Microwave						Y
WQUR316	CF - Common Carrier Fixed Point to Point Microwave						Y
WQUR317	CF - Common Carrier Fixed Point to Point Microwave						Y
WQUR318	CF - Common Carrier Fixed Point to Point Microwave						Y
WQUR351	CF - Common Carrier Fixed Point to Point Microwave						Y
WQUR352	CF - Common Carrier Fixed Point to Point Microwave						Y
WQUR357	CF - Common Carrier Fixed Point to Point Microwave						Y
WQUR358	CF - Common Carrier Fixed Point to Point Microwave						Y
WQUR364	CF - Common Carrier Fixed Point to Point Microwave						Y
WQUR367	CF - Common Carrier Fixed Point to Point Microwave						Y
WQUR383	CF - Common Carrier Fixed Point to Point Microwave						Y
WQUR384	CF - Common Carrier Fixed Point to Point Microwave						Y
WQUR422	CF - Common Carrier Fixed Point to Point Microwave						Y
WQUR423	CF - Common Carrier Fixed Point to Point Microwave						Y
WQUR667	CF - Common Carrier Fixed Point to Point Microwave						Y
WQUR669	CF - Common Carrier Fixed Point to Point Microwave						Y
WQUR670	CF - Common Carrier Fixed Point to Point Microwave						Y

111) Call Sign	112) Radio Service Code	113) Location Number	114) Path Number (Microwave only)	115) Frequency Number	116) Lower or Center Frequency (MHz)	117) Upper Frequency (MHz)	118) Constructed Yes / No
WQUR675	CF - Common Carrier Fixed Point to Point Microwave						Y
WQUR705	CF - Common Carrier Fixed Point to Point Microwave						Y
WQUR706	CF - Common Carrier Fixed Point to Point Microwave						Y
WQUR707	CF - Common Carrier Fixed Point to Point Microwave						Y
WQUR708	CF - Common Carrier Fixed Point to Point Microwave						Y
WQUR709	CF - Common Carrier Fixed Point to Point Microwave						Y
WQUR710	CF - Common Carrier Fixed Point to Point Microwave						Y
WQUR720	CF - Common Carrier Fixed Point to Point Microwave						Y
WQUR819	CF - Common Carrier Fixed Point to Point Microwave						Y
WQUR820	CF - Common Carrier Fixed Point to Point Microwave						Y
WQUR822	CF - Common Carrier Fixed Point to Point Microwave						Y
WQUR824	CF - Common Carrier Fixed Point to Point Microwave						Y
WQUR825	CF - Common Carrier Fixed Point to Point Microwave						Y
WQUR826	CF - Common Carrier Fixed Point to Point Microwave						Y
WQUR827	CF - Common Carrier Fixed Point to Point Microwave						Y
WQUR917	CF - Common Carrier Fixed Point to Point Microwave						Y
WQUR946	CF - Common Carrier Fixed Point to Point Microwave						Y
WQUS326	CF - Common Carrier Fixed Point to Point Microwave						Y
WQUS332	CF - Common Carrier Fixed Point to Point Microwave						Y

111) Call Sign	112) Radio Service Code	113) Location Number	114) Path Number (Microwave only)	115) Frequency Number	116) Lower or Center Frequency (MHz)	117) Upper Frequency (MHz)	118) Constructed Yes / No
WQUS611	CF - Common Carrier Fixed Point to Point Microwave						Y
WQUS613	CF - Common Carrier Fixed Point to Point Microwave						Y
WQUS614	CF - Common Carrier Fixed Point to Point Microwave						Y
WQUS615	CF - Common Carrier Fixed Point to Point Microwave						Y
WQUS621	CF - Common Carrier Fixed Point to Point Microwave						Y
WQUS623	CF - Common Carrier Fixed Point to Point Microwave						Y
WQUS711	CF - Common Carrier Fixed Point to Point Microwave						Y
WQUS714	CF - Common Carrier Fixed Point to Point Microwave						Y
WQUS742	CF - Common Carrier Fixed Point to Point Microwave						Y
WQUS745	CF - Common Carrier Fixed Point to Point Microwave						Y
WQUS746	CF - Common Carrier Fixed Point to Point Microwave						Y
WQUS751	CF - Common Carrier Fixed Point to Point Microwave						Y
WQUS755	CF - Common Carrier Fixed Point to Point Microwave						Y
WQUS756	CF - Common Carrier Fixed Point to Point Microwave						Y
WQUS993	CF - Common Carrier Fixed Point to Point Microwave						Y
WQUS994	CF - Common Carrier Fixed Point to Point Microwave						Y
WQUS995	CF - Common Carrier Fixed Point to Point Microwave						Y
WQUS996	CF - Common Carrier Fixed Point to Point Microwave						Y
WQUT441	CF - Common Carrier Fixed Point to Point Microwave						Y

111) Call Sign	112) Radio Service Code	113) Location Number	114) Path Number (Microwave only)	115) Frequency Number	116) Lower or Center Frequency (MHz)	117) Upper Frequency (MHz)	118) Constructed Yes / No
WQUT445	CF - Common Carrier Fixed Point to Point Microwave						Y
WQUT446	CF - Common Carrier Fixed Point to Point Microwave						Y
WQUT541	CF - Common Carrier Fixed Point to Point Microwave						Y
WQUT679	CF - Common Carrier Fixed Point to Point Microwave						Y
WQUT682	CF - Common Carrier Fixed Point to Point Microwave						Y
WQUT771	CF - Common Carrier Fixed Point to Point Microwave						Y
WQUT772	CF - Common Carrier Fixed Point to Point Microwave						Y
WQUT906	CF - Common Carrier Fixed Point to Point Microwave						Y
WQUU777	CF - Common Carrier Fixed Point to Point Microwave						Y
WQUU795	CF - Common Carrier Fixed Point to Point Microwave						Y
WQUU796	CF - Common Carrier Fixed Point to Point Microwave						Y
WQUU799	CF - Common Carrier Fixed Point to Point Microwave						Y
WQUU800	CF - Common Carrier Fixed Point to Point Microwave						Y
WQUU801	CF - Common Carrier Fixed Point to Point Microwave						Y
WQUU812	CF - Common Carrier Fixed Point to Point Microwave						Y
WQUU814	CF - Common Carrier Fixed Point to Point Microwave						Y
WQUU816	CF - Common Carrier Fixed Point to Point Microwave						Y
WQUU817	CF - Common Carrier Fixed Point to Point Microwave						Y
WQUU818	CF - Common Carrier Fixed Point to Point Microwave						Y

111) Call Sign	112) Radio Service Code	113) Location Number	114) Path Number (Microwave only)	115) Frequency Number	116) Lower or Center Frequency (MHz)	117) Upper Frequency (MHz)	118) Constructed Yes / No
WQUU879	CF - Common Carrier Fixed Point to Point Microwave						Y
WQUU926	CF - Common Carrier Fixed Point to Point Microwave						Y
WQUU927	CF - Common Carrier Fixed Point to Point Microwave						Y
WQUV557	CF - Common Carrier Fixed Point to Point Microwave						Y
WQUV558	CF - Common Carrier Fixed Point to Point Microwave						Y
WQUV685	CF - Common Carrier Fixed Point to Point Microwave						Y
WQUV942	CF - Common Carrier Fixed Point to Point Microwave						Y
WQUV972	CF - Common Carrier Fixed Point to Point Microwave						Y
WQUV973	CF - Common Carrier Fixed Point to Point Microwave						Y
WQUV974	CF - Common Carrier Fixed Point to Point Microwave						Y
WQUV975	CF - Common Carrier Fixed Point to Point Microwave						Y
WQUV976	CF - Common Carrier Fixed Point to Point Microwave						Y
WQUV977	CF - Common Carrier Fixed Point to Point Microwave						Y
WQUV980	CF - Common Carrier Fixed Point to Point Microwave						Y
WQUV986	CF - Common Carrier Fixed Point to Point Microwave						Y
WQUV990	CF - Common Carrier Fixed Point to Point Microwave						Y
WQUW827	CF - Common Carrier Fixed Point to Point Microwave						Y
WQUW828	CF - Common Carrier Fixed Point to Point Microwave						Y
WQUW860	CF - Common Carrier Fixed Point to Point Microwave						Y

111) Call Sign	112) Radio Service Code	113) Location Number	114) Path Number (Microwave only)	115) Frequency Number	116) Lower or Center Frequency (MHz)	117) Upper Frequency (MHz)	118) Constructed Yes / No
WQUX200	CF - Common Carrier Fixed Point to Point Microwave						Y
WQUX354	CF - Common Carrier Fixed Point to Point Microwave						Y
WQUX364	CF - Common Carrier Fixed Point to Point Microwave						Y
WQUX365	CF - Common Carrier Fixed Point to Point Microwave						Y
WQUX553	CF - Common Carrier Fixed Point to Point Microwave						Y
WQUX554	CF - Common Carrier Fixed Point to Point Microwave						Y
WQUX913	CF - Common Carrier Fixed Point to Point Microwave						Y
WQUY460	CF - Common Carrier Fixed Point to Point Microwave						Y
WQUY474	CF - Common Carrier Fixed Point to Point Microwave						Y
WQUY517	CF - Common Carrier Fixed Point to Point Microwave						Y
WQUY520	CF - Common Carrier Fixed Point to Point Microwave						Y
WQUY637	CF - Common Carrier Fixed Point to Point Microwave						Y
WQUY732	CF - Common Carrier Fixed Point to Point Microwave						Y
WQUZ412	CF - Common Carrier Fixed Point to Point Microwave						Y
WQUZ413	CF - Common Carrier Fixed Point to Point Microwave						Y
WQUZ416	CF - Common Carrier Fixed Point to Point Microwave						Y
WQUZ670	AW - AWS (1710-1755 MHz and 2110-2155 MHz)						N
WQUZ675	CW - PCS Broadband						Y
WQUZ704	CF - Common Carrier Fixed Point to Point Microwave						Y

111) Call Sign	112) Radio Service Code	113) Location Number	114) Path Number (Microwave only)	115) Frequency Number	116) Lower or Center Frequency (MHz)	117) Upper Frequency (MHz)	118) Constructed Yes / No
WQVB563	CF - Common Carrier Fixed Point to Point Microwave						Y
WQVC349	CF - Common Carrier Fixed Point to Point Microwave						Y
WQVC350	CF - Common Carrier Fixed Point to Point Microwave						Y
WQVC351	CF - Common Carrier Fixed Point to Point Microwave						Y
WQVC352	CF - Common Carrier Fixed Point to Point Microwave						Y
WQVC532	CF - Common Carrier Fixed Point to Point Microwave						Y
WQVC533	CF - Common Carrier Fixed Point to Point Microwave						Y
WQVC563	CF - Common Carrier Fixed Point to Point Microwave						Y
WQVC564	CF - Common Carrier Fixed Point to Point Microwave						Y
WQVC566	CF - Common Carrier Fixed Point to Point Microwave						Y
WQVC891	CF - Common Carrier Fixed Point to Point Microwave						Y
WQVD531	CF - Common Carrier Fixed Point to Point Microwave						Y
WQVD542	CF - Common Carrier Fixed Point to Point Microwave						Y
WQVD575	AW - AWS (1710-1755 MHz and 2110-2155 MHz)						N
WQVD616	CF - Common Carrier Fixed Point to Point Microwave						Y
WQVD617	CF - Common Carrier Fixed Point to Point Microwave						Y
WQVD621	CF - Common Carrier Fixed Point to Point Microwave						Y
WQVD622	CF - Common Carrier Fixed Point to Point Microwave						Y
WQVD633	CF - Common Carrier Fixed Point to Point Microwave						Y

111) Call Sign	112) Radio Service Code	113) Location Number	114) Path Number (Microwave only)	115) Frequency Number	116) Lower or Center Frequency (MHz)	117) Upper Frequency (MHz)	118) Constructed Yes / No
WQVD698	CF - Common Carrier Fixed Point to Point Microwave						Y
WQVD699	CF - Common Carrier Fixed Point to Point Microwave						Y
WQVD720	CF - Common Carrier Fixed Point to Point Microwave						Y
WQVD721	CF - Common Carrier Fixed Point to Point Microwave						Y
WQVD745	CF - Common Carrier Fixed Point to Point Microwave						Y
WQVE984	CF - Common Carrier Fixed Point to Point Microwave						Y
WQVF252	CW - PCS Broadband						Y
WQVF253	CW - PCS Broadband						Y
WQVF540	CF - Common Carrier Fixed Point to Point Microwave						Y
WQVF572	CF - Common Carrier Fixed Point to Point Microwave						Y
WQVF573	CF - Common Carrier Fixed Point to Point Microwave						Y
WQVF575	CF - Common Carrier Fixed Point to Point Microwave						Y
WQVF584	CF - Common Carrier Fixed Point to Point Microwave						Y
WQVF585	CF - Common Carrier Fixed Point to Point Microwave						Y
WQVF730	CF - Common Carrier Fixed Point to Point Microwave						Y
WQVF893	CF - Common Carrier Fixed Point to Point Microwave						Y
WQVG230	AW - AWS (1710-1755 MHz and 2110-2155 MHz)						N
WQVG235	CW - PCS Broadband						Y
WQVG237	AW - AWS (1710-1755 MHz and 2110-2155 MHz)						N

111) Call Sign	112) Radio Service Code	113) Location Number	114) Path Number (Microwave only)	115) Frequency Number	116) Lower or Center Frequency (MHz)	117) Upper Frequency (MHz)	118) Constructed Yes / No
WQVH286	CF - Common Carrier Fixed Point to Point Microwave						Y
WQVH287	CF - Common Carrier Fixed Point to Point Microwave						Y
WQVH300	CF - Common Carrier Fixed Point to Point Microwave						Y
WQVH383	CF - Common Carrier Fixed Point to Point Microwave						Y
WQVH487	CF - Common Carrier Fixed Point to Point Microwave						Y
WQVH653	CF - Common Carrier Fixed Point to Point Microwave						Y
WQVI512	CF - Common Carrier Fixed Point to Point Microwave						Y
WQVI513	CF - Common Carrier Fixed Point to Point Microwave						Y
WQVI514	CF - Common Carrier Fixed Point to Point Microwave						Y
WQVI681	CF - Common Carrier Fixed Point to Point Microwave						Y
WQVJ814	CF - Common Carrier Fixed Point to Point Microwave						Y
WQVK548	CF - Common Carrier Fixed Point to Point Microwave						Y
WQVK558	CF - Common Carrier Fixed Point to Point Microwave						Y
WQVK559	CF - Common Carrier Fixed Point to Point Microwave						Y
WQVK685	CF - Common Carrier Fixed Point to Point Microwave						Y
WQVK693	CF - Common Carrier Fixed Point to Point Microwave						Y
WQVK963	CF - Common Carrier Fixed Point to Point Microwave						Y
WQVK969	CF - Common Carrier Fixed Point to Point Microwave						Y
WQVK972	CF - Common Carrier Fixed Point to Point Microwave						Y

111) Call Sign	112) Radio Service Code	113) Location Number	114) Path Number (Microwave only)	115) Frequency Number	116) Lower or Center Frequency (MHz)	117) Upper Frequency (MHz)	118) Constructed Yes / No
WQVK974	CF - Common Carrier Fixed Point to Point Microwave						Y
WQVL419	CF - Common Carrier Fixed Point to Point Microwave						Y
WQVL421	CF - Common Carrier Fixed Point to Point Microwave						Y
WQVL425	CF - Common Carrier Fixed Point to Point Microwave						Y
WQVL426	CF - Common Carrier Fixed Point to Point Microwave						Y
WQVL433	CF - Common Carrier Fixed Point to Point Microwave						Y
WQVL434	CF - Common Carrier Fixed Point to Point Microwave						Y
WQVL903	CF - Common Carrier Fixed Point to Point Microwave						Y
WQVL904	CF - Common Carrier Fixed Point to Point Microwave						Y
WQVL905	CF - Common Carrier Fixed Point to Point Microwave						Y
WQVM299	CW - PCS Broadband						Y
WQVN491	CF - Common Carrier Fixed Point to Point Microwave						Y
WQVP491	CF - Common Carrier Fixed Point to Point Microwave						Y
WQVP552	CF - Common Carrier Fixed Point to Point Microwave						Y
WQVP554	CF - Common Carrier Fixed Point to Point Microwave						Y
WQVP777	CF - Common Carrier Fixed Point to Point Microwave						Y
WQVP778	CF - Common Carrier Fixed Point to Point Microwave						Y
WQVQ222	CF - Common Carrier Fixed Point to Point Microwave						Y
WQVQ224	CF - Common Carrier Fixed Point to Point Microwave						Y

111) Call Sign	112) Radio Service Code	113) Location Number	114) Path Number (Microwave only)	115) Frequency Number	116) Lower or Center Frequency (MHz)	117) Upper Frequency (MHz)	118) Constructed Yes / No
WQVQ230	CF - Common Carrier Fixed Point to Point Microwave						Y
WQVQ231	CF - Common Carrier Fixed Point to Point Microwave						Y
WQVQ232	CF - Common Carrier Fixed Point to Point Microwave						Y
WQVQ823	CF - Common Carrier Fixed Point to Point Microwave						Y
WQVQ828	CF - Common Carrier Fixed Point to Point Microwave						Y
WQVQ829	CF - Common Carrier Fixed Point to Point Microwave						Y
WQVQ832	CF - Common Carrier Fixed Point to Point Microwave						Y
WQVR352	CF - Common Carrier Fixed Point to Point Microwave						Y
WQVR388	CF - Common Carrier Fixed Point to Point Microwave						Y
WQVR389	CF - Common Carrier Fixed Point to Point Microwave						Y
WQVR488	CF - Common Carrier Fixed Point to Point Microwave						Y
WQVR489	CF - Common Carrier Fixed Point to Point Microwave						Y
WQVR891	CF - Common Carrier Fixed Point to Point Microwave						Y
WQVR902	CF - Common Carrier Fixed Point to Point Microwave						Y
WQVR903	CF - Common Carrier Fixed Point to Point Microwave						Y
WQVS218	CF - Common Carrier Fixed Point to Point Microwave						Y
WQVS219	CF - Common Carrier Fixed Point to Point Microwave						Y
WQVS595	CF - Common Carrier Fixed Point to Point Microwave						Y
WQVT365	CF - Common Carrier Fixed Point to Point Microwave						Y

111) Call Sign	112) Radio Service Code	113) Location Number	114) Path Number (Microwave only)	115) Frequency Number	116) Lower or Center Frequency (MHz)	117) Upper Frequency (MHz)	118) Constructed Yes / No
WQVT920	CF - Common Carrier Fixed Point to Point Microwave						Y
WQVT921	CF - Common Carrier Fixed Point to Point Microwave						Y
WQVT946	CF - Common Carrier Fixed Point to Point Microwave						Y
WQVT947	CF - Common Carrier Fixed Point to Point Microwave						Y
WQVU642	CF - Common Carrier Fixed Point to Point Microwave						Y
WQVU643	CF - Common Carrier Fixed Point to Point Microwave						Y
WQVU785	CF - Common Carrier Fixed Point to Point Microwave						Y
WQVU786	CF - Common Carrier Fixed Point to Point Microwave						Y
WQVU789	CF - Common Carrier Fixed Point to Point Microwave						Y
WQVU790	CF - Common Carrier Fixed Point to Point Microwave						Y
WQVV537	CF - Common Carrier Fixed Point to Point Microwave						Y
WQVV538	CF - Common Carrier Fixed Point to Point Microwave						Y
WQVV586	CF - Common Carrier Fixed Point to Point Microwave						Y
WQVV587	CF - Common Carrier Fixed Point to Point Microwave						Y
WQVW206	CF - Common Carrier Fixed Point to Point Microwave						Y
WQVW413	CF - Common Carrier Fixed Point to Point Microwave						Y
WQVW414	CF - Common Carrier Fixed Point to Point Microwave						Y
WQVW473	CF - Common Carrier Fixed Point to Point Microwave						Y
WQVW974	CF - Common Carrier Fixed Point to Point Microwave						Y

111) Call Sign	112) Radio Service Code	113) Location Number	114) Path Number (Microwave only)	115) Frequency Number	116) Lower or Center Frequency (MHz)	117) Upper Frequency (MHz)	118) Constructed Yes / No
WQVW975	CF - Common Carrier Fixed Point to Point Microwave						Y
WQVW976	CF - Common Carrier Fixed Point to Point Microwave						Y
WQVX541	CF - Common Carrier Fixed Point to Point Microwave						Y
WQVX542	CF - Common Carrier Fixed Point to Point Microwave						Y
WQVX928	CF - Common Carrier Fixed Point to Point Microwave						Y
WQVX934	CF - Common Carrier Fixed Point to Point Microwave						Y
WQVX935	CF - Common Carrier Fixed Point to Point Microwave						Y
WQVY388	CF - Common Carrier Fixed Point to Point Microwave						Y
WQVZ971	CF - Common Carrier Fixed Point to Point Microwave						Y
WQVZ972	CF - Common Carrier Fixed Point to Point Microwave						Y
WQWA555	CF - Common Carrier Fixed Point to Point Microwave						Y
WQWB306	CF - Common Carrier Fixed Point to Point Microwave						Y
WQWB311	CF - Common Carrier Fixed Point to Point Microwave						Y
WQWB380	CF - Common Carrier Fixed Point to Point Microwave						Y
WQWB381	CF - Common Carrier Fixed Point to Point Microwave						Y
WQWB463	CF - Common Carrier Fixed Point to Point Microwave						Y
WQWB555	CF - Common Carrier Fixed Point to Point Microwave						Y
WQWC334	CF - Common Carrier Fixed Point to Point Microwave						Y
WQWC344	CF - Common Carrier Fixed Point to Point Microwave						Y

111) Call Sign	112) Radio Service Code	113) Location Number	114) Path Number (Microwave only)	115) Frequency Number	116) Lower or Center Frequency (MHz)	117) Upper Frequency (MHz)	118) Constructed Yes / No
WQWC748	CF - Common Carrier Fixed Point to Point Microwave						Y
WQWC750	CF - Common Carrier Fixed Point to Point Microwave						Y
WQWD965	CF - Common Carrier Fixed Point to Point Microwave						Y
WQWF360	CF - Common Carrier Fixed Point to Point Microwave						Y
WQWF572	CF - Common Carrier Fixed Point to Point Microwave						Y
WQWF588	CF - Common Carrier Fixed Point to Point Microwave						Y
WQWF589	CF - Common Carrier Fixed Point to Point Microwave						Y
WQWF658	CF - Common Carrier Fixed Point to Point Microwave						Y
WQWG283	CF - Common Carrier Fixed Point to Point Microwave						Y
WQWG284	CF - Common Carrier Fixed Point to Point Microwave						Y
WQWG474	CF - Common Carrier Fixed Point to Point Microwave						Y
WQWG475	CF - Common Carrier Fixed Point to Point Microwave						Y
WQWH557	CF - Common Carrier Fixed Point to Point Microwave						Y
WQWH664	CF - Common Carrier Fixed Point to Point Microwave						Y
WQWH668	CF - Common Carrier Fixed Point to Point Microwave						Y
WQWI459	CF - Common Carrier Fixed Point to Point Microwave						Y
WQWI721	CF - Common Carrier Fixed Point to Point Microwave						Y
WQWI722	CF - Common Carrier Fixed Point to Point Microwave						Y
WQWJ206	CF - Common Carrier Fixed Point to Point Microwave						Y

111) Call Sign	112) Radio Service Code	113) Location Number	114) Path Number (Microwave only)	115) Frequency Number	116) Lower or Center Frequency (MHz)	117) Upper Frequency (MHz)	118) Constructed Yes / No
WQWJ207	CF - Common Carrier Fixed Point to Point Microwave						Y
WQWJ208	CF - Common Carrier Fixed Point to Point Microwave						Y
WQWJ209	CF - Common Carrier Fixed Point to Point Microwave						Y
WQWJ210	CF - Common Carrier Fixed Point to Point Microwave						Y
WQWJ211	CF - Common Carrier Fixed Point to Point Microwave						Y
WQWJ228	CF - Common Carrier Fixed Point to Point Microwave						Y
WQWJ424	CF - Common Carrier Fixed Point to Point Microwave						Y
WQWJ425	CF - Common Carrier Fixed Point to Point Microwave						Y
WQWJ555	CF - Common Carrier Fixed Point to Point Microwave						Y
WQWJ556	CF - Common Carrier Fixed Point to Point Microwave						Y
WQWJ896	CF - Common Carrier Fixed Point to Point Microwave						Y
WQWJ898	CF - Common Carrier Fixed Point to Point Microwave						Y
WQWJ942	CF - Common Carrier Fixed Point to Point Microwave						Y
WQWK447	CF - Common Carrier Fixed Point to Point Microwave						Y
WQWK448	CF - Common Carrier Fixed Point to Point Microwave						Y
WQWK582	CF - Common Carrier Fixed Point to Point Microwave						Y
WQWK851	CF - Common Carrier Fixed Point to Point Microwave						Y
WQWL292	CF - Common Carrier Fixed Point to Point Microwave						Y
WQWL293	CF - Common Carrier Fixed Point to Point Microwave						Y

111) Call Sign	112) Radio Service Code	113) Location Number	114) Path Number (Microwave only)	115) Frequency Number	116) Lower or Center Frequency (MHz)	117) Upper Frequency (MHz)	118) Constructed Yes / No
WQWL295	CF - Common Carrier Fixed Point to Point Microwave						Y
WQWL296	CF - Common Carrier Fixed Point to Point Microwave						Y
WQWL297	CF - Common Carrier Fixed Point to Point Microwave						Y
WQWL298	CF - Common Carrier Fixed Point to Point Microwave						Y
WQWL300	CF - Common Carrier Fixed Point to Point Microwave						Y
WQWL301	CF - Common Carrier Fixed Point to Point Microwave						Y
WQWN224	CF - Common Carrier Fixed Point to Point Microwave						Y
WQWN346	WZ - 700 MHz Lower Band (Blocks C, D)						Y
WQWN371	CF - Common Carrier Fixed Point to Point Microwave						Y
WQWN372	CF - Common Carrier Fixed Point to Point Microwave						Y
WQWN394	CF - Common Carrier Fixed Point to Point Microwave						Y
WQWN777	CF - Common Carrier Fixed Point to Point Microwave						Y
WQWN808	CF - Common Carrier Fixed Point to Point Microwave						Y
WQWN994	CF - Common Carrier Fixed Point to Point Microwave						Y
WQWN995	CF - Common Carrier Fixed Point to Point Microwave						Y
WQWP521	CF - Common Carrier Fixed Point to Point Microwave						Y
WQWP677	CF - Common Carrier Fixed Point to Point Microwave						Y
WQWQ205	CF - Common Carrier Fixed Point to Point Microwave						Y
WQWR294	CF - Common Carrier Fixed Point to Point Microwave						Y

111) Call Sign	112) Radio Service Code	113) Location Number	114) Path Number (Microwave only)	115) Frequency Number	116) Lower or Center Frequency (MHz)	117) Upper Frequency (MHz)	118) Constructed Yes / No
WQWR295	CF - Common Carrier Fixed Point to Point Microwave						Y
WQWR296	CF - Common Carrier Fixed Point to Point Microwave						Y
WQWT305	CF - Common Carrier Fixed Point to Point Microwave						Y
WQWT306	CF - Common Carrier Fixed Point to Point Microwave						Y
WQWT347	CF - Common Carrier Fixed Point to Point Microwave						Y
WQWT348	CF - Common Carrier Fixed Point to Point Microwave						Y
WQWT610	CF - Common Carrier Fixed Point to Point Microwave						Y
WQWT611	CF - Common Carrier Fixed Point to Point Microwave						Y
WQWT623	CF - Common Carrier Fixed Point to Point Microwave						Y
WQWT773	CF - Common Carrier Fixed Point to Point Microwave						Y
WQWT890	CF - Common Carrier Fixed Point to Point Microwave						Y
WQWV621	CF - Common Carrier Fixed Point to Point Microwave						Y
WQWV622	CF - Common Carrier Fixed Point to Point Microwave						Y
WQWV624	CF - Common Carrier Fixed Point to Point Microwave						Y
WQWV625	CF - Common Carrier Fixed Point to Point Microwave						Y
WQWW534	CF - Common Carrier Fixed Point to Point Microwave						Y
WQWW543	CF - Common Carrier Fixed Point to Point Microwave						Y
WQWW813	CF - Common Carrier Fixed Point to Point Microwave						Y
WQWW859	CF - Common Carrier Fixed Point to Point Microwave						Y

111) Call Sign	112) Radio Service Code	113) Location Number	114) Path Number (Microwave only)	115) Frequency Number	116) Lower or Center Frequency (MHz)	117) Upper Frequency (MHz)	118) Constructed Yes / No
WQWX444	CF - Common Carrier Fixed Point to Point Microwave						Y
WQWY249	CF - Common Carrier Fixed Point to Point Microwave						Y
WQWY251	CF - Common Carrier Fixed Point to Point Microwave						Y
WQWY277	CF - Common Carrier Fixed Point to Point Microwave						Y
WQWY289	CF - Common Carrier Fixed Point to Point Microwave						Y
WQWY290	CF - Common Carrier Fixed Point to Point Microwave						Y
WQWY433	CF - Common Carrier Fixed Point to Point Microwave						Y
WQWZ218	CF - Common Carrier Fixed Point to Point Microwave						Y
WQWZ405	CF - Common Carrier Fixed Point to Point Microwave						Y
WQWZ616	CF - Common Carrier Fixed Point to Point Microwave						Y
WQWZ635	CF - Common Carrier Fixed Point to Point Microwave						Y
WQWZ636	CF - Common Carrier Fixed Point to Point Microwave						Y
WQXA285	CW - PCS Broadband						Y
WQXA289	CW - PCS Broadband						Y
WQXA340	CF - Common Carrier Fixed Point to Point Microwave						Y
WQXA341	CF - Common Carrier Fixed Point to Point Microwave						Y
WQXB560	CF - Common Carrier Fixed Point to Point Microwave						Y
WQXB561	CF - Common Carrier Fixed Point to Point Microwave						Y
WQXB581	CF - Common Carrier Fixed Point to Point Microwave						Y

111) Call Sign	112) Radio Service Code	113) Location Number	114) Path Number (Microwave only)	115) Frequency Number	116) Lower or Center Frequency (MHz)	117) Upper Frequency (MHz)	118) Constructed Yes / No
WQXB667	CF - Common Carrier Fixed Point to Point Microwave						Y
WQXB669	CF - Common Carrier Fixed Point to Point Microwave						Y
WQXB741	CF - Common Carrier Fixed Point to Point Microwave						Y
WQXB943	CF - Common Carrier Fixed Point to Point Microwave						Y
WQXB944	CF - Common Carrier Fixed Point to Point Microwave						Y
WQXB958	CF - Common Carrier Fixed Point to Point Microwave						Y
WQXB959	CF - Common Carrier Fixed Point to Point Microwave						Y
WQXB970	CF - Common Carrier Fixed Point to Point Microwave						Y
WQXC301	CF - Common Carrier Fixed Point to Point Microwave						Y
WQXC302	CF - Common Carrier Fixed Point to Point Microwave						Y
WQXC635	CF - Common Carrier Fixed Point to Point Microwave						Y
WQXD608	CF - Common Carrier Fixed Point to Point Microwave						Y
WQXD609	CF - Common Carrier Fixed Point to Point Microwave						Y
WQXD742	CF - Common Carrier Fixed Point to Point Microwave						Y
WQXD930	CF - Common Carrier Fixed Point to Point Microwave						Y
WQXD986	CF - Common Carrier Fixed Point to Point Microwave						Y
WQXD987	CF - Common Carrier Fixed Point to Point Microwave						Y
WQXD995	CF - Common Carrier Fixed Point to Point Microwave						Y
WQXD996	CF - Common Carrier Fixed Point to Point Microwave						Y

111) Call Sign	112) Radio Service Code	113) Location Number	114) Path Number (Microwave only)	115) Frequency Number	116) Lower or Center Frequency (MHz)	117) Upper Frequency (MHz)	118) Constructed Yes / No
WQXE394	CF - Common Carrier Fixed Point to Point Microwave						Y
WQXE551	CF - Common Carrier Fixed Point to Point Microwave						Y
WQXE552	CF - Common Carrier Fixed Point to Point Microwave						Y
WQXE659	CF - Common Carrier Fixed Point to Point Microwave						Y
WQXE661	CF - Common Carrier Fixed Point to Point Microwave						Y
WQXF523	CF - Common Carrier Fixed Point to Point Microwave						Y
WQXG244	CF - Common Carrier Fixed Point to Point Microwave						Y
WQXG876	CF - Common Carrier Fixed Point to Point Microwave						Y
WQXG911	CF - Common Carrier Fixed Point to Point Microwave						Y
WQXH228	CF - Common Carrier Fixed Point to Point Microwave						Y
WQXH229	CF - Common Carrier Fixed Point to Point Microwave						Y
WQXH312	CF - Common Carrier Fixed Point to Point Microwave						Y
WQXH314	CF - Common Carrier Fixed Point to Point Microwave						Y
WQXH621	CF - Common Carrier Fixed Point to Point Microwave						Y
WQXH622	CF - Common Carrier Fixed Point to Point Microwave						Y
WQXH623	CF - Common Carrier Fixed Point to Point Microwave						Y
WQXH624	CF - Common Carrier Fixed Point to Point Microwave						Y
WQXH625	CF - Common Carrier Fixed Point to Point Microwave						Y
WQXH681	CF - Common Carrier Fixed Point to Point Microwave						Y

111) Call Sign	112) Radio Service Code	113) Location Number	114) Path Number (Microwave only)	115) Frequency Number	116) Lower or Center Frequency (MHz)	117) Upper Frequency (MHz)	118) Constructed Yes / No
WQXH682	CF - Common Carrier Fixed Point to Point Microwave						Y
WQXH729	CF - Common Carrier Fixed Point to Point Microwave						Y
WQXH941	CF - Common Carrier Fixed Point to Point Microwave						Y
WQXI376	CF - Common Carrier Fixed Point to Point Microwave						Y
WQXI677	CF - Common Carrier Fixed Point to Point Microwave						Y
WQXI678	CF - Common Carrier Fixed Point to Point Microwave						Y
WQXJ971	CF - Common Carrier Fixed Point to Point Microwave						Y
WQXK383	CF - Common Carrier Fixed Point to Point Microwave						Y
WQXK384	CF - Common Carrier Fixed Point to Point Microwave						Y
WQXK386	CF - Common Carrier Fixed Point to Point Microwave						Y
WQXK387	CF - Common Carrier Fixed Point to Point Microwave						Y
WQXL601	CF - Common Carrier Fixed Point to Point Microwave						Y
WQXL723	CW - PCS Broadband						Y
WQXL726	AW - AWS (1710-1755 MHz and 2110-2155 MHz)						N
WQXL966	CF - Common Carrier Fixed Point to Point Microwave						Y
WQXL967	CF - Common Carrier Fixed Point to Point Microwave						Y
WQXM285	CF - Common Carrier Fixed Point to Point Microwave						Y
WQXM975	CF - Common Carrier Fixed Point to Point Microwave						Y
WQXM982	CF - Common Carrier Fixed Point to Point Microwave						Y

111) Call Sign	112) Radio Service Code	113) Location Number	114) Path Number (Microwave only)	115) Frequency Number	116) Lower or Center Frequency (MHz)	117) Upper Frequency (MHz)	118) Constructed Yes / No
WQXM983	CF - Common Carrier Fixed Point to Point Microwave						Y
WQXN377	CF - Common Carrier Fixed Point to Point Microwave						Y
WQXN378	CF - Common Carrier Fixed Point to Point Microwave						Y
WQXN379	CF - Common Carrier Fixed Point to Point Microwave						Y
WQXN380	CF - Common Carrier Fixed Point to Point Microwave						Y
WQXN704	CF - Common Carrier Fixed Point to Point Microwave						Y
WQXN705	CF - Common Carrier Fixed Point to Point Microwave						Y
WQXN706	CF - Common Carrier Fixed Point to Point Microwave						Y
WQXP236	CF - Common Carrier Fixed Point to Point Microwave						Y
WQXP440	CF - Common Carrier Fixed Point to Point Microwave						Y
WQXP554	CF - Common Carrier Fixed Point to Point Microwave						Y
WQXP725	CF - Common Carrier Fixed Point to Point Microwave						Y
WQXQ394	CW - PCS Broadband						Y
WQXQ396	CW - PCS Broadband						Y
WQXQ397	CW - PCS Broadband						Y
WQXQ399	AW - AWS (1710-1755 MHz and 2110-2155 MHz)						N
WQXQ401	AW - AWS (1710-1755 MHz and 2110-2155 MHz)						N
WQXQ637	CF - Common Carrier Fixed Point to Point Microwave						Y
WQXQ766	CF - Common Carrier Fixed Point to Point Microwave						Y

111) Call Sign	112) Radio Service Code	113) Location Number	114) Path Number (Microwave only)	115) Frequency Number	116) Lower or Center Frequency (MHz)	117) Upper Frequency (MHz)	118) Constructed Yes / No
WQXQ767	CF - Common Carrier Fixed Point to Point Microwave						Y
WQXQ768	CF - Common Carrier Fixed Point to Point Microwave						Y
WQXQ769	CF - Common Carrier Fixed Point to Point Microwave						Y
WQXR309	CF - Common Carrier Fixed Point to Point Microwave						Y
WQXR519	CF - Common Carrier Fixed Point to Point Microwave						Y
WQXS240	CF - Common Carrier Fixed Point to Point Microwave						Y
WQXS241	CF - Common Carrier Fixed Point to Point Microwave						Y
WQXS242	CF - Common Carrier Fixed Point to Point Microwave						Y
WQXS649	CF - Common Carrier Fixed Point to Point Microwave						Y
WQXS650	CF - Common Carrier Fixed Point to Point Microwave						Y
WQXS776	CF - Common Carrier Fixed Point to Point Microwave						Y
WQXS777	CF - Common Carrier Fixed Point to Point Microwave						Y
WQXS778	CF - Common Carrier Fixed Point to Point Microwave						Y
WQXS780	CF - Common Carrier Fixed Point to Point Microwave						Y
WQXS781	CF - Common Carrier Fixed Point to Point Microwave						Y
WQXS912	CF - Common Carrier Fixed Point to Point Microwave						Y
WQXT966	CF - Common Carrier Fixed Point to Point Microwave						Y
WQXT967	CF - Common Carrier Fixed Point to Point Microwave						Y
WQXU799	CF - Common Carrier Fixed Point to Point Microwave						Y

111) Call Sign	112) Radio Service Code	113) Location Number	114) Path Number (Microwave only)	115) Frequency Number	116) Lower or Center Frequency (MHz)	117) Upper Frequency (MHz)	118) Constructed Yes / No
WQXU801	CF - Common Carrier Fixed Point to Point Microwave						Y
WQXU802	CF - Common Carrier Fixed Point to Point Microwave						Y
WQXX523	CF - Common Carrier Fixed Point to Point Microwave						Y
WQXX529	CF - Common Carrier Fixed Point to Point Microwave						Y
WQXX869	CF - Common Carrier Fixed Point to Point Microwave						Y
WQXX870	CF - Common Carrier Fixed Point to Point Microwave						Y
WQXX872	CF - Common Carrier Fixed Point to Point Microwave						Y
WQXX964	CF - Common Carrier Fixed Point to Point Microwave						Y
WQXY327	CW - PCS Broadband						Y
WQXY328	CW - PCS Broadband						Y
WQXY330	CW - PCS Broadband						Y
WQXY971	CF - Common Carrier Fixed Point to Point Microwave						Y
WQXZ412	CF - Common Carrier Fixed Point to Point Microwave						Y
WQXZ413	CF - Common Carrier Fixed Point to Point Microwave						Y
WQXZ414	CF - Common Carrier Fixed Point to Point Microwave						Y
WQYA936	CF - Common Carrier Fixed Point to Point Microwave						Y
WQYC481	CF - Common Carrier Fixed Point to Point Microwave						Y
WQYC482	CF - Common Carrier Fixed Point to Point Microwave						Y
WQYC797	CF - Common Carrier Fixed Point to Point Microwave						Y

111) Call Sign	112) Radio Service Code	113) Location Number	114) Path Number (Microwave only)	115) Frequency Number	116) Lower or Center Frequency (MHz)	117) Upper Frequency (MHz)	118) Constructed Yes / No
WQYC798	CF - Common Carrier Fixed Point to Point Microwave						Y
WQYD390	CF - Common Carrier Fixed Point to Point Microwave						Y
WQYF537	CF - Common Carrier Fixed Point to Point Microwave						Y
WQYF540	CF - Common Carrier Fixed Point to Point Microwave						Y
WQYF729	CF - Common Carrier Fixed Point to Point Microwave						Y
WQYH208	CW - PCS Broadband						Y
WQYH660	CF - Common Carrier Fixed Point to Point Microwave						Y
WQYH733	CF - Common Carrier Fixed Point to Point Microwave						Y
WQYI312	CF - Common Carrier Fixed Point to Point Microwave						Y
WQYI313	CF - Common Carrier Fixed Point to Point Microwave						Y
WQYI503	CF - Common Carrier Fixed Point to Point Microwave						Y
WQYI504	CF - Common Carrier Fixed Point to Point Microwave						Y
WQYI734	CF - Common Carrier Fixed Point to Point Microwave						Y
WQYI735	CF - Common Carrier Fixed Point to Point Microwave						Y
WQYI986	CF - Common Carrier Fixed Point to Point Microwave						Y
WQYJ568	CF - Common Carrier Fixed Point to Point Microwave						Y
WQYL216	CW - PCS Broadband						Y
WQYL417	CF - Common Carrier Fixed Point to Point Microwave						Y
WQYL418	CF - Common Carrier Fixed Point to Point Microwave						Y

111) Call Sign	112) Radio Service Code	113) Location Number	114) Path Number (Microwave only)	115) Frequency Number	116) Lower or Center Frequency (MHz)	117) Upper Frequency (MHz)	118) Constructed Yes / No
WQYM392	CF - Common Carrier Fixed Point to Point Microwave						Y
WQYM467	CF - Common Carrier Fixed Point to Point Microwave						Y
WQYM469	CF - Common Carrier Fixed Point to Point Microwave						Y
WQYM919	CF - Common Carrier Fixed Point to Point Microwave						Y
WQYN358	CF - Common Carrier Fixed Point to Point Microwave						Y
WQYN691	CF - Common Carrier Fixed Point to Point Microwave						Y
WQYQ292	CF - Common Carrier Fixed Point to Point Microwave						Y
WQYQ672	CF - Common Carrier Fixed Point to Point Microwave						Y
WQYQ718	CF - Common Carrier Fixed Point to Point Microwave						Y
WQYQ807	CF - Common Carrier Fixed Point to Point Microwave						Y
WQYR762	CF - Common Carrier Fixed Point to Point Microwave						Y
WQYR763	CF - Common Carrier Fixed Point to Point Microwave						Y
WQYR765	CF - Common Carrier Fixed Point to Point Microwave						Y
WQYR767	CF - Common Carrier Fixed Point to Point Microwave						Y
WQYS677	CF - Common Carrier Fixed Point to Point Microwave						Y
WQYS678	CF - Common Carrier Fixed Point to Point Microwave						Y
WQYS730	CF - Common Carrier Fixed Point to Point Microwave						Y
WQYS731	CF - Common Carrier Fixed Point to Point Microwave						Y
WQYT234	CF - Common Carrier Fixed Point to Point Microwave						Y

111) Call Sign	112) Radio Service Code	113) Location Number	114) Path Number (Microwave only)	115) Frequency Number	116) Lower or Center Frequency (MHz)	117) Upper Frequency (MHz)	118) Constructed Yes / No
WQYT235	CF - Common Carrier Fixed Point to Point Microwave						Y
WQYT905	CF - Common Carrier Fixed Point to Point Microwave						Y
WQYT986	CF - Common Carrier Fixed Point to Point Microwave						Y
WQYV635	CW - PCS Broadband						Y
WQYV636	AW - AWS (1710-1755 MHz and 2110-2155 MHz)						Y
WQYV639	CW - PCS Broadband						Y
WQYY402	CF - Common Carrier Fixed Point to Point Microwave						Y
WQYY403	CF - Common Carrier Fixed Point to Point Microwave						Y
WQYY613	CF - Common Carrier Fixed Point to Point Microwave						Y
WQYZ657	CF - Common Carrier Fixed Point to Point Microwave						Y
WQZA227	CF - Common Carrier Fixed Point to Point Microwave						Y
WQZA321	CF - Common Carrier Fixed Point to Point Microwave						Y
WQZA667	CW - PCS Broadband						Y
WQZA668	AW - AWS (1710-1755 MHz and 2110-2155 MHz)						Y
WQZA691	CW - PCS Broadband						Y
WQZA692	CW - PCS Broadband						Y
WQZA757	CF - Common Carrier Fixed Point to Point Microwave						Y
WQZA760	CF - Common Carrier Fixed Point to Point Microwave						Y
WQZA789	CF - Common Carrier Fixed Point to Point Microwave						Y

111) Call Sign	112) Radio Service Code	113) Location Number	114) Path Number (Microwave only)	115) Frequency Number	116) Lower or Center Frequency (MHz)	117) Upper Frequency (MHz)	118) Constructed Yes / No
WQZD349	CF - Common Carrier Fixed Point to Point Microwave						Y
WQZD350	CF - Common Carrier Fixed Point to Point Microwave						Y
WQZG631	CF - Common Carrier Fixed Point to Point Microwave						Y
WQZG632	CF - Common Carrier Fixed Point to Point Microwave						Y
WQZG633	CF - Common Carrier Fixed Point to Point Microwave						Y
WQZG634	CF - Common Carrier Fixed Point to Point Microwave						Y
WQZG635	CF - Common Carrier Fixed Point to Point Microwave						Y
WQZG636	CF - Common Carrier Fixed Point to Point Microwave						Y
WQZJ827	CF - Common Carrier Fixed Point to Point Microwave						Y
WQZN851	CF - Common Carrier Fixed Point to Point Microwave						Y
WQZP224	CF - Common Carrier Fixed Point to Point Microwave						Y
WQZP225	CF - Common Carrier Fixed Point to Point Microwave						Y
WQZP246	CF - Common Carrier Fixed Point to Point Microwave						Y
WQZP247	CF - Common Carrier Fixed Point to Point Microwave						Y
WQZQ349	CW - PCS Broadband						Y
WQZQ351	CW - PCS Broadband						Y
WQZQ352	CW - PCS Broadband						Y
WQZR577	CF - Common Carrier Fixed Point to Point Microwave						Y
WQZR696	CF - Common Carrier Fixed Point to Point Microwave						Y

111) Call Sign	112) Radio Service Code	113) Location Number	114) Path Number (Microwave only)	115) Frequency Number	116) Lower or Center Frequency (MHz)	117) Upper Frequency (MHz)	118) Constructed Yes / No
WQZR697	CF - Common Carrier Fixed Point to Point Microwave						Y
WQZS309	CF - Common Carrier Fixed Point to Point Microwave						Y
WQZS564	CF - Common Carrier Fixed Point to Point Microwave						Y
WQZS565	CF - Common Carrier Fixed Point to Point Microwave						Y
WQZS693	CF - Common Carrier Fixed Point to Point Microwave						Y
WQZT773	CF - Common Carrier Fixed Point to Point Microwave						Y
WQZW979	CF - Common Carrier Fixed Point to Point Microwave						Y
WRAB202	CW - PCS Broadband						Y
WRAB204	AW - AWS (1710-1755 MHz and 2110-2155 MHz)						Y
WRAB205	AW - AWS (1710-1755 MHz and 2110-2155 MHz)						Y
WRAB207	AW - AWS (1710-1755 MHz and 2110-2155 MHz)						Y
WRAB208	AT - AWS-3 (1695-1710 MHz, 1755-1780 MHz, and 2155-2180 MHz)						N
WRAB210	CW - PCS Broadband						Y
WRAB211	CW - PCS Broadband						Y
WRAC874	CF - Common Carrier Fixed Point to Point Microwave						Y
WRAG536	CF - Common Carrier Fixed Point to Point Microwave						Y
WRAG537	CF - Common Carrier Fixed Point to Point Microwave						Y
WRAG566	CF - Common Carrier Fixed Point to Point Microwave						Y
WRAG929	CF - Common Carrier Fixed Point to Point Microwave						Y

111) Call Sign	112) Radio Service Code	113) Location Number	114) Path Number (Microwave only)	115) Frequency Number	116) Lower or Center Frequency (MHz)	117) Upper Frequency (MHz)	118) Constructed Yes / No
WRAG931	CF - Common Carrier Fixed Point to Point Microwave						Y
WRAH297	CF - Common Carrier Fixed Point to Point Microwave						Y
WRAI490	CF - Common Carrier Fixed Point to Point Microwave						Y
WRAI520	CF - Common Carrier Fixed Point to Point Microwave						Y
WRAJ562	CF - Common Carrier Fixed Point to Point Microwave						Y
WRAL255	CF - Common Carrier Fixed Point to Point Microwave						Y
WRAL963	CF - Common Carrier Fixed Point to Point Microwave						Y
WRAL978	CF - Common Carrier Fixed Point to Point Microwave						Y
WRAN906	CF - Common Carrier Fixed Point to Point Microwave						Y
WRAQ234	CF - Common Carrier Fixed Point to Point Microwave						Y
WRAU495	CF - Common Carrier Fixed Point to Point Microwave						Y
WRAU506	CF - Common Carrier Fixed Point to Point Microwave						Y
WRBL894	CF - Common Carrier Fixed Point to Point Microwave						Y
WRBP609	CF - Common Carrier Fixed Point to Point Microwave						Y
WRBP739	CF - Common Carrier Fixed Point to Point Microwave						Y
WRBS325	CF - Common Carrier Fixed Point to Point Microwave						Y
WRBS326	CF - Common Carrier Fixed Point to Point Microwave						Y
WRBS329	CF - Common Carrier Fixed Point to Point Microwave						Y
WRBS571	WZ - 700 MHz Lower Band (Blocks C, D)						Y

111) Call Sign	112) Radio Service Code	113) Location Number	114) Path Number (Microwave only)	115) Frequency Number	116) Lower or Center Frequency (MHz)	117) Upper Frequency (MHz)	118) Constructed Yes / No
WRBU819	CF - Common Carrier Fixed Point to Point Microwave						Y
WRBU828	CF - Common Carrier Fixed Point to Point Microwave						Y
WRBU894	CF - Common Carrier Fixed Point to Point Microwave						Y
WRBX493	CF - Common Carrier Fixed Point to Point Microwave						Y
WRBX892	CF - Common Carrier Fixed Point to Point Microwave						Y
WRBX893	CF - Common Carrier Fixed Point to Point Microwave						Y
WRCA304	CF - Common Carrier Fixed Point to Point Microwave						Y
WRCA983	CF - Common Carrier Fixed Point to Point Microwave						Y
WRCB298	CF - Common Carrier Fixed Point to Point Microwave						Y
WRCB894	CF - Common Carrier Fixed Point to Point Microwave						Y
WRCB895	CF - Common Carrier Fixed Point to Point Microwave						Y
WRCC832	CF - Common Carrier Fixed Point to Point Microwave						Y
WRCC930	CF - Common Carrier Fixed Point to Point Microwave						Y
WRCD684	CF - Common Carrier Fixed Point to Point Microwave						Y
WRCD763	CF - Common Carrier Fixed Point to Point Microwave						Y
WRCE491	CF - Common Carrier Fixed Point to Point Microwave						Y
WRCF736	CF - Common Carrier Fixed Point to Point Microwave						Y
WRCF737	CF - Common Carrier Fixed Point to Point Microwave						Y
WRCI885	CF - Common Carrier Fixed Point to Point Microwave						Y

111) Call Sign	112) Radio Service Code	113) Location Number	114) Path Number (Microwave only)	115) Frequency Number	116) Lower or Center Frequency (MHz)	117) Upper Frequency (MHz)	118) Constructed Yes / No
WRCI896	CF - Common Carrier Fixed Point to Point Microwave						Y
WRCJ938	CF - Common Carrier Fixed Point to Point Microwave						Y
WRCJ939	CF - Common Carrier Fixed Point to Point Microwave						Y
WRCK204	CF - Common Carrier Fixed Point to Point Microwave						Y
WRCK242	CF - Common Carrier Fixed Point to Point Microwave						Y
WRCN598	CF - Common Carrier Fixed Point to Point Microwave						Y
WRCN968	CF - Common Carrier Fixed Point to Point Microwave						Y
WRCN969	CF - Common Carrier Fixed Point to Point Microwave						Y
WRCQ267	CF - Common Carrier Fixed Point to Point Microwave						Y
WRCQ331	CF - Common Carrier Fixed Point to Point Microwave						Y
WRCQ332	CF - Common Carrier Fixed Point to Point Microwave						Y
WRCQ333	CF - Common Carrier Fixed Point to Point Microwave						Y
WRCQ345	CF - Common Carrier Fixed Point to Point Microwave						Y
WRCR796	CF - Common Carrier Fixed Point to Point Microwave						Y
WRCR797	CF - Common Carrier Fixed Point to Point Microwave						Y
KNLB297	WS - Wireless Communications Service						Y
KNLB300	WS - Wireless Communications Service						Y
KNLB303	WS - Wireless Communications Service						Y
KNLB306	WS - Wireless Communications Service						Y

111) Call Sign	112) Radio Service Code	113) Location Number	114) Path Number (Microwave only)	115) Frequency Number	116) Lower or Center Frequency (MHz)	117) Upper Frequency (MHz)	118) Constructed Yes / No
KNLB314	WS - Wireless Communications Service						Y
KNLB317	WS - Wireless Communications Service						Y
KNLB323	WS - Wireless Communications Service						Y
KNLF210	CW - PCS Broadband						Y
KNLF213	CW - PCS Broadband						Y
KNLF220	CW - PCS Broadband						Y
KNLF235	CW - PCS Broadband						Y
KNLF251	CW - PCS Broadband						Y
KNLF270	CW - PCS Broadband						Y
KNLF278	CW - PCS Broadband						Y
KNLF286	CW - PCS Broadband						Y
KNLF289	CW - PCS Broadband						Y
KNLF295	CW - PCS Broadband						Y
KNLF362	CW - PCS Broadband						Y
KNLF391	CW - PCS Broadband						Y
KNLF457	CW - PCS Broadband						Y
KNLF460	CW - PCS Broadband						Y
KNLF469	CW - PCS Broadband						Y
KNLF482	CW - PCS Broadband						Y

111) Call Sign	112) Radio Service Code	113) Location Number	114) Path Number (Microwave only)	115) Frequency Number	116) Lower or Center Frequency (MHz)	117) Upper Frequency (MHz)	118) Constructed Yes / No
KNLF604	CW - PCS Broadband						Y
KNLF608	CW - PCS Broadband						Y
KNLF773	CW - PCS Broadband						Y
KNLF882	CW - PCS Broadband						Y
KNLF901	CW - PCS Broadband						Y
KNLF904	CW - PCS Broadband						Y
KNLF920	CW - PCS Broadband						Y
KNLF948	CW - PCS Broadband						Y
KNLF950	CW - PCS Broadband						Y
KNLF957	CW - PCS Broadband						Y
KNLF965	CW - PCS Broadband						Y
KNLF998	CW - PCS Broadband						Y
KNLG215	CW - PCS Broadband						Y
KNLG224	CW - PCS Broadband						Y
KNLG227	CW - PCS Broadband						Y
KNLG237	CW - PCS Broadband						Y
KNLG266	CW - PCS Broadband						Y
KNLG279	CW - PCS Broadband						Y
KNLG308	CW - PCS Broadband						Y

111) Call Sign	112) Radio Service Code	113) Location Number	114) Path Number (Microwave only)	115) Frequency Number	116) Lower or Center Frequency (MHz)	117) Upper Frequency (MHz)	118) Constructed Yes / No
KNLG319	CW - PCS Broadband						Y
KNLG337	CW - PCS Broadband						Y
KNLG339	CW - PCS Broadband						Y
KNLG372	CW - PCS Broadband						Y
KNLG380	CW - PCS Broadband						Y
KNLG388	CW - PCS Broadband						Y
KNLG395	CW - PCS Broadband						Y
KNLG401	CW - PCS Broadband						Y
KNLG409	CW - PCS Broadband						Y
KNLG414	CW - PCS Broadband						Y
KNLG422	CW - PCS Broadband						Y
KNLG429	CW - PCS Broadband						Y
KNLG436	CW - PCS Broadband						Y
KNLG450	CW - PCS Broadband						Y
KNLG456	CW - PCS Broadband						Y
KNLG482	CW - PCS Broadband						Y
KNLG489	CW - PCS Broadband						Y
KNLG495	CW - PCS Broadband						Y
KNLG499	CW - PCS Broadband						Y

111) Call Sign	112) Radio Service Code	113) Location Number	114) Path Number (Microwave only)	115) Frequency Number	116) Lower or Center Frequency (MHz)	117) Upper Frequency (MHz)	118) Constructed Yes / No
KNLG503	CW - PCS Broadband						Y
KNLG505	CW - PCS Broadband						Y
KNLG509	CW - PCS Broadband						Y
KNLG513	CW - PCS Broadband						Y
KNLG518	CW - PCS Broadband						Y
KNLG523	CW - PCS Broadband						Y
KNLG536	CW - PCS Broadband						Y
KNLG547	CW - PCS Broadband						Y
KNLG552	CW - PCS Broadband						Y
KNLG558	CW - PCS Broadband						Y
KNLG566	CW - PCS Broadband						Y
KNLG575	CW - PCS Broadband						Y
KNLG580	CW - PCS Broadband						Y
KNLG610	CW - PCS Broadband						Y
KNLG615	CW - PCS Broadband						Y
KNLG618	CW - PCS Broadband						Y
KNLG621	CW - PCS Broadband						Y
KNLG623	CW - PCS Broadband						Y
KNLG626	CW - PCS Broadband						Y

111) Call Sign	112) Radio Service Code	113) Location Number	114) Path Number (Microwave only)	115) Frequency Number	116) Lower or Center Frequency (MHz)	117) Upper Frequency (MHz)	118) Constructed Yes / No
KNLG628	CW - PCS Broadband						Y
KNLG631	CW - PCS Broadband						Y
KNLG635	CW - PCS Broadband						Y
KNLG638	CW - PCS Broadband						Y
KNLG641	CW - PCS Broadband						Y
KNLG643	CW - PCS Broadband						Y
KNLG676	CW - PCS Broadband						Y
KNLG685	CW - PCS Broadband						Y
KNLG690	CW - PCS Broadband						Y
KNLG695	CW - PCS Broadband						Y
KNLG712	CW - PCS Broadband						Y
KNLG717	CW - PCS Broadband						Y
KNLG737	CW - PCS Broadband						Y
KNLG759	CW - PCS Broadband						Y
KNLG778	CW - PCS Broadband						Y
KNLG781	CW - PCS Broadband						Y
KNLG787	CW - PCS Broadband						Y
KNLG800	CW - PCS Broadband						Y
KNLG827	CW - PCS Broadband						Y

111) Call Sign	112) Radio Service Code	113) Location Number	114) Path Number (Microwave only)	115) Frequency Number	116) Lower or Center Frequency (MHz)	117) Upper Frequency (MHz)	118) Constructed Yes / No
KNLG837	CW - PCS Broadband						Y
KNLG866	CW - PCS Broadband						Y
KNLG882	CW - PCS Broadband						Y
KNLG886	CW - PCS Broadband						Y
KNLG901	CW - PCS Broadband						Y
KNLG904	CW - PCS Broadband						Y
KNLG908	CW - PCS Broadband						Y
KNLG914	CW - PCS Broadband						Y
KNLG916	CW - PCS Broadband						Y
KNLG920	CW - PCS Broadband						Y
KNLG927	CW - PCS Broadband						Y
KNLG930	CW - PCS Broadband						Y
KNLG934	CW - PCS Broadband						Y
KNLG936	CW - PCS Broadband						Y
KNLG949	CW - PCS Broadband						Y
KNLH217	CW - PCS Broadband						Y
KNLH268	CW - PCS Broadband						Y
KNLH325	CW - PCS Broadband						Y
KNLH348	CW - PCS Broadband						Y

111) Call Sign	112) Radio Service Code	113) Location Number	114) Path Number (Microwave only)	115) Frequency Number	116) Lower or Center Frequency (MHz)	117) Upper Frequency (MHz)	118) Constructed Yes / No
KNLH398	CW - PCS Broadband						Y
KNLH415	CW - PCS Broadband						Y
KNLH417	CW - PCS Broadband						Y
KNLH420	CW - PCS Broadband						Y
KNLH428	CW - PCS Broadband						Y
KNLH445	CW - PCS Broadband						Y
KNLH455	CW - PCS Broadband						Y
KNLH458	CW - PCS Broadband						Y
KNLH485	CW - PCS Broadband						Y
KNLH531	CW - PCS Broadband						Y
KNLH552	CW - PCS Broadband						Y
KNLH575	CW - PCS Broadband						Y
KNLH591	CW - PCS Broadband						Y
KNLH623	CW - PCS Broadband						Y
KNLH628	CW - PCS Broadband						Y
KNLH630	CW - PCS Broadband						Y
KNLH632	CW - PCS Broadband						Y
KNLH653	CW - PCS Broadband						Y
KNLH674	CW - PCS Broadband						Y

111) Call Sign	112) Radio Service Code	113) Location Number	114) Path Number (Microwave only)	115) Frequency Number	116) Lower or Center Frequency (MHz)	117) Upper Frequency (MHz)	118) Constructed Yes / No
KNLH764	CW - PCS Broadband						Y
WPOI204	CW - PCS Broadband						Y
WPOI213	CW - PCS Broadband						Y
WPOI217	CW - PCS Broadband						Y
WPOI255	CW - PCS Broadband						Y
WPOI258	CW - PCS Broadband						Y
WPOI416	CW - PCS Broadband						Y
WPOJ362	CW - PCS Broadband						Y
WPOJ696	CW - PCS Broadband						Y
WPOJ716	CW - PCS Broadband						Y
WPOJ745	CW - PCS Broadband						Y
WPOJ748	CW - PCS Broadband						Y
WPOJ770	CW - PCS Broadband						Y
WPOJ814	CW - PCS Broadband						Y
WPOJ839	CW - PCS Broadband						Y
WPOK289	CW - PCS Broadband						Y
WPOK575	CW - PCS Broadband						Y
WPOK581	CW - PCS Broadband						Y
WPOK613	CW - PCS Broadband						Y

111) Call Sign	112) Radio Service Code	113) Location Number	114) Path Number (Microwave only)	115) Frequency Number	116) Lower or Center Frequency (MHz)	117) Upper Frequency (MHz)	118) Constructed Yes / No
WPOK616	CW - PCS Broadband						Y
WPOK626	CW - PCS Broadband						Y
WPOK631	CW - PCS Broadband						Y
WPOK634	CW - PCS Broadband						Y
WPOK641	CW - PCS Broadband						Y
WPOK647	CW - PCS Broadband						Y
WPOK651	CW - PCS Broadband						Y
WPOK656	CW - PCS Broadband						Y
WPOK658	CW - PCS Broadband						Y
WPOK664	CW - PCS Broadband						Y
WPOK670	CW - PCS Broadband						Y
WPOK683	CW - PCS Broadband						Y
WPOK714	CW - PCS Broadband						Y
WPOL354	CW - PCS Broadband						Y
WPQL238	CW - PCS Broadband						Y
WPQL636	WS - Wireless Communications Service						Y
WPQW518	CW - PCS Broadband						Y
WPQW523	CW - PCS Broadband						Y
WPQY414	CW - PCS Broadband						Y

111) Call Sign	112) Radio Service Code	113) Location Number	114) Path Number (Microwave only)	115) Frequency Number	116) Lower or Center Frequency (MHz)	117) Upper Frequency (MHz)	118) Constructed Yes / No
WPRU657	CW - PCS Broadband						Y
WPRV980	CW - PCS Broadband						Y
WPRW646	CW - PCS Broadband						Y
WPSI350	CW - PCS Broadband						Y
WPSI619	CW - PCS Broadband						Y
WPSI622	CW - PCS Broadband						Y
WPSL350	WS - Wireless Communications Service						Y
WPSL353	WS - Wireless Communications Service						Y
WPSL355	WS - Wireless Communications Service						Y
WPSL357	WS - Wireless Communications Service						Y
WPSL360	WS - Wireless Communications Service						Y
WPSL626	CW - PCS Broadband						Y
WPTB471	CW - PCS Broadband						Y
WPTI722	CW - PCS Broadband						Y
WPTI727	CW - PCS Broadband						Y
WPTI736	CW - PCS Broadband						Y
WPTI746	CW - PCS Broadband						Y
WPTI751	CW - PCS Broadband						Y
WPTI753	CW - PCS Broadband						Y

111) Call Sign	112) Radio Service Code	113) Location Number	114) Path Number (Microwave only)	115) Frequency Number	116) Lower or Center Frequency (MHz)	117) Upper Frequency (MHz)	118) Constructed Yes / No
WPPTL470	CW - PCS Broadband						Y
WPUD908	CW - PCS Broadband						Y
WPUI309	CW - PCS Broadband						Y
WPUJ347	CW - PCS Broadband						Y
WPUQ737	CW - PCS Broadband						Y
WPUR883	CW - PCS Broadband						Y
WPWH949	CW - PCS Broadband						Y
WPWL462	CW - PCS Broadband						Y
WPWQ955	CW - PCS Broadband						Y
WPWU901	WZ - 700 MHz Lower Band (Blocks C, D)						Y
WPWU915	WZ - 700 MHz Lower Band (Blocks C, D)						Y
WPWU917	WZ - 700 MHz Lower Band (Blocks C, D)						Y
WPWU929	WZ - 700 MHz Lower Band (Blocks C, D)						Y
WPWU934	WZ - 700 MHz Lower Band (Blocks C, D)						Y
WPWU937	WZ - 700 MHz Lower Band (Blocks C, D)						Y
WPWU939	WZ - 700 MHz Lower Band (Blocks C, D)						Y
WPWU941	WZ - 700 MHz Lower Band (Blocks C, D)						Y
WPWU948	WZ - 700 MHz Lower Band (Blocks C, D)						Y
WPWU952	WZ - 700 MHz Lower Band (Blocks C, D)						Y

111) Call Sign	112) Radio Service Code	113) Location Number	114) Path Number (Microwave only)	115) Frequency Number	116) Lower or Center Frequency (MHz)	117) Upper Frequency (MHz)	118) Constructed Yes / No
WPWU954	WZ - 700 MHz Lower Band (Blocks C, D)						Y
WPWU970	WZ - 700 MHz Lower Band (Blocks C, D)						Y
WPWU975	WZ - 700 MHz Lower Band (Blocks C, D)						Y
WPWU982	WZ - 700 MHz Lower Band (Blocks C, D)						Y
WPWU997	WZ - 700 MHz Lower Band (Blocks C, D)						Y
WPWV201	WZ - 700 MHz Lower Band (Blocks C, D)						Y
WPWV206	WZ - 700 MHz Lower Band (Blocks C, D)						Y
WPWV211	WZ - 700 MHz Lower Band (Blocks C, D)						Y
WPWV214	WZ - 700 MHz Lower Band (Blocks C, D)						Y
WPWV217	WZ - 700 MHz Lower Band (Blocks C, D)						Y
WPWV218	WZ - 700 MHz Lower Band (Blocks C, D)						Y
WPWV224	WZ - 700 MHz Lower Band (Blocks C, D)						Y
WPWV254	WZ - 700 MHz Lower Band (Blocks C, D)						Y
WPWV269	WZ - 700 MHz Lower Band (Blocks C, D)						Y
WPWV278	WZ - 700 MHz Lower Band (Blocks C, D)						Y
WPWV281	WZ - 700 MHz Lower Band (Blocks C, D)						Y
WPWV305	WZ - 700 MHz Lower Band (Blocks C, D)						Y
WPWV311	WZ - 700 MHz Lower Band (Blocks C, D)						Y
WPWV315	WZ - 700 MHz Lower Band (Blocks C, D)						Y

111) Call Sign	112) Radio Service Code	113) Location Number	114) Path Number (Microwave only)	115) Frequency Number	116) Lower or Center Frequency (MHz)	117) Upper Frequency (MHz)	118) Constructed Yes / No
WPWV321	WZ - 700 MHz Lower Band (Blocks C, D)						Y
WPWV325	WZ - 700 MHz Lower Band (Blocks C, D)						Y
WPWV328	WZ - 700 MHz Lower Band (Blocks C, D)						Y
WPWV332	WZ - 700 MHz Lower Band (Blocks C, D)						Y
WPWV341	WZ - 700 MHz Lower Band (Blocks C, D)						Y
WPWV357	WZ - 700 MHz Lower Band (Blocks C, D)						Y
WPWV360	WZ - 700 MHz Lower Band (Blocks C, D)						Y
WPWV366	WZ - 700 MHz Lower Band (Blocks C, D)						Y
WPWV369	WZ - 700 MHz Lower Band (Blocks C, D)						Y
WPWV376	WZ - 700 MHz Lower Band (Blocks C, D)						Y
WPWV384	WZ - 700 MHz Lower Band (Blocks C, D)						Y
WPWV398	WZ - 700 MHz Lower Band (Blocks C, D)						Y
WPWV408	WZ - 700 MHz Lower Band (Blocks C, D)						Y
WPWV427	WZ - 700 MHz Lower Band (Blocks C, D)						Y
WPWV463	WZ - 700 MHz Lower Band (Blocks C, D)						Y
WPWV482	WZ - 700 MHz Lower Band (Blocks C, D)						Y
WPWV514	WZ - 700 MHz Lower Band (Blocks C, D)						Y
WPWV522	WZ - 700 MHz Lower Band (Blocks C, D)						Y
WPWV524	WZ - 700 MHz Lower Band (Blocks C, D)						Y

111) Call Sign	112) Radio Service Code	113) Location Number	114) Path Number (Microwave only)	115) Frequency Number	116) Lower or Center Frequency (MHz)	117) Upper Frequency (MHz)	118) Constructed Yes / No
WPWV539	WZ - 700 MHz Lower Band (Blocks C, D)						Y
WPWV548	WZ - 700 MHz Lower Band (Blocks C, D)						Y
WPXD988	WZ - 700 MHz Lower Band (Blocks C, D)						Y
WPXK756	CW - PCS Broadband						Y
WPXN485	CW - PCS Broadband						Y
WPXT204	CW - PCS Broadband						Y
WPXT206	CW - PCS Broadband						Y
WPYP769	WS - Wireless Communications Service						Y
WPYZ851	WZ - 700 MHz Lower Band (Blocks C, D)						Y
WPYZ856	WZ - 700 MHz Lower Band (Blocks C, D)						Y
WPYZ863	WZ - 700 MHz Lower Band (Blocks C, D)						Y
WPYZ867	WZ - 700 MHz Lower Band (Blocks C, D)						Y
WPYZ872	WZ - 700 MHz Lower Band (Blocks C, D)						Y
WPYZ880	WZ - 700 MHz Lower Band (Blocks C, D)						Y
WPYZ886	WZ - 700 MHz Lower Band (Blocks C, D)						Y
WPYZ892	WZ - 700 MHz Lower Band (Blocks C, D)						Y
WPYZ895	WZ - 700 MHz Lower Band (Blocks C, D)						Y
WPYZ898	WZ - 700 MHz Lower Band (Blocks C, D)						Y
WPYZ900	WZ - 700 MHz Lower Band (Blocks C, D)						Y

111) Call Sign	112) Radio Service Code	113) Location Number	114) Path Number (Microwave only)	115) Frequency Number	116) Lower or Center Frequency (MHz)	117) Upper Frequency (MHz)	118) Constructed Yes / No
WPYZ908	WZ - 700 MHz Lower Band (Blocks C, D)						Y
WPYZ911	WZ - 700 MHz Lower Band (Blocks C, D)						Y
WPYZ914	WZ - 700 MHz Lower Band (Blocks C, D)						Y
WPYZ917	WZ - 700 MHz Lower Band (Blocks C, D)						Y
WPYZ920	WZ - 700 MHz Lower Band (Blocks C, D)						Y
WPYZ923	WZ - 700 MHz Lower Band (Blocks C, D)						Y
WPYZ927	WZ - 700 MHz Lower Band (Blocks C, D)						Y
WPYZ930	WZ - 700 MHz Lower Band (Blocks C, D)						Y
WPYZ933	WZ - 700 MHz Lower Band (Blocks C, D)						Y
WPYZ939	WZ - 700 MHz Lower Band (Blocks C, D)						Y
WPYZ946	WZ - 700 MHz Lower Band (Blocks C, D)						Y
WPYZ948	WZ - 700 MHz Lower Band (Blocks C, D)						Y
WPYZ952	WZ - 700 MHz Lower Band (Blocks C, D)						Y
WPYZ956	WZ - 700 MHz Lower Band (Blocks C, D)						Y
WPYZ959	WZ - 700 MHz Lower Band (Blocks C, D)						Y
WPYZ963	WZ - 700 MHz Lower Band (Blocks C, D)						Y
WPYZ966	WZ - 700 MHz Lower Band (Blocks C, D)						Y
WPYZ968	WZ - 700 MHz Lower Band (Blocks C, D)						Y
WPYZ972	WZ - 700 MHz Lower Band (Blocks C, D)						Y

111) Call Sign	112) Radio Service Code	113) Location Number	114) Path Number (Microwave only)	115) Frequency Number	116) Lower or Center Frequency (MHz)	117) Upper Frequency (MHz)	118) Constructed Yes / No
WPYZ974	WZ - 700 MHz Lower Band (Blocks C, D)						Y
WPYZ977	WZ - 700 MHz Lower Band (Blocks C, D)						Y
WPYZ980	WZ - 700 MHz Lower Band (Blocks C, D)						Y
WPYZ983	WZ - 700 MHz Lower Band (Blocks C, D)						Y
WPYZ985	WZ - 700 MHz Lower Band (Blocks C, D)						Y
WPYZ988	WZ - 700 MHz Lower Band (Blocks C, D)						Y
WPYZ990	WZ - 700 MHz Lower Band (Blocks C, D)						Y
WPYZ997	WZ - 700 MHz Lower Band (Blocks C, D)						Y
WPYZ999	WZ - 700 MHz Lower Band (Blocks C, D)						Y
WPZA202	WZ - 700 MHz Lower Band (Blocks C, D)						Y
WPZA213	WZ - 700 MHz Lower Band (Blocks C, D)						Y
WPZA228	WZ - 700 MHz Lower Band (Blocks C, D)						Y
WPZA234	WZ - 700 MHz Lower Band (Blocks C, D)						Y
WPZA237	WZ - 700 MHz Lower Band (Blocks C, D)						Y
WPZA252	WZ - 700 MHz Lower Band (Blocks C, D)						Y
WPZA267	WZ - 700 MHz Lower Band (Blocks C, D)						Y
WPZA273	WZ - 700 MHz Lower Band (Blocks C, D)						Y
WPZA278	WZ - 700 MHz Lower Band (Blocks C, D)						Y
WPZA811	WS - Wireless Communications Service						Y

111) Call Sign	112) Radio Service Code	113) Location Number	114) Path Number (Microwave only)	115) Frequency Number	116) Lower or Center Frequency (MHz)	117) Upper Frequency (MHz)	118) Constructed Yes / No
WPZL272	WZ - 700 MHz Lower Band (Blocks C, D)						Y
WPZL284	WZ - 700 MHz Lower Band (Blocks C, D)						Y
WPZL288	WZ - 700 MHz Lower Band (Blocks C, D)						Y
WPZL290	WZ - 700 MHz Lower Band (Blocks C, D)						Y
WPZT470	CW - PCS Broadband						Y
WPZT695	CW - PCS Broadband						Y
WPZW674	WZ - 700 MHz Lower Band (Blocks C, D)						Y
WPZY677	CW - PCS Broadband						Y
WPZY681	CW - PCS Broadband						Y
WQAE415	CW - PCS Broadband						Y
WQAJ963	CW - PCS Broadband						Y
WQBI464	CW - PCS Broadband						Y
WQBQ591	WZ - 700 MHz Lower Band (Blocks C, D)						Y
WQBQ595	WZ - 700 MHz Lower Band (Blocks C, D)						Y
WQBQ598	WZ - 700 MHz Lower Band (Blocks C, D)						Y
WQBQ600	WZ - 700 MHz Lower Band (Blocks C, D)						Y
WQBQ604	WZ - 700 MHz Lower Band (Blocks C, D)						Y
WQBQ608	WZ - 700 MHz Lower Band (Blocks C, D)						Y
WQBQ614	WZ - 700 MHz Lower Band (Blocks C, D)						Y

111) Call Sign	112) Radio Service Code	113) Location Number	114) Path Number (Microwave only)	115) Frequency Number	116) Lower or Center Frequency (MHz)	117) Upper Frequency (MHz)	118) Constructed Yes / No
WQBQ616	WZ - 700 MHz Lower Band (Blocks C, D)						Y
WQBQ619	WZ - 700 MHz Lower Band (Blocks C, D)						Y
WQBQ623	WZ - 700 MHz Lower Band (Blocks C, D)						Y
WQBQ626	WZ - 700 MHz Lower Band (Blocks C, D)						Y
WQBQ637	WZ - 700 MHz Lower Band (Blocks C, D)						Y
WQBT322	CW - PCS Broadband						Y
WQBT339	CW - PCS Broadband						Y
WQBT343	CW - PCS Broadband						Y
WQBT355	CW - PCS Broadband						Y
WQBT359	CW - PCS Broadband						Y
WQCL695	CW - PCS Broadband						Y
WQCS386	CW - PCS Broadband						Y
WQCS465	CW - PCS Broadband						Y
WQCX681	CW - PCS Broadband						Y
WQDM569	WZ - 700 MHz Lower Band (Blocks C, D)						Y
WQDU933	CW - PCS Broadband						Y
WQDU941	CW - PCS Broadband						Y
WQEA909	CW - PCS Broadband						Y
WQEM933	CW - PCS Broadband						Y

111) Call Sign	112) Radio Service Code	113) Location Number	114) Path Number (Microwave only)	115) Frequency Number	116) Lower or Center Frequency (MHz)	117) Upper Frequency (MHz)	118) Constructed Yes / No
WQEM956	CW - PCS Broadband						Y
WQEY210	CW - PCS Broadband						Y
WQEY214	CW - PCS Broadband						Y
WQEY217	CW - PCS Broadband						Y
WQFA869	CW - PCS Broadband						Y
WQFA872	CW - PCS Broadband						Y
WQFA874	CW - PCS Broadband						Y
WQFA880	CW - PCS Broadband						Y
WQFD537	CW - PCS Broadband						Y
WQFD546	CW - PCS Broadband						Y
WQFU954	CW - PCS Broadband						Y
WQFU965	CW - PCS Broadband						Y
WQGA728	AW - AWS (1710-1755 MHz and 2110-2155 MHz)						N
WQGA749	AW - AWS (1710-1755 MHz and 2110-2155 MHz)						N
WQGA754	AW - AWS (1710-1755 MHz and 2110-2155 MHz)						N
WQGA764	AW - AWS (1710-1755 MHz and 2110-2155 MHz)						N
WQGA766	AW - AWS (1710-1755 MHz and 2110-2155 MHz)						N
WQGA771	AW - AWS (1710-1755 MHz and 2110-2155 MHz)						N
WQGA777	AW - AWS (1710-1755 MHz and 2110-2155 MHz)						N

111) Call Sign	112) Radio Service Code	113) Location Number	114) Path Number (Microwave only)	115) Frequency Number	116) Lower or Center Frequency (MHz)	117) Upper Frequency (MHz)	118) Constructed Yes / No
WQGA783	AW - AWS (1710-1755 MHz and 2110-2155 MHz)						N
WQGA787	AW - AWS (1710-1755 MHz and 2110-2155 MHz)						N
WQGA793	AW - AWS (1710-1755 MHz and 2110-2155 MHz)						N
WQGA795	AW - AWS (1710-1755 MHz and 2110-2155 MHz)						N
WQGA799	AW - AWS (1710-1755 MHz and 2110-2155 MHz)						N
WQGA805	AW - AWS (1710-1755 MHz and 2110-2155 MHz)						N
WQGA808	AW - AWS (1710-1755 MHz and 2110-2155 MHz)						N
WQGA811	AW - AWS (1710-1755 MHz and 2110-2155 MHz)						N
WQGA815	AW - AWS (1710-1755 MHz and 2110-2155 MHz)						N
WQGA818	AW - AWS (1710-1755 MHz and 2110-2155 MHz)						N
WQGA823	AW - AWS (1710-1755 MHz and 2110-2155 MHz)						N
WQGA825	AW - AWS (1710-1755 MHz and 2110-2155 MHz)						N
WQGA832	AW - AWS (1710-1755 MHz and 2110-2155 MHz)						N
WQGA836	AW - AWS (1710-1755 MHz and 2110-2155 MHz)						N
WQGA839	AW - AWS (1710-1755 MHz and 2110-2155 MHz)						N
WQGA842	AW - AWS (1710-1755 MHz and 2110-2155 MHz)						N
WQGA845	AW - AWS (1710-1755 MHz and 2110-2155 MHz)						N
WQGA848	AW - AWS (1710-1755 MHz and 2110-2155 MHz)						N
WQGA852	AW - AWS (1710-1755 MHz and 2110-2155 MHz)						N

111) Call Sign	112) Radio Service Code	113) Location Number	114) Path Number (Microwave only)	115) Frequency Number	116) Lower or Center Frequency (MHz)	117) Upper Frequency (MHz)	118) Constructed Yes / No
WQGA865	AW - AWS (1710-1755 MHz and 2110-2155 MHz)						N
WQGA877	AW - AWS (1710-1755 MHz and 2110-2155 MHz)						N
WQGA880	AW - AWS (1710-1755 MHz and 2110-2155 MHz)						N
WQGA883	AW - AWS (1710-1755 MHz and 2110-2155 MHz)						N
WQGA886	AW - AWS (1710-1755 MHz and 2110-2155 MHz)						N
WQGA889	AW - AWS (1710-1755 MHz and 2110-2155 MHz)						N
WQGA891	AW - AWS (1710-1755 MHz and 2110-2155 MHz)						N
WQGB238	AW - AWS (1710-1755 MHz and 2110-2155 MHz)						N
WQGB241	AW - AWS (1710-1755 MHz and 2110-2155 MHz)						N
WQGB391	AW - AWS (1710-1755 MHz and 2110-2155 MHz)						N
WQGD432	AW - AWS (1710-1755 MHz and 2110-2155 MHz)						N
WQGD448	AW - AWS (1710-1755 MHz and 2110-2155 MHz)						N
WQGD450	AW - AWS (1710-1755 MHz and 2110-2155 MHz)						N
WQGD455	AW - AWS (1710-1755 MHz and 2110-2155 MHz)						N
WQGD483	AW - AWS (1710-1755 MHz and 2110-2155 MHz)						N
WQGD505	AW - AWS (1710-1755 MHz and 2110-2155 MHz)						N
WQGD546	AW - AWS (1710-1755 MHz and 2110-2155 MHz)						N
WQGD557	AW - AWS (1710-1755 MHz and 2110-2155 MHz)						N
WQGD560	AW - AWS (1710-1755 MHz and 2110-2155 MHz)						N

111) Call Sign	112) Radio Service Code	113) Location Number	114) Path Number (Microwave only)	115) Frequency Number	116) Lower or Center Frequency (MHz)	117) Upper Frequency (MHz)	118) Constructed Yes / No
WQGD589	AW - AWS (1710-1755 MHz and 2110-2155 MHz)						N
WQGD594	AW - AWS (1710-1755 MHz and 2110-2155 MHz)						N
WQGD603	AW - AWS (1710-1755 MHz and 2110-2155 MHz)						N
WQGD635	AW - AWS (1710-1755 MHz and 2110-2155 MHz)						N
WQGD672	AW - AWS (1710-1755 MHz and 2110-2155 MHz)						N
WQGD677	AW - AWS (1710-1755 MHz and 2110-2155 MHz)						N
WQGD682	AW - AWS (1710-1755 MHz and 2110-2155 MHz)						N
WQGD691	AW - AWS (1710-1755 MHz and 2110-2155 MHz)						N
WQGD703	AW - AWS (1710-1755 MHz and 2110-2155 MHz)						N
WQGD714	AW - AWS (1710-1755 MHz and 2110-2155 MHz)						N
WQGD720	AW - AWS (1710-1755 MHz and 2110-2155 MHz)						N
WQGD730	AW - AWS (1710-1755 MHz and 2110-2155 MHz)						N
WQGD734	AW - AWS (1710-1755 MHz and 2110-2155 MHz)						N
WQGD737	AW - AWS (1710-1755 MHz and 2110-2155 MHz)						N
WQGD744	AW - AWS (1710-1755 MHz and 2110-2155 MHz)						N
WQGD746	AW - AWS (1710-1755 MHz and 2110-2155 MHz)						N
WQGD749	AW - AWS (1710-1755 MHz and 2110-2155 MHz)						N
WQGD752	AW - AWS (1710-1755 MHz and 2110-2155 MHz)						N
WQGD757	AW - AWS (1710-1755 MHz and 2110-2155 MHz)						N

111) Call Sign	112) Radio Service Code	113) Location Number	114) Path Number (Microwave only)	115) Frequency Number	116) Lower or Center Frequency (MHz)	117) Upper Frequency (MHz)	118) Constructed Yes / No
WQGD759	AW - AWS (1710-1755 MHz and 2110-2155 MHz)						N
WQGD768	AW - AWS (1710-1755 MHz and 2110-2155 MHz)						N
WQGG892	CW - PCS Broadband						Y
WQGK594	WZ - 700 MHz Lower Band (Blocks C, D)						Y
WQGL815	AW - AWS (1710-1755 MHz and 2110-2155 MHz)						N
WQGT836	AW - AWS (1710-1755 MHz and 2110-2155 MHz)						N
WQGT844	AW - AWS (1710-1755 MHz and 2110-2155 MHz)						N
WQGT847	AW - AWS (1710-1755 MHz and 2110-2155 MHz)						N
WQGT849	AW - AWS (1710-1755 MHz and 2110-2155 MHz)						N
WQGT878	AW - AWS (1710-1755 MHz and 2110-2155 MHz)						N
WQGT881	AW - AWS (1710-1755 MHz and 2110-2155 MHz)						N
WQGV770	AW - AWS (1710-1755 MHz and 2110-2155 MHz)						N
WQGV773	AW - AWS (1710-1755 MHz and 2110-2155 MHz)						N
WQGV783	AW - AWS (1710-1755 MHz and 2110-2155 MHz)						N
WQGV994	CW - PCS Broadband						Y
WQHM481	WZ - 700 MHz Lower Band (Blocks C, D)						Y
WQID874	CW - PCS Broadband						Y
WQIZ365	WY - 700 MHz Lower Band (Blocks A, B & E)						Y
WQIZ370	WY - 700 MHz Lower Band (Blocks A, B & E)						Y

111) Call Sign	112) Radio Service Code	113) Location Number	114) Path Number (Microwave only)	115) Frequency Number	116) Lower or Center Frequency (MHz)	117) Upper Frequency (MHz)	118) Constructed Yes / No
WQIZ372	WY - 700 MHz Lower Band (Blocks A, B & E)						Y
WQIZ378	WY - 700 MHz Lower Band (Blocks A, B & E)						Y
WQIZ382	WY - 700 MHz Lower Band (Blocks A, B & E)						Y
WQIZ413	WY - 700 MHz Lower Band (Blocks A, B & E)						Y
WQIZ416	WY - 700 MHz Lower Band (Blocks A, B & E)						Y
WQIZ419	WY - 700 MHz Lower Band (Blocks A, B & E)						Y
WQIZ421	WY - 700 MHz Lower Band (Blocks A, B & E)						Y
WQIZ443	WY - 700 MHz Lower Band (Blocks A, B & E)						Y
WQIZ478	WY - 700 MHz Lower Band (Blocks A, B & E)						Y
WQIZ481	WY - 700 MHz Lower Band (Blocks A, B & E)						Y
WQIZ486	WY - 700 MHz Lower Band (Blocks A, B & E)						Y
WQIZ488	WY - 700 MHz Lower Band (Blocks A, B & E)						Y
WQIZ491	WY - 700 MHz Lower Band (Blocks A, B & E)						Y
WQIZ494	WY - 700 MHz Lower Band (Blocks A, B & E)						Y
WQIZ497	WY - 700 MHz Lower Band (Blocks A, B & E)						Y
WQIZ499	WY - 700 MHz Lower Band (Blocks A, B & E)						Y
WQIZ508	WY - 700 MHz Lower Band (Blocks A, B & E)						Y
WQIZ510	WY - 700 MHz Lower Band (Blocks A, B & E)						Y
WQIZ513	WY - 700 MHz Lower Band (Blocks A, B & E)						Y

111) Call Sign	112) Radio Service Code	113) Location Number	114) Path Number (Microwave only)	115) Frequency Number	116) Lower or Center Frequency (MHz)	117) Upper Frequency (MHz)	118) Constructed Yes / No
WQIZ516	WY - 700 MHz Lower Band (Blocks A, B & E)						Y
WQIZ518	WY - 700 MHz Lower Band (Blocks A, B & E)						Y
WQIZ521	WY - 700 MHz Lower Band (Blocks A, B & E)						Y
WQIZ548	WY - 700 MHz Lower Band (Blocks A, B & E)						Y
WQIZ551	WY - 700 MHz Lower Band (Blocks A, B & E)						Y
WQIZ554	WY - 700 MHz Lower Band (Blocks A, B & E)						Y
WQIZ574	WY - 700 MHz Lower Band (Blocks A, B & E)						Y
WQIZ584	WY - 700 MHz Lower Band (Blocks A, B & E)						Y
WQIZ588	WY - 700 MHz Lower Band (Blocks A, B & E)						Y
WQIZ592	WY - 700 MHz Lower Band (Blocks A, B & E)						Y
WQIZ594	WY - 700 MHz Lower Band (Blocks A, B & E)						Y
WQIZ615	WY - 700 MHz Lower Band (Blocks A, B & E)						Y
WQIZ617	WY - 700 MHz Lower Band (Blocks A, B & E)						Y
WQIZ631	WY - 700 MHz Lower Band (Blocks A, B & E)						Y
WQJB438	CW - PCS Broadband						Y
WQJQ723	WY - 700 MHz Lower Band (Blocks A, B & E)						Y
WQJQ726	WY - 700 MHz Lower Band (Blocks A, B & E)						Y
WQJQ730	WY - 700 MHz Lower Band (Blocks A, B & E)						Y
WQJQ738	WY - 700 MHz Lower Band (Blocks A, B & E)						Y

111) Call Sign	112) Radio Service Code	113) Location Number	114) Path Number (Microwave only)	115) Frequency Number	116) Lower or Center Frequency (MHz)	117) Upper Frequency (MHz)	118) Constructed Yes / No
WQJQ744	WY - 700 MHz Lower Band (Blocks A, B & E)						Y
WQJQ767	WY - 700 MHz Lower Band (Blocks A, B & E)						Y
WQJQ769	WY - 700 MHz Lower Band (Blocks A, B & E)						Y
WQJQ793	WY - 700 MHz Lower Band (Blocks A, B & E)						Y
WQJU424	WY - 700 MHz Lower Band (Blocks A, B & E)						Y
WQJU432	WY - 700 MHz Lower Band (Blocks A, B & E)						Y
WQJU436	WY - 700 MHz Lower Band (Blocks A, B & E)						Y
WQJU443	WY - 700 MHz Lower Band (Blocks A, B & E)						Y
WQJU449	WY - 700 MHz Lower Band (Blocks A, B & E)						Y
WQJU451	WY - 700 MHz Lower Band (Blocks A, B & E)						Y
WQJU457	WY - 700 MHz Lower Band (Blocks A, B & E)						Y
WQJU460	WY - 700 MHz Lower Band (Blocks A, B & E)						Y
WQJU462	WY - 700 MHz Lower Band (Blocks A, B & E)						Y
WQJU466	WY - 700 MHz Lower Band (Blocks A, B & E)						Y
WQJU471	WY - 700 MHz Lower Band (Blocks A, B & E)						Y
WQJU474	WY - 700 MHz Lower Band (Blocks A, B & E)						Y
WQJU476	WY - 700 MHz Lower Band (Blocks A, B & E)						Y
WQJU483	WY - 700 MHz Lower Band (Blocks A, B & E)						Y
WQJU495	WY - 700 MHz Lower Band (Blocks A, B & E)						Y

111) Call Sign	112) Radio Service Code	113) Location Number	114) Path Number (Microwave only)	115) Frequency Number	116) Lower or Center Frequency (MHz)	117) Upper Frequency (MHz)	118) Constructed Yes / No
WQJU498	WY - 700 MHz Lower Band (Blocks A, B & E)						Y
WQJU508	WY - 700 MHz Lower Band (Blocks A, B & E)						Y
WQJU513	WY - 700 MHz Lower Band (Blocks A, B & E)						Y
WQJU517	WY - 700 MHz Lower Band (Blocks A, B & E)						Y
WQJU523	WY - 700 MHz Lower Band (Blocks A, B & E)						Y
WQJU527	WY - 700 MHz Lower Band (Blocks A, B & E)						Y
WQJU534	WY - 700 MHz Lower Band (Blocks A, B & E)						Y
WQJU542	WY - 700 MHz Lower Band (Blocks A, B & E)						Y
WQJU547	WY - 700 MHz Lower Band (Blocks A, B & E)						Y
WQJU550	WY - 700 MHz Lower Band (Blocks A, B & E)						Y
WQJU559	WY - 700 MHz Lower Band (Blocks A, B & E)						Y
WQJU564	WY - 700 MHz Lower Band (Blocks A, B & E)						Y
WQJU568	WY - 700 MHz Lower Band (Blocks A, B & E)						Y
WQJU574	WY - 700 MHz Lower Band (Blocks A, B & E)						Y
WQJU584	WY - 700 MHz Lower Band (Blocks A, B & E)						Y
WQJU587	WY - 700 MHz Lower Band (Blocks A, B & E)						Y
WQJU597	WY - 700 MHz Lower Band (Blocks A, B & E)						Y
WQJU599	WY - 700 MHz Lower Band (Blocks A, B & E)						Y
WQJU603	WY - 700 MHz Lower Band (Blocks A, B & E)						Y

111) Call Sign	112) Radio Service Code	113) Location Number	114) Path Number (Microwave only)	115) Frequency Number	116) Lower or Center Frequency (MHz)	117) Upper Frequency (MHz)	118) Constructed Yes / No
WQJU609	WY - 700 MHz Lower Band (Blocks A, B & E)						Y
WQJU611	WY - 700 MHz Lower Band (Blocks A, B & E)						Y
WQJU615	WY - 700 MHz Lower Band (Blocks A, B & E)						Y
WQJU618	WY - 700 MHz Lower Band (Blocks A, B & E)						Y
WQJU620	WY - 700 MHz Lower Band (Blocks A, B & E)						Y
WQJU624	WY - 700 MHz Lower Band (Blocks A, B & E)						Y
WQJU632	WY - 700 MHz Lower Band (Blocks A, B & E)						Y
WQJU634	WY - 700 MHz Lower Band (Blocks A, B & E)						Y
WQJU644	WY - 700 MHz Lower Band (Blocks A, B & E)						Y
WQJU659	WY - 700 MHz Lower Band (Blocks A, B & E)						Y
WQJU666	WY - 700 MHz Lower Band (Blocks A, B & E)						Y
WQJU672	WY - 700 MHz Lower Band (Blocks A, B & E)						Y
WQJU680	WY - 700 MHz Lower Band (Blocks A, B & E)						Y
WQJU683	WY - 700 MHz Lower Band (Blocks A, B & E)						Y
WQJU686	WY - 700 MHz Lower Band (Blocks A, B & E)						Y
WQJU704	WY - 700 MHz Lower Band (Blocks A, B & E)						Y
WQJU708	WY - 700 MHz Lower Band (Blocks A, B & E)						Y
WQJZ319	WY - 700 MHz Lower Band (Blocks A, B & E)						Y
WQKI619	AW - AWS (1710-1755 MHz and 2110-2155 MHz)						N

111) Call Sign	112) Radio Service Code	113) Location Number	114) Path Number (Microwave only)	115) Frequency Number	116) Lower or Center Frequency (MHz)	117) Upper Frequency (MHz)	118) Constructed Yes / No
WQKI627	AW - AWS (1710-1755 MHz and 2110-2155 MHz)						N
WQKM337	WZ - 700 MHz Lower Band (Blocks C, D)						Y
WQLI790	CW - PCS Broadband						Y
WQLV407	CW - PCS Broadband						Y
WQLV410	CW - PCS Broadband						Y
WQLV414	CW - PCS Broadband						Y
WQMC321	CW - PCS Broadband						Y
WQMC331	CW - PCS Broadband						Y
WQMC340	CW - PCS Broadband						Y
WQMC348	CW - PCS Broadband						Y
WQMG944	CW - PCS Broadband						Y
WQNE323	CW - PCS Broadband						Y
WQNE326	CW - PCS Broadband						Y
WQNE328	CW - PCS Broadband						Y
WQOQ733	CW - PCS Broadband						Y
WQPG201	AW - AWS (1710-1755 MHz and 2110-2155 MHz)						N
WQPG212	AW - AWS (1710-1755 MHz and 2110-2155 MHz)						N
WQQI317	WY - 700 MHz Lower Band (Blocks A, B & E)						Y
WQQQ237	CW - PCS Broadband						Y

111) Call Sign	112) Radio Service Code	113) Location Number	114) Path Number (Microwave only)	115) Frequency Number	116) Lower or Center Frequency (MHz)	117) Upper Frequency (MHz)	118) Constructed Yes / No
WQQQ242	CW - PCS Broadband						Y
WQQQ250	CW - PCS Broadband						Y
WQRD411	CW - PCS Broadband						Y
WQSX817	CW - PCS Broadband						Y
WQTL610	AW - AWS (1710-1755 MHz and 2110-2155 MHz)						N
WQTM871	AW - AWS (1710-1755 MHz and 2110-2155 MHz)						N
WQUH728	CW - PCS Broadband						Y
WQUI698	CW - PCS Broadband						Y
WQUZ669	CW - PCS Broadband						Y
WQUZ677	CW - PCS Broadband						Y
WQVD576	AW - AWS (1710-1755 MHz and 2110-2155 MHz)						N
WQVF254	CW - PCS Broadband						Y
WQVG236	CW - PCS Broadband						Y
WQXA283	CW - PCS Broadband						Y
WQXL725	AW - AWS (1710-1755 MHz and 2110-2155 MHz)						N
WQQQ395	CW - PCS Broadband						Y
WQQQ398	AW - AWS (1710-1755 MHz and 2110-2155 MHz)						N
WQQQ400	AW - AWS (1710-1755 MHz and 2110-2155 MHz)						N
WQXY329	CW - PCS Broadband						Y

111) Call Sign	112) Radio Service Code	113) Location Number	114) Path Number (Microwave only)	115) Frequency Number	116) Lower or Center Frequency (MHz)	117) Upper Frequency (MHz)	118) Constructed Yes / No
WQXZ458	AW - AWS (1710-1755 MHz and 2110-2155 MHz)						N
WQYV633	CW - PCS Broadband						Y
WQYV637	CW - PCS Broadband						Y
WQZA665	WY - 700 MHz Lower Band (Blocks A, B & E)						Y
WQZA669	AW - AWS (1710-1755 MHz and 2110-2155 MHz)						Y
WQZQ343	CW - PCS Broadband						Y
WQZQ350	CW - PCS Broadband						Y
WQZQ353	CW - PCS Broadband						Y
WRAB203	CW - PCS Broadband						Y
WRAB206	AW - AWS (1710-1755 MHz and 2110-2155 MHz)						Y
WRAB209	CW - PCS Broadband						Y
WRAB235	CW - PCS Broadband						Y

Attachment(s):

Type	Description	Date Entered
O	Exhibit 1 - Reference to Lead	01/29/2019

REFERENCE COPY

This is not an official FCC license. It is a record of public information contained in the FCC's licensing database on the date that this reference copy was generated. In cases where FCC rules require the presentation, posting, or display of an FCC license, this document may not be used in place of an official FCC license.



Federal Communications Commission
Wireless Telecommunications Bureau

RADIO STATION AUTHORIZATION

LICENSEE: NEW CINGULAR WIRELESS PCS, LLC

ATTN: FCC GROUP
NEW CINGULAR WIRELESS PCS, LLC
208 S. AKARD ST. 20F
DALLAS, TX 75202

Table with Call Sign (KNLG230), File Number, and Radio Service (CW - PCS Broadband).

FCC Registration Number (FRN): 0003291192

Table with columns: Grant Date, Effective Date, Expiration Date, Print Date, Market Number, Channel Block, Sub-Market Designator, Market Name, 1st Build-out Date, 2nd Build-out Date, 3rd Build-out Date, 4th Build-out Date.

Waivers/Conditions:

This authorization is subject to the condition that, in the event that systems using the same frequencies as granted herein are authorized in an adjacent foreign territory (Canada/United States), future coordination of any base station transmitters within 72 km (45 miles) of the United States/Canada border shall be required to eliminate any harmful interference to operations in the adjacent foreign territory and to ensure continuance of equal access to the frequencies by both countries.

This authorization is conditioned upon the full and timely payment of all monies due pursuant to Sections 1.2110 and 24.716 of the Commission's Rules and the terms of the Commission's installment plan as set forth in the Note and Security Agreement executed by the licensee. Failure to comply with this condition will result in the automatic cancellation of this authorization.

Conditions:

Pursuant to §309(h) of the Communications Act of 1934, as amended, 47 U.S.C. §309(h), this license is subject to the following conditions: This license shall not vest in the licensee any right to operate the station nor any right in the use of the frequencies designated in the license beyond the term thereof nor in any other manner than authorized herein. Neither the license nor the right granted thereunder shall be assigned or otherwise transferred in violation of the Communications Act of 1934, as amended. See 47 U.S.C. § 310(d). This license is subject in terms to the right of use or control conferred by §706 of the Communications Act of 1934, as amended. See 47 U.S.C. §606.

This license may not authorize operation throughout the entire geographic area or spectrum identified on the hardcopy version. To view the specific geographic area and spectrum authorized by this license, refer to the Spectrum and Market Area information under the Market Tab of the license record in the Universal Licensing System (ULS). To view the license record, go to the ULS homepage at http://wireless.fcc.gov/uls/index.htm?job=home and select "License Search". Follow the instructions on how to search for license information.

Licensee Name: NEW CINGULAR WIRELESS PCS, LLC

Call Sign: KNLG230

File Number:

Print Date:

700 MHz Relicensed Area Information:

Market	Market Name	Buildout Deadline	Buildout Notification	Status
---------------	--------------------	--------------------------	------------------------------	---------------

Reference Copy

Reference Copy Only. Do Not Mail to the FCC as an Application.

Submitted: 01/23/2024 at 17:43:02
 File Number: 0010873552

FCC 601
Main Form

FCC Application for Radio Service Authorization: Wireless Telecommunications Bureau Public Safety and Homeland Security Bureau

Approved by OMB
 3060 - 0798
 See instructions for
 public burden estimate

1) Radio Service Code: <p style="text-align: center;">CW</p>	1a) Existing Radio Service Code:
--	----------------------------------

General Information

2) (Select only one) (AU) NE - New RO - Renewal Only AU - Administrative Update NT - Required Notifications MD - Modification RM - Renewal/Modification WD - Withdrawal of Application EX - Requests for Extension of Time AM - Amendment CA - Cancellation of License RL - Registered Location/Link	
3a) If this application is for a Demonstration License or a S pecial Temporary Authorization (STA), enter the code and attach the required exhibit as described in the instructions. Otherwise enter ' N/A ' (Not Applicable).	(N) <u>M</u> <u>S</u> <u>N/A</u>
3b) If this application is for Special Temporary Authority due to an emergency situation, enter 'Y'; otherwise enter 'N'. Refer to Rule 1.915 for an explanation of situations considered to be an emergency.	() <u>Y</u> <u>N</u>
4) If this application is for an Amendment or Withdrawal, enter the file number of the pending application currently on file with the FCC.	File Number
5) If this application is for a Modification, Renewal Only, Renewal/Modification, Cancellation of License, , or Administrative Update, enter the call sign of the existing FCC license. If this is a request for Registered Location/Link, enter the FCC call sign assigned to the geographic license.	Call Sign KNLG230
6a) If this application is for a New, Amendment, Renewal Only, or Renewal/Modification, enter the requested authorization expiration date (this item is optional).	MM DD _____ / _____
6b) If this application is for a Renewal Only or Renewal/Modification and the license is a geographic area license, is the license used to provide service to customers (C), or is the license used for private business (internal) purposes or to meet the licensee's public interest/public safety communications needs (P)?	() <u>C</u> <u>P</u>
7) Is this application "major" as defined in § 1.929 of the Commission's Rules when read in conjunction with the applicable radio service rules found in Parts 22 and 90 of the Commission's Rules? (NOTE: This question only applies to certain site-specific applications. See the instructions for applicability and full text of § 1.929).	() <u>Y</u> <u>N</u>
8) Are attachments (other than associated schedules) being filed with this application?	() <u>Y</u> <u>N</u>

Fees, Waivers, and Exemptions

9) Is the Applicant exempt from FCC application fees?	(N) <u>Y</u> <u>N</u>
10) Is the Applicant exempt from FCC regulatory fees?	(N) <u>Y</u> <u>N</u>
11) Does this application include a request for a Waiver of the Commission's Rule(s)? If 'Yes', attach an exhibit providing rule number(s) and explaining circumstances.	(N) <u>Y</u> <u>N</u>
12) Are the frequencies or parameters requested in this filing covered by grandfathered privileges, previously approved by waiver, or functionally integrated with an existing station?	() <u>Y</u> <u>N</u>

Applicant Information

13) FCC Registration Number (FRN): 0003291192			
14) Applicant/Licensee Legal Entity Type: (Select One) () Individual () Unincorporated Association () Trust () Government Entity () Corporation (<input checked="" type="checkbox"/>) Limited Liability Company () General Partnership () Limited Partnership () Limited Liability Partnership () Consortium () Other: _____			
15) If the Licensee name is being updated, is the update a result from the sale (or transfer of control) of the license(s) to party and for which proper Commission approval has not been received or proper notification not provided?			() <u>Yes</u> <u>No</u>
16) First Name (if individual):	MI:	Last Name:	Suffix:
17) Legal Entity Name (if other than individual): New Cingular Wireless PCS, LLC			
18) Attention To: National Regulatory Compliance			
19) P.O. Box:	And/Or	20) Street Address: 208 S Akard St, 20F	
21) City: Dallas	22) State: TX	23) Zip Code: 75202	
24) Telephone Number: (855)699-7073		25) Fax: (214)746-6410	
26) E-Mail Address: FCCMW@att.com			

27) Demographics (Optional)

Race: () American Indian or Alaska Native () Asian () Black or African-American () Native Hawaiian or Other Pacific Islander () White	Ethnicity: () Hispanic or Latino () Not Hispanic or Latino	Gender: () Male () Female
---	--	-----------------------------------

Real Party in Interest

28) Name of Real Party in Interest of Applicant (If different from Applicant):	29) FCC Registration Number (FRN) of Real Party in Interest:
--	--

Contact Information (If different from the Applicant)**() Check here if same as Applicant.**

30) First Name: Jessica	MI: J	Last Name: Dunk	Suffix:
31) Company Name: AT&T Services, Inc.			
32) Attention To: NRC			
33) P.O. Box:	And /Or	34) Street Address: 208 S Akard St, 20F	
35) City: Dallas	36) State: TX	37) Zip Code: 75202	
38) Telephone Number: (855)699-7073		39) Fax: (214)746-6410	
40) E-Mail Address: FCCMW@att.com			

Regulatory Status

41) This filing is for authorization to provide or use the following type(s) of radio service offering (enter all that apply):
() Common Carrier () Non-Common Carrier () Private, internal communications () Broadcast Services () Band Manager

Type of Radio Service

42) This filing is for authorization to provide the following type(s) of radio service (choose all that apply):
() Fixed () Mobile () Radiolocation () Satellite (sound) () Broadcast Services
43) Does the Applicant propose to provide service interconnected to the public telephone network? () Yes () No

Alien Ownership Questions (If any answer is 'Y', provide an attachment explaining the circumstances. In preparing the attachment, refer to the Main Form Instructions for the "Alien Ownership Questions".)

44) Is the Applicant a foreign government or the representative of any foreign government? () Yes () No
45) Is the Applicant an alien or the representative of an alien? () Yes () No
46) Is the Applicant a corporation organized under the laws of any foreign government? () Yes () No
47) Is the Applicant a corporation of which more than one-fifth of the capital stock is owned of record or voted by aliens or their representatives, or by a foreign government or representative thereof, or by any corporation organized under the laws of a foreign country? () Yes () No

48a) Is the Applicant directly or indirectly controlled by any other corporation of which more than one-fourth of the capital stock () Yes No is owned of record or voted by aliens or their representatives, or by a foreign government or representative thereof, or by any corporation organized under the laws of a foreign country?

48b) If the answer to 47 or 48a is 'Y' select one of the choices below.

The Applicant is exempt from the provisions of Section 310(b).

If checked, it is not necessary to file a petition for declaratory ruling if the Applicant includes in the attachment required by Item 47 or Item 48a a showing that the requested license(s) is exempt from the provisions of Section 310(b).

The Applicant has received a declaratory ruling(s) approving its foreign ownership, and the application involves only the acquisition of additional spectrum for the provision of a wireless service in a geographic coverage area for which the Applicant has been previously authorized.

If checked, include in the attachment required by Item 47 or Item 48a the citation(s) of the applicable declaratory ruling(s) by DA/FCC number, the FCC Record citation, if available, release date, and a statement that there has been no change in the foreign ownership of the Applicant since the issuance of its ruling.

The Applicant: (i) has received a declaratory ruling(s) approving its foreign ownership, but is not able to make the certification specified immediately above; or (ii) is an "affiliate" of a Licensee or Lessee/Sublessee that received a declaratory ruling(s) under 47 CFR § 1.5000(a) and is relying on the affiliate's ruling for purposes of filing this application as permitted under the affiliate's ruling and 47 CFR § 1.5004(b)

If checked, and if the Applicant received its declaratory ruling(s) on or after August 9, 2013, include in the attachment required by Item 47 or Item 48a the citation(s) of the Applicant's declaratory ruling(s) by DA/FCC number, the FCC Record citation, if available, release date, and a statement that the Applicant is in compliance with the terms and conditions of its ruling and with the Commission's Rules.

If checked, and if the Applicant received its declaratory ruling(s) prior to August 9, 2013, include in the attachment required by Item 48a a copy of a petition for declaratory ruling filed contemporaneously with the Commission to extend the Applicant's existing ruling(s) to cover the same radio service(s) and geographic coverage area(s) involved in the application. Alternatively, the Applicant may request a new declaratory ruling pursuant to Section 1.5000(a) of the Commission's Rules, 47 CFR § 1.5000 (a). Petitions for declaratory ruling may be filed electronically on the Internet through the International Bureau Filing System (IBFS) (with a copy attached hereto).

If checked, and if the Applicant is relying on an affiliate's ruling for purposes of filing this application, include in the attachment required by Item 47 or Item 48a the citation(s) of the applicable declaratory ruling(s) by DA/FCC number, the FCC Record citation, if available, release date, and a statement that the Applicant is in compliance with the terms and conditions of the named affiliate's ruling and with the Commission's Rules. The Applicant must also include a certification of compliance signed by the named affiliate or other qualified entity as specified in 47 CFR § 1.5004(b). See Main Form Instructions for Items 47 or 48a, as applicable.

The Applicant has not received a declaratory ruling approving its foreign ownership and is requesting a declaratory ruling under 47 CFR § 1.5004(b) in a petition filed contemporaneously with the Commission.

If checked, include in the attachment required by Item 47 or 48a a copy of the petition for declaratory ruling filed contemporaneously with the Commission pursuant to 47 CFR § 1.5004(b). Petitions for declaratory ruling may be filed electronically on the Internet through the International Bureau Filing System (IBFS) (with a copy attached hereto).

Basic Qualification Questions

49) Has the Applicant or any party to this application had any FCC station authorization, license or construction permit revoked or had any application for an initial, modification or renewal of FCC station authorization, license, or construction permit denied by the Commission?	() <u>Yes</u> <u>No</u>
50) Has the Applicant or any party to this application, or any party directly or indirectly controlling the Applicant, ever been convicted of a felony by any state or federal court?	() <u>Yes</u> <u>No</u>
51) Has any court finally adjudged the Applicant or any party directly or indirectly controlling the Applicant guilty of unlawfully monopolizing or attempting unlawfully to monopolize radio communication, directly or indirectly, through control of manufacture or sale of radio apparatus, exclusive traffic arrangement, or any other means or unfair methods of competition?	() <u>Yes</u> <u>No</u>

Note: If the answer to any of 49-51 is 'Y', attach an exhibit explaining the circumstances.

Aeronautical Advisory Station (Unicom) Certification

52) () I certify that the station will be located on property of the airport to be served, and, in cases where the airport does not have a control tower, RCO, or FAA flight service station, that I have notified the owner of the airport and all aviation service organizations located at the airport within ten days prior to application.
--

Broadband Radio Service and Educational Broadband Service Cable Cross-Ownership

53a) Will the requested facilities be used to provide multichannel video programming service?	() <u>Yes</u> <u>No</u>
53b) If the answer to question 53a is 'Y', does the Applicant operate, control or have an attributable interest (as defined in 47 CFR § 27.1202) in a cable television system whose franchise area is located within the geographic service area of the requested facilities?	() <u>Yes</u> <u>No</u>

Note: If the answer to question 53b is 'Y', attach an exhibit explaining how the Applicant complies with 47 CFR § 27.1202 or justifying a waiver of that rule. If a waiver of the Commission Rule(s) is being requested, Item 11a must be answered 'Y'.

Broadband Radio Service and Educational Broadband Service (Part 27)

54) (For EBS only) Does the Applicant comply with the programming requirements contained in 47 CFR § 27.1203?	() <u>Yes</u> <u>No</u>
---	--------------------------

Note: If the answer to item 54 is 'N', attach an exhibit explaining how the Applicant complies with 47 CFR § 27.1203 of the Commission's Rules or justifying a waiver of that rule. If a waiver of the Commission Rule(s) is being requested, Item 11a must be answered 'Y'.

55) (For BRS and EBS) Does the Applicant comply with 47 CFR §§ 27.50, 27.55, and 27.1221?	() <u>Yes</u> <u>No</u>
---	--------------------------

Note: If the answer to item 55 is 'N', attach an exhibit justifying a waiver of that rule(s). If a waiver of the Commission Rule(s) is being requested, Item 11a must be answered 'Y'.

For Applicants Who Participated in an Auction

56) Is the Applicant a qualifying rural wireless partnership or a member of a qualifying rural wireless partnership?	() <u>Yes</u> <u>No</u>
--	--------------------------

Note: If the answer to item 56 is 'Y', attach an exhibit listing all members of the qualifying rural wireless partnership, including their FRN numbers.

For Renewal Applicants

57) Operation/Performance Requirement Certification	
[For a site-based license]: Applicant certifies that it is continuing to operate consistent with its most recently filed construction notification (or most recent authorization, if no construction notification was required).	() <u>Yes</u> <u>No</u>
[For a geographic license, commercial service - licensee in its initial license term with an interim performance requirement]: Applicant certifies that it has met its interim performance requirement, that over the portion of the license term following the interim performance requirement, it continues to use its facilities to provide at least the level of service required by its interim performance requirement, it has met its final performance requirement, and it continues to use its facilities to provide at least the level of service required by its final performance requirement through the end of the license term.	() <u>Yes</u> <u>No</u>
[For a geographic license, commercial service - licensee in its initial license term with no interim performance requirement]: Applicant certifies that it has met its final performance requirement and it continues to use its facilities to provide at least the level of service required by its final performance requirement through the end of the license term. [Note: licensee must provide a showing demonstrating that the final performance requirement has been met, either separately in a timely application for notification of completion of construction, or as part of its renewal application, depending on the radio service.]	() <u>Yes</u> <u>No</u>
[For a geographic license, commercial service - licensee in any subsequent term]: Applicant certifies that it continues to use its facilities to provide at least the level of service required by its final performance requirement through the end of any subsequent license terms.	() <u>Yes</u> <u>No</u>
[For a geographic license, private systems - licensee in its initial license term with an interim performance requirement]: Applicant certifies that it has met its interim performance requirement, that over the portion of the license term following the interim performance requirement, it continues to use its facilities to further its private business or public interest/public safety communications needs at or above the level required to meet its interim performance requirement, it has met its final performance requirement, and it continues to use its facilities to provide at least the level of operation required by its final performance requirement through the end of the license term.	() <u>Yes</u> <u>No</u>
[For a geographic license, private systems - licensee in its initial license term with no interim performance requirement]: Applicant certifies that it has met its final performance requirement, it continues to use its facilities to further its private business or public interest/public safety communications needs, and it continues to use its facilities to provide at least the level of operation required by its final performance requirement through the end of the license term. [Note: licensee must provide a showing demonstrating that the final performance requirement has been met, either separately in a timely application for notification of completion of construction, or as part of its renewal application, depending on the radio service.]	() <u>Yes</u> <u>No</u>

[For a geographic license, private systems - licensee in any subsequent term]: Applicant certifies that it continues to use its facilities to further its private business or public interest/public safety communications needs at or above the level required to meet its final performance requirement through the end of any subsequent license terms.	(<input type="checkbox"/>) <u>Yes</u> <u>No</u>
[For a partitioned or disaggregated license without a performance requirement, for the first renewal application filed after effective date of the rules]: Applicant certifies that the partitioned and/or disaggregated license that is the subject of this renewal application has no separate performance requirement and that this is the first renewal of this license filed subsequent to the effective date of the rules.	(<input type="checkbox"/>) <u>Yes</u> <u>No</u>
[For a partitioned or disaggregated license without a performance requirement, for any subsequent renewal filings]: Applicant certifies that it continues to use its facilities to provide service or to further the applicant's private business or public interest/public safety needs.	(<input type="checkbox"/>) <u>Yes</u> <u>No</u>

Discontinuance of Service Certification

58) Applicant certifies that no permanent discontinuance of service or operation, as applicable, occurred during its current license term. Note: If the response to either item 57 or item 58 is 'N', attach an exhibit that demonstrates that over the course of the license term, the Applicant provided and continues to provide service to the public, or operated and continues to operate the license to meet the Applicant's private business or public interest/public safety communications needs. This exhibit must include a detailed description of the Applicant's provision of service or, when allowed under the relevant service rules or pursuant to waiver, use of the spectrum for private business or public interest/public safety communications needs, during the entire license period and address, as applicable: 1) the level and quality of service provided by the applicant (e.g., the population served, the area served, the number of subscribers, the services offered); (2) the date service commenced, whether service was ever interrupted, and the duration of any interruption or outage; (3) the extent to which service is provided to rural areas; (4) the extent to which service is provided to qualifying tribal land as defined in 47 CFR § 1.2110(e)(3)(i); and (5) any other factors associated with the level of service to the public. The licensee may note in its exhibit: 1) any grant(s) of waiver or extension of a performance deadline or license renewal subject to meeting a performance requirement; or 2) if the final performance deadline and/or expiration date for the license accelerated because the licensee did not meet an interim performance requirement.	(<input type="checkbox"/>) <u>Yes</u> <u>No</u>
--	---

Regulatory Compliance Certification [same for all]

59) Applicant certifies that it has substantially complied with all applicable FCC rules, policies, and the Communications Act of 1934, as amended. Note: If the response to item 59 is 'N', attach an exhibit explaining the circumstances and demonstrating why Applicant's license should be renewed.	(<input type="checkbox"/>) <u>Yes</u> <u>No</u>
--	---

General Certification Statements

1) The Applicant waives any claim to the use of any particular frequency or of the electromagnetic spectrum as against the regulatory power of the United States because of the previous use of the same, whether by license or otherwise, and requests an authorization in accordance with this application.
2) The Applicant certifies that grant of this application would not cause the Applicant to be in violation of any pertinent cross-ownership or attribution rules.* *If the Applicant has sought a waiver of any such rule in connection with this application, it may make this certification subject to the outcome of the waiver request.
3) The Applicant certifies that all statements made in this application and in the exhibits, attachments, or documents incorporated by reference are material, are part of this application, and are true, complete, correct, and made in good faith.
4) The Applicant certifies that neither the Applicant nor any other party to the application is subject to a denial of Federal benefits pursuant to § 5301 of the Anti-Drug Abuse Act of 1988, 21 U.S.C. § 862, because of a conviction for possession or distribution of a controlled substance. This certification does not apply to applications filed in services exempted under § 1.2002(c) of the rules, 47 CFR § 1.2002(c). See 47 CFR § 1.2002(b) for the definition of "party to the application" as used in this certification.
5) The Applicant certifies that it either (1) has current required ownership data on file with the Commission, (2) is filing updated ownership data simultaneously with this application, or (3) is not required to file ownership data under the Commission's Rules.
6) The Applicant certifies that the facilities, operations, and transmitters for which this authorization is hereby requested are either: (1) categorically excluded from routine environmental evaluation for RF exposure as set forth in 47 CFR § 1.1307(b); or, (2) have been found not to cause human exposure to levels of radiofrequency radiation in excess of the limits specified in 47 CFR §§ 1.1310 and 2.1093; or, (3) are the subject of one or more Environmental Assessments filed with the Commission.
7) The Applicant certifies that it has reviewed the appropriate Commission Rules defining eligibility to hold the requested license(s) and is eligible to hold the requested license(s).
8) The Applicant certifies that it is not in default on any payment for Commission licenses and that it is not delinquent on any non-tax debt owed to any federal agency.
9) The Applicant certifies that the Applicant and all of the related individuals and entities required to be disclosed on this application and FCC Form 602 (FCC Ownership Disclosure Information for the Wireless Telecommunications Services) are not person(s) who have been, for reasons of national security, barred by any agency of the Federal Government from bidding on a contract, participating in an auction, or receiving a grant. This certification applies only to applications for licenses for spectrum that is required by Sections 6103, 6401-6403 of the Middle Class Tax Relief and Job Creation Act of 2012, codified at 47 U.S.C. §§ 309, 1413, 1451-1452, to be assigned by a system of competitive bidding under 47 U.S.C. § 309(j).

Signature

60) Typed or Printed Name of Party Authorized to Sign

First Name: Jessica	MI:	Last Name: Dunk	Suffix:
61) Title: Assistant Secretary - Compliance			
Signature: Jessica Dunk			62) Date: 01/23/2024
FAILURE TO SIGN THIS APPLICATION MAY RESULT IN DISMISSAL OF THE APPLICATION AND FORFEITURE OF ANY FEES PAID.			
Upon grant of this license application, the Licensee may be subject to certain construction or coverage requirements. Failure to meet the construction or coverage requirements will result in termination of the license. Consult appropriate FCC regulations to determine the construction or coverage requirements that apply to the type of license requested in this application.			
WILLFUL FALSE STATEMENTS MADE ON THIS FORM OR ANY ATTACHMENTS ARE PUNISHABLE BY FINE AND/OR IMPRISONMENT (U.S. Code, Title 18, § 1001) AND/OR REVOCATION OF ANY STATION LICENSE OR CONSTRUCTION PERMIT (U.S. Code, Title 47, § 312(a)(1)), AND/OR FORFEITURE (U.S. Code, Title 47, § 503).			

Reference Copy Only. Do Not Mail to the FCC as an Application.

Submitted: 01/13/2023 at 18:08:22
 File Number: 0010371608

FCC 601
Main Form

FCC Application for Radio Service Authorization: Wireless Telecommunications Bureau Public Safety and Homeland Security Bureau

Approved by OMB
 3060 - 0798
 See instructions for
 public burden estimate

1) Radio Service Code: <p style="text-align: center;">CW</p>	1a) Existing Radio Service Code:
--	----------------------------------

General Information

2) (Select only one) (AU) NE - New RO - Renewal Only AU - Administrative Update NT - Required Notifications MD - Modification RM - Renewal/Modification WD - Withdrawal of Application EX - Requests for Extension of Time AM - Amendment CA - Cancellation of License RL - Registered Location/Link	
3a) If this application is for a Demonstration License or a S pecial Temporary Authorization (STA), enter the code and attach the required exhibit as described in the instructions. Otherwise enter ' N/A ' (Not Applicable).	(N) <u>M</u> <u>S</u> <u>N/A</u>
3b) If this application is for Special Temporary Authority due to an emergency situation, enter 'Y'; otherwise enter 'N'. Refer to Rule 1.915 for an explanation of situations considered to be an emergency.	() <u>Y</u> <u>N</u>
4) If this application is for an Amendment or Withdrawal, enter the file number of the pending application currently on file with the FCC.	File Number
5) If this application is for a Modification, Renewal Only, Renewal/Modification, Cancellation of License, , or Administrative Update, enter the call sign of the existing FCC license. If this is a request for Registered Location/Link, enter the FCC call sign assigned to the geographic license.	Call Sign KNLG230
6a) If this application is for a New, Amendment, Renewal Only, or Renewal/Modification, enter the requested authorization expiration date (this item is optional).	MM DD _____ / _____
6b) If this application is for a Renewal Only or Renewal/Modification and the license is a geographic area license, is the license used to provide service to customers (C), or is the license used for private business (internal) purposes or to meet the licensee's public interest/public safety communications needs (P)?	() <u>C</u> <u>P</u>
7) Is this application "major" as defined in § 1.929 of the Commission's Rules when read in conjunction with the applicable radio service rules found in Parts 22 and 90 of the Commission's Rules? (NOTE: This question only applies to certain site-specific applications. See the instructions for applicability and full text of § 1.929).	() <u>Y</u> <u>N</u>
8) Are attachments (other than associated schedules) being filed with this application?	() <u>Y</u> <u>N</u>

Fees, Waivers, and Exemptions

9) Is the Applicant exempt from FCC application fees?	(N) <u>Y</u> <u>N</u>
10) Is the Applicant exempt from FCC regulatory fees?	(N) <u>Y</u> <u>N</u>
11) Does this application include a request for a Waiver of the Commission's Rule(s)? If 'Yes', attach an exhibit providing rule number(s) and explaining circumstances.	(N) <u>Y</u> <u>N</u>
12) Are the frequencies or parameters requested in this filing covered by grandfathered privileges, previously approved by waiver, or functionally integrated with an existing station?	() <u>Y</u> <u>N</u>

Applicant Information

13) FCC Registration Number (FRN): 0003291192			
14) Applicant/Licensee Legal Entity Type: (Select One) () Individual () Unincorporated Association () Trust () Government Entity () Corporation (<input checked="" type="checkbox"/>) Limited Liability Company () General Partnership () Limited Partnership () Limited Liability Partnership () Consortium () Other: _____			
15) If the Licensee name is being updated, is the update a result from the sale (or transfer of control) of the license(s) to party and for which proper Commission approval has not been received or proper notification not provided?			() <u>Yes</u> <u>No</u>
16) First Name (if individual):	MI:	Last Name:	Suffix:
17) Legal Entity Name (if other than individual): NEW CINGULAR WIRELESS PCS, LLC			
18) Attention To: FCC Group			
19) P.O. Box:	And/Or	20) Street Address: 208 S. Akard St. 20F	
21) City: Dallas	22) State: TX	23) Zip Code: 75202	
24) Telephone Number: (855)699-7073		25) Fax: (214)746-6410	
26) E-Mail Address: FCCMW@att.com			

27) Demographics (Optional)

Race: () American Indian or Alaska Native () Asian () Black or African-American () Native Hawaiian or Other Pacific Islander () White	Ethnicity: () Hispanic or Latino () Not Hispanic or Latino	Gender: () Male () Female
---	--	-----------------------------------

Real Party in Interest

28) Name of Real Party in Interest of Applicant (If different from Applicant):	29) FCC Registration Number (FRN) of Real Party in Interest:
--	--

Contact Information (If different from the Applicant)**() Check here if same as Applicant.**

30) First Name: Cecil	MI: J	Last Name: Mathew	Suffix:
31) Company Name: AT&T Services, Inc.			
32) Attention To: FCC Group			
33) P.O. Box:	And /Or	34) Street Address: 208 S. Akard St. 20F	
35) City: Dallas	36) State: TX	37) Zip Code: 75202	
38) Telephone Number: (855)699-7073		39) Fax: (214)746-6410	
40) E-Mail Address: FCCMW@att.com			

Regulatory Status

41) This filing is for authorization to provide or use the following type(s) of radio service offering (enter all that apply):
() Common Carrier () Non-Common Carrier () Private, internal communications () Broadcast Services () Band Manager

Type of Radio Service

42) This filing is for authorization to provide the following type(s) of radio service (choose all that apply):
() Fixed () Mobile () Radiolocation () Satellite (sound) () Broadcast Services
43) Does the Applicant propose to provide service interconnected to the public telephone network? () Yes () No

Alien Ownership Questions (If any answer is 'Y', provide an attachment explaining the circumstances. In preparing the attachment, refer to the Main Form Instructions for the "Alien Ownership Questions".)

44) Is the Applicant a foreign government or the representative of any foreign government? () Yes () No
45) Is the Applicant an alien or the representative of an alien? () Yes () No
46) Is the Applicant a corporation organized under the laws of any foreign government? () Yes () No
47) Is the Applicant a corporation of which more than one-fifth of the capital stock is owned of record or voted by aliens or their representatives, or by a foreign government or representative thereof, or by any corporation organized under the laws of a foreign country? () Yes () No

48a) Is the Applicant directly or indirectly controlled by any other corporation of which more than one-fourth of the capital stock () **Yes** **No** is owned of record or voted by aliens or their representatives, or by a foreign government or representative thereof, or by any corporation organized under the laws of a foreign country?

48b) If the answer to 47 or 48a is 'Y' select one of the choices below.

The Applicant is exempt from the provisions of Section 310(b).

If checked, it is not necessary to file a petition for declaratory ruling if the Applicant includes in the attachment required by Item 47 or Item 48a a showing that the requested license(s) is exempt from the provisions of Section 310(b).

The Applicant has received a declaratory ruling(s) approving its foreign ownership, and the application involves only the acquisition of additional spectrum for the provision of a wireless service in a geographic coverage area for which the Applicant has been previously authorized.

If checked, include in the attachment required by Item 47 or Item 48a the citation(s) of the applicable declaratory ruling(s) by DA/FCC number, the FCC Record citation, if available, release date, and a statement that there has been no change in the foreign ownership of the Applicant since the issuance of its ruling.

The Applicant: (i) has received a declaratory ruling(s) approving its foreign ownership, but is not able to make the certification specified immediately above; or (ii) is an "affiliate" of a Licensee or Lessee/Sublessee that received a declaratory ruling(s) under 47 CFR § 1.5000(a) and is relying on the affiliate's ruling for purposes of filing this application as permitted under the affiliate's ruling and 47 CFR § 1.5004(b)

If checked, and if the Applicant received its declaratory ruling(s) on or after August 9, 2013, include in the attachment required by Item 47 or Item 48a the citation(s) of the Applicant's declaratory ruling(s) by DA/FCC number, the FCC Record citation, if available, release date, and a statement that the Applicant is in compliance with the terms and conditions of its ruling and with the Commission's Rules.

If checked, and if the Applicant received its declaratory ruling(s) prior to August 9, 2013, include in the attachment required by Item 48a a copy of a petition for declaratory ruling filed contemporaneously with the Commission to extend the Applicant's existing ruling(s) to cover the same radio service(s) and geographic coverage area(s) involved in the application. Alternatively, the Applicant may request a new declaratory ruling pursuant to Section 1.5000(a) of the Commission's Rules, 47 CFR § 1.5000 (a). Petitions for declaratory ruling may be filed electronically on the Internet through the International Bureau Filing System (IBFS) (with a copy attached hereto).

If checked, and if the Applicant is relying on an affiliate's ruling for purposes of filing this application, include in the attachment required by Item 47 or Item 48a the citation(s) of the applicable declaratory ruling(s) by DA/FCC number, the FCC Record citation, if available, release date, and a statement that the Applicant is in compliance with the terms and conditions of the named affiliate's ruling and with the Commission's Rules. The Applicant must also include a certification of compliance signed by the named affiliate or other qualified entity as specified in 47 CFR § 1.5004(b). See Main Form Instructions for Items 47 or 48a, as applicable.

The Applicant has not received a declaratory ruling approving its foreign ownership and is requesting a declaratory ruling under 47 CFR § 1.5004(b) in a petition filed contemporaneously with the Commission.

If checked, include in the attachment required by Item 47 or 48a a copy of the petition for declaratory ruling filed contemporaneously with the Commission pursuant to 47 CFR § 1.5004(b). Petitions for declaratory ruling may be filed electronically on the Internet through the International Bureau Filing System (IBFS) (with a copy attached hereto).

Basic Qualification Questions

49) Has the Applicant or any party to this application had any FCC station authorization, license or construction permit revoked or had any application for an initial, modification or renewal of FCC station authorization, license, or construction permit denied by the Commission?	(<input type="checkbox"/>) <u>Yes</u> <u>No</u>
50) Has the Applicant or any party to this application, or any party directly or indirectly controlling the Applicant, ever been convicted of a felony by any state or federal court?	(<input type="checkbox"/>) <u>Yes</u> <u>No</u>
51) Has any court finally adjudged the Applicant or any party directly or indirectly controlling the Applicant guilty of unlawfully monopolizing or attempting unlawfully to monopolize radio communication, directly or indirectly, through control of manufacture or sale of radio apparatus, exclusive traffic arrangement, or any other means or unfair methods of competition?	(<input type="checkbox"/>) <u>Yes</u> <u>No</u>

Note: If the answer to any of 49-51 is 'Y', attach an exhibit explaining the circumstances.

Aeronautical Advisory Station (Unicom) Certification

52) (<input type="checkbox"/>) I certify that the station will be located on property of the airport to be served, and, in cases where the airport does not have a control tower, RCO, or FAA flight service station, that I have notified the owner of the airport and all aviation service organizations located at the airport within ten days prior to application.

Broadband Radio Service and Educational Broadband Service Cable Cross-Ownership

53a) Will the requested facilities be used to provide multichannel video programming service?	(<input type="checkbox"/>) <u>Yes</u> <u>No</u>
53b) If the answer to question 53a is 'Y', does the Applicant operate, control or have an attributable interest (as defined in 47 CFR § 27.1202) in a cable television system whose franchise area is located within the geographic service area of the requested facilities?	(<input type="checkbox"/>) <u>Yes</u> <u>No</u>

Note: If the answer to question 53b is 'Y', attach an exhibit explaining how the Applicant complies with 47 CFR § 27.1202 or justifying a waiver of that rule. If a waiver of the Commission Rule(s) is being requested, Item 11a must be answered 'Y'.

Broadband Radio Service and Educational Broadband Service (Part 27)

54) (For EBS only) Does the Applicant comply with the programming requirements contained in 47 CFR § 27.1203?	(<input type="checkbox"/>) <u>Yes</u> <u>No</u>
---	---

Note: If the answer to item 54 is 'N', attach an exhibit explaining how the Applicant complies with 47 CFR § 27.1203 of the Commission's Rules or justifying a waiver of that rule. If a waiver of the Commission Rule(s) is being requested, Item 11a must be answered 'Y'.

55) (For BRS and EBS) Does the Applicant comply with 47 CFR §§ 27.50, 27.55, and 27.1221?	(<input type="checkbox"/>) <u>Yes</u> <u>No</u>
---	---

Note: If the answer to item 55 is 'N', attach an exhibit justifying a waiver of that rule(s). If a waiver of the Commission Rule(s) is being requested, Item 11a must be answered 'Y'.

For Applicants Who Participated in an Auction

56) Is the Applicant a qualifying rural wireless partnership or a member of a qualifying rural wireless partnership?	(<input type="checkbox"/>) <u>Yes</u> <u>No</u>
--	---

Note: If the answer to item 56 is 'Y', attach an exhibit listing all members of the qualifying rural wireless partnership, including their FRN numbers.

For Renewal Applicants**57) Operation/Performance Requirement Certification**

[For a site-based license]: Applicant certifies that it is continuing to operate consistent with its most recently filed construction notification (or most recent authorization, if no construction notification was required).	(<input type="checkbox"/>) <u>Yes</u> <u>No</u>
[For a geographic license, commercial service - licensee in its initial license term with an interim performance requirement]: Applicant certifies that it has met its interim performance requirement, that over the portion of the license term following the interim performance requirement, it continues to use its facilities to provide at least the level of service required by its interim performance requirement, it has met its final performance requirement, and it continues to use its facilities to provide at least the level of service required by its final performance requirement through the end of the license term.	(<input type="checkbox"/>) <u>Yes</u> <u>No</u>
[For a geographic license, commercial service - licensee in its initial license term with no interim performance requirement]: Applicant certifies that it has met its final performance requirement and it continues to use its facilities to provide at least the level of service required by its final performance requirement through the end of the license term. [Note: licensee must provide a showing demonstrating that the final performance requirement has been met, either separately in a timely application for notification of completion of construction, or as part of its renewal application, depending on the radio service.]	(<input type="checkbox"/>) <u>Yes</u> <u>No</u>
[For a geographic license, commercial service - licensee in any subsequent term]: Applicant certifies that it continues to use its facilities to provide at least the level of service required by its final performance requirement through the end of any subsequent license terms.	(<input type="checkbox"/>) <u>Yes</u> <u>No</u>
[For a geographic license, private systems - licensee in its initial license term with an interim performance requirement]: Applicant certifies that it has met its interim performance requirement, that over the portion of the license term following the interim performance requirement, it continues to use its facilities to further its private business or public interest/public safety communications needs at or above the level required to meet its interim performance requirement, it has met its final performance requirement, and it continues to use its facilities to provide at least the level of operation required by its final performance requirement through the end of the license term.	(<input type="checkbox"/>) <u>Yes</u> <u>No</u>
[For a geographic license, private systems - licensee in its initial license term with no interim performance requirement]: Applicant certifies that it has met its final performance requirement, it continues to use its facilities to further its private business or public interest/public safety communications needs, and it continues to use its facilities to provide at least the level of operation required by its final performance requirement through the end of the license term. [Note: licensee must provide a showing demonstrating that the final performance requirement has been met, either separately in a timely application for notification of completion of construction, or as part of its renewal application, depending on the radio service.]	(<input type="checkbox"/>) <u>Yes</u> <u>No</u>

[For a geographic license, private systems - licensee in any subsequent term]: Applicant certifies that it continues to use its facilities to further its private business or public interest/public safety communications needs at or above the level required to meet its final performance requirement through the end of any subsequent license terms.	(<input type="checkbox"/>) <u>Yes</u> <u>No</u>
[For a partitioned or disaggregated license without a performance requirement, for the first renewal application filed after effective date of the rules]: Applicant certifies that the partitioned and/or disaggregated license that is the subject of this renewal application has no separate performance requirement and that this is the first renewal of this license filed subsequent to the effective date of the rules.	(<input type="checkbox"/>) <u>Yes</u> <u>No</u>
[For a partitioned or disaggregated license without a performance requirement, for any subsequent renewal filings]: Applicant certifies that it continues to use its facilities to provide service or to further the applicant's private business or public interest/public safety needs.	(<input type="checkbox"/>) <u>Yes</u> <u>No</u>

Discontinuance of Service Certification

58) Applicant certifies that no permanent discontinuance of service or operation, as applicable, occurred during its current license term. Note: If the response to either item 57 or item 58 is 'N', attach an exhibit that demonstrates that over the course of the license term, the Applicant provided and continues to provide service to the public, or operated and continues to operate the license to meet the Applicant's private business or public interest/public safety communications needs. This exhibit must include a detailed description of the Applicant's provision of service or, when allowed under the relevant service rules or pursuant to waiver, use of the spectrum for private business or public interest/public safety communications needs, during the entire license period and address, as applicable: 1) the level and quality of service provided by the applicant (e.g., the population served, the area served, the number of subscribers, the services offered); (2) the date service commenced, whether service was ever interrupted, and the duration of any interruption or outage; (3) the extent to which service is provided to rural areas; (4) the extent to which service is provided to qualifying tribal land as defined in 47 CFR § 1.2110(e)(3)(i); and (5) any other factors associated with the level of service to the public. The licensee may note in its exhibit: 1) any grant(s) of waiver or extension of a performance deadline or license renewal subject to meeting a performance requirement; or 2) if the final performance deadline and/or expiration date for the license accelerated because the licensee did not meet an interim performance requirement.	(<input type="checkbox"/>) <u>Yes</u> <u>No</u>
--	---

Regulatory Compliance Certification [same for all]

59) Applicant certifies that it has substantially complied with all applicable FCC rules, policies, and the Communications Act of 1934, as amended. Note: If the response to item 59 is 'N', attach an exhibit explaining the circumstances and demonstrating why Applicant's license should be renewed.	(<input type="checkbox"/>) <u>Yes</u> <u>No</u>
--	---

General Certification Statements

1) The Applicant waives any claim to the use of any particular frequency or of the electromagnetic spectrum as against the regulatory power of the United States because of the previous use of the same, whether by license or otherwise, and requests an authorization in accordance with this application.
2) The Applicant certifies that grant of this application would not cause the Applicant to be in violation of any pertinent cross-ownership or attribution rules.* *If the Applicant has sought a waiver of any such rule in connection with this application, it may make this certification subject to the outcome of the waiver request.
3) The Applicant certifies that all statements made in this application and in the exhibits, attachments, or documents incorporated by reference are material, are part of this application, and are true, complete, correct, and made in good faith.
4) The Applicant certifies that neither the Applicant nor any other party to the application is subject to a denial of Federal benefits pursuant to § 5301 of the Anti-Drug Abuse Act of 1988, 21 U.S.C. § 862, because of a conviction for possession or distribution of a controlled substance. This certification does not apply to applications filed in services exempted under § 1.2002(c) of the rules, 47 CFR § 1.2002(c). See 47 CFR § 1.2002(b) for the definition of "party to the application" as used in this certification.
5) The Applicant certifies that it either (1) has current required ownership data on file with the Commission, (2) is filing updated ownership data simultaneously with this application, or (3) is not required to file ownership data under the Commission's Rules.
6) The Applicant certifies that the facilities, operations, and transmitters for which this authorization is hereby requested are either: (1) categorically excluded from routine environmental evaluation for RF exposure as set forth in 47 CFR § 1.1307(b); or, (2) have been found not to cause human exposure to levels of radiofrequency radiation in excess of the limits specified in 47 CFR §§ 1.1310 and 2.1093; or, (3) are the subject of one or more Environmental Assessments filed with the Commission.
7) The Applicant certifies that it has reviewed the appropriate Commission Rules defining eligibility to hold the requested license(s) and is eligible to hold the requested license(s).
8) The Applicant certifies that it is not in default on any payment for Commission licenses and that it is not delinquent on any non-tax debt owed to any federal agency.
9) The Applicant certifies that the Applicant and all of the related individuals and entities required to be disclosed on this application and FCC Form 602 (FCC Ownership Disclosure Information for the Wireless Telecommunications Services) are not person(s) who have been, for reasons of national security, barred by any agency of the Federal Government from bidding on a contract, participating in an auction, or receiving a grant. This certification applies only to applications for licenses for spectrum that is required by Sections 6103, 6401-6403 of the Middle Class Tax Relief and Job Creation Act of 2012, codified at 47 U.S.C. §§ 309, 1413, 1451-1452, to be assigned by a system of competitive bidding under 47 U.S.C. § 309(j).

Signature

60) Typed or Printed Name of Party Authorized to Sign

First Name: Cecil	MI: J	Last Name: Mathew	Suffix:
61) Title: Assistant Secretary - Compliance			
Signature: Cecil J Mathew			62) Date: 01/13/2023
FAILURE TO SIGN THIS APPLICATION MAY RESULT IN DISMISSAL OF THE APPLICATION AND FORFEITURE OF ANY FEES PAID.			
Upon grant of this license application, the Licensee may be subject to certain construction or coverage requirements. Failure to meet the construction or coverage requirements will result in termination of the license. Consult appropriate FCC regulations to determine the construction or coverage requirements that apply to the type of license requested in this application.			
WILLFUL FALSE STATEMENTS MADE ON THIS FORM OR ANY ATTACHMENTS ARE PUNISHABLE BY FINE AND/OR IMPRISONMENT (U.S. Code, Title 18, § 1001) AND/OR REVOCATION OF ANY STATION LICENSE OR CONSTRUCTION PERMIT (U.S. Code, Title 47, § 312(a)(1)), AND/OR FORFEITURE (U.S. Code, Title 47, § 503).			

Submitted: 01/29/2019 at 14:04:23

File Number: 0008494942

FCC Form 603

FCC Application for Assignments of Authorization and Transfers of Control:

Approved by OMB

Main Form

Wireless Telecommunications Bureau
Public Safety and Homeland Security Bureau

3060 - 0800

See instructions for
public burden estimate

General Information

1) Application Purpose (Select only one) (TC)	
AA - Assignment of Authorization TC - Transfer of Control	AM - Amendment WD - Withdrawal
NT - Required Notification (For Consummation of an Assignment or Transfer) EX - Request for Extension of Time (To Consummate an Assignment or Transfer)	
2) If this application is for an Amendment (AM) or Withdrawal (WD), enter the File Number of the pending or consented to application currently on file with the FCC.	File Number: _____
3a) Is this application for Assignment of Authorization or Transfer of Control part of a series of applications involving other wireless license(s) held by the Licensee, affiliates of the Licensee (e.g., parents, subsidiaries, or commonly-controlled entities), or third parties that are not included on this application and for which Commission approval or notification is required?	(Y) <u>Yes</u> <u>No</u>
3b) If the answer to 3a is 'Y', is this filing the lead application?	(N) <u>Yes</u> <u>No</u>
3c) If the answer to 3b is 'N', provide the File Number of the lead application.	File Number: 0008484882
3d) Does this transaction for Assignment of Authorization or Transfer of Control involve the assignment or transfer of non-wireless licenses/authorizations for which Commission approval or notification is required?	(Y) <u>Yes</u> <u>No</u>
4) Are attachments (other than associated schedules) being filed with this application?	(Y) <u>Yes</u> <u>No</u>

Fees and Waivers

5a) Is the Applicant exempt from FCC application fees? If 'Y', attach an exhibit demonstrating how the Applicant is exempt from FCC application fees.	(N) <u>Yes</u> <u>No</u>
5b) Is a waiver/deferral of the FCC application fees being requested and the application fees are not being submitted in conjunction with this application? If 'Y', attach a date-stamped copy of the request for waiver/deferral of the FCC application fees.	(N) <u>Yes</u> <u>No</u>
6a) Does this application include a request for waiver of the Commission's Rules (other than a request for application fee waivers)? If 'Y', attach an exhibit specifying the rule section(s) for which a waiver is being requested and including a justification for the waiver request.	(N) <u>Yes</u> <u>No</u>
6b) If 6a is 'Y', enter the number of rule sections involved.	Number of Rule Sections: _____

Additional Transaction Information

7a) Has this application for Assignment of Authorization or Transfer of Control already occurred?	(Y) <u>Yes</u> <u>No</u>
7b) If the response to Item 7a is 'Y', provide the date the event occurred:	(MM/DD/YYYY) 01/01/2019
8) The Assignment of Authorization or Transfer of Control is:	(X) Voluntary () Involuntary
9a) Is this application a <i>pro forma</i> Assignment of Authorization or Transfer of Control?	(Y) <u>Yes</u> <u>No</u>
9b) If Item 9a is 'Y', is this a post-consummation notification that is being filed under the Commission's forbearance procedures pursuant to Section 1.948(c)(1) of the Commission's Rules?	(Y) <u>Yes</u> <u>No</u>
10a) Does this application involve the partitioning and/or disaggregation of geographic-area licenses? If 'Y', complete Schedule B and, if applicable, Schedule C.	() <u>Yes</u> <u>No</u>
10b) If 10a is 'N', does this application involve the partial assignment of site-based licenses?	() <u>Yes</u> <u>No</u>

11) How will/has the Assignment of Authorization or Transfer of Control be/been accomplished? Select One: ()

Sale or other assignment of assets Court order Reorganization or liquidation

Transfer of stock or other ownership interests

Other (voting trust agreement, management contract, etc.): Internal Reorganization

Designated Entity Information (If 12a or 12b is 'Y', Schedule A is required to be completed.)

<p>12a) Enter 'Y' if this application for Assignment of Authorization or Transfer of Control involve any licenses that were awarded with bidding credits within the last five years. Otherwise, enter 'N'.</p> <p>The initial grant date is the date that the license was originally granted by the Commission after an auction, even if the license was acquired in the secondary market. The initial grant date is not the date on which the Commission granted an assignment or transfer of control of the license.</p> <p>If the response to this item is 'Y', the licenses may be subject to the FCC's unjust enrichment rules, and the Applicant should answer relevant bidding credit questions. See Section 1.2111 of the Commission's Rules.</p>	<p>(<input type="checkbox"/>) <u>Yes</u> No</p>
<p>12b) Does this application for Assignment of Authorization or Transfer of Control involve any licenses that were originally granted pursuant to closed bidding within the last five years?</p> <p>If the response to this item is 'Y', the license may be subject to assignment or transfer restrictions, and the Applicant should answer relevant closed bidding questions. See Sections 24.709 and 24.839 of the Commission's Rules.</p>	<p>(<input type="checkbox"/>) <u>Yes</u> No</p>

Competition Related Information

<p>13) Does this application for Assignment of Authorization or Transfer of Control involve a license(s) that may be used for interconnected mobile voice and/or data services that would, if assigned or transferred, create a geographic overlap with another license(s) in which the Assignee/Transferee already holds attributable interests, as defined in Section 20.22(b) of the Commission's Rules, either as a licensee or spectrum lessee/sublessee, and that also could be used to provide interconnected mobile voice and/or data services?</p> <p>If 'Y', specify in an exhibit all geographic areas/markets (e.g., BTA, CMA, county, etc.) where there are spectrum overlaps and the total amount of spectrum that the Assignee/Transferee will hold and/or lease in each geographic area/market.</p>	<p>(<input type="checkbox"/>) <u>Yes</u> No</p>
<p>14) If the answer to Item 13 is 'Yes,' would/does this application for Assignment of Authorization or Transfer of Control reduce the number of entities providing service in the affected market(s)?</p>	<p>(<input type="checkbox"/>) <u>Yes</u> No</p>

Broadband Radio Service and Educational Broadband Service Information

<p>15a) Will the requested facilities be used to provide multichannel video programming service?</p>	<p>(<input type="checkbox"/>) <u>Yes</u> No</p>
<p>15b) If 15a is 'Y', does the Assignee/Transferee operate, control, or have an attributable interest (as defined in Section 27.1202 of the Commission's Rules) in a cable television system whose franchise area is located within the geographic area of the requested facilities?</p> <p>If 'Y', provide an exhibit explaining how the Assignee/Transferee complies with Section 27.1202 of the Commission's Rules or request a waiver of that rule pursuant to Commission Rules. If a waiver of the Commission's Rule(s) is being requested, 6a must be answered 'Y'.</p>	<p>(<input type="checkbox"/>) <u>Yes</u> No</p>
<p>16) Does the Assignee/Transferee comply with the programming requirements contained in Section 27.1203 of the Commission's Rules?</p> <p>If 'N', provide an exhibit explaining how the Assignee/Transferee complies with Section 27.1203 of the Commission's Rules or request a waiver of that rule pursuant to Commission Rules. If a waiver of the Commission's Rule(s) is being requested, 6a must be answered 'Y'.</p>	<p>(<input type="checkbox"/>) <u>Yes</u> No</p>

600 MHz Band Information

<p>17) Does the Assignment or Transfer involve any licenses in the 600 MHz Band initially granted in the last six years that would, if assigned/transferred, create a geographic overlap with another licenses(s) in which the Assignee/Transferee already holds attributable interests, either as a licensee or Assignee/Transferee, and that would result in the Assignee/Transferee holding an attributable interest in one-third or more of the total suitable and available below-1-GHz spectrum as calculated on a county-by-county population-weighted basis in the relevant license area, utilizing 2010 U.S. Census data?</p> <p>The initial grant date is the date that the license was originally granted by the Commission after an auction, even if the license was acquired in the secondary market. The initial grant date is not the date on which the Commission granted an assignment or transfer of control of the license.</p> <p>If the response to this item is 'Y', this application for Assignment or Transfer application must be part of an exchange of 600 MHz band spectrum in the same market(s) or must be a pro forma Assignment or Transfer. If 'Y', provide an exhibit detailing the proposed exchange of 600 MHz band spectrum in the same market(s), including a list of all file numbers for applications associated with the proposed exchange.</p>	<p>(<input checked="" type="radio"/>) <u>Yes</u> <input type="radio"/> <u>No</u></p>
<p>18) Does the Assignment or Transfer involve any licenses that were initially granted as reserved spectrum licenses in the 600 MHz Band in the last six years? Otherwise, enter 'N'.</p> <p>The initial grant date is the date that the license was originally granted by the Commission after an auction, even if the license was acquired in the secondary market. The initial grant date is not the date on which the Commission granted an assignment or transfer of control of the license.</p> <p>If 'Y', provide an exhibit demonstrating how the Assignee/Transferee would have qualified to bid on that reserved spectrum license(s) in Auction 1002 as of the FCC Form 175 filing deadline (February 10, 2016) for Auction 1002, the forward auction of the Broadcast Incentive Auction.</p>	<p>(<input type="radio"/>) <u>Yes</u> <input checked="" type="radio"/> <u>No</u></p>

Assignor/Licensee Information

19) Assignor/Licensee is a(n): (Select One)			
<input type="checkbox"/> Individual <input type="checkbox"/> Unincorporated Association <input type="checkbox"/> Trust <input type="checkbox"/> Government Entity <input type="checkbox"/> Corporation <input checked="" type="checkbox"/> Limited Liability Company <input type="checkbox"/> General Partnership <input type="checkbox"/> Limited Partnership <input type="checkbox"/> Limited Liability Partnership <input type="checkbox"/> Other: _____			
20) FCC Registration Number (FRN): 0003291192			
21) First Name (if individual):	MI:	Last Name:	Suffix:
22) Legal Entity Name (if not an individual): New Cingular Wireless PCS, LLC			
23) Attention To: Leslie A. Wilson			
24) P.O. Box:	And /Or	25) Street Address: 208 S. Akard Street, RM 1016	
26) City: Dallas	27) State: TX	28) Zip Code: 75202	
29) Telephone Number: (855)699-7073		30) Fax Number: (214)746-6410	
31) E-Mail Address: FCCMW@att.com			

32) Demographics of Assignor/Licensee (Optional):

Race:	Ethnicity:	Gender:
<input type="checkbox"/> American Indian or Alaska Native	<input type="checkbox"/> Hispanic or Latino	<input type="checkbox"/> Male
<input type="checkbox"/> Asian	<input type="checkbox"/> Not Hispanic or Latino	<input type="checkbox"/> Female
<input type="checkbox"/> Black or African-American		
<input type="checkbox"/> Native Hawaiian or Other Pacific Islander		
<input type="checkbox"/> White		

Assignor/Licensee Contact Representative

33) First Name:	MI:	Last Name:	Suffix:
34) Company Name: AT&T Mobility LLC			
35) Attention To: Michael P. Goggin			
36) P.O. Box:	And /Or	37) Street Address: 1120 20th Street NW - Suite 1000	
38) City: Washington	39) State: DC	40) Zip Code: 20036	
41) Telephone Number: (202)457-2055		42) Fax Number:	
43) E-Mail Address: michael.p.goggin@att.com			

Transferor Information (for Transfers of Control only)

44) Transferor is a(n): (Select One) <input type="checkbox"/> Individual <input type="checkbox"/> Unincorporated Association <input type="checkbox"/> Trust <input type="checkbox"/> Government Entity <input checked="" type="checkbox"/> Corporation <input type="checkbox"/> Limited Liability Company <input type="checkbox"/> General Partnership <input type="checkbox"/> Limited Partnership <input type="checkbox"/> Limited Liability Partnership <input type="checkbox"/> Other: _____			
45) FCC Registration Number (FRN): 0020559076			
46) First Name (if individual):	MI:	Last Name:	Suffix:
47) Legal Entity Name (if not an individual): AT&T Teleholdings, Inc.			
48) Attention To: James J.R. Talbot			
49) P.O. Box:	And /Or	50) Street Address: 1120 20th Street, NW, Suite 1000	
51) City: Washington		52) State: DC	53) Zip Code: 20036
54) Telephone Number: (202)457-3048		55) Fax Number:	
56) E-Mail Address: jt8232@att.com			

57) Demographics of Transferor (Optional):

Race: <input type="checkbox"/> American Indian or Alaska Native <input type="checkbox"/> Asian <input type="checkbox"/> Black or African-American <input type="checkbox"/> Native Hawaiian or Other Pacific Islander <input type="checkbox"/> White	Ethnicity: <input type="checkbox"/> Hispanic or Latino <input type="checkbox"/> Not Hispanic or Latino	Gender: <input type="checkbox"/> Male <input type="checkbox"/> Female
---	---	--

Transferor Contact Representative

58) First Name: James	MI:	Last Name: Talbot	Suffix:
59) Company Name: AT&T Services, Inc.			
60) Attention To:			
61) P.O. Box:	And /Or	62) Street Address: 1120 20th Street, NW, Suite 1000	
63) City: Washington		64) State: DC	65) Zip Code: 20036
66) Telephone Number: (202)457-3048		67) Fax Number:	
68) E-Mail Address: jt8232@att.com			

Assignee/Transferee Information

69) Assignee/Transferee is a(n): (Select One) <input type="checkbox"/> Individual <input type="checkbox"/> Unincorporated Association <input type="checkbox"/> Trust <input type="checkbox"/> Government Entity <input checked="" type="checkbox"/> Corporation <input type="checkbox"/> Limited Liability Company <input type="checkbox"/> General Partnership <input type="checkbox"/> Limited Partnership <input type="checkbox"/> Limited Liability Partnership <input type="checkbox"/> Other: _____			
70) FCC Registration Number (FRN): 0020559076			
71) First Name (if individual):	MI:	Last Name:	Suffix:
72) Legal Entity Name (if not an individual): AT&T Teleholdings, Inc.			
73) Attention To: James J.R. Talbot			
74) Real Party in Interest FCC Registration Number (FRN): 0020559076			
75) Name of Real Party in Interest: AT&T Teleholdings, Inc.			
76) P.O. Box:	And /Or	77) Street Address: 1120 20th Street, NW, Suite 1000	
78) City: Washington	79) State: DC	80) Zip Code: 20036	
81) Telephone Number: (202)457-3048		82) Fax Number:	
83) E-Mail Address: jt8232@att.com			

84) Demographics of Assignee/Transferee (Optional):

Race: <input type="checkbox"/> American Indian or Alaska Native <input type="checkbox"/> Asian <input type="checkbox"/> Black or African-American <input type="checkbox"/> Native Hawaiian or Other Pacific Islander <input type="checkbox"/> White	Ethnicity: <input type="checkbox"/> Hispanic or Latino <input type="checkbox"/> Not Hispanic or Latino	Gender: <input type="checkbox"/> Male <input type="checkbox"/> Female
---	---	--

Assignee/Transferee Contact Representative (if other than Assignee/Transferee)**() Check here if same as Assignee/Transferee.**

85) First Name: James	MI:	Last Name: Talbot	Suffix:
86) Company Name: AT&T Services, Inc.			
87) Attention To:			
88) P.O. Box:	And /Or	89) Street Address: 1120 20th Street, NW, Suite 1000	
90) City: Washington	91) State: DC	92) Zip Code: 20036	
93) Telephone Number: (202)457-3048		94) Fax Number:	
95) E-Mail Address: jt8232@att.com			

Ownership Disclosure Information

96a) Is the Assignee/Transferee required to file FCC Form 602, Ownership Disclosure Information for the Wireless Telecommunications Services?	(Y) Yes <u>No</u>
96b) If 94a is 'Y', provide the File Number of the FCC Form 602 that is required to be submitted in conjunction with this application or is already on file with the FCC.	File Number: <u>0008491710</u>

Alien Ownership (If any answer is 'Y', provide an attachment explaining the circumstances. In preparing the attachment, refer to the Main Form Instructions for the "Alien Ownership Questions".)

97) Is the Assignee/Post-transfer Licensee a foreign government or the representative of any foreign government?	(N) Yes <u>No</u>
98) Is the Assignee/Post-Transfer Licensee an alien or the representative of an alien?	(N) Yes <u>No</u>
99) Is the Assignee/Post-Transfer Licensee a corporation organized under the laws of any foreign government?	(N) Yes <u>No</u>
100) Is the Assignee/Post-Transfer Licensee a corporation of which more than one-fifth of the capital stock is owned of record or voted by aliens or their representatives, or by a foreign government or representative thereof, or by any corporation organized under the laws of a foreign country?	(N) <u>Yes</u> <u>No</u>
101a) Is the Assignee/Post-Transfer Licensee directly or indirectly controlled by any other corporation of which more than one-fourth of the capital stock is owned of record or voted by aliens or their representatives, or by a foreign government or representative thereof, or by any corporation organized under the laws of a foreign country?	(N) <u>Yes</u> <u>No</u>

101b) If the answer to 100 or 101a is 'Y' select one of the choices below.

The Assignee or Post-Transfer Licensee is exempt from the provisions of Section 310(b).

It is not necessary to file a petition for declaratory ruling if the Assignee or Post-Transfer Licensee includes in the attachment required by Item 100 or Item 101a a showing that the subject License(s) is exempt from the provisions of Section 310(b).

The Assignee or Post-Transfer Licensee has received a declaratory ruling(s) approving its foreign ownership, and the application involves only the acquisition of additional spectrum for the provision of a wireless service in a geographic coverage area for which the Assignee or Post-Transfer Licensee has been previously authorized.

If checked, include in the attachment required by Item 100 or Item 101a the citation(s) of the applicable declaratory ruling(s) by DA/FCC number, the FCC Record citation, if available, release date, and a statement that there has been no change in the foreign ownership of the Assignee or Post-Transfer Licensee since the issuance of its ruling.

The Assignee or Post-Transfer Licensee: (i) has received a declaratory ruling(s) approving its foreign ownership, but is not able to make the certification specified immediately above; or (ii) is an "affiliate" of a Licensee or Lessee/SubLessee that received a declaratory ruling(s) under Section 1.990(a) of the Commission's Rules, 47 C.F.R. § 1.990(a), and is relying on the affiliate's ruling for purposes of filing this application as permitted under the affiliate's ruling and Section 1.994(b) of the Rules, 47 C.F.R. § 1.994(b).

If checked, and if the Assignee or Post-Transfer Licensee received its declaratory ruling(s) on or after August 9, 2013, include in the attachment required by Item 100 or Item 101a the citation(s) of the Assignee or Post-Transfer Licensee's declaratory ruling(s) by DA/FCC number, the FCC Record citation, if available, release date, and a statement that the Assignee or Post-Transfer Licensee is in compliance with the terms and conditions of its ruling and with the Commission's Rules.

If checked, and if the Assignee or Post-Transfer Licensee received its declaratory ruling(s) prior to August 9, 2013, include in the attachment required by Item 101a a copy of a petition for declaratory ruling filed contemporaneously with the Commission to extend the Assignee or Post-Transfer Licensee's existing ruling(s) to cover the same radio service(s) and geographic coverage area(s) involved in the application. Alternatively, the Assignee or Post-Transfer Licensee may request a new declaratory ruling pursuant to Section 1.990(a) of the Commission's Rules, 47 C.F.R. § 1.990(a). Petitions for declaratory ruling may be filed electronically on the Internet through the International Bureau Filing System (IBFS) (with a copy attached hereto).

If checked, and if the Assignee or Post-Transfer Licensee is relying on an affiliate's ruling for purposes of filing this application/notification, include in the attachment required by Item 100 or Item 101a the citation(s) of the applicable declaratory ruling(s) by DA/FCC number, the FCC Record citation, if available, release date, and a statement that the Assignee or Post-Transfer Licensee is in compliance with the terms and conditions of the named affiliate(s)'s ruling and with the Commission's Rules. The Assignee or Post-Transfer Licensee must also include a certification of compliance signed by the named affiliate or other qualified entity as specified in Section 1.994(b) of the Rules, 47 C.F.R. § 1.994(b). See Main Form Instructions for Items 100 or 101a, as applicable.

The Assignee or Post-Transfer Licensee has not received a declaratory ruling approving its foreign ownership and is requesting a declaratory ruling under Section 1.990(a) of the Commission's Rules, 47 C.F.R. § 1.990(a), in a petition filed contemporaneously with the Commission.

If checked, include in the attachment required by Item 100 or 101a a copy of the petition for declaratory ruling filed contemporaneously with the Commission pursuant to Section 1.990(a) of the Commission's Rules, 47 C.F.R. § 1.990(a). Petitions for declaratory ruling may be filed electronically on the Internet through the International Bureau Filing System (IBFS) (with a copy attached hereto).

Basic Qualification Information

<p>102) Has the Assignee/Transferee or any party to this application had any FCC station authorization, license or construction permit revoked or had any application for an initial, modification, or renewal of FCC station authorization, license, or construction permit denied by the Commission?</p> <p>If 'Y', attach an exhibit explaining the circumstances.</p>	<p>(<input type="radio"/> N) <u>Y</u>es <u>N</u>o</p>
<p>103) Has the Assignee/Transferee or any party to this application, or any party directly or indirectly controlling the Assignee/Transferee ever been convicted of a felony by any state or federal court?</p> <p>If 'Y', attach an exhibit explaining the circumstances.</p>	<p>(<input type="radio"/> N) <u>Y</u>es <u>N</u>o</p>
<p>104) Has any court finally adjudged the Assignee/Transferee, or any party directly or indirectly controlling the Assignee/Transferee guilty of unlawfully monopolizing or attempting unlawfully to monopolize radio communication, directly or indirectly, through control of manufacture or sale of radio apparatus, exclusive traffic arrangement, or any other means or unfair methods of competition?</p> <p>If 'Y', attach an exhibit explaining the circumstances.</p>	<p>(<input type="radio"/> N) <u>Y</u>es <u>N</u>o</p>

Assignor/Transferor Certification Statements

<p>1) The Assignor/Transferor certifies either that (1) the authorization will not be assigned or that control of the license(s) will not be transferred until the consent of the Federal Communications Commission has been given, or (2) prior Commission consent is not required because the transaction is subject to streamlined notification procedures for <i>pro forma</i> assignments and transfers by telecommunications carriers. See Section 1.948(c) (1) of the Commission's Rules.</p>
<p>2) The Assignor/Transferor certifies that all statements made in this application and in the exhibits, attachments, or documents incorporated by reference are material, are part of this application, and are true, complete, correct, and made in good faith.</p>
<p>3) The Assignor/Transferor certifies that it is not in default on any payment for Commission licenses and that it is not delinquent on any non-tax debt owed to any federal agency.</p>

Typed or Printed Name of Party Authorized to Sign

<p>105) First Name: Paul</p>	<p>MI: M</p>	<p>Last Name: Wilson</p>	<p>Suffix:</p>
<p>106) Title: Assistant Secretary</p>			
<p>Signature: Paul M Wilson</p>			<p>107) Date: 01/29/2019</p>

FAILURE TO SIGN THIS APPLICATION MAY RESULT IN DISMISSAL OF THE APPLICATION AND FORFEITURE OF ANY FEES PAID.
WILLFUL FALSE STATEMENTS MADE ON THIS FORM OR ANY ATTACHMENTS ARE PUNISHABLE BY FINE AND/OR IMPRISONMENT (U.S. Code, Title 18, Section 1001) AND/OR REVOCATION OF ANY STATION LICENSE OR CONSTRUCTION PERMIT (U.S. Code, Title 47, Section 312(a)(1)), AND/OR FORFEITURE (U.S. Code, Title 47, Section 503).

Assignee/Transferee Certification Statements

1) The Assignee/Transferee certifies either that (1) the authorization(s) will not be assigned or that control of the license(s) will not be transferred until the consent of the Federal Communications Commission has been given, or (2) prior Commission consent is not required because the transaction is subject to streamlined notification procedures for <i>pro forma</i> assignments and transfers by telecommunications carriers. See Section 1.948(c)(1) of the Commission's Rules.
2) The Assignee/Transferee waives any claim to the use of any particular frequency or of the electromagnetic spectrum as against the regulatory power of the United States because of the previous use of the same, whether by license or otherwise, and requests an authorization in accordance with this application.
3) The Assignee/Transferee certifies that grant of this application would not cause the Assignee or Transferee to be in violation of any pertinent cross-ownership or attribution rules.* *If the Assignee/Transferee has sought a waiver of any such rule in connection with this application, it may make this certification subject to the outcome of the waiver request.
4) The Assignee/Transferee agrees to assume all obligations and abide by all conditions imposed on the Assignor/Transferor under the subject authorization(s), unless the Federal Communications Commission pursuant to a request made herein otherwise allows, except for liability for any act done by, or any right accrued by, or any suit or proceeding had or commenced against the Assignor/Transferor prior to this assignment/transfer.
5) The Assignee/Transferee certifies that all statements made in this application and in the exhibits, attachments, or documents incorporated by reference are material, are part of this application, and are true, complete, correct, and made in good faith.
6) The Assignee/Transferee certifies that neither it nor any other party to the application is subject to a denial of Federal benefits pursuant to Section 5301 of the Anti-Drug Abuse Act of 1988, 21 U.S.C. § 862, because of a conviction for possession or distribution of a controlled substance. This certification does not apply to applications filed in services exempted under Section 1.2002(c) of the Commission's Rules. See Section 1.2002(b) of the Commission's Rules for the definition of "party to the application" as used in this certification.
7) The Assignee/Transferee certifies that it is not in default on any payment for Commission licenses and that it is not delinquent on any non-tax debt owed to any federal agency.
8) The Assignee/Transferee certifies that it and all of the related individuals and entities required to be disclosed on this application and FCC Form 602 (FCC Ownership Disclosure Information for the Wireless Telecommunications Services) are not person(s) who have been, for reasons of national security, barred by any agency of the Federal Government from bidding on a contract, participating in an auction, or receiving a grant. This certification applies only to applications for licenses for spectrum that is required by Sections 6103, 6401-6403 of the Middle Class Tax Relief and Job Creation Act of 2012, codified at 47 U.S.C. §§ 309, 1413, 1451-1452, to be assigned by a system of competitive bidding under 47 U.S.C. § 309(j).

Typed or Printed Name of Party Authorized to Sign

108) First Name: Paul	MI: M	Last Name: Wilson	Suffix:
109) Title: Assistant Secretary			
Signature: Paul M Wilson		110) Date: 01/29/2019	
FAILURE TO SIGN THIS APPLICATION MAY RESULT IN DISMISSAL OF THE APPLICATION AND FORFEITURE OF ANY FEES PAID.			
WILLFUL FALSE STATEMENTS MADE ON THIS FORM OR ANY ATTACHMENTS ARE PUNISHABLE BY FINE AND/OR IMPRISONMENT (U.S. Code, Title 18, Section 1001) AND/OR REVOCATION OF ANY STATION LICENSE OR CONSTRUCTION PERMIT (U.S. Code, Title 47, Section 312(a)(1)), AND/OR FORFEITURE (U.S. Code, Title 47, Section 503).			

Authorizations To Be Assigned or Transferred

111) Call Sign	112) Radio Service Code	113) Location Number	114) Path Number (Microwave only)	115) Frequency Number	116) Lower or Center Frequency (MHz)	117) Upper Frequency (MHz)	118) Constructed Yes / No
KNKA210	CL - Cellular						Y
KNKA217	CL - Cellular						Y
KNKA218	CL - Cellular						Y
KNKA222	CL - Cellular						Y
KNKA223	CL - Cellular						Y
KNKA224	CL - Cellular						Y
KNKA225	CL - Cellular						Y
KNKA239	CL - Cellular						Y
KNKA241	CL - Cellular						Y
KNKA242	CL - Cellular						Y
KNKA243	CL - Cellular						Y
KNKA245	CL - Cellular						Y
KNKA249	CL - Cellular						Y
KNKA256	CL - Cellular						Y
KNKA261	CL - Cellular						Y
KNKA262	CL - Cellular						Y
KNKA263	CL - Cellular						Y
KNKA264	CL - Cellular						Y

111) Call Sign	112) Radio Service Code	113) Location Number	114) Path Number (Microwave only)	115) Frequency Number	116) Lower or Center Frequency (MHz)	117) Upper Frequency (MHz)	118) Constructed Yes / No
KNKA268	CL - Cellular						Y
KNKA277	CL - Cellular						Y
KNKA285	CL - Cellular						Y
KNKA287	CL - Cellular						Y
KNKA288	CL - Cellular						Y
KNKA292	CL - Cellular						Y
KNKA294	CL - Cellular						Y
KNKA298	CL - Cellular						Y
KNKA310	CL - Cellular						Y
KNKA311	CL - Cellular						Y
KNKA314	CL - Cellular						Y
KNKA317	CL - Cellular						Y
KNKA318	CL - Cellular						Y
KNKA319	CL - Cellular						Y
KNKA338	CL - Cellular						Y
KNKA339	CL - Cellular						Y
KNKA342	CL - Cellular						Y
KNKA347	CL - Cellular						Y
KNKA353	CL - Cellular						Y

111) Call Sign	112) Radio Service Code	113) Location Number	114) Path Number (Microwave only)	115) Frequency Number	116) Lower or Center Frequency (MHz)	117) Upper Frequency (MHz)	118) Constructed Yes / No
KNKA355	CL - Cellular						Y
KNKA356	CL - Cellular						Y
KNKA364	CL - Cellular						Y
KNKA382	CL - Cellular						Y
KNKA392	CL - Cellular						Y
KNKA394	CL - Cellular						Y
KNKA403	CL - Cellular						Y
KNKA406	CL - Cellular						Y
KNKA418	CL - Cellular						Y
KNKA424	CL - Cellular						Y
KNKA426	CL - Cellular						Y
KNKA434	CL - Cellular						Y
KNKA436	CL - Cellular						Y
KNKA445	CL - Cellular						Y
KNKA455	CL - Cellular						Y
KNKA457	CL - Cellular						Y
KNKA461	CL - Cellular						Y
KNKA468	CL - Cellular						Y
KNKA470	CL - Cellular						Y

111) Call Sign	112) Radio Service Code	113) Location Number	114) Path Number (Microwave only)	115) Frequency Number	116) Lower or Center Frequency (MHz)	117) Upper Frequency (MHz)	118) Constructed Yes / No
KNKA476	CL - Cellular						Y
KNKA479	CL - Cellular						Y
KNKA481	CL - Cellular						Y
KNKA486	CL - Cellular						Y
KNKA488	CL - Cellular						Y
KNKA494	CL - Cellular						Y
KNKA505	CL - Cellular						Y
KNKA513	CL - Cellular						Y
KNKA515	CL - Cellular						Y
KNKA517	CL - Cellular						Y
KNKA528	CL - Cellular						Y
KNKA531	CL - Cellular						Y
KNKA534	CL - Cellular						Y
KNKA543	CL - Cellular						Y
KNKA548	CL - Cellular						Y
KNKA550	CL - Cellular						Y
KNKA555	CL - Cellular						Y
KNKA565	CL - Cellular						Y
KNKA570	CL - Cellular						Y

111) Call Sign	112) Radio Service Code	113) Location Number	114) Path Number (Microwave only)	115) Frequency Number	116) Lower or Center Frequency (MHz)	117) Upper Frequency (MHz)	118) Constructed Yes / No
KNKA573	CL - Cellular						Y
KNKA575	CL - Cellular						Y
KNKA576	CL - Cellular						Y
KNKA583	CL - Cellular						Y
KNKA609	CL - Cellular						Y
KNKA610	CL - Cellular						Y
KNKA617	CL - Cellular						Y
KNKA621	CL - Cellular						Y
KNKA631	CL - Cellular						Y
KNKA645	CL - Cellular						Y
KNKA647	CL - Cellular						Y
KNKA652	CL - Cellular						Y
KNKA653	CL - Cellular						Y
KNKA655	CL - Cellular						Y
KNKA660	CL - Cellular						Y
KNKA672	CL - Cellular						Y
KNKA687	CL - Cellular						Y
KNKA694	CL - Cellular						Y
KNKA696	CL - Cellular						Y

111) Call Sign	112) Radio Service Code	113) Location Number	114) Path Number (Microwave only)	115) Frequency Number	116) Lower or Center Frequency (MHz)	117) Upper Frequency (MHz)	118) Constructed Yes / No
KNKA701	CL - Cellular						Y
KNKA712	CL - Cellular						Y
KNKA738	CL - Cellular						Y
KNKA739	CL - Cellular						Y
KNKA743	CL - Cellular						Y
KNKA748	CL - Cellular						Y
KNKA749	CL - Cellular						Y
KNKA754	CL - Cellular						Y
KNKA759	CL - Cellular						Y
KNKA766	CL - Cellular						Y
KNKA773	CL - Cellular						Y
KNKA775	CL - Cellular						Y
KNKA776	CL - Cellular						Y
KNKA779	CL - Cellular						Y
KNKA780	CL - Cellular						Y
KNKA788	CL - Cellular						Y
KNKA791	CL - Cellular						Y
KNKA807	CL - Cellular						Y
KNKA810	CL - Cellular						Y

111) Call Sign	112) Radio Service Code	113) Location Number	114) Path Number (Microwave only)	115) Frequency Number	116) Lower or Center Frequency (MHz)	117) Upper Frequency (MHz)	118) Constructed Yes / No
KNKA816	CL - Cellular						Y
KNKA818	CL - Cellular						Y
KNKA820	CL - Cellular						Y
KNKN231	CL - Cellular						Y
KNKN309	CL - Cellular						Y
KNKN320	CL - Cellular						Y
KNKN376	CL - Cellular						Y
KNKN391	CL - Cellular						Y
KNKN436	CL - Cellular						Y
KNKN475	CL - Cellular						Y
KNKN496	CL - Cellular						Y
KNKN497	CL - Cellular						Y
KNKN508	CL - Cellular						Y
KNKN511	CL - Cellular						Y
KNKN512	CL - Cellular						Y
KNKN544	CL - Cellular						Y
KNKN545	CL - Cellular						Y
KNKN548	CL - Cellular						Y
KNKN550	CL - Cellular						Y

111) Call Sign	112) Radio Service Code	113) Location Number	114) Path Number (Microwave only)	115) Frequency Number	116) Lower or Center Frequency (MHz)	117) Upper Frequency (MHz)	118) Constructed Yes / No
KNKN553	CL - Cellular						Y
KNKN555	CL - Cellular						Y
KNKN556	CL - Cellular						Y
KNKN562	CL - Cellular						Y
KNKN566	CL - Cellular						Y
KNKN569	CL - Cellular						Y
KNKN570	CL - Cellular						Y
KNKN571	CL - Cellular						Y
KNKN573	CL - Cellular						Y
KNKN587	CL - Cellular						Y
KNKN589	CL - Cellular						Y
KNKN596	CL - Cellular						Y
KNKN598	CL - Cellular						Y
KNKN600	CL - Cellular						Y
KNKN620	CL - Cellular						Y
KNKN622	CL - Cellular						Y
KNKN625	CL - Cellular						Y
KNKN628	CL - Cellular						Y
KNKN629	CL - Cellular						Y

111) Call Sign	112) Radio Service Code	113) Location Number	114) Path Number (Microwave only)	115) Frequency Number	116) Lower or Center Frequency (MHz)	117) Upper Frequency (MHz)	118) Constructed Yes / No
KNKN633	CL - Cellular						Y
KNKN634	CL - Cellular						Y
KNKN652	CL - Cellular						Y
KNKN653	CL - Cellular						Y
KNKN660	CL - Cellular						Y
KNKN662	CL - Cellular						Y
KNKN666	CL - Cellular						Y
KNKN669	CL - Cellular						Y
KNKN673	CL - Cellular						Y
KNKN674	CL - Cellular						Y
KNKN678	CL - Cellular						Y
KNKN679	CL - Cellular						Y
KNKN685	CL - Cellular						Y
KNKN697	CL - Cellular						Y
KNKN706	CL - Cellular						Y
KNKN713	CL - Cellular						Y
KNKN717	CL - Cellular						Y
KNKN719	CL - Cellular						Y
KNKN720	CL - Cellular						Y

111) Call Sign	112) Radio Service Code	113) Location Number	114) Path Number (Microwave only)	115) Frequency Number	116) Lower or Center Frequency (MHz)	117) Upper Frequency (MHz)	118) Constructed Yes / No
KNKN723	CL - Cellular						Y
KNKN725	CL - Cellular						Y
KNKN732	CL - Cellular						Y
KNKN738	CL - Cellular						Y
KNKN740	CL - Cellular						Y
KNKN748	CL - Cellular						Y
KNKN753	CL - Cellular						Y
KNKN756	CL - Cellular						Y
KNKN758	CL - Cellular						Y
KNKN759	CL - Cellular						Y
KNKN761	CL - Cellular						Y
KNKN765	CL - Cellular						Y
KNKN773	CL - Cellular						Y
KNKN779	CL - Cellular						Y
KNKN781	CL - Cellular						Y
KNKN791	CL - Cellular						Y
KNKN793	CL - Cellular						Y
KNKN803	CL - Cellular						Y
KNKN805	CL - Cellular						Y

111) Call Sign	112) Radio Service Code	113) Location Number	114) Path Number (Microwave only)	115) Frequency Number	116) Lower or Center Frequency (MHz)	117) Upper Frequency (MHz)	118) Constructed Yes / No
KNKN822	CL - Cellular						Y
KNKN823	CL - Cellular						Y
KNKN827	CL - Cellular						Y
KNKN829	CL - Cellular						Y
KNKN830	CL - Cellular						Y
KNKN836	CL - Cellular						Y
KNKN838	CL - Cellular						Y
KNKN841	CL - Cellular						Y
KNKN849	CL - Cellular						Y
KNKN851	CL - Cellular						Y
KNKN854	CL - Cellular						Y
KNKN856	CL - Cellular						Y
KNKN861	CL - Cellular						Y
KNKN863	CL - Cellular						Y
KNKN864	CL - Cellular						Y
KNKN865	CL - Cellular						Y
KNKN872	CL - Cellular						Y
KNKN873	CL - Cellular						Y
KNKN874	CL - Cellular						Y

111) Call Sign	112) Radio Service Code	113) Location Number	114) Path Number (Microwave only)	115) Frequency Number	116) Lower or Center Frequency (MHz)	117) Upper Frequency (MHz)	118) Constructed Yes / No
KNKN877	CL - Cellular						Y
KNKN878	CL - Cellular						Y
KNKN883	CL - Cellular						Y
KNKN899	CL - Cellular						Y
KNKN901	CL - Cellular						Y
KNKN903	CL - Cellular						Y
KNKN904	CL - Cellular						Y
KNKN913	CL - Cellular						Y
KNKN917	CL - Cellular						Y
KNKN920	CL - Cellular						Y
KNKN937	CL - Cellular						Y
KNKN938	CL - Cellular						Y
KNKN946	CL - Cellular						Y
KNKN947	CL - Cellular						Y
KNKN950	CL - Cellular						Y
KNKN956	CL - Cellular						Y
KNKN958	CL - Cellular						Y
KNKN959	CL - Cellular						Y
KNKN960	CL - Cellular						Y

111) Call Sign	112) Radio Service Code	113) Location Number	114) Path Number (Microwave only)	115) Frequency Number	116) Lower or Center Frequency (MHz)	117) Upper Frequency (MHz)	118) Constructed Yes / No
KNKN961	CL - Cellular						Y
KNKN963	CL - Cellular						Y
KNKN964	CL - Cellular						Y
KNKN965	CL - Cellular						Y
KNKN966	CL - Cellular						Y
KNKN970	CL - Cellular						Y
KNKN976	CL - Cellular						Y
KNKN977	CL - Cellular						Y
KNKN980	CL - Cellular						Y
KNKN982	CL - Cellular						Y
KNKN985	CL - Cellular						Y
KNKN987	CL - Cellular						Y
KNKQ253	CL - Cellular						Y
KNKQ255	CL - Cellular						Y
KNKQ258	CL - Cellular						Y
KNKQ261	CL - Cellular						Y
KNKQ262	CL - Cellular						Y
KNKQ263	CL - Cellular						Y
KNKQ264	CL - Cellular						Y

111) Call Sign	112) Radio Service Code	113) Location Number	114) Path Number (Microwave only)	115) Frequency Number	116) Lower or Center Frequency (MHz)	117) Upper Frequency (MHz)	118) Constructed Yes / No
KNKQ265	CL - Cellular						Y
KNKQ269	CL - Cellular						Y
KNKQ270	CL - Cellular						Y
KNKQ276	CL - Cellular						Y
KNKQ279	CL - Cellular						Y
KNKQ280	CL - Cellular						Y
KNKQ286	CL - Cellular						Y
KNKQ288	CL - Cellular						Y
KNKQ290	CL - Cellular						Y
KNKQ293	CL - Cellular						Y
KNKQ294	CL - Cellular						Y
KNKQ295	CL - Cellular						Y
KNKQ297	CL - Cellular						Y
KNKQ298	CL - Cellular						Y
KNKQ305	CL - Cellular						Y
KNKQ309	CL - Cellular						Y
KNKQ310	CL - Cellular						Y
KNKQ318	CL - Cellular						Y
KNKQ328	CL - Cellular						Y

111) Call Sign	112) Radio Service Code	113) Location Number	114) Path Number (Microwave only)	115) Frequency Number	116) Lower or Center Frequency (MHz)	117) Upper Frequency (MHz)	118) Constructed Yes / No
KNKQ335	CL - Cellular						Y
KNKQ344	CL - Cellular						Y
KNKQ346	CL - Cellular						Y
KNKQ353	CL - Cellular						Y
KNKQ360	CL - Cellular						Y
KNKQ361	CL - Cellular						Y
KNKQ368	CL - Cellular						Y
KNKQ369	CL - Cellular						Y
KNKQ371	CL - Cellular						Y
KNKQ372	CL - Cellular						Y
KNKQ382	CL - Cellular						Y
KNKQ384	CL - Cellular						Y
KNKQ386	CL - Cellular						Y
KNKQ391	CL - Cellular						Y
KNKQ394	CL - Cellular						Y
KNKQ395	CL - Cellular						Y
KNKQ397	CL - Cellular						Y
KNKQ415	CL - Cellular						Y
KNKQ422	CL - Cellular						Y

111) Call Sign	112) Radio Service Code	113) Location Number	114) Path Number (Microwave only)	115) Frequency Number	116) Lower or Center Frequency (MHz)	117) Upper Frequency (MHz)	118) Constructed Yes / No
KNKQ434	CL - Cellular						Y
KNKQ436	CL - Cellular						Y
KNKQ440	CL - Cellular						Y
KNKQ442	CL - Cellular						Y
KNKQ455	CL - Cellular						Y
KNKR212	CL - Cellular						Y
KNKR271	CL - Cellular						Y
WHA732	CF - Common Carrier Fixed Point to Point Microwave						Y
WHB502	CF - Common Carrier Fixed Point to Point Microwave						Y
WHB596	CF - Common Carrier Fixed Point to Point Microwave						Y
WHC927	CF - Common Carrier Fixed Point to Point Microwave						Y
WHC931	CF - Common Carrier Fixed Point to Point Microwave						Y
WHC932	CF - Common Carrier Fixed Point to Point Microwave						Y
WHC984	CF - Common Carrier Fixed Point to Point Microwave						Y
WHC985	CF - Common Carrier Fixed Point to Point Microwave						Y
WHD244	CF - Common Carrier Fixed Point to Point Microwave						Y
WHE479	CF - Common Carrier Fixed Point to Point Microwave						Y
WHE481	CF - Common Carrier Fixed Point to Point Microwave						Y
WHE484	CF - Common Carrier Fixed Point to Point Microwave						Y

111) Call Sign	112) Radio Service Code	113) Location Number	114) Path Number (Microwave only)	115) Frequency Number	116) Lower or Center Frequency (MHz)	117) Upper Frequency (MHz)	118) Constructed Yes / No
WHF500	CF - Common Carrier Fixed Point to Point Microwave						Y
WHF501	CF - Common Carrier Fixed Point to Point Microwave						Y
WHF503	CF - Common Carrier Fixed Point to Point Microwave						Y
WHF504	CF - Common Carrier Fixed Point to Point Microwave						Y
WHF586	CF - Common Carrier Fixed Point to Point Microwave						Y
WHF588	CF - Common Carrier Fixed Point to Point Microwave						Y
WHO690	CF - Common Carrier Fixed Point to Point Microwave						Y
WHO999	CF - Common Carrier Fixed Point to Point Microwave						Y
WHT212	CF - Common Carrier Fixed Point to Point Microwave						Y
WLA336	CF - Common Carrier Fixed Point to Point Microwave						Y
WLA338	CF - Common Carrier Fixed Point to Point Microwave						Y
WLA342	CF - Common Carrier Fixed Point to Point Microwave						Y
WLA359	CF - Common Carrier Fixed Point to Point Microwave						Y
WLA364	CF - Common Carrier Fixed Point to Point Microwave						Y
WLA723	CF - Common Carrier Fixed Point to Point Microwave						Y
WLA782	CF - Common Carrier Fixed Point to Point Microwave						Y
WLA907	CF - Common Carrier Fixed Point to Point Microwave						Y
WLC334	CF - Common Carrier Fixed Point to Point Microwave						Y
WLC336	CF - Common Carrier Fixed Point to Point Microwave						Y

111) Call Sign	112) Radio Service Code	113) Location Number	114) Path Number (Microwave only)	115) Frequency Number	116) Lower or Center Frequency (MHz)	117) Upper Frequency (MHz)	118) Constructed Yes / No
WLC578	CF - Common Carrier Fixed Point to Point Microwave						Y
WLK479	CF - Common Carrier Fixed Point to Point Microwave						Y
WLK622	CF - Common Carrier Fixed Point to Point Microwave						Y
WLK631	CF - Common Carrier Fixed Point to Point Microwave						Y
WLK638	CF - Common Carrier Fixed Point to Point Microwave						Y
WLK640	CF - Common Carrier Fixed Point to Point Microwave						Y
WLK717	CF - Common Carrier Fixed Point to Point Microwave						Y
WLK853	CF - Common Carrier Fixed Point to Point Microwave						Y
WLL207	CF - Common Carrier Fixed Point to Point Microwave						Y
WLL209	CF - Common Carrier Fixed Point to Point Microwave						Y
WLL211	CF - Common Carrier Fixed Point to Point Microwave						Y
WLL246	CF - Common Carrier Fixed Point to Point Microwave						Y
WLL248	CF - Common Carrier Fixed Point to Point Microwave						Y
WLL249	CF - Common Carrier Fixed Point to Point Microwave						Y
WLL275	CF - Common Carrier Fixed Point to Point Microwave						Y
WLL295	CF - Common Carrier Fixed Point to Point Microwave						Y
WLL357	CF - Common Carrier Fixed Point to Point Microwave						Y
WLL425	CF - Common Carrier Fixed Point to Point Microwave						Y
WLL481	CF - Common Carrier Fixed Point to Point Microwave						Y

111) Call Sign	112) Radio Service Code	113) Location Number	114) Path Number (Microwave only)	115) Frequency Number	116) Lower or Center Frequency (MHz)	117) Upper Frequency (MHz)	118) Constructed Yes / No
WLL483	CF - Common Carrier Fixed Point to Point Microwave						Y
WLL501	CF - Common Carrier Fixed Point to Point Microwave						Y
WLL503	CF - Common Carrier Fixed Point to Point Microwave						Y
WLL747	CF - Common Carrier Fixed Point to Point Microwave						Y
WLL872	CF - Common Carrier Fixed Point to Point Microwave						Y
WLL873	CF - Common Carrier Fixed Point to Point Microwave						Y
WLL874	CF - Common Carrier Fixed Point to Point Microwave						Y
WLL875	CF - Common Carrier Fixed Point to Point Microwave						Y
WLL924	CF - Common Carrier Fixed Point to Point Microwave						Y
WLL972	CF - Common Carrier Fixed Point to Point Microwave						Y
WLM330	CF - Common Carrier Fixed Point to Point Microwave						Y
WLM381	CF - Common Carrier Fixed Point to Point Microwave						Y
WLM382	CF - Common Carrier Fixed Point to Point Microwave						Y
WLM383	CF - Common Carrier Fixed Point to Point Microwave						Y
WLM384	CF - Common Carrier Fixed Point to Point Microwave						Y
WLM385	CF - Common Carrier Fixed Point to Point Microwave						Y
WLM386	CF - Common Carrier Fixed Point to Point Microwave						Y
WLM400	CF - Common Carrier Fixed Point to Point Microwave						Y
WLM409	CF - Common Carrier Fixed Point to Point Microwave						Y

111) Call Sign	112) Radio Service Code	113) Location Number	114) Path Number (Microwave only)	115) Frequency Number	116) Lower or Center Frequency (MHz)	117) Upper Frequency (MHz)	118) Constructed Yes / No
WLM612	CF - Common Carrier Fixed Point to Point Microwave						Y
WLM613	CF - Common Carrier Fixed Point to Point Microwave						Y
WLM708	CF - Common Carrier Fixed Point to Point Microwave						Y
WLM757	CF - Common Carrier Fixed Point to Point Microwave						Y
WLM762	CF - Common Carrier Fixed Point to Point Microwave						Y
WLN276	CF - Common Carrier Fixed Point to Point Microwave						Y
WLN418	CF - Common Carrier Fixed Point to Point Microwave						Y
WLN491	CF - Common Carrier Fixed Point to Point Microwave						Y
WLN555	CF - Common Carrier Fixed Point to Point Microwave						Y
WLN568	CF - Common Carrier Fixed Point to Point Microwave						Y
WLN637	CF - Common Carrier Fixed Point to Point Microwave						Y
WLN692	CF - Common Carrier Fixed Point to Point Microwave						Y
WLN693	CF - Common Carrier Fixed Point to Point Microwave						Y
WLN694	CF - Common Carrier Fixed Point to Point Microwave						Y
WLN696	CF - Common Carrier Fixed Point to Point Microwave						Y
WLN731	CF - Common Carrier Fixed Point to Point Microwave						Y
WLN849	CF - Common Carrier Fixed Point to Point Microwave						Y
WLN862	CF - Common Carrier Fixed Point to Point Microwave						Y
WLR200	CF - Common Carrier Fixed Point to Point Microwave						Y

111) Call Sign	112) Radio Service Code	113) Location Number	114) Path Number (Microwave only)	115) Frequency Number	116) Lower or Center Frequency (MHz)	117) Upper Frequency (MHz)	118) Constructed Yes / No
WLR201	CF - Common Carrier Fixed Point to Point Microwave						Y
WLR211	CF - Common Carrier Fixed Point to Point Microwave						Y
WLR263	CF - Common Carrier Fixed Point to Point Microwave						Y
WLR297	CF - Common Carrier Fixed Point to Point Microwave						Y
WLR453	CF - Common Carrier Fixed Point to Point Microwave						Y
WLR613	CF - Common Carrier Fixed Point to Point Microwave						Y
WLR614	CF - Common Carrier Fixed Point to Point Microwave						Y
WLR615	CF - Common Carrier Fixed Point to Point Microwave						Y
WLR645	CF - Common Carrier Fixed Point to Point Microwave						Y
WLS539	CF - Common Carrier Fixed Point to Point Microwave						Y
WLS540	CF - Common Carrier Fixed Point to Point Microwave						Y
WLS671	CF - Common Carrier Fixed Point to Point Microwave						Y
WLS673	CF - Common Carrier Fixed Point to Point Microwave						Y
WLS724	CF - Common Carrier Fixed Point to Point Microwave						Y
WLS731	CF - Common Carrier Fixed Point to Point Microwave						Y
WLS737	CF - Common Carrier Fixed Point to Point Microwave						Y
WLS740	CF - Common Carrier Fixed Point to Point Microwave						Y
WLS744	CF - Common Carrier Fixed Point to Point Microwave						Y
WLS753	CF - Common Carrier Fixed Point to Point Microwave						Y

111) Call Sign	112) Radio Service Code	113) Location Number	114) Path Number (Microwave only)	115) Frequency Number	116) Lower or Center Frequency (MHz)	117) Upper Frequency (MHz)	118) Constructed Yes / No
WLS754	CF - Common Carrier Fixed Point to Point Microwave						Y
WLS773	CF - Common Carrier Fixed Point to Point Microwave						Y
WLS775	CF - Common Carrier Fixed Point to Point Microwave						Y
WLS777	CF - Common Carrier Fixed Point to Point Microwave						Y
WLS816	CF - Common Carrier Fixed Point to Point Microwave						Y
WLT273	CF - Common Carrier Fixed Point to Point Microwave						Y
WLT426	CF - Common Carrier Fixed Point to Point Microwave						Y
WLT555	CF - Common Carrier Fixed Point to Point Microwave						Y
WLT565	CF - Common Carrier Fixed Point to Point Microwave						Y
WLT612	CF - Common Carrier Fixed Point to Point Microwave						Y
WLT631	CF - Common Carrier Fixed Point to Point Microwave						Y
WLT717	CF - Common Carrier Fixed Point to Point Microwave						Y
WLT718	CF - Common Carrier Fixed Point to Point Microwave						Y
WLT762	CF - Common Carrier Fixed Point to Point Microwave						Y
WLT763	CF - Common Carrier Fixed Point to Point Microwave						Y
WLT846	CF - Common Carrier Fixed Point to Point Microwave						Y
WLT932	CF - Common Carrier Fixed Point to Point Microwave						Y
WLT996	CF - Common Carrier Fixed Point to Point Microwave						Y
WLU216	CF - Common Carrier Fixed Point to Point Microwave						Y

111) Call Sign	112) Radio Service Code	113) Location Number	114) Path Number (Microwave only)	115) Frequency Number	116) Lower or Center Frequency (MHz)	117) Upper Frequency (MHz)	118) Constructed Yes / No
WLU218	CF - Common Carrier Fixed Point to Point Microwave						Y
WLU228	CF - Common Carrier Fixed Point to Point Microwave						Y
WLU229	CF - Common Carrier Fixed Point to Point Microwave						Y
WLU230	CF - Common Carrier Fixed Point to Point Microwave						Y
WLU251	CF - Common Carrier Fixed Point to Point Microwave						Y
WLU410	CF - Common Carrier Fixed Point to Point Microwave						Y
WLU483	CF - Common Carrier Fixed Point to Point Microwave						Y
WLU513	CF - Common Carrier Fixed Point to Point Microwave						Y
WLU581	CF - Common Carrier Fixed Point to Point Microwave						Y
WLU611	CF - Common Carrier Fixed Point to Point Microwave						Y
WLU612	CF - Common Carrier Fixed Point to Point Microwave						Y
WLU685	CF - Common Carrier Fixed Point to Point Microwave						Y
WLU721	CF - Common Carrier Fixed Point to Point Microwave						Y
WLU830	CF - Common Carrier Fixed Point to Point Microwave						Y
WLU831	CF - Common Carrier Fixed Point to Point Microwave						Y
WLU846	CF - Common Carrier Fixed Point to Point Microwave						Y
WLU886	CF - Common Carrier Fixed Point to Point Microwave						Y
WLU897	CF - Common Carrier Fixed Point to Point Microwave						Y
WLU918	CF - Common Carrier Fixed Point to Point Microwave						Y

111) Call Sign	112) Radio Service Code	113) Location Number	114) Path Number (Microwave only)	115) Frequency Number	116) Lower or Center Frequency (MHz)	117) Upper Frequency (MHz)	118) Constructed Yes / No
WLV222	CF - Common Carrier Fixed Point to Point Microwave						Y
WLV226	CF - Common Carrier Fixed Point to Point Microwave						Y
WLV255	CF - Common Carrier Fixed Point to Point Microwave						Y
WLV296	CF - Common Carrier Fixed Point to Point Microwave						Y
WLV349	CF - Common Carrier Fixed Point to Point Microwave						Y
WLV383	CF - Common Carrier Fixed Point to Point Microwave						Y
WLV431	CF - Common Carrier Fixed Point to Point Microwave						Y
WLV439	CF - Common Carrier Fixed Point to Point Microwave						Y
WLV473	CF - Common Carrier Fixed Point to Point Microwave						Y
WLV483	CF - Common Carrier Fixed Point to Point Microwave						Y
WLV490	CF - Common Carrier Fixed Point to Point Microwave						Y
WLV511	CF - Common Carrier Fixed Point to Point Microwave						Y
WLV515	CF - Common Carrier Fixed Point to Point Microwave						Y
WLV528	CF - Common Carrier Fixed Point to Point Microwave						Y
WLV548	CF - Common Carrier Fixed Point to Point Microwave						Y
WLV552	CF - Common Carrier Fixed Point to Point Microwave						Y
WLV556	CF - Common Carrier Fixed Point to Point Microwave						Y
WLV565	CF - Common Carrier Fixed Point to Point Microwave						Y
WLV597	CF - Common Carrier Fixed Point to Point Microwave						Y

111) Call Sign	112) Radio Service Code	113) Location Number	114) Path Number (Microwave only)	115) Frequency Number	116) Lower or Center Frequency (MHz)	117) Upper Frequency (MHz)	118) Constructed Yes / No
WLV608	CF - Common Carrier Fixed Point to Point Microwave						Y
WLV638	CF - Common Carrier Fixed Point to Point Microwave						Y
WLV692	CF - Common Carrier Fixed Point to Point Microwave						Y
WLV728	CF - Common Carrier Fixed Point to Point Microwave						Y
WLV749	CF - Common Carrier Fixed Point to Point Microwave						Y
WLV762	CF - Common Carrier Fixed Point to Point Microwave						Y
WLV763	CF - Common Carrier Fixed Point to Point Microwave						Y
WLV764	CF - Common Carrier Fixed Point to Point Microwave						Y
WLV784	CF - Common Carrier Fixed Point to Point Microwave						Y
WLV835	CF - Common Carrier Fixed Point to Point Microwave						Y
WLV912	CF - Common Carrier Fixed Point to Point Microwave						Y
WLV959	CF - Common Carrier Fixed Point to Point Microwave						Y
WLV980	CF - Common Carrier Fixed Point to Point Microwave						Y
WLV981	CF - Common Carrier Fixed Point to Point Microwave						Y
WLV982	CF - Common Carrier Fixed Point to Point Microwave						Y
WLW246	CF - Common Carrier Fixed Point to Point Microwave						Y
WLW268	CF - Common Carrier Fixed Point to Point Microwave						Y
WLW272	CF - Common Carrier Fixed Point to Point Microwave						Y
WLW273	CF - Common Carrier Fixed Point to Point Microwave						Y

111) Call Sign	112) Radio Service Code	113) Location Number	114) Path Number (Microwave only)	115) Frequency Number	116) Lower or Center Frequency (MHz)	117) Upper Frequency (MHz)	118) Constructed Yes / No
WLW274	CF - Common Carrier Fixed Point to Point Microwave						Y
WLW275	CF - Common Carrier Fixed Point to Point Microwave						Y
WLW287	CF - Common Carrier Fixed Point to Point Microwave						Y
WLW288	CF - Common Carrier Fixed Point to Point Microwave						Y
WLW300	CF - Common Carrier Fixed Point to Point Microwave						Y
WLW354	CF - Common Carrier Fixed Point to Point Microwave						Y
WLW356	CF - Common Carrier Fixed Point to Point Microwave						Y
WLW491	CF - Common Carrier Fixed Point to Point Microwave						Y
WLW594	CF - Common Carrier Fixed Point to Point Microwave						Y
WLW608	CF - Common Carrier Fixed Point to Point Microwave						Y
WLW612	CF - Common Carrier Fixed Point to Point Microwave						Y
WLW613	CF - Common Carrier Fixed Point to Point Microwave						Y
WLW659	CF - Common Carrier Fixed Point to Point Microwave						Y
WLW675	CF - Common Carrier Fixed Point to Point Microwave						Y
WLW676	CF - Common Carrier Fixed Point to Point Microwave						Y
WLW683	CF - Common Carrier Fixed Point to Point Microwave						Y
WMG745	CF - Common Carrier Fixed Point to Point Microwave						Y
WMG761	CF - Common Carrier Fixed Point to Point Microwave						Y
WMG844	CF - Common Carrier Fixed Point to Point Microwave						Y

111) Call Sign	112) Radio Service Code	113) Location Number	114) Path Number (Microwave only)	115) Frequency Number	116) Lower or Center Frequency (MHz)	117) Upper Frequency (MHz)	118) Constructed Yes / No
WMI729	CF - Common Carrier Fixed Point to Point Microwave						Y
WMI757	CF - Common Carrier Fixed Point to Point Microwave						Y
WMJ207	CF - Common Carrier Fixed Point to Point Microwave						Y
WMJ208	CF - Common Carrier Fixed Point to Point Microwave						Y
WMJ209	CF - Common Carrier Fixed Point to Point Microwave						Y
WMJ241	CF - Common Carrier Fixed Point to Point Microwave						Y
WMJ338	CF - Common Carrier Fixed Point to Point Microwave						Y
WMJ339	CF - Common Carrier Fixed Point to Point Microwave						Y
WMJ340	CF - Common Carrier Fixed Point to Point Microwave						Y
WMJ341	CF - Common Carrier Fixed Point to Point Microwave						Y
WMJ357	CF - Common Carrier Fixed Point to Point Microwave						Y
WMJ358	CF - Common Carrier Fixed Point to Point Microwave						Y
WMJ361	CF - Common Carrier Fixed Point to Point Microwave						Y
WMJ362	CF - Common Carrier Fixed Point to Point Microwave						Y
WMJ386	CF - Common Carrier Fixed Point to Point Microwave						Y
WMJ387	CF - Common Carrier Fixed Point to Point Microwave						Y
WMJ455	CF - Common Carrier Fixed Point to Point Microwave						Y
WMJ466	CF - Common Carrier Fixed Point to Point Microwave						Y
WMJ484	CF - Common Carrier Fixed Point to Point Microwave						Y

111) Call Sign	112) Radio Service Code	113) Location Number	114) Path Number (Microwave only)	115) Frequency Number	116) Lower or Center Frequency (MHz)	117) Upper Frequency (MHz)	118) Constructed Yes / No
WMJ551	CF - Common Carrier Fixed Point to Point Microwave						Y
WMJ640	CF - Common Carrier Fixed Point to Point Microwave						Y
WMJ669	CF - Common Carrier Fixed Point to Point Microwave						Y
WMJ670	CF - Common Carrier Fixed Point to Point Microwave						Y
WMJ710	CF - Common Carrier Fixed Point to Point Microwave						Y
WMJ711	CF - Common Carrier Fixed Point to Point Microwave						Y
WMJ712	CF - Common Carrier Fixed Point to Point Microwave						Y
WMJ901	CF - Common Carrier Fixed Point to Point Microwave						Y
WMJ965	CF - Common Carrier Fixed Point to Point Microwave						Y
WMJ971	CF - Common Carrier Fixed Point to Point Microwave						Y
WMJ979	CF - Common Carrier Fixed Point to Point Microwave						Y
WMK203	CF - Common Carrier Fixed Point to Point Microwave						Y
WMK526	CF - Common Carrier Fixed Point to Point Microwave						Y
WMK667	CF - Common Carrier Fixed Point to Point Microwave						Y
WMK714	CF - Common Carrier Fixed Point to Point Microwave						Y
WMK716	CF - Common Carrier Fixed Point to Point Microwave						Y
WMK791	CF - Common Carrier Fixed Point to Point Microwave						Y
WMK807	CF - Common Carrier Fixed Point to Point Microwave						Y
WMK818	CF - Common Carrier Fixed Point to Point Microwave						Y

111) Call Sign	112) Radio Service Code	113) Location Number	114) Path Number (Microwave only)	115) Frequency Number	116) Lower or Center Frequency (MHz)	117) Upper Frequency (MHz)	118) Constructed Yes / No
WМК866	CF - Common Carrier Fixed Point to Point Microwave						Y
WМК957	CF - Common Carrier Fixed Point to Point Microwave						Y
WМК958	CF - Common Carrier Fixed Point to Point Microwave						Y
WМК981	CF - Common Carrier Fixed Point to Point Microwave						Y
WML369	CF - Common Carrier Fixed Point to Point Microwave						Y
WML374	CF - Common Carrier Fixed Point to Point Microwave						Y
WML377	CF - Common Carrier Fixed Point to Point Microwave						Y
WML556	CF - Common Carrier Fixed Point to Point Microwave						Y
WML682	CF - Common Carrier Fixed Point to Point Microwave						Y
WML745	CF - Common Carrier Fixed Point to Point Microwave						Y
WML943	CF - Common Carrier Fixed Point to Point Microwave						Y
WMM390	CF - Common Carrier Fixed Point to Point Microwave						Y
WMM460	CF - Common Carrier Fixed Point to Point Microwave						Y
WMM466	CF - Common Carrier Fixed Point to Point Microwave						Y
WMM467	CF - Common Carrier Fixed Point to Point Microwave						Y
WMM468	CF - Common Carrier Fixed Point to Point Microwave						Y
WMM672	CF - Common Carrier Fixed Point to Point Microwave						Y
WMM712	CF - Common Carrier Fixed Point to Point Microwave						Y
WMM846	CF - Common Carrier Fixed Point to Point Microwave						Y

111) Call Sign	112) Radio Service Code	113) Location Number	114) Path Number (Microwave only)	115) Frequency Number	116) Lower or Center Frequency (MHz)	117) Upper Frequency (MHz)	118) Constructed Yes / No
WMM868	CF - Common Carrier Fixed Point to Point Microwave						Y
WMM870	CF - Common Carrier Fixed Point to Point Microwave						Y
WMM871	CF - Common Carrier Fixed Point to Point Microwave						Y
WMM886	CF - Common Carrier Fixed Point to Point Microwave						Y
WMM888	CF - Common Carrier Fixed Point to Point Microwave						Y
WMM892	CF - Common Carrier Fixed Point to Point Microwave						Y
WMM893	CF - Common Carrier Fixed Point to Point Microwave						Y
WMM903	CF - Common Carrier Fixed Point to Point Microwave						Y
WMM904	CF - Common Carrier Fixed Point to Point Microwave						Y
WMM905	CF - Common Carrier Fixed Point to Point Microwave						Y
WMM927	CF - Common Carrier Fixed Point to Point Microwave						Y
WMM933	CF - Common Carrier Fixed Point to Point Microwave						Y
WMM934	CF - Common Carrier Fixed Point to Point Microwave						Y
WMM935	CF - Common Carrier Fixed Point to Point Microwave						Y
WMM965	CF - Common Carrier Fixed Point to Point Microwave						Y
WMN205	CF - Common Carrier Fixed Point to Point Microwave						Y
WMN206	CF - Common Carrier Fixed Point to Point Microwave						Y
WMN207	CF - Common Carrier Fixed Point to Point Microwave						Y
WMN208	CF - Common Carrier Fixed Point to Point Microwave						Y

111) Call Sign	112) Radio Service Code	113) Location Number	114) Path Number (Microwave only)	115) Frequency Number	116) Lower or Center Frequency (MHz)	117) Upper Frequency (MHz)	118) Constructed Yes / No
WMN209	CF - Common Carrier Fixed Point to Point Microwave						Y
WMN226	CF - Common Carrier Fixed Point to Point Microwave						Y
WMN248	CF - Common Carrier Fixed Point to Point Microwave						Y
WMN249	CF - Common Carrier Fixed Point to Point Microwave						Y
WMN389	CF - Common Carrier Fixed Point to Point Microwave						Y
WMN402	CF - Common Carrier Fixed Point to Point Microwave						Y
WMN478	CF - Common Carrier Fixed Point to Point Microwave						Y
WMN479	CF - Common Carrier Fixed Point to Point Microwave						Y
WMN486	CF - Common Carrier Fixed Point to Point Microwave						Y
WMN496	CF - Common Carrier Fixed Point to Point Microwave						Y
WMN498	CF - Common Carrier Fixed Point to Point Microwave						Y
WMN517	CF - Common Carrier Fixed Point to Point Microwave						Y
WMN529	CF - Common Carrier Fixed Point to Point Microwave						Y
WMN554	CF - Common Carrier Fixed Point to Point Microwave						Y
WMN555	CF - Common Carrier Fixed Point to Point Microwave						Y
WMN558	CF - Common Carrier Fixed Point to Point Microwave						Y
WMN559	CF - Common Carrier Fixed Point to Point Microwave						Y
WMN560	CF - Common Carrier Fixed Point to Point Microwave						Y
WMN639	CF - Common Carrier Fixed Point to Point Microwave						Y

111) Call Sign	112) Radio Service Code	113) Location Number	114) Path Number (Microwave only)	115) Frequency Number	116) Lower or Center Frequency (MHz)	117) Upper Frequency (MHz)	118) Constructed Yes / No
WMN640	CF - Common Carrier Fixed Point to Point Microwave						Y
WMN679	CF - Common Carrier Fixed Point to Point Microwave						Y
WMN687	CF - Common Carrier Fixed Point to Point Microwave						Y
WMN688	CF - Common Carrier Fixed Point to Point Microwave						Y
WMN697	CF - Common Carrier Fixed Point to Point Microwave						Y
WMN698	CF - Common Carrier Fixed Point to Point Microwave						Y
WMN699	CF - Common Carrier Fixed Point to Point Microwave						Y
WMN713	CF - Common Carrier Fixed Point to Point Microwave						Y
WMN741	CF - Common Carrier Fixed Point to Point Microwave						Y
WMN745	CF - Common Carrier Fixed Point to Point Microwave						Y
WMN754	CF - Common Carrier Fixed Point to Point Microwave						Y
WMN776	CF - Common Carrier Fixed Point to Point Microwave						Y
WMN807	CF - Common Carrier Fixed Point to Point Microwave						Y
WMN808	CF - Common Carrier Fixed Point to Point Microwave						Y
WMN813	CF - Common Carrier Fixed Point to Point Microwave						Y
WMN889	CF - Common Carrier Fixed Point to Point Microwave						Y
WMQ246	CF - Common Carrier Fixed Point to Point Microwave						Y
WMQ247	CF - Common Carrier Fixed Point to Point Microwave						Y
WMQ248	CF - Common Carrier Fixed Point to Point Microwave						Y

111) Call Sign	112) Radio Service Code	113) Location Number	114) Path Number (Microwave only)	115) Frequency Number	116) Lower or Center Frequency (MHz)	117) Upper Frequency (MHz)	118) Constructed Yes / No
WMQ257	CF - Common Carrier Fixed Point to Point Microwave						Y
WMQ269	CF - Common Carrier Fixed Point to Point Microwave						Y
WMQ275	CF - Common Carrier Fixed Point to Point Microwave						Y
WMQ281	CF - Common Carrier Fixed Point to Point Microwave						Y
WMQ286	CF - Common Carrier Fixed Point to Point Microwave						Y
WMQ290	CF - Common Carrier Fixed Point to Point Microwave						Y
WMQ315	CF - Common Carrier Fixed Point to Point Microwave						Y
WMQ323	CF - Common Carrier Fixed Point to Point Microwave						Y
WMQ338	CF - Common Carrier Fixed Point to Point Microwave						Y
WMQ339	CF - Common Carrier Fixed Point to Point Microwave						Y
WMQ361	CF - Common Carrier Fixed Point to Point Microwave						Y
WMQ391	CF - Common Carrier Fixed Point to Point Microwave						Y
WMQ394	CF - Common Carrier Fixed Point to Point Microwave						Y
WMQ396	CF - Common Carrier Fixed Point to Point Microwave						Y
WMQ397	CF - Common Carrier Fixed Point to Point Microwave						Y
WMQ401	CF - Common Carrier Fixed Point to Point Microwave						Y
WMQ403	CF - Common Carrier Fixed Point to Point Microwave						Y
WMQ448	CF - Common Carrier Fixed Point to Point Microwave						Y
WMQ458	CF - Common Carrier Fixed Point to Point Microwave						Y

111) Call Sign	112) Radio Service Code	113) Location Number	114) Path Number (Microwave only)	115) Frequency Number	116) Lower or Center Frequency (MHz)	117) Upper Frequency (MHz)	118) Constructed Yes / No
WMQ462	CF - Common Carrier Fixed Point to Point Microwave						Y
WMQ503	CF - Common Carrier Fixed Point to Point Microwave						Y
WMQ540	CF - Common Carrier Fixed Point to Point Microwave						Y
WMQ569	CF - Common Carrier Fixed Point to Point Microwave						Y
WMQ579	CF - Common Carrier Fixed Point to Point Microwave						Y
WMQ636	CF - Common Carrier Fixed Point to Point Microwave						Y
WMQ648	CF - Common Carrier Fixed Point to Point Microwave						Y
WMQ667	CF - Common Carrier Fixed Point to Point Microwave						Y
WMQ679	CF - Common Carrier Fixed Point to Point Microwave						Y
WMQ680	CF - Common Carrier Fixed Point to Point Microwave						Y
WMQ681	CF - Common Carrier Fixed Point to Point Microwave						Y
WMQ683	CF - Common Carrier Fixed Point to Point Microwave						Y
WMQ685	CF - Common Carrier Fixed Point to Point Microwave						Y
WMQ687	CF - Common Carrier Fixed Point to Point Microwave						Y
WMQ740	CF - Common Carrier Fixed Point to Point Microwave						Y
WMQ741	CF - Common Carrier Fixed Point to Point Microwave						Y
WMQ768	CF - Common Carrier Fixed Point to Point Microwave						Y
WMQ776	CF - Common Carrier Fixed Point to Point Microwave						Y
WMQ778	CF - Common Carrier Fixed Point to Point Microwave						Y

111) Call Sign	112) Radio Service Code	113) Location Number	114) Path Number (Microwave only)	115) Frequency Number	116) Lower or Center Frequency (MHz)	117) Upper Frequency (MHz)	118) Constructed Yes / No
WMQ786	CF - Common Carrier Fixed Point to Point Microwave						Y
WMQ818	CF - Common Carrier Fixed Point to Point Microwave						Y
WMQ844	CF - Common Carrier Fixed Point to Point Microwave						Y
WMQ845	CF - Common Carrier Fixed Point to Point Microwave						Y
WMQ859	CF - Common Carrier Fixed Point to Point Microwave						Y
WMQ887	CF - Common Carrier Fixed Point to Point Microwave						Y
WMQ913	CF - Common Carrier Fixed Point to Point Microwave						Y
WMQ914	CF - Common Carrier Fixed Point to Point Microwave						Y
WMQ925	CF - Common Carrier Fixed Point to Point Microwave						Y
WMQ926	CF - Common Carrier Fixed Point to Point Microwave						Y
WMQ941	CF - Common Carrier Fixed Point to Point Microwave						Y
WMQ950	CF - Common Carrier Fixed Point to Point Microwave						Y
WMQ951	CF - Common Carrier Fixed Point to Point Microwave						Y
WMQ952	CF - Common Carrier Fixed Point to Point Microwave						Y
WMQ953	CF - Common Carrier Fixed Point to Point Microwave						Y
WMQ954	CF - Common Carrier Fixed Point to Point Microwave						Y
WMQ955	CF - Common Carrier Fixed Point to Point Microwave						Y
WMQ959	CF - Common Carrier Fixed Point to Point Microwave						Y
WMQ971	CF - Common Carrier Fixed Point to Point Microwave						Y

111) Call Sign	112) Radio Service Code	113) Location Number	114) Path Number (Microwave only)	115) Frequency Number	116) Lower or Center Frequency (MHz)	117) Upper Frequency (MHz)	118) Constructed Yes / No
WMR225	CF - Common Carrier Fixed Point to Point Microwave						Y
WMR237	CF - Common Carrier Fixed Point to Point Microwave						Y
WMR261	CF - Common Carrier Fixed Point to Point Microwave						Y
WMR276	CF - Common Carrier Fixed Point to Point Microwave						Y
WMR277	CF - Common Carrier Fixed Point to Point Microwave						Y
WMR297	CF - Common Carrier Fixed Point to Point Microwave						Y
WMR298	CF - Common Carrier Fixed Point to Point Microwave						Y
WMR299	CF - Common Carrier Fixed Point to Point Microwave						Y
WMR300	CF - Common Carrier Fixed Point to Point Microwave						Y
WMR330	CF - Common Carrier Fixed Point to Point Microwave						Y
WMR333	CF - Common Carrier Fixed Point to Point Microwave						Y
WMR334	CF - Common Carrier Fixed Point to Point Microwave						Y
WMR370	CF - Common Carrier Fixed Point to Point Microwave						Y
WMR379	CF - Common Carrier Fixed Point to Point Microwave						Y
WMR428	CF - Common Carrier Fixed Point to Point Microwave						Y
WMR429	CF - Common Carrier Fixed Point to Point Microwave						Y
WMR488	CF - Common Carrier Fixed Point to Point Microwave						Y
WMR489	CF - Common Carrier Fixed Point to Point Microwave						Y
WMR515	CF - Common Carrier Fixed Point to Point Microwave						Y

111) Call Sign	112) Radio Service Code	113) Location Number	114) Path Number (Microwave only)	115) Frequency Number	116) Lower or Center Frequency (MHz)	117) Upper Frequency (MHz)	118) Constructed Yes / No
WMR528	CF - Common Carrier Fixed Point to Point Microwave						Y
WMR534	CF - Common Carrier Fixed Point to Point Microwave						Y
WMR548	CF - Common Carrier Fixed Point to Point Microwave						Y
WMR550	CF - Common Carrier Fixed Point to Point Microwave						Y
WMR554	CF - Common Carrier Fixed Point to Point Microwave						Y
WMR561	CF - Common Carrier Fixed Point to Point Microwave						Y
WMR573	CF - Common Carrier Fixed Point to Point Microwave						Y
WMR577	CF - Common Carrier Fixed Point to Point Microwave						Y
WMR583	CF - Common Carrier Fixed Point to Point Microwave						Y
WMR686	CF - Common Carrier Fixed Point to Point Microwave						Y
WMR688	CF - Common Carrier Fixed Point to Point Microwave						Y
WMR689	CF - Common Carrier Fixed Point to Point Microwave						Y
WMR695	CF - Common Carrier Fixed Point to Point Microwave						Y
WMR697	CF - Common Carrier Fixed Point to Point Microwave						Y
WMR705	CF - Common Carrier Fixed Point to Point Microwave						Y
WMR723	CF - Common Carrier Fixed Point to Point Microwave						Y
WMR724	CF - Common Carrier Fixed Point to Point Microwave						Y
WMR725	CF - Common Carrier Fixed Point to Point Microwave						Y
WMR728	CF - Common Carrier Fixed Point to Point Microwave						Y

111) Call Sign	112) Radio Service Code	113) Location Number	114) Path Number (Microwave only)	115) Frequency Number	116) Lower or Center Frequency (MHz)	117) Upper Frequency (MHz)	118) Constructed Yes / No
WMR754	CF - Common Carrier Fixed Point to Point Microwave						Y
WMR778	CF - Common Carrier Fixed Point to Point Microwave						Y
WMR809	CF - Common Carrier Fixed Point to Point Microwave						Y
WMR810	CF - Common Carrier Fixed Point to Point Microwave						Y
WMR811	CF - Common Carrier Fixed Point to Point Microwave						Y
WMR881	CF - Common Carrier Fixed Point to Point Microwave						Y
WMR884	CF - Common Carrier Fixed Point to Point Microwave						Y
WMR905	CF - Common Carrier Fixed Point to Point Microwave						Y
WMR986	CF - Common Carrier Fixed Point to Point Microwave						Y
WMR987	CF - Common Carrier Fixed Point to Point Microwave						Y
WMR992	CF - Common Carrier Fixed Point to Point Microwave						Y
WMS205	CF - Common Carrier Fixed Point to Point Microwave						Y
WMS249	CF - Common Carrier Fixed Point to Point Microwave						Y
WMS276	CF - Common Carrier Fixed Point to Point Microwave						Y
WMS337	CF - Common Carrier Fixed Point to Point Microwave						Y
WMS338	CF - Common Carrier Fixed Point to Point Microwave						Y
WMS430	CF - Common Carrier Fixed Point to Point Microwave						Y
WMS431	CF - Common Carrier Fixed Point to Point Microwave						Y
WMS441	CF - Common Carrier Fixed Point to Point Microwave						Y

111) Call Sign	112) Radio Service Code	113) Location Number	114) Path Number (Microwave only)	115) Frequency Number	116) Lower or Center Frequency (MHz)	117) Upper Frequency (MHz)	118) Constructed Yes / No
WMS444	CF - Common Carrier Fixed Point to Point Microwave						Y
WMS483	CF - Common Carrier Fixed Point to Point Microwave						Y
WMS644	CF - Common Carrier Fixed Point to Point Microwave						Y
WMS658	CF - Common Carrier Fixed Point to Point Microwave						Y
WMS659	CF - Common Carrier Fixed Point to Point Microwave						Y
WMS681	CF - Common Carrier Fixed Point to Point Microwave						Y
WMS682	CF - Common Carrier Fixed Point to Point Microwave						Y
WMS697	CF - Common Carrier Fixed Point to Point Microwave						Y
WMS739	CF - Common Carrier Fixed Point to Point Microwave						Y
WMS771	CF - Common Carrier Fixed Point to Point Microwave						Y
WMS797	CF - Common Carrier Fixed Point to Point Microwave						Y
WMS798	CF - Common Carrier Fixed Point to Point Microwave						Y
WMS799	CF - Common Carrier Fixed Point to Point Microwave						Y
WMS803	CF - Common Carrier Fixed Point to Point Microwave						Y
WMS804	CF - Common Carrier Fixed Point to Point Microwave						Y
WMS816	CF - Common Carrier Fixed Point to Point Microwave						Y
WMS824	CF - Common Carrier Fixed Point to Point Microwave						Y
WMS829	CF - Common Carrier Fixed Point to Point Microwave						Y
WMS830	CF - Common Carrier Fixed Point to Point Microwave						Y

111) Call Sign	112) Radio Service Code	113) Location Number	114) Path Number (Microwave only)	115) Frequency Number	116) Lower or Center Frequency (MHz)	117) Upper Frequency (MHz)	118) Constructed Yes / No
WMS847	CF - Common Carrier Fixed Point to Point Microwave						Y
WMS848	CF - Common Carrier Fixed Point to Point Microwave						Y
WMS852	CF - Common Carrier Fixed Point to Point Microwave						Y
WMS863	CF - Common Carrier Fixed Point to Point Microwave						Y
WMS864	CF - Common Carrier Fixed Point to Point Microwave						Y
WMS865	CF - Common Carrier Fixed Point to Point Microwave						Y
WMS883	CF - Common Carrier Fixed Point to Point Microwave						Y
WMS888	CF - Common Carrier Fixed Point to Point Microwave						Y
WMS895	CF - Common Carrier Fixed Point to Point Microwave						Y
WMS908	CF - Common Carrier Fixed Point to Point Microwave						Y
WMS909	CF - Common Carrier Fixed Point to Point Microwave						Y
WMS913	CF - Common Carrier Fixed Point to Point Microwave						Y
WMS914	CF - Common Carrier Fixed Point to Point Microwave						Y
WMS928	CF - Common Carrier Fixed Point to Point Microwave						Y
WMS929	CF - Common Carrier Fixed Point to Point Microwave						Y
WMS930	CF - Common Carrier Fixed Point to Point Microwave						Y
WMS931	CF - Common Carrier Fixed Point to Point Microwave						Y
WMS933	CF - Common Carrier Fixed Point to Point Microwave						Y
WMS934	CF - Common Carrier Fixed Point to Point Microwave						Y

111) Call Sign	112) Radio Service Code	113) Location Number	114) Path Number (Microwave only)	115) Frequency Number	116) Lower or Center Frequency (MHz)	117) Upper Frequency (MHz)	118) Constructed Yes / No
WMS935	CF - Common Carrier Fixed Point to Point Microwave						Y
WMS937	CF - Common Carrier Fixed Point to Point Microwave						Y
WMS941	CF - Common Carrier Fixed Point to Point Microwave						Y
WMS942	CF - Common Carrier Fixed Point to Point Microwave						Y
WMS978	CF - Common Carrier Fixed Point to Point Microwave						Y
WMS993	CF - Common Carrier Fixed Point to Point Microwave						Y
WMS997	CF - Common Carrier Fixed Point to Point Microwave						Y
WMT204	CF - Common Carrier Fixed Point to Point Microwave						Y
WMT251	CF - Common Carrier Fixed Point to Point Microwave						Y
WMT302	CF - Common Carrier Fixed Point to Point Microwave						Y
WMT408	CF - Common Carrier Fixed Point to Point Microwave						Y
WMT409	CF - Common Carrier Fixed Point to Point Microwave						Y
WMT414	CF - Common Carrier Fixed Point to Point Microwave						Y
WMT427	CF - Common Carrier Fixed Point to Point Microwave						Y
WMT439	CF - Common Carrier Fixed Point to Point Microwave						Y
WMT527	CF - Common Carrier Fixed Point to Point Microwave						Y
WMT529	CF - Common Carrier Fixed Point to Point Microwave						Y
WMT544	CF - Common Carrier Fixed Point to Point Microwave						Y
WMT574	CF - Common Carrier Fixed Point to Point Microwave						Y

111) Call Sign	112) Radio Service Code	113) Location Number	114) Path Number (Microwave only)	115) Frequency Number	116) Lower or Center Frequency (MHz)	117) Upper Frequency (MHz)	118) Constructed Yes / No
WMT638	CF - Common Carrier Fixed Point to Point Microwave						Y
WMT667	CF - Common Carrier Fixed Point to Point Microwave						Y
WMT668	CF - Common Carrier Fixed Point to Point Microwave						Y
WMT669	CF - Common Carrier Fixed Point to Point Microwave						Y
WMT684	CF - Common Carrier Fixed Point to Point Microwave						Y
WMT730	CF - Common Carrier Fixed Point to Point Microwave						Y
WMT739	CF - Common Carrier Fixed Point to Point Microwave						Y
WMT768	CF - Common Carrier Fixed Point to Point Microwave						Y
WMT792	CF - Common Carrier Fixed Point to Point Microwave						Y
WMT848	CF - Common Carrier Fixed Point to Point Microwave						Y
WMT849	CF - Common Carrier Fixed Point to Point Microwave						Y
WMT850	CF - Common Carrier Fixed Point to Point Microwave						Y
WMT895	CF - Common Carrier Fixed Point to Point Microwave						Y
WMV842	CF - Common Carrier Fixed Point to Point Microwave						Y
WMV843	CF - Common Carrier Fixed Point to Point Microwave						Y
WMV878	CF - Common Carrier Fixed Point to Point Microwave						Y
WMV901	CF - Common Carrier Fixed Point to Point Microwave						Y
WMV902	CF - Common Carrier Fixed Point to Point Microwave						Y
WMV915	CF - Common Carrier Fixed Point to Point Microwave						Y

111) Call Sign	112) Radio Service Code	113) Location Number	114) Path Number (Microwave only)	115) Frequency Number	116) Lower or Center Frequency (MHz)	117) Upper Frequency (MHz)	118) Constructed Yes / No
WMV916	CF - Common Carrier Fixed Point to Point Microwave						Y
WMV923	CF - Common Carrier Fixed Point to Point Microwave						Y
WMV924	CF - Common Carrier Fixed Point to Point Microwave						Y
WMV925	CF - Common Carrier Fixed Point to Point Microwave						Y
WMV927	CF - Common Carrier Fixed Point to Point Microwave						Y
WMV944	CF - Common Carrier Fixed Point to Point Microwave						Y
WMV950	CF - Common Carrier Fixed Point to Point Microwave						Y
WMV977	CF - Common Carrier Fixed Point to Point Microwave						Y
WMV978	CF - Common Carrier Fixed Point to Point Microwave						Y
WMV991	CF - Common Carrier Fixed Point to Point Microwave						Y
WMV994	CF - Common Carrier Fixed Point to Point Microwave						Y
WMV995	CF - Common Carrier Fixed Point to Point Microwave						Y
WMW241	CF - Common Carrier Fixed Point to Point Microwave						Y
WMW246	CF - Common Carrier Fixed Point to Point Microwave						Y
WMW258	CF - Common Carrier Fixed Point to Point Microwave						Y
WMW260	CF - Common Carrier Fixed Point to Point Microwave						Y
WMW261	CF - Common Carrier Fixed Point to Point Microwave						Y
WMW264	CF - Common Carrier Fixed Point to Point Microwave						Y
WMW301	CF - Common Carrier Fixed Point to Point Microwave						Y

111) Call Sign	112) Radio Service Code	113) Location Number	114) Path Number (Microwave only)	115) Frequency Number	116) Lower or Center Frequency (MHz)	117) Upper Frequency (MHz)	118) Constructed Yes / No
WMW337	CF - Common Carrier Fixed Point to Point Microwave						Y
WMW407	CF - Common Carrier Fixed Point to Point Microwave						Y
WMW440	CF - Common Carrier Fixed Point to Point Microwave						Y
WMW568	CF - Common Carrier Fixed Point to Point Microwave						Y
WMW617	CF - Common Carrier Fixed Point to Point Microwave						Y
WMW642	CF - Common Carrier Fixed Point to Point Microwave						Y
WMW662	CF - Common Carrier Fixed Point to Point Microwave						Y
WMW663	CF - Common Carrier Fixed Point to Point Microwave						Y
WMW720	CF - Common Carrier Fixed Point to Point Microwave						Y
WMW757	CF - Common Carrier Fixed Point to Point Microwave						Y
WMW975	CF - Common Carrier Fixed Point to Point Microwave						Y
WPJA494	CF - Common Carrier Fixed Point to Point Microwave						Y
WPJA590	CF - Common Carrier Fixed Point to Point Microwave						Y
WPJA715	CF - Common Carrier Fixed Point to Point Microwave						Y
WPJA720	CF - Common Carrier Fixed Point to Point Microwave						Y
WPJA734	CF - Common Carrier Fixed Point to Point Microwave						Y
WPJA740	CF - Common Carrier Fixed Point to Point Microwave						Y
WPJA756	CF - Common Carrier Fixed Point to Point Microwave						Y
WPJA868	CF - Common Carrier Fixed Point to Point Microwave						Y

111) Call Sign	112) Radio Service Code	113) Location Number	114) Path Number (Microwave only)	115) Frequency Number	116) Lower or Center Frequency (MHz)	117) Upper Frequency (MHz)	118) Constructed Yes / No
WPJB314	CF - Common Carrier Fixed Point to Point Microwave						Y
WPJB321	CF - Common Carrier Fixed Point to Point Microwave						Y
WPJB350	CF - Common Carrier Fixed Point to Point Microwave						Y
WPJB382	CF - Common Carrier Fixed Point to Point Microwave						Y
WPJB547	CF - Common Carrier Fixed Point to Point Microwave						Y
WPJB561	CF - Common Carrier Fixed Point to Point Microwave						Y
WPJB562	CF - Common Carrier Fixed Point to Point Microwave						Y
WPJB972	CF - Common Carrier Fixed Point to Point Microwave						Y
WPJB973	CF - Common Carrier Fixed Point to Point Microwave						Y
WPJC203	CF - Common Carrier Fixed Point to Point Microwave						Y
WPJC227	CF - Common Carrier Fixed Point to Point Microwave						Y
WPJC250	CF - Common Carrier Fixed Point to Point Microwave						Y
WPJC252	CF - Common Carrier Fixed Point to Point Microwave						Y
WPJC253	CF - Common Carrier Fixed Point to Point Microwave						Y
WPJC425	CF - Common Carrier Fixed Point to Point Microwave						Y
WPJC971	CF - Common Carrier Fixed Point to Point Microwave						Y
WPJD224	CF - Common Carrier Fixed Point to Point Microwave						Y
WPJD225	CF - Common Carrier Fixed Point to Point Microwave						Y
WPJD226	CF - Common Carrier Fixed Point to Point Microwave						Y

111) Call Sign	112) Radio Service Code	113) Location Number	114) Path Number (Microwave only)	115) Frequency Number	116) Lower or Center Frequency (MHz)	117) Upper Frequency (MHz)	118) Constructed Yes / No
WPJD248	CF - Common Carrier Fixed Point to Point Microwave						Y
WPJD249	CF - Common Carrier Fixed Point to Point Microwave						Y
WPJD250	CF - Common Carrier Fixed Point to Point Microwave						Y
WPJD262	CF - Common Carrier Fixed Point to Point Microwave						Y
WPJD269	CF - Common Carrier Fixed Point to Point Microwave						Y
WPJD271	CF - Common Carrier Fixed Point to Point Microwave						Y
WPJD296	CF - Common Carrier Fixed Point to Point Microwave						Y
WPJD297	CF - Common Carrier Fixed Point to Point Microwave						Y
WPJD298	CF - Common Carrier Fixed Point to Point Microwave						Y
WPJD301	CF - Common Carrier Fixed Point to Point Microwave						Y
WPJD302	CF - Common Carrier Fixed Point to Point Microwave						Y
WPJD314	CF - Common Carrier Fixed Point to Point Microwave						Y
WPJD315	CF - Common Carrier Fixed Point to Point Microwave						Y
WPJD316	CF - Common Carrier Fixed Point to Point Microwave						Y
WPJD342	CF - Common Carrier Fixed Point to Point Microwave						Y
WPJD814	CF - Common Carrier Fixed Point to Point Microwave						Y
WPJD992	CF - Common Carrier Fixed Point to Point Microwave						Y
WPJE575	CF - Common Carrier Fixed Point to Point Microwave						Y
WPJE608	CF - Common Carrier Fixed Point to Point Microwave						Y

111) Call Sign	112) Radio Service Code	113) Location Number	114) Path Number (Microwave only)	115) Frequency Number	116) Lower or Center Frequency (MHz)	117) Upper Frequency (MHz)	118) Constructed Yes / No
WPJE808	CF - Common Carrier Fixed Point to Point Microwave						Y
WPJE809	CF - Common Carrier Fixed Point to Point Microwave						Y
WPJE810	CF - Common Carrier Fixed Point to Point Microwave						Y
WPJE821	CF - Common Carrier Fixed Point to Point Microwave						Y
WPJE832	CF - Common Carrier Fixed Point to Point Microwave						Y
WPJE833	CF - Common Carrier Fixed Point to Point Microwave						Y
WPJE834	CF - Common Carrier Fixed Point to Point Microwave						Y
WPJE865	CF - Common Carrier Fixed Point to Point Microwave						Y
WPJE866	CF - Common Carrier Fixed Point to Point Microwave						Y
WPJF456	CF - Common Carrier Fixed Point to Point Microwave						Y
WPJF463	CF - Common Carrier Fixed Point to Point Microwave						Y
WPJF465	CF - Common Carrier Fixed Point to Point Microwave						Y
WPJF476	CF - Common Carrier Fixed Point to Point Microwave						Y
WPJF529	CF - Common Carrier Fixed Point to Point Microwave						Y
WPJF592	CF - Common Carrier Fixed Point to Point Microwave						Y
WPJF593	CF - Common Carrier Fixed Point to Point Microwave						Y
WPJF594	CF - Common Carrier Fixed Point to Point Microwave						Y
WPJF598	CF - Common Carrier Fixed Point to Point Microwave						Y
WPJF606	CF - Common Carrier Fixed Point to Point Microwave						Y

111) Call Sign	112) Radio Service Code	113) Location Number	114) Path Number (Microwave only)	115) Frequency Number	116) Lower or Center Frequency (MHz)	117) Upper Frequency (MHz)	118) Constructed Yes / No
WPJF614	CF - Common Carrier Fixed Point to Point Microwave						Y
WPJF816	CF - Common Carrier Fixed Point to Point Microwave						Y
WPJF817	CF - Common Carrier Fixed Point to Point Microwave						Y
WPNA575	CF - Common Carrier Fixed Point to Point Microwave						Y
WPNA602	CF - Common Carrier Fixed Point to Point Microwave						Y
WPNA603	CF - Common Carrier Fixed Point to Point Microwave						Y
WPNB324	CF - Common Carrier Fixed Point to Point Microwave						Y
WPNB339	CF - Common Carrier Fixed Point to Point Microwave						Y
WPNB342	CF - Common Carrier Fixed Point to Point Microwave						Y
WPNB356	CF - Common Carrier Fixed Point to Point Microwave						Y
WPNB382	CF - Common Carrier Fixed Point to Point Microwave						Y
WPNB383	CF - Common Carrier Fixed Point to Point Microwave						Y
WPNB385	CF - Common Carrier Fixed Point to Point Microwave						Y
WPNB386	CF - Common Carrier Fixed Point to Point Microwave						Y
WPNB402	CF - Common Carrier Fixed Point to Point Microwave						Y
WPNB578	CF - Common Carrier Fixed Point to Point Microwave						Y
WPNB579	CF - Common Carrier Fixed Point to Point Microwave						Y
WPNB589	CF - Common Carrier Fixed Point to Point Microwave						Y
WPNB606	CF - Common Carrier Fixed Point to Point Microwave						Y

111) Call Sign	112) Radio Service Code	113) Location Number	114) Path Number (Microwave only)	115) Frequency Number	116) Lower or Center Frequency (MHz)	117) Upper Frequency (MHz)	118) Constructed Yes / No
WPNB607	CF - Common Carrier Fixed Point to Point Microwave						Y
WPNC483	CF - Common Carrier Fixed Point to Point Microwave						Y
WPNC532	CF - Common Carrier Fixed Point to Point Microwave						Y
WPNC533	CF - Common Carrier Fixed Point to Point Microwave						Y
WPNC551	CF - Common Carrier Fixed Point to Point Microwave						Y
WPNC592	CF - Common Carrier Fixed Point to Point Microwave						Y
WPNC698	CF - Common Carrier Fixed Point to Point Microwave						Y
WPNC699	CF - Common Carrier Fixed Point to Point Microwave						Y
WPNC701	CF - Common Carrier Fixed Point to Point Microwave						Y
WPNC703	CF - Common Carrier Fixed Point to Point Microwave						Y
WPNC704	CF - Common Carrier Fixed Point to Point Microwave						Y
WPNC705	CF - Common Carrier Fixed Point to Point Microwave						Y
WPNC706	CF - Common Carrier Fixed Point to Point Microwave						Y
WPNC718	CF - Common Carrier Fixed Point to Point Microwave						Y
WPNC719	CF - Common Carrier Fixed Point to Point Microwave						Y
WPNC720	CF - Common Carrier Fixed Point to Point Microwave						Y
WPNC734	CF - Common Carrier Fixed Point to Point Microwave						Y
WPNC992	CF - Common Carrier Fixed Point to Point Microwave						Y
WPNC994	CF - Common Carrier Fixed Point to Point Microwave						Y

111) Call Sign	112) Radio Service Code	113) Location Number	114) Path Number (Microwave only)	115) Frequency Number	116) Lower or Center Frequency (MHz)	117) Upper Frequency (MHz)	118) Constructed Yes / No
WPND442	CF - Common Carrier Fixed Point to Point Microwave						Y
WPND447	CF - Common Carrier Fixed Point to Point Microwave						Y
WPND448	CF - Common Carrier Fixed Point to Point Microwave						Y
WPND449	CF - Common Carrier Fixed Point to Point Microwave						Y
WPND450	CF - Common Carrier Fixed Point to Point Microwave						Y
WPND463	CF - Common Carrier Fixed Point to Point Microwave						Y
WPND464	CF - Common Carrier Fixed Point to Point Microwave						Y
WPND639	CF - Common Carrier Fixed Point to Point Microwave						Y
WPND640	CF - Common Carrier Fixed Point to Point Microwave						Y
WPND642	CF - Common Carrier Fixed Point to Point Microwave						Y
WPND643	CF - Common Carrier Fixed Point to Point Microwave						Y
WPND646	CF - Common Carrier Fixed Point to Point Microwave						Y
WPNE225	CF - Common Carrier Fixed Point to Point Microwave						Y
WPNE374	CF - Common Carrier Fixed Point to Point Microwave						Y
WPNE376	CF - Common Carrier Fixed Point to Point Microwave						Y
WPNE684	CF - Common Carrier Fixed Point to Point Microwave						Y
WPNE703	CF - Common Carrier Fixed Point to Point Microwave						Y
WPNE706	CF - Common Carrier Fixed Point to Point Microwave						Y
WPNE731	CF - Common Carrier Fixed Point to Point Microwave						Y

111) Call Sign	112) Radio Service Code	113) Location Number	114) Path Number (Microwave only)	115) Frequency Number	116) Lower or Center Frequency (MHz)	117) Upper Frequency (MHz)	118) Constructed Yes / No
WPNF212	CF - Common Carrier Fixed Point to Point Microwave						Y
WPNG335	CF - Common Carrier Fixed Point to Point Microwave						Y
WPNG393	CF - Common Carrier Fixed Point to Point Microwave						Y
WPNG402	CF - Common Carrier Fixed Point to Point Microwave						Y
WPNG655	CF - Common Carrier Fixed Point to Point Microwave						Y
WPNG841	CF - Common Carrier Fixed Point to Point Microwave						Y
WPNG846	CF - Common Carrier Fixed Point to Point Microwave						Y
WPNG848	CF - Common Carrier Fixed Point to Point Microwave						Y
WPNG849	CF - Common Carrier Fixed Point to Point Microwave						Y
WPNG850	CF - Common Carrier Fixed Point to Point Microwave						Y
WPNG851	CF - Common Carrier Fixed Point to Point Microwave						Y
WPNG852	CF - Common Carrier Fixed Point to Point Microwave						Y
WPNG887	CF - Common Carrier Fixed Point to Point Microwave						Y
WPNG907	CF - Common Carrier Fixed Point to Point Microwave						Y
WPNG986	CF - Common Carrier Fixed Point to Point Microwave						Y
WPNG987	CF - Common Carrier Fixed Point to Point Microwave						Y
WPNH373	CF - Common Carrier Fixed Point to Point Microwave						Y
WPNH377	CF - Common Carrier Fixed Point to Point Microwave						Y
WPNH399	CF - Common Carrier Fixed Point to Point Microwave						Y

111) Call Sign	112) Radio Service Code	113) Location Number	114) Path Number (Microwave only)	115) Frequency Number	116) Lower or Center Frequency (MHz)	117) Upper Frequency (MHz)	118) Constructed Yes / No
WPNH402	CF - Common Carrier Fixed Point to Point Microwave						Y
WPNH436	CF - Common Carrier Fixed Point to Point Microwave						Y
WPNH437	CF - Common Carrier Fixed Point to Point Microwave						Y
WPNH765	CF - Common Carrier Fixed Point to Point Microwave						Y
WPNH774	CF - Common Carrier Fixed Point to Point Microwave						Y
WPNH778	CF - Common Carrier Fixed Point to Point Microwave						Y
WPNH851	CF - Common Carrier Fixed Point to Point Microwave						Y
WPNH855	CF - Common Carrier Fixed Point to Point Microwave						Y
WPNH856	CF - Common Carrier Fixed Point to Point Microwave						Y
WPNH924	CF - Common Carrier Fixed Point to Point Microwave						Y
WPNI854	CF - Common Carrier Fixed Point to Point Microwave						Y
WPNI856	CF - Common Carrier Fixed Point to Point Microwave						Y
WPNI857	CF - Common Carrier Fixed Point to Point Microwave						Y
WPNI860	CF - Common Carrier Fixed Point to Point Microwave						Y
WPNJ425	CF - Common Carrier Fixed Point to Point Microwave						Y
WPNJ426	CF - Common Carrier Fixed Point to Point Microwave						Y
WPNJ434	CF - Common Carrier Fixed Point to Point Microwave						Y
WPNJ770	CF - Common Carrier Fixed Point to Point Microwave						Y
WPNL212	CF - Common Carrier Fixed Point to Point Microwave						Y

111) Call Sign	112) Radio Service Code	113) Location Number	114) Path Number (Microwave only)	115) Frequency Number	116) Lower or Center Frequency (MHz)	117) Upper Frequency (MHz)	118) Constructed Yes / No
WPNL234	CF - Common Carrier Fixed Point to Point Microwave						Y
WPNL235	CF - Common Carrier Fixed Point to Point Microwave						Y
WPNL268	CF - Common Carrier Fixed Point to Point Microwave						Y
WPNL270	CF - Common Carrier Fixed Point to Point Microwave						Y
WPNL392	CF - Common Carrier Fixed Point to Point Microwave						Y
WPNL393	CF - Common Carrier Fixed Point to Point Microwave						Y
WPNL394	CF - Common Carrier Fixed Point to Point Microwave						Y
WPNL440	CF - Common Carrier Fixed Point to Point Microwave						Y
WPNL490	CF - Common Carrier Fixed Point to Point Microwave						Y
WPNL634	CF - Common Carrier Fixed Point to Point Microwave						Y
WPNL652	CF - Common Carrier Fixed Point to Point Microwave						Y
WPNM646	CF - Common Carrier Fixed Point to Point Microwave						Y
WPNM647	CF - Common Carrier Fixed Point to Point Microwave						Y
WPNM651	CF - Common Carrier Fixed Point to Point Microwave						Y
WPNM661	CF - Common Carrier Fixed Point to Point Microwave						Y
WPNN202	CF - Common Carrier Fixed Point to Point Microwave						Y
WPNN250	CF - Common Carrier Fixed Point to Point Microwave						Y
WPNN251	CF - Common Carrier Fixed Point to Point Microwave						Y
WPNN562	CF - Common Carrier Fixed Point to Point Microwave						Y

111) Call Sign	112) Radio Service Code	113) Location Number	114) Path Number (Microwave only)	115) Frequency Number	116) Lower or Center Frequency (MHz)	117) Upper Frequency (MHz)	118) Constructed Yes / No
WPNN563	CF - Common Carrier Fixed Point to Point Microwave						Y
WPOL574	CF - Common Carrier Fixed Point to Point Microwave						Y
WPOL682	CF - Common Carrier Fixed Point to Point Microwave						Y
WPOL686	CF - Common Carrier Fixed Point to Point Microwave						Y
WPOL875	CF - Common Carrier Fixed Point to Point Microwave						Y
WPOM321	CF - Common Carrier Fixed Point to Point Microwave						Y
WPOM516	CF - Common Carrier Fixed Point to Point Microwave						Y
WPOM853	CL - Cellular						Y
WPOM911	CF - Common Carrier Fixed Point to Point Microwave						Y
WPOM913	CF - Common Carrier Fixed Point to Point Microwave						Y
WPON209	CF - Common Carrier Fixed Point to Point Microwave						Y
WPON242	CF - Common Carrier Fixed Point to Point Microwave						Y
WPON243	CF - Common Carrier Fixed Point to Point Microwave						Y
WPON244	CF - Common Carrier Fixed Point to Point Microwave						Y
WPON250	CF - Common Carrier Fixed Point to Point Microwave						Y
WPON345	CF - Common Carrier Fixed Point to Point Microwave						Y
WPON462	CF - Common Carrier Fixed Point to Point Microwave						Y
WPON495	CF - Common Carrier Fixed Point to Point Microwave						Y
WPON496	CF - Common Carrier Fixed Point to Point Microwave						Y

111) Call Sign	112) Radio Service Code	113) Location Number	114) Path Number (Microwave only)	115) Frequency Number	116) Lower or Center Frequency (MHz)	117) Upper Frequency (MHz)	118) Constructed Yes / No
WPON507	CF - Common Carrier Fixed Point to Point Microwave						Y
WPON508	CF - Common Carrier Fixed Point to Point Microwave						Y
WPON509	CF - Common Carrier Fixed Point to Point Microwave						Y
WPON573	CF - Common Carrier Fixed Point to Point Microwave						Y
WPON623	CF - Common Carrier Fixed Point to Point Microwave						Y
WPON843	CF - Common Carrier Fixed Point to Point Microwave						Y
WPOP543	CF - Common Carrier Fixed Point to Point Microwave						Y
WPOP572	CF - Common Carrier Fixed Point to Point Microwave						Y
WPOP573	CF - Common Carrier Fixed Point to Point Microwave						Y
WPOP574	CF - Common Carrier Fixed Point to Point Microwave						Y
WPOP577	CF - Common Carrier Fixed Point to Point Microwave						Y
WPOQ312	CF - Common Carrier Fixed Point to Point Microwave						Y
WPOQ315	CF - Common Carrier Fixed Point to Point Microwave						Y
WPOQ660	CF - Common Carrier Fixed Point to Point Microwave						Y
WPOQ665	CF - Common Carrier Fixed Point to Point Microwave						Y
WPOQ666	CF - Common Carrier Fixed Point to Point Microwave						Y
WPOQ792	CF - Common Carrier Fixed Point to Point Microwave						Y
WPOR257	CF - Common Carrier Fixed Point to Point Microwave						Y
WPOR258	CF - Common Carrier Fixed Point to Point Microwave						Y

111) Call Sign	112) Radio Service Code	113) Location Number	114) Path Number (Microwave only)	115) Frequency Number	116) Lower or Center Frequency (MHz)	117) Upper Frequency (MHz)	118) Constructed Yes / No
WPOR552	CF - Common Carrier Fixed Point to Point Microwave						Y
WPOR641	CF - Common Carrier Fixed Point to Point Microwave						Y
WPOR674	CF - Common Carrier Fixed Point to Point Microwave						Y
WPOR686	CF - Common Carrier Fixed Point to Point Microwave						Y
WPOR692	CF - Common Carrier Fixed Point to Point Microwave						Y
WPOR694	CF - Common Carrier Fixed Point to Point Microwave						Y
WPOR700	CF - Common Carrier Fixed Point to Point Microwave						Y
WPOS340	CF - Common Carrier Fixed Point to Point Microwave						Y
WPOS880	CF - Common Carrier Fixed Point to Point Microwave						Y
WPOS887	CF - Common Carrier Fixed Point to Point Microwave						Y
WPOS933	CF - Common Carrier Fixed Point to Point Microwave						Y
WPOS940	CF - Common Carrier Fixed Point to Point Microwave						Y
WPOS941	CF - Common Carrier Fixed Point to Point Microwave						Y
WPOS965	CF - Common Carrier Fixed Point to Point Microwave						Y
WPOS966	CF - Common Carrier Fixed Point to Point Microwave						Y
WPOT299	CF - Common Carrier Fixed Point to Point Microwave						Y
WPOT300	CF - Common Carrier Fixed Point to Point Microwave						Y
WPOT942	CF - Common Carrier Fixed Point to Point Microwave						Y
WPOT994	CF - Common Carrier Fixed Point to Point Microwave						Y

111) Call Sign	112) Radio Service Code	113) Location Number	114) Path Number (Microwave only)	115) Frequency Number	116) Lower or Center Frequency (MHz)	117) Upper Frequency (MHz)	118) Constructed Yes / No
WPOT995	CF - Common Carrier Fixed Point to Point Microwave						Y
WPOU550	CF - Common Carrier Fixed Point to Point Microwave						Y
WPOV376	CF - Common Carrier Fixed Point to Point Microwave						Y
WPQL250	CF - Common Carrier Fixed Point to Point Microwave						Y
WPQL303	CF - Common Carrier Fixed Point to Point Microwave						Y
WPQL304	CF - Common Carrier Fixed Point to Point Microwave						Y
WPQL432	CF - Common Carrier Fixed Point to Point Microwave						Y
WPQL583	CF - Common Carrier Fixed Point to Point Microwave						Y
WPQL655	CF - Common Carrier Fixed Point to Point Microwave						Y
WPQL722	CF - Common Carrier Fixed Point to Point Microwave						Y
WPQL801	CL - Cellular						Y
WPQL825	CF - Common Carrier Fixed Point to Point Microwave						Y
WPQP558	CF - Common Carrier Fixed Point to Point Microwave						Y
WPQP589	CF - Common Carrier Fixed Point to Point Microwave						Y
WPQP691	CF - Common Carrier Fixed Point to Point Microwave						Y
WPQP714	CF - Common Carrier Fixed Point to Point Microwave						Y
WPQP799	CF - Common Carrier Fixed Point to Point Microwave						Y
WPQP800	CF - Common Carrier Fixed Point to Point Microwave						Y
WPQP801	CF - Common Carrier Fixed Point to Point Microwave						Y

111) Call Sign	112) Radio Service Code	113) Location Number	114) Path Number (Microwave only)	115) Frequency Number	116) Lower or Center Frequency (MHz)	117) Upper Frequency (MHz)	118) Constructed Yes / No
WPQQ454	CF - Common Carrier Fixed Point to Point Microwave						Y
WPQQ455	CF - Common Carrier Fixed Point to Point Microwave						Y
WPQQ584	CF - Common Carrier Fixed Point to Point Microwave						Y
WPQQ585	CF - Common Carrier Fixed Point to Point Microwave						Y
WPQQ586	CF - Common Carrier Fixed Point to Point Microwave						Y
WPQQ587	CF - Common Carrier Fixed Point to Point Microwave						Y
WPQQ589	CF - Common Carrier Fixed Point to Point Microwave						Y
WPQQ697	CF - Common Carrier Fixed Point to Point Microwave						Y
WPQQ843	CF - Common Carrier Fixed Point to Point Microwave						Y
WPQR328	CF - Common Carrier Fixed Point to Point Microwave						Y
WPQR329	CF - Common Carrier Fixed Point to Point Microwave						Y
WPQR330	CF - Common Carrier Fixed Point to Point Microwave						Y
WPQR432	CF - Common Carrier Fixed Point to Point Microwave						Y
WPQR433	CF - Common Carrier Fixed Point to Point Microwave						Y
WPQR434	CF - Common Carrier Fixed Point to Point Microwave						Y
WPQR454	CF - Common Carrier Fixed Point to Point Microwave						Y
WPQR765	CF - Common Carrier Fixed Point to Point Microwave						Y
WPQR774	CF - Common Carrier Fixed Point to Point Microwave						Y
WPQR883	CF - Common Carrier Fixed Point to Point Microwave						Y

111) Call Sign	112) Radio Service Code	113) Location Number	114) Path Number (Microwave only)	115) Frequency Number	116) Lower or Center Frequency (MHz)	117) Upper Frequency (MHz)	118) Constructed Yes / No
WPQS330	CF - Common Carrier Fixed Point to Point Microwave						Y
WPQS583	CL - Cellular						Y
WPQS584	CL - Cellular						Y
WPQS633	CF - Common Carrier Fixed Point to Point Microwave						Y
WPQT286	CF - Common Carrier Fixed Point to Point Microwave						Y
WPQT287	CF - Common Carrier Fixed Point to Point Microwave						Y
WPQT290	CF - Common Carrier Fixed Point to Point Microwave						Y
WPQT419	CF - Common Carrier Fixed Point to Point Microwave						Y
WPQT460	CF - Common Carrier Fixed Point to Point Microwave						Y
WPQT510	CF - Common Carrier Fixed Point to Point Microwave						Y
WPQT635	CF - Common Carrier Fixed Point to Point Microwave						Y
WPQT638	CF - Common Carrier Fixed Point to Point Microwave						Y
WPQT687	CF - Common Carrier Fixed Point to Point Microwave						Y
WPQT881	CF - Common Carrier Fixed Point to Point Microwave						Y
WPQW481	CF - Common Carrier Fixed Point to Point Microwave						Y
WPQW524	CF - Common Carrier Fixed Point to Point Microwave						Y
WPQW581	CF - Common Carrier Fixed Point to Point Microwave						Y
WPQW583	CF - Common Carrier Fixed Point to Point Microwave						Y
WPQW607	CF - Common Carrier Fixed Point to Point Microwave						Y

111) Call Sign	112) Radio Service Code	113) Location Number	114) Path Number (Microwave only)	115) Frequency Number	116) Lower or Center Frequency (MHz)	117) Upper Frequency (MHz)	118) Constructed Yes / No
WPQW659	CF - Common Carrier Fixed Point to Point Microwave						Y
WPQW660	CF - Common Carrier Fixed Point to Point Microwave						Y
WPQW742	CF - Common Carrier Fixed Point to Point Microwave						Y
WPQW744	CF - Common Carrier Fixed Point to Point Microwave						Y
WPQW897	CF - Common Carrier Fixed Point to Point Microwave						Y
WPQX605	CF - Common Carrier Fixed Point to Point Microwave						Y
WPQX606	CF - Common Carrier Fixed Point to Point Microwave						Y
WPQX607	CF - Common Carrier Fixed Point to Point Microwave						Y
WPQX697	CF - Common Carrier Fixed Point to Point Microwave						Y
WPQX985	CF - Common Carrier Fixed Point to Point Microwave						Y
WPQX998	CF - Common Carrier Fixed Point to Point Microwave						Y
WPQX999	CF - Common Carrier Fixed Point to Point Microwave						Y
WPQY339	CF - Common Carrier Fixed Point to Point Microwave						Y
WPQZ246	CF - Common Carrier Fixed Point to Point Microwave						Y
WPRT221	CF - Common Carrier Fixed Point to Point Microwave						Y
WPRT226	CF - Common Carrier Fixed Point to Point Microwave						Y
WPRT227	CF - Common Carrier Fixed Point to Point Microwave						Y
WPRT720	CF - Common Carrier Fixed Point to Point Microwave						Y
WPRU583	CF - Common Carrier Fixed Point to Point Microwave						Y

111) Call Sign	112) Radio Service Code	113) Location Number	114) Path Number (Microwave only)	115) Frequency Number	116) Lower or Center Frequency (MHz)	117) Upper Frequency (MHz)	118) Constructed Yes / No
WPRU842	CF - Common Carrier Fixed Point to Point Microwave						Y
WPRU843	CF - Common Carrier Fixed Point to Point Microwave						Y
WPRU844	CF - Common Carrier Fixed Point to Point Microwave						Y
WPRU853	CF - Common Carrier Fixed Point to Point Microwave						Y
WPRU989	CF - Common Carrier Fixed Point to Point Microwave						Y
WPRU992	CF - Common Carrier Fixed Point to Point Microwave						Y
WPRU993	CF - Common Carrier Fixed Point to Point Microwave						Y
WPRV204	CF - Common Carrier Fixed Point to Point Microwave						Y
WPRV300	CF - Common Carrier Fixed Point to Point Microwave						Y
WPRV478	CF - Common Carrier Fixed Point to Point Microwave						Y
WPRV483	CF - Common Carrier Fixed Point to Point Microwave						Y
WPRV679	CF - Common Carrier Fixed Point to Point Microwave						Y
WPRW215	CF - Common Carrier Fixed Point to Point Microwave						Y
WPRW302	CF - Common Carrier Fixed Point to Point Microwave						Y
WPRW945	CF - Common Carrier Fixed Point to Point Microwave						Y
WPRW979	CF - Common Carrier Fixed Point to Point Microwave						Y
WPRX292	CF - Common Carrier Fixed Point to Point Microwave						Y
WPRX293	CF - Common Carrier Fixed Point to Point Microwave						Y
WPRX298	CF - Common Carrier Fixed Point to Point Microwave						Y

111) Call Sign	112) Radio Service Code	113) Location Number	114) Path Number (Microwave only)	115) Frequency Number	116) Lower or Center Frequency (MHz)	117) Upper Frequency (MHz)	118) Constructed Yes / No
WPRX299	CF - Common Carrier Fixed Point to Point Microwave						Y
WPRX630	CF - Common Carrier Fixed Point to Point Microwave						Y
WPRX632	CF - Common Carrier Fixed Point to Point Microwave						Y
WPRX633	CF - Common Carrier Fixed Point to Point Microwave						Y
WPRX634	CF - Common Carrier Fixed Point to Point Microwave						Y
WPRX635	CF - Common Carrier Fixed Point to Point Microwave						Y
WPRX636	CF - Common Carrier Fixed Point to Point Microwave						Y
WPRX820	CF - Common Carrier Fixed Point to Point Microwave						Y
WPRX823	CF - Common Carrier Fixed Point to Point Microwave						Y
WPRZ818	CF - Common Carrier Fixed Point to Point Microwave						Y
WPSD938	CF - Common Carrier Fixed Point to Point Microwave						Y
WPSD940	CF - Common Carrier Fixed Point to Point Microwave						Y
WPSD943	CF - Common Carrier Fixed Point to Point Microwave						Y
WPSD944	CF - Common Carrier Fixed Point to Point Microwave						Y
WPSE456	CF - Common Carrier Fixed Point to Point Microwave						Y
WPSF480	CF - Common Carrier Fixed Point to Point Microwave						Y
WPSF560	CF - Common Carrier Fixed Point to Point Microwave						Y
WPSG487	CF - Common Carrier Fixed Point to Point Microwave						Y
WPSG489	CF - Common Carrier Fixed Point to Point Microwave						Y

111) Call Sign	112) Radio Service Code	113) Location Number	114) Path Number (Microwave only)	115) Frequency Number	116) Lower or Center Frequency (MHz)	117) Upper Frequency (MHz)	118) Constructed Yes / No
WPSI646	CF - Common Carrier Fixed Point to Point Microwave						Y
WPSJ335	CF - Common Carrier Fixed Point to Point Microwave						Y
WPSJ337	CF - Common Carrier Fixed Point to Point Microwave						Y
WPSJ596	CF - Common Carrier Fixed Point to Point Microwave						Y
WPSJ791	CL - Cellular						Y
WPSJ792	CL - Cellular						Y
WPSK343	CF - Common Carrier Fixed Point to Point Microwave						Y
WPSK637	CF - Common Carrier Fixed Point to Point Microwave						Y
WPSK663	CF - Common Carrier Fixed Point to Point Microwave						Y
WPSL226	CF - Common Carrier Fixed Point to Point Microwave						Y
WPSL227	CF - Common Carrier Fixed Point to Point Microwave						Y
WPSL228	CF - Common Carrier Fixed Point to Point Microwave						Y
WPSL229	CF - Common Carrier Fixed Point to Point Microwave						Y
WPSL230	CF - Common Carrier Fixed Point to Point Microwave						Y
WPSL386	CF - Common Carrier Fixed Point to Point Microwave						Y
WPSN266	CF - Common Carrier Fixed Point to Point Microwave						Y
WPSQ219	CF - Common Carrier Fixed Point to Point Microwave						Y
WPSQ228	CF - Common Carrier Fixed Point to Point Microwave						Y
WPSQ231	CF - Common Carrier Fixed Point to Point Microwave						Y

111) Call Sign	112) Radio Service Code	113) Location Number	114) Path Number (Microwave only)	115) Frequency Number	116) Lower or Center Frequency (MHz)	117) Upper Frequency (MHz)	118) Constructed Yes / No
WPSQ351	CF - Common Carrier Fixed Point to Point Microwave						Y
WPSR306	CF - Common Carrier Fixed Point to Point Microwave						Y
WPSR312	CF - Common Carrier Fixed Point to Point Microwave						Y
WPSR321	CF - Common Carrier Fixed Point to Point Microwave						Y
WPSR503	CF - Common Carrier Fixed Point to Point Microwave						Y
WPSS324	CF - Common Carrier Fixed Point to Point Microwave						Y
WPSS570	CF - Common Carrier Fixed Point to Point Microwave						Y
WPTA580	CF - Common Carrier Fixed Point to Point Microwave						Y
WPTA862	CF - Common Carrier Fixed Point to Point Microwave						Y
WPTB966	CF - Common Carrier Fixed Point to Point Microwave						Y
WPTD330	CF - Common Carrier Fixed Point to Point Microwave						Y
WPTD340	CF - Common Carrier Fixed Point to Point Microwave						Y
WPTD342	CF - Common Carrier Fixed Point to Point Microwave						Y
WPTD347	CF - Common Carrier Fixed Point to Point Microwave						Y
WPTD391	CF - Common Carrier Fixed Point to Point Microwave						Y
WPTD393	CF - Common Carrier Fixed Point to Point Microwave						Y
WPTD412	CF - Common Carrier Fixed Point to Point Microwave						Y
WPTD414	CF - Common Carrier Fixed Point to Point Microwave						Y
WPTD426	CF - Common Carrier Fixed Point to Point Microwave						Y

111) Call Sign	112) Radio Service Code	113) Location Number	114) Path Number (Microwave only)	115) Frequency Number	116) Lower or Center Frequency (MHz)	117) Upper Frequency (MHz)	118) Constructed Yes / No
WPTD845	CL - Cellular						Y
WPTE349	CF - Common Carrier Fixed Point to Point Microwave						Y
WPTG355	CF - Common Carrier Fixed Point to Point Microwave						Y
WPTH379	CF - Common Carrier Fixed Point to Point Microwave						Y
WPTH381	CF - Common Carrier Fixed Point to Point Microwave						Y
WPTJ829	CF - Common Carrier Fixed Point to Point Microwave						Y
WPTK507	CF - Common Carrier Fixed Point to Point Microwave						Y
WPTL475	CF - Common Carrier Fixed Point to Point Microwave						Y
WPTL751	CF - Common Carrier Fixed Point to Point Microwave						Y
WPTM665	CF - Common Carrier Fixed Point to Point Microwave						Y
WPTM864	CF - Common Carrier Fixed Point to Point Microwave						Y
WPTN212	CF - Common Carrier Fixed Point to Point Microwave						Y
WPTN450	CF - Common Carrier Fixed Point to Point Microwave						Y
WPTN584	CF - Common Carrier Fixed Point to Point Microwave						Y
WPTN952	CF - Common Carrier Fixed Point to Point Microwave						Y
WPTP452	CF - Common Carrier Fixed Point to Point Microwave						Y
WPTP460	CF - Common Carrier Fixed Point to Point Microwave						Y
WPTP624	CF - Common Carrier Fixed Point to Point Microwave						Y
WPTQ860	CF - Common Carrier Fixed Point to Point Microwave						Y

111) Call Sign	112) Radio Service Code	113) Location Number	114) Path Number (Microwave only)	115) Frequency Number	116) Lower or Center Frequency (MHz)	117) Upper Frequency (MHz)	118) Constructed Yes / No
WPTR298	CF - Common Carrier Fixed Point to Point Microwave						Y
WPTR855	CF - Common Carrier Fixed Point to Point Microwave						Y
WPTS279	CF - Common Carrier Fixed Point to Point Microwave						Y
WPTS280	CF - Common Carrier Fixed Point to Point Microwave						Y
WPTS281	CF - Common Carrier Fixed Point to Point Microwave						Y
WPTS287	CF - Common Carrier Fixed Point to Point Microwave						Y
WPTS292	CF - Common Carrier Fixed Point to Point Microwave						Y
WPTS300	CF - Common Carrier Fixed Point to Point Microwave						Y
WPTS304	CF - Common Carrier Fixed Point to Point Microwave						Y
WPTS305	CF - Common Carrier Fixed Point to Point Microwave						Y
WPTS309	CF - Common Carrier Fixed Point to Point Microwave						Y
WPTS332	CF - Common Carrier Fixed Point to Point Microwave						Y
WPTS334	CF - Common Carrier Fixed Point to Point Microwave						Y
WPTS336	CF - Common Carrier Fixed Point to Point Microwave						Y
WPTS337	CF - Common Carrier Fixed Point to Point Microwave						Y
WPTS340	CF - Common Carrier Fixed Point to Point Microwave						Y
WPTS888	CF - Common Carrier Fixed Point to Point Microwave						Y
WPTS889	CF - Common Carrier Fixed Point to Point Microwave						Y
WPTU930	CF - Common Carrier Fixed Point to Point Microwave						Y

111) Call Sign	112) Radio Service Code	113) Location Number	114) Path Number (Microwave only)	115) Frequency Number	116) Lower or Center Frequency (MHz)	117) Upper Frequency (MHz)	118) Constructed Yes / No
WPTV801	CF - Common Carrier Fixed Point to Point Microwave						Y
WPTX494	CF - Common Carrier Fixed Point to Point Microwave						Y
WPTY552	CF - Common Carrier Fixed Point to Point Microwave						Y
WPTY553	CF - Common Carrier Fixed Point to Point Microwave						Y
WPTY560	CF - Common Carrier Fixed Point to Point Microwave						Y
WPTY561	CF - Common Carrier Fixed Point to Point Microwave						Y
WPTY563	CF - Common Carrier Fixed Point to Point Microwave						Y
WPTY566	CF - Common Carrier Fixed Point to Point Microwave						Y
WPTY568	CF - Common Carrier Fixed Point to Point Microwave						Y
WPTY570	CF - Common Carrier Fixed Point to Point Microwave						Y
WPTY572	CF - Common Carrier Fixed Point to Point Microwave						Y
WPTY575	CF - Common Carrier Fixed Point to Point Microwave						Y
WPTY580	CF - Common Carrier Fixed Point to Point Microwave						Y
WPTY582	CF - Common Carrier Fixed Point to Point Microwave						Y
WPTY591	CF - Common Carrier Fixed Point to Point Microwave						Y
WPTY614	CF - Common Carrier Fixed Point to Point Microwave						Y
WPTY615	CF - Common Carrier Fixed Point to Point Microwave						Y
WPTY993	CF - Common Carrier Fixed Point to Point Microwave						Y
WPTY994	CF - Common Carrier Fixed Point to Point Microwave						Y

111) Call Sign	112) Radio Service Code	113) Location Number	114) Path Number (Microwave only)	115) Frequency Number	116) Lower or Center Frequency (MHz)	117) Upper Frequency (MHz)	118) Constructed Yes / No
WPTZ534	CF - Common Carrier Fixed Point to Point Microwave						Y
WPTZ536	CF - Common Carrier Fixed Point to Point Microwave						Y
WPUB580	CF - Common Carrier Fixed Point to Point Microwave						Y
WPUC493	CF - Common Carrier Fixed Point to Point Microwave						Y
WPUC494	CF - Common Carrier Fixed Point to Point Microwave						Y
WPUC906	CF - Common Carrier Fixed Point to Point Microwave						Y
WPUC908	CF - Common Carrier Fixed Point to Point Microwave						Y
WPUC910	CF - Common Carrier Fixed Point to Point Microwave						Y
WPUC912	CF - Common Carrier Fixed Point to Point Microwave						Y
WPUE960	CF - Common Carrier Fixed Point to Point Microwave						Y
WPUF204	CF - Common Carrier Fixed Point to Point Microwave						Y
WPUF205	CF - Common Carrier Fixed Point to Point Microwave						Y
WPUF206	CF - Common Carrier Fixed Point to Point Microwave						Y
WPUF207	CF - Common Carrier Fixed Point to Point Microwave						Y
WPUF743	CF - Common Carrier Fixed Point to Point Microwave						Y
WPUF952	CF - Common Carrier Fixed Point to Point Microwave						Y
WPUI510	CF - Common Carrier Fixed Point to Point Microwave						Y
WPUI552	CF - Common Carrier Fixed Point to Point Microwave						Y
WPUL229	CF - Common Carrier Fixed Point to Point Microwave						Y

111) Call Sign	112) Radio Service Code	113) Location Number	114) Path Number (Microwave only)	115) Frequency Number	116) Lower or Center Frequency (MHz)	117) Upper Frequency (MHz)	118) Constructed Yes / No
WPUL230	CF - Common Carrier Fixed Point to Point Microwave						Y
WPUL459	CF - Common Carrier Fixed Point to Point Microwave						Y
WPUN525	CF - Common Carrier Fixed Point to Point Microwave						Y
WPUN549	CF - Common Carrier Fixed Point to Point Microwave						Y
WPUP637	CF - Common Carrier Fixed Point to Point Microwave						Y
WPUP638	CF - Common Carrier Fixed Point to Point Microwave						Y
WPVA651	CF - Common Carrier Fixed Point to Point Microwave						Y
WPVJ218	CF - Common Carrier Fixed Point to Point Microwave						Y
WPVL459	CF - Common Carrier Fixed Point to Point Microwave						Y
WPVL808	CF - Common Carrier Fixed Point to Point Microwave						Y
WPVM292	CF - Common Carrier Fixed Point to Point Microwave						Y
WPVM293	CF - Common Carrier Fixed Point to Point Microwave						Y
WPVR574	CF - Common Carrier Fixed Point to Point Microwave						Y
WPVR580	CF - Common Carrier Fixed Point to Point Microwave						Y
WPVS436	CF - Common Carrier Fixed Point to Point Microwave						Y
WPVS437	CF - Common Carrier Fixed Point to Point Microwave						Y
WPVV299	CL - Cellular						Y
WPVV651	CF - Common Carrier Fixed Point to Point Microwave						Y
WPVW305	CF - Common Carrier Fixed Point to Point Microwave						Y

111) Call Sign	112) Radio Service Code	113) Location Number	114) Path Number (Microwave only)	115) Frequency Number	116) Lower or Center Frequency (MHz)	117) Upper Frequency (MHz)	118) Constructed Yes / No
WPVY274	CF - Common Carrier Fixed Point to Point Microwave						Y
WPVY275	CF - Common Carrier Fixed Point to Point Microwave						Y
WPVY276	CF - Common Carrier Fixed Point to Point Microwave						Y
WPWB586	CF - Common Carrier Fixed Point to Point Microwave						Y
WPWD200	CF - Common Carrier Fixed Point to Point Microwave						Y
WPWD202	CF - Common Carrier Fixed Point to Point Microwave						Y
WPWG284	CF - Common Carrier Fixed Point to Point Microwave						Y
WPWG449	CF - Common Carrier Fixed Point to Point Microwave						Y
WPWH534	CF - Common Carrier Fixed Point to Point Microwave						Y
WPWH543	CF - Common Carrier Fixed Point to Point Microwave						Y
WPWH685	CF - Common Carrier Fixed Point to Point Microwave						Y
WPWJ469	CF - Common Carrier Fixed Point to Point Microwave						Y
WPWJ470	CF - Common Carrier Fixed Point to Point Microwave						Y
WPWR490	CF - Common Carrier Fixed Point to Point Microwave						Y
WPWR498	CF - Common Carrier Fixed Point to Point Microwave						Y
WPWR505	CF - Common Carrier Fixed Point to Point Microwave						Y
WPWR508	CF - Common Carrier Fixed Point to Point Microwave						Y
WPWR512	CF - Common Carrier Fixed Point to Point Microwave						Y
WPWS611	CF - Common Carrier Fixed Point to Point Microwave						Y

111) Call Sign	112) Radio Service Code	113) Location Number	114) Path Number (Microwave only)	115) Frequency Number	116) Lower or Center Frequency (MHz)	117) Upper Frequency (MHz)	118) Constructed Yes / No
WPWZ273	CF - Common Carrier Fixed Point to Point Microwave						Y
WPWZ275	CF - Common Carrier Fixed Point to Point Microwave						Y
WPWZ277	CF - Common Carrier Fixed Point to Point Microwave						Y
WPWZ281	CF - Common Carrier Fixed Point to Point Microwave						Y
WPXC373	CF - Common Carrier Fixed Point to Point Microwave						Y
WPXC463	CF - Common Carrier Fixed Point to Point Microwave						Y
WPXC468	CF - Common Carrier Fixed Point to Point Microwave						Y
WPXC476	CF - Common Carrier Fixed Point to Point Microwave						Y
WPXE259	CF - Common Carrier Fixed Point to Point Microwave						Y
WPXG434	CF - Common Carrier Fixed Point to Point Microwave						Y
WPXH869	CF - Common Carrier Fixed Point to Point Microwave						Y
WPXJ680	CF - Common Carrier Fixed Point to Point Microwave						Y
WPXJ682	CF - Common Carrier Fixed Point to Point Microwave						Y
WPXJ686	CF - Common Carrier Fixed Point to Point Microwave						Y
WPXJ688	CF - Common Carrier Fixed Point to Point Microwave						Y
WPXJ692	CF - Common Carrier Fixed Point to Point Microwave						Y
WPXK794	CF - Common Carrier Fixed Point to Point Microwave						Y
WPXK830	CF - Common Carrier Fixed Point to Point Microwave						Y
WPXL295	CF - Common Carrier Fixed Point to Point Microwave						Y

111) Call Sign	112) Radio Service Code	113) Location Number	114) Path Number (Microwave only)	115) Frequency Number	116) Lower or Center Frequency (MHz)	117) Upper Frequency (MHz)	118) Constructed Yes / No
WPXL478	CF - Common Carrier Fixed Point to Point Microwave						Y
WPXL483	CF - Common Carrier Fixed Point to Point Microwave						Y
WPXL507	CF - Common Carrier Fixed Point to Point Microwave						Y
WPXL512	CF - Common Carrier Fixed Point to Point Microwave						Y
WPXL541	CF - Common Carrier Fixed Point to Point Microwave						Y
WPXL545	CF - Common Carrier Fixed Point to Point Microwave						Y
WPXN203	CF - Common Carrier Fixed Point to Point Microwave						Y
WPXQ542	CF - Common Carrier Fixed Point to Point Microwave						Y
WPXR635	CF - Common Carrier Fixed Point to Point Microwave						Y
WPXT937	CF - Common Carrier Fixed Point to Point Microwave						Y
WPXW903	CF - Common Carrier Fixed Point to Point Microwave						Y
WPYB553	CF - Common Carrier Fixed Point to Point Microwave						Y
WPYB556	CF - Common Carrier Fixed Point to Point Microwave						Y
WPYC636	CF - Common Carrier Fixed Point to Point Microwave						Y
WPYH452	CF - Common Carrier Fixed Point to Point Microwave						Y
WPYK282	CF - Common Carrier Fixed Point to Point Microwave						Y
WPYN544	CF - Common Carrier Fixed Point to Point Microwave						Y
WPYN547	CF - Common Carrier Fixed Point to Point Microwave						Y
WPYP600	CF - Common Carrier Fixed Point to Point Microwave						Y

111) Call Sign	112) Radio Service Code	113) Location Number	114) Path Number (Microwave only)	115) Frequency Number	116) Lower or Center Frequency (MHz)	117) Upper Frequency (MHz)	118) Constructed Yes / No
WPYQ582	CF - Common Carrier Fixed Point to Point Microwave						Y
WPYQ583	CF - Common Carrier Fixed Point to Point Microwave						Y
WPYQ584	CF - Common Carrier Fixed Point to Point Microwave						Y
WPYT391	CF - Common Carrier Fixed Point to Point Microwave						Y
WPYT394	CF - Common Carrier Fixed Point to Point Microwave						Y
WPYT411	CF - Common Carrier Fixed Point to Point Microwave						Y
WPYT417	CF - Common Carrier Fixed Point to Point Microwave						Y
WPYU241	CF - Common Carrier Fixed Point to Point Microwave						Y
WPYV689	CF - Common Carrier Fixed Point to Point Microwave						Y
WPYV690	CF - Common Carrier Fixed Point to Point Microwave						Y
WPYW985	CF - Common Carrier Fixed Point to Point Microwave						Y
WPYY374	CF - Common Carrier Fixed Point to Point Microwave						Y
WPYZ263	CF - Common Carrier Fixed Point to Point Microwave						Y
WPZB215	CF - Common Carrier Fixed Point to Point Microwave						Y
WPZB216	CF - Common Carrier Fixed Point to Point Microwave						Y
WPZG713	CF - Common Carrier Fixed Point to Point Microwave						Y
WPZI858	CF - Common Carrier Fixed Point to Point Microwave						Y
WPZI865	CF - Common Carrier Fixed Point to Point Microwave						Y
WPZK805	CF - Common Carrier Fixed Point to Point Microwave						Y

111) Call Sign	112) Radio Service Code	113) Location Number	114) Path Number (Microwave only)	115) Frequency Number	116) Lower or Center Frequency (MHz)	117) Upper Frequency (MHz)	118) Constructed Yes / No
WPZL414	CF - Common Carrier Fixed Point to Point Microwave						Y
WPZP958	CL - Cellular						Y
WPZR875	CF - Common Carrier Fixed Point to Point Microwave						Y
WPZS714	CF - Common Carrier Fixed Point to Point Microwave						Y
WPZS716	CF - Common Carrier Fixed Point to Point Microwave						Y
WPZS718	CF - Common Carrier Fixed Point to Point Microwave						Y
WPZS721	CF - Common Carrier Fixed Point to Point Microwave						Y
WPZU235	CF - Common Carrier Fixed Point to Point Microwave						Y
WPZZ381	CF - Common Carrier Fixed Point to Point Microwave						Y
WQAA265	CF - Common Carrier Fixed Point to Point Microwave						Y
WQAF391	CF - Common Carrier Fixed Point to Point Microwave						Y
WQAF397	CF - Common Carrier Fixed Point to Point Microwave						Y
WQAF398	CF - Common Carrier Fixed Point to Point Microwave						Y
WQAF917	CF - Common Carrier Fixed Point to Point Microwave						Y
WQAG294	CF - Common Carrier Fixed Point to Point Microwave						Y
WQAG297	CF - Common Carrier Fixed Point to Point Microwave						Y
WQAG731	CF - Common Carrier Fixed Point to Point Microwave						Y
WQAI869	CF - Common Carrier Fixed Point to Point Microwave						Y
WQAJ491	CF - Common Carrier Fixed Point to Point Microwave						Y

111) Call Sign	112) Radio Service Code	113) Location Number	114) Path Number (Microwave only)	115) Frequency Number	116) Lower or Center Frequency (MHz)	117) Upper Frequency (MHz)	118) Constructed Yes / No
WQAM790	CF - Common Carrier Fixed Point to Point Microwave						Y
WQAM795	CF - Common Carrier Fixed Point to Point Microwave						Y
WQAM798	CF - Common Carrier Fixed Point to Point Microwave						Y
WQAM799	CF - Common Carrier Fixed Point to Point Microwave						Y
WQAM800	CF - Common Carrier Fixed Point to Point Microwave						Y
WQAS216	CF - Common Carrier Fixed Point to Point Microwave						Y
WQBE822	CF - Common Carrier Fixed Point to Point Microwave						Y
WQBE828	CF - Common Carrier Fixed Point to Point Microwave						Y
WQBE829	CF - Common Carrier Fixed Point to Point Microwave						Y
WQBJ559	CF - Common Carrier Fixed Point to Point Microwave						Y
WQBJ561	CF - Common Carrier Fixed Point to Point Microwave						Y
WQBJ595	CF - Common Carrier Fixed Point to Point Microwave						Y
WQBK480	CF - Common Carrier Fixed Point to Point Microwave						Y
WQBL517	CF - Common Carrier Fixed Point to Point Microwave						Y
WQBL526	CF - Common Carrier Fixed Point to Point Microwave						Y
WQBN796	CF - Common Carrier Fixed Point to Point Microwave						Y
WQBS599	CF - Common Carrier Fixed Point to Point Microwave						Y
WQBT376	CF - Common Carrier Fixed Point to Point Microwave						Y
WQBU394	CF - Common Carrier Fixed Point to Point Microwave						Y

111) Call Sign	112) Radio Service Code	113) Location Number	114) Path Number (Microwave only)	115) Frequency Number	116) Lower or Center Frequency (MHz)	117) Upper Frequency (MHz)	118) Constructed Yes / No
WQCC488	CF - Common Carrier Fixed Point to Point Microwave						Y
WQCD470	CF - Common Carrier Fixed Point to Point Microwave						Y
WQCE690	CF - Common Carrier Fixed Point to Point Microwave						Y
WQCF654	CF - Common Carrier Fixed Point to Point Microwave						Y
WQCI655	CF - Common Carrier Fixed Point to Point Microwave						Y
WQCI836	CF - Common Carrier Fixed Point to Point Microwave						Y
WQCI958	CF - Common Carrier Fixed Point to Point Microwave						Y
WQCK340	CF - Common Carrier Fixed Point to Point Microwave						Y
WQCK826	CF - Common Carrier Fixed Point to Point Microwave						Y
WQCK947	CF - Common Carrier Fixed Point to Point Microwave						Y
WQCL201	CF - Common Carrier Fixed Point to Point Microwave						Y
WQCL202	CF - Common Carrier Fixed Point to Point Microwave						Y
WQCL207	CF - Common Carrier Fixed Point to Point Microwave						Y
WQCL289	CF - Common Carrier Fixed Point to Point Microwave						Y
WQCL290	CF - Common Carrier Fixed Point to Point Microwave						Y
WQCL292	CF - Common Carrier Fixed Point to Point Microwave						Y
WQCL805	CF - Common Carrier Fixed Point to Point Microwave						Y
WQCL938	CF - Common Carrier Fixed Point to Point Microwave						Y
WQCL966	CF - Common Carrier Fixed Point to Point Microwave						Y

111) Call Sign	112) Radio Service Code	113) Location Number	114) Path Number (Microwave only)	115) Frequency Number	116) Lower or Center Frequency (MHz)	117) Upper Frequency (MHz)	118) Constructed Yes / No
WQCM412	CF - Common Carrier Fixed Point to Point Microwave						Y
WQCQ676	CF - Common Carrier Fixed Point to Point Microwave						Y
WQCQ677	CF - Common Carrier Fixed Point to Point Microwave						Y
WQCT660	CF - Common Carrier Fixed Point to Point Microwave						Y
WQDB658	CF - Common Carrier Fixed Point to Point Microwave						Y
WQDH214	CF - Common Carrier Fixed Point to Point Microwave						Y
WQDK702	CF - Common Carrier Fixed Point to Point Microwave						Y
WQDN631	CF - Common Carrier Fixed Point to Point Microwave						Y
WQDN632	CF - Common Carrier Fixed Point to Point Microwave						Y
WQDS754	CF - Common Carrier Fixed Point to Point Microwave						Y
WQDY775	CL - Cellular						Y
WQEB207	CF - Common Carrier Fixed Point to Point Microwave						Y
WQEH256	CF - Common Carrier Fixed Point to Point Microwave						Y
WQEU320	CF - Common Carrier Fixed Point to Point Microwave						Y
WQEW802	CF - Common Carrier Fixed Point to Point Microwave						Y
WQFD733	CF - Common Carrier Fixed Point to Point Microwave						Y
WQFE249	CF - Common Carrier Fixed Point to Point Microwave						Y
WQFI384	CF - Common Carrier Fixed Point to Point Microwave						Y
WQFI388	CF - Common Carrier Fixed Point to Point Microwave						Y

111) Call Sign	112) Radio Service Code	113) Location Number	114) Path Number (Microwave only)	115) Frequency Number	116) Lower or Center Frequency (MHz)	117) Upper Frequency (MHz)	118) Constructed Yes / No
WQFI852	CF - Common Carrier Fixed Point to Point Microwave						Y
WQFI856	CF - Common Carrier Fixed Point to Point Microwave						Y
WQFJ222	CF - Common Carrier Fixed Point to Point Microwave						Y
WQFJ557	CF - Common Carrier Fixed Point to Point Microwave						Y
WQFJ770	CF - Common Carrier Fixed Point to Point Microwave						Y
WQFN832	CF - Common Carrier Fixed Point to Point Microwave						Y
WQFT889	CF - Common Carrier Fixed Point to Point Microwave						Y
WQFT919	CF - Common Carrier Fixed Point to Point Microwave						Y
WQFU236	CF - Common Carrier Fixed Point to Point Microwave						Y
WQFU252	CF - Common Carrier Fixed Point to Point Microwave						Y
WQFU318	CF - Common Carrier Fixed Point to Point Microwave						Y
WQFU320	CF - Common Carrier Fixed Point to Point Microwave						Y
WQFU479	CF - Common Carrier Fixed Point to Point Microwave						Y
WQFU501	CF - Common Carrier Fixed Point to Point Microwave						Y
WQFV605	CF - Common Carrier Fixed Point to Point Microwave						Y
WQFV607	CF - Common Carrier Fixed Point to Point Microwave						Y
WQFV608	CF - Common Carrier Fixed Point to Point Microwave						Y
WQFV755	CF - Common Carrier Fixed Point to Point Microwave						Y
WQFV756	CF - Common Carrier Fixed Point to Point Microwave						Y

111) Call Sign	112) Radio Service Code	113) Location Number	114) Path Number (Microwave only)	115) Frequency Number	116) Lower or Center Frequency (MHz)	117) Upper Frequency (MHz)	118) Constructed Yes / No
WQFW812	CF - Common Carrier Fixed Point to Point Microwave						Y
WQFW813	CF - Common Carrier Fixed Point to Point Microwave						Y
WQFW814	CF - Common Carrier Fixed Point to Point Microwave						Y
WQFW841	CF - Common Carrier Fixed Point to Point Microwave						Y
WQFX218	CF - Common Carrier Fixed Point to Point Microwave						Y
WQFX235	CF - Common Carrier Fixed Point to Point Microwave						Y
WQFX236	CF - Common Carrier Fixed Point to Point Microwave						Y
WQFX322	CF - Common Carrier Fixed Point to Point Microwave						Y
WQFX835	CF - Common Carrier Fixed Point to Point Microwave						Y
WQFY583	CF - Common Carrier Fixed Point to Point Microwave						Y
WQFY584	CF - Common Carrier Fixed Point to Point Microwave						Y
WQFY590	CF - Common Carrier Fixed Point to Point Microwave						Y
WQFY739	CF - Common Carrier Fixed Point to Point Microwave						Y
WQFZ455	CF - Common Carrier Fixed Point to Point Microwave						Y
WQFZ456	CF - Common Carrier Fixed Point to Point Microwave						Y
WQGC794	CF - Common Carrier Fixed Point to Point Microwave						Y
WQGC796	CF - Common Carrier Fixed Point to Point Microwave						Y
WQGC797	CF - Common Carrier Fixed Point to Point Microwave						Y
WQGC922	CF - Common Carrier Fixed Point to Point Microwave						Y

111) Call Sign	112) Radio Service Code	113) Location Number	114) Path Number (Microwave only)	115) Frequency Number	116) Lower or Center Frequency (MHz)	117) Upper Frequency (MHz)	118) Constructed Yes / No
WQGE499	CF - Common Carrier Fixed Point to Point Microwave						Y
WQGG379	CF - Common Carrier Fixed Point to Point Microwave						Y
WQGG842	CF - Common Carrier Fixed Point to Point Microwave						Y
WQGG843	CF - Common Carrier Fixed Point to Point Microwave						Y
WQGG849	CF - Common Carrier Fixed Point to Point Microwave						Y
WQGH577	CF - Common Carrier Fixed Point to Point Microwave						Y
WQGH578	CF - Common Carrier Fixed Point to Point Microwave						Y
WQGH579	CF - Common Carrier Fixed Point to Point Microwave						Y
WQGH580	CF - Common Carrier Fixed Point to Point Microwave						Y
WQGI297	CF - Common Carrier Fixed Point to Point Microwave						Y
WQGI311	CF - Common Carrier Fixed Point to Point Microwave						Y
WQGI317	CF - Common Carrier Fixed Point to Point Microwave						Y
WQGI329	CF - Common Carrier Fixed Point to Point Microwave						Y
WQGI535	CF - Common Carrier Fixed Point to Point Microwave						Y
WQGK460	CF - Common Carrier Fixed Point to Point Microwave						Y
WQGK782	CF - Common Carrier Fixed Point to Point Microwave						Y
WQGK968	CF - Common Carrier Fixed Point to Point Microwave						Y
WQGQ236	CF - Common Carrier Fixed Point to Point Microwave						Y
WQGS580	CF - Common Carrier Fixed Point to Point Microwave						Y

111) Call Sign	112) Radio Service Code	113) Location Number	114) Path Number (Microwave only)	115) Frequency Number	116) Lower or Center Frequency (MHz)	117) Upper Frequency (MHz)	118) Constructed Yes / No
WQGT283	CF - Common Carrier Fixed Point to Point Microwave						Y
WQGV403	CF - Common Carrier Fixed Point to Point Microwave						Y
WQGV930	CF - Common Carrier Fixed Point to Point Microwave						Y
WQGW265	CF - Common Carrier Fixed Point to Point Microwave						Y
WQGX703	CF - Common Carrier Fixed Point to Point Microwave						Y
WQGX704	CF - Common Carrier Fixed Point to Point Microwave						Y
WQGZ566	CF - Common Carrier Fixed Point to Point Microwave						Y
WQHA403	CF - Common Carrier Fixed Point to Point Microwave						Y
WQHA561	CF - Common Carrier Fixed Point to Point Microwave						Y
WQHA913	CF - Common Carrier Fixed Point to Point Microwave						Y
WQHC319	CF - Common Carrier Fixed Point to Point Microwave						Y
WQHE232	CF - Common Carrier Fixed Point to Point Microwave						Y
WQHE233	CF - Common Carrier Fixed Point to Point Microwave						Y
WQHE393	CF - Common Carrier Fixed Point to Point Microwave						Y
WQHE394	CF - Common Carrier Fixed Point to Point Microwave						Y
WQHH770	CF - Common Carrier Fixed Point to Point Microwave						Y
WQHH771	CF - Common Carrier Fixed Point to Point Microwave						Y
WQHH772	CF - Common Carrier Fixed Point to Point Microwave						Y
WQHK349	CF - Common Carrier Fixed Point to Point Microwave						Y

111) Call Sign	112) Radio Service Code	113) Location Number	114) Path Number (Microwave only)	115) Frequency Number	116) Lower or Center Frequency (MHz)	117) Upper Frequency (MHz)	118) Constructed Yes / No
WQHK375	CF - Common Carrier Fixed Point to Point Microwave						Y
WQHM212	CF - Common Carrier Fixed Point to Point Microwave						Y
WQHP258	CF - Common Carrier Fixed Point to Point Microwave						Y
WQHP336	CF - Common Carrier Fixed Point to Point Microwave						Y
WQHP337	CF - Common Carrier Fixed Point to Point Microwave						Y
WQHP338	CF - Common Carrier Fixed Point to Point Microwave						Y
WQHP801	CF - Common Carrier Fixed Point to Point Microwave						Y
WQHP971	CF - Common Carrier Fixed Point to Point Microwave						Y
WQHS338	CF - Common Carrier Fixed Point to Point Microwave						Y
WQHS339	CF - Common Carrier Fixed Point to Point Microwave						Y
WQHT227	CF - Common Carrier Fixed Point to Point Microwave						Y
WQHT248	CF - Common Carrier Fixed Point to Point Microwave						Y
WQHU225	CF - Common Carrier Fixed Point to Point Microwave						Y
WQHW882	CF - Common Carrier Fixed Point to Point Microwave						Y
WQHW937	CF - Common Carrier Fixed Point to Point Microwave						Y
WQIB706	CF - Common Carrier Fixed Point to Point Microwave						Y
WQID213	CF - Common Carrier Fixed Point to Point Microwave						Y
WQID286	CF - Common Carrier Fixed Point to Point Microwave						Y
WQID287	CF - Common Carrier Fixed Point to Point Microwave						Y

111) Call Sign	112) Radio Service Code	113) Location Number	114) Path Number (Microwave only)	115) Frequency Number	116) Lower or Center Frequency (MHz)	117) Upper Frequency (MHz)	118) Constructed Yes / No
WQIF351	CF - Common Carrier Fixed Point to Point Microwave						Y
WQIG716	CF - Common Carrier Fixed Point to Point Microwave						Y
WQIG725	CF - Common Carrier Fixed Point to Point Microwave						Y
WQIH441	CF - Common Carrier Fixed Point to Point Microwave						Y
WQIH442	CF - Common Carrier Fixed Point to Point Microwave						Y
WQIK491	CF - Common Carrier Fixed Point to Point Microwave						Y
WQIK492	CF - Common Carrier Fixed Point to Point Microwave						Y
WQIN984	CF - Common Carrier Fixed Point to Point Microwave						Y
WQIS795	CF - Common Carrier Fixed Point to Point Microwave						Y
WQIS796	CF - Common Carrier Fixed Point to Point Microwave						Y
WQIS797	CF - Common Carrier Fixed Point to Point Microwave						Y
WQIS798	CF - Common Carrier Fixed Point to Point Microwave						Y
WQIS803	CF - Common Carrier Fixed Point to Point Microwave						Y
WQIS804	CF - Common Carrier Fixed Point to Point Microwave						Y
WQIU812	CF - Common Carrier Fixed Point to Point Microwave						Y
WQIU813	CF - Common Carrier Fixed Point to Point Microwave						Y
WQIU814	CF - Common Carrier Fixed Point to Point Microwave						Y
WQIV575	CF - Common Carrier Fixed Point to Point Microwave						Y
WQIV577	CF - Common Carrier Fixed Point to Point Microwave						Y

111) Call Sign	112) Radio Service Code	113) Location Number	114) Path Number (Microwave only)	115) Frequency Number	116) Lower or Center Frequency (MHz)	117) Upper Frequency (MHz)	118) Constructed Yes / No
WQIV578	CF - Common Carrier Fixed Point to Point Microwave						Y
WQIW463	CF - Common Carrier Fixed Point to Point Microwave						Y
WQJA469	CF - Common Carrier Fixed Point to Point Microwave						Y
WQJB596	CF - Common Carrier Fixed Point to Point Microwave						Y
WQJB718	CF - Common Carrier Fixed Point to Point Microwave						Y
WQJB829	CF - Common Carrier Fixed Point to Point Microwave						Y
WQJC298	CF - Common Carrier Fixed Point to Point Microwave						Y
WQJC299	CF - Common Carrier Fixed Point to Point Microwave						Y
WQJC556	CF - Common Carrier Fixed Point to Point Microwave						Y
WQJC802	CF - Common Carrier Fixed Point to Point Microwave						Y
WQJC816	CF - Common Carrier Fixed Point to Point Microwave						Y
WQJC824	CF - Common Carrier Fixed Point to Point Microwave						Y
WQJC825	CF - Common Carrier Fixed Point to Point Microwave						Y
WQJC832	CF - Common Carrier Fixed Point to Point Microwave						Y
WQJD239	CF - Common Carrier Fixed Point to Point Microwave						Y
WQJD240	CF - Common Carrier Fixed Point to Point Microwave						Y
WQJD951	CF - Common Carrier Fixed Point to Point Microwave						Y
WQJE296	CF - Common Carrier Fixed Point to Point Microwave						Y
WQJE505	CF - Common Carrier Fixed Point to Point Microwave						Y

111) Call Sign	112) Radio Service Code	113) Location Number	114) Path Number (Microwave only)	115) Frequency Number	116) Lower or Center Frequency (MHz)	117) Upper Frequency (MHz)	118) Constructed Yes / No
WQJE829	CF - Common Carrier Fixed Point to Point Microwave						Y
WQJE836	CF - Common Carrier Fixed Point to Point Microwave						Y
WQJE839	CF - Common Carrier Fixed Point to Point Microwave						Y
WQJE919	CF - Common Carrier Fixed Point to Point Microwave						Y
WQJE920	CF - Common Carrier Fixed Point to Point Microwave						Y
WQJE921	CF - Common Carrier Fixed Point to Point Microwave						Y
WQJE922	CF - Common Carrier Fixed Point to Point Microwave						Y
WQJF563	CF - Common Carrier Fixed Point to Point Microwave						Y
WQJF683	CF - Common Carrier Fixed Point to Point Microwave						Y
WQJF910	CF - Common Carrier Fixed Point to Point Microwave						Y
WQJG239	CF - Common Carrier Fixed Point to Point Microwave						Y
WQJG258	CF - Common Carrier Fixed Point to Point Microwave						Y
WQJG356	CF - Common Carrier Fixed Point to Point Microwave						Y
WQJG814	CF - Common Carrier Fixed Point to Point Microwave						Y
WQJI363	CF - Common Carrier Fixed Point to Point Microwave						Y
WQJI368	CF - Common Carrier Fixed Point to Point Microwave						Y
WQJI425	CF - Common Carrier Fixed Point to Point Microwave						Y
WQJI459	CF - Common Carrier Fixed Point to Point Microwave						Y
WQJI462	CF - Common Carrier Fixed Point to Point Microwave						Y

111) Call Sign	112) Radio Service Code	113) Location Number	114) Path Number (Microwave only)	115) Frequency Number	116) Lower or Center Frequency (MHz)	117) Upper Frequency (MHz)	118) Constructed Yes / No
WQJI468	CF - Common Carrier Fixed Point to Point Microwave						Y
WQJI756	CF - Common Carrier Fixed Point to Point Microwave						Y
WQJI763	CF - Common Carrier Fixed Point to Point Microwave						Y
WQJI764	CF - Common Carrier Fixed Point to Point Microwave						Y
WQJJ457	CF - Common Carrier Fixed Point to Point Microwave						Y
WQJJ999	CF - Common Carrier Fixed Point to Point Microwave						Y
WQJK708	CF - Common Carrier Fixed Point to Point Microwave						Y
WQJL829	CF - Common Carrier Fixed Point to Point Microwave						Y
WQJM484	CF - Common Carrier Fixed Point to Point Microwave						Y
WQJM494	CF - Common Carrier Fixed Point to Point Microwave						Y
WQJV256	CF - Common Carrier Fixed Point to Point Microwave						Y
WQJV443	CF - Common Carrier Fixed Point to Point Microwave						Y
WQJW463	CF - Common Carrier Fixed Point to Point Microwave						Y
WQJW736	CF - Common Carrier Fixed Point to Point Microwave						Y
WQJW737	CF - Common Carrier Fixed Point to Point Microwave						Y
WQJX205	CF - Common Carrier Fixed Point to Point Microwave						Y
WQJX208	CF - Common Carrier Fixed Point to Point Microwave						Y
WQJY686	CF - Common Carrier Fixed Point to Point Microwave						Y
WQKD848	CF - Common Carrier Fixed Point to Point Microwave						Y

111) Call Sign	112) Radio Service Code	113) Location Number	114) Path Number (Microwave only)	115) Frequency Number	116) Lower or Center Frequency (MHz)	117) Upper Frequency (MHz)	118) Constructed Yes / No
WQKE535	CF - Common Carrier Fixed Point to Point Microwave						Y
WQKF411	CF - Common Carrier Fixed Point to Point Microwave						Y
WQKF412	CF - Common Carrier Fixed Point to Point Microwave						Y
WQKF901	CF - Common Carrier Fixed Point to Point Microwave						Y
WQKF903	CF - Common Carrier Fixed Point to Point Microwave						Y
WQKH871	CF - Common Carrier Fixed Point to Point Microwave						Y
WQKH872	CF - Common Carrier Fixed Point to Point Microwave						Y
WQKI992	CF - Common Carrier Fixed Point to Point Microwave						Y
WQKJ216	CF - Common Carrier Fixed Point to Point Microwave						Y
WQKK442	CF - Common Carrier Fixed Point to Point Microwave						Y
WQKL406	CF - Common Carrier Fixed Point to Point Microwave						Y
WQKL549	CF - Common Carrier Fixed Point to Point Microwave						Y
WQKL648	CF - Common Carrier Fixed Point to Point Microwave						Y
WQKL650	CF - Common Carrier Fixed Point to Point Microwave						Y
WQKL670	CF - Common Carrier Fixed Point to Point Microwave						Y
WQKN233	CF - Common Carrier Fixed Point to Point Microwave						Y
WQKN780	CF - Common Carrier Fixed Point to Point Microwave						Y
WQKN791	CF - Common Carrier Fixed Point to Point Microwave						Y
WQKQ359	CF - Common Carrier Fixed Point to Point Microwave						Y

111) Call Sign	112) Radio Service Code	113) Location Number	114) Path Number (Microwave only)	115) Frequency Number	116) Lower or Center Frequency (MHz)	117) Upper Frequency (MHz)	118) Constructed Yes / No
WQKQ363	CF - Common Carrier Fixed Point to Point Microwave						Y
WQKQ365	CF - Common Carrier Fixed Point to Point Microwave						Y
WQKQ373	CF - Common Carrier Fixed Point to Point Microwave						Y
WQKQ374	CF - Common Carrier Fixed Point to Point Microwave						Y
WQKQ854	CF - Common Carrier Fixed Point to Point Microwave						Y
WQKR610	CF - Common Carrier Fixed Point to Point Microwave						Y
WQKR611	CF - Common Carrier Fixed Point to Point Microwave						Y
WQKR638	CF - Common Carrier Fixed Point to Point Microwave						Y
WQKS456	CF - Common Carrier Fixed Point to Point Microwave						Y
WQKS457	CF - Common Carrier Fixed Point to Point Microwave						Y
WQKU363	CF - Common Carrier Fixed Point to Point Microwave						Y
WQKU364	CF - Common Carrier Fixed Point to Point Microwave						Y
WQKW380	CF - Common Carrier Fixed Point to Point Microwave						Y
WQKW401	CF - Common Carrier Fixed Point to Point Microwave						Y
WQKX685	CF - Common Carrier Fixed Point to Point Microwave						Y
WQKX686	CF - Common Carrier Fixed Point to Point Microwave						Y
WQLA238	CF - Common Carrier Fixed Point to Point Microwave						Y
WQLA278	CF - Common Carrier Fixed Point to Point Microwave						Y
WQLA918	CF - Common Carrier Fixed Point to Point Microwave						Y

111) Call Sign	112) Radio Service Code	113) Location Number	114) Path Number (Microwave only)	115) Frequency Number	116) Lower or Center Frequency (MHz)	117) Upper Frequency (MHz)	118) Constructed Yes / No
WQLD580	CF - Common Carrier Fixed Point to Point Microwave						Y
WQLD957	CF - Common Carrier Fixed Point to Point Microwave						Y
WQLF540	CF - Common Carrier Fixed Point to Point Microwave						Y
WQLF542	CF - Common Carrier Fixed Point to Point Microwave						Y
WQLF683	CF - Common Carrier Fixed Point to Point Microwave						Y
WQLG292	CF - Common Carrier Fixed Point to Point Microwave						Y
WQLG952	CF - Common Carrier Fixed Point to Point Microwave						Y
WQLG954	CF - Common Carrier Fixed Point to Point Microwave						Y
WQLI307	CF - Common Carrier Fixed Point to Point Microwave						Y
WQLI308	CF - Common Carrier Fixed Point to Point Microwave						Y
WQLI427	CF - Common Carrier Fixed Point to Point Microwave						Y
WQLK206	CF - Common Carrier Fixed Point to Point Microwave						Y
WQLM443	CF - Common Carrier Fixed Point to Point Microwave						Y
WQLM650	CF - Common Carrier Fixed Point to Point Microwave						Y
WQLM654	CF - Common Carrier Fixed Point to Point Microwave						Y
WQLM753	CF - Common Carrier Fixed Point to Point Microwave						Y
WQLN338	CF - Common Carrier Fixed Point to Point Microwave						Y
WQLN344	CF - Common Carrier Fixed Point to Point Microwave						Y
WQLN345	CF - Common Carrier Fixed Point to Point Microwave						Y

111) Call Sign	112) Radio Service Code	113) Location Number	114) Path Number (Microwave only)	115) Frequency Number	116) Lower or Center Frequency (MHz)	117) Upper Frequency (MHz)	118) Constructed Yes / No
WQLP575	CF - Common Carrier Fixed Point to Point Microwave						Y
WQLP584	CF - Common Carrier Fixed Point to Point Microwave						Y
WQLP958	CF - Common Carrier Fixed Point to Point Microwave						Y
WQLQ528	CF - Common Carrier Fixed Point to Point Microwave						Y
WQLQ529	CF - Common Carrier Fixed Point to Point Microwave						Y
WQLR306	CF - Common Carrier Fixed Point to Point Microwave						Y
WQLR317	CF - Common Carrier Fixed Point to Point Microwave						Y
WQLS244	CF - Common Carrier Fixed Point to Point Microwave						Y
WQLS262	CF - Common Carrier Fixed Point to Point Microwave						Y
WQLV648	CF - Common Carrier Fixed Point to Point Microwave						Y
WQLV649	CF - Common Carrier Fixed Point to Point Microwave						Y
WQLX304	CF - Common Carrier Fixed Point to Point Microwave						Y
WQLX306	CF - Common Carrier Fixed Point to Point Microwave						Y
WQLX458	CF - Common Carrier Fixed Point to Point Microwave						Y
WQLX715	CF - Common Carrier Fixed Point to Point Microwave						Y
WQLX722	CF - Common Carrier Fixed Point to Point Microwave						Y
WQLX725	CF - Common Carrier Fixed Point to Point Microwave						Y
WQLY394	CF - Common Carrier Fixed Point to Point Microwave						Y
WQLY579	CF - Common Carrier Fixed Point to Point Microwave						Y

111) Call Sign	112) Radio Service Code	113) Location Number	114) Path Number (Microwave only)	115) Frequency Number	116) Lower or Center Frequency (MHz)	117) Upper Frequency (MHz)	118) Constructed Yes / No
WQLY707	CF - Common Carrier Fixed Point to Point Microwave						Y
WQLY767	CF - Common Carrier Fixed Point to Point Microwave						Y
WQLZ277	CF - Common Carrier Fixed Point to Point Microwave						Y
WQLZ278	CF - Common Carrier Fixed Point to Point Microwave						Y
WQLZ279	CF - Common Carrier Fixed Point to Point Microwave						Y
WQLZ913	CF - Common Carrier Fixed Point to Point Microwave						Y
WQMA291	CF - Common Carrier Fixed Point to Point Microwave						Y
WQMB412	CF - Common Carrier Fixed Point to Point Microwave						Y
WQMB416	CF - Common Carrier Fixed Point to Point Microwave						Y
WQMB508	CF - Common Carrier Fixed Point to Point Microwave						Y
WQMB872	CF - Common Carrier Fixed Point to Point Microwave						Y
WQMB881	CF - Common Carrier Fixed Point to Point Microwave						Y
WQMC845	CF - Common Carrier Fixed Point to Point Microwave						Y
WQMC848	CF - Common Carrier Fixed Point to Point Microwave						Y
WQMC849	CF - Common Carrier Fixed Point to Point Microwave						Y
WQMC853	CF - Common Carrier Fixed Point to Point Microwave						Y
WQMD207	CF - Common Carrier Fixed Point to Point Microwave						Y
WQMD208	CF - Common Carrier Fixed Point to Point Microwave						Y
WQMD209	CF - Common Carrier Fixed Point to Point Microwave						Y

111) Call Sign	112) Radio Service Code	113) Location Number	114) Path Number (Microwave only)	115) Frequency Number	116) Lower or Center Frequency (MHz)	117) Upper Frequency (MHz)	118) Constructed Yes / No
WQMD571	CF - Common Carrier Fixed Point to Point Microwave						Y
WQMD573	CF - Common Carrier Fixed Point to Point Microwave						Y
WQMD574	CF - Common Carrier Fixed Point to Point Microwave						Y
WQMD815	CF - Common Carrier Fixed Point to Point Microwave						Y
WQME283	CF - Common Carrier Fixed Point to Point Microwave						Y
WQME286	CF - Common Carrier Fixed Point to Point Microwave						Y
WQME605	CF - Common Carrier Fixed Point to Point Microwave						Y
WQME698	CF - Common Carrier Fixed Point to Point Microwave						Y
WQME700	CF - Common Carrier Fixed Point to Point Microwave						Y
WQMF272	CF - Common Carrier Fixed Point to Point Microwave						Y
WQMF275	CF - Common Carrier Fixed Point to Point Microwave						Y
WQMG867	CF - Common Carrier Fixed Point to Point Microwave						Y
WQMK347	CF - Common Carrier Fixed Point to Point Microwave						Y
WQMK558	CF - Common Carrier Fixed Point to Point Microwave						Y
WQML401	CF - Common Carrier Fixed Point to Point Microwave						Y
WQML900	CF - Common Carrier Fixed Point to Point Microwave						Y
WQMN203	CF - Common Carrier Fixed Point to Point Microwave						Y
WQMN205	CF - Common Carrier Fixed Point to Point Microwave						Y
WQMN326	CF - Common Carrier Fixed Point to Point Microwave						Y

111) Call Sign	112) Radio Service Code	113) Location Number	114) Path Number (Microwave only)	115) Frequency Number	116) Lower or Center Frequency (MHz)	117) Upper Frequency (MHz)	118) Constructed Yes / No
WQMN719	CF - Common Carrier Fixed Point to Point Microwave						Y
WQMP468	CF - Common Carrier Fixed Point to Point Microwave						Y
WQMX898	CF - Common Carrier Fixed Point to Point Microwave						Y
WQMZ464	CF - Common Carrier Fixed Point to Point Microwave						Y
WQND243	CF - Common Carrier Fixed Point to Point Microwave						Y
WQNE476	CF - Common Carrier Fixed Point to Point Microwave						Y
WQNF287	CF - Common Carrier Fixed Point to Point Microwave						Y
WQNF299	CF - Common Carrier Fixed Point to Point Microwave						Y
WQNH656	CF - Common Carrier Fixed Point to Point Microwave						Y
WQNI228	CF - Common Carrier Fixed Point to Point Microwave						Y
WQNI230	CF - Common Carrier Fixed Point to Point Microwave						Y
WQNJ255	CF - Common Carrier Fixed Point to Point Microwave						Y
WQNJ256	CF - Common Carrier Fixed Point to Point Microwave						Y
WQNK445	CF - Common Carrier Fixed Point to Point Microwave						Y
WQNK466	CF - Common Carrier Fixed Point to Point Microwave						Y
WQNL589	CF - Common Carrier Fixed Point to Point Microwave						Y
WQNM653	CF - Common Carrier Fixed Point to Point Microwave						Y
WQNM856	CF - Common Carrier Fixed Point to Point Microwave						Y
WQNP615	CF - Common Carrier Fixed Point to Point Microwave						Y

111) Call Sign	112) Radio Service Code	113) Location Number	114) Path Number (Microwave only)	115) Frequency Number	116) Lower or Center Frequency (MHz)	117) Upper Frequency (MHz)	118) Constructed Yes / No
WQNP616	CF - Common Carrier Fixed Point to Point Microwave						Y
WQNQ295	CF - Common Carrier Fixed Point to Point Microwave						Y
WQNQ297	CF - Common Carrier Fixed Point to Point Microwave						Y
WQNQ625	CF - Common Carrier Fixed Point to Point Microwave						Y
WQNQ850	CF - Common Carrier Fixed Point to Point Microwave						Y
WQNR259	CF - Common Carrier Fixed Point to Point Microwave						Y
WQNR653	CF - Common Carrier Fixed Point to Point Microwave						Y
WQNR654	CF - Common Carrier Fixed Point to Point Microwave						Y
WQNR815	CF - Common Carrier Fixed Point to Point Microwave						Y
WQNR816	CF - Common Carrier Fixed Point to Point Microwave						Y
WQNR890	CF - Common Carrier Fixed Point to Point Microwave						Y
WQNS543	CF - Common Carrier Fixed Point to Point Microwave						Y
WQNS981	CF - Common Carrier Fixed Point to Point Microwave						Y
WQNT207	CF - Common Carrier Fixed Point to Point Microwave						Y
WQNT280	CF - Common Carrier Fixed Point to Point Microwave						Y
WQNT282	CF - Common Carrier Fixed Point to Point Microwave						Y
WQNT963	CF - Common Carrier Fixed Point to Point Microwave						Y
WQNU405	CF - Common Carrier Fixed Point to Point Microwave						Y
WQNU671	CF - Common Carrier Fixed Point to Point Microwave						Y

111) Call Sign	112) Radio Service Code	113) Location Number	114) Path Number (Microwave only)	115) Frequency Number	116) Lower or Center Frequency (MHz)	117) Upper Frequency (MHz)	118) Constructed Yes / No
WQNU672	CF - Common Carrier Fixed Point to Point Microwave						Y
WQNU938	CF - Common Carrier Fixed Point to Point Microwave						Y
WQNU939	CF - Common Carrier Fixed Point to Point Microwave						Y
WQNV772	CF - Common Carrier Fixed Point to Point Microwave						Y
WQNW627	CF - Common Carrier Fixed Point to Point Microwave						Y
WQNW628	CF - Common Carrier Fixed Point to Point Microwave						Y
WQNW631	CF - Common Carrier Fixed Point to Point Microwave						Y
WQNX288	CF - Common Carrier Fixed Point to Point Microwave						Y
WQNX361	CF - Common Carrier Fixed Point to Point Microwave						Y
WQNX393	CF - Common Carrier Fixed Point to Point Microwave						Y
WQNX544	CF - Common Carrier Fixed Point to Point Microwave						Y
WQNX547	CF - Common Carrier Fixed Point to Point Microwave						Y
WQNX995	CF - Common Carrier Fixed Point to Point Microwave						Y
WQNY223	CF - Common Carrier Fixed Point to Point Microwave						Y
WQNY224	CF - Common Carrier Fixed Point to Point Microwave						Y
WQNY263	CF - Common Carrier Fixed Point to Point Microwave						Y
WQNY264	CF - Common Carrier Fixed Point to Point Microwave						Y
WQNY369	CF - Common Carrier Fixed Point to Point Microwave						Y
WQNY384	CF - Common Carrier Fixed Point to Point Microwave						Y

111) Call Sign	112) Radio Service Code	113) Location Number	114) Path Number (Microwave only)	115) Frequency Number	116) Lower or Center Frequency (MHz)	117) Upper Frequency (MHz)	118) Constructed Yes / No
WQNY385	CF - Common Carrier Fixed Point to Point Microwave						Y
WQNY509	CF - Common Carrier Fixed Point to Point Microwave						Y
WQNY705	CF - Common Carrier Fixed Point to Point Microwave						Y
WQNY711	CF - Common Carrier Fixed Point to Point Microwave						Y
WQNY829	CF - Common Carrier Fixed Point to Point Microwave						Y
WQNY830	CF - Common Carrier Fixed Point to Point Microwave						Y
WQNY831	CF - Common Carrier Fixed Point to Point Microwave						Y
WQNZ254	CF - Common Carrier Fixed Point to Point Microwave						Y
WQNZ556	CF - Common Carrier Fixed Point to Point Microwave						Y
WQNZ570	CF - Common Carrier Fixed Point to Point Microwave						Y
WQOA247	CF - Common Carrier Fixed Point to Point Microwave						Y
WQOA248	CF - Common Carrier Fixed Point to Point Microwave						Y
WQOA419	CF - Common Carrier Fixed Point to Point Microwave						Y
WQOA502	CF - Common Carrier Fixed Point to Point Microwave						Y
WQOA503	CF - Common Carrier Fixed Point to Point Microwave						Y
WQOA573	CF - Common Carrier Fixed Point to Point Microwave						Y
WQOA575	CF - Common Carrier Fixed Point to Point Microwave						Y
WQOB780	CF - Common Carrier Fixed Point to Point Microwave						Y
WQOB782	CF - Common Carrier Fixed Point to Point Microwave						Y

111) Call Sign	112) Radio Service Code	113) Location Number	114) Path Number (Microwave only)	115) Frequency Number	116) Lower or Center Frequency (MHz)	117) Upper Frequency (MHz)	118) Constructed Yes / No
WQOB887	CF - Common Carrier Fixed Point to Point Microwave						Y
WQOB889	CF - Common Carrier Fixed Point to Point Microwave						Y
WQOB891	CF - Common Carrier Fixed Point to Point Microwave						Y
WQOB892	CF - Common Carrier Fixed Point to Point Microwave						Y
WQOC266	CF - Common Carrier Fixed Point to Point Microwave						Y
WQOC267	CF - Common Carrier Fixed Point to Point Microwave						Y
WQOC438	CF - Common Carrier Fixed Point to Point Microwave						Y
WQOC442	CF - Common Carrier Fixed Point to Point Microwave						Y
WQOC791	CF - Common Carrier Fixed Point to Point Microwave						Y
WQOC792	CF - Common Carrier Fixed Point to Point Microwave						Y
WQOC793	CF - Common Carrier Fixed Point to Point Microwave						Y
WQOD739	CF - Common Carrier Fixed Point to Point Microwave						Y
WQOD740	CF - Common Carrier Fixed Point to Point Microwave						Y
WQOD874	CF - Common Carrier Fixed Point to Point Microwave						Y
WQOE881	CF - Common Carrier Fixed Point to Point Microwave						Y
WQOE885	CF - Common Carrier Fixed Point to Point Microwave						Y
WQOF418	CF - Common Carrier Fixed Point to Point Microwave						Y
WQOF772	CF - Common Carrier Fixed Point to Point Microwave						Y
WQOF773	CF - Common Carrier Fixed Point to Point Microwave						Y

111) Call Sign	112) Radio Service Code	113) Location Number	114) Path Number (Microwave only)	115) Frequency Number	116) Lower or Center Frequency (MHz)	117) Upper Frequency (MHz)	118) Constructed Yes / No
WQOF774	CF - Common Carrier Fixed Point to Point Microwave						Y
WQOF835	CF - Common Carrier Fixed Point to Point Microwave						Y
WQOF971	CF - Common Carrier Fixed Point to Point Microwave						Y
WQOG907	CF - Common Carrier Fixed Point to Point Microwave						Y
WQOG914	CF - Common Carrier Fixed Point to Point Microwave						Y
WQOG916	CF - Common Carrier Fixed Point to Point Microwave						Y
WQOG920	CF - Common Carrier Fixed Point to Point Microwave						Y
WQOG930	CF - Common Carrier Fixed Point to Point Microwave						Y
WQOH386	CF - Common Carrier Fixed Point to Point Microwave						Y
WQOH567	CF - Common Carrier Fixed Point to Point Microwave						Y
WQOH568	CF - Common Carrier Fixed Point to Point Microwave						Y
WQOH591	CF - Common Carrier Fixed Point to Point Microwave						Y
WQOH592	CF - Common Carrier Fixed Point to Point Microwave						Y
WQOH595	CF - Common Carrier Fixed Point to Point Microwave						Y
WQOH990	CF - Common Carrier Fixed Point to Point Microwave						Y
WQOH991	CF - Common Carrier Fixed Point to Point Microwave						Y
WQOH992	CF - Common Carrier Fixed Point to Point Microwave						Y
WQOH993	CF - Common Carrier Fixed Point to Point Microwave						Y
WQOH996	CF - Common Carrier Fixed Point to Point Microwave						Y

111) Call Sign	112) Radio Service Code	113) Location Number	114) Path Number (Microwave only)	115) Frequency Number	116) Lower or Center Frequency (MHz)	117) Upper Frequency (MHz)	118) Constructed Yes / No
WQOH997	CF - Common Carrier Fixed Point to Point Microwave						Y
WQOH998	CF - Common Carrier Fixed Point to Point Microwave						Y
WQOI243	CF - Common Carrier Fixed Point to Point Microwave						Y
WQOI872	CF - Common Carrier Fixed Point to Point Microwave						Y
WQOI873	CF - Common Carrier Fixed Point to Point Microwave						Y
WQOI874	CF - Common Carrier Fixed Point to Point Microwave						Y
WQOI907	CF - Common Carrier Fixed Point to Point Microwave						Y
WQOJ493	CF - Common Carrier Fixed Point to Point Microwave						Y
WQOJ497	CF - Common Carrier Fixed Point to Point Microwave						Y
WQOJ498	CF - Common Carrier Fixed Point to Point Microwave						Y
WQOJ499	CF - Common Carrier Fixed Point to Point Microwave						Y
WQOJ500	CF - Common Carrier Fixed Point to Point Microwave						Y
WQOJ501	CF - Common Carrier Fixed Point to Point Microwave						Y
WQOJ502	CF - Common Carrier Fixed Point to Point Microwave						Y
WQOJ503	CF - Common Carrier Fixed Point to Point Microwave						Y
WQOJ504	CF - Common Carrier Fixed Point to Point Microwave						Y
WQOJ505	CF - Common Carrier Fixed Point to Point Microwave						Y
WQOJ506	CF - Common Carrier Fixed Point to Point Microwave						Y
WQOJ507	CF - Common Carrier Fixed Point to Point Microwave						Y

111) Call Sign	112) Radio Service Code	113) Location Number	114) Path Number (Microwave only)	115) Frequency Number	116) Lower or Center Frequency (MHz)	117) Upper Frequency (MHz)	118) Constructed Yes / No
WQOJ510	CF - Common Carrier Fixed Point to Point Microwave						Y
WQOJ538	CF - Common Carrier Fixed Point to Point Microwave						Y
WQOJ539	CF - Common Carrier Fixed Point to Point Microwave						Y
WQOK326	CF - Common Carrier Fixed Point to Point Microwave						Y
WQOK327	CF - Common Carrier Fixed Point to Point Microwave						Y
WQOK748	CF - Common Carrier Fixed Point to Point Microwave						Y
WQOK750	CF - Common Carrier Fixed Point to Point Microwave						Y
WQOK751	CF - Common Carrier Fixed Point to Point Microwave						Y
WQOK838	CF - Common Carrier Fixed Point to Point Microwave						Y
WQOK839	CF - Common Carrier Fixed Point to Point Microwave						Y
WQOK840	CF - Common Carrier Fixed Point to Point Microwave						Y
WQOK841	CF - Common Carrier Fixed Point to Point Microwave						Y
WQOK842	CF - Common Carrier Fixed Point to Point Microwave						Y
WQOK843	CF - Common Carrier Fixed Point to Point Microwave						Y
WQOK844	CF - Common Carrier Fixed Point to Point Microwave						Y
WQOK845	CF - Common Carrier Fixed Point to Point Microwave						Y
WQOK860	CF - Common Carrier Fixed Point to Point Microwave						Y
WQOK888	CF - Common Carrier Fixed Point to Point Microwave						Y
WQQL601	CF - Common Carrier Fixed Point to Point Microwave						Y

111) Call Sign	112) Radio Service Code	113) Location Number	114) Path Number (Microwave only)	115) Frequency Number	116) Lower or Center Frequency (MHz)	117) Upper Frequency (MHz)	118) Constructed Yes / No
WQOL609	CF - Common Carrier Fixed Point to Point Microwave						Y
WQOL612	CF - Common Carrier Fixed Point to Point Microwave						Y
WQOL613	CF - Common Carrier Fixed Point to Point Microwave						Y
WQOL614	CF - Common Carrier Fixed Point to Point Microwave						Y
WQOL615	CF - Common Carrier Fixed Point to Point Microwave						Y
WQOL996	CF - Common Carrier Fixed Point to Point Microwave						Y
WQOL997	CF - Common Carrier Fixed Point to Point Microwave						Y
WQOM202	CF - Common Carrier Fixed Point to Point Microwave						Y
WQOM225	CF - Common Carrier Fixed Point to Point Microwave						Y
WQOM400	CF - Common Carrier Fixed Point to Point Microwave						Y
WQOM401	CF - Common Carrier Fixed Point to Point Microwave						Y
WQOM548	CF - Common Carrier Fixed Point to Point Microwave						Y
WQOM549	CF - Common Carrier Fixed Point to Point Microwave						Y
WQOM551	CF - Common Carrier Fixed Point to Point Microwave						Y
WQOM554	CF - Common Carrier Fixed Point to Point Microwave						Y
WQOM556	CF - Common Carrier Fixed Point to Point Microwave						Y
WQOM558	CF - Common Carrier Fixed Point to Point Microwave						Y
WQOM559	CF - Common Carrier Fixed Point to Point Microwave						Y
WQOM562	CF - Common Carrier Fixed Point to Point Microwave						Y

111) Call Sign	112) Radio Service Code	113) Location Number	114) Path Number (Microwave only)	115) Frequency Number	116) Lower or Center Frequency (MHz)	117) Upper Frequency (MHz)	118) Constructed Yes / No
WQOM564	CF - Common Carrier Fixed Point to Point Microwave						Y
WQOM568	CF - Common Carrier Fixed Point to Point Microwave						Y
WQOM570	CF - Common Carrier Fixed Point to Point Microwave						Y
WQOM813	CF - Common Carrier Fixed Point to Point Microwave						Y
WQOM814	CF - Common Carrier Fixed Point to Point Microwave						Y
WQOM924	CF - Common Carrier Fixed Point to Point Microwave						Y
WQOM925	CF - Common Carrier Fixed Point to Point Microwave						Y
WQOM926	CF - Common Carrier Fixed Point to Point Microwave						Y
WQOM969	CF - Common Carrier Fixed Point to Point Microwave						Y
WQOM970	CF - Common Carrier Fixed Point to Point Microwave						Y
WQOM998	CF - Common Carrier Fixed Point to Point Microwave						Y
WQON248	CF - Common Carrier Fixed Point to Point Microwave						Y
WQON249	CF - Common Carrier Fixed Point to Point Microwave						Y
WQON388	CF - Common Carrier Fixed Point to Point Microwave						Y
WQON389	CF - Common Carrier Fixed Point to Point Microwave						Y
WQON950	CF - Common Carrier Fixed Point to Point Microwave						Y
WQON951	CF - Common Carrier Fixed Point to Point Microwave						Y
WQON955	CF - Common Carrier Fixed Point to Point Microwave						Y
WQON956	CF - Common Carrier Fixed Point to Point Microwave						Y

111) Call Sign	112) Radio Service Code	113) Location Number	114) Path Number (Microwave only)	115) Frequency Number	116) Lower or Center Frequency (MHz)	117) Upper Frequency (MHz)	118) Constructed Yes / No
WQON958	CF - Common Carrier Fixed Point to Point Microwave						Y
WQOP232	CF - Common Carrier Fixed Point to Point Microwave						Y
WQOP387	CF - Common Carrier Fixed Point to Point Microwave						Y
WQOP454	CF - Common Carrier Fixed Point to Point Microwave						Y
WQOP562	CF - Common Carrier Fixed Point to Point Microwave						Y
WQOP563	CF - Common Carrier Fixed Point to Point Microwave						Y
WQOP605	CF - Common Carrier Fixed Point to Point Microwave						Y
WQOP698	CF - Common Carrier Fixed Point to Point Microwave						Y
WQOP699	CF - Common Carrier Fixed Point to Point Microwave						Y
WQOP701	CF - Common Carrier Fixed Point to Point Microwave						Y
WQOP702	CF - Common Carrier Fixed Point to Point Microwave						Y
WQOP703	CF - Common Carrier Fixed Point to Point Microwave						Y
WQOP704	CF - Common Carrier Fixed Point to Point Microwave						Y
WQOP705	CF - Common Carrier Fixed Point to Point Microwave						Y
WQOP751	CF - Common Carrier Fixed Point to Point Microwave						Y
WQOP765	CF - Common Carrier Fixed Point to Point Microwave						Y
WQOP862	CF - Common Carrier Fixed Point to Point Microwave						Y
WQOP927	CF - Common Carrier Fixed Point to Point Microwave						Y
WQOP928	CF - Common Carrier Fixed Point to Point Microwave						Y

111) Call Sign	112) Radio Service Code	113) Location Number	114) Path Number (Microwave only)	115) Frequency Number	116) Lower or Center Frequency (MHz)	117) Upper Frequency (MHz)	118) Constructed Yes / No
WQOQ228	CF - Common Carrier Fixed Point to Point Microwave						Y
WQOQ366	CF - Common Carrier Fixed Point to Point Microwave						Y
WQOQ597	CF - Common Carrier Fixed Point to Point Microwave						Y
WQOQ598	CF - Common Carrier Fixed Point to Point Microwave						Y
WQOQ809	CF - Common Carrier Fixed Point to Point Microwave						Y
WQOQ810	CF - Common Carrier Fixed Point to Point Microwave						Y
WQOQ853	CF - Common Carrier Fixed Point to Point Microwave						Y
WQOQ854	CF - Common Carrier Fixed Point to Point Microwave						Y
WQOQ855	CF - Common Carrier Fixed Point to Point Microwave						Y
WQOQ918	CF - Common Carrier Fixed Point to Point Microwave						Y
WQOQ919	CF - Common Carrier Fixed Point to Point Microwave						Y
WQOR289	CF - Common Carrier Fixed Point to Point Microwave						Y
WQOR970	CF - Common Carrier Fixed Point to Point Microwave						Y
WQOR973	CF - Common Carrier Fixed Point to Point Microwave						Y
WQOS453	CF - Common Carrier Fixed Point to Point Microwave						Y
WQOS454	CF - Common Carrier Fixed Point to Point Microwave						Y
WQOS517	CF - Common Carrier Fixed Point to Point Microwave						Y
WQOS529	CF - Common Carrier Fixed Point to Point Microwave						Y
WQOS530	CF - Common Carrier Fixed Point to Point Microwave						Y

111) Call Sign	112) Radio Service Code	113) Location Number	114) Path Number (Microwave only)	115) Frequency Number	116) Lower or Center Frequency (MHz)	117) Upper Frequency (MHz)	118) Constructed Yes / No
WQOS584	CF - Common Carrier Fixed Point to Point Microwave						Y
WQOS730	CF - Common Carrier Fixed Point to Point Microwave						Y
WQOS794	CF - Common Carrier Fixed Point to Point Microwave						Y
WQOS799	CF - Common Carrier Fixed Point to Point Microwave						Y
WQOS800	CF - Common Carrier Fixed Point to Point Microwave						Y
WQOS838	CF - Common Carrier Fixed Point to Point Microwave						Y
WQOS839	CF - Common Carrier Fixed Point to Point Microwave						Y
WQOS912	CF - Common Carrier Fixed Point to Point Microwave						Y
WQOS922	CF - Common Carrier Fixed Point to Point Microwave						Y
WQOS923	CF - Common Carrier Fixed Point to Point Microwave						Y
WQOS924	CF - Common Carrier Fixed Point to Point Microwave						Y
WQOS940	CF - Common Carrier Fixed Point to Point Microwave						Y
WQOS941	CF - Common Carrier Fixed Point to Point Microwave						Y
WQOT363	CF - Common Carrier Fixed Point to Point Microwave						Y
WQOT364	CF - Common Carrier Fixed Point to Point Microwave						Y
WQOT365	CF - Common Carrier Fixed Point to Point Microwave						Y
WQOT368	CF - Common Carrier Fixed Point to Point Microwave						Y
WQOT371	CF - Common Carrier Fixed Point to Point Microwave						Y
WQOT396	CF - Common Carrier Fixed Point to Point Microwave						Y

111) Call Sign	112) Radio Service Code	113) Location Number	114) Path Number (Microwave only)	115) Frequency Number	116) Lower or Center Frequency (MHz)	117) Upper Frequency (MHz)	118) Constructed Yes / No
WQOT397	CF - Common Carrier Fixed Point to Point Microwave						Y
WQOT402	CF - Common Carrier Fixed Point to Point Microwave						Y
WQOT442	CF - Common Carrier Fixed Point to Point Microwave						Y
WQOT612	CF - Common Carrier Fixed Point to Point Microwave						Y
WQOT642	CF - Common Carrier Fixed Point to Point Microwave						Y
WQOT643	CF - Common Carrier Fixed Point to Point Microwave						Y
WQOT644	CF - Common Carrier Fixed Point to Point Microwave						Y
WQOT661	CF - Common Carrier Fixed Point to Point Microwave						Y
WQOU334	CF - Common Carrier Fixed Point to Point Microwave						Y
WQOU335	CF - Common Carrier Fixed Point to Point Microwave						Y
WQOU336	CF - Common Carrier Fixed Point to Point Microwave						Y
WQOU340	CF - Common Carrier Fixed Point to Point Microwave						Y
WQOU345	CF - Common Carrier Fixed Point to Point Microwave						Y
WQOU348	CF - Common Carrier Fixed Point to Point Microwave						Y
WQOU384	CF - Common Carrier Fixed Point to Point Microwave						Y
WQOU385	CF - Common Carrier Fixed Point to Point Microwave						Y
WQOU386	CF - Common Carrier Fixed Point to Point Microwave						Y
WQOU387	CF - Common Carrier Fixed Point to Point Microwave						Y
WQOU565	CF - Common Carrier Fixed Point to Point Microwave						Y

111) Call Sign	112) Radio Service Code	113) Location Number	114) Path Number (Microwave only)	115) Frequency Number	116) Lower or Center Frequency (MHz)	117) Upper Frequency (MHz)	118) Constructed Yes / No
WQOU566	CF - Common Carrier Fixed Point to Point Microwave						Y
WQOU666	CF - Common Carrier Fixed Point to Point Microwave						Y
WQOU701	CF - Common Carrier Fixed Point to Point Microwave						Y
WQOU947	CF - Common Carrier Fixed Point to Point Microwave						Y
WQOU948	CF - Common Carrier Fixed Point to Point Microwave						Y
WQOV206	CF - Common Carrier Fixed Point to Point Microwave						Y
WQOV268	CF - Common Carrier Fixed Point to Point Microwave						Y
WQOV297	CF - Common Carrier Fixed Point to Point Microwave						Y
WQOV334	CF - Common Carrier Fixed Point to Point Microwave						Y
WQOV336	CF - Common Carrier Fixed Point to Point Microwave						Y
WQOV513	CF - Common Carrier Fixed Point to Point Microwave						Y
WQOV514	CF - Common Carrier Fixed Point to Point Microwave						Y
WQOV554	CF - Common Carrier Fixed Point to Point Microwave						Y
WQOV555	CF - Common Carrier Fixed Point to Point Microwave						Y
WQOV556	CF - Common Carrier Fixed Point to Point Microwave						Y
WQOV557	CF - Common Carrier Fixed Point to Point Microwave						Y
WQOV559	CF - Common Carrier Fixed Point to Point Microwave						Y
WQOV588	CF - Common Carrier Fixed Point to Point Microwave						Y
WQOV624	CF - Common Carrier Fixed Point to Point Microwave						Y

111) Call Sign	112) Radio Service Code	113) Location Number	114) Path Number (Microwave only)	115) Frequency Number	116) Lower or Center Frequency (MHz)	117) Upper Frequency (MHz)	118) Constructed Yes / No
WQOV625	CF - Common Carrier Fixed Point to Point Microwave						Y
WQOV767	CF - Common Carrier Fixed Point to Point Microwave						Y
WQOV769	CF - Common Carrier Fixed Point to Point Microwave						Y
WQOV774	CF - Common Carrier Fixed Point to Point Microwave						Y
WQOV890	CF - Common Carrier Fixed Point to Point Microwave						Y
WQOV988	CF - Common Carrier Fixed Point to Point Microwave						Y
WQOW319	CF - Common Carrier Fixed Point to Point Microwave						Y
WQOW321	CF - Common Carrier Fixed Point to Point Microwave						Y
WQOW325	CF - Common Carrier Fixed Point to Point Microwave						Y
WQOW327	CF - Common Carrier Fixed Point to Point Microwave						Y
WQOW445	CF - Common Carrier Fixed Point to Point Microwave						Y
WQOW448	CF - Common Carrier Fixed Point to Point Microwave						Y
WQOW679	CF - Common Carrier Fixed Point to Point Microwave						Y
WQOW695	CF - Common Carrier Fixed Point to Point Microwave						Y
WQOW696	CF - Common Carrier Fixed Point to Point Microwave						Y
WQOW703	CF - Common Carrier Fixed Point to Point Microwave						Y
WQOW705	CF - Common Carrier Fixed Point to Point Microwave						Y
WQOW707	CF - Common Carrier Fixed Point to Point Microwave						Y
WQOW710	CF - Common Carrier Fixed Point to Point Microwave						Y

111) Call Sign	112) Radio Service Code	113) Location Number	114) Path Number (Microwave only)	115) Frequency Number	116) Lower or Center Frequency (MHz)	117) Upper Frequency (MHz)	118) Constructed Yes / No
WQOW711	CF - Common Carrier Fixed Point to Point Microwave						Y
WQOW744	CF - Common Carrier Fixed Point to Point Microwave						Y
WQOW745	CF - Common Carrier Fixed Point to Point Microwave						Y
WQOW746	CF - Common Carrier Fixed Point to Point Microwave						Y
WQOW851	CF - Common Carrier Fixed Point to Point Microwave						Y
WQOW852	CF - Common Carrier Fixed Point to Point Microwave						Y
WQOX295	CF - Common Carrier Fixed Point to Point Microwave						Y
WQOX441	CF - Common Carrier Fixed Point to Point Microwave						Y
WQOX567	CF - Common Carrier Fixed Point to Point Microwave						Y
WQOX836	CF - Common Carrier Fixed Point to Point Microwave						Y
WQOY275	CF - Common Carrier Fixed Point to Point Microwave						Y
WQOY276	CF - Common Carrier Fixed Point to Point Microwave						Y
WQOY473	CF - Common Carrier Fixed Point to Point Microwave						Y
WQOY474	CF - Common Carrier Fixed Point to Point Microwave						Y
WQOY540	CF - Common Carrier Fixed Point to Point Microwave						Y
WQOY546	CF - Common Carrier Fixed Point to Point Microwave						Y
WQOY547	CF - Common Carrier Fixed Point to Point Microwave						Y
WQOY657	CF - Common Carrier Fixed Point to Point Microwave						Y
WQOY750	CF - Common Carrier Fixed Point to Point Microwave						Y

111) Call Sign	112) Radio Service Code	113) Location Number	114) Path Number (Microwave only)	115) Frequency Number	116) Lower or Center Frequency (MHz)	117) Upper Frequency (MHz)	118) Constructed Yes / No
WQOY762	CF - Common Carrier Fixed Point to Point Microwave						Y
WQOY778	CF - Common Carrier Fixed Point to Point Microwave						Y
WQOY784	CF - Common Carrier Fixed Point to Point Microwave						Y
WQOZ267	CF - Common Carrier Fixed Point to Point Microwave						Y
WQOZ268	CF - Common Carrier Fixed Point to Point Microwave						Y
WQOZ522	CF - Common Carrier Fixed Point to Point Microwave						Y
WQOZ694	CF - Common Carrier Fixed Point to Point Microwave						Y
WQOZ695	CF - Common Carrier Fixed Point to Point Microwave						Y
WQOZ699	CF - Common Carrier Fixed Point to Point Microwave						Y
WQOZ700	CF - Common Carrier Fixed Point to Point Microwave						Y
WQOZ707	CF - Common Carrier Fixed Point to Point Microwave						Y
WQOZ708	CF - Common Carrier Fixed Point to Point Microwave						Y
WQOZ709	CF - Common Carrier Fixed Point to Point Microwave						Y
WQOZ710	CF - Common Carrier Fixed Point to Point Microwave						Y
WQOZ824	CF - Common Carrier Fixed Point to Point Microwave						Y
WQOZ835	CF - Common Carrier Fixed Point to Point Microwave						Y
WQPA241	CF - Common Carrier Fixed Point to Point Microwave						Y
WQPA242	CF - Common Carrier Fixed Point to Point Microwave						Y
WQPA246	CF - Common Carrier Fixed Point to Point Microwave						Y

111) Call Sign	112) Radio Service Code	113) Location Number	114) Path Number (Microwave only)	115) Frequency Number	116) Lower or Center Frequency (MHz)	117) Upper Frequency (MHz)	118) Constructed Yes / No
WQPA280	CF - Common Carrier Fixed Point to Point Microwave						Y
WQPA365	CF - Common Carrier Fixed Point to Point Microwave						Y
WQPA633	CF - Common Carrier Fixed Point to Point Microwave						Y
WQPA635	CF - Common Carrier Fixed Point to Point Microwave						Y
WQPA713	CF - Common Carrier Fixed Point to Point Microwave						Y
WQPA714	CF - Common Carrier Fixed Point to Point Microwave						Y
WQPA771	CF - Common Carrier Fixed Point to Point Microwave						Y
WQPA773	CF - Common Carrier Fixed Point to Point Microwave						Y
WQPA815	CF - Common Carrier Fixed Point to Point Microwave						Y
WQPA817	CF - Common Carrier Fixed Point to Point Microwave						Y
WQPA819	CF - Common Carrier Fixed Point to Point Microwave						Y
WQPA820	CF - Common Carrier Fixed Point to Point Microwave						Y
WQPA821	CF - Common Carrier Fixed Point to Point Microwave						Y
WQPA822	CF - Common Carrier Fixed Point to Point Microwave						Y
WQPA899	CF - Common Carrier Fixed Point to Point Microwave						Y
WQPA982	CF - Common Carrier Fixed Point to Point Microwave						Y
WQPA986	CF - Common Carrier Fixed Point to Point Microwave						Y
WQPA987	CF - Common Carrier Fixed Point to Point Microwave						Y
WQPA989	CF - Common Carrier Fixed Point to Point Microwave						Y

111) Call Sign	112) Radio Service Code	113) Location Number	114) Path Number (Microwave only)	115) Frequency Number	116) Lower or Center Frequency (MHz)	117) Upper Frequency (MHz)	118) Constructed Yes / No
WQPA990	CF - Common Carrier Fixed Point to Point Microwave						Y
WQPA992	CF - Common Carrier Fixed Point to Point Microwave						Y
WQPA993	CF - Common Carrier Fixed Point to Point Microwave						Y
WQPA994	CF - Common Carrier Fixed Point to Point Microwave						Y
WQPA995	CF - Common Carrier Fixed Point to Point Microwave						Y
WQPA999	CF - Common Carrier Fixed Point to Point Microwave						Y
WQPB200	CF - Common Carrier Fixed Point to Point Microwave						Y
WQPB216	CF - Common Carrier Fixed Point to Point Microwave						Y
WQPB217	CF - Common Carrier Fixed Point to Point Microwave						Y
WQPB251	CF - Common Carrier Fixed Point to Point Microwave						Y
WQPB252	CF - Common Carrier Fixed Point to Point Microwave						Y
WQPB253	CF - Common Carrier Fixed Point to Point Microwave						Y
WQPB283	CF - Common Carrier Fixed Point to Point Microwave						Y
WQPB285	CF - Common Carrier Fixed Point to Point Microwave						Y
WQPB386	CF - Common Carrier Fixed Point to Point Microwave						Y
WQPB433	CF - Common Carrier Fixed Point to Point Microwave						Y
WQPB434	CF - Common Carrier Fixed Point to Point Microwave						Y
WQPB521	CF - Common Carrier Fixed Point to Point Microwave						Y
WQPB523	CF - Common Carrier Fixed Point to Point Microwave						Y

111) Call Sign	112) Radio Service Code	113) Location Number	114) Path Number (Microwave only)	115) Frequency Number	116) Lower or Center Frequency (MHz)	117) Upper Frequency (MHz)	118) Constructed Yes / No
WQPB582	CF - Common Carrier Fixed Point to Point Microwave						Y
WQPB583	CF - Common Carrier Fixed Point to Point Microwave						Y
WQPB586	CF - Common Carrier Fixed Point to Point Microwave						Y
WQPB589	CF - Common Carrier Fixed Point to Point Microwave						Y
WQPB590	CF - Common Carrier Fixed Point to Point Microwave						Y
WQPB591	CF - Common Carrier Fixed Point to Point Microwave						Y
WQPB652	CF - Common Carrier Fixed Point to Point Microwave						Y
WQPB653	CF - Common Carrier Fixed Point to Point Microwave						Y
WQPB714	CF - Common Carrier Fixed Point to Point Microwave						Y
WQPB715	CF - Common Carrier Fixed Point to Point Microwave						Y
WQPB716	CF - Common Carrier Fixed Point to Point Microwave						Y
WQPB720	CF - Common Carrier Fixed Point to Point Microwave						Y
WQPB724	CF - Common Carrier Fixed Point to Point Microwave						Y
WQPB726	CF - Common Carrier Fixed Point to Point Microwave						Y
WQPB750	CF - Common Carrier Fixed Point to Point Microwave						Y
WQPB853	CF - Common Carrier Fixed Point to Point Microwave						Y
WQPB947	CF - Common Carrier Fixed Point to Point Microwave						Y
WQPC276	CF - Common Carrier Fixed Point to Point Microwave						Y
WQPC319	CF - Common Carrier Fixed Point to Point Microwave						Y

111) Call Sign	112) Radio Service Code	113) Location Number	114) Path Number (Microwave only)	115) Frequency Number	116) Lower or Center Frequency (MHz)	117) Upper Frequency (MHz)	118) Constructed Yes / No
WQPC320	CF - Common Carrier Fixed Point to Point Microwave						Y
WQPC321	CF - Common Carrier Fixed Point to Point Microwave						Y
WQPC324	CF - Common Carrier Fixed Point to Point Microwave						Y
WQPC382	CF - Common Carrier Fixed Point to Point Microwave						Y
WQPC386	CF - Common Carrier Fixed Point to Point Microwave						Y
WQPC404	CF - Common Carrier Fixed Point to Point Microwave						Y
WQPC413	CF - Common Carrier Fixed Point to Point Microwave						Y
WQPC414	CF - Common Carrier Fixed Point to Point Microwave						Y
WQPC416	CF - Common Carrier Fixed Point to Point Microwave						Y
WQPC417	CF - Common Carrier Fixed Point to Point Microwave						Y
WQPC420	CF - Common Carrier Fixed Point to Point Microwave						Y
WQPC428	CF - Common Carrier Fixed Point to Point Microwave						Y
WQPC429	CF - Common Carrier Fixed Point to Point Microwave						Y
WQPC430	CF - Common Carrier Fixed Point to Point Microwave						Y
WQPC456	CF - Common Carrier Fixed Point to Point Microwave						Y
WQPC457	CF - Common Carrier Fixed Point to Point Microwave						Y
WQPC460	CF - Common Carrier Fixed Point to Point Microwave						Y
WQPC461	CF - Common Carrier Fixed Point to Point Microwave						Y
WQPC462	CF - Common Carrier Fixed Point to Point Microwave						Y

111) Call Sign	112) Radio Service Code	113) Location Number	114) Path Number (Microwave only)	115) Frequency Number	116) Lower or Center Frequency (MHz)	117) Upper Frequency (MHz)	118) Constructed Yes / No
WQPC466	CF - Common Carrier Fixed Point to Point Microwave						Y
WQPC467	CF - Common Carrier Fixed Point to Point Microwave						Y
WQPC601	CF - Common Carrier Fixed Point to Point Microwave						Y
WQPD308	CF - Common Carrier Fixed Point to Point Microwave						Y
WQPD311	CF - Common Carrier Fixed Point to Point Microwave						Y
WQPD313	CF - Common Carrier Fixed Point to Point Microwave						Y
WQPD314	CF - Common Carrier Fixed Point to Point Microwave						Y
WQPD471	CF - Common Carrier Fixed Point to Point Microwave						Y
WQPD475	CF - Common Carrier Fixed Point to Point Microwave						Y
WQPD476	CF - Common Carrier Fixed Point to Point Microwave						Y
WQPD477	CF - Common Carrier Fixed Point to Point Microwave						Y
WQPD609	CF - Common Carrier Fixed Point to Point Microwave						Y
WQPD610	CF - Common Carrier Fixed Point to Point Microwave						Y
WQPD611	CF - Common Carrier Fixed Point to Point Microwave						Y
WQPD629	CF - Common Carrier Fixed Point to Point Microwave						Y
WQPD630	CF - Common Carrier Fixed Point to Point Microwave						Y
WQPD717	CF - Common Carrier Fixed Point to Point Microwave						Y
WQPD791	CF - Common Carrier Fixed Point to Point Microwave						Y
WQPD941	CF - Common Carrier Fixed Point to Point Microwave						Y

111) Call Sign	112) Radio Service Code	113) Location Number	114) Path Number (Microwave only)	115) Frequency Number	116) Lower or Center Frequency (MHz)	117) Upper Frequency (MHz)	118) Constructed Yes / No
WQPD983	CF - Common Carrier Fixed Point to Point Microwave						Y
WQPE306	CF - Common Carrier Fixed Point to Point Microwave						Y
WQPE341	CF - Common Carrier Fixed Point to Point Microwave						Y
WQPE342	CF - Common Carrier Fixed Point to Point Microwave						Y
WQPE370	CF - Common Carrier Fixed Point to Point Microwave						Y
WQPE371	CF - Common Carrier Fixed Point to Point Microwave						Y
WQPE372	CF - Common Carrier Fixed Point to Point Microwave						Y
WQPE373	CF - Common Carrier Fixed Point to Point Microwave						Y
WQPE374	CF - Common Carrier Fixed Point to Point Microwave						Y
WQPE378	CF - Common Carrier Fixed Point to Point Microwave						Y
WQPE415	CF - Common Carrier Fixed Point to Point Microwave						Y
WQPE416	CF - Common Carrier Fixed Point to Point Microwave						Y
WQPE426	CF - Common Carrier Fixed Point to Point Microwave						Y
WQPE458	CF - Common Carrier Fixed Point to Point Microwave						Y
WQPE459	CF - Common Carrier Fixed Point to Point Microwave						Y
WQPE683	CF - Common Carrier Fixed Point to Point Microwave						Y
WQPE684	CF - Common Carrier Fixed Point to Point Microwave						Y
WQPE688	CF - Common Carrier Fixed Point to Point Microwave						Y
WQPE689	CF - Common Carrier Fixed Point to Point Microwave						Y

111) Call Sign	112) Radio Service Code	113) Location Number	114) Path Number (Microwave only)	115) Frequency Number	116) Lower or Center Frequency (MHz)	117) Upper Frequency (MHz)	118) Constructed Yes / No
WQPE723	CF - Common Carrier Fixed Point to Point Microwave						Y
WQPE724	CF - Common Carrier Fixed Point to Point Microwave						Y
WQPE726	CF - Common Carrier Fixed Point to Point Microwave						Y
WQPE727	CF - Common Carrier Fixed Point to Point Microwave						Y
WQPE750	CF - Common Carrier Fixed Point to Point Microwave						Y
WQPE752	CF - Common Carrier Fixed Point to Point Microwave						Y
WQPE833	CF - Common Carrier Fixed Point to Point Microwave						Y
WQPF411	CF - Common Carrier Fixed Point to Point Microwave						Y
WQPF938	CF - Common Carrier Fixed Point to Point Microwave						Y
WQPF940	CF - Common Carrier Fixed Point to Point Microwave						Y
WQPG397	CF - Common Carrier Fixed Point to Point Microwave						Y
WQPG658	CF - Common Carrier Fixed Point to Point Microwave						Y
WQPG659	CF - Common Carrier Fixed Point to Point Microwave						Y
WQPG849	CF - Common Carrier Fixed Point to Point Microwave						Y
WQPH261	CF - Common Carrier Fixed Point to Point Microwave						Y
WQPH264	CF - Common Carrier Fixed Point to Point Microwave						Y
WQPH266	CF - Common Carrier Fixed Point to Point Microwave						Y
WQPH619	CF - Common Carrier Fixed Point to Point Microwave						Y
WQPH627	CF - Common Carrier Fixed Point to Point Microwave						Y

111) Call Sign	112) Radio Service Code	113) Location Number	114) Path Number (Microwave only)	115) Frequency Number	116) Lower or Center Frequency (MHz)	117) Upper Frequency (MHz)	118) Constructed Yes / No
WQPH629	CF - Common Carrier Fixed Point to Point Microwave						Y
WQPH632	CF - Common Carrier Fixed Point to Point Microwave						Y
WQPH633	CF - Common Carrier Fixed Point to Point Microwave						Y
WQPH856	CF - Common Carrier Fixed Point to Point Microwave						Y
WQPH857	CF - Common Carrier Fixed Point to Point Microwave						Y
WQPH858	CF - Common Carrier Fixed Point to Point Microwave						Y
WQPH863	CF - Common Carrier Fixed Point to Point Microwave						Y
WQPH940	CF - Common Carrier Fixed Point to Point Microwave						Y
WQPH991	CF - Common Carrier Fixed Point to Point Microwave						Y
WQPH992	CF - Common Carrier Fixed Point to Point Microwave						Y
WQPH993	CF - Common Carrier Fixed Point to Point Microwave						Y
WQPH995	CF - Common Carrier Fixed Point to Point Microwave						Y
WQPI315	CF - Common Carrier Fixed Point to Point Microwave						Y
WQPI379	CF - Common Carrier Fixed Point to Point Microwave						Y
WQPI382	CF - Common Carrier Fixed Point to Point Microwave						Y
WQPI383	CF - Common Carrier Fixed Point to Point Microwave						Y
WQPI474	CF - Common Carrier Fixed Point to Point Microwave						Y
WQPI798	CF - Common Carrier Fixed Point to Point Microwave						Y
WQPI799	CF - Common Carrier Fixed Point to Point Microwave						Y

111) Call Sign	112) Radio Service Code	113) Location Number	114) Path Number (Microwave only)	115) Frequency Number	116) Lower or Center Frequency (MHz)	117) Upper Frequency (MHz)	118) Constructed Yes / No
WQPI800	CF - Common Carrier Fixed Point to Point Microwave						Y
WQPI823	CF - Common Carrier Fixed Point to Point Microwave						Y
WQPI824	CF - Common Carrier Fixed Point to Point Microwave						Y
WQPI825	CF - Common Carrier Fixed Point to Point Microwave						Y
WQPJ295	CF - Common Carrier Fixed Point to Point Microwave						Y
WQPJ300	CF - Common Carrier Fixed Point to Point Microwave						Y
WQPJ317	CF - Common Carrier Fixed Point to Point Microwave						Y
WQPJ319	CF - Common Carrier Fixed Point to Point Microwave						Y
WQPJ559	CF - Common Carrier Fixed Point to Point Microwave						Y
WQPJ669	CF - Common Carrier Fixed Point to Point Microwave						Y
WQPJ670	CF - Common Carrier Fixed Point to Point Microwave						Y
WQPJ672	CF - Common Carrier Fixed Point to Point Microwave						Y
WQPJ677	CF - Common Carrier Fixed Point to Point Microwave						Y
WQPJ679	CF - Common Carrier Fixed Point to Point Microwave						Y
WQPJ726	CF - Common Carrier Fixed Point to Point Microwave						Y
WQPJ741	CF - Common Carrier Fixed Point to Point Microwave						Y
WQPJ742	CF - Common Carrier Fixed Point to Point Microwave						Y
WQPK262	CF - Common Carrier Fixed Point to Point Microwave						Y
WQPK264	CF - Common Carrier Fixed Point to Point Microwave						Y

111) Call Sign	112) Radio Service Code	113) Location Number	114) Path Number (Microwave only)	115) Frequency Number	116) Lower or Center Frequency (MHz)	117) Upper Frequency (MHz)	118) Constructed Yes / No
WQPK457	CF - Common Carrier Fixed Point to Point Microwave						Y
WQPK458	CF - Common Carrier Fixed Point to Point Microwave						Y
WQPK974	CF - Common Carrier Fixed Point to Point Microwave						Y
WQPL358	CF - Common Carrier Fixed Point to Point Microwave						Y
WQPL383	CF - Common Carrier Fixed Point to Point Microwave						Y
WQPL384	CF - Common Carrier Fixed Point to Point Microwave						Y
WQPL385	CF - Common Carrier Fixed Point to Point Microwave						Y
WQPL387	CF - Common Carrier Fixed Point to Point Microwave						Y
WQPL417	CF - Common Carrier Fixed Point to Point Microwave						Y
WQPL663	CF - Common Carrier Fixed Point to Point Microwave						Y
WQPL732	CF - Common Carrier Fixed Point to Point Microwave						Y
WQPL734	CF - Common Carrier Fixed Point to Point Microwave						Y
WQPL902	CF - Common Carrier Fixed Point to Point Microwave						Y
WQPL908	CF - Common Carrier Fixed Point to Point Microwave						Y
WQPL939	CF - Common Carrier Fixed Point to Point Microwave						Y
WQPL940	CF - Common Carrier Fixed Point to Point Microwave						Y
WQPL943	CF - Common Carrier Fixed Point to Point Microwave						Y
WQPM413	CF - Common Carrier Fixed Point to Point Microwave						Y
WQPM417	CF - Common Carrier Fixed Point to Point Microwave						Y

111) Call Sign	112) Radio Service Code	113) Location Number	114) Path Number (Microwave only)	115) Frequency Number	116) Lower or Center Frequency (MHz)	117) Upper Frequency (MHz)	118) Constructed Yes / No
WQPM447	CF - Common Carrier Fixed Point to Point Microwave						Y
WQPM497	CF - Common Carrier Fixed Point to Point Microwave						Y
WQPM498	CF - Common Carrier Fixed Point to Point Microwave						Y
WQPM641	CF - Common Carrier Fixed Point to Point Microwave						Y
WQPM642	CF - Common Carrier Fixed Point to Point Microwave						Y
WQPM824	CF - Common Carrier Fixed Point to Point Microwave						Y
WQPM825	CF - Common Carrier Fixed Point to Point Microwave						Y
WQPN370	CF - Common Carrier Fixed Point to Point Microwave						Y
WQPP327	CF - Common Carrier Fixed Point to Point Microwave						Y
WQPP337	CF - Common Carrier Fixed Point to Point Microwave						Y
WQPP343	CF - Common Carrier Fixed Point to Point Microwave						Y
WQPP344	CF - Common Carrier Fixed Point to Point Microwave						Y
WQPP450	CF - Common Carrier Fixed Point to Point Microwave						Y
WQPP457	CF - Common Carrier Fixed Point to Point Microwave						Y
WQPP853	CF - Common Carrier Fixed Point to Point Microwave						Y
WQPP854	CF - Common Carrier Fixed Point to Point Microwave						Y
WQPP904	CF - Common Carrier Fixed Point to Point Microwave						Y
WQPP954	CF - Common Carrier Fixed Point to Point Microwave						Y
WQPP955	CF - Common Carrier Fixed Point to Point Microwave						Y

111) Call Sign	112) Radio Service Code	113) Location Number	114) Path Number (Microwave only)	115) Frequency Number	116) Lower or Center Frequency (MHz)	117) Upper Frequency (MHz)	118) Constructed Yes / No
WQPQ542	CF - Common Carrier Fixed Point to Point Microwave						Y
WQPQ543	CF - Common Carrier Fixed Point to Point Microwave						Y
WQPQ566	CF - Common Carrier Fixed Point to Point Microwave						Y
WQPQ567	CF - Common Carrier Fixed Point to Point Microwave						Y
WQPQ779	CF - Common Carrier Fixed Point to Point Microwave						Y
WQPQ780	CF - Common Carrier Fixed Point to Point Microwave						Y
WQPQ881	CF - Common Carrier Fixed Point to Point Microwave						Y
WQPQ882	CF - Common Carrier Fixed Point to Point Microwave						Y
WQPQ883	CF - Common Carrier Fixed Point to Point Microwave						Y
WQPQ887	CF - Common Carrier Fixed Point to Point Microwave						Y
WQPQ888	CF - Common Carrier Fixed Point to Point Microwave						Y
WQPQ889	CF - Common Carrier Fixed Point to Point Microwave						Y
WQPQ890	CF - Common Carrier Fixed Point to Point Microwave						Y
WQPQ891	CF - Common Carrier Fixed Point to Point Microwave						Y
WQPQ892	CF - Common Carrier Fixed Point to Point Microwave						Y
WQPQ893	CF - Common Carrier Fixed Point to Point Microwave						Y
WQPQ894	CF - Common Carrier Fixed Point to Point Microwave						Y
WQPR292	CF - Common Carrier Fixed Point to Point Microwave						Y
WQPR293	CF - Common Carrier Fixed Point to Point Microwave						Y

111) Call Sign	112) Radio Service Code	113) Location Number	114) Path Number (Microwave only)	115) Frequency Number	116) Lower or Center Frequency (MHz)	117) Upper Frequency (MHz)	118) Constructed Yes / No
WQPR297	CF - Common Carrier Fixed Point to Point Microwave						Y
WQPR298	CF - Common Carrier Fixed Point to Point Microwave						Y
WQPR488	CF - Common Carrier Fixed Point to Point Microwave						Y
WQPS273	CF - Common Carrier Fixed Point to Point Microwave						Y
WQPS415	CF - Common Carrier Fixed Point to Point Microwave						Y
WQPS417	CF - Common Carrier Fixed Point to Point Microwave						Y
WQPS615	CF - Common Carrier Fixed Point to Point Microwave						Y
WQPS744	CF - Common Carrier Fixed Point to Point Microwave						Y
WQPS745	CF - Common Carrier Fixed Point to Point Microwave						Y
WQPS746	CF - Common Carrier Fixed Point to Point Microwave						Y
WQPS747	CF - Common Carrier Fixed Point to Point Microwave						Y
WQPS748	CF - Common Carrier Fixed Point to Point Microwave						Y
WQPS749	CF - Common Carrier Fixed Point to Point Microwave						Y
WQPS750	CF - Common Carrier Fixed Point to Point Microwave						Y
WQPS751	CF - Common Carrier Fixed Point to Point Microwave						Y
WQPS798	CF - Common Carrier Fixed Point to Point Microwave						Y
WQPT207	CF - Common Carrier Fixed Point to Point Microwave						Y
WQPT208	CF - Common Carrier Fixed Point to Point Microwave						Y
WQPT229	CF - Common Carrier Fixed Point to Point Microwave						Y

111) Call Sign	112) Radio Service Code	113) Location Number	114) Path Number (Microwave only)	115) Frequency Number	116) Lower or Center Frequency (MHz)	117) Upper Frequency (MHz)	118) Constructed Yes / No
WQPT308	CF - Common Carrier Fixed Point to Point Microwave						Y
WQPT360	CF - Common Carrier Fixed Point to Point Microwave						Y
WQPT884	CF - Common Carrier Fixed Point to Point Microwave						Y
WQPU333	CF - Common Carrier Fixed Point to Point Microwave						Y
WQPU335	CF - Common Carrier Fixed Point to Point Microwave						Y
WQPV663	CF - Common Carrier Fixed Point to Point Microwave						Y
WQPV665	CF - Common Carrier Fixed Point to Point Microwave						Y
WQPV668	CF - Common Carrier Fixed Point to Point Microwave						Y
WQPV671	CF - Common Carrier Fixed Point to Point Microwave						Y
WQPV675	CF - Common Carrier Fixed Point to Point Microwave						Y
WQPV676	CF - Common Carrier Fixed Point to Point Microwave						Y
WQPV701	CF - Common Carrier Fixed Point to Point Microwave						Y
WQPV707	CF - Common Carrier Fixed Point to Point Microwave						Y
WQPV711	CF - Common Carrier Fixed Point to Point Microwave						Y
WQPV712	CF - Common Carrier Fixed Point to Point Microwave						Y
WQPV856	CF - Common Carrier Fixed Point to Point Microwave						Y
WQPV858	CF - Common Carrier Fixed Point to Point Microwave						Y
WQPV904	CF - Common Carrier Fixed Point to Point Microwave						Y
WQPV927	CF - Common Carrier Fixed Point to Point Microwave						Y

111) Call Sign	112) Radio Service Code	113) Location Number	114) Path Number (Microwave only)	115) Frequency Number	116) Lower or Center Frequency (MHz)	117) Upper Frequency (MHz)	118) Constructed Yes / No
WQPV988	CF - Common Carrier Fixed Point to Point Microwave						Y
WQPW226	CF - Common Carrier Fixed Point to Point Microwave						Y
WQPW240	CF - Common Carrier Fixed Point to Point Microwave						Y
WQPW350	CF - Common Carrier Fixed Point to Point Microwave						Y
WQPW352	CF - Common Carrier Fixed Point to Point Microwave						Y
WQPW353	CF - Common Carrier Fixed Point to Point Microwave						Y
WQPW355	CF - Common Carrier Fixed Point to Point Microwave						Y
WQPW410	CF - Common Carrier Fixed Point to Point Microwave						Y
WQPW514	CF - Common Carrier Fixed Point to Point Microwave						Y
WQPW533	CF - Common Carrier Fixed Point to Point Microwave						Y
WQPW534	CF - Common Carrier Fixed Point to Point Microwave						Y
WQPW635	CF - Common Carrier Fixed Point to Point Microwave						Y
WQPW636	CF - Common Carrier Fixed Point to Point Microwave						Y
WQPW773	CF - Common Carrier Fixed Point to Point Microwave						Y
WQPW802	CF - Common Carrier Fixed Point to Point Microwave						Y
WQPW803	CF - Common Carrier Fixed Point to Point Microwave						Y
WQPW881	CF - Common Carrier Fixed Point to Point Microwave						Y
WQPX222	CF - Common Carrier Fixed Point to Point Microwave						Y
WQPX281	CF - Common Carrier Fixed Point to Point Microwave						Y

111) Call Sign	112) Radio Service Code	113) Location Number	114) Path Number (Microwave only)	115) Frequency Number	116) Lower or Center Frequency (MHz)	117) Upper Frequency (MHz)	118) Constructed Yes / No
WQPX282	CF - Common Carrier Fixed Point to Point Microwave						Y
WQPX336	CF - Common Carrier Fixed Point to Point Microwave						Y
WQPX337	CF - Common Carrier Fixed Point to Point Microwave						Y
WQPX339	CF - Common Carrier Fixed Point to Point Microwave						Y
WQPX340	CF - Common Carrier Fixed Point to Point Microwave						Y
WQPX435	CF - Common Carrier Fixed Point to Point Microwave						Y
WQPX824	CF - Common Carrier Fixed Point to Point Microwave						Y
WQPX827	CF - Common Carrier Fixed Point to Point Microwave						Y
WQPX998	CF - Common Carrier Fixed Point to Point Microwave						Y
WQPY202	CF - Common Carrier Fixed Point to Point Microwave						Y
WQPY203	CF - Common Carrier Fixed Point to Point Microwave						Y
WQPY296	CF - Common Carrier Fixed Point to Point Microwave						Y
WQPY297	CF - Common Carrier Fixed Point to Point Microwave						Y
WQPY315	CF - Common Carrier Fixed Point to Point Microwave						Y
WQPY316	CF - Common Carrier Fixed Point to Point Microwave						Y
WQPY419	CF - Common Carrier Fixed Point to Point Microwave						Y
WQPY420	CF - Common Carrier Fixed Point to Point Microwave						Y
WQPY535	CF - Common Carrier Fixed Point to Point Microwave						Y
WQPY645	CF - Common Carrier Fixed Point to Point Microwave						Y

111) Call Sign	112) Radio Service Code	113) Location Number	114) Path Number (Microwave only)	115) Frequency Number	116) Lower or Center Frequency (MHz)	117) Upper Frequency (MHz)	118) Constructed Yes / No
WQPY646	CF - Common Carrier Fixed Point to Point Microwave						Y
WQPY779	CF - Common Carrier Fixed Point to Point Microwave						Y
WQPY780	CF - Common Carrier Fixed Point to Point Microwave						Y
WQPY781	CF - Common Carrier Fixed Point to Point Microwave						Y
WQPZ219	CF - Common Carrier Fixed Point to Point Microwave						Y
WQPZ227	CF - Common Carrier Fixed Point to Point Microwave						Y
WQPZ228	CF - Common Carrier Fixed Point to Point Microwave						Y
WQPZ260	CF - Common Carrier Fixed Point to Point Microwave						Y
WQPZ261	CF - Common Carrier Fixed Point to Point Microwave						Y
WQPZ365	CF - Common Carrier Fixed Point to Point Microwave						Y
WQPZ366	CF - Common Carrier Fixed Point to Point Microwave						Y
WQPZ367	CF - Common Carrier Fixed Point to Point Microwave						Y
WQPZ584	CF - Common Carrier Fixed Point to Point Microwave						Y
WQPZ585	CF - Common Carrier Fixed Point to Point Microwave						Y
WQPZ600	CF - Common Carrier Fixed Point to Point Microwave						Y
WQPZ602	CF - Common Carrier Fixed Point to Point Microwave						Y
WQPZ603	CF - Common Carrier Fixed Point to Point Microwave						Y
WQPZ607	CF - Common Carrier Fixed Point to Point Microwave						Y
WQPZ608	CF - Common Carrier Fixed Point to Point Microwave						Y

111) Call Sign	112) Radio Service Code	113) Location Number	114) Path Number (Microwave only)	115) Frequency Number	116) Lower or Center Frequency (MHz)	117) Upper Frequency (MHz)	118) Constructed Yes / No
WQPZ746	CF - Common Carrier Fixed Point to Point Microwave						Y
WQPZ747	CF - Common Carrier Fixed Point to Point Microwave						Y
WQPZ748	CF - Common Carrier Fixed Point to Point Microwave						Y
WQPZ751	CF - Common Carrier Fixed Point to Point Microwave						Y
WQPZ752	CF - Common Carrier Fixed Point to Point Microwave						Y
WQPZ753	CF - Common Carrier Fixed Point to Point Microwave						Y
WQPZ754	CF - Common Carrier Fixed Point to Point Microwave						Y
WQQA265	CF - Common Carrier Fixed Point to Point Microwave						Y
WQQA397	CF - Common Carrier Fixed Point to Point Microwave						Y
WQQA418	CF - Common Carrier Fixed Point to Point Microwave						Y
WQQA419	CF - Common Carrier Fixed Point to Point Microwave						Y
WQQA529	CF - Common Carrier Fixed Point to Point Microwave						Y
WQQA545	CF - Common Carrier Fixed Point to Point Microwave						Y
WQQA551	CF - Common Carrier Fixed Point to Point Microwave						Y
WQQA552	CF - Common Carrier Fixed Point to Point Microwave						Y
WQQA694	CF - Common Carrier Fixed Point to Point Microwave						Y
WQQA695	CF - Common Carrier Fixed Point to Point Microwave						Y
WQQA703	CF - Common Carrier Fixed Point to Point Microwave						Y
WQQA739	CF - Common Carrier Fixed Point to Point Microwave						Y

111) Call Sign	112) Radio Service Code	113) Location Number	114) Path Number (Microwave only)	115) Frequency Number	116) Lower or Center Frequency (MHz)	117) Upper Frequency (MHz)	118) Constructed Yes / No
WQQA742	CF - Common Carrier Fixed Point to Point Microwave						Y
WQQA744	CF - Common Carrier Fixed Point to Point Microwave						Y
WQQB273	CF - Common Carrier Fixed Point to Point Microwave						Y
WQQB274	CF - Common Carrier Fixed Point to Point Microwave						Y
WQQB275	CF - Common Carrier Fixed Point to Point Microwave						Y
WQQB276	CF - Common Carrier Fixed Point to Point Microwave						Y
WQQB277	CF - Common Carrier Fixed Point to Point Microwave						Y
WQQB278	CF - Common Carrier Fixed Point to Point Microwave						Y
WQQB292	CF - Common Carrier Fixed Point to Point Microwave						Y
WQQB663	CF - Common Carrier Fixed Point to Point Microwave						Y
WQQB665	CF - Common Carrier Fixed Point to Point Microwave						Y
WQQB928	CF - Common Carrier Fixed Point to Point Microwave						Y
WQQB929	CF - Common Carrier Fixed Point to Point Microwave						Y
WQQB930	CF - Common Carrier Fixed Point to Point Microwave						Y
WQQC290	CF - Common Carrier Fixed Point to Point Microwave						Y
WQQC363	CF - Common Carrier Fixed Point to Point Microwave						Y
WQQC364	CF - Common Carrier Fixed Point to Point Microwave						Y
WQQC365	CF - Common Carrier Fixed Point to Point Microwave						Y
WQQC366	CF - Common Carrier Fixed Point to Point Microwave						Y

111) Call Sign	112) Radio Service Code	113) Location Number	114) Path Number (Microwave only)	115) Frequency Number	116) Lower or Center Frequency (MHz)	117) Upper Frequency (MHz)	118) Constructed Yes / No
WQQC377	CF - Common Carrier Fixed Point to Point Microwave						Y
WQQC378	CF - Common Carrier Fixed Point to Point Microwave						Y
WQQC392	CF - Common Carrier Fixed Point to Point Microwave						Y
WQQC404	CF - Common Carrier Fixed Point to Point Microwave						Y
WQQC405	CF - Common Carrier Fixed Point to Point Microwave						Y
WQQC541	CF - Common Carrier Fixed Point to Point Microwave						Y
WQQC542	CF - Common Carrier Fixed Point to Point Microwave						Y
WQQC550	CF - Common Carrier Fixed Point to Point Microwave						Y
WQQC551	CF - Common Carrier Fixed Point to Point Microwave						Y
WQQC555	CF - Common Carrier Fixed Point to Point Microwave						Y
WQQC557	CF - Common Carrier Fixed Point to Point Microwave						Y
WQQC723	CF - Common Carrier Fixed Point to Point Microwave						Y
WQQC725	CF - Common Carrier Fixed Point to Point Microwave						Y
WQQC726	CF - Common Carrier Fixed Point to Point Microwave						Y
WQQC727	CF - Common Carrier Fixed Point to Point Microwave						Y
WQQC912	CF - Common Carrier Fixed Point to Point Microwave						Y
WQQC913	CF - Common Carrier Fixed Point to Point Microwave						Y
WQQC985	CF - Common Carrier Fixed Point to Point Microwave						Y
WQQC986	CF - Common Carrier Fixed Point to Point Microwave						Y

111) Call Sign	112) Radio Service Code	113) Location Number	114) Path Number (Microwave only)	115) Frequency Number	116) Lower or Center Frequency (MHz)	117) Upper Frequency (MHz)	118) Constructed Yes / No
WQQD413	CF - Common Carrier Fixed Point to Point Microwave						Y
WQQD415	CF - Common Carrier Fixed Point to Point Microwave						Y
WQQD493	CF - Common Carrier Fixed Point to Point Microwave						Y
WQQD494	CF - Common Carrier Fixed Point to Point Microwave						Y
WQQD501	CF - Common Carrier Fixed Point to Point Microwave						Y
WQQD523	CF - Common Carrier Fixed Point to Point Microwave						Y
WQQD524	CF - Common Carrier Fixed Point to Point Microwave						Y
WQQD525	CF - Common Carrier Fixed Point to Point Microwave						Y
WQQD558	CF - Common Carrier Fixed Point to Point Microwave						Y
WQQD588	CF - Common Carrier Fixed Point to Point Microwave						Y
WQQD681	CF - Common Carrier Fixed Point to Point Microwave						Y
WQQD733	CF - Common Carrier Fixed Point to Point Microwave						Y
WQQE225	CF - Common Carrier Fixed Point to Point Microwave						Y
WQQE226	CF - Common Carrier Fixed Point to Point Microwave						Y
WQQE228	CF - Common Carrier Fixed Point to Point Microwave						Y
WQQE229	CF - Common Carrier Fixed Point to Point Microwave						Y
WQQE230	CF - Common Carrier Fixed Point to Point Microwave						Y
WQQE232	CF - Common Carrier Fixed Point to Point Microwave						Y
WQQE233	CF - Common Carrier Fixed Point to Point Microwave						Y

111) Call Sign	112) Radio Service Code	113) Location Number	114) Path Number (Microwave only)	115) Frequency Number	116) Lower or Center Frequency (MHz)	117) Upper Frequency (MHz)	118) Constructed Yes / No
WQQE240	CF - Common Carrier Fixed Point to Point Microwave						Y
WQQE241	CF - Common Carrier Fixed Point to Point Microwave						Y
WQQE648	CF - Common Carrier Fixed Point to Point Microwave						Y
WQQE651	CF - Common Carrier Fixed Point to Point Microwave						Y
WQQE803	CF - Common Carrier Fixed Point to Point Microwave						Y
WQQE804	CF - Common Carrier Fixed Point to Point Microwave						Y
WQQE989	CF - Common Carrier Fixed Point to Point Microwave						Y
WQQF304	CF - Common Carrier Fixed Point to Point Microwave						Y
WQQF966	CF - Common Carrier Fixed Point to Point Microwave						Y
WQQF978	CF - Common Carrier Fixed Point to Point Microwave						Y
WQQG254	CF - Common Carrier Fixed Point to Point Microwave						Y
WQQG255	CF - Common Carrier Fixed Point to Point Microwave						Y
WQQG293	CF - Common Carrier Fixed Point to Point Microwave						Y
WQQG370	CF - Common Carrier Fixed Point to Point Microwave						Y
WQQG535	CF - Common Carrier Fixed Point to Point Microwave						Y
WQQG541	CF - Common Carrier Fixed Point to Point Microwave						Y
WQQG542	CF - Common Carrier Fixed Point to Point Microwave						Y
WQQG547	CF - Common Carrier Fixed Point to Point Microwave						Y
WQQG549	CF - Common Carrier Fixed Point to Point Microwave						Y

111) Call Sign	112) Radio Service Code	113) Location Number	114) Path Number (Microwave only)	115) Frequency Number	116) Lower or Center Frequency (MHz)	117) Upper Frequency (MHz)	118) Constructed Yes / No
WQQG607	CF - Common Carrier Fixed Point to Point Microwave						Y
WQQG608	CF - Common Carrier Fixed Point to Point Microwave						Y
WQQG684	CF - Common Carrier Fixed Point to Point Microwave						Y
WQQG685	CF - Common Carrier Fixed Point to Point Microwave						Y
WQQG689	CF - Common Carrier Fixed Point to Point Microwave						Y
WQQG700	CF - Common Carrier Fixed Point to Point Microwave						Y
WQQG701	CF - Common Carrier Fixed Point to Point Microwave						Y
WQQG716	CF - Common Carrier Fixed Point to Point Microwave						Y
WQQG731	CF - Common Carrier Fixed Point to Point Microwave						Y
WQQG741	CF - Common Carrier Fixed Point to Point Microwave						Y
WQQG743	CF - Common Carrier Fixed Point to Point Microwave						Y
WQQG745	CF - Common Carrier Fixed Point to Point Microwave						Y
WQQG751	CF - Common Carrier Fixed Point to Point Microwave						Y
WQQG754	CF - Common Carrier Fixed Point to Point Microwave						Y
WQQG755	CF - Common Carrier Fixed Point to Point Microwave						Y
WQQG757	CF - Common Carrier Fixed Point to Point Microwave						Y
WQQG767	CF - Common Carrier Fixed Point to Point Microwave						Y
WQQG988	CF - Common Carrier Fixed Point to Point Microwave						Y
WQQG989	CF - Common Carrier Fixed Point to Point Microwave						Y

111) Call Sign	112) Radio Service Code	113) Location Number	114) Path Number (Microwave only)	115) Frequency Number	116) Lower or Center Frequency (MHz)	117) Upper Frequency (MHz)	118) Constructed Yes / No
WQQH481	CF - Common Carrier Fixed Point to Point Microwave						Y
WQQH482	CF - Common Carrier Fixed Point to Point Microwave						Y
WQQH483	CF - Common Carrier Fixed Point to Point Microwave						Y
WQQH484	CF - Common Carrier Fixed Point to Point Microwave						Y
WQQH490	CF - Common Carrier Fixed Point to Point Microwave						Y
WQQH516	CF - Common Carrier Fixed Point to Point Microwave						Y
WQQH517	CF - Common Carrier Fixed Point to Point Microwave						Y
WQQH519	CF - Common Carrier Fixed Point to Point Microwave						Y
WQQH520	CF - Common Carrier Fixed Point to Point Microwave						Y
WQQH521	CF - Common Carrier Fixed Point to Point Microwave						Y
WQQH522	CF - Common Carrier Fixed Point to Point Microwave						Y
WQQH635	CF - Common Carrier Fixed Point to Point Microwave						Y
WQQH651	CF - Common Carrier Fixed Point to Point Microwave						Y
WQQH652	CF - Common Carrier Fixed Point to Point Microwave						Y
WQQH917	CF - Common Carrier Fixed Point to Point Microwave						Y
WQQH918	CF - Common Carrier Fixed Point to Point Microwave						Y
WQQH922	CF - Common Carrier Fixed Point to Point Microwave						Y
WQQH945	CF - Common Carrier Fixed Point to Point Microwave						Y
WQQI640	CF - Common Carrier Fixed Point to Point Microwave						Y

111) Call Sign	112) Radio Service Code	113) Location Number	114) Path Number (Microwave only)	115) Frequency Number	116) Lower or Center Frequency (MHz)	117) Upper Frequency (MHz)	118) Constructed Yes / No
WQQI641	CF - Common Carrier Fixed Point to Point Microwave						Y
WQQI642	CF - Common Carrier Fixed Point to Point Microwave						Y
WQQI643	CF - Common Carrier Fixed Point to Point Microwave						Y
WQQI667	CF - Common Carrier Fixed Point to Point Microwave						Y
WQQI668	CF - Common Carrier Fixed Point to Point Microwave						Y
WQQI885	CF - Common Carrier Fixed Point to Point Microwave						Y
WQQI886	CF - Common Carrier Fixed Point to Point Microwave						Y
WQQJ470	CF - Common Carrier Fixed Point to Point Microwave						Y
WQQJ501	CF - Common Carrier Fixed Point to Point Microwave						Y
WQQJ675	CF - Common Carrier Fixed Point to Point Microwave						Y
WQQJ698	CF - Common Carrier Fixed Point to Point Microwave						Y
WQQJ740	CF - Common Carrier Fixed Point to Point Microwave						Y
WQQJ741	CF - Common Carrier Fixed Point to Point Microwave						Y
WQQJ743	CF - Common Carrier Fixed Point to Point Microwave						Y
WQQJ744	CF - Common Carrier Fixed Point to Point Microwave						Y
WQQJ791	CF - Common Carrier Fixed Point to Point Microwave						Y
WQQK246	CF - Common Carrier Fixed Point to Point Microwave						Y
WQQK250	CF - Common Carrier Fixed Point to Point Microwave						Y
WQQK475	CF - Common Carrier Fixed Point to Point Microwave						Y

111) Call Sign	112) Radio Service Code	113) Location Number	114) Path Number (Microwave only)	115) Frequency Number	116) Lower or Center Frequency (MHz)	117) Upper Frequency (MHz)	118) Constructed Yes / No
WQK492	CF - Common Carrier Fixed Point to Point Microwave						Y
WQK541	CF - Common Carrier Fixed Point to Point Microwave						Y
WQK550	CF - Common Carrier Fixed Point to Point Microwave						Y
WQK615	CF - Common Carrier Fixed Point to Point Microwave						Y
WQK657	CF - Common Carrier Fixed Point to Point Microwave						Y
WQK665	CF - Common Carrier Fixed Point to Point Microwave						Y
WQK667	CF - Common Carrier Fixed Point to Point Microwave						Y
WQK669	CF - Common Carrier Fixed Point to Point Microwave						Y
WQK671	CF - Common Carrier Fixed Point to Point Microwave						Y
WQK699	CF - Common Carrier Fixed Point to Point Microwave						Y
WQK706	CF - Common Carrier Fixed Point to Point Microwave						Y
WQK737	CF - Common Carrier Fixed Point to Point Microwave						Y
WQK758	CF - Common Carrier Fixed Point to Point Microwave						Y
WQK779	CF - Common Carrier Fixed Point to Point Microwave						Y
WQK781	CF - Common Carrier Fixed Point to Point Microwave						Y
WQK809	CF - Common Carrier Fixed Point to Point Microwave						Y
WQK811	CF - Common Carrier Fixed Point to Point Microwave						Y
WQK813	CF - Common Carrier Fixed Point to Point Microwave						Y
WQK846	CF - Common Carrier Fixed Point to Point Microwave						Y

111) Call Sign	112) Radio Service Code	113) Location Number	114) Path Number (Microwave only)	115) Frequency Number	116) Lower or Center Frequency (MHz)	117) Upper Frequency (MHz)	118) Constructed Yes / No
WQKK865	CF - Common Carrier Fixed Point to Point Microwave						Y
WQKK888	CF - Common Carrier Fixed Point to Point Microwave						Y
WQKK893	CF - Common Carrier Fixed Point to Point Microwave						Y
WQKK899	CF - Common Carrier Fixed Point to Point Microwave						Y
WQKK902	CF - Common Carrier Fixed Point to Point Microwave						Y
WQKK906	CF - Common Carrier Fixed Point to Point Microwave						Y
WQKK979	CF - Common Carrier Fixed Point to Point Microwave						Y
WQKK980	CF - Common Carrier Fixed Point to Point Microwave						Y
WQKK984	CF - Common Carrier Fixed Point to Point Microwave						Y
WQKK986	CF - Common Carrier Fixed Point to Point Microwave						Y
WQKK987	CF - Common Carrier Fixed Point to Point Microwave						Y
WQKK989	CF - Common Carrier Fixed Point to Point Microwave						Y
WQQL205	CF - Common Carrier Fixed Point to Point Microwave						Y
WQQL416	CF - Common Carrier Fixed Point to Point Microwave						Y
WQQL417	CF - Common Carrier Fixed Point to Point Microwave						Y
WQQL421	CF - Common Carrier Fixed Point to Point Microwave						Y
WQQL424	CF - Common Carrier Fixed Point to Point Microwave						Y
WQQL438	CF - Common Carrier Fixed Point to Point Microwave						Y
WQQL444	CF - Common Carrier Fixed Point to Point Microwave						Y

111) Call Sign	112) Radio Service Code	113) Location Number	114) Path Number (Microwave only)	115) Frequency Number	116) Lower or Center Frequency (MHz)	117) Upper Frequency (MHz)	118) Constructed Yes / No
WQQL445	CF - Common Carrier Fixed Point to Point Microwave						Y
WQQL446	CF - Common Carrier Fixed Point to Point Microwave						Y
WQQL447	CF - Common Carrier Fixed Point to Point Microwave						Y
WQQL577	CF - Common Carrier Fixed Point to Point Microwave						Y
WQQL692	CF - Common Carrier Fixed Point to Point Microwave						Y
WQQL790	CF - Common Carrier Fixed Point to Point Microwave						Y
WQQL792	CF - Common Carrier Fixed Point to Point Microwave						Y
WQQL793	CF - Common Carrier Fixed Point to Point Microwave						Y
WQQL794	CF - Common Carrier Fixed Point to Point Microwave						Y
WQQM359	CF - Common Carrier Fixed Point to Point Microwave						Y
WQQM360	CF - Common Carrier Fixed Point to Point Microwave						Y
WQQM361	CF - Common Carrier Fixed Point to Point Microwave						Y
WQQM362	CF - Common Carrier Fixed Point to Point Microwave						Y
WQQM363	CF - Common Carrier Fixed Point to Point Microwave						Y
WQQM364	CF - Common Carrier Fixed Point to Point Microwave						Y
WQQM368	CF - Common Carrier Fixed Point to Point Microwave						Y
WQQM371	CF - Common Carrier Fixed Point to Point Microwave						Y
WQQM457	CF - Common Carrier Fixed Point to Point Microwave						Y
WQQM459	CF - Common Carrier Fixed Point to Point Microwave						Y

111) Call Sign	112) Radio Service Code	113) Location Number	114) Path Number (Microwave only)	115) Frequency Number	116) Lower or Center Frequency (MHz)	117) Upper Frequency (MHz)	118) Constructed Yes / No
WQQM465	CF - Common Carrier Fixed Point to Point Microwave						Y
WQQM466	CF - Common Carrier Fixed Point to Point Microwave						Y
WQQM473	CF - Common Carrier Fixed Point to Point Microwave						Y
WQQM541	CF - Common Carrier Fixed Point to Point Microwave						Y
WQQM543	CF - Common Carrier Fixed Point to Point Microwave						Y
WQQM544	CF - Common Carrier Fixed Point to Point Microwave						Y
WQQM820	CF - Common Carrier Fixed Point to Point Microwave						Y
WQQM903	CF - Common Carrier Fixed Point to Point Microwave						Y
WQQM904	CF - Common Carrier Fixed Point to Point Microwave						Y
WQQM907	CF - Common Carrier Fixed Point to Point Microwave						Y
WQQM949	CF - Common Carrier Fixed Point to Point Microwave						Y
WQQM951	CF - Common Carrier Fixed Point to Point Microwave						Y
WQQM952	CF - Common Carrier Fixed Point to Point Microwave						Y
WQQM958	CF - Common Carrier Fixed Point to Point Microwave						Y
WQQM959	CF - Common Carrier Fixed Point to Point Microwave						Y
WQQM960	CF - Common Carrier Fixed Point to Point Microwave						Y
WQQM961	CF - Common Carrier Fixed Point to Point Microwave						Y
WQQM962	CF - Common Carrier Fixed Point to Point Microwave						Y
WQQM963	CF - Common Carrier Fixed Point to Point Microwave						Y

111) Call Sign	112) Radio Service Code	113) Location Number	114) Path Number (Microwave only)	115) Frequency Number	116) Lower or Center Frequency (MHz)	117) Upper Frequency (MHz)	118) Constructed Yes / No
WQQM965	CF - Common Carrier Fixed Point to Point Microwave						Y
WQQM979	CF - Common Carrier Fixed Point to Point Microwave						Y
WQQM981	CF - Common Carrier Fixed Point to Point Microwave						Y
WQQM992	CF - Common Carrier Fixed Point to Point Microwave						Y
WQQN302	CF - Common Carrier Fixed Point to Point Microwave						Y
WQQN307	CF - Common Carrier Fixed Point to Point Microwave						Y
WQQN333	CF - Common Carrier Fixed Point to Point Microwave						Y
WQQN336	CF - Common Carrier Fixed Point to Point Microwave						Y
WQQN357	CF - Common Carrier Fixed Point to Point Microwave						Y
WQQN358	CF - Common Carrier Fixed Point to Point Microwave						Y
WQQN359	CF - Common Carrier Fixed Point to Point Microwave						Y
WQQN495	CF - Common Carrier Fixed Point to Point Microwave						Y
WQQN497	CF - Common Carrier Fixed Point to Point Microwave						Y
WQQN654	CF - Common Carrier Fixed Point to Point Microwave						Y
WQQN656	CF - Common Carrier Fixed Point to Point Microwave						Y
WQQN658	CF - Common Carrier Fixed Point to Point Microwave						Y
WQQN660	CF - Common Carrier Fixed Point to Point Microwave						Y
WQQN683	CF - Common Carrier Fixed Point to Point Microwave						Y
WQQN696	CF - Common Carrier Fixed Point to Point Microwave						Y

111) Call Sign	112) Radio Service Code	113) Location Number	114) Path Number (Microwave only)	115) Frequency Number	116) Lower or Center Frequency (MHz)	117) Upper Frequency (MHz)	118) Constructed Yes / No
WQQN706	CF - Common Carrier Fixed Point to Point Microwave						Y
WQQN707	CF - Common Carrier Fixed Point to Point Microwave						Y
WQQN708	CF - Common Carrier Fixed Point to Point Microwave						Y
WQQN710	CF - Common Carrier Fixed Point to Point Microwave						Y
WQQN711	CF - Common Carrier Fixed Point to Point Microwave						Y
WQQN719	CF - Common Carrier Fixed Point to Point Microwave						Y
WQQN720	CF - Common Carrier Fixed Point to Point Microwave						Y
WQQN735	CF - Common Carrier Fixed Point to Point Microwave						Y
WQQN736	CF - Common Carrier Fixed Point to Point Microwave						Y
WQQN741	CF - Common Carrier Fixed Point to Point Microwave						Y
WQQN762	CF - Common Carrier Fixed Point to Point Microwave						Y
WQQN877	CF - Common Carrier Fixed Point to Point Microwave						Y
WQQN878	CF - Common Carrier Fixed Point to Point Microwave						Y
WQQN884	CF - Common Carrier Fixed Point to Point Microwave						Y
WQQN885	CF - Common Carrier Fixed Point to Point Microwave						Y
WQQN886	CF - Common Carrier Fixed Point to Point Microwave						Y
WQQN928	CF - Common Carrier Fixed Point to Point Microwave						Y
WQQP470	CF - Common Carrier Fixed Point to Point Microwave						Y
WQQP585	CF - Common Carrier Fixed Point to Point Microwave						Y

111) Call Sign	112) Radio Service Code	113) Location Number	114) Path Number (Microwave only)	115) Frequency Number	116) Lower or Center Frequency (MHz)	117) Upper Frequency (MHz)	118) Constructed Yes / No
WQQP669	CF - Common Carrier Fixed Point to Point Microwave						Y
WQQP670	CF - Common Carrier Fixed Point to Point Microwave						Y
WQQP690	CF - Common Carrier Fixed Point to Point Microwave						Y
WQQP691	CF - Common Carrier Fixed Point to Point Microwave						Y
WQQP693	CF - Common Carrier Fixed Point to Point Microwave						Y
WQQP791	CF - Common Carrier Fixed Point to Point Microwave						Y
WQQP875	CF - Common Carrier Fixed Point to Point Microwave						Y
WQQP958	CF - Common Carrier Fixed Point to Point Microwave						Y
WQQP959	CF - Common Carrier Fixed Point to Point Microwave						Y
WQQQ277	CF - Common Carrier Fixed Point to Point Microwave						Y
WQQQ278	CF - Common Carrier Fixed Point to Point Microwave						Y
WQQQ294	CF - Common Carrier Fixed Point to Point Microwave						Y
WQQQ335	CF - Common Carrier Fixed Point to Point Microwave						Y
WQQQ337	CF - Common Carrier Fixed Point to Point Microwave						Y
WQQQ340	CF - Common Carrier Fixed Point to Point Microwave						Y
WQQQ341	CF - Common Carrier Fixed Point to Point Microwave						Y
WQQQ361	CF - Common Carrier Fixed Point to Point Microwave						Y
WQQQ362	CF - Common Carrier Fixed Point to Point Microwave						Y
WQQQ482	CF - Common Carrier Fixed Point to Point Microwave						Y

111) Call Sign	112) Radio Service Code	113) Location Number	114) Path Number (Microwave only)	115) Frequency Number	116) Lower or Center Frequency (MHz)	117) Upper Frequency (MHz)	118) Constructed Yes / No
WQQQ483	CF - Common Carrier Fixed Point to Point Microwave						Y
WQQQ484	CF - Common Carrier Fixed Point to Point Microwave						Y
WQQQ486	CF - Common Carrier Fixed Point to Point Microwave						Y
WQQQ630	CF - Common Carrier Fixed Point to Point Microwave						Y
WQQQ631	CF - Common Carrier Fixed Point to Point Microwave						Y
WQQQ637	CF - Common Carrier Fixed Point to Point Microwave						Y
WQQQ638	CF - Common Carrier Fixed Point to Point Microwave						Y
WQQQ643	CF - Common Carrier Fixed Point to Point Microwave						Y
WQQQ645	CF - Common Carrier Fixed Point to Point Microwave						Y
WQQQ744	CF - Common Carrier Fixed Point to Point Microwave						Y
WQQQ745	CF - Common Carrier Fixed Point to Point Microwave						Y
WQQQ746	CF - Common Carrier Fixed Point to Point Microwave						Y
WQQQ747	CF - Common Carrier Fixed Point to Point Microwave						Y
WQQQ748	CF - Common Carrier Fixed Point to Point Microwave						Y
WQQQ749	CF - Common Carrier Fixed Point to Point Microwave						Y
WQQQ784	CF - Common Carrier Fixed Point to Point Microwave						Y
WQQQ785	CF - Common Carrier Fixed Point to Point Microwave						Y
WQQQ928	CF - Common Carrier Fixed Point to Point Microwave						Y
WQQR295	CF - Common Carrier Fixed Point to Point Microwave						Y

111) Call Sign	112) Radio Service Code	113) Location Number	114) Path Number (Microwave only)	115) Frequency Number	116) Lower or Center Frequency (MHz)	117) Upper Frequency (MHz)	118) Constructed Yes / No
WQQR307	CF - Common Carrier Fixed Point to Point Microwave						Y
WQQR457	CF - Common Carrier Fixed Point to Point Microwave						Y
WQQR458	CF - Common Carrier Fixed Point to Point Microwave						Y
WQQR459	CF - Common Carrier Fixed Point to Point Microwave						Y
WQQR460	CF - Common Carrier Fixed Point to Point Microwave						Y
WQQR461	CF - Common Carrier Fixed Point to Point Microwave						Y
WQQR475	CF - Common Carrier Fixed Point to Point Microwave						Y
WQQR476	CF - Common Carrier Fixed Point to Point Microwave						Y
WQQR477	CF - Common Carrier Fixed Point to Point Microwave						Y
WQQR481	CF - Common Carrier Fixed Point to Point Microwave						Y
WQQR482	CF - Common Carrier Fixed Point to Point Microwave						Y
WQQR593	CF - Common Carrier Fixed Point to Point Microwave						Y
WQQR596	CF - Common Carrier Fixed Point to Point Microwave						Y
WQQR597	CF - Common Carrier Fixed Point to Point Microwave						Y
WQQR605	CF - Common Carrier Fixed Point to Point Microwave						Y
WQQR615	CF - Common Carrier Fixed Point to Point Microwave						Y
WQQR861	CF - Common Carrier Fixed Point to Point Microwave						Y
WQQR896	CF - Common Carrier Fixed Point to Point Microwave						Y
WQQR901	CF - Common Carrier Fixed Point to Point Microwave						Y

111) Call Sign	112) Radio Service Code	113) Location Number	114) Path Number (Microwave only)	115) Frequency Number	116) Lower or Center Frequency (MHz)	117) Upper Frequency (MHz)	118) Constructed Yes / No
WQQR932	CF - Common Carrier Fixed Point to Point Microwave						Y
WQQR933	CF - Common Carrier Fixed Point to Point Microwave						Y
WQQR934	CF - Common Carrier Fixed Point to Point Microwave						Y
WQQR944	CF - Common Carrier Fixed Point to Point Microwave						Y
WQQR979	CF - Common Carrier Fixed Point to Point Microwave						Y
WQQR980	CF - Common Carrier Fixed Point to Point Microwave						Y
WQQS206	CF - Common Carrier Fixed Point to Point Microwave						Y
WQQS207	CF - Common Carrier Fixed Point to Point Microwave						Y
WQQS382	CF - Common Carrier Fixed Point to Point Microwave						Y
WQQS383	CF - Common Carrier Fixed Point to Point Microwave						Y
WQQS384	CF - Common Carrier Fixed Point to Point Microwave						Y
WQQS432	CF - Common Carrier Fixed Point to Point Microwave						Y
WQQS433	CF - Common Carrier Fixed Point to Point Microwave						Y
WQQS460	CF - Common Carrier Fixed Point to Point Microwave						Y
WQQS461	CF - Common Carrier Fixed Point to Point Microwave						Y
WQQS463	CF - Common Carrier Fixed Point to Point Microwave						Y
WQQS464	CF - Common Carrier Fixed Point to Point Microwave						Y
WQQS511	CF - Common Carrier Fixed Point to Point Microwave						Y
WQQS668	CF - Common Carrier Fixed Point to Point Microwave						Y

111) Call Sign	112) Radio Service Code	113) Location Number	114) Path Number (Microwave only)	115) Frequency Number	116) Lower or Center Frequency (MHz)	117) Upper Frequency (MHz)	118) Constructed Yes / No
WQQS669	CF - Common Carrier Fixed Point to Point Microwave						Y
WQQS671	CF - Common Carrier Fixed Point to Point Microwave						Y
WQQS672	CF - Common Carrier Fixed Point to Point Microwave						Y
WQQS835	CF - Common Carrier Fixed Point to Point Microwave						Y
WQQS876	CF - Common Carrier Fixed Point to Point Microwave						Y
WQQS879	CF - Common Carrier Fixed Point to Point Microwave						Y
WQQS880	CF - Common Carrier Fixed Point to Point Microwave						Y
WQQS883	CF - Common Carrier Fixed Point to Point Microwave						Y
WQQS884	CF - Common Carrier Fixed Point to Point Microwave						Y
WQQS885	CF - Common Carrier Fixed Point to Point Microwave						Y
WQQS909	CF - Common Carrier Fixed Point to Point Microwave						Y
WQQT346	CF - Common Carrier Fixed Point to Point Microwave						Y
WQQT347	CF - Common Carrier Fixed Point to Point Microwave						Y
WQQT353	CF - Common Carrier Fixed Point to Point Microwave						Y
WQQT359	CF - Common Carrier Fixed Point to Point Microwave						Y
WQQT361	CF - Common Carrier Fixed Point to Point Microwave						Y
WQQT420	CF - Common Carrier Fixed Point to Point Microwave						Y
WQQT421	CF - Common Carrier Fixed Point to Point Microwave						Y
WQQT427	CF - Common Carrier Fixed Point to Point Microwave						Y

111) Call Sign	112) Radio Service Code	113) Location Number	114) Path Number (Microwave only)	115) Frequency Number	116) Lower or Center Frequency (MHz)	117) Upper Frequency (MHz)	118) Constructed Yes / No
WQQT432	CF - Common Carrier Fixed Point to Point Microwave						Y
WQQT433	CF - Common Carrier Fixed Point to Point Microwave						Y
WQQT439	CF - Common Carrier Fixed Point to Point Microwave						Y
WQQT450	CF - Common Carrier Fixed Point to Point Microwave						Y
WQQT451	CF - Common Carrier Fixed Point to Point Microwave						Y
WQQT467	CF - Common Carrier Fixed Point to Point Microwave						Y
WQQT468	CF - Common Carrier Fixed Point to Point Microwave						Y
WQQT471	CF - Common Carrier Fixed Point to Point Microwave						Y
WQQT472	CF - Common Carrier Fixed Point to Point Microwave						Y
WQQT494	CF - Common Carrier Fixed Point to Point Microwave						Y
WQQT495	CF - Common Carrier Fixed Point to Point Microwave						Y
WQQT508	CF - Common Carrier Fixed Point to Point Microwave						Y
WQQT509	CF - Common Carrier Fixed Point to Point Microwave						Y
WQQT518	CF - Common Carrier Fixed Point to Point Microwave						Y
WQQT566	CF - Common Carrier Fixed Point to Point Microwave						Y
WQQT567	CF - Common Carrier Fixed Point to Point Microwave						Y
WQQT586	CF - Common Carrier Fixed Point to Point Microwave						Y
WQQT587	CF - Common Carrier Fixed Point to Point Microwave						Y
WQQT588	CF - Common Carrier Fixed Point to Point Microwave						Y

111) Call Sign	112) Radio Service Code	113) Location Number	114) Path Number (Microwave only)	115) Frequency Number	116) Lower or Center Frequency (MHz)	117) Upper Frequency (MHz)	118) Constructed Yes / No
WQQT589	CF - Common Carrier Fixed Point to Point Microwave						Y
WQQT677	CF - Common Carrier Fixed Point to Point Microwave						Y
WQQT680	CF - Common Carrier Fixed Point to Point Microwave						Y
WQQT685	CF - Common Carrier Fixed Point to Point Microwave						Y
WQQT721	CF - Common Carrier Fixed Point to Point Microwave						Y
WQQT722	CF - Common Carrier Fixed Point to Point Microwave						Y
WQQT860	CF - Common Carrier Fixed Point to Point Microwave						Y
WQQT861	CF - Common Carrier Fixed Point to Point Microwave						Y
WQQT862	CF - Common Carrier Fixed Point to Point Microwave						Y
WQQT904	CF - Common Carrier Fixed Point to Point Microwave						Y
WQQT905	CF - Common Carrier Fixed Point to Point Microwave						Y
WQQT915	CF - Common Carrier Fixed Point to Point Microwave						Y
WQQT917	CF - Common Carrier Fixed Point to Point Microwave						Y
WQQT918	CF - Common Carrier Fixed Point to Point Microwave						Y
WQQT939	CF - Common Carrier Fixed Point to Point Microwave						Y
WQQT943	CF - Common Carrier Fixed Point to Point Microwave						Y
WQQT944	CF - Common Carrier Fixed Point to Point Microwave						Y
WQQT985	CF - Common Carrier Fixed Point to Point Microwave						Y
WQQT988	CF - Common Carrier Fixed Point to Point Microwave						Y

111) Call Sign	112) Radio Service Code	113) Location Number	114) Path Number (Microwave only)	115) Frequency Number	116) Lower or Center Frequency (MHz)	117) Upper Frequency (MHz)	118) Constructed Yes / No
WQQT990	CF - Common Carrier Fixed Point to Point Microwave						Y
WQQT991	CF - Common Carrier Fixed Point to Point Microwave						Y
WQQU289	CF - Common Carrier Fixed Point to Point Microwave						Y
WQQU291	CF - Common Carrier Fixed Point to Point Microwave						Y
WQQU298	CF - Common Carrier Fixed Point to Point Microwave						Y
WQQU299	CF - Common Carrier Fixed Point to Point Microwave						Y
WQQU310	CF - Common Carrier Fixed Point to Point Microwave						Y
WQQU348	CF - Common Carrier Fixed Point to Point Microwave						Y
WQQU481	CF - Common Carrier Fixed Point to Point Microwave						Y
WQQU621	CF - Common Carrier Fixed Point to Point Microwave						Y
WQQU634	CF - Common Carrier Fixed Point to Point Microwave						Y
WQQU640	CF - Common Carrier Fixed Point to Point Microwave						Y
WQQU645	CF - Common Carrier Fixed Point to Point Microwave						Y
WQQU646	CF - Common Carrier Fixed Point to Point Microwave						Y
WQQU649	CF - Common Carrier Fixed Point to Point Microwave						Y
WQQU701	CF - Common Carrier Fixed Point to Point Microwave						Y
WQQU703	CF - Common Carrier Fixed Point to Point Microwave						Y
WQQU706	CF - Common Carrier Fixed Point to Point Microwave						Y
WQQU707	CF - Common Carrier Fixed Point to Point Microwave						Y

111) Call Sign	112) Radio Service Code	113) Location Number	114) Path Number (Microwave only)	115) Frequency Number	116) Lower or Center Frequency (MHz)	117) Upper Frequency (MHz)	118) Constructed Yes / No
WQQU708	CF - Common Carrier Fixed Point to Point Microwave						Y
WQQU709	CF - Common Carrier Fixed Point to Point Microwave						Y
WQQU716	CF - Common Carrier Fixed Point to Point Microwave						Y
WQQU717	CF - Common Carrier Fixed Point to Point Microwave						Y
WQQU718	CF - Common Carrier Fixed Point to Point Microwave						Y
WQQU720	CF - Common Carrier Fixed Point to Point Microwave						Y
WQQU721	CF - Common Carrier Fixed Point to Point Microwave						Y
WQQU722	CF - Common Carrier Fixed Point to Point Microwave						Y
WQQU723	CF - Common Carrier Fixed Point to Point Microwave						Y
WQQU724	CF - Common Carrier Fixed Point to Point Microwave						Y
WQQU787	CF - Common Carrier Fixed Point to Point Microwave						Y
WQQU790	CF - Common Carrier Fixed Point to Point Microwave						Y
WQQU858	CF - Common Carrier Fixed Point to Point Microwave						Y
WQQU945	CF - Common Carrier Fixed Point to Point Microwave						Y
WQQV229	CF - Common Carrier Fixed Point to Point Microwave						Y
WQQV230	CF - Common Carrier Fixed Point to Point Microwave						Y
WQQV246	CF - Common Carrier Fixed Point to Point Microwave						Y
WQQV247	CF - Common Carrier Fixed Point to Point Microwave						Y
WQQV249	CF - Common Carrier Fixed Point to Point Microwave						Y

111) Call Sign	112) Radio Service Code	113) Location Number	114) Path Number (Microwave only)	115) Frequency Number	116) Lower or Center Frequency (MHz)	117) Upper Frequency (MHz)	118) Constructed Yes / No
WQQV250	CF - Common Carrier Fixed Point to Point Microwave						Y
WQQV251	CF - Common Carrier Fixed Point to Point Microwave						Y
WQQV252	CF - Common Carrier Fixed Point to Point Microwave						Y
WQQV292	CF - Common Carrier Fixed Point to Point Microwave						Y
WQQV293	CF - Common Carrier Fixed Point to Point Microwave						Y
WQQV294	CF - Common Carrier Fixed Point to Point Microwave						Y
WQQV295	CF - Common Carrier Fixed Point to Point Microwave						Y
WQQV296	CF - Common Carrier Fixed Point to Point Microwave						Y
WQQV297	CF - Common Carrier Fixed Point to Point Microwave						Y
WQQV302	CF - Common Carrier Fixed Point to Point Microwave						Y
WQQV333	CF - Common Carrier Fixed Point to Point Microwave						Y
WQQV334	CF - Common Carrier Fixed Point to Point Microwave						Y
WQQV336	CF - Common Carrier Fixed Point to Point Microwave						Y
WQQV339	CF - Common Carrier Fixed Point to Point Microwave						Y
WQQV340	CF - Common Carrier Fixed Point to Point Microwave						Y
WQQV344	CF - Common Carrier Fixed Point to Point Microwave						Y
WQQV452	CF - Common Carrier Fixed Point to Point Microwave						Y
WQQV454	CF - Common Carrier Fixed Point to Point Microwave						Y
WQQV457	CF - Common Carrier Fixed Point to Point Microwave						Y

111) Call Sign	112) Radio Service Code	113) Location Number	114) Path Number (Microwave only)	115) Frequency Number	116) Lower or Center Frequency (MHz)	117) Upper Frequency (MHz)	118) Constructed Yes / No
WQQV458	CF - Common Carrier Fixed Point to Point Microwave						Y
WQQV460	CF - Common Carrier Fixed Point to Point Microwave						Y
WQQV461	CF - Common Carrier Fixed Point to Point Microwave						Y
WQQV462	CF - Common Carrier Fixed Point to Point Microwave						Y
WQQV980	CF - Common Carrier Fixed Point to Point Microwave						Y
WQQV981	CF - Common Carrier Fixed Point to Point Microwave						Y
WQQV988	CF - Common Carrier Fixed Point to Point Microwave						Y
WQQV990	CF - Common Carrier Fixed Point to Point Microwave						Y
WQQV993	CF - Common Carrier Fixed Point to Point Microwave						Y
WQQV994	CF - Common Carrier Fixed Point to Point Microwave						Y
WQQV995	CF - Common Carrier Fixed Point to Point Microwave						Y
WQQV996	CF - Common Carrier Fixed Point to Point Microwave						Y
WQQV998	CF - Common Carrier Fixed Point to Point Microwave						Y
WQQW200	CF - Common Carrier Fixed Point to Point Microwave						Y
WQQW201	CF - Common Carrier Fixed Point to Point Microwave						Y
WQQW202	CF - Common Carrier Fixed Point to Point Microwave						Y
WQQW204	CF - Common Carrier Fixed Point to Point Microwave						Y
WQQW207	CF - Common Carrier Fixed Point to Point Microwave						Y
WQQW210	CF - Common Carrier Fixed Point to Point Microwave						Y

111) Call Sign	112) Radio Service Code	113) Location Number	114) Path Number (Microwave only)	115) Frequency Number	116) Lower or Center Frequency (MHz)	117) Upper Frequency (MHz)	118) Constructed Yes / No
WQQW252	CF - Common Carrier Fixed Point to Point Microwave						Y
WQQW253	CF - Common Carrier Fixed Point to Point Microwave						Y
WQQW254	CF - Common Carrier Fixed Point to Point Microwave						Y
WQQW255	CF - Common Carrier Fixed Point to Point Microwave						Y
WQQW256	CF - Common Carrier Fixed Point to Point Microwave						Y
WQQW258	CF - Common Carrier Fixed Point to Point Microwave						Y
WQQW259	CF - Common Carrier Fixed Point to Point Microwave						Y
WQQW265	CF - Common Carrier Fixed Point to Point Microwave						Y
WQQW266	CF - Common Carrier Fixed Point to Point Microwave						Y
WQQW267	CF - Common Carrier Fixed Point to Point Microwave						Y
WQQW280	CF - Common Carrier Fixed Point to Point Microwave						Y
WQQW281	CF - Common Carrier Fixed Point to Point Microwave						Y
WQQW328	CF - Common Carrier Fixed Point to Point Microwave						Y
WQQW330	CF - Common Carrier Fixed Point to Point Microwave						Y
WQQW341	CF - Common Carrier Fixed Point to Point Microwave						Y
WQQW342	CF - Common Carrier Fixed Point to Point Microwave						Y
WQQW416	CF - Common Carrier Fixed Point to Point Microwave						Y
WQQW417	CF - Common Carrier Fixed Point to Point Microwave						Y
WQQW418	CF - Common Carrier Fixed Point to Point Microwave						Y

111) Call Sign	112) Radio Service Code	113) Location Number	114) Path Number (Microwave only)	115) Frequency Number	116) Lower or Center Frequency (MHz)	117) Upper Frequency (MHz)	118) Constructed Yes / No
WQQW419	CF - Common Carrier Fixed Point to Point Microwave						Y
WQQW439	CF - Common Carrier Fixed Point to Point Microwave						Y
WQQW441	CF - Common Carrier Fixed Point to Point Microwave						Y
WQQW443	CF - Common Carrier Fixed Point to Point Microwave						Y
WQQW446	CF - Common Carrier Fixed Point to Point Microwave						Y
WQQW447	CF - Common Carrier Fixed Point to Point Microwave						Y
WQQW449	CF - Common Carrier Fixed Point to Point Microwave						Y
WQQW450	CF - Common Carrier Fixed Point to Point Microwave						Y
WQQW535	CF - Common Carrier Fixed Point to Point Microwave						Y
WQQW536	CF - Common Carrier Fixed Point to Point Microwave						Y
WQQW539	CF - Common Carrier Fixed Point to Point Microwave						Y
WQQW540	CF - Common Carrier Fixed Point to Point Microwave						Y
WQQW541	CF - Common Carrier Fixed Point to Point Microwave						Y
WQQW549	CF - Common Carrier Fixed Point to Point Microwave						Y
WQQW652	CF - Common Carrier Fixed Point to Point Microwave						Y
WQQW653	CF - Common Carrier Fixed Point to Point Microwave						Y
WQQW681	CF - Common Carrier Fixed Point to Point Microwave						Y
WQQW804	CF - Common Carrier Fixed Point to Point Microwave						Y
WQQW805	CF - Common Carrier Fixed Point to Point Microwave						Y

111) Call Sign	112) Radio Service Code	113) Location Number	114) Path Number (Microwave only)	115) Frequency Number	116) Lower or Center Frequency (MHz)	117) Upper Frequency (MHz)	118) Constructed Yes / No
WQQW839	CF - Common Carrier Fixed Point to Point Microwave						Y
WQQW840	CF - Common Carrier Fixed Point to Point Microwave						Y
WQQW844	CF - Common Carrier Fixed Point to Point Microwave						Y
WQQW848	CF - Common Carrier Fixed Point to Point Microwave						Y
WQQW850	CF - Common Carrier Fixed Point to Point Microwave						Y
WQQW854	CF - Common Carrier Fixed Point to Point Microwave						Y
WQQW863	CF - Common Carrier Fixed Point to Point Microwave						Y
WQQW865	CF - Common Carrier Fixed Point to Point Microwave						Y
WQQW868	CF - Common Carrier Fixed Point to Point Microwave						Y
WQQW874	CF - Common Carrier Fixed Point to Point Microwave						Y
WQQW891	CF - Common Carrier Fixed Point to Point Microwave						Y
WQQW892	CF - Common Carrier Fixed Point to Point Microwave						Y
WQQW914	CF - Common Carrier Fixed Point to Point Microwave						Y
WQQW921	CF - Common Carrier Fixed Point to Point Microwave						Y
WQQW928	CF - Common Carrier Fixed Point to Point Microwave						Y
WQQW929	CF - Common Carrier Fixed Point to Point Microwave						Y
WQQW996	CF - Common Carrier Fixed Point to Point Microwave						Y
WQQX217	CF - Common Carrier Fixed Point to Point Microwave						Y
WQQX249	CF - Common Carrier Fixed Point to Point Microwave						Y

111) Call Sign	112) Radio Service Code	113) Location Number	114) Path Number (Microwave only)	115) Frequency Number	116) Lower or Center Frequency (MHz)	117) Upper Frequency (MHz)	118) Constructed Yes / No
WQQX342	CF - Common Carrier Fixed Point to Point Microwave						Y
WQQX344	CF - Common Carrier Fixed Point to Point Microwave						Y
WQQX349	CF - Common Carrier Fixed Point to Point Microwave						Y
WQQX351	CF - Common Carrier Fixed Point to Point Microwave						Y
WQQX353	CF - Common Carrier Fixed Point to Point Microwave						Y
WQQX354	CF - Common Carrier Fixed Point to Point Microwave						Y
WQQX390	CF - Common Carrier Fixed Point to Point Microwave						Y
WQQX391	CF - Common Carrier Fixed Point to Point Microwave						Y
WQQX407	CF - Common Carrier Fixed Point to Point Microwave						Y
WQQX507	CF - Common Carrier Fixed Point to Point Microwave						Y
WQQX509	CF - Common Carrier Fixed Point to Point Microwave						Y
WQQX510	CF - Common Carrier Fixed Point to Point Microwave						Y
WQQX533	CF - Common Carrier Fixed Point to Point Microwave						Y
WQQX535	CF - Common Carrier Fixed Point to Point Microwave						Y
WQQX626	CF - Common Carrier Fixed Point to Point Microwave						Y
WQQX647	CF - Common Carrier Fixed Point to Point Microwave						Y
WQQX656	CF - Common Carrier Fixed Point to Point Microwave						Y
WQQX731	CF - Common Carrier Fixed Point to Point Microwave						Y
WQQX732	CF - Common Carrier Fixed Point to Point Microwave						Y

111) Call Sign	112) Radio Service Code	113) Location Number	114) Path Number (Microwave only)	115) Frequency Number	116) Lower or Center Frequency (MHz)	117) Upper Frequency (MHz)	118) Constructed Yes / No
WQQX733	CF - Common Carrier Fixed Point to Point Microwave						Y
WQQX734	CF - Common Carrier Fixed Point to Point Microwave						Y
WQQX738	CF - Common Carrier Fixed Point to Point Microwave						Y
WQQX756	CF - Common Carrier Fixed Point to Point Microwave						Y
WQQX762	CF - Common Carrier Fixed Point to Point Microwave						Y
WQQX786	CF - Common Carrier Fixed Point to Point Microwave						Y
WQQX851	CF - Common Carrier Fixed Point to Point Microwave						Y
WQQX852	CF - Common Carrier Fixed Point to Point Microwave						Y
WQQX864	CF - Common Carrier Fixed Point to Point Microwave						Y
WQQX866	CF - Common Carrier Fixed Point to Point Microwave						Y
WQQX999	CF - Common Carrier Fixed Point to Point Microwave						Y
WQQY204	CF - Common Carrier Fixed Point to Point Microwave						Y
WQQY206	CF - Common Carrier Fixed Point to Point Microwave						Y
WQQY214	CF - Common Carrier Fixed Point to Point Microwave						Y
WQQY244	CF - Common Carrier Fixed Point to Point Microwave						Y
WQQY245	CF - Common Carrier Fixed Point to Point Microwave						Y
WQQY665	CF - Common Carrier Fixed Point to Point Microwave						Y
WQQY668	CF - Common Carrier Fixed Point to Point Microwave						Y
WQQY669	CF - Common Carrier Fixed Point to Point Microwave						Y

111) Call Sign	112) Radio Service Code	113) Location Number	114) Path Number (Microwave only)	115) Frequency Number	116) Lower or Center Frequency (MHz)	117) Upper Frequency (MHz)	118) Constructed Yes / No
WQQY728	CF - Common Carrier Fixed Point to Point Microwave						Y
WQQY740	CF - Common Carrier Fixed Point to Point Microwave						Y
WQQY742	CF - Common Carrier Fixed Point to Point Microwave						Y
WQQY811	CF - Common Carrier Fixed Point to Point Microwave						Y
WQQY941	CF - Common Carrier Fixed Point to Point Microwave						Y
WQQZ348	CF - Common Carrier Fixed Point to Point Microwave						Y
WQQZ395	CF - Common Carrier Fixed Point to Point Microwave						Y
WQQZ396	CF - Common Carrier Fixed Point to Point Microwave						Y
WQQZ397	CF - Common Carrier Fixed Point to Point Microwave						Y
WQQZ399	CF - Common Carrier Fixed Point to Point Microwave						Y
WQQZ407	CF - Common Carrier Fixed Point to Point Microwave						Y
WQQZ418	CF - Common Carrier Fixed Point to Point Microwave						Y
WQQZ420	CF - Common Carrier Fixed Point to Point Microwave						Y
WQQZ522	CF - Common Carrier Fixed Point to Point Microwave						Y
WQQZ595	CF - Common Carrier Fixed Point to Point Microwave						Y
WQQZ704	CF - Common Carrier Fixed Point to Point Microwave						Y
WQQZ705	CF - Common Carrier Fixed Point to Point Microwave						Y
WQQZ874	CF - Common Carrier Fixed Point to Point Microwave						Y
WQQZ875	CF - Common Carrier Fixed Point to Point Microwave						Y

111) Call Sign	112) Radio Service Code	113) Location Number	114) Path Number (Microwave only)	115) Frequency Number	116) Lower or Center Frequency (MHz)	117) Upper Frequency (MHz)	118) Constructed Yes / No
WQQZ904	CF - Common Carrier Fixed Point to Point Microwave						Y
WQQZ907	CF - Common Carrier Fixed Point to Point Microwave						Y
WQQZ951	CF - Common Carrier Fixed Point to Point Microwave						Y
WQRA274	CF - Common Carrier Fixed Point to Point Microwave						Y
WQRA275	CF - Common Carrier Fixed Point to Point Microwave						Y
WQRA279	CF - Common Carrier Fixed Point to Point Microwave						Y
WQRA283	CF - Common Carrier Fixed Point to Point Microwave						Y
WQRA284	CF - Common Carrier Fixed Point to Point Microwave						Y
WQRA339	CF - Common Carrier Fixed Point to Point Microwave						Y
WQRA341	CF - Common Carrier Fixed Point to Point Microwave						Y
WQRA342	CF - Common Carrier Fixed Point to Point Microwave						Y
WQRA354	CF - Common Carrier Fixed Point to Point Microwave						Y
WQRA363	CF - Common Carrier Fixed Point to Point Microwave						Y
WQRA395	CF - Common Carrier Fixed Point to Point Microwave						Y
WQRA396	CF - Common Carrier Fixed Point to Point Microwave						Y
WQRA401	CF - Common Carrier Fixed Point to Point Microwave						Y
WQRA402	CF - Common Carrier Fixed Point to Point Microwave						Y
WQRA447	CF - Common Carrier Fixed Point to Point Microwave						Y
WQRA508	CF - Common Carrier Fixed Point to Point Microwave						Y

111) Call Sign	112) Radio Service Code	113) Location Number	114) Path Number (Microwave only)	115) Frequency Number	116) Lower or Center Frequency (MHz)	117) Upper Frequency (MHz)	118) Constructed Yes / No
WQRA605	CF - Common Carrier Fixed Point to Point Microwave						Y
WQRA606	CF - Common Carrier Fixed Point to Point Microwave						Y
WQRA610	CF - Common Carrier Fixed Point to Point Microwave						Y
WQRA611	CF - Common Carrier Fixed Point to Point Microwave						Y
WQRA833	CF - Common Carrier Fixed Point to Point Microwave						Y
WQRA835	CF - Common Carrier Fixed Point to Point Microwave						Y
WQRA839	CF - Common Carrier Fixed Point to Point Microwave						Y
WQRA841	CF - Common Carrier Fixed Point to Point Microwave						Y
WQRA968	CF - Common Carrier Fixed Point to Point Microwave						Y
WQRA969	CF - Common Carrier Fixed Point to Point Microwave						Y
WQRA976	CF - Common Carrier Fixed Point to Point Microwave						Y
WQRA981	CF - Common Carrier Fixed Point to Point Microwave						Y
WQRA982	CF - Common Carrier Fixed Point to Point Microwave						Y
WQRB210	CF - Common Carrier Fixed Point to Point Microwave						Y
WQRB211	CF - Common Carrier Fixed Point to Point Microwave						Y
WQRB375	CF - Common Carrier Fixed Point to Point Microwave						Y
WQRB384	CF - Common Carrier Fixed Point to Point Microwave						Y
WQRB424	CF - Common Carrier Fixed Point to Point Microwave						Y
WQRB427	CF - Common Carrier Fixed Point to Point Microwave						Y

111) Call Sign	112) Radio Service Code	113) Location Number	114) Path Number (Microwave only)	115) Frequency Number	116) Lower or Center Frequency (MHz)	117) Upper Frequency (MHz)	118) Constructed Yes / No
WQRB431	CF - Common Carrier Fixed Point to Point Microwave						Y
WQRB434	CF - Common Carrier Fixed Point to Point Microwave						Y
WQRB464	CF - Common Carrier Fixed Point to Point Microwave						Y
WQRB497	CF - Common Carrier Fixed Point to Point Microwave						Y
WQRB513	CF - Common Carrier Fixed Point to Point Microwave						Y
WQRB633	CF - Common Carrier Fixed Point to Point Microwave						Y
WQRB635	CF - Common Carrier Fixed Point to Point Microwave						Y
WQRB711	CF - Common Carrier Fixed Point to Point Microwave						Y
WQRB713	CF - Common Carrier Fixed Point to Point Microwave						Y
WQRB714	CF - Common Carrier Fixed Point to Point Microwave						Y
WQRB715	CF - Common Carrier Fixed Point to Point Microwave						Y
WQRB716	CF - Common Carrier Fixed Point to Point Microwave						Y
WQRB717	CF - Common Carrier Fixed Point to Point Microwave						Y
WQRB718	CF - Common Carrier Fixed Point to Point Microwave						Y
WQRB719	CF - Common Carrier Fixed Point to Point Microwave						Y
WQRB720	CF - Common Carrier Fixed Point to Point Microwave						Y
WQRB725	CF - Common Carrier Fixed Point to Point Microwave						Y
WQRB827	CF - Common Carrier Fixed Point to Point Microwave						Y
WQRB828	CF - Common Carrier Fixed Point to Point Microwave						Y

111) Call Sign	112) Radio Service Code	113) Location Number	114) Path Number (Microwave only)	115) Frequency Number	116) Lower or Center Frequency (MHz)	117) Upper Frequency (MHz)	118) Constructed Yes / No
WQRB859	CF - Common Carrier Fixed Point to Point Microwave						Y
WQRB921	CF - Common Carrier Fixed Point to Point Microwave						Y
WQRB922	CF - Common Carrier Fixed Point to Point Microwave						Y
WQRB996	CF - Common Carrier Fixed Point to Point Microwave						Y
WQRC203	CF - Common Carrier Fixed Point to Point Microwave						Y
WQRC204	CF - Common Carrier Fixed Point to Point Microwave						Y
WQRC237	CF - Common Carrier Fixed Point to Point Microwave						Y
WQRC238	CF - Common Carrier Fixed Point to Point Microwave						Y
WQRC249	CF - Common Carrier Fixed Point to Point Microwave						Y
WQRC250	CF - Common Carrier Fixed Point to Point Microwave						Y
WQRC251	CF - Common Carrier Fixed Point to Point Microwave						Y
WQRC252	CF - Common Carrier Fixed Point to Point Microwave						Y
WQRC278	CF - Common Carrier Fixed Point to Point Microwave						Y
WQRC369	CF - Common Carrier Fixed Point to Point Microwave						Y
WQRC370	CF - Common Carrier Fixed Point to Point Microwave						Y
WQRC372	CF - Common Carrier Fixed Point to Point Microwave						Y
WQRC373	CF - Common Carrier Fixed Point to Point Microwave						Y
WQRC375	CF - Common Carrier Fixed Point to Point Microwave						Y
WQRC377	CF - Common Carrier Fixed Point to Point Microwave						Y

111) Call Sign	112) Radio Service Code	113) Location Number	114) Path Number (Microwave only)	115) Frequency Number	116) Lower or Center Frequency (MHz)	117) Upper Frequency (MHz)	118) Constructed Yes / No
WQRC378	CF - Common Carrier Fixed Point to Point Microwave						Y
WQRC583	CF - Common Carrier Fixed Point to Point Microwave						Y
WQRC584	CF - Common Carrier Fixed Point to Point Microwave						Y
WQRC645	CF - Common Carrier Fixed Point to Point Microwave						Y
WQRC646	CF - Common Carrier Fixed Point to Point Microwave						Y
WQRC649	CF - Common Carrier Fixed Point to Point Microwave						Y
WQRC650	CF - Common Carrier Fixed Point to Point Microwave						Y
WQRC651	CF - Common Carrier Fixed Point to Point Microwave						Y
WQRC652	CF - Common Carrier Fixed Point to Point Microwave						Y
WQRC831	CF - Common Carrier Fixed Point to Point Microwave						Y
WQRC832	CF - Common Carrier Fixed Point to Point Microwave						Y
WQRC833	CF - Common Carrier Fixed Point to Point Microwave						Y
WQRC834	CF - Common Carrier Fixed Point to Point Microwave						Y
WQRC980	CF - Common Carrier Fixed Point to Point Microwave						Y
WQRC982	CF - Common Carrier Fixed Point to Point Microwave						Y
WQRC983	CF - Common Carrier Fixed Point to Point Microwave						Y
WQRC986	CF - Common Carrier Fixed Point to Point Microwave						Y
WQRC987	CF - Common Carrier Fixed Point to Point Microwave						Y
WQRC994	CF - Common Carrier Fixed Point to Point Microwave						Y

111) Call Sign	112) Radio Service Code	113) Location Number	114) Path Number (Microwave only)	115) Frequency Number	116) Lower or Center Frequency (MHz)	117) Upper Frequency (MHz)	118) Constructed Yes / No
WQRC997	CF - Common Carrier Fixed Point to Point Microwave						Y
WQRC998	CF - Common Carrier Fixed Point to Point Microwave						Y
WQRD201	CF - Common Carrier Fixed Point to Point Microwave						Y
WQRD202	CF - Common Carrier Fixed Point to Point Microwave						Y
WQRD203	CF - Common Carrier Fixed Point to Point Microwave						Y
WQRD204	CF - Common Carrier Fixed Point to Point Microwave						Y
WQRD206	CF - Common Carrier Fixed Point to Point Microwave						Y
WQRD207	CF - Common Carrier Fixed Point to Point Microwave						Y
WQRD208	CF - Common Carrier Fixed Point to Point Microwave						Y
WQRD212	CF - Common Carrier Fixed Point to Point Microwave						Y
WQRD213	CF - Common Carrier Fixed Point to Point Microwave						Y
WQRD215	CF - Common Carrier Fixed Point to Point Microwave						Y
WQRD229	CF - Common Carrier Fixed Point to Point Microwave						Y
WQRD230	CF - Common Carrier Fixed Point to Point Microwave						Y
WQRD231	CF - Common Carrier Fixed Point to Point Microwave						Y
WQRD238	CF - Common Carrier Fixed Point to Point Microwave						Y
WQRD240	CF - Common Carrier Fixed Point to Point Microwave						Y
WQRD249	CF - Common Carrier Fixed Point to Point Microwave						Y
WQRD250	CF - Common Carrier Fixed Point to Point Microwave						Y

111) Call Sign	112) Radio Service Code	113) Location Number	114) Path Number (Microwave only)	115) Frequency Number	116) Lower or Center Frequency (MHz)	117) Upper Frequency (MHz)	118) Constructed Yes / No
WQRD251	CF - Common Carrier Fixed Point to Point Microwave						Y
WQRD425	CF - Common Carrier Fixed Point to Point Microwave						Y
WQRD426	CF - Common Carrier Fixed Point to Point Microwave						Y
WQRD442	CF - Common Carrier Fixed Point to Point Microwave						Y
WQRD443	CF - Common Carrier Fixed Point to Point Microwave						Y
WQRD444	CF - Common Carrier Fixed Point to Point Microwave						Y
WQRD482	CF - Common Carrier Fixed Point to Point Microwave						Y
WQRD483	CF - Common Carrier Fixed Point to Point Microwave						Y
WQRD487	CF - Common Carrier Fixed Point to Point Microwave						Y
WQRD488	CF - Common Carrier Fixed Point to Point Microwave						Y
WQRD493	CF - Common Carrier Fixed Point to Point Microwave						Y
WQRD494	CF - Common Carrier Fixed Point to Point Microwave						Y
WQRD512	CF - Common Carrier Fixed Point to Point Microwave						Y
WQRD513	CF - Common Carrier Fixed Point to Point Microwave						Y
WQRD547	CF - Common Carrier Fixed Point to Point Microwave						Y
WQRD548	CF - Common Carrier Fixed Point to Point Microwave						Y
WQRD957	CL - Cellular						Y
WQRD988	CF - Common Carrier Fixed Point to Point Microwave						Y
WQRD990	CF - Common Carrier Fixed Point to Point Microwave						Y

111) Call Sign	112) Radio Service Code	113) Location Number	114) Path Number (Microwave only)	115) Frequency Number	116) Lower or Center Frequency (MHz)	117) Upper Frequency (MHz)	118) Constructed Yes / No
WQRD991	CF - Common Carrier Fixed Point to Point Microwave						Y
WQRD992	CF - Common Carrier Fixed Point to Point Microwave						Y
WQRD993	CF - Common Carrier Fixed Point to Point Microwave						Y
WQRD994	CF - Common Carrier Fixed Point to Point Microwave						Y
WQRE334	CF - Common Carrier Fixed Point to Point Microwave						Y
WQRE434	CF - Common Carrier Fixed Point to Point Microwave						Y
WQRE435	CF - Common Carrier Fixed Point to Point Microwave						Y
WQRE476	CF - Common Carrier Fixed Point to Point Microwave						Y
WQRE506	CF - Common Carrier Fixed Point to Point Microwave						Y
WQRE507	CF - Common Carrier Fixed Point to Point Microwave						Y
WQRE508	CF - Common Carrier Fixed Point to Point Microwave						Y
WQRE858	CF - Common Carrier Fixed Point to Point Microwave						Y
WQRE937	CF - Common Carrier Fixed Point to Point Microwave						Y
WQRE938	CF - Common Carrier Fixed Point to Point Microwave						Y
WQRE981	CF - Common Carrier Fixed Point to Point Microwave						Y
WQRE982	CF - Common Carrier Fixed Point to Point Microwave						Y
WQRE983	CF - Common Carrier Fixed Point to Point Microwave						Y
WQRE987	CF - Common Carrier Fixed Point to Point Microwave						Y
WQRE988	CF - Common Carrier Fixed Point to Point Microwave						Y

111) Call Sign	112) Radio Service Code	113) Location Number	114) Path Number (Microwave only)	115) Frequency Number	116) Lower or Center Frequency (MHz)	117) Upper Frequency (MHz)	118) Constructed Yes / No
WQRE989	CF - Common Carrier Fixed Point to Point Microwave						Y
WQRE990	CF - Common Carrier Fixed Point to Point Microwave						Y
WQRF214	CF - Common Carrier Fixed Point to Point Microwave						Y
WQRF220	CF - Common Carrier Fixed Point to Point Microwave						Y
WQRF226	CF - Common Carrier Fixed Point to Point Microwave						Y
WQRF231	CF - Common Carrier Fixed Point to Point Microwave						Y
WQRF232	CF - Common Carrier Fixed Point to Point Microwave						Y
WQRF505	CF - Common Carrier Fixed Point to Point Microwave						Y
WQRF506	CF - Common Carrier Fixed Point to Point Microwave						Y
WQRF595	CF - Common Carrier Fixed Point to Point Microwave						Y
WQRF596	CF - Common Carrier Fixed Point to Point Microwave						Y
WQRF652	CF - Common Carrier Fixed Point to Point Microwave						Y
WQRF653	CF - Common Carrier Fixed Point to Point Microwave						Y
WQRF698	CF - Common Carrier Fixed Point to Point Microwave						Y
WQRF704	CF - Common Carrier Fixed Point to Point Microwave						Y
WQRF705	CF - Common Carrier Fixed Point to Point Microwave						Y
WQRF706	CF - Common Carrier Fixed Point to Point Microwave						Y
WQRF711	CF - Common Carrier Fixed Point to Point Microwave						Y
WQRF712	CF - Common Carrier Fixed Point to Point Microwave						Y

111) Call Sign	112) Radio Service Code	113) Location Number	114) Path Number (Microwave only)	115) Frequency Number	116) Lower or Center Frequency (MHz)	117) Upper Frequency (MHz)	118) Constructed Yes / No
WQRF748	CF - Common Carrier Fixed Point to Point Microwave						Y
WQRF749	CF - Common Carrier Fixed Point to Point Microwave						Y
WQRF842	CF - Common Carrier Fixed Point to Point Microwave						Y
WQRF843	CF - Common Carrier Fixed Point to Point Microwave						Y
WQRF844	CF - Common Carrier Fixed Point to Point Microwave						Y
WQRF848	CF - Common Carrier Fixed Point to Point Microwave						Y
WQRF849	CF - Common Carrier Fixed Point to Point Microwave						Y
WQRF880	CF - Common Carrier Fixed Point to Point Microwave						Y
WQRF881	CF - Common Carrier Fixed Point to Point Microwave						Y
WQRF884	CF - Common Carrier Fixed Point to Point Microwave						Y
WQRF885	CF - Common Carrier Fixed Point to Point Microwave						Y
WQRF910	CF - Common Carrier Fixed Point to Point Microwave						Y
WQRF912	CF - Common Carrier Fixed Point to Point Microwave						Y
WQRF951	CF - Common Carrier Fixed Point to Point Microwave						Y
WQRF952	CF - Common Carrier Fixed Point to Point Microwave						Y
WQRG250	CF - Common Carrier Fixed Point to Point Microwave						Y
WQRG256	CF - Common Carrier Fixed Point to Point Microwave						Y
WQRG257	CF - Common Carrier Fixed Point to Point Microwave						Y
WQRG314	CF - Common Carrier Fixed Point to Point Microwave						Y

111) Call Sign	112) Radio Service Code	113) Location Number	114) Path Number (Microwave only)	115) Frequency Number	116) Lower or Center Frequency (MHz)	117) Upper Frequency (MHz)	118) Constructed Yes / No
WQRG315	CF - Common Carrier Fixed Point to Point Microwave						Y
WQRG316	CF - Common Carrier Fixed Point to Point Microwave						Y
WQRG317	CF - Common Carrier Fixed Point to Point Microwave						Y
WQRG357	CF - Common Carrier Fixed Point to Point Microwave						Y
WQRG358	CF - Common Carrier Fixed Point to Point Microwave						Y
WQRG397	CF - Common Carrier Fixed Point to Point Microwave						Y
WQRG398	CF - Common Carrier Fixed Point to Point Microwave						Y
WQRG399	CF - Common Carrier Fixed Point to Point Microwave						Y
WQRG400	CF - Common Carrier Fixed Point to Point Microwave						Y
WQRG401	CF - Common Carrier Fixed Point to Point Microwave						Y
WQRG402	CF - Common Carrier Fixed Point to Point Microwave						Y
WQRG408	CF - Common Carrier Fixed Point to Point Microwave						Y
WQRG409	CF - Common Carrier Fixed Point to Point Microwave						Y
WQRG410	CF - Common Carrier Fixed Point to Point Microwave						Y
WQRG541	CF - Common Carrier Fixed Point to Point Microwave						Y
WQRG550	CF - Common Carrier Fixed Point to Point Microwave						Y
WQRG551	CF - Common Carrier Fixed Point to Point Microwave						Y
WQRG552	CF - Common Carrier Fixed Point to Point Microwave						Y
WQRG608	CF - Common Carrier Fixed Point to Point Microwave						Y

111) Call Sign	112) Radio Service Code	113) Location Number	114) Path Number (Microwave only)	115) Frequency Number	116) Lower or Center Frequency (MHz)	117) Upper Frequency (MHz)	118) Constructed Yes / No
WQRG609	CF - Common Carrier Fixed Point to Point Microwave						Y
WQRG641	CF - Common Carrier Fixed Point to Point Microwave						Y
WQRG644	CF - Common Carrier Fixed Point to Point Microwave						Y
WQRG750	CF - Common Carrier Fixed Point to Point Microwave						Y
WQRG808	CF - Common Carrier Fixed Point to Point Microwave						Y
WQRG811	CF - Common Carrier Fixed Point to Point Microwave						Y
WQRG874	CF - Common Carrier Fixed Point to Point Microwave						Y
WQRG875	CF - Common Carrier Fixed Point to Point Microwave						Y
WQRG876	CF - Common Carrier Fixed Point to Point Microwave						Y
WQRG877	CF - Common Carrier Fixed Point to Point Microwave						Y
WQRG891	CF - Common Carrier Fixed Point to Point Microwave						Y
WQRG892	CF - Common Carrier Fixed Point to Point Microwave						Y
WQRG895	CF - Common Carrier Fixed Point to Point Microwave						Y
WQRG986	CF - Common Carrier Fixed Point to Point Microwave						Y
WQRG987	CF - Common Carrier Fixed Point to Point Microwave						Y
WQRH211	CF - Common Carrier Fixed Point to Point Microwave						Y
WQRH245	CF - Common Carrier Fixed Point to Point Microwave						Y
WQRH246	CF - Common Carrier Fixed Point to Point Microwave						Y
WQRH266	CF - Common Carrier Fixed Point to Point Microwave						Y

111) Call Sign	112) Radio Service Code	113) Location Number	114) Path Number (Microwave only)	115) Frequency Number	116) Lower or Center Frequency (MHz)	117) Upper Frequency (MHz)	118) Constructed Yes / No
WQRH276	CF - Common Carrier Fixed Point to Point Microwave						Y
WQRH278	CF - Common Carrier Fixed Point to Point Microwave						Y
WQRH364	CF - Common Carrier Fixed Point to Point Microwave						Y
WQRH388	CF - Common Carrier Fixed Point to Point Microwave						Y
WQRH400	CF - Common Carrier Fixed Point to Point Microwave						Y
WQRH401	CF - Common Carrier Fixed Point to Point Microwave						Y
WQRH620	CF - Common Carrier Fixed Point to Point Microwave						Y
WQRH642	CF - Common Carrier Fixed Point to Point Microwave						Y
WQRH643	CF - Common Carrier Fixed Point to Point Microwave						Y
WQRH646	CF - Common Carrier Fixed Point to Point Microwave						Y
WQRH662	CF - Common Carrier Fixed Point to Point Microwave						Y
WQRH670	CF - Common Carrier Fixed Point to Point Microwave						Y
WQRH671	CF - Common Carrier Fixed Point to Point Microwave						Y
WQRH743	CF - Common Carrier Fixed Point to Point Microwave						Y
WQRH818	CF - Common Carrier Fixed Point to Point Microwave						Y
WQRH847	CF - Common Carrier Fixed Point to Point Microwave						Y
WQRH870	CF - Common Carrier Fixed Point to Point Microwave						Y
WQRH871	CF - Common Carrier Fixed Point to Point Microwave						Y
WQRH875	CF - Common Carrier Fixed Point to Point Microwave						Y

111) Call Sign	112) Radio Service Code	113) Location Number	114) Path Number (Microwave only)	115) Frequency Number	116) Lower or Center Frequency (MHz)	117) Upper Frequency (MHz)	118) Constructed Yes / No
WQRH901	CF - Common Carrier Fixed Point to Point Microwave						Y
WQRH902	CF - Common Carrier Fixed Point to Point Microwave						Y
WQRH986	CF - Common Carrier Fixed Point to Point Microwave						Y
WQRH987	CF - Common Carrier Fixed Point to Point Microwave						Y
WQRI282	CF - Common Carrier Fixed Point to Point Microwave						Y
WQRI299	CF - Common Carrier Fixed Point to Point Microwave						Y
WQRI329	CF - Common Carrier Fixed Point to Point Microwave						Y
WQRI331	CF - Common Carrier Fixed Point to Point Microwave						Y
WQRI336	CF - Common Carrier Fixed Point to Point Microwave						Y
WQRI337	CF - Common Carrier Fixed Point to Point Microwave						Y
WQRI392	CF - Common Carrier Fixed Point to Point Microwave						Y
WQRI394	CF - Common Carrier Fixed Point to Point Microwave						Y
WQRI512	CF - Common Carrier Fixed Point to Point Microwave						Y
WQRI575	CF - Common Carrier Fixed Point to Point Microwave						Y
WQRI580	CF - Common Carrier Fixed Point to Point Microwave						Y
WQRI609	CF - Common Carrier Fixed Point to Point Microwave						Y
WQRI692	CF - Common Carrier Fixed Point to Point Microwave						Y
WQRI701	CF - Common Carrier Fixed Point to Point Microwave						Y
WQRI715	CF - Common Carrier Fixed Point to Point Microwave						Y

111) Call Sign	112) Radio Service Code	113) Location Number	114) Path Number (Microwave only)	115) Frequency Number	116) Lower or Center Frequency (MHz)	117) Upper Frequency (MHz)	118) Constructed Yes / No
WQRI716	CF - Common Carrier Fixed Point to Point Microwave						Y
WQRI741	CF - Common Carrier Fixed Point to Point Microwave						Y
WQRI742	CF - Common Carrier Fixed Point to Point Microwave						Y
WQRI744	CF - Common Carrier Fixed Point to Point Microwave						Y
WQRI775	CF - Common Carrier Fixed Point to Point Microwave						Y
WQRI776	CF - Common Carrier Fixed Point to Point Microwave						Y
WQRI777	CF - Common Carrier Fixed Point to Point Microwave						Y
WQRI785	CF - Common Carrier Fixed Point to Point Microwave						Y
WQRI786	CF - Common Carrier Fixed Point to Point Microwave						Y
WQRI790	CF - Common Carrier Fixed Point to Point Microwave						Y
WQRI791	CF - Common Carrier Fixed Point to Point Microwave						Y
WQRI891	CF - Common Carrier Fixed Point to Point Microwave						Y
WQRI911	CF - Common Carrier Fixed Point to Point Microwave						Y
WQRI958	CF - Common Carrier Fixed Point to Point Microwave						Y
WQRI959	CF - Common Carrier Fixed Point to Point Microwave						Y
WQRI970	CF - Common Carrier Fixed Point to Point Microwave						Y
WQRI971	CF - Common Carrier Fixed Point to Point Microwave						Y
WQRI981	CF - Common Carrier Fixed Point to Point Microwave						Y
WQRI982	CF - Common Carrier Fixed Point to Point Microwave						Y

111) Call Sign	112) Radio Service Code	113) Location Number	114) Path Number (Microwave only)	115) Frequency Number	116) Lower or Center Frequency (MHz)	117) Upper Frequency (MHz)	118) Constructed Yes / No
WQRI985	CF - Common Carrier Fixed Point to Point Microwave						Y
WQRI986	CF - Common Carrier Fixed Point to Point Microwave						Y
WQRI993	CF - Common Carrier Fixed Point to Point Microwave						Y
WQRI995	CF - Common Carrier Fixed Point to Point Microwave						Y
WQRI996	CF - Common Carrier Fixed Point to Point Microwave						Y
WQRJ246	CF - Common Carrier Fixed Point to Point Microwave						Y
WQRJ247	CF - Common Carrier Fixed Point to Point Microwave						Y
WQRJ248	CF - Common Carrier Fixed Point to Point Microwave						Y
WQRJ276	CF - Common Carrier Fixed Point to Point Microwave						Y
WQRJ280	CF - Common Carrier Fixed Point to Point Microwave						Y
WQRJ295	CF - Common Carrier Fixed Point to Point Microwave						Y
WQRJ297	CF - Common Carrier Fixed Point to Point Microwave						Y
WQRJ298	CF - Common Carrier Fixed Point to Point Microwave						Y
WQRJ366	CF - Common Carrier Fixed Point to Point Microwave						Y
WQRJ421	CF - Common Carrier Fixed Point to Point Microwave						Y
WQRJ422	CF - Common Carrier Fixed Point to Point Microwave						Y
WQRJ423	CF - Common Carrier Fixed Point to Point Microwave						Y
WQRJ462	CF - Common Carrier Fixed Point to Point Microwave						Y
WQRJ463	CF - Common Carrier Fixed Point to Point Microwave						Y

111) Call Sign	112) Radio Service Code	113) Location Number	114) Path Number (Microwave only)	115) Frequency Number	116) Lower or Center Frequency (MHz)	117) Upper Frequency (MHz)	118) Constructed Yes / No
WQRJ472	CF - Common Carrier Fixed Point to Point Microwave						Y
WQRJ473	CF - Common Carrier Fixed Point to Point Microwave						Y
WQRJ474	CF - Common Carrier Fixed Point to Point Microwave						Y
WQRJ475	CF - Common Carrier Fixed Point to Point Microwave						Y
WQRJ476	CF - Common Carrier Fixed Point to Point Microwave						Y
WQRJ586	CF - Common Carrier Fixed Point to Point Microwave						Y
WQRJ615	CF - Common Carrier Fixed Point to Point Microwave						Y
WQRJ617	CF - Common Carrier Fixed Point to Point Microwave						Y
WQRJ622	CF - Common Carrier Fixed Point to Point Microwave						Y
WQRJ630	CF - Common Carrier Fixed Point to Point Microwave						Y
WQRJ640	CF - Common Carrier Fixed Point to Point Microwave						Y
WQRJ655	CF - Common Carrier Fixed Point to Point Microwave						Y
WQRJ665	CF - Common Carrier Fixed Point to Point Microwave						Y
WQRJ713	CF - Common Carrier Fixed Point to Point Microwave						Y
WQRJ714	CF - Common Carrier Fixed Point to Point Microwave						Y
WQRJ760	CF - Common Carrier Fixed Point to Point Microwave						Y
WQRJ761	CF - Common Carrier Fixed Point to Point Microwave						Y
WQRJ839	CF - Common Carrier Fixed Point to Point Microwave						Y
WQRJ840	CF - Common Carrier Fixed Point to Point Microwave						Y

111) Call Sign	112) Radio Service Code	113) Location Number	114) Path Number (Microwave only)	115) Frequency Number	116) Lower or Center Frequency (MHz)	117) Upper Frequency (MHz)	118) Constructed Yes / No
WQRJ841	CF - Common Carrier Fixed Point to Point Microwave						Y
WQRJ845	CF - Common Carrier Fixed Point to Point Microwave						Y
WQRJ847	CF - Common Carrier Fixed Point to Point Microwave						Y
WQRJ873	CF - Common Carrier Fixed Point to Point Microwave						Y
WQRJ874	CF - Common Carrier Fixed Point to Point Microwave						Y
WQRJ875	CF - Common Carrier Fixed Point to Point Microwave						Y
WQRJ877	CF - Common Carrier Fixed Point to Point Microwave						Y
WQRJ928	CF - Common Carrier Fixed Point to Point Microwave						Y
WQRJ929	CF - Common Carrier Fixed Point to Point Microwave						Y
WQRJ934	CF - Common Carrier Fixed Point to Point Microwave						Y
WQRJ935	CF - Common Carrier Fixed Point to Point Microwave						Y
WQRJ936	CF - Common Carrier Fixed Point to Point Microwave						Y
WQRJ938	CF - Common Carrier Fixed Point to Point Microwave						Y
WQRJ941	CF - Common Carrier Fixed Point to Point Microwave						Y
WQRJ947	CF - Common Carrier Fixed Point to Point Microwave						Y
WQRJ948	CF - Common Carrier Fixed Point to Point Microwave						Y
WQRJ949	CF - Common Carrier Fixed Point to Point Microwave						Y
WQRJ952	CF - Common Carrier Fixed Point to Point Microwave						Y
WQRJ996	CF - Common Carrier Fixed Point to Point Microwave						Y

111) Call Sign	112) Radio Service Code	113) Location Number	114) Path Number (Microwave only)	115) Frequency Number	116) Lower or Center Frequency (MHz)	117) Upper Frequency (MHz)	118) Constructed Yes / No
WQRJ997	CF - Common Carrier Fixed Point to Point Microwave						Y
WQRJ998	CF - Common Carrier Fixed Point to Point Microwave						Y
WQRK201	CF - Common Carrier Fixed Point to Point Microwave						Y
WQRK209	CF - Common Carrier Fixed Point to Point Microwave						Y
WQRK231	CF - Common Carrier Fixed Point to Point Microwave						Y
WQRK232	CF - Common Carrier Fixed Point to Point Microwave						Y
WQRK259	CF - Common Carrier Fixed Point to Point Microwave						Y
WQRK260	CF - Common Carrier Fixed Point to Point Microwave						Y
WQRK335	CF - Common Carrier Fixed Point to Point Microwave						Y
WQRK431	CF - Common Carrier Fixed Point to Point Microwave						Y
WQRK568	CF - Common Carrier Fixed Point to Point Microwave						Y
WQRK569	CF - Common Carrier Fixed Point to Point Microwave						Y
WQRK604	CF - Common Carrier Fixed Point to Point Microwave						Y
WQRK605	CF - Common Carrier Fixed Point to Point Microwave						Y
WQRK606	CF - Common Carrier Fixed Point to Point Microwave						Y
WQRK607	CF - Common Carrier Fixed Point to Point Microwave						Y
WQRK608	CF - Common Carrier Fixed Point to Point Microwave						Y
WQRK610	CF - Common Carrier Fixed Point to Point Microwave						Y
WQRK612	CF - Common Carrier Fixed Point to Point Microwave						Y

111) Call Sign	112) Radio Service Code	113) Location Number	114) Path Number (Microwave only)	115) Frequency Number	116) Lower or Center Frequency (MHz)	117) Upper Frequency (MHz)	118) Constructed Yes / No
WQRK613	CF - Common Carrier Fixed Point to Point Microwave						Y
WQRK614	CF - Common Carrier Fixed Point to Point Microwave						Y
WQRK615	CF - Common Carrier Fixed Point to Point Microwave						Y
WQRK659	CF - Common Carrier Fixed Point to Point Microwave						Y
WQRK818	CF - Common Carrier Fixed Point to Point Microwave						Y
WQRK847	CF - Common Carrier Fixed Point to Point Microwave						Y
WQRK849	CF - Common Carrier Fixed Point to Point Microwave						Y
WQRK978	CF - Common Carrier Fixed Point to Point Microwave						Y
WQRK985	CF - Common Carrier Fixed Point to Point Microwave						Y
WQRK986	CF - Common Carrier Fixed Point to Point Microwave						Y
WQRK987	CF - Common Carrier Fixed Point to Point Microwave						Y
WQRL371	CF - Common Carrier Fixed Point to Point Microwave						Y
WQRL400	CF - Common Carrier Fixed Point to Point Microwave						Y
WQRL401	CF - Common Carrier Fixed Point to Point Microwave						Y
WQRL438	CF - Common Carrier Fixed Point to Point Microwave						Y
WQRL439	CF - Common Carrier Fixed Point to Point Microwave						Y
WQRL440	CF - Common Carrier Fixed Point to Point Microwave						Y
WQRL451	CF - Common Carrier Fixed Point to Point Microwave						Y
WQRL452	CF - Common Carrier Fixed Point to Point Microwave						Y

111) Call Sign	112) Radio Service Code	113) Location Number	114) Path Number (Microwave only)	115) Frequency Number	116) Lower or Center Frequency (MHz)	117) Upper Frequency (MHz)	118) Constructed Yes / No
WQRL619	CF - Common Carrier Fixed Point to Point Microwave						Y
WQRL627	CF - Common Carrier Fixed Point to Point Microwave						Y
WQRL628	CF - Common Carrier Fixed Point to Point Microwave						Y
WQRL629	CF - Common Carrier Fixed Point to Point Microwave						Y
WQRL630	CF - Common Carrier Fixed Point to Point Microwave						Y
WQRL634	CF - Common Carrier Fixed Point to Point Microwave						Y
WQRL635	CF - Common Carrier Fixed Point to Point Microwave						Y
WQRL639	CF - Common Carrier Fixed Point to Point Microwave						Y
WQRL641	CF - Common Carrier Fixed Point to Point Microwave						Y
WQRL652	CF - Common Carrier Fixed Point to Point Microwave						Y
WQRL653	CF - Common Carrier Fixed Point to Point Microwave						Y
WQRL656	CF - Common Carrier Fixed Point to Point Microwave						Y
WQRL683	CF - Common Carrier Fixed Point to Point Microwave						Y
WQRL779	CF - Common Carrier Fixed Point to Point Microwave						Y
WQRL782	CF - Common Carrier Fixed Point to Point Microwave						Y
WQRL783	CF - Common Carrier Fixed Point to Point Microwave						Y
WQRL784	CF - Common Carrier Fixed Point to Point Microwave						Y
WQRL829	CF - Common Carrier Fixed Point to Point Microwave						Y
WQRL830	CF - Common Carrier Fixed Point to Point Microwave						Y

111) Call Sign	112) Radio Service Code	113) Location Number	114) Path Number (Microwave only)	115) Frequency Number	116) Lower or Center Frequency (MHz)	117) Upper Frequency (MHz)	118) Constructed Yes / No
WQRL831	CF - Common Carrier Fixed Point to Point Microwave						Y
WQRL836	CF - Common Carrier Fixed Point to Point Microwave						Y
WQRL837	CF - Common Carrier Fixed Point to Point Microwave						Y
WQRL852	CF - Common Carrier Fixed Point to Point Microwave						Y
WQRL853	CF - Common Carrier Fixed Point to Point Microwave						Y
WQRM211	CF - Common Carrier Fixed Point to Point Microwave						Y
WQRM212	CF - Common Carrier Fixed Point to Point Microwave						Y
WQRM247	CF - Common Carrier Fixed Point to Point Microwave						Y
WQRM248	CF - Common Carrier Fixed Point to Point Microwave						Y
WQRM260	CF - Common Carrier Fixed Point to Point Microwave						Y
WQRM261	CF - Common Carrier Fixed Point to Point Microwave						Y
WQRM263	CF - Common Carrier Fixed Point to Point Microwave						Y
WQRM264	CF - Common Carrier Fixed Point to Point Microwave						Y
WQRM265	CF - Common Carrier Fixed Point to Point Microwave						Y
WQRM273	CF - Common Carrier Fixed Point to Point Microwave						Y
WQRM300	CF - Common Carrier Fixed Point to Point Microwave						Y
WQRM412	CF - Common Carrier Fixed Point to Point Microwave						Y
WQRM413	CF - Common Carrier Fixed Point to Point Microwave						Y
WQRM414	CF - Common Carrier Fixed Point to Point Microwave						Y

111) Call Sign	112) Radio Service Code	113) Location Number	114) Path Number (Microwave only)	115) Frequency Number	116) Lower or Center Frequency (MHz)	117) Upper Frequency (MHz)	118) Constructed Yes / No
WQRM424	CF - Common Carrier Fixed Point to Point Microwave						Y
WQRM426	CF - Common Carrier Fixed Point to Point Microwave						Y
WQRM432	CF - Common Carrier Fixed Point to Point Microwave						Y
WQRM601	CF - Common Carrier Fixed Point to Point Microwave						Y
WQRM602	CF - Common Carrier Fixed Point to Point Microwave						Y
WQRM640	CF - Common Carrier Fixed Point to Point Microwave						Y
WQRM778	CF - Common Carrier Fixed Point to Point Microwave						Y
WQRM877	CF - Common Carrier Fixed Point to Point Microwave						Y
WQRM889	CF - Common Carrier Fixed Point to Point Microwave						Y
WQRM891	CF - Common Carrier Fixed Point to Point Microwave						Y
WQRM905	CF - Common Carrier Fixed Point to Point Microwave						Y
WQRM906	CF - Common Carrier Fixed Point to Point Microwave						Y
WQRM953	CF - Common Carrier Fixed Point to Point Microwave						Y
WQRM960	CF - Common Carrier Fixed Point to Point Microwave						Y
WQRM970	CF - Common Carrier Fixed Point to Point Microwave						Y
WQRN200	CF - Common Carrier Fixed Point to Point Microwave						Y
WQRN215	CF - Common Carrier Fixed Point to Point Microwave						Y
WQRN539	CF - Common Carrier Fixed Point to Point Microwave						Y
WQRN540	CF - Common Carrier Fixed Point to Point Microwave						Y

111) Call Sign	112) Radio Service Code	113) Location Number	114) Path Number (Microwave only)	115) Frequency Number	116) Lower or Center Frequency (MHz)	117) Upper Frequency (MHz)	118) Constructed Yes / No
WQRN597	CF - Common Carrier Fixed Point to Point Microwave						Y
WQRN605	CF - Common Carrier Fixed Point to Point Microwave						Y
WQRN615	CF - Common Carrier Fixed Point to Point Microwave						Y
WQRN616	CF - Common Carrier Fixed Point to Point Microwave						Y
WQRN617	CF - Common Carrier Fixed Point to Point Microwave						Y
WQRN633	CF - Common Carrier Fixed Point to Point Microwave						Y
WQRN634	CF - Common Carrier Fixed Point to Point Microwave						Y
WQRN635	CF - Common Carrier Fixed Point to Point Microwave						Y
WQRN659	CF - Common Carrier Fixed Point to Point Microwave						Y
WQRN786	CF - Common Carrier Fixed Point to Point Microwave						Y
WQRN787	CF - Common Carrier Fixed Point to Point Microwave						Y
WQRN793	CF - Common Carrier Fixed Point to Point Microwave						Y
WQRN795	CF - Common Carrier Fixed Point to Point Microwave						Y
WQRN812	CF - Common Carrier Fixed Point to Point Microwave						Y
WQRN813	CF - Common Carrier Fixed Point to Point Microwave						Y
WQRN817	CF - Common Carrier Fixed Point to Point Microwave						Y
WQRN818	CF - Common Carrier Fixed Point to Point Microwave						Y
WQRN829	CF - Common Carrier Fixed Point to Point Microwave						Y
WQRN919	CF - Common Carrier Fixed Point to Point Microwave						Y

111) Call Sign	112) Radio Service Code	113) Location Number	114) Path Number (Microwave only)	115) Frequency Number	116) Lower or Center Frequency (MHz)	117) Upper Frequency (MHz)	118) Constructed Yes / No
WQRN920	CF - Common Carrier Fixed Point to Point Microwave						Y
WQRN925	CF - Common Carrier Fixed Point to Point Microwave						Y
WQRN964	CF - Common Carrier Fixed Point to Point Microwave						Y
WQRN965	CF - Common Carrier Fixed Point to Point Microwave						Y
WQRN970	CF - Common Carrier Fixed Point to Point Microwave						Y
WQRN972	CF - Common Carrier Fixed Point to Point Microwave						Y
WQRN974	CF - Common Carrier Fixed Point to Point Microwave						Y
WQRP391	CF - Common Carrier Fixed Point to Point Microwave						Y
WQRP394	CF - Common Carrier Fixed Point to Point Microwave						Y
WQRP397	CF - Common Carrier Fixed Point to Point Microwave						Y
WQRP400	CF - Common Carrier Fixed Point to Point Microwave						Y
WQRP407	CF - Common Carrier Fixed Point to Point Microwave						Y
WQRP409	CF - Common Carrier Fixed Point to Point Microwave						Y
WQRP410	CF - Common Carrier Fixed Point to Point Microwave						Y
WQRP423	CF - Common Carrier Fixed Point to Point Microwave						Y
WQRP424	CF - Common Carrier Fixed Point to Point Microwave						Y
WQRP425	CF - Common Carrier Fixed Point to Point Microwave						Y
WQRP426	CF - Common Carrier Fixed Point to Point Microwave						Y
WQRP431	CF - Common Carrier Fixed Point to Point Microwave						Y

111) Call Sign	112) Radio Service Code	113) Location Number	114) Path Number (Microwave only)	115) Frequency Number	116) Lower or Center Frequency (MHz)	117) Upper Frequency (MHz)	118) Constructed Yes / No
WQRP434	CF - Common Carrier Fixed Point to Point Microwave						Y
WQRP436	CF - Common Carrier Fixed Point to Point Microwave						Y
WQRP444	CF - Common Carrier Fixed Point to Point Microwave						Y
WQRP452	CF - Common Carrier Fixed Point to Point Microwave						Y
WQRP475	CF - Common Carrier Fixed Point to Point Microwave						Y
WQRP632	CF - Common Carrier Fixed Point to Point Microwave						Y
WQRP633	CF - Common Carrier Fixed Point to Point Microwave						Y
WQRP636	CF - Common Carrier Fixed Point to Point Microwave						Y
WQRP637	CF - Common Carrier Fixed Point to Point Microwave						Y
WQRP639	CF - Common Carrier Fixed Point to Point Microwave						Y
WQRP662	CF - Common Carrier Fixed Point to Point Microwave						Y
WQRP733	CF - Common Carrier Fixed Point to Point Microwave						Y
WQRP734	CF - Common Carrier Fixed Point to Point Microwave						Y
WQRP819	CF - Common Carrier Fixed Point to Point Microwave						Y
WQRP820	CF - Common Carrier Fixed Point to Point Microwave						Y
WQRP821	CF - Common Carrier Fixed Point to Point Microwave						Y
WQRP822	CF - Common Carrier Fixed Point to Point Microwave						Y
WQRP825	CF - Common Carrier Fixed Point to Point Microwave						Y
WQRP827	CF - Common Carrier Fixed Point to Point Microwave						Y

111) Call Sign	112) Radio Service Code	113) Location Number	114) Path Number (Microwave only)	115) Frequency Number	116) Lower or Center Frequency (MHz)	117) Upper Frequency (MHz)	118) Constructed Yes / No
WQRP828	CF - Common Carrier Fixed Point to Point Microwave						Y
WQRP890	CF - Common Carrier Fixed Point to Point Microwave						Y
WQRP990	CF - Common Carrier Fixed Point to Point Microwave						Y
WQRP992	CF - Common Carrier Fixed Point to Point Microwave						Y
WQRP996	CF - Common Carrier Fixed Point to Point Microwave						Y
WQRQ202	CF - Common Carrier Fixed Point to Point Microwave						Y
WQRQ203	CF - Common Carrier Fixed Point to Point Microwave						Y
WQRQ205	CF - Common Carrier Fixed Point to Point Microwave						Y
WQRQ206	CF - Common Carrier Fixed Point to Point Microwave						Y
WQRQ216	CF - Common Carrier Fixed Point to Point Microwave						Y
WQRQ218	CF - Common Carrier Fixed Point to Point Microwave						Y
WQRQ234	CF - Common Carrier Fixed Point to Point Microwave						Y
WQRQ235	CF - Common Carrier Fixed Point to Point Microwave						Y
WQRQ304	CF - Common Carrier Fixed Point to Point Microwave						Y
WQRQ307	CF - Common Carrier Fixed Point to Point Microwave						Y
WQRQ309	CF - Common Carrier Fixed Point to Point Microwave						Y
WQRQ315	CF - Common Carrier Fixed Point to Point Microwave						Y
WQRQ316	CF - Common Carrier Fixed Point to Point Microwave						Y
WQRQ317	CF - Common Carrier Fixed Point to Point Microwave						Y

111) Call Sign	112) Radio Service Code	113) Location Number	114) Path Number (Microwave only)	115) Frequency Number	116) Lower or Center Frequency (MHz)	117) Upper Frequency (MHz)	118) Constructed Yes / No
WQRQ318	CF - Common Carrier Fixed Point to Point Microwave						Y
WQRQ414	CF - Common Carrier Fixed Point to Point Microwave						Y
WQRQ415	CF - Common Carrier Fixed Point to Point Microwave						Y
WQRQ416	CF - Common Carrier Fixed Point to Point Microwave						Y
WQRQ417	CF - Common Carrier Fixed Point to Point Microwave						Y
WQRQ426	CF - Common Carrier Fixed Point to Point Microwave						Y
WQRQ427	CF - Common Carrier Fixed Point to Point Microwave						Y
WQRQ432	CF - Common Carrier Fixed Point to Point Microwave						Y
WQRQ433	CF - Common Carrier Fixed Point to Point Microwave						Y
WQRQ436	CF - Common Carrier Fixed Point to Point Microwave						Y
WQRQ554	CF - Common Carrier Fixed Point to Point Microwave						Y
WQRQ588	CF - Common Carrier Fixed Point to Point Microwave						Y
WQRQ612	CF - Common Carrier Fixed Point to Point Microwave						Y
WQRQ616	CF - Common Carrier Fixed Point to Point Microwave						Y
WQRQ676	CF - Common Carrier Fixed Point to Point Microwave						Y
WQRQ679	CF - Common Carrier Fixed Point to Point Microwave						Y
WQRQ680	CF - Common Carrier Fixed Point to Point Microwave						Y
WQRQ749	CF - Common Carrier Fixed Point to Point Microwave						Y
WQRQ757	CF - Common Carrier Fixed Point to Point Microwave						Y

111) Call Sign	112) Radio Service Code	113) Location Number	114) Path Number (Microwave only)	115) Frequency Number	116) Lower or Center Frequency (MHz)	117) Upper Frequency (MHz)	118) Constructed Yes / No
WQRQ782	CF - Common Carrier Fixed Point to Point Microwave						Y
WQRQ788	CF - Common Carrier Fixed Point to Point Microwave						Y
WQRQ789	CF - Common Carrier Fixed Point to Point Microwave						Y
WQRQ790	CF - Common Carrier Fixed Point to Point Microwave						Y
WQRQ792	CF - Common Carrier Fixed Point to Point Microwave						Y
WQRQ795	CF - Common Carrier Fixed Point to Point Microwave						Y
WQRQ797	CF - Common Carrier Fixed Point to Point Microwave						Y
WQRQ799	CF - Common Carrier Fixed Point to Point Microwave						Y
WQRQ802	CF - Common Carrier Fixed Point to Point Microwave						Y
WQRQ803	CF - Common Carrier Fixed Point to Point Microwave						Y
WQRQ822	CF - Common Carrier Fixed Point to Point Microwave						Y
WQRQ823	CF - Common Carrier Fixed Point to Point Microwave						Y
WQRQ827	CF - Common Carrier Fixed Point to Point Microwave						Y
WQRQ828	CF - Common Carrier Fixed Point to Point Microwave						Y
WQRQ833	CF - Common Carrier Fixed Point to Point Microwave						Y
WQRQ836	CF - Common Carrier Fixed Point to Point Microwave						Y
WQRQ838	CF - Common Carrier Fixed Point to Point Microwave						Y
WQRQ839	CF - Common Carrier Fixed Point to Point Microwave						Y
WQRQ843	CF - Common Carrier Fixed Point to Point Microwave						Y

111) Call Sign	112) Radio Service Code	113) Location Number	114) Path Number (Microwave only)	115) Frequency Number	116) Lower or Center Frequency (MHz)	117) Upper Frequency (MHz)	118) Constructed Yes / No
WQRQ857	CF - Common Carrier Fixed Point to Point Microwave						Y
WQRQ858	CF - Common Carrier Fixed Point to Point Microwave						Y
WQRQ869	CF - Common Carrier Fixed Point to Point Microwave						Y
WQRQ879	CF - Common Carrier Fixed Point to Point Microwave						Y
WQRQ881	CF - Common Carrier Fixed Point to Point Microwave						Y
WQRQ882	CF - Common Carrier Fixed Point to Point Microwave						Y
WQRQ884	CF - Common Carrier Fixed Point to Point Microwave						Y
WQRQ885	CF - Common Carrier Fixed Point to Point Microwave						Y
WQRQ919	CF - Common Carrier Fixed Point to Point Microwave						Y
WQRQ920	CF - Common Carrier Fixed Point to Point Microwave						Y
WQRQ921	CF - Common Carrier Fixed Point to Point Microwave						Y
WQRQ922	CF - Common Carrier Fixed Point to Point Microwave						Y
WQRR233	CF - Common Carrier Fixed Point to Point Microwave						Y
WQRR234	CF - Common Carrier Fixed Point to Point Microwave						Y
WQRR467	CF - Common Carrier Fixed Point to Point Microwave						Y
WQRR510	CF - Common Carrier Fixed Point to Point Microwave						Y
WQRR512	CF - Common Carrier Fixed Point to Point Microwave						Y
WQRR515	CF - Common Carrier Fixed Point to Point Microwave						Y
WQRR522	CF - Common Carrier Fixed Point to Point Microwave						Y

111) Call Sign	112) Radio Service Code	113) Location Number	114) Path Number (Microwave only)	115) Frequency Number	116) Lower or Center Frequency (MHz)	117) Upper Frequency (MHz)	118) Constructed Yes / No
WQRR570	CF - Common Carrier Fixed Point to Point Microwave						Y
WQRR572	CF - Common Carrier Fixed Point to Point Microwave						Y
WQRR595	CF - Common Carrier Fixed Point to Point Microwave						Y
WQRR600	CF - Common Carrier Fixed Point to Point Microwave						Y
WQRR609	CF - Common Carrier Fixed Point to Point Microwave						Y
WQRR611	CF - Common Carrier Fixed Point to Point Microwave						Y
WQRR620	CF - Common Carrier Fixed Point to Point Microwave						Y
WQRR630	CF - Common Carrier Fixed Point to Point Microwave						Y
WQRR631	CF - Common Carrier Fixed Point to Point Microwave						Y
WQRR817	CF - Common Carrier Fixed Point to Point Microwave						Y
WQRR872	CF - Common Carrier Fixed Point to Point Microwave						Y
WQRR929	CF - Common Carrier Fixed Point to Point Microwave						Y
WQRR930	CF - Common Carrier Fixed Point to Point Microwave						Y
WQRR933	CF - Common Carrier Fixed Point to Point Microwave						Y
WQRR960	CF - Common Carrier Fixed Point to Point Microwave						Y
WQRR965	CF - Common Carrier Fixed Point to Point Microwave						Y
WQRS204	CF - Common Carrier Fixed Point to Point Microwave						Y
WQRS388	CF - Common Carrier Fixed Point to Point Microwave						Y
WQRS505	CF - Common Carrier Fixed Point to Point Microwave						Y

111) Call Sign	112) Radio Service Code	113) Location Number	114) Path Number (Microwave only)	115) Frequency Number	116) Lower or Center Frequency (MHz)	117) Upper Frequency (MHz)	118) Constructed Yes / No
WQRS526	CF - Common Carrier Fixed Point to Point Microwave						Y
WQRS527	CF - Common Carrier Fixed Point to Point Microwave						Y
WQRS528	CF - Common Carrier Fixed Point to Point Microwave						Y
WQRS533	CF - Common Carrier Fixed Point to Point Microwave						Y
WQRS534	CF - Common Carrier Fixed Point to Point Microwave						Y
WQRS541	CF - Common Carrier Fixed Point to Point Microwave						Y
WQRS606	CF - Common Carrier Fixed Point to Point Microwave						Y
WQRS608	CF - Common Carrier Fixed Point to Point Microwave						Y
WQRS622	CF - Common Carrier Fixed Point to Point Microwave						Y
WQRS624	CF - Common Carrier Fixed Point to Point Microwave						Y
WQRS625	CF - Common Carrier Fixed Point to Point Microwave						Y
WQRS626	CF - Common Carrier Fixed Point to Point Microwave						Y
WQRS628	CF - Common Carrier Fixed Point to Point Microwave						Y
WQRS629	CF - Common Carrier Fixed Point to Point Microwave						Y
WQRS630	CF - Common Carrier Fixed Point to Point Microwave						Y
WQRS631	CF - Common Carrier Fixed Point to Point Microwave						Y
WQRS741	CF - Common Carrier Fixed Point to Point Microwave						Y
WQRS742	CF - Common Carrier Fixed Point to Point Microwave						Y
WQRS745	CF - Common Carrier Fixed Point to Point Microwave						Y

111) Call Sign	112) Radio Service Code	113) Location Number	114) Path Number (Microwave only)	115) Frequency Number	116) Lower or Center Frequency (MHz)	117) Upper Frequency (MHz)	118) Constructed Yes / No
WQRS747	CF - Common Carrier Fixed Point to Point Microwave						Y
WQRS871	CF - Common Carrier Fixed Point to Point Microwave						Y
WQRS933	CF - Common Carrier Fixed Point to Point Microwave						Y
WQRS934	CF - Common Carrier Fixed Point to Point Microwave						Y
WQRS935	CF - Common Carrier Fixed Point to Point Microwave						Y
WQRS984	CF - Common Carrier Fixed Point to Point Microwave						Y
WQRT220	CF - Common Carrier Fixed Point to Point Microwave						Y
WQRT227	CF - Common Carrier Fixed Point to Point Microwave						Y
WQRT232	CF - Common Carrier Fixed Point to Point Microwave						Y
WQRT234	CF - Common Carrier Fixed Point to Point Microwave						Y
WQRT235	CF - Common Carrier Fixed Point to Point Microwave						Y
WQRT241	CF - Common Carrier Fixed Point to Point Microwave						Y
WQRT252	CF - Common Carrier Fixed Point to Point Microwave						Y
WQRT253	CF - Common Carrier Fixed Point to Point Microwave						Y
WQRT263	CF - Common Carrier Fixed Point to Point Microwave						Y
WQRT270	CF - Common Carrier Fixed Point to Point Microwave						Y
WQRT271	CF - Common Carrier Fixed Point to Point Microwave						Y
WQRT463	CF - Common Carrier Fixed Point to Point Microwave						Y
WQRT464	CF - Common Carrier Fixed Point to Point Microwave						Y

111) Call Sign	112) Radio Service Code	113) Location Number	114) Path Number (Microwave only)	115) Frequency Number	116) Lower or Center Frequency (MHz)	117) Upper Frequency (MHz)	118) Constructed Yes / No
WQRT498	CF - Common Carrier Fixed Point to Point Microwave						Y
WQRT501	CF - Common Carrier Fixed Point to Point Microwave						Y
WQRT506	CF - Common Carrier Fixed Point to Point Microwave						Y
WQRT517	CF - Common Carrier Fixed Point to Point Microwave						Y
WQRT519	CF - Common Carrier Fixed Point to Point Microwave						Y
WQRT520	CF - Common Carrier Fixed Point to Point Microwave						Y
WQRT521	CF - Common Carrier Fixed Point to Point Microwave						Y
WQRT524	CF - Common Carrier Fixed Point to Point Microwave						Y
WQRT525	CF - Common Carrier Fixed Point to Point Microwave						Y
WQRT526	CF - Common Carrier Fixed Point to Point Microwave						Y
WQRT676	CF - Common Carrier Fixed Point to Point Microwave						Y
WQRT812	CF - Common Carrier Fixed Point to Point Microwave						Y
WQRT837	CF - Common Carrier Fixed Point to Point Microwave						Y
WQRT838	CF - Common Carrier Fixed Point to Point Microwave						Y
WQRT853	CF - Common Carrier Fixed Point to Point Microwave						Y
WQRT854	CF - Common Carrier Fixed Point to Point Microwave						Y
WQRT855	CF - Common Carrier Fixed Point to Point Microwave						Y
WQRT941	CF - Common Carrier Fixed Point to Point Microwave						Y
WQRT943	CF - Common Carrier Fixed Point to Point Microwave						Y

111) Call Sign	112) Radio Service Code	113) Location Number	114) Path Number (Microwave only)	115) Frequency Number	116) Lower or Center Frequency (MHz)	117) Upper Frequency (MHz)	118) Constructed Yes / No
WQRT955	CF - Common Carrier Fixed Point to Point Microwave						Y
WQRT956	CF - Common Carrier Fixed Point to Point Microwave						Y
WQRT958	CF - Common Carrier Fixed Point to Point Microwave						Y
WQRT959	CF - Common Carrier Fixed Point to Point Microwave						Y
WQRT961	CF - Common Carrier Fixed Point to Point Microwave						Y
WQRT965	CF - Common Carrier Fixed Point to Point Microwave						Y
WQRT967	CF - Common Carrier Fixed Point to Point Microwave						Y
WQRT968	CF - Common Carrier Fixed Point to Point Microwave						Y
WQRU230	CF - Common Carrier Fixed Point to Point Microwave						Y
WQRU440	CF - Common Carrier Fixed Point to Point Microwave						Y
WQRU447	CF - Common Carrier Fixed Point to Point Microwave						Y
WQRU448	CF - Common Carrier Fixed Point to Point Microwave						Y
WQRU462	CF - Common Carrier Fixed Point to Point Microwave						Y
WQRU463	CF - Common Carrier Fixed Point to Point Microwave						Y
WQRU467	CF - Common Carrier Fixed Point to Point Microwave						Y
WQRU538	CF - Common Carrier Fixed Point to Point Microwave						Y
WQRU540	CF - Common Carrier Fixed Point to Point Microwave						Y
WQRU542	CF - Common Carrier Fixed Point to Point Microwave						Y
WQRU543	CF - Common Carrier Fixed Point to Point Microwave						Y

111) Call Sign	112) Radio Service Code	113) Location Number	114) Path Number (Microwave only)	115) Frequency Number	116) Lower or Center Frequency (MHz)	117) Upper Frequency (MHz)	118) Constructed Yes / No
WQRU636	CF - Common Carrier Fixed Point to Point Microwave						Y
WQRU678	CF - Common Carrier Fixed Point to Point Microwave						Y
WQRU760	CF - Common Carrier Fixed Point to Point Microwave						Y
WQRU799	CF - Common Carrier Fixed Point to Point Microwave						Y
WQRU801	CF - Common Carrier Fixed Point to Point Microwave						Y
WQRU806	CF - Common Carrier Fixed Point to Point Microwave						Y
WQRU808	CF - Common Carrier Fixed Point to Point Microwave						Y
WQRU819	CF - Common Carrier Fixed Point to Point Microwave						Y
WQRU826	CF - Common Carrier Fixed Point to Point Microwave						Y
WQRU859	CF - Common Carrier Fixed Point to Point Microwave						Y
WQRU976	CF - Common Carrier Fixed Point to Point Microwave						Y
WQRU981	CF - Common Carrier Fixed Point to Point Microwave						Y
WQRU982	CF - Common Carrier Fixed Point to Point Microwave						Y
WQRV232	CF - Common Carrier Fixed Point to Point Microwave						Y
WQRV269	CF - Common Carrier Fixed Point to Point Microwave						Y
WQRV273	CF - Common Carrier Fixed Point to Point Microwave						Y
WQRV293	CF - Common Carrier Fixed Point to Point Microwave						Y
WQRV299	CF - Common Carrier Fixed Point to Point Microwave						Y
WQRV308	CF - Common Carrier Fixed Point to Point Microwave						Y

111) Call Sign	112) Radio Service Code	113) Location Number	114) Path Number (Microwave only)	115) Frequency Number	116) Lower or Center Frequency (MHz)	117) Upper Frequency (MHz)	118) Constructed Yes / No
WQRV309	CF - Common Carrier Fixed Point to Point Microwave						Y
WQRV658	CF - Common Carrier Fixed Point to Point Microwave						Y
WQRV660	CF - Common Carrier Fixed Point to Point Microwave						Y
WQRV695	CF - Common Carrier Fixed Point to Point Microwave						Y
WQRV696	CF - Common Carrier Fixed Point to Point Microwave						Y
WQRV699	CF - Common Carrier Fixed Point to Point Microwave						Y
WQRV700	CF - Common Carrier Fixed Point to Point Microwave						Y
WQRV701	CF - Common Carrier Fixed Point to Point Microwave						Y
WQRV729	CF - Common Carrier Fixed Point to Point Microwave						Y
WQRV736	CF - Common Carrier Fixed Point to Point Microwave						Y
WQRV738	CF - Common Carrier Fixed Point to Point Microwave						Y
WQRV740	CF - Common Carrier Fixed Point to Point Microwave						Y
WQRV746	CF - Common Carrier Fixed Point to Point Microwave						Y
WQRV749	CF - Common Carrier Fixed Point to Point Microwave						Y
WQRV856	CF - Common Carrier Fixed Point to Point Microwave						Y
WQRV858	CF - Common Carrier Fixed Point to Point Microwave						Y
WQRV859	CF - Common Carrier Fixed Point to Point Microwave						Y
WQRV961	CF - Common Carrier Fixed Point to Point Microwave						Y
WQRW226	CF - Common Carrier Fixed Point to Point Microwave						Y

111) Call Sign	112) Radio Service Code	113) Location Number	114) Path Number (Microwave only)	115) Frequency Number	116) Lower or Center Frequency (MHz)	117) Upper Frequency (MHz)	118) Constructed Yes / No
WQRW243	CF - Common Carrier Fixed Point to Point Microwave						Y
WQRW525	CF - Common Carrier Fixed Point to Point Microwave						Y
WQRW527	CF - Common Carrier Fixed Point to Point Microwave						Y
WQRW535	CF - Common Carrier Fixed Point to Point Microwave						Y
WQRW536	CF - Common Carrier Fixed Point to Point Microwave						Y
WQRW555	CF - Common Carrier Fixed Point to Point Microwave						Y
WQRW572	CF - Common Carrier Fixed Point to Point Microwave						Y
WQRW573	CF - Common Carrier Fixed Point to Point Microwave						Y
WQRW710	CF - Common Carrier Fixed Point to Point Microwave						Y
WQRW832	CF - Common Carrier Fixed Point to Point Microwave						Y
WQRW835	CF - Common Carrier Fixed Point to Point Microwave						Y
WQRW846	CF - Common Carrier Fixed Point to Point Microwave						Y
WQRW860	CF - Common Carrier Fixed Point to Point Microwave						Y
WQRW980	CF - Common Carrier Fixed Point to Point Microwave						Y
WQRW983	CF - Common Carrier Fixed Point to Point Microwave						Y
WQRW991	CF - Common Carrier Fixed Point to Point Microwave						Y
WQRW992	CF - Common Carrier Fixed Point to Point Microwave						Y
WQRW993	CF - Common Carrier Fixed Point to Point Microwave						Y
WQRW997	CF - Common Carrier Fixed Point to Point Microwave						Y

111) Call Sign	112) Radio Service Code	113) Location Number	114) Path Number (Microwave only)	115) Frequency Number	116) Lower or Center Frequency (MHz)	117) Upper Frequency (MHz)	118) Constructed Yes / No
WQRW998	CF - Common Carrier Fixed Point to Point Microwave						Y
WQRX205	CF - Common Carrier Fixed Point to Point Microwave						Y
WQRX206	CF - Common Carrier Fixed Point to Point Microwave						Y
WQRX207	CF - Common Carrier Fixed Point to Point Microwave						Y
WQRX212	CF - Common Carrier Fixed Point to Point Microwave						Y
WQRX213	CF - Common Carrier Fixed Point to Point Microwave						Y
WQRX225	CF - Common Carrier Fixed Point to Point Microwave						Y
WQRX229	CF - Common Carrier Fixed Point to Point Microwave						Y
WQRX366	CF - Common Carrier Fixed Point to Point Microwave						Y
WQRX367	CF - Common Carrier Fixed Point to Point Microwave						Y
WQRX392	CF - Common Carrier Fixed Point to Point Microwave						Y
WQRX475	CF - Common Carrier Fixed Point to Point Microwave						Y
WQRX477	CF - Common Carrier Fixed Point to Point Microwave						Y
WQRX480	CF - Common Carrier Fixed Point to Point Microwave						Y
WQRX549	CF - Common Carrier Fixed Point to Point Microwave						Y
WQRX550	CF - Common Carrier Fixed Point to Point Microwave						Y
WQRX554	CF - Common Carrier Fixed Point to Point Microwave						Y
WQRX592	CF - Common Carrier Fixed Point to Point Microwave						Y
WQRX865	CF - Common Carrier Fixed Point to Point Microwave						Y

111) Call Sign	112) Radio Service Code	113) Location Number	114) Path Number (Microwave only)	115) Frequency Number	116) Lower or Center Frequency (MHz)	117) Upper Frequency (MHz)	118) Constructed Yes / No
WQRX866	CF - Common Carrier Fixed Point to Point Microwave						Y
WQRX867	CF - Common Carrier Fixed Point to Point Microwave						Y
WQRX922	CF - Common Carrier Fixed Point to Point Microwave						Y
WQRX956	CF - Common Carrier Fixed Point to Point Microwave						Y
WQRX957	CF - Common Carrier Fixed Point to Point Microwave						Y
WQRX960	CF - Common Carrier Fixed Point to Point Microwave						Y
WQRY307	CF - Common Carrier Fixed Point to Point Microwave						Y
WQRY308	CF - Common Carrier Fixed Point to Point Microwave						Y
WQRY311	CF - Common Carrier Fixed Point to Point Microwave						Y
WQRY335	CF - Common Carrier Fixed Point to Point Microwave						Y
WQRY336	CF - Common Carrier Fixed Point to Point Microwave						Y
WQRY485	CF - Common Carrier Fixed Point to Point Microwave						Y
WQRY486	CF - Common Carrier Fixed Point to Point Microwave						Y
WQRY511	CF - Common Carrier Fixed Point to Point Microwave						Y
WQRY561	CF - Common Carrier Fixed Point to Point Microwave						Y
WQRY562	CF - Common Carrier Fixed Point to Point Microwave						Y
WQRY578	CF - Common Carrier Fixed Point to Point Microwave						Y
WQRY580	CF - Common Carrier Fixed Point to Point Microwave						Y
WQRY701	CF - Common Carrier Fixed Point to Point Microwave						Y

111) Call Sign	112) Radio Service Code	113) Location Number	114) Path Number (Microwave only)	115) Frequency Number	116) Lower or Center Frequency (MHz)	117) Upper Frequency (MHz)	118) Constructed Yes / No
WQRY704	CF - Common Carrier Fixed Point to Point Microwave						Y
WQRY720	CF - Common Carrier Fixed Point to Point Microwave						Y
WQRY724	CF - Common Carrier Fixed Point to Point Microwave						Y
WQRY731	CF - Common Carrier Fixed Point to Point Microwave						Y
WQRY733	CF - Common Carrier Fixed Point to Point Microwave						Y
WQRY754	CF - Common Carrier Fixed Point to Point Microwave						Y
WQRY756	CF - Common Carrier Fixed Point to Point Microwave						Y
WQRY757	CF - Common Carrier Fixed Point to Point Microwave						Y
WQRY758	CF - Common Carrier Fixed Point to Point Microwave						Y
WQRY786	CF - Common Carrier Fixed Point to Point Microwave						Y
WQRY790	CF - Common Carrier Fixed Point to Point Microwave						Y
WQRY791	CF - Common Carrier Fixed Point to Point Microwave						Y
WQRY796	CF - Common Carrier Fixed Point to Point Microwave						Y
WQRY797	CF - Common Carrier Fixed Point to Point Microwave						Y
WQRY804	CF - Common Carrier Fixed Point to Point Microwave						Y
WQRY810	CF - Common Carrier Fixed Point to Point Microwave						Y
WQRY812	CF - Common Carrier Fixed Point to Point Microwave						Y
WQRY814	CF - Common Carrier Fixed Point to Point Microwave						Y
WQRY815	CF - Common Carrier Fixed Point to Point Microwave						Y

111) Call Sign	112) Radio Service Code	113) Location Number	114) Path Number (Microwave only)	115) Frequency Number	116) Lower or Center Frequency (MHz)	117) Upper Frequency (MHz)	118) Constructed Yes / No
WQRZ262	CF - Common Carrier Fixed Point to Point Microwave						Y
WQRZ263	CF - Common Carrier Fixed Point to Point Microwave						Y
WQRZ264	CF - Common Carrier Fixed Point to Point Microwave						Y
WQRZ265	CF - Common Carrier Fixed Point to Point Microwave						Y
WQRZ365	CF - Common Carrier Fixed Point to Point Microwave						Y
WQRZ377	CF - Common Carrier Fixed Point to Point Microwave						Y
WQRZ378	CF - Common Carrier Fixed Point to Point Microwave						Y
WQRZ382	CF - Common Carrier Fixed Point to Point Microwave						Y
WQRZ385	CF - Common Carrier Fixed Point to Point Microwave						Y
WQRZ403	CF - Common Carrier Fixed Point to Point Microwave						Y
WQRZ406	CF - Common Carrier Fixed Point to Point Microwave						Y
WQRZ407	CF - Common Carrier Fixed Point to Point Microwave						Y
WQRZ415	CF - Common Carrier Fixed Point to Point Microwave						Y
WQRZ546	CF - Common Carrier Fixed Point to Point Microwave						Y
WQRZ638	CF - Common Carrier Fixed Point to Point Microwave						Y
WQRZ639	CF - Common Carrier Fixed Point to Point Microwave						Y
WQRZ640	CF - Common Carrier Fixed Point to Point Microwave						Y
WQRZ641	CF - Common Carrier Fixed Point to Point Microwave						Y
WQRZ652	CF - Common Carrier Fixed Point to Point Microwave						Y

111) Call Sign	112) Radio Service Code	113) Location Number	114) Path Number (Microwave only)	115) Frequency Number	116) Lower or Center Frequency (MHz)	117) Upper Frequency (MHz)	118) Constructed Yes / No
WQRZ713	CF - Common Carrier Fixed Point to Point Microwave						Y
WQRZ714	CF - Common Carrier Fixed Point to Point Microwave						Y
WQRZ715	CF - Common Carrier Fixed Point to Point Microwave						Y
WQRZ718	CF - Common Carrier Fixed Point to Point Microwave						Y
WQRZ801	CF - Common Carrier Fixed Point to Point Microwave						Y
WQRZ806	CF - Common Carrier Fixed Point to Point Microwave						Y
WQRZ808	CF - Common Carrier Fixed Point to Point Microwave						Y
WQRZ811	CF - Common Carrier Fixed Point to Point Microwave						Y
WQRZ812	CF - Common Carrier Fixed Point to Point Microwave						Y
WQRZ813	CF - Common Carrier Fixed Point to Point Microwave						Y
WQSA245	CF - Common Carrier Fixed Point to Point Microwave						Y
WQSA246	CF - Common Carrier Fixed Point to Point Microwave						Y
WQSA264	CF - Common Carrier Fixed Point to Point Microwave						Y
WQSA305	CF - Common Carrier Fixed Point to Point Microwave						Y
WQSA309	CF - Common Carrier Fixed Point to Point Microwave						Y
WQSA310	CF - Common Carrier Fixed Point to Point Microwave						Y
WQSA501	CF - Common Carrier Fixed Point to Point Microwave						Y
WQSA707	CF - Common Carrier Fixed Point to Point Microwave						Y
WQSA715	CF - Common Carrier Fixed Point to Point Microwave						Y

111) Call Sign	112) Radio Service Code	113) Location Number	114) Path Number (Microwave only)	115) Frequency Number	116) Lower or Center Frequency (MHz)	117) Upper Frequency (MHz)	118) Constructed Yes / No
WQSA716	CF - Common Carrier Fixed Point to Point Microwave						Y
WQSA717	CF - Common Carrier Fixed Point to Point Microwave						Y
WQSA718	CF - Common Carrier Fixed Point to Point Microwave						Y
WQSA768	CF - Common Carrier Fixed Point to Point Microwave						Y
WQSA786	CF - Common Carrier Fixed Point to Point Microwave						Y
WQSA787	CF - Common Carrier Fixed Point to Point Microwave						Y
WQSA897	CF - Common Carrier Fixed Point to Point Microwave						Y
WQSA898	CF - Common Carrier Fixed Point to Point Microwave						Y
WQSA901	CF - Common Carrier Fixed Point to Point Microwave						Y
WQSB224	CF - Common Carrier Fixed Point to Point Microwave						Y
WQSB225	CF - Common Carrier Fixed Point to Point Microwave						Y
WQSB278	CF - Common Carrier Fixed Point to Point Microwave						Y
WQSB367	CF - Common Carrier Fixed Point to Point Microwave						Y
WQSB368	CF - Common Carrier Fixed Point to Point Microwave						Y
WQSB394	CF - Common Carrier Fixed Point to Point Microwave						Y
WQSB401	CF - Common Carrier Fixed Point to Point Microwave						Y
WQSB465	CF - Common Carrier Fixed Point to Point Microwave						Y
WQSB467	CF - Common Carrier Fixed Point to Point Microwave						Y
WQSB471	CF - Common Carrier Fixed Point to Point Microwave						Y

111) Call Sign	112) Radio Service Code	113) Location Number	114) Path Number (Microwave only)	115) Frequency Number	116) Lower or Center Frequency (MHz)	117) Upper Frequency (MHz)	118) Constructed Yes / No
WQSB474	CF - Common Carrier Fixed Point to Point Microwave						Y
WQSB479	CF - Common Carrier Fixed Point to Point Microwave						Y
WQSB482	CF - Common Carrier Fixed Point to Point Microwave						Y
WQSB483	CF - Common Carrier Fixed Point to Point Microwave						Y
WQSB497	CF - Common Carrier Fixed Point to Point Microwave						Y
WQSB498	CF - Common Carrier Fixed Point to Point Microwave						Y
WQSB499	CF - Common Carrier Fixed Point to Point Microwave						Y
WQSB502	CF - Common Carrier Fixed Point to Point Microwave						Y
WQSB504	CF - Common Carrier Fixed Point to Point Microwave						Y
WQSB509	CF - Common Carrier Fixed Point to Point Microwave						Y
WQSB510	CF - Common Carrier Fixed Point to Point Microwave						Y
WQSB580	CF - Common Carrier Fixed Point to Point Microwave						Y
WQSB581	CF - Common Carrier Fixed Point to Point Microwave						Y
WQSB583	CF - Common Carrier Fixed Point to Point Microwave						Y
WQSB659	CF - Common Carrier Fixed Point to Point Microwave						Y
WQSB663	CF - Common Carrier Fixed Point to Point Microwave						Y
WQSB664	CF - Common Carrier Fixed Point to Point Microwave						Y
WQSB667	CF - Common Carrier Fixed Point to Point Microwave						Y
WQSB684	CF - Common Carrier Fixed Point to Point Microwave						Y

111) Call Sign	112) Radio Service Code	113) Location Number	114) Path Number (Microwave only)	115) Frequency Number	116) Lower or Center Frequency (MHz)	117) Upper Frequency (MHz)	118) Constructed Yes / No
WQSB839	CF - Common Carrier Fixed Point to Point Microwave						Y
WQSB841	CF - Common Carrier Fixed Point to Point Microwave						Y
WQSB846	CF - Common Carrier Fixed Point to Point Microwave						Y
WQSB855	CF - Common Carrier Fixed Point to Point Microwave						Y
WQSB858	CF - Common Carrier Fixed Point to Point Microwave						Y
WQSC293	CF - Common Carrier Fixed Point to Point Microwave						Y
WQSC294	CF - Common Carrier Fixed Point to Point Microwave						Y
WQSC296	CF - Common Carrier Fixed Point to Point Microwave						Y
WQSC297	CF - Common Carrier Fixed Point to Point Microwave						Y
WQSC298	CF - Common Carrier Fixed Point to Point Microwave						Y
WQSC299	CF - Common Carrier Fixed Point to Point Microwave						Y
WQSC301	CF - Common Carrier Fixed Point to Point Microwave						Y
WQSC304	CF - Common Carrier Fixed Point to Point Microwave						Y
WQSC307	CF - Common Carrier Fixed Point to Point Microwave						Y
WQSC308	CF - Common Carrier Fixed Point to Point Microwave						Y
WQSC318	CF - Common Carrier Fixed Point to Point Microwave						Y
WQSC320	CF - Common Carrier Fixed Point to Point Microwave						Y
WQSC337	CF - Common Carrier Fixed Point to Point Microwave						Y
WQSC378	CF - Common Carrier Fixed Point to Point Microwave						Y

111) Call Sign	112) Radio Service Code	113) Location Number	114) Path Number (Microwave only)	115) Frequency Number	116) Lower or Center Frequency (MHz)	117) Upper Frequency (MHz)	118) Constructed Yes / No
WQSC379	CF - Common Carrier Fixed Point to Point Microwave						Y
WQSC394	CF - Common Carrier Fixed Point to Point Microwave						Y
WQSC395	CF - Common Carrier Fixed Point to Point Microwave						Y
WQSC400	CF - Common Carrier Fixed Point to Point Microwave						Y
WQSC677	CF - Common Carrier Fixed Point to Point Microwave						Y
WQSC682	CF - Common Carrier Fixed Point to Point Microwave						Y
WQSC686	CF - Common Carrier Fixed Point to Point Microwave						Y
WQSC692	CF - Common Carrier Fixed Point to Point Microwave						Y
WQSC698	CF - Common Carrier Fixed Point to Point Microwave						Y
WQSC703	CF - Common Carrier Fixed Point to Point Microwave						Y
WQSC706	CF - Common Carrier Fixed Point to Point Microwave						Y
WQSC709	CF - Common Carrier Fixed Point to Point Microwave						Y
WQSC725	CF - Common Carrier Fixed Point to Point Microwave						Y
WQSC737	CF - Common Carrier Fixed Point to Point Microwave						Y
WQSC779	CF - Common Carrier Fixed Point to Point Microwave						Y
WQSC785	CF - Common Carrier Fixed Point to Point Microwave						Y
WQSC786	CF - Common Carrier Fixed Point to Point Microwave						Y
WQSC795	CF - Common Carrier Fixed Point to Point Microwave						Y
WQSC796	CF - Common Carrier Fixed Point to Point Microwave						Y

111) Call Sign	112) Radio Service Code	113) Location Number	114) Path Number (Microwave only)	115) Frequency Number	116) Lower or Center Frequency (MHz)	117) Upper Frequency (MHz)	118) Constructed Yes / No
WQSC797	CF - Common Carrier Fixed Point to Point Microwave						Y
WQSC802	CF - Common Carrier Fixed Point to Point Microwave						Y
WQSC806	CF - Common Carrier Fixed Point to Point Microwave						Y
WQSC807	CF - Common Carrier Fixed Point to Point Microwave						Y
WQSC878	CF - Common Carrier Fixed Point to Point Microwave						Y
WQSC979	CF - Common Carrier Fixed Point to Point Microwave						Y
WQSC980	CF - Common Carrier Fixed Point to Point Microwave						Y
WQSC981	CF - Common Carrier Fixed Point to Point Microwave						Y
WQSC982	CF - Common Carrier Fixed Point to Point Microwave						Y
WQSD202	CF - Common Carrier Fixed Point to Point Microwave						Y
WQSD203	CF - Common Carrier Fixed Point to Point Microwave						Y
WQSD204	CF - Common Carrier Fixed Point to Point Microwave						Y
WQSD239	CF - Common Carrier Fixed Point to Point Microwave						Y
WQSD240	CF - Common Carrier Fixed Point to Point Microwave						Y
WQSD241	CF - Common Carrier Fixed Point to Point Microwave						Y
WQSD242	CF - Common Carrier Fixed Point to Point Microwave						Y
WQSD243	CF - Common Carrier Fixed Point to Point Microwave						Y
WQSD244	CF - Common Carrier Fixed Point to Point Microwave						Y
WQSD245	CF - Common Carrier Fixed Point to Point Microwave						Y

111) Call Sign	112) Radio Service Code	113) Location Number	114) Path Number (Microwave only)	115) Frequency Number	116) Lower or Center Frequency (MHz)	117) Upper Frequency (MHz)	118) Constructed Yes / No
WQSD272	CF - Common Carrier Fixed Point to Point Microwave						Y
WQSD351	CF - Common Carrier Fixed Point to Point Microwave						Y
WQSD352	CF - Common Carrier Fixed Point to Point Microwave						Y
WQSD466	CF - Common Carrier Fixed Point to Point Microwave						Y
WQSD467	CF - Common Carrier Fixed Point to Point Microwave						Y
WQSD468	CF - Common Carrier Fixed Point to Point Microwave						Y
WQSD469	CF - Common Carrier Fixed Point to Point Microwave						Y
WQSD800	CF - Common Carrier Fixed Point to Point Microwave						Y
WQSD929	CF - Common Carrier Fixed Point to Point Microwave						Y
WQSD930	CF - Common Carrier Fixed Point to Point Microwave						Y
WQSD931	CF - Common Carrier Fixed Point to Point Microwave						Y
WQSD977	CF - Common Carrier Fixed Point to Point Microwave						Y
WQSD999	CF - Common Carrier Fixed Point to Point Microwave						Y
WQSE208	CF - Common Carrier Fixed Point to Point Microwave						Y
WQSE398	CF - Common Carrier Fixed Point to Point Microwave						Y
WQSE399	CF - Common Carrier Fixed Point to Point Microwave						Y
WQSE400	CF - Common Carrier Fixed Point to Point Microwave						Y
WQSE402	CF - Common Carrier Fixed Point to Point Microwave						Y
WQSE403	CF - Common Carrier Fixed Point to Point Microwave						Y

111) Call Sign	112) Radio Service Code	113) Location Number	114) Path Number (Microwave only)	115) Frequency Number	116) Lower or Center Frequency (MHz)	117) Upper Frequency (MHz)	118) Constructed Yes / No
WQSE404	CF - Common Carrier Fixed Point to Point Microwave						Y
WQSE405	CF - Common Carrier Fixed Point to Point Microwave						Y
WQSE406	CF - Common Carrier Fixed Point to Point Microwave						Y
WQSE407	CF - Common Carrier Fixed Point to Point Microwave						Y
WQSE408	CF - Common Carrier Fixed Point to Point Microwave						Y
WQSE409	CF - Common Carrier Fixed Point to Point Microwave						Y
WQSE410	CF - Common Carrier Fixed Point to Point Microwave						Y
WQSE411	CF - Common Carrier Fixed Point to Point Microwave						Y
WQSE412	CF - Common Carrier Fixed Point to Point Microwave						Y
WQSE413	CF - Common Carrier Fixed Point to Point Microwave						Y
WQSE438	CF - Common Carrier Fixed Point to Point Microwave						Y
WQSE440	CF - Common Carrier Fixed Point to Point Microwave						Y
WQSE474	CF - Common Carrier Fixed Point to Point Microwave						Y
WQSE775	CF - Common Carrier Fixed Point to Point Microwave						Y
WQSE776	CF - Common Carrier Fixed Point to Point Microwave						Y
WQSE779	CF - Common Carrier Fixed Point to Point Microwave						Y
WQSE780	CF - Common Carrier Fixed Point to Point Microwave						Y
WQSF517	CF - Common Carrier Fixed Point to Point Microwave						Y
WQSF530	CF - Common Carrier Fixed Point to Point Microwave						Y

111) Call Sign	112) Radio Service Code	113) Location Number	114) Path Number (Microwave only)	115) Frequency Number	116) Lower or Center Frequency (MHz)	117) Upper Frequency (MHz)	118) Constructed Yes / No
WQSF731	CF - Common Carrier Fixed Point to Point Microwave						Y
WQSF791	CF - Common Carrier Fixed Point to Point Microwave						Y
WQSF792	CF - Common Carrier Fixed Point to Point Microwave						Y
WQSF902	CF - Common Carrier Fixed Point to Point Microwave						Y
WQSG288	CF - Common Carrier Fixed Point to Point Microwave						Y
WQSG317	CF - Common Carrier Fixed Point to Point Microwave						Y
WQSG318	CF - Common Carrier Fixed Point to Point Microwave						Y
WQSG319	CF - Common Carrier Fixed Point to Point Microwave						Y
WQSG326	CF - Common Carrier Fixed Point to Point Microwave						Y
WQSG381	CF - Common Carrier Fixed Point to Point Microwave						Y
WQSG497	CF - Common Carrier Fixed Point to Point Microwave						Y
WQSG589	CF - Common Carrier Fixed Point to Point Microwave						Y
WQSG590	CF - Common Carrier Fixed Point to Point Microwave						Y
WQSG591	CF - Common Carrier Fixed Point to Point Microwave						Y
WQSG595	CF - Common Carrier Fixed Point to Point Microwave						Y
WQSG598	CF - Common Carrier Fixed Point to Point Microwave						Y
WQSG601	CF - Common Carrier Fixed Point to Point Microwave						Y
WQSG602	CF - Common Carrier Fixed Point to Point Microwave						Y
WQSG603	CF - Common Carrier Fixed Point to Point Microwave						Y

111) Call Sign	112) Radio Service Code	113) Location Number	114) Path Number (Microwave only)	115) Frequency Number	116) Lower or Center Frequency (MHz)	117) Upper Frequency (MHz)	118) Constructed Yes / No
WQSG609	CF - Common Carrier Fixed Point to Point Microwave						Y
WQSG610	CF - Common Carrier Fixed Point to Point Microwave						Y
WQSG933	CF - Common Carrier Fixed Point to Point Microwave						Y
WQSG953	CF - Common Carrier Fixed Point to Point Microwave						Y
WQSG955	CF - Common Carrier Fixed Point to Point Microwave						Y
WQSG957	CF - Common Carrier Fixed Point to Point Microwave						Y
WQSG963	CF - Common Carrier Fixed Point to Point Microwave						Y
WQSH371	CF - Common Carrier Fixed Point to Point Microwave						Y
WQSH437	CF - Common Carrier Fixed Point to Point Microwave						Y
WQSH438	CF - Common Carrier Fixed Point to Point Microwave						Y
WQSH444	CF - Common Carrier Fixed Point to Point Microwave						Y
WQSH447	CF - Common Carrier Fixed Point to Point Microwave						Y
WQSH534	CF - Common Carrier Fixed Point to Point Microwave						Y
WQSH549	CF - Common Carrier Fixed Point to Point Microwave						Y
WQSH781	CF - Common Carrier Fixed Point to Point Microwave						Y
WQSH782	CF - Common Carrier Fixed Point to Point Microwave						Y
WQSH785	CF - Common Carrier Fixed Point to Point Microwave						Y
WQSH888	CF - Common Carrier Fixed Point to Point Microwave						Y
WQSH889	CF - Common Carrier Fixed Point to Point Microwave						Y

111) Call Sign	112) Radio Service Code	113) Location Number	114) Path Number (Microwave only)	115) Frequency Number	116) Lower or Center Frequency (MHz)	117) Upper Frequency (MHz)	118) Constructed Yes / No
WQSH892	CF - Common Carrier Fixed Point to Point Microwave						Y
WQSH940	CF - Common Carrier Fixed Point to Point Microwave						Y
WQSH946	CF - Common Carrier Fixed Point to Point Microwave						Y
WQSH948	CF - Common Carrier Fixed Point to Point Microwave						Y
WQSH950	CF - Common Carrier Fixed Point to Point Microwave						Y
WQSH959	CF - Common Carrier Fixed Point to Point Microwave						Y
WQSH961	CF - Common Carrier Fixed Point to Point Microwave						Y
WQSH963	CF - Common Carrier Fixed Point to Point Microwave						Y
WQSH964	CF - Common Carrier Fixed Point to Point Microwave						Y
WQSI566	CF - Common Carrier Fixed Point to Point Microwave						Y
WQSI885	CF - Common Carrier Fixed Point to Point Microwave						Y
WQSI956	CF - Common Carrier Fixed Point to Point Microwave						Y
WQSI958	CF - Common Carrier Fixed Point to Point Microwave						Y
WQSJ276	CF - Common Carrier Fixed Point to Point Microwave						Y
WQSJ431	CF - Common Carrier Fixed Point to Point Microwave						Y
WQSJ604	CF - Common Carrier Fixed Point to Point Microwave						Y
WQSJ605	CF - Common Carrier Fixed Point to Point Microwave						Y
WQSJ629	CF - Common Carrier Fixed Point to Point Microwave						Y
WQSJ630	CF - Common Carrier Fixed Point to Point Microwave						Y

111) Call Sign	112) Radio Service Code	113) Location Number	114) Path Number (Microwave only)	115) Frequency Number	116) Lower or Center Frequency (MHz)	117) Upper Frequency (MHz)	118) Constructed Yes / No
WQSJ777	CF - Common Carrier Fixed Point to Point Microwave						Y
WQSJ778	CF - Common Carrier Fixed Point to Point Microwave						Y
WQSJ804	CF - Common Carrier Fixed Point to Point Microwave						Y
WQSJ805	CF - Common Carrier Fixed Point to Point Microwave						Y
WQSJ806	CF - Common Carrier Fixed Point to Point Microwave						Y
WQSJ811	CF - Common Carrier Fixed Point to Point Microwave						Y
WQSJ812	CF - Common Carrier Fixed Point to Point Microwave						Y
WQSJ931	CF - Common Carrier Fixed Point to Point Microwave						Y
WQSK219	CF - Common Carrier Fixed Point to Point Microwave						Y
WQSK486	CF - Common Carrier Fixed Point to Point Microwave						Y
WQSM249	CF - Common Carrier Fixed Point to Point Microwave						Y
WQSR635	CF - Common Carrier Fixed Point to Point Microwave						Y
WQSR639	CF - Common Carrier Fixed Point to Point Microwave						Y
WQSR653	CF - Common Carrier Fixed Point to Point Microwave						Y
WQSR736	CF - Common Carrier Fixed Point to Point Microwave						Y
WQSR737	CF - Common Carrier Fixed Point to Point Microwave						Y
WQSR738	CF - Common Carrier Fixed Point to Point Microwave						Y
WQSR752	CF - Common Carrier Fixed Point to Point Microwave						Y
WQSR753	CF - Common Carrier Fixed Point to Point Microwave						Y

111) Call Sign	112) Radio Service Code	113) Location Number	114) Path Number (Microwave only)	115) Frequency Number	116) Lower or Center Frequency (MHz)	117) Upper Frequency (MHz)	118) Constructed Yes / No
WQSR754	CF - Common Carrier Fixed Point to Point Microwave						Y
WQSR804	CF - Common Carrier Fixed Point to Point Microwave						Y
WQSR807	CF - Common Carrier Fixed Point to Point Microwave						Y
WQSR808	CF - Common Carrier Fixed Point to Point Microwave						Y
WQSR809	CF - Common Carrier Fixed Point to Point Microwave						Y
WQSR810	CF - Common Carrier Fixed Point to Point Microwave						Y
WQSR813	CF - Common Carrier Fixed Point to Point Microwave						Y
WQSR814	CF - Common Carrier Fixed Point to Point Microwave						Y
WQSR815	CF - Common Carrier Fixed Point to Point Microwave						Y
WQSR816	CF - Common Carrier Fixed Point to Point Microwave						Y
WQSR818	CF - Common Carrier Fixed Point to Point Microwave						Y
WQSR830	CF - Common Carrier Fixed Point to Point Microwave						Y
WQSR831	CF - Common Carrier Fixed Point to Point Microwave						Y
WQSR832	CF - Common Carrier Fixed Point to Point Microwave						Y
WQSR833	CF - Common Carrier Fixed Point to Point Microwave						Y
WQSR834	CF - Common Carrier Fixed Point to Point Microwave						Y
WQSR844	CF - Common Carrier Fixed Point to Point Microwave						Y
WQSR845	CF - Common Carrier Fixed Point to Point Microwave						Y
WQSR872	CF - Common Carrier Fixed Point to Point Microwave						Y

111) Call Sign	112) Radio Service Code	113) Location Number	114) Path Number (Microwave only)	115) Frequency Number	116) Lower or Center Frequency (MHz)	117) Upper Frequency (MHz)	118) Constructed Yes / No
WQSR873	CF - Common Carrier Fixed Point to Point Microwave						Y
WQSR894	CF - Common Carrier Fixed Point to Point Microwave						Y
WQSS204	CF - Common Carrier Fixed Point to Point Microwave						Y
WQSS205	CF - Common Carrier Fixed Point to Point Microwave						Y
WQSS206	CF - Common Carrier Fixed Point to Point Microwave						Y
WQSS207	CF - Common Carrier Fixed Point to Point Microwave						Y
WQSS208	CF - Common Carrier Fixed Point to Point Microwave						Y
WQSS209	CF - Common Carrier Fixed Point to Point Microwave						Y
WQSS210	CF - Common Carrier Fixed Point to Point Microwave						Y
WQSS211	CF - Common Carrier Fixed Point to Point Microwave						Y
WQSS212	CF - Common Carrier Fixed Point to Point Microwave						Y
WQSS214	CF - Common Carrier Fixed Point to Point Microwave						Y
WQSS215	CF - Common Carrier Fixed Point to Point Microwave						Y
WQSS216	CF - Common Carrier Fixed Point to Point Microwave						Y
WQSS218	CF - Common Carrier Fixed Point to Point Microwave						Y
WQSS219	CF - Common Carrier Fixed Point to Point Microwave						Y
WQSS220	CF - Common Carrier Fixed Point to Point Microwave						Y
WQSS224	CF - Common Carrier Fixed Point to Point Microwave						Y
WQSS279	CF - Common Carrier Fixed Point to Point Microwave						Y

111) Call Sign	112) Radio Service Code	113) Location Number	114) Path Number (Microwave only)	115) Frequency Number	116) Lower or Center Frequency (MHz)	117) Upper Frequency (MHz)	118) Constructed Yes / No
WQSS282	CF - Common Carrier Fixed Point to Point Microwave						Y
WQSS291	CF - Common Carrier Fixed Point to Point Microwave						Y
WQSS292	CF - Common Carrier Fixed Point to Point Microwave						Y
WQSS296	CF - Common Carrier Fixed Point to Point Microwave						Y
WQSS297	CF - Common Carrier Fixed Point to Point Microwave						Y
WQSS298	CF - Common Carrier Fixed Point to Point Microwave						Y
WQSS305	CF - Common Carrier Fixed Point to Point Microwave						Y
WQSS376	CF - Common Carrier Fixed Point to Point Microwave						Y
WQSS382	CF - Common Carrier Fixed Point to Point Microwave						Y
WQSS383	CF - Common Carrier Fixed Point to Point Microwave						Y
WQSS384	CF - Common Carrier Fixed Point to Point Microwave						Y
WQSS439	CF - Common Carrier Fixed Point to Point Microwave						Y
WQSS440	CF - Common Carrier Fixed Point to Point Microwave						Y
WQSS441	CF - Common Carrier Fixed Point to Point Microwave						Y
WQSS442	CF - Common Carrier Fixed Point to Point Microwave						Y
WQSS567	CF - Common Carrier Fixed Point to Point Microwave						Y
WQSS596	CF - Common Carrier Fixed Point to Point Microwave						Y
WQSS597	CF - Common Carrier Fixed Point to Point Microwave						Y
WQSS601	CF - Common Carrier Fixed Point to Point Microwave						Y

111) Call Sign	112) Radio Service Code	113) Location Number	114) Path Number (Microwave only)	115) Frequency Number	116) Lower or Center Frequency (MHz)	117) Upper Frequency (MHz)	118) Constructed Yes / No
WQSS603	CF - Common Carrier Fixed Point to Point Microwave						Y
WQSS605	CF - Common Carrier Fixed Point to Point Microwave						Y
WQSS606	CF - Common Carrier Fixed Point to Point Microwave						Y
WQSS613	CF - Common Carrier Fixed Point to Point Microwave						Y
WQSS615	CF - Common Carrier Fixed Point to Point Microwave						Y
WQSS617	CF - Common Carrier Fixed Point to Point Microwave						Y
WQSS625	CF - Common Carrier Fixed Point to Point Microwave						Y
WQSS743	CF - Common Carrier Fixed Point to Point Microwave						Y
WQSS745	CF - Common Carrier Fixed Point to Point Microwave						Y
WQSS746	CF - Common Carrier Fixed Point to Point Microwave						Y
WQSS749	CF - Common Carrier Fixed Point to Point Microwave						Y
WQSS752	CF - Common Carrier Fixed Point to Point Microwave						Y
WQSS756	CF - Common Carrier Fixed Point to Point Microwave						Y
WQSS757	CF - Common Carrier Fixed Point to Point Microwave						Y
WQSS759	CF - Common Carrier Fixed Point to Point Microwave						Y
WQSS762	CF - Common Carrier Fixed Point to Point Microwave						Y
WQSS763	CF - Common Carrier Fixed Point to Point Microwave						Y
WQSS844	CF - Common Carrier Fixed Point to Point Microwave						Y
WQSS852	CF - Common Carrier Fixed Point to Point Microwave						Y

111) Call Sign	112) Radio Service Code	113) Location Number	114) Path Number (Microwave only)	115) Frequency Number	116) Lower or Center Frequency (MHz)	117) Upper Frequency (MHz)	118) Constructed Yes / No
WQSS857	CF - Common Carrier Fixed Point to Point Microwave						Y
WQSS858	CF - Common Carrier Fixed Point to Point Microwave						Y
WQSS859	CF - Common Carrier Fixed Point to Point Microwave						Y
WQSS860	CF - Common Carrier Fixed Point to Point Microwave						Y
WQSS863	CF - Common Carrier Fixed Point to Point Microwave						Y
WQSS864	CF - Common Carrier Fixed Point to Point Microwave						Y
WQSS865	CF - Common Carrier Fixed Point to Point Microwave						Y
WQSS866	CF - Common Carrier Fixed Point to Point Microwave						Y
WQSS867	CF - Common Carrier Fixed Point to Point Microwave						Y
WQSS868	CF - Common Carrier Fixed Point to Point Microwave						Y
WQST251	CF - Common Carrier Fixed Point to Point Microwave						Y
WQST252	CF - Common Carrier Fixed Point to Point Microwave						Y
WQST254	CF - Common Carrier Fixed Point to Point Microwave						Y
WQST255	CF - Common Carrier Fixed Point to Point Microwave						Y
WQST256	CF - Common Carrier Fixed Point to Point Microwave						Y
WQST257	CF - Common Carrier Fixed Point to Point Microwave						Y
WQST258	CF - Common Carrier Fixed Point to Point Microwave						Y
WQST259	CF - Common Carrier Fixed Point to Point Microwave						Y
WQST260	CF - Common Carrier Fixed Point to Point Microwave						Y

111) Call Sign	112) Radio Service Code	113) Location Number	114) Path Number (Microwave only)	115) Frequency Number	116) Lower or Center Frequency (MHz)	117) Upper Frequency (MHz)	118) Constructed Yes / No
WQST266	CF - Common Carrier Fixed Point to Point Microwave						Y
WQST267	CF - Common Carrier Fixed Point to Point Microwave						Y
WQST269	CF - Common Carrier Fixed Point to Point Microwave						Y
WQST271	CF - Common Carrier Fixed Point to Point Microwave						Y
WQST324	CF - Common Carrier Fixed Point to Point Microwave						Y
WQST404	CF - Common Carrier Fixed Point to Point Microwave						Y
WQST408	CF - Common Carrier Fixed Point to Point Microwave						Y
WQST442	CF - Common Carrier Fixed Point to Point Microwave						Y
WQST443	CF - Common Carrier Fixed Point to Point Microwave						Y
WQST444	CF - Common Carrier Fixed Point to Point Microwave						Y
WQST445	CF - Common Carrier Fixed Point to Point Microwave						Y
WQST446	CF - Common Carrier Fixed Point to Point Microwave						Y
WQST447	CF - Common Carrier Fixed Point to Point Microwave						Y
WQST617	CF - Common Carrier Fixed Point to Point Microwave						Y
WQST618	CF - Common Carrier Fixed Point to Point Microwave						Y
WQST619	CF - Common Carrier Fixed Point to Point Microwave						Y
WQST620	CF - Common Carrier Fixed Point to Point Microwave						Y
WQST621	CF - Common Carrier Fixed Point to Point Microwave						Y
WQST622	CF - Common Carrier Fixed Point to Point Microwave						Y

111) Call Sign	112) Radio Service Code	113) Location Number	114) Path Number (Microwave only)	115) Frequency Number	116) Lower or Center Frequency (MHz)	117) Upper Frequency (MHz)	118) Constructed Yes / No
WQST623	CF - Common Carrier Fixed Point to Point Microwave						Y
WQST669	CF - Common Carrier Fixed Point to Point Microwave						Y
WQST670	CF - Common Carrier Fixed Point to Point Microwave						Y
WQST671	CF - Common Carrier Fixed Point to Point Microwave						Y
WQST675	CF - Common Carrier Fixed Point to Point Microwave						Y
WQST676	CF - Common Carrier Fixed Point to Point Microwave						Y
WQST690	CF - Common Carrier Fixed Point to Point Microwave						Y
WQST691	CF - Common Carrier Fixed Point to Point Microwave						Y
WQST692	CF - Common Carrier Fixed Point to Point Microwave						Y
WQST693	CF - Common Carrier Fixed Point to Point Microwave						Y
WQST694	CF - Common Carrier Fixed Point to Point Microwave						Y
WQST725	CF - Common Carrier Fixed Point to Point Microwave						Y
WQST726	CF - Common Carrier Fixed Point to Point Microwave						Y
WQST817	CF - Common Carrier Fixed Point to Point Microwave						Y
WQST818	CF - Common Carrier Fixed Point to Point Microwave						Y
WQST819	CF - Common Carrier Fixed Point to Point Microwave						Y
WQST893	CF - Common Carrier Fixed Point to Point Microwave						Y
WQST980	CF - Common Carrier Fixed Point to Point Microwave						Y
WQST981	CF - Common Carrier Fixed Point to Point Microwave						Y

111) Call Sign	112) Radio Service Code	113) Location Number	114) Path Number (Microwave only)	115) Frequency Number	116) Lower or Center Frequency (MHz)	117) Upper Frequency (MHz)	118) Constructed Yes / No
WQSU250	CF - Common Carrier Fixed Point to Point Microwave						Y
WQSU253	CF - Common Carrier Fixed Point to Point Microwave						Y
WQSU258	CF - Common Carrier Fixed Point to Point Microwave						Y
WQSU259	CF - Common Carrier Fixed Point to Point Microwave						Y
WQSU302	CF - Common Carrier Fixed Point to Point Microwave						Y
WQSU322	CF - Common Carrier Fixed Point to Point Microwave						Y
WQSU350	CF - Common Carrier Fixed Point to Point Microwave						Y
WQSU363	CF - Common Carrier Fixed Point to Point Microwave						Y
WQSU366	CF - Common Carrier Fixed Point to Point Microwave						Y
WQSU367	CF - Common Carrier Fixed Point to Point Microwave						Y
WQSU368	CF - Common Carrier Fixed Point to Point Microwave						Y
WQSU369	CF - Common Carrier Fixed Point to Point Microwave						Y
WQSU370	CF - Common Carrier Fixed Point to Point Microwave						Y
WQSU376	CF - Common Carrier Fixed Point to Point Microwave						Y
WQSU481	CF - Common Carrier Fixed Point to Point Microwave						Y
WQSU486	CF - Common Carrier Fixed Point to Point Microwave						Y
WQSU493	CF - Common Carrier Fixed Point to Point Microwave						Y
WQSU494	CF - Common Carrier Fixed Point to Point Microwave						Y
WQSU495	CF - Common Carrier Fixed Point to Point Microwave						Y

111) Call Sign	112) Radio Service Code	113) Location Number	114) Path Number (Microwave only)	115) Frequency Number	116) Lower or Center Frequency (MHz)	117) Upper Frequency (MHz)	118) Constructed Yes / No
WQSU496	CF - Common Carrier Fixed Point to Point Microwave						Y
WQSU497	CF - Common Carrier Fixed Point to Point Microwave						Y
WQSU498	CF - Common Carrier Fixed Point to Point Microwave						Y
WQSU660	CF - Common Carrier Fixed Point to Point Microwave						Y
WQSU661	CF - Common Carrier Fixed Point to Point Microwave						Y
WQSU662	CF - Common Carrier Fixed Point to Point Microwave						Y
WQSU664	CF - Common Carrier Fixed Point to Point Microwave						Y
WQSU667	CF - Common Carrier Fixed Point to Point Microwave						Y
WQSU668	CF - Common Carrier Fixed Point to Point Microwave						Y
WQSU669	CF - Common Carrier Fixed Point to Point Microwave						Y
WQSU670	CF - Common Carrier Fixed Point to Point Microwave						Y
WQSU671	CF - Common Carrier Fixed Point to Point Microwave						Y
WQSU672	CF - Common Carrier Fixed Point to Point Microwave						Y
WQSU673	CF - Common Carrier Fixed Point to Point Microwave						Y
WQSU674	CF - Common Carrier Fixed Point to Point Microwave						Y
WQSU675	CF - Common Carrier Fixed Point to Point Microwave						Y
WQSU676	CF - Common Carrier Fixed Point to Point Microwave						Y
WQSU677	CF - Common Carrier Fixed Point to Point Microwave						Y
WQSU689	CF - Common Carrier Fixed Point to Point Microwave						Y

111) Call Sign	112) Radio Service Code	113) Location Number	114) Path Number (Microwave only)	115) Frequency Number	116) Lower or Center Frequency (MHz)	117) Upper Frequency (MHz)	118) Constructed Yes / No
WQSU690	CF - Common Carrier Fixed Point to Point Microwave						Y
WQSU691	CF - Common Carrier Fixed Point to Point Microwave						Y
WQSU692	CF - Common Carrier Fixed Point to Point Microwave						Y
WQSU698	CF - Common Carrier Fixed Point to Point Microwave						Y
WQSU699	CF - Common Carrier Fixed Point to Point Microwave						Y
WQSU742	CF - Common Carrier Fixed Point to Point Microwave						Y
WQSU745	CF - Common Carrier Fixed Point to Point Microwave						Y
WQSU833	CF - Common Carrier Fixed Point to Point Microwave						Y
WQSU836	CF - Common Carrier Fixed Point to Point Microwave						Y
WQSU837	CF - Common Carrier Fixed Point to Point Microwave						Y
WQSU838	CF - Common Carrier Fixed Point to Point Microwave						Y
WQSU839	CF - Common Carrier Fixed Point to Point Microwave						Y
WQSU842	CF - Common Carrier Fixed Point to Point Microwave						Y
WQSU846	CF - Common Carrier Fixed Point to Point Microwave						Y
WQSU982	CF - Common Carrier Fixed Point to Point Microwave						Y
WQSU983	CF - Common Carrier Fixed Point to Point Microwave						Y
WQSU984	CF - Common Carrier Fixed Point to Point Microwave						Y
WQSU986	CF - Common Carrier Fixed Point to Point Microwave						Y
WQSU987	CF - Common Carrier Fixed Point to Point Microwave						Y

111) Call Sign	112) Radio Service Code	113) Location Number	114) Path Number (Microwave only)	115) Frequency Number	116) Lower or Center Frequency (MHz)	117) Upper Frequency (MHz)	118) Constructed Yes / No
WQSU988	CF - Common Carrier Fixed Point to Point Microwave						Y
WQSV203	CF - Common Carrier Fixed Point to Point Microwave						Y
WQSV215	CF - Common Carrier Fixed Point to Point Microwave						Y
WQSV223	CF - Common Carrier Fixed Point to Point Microwave						Y
WQSV225	CF - Common Carrier Fixed Point to Point Microwave						Y
WQSV244	CF - Common Carrier Fixed Point to Point Microwave						Y
WQSV245	CF - Common Carrier Fixed Point to Point Microwave						Y
WQSV263	CF - Common Carrier Fixed Point to Point Microwave						Y
WQSV264	CF - Common Carrier Fixed Point to Point Microwave						Y
WQSV265	CF - Common Carrier Fixed Point to Point Microwave						Y
WQSV266	CF - Common Carrier Fixed Point to Point Microwave						Y
WQSV267	CF - Common Carrier Fixed Point to Point Microwave						Y
WQSV276	CF - Common Carrier Fixed Point to Point Microwave						Y
WQSV281	CF - Common Carrier Fixed Point to Point Microwave						Y
WQSV393	CF - Common Carrier Fixed Point to Point Microwave						Y
WQSV443	CF - Common Carrier Fixed Point to Point Microwave						Y
WQSV447	CF - Common Carrier Fixed Point to Point Microwave						Y
WQSV449	CF - Common Carrier Fixed Point to Point Microwave						Y
WQSV450	CF - Common Carrier Fixed Point to Point Microwave						Y

111) Call Sign	112) Radio Service Code	113) Location Number	114) Path Number (Microwave only)	115) Frequency Number	116) Lower or Center Frequency (MHz)	117) Upper Frequency (MHz)	118) Constructed Yes / No
WQSV451	CF - Common Carrier Fixed Point to Point Microwave						Y
WQSV455	CF - Common Carrier Fixed Point to Point Microwave						Y
WQSV456	CF - Common Carrier Fixed Point to Point Microwave						Y
WQSV457	CF - Common Carrier Fixed Point to Point Microwave						Y
WQSV458	CF - Common Carrier Fixed Point to Point Microwave						Y
WQSV541	CF - Common Carrier Fixed Point to Point Microwave						Y
WQSV542	CF - Common Carrier Fixed Point to Point Microwave						Y
WQSV544	CF - Common Carrier Fixed Point to Point Microwave						Y
WQSV545	CF - Common Carrier Fixed Point to Point Microwave						Y
WQSV547	CF - Common Carrier Fixed Point to Point Microwave						Y
WQSV549	CF - Common Carrier Fixed Point to Point Microwave						Y
WQSV551	CF - Common Carrier Fixed Point to Point Microwave						Y
WQSV552	CF - Common Carrier Fixed Point to Point Microwave						Y
WQSV553	CF - Common Carrier Fixed Point to Point Microwave						Y
WQSV555	CF - Common Carrier Fixed Point to Point Microwave						Y
WQSV557	CF - Common Carrier Fixed Point to Point Microwave						Y
WQSV560	CF - Common Carrier Fixed Point to Point Microwave						Y
WQSV562	CF - Common Carrier Fixed Point to Point Microwave						Y
WQSV563	CF - Common Carrier Fixed Point to Point Microwave						Y

111) Call Sign	112) Radio Service Code	113) Location Number	114) Path Number (Microwave only)	115) Frequency Number	116) Lower or Center Frequency (MHz)	117) Upper Frequency (MHz)	118) Constructed Yes / No
WQSV564	CF - Common Carrier Fixed Point to Point Microwave						Y
WQSV565	CF - Common Carrier Fixed Point to Point Microwave						Y
WQSV566	CF - Common Carrier Fixed Point to Point Microwave						Y
WQSV568	CF - Common Carrier Fixed Point to Point Microwave						Y
WQSV570	CF - Common Carrier Fixed Point to Point Microwave						Y
WQSV577	CF - Common Carrier Fixed Point to Point Microwave						Y
WQSV578	CF - Common Carrier Fixed Point to Point Microwave						Y
WQSV580	CF - Common Carrier Fixed Point to Point Microwave						Y
WQSV581	CF - Common Carrier Fixed Point to Point Microwave						Y
WQSV584	CF - Common Carrier Fixed Point to Point Microwave						Y
WQSV658	CF - Common Carrier Fixed Point to Point Microwave						Y
WQSV659	CF - Common Carrier Fixed Point to Point Microwave						Y
WQSV695	CF - Common Carrier Fixed Point to Point Microwave						Y
WQSV696	CF - Common Carrier Fixed Point to Point Microwave						Y
WQSV697	CF - Common Carrier Fixed Point to Point Microwave						Y
WQSV698	CF - Common Carrier Fixed Point to Point Microwave						Y
WQSV742	CF - Common Carrier Fixed Point to Point Microwave						Y
WQSV762	CF - Common Carrier Fixed Point to Point Microwave						Y
WQSV763	CF - Common Carrier Fixed Point to Point Microwave						Y

111) Call Sign	112) Radio Service Code	113) Location Number	114) Path Number (Microwave only)	115) Frequency Number	116) Lower or Center Frequency (MHz)	117) Upper Frequency (MHz)	118) Constructed Yes / No
WQSV764	CF - Common Carrier Fixed Point to Point Microwave						Y
WQSV766	CF - Common Carrier Fixed Point to Point Microwave						Y
WQSV767	CF - Common Carrier Fixed Point to Point Microwave						Y
WQSV768	CF - Common Carrier Fixed Point to Point Microwave						Y
WQSV772	CF - Common Carrier Fixed Point to Point Microwave						Y
WQSV773	CF - Common Carrier Fixed Point to Point Microwave						Y
WQSV774	CF - Common Carrier Fixed Point to Point Microwave						Y
WQSV775	CF - Common Carrier Fixed Point to Point Microwave						Y
WQSV776	CF - Common Carrier Fixed Point to Point Microwave						Y
WQSV777	CF - Common Carrier Fixed Point to Point Microwave						Y
WQSV778	CF - Common Carrier Fixed Point to Point Microwave						Y
WQSV779	CF - Common Carrier Fixed Point to Point Microwave						Y
WQSV781	CF - Common Carrier Fixed Point to Point Microwave						Y
WQSV782	CF - Common Carrier Fixed Point to Point Microwave						Y
WQSW426	CF - Common Carrier Fixed Point to Point Microwave						Y
WQSW442	CF - Common Carrier Fixed Point to Point Microwave						Y
WQSW450	CF - Common Carrier Fixed Point to Point Microwave						Y
WQSW451	CF - Common Carrier Fixed Point to Point Microwave						Y
WQSW454	CF - Common Carrier Fixed Point to Point Microwave						Y

111) Call Sign	112) Radio Service Code	113) Location Number	114) Path Number (Microwave only)	115) Frequency Number	116) Lower or Center Frequency (MHz)	117) Upper Frequency (MHz)	118) Constructed Yes / No
WQSW455	CF - Common Carrier Fixed Point to Point Microwave						Y
WQSW457	CF - Common Carrier Fixed Point to Point Microwave						Y
WQSW458	CF - Common Carrier Fixed Point to Point Microwave						Y
WQSW474	CF - Common Carrier Fixed Point to Point Microwave						Y
WQSW476	CF - Common Carrier Fixed Point to Point Microwave						Y
WQSW477	CF - Common Carrier Fixed Point to Point Microwave						Y
WQSW478	CF - Common Carrier Fixed Point to Point Microwave						Y
WQSW773	CF - Common Carrier Fixed Point to Point Microwave						Y
WQSW785	CF - Common Carrier Fixed Point to Point Microwave						Y
WQSW786	CF - Common Carrier Fixed Point to Point Microwave						Y
WQSW787	CF - Common Carrier Fixed Point to Point Microwave						Y
WQSW788	CF - Common Carrier Fixed Point to Point Microwave						Y
WQSW789	CF - Common Carrier Fixed Point to Point Microwave						Y
WQSW790	CF - Common Carrier Fixed Point to Point Microwave						Y
WQSW791	CF - Common Carrier Fixed Point to Point Microwave						Y
WQSW792	CF - Common Carrier Fixed Point to Point Microwave						Y
WQSW942	CF - Common Carrier Fixed Point to Point Microwave						Y
WQSW948	CF - Common Carrier Fixed Point to Point Microwave						Y
WQSW952	CF - Common Carrier Fixed Point to Point Microwave						Y

111) Call Sign	112) Radio Service Code	113) Location Number	114) Path Number (Microwave only)	115) Frequency Number	116) Lower or Center Frequency (MHz)	117) Upper Frequency (MHz)	118) Constructed Yes / No
WQSW953	CF - Common Carrier Fixed Point to Point Microwave						Y
WQSW965	CF - Common Carrier Fixed Point to Point Microwave						Y
WQSX313	CF - Common Carrier Fixed Point to Point Microwave						Y
WQSX321	CF - Common Carrier Fixed Point to Point Microwave						Y
WQSX323	CF - Common Carrier Fixed Point to Point Microwave						Y
WQSX325	CF - Common Carrier Fixed Point to Point Microwave						Y
WQSX326	CF - Common Carrier Fixed Point to Point Microwave						Y
WQSX327	CF - Common Carrier Fixed Point to Point Microwave						Y
WQSX328	CF - Common Carrier Fixed Point to Point Microwave						Y
WQSX470	CF - Common Carrier Fixed Point to Point Microwave						Y
WQSX471	CF - Common Carrier Fixed Point to Point Microwave						Y
WQSX472	CF - Common Carrier Fixed Point to Point Microwave						Y
WQSX473	CF - Common Carrier Fixed Point to Point Microwave						Y
WQSX480	CF - Common Carrier Fixed Point to Point Microwave						Y
WQSX481	CF - Common Carrier Fixed Point to Point Microwave						Y
WQSX486	CF - Common Carrier Fixed Point to Point Microwave						Y
WQSX490	CF - Common Carrier Fixed Point to Point Microwave						Y
WQSX491	CF - Common Carrier Fixed Point to Point Microwave						Y
WQSY289	CF - Common Carrier Fixed Point to Point Microwave						Y

111) Call Sign	112) Radio Service Code	113) Location Number	114) Path Number (Microwave only)	115) Frequency Number	116) Lower or Center Frequency (MHz)	117) Upper Frequency (MHz)	118) Constructed Yes / No
WQSY290	CF - Common Carrier Fixed Point to Point Microwave						Y
WQSY293	CF - Common Carrier Fixed Point to Point Microwave						Y
WQSY294	CF - Common Carrier Fixed Point to Point Microwave						Y
WQSY296	CF - Common Carrier Fixed Point to Point Microwave						Y
WQSY297	CF - Common Carrier Fixed Point to Point Microwave						Y
WQSY299	CF - Common Carrier Fixed Point to Point Microwave						Y
WQSY300	CF - Common Carrier Fixed Point to Point Microwave						Y
WQSY301	CF - Common Carrier Fixed Point to Point Microwave						Y
WQSY302	CF - Common Carrier Fixed Point to Point Microwave						Y
WQSY306	CF - Common Carrier Fixed Point to Point Microwave						Y
WQSY395	CF - Common Carrier Fixed Point to Point Microwave						Y
WQSY442	CF - Common Carrier Fixed Point to Point Microwave						Y
WQSY546	CF - Common Carrier Fixed Point to Point Microwave						Y
WQSY576	CF - Common Carrier Fixed Point to Point Microwave						Y
WQSY577	CF - Common Carrier Fixed Point to Point Microwave						Y
WQSY578	CF - Common Carrier Fixed Point to Point Microwave						Y
WQSY595	CF - Common Carrier Fixed Point to Point Microwave						Y
WQSY596	CF - Common Carrier Fixed Point to Point Microwave						Y
WQSY597	CF - Common Carrier Fixed Point to Point Microwave						Y

111) Call Sign	112) Radio Service Code	113) Location Number	114) Path Number (Microwave only)	115) Frequency Number	116) Lower or Center Frequency (MHz)	117) Upper Frequency (MHz)	118) Constructed Yes / No
WQSY598	CF - Common Carrier Fixed Point to Point Microwave						Y
WQSY599	CF - Common Carrier Fixed Point to Point Microwave						Y
WQSY687	CF - Common Carrier Fixed Point to Point Microwave						Y
WQSY688	CF - Common Carrier Fixed Point to Point Microwave						Y
WQSY691	CF - Common Carrier Fixed Point to Point Microwave						Y
WQSY694	CF - Common Carrier Fixed Point to Point Microwave						Y
WQSY697	CF - Common Carrier Fixed Point to Point Microwave						Y
WQSY712	CF - Common Carrier Fixed Point to Point Microwave						Y
WQSY713	CF - Common Carrier Fixed Point to Point Microwave						Y
WQSY714	CF - Common Carrier Fixed Point to Point Microwave						Y
WQSY715	CF - Common Carrier Fixed Point to Point Microwave						Y
WQSY716	CF - Common Carrier Fixed Point to Point Microwave						Y
WQSY717	CF - Common Carrier Fixed Point to Point Microwave						Y
WQSY718	CF - Common Carrier Fixed Point to Point Microwave						Y
WQSY719	CF - Common Carrier Fixed Point to Point Microwave						Y
WQSY720	CF - Common Carrier Fixed Point to Point Microwave						Y
WQSY721	CF - Common Carrier Fixed Point to Point Microwave						Y
WQSY722	CF - Common Carrier Fixed Point to Point Microwave						Y
WQSY723	CF - Common Carrier Fixed Point to Point Microwave						Y

111) Call Sign	112) Radio Service Code	113) Location Number	114) Path Number (Microwave only)	115) Frequency Number	116) Lower or Center Frequency (MHz)	117) Upper Frequency (MHz)	118) Constructed Yes / No
WQSY725	CF - Common Carrier Fixed Point to Point Microwave						Y
WQSY726	CF - Common Carrier Fixed Point to Point Microwave						Y
WQSY727	CF - Common Carrier Fixed Point to Point Microwave						Y
WQSY732	CF - Common Carrier Fixed Point to Point Microwave						Y
WQSY733	CF - Common Carrier Fixed Point to Point Microwave						Y
WQSY734	CF - Common Carrier Fixed Point to Point Microwave						Y
WQSY735	CF - Common Carrier Fixed Point to Point Microwave						Y
WQSY736	CF - Common Carrier Fixed Point to Point Microwave						Y
WQSY738	CF - Common Carrier Fixed Point to Point Microwave						Y
WQSY739	CF - Common Carrier Fixed Point to Point Microwave						Y
WQSY740	CF - Common Carrier Fixed Point to Point Microwave						Y
WQSY741	CF - Common Carrier Fixed Point to Point Microwave						Y
WQSY742	CF - Common Carrier Fixed Point to Point Microwave						Y
WQSY743	CF - Common Carrier Fixed Point to Point Microwave						Y
WQSY744	CF - Common Carrier Fixed Point to Point Microwave						Y
WQSY759	CF - Common Carrier Fixed Point to Point Microwave						Y
WQSY760	CF - Common Carrier Fixed Point to Point Microwave						Y
WQSY761	CF - Common Carrier Fixed Point to Point Microwave						Y
WQSY762	CF - Common Carrier Fixed Point to Point Microwave						Y

111) Call Sign	112) Radio Service Code	113) Location Number	114) Path Number (Microwave only)	115) Frequency Number	116) Lower or Center Frequency (MHz)	117) Upper Frequency (MHz)	118) Constructed Yes / No
WQSY763	CF - Common Carrier Fixed Point to Point Microwave						Y
WQSY764	CF - Common Carrier Fixed Point to Point Microwave						Y
WQSY766	CF - Common Carrier Fixed Point to Point Microwave						Y
WQSY767	CF - Common Carrier Fixed Point to Point Microwave						Y
WQSY768	CF - Common Carrier Fixed Point to Point Microwave						Y
WQSY769	CF - Common Carrier Fixed Point to Point Microwave						Y
WQSY770	CF - Common Carrier Fixed Point to Point Microwave						Y
WQSY771	CF - Common Carrier Fixed Point to Point Microwave						Y
WQSY772	CF - Common Carrier Fixed Point to Point Microwave						Y
WQSY773	CF - Common Carrier Fixed Point to Point Microwave						Y
WQSY774	CF - Common Carrier Fixed Point to Point Microwave						Y
WQSY775	CF - Common Carrier Fixed Point to Point Microwave						Y
WQSY776	CF - Common Carrier Fixed Point to Point Microwave						Y
WQSY777	CF - Common Carrier Fixed Point to Point Microwave						Y
WQSY781	CF - Common Carrier Fixed Point to Point Microwave						Y
WQSY783	CF - Common Carrier Fixed Point to Point Microwave						Y
WQSY785	CF - Common Carrier Fixed Point to Point Microwave						Y
WQSY786	CF - Common Carrier Fixed Point to Point Microwave						Y
WQSY787	CF - Common Carrier Fixed Point to Point Microwave						Y

111) Call Sign	112) Radio Service Code	113) Location Number	114) Path Number (Microwave only)	115) Frequency Number	116) Lower or Center Frequency (MHz)	117) Upper Frequency (MHz)	118) Constructed Yes / No
WQSY815	CF - Common Carrier Fixed Point to Point Microwave						Y
WQSY816	CF - Common Carrier Fixed Point to Point Microwave						Y
WQSY817	CF - Common Carrier Fixed Point to Point Microwave						Y
WQSY818	CF - Common Carrier Fixed Point to Point Microwave						Y
WQSY819	CF - Common Carrier Fixed Point to Point Microwave						Y
WQSY820	CF - Common Carrier Fixed Point to Point Microwave						Y
WQSY821	CF - Common Carrier Fixed Point to Point Microwave						Y
WQSY828	CF - Common Carrier Fixed Point to Point Microwave						Y
WQSY829	CF - Common Carrier Fixed Point to Point Microwave						Y
WQSY838	CF - Common Carrier Fixed Point to Point Microwave						Y
WQSY990	CF - Common Carrier Fixed Point to Point Microwave						Y
WQSY999	CF - Common Carrier Fixed Point to Point Microwave						Y
WQSZ309	CF - Common Carrier Fixed Point to Point Microwave						Y
WQSZ348	CF - Common Carrier Fixed Point to Point Microwave						Y
WQSZ352	CF - Common Carrier Fixed Point to Point Microwave						Y
WQSZ369	CF - Common Carrier Fixed Point to Point Microwave						Y
WQSZ375	CF - Common Carrier Fixed Point to Point Microwave						Y
WQSZ421	CF - Common Carrier Fixed Point to Point Microwave						Y
WQSZ500	CF - Common Carrier Fixed Point to Point Microwave						Y

111) Call Sign	112) Radio Service Code	113) Location Number	114) Path Number (Microwave only)	115) Frequency Number	116) Lower or Center Frequency (MHz)	117) Upper Frequency (MHz)	118) Constructed Yes / No
WQSZ820	CF - Common Carrier Fixed Point to Point Microwave						Y
WQSZ828	CF - Common Carrier Fixed Point to Point Microwave						Y
WQSZ830	CF - Common Carrier Fixed Point to Point Microwave						Y
WQSZ866	CF - Common Carrier Fixed Point to Point Microwave						Y
WQSZ870	CF - Common Carrier Fixed Point to Point Microwave						Y
WQSZ872	CF - Common Carrier Fixed Point to Point Microwave						Y
WQSZ875	CF - Common Carrier Fixed Point to Point Microwave						Y
WQSZ876	CF - Common Carrier Fixed Point to Point Microwave						Y
WQSZ877	CF - Common Carrier Fixed Point to Point Microwave						Y
WQSZ879	CF - Common Carrier Fixed Point to Point Microwave						Y
WQSZ988	CF - Common Carrier Fixed Point to Point Microwave						Y
WQTA264	CF - Common Carrier Fixed Point to Point Microwave						Y
WQTA472	CF - Common Carrier Fixed Point to Point Microwave						Y
WQTA485	CF - Common Carrier Fixed Point to Point Microwave						Y
WQTA486	CF - Common Carrier Fixed Point to Point Microwave						Y
WQTA487	CF - Common Carrier Fixed Point to Point Microwave						Y
WQTA532	CF - Common Carrier Fixed Point to Point Microwave						Y
WQTA536	CF - Common Carrier Fixed Point to Point Microwave						Y
WQTA537	CF - Common Carrier Fixed Point to Point Microwave						Y

111) Call Sign	112) Radio Service Code	113) Location Number	114) Path Number (Microwave only)	115) Frequency Number	116) Lower or Center Frequency (MHz)	117) Upper Frequency (MHz)	118) Constructed Yes / No
WQTA539	CF - Common Carrier Fixed Point to Point Microwave						Y
WQTA540	CF - Common Carrier Fixed Point to Point Microwave						Y
WQTA542	CF - Common Carrier Fixed Point to Point Microwave						Y
WQTA596	CF - Common Carrier Fixed Point to Point Microwave						Y
WQTA597	CF - Common Carrier Fixed Point to Point Microwave						Y
WQTA599	CF - Common Carrier Fixed Point to Point Microwave						Y
WQTA600	CF - Common Carrier Fixed Point to Point Microwave						Y
WQTA627	CF - Common Carrier Fixed Point to Point Microwave						Y
WQTA628	CF - Common Carrier Fixed Point to Point Microwave						Y
WQTA629	CF - Common Carrier Fixed Point to Point Microwave						Y
WQTA630	CF - Common Carrier Fixed Point to Point Microwave						Y
WQTA632	CF - Common Carrier Fixed Point to Point Microwave						Y
WQTA633	CF - Common Carrier Fixed Point to Point Microwave						Y
WQTA635	CF - Common Carrier Fixed Point to Point Microwave						Y
WQTA636	CF - Common Carrier Fixed Point to Point Microwave						Y
WQTA637	CF - Common Carrier Fixed Point to Point Microwave						Y
WQTA638	CF - Common Carrier Fixed Point to Point Microwave						Y
WQTA646	CF - Common Carrier Fixed Point to Point Microwave						Y
WQTA681	CF - Common Carrier Fixed Point to Point Microwave						Y

111) Call Sign	112) Radio Service Code	113) Location Number	114) Path Number (Microwave only)	115) Frequency Number	116) Lower or Center Frequency (MHz)	117) Upper Frequency (MHz)	118) Constructed Yes / No
WQTA682	CF - Common Carrier Fixed Point to Point Microwave						Y
WQTA683	CF - Common Carrier Fixed Point to Point Microwave						Y
WQTA684	CF - Common Carrier Fixed Point to Point Microwave						Y
WQTA691	CF - Common Carrier Fixed Point to Point Microwave						Y
WQTA694	CF - Common Carrier Fixed Point to Point Microwave						Y
WQTA696	CF - Common Carrier Fixed Point to Point Microwave						Y
WQTA707	CF - Common Carrier Fixed Point to Point Microwave						Y
WQTA752	CF - Common Carrier Fixed Point to Point Microwave						Y
WQTA753	CF - Common Carrier Fixed Point to Point Microwave						Y
WQTA754	CF - Common Carrier Fixed Point to Point Microwave						Y
WQTA757	CF - Common Carrier Fixed Point to Point Microwave						Y
WQTA760	CF - Common Carrier Fixed Point to Point Microwave						Y
WQTA761	CF - Common Carrier Fixed Point to Point Microwave						Y
WQTA762	CF - Common Carrier Fixed Point to Point Microwave						Y
WQTA791	CF - Common Carrier Fixed Point to Point Microwave						Y
WQTA792	CF - Common Carrier Fixed Point to Point Microwave						Y
WQTA793	CF - Common Carrier Fixed Point to Point Microwave						Y
WQTA794	CF - Common Carrier Fixed Point to Point Microwave						Y
WQTA798	CF - Common Carrier Fixed Point to Point Microwave						Y

111) Call Sign	112) Radio Service Code	113) Location Number	114) Path Number (Microwave only)	115) Frequency Number	116) Lower or Center Frequency (MHz)	117) Upper Frequency (MHz)	118) Constructed Yes / No
WQTA801	CF - Common Carrier Fixed Point to Point Microwave						Y
WQTA814	CF - Common Carrier Fixed Point to Point Microwave						Y
WQTA815	CF - Common Carrier Fixed Point to Point Microwave						Y
WQTB206	CF - Common Carrier Fixed Point to Point Microwave						Y
WQTB210	CF - Common Carrier Fixed Point to Point Microwave						Y
WQTB239	CF - Common Carrier Fixed Point to Point Microwave						Y
WQTB240	CF - Common Carrier Fixed Point to Point Microwave						Y
WQTB241	CF - Common Carrier Fixed Point to Point Microwave						Y
WQTB243	CF - Common Carrier Fixed Point to Point Microwave						Y
WQTB246	CF - Common Carrier Fixed Point to Point Microwave						Y
WQTB247	CF - Common Carrier Fixed Point to Point Microwave						Y
WQTB318	CF - Common Carrier Fixed Point to Point Microwave						Y
WQTB319	CF - Common Carrier Fixed Point to Point Microwave						Y
WQTB381	CF - Common Carrier Fixed Point to Point Microwave						Y
WQTB392	CF - Common Carrier Fixed Point to Point Microwave						Y
WQTB399	CF - Common Carrier Fixed Point to Point Microwave						Y
WQTB402	CF - Common Carrier Fixed Point to Point Microwave						Y
WQTB403	CF - Common Carrier Fixed Point to Point Microwave						Y
WQTB404	CF - Common Carrier Fixed Point to Point Microwave						Y

111) Call Sign	112) Radio Service Code	113) Location Number	114) Path Number (Microwave only)	115) Frequency Number	116) Lower or Center Frequency (MHz)	117) Upper Frequency (MHz)	118) Constructed Yes / No
WQTB405	CF - Common Carrier Fixed Point to Point Microwave						Y
WQTB406	CF - Common Carrier Fixed Point to Point Microwave						Y
WQTB407	CF - Common Carrier Fixed Point to Point Microwave						Y
WQTB408	CF - Common Carrier Fixed Point to Point Microwave						Y
WQTB409	CF - Common Carrier Fixed Point to Point Microwave						Y
WQTB504	CF - Common Carrier Fixed Point to Point Microwave						Y
WQTB505	CF - Common Carrier Fixed Point to Point Microwave						Y
WQTB506	CF - Common Carrier Fixed Point to Point Microwave						Y
WQTB508	CF - Common Carrier Fixed Point to Point Microwave						Y
WQTB509	CF - Common Carrier Fixed Point to Point Microwave						Y
WQTB510	CF - Common Carrier Fixed Point to Point Microwave						Y
WQTB511	CF - Common Carrier Fixed Point to Point Microwave						Y
WQTB512	CF - Common Carrier Fixed Point to Point Microwave						Y
WQTB514	CF - Common Carrier Fixed Point to Point Microwave						Y
WQTB524	CF - Common Carrier Fixed Point to Point Microwave						Y
WQTB525	CF - Common Carrier Fixed Point to Point Microwave						Y
WQTB528	CF - Common Carrier Fixed Point to Point Microwave						Y
WQTB535	CF - Common Carrier Fixed Point to Point Microwave						Y
WQTB542	CF - Common Carrier Fixed Point to Point Microwave						Y

111) Call Sign	112) Radio Service Code	113) Location Number	114) Path Number (Microwave only)	115) Frequency Number	116) Lower or Center Frequency (MHz)	117) Upper Frequency (MHz)	118) Constructed Yes / No
WQTB543	CF - Common Carrier Fixed Point to Point Microwave						Y
WQTB544	CF - Common Carrier Fixed Point to Point Microwave						Y
WQTB545	CF - Common Carrier Fixed Point to Point Microwave						Y
WQTB548	CF - Common Carrier Fixed Point to Point Microwave						Y
WQTB549	CF - Common Carrier Fixed Point to Point Microwave						Y
WQTB550	CF - Common Carrier Fixed Point to Point Microwave						Y
WQTB639	CF - Common Carrier Fixed Point to Point Microwave						Y
WQTB640	CF - Common Carrier Fixed Point to Point Microwave						Y
WQTB641	CF - Common Carrier Fixed Point to Point Microwave						Y
WQTB642	CF - Common Carrier Fixed Point to Point Microwave						Y
WQTB643	CF - Common Carrier Fixed Point to Point Microwave						Y
WQTB644	CF - Common Carrier Fixed Point to Point Microwave						Y
WQTB646	CF - Common Carrier Fixed Point to Point Microwave						Y
WQTB647	CF - Common Carrier Fixed Point to Point Microwave						Y
WQTB697	CF - Common Carrier Fixed Point to Point Microwave						Y
WQTB702	CF - Common Carrier Fixed Point to Point Microwave						Y
WQTB703	CF - Common Carrier Fixed Point to Point Microwave						Y
WQTB709	CF - Common Carrier Fixed Point to Point Microwave						Y
WQTB710	CF - Common Carrier Fixed Point to Point Microwave						Y

111) Call Sign	112) Radio Service Code	113) Location Number	114) Path Number (Microwave only)	115) Frequency Number	116) Lower or Center Frequency (MHz)	117) Upper Frequency (MHz)	118) Constructed Yes / No
WQTB711	CF - Common Carrier Fixed Point to Point Microwave						Y
WQTB712	CF - Common Carrier Fixed Point to Point Microwave						Y
WQTB715	CF - Common Carrier Fixed Point to Point Microwave						Y
WQTB716	CF - Common Carrier Fixed Point to Point Microwave						Y
WQTB717	CF - Common Carrier Fixed Point to Point Microwave						Y
WQTB719	CF - Common Carrier Fixed Point to Point Microwave						Y
WQTB720	CF - Common Carrier Fixed Point to Point Microwave						Y
WQTB721	CF - Common Carrier Fixed Point to Point Microwave						Y
WQTB722	CF - Common Carrier Fixed Point to Point Microwave						Y
WQTB724	CF - Common Carrier Fixed Point to Point Microwave						Y
WQTB726	CF - Common Carrier Fixed Point to Point Microwave						Y
WQTB729	CF - Common Carrier Fixed Point to Point Microwave						Y
WQTB730	CF - Common Carrier Fixed Point to Point Microwave						Y
WQTB732	CF - Common Carrier Fixed Point to Point Microwave						Y
WQTB733	CF - Common Carrier Fixed Point to Point Microwave						Y
WQTB785	CF - Common Carrier Fixed Point to Point Microwave						Y
WQTB786	CF - Common Carrier Fixed Point to Point Microwave						Y
WQTB787	CF - Common Carrier Fixed Point to Point Microwave						Y
WQTB904	CF - Common Carrier Fixed Point to Point Microwave						Y

111) Call Sign	112) Radio Service Code	113) Location Number	114) Path Number (Microwave only)	115) Frequency Number	116) Lower or Center Frequency (MHz)	117) Upper Frequency (MHz)	118) Constructed Yes / No
WQTC245	CF - Common Carrier Fixed Point to Point Microwave						Y
WQTC246	CF - Common Carrier Fixed Point to Point Microwave						Y
WQTC256	CF - Common Carrier Fixed Point to Point Microwave						Y
WQTC259	CF - Common Carrier Fixed Point to Point Microwave						Y
WQTC260	CF - Common Carrier Fixed Point to Point Microwave						Y
WQTC265	CF - Common Carrier Fixed Point to Point Microwave						Y
WQTC426	CF - Common Carrier Fixed Point to Point Microwave						Y
WQTC427	CF - Common Carrier Fixed Point to Point Microwave						Y
WQTC492	CF - Common Carrier Fixed Point to Point Microwave						Y
WQTC572	CF - Common Carrier Fixed Point to Point Microwave						Y
WQTC573	CF - Common Carrier Fixed Point to Point Microwave						Y
WQTC589	CF - Common Carrier Fixed Point to Point Microwave						Y
WQTC594	CF - Common Carrier Fixed Point to Point Microwave						Y
WQTC595	CF - Common Carrier Fixed Point to Point Microwave						Y
WQTC596	CF - Common Carrier Fixed Point to Point Microwave						Y
WQTC597	CF - Common Carrier Fixed Point to Point Microwave						Y
WQTC628	CF - Common Carrier Fixed Point to Point Microwave						Y
WQTC629	CF - Common Carrier Fixed Point to Point Microwave						Y
WQTC692	CF - Common Carrier Fixed Point to Point Microwave						Y

111) Call Sign	112) Radio Service Code	113) Location Number	114) Path Number (Microwave only)	115) Frequency Number	116) Lower or Center Frequency (MHz)	117) Upper Frequency (MHz)	118) Constructed Yes / No
WQTC693	CF - Common Carrier Fixed Point to Point Microwave						Y
WQTC694	CF - Common Carrier Fixed Point to Point Microwave						Y
WQTC780	CF - Common Carrier Fixed Point to Point Microwave						Y
WQTC781	CF - Common Carrier Fixed Point to Point Microwave						Y
WQTC782	CF - Common Carrier Fixed Point to Point Microwave						Y
WQTC783	CF - Common Carrier Fixed Point to Point Microwave						Y
WQTC784	CF - Common Carrier Fixed Point to Point Microwave						Y
WQTC790	CF - Common Carrier Fixed Point to Point Microwave						Y
WQTC791	CF - Common Carrier Fixed Point to Point Microwave						Y
WQTC792	CF - Common Carrier Fixed Point to Point Microwave						Y
WQTC793	CF - Common Carrier Fixed Point to Point Microwave						Y
WQTC856	CF - Common Carrier Fixed Point to Point Microwave						Y
WQTC860	CF - Common Carrier Fixed Point to Point Microwave						Y
WQTC862	CF - Common Carrier Fixed Point to Point Microwave						Y
WQTC864	CF - Common Carrier Fixed Point to Point Microwave						Y
WQTC920	CF - Common Carrier Fixed Point to Point Microwave						Y
WQTC995	CF - Common Carrier Fixed Point to Point Microwave						Y
WQTC996	CF - Common Carrier Fixed Point to Point Microwave						Y
WQTC997	CF - Common Carrier Fixed Point to Point Microwave						Y

111) Call Sign	112) Radio Service Code	113) Location Number	114) Path Number (Microwave only)	115) Frequency Number	116) Lower or Center Frequency (MHz)	117) Upper Frequency (MHz)	118) Constructed Yes / No
WQTC998	CF - Common Carrier Fixed Point to Point Microwave						Y
WQTD496	CF - Common Carrier Fixed Point to Point Microwave						Y
WQTD510	CF - Common Carrier Fixed Point to Point Microwave						Y
WQTD511	CF - Common Carrier Fixed Point to Point Microwave						Y
WQTD512	CF - Common Carrier Fixed Point to Point Microwave						Y
WQTD764	CF - Common Carrier Fixed Point to Point Microwave						Y
WQTD768	CF - Common Carrier Fixed Point to Point Microwave						Y
WQTD769	CF - Common Carrier Fixed Point to Point Microwave						Y
WQTD770	CF - Common Carrier Fixed Point to Point Microwave						Y
WQTD771	CF - Common Carrier Fixed Point to Point Microwave						Y
WQTD772	CF - Common Carrier Fixed Point to Point Microwave						Y
WQTD773	CF - Common Carrier Fixed Point to Point Microwave						Y
WQTD940	CF - Common Carrier Fixed Point to Point Microwave						Y
WQTD986	CF - Common Carrier Fixed Point to Point Microwave						Y
WQTD987	CF - Common Carrier Fixed Point to Point Microwave						Y
WQTD990	CF - Common Carrier Fixed Point to Point Microwave						Y
WQTD999	CF - Common Carrier Fixed Point to Point Microwave						Y
WQTE211	CF - Common Carrier Fixed Point to Point Microwave						Y
WQTE220	CF - Common Carrier Fixed Point to Point Microwave						Y

111) Call Sign	112) Radio Service Code	113) Location Number	114) Path Number (Microwave only)	115) Frequency Number	116) Lower or Center Frequency (MHz)	117) Upper Frequency (MHz)	118) Constructed Yes / No
WQTE222	CF - Common Carrier Fixed Point to Point Microwave						Y
WQTE223	CF - Common Carrier Fixed Point to Point Microwave						Y
WQTE224	CF - Common Carrier Fixed Point to Point Microwave						Y
WQTE225	CF - Common Carrier Fixed Point to Point Microwave						Y
WQTE226	CF - Common Carrier Fixed Point to Point Microwave						Y
WQTE227	CF - Common Carrier Fixed Point to Point Microwave						Y
WQTE229	CF - Common Carrier Fixed Point to Point Microwave						Y
WQTE230	CF - Common Carrier Fixed Point to Point Microwave						Y
WQTE234	CF - Common Carrier Fixed Point to Point Microwave						Y
WQTE277	CF - Common Carrier Fixed Point to Point Microwave						Y
WQTE280	CF - Common Carrier Fixed Point to Point Microwave						Y
WQTE287	CF - Common Carrier Fixed Point to Point Microwave						Y
WQTE290	CF - Common Carrier Fixed Point to Point Microwave						Y
WQTE291	CF - Common Carrier Fixed Point to Point Microwave						Y
WQTE292	CF - Common Carrier Fixed Point to Point Microwave						Y
WQTE578	CF - Common Carrier Fixed Point to Point Microwave						Y
WQTE581	CF - Common Carrier Fixed Point to Point Microwave						Y
WQTE589	CF - Common Carrier Fixed Point to Point Microwave						Y
WQTE590	CF - Common Carrier Fixed Point to Point Microwave						Y

111) Call Sign	112) Radio Service Code	113) Location Number	114) Path Number (Microwave only)	115) Frequency Number	116) Lower or Center Frequency (MHz)	117) Upper Frequency (MHz)	118) Constructed Yes / No
WQTE592	CF - Common Carrier Fixed Point to Point Microwave						Y
WQTE593	CF - Common Carrier Fixed Point to Point Microwave						Y
WQTE727	CF - Common Carrier Fixed Point to Point Microwave						Y
WQTE741	CF - Common Carrier Fixed Point to Point Microwave						Y
WQTE783	CF - Common Carrier Fixed Point to Point Microwave						Y
WQTE785	CF - Common Carrier Fixed Point to Point Microwave						Y
WQTE798	CF - Common Carrier Fixed Point to Point Microwave						Y
WQTE801	CF - Common Carrier Fixed Point to Point Microwave						Y
WQTE802	CF - Common Carrier Fixed Point to Point Microwave						Y
WQTE809	CF - Common Carrier Fixed Point to Point Microwave						Y
WQTE813	CF - Common Carrier Fixed Point to Point Microwave						Y
WQTE816	CF - Common Carrier Fixed Point to Point Microwave						Y
WQTE817	CF - Common Carrier Fixed Point to Point Microwave						Y
WQTE831	CF - Common Carrier Fixed Point to Point Microwave						Y
WQTE832	CF - Common Carrier Fixed Point to Point Microwave						Y
WQTE833	CF - Common Carrier Fixed Point to Point Microwave						Y
WQTE838	CF - Common Carrier Fixed Point to Point Microwave						Y
WQTE839	CF - Common Carrier Fixed Point to Point Microwave						Y
WQTE841	CF - Common Carrier Fixed Point to Point Microwave						Y

111) Call Sign	112) Radio Service Code	113) Location Number	114) Path Number (Microwave only)	115) Frequency Number	116) Lower or Center Frequency (MHz)	117) Upper Frequency (MHz)	118) Constructed Yes / No
WQTE842	CF - Common Carrier Fixed Point to Point Microwave						Y
WQTE867	CF - Common Carrier Fixed Point to Point Microwave						Y
WQTE869	CF - Common Carrier Fixed Point to Point Microwave						Y
WQTE870	CF - Common Carrier Fixed Point to Point Microwave						Y
WQTE874	CF - Common Carrier Fixed Point to Point Microwave						Y
WQTE875	CF - Common Carrier Fixed Point to Point Microwave						Y
WQTF294	CF - Common Carrier Fixed Point to Point Microwave						Y
WQTF339	CF - Common Carrier Fixed Point to Point Microwave						Y
WQTF340	CF - Common Carrier Fixed Point to Point Microwave						Y
WQTF342	CF - Common Carrier Fixed Point to Point Microwave						Y
WQTF343	CF - Common Carrier Fixed Point to Point Microwave						Y
WQTF402	CF - Common Carrier Fixed Point to Point Microwave						Y
WQTF460	CF - Common Carrier Fixed Point to Point Microwave						Y
WQTF463	CF - Common Carrier Fixed Point to Point Microwave						Y
WQTF466	CF - Common Carrier Fixed Point to Point Microwave						Y
WQTF471	CF - Common Carrier Fixed Point to Point Microwave						Y
WQTF472	CF - Common Carrier Fixed Point to Point Microwave						Y
WQTF473	CF - Common Carrier Fixed Point to Point Microwave						Y
WQTF475	CF - Common Carrier Fixed Point to Point Microwave						Y

111) Call Sign	112) Radio Service Code	113) Location Number	114) Path Number (Microwave only)	115) Frequency Number	116) Lower or Center Frequency (MHz)	117) Upper Frequency (MHz)	118) Constructed Yes / No
WQTF477	CF - Common Carrier Fixed Point to Point Microwave						Y
WQTF479	CF - Common Carrier Fixed Point to Point Microwave						Y
WQTF497	CF - Common Carrier Fixed Point to Point Microwave						Y
WQTF501	CF - Common Carrier Fixed Point to Point Microwave						Y
WQTF513	CF - Common Carrier Fixed Point to Point Microwave						Y
WQTF515	CF - Common Carrier Fixed Point to Point Microwave						Y
WQTF518	CF - Common Carrier Fixed Point to Point Microwave						Y
WQTF519	CF - Common Carrier Fixed Point to Point Microwave						Y
WQTF520	CF - Common Carrier Fixed Point to Point Microwave						Y
WQTF528	CF - Common Carrier Fixed Point to Point Microwave						Y
WQTF532	CF - Common Carrier Fixed Point to Point Microwave						Y
WQTF533	CF - Common Carrier Fixed Point to Point Microwave						Y
WQTF537	CF - Common Carrier Fixed Point to Point Microwave						Y
WQTF539	CF - Common Carrier Fixed Point to Point Microwave						Y
WQTF540	CF - Common Carrier Fixed Point to Point Microwave						Y
WQTF562	CF - Common Carrier Fixed Point to Point Microwave						Y
WQTF563	CF - Common Carrier Fixed Point to Point Microwave						Y
WQTF647	CF - Common Carrier Fixed Point to Point Microwave						Y
WQTF672	CF - Common Carrier Fixed Point to Point Microwave						Y

111) Call Sign	112) Radio Service Code	113) Location Number	114) Path Number (Microwave only)	115) Frequency Number	116) Lower or Center Frequency (MHz)	117) Upper Frequency (MHz)	118) Constructed Yes / No
WQTF674	CF - Common Carrier Fixed Point to Point Microwave						Y
WQTF676	CF - Common Carrier Fixed Point to Point Microwave						Y
WQTF682	CF - Common Carrier Fixed Point to Point Microwave						Y
WQTF686	CF - Common Carrier Fixed Point to Point Microwave						Y
WQTF819	CF - Common Carrier Fixed Point to Point Microwave						Y
WQTF862	CF - Common Carrier Fixed Point to Point Microwave						Y
WQTF874	CF - Common Carrier Fixed Point to Point Microwave						Y
WQTF875	CF - Common Carrier Fixed Point to Point Microwave						Y
WQTF876	CF - Common Carrier Fixed Point to Point Microwave						Y
WQTF879	CF - Common Carrier Fixed Point to Point Microwave						Y
WQTF880	CF - Common Carrier Fixed Point to Point Microwave						Y
WQTF881	CF - Common Carrier Fixed Point to Point Microwave						Y
WQTF882	CF - Common Carrier Fixed Point to Point Microwave						Y
WQTF889	CF - Common Carrier Fixed Point to Point Microwave						Y
WQTF890	CF - Common Carrier Fixed Point to Point Microwave						Y
WQTF892	CF - Common Carrier Fixed Point to Point Microwave						Y
WQTF915	CF - Common Carrier Fixed Point to Point Microwave						Y
WQTF960	CF - Common Carrier Fixed Point to Point Microwave						Y
WQTF966	CF - Common Carrier Fixed Point to Point Microwave						Y

111) Call Sign	112) Radio Service Code	113) Location Number	114) Path Number (Microwave only)	115) Frequency Number	116) Lower or Center Frequency (MHz)	117) Upper Frequency (MHz)	118) Constructed Yes / No
WQTF967	CF - Common Carrier Fixed Point to Point Microwave						Y
WQTF968	CF - Common Carrier Fixed Point to Point Microwave						Y
WQTF969	CF - Common Carrier Fixed Point to Point Microwave						Y
WQTF970	CF - Common Carrier Fixed Point to Point Microwave						Y
WQTF971	CF - Common Carrier Fixed Point to Point Microwave						Y
WQTF972	CF - Common Carrier Fixed Point to Point Microwave						Y
WQTF973	CF - Common Carrier Fixed Point to Point Microwave						Y
WQTF974	CF - Common Carrier Fixed Point to Point Microwave						Y
WQTF975	CF - Common Carrier Fixed Point to Point Microwave						Y
WQTF976	CF - Common Carrier Fixed Point to Point Microwave						Y
WQTF977	CF - Common Carrier Fixed Point to Point Microwave						Y
WQTF978	CF - Common Carrier Fixed Point to Point Microwave						Y
WQTF980	CF - Common Carrier Fixed Point to Point Microwave						Y
WQTF981	CF - Common Carrier Fixed Point to Point Microwave						Y
WQTF983	CF - Common Carrier Fixed Point to Point Microwave						Y
WQTF985	CF - Common Carrier Fixed Point to Point Microwave						Y
WQTF986	CF - Common Carrier Fixed Point to Point Microwave						Y
WQTG310	CF - Common Carrier Fixed Point to Point Microwave						Y
WQTG363	CF - Common Carrier Fixed Point to Point Microwave						Y

111) Call Sign	112) Radio Service Code	113) Location Number	114) Path Number (Microwave only)	115) Frequency Number	116) Lower or Center Frequency (MHz)	117) Upper Frequency (MHz)	118) Constructed Yes / No
WQTG372	CF - Common Carrier Fixed Point to Point Microwave						Y
WQTG382	CF - Common Carrier Fixed Point to Point Microwave						Y
WQTG383	CF - Common Carrier Fixed Point to Point Microwave						Y
WQTG385	CF - Common Carrier Fixed Point to Point Microwave						Y
WQTG401	CF - Common Carrier Fixed Point to Point Microwave						Y
WQTG405	CF - Common Carrier Fixed Point to Point Microwave						Y
WQTG416	CF - Common Carrier Fixed Point to Point Microwave						Y
WQTG428	CF - Common Carrier Fixed Point to Point Microwave						Y
WQTG430	CF - Common Carrier Fixed Point to Point Microwave						Y
WQTG434	CF - Common Carrier Fixed Point to Point Microwave						Y
WQTG435	CF - Common Carrier Fixed Point to Point Microwave						Y
WQTG436	CF - Common Carrier Fixed Point to Point Microwave						Y
WQTG437	CF - Common Carrier Fixed Point to Point Microwave						Y
WQTG438	CF - Common Carrier Fixed Point to Point Microwave						Y
WQTG439	CF - Common Carrier Fixed Point to Point Microwave						Y
WQTG441	CF - Common Carrier Fixed Point to Point Microwave						Y
WQTG442	CF - Common Carrier Fixed Point to Point Microwave						Y
WQTG444	CF - Common Carrier Fixed Point to Point Microwave						Y
WQTG447	CF - Common Carrier Fixed Point to Point Microwave						Y

111) Call Sign	112) Radio Service Code	113) Location Number	114) Path Number (Microwave only)	115) Frequency Number	116) Lower or Center Frequency (MHz)	117) Upper Frequency (MHz)	118) Constructed Yes / No
WQTG458	CF - Common Carrier Fixed Point to Point Microwave						Y
WQTG467	CF - Common Carrier Fixed Point to Point Microwave						Y
WQTG468	CF - Common Carrier Fixed Point to Point Microwave						Y
WQTG477	CF - Common Carrier Fixed Point to Point Microwave						Y
WQTG478	CF - Common Carrier Fixed Point to Point Microwave						Y
WQTG479	CF - Common Carrier Fixed Point to Point Microwave						Y
WQTG566	CF - Common Carrier Fixed Point to Point Microwave						Y
WQTG636	CF - Common Carrier Fixed Point to Point Microwave						Y
WQTG679	CF - Common Carrier Fixed Point to Point Microwave						Y
WQTG680	CF - Common Carrier Fixed Point to Point Microwave						Y
WQTG693	CF - Common Carrier Fixed Point to Point Microwave						Y
WQTG694	CF - Common Carrier Fixed Point to Point Microwave						Y
WQTG695	CF - Common Carrier Fixed Point to Point Microwave						Y
WQTG696	CF - Common Carrier Fixed Point to Point Microwave						Y
WQTG698	CF - Common Carrier Fixed Point to Point Microwave						Y
WQTG699	CF - Common Carrier Fixed Point to Point Microwave						Y
WQTG718	CF - Common Carrier Fixed Point to Point Microwave						Y
WQTG719	CF - Common Carrier Fixed Point to Point Microwave						Y
WQTG720	CF - Common Carrier Fixed Point to Point Microwave						Y

111) Call Sign	112) Radio Service Code	113) Location Number	114) Path Number (Microwave only)	115) Frequency Number	116) Lower or Center Frequency (MHz)	117) Upper Frequency (MHz)	118) Constructed Yes / No
WQTG793	CF - Common Carrier Fixed Point to Point Microwave						Y
WQTG803	CF - Common Carrier Fixed Point to Point Microwave						Y
WQTG807	CF - Common Carrier Fixed Point to Point Microwave						Y
WQTG809	CF - Common Carrier Fixed Point to Point Microwave						Y
WQTG811	CF - Common Carrier Fixed Point to Point Microwave						Y
WQTG812	CF - Common Carrier Fixed Point to Point Microwave						Y
WQTG813	CF - Common Carrier Fixed Point to Point Microwave						Y
WQTG866	CF - Common Carrier Fixed Point to Point Microwave						Y
WQTG868	CF - Common Carrier Fixed Point to Point Microwave						Y
WQTG871	CF - Common Carrier Fixed Point to Point Microwave						Y
WQTG874	CF - Common Carrier Fixed Point to Point Microwave						Y
WQTG875	CF - Common Carrier Fixed Point to Point Microwave						Y
WQTG879	CF - Common Carrier Fixed Point to Point Microwave						Y
WQTG880	CF - Common Carrier Fixed Point to Point Microwave						Y
WQTG969	CF - Common Carrier Fixed Point to Point Microwave						Y
WQTH343	CF - Common Carrier Fixed Point to Point Microwave						Y
WQTH373	CF - Common Carrier Fixed Point to Point Microwave						Y
WQTH375	CF - Common Carrier Fixed Point to Point Microwave						Y
WQTH376	CF - Common Carrier Fixed Point to Point Microwave						Y

111) Call Sign	112) Radio Service Code	113) Location Number	114) Path Number (Microwave only)	115) Frequency Number	116) Lower or Center Frequency (MHz)	117) Upper Frequency (MHz)	118) Constructed Yes / No
WQTH378	CF - Common Carrier Fixed Point to Point Microwave						Y
WQTH379	CF - Common Carrier Fixed Point to Point Microwave						Y
WQTH380	CF - Common Carrier Fixed Point to Point Microwave						Y
WQTH381	CF - Common Carrier Fixed Point to Point Microwave						Y
WQTH382	CF - Common Carrier Fixed Point to Point Microwave						Y
WQTH386	CF - Common Carrier Fixed Point to Point Microwave						Y
WQTH387	CF - Common Carrier Fixed Point to Point Microwave						Y
WQTH388	CF - Common Carrier Fixed Point to Point Microwave						Y
WQTH389	CF - Common Carrier Fixed Point to Point Microwave						Y
WQTH391	CF - Common Carrier Fixed Point to Point Microwave						Y
WQTH578	CF - Common Carrier Fixed Point to Point Microwave						Y
WQTH709	CF - Common Carrier Fixed Point to Point Microwave						Y
WQTH786	CF - Common Carrier Fixed Point to Point Microwave						Y
WQTH792	CF - Common Carrier Fixed Point to Point Microwave						Y
WQTI225	CF - Common Carrier Fixed Point to Point Microwave						Y
WQTI226	CF - Common Carrier Fixed Point to Point Microwave						Y
WQTI399	CF - Common Carrier Fixed Point to Point Microwave						Y
WQTI411	CF - Common Carrier Fixed Point to Point Microwave						Y
WQTI414	CF - Common Carrier Fixed Point to Point Microwave						Y

111) Call Sign	112) Radio Service Code	113) Location Number	114) Path Number (Microwave only)	115) Frequency Number	116) Lower or Center Frequency (MHz)	117) Upper Frequency (MHz)	118) Constructed Yes / No
WQTI415	CF - Common Carrier Fixed Point to Point Microwave						Y
WQTI416	CF - Common Carrier Fixed Point to Point Microwave						Y
WQTI417	CF - Common Carrier Fixed Point to Point Microwave						Y
WQTI423	CF - Common Carrier Fixed Point to Point Microwave						Y
WQTI424	CF - Common Carrier Fixed Point to Point Microwave						Y
WQTI429	CF - Common Carrier Fixed Point to Point Microwave						Y
WQTI437	CF - Common Carrier Fixed Point to Point Microwave						Y
WQTI446	CF - Common Carrier Fixed Point to Point Microwave						Y
WQTI447	CF - Common Carrier Fixed Point to Point Microwave						Y
WQTI448	CF - Common Carrier Fixed Point to Point Microwave						Y
WQTI449	CF - Common Carrier Fixed Point to Point Microwave						Y
WQTI450	CF - Common Carrier Fixed Point to Point Microwave						Y
WQTI451	CF - Common Carrier Fixed Point to Point Microwave						Y
WQTI452	CF - Common Carrier Fixed Point to Point Microwave						Y
WQTI453	CF - Common Carrier Fixed Point to Point Microwave						Y
WQTI463	CF - Common Carrier Fixed Point to Point Microwave						Y
WQTI557	CF - Common Carrier Fixed Point to Point Microwave						Y
WQTI559	CF - Common Carrier Fixed Point to Point Microwave						Y
WQTI561	CF - Common Carrier Fixed Point to Point Microwave						Y

111) Call Sign	112) Radio Service Code	113) Location Number	114) Path Number (Microwave only)	115) Frequency Number	116) Lower or Center Frequency (MHz)	117) Upper Frequency (MHz)	118) Constructed Yes / No
WQTI628	CF - Common Carrier Fixed Point to Point Microwave						Y
WQTI639	CF - Common Carrier Fixed Point to Point Microwave						Y
WQTI641	CF - Common Carrier Fixed Point to Point Microwave						Y
WQTI646	CF - Common Carrier Fixed Point to Point Microwave						Y
WQTI651	CF - Common Carrier Fixed Point to Point Microwave						Y
WQTI652	CF - Common Carrier Fixed Point to Point Microwave						Y
WQTI657	CF - Common Carrier Fixed Point to Point Microwave						Y
WQTI661	CF - Common Carrier Fixed Point to Point Microwave						Y
WQTI668	CF - Common Carrier Fixed Point to Point Microwave						Y
WQTI669	CF - Common Carrier Fixed Point to Point Microwave						Y
WQTI675	CF - Common Carrier Fixed Point to Point Microwave						Y
WQTI678	CF - Common Carrier Fixed Point to Point Microwave						Y
WQTI679	CF - Common Carrier Fixed Point to Point Microwave						Y
WQTI682	CF - Common Carrier Fixed Point to Point Microwave						Y
WQTI685	CF - Common Carrier Fixed Point to Point Microwave						Y
WQTI686	CF - Common Carrier Fixed Point to Point Microwave						Y
WQTI694	CF - Common Carrier Fixed Point to Point Microwave						Y
WQTI810	CF - Common Carrier Fixed Point to Point Microwave						Y
WQTI811	CF - Common Carrier Fixed Point to Point Microwave						Y

111) Call Sign	112) Radio Service Code	113) Location Number	114) Path Number (Microwave only)	115) Frequency Number	116) Lower or Center Frequency (MHz)	117) Upper Frequency (MHz)	118) Constructed Yes / No
WQTI881	CF - Common Carrier Fixed Point to Point Microwave						Y
WQTI886	CF - Common Carrier Fixed Point to Point Microwave						Y
WQTI890	CF - Common Carrier Fixed Point to Point Microwave						Y
WQTI892	CF - Common Carrier Fixed Point to Point Microwave						Y
WQTI894	CF - Common Carrier Fixed Point to Point Microwave						Y
WQTI909	CF - Common Carrier Fixed Point to Point Microwave						Y
WQTI997	CF - Common Carrier Fixed Point to Point Microwave						Y
WQTI999	CF - Common Carrier Fixed Point to Point Microwave						Y
WQTIJ200	CF - Common Carrier Fixed Point to Point Microwave						Y
WQTIJ202	CF - Common Carrier Fixed Point to Point Microwave						Y
WQTIJ203	CF - Common Carrier Fixed Point to Point Microwave						Y
WQTIJ205	CF - Common Carrier Fixed Point to Point Microwave						Y
WQTIJ213	CF - Common Carrier Fixed Point to Point Microwave						Y
WQTIJ214	CF - Common Carrier Fixed Point to Point Microwave						Y
WQTIJ215	CF - Common Carrier Fixed Point to Point Microwave						Y
WQTIJ221	CF - Common Carrier Fixed Point to Point Microwave						Y
WQTIJ222	CF - Common Carrier Fixed Point to Point Microwave						Y
WQTIJ224	CF - Common Carrier Fixed Point to Point Microwave						Y
WQTIJ225	CF - Common Carrier Fixed Point to Point Microwave						Y

111) Call Sign	112) Radio Service Code	113) Location Number	114) Path Number (Microwave only)	115) Frequency Number	116) Lower or Center Frequency (MHz)	117) Upper Frequency (MHz)	118) Constructed Yes / No
WQTJ346	CF - Common Carrier Fixed Point to Point Microwave						Y
WQTJ524	CF - Common Carrier Fixed Point to Point Microwave						Y
WQTJ525	CF - Common Carrier Fixed Point to Point Microwave						Y
WQTJ526	CF - Common Carrier Fixed Point to Point Microwave						Y
WQTJ527	CF - Common Carrier Fixed Point to Point Microwave						Y
WQTJ528	CF - Common Carrier Fixed Point to Point Microwave						Y
WQTJ529	CF - Common Carrier Fixed Point to Point Microwave						Y
WQTJ530	CF - Common Carrier Fixed Point to Point Microwave						Y
WQTJ533	CF - Common Carrier Fixed Point to Point Microwave						Y
WQTJ534	CF - Common Carrier Fixed Point to Point Microwave						Y
WQTJ688	CF - Common Carrier Fixed Point to Point Microwave						Y
WQTJ701	CF - Common Carrier Fixed Point to Point Microwave						Y
WQTJ709	CF - Common Carrier Fixed Point to Point Microwave						Y
WQTJ735	CF - Common Carrier Fixed Point to Point Microwave						Y
WQTJ746	CF - Common Carrier Fixed Point to Point Microwave						Y
WQTJ747	CF - Common Carrier Fixed Point to Point Microwave						Y
WQTJ748	CF - Common Carrier Fixed Point to Point Microwave						Y
WQTJ765	CF - Common Carrier Fixed Point to Point Microwave						Y
WQTJ767	CF - Common Carrier Fixed Point to Point Microwave						Y

111) Call Sign	112) Radio Service Code	113) Location Number	114) Path Number (Microwave only)	115) Frequency Number	116) Lower or Center Frequency (MHz)	117) Upper Frequency (MHz)	118) Constructed Yes / No
WQTJ779	CF - Common Carrier Fixed Point to Point Microwave						Y
WQTJ834	CF - Common Carrier Fixed Point to Point Microwave						Y
WQTJ836	CF - Common Carrier Fixed Point to Point Microwave						Y
WQTJ925	CF - Common Carrier Fixed Point to Point Microwave						Y
WQTJ928	CF - Common Carrier Fixed Point to Point Microwave						Y
WQTJ930	CF - Common Carrier Fixed Point to Point Microwave						Y
WQTJ935	CF - Common Carrier Fixed Point to Point Microwave						Y
WQTJ937	CF - Common Carrier Fixed Point to Point Microwave						Y
WQTJ938	CF - Common Carrier Fixed Point to Point Microwave						Y
WQTJ950	CF - Common Carrier Fixed Point to Point Microwave						Y
WQTJ951	CF - Common Carrier Fixed Point to Point Microwave						Y
WQTJ977	CF - Common Carrier Fixed Point to Point Microwave						Y
WQTJ979	CF - Common Carrier Fixed Point to Point Microwave						Y
WQTJ980	CF - Common Carrier Fixed Point to Point Microwave						Y
WQTJ981	CF - Common Carrier Fixed Point to Point Microwave						Y
WQTJ982	CF - Common Carrier Fixed Point to Point Microwave						Y
WQTJ984	CF - Common Carrier Fixed Point to Point Microwave						Y
WQTJ985	CF - Common Carrier Fixed Point to Point Microwave						Y
WQTJ997	CF - Common Carrier Fixed Point to Point Microwave						Y

111) Call Sign	112) Radio Service Code	113) Location Number	114) Path Number (Microwave only)	115) Frequency Number	116) Lower or Center Frequency (MHz)	117) Upper Frequency (MHz)	118) Constructed Yes / No
WQTK205	CF - Common Carrier Fixed Point to Point Microwave						Y
WQTK208	CF - Common Carrier Fixed Point to Point Microwave						Y
WQTK210	CF - Common Carrier Fixed Point to Point Microwave						Y
WQTK211	CF - Common Carrier Fixed Point to Point Microwave						Y
WQTK212	CF - Common Carrier Fixed Point to Point Microwave						Y
WQTK216	CF - Common Carrier Fixed Point to Point Microwave						Y
WQTK217	CF - Common Carrier Fixed Point to Point Microwave						Y
WQTK218	CF - Common Carrier Fixed Point to Point Microwave						Y
WQTK223	CF - Common Carrier Fixed Point to Point Microwave						Y
WQTK224	CF - Common Carrier Fixed Point to Point Microwave						Y
WQTK225	CF - Common Carrier Fixed Point to Point Microwave						Y
WQTK226	CF - Common Carrier Fixed Point to Point Microwave						Y
WQTK230	CF - Common Carrier Fixed Point to Point Microwave						Y
WQTK231	CF - Common Carrier Fixed Point to Point Microwave						Y
WQTK324	CF - Common Carrier Fixed Point to Point Microwave						Y
WQTK332	CF - Common Carrier Fixed Point to Point Microwave						Y
WQTK354	CF - Common Carrier Fixed Point to Point Microwave						Y
WQTK355	CF - Common Carrier Fixed Point to Point Microwave						Y
WQTK361	CF - Common Carrier Fixed Point to Point Microwave						Y

111) Call Sign	112) Radio Service Code	113) Location Number	114) Path Number (Microwave only)	115) Frequency Number	116) Lower or Center Frequency (MHz)	117) Upper Frequency (MHz)	118) Constructed Yes / No
WQTK365	CF - Common Carrier Fixed Point to Point Microwave						Y
WQTK367	CF - Common Carrier Fixed Point to Point Microwave						Y
WQTK385	CF - Common Carrier Fixed Point to Point Microwave						Y
WQTK395	CF - Common Carrier Fixed Point to Point Microwave						Y
WQTK401	CF - Common Carrier Fixed Point to Point Microwave						Y
WQTK404	CF - Common Carrier Fixed Point to Point Microwave						Y
WQTK405	CF - Common Carrier Fixed Point to Point Microwave						Y
WQTK410	CF - Common Carrier Fixed Point to Point Microwave						Y
WQTK415	CF - Common Carrier Fixed Point to Point Microwave						Y
WQTK417	CF - Common Carrier Fixed Point to Point Microwave						Y
WQTK419	CF - Common Carrier Fixed Point to Point Microwave						Y
WQTK420	CF - Common Carrier Fixed Point to Point Microwave						Y
WQTK423	CF - Common Carrier Fixed Point to Point Microwave						Y
WQTK424	CF - Common Carrier Fixed Point to Point Microwave						Y
WQTK425	CF - Common Carrier Fixed Point to Point Microwave						Y
WQTK427	CF - Common Carrier Fixed Point to Point Microwave						Y
WQTK429	CF - Common Carrier Fixed Point to Point Microwave						Y
WQTK430	CF - Common Carrier Fixed Point to Point Microwave						Y
WQTK445	CF - Common Carrier Fixed Point to Point Microwave						Y

111) Call Sign	112) Radio Service Code	113) Location Number	114) Path Number (Microwave only)	115) Frequency Number	116) Lower or Center Frequency (MHz)	117) Upper Frequency (MHz)	118) Constructed Yes / No
WQTK446	CF - Common Carrier Fixed Point to Point Microwave						Y
WQTK447	CF - Common Carrier Fixed Point to Point Microwave						Y
WQTK450	CF - Common Carrier Fixed Point to Point Microwave						Y
WQTK451	CF - Common Carrier Fixed Point to Point Microwave						Y
WQTK452	CF - Common Carrier Fixed Point to Point Microwave						Y
WQTK457	CF - Common Carrier Fixed Point to Point Microwave						Y
WQTK458	CF - Common Carrier Fixed Point to Point Microwave						Y
WQTK459	CF - Common Carrier Fixed Point to Point Microwave						Y
WQTK460	CF - Common Carrier Fixed Point to Point Microwave						Y
WQTK511	CF - Common Carrier Fixed Point to Point Microwave						Y
WQTK512	CF - Common Carrier Fixed Point to Point Microwave						Y
WQTK514	CF - Common Carrier Fixed Point to Point Microwave						Y
WQTK515	CF - Common Carrier Fixed Point to Point Microwave						Y
WQTK517	CF - Common Carrier Fixed Point to Point Microwave						Y
WQTK518	CF - Common Carrier Fixed Point to Point Microwave						Y
WQTK521	CF - Common Carrier Fixed Point to Point Microwave						Y
WQTK522	CF - Common Carrier Fixed Point to Point Microwave						Y
WQTK524	CF - Common Carrier Fixed Point to Point Microwave						Y
WQTK550	CF - Common Carrier Fixed Point to Point Microwave						Y

111) Call Sign	112) Radio Service Code	113) Location Number	114) Path Number (Microwave only)	115) Frequency Number	116) Lower or Center Frequency (MHz)	117) Upper Frequency (MHz)	118) Constructed Yes / No
WQTK553	CF - Common Carrier Fixed Point to Point Microwave						Y
WQTK554	CF - Common Carrier Fixed Point to Point Microwave						Y
WQTK578	CF - Common Carrier Fixed Point to Point Microwave						Y
WQTK579	CF - Common Carrier Fixed Point to Point Microwave						Y
WQTK580	CF - Common Carrier Fixed Point to Point Microwave						Y
WQTK588	CF - Common Carrier Fixed Point to Point Microwave						Y
WQTK606	CF - Common Carrier Fixed Point to Point Microwave						Y
WQTK607	CF - Common Carrier Fixed Point to Point Microwave						Y
WQTK664	CF - Common Carrier Fixed Point to Point Microwave						Y
WQTK668	CF - Common Carrier Fixed Point to Point Microwave						Y
WQTK669	CF - Common Carrier Fixed Point to Point Microwave						Y
WQTK675	CF - Common Carrier Fixed Point to Point Microwave						Y
WQTK676	CF - Common Carrier Fixed Point to Point Microwave						Y
WQTK677	CF - Common Carrier Fixed Point to Point Microwave						Y
WQTK678	CF - Common Carrier Fixed Point to Point Microwave						Y
WQTK679	CF - Common Carrier Fixed Point to Point Microwave						Y
WQTK680	CF - Common Carrier Fixed Point to Point Microwave						Y
WQTK682	CF - Common Carrier Fixed Point to Point Microwave						Y
WQTK683	CF - Common Carrier Fixed Point to Point Microwave						Y

111) Call Sign	112) Radio Service Code	113) Location Number	114) Path Number (Microwave only)	115) Frequency Number	116) Lower or Center Frequency (MHz)	117) Upper Frequency (MHz)	118) Constructed Yes / No
WQTK771	CF - Common Carrier Fixed Point to Point Microwave						Y
WQTK907	CF - Common Carrier Fixed Point to Point Microwave						Y
WQTK908	CF - Common Carrier Fixed Point to Point Microwave						Y
WQTK910	CF - Common Carrier Fixed Point to Point Microwave						Y
WQTL349	CF - Common Carrier Fixed Point to Point Microwave						Y
WQTL370	CF - Common Carrier Fixed Point to Point Microwave						Y
WQTL458	CF - Common Carrier Fixed Point to Point Microwave						Y
WQTL459	CF - Common Carrier Fixed Point to Point Microwave						Y
WQTL461	CF - Common Carrier Fixed Point to Point Microwave						Y
WQTL467	CF - Common Carrier Fixed Point to Point Microwave						Y
WQTL469	CF - Common Carrier Fixed Point to Point Microwave						Y
WQTL493	CF - Common Carrier Fixed Point to Point Microwave						Y
WQTL494	CF - Common Carrier Fixed Point to Point Microwave						Y
WQTL495	CF - Common Carrier Fixed Point to Point Microwave						Y
WQTL496	CF - Common Carrier Fixed Point to Point Microwave						Y
WQTL497	CF - Common Carrier Fixed Point to Point Microwave						Y
WQTL498	CF - Common Carrier Fixed Point to Point Microwave						Y
WQTL499	CF - Common Carrier Fixed Point to Point Microwave						Y
WQTL500	CF - Common Carrier Fixed Point to Point Microwave						Y

111) Call Sign	112) Radio Service Code	113) Location Number	114) Path Number (Microwave only)	115) Frequency Number	116) Lower or Center Frequency (MHz)	117) Upper Frequency (MHz)	118) Constructed Yes / No
WQTL502	CF - Common Carrier Fixed Point to Point Microwave						Y
WQTL508	CF - Common Carrier Fixed Point to Point Microwave						Y
WQTL553	CF - Common Carrier Fixed Point to Point Microwave						Y
WQTL555	CF - Common Carrier Fixed Point to Point Microwave						Y
WQTL687	CF - Common Carrier Fixed Point to Point Microwave						Y
WQTL706	CF - Common Carrier Fixed Point to Point Microwave						Y
WQTL707	CF - Common Carrier Fixed Point to Point Microwave						Y
WQTL708	CF - Common Carrier Fixed Point to Point Microwave						Y
WQTL709	CF - Common Carrier Fixed Point to Point Microwave						Y
WQTL711	CF - Common Carrier Fixed Point to Point Microwave						Y
WQTL712	CF - Common Carrier Fixed Point to Point Microwave						Y
WQTL732	CF - Common Carrier Fixed Point to Point Microwave						Y
WQTL742	CF - Common Carrier Fixed Point to Point Microwave						Y
WQTL743	CF - Common Carrier Fixed Point to Point Microwave						Y
WQTL746	CF - Common Carrier Fixed Point to Point Microwave						Y
WQTL747	CF - Common Carrier Fixed Point to Point Microwave						Y
WQTL750	CF - Common Carrier Fixed Point to Point Microwave						Y
WQTL752	CF - Common Carrier Fixed Point to Point Microwave						Y
WQTL757	CF - Common Carrier Fixed Point to Point Microwave						Y

111) Call Sign	112) Radio Service Code	113) Location Number	114) Path Number (Microwave only)	115) Frequency Number	116) Lower or Center Frequency (MHz)	117) Upper Frequency (MHz)	118) Constructed Yes / No
WQTL793	CF - Common Carrier Fixed Point to Point Microwave						Y
WQTL796	CF - Common Carrier Fixed Point to Point Microwave						Y
WQTL800	CF - Common Carrier Fixed Point to Point Microwave						Y
WQTM223	CF - Common Carrier Fixed Point to Point Microwave						Y
WQTM225	CF - Common Carrier Fixed Point to Point Microwave						Y
WQTM488	CF - Common Carrier Fixed Point to Point Microwave						Y
WQTM489	CF - Common Carrier Fixed Point to Point Microwave						Y
WQTM490	CF - Common Carrier Fixed Point to Point Microwave						Y
WQTM491	CF - Common Carrier Fixed Point to Point Microwave						Y
WQTM576	CF - Common Carrier Fixed Point to Point Microwave						Y
WQTM581	CF - Common Carrier Fixed Point to Point Microwave						Y
WQTM600	CF - Common Carrier Fixed Point to Point Microwave						Y
WQTM604	CF - Common Carrier Fixed Point to Point Microwave						Y
WQTM610	CF - Common Carrier Fixed Point to Point Microwave						Y
WQTM611	CF - Common Carrier Fixed Point to Point Microwave						Y
WQTM638	CF - Common Carrier Fixed Point to Point Microwave						Y
WQTM642	CF - Common Carrier Fixed Point to Point Microwave						Y
WQTM643	CF - Common Carrier Fixed Point to Point Microwave						Y
WQTM644	CF - Common Carrier Fixed Point to Point Microwave						Y

111) Call Sign	112) Radio Service Code	113) Location Number	114) Path Number (Microwave only)	115) Frequency Number	116) Lower or Center Frequency (MHz)	117) Upper Frequency (MHz)	118) Constructed Yes / No
WQTM741	CF - Common Carrier Fixed Point to Point Microwave						Y
WQTM771	CF - Common Carrier Fixed Point to Point Microwave						Y
WQTM951	CF - Common Carrier Fixed Point to Point Microwave						Y
WQTM952	CF - Common Carrier Fixed Point to Point Microwave						Y
WQTM957	CF - Common Carrier Fixed Point to Point Microwave						Y
WQTM959	CF - Common Carrier Fixed Point to Point Microwave						Y
WQTM988	CF - Common Carrier Fixed Point to Point Microwave						Y
WQTM996	CF - Common Carrier Fixed Point to Point Microwave						Y
WQTM997	CF - Common Carrier Fixed Point to Point Microwave						Y
WQTM998	CF - Common Carrier Fixed Point to Point Microwave						Y
WQTM999	CF - Common Carrier Fixed Point to Point Microwave						Y
WQTN201	CF - Common Carrier Fixed Point to Point Microwave						Y
WQTN202	CF - Common Carrier Fixed Point to Point Microwave						Y
WQTN217	CF - Common Carrier Fixed Point to Point Microwave						Y
WQTN240	CF - Common Carrier Fixed Point to Point Microwave						Y
WQTN261	CF - Common Carrier Fixed Point to Point Microwave						Y
WQTN264	CF - Common Carrier Fixed Point to Point Microwave						Y
WQTN266	CF - Common Carrier Fixed Point to Point Microwave						Y
WQTN267	CF - Common Carrier Fixed Point to Point Microwave						Y

111) Call Sign	112) Radio Service Code	113) Location Number	114) Path Number (Microwave only)	115) Frequency Number	116) Lower or Center Frequency (MHz)	117) Upper Frequency (MHz)	118) Constructed Yes / No
WQTN272	CF - Common Carrier Fixed Point to Point Microwave						Y
WQTN273	CF - Common Carrier Fixed Point to Point Microwave						Y
WQTN382	CF - Common Carrier Fixed Point to Point Microwave						Y
WQTN384	CF - Common Carrier Fixed Point to Point Microwave						Y
WQTN388	CF - Common Carrier Fixed Point to Point Microwave						Y
WQTN392	CF - Common Carrier Fixed Point to Point Microwave						Y
WQTN393	CF - Common Carrier Fixed Point to Point Microwave						Y
WQTN402	CF - Common Carrier Fixed Point to Point Microwave						Y
WQTN403	CF - Common Carrier Fixed Point to Point Microwave						Y
WQTN405	CF - Common Carrier Fixed Point to Point Microwave						Y
WQTN408	CF - Common Carrier Fixed Point to Point Microwave						Y
WQTN409	CF - Common Carrier Fixed Point to Point Microwave						Y
WQTN410	CF - Common Carrier Fixed Point to Point Microwave						Y
WQTN411	CF - Common Carrier Fixed Point to Point Microwave						Y
WQTN415	CF - Common Carrier Fixed Point to Point Microwave						Y
WQTN798	CF - Common Carrier Fixed Point to Point Microwave						Y
WQTN818	CF - Common Carrier Fixed Point to Point Microwave						Y
WQTN905	CF - Common Carrier Fixed Point to Point Microwave						Y
WQTN918	CF - Common Carrier Fixed Point to Point Microwave						Y

111) Call Sign	112) Radio Service Code	113) Location Number	114) Path Number (Microwave only)	115) Frequency Number	116) Lower or Center Frequency (MHz)	117) Upper Frequency (MHz)	118) Constructed Yes / No
WQTP235	CF - Common Carrier Fixed Point to Point Microwave						Y
WQTP236	CF - Common Carrier Fixed Point to Point Microwave						Y
WQTP239	CF - Common Carrier Fixed Point to Point Microwave						Y
WQTP243	CF - Common Carrier Fixed Point to Point Microwave						Y
WQTP244	CF - Common Carrier Fixed Point to Point Microwave						Y
WQTP246	CF - Common Carrier Fixed Point to Point Microwave						Y
WQTP357	CF - Common Carrier Fixed Point to Point Microwave						Y
WQTP358	CF - Common Carrier Fixed Point to Point Microwave						Y
WQTP361	CF - Common Carrier Fixed Point to Point Microwave						Y
WQTP362	CF - Common Carrier Fixed Point to Point Microwave						Y
WQTP408	CF - Common Carrier Fixed Point to Point Microwave						Y
WQTP410	CF - Common Carrier Fixed Point to Point Microwave						Y
WQTP411	CF - Common Carrier Fixed Point to Point Microwave						Y
WQTP574	CF - Common Carrier Fixed Point to Point Microwave						Y
WQTP582	CF - Common Carrier Fixed Point to Point Microwave						Y
WQTP583	CF - Common Carrier Fixed Point to Point Microwave						Y
WQTP585	CF - Common Carrier Fixed Point to Point Microwave						Y
WQTP586	CF - Common Carrier Fixed Point to Point Microwave						Y
WQTP607	CF - Common Carrier Fixed Point to Point Microwave						Y

111) Call Sign	112) Radio Service Code	113) Location Number	114) Path Number (Microwave only)	115) Frequency Number	116) Lower or Center Frequency (MHz)	117) Upper Frequency (MHz)	118) Constructed Yes / No
WQTP608	CF - Common Carrier Fixed Point to Point Microwave						Y
WQTP609	CF - Common Carrier Fixed Point to Point Microwave						Y
WQTP611	CF - Common Carrier Fixed Point to Point Microwave						Y
WQTP615	CF - Common Carrier Fixed Point to Point Microwave						Y
WQTP616	CF - Common Carrier Fixed Point to Point Microwave						Y
WQTP617	CF - Common Carrier Fixed Point to Point Microwave						Y
WQTP666	CF - Common Carrier Fixed Point to Point Microwave						Y
WQTP752	CF - Common Carrier Fixed Point to Point Microwave						Y
WQTP753	CF - Common Carrier Fixed Point to Point Microwave						Y
WQTP757	CF - Common Carrier Fixed Point to Point Microwave						Y
WQTP765	CF - Common Carrier Fixed Point to Point Microwave						Y
WQTP772	CF - Common Carrier Fixed Point to Point Microwave						Y
WQTP871	CF - Common Carrier Fixed Point to Point Microwave						Y
WQTP901	CF - Common Carrier Fixed Point to Point Microwave						Y
WQTP915	CF - Common Carrier Fixed Point to Point Microwave						Y
WQTP918	CF - Common Carrier Fixed Point to Point Microwave						Y
WQTP919	CF - Common Carrier Fixed Point to Point Microwave						Y
WQTP920	CF - Common Carrier Fixed Point to Point Microwave						Y
WQTP921	CF - Common Carrier Fixed Point to Point Microwave						Y

111) Call Sign	112) Radio Service Code	113) Location Number	114) Path Number (Microwave only)	115) Frequency Number	116) Lower or Center Frequency (MHz)	117) Upper Frequency (MHz)	118) Constructed Yes / No
WQTP923	CF - Common Carrier Fixed Point to Point Microwave						Y
WQTP924	CF - Common Carrier Fixed Point to Point Microwave						Y
WQTP925	CF - Common Carrier Fixed Point to Point Microwave						Y
WQTP926	CF - Common Carrier Fixed Point to Point Microwave						Y
WQTP929	CF - Common Carrier Fixed Point to Point Microwave						Y
WQTP930	CF - Common Carrier Fixed Point to Point Microwave						Y
WQTP935	CF - Common Carrier Fixed Point to Point Microwave						Y
WQTP936	CF - Common Carrier Fixed Point to Point Microwave						Y
WQTP999	CF - Common Carrier Fixed Point to Point Microwave						Y
WQTQ200	CF - Common Carrier Fixed Point to Point Microwave						Y
WQTQ201	CF - Common Carrier Fixed Point to Point Microwave						Y
WQTQ204	CF - Common Carrier Fixed Point to Point Microwave						Y
WQTQ428	CF - Common Carrier Fixed Point to Point Microwave						Y
WQTQ595	CF - Common Carrier Fixed Point to Point Microwave						Y
WQTQ596	CF - Common Carrier Fixed Point to Point Microwave						Y
WQTQ597	CF - Common Carrier Fixed Point to Point Microwave						Y
WQTQ609	CF - Common Carrier Fixed Point to Point Microwave						Y
WQTQ610	CF - Common Carrier Fixed Point to Point Microwave						Y
WQTQ611	CF - Common Carrier Fixed Point to Point Microwave						Y

111) Call Sign	112) Radio Service Code	113) Location Number	114) Path Number (Microwave only)	115) Frequency Number	116) Lower or Center Frequency (MHz)	117) Upper Frequency (MHz)	118) Constructed Yes / No
WQTQ612	CF - Common Carrier Fixed Point to Point Microwave						Y
WQTQ615	CF - Common Carrier Fixed Point to Point Microwave						Y
WQTQ617	CF - Common Carrier Fixed Point to Point Microwave						Y
WQTQ618	CF - Common Carrier Fixed Point to Point Microwave						Y
WQTQ622	CF - Common Carrier Fixed Point to Point Microwave						Y
WQTQ623	CF - Common Carrier Fixed Point to Point Microwave						Y
WQTQ624	CF - Common Carrier Fixed Point to Point Microwave						Y
WQTQ788	CF - Common Carrier Fixed Point to Point Microwave						Y
WQTQ789	CF - Common Carrier Fixed Point to Point Microwave						Y
WQTQ791	CF - Common Carrier Fixed Point to Point Microwave						Y
WQTQ792	CF - Common Carrier Fixed Point to Point Microwave						Y
WQTQ795	CF - Common Carrier Fixed Point to Point Microwave						Y
WQTQ796	CF - Common Carrier Fixed Point to Point Microwave						Y
WQTQ801	CF - Common Carrier Fixed Point to Point Microwave						Y
WQTQ803	CF - Common Carrier Fixed Point to Point Microwave						Y
WQTQ818	CF - Common Carrier Fixed Point to Point Microwave						Y
WQTQ819	CF - Common Carrier Fixed Point to Point Microwave						Y
WQTQ820	CF - Common Carrier Fixed Point to Point Microwave						Y
WQTQ904	CF - Common Carrier Fixed Point to Point Microwave						Y

111) Call Sign	112) Radio Service Code	113) Location Number	114) Path Number (Microwave only)	115) Frequency Number	116) Lower or Center Frequency (MHz)	117) Upper Frequency (MHz)	118) Constructed Yes / No
WQTQ906	CF - Common Carrier Fixed Point to Point Microwave						Y
WQTQ907	CF - Common Carrier Fixed Point to Point Microwave						Y
WQTQ908	CF - Common Carrier Fixed Point to Point Microwave						Y
WQTQ918	CF - Common Carrier Fixed Point to Point Microwave						Y
WQTQ919	CF - Common Carrier Fixed Point to Point Microwave						Y
WQTQ921	CF - Common Carrier Fixed Point to Point Microwave						Y
WQTQ933	CF - Common Carrier Fixed Point to Point Microwave						Y
WQTQ936	CF - Common Carrier Fixed Point to Point Microwave						Y
WQTQ968	CF - Common Carrier Fixed Point to Point Microwave						Y
WQTQ969	CF - Common Carrier Fixed Point to Point Microwave						Y
WQTQ970	CF - Common Carrier Fixed Point to Point Microwave						Y
WQTQ971	CF - Common Carrier Fixed Point to Point Microwave						Y
WQTQ972	CF - Common Carrier Fixed Point to Point Microwave						Y
WQTQ996	CF - Common Carrier Fixed Point to Point Microwave						Y
WQTQ998	CF - Common Carrier Fixed Point to Point Microwave						Y
WQTQ999	CF - Common Carrier Fixed Point to Point Microwave						Y
WQTR200	CF - Common Carrier Fixed Point to Point Microwave						Y
WQTR203	CF - Common Carrier Fixed Point to Point Microwave						Y
WQTR205	CF - Common Carrier Fixed Point to Point Microwave						Y

111) Call Sign	112) Radio Service Code	113) Location Number	114) Path Number (Microwave only)	115) Frequency Number	116) Lower or Center Frequency (MHz)	117) Upper Frequency (MHz)	118) Constructed Yes / No
WQTR206	CF - Common Carrier Fixed Point to Point Microwave						Y
WQTR207	CF - Common Carrier Fixed Point to Point Microwave						Y
WQTR235	CF - Common Carrier Fixed Point to Point Microwave						Y
WQTR237	CF - Common Carrier Fixed Point to Point Microwave						Y
WQTR322	CF - Common Carrier Fixed Point to Point Microwave						Y
WQTR323	CF - Common Carrier Fixed Point to Point Microwave						Y
WQTR347	CF - Common Carrier Fixed Point to Point Microwave						Y
WQTR348	CF - Common Carrier Fixed Point to Point Microwave						Y
WQTR382	CF - Common Carrier Fixed Point to Point Microwave						Y
WQTR416	CF - Common Carrier Fixed Point to Point Microwave						Y
WQTR464	CF - Common Carrier Fixed Point to Point Microwave						Y
WQTR495	CF - Common Carrier Fixed Point to Point Microwave						Y
WQTR497	CF - Common Carrier Fixed Point to Point Microwave						Y
WQTR522	CF - Common Carrier Fixed Point to Point Microwave						Y
WQTR525	CF - Common Carrier Fixed Point to Point Microwave						Y
WQTR611	CF - Common Carrier Fixed Point to Point Microwave						Y
WQTR613	CF - Common Carrier Fixed Point to Point Microwave						Y
WQTR614	CF - Common Carrier Fixed Point to Point Microwave						Y
WQTR677	CF - Common Carrier Fixed Point to Point Microwave						Y

111) Call Sign	112) Radio Service Code	113) Location Number	114) Path Number (Microwave only)	115) Frequency Number	116) Lower or Center Frequency (MHz)	117) Upper Frequency (MHz)	118) Constructed Yes / No
WQTR879	CF - Common Carrier Fixed Point to Point Microwave						Y
WQTR880	CF - Common Carrier Fixed Point to Point Microwave						Y
WQTR881	CF - Common Carrier Fixed Point to Point Microwave						Y
WQTR882	CF - Common Carrier Fixed Point to Point Microwave						Y
WQTR883	CF - Common Carrier Fixed Point to Point Microwave						Y
WQTR884	CF - Common Carrier Fixed Point to Point Microwave						Y
WQTR887	CF - Common Carrier Fixed Point to Point Microwave						Y
WQTR891	CF - Common Carrier Fixed Point to Point Microwave						Y
WQTR892	CF - Common Carrier Fixed Point to Point Microwave						Y
WQTR893	CF - Common Carrier Fixed Point to Point Microwave						Y
WQTR894	CF - Common Carrier Fixed Point to Point Microwave						Y
WQTR895	CF - Common Carrier Fixed Point to Point Microwave						Y
WQTR896	CF - Common Carrier Fixed Point to Point Microwave						Y
WQTR897	CF - Common Carrier Fixed Point to Point Microwave						Y
WQTR898	CF - Common Carrier Fixed Point to Point Microwave						Y
WQTR899	CF - Common Carrier Fixed Point to Point Microwave						Y
WQTR902	CF - Common Carrier Fixed Point to Point Microwave						Y
WQTR903	CF - Common Carrier Fixed Point to Point Microwave						Y
WQTR904	CF - Common Carrier Fixed Point to Point Microwave						Y

111) Call Sign	112) Radio Service Code	113) Location Number	114) Path Number (Microwave only)	115) Frequency Number	116) Lower or Center Frequency (MHz)	117) Upper Frequency (MHz)	118) Constructed Yes / No
WQTR905	CF - Common Carrier Fixed Point to Point Microwave						Y
WQTR906	CF - Common Carrier Fixed Point to Point Microwave						Y
WQTR907	CF - Common Carrier Fixed Point to Point Microwave						Y
WQTR910	CF - Common Carrier Fixed Point to Point Microwave						Y
WQTR911	CF - Common Carrier Fixed Point to Point Microwave						Y
WQTR912	CF - Common Carrier Fixed Point to Point Microwave						Y
WQTR913	CF - Common Carrier Fixed Point to Point Microwave						Y
WQTR914	CF - Common Carrier Fixed Point to Point Microwave						Y
WQTR915	CF - Common Carrier Fixed Point to Point Microwave						Y
WQTR916	CF - Common Carrier Fixed Point to Point Microwave						Y
WQTR918	CF - Common Carrier Fixed Point to Point Microwave						Y
WQTR919	CF - Common Carrier Fixed Point to Point Microwave						Y
WQTR920	CF - Common Carrier Fixed Point to Point Microwave						Y
WQTR923	CF - Common Carrier Fixed Point to Point Microwave						Y
WQTR924	CF - Common Carrier Fixed Point to Point Microwave						Y
WQTR925	CF - Common Carrier Fixed Point to Point Microwave						Y
WQTR926	CF - Common Carrier Fixed Point to Point Microwave						Y
WQTS233	CF - Common Carrier Fixed Point to Point Microwave						Y
WQTS327	CF - Common Carrier Fixed Point to Point Microwave						Y

111) Call Sign	112) Radio Service Code	113) Location Number	114) Path Number (Microwave only)	115) Frequency Number	116) Lower or Center Frequency (MHz)	117) Upper Frequency (MHz)	118) Constructed Yes / No
WQTS413	CF - Common Carrier Fixed Point to Point Microwave						Y
WQTS439	CF - Common Carrier Fixed Point to Point Microwave						Y
WQTS934	CF - Common Carrier Fixed Point to Point Microwave						Y
WQTS936	CF - Common Carrier Fixed Point to Point Microwave						Y
WQTT289	CF - Common Carrier Fixed Point to Point Microwave						Y
WQTT322	CF - Common Carrier Fixed Point to Point Microwave						Y
WQTT323	CF - Common Carrier Fixed Point to Point Microwave						Y
WQTT324	CF - Common Carrier Fixed Point to Point Microwave						Y
WQTT325	CF - Common Carrier Fixed Point to Point Microwave						Y
WQTT327	CF - Common Carrier Fixed Point to Point Microwave						Y
WQTT328	CF - Common Carrier Fixed Point to Point Microwave						Y
WQTT332	CF - Common Carrier Fixed Point to Point Microwave						Y
WQTT333	CF - Common Carrier Fixed Point to Point Microwave						Y
WQTT334	CF - Common Carrier Fixed Point to Point Microwave						Y
WQTT335	CF - Common Carrier Fixed Point to Point Microwave						Y
WQTT336	CF - Common Carrier Fixed Point to Point Microwave						Y
WQTT337	CF - Common Carrier Fixed Point to Point Microwave						Y
WQTT338	CF - Common Carrier Fixed Point to Point Microwave						Y
WQTT356	CF - Common Carrier Fixed Point to Point Microwave						Y

111) Call Sign	112) Radio Service Code	113) Location Number	114) Path Number (Microwave only)	115) Frequency Number	116) Lower or Center Frequency (MHz)	117) Upper Frequency (MHz)	118) Constructed Yes / No
WQTT357	CF - Common Carrier Fixed Point to Point Microwave						Y
WQTT358	CF - Common Carrier Fixed Point to Point Microwave						Y
WQTT359	CF - Common Carrier Fixed Point to Point Microwave						Y
WQTT360	CF - Common Carrier Fixed Point to Point Microwave						Y
WQTT361	CF - Common Carrier Fixed Point to Point Microwave						Y
WQTT362	CF - Common Carrier Fixed Point to Point Microwave						Y
WQTT364	CF - Common Carrier Fixed Point to Point Microwave						Y
WQTT365	CF - Common Carrier Fixed Point to Point Microwave						Y
WQTT366	CF - Common Carrier Fixed Point to Point Microwave						Y
WQTT367	CF - Common Carrier Fixed Point to Point Microwave						Y
WQTT368	CF - Common Carrier Fixed Point to Point Microwave						Y
WQTT369	CF - Common Carrier Fixed Point to Point Microwave						Y
WQTT372	CF - Common Carrier Fixed Point to Point Microwave						Y
WQTT373	CF - Common Carrier Fixed Point to Point Microwave						Y
WQTT374	CF - Common Carrier Fixed Point to Point Microwave						Y
WQTT375	CF - Common Carrier Fixed Point to Point Microwave						Y
WQTT376	CF - Common Carrier Fixed Point to Point Microwave						Y
WQTT377	CF - Common Carrier Fixed Point to Point Microwave						Y
WQTT385	CF - Common Carrier Fixed Point to Point Microwave						Y

111) Call Sign	112) Radio Service Code	113) Location Number	114) Path Number (Microwave only)	115) Frequency Number	116) Lower or Center Frequency (MHz)	117) Upper Frequency (MHz)	118) Constructed Yes / No
WQTT386	CF - Common Carrier Fixed Point to Point Microwave						Y
WQTT387	CF - Common Carrier Fixed Point to Point Microwave						Y
WQTT388	CF - Common Carrier Fixed Point to Point Microwave						Y
WQTT389	CF - Common Carrier Fixed Point to Point Microwave						Y
WQTT390	CF - Common Carrier Fixed Point to Point Microwave						Y
WQTT391	CF - Common Carrier Fixed Point to Point Microwave						Y
WQTT398	CF - Common Carrier Fixed Point to Point Microwave						Y
WQTT428	CF - Common Carrier Fixed Point to Point Microwave						Y
WQTT429	CF - Common Carrier Fixed Point to Point Microwave						Y
WQTT896	CF - Common Carrier Fixed Point to Point Microwave						Y
WQTU411	CF - Common Carrier Fixed Point to Point Microwave						Y
WQTU442	CF - Common Carrier Fixed Point to Point Microwave						Y
WQTU444	CF - Common Carrier Fixed Point to Point Microwave						Y
WQTU445	CF - Common Carrier Fixed Point to Point Microwave						Y
WQTU446	CF - Common Carrier Fixed Point to Point Microwave						Y
WQTU447	CF - Common Carrier Fixed Point to Point Microwave						Y
WQTU448	CF - Common Carrier Fixed Point to Point Microwave						Y
WQTU449	CF - Common Carrier Fixed Point to Point Microwave						Y
WQTU451	CF - Common Carrier Fixed Point to Point Microwave						Y

111) Call Sign	112) Radio Service Code	113) Location Number	114) Path Number (Microwave only)	115) Frequency Number	116) Lower or Center Frequency (MHz)	117) Upper Frequency (MHz)	118) Constructed Yes / No
WQTU453	CF - Common Carrier Fixed Point to Point Microwave						Y
WQTU454	CF - Common Carrier Fixed Point to Point Microwave						Y
WQTU455	CF - Common Carrier Fixed Point to Point Microwave						Y
WQTU456	CF - Common Carrier Fixed Point to Point Microwave						Y
WQTU457	CF - Common Carrier Fixed Point to Point Microwave						Y
WQTU458	CF - Common Carrier Fixed Point to Point Microwave						Y
WQTU459	CF - Common Carrier Fixed Point to Point Microwave						Y
WQTU460	CF - Common Carrier Fixed Point to Point Microwave						Y
WQTU461	CF - Common Carrier Fixed Point to Point Microwave						Y
WQTU462	CF - Common Carrier Fixed Point to Point Microwave						Y
WQTU463	CF - Common Carrier Fixed Point to Point Microwave						Y
WQTU464	CF - Common Carrier Fixed Point to Point Microwave						Y
WQTU465	CF - Common Carrier Fixed Point to Point Microwave						Y
WQTU466	CF - Common Carrier Fixed Point to Point Microwave						Y
WQTU468	CF - Common Carrier Fixed Point to Point Microwave						Y
WQTU791	CF - Common Carrier Fixed Point to Point Microwave						Y
WQTV316	CF - Common Carrier Fixed Point to Point Microwave						Y
WQTV323	CF - Common Carrier Fixed Point to Point Microwave						Y
WQTV325	CF - Common Carrier Fixed Point to Point Microwave						Y

111) Call Sign	112) Radio Service Code	113) Location Number	114) Path Number (Microwave only)	115) Frequency Number	116) Lower or Center Frequency (MHz)	117) Upper Frequency (MHz)	118) Constructed Yes / No
WQTV328	CF - Common Carrier Fixed Point to Point Microwave						Y
WQTV329	CF - Common Carrier Fixed Point to Point Microwave						Y
WQTV330	CF - Common Carrier Fixed Point to Point Microwave						Y
WQTV332	CF - Common Carrier Fixed Point to Point Microwave						Y
WQTV333	CF - Common Carrier Fixed Point to Point Microwave						Y
WQTV364	CF - Common Carrier Fixed Point to Point Microwave						Y
WQTV365	CF - Common Carrier Fixed Point to Point Microwave						Y
WQTV372	CF - Common Carrier Fixed Point to Point Microwave						Y
WQTV373	CF - Common Carrier Fixed Point to Point Microwave						Y
WQTV374	CF - Common Carrier Fixed Point to Point Microwave						Y
WQTV375	CF - Common Carrier Fixed Point to Point Microwave						Y
WQTV376	CF - Common Carrier Fixed Point to Point Microwave						Y
WQTV377	CF - Common Carrier Fixed Point to Point Microwave						Y
WQTV378	CF - Common Carrier Fixed Point to Point Microwave						Y
WQTV379	CF - Common Carrier Fixed Point to Point Microwave						Y
WQTV508	CF - Common Carrier Fixed Point to Point Microwave						Y
WQTV509	CF - Common Carrier Fixed Point to Point Microwave						Y
WQTV510	CF - Common Carrier Fixed Point to Point Microwave						Y
WQTV511	CF - Common Carrier Fixed Point to Point Microwave						Y

111) Call Sign	112) Radio Service Code	113) Location Number	114) Path Number (Microwave only)	115) Frequency Number	116) Lower or Center Frequency (MHz)	117) Upper Frequency (MHz)	118) Constructed Yes / No
WQTV512	CF - Common Carrier Fixed Point to Point Microwave						Y
WQTV515	CF - Common Carrier Fixed Point to Point Microwave						Y
WQTV516	CF - Common Carrier Fixed Point to Point Microwave						Y
WQTV538	CF - Common Carrier Fixed Point to Point Microwave						Y
WQTV548	CF - Common Carrier Fixed Point to Point Microwave						Y
WQTV549	CF - Common Carrier Fixed Point to Point Microwave						Y
WQTV550	CF - Common Carrier Fixed Point to Point Microwave						Y
WQTV551	CF - Common Carrier Fixed Point to Point Microwave						Y
WQTV552	CF - Common Carrier Fixed Point to Point Microwave						Y
WQTV553	CF - Common Carrier Fixed Point to Point Microwave						Y
WQTV554	CF - Common Carrier Fixed Point to Point Microwave						Y
WQTV555	CF - Common Carrier Fixed Point to Point Microwave						Y
WQTV556	CF - Common Carrier Fixed Point to Point Microwave						Y
WQTV557	CF - Common Carrier Fixed Point to Point Microwave						Y
WQTV675	CF - Common Carrier Fixed Point to Point Microwave						Y
WQTV678	CF - Common Carrier Fixed Point to Point Microwave						Y
WQTV680	CF - Common Carrier Fixed Point to Point Microwave						Y
WQTV840	CF - Common Carrier Fixed Point to Point Microwave						Y
WQTV849	CF - Common Carrier Fixed Point to Point Microwave						Y

111) Call Sign	112) Radio Service Code	113) Location Number	114) Path Number (Microwave only)	115) Frequency Number	116) Lower or Center Frequency (MHz)	117) Upper Frequency (MHz)	118) Constructed Yes / No
WQTV853	CF - Common Carrier Fixed Point to Point Microwave						Y
WQTV854	CF - Common Carrier Fixed Point to Point Microwave						Y
WQTW229	CF - Common Carrier Fixed Point to Point Microwave						Y
WQTW878	CF - Common Carrier Fixed Point to Point Microwave						Y
WQTX479	CF - Common Carrier Fixed Point to Point Microwave						Y
WQTX486	CF - Common Carrier Fixed Point to Point Microwave						Y
WQTX487	CF - Common Carrier Fixed Point to Point Microwave						Y
WQTX498	CF - Common Carrier Fixed Point to Point Microwave						Y
WQTX561	CF - Common Carrier Fixed Point to Point Microwave						Y
WQTX562	CF - Common Carrier Fixed Point to Point Microwave						Y
WQTX563	CF - Common Carrier Fixed Point to Point Microwave						Y
WQTX564	CF - Common Carrier Fixed Point to Point Microwave						Y
WQTX566	CF - Common Carrier Fixed Point to Point Microwave						Y
WQTX695	CF - Common Carrier Fixed Point to Point Microwave						Y
WQTX696	CF - Common Carrier Fixed Point to Point Microwave						Y
WQTX698	CF - Common Carrier Fixed Point to Point Microwave						Y
WQTX699	CF - Common Carrier Fixed Point to Point Microwave						Y
WQTX708	CF - Common Carrier Fixed Point to Point Microwave						Y
WQTX709	CF - Common Carrier Fixed Point to Point Microwave						Y

111) Call Sign	112) Radio Service Code	113) Location Number	114) Path Number (Microwave only)	115) Frequency Number	116) Lower or Center Frequency (MHz)	117) Upper Frequency (MHz)	118) Constructed Yes / No
WQTX865	CF - Common Carrier Fixed Point to Point Microwave						Y
WQTX904	CF - Common Carrier Fixed Point to Point Microwave						Y
WQTX905	CF - Common Carrier Fixed Point to Point Microwave						Y
WQTX906	CF - Common Carrier Fixed Point to Point Microwave						Y
WQTX909	CF - Common Carrier Fixed Point to Point Microwave						Y
WQTX910	CF - Common Carrier Fixed Point to Point Microwave						Y
WQTY337	CF - Common Carrier Fixed Point to Point Microwave						Y
WQTY346	CF - Common Carrier Fixed Point to Point Microwave						Y
WQTY347	CF - Common Carrier Fixed Point to Point Microwave						Y
WQTY351	CF - Common Carrier Fixed Point to Point Microwave						Y
WQTY363	CF - Common Carrier Fixed Point to Point Microwave						Y
WQTY364	CF - Common Carrier Fixed Point to Point Microwave						Y
WQTY428	CF - Common Carrier Fixed Point to Point Microwave						Y
WQTY497	CF - Common Carrier Fixed Point to Point Microwave						Y
WQTY794	CF - Common Carrier Fixed Point to Point Microwave						Y
WQTY795	CF - Common Carrier Fixed Point to Point Microwave						Y
WQTY876	CF - Common Carrier Fixed Point to Point Microwave						Y
WQTZ332	CF - Common Carrier Fixed Point to Point Microwave						Y
WQTZ497	CF - Common Carrier Fixed Point to Point Microwave						Y

111) Call Sign	112) Radio Service Code	113) Location Number	114) Path Number (Microwave only)	115) Frequency Number	116) Lower or Center Frequency (MHz)	117) Upper Frequency (MHz)	118) Constructed Yes / No
WQTZ498	CF - Common Carrier Fixed Point to Point Microwave						Y
WQTZ499	CF - Common Carrier Fixed Point to Point Microwave						Y
WQTZ500	CF - Common Carrier Fixed Point to Point Microwave						Y
WQTZ501	CF - Common Carrier Fixed Point to Point Microwave						Y
WQTZ502	CF - Common Carrier Fixed Point to Point Microwave						Y
WQTZ503	CF - Common Carrier Fixed Point to Point Microwave						Y
WQTZ504	CF - Common Carrier Fixed Point to Point Microwave						Y
WQTZ505	CF - Common Carrier Fixed Point to Point Microwave						Y
WQTZ506	CF - Common Carrier Fixed Point to Point Microwave						Y
WQTZ509	CF - Common Carrier Fixed Point to Point Microwave						Y
WQTZ510	CF - Common Carrier Fixed Point to Point Microwave						Y
WQTZ511	CF - Common Carrier Fixed Point to Point Microwave						Y
WQTZ512	CF - Common Carrier Fixed Point to Point Microwave						Y
WQTZ513	CF - Common Carrier Fixed Point to Point Microwave						Y
WQTZ514	CF - Common Carrier Fixed Point to Point Microwave						Y
WQTZ515	CF - Common Carrier Fixed Point to Point Microwave						Y
WQTZ516	CF - Common Carrier Fixed Point to Point Microwave						Y
WQTZ517	CF - Common Carrier Fixed Point to Point Microwave						Y
WQTZ518	CF - Common Carrier Fixed Point to Point Microwave						Y

111) Call Sign	112) Radio Service Code	113) Location Number	114) Path Number (Microwave only)	115) Frequency Number	116) Lower or Center Frequency (MHz)	117) Upper Frequency (MHz)	118) Constructed Yes / No
WQTZ519	CF - Common Carrier Fixed Point to Point Microwave						Y
WQTZ520	CF - Common Carrier Fixed Point to Point Microwave						Y
WQTZ521	CF - Common Carrier Fixed Point to Point Microwave						Y
WQTZ522	CF - Common Carrier Fixed Point to Point Microwave						Y
WQTZ523	CF - Common Carrier Fixed Point to Point Microwave						Y
WQTZ524	CF - Common Carrier Fixed Point to Point Microwave						Y
WQTZ526	CF - Common Carrier Fixed Point to Point Microwave						Y
WQTZ527	CF - Common Carrier Fixed Point to Point Microwave						Y
WQTZ529	CF - Common Carrier Fixed Point to Point Microwave						Y
WQTZ530	CF - Common Carrier Fixed Point to Point Microwave						Y
WQTZ531	CF - Common Carrier Fixed Point to Point Microwave						Y
WQTZ532	CF - Common Carrier Fixed Point to Point Microwave						Y
WQTZ534	CF - Common Carrier Fixed Point to Point Microwave						Y
WQTZ537	CF - Common Carrier Fixed Point to Point Microwave						Y
WQTZ540	CF - Common Carrier Fixed Point to Point Microwave						Y
WQTZ541	CF - Common Carrier Fixed Point to Point Microwave						Y
WQTZ542	CF - Common Carrier Fixed Point to Point Microwave						Y
WQTZ980	CF - Common Carrier Fixed Point to Point Microwave						Y
WQUA263	CF - Common Carrier Fixed Point to Point Microwave						Y

111) Call Sign	112) Radio Service Code	113) Location Number	114) Path Number (Microwave only)	115) Frequency Number	116) Lower or Center Frequency (MHz)	117) Upper Frequency (MHz)	118) Constructed Yes / No
WQUA264	CF - Common Carrier Fixed Point to Point Microwave						Y
WQUA271	CF - Common Carrier Fixed Point to Point Microwave						Y
WQUA272	CF - Common Carrier Fixed Point to Point Microwave						Y
WQUA273	CF - Common Carrier Fixed Point to Point Microwave						Y
WQUA274	CF - Common Carrier Fixed Point to Point Microwave						Y
WQUA439	CF - Common Carrier Fixed Point to Point Microwave						Y
WQUA443	CF - Common Carrier Fixed Point to Point Microwave						Y
WQUA444	CF - Common Carrier Fixed Point to Point Microwave						Y
WQUA445	CF - Common Carrier Fixed Point to Point Microwave						Y
WQUA483	CF - Common Carrier Fixed Point to Point Microwave						Y
WQUA584	CF - Common Carrier Fixed Point to Point Microwave						Y
WQUA585	CF - Common Carrier Fixed Point to Point Microwave						Y
WQUA587	CF - Common Carrier Fixed Point to Point Microwave						Y
WQUA588	CF - Common Carrier Fixed Point to Point Microwave						Y
WQUA589	CF - Common Carrier Fixed Point to Point Microwave						Y
WQUA590	CF - Common Carrier Fixed Point to Point Microwave						Y
WQUA591	CF - Common Carrier Fixed Point to Point Microwave						Y
WQUA592	CF - Common Carrier Fixed Point to Point Microwave						Y
WQUA593	CF - Common Carrier Fixed Point to Point Microwave						Y

111) Call Sign	112) Radio Service Code	113) Location Number	114) Path Number (Microwave only)	115) Frequency Number	116) Lower or Center Frequency (MHz)	117) Upper Frequency (MHz)	118) Constructed Yes / No
WQUA684	CF - Common Carrier Fixed Point to Point Microwave						Y
WQUA689	CF - Common Carrier Fixed Point to Point Microwave						Y
WQUA703	CF - Common Carrier Fixed Point to Point Microwave						Y
WQUA704	CF - Common Carrier Fixed Point to Point Microwave						Y
WQUA705	CF - Common Carrier Fixed Point to Point Microwave						Y
WQUA709	CF - Common Carrier Fixed Point to Point Microwave						Y
WQUA710	CF - Common Carrier Fixed Point to Point Microwave						Y
WQUA711	CF - Common Carrier Fixed Point to Point Microwave						Y
WQUA712	CF - Common Carrier Fixed Point to Point Microwave						Y
WQUA846	CF - Common Carrier Fixed Point to Point Microwave						Y
WQUA860	CF - Common Carrier Fixed Point to Point Microwave						Y
WQUB278	CF - Common Carrier Fixed Point to Point Microwave						Y
WQUB279	CF - Common Carrier Fixed Point to Point Microwave						Y
WQUB280	CF - Common Carrier Fixed Point to Point Microwave						Y
WQUB283	CF - Common Carrier Fixed Point to Point Microwave						Y
WQUB285	CF - Common Carrier Fixed Point to Point Microwave						Y
WQUB308	CF - Common Carrier Fixed Point to Point Microwave						Y
WQUB310	CF - Common Carrier Fixed Point to Point Microwave						Y
WQUB311	CF - Common Carrier Fixed Point to Point Microwave						Y

111) Call Sign	112) Radio Service Code	113) Location Number	114) Path Number (Microwave only)	115) Frequency Number	116) Lower or Center Frequency (MHz)	117) Upper Frequency (MHz)	118) Constructed Yes / No
WQUB549	CF - Common Carrier Fixed Point to Point Microwave						Y
WQUB551	CF - Common Carrier Fixed Point to Point Microwave						Y
WQUB552	CF - Common Carrier Fixed Point to Point Microwave						Y
WQUB593	CF - Common Carrier Fixed Point to Point Microwave						Y
WQUB594	CF - Common Carrier Fixed Point to Point Microwave						Y
WQUB595	CF - Common Carrier Fixed Point to Point Microwave						Y
WQUB596	CF - Common Carrier Fixed Point to Point Microwave						Y
WQUB598	CF - Common Carrier Fixed Point to Point Microwave						Y
WQUB599	CF - Common Carrier Fixed Point to Point Microwave						Y
WQUB602	CF - Common Carrier Fixed Point to Point Microwave						Y
WQUB603	CF - Common Carrier Fixed Point to Point Microwave						Y
WQUB604	CF - Common Carrier Fixed Point to Point Microwave						Y
WQUB607	CF - Common Carrier Fixed Point to Point Microwave						Y
WQUB617	CF - Common Carrier Fixed Point to Point Microwave						Y
WQUB810	CF - Common Carrier Fixed Point to Point Microwave						Y
WQUB811	CF - Common Carrier Fixed Point to Point Microwave						Y
WQUB990	CF - Common Carrier Fixed Point to Point Microwave						Y
WQUC383	CF - Common Carrier Fixed Point to Point Microwave						Y
WQUC385	CF - Common Carrier Fixed Point to Point Microwave						Y

111) Call Sign	112) Radio Service Code	113) Location Number	114) Path Number (Microwave only)	115) Frequency Number	116) Lower or Center Frequency (MHz)	117) Upper Frequency (MHz)	118) Constructed Yes / No
WQUC555	CF - Common Carrier Fixed Point to Point Microwave						Y
WQUC563	CF - Common Carrier Fixed Point to Point Microwave						Y
WQUC566	CF - Common Carrier Fixed Point to Point Microwave						Y
WQUC567	CF - Common Carrier Fixed Point to Point Microwave						Y
WQUC569	CF - Common Carrier Fixed Point to Point Microwave						Y
WQUC570	CF - Common Carrier Fixed Point to Point Microwave						Y
WQUC642	CF - Common Carrier Fixed Point to Point Microwave						Y
WQUC653	CF - Common Carrier Fixed Point to Point Microwave						Y
WQUC655	CF - Common Carrier Fixed Point to Point Microwave						Y
WQUC659	CF - Common Carrier Fixed Point to Point Microwave						Y
WQUC660	CF - Common Carrier Fixed Point to Point Microwave						Y
WQUC664	CF - Common Carrier Fixed Point to Point Microwave						Y
WQUC665	CF - Common Carrier Fixed Point to Point Microwave						Y
WQUC680	CF - Common Carrier Fixed Point to Point Microwave						Y
WQUC684	CF - Common Carrier Fixed Point to Point Microwave						Y
WQUC723	CF - Common Carrier Fixed Point to Point Microwave						Y
WQUC724	CF - Common Carrier Fixed Point to Point Microwave						Y
WQUC760	CF - Common Carrier Fixed Point to Point Microwave						Y
WQUC761	CF - Common Carrier Fixed Point to Point Microwave						Y

111) Call Sign	112) Radio Service Code	113) Location Number	114) Path Number (Microwave only)	115) Frequency Number	116) Lower or Center Frequency (MHz)	117) Upper Frequency (MHz)	118) Constructed Yes / No
WQUC762	CF - Common Carrier Fixed Point to Point Microwave						Y
WQUC763	CF - Common Carrier Fixed Point to Point Microwave						Y
WQUC860	CF - Common Carrier Fixed Point to Point Microwave						Y
WQUC861	CF - Common Carrier Fixed Point to Point Microwave						Y
WQUC862	CF - Common Carrier Fixed Point to Point Microwave						Y
WQUC867	CF - Common Carrier Fixed Point to Point Microwave						Y
WQUC868	CF - Common Carrier Fixed Point to Point Microwave						Y
WQUC869	CF - Common Carrier Fixed Point to Point Microwave						Y
WQUC870	CF - Common Carrier Fixed Point to Point Microwave						Y
WQUC874	CF - Common Carrier Fixed Point to Point Microwave						Y
WQUC876	CF - Common Carrier Fixed Point to Point Microwave						Y
WQUC879	CF - Common Carrier Fixed Point to Point Microwave						Y
WQUC880	CF - Common Carrier Fixed Point to Point Microwave						Y
WQUD486	CF - Common Carrier Fixed Point to Point Microwave						Y
WQUD487	CF - Common Carrier Fixed Point to Point Microwave						Y
WQUD488	CF - Common Carrier Fixed Point to Point Microwave						Y
WQUD489	CF - Common Carrier Fixed Point to Point Microwave						Y
WQUD490	CF - Common Carrier Fixed Point to Point Microwave						Y
WQUD496	CF - Common Carrier Fixed Point to Point Microwave						Y

111) Call Sign	112) Radio Service Code	113) Location Number	114) Path Number (Microwave only)	115) Frequency Number	116) Lower or Center Frequency (MHz)	117) Upper Frequency (MHz)	118) Constructed Yes / No
WQUD497	CF - Common Carrier Fixed Point to Point Microwave						Y
WQUD498	CF - Common Carrier Fixed Point to Point Microwave						Y
WQUD499	CF - Common Carrier Fixed Point to Point Microwave						Y
WQUD500	CF - Common Carrier Fixed Point to Point Microwave						Y
WQUD501	CF - Common Carrier Fixed Point to Point Microwave						Y
WQUD502	CF - Common Carrier Fixed Point to Point Microwave						Y
WQUD515	CF - Common Carrier Fixed Point to Point Microwave						Y
WQUD516	CF - Common Carrier Fixed Point to Point Microwave						Y
WQUD522	CF - Common Carrier Fixed Point to Point Microwave						Y
WQUD523	CF - Common Carrier Fixed Point to Point Microwave						Y
WQUD524	CF - Common Carrier Fixed Point to Point Microwave						Y
WQUD525	CF - Common Carrier Fixed Point to Point Microwave						Y
WQUD526	CF - Common Carrier Fixed Point to Point Microwave						Y
WQUD527	CF - Common Carrier Fixed Point to Point Microwave						Y
WQUD528	CF - Common Carrier Fixed Point to Point Microwave						Y
WQUD529	CF - Common Carrier Fixed Point to Point Microwave						Y
WQUD530	CF - Common Carrier Fixed Point to Point Microwave						Y
WQUD532	CF - Common Carrier Fixed Point to Point Microwave						Y
WQUD535	CF - Common Carrier Fixed Point to Point Microwave						Y

111) Call Sign	112) Radio Service Code	113) Location Number	114) Path Number (Microwave only)	115) Frequency Number	116) Lower or Center Frequency (MHz)	117) Upper Frequency (MHz)	118) Constructed Yes / No
WQUD536	CF - Common Carrier Fixed Point to Point Microwave						Y
WQUD537	CF - Common Carrier Fixed Point to Point Microwave						Y
WQUD538	CF - Common Carrier Fixed Point to Point Microwave						Y
WQUD539	CF - Common Carrier Fixed Point to Point Microwave						Y
WQUD541	CF - Common Carrier Fixed Point to Point Microwave						Y
WQUD542	CF - Common Carrier Fixed Point to Point Microwave						Y
WQUD543	CF - Common Carrier Fixed Point to Point Microwave						Y
WQUD544	CF - Common Carrier Fixed Point to Point Microwave						Y
WQUD549	CF - Common Carrier Fixed Point to Point Microwave						Y
WQUD550	CF - Common Carrier Fixed Point to Point Microwave						Y
WQUD551	CF - Common Carrier Fixed Point to Point Microwave						Y
WQUD552	CF - Common Carrier Fixed Point to Point Microwave						Y
WQUD565	CF - Common Carrier Fixed Point to Point Microwave						Y
WQUD568	CF - Common Carrier Fixed Point to Point Microwave						Y
WQUE365	CF - Common Carrier Fixed Point to Point Microwave						Y
WQUE375	CF - Common Carrier Fixed Point to Point Microwave						Y
WQUE376	CF - Common Carrier Fixed Point to Point Microwave						Y
WQUE377	CF - Common Carrier Fixed Point to Point Microwave						Y
WQUE526	CF - Common Carrier Fixed Point to Point Microwave						Y

111) Call Sign	112) Radio Service Code	113) Location Number	114) Path Number (Microwave only)	115) Frequency Number	116) Lower or Center Frequency (MHz)	117) Upper Frequency (MHz)	118) Constructed Yes / No
WQUE527	CF - Common Carrier Fixed Point to Point Microwave						Y
WQUE528	CF - Common Carrier Fixed Point to Point Microwave						Y
WQUE529	CF - Common Carrier Fixed Point to Point Microwave						Y
WQUE531	CF - Common Carrier Fixed Point to Point Microwave						Y
WQUE536	CF - Common Carrier Fixed Point to Point Microwave						Y
WQUE537	CF - Common Carrier Fixed Point to Point Microwave						Y
WQUE542	CF - Common Carrier Fixed Point to Point Microwave						Y
WQUE543	CF - Common Carrier Fixed Point to Point Microwave						Y
WQUE544	CF - Common Carrier Fixed Point to Point Microwave						Y
WQUE552	CF - Common Carrier Fixed Point to Point Microwave						Y
WQUE553	CF - Common Carrier Fixed Point to Point Microwave						Y
WQUE554	CF - Common Carrier Fixed Point to Point Microwave						Y
WQUE555	CF - Common Carrier Fixed Point to Point Microwave						Y
WQUE556	CF - Common Carrier Fixed Point to Point Microwave						Y
WQUE557	CF - Common Carrier Fixed Point to Point Microwave						Y
WQUE558	CF - Common Carrier Fixed Point to Point Microwave						Y
WQUE574	CF - Common Carrier Fixed Point to Point Microwave						Y
WQUE596	CF - Common Carrier Fixed Point to Point Microwave						Y
WQUE598	CF - Common Carrier Fixed Point to Point Microwave						Y

111) Call Sign	112) Radio Service Code	113) Location Number	114) Path Number (Microwave only)	115) Frequency Number	116) Lower or Center Frequency (MHz)	117) Upper Frequency (MHz)	118) Constructed Yes / No
WQUE599	CF - Common Carrier Fixed Point to Point Microwave						Y
WQUE600	CF - Common Carrier Fixed Point to Point Microwave						Y
WQUE607	CF - Common Carrier Fixed Point to Point Microwave						Y
WQUE609	CF - Common Carrier Fixed Point to Point Microwave						Y
WQUE610	CF - Common Carrier Fixed Point to Point Microwave						Y
WQUE614	CF - Common Carrier Fixed Point to Point Microwave						Y
WQUE618	CF - Common Carrier Fixed Point to Point Microwave						Y
WQUE619	CF - Common Carrier Fixed Point to Point Microwave						Y
WQUE620	CF - Common Carrier Fixed Point to Point Microwave						Y
WQUE750	CF - Common Carrier Fixed Point to Point Microwave						Y
WQUE804	CF - Common Carrier Fixed Point to Point Microwave						Y
WQUE807	CF - Common Carrier Fixed Point to Point Microwave						Y
WQUE808	CF - Common Carrier Fixed Point to Point Microwave						Y
WQUE809	CF - Common Carrier Fixed Point to Point Microwave						Y
WQUE810	CF - Common Carrier Fixed Point to Point Microwave						Y
WQUE945	CF - Common Carrier Fixed Point to Point Microwave						Y
WQUE946	CF - Common Carrier Fixed Point to Point Microwave						Y
WQUF260	CF - Common Carrier Fixed Point to Point Microwave						Y
WQUF262	CF - Common Carrier Fixed Point to Point Microwave						Y

111) Call Sign	112) Radio Service Code	113) Location Number	114) Path Number (Microwave only)	115) Frequency Number	116) Lower or Center Frequency (MHz)	117) Upper Frequency (MHz)	118) Constructed Yes / No
WQUF303	CF - Common Carrier Fixed Point to Point Microwave						Y
WQUF380	CF - Common Carrier Fixed Point to Point Microwave						Y
WQUF413	CF - Common Carrier Fixed Point to Point Microwave						Y
WQUF430	CF - Common Carrier Fixed Point to Point Microwave						Y
WQUF437	CF - Common Carrier Fixed Point to Point Microwave						Y
WQUF451	CF - Common Carrier Fixed Point to Point Microwave						Y
WQUF452	CF - Common Carrier Fixed Point to Point Microwave						Y
WQUF453	CF - Common Carrier Fixed Point to Point Microwave						Y
WQUF454	CF - Common Carrier Fixed Point to Point Microwave						Y
WQUF463	CF - Common Carrier Fixed Point to Point Microwave						Y
WQUF465	CF - Common Carrier Fixed Point to Point Microwave						Y
WQUF466	CF - Common Carrier Fixed Point to Point Microwave						Y
WQUF467	CF - Common Carrier Fixed Point to Point Microwave						Y
WQUF485	CF - Common Carrier Fixed Point to Point Microwave						Y
WQUF486	CF - Common Carrier Fixed Point to Point Microwave						Y
WQUF488	CF - Common Carrier Fixed Point to Point Microwave						Y
WQUF490	CF - Common Carrier Fixed Point to Point Microwave						Y
WQUF550	CF - Common Carrier Fixed Point to Point Microwave						Y
WQUF567	CF - Common Carrier Fixed Point to Point Microwave						Y

111) Call Sign	112) Radio Service Code	113) Location Number	114) Path Number (Microwave only)	115) Frequency Number	116) Lower or Center Frequency (MHz)	117) Upper Frequency (MHz)	118) Constructed Yes / No
WQUF573	CF - Common Carrier Fixed Point to Point Microwave						Y
WQUF792	CF - Common Carrier Fixed Point to Point Microwave						Y
WQUF809	CF - Common Carrier Fixed Point to Point Microwave						Y
WQUF810	CF - Common Carrier Fixed Point to Point Microwave						Y
WQUF811	CF - Common Carrier Fixed Point to Point Microwave						Y
WQUF815	CF - Common Carrier Fixed Point to Point Microwave						Y
WQUF816	CF - Common Carrier Fixed Point to Point Microwave						Y
WQUF907	CF - Common Carrier Fixed Point to Point Microwave						Y
WQUF981	CF - Common Carrier Fixed Point to Point Microwave						Y
WQUF982	CF - Common Carrier Fixed Point to Point Microwave						Y
WQUG346	CF - Common Carrier Fixed Point to Point Microwave						Y
WQUG347	CF - Common Carrier Fixed Point to Point Microwave						Y
WQUG349	CF - Common Carrier Fixed Point to Point Microwave						Y
WQUG351	CF - Common Carrier Fixed Point to Point Microwave						Y
WQUG352	CF - Common Carrier Fixed Point to Point Microwave						Y
WQUG353	CF - Common Carrier Fixed Point to Point Microwave						Y
WQUG357	CF - Common Carrier Fixed Point to Point Microwave						Y
WQUG358	CF - Common Carrier Fixed Point to Point Microwave						Y
WQUG359	CF - Common Carrier Fixed Point to Point Microwave						Y

111) Call Sign	112) Radio Service Code	113) Location Number	114) Path Number (Microwave only)	115) Frequency Number	116) Lower or Center Frequency (MHz)	117) Upper Frequency (MHz)	118) Constructed Yes / No
WQUG361	CF - Common Carrier Fixed Point to Point Microwave						Y
WQUG362	CF - Common Carrier Fixed Point to Point Microwave						Y
WQUG396	CF - Common Carrier Fixed Point to Point Microwave						Y
WQUG398	CF - Common Carrier Fixed Point to Point Microwave						Y
WQUG399	CF - Common Carrier Fixed Point to Point Microwave						Y
WQUG400	CF - Common Carrier Fixed Point to Point Microwave						Y
WQUG401	CF - Common Carrier Fixed Point to Point Microwave						Y
WQUG402	CF - Common Carrier Fixed Point to Point Microwave						Y
WQUG406	CF - Common Carrier Fixed Point to Point Microwave						Y
WQUG407	CF - Common Carrier Fixed Point to Point Microwave						Y
WQUG408	CF - Common Carrier Fixed Point to Point Microwave						Y
WQUG410	CF - Common Carrier Fixed Point to Point Microwave						Y
WQUG412	CF - Common Carrier Fixed Point to Point Microwave						Y
WQUG413	CF - Common Carrier Fixed Point to Point Microwave						Y
WQUG414	CF - Common Carrier Fixed Point to Point Microwave						Y
WQUG415	CF - Common Carrier Fixed Point to Point Microwave						Y
WQUG416	CF - Common Carrier Fixed Point to Point Microwave						Y
WQUG417	CF - Common Carrier Fixed Point to Point Microwave						Y
WQUG526	CF - Common Carrier Fixed Point to Point Microwave						Y

111) Call Sign	112) Radio Service Code	113) Location Number	114) Path Number (Microwave only)	115) Frequency Number	116) Lower or Center Frequency (MHz)	117) Upper Frequency (MHz)	118) Constructed Yes / No
WQUG529	CF - Common Carrier Fixed Point to Point Microwave						Y
WQUG533	CF - Common Carrier Fixed Point to Point Microwave						Y
WQUG567	CF - Common Carrier Fixed Point to Point Microwave						Y
WQUG568	CF - Common Carrier Fixed Point to Point Microwave						Y
WQUG571	CF - Common Carrier Fixed Point to Point Microwave						Y
WQUG572	CF - Common Carrier Fixed Point to Point Microwave						Y
WQUG575	CF - Common Carrier Fixed Point to Point Microwave						Y
WQUG576	CF - Common Carrier Fixed Point to Point Microwave						Y
WQUG577	CF - Common Carrier Fixed Point to Point Microwave						Y
WQUG578	CF - Common Carrier Fixed Point to Point Microwave						Y
WQUG579	CF - Common Carrier Fixed Point to Point Microwave						Y
WQUG587	CF - Common Carrier Fixed Point to Point Microwave						Y
WQUG588	CF - Common Carrier Fixed Point to Point Microwave						Y
WQUG590	CF - Common Carrier Fixed Point to Point Microwave						Y
WQUG592	CF - Common Carrier Fixed Point to Point Microwave						Y
WQUG593	CF - Common Carrier Fixed Point to Point Microwave						Y
WQUG622	CF - Common Carrier Fixed Point to Point Microwave						Y
WQUG625	CF - Common Carrier Fixed Point to Point Microwave						Y
WQUG626	CF - Common Carrier Fixed Point to Point Microwave						Y

111) Call Sign	112) Radio Service Code	113) Location Number	114) Path Number (Microwave only)	115) Frequency Number	116) Lower or Center Frequency (MHz)	117) Upper Frequency (MHz)	118) Constructed Yes / No
WQUG627	CF - Common Carrier Fixed Point to Point Microwave						Y
WQUG630	CF - Common Carrier Fixed Point to Point Microwave						Y
WQUG631	CF - Common Carrier Fixed Point to Point Microwave						Y
WQUG633	CF - Common Carrier Fixed Point to Point Microwave						Y
WQUG636	CF - Common Carrier Fixed Point to Point Microwave						Y
WQUG638	CF - Common Carrier Fixed Point to Point Microwave						Y
WQUG642	CF - Common Carrier Fixed Point to Point Microwave						Y
WQUG643	CF - Common Carrier Fixed Point to Point Microwave						Y
WQUG644	CF - Common Carrier Fixed Point to Point Microwave						Y
WQUG648	CF - Common Carrier Fixed Point to Point Microwave						Y
WQUG651	CF - Common Carrier Fixed Point to Point Microwave						Y
WQUG652	CF - Common Carrier Fixed Point to Point Microwave						Y
WQUG653	CF - Common Carrier Fixed Point to Point Microwave						Y
WQUG748	CF - Common Carrier Fixed Point to Point Microwave						Y
WQUG749	CF - Common Carrier Fixed Point to Point Microwave						Y
WQUG962	CF - Common Carrier Fixed Point to Point Microwave						Y
WQUG963	CF - Common Carrier Fixed Point to Point Microwave						Y
WQUG964	CF - Common Carrier Fixed Point to Point Microwave						Y
WQUH301	CF - Common Carrier Fixed Point to Point Microwave						Y

111) Call Sign	112) Radio Service Code	113) Location Number	114) Path Number (Microwave only)	115) Frequency Number	116) Lower or Center Frequency (MHz)	117) Upper Frequency (MHz)	118) Constructed Yes / No
WQUH302	CF - Common Carrier Fixed Point to Point Microwave						Y
WQUH304	CF - Common Carrier Fixed Point to Point Microwave						Y
WQUH305	CF - Common Carrier Fixed Point to Point Microwave						Y
WQUH307	CF - Common Carrier Fixed Point to Point Microwave						Y
WQUH308	CF - Common Carrier Fixed Point to Point Microwave						Y
WQUH309	CF - Common Carrier Fixed Point to Point Microwave						Y
WQUH310	CF - Common Carrier Fixed Point to Point Microwave						Y
WQUH311	CF - Common Carrier Fixed Point to Point Microwave						Y
WQUH313	CF - Common Carrier Fixed Point to Point Microwave						Y
WQUH320	CF - Common Carrier Fixed Point to Point Microwave						Y
WQUH322	CF - Common Carrier Fixed Point to Point Microwave						Y
WQUH323	CF - Common Carrier Fixed Point to Point Microwave						Y
WQUH324	CF - Common Carrier Fixed Point to Point Microwave						Y
WQUH325	CF - Common Carrier Fixed Point to Point Microwave						Y
WQUH326	CF - Common Carrier Fixed Point to Point Microwave						Y
WQUH327	CF - Common Carrier Fixed Point to Point Microwave						Y
WQUH328	CF - Common Carrier Fixed Point to Point Microwave						Y
WQUH329	CF - Common Carrier Fixed Point to Point Microwave						Y
WQUH330	CF - Common Carrier Fixed Point to Point Microwave						Y

111) Call Sign	112) Radio Service Code	113) Location Number	114) Path Number (Microwave only)	115) Frequency Number	116) Lower or Center Frequency (MHz)	117) Upper Frequency (MHz)	118) Constructed Yes / No
WQUH331	CF - Common Carrier Fixed Point to Point Microwave						Y
WQUH336	CF - Common Carrier Fixed Point to Point Microwave						Y
WQUH337	CF - Common Carrier Fixed Point to Point Microwave						Y
WQUH340	CF - Common Carrier Fixed Point to Point Microwave						Y
WQUH341	CF - Common Carrier Fixed Point to Point Microwave						Y
WQUH494	CF - Common Carrier Fixed Point to Point Microwave						Y
WQUH495	CF - Common Carrier Fixed Point to Point Microwave						Y
WQUH496	CF - Common Carrier Fixed Point to Point Microwave						Y
WQUH613	CF - Common Carrier Fixed Point to Point Microwave						Y
WQUH681	CF - Common Carrier Fixed Point to Point Microwave						Y
WQUH682	CF - Common Carrier Fixed Point to Point Microwave						Y
WQUH685	CF - Common Carrier Fixed Point to Point Microwave						Y
WQUH688	CF - Common Carrier Fixed Point to Point Microwave						Y
WQUH883	CF - Common Carrier Fixed Point to Point Microwave						Y
WQUH889	CF - Common Carrier Fixed Point to Point Microwave						Y
WQUH893	CF - Common Carrier Fixed Point to Point Microwave						Y
WQUI222	CF - Common Carrier Fixed Point to Point Microwave						Y
WQUI223	CF - Common Carrier Fixed Point to Point Microwave						Y
WQUI224	CF - Common Carrier Fixed Point to Point Microwave						Y

111) Call Sign	112) Radio Service Code	113) Location Number	114) Path Number (Microwave only)	115) Frequency Number	116) Lower or Center Frequency (MHz)	117) Upper Frequency (MHz)	118) Constructed Yes / No
WQUI225	CF - Common Carrier Fixed Point to Point Microwave						Y
WQUI245	CF - Common Carrier Fixed Point to Point Microwave						Y
WQUI261	CF - Common Carrier Fixed Point to Point Microwave						Y
WQUI262	CF - Common Carrier Fixed Point to Point Microwave						Y
WQUI263	CF - Common Carrier Fixed Point to Point Microwave						Y
WQUI264	CF - Common Carrier Fixed Point to Point Microwave						Y
WQUI265	CF - Common Carrier Fixed Point to Point Microwave						Y
WQUI266	CF - Common Carrier Fixed Point to Point Microwave						Y
WQUI267	CF - Common Carrier Fixed Point to Point Microwave						Y
WQUI268	CF - Common Carrier Fixed Point to Point Microwave						Y
WQUI272	CF - Common Carrier Fixed Point to Point Microwave						Y
WQUI273	CF - Common Carrier Fixed Point to Point Microwave						Y
WQUI275	CF - Common Carrier Fixed Point to Point Microwave						Y
WQUI277	CF - Common Carrier Fixed Point to Point Microwave						Y
WQUI278	CF - Common Carrier Fixed Point to Point Microwave						Y
WQUI281	CF - Common Carrier Fixed Point to Point Microwave						Y
WQUI293	CF - Common Carrier Fixed Point to Point Microwave						Y
WQUI325	CF - Common Carrier Fixed Point to Point Microwave						Y
WQUI860	CF - Common Carrier Fixed Point to Point Microwave						Y

111) Call Sign	112) Radio Service Code	113) Location Number	114) Path Number (Microwave only)	115) Frequency Number	116) Lower or Center Frequency (MHz)	117) Upper Frequency (MHz)	118) Constructed Yes / No
WQUI861	CF - Common Carrier Fixed Point to Point Microwave						Y
WQUI962	CF - Common Carrier Fixed Point to Point Microwave						Y
WQUI967	CF - Common Carrier Fixed Point to Point Microwave						Y
WQUI990	CF - Common Carrier Fixed Point to Point Microwave						Y
WQUI991	CF - Common Carrier Fixed Point to Point Microwave						Y
WQUJ235	CF - Common Carrier Fixed Point to Point Microwave						Y
WQUJ236	CF - Common Carrier Fixed Point to Point Microwave						Y
WQUJ251	CF - Common Carrier Fixed Point to Point Microwave						Y
WQUJ252	CF - Common Carrier Fixed Point to Point Microwave						Y
WQUJ263	CF - Common Carrier Fixed Point to Point Microwave						Y
WQUJ264	CF - Common Carrier Fixed Point to Point Microwave						Y
WQUJ265	CF - Common Carrier Fixed Point to Point Microwave						Y
WQUJ347	CF - Common Carrier Fixed Point to Point Microwave						Y
WQUJ414	CF - Common Carrier Fixed Point to Point Microwave						Y
WQUJ705	CF - Common Carrier Fixed Point to Point Microwave						Y
WQUJ707	CF - Common Carrier Fixed Point to Point Microwave						Y
WQUJ708	CF - Common Carrier Fixed Point to Point Microwave						Y
WQUJ744	CF - Common Carrier Fixed Point to Point Microwave						Y
WQUJ746	CF - Common Carrier Fixed Point to Point Microwave						Y

111) Call Sign	112) Radio Service Code	113) Location Number	114) Path Number (Microwave only)	115) Frequency Number	116) Lower or Center Frequency (MHz)	117) Upper Frequency (MHz)	118) Constructed Yes / No
WQUJ747	CF - Common Carrier Fixed Point to Point Microwave						Y
WQUJ748	CF - Common Carrier Fixed Point to Point Microwave						Y
WQUJ749	CF - Common Carrier Fixed Point to Point Microwave						Y
WQUJ750	CF - Common Carrier Fixed Point to Point Microwave						Y
WQUJ845	CF - Common Carrier Fixed Point to Point Microwave						Y
WQUJ846	CF - Common Carrier Fixed Point to Point Microwave						Y
WQUJ847	CF - Common Carrier Fixed Point to Point Microwave						Y
WQUJ848	CF - Common Carrier Fixed Point to Point Microwave						Y
WQUJ849	CF - Common Carrier Fixed Point to Point Microwave						Y
WQUJ850	CF - Common Carrier Fixed Point to Point Microwave						Y
WQUJ859	CF - Common Carrier Fixed Point to Point Microwave						Y
WQUJ860	CF - Common Carrier Fixed Point to Point Microwave						Y
WQUJ861	CF - Common Carrier Fixed Point to Point Microwave						Y
WQUJ865	CF - Common Carrier Fixed Point to Point Microwave						Y
WQUJ866	CF - Common Carrier Fixed Point to Point Microwave						Y
WQUJ868	CF - Common Carrier Fixed Point to Point Microwave						Y
WQUJ869	CF - Common Carrier Fixed Point to Point Microwave						Y
WQUJ892	CF - Common Carrier Fixed Point to Point Microwave						Y
WQUJ893	CF - Common Carrier Fixed Point to Point Microwave						Y

111) Call Sign	112) Radio Service Code	113) Location Number	114) Path Number (Microwave only)	115) Frequency Number	116) Lower or Center Frequency (MHz)	117) Upper Frequency (MHz)	118) Constructed Yes / No
WQUK763	CF - Common Carrier Fixed Point to Point Microwave						Y
WQUK764	CF - Common Carrier Fixed Point to Point Microwave						Y
WQUK766	CF - Common Carrier Fixed Point to Point Microwave						Y
WQUK770	CF - Common Carrier Fixed Point to Point Microwave						Y
WQUK773	CF - Common Carrier Fixed Point to Point Microwave						Y
WQUK894	CF - Common Carrier Fixed Point to Point Microwave						Y
WQUK980	CF - Common Carrier Fixed Point to Point Microwave						Y
WQUL226	CF - Common Carrier Fixed Point to Point Microwave						Y
WQUL227	CF - Common Carrier Fixed Point to Point Microwave						Y
WQUL234	CF - Common Carrier Fixed Point to Point Microwave						Y
WQUL235	CF - Common Carrier Fixed Point to Point Microwave						Y
WQUL236	CF - Common Carrier Fixed Point to Point Microwave						Y
WQUL237	CF - Common Carrier Fixed Point to Point Microwave						Y
WQUL244	CF - Common Carrier Fixed Point to Point Microwave						Y
WQUL245	CF - Common Carrier Fixed Point to Point Microwave						Y
WQUL246	CF - Common Carrier Fixed Point to Point Microwave						Y
WQUL247	CF - Common Carrier Fixed Point to Point Microwave						Y
WQUL248	CF - Common Carrier Fixed Point to Point Microwave						Y
WQUL249	CF - Common Carrier Fixed Point to Point Microwave						Y

111) Call Sign	112) Radio Service Code	113) Location Number	114) Path Number (Microwave only)	115) Frequency Number	116) Lower or Center Frequency (MHz)	117) Upper Frequency (MHz)	118) Constructed Yes / No
WQUL263	CF - Common Carrier Fixed Point to Point Microwave						Y
WQUL339	CF - Common Carrier Fixed Point to Point Microwave						Y
WQUL343	CF - Common Carrier Fixed Point to Point Microwave						Y
WQUL346	CF - Common Carrier Fixed Point to Point Microwave						Y
WQUL348	CF - Common Carrier Fixed Point to Point Microwave						Y
WQUL350	CF - Common Carrier Fixed Point to Point Microwave						Y
WQUL351	CF - Common Carrier Fixed Point to Point Microwave						Y
WQUL354	CF - Common Carrier Fixed Point to Point Microwave						Y
WQUL358	CF - Common Carrier Fixed Point to Point Microwave						Y
WQUL359	CF - Common Carrier Fixed Point to Point Microwave						Y
WQUL373	CF - Common Carrier Fixed Point to Point Microwave						Y
WQUL385	CF - Common Carrier Fixed Point to Point Microwave						Y
WQUL410	CF - Common Carrier Fixed Point to Point Microwave						Y
WQUL561	CF - Common Carrier Fixed Point to Point Microwave						Y
WQUL562	CF - Common Carrier Fixed Point to Point Microwave						Y
WQUL589	CF - Common Carrier Fixed Point to Point Microwave						Y
WQUL855	CF - Common Carrier Fixed Point to Point Microwave						Y
WQUL856	CF - Common Carrier Fixed Point to Point Microwave						Y
WQUL858	CF - Common Carrier Fixed Point to Point Microwave						Y

111) Call Sign	112) Radio Service Code	113) Location Number	114) Path Number (Microwave only)	115) Frequency Number	116) Lower or Center Frequency (MHz)	117) Upper Frequency (MHz)	118) Constructed Yes / No
WQUL860	CF - Common Carrier Fixed Point to Point Microwave						Y
WQUL861	CF - Common Carrier Fixed Point to Point Microwave						Y
WQUL875	CF - Common Carrier Fixed Point to Point Microwave						Y
WQUL935	CF - Common Carrier Fixed Point to Point Microwave						Y
WQUL938	CF - Common Carrier Fixed Point to Point Microwave						Y
WQUL939	CF - Common Carrier Fixed Point to Point Microwave						Y
WQUL944	CF - Common Carrier Fixed Point to Point Microwave						Y
WQUL946	CF - Common Carrier Fixed Point to Point Microwave						Y
WQUM418	CF - Common Carrier Fixed Point to Point Microwave						Y
WQUM419	CF - Common Carrier Fixed Point to Point Microwave						Y
WQUM422	CF - Common Carrier Fixed Point to Point Microwave						Y
WQUM423	CF - Common Carrier Fixed Point to Point Microwave						Y
WQUM503	CF - Common Carrier Fixed Point to Point Microwave						Y
WQUM512	CF - Common Carrier Fixed Point to Point Microwave						Y
WQUM515	CF - Common Carrier Fixed Point to Point Microwave						Y
WQUM516	CF - Common Carrier Fixed Point to Point Microwave						Y
WQUM610	CF - Common Carrier Fixed Point to Point Microwave						Y
WQUM611	CF - Common Carrier Fixed Point to Point Microwave						Y
WQUM612	CF - Common Carrier Fixed Point to Point Microwave						Y

111) Call Sign	112) Radio Service Code	113) Location Number	114) Path Number (Microwave only)	115) Frequency Number	116) Lower or Center Frequency (MHz)	117) Upper Frequency (MHz)	118) Constructed Yes / No
WQUM614	CF - Common Carrier Fixed Point to Point Microwave						Y
WQUM615	CF - Common Carrier Fixed Point to Point Microwave						Y
WQUM617	CF - Common Carrier Fixed Point to Point Microwave						Y
WQUM618	CF - Common Carrier Fixed Point to Point Microwave						Y
WQUM619	CF - Common Carrier Fixed Point to Point Microwave						Y
WQUM804	CF - Common Carrier Fixed Point to Point Microwave						Y
WQUM805	CF - Common Carrier Fixed Point to Point Microwave						Y
WQUM820	CF - Common Carrier Fixed Point to Point Microwave						Y
WQUM822	CF - Common Carrier Fixed Point to Point Microwave						Y
WQUM827	CF - Common Carrier Fixed Point to Point Microwave						Y
WQUM828	CF - Common Carrier Fixed Point to Point Microwave						Y
WQUM830	CF - Common Carrier Fixed Point to Point Microwave						Y
WQUM850	CF - Common Carrier Fixed Point to Point Microwave						Y
WQUM852	CF - Common Carrier Fixed Point to Point Microwave						Y
WQUN205	CF - Common Carrier Fixed Point to Point Microwave						Y
WQUN206	CF - Common Carrier Fixed Point to Point Microwave						Y
WQUN207	CF - Common Carrier Fixed Point to Point Microwave						Y
WQUN208	CF - Common Carrier Fixed Point to Point Microwave						Y
WQUN209	CF - Common Carrier Fixed Point to Point Microwave						Y

111) Call Sign	112) Radio Service Code	113) Location Number	114) Path Number (Microwave only)	115) Frequency Number	116) Lower or Center Frequency (MHz)	117) Upper Frequency (MHz)	118) Constructed Yes / No
WQUN210	CF - Common Carrier Fixed Point to Point Microwave						Y
WQUN299	CF - Common Carrier Fixed Point to Point Microwave						Y
WQUN300	CF - Common Carrier Fixed Point to Point Microwave						Y
WQUN369	CF - Common Carrier Fixed Point to Point Microwave						Y
WQUN370	CF - Common Carrier Fixed Point to Point Microwave						Y
WQUN371	CF - Common Carrier Fixed Point to Point Microwave						Y
WQUN372	CF - Common Carrier Fixed Point to Point Microwave						Y
WQUN374	CF - Common Carrier Fixed Point to Point Microwave						Y
WQUN376	CF - Common Carrier Fixed Point to Point Microwave						Y
WQUN379	CF - Common Carrier Fixed Point to Point Microwave						Y
WQUN380	CF - Common Carrier Fixed Point to Point Microwave						Y
WQUN383	CF - Common Carrier Fixed Point to Point Microwave						Y
WQUN384	CF - Common Carrier Fixed Point to Point Microwave						Y
WQUN458	CF - Common Carrier Fixed Point to Point Microwave						Y
WQUN467	CF - Common Carrier Fixed Point to Point Microwave						Y
WQUN469	CF - Common Carrier Fixed Point to Point Microwave						Y
WQUN471	CF - Common Carrier Fixed Point to Point Microwave						Y
WQUN475	CF - Common Carrier Fixed Point to Point Microwave						Y
WQUN487	CF - Common Carrier Fixed Point to Point Microwave						Y

111) Call Sign	112) Radio Service Code	113) Location Number	114) Path Number (Microwave only)	115) Frequency Number	116) Lower or Center Frequency (MHz)	117) Upper Frequency (MHz)	118) Constructed Yes / No
WQUN512	CF - Common Carrier Fixed Point to Point Microwave						Y
WQUN514	CF - Common Carrier Fixed Point to Point Microwave						Y
WQUN515	CF - Common Carrier Fixed Point to Point Microwave						Y
WQUN518	CF - Common Carrier Fixed Point to Point Microwave						Y
WQUN521	CF - Common Carrier Fixed Point to Point Microwave						Y
WQUN524	CF - Common Carrier Fixed Point to Point Microwave						Y
WQUN587	CF - Common Carrier Fixed Point to Point Microwave						Y
WQUN601	CF - Common Carrier Fixed Point to Point Microwave						Y
WQUN602	CF - Common Carrier Fixed Point to Point Microwave						Y
WQUN603	CF - Common Carrier Fixed Point to Point Microwave						Y
WQUN604	CF - Common Carrier Fixed Point to Point Microwave						Y
WQUN605	CF - Common Carrier Fixed Point to Point Microwave						Y
WQUN606	CF - Common Carrier Fixed Point to Point Microwave						Y
WQUN607	CF - Common Carrier Fixed Point to Point Microwave						Y
WQUN608	CF - Common Carrier Fixed Point to Point Microwave						Y
WQUN611	CF - Common Carrier Fixed Point to Point Microwave						Y
WQUN612	CF - Common Carrier Fixed Point to Point Microwave						Y
WQUN633	CF - Common Carrier Fixed Point to Point Microwave						Y
WQUN651	CF - Common Carrier Fixed Point to Point Microwave						Y

111) Call Sign	112) Radio Service Code	113) Location Number	114) Path Number (Microwave only)	115) Frequency Number	116) Lower or Center Frequency (MHz)	117) Upper Frequency (MHz)	118) Constructed Yes / No
WQUN669	CF - Common Carrier Fixed Point to Point Microwave						Y
WQUN678	CF - Common Carrier Fixed Point to Point Microwave						Y
WQUN689	CF - Common Carrier Fixed Point to Point Microwave						Y
WQUP209	CF - Common Carrier Fixed Point to Point Microwave						Y
WQUP245	CF - Common Carrier Fixed Point to Point Microwave						Y
WQUP246	CF - Common Carrier Fixed Point to Point Microwave						Y
WQUP249	CF - Common Carrier Fixed Point to Point Microwave						Y
WQUP251	CF - Common Carrier Fixed Point to Point Microwave						Y
WQUP253	CF - Common Carrier Fixed Point to Point Microwave						Y
WQUP254	CF - Common Carrier Fixed Point to Point Microwave						Y
WQUP257	CF - Common Carrier Fixed Point to Point Microwave						Y
WQUP258	CF - Common Carrier Fixed Point to Point Microwave						Y
WQUP260	CF - Common Carrier Fixed Point to Point Microwave						Y
WQUP271	CF - Common Carrier Fixed Point to Point Microwave						Y
WQUP272	CF - Common Carrier Fixed Point to Point Microwave						Y
WQUP284	CF - Common Carrier Fixed Point to Point Microwave						Y
WQUP285	CF - Common Carrier Fixed Point to Point Microwave						Y
WQUP286	CF - Common Carrier Fixed Point to Point Microwave						Y
WQUP287	CF - Common Carrier Fixed Point to Point Microwave						Y

111) Call Sign	112) Radio Service Code	113) Location Number	114) Path Number (Microwave only)	115) Frequency Number	116) Lower or Center Frequency (MHz)	117) Upper Frequency (MHz)	118) Constructed Yes / No
WQUP288	CF - Common Carrier Fixed Point to Point Microwave						Y
WQUP289	CF - Common Carrier Fixed Point to Point Microwave						Y
WQUP290	CF - Common Carrier Fixed Point to Point Microwave						Y
WQUP291	CF - Common Carrier Fixed Point to Point Microwave						Y
WQUP344	CF - Common Carrier Fixed Point to Point Microwave						Y
WQUP357	CF - Common Carrier Fixed Point to Point Microwave						Y
WQUP376	CF - Common Carrier Fixed Point to Point Microwave						Y
WQUP377	CF - Common Carrier Fixed Point to Point Microwave						Y
WQUP380	CF - Common Carrier Fixed Point to Point Microwave						Y
WQUP381	CF - Common Carrier Fixed Point to Point Microwave						Y
WQUP382	CF - Common Carrier Fixed Point to Point Microwave						Y
WQUP454	CF - Common Carrier Fixed Point to Point Microwave						Y
WQUP495	CF - Common Carrier Fixed Point to Point Microwave						Y
WQUP496	CF - Common Carrier Fixed Point to Point Microwave						Y
WQUP500	CF - Common Carrier Fixed Point to Point Microwave						Y
WQUP504	CF - Common Carrier Fixed Point to Point Microwave						Y
WQUP505	CF - Common Carrier Fixed Point to Point Microwave						Y
WQUP508	CF - Common Carrier Fixed Point to Point Microwave						Y
WQUP509	CF - Common Carrier Fixed Point to Point Microwave						Y

111) Call Sign	112) Radio Service Code	113) Location Number	114) Path Number (Microwave only)	115) Frequency Number	116) Lower or Center Frequency (MHz)	117) Upper Frequency (MHz)	118) Constructed Yes / No
WQUP531	CF - Common Carrier Fixed Point to Point Microwave						Y
WQUP535	CF - Common Carrier Fixed Point to Point Microwave						Y
WQUP536	CF - Common Carrier Fixed Point to Point Microwave						Y
WQUP547	CF - Common Carrier Fixed Point to Point Microwave						Y
WQUP561	CF - Common Carrier Fixed Point to Point Microwave						Y
WQUP566	CF - Common Carrier Fixed Point to Point Microwave						Y
WQUP777	CF - Common Carrier Fixed Point to Point Microwave						Y
WQUP782	CF - Common Carrier Fixed Point to Point Microwave						Y
WQUP784	CF - Common Carrier Fixed Point to Point Microwave						Y
WQUP787	CF - Common Carrier Fixed Point to Point Microwave						Y
WQUP788	CF - Common Carrier Fixed Point to Point Microwave						Y
WQUP991	CF - Common Carrier Fixed Point to Point Microwave						Y
WQUP993	CF - Common Carrier Fixed Point to Point Microwave						Y
WQUP994	CF - Common Carrier Fixed Point to Point Microwave						Y
WQUP996	CF - Common Carrier Fixed Point to Point Microwave						Y
WQUP999	CF - Common Carrier Fixed Point to Point Microwave						Y
WQUQ200	CF - Common Carrier Fixed Point to Point Microwave						Y
WQUQ202	CF - Common Carrier Fixed Point to Point Microwave						Y
WQUQ203	CF - Common Carrier Fixed Point to Point Microwave						Y

111) Call Sign	112) Radio Service Code	113) Location Number	114) Path Number (Microwave only)	115) Frequency Number	116) Lower or Center Frequency (MHz)	117) Upper Frequency (MHz)	118) Constructed Yes / No
WQUQ205	CF - Common Carrier Fixed Point to Point Microwave						Y
WQUQ264	CF - Common Carrier Fixed Point to Point Microwave						Y
WQUQ265	CF - Common Carrier Fixed Point to Point Microwave						Y
WQUQ266	CF - Common Carrier Fixed Point to Point Microwave						Y
WQUQ267	CF - Common Carrier Fixed Point to Point Microwave						Y
WQUQ268	CF - Common Carrier Fixed Point to Point Microwave						Y
WQUQ273	CF - Common Carrier Fixed Point to Point Microwave						Y
WQUQ274	CF - Common Carrier Fixed Point to Point Microwave						Y
WQUQ275	CF - Common Carrier Fixed Point to Point Microwave						Y
WQUQ276	CF - Common Carrier Fixed Point to Point Microwave						Y
WQUQ280	CF - Common Carrier Fixed Point to Point Microwave						Y
WQUQ282	CF - Common Carrier Fixed Point to Point Microwave						Y
WQUQ284	CF - Common Carrier Fixed Point to Point Microwave						Y
WQUQ285	CF - Common Carrier Fixed Point to Point Microwave						Y
WQUQ288	CF - Common Carrier Fixed Point to Point Microwave						Y
WQUQ635	CF - Common Carrier Fixed Point to Point Microwave						Y
WQUQ644	CF - Common Carrier Fixed Point to Point Microwave						Y
WQUQ645	CF - Common Carrier Fixed Point to Point Microwave						Y
WQUQ885	CF - Common Carrier Fixed Point to Point Microwave						Y

111) Call Sign	112) Radio Service Code	113) Location Number	114) Path Number (Microwave only)	115) Frequency Number	116) Lower or Center Frequency (MHz)	117) Upper Frequency (MHz)	118) Constructed Yes / No
WQUQ938	CF - Common Carrier Fixed Point to Point Microwave						Y
WQUR208	CF - Common Carrier Fixed Point to Point Microwave						Y
WQUR210	CF - Common Carrier Fixed Point to Point Microwave						Y
WQUR215	CF - Common Carrier Fixed Point to Point Microwave						Y
WQUR216	CF - Common Carrier Fixed Point to Point Microwave						Y
WQUR256	CF - Common Carrier Fixed Point to Point Microwave						Y
WQUR258	CF - Common Carrier Fixed Point to Point Microwave						Y
WQUR259	CF - Common Carrier Fixed Point to Point Microwave						Y
WQUR314	CF - Common Carrier Fixed Point to Point Microwave						Y
WQUR315	CF - Common Carrier Fixed Point to Point Microwave						Y
WQUR316	CF - Common Carrier Fixed Point to Point Microwave						Y
WQUR317	CF - Common Carrier Fixed Point to Point Microwave						Y
WQUR318	CF - Common Carrier Fixed Point to Point Microwave						Y
WQUR351	CF - Common Carrier Fixed Point to Point Microwave						Y
WQUR352	CF - Common Carrier Fixed Point to Point Microwave						Y
WQUR357	CF - Common Carrier Fixed Point to Point Microwave						Y
WQUR358	CF - Common Carrier Fixed Point to Point Microwave						Y
WQUR364	CF - Common Carrier Fixed Point to Point Microwave						Y
WQUR367	CF - Common Carrier Fixed Point to Point Microwave						Y

111) Call Sign	112) Radio Service Code	113) Location Number	114) Path Number (Microwave only)	115) Frequency Number	116) Lower or Center Frequency (MHz)	117) Upper Frequency (MHz)	118) Constructed Yes / No
WQUR383	CF - Common Carrier Fixed Point to Point Microwave						Y
WQUR384	CF - Common Carrier Fixed Point to Point Microwave						Y
WQUR422	CF - Common Carrier Fixed Point to Point Microwave						Y
WQUR423	CF - Common Carrier Fixed Point to Point Microwave						Y
WQUR667	CF - Common Carrier Fixed Point to Point Microwave						Y
WQUR669	CF - Common Carrier Fixed Point to Point Microwave						Y
WQUR670	CF - Common Carrier Fixed Point to Point Microwave						Y
WQUR675	CF - Common Carrier Fixed Point to Point Microwave						Y
WQUR705	CF - Common Carrier Fixed Point to Point Microwave						Y
WQUR706	CF - Common Carrier Fixed Point to Point Microwave						Y
WQUR707	CF - Common Carrier Fixed Point to Point Microwave						Y
WQUR708	CF - Common Carrier Fixed Point to Point Microwave						Y
WQUR709	CF - Common Carrier Fixed Point to Point Microwave						Y
WQUR710	CF - Common Carrier Fixed Point to Point Microwave						Y
WQUR720	CF - Common Carrier Fixed Point to Point Microwave						Y
WQUR819	CF - Common Carrier Fixed Point to Point Microwave						Y
WQUR820	CF - Common Carrier Fixed Point to Point Microwave						Y
WQUR822	CF - Common Carrier Fixed Point to Point Microwave						Y
WQUR824	CF - Common Carrier Fixed Point to Point Microwave						Y

111) Call Sign	112) Radio Service Code	113) Location Number	114) Path Number (Microwave only)	115) Frequency Number	116) Lower or Center Frequency (MHz)	117) Upper Frequency (MHz)	118) Constructed Yes / No
WQUR825	CF - Common Carrier Fixed Point to Point Microwave						Y
WQUR826	CF - Common Carrier Fixed Point to Point Microwave						Y
WQUR827	CF - Common Carrier Fixed Point to Point Microwave						Y
WQUR917	CF - Common Carrier Fixed Point to Point Microwave						Y
WQUR946	CF - Common Carrier Fixed Point to Point Microwave						Y
WQUS326	CF - Common Carrier Fixed Point to Point Microwave						Y
WQUS332	CF - Common Carrier Fixed Point to Point Microwave						Y
WQUS611	CF - Common Carrier Fixed Point to Point Microwave						Y
WQUS613	CF - Common Carrier Fixed Point to Point Microwave						Y
WQUS614	CF - Common Carrier Fixed Point to Point Microwave						Y
WQUS615	CF - Common Carrier Fixed Point to Point Microwave						Y
WQUS621	CF - Common Carrier Fixed Point to Point Microwave						Y
WQUS623	CF - Common Carrier Fixed Point to Point Microwave						Y
WQUS711	CF - Common Carrier Fixed Point to Point Microwave						Y
WQUS714	CF - Common Carrier Fixed Point to Point Microwave						Y
WQUS742	CF - Common Carrier Fixed Point to Point Microwave						Y
WQUS745	CF - Common Carrier Fixed Point to Point Microwave						Y
WQUS746	CF - Common Carrier Fixed Point to Point Microwave						Y
WQUS751	CF - Common Carrier Fixed Point to Point Microwave						Y

111) Call Sign	112) Radio Service Code	113) Location Number	114) Path Number (Microwave only)	115) Frequency Number	116) Lower or Center Frequency (MHz)	117) Upper Frequency (MHz)	118) Constructed Yes / No
WQUS755	CF - Common Carrier Fixed Point to Point Microwave						Y
WQUS756	CF - Common Carrier Fixed Point to Point Microwave						Y
WQUS993	CF - Common Carrier Fixed Point to Point Microwave						Y
WQUS994	CF - Common Carrier Fixed Point to Point Microwave						Y
WQUS995	CF - Common Carrier Fixed Point to Point Microwave						Y
WQUS996	CF - Common Carrier Fixed Point to Point Microwave						Y
WQUT441	CF - Common Carrier Fixed Point to Point Microwave						Y
WQUT445	CF - Common Carrier Fixed Point to Point Microwave						Y
WQUT446	CF - Common Carrier Fixed Point to Point Microwave						Y
WQUT541	CF - Common Carrier Fixed Point to Point Microwave						Y
WQUT679	CF - Common Carrier Fixed Point to Point Microwave						Y
WQUT682	CF - Common Carrier Fixed Point to Point Microwave						Y
WQUT771	CF - Common Carrier Fixed Point to Point Microwave						Y
WQUT772	CF - Common Carrier Fixed Point to Point Microwave						Y
WQUT906	CF - Common Carrier Fixed Point to Point Microwave						Y
WQUU777	CF - Common Carrier Fixed Point to Point Microwave						Y
WQUU795	CF - Common Carrier Fixed Point to Point Microwave						Y
WQUU796	CF - Common Carrier Fixed Point to Point Microwave						Y
WQUU799	CF - Common Carrier Fixed Point to Point Microwave						Y

111) Call Sign	112) Radio Service Code	113) Location Number	114) Path Number (Microwave only)	115) Frequency Number	116) Lower or Center Frequency (MHz)	117) Upper Frequency (MHz)	118) Constructed Yes / No
WQUU800	CF - Common Carrier Fixed Point to Point Microwave						Y
WQUU801	CF - Common Carrier Fixed Point to Point Microwave						Y
WQUU812	CF - Common Carrier Fixed Point to Point Microwave						Y
WQUU814	CF - Common Carrier Fixed Point to Point Microwave						Y
WQUU816	CF - Common Carrier Fixed Point to Point Microwave						Y
WQUU817	CF - Common Carrier Fixed Point to Point Microwave						Y
WQUU818	CF - Common Carrier Fixed Point to Point Microwave						Y
WQUU879	CF - Common Carrier Fixed Point to Point Microwave						Y
WQUU926	CF - Common Carrier Fixed Point to Point Microwave						Y
WQUU927	CF - Common Carrier Fixed Point to Point Microwave						Y
WQUV557	CF - Common Carrier Fixed Point to Point Microwave						Y
WQUV558	CF - Common Carrier Fixed Point to Point Microwave						Y
WQUV685	CF - Common Carrier Fixed Point to Point Microwave						Y
WQUV942	CF - Common Carrier Fixed Point to Point Microwave						Y
WQUV972	CF - Common Carrier Fixed Point to Point Microwave						Y
WQUV973	CF - Common Carrier Fixed Point to Point Microwave						Y
WQUV974	CF - Common Carrier Fixed Point to Point Microwave						Y
WQUV975	CF - Common Carrier Fixed Point to Point Microwave						Y
WQUV976	CF - Common Carrier Fixed Point to Point Microwave						Y

111) Call Sign	112) Radio Service Code	113) Location Number	114) Path Number (Microwave only)	115) Frequency Number	116) Lower or Center Frequency (MHz)	117) Upper Frequency (MHz)	118) Constructed Yes / No
WQUV977	CF - Common Carrier Fixed Point to Point Microwave						Y
WQUV980	CF - Common Carrier Fixed Point to Point Microwave						Y
WQUV986	CF - Common Carrier Fixed Point to Point Microwave						Y
WQUV990	CF - Common Carrier Fixed Point to Point Microwave						Y
WQUW827	CF - Common Carrier Fixed Point to Point Microwave						Y
WQUW828	CF - Common Carrier Fixed Point to Point Microwave						Y
WQUW860	CF - Common Carrier Fixed Point to Point Microwave						Y
WQUX200	CF - Common Carrier Fixed Point to Point Microwave						Y
WQUX354	CF - Common Carrier Fixed Point to Point Microwave						Y
WQUX364	CF - Common Carrier Fixed Point to Point Microwave						Y
WQUX365	CF - Common Carrier Fixed Point to Point Microwave						Y
WQUX553	CF - Common Carrier Fixed Point to Point Microwave						Y
WQUX554	CF - Common Carrier Fixed Point to Point Microwave						Y
WQUX913	CF - Common Carrier Fixed Point to Point Microwave						Y
WQUY460	CF - Common Carrier Fixed Point to Point Microwave						Y
WQUY474	CF - Common Carrier Fixed Point to Point Microwave						Y
WQUY517	CF - Common Carrier Fixed Point to Point Microwave						Y
WQUY520	CF - Common Carrier Fixed Point to Point Microwave						Y
WQUY637	CF - Common Carrier Fixed Point to Point Microwave						Y

111) Call Sign	112) Radio Service Code	113) Location Number	114) Path Number (Microwave only)	115) Frequency Number	116) Lower or Center Frequency (MHz)	117) Upper Frequency (MHz)	118) Constructed Yes / No
WQUY732	CF - Common Carrier Fixed Point to Point Microwave						Y
WQUZ412	CF - Common Carrier Fixed Point to Point Microwave						Y
WQUZ413	CF - Common Carrier Fixed Point to Point Microwave						Y
WQUZ416	CF - Common Carrier Fixed Point to Point Microwave						Y
WQUZ704	CF - Common Carrier Fixed Point to Point Microwave						Y
WQVB563	CF - Common Carrier Fixed Point to Point Microwave						Y
WQVC349	CF - Common Carrier Fixed Point to Point Microwave						Y
WQVC350	CF - Common Carrier Fixed Point to Point Microwave						Y
WQVC351	CF - Common Carrier Fixed Point to Point Microwave						Y
WQVC352	CF - Common Carrier Fixed Point to Point Microwave						Y
WQVC532	CF - Common Carrier Fixed Point to Point Microwave						Y
WQVC533	CF - Common Carrier Fixed Point to Point Microwave						Y
WQVC563	CF - Common Carrier Fixed Point to Point Microwave						Y
WQVC564	CF - Common Carrier Fixed Point to Point Microwave						Y
WQVC566	CF - Common Carrier Fixed Point to Point Microwave						Y
WQVC891	CF - Common Carrier Fixed Point to Point Microwave						Y
WQVD531	CF - Common Carrier Fixed Point to Point Microwave						Y
WQVD542	CF - Common Carrier Fixed Point to Point Microwave						Y
WQVD616	CF - Common Carrier Fixed Point to Point Microwave						Y

111) Call Sign	112) Radio Service Code	113) Location Number	114) Path Number (Microwave only)	115) Frequency Number	116) Lower or Center Frequency (MHz)	117) Upper Frequency (MHz)	118) Constructed Yes / No
WQVD617	CF - Common Carrier Fixed Point to Point Microwave						Y
WQVD621	CF - Common Carrier Fixed Point to Point Microwave						Y
WQVD622	CF - Common Carrier Fixed Point to Point Microwave						Y
WQVD633	CF - Common Carrier Fixed Point to Point Microwave						Y
WQVD698	CF - Common Carrier Fixed Point to Point Microwave						Y
WQVD699	CF - Common Carrier Fixed Point to Point Microwave						Y
WQVD720	CF - Common Carrier Fixed Point to Point Microwave						Y
WQVD721	CF - Common Carrier Fixed Point to Point Microwave						Y
WQVD745	CF - Common Carrier Fixed Point to Point Microwave						Y
WQVE984	CF - Common Carrier Fixed Point to Point Microwave						Y
WQVF540	CF - Common Carrier Fixed Point to Point Microwave						Y
WQVF572	CF - Common Carrier Fixed Point to Point Microwave						Y
WQVF573	CF - Common Carrier Fixed Point to Point Microwave						Y
WQVF575	CF - Common Carrier Fixed Point to Point Microwave						Y
WQVF584	CF - Common Carrier Fixed Point to Point Microwave						Y
WQVF585	CF - Common Carrier Fixed Point to Point Microwave						Y
WQVF730	CF - Common Carrier Fixed Point to Point Microwave						Y
WQVF893	CF - Common Carrier Fixed Point to Point Microwave						Y
WQVH286	CF - Common Carrier Fixed Point to Point Microwave						Y

111) Call Sign	112) Radio Service Code	113) Location Number	114) Path Number (Microwave only)	115) Frequency Number	116) Lower or Center Frequency (MHz)	117) Upper Frequency (MHz)	118) Constructed Yes / No
WQVH287	CF - Common Carrier Fixed Point to Point Microwave						Y
WQVH300	CF - Common Carrier Fixed Point to Point Microwave						Y
WQVH383	CF - Common Carrier Fixed Point to Point Microwave						Y
WQVH487	CF - Common Carrier Fixed Point to Point Microwave						Y
WQVH653	CF - Common Carrier Fixed Point to Point Microwave						Y
WQVI512	CF - Common Carrier Fixed Point to Point Microwave						Y
WQVI513	CF - Common Carrier Fixed Point to Point Microwave						Y
WQVI514	CF - Common Carrier Fixed Point to Point Microwave						Y
WQVI681	CF - Common Carrier Fixed Point to Point Microwave						Y
WQVJ814	CF - Common Carrier Fixed Point to Point Microwave						Y
WQVK548	CF - Common Carrier Fixed Point to Point Microwave						Y
WQVK558	CF - Common Carrier Fixed Point to Point Microwave						Y
WQVK559	CF - Common Carrier Fixed Point to Point Microwave						Y
WQVK685	CF - Common Carrier Fixed Point to Point Microwave						Y
WQVK693	CF - Common Carrier Fixed Point to Point Microwave						Y
WQVK963	CF - Common Carrier Fixed Point to Point Microwave						Y
WQVK969	CF - Common Carrier Fixed Point to Point Microwave						Y
WQVK972	CF - Common Carrier Fixed Point to Point Microwave						Y
WQVK974	CF - Common Carrier Fixed Point to Point Microwave						Y

111) Call Sign	112) Radio Service Code	113) Location Number	114) Path Number (Microwave only)	115) Frequency Number	116) Lower or Center Frequency (MHz)	117) Upper Frequency (MHz)	118) Constructed Yes / No
WQVL419	CF - Common Carrier Fixed Point to Point Microwave						Y
WQVL421	CF - Common Carrier Fixed Point to Point Microwave						Y
WQVL425	CF - Common Carrier Fixed Point to Point Microwave						Y
WQVL426	CF - Common Carrier Fixed Point to Point Microwave						Y
WQVL433	CF - Common Carrier Fixed Point to Point Microwave						Y
WQVL434	CF - Common Carrier Fixed Point to Point Microwave						Y
WQVL903	CF - Common Carrier Fixed Point to Point Microwave						Y
WQVL904	CF - Common Carrier Fixed Point to Point Microwave						Y
WQVL905	CF - Common Carrier Fixed Point to Point Microwave						Y
WQVN491	CF - Common Carrier Fixed Point to Point Microwave						Y
WQVP491	CF - Common Carrier Fixed Point to Point Microwave						Y
WQVP552	CF - Common Carrier Fixed Point to Point Microwave						Y
WQVP554	CF - Common Carrier Fixed Point to Point Microwave						Y
WQVP777	CF - Common Carrier Fixed Point to Point Microwave						Y
WQVP778	CF - Common Carrier Fixed Point to Point Microwave						Y
WQVQ222	CF - Common Carrier Fixed Point to Point Microwave						Y
WQVQ224	CF - Common Carrier Fixed Point to Point Microwave						Y
WQVQ230	CF - Common Carrier Fixed Point to Point Microwave						Y
WQVQ231	CF - Common Carrier Fixed Point to Point Microwave						Y

111) Call Sign	112) Radio Service Code	113) Location Number	114) Path Number (Microwave only)	115) Frequency Number	116) Lower or Center Frequency (MHz)	117) Upper Frequency (MHz)	118) Constructed Yes / No
WQVQ232	CF - Common Carrier Fixed Point to Point Microwave						Y
WQVQ823	CF - Common Carrier Fixed Point to Point Microwave						Y
WQVQ828	CF - Common Carrier Fixed Point to Point Microwave						Y
WQVQ829	CF - Common Carrier Fixed Point to Point Microwave						Y
WQVQ832	CF - Common Carrier Fixed Point to Point Microwave						Y
WQVR352	CF - Common Carrier Fixed Point to Point Microwave						Y
WQVR388	CF - Common Carrier Fixed Point to Point Microwave						Y
WQVR389	CF - Common Carrier Fixed Point to Point Microwave						Y
WQVR488	CF - Common Carrier Fixed Point to Point Microwave						Y
WQVR489	CF - Common Carrier Fixed Point to Point Microwave						Y
WQVR891	CF - Common Carrier Fixed Point to Point Microwave						Y
WQVR902	CF - Common Carrier Fixed Point to Point Microwave						Y
WQVR903	CF - Common Carrier Fixed Point to Point Microwave						Y
WQVS218	CF - Common Carrier Fixed Point to Point Microwave						Y
WQVS219	CF - Common Carrier Fixed Point to Point Microwave						Y
WQVS595	CF - Common Carrier Fixed Point to Point Microwave						Y
WQVT365	CF - Common Carrier Fixed Point to Point Microwave						Y
WQVT920	CF - Common Carrier Fixed Point to Point Microwave						Y
WQVT921	CF - Common Carrier Fixed Point to Point Microwave						Y

111) Call Sign	112) Radio Service Code	113) Location Number	114) Path Number (Microwave only)	115) Frequency Number	116) Lower or Center Frequency (MHz)	117) Upper Frequency (MHz)	118) Constructed Yes / No
WQVT946	CF - Common Carrier Fixed Point to Point Microwave						Y
WQVT947	CF - Common Carrier Fixed Point to Point Microwave						Y
WQVU642	CF - Common Carrier Fixed Point to Point Microwave						Y
WQVU643	CF - Common Carrier Fixed Point to Point Microwave						Y
WQVU785	CF - Common Carrier Fixed Point to Point Microwave						Y
WQVU786	CF - Common Carrier Fixed Point to Point Microwave						Y
WQVU789	CF - Common Carrier Fixed Point to Point Microwave						Y
WQVU790	CF - Common Carrier Fixed Point to Point Microwave						Y
WQVV537	CF - Common Carrier Fixed Point to Point Microwave						Y
WQVV538	CF - Common Carrier Fixed Point to Point Microwave						Y
WQVV586	CF - Common Carrier Fixed Point to Point Microwave						Y
WQVV587	CF - Common Carrier Fixed Point to Point Microwave						Y
WQVW206	CF - Common Carrier Fixed Point to Point Microwave						Y
WQVW413	CF - Common Carrier Fixed Point to Point Microwave						Y
WQVW414	CF - Common Carrier Fixed Point to Point Microwave						Y
WQVW473	CF - Common Carrier Fixed Point to Point Microwave						Y
WQVW974	CF - Common Carrier Fixed Point to Point Microwave						Y
WQVW975	CF - Common Carrier Fixed Point to Point Microwave						Y
WQVW976	CF - Common Carrier Fixed Point to Point Microwave						Y

111) Call Sign	112) Radio Service Code	113) Location Number	114) Path Number (Microwave only)	115) Frequency Number	116) Lower or Center Frequency (MHz)	117) Upper Frequency (MHz)	118) Constructed Yes / No
WQVX541	CF - Common Carrier Fixed Point to Point Microwave						Y
WQVX542	CF - Common Carrier Fixed Point to Point Microwave						Y
WQVX928	CF - Common Carrier Fixed Point to Point Microwave						Y
WQVX934	CF - Common Carrier Fixed Point to Point Microwave						Y
WQVX935	CF - Common Carrier Fixed Point to Point Microwave						Y
WQVY388	CF - Common Carrier Fixed Point to Point Microwave						Y
WQVZ971	CF - Common Carrier Fixed Point to Point Microwave						Y
WQVZ972	CF - Common Carrier Fixed Point to Point Microwave						Y
WQWA555	CF - Common Carrier Fixed Point to Point Microwave						Y
WQWB306	CF - Common Carrier Fixed Point to Point Microwave						Y
WQWB311	CF - Common Carrier Fixed Point to Point Microwave						Y
WQWB380	CF - Common Carrier Fixed Point to Point Microwave						Y
WQWB381	CF - Common Carrier Fixed Point to Point Microwave						Y
WQWB463	CF - Common Carrier Fixed Point to Point Microwave						Y
WQWB555	CF - Common Carrier Fixed Point to Point Microwave						Y
WQWC334	CF - Common Carrier Fixed Point to Point Microwave						Y
WQWC344	CF - Common Carrier Fixed Point to Point Microwave						Y
WQWC748	CF - Common Carrier Fixed Point to Point Microwave						Y
WQWC750	CF - Common Carrier Fixed Point to Point Microwave						Y

111) Call Sign	112) Radio Service Code	113) Location Number	114) Path Number (Microwave only)	115) Frequency Number	116) Lower or Center Frequency (MHz)	117) Upper Frequency (MHz)	118) Constructed Yes / No
WQWD965	CF - Common Carrier Fixed Point to Point Microwave						Y
WQWF360	CF - Common Carrier Fixed Point to Point Microwave						Y
WQWF572	CF - Common Carrier Fixed Point to Point Microwave						Y
WQWF588	CF - Common Carrier Fixed Point to Point Microwave						Y
WQWF589	CF - Common Carrier Fixed Point to Point Microwave						Y
WQWF658	CF - Common Carrier Fixed Point to Point Microwave						Y
WQWG283	CF - Common Carrier Fixed Point to Point Microwave						Y
WQWG284	CF - Common Carrier Fixed Point to Point Microwave						Y
WQWG474	CF - Common Carrier Fixed Point to Point Microwave						Y
WQWG475	CF - Common Carrier Fixed Point to Point Microwave						Y
WQWH557	CF - Common Carrier Fixed Point to Point Microwave						Y
WQWH664	CF - Common Carrier Fixed Point to Point Microwave						Y
WQWH668	CF - Common Carrier Fixed Point to Point Microwave						Y
WQWI459	CF - Common Carrier Fixed Point to Point Microwave						Y
WQWI721	CF - Common Carrier Fixed Point to Point Microwave						Y
WQWI722	CF - Common Carrier Fixed Point to Point Microwave						Y
WQWJ206	CF - Common Carrier Fixed Point to Point Microwave						Y
WQWJ207	CF - Common Carrier Fixed Point to Point Microwave						Y
WQWJ208	CF - Common Carrier Fixed Point to Point Microwave						Y

111) Call Sign	112) Radio Service Code	113) Location Number	114) Path Number (Microwave only)	115) Frequency Number	116) Lower or Center Frequency (MHz)	117) Upper Frequency (MHz)	118) Constructed Yes / No
WQWJ209	CF - Common Carrier Fixed Point to Point Microwave						Y
WQWJ210	CF - Common Carrier Fixed Point to Point Microwave						Y
WQWJ211	CF - Common Carrier Fixed Point to Point Microwave						Y
WQWJ228	CF - Common Carrier Fixed Point to Point Microwave						Y
WQWJ424	CF - Common Carrier Fixed Point to Point Microwave						Y
WQWJ425	CF - Common Carrier Fixed Point to Point Microwave						Y
WQWJ555	CF - Common Carrier Fixed Point to Point Microwave						Y
WQWJ556	CF - Common Carrier Fixed Point to Point Microwave						Y
WQWJ896	CF - Common Carrier Fixed Point to Point Microwave						Y
WQWJ898	CF - Common Carrier Fixed Point to Point Microwave						Y
WQWJ942	CF - Common Carrier Fixed Point to Point Microwave						Y
WQWK447	CF - Common Carrier Fixed Point to Point Microwave						Y
WQWK448	CF - Common Carrier Fixed Point to Point Microwave						Y
WQWK582	CF - Common Carrier Fixed Point to Point Microwave						Y
WQWK851	CF - Common Carrier Fixed Point to Point Microwave						Y
WQWL292	CF - Common Carrier Fixed Point to Point Microwave						Y
WQWL293	CF - Common Carrier Fixed Point to Point Microwave						Y
WQWL295	CF - Common Carrier Fixed Point to Point Microwave						Y
WQWL296	CF - Common Carrier Fixed Point to Point Microwave						Y

111) Call Sign	112) Radio Service Code	113) Location Number	114) Path Number (Microwave only)	115) Frequency Number	116) Lower or Center Frequency (MHz)	117) Upper Frequency (MHz)	118) Constructed Yes / No
WQWL297	CF - Common Carrier Fixed Point to Point Microwave						Y
WQWL298	CF - Common Carrier Fixed Point to Point Microwave						Y
WQWL300	CF - Common Carrier Fixed Point to Point Microwave						Y
WQWL301	CF - Common Carrier Fixed Point to Point Microwave						Y
WQWN224	CF - Common Carrier Fixed Point to Point Microwave						Y
WQWN371	CF - Common Carrier Fixed Point to Point Microwave						Y
WQWN372	CF - Common Carrier Fixed Point to Point Microwave						Y
WQWN394	CF - Common Carrier Fixed Point to Point Microwave						Y
WQWN777	CF - Common Carrier Fixed Point to Point Microwave						Y
WQWN808	CF - Common Carrier Fixed Point to Point Microwave						Y
WQWN994	CF - Common Carrier Fixed Point to Point Microwave						Y
WQWN995	CF - Common Carrier Fixed Point to Point Microwave						Y
WQWP521	CF - Common Carrier Fixed Point to Point Microwave						Y
WQWP677	CF - Common Carrier Fixed Point to Point Microwave						Y
WQWQ205	CF - Common Carrier Fixed Point to Point Microwave						Y
WQWR294	CF - Common Carrier Fixed Point to Point Microwave						Y
WQWR295	CF - Common Carrier Fixed Point to Point Microwave						Y
WQWR296	CF - Common Carrier Fixed Point to Point Microwave						Y
WQWT305	CF - Common Carrier Fixed Point to Point Microwave						Y

111) Call Sign	112) Radio Service Code	113) Location Number	114) Path Number (Microwave only)	115) Frequency Number	116) Lower or Center Frequency (MHz)	117) Upper Frequency (MHz)	118) Constructed Yes / No
WQWT306	CF - Common Carrier Fixed Point to Point Microwave						Y
WQWT347	CF - Common Carrier Fixed Point to Point Microwave						Y
WQWT348	CF - Common Carrier Fixed Point to Point Microwave						Y
WQWT610	CF - Common Carrier Fixed Point to Point Microwave						Y
WQWT611	CF - Common Carrier Fixed Point to Point Microwave						Y
WQWT623	CF - Common Carrier Fixed Point to Point Microwave						Y
WQWT773	CF - Common Carrier Fixed Point to Point Microwave						Y
WQWT890	CF - Common Carrier Fixed Point to Point Microwave						Y
WQWV621	CF - Common Carrier Fixed Point to Point Microwave						Y
WQWV622	CF - Common Carrier Fixed Point to Point Microwave						Y
WQWV624	CF - Common Carrier Fixed Point to Point Microwave						Y
WQWV625	CF - Common Carrier Fixed Point to Point Microwave						Y
WQWW534	CF - Common Carrier Fixed Point to Point Microwave						Y
WQWW543	CF - Common Carrier Fixed Point to Point Microwave						Y
WQWW813	CF - Common Carrier Fixed Point to Point Microwave						Y
WQWW859	CF - Common Carrier Fixed Point to Point Microwave						Y
WQWX444	CF - Common Carrier Fixed Point to Point Microwave						Y
WQWY249	CF - Common Carrier Fixed Point to Point Microwave						Y
WQWY251	CF - Common Carrier Fixed Point to Point Microwave						Y

111) Call Sign	112) Radio Service Code	113) Location Number	114) Path Number (Microwave only)	115) Frequency Number	116) Lower or Center Frequency (MHz)	117) Upper Frequency (MHz)	118) Constructed Yes / No
WQWY277	CF - Common Carrier Fixed Point to Point Microwave						Y
WQWY289	CF - Common Carrier Fixed Point to Point Microwave						Y
WQWY290	CF - Common Carrier Fixed Point to Point Microwave						Y
WQWY433	CF - Common Carrier Fixed Point to Point Microwave						Y
WQWZ218	CF - Common Carrier Fixed Point to Point Microwave						Y
WQWZ405	CF - Common Carrier Fixed Point to Point Microwave						Y
WQWZ616	CF - Common Carrier Fixed Point to Point Microwave						Y
WQWZ635	CF - Common Carrier Fixed Point to Point Microwave						Y
WQWZ636	CF - Common Carrier Fixed Point to Point Microwave						Y
WQXA340	CF - Common Carrier Fixed Point to Point Microwave						Y
WQXA341	CF - Common Carrier Fixed Point to Point Microwave						Y
WQXB560	CF - Common Carrier Fixed Point to Point Microwave						Y
WQXB561	CF - Common Carrier Fixed Point to Point Microwave						Y
WQXB581	CF - Common Carrier Fixed Point to Point Microwave						Y
WQXB667	CF - Common Carrier Fixed Point to Point Microwave						Y
WQXB669	CF - Common Carrier Fixed Point to Point Microwave						Y
WQXB741	CF - Common Carrier Fixed Point to Point Microwave						Y
WQXB943	CF - Common Carrier Fixed Point to Point Microwave						Y
WQXB944	CF - Common Carrier Fixed Point to Point Microwave						Y

111) Call Sign	112) Radio Service Code	113) Location Number	114) Path Number (Microwave only)	115) Frequency Number	116) Lower or Center Frequency (MHz)	117) Upper Frequency (MHz)	118) Constructed Yes / No
WQXB958	CF - Common Carrier Fixed Point to Point Microwave						Y
WQXB959	CF - Common Carrier Fixed Point to Point Microwave						Y
WQXB970	CF - Common Carrier Fixed Point to Point Microwave						Y
WQXC301	CF - Common Carrier Fixed Point to Point Microwave						Y
WQXC302	CF - Common Carrier Fixed Point to Point Microwave						Y
WQXC635	CF - Common Carrier Fixed Point to Point Microwave						Y
WQXD608	CF - Common Carrier Fixed Point to Point Microwave						Y
WQXD609	CF - Common Carrier Fixed Point to Point Microwave						Y
WQXD742	CF - Common Carrier Fixed Point to Point Microwave						Y
WQXD930	CF - Common Carrier Fixed Point to Point Microwave						Y
WQXD986	CF - Common Carrier Fixed Point to Point Microwave						Y
WQXD987	CF - Common Carrier Fixed Point to Point Microwave						Y
WQXD995	CF - Common Carrier Fixed Point to Point Microwave						Y
WQXD996	CF - Common Carrier Fixed Point to Point Microwave						Y
WQXE394	CF - Common Carrier Fixed Point to Point Microwave						Y
WQXE551	CF - Common Carrier Fixed Point to Point Microwave						Y
WQXE552	CF - Common Carrier Fixed Point to Point Microwave						Y
WQXE659	CF - Common Carrier Fixed Point to Point Microwave						Y
WQXE661	CF - Common Carrier Fixed Point to Point Microwave						Y

111) Call Sign	112) Radio Service Code	113) Location Number	114) Path Number (Microwave only)	115) Frequency Number	116) Lower or Center Frequency (MHz)	117) Upper Frequency (MHz)	118) Constructed Yes / No
WQXF523	CF - Common Carrier Fixed Point to Point Microwave						Y
WQXG244	CF - Common Carrier Fixed Point to Point Microwave						Y
WQXG876	CF - Common Carrier Fixed Point to Point Microwave						Y
WQXG911	CF - Common Carrier Fixed Point to Point Microwave						Y
WQXH228	CF - Common Carrier Fixed Point to Point Microwave						Y
WQXH229	CF - Common Carrier Fixed Point to Point Microwave						Y
WQXH312	CF - Common Carrier Fixed Point to Point Microwave						Y
WQXH314	CF - Common Carrier Fixed Point to Point Microwave						Y
WQXH621	CF - Common Carrier Fixed Point to Point Microwave						Y
WQXH622	CF - Common Carrier Fixed Point to Point Microwave						Y
WQXH623	CF - Common Carrier Fixed Point to Point Microwave						Y
WQXH624	CF - Common Carrier Fixed Point to Point Microwave						Y
WQXH625	CF - Common Carrier Fixed Point to Point Microwave						Y
WQXH681	CF - Common Carrier Fixed Point to Point Microwave						Y
WQXH682	CF - Common Carrier Fixed Point to Point Microwave						Y
WQXH729	CF - Common Carrier Fixed Point to Point Microwave						Y
WQXH941	CF - Common Carrier Fixed Point to Point Microwave						Y
WQXI376	CF - Common Carrier Fixed Point to Point Microwave						Y
WQXI677	CF - Common Carrier Fixed Point to Point Microwave						Y

111) Call Sign	112) Radio Service Code	113) Location Number	114) Path Number (Microwave only)	115) Frequency Number	116) Lower or Center Frequency (MHz)	117) Upper Frequency (MHz)	118) Constructed Yes / No
WQXI678	CF - Common Carrier Fixed Point to Point Microwave						Y
WQXJ971	CF - Common Carrier Fixed Point to Point Microwave						Y
WQXK383	CF - Common Carrier Fixed Point to Point Microwave						Y
WQXK384	CF - Common Carrier Fixed Point to Point Microwave						Y
WQXK386	CF - Common Carrier Fixed Point to Point Microwave						Y
WQXK387	CF - Common Carrier Fixed Point to Point Microwave						Y
WQXL601	CF - Common Carrier Fixed Point to Point Microwave						Y
WQXL966	CF - Common Carrier Fixed Point to Point Microwave						Y
WQXL967	CF - Common Carrier Fixed Point to Point Microwave						Y
WQXM285	CF - Common Carrier Fixed Point to Point Microwave						Y
WQXM975	CF - Common Carrier Fixed Point to Point Microwave						Y
WQXM982	CF - Common Carrier Fixed Point to Point Microwave						Y
WQXM983	CF - Common Carrier Fixed Point to Point Microwave						Y
WQXN377	CF - Common Carrier Fixed Point to Point Microwave						Y
WQXN378	CF - Common Carrier Fixed Point to Point Microwave						Y
WQXN379	CF - Common Carrier Fixed Point to Point Microwave						Y
WQXN380	CF - Common Carrier Fixed Point to Point Microwave						Y
WQXN704	CF - Common Carrier Fixed Point to Point Microwave						Y
WQXN705	CF - Common Carrier Fixed Point to Point Microwave						Y

111) Call Sign	112) Radio Service Code	113) Location Number	114) Path Number (Microwave only)	115) Frequency Number	116) Lower or Center Frequency (MHz)	117) Upper Frequency (MHz)	118) Constructed Yes / No
WQXN706	CF - Common Carrier Fixed Point to Point Microwave						Y
WQXP236	CF - Common Carrier Fixed Point to Point Microwave						Y
WQXP440	CF - Common Carrier Fixed Point to Point Microwave						Y
WQXP554	CF - Common Carrier Fixed Point to Point Microwave						Y
WQXP725	CF - Common Carrier Fixed Point to Point Microwave						Y
WQXQ637	CF - Common Carrier Fixed Point to Point Microwave						Y
WQXQ766	CF - Common Carrier Fixed Point to Point Microwave						Y
WQXQ767	CF - Common Carrier Fixed Point to Point Microwave						Y
WQXQ768	CF - Common Carrier Fixed Point to Point Microwave						Y
WQXQ769	CF - Common Carrier Fixed Point to Point Microwave						Y
WQXR309	CF - Common Carrier Fixed Point to Point Microwave						Y
WQXR519	CF - Common Carrier Fixed Point to Point Microwave						Y
WQXS240	CF - Common Carrier Fixed Point to Point Microwave						Y
WQXS241	CF - Common Carrier Fixed Point to Point Microwave						Y
WQXS242	CF - Common Carrier Fixed Point to Point Microwave						Y
WQXS649	CF - Common Carrier Fixed Point to Point Microwave						Y
WQXS650	CF - Common Carrier Fixed Point to Point Microwave						Y
WQXS776	CF - Common Carrier Fixed Point to Point Microwave						Y
WQXS777	CF - Common Carrier Fixed Point to Point Microwave						Y

111) Call Sign	112) Radio Service Code	113) Location Number	114) Path Number (Microwave only)	115) Frequency Number	116) Lower or Center Frequency (MHz)	117) Upper Frequency (MHz)	118) Constructed Yes / No
WQXS778	CF - Common Carrier Fixed Point to Point Microwave						Y
WQXS780	CF - Common Carrier Fixed Point to Point Microwave						Y
WQXS781	CF - Common Carrier Fixed Point to Point Microwave						Y
WQXS912	CF - Common Carrier Fixed Point to Point Microwave						Y
WQXT966	CF - Common Carrier Fixed Point to Point Microwave						Y
WQXT967	CF - Common Carrier Fixed Point to Point Microwave						Y
WQXU799	CF - Common Carrier Fixed Point to Point Microwave						Y
WQXU801	CF - Common Carrier Fixed Point to Point Microwave						Y
WQXU802	CF - Common Carrier Fixed Point to Point Microwave						Y
WQXX523	CF - Common Carrier Fixed Point to Point Microwave						Y
WQXX529	CF - Common Carrier Fixed Point to Point Microwave						Y
WQXX869	CF - Common Carrier Fixed Point to Point Microwave						Y
WQXX870	CF - Common Carrier Fixed Point to Point Microwave						Y
WQXX872	CF - Common Carrier Fixed Point to Point Microwave						Y
WQXX964	CF - Common Carrier Fixed Point to Point Microwave						Y
WQXY971	CF - Common Carrier Fixed Point to Point Microwave						Y
WQXZ412	CF - Common Carrier Fixed Point to Point Microwave						Y
WQXZ413	CF - Common Carrier Fixed Point to Point Microwave						Y
WQXZ414	CF - Common Carrier Fixed Point to Point Microwave						Y

111) Call Sign	112) Radio Service Code	113) Location Number	114) Path Number (Microwave only)	115) Frequency Number	116) Lower or Center Frequency (MHz)	117) Upper Frequency (MHz)	118) Constructed Yes / No
WQYA936	CF - Common Carrier Fixed Point to Point Microwave						Y
WQYC481	CF - Common Carrier Fixed Point to Point Microwave						Y
WQYC482	CF - Common Carrier Fixed Point to Point Microwave						Y
WQYC797	CF - Common Carrier Fixed Point to Point Microwave						Y
WQYC798	CF - Common Carrier Fixed Point to Point Microwave						Y
WQYD390	CF - Common Carrier Fixed Point to Point Microwave						Y
WQYF537	CF - Common Carrier Fixed Point to Point Microwave						Y
WQYF540	CF - Common Carrier Fixed Point to Point Microwave						Y
WQYF729	CF - Common Carrier Fixed Point to Point Microwave						Y
WQYH660	CF - Common Carrier Fixed Point to Point Microwave						Y
WQYH733	CF - Common Carrier Fixed Point to Point Microwave						Y
WQYI312	CF - Common Carrier Fixed Point to Point Microwave						Y
WQYI313	CF - Common Carrier Fixed Point to Point Microwave						Y
WQYI503	CF - Common Carrier Fixed Point to Point Microwave						Y
WQYI504	CF - Common Carrier Fixed Point to Point Microwave						Y
WQYI734	CF - Common Carrier Fixed Point to Point Microwave						Y
WQYI735	CF - Common Carrier Fixed Point to Point Microwave						Y
WQYI986	CF - Common Carrier Fixed Point to Point Microwave						Y
WQYJ568	CF - Common Carrier Fixed Point to Point Microwave						Y

111) Call Sign	112) Radio Service Code	113) Location Number	114) Path Number (Microwave only)	115) Frequency Number	116) Lower or Center Frequency (MHz)	117) Upper Frequency (MHz)	118) Constructed Yes / No
WQYL417	CF - Common Carrier Fixed Point to Point Microwave						Y
WQYL418	CF - Common Carrier Fixed Point to Point Microwave						Y
WQYM392	CF - Common Carrier Fixed Point to Point Microwave						Y
WQYM467	CF - Common Carrier Fixed Point to Point Microwave						Y
WQYM469	CF - Common Carrier Fixed Point to Point Microwave						Y
WQYM919	CF - Common Carrier Fixed Point to Point Microwave						Y
WQYN358	CF - Common Carrier Fixed Point to Point Microwave						Y
WQYN691	CF - Common Carrier Fixed Point to Point Microwave						Y
WQYQ292	CF - Common Carrier Fixed Point to Point Microwave						Y
WQYQ672	CF - Common Carrier Fixed Point to Point Microwave						Y
WQYQ718	CF - Common Carrier Fixed Point to Point Microwave						Y
WQYQ807	CF - Common Carrier Fixed Point to Point Microwave						Y
WQYR762	CF - Common Carrier Fixed Point to Point Microwave						Y
WQYR763	CF - Common Carrier Fixed Point to Point Microwave						Y
WQYR765	CF - Common Carrier Fixed Point to Point Microwave						Y
WQYR767	CF - Common Carrier Fixed Point to Point Microwave						Y
WQYS677	CF - Common Carrier Fixed Point to Point Microwave						Y
WQYS678	CF - Common Carrier Fixed Point to Point Microwave						Y
WQYS730	CF - Common Carrier Fixed Point to Point Microwave						Y

111) Call Sign	112) Radio Service Code	113) Location Number	114) Path Number (Microwave only)	115) Frequency Number	116) Lower or Center Frequency (MHz)	117) Upper Frequency (MHz)	118) Constructed Yes / No
WQYS731	CF - Common Carrier Fixed Point to Point Microwave						Y
WQYT234	CF - Common Carrier Fixed Point to Point Microwave						Y
WQYT235	CF - Common Carrier Fixed Point to Point Microwave						Y
WQYT905	CF - Common Carrier Fixed Point to Point Microwave						Y
WQYT986	CF - Common Carrier Fixed Point to Point Microwave						Y
WQYY402	CF - Common Carrier Fixed Point to Point Microwave						Y
WQYY403	CF - Common Carrier Fixed Point to Point Microwave						Y
WQYY613	CF - Common Carrier Fixed Point to Point Microwave						Y
WQYZ657	CF - Common Carrier Fixed Point to Point Microwave						Y
WQZA227	CF - Common Carrier Fixed Point to Point Microwave						Y
WQZA321	CF - Common Carrier Fixed Point to Point Microwave						Y
WQZA757	CF - Common Carrier Fixed Point to Point Microwave						Y
WQZA760	CF - Common Carrier Fixed Point to Point Microwave						Y
WQZA789	CF - Common Carrier Fixed Point to Point Microwave						Y
WQZD349	CF - Common Carrier Fixed Point to Point Microwave						Y
WQZD350	CF - Common Carrier Fixed Point to Point Microwave						Y
WQZG631	CF - Common Carrier Fixed Point to Point Microwave						Y
WQZG632	CF - Common Carrier Fixed Point to Point Microwave						Y
WQZG633	CF - Common Carrier Fixed Point to Point Microwave						Y

111) Call Sign	112) Radio Service Code	113) Location Number	114) Path Number (Microwave only)	115) Frequency Number	116) Lower or Center Frequency (MHz)	117) Upper Frequency (MHz)	118) Constructed Yes / No
WQZG634	CF - Common Carrier Fixed Point to Point Microwave						Y
WQZG635	CF - Common Carrier Fixed Point to Point Microwave						Y
WQZG636	CF - Common Carrier Fixed Point to Point Microwave						Y
WQZJ827	CF - Common Carrier Fixed Point to Point Microwave						Y
WQZN851	CF - Common Carrier Fixed Point to Point Microwave						Y
WQZP224	CF - Common Carrier Fixed Point to Point Microwave						Y
WQZP225	CF - Common Carrier Fixed Point to Point Microwave						Y
WQZP246	CF - Common Carrier Fixed Point to Point Microwave						Y
WQZP247	CF - Common Carrier Fixed Point to Point Microwave						Y
WQZR577	CF - Common Carrier Fixed Point to Point Microwave						Y
WQZR696	CF - Common Carrier Fixed Point to Point Microwave						Y
WQZR697	CF - Common Carrier Fixed Point to Point Microwave						Y
WQZS309	CF - Common Carrier Fixed Point to Point Microwave						Y
WQZS564	CF - Common Carrier Fixed Point to Point Microwave						Y
WQZS565	CF - Common Carrier Fixed Point to Point Microwave						Y
WQZS693	CF - Common Carrier Fixed Point to Point Microwave						Y
WQZT773	CF - Common Carrier Fixed Point to Point Microwave						Y
WQZW979	CF - Common Carrier Fixed Point to Point Microwave						Y
WRAC874	CF - Common Carrier Fixed Point to Point Microwave						Y

111) Call Sign	112) Radio Service Code	113) Location Number	114) Path Number (Microwave only)	115) Frequency Number	116) Lower or Center Frequency (MHz)	117) Upper Frequency (MHz)	118) Constructed Yes / No
WRAG536	CF - Common Carrier Fixed Point to Point Microwave						Y
WRAG537	CF - Common Carrier Fixed Point to Point Microwave						Y
WRAG566	CF - Common Carrier Fixed Point to Point Microwave						Y
WRAG929	CF - Common Carrier Fixed Point to Point Microwave						Y
WRAG931	CF - Common Carrier Fixed Point to Point Microwave						Y
WRAH297	CF - Common Carrier Fixed Point to Point Microwave						Y
WRAI490	CF - Common Carrier Fixed Point to Point Microwave						Y
WRAI520	CF - Common Carrier Fixed Point to Point Microwave						Y
WRAJ562	CF - Common Carrier Fixed Point to Point Microwave						Y
WRAL255	CF - Common Carrier Fixed Point to Point Microwave						Y
WRAL963	CF - Common Carrier Fixed Point to Point Microwave						Y
WRAL978	CF - Common Carrier Fixed Point to Point Microwave						Y
WRAN906	CF - Common Carrier Fixed Point to Point Microwave						Y
WRAQ234	CF - Common Carrier Fixed Point to Point Microwave						Y
WRAU495	CF - Common Carrier Fixed Point to Point Microwave						Y
WRAU506	CF - Common Carrier Fixed Point to Point Microwave						Y
WRBL894	CF - Common Carrier Fixed Point to Point Microwave						Y
WRBP609	CF - Common Carrier Fixed Point to Point Microwave						Y
WRBP739	CF - Common Carrier Fixed Point to Point Microwave						Y

111) Call Sign	112) Radio Service Code	113) Location Number	114) Path Number (Microwave only)	115) Frequency Number	116) Lower or Center Frequency (MHz)	117) Upper Frequency (MHz)	118) Constructed Yes / No
WRBS325	CF - Common Carrier Fixed Point to Point Microwave						Y
WRBS326	CF - Common Carrier Fixed Point to Point Microwave						Y
WRBS329	CF - Common Carrier Fixed Point to Point Microwave						Y
WRBU819	CF - Common Carrier Fixed Point to Point Microwave						Y
WRBU828	CF - Common Carrier Fixed Point to Point Microwave						Y
WRBU894	CF - Common Carrier Fixed Point to Point Microwave						Y
WRBX493	CF - Common Carrier Fixed Point to Point Microwave						Y
WRBX892	CF - Common Carrier Fixed Point to Point Microwave						Y
WRBX893	CF - Common Carrier Fixed Point to Point Microwave						Y
WRCA304	CF - Common Carrier Fixed Point to Point Microwave						Y
WRCA983	CF - Common Carrier Fixed Point to Point Microwave						Y
WRCB298	CF - Common Carrier Fixed Point to Point Microwave						Y
WRCB894	CF - Common Carrier Fixed Point to Point Microwave						Y
WRCB895	CF - Common Carrier Fixed Point to Point Microwave						Y
WRCC832	CF - Common Carrier Fixed Point to Point Microwave						Y
WRCC930	CF - Common Carrier Fixed Point to Point Microwave						Y
WRCD684	CF - Common Carrier Fixed Point to Point Microwave						Y
WRCD763	CF - Common Carrier Fixed Point to Point Microwave						Y
WRCE491	CF - Common Carrier Fixed Point to Point Microwave						Y

111) Call Sign	112) Radio Service Code	113) Location Number	114) Path Number (Microwave only)	115) Frequency Number	116) Lower or Center Frequency (MHz)	117) Upper Frequency (MHz)	118) Constructed Yes / No
WRCF736	CF - Common Carrier Fixed Point to Point Microwave						Y
WRCF737	CF - Common Carrier Fixed Point to Point Microwave						Y
WRCI885	CF - Common Carrier Fixed Point to Point Microwave						Y
WRCI896	CF - Common Carrier Fixed Point to Point Microwave						Y
WRCJ938	CF - Common Carrier Fixed Point to Point Microwave						Y
WRCJ939	CF - Common Carrier Fixed Point to Point Microwave						Y
WRCK204	CF - Common Carrier Fixed Point to Point Microwave						Y
WRCK242	CF - Common Carrier Fixed Point to Point Microwave						Y
WRCN598	CF - Common Carrier Fixed Point to Point Microwave						Y
WRCN968	CF - Common Carrier Fixed Point to Point Microwave						Y
WRCN969	CF - Common Carrier Fixed Point to Point Microwave						Y
WRCQ267	CF - Common Carrier Fixed Point to Point Microwave						Y
WRCQ331	CF - Common Carrier Fixed Point to Point Microwave						Y
WRCQ332	CF - Common Carrier Fixed Point to Point Microwave						Y
WRCQ333	CF - Common Carrier Fixed Point to Point Microwave						Y
WRCQ345	CF - Common Carrier Fixed Point to Point Microwave						Y
WRCR796	CF - Common Carrier Fixed Point to Point Microwave						Y
WRCR797	CF - Common Carrier Fixed Point to Point Microwave						Y
KNLB200	WS - Wireless Communications Service						Y

111) Call Sign	112) Radio Service Code	113) Location Number	114) Path Number (Microwave only)	115) Frequency Number	116) Lower or Center Frequency (MHz)	117) Upper Frequency (MHz)	118) Constructed Yes / No
KNLB204	WS - Wireless Communications Service						Y
KNLB205	WS - Wireless Communications Service						Y
KNLB206	WS - Wireless Communications Service						Y
KNLB207	WS - Wireless Communications Service						Y
KNLB208	WS - Wireless Communications Service						Y
KNLB210	WS - Wireless Communications Service						Y
KNLB213	WS - Wireless Communications Service						Y
KNLB217	WS - Wireless Communications Service						Y
KNLB218	WS - Wireless Communications Service						Y
KNLB232	WS - Wireless Communications Service						Y
KNLB235	WS - Wireless Communications Service						Y
KNLB243	WS - Wireless Communications Service						Y
KNLB275	WS - Wireless Communications Service						Y
KNLB276	WS - Wireless Communications Service						Y
KNLB278	WS - Wireless Communications Service						Y
KNLB282	WS - Wireless Communications Service						Y
KNLB283	WS - Wireless Communications Service						Y
KNLB284	WS - Wireless Communications Service						Y
KNLB291	WS - Wireless Communications Service						Y

111) Call Sign	112) Radio Service Code	113) Location Number	114) Path Number (Microwave only)	115) Frequency Number	116) Lower or Center Frequency (MHz)	117) Upper Frequency (MHz)	118) Constructed Yes / No
KNLB292	WS - Wireless Communications Service						Y
KNLB293	WS - Wireless Communications Service						Y
KNLB294	WS - Wireless Communications Service						Y
KNLB295	WS - Wireless Communications Service						Y
KNLB297	WS - Wireless Communications Service						Y
KNLB298	WS - Wireless Communications Service						Y
KNLB299	WS - Wireless Communications Service						Y
KNLB300	WS - Wireless Communications Service						Y
KNLB301	WS - Wireless Communications Service						Y
KNLB302	WS - Wireless Communications Service						Y
KNLB303	WS - Wireless Communications Service						Y
KNLB304	WS - Wireless Communications Service						Y
KNLB305	WS - Wireless Communications Service						Y
KNLB306	WS - Wireless Communications Service						Y
KNLB312	WS - Wireless Communications Service						Y
KNLB313	WS - Wireless Communications Service						Y
KNLB314	WS - Wireless Communications Service						Y
KNLB315	WS - Wireless Communications Service						Y
KNLB316	WS - Wireless Communications Service						Y

111) Call Sign	112) Radio Service Code	113) Location Number	114) Path Number (Microwave only)	115) Frequency Number	116) Lower or Center Frequency (MHz)	117) Upper Frequency (MHz)	118) Constructed Yes / No
KNLB317	WS - Wireless Communications Service						Y
KNLB318	WS - Wireless Communications Service						Y
KNLB322	WS - Wireless Communications Service						Y
KNLB323	WS - Wireless Communications Service						Y
KNLF205	CW - PCS Broadband						Y
KNLF206	CW - PCS Broadband						Y
KNLF210	CW - PCS Broadband						Y
KNLF212	CW - PCS Broadband						Y
KNLF213	CW - PCS Broadband						Y
KNLF216	CW - PCS Broadband						Y
KNLF220	CW - PCS Broadband						Y
KNLF221	CW - PCS Broadband						Y
KNLF231	CW - PCS Broadband						Y
KNLF235	CW - PCS Broadband						Y
KNLF237	CW - PCS Broadband						Y
KNLF245	CW - PCS Broadband						Y
KNLF251	CW - PCS Broadband						Y
KNLF256	CW - PCS Broadband						Y
KNLF270	CW - PCS Broadband						Y

111) Call Sign	112) Radio Service Code	113) Location Number	114) Path Number (Microwave only)	115) Frequency Number	116) Lower or Center Frequency (MHz)	117) Upper Frequency (MHz)	118) Constructed Yes / No
KNLF275	CW - PCS Broadband						Y
KNLF278	CW - PCS Broadband						Y
KNLF279	CW - PCS Broadband						Y
KNLF283	CW - PCS Broadband						Y
KNLF286	CW - PCS Broadband						Y
KNLF287	CW - PCS Broadband						Y
KNLF288	CW - PCS Broadband						Y
KNLF289	CW - PCS Broadband						Y
KNLF291	CW - PCS Broadband						Y
KNLF295	CW - PCS Broadband						Y
KNLF325	CW - PCS Broadband						Y
KNLF361	CW - PCS Broadband						Y
KNLF362	CW - PCS Broadband						Y
KNLF367	CW - PCS Broadband						Y
KNLF391	CW - PCS Broadband						Y
KNLF392	CW - PCS Broadband						Y
KNLF393	CW - PCS Broadband						Y
KNLF457	CW - PCS Broadband						Y
KNLF459	CW - PCS Broadband						Y

111) Call Sign	112) Radio Service Code	113) Location Number	114) Path Number (Microwave only)	115) Frequency Number	116) Lower or Center Frequency (MHz)	117) Upper Frequency (MHz)	118) Constructed Yes / No
KNLF460	CW - PCS Broadband						Y
KNLF466	CW - PCS Broadband						Y
KNLF467	CW - PCS Broadband						Y
KNLF469	CW - PCS Broadband						Y
KNLF473	CW - PCS Broadband						Y
KNLF482	CW - PCS Broadband						Y
KNLF587	CW - PCS Broadband						Y
KNLF604	CW - PCS Broadband						Y
KNLF606	CW - PCS Broadband						Y
KNLF607	CW - PCS Broadband						Y
KNLF608	CW - PCS Broadband						Y
KNLF769	CW - PCS Broadband						Y
KNLF773	CW - PCS Broadband						Y
KNLF880	CW - PCS Broadband						Y
KNLF882	CW - PCS Broadband						Y
KNLF891	CW - PCS Broadband						Y
KNLF901	CW - PCS Broadband						Y
KNLF902	CW - PCS Broadband						Y
KNLF904	CW - PCS Broadband						Y

111) Call Sign	112) Radio Service Code	113) Location Number	114) Path Number (Microwave only)	115) Frequency Number	116) Lower or Center Frequency (MHz)	117) Upper Frequency (MHz)	118) Constructed Yes / No
KNLF913	CW - PCS Broadband						Y
KNLF920	CW - PCS Broadband						Y
KNLF928	CW - PCS Broadband						Y
KNLF944	CW - PCS Broadband						Y
KNLF948	CW - PCS Broadband						Y
KNLF949	CW - PCS Broadband						Y
KNLF950	CW - PCS Broadband						Y
KNLF951	CW - PCS Broadband						Y
KNLF952	CW - PCS Broadband						Y
KNLF957	CW - PCS Broadband						Y
KNLF962	CW - PCS Broadband						Y
KNLF965	CW - PCS Broadband						Y
KNLF984	CW - PCS Broadband						Y
KNLF998	CW - PCS Broadband						Y
KNLG208	CW - PCS Broadband						Y
KNLG209	CW - PCS Broadband						Y
KNLG215	CW - PCS Broadband						Y
KNLG219	CW - PCS Broadband						Y
KNLG224	CW - PCS Broadband						Y

111) Call Sign	112) Radio Service Code	113) Location Number	114) Path Number (Microwave only)	115) Frequency Number	116) Lower or Center Frequency (MHz)	117) Upper Frequency (MHz)	118) Constructed Yes / No
KNLG225	CW - PCS Broadband						Y
KNLG227	CW - PCS Broadband						Y
KNLG230	CW - PCS Broadband						Y
KNLG237	CW - PCS Broadband						Y
KNLG243	CW - PCS Broadband						Y
KNLG266	CW - PCS Broadband						Y
KNLG277	CW - PCS Broadband						Y
KNLG279	CW - PCS Broadband						Y
KNLG290	CW - PCS Broadband						Y
KNLG307	CW - PCS Broadband						Y
KNLG308	CW - PCS Broadband						Y
KNLG313	CW - PCS Broadband						Y
KNLG319	CW - PCS Broadband						Y
KNLG329	CW - PCS Broadband						Y
KNLG337	CW - PCS Broadband						Y
KNLG338	CW - PCS Broadband						Y
KNLG339	CW - PCS Broadband						Y
KNLG342	CW - PCS Broadband						Y
KNLG362	CW - PCS Broadband						Y

111) Call Sign	112) Radio Service Code	113) Location Number	114) Path Number (Microwave only)	115) Frequency Number	116) Lower or Center Frequency (MHz)	117) Upper Frequency (MHz)	118) Constructed Yes / No
KNLG372	CW - PCS Broadband						Y
KNLG373	CW - PCS Broadband						Y
KNLG380	CW - PCS Broadband						Y
KNLG381	CW - PCS Broadband						Y
KNLG382	CW - PCS Broadband						Y
KNLG388	CW - PCS Broadband						Y
KNLG389	CW - PCS Broadband						Y
KNLG395	CW - PCS Broadband						Y
KNLG396	CW - PCS Broadband						Y
KNLG401	CW - PCS Broadband						Y
KNLG408	CW - PCS Broadband						Y
KNLG409	CW - PCS Broadband						Y
KNLG412	CW - PCS Broadband						Y
KNLG413	CW - PCS Broadband						Y
KNLG414	CW - PCS Broadband						Y
KNLG420	CW - PCS Broadband						Y
KNLG422	CW - PCS Broadband						Y
KNLG424	CW - PCS Broadband						Y
KNLG429	CW - PCS Broadband						Y

111) Call Sign	112) Radio Service Code	113) Location Number	114) Path Number (Microwave only)	115) Frequency Number	116) Lower or Center Frequency (MHz)	117) Upper Frequency (MHz)	118) Constructed Yes / No
KNLG433	CW - PCS Broadband						Y
KNLG436	CW - PCS Broadband						Y
KNLG442	CW - PCS Broadband						Y
KNLG449	CW - PCS Broadband						Y
KNLG450	CW - PCS Broadband						Y
KNLG453	CW - PCS Broadband						Y
KNLG456	CW - PCS Broadband						Y
KNLG467	CW - PCS Broadband						Y
KNLG474	CW - PCS Broadband						Y
KNLG482	CW - PCS Broadband						Y
KNLG485	CW - PCS Broadband						Y
KNLG489	CW - PCS Broadband						Y
KNLG494	CW - PCS Broadband						Y
KNLG495	CW - PCS Broadband						Y
KNLG497	CW - PCS Broadband						Y
KNLG499	CW - PCS Broadband						Y
KNLG501	CW - PCS Broadband						Y
KNLG502	CW - PCS Broadband						Y
KNLG503	CW - PCS Broadband						Y

111) Call Sign	112) Radio Service Code	113) Location Number	114) Path Number (Microwave only)	115) Frequency Number	116) Lower or Center Frequency (MHz)	117) Upper Frequency (MHz)	118) Constructed Yes / No
KNLG504	CW - PCS Broadband						Y
KNLG505	CW - PCS Broadband						Y
KNLG508	CW - PCS Broadband						Y
KNLG509	CW - PCS Broadband						Y
KNLG510	CW - PCS Broadband						Y
KNLG512	CW - PCS Broadband						Y
KNLG513	CW - PCS Broadband						Y
KNLG514	CW - PCS Broadband						Y
KNLG518	CW - PCS Broadband						Y
KNLG520	CW - PCS Broadband						Y
KNLG523	CW - PCS Broadband						Y
KNLG529	CW - PCS Broadband						Y
KNLG535	CW - PCS Broadband						Y
KNLG536	CW - PCS Broadband						Y
KNLG546	CW - PCS Broadband						Y
KNLG547	CW - PCS Broadband						Y
KNLG549	CW - PCS Broadband						Y
KNLG552	CW - PCS Broadband						Y
KNLG555	CW - PCS Broadband						Y

111) Call Sign	112) Radio Service Code	113) Location Number	114) Path Number (Microwave only)	115) Frequency Number	116) Lower or Center Frequency (MHz)	117) Upper Frequency (MHz)	118) Constructed Yes / No
KNLG558	CW - PCS Broadband						Y
KNLG560	CW - PCS Broadband						Y
KNLG563	CW - PCS Broadband						Y
KNLG566	CW - PCS Broadband						Y
KNLG570	CW - PCS Broadband						Y
KNLG575	CW - PCS Broadband						Y
KNLG577	CW - PCS Broadband						Y
KNLG580	CW - PCS Broadband						Y
KNLG581	CW - PCS Broadband						Y
KNLG608	CW - PCS Broadband						Y
KNLG610	CW - PCS Broadband						Y
KNLG614	CW - PCS Broadband						Y
KNLG615	CW - PCS Broadband						Y
KNLG616	CW - PCS Broadband						Y
KNLG617	CW - PCS Broadband						Y
KNLG618	CW - PCS Broadband						Y
KNLG619	CW - PCS Broadband						Y
KNLG621	CW - PCS Broadband						Y
KNLG622	CW - PCS Broadband						Y

111) Call Sign	112) Radio Service Code	113) Location Number	114) Path Number (Microwave only)	115) Frequency Number	116) Lower or Center Frequency (MHz)	117) Upper Frequency (MHz)	118) Constructed Yes / No
KNLG623	CW - PCS Broadband						Y
KNLG624	CW - PCS Broadband						Y
KNLG626	CW - PCS Broadband						Y
KNLG627	CW - PCS Broadband						Y
KNLG628	CW - PCS Broadband						Y
KNLG629	CW - PCS Broadband						Y
KNLG630	CW - PCS Broadband						Y
KNLG631	CW - PCS Broadband						Y
KNLG632	CW - PCS Broadband						Y
KNLG633	CW - PCS Broadband						Y
KNLG635	CW - PCS Broadband						Y
KNLG637	CW - PCS Broadband						Y
KNLG638	CW - PCS Broadband						Y
KNLG639	CW - PCS Broadband						Y
KNLG640	CW - PCS Broadband						Y
KNLG641	CW - PCS Broadband						Y
KNLG642	CW - PCS Broadband						Y
KNLG643	CW - PCS Broadband						Y
KNLG644	CW - PCS Broadband						Y

111) Call Sign	112) Radio Service Code	113) Location Number	114) Path Number (Microwave only)	115) Frequency Number	116) Lower or Center Frequency (MHz)	117) Upper Frequency (MHz)	118) Constructed Yes / No
KNLG645	CW - PCS Broadband						Y
KNLG676	CW - PCS Broadband						Y
KNLG678	CW - PCS Broadband						Y
KNLG684	CW - PCS Broadband						Y
KNLG685	CW - PCS Broadband						Y
KNLG689	CW - PCS Broadband						Y
KNLG690	CW - PCS Broadband						Y
KNLG691	CW - PCS Broadband						Y
KNLG695	CW - PCS Broadband						Y
KNLG696	CW - PCS Broadband						Y
KNLG699	CW - PCS Broadband						Y
KNLG712	CW - PCS Broadband						Y
KNLG714	CW - PCS Broadband						Y
KNLG717	CW - PCS Broadband						Y
KNLG718	CW - PCS Broadband						Y
KNLG737	CW - PCS Broadband						Y
KNLG739	CW - PCS Broadband						Y
KNLG741	CW - PCS Broadband						Y
KNLG759	CW - PCS Broadband						Y

111) Call Sign	112) Radio Service Code	113) Location Number	114) Path Number (Microwave only)	115) Frequency Number	116) Lower or Center Frequency (MHz)	117) Upper Frequency (MHz)	118) Constructed Yes / No
KNLG766	CW - PCS Broadband						Y
KNLG778	CW - PCS Broadband						Y
KNLG779	CW - PCS Broadband						Y
KNLG781	CW - PCS Broadband						Y
KNLG784	CW - PCS Broadband						Y
KNLG787	CW - PCS Broadband						Y
KNLG794	CW - PCS Broadband						Y
KNLG800	CW - PCS Broadband						Y
KNLG801	CW - PCS Broadband						Y
KNLG802	CW - PCS Broadband						Y
KNLG827	CW - PCS Broadband						Y
KNLG831	CW - PCS Broadband						Y
KNLG837	CW - PCS Broadband						Y
KNLG860	CW - PCS Broadband						Y
KNLG862	CW - PCS Broadband						Y
KNLG866	CW - PCS Broadband						Y
KNLG867	CW - PCS Broadband						Y
KNLG882	CW - PCS Broadband						Y
KNLG885	CW - PCS Broadband						Y

111) Call Sign	112) Radio Service Code	113) Location Number	114) Path Number (Microwave only)	115) Frequency Number	116) Lower or Center Frequency (MHz)	117) Upper Frequency (MHz)	118) Constructed Yes / No
KNLG886	CW - PCS Broadband						Y
KNLG896	CW - PCS Broadband						Y
KNLG900	CW - PCS Broadband						Y
KNLG901	CW - PCS Broadband						Y
KNLG902	CW - PCS Broadband						Y
KNLG904	CW - PCS Broadband						Y
KNLG906	CW - PCS Broadband						Y
KNLG908	CW - PCS Broadband						Y
KNLG909	CW - PCS Broadband						Y
KNLG910	CW - PCS Broadband						Y
KNLG914	CW - PCS Broadband						Y
KNLG915	CW - PCS Broadband						Y
KNLG916	CW - PCS Broadband						Y
KNLG918	CW - PCS Broadband						Y
KNLG920	CW - PCS Broadband						Y
KNLG922	CW - PCS Broadband						Y
KNLG925	CW - PCS Broadband						Y
KNLG927	CW - PCS Broadband						Y
KNLG928	CW - PCS Broadband						Y

111) Call Sign	112) Radio Service Code	113) Location Number	114) Path Number (Microwave only)	115) Frequency Number	116) Lower or Center Frequency (MHz)	117) Upper Frequency (MHz)	118) Constructed Yes / No
KNLG930	CW - PCS Broadband						Y
KNLG931	CW - PCS Broadband						Y
KNLG933	CW - PCS Broadband						Y
KNLG934	CW - PCS Broadband						Y
KNLG935	CW - PCS Broadband						Y
KNLG936	CW - PCS Broadband						Y
KNLG944	CW - PCS Broadband						Y
KNLG949	CW - PCS Broadband						Y
KNLH204	CW - PCS Broadband						Y
KNLH213	CW - PCS Broadband						Y
KNLH217	CW - PCS Broadband						Y
KNLH220	CW - PCS Broadband						Y
KNLH226	CW - PCS Broadband						Y
KNLH268	CW - PCS Broadband						Y
KNLH324	CW - PCS Broadband						Y
KNLH325	CW - PCS Broadband						Y
KNLH341	CW - PCS Broadband						Y
KNLH348	CW - PCS Broadband						Y
KNLH378	CW - PCS Broadband						Y

111) Call Sign	112) Radio Service Code	113) Location Number	114) Path Number (Microwave only)	115) Frequency Number	116) Lower or Center Frequency (MHz)	117) Upper Frequency (MHz)	118) Constructed Yes / No
KNLH381	CW - PCS Broadband						Y
KNLH398	CW - PCS Broadband						Y
KNLH406	CW - PCS Broadband						Y
KNLH415	CW - PCS Broadband						Y
KNLH416	CW - PCS Broadband						Y
KNLH417	CW - PCS Broadband						Y
KNLH418	CW - PCS Broadband						Y
KNLH419	CW - PCS Broadband						Y
KNLH420	CW - PCS Broadband						Y
KNLH425	CW - PCS Broadband						Y
KNLH428	CW - PCS Broadband						Y
KNLH429	CW - PCS Broadband						Y
KNLH444	CW - PCS Broadband						Y
KNLH445	CW - PCS Broadband						Y
KNLH449	CW - PCS Broadband						Y
KNLH455	CW - PCS Broadband						Y
KNLH456	CW - PCS Broadband						Y
KNLH458	CW - PCS Broadband						Y
KNLH460	CW - PCS Broadband						Y

111) Call Sign	112) Radio Service Code	113) Location Number	114) Path Number (Microwave only)	115) Frequency Number	116) Lower or Center Frequency (MHz)	117) Upper Frequency (MHz)	118) Constructed Yes / No
KNLH482	CW - PCS Broadband						Y
KNLH485	CW - PCS Broadband						Y
KNLH524	CW - PCS Broadband						Y
KNLH531	CW - PCS Broadband						Y
KNLH550	CW - PCS Broadband						Y
KNLH552	CW - PCS Broadband						Y
KNLH564	CW - PCS Broadband						Y
KNLH575	CW - PCS Broadband						Y
KNLH579	CW - PCS Broadband						Y
KNLH584	CW - PCS Broadband						Y
KNLH591	CW - PCS Broadband						Y
KNLH617	CW - PCS Broadband						Y
KNLH623	CW - PCS Broadband						Y
KNLH627	CW - PCS Broadband						Y
KNLH628	CW - PCS Broadband						Y
KNLH629	CW - PCS Broadband						Y
KNLH630	CW - PCS Broadband						Y
KNLH631	CW - PCS Broadband						Y
KNLH632	CW - PCS Broadband						Y

111) Call Sign	112) Radio Service Code	113) Location Number	114) Path Number (Microwave only)	115) Frequency Number	116) Lower or Center Frequency (MHz)	117) Upper Frequency (MHz)	118) Constructed Yes / No
KNLH650	CW - PCS Broadband						Y
KNLH651	CW - PCS Broadband						Y
KNLH653	CW - PCS Broadband						Y
KNLH654	CW - PCS Broadband						Y
KNLH674	CW - PCS Broadband						Y
KNLH678	CW - PCS Broadband						Y
KNLH748	CW - PCS Broadband						Y
KNLH764	CW - PCS Broadband						Y
WPOI204	CW - PCS Broadband						Y
WPOI206	CW - PCS Broadband						Y
WPOI212	CW - PCS Broadband						Y
WPOI213	CW - PCS Broadband						Y
WPOI215	CW - PCS Broadband						Y
WPOI217	CW - PCS Broadband						Y
WPOI244	CW - PCS Broadband						Y
WPOI255	CW - PCS Broadband						Y
WPOI256	CW - PCS Broadband						Y
WPOI257	CW - PCS Broadband						Y
WPOI258	CW - PCS Broadband						Y

111) Call Sign	112) Radio Service Code	113) Location Number	114) Path Number (Microwave only)	115) Frequency Number	116) Lower or Center Frequency (MHz)	117) Upper Frequency (MHz)	118) Constructed Yes / No
WPOI259	CW - PCS Broadband						Y
WPOI416	CW - PCS Broadband						Y
WPOI417	CW - PCS Broadband						Y
WPOJ361	CW - PCS Broadband						Y
WPOJ362	CW - PCS Broadband						Y
WPOJ689	CW - PCS Broadband						Y
WPOJ696	CW - PCS Broadband						Y
WPOJ703	CW - PCS Broadband						Y
WPOJ708	CW - PCS Broadband						Y
WPOJ716	CW - PCS Broadband						Y
WPOJ723	CW - PCS Broadband						Y
WPOJ745	CW - PCS Broadband						Y
WPOJ746	CW - PCS Broadband						Y
WPOJ747	CW - PCS Broadband						Y
WPOJ748	CW - PCS Broadband						Y
WPOJ751	CW - PCS Broadband						Y
WPOJ770	CW - PCS Broadband						Y
WPOJ771	CW - PCS Broadband						Y
WPOJ814	CW - PCS Broadband						Y

111) Call Sign	112) Radio Service Code	113) Location Number	114) Path Number (Microwave only)	115) Frequency Number	116) Lower or Center Frequency (MHz)	117) Upper Frequency (MHz)	118) Constructed Yes / No
WPOJ822	CW - PCS Broadband						Y
WPOJ824	CW - PCS Broadband						Y
WPOJ839	CW - PCS Broadband						Y
WPOJ841	CW - PCS Broadband						Y
WPOK289	CW - PCS Broadband						Y
WPOK569	CW - PCS Broadband						Y
WPOK575	CW - PCS Broadband						Y
WPOK580	CW - PCS Broadband						Y
WPOK581	CW - PCS Broadband						Y
WPOK594	CW - PCS Broadband						Y
WPOK611	CW - PCS Broadband						Y
WPOK613	CW - PCS Broadband						Y
WPOK614	CW - PCS Broadband						Y
WPOK616	CW - PCS Broadband						Y
WPOK620	CW - PCS Broadband						Y
WPOK625	CW - PCS Broadband						Y
WPOK626	CW - PCS Broadband						Y
WPOK629	CW - PCS Broadband						Y
WPOK631	CW - PCS Broadband						Y

111) Call Sign	112) Radio Service Code	113) Location Number	114) Path Number (Microwave only)	115) Frequency Number	116) Lower or Center Frequency (MHz)	117) Upper Frequency (MHz)	118) Constructed Yes / No
WPOK632	CW - PCS Broadband						Y
WPOK634	CW - PCS Broadband						Y
WPOK639	CW - PCS Broadband						Y
WPOK640	CW - PCS Broadband						Y
WPOK641	CW - PCS Broadband						Y
WPOK644	CW - PCS Broadband						Y
WPOK647	CW - PCS Broadband						Y
WPOK650	CW - PCS Broadband						Y
WPOK651	CW - PCS Broadband						Y
WPOK652	CW - PCS Broadband						Y
WPOK654	CW - PCS Broadband						Y
WPOK656	CW - PCS Broadband						Y
WPOK657	CW - PCS Broadband						Y
WPOK658	CW - PCS Broadband						Y
WPOK659	CW - PCS Broadband						Y
WPOK661	CW - PCS Broadband						Y
WPOK664	CW - PCS Broadband						Y
WPOK665	CW - PCS Broadband						Y
WPOK670	CW - PCS Broadband						Y

111) Call Sign	112) Radio Service Code	113) Location Number	114) Path Number (Microwave only)	115) Frequency Number	116) Lower or Center Frequency (MHz)	117) Upper Frequency (MHz)	118) Constructed Yes / No
WPOK674	CW - PCS Broadband						Y
WPOK683	CW - PCS Broadband						Y
WPOK684	CW - PCS Broadband						Y
WPOK686	CW - PCS Broadband						Y
WPOK714	CW - PCS Broadband						Y
WPOK794	CW - PCS Broadband						Y
WPOL311	CW - PCS Broadband						Y
WPOL354	CW - PCS Broadband						Y
WPON423	CW - PCS Broadband						Y
WPQL238	CW - PCS Broadband						Y
WPQL631	WS - Wireless Communications Service						Y
WPQL632	WS - Wireless Communications Service						Y
WPQL636	WS - Wireless Communications Service						Y
WPQP423	CW - PCS Broadband						Y
WPQW518	CW - PCS Broadband						Y
WPQW520	CW - PCS Broadband						Y
WPQW521	CW - PCS Broadband						Y
WPQW523	CW - PCS Broadband						Y
WPQY412	CW - PCS Broadband						Y

111) Call Sign	112) Radio Service Code	113) Location Number	114) Path Number (Microwave only)	115) Frequency Number	116) Lower or Center Frequency (MHz)	117) Upper Frequency (MHz)	118) Constructed Yes / No
WPQY414	CW - PCS Broadband						Y
WPRU654	CW - PCS Broadband						Y
WPRU657	CW - PCS Broadband						Y
WPRU658	CW - PCS Broadband						Y
WPRU659	CW - PCS Broadband						Y
WPRV980	CW - PCS Broadband						Y
WPRW645	CW - PCS Broadband						Y
WPRW646	CW - PCS Broadband						Y
WPSF245	CW - PCS Broadband						Y
WPSF246	CW - PCS Broadband						Y
WPSI350	CW - PCS Broadband						Y
WPSI618	CW - PCS Broadband						Y
WPSI619	CW - PCS Broadband						Y
WPSI620	CW - PCS Broadband						Y
WPSI621	CW - PCS Broadband						Y
WPSI622	CW - PCS Broadband						Y
WPSJ971	CW - PCS Broadband						Y
WPSL350	WS - Wireless Communications Service						Y
WPSL351	WS - Wireless Communications Service						Y

111) Call Sign	112) Radio Service Code	113) Location Number	114) Path Number (Microwave only)	115) Frequency Number	116) Lower or Center Frequency (MHz)	117) Upper Frequency (MHz)	118) Constructed Yes / No
WPSL352	WS - Wireless Communications Service						Y
WPSL353	WS - Wireless Communications Service						Y
WPSL354	WS - Wireless Communications Service						Y
WPSL355	WS - Wireless Communications Service						Y
WPSL356	WS - Wireless Communications Service						Y
WPSL357	WS - Wireless Communications Service						Y
WPSL358	WS - Wireless Communications Service						Y
WPSL359	WS - Wireless Communications Service						Y
WPSL360	WS - Wireless Communications Service						Y
WPSL361	WS - Wireless Communications Service						Y
WPSL362	WS - Wireless Communications Service						Y
WPSL626	CW - PCS Broadband						Y
WPSP792	CW - PCS Broadband						Y
WPTB471	CW - PCS Broadband						Y
WPTB528	CW - PCS Broadband						Y
WPTF536	CW - PCS Broadband						Y
WPTI722	CW - PCS Broadband						Y
WPTI725	CW - PCS Broadband						Y
WPTI727	CW - PCS Broadband						Y

111) Call Sign	112) Radio Service Code	113) Location Number	114) Path Number (Microwave only)	115) Frequency Number	116) Lower or Center Frequency (MHz)	117) Upper Frequency (MHz)	118) Constructed Yes / No
WPTI729	CW - PCS Broadband						Y
WPTI735	CW - PCS Broadband						Y
WPTI736	CW - PCS Broadband						Y
WPTI741	CW - PCS Broadband						Y
WPTI745	CW - PCS Broadband						Y
WPTI746	CW - PCS Broadband						Y
WPTI749	CW - PCS Broadband						Y
WPTI751	CW - PCS Broadband						Y
WPTI752	CW - PCS Broadband						Y
WPTI753	CW - PCS Broadband						Y
WPTI756	CW - PCS Broadband						Y
WPTJ404	CW - PCS Broadband						Y
WPTL470	CW - PCS Broadband						Y
WPTP284	CW - PCS Broadband						Y
WPUD908	CW - PCS Broadband						Y
WPUE309	CW - PCS Broadband						Y
WPUI309	CW - PCS Broadband						Y
WPUI373	CW - PCS Broadband						Y
WPUI378	CW - PCS Broadband						Y

111) Call Sign	112) Radio Service Code	113) Location Number	114) Path Number (Microwave only)	115) Frequency Number	116) Lower or Center Frequency (MHz)	117) Upper Frequency (MHz)	118) Constructed Yes / No
WPUJ347	CW - PCS Broadband						Y
WPUQ523	CW - PCS Broadband						Y
WPUQ737	CW - PCS Broadband						Y
WPUQ738	CW - PCS Broadband						Y
WPU883	CW - PCS Broadband						Y
WPVC979	CW - PCS Broadband						Y
WPWH949	CW - PCS Broadband						Y
WPWL460	CW - PCS Broadband						Y
WPWL461	CW - PCS Broadband						Y
WPWL462	CW - PCS Broadband						Y
WPWL463	CW - PCS Broadband						Y
WPWQ955	CW - PCS Broadband						Y
WPWU896	WZ - 700 MHz Lower Band (Blocks C, D)						Y
WPWU901	WZ - 700 MHz Lower Band (Blocks C, D)						Y
WPWU913	WZ - 700 MHz Lower Band (Blocks C, D)						Y
WPWU914	WZ - 700 MHz Lower Band (Blocks C, D)						Y
WPWU915	WZ - 700 MHz Lower Band (Blocks C, D)						Y
WPWU916	WZ - 700 MHz Lower Band (Blocks C, D)						Y
WPWU917	WZ - 700 MHz Lower Band (Blocks C, D)						Y

111) Call Sign	112) Radio Service Code	113) Location Number	114) Path Number (Microwave only)	115) Frequency Number	116) Lower or Center Frequency (MHz)	117) Upper Frequency (MHz)	118) Constructed Yes / No
WPWU921	WZ - 700 MHz Lower Band (Blocks C, D)						Y
WPWU928	WZ - 700 MHz Lower Band (Blocks C, D)						Y
WPWU929	WZ - 700 MHz Lower Band (Blocks C, D)						Y
WPWU930	WZ - 700 MHz Lower Band (Blocks C, D)						Y
WPWU933	WZ - 700 MHz Lower Band (Blocks C, D)						Y
WPWU934	WZ - 700 MHz Lower Band (Blocks C, D)						Y
WPWU935	WZ - 700 MHz Lower Band (Blocks C, D)						Y
WPWU936	WZ - 700 MHz Lower Band (Blocks C, D)						Y
WPWU937	WZ - 700 MHz Lower Band (Blocks C, D)						Y
WPWU938	WZ - 700 MHz Lower Band (Blocks C, D)						Y
WPWU939	WZ - 700 MHz Lower Band (Blocks C, D)						Y
WPWU940	WZ - 700 MHz Lower Band (Blocks C, D)						Y
WPWU941	WZ - 700 MHz Lower Band (Blocks C, D)						Y
WPWU942	WZ - 700 MHz Lower Band (Blocks C, D)						Y
WPWU943	WZ - 700 MHz Lower Band (Blocks C, D)						Y
WPWU948	WZ - 700 MHz Lower Band (Blocks C, D)						Y
WPWU949	WZ - 700 MHz Lower Band (Blocks C, D)						Y
WPWU951	WZ - 700 MHz Lower Band (Blocks C, D)						Y
WPWU952	WZ - 700 MHz Lower Band (Blocks C, D)						Y

111) Call Sign	112) Radio Service Code	113) Location Number	114) Path Number (Microwave only)	115) Frequency Number	116) Lower or Center Frequency (MHz)	117) Upper Frequency (MHz)	118) Constructed Yes / No
WPWU953	WZ - 700 MHz Lower Band (Blocks C, D)						Y
WPWU954	WZ - 700 MHz Lower Band (Blocks C, D)						Y
WPWU968	WZ - 700 MHz Lower Band (Blocks C, D)						Y
WPWU969	WZ - 700 MHz Lower Band (Blocks C, D)						Y
WPWU970	WZ - 700 MHz Lower Band (Blocks C, D)						Y
WPWU971	WZ - 700 MHz Lower Band (Blocks C, D)						Y
WPWU974	WZ - 700 MHz Lower Band (Blocks C, D)						Y
WPWU975	WZ - 700 MHz Lower Band (Blocks C, D)						Y
WPWU981	WZ - 700 MHz Lower Band (Blocks C, D)						Y
WPWU982	WZ - 700 MHz Lower Band (Blocks C, D)						Y
WPWU989	WZ - 700 MHz Lower Band (Blocks C, D)						Y
WPWU995	WZ - 700 MHz Lower Band (Blocks C, D)						Y
WPWU996	WZ - 700 MHz Lower Band (Blocks C, D)						Y
WPWU997	WZ - 700 MHz Lower Band (Blocks C, D)						Y
WPWU998	WZ - 700 MHz Lower Band (Blocks C, D)						Y
WPWV201	WZ - 700 MHz Lower Band (Blocks C, D)						Y
WPWV202	WZ - 700 MHz Lower Band (Blocks C, D)						Y
WPWV203	WZ - 700 MHz Lower Band (Blocks C, D)						Y
WPWV206	WZ - 700 MHz Lower Band (Blocks C, D)						Y

111) Call Sign	112) Radio Service Code	113) Location Number	114) Path Number (Microwave only)	115) Frequency Number	116) Lower or Center Frequency (MHz)	117) Upper Frequency (MHz)	118) Constructed Yes / No
WPWV207	WZ - 700 MHz Lower Band (Blocks C, D)						Y
WPWV210	WZ - 700 MHz Lower Band (Blocks C, D)						Y
WPWV211	WZ - 700 MHz Lower Band (Blocks C, D)						Y
WPWV212	WZ - 700 MHz Lower Band (Blocks C, D)						Y
WPWV213	WZ - 700 MHz Lower Band (Blocks C, D)						Y
WPWV214	WZ - 700 MHz Lower Band (Blocks C, D)						Y
WPWV215	WZ - 700 MHz Lower Band (Blocks C, D)						Y
WPWV217	WZ - 700 MHz Lower Band (Blocks C, D)						Y
WPWV218	WZ - 700 MHz Lower Band (Blocks C, D)						Y
WPWV222	WZ - 700 MHz Lower Band (Blocks C, D)						Y
WPWV224	WZ - 700 MHz Lower Band (Blocks C, D)						Y
WPWV228	WZ - 700 MHz Lower Band (Blocks C, D)						Y
WPWV234	WZ - 700 MHz Lower Band (Blocks C, D)						Y
WPWV254	WZ - 700 MHz Lower Band (Blocks C, D)						Y
WPWV263	WZ - 700 MHz Lower Band (Blocks C, D)						Y
WPWV268	WZ - 700 MHz Lower Band (Blocks C, D)						Y
WPWV269	WZ - 700 MHz Lower Band (Blocks C, D)						Y
WPWV275	WZ - 700 MHz Lower Band (Blocks C, D)						Y
WPWV278	WZ - 700 MHz Lower Band (Blocks C, D)						Y

111) Call Sign	112) Radio Service Code	113) Location Number	114) Path Number (Microwave only)	115) Frequency Number	116) Lower or Center Frequency (MHz)	117) Upper Frequency (MHz)	118) Constructed Yes / No
WPWV279	WZ - 700 MHz Lower Band (Blocks C, D)						Y
WPWV280	WZ - 700 MHz Lower Band (Blocks C, D)						Y
WPWV281	WZ - 700 MHz Lower Band (Blocks C, D)						Y
WPWV286	WZ - 700 MHz Lower Band (Blocks C, D)						Y
WPWV295	WZ - 700 MHz Lower Band (Blocks C, D)						Y
WPWV305	WZ - 700 MHz Lower Band (Blocks C, D)						Y
WPWV310	WZ - 700 MHz Lower Band (Blocks C, D)						Y
WPWV311	WZ - 700 MHz Lower Band (Blocks C, D)						Y
WPWV312	WZ - 700 MHz Lower Band (Blocks C, D)						Y
WPWV314	WZ - 700 MHz Lower Band (Blocks C, D)						Y
WPWV315	WZ - 700 MHz Lower Band (Blocks C, D)						Y
WPWV320	WZ - 700 MHz Lower Band (Blocks C, D)						Y
WPWV321	WZ - 700 MHz Lower Band (Blocks C, D)						Y
WPWV322	WZ - 700 MHz Lower Band (Blocks C, D)						Y
WPWV324	WZ - 700 MHz Lower Band (Blocks C, D)						Y
WPWV325	WZ - 700 MHz Lower Band (Blocks C, D)						Y
WPWV326	WZ - 700 MHz Lower Band (Blocks C, D)						Y
WPWV328	WZ - 700 MHz Lower Band (Blocks C, D)						Y
WPWV329	WZ - 700 MHz Lower Band (Blocks C, D)						Y

111) Call Sign	112) Radio Service Code	113) Location Number	114) Path Number (Microwave only)	115) Frequency Number	116) Lower or Center Frequency (MHz)	117) Upper Frequency (MHz)	118) Constructed Yes / No
WPWV331	WZ - 700 MHz Lower Band (Blocks C, D)						Y
WPWV332	WZ - 700 MHz Lower Band (Blocks C, D)						Y
WPWV333	WZ - 700 MHz Lower Band (Blocks C, D)						Y
WPWV335	WZ - 700 MHz Lower Band (Blocks C, D)						Y
WPWV341	WZ - 700 MHz Lower Band (Blocks C, D)						Y
WPWV342	WZ - 700 MHz Lower Band (Blocks C, D)						Y
WPWV357	WZ - 700 MHz Lower Band (Blocks C, D)						Y
WPWV358	WZ - 700 MHz Lower Band (Blocks C, D)						Y
WPWV359	WZ - 700 MHz Lower Band (Blocks C, D)						Y
WPWV360	WZ - 700 MHz Lower Band (Blocks C, D)						Y
WPWV362	WZ - 700 MHz Lower Band (Blocks C, D)						Y
WPWV366	WZ - 700 MHz Lower Band (Blocks C, D)						Y
WPWV367	WZ - 700 MHz Lower Band (Blocks C, D)						Y
WPWV368	WZ - 700 MHz Lower Band (Blocks C, D)						Y
WPWV369	WZ - 700 MHz Lower Band (Blocks C, D)						Y
WPWV373	WZ - 700 MHz Lower Band (Blocks C, D)						Y
WPWV376	WZ - 700 MHz Lower Band (Blocks C, D)						Y
WPWV377	WZ - 700 MHz Lower Band (Blocks C, D)						Y
WPWV380	WZ - 700 MHz Lower Band (Blocks C, D)						Y

111) Call Sign	112) Radio Service Code	113) Location Number	114) Path Number (Microwave only)	115) Frequency Number	116) Lower or Center Frequency (MHz)	117) Upper Frequency (MHz)	118) Constructed Yes / No
WPWV384	WZ - 700 MHz Lower Band (Blocks C, D)						Y
WPWV385	WZ - 700 MHz Lower Band (Blocks C, D)						Y
WPWV388	WZ - 700 MHz Lower Band (Blocks C, D)						Y
WPWV398	WZ - 700 MHz Lower Band (Blocks C, D)						Y
WPWV401	WZ - 700 MHz Lower Band (Blocks C, D)						Y
WPWV408	WZ - 700 MHz Lower Band (Blocks C, D)						Y
WPWV424	WZ - 700 MHz Lower Band (Blocks C, D)						Y
WPWV425	WZ - 700 MHz Lower Band (Blocks C, D)						Y
WPWV427	WZ - 700 MHz Lower Band (Blocks C, D)						Y
WPWV456	WZ - 700 MHz Lower Band (Blocks C, D)						Y
WPWV462	WZ - 700 MHz Lower Band (Blocks C, D)						Y
WPWV463	WZ - 700 MHz Lower Band (Blocks C, D)						Y
WPWV465	WZ - 700 MHz Lower Band (Blocks C, D)						Y
WPWV482	WZ - 700 MHz Lower Band (Blocks C, D)						Y
WPWV511	WZ - 700 MHz Lower Band (Blocks C, D)						Y
WPWV513	WZ - 700 MHz Lower Band (Blocks C, D)						Y
WPWV514	WZ - 700 MHz Lower Band (Blocks C, D)						Y
WPWV518	WZ - 700 MHz Lower Band (Blocks C, D)						Y
WPWV521	WZ - 700 MHz Lower Band (Blocks C, D)						Y

111) Call Sign	112) Radio Service Code	113) Location Number	114) Path Number (Microwave only)	115) Frequency Number	116) Lower or Center Frequency (MHz)	117) Upper Frequency (MHz)	118) Constructed Yes / No
WPWV522	WZ - 700 MHz Lower Band (Blocks C, D)						Y
WPWV523	WZ - 700 MHz Lower Band (Blocks C, D)						Y
WPWV524	WZ - 700 MHz Lower Band (Blocks C, D)						Y
WPWV525	WZ - 700 MHz Lower Band (Blocks C, D)						Y
WPWV526	WZ - 700 MHz Lower Band (Blocks C, D)						Y
WPWV539	WZ - 700 MHz Lower Band (Blocks C, D)						Y
WPWV540	WZ - 700 MHz Lower Band (Blocks C, D)						Y
WPWV547	WZ - 700 MHz Lower Band (Blocks C, D)						Y
WPWV548	WZ - 700 MHz Lower Band (Blocks C, D)						Y
WPXD984	WZ - 700 MHz Lower Band (Blocks C, D)						Y
WPXD987	WZ - 700 MHz Lower Band (Blocks C, D)						Y
WPXD988	WZ - 700 MHz Lower Band (Blocks C, D)						Y
WPXE649	CW - PCS Broadband						Y
WPXK756	CW - PCS Broadband						Y
WPXK757	CW - PCS Broadband						Y
WPXN485	CW - PCS Broadband						Y
WPXS748	CW - PCS Broadband						Y
WPXS752	CW - PCS Broadband						Y
WPXT204	CW - PCS Broadband						Y

111) Call Sign	112) Radio Service Code	113) Location Number	114) Path Number (Microwave only)	115) Frequency Number	116) Lower or Center Frequency (MHz)	117) Upper Frequency (MHz)	118) Constructed Yes / No
WPXT205	CW - PCS Broadband						Y
WPXT206	CW - PCS Broadband						Y
WPYP768	WS - Wireless Communications Service						Y
WPYP769	WS - Wireless Communications Service						Y
WPYZ849	WZ - 700 MHz Lower Band (Blocks C, D)						Y
WPYZ850	WZ - 700 MHz Lower Band (Blocks C, D)						Y
WPYZ851	WZ - 700 MHz Lower Band (Blocks C, D)						Y
WPYZ852	WZ - 700 MHz Lower Band (Blocks C, D)						Y
WPYZ854	WZ - 700 MHz Lower Band (Blocks C, D)						Y
WPYZ856	WZ - 700 MHz Lower Band (Blocks C, D)						Y
WPYZ857	WZ - 700 MHz Lower Band (Blocks C, D)						Y
WPYZ859	WZ - 700 MHz Lower Band (Blocks C, D)						Y
WPYZ863	WZ - 700 MHz Lower Band (Blocks C, D)						Y
WPYZ864	WZ - 700 MHz Lower Band (Blocks C, D)						Y
WPYZ867	WZ - 700 MHz Lower Band (Blocks C, D)						Y
WPYZ868	WZ - 700 MHz Lower Band (Blocks C, D)						Y
WPYZ869	WZ - 700 MHz Lower Band (Blocks C, D)						Y
WPYZ872	WZ - 700 MHz Lower Band (Blocks C, D)						Y
WPYZ873	WZ - 700 MHz Lower Band (Blocks C, D)						Y

111) Call Sign	112) Radio Service Code	113) Location Number	114) Path Number (Microwave only)	115) Frequency Number	116) Lower or Center Frequency (MHz)	117) Upper Frequency (MHz)	118) Constructed Yes / No
WPYZ879	WZ - 700 MHz Lower Band (Blocks C, D)						Y
WPYZ880	WZ - 700 MHz Lower Band (Blocks C, D)						Y
WPYZ881	WZ - 700 MHz Lower Band (Blocks C, D)						Y
WPYZ882	WZ - 700 MHz Lower Band (Blocks C, D)						Y
WPYZ886	WZ - 700 MHz Lower Band (Blocks C, D)						Y
WPYZ891	WZ - 700 MHz Lower Band (Blocks C, D)						Y
WPYZ892	WZ - 700 MHz Lower Band (Blocks C, D)						Y
WPYZ893	WZ - 700 MHz Lower Band (Blocks C, D)						Y
WPYZ894	WZ - 700 MHz Lower Band (Blocks C, D)						Y
WPYZ895	WZ - 700 MHz Lower Band (Blocks C, D)						Y
WPYZ896	WZ - 700 MHz Lower Band (Blocks C, D)						Y
WPYZ897	WZ - 700 MHz Lower Band (Blocks C, D)						Y
WPYZ898	WZ - 700 MHz Lower Band (Blocks C, D)						Y
WPYZ899	WZ - 700 MHz Lower Band (Blocks C, D)						Y
WPYZ900	WZ - 700 MHz Lower Band (Blocks C, D)						Y
WPYZ901	WZ - 700 MHz Lower Band (Blocks C, D)						Y
WPYZ907	WZ - 700 MHz Lower Band (Blocks C, D)						Y
WPYZ908	WZ - 700 MHz Lower Band (Blocks C, D)						Y
WPYZ909	WZ - 700 MHz Lower Band (Blocks C, D)						Y

111) Call Sign	112) Radio Service Code	113) Location Number	114) Path Number (Microwave only)	115) Frequency Number	116) Lower or Center Frequency (MHz)	117) Upper Frequency (MHz)	118) Constructed Yes / No
WPYZ911	WZ - 700 MHz Lower Band (Blocks C, D)						Y
WPYZ912	WZ - 700 MHz Lower Band (Blocks C, D)						Y
WPYZ913	WZ - 700 MHz Lower Band (Blocks C, D)						Y
WPYZ914	WZ - 700 MHz Lower Band (Blocks C, D)						Y
WPYZ915	WZ - 700 MHz Lower Band (Blocks C, D)						Y
WPYZ916	WZ - 700 MHz Lower Band (Blocks C, D)						Y
WPYZ917	WZ - 700 MHz Lower Band (Blocks C, D)						Y
WPYZ918	WZ - 700 MHz Lower Band (Blocks C, D)						Y
WPYZ919	WZ - 700 MHz Lower Band (Blocks C, D)						Y
WPYZ920	WZ - 700 MHz Lower Band (Blocks C, D)						Y
WPYZ921	WZ - 700 MHz Lower Band (Blocks C, D)						Y
WPYZ922	WZ - 700 MHz Lower Band (Blocks C, D)						Y
WPYZ923	WZ - 700 MHz Lower Band (Blocks C, D)						Y
WPYZ926	WZ - 700 MHz Lower Band (Blocks C, D)						Y
WPYZ927	WZ - 700 MHz Lower Band (Blocks C, D)						Y
WPYZ928	WZ - 700 MHz Lower Band (Blocks C, D)						Y
WPYZ929	WZ - 700 MHz Lower Band (Blocks C, D)						Y
WPYZ930	WZ - 700 MHz Lower Band (Blocks C, D)						Y
WPYZ931	WZ - 700 MHz Lower Band (Blocks C, D)						Y

111) Call Sign	112) Radio Service Code	113) Location Number	114) Path Number (Microwave only)	115) Frequency Number	116) Lower or Center Frequency (MHz)	117) Upper Frequency (MHz)	118) Constructed Yes / No
WPYZ932	WZ - 700 MHz Lower Band (Blocks C, D)						Y
WPYZ933	WZ - 700 MHz Lower Band (Blocks C, D)						Y
WPYZ934	WZ - 700 MHz Lower Band (Blocks C, D)						Y
WPYZ939	WZ - 700 MHz Lower Band (Blocks C, D)						Y
WPYZ942	WZ - 700 MHz Lower Band (Blocks C, D)						Y
WPYZ945	WZ - 700 MHz Lower Band (Blocks C, D)						Y
WPYZ946	WZ - 700 MHz Lower Band (Blocks C, D)						Y
WPYZ947	WZ - 700 MHz Lower Band (Blocks C, D)						Y
WPYZ948	WZ - 700 MHz Lower Band (Blocks C, D)						Y
WPYZ949	WZ - 700 MHz Lower Band (Blocks C, D)						Y
WPYZ950	WZ - 700 MHz Lower Band (Blocks C, D)						Y
WPYZ951	WZ - 700 MHz Lower Band (Blocks C, D)						Y
WPYZ952	WZ - 700 MHz Lower Band (Blocks C, D)						Y
WPYZ953	WZ - 700 MHz Lower Band (Blocks C, D)						Y
WPYZ954	WZ - 700 MHz Lower Band (Blocks C, D)						Y
WPYZ956	WZ - 700 MHz Lower Band (Blocks C, D)						Y
WPYZ957	WZ - 700 MHz Lower Band (Blocks C, D)						Y
WPYZ958	WZ - 700 MHz Lower Band (Blocks C, D)						Y
WPYZ959	WZ - 700 MHz Lower Band (Blocks C, D)						Y

111) Call Sign	112) Radio Service Code	113) Location Number	114) Path Number (Microwave only)	115) Frequency Number	116) Lower or Center Frequency (MHz)	117) Upper Frequency (MHz)	118) Constructed Yes / No
WPYZ960	WZ - 700 MHz Lower Band (Blocks C, D)						Y
WPYZ962	WZ - 700 MHz Lower Band (Blocks C, D)						Y
WPYZ963	WZ - 700 MHz Lower Band (Blocks C, D)						Y
WPYZ964	WZ - 700 MHz Lower Band (Blocks C, D)						Y
WPYZ965	WZ - 700 MHz Lower Band (Blocks C, D)						Y
WPYZ966	WZ - 700 MHz Lower Band (Blocks C, D)						Y
WPYZ967	WZ - 700 MHz Lower Band (Blocks C, D)						Y
WPYZ968	WZ - 700 MHz Lower Band (Blocks C, D)						Y
WPYZ970	WZ - 700 MHz Lower Band (Blocks C, D)						Y
WPYZ971	WZ - 700 MHz Lower Band (Blocks C, D)						Y
WPYZ972	WZ - 700 MHz Lower Band (Blocks C, D)						Y
WPYZ973	WZ - 700 MHz Lower Band (Blocks C, D)						Y
WPYZ974	WZ - 700 MHz Lower Band (Blocks C, D)						Y
WPYZ975	WZ - 700 MHz Lower Band (Blocks C, D)						Y
WPYZ976	WZ - 700 MHz Lower Band (Blocks C, D)						Y
WPYZ977	WZ - 700 MHz Lower Band (Blocks C, D)						Y
WPYZ979	WZ - 700 MHz Lower Band (Blocks C, D)						Y
WPYZ980	WZ - 700 MHz Lower Band (Blocks C, D)						Y
WPYZ981	WZ - 700 MHz Lower Band (Blocks C, D)						Y

111) Call Sign	112) Radio Service Code	113) Location Number	114) Path Number (Microwave only)	115) Frequency Number	116) Lower or Center Frequency (MHz)	117) Upper Frequency (MHz)	118) Constructed Yes / No
WPYZ982	WZ - 700 MHz Lower Band (Blocks C, D)						Y
WPYZ983	WZ - 700 MHz Lower Band (Blocks C, D)						Y
WPYZ984	WZ - 700 MHz Lower Band (Blocks C, D)						Y
WPYZ985	WZ - 700 MHz Lower Band (Blocks C, D)						Y
WPYZ986	WZ - 700 MHz Lower Band (Blocks C, D)						Y
WPYZ987	WZ - 700 MHz Lower Band (Blocks C, D)						Y
WPYZ988	WZ - 700 MHz Lower Band (Blocks C, D)						Y
WPYZ989	WZ - 700 MHz Lower Band (Blocks C, D)						Y
WPYZ990	WZ - 700 MHz Lower Band (Blocks C, D)						Y
WPYZ994	WZ - 700 MHz Lower Band (Blocks C, D)						Y
WPYZ995	WZ - 700 MHz Lower Band (Blocks C, D)						Y
WPYZ996	WZ - 700 MHz Lower Band (Blocks C, D)						Y
WPYZ997	WZ - 700 MHz Lower Band (Blocks C, D)						Y
WPYZ998	WZ - 700 MHz Lower Band (Blocks C, D)						Y
WPYZ999	WZ - 700 MHz Lower Band (Blocks C, D)						Y
WPZA200	WZ - 700 MHz Lower Band (Blocks C, D)						Y
WPZA201	WZ - 700 MHz Lower Band (Blocks C, D)						Y
WPZA202	WZ - 700 MHz Lower Band (Blocks C, D)						Y
WPZA210	WZ - 700 MHz Lower Band (Blocks C, D)						Y

111) Call Sign	112) Radio Service Code	113) Location Number	114) Path Number (Microwave only)	115) Frequency Number	116) Lower or Center Frequency (MHz)	117) Upper Frequency (MHz)	118) Constructed Yes / No
WPZA212	WZ - 700 MHz Lower Band (Blocks C, D)						Y
WPZA213	WZ - 700 MHz Lower Band (Blocks C, D)						Y
WPZA214	WZ - 700 MHz Lower Band (Blocks C, D)						Y
WPZA227	WZ - 700 MHz Lower Band (Blocks C, D)						Y
WPZA228	WZ - 700 MHz Lower Band (Blocks C, D)						Y
WPZA231	WZ - 700 MHz Lower Band (Blocks C, D)						Y
WPZA234	WZ - 700 MHz Lower Band (Blocks C, D)						Y
WPZA235	WZ - 700 MHz Lower Band (Blocks C, D)						Y
WPZA236	WZ - 700 MHz Lower Band (Blocks C, D)						Y
WPZA237	WZ - 700 MHz Lower Band (Blocks C, D)						Y
WPZA238	WZ - 700 MHz Lower Band (Blocks C, D)						Y
WPZA239	WZ - 700 MHz Lower Band (Blocks C, D)						Y
WPZA252	WZ - 700 MHz Lower Band (Blocks C, D)						Y
WPZA265	WZ - 700 MHz Lower Band (Blocks C, D)						Y
WPZA266	WZ - 700 MHz Lower Band (Blocks C, D)						Y
WPZA267	WZ - 700 MHz Lower Band (Blocks C, D)						Y
WPZA268	WZ - 700 MHz Lower Band (Blocks C, D)						Y
WPZA273	WZ - 700 MHz Lower Band (Blocks C, D)						Y
WPZA275	WZ - 700 MHz Lower Band (Blocks C, D)						Y

111) Call Sign	112) Radio Service Code	113) Location Number	114) Path Number (Microwave only)	115) Frequency Number	116) Lower or Center Frequency (MHz)	117) Upper Frequency (MHz)	118) Constructed Yes / No
WPZA277	WZ - 700 MHz Lower Band (Blocks C, D)						Y
WPZA278	WZ - 700 MHz Lower Band (Blocks C, D)						Y
WPZA511	CW - PCS Broadband						Y
WPZA810	WS - Wireless Communications Service						Y
WPZA811	WS - Wireless Communications Service						Y
WPZA812	WS - Wireless Communications Service						Y
WPZA813	WS - Wireless Communications Service						Y
WPZL272	WZ - 700 MHz Lower Band (Blocks C, D)						Y
WPZL282	WZ - 700 MHz Lower Band (Blocks C, D)						Y
WPZL283	WZ - 700 MHz Lower Band (Blocks C, D)						Y
WPZL284	WZ - 700 MHz Lower Band (Blocks C, D)						Y
WPZL286	WZ - 700 MHz Lower Band (Blocks C, D)						Y
WPZL287	WZ - 700 MHz Lower Band (Blocks C, D)						Y
WPZL288	WZ - 700 MHz Lower Band (Blocks C, D)						Y
WPZL289	WZ - 700 MHz Lower Band (Blocks C, D)						Y
WPZL290	WZ - 700 MHz Lower Band (Blocks C, D)						Y
WPZN799	CW - PCS Broadband						Y
WPZR481	CW - PCS Broadband						Y
WPZT470	CW - PCS Broadband						Y

111) Call Sign	112) Radio Service Code	113) Location Number	114) Path Number (Microwave only)	115) Frequency Number	116) Lower or Center Frequency (MHz)	117) Upper Frequency (MHz)	118) Constructed Yes / No
WPZT694	CW - PCS Broadband						Y
WPZT695	CW - PCS Broadband						Y
WPZT696	CW - PCS Broadband						Y
WPZU214	CW - PCS Broadband						Y
WPZW674	WZ - 700 MHz Lower Band (Blocks C, D)						Y
WPZY674	CW - PCS Broadband						Y
WPZY676	CW - PCS Broadband						Y
WPZY677	CW - PCS Broadband						Y
WPZY678	CW - PCS Broadband						Y
WPZY681	CW - PCS Broadband						Y
WPZY688	CW - PCS Broadband						Y
WQAE415	CW - PCS Broadband						Y
WQAF337	CW - PCS Broadband						Y
WQAJ963	CW - PCS Broadband						Y
WQAM303	CW - PCS Broadband						Y
WQAQ254	CW - PCS Broadband						Y
WQBI464	CW - PCS Broadband						Y
WQBQ590	WZ - 700 MHz Lower Band (Blocks C, D)						Y
WQBQ591	WZ - 700 MHz Lower Band (Blocks C, D)						Y

111) Call Sign	112) Radio Service Code	113) Location Number	114) Path Number (Microwave only)	115) Frequency Number	116) Lower or Center Frequency (MHz)	117) Upper Frequency (MHz)	118) Constructed Yes / No
WQBQ592	WZ - 700 MHz Lower Band (Blocks C, D)						Y
WQBQ593	WZ - 700 MHz Lower Band (Blocks C, D)						Y
WQBQ595	WZ - 700 MHz Lower Band (Blocks C, D)						Y
WQBQ596	WZ - 700 MHz Lower Band (Blocks C, D)						Y
WQBQ597	WZ - 700 MHz Lower Band (Blocks C, D)						Y
WQBQ598	WZ - 700 MHz Lower Band (Blocks C, D)						Y
WQBQ599	WZ - 700 MHz Lower Band (Blocks C, D)						Y
WQBQ600	WZ - 700 MHz Lower Band (Blocks C, D)						Y
WQBQ601	WZ - 700 MHz Lower Band (Blocks C, D)						Y
WQBQ602	WZ - 700 MHz Lower Band (Blocks C, D)						Y
WQBQ604	WZ - 700 MHz Lower Band (Blocks C, D)						Y
WQBQ605	WZ - 700 MHz Lower Band (Blocks C, D)						Y
WQBQ606	WZ - 700 MHz Lower Band (Blocks C, D)						Y
WQBQ608	WZ - 700 MHz Lower Band (Blocks C, D)						Y
WQBQ609	WZ - 700 MHz Lower Band (Blocks C, D)						Y
WQBQ610	WZ - 700 MHz Lower Band (Blocks C, D)						Y
WQBQ611	WZ - 700 MHz Lower Band (Blocks C, D)						Y
WQBQ614	WZ - 700 MHz Lower Band (Blocks C, D)						Y
WQBQ615	WZ - 700 MHz Lower Band (Blocks C, D)						Y

111) Call Sign	112) Radio Service Code	113) Location Number	114) Path Number (Microwave only)	115) Frequency Number	116) Lower or Center Frequency (MHz)	117) Upper Frequency (MHz)	118) Constructed Yes / No
WQBQ616	WZ - 700 MHz Lower Band (Blocks C, D)						Y
WQBQ617	WZ - 700 MHz Lower Band (Blocks C, D)						Y
WQBQ618	WZ - 700 MHz Lower Band (Blocks C, D)						Y
WQBQ619	WZ - 700 MHz Lower Band (Blocks C, D)						Y
WQBQ620	WZ - 700 MHz Lower Band (Blocks C, D)						Y
WQBQ622	WZ - 700 MHz Lower Band (Blocks C, D)						Y
WQBQ623	WZ - 700 MHz Lower Band (Blocks C, D)						Y
WQBQ624	WZ - 700 MHz Lower Band (Blocks C, D)						Y
WQBQ626	WZ - 700 MHz Lower Band (Blocks C, D)						Y
WQBQ627	WZ - 700 MHz Lower Band (Blocks C, D)						Y
WQBQ629	WZ - 700 MHz Lower Band (Blocks C, D)						Y
WQBQ637	WZ - 700 MHz Lower Band (Blocks C, D)						Y
WQBT317	CW - PCS Broadband						Y
WQBT322	CW - PCS Broadband						Y
WQBT332	CW - PCS Broadband						Y
WQBT338	CW - PCS Broadband						Y
WQBT339	CW - PCS Broadband						Y
WQBT340	CW - PCS Broadband						Y
WQBT342	CW - PCS Broadband						Y

111) Call Sign	112) Radio Service Code	113) Location Number	114) Path Number (Microwave only)	115) Frequency Number	116) Lower or Center Frequency (MHz)	117) Upper Frequency (MHz)	118) Constructed Yes / No
WQBT343	CW - PCS Broadband						Y
WQBT345	CW - PCS Broadband						Y
WQBT355	CW - PCS Broadband						Y
WQBT357	CW - PCS Broadband						Y
WQBT359	CW - PCS Broadband						Y
WQCL692	CW - PCS Broadband						Y
WQCL695	CW - PCS Broadband						Y
WQCM495	WZ - 700 MHz Lower Band (Blocks C, D)						Y
WQCS386	CW - PCS Broadband						Y
WQCS427	CW - PCS Broadband						Y
WQCS465	CW - PCS Broadband						Y
WQCX667	CW - PCS Broadband						Y
WQCX681	CW - PCS Broadband						Y
WQDH434	WZ - 700 MHz Lower Band (Blocks C, D)						Y
WQDI528	CW - PCS Broadband						Y
WQDM569	WZ - 700 MHz Lower Band (Blocks C, D)						Y
WQDM573	WZ - 700 MHz Lower Band (Blocks C, D)						Y
WQDU929	CW - PCS Broadband						Y
WQDU933	CW - PCS Broadband						Y

111) Call Sign	112) Radio Service Code	113) Location Number	114) Path Number (Microwave only)	115) Frequency Number	116) Lower or Center Frequency (MHz)	117) Upper Frequency (MHz)	118) Constructed Yes / No
WQDU940	CW - PCS Broadband						Y
WQDU941	CW - PCS Broadband						Y
WQDX566	WZ - 700 MHz Lower Band (Blocks C, D)						Y
WQEA909	CW - PCS Broadband						Y
WQEB350	CW - PCS Broadband						Y
WQEE480	CW - PCS Broadband						Y
WQEM933	CW - PCS Broadband						Y
WQEM938	CW - PCS Broadband						Y
WQEM956	CW - PCS Broadband						Y
WQEW881	CW - PCS Broadband						Y
WQEY210	CW - PCS Broadband						Y
WQEY211	CW - PCS Broadband						Y
WQEY212	CW - PCS Broadband						Y
WQEY214	CW - PCS Broadband						Y
WQEY215	CW - PCS Broadband						Y
WQEY217	CW - PCS Broadband						Y
WQEY218	CW - PCS Broadband						Y
WQEY219	CW - PCS Broadband						Y
WQFA869	CW - PCS Broadband						Y

111) Call Sign	112) Radio Service Code	113) Location Number	114) Path Number (Microwave only)	115) Frequency Number	116) Lower or Center Frequency (MHz)	117) Upper Frequency (MHz)	118) Constructed Yes / No
WQFA871	CW - PCS Broadband						Y
WQFA872	CW - PCS Broadband						Y
WQFA873	CW - PCS Broadband						Y
WQFA874	CW - PCS Broadband						Y
WQFA876	CW - PCS Broadband						Y
WQFA880	CW - PCS Broadband						Y
WQFA881	CW - PCS Broadband						Y
WQFD536	CW - PCS Broadband						Y
WQFD537	CW - PCS Broadband						Y
WQFD545	CW - PCS Broadband						Y
WQFD546	CW - PCS Broadband						Y
WQFN782	CW - PCS Broadband						Y
WQFU954	CW - PCS Broadband						Y
WQFU957	CW - PCS Broadband						Y
WQFU965	CW - PCS Broadband						Y
WQFU966	CW - PCS Broadband						Y
WQGA705	AW - AWS (1710-1755 MHz and 2110-2155 MHz)						N
WQGA728	AW - AWS (1710-1755 MHz and 2110-2155 MHz)						N
WQGA746	AW - AWS (1710-1755 MHz and 2110-2155 MHz)						N

111) Call Sign	112) Radio Service Code	113) Location Number	114) Path Number (Microwave only)	115) Frequency Number	116) Lower or Center Frequency (MHz)	117) Upper Frequency (MHz)	118) Constructed Yes / No
WQGA748	AW - AWS (1710-1755 MHz and 2110-2155 MHz)						N
WQGA749	AW - AWS (1710-1755 MHz and 2110-2155 MHz)						N
WQGA753	AW - AWS (1710-1755 MHz and 2110-2155 MHz)						N
WQGA754	AW - AWS (1710-1755 MHz and 2110-2155 MHz)						N
WQGA762	AW - AWS (1710-1755 MHz and 2110-2155 MHz)						N
WQGA763	AW - AWS (1710-1755 MHz and 2110-2155 MHz)						N
WQGA764	AW - AWS (1710-1755 MHz and 2110-2155 MHz)						N
WQGA765	AW - AWS (1710-1755 MHz and 2110-2155 MHz)						N
WQGA766	AW - AWS (1710-1755 MHz and 2110-2155 MHz)						N
WQGA767	AW - AWS (1710-1755 MHz and 2110-2155 MHz)						N
WQGA769	AW - AWS (1710-1755 MHz and 2110-2155 MHz)						N
WQGA771	AW - AWS (1710-1755 MHz and 2110-2155 MHz)						N
WQGA772	AW - AWS (1710-1755 MHz and 2110-2155 MHz)						N
WQGA773	AW - AWS (1710-1755 MHz and 2110-2155 MHz)						N
WQGA777	AW - AWS (1710-1755 MHz and 2110-2155 MHz)						N
WQGA778	AW - AWS (1710-1755 MHz and 2110-2155 MHz)						N
WQGA783	AW - AWS (1710-1755 MHz and 2110-2155 MHz)						N
WQGA784	AW - AWS (1710-1755 MHz and 2110-2155 MHz)						N
WQGA786	AW - AWS (1710-1755 MHz and 2110-2155 MHz)						N

111) Call Sign	112) Radio Service Code	113) Location Number	114) Path Number (Microwave only)	115) Frequency Number	116) Lower or Center Frequency (MHz)	117) Upper Frequency (MHz)	118) Constructed Yes / No
WQGA787	AW - AWS (1710-1755 MHz and 2110-2155 MHz)						N
WQGA790	AW - AWS (1710-1755 MHz and 2110-2155 MHz)						N
WQGA792	AW - AWS (1710-1755 MHz and 2110-2155 MHz)						N
WQGA793	AW - AWS (1710-1755 MHz and 2110-2155 MHz)						N
WQGA794	AW - AWS (1710-1755 MHz and 2110-2155 MHz)						N
WQGA795	AW - AWS (1710-1755 MHz and 2110-2155 MHz)						N
WQGA796	AW - AWS (1710-1755 MHz and 2110-2155 MHz)						N
WQGA797	AW - AWS (1710-1755 MHz and 2110-2155 MHz)						N
WQGA798	AW - AWS (1710-1755 MHz and 2110-2155 MHz)						N
WQGA799	AW - AWS (1710-1755 MHz and 2110-2155 MHz)						N
WQGA802	AW - AWS (1710-1755 MHz and 2110-2155 MHz)						N
WQGA803	AW - AWS (1710-1755 MHz and 2110-2155 MHz)						N
WQGA805	AW - AWS (1710-1755 MHz and 2110-2155 MHz)						N
WQGA806	AW - AWS (1710-1755 MHz and 2110-2155 MHz)						N
WQGA808	AW - AWS (1710-1755 MHz and 2110-2155 MHz)						N
WQGA809	AW - AWS (1710-1755 MHz and 2110-2155 MHz)						N
WQGA810	AW - AWS (1710-1755 MHz and 2110-2155 MHz)						N
WQGA811	AW - AWS (1710-1755 MHz and 2110-2155 MHz)						N
WQGA813	AW - AWS (1710-1755 MHz and 2110-2155 MHz)						N

111) Call Sign	112) Radio Service Code	113) Location Number	114) Path Number (Microwave only)	115) Frequency Number	116) Lower or Center Frequency (MHz)	117) Upper Frequency (MHz)	118) Constructed Yes / No
WQGA814	AW - AWS (1710-1755 MHz and 2110-2155 MHz)						N
WQGA815	AW - AWS (1710-1755 MHz and 2110-2155 MHz)						N
WQGA816	AW - AWS (1710-1755 MHz and 2110-2155 MHz)						N
WQGA817	AW - AWS (1710-1755 MHz and 2110-2155 MHz)						N
WQGA818	AW - AWS (1710-1755 MHz and 2110-2155 MHz)						N
WQGA820	AW - AWS (1710-1755 MHz and 2110-2155 MHz)						N
WQGA822	AW - AWS (1710-1755 MHz and 2110-2155 MHz)						N
WQGA823	AW - AWS (1710-1755 MHz and 2110-2155 MHz)						N
WQGA824	AW - AWS (1710-1755 MHz and 2110-2155 MHz)						N
WQGA825	AW - AWS (1710-1755 MHz and 2110-2155 MHz)						N
WQGA830	AW - AWS (1710-1755 MHz and 2110-2155 MHz)						N
WQGA831	AW - AWS (1710-1755 MHz and 2110-2155 MHz)						N
WQGA832	AW - AWS (1710-1755 MHz and 2110-2155 MHz)						N
WQGA834	AW - AWS (1710-1755 MHz and 2110-2155 MHz)						N
WQGA835	AW - AWS (1710-1755 MHz and 2110-2155 MHz)						N
WQGA836	AW - AWS (1710-1755 MHz and 2110-2155 MHz)						N
WQGA837	AW - AWS (1710-1755 MHz and 2110-2155 MHz)						N
WQGA838	AW - AWS (1710-1755 MHz and 2110-2155 MHz)						N
WQGA839	AW - AWS (1710-1755 MHz and 2110-2155 MHz)						N

111) Call Sign	112) Radio Service Code	113) Location Number	114) Path Number (Microwave only)	115) Frequency Number	116) Lower or Center Frequency (MHz)	117) Upper Frequency (MHz)	118) Constructed Yes / No
WQGA840	AW - AWS (1710-1755 MHz and 2110-2155 MHz)						N
WQGA842	AW - AWS (1710-1755 MHz and 2110-2155 MHz)						N
WQGA843	AW - AWS (1710-1755 MHz and 2110-2155 MHz)						N
WQGA844	AW - AWS (1710-1755 MHz and 2110-2155 MHz)						N
WQGA845	AW - AWS (1710-1755 MHz and 2110-2155 MHz)						N
WQGA846	AW - AWS (1710-1755 MHz and 2110-2155 MHz)						N
WQGA847	AW - AWS (1710-1755 MHz and 2110-2155 MHz)						N
WQGA848	AW - AWS (1710-1755 MHz and 2110-2155 MHz)						N
WQGA849	AW - AWS (1710-1755 MHz and 2110-2155 MHz)						N
WQGA852	AW - AWS (1710-1755 MHz and 2110-2155 MHz)						N
WQGA853	AW - AWS (1710-1755 MHz and 2110-2155 MHz)						N
WQGA864	AW - AWS (1710-1755 MHz and 2110-2155 MHz)						N
WQGA865	AW - AWS (1710-1755 MHz and 2110-2155 MHz)						N
WQGA866	AW - AWS (1710-1755 MHz and 2110-2155 MHz)						N
WQGA869	AW - AWS (1710-1755 MHz and 2110-2155 MHz)						N
WQGA877	AW - AWS (1710-1755 MHz and 2110-2155 MHz)						N
WQGA878	AW - AWS (1710-1755 MHz and 2110-2155 MHz)						N
WQGA879	AW - AWS (1710-1755 MHz and 2110-2155 MHz)						N
WQGA880	AW - AWS (1710-1755 MHz and 2110-2155 MHz)						N

111) Call Sign	112) Radio Service Code	113) Location Number	114) Path Number (Microwave only)	115) Frequency Number	116) Lower or Center Frequency (MHz)	117) Upper Frequency (MHz)	118) Constructed Yes / No
WQGA881	AW - AWS (1710-1755 MHz and 2110-2155 MHz)						N
WQGA882	AW - AWS (1710-1755 MHz and 2110-2155 MHz)						N
WQGA883	AW - AWS (1710-1755 MHz and 2110-2155 MHz)						N
WQGA884	AW - AWS (1710-1755 MHz and 2110-2155 MHz)						N
WQGA885	AW - AWS (1710-1755 MHz and 2110-2155 MHz)						N
WQGA886	AW - AWS (1710-1755 MHz and 2110-2155 MHz)						N
WQGA887	AW - AWS (1710-1755 MHz and 2110-2155 MHz)						N
WQGA888	AW - AWS (1710-1755 MHz and 2110-2155 MHz)						N
WQGA889	AW - AWS (1710-1755 MHz and 2110-2155 MHz)						N
WQGA890	AW - AWS (1710-1755 MHz and 2110-2155 MHz)						N
WQGA891	AW - AWS (1710-1755 MHz and 2110-2155 MHz)						N
WQGB236	AW - AWS (1710-1755 MHz and 2110-2155 MHz)						N
WQGB237	AW - AWS (1710-1755 MHz and 2110-2155 MHz)						N
WQGB238	AW - AWS (1710-1755 MHz and 2110-2155 MHz)						N
WQGB239	AW - AWS (1710-1755 MHz and 2110-2155 MHz)						N
WQGB240	AW - AWS (1710-1755 MHz and 2110-2155 MHz)						N
WQGB241	AW - AWS (1710-1755 MHz and 2110-2155 MHz)						N
WQGB388	AW - AWS (1710-1755 MHz and 2110-2155 MHz)						N
WQGB389	AW - AWS (1710-1755 MHz and 2110-2155 MHz)						N

111) Call Sign	112) Radio Service Code	113) Location Number	114) Path Number (Microwave only)	115) Frequency Number	116) Lower or Center Frequency (MHz)	117) Upper Frequency (MHz)	118) Constructed Yes / No
WQGB391	AW - AWS (1710-1755 MHz and 2110-2155 MHz)						N
WQGB416	AW - AWS (1710-1755 MHz and 2110-2155 MHz)						N
WQGB417	AW - AWS (1710-1755 MHz and 2110-2155 MHz)						N
WQGD431	AW - AWS (1710-1755 MHz and 2110-2155 MHz)						N
WQGD432	AW - AWS (1710-1755 MHz and 2110-2155 MHz)						N
WQGD433	AW - AWS (1710-1755 MHz and 2110-2155 MHz)						N
WQGD435	AW - AWS (1710-1755 MHz and 2110-2155 MHz)						N
WQGD447	AW - AWS (1710-1755 MHz and 2110-2155 MHz)						N
WQGD448	AW - AWS (1710-1755 MHz and 2110-2155 MHz)						N
WQGD449	AW - AWS (1710-1755 MHz and 2110-2155 MHz)						N
WQGD450	AW - AWS (1710-1755 MHz and 2110-2155 MHz)						N
WQGD452	AW - AWS (1710-1755 MHz and 2110-2155 MHz)						N
WQGD454	AW - AWS (1710-1755 MHz and 2110-2155 MHz)						N
WQGD455	AW - AWS (1710-1755 MHz and 2110-2155 MHz)						N
WQGD456	AW - AWS (1710-1755 MHz and 2110-2155 MHz)						N
WQGD472	AW - AWS (1710-1755 MHz and 2110-2155 MHz)						N
WQGD483	AW - AWS (1710-1755 MHz and 2110-2155 MHz)						N
WQGD489	AW - AWS (1710-1755 MHz and 2110-2155 MHz)						N
WQGD505	AW - AWS (1710-1755 MHz and 2110-2155 MHz)						N

111) Call Sign	112) Radio Service Code	113) Location Number	114) Path Number (Microwave only)	115) Frequency Number	116) Lower or Center Frequency (MHz)	117) Upper Frequency (MHz)	118) Constructed Yes / No
WQGD515	AW - AWS (1710-1755 MHz and 2110-2155 MHz)						N
WQGD517	AW - AWS (1710-1755 MHz and 2110-2155 MHz)						N
WQGD545	AW - AWS (1710-1755 MHz and 2110-2155 MHz)						N
WQGD546	AW - AWS (1710-1755 MHz and 2110-2155 MHz)						N
WQGD556	AW - AWS (1710-1755 MHz and 2110-2155 MHz)						N
WQGD557	AW - AWS (1710-1755 MHz and 2110-2155 MHz)						N
WQGD558	AW - AWS (1710-1755 MHz and 2110-2155 MHz)						N
WQGD559	AW - AWS (1710-1755 MHz and 2110-2155 MHz)						N
WQGD560	AW - AWS (1710-1755 MHz and 2110-2155 MHz)						N
WQGD561	AW - AWS (1710-1755 MHz and 2110-2155 MHz)						N
WQGD562	AW - AWS (1710-1755 MHz and 2110-2155 MHz)						N
WQGD589	AW - AWS (1710-1755 MHz and 2110-2155 MHz)						N
WQGD590	AW - AWS (1710-1755 MHz and 2110-2155 MHz)						N
WQGD592	AW - AWS (1710-1755 MHz and 2110-2155 MHz)						N
WQGD594	AW - AWS (1710-1755 MHz and 2110-2155 MHz)						N
WQGD601	AW - AWS (1710-1755 MHz and 2110-2155 MHz)						N
WQGD603	AW - AWS (1710-1755 MHz and 2110-2155 MHz)						N
WQGD606	AW - AWS (1710-1755 MHz and 2110-2155 MHz)						N
WQGD634	AW - AWS (1710-1755 MHz and 2110-2155 MHz)						N

111) Call Sign	112) Radio Service Code	113) Location Number	114) Path Number (Microwave only)	115) Frequency Number	116) Lower or Center Frequency (MHz)	117) Upper Frequency (MHz)	118) Constructed Yes / No
WQGD635	AW - AWS (1710-1755 MHz and 2110-2155 MHz)						N
WQGD660	AW - AWS (1710-1755 MHz and 2110-2155 MHz)						N
WQGD671	AW - AWS (1710-1755 MHz and 2110-2155 MHz)						N
WQGD672	AW - AWS (1710-1755 MHz and 2110-2155 MHz)						N
WQGD673	AW - AWS (1710-1755 MHz and 2110-2155 MHz)						N
WQGD674	AW - AWS (1710-1755 MHz and 2110-2155 MHz)						N
WQGD677	AW - AWS (1710-1755 MHz and 2110-2155 MHz)						N
WQGD679	AW - AWS (1710-1755 MHz and 2110-2155 MHz)						N
WQGD681	AW - AWS (1710-1755 MHz and 2110-2155 MHz)						N
WQGD682	AW - AWS (1710-1755 MHz and 2110-2155 MHz)						N
WQGD683	AW - AWS (1710-1755 MHz and 2110-2155 MHz)						N
WQGD687	AW - AWS (1710-1755 MHz and 2110-2155 MHz)						N
WQGD691	AW - AWS (1710-1755 MHz and 2110-2155 MHz)						N
WQGD694	AW - AWS (1710-1755 MHz and 2110-2155 MHz)						N
WQGD703	AW - AWS (1710-1755 MHz and 2110-2155 MHz)						N
WQGD706	AW - AWS (1710-1755 MHz and 2110-2155 MHz)						N
WQGD713	AW - AWS (1710-1755 MHz and 2110-2155 MHz)						N
WQGD714	AW - AWS (1710-1755 MHz and 2110-2155 MHz)						N
WQGD715	AW - AWS (1710-1755 MHz and 2110-2155 MHz)						N

111) Call Sign	112) Radio Service Code	113) Location Number	114) Path Number (Microwave only)	115) Frequency Number	116) Lower or Center Frequency (MHz)	117) Upper Frequency (MHz)	118) Constructed Yes / No
WQGD716	AW - AWS (1710-1755 MHz and 2110-2155 MHz)						N
WQGD720	AW - AWS (1710-1755 MHz and 2110-2155 MHz)						N
WQGD721	AW - AWS (1710-1755 MHz and 2110-2155 MHz)						N
WQGD725	AW - AWS (1710-1755 MHz and 2110-2155 MHz)						N
WQGD730	AW - AWS (1710-1755 MHz and 2110-2155 MHz)						N
WQGD731	AW - AWS (1710-1755 MHz and 2110-2155 MHz)						N
WQGD732	AW - AWS (1710-1755 MHz and 2110-2155 MHz)						N
WQGD734	AW - AWS (1710-1755 MHz and 2110-2155 MHz)						N
WQGD735	AW - AWS (1710-1755 MHz and 2110-2155 MHz)						N
WQGD737	AW - AWS (1710-1755 MHz and 2110-2155 MHz)						N
WQGD738	AW - AWS (1710-1755 MHz and 2110-2155 MHz)						N
WQGD739	AW - AWS (1710-1755 MHz and 2110-2155 MHz)						N
WQGD744	AW - AWS (1710-1755 MHz and 2110-2155 MHz)						N
WQGD745	AW - AWS (1710-1755 MHz and 2110-2155 MHz)						N
WQGD746	AW - AWS (1710-1755 MHz and 2110-2155 MHz)						N
WQGD747	AW - AWS (1710-1755 MHz and 2110-2155 MHz)						N
WQGD748	AW - AWS (1710-1755 MHz and 2110-2155 MHz)						N
WQGD749	AW - AWS (1710-1755 MHz and 2110-2155 MHz)						N
WQGD751	AW - AWS (1710-1755 MHz and 2110-2155 MHz)						N

111) Call Sign	112) Radio Service Code	113) Location Number	114) Path Number (Microwave only)	115) Frequency Number	116) Lower or Center Frequency (MHz)	117) Upper Frequency (MHz)	118) Constructed Yes / No
WQGD752	AW - AWS (1710-1755 MHz and 2110-2155 MHz)						N
WQGD753	AW - AWS (1710-1755 MHz and 2110-2155 MHz)						N
WQGD754	AW - AWS (1710-1755 MHz and 2110-2155 MHz)						N
WQGD755	AW - AWS (1710-1755 MHz and 2110-2155 MHz)						N
WQGD757	AW - AWS (1710-1755 MHz and 2110-2155 MHz)						N
WQGD758	AW - AWS (1710-1755 MHz and 2110-2155 MHz)						N
WQGD759	AW - AWS (1710-1755 MHz and 2110-2155 MHz)						N
WQGD760	AW - AWS (1710-1755 MHz and 2110-2155 MHz)						N
WQGD762	AW - AWS (1710-1755 MHz and 2110-2155 MHz)						N
WQGD768	AW - AWS (1710-1755 MHz and 2110-2155 MHz)						N
WQGD769	AW - AWS (1710-1755 MHz and 2110-2155 MHz)						N
WQGG303	CW - PCS Broadband						Y
WQGG892	CW - PCS Broadband						Y
WQGI511	AW - AWS (1710-1755 MHz and 2110-2155 MHz)						N
WQGK594	WZ - 700 MHz Lower Band (Blocks C, D)						Y
WQGK845	CW - PCS Broadband						Y
WQGL814	AW - AWS (1710-1755 MHz and 2110-2155 MHz)						N
WQGL815	AW - AWS (1710-1755 MHz and 2110-2155 MHz)						N
WQGL816	AW - AWS (1710-1755 MHz and 2110-2155 MHz)						N

111) Call Sign	112) Radio Service Code	113) Location Number	114) Path Number (Microwave only)	115) Frequency Number	116) Lower or Center Frequency (MHz)	117) Upper Frequency (MHz)	118) Constructed Yes / No
WQGL817	AW - AWS (1710-1755 MHz and 2110-2155 MHz)						N
WQGT836	AW - AWS (1710-1755 MHz and 2110-2155 MHz)						N
WQGT837	AW - AWS (1710-1755 MHz and 2110-2155 MHz)						N
WQGT843	AW - AWS (1710-1755 MHz and 2110-2155 MHz)						N
WQGT844	AW - AWS (1710-1755 MHz and 2110-2155 MHz)						N
WQGT845	AW - AWS (1710-1755 MHz and 2110-2155 MHz)						N
WQGT846	AW - AWS (1710-1755 MHz and 2110-2155 MHz)						N
WQGT847	AW - AWS (1710-1755 MHz and 2110-2155 MHz)						N
WQGT848	AW - AWS (1710-1755 MHz and 2110-2155 MHz)						N
WQGT849	AW - AWS (1710-1755 MHz and 2110-2155 MHz)						N
WQGT850	AW - AWS (1710-1755 MHz and 2110-2155 MHz)						N
WQGT867	AW - AWS (1710-1755 MHz and 2110-2155 MHz)						N
WQGT878	AW - AWS (1710-1755 MHz and 2110-2155 MHz)						N
WQGT879	AW - AWS (1710-1755 MHz and 2110-2155 MHz)						N
WQGT880	AW - AWS (1710-1755 MHz and 2110-2155 MHz)						N
WQGT881	AW - AWS (1710-1755 MHz and 2110-2155 MHz)						N
WQGV418	WZ - 700 MHz Lower Band (Blocks C, D)						Y
WQGV419	WZ - 700 MHz Lower Band (Blocks C, D)						Y
WQGV770	AW - AWS (1710-1755 MHz and 2110-2155 MHz)						N

111) Call Sign	112) Radio Service Code	113) Location Number	114) Path Number (Microwave only)	115) Frequency Number	116) Lower or Center Frequency (MHz)	117) Upper Frequency (MHz)	118) Constructed Yes / No
WQGV771	AW - AWS (1710-1755 MHz and 2110-2155 MHz)						N
WQGV772	AW - AWS (1710-1755 MHz and 2110-2155 MHz)						N
WQGV773	AW - AWS (1710-1755 MHz and 2110-2155 MHz)						N
WQGV774	AW - AWS (1710-1755 MHz and 2110-2155 MHz)						N
WQGV779	AW - AWS (1710-1755 MHz and 2110-2155 MHz)						N
WQGV783	AW - AWS (1710-1755 MHz and 2110-2155 MHz)						N
WQGV784	AW - AWS (1710-1755 MHz and 2110-2155 MHz)						N
WQGV788	AW - AWS (1710-1755 MHz and 2110-2155 MHz)						N
WQGV994	CW - PCS Broadband						Y
WQHG445	CW - PCS Broadband						Y
WQHM481	WZ - 700 MHz Lower Band (Blocks C, D)						Y
WQHM482	WZ - 700 MHz Lower Band (Blocks C, D)						Y
WQHY474	CW - PCS Broadband						Y
WQID874	CW - PCS Broadband						Y
WQIZ365	WY - 700 MHz Lower Band (Blocks A, B & E)						Y
WQIZ366	WY - 700 MHz Lower Band (Blocks A, B & E)						Y
WQIZ367	WY - 700 MHz Lower Band (Blocks A, B & E)						Y
WQIZ369	WY - 700 MHz Lower Band (Blocks A, B & E)						Y
WQIZ370	WY - 700 MHz Lower Band (Blocks A, B & E)						Y

111) Call Sign	112) Radio Service Code	113) Location Number	114) Path Number (Microwave only)	115) Frequency Number	116) Lower or Center Frequency (MHz)	117) Upper Frequency (MHz)	118) Constructed Yes / No
WQIZ371	WY - 700 MHz Lower Band (Blocks A, B & E)						Y
WQIZ372	WY - 700 MHz Lower Band (Blocks A, B & E)						Y
WQIZ375	WY - 700 MHz Lower Band (Blocks A, B & E)						Y
WQIZ376	WY - 700 MHz Lower Band (Blocks A, B & E)						Y
WQIZ378	WY - 700 MHz Lower Band (Blocks A, B & E)						Y
WQIZ379	WY - 700 MHz Lower Band (Blocks A, B & E)						Y
WQIZ382	WY - 700 MHz Lower Band (Blocks A, B & E)						Y
WQIZ384	WY - 700 MHz Lower Band (Blocks A, B & E)						Y
WQIZ411	WY - 700 MHz Lower Band (Blocks A, B & E)						Y
WQIZ413	WY - 700 MHz Lower Band (Blocks A, B & E)						Y
WQIZ414	WY - 700 MHz Lower Band (Blocks A, B & E)						Y
WQIZ415	WY - 700 MHz Lower Band (Blocks A, B & E)						Y
WQIZ416	WY - 700 MHz Lower Band (Blocks A, B & E)						Y
WQIZ417	WY - 700 MHz Lower Band (Blocks A, B & E)						Y
WQIZ418	WY - 700 MHz Lower Band (Blocks A, B & E)						Y
WQIZ419	WY - 700 MHz Lower Band (Blocks A, B & E)						Y
WQIZ420	WY - 700 MHz Lower Band (Blocks A, B & E)						Y
WQIZ421	WY - 700 MHz Lower Band (Blocks A, B & E)						Y
WQIZ437	WY - 700 MHz Lower Band (Blocks A, B & E)						Y

111) Call Sign	112) Radio Service Code	113) Location Number	114) Path Number (Microwave only)	115) Frequency Number	116) Lower or Center Frequency (MHz)	117) Upper Frequency (MHz)	118) Constructed Yes / No
WQIZ438	WY - 700 MHz Lower Band (Blocks A, B & E)						Y
WQIZ441	WY - 700 MHz Lower Band (Blocks A, B & E)						Y
WQIZ443	WY - 700 MHz Lower Band (Blocks A, B & E)						Y
WQIZ476	WY - 700 MHz Lower Band (Blocks A, B & E)						Y
WQIZ477	WY - 700 MHz Lower Band (Blocks A, B & E)						Y
WQIZ478	WY - 700 MHz Lower Band (Blocks A, B & E)						Y
WQIZ479	WY - 700 MHz Lower Band (Blocks A, B & E)						Y
WQIZ480	WY - 700 MHz Lower Band (Blocks A, B & E)						Y
WQIZ481	WY - 700 MHz Lower Band (Blocks A, B & E)						Y
WQIZ484	WY - 700 MHz Lower Band (Blocks A, B & E)						Y
WQIZ485	WY - 700 MHz Lower Band (Blocks A, B & E)						Y
WQIZ486	WY - 700 MHz Lower Band (Blocks A, B & E)						Y
WQIZ487	WY - 700 MHz Lower Band (Blocks A, B & E)						Y
WQIZ488	WY - 700 MHz Lower Band (Blocks A, B & E)						Y
WQIZ489	WY - 700 MHz Lower Band (Blocks A, B & E)						Y
WQIZ490	WY - 700 MHz Lower Band (Blocks A, B & E)						Y
WQIZ491	WY - 700 MHz Lower Band (Blocks A, B & E)						Y
WQIZ492	WY - 700 MHz Lower Band (Blocks A, B & E)						Y
WQIZ493	WY - 700 MHz Lower Band (Blocks A, B & E)						Y

111) Call Sign	112) Radio Service Code	113) Location Number	114) Path Number (Microwave only)	115) Frequency Number	116) Lower or Center Frequency (MHz)	117) Upper Frequency (MHz)	118) Constructed Yes / No
WQIZ494	WY - 700 MHz Lower Band (Blocks A, B & E)						Y
WQIZ495	WY - 700 MHz Lower Band (Blocks A, B & E)						Y
WQIZ496	WY - 700 MHz Lower Band (Blocks A, B & E)						Y
WQIZ497	WY - 700 MHz Lower Band (Blocks A, B & E)						Y
WQIZ498	WY - 700 MHz Lower Band (Blocks A, B & E)						Y
WQIZ499	WY - 700 MHz Lower Band (Blocks A, B & E)						Y
WQIZ502	WY - 700 MHz Lower Band (Blocks A, B & E)						Y
WQIZ503	WY - 700 MHz Lower Band (Blocks A, B & E)						Y
WQIZ508	WY - 700 MHz Lower Band (Blocks A, B & E)						Y
WQIZ509	WY - 700 MHz Lower Band (Blocks A, B & E)						Y
WQIZ510	WY - 700 MHz Lower Band (Blocks A, B & E)						Y
WQIZ511	WY - 700 MHz Lower Band (Blocks A, B & E)						Y
WQIZ512	WY - 700 MHz Lower Band (Blocks A, B & E)						Y
WQIZ513	WY - 700 MHz Lower Band (Blocks A, B & E)						Y
WQIZ514	WY - 700 MHz Lower Band (Blocks A, B & E)						Y
WQIZ515	WY - 700 MHz Lower Band (Blocks A, B & E)						Y
WQIZ516	WY - 700 MHz Lower Band (Blocks A, B & E)						Y
WQIZ517	WY - 700 MHz Lower Band (Blocks A, B & E)						Y
WQIZ518	WY - 700 MHz Lower Band (Blocks A, B & E)						Y

111) Call Sign	112) Radio Service Code	113) Location Number	114) Path Number (Microwave only)	115) Frequency Number	116) Lower or Center Frequency (MHz)	117) Upper Frequency (MHz)	118) Constructed Yes / No
WQIZ519	WY - 700 MHz Lower Band (Blocks A, B & E)						Y
WQIZ520	WY - 700 MHz Lower Band (Blocks A, B & E)						Y
WQIZ521	WY - 700 MHz Lower Band (Blocks A, B & E)						Y
WQIZ523	WY - 700 MHz Lower Band (Blocks A, B & E)						Y
WQIZ532	WY - 700 MHz Lower Band (Blocks A, B & E)						Y
WQIZ548	WY - 700 MHz Lower Band (Blocks A, B & E)						Y
WQIZ549	WY - 700 MHz Lower Band (Blocks A, B & E)						Y
WQIZ550	WY - 700 MHz Lower Band (Blocks A, B & E)						Y
WQIZ551	WY - 700 MHz Lower Band (Blocks A, B & E)						Y
WQIZ552	WY - 700 MHz Lower Band (Blocks A, B & E)						Y
WQIZ553	WY - 700 MHz Lower Band (Blocks A, B & E)						Y
WQIZ554	WY - 700 MHz Lower Band (Blocks A, B & E)						Y
WQIZ555	WY - 700 MHz Lower Band (Blocks A, B & E)						Y
WQIZ559	WY - 700 MHz Lower Band (Blocks A, B & E)						Y
WQIZ574	WY - 700 MHz Lower Band (Blocks A, B & E)						Y
WQIZ577	WY - 700 MHz Lower Band (Blocks A, B & E)						Y
WQIZ584	WY - 700 MHz Lower Band (Blocks A, B & E)						Y
WQIZ586	WY - 700 MHz Lower Band (Blocks A, B & E)						Y
WQIZ587	WY - 700 MHz Lower Band (Blocks A, B & E)						Y

111) Call Sign	112) Radio Service Code	113) Location Number	114) Path Number (Microwave only)	115) Frequency Number	116) Lower or Center Frequency (MHz)	117) Upper Frequency (MHz)	118) Constructed Yes / No
WQIZ588	WY - 700 MHz Lower Band (Blocks A, B & E)						Y
WQIZ590	WY - 700 MHz Lower Band (Blocks A, B & E)						Y
WQIZ591	WY - 700 MHz Lower Band (Blocks A, B & E)						Y
WQIZ592	WY - 700 MHz Lower Band (Blocks A, B & E)						Y
WQIZ593	WY - 700 MHz Lower Band (Blocks A, B & E)						Y
WQIZ594	WY - 700 MHz Lower Band (Blocks A, B & E)						Y
WQIZ604	WY - 700 MHz Lower Band (Blocks A, B & E)						Y
WQIZ605	WY - 700 MHz Lower Band (Blocks A, B & E)						Y
WQIZ615	WY - 700 MHz Lower Band (Blocks A, B & E)						Y
WQIZ616	WY - 700 MHz Lower Band (Blocks A, B & E)						Y
WQIZ617	WY - 700 MHz Lower Band (Blocks A, B & E)						Y
WQIZ618	WY - 700 MHz Lower Band (Blocks A, B & E)						Y
WQIZ630	WY - 700 MHz Lower Band (Blocks A, B & E)						Y
WQIZ631	WY - 700 MHz Lower Band (Blocks A, B & E)						Y
WQIZ636	WY - 700 MHz Lower Band (Blocks A, B & E)						Y
WQJB438	CW - PCS Broadband						Y
WQJB439	CW - PCS Broadband						Y
WQJQ678	WY - 700 MHz Lower Band (Blocks A, B & E)						Y
WQJQ723	WY - 700 MHz Lower Band (Blocks A, B & E)						Y

111) Call Sign	112) Radio Service Code	113) Location Number	114) Path Number (Microwave only)	115) Frequency Number	116) Lower or Center Frequency (MHz)	117) Upper Frequency (MHz)	118) Constructed Yes / No
WQJQ724	WY - 700 MHz Lower Band (Blocks A, B & E)						Y
WQJQ725	WY - 700 MHz Lower Band (Blocks A, B & E)						Y
WQJQ726	WY - 700 MHz Lower Band (Blocks A, B & E)						Y
WQJQ727	WY - 700 MHz Lower Band (Blocks A, B & E)						Y
WQJQ730	WY - 700 MHz Lower Band (Blocks A, B & E)						Y
WQJQ732	WY - 700 MHz Lower Band (Blocks A, B & E)						Y
WQJQ733	WY - 700 MHz Lower Band (Blocks A, B & E)						Y
WQJQ738	WY - 700 MHz Lower Band (Blocks A, B & E)						Y
WQJQ739	WY - 700 MHz Lower Band (Blocks A, B & E)						Y
WQJQ742	WY - 700 MHz Lower Band (Blocks A, B & E)						Y
WQJQ744	WY - 700 MHz Lower Band (Blocks A, B & E)						Y
WQJQ746	WY - 700 MHz Lower Band (Blocks A, B & E)						Y
WQJQ759	WY - 700 MHz Lower Band (Blocks A, B & E)						Y
WQJQ767	WY - 700 MHz Lower Band (Blocks A, B & E)						Y
WQJQ768	WY - 700 MHz Lower Band (Blocks A, B & E)						Y
WQJQ769	WY - 700 MHz Lower Band (Blocks A, B & E)						Y
WQJQ770	WY - 700 MHz Lower Band (Blocks A, B & E)						Y
WQJQ779	WY - 700 MHz Lower Band (Blocks A, B & E)						Y
WQJQ793	WY - 700 MHz Lower Band (Blocks A, B & E)						Y

111) Call Sign	112) Radio Service Code	113) Location Number	114) Path Number (Microwave only)	115) Frequency Number	116) Lower or Center Frequency (MHz)	117) Upper Frequency (MHz)	118) Constructed Yes / No
WQJQ803	WY - 700 MHz Lower Band (Blocks A, B & E)						Y
WQJR796	CW - PCS Broadband						Y
WQJU424	WY - 700 MHz Lower Band (Blocks A, B & E)						Y
WQJU425	WY - 700 MHz Lower Band (Blocks A, B & E)						Y
WQJU429	WY - 700 MHz Lower Band (Blocks A, B & E)						Y
WQJU432	WY - 700 MHz Lower Band (Blocks A, B & E)						Y
WQJU433	WY - 700 MHz Lower Band (Blocks A, B & E)						Y
WQJU434	WY - 700 MHz Lower Band (Blocks A, B & E)						Y
WQJU436	WY - 700 MHz Lower Band (Blocks A, B & E)						Y
WQJU437	WY - 700 MHz Lower Band (Blocks A, B & E)						Y
WQJU442	WY - 700 MHz Lower Band (Blocks A, B & E)						Y
WQJU443	WY - 700 MHz Lower Band (Blocks A, B & E)						Y
WQJU444	WY - 700 MHz Lower Band (Blocks A, B & E)						Y
WQJU448	WY - 700 MHz Lower Band (Blocks A, B & E)						Y
WQJU449	WY - 700 MHz Lower Band (Blocks A, B & E)						Y
WQJU450	WY - 700 MHz Lower Band (Blocks A, B & E)						Y
WQJU451	WY - 700 MHz Lower Band (Blocks A, B & E)						Y
WQJU454	WY - 700 MHz Lower Band (Blocks A, B & E)						Y
WQJU455	WY - 700 MHz Lower Band (Blocks A, B & E)						Y

111) Call Sign	112) Radio Service Code	113) Location Number	114) Path Number (Microwave only)	115) Frequency Number	116) Lower or Center Frequency (MHz)	117) Upper Frequency (MHz)	118) Constructed Yes / No
WQJU457	WY - 700 MHz Lower Band (Blocks A, B & E)						Y
WQJU458	WY - 700 MHz Lower Band (Blocks A, B & E)						Y
WQJU459	WY - 700 MHz Lower Band (Blocks A, B & E)						Y
WQJU460	WY - 700 MHz Lower Band (Blocks A, B & E)						Y
WQJU461	WY - 700 MHz Lower Band (Blocks A, B & E)						Y
WQJU462	WY - 700 MHz Lower Band (Blocks A, B & E)						Y
WQJU463	WY - 700 MHz Lower Band (Blocks A, B & E)						Y
WQJU464	WY - 700 MHz Lower Band (Blocks A, B & E)						Y
WQJU466	WY - 700 MHz Lower Band (Blocks A, B & E)						Y
WQJU467	WY - 700 MHz Lower Band (Blocks A, B & E)						Y
WQJU468	WY - 700 MHz Lower Band (Blocks A, B & E)						Y
WQJU471	WY - 700 MHz Lower Band (Blocks A, B & E)						Y
WQJU472	WY - 700 MHz Lower Band (Blocks A, B & E)						Y
WQJU473	WY - 700 MHz Lower Band (Blocks A, B & E)						Y
WQJU474	WY - 700 MHz Lower Band (Blocks A, B & E)						Y
WQJU475	WY - 700 MHz Lower Band (Blocks A, B & E)						Y
WQJU476	WY - 700 MHz Lower Band (Blocks A, B & E)						Y
WQJU479	WY - 700 MHz Lower Band (Blocks A, B & E)						Y
WQJU482	WY - 700 MHz Lower Band (Blocks A, B & E)						Y

111) Call Sign	112) Radio Service Code	113) Location Number	114) Path Number (Microwave only)	115) Frequency Number	116) Lower or Center Frequency (MHz)	117) Upper Frequency (MHz)	118) Constructed Yes / No
WQJU483	WY - 700 MHz Lower Band (Blocks A, B & E)						Y
WQJU490	WY - 700 MHz Lower Band (Blocks A, B & E)						Y
WQJU491	WY - 700 MHz Lower Band (Blocks A, B & E)						Y
WQJU494	WY - 700 MHz Lower Band (Blocks A, B & E)						Y
WQJU495	WY - 700 MHz Lower Band (Blocks A, B & E)						Y
WQJU496	WY - 700 MHz Lower Band (Blocks A, B & E)						Y
WQJU498	WY - 700 MHz Lower Band (Blocks A, B & E)						Y
WQJU499	WY - 700 MHz Lower Band (Blocks A, B & E)						Y
WQJU502	WY - 700 MHz Lower Band (Blocks A, B & E)						Y
WQJU508	WY - 700 MHz Lower Band (Blocks A, B & E)						Y
WQJU509	WY - 700 MHz Lower Band (Blocks A, B & E)						Y
WQJU510	WY - 700 MHz Lower Band (Blocks A, B & E)						Y
WQJU513	WY - 700 MHz Lower Band (Blocks A, B & E)						Y
WQJU514	WY - 700 MHz Lower Band (Blocks A, B & E)						Y
WQJU515	WY - 700 MHz Lower Band (Blocks A, B & E)						Y
WQJU517	WY - 700 MHz Lower Band (Blocks A, B & E)						Y
WQJU519	WY - 700 MHz Lower Band (Blocks A, B & E)						Y
WQJU523	WY - 700 MHz Lower Band (Blocks A, B & E)						Y
WQJU524	WY - 700 MHz Lower Band (Blocks A, B & E)						Y

111) Call Sign	112) Radio Service Code	113) Location Number	114) Path Number (Microwave only)	115) Frequency Number	116) Lower or Center Frequency (MHz)	117) Upper Frequency (MHz)	118) Constructed Yes / No
WQJU526	WY - 700 MHz Lower Band (Blocks A, B & E)						Y
WQJU527	WY - 700 MHz Lower Band (Blocks A, B & E)						Y
WQJU528	WY - 700 MHz Lower Band (Blocks A, B & E)						Y
WQJU529	WY - 700 MHz Lower Band (Blocks A, B & E)						Y
WQJU534	WY - 700 MHz Lower Band (Blocks A, B & E)						Y
WQJU540	WY - 700 MHz Lower Band (Blocks A, B & E)						Y
WQJU541	WY - 700 MHz Lower Band (Blocks A, B & E)						Y
WQJU542	WY - 700 MHz Lower Band (Blocks A, B & E)						Y
WQJU543	WY - 700 MHz Lower Band (Blocks A, B & E)						Y
WQJU544	WY - 700 MHz Lower Band (Blocks A, B & E)						Y
WQJU547	WY - 700 MHz Lower Band (Blocks A, B & E)						Y
WQJU548	WY - 700 MHz Lower Band (Blocks A, B & E)						Y
WQJU549	WY - 700 MHz Lower Band (Blocks A, B & E)						Y
WQJU550	WY - 700 MHz Lower Band (Blocks A, B & E)						Y
WQJU553	WY - 700 MHz Lower Band (Blocks A, B & E)						Y
WQJU558	WY - 700 MHz Lower Band (Blocks A, B & E)						Y
WQJU559	WY - 700 MHz Lower Band (Blocks A, B & E)						Y
WQJU560	WY - 700 MHz Lower Band (Blocks A, B & E)						Y
WQJU561	WY - 700 MHz Lower Band (Blocks A, B & E)						Y

111) Call Sign	112) Radio Service Code	113) Location Number	114) Path Number (Microwave only)	115) Frequency Number	116) Lower or Center Frequency (MHz)	117) Upper Frequency (MHz)	118) Constructed Yes / No
WQJU564	WY - 700 MHz Lower Band (Blocks A, B & E)						Y
WQJU567	WY - 700 MHz Lower Band (Blocks A, B & E)						Y
WQJU568	WY - 700 MHz Lower Band (Blocks A, B & E)						Y
WQJU569	WY - 700 MHz Lower Band (Blocks A, B & E)						Y
WQJU570	WY - 700 MHz Lower Band (Blocks A, B & E)						Y
WQJU574	WY - 700 MHz Lower Band (Blocks A, B & E)						Y
WQJU582	WY - 700 MHz Lower Band (Blocks A, B & E)						Y
WQJU583	WY - 700 MHz Lower Band (Blocks A, B & E)						Y
WQJU584	WY - 700 MHz Lower Band (Blocks A, B & E)						Y
WQJU585	WY - 700 MHz Lower Band (Blocks A, B & E)						Y
WQJU586	WY - 700 MHz Lower Band (Blocks A, B & E)						Y
WQJU587	WY - 700 MHz Lower Band (Blocks A, B & E)						Y
WQJU588	WY - 700 MHz Lower Band (Blocks A, B & E)						Y
WQJU589	WY - 700 MHz Lower Band (Blocks A, B & E)						Y
WQJU597	WY - 700 MHz Lower Band (Blocks A, B & E)						Y
WQJU598	WY - 700 MHz Lower Band (Blocks A, B & E)						Y
WQJU599	WY - 700 MHz Lower Band (Blocks A, B & E)						Y
WQJU600	WY - 700 MHz Lower Band (Blocks A, B & E)						Y
WQJU601	WY - 700 MHz Lower Band (Blocks A, B & E)						Y

111) Call Sign	112) Radio Service Code	113) Location Number	114) Path Number (Microwave only)	115) Frequency Number	116) Lower or Center Frequency (MHz)	117) Upper Frequency (MHz)	118) Constructed Yes / No
WQJU603	WY - 700 MHz Lower Band (Blocks A, B & E)						Y
WQJU607	WY - 700 MHz Lower Band (Blocks A, B & E)						Y
WQJU608	WY - 700 MHz Lower Band (Blocks A, B & E)						Y
WQJU609	WY - 700 MHz Lower Band (Blocks A, B & E)						Y
WQJU610	WY - 700 MHz Lower Band (Blocks A, B & E)						Y
WQJU611	WY - 700 MHz Lower Band (Blocks A, B & E)						Y
WQJU612	WY - 700 MHz Lower Band (Blocks A, B & E)						Y
WQJU613	WY - 700 MHz Lower Band (Blocks A, B & E)						Y
WQJU615	WY - 700 MHz Lower Band (Blocks A, B & E)						Y
WQJU616	WY - 700 MHz Lower Band (Blocks A, B & E)						Y
WQJU617	WY - 700 MHz Lower Band (Blocks A, B & E)						Y
WQJU618	WY - 700 MHz Lower Band (Blocks A, B & E)						Y
WQJU619	WY - 700 MHz Lower Band (Blocks A, B & E)						Y
WQJU620	WY - 700 MHz Lower Band (Blocks A, B & E)						Y
WQJU622	WY - 700 MHz Lower Band (Blocks A, B & E)						Y
WQJU623	WY - 700 MHz Lower Band (Blocks A, B & E)						Y
WQJU624	WY - 700 MHz Lower Band (Blocks A, B & E)						Y
WQJU625	WY - 700 MHz Lower Band (Blocks A, B & E)						Y
WQJU631	WY - 700 MHz Lower Band (Blocks A, B & E)						Y

111) Call Sign	112) Radio Service Code	113) Location Number	114) Path Number (Microwave only)	115) Frequency Number	116) Lower or Center Frequency (MHz)	117) Upper Frequency (MHz)	118) Constructed Yes / No
WQJU632	WY - 700 MHz Lower Band (Blocks A, B & E)						Y
WQJU633	WY - 700 MHz Lower Band (Blocks A, B & E)						Y
WQJU634	WY - 700 MHz Lower Band (Blocks A, B & E)						Y
WQJU635	WY - 700 MHz Lower Band (Blocks A, B & E)						Y
WQJU636	WY - 700 MHz Lower Band (Blocks A, B & E)						Y
WQJU644	WY - 700 MHz Lower Band (Blocks A, B & E)						Y
WQJU657	WY - 700 MHz Lower Band (Blocks A, B & E)						Y
WQJU658	WY - 700 MHz Lower Band (Blocks A, B & E)						Y
WQJU659	WY - 700 MHz Lower Band (Blocks A, B & E)						Y
WQJU662	WY - 700 MHz Lower Band (Blocks A, B & E)						Y
WQJU665	WY - 700 MHz Lower Band (Blocks A, B & E)						Y
WQJU666	WY - 700 MHz Lower Band (Blocks A, B & E)						Y
WQJU671	WY - 700 MHz Lower Band (Blocks A, B & E)						Y
WQJU672	WY - 700 MHz Lower Band (Blocks A, B & E)						Y
WQJU673	WY - 700 MHz Lower Band (Blocks A, B & E)						Y
WQJU674	WY - 700 MHz Lower Band (Blocks A, B & E)						Y
WQJU680	WY - 700 MHz Lower Band (Blocks A, B & E)						Y
WQJU681	WY - 700 MHz Lower Band (Blocks A, B & E)						Y
WQJU682	WY - 700 MHz Lower Band (Blocks A, B & E)						Y

111) Call Sign	112) Radio Service Code	113) Location Number	114) Path Number (Microwave only)	115) Frequency Number	116) Lower or Center Frequency (MHz)	117) Upper Frequency (MHz)	118) Constructed Yes / No
WQJU683	WY - 700 MHz Lower Band (Blocks A, B & E)						Y
WQJU684	WY - 700 MHz Lower Band (Blocks A, B & E)						Y
WQJU685	WY - 700 MHz Lower Band (Blocks A, B & E)						Y
WQJU686	WY - 700 MHz Lower Band (Blocks A, B & E)						Y
WQJU688	WY - 700 MHz Lower Band (Blocks A, B & E)						Y
WQJU704	WY - 700 MHz Lower Band (Blocks A, B & E)						Y
WQJU705	WY - 700 MHz Lower Band (Blocks A, B & E)						Y
WQJU707	WY - 700 MHz Lower Band (Blocks A, B & E)						Y
WQJU708	WY - 700 MHz Lower Band (Blocks A, B & E)						Y
WQJU898	CW - PCS Broadband						Y
WQJU902	CW - PCS Broadband						Y
WQJZ319	WY - 700 MHz Lower Band (Blocks A, B & E)						Y
WQKH486	WY - 700 MHz Lower Band (Blocks A, B & E)						Y
WQKI618	AW - AWS (1710-1755 MHz and 2110-2155 MHz)						N
WQKI619	AW - AWS (1710-1755 MHz and 2110-2155 MHz)						N
WQKI626	AW - AWS (1710-1755 MHz and 2110-2155 MHz)						N
WQKI627	AW - AWS (1710-1755 MHz and 2110-2155 MHz)						N
WQKI628	AW - AWS (1710-1755 MHz and 2110-2155 MHz)						N
WQKI629	AW - AWS (1710-1755 MHz and 2110-2155 MHz)						N

111) Call Sign	112) Radio Service Code	113) Location Number	114) Path Number (Microwave only)	115) Frequency Number	116) Lower or Center Frequency (MHz)	117) Upper Frequency (MHz)	118) Constructed Yes / No
WQKM337	WZ - 700 MHz Lower Band (Blocks C, D)						Y
WQKT298	CW - PCS Broadband						Y
WQLG580	AW - AWS (1710-1755 MHz and 2110-2155 MHz)						N
WQLI790	CW - PCS Broadband						Y
WQLV407	CW - PCS Broadband						Y
WQLV408	CW - PCS Broadband						Y
WQLV410	CW - PCS Broadband						Y
WQLV411	CW - PCS Broadband						Y
WQLV413	CW - PCS Broadband						Y
WQLV414	CW - PCS Broadband						Y
WQMC320	CW - PCS Broadband						Y
WQMC321	CW - PCS Broadband						Y
WQMC330	CW - PCS Broadband						Y
WQMC331	CW - PCS Broadband						Y
WQMC332	CW - PCS Broadband						Y
WQMC339	CW - PCS Broadband						Y
WQMC340	CW - PCS Broadband						Y
WQMC343	CW - PCS Broadband						Y
WQMC348	CW - PCS Broadband						Y

111) Call Sign	112) Radio Service Code	113) Location Number	114) Path Number (Microwave only)	115) Frequency Number	116) Lower or Center Frequency (MHz)	117) Upper Frequency (MHz)	118) Constructed Yes / No
WQMG943	CW - PCS Broadband						Y
WQMG944	CW - PCS Broadband						Y
WQMH322	CW - PCS Broadband						Y
WQND991	WS - Wireless Communications Service						Y
WQNE323	CW - PCS Broadband						Y
WQNE324	CW - PCS Broadband						Y
WQNE326	CW - PCS Broadband						Y
WQNE327	CW - PCS Broadband						Y
WQNE328	CW - PCS Broadband						Y
WQNH802	AW - AWS (1710-1755 MHz and 2110-2155 MHz)						N
WQNX323	CW - PCS Broadband						Y
WQON997	AW - AWS (1710-1755 MHz and 2110-2155 MHz)						N
WQOQ733	CW - PCS Broadband						Y
WQOT692	CW - PCS Broadband						Y
WQPG201	AW - AWS (1710-1755 MHz and 2110-2155 MHz)						N
WQPG209	AW - AWS (1710-1755 MHz and 2110-2155 MHz)						N
WQPG212	AW - AWS (1710-1755 MHz and 2110-2155 MHz)						N
WQPG218	AW - AWS (1710-1755 MHz and 2110-2155 MHz)						N
WQPY814	WZ - 700 MHz Lower Band (Blocks C, D)						Y

111) Call Sign	112) Radio Service Code	113) Location Number	114) Path Number (Microwave only)	115) Frequency Number	116) Lower or Center Frequency (MHz)	117) Upper Frequency (MHz)	118) Constructed Yes / No
WQQI317	WY - 700 MHz Lower Band (Blocks A, B & E)						Y
WQQM302	WZ - 700 MHz Lower Band (Blocks C, D)						Y
WQQQ237	CW - PCS Broadband						Y
WQQQ238	CW - PCS Broadband						Y
WQQQ242	CW - PCS Broadband						Y
WQQQ243	CW - PCS Broadband						Y
WQQQ250	CW - PCS Broadband						Y
WQRD410	CW - PCS Broadband						Y
WQRD411	CW - PCS Broadband						Y
WQRH481	AW - AWS (1710-1755 MHz and 2110-2155 MHz)						N
WQRN260	WZ - 700 MHz Lower Band (Blocks C, D)						Y
WQSH835	AW - AWS (1710-1755 MHz and 2110-2155 MHz)						N
WQSX817	CW - PCS Broadband						Y
WQSX818	CW - PCS Broadband						Y
WQTL610	AW - AWS (1710-1755 MHz and 2110-2155 MHz)						N
WQTL611	CW - PCS Broadband						Y
WQTM551	WY - 700 MHz Lower Band (Blocks A, B & E)						Y
WQTM871	AW - AWS (1710-1755 MHz and 2110-2155 MHz)						N
WQUH724	CW - PCS Broadband						Y

111) Call Sign	112) Radio Service Code	113) Location Number	114) Path Number (Microwave only)	115) Frequency Number	116) Lower or Center Frequency (MHz)	117) Upper Frequency (MHz)	118) Constructed Yes / No
WQUH728	CW - PCS Broadband						Y
WQUI697	CW - PCS Broadband						Y
WQUI698	CW - PCS Broadband						Y
WQUK232	CW - PCS Broadband						Y
WQUZ669	CW - PCS Broadband						Y
WQUZ670	AW - AWS (1710-1755 MHz and 2110-2155 MHz)						N
WQUZ675	CW - PCS Broadband						Y
WQUZ677	CW - PCS Broadband						Y
WQVD575	AW - AWS (1710-1755 MHz and 2110-2155 MHz)						N
WQVD576	AW - AWS (1710-1755 MHz and 2110-2155 MHz)						N
WQVF252	CW - PCS Broadband						Y
WQVF253	CW - PCS Broadband						Y
WQVF254	CW - PCS Broadband						Y
WQVG230	AW - AWS (1710-1755 MHz and 2110-2155 MHz)						N
WQVG235	CW - PCS Broadband						Y
WQVG236	CW - PCS Broadband						Y
WQVG237	AW - AWS (1710-1755 MHz and 2110-2155 MHz)						N
WQVM299	CW - PCS Broadband						Y
WQWN346	WZ - 700 MHz Lower Band (Blocks C, D)						Y

111) Call Sign	112) Radio Service Code	113) Location Number	114) Path Number (Microwave only)	115) Frequency Number	116) Lower or Center Frequency (MHz)	117) Upper Frequency (MHz)	118) Constructed Yes / No
WQXA283	CW - PCS Broadband						Y
WQXA285	CW - PCS Broadband						Y
WQXA289	CW - PCS Broadband						Y
WQXL723	CW - PCS Broadband						Y
WQXL725	AW - AWS (1710-1755 MHz and 2110-2155 MHz)						N
WQXL726	AW - AWS (1710-1755 MHz and 2110-2155 MHz)						N
WQXQ394	CW - PCS Broadband						Y
WQXQ395	CW - PCS Broadband						Y
WQXQ396	CW - PCS Broadband						Y
WQXQ397	CW - PCS Broadband						Y
WQXQ398	AW - AWS (1710-1755 MHz and 2110-2155 MHz)						N
WQXQ399	AW - AWS (1710-1755 MHz and 2110-2155 MHz)						N
WQXQ400	AW - AWS (1710-1755 MHz and 2110-2155 MHz)						N
WQXQ401	AW - AWS (1710-1755 MHz and 2110-2155 MHz)						N
WQXY327	CW - PCS Broadband						Y
WQXY328	CW - PCS Broadband						Y
WQXY329	CW - PCS Broadband						Y
WQXY330	CW - PCS Broadband						Y
WQXZ458	AW - AWS (1710-1755 MHz and 2110-2155 MHz)						N

111) Call Sign	112) Radio Service Code	113) Location Number	114) Path Number (Microwave only)	115) Frequency Number	116) Lower or Center Frequency (MHz)	117) Upper Frequency (MHz)	118) Constructed Yes / No
WQYH208	CW - PCS Broadband						Y
WQYL216	CW - PCS Broadband						Y
WQYV633	CW - PCS Broadband						Y
WQYV635	CW - PCS Broadband						Y
WQYV636	AW - AWS (1710-1755 MHz and 2110-2155 MHz)						Y
WQYV637	CW - PCS Broadband						Y
WQYV639	CW - PCS Broadband						Y
WQZA665	WY - 700 MHz Lower Band (Blocks A, B & E)						Y
WQZA667	CW - PCS Broadband						Y
WQZA668	AW - AWS (1710-1755 MHz and 2110-2155 MHz)						Y
WQZA669	AW - AWS (1710-1755 MHz and 2110-2155 MHz)						Y
WQZA691	CW - PCS Broadband						Y
WQZA692	CW - PCS Broadband						Y
WQZQ343	CW - PCS Broadband						Y
WQZQ349	CW - PCS Broadband						Y
WQZQ350	CW - PCS Broadband						Y
WQZQ351	CW - PCS Broadband						Y
WQZQ352	CW - PCS Broadband						Y
WQZQ353	CW - PCS Broadband						Y

111) Call Sign	112) Radio Service Code	113) Location Number	114) Path Number (Microwave only)	115) Frequency Number	116) Lower or Center Frequency (MHz)	117) Upper Frequency (MHz)	118) Constructed Yes / No
WRAB202	CW - PCS Broadband						Y
WRAB203	CW - PCS Broadband						Y
WRAB204	AW - AWS (1710-1755 MHz and 2110-2155 MHz)						Y
WRAB205	AW - AWS (1710-1755 MHz and 2110-2155 MHz)						Y
WRAB206	AW - AWS (1710-1755 MHz and 2110-2155 MHz)						Y
WRAB207	AW - AWS (1710-1755 MHz and 2110-2155 MHz)						Y
WRAB208	AT - AWS-3 (1695-1710 MHz, 1755-1780 MHz, and 2155-2180 MHz)						N
WRAB209	CW - PCS Broadband						Y
WRAB210	CW - PCS Broadband						Y
WRAB211	CW - PCS Broadband						Y
WRAB235	CW - PCS Broadband						Y
WRBS571	WZ - 700 MHz Lower Band (Blocks C, D)						Y

Attachment(s):

Type	Description	Date Entered
O	Exhibit 1 - Reference to Lead	01/29/2019

REFERENCE COPY

This is not an official FCC license. It is a record of public information contained in the FCC's licensing database on the date that this reference copy was generated. In cases where FCC rules require the presentation, posting, or display of an FCC license, this document may not be used in place of an official FCC license.



Federal Communications Commission
Wireless Telecommunications Bureau

RADIO STATION AUTHORIZATION

LICENSEE: NEW CINGULAR WIRELESS PCS, LLC

ATTN: FCC GROUP
NEW CINGULAR WIRELESS PCS, LLC
208 S. AKARD ST. 20F
DALLAS, TX 75202

Table with Call Sign (KNLH416), File Number, and Radio Service (CW - PCS Broadband).

FCC Registration Number (FRN): 0003291192

Table with columns: Grant Date, Effective Date, Expiration Date, Print Date, Market Number, Channel Block, Sub-Market Designator, Market Name, 1st Build-out Date, 2nd Build-out Date, 3rd Build-out Date, 4th Build-out Date.

Waivers/Conditions:

This authorization is subject to the condition that, in the event that systems using the same frequencies as granted herein are authorized in an adjacent foreign territory (Canada/United States), future coordination of any base station transmitters within 72 km (45 miles) of the United States/Canada border shall be required to eliminate any harmful interference to operations in the adjacent foreign territory and to ensure continuance of equal access to the frequencies by both countries.

This authorization is subject to the condition that the remaining balance of the winning bid amount will be paid in accordance with Part 1 of the Commission's rules, 47 C.F.R. Part 1.

Conditions:

Pursuant to §309(h) of the Communications Act of 1934, as amended, 47 U.S.C. §309(h), this license is subject to the following conditions: This license shall not vest in the licensee any right to operate the station nor any right in the use of the frequencies designated in the license beyond the term thereof nor in any other manner than authorized herein.

This license may not authorize operation throughout the entire geographic area or spectrum identified on the hardcopy version. To view the specific geographic area and spectrum authorized by this license, refer to the Spectrum and Market Area information under the Market Tab of the license record in the Universal Licensing System (ULS).

Licensee Name: NEW CINGULAR WIRELESS PCS, LLC

Call Sign: KNLH416

File Number:

Print Date:

700 MHz Relicensed Area Information:

Market	Market Name	Buildout Deadline	Buildout Notification	Status
---------------	--------------------	--------------------------	------------------------------	---------------

Reference Copy

Reference Copy Only. Do Not Mail to the FCC as an Application.

Submitted: 01/23/2024 at 17:43:02
 File Number: 0010873620

FCC 601
Main Form

FCC Application for Radio Service Authorization: Wireless Telecommunications Bureau Public Safety and Homeland Security Bureau

Approved by OMB
 3060 - 0798
 See instructions for
 public burden estimate

1) Radio Service Code: <p style="text-align: center;">CW</p>	1a) Existing Radio Service Code:
--	----------------------------------

General Information

2) (Select only one) (AU) NE - New RO - Renewal Only AU - Administrative Update NT - Required Notifications MD - Modification RM - Renewal/Modification WD - Withdrawal of Application EX - Requests for Extension of Time AM - Amendment CA - Cancellation of License RL - Registered Location/Link	
3a) If this application is for a Demonstration License or a S pecial Temporary Authorization (STA), enter the code and attach the required exhibit as described in the instructions. Otherwise enter ' N/A ' (Not Applicable).	(N) <u>M</u> <u>S</u> <u>N/A</u>
3b) If this application is for Special Temporary Authority due to an emergency situation, enter 'Y'; otherwise enter 'N'. Refer to Rule 1.915 for an explanation of situations considered to be an emergency.	() <u>Y</u> <u>N</u>
4) If this application is for an Amendment or Withdrawal, enter the file number of the pending application currently on file with the FCC.	File Number
5) If this application is for a Modification, Renewal Only, Renewal/Modification, Cancellation of License, , or Administrative Update, enter the call sign of the existing FCC license. If this is a request for Registered Location/Link, enter the FCC call sign assigned to the geographic license.	Call Sign KNLH416
6a) If this application is for a New, Amendment, Renewal Only, or Renewal/Modification, enter the requested authorization expiration date (this item is optional).	MM DD _____ / _____
6b) If this application is for a Renewal Only or Renewal/Modification and the license is a geographic area license, is the license used to provide service to customers (C), or is the license used for private business (internal) purposes or to meet the licensee's public interest/public safety communications needs (P)?	() <u>C</u> <u>P</u>
7) Is this application "major" as defined in § 1.929 of the Commission's Rules when read in conjunction with the applicable radio service rules found in Parts 22 and 90 of the Commission's Rules? (NOTE: This question only applies to certain site-specific applications. See the instructions for applicability and full text of § 1.929).	() <u>Y</u> <u>N</u>
8) Are attachments (other than associated schedules) being filed with this application?	() <u>Y</u> <u>N</u>

Fees, Waivers, and Exemptions

9) Is the Applicant exempt from FCC application fees?	(N) <u>Y</u> <u>N</u>
10) Is the Applicant exempt from FCC regulatory fees?	(N) <u>Y</u> <u>N</u>
11) Does this application include a request for a Waiver of the Commission's Rule(s)? If 'Yes', attach an exhibit providing rule number(s) and explaining circumstances.	(N) <u>Y</u> <u>N</u>
12) Are the frequencies or parameters requested in this filing covered by grandfathered privileges, previously approved by waiver, or functionally integrated with an existing station?	() <u>Y</u> <u>N</u>

Applicant Information

13) FCC Registration Number (FRN): 0003291192			
14) Applicant/Licensee Legal Entity Type: (Select One) () Individual () Unincorporated Association () Trust () Government Entity () Corporation (<input checked="" type="checkbox"/>) Limited Liability Company () General Partnership () Limited Partnership () Limited Liability Partnership () Consortium () Other: _____			
15) If the Licensee name is being updated, is the update a result from the sale (or transfer of control) of the license(s) to party and for which proper Commission approval has not been received or proper notification not provided?			() <u>Yes</u> <u>No</u>
16) First Name (if individual):	MI:	Last Name:	Suffix:
17) Legal Entity Name (if other than individual): New Cingular Wireless PCS, LLC			
18) Attention To: National Regulatory Compliance			
19) P.O. Box:	And/Or	20) Street Address: 208 S Akard St, 20F	
21) City: Dallas	22) State: TX	23) Zip Code: 75202	
24) Telephone Number: (855)699-7073		25) Fax: (214)746-6410	
26) E-Mail Address: FCCMW@att.com			

27) Demographics (Optional)

Race: () American Indian or Alaska Native () Asian () Black or African-American () Native Hawaiian or Other Pacific Islander () White	Ethnicity: () Hispanic or Latino () Not Hispanic or Latino	Gender: () Male () Female
---	--	-----------------------------------

Real Party in Interest

28) Name of Real Party in Interest of Applicant (If different from Applicant):	29) FCC Registration Number (FRN) of Real Party in Interest:
--	--

Contact Information (If different from the Applicant)**() Check here if same as Applicant.**

30) First Name: Jessica	MI: J	Last Name: Dunk	Suffix:
31) Company Name: AT&T Services, Inc.			
32) Attention To: NRC			
33) P.O. Box:	And /Or	34) Street Address: 208 S Akard St, 20F	
35) City: Dallas	36) State: TX	37) Zip Code: 75202	
38) Telephone Number: (855)699-7073		39) Fax: (214)746-6410	
40) E-Mail Address: FCCMW@att.com			

Regulatory Status

41) This filing is for authorization to provide or use the following type(s) of radio service offering (enter all that apply):
() Common Carrier () Non-Common Carrier () Private, internal communications () Broadcast Services () Band Manager

Type of Radio Service

42) This filing is for authorization to provide the following type(s) of radio service (choose all that apply):
() Fixed () Mobile () Radiolocation () Satellite (sound) () Broadcast Services
43) Does the Applicant propose to provide service interconnected to the public telephone network? () Yes () No

Alien Ownership Questions (If any answer is 'Y', provide an attachment explaining the circumstances. In preparing the attachment, refer to the Main Form Instructions for the "Alien Ownership Questions".)

44) Is the Applicant a foreign government or the representative of any foreign government? () Yes () No
45) Is the Applicant an alien or the representative of an alien? () Yes () No
46) Is the Applicant a corporation organized under the laws of any foreign government? () Yes () No
47) Is the Applicant a corporation of which more than one-fifth of the capital stock is owned of record or voted by aliens or their representatives, or by a foreign government or representative thereof, or by any corporation organized under the laws of a foreign country? () Yes () No

48a) Is the Applicant directly or indirectly controlled by any other corporation of which more than one-fourth of the capital stock (Yes No) is owned of record or voted by aliens or their representatives, or by a foreign government or representative thereof, or by any corporation organized under the laws of a foreign country?

48b) If the answer to 47 or 48a is 'Y' select one of the choices below.

The Applicant is exempt from the provisions of Section 310(b).

If checked, it is not necessary to file a petition for declaratory ruling if the Applicant includes in the attachment required by Item 47 or Item 48a a showing that the requested license(s) is exempt from the provisions of Section 310(b).

The Applicant has received a declaratory ruling(s) approving its foreign ownership, and the application involves only the acquisition of additional spectrum for the provision of a wireless service in a geographic coverage area for which the Applicant has been previously authorized.

If checked, include in the attachment required by Item 47 or Item 48a the citation(s) of the applicable declaratory ruling(s) by DA/FCC number, the FCC Record citation, if available, release date, and a statement that there has been no change in the foreign ownership of the Applicant since the issuance of its ruling.

The Applicant: (i) has received a declaratory ruling(s) approving its foreign ownership, but is not able to make the certification specified immediately above; or (ii) is an "affiliate" of a Licensee or Lessee/Sublessee that received a declaratory ruling(s) under 47 CFR § 1.5000(a) and is relying on the affiliate's ruling for purposes of filing this application as permitted under the affiliate's ruling and 47 CFR § 1.5004(b)

If checked, and if the Applicant received its declaratory ruling(s) on or after August 9, 2013, include in the attachment required by Item 47 or Item 48a the citation(s) of the Applicant's declaratory ruling(s) by DA/FCC number, the FCC Record citation, if available, release date, and a statement that the Applicant is in compliance with the terms and conditions of its ruling and with the Commission's Rules.

If checked, and if the Applicant received its declaratory ruling(s) prior to August 9, 2013, include in the attachment required by Item 48a a copy of a petition for declaratory ruling filed contemporaneously with the Commission to extend the Applicant's existing ruling(s) to cover the same radio service(s) and geographic coverage area(s) involved in the application. Alternatively, the Applicant may request a new declaratory ruling pursuant to Section 1.5000(a) of the Commission's Rules, 47 CFR § 1.5000 (a). Petitions for declaratory ruling may be filed electronically on the Internet through the International Bureau Filing System (IBFS) (with a copy attached hereto).

If checked, and if the Applicant is relying on an affiliate's ruling for purposes of filing this application, include in the attachment required by Item 47 or Item 48a the citation(s) of the applicable declaratory ruling(s) by DA/FCC number, the FCC Record citation, if available, release date, and a statement that the Applicant is in compliance with the terms and conditions of the named affiliate's ruling and with the Commission's Rules. The Applicant must also include a certification of compliance signed by the named affiliate or other qualified entity as specified in 47 CFR § 1.5004(b). See Main Form Instructions for Items 47 or 48a, as applicable.

The Applicant has not received a declaratory ruling approving its foreign ownership and is requesting a declaratory ruling under 47 CFR § 1.5004(b) in a petition filed contemporaneously with the Commission.

If checked, include in the attachment required by Item 47 or 48a a copy of the petition for declaratory ruling filed contemporaneously with the Commission pursuant to 47 CFR § 1.5004(b). Petitions for declaratory ruling may be filed electronically on the Internet through the International Bureau Filing System (IBFS) (with a copy attached hereto).

Basic Qualification Questions

49) Has the Applicant or any party to this application had any FCC station authorization, license or construction permit revoked or had any application for an initial, modification or renewal of FCC station authorization, license, or construction permit denied by the Commission?	() <u>Yes</u> <u>No</u>
50) Has the Applicant or any party to this application, or any party directly or indirectly controlling the Applicant, ever been convicted of a felony by any state or federal court?	() <u>Yes</u> <u>No</u>
51) Has any court finally adjudged the Applicant or any party directly or indirectly controlling the Applicant guilty of unlawfully monopolizing or attempting unlawfully to monopolize radio communication, directly or indirectly, through control of manufacture or sale of radio apparatus, exclusive traffic arrangement, or any other means or unfair methods of competition?	() <u>Yes</u> <u>No</u>

Note: If the answer to any of 49-51 is 'Y', attach an exhibit explaining the circumstances.

Aeronautical Advisory Station (Unicom) Certification

52) () I certify that the station will be located on property of the airport to be served, and, in cases where the airport does not have a control tower, RCO, or FAA flight service station, that I have notified the owner of the airport and all aviation service organizations located at the airport within ten days prior to application.
--

Broadband Radio Service and Educational Broadband Service Cable Cross-Ownership

53a) Will the requested facilities be used to provide multichannel video programming service?	() <u>Yes</u> <u>No</u>
53b) If the answer to question 53a is 'Y', does the Applicant operate, control or have an attributable interest (as defined in 47 CFR § 27.1202) in a cable television system whose franchise area is located within the geographic service area of the requested facilities?	() <u>Yes</u> <u>No</u>

Note: If the answer to question 53b is 'Y', attach an exhibit explaining how the Applicant complies with 47 CFR § 27.1202 or justifying a waiver of that rule. If a waiver of the Commission Rule(s) is being requested, Item 11a must be answered 'Y'.

Broadband Radio Service and Educational Broadband Service (Part 27)

54) (For EBS only) Does the Applicant comply with the programming requirements contained in 47 CFR § 27.1203?	() <u>Yes</u> <u>No</u>
---	--------------------------

Note: If the answer to item 54 is 'N', attach an exhibit explaining how the Applicant complies with 47 CFR § 27.1203 of the Commission's Rules or justifying a waiver of that rule. If a waiver of the Commission Rule(s) is being requested, Item 11a must be answered 'Y'.

55) (For BRS and EBS) Does the Applicant comply with 47 CFR §§ 27.50, 27.55, and 27.1221?	() <u>Yes</u> <u>No</u>
---	--------------------------

Note: If the answer to item 55 is 'N', attach an exhibit justifying a waiver of that rule(s). If a waiver of the Commission Rule(s) is being requested, Item 11a must be answered 'Y'.

For Applicants Who Participated in an Auction

56) Is the Applicant a qualifying rural wireless partnership or a member of a qualifying rural wireless partnership?	() <u>Yes</u> <u>No</u>
--	--------------------------

Note: If the answer to item 56 is 'Y', attach an exhibit listing all members of the qualifying rural wireless partnership, including their FRN numbers.

For Renewal Applicants**57) Operation/Performance Requirement Certification**

[For a site-based license]: Applicant certifies that it is continuing to operate consistent with its most recently filed construction notification (or most recent authorization, if no construction notification was required).	() <u>Yes</u> <u>No</u>
[For a geographic license, commercial service - licensee in its initial license term with an interim performance requirement]: Applicant certifies that it has met its interim performance requirement, that over the portion of the license term following the interim performance requirement, it continues to use its facilities to provide at least the level of service required by its interim performance requirement, it has met its final performance requirement, and it continues to use its facilities to provide at least the level of service required by its final performance requirement through the end of the license term.	() <u>Yes</u> <u>No</u>
[For a geographic license, commercial service - licensee in its initial license term with no interim performance requirement]: Applicant certifies that it has met its final performance requirement and it continues to use its facilities to provide at least the level of service required by its final performance requirement through the end of the license term. [Note: licensee must provide a showing demonstrating that the final performance requirement has been met, either separately in a timely application for notification of completion of construction, or as part of its renewal application, depending on the radio service.]	() <u>Yes</u> <u>No</u>
[For a geographic license, commercial service - licensee in any subsequent term]: Applicant certifies that it continues to use its facilities to provide at least the level of service required by its final performance requirement through the end of any subsequent license terms.	() <u>Yes</u> <u>No</u>
[For a geographic license, private systems - licensee in its initial license term with an interim performance requirement]: Applicant certifies that it has met its interim performance requirement, that over the portion of the license term following the interim performance requirement, it continues to use its facilities to further its private business or public interest/public safety communications needs at or above the level required to meet its interim performance requirement, it has met its final performance requirement, and it continues to use its facilities to provide at least the level of operation required by its final performance requirement through the end of the license term.	() <u>Yes</u> <u>No</u>
[For a geographic license, private systems - licensee in its initial license term with no interim performance requirement]: Applicant certifies that it has met its final performance requirement, it continues to use its facilities to further its private business or public interest/public safety communications needs, and it continues to use its facilities to provide at least the level of operation required by its final performance requirement through the end of the license term. [Note: licensee must provide a showing demonstrating that the final performance requirement has been met, either separately in a timely application for notification of completion of construction, or as part of its renewal application, depending on the radio service.]	() <u>Yes</u> <u>No</u>

[For a geographic license, private systems - licensee in any subsequent term]: Applicant certifies that it continues to use its facilities to further its private business or public interest/public safety communications needs at or above the level required to meet its final performance requirement through the end of any subsequent license terms.	() <u>Yes</u> <u>No</u>
[For a partitioned or disaggregated license without a performance requirement, for the first renewal application filed after effective date of the rules]: Applicant certifies that the partitioned and/or disaggregated license that is the subject of this renewal application has no separate performance requirement and that this is the first renewal of this license filed subsequent to the effective date of the rules.	() <u>Yes</u> <u>No</u>
[For a partitioned or disaggregated license without a performance requirement, for any subsequent renewal filings]: Applicant certifies that it continues to use its facilities to provide service or to further the applicant's private business or public interest/public safety needs.	() <u>Yes</u> <u>No</u>

Discontinuance of Service Certification

58) Applicant certifies that no permanent discontinuance of service or operation, as applicable, occurred during its current license term. Note: If the response to either item 57 or item 58 is 'N', attach an exhibit that demonstrates that over the course of the license term, the Applicant provided and continues to provide service to the public, or operated and continues to operate the license to meet the Applicant's private business or public interest/public safety communications needs. This exhibit must include a detailed description of the Applicant's provision of service or, when allowed under the relevant service rules or pursuant to waiver, use of the spectrum for private business or public interest/public safety communications needs, during the entire license period and address, as applicable: 1) the level and quality of service provided by the applicant (e.g., the population served, the area served, the number of subscribers, the services offered); (2) the date service commenced, whether service was ever interrupted, and the duration of any interruption or outage; (3) the extent to which service is provided to rural areas; (4) the extent to which service is provided to qualifying tribal land as defined in 47 CFR § 1.2110(e)(3)(i); and (5) any other factors associated with the level of service to the public. The licensee may note in its exhibit: 1) any grant(s) of waiver or extension of a performance deadline or license renewal subject to meeting a performance requirement; or 2) if the final performance deadline and/or expiration date for the license accelerated because the licensee did not meet an interim performance requirement.	() <u>Yes</u> <u>No</u>
--	--------------------------

Regulatory Compliance Certification [same for all]

59) Applicant certifies that it has substantially complied with all applicable FCC rules, policies, and the Communications Act of 1934, as amended. Note: If the response to item 59 is 'N', attach an exhibit explaining the circumstances and demonstrating why Applicant's license should be renewed.	() <u>Yes</u> <u>No</u>
--	--------------------------

General Certification Statements

1) The Applicant waives any claim to the use of any particular frequency or of the electromagnetic spectrum as against the regulatory power of the United States because of the previous use of the same, whether by license or otherwise, and requests an authorization in accordance with this application.
2) The Applicant certifies that grant of this application would not cause the Applicant to be in violation of any pertinent cross-ownership or attribution rules.* *If the Applicant has sought a waiver of any such rule in connection with this application, it may make this certification subject to the outcome of the waiver request.
3) The Applicant certifies that all statements made in this application and in the exhibits, attachments, or documents incorporated by reference are material, are part of this application, and are true, complete, correct, and made in good faith.
4) The Applicant certifies that neither the Applicant nor any other party to the application is subject to a denial of Federal benefits pursuant to § 5301 of the Anti-Drug Abuse Act of 1988, 21 U.S.C. § 862, because of a conviction for possession or distribution of a controlled substance. This certification does not apply to applications filed in services exempted under § 1.2002(c) of the rules, 47 CFR § 1.2002(c). See 47 CFR § 1.2002(b) for the definition of "party to the application" as used in this certification.
5) The Applicant certifies that it either (1) has current required ownership data on file with the Commission, (2) is filing updated ownership data simultaneously with this application, or (3) is not required to file ownership data under the Commission's Rules.
6) The Applicant certifies that the facilities, operations, and transmitters for which this authorization is hereby requested are either: (1) categorically excluded from routine environmental evaluation for RF exposure as set forth in 47 CFR § 1.1307(b); or, (2) have been found not to cause human exposure to levels of radiofrequency radiation in excess of the limits specified in 47 CFR §§ 1.1310 and 2.1093; or, (3) are the subject of one or more Environmental Assessments filed with the Commission.
7) The Applicant certifies that it has reviewed the appropriate Commission Rules defining eligibility to hold the requested license(s) and is eligible to hold the requested license(s).
8) The Applicant certifies that it is not in default on any payment for Commission licenses and that it is not delinquent on any non-tax debt owed to any federal agency.
9) The Applicant certifies that the Applicant and all of the related individuals and entities required to be disclosed on this application and FCC Form 602 (FCC Ownership Disclosure Information for the Wireless Telecommunications Services) are not person(s) who have been, for reasons of national security, barred by any agency of the Federal Government from bidding on a contract, participating in an auction, or receiving a grant. This certification applies only to applications for licenses for spectrum that is required by Sections 6103, 6401-6403 of the Middle Class Tax Relief and Job Creation Act of 2012, codified at 47 U.S.C. §§ 309, 1413, 1451-1452, to be assigned by a system of competitive bidding under 47 U.S.C. § 309(j).

Signature

60) Typed or Printed Name of Party Authorized to Sign

First Name: Jessica	MI:	Last Name: Dunk	Suffix:
61) Title: Assistant Secretary - Compliance			
Signature: Jessica Dunk			62) Date: 01/23/2024
FAILURE TO SIGN THIS APPLICATION MAY RESULT IN DISMISSAL OF THE APPLICATION AND FORFEITURE OF ANY FEES PAID.			
Upon grant of this license application, the Licensee may be subject to certain construction or coverage requirements. Failure to meet the construction or coverage requirements will result in termination of the license. Consult appropriate FCC regulations to determine the construction or coverage requirements that apply to the type of license requested in this application.			
WILLFUL FALSE STATEMENTS MADE ON THIS FORM OR ANY ATTACHMENTS ARE PUNISHABLE BY FINE AND/OR IMPRISONMENT (U.S. Code, Title 18, § 1001) AND/OR REVOCATION OF ANY STATION LICENSE OR CONSTRUCTION PERMIT (U.S. Code, Title 47, § 312(a)(1)), AND/OR FORFEITURE (U.S. Code, Title 47, § 503).			

Reference Copy Only. Do Not Mail to the FCC as an Application.

Submitted: 01/13/2023 at 18:08:22
File Number: 0010367815

FCC 601

Main Form

FCC Application for Radio Service Authorization: Wireless Telecommunications Bureau Public Safety and Homeland Security Bureau

Approved by OMB

3060 - 0798

See instructions for public burden estimate

1) Radio Service Code: CW	1a) Existing Radio Service Code:
-------------------------------------	----------------------------------

General Information

2) (Select only one) (AU) NE - New RO - Renewal Only AU - Administrative Update NT - Required Notifications MD - Modification RM - Renewal/Modification WD - Withdrawal of Application EX - Requests for Extension of Time AM - Amendment CA - Cancellation of License RL - Registered Location/Link	
3a) If this application is for a Demonstration License or a S pecial Temporary Authorization (STA), enter the code and attach the required exhibit as described in the instructions. Otherwise enter ' N/A ' (Not Applicable).	(N) <u>M</u> <u>S</u> <u>N/A</u>
3b) If this application is for Special Temporary Authority due to an emergency situation, enter 'Y'; otherwise enter 'N'. Refer to Rule 1.915 for an explanation of situations considered to be an emergency.	() <u>Y</u> es N o
4) If this application is for an Amendment or Withdrawal, enter the file number of the pending application currently on file with the FCC.	File Number
5) If this application is for a Modification, Renewal Only, Renewal/Modification, Cancellation of License, , or Administrative Update, enter the call sign of the existing FCC license. If this is a request for Registered Location/Link, enter the FCC call sign assigned to the geographic license.	Call Sign KNLH416
6a) If this application is for a New, Amendment, Renewal Only, or Renewal/Modification, enter the requested authorization expiration date (this item is optional).	MM DD ____ / ____
6b) If this application is for a Renewal Only or Renewal/Modification and the license is a geographic area license, is the license used to provide service to customers (C), or is the license used for private business (internal) purposes or to meet the licensee's public interest/public safety communications needs (P)?	() <u>C</u> <u>P</u>
7) Is this application "major" as defined in § 1.929 of the Commission's Rules when read in conjunction with the applicable radio service rules found in Parts 22 and 90 of the Commission's Rules? (NOTE: This question only applies to certain site-specific applications. See the instructions for applicability and full text of § 1.929).	() <u>Y</u> es N o
8) Are attachments (other than associated schedules) being filed with this application?	() <u>Y</u> es N o

Fees, Waivers, and Exemptions

9) Is the Applicant exempt from FCC application fees?	(N) <u>Y</u> es N o
10) Is the Applicant exempt from FCC regulatory fees?	(N) <u>Y</u> es N o
11) Does this application include a request for a Waiver of the Commission's Rule(s)? If 'Yes', attach an exhibit providing rule number(s) and explaining circumstances.	(N) <u>Y</u> es N o
12) Are the frequencies or parameters requested in this filing covered by grandfathered privileges, previously approved by waiver, or functionally integrated with an existing station?	() <u>Y</u> es N o

Applicant Information

13) FCC Registration Number (FRN): 0003291192			
14) Applicant/Licensee Legal Entity Type: (Select One) () Individual () Unincorporated Association () Trust () Government Entity () Corporation (<input checked="" type="checkbox"/>) Limited Liability Company () General Partnership () Limited Partnership () Limited Liability Partnership () Consortium () Other: _____			
15) If the Licensee name is being updated, is the update a result from the sale (or transfer of control) of the license(s) to party and for which proper Commission approval has not been received or proper notification not provided?			() <u>Yes</u> <u>No</u>
16) First Name (if individual):	MI:	Last Name:	Suffix:
17) Legal Entity Name (if other than individual): NEW CINGULAR WIRELESS PCS, LLC			
18) Attention To: FCC Group			
19) P.O. Box:	And/Or	20) Street Address: 208 S. Akard St. 20F	
21) City: Dallas	22) State: TX	23) Zip Code: 75202	
24) Telephone Number: (855)699-7073		25) Fax: (214)746-6410	
26) E-Mail Address: FCCMW@att.com			

27) Demographics (Optional)

Race: () American Indian or Alaska Native () Asian () Black or African-American () Native Hawaiian or Other Pacific Islander () White	Ethnicity: () Hispanic or Latino () Not Hispanic or Latino	Gender: () Male () Female
---	--	-----------------------------------

Real Party in Interest

28) Name of Real Party in Interest of Applicant (If different from Applicant):	29) FCC Registration Number (FRN) of Real Party in Interest:
--	--

Contact Information (If different from the Applicant)**() Check here if same as Applicant.**

30) First Name: Cecil	MI: J	Last Name: Mathew	Suffix:
31) Company Name: AT&T Services, Inc.			
32) Attention To: FCC Group			
33) P.O. Box:	And /Or	34) Street Address: 208 S. Akard St. 20F	
35) City: Dallas	36) State: TX	37) Zip Code: 75202	
38) Telephone Number: (855)699-7073		39) Fax: (214)746-6410	
40) E-Mail Address: FCCMW@att.com			

Regulatory Status

41) This filing is for authorization to provide or use the following type(s) of radio service offering (enter all that apply):
() Common Carrier () Non-Common Carrier () Private, internal communications () Broadcast Services () Band Manager

Type of Radio Service

42) This filing is for authorization to provide the following type(s) of radio service (choose all that apply):
() Fixed () Mobile () Radiolocation () Satellite (sound) () Broadcast Services
43) Does the Applicant propose to provide service interconnected to the public telephone network? () Yes () No

Alien Ownership Questions (If any answer is 'Y', provide an attachment explaining the circumstances. In preparing the attachment, refer to the Main Form Instructions for the "Alien Ownership Questions".)

44) Is the Applicant a foreign government or the representative of any foreign government? () Yes () No
45) Is the Applicant an alien or the representative of an alien? () Yes () No
46) Is the Applicant a corporation organized under the laws of any foreign government? () Yes () No
47) Is the Applicant a corporation of which more than one-fifth of the capital stock is owned of record or voted by aliens or their representatives, or by a foreign government or representative thereof, or by any corporation organized under the laws of a foreign country? () Yes () No

48a) Is the Applicant directly or indirectly controlled by any other corporation of which more than one-fourth of the capital stock () **Yes** **No** is owned of record or voted by aliens or their representatives, or by a foreign government or representative thereof, or by any corporation organized under the laws of a foreign country?

48b) If the answer to 47 or 48a is 'Y' select one of the choices below.

The Applicant is exempt from the provisions of Section 310(b).

If checked, it is not necessary to file a petition for declaratory ruling if the Applicant includes in the attachment required by Item 47 or Item 48a a showing that the requested license(s) is exempt from the provisions of Section 310(b).

The Applicant has received a declaratory ruling(s) approving its foreign ownership, and the application involves only the acquisition of additional spectrum for the provision of a wireless service in a geographic coverage area for which the Applicant has been previously authorized.

If checked, include in the attachment required by Item 47 or Item 48a the citation(s) of the applicable declaratory ruling(s) by DA/FCC number, the FCC Record citation, if available, release date, and a statement that there has been no change in the foreign ownership of the Applicant since the issuance of its ruling.

The Applicant: (i) has received a declaratory ruling(s) approving its foreign ownership, but is not able to make the certification specified immediately above; or (ii) is an "affiliate" of a Licensee or Lessee/Sublessee that received a declaratory ruling(s) under 47 CFR § 1.5000(a) and is relying on the affiliate's ruling for purposes of filing this application as permitted under the affiliate's ruling and 47 CFR § 1.5004(b)

If checked, and if the Applicant received its declaratory ruling(s) on or after August 9, 2013, include in the attachment required by Item 47 or Item 48a the citation(s) of the Applicant's declaratory ruling(s) by DA/FCC number, the FCC Record citation, if available, release date, and a statement that the Applicant is in compliance with the terms and conditions of its ruling and with the Commission's Rules.

If checked, and if the Applicant received its declaratory ruling(s) prior to August 9, 2013, include in the attachment required by Item 48a a copy of a petition for declaratory ruling filed contemporaneously with the Commission to extend the Applicant's existing ruling(s) to cover the same radio service(s) and geographic coverage area(s) involved in the application. Alternatively, the Applicant may request a new declaratory ruling pursuant to Section 1.5000(a) of the Commission's Rules, 47 CFR § 1.5000 (a). Petitions for declaratory ruling may be filed electronically on the Internet through the International Bureau Filing System (IBFS) (with a copy attached hereto).

If checked, and if the Applicant is relying on an affiliate's ruling for purposes of filing this application, include in the attachment required by Item 47 or Item 48a the citation(s) of the applicable declaratory ruling(s) by DA/FCC number, the FCC Record citation, if available, release date, and a statement that the Applicant is in compliance with the terms and conditions of the named affiliate's ruling and with the Commission's Rules. The Applicant must also include a certification of compliance signed by the named affiliate or other qualified entity as specified in 47 CFR § 1.5004(b). See Main Form Instructions for Items 47 or 48a, as applicable.

The Applicant has not received a declaratory ruling approving its foreign ownership and is requesting a declaratory ruling under 47 CFR § 1.5004(b) in a petition filed contemporaneously with the Commission.

If checked, include in the attachment required by Item 47 or 48a a copy of the petition for declaratory ruling filed contemporaneously with the Commission pursuant to 47 CFR § 1.5004(b). Petitions for declaratory ruling may be filed electronically on the Internet through the International Bureau Filing System (IBFS) (with a copy attached hereto).

Basic Qualification Questions

49) Has the Applicant or any party to this application had any FCC station authorization, license or construction permit revoked or had any application for an initial, modification or renewal of FCC station authorization, license, or construction permit denied by the Commission?	() <u>Yes</u> <u>No</u>
50) Has the Applicant or any party to this application, or any party directly or indirectly controlling the Applicant, ever been convicted of a felony by any state or federal court?	() <u>Yes</u> <u>No</u>
51) Has any court finally adjudged the Applicant or any party directly or indirectly controlling the Applicant guilty of unlawfully monopolizing or attempting unlawfully to monopolize radio communication, directly or indirectly, through control of manufacture or sale of radio apparatus, exclusive traffic arrangement, or any other means or unfair methods of competition?	() <u>Yes</u> <u>No</u>

Note: If the answer to any of 49-51 is 'Y', attach an exhibit explaining the circumstances.

Aeronautical Advisory Station (Unicom) Certification

52) () I certify that the station will be located on property of the airport to be served, and, in cases where the airport does not have a control tower, RCO, or FAA flight service station, that I have notified the owner of the airport and all aviation service organizations located at the airport within ten days prior to application.
--

Broadband Radio Service and Educational Broadband Service Cable Cross-Ownership

53a) Will the requested facilities be used to provide multichannel video programming service?	() <u>Yes</u> <u>No</u>
53b) If the answer to question 53a is 'Y', does the Applicant operate, control or have an attributable interest (as defined in 47 CFR § 27.1202) in a cable television system whose franchise area is located within the geographic service area of the requested facilities?	() <u>Yes</u> <u>No</u>

Note: If the answer to question 53b is 'Y', attach an exhibit explaining how the Applicant complies with 47 CFR § 27.1202 or justifying a waiver of that rule. If a waiver of the Commission Rule(s) is being requested, Item 11a must be answered 'Y'.

Broadband Radio Service and Educational Broadband Service (Part 27)

54) (For EBS only) Does the Applicant comply with the programming requirements contained in 47 CFR § 27.1203?	() <u>Yes</u> <u>No</u>
---	--------------------------

Note: If the answer to item 54 is 'N', attach an exhibit explaining how the Applicant complies with 47 CFR § 27.1203 of the Commission's Rules or justifying a waiver of that rule. If a waiver of the Commission Rule(s) is being requested, Item 11a must be answered 'Y'.

55) (For BRS and EBS) Does the Applicant comply with 47 CFR §§ 27.50, 27.55, and 27.1221?	() <u>Yes</u> <u>No</u>
---	--------------------------

Note: If the answer to item 55 is 'N', attach an exhibit justifying a waiver of that rule(s). If a waiver of the Commission Rule(s) is being requested, Item 11a must be answered 'Y'.

For Applicants Who Participated in an Auction

56) Is the Applicant a qualifying rural wireless partnership or a member of a qualifying rural wireless partnership?	() <u>Yes</u> <u>No</u>
--	--------------------------

Note: If the answer to item 56 is 'Y', attach an exhibit listing all members of the qualifying rural wireless partnership, including their FRN numbers.

For Renewal Applicants

57) Operation/Performance Requirement Certification	
[For a site-based license]: Applicant certifies that it is continuing to operate consistent with its most recently filed construction notification (or most recent authorization, if no construction notification was required).	() <u>Yes</u> <u>No</u>
[For a geographic license, commercial service - licensee in its initial license term with an interim performance requirement]: Applicant certifies that it has met its interim performance requirement, that over the portion of the license term following the interim performance requirement, it continues to use its facilities to provide at least the level of service required by its interim performance requirement, it has met its final performance requirement, and it continues to use its facilities to provide at least the level of service required by its final performance requirement through the end of the license term.	() <u>Yes</u> <u>No</u>
[For a geographic license, commercial service - licensee in its initial license term with no interim performance requirement]: Applicant certifies that it has met its final performance requirement and it continues to use its facilities to provide at least the level of service required by its final performance requirement through the end of the license term. [Note: licensee must provide a showing demonstrating that the final performance requirement has been met, either separately in a timely application for notification of completion of construction, or as part of its renewal application, depending on the radio service.]	() <u>Yes</u> <u>No</u>
[For a geographic license, commercial service - licensee in any subsequent term]: Applicant certifies that it continues to use its facilities to provide at least the level of service required by its final performance requirement through the end of any subsequent license terms.	() <u>Yes</u> <u>No</u>
[For a geographic license, private systems - licensee in its initial license term with an interim performance requirement]: Applicant certifies that it has met its interim performance requirement, that over the portion of the license term following the interim performance requirement, it continues to use its facilities to further its private business or public interest/public safety communications needs at or above the level required to meet its interim performance requirement, it has met its final performance requirement, and it continues to use its facilities to provide at least the level of operation required by its final performance requirement through the end of the license term.	() <u>Yes</u> <u>No</u>
[For a geographic license, private systems - licensee in its initial license term with no interim performance requirement]: Applicant certifies that it has met its final performance requirement, it continues to use its facilities to further its private business or public interest/public safety communications needs, and it continues to use its facilities to provide at least the level of operation required by its final performance requirement through the end of the license term. [Note: licensee must provide a showing demonstrating that the final performance requirement has been met, either separately in a timely application for notification of completion of construction, or as part of its renewal application, depending on the radio service.]	() <u>Yes</u> <u>No</u>

[For a geographic license, private systems - licensee in any subsequent term]: Applicant certifies that it continues to use its facilities to further its private business or public interest/public safety communications needs at or above the level required to meet its final performance requirement through the end of any subsequent license terms.	(<input type="checkbox"/>) <u>Yes</u> <u>No</u>
[For a partitioned or disaggregated license without a performance requirement, for the first renewal application filed after effective date of the rules]: Applicant certifies that the partitioned and/or disaggregated license that is the subject of this renewal application has no separate performance requirement and that this is the first renewal of this license filed subsequent to the effective date of the rules.	(<input type="checkbox"/>) <u>Yes</u> <u>No</u>
[For a partitioned or disaggregated license without a performance requirement, for any subsequent renewal filings]: Applicant certifies that it continues to use its facilities to provide service or to further the applicant's private business or public interest/public safety needs.	(<input type="checkbox"/>) <u>Yes</u> <u>No</u>

Discontinuance of Service Certification

58) Applicant certifies that no permanent discontinuance of service or operation, as applicable, occurred during its current license term. Note: If the response to either item 57 or item 58 is 'N', attach an exhibit that demonstrates that over the course of the license term, the Applicant provided and continues to provide service to the public, or operated and continues to operate the license to meet the Applicant's private business or public interest/public safety communications needs. This exhibit must include a detailed description of the Applicant's provision of service or, when allowed under the relevant service rules or pursuant to waiver, use of the spectrum for private business or public interest/public safety communications needs, during the entire license period and address, as applicable: 1) the level and quality of service provided by the applicant (e.g., the population served, the area served, the number of subscribers, the services offered); (2) the date service commenced, whether service was ever interrupted, and the duration of any interruption or outage; (3) the extent to which service is provided to rural areas; (4) the extent to which service is provided to qualifying tribal land as defined in 47 CFR § 1.2110(e)(3)(i); and (5) any other factors associated with the level of service to the public. The licensee may note in its exhibit: 1) any grant(s) of waiver or extension of a performance deadline or license renewal subject to meeting a performance requirement; or 2) if the final performance deadline and/or expiration date for the license accelerated because the licensee did not meet an interim performance requirement.	(<input type="checkbox"/>) <u>Yes</u> <u>No</u>
--	---

Regulatory Compliance Certification [same for all]

59) Applicant certifies that it has substantially complied with all applicable FCC rules, policies, and the Communications Act of 1934, as amended. Note: If the response to item 59 is 'N', attach an exhibit explaining the circumstances and demonstrating why Applicant's license should be renewed.	(<input type="checkbox"/>) <u>Yes</u> <u>No</u>
--	---

General Certification Statements

1) The Applicant waives any claim to the use of any particular frequency or of the electromagnetic spectrum as against the regulatory power of the United States because of the previous use of the same, whether by license or otherwise, and requests an authorization in accordance with this application.
2) The Applicant certifies that grant of this application would not cause the Applicant to be in violation of any pertinent cross-ownership or attribution rules.* *If the Applicant has sought a waiver of any such rule in connection with this application, it may make this certification subject to the outcome of the waiver request.
3) The Applicant certifies that all statements made in this application and in the exhibits, attachments, or documents incorporated by reference are material, are part of this application, and are true, complete, correct, and made in good faith.
4) The Applicant certifies that neither the Applicant nor any other party to the application is subject to a denial of Federal benefits pursuant to § 5301 of the Anti-Drug Abuse Act of 1988, 21 U.S.C. § 862, because of a conviction for possession or distribution of a controlled substance. This certification does not apply to applications filed in services exempted under § 1.2002(c) of the rules, 47 CFR § 1.2002(c). See 47 CFR § 1.2002(b) for the definition of "party to the application" as used in this certification.
5) The Applicant certifies that it either (1) has current required ownership data on file with the Commission, (2) is filing updated ownership data simultaneously with this application, or (3) is not required to file ownership data under the Commission's Rules.
6) The Applicant certifies that the facilities, operations, and transmitters for which this authorization is hereby requested are either: (1) categorically excluded from routine environmental evaluation for RF exposure as set forth in 47 CFR § 1.1307(b); or, (2) have been found not to cause human exposure to levels of radiofrequency radiation in excess of the limits specified in 47 CFR §§ 1.1310 and 2.1093; or, (3) are the subject of one or more Environmental Assessments filed with the Commission.
7) The Applicant certifies that it has reviewed the appropriate Commission Rules defining eligibility to hold the requested license(s) and is eligible to hold the requested license(s).
8) The Applicant certifies that it is not in default on any payment for Commission licenses and that it is not delinquent on any non-tax debt owed to any federal agency.
9) The Applicant certifies that the Applicant and all of the related individuals and entities required to be disclosed on this application and FCC Form 602 (FCC Ownership Disclosure Information for the Wireless Telecommunications Services) are not person(s) who have been, for reasons of national security, barred by any agency of the Federal Government from bidding on a contract, participating in an auction, or receiving a grant. This certification applies only to applications for licenses for spectrum that is required by Sections 6103, 6401-6403 of the Middle Class Tax Relief and Job Creation Act of 2012, codified at 47 U.S.C. §§ 309, 1413, 1451-1452, to be assigned by a system of competitive bidding under 47 U.S.C. § 309(j).

Signature

60) Typed or Printed Name of Party Authorized to Sign

First Name: Cecil	MI: J	Last Name: Mathew	Suffix:
61) Title: Assistant Secretary - Compliance			
Signature: Cecil J Mathew			62) Date: 01/13/2023
FAILURE TO SIGN THIS APPLICATION MAY RESULT IN DISMISSAL OF THE APPLICATION AND FORFEITURE OF ANY FEES PAID.			
Upon grant of this license application, the Licensee may be subject to certain construction or coverage requirements. Failure to meet the construction or coverage requirements will result in termination of the license. Consult appropriate FCC regulations to determine the construction or coverage requirements that apply to the type of license requested in this application.			
WILLFUL FALSE STATEMENTS MADE ON THIS FORM OR ANY ATTACHMENTS ARE PUNISHABLE BY FINE AND/OR IMPRISONMENT (U.S. Code, Title 18, § 1001) AND/OR REVOCATION OF ANY STATION LICENSE OR CONSTRUCTION PERMIT (U.S. Code, Title 47, § 312(a)(1)), AND/OR FORFEITURE (U.S. Code, Title 47, § 503).			

Reference Copy Only. Do Not Mail to the FCC as an Application.

Submitted: 01/13/2023 at 08:55:27
File Number: 0010359084

FCC 601

Main Form

FCC Application for Radio Service Authorization: Wireless Telecommunications Bureau Public Safety and Homeland Security Bureau

Approved by OMB

3060 - 0798

See instructions for public burden estimate

1) Radio Service Code: CW	1a) Existing Radio Service Code:
-------------------------------------	----------------------------------

General Information

2) (Select only one) (AU) NE - New RO - Renewal Only AU - Administrative Update NT - Required Notifications MD - Modification RM - Renewal/Modification WD - Withdrawal of Application EX - Requests for Extension of Time AM - Amendment CA - Cancellation of License RL - Registered Location/Link	
3a) If this application is for a Demonstration License or a S pecial Temporary Authorization (STA), enter the code and attach the required exhibit as described in the instructions. Otherwise enter ' N/A ' (Not Applicable).	(N) <u>M</u> <u>S</u> <u>N/A</u>
3b) If this application is for Special Temporary Authority due to an emergency situation, enter 'Y'; otherwise enter 'N'. Refer to Rule 1.915 for an explanation of situations considered to be an emergency.	() <u>Y</u> <u>N</u>
4) If this application is for an Amendment or Withdrawal, enter the file number of the pending application currently on file with the FCC.	File Number
5) If this application is for a Modification, Renewal Only, Renewal/Modification, Cancellation of License, , or Administrative Update, enter the call sign of the existing FCC license. If this is a request for Registered Location/Link, enter the FCC call sign assigned to the geographic license.	Call Sign KNLH416
6a) If this application is for a New, Amendment, Renewal Only, or Renewal/Modification, enter the requested authorization expiration date (this item is optional).	MM DD ____ / ____
6b) If this application is for a Renewal Only or Renewal/Modification and the license is a geographic area license, is the license used to provide service to customers (C), or is the license used for private business (internal) purposes or to meet the licensee's public interest/public safety communications needs (P)?	() <u>C</u> <u>P</u>
7) Is this application "major" as defined in § 1.929 of the Commission's Rules when read in conjunction with the applicable radio service rules found in Parts 22 and 90 of the Commission's Rules? (NOTE: This question only applies to certain site-specific applications. See the instructions for applicability and full text of § 1.929).	() <u>Y</u> <u>N</u>
8) Are attachments (other than associated schedules) being filed with this application?	() <u>Y</u> <u>N</u>

Fees, Waivers, and Exemptions

9) Is the Applicant exempt from FCC application fees?	(N) <u>Y</u> <u>N</u>
10) Is the Applicant exempt from FCC regulatory fees?	(N) <u>Y</u> <u>N</u>
11) Does this application include a request for a Waiver of the Commission's Rule(s)? If 'Yes', attach an exhibit providing rule number(s) and explaining circumstances.	(N) <u>Y</u> <u>N</u>
12) Are the frequencies or parameters requested in this filing covered by grandfathered privileges, previously approved by waiver, or functionally integrated with an existing station?	() <u>Y</u> <u>N</u>

Applicant Information

13) FCC Registration Number (FRN): 0003291192			
14) Applicant/Licensee Legal Entity Type: (Select One) <input type="checkbox"/> Individual <input type="checkbox"/> Unincorporated Association <input type="checkbox"/> Trust <input type="checkbox"/> Government Entity <input type="checkbox"/> Corporation <input checked="" type="checkbox"/> Limited Liability Company <input type="checkbox"/> General Partnership <input type="checkbox"/> Limited Partnership <input type="checkbox"/> Limited Liability Partnership <input type="checkbox"/> Consortium <input type="checkbox"/> Other: _____			
15) If the Licensee name is being updated, is the update a result from the sale (or transfer of control) of the license(s) to party and for which proper Commission approval has not been received or proper notification not provided?			<input type="checkbox"/> Yes <input checked="" type="checkbox"/> No
16) First Name (if individual):	MI:	Last Name:	Suffix:
17) Legal Entity Name (if other than individual): NEW CINGULAR WIRELESS PCS, LLC			
18) Attention To: Cecil J Mathew			
19) P.O. Box:	And/Or	20) Street Address: 208 S. Akard St. 20F	
21) City: Dallas	22) State: TX	23) Zip Code: 75202	
24) Telephone Number: (855)699-7073		25) Fax: (214)746-6410	
26) E-Mail Address: FCCMW@att.com			

27) Demographics (Optional)

Race: <input type="checkbox"/> American Indian or Alaska Native <input type="checkbox"/> Asian <input type="checkbox"/> Black or African-American <input type="checkbox"/> Native Hawaiian or Other Pacific Islander <input type="checkbox"/> White	Ethnicity: <input type="checkbox"/> Hispanic or Latino <input type="checkbox"/> Not Hispanic or Latino	Gender: <input type="checkbox"/> Male <input type="checkbox"/> Female
--	--	---

Real Party in Interest

28) Name of Real Party in Interest of Applicant (If different from Applicant):	29) FCC Registration Number (FRN) of Real Party in Interest:
--	--

Contact Information (If different from the Applicant) Check here if same as Applicant.

30) First Name: Cecil	MI: J	Last Name: Mathew	Suffix:
31) Company Name: AT&T Services, LLC			
32) Attention To: FCC Group			
33) P.O. Box:	And /Or	34) Street Address: 208 S. Akard St. 20F	
35) City: Dallas	36) State: TX	37) Zip Code: 75202	
38) Telephone Number: (855)699-7073		39) Fax: (214)746-6410	
40) E-Mail Address: FCCMW@att.com			

Regulatory Status

41) This filing is for authorization to provide or use the following type(s) of radio service offering (enter all that apply):
() Common Carrier () Non-Common Carrier () Private, internal communications () Broadcast Services () Band Manager

Type of Radio Service

42) This filing is for authorization to provide the following type(s) of radio service (choose all that apply):
() Fixed () Mobile () Radiolocation () Satellite (sound) () Broadcast Services
43) Does the Applicant propose to provide service interconnected to the public telephone network? () Yes () No

Alien Ownership Questions (If any answer is 'Y', provide an attachment explaining the circumstances. In preparing the attachment, refer to the Main Form Instructions for the "Alien Ownership Questions".)

44) Is the Applicant a foreign government or the representative of any foreign government? () Yes () No
45) Is the Applicant an alien or the representative of an alien? () Yes () No
46) Is the Applicant a corporation organized under the laws of any foreign government? () Yes () No
47) Is the Applicant a corporation of which more than one-fifth of the capital stock is owned of record or voted by aliens or their representatives, or by a foreign government or representative thereof, or by any corporation organized under the laws of a foreign country? () Yes () No

48a) Is the Applicant directly or indirectly controlled by any other corporation of which more than one-fourth of the capital stock () **Yes** **No** is owned of record or voted by aliens or their representatives, or by a foreign government or representative thereof, or by any corporation organized under the laws of a foreign country?

48b) If the answer to 47 or 48a is 'Y' select one of the choices below.

The Applicant is exempt from the provisions of Section 310(b).

If checked, it is not necessary to file a petition for declaratory ruling if the Applicant includes in the attachment required by Item 47 or Item 48a a showing that the requested license(s) is exempt from the provisions of Section 310(b).

The Applicant has received a declaratory ruling(s) approving its foreign ownership, and the application involves only the acquisition of additional spectrum for the provision of a wireless service in a geographic coverage area for which the Applicant has been previously authorized.

If checked, include in the attachment required by Item 47 or Item 48a the citation(s) of the applicable declaratory ruling(s) by DA/FCC number, the FCC Record citation, if available, release date, and a statement that there has been no change in the foreign ownership of the Applicant since the issuance of its ruling.

The Applicant: (i) has received a declaratory ruling(s) approving its foreign ownership, but is not able to make the certification specified immediately above; or (ii) is an "affiliate" of a Licensee or Lessee/Sublessee that received a declaratory ruling(s) under 47 CFR § 1.5000(a) and is relying on the affiliate's ruling for purposes of filing this application as permitted under the affiliate's ruling and 47 CFR § 1.5004(b)

If checked, and if the Applicant received its declaratory ruling(s) on or after August 9, 2013, include in the attachment required by Item 47 or Item 48a the citation(s) of the Applicant's declaratory ruling(s) by DA/FCC number, the FCC Record citation, if available, release date, and a statement that the Applicant is in compliance with the terms and conditions of its ruling and with the Commission's Rules.

If checked, and if the Applicant received its declaratory ruling(s) prior to August 9, 2013, include in the attachment required by Item 48a a copy of a petition for declaratory ruling filed contemporaneously with the Commission to extend the Applicant's existing ruling(s) to cover the same radio service(s) and geographic coverage area(s) involved in the application. Alternatively, the Applicant may request a new declaratory ruling pursuant to Section 1.5000(a) of the Commission's Rules, 47 CFR § 1.5000 (a). Petitions for declaratory ruling may be filed electronically on the Internet through the International Bureau Filing System (IBFS) (with a copy attached hereto).

If checked, and if the Applicant is relying on an affiliate's ruling for purposes of filing this application, include in the attachment required by Item 47 or Item 48a the citation(s) of the applicable declaratory ruling(s) by DA/FCC number, the FCC Record citation, if available, release date, and a statement that the Applicant is in compliance with the terms and conditions of the named affiliate's ruling and with the Commission's Rules. The Applicant must also include a certification of compliance signed by the named affiliate or other qualified entity as specified in 47 CFR § 1.5004(b). See Main Form Instructions for Items 47 or 48a, as applicable.

The Applicant has not received a declaratory ruling approving its foreign ownership and is requesting a declaratory ruling under 47 CFR § 1.5004(b) in a petition filed contemporaneously with the Commission.

If checked, include in the attachment required by Item 47 or 48a a copy of the petition for declaratory ruling filed contemporaneously with the Commission pursuant to 47 CFR § 1.5004(b). Petitions for declaratory ruling may be filed electronically on the Internet through the International Bureau Filing System (IBFS) (with a copy attached hereto).

Basic Qualification Questions

49) Has the Applicant or any party to this application had any FCC station authorization, license or construction permit revoked or had any application for an initial, modification or renewal of FCC station authorization, license, or construction permit denied by the Commission?	() <u>Yes</u> <u>No</u>
50) Has the Applicant or any party to this application, or any party directly or indirectly controlling the Applicant, ever been convicted of a felony by any state or federal court?	() <u>Yes</u> <u>No</u>
51) Has any court finally adjudged the Applicant or any party directly or indirectly controlling the Applicant guilty of unlawfully monopolizing or attempting unlawfully to monopolize radio communication, directly or indirectly, through control of manufacture or sale of radio apparatus, exclusive traffic arrangement, or any other means or unfair methods of competition?	() <u>Yes</u> <u>No</u>

Note: If the answer to any of 49-51 is 'Y', attach an exhibit explaining the circumstances.

Aeronautical Advisory Station (Unicom) Certification

52) () I certify that the station will be located on property of the airport to be served, and, in cases where the airport does not have a control tower, RCO, or FAA flight service station, that I have notified the owner of the airport and all aviation service organizations located at the airport within ten days prior to application.
--

Broadband Radio Service and Educational Broadband Service Cable Cross-Ownership

53a) Will the requested facilities be used to provide multichannel video programming service?	() <u>Yes</u> <u>No</u>
53b) If the answer to question 53a is 'Y', does the Applicant operate, control or have an attributable interest (as defined in 47 CFR § 27.1202) in a cable television system whose franchise area is located within the geographic service area of the requested facilities?	() <u>Yes</u> <u>No</u>

Note: If the answer to question 53b is 'Y', attach an exhibit explaining how the Applicant complies with 47 CFR § 27.1202 or justifying a waiver of that rule. If a waiver of the Commission Rule(s) is being requested, Item 11a must be answered 'Y'.

Broadband Radio Service and Educational Broadband Service (Part 27)

54) (For EBS only) Does the Applicant comply with the programming requirements contained in 47 CFR § 27.1203?	() <u>Yes</u> <u>No</u>
---	--------------------------

Note: If the answer to item 54 is 'N', attach an exhibit explaining how the Applicant complies with 47 CFR § 27.1203 of the Commission's Rules or justifying a waiver of that rule. If a waiver of the Commission Rule(s) is being requested, Item 11a must be answered 'Y'.

55) (For BRS and EBS) Does the Applicant comply with 47 CFR §§ 27.50, 27.55, and 27.1221?	() <u>Yes</u> <u>No</u>
---	--------------------------

Note: If the answer to item 55 is 'N', attach an exhibit justifying a waiver of that rule(s). If a waiver of the Commission Rule(s) is being requested, Item 11a must be answered 'Y'.

For Applicants Who Participated in an Auction

56) Is the Applicant a qualifying rural wireless partnership or a member of a qualifying rural wireless partnership?	() <u>Yes</u> <u>No</u>
--	--------------------------

Note: If the answer to item 56 is 'Y', attach an exhibit listing all members of the qualifying rural wireless partnership, including their FRN numbers.

For Renewal Applicants**57) Operation/Performance Requirement Certification**

[For a site-based license]: Applicant certifies that it is continuing to operate consistent with its most recently filed construction notification (or most recent authorization, if no construction notification was required).	() <u>Yes</u> <u>No</u>
[For a geographic license, commercial service - licensee in its initial license term with an interim performance requirement]: Applicant certifies that it has met its interim performance requirement, that over the portion of the license term following the interim performance requirement, it continues to use its facilities to provide at least the level of service required by its interim performance requirement, it has met its final performance requirement, and it continues to use its facilities to provide at least the level of service required by its final performance requirement through the end of the license term.	() <u>Yes</u> <u>No</u>
[For a geographic license, commercial service - licensee in its initial license term with no interim performance requirement]: Applicant certifies that it has met its final performance requirement and it continues to use its facilities to provide at least the level of service required by its final performance requirement through the end of the license term. [Note: licensee must provide a showing demonstrating that the final performance requirement has been met, either separately in a timely application for notification of completion of construction, or as part of its renewal application, depending on the radio service.]	() <u>Yes</u> <u>No</u>
[For a geographic license, commercial service - licensee in any subsequent term]: Applicant certifies that it continues to use its facilities to provide at least the level of service required by its final performance requirement through the end of any subsequent license terms.	() <u>Yes</u> <u>No</u>
[For a geographic license, private systems - licensee in its initial license term with an interim performance requirement]: Applicant certifies that it has met its interim performance requirement, that over the portion of the license term following the interim performance requirement, it continues to use its facilities to further its private business or public interest/public safety communications needs at or above the level required to meet its interim performance requirement, it has met its final performance requirement, and it continues to use its facilities to provide at least the level of operation required by its final performance requirement through the end of the license term.	() <u>Yes</u> <u>No</u>
[For a geographic license, private systems - licensee in its initial license term with no interim performance requirement]: Applicant certifies that it has met its final performance requirement, it continues to use its facilities to further its private business or public interest/public safety communications needs, and it continues to use its facilities to provide at least the level of operation required by its final performance requirement through the end of the license term. [Note: licensee must provide a showing demonstrating that the final performance requirement has been met, either separately in a timely application for notification of completion of construction, or as part of its renewal application, depending on the radio service.]	() <u>Yes</u> <u>No</u>

[For a geographic license, private systems - licensee in any subsequent term]: Applicant certifies that it continues to use its facilities to further its private business or public interest/public safety communications needs at or above the level required to meet its final performance requirement through the end of any subsequent license terms.	(<input type="checkbox"/>) <u>Yes</u> <u>No</u>
[For a partitioned or disaggregated license without a performance requirement, for the first renewal application filed after effective date of the rules]: Applicant certifies that the partitioned and/or disaggregated license that is the subject of this renewal application has no separate performance requirement and that this is the first renewal of this license filed subsequent to the effective date of the rules.	(<input type="checkbox"/>) <u>Yes</u> <u>No</u>
[For a partitioned or disaggregated license without a performance requirement, for any subsequent renewal filings]: Applicant certifies that it continues to use its facilities to provide service or to further the applicant's private business or public interest/public safety needs.	(<input type="checkbox"/>) <u>Yes</u> <u>No</u>

Discontinuance of Service Certification

58) Applicant certifies that no permanent discontinuance of service or operation, as applicable, occurred during its current license term. Note: If the response to either item 57 or item 58 is 'N', attach an exhibit that demonstrates that over the course of the license term, the Applicant provided and continues to provide service to the public, or operated and continues to operate the license to meet the Applicant's private business or public interest/public safety communications needs. This exhibit must include a detailed description of the Applicant's provision of service or, when allowed under the relevant service rules or pursuant to waiver, use of the spectrum for private business or public interest/public safety communications needs, during the entire license period and address, as applicable: 1) the level and quality of service provided by the applicant (e.g., the population served, the area served, the number of subscribers, the services offered); (2) the date service commenced, whether service was ever interrupted, and the duration of any interruption or outage; (3) the extent to which service is provided to rural areas; (4) the extent to which service is provided to qualifying tribal land as defined in 47 CFR § 1.2110(e)(3)(i); and (5) any other factors associated with the level of service to the public. The licensee may note in its exhibit: 1) any grant(s) of waiver or extension of a performance deadline or license renewal subject to meeting a performance requirement; or 2) if the final performance deadline and/or expiration date for the license accelerated because the licensee did not meet an interim performance requirement.	(<input type="checkbox"/>) <u>Yes</u> <u>No</u>
--	---

Regulatory Compliance Certification [same for all]

59) Applicant certifies that it has substantially complied with all applicable FCC rules, policies, and the Communications Act of 1934, as amended. Note: If the response to item 59 is 'N', attach an exhibit explaining the circumstances and demonstrating why Applicant's license should be renewed.	(<input type="checkbox"/>) <u>Yes</u> <u>No</u>
--	---

General Certification Statements

1) The Applicant waives any claim to the use of any particular frequency or of the electromagnetic spectrum as against the regulatory power of the United States because of the previous use of the same, whether by license or otherwise, and requests an authorization in accordance with this application.
2) The Applicant certifies that grant of this application would not cause the Applicant to be in violation of any pertinent cross-ownership or attribution rules.* *If the Applicant has sought a waiver of any such rule in connection with this application, it may make this certification subject to the outcome of the waiver request.
3) The Applicant certifies that all statements made in this application and in the exhibits, attachments, or documents incorporated by reference are material, are part of this application, and are true, complete, correct, and made in good faith.
4) The Applicant certifies that neither the Applicant nor any other party to the application is subject to a denial of Federal benefits pursuant to § 5301 of the Anti-Drug Abuse Act of 1988, 21 U.S.C. § 862, because of a conviction for possession or distribution of a controlled substance. This certification does not apply to applications filed in services exempted under § 1.2002(c) of the rules, 47 CFR § 1.2002(c). See 47 CFR § 1.2002(b) for the definition of "party to the application" as used in this certification.
5) The Applicant certifies that it either (1) has current required ownership data on file with the Commission, (2) is filing updated ownership data simultaneously with this application, or (3) is not required to file ownership data under the Commission's Rules.
6) The Applicant certifies that the facilities, operations, and transmitters for which this authorization is hereby requested are either: (1) categorically excluded from routine environmental evaluation for RF exposure as set forth in 47 CFR § 1.1307(b); or, (2) have been found not to cause human exposure to levels of radiofrequency radiation in excess of the limits specified in 47 CFR §§ 1.1310 and 2.1093; or, (3) are the subject of one or more Environmental Assessments filed with the Commission.
7) The Applicant certifies that it has reviewed the appropriate Commission Rules defining eligibility to hold the requested license(s) and is eligible to hold the requested license(s).
8) The Applicant certifies that it is not in default on any payment for Commission licenses and that it is not delinquent on any non-tax debt owed to any federal agency.
9) The Applicant certifies that the Applicant and all of the related individuals and entities required to be disclosed on this application and FCC Form 602 (FCC Ownership Disclosure Information for the Wireless Telecommunications Services) are not person(s) who have been, for reasons of national security, barred by any agency of the Federal Government from bidding on a contract, participating in an auction, or receiving a grant. This certification applies only to applications for licenses for spectrum that is required by Sections 6103, 6401-6403 of the Middle Class Tax Relief and Job Creation Act of 2012, codified at 47 U.S.C. §§ 309, 1413, 1451-1452, to be assigned by a system of competitive bidding under 47 U.S.C. § 309(j).

Signature

60) Typed or Printed Name of Party Authorized to Sign

First Name: Cecil	MI: J	Last Name: Mathew	Suffix:
61) Title: Assistant Secretary - Compliance			
Signature: Cecil J Mathew			62) Date: 01/13/2023
FAILURE TO SIGN THIS APPLICATION MAY RESULT IN DISMISSAL OF THE APPLICATION AND FORFEITURE OF ANY FEES PAID.			
Upon grant of this license application, the Licensee may be subject to certain construction or coverage requirements. Failure to meet the construction or coverage requirements will result in termination of the license. Consult appropriate FCC regulations to determine the construction or coverage requirements that apply to the type of license requested in this application.			
WILLFUL FALSE STATEMENTS MADE ON THIS FORM OR ANY ATTACHMENTS ARE PUNISHABLE BY FINE AND/OR IMPRISONMENT (U.S. Code, Title 18, § 1001) AND/OR REVOCATION OF ANY STATION LICENSE OR CONSTRUCTION PERMIT (U.S. Code, Title 47, § 312(a)(1)), AND/OR FORFEITURE (U.S. Code, Title 47, § 503).			

REFERENCE COPY

This is not an official FCC license. It is a record of public information contained in the FCC's licensing database on the date that this reference copy was generated. In cases where FCC rules require the presentation, posting, or display of an FCC license, this document may not be used in place of an official FCC license.



Federal Communications Commission
Wireless Telecommunications Bureau

RADIO STATION AUTHORIZATION

LICENSEE: NEW CINGULAR WIRELESS PCS, LLC

ATTN: FCC GROUP
NEW CINGULAR WIRELESS PCS, LLC
208 S. AKARD ST. 20F
DALLAS, TX 75202

Table with Call Sign (KNLH417), File Number, and Radio Service (CW - PCS Broadband).

FCC Registration Number (FRN): 0003291192

Table with columns: Grant Date, Effective Date, Expiration Date, Print Date, Market Number, Channel Block, Sub-Market Designator, Market Name, 1st Build-out Date, 2nd Build-out Date, 3rd Build-out Date, 4th Build-out Date.

Waivers/Conditions:

This authorization is subject to the condition that, in the event that systems using the same frequencies as granted herein are authorized in an adjacent foreign territory (Canada/United States), future coordination of any base station transmitters within 72 km (45 miles) of the United States/Canada border shall be required to eliminate any harmful interference to operations in the adjacent foreign territory and to ensure continuance of equal access to the frequencies by both countries.

This authorization is subject to the condition that the remaining balance of the winning bid amount will be paid in accordance with Part 1 of the Commission's rules, 47 C.F.R. Part 1.

Conditions:

Pursuant to §309(h) of the Communications Act of 1934, as amended, 47 U.S.C. §309(h), this license is subject to the following conditions: This license shall not vest in the licensee any right to operate the station nor any right in the use of the frequencies designated in the license beyond the term thereof nor in any other manner than authorized herein.

This license may not authorize operation throughout the entire geographic area or spectrum identified on the hardcopy version. To view the specific geographic area and spectrum authorized by this license, refer to the Spectrum and Market Area information under the Market Tab of the license record in the Universal Licensing System (ULS).

Licensee Name: NEW CINGULAR WIRELESS PCS, LLC

Call Sign: KNLH417

File Number:

Print Date:

700 MHz Relicensed Area Information:

Market	Market Name	Buildout Deadline	Buildout Notification	Status
---------------	--------------------	--------------------------	------------------------------	---------------

Reference Copy

Reference Copy Only. Do Not Mail to the FCC as an Application.

Submitted: 01/23/2024 at 17:43:02
 File Number: 0010873312

FCC 601
Main Form

FCC Application for Radio Service Authorization: Wireless Telecommunications Bureau Public Safety and Homeland Security Bureau

Approved by OMB
 3060 - 0798
 See instructions for
 public burden estimate

1) Radio Service Code: <p style="text-align: center;">CW</p>	1a) Existing Radio Service Code:
--	----------------------------------

General Information

2) (Select only one) (AU) NE - New RO - Renewal Only AU - Administrative Update NT - Required Notifications MD - Modification RM - Renewal/Modification WD - Withdrawal of Application EX - Requests for Extension of Time AM - Amendment CA - Cancellation of License RL - Registered Location/Link	
3a) If this application is for a Demonstration License or a S pecial Temporary Authorization (STA), enter the code and attach the required exhibit as described in the instructions. Otherwise enter ' N/A ' (Not Applicable).	(N) <u>M</u> <u>S</u> <u>N/A</u>
3b) If this application is for Special Temporary Authority due to an emergency situation, enter 'Y'; otherwise enter 'N'. Refer to Rule 1.915 for an explanation of situations considered to be an emergency.	() <u>Y</u> <u>N</u>
4) If this application is for an Amendment or Withdrawal, enter the file number of the pending application currently on file with the FCC.	File Number
5) If this application is for a Modification, Renewal Only, Renewal/Modification, Cancellation of License, , or Administrative Update, enter the call sign of the existing FCC license. If this is a request for Registered Location/Link, enter the FCC call sign assigned to the geographic license.	Call Sign <p style="text-align: center;">KNLH417</p>
6a) If this application is for a New, Amendment, Renewal Only, or Renewal/Modification, enter the requested authorization expiration date (this item is optional).	MM DD _____ / _____
6b) If this application is for a Renewal Only or Renewal/Modification and the license is a geographic area license, is the license used to provide service to customers (C), or is the license used for private business (internal) purposes or to meet the licensee's public interest/public safety communications needs (P)?	() <u>C</u> <u>P</u>
7) Is this application "major" as defined in § 1.929 of the Commission's Rules when read in conjunction with the applicable radio service rules found in Parts 22 and 90 of the Commission's Rules? (NOTE: This question only applies to certain site-specific applications. See the instructions for applicability and full text of § 1.929).	() <u>Y</u> <u>N</u>
8) Are attachments (other than associated schedules) being filed with this application?	() <u>Y</u> <u>N</u>

Fees, Waivers, and Exemptions

9) Is the Applicant exempt from FCC application fees?	(N) <u>Y</u> <u>N</u>
10) Is the Applicant exempt from FCC regulatory fees?	(N) <u>Y</u> <u>N</u>
11) Does this application include a request for a Waiver of the Commission's Rule(s)? If 'Yes', attach an exhibit providing rule number(s) and explaining circumstances.	(N) <u>Y</u> <u>N</u>
12) Are the frequencies or parameters requested in this filing covered by grandfathered privileges, previously approved by waiver, or functionally integrated with an existing station?	() <u>Y</u> <u>N</u>

Applicant Information

13) FCC Registration Number (FRN): 0003291192			
14) Applicant/Licensee Legal Entity Type: (Select One) <input type="checkbox"/> Individual <input type="checkbox"/> Unincorporated Association <input type="checkbox"/> Trust <input type="checkbox"/> Government Entity <input type="checkbox"/> Corporation <input checked="" type="checkbox"/> Limited Liability Company <input type="checkbox"/> General Partnership <input type="checkbox"/> Limited Partnership <input type="checkbox"/> Limited Liability Partnership <input type="checkbox"/> Consortium <input type="checkbox"/> Other: _____			
15) If the Licensee name is being updated, is the update a result from the sale (or transfer of control) of the license(s) to party and for which proper Commission approval has not been received or proper notification not provided?			<input type="checkbox"/> Yes <input checked="" type="checkbox"/> No
16) First Name (if individual):	MI:	Last Name:	Suffix:
17) Legal Entity Name (if other than individual): New Cingular Wireless PCS, LLC			
18) Attention To: National Regulatory Compliance			
19) P.O. Box:	And/Or	20) Street Address: 208 S Akard St, 20F	
21) City: Dallas	22) State: TX	23) Zip Code: 75202	
24) Telephone Number: (855)699-7073		25) Fax: (214)746-6410	
26) E-Mail Address: FCCMW@att.com			

27) Demographics (Optional)

Race: <input type="checkbox"/> American Indian or Alaska Native <input type="checkbox"/> Asian <input type="checkbox"/> Black or African-American <input type="checkbox"/> Native Hawaiian or Other Pacific Islander <input type="checkbox"/> White	Ethnicity: <input type="checkbox"/> Hispanic or Latino <input type="checkbox"/> Not Hispanic or Latino	Gender: <input type="checkbox"/> Male <input type="checkbox"/> Female
--	--	---

Real Party in Interest

28) Name of Real Party in Interest of Applicant (If different from Applicant):	29) FCC Registration Number (FRN) of Real Party in Interest:
--	--

Contact Information (If different from the Applicant) Check here if same as Applicant.

30) First Name: Jessica	MI: J	Last Name: Dunk	Suffix:
31) Company Name: AT&T Services, Inc.			
32) Attention To: NRC			
33) P.O. Box:	And /Or	34) Street Address: 208 S Akard St, 20F	
35) City: Dallas	36) State: TX	37) Zip Code: 75202	
38) Telephone Number: (855)699-7073		39) Fax: (214)746-6410	
40) E-Mail Address: FCCMW@att.com			

Regulatory Status

41) This filing is for authorization to provide or use the following type(s) of radio service offering (enter all that apply):
() Common Carrier () Non-Common Carrier () Private, internal communications () Broadcast Services () Band Manager

Type of Radio Service

42) This filing is for authorization to provide the following type(s) of radio service (choose all that apply):
() Fixed () Mobile () Radiolocation () Satellite (sound) () Broadcast Services
43) Does the Applicant propose to provide service interconnected to the public telephone network? () Yes () No

Alien Ownership Questions (If any answer is 'Y', provide an attachment explaining the circumstances. In preparing the attachment, refer to the Main Form Instructions for the "Alien Ownership Questions".)

44) Is the Applicant a foreign government or the representative of any foreign government? () Yes () No
45) Is the Applicant an alien or the representative of an alien? () Yes () No
46) Is the Applicant a corporation organized under the laws of any foreign government? () Yes () No
47) Is the Applicant a corporation of which more than one-fifth of the capital stock is owned of record or voted by aliens or their representatives, or by a foreign government or representative thereof, or by any corporation organized under the laws of a foreign country? () Yes () No

48a) Is the Applicant directly or indirectly controlled by any other corporation of which more than one-fourth of the capital stock (Yes No) is owned of record or voted by aliens or their representatives, or by a foreign government or representative thereof, or by any corporation organized under the laws of a foreign country?

48b) If the answer to 47 or 48a is 'Y' select one of the choices below.

The Applicant is exempt from the provisions of Section 310(b).

If checked, it is not necessary to file a petition for declaratory ruling if the Applicant includes in the attachment required by Item 47 or Item 48a a showing that the requested license(s) is exempt from the provisions of Section 310(b).

The Applicant has received a declaratory ruling(s) approving its foreign ownership, and the application involves only the acquisition of additional spectrum for the provision of a wireless service in a geographic coverage area for which the Applicant has been previously authorized.

If checked, include in the attachment required by Item 47 or Item 48a the citation(s) of the applicable declaratory ruling(s) by DA/FCC number, the FCC Record citation, if available, release date, and a statement that there has been no change in the foreign ownership of the Applicant since the issuance of its ruling.

The Applicant: (i) has received a declaratory ruling(s) approving its foreign ownership, but is not able to make the certification specified immediately above; or (ii) is an "affiliate" of a Licensee or Lessee/Sublessee that received a declaratory ruling(s) under 47 CFR § 1.5000(a) and is relying on the affiliate's ruling for purposes of filing this application as permitted under the affiliate's ruling and 47 CFR § 1.5004(b)

If checked, and if the Applicant received its declaratory ruling(s) on or after August 9, 2013, include in the attachment required by Item 47 or Item 48a the citation(s) of the Applicant's declaratory ruling(s) by DA/FCC number, the FCC Record citation, if available, release date, and a statement that the Applicant is in compliance with the terms and conditions of its ruling and with the Commission's Rules.

If checked, and if the Applicant received its declaratory ruling(s) prior to August 9, 2013, include in the attachment required by Item 48a a copy of a petition for declaratory ruling filed contemporaneously with the Commission to extend the Applicant's existing ruling(s) to cover the same radio service(s) and geographic coverage area(s) involved in the application. Alternatively, the Applicant may request a new declaratory ruling pursuant to Section 1.5000(a) of the Commission's Rules, 47 CFR § 1.5000 (a). Petitions for declaratory ruling may be filed electronically on the Internet through the International Bureau Filing System (IBFS) (with a copy attached hereto).

If checked, and if the Applicant is relying on an affiliate's ruling for purposes of filing this application, include in the attachment required by Item 47 or Item 48a the citation(s) of the applicable declaratory ruling(s) by DA/FCC number, the FCC Record citation, if available, release date, and a statement that the Applicant is in compliance with the terms and conditions of the named affiliate's ruling and with the Commission's Rules. The Applicant must also include a certification of compliance signed by the named affiliate or other qualified entity as specified in 47 CFR § 1.5004(b). See Main Form Instructions for Items 47 or 48a, as applicable.

The Applicant has not received a declaratory ruling approving its foreign ownership and is requesting a declaratory ruling under 47 CFR § 1.5004(b) in a petition filed contemporaneously with the Commission.

If checked, include in the attachment required by Item 47 or 48a a copy of the petition for declaratory ruling filed contemporaneously with the Commission pursuant to 47 CFR § 1.5004(b). Petitions for declaratory ruling may be filed electronically on the Internet through the International Bureau Filing System (IBFS) (with a copy attached hereto).

Basic Qualification Questions

49) Has the Applicant or any party to this application had any FCC station authorization, license or construction permit revoked or had any application for an initial, modification or renewal of FCC station authorization, license, or construction permit denied by the Commission?	() <u>Yes</u> <u>No</u>
50) Has the Applicant or any party to this application, or any party directly or indirectly controlling the Applicant, ever been convicted of a felony by any state or federal court?	() <u>Yes</u> <u>No</u>
51) Has any court finally adjudged the Applicant or any party directly or indirectly controlling the Applicant guilty of unlawfully monopolizing or attempting unlawfully to monopolize radio communication, directly or indirectly, through control of manufacture or sale of radio apparatus, exclusive traffic arrangement, or any other means or unfair methods of competition?	() <u>Yes</u> <u>No</u>

Note: If the answer to any of 49-51 is 'Y', attach an exhibit explaining the circumstances.

Aeronautical Advisory Station (Unicom) Certification

52) () I certify that the station will be located on property of the airport to be served, and, in cases where the airport does not have a control tower, RCO, or FAA flight service station, that I have notified the owner of the airport and all aviation service organizations located at the airport within ten days prior to application.
--

Broadband Radio Service and Educational Broadband Service Cable Cross-Ownership

53a) Will the requested facilities be used to provide multichannel video programming service?	() <u>Yes</u> <u>No</u>
53b) If the answer to question 53a is 'Y', does the Applicant operate, control or have an attributable interest (as defined in 47 CFR § 27.1202) in a cable television system whose franchise area is located within the geographic service area of the requested facilities?	() <u>Yes</u> <u>No</u>

Note: If the answer to question 53b is 'Y', attach an exhibit explaining how the Applicant complies with 47 CFR § 27.1202 or justifying a waiver of that rule. If a waiver of the Commission Rule(s) is being requested, Item 11a must be answered 'Y'.

Broadband Radio Service and Educational Broadband Service (Part 27)

54) (For EBS only) Does the Applicant comply with the programming requirements contained in 47 CFR § 27.1203?	() <u>Yes</u> <u>No</u>
---	--------------------------

Note: If the answer to item 54 is 'N', attach an exhibit explaining how the Applicant complies with 47 CFR § 27.1203 of the Commission's Rules or justifying a waiver of that rule. If a waiver of the Commission Rule(s) is being requested, Item 11a must be answered 'Y'.

55) (For BRS and EBS) Does the Applicant comply with 47 CFR §§ 27.50, 27.55, and 27.1221?	() <u>Yes</u> <u>No</u>
---	--------------------------

Note: If the answer to item 55 is 'N', attach an exhibit justifying a waiver of that rule(s). If a waiver of the Commission Rule(s) is being requested, Item 11a must be answered 'Y'.

For Applicants Who Participated in an Auction

56) Is the Applicant a qualifying rural wireless partnership or a member of a qualifying rural wireless partnership?	() <u>Yes</u> <u>No</u>
--	--------------------------

Note: If the answer to item 56 is 'Y', attach an exhibit listing all members of the qualifying rural wireless partnership, including their FRN numbers.

For Renewal Applicants**57) Operation/Performance Requirement Certification**

[For a site-based license]: Applicant certifies that it is continuing to operate consistent with its most recently filed construction notification (or most recent authorization, if no construction notification was required).	() <u>Yes</u> <u>No</u>
[For a geographic license, commercial service - licensee in its initial license term with an interim performance requirement]: Applicant certifies that it has met its interim performance requirement, that over the portion of the license term following the interim performance requirement, it continues to use its facilities to provide at least the level of service required by its interim performance requirement, it has met its final performance requirement, and it continues to use its facilities to provide at least the level of service required by its final performance requirement through the end of the license term.	() <u>Yes</u> <u>No</u>
[For a geographic license, commercial service - licensee in its initial license term with no interim performance requirement]: Applicant certifies that it has met its final performance requirement and it continues to use its facilities to provide at least the level of service required by its final performance requirement through the end of the license term. [Note: licensee must provide a showing demonstrating that the final performance requirement has been met, either separately in a timely application for notification of completion of construction, or as part of its renewal application, depending on the radio service.]	() <u>Yes</u> <u>No</u>
[For a geographic license, commercial service - licensee in any subsequent term]: Applicant certifies that it continues to use its facilities to provide at least the level of service required by its final performance requirement through the end of any subsequent license terms.	() <u>Yes</u> <u>No</u>
[For a geographic license, private systems - licensee in its initial license term with an interim performance requirement]: Applicant certifies that it has met its interim performance requirement, that over the portion of the license term following the interim performance requirement, it continues to use its facilities to further its private business or public interest/public safety communications needs at or above the level required to meet its interim performance requirement, it has met its final performance requirement, and it continues to use its facilities to provide at least the level of operation required by its final performance requirement through the end of the license term.	() <u>Yes</u> <u>No</u>
[For a geographic license, private systems - licensee in its initial license term with no interim performance requirement]: Applicant certifies that it has met its final performance requirement, it continues to use its facilities to further its private business or public interest/public safety communications needs, and it continues to use its facilities to provide at least the level of operation required by its final performance requirement through the end of the license term. [Note: licensee must provide a showing demonstrating that the final performance requirement has been met, either separately in a timely application for notification of completion of construction, or as part of its renewal application, depending on the radio service.]	() <u>Yes</u> <u>No</u>

[For a geographic license, private systems - licensee in any subsequent term]: Applicant certifies that it continues to use its facilities to further its private business or public interest/public safety communications needs at or above the level required to meet its final performance requirement through the end of any subsequent license terms.	(<input type="checkbox"/>) <u>Yes</u> <u>No</u>
[For a partitioned or disaggregated license without a performance requirement, for the first renewal application filed after effective date of the rules]: Applicant certifies that the partitioned and/or disaggregated license that is the subject of this renewal application has no separate performance requirement and that this is the first renewal of this license filed subsequent to the effective date of the rules.	(<input type="checkbox"/>) <u>Yes</u> <u>No</u>
[For a partitioned or disaggregated license without a performance requirement, for any subsequent renewal filings]: Applicant certifies that it continues to use its facilities to provide service or to further the applicant's private business or public interest/public safety needs.	(<input type="checkbox"/>) <u>Yes</u> <u>No</u>

Discontinuance of Service Certification

58) Applicant certifies that no permanent discontinuance of service or operation, as applicable, occurred during its current license term. Note: If the response to either item 57 or item 58 is 'N', attach an exhibit that demonstrates that over the course of the license term, the Applicant provided and continues to provide service to the public, or operated and continues to operate the license to meet the Applicant's private business or public interest/public safety communications needs. This exhibit must include a detailed description of the Applicant's provision of service or, when allowed under the relevant service rules or pursuant to waiver, use of the spectrum for private business or public interest/public safety communications needs, during the entire license period and address, as applicable: 1) the level and quality of service provided by the applicant (e.g., the population served, the area served, the number of subscribers, the services offered); (2) the date service commenced, whether service was ever interrupted, and the duration of any interruption or outage; (3) the extent to which service is provided to rural areas; (4) the extent to which service is provided to qualifying tribal land as defined in 47 CFR § 1.2110(e)(3)(i); and (5) any other factors associated with the level of service to the public. The licensee may note in its exhibit: 1) any grant(s) of waiver or extension of a performance deadline or license renewal subject to meeting a performance requirement; or 2) if the final performance deadline and/or expiration date for the license accelerated because the licensee did not meet an interim performance requirement.	(<input type="checkbox"/>) <u>Yes</u> <u>No</u>
--	---

Regulatory Compliance Certification [same for all]

59) Applicant certifies that it has substantially complied with all applicable FCC rules, policies, and the Communications Act of 1934, as amended. Note: If the response to item 59 is 'N', attach an exhibit explaining the circumstances and demonstrating why Applicant's license should be renewed.	(<input type="checkbox"/>) <u>Yes</u> <u>No</u>
--	---

General Certification Statements

1) The Applicant waives any claim to the use of any particular frequency or of the electromagnetic spectrum as against the regulatory power of the United States because of the previous use of the same, whether by license or otherwise, and requests an authorization in accordance with this application.
2) The Applicant certifies that grant of this application would not cause the Applicant to be in violation of any pertinent cross-ownership or attribution rules.* *If the Applicant has sought a waiver of any such rule in connection with this application, it may make this certification subject to the outcome of the waiver request.
3) The Applicant certifies that all statements made in this application and in the exhibits, attachments, or documents incorporated by reference are material, are part of this application, and are true, complete, correct, and made in good faith.
4) The Applicant certifies that neither the Applicant nor any other party to the application is subject to a denial of Federal benefits pursuant to § 5301 of the Anti-Drug Abuse Act of 1988, 21 U.S.C. § 862, because of a conviction for possession or distribution of a controlled substance. This certification does not apply to applications filed in services exempted under § 1.2002(c) of the rules, 47 CFR § 1.2002(c). See 47 CFR § 1.2002(b) for the definition of "party to the application" as used in this certification.
5) The Applicant certifies that it either (1) has current required ownership data on file with the Commission, (2) is filing updated ownership data simultaneously with this application, or (3) is not required to file ownership data under the Commission's Rules.
6) The Applicant certifies that the facilities, operations, and transmitters for which this authorization is hereby requested are either: (1) categorically excluded from routine environmental evaluation for RF exposure as set forth in 47 CFR § 1.1307(b); or, (2) have been found not to cause human exposure to levels of radiofrequency radiation in excess of the limits specified in 47 CFR §§ 1.1310 and 2.1093; or, (3) are the subject of one or more Environmental Assessments filed with the Commission.
7) The Applicant certifies that it has reviewed the appropriate Commission Rules defining eligibility to hold the requested license(s) and is eligible to hold the requested license(s).
8) The Applicant certifies that it is not in default on any payment for Commission licenses and that it is not delinquent on any non-tax debt owed to any federal agency.
9) The Applicant certifies that the Applicant and all of the related individuals and entities required to be disclosed on this application and FCC Form 602 (FCC Ownership Disclosure Information for the Wireless Telecommunications Services) are not person(s) who have been, for reasons of national security, barred by any agency of the Federal Government from bidding on a contract, participating in an auction, or receiving a grant. This certification applies only to applications for licenses for spectrum that is required by Sections 6103, 6401-6403 of the Middle Class Tax Relief and Job Creation Act of 2012, codified at 47 U.S.C. §§ 309, 1413, 1451-1452, to be assigned by a system of competitive bidding under 47 U.S.C. § 309(j).

Signature

60) Typed or Printed Name of Party Authorized to Sign

First Name: Jessica	MI:	Last Name: Dunk	Suffix:
61) Title: Assistant Secretary - Compliance			
Signature: Jessica Dunk			62) Date: 01/23/2024
FAILURE TO SIGN THIS APPLICATION MAY RESULT IN DISMISSAL OF THE APPLICATION AND FORFEITURE OF ANY FEES PAID.			
Upon grant of this license application, the Licensee may be subject to certain construction or coverage requirements. Failure to meet the construction or coverage requirements will result in termination of the license. Consult appropriate FCC regulations to determine the construction or coverage requirements that apply to the type of license requested in this application.			
WILLFUL FALSE STATEMENTS MADE ON THIS FORM OR ANY ATTACHMENTS ARE PUNISHABLE BY FINE AND/OR IMPRISONMENT (U.S. Code, Title 18, § 1001) AND/OR REVOCATION OF ANY STATION LICENSE OR CONSTRUCTION PERMIT (U.S. Code, Title 47, § 312(a)(1)), AND/OR FORFEITURE (U.S. Code, Title 47, § 503).			

Reference Copy Only. Do Not Mail to the FCC as an Application.

Submitted: 01/22/2024 at 14:43:18
File Number: 0010867954

FCC 601

Main Form

FCC Application for Radio Service Authorization: Wireless Telecommunications Bureau Public Safety and Homeland Security Bureau

Approved by OMB

3060 - 0798

See instructions for
public burden estimate

1) Radio Service Code: CW	1a) Existing Radio Service Code:
-------------------------------------	----------------------------------

General Information

2) (Select only one) (AU) NE - New RO - Renewal Only AU - Administrative Update NT - Required Notifications MD - Modification RM - Renewal/Modification WD - Withdrawal of Application EX - Requests for Extension of Time AM - Amendment CA - Cancellation of License RL - Registered Location/Link	
3a) If this application is for a Demonstration License or a S pecial Temporary Authorization (STA), enter the code and attach the required exhibit as described in the instructions. Otherwise enter ' N/A ' (Not Applicable).	(N) <u>M</u> <u>S</u> <u>N/A</u>
3b) If this application is for Special Temporary Authority due to an emergency situation, enter 'Y'; otherwise enter 'N'. Refer to Rule 1.915 for an explanation of situations considered to be an emergency.	() <u>Y</u> es <u>N</u> o
4) If this application is for an Amendment or Withdrawal, enter the file number of the pending application currently on file with the FCC.	File Number
5) If this application is for a Modification, Renewal Only, Renewal/Modification, Cancellation of License, , or Administrative Update, enter the call sign of the existing FCC license. If this is a request for Registered Location/Link, enter the FCC call sign assigned to the geographic license.	Call Sign KNLH417
6a) If this application is for a New, Amendment, Renewal Only, or Renewal/Modification, enter the requested authorization expiration date (this item is optional).	MM DD ____ / ____
6b) If this application is for a Renewal Only or Renewal/Modification and the license is a geographic area license, is the license used to provide service to customers (C), or is the license used for private business (internal) purposes or to meet the licensee's public interest/public safety communications needs (P)?	() <u>C</u> <u>P</u>
7) Is this application "major" as defined in § 1.929 of the Commission's Rules when read in conjunction with the applicable radio service rules found in Parts 22 and 90 of the Commission's Rules? (NOTE: This question only applies to certain site-specific applications. See the instructions for applicability and full text of § 1.929).	() <u>Y</u> es <u>N</u> o
8) Are attachments (other than associated schedules) being filed with this application?	() <u>Y</u> es <u>N</u> o

Fees, Waivers, and Exemptions

9) Is the Applicant exempt from FCC application fees?	(N) <u>Y</u> es <u>N</u> o
10) Is the Applicant exempt from FCC regulatory fees?	(N) <u>Y</u> es <u>N</u> o
11) Does this application include a request for a Waiver of the Commission's Rule(s)? If 'Yes', attach an exhibit providing rule number(s) and explaining circumstances.	(N) <u>Y</u> es <u>N</u> o
12) Are the frequencies or parameters requested in this filing covered by grandfathered privileges, previously approved by waiver, or functionally integrated with an existing station?	() <u>Y</u> es <u>N</u> o

Applicant Information

13) FCC Registration Number (FRN): 0003291192			
14) Applicant/Licensee Legal Entity Type: (Select One) <input type="checkbox"/> Individual <input type="checkbox"/> Unincorporated Association <input type="checkbox"/> Trust <input type="checkbox"/> Government Entity <input type="checkbox"/> Corporation <input checked="" type="checkbox"/> Limited Liability Company <input type="checkbox"/> General Partnership <input type="checkbox"/> Limited Partnership <input type="checkbox"/> Limited Liability Partnership <input type="checkbox"/> Consortium <input type="checkbox"/> Other: _____			
15) If the Licensee name is being updated, is the update a result from the sale (or transfer of control) of the license(s) to party and for which proper Commission approval has not been received or proper notification not provided?			<input type="checkbox"/> Yes <input checked="" type="checkbox"/> No
16) First Name (if individual):	MI:	Last Name:	Suffix:
17) Legal Entity Name (if other than individual): New Cingular Wireless PCS, LLC			
18) Attention To: National Regulatory Compliance			
19) P.O. Box:	And/Or	20) Street Address: 208 S Akard St, 20F	
21) City: Dallas	22) State: TX	23) Zip Code: 75202	
24) Telephone Number: (855)699-7073		25) Fax: (214)746-6410	
26) E-Mail Address: FCCMW@att.com			

27) Demographics (Optional)

Race: <input type="checkbox"/> American Indian or Alaska Native <input type="checkbox"/> Asian <input type="checkbox"/> Black or African-American <input type="checkbox"/> Native Hawaiian or Other Pacific Islander <input type="checkbox"/> White	Ethnicity: <input type="checkbox"/> Hispanic or Latino <input type="checkbox"/> Not Hispanic or Latino	Gender: <input type="checkbox"/> Male <input type="checkbox"/> Female
--	--	---

Real Party in Interest

28) Name of Real Party in Interest of Applicant (If different from Applicant):	29) FCC Registration Number (FRN) of Real Party in Interest:
--	--

Contact Information (If different from the Applicant) Check here if same as Applicant.

30) First Name: Cecil	MI: J	Last Name: Mathew	Suffix:
31) Company Name: AT&T Services, Inc.			
32) Attention To: FCC Group			
33) P.O. Box:	And /Or	34) Street Address: 208 S. Akard St. 20F	
35) City: Dallas	36) State: TX	37) Zip Code: 75202	
38) Telephone Number: (855)699-7073		39) Fax: (214)746-6410	
40) E-Mail Address: FCCMW@att.com			

Regulatory Status

41) This filing is for authorization to provide or use the following type(s) of radio service offering (enter all that apply):
() Common Carrier () Non-Common Carrier () Private, internal communications () Broadcast Services () Band Manager

Type of Radio Service

42) This filing is for authorization to provide the following type(s) of radio service (choose all that apply):
() Fixed () Mobile () Radiolocation () Satellite (sound) () Broadcast Services
43) Does the Applicant propose to provide service interconnected to the public telephone network? () Yes () No

Alien Ownership Questions (If any answer is 'Y', provide an attachment explaining the circumstances. In preparing the attachment, refer to the Main Form Instructions for the "Alien Ownership Questions".)

44) Is the Applicant a foreign government or the representative of any foreign government? () Yes () No
45) Is the Applicant an alien or the representative of an alien? () Yes () No
46) Is the Applicant a corporation organized under the laws of any foreign government? () Yes () No
47) Is the Applicant a corporation of which more than one-fifth of the capital stock is owned of record or voted by aliens or their representatives, or by a foreign government or representative thereof, or by any corporation organized under the laws of a foreign country? () Yes () No

48a) Is the Applicant directly or indirectly controlled by any other corporation of which more than one-fourth of the capital stock () **Yes** **No** is owned of record or voted by aliens or their representatives, or by a foreign government or representative thereof, or by any corporation organized under the laws of a foreign country?

48b) If the answer to 47 or 48a is 'Y' select one of the choices below.

The Applicant is exempt from the provisions of Section 310(b).

If checked, it is not necessary to file a petition for declaratory ruling if the Applicant includes in the attachment required by Item 47 or Item 48a a showing that the requested license(s) is exempt from the provisions of Section 310(b).

The Applicant has received a declaratory ruling(s) approving its foreign ownership, and the application involves only the acquisition of additional spectrum for the provision of a wireless service in a geographic coverage area for which the Applicant has been previously authorized.

If checked, include in the attachment required by Item 47 or Item 48a the citation(s) of the applicable declaratory ruling(s) by DA/FCC number, the FCC Record citation, if available, release date, and a statement that there has been no change in the foreign ownership of the Applicant since the issuance of its ruling.

The Applicant: (i) has received a declaratory ruling(s) approving its foreign ownership, but is not able to make the certification specified immediately above; or (ii) is an "affiliate" of a Licensee or Lessee/Sublessee that received a declaratory ruling(s) under 47 CFR § 1.5000(a) and is relying on the affiliate's ruling for purposes of filing this application as permitted under the affiliate's ruling and 47 CFR § 1.5004(b)

If checked, and if the Applicant received its declaratory ruling(s) on or after August 9, 2013, include in the attachment required by Item 47 or Item 48a the citation(s) of the Applicant's declaratory ruling(s) by DA/FCC number, the FCC Record citation, if available, release date, and a statement that the Applicant is in compliance with the terms and conditions of its ruling and with the Commission's Rules.

If checked, and if the Applicant received its declaratory ruling(s) prior to August 9, 2013, include in the attachment required by Item 48a a copy of a petition for declaratory ruling filed contemporaneously with the Commission to extend the Applicant's existing ruling(s) to cover the same radio service(s) and geographic coverage area(s) involved in the application. Alternatively, the Applicant may request a new declaratory ruling pursuant to Section 1.5000(a) of the Commission's Rules, 47 CFR § 1.5000 (a). Petitions for declaratory ruling may be filed electronically on the Internet through the International Bureau Filing System (IBFS) (with a copy attached hereto).

If checked, and if the Applicant is relying on an affiliate's ruling for purposes of filing this application, include in the attachment required by Item 47 or Item 48a the citation(s) of the applicable declaratory ruling(s) by DA/FCC number, the FCC Record citation, if available, release date, and a statement that the Applicant is in compliance with the terms and conditions of the named affiliate's ruling and with the Commission's Rules. The Applicant must also include a certification of compliance signed by the named affiliate or other qualified entity as specified in 47 CFR § 1.5004(b). See Main Form Instructions for Items 47 or 48a, as applicable.

The Applicant has not received a declaratory ruling approving its foreign ownership and is requesting a declaratory ruling under 47 CFR § 1.5004(b) in a petition filed contemporaneously with the Commission.

If checked, include in the attachment required by Item 47 or 48a a copy of the petition for declaratory ruling filed contemporaneously with the Commission pursuant to 47 CFR § 1.5004(b). Petitions for declaratory ruling may be filed electronically on the Internet through the International Bureau Filing System (IBFS) (with a copy attached hereto).

Basic Qualification Questions

49) Has the Applicant or any party to this application had any FCC station authorization, license or construction permit revoked or had any application for an initial, modification or renewal of FCC station authorization, license, or construction permit denied by the Commission?	() <u>Yes</u> <u>No</u>
50) Has the Applicant or any party to this application, or any party directly or indirectly controlling the Applicant, ever been convicted of a felony by any state or federal court?	() <u>Yes</u> <u>No</u>
51) Has any court finally adjudged the Applicant or any party directly or indirectly controlling the Applicant guilty of unlawfully monopolizing or attempting unlawfully to monopolize radio communication, directly or indirectly, through control of manufacture or sale of radio apparatus, exclusive traffic arrangement, or any other means or unfair methods of competition?	() <u>Yes</u> <u>No</u>

Note: If the answer to any of 49-51 is 'Y', attach an exhibit explaining the circumstances.

Aeronautical Advisory Station (Unicom) Certification

52) () I certify that the station will be located on property of the airport to be served, and, in cases where the airport does not have a control tower, RCO, or FAA flight service station, that I have notified the owner of the airport and all aviation service organizations located at the airport within ten days prior to application.
--

Broadband Radio Service and Educational Broadband Service Cable Cross-Ownership

53a) Will the requested facilities be used to provide multichannel video programming service?	() <u>Yes</u> <u>No</u>
53b) If the answer to question 53a is 'Y', does the Applicant operate, control or have an attributable interest (as defined in 47 CFR § 27.1202) in a cable television system whose franchise area is located within the geographic service area of the requested facilities?	() <u>Yes</u> <u>No</u>

Note: If the answer to question 53b is 'Y', attach an exhibit explaining how the Applicant complies with 47 CFR § 27.1202 or justifying a waiver of that rule. If a waiver of the Commission Rule(s) is being requested, Item 11a must be answered 'Y'.

Broadband Radio Service and Educational Broadband Service (Part 27)

54) (For EBS only) Does the Applicant comply with the programming requirements contained in 47 CFR § 27.1203?	() <u>Yes</u> <u>No</u>
---	--------------------------

Note: If the answer to item 54 is 'N', attach an exhibit explaining how the Applicant complies with 47 CFR § 27.1203 of the Commission's Rules or justifying a waiver of that rule. If a waiver of the Commission Rule(s) is being requested, Item 11a must be answered 'Y'.

55) (For BRS and EBS) Does the Applicant comply with 47 CFR §§ 27.50, 27.55, and 27.1221?	() <u>Yes</u> <u>No</u>
---	--------------------------

Note: If the answer to item 55 is 'N', attach an exhibit justifying a waiver of that rule(s). If a waiver of the Commission Rule(s) is being requested, Item 11a must be answered 'Y'.

For Applicants Who Participated in an Auction

56) Is the Applicant a qualifying rural wireless partnership or a member of a qualifying rural wireless partnership?	() <u>Yes</u> <u>No</u>
--	--------------------------

Note: If the answer to item 56 is 'Y', attach an exhibit listing all members of the qualifying rural wireless partnership, including their FRN numbers.

For Renewal Applicants

57) Operation/Performance Requirement Certification	
[For a site-based license]: Applicant certifies that it is continuing to operate consistent with its most recently filed construction notification (or most recent authorization, if no construction notification was required).	() <u>Yes</u> <u>No</u>
[For a geographic license, commercial service - licensee in its initial license term with an interim performance requirement]: Applicant certifies that it has met its interim performance requirement, that over the portion of the license term following the interim performance requirement, it continues to use its facilities to provide at least the level of service required by its interim performance requirement, it has met its final performance requirement, and it continues to use its facilities to provide at least the level of service required by its final performance requirement through the end of the license term.	() <u>Yes</u> <u>No</u>
[For a geographic license, commercial service - licensee in its initial license term with no interim performance requirement]: Applicant certifies that it has met its final performance requirement and it continues to use its facilities to provide at least the level of service required by its final performance requirement through the end of the license term. [Note: licensee must provide a showing demonstrating that the final performance requirement has been met, either separately in a timely application for notification of completion of construction, or as part of its renewal application, depending on the radio service.]	() <u>Yes</u> <u>No</u>
[For a geographic license, commercial service - licensee in any subsequent term]: Applicant certifies that it continues to use its facilities to provide at least the level of service required by its final performance requirement through the end of any subsequent license terms.	() <u>Yes</u> <u>No</u>
[For a geographic license, private systems - licensee in its initial license term with an interim performance requirement]: Applicant certifies that it has met its interim performance requirement, that over the portion of the license term following the interim performance requirement, it continues to use its facilities to further its private business or public interest/public safety communications needs at or above the level required to meet its interim performance requirement, it has met its final performance requirement, and it continues to use its facilities to provide at least the level of operation required by its final performance requirement through the end of the license term.	() <u>Yes</u> <u>No</u>
[For a geographic license, private systems - licensee in its initial license term with no interim performance requirement]: Applicant certifies that it has met its final performance requirement, it continues to use its facilities to further its private business or public interest/public safety communications needs, and it continues to use its facilities to provide at least the level of operation required by its final performance requirement through the end of the license term. [Note: licensee must provide a showing demonstrating that the final performance requirement has been met, either separately in a timely application for notification of completion of construction, or as part of its renewal application, depending on the radio service.]	() <u>Yes</u> <u>No</u>

[For a geographic license, private systems - licensee in any subsequent term]: Applicant certifies that it continues to use its facilities to further its private business or public interest/public safety communications needs at or above the level required to meet its final performance requirement through the end of any subsequent license terms.	() <u>Yes</u> <u>No</u>
[For a partitioned or disaggregated license without a performance requirement, for the first renewal application filed after effective date of the rules]: Applicant certifies that the partitioned and/or disaggregated license that is the subject of this renewal application has no separate performance requirement and that this is the first renewal of this license filed subsequent to the effective date of the rules.	() <u>Yes</u> <u>No</u>
[For a partitioned or disaggregated license without a performance requirement, for any subsequent renewal filings]: Applicant certifies that it continues to use its facilities to provide service or to further the applicant's private business or public interest/public safety needs.	() <u>Yes</u> <u>No</u>

Discontinuance of Service Certification

58) Applicant certifies that no permanent discontinuance of service or operation, as applicable, occurred during its current license term. Note: If the response to either item 57 or item 58 is 'N', attach an exhibit that demonstrates that over the course of the license term, the Applicant provided and continues to provide service to the public, or operated and continues to operate the license to meet the Applicant's private business or public interest/public safety communications needs. This exhibit must include a detailed description of the Applicant's provision of service or, when allowed under the relevant service rules or pursuant to waiver, use of the spectrum for private business or public interest/public safety communications needs, during the entire license period and address, as applicable: 1) the level and quality of service provided by the applicant (e.g., the population served, the area served, the number of subscribers, the services offered); (2) the date service commenced, whether service was ever interrupted, and the duration of any interruption or outage; (3) the extent to which service is provided to rural areas; (4) the extent to which service is provided to qualifying tribal land as defined in 47 CFR § 1.2110(e)(3)(i); and (5) any other factors associated with the level of service to the public. The licensee may note in its exhibit: 1) any grant(s) of waiver or extension of a performance deadline or license renewal subject to meeting a performance requirement; or 2) if the final performance deadline and/or expiration date for the license accelerated because the licensee did not meet an interim performance requirement.	() <u>Yes</u> <u>No</u>
--	--------------------------

Regulatory Compliance Certification [same for all]

59) Applicant certifies that it has substantially complied with all applicable FCC rules, policies, and the Communications Act of 1934, as amended. Note: If the response to item 59 is 'N', attach an exhibit explaining the circumstances and demonstrating why Applicant's license should be renewed.	() <u>Yes</u> <u>No</u>
--	--------------------------

General Certification Statements

1) The Applicant waives any claim to the use of any particular frequency or of the electromagnetic spectrum as against the regulatory power of the United States because of the previous use of the same, whether by license or otherwise, and requests an authorization in accordance with this application.
2) The Applicant certifies that grant of this application would not cause the Applicant to be in violation of any pertinent cross-ownership or attribution rules.* *If the Applicant has sought a waiver of any such rule in connection with this application, it may make this certification subject to the outcome of the waiver request.
3) The Applicant certifies that all statements made in this application and in the exhibits, attachments, or documents incorporated by reference are material, are part of this application, and are true, complete, correct, and made in good faith.
4) The Applicant certifies that neither the Applicant nor any other party to the application is subject to a denial of Federal benefits pursuant to § 5301 of the Anti-Drug Abuse Act of 1988, 21 U.S.C. § 862, because of a conviction for possession or distribution of a controlled substance. This certification does not apply to applications filed in services exempted under § 1.2002(c) of the rules, 47 CFR § 1.2002(c). See 47 CFR § 1.2002(b) for the definition of "party to the application" as used in this certification.
5) The Applicant certifies that it either (1) has current required ownership data on file with the Commission, (2) is filing updated ownership data simultaneously with this application, or (3) is not required to file ownership data under the Commission's Rules.
6) The Applicant certifies that the facilities, operations, and transmitters for which this authorization is hereby requested are either: (1) categorically excluded from routine environmental evaluation for RF exposure as set forth in 47 CFR § 1.1307(b); or, (2) have been found not to cause human exposure to levels of radiofrequency radiation in excess of the limits specified in 47 CFR §§ 1.1310 and 2.1093; or, (3) are the subject of one or more Environmental Assessments filed with the Commission.
7) The Applicant certifies that it has reviewed the appropriate Commission Rules defining eligibility to hold the requested license(s) and is eligible to hold the requested license(s).
8) The Applicant certifies that it is not in default on any payment for Commission licenses and that it is not delinquent on any non-tax debt owed to any federal agency.
9) The Applicant certifies that the Applicant and all of the related individuals and entities required to be disclosed on this application and FCC Form 602 (FCC Ownership Disclosure Information for the Wireless Telecommunications Services) are not person(s) who have been, for reasons of national security, barred by any agency of the Federal Government from bidding on a contract, participating in an auction, or receiving a grant. This certification applies only to applications for licenses for spectrum that is required by Sections 6103, 6401-6403 of the Middle Class Tax Relief and Job Creation Act of 2012, codified at 47 U.S.C. §§ 309, 1413, 1451-1452, to be assigned by a system of competitive bidding under 47 U.S.C. § 309(j).

Signature

60) Typed or Printed Name of Party Authorized to Sign

First Name: Jessica	MI:	Last Name: Dunk	Suffix:
61) Title: Assistant Secretary - Compliance			
Signature: Jessica Dunk			62) Date: 01/22/2024
FAILURE TO SIGN THIS APPLICATION MAY RESULT IN DISMISSAL OF THE APPLICATION AND FORFEITURE OF ANY FEES PAID.			
Upon grant of this license application, the Licensee may be subject to certain construction or coverage requirements. Failure to meet the construction or coverage requirements will result in termination of the license. Consult appropriate FCC regulations to determine the construction or coverage requirements that apply to the type of license requested in this application.			
WILLFUL FALSE STATEMENTS MADE ON THIS FORM OR ANY ATTACHMENTS ARE PUNISHABLE BY FINE AND/OR IMPRISONMENT (U.S. Code, Title 18, § 1001) AND/OR REVOCATION OF ANY STATION LICENSE OR CONSTRUCTION PERMIT (U.S. Code, Title 47, § 312(a)(1)), AND/OR FORFEITURE (U.S. Code, Title 47, § 503).			

Reference Copy Only. Do Not Mail to the FCC as an Application.

Submitted: 01/13/2023 at 18:08:22
File Number: 0010367816

FCC 601

Main Form

FCC Application for Radio Service Authorization: Wireless Telecommunications Bureau Public Safety and Homeland Security Bureau

Approved by OMB

3060 - 0798

See instructions for
public burden estimate

1) Radio Service Code: CW	1a) Existing Radio Service Code:
-------------------------------------	----------------------------------

General Information

2) (Select only one) (AU) NE - New RO - Renewal Only AU - Administrative Update NT - Required Notifications MD - Modification RM - Renewal/Modification WD - Withdrawal of Application EX - Requests for Extension of Time AM - Amendment CA - Cancellation of License RL - Registered Location/Link	
3a) If this application is for a Demonstration License or a S pecial Temporary Authorization (STA), enter the code and attach the required exhibit as described in the instructions. Otherwise enter ' N/A ' (Not Applicable).	(N) <u>M</u> <u>S</u> <u>N/A</u>
3b) If this application is for Special Temporary Authority due to an emergency situation, enter 'Y'; otherwise enter 'N'. Refer to Rule 1.915 for an explanation of situations considered to be an emergency.	() <u>Y</u> es <u>N</u> o
4) If this application is for an Amendment or Withdrawal, enter the file number of the pending application currently on file with the FCC.	File Number
5) If this application is for a Modification, Renewal Only, Renewal/Modification, Cancellation of License, , or Administrative Update, enter the call sign of the existing FCC license. If this is a request for Registered Location/Link, enter the FCC call sign assigned to the geographic license.	Call Sign KNLH417
6a) If this application is for a New, Amendment, Renewal Only, or Renewal/Modification, enter the requested authorization expiration date (this item is optional).	MM DD ____ / ____
6b) If this application is for a Renewal Only or Renewal/Modification and the license is a geographic area license, is the license used to provide service to customers (C), or is the license used for private business (internal) purposes or to meet the licensee's public interest/public safety communications needs (P)?	() <u>C</u> <u>P</u>
7) Is this application "major" as defined in § 1.929 of the Commission's Rules when read in conjunction with the applicable radio service rules found in Parts 22 and 90 of the Commission's Rules? (NOTE: This question only applies to certain site-specific applications. See the instructions for applicability and full text of § 1.929).	() <u>Y</u> es <u>N</u> o
8) Are attachments (other than associated schedules) being filed with this application?	() <u>Y</u> es <u>N</u> o

Fees, Waivers, and Exemptions

9) Is the Applicant exempt from FCC application fees?	(N) <u>Y</u> es <u>N</u> o
10) Is the Applicant exempt from FCC regulatory fees?	(N) <u>Y</u> es <u>N</u> o
11) Does this application include a request for a Waiver of the Commission's Rule(s)? If 'Yes', attach an exhibit providing rule number(s) and explaining circumstances.	(N) <u>Y</u> es <u>N</u> o
12) Are the frequencies or parameters requested in this filing covered by grandfathered privileges, previously approved by waiver, or functionally integrated with an existing station?	() <u>Y</u> es <u>N</u> o

Applicant Information

13) FCC Registration Number (FRN): 0003291192			
14) Applicant/Licensee Legal Entity Type: (Select One) <input type="checkbox"/> Individual <input type="checkbox"/> Unincorporated Association <input type="checkbox"/> Trust <input type="checkbox"/> Government Entity <input type="checkbox"/> Corporation <input checked="" type="checkbox"/> Limited Liability Company <input type="checkbox"/> General Partnership <input type="checkbox"/> Limited Partnership <input type="checkbox"/> Limited Liability Partnership <input type="checkbox"/> Consortium <input type="checkbox"/> Other: _____			
15) If the Licensee name is being updated, is the update a result from the sale (or transfer of control) of the license(s) to party and for which proper Commission approval has not been received or proper notification not provided?			<input type="checkbox"/> Yes <input checked="" type="checkbox"/> No
16) First Name (if individual):	MI:	Last Name:	Suffix:
17) Legal Entity Name (if other than individual): NEW CINGULAR WIRELESS PCS, LLC			
18) Attention To: FCC Group			
19) P.O. Box:	And/Or	20) Street Address: 208 S. Akard St. 20F	
21) City: Dallas	22) State: TX	23) Zip Code: 75202	
24) Telephone Number: (855)699-7073		25) Fax: (214)746-6410	
26) E-Mail Address: FCCMW@att.com			

27) Demographics (Optional)

Race: <input type="checkbox"/> American Indian or Alaska Native <input type="checkbox"/> Asian <input type="checkbox"/> Black or African-American <input type="checkbox"/> Native Hawaiian or Other Pacific Islander <input type="checkbox"/> White	Ethnicity: <input type="checkbox"/> Hispanic or Latino <input type="checkbox"/> Not Hispanic or Latino	Gender: <input type="checkbox"/> Male <input type="checkbox"/> Female
--	--	---

Real Party in Interest

28) Name of Real Party in Interest of Applicant (If different from Applicant):	29) FCC Registration Number (FRN) of Real Party in Interest:
--	--

Contact Information (If different from the Applicant) Check here if same as Applicant.

30) First Name: Cecil	MI: J	Last Name: Mathew	Suffix:
31) Company Name: AT&T Services, Inc.			
32) Attention To: FCC Group			
33) P.O. Box:	And /Or	34) Street Address: 208 S. Akard St. 20F	
35) City: Dallas	36) State: TX	37) Zip Code: 75202	
38) Telephone Number: (855)699-7073		39) Fax: (214)746-6410	
40) E-Mail Address: FCCMW@att.com			

Regulatory Status

41) This filing is for authorization to provide or use the following type(s) of radio service offering (enter all that apply):
() Common Carrier () Non-Common Carrier () Private, internal communications () Broadcast Services () Band Manager

Type of Radio Service

42) This filing is for authorization to provide the following type(s) of radio service (choose all that apply):
() Fixed () Mobile () Radiolocation () Satellite (sound) () Broadcast Services
43) Does the Applicant propose to provide service interconnected to the public telephone network? () Yes () No

Alien Ownership Questions (If any answer is 'Y', provide an attachment explaining the circumstances. In preparing the attachment, refer to the Main Form Instructions for the "Alien Ownership Questions".)

44) Is the Applicant a foreign government or the representative of any foreign government? () Yes () No
45) Is the Applicant an alien or the representative of an alien? () Yes () No
46) Is the Applicant a corporation organized under the laws of any foreign government? () Yes () No
47) Is the Applicant a corporation of which more than one-fifth of the capital stock is owned of record or voted by aliens or their representatives, or by a foreign government or representative thereof, or by any corporation organized under the laws of a foreign country? () Yes () No

48a) Is the Applicant directly or indirectly controlled by any other corporation of which more than one-fourth of the capital stock (Yes No) is owned of record or voted by aliens or their representatives, or by a foreign government or representative thereof, or by any corporation organized under the laws of a foreign country?

48b) If the answer to 47 or 48a is 'Y' select one of the choices below.

The Applicant is exempt from the provisions of Section 310(b).

If checked, it is not necessary to file a petition for declaratory ruling if the Applicant includes in the attachment required by Item 47 or Item 48a a showing that the requested license(s) is exempt from the provisions of Section 310(b).

The Applicant has received a declaratory ruling(s) approving its foreign ownership, and the application involves only the acquisition of additional spectrum for the provision of a wireless service in a geographic coverage area for which the Applicant has been previously authorized.

If checked, include in the attachment required by Item 47 or Item 48a the citation(s) of the applicable declaratory ruling(s) by DA/FCC number, the FCC Record citation, if available, release date, and a statement that there has been no change in the foreign ownership of the Applicant since the issuance of its ruling.

The Applicant: (i) has received a declaratory ruling(s) approving its foreign ownership, but is not able to make the certification specified immediately above; or (ii) is an "affiliate" of a Licensee or Lessee/Sublessee that received a declaratory ruling(s) under 47 CFR § 1.5000(a) and is relying on the affiliate's ruling for purposes of filing this application as permitted under the affiliate's ruling and 47 CFR § 1.5004(b)

If checked, and if the Applicant received its declaratory ruling(s) on or after August 9, 2013, include in the attachment required by Item 47 or Item 48a the citation(s) of the Applicant's declaratory ruling(s) by DA/FCC number, the FCC Record citation, if available, release date, and a statement that the Applicant is in compliance with the terms and conditions of its ruling and with the Commission's Rules.

If checked, and if the Applicant received its declaratory ruling(s) prior to August 9, 2013, include in the attachment required by Item 48a a copy of a petition for declaratory ruling filed contemporaneously with the Commission to extend the Applicant's existing ruling(s) to cover the same radio service(s) and geographic coverage area(s) involved in the application. Alternatively, the Applicant may request a new declaratory ruling pursuant to Section 1.5000(a) of the Commission's Rules, 47 CFR § 1.5000 (a). Petitions for declaratory ruling may be filed electronically on the Internet through the International Bureau Filing System (IBFS) (with a copy attached hereto).

If checked, and if the Applicant is relying on an affiliate's ruling for purposes of filing this application, include in the attachment required by Item 47 or Item 48a the citation(s) of the applicable declaratory ruling(s) by DA/FCC number, the FCC Record citation, if available, release date, and a statement that the Applicant is in compliance with the terms and conditions of the named affiliate's ruling and with the Commission's Rules. The Applicant must also include a certification of compliance signed by the named affiliate or other qualified entity as specified in 47 CFR § 1.5004(b). See Main Form Instructions for Items 47 or 48a, as applicable.

The Applicant has not received a declaratory ruling approving its foreign ownership and is requesting a declaratory ruling under 47 CFR § 1.5004(b) in a petition filed contemporaneously with the Commission.

If checked, include in the attachment required by Item 47 or 48a a copy of the petition for declaratory ruling filed contemporaneously with the Commission pursuant to 47 CFR § 1.5004(b). Petitions for declaratory ruling may be filed electronically on the Internet through the International Bureau Filing System (IBFS) (with a copy attached hereto).

Basic Qualification Questions

49) Has the Applicant or any party to this application had any FCC station authorization, license or construction permit revoked or had any application for an initial, modification or renewal of FCC station authorization, license, or construction permit denied by the Commission?	() <u>Yes</u> <u>No</u>
50) Has the Applicant or any party to this application, or any party directly or indirectly controlling the Applicant, ever been convicted of a felony by any state or federal court?	() <u>Yes</u> <u>No</u>
51) Has any court finally adjudged the Applicant or any party directly or indirectly controlling the Applicant guilty of unlawfully monopolizing or attempting unlawfully to monopolize radio communication, directly or indirectly, through control of manufacture or sale of radio apparatus, exclusive traffic arrangement, or any other means or unfair methods of competition?	() <u>Yes</u> <u>No</u>

Note: If the answer to any of 49-51 is 'Y', attach an exhibit explaining the circumstances.

Aeronautical Advisory Station (Unicom) Certification

52) () I certify that the station will be located on property of the airport to be served, and, in cases where the airport does not have a control tower, RCO, or FAA flight service station, that I have notified the owner of the airport and all aviation service organizations located at the airport within ten days prior to application.
--

Broadband Radio Service and Educational Broadband Service Cable Cross-Ownership

53a) Will the requested facilities be used to provide multichannel video programming service?	() <u>Yes</u> <u>No</u>
53b) If the answer to question 53a is 'Y', does the Applicant operate, control or have an attributable interest (as defined in 47 CFR § 27.1202) in a cable television system whose franchise area is located within the geographic service area of the requested facilities?	() <u>Yes</u> <u>No</u>

Note: If the answer to question 53b is 'Y', attach an exhibit explaining how the Applicant complies with 47 CFR § 27.1202 or justifying a waiver of that rule. If a waiver of the Commission Rule(s) is being requested, Item 11a must be answered 'Y'.

Broadband Radio Service and Educational Broadband Service (Part 27)

54) (For EBS only) Does the Applicant comply with the programming requirements contained in 47 CFR § 27.1203?	() <u>Yes</u> <u>No</u>
---	--------------------------

Note: If the answer to item 54 is 'N', attach an exhibit explaining how the Applicant complies with 47 CFR § 27.1203 of the Commission's Rules or justifying a waiver of that rule. If a waiver of the Commission Rule(s) is being requested, Item 11a must be answered 'Y'.

55) (For BRS and EBS) Does the Applicant comply with 47 CFR §§ 27.50, 27.55, and 27.1221?	() <u>Yes</u> <u>No</u>
---	--------------------------

Note: If the answer to item 55 is 'N', attach an exhibit justifying a waiver of that rule(s). If a waiver of the Commission Rule(s) is being requested, Item 11a must be answered 'Y'.

For Applicants Who Participated in an Auction

56) Is the Applicant a qualifying rural wireless partnership or a member of a qualifying rural wireless partnership?	() <u>Yes</u> <u>No</u>
--	--------------------------

Note: If the answer to item 56 is 'Y', attach an exhibit listing all members of the qualifying rural wireless partnership, including their FRN numbers.

For Renewal Applicants

57) Operation/Performance Requirement Certification	
[For a site-based license]: Applicant certifies that it is continuing to operate consistent with its most recently filed construction notification (or most recent authorization, if no construction notification was required).	() <u>Yes</u> <u>No</u>
[For a geographic license, commercial service - licensee in its initial license term with an interim performance requirement]: Applicant certifies that it has met its interim performance requirement, that over the portion of the license term following the interim performance requirement, it continues to use its facilities to provide at least the level of service required by its interim performance requirement, it has met its final performance requirement, and it continues to use its facilities to provide at least the level of service required by its final performance requirement through the end of the license term.	() <u>Yes</u> <u>No</u>
[For a geographic license, commercial service - licensee in its initial license term with no interim performance requirement]: Applicant certifies that it has met its final performance requirement and it continues to use its facilities to provide at least the level of service required by its final performance requirement through the end of the license term. [Note: licensee must provide a showing demonstrating that the final performance requirement has been met, either separately in a timely application for notification of completion of construction, or as part of its renewal application, depending on the radio service.]	() <u>Yes</u> <u>No</u>
[For a geographic license, commercial service - licensee in any subsequent term]: Applicant certifies that it continues to use its facilities to provide at least the level of service required by its final performance requirement through the end of any subsequent license terms.	() <u>Yes</u> <u>No</u>
[For a geographic license, private systems - licensee in its initial license term with an interim performance requirement]: Applicant certifies that it has met its interim performance requirement, that over the portion of the license term following the interim performance requirement, it continues to use its facilities to further its private business or public interest/public safety communications needs at or above the level required to meet its interim performance requirement, it has met its final performance requirement, and it continues to use its facilities to provide at least the level of operation required by its final performance requirement through the end of the license term.	() <u>Yes</u> <u>No</u>
[For a geographic license, private systems - licensee in its initial license term with no interim performance requirement]: Applicant certifies that it has met its final performance requirement, it continues to use its facilities to further its private business or public interest/public safety communications needs, and it continues to use its facilities to provide at least the level of operation required by its final performance requirement through the end of the license term. [Note: licensee must provide a showing demonstrating that the final performance requirement has been met, either separately in a timely application for notification of completion of construction, or as part of its renewal application, depending on the radio service.]	() <u>Yes</u> <u>No</u>

[For a geographic license, private systems - licensee in any subsequent term]: Applicant certifies that it continues to use its facilities to further its private business or public interest/public safety communications needs at or above the level required to meet its final performance requirement through the end of any subsequent license terms.	() <u>Yes</u> <u>No</u>
[For a partitioned or disaggregated license without a performance requirement, for the first renewal application filed after effective date of the rules]: Applicant certifies that the partitioned and/or disaggregated license that is the subject of this renewal application has no separate performance requirement and that this is the first renewal of this license filed subsequent to the effective date of the rules.	() <u>Yes</u> <u>No</u>
[For a partitioned or disaggregated license without a performance requirement, for any subsequent renewal filings]: Applicant certifies that it continues to use its facilities to provide service or to further the applicant's private business or public interest/public safety needs.	() <u>Yes</u> <u>No</u>

Discontinuance of Service Certification

58) Applicant certifies that no permanent discontinuance of service or operation, as applicable, occurred during its current license term. Note: If the response to either item 57 or item 58 is 'N', attach an exhibit that demonstrates that over the course of the license term, the Applicant provided and continues to provide service to the public, or operated and continues to operate the license to meet the Applicant's private business or public interest/public safety communications needs. This exhibit must include a detailed description of the Applicant's provision of service or, when allowed under the relevant service rules or pursuant to waiver, use of the spectrum for private business or public interest/public safety communications needs, during the entire license period and address, as applicable: 1) the level and quality of service provided by the applicant (e.g., the population served, the area served, the number of subscribers, the services offered); (2) the date service commenced, whether service was ever interrupted, and the duration of any interruption or outage; (3) the extent to which service is provided to rural areas; (4) the extent to which service is provided to qualifying tribal land as defined in 47 CFR § 1.2110(e)(3)(i); and (5) any other factors associated with the level of service to the public. The licensee may note in its exhibit: 1) any grant(s) of waiver or extension of a performance deadline or license renewal subject to meeting a performance requirement; or 2) if the final performance deadline and/or expiration date for the license accelerated because the licensee did not meet an interim performance requirement.	() <u>Yes</u> <u>No</u>
--	--------------------------

Regulatory Compliance Certification [same for all]

59) Applicant certifies that it has substantially complied with all applicable FCC rules, policies, and the Communications Act of 1934, as amended. Note: If the response to item 59 is 'N', attach an exhibit explaining the circumstances and demonstrating why Applicant's license should be renewed.	() <u>Yes</u> <u>No</u>
--	--------------------------

General Certification Statements

1) The Applicant waives any claim to the use of any particular frequency or of the electromagnetic spectrum as against the regulatory power of the United States because of the previous use of the same, whether by license or otherwise, and requests an authorization in accordance with this application.
2) The Applicant certifies that grant of this application would not cause the Applicant to be in violation of any pertinent cross-ownership or attribution rules.* *If the Applicant has sought a waiver of any such rule in connection with this application, it may make this certification subject to the outcome of the waiver request.
3) The Applicant certifies that all statements made in this application and in the exhibits, attachments, or documents incorporated by reference are material, are part of this application, and are true, complete, correct, and made in good faith.
4) The Applicant certifies that neither the Applicant nor any other party to the application is subject to a denial of Federal benefits pursuant to § 5301 of the Anti-Drug Abuse Act of 1988, 21 U.S.C. § 862, because of a conviction for possession or distribution of a controlled substance. This certification does not apply to applications filed in services exempted under § 1.2002(c) of the rules, 47 CFR § 1.2002(c). See 47 CFR § 1.2002(b) for the definition of "party to the application" as used in this certification.
5) The Applicant certifies that it either (1) has current required ownership data on file with the Commission, (2) is filing updated ownership data simultaneously with this application, or (3) is not required to file ownership data under the Commission's Rules.
6) The Applicant certifies that the facilities, operations, and transmitters for which this authorization is hereby requested are either: (1) categorically excluded from routine environmental evaluation for RF exposure as set forth in 47 CFR § 1.1307(b); or, (2) have been found not to cause human exposure to levels of radiofrequency radiation in excess of the limits specified in 47 CFR §§ 1.1310 and 2.1093; or, (3) are the subject of one or more Environmental Assessments filed with the Commission.
7) The Applicant certifies that it has reviewed the appropriate Commission Rules defining eligibility to hold the requested license(s) and is eligible to hold the requested license(s).
8) The Applicant certifies that it is not in default on any payment for Commission licenses and that it is not delinquent on any non-tax debt owed to any federal agency.
9) The Applicant certifies that the Applicant and all of the related individuals and entities required to be disclosed on this application and FCC Form 602 (FCC Ownership Disclosure Information for the Wireless Telecommunications Services) are not person(s) who have been, for reasons of national security, barred by any agency of the Federal Government from bidding on a contract, participating in an auction, or receiving a grant. This certification applies only to applications for licenses for spectrum that is required by Sections 6103, 6401-6403 of the Middle Class Tax Relief and Job Creation Act of 2012, codified at 47 U.S.C. §§ 309, 1413, 1451-1452, to be assigned by a system of competitive bidding under 47 U.S.C. § 309(j).

Signature

60) Typed or Printed Name of Party Authorized to Sign

First Name: Cecil	MI: J	Last Name: Mathew	Suffix:
61) Title: Assistant Secretary - Compliance			
Signature: Cecil J Mathew			62) Date: 01/13/2023
FAILURE TO SIGN THIS APPLICATION MAY RESULT IN DISMISSAL OF THE APPLICATION AND FORFEITURE OF ANY FEES PAID.			
Upon grant of this license application, the Licensee may be subject to certain construction or coverage requirements. Failure to meet the construction or coverage requirements will result in termination of the license. Consult appropriate FCC regulations to determine the construction or coverage requirements that apply to the type of license requested in this application.			
WILLFUL FALSE STATEMENTS MADE ON THIS FORM OR ANY ATTACHMENTS ARE PUNISHABLE BY FINE AND/OR IMPRISONMENT (U.S. Code, Title 18, § 1001) AND/OR REVOCATION OF ANY STATION LICENSE OR CONSTRUCTION PERMIT (U.S. Code, Title 47, § 312(a)(1)), AND/OR FORFEITURE (U.S. Code, Title 47, § 503).			

REFERENCE COPY

This is not an official FCC license. It is a record of public information contained in the FCC's licensing database on the date that this reference copy was generated. In cases where FCC rules require the presentation, posting, or display of an FCC license, this document may not be used in place of an official FCC license.



Federal Communications Commission
Wireless Telecommunications Bureau

RADIO STATION AUTHORIZATION

LICENSEE: NEW CINGULAR WIRELESS PCS, LLC

ATTN: FCC GROUP
NEW CINGULAR WIRELESS PCS, LLC
208 S. AKARD ST. 20F
DALLAS, TX 75202

Table with Call Sign (KNLH651), File Number, and Radio Service (CW - PCS Broadband).

FCC Registration Number (FRN): 0003291192

Table with columns: Grant Date, Effective Date, Expiration Date, Print Date, Market Number, Channel Block, Sub-Market Designator, Market Name, 1st Build-out Date, 2nd Build-out Date, 3rd Build-out Date, 4th Build-out Date.

Waivers/Conditions:

This authorization is subject to the condition that, in the event that systems using the same frequencies as granted herein are authorized in an adjacent foreign territory (Canada/United States), future coordination of any base station transmitters within 72 km (45 miles) of the United States/Canada border shall be required to eliminate any harmful interference to operations in the adjacent foreign territory and to ensure continuance of equal access to the frequencies by both countries.

Grant conditioned upon consummation of the assignment of license to Banana Communications, LLC within 180 days of June 9, 2008, per Memorandum Opinion and Order, DA 08-1380, released June 9, 2008.

Conditions:

Pursuant to §309(h) of the Communications Act of 1934, as amended, 47 U.S.C. §309(h), this license is subject to the following conditions: This license shall not vest in the licensee any right to operate the station nor any right in the use of the frequencies designated in the license beyond the term thereof nor in any other manner than authorized herein.

This license may not authorize operation throughout the entire geographic area or spectrum identified on the hardcopy version. To view the specific geographic area and spectrum authorized by this license, refer to the Spectrum and Market Area information under the Market Tab of the license record in the Universal Licensing System (ULS).

Licensee Name: NEW CINGULAR WIRELESS PCS, LLC

Call Sign: KNLH651

File Number:

Print Date:

700 MHz Relicensed Area Information:

Market	Market Name	Buildout Deadline	Buildout Notification	Status
---------------	--------------------	--------------------------	------------------------------	---------------

Reference Copy

Reference Copy Only. Do Not Mail to the FCC as an Application.

Submitted: 01/23/2024 at 17:43:02
File Number: 0010873332

FCC 601

Main Form

FCC Application for Radio Service Authorization: Wireless Telecommunications Bureau Public Safety and Homeland Security Bureau

Approved by OMB

3060 - 0798

See instructions for public burden estimate

1) Radio Service Code: CW	1a) Existing Radio Service Code:
-------------------------------------	----------------------------------

General Information

2) (Select only one) (AU) NE - New RO - Renewal Only AU - Administrative Update NT - Required Notifications MD - Modification RM - Renewal/Modification WD - Withdrawal of Application EX - Requests for Extension of Time AM - Amendment CA - Cancellation of License RL - Registered Location/Link	
3a) If this application is for a Demonstration License or a S pecial Temporary Authorization (STA), enter the code and attach the required exhibit as described in the instructions. Otherwise enter ' N/A ' (Not Applicable).	(N) <u>M</u> <u>S</u> <u>N/A</u>
3b) If this application is for Special Temporary Authority due to an emergency situation, enter 'Y'; otherwise enter 'N'. Refer to Rule 1.915 for an explanation of situations considered to be an emergency.	() <u>Y</u> <u>N</u>
4) If this application is for an Amendment or Withdrawal, enter the file number of the pending application currently on file with the FCC.	File Number
5) If this application is for a Modification, Renewal Only, Renewal/Modification, Cancellation of License, , or Administrative Update, enter the call sign of the existing FCC license. If this is a request for Registered Location/Link, enter the FCC call sign assigned to the geographic license.	Call Sign KNLH651
6a) If this application is for a New, Amendment, Renewal Only, or Renewal/Modification, enter the requested authorization expiration date (this item is optional).	MM DD ____ / ____
6b) If this application is for a Renewal Only or Renewal/Modification and the license is a geographic area license, is the license used to provide service to customers (C), or is the license used for private business (internal) purposes or to meet the licensee's public interest/public safety communications needs (P)?	() <u>C</u> <u>P</u>
7) Is this application "major" as defined in § 1.929 of the Commission's Rules when read in conjunction with the applicable radio service rules found in Parts 22 and 90 of the Commission's Rules? (NOTE: This question only applies to certain site-specific applications. See the instructions for applicability and full text of § 1.929).	() <u>Y</u> <u>N</u>
8) Are attachments (other than associated schedules) being filed with this application?	() <u>Y</u> <u>N</u>

Fees, Waivers, and Exemptions

9) Is the Applicant exempt from FCC application fees?	(N) <u>Y</u> <u>N</u>
10) Is the Applicant exempt from FCC regulatory fees?	(N) <u>Y</u> <u>N</u>
11) Does this application include a request for a Waiver of the Commission's Rule(s)? If 'Yes', attach an exhibit providing rule number(s) and explaining circumstances.	(N) <u>Y</u> <u>N</u>
12) Are the frequencies or parameters requested in this filing covered by grandfathered privileges, previously approved by waiver, or functionally integrated with an existing station?	() <u>Y</u> <u>N</u>

Applicant Information

13) FCC Registration Number (FRN): 0003291192			
14) Applicant/Licensee Legal Entity Type: (Select One) <input type="checkbox"/> Individual <input type="checkbox"/> Unincorporated Association <input type="checkbox"/> Trust <input type="checkbox"/> Government Entity <input type="checkbox"/> Corporation <input checked="" type="checkbox"/> Limited Liability Company <input type="checkbox"/> General Partnership <input type="checkbox"/> Limited Partnership <input type="checkbox"/> Limited Liability Partnership <input type="checkbox"/> Consortium <input type="checkbox"/> Other: _____			
15) If the Licensee name is being updated, is the update a result from the sale (or transfer of control) of the license(s) to party and for which proper Commission approval has not been received or proper notification not provided?			<input type="checkbox"/> Yes <input checked="" type="checkbox"/> No
16) First Name (if individual):	MI:	Last Name:	Suffix:
17) Legal Entity Name (if other than individual): New Cingular Wireless PCS, LLC			
18) Attention To: National Regulatory Compliance			
19) P.O. Box:	And/Or	20) Street Address: 208 S Akard St, 20F	
21) City: Dallas	22) State: TX	23) Zip Code: 75202	
24) Telephone Number: (855)699-7073		25) Fax: (214)746-6410	
26) E-Mail Address: FCCMW@att.com			

27) Demographics (Optional)

Race: <input type="checkbox"/> American Indian or Alaska Native <input type="checkbox"/> Asian <input type="checkbox"/> Black or African-American <input type="checkbox"/> Native Hawaiian or Other Pacific Islander <input type="checkbox"/> White	Ethnicity: <input type="checkbox"/> Hispanic or Latino <input type="checkbox"/> Not Hispanic or Latino	Gender: <input type="checkbox"/> Male <input type="checkbox"/> Female
--	--	---

Real Party in Interest

28) Name of Real Party in Interest of Applicant (If different from Applicant):	29) FCC Registration Number (FRN) of Real Party in Interest:
--	--

Contact Information (If different from the Applicant) Check here if same as Applicant.

30) First Name: Jessica	MI: J	Last Name: Dunk	Suffix:
31) Company Name: AT&T Services, Inc.			
32) Attention To: NRC			
33) P.O. Box:	And /Or	34) Street Address: 208 S Akard St, 20F	
35) City: Dallas	36) State: TX	37) Zip Code: 75202	
38) Telephone Number: (855)699-7073		39) Fax: (214)746-6410	
40) E-Mail Address: FCCMW@att.com			

Regulatory Status

41) This filing is for authorization to provide or use the following type(s) of radio service offering (enter all that apply):
() Common Carrier () Non-Common Carrier () Private, internal communications () Broadcast Services () Band Manager

Type of Radio Service

42) This filing is for authorization to provide the following type(s) of radio service (choose all that apply):
() Fixed () Mobile () Radiolocation () Satellite (sound) () Broadcast Services
43) Does the Applicant propose to provide service interconnected to the public telephone network? () Yes () No

Alien Ownership Questions (If any answer is 'Y', provide an attachment explaining the circumstances. In preparing the attachment, refer to the Main Form Instructions for the "Alien Ownership Questions".)

44) Is the Applicant a foreign government or the representative of any foreign government? () Yes () No
45) Is the Applicant an alien or the representative of an alien? () Yes () No
46) Is the Applicant a corporation organized under the laws of any foreign government? () Yes () No
47) Is the Applicant a corporation of which more than one-fifth of the capital stock is owned of record or voted by aliens or their representatives, or by a foreign government or representative thereof, or by any corporation organized under the laws of a foreign country? () Yes () No

48a) Is the Applicant directly or indirectly controlled by any other corporation of which more than one-fourth of the capital stock (Yes No) is owned of record or voted by aliens or their representatives, or by a foreign government or representative thereof, or by any corporation organized under the laws of a foreign country?

48b) If the answer to 47 or 48a is 'Y' select one of the choices below.

The Applicant is exempt from the provisions of Section 310(b).

If checked, it is not necessary to file a petition for declaratory ruling if the Applicant includes in the attachment required by Item 47 or Item 48a a showing that the requested license(s) is exempt from the provisions of Section 310(b).

The Applicant has received a declaratory ruling(s) approving its foreign ownership, and the application involves only the acquisition of additional spectrum for the provision of a wireless service in a geographic coverage area for which the Applicant has been previously authorized.

If checked, include in the attachment required by Item 47 or Item 48a the citation(s) of the applicable declaratory ruling(s) by DA/FCC number, the FCC Record citation, if available, release date, and a statement that there has been no change in the foreign ownership of the Applicant since the issuance of its ruling.

The Applicant: (i) has received a declaratory ruling(s) approving its foreign ownership, but is not able to make the certification specified immediately above; or (ii) is an "affiliate" of a Licensee or Lessee/Sublessee that received a declaratory ruling(s) under 47 CFR § 1.5000(a) and is relying on the affiliate's ruling for purposes of filing this application as permitted under the affiliate's ruling and 47 CFR § 1.5004(b)

If checked, and if the Applicant received its declaratory ruling(s) on or after August 9, 2013, include in the attachment required by Item 47 or Item 48a the citation(s) of the Applicant's declaratory ruling(s) by DA/FCC number, the FCC Record citation, if available, release date, and a statement that the Applicant is in compliance with the terms and conditions of its ruling and with the Commission's Rules.

If checked, and if the Applicant received its declaratory ruling(s) prior to August 9, 2013, include in the attachment required by Item 48a a copy of a petition for declaratory ruling filed contemporaneously with the Commission to extend the Applicant's existing ruling(s) to cover the same radio service(s) and geographic coverage area(s) involved in the application. Alternatively, the Applicant may request a new declaratory ruling pursuant to Section 1.5000(a) of the Commission's Rules, 47 CFR § 1.5000 (a). Petitions for declaratory ruling may be filed electronically on the Internet through the International Bureau Filing System (IBFS) (with a copy attached hereto).

If checked, and if the Applicant is relying on an affiliate's ruling for purposes of filing this application, include in the attachment required by Item 47 or Item 48a the citation(s) of the applicable declaratory ruling(s) by DA/FCC number, the FCC Record citation, if available, release date, and a statement that the Applicant is in compliance with the terms and conditions of the named affiliate's ruling and with the Commission's Rules. The Applicant must also include a certification of compliance signed by the named affiliate or other qualified entity as specified in 47 CFR § 1.5004(b). See Main Form Instructions for Items 47 or 48a, as applicable.

The Applicant has not received a declaratory ruling approving its foreign ownership and is requesting a declaratory ruling under 47 CFR § 1.5004(b) in a petition filed contemporaneously with the Commission.

If checked, include in the attachment required by Item 47 or 48a a copy of the petition for declaratory ruling filed contemporaneously with the Commission pursuant to 47 CFR § 1.5004(b). Petitions for declaratory ruling may be filed electronically on the Internet through the International Bureau Filing System (IBFS) (with a copy attached hereto).

Basic Qualification Questions

49) Has the Applicant or any party to this application had any FCC station authorization, license or construction permit revoked or had any application for an initial, modification or renewal of FCC station authorization, license, or construction permit denied by the Commission?	() <u>Yes</u> <u>No</u>
50) Has the Applicant or any party to this application, or any party directly or indirectly controlling the Applicant, ever been convicted of a felony by any state or federal court?	() <u>Yes</u> <u>No</u>
51) Has any court finally adjudged the Applicant or any party directly or indirectly controlling the Applicant guilty of unlawfully monopolizing or attempting unlawfully to monopolize radio communication, directly or indirectly, through control of manufacture or sale of radio apparatus, exclusive traffic arrangement, or any other means or unfair methods of competition?	() <u>Yes</u> <u>No</u>

Note: If the answer to any of 49-51 is 'Y', attach an exhibit explaining the circumstances.

Aeronautical Advisory Station (Unicom) Certification

52) () I certify that the station will be located on property of the airport to be served, and, in cases where the airport does not have a control tower, RCO, or FAA flight service station, that I have notified the owner of the airport and all aviation service organizations located at the airport within ten days prior to application.
--

Broadband Radio Service and Educational Broadband Service Cable Cross-Ownership

53a) Will the requested facilities be used to provide multichannel video programming service?	() <u>Yes</u> <u>No</u>
53b) If the answer to question 53a is 'Y', does the Applicant operate, control or have an attributable interest (as defined in 47 CFR § 27.1202) in a cable television system whose franchise area is located within the geographic service area of the requested facilities?	() <u>Yes</u> <u>No</u>

Note: If the answer to question 53b is 'Y', attach an exhibit explaining how the Applicant complies with 47 CFR § 27.1202 or justifying a waiver of that rule. If a waiver of the Commission Rule(s) is being requested, Item 11a must be answered 'Y'.

Broadband Radio Service and Educational Broadband Service (Part 27)

54) (For EBS only) Does the Applicant comply with the programming requirements contained in 47 CFR § 27.1203?	() <u>Yes</u> <u>No</u>
---	--------------------------

Note: If the answer to item 54 is 'N', attach an exhibit explaining how the Applicant complies with 47 CFR § 27.1203 of the Commission's Rules or justifying a waiver of that rule. If a waiver of the Commission Rule(s) is being requested, Item 11a must be answered 'Y'.

55) (For BRS and EBS) Does the Applicant comply with 47 CFR §§ 27.50, 27.55, and 27.1221?	() <u>Yes</u> <u>No</u>
---	--------------------------

Note: If the answer to item 55 is 'N', attach an exhibit justifying a waiver of that rule(s). If a waiver of the Commission Rule(s) is being requested, Item 11a must be answered 'Y'.

For Applicants Who Participated in an Auction

56) Is the Applicant a qualifying rural wireless partnership or a member of a qualifying rural wireless partnership?	() <u>Yes</u> <u>No</u>
--	--------------------------

Note: If the answer to item 56 is 'Y', attach an exhibit listing all members of the qualifying rural wireless partnership, including their FRN numbers.

For Renewal Applicants

57) Operation/Performance Requirement Certification	
[For a site-based license]: Applicant certifies that it is continuing to operate consistent with its most recently filed construction notification (or most recent authorization, if no construction notification was required).	() <u>Yes</u> <u>No</u>
[For a geographic license, commercial service - licensee in its initial license term with an interim performance requirement]: Applicant certifies that it has met its interim performance requirement, that over the portion of the license term following the interim performance requirement, it continues to use its facilities to provide at least the level of service required by its interim performance requirement, it has met its final performance requirement, and it continues to use its facilities to provide at least the level of service required by its final performance requirement through the end of the license term.	() <u>Yes</u> <u>No</u>
[For a geographic license, commercial service - licensee in its initial license term with no interim performance requirement]: Applicant certifies that it has met its final performance requirement and it continues to use its facilities to provide at least the level of service required by its final performance requirement through the end of the license term. [Note: licensee must provide a showing demonstrating that the final performance requirement has been met, either separately in a timely application for notification of completion of construction, or as part of its renewal application, depending on the radio service.]	() <u>Yes</u> <u>No</u>
[For a geographic license, commercial service - licensee in any subsequent term]: Applicant certifies that it continues to use its facilities to provide at least the level of service required by its final performance requirement through the end of any subsequent license terms.	() <u>Yes</u> <u>No</u>
[For a geographic license, private systems - licensee in its initial license term with an interim performance requirement]: Applicant certifies that it has met its interim performance requirement, that over the portion of the license term following the interim performance requirement, it continues to use its facilities to further its private business or public interest/public safety communications needs at or above the level required to meet its interim performance requirement, it has met its final performance requirement, and it continues to use its facilities to provide at least the level of operation required by its final performance requirement through the end of the license term.	() <u>Yes</u> <u>No</u>
[For a geographic license, private systems - licensee in its initial license term with no interim performance requirement]: Applicant certifies that it has met its final performance requirement, it continues to use its facilities to further its private business or public interest/public safety communications needs, and it continues to use its facilities to provide at least the level of operation required by its final performance requirement through the end of the license term. [Note: licensee must provide a showing demonstrating that the final performance requirement has been met, either separately in a timely application for notification of completion of construction, or as part of its renewal application, depending on the radio service.]	() <u>Yes</u> <u>No</u>

[For a geographic license, private systems - licensee in any subsequent term]: Applicant certifies that it continues to use its facilities to further its private business or public interest/public safety communications needs at or above the level required to meet its final performance requirement through the end of any subsequent license terms.	() <u>Yes</u> <u>No</u>
[For a partitioned or disaggregated license without a performance requirement, for the first renewal application filed after effective date of the rules]: Applicant certifies that the partitioned and/or disaggregated license that is the subject of this renewal application has no separate performance requirement and that this is the first renewal of this license filed subsequent to the effective date of the rules.	() <u>Yes</u> <u>No</u>
[For a partitioned or disaggregated license without a performance requirement, for any subsequent renewal filings]: Applicant certifies that it continues to use its facilities to provide service or to further the applicant's private business or public interest/public safety needs.	() <u>Yes</u> <u>No</u>

Discontinuance of Service Certification

58) Applicant certifies that no permanent discontinuance of service or operation, as applicable, occurred during its current license term. Note: If the response to either item 57 or item 58 is 'N', attach an exhibit that demonstrates that over the course of the license term, the Applicant provided and continues to provide service to the public, or operated and continues to operate the license to meet the Applicant's private business or public interest/public safety communications needs. This exhibit must include a detailed description of the Applicant's provision of service or, when allowed under the relevant service rules or pursuant to waiver, use of the spectrum for private business or public interest/public safety communications needs, during the entire license period and address, as applicable: 1) the level and quality of service provided by the applicant (e.g., the population served, the area served, the number of subscribers, the services offered); (2) the date service commenced, whether service was ever interrupted, and the duration of any interruption or outage; (3) the extent to which service is provided to rural areas; (4) the extent to which service is provided to qualifying tribal land as defined in 47 CFR § 1.2110(e)(3)(i); and (5) any other factors associated with the level of service to the public. The licensee may note in its exhibit: 1) any grant(s) of waiver or extension of a performance deadline or license renewal subject to meeting a performance requirement; or 2) if the final performance deadline and/or expiration date for the license accelerated because the licensee did not meet an interim performance requirement.	() <u>Yes</u> <u>No</u>
--	--------------------------

Regulatory Compliance Certification [same for all]

59) Applicant certifies that it has substantially complied with all applicable FCC rules, policies, and the Communications Act of 1934, as amended. Note: If the response to item 59 is 'N', attach an exhibit explaining the circumstances and demonstrating why Applicant's license should be renewed.	() <u>Yes</u> <u>No</u>
--	--------------------------

General Certification Statements

1) The Applicant waives any claim to the use of any particular frequency or of the electromagnetic spectrum as against the regulatory power of the United States because of the previous use of the same, whether by license or otherwise, and requests an authorization in accordance with this application.
2) The Applicant certifies that grant of this application would not cause the Applicant to be in violation of any pertinent cross-ownership or attribution rules.* *If the Applicant has sought a waiver of any such rule in connection with this application, it may make this certification subject to the outcome of the waiver request.
3) The Applicant certifies that all statements made in this application and in the exhibits, attachments, or documents incorporated by reference are material, are part of this application, and are true, complete, correct, and made in good faith.
4) The Applicant certifies that neither the Applicant nor any other party to the application is subject to a denial of Federal benefits pursuant to § 5301 of the Anti-Drug Abuse Act of 1988, 21 U.S.C. § 862, because of a conviction for possession or distribution of a controlled substance. This certification does not apply to applications filed in services exempted under § 1.2002(c) of the rules, 47 CFR § 1.2002(c). See 47 CFR § 1.2002(b) for the definition of "party to the application" as used in this certification.
5) The Applicant certifies that it either (1) has current required ownership data on file with the Commission, (2) is filing updated ownership data simultaneously with this application, or (3) is not required to file ownership data under the Commission's Rules.
6) The Applicant certifies that the facilities, operations, and transmitters for which this authorization is hereby requested are either: (1) categorically excluded from routine environmental evaluation for RF exposure as set forth in 47 CFR § 1.1307(b); or, (2) have been found not to cause human exposure to levels of radiofrequency radiation in excess of the limits specified in 47 CFR §§ 1.1310 and 2.1093; or, (3) are the subject of one or more Environmental Assessments filed with the Commission.
7) The Applicant certifies that it has reviewed the appropriate Commission Rules defining eligibility to hold the requested license(s) and is eligible to hold the requested license(s).
8) The Applicant certifies that it is not in default on any payment for Commission licenses and that it is not delinquent on any non-tax debt owed to any federal agency.
9) The Applicant certifies that the Applicant and all of the related individuals and entities required to be disclosed on this application and FCC Form 602 (FCC Ownership Disclosure Information for the Wireless Telecommunications Services) are not person(s) who have been, for reasons of national security, barred by any agency of the Federal Government from bidding on a contract, participating in an auction, or receiving a grant. This certification applies only to applications for licenses for spectrum that is required by Sections 6103, 6401-6403 of the Middle Class Tax Relief and Job Creation Act of 2012, codified at 47 U.S.C. §§ 309, 1413, 1451-1452, to be assigned by a system of competitive bidding under 47 U.S.C. § 309(j).

Signature

60) Typed or Printed Name of Party Authorized to Sign

First Name: Jessica	MI:	Last Name: Dunk	Suffix:
61) Title: Assistant Secretary - Compliance			
Signature: Jessica Dunk			62) Date: 01/23/2024
FAILURE TO SIGN THIS APPLICATION MAY RESULT IN DISMISSAL OF THE APPLICATION AND FORFEITURE OF ANY FEES PAID.			
Upon grant of this license application, the Licensee may be subject to certain construction or coverage requirements. Failure to meet the construction or coverage requirements will result in termination of the license. Consult appropriate FCC regulations to determine the construction or coverage requirements that apply to the type of license requested in this application.			
WILLFUL FALSE STATEMENTS MADE ON THIS FORM OR ANY ATTACHMENTS ARE PUNISHABLE BY FINE AND/OR IMPRISONMENT (U.S. Code, Title 18, § 1001) AND/OR REVOCATION OF ANY STATION LICENSE OR CONSTRUCTION PERMIT (U.S. Code, Title 47, § 312(a)(1)), AND/OR FORFEITURE (U.S. Code, Title 47, § 503).			

Reference Copy Only. Do Not Mail to the FCC as an Application.

Submitted: 01/22/2024 at 14:43:18
File Number: 0010867972

FCC 601

Main Form

FCC Application for Radio Service Authorization: Wireless Telecommunications Bureau Public Safety and Homeland Security Bureau

Approved by OMB

3060 - 0798

See instructions for public burden estimate

1) Radio Service Code: CW	1a) Existing Radio Service Code:
-------------------------------------	----------------------------------

General Information

2) (Select only one) (AU) NE - New RO - Renewal Only AU - Administrative Update NT - Required Notifications MD - Modification RM - Renewal/Modification WD - Withdrawal of Application EX - Requests for Extension of Time AM - Amendment CA - Cancellation of License RL - Registered Location/Link	
3a) If this application is for a Demonstration License or a S pecial Temporary Authorization (STA), enter the code and attach the required exhibit as described in the instructions. Otherwise enter ' N/A ' (Not Applicable).	(N) <u>M</u> <u>S</u> <u>N/A</u>
3b) If this application is for Special Temporary Authority due to an emergency situation, enter 'Y'; otherwise enter 'N'. Refer to Rule 1.915 for an explanation of situations considered to be an emergency.	() <u>Y</u> es N o
4) If this application is for an Amendment or Withdrawal, enter the file number of the pending application currently on file with the FCC.	File Number
5) If this application is for a Modification, Renewal Only, Renewal/Modification, Cancellation of License, , or Administrative Update, enter the call sign of the existing FCC license. If this is a request for Registered Location/Link, enter the FCC call sign assigned to the geographic license.	Call Sign KNLH651
6a) If this application is for a New, Amendment, Renewal Only, or Renewal/Modification, enter the requested authorization expiration date (this item is optional).	MM DD ____ / ____
6b) If this application is for a Renewal Only or Renewal/Modification and the license is a geographic area license, is the license used to provide service to customers (C), or is the license used for private business (internal) purposes or to meet the licensee's public interest/public safety communications needs (P)?	() <u>C</u> <u>P</u>
7) Is this application "major" as defined in § 1.929 of the Commission's Rules when read in conjunction with the applicable radio service rules found in Parts 22 and 90 of the Commission's Rules? (NOTE: This question only applies to certain site-specific applications. See the instructions for applicability and full text of § 1.929).	() <u>Y</u> es N o
8) Are attachments (other than associated schedules) being filed with this application?	() <u>Y</u> es N o

Fees, Waivers, and Exemptions

9) Is the Applicant exempt from FCC application fees?	(N) <u>Y</u> es N o
10) Is the Applicant exempt from FCC regulatory fees?	(N) <u>Y</u> es N o
11) Does this application include a request for a Waiver of the Commission's Rule(s)? If 'Yes', attach an exhibit providing rule number(s) and explaining circumstances.	(N) <u>Y</u> es N o
12) Are the frequencies or parameters requested in this filing covered by grandfathered privileges, previously approved by waiver, or functionally integrated with an existing station?	() <u>Y</u> es N o

Applicant Information

13) FCC Registration Number (FRN): 0003291192			
14) Applicant/Licensee Legal Entity Type: (Select One) <input type="checkbox"/> Individual <input type="checkbox"/> Unincorporated Association <input type="checkbox"/> Trust <input type="checkbox"/> Government Entity <input type="checkbox"/> Corporation <input checked="" type="checkbox"/> Limited Liability Company <input type="checkbox"/> General Partnership <input type="checkbox"/> Limited Partnership <input type="checkbox"/> Limited Liability Partnership <input type="checkbox"/> Consortium <input type="checkbox"/> Other: _____			
15) If the Licensee name is being updated, is the update a result from the sale (or transfer of control) of the license(s) to party and for which proper Commission approval has not been received or proper notification not provided?			<input type="checkbox"/> Yes <input checked="" type="checkbox"/> No
16) First Name (if individual):	MI:	Last Name:	Suffix:
17) Legal Entity Name (if other than individual): New Cingular Wireless PCS, LLC			
18) Attention To: National Regulatory Compliance			
19) P.O. Box:	And/Or	20) Street Address: 208 S Akard St, 20F	
21) City: Dallas	22) State: TX	23) Zip Code: 75202	
24) Telephone Number: (855)699-7073		25) Fax: (214)746-6410	
26) E-Mail Address: FCCMW@att.com			

27) Demographics (Optional)

Race: <input type="checkbox"/> American Indian or Alaska Native <input type="checkbox"/> Asian <input type="checkbox"/> Black or African-American <input type="checkbox"/> Native Hawaiian or Other Pacific Islander <input type="checkbox"/> White	Ethnicity: <input type="checkbox"/> Hispanic or Latino <input type="checkbox"/> Not Hispanic or Latino	Gender: <input type="checkbox"/> Male <input type="checkbox"/> Female
--	--	---

Real Party in Interest

28) Name of Real Party in Interest of Applicant (If different from Applicant):	29) FCC Registration Number (FRN) of Real Party in Interest:
--	--

Contact Information (If different from the Applicant) Check here if same as Applicant.

30) First Name: Cecil	MI: J	Last Name: Mathew	Suffix:
31) Company Name: AT&T Services, Inc.			
32) Attention To: FCC Group			
33) P.O. Box:	And /Or	34) Street Address: 208 S. Akard St. 20F	
35) City: Dallas	36) State: TX	37) Zip Code: 75202	
38) Telephone Number: (855)699-7073		39) Fax: (214)746-6410	
40) E-Mail Address: FCCMW@att.com			

Regulatory Status

41) This filing is for authorization to provide or use the following type(s) of radio service offering (enter all that apply):
() Common Carrier () Non-Common Carrier () Private, internal communications () Broadcast Services () Band Manager

Type of Radio Service

42) This filing is for authorization to provide the following type(s) of radio service (choose all that apply):
() Fixed () Mobile () Radiolocation () Satellite (sound) () Broadcast Services
43) Does the Applicant propose to provide service interconnected to the public telephone network? () Yes () No

Alien Ownership Questions (If any answer is 'Y', provide an attachment explaining the circumstances. In preparing the attachment, refer to the Main Form Instructions for the "Alien Ownership Questions".)

44) Is the Applicant a foreign government or the representative of any foreign government? () Yes () No
45) Is the Applicant an alien or the representative of an alien? () Yes () No
46) Is the Applicant a corporation organized under the laws of any foreign government? () Yes () No
47) Is the Applicant a corporation of which more than one-fifth of the capital stock is owned of record or voted by aliens or their representatives, or by a foreign government or representative thereof, or by any corporation organized under the laws of a foreign country? () Yes () No

48a) Is the Applicant directly or indirectly controlled by any other corporation of which more than one-fourth of the capital stock (Yes No) is owned of record or voted by aliens or their representatives, or by a foreign government or representative thereof, or by any corporation organized under the laws of a foreign country?

48b) If the answer to 47 or 48a is 'Y' select one of the choices below.

The Applicant is exempt from the provisions of Section 310(b).

If checked, it is not necessary to file a petition for declaratory ruling if the Applicant includes in the attachment required by Item 47 or Item 48a a showing that the requested license(s) is exempt from the provisions of Section 310(b).

The Applicant has received a declaratory ruling(s) approving its foreign ownership, and the application involves only the acquisition of additional spectrum for the provision of a wireless service in a geographic coverage area for which the Applicant has been previously authorized.

If checked, include in the attachment required by Item 47 or Item 48a the citation(s) of the applicable declaratory ruling(s) by DA/FCC number, the FCC Record citation, if available, release date, and a statement that there has been no change in the foreign ownership of the Applicant since the issuance of its ruling.

The Applicant: (i) has received a declaratory ruling(s) approving its foreign ownership, but is not able to make the certification specified immediately above; or (ii) is an "affiliate" of a Licensee or Lessee/Sublessee that received a declaratory ruling(s) under 47 CFR § 1.5000(a) and is relying on the affiliate's ruling for purposes of filing this application as permitted under the affiliate's ruling and 47 CFR § 1.5004(b)

If checked, and if the Applicant received its declaratory ruling(s) on or after August 9, 2013, include in the attachment required by Item 47 or Item 48a the citation(s) of the Applicant's declaratory ruling(s) by DA/FCC number, the FCC Record citation, if available, release date, and a statement that the Applicant is in compliance with the terms and conditions of its ruling and with the Commission's Rules.

If checked, and if the Applicant received its declaratory ruling(s) prior to August 9, 2013, include in the attachment required by Item 48a a copy of a petition for declaratory ruling filed contemporaneously with the Commission to extend the Applicant's existing ruling(s) to cover the same radio service(s) and geographic coverage area(s) involved in the application. Alternatively, the Applicant may request a new declaratory ruling pursuant to Section 1.5000(a) of the Commission's Rules, 47 CFR § 1.5000 (a). Petitions for declaratory ruling may be filed electronically on the Internet through the International Bureau Filing System (IBFS) (with a copy attached hereto).

If checked, and if the Applicant is relying on an affiliate's ruling for purposes of filing this application, include in the attachment required by Item 47 or Item 48a the citation(s) of the applicable declaratory ruling(s) by DA/FCC number, the FCC Record citation, if available, release date, and a statement that the Applicant is in compliance with the terms and conditions of the named affiliate's ruling and with the Commission's Rules. The Applicant must also include a certification of compliance signed by the named affiliate or other qualified entity as specified in 47 CFR § 1.5004(b). See Main Form Instructions for Items 47 or 48a, as applicable.

The Applicant has not received a declaratory ruling approving its foreign ownership and is requesting a declaratory ruling under 47 CFR § 1.5004(b) in a petition filed contemporaneously with the Commission.

If checked, include in the attachment required by Item 47 or 48a a copy of the petition for declaratory ruling filed contemporaneously with the Commission pursuant to 47 CFR § 1.5004(b). Petitions for declaratory ruling may be filed electronically on the Internet through the International Bureau Filing System (IBFS) (with a copy attached hereto).

Basic Qualification Questions

49) Has the Applicant or any party to this application had any FCC station authorization, license or construction permit revoked or had any application for an initial, modification or renewal of FCC station authorization, license, or construction permit denied by the Commission?	() <u>Yes</u> <u>No</u>
50) Has the Applicant or any party to this application, or any party directly or indirectly controlling the Applicant, ever been convicted of a felony by any state or federal court?	() <u>Yes</u> <u>No</u>
51) Has any court finally adjudged the Applicant or any party directly or indirectly controlling the Applicant guilty of unlawfully monopolizing or attempting unlawfully to monopolize radio communication, directly or indirectly, through control of manufacture or sale of radio apparatus, exclusive traffic arrangement, or any other means or unfair methods of competition?	() <u>Yes</u> <u>No</u>

Note: If the answer to any of 49-51 is 'Y', attach an exhibit explaining the circumstances.

Aeronautical Advisory Station (Unicom) Certification

52) () I certify that the station will be located on property of the airport to be served, and, in cases where the airport does not have a control tower, RCO, or FAA flight service station, that I have notified the owner of the airport and all aviation service organizations located at the airport within ten days prior to application.
--

Broadband Radio Service and Educational Broadband Service Cable Cross-Ownership

53a) Will the requested facilities be used to provide multichannel video programming service?	() <u>Yes</u> <u>No</u>
53b) If the answer to question 53a is 'Y', does the Applicant operate, control or have an attributable interest (as defined in 47 CFR § 27.1202) in a cable television system whose franchise area is located within the geographic service area of the requested facilities?	() <u>Yes</u> <u>No</u>

Note: If the answer to question 53b is 'Y', attach an exhibit explaining how the Applicant complies with 47 CFR § 27.1202 or justifying a waiver of that rule. If a waiver of the Commission Rule(s) is being requested, Item 11a must be answered 'Y'.

Broadband Radio Service and Educational Broadband Service (Part 27)

54) (For EBS only) Does the Applicant comply with the programming requirements contained in 47 CFR § 27.1203?	() <u>Yes</u> <u>No</u>
---	--------------------------

Note: If the answer to item 54 is 'N', attach an exhibit explaining how the Applicant complies with 47 CFR § 27.1203 of the Commission's Rules or justifying a waiver of that rule. If a waiver of the Commission Rule(s) is being requested, Item 11a must be answered 'Y'.

55) (For BRS and EBS) Does the Applicant comply with 47 CFR §§ 27.50, 27.55, and 27.1221?	() <u>Yes</u> <u>No</u>
---	--------------------------

Note: If the answer to item 55 is 'N', attach an exhibit justifying a waiver of that rule(s). If a waiver of the Commission Rule(s) is being requested, Item 11a must be answered 'Y'.

For Applicants Who Participated in an Auction

56) Is the Applicant a qualifying rural wireless partnership or a member of a qualifying rural wireless partnership?	() <u>Yes</u> <u>No</u>
--	--------------------------

Note: If the answer to item 56 is 'Y', attach an exhibit listing all members of the qualifying rural wireless partnership, including their FRN numbers.

For Renewal Applicants**57) Operation/Performance Requirement Certification**

[For a site-based license]: Applicant certifies that it is continuing to operate consistent with its most recently filed construction notification (or most recent authorization, if no construction notification was required).	() <u>Yes</u> <u>No</u>
[For a geographic license, commercial service - licensee in its initial license term with an interim performance requirement]: Applicant certifies that it has met its interim performance requirement, that over the portion of the license term following the interim performance requirement, it continues to use its facilities to provide at least the level of service required by its interim performance requirement, it has met its final performance requirement, and it continues to use its facilities to provide at least the level of service required by its final performance requirement through the end of the license term.	() <u>Yes</u> <u>No</u>
[For a geographic license, commercial service - licensee in its initial license term with no interim performance requirement]: Applicant certifies that it has met its final performance requirement and it continues to use its facilities to provide at least the level of service required by its final performance requirement through the end of the license term. [Note: licensee must provide a showing demonstrating that the final performance requirement has been met, either separately in a timely application for notification of completion of construction, or as part of its renewal application, depending on the radio service.]	() <u>Yes</u> <u>No</u>
[For a geographic license, commercial service - licensee in any subsequent term]: Applicant certifies that it continues to use its facilities to provide at least the level of service required by its final performance requirement through the end of any subsequent license terms.	() <u>Yes</u> <u>No</u>
[For a geographic license, private systems - licensee in its initial license term with an interim performance requirement]: Applicant certifies that it has met its interim performance requirement, that over the portion of the license term following the interim performance requirement, it continues to use its facilities to further its private business or public interest/public safety communications needs at or above the level required to meet its interim performance requirement, it has met its final performance requirement, and it continues to use its facilities to provide at least the level of operation required by its final performance requirement through the end of the license term.	() <u>Yes</u> <u>No</u>
[For a geographic license, private systems - licensee in its initial license term with no interim performance requirement]: Applicant certifies that it has met its final performance requirement, it continues to use its facilities to further its private business or public interest/public safety communications needs, and it continues to use its facilities to provide at least the level of operation required by its final performance requirement through the end of the license term. [Note: licensee must provide a showing demonstrating that the final performance requirement has been met, either separately in a timely application for notification of completion of construction, or as part of its renewal application, depending on the radio service.]	() <u>Yes</u> <u>No</u>

[For a geographic license, private systems - licensee in any subsequent term]: Applicant certifies that it continues to use its facilities to further its private business or public interest/public safety communications needs at or above the level required to meet its final performance requirement through the end of any subsequent license terms.	() <u>Yes</u> <u>No</u>
[For a partitioned or disaggregated license without a performance requirement, for the first renewal application filed after effective date of the rules]: Applicant certifies that the partitioned and/or disaggregated license that is the subject of this renewal application has no separate performance requirement and that this is the first renewal of this license filed subsequent to the effective date of the rules.	() <u>Yes</u> <u>No</u>
[For a partitioned or disaggregated license without a performance requirement, for any subsequent renewal filings]: Applicant certifies that it continues to use its facilities to provide service or to further the applicant's private business or public interest/public safety needs.	() <u>Yes</u> <u>No</u>

Discontinuance of Service Certification

58) Applicant certifies that no permanent discontinuance of service or operation, as applicable, occurred during its current license term. Note: If the response to either item 57 or item 58 is 'N', attach an exhibit that demonstrates that over the course of the license term, the Applicant provided and continues to provide service to the public, or operated and continues to operate the license to meet the Applicant's private business or public interest/public safety communications needs. This exhibit must include a detailed description of the Applicant's provision of service or, when allowed under the relevant service rules or pursuant to waiver, use of the spectrum for private business or public interest/public safety communications needs, during the entire license period and address, as applicable: 1) the level and quality of service provided by the applicant (e.g., the population served, the area served, the number of subscribers, the services offered); (2) the date service commenced, whether service was ever interrupted, and the duration of any interruption or outage; (3) the extent to which service is provided to rural areas; (4) the extent to which service is provided to qualifying tribal land as defined in 47 CFR § 1.2110(e)(3)(i); and (5) any other factors associated with the level of service to the public. The licensee may note in its exhibit: 1) any grant(s) of waiver or extension of a performance deadline or license renewal subject to meeting a performance requirement; or 2) if the final performance deadline and/or expiration date for the license accelerated because the licensee did not meet an interim performance requirement.	() <u>Yes</u> <u>No</u>
--	--------------------------

Regulatory Compliance Certification [same for all]

59) Applicant certifies that it has substantially complied with all applicable FCC rules, policies, and the Communications Act of 1934, as amended. Note: If the response to item 59 is 'N', attach an exhibit explaining the circumstances and demonstrating why Applicant's license should be renewed.	() <u>Yes</u> <u>No</u>
--	--------------------------

General Certification Statements

1) The Applicant waives any claim to the use of any particular frequency or of the electromagnetic spectrum as against the regulatory power of the United States because of the previous use of the same, whether by license or otherwise, and requests an authorization in accordance with this application.
2) The Applicant certifies that grant of this application would not cause the Applicant to be in violation of any pertinent cross-ownership or attribution rules.* *If the Applicant has sought a waiver of any such rule in connection with this application, it may make this certification subject to the outcome of the waiver request.
3) The Applicant certifies that all statements made in this application and in the exhibits, attachments, or documents incorporated by reference are material, are part of this application, and are true, complete, correct, and made in good faith.
4) The Applicant certifies that neither the Applicant nor any other party to the application is subject to a denial of Federal benefits pursuant to § 5301 of the Anti-Drug Abuse Act of 1988, 21 U.S.C. § 862, because of a conviction for possession or distribution of a controlled substance. This certification does not apply to applications filed in services exempted under § 1.2002(c) of the rules, 47 CFR § 1.2002(c). See 47 CFR § 1.2002(b) for the definition of "party to the application" as used in this certification.
5) The Applicant certifies that it either (1) has current required ownership data on file with the Commission, (2) is filing updated ownership data simultaneously with this application, or (3) is not required to file ownership data under the Commission's Rules.
6) The Applicant certifies that the facilities, operations, and transmitters for which this authorization is hereby requested are either: (1) categorically excluded from routine environmental evaluation for RF exposure as set forth in 47 CFR § 1.1307(b); or, (2) have been found not to cause human exposure to levels of radiofrequency radiation in excess of the limits specified in 47 CFR §§ 1.1310 and 2.1093; or, (3) are the subject of one or more Environmental Assessments filed with the Commission.
7) The Applicant certifies that it has reviewed the appropriate Commission Rules defining eligibility to hold the requested license(s) and is eligible to hold the requested license(s).
8) The Applicant certifies that it is not in default on any payment for Commission licenses and that it is not delinquent on any non-tax debt owed to any federal agency.
9) The Applicant certifies that the Applicant and all of the related individuals and entities required to be disclosed on this application and FCC Form 602 (FCC Ownership Disclosure Information for the Wireless Telecommunications Services) are not person(s) who have been, for reasons of national security, barred by any agency of the Federal Government from bidding on a contract, participating in an auction, or receiving a grant. This certification applies only to applications for licenses for spectrum that is required by Sections 6103, 6401-6403 of the Middle Class Tax Relief and Job Creation Act of 2012, codified at 47 U.S.C. §§ 309, 1413, 1451-1452, to be assigned by a system of competitive bidding under 47 U.S.C. § 309(j).

Signature

60) Typed or Printed Name of Party Authorized to Sign

First Name: Jessica	MI:	Last Name: Dunk	Suffix:
61) Title: Assistant Secretary - Compliance			
Signature: Jessica Dunk			62) Date: 01/22/2024
FAILURE TO SIGN THIS APPLICATION MAY RESULT IN DISMISSAL OF THE APPLICATION AND FORFEITURE OF ANY FEES PAID.			
Upon grant of this license application, the Licensee may be subject to certain construction or coverage requirements. Failure to meet the construction or coverage requirements will result in termination of the license. Consult appropriate FCC regulations to determine the construction or coverage requirements that apply to the type of license requested in this application.			
WILLFUL FALSE STATEMENTS MADE ON THIS FORM OR ANY ATTACHMENTS ARE PUNISHABLE BY FINE AND/OR IMPRISONMENT (U.S. Code, Title 18, § 1001) AND/OR REVOCATION OF ANY STATION LICENSE OR CONSTRUCTION PERMIT (U.S. Code, Title 47, § 312(a)(1)), AND/OR FORFEITURE (U.S. Code, Title 47, § 503).			

Reference Copy Only. Do Not Mail to the FCC as an Application.

Submitted: 01/13/2023 at 18:08:22
File Number: 0010372816

FCC 601

Main Form

FCC Application for Radio Service Authorization: Wireless Telecommunications Bureau Public Safety and Homeland Security Bureau

Approved by OMB

3060 - 0798

See instructions for public burden estimate

1) Radio Service Code: CW	1a) Existing Radio Service Code:
-------------------------------------	----------------------------------

General Information

2) (Select only one) (AU) NE - New RO - Renewal Only AU - Administrative Update NT - Required Notifications MD - Modification RM - Renewal/Modification WD - Withdrawal of Application EX - Requests for Extension of Time AM - Amendment CA - Cancellation of License RL - Registered Location/Link	
3a) If this application is for a Demonstration License or a S pecial Temporary Authorization (STA), enter the code and attach the required exhibit as described in the instructions. Otherwise enter ' N/A ' (Not Applicable).	(N) <u>M</u> <u>S</u> <u>N/A</u>
3b) If this application is for Special Temporary Authority due to an emergency situation, enter 'Y'; otherwise enter 'N'. Refer to Rule 1.915 for an explanation of situations considered to be an emergency.	() <u>Y</u> es N o
4) If this application is for an Amendment or Withdrawal, enter the file number of the pending application currently on file with the FCC.	File Number
5) If this application is for a Modification, Renewal Only, Renewal/Modification, Cancellation of License, , or Administrative Update, enter the call sign of the existing FCC license. If this is a request for Registered Location/Link, enter the FCC call sign assigned to the geographic license.	Call Sign KNLH651
6a) If this application is for a New, Amendment, Renewal Only, or Renewal/Modification, enter the requested authorization expiration date (this item is optional).	MM DD ____ / ____
6b) If this application is for a Renewal Only or Renewal/Modification and the license is a geographic area license, is the license used to provide service to customers (C), or is the license used for private business (internal) purposes or to meet the licensee's public interest/public safety communications needs (P)?	() <u>C</u> <u>P</u>
7) Is this application "major" as defined in § 1.929 of the Commission's Rules when read in conjunction with the applicable radio service rules found in Parts 22 and 90 of the Commission's Rules? (NOTE: This question only applies to certain site-specific applications. See the instructions for applicability and full text of § 1.929).	() <u>Y</u> es N o
8) Are attachments (other than associated schedules) being filed with this application?	() <u>Y</u> es N o

Fees, Waivers, and Exemptions

9) Is the Applicant exempt from FCC application fees?	(N) <u>Y</u> es N o
10) Is the Applicant exempt from FCC regulatory fees?	(N) <u>Y</u> es N o
11) Does this application include a request for a Waiver of the Commission's Rule(s)? If 'Yes', attach an exhibit providing rule number(s) and explaining circumstances.	(N) <u>Y</u> es N o
12) Are the frequencies or parameters requested in this filing covered by grandfathered privileges, previously approved by waiver, or functionally integrated with an existing station?	() <u>Y</u> es N o

Applicant Information

13) FCC Registration Number (FRN): 0003291192			
14) Applicant/Licensee Legal Entity Type: (Select One) <input type="checkbox"/> Individual <input type="checkbox"/> Unincorporated Association <input type="checkbox"/> Trust <input type="checkbox"/> Government Entity <input type="checkbox"/> Corporation <input checked="" type="checkbox"/> Limited Liability Company <input type="checkbox"/> General Partnership <input type="checkbox"/> Limited Partnership <input type="checkbox"/> Limited Liability Partnership <input type="checkbox"/> Consortium <input type="checkbox"/> Other: _____			
15) If the Licensee name is being updated, is the update a result from the sale (or transfer of control) of the license(s) to party and for which proper Commission approval has not been received or proper notification not provided?			<input type="checkbox"/> Yes <input checked="" type="checkbox"/> No
16) First Name (if individual):	MI:	Last Name:	Suffix:
17) Legal Entity Name (if other than individual): NEW CINGULAR WIRELESS PCS, LLC			
18) Attention To: FCC Group			
19) P.O. Box:	And/Or	20) Street Address: 208 S. Akard St. 20F	
21) City: Dallas	22) State: TX	23) Zip Code: 75202	
24) Telephone Number: (855)699-7073		25) Fax: (214)746-6410	
26) E-Mail Address: FCCMW@att.com			

27) Demographics (Optional)

Race: <input type="checkbox"/> American Indian or Alaska Native <input type="checkbox"/> Asian <input type="checkbox"/> Black or African-American <input type="checkbox"/> Native Hawaiian or Other Pacific Islander <input type="checkbox"/> White	Ethnicity: <input type="checkbox"/> Hispanic or Latino <input type="checkbox"/> Not Hispanic or Latino	Gender: <input type="checkbox"/> Male <input type="checkbox"/> Female
--	--	---

Real Party in Interest

28) Name of Real Party in Interest of Applicant (If different from Applicant):	29) FCC Registration Number (FRN) of Real Party in Interest:
--	--

Contact Information (If different from the Applicant) Check here if same as Applicant.

30) First Name: Cecil	MI: J	Last Name: Mathew	Suffix:
31) Company Name: AT&T Services, Inc.			
32) Attention To: FCC Group			
33) P.O. Box:	And /Or	34) Street Address: 208 S. Akard St. 20F	
35) City: Dallas	36) State: TX	37) Zip Code: 75202	
38) Telephone Number: (855)699-7073		39) Fax: (214)746-6410	
40) E-Mail Address: FCCMW@att.com			

Regulatory Status

41) This filing is for authorization to provide or use the following type(s) of radio service offering (enter all that apply):
() Common Carrier () Non-Common Carrier () Private, internal communications () Broadcast Services () Band Manager

Type of Radio Service

42) This filing is for authorization to provide the following type(s) of radio service (choose all that apply):
() Fixed () Mobile () Radiolocation () Satellite (sound) () Broadcast Services
43) Does the Applicant propose to provide service interconnected to the public telephone network? () Yes () No

Alien Ownership Questions (If any answer is 'Y', provide an attachment explaining the circumstances. In preparing the attachment, refer to the Main Form Instructions for the "Alien Ownership Questions".)

44) Is the Applicant a foreign government or the representative of any foreign government? () Yes () No
45) Is the Applicant an alien or the representative of an alien? () Yes () No
46) Is the Applicant a corporation organized under the laws of any foreign government? () Yes () No
47) Is the Applicant a corporation of which more than one-fifth of the capital stock is owned of record or voted by aliens or their representatives, or by a foreign government or representative thereof, or by any corporation organized under the laws of a foreign country? () Yes () No

48a) Is the Applicant directly or indirectly controlled by any other corporation of which more than one-fourth of the capital stock () Yes No is owned of record or voted by aliens or their representatives, or by a foreign government or representative thereof, or by any corporation organized under the laws of a foreign country?

48b) If the answer to 47 or 48a is 'Y' select one of the choices below.

The Applicant is exempt from the provisions of Section 310(b).

If checked, it is not necessary to file a petition for declaratory ruling if the Applicant includes in the attachment required by Item 47 or Item 48a a showing that the requested license(s) is exempt from the provisions of Section 310(b).

The Applicant has received a declaratory ruling(s) approving its foreign ownership, and the application involves only the acquisition of additional spectrum for the provision of a wireless service in a geographic coverage area for which the Applicant has been previously authorized.

If checked, include in the attachment required by Item 47 or Item 48a the citation(s) of the applicable declaratory ruling(s) by DA/FCC number, the FCC Record citation, if available, release date, and a statement that there has been no change in the foreign ownership of the Applicant since the issuance of its ruling.

The Applicant: (i) has received a declaratory ruling(s) approving its foreign ownership, but is not able to make the certification specified immediately above; or (ii) is an "affiliate" of a Licensee or Lessee/Sublessee that received a declaratory ruling(s) under 47 CFR § 1.5000(a) and is relying on the affiliate's ruling for purposes of filing this application as permitted under the affiliate's ruling and 47 CFR § 1.5004(b)

If checked, and if the Applicant received its declaratory ruling(s) on or after August 9, 2013, include in the attachment required by Item 47 or Item 48a the citation(s) of the Applicant's declaratory ruling(s) by DA/FCC number, the FCC Record citation, if available, release date, and a statement that the Applicant is in compliance with the terms and conditions of its ruling and with the Commission's Rules.

If checked, and if the Applicant received its declaratory ruling(s) prior to August 9, 2013, include in the attachment required by Item 48a a copy of a petition for declaratory ruling filed contemporaneously with the Commission to extend the Applicant's existing ruling(s) to cover the same radio service(s) and geographic coverage area(s) involved in the application. Alternatively, the Applicant may request a new declaratory ruling pursuant to Section 1.5000(a) of the Commission's Rules, 47 CFR § 1.5000 (a). Petitions for declaratory ruling may be filed electronically on the Internet through the International Bureau Filing System (IBFS) (with a copy attached hereto).

If checked, and if the Applicant is relying on an affiliate's ruling for purposes of filing this application, include in the attachment required by Item 47 or Item 48a the citation(s) of the applicable declaratory ruling(s) by DA/FCC number, the FCC Record citation, if available, release date, and a statement that the Applicant is in compliance with the terms and conditions of the named affiliate's ruling and with the Commission's Rules. The Applicant must also include a certification of compliance signed by the named affiliate or other qualified entity as specified in 47 CFR § 1.5004(b). See Main Form Instructions for Items 47 or 48a, as applicable.

The Applicant has not received a declaratory ruling approving its foreign ownership and is requesting a declaratory ruling under 47 CFR § 1.5004(b) in a petition filed contemporaneously with the Commission.

If checked, include in the attachment required by Item 47 or 48a a copy of the petition for declaratory ruling filed contemporaneously with the Commission pursuant to 47 CFR § 1.5004(b). Petitions for declaratory ruling may be filed electronically on the Internet through the International Bureau Filing System (IBFS) (with a copy attached hereto).

Basic Qualification Questions

49) Has the Applicant or any party to this application had any FCC station authorization, license or construction permit revoked or had any application for an initial, modification or renewal of FCC station authorization, license, or construction permit denied by the Commission?	() <u>Yes</u> <u>No</u>
50) Has the Applicant or any party to this application, or any party directly or indirectly controlling the Applicant, ever been convicted of a felony by any state or federal court?	() <u>Yes</u> <u>No</u>
51) Has any court finally adjudged the Applicant or any party directly or indirectly controlling the Applicant guilty of unlawfully monopolizing or attempting unlawfully to monopolize radio communication, directly or indirectly, through control of manufacture or sale of radio apparatus, exclusive traffic arrangement, or any other means or unfair methods of competition?	() <u>Yes</u> <u>No</u>

Note: If the answer to any of 49-51 is 'Y', attach an exhibit explaining the circumstances.

Aeronautical Advisory Station (Unicom) Certification

52) () I certify that the station will be located on property of the airport to be served, and, in cases where the airport does not have a control tower, RCO, or FAA flight service station, that I have notified the owner of the airport and all aviation service organizations located at the airport within ten days prior to application.
--

Broadband Radio Service and Educational Broadband Service Cable Cross-Ownership

53a) Will the requested facilities be used to provide multichannel video programming service?	() <u>Yes</u> <u>No</u>
53b) If the answer to question 53a is 'Y', does the Applicant operate, control or have an attributable interest (as defined in 47 CFR § 27.1202) in a cable television system whose franchise area is located within the geographic service area of the requested facilities?	() <u>Yes</u> <u>No</u>

Note: If the answer to question 53b is 'Y', attach an exhibit explaining how the Applicant complies with 47 CFR § 27.1202 or justifying a waiver of that rule. If a waiver of the Commission Rule(s) is being requested, Item 11a must be answered 'Y'.

Broadband Radio Service and Educational Broadband Service (Part 27)

54) (For EBS only) Does the Applicant comply with the programming requirements contained in 47 CFR § 27.1203?	() <u>Yes</u> <u>No</u>
---	--------------------------

Note: If the answer to item 54 is 'N', attach an exhibit explaining how the Applicant complies with 47 CFR § 27.1203 of the Commission's Rules or justifying a waiver of that rule. If a waiver of the Commission Rule(s) is being requested, Item 11a must be answered 'Y'.

55) (For BRS and EBS) Does the Applicant comply with 47 CFR §§ 27.50, 27.55, and 27.1221?	() <u>Yes</u> <u>No</u>
---	--------------------------

Note: If the answer to item 55 is 'N', attach an exhibit justifying a waiver of that rule(s). If a waiver of the Commission Rule(s) is being requested, Item 11a must be answered 'Y'.

For Applicants Who Participated in an Auction

56) Is the Applicant a qualifying rural wireless partnership or a member of a qualifying rural wireless partnership?	() <u>Yes</u> <u>No</u>
--	--------------------------

Note: If the answer to item 56 is 'Y', attach an exhibit listing all members of the qualifying rural wireless partnership, including their FRN numbers.

For Renewal Applicants**57) Operation/Performance Requirement Certification**

[For a site-based license]: Applicant certifies that it is continuing to operate consistent with its most recently filed construction notification (or most recent authorization, if no construction notification was required).	() <u>Yes</u> <u>No</u>
[For a geographic license, commercial service - licensee in its initial license term with an interim performance requirement]: Applicant certifies that it has met its interim performance requirement, that over the portion of the license term following the interim performance requirement, it continues to use its facilities to provide at least the level of service required by its interim performance requirement, it has met its final performance requirement, and it continues to use its facilities to provide at least the level of service required by its final performance requirement through the end of the license term.	() <u>Yes</u> <u>No</u>
[For a geographic license, commercial service - licensee in its initial license term with no interim performance requirement]: Applicant certifies that it has met its final performance requirement and it continues to use its facilities to provide at least the level of service required by its final performance requirement through the end of the license term. [Note: licensee must provide a showing demonstrating that the final performance requirement has been met, either separately in a timely application for notification of completion of construction, or as part of its renewal application, depending on the radio service.]	() <u>Yes</u> <u>No</u>
[For a geographic license, commercial service - licensee in any subsequent term]: Applicant certifies that it continues to use its facilities to provide at least the level of service required by its final performance requirement through the end of any subsequent license terms.	() <u>Yes</u> <u>No</u>
[For a geographic license, private systems - licensee in its initial license term with an interim performance requirement]: Applicant certifies that it has met its interim performance requirement, that over the portion of the license term following the interim performance requirement, it continues to use its facilities to further its private business or public interest/public safety communications needs at or above the level required to meet its interim performance requirement, it has met its final performance requirement, and it continues to use its facilities to provide at least the level of operation required by its final performance requirement through the end of the license term.	() <u>Yes</u> <u>No</u>
[For a geographic license, private systems - licensee in its initial license term with no interim performance requirement]: Applicant certifies that it has met its final performance requirement, it continues to use its facilities to further its private business or public interest/public safety communications needs, and it continues to use its facilities to provide at least the level of operation required by its final performance requirement through the end of the license term. [Note: licensee must provide a showing demonstrating that the final performance requirement has been met, either separately in a timely application for notification of completion of construction, or as part of its renewal application, depending on the radio service.]	() <u>Yes</u> <u>No</u>

[For a geographic license, private systems - licensee in any subsequent term]: Applicant certifies that it continues to use its facilities to further its private business or public interest/public safety communications needs at or above the level required to meet its final performance requirement through the end of any subsequent license terms.	(<input type="checkbox"/>) <u>Yes</u> <u>No</u>
[For a partitioned or disaggregated license without a performance requirement, for the first renewal application filed after effective date of the rules]: Applicant certifies that the partitioned and/or disaggregated license that is the subject of this renewal application has no separate performance requirement and that this is the first renewal of this license filed subsequent to the effective date of the rules.	(<input type="checkbox"/>) <u>Yes</u> <u>No</u>
[For a partitioned or disaggregated license without a performance requirement, for any subsequent renewal filings]: Applicant certifies that it continues to use its facilities to provide service or to further the applicant's private business or public interest/public safety needs.	(<input type="checkbox"/>) <u>Yes</u> <u>No</u>

Discontinuance of Service Certification

58) Applicant certifies that no permanent discontinuance of service or operation, as applicable, occurred during its current license term. Note: If the response to either item 57 or item 58 is 'N', attach an exhibit that demonstrates that over the course of the license term, the Applicant provided and continues to provide service to the public, or operated and continues to operate the license to meet the Applicant's private business or public interest/public safety communications needs. This exhibit must include a detailed description of the Applicant's provision of service or, when allowed under the relevant service rules or pursuant to waiver, use of the spectrum for private business or public interest/public safety communications needs, during the entire license period and address, as applicable: 1) the level and quality of service provided by the applicant (e.g., the population served, the area served, the number of subscribers, the services offered); (2) the date service commenced, whether service was ever interrupted, and the duration of any interruption or outage; (3) the extent to which service is provided to rural areas; (4) the extent to which service is provided to qualifying tribal land as defined in 47 CFR § 1.2110(e)(3)(i); and (5) any other factors associated with the level of service to the public. The licensee may note in its exhibit: 1) any grant(s) of waiver or extension of a performance deadline or license renewal subject to meeting a performance requirement; or 2) if the final performance deadline and/or expiration date for the license accelerated because the licensee did not meet an interim performance requirement.	(<input type="checkbox"/>) <u>Yes</u> <u>No</u>
--	---

Regulatory Compliance Certification [same for all]

59) Applicant certifies that it has substantially complied with all applicable FCC rules, policies, and the Communications Act of 1934, as amended. Note: If the response to item 59 is 'N', attach an exhibit explaining the circumstances and demonstrating why Applicant's license should be renewed.	(<input type="checkbox"/>) <u>Yes</u> <u>No</u>
--	---

General Certification Statements

1) The Applicant waives any claim to the use of any particular frequency or of the electromagnetic spectrum as against the regulatory power of the United States because of the previous use of the same, whether by license or otherwise, and requests an authorization in accordance with this application.
2) The Applicant certifies that grant of this application would not cause the Applicant to be in violation of any pertinent cross-ownership or attribution rules.* *If the Applicant has sought a waiver of any such rule in connection with this application, it may make this certification subject to the outcome of the waiver request.
3) The Applicant certifies that all statements made in this application and in the exhibits, attachments, or documents incorporated by reference are material, are part of this application, and are true, complete, correct, and made in good faith.
4) The Applicant certifies that neither the Applicant nor any other party to the application is subject to a denial of Federal benefits pursuant to § 5301 of the Anti-Drug Abuse Act of 1988, 21 U.S.C. § 862, because of a conviction for possession or distribution of a controlled substance. This certification does not apply to applications filed in services exempted under § 1.2002(c) of the rules, 47 CFR § 1.2002(c). See 47 CFR § 1.2002(b) for the definition of "party to the application" as used in this certification.
5) The Applicant certifies that it either (1) has current required ownership data on file with the Commission, (2) is filing updated ownership data simultaneously with this application, or (3) is not required to file ownership data under the Commission's Rules.
6) The Applicant certifies that the facilities, operations, and transmitters for which this authorization is hereby requested are either: (1) categorically excluded from routine environmental evaluation for RF exposure as set forth in 47 CFR § 1.1307(b); or, (2) have been found not to cause human exposure to levels of radiofrequency radiation in excess of the limits specified in 47 CFR §§ 1.1310 and 2.1093; or, (3) are the subject of one or more Environmental Assessments filed with the Commission.
7) The Applicant certifies that it has reviewed the appropriate Commission Rules defining eligibility to hold the requested license(s) and is eligible to hold the requested license(s).
8) The Applicant certifies that it is not in default on any payment for Commission licenses and that it is not delinquent on any non-tax debt owed to any federal agency.
9) The Applicant certifies that the Applicant and all of the related individuals and entities required to be disclosed on this application and FCC Form 602 (FCC Ownership Disclosure Information for the Wireless Telecommunications Services) are not person(s) who have been, for reasons of national security, barred by any agency of the Federal Government from bidding on a contract, participating in an auction, or receiving a grant. This certification applies only to applications for licenses for spectrum that is required by Sections 6103, 6401-6403 of the Middle Class Tax Relief and Job Creation Act of 2012, codified at 47 U.S.C. §§ 309, 1413, 1451-1452, to be assigned by a system of competitive bidding under 47 U.S.C. § 309(j).

Signature

60) Typed or Printed Name of Party Authorized to Sign

First Name: Cecil	MI: J	Last Name: Mathew	Suffix:
61) Title: Assistant Secretary - Compliance			
Signature: Cecil J Mathew			62) Date: 01/13/2023
FAILURE TO SIGN THIS APPLICATION MAY RESULT IN DISMISSAL OF THE APPLICATION AND FORFEITURE OF ANY FEES PAID.			
Upon grant of this license application, the Licensee may be subject to certain construction or coverage requirements. Failure to meet the construction or coverage requirements will result in termination of the license. Consult appropriate FCC regulations to determine the construction or coverage requirements that apply to the type of license requested in this application.			
WILLFUL FALSE STATEMENTS MADE ON THIS FORM OR ANY ATTACHMENTS ARE PUNISHABLE BY FINE AND/OR IMPRISONMENT (U.S. Code, Title 18, § 1001) AND/OR REVOCATION OF ANY STATION LICENSE OR CONSTRUCTION PERMIT (U.S. Code, Title 47, § 312(a)(1)), AND/OR FORFEITURE (U.S. Code, Title 47, § 503).			

REFERENCE COPY

This is not an official FCC license. It is a record of public information contained in the FCC's licensing database on the date that this reference copy was generated. In cases where FCC rules require the presentation, posting, or display of an FCC license, this document may not be used in place of an official FCC license.



Federal Communications Commission
Wireless Telecommunications Bureau

RADIO STATION AUTHORIZATION

LICENSEE: NEW CINGULAR WIRELESS PCS, LLC

ATTN: FCC GROUP
NEW CINGULAR WIRELESS PCS, LLC
208 S. AKARD ST. 20F
DALLAS, TX 75202

Table with Call Sign (KNLH653), File Number, and Radio Service (CW - PCS Broadband).

FCC Registration Number (FRN): 0003291192

Table with columns: Grant Date, Effective Date, Expiration Date, Print Date, Market Number, Channel Block, Sub-Market Designator, Market Name, 1st Build-out Date, 2nd Build-out Date, 3rd Build-out Date, 4th Build-out Date.

Waivers/Conditions:

This authorization is subject to the condition that, in the event that systems using the same frequencies as granted herein are authorized in an adjacent foreign territory (Canada/United States), future coordination of any base station transmitters within 72 km (45 miles) of the United States/Canada border shall be required to eliminate any harmful interference to operations in the adjacent foreign territory and to ensure continuance of equal access to the frequencies by both countries.

Grant conditioned upon consummation of the assignment of license to Banana Communications, LLC within 180 days of June 9, 2008, per Memorandum Opinion and Order, DA 08-1380, released June 9, 2008.

Conditions:

Pursuant to §309(h) of the Communications Act of 1934, as amended, 47 U.S.C. §309(h), this license is subject to the following conditions: This license shall not vest in the licensee any right to operate the station nor any right in the use of the frequencies designated in the license beyond the term thereof nor in any other manner than authorized herein.

This license may not authorize operation throughout the entire geographic area or spectrum identified on the hardcopy version. To view the specific geographic area and spectrum authorized by this license, refer to the Spectrum and Market Area information under the Market Tab of the license record in the Universal Licensing System (ULS).

Licensee Name: NEW CINGULAR WIRELESS PCS, LLC

Call Sign: KNLH653

File Number:

Print Date:

700 MHz Relicensed Area Information:

Market	Market Name	Buildout Deadline	Buildout Notification	Status
---------------	--------------------	--------------------------	------------------------------	---------------

Reference Copy

Reference Copy Only. Do Not Mail to the FCC as an Application.

Submitted: 01/23/2024 at 17:43:02
 File Number: 0010873334

FCC 601
Main Form

FCC Application for Radio Service Authorization: Wireless Telecommunications Bureau Public Safety and Homeland Security Bureau

Approved by OMB
 3060 - 0798
 See instructions for
 public burden estimate

1) Radio Service Code: <p style="text-align: center;">CW</p>	1a) Existing Radio Service Code:
--	----------------------------------

General Information

2) (Select only one) (AU) NE - New RO - Renewal Only AU - Administrative Update NT - Required Notifications MD - Modification RM - Renewal/Modification WD - Withdrawal of Application EX - Requests for Extension of Time AM - Amendment CA - Cancellation of License RL - Registered Location/Link	
3a) If this application is for a Demonstration License or a S pecial Temporary Authorization (STA), enter the code and attach the required exhibit as described in the instructions. Otherwise enter ' N/A ' (Not Applicable).	(N) <u>M</u> <u>S</u> <u>N/A</u>
3b) If this application is for Special Temporary Authority due to an emergency situation, enter 'Y'; otherwise enter 'N'. Refer to Rule 1.915 for an explanation of situations considered to be an emergency.	() <u>Y</u> <u>N</u>
4) If this application is for an Amendment or Withdrawal, enter the file number of the pending application currently on file with the FCC.	File Number
5) If this application is for a Modification, Renewal Only, Renewal/Modification, Cancellation of License, , or Administrative Update, enter the call sign of the existing FCC license. If this is a request for Registered Location/Link, enter the FCC call sign assigned to the geographic license.	Call Sign KNLH653
6a) If this application is for a New, Amendment, Renewal Only, or Renewal/Modification, enter the requested authorization expiration date (this item is optional).	MM DD _____ / _____
6b) If this application is for a Renewal Only or Renewal/Modification and the license is a geographic area license, is the license used to provide service to customers (C), or is the license used for private business (internal) purposes or to meet the licensee's public interest/public safety communications needs (P)?	() <u>C</u> <u>P</u>
7) Is this application "major" as defined in § 1.929 of the Commission's Rules when read in conjunction with the applicable radio service rules found in Parts 22 and 90 of the Commission's Rules? (NOTE: This question only applies to certain site-specific applications. See the instructions for applicability and full text of § 1.929).	() <u>Y</u> <u>N</u>
8) Are attachments (other than associated schedules) being filed with this application?	() <u>Y</u> <u>N</u>

Fees, Waivers, and Exemptions

9) Is the Applicant exempt from FCC application fees?	(N) <u>Y</u> <u>N</u>
10) Is the Applicant exempt from FCC regulatory fees?	(N) <u>Y</u> <u>N</u>
11) Does this application include a request for a Waiver of the Commission's Rule(s)? If 'Yes', attach an exhibit providing rule number(s) and explaining circumstances.	(N) <u>Y</u> <u>N</u>
12) Are the frequencies or parameters requested in this filing covered by grandfathered privileges, previously approved by waiver, or functionally integrated with an existing station?	() <u>Y</u> <u>N</u>

Applicant Information

13) FCC Registration Number (FRN): 0003291192			
14) Applicant/Licensee Legal Entity Type: (Select One) <input type="checkbox"/> Individual <input type="checkbox"/> Unincorporated Association <input type="checkbox"/> Trust <input type="checkbox"/> Government Entity <input type="checkbox"/> Corporation <input checked="" type="checkbox"/> Limited Liability Company <input type="checkbox"/> General Partnership <input type="checkbox"/> Limited Partnership <input type="checkbox"/> Limited Liability Partnership <input type="checkbox"/> Consortium <input type="checkbox"/> Other: _____			
15) If the Licensee name is being updated, is the update a result from the sale (or transfer of control) of the license(s) to party and for which proper Commission approval has not been received or proper notification not provided?			<input type="checkbox"/> Yes <input checked="" type="checkbox"/> No
16) First Name (if individual):	MI:	Last Name:	Suffix:
17) Legal Entity Name (if other than individual): New Cingular Wireless PCS, LLC			
18) Attention To: National Regulatory Compliance			
19) P.O. Box:	And/Or	20) Street Address: 208 S Akard St, 20F	
21) City: Dallas	22) State: TX	23) Zip Code: 75202	
24) Telephone Number: (855)699-7073		25) Fax: (214)746-6410	
26) E-Mail Address: FCCMW@att.com			

27) Demographics (Optional)

Race: <input type="checkbox"/> American Indian or Alaska Native <input type="checkbox"/> Asian <input type="checkbox"/> Black or African-American <input type="checkbox"/> Native Hawaiian or Other Pacific Islander <input type="checkbox"/> White	Ethnicity: <input type="checkbox"/> Hispanic or Latino <input type="checkbox"/> Not Hispanic or Latino	Gender: <input type="checkbox"/> Male <input type="checkbox"/> Female
--	--	---

Real Party in Interest

28) Name of Real Party in Interest of Applicant (If different from Applicant):	29) FCC Registration Number (FRN) of Real Party in Interest:
--	--

Contact Information (If different from the Applicant) Check here if same as Applicant.

30) First Name: Jessica	MI: J	Last Name: Dunk	Suffix:
31) Company Name: AT&T Services, Inc.			
32) Attention To: NRC			
33) P.O. Box:	And /Or	34) Street Address: 208 S Akard St, 20F	
35) City: Dallas	36) State: TX	37) Zip Code: 75202	
38) Telephone Number: (855)699-7073		39) Fax: (214)746-6410	
40) E-Mail Address: FCCMW@att.com			

Regulatory Status

41) This filing is for authorization to provide or use the following type(s) of radio service offering (enter all that apply):
() Common Carrier () Non-Common Carrier () Private, internal communications () Broadcast Services () Band Manager

Type of Radio Service

42) This filing is for authorization to provide the following type(s) of radio service (choose all that apply):
() Fixed () Mobile () Radiolocation () Satellite (sound) () Broadcast Services
43) Does the Applicant propose to provide service interconnected to the public telephone network? () Yes No

Alien Ownership Questions (If any answer is 'Y', provide an attachment explaining the circumstances. In preparing the attachment, refer to the Main Form Instructions for the "Alien Ownership Questions".)

44) Is the Applicant a foreign government or the representative of any foreign government? () Yes No
45) Is the Applicant an alien or the representative of an alien? () Yes No
46) Is the Applicant a corporation organized under the laws of any foreign government? () Yes No
47) Is the Applicant a corporation of which more than one-fifth of the capital stock is owned of record or voted by aliens or their representatives, or by a foreign government or representative thereof, or by any corporation organized under the laws of a foreign country? () Yes No

48a) Is the Applicant directly or indirectly controlled by any other corporation of which more than one-fourth of the capital stock (Yes No) is owned of record or voted by aliens or their representatives, or by a foreign government or representative thereof, or by any corporation organized under the laws of a foreign country?

48b) If the answer to 47 or 48a is 'Y' select one of the choices below.

The Applicant is exempt from the provisions of Section 310(b).

If checked, it is not necessary to file a petition for declaratory ruling if the Applicant includes in the attachment required by Item 47 or Item 48a a showing that the requested license(s) is exempt from the provisions of Section 310(b).

The Applicant has received a declaratory ruling(s) approving its foreign ownership, and the application involves only the acquisition of additional spectrum for the provision of a wireless service in a geographic coverage area for which the Applicant has been previously authorized.

If checked, include in the attachment required by Item 47 or Item 48a the citation(s) of the applicable declaratory ruling(s) by DA/FCC number, the FCC Record citation, if available, release date, and a statement that there has been no change in the foreign ownership of the Applicant since the issuance of its ruling.

The Applicant: (i) has received a declaratory ruling(s) approving its foreign ownership, but is not able to make the certification specified immediately above; or (ii) is an "affiliate" of a Licensee or Lessee/Sublessee that received a declaratory ruling(s) under 47 CFR § 1.5000(a) and is relying on the affiliate's ruling for purposes of filing this application as permitted under the affiliate's ruling and 47 CFR § 1.5004(b)

If checked, and if the Applicant received its declaratory ruling(s) on or after August 9, 2013, include in the attachment required by Item 47 or Item 48a the citation(s) of the Applicant's declaratory ruling(s) by DA/FCC number, the FCC Record citation, if available, release date, and a statement that the Applicant is in compliance with the terms and conditions of its ruling and with the Commission's Rules.

If checked, and if the Applicant received its declaratory ruling(s) prior to August 9, 2013, include in the attachment required by Item 48a a copy of a petition for declaratory ruling filed contemporaneously with the Commission to extend the Applicant's existing ruling(s) to cover the same radio service(s) and geographic coverage area(s) involved in the application. Alternatively, the Applicant may request a new declaratory ruling pursuant to Section 1.5000(a) of the Commission's Rules, 47 CFR § 1.5000 (a). Petitions for declaratory ruling may be filed electronically on the Internet through the International Bureau Filing System (IBFS) (with a copy attached hereto).

If checked, and if the Applicant is relying on an affiliate's ruling for purposes of filing this application, include in the attachment required by Item 47 or Item 48a the citation(s) of the applicable declaratory ruling(s) by DA/FCC number, the FCC Record citation, if available, release date, and a statement that the Applicant is in compliance with the terms and conditions of the named affiliate's ruling and with the Commission's Rules. The Applicant must also include a certification of compliance signed by the named affiliate or other qualified entity as specified in 47 CFR § 1.5004(b). See Main Form Instructions for Items 47 or 48a, as applicable.

The Applicant has not received a declaratory ruling approving its foreign ownership and is requesting a declaratory ruling under 47 CFR § 1.5004(b) in a petition filed contemporaneously with the Commission.

If checked, include in the attachment required by Item 47 or 48a a copy of the petition for declaratory ruling filed contemporaneously with the Commission pursuant to 47 CFR § 1.5004(b). Petitions for declaratory ruling may be filed electronically on the Internet through the International Bureau Filing System (IBFS) (with a copy attached hereto).

Basic Qualification Questions

49) Has the Applicant or any party to this application had any FCC station authorization, license or construction permit revoked or had any application for an initial, modification or renewal of FCC station authorization, license, or construction permit denied by the Commission?	() <u>Yes</u> <u>No</u>
50) Has the Applicant or any party to this application, or any party directly or indirectly controlling the Applicant, ever been convicted of a felony by any state or federal court?	() <u>Yes</u> <u>No</u>
51) Has any court finally adjudged the Applicant or any party directly or indirectly controlling the Applicant guilty of unlawfully monopolizing or attempting unlawfully to monopolize radio communication, directly or indirectly, through control of manufacture or sale of radio apparatus, exclusive traffic arrangement, or any other means or unfair methods of competition?	() <u>Yes</u> <u>No</u>

Note: If the answer to any of 49-51 is 'Y', attach an exhibit explaining the circumstances.

Aeronautical Advisory Station (Unicom) Certification

52) () I certify that the station will be located on property of the airport to be served, and, in cases where the airport does not have a control tower, RCO, or FAA flight service station, that I have notified the owner of the airport and all aviation service organizations located at the airport within ten days prior to application.
--

Broadband Radio Service and Educational Broadband Service Cable Cross-Ownership

53a) Will the requested facilities be used to provide multichannel video programming service?	() <u>Yes</u> <u>No</u>
53b) If the answer to question 53a is 'Y', does the Applicant operate, control or have an attributable interest (as defined in 47 CFR § 27.1202) in a cable television system whose franchise area is located within the geographic service area of the requested facilities?	() <u>Yes</u> <u>No</u>

Note: If the answer to question 53b is 'Y', attach an exhibit explaining how the Applicant complies with 47 CFR § 27.1202 or justifying a waiver of that rule. If a waiver of the Commission Rule(s) is being requested, Item 11a must be answered 'Y'.

Broadband Radio Service and Educational Broadband Service (Part 27)

54) (For EBS only) Does the Applicant comply with the programming requirements contained in 47 CFR § 27.1203?	() <u>Yes</u> <u>No</u>
---	--------------------------

Note: If the answer to item 54 is 'N', attach an exhibit explaining how the Applicant complies with 47 CFR § 27.1203 of the Commission's Rules or justifying a waiver of that rule. If a waiver of the Commission Rule(s) is being requested, Item 11a must be answered 'Y'.

55) (For BRS and EBS) Does the Applicant comply with 47 CFR §§ 27.50, 27.55, and 27.1221?	() <u>Yes</u> <u>No</u>
---	--------------------------

Note: If the answer to item 55 is 'N', attach an exhibit justifying a waiver of that rule(s). If a waiver of the Commission Rule(s) is being requested, Item 11a must be answered 'Y'.

For Applicants Who Participated in an Auction

56) Is the Applicant a qualifying rural wireless partnership or a member of a qualifying rural wireless partnership?	() <u>Yes</u> <u>No</u>
--	--------------------------

Note: If the answer to item 56 is 'Y', attach an exhibit listing all members of the qualifying rural wireless partnership, including their FRN numbers.

For Renewal Applicants

57) Operation/Performance Requirement Certification	
[For a site-based license]: Applicant certifies that it is continuing to operate consistent with its most recently filed construction notification (or most recent authorization, if no construction notification was required).	() <u>Yes</u> <u>No</u>
[For a geographic license, commercial service - licensee in its initial license term with an interim performance requirement]: Applicant certifies that it has met its interim performance requirement, that over the portion of the license term following the interim performance requirement, it continues to use its facilities to provide at least the level of service required by its interim performance requirement, it has met its final performance requirement, and it continues to use its facilities to provide at least the level of service required by its final performance requirement through the end of the license term.	() <u>Yes</u> <u>No</u>
[For a geographic license, commercial service - licensee in its initial license term with no interim performance requirement]: Applicant certifies that it has met its final performance requirement and it continues to use its facilities to provide at least the level of service required by its final performance requirement through the end of the license term. [Note: licensee must provide a showing demonstrating that the final performance requirement has been met, either separately in a timely application for notification of completion of construction, or as part of its renewal application, depending on the radio service.]	() <u>Yes</u> <u>No</u>
[For a geographic license, commercial service - licensee in any subsequent term]: Applicant certifies that it continues to use its facilities to provide at least the level of service required by its final performance requirement through the end of any subsequent license terms.	() <u>Yes</u> <u>No</u>
[For a geographic license, private systems - licensee in its initial license term with an interim performance requirement]: Applicant certifies that it has met its interim performance requirement, that over the portion of the license term following the interim performance requirement, it continues to use its facilities to further its private business or public interest/public safety communications needs at or above the level required to meet its interim performance requirement, it has met its final performance requirement, and it continues to use its facilities to provide at least the level of operation required by its final performance requirement through the end of the license term.	() <u>Yes</u> <u>No</u>
[For a geographic license, private systems - licensee in its initial license term with no interim performance requirement]: Applicant certifies that it has met its final performance requirement, it continues to use its facilities to further its private business or public interest/public safety communications needs, and it continues to use its facilities to provide at least the level of operation required by its final performance requirement through the end of the license term. [Note: licensee must provide a showing demonstrating that the final performance requirement has been met, either separately in a timely application for notification of completion of construction, or as part of its renewal application, depending on the radio service.]	() <u>Yes</u> <u>No</u>

[For a geographic license, private systems - licensee in any subsequent term]: Applicant certifies that it continues to use its facilities to further its private business or public interest/public safety communications needs at or above the level required to meet its final performance requirement through the end of any subsequent license terms.	() <u>Yes</u> <u>No</u>
[For a partitioned or disaggregated license without a performance requirement, for the first renewal application filed after effective date of the rules]: Applicant certifies that the partitioned and/or disaggregated license that is the subject of this renewal application has no separate performance requirement and that this is the first renewal of this license filed subsequent to the effective date of the rules.	() <u>Yes</u> <u>No</u>
[For a partitioned or disaggregated license without a performance requirement, for any subsequent renewal filings]: Applicant certifies that it continues to use its facilities to provide service or to further the applicant's private business or public interest/public safety needs.	() <u>Yes</u> <u>No</u>

Discontinuance of Service Certification

58) Applicant certifies that no permanent discontinuance of service or operation, as applicable, occurred during its current license term. Note: If the response to either item 57 or item 58 is 'N', attach an exhibit that demonstrates that over the course of the license term, the Applicant provided and continues to provide service to the public, or operated and continues to operate the license to meet the Applicant's private business or public interest/public safety communications needs. This exhibit must include a detailed description of the Applicant's provision of service or, when allowed under the relevant service rules or pursuant to waiver, use of the spectrum for private business or public interest/public safety communications needs, during the entire license period and address, as applicable: 1) the level and quality of service provided by the applicant (e.g., the population served, the area served, the number of subscribers, the services offered); (2) the date service commenced, whether service was ever interrupted, and the duration of any interruption or outage; (3) the extent to which service is provided to rural areas; (4) the extent to which service is provided to qualifying tribal land as defined in 47 CFR § 1.2110(e)(3)(i); and (5) any other factors associated with the level of service to the public. The licensee may note in its exhibit: 1) any grant(s) of waiver or extension of a performance deadline or license renewal subject to meeting a performance requirement; or 2) if the final performance deadline and/or expiration date for the license accelerated because the licensee did not meet an interim performance requirement.	() <u>Yes</u> <u>No</u>
--	--------------------------

Regulatory Compliance Certification [same for all]

59) Applicant certifies that it has substantially complied with all applicable FCC rules, policies, and the Communications Act of 1934, as amended. Note: If the response to item 59 is 'N', attach an exhibit explaining the circumstances and demonstrating why Applicant's license should be renewed.	() <u>Yes</u> <u>No</u>
--	--------------------------

General Certification Statements

1) The Applicant waives any claim to the use of any particular frequency or of the electromagnetic spectrum as against the regulatory power of the United States because of the previous use of the same, whether by license or otherwise, and requests an authorization in accordance with this application.
2) The Applicant certifies that grant of this application would not cause the Applicant to be in violation of any pertinent cross-ownership or attribution rules.* *If the Applicant has sought a waiver of any such rule in connection with this application, it may make this certification subject to the outcome of the waiver request.
3) The Applicant certifies that all statements made in this application and in the exhibits, attachments, or documents incorporated by reference are material, are part of this application, and are true, complete, correct, and made in good faith.
4) The Applicant certifies that neither the Applicant nor any other party to the application is subject to a denial of Federal benefits pursuant to § 5301 of the Anti-Drug Abuse Act of 1988, 21 U.S.C. § 862, because of a conviction for possession or distribution of a controlled substance. This certification does not apply to applications filed in services exempted under § 1.2002(c) of the rules, 47 CFR § 1.2002(c). See 47 CFR § 1.2002(b) for the definition of "party to the application" as used in this certification.
5) The Applicant certifies that it either (1) has current required ownership data on file with the Commission, (2) is filing updated ownership data simultaneously with this application, or (3) is not required to file ownership data under the Commission's Rules.
6) The Applicant certifies that the facilities, operations, and transmitters for which this authorization is hereby requested are either: (1) categorically excluded from routine environmental evaluation for RF exposure as set forth in 47 CFR § 1.1307(b); or, (2) have been found not to cause human exposure to levels of radiofrequency radiation in excess of the limits specified in 47 CFR §§ 1.1310 and 2.1093; or, (3) are the subject of one or more Environmental Assessments filed with the Commission.
7) The Applicant certifies that it has reviewed the appropriate Commission Rules defining eligibility to hold the requested license(s) and is eligible to hold the requested license(s).
8) The Applicant certifies that it is not in default on any payment for Commission licenses and that it is not delinquent on any non-tax debt owed to any federal agency.
9) The Applicant certifies that the Applicant and all of the related individuals and entities required to be disclosed on this application and FCC Form 602 (FCC Ownership Disclosure Information for the Wireless Telecommunications Services) are not person(s) who have been, for reasons of national security, barred by any agency of the Federal Government from bidding on a contract, participating in an auction, or receiving a grant. This certification applies only to applications for licenses for spectrum that is required by Sections 6103, 6401-6403 of the Middle Class Tax Relief and Job Creation Act of 2012, codified at 47 U.S.C. §§ 309, 1413, 1451-1452, to be assigned by a system of competitive bidding under 47 U.S.C. § 309(j).

Signature

60) Typed or Printed Name of Party Authorized to Sign

First Name: Jessica	MI:	Last Name: Dunk	Suffix:
61) Title: Assistant Secretary - Compliance			
Signature: Jessica Dunk			62) Date: 01/23/2024
FAILURE TO SIGN THIS APPLICATION MAY RESULT IN DISMISSAL OF THE APPLICATION AND FORFEITURE OF ANY FEES PAID.			
Upon grant of this license application, the Licensee may be subject to certain construction or coverage requirements. Failure to meet the construction or coverage requirements will result in termination of the license. Consult appropriate FCC regulations to determine the construction or coverage requirements that apply to the type of license requested in this application.			
WILLFUL FALSE STATEMENTS MADE ON THIS FORM OR ANY ATTACHMENTS ARE PUNISHABLE BY FINE AND/OR IMPRISONMENT (U.S. Code, Title 18, § 1001) AND/OR REVOCATION OF ANY STATION LICENSE OR CONSTRUCTION PERMIT (U.S. Code, Title 47, § 312(a)(1)), AND/OR FORFEITURE (U.S. Code, Title 47, § 503).			

Reference Copy Only. Do Not Mail to the FCC as an Application.

Submitted: 01/22/2024 at 14:43:18
 File Number: 0010867974

FCC 601
Main Form

FCC Application for Radio Service Authorization: Wireless Telecommunications Bureau Public Safety and Homeland Security Bureau

Approved by OMB
 3060 - 0798
 See instructions for
 public burden estimate

1) Radio Service Code: <p style="text-align: center;">CW</p>	1a) Existing Radio Service Code:
--	----------------------------------

General Information

2) (Select only one) (AU) NE - New RO - Renewal Only AU - Administrative Update NT - Required Notifications MD - Modification RM - Renewal/Modification WD - Withdrawal of Application EX - Requests for Extension of Time AM - Amendment CA - Cancellation of License RL - Registered Location/Link	
3a) If this application is for a Demonstration License or a S pecial Temporary Authorization (STA), enter the code and attach the required exhibit as described in the instructions. Otherwise enter ' N/A ' (Not Applicable).	(N) <u>M</u> <u>S</u> <u>N/A</u>
3b) If this application is for Special Temporary Authority due to an emergency situation, enter 'Y'; otherwise enter 'N'. Refer to Rule 1.915 for an explanation of situations considered to be an emergency.	() <u>Y</u> <u>N</u>
4) If this application is for an Amendment or Withdrawal, enter the file number of the pending application currently on file with the FCC.	File Number
5) If this application is for a Modification, Renewal Only, Renewal/Modification, Cancellation of License, , or Administrative Update, enter the call sign of the existing FCC license. If this is a request for Registered Location/Link, enter the FCC call sign assigned to the geographic license.	Call Sign KNLH653
6a) If this application is for a New, Amendment, Renewal Only, or Renewal/Modification, enter the requested authorization expiration date (this item is optional).	MM DD _____ / _____
6b) If this application is for a Renewal Only or Renewal/Modification and the license is a geographic area license, is the license used to provide service to customers (C), or is the license used for private business (internal) purposes or to meet the licensee's public interest/public safety communications needs (P)?	() <u>C</u> <u>P</u>
7) Is this application "major" as defined in § 1.929 of the Commission's Rules when read in conjunction with the applicable radio service rules found in Parts 22 and 90 of the Commission's Rules? (NOTE: This question only applies to certain site-specific applications. See the instructions for applicability and full text of § 1.929).	() <u>Y</u> <u>N</u>
8) Are attachments (other than associated schedules) being filed with this application?	() <u>Y</u> <u>N</u>

Fees, Waivers, and Exemptions

9) Is the Applicant exempt from FCC application fees?	(N) <u>Y</u> <u>N</u>
10) Is the Applicant exempt from FCC regulatory fees?	(N) <u>Y</u> <u>N</u>
11) Does this application include a request for a Waiver of the Commission's Rule(s)? If 'Yes', attach an exhibit providing rule number(s) and explaining circumstances.	(N) <u>Y</u> <u>N</u>
12) Are the frequencies or parameters requested in this filing covered by grandfathered privileges, previously approved by waiver, or functionally integrated with an existing station?	() <u>Y</u> <u>N</u>

Applicant Information

13) FCC Registration Number (FRN): 0003291192			
14) Applicant/Licensee Legal Entity Type: (Select One) <input type="checkbox"/> Individual <input type="checkbox"/> Unincorporated Association <input type="checkbox"/> Trust <input type="checkbox"/> Government Entity <input type="checkbox"/> Corporation <input checked="" type="checkbox"/> Limited Liability Company <input type="checkbox"/> General Partnership <input type="checkbox"/> Limited Partnership <input type="checkbox"/> Limited Liability Partnership <input type="checkbox"/> Consortium <input type="checkbox"/> Other: _____			
15) If the Licensee name is being updated, is the update a result from the sale (or transfer of control) of the license(s) to party and for which proper Commission approval has not been received or proper notification not provided?			<input type="checkbox"/> Yes <input checked="" type="checkbox"/> No
16) First Name (if individual):	MI:	Last Name:	Suffix:
17) Legal Entity Name (if other than individual): New Cingular Wireless PCS, LLC			
18) Attention To: National Regulatory Compliance			
19) P.O. Box:	And/Or	20) Street Address: 208 S Akard St, 20F	
21) City: Dallas	22) State: TX	23) Zip Code: 75202	
24) Telephone Number: (855)699-7073		25) Fax: (214)746-6410	
26) E-Mail Address: FCCMW@att.com			

27) Demographics (Optional)

Race: <input type="checkbox"/> American Indian or Alaska Native <input type="checkbox"/> Asian <input type="checkbox"/> Black or African-American <input type="checkbox"/> Native Hawaiian or Other Pacific Islander <input type="checkbox"/> White	Ethnicity: <input type="checkbox"/> Hispanic or Latino <input type="checkbox"/> Not Hispanic or Latino	Gender: <input type="checkbox"/> Male <input type="checkbox"/> Female
--	--	---

Real Party in Interest

28) Name of Real Party in Interest of Applicant (If different from Applicant):	29) FCC Registration Number (FRN) of Real Party in Interest:
--	--

Contact Information (If different from the Applicant) Check here if same as Applicant.

30) First Name: Cecil	MI: J	Last Name: Mathew	Suffix:
31) Company Name: AT&T Services, Inc.			
32) Attention To: FCC Group			
33) P.O. Box:	And /Or	34) Street Address: 208 S. Akard St. 20F	
35) City: Dallas	36) State: TX	37) Zip Code: 75202	
38) Telephone Number: (855)699-7073		39) Fax: (214)746-6410	
40) E-Mail Address: FCCMW@att.com			

Regulatory Status

41) This filing is for authorization to provide or use the following type(s) of radio service offering (enter all that apply):
() Common Carrier () Non-Common Carrier () Private, internal communications () Broadcast Services () Band Manager

Type of Radio Service

42) This filing is for authorization to provide the following type(s) of radio service (choose all that apply):
() Fixed () Mobile () Radiolocation () Satellite (sound) () Broadcast Services
43) Does the Applicant propose to provide service interconnected to the public telephone network? () Yes () No

Alien Ownership Questions (If any answer is 'Y', provide an attachment explaining the circumstances. In preparing the attachment, refer to the Main Form Instructions for the "Alien Ownership Questions".)

44) Is the Applicant a foreign government or the representative of any foreign government? () Yes () No
45) Is the Applicant an alien or the representative of an alien? () Yes () No
46) Is the Applicant a corporation organized under the laws of any foreign government? () Yes () No
47) Is the Applicant a corporation of which more than one-fifth of the capital stock is owned of record or voted by aliens or their representatives, or by a foreign government or representative thereof, or by any corporation organized under the laws of a foreign country? () Yes () No

48a) Is the Applicant directly or indirectly controlled by any other corporation of which more than one-fourth of the capital stock () Yes No is owned of record or voted by aliens or their representatives, or by a foreign government or representative thereof, or by any corporation organized under the laws of a foreign country?

48b) If the answer to 47 or 48a is 'Y' select one of the choices below.

The Applicant is exempt from the provisions of Section 310(b).

If checked, it is not necessary to file a petition for declaratory ruling if the Applicant includes in the attachment required by Item 47 or Item 48a a showing that the requested license(s) is exempt from the provisions of Section 310(b).

The Applicant has received a declaratory ruling(s) approving its foreign ownership, and the application involves only the acquisition of additional spectrum for the provision of a wireless service in a geographic coverage area for which the Applicant has been previously authorized.

If checked, include in the attachment required by Item 47 or Item 48a the citation(s) of the applicable declaratory ruling(s) by DA/FCC number, the FCC Record citation, if available, release date, and a statement that there has been no change in the foreign ownership of the Applicant since the issuance of its ruling.

The Applicant: (i) has received a declaratory ruling(s) approving its foreign ownership, but is not able to make the certification specified immediately above; or (ii) is an "affiliate" of a Licensee or Lessee/Sublessee that received a declaratory ruling(s) under 47 CFR § 1.5000(a) and is relying on the affiliate's ruling for purposes of filing this application as permitted under the affiliate's ruling and 47 CFR § 1.5004(b)

If checked, and if the Applicant received its declaratory ruling(s) on or after August 9, 2013, include in the attachment required by Item 47 or Item 48a the citation(s) of the Applicant's declaratory ruling(s) by DA/FCC number, the FCC Record citation, if available, release date, and a statement that the Applicant is in compliance with the terms and conditions of its ruling and with the Commission's Rules.

If checked, and if the Applicant received its declaratory ruling(s) prior to August 9, 2013, include in the attachment required by Item 48a a copy of a petition for declaratory ruling filed contemporaneously with the Commission to extend the Applicant's existing ruling(s) to cover the same radio service(s) and geographic coverage area(s) involved in the application. Alternatively, the Applicant may request a new declaratory ruling pursuant to Section 1.5000(a) of the Commission's Rules, 47 CFR § 1.5000 (a). Petitions for declaratory ruling may be filed electronically on the Internet through the International Bureau Filing System (IBFS) (with a copy attached hereto).

If checked, and if the Applicant is relying on an affiliate's ruling for purposes of filing this application, include in the attachment required by Item 47 or Item 48a the citation(s) of the applicable declaratory ruling(s) by DA/FCC number, the FCC Record citation, if available, release date, and a statement that the Applicant is in compliance with the terms and conditions of the named affiliate's ruling and with the Commission's Rules. The Applicant must also include a certification of compliance signed by the named affiliate or other qualified entity as specified in 47 CFR § 1.5004(b). See Main Form Instructions for Items 47 or 48a, as applicable.

The Applicant has not received a declaratory ruling approving its foreign ownership and is requesting a declaratory ruling under 47 CFR § 1.5004(b) in a petition filed contemporaneously with the Commission.

If checked, include in the attachment required by Item 47 or 48a a copy of the petition for declaratory ruling filed contemporaneously with the Commission pursuant to 47 CFR § 1.5004(b). Petitions for declaratory ruling may be filed electronically on the Internet through the International Bureau Filing System (IBFS) (with a copy attached hereto).

Basic Qualification Questions

49) Has the Applicant or any party to this application had any FCC station authorization, license or construction permit revoked or had any application for an initial, modification or renewal of FCC station authorization, license, or construction permit denied by the Commission?	() <u>Yes</u> <u>No</u>
50) Has the Applicant or any party to this application, or any party directly or indirectly controlling the Applicant, ever been convicted of a felony by any state or federal court?	() <u>Yes</u> <u>No</u>
51) Has any court finally adjudged the Applicant or any party directly or indirectly controlling the Applicant guilty of unlawfully monopolizing or attempting unlawfully to monopolize radio communication, directly or indirectly, through control of manufacture or sale of radio apparatus, exclusive traffic arrangement, or any other means or unfair methods of competition?	() <u>Yes</u> <u>No</u>

Note: If the answer to any of 49-51 is 'Y', attach an exhibit explaining the circumstances.

Aeronautical Advisory Station (Unicom) Certification

52) () I certify that the station will be located on property of the airport to be served, and, in cases where the airport does not have a control tower, RCO, or FAA flight service station, that I have notified the owner of the airport and all aviation service organizations located at the airport within ten days prior to application.
--

Broadband Radio Service and Educational Broadband Service Cable Cross-Ownership

53a) Will the requested facilities be used to provide multichannel video programming service?	() <u>Yes</u> <u>No</u>
53b) If the answer to question 53a is 'Y', does the Applicant operate, control or have an attributable interest (as defined in 47 CFR § 27.1202) in a cable television system whose franchise area is located within the geographic service area of the requested facilities?	() <u>Yes</u> <u>No</u>

Note: If the answer to question 53b is 'Y', attach an exhibit explaining how the Applicant complies with 47 CFR § 27.1202 or justifying a waiver of that rule. If a waiver of the Commission Rule(s) is being requested, Item 11a must be answered 'Y'.

Broadband Radio Service and Educational Broadband Service (Part 27)

54) (For EBS only) Does the Applicant comply with the programming requirements contained in 47 CFR § 27.1203?	() <u>Yes</u> <u>No</u>
---	--------------------------

Note: If the answer to item 54 is 'N', attach an exhibit explaining how the Applicant complies with 47 CFR § 27.1203 of the Commission's Rules or justifying a waiver of that rule. If a waiver of the Commission Rule(s) is being requested, Item 11a must be answered 'Y'.

55) (For BRS and EBS) Does the Applicant comply with 47 CFR §§ 27.50, 27.55, and 27.1221?	() <u>Yes</u> <u>No</u>
---	--------------------------

Note: If the answer to item 55 is 'N', attach an exhibit justifying a waiver of that rule(s). If a waiver of the Commission Rule(s) is being requested, Item 11a must be answered 'Y'.

For Applicants Who Participated in an Auction

56) Is the Applicant a qualifying rural wireless partnership or a member of a qualifying rural wireless partnership?	() <u>Yes</u> <u>No</u>
--	--------------------------

Note: If the answer to item 56 is 'Y', attach an exhibit listing all members of the qualifying rural wireless partnership, including their FRN numbers.

For Renewal Applicants

57) Operation/Performance Requirement Certification	
[For a site-based license]: Applicant certifies that it is continuing to operate consistent with its most recently filed construction notification (or most recent authorization, if no construction notification was required).	() <u>Yes</u> <u>No</u>
[For a geographic license, commercial service - licensee in its initial license term with an interim performance requirement]: Applicant certifies that it has met its interim performance requirement, that over the portion of the license term following the interim performance requirement, it continues to use its facilities to provide at least the level of service required by its interim performance requirement, it has met its final performance requirement, and it continues to use its facilities to provide at least the level of service required by its final performance requirement through the end of the license term.	() <u>Yes</u> <u>No</u>
[For a geographic license, commercial service - licensee in its initial license term with no interim performance requirement]: Applicant certifies that it has met its final performance requirement and it continues to use its facilities to provide at least the level of service required by its final performance requirement through the end of the license term. [Note: licensee must provide a showing demonstrating that the final performance requirement has been met, either separately in a timely application for notification of completion of construction, or as part of its renewal application, depending on the radio service.]	() <u>Yes</u> <u>No</u>
[For a geographic license, commercial service - licensee in any subsequent term]: Applicant certifies that it continues to use its facilities to provide at least the level of service required by its final performance requirement through the end of any subsequent license terms.	() <u>Yes</u> <u>No</u>
[For a geographic license, private systems - licensee in its initial license term with an interim performance requirement]: Applicant certifies that it has met its interim performance requirement, that over the portion of the license term following the interim performance requirement, it continues to use its facilities to further its private business or public interest/public safety communications needs at or above the level required to meet its interim performance requirement, it has met its final performance requirement, and it continues to use its facilities to provide at least the level of operation required by its final performance requirement through the end of the license term.	() <u>Yes</u> <u>No</u>
[For a geographic license, private systems - licensee in its initial license term with no interim performance requirement]: Applicant certifies that it has met its final performance requirement, it continues to use its facilities to further its private business or public interest/public safety communications needs, and it continues to use its facilities to provide at least the level of operation required by its final performance requirement through the end of the license term. [Note: licensee must provide a showing demonstrating that the final performance requirement has been met, either separately in a timely application for notification of completion of construction, or as part of its renewal application, depending on the radio service.]	() <u>Yes</u> <u>No</u>

[For a geographic license, private systems - licensee in any subsequent term]: Applicant certifies that it continues to use its facilities to further its private business or public interest/public safety communications needs at or above the level required to meet its final performance requirement through the end of any subsequent license terms.	(<input type="checkbox"/>) <u>Yes</u> <u>No</u>
[For a partitioned or disaggregated license without a performance requirement, for the first renewal application filed after effective date of the rules]: Applicant certifies that the partitioned and/or disaggregated license that is the subject of this renewal application has no separate performance requirement and that this is the first renewal of this license filed subsequent to the effective date of the rules.	(<input type="checkbox"/>) <u>Yes</u> <u>No</u>
[For a partitioned or disaggregated license without a performance requirement, for any subsequent renewal filings]: Applicant certifies that it continues to use its facilities to provide service or to further the applicant's private business or public interest/public safety needs.	(<input type="checkbox"/>) <u>Yes</u> <u>No</u>

Discontinuance of Service Certification

58) Applicant certifies that no permanent discontinuance of service or operation, as applicable, occurred during its current license term. Note: If the response to either item 57 or item 58 is 'N', attach an exhibit that demonstrates that over the course of the license term, the Applicant provided and continues to provide service to the public, or operated and continues to operate the license to meet the Applicant's private business or public interest/public safety communications needs. This exhibit must include a detailed description of the Applicant's provision of service or, when allowed under the relevant service rules or pursuant to waiver, use of the spectrum for private business or public interest/public safety communications needs, during the entire license period and address, as applicable: 1) the level and quality of service provided by the applicant (e.g., the population served, the area served, the number of subscribers, the services offered); (2) the date service commenced, whether service was ever interrupted, and the duration of any interruption or outage; (3) the extent to which service is provided to rural areas; (4) the extent to which service is provided to qualifying tribal land as defined in 47 CFR § 1.2110(e)(3)(i); and (5) any other factors associated with the level of service to the public. The licensee may note in its exhibit: 1) any grant(s) of waiver or extension of a performance deadline or license renewal subject to meeting a performance requirement; or 2) if the final performance deadline and/or expiration date for the license accelerated because the licensee did not meet an interim performance requirement.	(<input type="checkbox"/>) <u>Yes</u> <u>No</u>
--	---

Regulatory Compliance Certification [same for all]

59) Applicant certifies that it has substantially complied with all applicable FCC rules, policies, and the Communications Act of 1934, as amended. Note: If the response to item 59 is 'N', attach an exhibit explaining the circumstances and demonstrating why Applicant's license should be renewed.	(<input type="checkbox"/>) <u>Yes</u> <u>No</u>
--	---

General Certification Statements

1) The Applicant waives any claim to the use of any particular frequency or of the electromagnetic spectrum as against the regulatory power of the United States because of the previous use of the same, whether by license or otherwise, and requests an authorization in accordance with this application.
2) The Applicant certifies that grant of this application would not cause the Applicant to be in violation of any pertinent cross-ownership or attribution rules.* *If the Applicant has sought a waiver of any such rule in connection with this application, it may make this certification subject to the outcome of the waiver request.
3) The Applicant certifies that all statements made in this application and in the exhibits, attachments, or documents incorporated by reference are material, are part of this application, and are true, complete, correct, and made in good faith.
4) The Applicant certifies that neither the Applicant nor any other party to the application is subject to a denial of Federal benefits pursuant to § 5301 of the Anti-Drug Abuse Act of 1988, 21 U.S.C. § 862, because of a conviction for possession or distribution of a controlled substance. This certification does not apply to applications filed in services exempted under § 1.2002(c) of the rules, 47 CFR § 1.2002(c). See 47 CFR § 1.2002(b) for the definition of "party to the application" as used in this certification.
5) The Applicant certifies that it either (1) has current required ownership data on file with the Commission, (2) is filing updated ownership data simultaneously with this application, or (3) is not required to file ownership data under the Commission's Rules.
6) The Applicant certifies that the facilities, operations, and transmitters for which this authorization is hereby requested are either: (1) categorically excluded from routine environmental evaluation for RF exposure as set forth in 47 CFR § 1.1307(b); or, (2) have been found not to cause human exposure to levels of radiofrequency radiation in excess of the limits specified in 47 CFR §§ 1.1310 and 2.1093; or, (3) are the subject of one or more Environmental Assessments filed with the Commission.
7) The Applicant certifies that it has reviewed the appropriate Commission Rules defining eligibility to hold the requested license(s) and is eligible to hold the requested license(s).
8) The Applicant certifies that it is not in default on any payment for Commission licenses and that it is not delinquent on any non-tax debt owed to any federal agency.
9) The Applicant certifies that the Applicant and all of the related individuals and entities required to be disclosed on this application and FCC Form 602 (FCC Ownership Disclosure Information for the Wireless Telecommunications Services) are not person(s) who have been, for reasons of national security, barred by any agency of the Federal Government from bidding on a contract, participating in an auction, or receiving a grant. This certification applies only to applications for licenses for spectrum that is required by Sections 6103, 6401-6403 of the Middle Class Tax Relief and Job Creation Act of 2012, codified at 47 U.S.C. §§ 309, 1413, 1451-1452, to be assigned by a system of competitive bidding under 47 U.S.C. § 309(j).

Signature

60) Typed or Printed Name of Party Authorized to Sign

First Name: Jessica	MI:	Last Name: Dunk	Suffix:
61) Title: Assistant Secretary - Compliance			
Signature: Jessica Dunk			62) Date: 01/22/2024
FAILURE TO SIGN THIS APPLICATION MAY RESULT IN DISMISSAL OF THE APPLICATION AND FORFEITURE OF ANY FEES PAID.			
Upon grant of this license application, the Licensee may be subject to certain construction or coverage requirements. Failure to meet the construction or coverage requirements will result in termination of the license. Consult appropriate FCC regulations to determine the construction or coverage requirements that apply to the type of license requested in this application.			
WILLFUL FALSE STATEMENTS MADE ON THIS FORM OR ANY ATTACHMENTS ARE PUNISHABLE BY FINE AND/OR IMPRISONMENT (U.S. Code, Title 18, § 1001) AND/OR REVOCATION OF ANY STATION LICENSE OR CONSTRUCTION PERMIT (U.S. Code, Title 47, § 312(a)(1)), AND/OR FORFEITURE (U.S. Code, Title 47, § 503).			

Reference Copy Only. Do Not Mail to the FCC as an Application.

Submitted: 01/13/2023 at 18:08:22
 File Number: 0010367848

FCC 601
Main Form

FCC Application for Radio Service Authorization: Wireless Telecommunications Bureau Public Safety and Homeland Security Bureau

Approved by OMB
 3060 - 0798
 See instructions for
 public burden estimate

1) Radio Service Code: <p style="text-align: center;">CW</p>	1a) Existing Radio Service Code:
--	----------------------------------

General Information

2) (Select only one) (AU) NE - New RO - Renewal Only AU - Administrative Update NT - Required Notifications MD - Modification RM - Renewal/Modification WD - Withdrawal of Application EX - Requests for Extension of Time AM - Amendment CA - Cancellation of License RL - Registered Location/Link	
3a) If this application is for a Demonstration License or a S pecial Temporary Authorization (STA), enter the code and attach the required exhibit as described in the instructions. Otherwise enter ' N/A ' (Not Applicable).	(N) <u>M</u> <u>S</u> <u>N/A</u>
3b) If this application is for Special Temporary Authority due to an emergency situation, enter 'Y'; otherwise enter 'N'. Refer to Rule 1.915 for an explanation of situations considered to be an emergency.	() <u>Y</u> <u>N</u>
4) If this application is for an Amendment or Withdrawal, enter the file number of the pending application currently on file with the FCC.	File Number
5) If this application is for a Modification, Renewal Only, Renewal/Modification, Cancellation of License, , or Administrative Update, enter the call sign of the existing FCC license. If this is a request for Registered Location/Link, enter the FCC call sign assigned to the geographic license.	Call Sign KNLH653
6a) If this application is for a New, Amendment, Renewal Only, or Renewal/Modification, enter the requested authorization expiration date (this item is optional).	MM DD _____ / _____
6b) If this application is for a Renewal Only or Renewal/Modification and the license is a geographic area license, is the license used to provide service to customers (C), or is the license used for private business (internal) purposes or to meet the licensee's public interest/public safety communications needs (P)?	() <u>C</u> <u>P</u>
7) Is this application "major" as defined in § 1.929 of the Commission's Rules when read in conjunction with the applicable radio service rules found in Parts 22 and 90 of the Commission's Rules? (NOTE: This question only applies to certain site-specific applications. See the instructions for applicability and full text of § 1.929).	() <u>Y</u> <u>N</u>
8) Are attachments (other than associated schedules) being filed with this application?	() <u>Y</u> <u>N</u>

Fees, Waivers, and Exemptions

9) Is the Applicant exempt from FCC application fees?	(N) <u>Y</u> <u>N</u>
10) Is the Applicant exempt from FCC regulatory fees?	(N) <u>Y</u> <u>N</u>
11) Does this application include a request for a Waiver of the Commission's Rule(s)? If 'Yes', attach an exhibit providing rule number(s) and explaining circumstances.	(N) <u>Y</u> <u>N</u>
12) Are the frequencies or parameters requested in this filing covered by grandfathered privileges, previously approved by waiver, or functionally integrated with an existing station?	() <u>Y</u> <u>N</u>

Applicant Information

13) FCC Registration Number (FRN): 0003291192			
14) Applicant/Licensee Legal Entity Type: (Select One) <input type="checkbox"/> Individual <input type="checkbox"/> Unincorporated Association <input type="checkbox"/> Trust <input type="checkbox"/> Government Entity <input type="checkbox"/> Corporation <input checked="" type="checkbox"/> Limited Liability Company <input type="checkbox"/> General Partnership <input type="checkbox"/> Limited Partnership <input type="checkbox"/> Limited Liability Partnership <input type="checkbox"/> Consortium <input type="checkbox"/> Other: _____			
15) If the Licensee name is being updated, is the update a result from the sale (or transfer of control) of the license(s) to party and for which proper Commission approval has not been received or proper notification not provided?			<input type="checkbox"/> Yes <input checked="" type="checkbox"/> No
16) First Name (if individual):	MI:	Last Name:	Suffix:
17) Legal Entity Name (if other than individual): NEW CINGULAR WIRELESS PCS, LLC			
18) Attention To: FCC Group			
19) P.O. Box:	And/Or	20) Street Address: 208 S. Akard St. 20F	
21) City: Dallas	22) State: TX	23) Zip Code: 75202	
24) Telephone Number: (855)699-7073		25) Fax: (214)746-6410	
26) E-Mail Address: FCCMW@att.com			

27) Demographics (Optional)

Race: <input type="checkbox"/> American Indian or Alaska Native <input type="checkbox"/> Asian <input type="checkbox"/> Black or African-American <input type="checkbox"/> Native Hawaiian or Other Pacific Islander <input type="checkbox"/> White	Ethnicity: <input type="checkbox"/> Hispanic or Latino <input type="checkbox"/> Not Hispanic or Latino	Gender: <input type="checkbox"/> Male <input type="checkbox"/> Female
--	--	---

Real Party in Interest

28) Name of Real Party in Interest of Applicant (If different from Applicant):	29) FCC Registration Number (FRN) of Real Party in Interest:
--	--

Contact Information (If different from the Applicant) Check here if same as Applicant.

30) First Name: Cecil	MI: J	Last Name: Mathew	Suffix:
31) Company Name: AT&T Services, Inc.			
32) Attention To: FCC Group			
33) P.O. Box:	And /Or	34) Street Address: 208 S. Akard St. 20F	
35) City: Dallas	36) State: TX	37) Zip Code: 75202	
38) Telephone Number: (855)699-7073		39) Fax: (214)746-6410	
40) E-Mail Address: FCCMW@att.com			

Regulatory Status

41) This filing is for authorization to provide or use the following type(s) of radio service offering (enter all that apply):
() Common Carrier () Non-Common Carrier () Private, internal communications () Broadcast Services () Band Manager

Type of Radio Service

42) This filing is for authorization to provide the following type(s) of radio service (choose all that apply):
() Fixed () Mobile () Radiolocation () Satellite (sound) () Broadcast Services
43) Does the Applicant propose to provide service interconnected to the public telephone network? () Yes () No

Alien Ownership Questions (If any answer is 'Y', provide an attachment explaining the circumstances. In preparing the attachment, refer to the Main Form Instructions for the "Alien Ownership Questions".)

44) Is the Applicant a foreign government or the representative of any foreign government? () Yes () No
45) Is the Applicant an alien or the representative of an alien? () Yes () No
46) Is the Applicant a corporation organized under the laws of any foreign government? () Yes () No
47) Is the Applicant a corporation of which more than one-fifth of the capital stock is owned of record or voted by aliens or their representatives, or by a foreign government or representative thereof, or by any corporation organized under the laws of a foreign country? () Yes () No

48a) Is the Applicant directly or indirectly controlled by any other corporation of which more than one-fourth of the capital stock (Yes No) is owned of record or voted by aliens or their representatives, or by a foreign government or representative thereof, or by any corporation organized under the laws of a foreign country?

48b) If the answer to 47 or 48a is 'Y' select one of the choices below.

The Applicant is exempt from the provisions of Section 310(b).

If checked, it is not necessary to file a petition for declaratory ruling if the Applicant includes in the attachment required by Item 47 or Item 48a a showing that the requested license(s) is exempt from the provisions of Section 310(b).

The Applicant has received a declaratory ruling(s) approving its foreign ownership, and the application involves only the acquisition of additional spectrum for the provision of a wireless service in a geographic coverage area for which the Applicant has been previously authorized.

If checked, include in the attachment required by Item 47 or Item 48a the citation(s) of the applicable declaratory ruling(s) by DA/FCC number, the FCC Record citation, if available, release date, and a statement that there has been no change in the foreign ownership of the Applicant since the issuance of its ruling.

The Applicant: (i) has received a declaratory ruling(s) approving its foreign ownership, but is not able to make the certification specified immediately above; or (ii) is an "affiliate" of a Licensee or Lessee/Sublessee that received a declaratory ruling(s) under 47 CFR § 1.5000(a) and is relying on the affiliate's ruling for purposes of filing this application as permitted under the affiliate's ruling and 47 CFR § 1.5004(b)

If checked, and if the Applicant received its declaratory ruling(s) on or after August 9, 2013, include in the attachment required by Item 47 or Item 48a the citation(s) of the Applicant's declaratory ruling(s) by DA/FCC number, the FCC Record citation, if available, release date, and a statement that the Applicant is in compliance with the terms and conditions of its ruling and with the Commission's Rules.

If checked, and if the Applicant received its declaratory ruling(s) prior to August 9, 2013, include in the attachment required by Item 48a a copy of a petition for declaratory ruling filed contemporaneously with the Commission to extend the Applicant's existing ruling(s) to cover the same radio service(s) and geographic coverage area(s) involved in the application. Alternatively, the Applicant may request a new declaratory ruling pursuant to Section 1.5000(a) of the Commission's Rules, 47 CFR § 1.5000 (a). Petitions for declaratory ruling may be filed electronically on the Internet through the International Bureau Filing System (IBFS) (with a copy attached hereto).

If checked, and if the Applicant is relying on an affiliate's ruling for purposes of filing this application, include in the attachment required by Item 47 or Item 48a the citation(s) of the applicable declaratory ruling(s) by DA/FCC number, the FCC Record citation, if available, release date, and a statement that the Applicant is in compliance with the terms and conditions of the named affiliate's ruling and with the Commission's Rules. The Applicant must also include a certification of compliance signed by the named affiliate or other qualified entity as specified in 47 CFR § 1.5004(b). See Main Form Instructions for Items 47 or 48a, as applicable.

The Applicant has not received a declaratory ruling approving its foreign ownership and is requesting a declaratory ruling under 47 CFR § 1.5004(b) in a petition filed contemporaneously with the Commission.

If checked, include in the attachment required by Item 47 or 48a a copy of the petition for declaratory ruling filed contemporaneously with the Commission pursuant to 47 CFR § 1.5004(b). Petitions for declaratory ruling may be filed electronically on the Internet through the International Bureau Filing System (IBFS) (with a copy attached hereto).

Basic Qualification Questions

49) Has the Applicant or any party to this application had any FCC station authorization, license or construction permit revoked or had any application for an initial, modification or renewal of FCC station authorization, license, or construction permit denied by the Commission?	() <u>Yes</u> <u>No</u>
50) Has the Applicant or any party to this application, or any party directly or indirectly controlling the Applicant, ever been convicted of a felony by any state or federal court?	() <u>Yes</u> <u>No</u>
51) Has any court finally adjudged the Applicant or any party directly or indirectly controlling the Applicant guilty of unlawfully monopolizing or attempting unlawfully to monopolize radio communication, directly or indirectly, through control of manufacture or sale of radio apparatus, exclusive traffic arrangement, or any other means or unfair methods of competition?	() <u>Yes</u> <u>No</u>

Note: If the answer to any of 49-51 is 'Y', attach an exhibit explaining the circumstances.

Aeronautical Advisory Station (Unicom) Certification

52) () I certify that the station will be located on property of the airport to be served, and, in cases where the airport does not have a control tower, RCO, or FAA flight service station, that I have notified the owner of the airport and all aviation service organizations located at the airport within ten days prior to application.
--

Broadband Radio Service and Educational Broadband Service Cable Cross-Ownership

53a) Will the requested facilities be used to provide multichannel video programming service?	() <u>Yes</u> <u>No</u>
53b) If the answer to question 53a is 'Y', does the Applicant operate, control or have an attributable interest (as defined in 47 CFR § 27.1202) in a cable television system whose franchise area is located within the geographic service area of the requested facilities?	() <u>Yes</u> <u>No</u>

Note: If the answer to question 53b is 'Y', attach an exhibit explaining how the Applicant complies with 47 CFR § 27.1202 or justifying a waiver of that rule. If a waiver of the Commission Rule(s) is being requested, Item 11a must be answered 'Y'.

Broadband Radio Service and Educational Broadband Service (Part 27)

54) (For EBS only) Does the Applicant comply with the programming requirements contained in 47 CFR § 27.1203?	() <u>Yes</u> <u>No</u>
---	--------------------------

Note: If the answer to item 54 is 'N', attach an exhibit explaining how the Applicant complies with 47 CFR § 27.1203 of the Commission's Rules or justifying a waiver of that rule. If a waiver of the Commission Rule(s) is being requested, Item 11a must be answered 'Y'.

55) (For BRS and EBS) Does the Applicant comply with 47 CFR §§ 27.50, 27.55, and 27.1221?	() <u>Yes</u> <u>No</u>
---	--------------------------

Note: If the answer to item 55 is 'N', attach an exhibit justifying a waiver of that rule(s). If a waiver of the Commission Rule(s) is being requested, Item 11a must be answered 'Y'.

For Applicants Who Participated in an Auction

56) Is the Applicant a qualifying rural wireless partnership or a member of a qualifying rural wireless partnership?	() <u>Yes</u> <u>No</u>
--	--------------------------

Note: If the answer to item 56 is 'Y', attach an exhibit listing all members of the qualifying rural wireless partnership, including their FRN numbers.

For Renewal Applicants

57) Operation/Performance Requirement Certification	
[For a site-based license]: Applicant certifies that it is continuing to operate consistent with its most recently filed construction notification (or most recent authorization, if no construction notification was required).	() <u>Yes</u> <u>No</u>
[For a geographic license, commercial service - licensee in its initial license term with an interim performance requirement]: Applicant certifies that it has met its interim performance requirement, that over the portion of the license term following the interim performance requirement, it continues to use its facilities to provide at least the level of service required by its interim performance requirement, it has met its final performance requirement, and it continues to use its facilities to provide at least the level of service required by its final performance requirement through the end of the license term.	() <u>Yes</u> <u>No</u>
[For a geographic license, commercial service - licensee in its initial license term with no interim performance requirement]: Applicant certifies that it has met its final performance requirement and it continues to use its facilities to provide at least the level of service required by its final performance requirement through the end of the license term. [Note: licensee must provide a showing demonstrating that the final performance requirement has been met, either separately in a timely application for notification of completion of construction, or as part of its renewal application, depending on the radio service.]	() <u>Yes</u> <u>No</u>
[For a geographic license, commercial service - licensee in any subsequent term]: Applicant certifies that it continues to use its facilities to provide at least the level of service required by its final performance requirement through the end of any subsequent license terms.	() <u>Yes</u> <u>No</u>
[For a geographic license, private systems - licensee in its initial license term with an interim performance requirement]: Applicant certifies that it has met its interim performance requirement, that over the portion of the license term following the interim performance requirement, it continues to use its facilities to further its private business or public interest/public safety communications needs at or above the level required to meet its interim performance requirement, it has met its final performance requirement, and it continues to use its facilities to provide at least the level of operation required by its final performance requirement through the end of the license term.	() <u>Yes</u> <u>No</u>
[For a geographic license, private systems - licensee in its initial license term with no interim performance requirement]: Applicant certifies that it has met its final performance requirement, it continues to use its facilities to further its private business or public interest/public safety communications needs, and it continues to use its facilities to provide at least the level of operation required by its final performance requirement through the end of the license term. [Note: licensee must provide a showing demonstrating that the final performance requirement has been met, either separately in a timely application for notification of completion of construction, or as part of its renewal application, depending on the radio service.]	() <u>Yes</u> <u>No</u>

[For a geographic license, private systems - licensee in any subsequent term]: Applicant certifies that it continues to use its facilities to further its private business or public interest/public safety communications needs at or above the level required to meet its final performance requirement through the end of any subsequent license terms.	(<input type="checkbox"/>) <u>Yes</u> <u>No</u>
[For a partitioned or disaggregated license without a performance requirement, for the first renewal application filed after effective date of the rules]: Applicant certifies that the partitioned and/or disaggregated license that is the subject of this renewal application has no separate performance requirement and that this is the first renewal of this license filed subsequent to the effective date of the rules.	(<input type="checkbox"/>) <u>Yes</u> <u>No</u>
[For a partitioned or disaggregated license without a performance requirement, for any subsequent renewal filings]: Applicant certifies that it continues to use its facilities to provide service or to further the applicant's private business or public interest/public safety needs.	(<input type="checkbox"/>) <u>Yes</u> <u>No</u>

Discontinuance of Service Certification

58) Applicant certifies that no permanent discontinuance of service or operation, as applicable, occurred during its current license term. Note: If the response to either item 57 or item 58 is 'N', attach an exhibit that demonstrates that over the course of the license term, the Applicant provided and continues to provide service to the public, or operated and continues to operate the license to meet the Applicant's private business or public interest/public safety communications needs. This exhibit must include a detailed description of the Applicant's provision of service or, when allowed under the relevant service rules or pursuant to waiver, use of the spectrum for private business or public interest/public safety communications needs, during the entire license period and address, as applicable: 1) the level and quality of service provided by the applicant (e.g., the population served, the area served, the number of subscribers, the services offered); (2) the date service commenced, whether service was ever interrupted, and the duration of any interruption or outage; (3) the extent to which service is provided to rural areas; (4) the extent to which service is provided to qualifying tribal land as defined in 47 CFR § 1.2110(e)(3)(i); and (5) any other factors associated with the level of service to the public. The licensee may note in its exhibit: 1) any grant(s) of waiver or extension of a performance deadline or license renewal subject to meeting a performance requirement; or 2) if the final performance deadline and/or expiration date for the license accelerated because the licensee did not meet an interim performance requirement.	(<input type="checkbox"/>) <u>Yes</u> <u>No</u>
--	---

Regulatory Compliance Certification [same for all]

59) Applicant certifies that it has substantially complied with all applicable FCC rules, policies, and the Communications Act of 1934, as amended. Note: If the response to item 59 is 'N', attach an exhibit explaining the circumstances and demonstrating why Applicant's license should be renewed.	(<input type="checkbox"/>) <u>Yes</u> <u>No</u>
--	---

General Certification Statements

1) The Applicant waives any claim to the use of any particular frequency or of the electromagnetic spectrum as against the regulatory power of the United States because of the previous use of the same, whether by license or otherwise, and requests an authorization in accordance with this application.
2) The Applicant certifies that grant of this application would not cause the Applicant to be in violation of any pertinent cross-ownership or attribution rules.* *If the Applicant has sought a waiver of any such rule in connection with this application, it may make this certification subject to the outcome of the waiver request.
3) The Applicant certifies that all statements made in this application and in the exhibits, attachments, or documents incorporated by reference are material, are part of this application, and are true, complete, correct, and made in good faith.
4) The Applicant certifies that neither the Applicant nor any other party to the application is subject to a denial of Federal benefits pursuant to § 5301 of the Anti-Drug Abuse Act of 1988, 21 U.S.C. § 862, because of a conviction for possession or distribution of a controlled substance. This certification does not apply to applications filed in services exempted under § 1.2002(c) of the rules, 47 CFR § 1.2002(c). See 47 CFR § 1.2002(b) for the definition of "party to the application" as used in this certification.
5) The Applicant certifies that it either (1) has current required ownership data on file with the Commission, (2) is filing updated ownership data simultaneously with this application, or (3) is not required to file ownership data under the Commission's Rules.
6) The Applicant certifies that the facilities, operations, and transmitters for which this authorization is hereby requested are either: (1) categorically excluded from routine environmental evaluation for RF exposure as set forth in 47 CFR § 1.1307(b); or, (2) have been found not to cause human exposure to levels of radiofrequency radiation in excess of the limits specified in 47 CFR §§ 1.1310 and 2.1093; or, (3) are the subject of one or more Environmental Assessments filed with the Commission.
7) The Applicant certifies that it has reviewed the appropriate Commission Rules defining eligibility to hold the requested license(s) and is eligible to hold the requested license(s).
8) The Applicant certifies that it is not in default on any payment for Commission licenses and that it is not delinquent on any non-tax debt owed to any federal agency.
9) The Applicant certifies that the Applicant and all of the related individuals and entities required to be disclosed on this application and FCC Form 602 (FCC Ownership Disclosure Information for the Wireless Telecommunications Services) are not person(s) who have been, for reasons of national security, barred by any agency of the Federal Government from bidding on a contract, participating in an auction, or receiving a grant. This certification applies only to applications for licenses for spectrum that is required by Sections 6103, 6401-6403 of the Middle Class Tax Relief and Job Creation Act of 2012, codified at 47 U.S.C. §§ 309, 1413, 1451-1452, to be assigned by a system of competitive bidding under 47 U.S.C. § 309(j).

Signature

60) Typed or Printed Name of Party Authorized to Sign

First Name: Cecil	MI: J	Last Name: Mathew	Suffix:
61) Title: Assistant Secretary - Compliance			
Signature: Cecil J Mathew			62) Date: 01/13/2023
FAILURE TO SIGN THIS APPLICATION MAY RESULT IN DISMISSAL OF THE APPLICATION AND FORFEITURE OF ANY FEES PAID.			
Upon grant of this license application, the Licensee may be subject to certain construction or coverage requirements. Failure to meet the construction or coverage requirements will result in termination of the license. Consult appropriate FCC regulations to determine the construction or coverage requirements that apply to the type of license requested in this application.			
WILLFUL FALSE STATEMENTS MADE ON THIS FORM OR ANY ATTACHMENTS ARE PUNISHABLE BY FINE AND/OR IMPRISONMENT (U.S. Code, Title 18, § 1001) AND/OR REVOCATION OF ANY STATION LICENSE OR CONSTRUCTION PERMIT (U.S. Code, Title 47, § 312(a)(1)), AND/OR FORFEITURE (U.S. Code, Title 47, § 503).			

REFERENCE COPY

This is not an official FCC license. It is a record of public information contained in the FCC's licensing database on the date that this reference copy was generated. In cases where FCC rules require the presentation, posting, or display of an FCC license, this document may not be used in place of an official FCC license.



Federal Communications Commission
Wireless Telecommunications Bureau

RADIO STATION AUTHORIZATION

LICENSEE: NEW CINGULAR WIRELESS PCS, LLC

ATTN: FCC GROUP
NEW CINGULAR WIRELESS PCS, LLC
208 S. AKARD ST. 20F
DALLAS, TX 75202

Table with 2 columns: Call Sign (WPOI215), File Number, and Radio Service (CW - PCS Broadband).

FCC Registration Number (FRN): 0003291192

Table with 4 columns: Grant Date, Effective Date, Expiration Date, Print Date, Market Number, Channel Block, Sub-Market Designator, Market Name, 1st Build-out Date, 2nd Build-out Date, 3rd Build-out Date, 4th Build-out Date.

Waivers/Conditions:

This authorization is subject to the condition that, in the event that systems using the same frequencies as granted herein are authorized in an adjacent foreign territory (Canada/United States), future coordination of any base station transmitters within 72 km (45 miles) of the United States/Canada border shall be required to eliminate any harmful interference to operations in the adjacent foreign territory and to ensure continuance of equal access to the frequencies by both countries.

This authorization is subject to the condition that the remaining balance of the winning bid amount will be paid in accordance with Part 1 of the Commission's rules, 47 C.F.R. Part 1.

Conditions:

Pursuant to §309(h) of the Communications Act of 1934, as amended, 47 U.S.C. §309(h), this license is subject to the following conditions: This license shall not vest in the licensee any right to operate the station nor any right in the use of the frequencies designated in the license beyond the term thereof nor in any other manner than authorized herein.

This license may not authorize operation throughout the entire geographic area or spectrum identified on the hardcopy version. To view the specific geographic area and spectrum authorized by this license, refer to the Spectrum and Market Area information under the Market Tab of the license record in the Universal Licensing System (ULS).

Licensee Name: NEW CINGULAR WIRELESS PCS, LLC

Call Sign: WPOI215

File Number:

Print Date:

This license is conditioned upon compliance with the provisions of Applications of AT&T Wireless Services, Inc. and Cingular Wireless Corporation For Consent to Transfer Control of Licenses and Authorizations, Memorandum Opinion and Order, FCC 04-255 (rel. Oct. 26, 2004).

Spectrum Lease Associated with this License. See Spectrum Leasing Arrangement Letter dated 12/06/2004 and File # 0001918579.

The Spectrum Leasing Arrangement, which became effective upon approval of application file number 0001918579, was terminated on 04/14/2005. Please see file number 0002135370.

Commission approval of this application and the licenses contained therein are subject to the conditions set forth in the Memorandum Opinion and Order, adopted on December 29, 2006 and released on March 26, 2007, and revised in the Order on Reconsideration, adopted and released on March 26, 2007. See AT&T Inc. and BellSouth Corporation Application for Transfer of Control, WC Docket No. 06-74, Memorandum Opinion and Order, FCC 06-189 (rel. Mar. 26, 2007); AT&T Inc. and BellSouth Corporation, WC Docket No. 06-74, Order on Reconsideration, FCC 07-44 (rel. Mar. 26, 2007).

Licensee Name: NEW CINGULAR WIRELESS PCS, LLC

Call Sign: WPOI215

File Number:

Print Date:

700 MHz Relicensed Area Information:

Market	Market Name	Buildout Deadline	Buildout Notification	Status
---------------	--------------------	--------------------------	------------------------------	---------------

Reference Copy

Reference Copy Only. Do Not Mail to the FCC as an Application.

Submitted: 01/23/2024 at 17:43:02
File Number: 0010873345

FCC 601

Main Form

FCC Application for Radio Service Authorization: Wireless Telecommunications Bureau Public Safety and Homeland Security Bureau

Approved by OMB

3060 - 0798

See instructions for public burden estimate

1) Radio Service Code: CW	1a) Existing Radio Service Code:
-------------------------------------	----------------------------------

General Information

2) (Select only one) (AU) NE - New RO - Renewal Only AU - Administrative Update NT - Required Notifications MD - Modification RM - Renewal/Modification WD - Withdrawal of Application EX - Requests for Extension of Time AM - Amendment CA - Cancellation of License RL - Registered Location/Link	
3a) If this application is for a Demonstration License or a S pecial Temporary Authorization (STA), enter the code and attach the required exhibit as described in the instructions. Otherwise enter ' N/A ' (Not Applicable).	(N) <u>M</u> <u>S</u> <u>N/A</u>
3b) If this application is for Special Temporary Authority due to an emergency situation, enter 'Y'; otherwise enter 'N'. Refer to Rule 1.915 for an explanation of situations considered to be an emergency.	() <u>Y</u> <u>N</u>
4) If this application is for an Amendment or Withdrawal, enter the file number of the pending application currently on file with the FCC.	File Number
5) If this application is for a Modification, Renewal Only, Renewal/Modification, Cancellation of License, , or Administrative Update, enter the call sign of the existing FCC license. If this is a request for Registered Location/Link, enter the FCC call sign assigned to the geographic license.	Call Sign WPOI215
6a) If this application is for a New, Amendment, Renewal Only, or Renewal/Modification, enter the requested authorization expiration date (this item is optional).	MM DD ____ / ____
6b) If this application is for a Renewal Only or Renewal/Modification and the license is a geographic area license, is the license used to provide service to customers (C), or is the license used for private business (internal) purposes or to meet the licensee's public interest/public safety communications needs (P)?	() <u>C</u> <u>P</u>
7) Is this application "major" as defined in § 1.929 of the Commission's Rules when read in conjunction with the applicable radio service rules found in Parts 22 and 90 of the Commission's Rules? (NOTE: This question only applies to certain site-specific applications. See the instructions for applicability and full text of § 1.929).	() <u>Y</u> <u>N</u>
8) Are attachments (other than associated schedules) being filed with this application?	() <u>Y</u> <u>N</u>

Fees, Waivers, and Exemptions

9) Is the Applicant exempt from FCC application fees?	(N) <u>Y</u> <u>N</u>
10) Is the Applicant exempt from FCC regulatory fees?	(N) <u>Y</u> <u>N</u>
11) Does this application include a request for a Waiver of the Commission's Rule(s)? If 'Yes', attach an exhibit providing rule number(s) and explaining circumstances.	(N) <u>Y</u> <u>N</u>
12) Are the frequencies or parameters requested in this filing covered by grandfathered privileges, previously approved by waiver, or functionally integrated with an existing station?	() <u>Y</u> <u>N</u>

Applicant Information

13) FCC Registration Number (FRN): 0003291192			
14) Applicant/Licensee Legal Entity Type: (Select One) <input type="checkbox"/> Individual <input type="checkbox"/> Unincorporated Association <input type="checkbox"/> Trust <input type="checkbox"/> Government Entity <input type="checkbox"/> Corporation <input checked="" type="checkbox"/> Limited Liability Company <input type="checkbox"/> General Partnership <input type="checkbox"/> Limited Partnership <input type="checkbox"/> Limited Liability Partnership <input type="checkbox"/> Consortium <input type="checkbox"/> Other: _____			
15) If the Licensee name is being updated, is the update a result from the sale (or transfer of control) of the license(s) to party and for which proper Commission approval has not been received or proper notification not provided?			<input type="checkbox"/> Yes <input checked="" type="checkbox"/> No
16) First Name (if individual):	MI:	Last Name:	Suffix:
17) Legal Entity Name (if other than individual): NEW CINGULAR WIRELESS PCS, LLC			
18) Attention To: National Regulatory Compliance			
19) P.O. Box:	And/Or	20) Street Address: 208 S Akard St, 20F	
21) City: Dallas	22) State: TX	23) Zip Code: 75202	
24) Telephone Number: (855)699-7073		25) Fax: (214)746-6410	
26) E-Mail Address: FCCMW@att.com			

27) Demographics (Optional)

Race: <input type="checkbox"/> American Indian or Alaska Native <input type="checkbox"/> Asian <input type="checkbox"/> Black or African-American <input type="checkbox"/> Native Hawaiian or Other Pacific Islander <input type="checkbox"/> White	Ethnicity: <input type="checkbox"/> Hispanic or Latino <input type="checkbox"/> Not Hispanic or Latino	Gender: <input type="checkbox"/> Male <input type="checkbox"/> Female
--	--	---

Real Party in Interest

28) Name of Real Party in Interest of Applicant (If different from Applicant):	29) FCC Registration Number (FRN) of Real Party in Interest:
--	--

Contact Information (If different from the Applicant) Check here if same as Applicant.

30) First Name: Jessica	MI: J	Last Name: Dunk	Suffix:
31) Company Name: AT&T Services, Inc.			
32) Attention To: NRC			
33) P.O. Box:	And /Or	34) Street Address: 208 S Akard St, 20F	
35) City: Dallas	36) State: TX	37) Zip Code: 75202	
38) Telephone Number: (855)699-7073		39) Fax: (214)746-6410	
40) E-Mail Address: FCCMW@att.com			

Regulatory Status

41) This filing is for authorization to provide or use the following type(s) of radio service offering (enter all that apply):
() Common Carrier () Non-Common Carrier () Private, internal communications () Broadcast Services () Band Manager

Type of Radio Service

42) This filing is for authorization to provide the following type(s) of radio service (choose all that apply):
() Fixed () Mobile () Radiolocation () Satellite (sound) () Broadcast Services
43) Does the Applicant propose to provide service interconnected to the public telephone network? () Yes () No

Alien Ownership Questions (If any answer is 'Y', provide an attachment explaining the circumstances. In preparing the attachment, refer to the Main Form Instructions for the "Alien Ownership Questions".)

44) Is the Applicant a foreign government or the representative of any foreign government? () Yes () No
45) Is the Applicant an alien or the representative of an alien? () Yes () No
46) Is the Applicant a corporation organized under the laws of any foreign government? () Yes () No
47) Is the Applicant a corporation of which more than one-fifth of the capital stock is owned of record or voted by aliens or their representatives, or by a foreign government or representative thereof, or by any corporation organized under the laws of a foreign country? () Yes () No

48a) Is the Applicant directly or indirectly controlled by any other corporation of which more than one-fourth of the capital stock () Yes No is owned of record or voted by aliens or their representatives, or by a foreign government or representative thereof, or by any corporation organized under the laws of a foreign country?

48b) If the answer to 47 or 48a is 'Y' select one of the choices below.

The Applicant is exempt from the provisions of Section 310(b).

If checked, it is not necessary to file a petition for declaratory ruling if the Applicant includes in the attachment required by Item 47 or Item 48a a showing that the requested license(s) is exempt from the provisions of Section 310(b).

The Applicant has received a declaratory ruling(s) approving its foreign ownership, and the application involves only the acquisition of additional spectrum for the provision of a wireless service in a geographic coverage area for which the Applicant has been previously authorized.

If checked, include in the attachment required by Item 47 or Item 48a the citation(s) of the applicable declaratory ruling(s) by DA/FCC number, the FCC Record citation, if available, release date, and a statement that there has been no change in the foreign ownership of the Applicant since the issuance of its ruling.

The Applicant: (i) has received a declaratory ruling(s) approving its foreign ownership, but is not able to make the certification specified immediately above; or (ii) is an "affiliate" of a Licensee or Lessee/Sublessee that received a declaratory ruling(s) under 47 CFR § 1.5000(a) and is relying on the affiliate's ruling for purposes of filing this application as permitted under the affiliate's ruling and 47 CFR § 1.5004(b)

If checked, and if the Applicant received its declaratory ruling(s) on or after August 9, 2013, include in the attachment required by Item 47 or Item 48a the citation(s) of the Applicant's declaratory ruling(s) by DA/FCC number, the FCC Record citation, if available, release date, and a statement that the Applicant is in compliance with the terms and conditions of its ruling and with the Commission's Rules.

If checked, and if the Applicant received its declaratory ruling(s) prior to August 9, 2013, include in the attachment required by Item 48a a copy of a petition for declaratory ruling filed contemporaneously with the Commission to extend the Applicant's existing ruling(s) to cover the same radio service(s) and geographic coverage area(s) involved in the application. Alternatively, the Applicant may request a new declaratory ruling pursuant to Section 1.5000(a) of the Commission's Rules, 47 CFR § 1.5000 (a). Petitions for declaratory ruling may be filed electronically on the Internet through the International Bureau Filing System (IBFS) (with a copy attached hereto).

If checked, and if the Applicant is relying on an affiliate's ruling for purposes of filing this application, include in the attachment required by Item 47 or Item 48a the citation(s) of the applicable declaratory ruling(s) by DA/FCC number, the FCC Record citation, if available, release date, and a statement that the Applicant is in compliance with the terms and conditions of the named affiliate's ruling and with the Commission's Rules. The Applicant must also include a certification of compliance signed by the named affiliate or other qualified entity as specified in 47 CFR § 1.5004(b). See Main Form Instructions for Items 47 or 48a, as applicable.

The Applicant has not received a declaratory ruling approving its foreign ownership and is requesting a declaratory ruling under 47 CFR § 1.5004(b) in a petition filed contemporaneously with the Commission.

If checked, include in the attachment required by Item 47 or 48a a copy of the petition for declaratory ruling filed contemporaneously with the Commission pursuant to 47 CFR § 1.5004(b). Petitions for declaratory ruling may be filed electronically on the Internet through the International Bureau Filing System (IBFS) (with a copy attached hereto).

Basic Qualification Questions

49) Has the Applicant or any party to this application had any FCC station authorization, license or construction permit revoked or had any application for an initial, modification or renewal of FCC station authorization, license, or construction permit denied by the Commission?	() <u>Yes</u> <u>No</u>
50) Has the Applicant or any party to this application, or any party directly or indirectly controlling the Applicant, ever been convicted of a felony by any state or federal court?	() <u>Yes</u> <u>No</u>
51) Has any court finally adjudged the Applicant or any party directly or indirectly controlling the Applicant guilty of unlawfully monopolizing or attempting unlawfully to monopolize radio communication, directly or indirectly, through control of manufacture or sale of radio apparatus, exclusive traffic arrangement, or any other means or unfair methods of competition?	() <u>Yes</u> <u>No</u>

Note: If the answer to any of 49-51 is 'Y', attach an exhibit explaining the circumstances.

Aeronautical Advisory Station (Unicom) Certification

52) () I certify that the station will be located on property of the airport to be served, and, in cases where the airport does not have a control tower, RCO, or FAA flight service station, that I have notified the owner of the airport and all aviation service organizations located at the airport within ten days prior to application.
--

Broadband Radio Service and Educational Broadband Service Cable Cross-Ownership

53a) Will the requested facilities be used to provide multichannel video programming service?	() <u>Yes</u> <u>No</u>
53b) If the answer to question 53a is 'Y', does the Applicant operate, control or have an attributable interest (as defined in 47 CFR § 27.1202) in a cable television system whose franchise area is located within the geographic service area of the requested facilities?	() <u>Yes</u> <u>No</u>

Note: If the answer to question 53b is 'Y', attach an exhibit explaining how the Applicant complies with 47 CFR § 27.1202 or justifying a waiver of that rule. If a waiver of the Commission Rule(s) is being requested, Item 11a must be answered 'Y'.

Broadband Radio Service and Educational Broadband Service (Part 27)

54) (For EBS only) Does the Applicant comply with the programming requirements contained in 47 CFR § 27.1203?	() <u>Yes</u> <u>No</u>
---	--------------------------

Note: If the answer to item 54 is 'N', attach an exhibit explaining how the Applicant complies with 47 CFR § 27.1203 of the Commission's Rules or justifying a waiver of that rule. If a waiver of the Commission Rule(s) is being requested, Item 11a must be answered 'Y'.

55) (For BRS and EBS) Does the Applicant comply with 47 CFR §§ 27.50, 27.55, and 27.1221?	() <u>Yes</u> <u>No</u>
---	--------------------------

Note: If the answer to item 55 is 'N', attach an exhibit justifying a waiver of that rule(s). If a waiver of the Commission Rule(s) is being requested, Item 11a must be answered 'Y'.

For Applicants Who Participated in an Auction

56) Is the Applicant a qualifying rural wireless partnership or a member of a qualifying rural wireless partnership?	() <u>Yes</u> <u>No</u>
--	--------------------------

Note: If the answer to item 56 is 'Y', attach an exhibit listing all members of the qualifying rural wireless partnership, including their FRN numbers.

For Renewal Applicants**57) Operation/Performance Requirement Certification**

[For a site-based license]: Applicant certifies that it is continuing to operate consistent with its most recently filed construction notification (or most recent authorization, if no construction notification was required).	() <u>Yes</u> <u>No</u>
[For a geographic license, commercial service - licensee in its initial license term with an interim performance requirement]: Applicant certifies that it has met its interim performance requirement, that over the portion of the license term following the interim performance requirement, it continues to use its facilities to provide at least the level of service required by its interim performance requirement, it has met its final performance requirement, and it continues to use its facilities to provide at least the level of service required by its final performance requirement through the end of the license term.	() <u>Yes</u> <u>No</u>
[For a geographic license, commercial service - licensee in its initial license term with no interim performance requirement]: Applicant certifies that it has met its final performance requirement and it continues to use its facilities to provide at least the level of service required by its final performance requirement through the end of the license term. [Note: licensee must provide a showing demonstrating that the final performance requirement has been met, either separately in a timely application for notification of completion of construction, or as part of its renewal application, depending on the radio service.]	() <u>Yes</u> <u>No</u>
[For a geographic license, commercial service - licensee in any subsequent term]: Applicant certifies that it continues to use its facilities to provide at least the level of service required by its final performance requirement through the end of any subsequent license terms.	() <u>Yes</u> <u>No</u>
[For a geographic license, private systems - licensee in its initial license term with an interim performance requirement]: Applicant certifies that it has met its interim performance requirement, that over the portion of the license term following the interim performance requirement, it continues to use its facilities to further its private business or public interest/public safety communications needs at or above the level required to meet its interim performance requirement, it has met its final performance requirement, and it continues to use its facilities to provide at least the level of operation required by its final performance requirement through the end of the license term.	() <u>Yes</u> <u>No</u>
[For a geographic license, private systems - licensee in its initial license term with no interim performance requirement]: Applicant certifies that it has met its final performance requirement, it continues to use its facilities to further its private business or public interest/public safety communications needs, and it continues to use its facilities to provide at least the level of operation required by its final performance requirement through the end of the license term. [Note: licensee must provide a showing demonstrating that the final performance requirement has been met, either separately in a timely application for notification of completion of construction, or as part of its renewal application, depending on the radio service.]	() <u>Yes</u> <u>No</u>

[For a geographic license, private systems - licensee in any subsequent term]: Applicant certifies that it continues to use its facilities to further its private business or public interest/public safety communications needs at or above the level required to meet its final performance requirement through the end of any subsequent license terms.	(<input type="checkbox"/>) <u>Yes</u> <u>No</u>
[For a partitioned or disaggregated license without a performance requirement, for the first renewal application filed after effective date of the rules]: Applicant certifies that the partitioned and/or disaggregated license that is the subject of this renewal application has no separate performance requirement and that this is the first renewal of this license filed subsequent to the effective date of the rules.	(<input type="checkbox"/>) <u>Yes</u> <u>No</u>
[For a partitioned or disaggregated license without a performance requirement, for any subsequent renewal filings]: Applicant certifies that it continues to use its facilities to provide service or to further the applicant's private business or public interest/public safety needs.	(<input type="checkbox"/>) <u>Yes</u> <u>No</u>

Discontinuance of Service Certification

58) Applicant certifies that no permanent discontinuance of service or operation, as applicable, occurred during its current license term. Note: If the response to either item 57 or item 58 is 'N', attach an exhibit that demonstrates that over the course of the license term, the Applicant provided and continues to provide service to the public, or operated and continues to operate the license to meet the Applicant's private business or public interest/public safety communications needs. This exhibit must include a detailed description of the Applicant's provision of service or, when allowed under the relevant service rules or pursuant to waiver, use of the spectrum for private business or public interest/public safety communications needs, during the entire license period and address, as applicable: 1) the level and quality of service provided by the applicant (e.g., the population served, the area served, the number of subscribers, the services offered); (2) the date service commenced, whether service was ever interrupted, and the duration of any interruption or outage; (3) the extent to which service is provided to rural areas; (4) the extent to which service is provided to qualifying tribal land as defined in 47 CFR § 1.2110(e)(3)(i); and (5) any other factors associated with the level of service to the public. The licensee may note in its exhibit: 1) any grant(s) of waiver or extension of a performance deadline or license renewal subject to meeting a performance requirement; or 2) if the final performance deadline and/or expiration date for the license accelerated because the licensee did not meet an interim performance requirement.	(<input type="checkbox"/>) <u>Yes</u> <u>No</u>
--	---

Regulatory Compliance Certification [same for all]

59) Applicant certifies that it has substantially complied with all applicable FCC rules, policies, and the Communications Act of 1934, as amended. Note: If the response to item 59 is 'N', attach an exhibit explaining the circumstances and demonstrating why Applicant's license should be renewed.	(<input type="checkbox"/>) <u>Yes</u> <u>No</u>
--	---

General Certification Statements

1) The Applicant waives any claim to the use of any particular frequency or of the electromagnetic spectrum as against the regulatory power of the United States because of the previous use of the same, whether by license or otherwise, and requests an authorization in accordance with this application.
2) The Applicant certifies that grant of this application would not cause the Applicant to be in violation of any pertinent cross-ownership or attribution rules.* *If the Applicant has sought a waiver of any such rule in connection with this application, it may make this certification subject to the outcome of the waiver request.
3) The Applicant certifies that all statements made in this application and in the exhibits, attachments, or documents incorporated by reference are material, are part of this application, and are true, complete, correct, and made in good faith.
4) The Applicant certifies that neither the Applicant nor any other party to the application is subject to a denial of Federal benefits pursuant to § 5301 of the Anti-Drug Abuse Act of 1988, 21 U.S.C. § 862, because of a conviction for possession or distribution of a controlled substance. This certification does not apply to applications filed in services exempted under § 1.2002(c) of the rules, 47 CFR § 1.2002(c). See 47 CFR § 1.2002(b) for the definition of "party to the application" as used in this certification.
5) The Applicant certifies that it either (1) has current required ownership data on file with the Commission, (2) is filing updated ownership data simultaneously with this application, or (3) is not required to file ownership data under the Commission's Rules.
6) The Applicant certifies that the facilities, operations, and transmitters for which this authorization is hereby requested are either: (1) categorically excluded from routine environmental evaluation for RF exposure as set forth in 47 CFR § 1.1307(b); or, (2) have been found not to cause human exposure to levels of radiofrequency radiation in excess of the limits specified in 47 CFR §§ 1.1310 and 2.1093; or, (3) are the subject of one or more Environmental Assessments filed with the Commission.
7) The Applicant certifies that it has reviewed the appropriate Commission Rules defining eligibility to hold the requested license(s) and is eligible to hold the requested license(s).
8) The Applicant certifies that it is not in default on any payment for Commission licenses and that it is not delinquent on any non-tax debt owed to any federal agency.
9) The Applicant certifies that the Applicant and all of the related individuals and entities required to be disclosed on this application and FCC Form 602 (FCC Ownership Disclosure Information for the Wireless Telecommunications Services) are not person(s) who have been, for reasons of national security, barred by any agency of the Federal Government from bidding on a contract, participating in an auction, or receiving a grant. This certification applies only to applications for licenses for spectrum that is required by Sections 6103, 6401-6403 of the Middle Class Tax Relief and Job Creation Act of 2012, codified at 47 U.S.C. §§ 309, 1413, 1451-1452, to be assigned by a system of competitive bidding under 47 U.S.C. § 309(j).

Signature

60) Typed or Printed Name of Party Authorized to Sign

First Name: Jessica	MI:	Last Name: Dunk	Suffix:
61) Title: Assistant Secretary - Compliance			
Signature: Jessica Dunk			62) Date: 01/23/2024
FAILURE TO SIGN THIS APPLICATION MAY RESULT IN DISMISSAL OF THE APPLICATION AND FORFEITURE OF ANY FEES PAID.			
Upon grant of this license application, the Licensee may be subject to certain construction or coverage requirements. Failure to meet the construction or coverage requirements will result in termination of the license. Consult appropriate FCC regulations to determine the construction or coverage requirements that apply to the type of license requested in this application.			
WILLFUL FALSE STATEMENTS MADE ON THIS FORM OR ANY ATTACHMENTS ARE PUNISHABLE BY FINE AND/OR IMPRISONMENT (U.S. Code, Title 18, § 1001) AND/OR REVOCATION OF ANY STATION LICENSE OR CONSTRUCTION PERMIT (U.S. Code, Title 47, § 312(a)(1)), AND/OR FORFEITURE (U.S. Code, Title 47, § 503).			

Reference Copy Only. Do Not Mail to the FCC as an Application.

Submitted: 01/22/2024 at 14:43:18
 File Number: 0010867982

FCC 601
Main Form

FCC Application for Radio Service Authorization: Wireless Telecommunications Bureau Public Safety and Homeland Security Bureau

Approved by OMB
 3060 - 0798
 See instructions for
 public burden estimate

1) Radio Service Code: <p style="text-align: center;">CW</p>	1a) Existing Radio Service Code:
--	----------------------------------

General Information

2) (Select only one) (AU) NE - New RO - Renewal Only AU - Administrative Update NT - Required Notifications MD - Modification RM - Renewal/Modification WD - Withdrawal of Application EX - Requests for Extension of Time AM - Amendment CA - Cancellation of License RL - Registered Location/Link	
3a) If this application is for a Demonstration License or a S pecial Temporary Authorization (STA), enter the code and attach the required exhibit as described in the instructions. Otherwise enter ' N/A ' (Not Applicable).	(N) <u>M</u> <u>S</u> <u>N/A</u>
3b) If this application is for Special Temporary Authority due to an emergency situation, enter 'Y'; otherwise enter 'N'. Refer to Rule 1.915 for an explanation of situations considered to be an emergency.	() <u>Y</u> <u>N</u>
4) If this application is for an Amendment or Withdrawal, enter the file number of the pending application currently on file with the FCC.	File Number
5) If this application is for a Modification, Renewal Only, Renewal/Modification, Cancellation of License, , or Administrative Update, enter the call sign of the existing FCC license. If this is a request for Registered Location/Link, enter the FCC call sign assigned to the geographic license.	Call Sign WPOI215
6a) If this application is for a New, Amendment, Renewal Only, or Renewal/Modification, enter the requested authorization expiration date (this item is optional).	MM DD _____ / _____
6b) If this application is for a Renewal Only or Renewal/Modification and the license is a geographic area license, is the license used to provide service to customers (C), or is the license used for private business (internal) purposes or to meet the licensee's public interest/public safety communications needs (P)?	() <u>C</u> <u>P</u>
7) Is this application "major" as defined in § 1.929 of the Commission's Rules when read in conjunction with the applicable radio service rules found in Parts 22 and 90 of the Commission's Rules? (NOTE: This question only applies to certain site-specific applications. See the instructions for applicability and full text of § 1.929).	() <u>Y</u> <u>N</u>
8) Are attachments (other than associated schedules) being filed with this application?	() <u>Y</u> <u>N</u>

Fees, Waivers, and Exemptions

9) Is the Applicant exempt from FCC application fees?	(N) <u>Y</u> <u>N</u>
10) Is the Applicant exempt from FCC regulatory fees?	(N) <u>Y</u> <u>N</u>
11) Does this application include a request for a Waiver of the Commission's Rule(s)? If 'Yes', attach an exhibit providing rule number(s) and explaining circumstances.	(N) <u>Y</u> <u>N</u>
12) Are the frequencies or parameters requested in this filing covered by grandfathered privileges, previously approved by waiver, or functionally integrated with an existing station?	() <u>Y</u> <u>N</u>

Applicant Information

13) FCC Registration Number (FRN): 0003291192			
14) Applicant/Licensee Legal Entity Type: (Select One) <input type="checkbox"/> Individual <input type="checkbox"/> Unincorporated Association <input type="checkbox"/> Trust <input type="checkbox"/> Government Entity <input type="checkbox"/> Corporation <input checked="" type="checkbox"/> Limited Liability Company <input type="checkbox"/> General Partnership <input type="checkbox"/> Limited Partnership <input type="checkbox"/> Limited Liability Partnership <input type="checkbox"/> Consortium <input type="checkbox"/> Other: _____			
15) If the Licensee name is being updated, is the update a result from the sale (or transfer of control) of the license(s) to party and for which proper Commission approval has not been received or proper notification not provided?			<input type="checkbox"/> Yes <input checked="" type="checkbox"/> No
16) First Name (if individual):	MI:	Last Name:	Suffix:
17) Legal Entity Name (if other than individual): NEW CINGULAR WIRELESS PCS, LLC			
18) Attention To: National Regulatory Compliance			
19) P.O. Box:	And/Or	20) Street Address: 208 S Akard St, 20F	
21) City: Dallas	22) State: TX	23) Zip Code: 75202	
24) Telephone Number: (855)699-7073		25) Fax: (214)746-6410	
26) E-Mail Address: FCCMW@att.com			

27) Demographics (Optional)

Race: <input type="checkbox"/> American Indian or Alaska Native <input type="checkbox"/> Asian <input type="checkbox"/> Black or African-American <input type="checkbox"/> Native Hawaiian or Other Pacific Islander <input type="checkbox"/> White	Ethnicity: <input type="checkbox"/> Hispanic or Latino <input type="checkbox"/> Not Hispanic or Latino	Gender: <input type="checkbox"/> Male <input type="checkbox"/> Female
--	--	---

Real Party in Interest

28) Name of Real Party in Interest of Applicant (If different from Applicant):	29) FCC Registration Number (FRN) of Real Party in Interest:
--	--

Contact Information (If different from the Applicant) Check here if same as Applicant.

30) First Name: Cecil	MI: J	Last Name: Mathew	Suffix:
31) Company Name: AT&T Services, Inc.			
32) Attention To: FCC Group			
33) P.O. Box:	And /Or	34) Street Address: 208 S. Akard St. 20F	
35) City: Dallas	36) State: TX	37) Zip Code: 75202	
38) Telephone Number: (855)699-7073		39) Fax: (214)746-6410	
40) E-Mail Address: FCCMW@att.com			

Regulatory Status

41) This filing is for authorization to provide or use the following type(s) of radio service offering (enter all that apply):
() Common Carrier () Non-Common Carrier () Private, internal communications () Broadcast Services () Band Manager

Type of Radio Service

42) This filing is for authorization to provide the following type(s) of radio service (choose all that apply):
() Fixed () Mobile () Radiolocation () Satellite (sound) () Broadcast Services
43) Does the Applicant propose to provide service interconnected to the public telephone network? () Yes () No

Alien Ownership Questions (If any answer is 'Y', provide an attachment explaining the circumstances. In preparing the attachment, refer to the Main Form Instructions for the "Alien Ownership Questions".)

44) Is the Applicant a foreign government or the representative of any foreign government? () Yes () No
45) Is the Applicant an alien or the representative of an alien? () Yes () No
46) Is the Applicant a corporation organized under the laws of any foreign government? () Yes () No
47) Is the Applicant a corporation of which more than one-fifth of the capital stock is owned of record or voted by aliens or their representatives, or by a foreign government or representative thereof, or by any corporation organized under the laws of a foreign country? () Yes () No

48a) Is the Applicant directly or indirectly controlled by any other corporation of which more than one-fourth of the capital stock () Yes No is owned of record or voted by aliens or their representatives, or by a foreign government or representative thereof, or by any corporation organized under the laws of a foreign country?

48b) If the answer to 47 or 48a is 'Y' select one of the choices below.

The Applicant is exempt from the provisions of Section 310(b).

If checked, it is not necessary to file a petition for declaratory ruling if the Applicant includes in the attachment required by Item 47 or Item 48a a showing that the requested license(s) is exempt from the provisions of Section 310(b).

The Applicant has received a declaratory ruling(s) approving its foreign ownership, and the application involves only the acquisition of additional spectrum for the provision of a wireless service in a geographic coverage area for which the Applicant has been previously authorized.

If checked, include in the attachment required by Item 47 or Item 48a the citation(s) of the applicable declaratory ruling(s) by DA/FCC number, the FCC Record citation, if available, release date, and a statement that there has been no change in the foreign ownership of the Applicant since the issuance of its ruling.

The Applicant: (i) has received a declaratory ruling(s) approving its foreign ownership, but is not able to make the certification specified immediately above; or (ii) is an "affiliate" of a Licensee or Lessee/Sublessee that received a declaratory ruling(s) under 47 CFR § 1.5000(a) and is relying on the affiliate's ruling for purposes of filing this application as permitted under the affiliate's ruling and 47 CFR § 1.5004(b)

If checked, and if the Applicant received its declaratory ruling(s) on or after August 9, 2013, include in the attachment required by Item 47 or Item 48a the citation(s) of the Applicant's declaratory ruling(s) by DA/FCC number, the FCC Record citation, if available, release date, and a statement that the Applicant is in compliance with the terms and conditions of its ruling and with the Commission's Rules.

If checked, and if the Applicant received its declaratory ruling(s) prior to August 9, 2013, include in the attachment required by Item 48a a copy of a petition for declaratory ruling filed contemporaneously with the Commission to extend the Applicant's existing ruling(s) to cover the same radio service(s) and geographic coverage area(s) involved in the application. Alternatively, the Applicant may request a new declaratory ruling pursuant to Section 1.5000(a) of the Commission's Rules, 47 CFR § 1.5000 (a). Petitions for declaratory ruling may be filed electronically on the Internet through the International Bureau Filing System (IBFS) (with a copy attached hereto).

If checked, and if the Applicant is relying on an affiliate's ruling for purposes of filing this application, include in the attachment required by Item 47 or Item 48a the citation(s) of the applicable declaratory ruling(s) by DA/FCC number, the FCC Record citation, if available, release date, and a statement that the Applicant is in compliance with the terms and conditions of the named affiliate's ruling and with the Commission's Rules. The Applicant must also include a certification of compliance signed by the named affiliate or other qualified entity as specified in 47 CFR § 1.5004(b). See Main Form Instructions for Items 47 or 48a, as applicable.

The Applicant has not received a declaratory ruling approving its foreign ownership and is requesting a declaratory ruling under 47 CFR § 1.5004(b) in a petition filed contemporaneously with the Commission.

If checked, include in the attachment required by Item 47 or 48a a copy of the petition for declaratory ruling filed contemporaneously with the Commission pursuant to 47 CFR § 1.5004(b). Petitions for declaratory ruling may be filed electronically on the Internet through the International Bureau Filing System (IBFS) (with a copy attached hereto).

Basic Qualification Questions

49) Has the Applicant or any party to this application had any FCC station authorization, license or construction permit revoked or had any application for an initial, modification or renewal of FCC station authorization, license, or construction permit denied by the Commission?	() <u>Yes</u> <u>No</u>
50) Has the Applicant or any party to this application, or any party directly or indirectly controlling the Applicant, ever been convicted of a felony by any state or federal court?	() <u>Yes</u> <u>No</u>
51) Has any court finally adjudged the Applicant or any party directly or indirectly controlling the Applicant guilty of unlawfully monopolizing or attempting unlawfully to monopolize radio communication, directly or indirectly, through control of manufacture or sale of radio apparatus, exclusive traffic arrangement, or any other means or unfair methods of competition?	() <u>Yes</u> <u>No</u>

Note: If the answer to any of 49-51 is 'Y', attach an exhibit explaining the circumstances.

Aeronautical Advisory Station (Unicom) Certification

52) () I certify that the station will be located on property of the airport to be served, and, in cases where the airport does not have a control tower, RCO, or FAA flight service station, that I have notified the owner of the airport and all aviation service organizations located at the airport within ten days prior to application.
--

Broadband Radio Service and Educational Broadband Service Cable Cross-Ownership

53a) Will the requested facilities be used to provide multichannel video programming service?	() <u>Yes</u> <u>No</u>
53b) If the answer to question 53a is 'Y', does the Applicant operate, control or have an attributable interest (as defined in 47 CFR § 27.1202) in a cable television system whose franchise area is located within the geographic service area of the requested facilities?	() <u>Yes</u> <u>No</u>

Note: If the answer to question 53b is 'Y', attach an exhibit explaining how the Applicant complies with 47 CFR § 27.1202 or justifying a waiver of that rule. If a waiver of the Commission Rule(s) is being requested, Item 11a must be answered 'Y'.

Broadband Radio Service and Educational Broadband Service (Part 27)

54) (For EBS only) Does the Applicant comply with the programming requirements contained in 47 CFR § 27.1203?	() <u>Yes</u> <u>No</u>
---	--------------------------

Note: If the answer to item 54 is 'N', attach an exhibit explaining how the Applicant complies with 47 CFR § 27.1203 of the Commission's Rules or justifying a waiver of that rule. If a waiver of the Commission Rule(s) is being requested, Item 11a must be answered 'Y'.

55) (For BRS and EBS) Does the Applicant comply with 47 CFR §§ 27.50, 27.55, and 27.1221?	() <u>Yes</u> <u>No</u>
---	--------------------------

Note: If the answer to item 55 is 'N', attach an exhibit justifying a waiver of that rule(s). If a waiver of the Commission Rule(s) is being requested, Item 11a must be answered 'Y'.

For Applicants Who Participated in an Auction

56) Is the Applicant a qualifying rural wireless partnership or a member of a qualifying rural wireless partnership?	() <u>Yes</u> <u>No</u>
--	--------------------------

Note: If the answer to item 56 is 'Y', attach an exhibit listing all members of the qualifying rural wireless partnership, including their FRN numbers.

For Renewal Applicants**57) Operation/Performance Requirement Certification**

[For a site-based license]: Applicant certifies that it is continuing to operate consistent with its most recently filed construction notification (or most recent authorization, if no construction notification was required).	() <u>Yes</u> <u>No</u>
[For a geographic license, commercial service - licensee in its initial license term with an interim performance requirement]: Applicant certifies that it has met its interim performance requirement, that over the portion of the license term following the interim performance requirement, it continues to use its facilities to provide at least the level of service required by its interim performance requirement, it has met its final performance requirement, and it continues to use its facilities to provide at least the level of service required by its final performance requirement through the end of the license term.	() <u>Yes</u> <u>No</u>
[For a geographic license, commercial service - licensee in its initial license term with no interim performance requirement]: Applicant certifies that it has met its final performance requirement and it continues to use its facilities to provide at least the level of service required by its final performance requirement through the end of the license term. [Note: licensee must provide a showing demonstrating that the final performance requirement has been met, either separately in a timely application for notification of completion of construction, or as part of its renewal application, depending on the radio service.]	() <u>Yes</u> <u>No</u>
[For a geographic license, commercial service - licensee in any subsequent term]: Applicant certifies that it continues to use its facilities to provide at least the level of service required by its final performance requirement through the end of any subsequent license terms.	() <u>Yes</u> <u>No</u>
[For a geographic license, private systems - licensee in its initial license term with an interim performance requirement]: Applicant certifies that it has met its interim performance requirement, that over the portion of the license term following the interim performance requirement, it continues to use its facilities to further its private business or public interest/public safety communications needs at or above the level required to meet its interim performance requirement, it has met its final performance requirement, and it continues to use its facilities to provide at least the level of operation required by its final performance requirement through the end of the license term.	() <u>Yes</u> <u>No</u>
[For a geographic license, private systems - licensee in its initial license term with no interim performance requirement]: Applicant certifies that it has met its final performance requirement, it continues to use its facilities to further its private business or public interest/public safety communications needs, and it continues to use its facilities to provide at least the level of operation required by its final performance requirement through the end of the license term. [Note: licensee must provide a showing demonstrating that the final performance requirement has been met, either separately in a timely application for notification of completion of construction, or as part of its renewal application, depending on the radio service.]	() <u>Yes</u> <u>No</u>

[For a geographic license, private systems - licensee in any subsequent term]: Applicant certifies that it continues to use its facilities to further its private business or public interest/public safety communications needs at or above the level required to meet its final performance requirement through the end of any subsequent license terms.	() <u>Yes</u> <u>No</u>
[For a partitioned or disaggregated license without a performance requirement, for the first renewal application filed after effective date of the rules]: Applicant certifies that the partitioned and/or disaggregated license that is the subject of this renewal application has no separate performance requirement and that this is the first renewal of this license filed subsequent to the effective date of the rules.	() <u>Yes</u> <u>No</u>
[For a partitioned or disaggregated license without a performance requirement, for any subsequent renewal filings]: Applicant certifies that it continues to use its facilities to provide service or to further the applicant's private business or public interest/public safety needs.	() <u>Yes</u> <u>No</u>

Discontinuance of Service Certification

58) Applicant certifies that no permanent discontinuance of service or operation, as applicable, occurred during its current license term. Note: If the response to either item 57 or item 58 is 'N', attach an exhibit that demonstrates that over the course of the license term, the Applicant provided and continues to provide service to the public, or operated and continues to operate the license to meet the Applicant's private business or public interest/public safety communications needs. This exhibit must include a detailed description of the Applicant's provision of service or, when allowed under the relevant service rules or pursuant to waiver, use of the spectrum for private business or public interest/public safety communications needs, during the entire license period and address, as applicable: 1) the level and quality of service provided by the applicant (e.g., the population served, the area served, the number of subscribers, the services offered); (2) the date service commenced, whether service was ever interrupted, and the duration of any interruption or outage; (3) the extent to which service is provided to rural areas; (4) the extent to which service is provided to qualifying tribal land as defined in 47 CFR § 1.2110(e)(3)(i); and (5) any other factors associated with the level of service to the public. The licensee may note in its exhibit: 1) any grant(s) of waiver or extension of a performance deadline or license renewal subject to meeting a performance requirement; or 2) if the final performance deadline and/or expiration date for the license accelerated because the licensee did not meet an interim performance requirement.	() <u>Yes</u> <u>No</u>
--	--------------------------

Regulatory Compliance Certification [same for all]

59) Applicant certifies that it has substantially complied with all applicable FCC rules, policies, and the Communications Act of 1934, as amended. Note: If the response to item 59 is 'N', attach an exhibit explaining the circumstances and demonstrating why Applicant's license should be renewed.	() <u>Yes</u> <u>No</u>
--	--------------------------

General Certification Statements

1) The Applicant waives any claim to the use of any particular frequency or of the electromagnetic spectrum as against the regulatory power of the United States because of the previous use of the same, whether by license or otherwise, and requests an authorization in accordance with this application.
2) The Applicant certifies that grant of this application would not cause the Applicant to be in violation of any pertinent cross-ownership or attribution rules.* *If the Applicant has sought a waiver of any such rule in connection with this application, it may make this certification subject to the outcome of the waiver request.
3) The Applicant certifies that all statements made in this application and in the exhibits, attachments, or documents incorporated by reference are material, are part of this application, and are true, complete, correct, and made in good faith.
4) The Applicant certifies that neither the Applicant nor any other party to the application is subject to a denial of Federal benefits pursuant to § 5301 of the Anti-Drug Abuse Act of 1988, 21 U.S.C. § 862, because of a conviction for possession or distribution of a controlled substance. This certification does not apply to applications filed in services exempted under § 1.2002(c) of the rules, 47 CFR § 1.2002(c). See 47 CFR § 1.2002(b) for the definition of "party to the application" as used in this certification.
5) The Applicant certifies that it either (1) has current required ownership data on file with the Commission, (2) is filing updated ownership data simultaneously with this application, or (3) is not required to file ownership data under the Commission's Rules.
6) The Applicant certifies that the facilities, operations, and transmitters for which this authorization is hereby requested are either: (1) categorically excluded from routine environmental evaluation for RF exposure as set forth in 47 CFR § 1.1307(b); or, (2) have been found not to cause human exposure to levels of radiofrequency radiation in excess of the limits specified in 47 CFR §§ 1.1310 and 2.1093; or, (3) are the subject of one or more Environmental Assessments filed with the Commission.
7) The Applicant certifies that it has reviewed the appropriate Commission Rules defining eligibility to hold the requested license(s) and is eligible to hold the requested license(s).
8) The Applicant certifies that it is not in default on any payment for Commission licenses and that it is not delinquent on any non-tax debt owed to any federal agency.
9) The Applicant certifies that the Applicant and all of the related individuals and entities required to be disclosed on this application and FCC Form 602 (FCC Ownership Disclosure Information for the Wireless Telecommunications Services) are not person(s) who have been, for reasons of national security, barred by any agency of the Federal Government from bidding on a contract, participating in an auction, or receiving a grant. This certification applies only to applications for licenses for spectrum that is required by Sections 6103, 6401-6403 of the Middle Class Tax Relief and Job Creation Act of 2012, codified at 47 U.S.C. §§ 309, 1413, 1451-1452, to be assigned by a system of competitive bidding under 47 U.S.C. § 309(j).

Signature

60) Typed or Printed Name of Party Authorized to Sign

First Name: Jessica	MI:	Last Name: Dunk	Suffix:
61) Title: Assistant Secretary - Compliance			
Signature: Jessica Dunk			62) Date: 01/22/2024
FAILURE TO SIGN THIS APPLICATION MAY RESULT IN DISMISSAL OF THE APPLICATION AND FORFEITURE OF ANY FEES PAID.			
Upon grant of this license application, the Licensee may be subject to certain construction or coverage requirements. Failure to meet the construction or coverage requirements will result in termination of the license. Consult appropriate FCC regulations to determine the construction or coverage requirements that apply to the type of license requested in this application.			
WILLFUL FALSE STATEMENTS MADE ON THIS FORM OR ANY ATTACHMENTS ARE PUNISHABLE BY FINE AND/OR IMPRISONMENT (U.S. Code, Title 18, § 1001) AND/OR REVOCATION OF ANY STATION LICENSE OR CONSTRUCTION PERMIT (U.S. Code, Title 47, § 312(a)(1)), AND/OR FORFEITURE (U.S. Code, Title 47, § 503).			

**FCC Form 608 FCC Application or Notification for Spectrum Leasing Arrangement/
Main Form Notification of a Private Commons Arrangement**

3060-1058

Submitted: 08/31/2023 at
17:24:59
File Number: 0010658931

**Wireless Telecommunications Bureau
Public Safety and Homeland Security Bureau**

See 608 Main Form Instructions
For public burden estimate

General Information
Application/Notification Purpose

1a) Purpose of Filing (Select only one):	
<input checked="" type="checkbox"/> LN – New	<input type="checkbox"/> LM – Modification
<input type="checkbox"/> LT – Transfer of Control	<input type="checkbox"/> LE – Extend the Term
<input type="checkbox"/> LI – Light Touch Leasing Certification	<input type="checkbox"/> AM – Amendment
	<input type="checkbox"/> LU – Administrative Update
	<input type="checkbox"/> LC – Cancel
	<input type="checkbox"/> WD – Withdraw
1b) If this filing is for an Amendment (AM) or Withdrawal (WD), enter the File Number of the pending Application/Notification currently on file with the FCC.	File Number: _____

Classification of Filing
For Leases/Subleases Only

2a) Classification of Filing (Select only one):	2b) Type of Filing
<input type="checkbox"/> ML – Spectrum Manager Lease	<input checked="" type="checkbox"/> L – Lease
<input checked="" type="checkbox"/> TL – <i>De Facto</i> Transfer Lease	<input type="checkbox"/> S – Sublease (Must be filed manually)

For Private Commons Arrangements Only (Must be filed Manually)

2c) This filing will be a Private Commons Arrangement pursuant to a (Select only one):	2d) If a Private Commons Arrangement pursuant to a Lease or Sublease, choose the legal type (Select only one):
<input type="checkbox"/> N – License	<input type="checkbox"/> M – Spectrum Manager
<input type="checkbox"/> L – Lease	<input type="checkbox"/> T – <i>De Facto</i> Transfer
<input type="checkbox"/> S – Sublease	

Term of Lease/Sublease

3) Indicate whether the existing Lease/Sublease is:	<input checked="" type="checkbox"/> Long-Term	or	<input type="checkbox"/> Short-Term
---	---	----	-------------------------------------

Other Wireless Licenses

4a) Is this filing part of a series of filings involving other wireless license(s) or lease(s) held by the Applicant, affiliates of the Licensee (e.g., parents, subsidiaries, or commonly-controlled entities), or third parties that are not included on this filing and for which Commission approval or notification is required?	<input type="checkbox"/> Yes <input checked="" type="checkbox"/> No
4b) If the answer to 4a is 'Y', is this filing the lead Application/Notification?	<input type="checkbox"/> Yes <input checked="" type="checkbox"/> No
4c) If the answer to 4a is 'Y' and the answer to 4b is 'N', provide the File Number of the lead Application/Notification.	File Number: _____

Attachments

5) Are attachments (other than associated schedules) being filed with this Application/Notification?	(<input checked="" type="checkbox"/>) <u>Yes</u> <u>No</u>
--	--

Fees and Waivers**Exemption from Application Fees**

6) Is the Applicant exempt from FCC application fees? If the answer to 6 is 'Y', attach an exhibit demonstrating how the applicant is exempt from FCC application fees.	(<input type="checkbox"/>) <u>Yes</u> <u>No</u>
--	---

Waiver/Deferral of Fees

7) Is a waiver/deferral of the FCC application fees being requested? If the answer to 7 is 'Y', attach a date-stamped copy of the request for waiver/deferral of the FCC application fees.	(<input type="checkbox"/>) <u>Yes</u> <u>No</u>
---	---

Waiver of Commission Rules

8) Does this filing include a request for waiver of the Commission's Rules (other than a request for application fee waivers)? If the answer to 8 is 'Y', attach an exhibit specifying the rule section(s) for which a waiver is being requested and including a justification for the waiver request.	(<input type="checkbox"/>) <u>Yes</u> <u>No</u>
---	---

Regulatory Status and Offerings**Radio Service Offerings**

9) The Applicant will provide the following type(s) of radio service offerings (select all that apply): (<input type="checkbox"/>) Common Carrier (<input type="checkbox"/>) Non-common Carrier (<input type="checkbox"/>) Private, internal communications (<input type="checkbox"/>) Broadcast Services All entities that are planning to use the leased spectrum for telecommunications services should select common carrier in this item. The term 'telecommunications service' means the offering of telecommunications (i.e., the transmission, between or among points specified by the user, of information of the user's choosing, without change in the form or content of the information as sent and received) for a fee directly to the public, or to such classes of users as to be effectively available directly to the public, regardless of the facilities used. Non-common carriers do not hold themselves out indiscriminately for hire as carriers of communications provided by the customer. A person engaged in radio broadcasting shall not, insofar as such person is so engaged, be deemed a common carrier. Thus, those entities meeting this definition would select non- common carrier for this item. Private internal users are those entities that utilize telecommunications services purely for internal business purposes or public safety communications and not on a for-hire or for-profit basis. Such entities should select 'Private' for this item. The term 'Broadcast Services' shall have the same meaning as that for "broadcasting" in § 3(6) of the Communications Act of 1934, i.e., the dissemination of radio communications intended to be received by the public, directly or by the intermediary of relay stations." 47 U.S.C. § 153(6). If the Applicant is modifying the type of radio service offerings it provides, please provide an exhibit explaining the modification.

Radio Service

10) The Applicant will provide the following type(s) of radio service (select all that apply): (<input type="checkbox"/>) Fixed (<input type="checkbox"/>) Mobile (<input type="checkbox"/>) Radiolocation (<input type="checkbox"/>) Satellite (sound) (<input type="checkbox"/>) Broadcast Services	
11) Does the Applicant propose to provide service interconnected to the public telephone network?	(<input type="checkbox"/>) <u>Yes</u> <u>No</u>

Designated Entity Information (If the answer to 12a, 12b or 12c is 'Y', Schedule A must be completed.)

Bidding Credits

12a) Does this filing involve any spectrum associated with any licenses that were awarded with bidding credits within the last five years? If the response to this item is 'Y', the licenses may be subject to the FCC's unjust enrichment rules, and the Applicant should answer relevant bidding credit questions.	(<input type="radio"/>) <u>Yes</u> <input type="radio"/> <u>No</u>
---	--

Closed Bidding

12b) Does this filing involve any spectrum associated with any licenses that were originally granted pursuant to closed bidding within the last five years? If the response to this item is 'Y', the Applicant should answer relevant closed bidding questions.	(<input type="radio"/>) <u>Yes</u> <input type="radio"/> <u>No</u>
--	--

Competition-Related Information

13) Does this filing involve a license authorization or Spectrum Lease/Sublease that may be used to provide interconnected mobile voice and/or data services that would create a geographic overlap with another license authorization(s) or spectrum leasing arrangement(s), that also could be used to provide interconnected mobile voice and/or data services, in which the Applicant already holds attributable interests, as defined in Section 20.22(b) of the Commission's Rules, either as a licensee or spectrum lessee/sublessee? If 'Y', specify in an exhibit all geographic areas/markets (e.g., BTA, CMA, county, etc.) where there are spectrum overlaps and the total amount of spectrum that the Assignee/Transferee will hold and/or lease in each geographic area/market.	(<input checked="" type="radio"/>) <u>Yes</u> <input type="radio"/> <u>No</u>
14) If the answer to Item 13 is 'Y', would/does this application for a spectrum leasing or subleasing arrangement reduce the number of entities providing service in the affected market(s)?	(<input type="radio"/>) <u>Yes</u> <input type="radio"/> <u>No</u>

Broadband Radio Service and Educational Broadband Service Information

15a) Will the requested facilities be used to provide multichannel video programming service?	(<input type="radio"/>) <u>Yes</u> <input type="radio"/> <u>No</u>
15b) If the answer to 15a is 'Y', does the Applicant operate, control or have an attributable interest (as defined in Section 27.1202 of the Commission's Rules) in a cable television system whose franchise area is located within the geographic service area of the requested facilities? If 'Y', provide an exhibit explaining how the Applicant (Lessee/Sublessee) complies with Section 27.1202 of the Commission's Rules or justifying a waiver of that rule. If a waiver of the Commission's Rule(s) is being requested, 8a must be answered 'Y'.	(<input type="radio"/>) <u>Yes</u> <input type="radio"/> <u>No</u>
16) Does the Applicant comply with the programming requirements contained in Section 27.1203 of the Commission's Rules? If 'N', provide an exhibit explaining how the Applicant complies with Section 27.1203 of the Commission's Rules or justifying a waiver of that rule. If a waiver of the Commission's Rule(s) is being requested, 8a must be answered 'Y'.	(<input type="radio"/>) <u>Yes</u> <input type="radio"/> <u>No</u>

Part 90 Public Safety Services

Eligibility

17) Is the Applicant a public safety entity or otherwise an entity that will use the leased spectrum to provide communications in support of public safety operations pursuant to Section 90.523 of the Commission's Rules?	(<input type="radio"/>) <u>Yes</u> <input type="radio"/> <u>No</u>
---	--

600 MHz Band Information

<p>18) Is the spectrum leasing/subleasing arrangement for a term of one year or more (either initially or cumulatively) and involves any licenses in the 600 MHz Band initially granted in the last six years that would, if leased, create a geographic overlap with another licenses(s) in which the Lessee/Sublessee already holds attributable interests, as defined in Section 20.22(b) of the Commission's Rules, either as a licensee or spectrum Lessee/Sublessee, and that would result in the Lessee/Sublessee holding an attributable interest, as defined in Section 20.22(b) of the Commission's Rules, in one-third or more of the total suitable and available below-1-GHz spectrum as calculated on a county-by-county population-weighted basis in the relevant license area, utilizing 2010 U.S. Census data?</p> <p>The initial grant date is the date that the license was originally granted by the Commission after an auction, even if the license was acquired in the secondary market. The initial grant date is not the date on which the Commission granted an assignment or transfer of control of the license.</p> <p>If 'Y', provide an exhibit detailing the proposed spectrum leasing/subleasing exchange of 600 MHz band spectrum in the same market(s), including a list of all file numbers for applications associated with the proposed spectrum leasing arrangement exchange, or describing the <i>pro forma</i> nature of the spectrum leasing arrangement, as appropriate.</p>	<p>(<input checked="" type="radio"/>) <u>Yes</u> <input type="radio"/> <u>No</u></p>
<p>19) Is the spectrum leasing/subleasing arrangement for a term of one year or more (either initially or cumulatively) and involves any licenses that were initially granted as reserved spectrum licenses in the 600 MHz Band in the last six years? Otherwise, enter 'N'.</p> <p>The initial grant date is the date that the license was originally granted by the Commission after an auction, even if the license was acquired in the secondary market. The initial grant date is not the date on which the Commission granted an assignment or transfer of control of the license.</p> <p>If 'Y', provide an exhibit demonstrating how the Lessee/Sublessee would have qualified to bid on that reserved spectrum license(s) in Auction 1002 as of the FCC Form 175 filing deadline (February 10, 2016) for Auction 1002, the forward auction of the Broadcast Incentive Auction.</p>	<p>(<input type="radio"/>) <u>Yes</u> <input checked="" type="radio"/> <u>No</u></p>

Licensee Information

FRN

20) FCC Registration Number: **0003291192**

Entity

21) Licensee is a(n) (Select One):

() Individual () Unincorporated Association () Trust () Government Entity () Corporation () Limited Liability Company

() General Partnership () Limited Partnership () Limited Liability Partnership

() Other: _____

Licensee Name

22) Licensee Name (if entity): **New Cingular Wireless PCS, LLC**

23) Licensee Name (if individual): First: MI: Last: Suffix:

24) Attention To: **Cecil J. Mathew**

Address

25) P.O. Box: **And /Or** 26) Street Address: **208 S. Akard Street, RM 1016**

27) City: **Dallas** 28) State: **TX** 29) Zip Code: **75202**

30) Telephone Number: **(855)699-7073** 31) FAX Number: **(214)746-6410**

32) E-Mail Address: **FCCMW@att.com**

33) Demographics (Optional):

Race:

() American Indian or Alaska Native
() Asian
() Black or African-American
() Native Hawaiian or Other Pacific Islander
() White

Ethnicity:

() Hispanic or Latino
() Not Hispanic or Latino

Gender:

() Male
() Female

Licensee Contact Information

Contact Name (if other than Licensee)

() Check here if same as Licensee Information

34) Name: First: MI: Last: Suffix:

35) Company Name: **AT&T Mobility LLC**

36) Attention To: **Jessica B. Lyons**

Address

37) P.O. Box: **And /Or** 38) Street Address: **601 New Jersey Ave. NW, Suite 650**

39) City: **Washington** 40) State: **DC** 41) Zip Code: **20001**

42) Telephone Number: **(202)457-2100** 43) FAX Number:

44) E-Mail Address: **jessica.lyons@att.com**

Lessee Information

FRN

45) FCC Registration Number: **0030856223**

Entity

46) Lessee is a(n) (Select One):

() Individual () Unincorporated Association () Trust () Government Entity () Corporation () Limited Liability Company

() General Partnership () Limited Partnership () Limited Liability Partnership

() Other: _____

Lessee Name

47) If the Lessee name is being updated, is the update a result of a change in ownership, corporate structure, or entity for which proper Commission approval has not been received or proper notification not provided? () Yes **No**

48) Lessee Name (if entity): **Trace-Tek**

49) Lessee Name (if individual): First: MI: Last: Suffix:

50) Attention To: **licenses@trace-tek.com**

Name of Real Party in Interest

51) Name of Real Party in Interest: **Trace-Tek**

52) FCC Registration Number (FRN): **0030856223**

Address

53) P.O. Box: **And /Or** 54) Street Address: **2625 Commons Boulevard**

55) City: **Beavercreek** 56) State: **OH** 57) Zip Code: **45341**

58) Telephone Number: **(972)672-0477** 59) FAX Number:

60) E-Mail Address: **licenses@trace-tek.com**

61) Demographics (Optional):

Race:

() American Indian or Alaska Native

() Asian

() Black or African-American

() Native Hawaiian or Other Pacific Islander

() White

Ethnicity:

() Hispanic or Latino

() Not Hispanic or Latino

Gender:

() Male

() Female

Lessee Contact Information

Contact Name (if other than Lessee)

() Check here if same as Lessee Information

62) Name: First: **Dan** MI: Last: **Burgess** Suffix:

63) Company Name: **Trace-Tek**

64) Attention To: **licenses@trace-tek.com**

Address

65) P.O. Box: **And /Or** 66) Street Address: **2625 Commons Boulevard**

67) City: **Beavercreek** 68) State: **OH** 69) Zip Code: **45341**

70) Telephone Number: **(972)672-0477** 71) FAX Number:

72) E-Mail Address: **licenses@trace-tek.com**

Sublessee Information

FRN

73) FCC Registration Number:

Entity

74) Sublessee is a(n) (Select One):

() Individual () Unincorporated Association () Trust () Government Entity () Corporation () Limited Liability Company

() General Partnership () Limited Partnership () Limited Liability Partnership

() Other: _____

Sublessee Name

75) If the Sublessee name is being updated, is the update a result of a change in ownership, corporate structure, or entity for which proper Commission approval has not been received or proper notification not provided?

() Yes **No**

76) Sublessee Name (if entity):

77) Sublessee Name (if individual):

First:

MI:

Last:

Suffix:

78) Attention To:

Name of Real Party in Interest

79) Name of Real Party in Interest:

80) FCC Registration Number (FRN):

Address

81) P.O. Box:

**And
/Or**

82) Street Address:

83) City:

84) State:

85) Zip Code:

86) Telephone Number:

87) FAX Number:

88) E-Mail Address:

89) Demographics (Optional):

Race:

() American Indian or Alaska Native

() Asian

() Black or African-American

() Native Hawaiian or Other Pacific Islander

() White

Ethnicity:

() Hispanic or Latino

() Not Hispanic or Latino

Gender:

() Male

() Female

Sublessee Contact Information

Contact Name (if other than Sublessee)

() **Check here if same as Sublessee Information**

90) Name:

First:

MI:

Last:

Suffix:

91) Company Name:

92) Attention To:

Address

93) P.O. Box:

**And
/Or**

94) Street Address:

95) City:

96) State:

97) Zip Code:

98) Telephone Number:

99) FAX Number:

100) E-Mail Address:

Transferee Information

FRN

101) FCC Registration Number:

Entity

102) Transferee is a(n) (Select One):

() Individual () Unincorporated Association () Trust () Government Entity () Corporation () Limited Liability Company

() General Partnership () Limited Partnership () Limited Liability Partnership

() Other: _____

Transferee Name

103) Transferee Name (if entity):

104) Transferee Name (if individual):

First:

MI:

Last:

Suffix:

105) Attention To:

Name of Real Party in Interest

106) Name of Real Party in Interest:

107) FCC Registration Number (FRN):

Address

108) P.O. Box:

And
/Or

109) Street Address:

110) City:

111) State:

112) Zip Code:

113) Telephone Number:

114) FAX Number:

115) E-Mail Address:

116) Demographics (Optional):

Race:

() American Indian or Alaska Native

() Asian

() Black or African-American

() Native Hawaiian or Other Pacific Islander

() White

Ethnicity:

() Hispanic or Latino

() Not Hispanic or Latino

Gender:

() Male

() Female

Transferee Contact Information

Contact Name (if other than Transferee)

() Check here if same as Transferee Information

117) Name:

First:

MI:

Last:

Suffix:

118) Company Name:

119) Attention To:

Address

120) P.O. Box:

And
/Or

121) Street Address:

122) City:

123) State:

124) Zip Code:

125) Telephone Number:

126) FAX Number:

127) E-Mail Address:

Transferor Information

FRN

128) FCC Registration Number:

Entity

129) Transferor is a(n) (Select One):

() Individual () Unincorporated Association () Trust () Government Entity () Corporation () Limited Liability Company

() General Partnership () Limited Partnership () Limited Liability Partnership

() Other: _____

Transferor Name

130) Transferor Name (if entity):

131) Transferor Name (if individual):

First:

MI:

Last:

Suffix:

132) Attention To:

Address

133) P.O. Box:

And
/Or

134) Street Address:

135) City:

136) State:

137) Zip Code:

138) Telephone Number:

139) FAX Number:

140) E-Mail Address:

139) Demographics (Optional):

Race:

() American Indian or Alaska Native

() Asian

() Black or African-American

() Native Hawaiian or Other Pacific Islander

() White

Ethnicity:

() Hispanic or Latino

() Not Hispanic or Latino

Gender:

() Male

() Female

Transferor Contact Information

Contact Name (if other than Transferor)

() Check here if same as Transferor Information

140) Name:

First:

MI:

Last:

Suffix:

141) Company Name:

142) Attention To:

Address

143) P.O. Box:

And
/Or

144) Street Address:

145) City:

146) State:

147) Zip Code:

148) Telephone Number:

149) FAX Number:

150) E-Mail Address:

Ownership Disclosure Information

FCC Form 602

153a) Is the Applicant required to file FCC Form 602, Ownership Disclosure Information for the Wireless Telecommunications Services?	(<input checked="" type="radio"/>) <u>Yes</u> <input type="radio"/> <u>No</u>
153b) If the answer to 151a is 'Y', provide the File Number of FCC Form 602 that has been filed in conjunction with application or is already on file with the FCC.	File Number: <u>0009774970</u>

Alien Ownership Questions

Alien Ownership (If any answer is 'Y', provide an attachment explaining the circumstances. In preparing the attachment, refer to the Main Form Instructions for the "Alien Ownership Questions".)

154) Is the Lessee/Sublessee or Post-Transfer Lessee/Sublessee a foreign government or the representative of any foreign government?	(<input type="radio"/>) <u>Yes</u> <input checked="" type="radio"/> <u>No</u>
155) Is the Lessee/Sublessee or Post-Transfer Lessee/Sublessee an alien or the representative of an alien?	(<input type="radio"/>) <u>Yes</u> <input checked="" type="radio"/> <u>No</u>
156) Is the Lessee/Sublessee or Post-Transfer Lessee/Sublessee a corporation organized under the laws of a foreign government?	(<input type="radio"/>) <u>Yes</u> <input checked="" type="radio"/> <u>No</u>
157) Is the Lessee/Sublessee or Post-Transfer Lessee/Sublessee a corporation of which more than one-fifth of the capital stock is owned of record or voted by aliens or their representatives, or by a foreign government or representative thereof, or by any corporation organized under the laws of a foreign country?	(<input type="radio"/>) <u>Yes</u> <input checked="" type="radio"/> <u>No</u>
158a) Is the Lessee/Sublessee or Post-Transfer Lessee/Sublessee directly or indirectly controlled by any other corporation of which more than one-fourth of the capital stock is owned of record or voted by aliens or their representatives, or by a foreign government or representative thereof, or by any corporation organized under the laws of a foreign country?	(<input type="radio"/>) <u>Yes</u> <input checked="" type="radio"/> <u>No</u>

158b) If the answer to 155 or 156a is 'Y' select one of the choices below.

The Lessee/Sublessee or Post-Transfer Lessee/Sublessee is exempt from the provisions of Section 310(b).

It is not necessary to file a petition for declaratory ruling if the Lessee/Sublessee or Post-Transfer Lessee/Sublessee includes in the attachment required by Item 155 or Item 156a a showing that the subject Lease(s) is exempt from the provisions of Section 310(b).

The Lessee/Sublessee or Post-Transfer Lessee/Sublessee has received a declaratory ruling(s) approving its foreign ownership, and the application/notification involves only the acquisition/use of additional spectrum for the provision of a wireless service in a geographic coverage area for which the Lessee/Sublessee or Post-Transfer Lessee/Sublessee has been previously authorized.

If checked, include in the attachment required by Item 155 or Item 156a the citation(s) of the applicable declaratory ruling(s) by DA/FCC number, the FCC Record citation, if available, release date, and a statement that there has been no change in the foreign ownership of the Lessee/Sublessee or Post-Transfer Lessee/Sublessee since the issuance of its ruling.

The Lessee/Sublessee or Post-Transfer Lessee/Sublessee: (i) has received a declaratory ruling(s) approving its foreign ownership, but is not able to make the certification specified immediately above; or (ii) is an "affiliate" of a Licensee or Lessee/SubLessee that received a declaratory ruling(s) under Section 1.990(a) of the Commission's Rules, 47 CFR § 1.990(a), and is relying on the affiliate's ruling for purposes of filing this application/notification as permitted under the affiliate's ruling and Section 1.994(b) of the Rules, 47 CFR § 1.994(b).

If checked, and if the Lessee/Sublessee or Post-Transfer Lessee/Sublessee received its declaratory ruling(s) on or after August 9, 2013, include in the attachment required by Item 155 or Item 156a the citation(s) of the Lessee/Sublessee or Post-Transfer Lessee/Sublessee's declaratory ruling(s) by DA/FCC number, the FCC Record citation, if available, release date, and a statement that the Lessee/Sublessee or Post-Transfer Lessee/Sublessee is in compliance with the terms and conditions of its ruling and with the Commission's Rules.

If checked, and if the Lessee/Sublessee or Post-Transfer Lessee/Sublessee received its declaratory ruling(s) prior to August 9, 2013, include in the attachment required by Item 156a a copy of a petition for declaratory ruling filed contemporaneously with the Commission to extend the Lessee/Sublessee or Post-Transfer Lessee/Sublessee's existing ruling(s) to cover the same radio service(s) and geographic coverage area(s) involved in the application/notification. Alternatively, the Lessee/Sublessee or Post-Transfer Lessee/Sublessee may request a new declaratory ruling pursuant to Section 1.990(a) of the Commission's Rules, 47 CFR § 1.990(a). Petitions for declaratory ruling may be filed electronically on the Internet through the International Bureau Filing System (IBFS) (with a copy attached hereto).

If checked, and if the Lessee/Sublessee or Post-Transfer Lessee/Sublessee is relying on an affiliate's ruling for purposes of filing this application/notification, include in the attachment required by Item 155 or Item 156a the citation(s) of the applicable declaratory ruling(s) by DA/FCC number, the FCC Record citation, if available, release date, and a statement that the Lessee/Sublessee or Post-Transfer Lessee/Sublessee is in compliance with the terms and conditions of the named affiliate's ruling and with the Commission's Rules. The Lessee/Sublessee or Post-Transfer Lessee/Sublessee must also include a certification of compliance signed by the named affiliate or other qualified entity as specified in Section 1.994(b) of the Rules, 47 CFR § 1.994(b). See Main Form Instructions for Items 155 or 156a, as applicable.

The Lessee/Sublessee or Post-Transfer Lessee/Sublessee has not received a declaratory ruling approving its foreign ownership and is requesting a declaratory ruling under Section 1.990(a) of the Commission's Rules, 47 CFR § 1.990(a), in a petition filed contemporaneously with the Commission.

If checked, include in the attachment required by Item 155 or 156a a copy of the petition for declaratory ruling filed contemporaneously with the Commission pursuant to Section 1.990(a) of the Commission's Rules, 47 CFR § 1.990(a). Petitions for declaratory ruling may be filed electronically on the Internet through the International Bureau Filing System (IBFS) (with a copy attached hereto).

Basic Qualification Information

Basic Qualification Questions (If any answer is 'Y', provide an attachment explaining the circumstances)

159) Has the Applicant or any party to this application had any FCC station authorization, license, or construction permit revoked or had any application for an initial, modification, or renewal of FCC station authorization, license, or construction permit denied by the Commission?	(N) <u>Yes</u> No
160) Has the Applicant or any party to this filing, or any party directly or indirectly controlling the Applicant or any party to this filing ever been convicted of a felony by any state or federal court?	(N) <u>Yes</u> No
161) Has any court finally adjudged the Applicant or any party directly or indirectly controlling the Applicant guilty of unlawfully monopolizing or attempting unlawfully to monopolize radio communication, directly or indirectly, through control of manufacture or sale of radio apparatus, exclusive traffic arrangement, or any other means or unfair methods of competition?	(N) <u>Yes</u> No

Spectrum Aggregation Limit Certification(s)

<p>162) The Licensee/Lessor/Sublessor certifies that grant of this application would not cause the Licensee/Lessor/Sublessor to be in violation of the 40 megahertz in-band spectrum aggregation limit set forth under section 96.31 of the Commission's rules for 3.5 GHz licenses, taking into consideration the spectrum attribution rules under section 20.22(b) of the Commission's rules.</p> <p>If the Licensee/Lessor/Sublessor has sought a waiver of section 96.31 in connection with this application, it may make this certification subject to the outcome of the waiver request.</p>	<p>() <u>Yes</u> <u>No</u></p>
<p>163) The Licensee/Lessor/Sublessor certifies that grant of this application would not cause the Licensee/Lessor/Sublessor to be in violation of the 40 megahertz in-band spectrum aggregation limit set forth under section 27.1606 of the Commission's rules for 3.45 GHz licenses, taking into consideration the spectrum attribution rules under section 20.22(b) of the Commission's rules.</p> <p>If the Licensee/Lessor/Sublessor has sought a waiver of section 27.1606 in connection with this application, it may make this certification subject to the outcome of the waiver request.</p>	<p>() <u>Yes</u> <u>No</u></p>
<p>164) The Lessee/Sublessee/Transferee certifies that grant of this application would not cause the Lessee/Sublessee/Transferee to be in violation of the 40 megahertz in-band spectrum aggregation limit set forth under section 96.31 of the Commission's rules for 3.5 GHz licenses, taking into consideration the spectrum attribution rules under section 20.22(b) of the Commission's rules.</p> <p>If the Lessee/Sublessee/Transferee has sought a waiver of section 96.31 in connection with this application, it may make this certification subject to the outcome of the waiver request.</p>	<p>() <u>Yes</u> <u>No</u></p>
<p>165) The Lessee/Sublessee/Transferee certifies that grant of this application would not cause the Lessee/Sublessee/Transferee to be in violation of the 40 megahertz in-band spectrum aggregation limit set forth under section 27.1606 of the Commission's rules for 3.45 GHz licenses, taking into consideration the spectrum attribution rules under section 20.22(b) of the Commission's rules.</p> <p>If the Lessee/Sublessee/Transferee has sought a waiver of section 27.1606 in connection with this application, it may make this certification subject to the outcome of the waiver request.</p>	<p>() <u>Yes</u> <u>No</u></p>

Licensee Certification Statements

- | | |
|----|---|
| 1) | The Licensee agrees that the Lease is not a sale or transfer of the license itself. |
| 2) | The Licensee certifies that it will not consent to assignment of the Lease except to the extent such assignment complies with the Commission's Rules and Regulations. |
| 3) | The Licensee certifies that it holds exclusive use rights to use the licensed spectrum. |
| 4) | The Licensee certifies that it is not in default on any payment for Commission licenses and that it is not delinquent on any non-tax debt owed to any federal agency. |

The Licensee certifies that all of its statements made in this Application/Notification and in the schedules, exhibits, attachments, or documents incorporated by reference are material, are part of this Application/Notification, and are true, complete, correct, and made in good faith.

Type or Printed Name of Party Authorized to Sign

166) First Name: Jessica	MI: B	Last Name: Lyons	Suffix:
167) Title: Asst. Secretary of Manager			
168) Signature: Jessica B Lyons		165) Date: 08/31/2023	

FAILURE TO SIGN THIS APPLICATION MAY RESULT IN DISMISSAL OF THE APPLICATION AND FORFEITURE OF ANY FEES PAID.

WILLFUL FALSE STATEMENTS MADE ON THIS FORM OR ANY ATTACHMENTS ARE PUNISHABLE BY FINE AND/OR IMPRISONMENT (U.S. Code, Title 18, Section 1001) AND/OR REVOCATION OF ANY STATION LICENSE OR CONSTRUCTION PERMIT (U.S. Code, Title 47, Section 312(a)(1)), AND/OR FORFEITURE (U.S. Code, Title 47, Section 503).

Lessee Certification Statements

1)	The Lessee agrees that the Lease is not a sale or transfer of the license itself.
2)	The Lessee acknowledges that it is required to comply with the Commission's Rules and Regulations and other applicable law at all times, and if the Lessee fails to so comply, the Lease/Sublease may be revoked, cancelled, or terminated by either the Licensee or the Commission.
3)	The Lessee certifies that neither it nor any other party to the Application/Notification is subject to a denial of Federal benefits pursuant to Section 5301 of the Anti-Drug Abuse Act of 1988, 21 U.S.C. § 862, because of a conviction for possession or distribution of a controlled substance. This certification does not apply to applications filed in services exempted under Section 1.2002(c) of the Commission's Rules. See Section 1.2002(b) of the Commission's Rules for the definition of "party to the application" as used in this certification.
4)	The Lessee hereby accepts Commission oversight and enforcement consistent with the license and lease authorization. The Lessee acknowledges that it must cooperate fully with any investigation or inquiry conducted either by the Commission or the Licensee, allow the Commission or the Licensee to conduct on-site inspections of transmission facilities, and suspend operations at the direction of the Commission or the Licensee and to the extent that such suspension of operation would be consistent with applicable Commission policies.
5)	The Lessee acknowledges that in the event an authorization held by a Licensee that has associated with it a spectrum leasing arrangement that is the subject of this filing is revoked, cancelled, terminated, or otherwise ceases to be in effect, the Lessee will have no continuing authority to use the leased spectrum and will be required to terminate its operations no later than the date on which the Licensee ceases to have any authority to operate under the license, unless otherwise authorized by the Commission.
6)	The Lessee agrees the Lease shall not be assigned to any entity that is not eligible or qualified to enter into a spectrum leasing arrangement under the Commission's Rules and Regulations.
7)	The Lessee waives any claim to the use of any particular frequency or of the electromagnetic spectrum as against the regulatory power of the United States because of the previous use of the same, whether by spectrum lease or otherwise.
8)	The Lessee certifies that it is not in default on any payment for Commission licenses and that it is not delinquent on any non-tax debt owed to any federal agency.
9)	The Lessee certifies that it and all of the related individuals and entities required to be disclosed on this application and FCC Form 602 (FCC Ownership Disclosure Information for the Wireless Telecommunications Services) are not person(s) who have been, for reasons of national security, barred by any agency of the Federal Government from bidding on a contract, participating in an auction, or receiving a grant. This certification applies only to applications for licenses for spectrum that is required by Sections 6103, 6401-6403 of the Middle Class Tax Relief and Job Creation Act of 2012, codified at 47 U.S.C. §§ 309, 1413, 1451-1452, to be assigned by a system of competitive bidding under 47 U.S.C. § 309(j).
<p>The Lessee certifies that all of its statements made in this Application/Notification and in the schedules, exhibits, attachments, or documents incorporated by reference are material, are part of this Application/Notification, and are true, complete, correct, and made in good faith.</p>	

Type or Printed Name of Party Authorized to Sign

168) First Name: Shantell	MI:	Last Name: Brown	Suffix:
169) Title: Manager			
170) Signature: Shantell Brown		171) Date: 08/31/2023	
<p>FAILURE TO SIGN THIS APPLICATION MAY RESULT IN DISMISSAL OF THE APPLICATION AND FORFEITURE OF ANY FEES PAID.</p> <p>WILLFUL FALSE STATEMENTS MADE ON THIS FORM OR ANY ATTACHMENTS ARE PUNISHABLE BY FINE AND/OR IMPRISONMENT (U.S. Code, Title 18, Section 1001) AND/OR REVOCATION OF ANY STATION LICENSE OR CONSTRUCTION PERMIT (U.S. Code, Title 47, Section 312(a)(1)), AND/OR FORFEITURE (U.S. Code, Title 47, Section 503).</p>			

Sublessee Certification Statements

1)	The Sublessee agrees that the Lease is not a, sale or transfer of the license itself.
2)	The Sublessee acknowledges that it is required to comply with the Commission's Rules and regulations and other applicable law at all times, and if the Sublessee fails to so comply, the Lease may be revoked, cancelled, or terminated by either the licensee or the Commission.
3)	The Sublessee certifies that neither it nor any other party to the Application/Notification is subject to a denial of Federal benefits pursuant to Section 5301 of the Anti-Drug Abuse Act of 1988, 21 U.S.C. § 862, because of a conviction for possession or distribution of a controlled substance. This certification does not apply to applications filed in services exempted under Section 1.2002(c) of the Commission's Rules. See Section 1.2002(b) of the Commission's Rules for the definition of "party to the application" as used in this certification.
4)	The Sublessee hereby accepts Commission oversight and enforcement consistent with the license authorization. The Sublessee acknowledges that it must cooperate fully with any investigation or inquiry conducted either by the Commission or the Licensee, allow the Commission or the licensee to conduct on-site inspections of transmission facilities, and suspend operations at the direction of the Commission or the Licensee and to the extent that such suspension of operation would be consistent with the applicable Commission policies.
5)	The Sublessee acknowledges that in the event an authorization held by a Licensee that has entered into a spectrum leasing arrangement is revoked, cancelled, terminated, or otherwise ceases to be in effect, the Sublessee will have no continuing authority to use the leased spectrum and will be required to terminate its operations no later than the date on which the Licensee ceases to have any authority to operate under the license, unless otherwise authorized by the Commission.
6)	The Sublessee agrees the Lease/Sublease shall not be assigned to any entity that is not eligible or qualified to enter into a spectrum leasing arrangement under the Commission's Rules and regulations.
7)	The Sublessee waives any claim to the use of any particular frequency or of the electromagnetic spectrum as against the regulatory power of the United States because of the previous use of the same, whether by spectrum lease or otherwise.
8)	The Sublessee certifies that it is not in default on any payment for Commission licenses and that it is not delinquent on any non-tax debt owed to any federal agency.
9)	The Sublessee certifies that it and all of the related individuals and entities required to be disclosed on this application and FCC Form 602 (FCC Ownership Disclosure Information for the Wireless Telecommunications Services) are not person(s) who have been, for reasons of national security, barred by any agency of the Federal Government from bidding on a contract, participating in an auction, or receiving a grant. This certification applies only to applications for licenses for spectrum that is required by Sections 6103, 6401-6403 of the Middle Class Tax Relief and Job Creation Act of 2012, codified at 47 U.S.C. §§ 309, 1413, 1451-1452, to be assigned by a system of competitive bidding under 47 U.S.C. § 309(j).
The Sublessee certifies that all of its statements made in this Application/Notification and in the schedules, exhibits, attachments, or documents incorporated by reference are material, are part of this Application/Notification, and are true, complete, correct, and made in good faith.	

Type or Printed Name of Party Authorized to Sign

172) First Name:	MI:	Last Name:	Suffix:
173) Title:			
174) Signature:		175) Date:	

FAILURE TO SIGN THIS APPLICATION MAY RESULT IN DISMISSAL OF THE APPLICATION AND FORFEITURE OF ANY FEES PAID.
WILLFUL FALSE STATEMENTS MADE ON THIS FORM OR ANY ATTACHMENTS ARE PUNISHABLE BY FINE AND/OR IMPRISONMENT (U.S. Code, Title 18, Section 1001) AND/OR REVOCATION OF ANY STATION LICENSE OR CONSTRUCTION PERMIT (U.S. Code, Title 47, Section 312(a)(1)), AND/OR FORFEITURE (U.S. Code, Title 47, Section 503).

Transferee Certification Statements

1)	The Transferee agrees that the Lease/Sublease is not a sale or transfer of the license itself.
2)	The Transferee acknowledges that it is required to comply with the Commission's Rules and Regulations and other applicable law at all times, and if the Transferee fails to so comply, the Lease/Sublease may be revoked, cancelled, or terminated by either the licensee or the Commission.
3)	The Transferee certifies that neither it nor any other party to the Application/Notification is subject to a denial of Federal benefits pursuant to Section 5301 of the Anti-Drug Abuse Act of 1988, 21 U.S.C. § 862, because of a conviction for possession or distribution of a controlled substance. This certification does not apply to applications filed in services exempted under Section 1.2002(c) of the Commission's Rules. See Section 1.2002(b) of the Commission's Rules for the definition of "party to the application" as used in this certification.)
4)	The Transferee hereby accepts Commission oversight and enforcement consistent with the license authorization. The Transferee acknowledges that it must cooperate fully with any investigation or inquiry conducted either by the Commission or the Licensee, allow the Commission or the licensee to conduct on-site inspections of transmission facilities, and suspend operations at the direction of the Commission or the Licensee and to the extent that such suspension of operation would be consistent with the applicable Commission policies.
5)	The Transferee acknowledges that in the event an authorization held by a Licensee that has entered into a spectrum leasing arrangement is revoked, cancelled, terminated, or otherwise ceases to be in effect, the Transferee will have no continuing authority to use the leased spectrum and will be required to terminate its operations no later than the date on which the Licensee ceases to have any authority to operate under the license, unless otherwise authorized by the Commission.
6)	The Transferee agrees the Lease shall not be assigned to any entity that is not eligible or qualified to enter into a spectrum leasing arrangement under the Commission's Rules and Regulations.
7)	The Transferee waives any claim to the use of any particular frequency or of the electromagnetic spectrum as against the regulatory power of the United States because of the previous use of the same, whether by spectrum lease or otherwise.
8)	The Transferee certifies that it is not in default on any payment for Commission licenses and that it is not delinquent on any non-tax debt owed to any federal agency.
9)	The Transferee certifies that it and all of the related individuals and entities required to be disclosed on this application and FCC Form 602 (FCC Ownership Disclosure Information for the Wireless Telecommunications Services) are not person(s) who have been, for reasons of national security, barred by any agency of the Federal Government from bidding on a contract, participating in an auction, or receiving a grant. This certification applies only to applications for licenses for spectrum that is required by Sections 6103, 6401-6403 of the Middle Class Tax Relief and Job Creation Act of 2012, codified at 47 U.S.C. §§ 309, 1413, 1451-1452, to be assigned by a system of competitive bidding under 47 U.S.C. § 309(j).
The Transferee certifies that all of its statements made in this Application/Notification and in the schedules, exhibits, attachments, or documents incorporated by reference are material, are part of this Application/Notification, and are true, complete, correct, and made in good faith.	

Type or Printed Name of Party Authorized to Sign

176) First Name:	MI:	Last Name:	Suffix:
177) Title:			
178) Signature:		179) Date:	

FAILURE TO SIGN THIS APPLICATION MAY RESULT IN DISMISSAL OF THE APPLICATION AND FORFEITURE OF ANY FEES PAID.

WILLFUL FALSE STATEMENTS MADE ON THIS FORM OR ANY ATTACHMENTS ARE PUNISHABLE BY FINE AND/OR IMPRISONMENT (U.S. Code, Title 18, Section 1001) AND/OR REVOCATION OF ANY STATION LICENSE OR CONSTRUCTION PERMIT (U.S. Code, Title 47, Section 312(a)(1)), AND/OR FORFEITURE (U.S. Code, Title 47, Section 503).

Transferor Certification Statements

1)	The Transferor certifies either (1) that control of the Lessee/Sublessee will not be transferred until consent of the Federal Communications Commission has been given, or (2) that prior Commission consent is not required because the Lease/Sublease is subject to streamlined notification procedures for <i>pro forma</i> transfers of control. See <i>Federal Communications Bar Association's Petition for Forbearance from Section 310(d) of the Communications Act Regarding Non-Substantial Assignments of Wireless Licenses and Transfers of Control Involving Telecommunications Carriers and Personal Communications Industry Association's Broadband Personal Communications Services Alliance's Petition for Forbearance For Broadband Personal Communications Services</i> , Memorandum Opinion and Order, 13 FCC Rcd 6293 (1998)
2)	The Transferor certifies that it is not in default on any payment for Commission licenses and that it is not delinquent on any non-tax debt owed to any federal agency.
The Transferor certifies that all of its statements made in this Application/Notification and in the schedules, exhibits, attachments, or documents incorporated by reference are material, are part of this Application/Notification, and are true, complete, correct, and made in good faith.	

Type or Printed Name of Party Authorized to Sign

180) First Name:	MI:	Last Name:	Suffix:
181) Title:			
182) Signature:		183) Date:	
FAILURE TO SIGN THIS APPLICATION MAY RESULT IN DISMISSAL OF THE APPLICATION AND FORFEITURE OF ANY FEES PAID.			
WILLFUL FALSE STATEMENTS MADE ON THIS FORM OR ANY ATTACHMENTS ARE PUNISHABLE BY FINE AND/OR IMPRISONMENT (U.S. Code, Title 18, Section 1001) AND/OR REVOCATION OF ANY STATION LICENSE OR CONSTRUCTION PERMIT (U.S. Code, Title 47, Section 312(a)(1)), AND/OR FORFEITURE (U.S. Code, Title 47, Section 503).			

Private Commons Manager Certification Statements

1)	The Licensee/Lessee/Sublessee manager of the Private Commons certifies that it will retain <i>de facto</i> control of the use of the spectrum under the Private Commons arrangement, including that it will maintain reasonable oversight over the users' use of the spectrum under the arrangement so as to ensure that the use of the spectrum, and communications equipment employed, comply with all technical and service rules applicable under the license authorization.
2)	The Licensee/Lessee/Sublessee manager of the Private Commons arrangement certifies that it will maintain the ability to ensure that users under the arrangement comply with all the technical and service rules applicable under the license authorization.
3)	The Licensee/Lessee/Sublessee manager of the Private Commons certifies that it and all of the related individuals and entities required to be disclosed on this application and FCC Form 602 (FCC Ownership Disclosure Information for the Wireless Telecommunications Services) are not person(s) who have been, for reasons of national security, barred by any agency of the Federal Government from bidding on a contract, participating in an auction, or receiving a grant. This certification applies only to applications for licenses for spectrum that is required by Sections 6103, 6401-6403 of the Middle Class Tax Relief and Job Creation Act of 2012, codified at 47 U.S.C. §§ 309, 1413, 1451-1452, to be assigned by a system of competitive bidding under 47 U.S.C. § 309(j).
The Licensee/Lessee/Sublessee manager of the Private Commons arrangement certifies that all of its statements made in this Notification and in the schedules, exhibits, attachments, or documents incorporated by reference are material, are part of this Notification, and are true, complete, correct, and made in good faith.	

Type or Printed Name of Party Authorized to Sign

184) First Name:	MI:	Last Name:	Suffix:
185) Title:			
186) Signature:		187) Date:	

**FAILURE TO SIGN THIS APPLICATION MAY RESULT IN DISMISSAL OF THE APPLICATION AND FORFEITURE OF ANY FEES PAID.
WILLFUL FALSE STATEMENTS MADE ON THIS FORM OR ANY ATTACHMENTS ARE PUNISHABLE BY FINE AND/OR IMPRISONMENT (U.S. Code, Title 18, Section 1001) AND/OR REVOCATION OF ANY STATION LICENSE OR CONSTRUCTION PERMIT (U.S. Code, Title 47, Section 312(a)(1)), AND/OR FORFEITURE (U.S. Code, Title 47, Section 503).**

License Authorization(s) or Identifiers (pertaining to Lease(s)/Sublease(s)/Private Commons) Associated with the Spectrum To Be Included in the Filing

188) Call Sign(s) or Lease/Sublease/ Private Commons Identifier(s)	189) Radio Service Code	190) Location Number	191) Path Number (Microwave only)	192) Frequency Number	193) Lower Frequency (MHz)	194) Upper Frequency (MHz)
KNLB305	WS - Wireless Communication s Service					
KNLB305	WS - Wireless Communication s Service					
KNLB305	WS - Wireless Communication s Service					
KNLF206	CW - PCS Broadband					
KNLF206	CW - PCS Broadband					
KNLF206	CW - PCS Broadband					
KNLF251	CW - PCS Broadband					
KNLF251	CW - PCS Broadband					
KNLG209	CW - PCS Broadband					
WPOI215	CW - PCS Broadband					
WPOI255	CW - PCS Broadband					
WPWU915	WZ - 700 MHz Lower Band (Blocks C, D)					

* Note: Items 190 – 194 are for New Leases involving spectrum associated with site-based authorizations when only a portion of the licensed locations, paths and/or frequencies will be leased.

**Schedule for Licensees that Received Bidding Credits
or
Involving Licenses Won in Closed Bidding**

**Designated Entity Information
Bidding Credits**

1) Has the full amount of the bidding credits awarded with regard to each of the subject license(s) been paid as part of unjust enrichment payment(s) in previous transaction(s)?	() <u>Yes</u> <u>No</u>
If the response to Item 1 is 'Y', Items 2 and 3 are not required to be completed.	

Bidding Credits - (Spectrum Manager Leases Only)

2a) Does the Applicant have a general partnership interest or have a direct or indirect ownership interests of ten percent or greater in the Licensee?	() <u>Yes</u> <u>No</u>
2b) Is the Applicant a "controlling interest holder" or "affiliate" of the current Licensee? For purposes of determining whether the Licensee has retained the requisite degree of ownership and control over the leased spectrum in order to remain eligible for the license or for bidding credits, the <i>de jure</i> control standard in 47 CFR § 1.2110 and the <i>de facto</i> control standard in 47 CFR § 1.9010 will be applied (pursuant to the conditions set forth in 47 CFR § 1.9020).	() <u>Yes</u> <u>No</u>
2c) Does the Applicant share office space, equipment, or other facilities with any party controlling the entity from which spectrum is being leased/subleased?	() <u>Yes</u> <u>No</u>
2d) Is the Applicant a disclosable interest holder that holds a ten percent or greater interest of any kind in the Licensee and is the Lease/Sublease for more than 25% of the spectrum capacity of the subject license(s)?	() <u>Yes</u> <u>No</u>
2e) Does the Licensee certify that the Lease/Sublease does not affect its continuing eligibility to retain bidding credit(s)?	() <u>Yes</u> <u>No</u>

**Bidding Credits – (Long-Term De Facto Transfer Leases Only)
Eligibility**

3a) With respect to each of the subject licenses, the Applicant: () qualifies for the same designated entity benefit as the current Licensee () qualifies for a different designated entity benefit than the current Licensee () does not qualify for any designated entity status
--

3b) If the Applicant states in Item 3a that it qualifies for the same designated entity benefit as the current Licensee or qualifies for a different designated entity status than the current Licensee, the Applicant qualifies for a (select one): () small business bidding credit (___%) () rural service provider bidding credit	
3c) Is the Applicant a disclosable interest holder that holds a ten percent or greater interest of any kind in the Licensee and is the Lease/Sublease for more than 25% of the spectrum capacity of the subject license(s)?	() <u>Yes</u> <u>No</u>

Closed Bidding Licenses

4) Have construction notifications been submitted as required by the Commission's Rules for each of the subject licenses? If the response to Item 4 is 'Y', Items 5 and 6 are not required to be completed.	() <u>Yes</u> <u>No</u>
--	--------------------------

Closed Bidding Licenses – (Spectrum Manager Leases Only)

5a) Does the Applicant have a general partnership interest or have a direct or indirect ownership interest of ten percent or greater in the Licensee?	() <u>Yes</u> <u>No</u>
5b) Is the Applicant a "controlling interest holder" or "affiliate" of the current Licensee?	() <u>Yes</u> <u>No</u>
5c) Does the Applicant share office space, equipment or other facilities with any party controlling the entity from which spectrum is being leased?	() <u>Yes</u> <u>No</u>
5d) Does the Licensee certify that the Lease/Sublease does not affect its continuing eligibility to retain closed bidding licenses?	() <u>Yes</u> <u>No</u>

Closed Bidding Licenses – (Long-Term *De Facto* Transfer Leases Only)**Eligibility**

6) With respect to each of the subject licenses, the Applicant: () a) qualifies for closed bidding () b) does not qualify for closed bidding
--

7) Revenue and Asset Information for the Applicant

Purpose (Check Modify if filing an Amendment application and changing the Revenue and Asset Information from what was provided on the original filing)

Modify

Gross Revenue Disclosure Most Recent Reportable Year

8a) Were the Applicant and any predecessors-in-interest in existence for a full year of the relevant period? If 'N', explain why in an attachment.	() <u>Yes</u> <u>No</u>
If 'Y', provide the following information.	
8b) Gross Revenues	\$ _____ (Format: 99,999.99)
8c) Year-end Date:	_____ (Date Format: MM/DD/YYYY)

One Year Prior to Most Recent Reportable Year

9a) Were the Applicant and any predecessors-in-interest in existence for a full year of the relevant period? If 'N', explain why in an attachment.	() <u>Yes</u> <u>No</u>
If 'Y', provide the following information.	
9b) Gross Revenues	\$ _____ (Format: 99,999.99)
9c) Year-end Date:	_____ (Date Format: MM/DD/YYYY)

Two Years Prior to Most Recent Reportable Year

10a) Were the Applicant and any predecessors-in-interest in existence for a full year of the relevant period? If 'N', explain why in an attachment.	() <u>Yes</u> <u>No</u>
If 'Y', provide the following information.	
10b) Gross Revenues	\$ _____ (Format: 99,999.99)
10c) Year-end Date:	_____ (Date Format: MM/DD/YYYY)

Three Years Prior to Most Recent Reportable Year

11a) Were the Applicant and any predecessors-in-interest in existence for a full year of the relevant period? If 'N', explain why in an attachment.	() <u>Yes</u> <u>No</u>
If 'Y', provide the following information.	
11b) Gross Revenues	\$ _____ (Format: 99,999.99)
11c) Year-end Date:	_____ (Date Format: MM/DD/YYYY)

Four Years Prior to Most Recent Reportable Year

12a) Were the Applicant and any predecessors-in-interest in existence for a full year of the relevant period? If 'N', explain why in an attachment.	() <u>Yes</u> <u>No</u>
If 'Y', provide the following information.	
12b) Gross Revenues	\$ _____ (Format: 99,999.99)
12c) Year-end Date:	_____ (Date Format: MM/DD/YYYY)

Average Gross Revenue

13) Average Gross Revenue of Reported Years: \$ _____ (Format: 99,999.99)

Asset Disclosure

14) Total Assets as of Application Filing Date: \$ _____

Financial Statements

15) Audited or Unaudited (Check One)

The Applicant used audited financial statements.

The Applicant used unaudited financial statements prepared in accordance with Generally Accepted Accounting Principles (GAAP) and certified by the Applicant's chief financial officer or the equivalent.

Reference Copy

Reference Copy

Closed Bidding/Designated Entity Eligibility

Total Gross Revenues for Most Recent Reportable Year

36a) Gross Revenues:	\$ _____	(Format: 99,999.99)
36b) Year-end Date:	_____	(Date Format: MM/DD/YYYY)

Total Gross Revenues for One Year Prior to Most Recent Reportable Year

37a) Gross Revenues:	\$ _____	(Format: 99,999.99)
37b) Year-end Date:	_____	(Date Format: MM/DD/YYYY)

Total Gross Revenues for Two Years Prior to Most Recent Reportable Year

38a) Gross Revenues:	\$ _____	(Format: 99,999.99)
38b) Year-end Date:	_____	(Date Format: MM/DD/YYYY)

Total Gross Revenues for Three Years Prior to the Most Recent Reportable Year

39a) Gross Revenues:	\$ _____	(Format: _____)
39b) Year-end Date:	_____	(Date Format: _____)

Total Gross Revenues for Four Years Prior to the Most Recent Reportable Year

40a) Gross Revenues:	\$ _____	(Format: 99,999.99)
40b) Year-end Date:	_____	(Date Format: MM/DD/YYYY)

Total Aggregate Average Gross Revenues for Designated Entity (License(s) Requiring Disclosure of Three Years of Gross Revenue Data)

41) Aggregate Average Gross Revenue:	\$ _____	(Format: 99,999.99)
--------------------------------------	----------	---------------------

Total Aggregate Average Gross Revenues for Designated Entity (License(s) Requiring Disclosure of Five Years of Gross Revenue Data)

41) Aggregate Average Gross Revenue:	\$ _____	(Format: 99,999.99)
--------------------------------------	----------	---------------------

Total Aggregate Average Gross Revenues for Closed Bidding

42) Aggregate Average Gross Revenue:	\$ _____	(Format: 99,999.99)
--------------------------------------	----------	---------------------

Total Assets Disclosure for Closed Bidding

43) Total Assets:	\$ _____	(Format: 99,999.99)
-------------------	----------	---------------------

Rural Service Provider Bidding Credit

36) Is the Applicant seeking a Rural Service Provider (RSP) bidding credit?	() <u>Yes</u> No
---	--------------------------

If the Applicant (the Lessee/Sublessee/Transferee) is seeking a rural service provider (RSP) bidding credit, provide in an exhibit the following information requested in a-e.

a) for the Applicant, submit the combined number of commercial communications service subscribers to wireless, wireline, broadband, and cable services that the Applicant serves and provide a list of the name(s) and the Federal Information Processing Standard (FIPS) number(s) for each county in which the Applicant has at least one commercial wireless, wireline, broadband, or cable subscriber;

b) for each of the Applicant's Affiliates, Controlling Interests, and the Affiliates of its Controlling Interests, submit the individual or entity's name, its FCC Registration Number (FRN), its relationship to the Applicant, and its combined number of commercial communications service subscribers to wireless, wireline, broadband, and cable services. For each of the Applicant's Affiliates, Controlling Interests, and the Affiliates of its Controlling Interests, also provide a list of the name(s) and the FIPS number(s) for each county in which it has at least one commercial wireless, wireline, broadband, or cable subscriber;

c) if neither the Applicant, nor any of its Affiliates, its Controlling Interests, or the Affiliates of its Controlling Interests have at least one wireless, wireline, broadband, or cable subscriber in a market for which the Applicant is applying for a license, list the market(s) in which the Applicant, its Affiliates, its Controlling Interests, and the Affiliates of its Controlling Interests have no such subscribers;

d) a detailed explanation demonstrating that: (i) the Applicant is in the business of providing commercial communications services; (ii) the Applicant serves predominantly rural areas; and (iii) the primary focus of the Applicant's business activity is the provision of services to rural areas (defined as counties with a population density of 100 or fewer persons per square mile); and

e) If the Applicant is an existing rural partnership that was providing service as of July 16, 2015, provide a detailed explanation demonstrating that each member of the partnership is independently eligible for the RSP bidding credit by providing, with respect to each member of the partnership, the same information as is required in a-d above.

Schedule for New Lease or New Sublease

Term of Lease [For New Leases Only]

1) Indicate whether the Lease is: (<input checked="" type="checkbox"/>) Long-Term or () Short-Term*	
* The cumulative lease period for a Short-Term Lease cannot exceed 365 days from the original commencement date.	
2) If this filing is for a Long-Term <i>De Facto</i> Transfer Lease, have the Licensee and Lessee entered into any Short-Term <i>De Facto</i> Transfer Lease(s) with regard to any spectrum covered by the license(s) that are part of this filing or within the same geographic area(s) of the license(s) that are part of this filing?	(<input type="checkbox"/>) <u>Yes</u> <u>No</u>

Leased Spectrum (For Geographically-Licensed Services) [For New Leases Only]

3a) Does this filing involve geographic-area licenses where only a portion of the licensed spectrum and/or the licensed geographic area will be leased?	(<input checked="" type="checkbox"/>) <u>Yes</u> <u>No</u>
3b) If the answer to 3a is 'Yes', does this filing involve one or more individual point-to-point microwave links that will be leased? If the response to 3b is 'Yes', complete Schedule H. If the response to 3b is 'No', complete Schedule F and, if applicable, Schedule G.	(<input type="checkbox"/>) <u>Yes</u> <u>No</u>

Leased Spectrum (For Site-Based Services) [For New Leases Only]

3c) Does this filing involve site-based licenses where only a portion of the licensed locations, paths and/or frequencies will be leased? If the response to 3c is 'No', complete Items 184 (Call Sign) and 185 (Radio Service Code) on the Main Form. If the response to 3c is 'Yes', in addition to Items 184 (Call Sign) and 185 (Radio Service Code), complete Items 186-190 (Location Number, Path Number, Frequency Number, Lower Frequency and Upper Frequency), as appropriate, on the Main Form.	() <u>Yes</u> <u>No</u>
---	------------------------------

Type and Term of Sublease [For New Subleases Only]

4a) If the existing Lease is a Long-Term <i>De Facto</i> Transfer Lease, are the Lessee and Sublessee entering into a Spectrum Manager Sublease or a Long-Term <i>De Facto</i> Transfer Sublease? () Spectrum Manager Sublease or () Long-Term <i>De Facto</i> Transfer Sublease	
4b) If the answer to 4a is 'Spectrum Manager Sublease', indicate whether the Sublease is: () Long-Term or () Short-Term	
5) If the existing Lease is a Long-Term Spectrum Manager Lease, indicate whether the Spectrum Manager Sublease is: () Long-Term or () Short-Term	

**Schedule for Supplemental Information Pertaining to a New Lease, New Sublease,
Revision to Extend the Term of an Existing Lease or Sublease, or
Revision to Cancel an Existing Lease or Sublease**

License Authorizations/Lease Identifiers/Sublease Identifiers (Complete as many Schedule E's as necessary)

1) Call Sign(s) or Lease/Sublease Identifier(s)	2) Radio Service Code	3) Commencement Date (MM/DD/YYYY) OR Check box for FCC Grant Date	4) Expiration Date (MM/DD/YYYY)	5) Revised Expiration Date (MM/DD/YYYY)	6) Cancellation Date (MM/DD/YYYY) OR Check box if Lease/Sublease Never Commenced
KNLB305	WS	<input checked="" type="checkbox"/>	05/30/2027		<input type="checkbox"/>
KNLF206	CW	<input checked="" type="checkbox"/>	06/23/2025		<input type="checkbox"/>
KNLF251	CW	<input checked="" type="checkbox"/>	06/23/2025		<input type="checkbox"/>
KNLG209	CW	<input checked="" type="checkbox"/>	04/28/2027		<input type="checkbox"/>
WPOI215	CW	<input checked="" type="checkbox"/>	06/23/2025		<input type="checkbox"/>
WPOI255	CW	<input checked="" type="checkbox"/>	06/23/2025		<input type="checkbox"/>
WPWU915	WZ	<input checked="" type="checkbox"/>	05/30/2027		<input type="checkbox"/>

Schedule for Defined Geographic Area To Be Leased
(Geographically-Licensed Services)

Call Sign

1) Call Sign: <u>KNLB305</u>

Geographic Area of Spectrum To Be Included in Lease

2) Defined Area to be Leased	3) Undefined Area to be Leased (Complete Schedule G)	4a) Population of Leased Area
	Schedule G # Attached:1	

5) Frequencies of Spectrum To Be Included in Lease (MHz)

Spectrum Leased	
Lower Frequency/Bandwidth	Upper Frequency/Bandwidth

**Schedule for Defined Geographic Area To Be Leased
(Geographically-Licensed Services)**

Call Sign

1) Call Sign: KNLB305

Geographic Area of Spectrum To Be Included in Lease

2) Defined Area to be Leased	3) Undefined Area to be Leased (Complete Schedule G)	4a) Population of Leased Area
	Schedule G # Attached:2	

5) Frequencies of Spectrum To Be Included in Lease (MHz)

Spectrum Leased

Lower Frequency/Bandwidth	Upper Frequency/Bandwidth

**Schedule for Defined Geographic Area To Be Leased
 (Geographically-Licensed Services)**

Call Sign

1) Call Sign: <u>KNLB305</u>

Geographic Area of Spectrum To Be Included in Lease

2) Defined Area to be Leased	3) Undefined Area to be Leased (Complete Schedule G)	4a) Population of Leased Area
	Schedule G # Attached:3	

5) Frequencies of Spectrum To Be Included in Lease (MHz)

Spectrum Leased	
Lower Frequency/Bandwidth	Upper Frequency/Bandwidth

**Schedule for Defined Geographic Area To Be Leased
(Geographically-Licensed Services)**

Call Sign

1) Call Sign: KNLF206

Geographic Area of Spectrum To Be Included in Lease

2) Defined Area to be Leased	3) Undefined Area to be Leased (Complete Schedule G)	4a) Population of Leased Area
	Schedule G # Attached:4	

5) Frequencies of Spectrum To Be Included in Lease (MHz)

Spectrum Leased

Lower Frequency/Bandwidth	Upper Frequency/Bandwidth

**Schedule for Defined Geographic Area To Be Leased
 (Geographically-Licensed Services)**

Call Sign

1) Call Sign: <u>KNLF206</u>

Geographic Area of Spectrum To Be Included in Lease

2) Defined Area to be Leased	3) Undefined Area to be Leased (Complete Schedule G)	4a) Population of Leased Area
	Schedule G # Attached:5	

5) Frequencies of Spectrum To Be Included in Lease (MHz)

Spectrum Leased	
Lower Frequency/Bandwidth	Upper Frequency/Bandwidth

**Schedule for Defined Geographic Area To Be Leased
 (Geographically-Licensed Services)**

Call Sign

1) Call Sign: <u>KNLF206</u>

Geographic Area of Spectrum To Be Included in Lease

2) Defined Area to be Leased	3) Undefined Area to be Leased (Complete Schedule G)	4a) Population of Leased Area
	Schedule G # Attached:6	

5) Frequencies of Spectrum To Be Included in Lease (MHz)

Spectrum Leased	
Lower Frequency/Bandwidth	Upper Frequency/Bandwidth

**Schedule for Defined Geographic Area To Be Leased
 (Geographically-Licensed Services)**

Call Sign

1) Call Sign: <u>KNLF251</u>

Geographic Area of Spectrum To Be Included in Lease

2) Defined Area to be Leased	3) Undefined Area to be Leased (Complete Schedule G)	4a) Population of Leased Area
	Schedule G # Attached:7	

5) Frequencies of Spectrum To Be Included in Lease (MHz)

Spectrum Leased	
Lower Frequency/Bandwidth	Upper Frequency/Bandwidth

**Schedule for Defined Geographic Area To Be Leased
 (Geographically-Licensed Services)**

Call Sign

1) Call Sign: <u>KNLF251</u>

Geographic Area of Spectrum To Be Included in Lease

2) Defined Area to be Leased	3) Undefined Area to be Leased (Complete Schedule G)	4a) Population of Leased Area
	Schedule G # Attached:8	

5) Frequencies of Spectrum To Be Included in Lease (MHz)

Spectrum Leased	
Lower Frequency/Bandwidth	Upper Frequency/Bandwidth

**Schedule for Defined Geographic Area To Be Leased
 (Geographically-Licensed Services)**

Call Sign

1) Call Sign: <u>KNLG209</u>

Geographic Area of Spectrum To Be Included in Lease

2) Defined Area to be Leased	3) Undefined Area to be Leased (Complete Schedule G)	4a) Population of Leased Area
	Schedule G # Attached:9	

5) Frequencies of Spectrum To Be Included in Lease (MHz)

Spectrum Leased	
Lower Frequency/Bandwidth	Upper Frequency/Bandwidth

**Schedule for Defined Geographic Area To Be Leased
 (Geographically-Licensed Services)**

Call Sign

1) Call Sign: <u>WPOI215</u>

Geographic Area of Spectrum To Be Included in Lease

2) Defined Area to be Leased	3) Undefined Area to be Leased (Complete Schedule G)	4a) Population of Leased Area
	Schedule G # Attached:10	

5) Frequencies of Spectrum To Be Included in Lease (MHz)

Spectrum Leased	
Lower Frequency/Bandwidth	Upper Frequency/Bandwidth

**Schedule for Defined Geographic Area To Be Leased
 (Geographically-Licensed Services)**

Call Sign

1) Call Sign: <u>WPOI255</u>

Geographic Area of Spectrum To Be Included in Lease

2) Defined Area to be Leased	3) Undefined Area to be Leased (Complete Schedule G)	4a) Population of Leased Area
	Schedule G # Attached:11	

5) Frequencies of Spectrum To Be Included in Lease (MHz)

Spectrum Leased	
Lower Frequency/Bandwidth	Upper Frequency/Bandwidth

**Schedule for Defined Geographic Area To Be Leased
 (Geographically-Licensed Services)**

Call Sign

1) Call Sign: <u>WPWU915</u>

Geographic Area of Spectrum To Be Included in Lease

2) Defined Area to be Leased	3) Undefined Area to be Leased (Complete Schedule G)	4a) Population of Leased Area
	Schedule G # Attached:12	

5) Frequencies of Spectrum To Be Included in Lease (MHz)

Spectrum Leased	
Lower Frequency/Bandwidth	Upper Frequency/Bandwidth

Number: 1

Schedule for Leases that Involve an Undefined Geographic Area

For each undefined geographic area, complete up to 300 Latitude/Longitude combinations for every 3 degrees azimuth, using NAD83 Datum.

Latitude (DD-MM-SS.S-D)

Longitude (DDD-MM-SS.S-D)

1	41-31-50.3 N	086-54-14.8 W
2	41-31-18.0 N	086-54-14.2 W
3	41-31-17.3 N	086-54-47.1 W
4	41-31-44.6 N	086-54-47.9 W
5	41-31-50.3 N	086-54-14.8 W

Number: 2

Schedule for Leases that Involve an Undefined Geographic Area

For each undefined geographic area, complete up to 300 Latitude/Longitude combinations for every 3 degrees azimuth, using NAD83 Datum.

Latitude (DD-MM-SS.S-D)

Longitude (DDD-MM-SS.S-D)

1	41-42-18.5 N	086-54-56.2 W
2	41-42-03.9 N	086-54-55.2 W
3	41-42-03.1 N	086-55-09.3 W
4	41-42-18.2 N	086-55-09.3 W
5	41-42-18.5 N	086-54-56.2 W

Number: 3

Schedule for Leases that Involve an Undefined Geographic Area

For each undefined geographic area, complete up to 300 Latitude/Longitude combinations for every 3 degrees azimuth, using NAD83 Datum.

Latitude (DD-MM-SS.S-D)

Longitude (DDD-MM-SS.S-D)

1	41-43-15.5 N	086-18-47.6 W
2	41-43-21.0 N	086-18-47.8 W
3	41-43-21.1 N	086-18-38.9 W
4	41-43-15.5 N	086-18-38.9 W
5	41-43-15.5 N	086-18-47.6 W

Number: 4

Schedule for Leases that Involve an Undefined Geographic Area

For each undefined geographic area, complete up to 300 Latitude/Longitude combinations for every 3 degrees azimuth, using NAD83 Datum.

Latitude (DD-MM-SS.S-D)

Longitude (DDD-MM-SS.S-D)

1	41-31-50.3 N	086-54-14.8 W
2	41-31-18.0 N	086-54-14.2 W
3	41-31-17.3 N	086-54-47.1 W
4	41-31-44.6 N	086-54-47.9 W
5	41-31-50.3 N	086-54-14.8 W

Number: 5

Schedule for Leases that Involve an Undefined Geographic Area

For each undefined geographic area, complete up to 300 Latitude/Longitude combinations for every 3 degrees azimuth, using NAD83 Datum.

Latitude (DD-MM-SS.S-D)

Longitude (DDD-MM-SS.S-D)

1	41-42-18.5 N	086-54-56.2 W
2	41-42-03.9 N	086-54-55.2 W
3	41-42-03.1 N	086-55-09.3 W
4	41-42-18.2 N	086-55-09.3 W
5	41-42-18.5 N	086-54-56.2 W

Number: 6

Schedule for Leases that Involve an Undefined Geographic Area

For each undefined geographic area, complete up to 300 Latitude/Longitude combinations for every 3 degrees azimuth, using NAD83 Datum.

Latitude (DD-MM-SS.S-D)

Longitude (DDD-MM-SS.S-D)

1	41-43-15.5 N	086-18-47.6 W
2	41-43-21.0 N	086-18-47.8 W
3	41-43-21.1 N	086-18-38.9 W
4	41-43-15.5 N	086-18-38.9 W
5	41-43-15.5 N	086-18-47.6 W

Number: 7

Schedule for Leases that Involve an Undefined Geographic Area

For each undefined geographic area, complete up to 300 Latitude/Longitude combinations for every 3 degrees azimuth, using NAD83 Datum.

Latitude (DD-MM-SS.S-D)

Longitude (DDD-MM-SS.S-D)

1	38-09-12.9 N	086-36-02.4 W
2	38-09-09.3 N	086-35-50.4 W
3	38-09-01.9 N	086-35-51.0 W
4	38-09-00.5 N	086-36-12.6 W
5	38-09-12.9 N	086-36-02.4 W

Number: 8

Schedule for Leases that Involve an Undefined Geographic Area

For each undefined geographic area, complete up to 300 Latitude/Longitude combinations for every 3 degrees azimuth, using NAD83 Datum.

Latitude (DD-MM-SS.S-D)

Longitude (DDD-MM-SS.S-D)

1	38-45-01.5 N	085-24-18.6 W
2	38-45-01.2 N	085-23-54.5 W
3	38-44-40.8 N	085-23-53.4 W
4	38-44-41.4 N	085-24-21.0 W
5	38-45-01.5 N	085-24-18.6 W

Number: 9

Schedule for Leases that Involve an Undefined Geographic Area

For each undefined geographic area, complete up to 300 Latitude/Longitude combinations for every 3 degrees azimuth, using NAD83 Datum.

	Latitude (DD-MM-SS.S-D)	Longitude (DDD-MM-SS.S-D)
1	38-45-01.5 N	085-24-18.6 W
2	38-45-01.2 N	085-23-54.5 W
3	38-44-40.8 N	085-23-53.4 W
4	38-44-41.4 N	085-24-21.0 W
5	38-45-01.5 N	085-24-18.6 W

Number: 10

Schedule for Leases that Involve an Undefined Geographic Area

For each undefined geographic area, complete up to 300 Latitude/Longitude combinations for every 3 degrees azimuth, using NAD83 Datum.

Latitude (DD-MM-SS.S-D)

Longitude (DDD-MM-SS.S-D)

1	38-09-12.9 N	086-36-02.4 W
2	38-09-09.3 N	086-35-50.4 W
3	38-09-01.9 N	086-35-51.0 W
4	38-09-00.5 N	086-36-12.6 W
5	38-09-12.9 N	086-36-02.4 W

Number: 11

Schedule for Leases that Involve an Undefined Geographic Area

For each undefined geographic area, complete up to 300 Latitude/Longitude combinations for every 3 degrees azimuth, using NAD83 Datum.

Latitude (DD-MM-SS.S-D)

Longitude (DDD-MM-SS.S-D)

1	38-45-01.5 N	085-24-18.6 W
2	38-45-01.2 N	085-23-54.5 W
3	38-44-40.8 N	085-23-53.4 W
4	38-44-41.4 N	085-24-21.0 W
5	38-45-01.5 N	085-24-18.6 W

Number: 12

Schedule for Leases that Involve an Undefined Geographic Area

For each undefined geographic area, complete up to 300 Latitude/Longitude combinations for every 3 degrees azimuth, using NAD83 Datum.

Latitude (DD-MM-SS.S-D)

Longitude (DDD-MM-SS.S-D)

1	38-09-12.9 N	086-36-02.4 W
2	38-09-09.3 N	086-35-50.4 W
3	38-09-01.9 N	086-35-51.0 W
4	38-09-00.5 N	086-36-12.6 W
5	38-09-12.9 N	086-36-02.4 W

Attachment(s):

Type	Description	Date Entered
O	Exhibit 3 - Site Information	08/22/2023
O	Exhibit 2 - Licenses	08/16/2023
O	Exhibit 1 - Description of Leases	08/16/2023

REFERENCE COPY

This is not an official FCC license. It is a record of public information contained in the FCC's licensing database on the date that this reference copy was generated. In cases where FCC rules require the presentation, posting, or display of an FCC license, this document may not be used in place of an official FCC license.



Federal Communications Commission
Wireless Telecommunications Bureau

RADIO STATION AUTHORIZATION

LICENSEE: NEW CINGULAR WIRELESS PCS, LLC

ATTN: FCC GROUP
NEW CINGULAR WIRELESS PCS, LLC
208 S. AKARD ST. 20F
DALLAS, TX 75202

Table with Call Sign (WPOI255), File Number, and Radio Service (CW - PCS Broadband).

FCC Registration Number (FRN): 0003291192

Table with columns: Grant Date, Effective Date, Expiration Date, Print Date, Market Number, Channel Block, Sub-Market Designator, Market Name, 1st Build-out Date, 2nd Build-out Date, 3rd Build-out Date, 4th Build-out Date.

Waivers/Conditions:

This authorization is subject to the condition that, in the event that systems using the same frequencies as granted herein are authorized in an adjacent foreign territory (Canada/United States), future coordination of any base station transmitters within 72 km (45 miles) of the United States/Canada border shall be required to eliminate any harmful interference to operations in the adjacent foreign territory and to ensure continuance of equal access to the frequencies by both countries.

This authorization is subject to the condition that the remaining balance of the winning bid amount will be paid in accordance with Part 1 of the Commission's rules, 47 C.F.R. Part 1.

Conditions:

Pursuant to §309(h) of the Communications Act of 1934, as amended, 47 U.S.C. §309(h), this license is subject to the following conditions: This license shall not vest in the licensee any right to operate the station nor any right in the use of the frequencies designated in the license beyond the term thereof nor in any other manner than authorized herein.

This license may not authorize operation throughout the entire geographic area or spectrum identified on the hardcopy version. To view the specific geographic area and spectrum authorized by this license, refer to the Spectrum and Market Area information under the Market Tab of the license record in the Universal Licensing System (ULS).

Licensee Name: NEW CINGULAR WIRELESS PCS, LLC

Call Sign: WPO1255

File Number:

Print Date:

This license is conditioned upon compliance with the provisions of Applications of AT&T Wireless Services, Inc. and Cingular Wireless Corporation For Consent to Transfer Control of Licenses and Authorizations, Memorandum Opinion and Order, FCC 04-255 (rel. Oct. 26, 2004).

Spectrum Lease Associated with this License. See Spectrum Leasing Arrangement Letter dated 12/06/2004 and File # 0001918558.

The Spectrum Leasing Arrangement, which became effective upon approval of application file number 0001918558, was terminated on 04/14/2005. See file number 0002135370.

Commission approval of this application and the licenses contained therein are subject to the conditions set forth in the Memorandum Opinion and Order, adopted on December 29, 2006 and released on March 26, 2007, and revised in the Order on Reconsideration, adopted and released on March 26, 2007. See AT&T Inc. and BellSouth Corporation Application for Transfer of Control, WC Docket No. 06-74, Memorandum Opinion and Order, FCC 06-189 (rel. Mar. 26, 2007); AT&T Inc. and BellSouth Corporation, WC Docket No. 06-74, Order on Reconsideration, FCC 07-44 (rel. Mar. 26, 2007).

Licensee Name: NEW CINGULAR WIRELESS PCS, LLC

Call Sign: WPOI255

File Number:

Print Date:

700 MHz Relicensed Area Information:

Market	Market Name	Buildout Deadline	Buildout Notification	Status
---------------	--------------------	--------------------------	------------------------------	---------------

Reference Copy

Reference Copy Only. Do Not Mail to the FCC as an Application.

Submitted: 01/23/2024 at 17:43:02
 File Number: 0010873347

FCC 601
Main Form

FCC Application for Radio Service Authorization: Wireless Telecommunications Bureau Public Safety and Homeland Security Bureau

Approved by OMB
 3060 - 0798
 See instructions for
 public burden estimate

1) Radio Service Code: <p style="text-align: center;">CW</p>	1a) Existing Radio Service Code:
--	----------------------------------

General Information

2) (Select only one) (AU) NE - New RO - Renewal Only AU - Administrative Update NT - Required Notifications MD - Modification RM - Renewal/Modification WD - Withdrawal of Application EX - Requests for Extension of Time AM - Amendment CA - Cancellation of License RL - Registered Location/Link	
3a) If this application is for a Demonstration License or a S pecial Temporary Authorization (STA), enter the code and attach the required exhibit as described in the instructions. Otherwise enter ' N/A ' (Not Applicable).	(N) <u>M</u> <u>S</u> <u>N/A</u>
3b) If this application is for Special Temporary Authority due to an emergency situation, enter 'Y'; otherwise enter 'N'. Refer to Rule 1.915 for an explanation of situations considered to be an emergency.	() <u>Y</u> <u>N</u>
4) If this application is for an Amendment or Withdrawal, enter the file number of the pending application currently on file with the FCC.	File Number
5) If this application is for a Modification, Renewal Only, Renewal/Modification, Cancellation of License, , or Administrative Update, enter the call sign of the existing FCC license. If this is a request for Registered Location/Link, enter the FCC call sign assigned to the geographic license.	Call Sign WPOI255
6a) If this application is for a New, Amendment, Renewal Only, or Renewal/Modification, enter the requested authorization expiration date (this item is optional).	MM DD _____ / _____
6b) If this application is for a Renewal Only or Renewal/Modification and the license is a geographic area license, is the license used to provide service to customers (C), or is the license used for private business (internal) purposes or to meet the licensee's public interest/public safety communications needs (P)?	() <u>C</u> <u>P</u>
7) Is this application "major" as defined in § 1.929 of the Commission's Rules when read in conjunction with the applicable radio service rules found in Parts 22 and 90 of the Commission's Rules? (NOTE: This question only applies to certain site-specific applications. See the instructions for applicability and full text of § 1.929).	() <u>Y</u> <u>N</u>
8) Are attachments (other than associated schedules) being filed with this application?	() <u>Y</u> <u>N</u>

Fees, Waivers, and Exemptions

9) Is the Applicant exempt from FCC application fees?	(N) <u>Y</u> <u>N</u>
10) Is the Applicant exempt from FCC regulatory fees?	(N) <u>Y</u> <u>N</u>
11) Does this application include a request for a Waiver of the Commission's Rule(s)? If 'Yes', attach an exhibit providing rule number(s) and explaining circumstances.	(N) <u>Y</u> <u>N</u>
12) Are the frequencies or parameters requested in this filing covered by grandfathered privileges, previously approved by waiver, or functionally integrated with an existing station?	() <u>Y</u> <u>N</u>

Applicant Information

13) FCC Registration Number (FRN): 0003291192			
14) Applicant/Licensee Legal Entity Type: (Select One) <input type="checkbox"/> Individual <input type="checkbox"/> Unincorporated Association <input type="checkbox"/> Trust <input type="checkbox"/> Government Entity <input type="checkbox"/> Corporation <input checked="" type="checkbox"/> Limited Liability Company <input type="checkbox"/> General Partnership <input type="checkbox"/> Limited Partnership <input type="checkbox"/> Limited Liability Partnership <input type="checkbox"/> Consortium <input type="checkbox"/> Other: _____			
15) If the Licensee name is being updated, is the update a result from the sale (or transfer of control) of the license(s) to party and for which proper Commission approval has not been received or proper notification not provided?			<input type="checkbox"/> Yes <input checked="" type="checkbox"/> No
16) First Name (if individual):	MI:	Last Name:	Suffix:
17) Legal Entity Name (if other than individual): NEW CINGULAR WIRELESS PCS, LLC			
18) Attention To: National Regulatory Compliance			
19) P.O. Box:	And/Or	20) Street Address: 208 S Akard St, 20F	
21) City: Dallas	22) State: TX	23) Zip Code: 75202	
24) Telephone Number: (855)699-7073		25) Fax:	
26) E-Mail Address: FCCMW@att.com			

27) Demographics (Optional)

Race: <input type="checkbox"/> American Indian or Alaska Native <input type="checkbox"/> Asian <input type="checkbox"/> Black or African-American <input type="checkbox"/> Native Hawaiian or Other Pacific Islander <input type="checkbox"/> White	Ethnicity: <input type="checkbox"/> Hispanic or Latino <input type="checkbox"/> Not Hispanic or Latino	Gender: <input type="checkbox"/> Male <input type="checkbox"/> Female
--	--	---

Real Party in Interest

28) Name of Real Party in Interest of Applicant (If different from Applicant):	29) FCC Registration Number (FRN) of Real Party in Interest:
--	--

Contact Information (If different from the Applicant) Check here if same as Applicant.

30) First Name: Jessica	MI: J	Last Name: Dunk	Suffix:
31) Company Name: AT&T Services, Inc.			
32) Attention To: NRC			
33) P.O. Box:	And /Or	34) Street Address: 208 S Akard St, 20F	
35) City: Dallas	36) State: TX	37) Zip Code: 75202	
38) Telephone Number: (855)699-7073		39) Fax:	
40) E-Mail Address: FCCMW@att.com			

Regulatory Status

41) This filing is for authorization to provide or use the following type(s) of radio service offering (enter all that apply):
() Common Carrier () Non-Common Carrier () Private, internal communications () Broadcast Services () Band Manager

Type of Radio Service

42) This filing is for authorization to provide the following type(s) of radio service (choose all that apply):
() Fixed () Mobile () Radiolocation () Satellite (sound) () Broadcast Services
43) Does the Applicant propose to provide service interconnected to the public telephone network? () Yes () No

Alien Ownership Questions (If any answer is 'Y', provide an attachment explaining the circumstances. In preparing the attachment, refer to the Main Form Instructions for the "Alien Ownership Questions".)

44) Is the Applicant a foreign government or the representative of any foreign government? () Yes () No
45) Is the Applicant an alien or the representative of an alien? () Yes () No
46) Is the Applicant a corporation organized under the laws of any foreign government? () Yes () No
47) Is the Applicant a corporation of which more than one-fifth of the capital stock is owned of record or voted by aliens or their representatives, or by a foreign government or representative thereof, or by any corporation organized under the laws of a foreign country? () Yes () No

48a) Is the Applicant directly or indirectly controlled by any other corporation of which more than one-fourth of the capital stock () Yes No is owned of record or voted by aliens or their representatives, or by a foreign government or representative thereof, or by any corporation organized under the laws of a foreign country?

48b) If the answer to 47 or 48a is 'Y' select one of the choices below.

The Applicant is exempt from the provisions of Section 310(b).

If checked, it is not necessary to file a petition for declaratory ruling if the Applicant includes in the attachment required by Item 47 or Item 48a a showing that the requested license(s) is exempt from the provisions of Section 310(b).

The Applicant has received a declaratory ruling(s) approving its foreign ownership, and the application involves only the acquisition of additional spectrum for the provision of a wireless service in a geographic coverage area for which the Applicant has been previously authorized.

If checked, include in the attachment required by Item 47 or Item 48a the citation(s) of the applicable declaratory ruling(s) by DA/FCC number, the FCC Record citation, if available, release date, and a statement that there has been no change in the foreign ownership of the Applicant since the issuance of its ruling.

The Applicant: (i) has received a declaratory ruling(s) approving its foreign ownership, but is not able to make the certification specified immediately above; or (ii) is an "affiliate" of a Licensee or Lessee/Sublessee that received a declaratory ruling(s) under 47 CFR § 1.5000(a) and is relying on the affiliate's ruling for purposes of filing this application as permitted under the affiliate's ruling and 47 CFR § 1.5004(b)

If checked, and if the Applicant received its declaratory ruling(s) on or after August 9, 2013, include in the attachment required by Item 47 or Item 48a the citation(s) of the Applicant's declaratory ruling(s) by DA/FCC number, the FCC Record citation, if available, release date, and a statement that the Applicant is in compliance with the terms and conditions of its ruling and with the Commission's Rules.

If checked, and if the Applicant received its declaratory ruling(s) prior to August 9, 2013, include in the attachment required by Item 48a a copy of a petition for declaratory ruling filed contemporaneously with the Commission to extend the Applicant's existing ruling(s) to cover the same radio service(s) and geographic coverage area(s) involved in the application. Alternatively, the Applicant may request a new declaratory ruling pursuant to Section 1.5000(a) of the Commission's Rules, 47 CFR § 1.5000 (a). Petitions for declaratory ruling may be filed electronically on the Internet through the International Bureau Filing System (IBFS) (with a copy attached hereto).

If checked, and if the Applicant is relying on an affiliate's ruling for purposes of filing this application, include in the attachment required by Item 47 or Item 48a the citation(s) of the applicable declaratory ruling(s) by DA/FCC number, the FCC Record citation, if available, release date, and a statement that the Applicant is in compliance with the terms and conditions of the named affiliate's ruling and with the Commission's Rules. The Applicant must also include a certification of compliance signed by the named affiliate or other qualified entity as specified in 47 CFR § 1.5004(b). See Main Form Instructions for Items 47 or 48a, as applicable.

The Applicant has not received a declaratory ruling approving its foreign ownership and is requesting a declaratory ruling under 47 CFR § 1.5004(b) in a petition filed contemporaneously with the Commission.

If checked, include in the attachment required by Item 47 or 48a a copy of the petition for declaratory ruling filed contemporaneously with the Commission pursuant to 47 CFR § 1.5004(b). Petitions for declaratory ruling may be filed electronically on the Internet through the International Bureau Filing System (IBFS) (with a copy attached hereto).

Basic Qualification Questions

49) Has the Applicant or any party to this application had any FCC station authorization, license or construction permit revoked or had any application for an initial, modification or renewal of FCC station authorization, license, or construction permit denied by the Commission?	(<input type="checkbox"/>) <u>Yes</u> <u>No</u>
50) Has the Applicant or any party to this application, or any party directly or indirectly controlling the Applicant, ever been convicted of a felony by any state or federal court?	(<input type="checkbox"/>) <u>Yes</u> <u>No</u>
51) Has any court finally adjudged the Applicant or any party directly or indirectly controlling the Applicant guilty of unlawfully monopolizing or attempting unlawfully to monopolize radio communication, directly or indirectly, through control of manufacture or sale of radio apparatus, exclusive traffic arrangement, or any other means or unfair methods of competition?	(<input type="checkbox"/>) <u>Yes</u> <u>No</u>

Note: If the answer to any of 49-51 is 'Y', attach an exhibit explaining the circumstances.

Aeronautical Advisory Station (Unicom) Certification

52) (<input type="checkbox"/>) I certify that the station will be located on property of the airport to be served, and, in cases where the airport does not have a control tower, RCO, or FAA flight service station, that I have notified the owner of the airport and all aviation service organizations located at the airport within ten days prior to application.

Broadband Radio Service and Educational Broadband Service Cable Cross-Ownership

53a) Will the requested facilities be used to provide multichannel video programming service?	(<input type="checkbox"/>) <u>Yes</u> <u>No</u>
53b) If the answer to question 53a is 'Y', does the Applicant operate, control or have an attributable interest (as defined in 47 CFR § 27.1202) in a cable television system whose franchise area is located within the geographic service area of the requested facilities?	(<input type="checkbox"/>) <u>Yes</u> <u>No</u>

Note: If the answer to question 53b is 'Y', attach an exhibit explaining how the Applicant complies with 47 CFR § 27.1202 or justifying a waiver of that rule. If a waiver of the Commission Rule(s) is being requested, Item 11a must be answered 'Y'.

Broadband Radio Service and Educational Broadband Service (Part 27)

54) (For EBS only) Does the Applicant comply with the programming requirements contained in 47 CFR § 27.1203?	(<input type="checkbox"/>) <u>Yes</u> <u>No</u>
---	---

Note: If the answer to item 54 is 'N', attach an exhibit explaining how the Applicant complies with 47 CFR § 27.1203 of the Commission's Rules or justifying a waiver of that rule. If a waiver of the Commission Rule(s) is being requested, Item 11a must be answered 'Y'.

55) (For BRS and EBS) Does the Applicant comply with 47 CFR §§ 27.50, 27.55, and 27.1221?	(<input type="checkbox"/>) <u>Yes</u> <u>No</u>
---	---

Note: If the answer to item 55 is 'N', attach an exhibit justifying a waiver of that rule(s). If a waiver of the Commission Rule(s) is being requested, Item 11a must be answered 'Y'.

For Applicants Who Participated in an Auction

56) Is the Applicant a qualifying rural wireless partnership or a member of a qualifying rural wireless partnership?	(<input type="checkbox"/>) <u>Yes</u> <u>No</u>
--	---

Note: If the answer to item 56 is 'Y', attach an exhibit listing all members of the qualifying rural wireless partnership, including their FRN numbers.

For Renewal Applicants

57) Operation/Performance Requirement Certification	
[For a site-based license]: Applicant certifies that it is continuing to operate consistent with its most recently filed construction notification (or most recent authorization, if no construction notification was required).	(<input type="checkbox"/>) <u>Yes</u> <u>No</u>
[For a geographic license, commercial service - licensee in its initial license term with an interim performance requirement]: Applicant certifies that it has met its interim performance requirement, that over the portion of the license term following the interim performance requirement, it continues to use its facilities to provide at least the level of service required by its interim performance requirement, it has met its final performance requirement, and it continues to use its facilities to provide at least the level of service required by its final performance requirement through the end of the license term.	(<input type="checkbox"/>) <u>Yes</u> <u>No</u>
[For a geographic license, commercial service - licensee in its initial license term with no interim performance requirement]: Applicant certifies that it has met its final performance requirement and it continues to use its facilities to provide at least the level of service required by its final performance requirement through the end of the license term. [Note: licensee must provide a showing demonstrating that the final performance requirement has been met, either separately in a timely application for notification of completion of construction, or as part of its renewal application, depending on the radio service.]	(<input type="checkbox"/>) <u>Yes</u> <u>No</u>
[For a geographic license, commercial service - licensee in any subsequent term]: Applicant certifies that it continues to use its facilities to provide at least the level of service required by its final performance requirement through the end of any subsequent license terms.	(<input type="checkbox"/>) <u>Yes</u> <u>No</u>
[For a geographic license, private systems - licensee in its initial license term with an interim performance requirement]: Applicant certifies that it has met its interim performance requirement, that over the portion of the license term following the interim performance requirement, it continues to use its facilities to further its private business or public interest/public safety communications needs at or above the level required to meet its interim performance requirement, it has met its final performance requirement, and it continues to use its facilities to provide at least the level of operation required by its final performance requirement through the end of the license term.	(<input type="checkbox"/>) <u>Yes</u> <u>No</u>
[For a geographic license, private systems - licensee in its initial license term with no interim performance requirement]: Applicant certifies that it has met its final performance requirement, it continues to use its facilities to further its private business or public interest/public safety communications needs, and it continues to use its facilities to provide at least the level of operation required by its final performance requirement through the end of the license term. [Note: licensee must provide a showing demonstrating that the final performance requirement has been met, either separately in a timely application for notification of completion of construction, or as part of its renewal application, depending on the radio service.]	(<input type="checkbox"/>) <u>Yes</u> <u>No</u>

[For a geographic license, private systems - licensee in any subsequent term]: Applicant certifies that it continues to use its facilities to further its private business or public interest/public safety communications needs at or above the level required to meet its final performance requirement through the end of any subsequent license terms.	() <u>Yes</u> <u>No</u>
[For a partitioned or disaggregated license without a performance requirement, for the first renewal application filed after effective date of the rules]: Applicant certifies that the partitioned and/or disaggregated license that is the subject of this renewal application has no separate performance requirement and that this is the first renewal of this license filed subsequent to the effective date of the rules.	() <u>Yes</u> <u>No</u>
[For a partitioned or disaggregated license without a performance requirement, for any subsequent renewal filings]: Applicant certifies that it continues to use its facilities to provide service or to further the applicant's private business or public interest/public safety needs.	() <u>Yes</u> <u>No</u>

Discontinuance of Service Certification

58) Applicant certifies that no permanent discontinuance of service or operation, as applicable, occurred during its current license term. Note: If the response to either item 57 or item 58 is 'N', attach an exhibit that demonstrates that over the course of the license term, the Applicant provided and continues to provide service to the public, or operated and continues to operate the license to meet the Applicant's private business or public interest/public safety communications needs. This exhibit must include a detailed description of the Applicant's provision of service or, when allowed under the relevant service rules or pursuant to waiver, use of the spectrum for private business or public interest/public safety communications needs, during the entire license period and address, as applicable: 1) the level and quality of service provided by the applicant (e.g., the population served, the area served, the number of subscribers, the services offered); (2) the date service commenced, whether service was ever interrupted, and the duration of any interruption or outage; (3) the extent to which service is provided to rural areas; (4) the extent to which service is provided to qualifying tribal land as defined in 47 CFR § 1.2110(e)(3)(i); and (5) any other factors associated with the level of service to the public. The licensee may note in its exhibit: 1) any grant(s) of waiver or extension of a performance deadline or license renewal subject to meeting a performance requirement; or 2) if the final performance deadline and/or expiration date for the license accelerated because the licensee did not meet an interim performance requirement.	() <u>Yes</u> <u>No</u>
--	--------------------------

Regulatory Compliance Certification [same for all]

59) Applicant certifies that it has substantially complied with all applicable FCC rules, policies, and the Communications Act of 1934, as amended. Note: If the response to item 59 is 'N', attach an exhibit explaining the circumstances and demonstrating why Applicant's license should be renewed.	() <u>Yes</u> <u>No</u>
--	--------------------------

General Certification Statements

1) The Applicant waives any claim to the use of any particular frequency or of the electromagnetic spectrum as against the regulatory power of the United States because of the previous use of the same, whether by license or otherwise, and requests an authorization in accordance with this application.
2) The Applicant certifies that grant of this application would not cause the Applicant to be in violation of any pertinent cross-ownership or attribution rules.* *If the Applicant has sought a waiver of any such rule in connection with this application, it may make this certification subject to the outcome of the waiver request.
3) The Applicant certifies that all statements made in this application and in the exhibits, attachments, or documents incorporated by reference are material, are part of this application, and are true, complete, correct, and made in good faith.
4) The Applicant certifies that neither the Applicant nor any other party to the application is subject to a denial of Federal benefits pursuant to § 5301 of the Anti-Drug Abuse Act of 1988, 21 U.S.C. § 862, because of a conviction for possession or distribution of a controlled substance. This certification does not apply to applications filed in services exempted under § 1.2002(c) of the rules, 47 CFR § 1.2002(c). See 47 CFR § 1.2002(b) for the definition of "party to the application" as used in this certification.
5) The Applicant certifies that it either (1) has current required ownership data on file with the Commission, (2) is filing updated ownership data simultaneously with this application, or (3) is not required to file ownership data under the Commission's Rules.
6) The Applicant certifies that the facilities, operations, and transmitters for which this authorization is hereby requested are either: (1) categorically excluded from routine environmental evaluation for RF exposure as set forth in 47 CFR § 1.1307(b); or, (2) have been found not to cause human exposure to levels of radiofrequency radiation in excess of the limits specified in 47 CFR §§ 1.1310 and 2.1093; or, (3) are the subject of one or more Environmental Assessments filed with the Commission.
7) The Applicant certifies that it has reviewed the appropriate Commission Rules defining eligibility to hold the requested license(s) and is eligible to hold the requested license(s).
8) The Applicant certifies that it is not in default on any payment for Commission licenses and that it is not delinquent on any non-tax debt owed to any federal agency.
9) The Applicant certifies that the Applicant and all of the related individuals and entities required to be disclosed on this application and FCC Form 602 (FCC Ownership Disclosure Information for the Wireless Telecommunications Services) are not person(s) who have been, for reasons of national security, barred by any agency of the Federal Government from bidding on a contract, participating in an auction, or receiving a grant. This certification applies only to applications for licenses for spectrum that is required by Sections 6103, 6401-6403 of the Middle Class Tax Relief and Job Creation Act of 2012, codified at 47 U.S.C. §§ 309, 1413, 1451-1452, to be assigned by a system of competitive bidding under 47 U.S.C. § 309(j).

Signature

60) Typed or Printed Name of Party Authorized to Sign

First Name: Jessica	MI:	Last Name: Dunk	Suffix:
61) Title: Assistant Secretary - Compliance			
Signature: Jessica Dunk			62) Date: 01/23/2024
FAILURE TO SIGN THIS APPLICATION MAY RESULT IN DISMISSAL OF THE APPLICATION AND FORFEITURE OF ANY FEES PAID.			
Upon grant of this license application, the Licensee may be subject to certain construction or coverage requirements. Failure to meet the construction or coverage requirements will result in termination of the license. Consult appropriate FCC regulations to determine the construction or coverage requirements that apply to the type of license requested in this application.			
WILLFUL FALSE STATEMENTS MADE ON THIS FORM OR ANY ATTACHMENTS ARE PUNISHABLE BY FINE AND/OR IMPRISONMENT (U.S. Code, Title 18, § 1001) AND/OR REVOCATION OF ANY STATION LICENSE OR CONSTRUCTION PERMIT (U.S. Code, Title 47, § 312(a)(1)), AND/OR FORFEITURE (U.S. Code, Title 47, § 503).			

Reference Copy Only. Do Not Mail to the FCC as an Application.

Submitted: 01/22/2024 at 14:43:18
 File Number: 0010867984

FCC 601
Main Form

FCC Application for Radio Service Authorization: Wireless Telecommunications Bureau Public Safety and Homeland Security Bureau

Approved by OMB
 3060 - 0798
 See instructions for
 public burden estimate

1) Radio Service Code: <p style="text-align: center;">CW</p>	1a) Existing Radio Service Code:
--	----------------------------------

General Information

2) (Select only one) (AU) NE - New RO - Renewal Only AU - Administrative Update NT - Required Notifications MD - Modification RM - Renewal/Modification WD - Withdrawal of Application EX - Requests for Extension of Time AM - Amendment CA - Cancellation of License RL - Registered Location/Link	
3a) If this application is for a Demonstration License or a S pecial Temporary Authorization (STA), enter the code and attach the required exhibit as described in the instructions. Otherwise enter ' N/A ' (Not Applicable).	(N) <u>M</u> <u>S</u> <u>N/A</u>
3b) If this application is for Special Temporary Authority due to an emergency situation, enter 'Y'; otherwise enter 'N'. Refer to Rule 1.915 for an explanation of situations considered to be an emergency.	() <u>Y</u> <u>N</u>
4) If this application is for an Amendment or Withdrawal, enter the file number of the pending application currently on file with the FCC.	File Number
5) If this application is for a Modification, Renewal Only, Renewal/Modification, Cancellation of License, , or Administrative Update, enter the call sign of the existing FCC license. If this is a request for Registered Location/Link, enter the FCC call sign assigned to the geographic license.	Call Sign WPOI255
6a) If this application is for a New, Amendment, Renewal Only, or Renewal/Modification, enter the requested authorization expiration date (this item is optional).	MM DD _____ / _____
6b) If this application is for a Renewal Only or Renewal/Modification and the license is a geographic area license, is the license used to provide service to customers (C), or is the license used for private business (internal) purposes or to meet the licensee's public interest/public safety communications needs (P)?	() <u>C</u> <u>P</u>
7) Is this application "major" as defined in § 1.929 of the Commission's Rules when read in conjunction with the applicable radio service rules found in Parts 22 and 90 of the Commission's Rules? (NOTE: This question only applies to certain site-specific applications. See the instructions for applicability and full text of § 1.929).	() <u>Y</u> <u>N</u>
8) Are attachments (other than associated schedules) being filed with this application?	() <u>Y</u> <u>N</u>

Fees, Waivers, and Exemptions

9) Is the Applicant exempt from FCC application fees?	(N) <u>Y</u> <u>N</u>
10) Is the Applicant exempt from FCC regulatory fees?	(N) <u>Y</u> <u>N</u>
11) Does this application include a request for a Waiver of the Commission's Rule(s)? If 'Yes', attach an exhibit providing rule number(s) and explaining circumstances.	(N) <u>Y</u> <u>N</u>
12) Are the frequencies or parameters requested in this filing covered by grandfathered privileges, previously approved by waiver, or functionally integrated with an existing station?	() <u>Y</u> <u>N</u>

Applicant Information

13) FCC Registration Number (FRN): 0003291192			
14) Applicant/Licensee Legal Entity Type: (Select One) <input type="checkbox"/> Individual <input type="checkbox"/> Unincorporated Association <input type="checkbox"/> Trust <input type="checkbox"/> Government Entity <input type="checkbox"/> Corporation <input checked="" type="checkbox"/> Limited Liability Company <input type="checkbox"/> General Partnership <input type="checkbox"/> Limited Partnership <input type="checkbox"/> Limited Liability Partnership <input type="checkbox"/> Consortium <input type="checkbox"/> Other: _____			
15) If the Licensee name is being updated, is the update a result from the sale (or transfer of control) of the license(s) to party and for which proper Commission approval has not been received or proper notification not provided?			<input type="checkbox"/> Yes <input checked="" type="checkbox"/> No
16) First Name (if individual):	MI:	Last Name:	Suffix:
17) Legal Entity Name (if other than individual): NEW CINGULAR WIRELESS PCS, LLC			
18) Attention To: National Regulatory Compliance			
19) P.O. Box:	And/Or	20) Street Address: 208 S Akard St, 20F	
21) City: Dallas	22) State: TX	23) Zip Code: 75202	
24) Telephone Number: (855)699-7073		25) Fax:	
26) E-Mail Address: FCCMW@att.com			

27) Demographics (Optional)

Race: <input type="checkbox"/> American Indian or Alaska Native <input type="checkbox"/> Asian <input type="checkbox"/> Black or African-American <input type="checkbox"/> Native Hawaiian or Other Pacific Islander <input type="checkbox"/> White	Ethnicity: <input type="checkbox"/> Hispanic or Latino <input type="checkbox"/> Not Hispanic or Latino	Gender: <input type="checkbox"/> Male <input type="checkbox"/> Female
--	--	---

Real Party in Interest

28) Name of Real Party in Interest of Applicant (If different from Applicant):	29) FCC Registration Number (FRN) of Real Party in Interest:
--	--

Contact Information (If different from the Applicant) Check here if same as Applicant.

30) First Name: Cecil	MI: J	Last Name: Mathew	Suffix:
31) Company Name: AT&T Services, Inc.			
32) Attention To: FCC Group			
33) P.O. Box:	And /Or	34) Street Address: 208 S. Akard St. 20F	
35) City: Dallas	36) State: TX	37) Zip Code: 75202	
38) Telephone Number: (855)699-7073		39) Fax:	
40) E-Mail Address: FCCMW@att.com			

Regulatory Status

41) This filing is for authorization to provide or use the following type(s) of radio service offering (enter all that apply):
() Common Carrier () Non-Common Carrier () Private, internal communications () Broadcast Services () Band Manager

Type of Radio Service

42) This filing is for authorization to provide the following type(s) of radio service (choose all that apply):
() Fixed () Mobile () Radiolocation () Satellite (sound) () Broadcast Services
43) Does the Applicant propose to provide service interconnected to the public telephone network? () Yes () No

Alien Ownership Questions (If any answer is 'Y', provide an attachment explaining the circumstances. In preparing the attachment, refer to the Main Form Instructions for the "Alien Ownership Questions".)

44) Is the Applicant a foreign government or the representative of any foreign government? () Yes () No
45) Is the Applicant an alien or the representative of an alien? () Yes () No
46) Is the Applicant a corporation organized under the laws of any foreign government? () Yes () No
47) Is the Applicant a corporation of which more than one-fifth of the capital stock is owned of record or voted by aliens or their representatives, or by a foreign government or representative thereof, or by any corporation organized under the laws of a foreign country? () Yes () No

48a) Is the Applicant directly or indirectly controlled by any other corporation of which more than one-fourth of the capital stock (Yes No) is owned of record or voted by aliens or their representatives, or by a foreign government or representative thereof, or by any corporation organized under the laws of a foreign country?

48b) If the answer to 47 or 48a is 'Y' select one of the choices below.

The Applicant is exempt from the provisions of Section 310(b).

If checked, it is not necessary to file a petition for declaratory ruling if the Applicant includes in the attachment required by Item 47 or Item 48a a showing that the requested license(s) is exempt from the provisions of Section 310(b).

The Applicant has received a declaratory ruling(s) approving its foreign ownership, and the application involves only the acquisition of additional spectrum for the provision of a wireless service in a geographic coverage area for which the Applicant has been previously authorized.

If checked, include in the attachment required by Item 47 or Item 48a the citation(s) of the applicable declaratory ruling(s) by DA/FCC number, the FCC Record citation, if available, release date, and a statement that there has been no change in the foreign ownership of the Applicant since the issuance of its ruling.

The Applicant: (i) has received a declaratory ruling(s) approving its foreign ownership, but is not able to make the certification specified immediately above; or (ii) is an "affiliate" of a Licensee or Lessee/Sublessee that received a declaratory ruling(s) under 47 CFR § 1.5000(a) and is relying on the affiliate's ruling for purposes of filing this application as permitted under the affiliate's ruling and 47 CFR § 1.5004(b)

If checked, and if the Applicant received its declaratory ruling(s) on or after August 9, 2013, include in the attachment required by Item 47 or Item 48a the citation(s) of the Applicant's declaratory ruling(s) by DA/FCC number, the FCC Record citation, if available, release date, and a statement that the Applicant is in compliance with the terms and conditions of its ruling and with the Commission's Rules.

If checked, and if the Applicant received its declaratory ruling(s) prior to August 9, 2013, include in the attachment required by Item 48a a copy of a petition for declaratory ruling filed contemporaneously with the Commission to extend the Applicant's existing ruling(s) to cover the same radio service(s) and geographic coverage area(s) involved in the application. Alternatively, the Applicant may request a new declaratory ruling pursuant to Section 1.5000(a) of the Commission's Rules, 47 CFR § 1.5000 (a). Petitions for declaratory ruling may be filed electronically on the Internet through the International Bureau Filing System (IBFS) (with a copy attached hereto).

If checked, and if the Applicant is relying on an affiliate's ruling for purposes of filing this application, include in the attachment required by Item 47 or Item 48a the citation(s) of the applicable declaratory ruling(s) by DA/FCC number, the FCC Record citation, if available, release date, and a statement that the Applicant is in compliance with the terms and conditions of the named affiliate's ruling and with the Commission's Rules. The Applicant must also include a certification of compliance signed by the named affiliate or other qualified entity as specified in 47 CFR § 1.5004(b). See Main Form Instructions for Items 47 or 48a, as applicable.

The Applicant has not received a declaratory ruling approving its foreign ownership and is requesting a declaratory ruling under 47 CFR § 1.5004(b) in a petition filed contemporaneously with the Commission.

If checked, include in the attachment required by Item 47 or 48a a copy of the petition for declaratory ruling filed contemporaneously with the Commission pursuant to 47 CFR § 1.5004(b). Petitions for declaratory ruling may be filed electronically on the Internet through the International Bureau Filing System (IBFS) (with a copy attached hereto).

Basic Qualification Questions

49) Has the Applicant or any party to this application had any FCC station authorization, license or construction permit revoked or had any application for an initial, modification or renewal of FCC station authorization, license, or construction permit denied by the Commission?	() <u>Yes</u> <u>No</u>
50) Has the Applicant or any party to this application, or any party directly or indirectly controlling the Applicant, ever been convicted of a felony by any state or federal court?	() <u>Yes</u> <u>No</u>
51) Has any court finally adjudged the Applicant or any party directly or indirectly controlling the Applicant guilty of unlawfully monopolizing or attempting unlawfully to monopolize radio communication, directly or indirectly, through control of manufacture or sale of radio apparatus, exclusive traffic arrangement, or any other means or unfair methods of competition?	() <u>Yes</u> <u>No</u>

Note: If the answer to any of 49-51 is 'Y', attach an exhibit explaining the circumstances.

Aeronautical Advisory Station (Unicom) Certification

52) () I certify that the station will be located on property of the airport to be served, and, in cases where the airport does not have a control tower, RCO, or FAA flight service station, that I have notified the owner of the airport and all aviation service organizations located at the airport within ten days prior to application.
--

Broadband Radio Service and Educational Broadband Service Cable Cross-Ownership

53a) Will the requested facilities be used to provide multichannel video programming service?	() <u>Yes</u> <u>No</u>
53b) If the answer to question 53a is 'Y', does the Applicant operate, control or have an attributable interest (as defined in 47 CFR § 27.1202) in a cable television system whose franchise area is located within the geographic service area of the requested facilities?	() <u>Yes</u> <u>No</u>

Note: If the answer to question 53b is 'Y', attach an exhibit explaining how the Applicant complies with 47 CFR § 27.1202 or justifying a waiver of that rule. If a waiver of the Commission Rule(s) is being requested, Item 11a must be answered 'Y'.

Broadband Radio Service and Educational Broadband Service (Part 27)

54) (For EBS only) Does the Applicant comply with the programming requirements contained in 47 CFR § 27.1203?	() <u>Yes</u> <u>No</u>
---	--------------------------

Note: If the answer to item 54 is 'N', attach an exhibit explaining how the Applicant complies with 47 CFR § 27.1203 of the Commission's Rules or justifying a waiver of that rule. If a waiver of the Commission Rule(s) is being requested, Item 11a must be answered 'Y'.

55) (For BRS and EBS) Does the Applicant comply with 47 CFR §§ 27.50, 27.55, and 27.1221?	() <u>Yes</u> <u>No</u>
---	--------------------------

Note: If the answer to item 55 is 'N', attach an exhibit justifying a waiver of that rule(s). If a waiver of the Commission Rule(s) is being requested, Item 11a must be answered 'Y'.

For Applicants Who Participated in an Auction

56) Is the Applicant a qualifying rural wireless partnership or a member of a qualifying rural wireless partnership?	() <u>Yes</u> <u>No</u>
--	--------------------------

Note: If the answer to item 56 is 'Y', attach an exhibit listing all members of the qualifying rural wireless partnership, including their FRN numbers.

For Renewal Applicants

57) Operation/Performance Requirement Certification	
[For a site-based license]: Applicant certifies that it is continuing to operate consistent with its most recently filed construction notification (or most recent authorization, if no construction notification was required).	() <u>Yes</u> <u>No</u>
[For a geographic license, commercial service - licensee in its initial license term with an interim performance requirement]: Applicant certifies that it has met its interim performance requirement, that over the portion of the license term following the interim performance requirement, it continues to use its facilities to provide at least the level of service required by its interim performance requirement, it has met its final performance requirement, and it continues to use its facilities to provide at least the level of service required by its final performance requirement through the end of the license term.	() <u>Yes</u> <u>No</u>
[For a geographic license, commercial service - licensee in its initial license term with no interim performance requirement]: Applicant certifies that it has met its final performance requirement and it continues to use its facilities to provide at least the level of service required by its final performance requirement through the end of the license term. [Note: licensee must provide a showing demonstrating that the final performance requirement has been met, either separately in a timely application for notification of completion of construction, or as part of its renewal application, depending on the radio service.]	() <u>Yes</u> <u>No</u>
[For a geographic license, commercial service - licensee in any subsequent term]: Applicant certifies that it continues to use its facilities to provide at least the level of service required by its final performance requirement through the end of any subsequent license terms.	() <u>Yes</u> <u>No</u>
[For a geographic license, private systems - licensee in its initial license term with an interim performance requirement]: Applicant certifies that it has met its interim performance requirement, that over the portion of the license term following the interim performance requirement, it continues to use its facilities to further its private business or public interest/public safety communications needs at or above the level required to meet its interim performance requirement, it has met its final performance requirement, and it continues to use its facilities to provide at least the level of operation required by its final performance requirement through the end of the license term.	() <u>Yes</u> <u>No</u>
[For a geographic license, private systems - licensee in its initial license term with no interim performance requirement]: Applicant certifies that it has met its final performance requirement, it continues to use its facilities to further its private business or public interest/public safety communications needs, and it continues to use its facilities to provide at least the level of operation required by its final performance requirement through the end of the license term. [Note: licensee must provide a showing demonstrating that the final performance requirement has been met, either separately in a timely application for notification of completion of construction, or as part of its renewal application, depending on the radio service.]	() <u>Yes</u> <u>No</u>

[For a geographic license, private systems - licensee in any subsequent term]: Applicant certifies that it continues to use its facilities to further its private business or public interest/public safety communications needs at or above the level required to meet its final performance requirement through the end of any subsequent license terms.	(<input type="checkbox"/>) <u>Yes</u> <u>No</u>
[For a partitioned or disaggregated license without a performance requirement, for the first renewal application filed after effective date of the rules]: Applicant certifies that the partitioned and/or disaggregated license that is the subject of this renewal application has no separate performance requirement and that this is the first renewal of this license filed subsequent to the effective date of the rules.	(<input type="checkbox"/>) <u>Yes</u> <u>No</u>
[For a partitioned or disaggregated license without a performance requirement, for any subsequent renewal filings]: Applicant certifies that it continues to use its facilities to provide service or to further the applicant's private business or public interest/public safety needs.	(<input type="checkbox"/>) <u>Yes</u> <u>No</u>

Discontinuance of Service Certification

58) Applicant certifies that no permanent discontinuance of service or operation, as applicable, occurred during its current license term. Note: If the response to either item 57 or item 58 is 'N', attach an exhibit that demonstrates that over the course of the license term, the Applicant provided and continues to provide service to the public, or operated and continues to operate the license to meet the Applicant's private business or public interest/public safety communications needs. This exhibit must include a detailed description of the Applicant's provision of service or, when allowed under the relevant service rules or pursuant to waiver, use of the spectrum for private business or public interest/public safety communications needs, during the entire license period and address, as applicable: 1) the level and quality of service provided by the applicant (e.g., the population served, the area served, the number of subscribers, the services offered); (2) the date service commenced, whether service was ever interrupted, and the duration of any interruption or outage; (3) the extent to which service is provided to rural areas; (4) the extent to which service is provided to qualifying tribal land as defined in 47 CFR § 1.2110(e)(3)(i); and (5) any other factors associated with the level of service to the public. The licensee may note in its exhibit: 1) any grant(s) of waiver or extension of a performance deadline or license renewal subject to meeting a performance requirement; or 2) if the final performance deadline and/or expiration date for the license accelerated because the licensee did not meet an interim performance requirement.	(<input type="checkbox"/>) <u>Yes</u> <u>No</u>
--	---

Regulatory Compliance Certification [same for all]

59) Applicant certifies that it has substantially complied with all applicable FCC rules, policies, and the Communications Act of 1934, as amended. Note: If the response to item 59 is 'N', attach an exhibit explaining the circumstances and demonstrating why Applicant's license should be renewed.	(<input type="checkbox"/>) <u>Yes</u> <u>No</u>
--	---

General Certification Statements

1) The Applicant waives any claim to the use of any particular frequency or of the electromagnetic spectrum as against the regulatory power of the United States because of the previous use of the same, whether by license or otherwise, and requests an authorization in accordance with this application.
2) The Applicant certifies that grant of this application would not cause the Applicant to be in violation of any pertinent cross-ownership or attribution rules.* *If the Applicant has sought a waiver of any such rule in connection with this application, it may make this certification subject to the outcome of the waiver request.
3) The Applicant certifies that all statements made in this application and in the exhibits, attachments, or documents incorporated by reference are material, are part of this application, and are true, complete, correct, and made in good faith.
4) The Applicant certifies that neither the Applicant nor any other party to the application is subject to a denial of Federal benefits pursuant to § 5301 of the Anti-Drug Abuse Act of 1988, 21 U.S.C. § 862, because of a conviction for possession or distribution of a controlled substance. This certification does not apply to applications filed in services exempted under § 1.2002(c) of the rules, 47 CFR § 1.2002(c). See 47 CFR § 1.2002(b) for the definition of "party to the application" as used in this certification.
5) The Applicant certifies that it either (1) has current required ownership data on file with the Commission, (2) is filing updated ownership data simultaneously with this application, or (3) is not required to file ownership data under the Commission's Rules.
6) The Applicant certifies that the facilities, operations, and transmitters for which this authorization is hereby requested are either: (1) categorically excluded from routine environmental evaluation for RF exposure as set forth in 47 CFR § 1.1307(b); or, (2) have been found not to cause human exposure to levels of radiofrequency radiation in excess of the limits specified in 47 CFR §§ 1.1310 and 2.1093; or, (3) are the subject of one or more Environmental Assessments filed with the Commission.
7) The Applicant certifies that it has reviewed the appropriate Commission Rules defining eligibility to hold the requested license(s) and is eligible to hold the requested license(s).
8) The Applicant certifies that it is not in default on any payment for Commission licenses and that it is not delinquent on any non-tax debt owed to any federal agency.
9) The Applicant certifies that the Applicant and all of the related individuals and entities required to be disclosed on this application and FCC Form 602 (FCC Ownership Disclosure Information for the Wireless Telecommunications Services) are not person(s) who have been, for reasons of national security, barred by any agency of the Federal Government from bidding on a contract, participating in an auction, or receiving a grant. This certification applies only to applications for licenses for spectrum that is required by Sections 6103, 6401-6403 of the Middle Class Tax Relief and Job Creation Act of 2012, codified at 47 U.S.C. §§ 309, 1413, 1451-1452, to be assigned by a system of competitive bidding under 47 U.S.C. § 309(j).

Signature

60) Typed or Printed Name of Party Authorized to Sign

First Name: Jessica	MI:	Last Name: Dunk	Suffix:
61) Title: Assistant Secretary - Compliance			
Signature: Jessica Dunk			62) Date: 01/22/2024
FAILURE TO SIGN THIS APPLICATION MAY RESULT IN DISMISSAL OF THE APPLICATION AND FORFEITURE OF ANY FEES PAID.			
Upon grant of this license application, the Licensee may be subject to certain construction or coverage requirements. Failure to meet the construction or coverage requirements will result in termination of the license. Consult appropriate FCC regulations to determine the construction or coverage requirements that apply to the type of license requested in this application.			
WILLFUL FALSE STATEMENTS MADE ON THIS FORM OR ANY ATTACHMENTS ARE PUNISHABLE BY FINE AND/OR IMPRISONMENT (U.S. Code, Title 18, § 1001) AND/OR REVOCATION OF ANY STATION LICENSE OR CONSTRUCTION PERMIT (U.S. Code, Title 47, § 312(a)(1)), AND/OR FORFEITURE (U.S. Code, Title 47, § 503).			

**FCC Form 608 FCC Application or Notification for Spectrum Leasing Arrangement/
Main Form Notification of a Private Commons Arrangement**

3060-1058

Submitted: 10/16/2023 at
09:43:42
File Number: 0010704518

**Wireless Telecommunications Bureau
Public Safety and Homeland Security Bureau**

See 608 Main Form Instructions
For public burden estimate

General Information
Application/Notification Purpose

1a) Purpose of Filing (Select only one):	
<input checked="" type="checkbox"/> LN – New	<input type="checkbox"/> LM – Modification
<input type="checkbox"/> LT – Transfer of Control	<input type="checkbox"/> LE – Extend the Term
<input type="checkbox"/> LI – Light Touch Leasing Certification	<input type="checkbox"/> AM – Amendment
	<input type="checkbox"/> LU – Administrative Update
	<input type="checkbox"/> LC – Cancel
	<input type="checkbox"/> WD – Withdraw
1b) If this filing is for an Amendment (AM) or Withdrawal (WD), enter the File Number of the pending Application/Notification currently on file with the FCC.	File Number: _____

Classification of Filing
For Leases/Subleases Only

2a) Classification of Filing (Select only one):	2b) Type of Filing
<input type="checkbox"/> ML – Spectrum Manager Lease	<input checked="" type="checkbox"/> L – Lease
<input checked="" type="checkbox"/> TL – <i>De Facto</i> Transfer Lease	<input type="checkbox"/> S – Sublease (Must be filed manually)

For Private Commons Arrangements Only (Must be filed Manually)

2c) This filing will be a Private Commons Arrangement pursuant to a (Select only one):	2d) If a Private Commons Arrangement pursuant to a Lease or Sublease, choose the legal type (Select only one):
<input type="checkbox"/> N – License	<input type="checkbox"/> M – Spectrum Manager
<input type="checkbox"/> L – Lease	<input type="checkbox"/> T – <i>De Facto</i> Transfer
<input type="checkbox"/> S – Sublease	

Term of Lease/Sublease

3) Indicate whether the existing Lease/Sublease is:	<input checked="" type="checkbox"/> Long-Term	or	<input type="checkbox"/> Short-Term
---	---	----	-------------------------------------

Other Wireless Licenses

4a) Is this filing part of a series of filings involving other wireless license(s) or lease(s) held by the Applicant, affiliates of the Licensee (e.g., parents, subsidiaries, or commonly-controlled entities), or third parties that are not included on this filing and for which Commission approval or notification is required?	<input type="checkbox"/> Yes <input checked="" type="checkbox"/> No
4b) If the answer to 4a is 'Y', is this filing the lead Application/Notification?	<input type="checkbox"/> Yes <input checked="" type="checkbox"/> No
4c) If the answer to 4a is 'Y' and the answer to 4b is 'N', provide the File Number of the lead Application/Notification.	File Number: _____

Attachments

5) Are attachments (other than associated schedules) being filed with this Application/Notification?	(<input checked="" type="checkbox"/>) <u>Yes</u> <u>No</u>
--	--

Fees and Waivers**Exemption from Application Fees**

6) Is the Applicant exempt from FCC application fees? If the answer to 6 is 'Y', attach an exhibit demonstrating how the applicant is exempt from FCC application fees.	(<input type="checkbox"/>) <u>Yes</u> <u>No</u>
--	---

Waiver/Deferral of Fees

7) Is a waiver/deferral of the FCC application fees being requested? If the answer to 7 is 'Y', attach a date-stamped copy of the request for waiver/deferral of the FCC application fees.	(<input type="checkbox"/>) <u>Yes</u> <u>No</u>
---	---

Waiver of Commission Rules

8) Does this filing include a request for waiver of the Commission's Rules (other than a request for application fee waivers)? If the answer to 8 is 'Y', attach an exhibit specifying the rule section(s) for which a waiver is being requested and including a justification for the waiver request.	(<input type="checkbox"/>) <u>Yes</u> <u>No</u>
---	---

Regulatory Status and Offerings**Radio Service Offerings**

9) The Applicant will provide the following type(s) of radio service offerings (select all that apply): (<input type="checkbox"/>) Common Carrier (<input type="checkbox"/>) Non-common Carrier (<input type="checkbox"/>) Private, internal communications (<input type="checkbox"/>) Broadcast Services All entities that are planning to use the leased spectrum for telecommunications services should select common carrier in this item. The term 'telecommunications service' means the offering of telecommunications (i.e., the transmission, between or among points specified by the user, of information of the user's choosing, without change in the form or content of the information as sent and received) for a fee directly to the public, or to such classes of users as to be effectively available directly to the public, regardless of the facilities used. Non-common carriers do not hold themselves out indiscriminately for hire as carriers of communications provided by the customer. A person engaged in radio broadcasting shall not, insofar as such person is so engaged, be deemed a common carrier. Thus, those entities meeting this definition would select non- common carrier for this item. Private internal users are those entities that utilize telecommunications services purely for internal business purposes or public safety communications and not on a for-hire or for-profit basis. Such entities should select 'Private' for this item. The term 'Broadcast Services' shall have the same meaning as that for "broadcasting" in § 3(6) of the Communications Act of 1934, i.e., the dissemination of radio communications intended to be received by the public, directly or by the intermediary of relay stations." 47 U.S.C. § 153(6). If the Applicant is modifying the type of radio service offerings it provides, please provide an exhibit explaining the modification.

Radio Service

10) The Applicant will provide the following type(s) of radio service (select all that apply): (<input type="checkbox"/>) Fixed (<input type="checkbox"/>) Mobile (<input type="checkbox"/>) Radiolocation (<input type="checkbox"/>) Satellite (sound) (<input type="checkbox"/>) Broadcast Services	
11) Does the Applicant propose to provide service interconnected to the public telephone network?	(<input type="checkbox"/>) <u>Yes</u> <u>No</u>

Designated Entity Information (If the answer to 12a, 12b or 12c is 'Y', Schedule A must be completed.)

Bidding Credits

12a) Does this filing involve any spectrum associated with any licenses that were awarded with bidding credits within the last five years? If the response to this item is 'Y', the licenses may be subject to the FCC's unjust enrichment rules, and the Applicant should answer relevant bidding credit questions.	(<input type="radio"/>) <u>Yes</u> <input type="radio"/> <u>No</u>
---	--

Closed Bidding

12b) Does this filing involve any spectrum associated with any licenses that were originally granted pursuant to closed bidding within the last five years? If the response to this item is 'Y', the Applicant should answer relevant closed bidding questions.	(<input type="radio"/>) <u>Yes</u> <input type="radio"/> <u>No</u>
--	--

Competition-Related Information

13) Does this filing involve a license authorization or Spectrum Lease/Sublease that may be used to provide interconnected mobile voice and/or data services that would create a geographic overlap with another license authorization(s) or spectrum leasing arrangement(s), that also could be used to provide interconnected mobile voice and/or data services, in which the Applicant already holds attributable interests, as defined in Section 20.22(b) of the Commission's Rules, either as a licensee or spectrum lessee/sublessee? If 'Y', specify in an exhibit all geographic areas/markets (e.g., BTA, CMA, county, etc.) where there are spectrum overlaps and the total amount of spectrum that the Assignee/Transferee will hold and/or lease in each geographic area/market.	(<input checked="" type="radio"/>) <u>Yes</u> <input type="radio"/> <u>No</u>
14) If the answer to Item 13 is 'Y', would/does this application for a spectrum leasing or subleasing arrangement reduce the number of entities providing service in the affected market(s)?	(<input type="radio"/>) <u>Yes</u> <input type="radio"/> <u>No</u>

Broadband Radio Service and Educational Broadband Service Information

15a) Will the requested facilities be used to provide multichannel video programming service?	(<input type="radio"/>) <u>Yes</u> <input type="radio"/> <u>No</u>
15b) If the answer to 15a is 'Y', does the Applicant operate, control or have an attributable interest (as defined in Section 27.1202 of the Commission's Rules) in a cable television system whose franchise area is located within the geographic service area of the requested facilities? If 'Y', provide an exhibit explaining how the Applicant (Lessee/Sublessee) complies with Section 27.1202 of the Commission's Rules or justifying a waiver of that rule. If a waiver of the Commission's Rule(s) is being requested, 8a must be answered 'Y'.	(<input type="radio"/>) <u>Yes</u> <input type="radio"/> <u>No</u>
16) Does the Applicant comply with the programming requirements contained in Section 27.1203 of the Commission's Rules? If 'N', provide an exhibit explaining how the Applicant complies with Section 27.1203 of the Commission's Rules or justifying a waiver of that rule. If a waiver of the Commission's Rule(s) is being requested, 8a must be answered 'Y'.	(<input type="radio"/>) <u>Yes</u> <input type="radio"/> <u>No</u>

Part 90 Public Safety Services

Eligibility

17) Is the Applicant a public safety entity or otherwise an entity that will use the leased spectrum to provide communications in support of public safety operations pursuant to Section 90.523 of the Commission's Rules?	(<input type="radio"/>) <u>Yes</u> <input type="radio"/> <u>No</u>
---	--

600 MHz Band Information

<p>18) Is the spectrum leasing/subleasing arrangement for a term of one year or more (either initially or cumulatively) and involves any licenses in the 600 MHz Band initially granted in the last six years that would, if leased, create a geographic overlap with another licenses(s) in which the Lessee/Sublessee already holds attributable interests, as defined in Section 20.22(b) of the Commission's Rules, either as a licensee or spectrum Lessee/Sublessee, and that would result in the Lessee/Sublessee holding an attributable interest, as defined in Section 20.22(b) of the Commission's Rules, in one-third or more of the total suitable and available below-1-GHz spectrum as calculated on a county-by-county population-weighted basis in the relevant license area, utilizing 2010 U.S. Census data?</p> <p>The initial grant date is the date that the license was originally granted by the Commission after an auction, even if the license was acquired in the secondary market. The initial grant date is not the date on which the Commission granted an assignment or transfer of control of the license.</p> <p>If 'Y', provide an exhibit detailing the proposed spectrum leasing/subleasing exchange of 600 MHz band spectrum in the same market(s), including a list of all file numbers for applications associated with the proposed spectrum leasing arrangement exchange, or describing the <i>pro forma</i> nature of the spectrum leasing arrangement, as appropriate.</p>	<p>(<input checked="" type="radio"/>) <u>Yes</u> <input type="radio"/> <u>No</u></p>
<p>19) Is the spectrum leasing/subleasing arrangement for a term of one year or more (either initially or cumulatively) and involves any licenses that were initially granted as reserved spectrum licenses in the 600 MHz Band in the last six years? Otherwise, enter 'N'.</p> <p>The initial grant date is the date that the license was originally granted by the Commission after an auction, even if the license was acquired in the secondary market. The initial grant date is not the date on which the Commission granted an assignment or transfer of control of the license.</p> <p>If 'Y', provide an exhibit demonstrating how the Lessee/Sublessee would have qualified to bid on that reserved spectrum license(s) in Auction 1002 as of the FCC Form 175 filing deadline (February 10, 2016) for Auction 1002, the forward auction of the Broadcast Incentive Auction.</p>	<p>(<input type="radio"/>) <u>Yes</u> <input checked="" type="radio"/> <u>No</u></p>

Licensee Information

FRN

20) FCC Registration Number: **0003291192**

Entity

21) Licensee is a(n) (Select One):

() Individual () Unincorporated Association () Trust () Government Entity () Corporation () Limited Liability Company

() General Partnership () Limited Partnership () Limited Liability Partnership

() Other: _____

Licensee Name

22) Licensee Name (if entity): **New Cingular Wireless PCS, LLC**

23) Licensee Name (if individual): First: MI: Last: Suffix:

24) Attention To: **Cecil J. Mathew**

Address

25) P.O. Box: **And /Or** 26) Street Address: **208 S. Akard Street, RM 1016**

27) City: **Dallas** 28) State: **TX** 29) Zip Code: **75202**

30) Telephone Number: **(855)699-7073** 31) FAX Number: **(214)746-6410**

32) E-Mail Address: **FCCMW@att.com**

33) Demographics (Optional):

Race:

() American Indian or Alaska Native
() Asian
() Black or African-American
() Native Hawaiian or Other Pacific Islander
() White

Ethnicity:

() Hispanic or Latino
() Not Hispanic or Latino

Gender:

() Male
() Female

Licensee Contact Information

Contact Name (if other than Licensee)

() **Check here if same as Licensee Information**

34) Name: First: MI: Last: Suffix:

35) Company Name: **AT&T Mobility LLC**

36) Attention To: **Jessica B. Lyons**

Address

37) P.O. Box: **And /Or** 38) Street Address: **601 New Jersey Ave. NW, Suite 650**

39) City: **Washington** 40) State: **DC** 41) Zip Code: **20001**

42) Telephone Number: **(202)457-2100** 43) FAX Number:

44) E-Mail Address: **jessica.lyons@att.com**

Lessee Information

FRN

45) FCC Registration Number: **0030856223**

Entity

46) Lessee is a(n) (Select One):

() Individual () Unincorporated Association () Trust () Government Entity () Corporation () Limited Liability Company

() General Partnership () Limited Partnership () Limited Liability Partnership

() Other: _____

Lessee Name

47) If the Lessee name is being updated, is the update a result of a change in ownership, corporate structure, or entity for which proper Commission approval has not been received or proper notification not provided? () Yes No

48) Lessee Name (if entity): **Trace-Tek**

49) Lessee Name (if individual): First: MI: Last: Suffix:

50) Attention To: **licenses@trace-tek.com**

Name of Real Party in Interest

51) Name of Real Party in Interest: **Trace-Tek**

52) FCC Registration Number (FRN): **0030856223**

Address

53) P.O. Box: **And /Or** 54) Street Address: **2625 Commons Boulevard**

55) City: **Beavercreek** 56) State: **OH** 57) Zip Code: **45341**

58) Telephone Number: **(972)672-0477** 59) FAX Number:

60) E-Mail Address: **licenses@trace-tek.com**

61) Demographics (Optional):

Race:	Ethnicity:	Gender:
() American Indian or Alaska Native	() Hispanic or Latino	() Male
() Asian	() Not Hispanic or Latino	() Female
() Black or African-American		
() Native Hawaiian or Other Pacific Islander		
() White		

Lessee Contact Information

Contact Name (if other than Lessee)

() **Check here if same as Lessee Information**

62) Name: First: **Dan** MI: Last: **Burgess** Suffix:

63) Company Name: **Trace-Tek**

64) Attention To: **licenses@trace-tek.com**

Address

65) P.O. Box: **And /Or** 66) Street Address: **2625 Commons Boulevard**

67) City: **Beavercreek** 68) State: **OH** 69) Zip Code: **45341**

70) Telephone Number: **(972)672-0477** 71) FAX Number:

72) E-Mail Address: **licenses@trace-tek.com**

Sublessee Information

FRN

73) FCC Registration Number:

Entity

74) Sublessee is a(n) (Select One):

() Individual () Unincorporated Association () Trust () Government Entity () Corporation () Limited Liability Company

() General Partnership () Limited Partnership () Limited Liability Partnership

() Other: _____

Sublessee Name

75) If the Sublessee name is being updated, is the update a result of a change in ownership, corporate structure, or entity for which proper Commission approval has not been received or proper notification not provided?

() Yes **No**

76) Sublessee Name (if entity):

77) Sublessee Name (if individual):

First:

MI:

Last:

Suffix:

78) Attention To:

Name of Real Party in Interest

79) Name of Real Party in Interest:

80) FCC Registration Number (FRN):

Address

81) P.O. Box:

**And
/Or**

82) Street Address:

83) City:

84) State:

85) Zip Code:

86) Telephone Number:

87) FAX Number:

88) E-Mail Address:

89) Demographics (Optional):

Race:

() American Indian or Alaska Native

() Asian

() Black or African-American

() Native Hawaiian or Other Pacific Islander

() White

Ethnicity:

() Hispanic or Latino

() Not Hispanic or Latino

Gender:

() Male

() Female

Sublessee Contact Information

Contact Name (if other than Sublessee)

() **Check here if same as Sublessee Information**

90) Name:

First:

MI:

Last:

Suffix:

91) Company Name:

92) Attention To:

Address

93) P.O. Box:

**And
/Or**

94) Street Address:

95) City:

96) State:

97) Zip Code:

98) Telephone Number:

99) FAX Number:

100) E-Mail Address:

Transferee Information

FRN

101) FCC Registration Number:

Entity

102) Transferee is a(n) (Select One):

() Individual () Unincorporated Association () Trust () Government Entity () Corporation () Limited Liability Company

() General Partnership () Limited Partnership () Limited Liability Partnership

() Other: _____

Transferee Name

103) Transferee Name (if entity):

104) Transferee Name (if individual):

First:

MI:

Last:

Suffix:

105) Attention To:

Name of Real Party in Interest

106) Name of Real Party in Interest:

107) FCC Registration Number (FRN):

Address

108) P.O. Box:

And
/Or

109) Street Address:

110) City:

111) State:

112) Zip Code:

113) Telephone Number:

114) FAX Number:

115) E-Mail Address:

116) Demographics (Optional):

Race:

() American Indian or Alaska Native

() Asian

() Black or African-American

() Native Hawaiian or Other Pacific Islander

() White

Ethnicity:

() Hispanic or Latino

() Not Hispanic or Latino

Gender:

() Male

() Female

Transferee Contact Information

Contact Name (if other than Transferee)

() Check here if same as Transferee Information

117) Name:

First:

MI:

Last:

Suffix:

118) Company Name:

119) Attention To:

Address

120) P.O. Box:

And
/Or

121) Street Address:

122) City:

123) State:

124) Zip Code:

125) Telephone Number:

126) FAX Number:

127) E-Mail Address:

Transferor Information

FRN

128) FCC Registration Number:

Entity

129) Transferor is a(n) (Select One):

() Individual () Unincorporated Association () Trust () Government Entity () Corporation () Limited Liability Company

() General Partnership () Limited Partnership () Limited Liability Partnership

() Other: _____

Transferor Name

130) Transferor Name (if entity):

131) Transferor Name (if individual):

First:

MI:

Last:

Suffix:

132) Attention To:

Address

133) P.O. Box:

And
/Or

134) Street Address:

135) City:

136) State:

137) Zip Code:

138) Telephone Number:

139) FAX Number:

140) E-Mail Address:

139) Demographics (Optional):

Race:

() American Indian or Alaska Native

() Asian

() Black or African-American

() Native Hawaiian or Other Pacific Islander

() White

Ethnicity:

() Hispanic or Latino

() Not Hispanic or Latino

Gender:

() Male

() Female

Transferor Contact Information

Contact Name (if other than Transferor)

() Check here if same as Transferor Information

140) Name:

First:

MI:

Last:

Suffix:

141) Company Name:

142) Attention To:

Address

143) P.O. Box:

And
/Or

144) Street Address:

145) City:

146) State:

147) Zip Code:

148) Telephone Number:

149) FAX Number:

150) E-Mail Address:

Ownership Disclosure Information

FCC Form 602

153a) Is the Applicant required to file FCC Form 602, Ownership Disclosure Information for the Wireless Telecommunications Services?	(<input checked="" type="radio"/>) <u>Yes</u> <input type="radio"/> <u>No</u>
153b) If the answer to 151a is 'Y', provide the File Number of FCC Form 602 that has been filed in conjunction with application or is already on file with the FCC.	File Number: <u>0009774970</u>

Alien Ownership Questions

Alien Ownership (If any answer is 'Y', provide an attachment explaining the circumstances. In preparing the attachment, refer to the Main Form Instructions for the "Alien Ownership Questions".)

154) Is the Lessee/Sublessee or Post-Transfer Lessee/Sublessee a foreign government or the representative of any foreign government?	(<input type="radio"/>) <u>Yes</u> <input checked="" type="radio"/> <u>No</u>
155) Is the Lessee/Sublessee or Post-Transfer Lessee/Sublessee an alien or the representative of an alien?	(<input type="radio"/>) <u>Yes</u> <input checked="" type="radio"/> <u>No</u>
156) Is the Lessee/Sublessee or Post-Transfer Lessee/Sublessee a corporation organized under the laws of a foreign government?	(<input type="radio"/>) <u>Yes</u> <input checked="" type="radio"/> <u>No</u>
157) Is the Lessee/Sublessee or Post-Transfer Lessee/Sublessee a corporation of which more than one-fifth of the capital stock is owned of record or voted by aliens or their representatives, or by a foreign government or representative thereof, or by any corporation organized under the laws of a foreign country?	(<input type="radio"/>) <u>Yes</u> <input checked="" type="radio"/> <u>No</u>
158a) Is the Lessee/Sublessee or Post-Transfer Lessee/Sublessee directly or indirectly controlled by any other corporation of which more than one-fourth of the capital stock is owned of record or voted by aliens or their representatives, or by a foreign government or representative thereof, or by any corporation organized under the laws of a foreign country?	(<input type="radio"/>) <u>Yes</u> <input checked="" type="radio"/> <u>No</u>

158b) If the answer to 155 or 156a is 'Y' select one of the choices below.

The Lessee/Sublessee or Post-Transfer Lessee/Sublessee is exempt from the provisions of Section 310(b).

It is not necessary to file a petition for declaratory ruling if the Lessee/Sublessee or Post-Transfer Lessee/Sublessee includes in the attachment required by Item 155 or Item 156a a showing that the subject Lease(s) is exempt from the provisions of Section 310(b).

The Lessee/Sublessee or Post-Transfer Lessee/Sublessee has received a declaratory ruling(s) approving its foreign ownership, and the application/notification involves only the acquisition/use of additional spectrum for the provision of a wireless service in a geographic coverage area for which the Lessee/Sublessee or Post-Transfer Lessee/Sublessee has been previously authorized.

If checked, include in the attachment required by Item 155 or Item 156a the citation(s) of the applicable declaratory ruling(s) by DA/FCC number, the FCC Record citation, if available, release date, and a statement that there has been no change in the foreign ownership of the Lessee/Sublessee or Post-Transfer Lessee/Sublessee since the issuance of its ruling.

The Lessee/Sublessee or Post-Transfer Lessee/Sublessee: (i) has received a declaratory ruling(s) approving its foreign ownership, but is not able to make the certification specified immediately above; or (ii) is an "affiliate" of a Licensee or Lessee/SubLessee that received a declaratory ruling(s) under Section 1.990(a) of the Commission's Rules, 47 CFR § 1.990(a), and is relying on the affiliate's ruling for purposes of filing this application/notification as permitted under the affiliate's ruling and Section 1.994(b) of the Rules, 47 CFR § 1.994(b).

If checked, and if the Lessee/Sublessee or Post-Transfer Lessee/Sublessee received its declaratory ruling(s) on or after August 9, 2013, include in the attachment required by Item 155 or Item 156a the citation(s) of the Lessee/Sublessee or Post-Transfer Lessee/Sublessee's declaratory ruling(s) by DA/FCC number, the FCC Record citation, if available, release date, and a statement that the Lessee/Sublessee or Post-Transfer Lessee/Sublessee is in compliance with the terms and conditions of its ruling and with the Commission's Rules.

If checked, and if the Lessee/Sublessee or Post-Transfer Lessee/Sublessee received its declaratory ruling(s) prior to August 9, 2013, include in the attachment required by Item 156a a copy of a petition for declaratory ruling filed contemporaneously with the Commission to extend the Lessee/Sublessee or Post-Transfer Lessee/Sublessee's existing ruling(s) to cover the same radio service(s) and geographic coverage area(s) involved in the application/notification. Alternatively, the Lessee/Sublessee or Post-Transfer Lessee/Sublessee may request a new declaratory ruling pursuant to Section 1.990(a) of the Commission's Rules, 47 CFR § 1.990(a). Petitions for declaratory ruling may be filed electronically on the Internet through the International Bureau Filing System (IBFS) (with a copy attached hereto).

If checked, and if the Lessee/Sublessee or Post-Transfer Lessee/Sublessee is relying on an affiliate's ruling for purposes of filing this application/notification, include in the attachment required by Item 155 or Item 156a the citation(s) of the applicable declaratory ruling(s) by DA/FCC number, the FCC Record citation, if available, release date, and a statement that the Lessee/Sublessee or Post-Transfer Lessee/Sublessee is in compliance with the terms and conditions of the named affiliate's ruling and with the Commission's Rules. The Lessee/Sublessee or Post-Transfer Lessee/Sublessee must also include a certification of compliance signed by the named affiliate or other qualified entity as specified in Section 1.994(b) of the Rules, 47 CFR § 1.994(b). See Main Form Instructions for Items 155 or 156a, as applicable.

The Lessee/Sublessee or Post-Transfer Lessee/Sublessee has not received a declaratory ruling approving its foreign ownership and is requesting a declaratory ruling under Section 1.990(a) of the Commission's Rules, 47 CFR § 1.990(a), in a petition filed contemporaneously with the Commission.

If checked, include in the attachment required by Item 155 or 156a a copy of the petition for declaratory ruling filed contemporaneously with the Commission pursuant to Section 1.990(a) of the Commission's Rules, 47 CFR § 1.990(a). Petitions for declaratory ruling may be filed electronically on the Internet through the International Bureau Filing System (IBFS) (with a copy attached hereto).

Basic Qualification Information

Basic Qualification Questions (If any answer is 'Y', provide an attachment explaining the circumstances)

159) Has the Applicant or any party to this application had any FCC station authorization, license, or construction permit revoked or had any application for an initial, modification, or renewal of FCC station authorization, license, or construction permit denied by the Commission?	(N) <u>Yes</u> No
160) Has the Applicant or any party to this filing, or any party directly or indirectly controlling the Applicant or any party to this filing ever been convicted of a felony by any state or federal court?	(N) <u>Yes</u> No
161) Has any court finally adjudged the Applicant or any party directly or indirectly controlling the Applicant guilty of unlawfully monopolizing or attempting unlawfully to monopolize radio communication, directly or indirectly, through control of manufacture or sale of radio apparatus, exclusive traffic arrangement, or any other means or unfair methods of competition?	(N) <u>Yes</u> No

Spectrum Aggregation Limit Certification(s)

<p>162) The Licensee/Lessor/Sublessor certifies that grant of this application would not cause the Licensee/Lessor/Sublessor to be in violation of the 40 megahertz in-band spectrum aggregation limit set forth under section 96.31 of the Commission's rules for 3.5 GHz licenses, taking into consideration the spectrum attribution rules under section 20.22(b) of the Commission's rules.</p> <p>If the Licensee/Lessor/Sublessor has sought a waiver of section 96.31 in connection with this application, it may make this certification subject to the outcome of the waiver request.</p>	<p>() <u>Yes</u> <u>No</u></p>
<p>163) The Licensee/Lessor/Sublessor certifies that grant of this application would not cause the Licensee/Lessor/Sublessor to be in violation of the 40 megahertz in-band spectrum aggregation limit set forth under section 27.1606 of the Commission's rules for 3.45 GHz licenses, taking into consideration the spectrum attribution rules under section 20.22(b) of the Commission's rules.</p> <p>If the Licensee/Lessor/Sublessor has sought a waiver of section 27.1606 in connection with this application, it may make this certification subject to the outcome of the waiver request.</p>	<p>() <u>Yes</u> <u>No</u></p>
<p>164) The Lessee/Sublessee/Transferee certifies that grant of this application would not cause the Lessee/Sublessee/Transferee to be in violation of the 40 megahertz in-band spectrum aggregation limit set forth under section 96.31 of the Commission's rules for 3.5 GHz licenses, taking into consideration the spectrum attribution rules under section 20.22(b) of the Commission's rules.</p> <p>If the Lessee/Sublessee/Transferee has sought a waiver of section 96.31 in connection with this application, it may make this certification subject to the outcome of the waiver request.</p>	<p>() <u>Yes</u> <u>No</u></p>
<p>165) The Lessee/Sublessee/Transferee certifies that grant of this application would not cause the Lessee/Sublessee/Transferee to be in violation of the 40 megahertz in-band spectrum aggregation limit set forth under section 27.1606 of the Commission's rules for 3.45 GHz licenses, taking into consideration the spectrum attribution rules under section 20.22(b) of the Commission's rules.</p> <p>If the Lessee/Sublessee/Transferee has sought a waiver of section 27.1606 in connection with this application, it may make this certification subject to the outcome of the waiver request.</p>	<p>() <u>Yes</u> <u>No</u></p>

Licensee Certification Statements

- | | |
|----|---|
| 1) | The Licensee agrees that the Lease is not a sale or transfer of the license itself. |
| 2) | The Licensee certifies that it will not consent to assignment of the Lease except to the extent such assignment complies with the Commission's Rules and Regulations. |
| 3) | The Licensee certifies that it holds exclusive use rights to use the licensed spectrum. |
| 4) | The Licensee certifies that it is not in default on any payment for Commission licenses and that it is not delinquent on any non-tax debt owed to any federal agency. |

The Licensee certifies that all of its statements made in this Application/Notification and in the schedules, exhibits, attachments, or documents incorporated by reference are material, are part of this Application/Notification, and are true, complete, correct, and made in good faith.

Type or Printed Name of Party Authorized to Sign

166) First Name: Jessica	MI: B	Last Name: Lyons	Suffix:
167) Title: Asst. Secretary of Manager			
168) Signature: Jessica B Lyons		165) Date: 10/16/2023	

FAILURE TO SIGN THIS APPLICATION MAY RESULT IN DISMISSAL OF THE APPLICATION AND FORFEITURE OF ANY FEES PAID.

WILLFUL FALSE STATEMENTS MADE ON THIS FORM OR ANY ATTACHMENTS ARE PUNISHABLE BY FINE AND/OR IMPRISONMENT (U.S. Code, Title 18, Section 1001) AND/OR REVOCATION OF ANY STATION LICENSE OR CONSTRUCTION PERMIT (U.S. Code, Title 47, Section 312(a)(1)), AND/OR FORFEITURE (U.S. Code, Title 47, Section 503).

Lessee Certification Statements

1)	The Lessee agrees that the Lease is not a sale or transfer of the license itself.
2)	The Lessee acknowledges that it is required to comply with the Commission's Rules and Regulations and other applicable law at all times, and if the Lessee fails to so comply, the Lease/Sublease may be revoked, cancelled, or terminated by either the Licensee or the Commission.
3)	The Lessee certifies that neither it nor any other party to the Application/Notification is subject to a denial of Federal benefits pursuant to Section 5301 of the Anti-Drug Abuse Act of 1988, 21 U.S.C. § 862, because of a conviction for possession or distribution of a controlled substance. This certification does not apply to applications filed in services exempted under Section 1.2002(c) of the Commission's Rules. See Section 1.2002(b) of the Commission's Rules for the definition of "party to the application" as used in this certification.
4)	The Lessee hereby accepts Commission oversight and enforcement consistent with the license and lease authorization. The Lessee acknowledges that it must cooperate fully with any investigation or inquiry conducted either by the Commission or the Licensee, allow the Commission or the Licensee to conduct on-site inspections of transmission facilities, and suspend operations at the direction of the Commission or the Licensee and to the extent that such suspension of operation would be consistent with applicable Commission policies.
5)	The Lessee acknowledges that in the event an authorization held by a Licensee that has associated with it a spectrum leasing arrangement that is the subject of this filing is revoked, cancelled, terminated, or otherwise ceases to be in effect, the Lessee will have no continuing authority to use the leased spectrum and will be required to terminate its operations no later than the date on which the Licensee ceases to have any authority to operate under the license, unless otherwise authorized by the Commission.
6)	The Lessee agrees the Lease shall not be assigned to any entity that is not eligible or qualified to enter into a spectrum leasing arrangement under the Commission's Rules and Regulations.
7)	The Lessee waives any claim to the use of any particular frequency or of the electromagnetic spectrum as against the regulatory power of the United States because of the previous use of the same, whether by spectrum lease or otherwise.
8)	The Lessee certifies that it is not in default on any payment for Commission licenses and that it is not delinquent on any non-tax debt owed to any federal agency.
9)	The Lessee certifies that it and all of the related individuals and entities required to be disclosed on this application and FCC Form 602 (FCC Ownership Disclosure Information for the Wireless Telecommunications Services) are not person(s) who have been, for reasons of national security, barred by any agency of the Federal Government from bidding on a contract, participating in an auction, or receiving a grant. This certification applies only to applications for licenses for spectrum that is required by Sections 6103, 6401-6403 of the Middle Class Tax Relief and Job Creation Act of 2012, codified at 47 U.S.C. §§ 309, 1413, 1451-1452, to be assigned by a system of competitive bidding under 47 U.S.C. § 309(j).
<p>The Lessee certifies that all of its statements made in this Application/Notification and in the schedules, exhibits, attachments, or documents incorporated by reference are material, are part of this Application/Notification, and are true, complete, correct, and made in good faith.</p>	

Type or Printed Name of Party Authorized to Sign

168) First Name: Shantell	MI:	Last Name: Brown	Suffix:
169) Title: Manager			
170) Signature: Shantell Brown		171) Date: 10/16/2023	
<p>FAILURE TO SIGN THIS APPLICATION MAY RESULT IN DISMISSAL OF THE APPLICATION AND FORFEITURE OF ANY FEES PAID.</p> <p>WILLFUL FALSE STATEMENTS MADE ON THIS FORM OR ANY ATTACHMENTS ARE PUNISHABLE BY FINE AND/OR IMPRISONMENT (U.S. Code, Title 18, Section 1001) AND/OR REVOCATION OF ANY STATION LICENSE OR CONSTRUCTION PERMIT (U.S. Code, Title 47, Section 312(a)(1)), AND/OR FORFEITURE (U.S. Code, Title 47, Section 503).</p>			

Sublessee Certification Statements

1)	The Sublessee agrees that the Lease is not a, sale or transfer of the license itself.
2)	The Sublessee acknowledges that it is required to comply with the Commission's Rules and regulations and other applicable law at all times, and if the Sublessee fails to so comply, the Lease may be revoked, cancelled, or terminated by either the licensee or the Commission.
3)	The Sublessee certifies that neither it nor any other party to the Application/Notification is subject to a denial of Federal benefits pursuant to Section 5301 of the Anti-Drug Abuse Act of 1988, 21 U.S.C. § 862, because of a conviction for possession or distribution of a controlled substance. This certification does not apply to applications filed in services exempted under Section 1.2002(c) of the Commission's Rules. See Section 1.2002(b) of the Commission's Rules for the definition of "party to the application" as used in this certification.
4)	The Sublessee hereby accepts Commission oversight and enforcement consistent with the license authorization. The Sublessee acknowledges that it must cooperate fully with any investigation or inquiry conducted either by the Commission or the Licensee, allow the Commission or the licensee to conduct on-site inspections of transmission facilities, and suspend operations at the direction of the Commission or the Licensee and to the extent that such suspension of operation would be consistent with the applicable Commission policies.
5)	The Sublessee acknowledges that in the event an authorization held by a Licensee that has entered into a spectrum leasing arrangement is revoked, cancelled, terminated, or otherwise ceases to be in effect, the Sublessee will have no continuing authority to use the leased spectrum and will be required to terminate its operations no later than the date on which the Licensee ceases to have any authority to operate under the license, unless otherwise authorized by the Commission.
6)	The Sublessee agrees the Lease/Sublease shall not be assigned to any entity that is not eligible or qualified to enter into a spectrum leasing arrangement under the Commission's Rules and regulations.
7)	The Sublessee waives any claim to the use of any particular frequency or of the electromagnetic spectrum as against the regulatory power of the United States because of the previous use of the same, whether by spectrum lease or otherwise.
8)	The Sublessee certifies that it is not in default on any payment for Commission licenses and that it is not delinquent on any non-tax debt owed to any federal agency.
9)	The Sublessee certifies that it and all of the related individuals and entities required to be disclosed on this application and FCC Form 602 (FCC Ownership Disclosure Information for the Wireless Telecommunications Services) are not person(s) who have been, for reasons of national security, barred by any agency of the Federal Government from bidding on a contract, participating in an auction, or receiving a grant. This certification applies only to applications for licenses for spectrum that is required by Sections 6103, 6401-6403 of the Middle Class Tax Relief and Job Creation Act of 2012, codified at 47 U.S.C. §§ 309, 1413, 1451-1452, to be assigned by a system of competitive bidding under 47 U.S.C. § 309(j).
The Sublessee certifies that all of its statements made in this Application/Notification and in the schedules, exhibits, attachments, or documents incorporated by reference are material, are part of this Application/Notification, and are true, complete, correct, and made in good faith.	

Type or Printed Name of Party Authorized to Sign

172) First Name:	MI:	Last Name:	Suffix:
173) Title:			
174) Signature:		175) Date:	

FAILURE TO SIGN THIS APPLICATION MAY RESULT IN DISMISSAL OF THE APPLICATION AND FORFEITURE OF ANY FEES PAID.
WILLFUL FALSE STATEMENTS MADE ON THIS FORM OR ANY ATTACHMENTS ARE PUNISHABLE BY FINE AND/OR IMPRISONMENT (U.S. Code, Title 18, Section 1001) AND/OR REVOCATION OF ANY STATION LICENSE OR CONSTRUCTION PERMIT (U.S. Code, Title 47, Section 312(a)(1)), AND/OR FORFEITURE (U.S. Code, Title 47, Section 503).

Transferee Certification Statements

1)	The Transferee agrees that the Lease/Sublease is not a sale or transfer of the license itself.
2)	The Transferee acknowledges that it is required to comply with the Commission's Rules and Regulations and other applicable law at all times, and if the Transferee fails to so comply, the Lease/Sublease may be revoked, cancelled, or terminated by either the licensee or the Commission.
3)	The Transferee certifies that neither it nor any other party to the Application/Notification is subject to a denial of Federal benefits pursuant to Section 5301 of the Anti-Drug Abuse Act of 1988, 21 U.S.C. § 862, because of a conviction for possession or distribution of a controlled substance. This certification does not apply to applications filed in services exempted under Section 1.2002(c) of the Commission's Rules. See Section 1.2002(b) of the Commission's Rules for the definition of "party to the application" as used in this certification.)
4)	The Transferee hereby accepts Commission oversight and enforcement consistent with the license authorization. The Transferee acknowledges that it must cooperate fully with any investigation or inquiry conducted either by the Commission or the Licensee, allow the Commission or the licensee to conduct on-site inspections of transmission facilities, and suspend operations at the direction of the Commission or the Licensee and to the extent that such suspension of operation would be consistent with the applicable Commission policies.
5)	The Transferee acknowledges that in the event an authorization held by a Licensee that has entered into a spectrum leasing arrangement is revoked, cancelled, terminated, or otherwise ceases to be in effect, the Transferee will have no continuing authority to use the leased spectrum and will be required to terminate its operations no later than the date on which the Licensee ceases to have any authority to operate under the license, unless otherwise authorized by the Commission.
6)	The Transferee agrees the Lease shall not be assigned to any entity that is not eligible or qualified to enter into a spectrum leasing arrangement under the Commission's Rules and Regulations.
7)	The Transferee waives any claim to the use of any particular frequency or of the electromagnetic spectrum as against the regulatory power of the United States because of the previous use of the same, whether by spectrum lease or otherwise.
8)	The Transferee certifies that it is not in default on any payment for Commission licenses and that it is not delinquent on any non-tax debt owed to any federal agency.
9)	The Transferee certifies that it and all of the related individuals and entities required to be disclosed on this application and FCC Form 602 (FCC Ownership Disclosure Information for the Wireless Telecommunications Services) are not person(s) who have been, for reasons of national security, barred by any agency of the Federal Government from bidding on a contract, participating in an auction, or receiving a grant. This certification applies only to applications for licenses for spectrum that is required by Sections 6103, 6401-6403 of the Middle Class Tax Relief and Job Creation Act of 2012, codified at 47 U.S.C. §§ 309, 1413, 1451-1452, to be assigned by a system of competitive bidding under 47 U.S.C. § 309(j).
The Transferee certifies that all of its statements made in this Application/Notification and in the schedules, exhibits, attachments, or documents incorporated by reference are material, are part of this Application/Notification, and are true, complete, correct, and made in good faith.	

Type or Printed Name of Party Authorized to Sign

176) First Name:	MI:	Last Name:	Suffix:
177) Title:			
178) Signature:		179) Date:	

FAILURE TO SIGN THIS APPLICATION MAY RESULT IN DISMISSAL OF THE APPLICATION AND FORFEITURE OF ANY FEES PAID.

WILLFUL FALSE STATEMENTS MADE ON THIS FORM OR ANY ATTACHMENTS ARE PUNISHABLE BY FINE AND/OR IMPRISONMENT (U.S. Code, Title 18, Section 1001) AND/OR REVOCATION OF ANY STATION LICENSE OR CONSTRUCTION PERMIT (U.S. Code, Title 47, Section 312(a)(1)), AND/OR FORFEITURE (U.S. Code, Title 47, Section 503).

Transferor Certification Statements

1)	The Transferor certifies either (1) that control of the Lessee/Sublessee will not be transferred until consent of the Federal Communications Commission has been given, or (2) that prior Commission consent is not required because the Lease/Sublease is subject to streamlined notification procedures for <i>pro forma</i> transfers of control. See <i>Federal Communications Bar Association's Petition for Forbearance from Section 310(d) of the Communications Act Regarding Non-Substantial Assignments of Wireless Licenses and Transfers of Control Involving Telecommunications Carriers and Personal Communications Industry Association's Broadband Personal Communications Services Alliance's Petition for Forbearance For Broadband Personal Communications Services</i> , Memorandum Opinion and Order, 13 FCC Rcd 6293 (1998)
2)	The Transferor certifies that it is not in default on any payment for Commission licenses and that it is not delinquent on any non-tax debt owed to any federal agency.
The Transferor certifies that all of its statements made in this Application/Notification and in the schedules, exhibits, attachments, or documents incorporated by reference are material, are part of this Application/Notification, and are true, complete, correct, and made in good faith.	

Type or Printed Name of Party Authorized to Sign

180) First Name:	MI:	Last Name:	Suffix:
181) Title:			
182) Signature:		183) Date:	
FAILURE TO SIGN THIS APPLICATION MAY RESULT IN DISMISSAL OF THE APPLICATION AND FORFEITURE OF ANY FEES PAID.			
WILLFUL FALSE STATEMENTS MADE ON THIS FORM OR ANY ATTACHMENTS ARE PUNISHABLE BY FINE AND/OR IMPRISONMENT (U.S. Code, Title 18, Section 1001) AND/OR REVOCATION OF ANY STATION LICENSE OR CONSTRUCTION PERMIT (U.S. Code, Title 47, Section 312(a)(1)), AND/OR FORFEITURE (U.S. Code, Title 47, Section 503).			

Private Commons Manager Certification Statements

1)	The Licensee/Lessee/Sublessee manager of the Private Commons certifies that it will retain <i>de facto</i> control of the use of the spectrum under the Private Commons arrangement, including that it will maintain reasonable oversight over the users' use of the spectrum under the arrangement so as to ensure that the use of the spectrum, and communications equipment employed, comply with all technical and service rules applicable under the license authorization.
2)	The Licensee/Lessee/Sublessee manager of the Private Commons arrangement certifies that it will maintain the ability to ensure that users under the arrangement comply with all the technical and service rules applicable under the license authorization.
3)	The Licensee/Lessee/Sublessee manager of the Private Commons certifies that it and all of the related individuals and entities required to be disclosed on this application and FCC Form 602 (FCC Ownership Disclosure Information for the Wireless Telecommunications Services) are not person(s) who have been, for reasons of national security, barred by any agency of the Federal Government from bidding on a contract, participating in an auction, or receiving a grant. This certification applies only to applications for licenses for spectrum that is required by Sections 6103, 6401-6403 of the Middle Class Tax Relief and Job Creation Act of 2012, codified at 47 U.S.C. §§ 309, 1413, 1451-1452, to be assigned by a system of competitive bidding under 47 U.S.C. § 309(j).
The Licensee/Lessee/Sublessee manager of the Private Commons arrangement certifies that all of its statements made in this Notification and in the schedules, exhibits, attachments, or documents incorporated by reference are material, are part of this Notification, and are true, complete, correct, and made in good faith.	

Type or Printed Name of Party Authorized to Sign

184) First Name:	MI:	Last Name:	Suffix:
185) Title:			
186) Signature:		187) Date:	
FAILURE TO SIGN THIS APPLICATION MAY RESULT IN DISMISSAL OF THE APPLICATION AND FORFEITURE OF ANY FEES PAID.			
WILLFUL FALSE STATEMENTS MADE ON THIS FORM OR ANY ATTACHMENTS ARE PUNISHABLE BY FINE AND/OR IMPRISONMENT (U.S. Code, Title 18, Section 1001) AND/OR REVOCATION OF ANY STATION LICENSE OR CONSTRUCTION PERMIT (U.S. Code, Title 47, Section 312(a)(1)), AND/OR FORFEITURE (U.S. Code, Title 47, Section 503).			

License Authorization(s) or Identifiers (pertaining to Lease(s)/Sublease(s)/Private Commons) Associated with the Spectrum To Be Included in the Filing

188) Call Sign(s) or Lease/Sublease/ Private Commons Identifier(s)	189) Radio Service Code	190) Location Number	191) Path Number (Microwave only)	192) Frequency Number	193) Lower Frequency (MHz)	194) Upper Frequency (MHz)
KNLB205	WS - Wireless Communication s Service					
KNLB291	WS - Wireless Communication s Service					
KNLB317	WS - Wireless Communication s Service					
WPOI255	CW - PCS Broadband					
WPWU989	WZ - 700 MHz Lower Band (Blocks C, D)					
WPXT205	CW - PCS Broadband					
WPZA236	WZ - 700 MHz Lower Band (Blocks C, D)					
WPZA236	WZ - 700 MHz Lower Band (Blocks C, D)					
WPZA239	WZ - 700 MHz Lower Band (Blocks C, D)					
WQEY219	CW - PCS Broadband					
WQFA872	CW - PCS Broadband					
WQGA818	AW - AWS (1710-1755 MHz and 2110-2155					
WQGV772	AW - AWS (1710-1755 MHz and 2110-2155					
WQNH802	AW - AWS (1710-1755 MHz and 2110-2155					
WQXW416	AT - AWS-3 (1695-1710 MHz, 1755-1780 MHz,					

* Note: Items 190 – 194 are for New Leases involving spectrum associated with site-based authorizations when only a portion of the licensed locations, paths and/or frequencies will be leased.

**Schedule for Licensees that Received Bidding Credits
or
Involving Licenses Won in Closed Bidding**

**Designated Entity Information
Bidding Credits**

1) Has the full amount of the bidding credits awarded with regard to each of the subject license(s) been paid as part of unjust enrichment payment(s) in previous transaction(s)?	() <u>Yes</u> <u>No</u>
If the response to Item 1 is 'Y', Items 2 and 3 are not required to be completed.	

Bidding Credits - (Spectrum Manager Leases Only)

2a) Does the Applicant have a general partnership interest or have a direct or indirect ownership interests of ten percent or greater in the Licensee?	() <u>Yes</u> <u>No</u>
2b) Is the Applicant a "controlling interest holder" or "affiliate" of the current Licensee? For purposes of determining whether the Licensee has retained the requisite degree of ownership and control over the leased spectrum in order to remain eligible for the license or for bidding credits, the <i>de jure</i> control standard in 47 CFR § 1.2110 and the <i>de facto</i> control standard in 47 CFR § 1.9010 will be applied (pursuant to the conditions set forth in 47 CFR § 1.9020).	() <u>Yes</u> <u>No</u>
2c) Does the Applicant share office space, equipment, or other facilities with any party controlling the entity from which spectrum is being leased/subleased?	() <u>Yes</u> <u>No</u>
2d) Is the Applicant a disclosable interest holder that holds a ten percent or greater interest of any kind in the Licensee and is the Lease/Sublease for more than 25% of the spectrum capacity of the subject license(s)?	() <u>Yes</u> <u>No</u>
2e) Does the Licensee certify that the Lease/Sublease does not affect its continuing eligibility to retain bidding credit(s)?	() <u>Yes</u> <u>No</u>

**Bidding Credits – (Long-Term De Facto Transfer Leases Only)
Eligibility**

3a) With respect to each of the subject licenses, the Applicant: () qualifies for the same designated entity benefit as the current Licensee () qualifies for a different designated entity benefit than the current Licensee () does not qualify for any designated entity status
--

3b) If the Applicant states in Item 3a that it qualifies for the same designated entity benefit as the current Licensee or qualifies for a different designated entity status than the current Licensee, the Applicant qualifies for a (select one): () small business bidding credit (___%) () rural service provider bidding credit	
3c) Is the Applicant a disclosable interest holder that holds a ten percent or greater interest of any kind in the Licensee and is the Lease/Sublease for more than 25% of the spectrum capacity of the subject license(s)?	() <u>Yes</u> <u>No</u>

Closed Bidding Licenses

4) Have construction notifications been submitted as required by the Commission's Rules for each of the subject licenses? If the response to Item 4 is 'Y', Items 5 and 6 are not required to be completed.	() <u>Yes</u> <u>No</u>
--	--------------------------

Closed Bidding Licenses – (Spectrum Manager Leases Only)

5a) Does the Applicant have a general partnership interest or have a direct or indirect ownership interest of ten percent or greater in the Licensee?	() <u>Yes</u> <u>No</u>
5b) Is the Applicant a "controlling interest holder" or "affiliate" of the current Licensee?	() <u>Yes</u> <u>No</u>
5c) Does the Applicant share office space, equipment or other facilities with any party controlling the entity from which spectrum is being leased?	() <u>Yes</u> <u>No</u>
5d) Does the Licensee certify that the Lease/Sublease does not affect its continuing eligibility to retain closed bidding licenses?	() <u>Yes</u> <u>No</u>

Closed Bidding Licenses – (Long-Term *De Facto* Transfer Leases Only)**Eligibility**

6) With respect to each of the subject licenses, the Applicant: () a) qualifies for closed bidding () b) does not qualify for closed bidding
--

7) Revenue and Asset Information for the Applicant

Purpose (Check Modify if filing an Amendment application and changing the Revenue and Asset Information from what was provided on the original filing)

Modify

Gross Revenue Disclosure Most Recent Reportable Year

8a) Were the Applicant and any predecessors-in-interest in existence for a full year of the relevant period? If 'N', explain why in an attachment.	() <u>Yes</u> <u>No</u>
If 'Y', provide the following information.	
8b) Gross Revenues	\$ _____ (Format: 99,999.99)
8c) Year-end Date:	_____ (Date Format: MM/DD/YYYY)

One Year Prior to Most Recent Reportable Year

9a) Were the Applicant and any predecessors-in-interest in existence for a full year of the relevant period? If 'N', explain why in an attachment.	() <u>Yes</u> <u>No</u>
If 'Y', provide the following information.	
9b) Gross Revenues	\$ _____ (Format: 99,999.99)
9c) Year-end Date:	_____ (Date Format: MM/DD/YYYY)

Two Years Prior to Most Recent Reportable Year

10a) Were the Applicant and any predecessors-in-interest in existence for a full year of the relevant period? If 'N', explain why in an attachment.	() <u>Yes</u> <u>No</u>
If 'Y', provide the following information.	
10b) Gross Revenues	\$ _____ (Format: 99,999.99)
10c) Year-end Date:	_____ (Date Format: MM/DD/YYYY)

Three Years Prior to Most Recent Reportable Year

11a) Were the Applicant and any predecessors-in-interest in existence for a full year of the relevant period? If 'N', explain why in an attachment.	() <u>Yes</u> <u>No</u>
If 'Y', provide the following information.	
11b) Gross Revenues	\$ _____ (Format: 99,999.99)
11c) Year-end Date:	_____ (Date Format: MM/DD/YYYY)

Four Years Prior to Most Recent Reportable Year

12a) Were the Applicant and any predecessors-in-interest in existence for a full year of the relevant period? If 'N', explain why in an attachment.	() <u>Yes</u> <u>No</u>
If 'Y', provide the following information.	
12b) Gross Revenues	\$ _____ (Format: 99,999.99)
12c) Year-end Date:	_____ (Date Format: MM/DD/YYYY)

Average Gross Revenue

13) Average Gross Revenue of Reported Years: \$ _____ (Format: 99,999.99)

Asset Disclosure

14) Total Assets as of Application Filing Date: \$ _____

Financial Statements

15) Audited or Unaudited (Check One)

The Applicant used audited financial statements.

The Applicant used unaudited financial statements prepared in accordance with Generally Accepted Accounting Principles (GAAP) and certified by the Applicant's chief financial officer or the equivalent.

Reference Copy

Reference Copy

Closed Bidding/Designated Entity Eligibility

Total Gross Revenues for Most Recent Reportable Year

36a) Gross Revenues:	\$ _____	(Format: 99,999.99)
36b) Year-end Date:	_____	(Date Format: MM/DD/YYYY)

Total Gross Revenues for One Year Prior to Most Recent Reportable Year

37a) Gross Revenues:	\$ _____	(Format: 99,999.99)
37b) Year-end Date:	_____	(Date Format: MM/DD/YYYY)

Total Gross Revenues for Two Years Prior to Most Recent Reportable Year

38a) Gross Revenues:	\$ _____	(Format: 99,999.99)
38b) Year-end Date:	_____	(Date Format: MM/DD/YYYY)

Total Gross Revenues for Three Years Prior to the Most Recent Reportable Year

39a) Gross Revenues:	\$ _____	(Format: _____)
39b) Year-end Date:	_____	(Date Format: _____)

Total Gross Revenues for Four Years Prior to the Most Recent Reportable Year

40a) Gross Revenues:	\$ _____	(Format: 99,999.99)
40b) Year-end Date:	_____	(Date Format: MM/DD/YYYY)

Total Aggregate Average Gross Revenues for Designated Entity (License(s) Requiring Disclosure of Three Years of Gross Revenue Data)

41) Aggregate Average Gross Revenue:	\$ _____	(Format: 99,999.99)
--------------------------------------	----------	---------------------

Total Aggregate Average Gross Revenues for Designated Entity (License(s) Requiring Disclosure of Five Years of Gross Revenue Data)

41) Aggregate Average Gross Revenue:	\$ _____	(Format: 99,999.99)
--------------------------------------	----------	---------------------

Total Aggregate Average Gross Revenues for Closed Bidding

42) Aggregate Average Gross Revenue:	\$ _____	(Format: 99,999.99)
--------------------------------------	----------	---------------------

Total Assets Disclosure for Closed Bidding

43) Total Assets:	\$ _____	(Format: 99,999.99)
-------------------	----------	---------------------

Rural Service Provider Bidding Credit

36) Is the Applicant seeking a Rural Service Provider (RSP) bidding credit?	(<input type="checkbox"/>) Yes <input checked="" type="checkbox"/> No
---	---

If the Applicant (the Lessee/Sublessee/Transferee) is seeking a rural service provider (RSP) bidding credit, provide in an exhibit the following information requested in a-e.

a) for the Applicant, submit the combined number of commercial communications service subscribers to wireless, wireline, broadband, and cable services that the Applicant serves and provide a list of the name(s) and the Federal Information Processing Standard (FIPS) number(s) for each county in which the Applicant has at least one commercial wireless, wireline, broadband, or cable subscriber;

b) for each of the Applicant's Affiliates, Controlling Interests, and the Affiliates of its Controlling Interests, submit the individual or entity's name, its FCC Registration Number (FRN), its relationship to the Applicant, and its combined number of commercial communications service subscribers to wireless, wireline, broadband, and cable services. For each of the Applicant's Affiliates, Controlling Interests, and the Affiliates of its Controlling Interests, also provide a list of the name(s) and the FIPS number(s) for each county in which it has at least one commercial wireless, wireline, broadband, or cable subscriber;

c) if neither the Applicant, nor any of its Affiliates, its Controlling Interests, or the Affiliates of its Controlling Interests have at least one wireless, wireline, broadband, or cable subscriber in a market for which the Applicant is applying for a license, list the market(s) in which the Applicant, its Affiliates, its Controlling Interests, and the Affiliates of its Controlling Interests have no such subscribers;

d) a detailed explanation demonstrating that: (i) the Applicant is in the business of providing commercial communications services; (ii) the Applicant serves predominantly rural areas; and (iii) the primary focus of the Applicant's business activity is the provision of services to rural areas (defined as counties with a population density of 100 or fewer persons per square mile); and

e) If the Applicant is an existing rural partnership that was providing service as of July 16, 2015, provide a detailed explanation demonstrating that each member of the partnership is independently eligible for the RSP bidding credit by providing, with respect to each member of the partnership, the same information as is required in a-d above.

Schedule for New Lease or New Sublease

Term of Lease [For New Leases Only]

1) Indicate whether the Lease is: (<input checked="" type="checkbox"/>) Long-Term or () Short-Term* * The cumulative lease period for a Short-Term Lease cannot exceed 365 days from the original commencement date.	
2) If this filing is for a Long-Term <i>De Facto</i> Transfer Lease, have the Licensee and Lessee entered into any Short-Term <i>De Facto</i> Transfer Lease(s) with regard to any spectrum covered by the license(s) that are part of this filing or within the same geographic area(s) of the license(s) that are part of this filing?	(<input type="checkbox"/>) Yes <input type="checkbox"/> No

Leased Spectrum (For Geographically-Licensed Services) [For New Leases Only]

3a) Does this filing involve geographic-area licenses where only a portion of the licensed spectrum and/or the licensed geographic area will be leased?	(<input checked="" type="checkbox"/>) Yes <input type="checkbox"/> No
3b) If the answer to 3a is 'Yes', does this filing involve one or more individual point-to-point microwave links that will be leased? If the response to 3b is 'Yes', complete Schedule H. If the response to 3b is 'No', complete Schedule F and, if applicable, Schedule G.	(<input type="checkbox"/>) Yes <input type="checkbox"/> No

Leased Spectrum (For Site-Based Services) [For New Leases Only]

3c) Does this filing involve site-based licenses where only a portion of the licensed locations, paths and/or frequencies will be leased? If the response to 3c is 'No', complete Items 184 (Call Sign) and 185 (Radio Service Code) on the Main Form. If the response to 3c is 'Yes', in addition to Items 184 (Call Sign) and 185 (Radio Service Code), complete Items 186-190 (Location Number, Path Number, Frequency Number, Lower Frequency and Upper Frequency), as appropriate, on the Main Form.	() Yes <input type="checkbox"/> No
---	---

Type and Term of Sublease [For New Subleases Only]

4a) If the existing Lease is a Long-Term <i>De Facto</i> Transfer Lease, are the Lessee and Sublessee entering into a Spectrum Manager Sublease or a Long-Term <i>De Facto</i> Transfer Sublease? () Spectrum Manager Sublease or () Long-Term <i>De Facto</i> Transfer Sublease	
4b) If the answer to 4a is 'Spectrum Manager Sublease', indicate whether the Sublease is: () Long-Term or () Short-Term	
5) If the existing Lease is a Long-Term Spectrum Manager Lease, indicate whether the Spectrum Manager Sublease is: () Long-Term or () Short-Term	

**Schedule for Supplemental Information Pertaining to a New Lease, New Sublease,
Revision to Extend the Term of an Existing Lease or Sublease, or
Revision to Cancel an Existing Lease or Sublease**

License Authorizations/Lease Identifiers/Sublease Identifiers (Complete as many Schedule E's as necessary)

1) Call Sign(s) or Lease/Sublease Identifier(s)	2) Radio Service Code	3) Commencement Date (MM/DD/YYYY) OR Check box for FCC Grant Date	4) Expiration Date (MM/DD/YYYY)	5) Revised Expiration Date (MM/DD/YYYY)	6) Cancellation Date (MM/DD/YYYY) OR Check box if Lease/Sublease Never Commenced
KNLB205	WS	<input checked="" type="checkbox"/>	09/16/2026		<input type="checkbox"/>
KNLB291	WS	<input checked="" type="checkbox"/>	09/16/2026		<input type="checkbox"/>
KNLB317	WS	<input checked="" type="checkbox"/>	09/16/2026		<input type="checkbox"/>
WPOI255	CW	<input checked="" type="checkbox"/>	06/23/2025		<input type="checkbox"/>
WPWU989	WZ	<input checked="" type="checkbox"/>	09/16/2026		<input type="checkbox"/>
WPXT205	CW	<input checked="" type="checkbox"/>	06/23/2025		<input type="checkbox"/>
WPZA236	WZ	<input checked="" type="checkbox"/>	09/16/2026		<input type="checkbox"/>
WPZA239	WZ	<input checked="" type="checkbox"/>	09/16/2026		<input type="checkbox"/>
WQEY219	CW	<input checked="" type="checkbox"/>	06/23/2025		<input type="checkbox"/>
WQFA872	CW	<input checked="" type="checkbox"/>	09/16/2026		<input type="checkbox"/>
WQGA818	AW	<input checked="" type="checkbox"/>	09/16/2026		<input type="checkbox"/>
WQGV772	AW	<input checked="" type="checkbox"/>	09/16/2026		<input type="checkbox"/>

1) Call Sign(s) or Lease/Sublease Identifier(s)	2) Radio Service Code	3) Commencement Date (MM/DD/YYYY) OR Check box for FCC Grant Date	4) Expiration Date (MM/DD/YYYY)	5) Revised Expiration Date (MM/DD/YYYY)	6) Cancellation Date (MM/DD/YYYY) OR Check box if Lease/Sublease Never Commenced
WQNH802	AW	<input checked="" type="checkbox"/>	09/16/2026		<input type="checkbox"/>
WQXW416	AT	<input checked="" type="checkbox"/>	09/16/2026		<input type="checkbox"/>

Schedule for Defined Geographic Area To Be Leased
(Geographically-Licensed Services)

Call Sign

1) Call Sign: <u>KNLB205</u>

Geographic Area of Spectrum To Be Included in Lease

2) Defined Area to be Leased	3) Undefined Area to be Leased (Complete Schedule G)	4a) Population of Leased Area
	Schedule G # Attached:1	

5) Frequencies of Spectrum To Be Included in Lease (MHz)

Spectrum Leased	
Lower Frequency/Bandwidth	Upper Frequency/Bandwidth

Schedule for Defined Geographic Area To Be Leased
(Geographically-Licensed Services)

Call Sign

1) Call Sign: KNLB291

Geographic Area of Spectrum To Be Included in Lease

2) Defined Area to be Leased	3) Undefined Area to be Leased (Complete Schedule G)	4a) Population of Leased Area
	Schedule G # Attached:2	

5) Frequencies of Spectrum To Be Included in Lease (MHz)

Spectrum Leased	
Lower Frequency/Bandwidth	Upper Frequency/Bandwidth

**Schedule for Defined Geographic Area To Be Leased
 (Geographically-Licensed Services)**

Call Sign

1) Call Sign: <u>KNLB317</u>

Geographic Area of Spectrum To Be Included in Lease

2) Defined Area to be Leased	3) Undefined Area to be Leased (Complete Schedule G)	4a) Population of Leased Area
	Schedule G # Attached:3	

5) Frequencies of Spectrum To Be Included in Lease (MHz)

Spectrum Leased	
Lower Frequency/Bandwidth	Upper Frequency/Bandwidth

**Schedule for Defined Geographic Area To Be Leased
 (Geographically-Licensed Services)**

Call Sign

1) Call Sign: <u>WPOI255</u>

Geographic Area of Spectrum To Be Included in Lease

2) Defined Area to be Leased	3) Undefined Area to be Leased (Complete Schedule G)	4a) Population of Leased Area
	Schedule G # Attached:4	

5) Frequencies of Spectrum To Be Included in Lease (MHz)

Spectrum Leased	
Lower Frequency/Bandwidth	Upper Frequency/Bandwidth

**Schedule for Defined Geographic Area To Be Leased
(Geographically-Licensed Services)**

Call Sign

1) Call Sign: <u>WPWU989</u>

Geographic Area of Spectrum To Be Included in Lease

2) Defined Area to be Leased	3) Undefined Area to be Leased (Complete Schedule G)	4a) Population of Leased Area
	Schedule G # Attached:5	

5) Frequencies of Spectrum To Be Included in Lease (MHz)

Spectrum Leased	
Lower Frequency/Bandwidth	Upper Frequency/Bandwidth

**Schedule for Defined Geographic Area To Be Leased
(Geographically-Licensed Services)**

Call Sign

1) Call Sign: WPXT205

Geographic Area of Spectrum To Be Included in Lease

2) Defined Area to be Leased	3) Undefined Area to be Leased (Complete Schedule G)	4a) Population of Leased Area
	Schedule G # Attached:6	

5) Frequencies of Spectrum To Be Included in Lease (MHz)

Spectrum Leased

Lower Frequency/Bandwidth	Upper Frequency/Bandwidth

**Schedule for Defined Geographic Area To Be Leased
 (Geographically-Licensed Services)**

Call Sign

1) Call Sign: <u>WPZA236</u>

Geographic Area of Spectrum To Be Included in Lease

2) Defined Area to be Leased	3) Undefined Area to be Leased (Complete Schedule G)	4a) Population of Leased Area
	Schedule G # Attached:7	

5) Frequencies of Spectrum To Be Included in Lease (MHz)

Spectrum Leased	
Lower Frequency/Bandwidth	Upper Frequency/Bandwidth

**Schedule for Defined Geographic Area To Be Leased
 (Geographically-Licensed Services)**

Call Sign

1) Call Sign: <u>WPZA236</u>

Geographic Area of Spectrum To Be Included in Lease

2) Defined Area to be Leased	3) Undefined Area to be Leased (Complete Schedule G)	4a) Population of Leased Area
	Schedule G # Attached:8	

5) Frequencies of Spectrum To Be Included in Lease (MHz)

Spectrum Leased	
Lower Frequency/Bandwidth	Upper Frequency/Bandwidth

**Schedule for Defined Geographic Area To Be Leased
 (Geographically-Licensed Services)**

Call Sign

1) Call Sign: <u>WPZA239</u>

Geographic Area of Spectrum To Be Included in Lease

2) Defined Area to be Leased	3) Undefined Area to be Leased (Complete Schedule G)	4a) Population of Leased Area
	Schedule G # Attached:9	

5) Frequencies of Spectrum To Be Included in Lease (MHz)

Spectrum Leased	
Lower Frequency/Bandwidth	Upper Frequency/Bandwidth

**Schedule for Defined Geographic Area To Be Leased
 (Geographically-Licensed Services)**

Call Sign

1) Call Sign: <u>WQEY219</u>

Geographic Area of Spectrum To Be Included in Lease

2) Defined Area to be Leased	3) Undefined Area to be Leased (Complete Schedule G)	4a) Population of Leased Area
	Schedule G # Attached:10	

5) Frequencies of Spectrum To Be Included in Lease (MHz)

Spectrum Leased	
Lower Frequency/Bandwidth	Upper Frequency/Bandwidth

**Schedule for Defined Geographic Area To Be Leased
 (Geographically-Licensed Services)**

Call Sign

1) Call Sign: <u>WQFA872</u>

Geographic Area of Spectrum To Be Included in Lease

2) Defined Area to be Leased	3) Undefined Area to be Leased (Complete Schedule G)	4a) Population of Leased Area
	Schedule G # Attached:11	

5) Frequencies of Spectrum To Be Included in Lease (MHz)

Spectrum Leased	
Lower Frequency/Bandwidth	Upper Frequency/Bandwidth

**Schedule for Defined Geographic Area To Be Leased
(Geographically-Licensed Services)**

Call Sign

1) Call Sign: WQGA818

Geographic Area of Spectrum To Be Included in Lease

2) Defined Area to be Leased	3) Undefined Area to be Leased (Complete Schedule G)	4a) Population of Leased Area
	Schedule G # Attached:12	

5) Frequencies of Spectrum To Be Included in Lease (MHz)

Spectrum Leased

Lower Frequency/Bandwidth	Upper Frequency/Bandwidth

**Schedule for Defined Geographic Area To Be Leased
 (Geographically-Licensed Services)**

Call Sign

1) Call Sign: <u>WQGV772</u>

Geographic Area of Spectrum To Be Included in Lease

2) Defined Area to be Leased	3) Undefined Area to be Leased (Complete Schedule G)	4a) Population of Leased Area
	Schedule G # Attached:13	

5) Frequencies of Spectrum To Be Included in Lease (MHz)

Spectrum Leased	
Lower Frequency/Bandwidth	Upper Frequency/Bandwidth

**Schedule for Defined Geographic Area To Be Leased
(Geographically-Licensed Services)**

Call Sign

1) Call Sign: WQNH802

Geographic Area of Spectrum To Be Included in Lease

2) Defined Area to be Leased	3) Undefined Area to be Leased (Complete Schedule G)	4a) Population of Leased Area
	Schedule G # Attached:14	

5) Frequencies of Spectrum To Be Included in Lease (MHz)

Spectrum Leased	
Lower Frequency/Bandwidth	Upper Frequency/Bandwidth

**Schedule for Defined Geographic Area To Be Leased
 (Geographically-Licensed Services)**

Call Sign

1) Call Sign: <u>WQXW416</u>

Geographic Area of Spectrum To Be Included in Lease

2) Defined Area to be Leased	3) Undefined Area to be Leased (Complete Schedule G)	4a) Population of Leased Area
	Schedule G # Attached:15	

5) Frequencies of Spectrum To Be Included in Lease (MHz)

Spectrum Leased	
Lower Frequency/Bandwidth	Upper Frequency/Bandwidth

Number: 1

Schedule for Leases that Involve an Undefined Geographic Area

For each undefined geographic area, complete up to 300 Latitude/Longitude combinations for every 3 degrees azimuth, using NAD83 Datum.

Latitude (DD-MM-SS.S-D)

Longitude (DDD-MM-SS.S-D)

1	32-39-15.7 N	096-34-23.8 W
2	32-39-30.7 N	096-34-05.2 W
3	32-39-22.0 N	096-33-43.9 W
4	32-39-05.7 N	096-34-04.0 W
5	32-39-15.7 N	096-34-23.8 W

Number: 2

Schedule for Leases that Involve an Undefined Geographic Area

For each undefined geographic area, complete up to 300 Latitude/Longitude combinations for every 3 degrees azimuth, using NAD83 Datum.

Latitude (DD-MM-SS.S-D)

Longitude (DDD-MM-SS.S-D)

1	32-39-15.7 N	096-34-23.8 W
2	32-39-30.7 N	096-34-05.2 W
3	32-39-22.0 N	096-33-43.9 W
4	32-39-05.7 N	096-34-04.0 W
5	32-39-15.7 N	096-34-23.8 W

Number: 3

Schedule for Leases that Involve an Undefined Geographic Area

For each undefined geographic area, complete up to 300 Latitude/Longitude combinations for every 3 degrees azimuth, using NAD83 Datum.

Latitude (DD-MM-SS.S-D)

Longitude (DDD-MM-SS.S-D)

1	39-40-35.8 N	079-31-11.9 W
2	39-40-37.4 N	079-29-33.1 W
3	39-39-54.0 N	079-29-33.9 W
4	39-39-47.4 N	079-31-11.4 W
5	39-40-35.8 N	079-31-11.9 W

Number: 4

Schedule for Leases that Involve an Undefined Geographic Area

For each undefined geographic area, complete up to 300 Latitude/Longitude combinations for every 3 degrees azimuth, using NAD83 Datum.

Latitude (DD-MM-SS.S-D)

Longitude (DDD-MM-SS.S-D)

1	36-41-27.8 N	084-23-44.4 W
2	36-41-33.8 N	084-23-04.9 W
3	36-41-13.8 N	084-22-58.3 W
4	36-41-02.6 N	084-23-30.0 W
5	36-41-27.8 N	084-23-44.4 W

Number: 5

Schedule for Leases that Involve an Undefined Geographic Area

For each undefined geographic area, complete up to 300 Latitude/Longitude combinations for every 3 degrees azimuth, using NAD83 Datum.

Latitude (DD-MM-SS.S-D)

Longitude (DDD-MM-SS.S-D)

1	37-43-13.1 N	121-53-38.3 W
2	37-42-58.2 N	121-53-37.7 W
3	37-42-58.2 N	121-53-58.6 W
4	37-43-08.6 N	121-53-58.1 W
5	37-43-13.2 N	121-53-50.3 W
6	37-43-13.1 N	121-53-38.3 W

Number: 6

Schedule for Leases that Involve an Undefined Geographic Area

For each undefined geographic area, complete up to 300 Latitude/Longitude combinations for every 3 degrees azimuth, using NAD83 Datum.

Latitude (DD-MM-SS.S-D)

Longitude (DDD-MM-SS.S-D)

1	36-41-27.8 N	084-23-44.4 W
2	36-41-33.8 N	084-23-04.9 W
3	36-41-13.8 N	084-22-58.3 W
4	36-41-02.6 N	084-23-30.0 W
5	36-41-27.8 N	084-23-44.4 W

Number: 7

Schedule for Leases that Involve an Undefined Geographic Area

For each undefined geographic area, complete up to 300 Latitude/Longitude combinations for every 3 degrees azimuth, using NAD83 Datum.

Latitude (DD-MM-SS.S-D)

Longitude (DDD-MM-SS.S-D)

1	39-40-35.8 N	079-31-11.9 W
2	39-40-37.4 N	079-29-33.1 W
3	39-39-54.0 N	079-29-33.9 W
4	39-39-47.4 N	079-31-11.4 W
5	39-40-35.8 N	079-31-11.9 W

Number: 8

Schedule for Leases that Involve an Undefined Geographic Area

For each undefined geographic area, complete up to 300 Latitude/Longitude combinations for every 3 degrees azimuth, using NAD83 Datum.

Latitude (DD-MM-SS.S-D)

Longitude (DDD-MM-SS.S-D)

1	36-41-27.8 N	084-23-44.4 W
2	36-41-33.8 N	084-23-04.9 W
3	36-41-13.8 N	084-22-58.3 W
4	36-41-02.6 N	084-23-30.0 W
5	36-41-27.8 N	084-23-44.4 W

Number: 9

Schedule for Leases that Involve an Undefined Geographic Area

For each undefined geographic area, complete up to 300 Latitude/Longitude combinations for every 3 degrees azimuth, using NAD83 Datum.

Latitude (DD-MM-SS.S-D)

Longitude (DDD-MM-SS.S-D)

1	32-39-15.7 N	096-34-23.8 W
2	32-39-30.7 N	096-34-05.2 W
3	32-39-22.0 N	096-33-43.9 W
4	32-39-05.7 N	096-34-04.0 W
5	32-39-15.7 N	096-34-23.8 W

Number: 10

Schedule for Leases that Involve an Undefined Geographic Area

For each undefined geographic area, complete up to 300 Latitude/Longitude combinations for every 3 degrees azimuth, using NAD83 Datum.

Latitude (DD-MM-SS.S-D)

Longitude (DDD-MM-SS.S-D)

1	39-40-35.8 N	079-31-11.9 W
2	39-40-37.4 N	079-29-33.1 W
3	39-39-54.0 N	079-29-33.9 W
4	39-39-47.4 N	079-31-11.4 W
5	39-40-35.8 N	079-31-11.9 W

Number: 11

Schedule for Leases that Involve an Undefined Geographic Area

For each undefined geographic area, complete up to 300 Latitude/Longitude combinations for every 3 degrees azimuth, using NAD83 Datum.

Latitude (DD-MM-SS.S-D)

Longitude (DDD-MM-SS.S-D)

1	36-41-27.8 N	084-23-44.4 W
2	36-41-33.8 N	084-23-04.9 W
3	36-41-13.8 N	084-22-58.3 W
4	36-41-02.6 N	084-23-30.0 W
5	36-41-27.8 N	084-23-44.4 W

Number: 12

Schedule for Leases that Involve an Undefined Geographic Area

For each undefined geographic area, complete up to 300 Latitude/Longitude combinations for every 3 degrees azimuth, using NAD83 Datum.

	Latitude (DD-MM-SS.S-D)	Longitude (DDD-MM-SS.S-D)
1	36-41-27.8 N	084-23-44.4 W
2	36-41-33.8 N	084-23-04.9 W
3	36-41-13.8 N	084-22-58.3 W
4	36-41-02.6 N	084-23-30.0 W
5	36-41-27.8 N	084-23-44.4 W

Number: 13

Schedule for Leases that Involve an Undefined Geographic Area

For each undefined geographic area, complete up to 300 Latitude/Longitude combinations for every 3 degrees azimuth, using NAD83 Datum.

Latitude (DD-MM-SS.S-D)

Longitude (DDD-MM-SS.S-D)

1	39-40-35.8 N	079-31-11.9 W
2	39-40-37.4 N	079-29-33.1 W
3	39-39-54.0 N	079-29-33.9 W
4	39-39-47.4 N	079-31-11.4 W
5	39-40-35.8 N	079-31-11.9 W

Number: 14

Schedule for Leases that Involve an Undefined Geographic Area

For each undefined geographic area, complete up to 300 Latitude/Longitude combinations for every 3 degrees azimuth, using NAD83 Datum.

Latitude (DD-MM-SS.S-D)

Longitude (DDD-MM-SS.S-D)

1	39-40-35.8 N	079-31-11.9 W
2	39-40-37.4 N	079-29-33.1 W
3	39-39-54.0 N	079-29-33.9 W
4	39-39-47.4 N	079-31-11.4 W
5	39-40-35.8 N	079-31-11.9 W

Number: 15

Schedule for Leases that Involve an Undefined Geographic Area

For each undefined geographic area, complete up to 300 Latitude/Longitude combinations for every 3 degrees azimuth, using NAD83 Datum.

Latitude (DD-MM-SS.S-D)

Longitude (DDD-MM-SS.S-D)

1	36-41-27.8 N	084-23-44.4 W
2	36-41-33.8 N	084-23-04.9 W
3	36-41-13.8 N	084-22-58.3 W
4	36-41-02.6 N	084-23-30.0 W
5	36-41-27.8 N	084-23-44.4 W

Attachment(s):

Type	Description	Date Entered
O	Exhibit 3 - Site Information	09/22/2023
O	Exhibit 2 - Licenses	09/22/2023
O	Exhibit 1 - Description of Leases	09/22/2023

REFERENCE COPY

This is not an official FCC license. It is a record of public information contained in the FCC's licensing database on the date that this reference copy was generated. In cases where FCC rules require the presentation, posting, or display of an FCC license, this document may not be used in place of an official FCC license.



Federal Communications Commission
Wireless Telecommunications Bureau

RADIO STATION AUTHORIZATION

LICENSEE: NEW CINGULAR WIRELESS PCS, LLC

ATTN: FCC GROUP
NEW CINGULAR WIRELESS PCS, LLC
208 S. AKARD ST. 20F
DALLAS, TX 75202

Table with Call Sign (WPOI256), File Number, and Radio Service (CW - PCS Broadband).

FCC Registration Number (FRN): 0003291192

Table with columns: Grant Date, Effective Date, Expiration Date, Print Date, Market Number, Channel Block, Sub-Market Designator, Market Name, 1st Build-out Date, 2nd Build-out Date, 3rd Build-out Date, 4th Build-out Date.

Waivers/Conditions:

This authorization is subject to the condition that, in the event that systems using the same frequencies as granted herein are authorized in an adjacent foreign territory (Canada/United States), future coordination of any base station transmitters within 72 km (45 miles) of the United States/Canada border shall be required to eliminate any harmful interference to operations in the adjacent foreign territory and to ensure continuance of equal access to the frequencies by both countries.

This authorization is subject to the condition that the remaining balance of the winning bid amount will be paid in accordance with Part 1 of the Commission's rules, 47 C.F.R. Part 1.

Conditions:

Pursuant to §309(h) of the Communications Act of 1934, as amended, 47 U.S.C. §309(h), this license is subject to the following conditions: This license shall not vest in the licensee any right to operate the station nor any right in the use of the frequencies designated in the license beyond the term thereof nor in any other manner than authorized herein.

This license may not authorize operation throughout the entire geographic area or spectrum identified on the hardcopy version. To view the specific geographic area and spectrum authorized by this license, refer to the Spectrum and Market Area information under the Market Tab of the license record in the Universal Licensing System (ULS).

Licensee Name: NEW CINGULAR WIRELESS PCS, LLC

Call Sign: WPOI256

File Number:

Print Date:

This license is conditioned upon compliance with the provisions of Applications of AT&T Wireless Services, Inc. and Cingular Wireless Corporation For Consent to Transfer Control of Licenses and Authorizations, Memorandum Opinion and Order, FCC 04-255 (rel. Oct. 26, 2004).

Commission approval of this application and the licenses contained therein are subject to the conditions set forth in the Memorandum Opinion and Order, adopted on December 29, 2006 and released on March 26, 2007, and revised in the Order on Reconsideration, adopted and released on March 26, 2007. See AT&T Inc. and BellSouth Corporation Application for Transfer of Control, WC Docket No. 06-74, Memorandum Opinion and Order, FCC 06-189 (rel. Mar. 26, 2007); AT&T Inc. and BellSouth Corporation, WC Docket No. 06-74, Order on Reconsideration, FCC 07-44 (rel. Mar. 26, 2007).

Licensee Name: NEW CINGULAR WIRELESS PCS, LLC

Call Sign: WPOI256

File Number:

Print Date:

700 MHz Relicensed Area Information:

Market	Market Name	Buildout Deadline	Buildout Notification	Status
---------------	--------------------	--------------------------	------------------------------	---------------

Reference Copy

Reference Copy Only. Do Not Mail to the FCC as an Application.

Submitted: 01/23/2024 at 17:43:02
 File Number: 0010873348

FCC 601
Main Form

FCC Application for Radio Service Authorization: Wireless Telecommunications Bureau Public Safety and Homeland Security Bureau

Approved by OMB
 3060 - 0798
 See instructions for
 public burden estimate

1) Radio Service Code: <p style="text-align: center;">CW</p>	1a) Existing Radio Service Code:
--	----------------------------------

General Information

2) (Select only one) (AU) NE - New RO - Renewal Only AU - Administrative Update NT - Required Notifications MD - Modification RM - Renewal/Modification WD - Withdrawal of Application EX - Requests for Extension of Time AM - Amendment CA - Cancellation of License RL - Registered Location/Link	
3a) If this application is for a Demonstration License or a S pecial Temporary Authorization (STA), enter the code and attach the required exhibit as described in the instructions. Otherwise enter ' N/A ' (Not Applicable).	(N) <u>M</u> <u>S</u> <u>N/A</u>
3b) If this application is for Special Temporary Authority due to an emergency situation, enter 'Y'; otherwise enter 'N'. Refer to Rule 1.915 for an explanation of situations considered to be an emergency.	() <u>Y</u> <u>N</u>
4) If this application is for an Amendment or Withdrawal, enter the file number of the pending application currently on file with the FCC.	File Number
5) If this application is for a Modification, Renewal Only, Renewal/Modification, Cancellation of License, , or Administrative Update, enter the call sign of the existing FCC license. If this is a request for Registered Location/Link, enter the FCC call sign assigned to the geographic license.	Call Sign WPOI256
6a) If this application is for a New, Amendment, Renewal Only, or Renewal/Modification, enter the requested authorization expiration date (this item is optional).	MM DD _____ / _____
6b) If this application is for a Renewal Only or Renewal/Modification and the license is a geographic area license, is the license used to provide service to customers (C), or is the license used for private business (internal) purposes or to meet the licensee's public interest/public safety communications needs (P)?	() <u>C</u> <u>P</u>
7) Is this application "major" as defined in § 1.929 of the Commission's Rules when read in conjunction with the applicable radio service rules found in Parts 22 and 90 of the Commission's Rules? (NOTE: This question only applies to certain site-specific applications. See the instructions for applicability and full text of § 1.929).	() <u>Y</u> <u>N</u>
8) Are attachments (other than associated schedules) being filed with this application?	() <u>Y</u> <u>N</u>

Fees, Waivers, and Exemptions

9) Is the Applicant exempt from FCC application fees?	(N) <u>Y</u> <u>N</u>
10) Is the Applicant exempt from FCC regulatory fees?	(N) <u>Y</u> <u>N</u>
11) Does this application include a request for a Waiver of the Commission's Rule(s)? If 'Yes', attach an exhibit providing rule number(s) and explaining circumstances.	(N) <u>Y</u> <u>N</u>
12) Are the frequencies or parameters requested in this filing covered by grandfathered privileges, previously approved by waiver, or functionally integrated with an existing station?	() <u>Y</u> <u>N</u>

Applicant Information

13) FCC Registration Number (FRN): 0003291192			
14) Applicant/Licensee Legal Entity Type: (Select One) <input type="checkbox"/> Individual <input type="checkbox"/> Unincorporated Association <input type="checkbox"/> Trust <input type="checkbox"/> Government Entity <input type="checkbox"/> Corporation <input checked="" type="checkbox"/> Limited Liability Company <input type="checkbox"/> General Partnership <input type="checkbox"/> Limited Partnership <input type="checkbox"/> Limited Liability Partnership <input type="checkbox"/> Consortium <input type="checkbox"/> Other: _____			
15) If the Licensee name is being updated, is the update a result from the sale (or transfer of control) of the license(s) to party and for which proper Commission approval has not been received or proper notification not provided?			<input type="checkbox"/> Yes <input checked="" type="checkbox"/> No
16) First Name (if individual):	MI:	Last Name:	Suffix:
17) Legal Entity Name (if other than individual): NEW CINGULAR WIRELESS PCS, LLC			
18) Attention To: National Regulatory Compliance			
19) P.O. Box:	And/Or	20) Street Address: 208 S Akard St, 20F	
21) City: Dallas	22) State: TX	23) Zip Code: 75202	
24) Telephone Number: (855)699-7073		25) Fax: (214)746-6410	
26) E-Mail Address: FCCMW@att.com			

27) Demographics (Optional)

Race: <input type="checkbox"/> American Indian or Alaska Native <input type="checkbox"/> Asian <input type="checkbox"/> Black or African-American <input type="checkbox"/> Native Hawaiian or Other Pacific Islander <input type="checkbox"/> White	Ethnicity: <input type="checkbox"/> Hispanic or Latino <input type="checkbox"/> Not Hispanic or Latino	Gender: <input type="checkbox"/> Male <input type="checkbox"/> Female
--	--	---

Real Party in Interest

28) Name of Real Party in Interest of Applicant (If different from Applicant):	29) FCC Registration Number (FRN) of Real Party in Interest:
--	--

Contact Information (If different from the Applicant) Check here if same as Applicant.

30) First Name: Jessica	MI: J	Last Name: Dunk	Suffix:
31) Company Name: AT&T Services, Inc.			
32) Attention To: NRC			
33) P.O. Box:	And /Or	34) Street Address: 208 S Akard St, 20F	
35) City: Dallas	36) State: TX	37) Zip Code: 75202	
38) Telephone Number: (855)699-7073		39) Fax: (214)746-6410	
40) E-Mail Address: FCCMW@att.com			

Regulatory Status

41) This filing is for authorization to provide or use the following type(s) of radio service offering (enter all that apply):
() Common Carrier () Non-Common Carrier () Private, internal communications () Broadcast Services () Band Manager

Type of Radio Service

42) This filing is for authorization to provide the following type(s) of radio service (choose all that apply):
() Fixed () Mobile () Radiolocation () Satellite (sound) () Broadcast Services
43) Does the Applicant propose to provide service interconnected to the public telephone network? () Yes () No

Alien Ownership Questions (If any answer is 'Y', provide an attachment explaining the circumstances. In preparing the attachment, refer to the Main Form Instructions for the "Alien Ownership Questions".)

44) Is the Applicant a foreign government or the representative of any foreign government? () Yes () No
45) Is the Applicant an alien or the representative of an alien? () Yes () No
46) Is the Applicant a corporation organized under the laws of any foreign government? () Yes () No
47) Is the Applicant a corporation of which more than one-fifth of the capital stock is owned of record or voted by aliens or their representatives, or by a foreign government or representative thereof, or by any corporation organized under the laws of a foreign country? () Yes () No

48a) Is the Applicant directly or indirectly controlled by any other corporation of which more than one-fourth of the capital stock (Yes No) is owned of record or voted by aliens or their representatives, or by a foreign government or representative thereof, or by any corporation organized under the laws of a foreign country?

48b) If the answer to 47 or 48a is 'Y' select one of the choices below.

The Applicant is exempt from the provisions of Section 310(b).

If checked, it is not necessary to file a petition for declaratory ruling if the Applicant includes in the attachment required by Item 47 or Item 48a a showing that the requested license(s) is exempt from the provisions of Section 310(b).

The Applicant has received a declaratory ruling(s) approving its foreign ownership, and the application involves only the acquisition of additional spectrum for the provision of a wireless service in a geographic coverage area for which the Applicant has been previously authorized.

If checked, include in the attachment required by Item 47 or Item 48a the citation(s) of the applicable declaratory ruling(s) by DA/FCC number, the FCC Record citation, if available, release date, and a statement that there has been no change in the foreign ownership of the Applicant since the issuance of its ruling.

The Applicant: (i) has received a declaratory ruling(s) approving its foreign ownership, but is not able to make the certification specified immediately above; or (ii) is an "affiliate" of a Licensee or Lessee/Sublessee that received a declaratory ruling(s) under 47 CFR § 1.5000(a) and is relying on the affiliate's ruling for purposes of filing this application as permitted under the affiliate's ruling and 47 CFR § 1.5004(b)

If checked, and if the Applicant received its declaratory ruling(s) on or after August 9, 2013, include in the attachment required by Item 47 or Item 48a the citation(s) of the Applicant's declaratory ruling(s) by DA/FCC number, the FCC Record citation, if available, release date, and a statement that the Applicant is in compliance with the terms and conditions of its ruling and with the Commission's Rules.

If checked, and if the Applicant received its declaratory ruling(s) prior to August 9, 2013, include in the attachment required by Item 48a a copy of a petition for declaratory ruling filed contemporaneously with the Commission to extend the Applicant's existing ruling(s) to cover the same radio service(s) and geographic coverage area(s) involved in the application. Alternatively, the Applicant may request a new declaratory ruling pursuant to Section 1.5000(a) of the Commission's Rules, 47 CFR § 1.5000 (a). Petitions for declaratory ruling may be filed electronically on the Internet through the International Bureau Filing System (IBFS) (with a copy attached hereto).

If checked, and if the Applicant is relying on an affiliate's ruling for purposes of filing this application, include in the attachment required by Item 47 or Item 48a the citation(s) of the applicable declaratory ruling(s) by DA/FCC number, the FCC Record citation, if available, release date, and a statement that the Applicant is in compliance with the terms and conditions of the named affiliate's ruling and with the Commission's Rules. The Applicant must also include a certification of compliance signed by the named affiliate or other qualified entity as specified in 47 CFR § 1.5004(b). See Main Form Instructions for Items 47 or 48a, as applicable.

The Applicant has not received a declaratory ruling approving its foreign ownership and is requesting a declaratory ruling under 47 CFR § 1.5004(b) in a petition filed contemporaneously with the Commission.

If checked, include in the attachment required by Item 47 or 48a a copy of the petition for declaratory ruling filed contemporaneously with the Commission pursuant to 47 CFR § 1.5004(b). Petitions for declaratory ruling may be filed electronically on the Internet through the International Bureau Filing System (IBFS) (with a copy attached hereto).

Basic Qualification Questions

49) Has the Applicant or any party to this application had any FCC station authorization, license or construction permit revoked or had any application for an initial, modification or renewal of FCC station authorization, license, or construction permit denied by the Commission?	() <u>Yes</u> <u>No</u>
50) Has the Applicant or any party to this application, or any party directly or indirectly controlling the Applicant, ever been convicted of a felony by any state or federal court?	() <u>Yes</u> <u>No</u>
51) Has any court finally adjudged the Applicant or any party directly or indirectly controlling the Applicant guilty of unlawfully monopolizing or attempting unlawfully to monopolize radio communication, directly or indirectly, through control of manufacture or sale of radio apparatus, exclusive traffic arrangement, or any other means or unfair methods of competition?	() <u>Yes</u> <u>No</u>

Note: If the answer to any of 49-51 is 'Y', attach an exhibit explaining the circumstances.

Aeronautical Advisory Station (Unicom) Certification

52) () I certify that the station will be located on property of the airport to be served, and, in cases where the airport does not have a control tower, RCO, or FAA flight service station, that I have notified the owner of the airport and all aviation service organizations located at the airport within ten days prior to application.
--

Broadband Radio Service and Educational Broadband Service Cable Cross-Ownership

53a) Will the requested facilities be used to provide multichannel video programming service?	() <u>Yes</u> <u>No</u>
53b) If the answer to question 53a is 'Y', does the Applicant operate, control or have an attributable interest (as defined in 47 CFR § 27.1202) in a cable television system whose franchise area is located within the geographic service area of the requested facilities?	() <u>Yes</u> <u>No</u>

Note: If the answer to question 53b is 'Y', attach an exhibit explaining how the Applicant complies with 47 CFR § 27.1202 or justifying a waiver of that rule. If a waiver of the Commission Rule(s) is being requested, Item 11a must be answered 'Y'.

Broadband Radio Service and Educational Broadband Service (Part 27)

54) (For EBS only) Does the Applicant comply with the programming requirements contained in 47 CFR § 27.1203?	() <u>Yes</u> <u>No</u>
---	--------------------------

Note: If the answer to item 54 is 'N', attach an exhibit explaining how the Applicant complies with 47 CFR § 27.1203 of the Commission's Rules or justifying a waiver of that rule. If a waiver of the Commission Rule(s) is being requested, Item 11a must be answered 'Y'.

55) (For BRS and EBS) Does the Applicant comply with 47 CFR §§ 27.50, 27.55, and 27.1221?	() <u>Yes</u> <u>No</u>
---	--------------------------

Note: If the answer to item 55 is 'N', attach an exhibit justifying a waiver of that rule(s). If a waiver of the Commission Rule(s) is being requested, Item 11a must be answered 'Y'.

For Applicants Who Participated in an Auction

56) Is the Applicant a qualifying rural wireless partnership or a member of a qualifying rural wireless partnership?	() <u>Yes</u> <u>No</u>
--	--------------------------

Note: If the answer to item 56 is 'Y', attach an exhibit listing all members of the qualifying rural wireless partnership, including their FRN numbers.

For Renewal Applicants**57) Operation/Performance Requirement Certification**

[For a site-based license]: Applicant certifies that it is continuing to operate consistent with its most recently filed construction notification (or most recent authorization, if no construction notification was required).	() <u>Yes</u> <u>No</u>
[For a geographic license, commercial service - licensee in its initial license term with an interim performance requirement]: Applicant certifies that it has met its interim performance requirement, that over the portion of the license term following the interim performance requirement, it continues to use its facilities to provide at least the level of service required by its interim performance requirement, it has met its final performance requirement, and it continues to use its facilities to provide at least the level of service required by its final performance requirement through the end of the license term.	() <u>Yes</u> <u>No</u>
[For a geographic license, commercial service - licensee in its initial license term with no interim performance requirement]: Applicant certifies that it has met its final performance requirement and it continues to use its facilities to provide at least the level of service required by its final performance requirement through the end of the license term. [Note: licensee must provide a showing demonstrating that the final performance requirement has been met, either separately in a timely application for notification of completion of construction, or as part of its renewal application, depending on the radio service.]	() <u>Yes</u> <u>No</u>
[For a geographic license, commercial service - licensee in any subsequent term]: Applicant certifies that it continues to use its facilities to provide at least the level of service required by its final performance requirement through the end of any subsequent license terms.	() <u>Yes</u> <u>No</u>
[For a geographic license, private systems - licensee in its initial license term with an interim performance requirement]: Applicant certifies that it has met its interim performance requirement, that over the portion of the license term following the interim performance requirement, it continues to use its facilities to further its private business or public interest/public safety communications needs at or above the level required to meet its interim performance requirement, it has met its final performance requirement, and it continues to use its facilities to provide at least the level of operation required by its final performance requirement through the end of the license term.	() <u>Yes</u> <u>No</u>
[For a geographic license, private systems - licensee in its initial license term with no interim performance requirement]: Applicant certifies that it has met its final performance requirement, it continues to use its facilities to further its private business or public interest/public safety communications needs, and it continues to use its facilities to provide at least the level of operation required by its final performance requirement through the end of the license term. [Note: licensee must provide a showing demonstrating that the final performance requirement has been met, either separately in a timely application for notification of completion of construction, or as part of its renewal application, depending on the radio service.]	() <u>Yes</u> <u>No</u>

[For a geographic license, private systems - licensee in any subsequent term]: Applicant certifies that it continues to use its facilities to further its private business or public interest/public safety communications needs at or above the level required to meet its final performance requirement through the end of any subsequent license terms.	() <u>Yes</u> <u>No</u>
[For a partitioned or disaggregated license without a performance requirement, for the first renewal application filed after effective date of the rules]: Applicant certifies that the partitioned and/or disaggregated license that is the subject of this renewal application has no separate performance requirement and that this is the first renewal of this license filed subsequent to the effective date of the rules.	() <u>Yes</u> <u>No</u>
[For a partitioned or disaggregated license without a performance requirement, for any subsequent renewal filings]: Applicant certifies that it continues to use its facilities to provide service or to further the applicant's private business or public interest/public safety needs.	() <u>Yes</u> <u>No</u>

Discontinuance of Service Certification

58) Applicant certifies that no permanent discontinuance of service or operation, as applicable, occurred during its current license term. Note: If the response to either item 57 or item 58 is 'N', attach an exhibit that demonstrates that over the course of the license term, the Applicant provided and continues to provide service to the public, or operated and continues to operate the license to meet the Applicant's private business or public interest/public safety communications needs. This exhibit must include a detailed description of the Applicant's provision of service or, when allowed under the relevant service rules or pursuant to waiver, use of the spectrum for private business or public interest/public safety communications needs, during the entire license period and address, as applicable: 1) the level and quality of service provided by the applicant (e.g., the population served, the area served, the number of subscribers, the services offered); (2) the date service commenced, whether service was ever interrupted, and the duration of any interruption or outage; (3) the extent to which service is provided to rural areas; (4) the extent to which service is provided to qualifying tribal land as defined in 47 CFR § 1.2110(e)(3)(i); and (5) any other factors associated with the level of service to the public. The licensee may note in its exhibit: 1) any grant(s) of waiver or extension of a performance deadline or license renewal subject to meeting a performance requirement; or 2) if the final performance deadline and/or expiration date for the license accelerated because the licensee did not meet an interim performance requirement.	() <u>Yes</u> <u>No</u>
--	--------------------------

Regulatory Compliance Certification [same for all]

59) Applicant certifies that it has substantially complied with all applicable FCC rules, policies, and the Communications Act of 1934, as amended. Note: If the response to item 59 is 'N', attach an exhibit explaining the circumstances and demonstrating why Applicant's license should be renewed.	() <u>Yes</u> <u>No</u>
--	--------------------------

General Certification Statements

1) The Applicant waives any claim to the use of any particular frequency or of the electromagnetic spectrum as against the regulatory power of the United States because of the previous use of the same, whether by license or otherwise, and requests an authorization in accordance with this application.
2) The Applicant certifies that grant of this application would not cause the Applicant to be in violation of any pertinent cross-ownership or attribution rules.* *If the Applicant has sought a waiver of any such rule in connection with this application, it may make this certification subject to the outcome of the waiver request.
3) The Applicant certifies that all statements made in this application and in the exhibits, attachments, or documents incorporated by reference are material, are part of this application, and are true, complete, correct, and made in good faith.
4) The Applicant certifies that neither the Applicant nor any other party to the application is subject to a denial of Federal benefits pursuant to § 5301 of the Anti-Drug Abuse Act of 1988, 21 U.S.C. § 862, because of a conviction for possession or distribution of a controlled substance. This certification does not apply to applications filed in services exempted under § 1.2002(c) of the rules, 47 CFR § 1.2002(c). See 47 CFR § 1.2002(b) for the definition of "party to the application" as used in this certification.
5) The Applicant certifies that it either (1) has current required ownership data on file with the Commission, (2) is filing updated ownership data simultaneously with this application, or (3) is not required to file ownership data under the Commission's Rules.
6) The Applicant certifies that the facilities, operations, and transmitters for which this authorization is hereby requested are either: (1) categorically excluded from routine environmental evaluation for RF exposure as set forth in 47 CFR § 1.1307(b); or, (2) have been found not to cause human exposure to levels of radiofrequency radiation in excess of the limits specified in 47 CFR §§ 1.1310 and 2.1093; or, (3) are the subject of one or more Environmental Assessments filed with the Commission.
7) The Applicant certifies that it has reviewed the appropriate Commission Rules defining eligibility to hold the requested license(s) and is eligible to hold the requested license(s).
8) The Applicant certifies that it is not in default on any payment for Commission licenses and that it is not delinquent on any non-tax debt owed to any federal agency.
9) The Applicant certifies that the Applicant and all of the related individuals and entities required to be disclosed on this application and FCC Form 602 (FCC Ownership Disclosure Information for the Wireless Telecommunications Services) are not person(s) who have been, for reasons of national security, barred by any agency of the Federal Government from bidding on a contract, participating in an auction, or receiving a grant. This certification applies only to applications for licenses for spectrum that is required by Sections 6103, 6401-6403 of the Middle Class Tax Relief and Job Creation Act of 2012, codified at 47 U.S.C. §§ 309, 1413, 1451-1452, to be assigned by a system of competitive bidding under 47 U.S.C. § 309(j).

Signature

60) Typed or Printed Name of Party Authorized to Sign

First Name: Jessica	MI:	Last Name: Dunk	Suffix:
61) Title: Assistant Secretary - Compliance			
Signature: Jessica Dunk			62) Date: 01/23/2024
FAILURE TO SIGN THIS APPLICATION MAY RESULT IN DISMISSAL OF THE APPLICATION AND FORFEITURE OF ANY FEES PAID.			
Upon grant of this license application, the Licensee may be subject to certain construction or coverage requirements. Failure to meet the construction or coverage requirements will result in termination of the license. Consult appropriate FCC regulations to determine the construction or coverage requirements that apply to the type of license requested in this application.			
WILLFUL FALSE STATEMENTS MADE ON THIS FORM OR ANY ATTACHMENTS ARE PUNISHABLE BY FINE AND/OR IMPRISONMENT (U.S. Code, Title 18, § 1001) AND/OR REVOCATION OF ANY STATION LICENSE OR CONSTRUCTION PERMIT (U.S. Code, Title 47, § 312(a)(1)), AND/OR FORFEITURE (U.S. Code, Title 47, § 503).			

Reference Copy Only. Do Not Mail to the FCC as an Application.

Submitted: 01/22/2024 at 14:43:18
 File Number: 0010867985

FCC 601
Main Form

FCC Application for Radio Service Authorization: Wireless Telecommunications Bureau Public Safety and Homeland Security Bureau

Approved by OMB
 3060 - 0798
 See instructions for
 public burden estimate

1) Radio Service Code: <p style="text-align: center;">CW</p>	1a) Existing Radio Service Code:
--	----------------------------------

General Information

2) (Select only one) (AU) NE - New RO - Renewal Only AU - Administrative Update NT - Required Notifications MD - Modification RM - Renewal/Modification WD - Withdrawal of Application EX - Requests for Extension of Time AM - Amendment CA - Cancellation of License RL - Registered Location/Link	
3a) If this application is for a Demonstration License or a S pecial Temporary Authorization (STA), enter the code and attach the required exhibit as described in the instructions. Otherwise enter ' N/A ' (Not Applicable).	(N) <u>M</u> <u>S</u> <u>N/A</u>
3b) If this application is for Special Temporary Authority due to an emergency situation, enter 'Y'; otherwise enter 'N'. Refer to Rule 1.915 for an explanation of situations considered to be an emergency.	() <u>Y</u> <u>N</u>
4) If this application is for an Amendment or Withdrawal, enter the file number of the pending application currently on file with the FCC.	File Number
5) If this application is for a Modification, Renewal Only, Renewal/Modification, Cancellation of License, , or Administrative Update, enter the call sign of the existing FCC license. If this is a request for Registered Location/Link, enter the FCC call sign assigned to the geographic license.	Call Sign WPO1256
6a) If this application is for a New, Amendment, Renewal Only, or Renewal/Modification, enter the requested authorization expiration date (this item is optional).	MM DD _____ / _____
6b) If this application is for a Renewal Only or Renewal/Modification and the license is a geographic area license, is the license used to provide service to customers (C), or is the license used for private business (internal) purposes or to meet the licensee's public interest/public safety communications needs (P)?	() <u>C</u> <u>P</u>
7) Is this application "major" as defined in § 1.929 of the Commission's Rules when read in conjunction with the applicable radio service rules found in Parts 22 and 90 of the Commission's Rules? (NOTE: This question only applies to certain site-specific applications. See the instructions for applicability and full text of § 1.929).	() <u>Y</u> <u>N</u>
8) Are attachments (other than associated schedules) being filed with this application?	() <u>Y</u> <u>N</u>

Fees, Waivers, and Exemptions

9) Is the Applicant exempt from FCC application fees?	(N) <u>Y</u> <u>N</u>
10) Is the Applicant exempt from FCC regulatory fees?	(N) <u>Y</u> <u>N</u>
11) Does this application include a request for a Waiver of the Commission's Rule(s)? If 'Yes', attach an exhibit providing rule number(s) and explaining circumstances.	(N) <u>Y</u> <u>N</u>
12) Are the frequencies or parameters requested in this filing covered by grandfathered privileges, previously approved by waiver, or functionally integrated with an existing station?	() <u>Y</u> <u>N</u>

Applicant Information

13) FCC Registration Number (FRN): 0003291192			
14) Applicant/Licensee Legal Entity Type: (Select One) () Individual () Unincorporated Association () Trust () Government Entity () Corporation (<input checked="" type="checkbox"/>) Limited Liability Company () General Partnership () Limited Partnership () Limited Liability Partnership () Consortium () Other: _____			
15) If the Licensee name is being updated, is the update a result from the sale (or transfer of control) of the license(s) to party and for which proper Commission approval has not been received or proper notification not provided?			() <u>Yes</u> <u>No</u>
16) First Name (if individual):	MI:	Last Name:	Suffix:
17) Legal Entity Name (if other than individual): NEW CINGULAR WIRELESS PCS, LLC			
18) Attention To: National Regulatory Compliance			
19) P.O. Box:	And/Or	20) Street Address: 208 S Akard St, 20F	
21) City: Dallas	22) State: TX	23) Zip Code: 75202	
24) Telephone Number: (855)699-7073		25) Fax: (214)746-6410	
26) E-Mail Address: FCCMW@att.com			

27) Demographics (Optional)

Race: () American Indian or Alaska Native () Asian () Black or African-American () Native Hawaiian or Other Pacific Islander () White	Ethnicity: () Hispanic or Latino () Not Hispanic or Latino	Gender: () Male () Female
---	--	-----------------------------------

Real Party in Interest

28) Name of Real Party in Interest of Applicant (If different from Applicant):	29) FCC Registration Number (FRN) of Real Party in Interest:
--	--

Contact Information (If different from the Applicant)**() Check here if same as Applicant.**

30) First Name: Cecil	MI: J	Last Name: Mathew	Suffix:
31) Company Name: AT&T Services, Inc.			
32) Attention To: FCC Group			
33) P.O. Box:	And /Or	34) Street Address: 208 S. Akard St. 20F	
35) City: Dallas	36) State: TX	37) Zip Code: 75202	
38) Telephone Number: (855)699-7073		39) Fax: (214)746-6410	
40) E-Mail Address: FCCMW@att.com			

Regulatory Status

41) This filing is for authorization to provide or use the following type(s) of radio service offering (enter all that apply):
() Common Carrier () Non-Common Carrier () Private, internal communications () Broadcast Services () Band Manager

Type of Radio Service

42) This filing is for authorization to provide the following type(s) of radio service (choose all that apply):
() Fixed () Mobile () Radiolocation () Satellite (sound) () Broadcast Services
43) Does the Applicant propose to provide service interconnected to the public telephone network? () Yes () No

Alien Ownership Questions (If any answer is 'Y', provide an attachment explaining the circumstances. In preparing the attachment, refer to the Main Form Instructions for the "Alien Ownership Questions".)

44) Is the Applicant a foreign government or the representative of any foreign government? () Yes () No
45) Is the Applicant an alien or the representative of an alien? () Yes () No
46) Is the Applicant a corporation organized under the laws of any foreign government? () Yes () No
47) Is the Applicant a corporation of which more than one-fifth of the capital stock is owned of record or voted by aliens or their representatives, or by a foreign government or representative thereof, or by any corporation organized under the laws of a foreign country? () Yes () No

48a) Is the Applicant directly or indirectly controlled by any other corporation of which more than one-fourth of the capital stock (Yes No) is owned of record or voted by aliens or their representatives, or by a foreign government or representative thereof, or by any corporation organized under the laws of a foreign country?

48b) If the answer to 47 or 48a is 'Y' select one of the choices below.

The Applicant is exempt from the provisions of Section 310(b).

If checked, it is not necessary to file a petition for declaratory ruling if the Applicant includes in the attachment required by Item 47 or Item 48a a showing that the requested license(s) is exempt from the provisions of Section 310(b).

The Applicant has received a declaratory ruling(s) approving its foreign ownership, and the application involves only the acquisition of additional spectrum for the provision of a wireless service in a geographic coverage area for which the Applicant has been previously authorized.

If checked, include in the attachment required by Item 47 or Item 48a the citation(s) of the applicable declaratory ruling(s) by DA/FCC number, the FCC Record citation, if available, release date, and a statement that there has been no change in the foreign ownership of the Applicant since the issuance of its ruling.

The Applicant: (i) has received a declaratory ruling(s) approving its foreign ownership, but is not able to make the certification specified immediately above; or (ii) is an "affiliate" of a Licensee or Lessee/Sublessee that received a declaratory ruling(s) under 47 CFR § 1.5000(a) and is relying on the affiliate's ruling for purposes of filing this application as permitted under the affiliate's ruling and 47 CFR § 1.5004(b)

If checked, and if the Applicant received its declaratory ruling(s) on or after August 9, 2013, include in the attachment required by Item 47 or Item 48a the citation(s) of the Applicant's declaratory ruling(s) by DA/FCC number, the FCC Record citation, if available, release date, and a statement that the Applicant is in compliance with the terms and conditions of its ruling and with the Commission's Rules.

If checked, and if the Applicant received its declaratory ruling(s) prior to August 9, 2013, include in the attachment required by Item 48a a copy of a petition for declaratory ruling filed contemporaneously with the Commission to extend the Applicant's existing ruling(s) to cover the same radio service(s) and geographic coverage area(s) involved in the application. Alternatively, the Applicant may request a new declaratory ruling pursuant to Section 1.5000(a) of the Commission's Rules, 47 CFR § 1.5000 (a). Petitions for declaratory ruling may be filed electronically on the Internet through the International Bureau Filing System (IBFS) (with a copy attached hereto).

If checked, and if the Applicant is relying on an affiliate's ruling for purposes of filing this application, include in the attachment required by Item 47 or Item 48a the citation(s) of the applicable declaratory ruling(s) by DA/FCC number, the FCC Record citation, if available, release date, and a statement that the Applicant is in compliance with the terms and conditions of the named affiliate's ruling and with the Commission's Rules. The Applicant must also include a certification of compliance signed by the named affiliate or other qualified entity as specified in 47 CFR § 1.5004(b). See Main Form Instructions for Items 47 or 48a, as applicable.

The Applicant has not received a declaratory ruling approving its foreign ownership and is requesting a declaratory ruling under 47 CFR § 1.5004(b) in a petition filed contemporaneously with the Commission.

If checked, include in the attachment required by Item 47 or 48a a copy of the petition for declaratory ruling filed contemporaneously with the Commission pursuant to 47 CFR § 1.5004(b). Petitions for declaratory ruling may be filed electronically on the Internet through the International Bureau Filing System (IBFS) (with a copy attached hereto).

Basic Qualification Questions

49) Has the Applicant or any party to this application had any FCC station authorization, license or construction permit revoked or had any application for an initial, modification or renewal of FCC station authorization, license, or construction permit denied by the Commission?	() <u>Yes</u> <u>No</u>
50) Has the Applicant or any party to this application, or any party directly or indirectly controlling the Applicant, ever been convicted of a felony by any state or federal court?	() <u>Yes</u> <u>No</u>
51) Has any court finally adjudged the Applicant or any party directly or indirectly controlling the Applicant guilty of unlawfully monopolizing or attempting unlawfully to monopolize radio communication, directly or indirectly, through control of manufacture or sale of radio apparatus, exclusive traffic arrangement, or any other means or unfair methods of competition?	() <u>Yes</u> <u>No</u>

Note: If the answer to any of 49-51 is 'Y', attach an exhibit explaining the circumstances.

Aeronautical Advisory Station (Unicom) Certification

52) () I certify that the station will be located on property of the airport to be served, and, in cases where the airport does not have a control tower, RCO, or FAA flight service station, that I have notified the owner of the airport and all aviation service organizations located at the airport within ten days prior to application.
--

Broadband Radio Service and Educational Broadband Service Cable Cross-Ownership

53a) Will the requested facilities be used to provide multichannel video programming service?	() <u>Yes</u> <u>No</u>
53b) If the answer to question 53a is 'Y', does the Applicant operate, control or have an attributable interest (as defined in 47 CFR § 27.1202) in a cable television system whose franchise area is located within the geographic service area of the requested facilities?	() <u>Yes</u> <u>No</u>

Note: If the answer to question 53b is 'Y', attach an exhibit explaining how the Applicant complies with 47 CFR § 27.1202 or justifying a waiver of that rule. If a waiver of the Commission Rule(s) is being requested, Item 11a must be answered 'Y'.

Broadband Radio Service and Educational Broadband Service (Part 27)

54) (For EBS only) Does the Applicant comply with the programming requirements contained in 47 CFR § 27.1203?	() <u>Yes</u> <u>No</u>
---	--------------------------

Note: If the answer to item 54 is 'N', attach an exhibit explaining how the Applicant complies with 47 CFR § 27.1203 of the Commission's Rules or justifying a waiver of that rule. If a waiver of the Commission Rule(s) is being requested, Item 11a must be answered 'Y'.

55) (For BRS and EBS) Does the Applicant comply with 47 CFR §§ 27.50, 27.55, and 27.1221?	() <u>Yes</u> <u>No</u>
---	--------------------------

Note: If the answer to item 55 is 'N', attach an exhibit justifying a waiver of that rule(s). If a waiver of the Commission Rule(s) is being requested, Item 11a must be answered 'Y'.

For Applicants Who Participated in an Auction

56) Is the Applicant a qualifying rural wireless partnership or a member of a qualifying rural wireless partnership?	() <u>Yes</u> <u>No</u>
--	--------------------------

Note: If the answer to item 56 is 'Y', attach an exhibit listing all members of the qualifying rural wireless partnership, including their FRN numbers.

For Renewal Applicants

57) Operation/Performance Requirement Certification	
[For a site-based license]: Applicant certifies that it is continuing to operate consistent with its most recently filed construction notification (or most recent authorization, if no construction notification was required).	() <u>Yes</u> <u>No</u>
[For a geographic license, commercial service - licensee in its initial license term with an interim performance requirement]: Applicant certifies that it has met its interim performance requirement, that over the portion of the license term following the interim performance requirement, it continues to use its facilities to provide at least the level of service required by its interim performance requirement, it has met its final performance requirement, and it continues to use its facilities to provide at least the level of service required by its final performance requirement through the end of the license term.	() <u>Yes</u> <u>No</u>
[For a geographic license, commercial service - licensee in its initial license term with no interim performance requirement]: Applicant certifies that it has met its final performance requirement and it continues to use its facilities to provide at least the level of service required by its final performance requirement through the end of the license term. [Note: licensee must provide a showing demonstrating that the final performance requirement has been met, either separately in a timely application for notification of completion of construction, or as part of its renewal application, depending on the radio service.]	() <u>Yes</u> <u>No</u>
[For a geographic license, commercial service - licensee in any subsequent term]: Applicant certifies that it continues to use its facilities to provide at least the level of service required by its final performance requirement through the end of any subsequent license terms.	() <u>Yes</u> <u>No</u>
[For a geographic license, private systems - licensee in its initial license term with an interim performance requirement]: Applicant certifies that it has met its interim performance requirement, that over the portion of the license term following the interim performance requirement, it continues to use its facilities to further its private business or public interest/public safety communications needs at or above the level required to meet its interim performance requirement, it has met its final performance requirement, and it continues to use its facilities to provide at least the level of operation required by its final performance requirement through the end of the license term.	() <u>Yes</u> <u>No</u>
[For a geographic license, private systems - licensee in its initial license term with no interim performance requirement]: Applicant certifies that it has met its final performance requirement, it continues to use its facilities to further its private business or public interest/public safety communications needs, and it continues to use its facilities to provide at least the level of operation required by its final performance requirement through the end of the license term. [Note: licensee must provide a showing demonstrating that the final performance requirement has been met, either separately in a timely application for notification of completion of construction, or as part of its renewal application, depending on the radio service.]	() <u>Yes</u> <u>No</u>

[For a geographic license, private systems - licensee in any subsequent term]: Applicant certifies that it continues to use its facilities to further its private business or public interest/public safety communications needs at or above the level required to meet its final performance requirement through the end of any subsequent license terms.	() <u>Yes</u> <u>No</u>
[For a partitioned or disaggregated license without a performance requirement, for the first renewal application filed after effective date of the rules]: Applicant certifies that the partitioned and/or disaggregated license that is the subject of this renewal application has no separate performance requirement and that this is the first renewal of this license filed subsequent to the effective date of the rules.	() <u>Yes</u> <u>No</u>
[For a partitioned or disaggregated license without a performance requirement, for any subsequent renewal filings]: Applicant certifies that it continues to use its facilities to provide service or to further the applicant's private business or public interest/public safety needs.	() <u>Yes</u> <u>No</u>

Discontinuance of Service Certification

58) Applicant certifies that no permanent discontinuance of service or operation, as applicable, occurred during its current license term. Note: If the response to either item 57 or item 58 is 'N', attach an exhibit that demonstrates that over the course of the license term, the Applicant provided and continues to provide service to the public, or operated and continues to operate the license to meet the Applicant's private business or public interest/public safety communications needs. This exhibit must include a detailed description of the Applicant's provision of service or, when allowed under the relevant service rules or pursuant to waiver, use of the spectrum for private business or public interest/public safety communications needs, during the entire license period and address, as applicable: 1) the level and quality of service provided by the applicant (e.g., the population served, the area served, the number of subscribers, the services offered); (2) the date service commenced, whether service was ever interrupted, and the duration of any interruption or outage; (3) the extent to which service is provided to rural areas; (4) the extent to which service is provided to qualifying tribal land as defined in 47 CFR § 1.2110(e)(3)(i); and (5) any other factors associated with the level of service to the public. The licensee may note in its exhibit: 1) any grant(s) of waiver or extension of a performance deadline or license renewal subject to meeting a performance requirement; or 2) if the final performance deadline and/or expiration date for the license accelerated because the licensee did not meet an interim performance requirement.	() <u>Yes</u> <u>No</u>
--	--------------------------

Regulatory Compliance Certification [same for all]

59) Applicant certifies that it has substantially complied with all applicable FCC rules, policies, and the Communications Act of 1934, as amended. Note: If the response to item 59 is 'N', attach an exhibit explaining the circumstances and demonstrating why Applicant's license should be renewed.	() <u>Yes</u> <u>No</u>
--	--------------------------

General Certification Statements

1) The Applicant waives any claim to the use of any particular frequency or of the electromagnetic spectrum as against the regulatory power of the United States because of the previous use of the same, whether by license or otherwise, and requests an authorization in accordance with this application.
2) The Applicant certifies that grant of this application would not cause the Applicant to be in violation of any pertinent cross-ownership or attribution rules.* *If the Applicant has sought a waiver of any such rule in connection with this application, it may make this certification subject to the outcome of the waiver request.
3) The Applicant certifies that all statements made in this application and in the exhibits, attachments, or documents incorporated by reference are material, are part of this application, and are true, complete, correct, and made in good faith.
4) The Applicant certifies that neither the Applicant nor any other party to the application is subject to a denial of Federal benefits pursuant to § 5301 of the Anti-Drug Abuse Act of 1988, 21 U.S.C. § 862, because of a conviction for possession or distribution of a controlled substance. This certification does not apply to applications filed in services exempted under § 1.2002(c) of the rules, 47 CFR § 1.2002(c). See 47 CFR § 1.2002(b) for the definition of "party to the application" as used in this certification.
5) The Applicant certifies that it either (1) has current required ownership data on file with the Commission, (2) is filing updated ownership data simultaneously with this application, or (3) is not required to file ownership data under the Commission's Rules.
6) The Applicant certifies that the facilities, operations, and transmitters for which this authorization is hereby requested are either: (1) categorically excluded from routine environmental evaluation for RF exposure as set forth in 47 CFR § 1.1307(b); or, (2) have been found not to cause human exposure to levels of radiofrequency radiation in excess of the limits specified in 47 CFR §§ 1.1310 and 2.1093; or, (3) are the subject of one or more Environmental Assessments filed with the Commission.
7) The Applicant certifies that it has reviewed the appropriate Commission Rules defining eligibility to hold the requested license(s) and is eligible to hold the requested license(s).
8) The Applicant certifies that it is not in default on any payment for Commission licenses and that it is not delinquent on any non-tax debt owed to any federal agency.
9) The Applicant certifies that the Applicant and all of the related individuals and entities required to be disclosed on this application and FCC Form 602 (FCC Ownership Disclosure Information for the Wireless Telecommunications Services) are not person(s) who have been, for reasons of national security, barred by any agency of the Federal Government from bidding on a contract, participating in an auction, or receiving a grant. This certification applies only to applications for licenses for spectrum that is required by Sections 6103, 6401-6403 of the Middle Class Tax Relief and Job Creation Act of 2012, codified at 47 U.S.C. §§ 309, 1413, 1451-1452, to be assigned by a system of competitive bidding under 47 U.S.C. § 309(j).

Signature

60) Typed or Printed Name of Party Authorized to Sign

First Name: Jessica	MI:	Last Name: Dunk	Suffix:
61) Title: Assistant Secretary - Compliance			
Signature: Jessica Dunk			62) Date: 01/22/2024
FAILURE TO SIGN THIS APPLICATION MAY RESULT IN DISMISSAL OF THE APPLICATION AND FORFEITURE OF ANY FEES PAID.			
Upon grant of this license application, the Licensee may be subject to certain construction or coverage requirements. Failure to meet the construction or coverage requirements will result in termination of the license. Consult appropriate FCC regulations to determine the construction or coverage requirements that apply to the type of license requested in this application.			
WILLFUL FALSE STATEMENTS MADE ON THIS FORM OR ANY ATTACHMENTS ARE PUNISHABLE BY FINE AND/OR IMPRISONMENT (U.S. Code, Title 18, § 1001) AND/OR REVOCATION OF ANY STATION LICENSE OR CONSTRUCTION PERMIT (U.S. Code, Title 47, § 312(a)(1)), AND/OR FORFEITURE (U.S. Code, Title 47, § 503).			

Reference Copy Only. Do Not Mail to the FCC as an Application.

Submitted: 01/13/2023 at 18:08:22
 File Number: 0010368052

FCC 601
Main Form

FCC Application for Radio Service Authorization: Wireless Telecommunications Bureau Public Safety and Homeland Security Bureau

Approved by OMB
 3060 - 0798
 See instructions for
 public burden estimate

1) Radio Service Code: <p style="text-align: center;">CW</p>	1a) Existing Radio Service Code:
--	----------------------------------

General Information

2) (Select only one) (AU) NE - New RO - Renewal Only AU - Administrative Update NT - Required Notifications MD - Modification RM - Renewal/Modification WD - Withdrawal of Application EX - Requests for Extension of Time AM - Amendment CA - Cancellation of License RL - Registered Location/Link	
3a) If this application is for a Demonstration License or a S pecial Temporary Authorization (STA), enter the code and attach the required exhibit as described in the instructions. Otherwise enter ' N/A ' (Not Applicable).	(N) <u>M</u> <u>S</u> <u>N/A</u>
3b) If this application is for Special Temporary Authority due to an emergency situation, enter 'Y'; otherwise enter 'N'. Refer to Rule 1.915 for an explanation of situations considered to be an emergency.	() <u>Y</u> <u>N</u>
4) If this application is for an Amendment or Withdrawal, enter the file number of the pending application currently on file with the FCC.	File Number
5) If this application is for a Modification, Renewal Only, Renewal/Modification, Cancellation of License, , or Administrative Update, enter the call sign of the existing FCC license. If this is a request for Registered Location/Link, enter the FCC call sign assigned to the geographic license.	Call Sign WPO1256
6a) If this application is for a New, Amendment, Renewal Only, or Renewal/Modification, enter the requested authorization expiration date (this item is optional).	MM DD _____ / _____
6b) If this application is for a Renewal Only or Renewal/Modification and the license is a geographic area license, is the license used to provide service to customers (C), or is the license used for private business (internal) purposes or to meet the licensee's public interest/public safety communications needs (P)?	() <u>C</u> <u>P</u>
7) Is this application "major" as defined in § 1.929 of the Commission's Rules when read in conjunction with the applicable radio service rules found in Parts 22 and 90 of the Commission's Rules? (NOTE: This question only applies to certain site-specific applications. See the instructions for applicability and full text of § 1.929).	() <u>Y</u> <u>N</u>
8) Are attachments (other than associated schedules) being filed with this application?	() <u>Y</u> <u>N</u>

Fees, Waivers, and Exemptions

9) Is the Applicant exempt from FCC application fees?	(N) <u>Y</u> <u>N</u>
10) Is the Applicant exempt from FCC regulatory fees?	(N) <u>Y</u> <u>N</u>
11) Does this application include a request for a Waiver of the Commission's Rule(s)? If 'Yes', attach an exhibit providing rule number(s) and explaining circumstances.	(N) <u>Y</u> <u>N</u>
12) Are the frequencies or parameters requested in this filing covered by grandfathered privileges, previously approved by waiver, or functionally integrated with an existing station?	() <u>Y</u> <u>N</u>

Applicant Information

13) FCC Registration Number (FRN): 0003291192			
14) Applicant/Licensee Legal Entity Type: (Select One) <input type="checkbox"/> Individual <input type="checkbox"/> Unincorporated Association <input type="checkbox"/> Trust <input type="checkbox"/> Government Entity <input type="checkbox"/> Corporation <input checked="" type="checkbox"/> Limited Liability Company <input type="checkbox"/> General Partnership <input type="checkbox"/> Limited Partnership <input type="checkbox"/> Limited Liability Partnership <input type="checkbox"/> Consortium <input type="checkbox"/> Other: _____			
15) If the Licensee name is being updated, is the update a result from the sale (or transfer of control) of the license(s) to party and for which proper Commission approval has not been received or proper notification not provided?			<input type="checkbox"/> Yes <input checked="" type="checkbox"/> No
16) First Name (if individual):	MI:	Last Name:	Suffix:
17) Legal Entity Name (if other than individual): NEW CINGULAR WIRELESS PCS, LLC			
18) Attention To: FCC Group			
19) P.O. Box:	And/Or	20) Street Address: 208 S. Akard St. 20F	
21) City: Dallas	22) State: TX	23) Zip Code: 75202	
24) Telephone Number: (855)699-7073		25) Fax: (214)746-6410	
26) E-Mail Address: FCCMW@att.com			

27) Demographics (Optional)

Race: <input type="checkbox"/> American Indian or Alaska Native <input type="checkbox"/> Asian <input type="checkbox"/> Black or African-American <input type="checkbox"/> Native Hawaiian or Other Pacific Islander <input type="checkbox"/> White	Ethnicity: <input type="checkbox"/> Hispanic or Latino <input type="checkbox"/> Not Hispanic or Latino	Gender: <input type="checkbox"/> Male <input type="checkbox"/> Female
--	--	---

Real Party in Interest

28) Name of Real Party in Interest of Applicant (If different from Applicant):	29) FCC Registration Number (FRN) of Real Party in Interest:
--	--

Contact Information (If different from the Applicant) Check here if same as Applicant.

30) First Name: Cecil	MI: J	Last Name: Mathew	Suffix:
31) Company Name: AT&T Services, Inc.			
32) Attention To: FCC Group			
33) P.O. Box:	And /Or	34) Street Address: 208 S. Akard St. 20F	
35) City: Dallas	36) State: TX	37) Zip Code: 75202	
38) Telephone Number: (855)699-7073		39) Fax: (214)746-6410	
40) E-Mail Address: FCCMW@att.com			

Regulatory Status

41) This filing is for authorization to provide or use the following type(s) of radio service offering (enter all that apply):
() Common Carrier () Non-Common Carrier () Private, internal communications () Broadcast Services () Band Manager

Type of Radio Service

42) This filing is for authorization to provide the following type(s) of radio service (choose all that apply):
() Fixed () Mobile () Radiolocation () Satellite (sound) () Broadcast Services
43) Does the Applicant propose to provide service interconnected to the public telephone network? () Yes () No

Alien Ownership Questions (If any answer is 'Y', provide an attachment explaining the circumstances. In preparing the attachment, refer to the Main Form Instructions for the "Alien Ownership Questions".)

44) Is the Applicant a foreign government or the representative of any foreign government? () Yes () No
45) Is the Applicant an alien or the representative of an alien? () Yes () No
46) Is the Applicant a corporation organized under the laws of any foreign government? () Yes () No
47) Is the Applicant a corporation of which more than one-fifth of the capital stock is owned of record or voted by aliens or their representatives, or by a foreign government or representative thereof, or by any corporation organized under the laws of a foreign country? () Yes () No

48a) Is the Applicant directly or indirectly controlled by any other corporation of which more than one-fourth of the capital stock (Yes No) is owned of record or voted by aliens or their representatives, or by a foreign government or representative thereof, or by any corporation organized under the laws of a foreign country?

48b) If the answer to 47 or 48a is 'Y' select one of the choices below.

The Applicant is exempt from the provisions of Section 310(b).

If checked, it is not necessary to file a petition for declaratory ruling if the Applicant includes in the attachment required by Item 47 or Item 48a a showing that the requested license(s) is exempt from the provisions of Section 310(b).

The Applicant has received a declaratory ruling(s) approving its foreign ownership, and the application involves only the acquisition of additional spectrum for the provision of a wireless service in a geographic coverage area for which the Applicant has been previously authorized.

If checked, include in the attachment required by Item 47 or Item 48a the citation(s) of the applicable declaratory ruling(s) by DA/FCC number, the FCC Record citation, if available, release date, and a statement that there has been no change in the foreign ownership of the Applicant since the issuance of its ruling.

The Applicant: (i) has received a declaratory ruling(s) approving its foreign ownership, but is not able to make the certification specified immediately above; or (ii) is an "affiliate" of a Licensee or Lessee/Sublessee that received a declaratory ruling(s) under 47 CFR § 1.5000(a) and is relying on the affiliate's ruling for purposes of filing this application as permitted under the affiliate's ruling and 47 CFR § 1.5004(b)

If checked, and if the Applicant received its declaratory ruling(s) on or after August 9, 2013, include in the attachment required by Item 47 or Item 48a the citation(s) of the Applicant's declaratory ruling(s) by DA/FCC number, the FCC Record citation, if available, release date, and a statement that the Applicant is in compliance with the terms and conditions of its ruling and with the Commission's Rules.

If checked, and if the Applicant received its declaratory ruling(s) prior to August 9, 2013, include in the attachment required by Item 48a a copy of a petition for declaratory ruling filed contemporaneously with the Commission to extend the Applicant's existing ruling(s) to cover the same radio service(s) and geographic coverage area(s) involved in the application. Alternatively, the Applicant may request a new declaratory ruling pursuant to Section 1.5000(a) of the Commission's Rules, 47 CFR § 1.5000 (a). Petitions for declaratory ruling may be filed electronically on the Internet through the International Bureau Filing System (IBFS) (with a copy attached hereto).

If checked, and if the Applicant is relying on an affiliate's ruling for purposes of filing this application, include in the attachment required by Item 47 or Item 48a the citation(s) of the applicable declaratory ruling(s) by DA/FCC number, the FCC Record citation, if available, release date, and a statement that the Applicant is in compliance with the terms and conditions of the named affiliate's ruling and with the Commission's Rules. The Applicant must also include a certification of compliance signed by the named affiliate or other qualified entity as specified in 47 CFR § 1.5004(b). See Main Form Instructions for Items 47 or 48a, as applicable.

The Applicant has not received a declaratory ruling approving its foreign ownership and is requesting a declaratory ruling under 47 CFR § 1.5004(b) in a petition filed contemporaneously with the Commission.

If checked, include in the attachment required by Item 47 or 48a a copy of the petition for declaratory ruling filed contemporaneously with the Commission pursuant to 47 CFR § 1.5004(b). Petitions for declaratory ruling may be filed electronically on the Internet through the International Bureau Filing System (IBFS) (with a copy attached hereto).

Basic Qualification Questions

49) Has the Applicant or any party to this application had any FCC station authorization, license or construction permit revoked or had any application for an initial, modification or renewal of FCC station authorization, license, or construction permit denied by the Commission?	(<input type="checkbox"/>) <u>Yes</u> <u>No</u>
50) Has the Applicant or any party to this application, or any party directly or indirectly controlling the Applicant, ever been convicted of a felony by any state or federal court?	(<input type="checkbox"/>) <u>Yes</u> <u>No</u>
51) Has any court finally adjudged the Applicant or any party directly or indirectly controlling the Applicant guilty of unlawfully monopolizing or attempting unlawfully to monopolize radio communication, directly or indirectly, through control of manufacture or sale of radio apparatus, exclusive traffic arrangement, or any other means or unfair methods of competition?	(<input type="checkbox"/>) <u>Yes</u> <u>No</u>

Note: If the answer to any of 49-51 is 'Y', attach an exhibit explaining the circumstances.

Aeronautical Advisory Station (Unicom) Certification

52) (<input type="checkbox"/>) I certify that the station will be located on property of the airport to be served, and, in cases where the airport does not have a control tower, RCO, or FAA flight service station, that I have notified the owner of the airport and all aviation service organizations located at the airport within ten days prior to application.

Broadband Radio Service and Educational Broadband Service Cable Cross-Ownership

53a) Will the requested facilities be used to provide multichannel video programming service?	(<input type="checkbox"/>) <u>Yes</u> <u>No</u>
53b) If the answer to question 53a is 'Y', does the Applicant operate, control or have an attributable interest (as defined in 47 CFR § 27.1202) in a cable television system whose franchise area is located within the geographic service area of the requested facilities?	(<input type="checkbox"/>) <u>Yes</u> <u>No</u>

Note: If the answer to question 53b is 'Y', attach an exhibit explaining how the Applicant complies with 47 CFR § 27.1202 or justifying a waiver of that rule. If a waiver of the Commission Rule(s) is being requested, Item 11a must be answered 'Y'.

Broadband Radio Service and Educational Broadband Service (Part 27)

54) (For EBS only) Does the Applicant comply with the programming requirements contained in 47 CFR § 27.1203?	(<input type="checkbox"/>) <u>Yes</u> <u>No</u>
---	---

Note: If the answer to item 54 is 'N', attach an exhibit explaining how the Applicant complies with 47 CFR § 27.1203 of the Commission's Rules or justifying a waiver of that rule. If a waiver of the Commission Rule(s) is being requested, Item 11a must be answered 'Y'.

55) (For BRS and EBS) Does the Applicant comply with 47 CFR §§ 27.50, 27.55, and 27.1221?	(<input type="checkbox"/>) <u>Yes</u> <u>No</u>
---	---

Note: If the answer to item 55 is 'N', attach an exhibit justifying a waiver of that rule(s). If a waiver of the Commission Rule(s) is being requested, Item 11a must be answered 'Y'.

For Applicants Who Participated in an Auction

56) Is the Applicant a qualifying rural wireless partnership or a member of a qualifying rural wireless partnership?	(<input type="checkbox"/>) <u>Yes</u> <u>No</u>
--	---

Note: If the answer to item 56 is 'Y', attach an exhibit listing all members of the qualifying rural wireless partnership, including their FRN numbers.

For Renewal Applicants

57) Operation/Performance Requirement Certification	
[For a site-based license]: Applicant certifies that it is continuing to operate consistent with its most recently filed construction notification (or most recent authorization, if no construction notification was required).	(<input type="checkbox"/>) <u>Yes</u> <u>No</u>
[For a geographic license, commercial service - licensee in its initial license term with an interim performance requirement]: Applicant certifies that it has met its interim performance requirement, that over the portion of the license term following the interim performance requirement, it continues to use its facilities to provide at least the level of service required by its interim performance requirement, it has met its final performance requirement, and it continues to use its facilities to provide at least the level of service required by its final performance requirement through the end of the license term.	(<input type="checkbox"/>) <u>Yes</u> <u>No</u>
[For a geographic license, commercial service - licensee in its initial license term with no interim performance requirement]: Applicant certifies that it has met its final performance requirement and it continues to use its facilities to provide at least the level of service required by its final performance requirement through the end of the license term. [Note: licensee must provide a showing demonstrating that the final performance requirement has been met, either separately in a timely application for notification of completion of construction, or as part of its renewal application, depending on the radio service.]	(<input type="checkbox"/>) <u>Yes</u> <u>No</u>
[For a geographic license, commercial service - licensee in any subsequent term]: Applicant certifies that it continues to use its facilities to provide at least the level of service required by its final performance requirement through the end of any subsequent license terms.	(<input type="checkbox"/>) <u>Yes</u> <u>No</u>
[For a geographic license, private systems - licensee in its initial license term with an interim performance requirement]: Applicant certifies that it has met its interim performance requirement, that over the portion of the license term following the interim performance requirement, it continues to use its facilities to further its private business or public interest/public safety communications needs at or above the level required to meet its interim performance requirement, it has met its final performance requirement, and it continues to use its facilities to provide at least the level of operation required by its final performance requirement through the end of the license term.	(<input type="checkbox"/>) <u>Yes</u> <u>No</u>
[For a geographic license, private systems - licensee in its initial license term with no interim performance requirement]: Applicant certifies that it has met its final performance requirement, it continues to use its facilities to further its private business or public interest/public safety communications needs, and it continues to use its facilities to provide at least the level of operation required by its final performance requirement through the end of the license term. [Note: licensee must provide a showing demonstrating that the final performance requirement has been met, either separately in a timely application for notification of completion of construction, or as part of its renewal application, depending on the radio service.]	(<input type="checkbox"/>) <u>Yes</u> <u>No</u>

[For a geographic license, private systems - licensee in any subsequent term]: Applicant certifies that it continues to use its facilities to further its private business or public interest/public safety communications needs at or above the level required to meet its final performance requirement through the end of any subsequent license terms.	(<input type="checkbox"/>) <u>Yes</u> <u>No</u>
[For a partitioned or disaggregated license without a performance requirement, for the first renewal application filed after effective date of the rules]: Applicant certifies that the partitioned and/or disaggregated license that is the subject of this renewal application has no separate performance requirement and that this is the first renewal of this license filed subsequent to the effective date of the rules.	(<input type="checkbox"/>) <u>Yes</u> <u>No</u>
[For a partitioned or disaggregated license without a performance requirement, for any subsequent renewal filings]: Applicant certifies that it continues to use its facilities to provide service or to further the applicant's private business or public interest/public safety needs.	(<input type="checkbox"/>) <u>Yes</u> <u>No</u>

Discontinuance of Service Certification

58) Applicant certifies that no permanent discontinuance of service or operation, as applicable, occurred during its current license term. Note: If the response to either item 57 or item 58 is 'N', attach an exhibit that demonstrates that over the course of the license term, the Applicant provided and continues to provide service to the public, or operated and continues to operate the license to meet the Applicant's private business or public interest/public safety communications needs. This exhibit must include a detailed description of the Applicant's provision of service or, when allowed under the relevant service rules or pursuant to waiver, use of the spectrum for private business or public interest/public safety communications needs, during the entire license period and address, as applicable: 1) the level and quality of service provided by the applicant (e.g., the population served, the area served, the number of subscribers, the services offered); (2) the date service commenced, whether service was ever interrupted, and the duration of any interruption or outage; (3) the extent to which service is provided to rural areas; (4) the extent to which service is provided to qualifying tribal land as defined in 47 CFR § 1.2110(e)(3)(i); and (5) any other factors associated with the level of service to the public. The licensee may note in its exhibit: 1) any grant(s) of waiver or extension of a performance deadline or license renewal subject to meeting a performance requirement; or 2) if the final performance deadline and/or expiration date for the license accelerated because the licensee did not meet an interim performance requirement.	(<input type="checkbox"/>) <u>Yes</u> <u>No</u>
--	---

Regulatory Compliance Certification [same for all]

59) Applicant certifies that it has substantially complied with all applicable FCC rules, policies, and the Communications Act of 1934, as amended. Note: If the response to item 59 is 'N', attach an exhibit explaining the circumstances and demonstrating why Applicant's license should be renewed.	(<input type="checkbox"/>) <u>Yes</u> <u>No</u>
--	---

General Certification Statements

1) The Applicant waives any claim to the use of any particular frequency or of the electromagnetic spectrum as against the regulatory power of the United States because of the previous use of the same, whether by license or otherwise, and requests an authorization in accordance with this application.
2) The Applicant certifies that grant of this application would not cause the Applicant to be in violation of any pertinent cross-ownership or attribution rules.* *If the Applicant has sought a waiver of any such rule in connection with this application, it may make this certification subject to the outcome of the waiver request.
3) The Applicant certifies that all statements made in this application and in the exhibits, attachments, or documents incorporated by reference are material, are part of this application, and are true, complete, correct, and made in good faith.
4) The Applicant certifies that neither the Applicant nor any other party to the application is subject to a denial of Federal benefits pursuant to § 5301 of the Anti-Drug Abuse Act of 1988, 21 U.S.C. § 862, because of a conviction for possession or distribution of a controlled substance. This certification does not apply to applications filed in services exempted under § 1.2002(c) of the rules, 47 CFR § 1.2002(c). See 47 CFR § 1.2002(b) for the definition of "party to the application" as used in this certification.
5) The Applicant certifies that it either (1) has current required ownership data on file with the Commission, (2) is filing updated ownership data simultaneously with this application, or (3) is not required to file ownership data under the Commission's Rules.
6) The Applicant certifies that the facilities, operations, and transmitters for which this authorization is hereby requested are either: (1) categorically excluded from routine environmental evaluation for RF exposure as set forth in 47 CFR § 1.1307(b); or, (2) have been found not to cause human exposure to levels of radiofrequency radiation in excess of the limits specified in 47 CFR §§ 1.1310 and 2.1093; or, (3) are the subject of one or more Environmental Assessments filed with the Commission.
7) The Applicant certifies that it has reviewed the appropriate Commission Rules defining eligibility to hold the requested license(s) and is eligible to hold the requested license(s).
8) The Applicant certifies that it is not in default on any payment for Commission licenses and that it is not delinquent on any non-tax debt owed to any federal agency.
9) The Applicant certifies that the Applicant and all of the related individuals and entities required to be disclosed on this application and FCC Form 602 (FCC Ownership Disclosure Information for the Wireless Telecommunications Services) are not person(s) who have been, for reasons of national security, barred by any agency of the Federal Government from bidding on a contract, participating in an auction, or receiving a grant. This certification applies only to applications for licenses for spectrum that is required by Sections 6103, 6401-6403 of the Middle Class Tax Relief and Job Creation Act of 2012, codified at 47 U.S.C. §§ 309, 1413, 1451-1452, to be assigned by a system of competitive bidding under 47 U.S.C. § 309(j).

Signature

60) Typed or Printed Name of Party Authorized to Sign

First Name: Cecil	MI: J	Last Name: Mathew	Suffix:
61) Title: Assistant Secretary - Compliance			
Signature: Cecil J Mathew			62) Date: 01/13/2023
FAILURE TO SIGN THIS APPLICATION MAY RESULT IN DISMISSAL OF THE APPLICATION AND FORFEITURE OF ANY FEES PAID.			
Upon grant of this license application, the Licensee may be subject to certain construction or coverage requirements. Failure to meet the construction or coverage requirements will result in termination of the license. Consult appropriate FCC regulations to determine the construction or coverage requirements that apply to the type of license requested in this application.			
WILLFUL FALSE STATEMENTS MADE ON THIS FORM OR ANY ATTACHMENTS ARE PUNISHABLE BY FINE AND/OR IMPRISONMENT (U.S. Code, Title 18, § 1001) AND/OR REVOCATION OF ANY STATION LICENSE OR CONSTRUCTION PERMIT (U.S. Code, Title 47, § 312(a)(1)), AND/OR FORFEITURE (U.S. Code, Title 47, § 503).			

REFERENCE COPY

This is not an official FCC license. It is a record of public information contained in the FCC's licensing database on the date that this reference copy was generated. In cases where FCC rules require the presentation, posting, or display of an FCC license, this document may not be used in place of an official FCC license.



Federal Communications Commission
Wireless Telecommunications Bureau

RADIO STATION AUTHORIZATION

LICENSEE: NEW CINGULAR WIRELESS PCS, LLC

ATTN: CECIL J MATHEW
NEW CINGULAR WIRELESS PCS, LLC
208 S. AKARD ST. 20F
DALLAS, TX 75202

Table with Call Sign (WPSJ971), File Number, and Radio Service (CW - PCS Broadband).

FCC Registration Number (FRN): 0003291192

Table with columns: Grant Date, Effective Date, Expiration Date, Print Date, Market Number, Channel Block, Sub-Market Designator, Market Name, 1st Build-out Date, 2nd Build-out Date, 3rd Build-out Date, 4th Build-out Date.

Waivers/Conditions:

This authorization is subject to the condition that, in the event that systems using the same frequencies as granted herein are authorized in an adjacent foreign territory (Canada/United States), future coordination of any base station transmitters within 72 km (45 miles) of the United States/Canada border shall be required to eliminate any harmful interference to operations in the adjacent foreign territory and to ensure continuance of equal access to the frequencies by both countries.

Conditions:

Pursuant to §309(h) of the Communications Act of 1934, as amended, 47 U.S.C. §309(h), this license is subject to the following conditions: This license shall not vest in the licensee any right to operate the station nor any right in the use of the frequencies designated in the license beyond the term thereof nor in any other manner than authorized herein.

This license may not authorize operation throughout the entire geographic area or spectrum identified on the hardcopy version. To view the specific geographic area and spectrum authorized by this license, refer to the Spectrum and Market Area information under the Market Tab of the license record in the Universal Licensing System (ULS).

Licensee Name: NEW CINGULAR WIRELESS PCS, LLC

Call Sign: WPSJ971

File Number:

Print Date:

700 MHz Relicensed Area Information:

Market	Market Name	Buildout Deadline	Buildout Notification	Status
---------------	--------------------	--------------------------	------------------------------	---------------

Reference Copy

Reference Copy Only. Do Not Mail to the FCC as an Application.

Submitted: 01/23/2024 at 17:43:02
 File Number: 0010873666

FCC 601
Main Form

FCC Application for Radio Service Authorization: Wireless Telecommunications Bureau Public Safety and Homeland Security Bureau

Approved by OMB
 3060 - 0798
 See instructions for
 public burden estimate

1) Radio Service Code: <p style="text-align: center;">CW</p>	1a) Existing Radio Service Code:
--	----------------------------------

General Information

2) (Select only one) (AU) NE - New RO - Renewal Only AU - Administrative Update NT - Required Notifications MD - Modification RM - Renewal/Modification WD - Withdrawal of Application EX - Requests for Extension of Time AM - Amendment CA - Cancellation of License RL - Registered Location/Link	
3a) If this application is for a Demonstration License or a S pecial Temporary Authorization (STA), enter the code and attach the required exhibit as described in the instructions. Otherwise enter ' N/A ' (Not Applicable).	(N) <u>M</u> <u>S</u> <u>N/A</u>
3b) If this application is for Special Temporary Authority due to an emergency situation, enter 'Y'; otherwise enter 'N'. Refer to Rule 1.915 for an explanation of situations considered to be an emergency.	() <u>Y</u> <u>N</u>
4) If this application is for an Amendment or Withdrawal, enter the file number of the pending application currently on file with the FCC.	File Number
5) If this application is for a Modification, Renewal Only, Renewal/Modification, Cancellation of License, , or Administrative Update, enter the call sign of the existing FCC license. If this is a request for Registered Location/Link, enter the FCC call sign assigned to the geographic license.	Call Sign WPSJ971
6a) If this application is for a New, Amendment, Renewal Only, or Renewal/Modification, enter the requested authorization expiration date (this item is optional).	MM DD _____ / _____
6b) If this application is for a Renewal Only or Renewal/Modification and the license is a geographic area license, is the license used to provide service to customers (C), or is the license used for private business (internal) purposes or to meet the licensee's public interest/public safety communications needs (P)?	() <u>C</u> <u>P</u>
7) Is this application "major" as defined in § 1.929 of the Commission's Rules when read in conjunction with the applicable radio service rules found in Parts 22 and 90 of the Commission's Rules? (NOTE: This question only applies to certain site-specific applications. See the instructions for applicability and full text of § 1.929).	() <u>Y</u> <u>N</u>
8) Are attachments (other than associated schedules) being filed with this application?	() <u>Y</u> <u>N</u>

Fees, Waivers, and Exemptions

9) Is the Applicant exempt from FCC application fees?	(N) <u>Y</u> <u>N</u>
10) Is the Applicant exempt from FCC regulatory fees?	(N) <u>Y</u> <u>N</u>
11) Does this application include a request for a Waiver of the Commission's Rule(s)? If 'Yes', attach an exhibit providing rule number(s) and explaining circumstances.	(N) <u>Y</u> <u>N</u>
12) Are the frequencies or parameters requested in this filing covered by grandfathered privileges, previously approved by waiver, or functionally integrated with an existing station?	() <u>Y</u> <u>N</u>

Applicant Information

13) FCC Registration Number (FRN): 0003291192			
14) Applicant/Licensee Legal Entity Type: (Select One) <input type="checkbox"/> Individual <input type="checkbox"/> Unincorporated Association <input type="checkbox"/> Trust <input type="checkbox"/> Government Entity <input type="checkbox"/> Corporation <input checked="" type="checkbox"/> Limited Liability Company <input type="checkbox"/> General Partnership <input type="checkbox"/> Limited Partnership <input type="checkbox"/> Limited Liability Partnership <input type="checkbox"/> Consortium <input type="checkbox"/> Other: _____			
15) If the Licensee name is being updated, is the update a result from the sale (or transfer of control) of the license(s) to party and for which proper Commission approval has not been received or proper notification not provided?			<input type="checkbox"/> Yes <input checked="" type="checkbox"/> No
16) First Name (if individual):	MI:	Last Name:	Suffix:
17) Legal Entity Name (if other than individual): New Cingular Wireless PCS, LLC			
18) Attention To: National Regulatory Compliance			
19) P.O. Box:	And/Or	20) Street Address: 208 S Akard St, 20F	
21) City: Dallas	22) State: TX	23) Zip Code: 75202	
24) Telephone Number: (855)699-7073		25) Fax:	
26) E-Mail Address: FCCMW@att.com			

27) Demographics (Optional)

Race: <input type="checkbox"/> American Indian or Alaska Native <input type="checkbox"/> Asian <input type="checkbox"/> Black or African-American <input type="checkbox"/> Native Hawaiian or Other Pacific Islander <input type="checkbox"/> White	Ethnicity: <input type="checkbox"/> Hispanic or Latino <input type="checkbox"/> Not Hispanic or Latino	Gender: <input type="checkbox"/> Male <input type="checkbox"/> Female
--	--	---

Real Party in Interest

28) Name of Real Party in Interest of Applicant (If different from Applicant):	29) FCC Registration Number (FRN) of Real Party in Interest:
--	--

Contact Information (If different from the Applicant) Check here if same as Applicant.

30) First Name: Jessica	MI: J	Last Name: Dunk	Suffix:
31) Company Name: AT&T Services, Inc.			
32) Attention To: NRC			
33) P.O. Box:	And /Or	34) Street Address: 208 S Akard St, 20F	
35) City: Dallas	36) State: TX	37) Zip Code: 75202	
38) Telephone Number: (855)699-7073		39) Fax:	
40) E-Mail Address: FCCMW@att.com			

Regulatory Status

41) This filing is for authorization to provide or use the following type(s) of radio service offering (enter all that apply):
() Common Carrier () Non-Common Carrier () Private, internal communications () Broadcast Services () Band Manager

Type of Radio Service

42) This filing is for authorization to provide the following type(s) of radio service (choose all that apply):
() Fixed () Mobile () Radiolocation () Satellite (sound) () Broadcast Services
43) Does the Applicant propose to provide service interconnected to the public telephone network? () Yes () No

Alien Ownership Questions (If any answer is 'Y', provide an attachment explaining the circumstances. In preparing the attachment, refer to the Main Form Instructions for the "Alien Ownership Questions".)

44) Is the Applicant a foreign government or the representative of any foreign government? () Yes () No
45) Is the Applicant an alien or the representative of an alien? () Yes () No
46) Is the Applicant a corporation organized under the laws of any foreign government? () Yes () No
47) Is the Applicant a corporation of which more than one-fifth of the capital stock is owned of record or voted by aliens or their representatives, or by a foreign government or representative thereof, or by any corporation organized under the laws of a foreign country? () Yes () No

48a) Is the Applicant directly or indirectly controlled by any other corporation of which more than one-fourth of the capital stock (Yes No) is owned of record or voted by aliens or their representatives, or by a foreign government or representative thereof, or by any corporation organized under the laws of a foreign country?

48b) If the answer to 47 or 48a is 'Y' select one of the choices below.

The Applicant is exempt from the provisions of Section 310(b).

If checked, it is not necessary to file a petition for declaratory ruling if the Applicant includes in the attachment required by Item 47 or Item 48a a showing that the requested license(s) is exempt from the provisions of Section 310(b).

The Applicant has received a declaratory ruling(s) approving its foreign ownership, and the application involves only the acquisition of additional spectrum for the provision of a wireless service in a geographic coverage area for which the Applicant has been previously authorized.

If checked, include in the attachment required by Item 47 or Item 48a the citation(s) of the applicable declaratory ruling(s) by DA/FCC number, the FCC Record citation, if available, release date, and a statement that there has been no change in the foreign ownership of the Applicant since the issuance of its ruling.

The Applicant: (i) has received a declaratory ruling(s) approving its foreign ownership, but is not able to make the certification specified immediately above; or (ii) is an "affiliate" of a Licensee or Lessee/Sublessee that received a declaratory ruling(s) under 47 CFR § 1.5000(a) and is relying on the affiliate's ruling for purposes of filing this application as permitted under the affiliate's ruling and 47 CFR § 1.5004(b)

If checked, and if the Applicant received its declaratory ruling(s) on or after August 9, 2013, include in the attachment required by Item 47 or Item 48a the citation(s) of the Applicant's declaratory ruling(s) by DA/FCC number, the FCC Record citation, if available, release date, and a statement that the Applicant is in compliance with the terms and conditions of its ruling and with the Commission's Rules.

If checked, and if the Applicant received its declaratory ruling(s) prior to August 9, 2013, include in the attachment required by Item 48a a copy of a petition for declaratory ruling filed contemporaneously with the Commission to extend the Applicant's existing ruling(s) to cover the same radio service(s) and geographic coverage area(s) involved in the application. Alternatively, the Applicant may request a new declaratory ruling pursuant to Section 1.5000(a) of the Commission's Rules, 47 CFR § 1.5000 (a). Petitions for declaratory ruling may be filed electronically on the Internet through the International Bureau Filing System (IBFS) (with a copy attached hereto).

If checked, and if the Applicant is relying on an affiliate's ruling for purposes of filing this application, include in the attachment required by Item 47 or Item 48a the citation(s) of the applicable declaratory ruling(s) by DA/FCC number, the FCC Record citation, if available, release date, and a statement that the Applicant is in compliance with the terms and conditions of the named affiliate's ruling and with the Commission's Rules. The Applicant must also include a certification of compliance signed by the named affiliate or other qualified entity as specified in 47 CFR § 1.5004(b). See Main Form Instructions for Items 47 or 48a, as applicable.

The Applicant has not received a declaratory ruling approving its foreign ownership and is requesting a declaratory ruling under 47 CFR § 1.5004(b) in a petition filed contemporaneously with the Commission.

If checked, include in the attachment required by Item 47 or 48a a copy of the petition for declaratory ruling filed contemporaneously with the Commission pursuant to 47 CFR § 1.5004(b). Petitions for declaratory ruling may be filed electronically on the Internet through the International Bureau Filing System (IBFS) (with a copy attached hereto).

Basic Qualification Questions

49) Has the Applicant or any party to this application had any FCC station authorization, license or construction permit revoked or had any application for an initial, modification or renewal of FCC station authorization, license, or construction permit denied by the Commission?	() <u>Yes</u> <u>No</u>
50) Has the Applicant or any party to this application, or any party directly or indirectly controlling the Applicant, ever been convicted of a felony by any state or federal court?	() <u>Yes</u> <u>No</u>
51) Has any court finally adjudged the Applicant or any party directly or indirectly controlling the Applicant guilty of unlawfully monopolizing or attempting unlawfully to monopolize radio communication, directly or indirectly, through control of manufacture or sale of radio apparatus, exclusive traffic arrangement, or any other means or unfair methods of competition?	() <u>Yes</u> <u>No</u>

Note: If the answer to any of 49-51 is 'Y', attach an exhibit explaining the circumstances.

Aeronautical Advisory Station (Unicom) Certification

52) () I certify that the station will be located on property of the airport to be served, and, in cases where the airport does not have a control tower, RCO, or FAA flight service station, that I have notified the owner of the airport and all aviation service organizations located at the airport within ten days prior to application.
--

Broadband Radio Service and Educational Broadband Service Cable Cross-Ownership

53a) Will the requested facilities be used to provide multichannel video programming service?	() <u>Yes</u> <u>No</u>
53b) If the answer to question 53a is 'Y', does the Applicant operate, control or have an attributable interest (as defined in 47 CFR § 27.1202) in a cable television system whose franchise area is located within the geographic service area of the requested facilities?	() <u>Yes</u> <u>No</u>

Note: If the answer to question 53b is 'Y', attach an exhibit explaining how the Applicant complies with 47 CFR § 27.1202 or justifying a waiver of that rule. If a waiver of the Commission Rule(s) is being requested, Item 11a must be answered 'Y'.

Broadband Radio Service and Educational Broadband Service (Part 27)

54) (For EBS only) Does the Applicant comply with the programming requirements contained in 47 CFR § 27.1203?	() <u>Yes</u> <u>No</u>
---	--------------------------

Note: If the answer to item 54 is 'N', attach an exhibit explaining how the Applicant complies with 47 CFR § 27.1203 of the Commission's Rules or justifying a waiver of that rule. If a waiver of the Commission Rule(s) is being requested, Item 11a must be answered 'Y'.

55) (For BRS and EBS) Does the Applicant comply with 47 CFR §§ 27.50, 27.55, and 27.1221?	() <u>Yes</u> <u>No</u>
---	--------------------------

Note: If the answer to item 55 is 'N', attach an exhibit justifying a waiver of that rule(s). If a waiver of the Commission Rule(s) is being requested, Item 11a must be answered 'Y'.

For Applicants Who Participated in an Auction

56) Is the Applicant a qualifying rural wireless partnership or a member of a qualifying rural wireless partnership?	() <u>Yes</u> <u>No</u>
--	--------------------------

Note: If the answer to item 56 is 'Y', attach an exhibit listing all members of the qualifying rural wireless partnership, including their FRN numbers.

For Renewal Applicants

57) Operation/Performance Requirement Certification	
[For a site-based license]: Applicant certifies that it is continuing to operate consistent with its most recently filed construction notification (or most recent authorization, if no construction notification was required).	() <u>Yes</u> <u>No</u>
[For a geographic license, commercial service - licensee in its initial license term with an interim performance requirement]: Applicant certifies that it has met its interim performance requirement, that over the portion of the license term following the interim performance requirement, it continues to use its facilities to provide at least the level of service required by its interim performance requirement, it has met its final performance requirement, and it continues to use its facilities to provide at least the level of service required by its final performance requirement through the end of the license term.	() <u>Yes</u> <u>No</u>
[For a geographic license, commercial service - licensee in its initial license term with no interim performance requirement]: Applicant certifies that it has met its final performance requirement and it continues to use its facilities to provide at least the level of service required by its final performance requirement through the end of the license term. [Note: licensee must provide a showing demonstrating that the final performance requirement has been met, either separately in a timely application for notification of completion of construction, or as part of its renewal application, depending on the radio service.]	() <u>Yes</u> <u>No</u>
[For a geographic license, commercial service - licensee in any subsequent term]: Applicant certifies that it continues to use its facilities to provide at least the level of service required by its final performance requirement through the end of any subsequent license terms.	() <u>Yes</u> <u>No</u>
[For a geographic license, private systems - licensee in its initial license term with an interim performance requirement]: Applicant certifies that it has met its interim performance requirement, that over the portion of the license term following the interim performance requirement, it continues to use its facilities to further its private business or public interest/public safety communications needs at or above the level required to meet its interim performance requirement, it has met its final performance requirement, and it continues to use its facilities to provide at least the level of operation required by its final performance requirement through the end of the license term.	() <u>Yes</u> <u>No</u>
[For a geographic license, private systems - licensee in its initial license term with no interim performance requirement]: Applicant certifies that it has met its final performance requirement, it continues to use its facilities to further its private business or public interest/public safety communications needs, and it continues to use its facilities to provide at least the level of operation required by its final performance requirement through the end of the license term. [Note: licensee must provide a showing demonstrating that the final performance requirement has been met, either separately in a timely application for notification of completion of construction, or as part of its renewal application, depending on the radio service.]	() <u>Yes</u> <u>No</u>

[For a geographic license, private systems - licensee in any subsequent term]: Applicant certifies that it continues to use its facilities to further its private business or public interest/public safety communications needs at or above the level required to meet its final performance requirement through the end of any subsequent license terms.	() <u>Yes</u> <u>No</u>
[For a partitioned or disaggregated license without a performance requirement, for the first renewal application filed after effective date of the rules]: Applicant certifies that the partitioned and/or disaggregated license that is the subject of this renewal application has no separate performance requirement and that this is the first renewal of this license filed subsequent to the effective date of the rules.	() <u>Yes</u> <u>No</u>
[For a partitioned or disaggregated license without a performance requirement, for any subsequent renewal filings]: Applicant certifies that it continues to use its facilities to provide service or to further the applicant's private business or public interest/public safety needs.	() <u>Yes</u> <u>No</u>

Discontinuance of Service Certification

58) Applicant certifies that no permanent discontinuance of service or operation, as applicable, occurred during its current license term. Note: If the response to either item 57 or item 58 is 'N', attach an exhibit that demonstrates that over the course of the license term, the Applicant provided and continues to provide service to the public, or operated and continues to operate the license to meet the Applicant's private business or public interest/public safety communications needs. This exhibit must include a detailed description of the Applicant's provision of service or, when allowed under the relevant service rules or pursuant to waiver, use of the spectrum for private business or public interest/public safety communications needs, during the entire license period and address, as applicable: 1) the level and quality of service provided by the applicant (e.g., the population served, the area served, the number of subscribers, the services offered); (2) the date service commenced, whether service was ever interrupted, and the duration of any interruption or outage; (3) the extent to which service is provided to rural areas; (4) the extent to which service is provided to qualifying tribal land as defined in 47 CFR § 1.2110(e)(3)(i); and (5) any other factors associated with the level of service to the public. The licensee may note in its exhibit: 1) any grant(s) of waiver or extension of a performance deadline or license renewal subject to meeting a performance requirement; or 2) if the final performance deadline and/or expiration date for the license accelerated because the licensee did not meet an interim performance requirement.	() <u>Yes</u> <u>No</u>
--	--------------------------

Regulatory Compliance Certification [same for all]

59) Applicant certifies that it has substantially complied with all applicable FCC rules, policies, and the Communications Act of 1934, as amended. Note: If the response to item 59 is 'N', attach an exhibit explaining the circumstances and demonstrating why Applicant's license should be renewed.	() <u>Yes</u> <u>No</u>
--	--------------------------

General Certification Statements

1) The Applicant waives any claim to the use of any particular frequency or of the electromagnetic spectrum as against the regulatory power of the United States because of the previous use of the same, whether by license or otherwise, and requests an authorization in accordance with this application.
2) The Applicant certifies that grant of this application would not cause the Applicant to be in violation of any pertinent cross-ownership or attribution rules.* *If the Applicant has sought a waiver of any such rule in connection with this application, it may make this certification subject to the outcome of the waiver request.
3) The Applicant certifies that all statements made in this application and in the exhibits, attachments, or documents incorporated by reference are material, are part of this application, and are true, complete, correct, and made in good faith.
4) The Applicant certifies that neither the Applicant nor any other party to the application is subject to a denial of Federal benefits pursuant to § 5301 of the Anti-Drug Abuse Act of 1988, 21 U.S.C. § 862, because of a conviction for possession or distribution of a controlled substance. This certification does not apply to applications filed in services exempted under § 1.2002(c) of the rules, 47 CFR § 1.2002(c). See 47 CFR § 1.2002(b) for the definition of "party to the application" as used in this certification.
5) The Applicant certifies that it either (1) has current required ownership data on file with the Commission, (2) is filing updated ownership data simultaneously with this application, or (3) is not required to file ownership data under the Commission's Rules.
6) The Applicant certifies that the facilities, operations, and transmitters for which this authorization is hereby requested are either: (1) categorically excluded from routine environmental evaluation for RF exposure as set forth in 47 CFR § 1.1307(b); or, (2) have been found not to cause human exposure to levels of radiofrequency radiation in excess of the limits specified in 47 CFR §§ 1.1310 and 2.1093; or, (3) are the subject of one or more Environmental Assessments filed with the Commission.
7) The Applicant certifies that it has reviewed the appropriate Commission Rules defining eligibility to hold the requested license(s) and is eligible to hold the requested license(s).
8) The Applicant certifies that it is not in default on any payment for Commission licenses and that it is not delinquent on any non-tax debt owed to any federal agency.
9) The Applicant certifies that the Applicant and all of the related individuals and entities required to be disclosed on this application and FCC Form 602 (FCC Ownership Disclosure Information for the Wireless Telecommunications Services) are not person(s) who have been, for reasons of national security, barred by any agency of the Federal Government from bidding on a contract, participating in an auction, or receiving a grant. This certification applies only to applications for licenses for spectrum that is required by Sections 6103, 6401-6403 of the Middle Class Tax Relief and Job Creation Act of 2012, codified at 47 U.S.C. §§ 309, 1413, 1451-1452, to be assigned by a system of competitive bidding under 47 U.S.C. § 309(j).

Signature

60) Typed or Printed Name of Party Authorized to Sign

First Name: Jessica	MI:	Last Name: Dunk	Suffix:
61) Title: Assistant Secretary - Compliance			
Signature: Jessica Dunk			62) Date: 01/23/2024
FAILURE TO SIGN THIS APPLICATION MAY RESULT IN DISMISSAL OF THE APPLICATION AND FORFEITURE OF ANY FEES PAID.			
Upon grant of this license application, the Licensee may be subject to certain construction or coverage requirements. Failure to meet the construction or coverage requirements will result in termination of the license. Consult appropriate FCC regulations to determine the construction or coverage requirements that apply to the type of license requested in this application.			
WILLFUL FALSE STATEMENTS MADE ON THIS FORM OR ANY ATTACHMENTS ARE PUNISHABLE BY FINE AND/OR IMPRISONMENT (U.S. Code, Title 18, § 1001) AND/OR REVOCATION OF ANY STATION LICENSE OR CONSTRUCTION PERMIT (U.S. Code, Title 47, § 312(a)(1)), AND/OR FORFEITURE (U.S. Code, Title 47, § 503).			

Reference Copy Only. Do Not Mail to the FCC as an Application.

Submitted: 01/13/2023 at 18:08:22
 File Number: 0010368098

FCC 601
Main Form

FCC Application for Radio Service Authorization: Wireless Telecommunications Bureau Public Safety and Homeland Security Bureau

Approved by OMB
 3060 - 0798
 See instructions for
 public burden estimate

1) Radio Service Code: <p style="text-align: center;">CW</p>	1a) Existing Radio Service Code:
--	----------------------------------

General Information

2) (Select only one) (AU) NE - New RO - Renewal Only AU - Administrative Update NT - Required Notifications MD - Modification RM - Renewal/Modification WD - Withdrawal of Application EX - Requests for Extension of Time AM - Amendment CA - Cancellation of License RL - Registered Location/Link	
3a) If this application is for a Demonstration License or a S pecial Temporary Authorization (STA), enter the code and attach the required exhibit as described in the instructions. Otherwise enter ' N/A ' (Not Applicable).	(N) <u>M</u> <u>S</u> <u>N/A</u>
3b) If this application is for Special Temporary Authority due to an emergency situation, enter 'Y'; otherwise enter 'N'. Refer to Rule 1.915 for an explanation of situations considered to be an emergency.	() <u>Y</u> <u>N</u>
4) If this application is for an Amendment or Withdrawal, enter the file number of the pending application currently on file with the FCC.	File Number
5) If this application is for a Modification, Renewal Only, Renewal/Modification, Cancellation of License, , or Administrative Update, enter the call sign of the existing FCC license. If this is a request for Registered Location/Link, enter the FCC call sign assigned to the geographic license.	Call Sign WPSJ971
6a) If this application is for a New, Amendment, Renewal Only, or Renewal/Modification, enter the requested authorization expiration date (this item is optional).	MM DD _____ / _____
6b) If this application is for a Renewal Only or Renewal/Modification and the license is a geographic area license, is the license used to provide service to customers (C), or is the license used for private business (internal) purposes or to meet the licensee's public interest/public safety communications needs (P)?	() <u>C</u> <u>P</u>
7) Is this application "major" as defined in § 1.929 of the Commission's Rules when read in conjunction with the applicable radio service rules found in Parts 22 and 90 of the Commission's Rules? (NOTE: This question only applies to certain site-specific applications. See the instructions for applicability and full text of § 1.929).	() <u>Y</u> <u>N</u>
8) Are attachments (other than associated schedules) being filed with this application?	() <u>Y</u> <u>N</u>

Fees, Waivers, and Exemptions

9) Is the Applicant exempt from FCC application fees?	(N) <u>Y</u> <u>N</u>
10) Is the Applicant exempt from FCC regulatory fees?	(N) <u>Y</u> <u>N</u>
11) Does this application include a request for a Waiver of the Commission's Rule(s)? If 'Yes', attach an exhibit providing rule number(s) and explaining circumstances.	(N) <u>Y</u> <u>N</u>
12) Are the frequencies or parameters requested in this filing covered by grandfathered privileges, previously approved by waiver, or functionally integrated with an existing station?	() <u>Y</u> <u>N</u>

Applicant Information

13) FCC Registration Number (FRN): 0003291192			
14) Applicant/Licensee Legal Entity Type: (Select One) <input type="checkbox"/> Individual <input type="checkbox"/> Unincorporated Association <input type="checkbox"/> Trust <input type="checkbox"/> Government Entity <input type="checkbox"/> Corporation <input checked="" type="checkbox"/> Limited Liability Company <input type="checkbox"/> General Partnership <input type="checkbox"/> Limited Partnership <input type="checkbox"/> Limited Liability Partnership <input type="checkbox"/> Consortium <input type="checkbox"/> Other: _____			
15) If the Licensee name is being updated, is the update a result from the sale (or transfer of control) of the license(s) to party and for which proper Commission approval has not been received or proper notification not provided?			(<input type="checkbox"/>)Yes <input checked="" type="checkbox"/> No
16) First Name (if individual):	MI:	Last Name:	Suffix:
17) Legal Entity Name (if other than individual): NEW CINGULAR WIRELESS PCS, LLC			
18) Attention To: FCC Group			
19) P.O. Box:	And/Or	20) Street Address: 208 S. Akard St. 20F	
21) City: Dallas	22) State: TX	23) Zip Code: 75202	
24) Telephone Number: (855)699-7073		25) Fax:	
26) E-Mail Address: FCCMW@att.com			

27) Demographics (Optional)

Race: <input type="checkbox"/> American Indian or Alaska Native <input type="checkbox"/> Asian <input type="checkbox"/> Black or African-American <input type="checkbox"/> Native Hawaiian or Other Pacific Islander <input type="checkbox"/> White	Ethnicity: <input type="checkbox"/> Hispanic or Latino <input type="checkbox"/> Not Hispanic or Latino	Gender: <input type="checkbox"/> Male <input type="checkbox"/> Female
--	--	---

Real Party in Interest

28) Name of Real Party in Interest of Applicant (If different from Applicant):	29) FCC Registration Number (FRN) of Real Party in Interest:
--	--

Contact Information (If different from the Applicant)**() Check here if same as Applicant.**

30) First Name: Cecil	MI: J	Last Name: Mathew	Suffix:
31) Company Name: AT&T Services, Inc.			
32) Attention To:			
33) P.O. Box:	And /Or	34) Street Address: 208 S. Akard St. 20F	
35) City: Dallas	36) State: TX	37) Zip Code: 75202	
38) Telephone Number: (855)699-7073		39) Fax:	
40) E-Mail Address: FCCMW@att.com			

Regulatory Status

41) This filing is for authorization to provide or use the following type(s) of radio service offering (enter all that apply):
() Common Carrier () Non-Common Carrier () Private, internal communications () Broadcast Services () Band Manager

Type of Radio Service

42) This filing is for authorization to provide the following type(s) of radio service (choose all that apply):
() Fixed () Mobile () Radiolocation () Satellite (sound) () Broadcast Services
43) Does the Applicant propose to provide service interconnected to the public telephone network? () Yes No

Alien Ownership Questions (If any answer is 'Y', provide an attachment explaining the circumstances. In preparing the attachment, refer to the Main Form Instructions for the "Alien Ownership Questions".)

44) Is the Applicant a foreign government or the representative of any foreign government? () Yes No
45) Is the Applicant an alien or the representative of an alien? () Yes No
46) Is the Applicant a corporation organized under the laws of any foreign government? () Yes No
47) Is the Applicant a corporation of which more than one-fifth of the capital stock is owned of record or voted by aliens or their representatives, or by a foreign government or representative thereof, or by any corporation organized under the laws of a foreign country? () Yes No

48a) Is the Applicant directly or indirectly controlled by any other corporation of which more than one-fourth of the capital stock (Yes No) is owned of record or voted by aliens or their representatives, or by a foreign government or representative thereof, or by any corporation organized under the laws of a foreign country?

48b) If the answer to 47 or 48a is 'Y' select one of the choices below.

The Applicant is exempt from the provisions of Section 310(b).

If checked, it is not necessary to file a petition for declaratory ruling if the Applicant includes in the attachment required by Item 47 or Item 48a a showing that the requested license(s) is exempt from the provisions of Section 310(b).

The Applicant has received a declaratory ruling(s) approving its foreign ownership, and the application involves only the acquisition of additional spectrum for the provision of a wireless service in a geographic coverage area for which the Applicant has been previously authorized.

If checked, include in the attachment required by Item 47 or Item 48a the citation(s) of the applicable declaratory ruling(s) by DA/FCC number, the FCC Record citation, if available, release date, and a statement that there has been no change in the foreign ownership of the Applicant since the issuance of its ruling.

The Applicant: (i) has received a declaratory ruling(s) approving its foreign ownership, but is not able to make the certification specified immediately above; or (ii) is an "affiliate" of a Licensee or Lessee/Sublessee that received a declaratory ruling(s) under 47 CFR § 1.5000(a) and is relying on the affiliate's ruling for purposes of filing this application as permitted under the affiliate's ruling and 47 CFR § 1.5004(b)

If checked, and if the Applicant received its declaratory ruling(s) on or after August 9, 2013, include in the attachment required by Item 47 or Item 48a the citation(s) of the Applicant's declaratory ruling(s) by DA/FCC number, the FCC Record citation, if available, release date, and a statement that the Applicant is in compliance with the terms and conditions of its ruling and with the Commission's Rules.

If checked, and if the Applicant received its declaratory ruling(s) prior to August 9, 2013, include in the attachment required by Item 48a a copy of a petition for declaratory ruling filed contemporaneously with the Commission to extend the Applicant's existing ruling(s) to cover the same radio service(s) and geographic coverage area(s) involved in the application. Alternatively, the Applicant may request a new declaratory ruling pursuant to Section 1.5000(a) of the Commission's Rules, 47 CFR § 1.5000 (a). Petitions for declaratory ruling may be filed electronically on the Internet through the International Bureau Filing System (IBFS) (with a copy attached hereto).

If checked, and if the Applicant is relying on an affiliate's ruling for purposes of filing this application, include in the attachment required by Item 47 or Item 48a the citation(s) of the applicable declaratory ruling(s) by DA/FCC number, the FCC Record citation, if available, release date, and a statement that the Applicant is in compliance with the terms and conditions of the named affiliate's ruling and with the Commission's Rules. The Applicant must also include a certification of compliance signed by the named affiliate or other qualified entity as specified in 47 CFR § 1.5004(b). See Main Form Instructions for Items 47 or 48a, as applicable.

The Applicant has not received a declaratory ruling approving its foreign ownership and is requesting a declaratory ruling under 47 CFR § 1.5004(b) in a petition filed contemporaneously with the Commission.

If checked, include in the attachment required by Item 47 or 48a a copy of the petition for declaratory ruling filed contemporaneously with the Commission pursuant to 47 CFR § 1.5004(b). Petitions for declaratory ruling may be filed electronically on the Internet through the International Bureau Filing System (IBFS) (with a copy attached hereto).

Basic Qualification Questions

49) Has the Applicant or any party to this application had any FCC station authorization, license or construction permit revoked or had any application for an initial, modification or renewal of FCC station authorization, license, or construction permit denied by the Commission?	() <u>Yes</u> <u>No</u>
50) Has the Applicant or any party to this application, or any party directly or indirectly controlling the Applicant, ever been convicted of a felony by any state or federal court?	() <u>Yes</u> <u>No</u>
51) Has any court finally adjudged the Applicant or any party directly or indirectly controlling the Applicant guilty of unlawfully monopolizing or attempting unlawfully to monopolize radio communication, directly or indirectly, through control of manufacture or sale of radio apparatus, exclusive traffic arrangement, or any other means or unfair methods of competition?	() <u>Yes</u> <u>No</u>

Note: If the answer to any of 49-51 is 'Y', attach an exhibit explaining the circumstances.

Aeronautical Advisory Station (Unicom) Certification

52) () I certify that the station will be located on property of the airport to be served, and, in cases where the airport does not have a control tower, RCO, or FAA flight service station, that I have notified the owner of the airport and all aviation service organizations located at the airport within ten days prior to application.
--

Broadband Radio Service and Educational Broadband Service Cable Cross-Ownership

53a) Will the requested facilities be used to provide multichannel video programming service?	() <u>Yes</u> <u>No</u>
53b) If the answer to question 53a is 'Y', does the Applicant operate, control or have an attributable interest (as defined in 47 CFR § 27.1202) in a cable television system whose franchise area is located within the geographic service area of the requested facilities?	() <u>Yes</u> <u>No</u>

Note: If the answer to question 53b is 'Y', attach an exhibit explaining how the Applicant complies with 47 CFR § 27.1202 or justifying a waiver of that rule. If a waiver of the Commission Rule(s) is being requested, Item 11a must be answered 'Y'.

Broadband Radio Service and Educational Broadband Service (Part 27)

54) (For EBS only) Does the Applicant comply with the programming requirements contained in 47 CFR § 27.1203?	() <u>Yes</u> <u>No</u>
---	--------------------------

Note: If the answer to item 54 is 'N', attach an exhibit explaining how the Applicant complies with 47 CFR § 27.1203 of the Commission's Rules or justifying a waiver of that rule. If a waiver of the Commission Rule(s) is being requested, Item 11a must be answered 'Y'.

55) (For BRS and EBS) Does the Applicant comply with 47 CFR §§ 27.50, 27.55, and 27.1221?	() <u>Yes</u> <u>No</u>
---	--------------------------

Note: If the answer to item 55 is 'N', attach an exhibit justifying a waiver of that rule(s). If a waiver of the Commission Rule(s) is being requested, Item 11a must be answered 'Y'.

For Applicants Who Participated in an Auction

56) Is the Applicant a qualifying rural wireless partnership or a member of a qualifying rural wireless partnership?	() <u>Yes</u> <u>No</u>
--	--------------------------

Note: If the answer to item 56 is 'Y', attach an exhibit listing all members of the qualifying rural wireless partnership, including their FRN numbers.

For Renewal Applicants**57) Operation/Performance Requirement Certification**

[For a site-based license]: Applicant certifies that it is continuing to operate consistent with its most recently filed construction notification (or most recent authorization, if no construction notification was required).	() <u>Yes</u> <u>No</u>
[For a geographic license, commercial service - licensee in its initial license term with an interim performance requirement]: Applicant certifies that it has met its interim performance requirement, that over the portion of the license term following the interim performance requirement, it continues to use its facilities to provide at least the level of service required by its interim performance requirement, it has met its final performance requirement, and it continues to use its facilities to provide at least the level of service required by its final performance requirement through the end of the license term.	() <u>Yes</u> <u>No</u>
[For a geographic license, commercial service - licensee in its initial license term with no interim performance requirement]: Applicant certifies that it has met its final performance requirement and it continues to use its facilities to provide at least the level of service required by its final performance requirement through the end of the license term. [Note: licensee must provide a showing demonstrating that the final performance requirement has been met, either separately in a timely application for notification of completion of construction, or as part of its renewal application, depending on the radio service.]	() <u>Yes</u> <u>No</u>
[For a geographic license, commercial service - licensee in any subsequent term]: Applicant certifies that it continues to use its facilities to provide at least the level of service required by its final performance requirement through the end of any subsequent license terms.	() <u>Yes</u> <u>No</u>
[For a geographic license, private systems - licensee in its initial license term with an interim performance requirement]: Applicant certifies that it has met its interim performance requirement, that over the portion of the license term following the interim performance requirement, it continues to use its facilities to further its private business or public interest/public safety communications needs at or above the level required to meet its interim performance requirement, it has met its final performance requirement, and it continues to use its facilities to provide at least the level of operation required by its final performance requirement through the end of the license term.	() <u>Yes</u> <u>No</u>
[For a geographic license, private systems - licensee in its initial license term with no interim performance requirement]: Applicant certifies that it has met its final performance requirement, it continues to use its facilities to further its private business or public interest/public safety communications needs, and it continues to use its facilities to provide at least the level of operation required by its final performance requirement through the end of the license term. [Note: licensee must provide a showing demonstrating that the final performance requirement has been met, either separately in a timely application for notification of completion of construction, or as part of its renewal application, depending on the radio service.]	() <u>Yes</u> <u>No</u>

[For a geographic license, private systems - licensee in any subsequent term]: Applicant certifies that it continues to use its facilities to further its private business or public interest/public safety communications needs at or above the level required to meet its final performance requirement through the end of any subsequent license terms.	() <u>Yes</u> <u>No</u>
[For a partitioned or disaggregated license without a performance requirement, for the first renewal application filed after effective date of the rules]: Applicant certifies that the partitioned and/or disaggregated license that is the subject of this renewal application has no separate performance requirement and that this is the first renewal of this license filed subsequent to the effective date of the rules.	() <u>Yes</u> <u>No</u>
[For a partitioned or disaggregated license without a performance requirement, for any subsequent renewal filings]: Applicant certifies that it continues to use its facilities to provide service or to further the applicant's private business or public interest/public safety needs.	() <u>Yes</u> <u>No</u>

Discontinuance of Service Certification

58) Applicant certifies that no permanent discontinuance of service or operation, as applicable, occurred during its current license term. Note: If the response to either item 57 or item 58 is 'N', attach an exhibit that demonstrates that over the course of the license term, the Applicant provided and continues to provide service to the public, or operated and continues to operate the license to meet the Applicant's private business or public interest/public safety communications needs. This exhibit must include a detailed description of the Applicant's provision of service or, when allowed under the relevant service rules or pursuant to waiver, use of the spectrum for private business or public interest/public safety communications needs, during the entire license period and address, as applicable: 1) the level and quality of service provided by the applicant (e.g., the population served, the area served, the number of subscribers, the services offered); (2) the date service commenced, whether service was ever interrupted, and the duration of any interruption or outage; (3) the extent to which service is provided to rural areas; (4) the extent to which service is provided to qualifying tribal land as defined in 47 CFR § 1.2110(e)(3)(i); and (5) any other factors associated with the level of service to the public. The licensee may note in its exhibit: 1) any grant(s) of waiver or extension of a performance deadline or license renewal subject to meeting a performance requirement; or 2) if the final performance deadline and/or expiration date for the license accelerated because the licensee did not meet an interim performance requirement.	() <u>Yes</u> <u>No</u>
--	--------------------------

Regulatory Compliance Certification [same for all]

59) Applicant certifies that it has substantially complied with all applicable FCC rules, policies, and the Communications Act of 1934, as amended. Note: If the response to item 59 is 'N', attach an exhibit explaining the circumstances and demonstrating why Applicant's license should be renewed.	() <u>Yes</u> <u>No</u>
--	--------------------------

General Certification Statements

1) The Applicant waives any claim to the use of any particular frequency or of the electromagnetic spectrum as against the regulatory power of the United States because of the previous use of the same, whether by license or otherwise, and requests an authorization in accordance with this application.
2) The Applicant certifies that grant of this application would not cause the Applicant to be in violation of any pertinent cross-ownership or attribution rules.* *If the Applicant has sought a waiver of any such rule in connection with this application, it may make this certification subject to the outcome of the waiver request.
3) The Applicant certifies that all statements made in this application and in the exhibits, attachments, or documents incorporated by reference are material, are part of this application, and are true, complete, correct, and made in good faith.
4) The Applicant certifies that neither the Applicant nor any other party to the application is subject to a denial of Federal benefits pursuant to § 5301 of the Anti-Drug Abuse Act of 1988, 21 U.S.C. § 862, because of a conviction for possession or distribution of a controlled substance. This certification does not apply to applications filed in services exempted under § 1.2002(c) of the rules, 47 CFR § 1.2002(c). See 47 CFR § 1.2002(b) for the definition of "party to the application" as used in this certification.
5) The Applicant certifies that it either (1) has current required ownership data on file with the Commission, (2) is filing updated ownership data simultaneously with this application, or (3) is not required to file ownership data under the Commission's Rules.
6) The Applicant certifies that the facilities, operations, and transmitters for which this authorization is hereby requested are either: (1) categorically excluded from routine environmental evaluation for RF exposure as set forth in 47 CFR § 1.1307(b); or, (2) have been found not to cause human exposure to levels of radiofrequency radiation in excess of the limits specified in 47 CFR §§ 1.1310 and 2.1093; or, (3) are the subject of one or more Environmental Assessments filed with the Commission.
7) The Applicant certifies that it has reviewed the appropriate Commission Rules defining eligibility to hold the requested license(s) and is eligible to hold the requested license(s).
8) The Applicant certifies that it is not in default on any payment for Commission licenses and that it is not delinquent on any non-tax debt owed to any federal agency.
9) The Applicant certifies that the Applicant and all of the related individuals and entities required to be disclosed on this application and FCC Form 602 (FCC Ownership Disclosure Information for the Wireless Telecommunications Services) are not person(s) who have been, for reasons of national security, barred by any agency of the Federal Government from bidding on a contract, participating in an auction, or receiving a grant. This certification applies only to applications for licenses for spectrum that is required by Sections 6103, 6401-6403 of the Middle Class Tax Relief and Job Creation Act of 2012, codified at 47 U.S.C. §§ 309, 1413, 1451-1452, to be assigned by a system of competitive bidding under 47 U.S.C. § 309(j).

Signature

60) Typed or Printed Name of Party Authorized to Sign

First Name: Cecil	MI: J	Last Name: Mathew	Suffix:
61) Title: Assistant Secretary - Compliance			
Signature: Cecil J Mathew			62) Date: 01/13/2023
FAILURE TO SIGN THIS APPLICATION MAY RESULT IN DISMISSAL OF THE APPLICATION AND FORFEITURE OF ANY FEES PAID.			
Upon grant of this license application, the Licensee may be subject to certain construction or coverage requirements. Failure to meet the construction or coverage requirements will result in termination of the license. Consult appropriate FCC regulations to determine the construction or coverage requirements that apply to the type of license requested in this application.			
WILLFUL FALSE STATEMENTS MADE ON THIS FORM OR ANY ATTACHMENTS ARE PUNISHABLE BY FINE AND/OR IMPRISONMENT (U.S. Code, Title 18, § 1001) AND/OR REVOCATION OF ANY STATION LICENSE OR CONSTRUCTION PERMIT (U.S. Code, Title 47, § 312(a)(1)), AND/OR FORFEITURE (U.S. Code, Title 47, § 503).			

Reference Copy Only. Do Not Mail to the FCC as an Application.

Submitted: 01/13/2023 at 08:55:27
File Number: 0010359370

FCC 601

Main Form

FCC Application for Radio Service Authorization: Wireless Telecommunications Bureau Public Safety and Homeland Security Bureau

Approved by OMB

3060 - 0798

See instructions for public burden estimate

1) Radio Service Code: CW	1a) Existing Radio Service Code:
-------------------------------------	----------------------------------

General Information

2) (Select only one) (AU) NE - New RO - Renewal Only AU - Administrative Update NT - Required Notifications MD - Modification RM - Renewal/Modification WD - Withdrawal of Application EX - Requests for Extension of Time AM - Amendment CA - Cancellation of License RL - Registered Location/Link	
3a) If this application is for a Demonstration License or a S pecial Temporary Authorization (STA), enter the code and attach the required exhibit as described in the instructions. Otherwise enter ' N/A ' (Not Applicable).	(N) <u>M</u> <u>S</u> <u>N/A</u>
3b) If this application is for Special Temporary Authority due to an emergency situation, enter 'Y'; otherwise enter 'N'. Refer to Rule 1.915 for an explanation of situations considered to be an emergency.	() <u>Y</u> <u>N</u>
4) If this application is for an Amendment or Withdrawal, enter the file number of the pending application currently on file with the FCC.	File Number
5) If this application is for a Modification, Renewal Only, Renewal/Modification, Cancellation of License, , or Administrative Update, enter the call sign of the existing FCC license. If this is a request for Registered Location/Link, enter the FCC call sign assigned to the geographic license.	Call Sign WPSJ971
6a) If this application is for a New, Amendment, Renewal Only, or Renewal/Modification, enter the requested authorization expiration date (this item is optional).	MM DD ____ / ____
6b) If this application is for a Renewal Only or Renewal/Modification and the license is a geographic area license, is the license used to provide service to customers (C), or is the license used for private business (internal) purposes or to meet the licensee's public interest/public safety communications needs (P)?	() <u>C</u> <u>P</u>
7) Is this application "major" as defined in § 1.929 of the Commission's Rules when read in conjunction with the applicable radio service rules found in Parts 22 and 90 of the Commission's Rules? (NOTE: This question only applies to certain site-specific applications. See the instructions for applicability and full text of § 1.929).	() <u>Y</u> <u>N</u>
8) Are attachments (other than associated schedules) being filed with this application?	() <u>Y</u> <u>N</u>

Fees, Waivers, and Exemptions

9) Is the Applicant exempt from FCC application fees?	(N) <u>Y</u> <u>N</u>
10) Is the Applicant exempt from FCC regulatory fees?	(N) <u>Y</u> <u>N</u>
11) Does this application include a request for a Waiver of the Commission's Rule(s)? If 'Yes', attach an exhibit providing rule number(s) and explaining circumstances.	(N) <u>Y</u> <u>N</u>
12) Are the frequencies or parameters requested in this filing covered by grandfathered privileges, previously approved by waiver, or functionally integrated with an existing station?	() <u>Y</u> <u>N</u>

Applicant Information

13) FCC Registration Number (FRN): 0003291192			
14) Applicant/Licensee Legal Entity Type: (Select One) <input type="checkbox"/> Individual <input type="checkbox"/> Unincorporated Association <input type="checkbox"/> Trust <input type="checkbox"/> Government Entity <input type="checkbox"/> Corporation <input checked="" type="checkbox"/> Limited Liability Company <input type="checkbox"/> General Partnership <input type="checkbox"/> Limited Partnership <input type="checkbox"/> Limited Liability Partnership <input type="checkbox"/> Consortium <input type="checkbox"/> Other: _____			
15) If the Licensee name is being updated, is the update a result from the sale (or transfer of control) of the license(s) to party and for which proper Commission approval has not been received or proper notification not provided?			<input type="checkbox"/> Yes <input checked="" type="checkbox"/> No
16) First Name (if individual):	MI:	Last Name:	Suffix:
17) Legal Entity Name (if other than individual): NEW CINGULAR WIRELESS PCS, LLC			
18) Attention To: Cecil J Mathew			
19) P.O. Box:	And/Or	20) Street Address: 208 S. Akard St. 20F	
21) City: Dallas	22) State: TX	23) Zip Code: 75202	
24) Telephone Number: (855)699-7073		25) Fax:	
26) E-Mail Address: FCCMW@att.com			

27) Demographics (Optional)

Race: <input type="checkbox"/> American Indian or Alaska Native <input type="checkbox"/> Asian <input type="checkbox"/> Black or African-American <input type="checkbox"/> Native Hawaiian or Other Pacific Islander <input type="checkbox"/> White	Ethnicity: <input type="checkbox"/> Hispanic or Latino <input type="checkbox"/> Not Hispanic or Latino	Gender: <input type="checkbox"/> Male <input type="checkbox"/> Female
--	--	---

Real Party in Interest

28) Name of Real Party in Interest of Applicant (If different from Applicant):	29) FCC Registration Number (FRN) of Real Party in Interest:
--	--

Contact Information (If different from the Applicant) Check here if same as Applicant.

30) First Name: Cecil	MI: J	Last Name: Mathew	Suffix:
31) Company Name: AT&T Services, LLC			
32) Attention To:			
33) P.O. Box:	And /Or	34) Street Address: 208 S. Akard St. 20F	
35) City: Dallas	36) State: TX	37) Zip Code: 75202	
38) Telephone Number: (855)699-7073		39) Fax:	
40) E-Mail Address: FCCMW@att.com			

Regulatory Status

41) This filing is for authorization to provide or use the following type(s) of radio service offering (enter all that apply):
() Common Carrier () Non-Common Carrier () Private, internal communications () Broadcast Services () Band Manager

Type of Radio Service

42) This filing is for authorization to provide the following type(s) of radio service (choose all that apply):
() Fixed () Mobile () Radiolocation () Satellite (sound) () Broadcast Services
43) Does the Applicant propose to provide service interconnected to the public telephone network? () Yes () No

Alien Ownership Questions (If any answer is 'Y', provide an attachment explaining the circumstances. In preparing the attachment, refer to the Main Form Instructions for the "Alien Ownership Questions".)

44) Is the Applicant a foreign government or the representative of any foreign government? () Yes () No
45) Is the Applicant an alien or the representative of an alien? () Yes () No
46) Is the Applicant a corporation organized under the laws of any foreign government? () Yes () No
47) Is the Applicant a corporation of which more than one-fifth of the capital stock is owned of record or voted by aliens or their representatives, or by a foreign government or representative thereof, or by any corporation organized under the laws of a foreign country? () Yes () No

48a) Is the Applicant directly or indirectly controlled by any other corporation of which more than one-fourth of the capital stock () **Yes** **No** is owned of record or voted by aliens or their representatives, or by a foreign government or representative thereof, or by any corporation organized under the laws of a foreign country?

48b) If the answer to 47 or 48a is 'Y' select one of the choices below.

The Applicant is exempt from the provisions of Section 310(b).

If checked, it is not necessary to file a petition for declaratory ruling if the Applicant includes in the attachment required by Item 47 or Item 48a a showing that the requested license(s) is exempt from the provisions of Section 310(b).

The Applicant has received a declaratory ruling(s) approving its foreign ownership, and the application involves only the acquisition of additional spectrum for the provision of a wireless service in a geographic coverage area for which the Applicant has been previously authorized.

If checked, include in the attachment required by Item 47 or Item 48a the citation(s) of the applicable declaratory ruling(s) by DA/FCC number, the FCC Record citation, if available, release date, and a statement that there has been no change in the foreign ownership of the Applicant since the issuance of its ruling.

The Applicant: (i) has received a declaratory ruling(s) approving its foreign ownership, but is not able to make the certification specified immediately above; or (ii) is an "affiliate" of a Licensee or Lessee/Sublessee that received a declaratory ruling(s) under 47 CFR § 1.5000(a) and is relying on the affiliate's ruling for purposes of filing this application as permitted under the affiliate's ruling and 47 CFR § 1.5004(b)

If checked, and if the Applicant received its declaratory ruling(s) on or after August 9, 2013, include in the attachment required by Item 47 or Item 48a the citation(s) of the Applicant's declaratory ruling(s) by DA/FCC number, the FCC Record citation, if available, release date, and a statement that the Applicant is in compliance with the terms and conditions of its ruling and with the Commission's Rules.

If checked, and if the Applicant received its declaratory ruling(s) prior to August 9, 2013, include in the attachment required by Item 48a a copy of a petition for declaratory ruling filed contemporaneously with the Commission to extend the Applicant's existing ruling(s) to cover the same radio service(s) and geographic coverage area(s) involved in the application. Alternatively, the Applicant may request a new declaratory ruling pursuant to Section 1.5000(a) of the Commission's Rules, 47 CFR § 1.5000 (a). Petitions for declaratory ruling may be filed electronically on the Internet through the International Bureau Filing System (IBFS) (with a copy attached hereto).

If checked, and if the Applicant is relying on an affiliate's ruling for purposes of filing this application, include in the attachment required by Item 47 or Item 48a the citation(s) of the applicable declaratory ruling(s) by DA/FCC number, the FCC Record citation, if available, release date, and a statement that the Applicant is in compliance with the terms and conditions of the named affiliate's ruling and with the Commission's Rules. The Applicant must also include a certification of compliance signed by the named affiliate or other qualified entity as specified in 47 CFR § 1.5004(b). See Main Form Instructions for Items 47 or 48a, as applicable.

The Applicant has not received a declaratory ruling approving its foreign ownership and is requesting a declaratory ruling under 47 CFR § 1.5004(b) in a petition filed contemporaneously with the Commission.

If checked, include in the attachment required by Item 47 or 48a a copy of the petition for declaratory ruling filed contemporaneously with the Commission pursuant to 47 CFR § 1.5004(b). Petitions for declaratory ruling may be filed electronically on the Internet through the International Bureau Filing System (IBFS) (with a copy attached hereto).

Basic Qualification Questions

49) Has the Applicant or any party to this application had any FCC station authorization, license or construction permit revoked or had any application for an initial, modification or renewal of FCC station authorization, license, or construction permit denied by the Commission?	() <u>Yes</u> <u>No</u>
50) Has the Applicant or any party to this application, or any party directly or indirectly controlling the Applicant, ever been convicted of a felony by any state or federal court?	() <u>Yes</u> <u>No</u>
51) Has any court finally adjudged the Applicant or any party directly or indirectly controlling the Applicant guilty of unlawfully monopolizing or attempting unlawfully to monopolize radio communication, directly or indirectly, through control of manufacture or sale of radio apparatus, exclusive traffic arrangement, or any other means or unfair methods of competition?	() <u>Yes</u> <u>No</u>

Note: If the answer to any of 49-51 is 'Y', attach an exhibit explaining the circumstances.

Aeronautical Advisory Station (Unicom) Certification

52) () I certify that the station will be located on property of the airport to be served, and, in cases where the airport does not have a control tower, RCO, or FAA flight service station, that I have notified the owner of the airport and all aviation service organizations located at the airport within ten days prior to application.
--

Broadband Radio Service and Educational Broadband Service Cable Cross-Ownership

53a) Will the requested facilities be used to provide multichannel video programming service?	() <u>Yes</u> <u>No</u>
53b) If the answer to question 53a is 'Y', does the Applicant operate, control or have an attributable interest (as defined in 47 CFR § 27.1202) in a cable television system whose franchise area is located within the geographic service area of the requested facilities?	() <u>Yes</u> <u>No</u>

Note: If the answer to question 53b is 'Y', attach an exhibit explaining how the Applicant complies with 47 CFR § 27.1202 or justifying a waiver of that rule. If a waiver of the Commission Rule(s) is being requested, Item 11a must be answered 'Y'.

Broadband Radio Service and Educational Broadband Service (Part 27)

54) (For EBS only) Does the Applicant comply with the programming requirements contained in 47 CFR § 27.1203?	() <u>Yes</u> <u>No</u>
---	--------------------------

Note: If the answer to item 54 is 'N', attach an exhibit explaining how the Applicant complies with 47 CFR § 27.1203 of the Commission's Rules or justifying a waiver of that rule. If a waiver of the Commission Rule(s) is being requested, Item 11a must be answered 'Y'.

55) (For BRS and EBS) Does the Applicant comply with 47 CFR §§ 27.50, 27.55, and 27.1221?	() <u>Yes</u> <u>No</u>
---	--------------------------

Note: If the answer to item 55 is 'N', attach an exhibit justifying a waiver of that rule(s). If a waiver of the Commission Rule(s) is being requested, Item 11a must be answered 'Y'.

For Applicants Who Participated in an Auction

56) Is the Applicant a qualifying rural wireless partnership or a member of a qualifying rural wireless partnership?	() <u>Yes</u> <u>No</u>
--	--------------------------

Note: If the answer to item 56 is 'Y', attach an exhibit listing all members of the qualifying rural wireless partnership, including their FRN numbers.

For Renewal Applicants

57) Operation/Performance Requirement Certification	
[For a site-based license]: Applicant certifies that it is continuing to operate consistent with its most recently filed construction notification (or most recent authorization, if no construction notification was required).	() <u>Yes</u> <u>No</u>
[For a geographic license, commercial service - licensee in its initial license term with an interim performance requirement]: Applicant certifies that it has met its interim performance requirement, that over the portion of the license term following the interim performance requirement, it continues to use its facilities to provide at least the level of service required by its interim performance requirement, it has met its final performance requirement, and it continues to use its facilities to provide at least the level of service required by its final performance requirement through the end of the license term.	() <u>Yes</u> <u>No</u>
[For a geographic license, commercial service - licensee in its initial license term with no interim performance requirement]: Applicant certifies that it has met its final performance requirement and it continues to use its facilities to provide at least the level of service required by its final performance requirement through the end of the license term. [Note: licensee must provide a showing demonstrating that the final performance requirement has been met, either separately in a timely application for notification of completion of construction, or as part of its renewal application, depending on the radio service.]	() <u>Yes</u> <u>No</u>
[For a geographic license, commercial service - licensee in any subsequent term]: Applicant certifies that it continues to use its facilities to provide at least the level of service required by its final performance requirement through the end of any subsequent license terms.	() <u>Yes</u> <u>No</u>
[For a geographic license, private systems - licensee in its initial license term with an interim performance requirement]: Applicant certifies that it has met its interim performance requirement, that over the portion of the license term following the interim performance requirement, it continues to use its facilities to further its private business or public interest/public safety communications needs at or above the level required to meet its interim performance requirement, it has met its final performance requirement, and it continues to use its facilities to provide at least the level of operation required by its final performance requirement through the end of the license term.	() <u>Yes</u> <u>No</u>
[For a geographic license, private systems - licensee in its initial license term with no interim performance requirement]: Applicant certifies that it has met its final performance requirement, it continues to use its facilities to further its private business or public interest/public safety communications needs, and it continues to use its facilities to provide at least the level of operation required by its final performance requirement through the end of the license term. [Note: licensee must provide a showing demonstrating that the final performance requirement has been met, either separately in a timely application for notification of completion of construction, or as part of its renewal application, depending on the radio service.]	() <u>Yes</u> <u>No</u>

[For a geographic license, private systems - licensee in any subsequent term]: Applicant certifies that it continues to use its facilities to further its private business or public interest/public safety communications needs at or above the level required to meet its final performance requirement through the end of any subsequent license terms.	(<input type="checkbox"/>) <u>Yes</u> <u>No</u>
[For a partitioned or disaggregated license without a performance requirement, for the first renewal application filed after effective date of the rules]: Applicant certifies that the partitioned and/or disaggregated license that is the subject of this renewal application has no separate performance requirement and that this is the first renewal of this license filed subsequent to the effective date of the rules.	(<input type="checkbox"/>) <u>Yes</u> <u>No</u>
[For a partitioned or disaggregated license without a performance requirement, for any subsequent renewal filings]: Applicant certifies that it continues to use its facilities to provide service or to further the applicant's private business or public interest/public safety needs.	(<input type="checkbox"/>) <u>Yes</u> <u>No</u>

Discontinuance of Service Certification

58) Applicant certifies that no permanent discontinuance of service or operation, as applicable, occurred during its current license term. Note: If the response to either item 57 or item 58 is 'N', attach an exhibit that demonstrates that over the course of the license term, the Applicant provided and continues to provide service to the public, or operated and continues to operate the license to meet the Applicant's private business or public interest/public safety communications needs. This exhibit must include a detailed description of the Applicant's provision of service or, when allowed under the relevant service rules or pursuant to waiver, use of the spectrum for private business or public interest/public safety communications needs, during the entire license period and address, as applicable: 1) the level and quality of service provided by the applicant (e.g., the population served, the area served, the number of subscribers, the services offered); (2) the date service commenced, whether service was ever interrupted, and the duration of any interruption or outage; (3) the extent to which service is provided to rural areas; (4) the extent to which service is provided to qualifying tribal land as defined in 47 CFR § 1.2110(e)(3)(i); and (5) any other factors associated with the level of service to the public. The licensee may note in its exhibit: 1) any grant(s) of waiver or extension of a performance deadline or license renewal subject to meeting a performance requirement; or 2) if the final performance deadline and/or expiration date for the license accelerated because the licensee did not meet an interim performance requirement.	(<input type="checkbox"/>) <u>Yes</u> <u>No</u>
--	---

Regulatory Compliance Certification [same for all]

59) Applicant certifies that it has substantially complied with all applicable FCC rules, policies, and the Communications Act of 1934, as amended. Note: If the response to item 59 is 'N', attach an exhibit explaining the circumstances and demonstrating why Applicant's license should be renewed.	(<input type="checkbox"/>) <u>Yes</u> <u>No</u>
--	---

General Certification Statements

1) The Applicant waives any claim to the use of any particular frequency or of the electromagnetic spectrum as against the regulatory power of the United States because of the previous use of the same, whether by license or otherwise, and requests an authorization in accordance with this application.
2) The Applicant certifies that grant of this application would not cause the Applicant to be in violation of any pertinent cross-ownership or attribution rules.* *If the Applicant has sought a waiver of any such rule in connection with this application, it may make this certification subject to the outcome of the waiver request.
3) The Applicant certifies that all statements made in this application and in the exhibits, attachments, or documents incorporated by reference are material, are part of this application, and are true, complete, correct, and made in good faith.
4) The Applicant certifies that neither the Applicant nor any other party to the application is subject to a denial of Federal benefits pursuant to § 5301 of the Anti-Drug Abuse Act of 1988, 21 U.S.C. § 862, because of a conviction for possession or distribution of a controlled substance. This certification does not apply to applications filed in services exempted under § 1.2002(c) of the rules, 47 CFR § 1.2002(c). See 47 CFR § 1.2002(b) for the definition of "party to the application" as used in this certification.
5) The Applicant certifies that it either (1) has current required ownership data on file with the Commission, (2) is filing updated ownership data simultaneously with this application, or (3) is not required to file ownership data under the Commission's Rules.
6) The Applicant certifies that the facilities, operations, and transmitters for which this authorization is hereby requested are either: (1) categorically excluded from routine environmental evaluation for RF exposure as set forth in 47 CFR § 1.1307(b); or, (2) have been found not to cause human exposure to levels of radiofrequency radiation in excess of the limits specified in 47 CFR §§ 1.1310 and 2.1093; or, (3) are the subject of one or more Environmental Assessments filed with the Commission.
7) The Applicant certifies that it has reviewed the appropriate Commission Rules defining eligibility to hold the requested license(s) and is eligible to hold the requested license(s).
8) The Applicant certifies that it is not in default on any payment for Commission licenses and that it is not delinquent on any non-tax debt owed to any federal agency.
9) The Applicant certifies that the Applicant and all of the related individuals and entities required to be disclosed on this application and FCC Form 602 (FCC Ownership Disclosure Information for the Wireless Telecommunications Services) are not person(s) who have been, for reasons of national security, barred by any agency of the Federal Government from bidding on a contract, participating in an auction, or receiving a grant. This certification applies only to applications for licenses for spectrum that is required by Sections 6103, 6401-6403 of the Middle Class Tax Relief and Job Creation Act of 2012, codified at 47 U.S.C. §§ 309, 1413, 1451-1452, to be assigned by a system of competitive bidding under 47 U.S.C. § 309(j).

Signature

60) Typed or Printed Name of Party Authorized to Sign

First Name: Cecil	MI: J	Last Name: Mathew	Suffix:
61) Title: Assistant Secretary - Compliance			
Signature: Cecil J Mathew			62) Date: 01/13/2023
FAILURE TO SIGN THIS APPLICATION MAY RESULT IN DISMISSAL OF THE APPLICATION AND FORFEITURE OF ANY FEES PAID.			
Upon grant of this license application, the Licensee may be subject to certain construction or coverage requirements. Failure to meet the construction or coverage requirements will result in termination of the license. Consult appropriate FCC regulations to determine the construction or coverage requirements that apply to the type of license requested in this application.			
WILLFUL FALSE STATEMENTS MADE ON THIS FORM OR ANY ATTACHMENTS ARE PUNISHABLE BY FINE AND/OR IMPRISONMENT (U.S. Code, Title 18, § 1001) AND/OR REVOCATION OF ANY STATION LICENSE OR CONSTRUCTION PERMIT (U.S. Code, Title 47, § 312(a)(1)), AND/OR FORFEITURE (U.S. Code, Title 47, § 503).			

REFERENCE COPY

This is not an official FCC license. It is a record of public information contained in the FCC's licensing database on the date that this reference copy was generated. In cases where FCC rules require the presentation, posting, or display of an FCC license, this document may not be used in place of an official FCC license.



Federal Communications Commission
Wireless Telecommunications Bureau

RADIO STATION AUTHORIZATION

LICENSEE: NEW CINGULAR WIRELESS PCS, LLC

ATTN: CECIL J MATHEW
NEW CINGULAR WIRELESS PCS, LLC
208 S. AKARD STREET, RM 1016
DALLAS, TX 75202

Table with Call Sign (WPTB358), File Number (0010345939), and Radio Service (CW - PCS Broadband).

FCC Registration Number (FRN): 0003291192

Table with columns: Grant Date, Effective Date, Expiration Date, Print Date, Market Number, Channel Block, Sub-Market Designator, Market Name, 1st Build-out Date, 2nd Build-out Date, 3rd Build-out Date, 4th Build-out Date.

Waivers/Conditions:

This authorization is subject to the condition that, in the event that systems using the same frequencies as granted herein are authorized in an adjacent foreign territory (Canada/United States), future coordination of any base station transmitters within 72 km (45 miles) of the United States/Canada border shall be required to eliminate any harmful interference to operations in the adjacent foreign territory and to ensure continuance of equal access to the frequencies by both countries.

Grant of the request to update licensee name is conditioned on it not reflecting an assignment or transfer of control (see Rule 1.948); if an assignment or transfer occurred without proper notification or FCC approval, the grant is void and the station is licensed under the prior name.

Conditions:

Pursuant to §309(h) of the Communications Act of 1934, as amended, 47 U.S.C. §309(h), this license is subject to the following conditions: This license shall not vest in the licensee any right to operate the station nor any right in the use of the frequencies designated in the license beyond the term thereof nor in any other manner than authorized herein.

This license may not authorize operation throughout the entire geographic area or spectrum identified on the hardcopy version. To view the specific geographic area and spectrum authorized by this license, refer to the Spectrum and Market Area information under the Market Tab of the license record in the Universal Licensing System (ULS).

Licensee Name: NEW CINGULAR WIRELESS PCS, LLC

Call Sign: WPTB358

File Number: 0010345939

Print Date: 04-04-2024

700 MHz Relicensed Area Information:

Market	Market Name	Buildout Deadline	Buildout Notification	Status
---------------	--------------------	--------------------------	------------------------------	---------------

Reference Copy

Submitted: 03/15/2024 at 14:59:38

File Number: 0010976490

FCC Form 603
Main Form

FCC Application for Assignments of Authorization or Transfers of Control:
Wireless Telecommunications Bureau
Public Safety and Homeland Security Bureau

Approved by
OMB 3060 - 0800
See instructions for
public burden estimate

General Information

1) Application Purpose (Select only one) (NT)	
AA - Assignment of Authorization TC - Transfer of Control	AM - Amendment WD - Withdrawal
NT - Required Notification (For Consummation of an Assignment or Transfer) EX - Request for Extension of Time To Consummate an Assignment or Transfer)	
2) If this application is for an Amendment (AM) or Withdrawal (WD), enter the File Number of the pending or consented to application currently on file with the FCC.	File Number:
3a) Is this application for Assignment of Authorization or Transfer of Control part of a series of applications involving other wireless license(s) held by the Licensee, affiliates of the Licensee (e.g., parents, subsidiaries, or commonly-controlled entities), or third parties that are not included on this application and for which Commission approval or notification is required?	() Yes <u>No</u>
3b) If the answer to 3a is 'Y', is this filing the lead application?	() Yes <u>No</u>
3c) If the answer to 3b is 'N', provide the File Number of the lead application.	File Number:
3d) Does this transaction for Assignment of Authorization or Transfer of Control involve the assignment or transfer of non-wireless licenses/authorizations for which Commission approval or notification is required?	() Yes <u>No</u>
4) Are attachments (other than associated schedules) being filed with this application?	() Yes <u>No</u>

Fees and Waivers

5a) Is the Applicant exempt from FCC application fees? If 'Y', attach an exhibit demonstrating how the Applicant is exempt from FCC application fees.	(N) Yes <u>No</u>
5b) Is a waiver/deferral of the FCC application fees being requested and the application fees are not being submitted in conjunction with this application? If 'Y', attach a date-stamped copy of the request for waiver/deferral of the FCC application fees.	() Yes <u>No</u>
6) Does this application include a request for waiver of the Commission's Rules (other than a request for application fee waivers)? If 'Y', attach an exhibit specifying the rule section(s) for which a waiver is being requested and including a justification for the waiver request.	(N) Yes <u>No</u>

Additional Transaction Information

7a) Has this application for Assignment of Authorization or Transfer of Control already occurred?	() Yes <u>No</u>
7b) If the response to Item 7a is 'Y', provide the date the event occurred:	(MM/DD/YYYY)
8) The Assignment of Authorization or Transfer of Control is:	() Voluntary () Involuntary
9a) Is this application a <i>pro forma</i> Assignment of Authorization or Transfer of Control?	() Yes <u>No</u>
9b) If Item 9a is 'Y', is this a post-consummation notification that is being filed under the Commission's forbearance procedures pursuant to Section 1.948(c)(1) of the Commission's Rules?	() Yes <u>No</u>
10a) Does this application involve the partitioning and/or disaggregation of geographic-area licenses? If 'Y', complete Schedule B and, if applicable, Schedule C.	() Yes <u>No</u>
10b) If 10a is 'N', does this application involve the partial assignment of site-based licenses?	() Yes <u>No</u>

<p>11) How will/has the Assignment of Authorization or Transfer of Control be/been accomplished? Select One: ()</p> <p><u>S</u>ale or other assignment of assets <u>C</u>ourt order <u>R</u>eorganization or liquidation</p> <p><u>T</u>ransfer of stock or other ownership interests</p> <p><u>O</u>ther (voting trust agreement, management contract, etc.): _____</p>

<p>12) Is this Assignment of Authorization being filed under the Enhanced Competition Incentive Program (ECIP)? (<input type="checkbox"/> N) <input checked="" type="checkbox"/> Yes <input type="checkbox"/> No</p>
--

<p>13) Is this Assignment of Authorization application being filed under the 'Small Carrier or Tribal Nation Transaction' Prong or the 'Rural-Focused Transaction' Prong?</p> <p>(<input type="checkbox"/>) Small Carrier or Tribal Nation Transaction</p> <p>(<input type="checkbox"/>) Rural-Focused Transaction</p>
--

Designated Entity Information (If 14a or 14b is 'Y', Schedule A is required to be completed.)

<p>14a) Enter 'Y' if this application for Assignment of Authorization or Transfer of Control involve any licenses that were awarded with bidding credits within the last five years. Otherwise, enter 'N'.</p> <p>The initial grant date is the date that the license was originally granted by the Commission after an auction, even if the license was acquired in the secondary market. The initial grant date is not the date on which the Commission granted an assignment or transfer of control of the license.</p> <p>If the response to this item is 'Y', the licenses may be subject to the FCC's unjust enrichment rules, and the Applicant should answer relevant bidding credit questions. See Section 1.2111 of the Commission's Rules.</p>	<p>(<input type="checkbox"/>) Yes <input checked="" type="checkbox"/> No</p>
<p>14b) Does this application for Assignment of Authorization or Transfer of Control involve any licenses that were originally granted pursuant to closed bidding within the last five years?</p> <p>If the response to this item is 'Y', the license may be subject to assignment or transfer restrictions, and the Applicant should answer relevant closed bidding questions. See Sections 24.709 and 24.839 of the Commission's Rules.</p>	<p>(<input type="checkbox"/>) Yes <input checked="" type="checkbox"/> No</p>

Competition Related Information

<p>15) Does this application for Assignment of Authorization or Transfer of Control involve a license(s) that may be used for interconnected mobile voice and/or data services that would, if assigned or transferred, create a geographic overlap with another license(s) in which the Assignee/Transferee already holds attributable interests, as defined in Section 20.22(b) of the Commission's Rules, either as a licensee or spectrum lessee/sublessee, and that also could be used to provide interconnected mobile voice and/or data services?</p> <p>If 'Y', specify in an exhibit all geographic areas/markets (e.g., BTA, CMA, county, etc.) where there are spectrum overlaps and the total amount of spectrum that the Assignee/Transferee will hold and/or lease in each geographic area/market.</p>	<p>(<input type="checkbox"/>) Yes <input checked="" type="checkbox"/> No</p>
<p>16) If the answer to Item 13 is 'Yes,' would/does this application for Assignment of Authorization or Transfer of Control reduce the number of entities providing service in the affected market(s)?</p>	<p>(<input type="checkbox"/>) Yes <input checked="" type="checkbox"/> No</p>

Broadband Radio Service and Educational Broadband Service Information

<p>17a) Will the requested facilities be used to provide multichannel video programming service?</p>	<p>(<input type="checkbox"/>) Yes <input checked="" type="checkbox"/> No</p>
--	--

<p>17b) If 15a is 'Y', does the Assignee/Transferee operate, control, or have an attributable interest (as defined in Section 27.1202 of the Commission's Rules) in a cable television system whose franchise area is located within the geographic area of the requested facilities?</p> <p>If 'Y', provide an exhibit explaining how the Assignee/Transferee complies with Section 27.1202 of the Commission's Rules or request a waiver of that rule pursuant to Commission Rules. If a waiver of the Commission's Rule(s) is being requested, 6a must be answered 'Y'.</p>	<p>(<input type="checkbox"/>) <u>Yes</u> <u>No</u></p>
<p>18) Does the Assignee/Transferee comply with the programming requirements contained in Section 27.1203 of the Commission's Rules?</p> <p>If 'N', provide an exhibit explaining how the Assignee/Transferee complies with Section 27.1203 of the Commission's Rules or request a waiver of that rule pursuant to Commission Rules. If a waiver of the Commission's Rule(s) is being requested, 6a must be answered 'Y'.</p>	<p>(<input type="checkbox"/>) <u>Yes</u> <u>No</u></p>

600 MHz Band Information

<p>19) Does the Assignment or Transfer involve any licenses in the 600 MHz Band initially granted in the last six years that would, if assigned/transferred, create a geographic overlap with another licenses(s) in which the Assignee/Transferee already holds attributable interests, either as a licensee or Assignee/Transferee, and that would result in the Assignee/Transferee holding an attributable interest in one-third or more of the total suitable and available below-1-GHz spectrum as calculated on a county-by-county population-weighted basis in the relevant license area, utilizing 2010 U.S. Census data?</p> <p>The initial grant date is the date that the license was originally granted by the Commission after an auction, even if the license was acquired in the secondary market. The initial grant date is not the date on which the Commission granted an assignment or transfer of control of the license.</p> <p>If the response to this item is 'Y', this application for Assignment or Transfer application must be part of an exchange of 600 MHz band spectrum in the same market(s) or must be a pro forma Assignment or Transfer. If 'Y', provide an exhibit detailing the proposed exchange of 600 MHz band spectrum in the same market(s), including a list of all file numbers for applications associated with the proposed exchange.</p>	<p>(<input type="checkbox"/>) <u>Yes</u> <u>No</u></p>
<p>20) Does the Assignment or Transfer involve any licenses that were initially granted as reserved spectrum licenses in the 600 MHz Band in the last six years? Otherwise, enter 'N'.</p> <p>The initial grant date is the date that the license was originally granted by the Commission after an auction, even if the license was acquired in the secondary market. The initial grant date is not the date on which the Commission granted an assignment or transfer of control of the license.</p> <p>If 'Y', provide an exhibit demonstrating how the Assignee/Transferee would have qualified to bid on that reserved spectrum license(s) in Auction 1002 as of the FCC Form 175 filing deadline (February 10, 2016) for Auction 1002, the forward auction of the Broadcast Incentive Auction.</p>	<p>(<input type="checkbox"/>) <u>Yes</u> <u>No</u></p>

Assignor/Licensee Information

21) Assignor/Licensee is a(n): (Select One)			
<input type="checkbox"/> Individual <input type="checkbox"/> Unincorporated Association <input type="checkbox"/> Trust <input type="checkbox"/> Government Entity <input type="checkbox"/> Corporation <input type="checkbox"/> Limited Liability Company <input type="checkbox"/> General Partnership <input type="checkbox"/> Limited Partnership <input type="checkbox"/> Limited Liability Partnership <input type="checkbox"/> Other: _____			
22) FCC Registration Number (FRN):			
23) First Name (if individual):	MI:	Last Name:	Suffix:
24) Legal Entity Name (if not an individual):			
25) Attention To:			
26) P.O. Box:	And /Or	27) Street Address:	
28) City:	29) State:	30) Zip Code:	
31) Telephone Number:	32) Fax Number:		
33) E-Mail Address:			

34) Demographics of Assignor/Licensee (Optional):

Race:	Ethnicity:	Gender:
<input type="checkbox"/> American Indian or Alaska Native	<input type="checkbox"/> Hispanic or Latino	<input type="checkbox"/> Male
<input type="checkbox"/> Asian	<input type="checkbox"/> Not Hispanic or Latino	<input type="checkbox"/> Female
<input type="checkbox"/> Black or African-American		
<input type="checkbox"/> Native Hawaiian or Other Pacific Islander		
<input type="checkbox"/> White		

Assignor/Licensee Contact Representative

35) First Name:	MI:	Last Name:	Suffix:
36) Company Name:			
37) Attention To:			
38) P.O. Box:	And /Or	39) Street Address:	
40) City:	41) State:	42) Zip Code:	
43) Telephone Number:	44) Fax Number:		
45) E-Mail Address:			

Transferor Information (for Transfers of Control only)

46) Transferor is a(n): (Select One)			
<input type="checkbox"/> Individual <input type="checkbox"/> Unincorporated Association <input type="checkbox"/> Trust <input type="checkbox"/> Government Entity <input type="checkbox"/> Corporation <input type="checkbox"/> Limited Liability Company <input type="checkbox"/> General Partnership <input type="checkbox"/> Limited Partnership <input type="checkbox"/> Limited Liability Partnership <input type="checkbox"/> Other: _____			
47) FCC Registration Number (FRN):			
48) First Name (if individual):	MI:	Last Name:	Suffix:
49) Legal Entity Name (if not an individual):			
50) Attention To:			
51) P.O. Box:	And /Or	52) Street Address:	
53) City:	54) State:	55) Zip Code:	
56) Telephone Number:	57) Fax Number:		
58) E-Mail Address:			

59) Demographics of Transferor (Optional):

Race: <input type="checkbox"/> American Indian or Alaska Native <input type="checkbox"/> Asian <input type="checkbox"/> Black or African-American <input type="checkbox"/> Native Hawaiian or Other Pacific Islander <input type="checkbox"/> White	Ethnicity: <input type="checkbox"/> Hispanic or Latino <input type="checkbox"/> Not Hispanic or Latino	Gender: <input type="checkbox"/> Male <input type="checkbox"/> Female
---	---	--

Transferor Contact Representative

60) First Name:	MI:	Last Name:	Suffix:
61) Company Name:			
62) Attention To:			
63) P.O. Box:	And /Or	64) Street Address:	
65) City:	66) State:	67) Zip Code:	
68) Telephone Number:	69) Fax Number:		
70) E-Mail Address:			

Assignee/Transferee Information

71) Assignee/Transferee is a(n): (Select One) <input type="checkbox"/> Individual <input type="checkbox"/> Unincorporated Association <input type="checkbox"/> Trust <input type="checkbox"/> Government Entity <input type="checkbox"/> Corporation <input checked="" type="checkbox"/> Limited Liability Company <input type="checkbox"/> General Partnership <input type="checkbox"/> Limited Partnership <input type="checkbox"/> Limited Liability Partnership <input type="checkbox"/> Other: _____			
72) FCC Registration Number (FRN): 0003291192			
73) First Name (if individual):	MI:	Last Name:	Suffix:
74) Legal Entity Name (if not an individual):			
75) Attention To: Cecil J Mathew			
76) Real Party in Interest FCC Registration Number (FRN):			
77) Name of Real Party in Interest:			
78) P.O. Box:	And /Or	79) Street Address: 208 S. Akard Street, RM 1016	
80) City: Dallas	81) State: TX	80) Zip Code: 75202	
83) Telephone Number: (855)699-7073		84) Fax Number: (214)746-6410	
85) E-Mail Address: FCCMW@att.com			

86) Demographics of Assignee/Transferee (Optional):

Race: <input type="checkbox"/> American Indian or Alaska Native <input type="checkbox"/> Asian <input type="checkbox"/> Black or African-American <input type="checkbox"/> Native Hawaiian or Other Pacific Islander <input type="checkbox"/> White	Ethnicity: <input type="checkbox"/> Hispanic or Latino <input type="checkbox"/> Not Hispanic or Latino	Gender: <input type="checkbox"/> Male <input type="checkbox"/> Female
---	---	--

Assignee/Transferee Contact Representative (if other than Assignee/Transferee)**() Check here if same as Assignee/Transferee.**

87) First Name:	MI:	Last Name:	Suffix:
88) Company Name: AT&T Mobility LLC			
89) Attention To: Michael P. Goggin			
90) P.O. Box:	And /Or	91) Street Address: 1120 20th Street NW, Suite 1000	
92) City: Washington	93) State: DC	94) Zip Code: 20036	
95) Telephone Number: (202)457-2055		96) Fax Number:	
97) E-Mail Address: michael.p.goggin@att.com			

Ownership Disclosure Information

98a) Is the Assignee/Transferee required to file FCC Form 602, Ownership Disclosure Information for the Wireless Telecommunications Services?	() Yes <u>No</u>
98b) If 94a is 'Y', provide the File Number of the FCC Form 602 that is required to be submitted in conjunction with this application or is already on file with the FCC.	File Number: _____

Alien Ownership (If any answer is 'Y', provide an attachment explaining the circumstances. In preparing the attachment, refer to the Main Form Instructions for the "Alien Ownership Questions".)

99) Is the Assignee/Post-transfer Licensee a foreign government or the representative of any foreign government?	() Yes <u>No</u>
100) Is the Assignee/Post-Transfer Licensee an alien or the representative of an alien?	() Yes <u>No</u>
101) Is the Assignee/Post-Transfer Licensee a corporation organized under the laws of any foreign government?	() Yes <u>No</u>
102) Is the Assignee/Post-Transfer Licensee a corporation of which more than one-fifth of the capital stock is owned of record or voted by aliens or their representatives, or by a foreign government or representative thereof, or by any corporation organized under the laws of a foreign country?	() Yes <u>No</u>
103a) Is the Assignee/Post-Transfer Licensee directly or indirectly controlled by any other corporation of which more than one-fourth of the capital stock is owned of record or voted by aliens or their representatives, or by a foreign government or representative thereof, or by any corporation organized under the laws of a foreign country?	() Yes <u>No</u>

103b) If the answer to 102 or 103a is 'Y' select one of the choices below.

The Assignee or Post-Transfer Licensee is exempt from the provisions of Section 310(b).

It is not necessary to file a petition for declaratory ruling if the Assignee or Post-Transfer Licensee includes in the attachment required by Item 100 or Item 101a a showing that the subject License(s) is exempt from the provisions of Section 310(b).

The Assignee or Post-Transfer Licensee has received a declaratory ruling(s) approving its foreign ownership, and the application involves only the acquisition of additional spectrum for the provision of a wireless service in a geographic coverage area for which the Assignee or Post-Transfer Licensee has been previously authorized.

If checked, include in the attachment required by Item 100 or Item 101a the citation(s) of the applicable declaratory ruling(s) by DA/FCC number, the FCC Record citation, if available, release date, and a statement that there has been no change in the foreign ownership of the Assignee or Post-Transfer Licensee since the issuance of its ruling.

The Assignee or Post-Transfer Licensee: (i) has received a declaratory ruling(s) approving its foreign ownership, but is not able to make the certification specified immediately above; or (ii) is an "affiliate" of a Licensee or Lessee/SubLessee that received a declaratory ruling(s) under Section 1.990(a) of the Commission's Rules, 47 C.F.R. § 1.990(a), and is relying on the affiliate's ruling for purposes of filing this application as permitted under the affiliate's ruling and Section 1.994(b) of the Rules, 47 C.F.R. § 1.994(b).

If checked, and if the Assignee or Post-Transfer Licensee received its declaratory ruling(s) on or after August 9, 2013, include in the attachment required by Item 102 or Item 103a the citation(s) of the Assignee or Post-Transfer Licensee's declaratory ruling(s) by DA/FCC number, the FCC Record citation, if available, release date, and a statement that the Assignee or Post-Transfer Licensee is in compliance with the terms and conditions of its ruling and with the Commission's Rules.

If checked, and if the Assignee or Post-Transfer Licensee received its declaratory ruling(s) prior to August 9, 2013, include in the attachment required by Item 103a a copy of a petition for declaratory ruling filed contemporaneously with the Commission to extend the Assignee or Post-Transfer Licensee's existing ruling(s) to cover the same radio service(s) and geographic coverage area(s) involved in the application. Alternatively, the Assignee or Post-Transfer Licensee may request a new declaratory ruling pursuant to Section 1.990(a) of the Commission's Rules, 47 C.F.R. § 1.990(a). Petitions for declaratory ruling may be filed electronically on the Internet through the International Bureau Filing System (IBFS) (with a copy attached hereto).

If checked, and if the Assignee or Post-Transfer Licensee is relying on an affiliate's ruling for purposes of filing this application/notification, include in the attachment required by Item 100 or Item 101a the citation(s) of the applicable declaratory ruling(s) by DA/FCC number, the FCC Record citation, if available, release date, and a statement that the Assignee or Post-Transfer Licensee is in compliance with the terms and conditions of the named affiliate(s)'s ruling and with the Commission's Rules. The Assignee or Post-Transfer Licensee must also include a certification of compliance signed by the named affiliate or other qualified entity as specified in Section 1.994(b) of the Rules, 47 C.F.R. § 1.994(b). See Main Form Instructions for Items 102 or 103a, as applicable.

The Assignee or Post-Transfer Licensee has not received a declaratory ruling approving its foreign ownership and is requesting a declaratory ruling under Section 1.990(a) of the Commission's Rules, 47 C.F.R. § 1.990(a), in a petition filed contemporaneously with the Commission.

If checked, include in the attachment required by Item 102 or 103a a copy of the petition for declaratory ruling filed contemporaneously with the Commission pursuant to Section 1.990(a) of the Commission's Rules, 47 C.F.R. § 1.990(a). Petitions for declaratory ruling may be filed electronically on the Internet through the International Bureau Filing System (IBFS) (with a copy attached hereto).

Basic Qualification Information

<p>104) Has the Assignee/Transferee or any party to this application had any FCC station authorization, license or construction permit revoked or had any application for an initial, modification, or renewal of FCC station authorization, license, or construction permit denied by the Commission?</p> <p>If 'Y', attach an exhibit explaining the circumstances.</p>	<p>() <u>Yes</u> <u>No</u></p>
<p>105) Has the Assignee/Transferee or any party to this application, or any party directly or indirectly controlling the Assignee/Transferee ever been convicted of a felony by any state or federal court?</p> <p>If 'Y', attach an exhibit explaining the circumstances.</p>	<p>() <u>Yes</u> <u>No</u></p>
<p>106) Has any court finally adjudged the Assignee/Transferee, or any party directly or indirectly controlling the Assignee/Transferee guilty of unlawfully monopolizing or attempting unlawfully to monopolize radio communication, directly or indirectly, through control of manufacture or sale of radio apparatus, exclusive traffic arrangement, or any other means or unfair methods of competition?</p> <p>If 'Y', attach an exhibit explaining the circumstances.</p>	<p>() <u>Yes</u> <u>No</u></p>

Assignor/Transferor Certification Statements

<p>1) The Assignor/Transferor certifies either that (1) the authorization will not be assigned or that control of the license(s) will not be transferred until the consent of the Federal Communications Commission has been given, or (2) prior Commission consent is not required because the transaction is subject to streamlined notification procedures for <i>pro forma</i> assignments and transfers by telecommunications carriers. See Section 1.948(c) (1) of the Commission's Rules.</p>
<p>2) The Assignor/Transferor certifies that all statements made in this application and in the exhibits, attachments, or documents incorporated by reference are material, are part of this application, and are true, complete, correct, and made in good faith.</p>
<p>3) The Assignor/Transferor certifies that it is not in default on any payment for Commission licenses and that it is not delinquent on any non-tax debt owed to any federal agency.</p>

<p>Typed or Printed Name of Party Authorized to Sign</p>			
<p>107) First Name:</p>	<p>MI:</p>	<p>Last Name:</p>	<p>Suffix:</p>
<p>108) Title:</p>			
<p>Signature:</p>			<p>109) Date:</p>
<p>FAILURE TO SIGN THIS APPLICATION MAY RESULT IN DISMISSAL OF THE APPLICATION AND FORFEITURE OF ANY FEES PAID. WILLFUL FALSE STATEMENTS MADE ON THIS FORM OR ANY ATTACHMENTS ARE PUNISHABLE BY FINE AND/OR IMPRISONMENT (U.S. Code, Title 18, Section 1001) AND/OR REVOCATION OF ANY STATION LICENSE OR CONSTRUCTION PERMIT (U.S. Code, Title 47, Section 312(a)(1)), AND/OR FORFEITURE (U.S. Code, Title 47, Section 503).</p>			

Spectrum Aggregation Limit Certifications

<p>110) The Assignee/Transferee certifies that grant of this application would not cause the Assignee/Transferee to be in violation of the 40 megahertz in-band spectrum aggregation limit set forth under Section 96.31 of the Commission's Rules for 3.5 GHz licenses, taking into consideration the spectrum attribution rules under Section 20.22(b) of the Commission's Rules.</p> <p>*If the Assignee/Transferee has sought a waiver of Section 96.31 in connection with this application, it may make this certification subject to the outcome of the waiver request.</p>	<p>(<input type="checkbox"/>) <u>Yes</u> <u>No</u></p>
<p>111) The Assignee/Transferee certifies that grant of this application would not cause the Assignee/Transferee to be in violation of the 40 megahertz in-band spectrum aggregation limit set forth under Section 27.1606 of the Commission's Rules for 3.45 GHz licenses, taking into consideration the spectrum attribution rules under Section 20.22(b) of the Commission's Rules.</p> <p>*If the Assignee/Transferee has sought a waiver of Section 27.1606 in connection with this application, it may make this certification subject to the outcome of the waiver request..</p>	<p>(<input type="checkbox"/>) <u>Yes</u> <u>No</u></p>

Assignee/Transferee Certification Statements

<p>1) The Assignee/Transferee certifies either that (1) the authorization(s) will not be assigned or that control of the license(s) will not be transferred until the consent of the Federal Communications Commission has been given, or (2) prior Commission consent is not required because the transaction is subject to streamlined notification procedures for <i>pro forma</i> assignments and transfers by telecommunications carriers. See Section 1.948(c)(1) of the Commission's Rules.</p>
<p>2) The Assignee/Transferee waives any claim to the use of any particular frequency or of the electromagnetic spectrum as against the regulatory power of the United States because of the previous use of the same, whether by license or otherwise, and requests an authorization in accordance with this application.</p>
<p>3) The Assignee/Transferee certifies that grant of this application would not cause the Assignee or Transferee to be in violation of any pertinent cross-ownership or attribution rules.* *If the Assignee/Transferee has sought a waiver of any such rule in connection with this application, it may make this certification subject to the outcome of the waiver request.</p>
<p>4) The Assignee/Transferee agrees to assume all obligations and abide by all conditions imposed on the Assignor/Transferor under the subject authorization(s), unless the Federal Communications Commission pursuant to a request made herein otherwise allows, except for liability for any act done by, or any right accrued by, or any suit or proceeding had or commenced against the Assignor/Transferor prior to this assignment/transfer.</p>
<p>5) The Assignee/Transferee certifies that all statements made in this application and in the exhibits, attachments, or documents incorporated by reference are material, are part of this application, and are true, complete, correct, and made in good faith.</p>
<p>6) The Assignee/Transferee certifies that neither it nor any other party to the application is subject to a denial of Federal benefits pursuant to Section 5301 of the Anti-Drug Abuse Act of 1988, 21 U.S.C. § 862, because of a conviction for possession or distribution of a controlled substance. This certification does not apply to applications filed in services exempted under Section 1.2002(c) of the Commission's Rules. See Section 1.2002(b) of the Commission's Rules for the definition of "party to the application" as used in this certification.</p>

- 7) The Assignee/Transferee certifies that it is not in default on any payment for Commission licenses and that it is not delinquent on any non-tax debt owed to any federal agency.
- 8) The Assignee/Transferee certifies that it and all of the related individuals and entities required to be disclosed on this application and FCC Form 602 (FCC Ownership Disclosure Information for the Wireless Telecommunications Services) are not person(s) who have been, for reasons of national security, barred by any agency of the Federal Government from bidding on a contract, participating in an auction, or receiving a grant. This certification applies only to applications for licenses for spectrum that is required by Sections 6103, 6401-6403 of the Middle Class Tax Relief and Job Creation Act of 2012, codified at 47 U.S.C. §§ 309, 1413, 1451-1452, to be assigned by a system of competitive bidding under 47 U.S.C. § 309(j).

Typed or Printed Name of Party Authorized to Sign

112) First Name: Jessica	MI: B	Last Name: Lyons	Suffix:
113) Title: Asst. Secretary of Manager			
Signature: Jessica B Lyons		1140) Date: 03/15/2024	
FAILURE TO SIGN THIS APPLICATION MAY RESULT IN DISMISSAL OF THE APPLICATION AND FORFEITURE OF ANY FEES PAID.			
WILLFUL FALSE STATEMENTS MADE ON THIS FORM OR ANY ATTACHMENTS ARE PUNISHABLE BY FINE AND/OR IMPRISONMENT (U.S. Code, Title 18, Section 1001) AND/OR REVOCATION OF ANY STATION LICENSE OR CONSTRUCTION PERMIT (U.S. Code, Title 47, Section 312(a)(1)), AND/OR FORFEITURE (U.S. Code, Title 47, Section 503).			

Authorizations To Be Assigned or Transferred

115) Call Sign	116) Radio Service Code	117) Location Number	118) Path Number (Microwave only)	119) Frequency Number	120) Lower or Center Frequency (MHz)	121) Upper Frequency (MHz)	122) Constructed Yes / No

Reference Copy

**Schedule for Notification of Consummation of an
Assignment of Authorization or a Transfer of Control**

1) Provide the File Number of the Assignment of Authorization or Transfer of Control application.	File Number: <u>0010345939</u>
2) Provide the actual date of consummation for the Assignment of Authorization or Transfer of Control.	(MM/DD/YYYY) <u>03/15/2024</u>

Reference Copy

**FCC Form 608 FCC Application or Notification for Spectrum Leasing Arrangement/
Main Form Notification of a Private Commons Arrangement**

3060-1058

Submitted: 02/21/2024 at
08:39:27
File Number: 0010931462

**Wireless Telecommunications Bureau
Public Safety and Homeland Security Bureau**

See 608 Main Form Instructions
For public burden estimate

General Information

Application/Notification Purpose

1a) Purpose of Filing (Select only one):	
<input checked="" type="checkbox"/> LN – New	<input type="checkbox"/> LM – Modification
<input type="checkbox"/> LT – Transfer of Control	<input type="checkbox"/> LE – Extend the Term
<input type="checkbox"/> LI – Light Touch Leasing Certification	<input type="checkbox"/> AM – Amendment
<input type="checkbox"/> NT – Required Notifications	<input type="checkbox"/> LU – Administrative Update
<input type="checkbox"/> LC – Cancel	<input type="checkbox"/> WD – Withdraw
1b) If this filing is for an Amendment (AM) or Withdrawal (WD), enter the File Number of the pending Application/Notification currently on file with the FCC.	File Number: _____

Classification of Filing

For Leases/Subleases Only

2a) Classification of Filing (Select only one):	2b) Type of Filing
<input checked="" type="checkbox"/> ML – Spectrum Manager Lease	<input checked="" type="checkbox"/> L – Lease
<input type="checkbox"/> TL – <i>De Facto</i> Transfer Lease	<input type="checkbox"/> S – Sublease (Must be filed manually)

For Private Commons Arrangements Only (Must be filed Manually)

2c) This filing will be a Private Commons Arrangement pursuant to a (Select only one):	2d) If a Private Commons Arrangement pursuant to a Lease or Sublease, choose the legal type (Select only one):
<input type="checkbox"/> N – License	<input type="checkbox"/> M – Spectrum Manager
<input type="checkbox"/> L – Lease	<input type="checkbox"/> T – <i>De Facto</i> Transfer
<input type="checkbox"/> S – Sublease	

Term of Lease/Sublease

3) Indicate whether the existing Lease/Sublease is:	<input checked="" type="checkbox"/> Long-Term	or	<input type="checkbox"/> Short-Term
---	---	----	-------------------------------------

ECIP

4) Is this lease being filed under the Enhanced Competition Incentive Program (ECIP)? <input checked="" type="checkbox"/> Yes <input type="checkbox"/> No
5) Is this ECIP lease being filed under the 'Small Carrier or Tribal Nation Transaction' Prong or the 'Rural-Focused Transaction' Prong? <input type="checkbox"/> Small Carrier or Tribal Nation Transaction Prong <input type="checkbox"/> Rural-Focused Transaction Prong

Other Wireless Licenses

6a) Is this filing part of a series of filings involving other wireless license(s) or lease(s) held by the Applicant, affiliates of the Licensee (e.g., parents, subsidiaries, or commonly-controlled entities), or third parties that are not included on this filing and for which Commission approval or notification is required?	(<input type="radio"/>) <u>Yes</u> <input type="radio"/> <u>No</u>
6b) If the answer to 4a is 'Y', is this filing the lead Application/Notification?	(<input type="radio"/>) <u>Yes</u> <input type="radio"/> <u>No</u>
6c) If the answer to 4a is 'Y' and the answer to 4b is 'N', provide the File Number of the lead Application/Notification.	File Number: 0010345161

Attachments

7) Are attachments (other than associated schedules) being filed with this Application/Notification?	(<input type="radio"/>) <u>Yes</u> <input type="radio"/> <u>No</u>
--	--

Fees and Waivers

Exemption from Application Fees

8) Is the Applicant exempt from FCC application fees? If the answer to 6 is 'Y', attach an exhibit demonstrating how the applicant is exempt from FCC application fees.	(<input type="radio"/>) <u>Yes</u> <input type="radio"/> <u>No</u>
--	--

Waiver/Deferral of Fees

9) Is a waiver/deferral of the FCC application fees being requested? If the answer to 7 is 'Y', attach a date-stamped copy of the request for waiver/deferral of the FCC application fees.	(<input type="radio"/>) <u>Yes</u> <input type="radio"/> <u>No</u>
---	--

Waiver of Commission Rules

10) Does this filing include a request for waiver of the Commission's Rules (other than a request for application fee waivers)? If the answer to 8a is 'Y', attach an exhibit specifying the rule section(s) for which a waiver is being requested and including a justification for the waiver request.	(<input type="radio"/>) <u>Yes</u> <input type="radio"/> <u>No</u>
---	--

Regulatory Status and Offerings

Radio Service Offerings

11) The Applicant will provide the following type(s) of radio service offerings (select all that apply): (<input type="checkbox"/>) Common Carrier (<input type="checkbox"/>) Non-common Carrier (<input type="checkbox"/>) Private, internal communications (<input type="checkbox"/>) Broadcast Services All entities that are planning to use the leased spectrum for telecommunications services should select common carrier in this item. The term 'telecommunications service' means the offering of telecommunications (i.e., the transmission, between or among points specified by the user, of information of the user's choosing, without change in the form or content of the information as sent and received) for a fee directly to the public, or to such classes of users as to be effectively available directly to the public, regardless of the facilities used. Non-common carriers do not hold themselves out indiscriminately for hire as carriers of communications provided by the customer. A person engaged in radio broadcasting shall not, insofar as such person is so engaged, be deemed a common carrier. Thus, those entities meeting this definition would select non-common carrier for this item. Private internal users are those entities that utilize telecommunications services purely for internal business purposes or public safety communications and not on a for-hire or for-profit basis. Such entities should select 'Private' for this item. The term 'Broadcast Services' shall have the same meaning as that for "broadcasting" in § 3(6) of the Communications Act of 1934, i.e., the dissemination of radio communications intended to be received by the public, directly or by the intermediary of relay stations." 47 U.S.C. § 153(6). If the Applicant is modifying the type of radio service offerings it provides, please provide an exhibit explaining the modification.

Radio Service

12) The Applicant will provide the following type(s) of radio service (select all that apply): <input type="checkbox"/> Fixed <input checked="" type="checkbox"/> Mobile <input type="checkbox"/> Radiolocation <input type="checkbox"/> Satellite (sound) <input type="checkbox"/> Broadcast Services	
13) Does the Applicant propose to provide service interconnected to the public telephone network?	<input type="checkbox"/> Yes <input checked="" type="checkbox"/> No

Designated Entity Information (If the answer to 12a, 12b or 12c is 'Y', Schedule A must be completed.)

Bidding Credits

14a) Does this filing involve any spectrum associated with any licenses that were awarded with bidding credits within the last five years? If the response to this item is 'Y', the licenses may be subject to the FCC's unjust enrichment rules, and the Applicant should answer relevant bidding credit questions.	<input type="checkbox"/> Yes <input checked="" type="checkbox"/> No
---	---

Closed Bidding

14b) Does this filing involve any spectrum associated with any licenses that were originally granted pursuant to closed bidding within the last five years? If the response to this item is 'Y', the Applicant should answer relevant closed bidding questions.	<input type="checkbox"/> Yes <input checked="" type="checkbox"/> No
--	---

Competition-Related Information

15) Does this filing involve a license authorization or Spectrum Lease/Sublease that may be used to provide interconnected mobile voice and/or data services that would create a geographic overlap with another license authorization(s) or spectrum leasing arrangement(s), that also could be used to provide interconnected mobile voice and/or data services, in which the Applicant already holds attributable interests, as defined in Section 20.22(b) of the Commission's Rules, either as a licensee or spectrum lessee/sublessee? If 'Y', specify in an exhibit all geographic areas/markets (e.g., BTA, CMA, county, etc.) where there are spectrum overlaps and the total amount of spectrum that the Assignee/Transferee will hold and/or lease in each geographic area/market.	<input checked="" type="checkbox"/> Yes <input type="checkbox"/> No
16) If the answer to Item 13 is 'Y', would/does this application for a spectrum leasing or subleasing arrangement reduce the number of entities providing service in the affected market(s)?	<input type="checkbox"/> Yes <input checked="" type="checkbox"/> No

Broadband Radio Service and Educational Broadband Service Information

17a) Will the requested facilities be used to provide multichannel video programming service?	<input type="checkbox"/> Yes <input checked="" type="checkbox"/> No
17b) If the answer to 15a is 'Y', does the Applicant operate, control or have an attributable interest (as defined in Section 27.1202 of the Commission's Rules) in a cable television system whose franchise area is located within the geographic service area of the requested facilities? If 'Y', provide an exhibit explaining how the Applicant (Lessee/Sublessee) complies with Section 27.1202 of the Commission's Rules or justifying a waiver of that rule. If a waiver of the Commission's Rule(s) is being requested, 8a must be answered 'Y'.	<input type="checkbox"/> Yes <input checked="" type="checkbox"/> No
18) Does the Applicant comply with the programming requirements contained in Section 27.1203 of the Commission's Rules? If 'N', provide an exhibit explaining how the Applicant complies with Section 27.1203 of the Commission's Rules or justifying a waiver of that rule. If a waiver of the Commission's Rule(s) is being requested, 8a must be answered 'Y'.	<input type="checkbox"/> Yes <input checked="" type="checkbox"/> No

Part 90 Public Safety Services

Eligibility

19) Is the Applicant a public safety entity or otherwise an entity that will use the leased spectrum to provide communications in support of public safety operations pursuant to Section 90.523 of the Commission's Rules?	() <u>Yes</u> <u>No</u>
---	--------------------------

600 MHz Band Information

<p>20) Is the spectrum leasing/subleasing arrangement for a term of one year or more (either initially or cumulatively) and involves any licenses in the 600 MHz Band initially granted in the last six years that would, if leased, create a geographic overlap with another licenses(s) in which the Lessee/Sublessee already holds attributable interests, as defined in Section 20.22(b) of the Commission's Rules, either as a licensee or spectrum Lessee/Sublessee, and that would result in the Lessee/Sublessee holding an attributable interest, as defined in Section 20.22(b) of the Commission's Rules, in one-third or more of the total suitable and available below-1-GHz spectrum as calculated on a county-by-county population-weighted basis in the relevant license area, utilizing 2010 U.S. Census data?</p> <p>The initial grant date is the date that the license was originally granted by the Commission after an auction, even if the license was acquired in the secondary market. The initial grant date is not the date on which the Commission granted an assignment or transfer of control of the license.</p> <p>If 'Y', provide an exhibit detailing the proposed spectrum leasing/subleasing exchange of 600 MHz band spectrum in the same market(s), including a list of all file numbers for applications associated with the proposed spectrum leasing arrangement exchange, or describing the <i>pro forma</i> nature of the spectrum leasing arrangement, as appropriate.</p>	(<u>N</u>) <u>Yes</u> <u>No</u>
<p>21) Is the spectrum leasing/subleasing arrangement for a term of one year or more (either initially or cumulatively) and involves any licenses that were initially granted as reserved spectrum licenses in the 600 MHz Band in the last six years? Otherwise, enter 'N'.</p> <p>The initial grant date is the date that the license was originally granted by the Commission after an auction, even if the license was acquired in the secondary market. The initial grant date is not the date on which the Commission granted an assignment or transfer of control of the license.</p> <p>If 'Y', provide an exhibit demonstrating how the Lessee/Sublessee would have qualified to bid on that reserved spectrum license(s) in Auction 1002 as of the FCC Form 175 filing deadline (February 10, 2016) for Auction 1002, the forward auction of the Broadcast Incentive Auction.</p>	() <u>Yes</u> <u>No</u>

Licensee Information

FRN

22) FCC Registration Number: **0001608363**

Entity

23) Licensee is a(n) (Select One):

() Individual () Unincorporated Association () Trust () Government Entity () Corporation () Limited Liability Company

() General Partnership () Limited Partnership () Limited Liability Partnership

() Other: _____

Licensee Name

24) Licensee Name (if entity): **Nextel West Corp.**

25) Licensee Name (if individual): First: MI: Last: Suffix:

26) Attention To: **FCC Regulatory Compliance**

Address

27) P.O. Box: And /Or 28) Street Address: **12920 SE 38th Street**

29) City: **Bellevue** 30) State: **WA** 31) Zip Code: **98006**

32) Telephone Number: **(425)383-8401** 33) FAX Number: **(425)383-4840**

34) E-Mail Address: **FCCRegulatoryComplianceContact@t-mobile.com**

35) Demographics (Optional):

Race:

() American Indian or Alaska Native
() Asian
() Black or African-American
() Native Hawaiian or Other Pacific Islander
() White

Ethnicity:

() Hispanic or Latino
() Not Hispanic or Latino

Gender:

() Male
() Female

Licensee Contact Information

Contact Name (if other than Licensee)

() Check here if same as Licensee Information

36) Name: First: MI: Last: Suffix:

37) Company Name: **Kiechel Law**

38) Attention To: **Doane F. Kiechel**

Address

39) P.O. Box: And /Or 40) Street Address: **4005 Garrison Street, NW**

41) City: **Washington** 42) State: **DC** 43) Zip Code: **20016**

44) Telephone Number: **(202)487-6770** 45) FAX Number:

46) E-Mail Address: **doane@kiechellaw.com**

Lessee Information

FRN

47) FCC Registration Number: **0003291192**

Entity

48) Lessee is a(n) (Select One):

() Individual () Unincorporated Association () Trust () Government Entity () Corporation () Limited Liability Company

() General Partnership () Limited Partnership () Limited Liability Partnership

() Other: _____

Lessee Name

49) If the Lessee name is being updated, is the update a result of a change in ownership, corporate structure, or entity for which proper Commission approval has not been received or proper notification not provided?" () Yes No

50) Lessee Name (if entity): **New Cingular Wireless PCS, LLC**

51) Lessee Name (if individual): First: MI: Last: Suffix:

52) Attention To: **Cecil J. Mathew**

Name of Real Party in Interest

53) Name of Real Party in Interest: **AT&T Inc.**

54) FCC Registration Number (FRN): **0005193701**

Address

55) P.O. Box: **And /Or** 56) Street Address: **208 S. Akard Street, RM 1016**

57) City: **Dallas** 58) State: **TX** 59) Zip Code: **75202**

60) Telephone Number: **(855)699-7073** 61) FAX Number: **(214)746-6410**

62) E-Mail Address: **FCCMW@att.com**

63) Demographics (Optional):

Race:	Ethnicity:	Gender:
() American Indian or Alaska Native	() Hispanic or Latino	() Male
() Asian	() Not Hispanic or Latino	() Female
() Black or African-American		
() Native Hawaiian or Other Pacific Islander		
() White		

Lessee Contact Information

Contact Name (if other than Lessee)

() Check here if same as Lessee Information

64) Name: First: MI: Last: Suffix:

65) Company Name: **AT&T Mobility LLC**

66) Attention To: **Jessica B. Lyons**

Address

67) P.O. Box: **And /Or** 68) Street Address: **601 New Jersey Ave. NW, Suite 650**

69) City: **Washington** 70) State: **DC** 71) Zip Code: **20001**

72) Telephone Number: **(202)457-2100** 73) FAX Number:

74) E-Mail Address: **jessica.lyons@att.com**

Sublessee Information

FRN

75) FCC Registration Number:

Entity

76) Sublessee is a(n) (Select One): () Individual () Unincorporated Association () Trust () Government Entity () Corporation () Limited Liability Company () General Partnership () Limited Partnership () Limited Liability Partnership () Other: _____

Sublessee Name

77) If the Sublessee name is being updated, is the update a result of a change in ownership, corporate structure, or entity for which proper Commission approval has not been received or proper notification not provided?	() Yes No			
78) Sublessee Name (if entity):				
79) Sublessee Name (if individual):	First:	MI:	Last:	Suffix:
80) Attention To:				

Name of Real Party in Interest

81) Name of Real Party in Interest:
82) FCC Registration Number (FRN):

Address

83) P.O. Box:	And /Or	84) Street Address:
85) City:	86) State:	87) Zip Code:
88) Telephone Number:	89) FAX Number:	
90) E-Mail Address:		

91) Demographics (Optional):

Race: () American Indian or Alaska Native () Asian () Black or African-American () Native Hawaiian or Other Pacific Islander () White	Ethnicity: () Hispanic or Latino () Not Hispanic or Latino	Gender: () Male () Female
--	---	--

Sublessee Contact Information

Contact Name (if other than Sublessee)

() **Check here if same as Sublessee Information**

92) Name:	First:	MI:	Last:	Suffix:
93) Company Name:				
94) Attention To:				

Address

95) P.O. Box:	And /Or	96) Street Address:
97) City:	98) State:	99) Zip Code:
100) Telephone Number:	101) FAX Number:	
102) E-Mail Address:		

Transferee Information

FRN

103) FCC Registration Number:

Entity

104) Transferee is a(n) (Select One):

- () Individual () Unincorporated Association () Trust () Government Entity () Corporation () Limited Liability Company
() General Partnership () Limited Partnership () Limited Liability Partnership
() Other: _____

Transferee Name

105) Transferee Name (if entity):

106) Transferee Name (if individual):

First:

MI:

Last:

Suffix:

107) Attention To:

Name of Real Party in Interest

108) Name of Real Party in Interest:

109) FCC Registration Number (FRN):

Address

110) P.O. Box:

And
/Or

111) Street Address:

112) City:

113) State:

114) Zip Code:

115) Telephone Number:

116) FAX Number:

117) E-Mail Address:

118) Demographics (Optional):

Race:

- () American Indian or Alaska Native
() Asian
() Black or African-American
() Native Hawaiian or Other Pacific Islander
() White

Ethnicity:

- () Hispanic or Latino
() Not Hispanic or Latino

Gender:

- () Male
() Female

Transferee Contact Information

Contact Name (if other than Transferee)

() Check here if same as Transferee Information

119) Name:

First:

MI:

Last:

Suffix:

120) Company Name:

121) Attention To:

Address

122) P.O. Box:

And
/Or

123) Street Address:

124) City:

125) State:

126) Zip Code:

127) Telephone Number:

128) FAX Number:

128) E-Mail Address:

Transferor Information

FRN

130) FCC Registration Number:

Entity

131) Transferor is a(n) (Select One):

() Individual () Unincorporated Association () Trust () Government Entity () Corporation () Limited Liability Company

() General Partnership () Limited Partnership () Limited Liability Partnership

() Other: _____

Transferor Name

132) Transferor Name (if entity):

133) Transferor Name (if individual):

First:

MI:

Last:

Suffix:

134) Attention To:

Address

135) P.O. Box:

And
/Or

134) Street Address:

137) City:

138) State:

139) Zip Code:

140) Telephone Number:

140) FAX Number:

142) E-Mail Address:

141) Demographics (Optional):

Race:

() American Indian or Alaska Native

() Asian

() Black or African-American

() Native Hawaiian or Other Pacific Islander

() White

Ethnicity:

() Hispanic or Latino

() Not Hispanic or Latino

Gender:

() Male

() Female

Transferor Contact Information

Contact Name (if other than Transferor)

() Check here if same as Transferor Information

142) Name:

First:

MI:

Last:

Suffix:

143) Company Name:

144) Attention To:

Address

145) P.O. Box:

And
/Or

146) Street Address:

147) City:

148) State:

149) Zip Code:

150) Telephone Number:

151) FAX Number:

152) E-Mail Address:

Ownership Disclosure Information

FCC Form 602

155a) Is the Applicant required to file FCC Form 602, Ownership Disclosure Information for the Wireless Telecommunications Services?	(<input checked="" type="radio"/>) <u>Yes</u> <input type="radio"/> <u>No</u>
155b) If the answer to 153a is 'Y', provide the File Number of FCC Form 602 that has been filed in conjunction with application or is already on file with the FCC.	File Number: <u>0010394287</u>

Alien Ownership Questions

Alien Ownership (If any answer is 'Y', provide an attachment explaining the circumstances. In preparing the attachment, refer to the Main Form Instructions for the "Alien Ownership Questions".)

156) Is the Lessee/Sublessee or Post-Transfer Lessee/Sublessee a foreign government or the representative of any foreign government?	(<input type="radio"/>) <u>Yes</u> <input checked="" type="radio"/> <u>No</u>
157) Is the Lessee/Sublessee or Post-Transfer Lessee/Sublessee an alien or the representative of an alien?	(<input type="radio"/>) <u>Yes</u> <input checked="" type="radio"/> <u>No</u>
158) Is the Lessee/Sublessee or Post-Transfer Lessee/Sublessee a corporation organized under the laws of a foreign government?	(<input type="radio"/>) <u>Yes</u> <input checked="" type="radio"/> <u>No</u>
159) Is the Lessee/Sublessee or Post-Transfer Lessee/Sublessee a corporation of which more than one-fifth of the capital stock is owned of record or voted by aliens or their representatives, or by a foreign government or representative thereof, or by any corporation organized under the laws of a foreign country?	(<input type="radio"/>) <u>Yes</u> <input checked="" type="radio"/> <u>No</u>
160a) Is the Lessee/Sublessee or Post-Transfer Lessee/Sublessee directly or indirectly controlled by any other corporation of which more than one-fourth of the capital stock is owned of record or voted by aliens or their representatives, or by a foreign government or representative thereof, or by any corporation organized under the laws of a foreign country?	(<input type="radio"/>) <u>Yes</u> <input checked="" type="radio"/> <u>No</u>

160b) If the answer to 157 or 158a is 'Y' select one of the choices below.

The Lessee/Sublessee or Post-Transfer Lessee/Sublessee is exempt from the provisions of Section 310(b).

It is not necessary to file a petition for declaratory ruling if the Lessee/Sublessee or Post-Transfer Lessee/Sublessee includes in the attachment required by Item 157 or Item 158a a showing that the subject Lease(s) is exempt from the provisions of Section 310(b).

The Lessee/Sublessee or Post-Transfer Lessee/Sublessee has received a declaratory ruling(s) approving its foreign ownership, and the application/notification involves only the acquisition/use of additional spectrum for the provision of a wireless service in a geographic coverage area for which the Lessee/Sublessee or Post-Transfer Lessee/Sublessee has been previously authorized.

If checked, include in the attachment required by Item 157 or Item 158a the citation(s) of the applicable declaratory ruling(s) by DA/FCC number, the FCC Record citation, if available, release date, and a statement that there has been no change in the foreign ownership of the Lessee/Sublessee or Post-Transfer Lessee/Sublessee since the issuance of its ruling.

The Lessee/Sublessee or Post-Transfer Lessee/Sublessee: (i) has received a declaratory ruling(s) approving its foreign ownership, but is not able to make the certification specified immediately above; or (ii) is an "affiliate" of a Licensee or Lessee/SubLessee that received a declaratory ruling(s) under Section 1.990(a) of the Commission's Rules, 47 CFR § 1.990(a), and is relying on the affiliate's ruling for purposes of filing this application/notification as permitted under the affiliate's ruling and Section 1.994(b) of the Rules, 47 CFR § 1.994(b).

If checked, and if the Lessee/Sublessee or Post-Transfer Lessee/Sublessee received its declaratory ruling(s) on or after August 9, 2013, include in the attachment required by Item 157 or Item 158a the citation(s) of the Lessee/Sublessee or Post-Transfer Lessee/Sublessee's declaratory ruling(s) by DA/FCC number, the FCC Record citation, if available, release date, and a statement that the Lessee/Sublessee or Post-Transfer Lessee/Sublessee is in compliance with the terms and conditions of its ruling and with the Commission's Rules.

If checked, and if the Lessee/Sublessee or Post-Transfer Lessee/Sublessee received its declaratory ruling(s) prior to August 9, 2013, include in the attachment required by Item 156a a copy of a petition for declaratory ruling filed contemporaneously with the Commission to extend the Lessee/Sublessee or Post-Transfer Lessee/Sublessee's existing ruling(s) to cover the same radio service(s) and geographic coverage area(s) involved in the application/notification. Alternatively, the Lessee/Sublessee or Post-Transfer Lessee/Sublessee may request a new declaratory ruling pursuant to Section 1.990(a) of the Commission's Rules, 47 CFR § 1.990(a). Petitions for declaratory ruling may be filed electronically on the Internet through the International Bureau Filing System (IBFS) (with a copy attached hereto).

If checked, and if the Lessee/Sublessee or Post-Transfer Lessee/Sublessee is relying on an affiliate's ruling for purposes of filing this application/notification, include in the attachment required by Item 157 or Item 158a the citation(s) of the applicable declaratory ruling(s) by DA/FCC number, the FCC Record citation, if available, release date, and a statement that the Lessee/Sublessee or Post-Transfer Lessee/Sublessee is in compliance with the terms and conditions of the named affiliate's ruling and with the Commission's Rules. The Lessee/Sublessee or Post-Transfer Lessee/Sublessee must also include a certification of compliance signed by the named affiliate or other qualified entity as specified in Section 1.994(b) of the Rules, 47 CFR § 1.994(b). See Main Form Instructions for Items 155 or 156a, as applicable.

The Lessee/Sublessee or Post-Transfer Lessee/Sublessee has not received a declaratory ruling approving its foreign ownership and is requesting a declaratory ruling under Section 1.990(a) of the Commission's Rules, 47 CFR § 1.990(a), in a petition filed contemporaneously with the Commission.

If checked, include in the attachment required by Item 157 or 158a a copy of the petition for declaratory ruling filed contemporaneously with the Commission pursuant to Section 1.990(a) of the Commission's Rules, 47 CFR § 1.990(a). Petitions for declaratory ruling may be filed electronically on the Internet through the International Bureau Filing System (IBFS) (with a copy attached hereto).

Basic Qualification Information

Basic Qualification Questions (If any answer is 'Y', provide an attachment explaining the circumstances)

161) Has the Applicant or any party to this application had any FCC station authorization, license, or construction permit revoked or had any application for an initial, modification, or renewal of FCC station authorization, license, or construction permit denied by the Commission?	(N) <u>Y</u> es No
162) Has the Applicant or any party to this filing, or any party directly or indirectly controlling the Applicant or any party to this filing ever been convicted of a felony by any state or federal court?	(N) <u>Y</u> es No
163) Has any court finally adjudged the Applicant or any party directly or indirectly controlling the Applicant guilty of unlawfully monopolizing or attempting unlawfully to monopolize radio communication, directly or indirectly, through control of manufacture or sale of radio apparatus, exclusive traffic arrangement, or any other means or unfair methods of competition?	(N) <u>Y</u> es No

Licensee Certification Statements

1)	The Licensee agrees that the Lease is not a sale or transfer of the license itself.
2)	The Licensee certifies that it will not consent to assignment of the Lease except to the extent such assignment complies with the Commission's Rules and Regulations.
3)	The Licensee certifies that it holds exclusive use rights to use the licensed spectrum.
4)	The Licensee certifies that it is not in default on any payment for Commission licenses and that it is not delinquent on any non-tax debt owed to any federal agency.
The Licensee certifies that all of its statements made in this Application/Notification and in the schedules, exhibits, attachments, or documents incorporated by reference are material, are part of this Application/Notification, and are true, complete, correct, and made in good faith.	

Type or Printed Name of Party Authorized to Sign

164) First Name: Jenny	MI:	Last Name: Knopf	Suffix:
165) Title: Sr. Director			
166) Signature: Jenny Knopf		167) Date: 02/21/2024	
FAILURE TO SIGN THIS APPLICATION MAY RESULT IN DISMISSAL OF THE APPLICATION AND FORFEITURE OF ANY FEES PAID.			
WILLFUL FALSE STATEMENTS MADE ON THIS FORM OR ANY ATTACHMENTS ARE PUNISHABLE BY FINE AND/OR IMPRISONMENT (U.S. Code, Title 18, Section 1001) AND/OR REVOCATION OF ANY STATION LICENSE OR CONSTRUCTION PERMIT (U.S. Code, Title 47, Section 312(a)(1)), AND/OR FORFEITURE (U.S. Code, Title 47, Section 503).			

Spectrum Aggregation Limit Certification(s)

<p>167) The Licensee/Lessor/Lessee/Sublessor/Sublessee/Transferee certifies that grant of this application would not cause the Licensee/Lessor/Lessee/Sublessor/Sublessee/Transferee to be in violation of the 40 megahertz in-band spectrum aggregation limit set forth under section 96.31 of the Commission's rules for 3.5 GHz licenses, taking into consideration the spectrum attribution rules under section 20.22(b) of the Commission's rules.</p> <p>If the Licensee/Lessor/Lessee/Sublessor/Sublessee/Transferee has sought a waiver of section 96.31 or any related rule in connection with this application, it may make this certification subject to the outcome of the waiver request.</p>	<input type="checkbox"/> Yes <input checked="" type="checkbox"/> No
<p>168) The Licensee/Lessor/Lessee/Sublessor/Sublessee/Transferee certifies that grant of this application would not cause the Licensee/Lessor/Lessee/Sublessor/Sublessee/Transferee to be in violation of the 40 megahertz in-band spectrum aggregation limit set forth under section 27.1606 of the Commission's rules for 3.45 GHz licenses, taking into consideration the spectrum attribution rules under section 20.22(b) of the Commission's rules.</p> <p>If the Licensee/Lessor/Lessee/Sublessor/Sublessee/Transferee has sought a waiver of section 27.1606 or any related rule in connection with this application, it may make this certification subject to the outcome of the waiver request.</p>	<input type="checkbox"/> Yes <input checked="" type="checkbox"/> No

Lessee Certification Statements

1)	The Lessee agrees that the Lease is not a sale or transfer of the license itself.
2)	The Lessee acknowledges that it is required to comply with the Commission's Rules and Regulations and other applicable law at all times, and if the Lessee fails to so comply, the Lease/Sublease may be revoked, cancelled, or terminated by either the Licensee or the Commission.
3)	The Lessee certifies that neither it nor any other party to the Application/Notification is subject to a denial of Federal benefits pursuant to Section 5301 of the Anti-Drug Abuse Act of 1988, 21 U.S.C. § 862, because of a conviction for possession or distribution of a controlled substance. This certification does not apply to applications filed in services exempted under Section 1.2002(c) of the Commission's Rules. See Section 1.2002(b) of the Commission's Rules for the definition of "party to the application" as used in this certification.
4)	The Lessee hereby accepts Commission oversight and enforcement consistent with the license and lease authorization. The Lessee acknowledges that it must cooperate fully with any investigation or inquiry conducted either by the Commission or the Licensee, allow the Commission or the Licensee to conduct on-site inspections of transmission facilities, and suspend operations at the direction of the Commission or the Licensee and to the extent that such suspension of operation would be consistent with applicable Commission policies.
5)	The Lessee acknowledges that in the event an authorization held by a Licensee that has associated with it a spectrum leasing arrangement that is the subject of this filing is revoked, cancelled, terminated, or otherwise ceases to be in effect, the Lessee will have no continuing authority to use the leased spectrum and will be required to terminate its operations no later than the date on which the Licensee ceases to have any authority to operate under the license, unless otherwise authorized by the Commission.
6)	The Lessee agrees the Lease shall not be assigned to any entity that is not eligible or qualified to enter into a spectrum leasing arrangement under the Commission's Rules and Regulations.
7)	The Lessee waives any claim to the use of any particular frequency or of the electromagnetic spectrum as against the regulatory power of the United States because of the previous use of the same, whether by spectrum lease or otherwise.
8)	The Lessee certifies that it is not in default on any payment for Commission licenses and that it is not delinquent on any non-tax debt owed to any federal agency.
9)	The Lessee certifies that it and all of the related individuals and entities required to be disclosed on this application and FCC Form 602 (FCC Ownership Disclosure Information for the Wireless Telecommunications Services) are not person(s) who have been, for reasons of national security, barred by any agency of the Federal Government from bidding on a contract, participating in an auction, or receiving a grant. This certification applies only to applications for licenses for spectrum that is required by Sections 6103, 6401-6403 of the Middle Class Tax Relief and Job Creation Act of 2012, codified at 47 U.S.C. §§ 309, 1413, 1451-1452, to be assigned by a system of competitive bidding under 47 U.S.C. § 309(j).
<p>The Lessee certifies that all of its statements made in this Application/Notification and in the schedules, exhibits, attachments, or documents incorporated by reference are material, are part of this Application/Notification, and are true, complete, correct, and made in good faith.</p>	

Type or Printed Name of Party Authorized to Sign

170) First Name: Jessica	MI: B	Last Name: Lyons	Suffix:
171) Title: Asst. Secretary of Manager			
172) Signature: Jessica B Lyons		173) Date: 02/21/2024	
<p>FAILURE TO SIGN THIS APPLICATION MAY RESULT IN DISMISSAL OF THE APPLICATION AND FORFEITURE OF ANY FEES PAID.</p> <p>WILLFUL FALSE STATEMENTS MADE ON THIS FORM OR ANY ATTACHMENTS ARE PUNISHABLE BY FINE AND/OR IMPRISONMENT (U.S. Code, Title 18, Section 1001) AND/OR REVOCATION OF ANY STATION LICENSE OR CONSTRUCTION PERMIT (U.S. Code, Title 47, Section 312(a)(1)), AND/OR FORFEITURE (U.S. Code, Title 47, Section 503).</p>			

Sublessee Certification Statements

1)	The Sublessee agrees that the Lease is not a, sale or transfer of the license itself.
2)	The Sublessee acknowledges that it is required to comply with the Commission's Rules and regulations and other applicable law at all times, and if the Sublessee fails to so comply, the Lease may be revoked, cancelled, or terminated by either the licensee or the Commission.
3)	The Sublessee certifies that neither it nor any other party to the Application/Notification is subject to a denial of Federal benefits pursuant to Section 5301 of the Anti-Drug Abuse Act of 1988, 21 U.S.C. § 862, because of a conviction for possession or distribution of a controlled substance. This certification does not apply to applications filed in services exempted under Section 1.2002(c) of the Commission's Rules. See Section 1.2002(b) of the Commission's Rules for the definition of "party to the application" as used in this certification.
4)	The Sublessee hereby accepts Commission oversight and enforcement consistent with the license authorization. The Sublessee acknowledges that it must cooperate fully with any investigation or inquiry conducted either by the Commission or the Licensee, allow the Commission or the licensee to conduct on-site inspections of transmission facilities, and suspend operations at the direction of the Commission or the Licensee and to the extent that such suspension of operation would be consistent with the applicable Commission policies.
5)	The Sublessee acknowledges that in the event an authorization held by a Licensee that has entered into a spectrum leasing arrangement is revoked, cancelled, terminated, or otherwise ceases to be in effect, the Sublessee will have no continuing authority to use the leased spectrum and will be required to terminate its operations no later than the date on which the Licensee ceases to have any authority to operate under the license, unless otherwise authorized by the Commission.
6)	The Sublessee agrees the Lease/Sublease shall not be assigned to any entity that is not eligible or qualified to enter into a spectrum leasing arrangement under the Commission's Rules and regulations.
7)	The Sublessee waives any claim to the use of any particular frequency or of the electromagnetic spectrum as against the regulatory power of the United States because of the previous use of the same, whether by spectrum lease or otherwise.
8)	The Sublessee certifies that it is not in default on any payment for Commission licenses and that it is not delinquent on any non-tax debt owed to any federal agency.
9)	The Sublessee certifies that it and all of the related individuals and entities required to be disclosed on this application and FCC Form 602 (FCC Ownership Disclosure Information for the Wireless Telecommunications Services) are not person(s) who have been, for reasons of national security, barred by any agency of the Federal Government from bidding on a contract, participating in an auction, or receiving a grant. This certification applies only to applications for licenses for spectrum that is required by Sections 6103, 6401-6403 of the Middle Class Tax Relief and Job Creation Act of 2012, codified at 47 U.S.C. §§ 309, 1413, 1451-1452, to be assigned by a system of competitive bidding under 47 U.S.C. § 309(j).
The Sublessee certifies that all of its statements made in this Application/Notification and in the schedules, exhibits, attachments, or documents incorporated by reference are material, are part of this Application/Notification, and are true, complete, correct, and made in good faith.	

Type or Printed Name of Party Authorized to Sign

174) First Name:	MI:	Last Name:	Suffix:
175) Title:			
176) Signature:		177) Date:	
FAILURE TO SIGN THIS APPLICATION MAY RESULT IN DISMISSAL OF THE APPLICATION AND FORFEITURE OF ANY FEES PAID.			
WILLFUL FALSE STATEMENTS MADE ON THIS FORM OR ANY ATTACHMENTS ARE PUNISHABLE BY FINE AND/OR IMPRISONMENT (U.S. Code, Title 18, Section 1001) AND/OR REVOCATION OF ANY STATION LICENSE OR CONSTRUCTION PERMIT (U.S. Code, Title 47, Section 312(a)(1)), AND/OR FORFEITURE (U.S. Code, Title 47, Section 503).			

Transferee Certification Statements

1)	The Transferee agrees that the Lease/Sublease is not a sale or transfer of the license itself.
2)	The Transferee acknowledges that it is required to comply with the Commission's Rules and Regulations and other applicable law at all times, and if the Transferee fails to so comply, the Lease/Sublease may be revoked, cancelled, or terminated by either the licensee or the Commission.
3)	The Transferee certifies that neither it nor any other party to the Application/Notification is subject to a denial of Federal benefits pursuant to Section 5301 of the Anti-Drug Abuse Act of 1988, 21 U.S.C. § 862, because of a conviction for possession or distribution of a controlled substance. This certification does not apply to applications filed in services exempted under Section 1.2002(c) of the Commission's Rules. See Section 1.2002(b) of the Commission's Rules for the definition of "party to the application" as used in this certification.)
4)	The Transferee hereby accepts Commission oversight and enforcement consistent with the license authorization. The Transferee acknowledges that it must cooperate fully with any investigation or inquiry conducted either by the Commission or the Licensee, allow the Commission or the licensee to conduct on-site inspections of transmission facilities, and suspend operations at the direction of the Commission or the Licensee and to the extent that such suspension of operation would be consistent with the applicable Commission policies.
5)	The Transferee acknowledges that in the event an authorization held by a Licensee that has entered into a spectrum leasing arrangement is revoked, cancelled, terminated, or otherwise ceases to be in effect, the Transferee will have no continuing authority to use the leased spectrum and will be required to terminate its operations no later than the date on which the Licensee ceases to have any authority to operate under the license, unless otherwise authorized by the Commission.
6)	The Transferee agrees the Lease shall not be assigned to any entity that is not eligible or qualified to enter into a spectrum leasing arrangement under the Commission's Rules and Regulations.
7)	The Transferee waives any claim to the use of any particular frequency or of the electromagnetic spectrum as against the regulatory power of the United States because of the previous use of the same, whether by spectrum lease or otherwise.
8)	The Transferee certifies that it is not in default on any payment for Commission licenses and that it is not delinquent on any non-tax debt owed to any federal agency.
9)	The Transferee certifies that it and all of the related individuals and entities required to be disclosed on this application and FCC Form 602 (FCC Ownership Disclosure Information for the Wireless Telecommunications Services) are not person(s) who have been, for reasons of national security, barred by any agency of the Federal Government from bidding on a contract, participating in an auction, or receiving a grant. This certification applies only to applications for licenses for spectrum that is required by Sections 6103, 6401-6403 of the Middle Class Tax Relief and Job Creation Act of 2012, codified at 47 U.S.C. §§ 309, 1413, 1451-1452, to be assigned by a system of competitive bidding under 47 U.S.C. § 309(j).
The Transferee certifies that all of its statements made in this Application/Notification and in the schedules, exhibits, attachments, or documents incorporated by reference are material, are part of this Application/Notification, and are true, complete, correct, and made in good faith.	

Type or Printed Name of Party Authorized to Sign

178) First Name:	MI:	Last Name:	Suffix:
179) Title:			
180) Signature:		181) Date:	
FAILURE TO SIGN THIS APPLICATION MAY RESULT IN DISMISSAL OF THE APPLICATION AND FORFEITURE OF ANY FEES PAID.			
WILLFUL FALSE STATEMENTS MADE ON THIS FORM OR ANY ATTACHMENTS ARE PUNISHABLE BY FINE AND/OR IMPRISONMENT (U.S. Code, Title 18, Section 1001) AND/OR REVOCATION OF ANY STATION LICENSE OR CONSTRUCTION PERMIT (U.S. Code, Title 47, Section 312(a)(1)), AND/OR FORFEITURE (U.S. Code, Title 47, Section 503).			

Transferor Certification Statements

1)	The Transferor certifies either (1) that control of the Lessee/Sublessee will not be transferred until consent of the Federal Communications Commission has been given, or (2) that prior Commission consent is not required because the Lease/Sublease is subject to streamlined notification procedures for <i>pro forma</i> transfers of control. See <i>Federal Communications Bar Association's Petition for Forbearance from Section 310(d) of the Communications Act Regarding Non-Substantial Assignments of Wireless Licenses and Transfers of Control Involving Telecommunications Carriers and Personal Communications Industry Association's Broadband Personal Communications Services Alliance's Petition for Forbearance For Broadband Personal Communications Services, Memorandum Opinion and Order, 13 FCC Rcd 6293 (1998)</i>
2)	The Transferor certifies that it is not in default on any payment for Commission licenses and that it is not delinquent on any non-tax debt owed to any federal agency.
The Transferor certifies that all of its statements made in this Application/Notification and in the schedules, exhibits, attachments, or documents incorporated by reference are material, are part of this Application/Notification, and are true, complete, correct, and made in good faith.	

Type or Printed Name of Party Authorized to Sign

182) First Name:	MI:	Last Name:	Suffix:
183) Title:			
184) Signature:		185) Date:	

FAILURE TO SIGN THIS APPLICATION MAY RESULT IN DISMISSAL OF THE APPLICATION AND FORFEITURE OF ANY FEES PAID.
WILLFUL FALSE STATEMENTS MADE ON THIS FORM OR ANY ATTACHMENTS ARE PUNISHABLE BY FINE AND/OR IMPRISONMENT (U.S. Code, Title 18, Section 1001) AND/OR REVOCATION OF ANY STATION LICENSE OR CONSTRUCTION PERMIT (U.S. Code, Title 47, Section 312(a)(1)), AND/OR FORFEITURE (U.S. Code, Title 47, Section 503).

Private Commons Manager Certification Statements

1)	The Licensee/Lessee/Sublessee manager of the Private Commons certifies that it will retain <i>de facto</i> control of the use of the spectrum under the Private Commons arrangement, including that it will maintain reasonable oversight over the users' use of the spectrum under the arrangement so as to ensure that the use of the spectrum, and communications equipment employed, comply with all technical and service rules applicable under the license authorization.
2)	The Licensee/Lessee/Sublessee manager of the Private Commons arrangement certifies that it will maintain the ability to ensure that users under the arrangement comply with all the technical and service rules applicable under the license authorization.
3)	The Licensee/Lessee/Sublessee manager of the Private Commons certifies that it and all of the related individuals and entities required to be disclosed on this application and FCC Form 602 (FCC Ownership Disclosure Information for the Wireless Telecommunications Services) are not person(s) who have been, for reasons of national security, barred by any agency of the Federal Government from bidding on a contract, participating in an auction, or receiving a grant. This certification applies only to applications for licenses for spectrum that is required by Sections 6103, 6401-6403 of the Middle Class Tax Relief and Job Creation Act of 2012, codified at 47 U.S.C. §§ 309, 1413, 1451-1452, to be assigned by a system of competitive bidding under 47 U.S.C. § 309(j).
<p>The Licensee/Lessee/Sublessee manager of the Private Commons arrangement certifies that all of its statements made in this Notification and in the schedules, exhibits, attachments, or documents incorporated by reference are material, are part of this Notification, and are true, complete, correct, and made in good faith.</p>	

Type or Printed Name of Party Authorized to Sign

186) First Name:	MI:	Last Name:	Suffix:
187) Title:			
188) Signature:		189) Date:	
<p>FAILURE TO SIGN THIS APPLICATION MAY RESULT IN DISMISSAL OF THE APPLICATION AND FORFEITURE OF ANY FEES PAID.</p> <p>WILLFUL FALSE STATEMENTS MADE ON THIS FORM OR ANY ATTACHMENTS ARE PUNISHABLE BY FINE AND/OR IMPRISONMENT (U.S. Code, Title 18, Section 1001) AND/OR REVOCATION OF ANY STATION LICENSE OR CONSTRUCTION PERMIT (U.S. Code, Title 47, Section 312(a)(1)), AND/OR FORFEITURE (U.S. Code, Title 47, Section 503).</p>			

License Authorization(s) or Identifiers (pertaining to Lease(s)/Sublease(s)/Private Commons) Associated with the Spectrum To Be Included in the Filing

190) Call Sign(s) or Lease/Sublease/ Private Commons Identifier(s)	191) Radio Service Code	192) Location Number	193 Path Number (Microwave only)	194) Frequency Number	195) Lower Frequency (MHz)	196) Upper Frequency (MHz)
KNLH495	CW - PCS Broadband					
KNLH605	CW - PCS Broadband					
WPTB358	CW - PCS Broadband					

* Note: Items 192 – 196 are for New Leases involving spectrum associated with site-based authorizations when only a portion of the licensed locations, paths and/or frequencies will be leased.

**Schedule for Licensees that Received Bidding Credits
or
Involving Licenses Won in Closed Bidding**

**Designated Entity Information
Bidding Credits**

1) Has the full amount of the bidding credits awarded with regard to each of the subject license(s) been paid as part of unjust enrichment payment(s) in previous transaction(s)?	() <u>Yes</u> <u>No</u>
If the response to Item 1 is 'Y', Items 2 and 3 are not required to be completed.	

Bidding Credits - (Spectrum Manager Leases Only)

2a) Does the Applicant have a general partnership interest or have a direct or indirect ownership interests of ten percent or greater in the Licensee?	() <u>Yes</u> <u>No</u>
2b) Is the Applicant a "controlling interest holder" or "affiliate" of the current Licensee? For purposes of determining whether the Licensee has retained the requisite degree of ownership and control over the leased spectrum in order to remain eligible for the license or for bidding credits, the <i>de jure</i> control standard in 47 CFR § 1.2110 and the <i>de facto</i> control standard in 47 CFR § 1.9010 will be applied (pursuant to the conditions set forth in 47 CFR § 1.9020).	() <u>Yes</u> <u>No</u>
2c) Does the Applicant share office space, equipment, or other facilities with any party controlling the entity from which spectrum is being leased/subleased?	() <u>Yes</u> <u>No</u>
2d) Is the Applicant a disclosable interest holder that holds a ten percent or greater interest of any kind in the Licensee and is the Lease/Sublease for more than 25% of the spectrum capacity of the subject license(s)?	() <u>Yes</u> <u>No</u>
2e) Does the Licensee certify that the Lease/Sublease does not affect its continuing eligibility to retain bidding credit(s)?	() <u>Yes</u> <u>No</u>

**Bidding Credits – (Long-Term De Facto Transfer Leases Only)
Eligibility**

3a) With respect to each of the subject licenses, the Applicant: () qualifies for the same designated entity benefit as the current Licensee () qualifies for a different designated entity benefit than the current Licensee () does not qualify for any designated entity status
--

3b) If the Applicant states in Item 3a that it qualifies for the same designated entity benefit as the current Licensee or qualifies for a different designated entity status than the current Licensee, the Applicant qualifies for a (select one): () small business bidding credit (___%) () rural service provider bidding credit	
3c) Is the Applicant a disclosable interest holder that holds a ten percent or greater interest of any kind in the Licensee and is the Lease/Sublease for more than 25% of the spectrum capacity of the subject license(s)?	() <u>Yes</u> <u>No</u>

Closed Bidding Licenses

4) Have construction notifications been submitted as required by the Commission's Rules for each of the subject licenses? If the response to Item 4 is 'Y', Items 5 and 6 are not required to be completed.	() <u>Yes</u> <u>No</u>
--	--------------------------

Closed Bidding Licenses – (Spectrum Manager Leases Only)

5a) Does the Applicant have a general partnership interest or have a direct or indirect ownership interest of ten percent or greater in the Licensee?	() <u>Yes</u> <u>No</u>
5b) Is the Applicant a "controlling interest holder" or "affiliate" of the current Licensee?	() <u>Yes</u> <u>No</u>
5c) Does the Applicant share office space, equipment or other facilities with any party controlling the entity from which spectrum is being leased?	() <u>Yes</u> <u>No</u>
5d) Does the Licensee certify that the Lease/Sublease does not affect its continuing eligibility to retain closed bidding licenses?	() <u>Yes</u> <u>No</u>

Closed Bidding Licenses – (Long-Term *De Facto* Transfer Leases Only)**Eligibility**

6) With respect to each of the subject licenses, the Applicant: () a) qualifies for closed bidding () b) does not qualify for closed bidding
--

7) Revenue and Asset Information for the Applicant

Purpose (Check Modify if filing an Amendment application and changing the Revenue and Asset Information from what was provided on the original filing)

<input type="checkbox"/> Modify

Gross Revenue Disclosure Most Recent Reportable Year

8a) Were the Applicant and any predecessors-in-interest in existence for a full year of the relevant period? If 'N', explain why in an attachment.	() <u>Yes</u> <u>No</u>
If 'Y', provide the following information.	
8b) Gross Revenues	\$ _____ (Format: 99,999.99)
8c) Year-end Date:	_____ (Date Format: MM/DD/YYYY)

One Year Prior to Most Recent Reportable Year

9a) Were the Applicant and any predecessors-in-interest in existence for a full year of the relevant period? If 'N', explain why in an attachment.	() <u>Yes</u> <u>No</u>
If 'Y', provide the following information.	
9b) Gross Revenues	\$ _____ (Format: 99,999.99)
9c) Year-end Date:	_____ (Date Format: MM/DD/YYYY)

Two Years Prior to Most Recent Reportable Year

10a) Were the Applicant and any predecessors-in-interest in existence for a full year of the relevant period? If 'N', explain why in an attachment.	() <u>Yes</u> <u>No</u>
If 'Y', provide the following information.	
10b) Gross Revenues	\$ _____ (Format: 99,999.99)
10c) Year-end Date:	_____ (Date Format: MM/DD/YYYY)

Three Years Prior to Most Recent Reportable Year

11a) Were the Applicant and any predecessors-in-interest in existence for a full year of the relevant period? If 'N', explain why in an attachment.	() <u>Yes</u> <u>No</u>
If 'Y', provide the following information.	
11b) Gross Revenues	\$ _____ (Format: 99,999.99)
11c) Year-end Date:	_____ (Date Format: MM/DD/YYYY)

Four Years Prior to Most Recent Reportable Year

12a) Were the Applicant and any predecessors-in-interest in existence for a full year of the relevant period? If 'N', explain why in an attachment.	() <u>Yes</u> <u>No</u>
If 'Y', provide the following information.	
12b) Gross Revenues	\$ _____ (Format: 99,999.99)
12c) Year-end Date:	_____ (Date Format: MM/DD/YYYY)

Average Gross Revenue

13) Average Gross Revenue of Reported Years: \$ _____ (Format: 99,999.99)

Asset Disclosure

14) Total Assets as of Application Filing Date: \$ _____

Financial Statements

15) Audited or Unaudited (Check One)

The Applicant used audited financial statements.

The Applicant used unaudited financial statements prepared in accordance with Generally Accepted Accounting Principles (GAAP) and certified by the Applicant's chief financial officer or the equivalent.

Reference Copy

Reference Copy

Closed Bidding/Designated Entity Eligibility

Total Gross Revenues for Most Recent Reportable Year

36a) Gross Revenues:	\$ _____	(Format: 99,999.99)
36b) Year-end Date:	_____	(Date Format: MM/DD/YYYY)

Total Gross Revenues for One Year Prior to Most Recent Reportable Year

37a) Gross Revenues:	\$ _____	(Format: 99,999.99)
37b) Year-end Date:	_____	(Date Format: MM/DD/YYYY)

Total Gross Revenues for Two Years Prior to Most Recent Reportable Year

38a) Gross Revenues:	\$ _____	(Format: 99,999.99)
38b) Year-end Date:	_____	(Date Format: MM/DD/YYYY)

Total Gross Revenues for Three Years Prior to the Most Recent Reportable Year

39a) Gross Revenues:	\$ _____	(Format: _____)
39b) Year-end Date:	_____	(Date Format: _____)

Total Gross Revenues for Four Years Prior to the Most Recent Reportable Year

40a) Gross Revenues:	\$ _____	(Format: 99,999.99)
40b) Year-end Date:	_____	(Date Format: MM/DD/YYYY)

Total Aggregate Average Gross Revenues for Designated Entity (License(s) Requiring Disclosure of Three Years of Gross Revenue Data)

41) Aggregate Average Gross Revenue:	\$ _____	(Format: 99,999.99)
--------------------------------------	----------	---------------------

Total Aggregate Average Gross Revenues for Designated Entity (License(s) Requiring Disclosure of Five Years of Gross Revenue Data)

41) Aggregate Average Gross Revenue:	\$ _____	(Format: 99,999.99)
--------------------------------------	----------	---------------------

Total Aggregate Average Gross Revenues for Closed Bidding

42) Aggregate Average Gross Revenue:	\$ _____	(Format: 99,999.99)
--------------------------------------	----------	---------------------

Total Assets Disclosure for Closed Bidding

43) Total Assets:	\$ _____	(Format: 99,999.99)
-------------------	----------	---------------------

Rural Service Provider Bidding Credit

36) Is the Applicant seeking a Rural Service Provider (RSP) bidding credit?	(<input checked="" type="radio"/>) Yes <input type="radio"/> No
---	---

If the Applicant (the Lessee/Sublessee/Transferee) is seeking a rural service provider (RSP) bidding credit, provide in an exhibit the following information requested in a-e.

a) for the Applicant, submit the combined number of commercial communications service subscribers to wireless, wireline, broadband, and cable services that the Applicant serves and provide a list of the name(s) and the Federal Information Processing Standard (FIPS) number(s) for each county in which the Applicant has at least one commercial wireless, wireline, broadband, or cable subscriber;

b) for each of the Applicant's Affiliates, Controlling Interests, and the Affiliates of its Controlling Interests, submit the individual or entity's name, its FCC Registration Number (FRN), its relationship to the Applicant, and its combined number of commercial communications service subscribers to wireless, wireline, broadband, and cable services. For each of the Applicant's Affiliates, Controlling Interests, and the Affiliates of its Controlling Interests, also provide a list of the name(s) and the FIPS number(s) for each county in which it has at least one commercial wireless, wireline, broadband, or cable subscriber;

c) if neither the Applicant, nor any of its Affiliates, its Controlling Interests, or the Affiliates of its Controlling Interests have at least one wireless, wireline, broadband, or cable subscriber in a market for which the Applicant is applying for a license, list the market(s) in which the Applicant, its Affiliates, its Controlling Interests, and the Affiliates of its Controlling Interests have no such subscribers;

d) a detailed explanation demonstrating that: (i) the Applicant is in the business of providing commercial communications services; (ii) the Applicant serves predominantly rural areas; and (iii) the primary focus of the Applicant's business activity is the provision of services to rural areas (defined as counties with a population density of 100 or fewer persons per square mile); and

e) If the Applicant is an existing rural partnership that was providing service as of July 16, 2015, provide a detailed explanation demonstrating that each member of the partnership is independently eligible for the RSP bidding credit by providing, with respect to each member of the partnership, the same information as is required in a-d above.

Schedule for New Lease or New Sublease

Term of Lease [For New Leases Only]

1) Indicate whether the Lease is: <input checked="" type="checkbox"/> Long-Term or <input type="checkbox"/> Short-Term* * The cumulative lease period for a Short-Term Lease cannot exceed 365 days from the original commencement date.	
2) If this filing is for a Long-Term <i>De Facto</i> Transfer Lease, have the Licensee and Lessee entered into any Short-Term <i>De Facto</i> Transfer Lease(s) with regard to any spectrum covered by the license(s) that are part of this filing or within the same geographic area(s) of the license(s) that are part of this filing?	<input type="checkbox"/> Yes <input checked="" type="checkbox"/> No

Leased Spectrum (For Geographically-Licensed Services) [For New Leases Only]

3a) Does this filing involve geographic-area licenses where only a portion of the licensed spectrum and/or the licensed geographic area will be leased?	<input checked="" type="checkbox"/> Yes <input checked="" type="checkbox"/> No
3b) If the answer to 3a is 'Yes', does this filing involve one or more individual point-to-point microwave links that will be leased? If the response to 3b is 'Yes', complete Schedule H. If the response to 3b is 'No', complete Schedule F and, if applicable, Schedule G.	<input type="checkbox"/> Yes <input checked="" type="checkbox"/> No

Leased Spectrum (For Site-Based Services) [For New Leases Only]

3c) Does this filing involve site-based licenses where only a portion of the licensed locations, paths and/or frequencies will be leased? If the response to 3c is 'No', complete Items 184 (Call Sign) and 185 (Radio Service Code) on the Main Form. If the response to 3c is 'Yes', in addition to Items 184 (Call Sign) and 185 (Radio Service Code), complete Items 186-190 (Location Number, Path Number, Frequency Number, Lower Frequency and Upper Frequency), as appropriate, on the Main Form.	<input checked="" type="checkbox"/> Yes <input checked="" type="checkbox"/> No
---	--

Type and Term of Sublease [For New Subleases Only]

4a) If the existing Lease is a Long-Term <i>De Facto</i> Transfer Lease, are the Lessee and Sublessee entering into a Spectrum Manager Sublease or a Long-Term <i>De Facto</i> Transfer Sublease? <input type="checkbox"/> Spectrum Manager Sublease or <input type="checkbox"/> Long-Term <i>De Facto</i> Transfer Sublease	
4b) If the answer to 4a is 'Spectrum Manager Sublease', indicate whether the Sublease is: <input type="checkbox"/> Long-Term or <input type="checkbox"/> Short-Term	
5) If the existing Lease is a Long-Term Spectrum Manager Lease, indicate whether the Spectrum Manager Sublease is: <input type="checkbox"/> Long-Term or <input type="checkbox"/> Short-Term	

**Schedule for Supplemental Information Pertaining to a New Lease, New Sublease,
 Revision to Extend the Term of an Existing Lease or Sublease, or
 Revision to Cancel an Existing Lease or Sublease**

License Authorizations/Lease Identifiers/Sublease Identifiers (Complete as many Schedule E's as necessary)

1) Call Sign(s) or Lease/Sublease Identifier(s)	2) Radio Service Code	3) Commencement Date (MM/DD/YYYY) OR Check box for FCC Grant Date	4) Expiration Date (MM/DD/YYYY)	5) Revised Expiration Date (MM/DD/YYYY)	6) Cancellation Date (MM/DD/YYYY) OR Check box if Lease/Sublease Never Commenced
KNLH495	CW	04/01/2024 <input type="checkbox"/>	03/31/2025		<input type="checkbox"/>
KNLH605	CW	03/20/2024 <input type="checkbox"/>	03/19/2025		<input type="checkbox"/>
WPTB358	CW	04/01/2024 <input type="checkbox"/>	03/31/2025		<input type="checkbox"/>

Attachment(s):

Type	Description	Date Entered
0	Exhibit 1--Public Interest Statement	02/21/2024

Submitted: 04/16/2023 at 19:19:53

File Number: 0010503325

FCC Form 603
Main FormFCC Application for Assignments of Authorization or Transfers of Control:
Wireless Telecommunications Bureau
Public Safety and Homeland Security BureauApproved by
OMB 3060 - 0800
See instructions for
public burden estimate

General Information

1) Application Purpose (Select only one) (TC)	
AA - Assignment of Authorization TC - Transfer of Control	AM - Amendment WD - Withdrawal
NT - Required Notification (For Consummation of an Assignment or Transfer) EX - Request for Extension of Time To Consummate an Assignment or Transfer)	
2) If this application is for an Amendment (AM) or Withdrawal (WD), enter the File Number of the pending or consented to application currently on file with the FCC.	File Number:
3a) Is this application for Assignment of Authorization or Transfer of Control part of a series of applications involving other wireless license(s) held by the Licensee, affiliates of the Licensee (e.g., parents, subsidiaries, or commonly-controlled entities), or third parties that are not included on this application and for which Commission approval or notification is required?	(Y) Yes <u>No</u>
3b) If the answer to 3a is 'Y', is this filing the lead application?	(N) Yes <u>No</u>
3c) If the answer to 3b is 'N', provide the File Number of the lead application.	File Number: 0010500772
3d) Does this transaction for Assignment of Authorization or Transfer of Control involve the assignment or transfer of non-wireless licenses/authorizations for which Commission approval or notification is required?	(Y) Yes <u>No</u>
4) Are attachments (other than associated schedules) being filed with this application?	(Y) Yes <u>No</u>

Fees and Waivers

5a) Is the Applicant exempt from FCC application fees? If 'Y', attach an exhibit demonstrating how the Applicant is exempt from FCC application fees.	(N) Yes <u>No</u>
5b) Is a waiver/deferral of the FCC application fees being requested and the application fees are not being submitted in conjunction with this application? If 'Y', attach a date-stamped copy of the request for waiver/deferral of the FCC application fees.	(N) Yes <u>No</u>
6) Does this application include a request for waiver of the Commission's Rules (other than a request for application fee waivers)? If 'Y', attach an exhibit specifying the rule section(s) for which a waiver is being requested and including a justification for the waiver request.	(N) Yes <u>No</u>

Additional Transaction Information

7a) Has this application for Assignment of Authorization or Transfer of Control already occurred?	(Y) Yes <u>No</u>
7b) If the response to Item 7a is 'Y', provide the date the event occurred:	(MM/DD/YYYY) 03/31/2023
8) The Assignment of Authorization or Transfer of Control is:	(X) Voluntary () Involuntary
9a) Is this application a <i>pro forma</i> Assignment of Authorization or Transfer of Control?	(Y) Yes <u>No</u>
9b) If Item 9a is 'Y', is this a post-consummation notification that is being filed under the Commission's forbearance procedures pursuant to Section 1.948(c)(1) of the Commission's Rules?	(Y) Yes <u>No</u>
10a) Does this application involve the partitioning and/or disaggregation of geographic-area licenses? If 'Y', complete Schedule B and, if applicable, Schedule C.	() Yes <u>No</u>
10b) If 10a is 'N', does this application involve the partial assignment of site-based licenses?	() Yes <u>No</u>

<p>11) How will/has the Assignment of Authorization or Transfer of Control be/been accomplished? Select One: (<input type="checkbox"/> T)</p> <p><input type="checkbox"/> Sale or other assignment of assets <input type="checkbox"/> Court order <input type="checkbox"/> Reorganization or liquidation</p> <p><input type="checkbox"/> Transfer of stock or other ownership interests</p> <p><input type="checkbox"/> Other (voting trust agreement, management contract, etc.): _____</p>
--

Designated Entity Information (If 12a or 12b is 'Y', Schedule A is required to be completed.)

<p>12a) Enter 'Y' if this application for Assignment of Authorization or Transfer of Control involve any licenses that were awarded with bidding credits within the last five years. Otherwise, enter 'N'.</p> <p>The initial grant date is the date that the license was originally granted by the Commission after an auction, even if the license was acquired in the secondary market. The initial grant date is not the date on which the Commission granted an assignment or transfer of control of the license.</p> <p>If the response to this item is 'Y', the licenses may be subject to the FCC's unjust enrichment rules, and the Applicant should answer relevant bidding credit questions. See Section 1.2111 of the Commission's Rules.</p>	<p>(<input type="checkbox"/> N) <input checked="" type="checkbox"/> Yes <input type="checkbox"/> No</p>
<p>12b) Does this application for Assignment of Authorization or Transfer of Control involve any licenses that were originally granted pursuant to closed bidding within the last five years?</p> <p>If the response to this item is 'Y', the license may be subject to assignment or transfer restrictions, and the Applicant should answer relevant closed bidding questions. See Sections 24.709 and 24.839 of the Commission's Rules.</p>	<p>(<input type="checkbox"/> N) <input checked="" type="checkbox"/> Yes <input type="checkbox"/> No</p>

Competition Related Information

<p>13) Does this application for Assignment of Authorization or Transfer of Control involve a license(s) that may be used for interconnected mobile voice and/or data services that would, if assigned or transferred, create a geographic overlap with another license(s) in which the Assignee/Transferee already holds attributable interests, as defined in Section 20.22(b) of the Commission's Rules, either as a licensee or spectrum lessee/sublessee, and that also could be used to provide interconnected mobile voice and/or data services?</p> <p>If 'Y', specify in an exhibit all geographic areas/markets (e.g., BTA, CMA, county, etc.) where there are spectrum overlaps and the total amount of spectrum that the Assignee/Transferee will hold and/or lease in each geographic area/market.</p>	<p>(<input type="checkbox"/> N) <input checked="" type="checkbox"/> Yes <input type="checkbox"/> No</p>
<p>14) If the answer to Item 13 is 'Yes,' would/does this application for Assignment of Authorization or Transfer of Control reduce the number of entities providing service in the affected market(s)?</p>	<p>(<input type="checkbox"/> N) <input checked="" type="checkbox"/> Yes <input type="checkbox"/> No</p>

Broadband Radio Service and Educational Broadband Service Information

<p>15a) Will the requested facilities be used to provide multichannel video programming service?</p>	<p>(<input type="checkbox"/> N) <input checked="" type="checkbox"/> Yes <input type="checkbox"/> No</p>
<p>15b) If 15a is 'Y', does the Assignee/Transferee operate, control, or have an attributable interest (as defined in Section 27.1202 of the Commission's Rules) in a cable television system whose franchise area is located within the geographic area of the requested facilities?</p> <p>If 'Y', provide an exhibit explaining how the Assignee/Transferee complies with Section 27.1202 of the Commission's Rules or request a waiver of that rule pursuant to Commission Rules. If a waiver of the Commission's Rule(s) is being requested, 6a must be answered 'Y'.</p>	<p>(<input type="checkbox"/>) <input checked="" type="checkbox"/> Yes <input type="checkbox"/> No</p>
<p>16) Does the Assignee/Transferee comply with the programming requirements contained in Section 27.1203 of the Commission's Rules?</p> <p>If 'N', provide an exhibit explaining how the Assignee/Transferee complies with Section 27.1203 of the Commission's Rules or request a waiver of that rule pursuant to Commission Rules. If a waiver of the Commission's Rule(s) is being requested, 6a must be answered 'Y'.</p>	<p>(<input checked="" type="checkbox"/> Y) <input type="checkbox"/> Yes <input type="checkbox"/> No</p>

600 MHz Band Information

<p>17) Does the Assignment or Transfer involve any licenses in the 600 MHz Band initially granted in the last six years that would, if assigned/transferred, create a geographic overlap with another licenses(s) in which the Assignee/Transferee already holds attributable interests, either as a licensee or Assignee/Transferee, and that would result in the Assignee/Transferee holding an attributable interest in one-third or more of the total suitable and available below-1-GHz spectrum as calculated on a county-by-county population-weighted basis in the relevant license area, utilizing 2010 U.S. Census data?</p> <p>The initial grant date is the date that the license was originally granted by the Commission after an auction, even if the license was acquired in the secondary market. The initial grant date is not the date on which the Commission granted an assignment or transfer of control of the license.</p> <p>If the response to this item is 'Y', this application for Assignment or Transfer application must be part of an exchange of 600 MHz band spectrum in the same market(s) or must be a pro forma Assignment or Transfer. If 'Y', provide an exhibit detailing the proposed exchange of 600 MHz band spectrum in the same market(s), including a list of all file numbers for applications associated with the proposed exchange.</p>	<p>(<input checked="" type="radio"/>) <u>Yes</u> <input type="radio"/> <u>No</u></p>
<p>18) Does the Assignment or Transfer involve any licenses that were initially granted as reserved spectrum licenses in the 600 MHz Band in the last six years? Otherwise, enter 'N'.</p> <p>The initial grant date is the date that the license was originally granted by the Commission after an auction, even if the license was acquired in the secondary market. The initial grant date is not the date on which the Commission granted an assignment or transfer of control of the license.</p> <p>If 'Y', provide an exhibit demonstrating how the Assignee/Transferee would have qualified to bid on that reserved spectrum license(s) in Auction 1002 as of the FCC Form 175 filing deadline (February 10, 2016) for Auction 1002, the forward auction of the Broadcast Incentive Auction.</p>	<p>(<input type="radio"/>) <u>Yes</u> <input checked="" type="radio"/> <u>No</u></p>

Assignor/Licensee Information

19) Assignor/Licensee is a(n): (Select One)			
<input type="checkbox"/> Individual <input type="checkbox"/> Unincorporated Association <input type="checkbox"/> Trust <input type="checkbox"/> Government Entity <input checked="" type="checkbox"/> Corporation <input type="checkbox"/> Limited Liability Company <input type="checkbox"/> General Partnership <input type="checkbox"/> Limited Partnership <input type="checkbox"/> Limited Liability Partnership <input type="checkbox"/> Other: _____			
20) FCC Registration Number (FRN): 0001608363			
21) First Name (if individual):	MI:	Last Name:	Suffix:
22) Legal Entity Name (if not an individual): Nextel West Corp.			
23) Attention To: FCC Regulatory Compliance Contact			
24) P.O. Box:	And /Or	25) Street Address: 12920 SE 38th Street	
26) City: Bellevue	27) State: WA	28) Zip Code: 98006	
29) Telephone Number: (425)383-8401		30) Fax Number: (703)443-4483	
31) E-Mail Address: FCCRegulatoryComplianceContact@t-mobile.com			

32) Demographics of Assignor/Licensee (Optional):

Race:	Ethnicity:	Gender:
<input type="checkbox"/> American Indian or Alaska Native	<input type="checkbox"/> Hispanic or Latino	<input type="checkbox"/> Male
<input type="checkbox"/> Asian	<input type="checkbox"/> Not Hispanic or Latino	<input type="checkbox"/> Female
<input type="checkbox"/> Black or African-American		
<input type="checkbox"/> Native Hawaiian or Other Pacific Islander		
<input type="checkbox"/> White		

Assignor/Licensee Contact Representative

33) First Name: Nancy	MI:J	Last Name: Victory	Suffix:
34) Company Name: DLA Piper LLP			
35) Attention To:			
36) P.O. Box:	And /Or	37) Street Address: 500 8th Street, NW	
38) City: Washington	39) State: DC	40) Zip Code: 20004	
41) Telephone Number: (202)799-4216		42) Fax Number: (202)799-5616	
43) E-Mail Address: nancy.victory@us.dlapiper.com			

Transferor Information (for Transfers of Control only)

44) Transferor is a(n): (Select One) <input type="checkbox"/> Individual <input type="checkbox"/> Unincorporated Association <input type="checkbox"/> Trust <input type="checkbox"/> Government Entity <input checked="" type="checkbox"/> Corporation <input type="checkbox"/> Limited Liability Company <input type="checkbox"/> General Partnership <input type="checkbox"/> Limited Partnership <input type="checkbox"/> Limited Liability Partnership <input type="checkbox"/> Other: _____			
45) FCC Registration Number (FRN): 0006184170			
46) First Name (if individual):	MI:	Last Name:	Suffix:
47) Legal Entity Name (if not an individual): Deutsche Telekom AG			
48) Attention To: Reinhard Wieck			
49) P.O. Box:	And /Or	50) Street Address: 1800 K St, NW, STE 1122	
51) City: Washington		52) State: DC	53) Zip Code: 20036
54) Telephone Number: (202)726-3339		55) Fax Number: (425)383-4840	
56) E-Mail Address: reinhard.wieck@telekom.com			

57) Demographics of Transferor (Optional):

Race: <input type="checkbox"/> American Indian or Alaska Native <input type="checkbox"/> Asian <input type="checkbox"/> Black or African-American <input type="checkbox"/> Native Hawaiian or Other Pacific Islander <input type="checkbox"/> White	Ethnicity: <input type="checkbox"/> Hispanic or Latino <input type="checkbox"/> Not Hispanic or Latino	Gender: <input type="checkbox"/> Male <input type="checkbox"/> Female
---	---	--

Transferor Contact Representative

58) First Name: Nancy	MI:J	Last Name: Victory	Suffix:
59) Company Name: DLA Piper LLP			
60) Attention To:			
61) P.O. Box:	And /Or	62) Street Address: 500 8th Street, NW	
63) City: Washington		64) State: DC	65) Zip Code: 20004
66) Telephone Number: (202)799-4216		67) Fax Number: (202)799-5616	
68) E-Mail Address: nancy.victory@us.dlapiper.com			

Assignee/Transferee Information

69) Assignee/Transferee is a(n): (Select One) <input type="checkbox"/> Individual <input type="checkbox"/> Unincorporated Association <input type="checkbox"/> Trust <input type="checkbox"/> Government Entity <input checked="" type="checkbox"/> Corporation <input type="checkbox"/> Limited Liability Company <input type="checkbox"/> General Partnership <input type="checkbox"/> Limited Partnership <input type="checkbox"/> Limited Liability Partnership <input type="checkbox"/> Other: _____			
70) FCC Registration Number (FRN): 0006184170			
71) First Name (if individual):	MI:	Last Name:	Suffix:
72) Legal Entity Name (if not an individual): Deutsche Telekom AG			
73) Attention To: Reinhard Wieck			
74) Real Party in Interest FCC Registration Number (FRN): 0006184170			
75) Name of Real Party in Interest: Deutsche Telekom AG			
76) P.O. Box:	And /Or	77) Street Address: 1800 K St, NW, STE 1122	
78) City: Washington	79) State: DC	80) Zip Code: 20036	
81) Telephone Number: (202)726-3339		82) Fax Number: (425)383-4840	
83) E-Mail Address: reinhard.wieck@telekom.com			

84) Demographics of Assignee/Transferee (Optional):

Race: <input type="checkbox"/> American Indian or Alaska Native <input type="checkbox"/> Asian <input type="checkbox"/> Black or African-American <input type="checkbox"/> Native Hawaiian or Other Pacific Islander <input type="checkbox"/> White	Ethnicity: <input type="checkbox"/> Hispanic or Latino <input type="checkbox"/> Not Hispanic or Latino	Gender: <input type="checkbox"/> Male <input type="checkbox"/> Female
---	---	--

Assignee/Transferee Contact Representative (if other than Assignee/Transferee) Check here if same as Assignee/Transferee.

85) First Name: Nancy	MI:	Last Name: Victory	Suffix:
86) Company Name: DLA Piper LLP			
87) Attention To:			
88) P.O. Box:	And /Or	89) Street Address: 500 8th Street, NW	
90) City: Washington	91) State: DC	92) Zip Code: 20004	
93) Telephone Number: (202)799-4216		94) Fax Number: (202)799-5616	
95) E-Mail Address: nancy.victory@us.dlapiper.com			

Ownership Disclosure Information

96a) Is the Assignee/Transferee required to file FCC Form 602, Ownership Disclosure Information for the Wireless Telecommunications Services?	(Y) Yes <u>No</u>
96b) If 94a is 'Y', provide the File Number of the FCC Form 602 that is required to be submitted in conjunction with this application or is already on file with the FCC.	File Number: <u>0010495294</u>

Alien Ownership (If any answer is 'Y', provide an attachment explaining the circumstances. In preparing the attachment, refer to the Main Form Instructions for the "Alien Ownership Questions".)

97) Is the Assignee/Post-transfer Licensee a foreign government or the representative of any foreign government?	(N) Yes <u>No</u>
98) Is the Assignee/Post-Transfer Licensee an alien or the representative of an alien?	(N) Yes <u>No</u>
99) Is the Assignee/Post-Transfer Licensee a corporation organized under the laws of any foreign government?	(N) Yes <u>No</u>
100) Is the Assignee/Post-Transfer Licensee a corporation of which more than one-fifth of the capital stock is owned of record or voted by aliens or their representatives, or by a foreign government or representative thereof, or by any corporation organized under the laws of a foreign country?	(N) <u>Yes</u> No
101a) Is the Assignee/Post-Transfer Licensee directly or indirectly controlled by any other corporation of which more than one-fourth of the capital stock is owned of record or voted by aliens or their representatives, or by a foreign government or representative thereof, or by any corporation organized under the laws of a foreign country?	(Y) <u>Yes</u> No

101b) If the answer to 100 or 101a is 'Y' select one of the choices below.

The Assignee or Post-Transfer Licensee is exempt from the provisions of Section 310(b).

It is not necessary to file a petition for declaratory ruling if the Assignee or Post-Transfer Licensee includes in the attachment required by Item 100 or Item 101a a showing that the subject License(s) is exempt from the provisions of Section 310(b).

The Assignee or Post-Transfer Licensee has received a declaratory ruling(s) approving its foreign ownership, and the application involves only the acquisition of additional spectrum for the provision of a wireless service in a geographic coverage area for which the Assignee or Post-Transfer Licensee has been previously authorized.

If checked, include in the attachment required by Item 100 or Item 101a the citation(s) of the applicable declaratory ruling(s) by DA/FCC number, the FCC Record citation, if available, release date, and a statement that there has been no change in the foreign ownership of the Assignee or Post-Transfer Licensee since the issuance of its ruling.

The Assignee or Post-Transfer Licensee: (i) has received a declaratory ruling(s) approving its foreign ownership, but is not able to make the certification specified immediately above; or (ii) is an "affiliate" of a Licensee or Lessee/SubLessee that received a declaratory ruling(s) under Section 1.5000 (a) of the Commission's Rules, 47 C.F.R. § 1.5000 (a), and is relying on the affiliate's ruling for purposes of filing this application as permitted under the affiliate's ruling and Section 1.5004 (b) of the Rules, 47 C.F.R. § 1.5004 (b).

If checked, and if the Assignee or Post-Transfer Licensee received its declaratory ruling(s) on or after August 9, 2013, include in the attachment required by Item 100 or Item 101a the citation(s) of the Assignee or Post-Transfer Licensee's declaratory ruling(s) by DA/FCC number, the FCC Record citation, if available, release date, and a statement that the Assignee or Post-Transfer Licensee is in compliance with the terms and conditions of its ruling and with the Commission's Rules.

If checked, and if the Assignee or Post-Transfer Licensee received its declaratory ruling(s) prior to August 9, 2013, include in the attachment required by Item 101a a copy of a petition for declaratory ruling filed contemporaneously with the Commission to extend the Assignee or Post-Transfer Licensee's existing ruling(s) to cover the same radio service(s) and geographic coverage area(s) involved in the application. Alternatively, the Assignee or Post-Transfer Licensee may request a new declaratory ruling pursuant to Section 1.5000 (a) of the Commission's Rules, 47 C.F.R. § 1.5000 (a). Petitions for declaratory ruling may be filed electronically on the Internet through the International Bureau Filing System (IBFS) (with a copy attached hereto).

If checked, and if the Assignee or Post-Transfer Licensee is relying on an affiliate's ruling for purposes of filing this application/notification, include in the attachment required by Item 100 or Item 101a the citation(s) of the applicable declaratory ruling(s) by DA/FCC number, the FCC Record citation, if available, release date, and a statement that the Assignee or Post-Transfer Licensee is in compliance with the terms and conditions of the named affiliate(s)'s ruling and with the Commission's Rules. The Assignee or Post-Transfer Licensee must also include a certification of compliance signed by the named affiliate or other qualified entity as specified in Section 1.5004 (b) of the Rules, 47 C.F.R. § 1.5004 (b). See Main Form Instructions for Items 100 or 101a, as applicable.

The Assignee or Post-Transfer Licensee has not received a declaratory ruling approving its foreign ownership and is requesting a declaratory ruling under Section 1.5000 (a) of the Commission's Rules, 47 C.F.R. § 1.5000 (a), in a petition filed contemporaneously with the Commission.

If checked, include in the attachment required by Item 100 or 101a a copy of the petition for declaratory ruling filed contemporaneously with the Commission pursuant to Section 1.5000(a) of the Commission's Rules, 47 C.F.R. § 1.5000 (a). Petitions for declaratory ruling may be filed electronically on the Internet through the International Bureau Filing System (IBFS) (with a copy attached hereto).

Basic Qualification Information

<p>102) Has the Assignee/Transferee or any party to this application had any FCC station authorization, license or construction permit revoked or had any application for an initial, modification, or renewal of FCC station authorization, license, or construction permit denied by the Commission?</p> <p>If 'Y', attach an exhibit explaining the circumstances.</p>	<p>(<input type="radio"/> N) <u>Y</u>es <u>N</u>o</p>
<p>103) Has the Assignee/Transferee or any party to this application, or any party directly or indirectly controlling the Assignee/Transferee ever been convicted of a felony by any state or federal court?</p> <p>If 'Y', attach an exhibit explaining the circumstances.</p>	<p>(<input type="radio"/> N) <u>Y</u>es <u>N</u>o</p>
<p>104) Has any court finally adjudged the Assignee/Transferee, or any party directly or indirectly controlling the Assignee/Transferee guilty of unlawfully monopolizing or attempting unlawfully to monopolize radio communication, directly or indirectly, through control of manufacture or sale of radio apparatus, exclusive traffic arrangement, or any other means or unfair methods of competition?</p> <p>If 'Y', attach an exhibit explaining the circumstances.</p>	<p>(<input type="radio"/> N) <u>Y</u>es <u>N</u>o</p>

Assignor/Transferor Certification Statements

<p>1) The Assignor/Transferor certifies either that (1) the authorization will not be assigned or that control of the license(s) will not be transferred until the consent of the Federal Communications Commission has been given, or (2) prior Commission consent is not required because the transaction is subject to streamlined notification procedures for <i>pro forma</i> assignments and transfers by telecommunications carriers. See Section 1.948(c) (1) of the Commission's Rules.</p>
<p>2) The Assignor/Transferor certifies that all statements made in this application and in the exhibits, attachments, or documents incorporated by reference are material, are part of this application, and are true, complete, correct, and made in good faith.</p>
<p>3) The Assignor/Transferor certifies that it is not in default on any payment for Commission licenses and that it is not delinquent on any non-tax debt owed to any federal agency.</p>

Typed or Printed Name of Party Authorized to Sign

<p>105) First Name: Wolfgang</p>	<p>MI:</p>	<p>Last Name: Kopf</p>	<p>Suffix:</p>
<p>106) Title: Senior VP Public and Regulatory Affairs</p>			
<p>Signature: Wolfgang Kopf</p>			<p>107) Date: 04/17/2023</p>

FAILURE TO SIGN THIS APPLICATION MAY RESULT IN DISMISSAL OF THE APPLICATION AND FORFEITURE OF ANY FEES PAID.
WILLFUL FALSE STATEMENTS MADE ON THIS FORM OR ANY ATTACHMENTS ARE PUNISHABLE BY FINE AND/OR IMPRISONMENT (U.S. Code, Title 18, Section 1001) AND/OR REVOCATION OF ANY STATION LICENSE OR CONSTRUCTION PERMIT (U.S. Code, Title 47, Section 312(a)(1)), AND/OR FORFEITURE (U.S. Code, Title 47, Section 503).

Spectrum Aggregation Limit Certifications

<p>108) The Assignee/Transferee certifies that grant of this application would not cause the Assignee/Transferee to be in violation of the 40 megahertz in-band spectrum aggregation limit set forth under Section 96.31 of the Commission's Rules for 3.5 GHz licenses, taking into consideration the spectrum attribution rules under Section 20.22(b) of the Commission's Rules.</p> <p>*If the Assignee/Transferee has sought a waiver of Section 96.31 in connection with this application, it may make this certification subject to the outcome of the waiver request.</p>	<p>(<input type="radio"/>) <u>Yes</u> <input checked="" type="radio"/> <u>No</u></p>
<p>109) The Assignee/Transferee certifies that grant of this application would not cause the Assignee/Transferee to be in violation of the 40 megahertz in-band spectrum aggregation limit set forth under Section 27.1606 of the Commission's Rules for 3.45 GHz licenses, taking into consideration the spectrum attribution rules under Section 20.22(b) of the Commission's Rules.</p> <p>*If the Assignee/Transferee has sought a waiver of Section 27.1606 in connection with this application, it may make this certification subject to the outcome of the waiver request..</p>	<p>(<input type="radio"/>) <u>Yes</u> <input checked="" type="radio"/> <u>No</u></p>

Assignee/Transferee Certification Statements

<p>1) The Assignee/Transferee certifies either that (1) the authorization(s) will not be assigned or that control of the license(s) will not be transferred until the consent of the Federal Communications Commission has been given, or (2) prior Commission consent is not required because the transaction is subject to streamlined notification procedures for <i>pro forma</i> assignments and transfers by telecommunications carriers. See Section 1.948(c)(1) of the Commission's Rules.</p>
<p>2) The Assignee/Transferee waives any claim to the use of any particular frequency or of the electromagnetic spectrum as against the regulatory power of the United States because of the previous use of the same, whether by license or otherwise, and requests an authorization in accordance with this application.</p>
<p>3) The Assignee/Transferee certifies that grant of this application would not cause the Assignee or Transferee to be in violation of any pertinent cross-ownership or attribution rules.* *If the Assignee/Transferee has sought a waiver of any such rule in connection with this application, it may make this certification subject to the outcome of the waiver request.</p>
<p>4) The Assignee/Transferee agrees to assume all obligations and abide by all conditions imposed on the Assignor/Transferor under the subject authorization(s), unless the Federal Communications Commission pursuant to a request made herein otherwise allows, except for liability for any act done by, or any right accrued by, or any suit or proceeding had or commenced against the Assignor/Transferor prior to this assignment/transfer.</p>
<p>5) The Assignee/Transferee certifies that all statements made in this application and in the exhibits, attachments, or documents incorporated by reference are material, are part of this application, and are true, complete, correct, and made in good faith.</p>
<p>6) The Assignee/Transferee certifies that neither it nor any other party to the application is subject to a denial of Federal benefits pursuant to Section 5301 of the Anti-Drug Abuse Act of 1988, 21 U.S.C. § 862, because of a conviction for possession or distribution of a controlled substance. This certification does not apply to applications filed in services exempted under Section 1.2002(c) of the Commission's Rules. See Section 1.2002(b) of the Commission's Rules for the definition of "party to the application" as used in this certification.</p>

- 7) The Assignee/Transferee certifies that it is not in default on any payment for Commission licenses and that it is not delinquent on any non-tax debt owed to any federal agency.
- 8) The Assignee/Transferee certifies that it and all of the related individuals and entities required to be disclosed on this application and FCC Form 602 (FCC Ownership Disclosure Information for the Wireless Telecommunications Services) are not person(s) who have been, for reasons of national security, barred by any agency of the Federal Government from bidding on a contract, participating in an auction, or receiving a grant. This certification applies only to applications for licenses for spectrum that is required by Sections 6103, 6401-6403 of the Middle Class Tax Relief and Job Creation Act of 2012, codified at 47 U.S.C. §§ 309, 1413, 1451-1452, to be assigned by a system of competitive bidding under 47 U.S.C. § 309(j).

Typed or Printed Name of Party Authorized to Sign

110) First Name: Wolfgang	MI:	Last Name: Kopf	Suffix:
111) Title: Senior VP Public and Regulatory Affairs			
Signature: Wolfgang Kopf			110) Date: 04/17/2023
FAILURE TO SIGN THIS APPLICATION MAY RESULT IN DISMISSAL OF THE APPLICATION AND FORFEITURE OF ANY FEES PAID.			
WILLFUL FALSE STATEMENTS MADE ON THIS FORM OR ANY ATTACHMENTS ARE PUNISHABLE BY FINE AND/OR IMPRISONMENT (U.S. Code, Title 18, Section 1001) AND/OR REVOCATION OF ANY STATION LICENSE OR CONSTRUCTION PERMIT (U.S. Code, Title 47, Section 312(a)(1)), AND/OR FORFEITURE (U.S. Code, Title 47, Section 503).			

Authorizations To Be Assigned or Transferred

112) Call Sign	113) Radio Service Code	114) Location Number	115) Path Number (Microwave only)	116) Frequency Number	117) Lower or Center Frequency (MHz)	118) Upper Frequency (MHz)	119) Constructed Yes / No
KNGY824	YX - SMR, 806-821/851-866 MHz, Trunked						Y
KNRU914	YX - SMR, 806-821/851-866 MHz, Trunked						Y
WNKS327	YX - SMR, 806-821/851-866 MHz, Trunked						Y
WNSX902	YX - SMR, 806-821/851-866 MHz, Trunked						Y
WNNT225	CF - Common Carrier Fixed Point to Point Microwave						Y
WNNT226	CF - Common Carrier Fixed Point to Point Microwave						Y
WNNT228	CF - Common Carrier Fixed Point to Point Microwave						Y
WNNT229	CF - Common Carrier Fixed Point to Point Microwave						Y
WNNT230	CF - Common Carrier Fixed Point to Point Microwave						Y
WNNT232	CF - Common Carrier Fixed Point to Point Microwave						Y
WNNT233	CF - Common Carrier Fixed Point to Point Microwave						Y
WNNT616	CF - Common Carrier Fixed Point to Point Microwave						Y
WNNT617	CF - Common Carrier Fixed Point to Point Microwave						Y
WNNT916	CF - Common Carrier Fixed Point to Point Microwave						Y
WNNT917	CF - Common Carrier Fixed Point to Point Microwave						Y
WNNT918	CF - Common Carrier Fixed Point to Point Microwave						Y
WNNT919	CF - Common Carrier Fixed Point to Point Microwave						Y
WNNT920	CF - Common Carrier Fixed Point to Point Microwave						Y

112) Call Sign	113) Radio Service Code	114) Location Number	115) Path Number (Microwave only)	116) Frequency Number	117) Lower or Center Frequency (MHz)	118) Upper Frequency (MHz)	119) Constructed Yes / No
WNNT921	CF - Common Carrier Fixed Point to Point Microwave						Y
WNTU368	CF - Common Carrier Fixed Point to Point Microwave						Y
WNTU369	CF - Common Carrier Fixed Point to Point Microwave						Y
WNTU370	CF - Common Carrier Fixed Point to Point Microwave						Y
WNTU371	CF - Common Carrier Fixed Point to Point Microwave						Y
WNTU372	CF - Common Carrier Fixed Point to Point Microwave						Y
WNTU373	CF - Common Carrier Fixed Point to Point Microwave						Y
WNTW735	CF - Common Carrier Fixed Point to Point Microwave						Y
WNTW736	CF - Common Carrier Fixed Point to Point Microwave						Y
WNTX541	CF - Common Carrier Fixed Point to Point Microwave						Y
WNWC477	YX - SMR, 806-821/851-866 MHz, Trunked						Y
WNXE849	YX - SMR, 806-821/851-866 MHz, Trunked						Y
WPCD214	YX - SMR, 806-821/851-866 MHz, Trunked						Y
WPGH429	YX - SMR, 806-821/851-866 MHz, Trunked						Y
WPLA435	YX - SMR, 806-821/851-866 MHz, Trunked						Y
WPLB767	YX - SMR, 806-821/851-866 MHz, Trunked						Y
WPLB770	YX - SMR, 806-821/851-866 MHz, Trunked						Y
WPLB771	YX - SMR, 806-821/851-866 MHz, Trunked						Y
WPLB772	YX - SMR, 806-821/851-866 MHz, Trunked						Y

112) Call Sign	113) Radio Service Code	114) Location Number	115) Path Number (Microwave only)	116) Frequency Number	117) Lower or Center Frequency (MHz)	118) Upper Frequency (MHz)	119) Constructed Yes / No
WPLB774	YX - SMR, 806-821/851-866 MHz, Trunked						Y
WPOA283	YX - SMR, 806-821/851-866 MHz, Trunked						Y
WPON518	CF - Common Carrier Fixed Point to Point Microwave						Y
WPON520	CF - Common Carrier Fixed Point to Point Microwave						Y
WPSM788	YX - SMR, 806-821/851-866 MHz, Trunked						Y
WPST904	YX - SMR, 806-821/851-866 MHz, Trunked						Y
WPSV639	YX - SMR, 806-821/851-866 MHz, Trunked						Y
WPSV641	YX - SMR, 806-821/851-866 MHz, Trunked						Y
WPSW345	YX - SMR, 806-821/851-866 MHz, Trunked						Y
WPSW926	YX - SMR, 806-821/851-866 MHz, Trunked						Y
WPSW929	YX - SMR, 806-821/851-866 MHz, Trunked						Y
WPSW952	YX - SMR, 806-821/851-866 MHz, Trunked						Y
WPSW953	YX - SMR, 806-821/851-866 MHz, Trunked						Y
WPSW954	YX - SMR, 806-821/851-866 MHz, Trunked						Y
WPSW956	YX - SMR, 806-821/851-866 MHz, Trunked						Y
WPSX228	YX - SMR, 806-821/851-866 MHz, Trunked						Y
WPSX229	YX - SMR, 806-821/851-866 MHz, Trunked						Y
WPSX447	YX - SMR, 806-821/851-866 MHz, Trunked						Y
WPSX448	YX - SMR, 806-821/851-866 MHz, Trunked						Y

112) Call Sign	113) Radio Service Code	114) Location Number	115) Path Number (Microwave only)	116) Frequency Number	117) Lower or Center Frequency (MHz)	118) Upper Frequency (MHz)	119) Constructed Yes / No
WPSX451	YX - SMR, 806-821/851-866 MHz, Trunked						Y
WPSX895	YX - SMR, 806-821/851-866 MHz, Trunked						Y
WPTA656	YX - SMR, 806-821/851-866 MHz, Trunked						Y
WPTJ514	YX - SMR, 806-821/851-866 MHz, Trunked						Y
WPUM868	YX - SMR, 806-821/851-866 MHz, Trunked						Y
WPVC745	YX - SMR, 806-821/851-866 MHz, Trunked						Y
WPXS872	YX - SMR, 806-821/851-866 MHz, Trunked						Y
WPXZ528	YX - SMR, 806-821/851-866 MHz, Trunked						Y
WPYE636	YX - SMR, 806-821/851-866 MHz, Trunked						Y
WPYE640	YX - SMR, 806-821/851-866 MHz, Trunked						Y
WPYE643	YX - SMR, 806-821/851-866 MHz, Trunked						Y
WPYE644	YX - SMR, 806-821/851-866 MHz, Trunked						Y
WPYE646	YX - SMR, 806-821/851-866 MHz, Trunked						Y
WPYE946	YX - SMR, 806-821/851-866 MHz, Trunked						Y
WPYH752	YX - SMR, 806-821/851-866 MHz, Trunked						Y
WPYH810	YX - SMR, 806-821/851-866 MHz, Trunked						Y
WPYJ540	YX - SMR, 806-821/851-866 MHz, Trunked						Y
WPYJ942	YX - SMR, 806-821/851-866 MHz, Trunked						Y
WPZJ458	YX - SMR, 806-821/851-866 MHz, Trunked						Y

112) Call Sign	113) Radio Service Code	114) Location Number	115) Path Number (Microwave only)	116) Frequency Number	117) Lower or Center Frequency (MHz)	118) Upper Frequency (MHz)	119) Constructed Yes / No
WPZJ473	YX - SMR, 806-821/851-866 MHz, Trunked						Y
WPZU646	YX - SMR, 806-821/851-866 MHz, Trunked						Y
WPZV565	YX - SMR, 806-821/851-866 MHz, Trunked						Y
WPZV938	YX - SMR, 806-821/851-866 MHz, Trunked						Y
WQAE332	YX - SMR, 806-821/851-866 MHz, Trunked						Y
WQAF859	YX - SMR, 806-821/851-866 MHz, Trunked						Y
WQAI271	YX - SMR, 806-821/851-866 MHz, Trunked						Y
WQCD300	CF - Common Carrier Fixed Point to Point Microwave						Y
WQCD301	CF - Common Carrier Fixed Point to Point Microwave						Y
WQCI811	CF - Common Carrier Fixed Point to Point Microwave						Y
WQCL948	CF - Common Carrier Fixed Point to Point Microwave						Y
WQCL949	CF - Common Carrier Fixed Point to Point Microwave						Y
WQDG921	CF - Common Carrier Fixed Point to Point Microwave						Y
WQDG923	CF - Common Carrier Fixed Point to Point Microwave						Y
WQDH922	CF - Common Carrier Fixed Point to Point Microwave						Y
WQDH923	CF - Common Carrier Fixed Point to Point Microwave						Y
WQDM908	CF - Common Carrier Fixed Point to Point Microwave						Y
WQDM909	CF - Common Carrier Fixed Point to Point Microwave						Y
WQDU471	CF - Common Carrier Fixed Point to Point Microwave						Y

112) Call Sign	113) Radio Service Code	114) Location Number	115) Path Number (Microwave only)	116) Frequency Number	117) Lower or Center Frequency (MHz)	118) Upper Frequency (MHz)	119) Constructed Yes / No
WQEB560	CF - Common Carrier Fixed Point to Point Microwave						Y
WQEB613	CF - Common Carrier Fixed Point to Point Microwave						Y
WQEB614	CF - Common Carrier Fixed Point to Point Microwave						Y
WQED756	CF - Common Carrier Fixed Point to Point Microwave						Y
WQEE436	CF - Common Carrier Fixed Point to Point Microwave						Y
WQGN768	CF - Common Carrier Fixed Point to Point Microwave						Y
WQGT658	CF - Common Carrier Fixed Point to Point Microwave						Y
WQJH846	CF - Common Carrier Fixed Point to Point Microwave						Y
WQXZ929	YM - 800 MHz Trunked SMR (SMR, Site-specific)						Y
WQXZ930	YM - 800 MHz Trunked SMR (SMR, Site-specific)						Y
WQYF361	YM - 800 MHz Trunked SMR (SMR, Site-specific)						Y
WQYG555	YM - 800 MHz Trunked SMR (SMR, Site-specific)						Y
WQYG556	YM - 800 MHz Trunked SMR (SMR, Site-specific)						Y
WQYG557	YM - 800 MHz Trunked SMR (SMR, Site-specific)						Y
WQYT997	YM - 800 MHz Trunked SMR (SMR, Site-specific)						Y
WQYU236	YM - 800 MHz Trunked SMR (SMR, Site-specific)						Y
WQYV719	YM - 800 MHz Trunked SMR (SMR, Site-specific)						Y
WQYV720	YM - 800 MHz Trunked SMR (SMR, Site-specific)						Y
WQYV722	YM - 800 MHz Trunked SMR (SMR, Site-specific)						Y

112) Call Sign	113) Radio Service Code	114) Location Number	115) Path Number (Microwave only)	116) Frequency Number	117) Lower or Center Frequency (MHz)	118) Upper Frequency (MHz)	119) Constructed Yes / No
WQZS657	YM - 800 MHz Trunked SMR (SMR, Site-specific)						Y
WQZS659	YM - 800 MHz Trunked SMR (SMR, Site-specific)						Y
WQZS660	YM - 800 MHz Trunked SMR (SMR, Site-specific)						Y
WQZS661	YM - 800 MHz Trunked SMR (SMR, Site-specific)						Y
WQZS662	YM - 800 MHz Trunked SMR (SMR, Site-specific)						Y
WRAA475	YM - 800 MHz Trunked SMR (SMR, Site-specific)						Y
WRAN278	YM - 800 MHz Trunked SMR (SMR, Site-specific)						Y
WRBV827	YM - 800 MHz Trunked SMR (SMR, Site-specific)						Y
WRBV828	YM - 800 MHz Trunked SMR (SMR, Site-specific)						Y
WRBV829	YM - 800 MHz Trunked SMR (SMR, Site-specific)						Y
WRBV830	YM - 800 MHz Trunked SMR (SMR, Site-specific)						Y
WRBV831	YM - 800 MHz Trunked SMR (SMR, Site-specific)						Y
WRBV855	YM - 800 MHz Trunked SMR (SMR, Site-specific)						Y
WRBV857	YM - 800 MHz Trunked SMR (SMR, Site-specific)						Y
WRBV862	YM - 800 MHz Trunked SMR (SMR, Site-specific)						Y
WRBV864	YM - 800 MHz Trunked SMR (SMR, Site-specific)						Y
WRBV870	YM - 800 MHz Trunked SMR (SMR, Site-specific)						Y
WRBV875	YM - 800 MHz Trunked SMR (SMR, Site-specific)						Y
WRBV876	YM - 800 MHz Trunked SMR (SMR, Site-specific)						Y

112) Call Sign	113) Radio Service Code	114) Location Number	115) Path Number (Microwave only)	116) Frequency Number	117) Lower or Center Frequency (MHz)	118) Upper Frequency (MHz)	119) Constructed Yes / No
WRBX774	YM - 800 MHz Trunked SMR (SMR, Site-specific)						Y
WRCA788	YM - 800 MHz Trunked SMR (SMR, Site-specific)						Y
WRCA793	YM - 800 MHz Trunked SMR (SMR, Site-specific)						Y
WRCL354	YM - 800 MHz Trunked SMR (SMR, Site-specific)						Y
WRDW637	YM - 800 MHz Trunked SMR (SMR, Site-specific)						Y
WRDW638	YM - 800 MHz Trunked SMR (SMR, Site-specific)						Y
WRDW639	YM - 800 MHz Trunked SMR (SMR, Site-specific)						Y
WRFD284	YM - 800 MHz Trunked SMR (SMR, Site-specific)						Y
WRFD328	YM - 800 MHz Trunked SMR (SMR, Site-specific)						Y
WRFD331	YM - 800 MHz Trunked SMR (SMR, Site-specific)						Y
WRFD333	YM - 800 MHz Trunked SMR (SMR, Site-specific)						Y
WRFD426	YM - 800 MHz Trunked SMR (SMR, Site-specific)						Y
WRFD430	YM - 800 MHz Trunked SMR (SMR, Site-specific)						Y
WRFD831	YM - 800 MHz Trunked SMR (SMR, Site-specific)						Y
WRFE750	YM - 800 MHz Trunked SMR (SMR, Site-specific)						Y
WRJA457	YX - SMR, 806-821/851-866 MHz, Trunked						Y
WRJA458	YX - SMR, 806-821/851-866 MHz, Trunked						Y
B007	BR - Broadband Radio Service						Y
B043	BR - Broadband Radio Service						Y

112) Call Sign	113) Radio Service Code	114) Location Number	115) Path Number (Microwave only)	116) Frequency Number	117) Lower or Center Frequency (MHz)	118) Upper Frequency (MHz)	119) Constructed Yes / No
B060	BR - Broadband Radio Service						Y
B075	BR - Broadband Radio Service						Y
B164	BR - Broadband Radio Service						Y
B208	BR - Broadband Radio Service						Y
B221	BR - Broadband Radio Service						Y
B321	BR - Broadband Radio Service						Y
B361	BR - Broadband Radio Service						Y
B364	BR - Broadband Radio Service						Y
B376	BR - Broadband Radio Service						Y
B379	BR - Broadband Radio Service						Y
B430	BR - Broadband Radio Service						Y
B438	BR - Broadband Radio Service						Y
B453	BR - Broadband Radio Service						Y
B479	BR - Broadband Radio Service						Y
KNLF201	CW - PCS Broadband						Y
KNLF202	CW - PCS Broadband						Y
KNLF208	CW - PCS Broadband						Y
KNLF223	CW - PCS Broadband						Y
KNLF224	CW - PCS Broadband						Y

112) Call Sign	113) Radio Service Code	114) Location Number	115) Path Number (Microwave only)	116) Frequency Number	117) Lower or Center Frequency (MHz)	118) Upper Frequency (MHz)	119) Constructed Yes / No
KNLF225	CW - PCS Broadband						Y
KNLF229	CW - PCS Broadband						Y
KNLF236	CW - PCS Broadband						Y
KNLF239	CW - PCS Broadband						Y
KNLF252	CW - PCS Broadband						Y
KNLF254	CW - PCS Broadband						Y
KNLF261	CW - PCS Broadband						Y
KNLF265	CW - PCS Broadband						Y
KNLF267	CW - PCS Broadband						Y
KNLF268	CW - PCS Broadband						Y
KNLF271	CW - PCS Broadband						Y
KNLF272	CW - PCS Broadband						Y
KNLF276	CW - PCS Broadband						Y
KNLF277	CW - PCS Broadband						Y
KNLF290	CW - PCS Broadband						Y
KNLF292	CW - PCS Broadband						Y
KNLF293	CW - PCS Broadband						Y
KNLF308	CW - PCS Broadband						Y
KNLF386	CW - PCS Broadband						Y

112) Call Sign	113) Radio Service Code	114) Location Number	115) Path Number (Microwave only)	116) Frequency Number	117) Lower or Center Frequency (MHz)	118) Upper Frequency (MHz)	119) Constructed Yes / No
KNLF387	CW - PCS Broadband						Y
KNLF487	CW - PCS Broadband						Y
KNLF519	CW - PCS Broadband						Y
KNLF523	CW - PCS Broadband						Y
KNLF528	CW - PCS Broadband						Y
KNLF533	CW - PCS Broadband						Y
KNLF558	CW - PCS Broadband						Y
KNLF559	CW - PCS Broadband						Y
KNLF560	CW - PCS Broadband						Y
KNLF562	CW - PCS Broadband						Y
KNLF563	CW - PCS Broadband						Y
KNLF564	CW - PCS Broadband						Y
KNLF565	CW - PCS Broadband						Y
KNLF566	CW - PCS Broadband						Y
KNLF567	CW - PCS Broadband						Y
KNLF568	CW - PCS Broadband						Y
KNLF569	CW - PCS Broadband						Y
KNLF580	CW - PCS Broadband						Y
KNLF602	CW - PCS Broadband						Y

112) Call Sign	113) Radio Service Code	114) Location Number	115) Path Number (Microwave only)	116) Frequency Number	117) Lower or Center Frequency (MHz)	118) Upper Frequency (MHz)	119) Constructed Yes / No
KNLF619	CW - PCS Broadband						Y
KNLF621	CW - PCS Broadband						Y
KNLF645	CW - PCS Broadband						Y
KNLF653	CW - PCS Broadband						Y
KNLF680	CW - PCS Broadband						Y
KNLF710	CW - PCS Broadband						Y
KNLF738	CW - PCS Broadband						Y
KNLF740	CW - PCS Broadband						Y
KNLF741	CW - PCS Broadband						Y
KNLF743	CW - PCS Broadband						Y
KNLF772	CW - PCS Broadband						Y
KNLF886	CW - PCS Broadband						Y
KNLF892	CW - PCS Broadband						Y
KNLF897	CW - PCS Broadband						Y
KNLF900	CW - PCS Broadband						Y
KNLF906	CW - PCS Broadband						Y
KNLF912	CW - PCS Broadband						Y
KNLF914	CW - PCS Broadband						Y
KNLF919	CW - PCS Broadband						Y

112) Call Sign	113) Radio Service Code	114) Location Number	115) Path Number (Microwave only)	116) Frequency Number	117) Lower or Center Frequency (MHz)	118) Upper Frequency (MHz)	119) Constructed Yes / No
KNLF943	CW - PCS Broadband						Y
KNLF955	CW - PCS Broadband						Y
KNLF956	CW - PCS Broadband						Y
KNLF960	CW - PCS Broadband						Y
KNLF969	CW - PCS Broadband						Y
KNLF971	CW - PCS Broadband						Y
KNLF972	CW - PCS Broadband						Y
KNLF973	CW - PCS Broadband						Y
KNLF974	CW - PCS Broadband						Y
KNLF975	CW - PCS Broadband						Y
KNLF976	CW - PCS Broadband						Y
KNLF977	CW - PCS Broadband						Y
KNLF978	CW - PCS Broadband						Y
KNLF979	CW - PCS Broadband						Y
KNLF980	CW - PCS Broadband						Y
KNLF982	CW - PCS Broadband						Y
KNLF985	CW - PCS Broadband						Y
KNLF987	CW - PCS Broadband						Y
KNLF988	CW - PCS Broadband						Y

112) Call Sign	113) Radio Service Code	114) Location Number	115) Path Number (Microwave only)	116) Frequency Number	117) Lower or Center Frequency (MHz)	118) Upper Frequency (MHz)	119) Constructed Yes / No
KNLF989	CW - PCS Broadband						Y
KNLF992	CW - PCS Broadband						Y
KNLG206	CW - PCS Broadband						Y
KNLG220	CW - PCS Broadband						Y
KNLG229	CW - PCS Broadband						Y
KNLG236	CW - PCS Broadband						Y
KNLG239	CW - PCS Broadband						Y
KNLG241	CW - PCS Broadband						Y
KNLG251	CW - PCS Broadband						Y
KNLG259	CW - PCS Broadband						Y
KNLG261	CW - PCS Broadband						Y
KNLG270	CW - PCS Broadband						Y
KNLG271	CW - PCS Broadband						Y
KNLG274	CW - PCS Broadband						Y
KNLG318	CW - PCS Broadband						Y
KNLG322	CW - PCS Broadband						Y
KNLG345	CW - PCS Broadband						Y
KNLG357	CW - PCS Broadband						Y
KNLG359	CW - PCS Broadband						Y

112) Call Sign	113) Radio Service Code	114) Location Number	115) Path Number (Microwave only)	116) Frequency Number	117) Lower or Center Frequency (MHz)	118) Upper Frequency (MHz)	119) Constructed Yes / No
KNLG361	CW - PCS Broadband						Y
KNLG365	CW - PCS Broadband						Y
KNLG368	CW - PCS Broadband						Y
KNLG378	CW - PCS Broadband						Y
KNLG387	CW - PCS Broadband						Y
KNLG392	CW - PCS Broadband						Y
KNLG405	CW - PCS Broadband						Y
KNLG416	CW - PCS Broadband						Y
KNLG419	CW - PCS Broadband						Y
KNLG435	CW - PCS Broadband						Y
KNLG441	CW - PCS Broadband						Y
KNLG446	CW - PCS Broadband						Y
KNLG459	CW - PCS Broadband						Y
KNLG475	CW - PCS Broadband						Y
KNLG486	CW - PCS Broadband						Y
KNLG487	CW - PCS Broadband						Y
KNLG496	CW - PCS Broadband						Y
KNLG498	CW - PCS Broadband						Y
KNLG507	CW - PCS Broadband						Y

112) Call Sign	113) Radio Service Code	114) Location Number	115) Path Number (Microwave only)	116) Frequency Number	117) Lower or Center Frequency (MHz)	118) Upper Frequency (MHz)	119) Constructed Yes / No
KNLG519	CW - PCS Broadband						Y
KNLG537	CW - PCS Broadband						Y
KNLG540	CW - PCS Broadband						Y
KNLG553	CW - PCS Broadband						Y
KNLG559	CW - PCS Broadband						Y
KNLG561	CW - PCS Broadband						Y
KNLG569	CW - PCS Broadband						Y
KNLG571	CW - PCS Broadband						Y
KNLG576	CW - PCS Broadband						Y
KNLG636	CW - PCS Broadband						Y
KNLG648	CW - PCS Broadband						Y
KNLG651	CW - PCS Broadband						Y
KNLG657	CW - PCS Broadband						Y
KNLG658	CW - PCS Broadband						Y
KNLG659	CW - PCS Broadband						Y
KNLG679	CW - PCS Broadband						Y
KNLG724	CW - PCS Broadband						Y
KNLG729	CW - PCS Broadband						Y
KNLG738	CW - PCS Broadband						Y

112) Call Sign	113) Radio Service Code	114) Location Number	115) Path Number (Microwave only)	116) Frequency Number	117) Lower or Center Frequency (MHz)	118) Upper Frequency (MHz)	119) Constructed Yes / No
KNLG749	CW - PCS Broadband						Y
KNLG751	CW - PCS Broadband						Y
KNLG754	CW - PCS Broadband						Y
KNLG755	CW - PCS Broadband						Y
KNLG761	CW - PCS Broadband						Y
KNLG762	CW - PCS Broadband						Y
KNLG763	CW - PCS Broadband						Y
KNLG765	CW - PCS Broadband						Y
KNLG767	CW - PCS Broadband						Y
KNLG769	CW - PCS Broadband						Y
KNLG771	CW - PCS Broadband						Y
KNLG772	CW - PCS Broadband						Y
KNLG774	CW - PCS Broadband						Y
KNLG775	CW - PCS Broadband						Y
KNLG782	CW - PCS Broadband						Y
KNLG783	CW - PCS Broadband						Y
KNLG788	CW - PCS Broadband						Y
KNLG789	CW - PCS Broadband						Y
KNLG793	CW - PCS Broadband						Y

112) Call Sign	113) Radio Service Code	114) Location Number	115) Path Number (Microwave only)	116) Frequency Number	117) Lower or Center Frequency (MHz)	118) Upper Frequency (MHz)	119) Constructed Yes / No
KNLG795	CW - PCS Broadband						Y
KNLG796	CW - PCS Broadband						Y
KNLG797	CW - PCS Broadband						Y
KNLG798	CW - PCS Broadband						Y
KNLG805	CW - PCS Broadband						Y
KNLG809	CW - PCS Broadband						Y
KNLG811	CW - PCS Broadband						Y
KNLG813	CW - PCS Broadband						Y
KNLG814	CW - PCS Broadband						Y
KNLG816	CW - PCS Broadband						Y
KNLG817	CW - PCS Broadband						Y
KNLG819	CW - PCS Broadband						Y
KNLG821	CW - PCS Broadband						Y
KNLG825	CW - PCS Broadband						Y
KNLG828	CW - PCS Broadband						Y
KNLG829	CW - PCS Broadband						Y
KNLG832	CW - PCS Broadband						Y
KNLG833	CW - PCS Broadband						Y
KNLG839	CW - PCS Broadband						Y

112) Call Sign	113) Radio Service Code	114) Location Number	115) Path Number (Microwave only)	116) Frequency Number	117) Lower or Center Frequency (MHz)	118) Upper Frequency (MHz)	119) Constructed Yes / No
KNLG840	CW - PCS Broadband						Y
KNLG846	CW - PCS Broadband						Y
KNLG848	CW - PCS Broadband						Y
KNLG865	CW - PCS Broadband						Y
KNLG870	CW - PCS Broadband						Y
KNLG883	CW - PCS Broadband						Y
KNLG889	CW - PCS Broadband						Y
KNLG899	CW - PCS Broadband						Y
KNLG913	CW - PCS Broadband						Y
KNLG923	CW - PCS Broadband						Y
KNLG982	CW - PCS Broadband						Y
KNLH200	CW - PCS Broadband						Y
KNLH207	CW - PCS Broadband						Y
KNLH216	CW - PCS Broadband						Y
KNLH256	CW - PCS Broadband						Y
KNLH265	CW - PCS Broadband						Y
KNLH277	CW - PCS Broadband						Y
KNLH278	CW - PCS Broadband						Y
KNLH287	CW - PCS Broadband						Y

112) Call Sign	113) Radio Service Code	114) Location Number	115) Path Number (Microwave only)	116) Frequency Number	117) Lower or Center Frequency (MHz)	118) Upper Frequency (MHz)	119) Constructed Yes / No
KNLH288	CW - PCS Broadband						Y
KNLH289	CW - PCS Broadband						Y
KNLH290	CW - PCS Broadband						Y
KNLH291	CW - PCS Broadband						Y
KNLH293	CW - PCS Broadband						Y
KNLH294	CW - PCS Broadband						Y
KNLH295	CW - PCS Broadband						Y
KNLH297	CW - PCS Broadband						Y
KNLH298	CW - PCS Broadband						Y
KNLH299	CW - PCS Broadband						Y
KNLH300	CW - PCS Broadband						Y
KNLH303	CW - PCS Broadband						Y
KNLH304	CW - PCS Broadband						Y
KNLH305	CW - PCS Broadband						Y
KNLH306	CW - PCS Broadband						Y
KNLH311	CW - PCS Broadband						Y
KNLH312	CW - PCS Broadband						Y
KNLH313	CW - PCS Broadband						Y
KNLH315	CW - PCS Broadband						Y

112) Call Sign	113) Radio Service Code	114) Location Number	115) Path Number (Microwave only)	116) Frequency Number	117) Lower or Center Frequency (MHz)	118) Upper Frequency (MHz)	119) Constructed Yes / No
KNLH316	CW - PCS Broadband						Y
KNLH317	CW - PCS Broadband						Y
KNLH318	CW - PCS Broadband						Y
KNLH319	CW - PCS Broadband						Y
KNLH322	CW - PCS Broadband						Y
KNLH328	CW - PCS Broadband						Y
KNLH329	CW - PCS Broadband						Y
KNLH330	CW - PCS Broadband						Y
KNLH331	CW - PCS Broadband						Y
KNLH332	CW - PCS Broadband						Y
KNLH333	CW - PCS Broadband						Y
KNLH334	CW - PCS Broadband						Y
KNLH335	CW - PCS Broadband						Y
KNLH336	CW - PCS Broadband						Y
KNLH337	CW - PCS Broadband						Y
KNLH338	CW - PCS Broadband						Y
KNLH339	CW - PCS Broadband						Y
KNLH347	CW - PCS Broadband						Y
KNLH349	CW - PCS Broadband						Y

112) Call Sign	113) Radio Service Code	114) Location Number	115) Path Number (Microwave only)	116) Frequency Number	117) Lower or Center Frequency (MHz)	118) Upper Frequency (MHz)	119) Constructed Yes / No
KNLH376	CW - PCS Broadband						Y
KNLH383	CW - PCS Broadband						Y
KNLH393	CW - PCS Broadband						Y
KNLH397	CW - PCS Broadband						Y
KNLH399	CW - PCS Broadband						Y
KNLH400	CW - PCS Broadband						Y
KNLH401	CW - PCS Broadband						Y
KNLH402	CW - PCS Broadband						Y
KNLH403	CW - PCS Broadband						Y
KNLH405	CW - PCS Broadband						Y
KNLH407	CW - PCS Broadband						Y
KNLH408	CW - PCS Broadband						Y
KNLH409	CW - PCS Broadband						Y
KNLH410	CW - PCS Broadband						Y
KNLH411	CW - PCS Broadband						Y
KNLH412	CW - PCS Broadband						Y
KNLH413	CW - PCS Broadband						Y
KNLH441	CW - PCS Broadband						Y
KNLH461	CW - PCS Broadband						Y

112) Call Sign	113) Radio Service Code	114) Location Number	115) Path Number (Microwave only)	116) Frequency Number	117) Lower or Center Frequency (MHz)	118) Upper Frequency (MHz)	119) Constructed Yes / No
KNLH464	CW - PCS Broadband						Y
KNLH465	CW - PCS Broadband						Y
KNLH468	CW - PCS Broadband						Y
KNLH470	CW - PCS Broadband						Y
KNLH471	CW - PCS Broadband						Y
KNLH474	CW - PCS Broadband						Y
KNLH475	CW - PCS Broadband						Y
KNLH476	CW - PCS Broadband						Y
KNLH477	CW - PCS Broadband						Y
KNLH478	CW - PCS Broadband						Y
KNLH479	CW - PCS Broadband						Y
KNLH480	CW - PCS Broadband						Y
KNLH483	CW - PCS Broadband						Y
KNLH486	CW - PCS Broadband						Y
KNLH489	CW - PCS Broadband						Y
KNLH490	CW - PCS Broadband						Y
KNLH494	CW - PCS Broadband						Y
KNLH495	CW - PCS Broadband						Y
KNLH496	CW - PCS Broadband						Y

112) Call Sign	113) Radio Service Code	114) Location Number	115) Path Number (Microwave only)	116) Frequency Number	117) Lower or Center Frequency (MHz)	118) Upper Frequency (MHz)	119) Constructed Yes / No
KNLH498	CW - PCS Broadband						Y
KNLH503	CW - PCS Broadband						Y
KNLH504	CW - PCS Broadband						Y
KNLH506	CW - PCS Broadband						Y
KNLH510	CW - PCS Broadband						Y
KNLH513	CW - PCS Broadband						Y
KNLH514	CW - PCS Broadband						Y
KNLH515	CW - PCS Broadband						Y
KNLH516	CW - PCS Broadband						Y
KNLH518	CW - PCS Broadband						Y
KNLH519	CW - PCS Broadband						Y
KNLH522	CW - PCS Broadband						Y
KNLH523	CW - PCS Broadband						Y
KNLH525	CW - PCS Broadband						Y
KNLH526	CW - PCS Broadband						Y
KNLH536	CW - PCS Broadband						Y
KNLH537	CW - PCS Broadband						Y
KNLH538	CW - PCS Broadband						Y
KNLH542	CW - PCS Broadband						Y

112) Call Sign	113) Radio Service Code	114) Location Number	115) Path Number (Microwave only)	116) Frequency Number	117) Lower or Center Frequency (MHz)	118) Upper Frequency (MHz)	119) Constructed Yes / No
KNLH545	CW - PCS Broadband						Y
KNLH548	CW - PCS Broadband						Y
KNLH554	CW - PCS Broadband						Y
KNLH555	CW - PCS Broadband						Y
KNLH560	CW - PCS Broadband						Y
KNLH561	CW - PCS Broadband						Y
KNLH562	CW - PCS Broadband						Y
KNLH565	CW - PCS Broadband						Y
KNLH567	CW - PCS Broadband						Y
KNLH570	CW - PCS Broadband						Y
KNLH580	CW - PCS Broadband						Y
KNLH583	CW - PCS Broadband						Y
KNLH585	CW - PCS Broadband						Y
KNLH586	CW - PCS Broadband						Y
KNLH588	CW - PCS Broadband						Y
KNLH589	CW - PCS Broadband						Y
KNLH592	CW - PCS Broadband						Y
KNLH594	CW - PCS Broadband						Y
KNLH597	CW - PCS Broadband						Y

112) Call Sign	113) Radio Service Code	114) Location Number	115) Path Number (Microwave only)	116) Frequency Number	117) Lower or Center Frequency (MHz)	118) Upper Frequency (MHz)	119) Constructed Yes / No
KNLH598	CW - PCS Broadband						Y
KNLH599	CW - PCS Broadband						Y
KNLH600	CW - PCS Broadband						Y
KNLH603	CW - PCS Broadband						Y
KNLH604	CW - PCS Broadband						Y
KNLH605	CW - PCS Broadband						Y
KNLH607	CW - PCS Broadband						Y
KNLH608	CW - PCS Broadband						Y
KNLH614	CW - PCS Broadband						Y
KNLH615	CW - PCS Broadband						Y
KNLH618	CW - PCS Broadband						Y
KNLH619	CW - PCS Broadband						Y
KNLH638	CW - PCS Broadband						Y
KNLH652	CW - PCS Broadband						Y
KNLH679	CW - PCS Broadband						Y
KNLH706	CW - PCS Broadband						Y
KNLH709	CW - PCS Broadband						Y
KNLH716	CW - PCS Broadband						Y
KNLH719	CW - PCS Broadband						Y

112) Call Sign	113) Radio Service Code	114) Location Number	115) Path Number (Microwave only)	116) Frequency Number	117) Lower or Center Frequency (MHz)	118) Upper Frequency (MHz)	119) Constructed Yes / No
KNLH734	CW - PCS Broadband						Y
KNLH735	CW - PCS Broadband						Y
KNLH736	CW - PCS Broadband						Y
KNLH738	CW - PCS Broadband						Y
KNLH739	CW - PCS Broadband						Y
KNLH740	CW - PCS Broadband						Y
KNLH741	CW - PCS Broadband						Y
KNLH744	CW - PCS Broadband						Y
KNLH754	CW - PCS Broadband						Y
KNLH756	CW - PCS Broadband						Y
KNLH762	CW - PCS Broadband						Y
KNLH766	CW - PCS Broadband						Y
KNLH769	CW - PCS Broadband						Y
WHR729	ED - Educational Broadband Service						Y
WLX536	ED - Educational Broadband Service						Y
WLX608	ED - Educational Broadband Service						Y
WLX924	ED - Educational Broadband Service						Y
WLX990	ED - Educational Broadband Service						Y
WMI916	BR - Broadband Radio Service						Y

112) Call Sign	113) Radio Service Code	114) Location Number	115) Path Number (Microwave only)	116) Frequency Number	117) Lower or Center Frequency (MHz)	118) Upper Frequency (MHz)	119) Constructed Yes / No
WMX327	BR - Broadband Radio Service						Y
WMX331	BR - Broadband Radio Service						Y
WMX713	ED - Educational Broadband Service						Y
WNC202	ED - Educational Broadband Service						Y
WNC239	ED - Educational Broadband Service						Y
WNC404	ED - Educational Broadband Service						Y
WNC435	ED - Educational Broadband Service						Y
WNC472	ED - Educational Broadband Service						Y
WNC919	ED - Educational Broadband Service						Y
WNTH948	BR - Broadband Radio Service						Y
WPLM204	YC - SMR, 806-821/851-866 MHz, Auctioned						Y
WPLM570	YC - SMR, 806-821/851-866 MHz, Auctioned						Y
WPLM571	YH - SMR, 806-821/851-866 MHz, Auctioned (Rebanded YC license)						Y
WPLM576	YC - SMR, 806-821/851-866 MHz, Auctioned						Y
WPLM577	YH - SMR, 806-821/851-866 MHz, Auctioned (Rebanded YC license)						Y
WPLM591	YC - SMR, 806-821/851-866 MHz, Auctioned						Y
WPLM592	YH - SMR, 806-821/851-866 MHz, Auctioned (Rebanded YC license)						Y
WPLM681	YC - SMR, 806-821/851-866 MHz, Auctioned						Y

112) Call Sign	113) Radio Service Code	114) Location Number	115) Path Number (Microwave only)	116) Frequency Number	117) Lower or Center Frequency (MHz)	118) Upper Frequency (MHz)	119) Constructed Yes / No
WPLM682	YH - SMR, 806-821/851-866 MHz, Auctioned (Rebanded YC license)						Y
WPLM684	YC - SMR, 806-821/851-866 MHz, Auctioned						Y
WPLM685	YH - SMR, 806-821/851-866 MHz, Auctioned (Rebanded YC license)						Y
WPLM687	YC - SMR, 806-821/851-866 MHz, Auctioned						Y
WPLM688	YH - SMR, 806-821/851-866 MHz, Auctioned (Rebanded YC license)						Y
WPLM690	YC - SMR, 806-821/851-866 MHz, Auctioned						Y
WPLM691	YH - SMR, 806-821/851-866 MHz, Auctioned (Rebanded YC license)						Y
WPLM693	YC - SMR, 806-821/851-866 MHz, Auctioned						Y
WPLM694	YH - SMR, 806-821/851-866 MHz, Auctioned (Rebanded YC license)						Y
WPLM696	YC - SMR, 806-821/851-866 MHz, Auctioned						Y
WPLM697	YH - SMR, 806-821/851-866 MHz, Auctioned (Rebanded YC license)						Y
WPLM699	YC - SMR, 806-821/851-866 MHz, Auctioned						Y
WPLM700	YH - SMR, 806-821/851-866 MHz, Auctioned (Rebanded YC license)						Y
WPLM705	YC - SMR, 806-821/851-866 MHz, Auctioned						Y
WPLM706	YH - SMR, 806-821/851-866 MHz, Auctioned (Rebanded YC license)						Y
WPLM708	YC - SMR, 806-821/851-866 MHz, Auctioned						Y
WPLM709	YH - SMR, 806-821/851-866 MHz, Auctioned (Rebanded YC license)						Y

112) Call Sign	113) Radio Service Code	114) Location Number	115) Path Number (Microwave only)	116) Frequency Number	117) Lower or Center Frequency (MHz)	118) Upper Frequency (MHz)	119) Constructed Yes / No
WPLM711	YC - SMR, 806-821/851-866 MHz, Auctioned						Y
WPLM712	YH - SMR, 806-821/851-866 MHz, Auctioned (Rebanded YC license)						Y
WPLM714	YC - SMR, 806-821/851-866 MHz, Auctioned						Y
WPLM715	YH - SMR, 806-821/851-866 MHz, Auctioned (Rebanded YC license)						Y
WPLM717	YC - SMR, 806-821/851-866 MHz, Auctioned						Y
WPLM718	YH - SMR, 806-821/851-866 MHz, Auctioned (Rebanded YC license)						Y
WPLM720	YC - SMR, 806-821/851-866 MHz, Auctioned						Y
WPLM721	YH - SMR, 806-821/851-866 MHz, Auctioned (Rebanded YC license)						Y
WPLM723	YC - SMR, 806-821/851-866 MHz, Auctioned						Y
WPLM724	YH - SMR, 806-821/851-866 MHz, Auctioned (Rebanded YC license)						Y
WPLM726	YC - SMR, 806-821/851-866 MHz, Auctioned						Y
WPLM727	YH - SMR, 806-821/851-866 MHz, Auctioned (Rebanded YC license)						Y
WPLM729	YC - SMR, 806-821/851-866 MHz, Auctioned						Y
WPLM730	YH - SMR, 806-821/851-866 MHz, Auctioned (Rebanded YC license)						Y
WPLM732	YC - SMR, 806-821/851-866 MHz, Auctioned						Y
WPLM733	YH - SMR, 806-821/851-866 MHz, Auctioned (Rebanded YC license)						Y
WPLM735	YC - SMR, 806-821/851-866 MHz, Auctioned						Y

112) Call Sign	113) Radio Service Code	114) Location Number	115) Path Number (Microwave only)	116) Frequency Number	117) Lower or Center Frequency (MHz)	118) Upper Frequency (MHz)	119) Constructed Yes / No
WPLM736	YH - SMR, 806-821/851-866 MHz, Auctioned (Rebanded YC license)						Y
WPLM738	YC - SMR, 806-821/851-866 MHz, Auctioned						Y
WPLM739	YH - SMR, 806-821/851-866 MHz, Auctioned (Rebanded YC license)						Y
WPLM741	YC - SMR, 806-821/851-866 MHz, Auctioned						Y
WPLM742	YH - SMR, 806-821/851-866 MHz, Auctioned (Rebanded YC license)						Y
WPLM747	YC - SMR, 806-821/851-866 MHz, Auctioned						Y
WPLM748	YH - SMR, 806-821/851-866 MHz, Auctioned (Rebanded YC license)						Y
WPLM750	YC - SMR, 806-821/851-866 MHz, Auctioned						Y
WPLM751	YH - SMR, 806-821/851-866 MHz, Auctioned (Rebanded YC license)						Y
WPLM756	YC - SMR, 806-821/851-866 MHz, Auctioned						Y
WPLM757	YH - SMR, 806-821/851-866 MHz, Auctioned (Rebanded YC license)						Y
WPLM793	YC - SMR, 806-821/851-866 MHz, Auctioned						Y
WPLM794	YH - SMR, 806-821/851-866 MHz, Auctioned (Rebanded YC license)						Y
WPOH203	YC - SMR, 806-821/851-866 MHz, Auctioned						Y
WPOH204	YH - SMR, 806-821/851-866 MHz, Auctioned (Rebanded YC license)						Y
WPOH208	YC - SMR, 806-821/851-866 MHz, Auctioned						Y
WPOH209	YH - SMR, 806-821/851-866 MHz, Auctioned (Rebanded YC license)						Y

112) Call Sign	113) Radio Service Code	114) Location Number	115) Path Number (Microwave only)	116) Frequency Number	117) Lower or Center Frequency (MHz)	118) Upper Frequency (MHz)	119) Constructed Yes / No
WPOH211	YC - SMR, 806-821/851-866 MHz, Auctioned						Y
WPOH212	YH - SMR, 806-821/851-866 MHz, Auctioned (Rebanded YC license)						Y
WPOH216	YC - SMR, 806-821/851-866 MHz, Auctioned						Y
WPOH217	YH - SMR, 806-821/851-866 MHz, Auctioned (Rebanded YC license)						Y
WPOH219	YC - SMR, 806-821/851-866 MHz, Auctioned						Y
WPOH220	YH - SMR, 806-821/851-866 MHz, Auctioned (Rebanded YC license)						Y
WPOH222	YC - SMR, 806-821/851-866 MHz, Auctioned						Y
WPOH223	YH - SMR, 806-821/851-866 MHz, Auctioned (Rebanded YC license)						Y
WPOH225	YC - SMR, 806-821/851-866 MHz, Auctioned						Y
WPOH226	YH - SMR, 806-821/851-866 MHz, Auctioned (Rebanded YC license)						Y
WPOH228	YC - SMR, 806-821/851-866 MHz, Auctioned						Y
WPOH229	YH - SMR, 806-821/851-866 MHz, Auctioned (Rebanded YC license)						Y
WPOH230	YC - SMR, 806-821/851-866 MHz, Auctioned						Y
WPOH231	YH - SMR, 806-821/851-866 MHz, Auctioned (Rebanded YC license)						Y
WPOH233	YC - SMR, 806-821/851-866 MHz, Auctioned						Y
WPOH234	YH - SMR, 806-821/851-866 MHz, Auctioned (Rebanded YC license)						Y
WPOH236	YC - SMR, 806-821/851-866 MHz, Auctioned						Y

112) Call Sign	113) Radio Service Code	114) Location Number	115) Path Number (Microwave only)	116) Frequency Number	117) Lower or Center Frequency (MHz)	118) Upper Frequency (MHz)	119) Constructed Yes / No
WPOH237	YH - SMR, 806-821/851-866 MHz, Auctioned (Rebanded YC license)						Y
WPOH239	YC - SMR, 806-821/851-866 MHz, Auctioned						Y
WPOH240	YH - SMR, 806-821/851-866 MHz, Auctioned (Rebanded YC license)						Y
WPOH242	YC - SMR, 806-821/851-866 MHz, Auctioned						Y
WPOH243	YH - SMR, 806-821/851-866 MHz, Auctioned (Rebanded YC license)						Y
WPOH245	YC - SMR, 806-821/851-866 MHz, Auctioned						Y
WPOH246	YH - SMR, 806-821/851-866 MHz, Auctioned (Rebanded YC license)						Y
WPOH248	YC - SMR, 806-821/851-866 MHz, Auctioned						Y
WPOH249	YH - SMR, 806-821/851-866 MHz, Auctioned (Rebanded YC license)						Y
WPOH256	YC - SMR, 806-821/851-866 MHz, Auctioned						Y
WPOH257	YH - SMR, 806-821/851-866 MHz, Auctioned (Rebanded YC license)						Y
WPOH258	YC - SMR, 806-821/851-866 MHz, Auctioned						Y
WPOH259	YH - SMR, 806-821/851-866 MHz, Auctioned (Rebanded YC license)						Y
WPOH260	YC - SMR, 806-821/851-866 MHz, Auctioned						Y
WPOH261	YH - SMR, 806-821/851-866 MHz, Auctioned (Rebanded YC license)						Y
WPOH262	YC - SMR, 806-821/851-866 MHz, Auctioned						Y
WPOH263	YH - SMR, 806-821/851-866 MHz, Auctioned (Rebanded YC license)						Y

112) Call Sign	113) Radio Service Code	114) Location Number	115) Path Number (Microwave only)	116) Frequency Number	117) Lower or Center Frequency (MHz)	118) Upper Frequency (MHz)	119) Constructed Yes / No
WPOH264	YC - SMR, 806-821/851-866 MHz, Auctioned						Y
WPOH265	YH - SMR, 806-821/851-866 MHz, Auctioned (Rebanded YC license)						Y
WPOH267	YC - SMR, 806-821/851-866 MHz, Auctioned						Y
WPOH268	YH - SMR, 806-821/851-866 MHz, Auctioned (Rebanded YC license)						Y
WPOH270	YC - SMR, 806-821/851-866 MHz, Auctioned						Y
WPOH271	YH - SMR, 806-821/851-866 MHz, Auctioned (Rebanded YC license)						Y
WPOH273	YC - SMR, 806-821/851-866 MHz, Auctioned						Y
WPOH274	YH - SMR, 806-821/851-866 MHz, Auctioned (Rebanded YC license)						Y
WPOH280	YH - SMR, 806-821/851-866 MHz, Auctioned (Rebanded YC license)						Y
WPOH282	YC - SMR, 806-821/851-866 MHz, Auctioned						Y
WPOH283	YH - SMR, 806-821/851-866 MHz, Auctioned (Rebanded YC license)						Y
WPOH284	YC - SMR, 806-821/851-866 MHz, Auctioned						Y
WPOH285	YH - SMR, 806-821/851-866 MHz, Auctioned (Rebanded YC license)						Y
WPOH287	YC - SMR, 806-821/851-866 MHz, Auctioned						Y
WPOH288	YH - SMR, 806-821/851-866 MHz, Auctioned (Rebanded YC license)						Y
WPOH290	YC - SMR, 806-821/851-866 MHz, Auctioned						Y
WPOH291	YH - SMR, 806-821/851-866 MHz, Auctioned (Rebanded YC license)						Y

112) Call Sign	113) Radio Service Code	114) Location Number	115) Path Number (Microwave only)	116) Frequency Number	117) Lower or Center Frequency (MHz)	118) Upper Frequency (MHz)	119) Constructed Yes / No
WPOH293	YC - SMR, 806-821/851-866 MHz, Auctioned						Y
WPOH294	YH - SMR, 806-821/851-866 MHz, Auctioned (Rebanded YC license)						Y
WPOH296	YC - SMR, 806-821/851-866 MHz, Auctioned						Y
WPOH297	YH - SMR, 806-821/851-866 MHz, Auctioned (Rebanded YC license)						Y
WPOH298	YC - SMR, 806-821/851-866 MHz, Auctioned						Y
WPOH299	YH - SMR, 806-821/851-866 MHz, Auctioned (Rebanded YC license)						Y
WPOH301	YC - SMR, 806-821/851-866 MHz, Auctioned						Y
WPOH302	YH - SMR, 806-821/851-866 MHz, Auctioned (Rebanded YC license)						Y
WPOH305	YC - SMR, 806-821/851-866 MHz, Auctioned						Y
WPOH306	YC - SMR, 806-821/851-866 MHz, Auctioned						Y
WPOH308	YC - SMR, 806-821/851-866 MHz, Auctioned						Y
WPOH309	YH - SMR, 806-821/851-866 MHz, Auctioned (Rebanded YC license)						Y
WPOH311	YC - SMR, 806-821/851-866 MHz, Auctioned						Y
WPOH312	YH - SMR, 806-821/851-866 MHz, Auctioned (Rebanded YC license)						Y
WPOH314	YC - SMR, 806-821/851-866 MHz, Auctioned						Y
WPOH315	YC - SMR, 806-821/851-866 MHz, Auctioned						Y
WPOH317	YC - SMR, 806-821/851-866 MHz, Auctioned						Y
WPOH318	YC - SMR, 806-821/851-866 MHz, Auctioned						Y

112) Call Sign	113) Radio Service Code	114) Location Number	115) Path Number (Microwave only)	116) Frequency Number	117) Lower or Center Frequency (MHz)	118) Upper Frequency (MHz)	119) Constructed Yes / No
WPOH320	YC - SMR, 806-821/851-866 MHz, Auctioned						Y
WPOH321	YC - SMR, 806-821/851-866 MHz, Auctioned						Y
WPOH323	YC - SMR, 806-821/851-866 MHz, Auctioned						Y
WPOH324	YC - SMR, 806-821/851-866 MHz, Auctioned						Y
WPOH325	YC - SMR, 806-821/851-866 MHz, Auctioned						Y
WPOH326	YH - SMR, 806-821/851-866 MHz, Auctioned (Rebanded YC license)						Y
WPOH328	YC - SMR, 806-821/851-866 MHz, Auctioned						Y
WPOH329	YH - SMR, 806-821/851-866 MHz, Auctioned (Rebanded YC license)						Y
WPOH330	YC - SMR, 806-821/851-866 MHz, Auctioned						Y
WPOH331	YH - SMR, 806-821/851-866 MHz, Auctioned (Rebanded YC license)						Y
WPOH333	YC - SMR, 806-821/851-866 MHz, Auctioned						Y
WPOH334	YH - SMR, 806-821/851-866 MHz, Auctioned (Rebanded YC license)						Y
WPOH336	YC - SMR, 806-821/851-866 MHz, Auctioned						Y
WPOH337	YH - SMR, 806-821/851-866 MHz, Auctioned (Rebanded YC license)						Y
WPOH339	YC - SMR, 806-821/851-866 MHz, Auctioned						Y
WPOH340	YH - SMR, 806-821/851-866 MHz, Auctioned (Rebanded YC license)						Y
WPOH341	YC - SMR, 806-821/851-866 MHz, Auctioned						Y
WPOH342	YH - SMR, 806-821/851-866 MHz, Auctioned (Rebanded YC license)						Y

112) Call Sign	113) Radio Service Code	114) Location Number	115) Path Number (Microwave only)	116) Frequency Number	117) Lower or Center Frequency (MHz)	118) Upper Frequency (MHz)	119) Constructed Yes / No
WPOH343	YC - SMR, 806-821/851-866 MHz, Auctioned						Y
WPOH344	YH - SMR, 806-821/851-866 MHz, Auctioned (Rebanded YC license)						Y
WPOH345	YC - SMR, 806-821/851-866 MHz, Auctioned						Y
WPOH346	YH - SMR, 806-821/851-866 MHz, Auctioned (Rebanded YC license)						Y
WPOH347	YC - SMR, 806-821/851-866 MHz, Auctioned						Y
WPOH348	YH - SMR, 806-821/851-866 MHz, Auctioned (Rebanded YC license)						Y
WPOH349	YC - SMR, 806-821/851-866 MHz, Auctioned						Y
WPOH350	YH - SMR, 806-821/851-866 MHz, Auctioned (Rebanded YC license)						Y
WPOH352	YC - SMR, 806-821/851-866 MHz, Auctioned						Y
WPOH353	YH - SMR, 806-821/851-866 MHz, Auctioned (Rebanded YC license)						Y
WPOH356	YC - SMR, 806-821/851-866 MHz, Auctioned						Y
WPOH357	YH - SMR, 806-821/851-866 MHz, Auctioned (Rebanded YC license)						Y
WPOH358	YH - SMR, 806-821/851-866 MHz, Auctioned (Rebanded YC license)						Y
WPOH359	YC - SMR, 806-821/851-866 MHz, Auctioned						Y
WPOH360	YH - SMR, 806-821/851-866 MHz, Auctioned (Rebanded YC license)						Y
WPOH362	YC - SMR, 806-821/851-866 MHz, Auctioned						Y
WPOH363	YH - SMR, 806-821/851-866 MHz, Auctioned (Rebanded YC license)						Y

112) Call Sign	113) Radio Service Code	114) Location Number	115) Path Number (Microwave only)	116) Frequency Number	117) Lower or Center Frequency (MHz)	118) Upper Frequency (MHz)	119) Constructed Yes / No
WPOH365	YC - SMR, 806-821/851-866 MHz, Auctioned						Y
WPOH366	YH - SMR, 806-821/851-866 MHz, Auctioned (Rebanded YC license)						Y
WPOH367	YC - SMR, 806-821/851-866 MHz, Auctioned						Y
WPOH368	YH - SMR, 806-821/851-866 MHz, Auctioned (Rebanded YC license)						Y
WPOH369	YC - SMR, 806-821/851-866 MHz, Auctioned						Y
WPOH370	YH - SMR, 806-821/851-866 MHz, Auctioned (Rebanded YC license)						Y
WPOH372	YC - SMR, 806-821/851-866 MHz, Auctioned						Y
WPOH373	YH - SMR, 806-821/851-866 MHz, Auctioned (Rebanded YC license)						Y
WPOH375	YC - SMR, 806-821/851-866 MHz, Auctioned						Y
WPOH376	YC - SMR, 806-821/851-866 MHz, Auctioned						Y
WPOH378	YC - SMR, 806-821/851-866 MHz, Auctioned						Y
WPOH379	YC - SMR, 806-821/851-866 MHz, Auctioned						Y
WPOH381	YC - SMR, 806-821/851-866 MHz, Auctioned						Y
WPOH382	YC - SMR, 806-821/851-866 MHz, Auctioned						Y
WPOH384	YC - SMR, 806-821/851-866 MHz, Auctioned						Y
WPOH385	YC - SMR, 806-821/851-866 MHz, Auctioned						Y
WPOH387	YC - SMR, 806-821/851-866 MHz, Auctioned						Y
WPOH388	YC - SMR, 806-821/851-866 MHz, Auctioned						Y

112) Call Sign	113) Radio Service Code	114) Location Number	115) Path Number (Microwave only)	116) Frequency Number	117) Lower or Center Frequency (MHz)	118) Upper Frequency (MHz)	119) Constructed Yes / No
WPOH390	YC - SMR, 806-821/851-866 MHz, Auctioned						Y
WPOH391	YH - SMR, 806-821/851-866 MHz, Auctioned (Rebanded YC license)						Y
WPOH393	YC - SMR, 806-821/851-866 MHz, Auctioned						Y
WPOH394	YH - SMR, 806-821/851-866 MHz, Auctioned (Rebanded YC license)						Y
WPOH396	YC - SMR, 806-821/851-866 MHz, Auctioned						Y
WPOH397	YH - SMR, 806-821/851-866 MHz, Auctioned (Rebanded YC license)						Y
WPOH398	YC - SMR, 806-821/851-866 MHz, Auctioned						Y
WPOH399	YH - SMR, 806-821/851-866 MHz, Auctioned (Rebanded YC license)						Y
WPOH400	YC - SMR, 806-821/851-866 MHz, Auctioned						Y
WPOH401	YH - SMR, 806-821/851-866 MHz, Auctioned (Rebanded YC license)						Y
WPOH403	YC - SMR, 806-821/851-866 MHz, Auctioned						Y
WPOH404	YH - SMR, 806-821/851-866 MHz, Auctioned (Rebanded YC license)						Y
WPOH405	YH - SMR, 806-821/851-866 MHz, Auctioned (Rebanded YC license)						Y
WPOH406	YC - SMR, 806-821/851-866 MHz, Auctioned						Y
WPOH407	YH - SMR, 806-821/851-866 MHz, Auctioned (Rebanded YC license)						Y
WPOH409	YC - SMR, 806-821/851-866 MHz, Auctioned						Y
WPOH410	YH - SMR, 806-821/851-866 MHz, Auctioned (Rebanded YC license)						Y

112) Call Sign	113) Radio Service Code	114) Location Number	115) Path Number (Microwave only)	116) Frequency Number	117) Lower or Center Frequency (MHz)	118) Upper Frequency (MHz)	119) Constructed Yes / No
WPOH412	YC - SMR, 806-821/851-866 MHz, Auctioned						Y
WPOH413	YH - SMR, 806-821/851-866 MHz, Auctioned (Rebanded YC license)						Y
WPOH414	YH - SMR, 806-821/851-866 MHz, Auctioned (Rebanded YC license)						Y
WPOH426	YC - SMR, 806-821/851-866 MHz, Auctioned						Y
WPOH433	YC - SMR, 806-821/851-866 MHz, Auctioned						Y
WPOH983	CW - PCS Broadband						Y
WPOH986	CW - PCS Broadband						Y
WPOH998	CW - PCS Broadband						Y
WPOI234	CW - PCS Broadband						Y
WPOI260	CW - PCS Broadband						Y
WPOI283	YC - SMR, 806-821/851-866 MHz, Auctioned						Y
WPOI284	YH - SMR, 806-821/851-866 MHz, Auctioned (Rebanded YC license)						Y
WPOI292	YC - SMR, 806-821/851-866 MHz, Auctioned						Y
WPOI293	YH - SMR, 806-821/851-866 MHz, Auctioned (Rebanded YC license)						Y
WPOI295	YC - SMR, 806-821/851-866 MHz, Auctioned						Y
WPOI296	YH - SMR, 806-821/851-866 MHz, Auctioned (Rebanded YC license)						Y
WPOI307	YC - SMR, 806-821/851-866 MHz, Auctioned						Y
WPOI310	YC - SMR, 806-821/851-866 MHz, Auctioned						Y

112) Call Sign	113) Radio Service Code	114) Location Number	115) Path Number (Microwave only)	116) Frequency Number	117) Lower or Center Frequency (MHz)	118) Upper Frequency (MHz)	119) Constructed Yes / No
WPOI311	YC - SMR, 806-821/851-866 MHz, Auctioned						Y
WPOI312	YC - SMR, 806-821/851-866 MHz, Auctioned						Y
WPOI313	YH - SMR, 806-821/851-866 MHz, Auctioned (Rebanded YC license)						Y
WPOI314	YH - SMR, 806-821/851-866 MHz, Auctioned (Rebanded YC license)						Y
WPOI319	YC - SMR, 806-821/851-866 MHz, Auctioned						Y
WPOI320	YH - SMR, 806-821/851-866 MHz, Auctioned (Rebanded YC license)						Y
WPOI325	YC - SMR, 806-821/851-866 MHz, Auctioned						Y
WPOI326	YH - SMR, 806-821/851-866 MHz, Auctioned (Rebanded YC license)						Y
WPOI343	YC - SMR, 806-821/851-866 MHz, Auctioned						Y
WPOI344	YH - SMR, 806-821/851-866 MHz, Auctioned (Rebanded YC license)						Y
WPOI346	YC - SMR, 806-821/851-866 MHz, Auctioned						Y
WPOI347	YH - SMR, 806-821/851-866 MHz, Auctioned (Rebanded YC license)						Y
WPOI349	YC - SMR, 806-821/851-866 MHz, Auctioned						Y
WPOI350	YH - SMR, 806-821/851-866 MHz, Auctioned (Rebanded YC license)						Y
WPOI355	YC - SMR, 806-821/851-866 MHz, Auctioned						Y
WPOI356	YH - SMR, 806-821/851-866 MHz, Auctioned (Rebanded YC license)						Y
WPOI363	YC - SMR, 806-821/851-866 MHz, Auctioned						Y

112) Call Sign	113) Radio Service Code	114) Location Number	115) Path Number (Microwave only)	116) Frequency Number	117) Lower or Center Frequency (MHz)	118) Upper Frequency (MHz)	119) Constructed Yes / No
WPOI364	YH - SMR, 806-821/851-866 MHz, Auctioned (Rebanded YC license)						Y
WPOI366	YC - SMR, 806-821/851-866 MHz, Auctioned						Y
WPOI367	YH - SMR, 806-821/851-866 MHz, Auctioned (Rebanded YC license)						Y
WPOI369	YC - SMR, 806-821/851-866 MHz, Auctioned						Y
WPOI370	YH - SMR, 806-821/851-866 MHz, Auctioned (Rebanded YC license)						Y
WPOI371	YC - SMR, 806-821/851-866 MHz, Auctioned						Y
WPOI372	YH - SMR, 806-821/851-866 MHz, Auctioned (Rebanded YC license)						Y
WPOI378	YC - SMR, 806-821/851-866 MHz, Auctioned						Y
WPOI379	YH - SMR, 806-821/851-866 MHz, Auctioned (Rebanded YC license)						Y
WPOI384	YC - SMR, 806-821/851-866 MHz, Auctioned						Y
WPOI385	YH - SMR, 806-821/851-866 MHz, Auctioned (Rebanded YC license)						Y
WPOI389	YC - SMR, 806-821/851-866 MHz, Auctioned						Y
WPOI390	YH - SMR, 806-821/851-866 MHz, Auctioned (Rebanded YC license)						Y
WPOI392	YC - SMR, 806-821/851-866 MHz, Auctioned						Y
WPOI393	YH - SMR, 806-821/851-866 MHz, Auctioned (Rebanded YC license)						Y
WPOI395	YC - SMR, 806-821/851-866 MHz, Auctioned						Y
WPOI396	YH - SMR, 806-821/851-866 MHz, Auctioned (Rebanded YC license)						Y

112) Call Sign	113) Radio Service Code	114) Location Number	115) Path Number (Microwave only)	116) Frequency Number	117) Lower or Center Frequency (MHz)	118) Upper Frequency (MHz)	119) Constructed Yes / No
WPOI398	YC - SMR, 806-821/851-866 MHz, Auctioned						Y
WPOI399	YH - SMR, 806-821/851-866 MHz, Auctioned (Rebanded YC license)						Y
WPOI401	YC - SMR, 806-821/851-866 MHz, Auctioned						Y
WPOI402	YH - SMR, 806-821/851-866 MHz, Auctioned (Rebanded YC license)						Y
WPOI404	YC - SMR, 806-821/851-866 MHz, Auctioned						Y
WPOI405	YH - SMR, 806-821/851-866 MHz, Auctioned (Rebanded YC license)						Y
WPOI407	YC - SMR, 806-821/851-866 MHz, Auctioned						Y
WPOI408	YH - SMR, 806-821/851-866 MHz, Auctioned (Rebanded YC license)						Y
WPOI410	YC - SMR, 806-821/851-866 MHz, Auctioned						Y
WPOI411	YH - SMR, 806-821/851-866 MHz, Auctioned (Rebanded YC license)						Y
WPOJ691	CW - PCS Broadband						Y
WPOJ697	CW - PCS Broadband						Y
WPOJ701	CW - PCS Broadband						Y
WPOJ711	CW - PCS Broadband						Y
WPOJ712	CW - PCS Broadband						Y
WPOJ713	CW - PCS Broadband						Y
WPOJ714	CW - PCS Broadband						Y
WPOJ733	CW - PCS Broadband						Y

112) Call Sign	113) Radio Service Code	114) Location Number	115) Path Number (Microwave only)	116) Frequency Number	117) Lower or Center Frequency (MHz)	118) Upper Frequency (MHz)	119) Constructed Yes / No
WPOJ737	CW - PCS Broadband						Y
WPOJ739	CW - PCS Broadband						Y
WPOJ741	CW - PCS Broadband						Y
WPOJ743	CW - PCS Broadband						Y
WPOJ744	CW - PCS Broadband						Y
WPOJ759	CW - PCS Broadband						Y
WPOJ764	CW - PCS Broadband						Y
WPOJ766	CW - PCS Broadband						Y
WPOJ772	CW - PCS Broadband						Y
WPOJ783	CW - PCS Broadband						Y
WPOJ784	CW - PCS Broadband						Y
WPOJ785	CW - PCS Broadband						Y
WPOJ786	CW - PCS Broadband						Y
WPOJ787	CW - PCS Broadband						Y
WPOJ788	CW - PCS Broadband						Y
WPOJ789	CW - PCS Broadband						Y
WPOJ793	CW - PCS Broadband						Y
WPOJ795	CW - PCS Broadband						Y
WPOJ796	CW - PCS Broadband						Y

112) Call Sign	113) Radio Service Code	114) Location Number	115) Path Number (Microwave only)	116) Frequency Number	117) Lower or Center Frequency (MHz)	118) Upper Frequency (MHz)	119) Constructed Yes / No
WPOJ797	CW - PCS Broadband						Y
WPOJ798	CW - PCS Broadband						Y
WPOJ799	CW - PCS Broadband						Y
WPOJ819	CW - PCS Broadband						Y
WPOJ830	CW - PCS Broadband						Y
WPOJ843	CW - PCS Broadband						Y
WPOJ845	CW - PCS Broadband						Y
WPOJ846	CW - PCS Broadband						Y
WPOJ848	CW - PCS Broadband						Y
WPOK457	YC - SMR, 806-821/851-866 MHz, Auctioned						Y
WPOK458	YH - SMR, 806-821/851-866 MHz, Auctioned (Rebanded YC license)						Y
WPOK462	YC - SMR, 806-821/851-866 MHz, Auctioned						Y
WPOK463	YH - SMR, 806-821/851-866 MHz, Auctioned (Rebanded YC license)						Y
WPOK467	YC - SMR, 806-821/851-866 MHz, Auctioned						Y
WPOK468	YH - SMR, 806-821/851-866 MHz, Auctioned (Rebanded YC license)						Y
WPOK472	YC - SMR, 806-821/851-866 MHz, Auctioned						Y
WPOK473	YC - SMR, 806-821/851-866 MHz, Auctioned						Y
WPOK475	YC - SMR, 806-821/851-866 MHz, Auctioned						Y

112) Call Sign	113) Radio Service Code	114) Location Number	115) Path Number (Microwave only)	116) Frequency Number	117) Lower or Center Frequency (MHz)	118) Upper Frequency (MHz)	119) Constructed Yes / No
WPOK476	YC - SMR, 806-821/851-866 MHz, Auctioned						Y
WPOK568	CW - PCS Broadband						Y
WPOK571	CW - PCS Broadband						Y
WPOK590	CW - PCS Broadband						Y
WPOK595	CW - PCS Broadband						Y
WPOK597	CW - PCS Broadband						Y
WPOK599	CW - PCS Broadband						Y
WPOK609	CW - PCS Broadband						Y
WPOK622	CW - PCS Broadband						Y
WPOK623	CW - PCS Broadband						Y
WPOK627	CW - PCS Broadband						Y
WPOK628	CW - PCS Broadband						Y
WPOK630	CW - PCS Broadband						Y
WPOK638	CW - PCS Broadband						Y
WPOK645	CW - PCS Broadband						Y
WPOK648	CW - PCS Broadband						Y
WPOK660	CW - PCS Broadband						Y
WPOK668	CW - PCS Broadband						Y
WPOK676	CW - PCS Broadband						Y

112) Call Sign	113) Radio Service Code	114) Location Number	115) Path Number (Microwave only)	116) Frequency Number	117) Lower or Center Frequency (MHz)	118) Upper Frequency (MHz)	119) Constructed Yes / No
WP0K680	CW - PCS Broadband						Y
WP0K950	CW - PCS Broadband						Y
WP0L260	CW - PCS Broadband						Y
WP0L261	CW - PCS Broadband						Y
WP0L262	CW - PCS Broadband						Y
WP0L263	CW - PCS Broadband						Y
WP0L264	CW - PCS Broadband						Y
WP0L265	CW - PCS Broadband						Y
WP0L266	CW - PCS Broadband						Y
WP0L267	CW - PCS Broadband						Y
WP0L269	CW - PCS Broadband						Y
WP0L270	CW - PCS Broadband						Y
WP0L271	CW - PCS Broadband						Y
WP0L272	CW - PCS Broadband						Y
WP0L273	CW - PCS Broadband						Y
WP0L274	CW - PCS Broadband						Y
WP0L275	CW - PCS Broadband						Y
WP0L276	CW - PCS Broadband						Y
WP0L277	CW - PCS Broadband						Y

112) Call Sign	113) Radio Service Code	114) Location Number	115) Path Number (Microwave only)	116) Frequency Number	117) Lower or Center Frequency (MHz)	118) Upper Frequency (MHz)	119) Constructed Yes / No
WPOL278	CW - PCS Broadband						Y
WPOL280	CW - PCS Broadband						Y
WPOL283	CW - PCS Broadband						Y
WPOL757	CW - PCS Broadband						Y
WPOL758	CW - PCS Broadband						Y
WPOL759	CW - PCS Broadband						Y
WPOL761	CW - PCS Broadband						Y
WPOL762	CW - PCS Broadband						Y
WPOL763	CW - PCS Broadband						Y
WPOL764	CW - PCS Broadband						Y
WPOL766	CW - PCS Broadband						Y
WPOL773	CW - PCS Broadband						Y
WPOL774	CW - PCS Broadband						Y
WPOL775	CW - PCS Broadband						Y
WPOL776	CW - PCS Broadband						Y
WPOL777	CW - PCS Broadband						Y
WPOL799	CW - PCS Broadband						Y
WPOL800	CW - PCS Broadband						Y
WPOL801	CW - PCS Broadband						Y

112) Call Sign	113) Radio Service Code	114) Location Number	115) Path Number (Microwave only)	116) Frequency Number	117) Lower or Center Frequency (MHz)	118) Upper Frequency (MHz)	119) Constructed Yes / No
WPOL802	CW - PCS Broadband						Y
WPOL803	CW - PCS Broadband						Y
WPOL804	CW - PCS Broadband						Y
WPOL807	CW - PCS Broadband						Y
WPOL808	CW - PCS Broadband						Y
WPOL809	CW - PCS Broadband						Y
WPOL940	CW - PCS Broadband						Y
WPOM283	CW - PCS Broadband						Y
WPOM490	CW - PCS Broadband						Y
WPOM492	CW - PCS Broadband						Y
WPOM493	CW - PCS Broadband						Y
WPOM975	CW - PCS Broadband						Y
WPOM976	CW - PCS Broadband						Y
WPOM977	CW - PCS Broadband						Y
WPOM978	CW - PCS Broadband						Y
WPOM980	CW - PCS Broadband						Y
WPOM981	CW - PCS Broadband						Y
WPOM985	CW - PCS Broadband						Y
WPOM986	CW - PCS Broadband						Y

112) Call Sign	113) Radio Service Code	114) Location Number	115) Path Number (Microwave only)	116) Frequency Number	117) Lower or Center Frequency (MHz)	118) Upper Frequency (MHz)	119) Constructed Yes / No
WPOM987	CW - PCS Broadband						Y
WPOM988	CW - PCS Broadband						Y
WPOM990	CW - PCS Broadband						Y
WPOM991	CW - PCS Broadband						Y
WPOM993	CW - PCS Broadband						Y
WPOM994	CW - PCS Broadband						Y
WPOM995	CW - PCS Broadband						Y
WPQL803	CW - PCS Broadband						Y
WPQL804	CW - PCS Broadband						Y
WPQL806	CW - PCS Broadband						Y
WPQL807	CW - PCS Broadband						Y
WPQN560	CW - PCS Broadband						Y
WPQN807	CW - PCS Broadband						Y
WPQP555	CW - PCS Broadband						Y
WPQS685	CW - PCS Broadband						Y
WPQS976	YC - SMR, 806-821/851-866 MHz, Auctioned						Y
WPQS977	YH - SMR, 806-821/851-866 MHz, Auctioned (Rebanded YC license)						Y
WPQS979	YC - SMR, 806-821/851-866 MHz, Auctioned						Y
WPQS980	YH - SMR, 806-821/851-866 MHz, Auctioned (Rebanded YC license)						Y

112) Call Sign	113) Radio Service Code	114) Location Number	115) Path Number (Microwave only)	116) Frequency Number	117) Lower or Center Frequency (MHz)	118) Upper Frequency (MHz)	119) Constructed Yes / No
WPQS982	YC - SMR, 806-821/851-866 MHz, Auctioned						Y
WPQS983	YH - SMR, 806-821/851-866 MHz, Auctioned (Rebanded YC license)						Y
WPQS989	YC - SMR, 806-821/851-866 MHz, Auctioned						Y
WPQS990	YH - SMR, 806-821/851-866 MHz, Auctioned (Rebanded YC license)						Y
WPQS992	YC - SMR, 806-821/851-866 MHz, Auctioned						Y
WPQS993	YH - SMR, 806-821/851-866 MHz, Auctioned (Rebanded YC license)						Y
WPQS994	YC - SMR, 806-821/851-866 MHz, Auctioned						Y
WPQS995	YH - SMR, 806-821/851-866 MHz, Auctioned (Rebanded YC license)						Y
WPQS997	YC - SMR, 806-821/851-866 MHz, Auctioned						Y
WPQS998	YH - SMR, 806-821/851-866 MHz, Auctioned (Rebanded YC license)						Y
WPQT207	YH - SMR, 806-821/851-866 MHz, Auctioned (Rebanded YC license)						Y
WPQT222	YC - SMR, 806-821/851-866 MHz, Auctioned						Y
WPQT224	YC - SMR, 806-821/851-866 MHz, Auctioned						Y
WPQT225	YH - SMR, 806-821/851-866 MHz, Auctioned (Rebanded YC license)						Y
WPQT227	YC - SMR, 806-821/851-866 MHz, Auctioned						Y
WPQT228	YH - SMR, 806-821/851-866 MHz, Auctioned (Rebanded YC license)						Y
WPQT230	YC - SMR, 806-821/851-866 MHz, Auctioned						Y

112) Call Sign	113) Radio Service Code	114) Location Number	115) Path Number (Microwave only)	116) Frequency Number	117) Lower or Center Frequency (MHz)	118) Upper Frequency (MHz)	119) Constructed Yes / No
WPQT231	YH - SMR, 806-821/851-866 MHz, Auctioned (Rebanded YC license)						Y
WPQT233	YC - SMR, 806-821/851-866 MHz, Auctioned						Y
WPQT234	YH - SMR, 806-821/851-866 MHz, Auctioned (Rebanded YC license)						Y
WPQT236	YC - SMR, 806-821/851-866 MHz, Auctioned						Y
WPQT237	YH - SMR, 806-821/851-866 MHz, Auctioned (Rebanded YC license)						Y
WPQT238	YH - SMR, 806-821/851-866 MHz, Auctioned (Rebanded YC license)						Y
WPQW519	CW - PCS Broadband						Y
WPQW522	CW - PCS Broadband						Y
WPQY416	CW - PCS Broadband						Y
WPQY417	CW - PCS Broadband						Y
WPQY714	CW - PCS Broadband						Y
WPQY715	CW - PCS Broadband						Y
WPQY717	CW - PCS Broadband						Y
WPQY719	CW - PCS Broadband						Y
WPQY723	CW - PCS Broadband						Y
WPQY724	CW - PCS Broadband						Y
WPQY725	CW - PCS Broadband						Y
WPQY727	CW - PCS Broadband						Y

112) Call Sign	113) Radio Service Code	114) Location Number	115) Path Number (Microwave only)	116) Frequency Number	117) Lower or Center Frequency (MHz)	118) Upper Frequency (MHz)	119) Constructed Yes / No
WPQY728	CW - PCS Broadband						Y
WPQY729	CW - PCS Broadband						Y
WPQY732	CW - PCS Broadband						Y
WPRQ631	YC - SMR, 806-821/851-866 MHz, Auctioned						Y
WPRQ632	YC - SMR, 806-821/851-866 MHz, Auctioned						Y
WPRQ761	YC - SMR, 806-821/851-866 MHz, Auctioned						Y
WPRV928	CW - PCS Broadband						Y
WPSF616	CW - PCS Broadband						Y
WPSF617	CW - PCS Broadband						Y
WPSF618	CW - PCS Broadband						Y
WPSF619	CW - PCS Broadband						Y
WPSF620	CW - PCS Broadband						Y
WPSF621	CW - PCS Broadband						Y
WPSF622	CW - PCS Broadband						Y
WPSF625	CW - PCS Broadband						Y
WPSF626	CW - PCS Broadband						Y
WPSF627	CW - PCS Broadband						Y
WPSF628	CW - PCS Broadband						Y
WPSI351	CW - PCS Broadband						Y

112) Call Sign	113) Radio Service Code	114) Location Number	115) Path Number (Microwave only)	116) Frequency Number	117) Lower or Center Frequency (MHz)	118) Upper Frequency (MHz)	119) Constructed Yes / No
WPSI353	CW - PCS Broadband						Y
WPSJ978	CW - PCS Broadband						Y
WPSJ981	CW - PCS Broadband						Y
WPSL621	CW - PCS Broadband						Y
WPSP592	CW - PCS Broadband						Y
WPTB341	CW - PCS Broadband						Y
WPTB344	CW - PCS Broadband						Y
WPTB349	CW - PCS Broadband						Y
WPTB352	CW - PCS Broadband						Y
WPTB358	CW - PCS Broadband						Y
WPTB364	CW - PCS Broadband						Y
WPTB367	CW - PCS Broadband						Y
WPTB371	CW - PCS Broadband						Y
WPTB390	CW - PCS Broadband						Y
WPTB391	CW - PCS Broadband						Y
WPTI733	CW - PCS Broadband						Y
WPTI760	CW - PCS Broadband						Y
WPTI886	CW - PCS Broadband						Y
WPTJ811	CW - PCS Broadband						Y

112) Call Sign	113) Radio Service Code	114) Location Number	115) Path Number (Microwave only)	116) Frequency Number	117) Lower or Center Frequency (MHz)	118) Upper Frequency (MHz)	119) Constructed Yes / No
WPTJ813	CW - PCS Broadband						Y
WPTJ815	CW - PCS Broadband						Y
WPTJ816	CW - PCS Broadband						Y
WPTK619	CW - PCS Broadband						Y
WPTK621	CW - PCS Broadband						Y
WPTT275	CW - PCS Broadband						Y
WPTT276	CW - PCS Broadband						Y
WPTT277	CW - PCS Broadband						Y
WPTT278	CW - PCS Broadband						Y
WPTZ922	CW - PCS Broadband						Y
WPUC241	CW - PCS Broadband						Y
WPUE308	CW - PCS Broadband						Y
WPUE609	CW - PCS Broadband						Y
WPUI372	CW - PCS Broadband						Y
WPUJ346	CW - PCS Broadband						Y
WPUP261	CW - PCS Broadband						Y
WPUR873	CW - PCS Broadband						Y
WPUR874	CW - PCS Broadband						Y
WPUR876	CW - PCS Broadband						Y

112) Call Sign	113) Radio Service Code	114) Location Number	115) Path Number (Microwave only)	116) Frequency Number	117) Lower or Center Frequency (MHz)	118) Upper Frequency (MHz)	119) Constructed Yes / No
WPUR878	CW - PCS Broadband						Y
WPUZ357	CW - PCS Broadband						Y
WPVC982	CW - PCS Broadband						Y
WPVI700	CW - PCS Broadband						Y
WPVN590	CW - PCS Broadband						Y
WPVN591	CW - PCS Broadband						Y
WPVN592	CW - PCS Broadband						Y
WPVP254	CW - PCS Broadband						Y
WPVP255	CW - PCS Broadband						Y
WPVP595	YC - SMR, 806-821/851-866 MHz, Auctioned						Y
WPVP602	YC - SMR, 806-821/851-866 MHz, Auctioned						Y
WPVQ886	CW - PCS Broadband						Y
WPVT883	CW - PCS Broadband						Y
WPVX733	CW - PCS Broadband						Y
WPWB958	CW - PCS Broadband						Y
WPWL459	CW - PCS Broadband						Y
WPWM732	CW - PCS Broadband						Y
WPWQ954	CW - PCS Broadband						Y
WPWQ956	CW - PCS Broadband						Y

112) Call Sign	113) Radio Service Code	114) Location Number	115) Path Number (Microwave only)	116) Frequency Number	117) Lower or Center Frequency (MHz)	118) Upper Frequency (MHz)	119) Constructed Yes / No
WPWR849	CW - PCS Broadband						Y
WPWU903	WZ - 700 MHz Lower Band (Blocks C, D)						Y
WPWU904	WZ - 700 MHz Lower Band (Blocks C, D)						Y
WPXG237	CW - PCS Broadband						Y
WPXI486	CW - PCS Broadband						Y
WPXP298	CW - PCS Broadband						Y
WPYA256	CW - PCS Broadband						Y
WPYD499	CW - PCS Broadband						Y
WPYQ937	CW - PCS Broadband						Y
WPYQ946	CW - PCS Broadband						Y
WPYQ947	CW - PCS Broadband						Y
WPYT733	CW - PCS Broadband						Y
WPZA506	CW - PCS Broadband						Y
WPZA508	CW - PCS Broadband						Y
WPZA801	CW - PCS Broadband						Y
WPZA802	CW - PCS Broadband						Y
WPZA804	CW - PCS Broadband						Y
WPZA805	CW - PCS Broadband						Y
WPZA806	CW - PCS Broadband						Y

112) Call Sign	113) Radio Service Code	114) Location Number	115) Path Number (Microwave only)	116) Frequency Number	117) Lower or Center Frequency (MHz)	118) Upper Frequency (MHz)	119) Constructed Yes / No
WPZA807	CW - PCS Broadband						Y
WPZA808	CW - PCS Broadband						Y
WPZA809	CW - PCS Broadband						Y
WPZB692	CW - PCS Broadband						Y
WPZI379	CW - PCS Broadband						Y
WPZI384	CW - PCS Broadband						Y
WPZK704	CW - PCS Broadband						Y
WPZK706	CW - PCS Broadband						Y
WPZR321	CW - PCS Broadband						Y
WPZR322	CW - PCS Broadband						Y
WPZR323	CW - PCS Broadband						Y
WPZU405	CW - PCS Broadband						Y
WPZU774	CW - PCS Broadband						Y
WPZY682	CW - PCS Broadband						Y
WPZY684	CW - PCS Broadband						Y
WPZY685	CW - PCS Broadband						Y
WPZY686	CW - PCS Broadband						Y
WPZY689	CW - PCS Broadband						Y
WPZZ711	CW - PCS Broadband						Y

112) Call Sign	113) Radio Service Code	114) Location Number	115) Path Number (Microwave only)	116) Frequency Number	117) Lower or Center Frequency (MHz)	118) Upper Frequency (MHz)	119) Constructed Yes / No
WQAE414	CW - PCS Broadband						Y
WQAM548	CW - PCS Broadband						Y
WQAM550	CW - PCS Broadband						Y
WQAM552	CW - PCS Broadband						Y
WQAM553	CW - PCS Broadband						Y
WQBC443	CW - PCS Broadband						Y
WQBC444	CW - PCS Broadband						Y
WQBE919	CW - PCS Broadband						Y
WQBE920	CW - PCS Broadband						Y
WQBG689	CW - PCS Broadband						Y
WQBI469	CW - PCS Broadband						Y
WQBI470	CW - PCS Broadband						Y
WQBI474	CW - PCS Broadband						Y
WQBI768	CW - PCS Broadband						Y
WQBT321	CW - PCS Broadband						Y
WQBT325	CW - PCS Broadband						Y
WQBY722	CW - PCS Broadband						Y
WQBY723	CW - PCS Broadband						Y
WQCG405	CW - PCS Broadband						Y

112) Call Sign	113) Radio Service Code	114) Location Number	115) Path Number (Microwave only)	116) Frequency Number	117) Lower or Center Frequency (MHz)	118) Upper Frequency (MHz)	119) Constructed Yes / No
WQCL690	CW - PCS Broadband						Y
WQCL694	CW - PCS Broadband						Y
WQCL696	CW - PCS Broadband						Y
WQCS385	CW - PCS Broadband						Y
WQCS387	CW - PCS Broadband						Y
WQCS391	CW - PCS Broadband						Y
WQCS392	CW - PCS Broadband						Y
WQCS394	CW - PCS Broadband						Y
WQCS431	CW - PCS Broadband						Y
WQCS432	CW - PCS Broadband						Y
WQCS435	CW - PCS Broadband						Y
WQCS440	CW - PCS Broadband						Y
WQCS442	CW - PCS Broadband						Y
WQCS456	CW - PCS Broadband						Y
WQCS466	CW - PCS Broadband						Y
WQCS552	CW - PCS Broadband						Y
WQCX672	CW - PCS Broadband						Y
WQCX675	CW - PCS Broadband						Y
WQCX676	CW - PCS Broadband						Y

112) Call Sign	113) Radio Service Code	114) Location Number	115) Path Number (Microwave only)	116) Frequency Number	117) Lower or Center Frequency (MHz)	118) Upper Frequency (MHz)	119) Constructed Yes / No
WQCX677	CW - PCS Broadband						Y
WQCX683	CW - PCS Broadband						Y
WQCX684	CW - PCS Broadband						Y
WQCX686	CW - PCS Broadband						Y
WQCX690	CW - PCS Broadband						Y
WQCX692	CW - PCS Broadband						Y
WQCX693	CW - PCS Broadband						Y
WQCX696	CW - PCS Broadband						Y
WQCX700	CW - PCS Broadband						Y
WQCX702	CW - PCS Broadband						Y
WQDE349	CW - PCS Broadband						Y
WQDE350	CW - PCS Broadband						Y
WQDG562	CW - PCS Broadband						Y
WQDI522	CW - PCS Broadband						Y
WQDI523	CW - PCS Broadband						Y
WQDI524	CW - PCS Broadband						Y
WQDM395	CW - PCS Broadband						Y
WQDN636	CW - PCS Broadband						Y
WQDN639	CW - PCS Broadband						Y

112) Call Sign	113) Radio Service Code	114) Location Number	115) Path Number (Microwave only)	116) Frequency Number	117) Lower or Center Frequency (MHz)	118) Upper Frequency (MHz)	119) Constructed Yes / No
WQDN640	CW - PCS Broadband						Y
WQDN643	CW - PCS Broadband						Y
WQDN644	CW - PCS Broadband						Y
WQDN645	CW - PCS Broadband						Y
WQDP532	CW - PCS Broadband						Y
WQDT979	CW - PCS Broadband						Y
WQDT981	CW - PCS Broadband						Y
WQDU925	CW - PCS Broadband						Y
WQDU926	CW - PCS Broadband						Y
WQDU927	CW - PCS Broadband						Y
WQDU939	CW - PCS Broadband						Y
WQDU942	CW - PCS Broadband						Y
WQDX564	CW - PCS Broadband						Y
WQDX565	CW - PCS Broadband						Y
WQEA995	CW - PCS Broadband						Y
WQEB554	CW - PCS Broadband						Y
WQEB555	CW - PCS Broadband						Y
WQEB556	CW - PCS Broadband						Y
WQEB557	CW - PCS Broadband						Y

112) Call Sign	113) Radio Service Code	114) Location Number	115) Path Number (Microwave only)	116) Frequency Number	117) Lower or Center Frequency (MHz)	118) Upper Frequency (MHz)	119) Constructed Yes / No
WQEB558	CW - PCS Broadband						Y
WQEB559	CW - PCS Broadband						Y
WQEF513	CW - PCS Broadband						Y
WQEM948	CW - PCS Broadband						Y
WQEM950	CW - PCS Broadband						Y
WQEM959	CW - PCS Broadband						Y
WQEM964	CW - PCS Broadband						Y
WQEW879	CW - PCS Broadband						Y
WQFA870	CW - PCS Broadband						Y
WQFD525	CW - PCS Broadband						Y
WQFD527	CW - PCS Broadband						Y
WQFD529	CW - PCS Broadband						Y
WQFD531	CW - PCS Broadband						Y
WQFD532	CW - PCS Broadband						Y
WQFD533	CW - PCS Broadband						Y
WQFJ484	CW - PCS Broadband						Y
WQFU284	CW - PCS Broadband						Y
WQFU981	CW - PCS Broadband						Y
WQFW466	CW - PCS Broadband						Y

112) Call Sign	113) Radio Service Code	114) Location Number	115) Path Number (Microwave only)	116) Frequency Number	117) Lower or Center Frequency (MHz)	118) Upper Frequency (MHz)	119) Constructed Yes / No
WQGA699	AW - AWS (1710-1755 MHz and 2110-2155 MHz)						Y
WQGA719	AW - AWS (1710-1755 MHz and 2110-2155 MHz)						Y
WQGA720	AW - AWS (1710-1755 MHz and 2110-2155 MHz)						Y
WQGA725	AW - AWS (1710-1755 MHz and 2110-2155 MHz)						Y
WQGA726	AW - AWS (1710-1755 MHz and 2110-2155 MHz)						Y
WQGA727	AW - AWS (1710-1755 MHz and 2110-2155 MHz)						Y
WQGA730	AW - AWS (1710-1755 MHz and 2110-2155 MHz)						Y
WQGA732	AW - AWS (1710-1755 MHz and 2110-2155 MHz)						Y
WQGA743	AW - AWS (1710-1755 MHz and 2110-2155 MHz)						Y
WQGA744	AW - AWS (1710-1755 MHz and 2110-2155 MHz)						Y
WQGA750	AW - AWS (1710-1755 MHz and 2110-2155 MHz)						Y
WQGA760	AW - AWS (1710-1755 MHz and 2110-2155 MHz)						Y
WQGA768	AW - AWS (1710-1755 MHz and 2110-2155 MHz)						Y
WQGA770	AW - AWS (1710-1755 MHz and 2110-2155 MHz)						Y
WQGA794	AW - AWS (1710-1755 MHz and 2110-2155 MHz)						Y
WQGA947	AW - AWS (1710-1755 MHz and 2110-2155 MHz)						Y
WQGA948	AW - AWS (1710-1755 MHz and 2110-2155 MHz)						Y
WQGA954	AW - AWS (1710-1755 MHz and 2110-2155 MHz)						Y
WQGA980	AW - AWS (1710-1755 MHz and 2110-2155 MHz)						Y

112) Call Sign	113) Radio Service Code	114) Location Number	115) Path Number (Microwave only)	116) Frequency Number	117) Lower or Center Frequency (MHz)	118) Upper Frequency (MHz)	119) Constructed Yes / No
WQGA984	AW - AWS (1710-1755 MHz and 2110-2155 MHz)						Y
WQGA985	AW - AWS (1710-1755 MHz and 2110-2155 MHz)						Y
WQGA997	AW - AWS (1710-1755 MHz and 2110-2155 MHz)						Y
WQGB265	AW - AWS (1710-1755 MHz and 2110-2155 MHz)						Y
WQGB270	AW - AWS (1710-1755 MHz and 2110-2155 MHz)						Y
WQGB272	AW - AWS (1710-1755 MHz and 2110-2155 MHz)						Y
WQGB274	AW - AWS (1710-1755 MHz and 2110-2155 MHz)						Y
WQGB275	AW - AWS (1710-1755 MHz and 2110-2155 MHz)						Y
WQGB281	AW - AWS (1710-1755 MHz and 2110-2155 MHz)						Y
WQGB287	AW - AWS (1710-1755 MHz and 2110-2155 MHz)						Y
WQGB291	AW - AWS (1710-1755 MHz and 2110-2155 MHz)						Y
WQGB297	AW - AWS (1710-1755 MHz and 2110-2155 MHz)						Y
WQGB304	AW - AWS (1710-1755 MHz and 2110-2155 MHz)						Y
WQGB312	AW - AWS (1710-1755 MHz and 2110-2155 MHz)						Y
WQGB329	AW - AWS (1710-1755 MHz and 2110-2155 MHz)						Y
WQGB333	AW - AWS (1710-1755 MHz and 2110-2155 MHz)						Y
WQGB339	AW - AWS (1710-1755 MHz and 2110-2155 MHz)						Y
WQGB352	AW - AWS (1710-1755 MHz and 2110-2155 MHz)						Y
WQGB359	AW - AWS (1710-1755 MHz and 2110-2155 MHz)						Y

112) Call Sign	113) Radio Service Code	114) Location Number	115) Path Number (Microwave only)	116) Frequency Number	117) Lower or Center Frequency (MHz)	118) Upper Frequency (MHz)	119) Constructed Yes / No
WQGB364	AW - AWS (1710-1755 MHz and 2110-2155 MHz)						Y
WQGB370	AW - AWS (1710-1755 MHz and 2110-2155 MHz)						Y
WQGB372	AW - AWS (1710-1755 MHz and 2110-2155 MHz)						Y
WQGB379	AW - AWS (1710-1755 MHz and 2110-2155 MHz)						Y
WQGB380	AW - AWS (1710-1755 MHz and 2110-2155 MHz)						Y
WQGB381	AW - AWS (1710-1755 MHz and 2110-2155 MHz)						Y
WQGD499	AW - AWS (1710-1755 MHz and 2110-2155 MHz)						Y
WQGD585	AW - AWS (1710-1755 MHz and 2110-2155 MHz)						Y
WQGD595	AW - AWS (1710-1755 MHz and 2110-2155 MHz)						Y
WQGD596	AW - AWS (1710-1755 MHz and 2110-2155 MHz)						Y
WQGG307	CW - PCS Broadband						Y
WQGG894	CW - PCS Broadband						Y
WQGG895	CW - PCS Broadband						Y
WQGL344	CW - PCS Broadband						Y
WQGP692	CW - PCS Broadband						Y
WQGP693	CW - PCS Broadband						Y
WQGV758	AW - AWS (1710-1755 MHz and 2110-2155 MHz)						Y
WQGV787	AW - AWS (1710-1755 MHz and 2110-2155 MHz)						Y
WQHB680	CW - PCS Broadband						Y

112) Call Sign	113) Radio Service Code	114) Location Number	115) Path Number (Microwave only)	116) Frequency Number	117) Lower or Center Frequency (MHz)	118) Upper Frequency (MHz)	119) Constructed Yes / No
WQHB814	CW - PCS Broadband						Y
WQHC874	CW - PCS Broadband						Y
WQHG446	CW - PCS Broadband						Y
WQHG447	CW - PCS Broadband						Y
WQHG448	CW - PCS Broadband						Y
WQHG449	CW - PCS Broadband						Y
WQHG459	CW - PCS Broadband						Y
WQHQ413	CW - PCS Broadband						Y
WQHQ994	CW - PCS Broadband						Y
WQHY472	CW - PCS Broadband						Y
WQIL857	CW - PCS Broadband						Y
WQIL955	CW - PCS Broadband						Y
WQIP790	CW - PCS Broadband						Y
WQIQ265	CW - PCS Broadband						Y
WQIS442	CW - PCS Broadband						Y
WQIT641	CW - PCS Broadband						Y
WQIT642	CW - PCS Broadband						Y
WQIV208	CW - PCS Broadband						Y
WQIV209	CW - PCS Broadband						Y

112) Call Sign	113) Radio Service Code	114) Location Number	115) Path Number (Microwave only)	116) Frequency Number	117) Lower or Center Frequency (MHz)	118) Upper Frequency (MHz)	119) Constructed Yes / No
WQIW256	CW - PCS Broadband						Y
WQIW422	CW - PCS Broadband						Y
WQIZ362	WY - 700 MHz Lower Band (Blocks A, B & E)						Y
WQIZ388	WY - 700 MHz Lower Band (Blocks A, B & E)						Y
WQIZ389	WY - 700 MHz Lower Band (Blocks A, B & E)						Y
WQIZ390	WY - 700 MHz Lower Band (Blocks A, B & E)						Y
WQIZ393	WY - 700 MHz Lower Band (Blocks A, B & E)						Y
WQIZ399	WY - 700 MHz Lower Band (Blocks A, B & E)						Y
WQIZ404	WY - 700 MHz Lower Band (Blocks A, B & E)						Y
WQIZ405	WY - 700 MHz Lower Band (Blocks A, B & E)						Y
WQIZ406	WY - 700 MHz Lower Band (Blocks A, B & E)						Y
WQIZ407	WY - 700 MHz Lower Band (Blocks A, B & E)						Y
WQIZ408	WY - 700 MHz Lower Band (Blocks A, B & E)						Y
WQIZ410	WY - 700 MHz Lower Band (Blocks A, B & E)						Y
WQIZ447	WY - 700 MHz Lower Band (Blocks A, B & E)						Y
WQIZ455	WY - 700 MHz Lower Band (Blocks A, B & E)						Y
WQIZ457	WY - 700 MHz Lower Band (Blocks A, B & E)						Y
WQIZ459	WY - 700 MHz Lower Band (Blocks A, B & E)						Y
WQIZ472	WY - 700 MHz Lower Band (Blocks A, B & E)						Y

112) Call Sign	113) Radio Service Code	114) Location Number	115) Path Number (Microwave only)	116) Frequency Number	117) Lower or Center Frequency (MHz)	118) Upper Frequency (MHz)	119) Constructed Yes / No
WQIZ473	WY - 700 MHz Lower Band (Blocks A, B & E)						Y
WQIZ474	WY - 700 MHz Lower Band (Blocks A, B & E)						Y
WQIZ531	WY - 700 MHz Lower Band (Blocks A, B & E)						Y
WQIZ536	WY - 700 MHz Lower Band (Blocks A, B & E)						Y
WQIZ544	WY - 700 MHz Lower Band (Blocks A, B & E)						Y
WQIZ545	WY - 700 MHz Lower Band (Blocks A, B & E)						Y
WQIZ546	WY - 700 MHz Lower Band (Blocks A, B & E)						Y
WQIZ547	WY - 700 MHz Lower Band (Blocks A, B & E)						Y
WQIZ562	WY - 700 MHz Lower Band (Blocks A, B & E)						Y
WQIZ563	WY - 700 MHz Lower Band (Blocks A, B & E)						Y
WQIZ578	WY - 700 MHz Lower Band (Blocks A, B & E)						Y
WQIZ582	WY - 700 MHz Lower Band (Blocks A, B & E)						Y
WQIZ583	WY - 700 MHz Lower Band (Blocks A, B & E)						Y
WQJC449	CW - PCS Broadband						Y
WQJC450	CW - PCS Broadband						Y
WQJF364	CW - PCS Broadband						Y
WQJF880	CW - PCS Broadband						Y
WQJF881	CW - PCS Broadband						Y
WQJF882	CW - PCS Broadband						Y

112) Call Sign	113) Radio Service Code	114) Location Number	115) Path Number (Microwave only)	116) Frequency Number	117) Lower or Center Frequency (MHz)	118) Upper Frequency (MHz)	119) Constructed Yes / No
WQJG790	CW - PCS Broadband						Y
WQJJ963	CW - PCS Broadband						Y
WQJJ968	CW - PCS Broadband						Y
WQJJ969	CW - PCS Broadband						Y
WQJJ970	CW - PCS Broadband						Y
WQJJ971	CW - PCS Broadband						Y
WQJJ972	CW - PCS Broadband						Y
WQJJ973	CW - PCS Broadband						Y
WQJJ974	CW - PCS Broadband						Y
WQJJ975	CW - PCS Broadband						Y
WQJJ976	CW - PCS Broadband						Y
WQJJ983	CW - PCS Broadband						Y
WQJL645	CW - PCS Broadband						Y
WQJP272	CW - PCS Broadband						Y
WQJQ291	CW - PCS Broadband						Y
WQJQ292	CW - PCS Broadband						Y
WQJQ293	CW - PCS Broadband						Y
WQJQ675	WY - 700 MHz Lower Band (Blocks A, B & E)						Y
WQJQ676	WY - 700 MHz Lower Band (Blocks A, B & E)						Y

112) Call Sign	113) Radio Service Code	114) Location Number	115) Path Number (Microwave only)	116) Frequency Number	117) Lower or Center Frequency (MHz)	118) Upper Frequency (MHz)	119) Constructed Yes / No
WQJQ696	WY - 700 MHz Lower Band (Blocks A, B & E)						Y
WQJQ699	WY - 700 MHz Lower Band (Blocks A, B & E)						Y
WQJQ700	WY - 700 MHz Lower Band (Blocks A, B & E)						Y
WQJQ701	WY - 700 MHz Lower Band (Blocks A, B & E)						Y
WQJQ703	WY - 700 MHz Lower Band (Blocks A, B & E)						Y
WQJQ704	WY - 700 MHz Lower Band (Blocks A, B & E)						Y
WQJQ705	WY - 700 MHz Lower Band (Blocks A, B & E)						Y
WQJQ706	WY - 700 MHz Lower Band (Blocks A, B & E)						Y
WQJQ707	WY - 700 MHz Lower Band (Blocks A, B & E)						Y
WQJQ708	WY - 700 MHz Lower Band (Blocks A, B & E)						Y
WQJQ709	WY - 700 MHz Lower Band (Blocks A, B & E)						Y
WQJQ710	WY - 700 MHz Lower Band (Blocks A, B & E)						Y
WQJQ713	WY - 700 MHz Lower Band (Blocks A, B & E)						Y
WQJQ714	WY - 700 MHz Lower Band (Blocks A, B & E)						Y
WQJQ715	WY - 700 MHz Lower Band (Blocks A, B & E)						Y
WQJQ716	WY - 700 MHz Lower Band (Blocks A, B & E)						Y
WQJQ717	WY - 700 MHz Lower Band (Blocks A, B & E)						Y
WQJQ718	WY - 700 MHz Lower Band (Blocks A, B & E)						Y
WQJQ719	WY - 700 MHz Lower Band (Blocks A, B & E)						Y

112) Call Sign	113) Radio Service Code	114) Location Number	115) Path Number (Microwave only)	116) Frequency Number	117) Lower or Center Frequency (MHz)	118) Upper Frequency (MHz)	119) Constructed Yes / No
WQJQ720	WY - 700 MHz Lower Band (Blocks A, B & E)						Y
WQJQ788	WY - 700 MHz Lower Band (Blocks A, B & E)						Y
WQJQ805	WY - 700 MHz Lower Band (Blocks A, B & E)						Y
WQJQ806	WY - 700 MHz Lower Band (Blocks A, B & E)						Y
WQJQ807	WY - 700 MHz Lower Band (Blocks A, B & E)						Y
WQJR793	CW - PCS Broadband						Y
WQJS666	CW - PCS Broadband						Y
WQJU655	WY - 700 MHz Lower Band (Blocks A, B & E)						Y
WQJU697	WY - 700 MHz Lower Band (Blocks A, B & E)						Y
WQJV274	CW - PCS Broadband						Y
WQJX464	AW - AWS (1710-1755 MHz and 2110-2155 MHz)						Y
WQJZ317	WY - 700 MHz Lower Band (Blocks A, B & E)						Y
WQKE627	CW - PCS Broadband						Y
WQKE628	CW - PCS Broadband						Y
WQKF358	AW - AWS (1710-1755 MHz and 2110-2155 MHz)						Y
WQKH490	WY - 700 MHz Lower Band (Blocks A, B & E)						Y
WQKH491	WY - 700 MHz Lower Band (Blocks A, B & E)						Y
WQKQ531	CW - PCS Broadband						Y
WQKS704	CW - PCS Broadband						Y

112) Call Sign	113) Radio Service Code	114) Location Number	115) Path Number (Microwave only)	116) Frequency Number	117) Lower or Center Frequency (MHz)	118) Upper Frequency (MHz)	119) Constructed Yes / No
WQKS971	CY - 1910-1915/1990-19 95 MHz Bands, Market Area						Y
WQKS972	CY - 1910-1915/1990-19 95 MHz Bands, Market Area						Y
WQKS973	CY - 1910-1915/1990-19 95 MHz Bands, Market Area						Y
WQKS974	CY - 1910-1915/1990-19 95 MHz Bands, Market Area						Y
WQKS975	CY - 1910-1915/1990-19 95 MHz Bands, Market Area						Y
WQKS976	CY - 1910-1915/1990-19 95 MHz Bands, Market Area						Y
WQKS977	CY - 1910-1915/1990-19 95 MHz Bands, Market Area						Y
WQKS978	CY - 1910-1915/1990-19 95 MHz Bands, Market Area						Y
WQKS999	CY - 1910-1915/1990-19 95 MHz Bands, Market Area						Y
WQKT200	CY - 1910-1915/1990-19 95 MHz Bands, Market Area						Y
WQKT201	CY - 1910-1915/1990-19 95 MHz Bands, Market Area						Y
WQKT202	CY - 1910-1915/1990-19 95 MHz Bands, Market Area						Y
WQKT203	CY - 1910-1915/1990-19 95 MHz Bands, Market Area						Y
WQKT204	CY - 1910-1915/1990-19 95 MHz Bands, Market Area						Y
WQKT205	CY - 1910-1915/1990-19 95 MHz Bands, Market Area						Y
WQKT206	CY - 1910-1915/1990-19 95 MHz Bands, Market Area						Y
WQKT207	CY - 1910-1915/1990-19 95 MHz Bands, Market Area						Y
WQKT208	CY - 1910-1915/1990-19 95 MHz Bands, Market Area						Y
WQKT209	CY - 1910-1915/1990-19 95 MHz Bands, Market Area						Y

112) Call Sign	113) Radio Service Code	114) Location Number	115) Path Number (Microwave only)	116) Frequency Number	117) Lower or Center Frequency (MHz)	118) Upper Frequency (MHz)	119) Constructed Yes / No
WQKT210	CY - 1910-1915/1990-19 95 MHz Bands, Market Area						Y
WQKT212	CY - 1910-1915/1990-19 95 MHz Bands, Market Area						Y
WQKT213	CY - 1910-1915/1990-19 95 MHz Bands, Market Area						Y
WQKT214	CY - 1910-1915/1990-19 95 MHz Bands, Market Area						Y
WQKT215	CY - 1910-1915/1990-19 95 MHz Bands, Market Area						Y
WQKT216	CY - 1910-1915/1990-19 95 MHz Bands, Market Area						Y
WQKT217	CY - 1910-1915/1990-19 95 MHz Bands, Market Area						Y
WQKT218	CY - 1910-1915/1990-19 95 MHz Bands, Market Area						Y
WQKT219	CY - 1910-1915/1990-19 95 MHz Bands, Market Area						Y
WQKT220	CY - 1910-1915/1990-19 95 MHz Bands, Market Area						Y
WQKT221	CY - 1910-1915/1990-19 95 MHz Bands, Market Area						Y
WQKT222	CY - 1910-1915/1990-19 95 MHz Bands, Market Area						Y
WQKT223	CY - 1910-1915/1990-19 95 MHz Bands, Market Area						Y
WQKT224	CY - 1910-1915/1990-19 95 MHz Bands, Market Area						Y
WQKT225	CY - 1910-1915/1990-19 95 MHz Bands, Market Area						Y
WQKT226	CY - 1910-1915/1990-19 95 MHz Bands, Market Area						Y
WQKT227	CY - 1910-1915/1990-19 95 MHz Bands, Market Area						Y
WQKT228	CY - 1910-1915/1990-19 95 MHz Bands, Market Area						Y
WQKT229	CY - 1910-1915/1990-19 95 MHz Bands, Market Area						Y

112) Call Sign	113) Radio Service Code	114) Location Number	115) Path Number (Microwave only)	116) Frequency Number	117) Lower or Center Frequency (MHz)	118) Upper Frequency (MHz)	119) Constructed Yes / No
WQKT230	CY - 1910-1915/1990-19 95 MHz Bands, Market Area						Y
WQKT231	CY - 1910-1915/1990-19 95 MHz Bands, Market Area						Y
WQKT232	CY - 1910-1915/1990-19 95 MHz Bands, Market Area						Y
WQKT233	CY - 1910-1915/1990-19 95 MHz Bands, Market Area						Y
WQKT234	CY - 1910-1915/1990-19 95 MHz Bands, Market Area						Y
WQKT235	CY - 1910-1915/1990-19 95 MHz Bands, Market Area						Y
WQKT236	CY - 1910-1915/1990-19 95 MHz Bands, Market Area						Y
WQKT237	CY - 1910-1915/1990-19 95 MHz Bands, Market Area						Y
WQKT238	CY - 1910-1915/1990-19 95 MHz Bands, Market Area						Y
WQKT239	CY - 1910-1915/1990-19 95 MHz Bands, Market Area						Y
WQKT240	CY - 1910-1915/1990-19 95 MHz Bands, Market Area						Y
WQKT241	CY - 1910-1915/1990-19 95 MHz Bands, Market Area						Y
WQKT242	CY - 1910-1915/1990-19 95 MHz Bands, Market Area						Y
WQKT243	CY - 1910-1915/1990-19 95 MHz Bands, Market Area						Y
WQKT244	CY - 1910-1915/1990-19 95 MHz Bands, Market Area						Y
WQKT245	CY - 1910-1915/1990-19 95 MHz Bands, Market Area						Y
WQKT246	CY - 1910-1915/1990-19 95 MHz Bands, Market Area						Y
WQKT247	CY - 1910-1915/1990-19 95 MHz Bands, Market Area						Y
WQKT248	CY - 1910-1915/1990-19 95 MHz Bands, Market Area						Y

112) Call Sign	113) Radio Service Code	114) Location Number	115) Path Number (Microwave only)	116) Frequency Number	117) Lower or Center Frequency (MHz)	118) Upper Frequency (MHz)	119) Constructed Yes / No
WQKT249	CY - 1910-1915/1990-19 95 MHz Bands, Market Area						Y
WQKT250	CY - 1910-1915/1990-19 95 MHz Bands, Market Area						Y
WQKT251	CY - 1910-1915/1990-19 95 MHz Bands, Market Area						Y
WQKT252	CY - 1910-1915/1990-19 95 MHz Bands, Market Area						Y
WQKT253	CY - 1910-1915/1990-19 95 MHz Bands, Market Area						Y
WQKT254	CY - 1910-1915/1990-19 95 MHz Bands, Market Area						Y
WQKT255	CY - 1910-1915/1990-19 95 MHz Bands, Market Area						Y
WQKT256	CY - 1910-1915/1990-19 95 MHz Bands, Market Area						Y
WQKT257	CY - 1910-1915/1990-19 95 MHz Bands, Market Area						Y
WQKT258	CY - 1910-1915/1990-19 95 MHz Bands, Market Area						Y
WQKT259	CY - 1910-1915/1990-19 95 MHz Bands, Market Area						Y
WQKT260	CY - 1910-1915/1990-19 95 MHz Bands, Market Area						Y
WQKT261	CY - 1910-1915/1990-19 95 MHz Bands, Market Area						Y
WQKT263	CY - 1910-1915/1990-19 95 MHz Bands, Market Area						Y
WQKT264	CY - 1910-1915/1990-19 95 MHz Bands, Market Area						Y
WQKT265	CY - 1910-1915/1990-19 95 MHz Bands, Market Area						Y
WQKT266	CY - 1910-1915/1990-19 95 MHz Bands, Market Area						Y
WQKT267	CY - 1910-1915/1990-19 95 MHz Bands, Market Area						Y
WQKT268	CY - 1910-1915/1990-19 95 MHz Bands, Market Area						Y

112) Call Sign	113) Radio Service Code	114) Location Number	115) Path Number (Microwave only)	116) Frequency Number	117) Lower or Center Frequency (MHz)	118) Upper Frequency (MHz)	119) Constructed Yes / No
WQKT269	CY - 1910-1915/1990-19 95 MHz Bands, Market Area						Y
WQKT270	CY - 1910-1915/1990-19 95 MHz Bands, Market Area						Y
WQKT271	CY - 1910-1915/1990-19 95 MHz Bands, Market Area						Y
WQKT272	CY - 1910-1915/1990-19 95 MHz Bands, Market Area						Y
WQKT273	CY - 1910-1915/1990-19 95 MHz Bands, Market Area						Y
WQKT274	CY - 1910-1915/1990-19 95 MHz Bands, Market Area						Y
WQKT275	CY - 1910-1915/1990-19 95 MHz Bands, Market Area						Y
WQKT276	CY - 1910-1915/1990-19 95 MHz Bands, Market Area						Y
WQKT277	CY - 1910-1915/1990-19 95 MHz Bands, Market Area						Y
WQKT278	CY - 1910-1915/1990-19 95 MHz Bands, Market Area						Y
WQKT279	CY - 1910-1915/1990-19 95 MHz Bands, Market Area						Y
WQKT280	CY - 1910-1915/1990-19 95 MHz Bands, Market Area						Y
WQKT281	CY - 1910-1915/1990-19 95 MHz Bands, Market Area						Y
WQKT282	CY - 1910-1915/1990-19 95 MHz Bands, Market Area						Y
WQKT283	CY - 1910-1915/1990-19 95 MHz Bands, Market Area						Y
WQKT284	CY - 1910-1915/1990-19 95 MHz Bands, Market Area						Y
WQKT285	CY - 1910-1915/1990-19 95 MHz Bands, Market Area						Y
WQKT286	CY - 1910-1915/1990-19 95 MHz Bands, Market Area						Y
WQKT287	CY - 1910-1915/1990-19 95 MHz Bands, Market Area						Y

112) Call Sign	113) Radio Service Code	114) Location Number	115) Path Number (Microwave only)	116) Frequency Number	117) Lower or Center Frequency (MHz)	118) Upper Frequency (MHz)	119) Constructed Yes / No
WQKT288	CY - 1910-1915/1990-19 95 MHz Bands, Market Area						Y
WQKT289	CY - 1910-1915/1990-19 95 MHz Bands, Market Area						Y
WQKT290	CY - 1910-1915/1990-19 95 MHz Bands, Market Area						Y
WQKT291	CY - 1910-1915/1990-19 95 MHz Bands, Market Area						Y
WQKT292	CY - 1910-1915/1990-19 95 MHz Bands, Market Area						Y
WQKT293	CY - 1910-1915/1990-19 95 MHz Bands, Market Area						Y
WQKT294	CY - 1910-1915/1990-19 95 MHz Bands, Market Area						Y
WQKT295	CY - 1910-1915/1990-19 95 MHz Bands, Market Area						Y
WQKT297	CW - PCS Broadband						Y
WQLA790	WY - 700 MHz Lower Band (Blocks A, B & E)						Y
WQLA791	WY - 700 MHz Lower Band (Blocks A, B & E)						Y
WQLA792	WY - 700 MHz Lower Band (Blocks A, B & E)						Y
WQLA793	WY - 700 MHz Lower Band (Blocks A, B & E)						Y
WQLA794	WY - 700 MHz Lower Band (Blocks A, B & E)						Y
WQLA797	WY - 700 MHz Lower Band (Blocks A, B & E)						Y
WQLA798	WY - 700 MHz Lower Band (Blocks A, B & E)						Y
WQLA799	WY - 700 MHz Lower Band (Blocks A, B & E)						Y
WQLJ715	CW - PCS Broadband						Y
WQLJ717	AW - AWS (1710-1755 MHz and 2110-2155 MHz)						Y

112) Call Sign	113) Radio Service Code	114) Location Number	115) Path Number (Microwave only)	116) Frequency Number	117) Lower or Center Frequency (MHz)	118) Upper Frequency (MHz)	119) Constructed Yes / No
WQMC337	CW - PCS Broadband						Y
WQMM369	AW - AWS (1710-1755 MHz and 2110-2155 MHz)						Y
WQNB515	AW - AWS (1710-1755 MHz and 2110-2155 MHz)						Y
WQNB570	CW - PCS Broadband						Y
WQND997	CW - PCS Broadband						Y
WQNE321	CW - PCS Broadband						Y
WQNE333	CW - PCS Broadband						Y
WQOH687	AW - AWS (1710-1755 MHz and 2110-2155 MHz)						Y
WQOI694	AW - AWS (1710-1755 MHz and 2110-2155 MHz)						Y
WQOJ629	AW - AWS (1710-1755 MHz and 2110-2155 MHz)						Y
WQON842	AW - AWS (1710-1755 MHz and 2110-2155 MHz)						Y
WQON843	AW - AWS (1710-1755 MHz and 2110-2155 MHz)						Y
WQON991	AW - AWS (1710-1755 MHz and 2110-2155 MHz)						Y
WQON998	AW - AWS (1710-1755 MHz and 2110-2155 MHz)						Y
WQON999	CW - PCS Broadband						Y
WQOQ729	CW - PCS Broadband						Y
WQOQ732	CW - PCS Broadband						Y
WQOR418	CW - PCS Broadband						Y
WQPC947	CW - PCS Broadband						Y

112) Call Sign	113) Radio Service Code	114) Location Number	115) Path Number (Microwave only)	116) Frequency Number	117) Lower or Center Frequency (MHz)	118) Upper Frequency (MHz)	119) Constructed Yes / No
WQPF841	AW - AWS (1710-1755 MHz and 2110-2155 MHz)						Y
WQPG202	AW - AWS (1710-1755 MHz and 2110-2155 MHz)						Y
WQPG206	AW - AWS (1710-1755 MHz and 2110-2155 MHz)						Y
WQPG208	AW - AWS (1710-1755 MHz and 2110-2155 MHz)						Y
WQPG213	AW - AWS (1710-1755 MHz and 2110-2155 MHz)						Y
WQPG221	AW - AWS (1710-1755 MHz and 2110-2155 MHz)						Y
WQPG222	AW - AWS (1710-1755 MHz and 2110-2155 MHz)						Y
WQPG223	AW - AWS (1710-1755 MHz and 2110-2155 MHz)						Y
WQPH201	AW - AWS (1710-1755 MHz and 2110-2155 MHz)						Y
WQPJ705	WY - 700 MHz Lower Band (Blocks A, B & E)						Y
WQPK770	YC - SMR, 806-821/851-866 MHz, Auctioned						Y
WQPK773	YC - SMR, 806-821/851-866 MHz, Auctioned						Y
WQPK776	YC - SMR, 806-821/851-866 MHz, Auctioned						Y
WQPK821	YC - SMR, 806-821/851-866 MHz, Auctioned						Y
WQPK846	YC - SMR, 806-821/851-866 MHz, Auctioned						Y
WQPK938	AW - AWS (1710-1755 MHz and 2110-2155 MHz)						Y
WQPP204	AW - AWS (1710-1755 MHz and 2110-2155 MHz)						Y
WQPS583	CW - PCS Broadband						Y
WQPU477	AW - AWS (1710-1755 MHz and 2110-2155 MHz)						Y

112) Call Sign	113) Radio Service Code	114) Location Number	115) Path Number (Microwave only)	116) Frequency Number	117) Lower or Center Frequency (MHz)	118) Upper Frequency (MHz)	119) Constructed Yes / No
WQPV975	AW - AWS (1710-1755 MHz and 2110-2155 MHz)						Y
WQPW448	CW - PCS Broadband						Y
WQPW855	CW - PCS Broadband						Y
WQPZ957	AW - AWS (1710-1755 MHz and 2110-2155 MHz)						Y
WQPZ970	AW - AWS (1710-1755 MHz and 2110-2155 MHz)						Y
WQPZ974	AW - AWS (1710-1755 MHz and 2110-2155 MHz)						Y
WQPZ975	AW - AWS (1710-1755 MHz and 2110-2155 MHz)						Y
WQPZ976	AW - AWS (1710-1755 MHz and 2110-2155 MHz)						Y
WQPZ985	AW - AWS (1710-1755 MHz and 2110-2155 MHz)						Y
WQPZ986	AW - AWS (1710-1755 MHz and 2110-2155 MHz)						Y
WQPZ989	AW - AWS (1710-1755 MHz and 2110-2155 MHz)						Y
WQPZ990	AW - AWS (1710-1755 MHz and 2110-2155 MHz)						Y
WQPZ991	AW - AWS (1710-1755 MHz and 2110-2155 MHz)						Y
WQPZ998	AW - AWS (1710-1755 MHz and 2110-2155 MHz)						Y
WQQA217	AW - AWS (1710-1755 MHz and 2110-2155 MHz)						Y
WQQA221	AW - AWS (1710-1755 MHz and 2110-2155 MHz)						Y
WQQA222	AW - AWS (1710-1755 MHz and 2110-2155 MHz)						Y
WQQA474	AW - AWS (1710-1755 MHz and 2110-2155 MHz)						Y
WQQC797	WY - 700 MHz Lower Band (Blocks A, B & E)						Y

112) Call Sign	113) Radio Service Code	114) Location Number	115) Path Number (Microwave only)	116) Frequency Number	117) Lower or Center Frequency (MHz)	118) Upper Frequency (MHz)	119) Constructed Yes / No
WQQC903	AW - AWS (1710-1755 MHz and 2110-2155 MHz)						Y
WQQJ713	CW - PCS Broadband						Y
WQQJ714	AW - AWS (1710-1755 MHz and 2110-2155 MHz)						Y
WQQL393	WY - 700 MHz Lower Band (Blocks A, B & E)						Y
WQQW516	WY - 700 MHz Lower Band (Blocks A, B & E)						Y
WQQZ842	AW - AWS (1710-1755 MHz and 2110-2155 MHz)						Y
WQQZ844	AW - AWS (1710-1755 MHz and 2110-2155 MHz)						Y
WQQZ846	AW - AWS (1710-1755 MHz and 2110-2155 MHz)						Y
WQRI366	AW - AWS (1710-1755 MHz and 2110-2155 MHz)						Y
WQRJ905	CW - PCS Broadband						Y
WQRK774	CW - PCS Broadband						Y
WQRK789	CW - PCS Broadband						Y
WQRL215	CW - PCS Broadband						Y
WQRL216	CW - PCS Broadband						Y
WQRL218	CW - PCS Broadband						Y
WQRL219	CW - PCS Broadband						Y
WQRW743	CW - PCS Broadband						Y
WQRW744	CW - PCS Broadband						Y
WQSA929	CW - PCS Broadband						Y

112) Call Sign	113) Radio Service Code	114) Location Number	115) Path Number (Microwave only)	116) Frequency Number	117) Lower or Center Frequency (MHz)	118) Upper Frequency (MHz)	119) Constructed Yes / No
WQSC468	WY - 700 MHz Lower Band (Blocks A, B & E)						Y
WQSH833	AW - AWS (1710-1755 MHz and 2110-2155 MHz)						Y
WQSH834	AW - AWS (1710-1755 MHz and 2110-2155 MHz)						Y
WQSL581	AW - AWS (1710-1755 MHz and 2110-2155 MHz)						Y
WQSL583	AW - AWS (1710-1755 MHz and 2110-2155 MHz)						Y
WQST861	AW - AWS (1710-1755 MHz and 2110-2155 MHz)						Y
WQTI544	WY - 700 MHz Lower Band (Blocks A, B & E)						Y
WQTJ393	AW - AWS (1710-1755 MHz and 2110-2155 MHz)						Y
WQTJ643	AW - AWS (1710-1755 MHz and 2110-2155 MHz)						Y
WQTL237	AW - AWS (1710-1755 MHz and 2110-2155 MHz)						Y
WQTL608	CW - PCS Broadband						Y
WQTX804	AW - AWS (1710-1755 MHz and 2110-2155 MHz)						Y
WQTX805	AW - AWS (1710-1755 MHz and 2110-2155 MHz)						Y
WQTX821	CW - PCS Broadband						Y
WQTY759	AW - AWS (1710-1755 MHz and 2110-2155 MHz)						Y
WQTY966	AW - AWS (1710-1755 MHz and 2110-2155 MHz)						Y
WQTY967	AW - AWS (1710-1755 MHz and 2110-2155 MHz)						Y
WQUF216	CW - PCS Broadband						Y
WQUF217	CW - PCS Broadband						Y

112) Call Sign	113) Radio Service Code	114) Location Number	115) Path Number (Microwave only)	116) Frequency Number	117) Lower or Center Frequency (MHz)	118) Upper Frequency (MHz)	119) Constructed Yes / No
WQUH582	CW - PCS Broadband						Y
WQUH583	CW - PCS Broadband						Y
WQUP815	AW - AWS (1710-1755 MHz and 2110-2155 MHz)						Y
WQUT336	AW - AWS (1710-1755 MHz and 2110-2155 MHz)						Y
WQUZ673	CW - PCS Broadband						Y
WQUZ674	CW - PCS Broadband						Y
WQUZ676	CW - PCS Broadband						Y
WQVA442	AW - AWS (1710-1755 MHz and 2110-2155 MHz)						Y
WQVA443	AW - AWS (1710-1755 MHz and 2110-2155 MHz)						Y
WQVB257	CW - PCS Broadband						Y
WQVB260	AW - AWS (1710-1755 MHz and 2110-2155 MHz)						Y
WQVC679	AW - AWS (1710-1755 MHz and 2110-2155 MHz)						Y
WQVC680	CW - PCS Broadband						Y
WQVC681	AW - AWS (1710-1755 MHz and 2110-2155 MHz)						Y
WQVG228	AW - AWS (1710-1755 MHz and 2110-2155 MHz)						Y
WQVG229	AW - AWS (1710-1755 MHz and 2110-2155 MHz)						Y
WQVG233	AW - AWS (1710-1755 MHz and 2110-2155 MHz)						Y
WQVG238	CW - PCS Broadband						Y
WQVG239	CW - PCS Broadband						Y

112) Call Sign	113) Radio Service Code	114) Location Number	115) Path Number (Microwave only)	116) Frequency Number	117) Lower or Center Frequency (MHz)	118) Upper Frequency (MHz)	119) Constructed Yes / No
WQVP311	AT - AWS-3 (1695-1710 MHz, 1755-1780 MHz, and 2155-2180 MHz)						Y
WQVP312	AT - AWS-3 (1695-1710 MHz, 1755-1780 MHz, and 2155-2180 MHz)						Y
WQVP318	AT - AWS-3 (1695-1710 MHz, 1755-1780 MHz, and 2155-2180 MHz)						Y
WQVP319	AT - AWS-3 (1695-1710 MHz, 1755-1780 MHz, and 2155-2180 MHz)						Y
WQVP320	AT - AWS-3 (1695-1710 MHz, 1755-1780 MHz, and 2155-2180 MHz)						Y
WQVP321	AT - AWS-3 (1695-1710 MHz, 1755-1780 MHz, and 2155-2180 MHz)						Y
WQVP322	AT - AWS-3 (1695-1710 MHz, 1755-1780 MHz, and 2155-2180 MHz)						Y
WQVP323	AT - AWS-3 (1695-1710 MHz, 1755-1780 MHz, and 2155-2180 MHz)						Y
WQVP324	AT - AWS-3 (1695-1710 MHz, 1755-1780 MHz, and 2155-2180 MHz)						Y
WQVP325	AT - AWS-3 (1695-1710 MHz, 1755-1780 MHz, and 2155-2180 MHz)						Y
WQVP326	AT - AWS-3 (1695-1710 MHz, 1755-1780 MHz, and 2155-2180 MHz)						Y
WQVP327	AT - AWS-3 (1695-1710 MHz, 1755-1780 MHz, and 2155-2180 MHz)						Y
WQVP328	AT - AWS-3 (1695-1710 MHz, 1755-1780 MHz, and 2155-2180 MHz)						Y
WQVP329	AT - AWS-3 (1695-1710 MHz, 1755-1780 MHz, and 2155-2180 MHz)						Y
WQVP330	AT - AWS-3 (1695-1710 MHz, 1755-1780 MHz, and 2155-2180 MHz)						Y
WQVP336	AT - AWS-3 (1695-1710 MHz, 1755-1780 MHz, and 2155-2180 MHz)						Y

112) Call Sign	113) Radio Service Code	114) Location Number	115) Path Number (Microwave only)	116) Frequency Number	117) Lower or Center Frequency (MHz)	118) Upper Frequency (MHz)	119) Constructed Yes / No
WQVP341	AT - AWS-3 (1695-1710 MHz, 1755-1780 MHz, and 2155-2180 MHz)						Y
WQVP344	AT - AWS-3 (1695-1710 MHz, 1755-1780 MHz, and 2155-2180 MHz)						Y
WQVP345	AT - AWS-3 (1695-1710 MHz, 1755-1780 MHz, and 2155-2180 MHz)						Y
WQVP346	AT - AWS-3 (1695-1710 MHz, 1755-1780 MHz, and 2155-2180 MHz)						Y
WQVP347	AT - AWS-3 (1695-1710 MHz, 1755-1780 MHz, and 2155-2180 MHz)						Y
WQVP350	AT - AWS-3 (1695-1710 MHz, 1755-1780 MHz, and 2155-2180 MHz)						Y
WQVP351	AT - AWS-3 (1695-1710 MHz, 1755-1780 MHz, and 2155-2180 MHz)						Y
WQVP352	AT - AWS-3 (1695-1710 MHz, 1755-1780 MHz, and 2155-2180 MHz)						Y
WQVP353	AT - AWS-3 (1695-1710 MHz, 1755-1780 MHz, and 2155-2180 MHz)						Y
WQVP354	AT - AWS-3 (1695-1710 MHz, 1755-1780 MHz, and 2155-2180 MHz)						Y
WQVP355	AT - AWS-3 (1695-1710 MHz, 1755-1780 MHz, and 2155-2180 MHz)						Y
WQVP356	AT - AWS-3 (1695-1710 MHz, 1755-1780 MHz, and 2155-2180 MHz)						Y
WQVP357	AT - AWS-3 (1695-1710 MHz, 1755-1780 MHz, and 2155-2180 MHz)						Y
WQVP358	AT - AWS-3 (1695-1710 MHz, 1755-1780 MHz, and 2155-2180 MHz)						Y
WQVP359	AT - AWS-3 (1695-1710 MHz, 1755-1780 MHz, and 2155-2180 MHz)						Y
WQVP360	AT - AWS-3 (1695-1710 MHz, 1755-1780 MHz, and 2155-2180 MHz)						Y

112) Call Sign	113) Radio Service Code	114) Location Number	115) Path Number (Microwave only)	116) Frequency Number	117) Lower or Center Frequency (MHz)	118) Upper Frequency (MHz)	119) Constructed Yes / No
WQVP361	AT - AWS-3 (1695-1710 MHz, 1755-1780 MHz, and 2155-2180 MHz)						Y
WQVP362	AT - AWS-3 (1695-1710 MHz, 1755-1780 MHz, and 2155-2180 MHz)						Y
WQVP363	AT - AWS-3 (1695-1710 MHz, 1755-1780 MHz, and 2155-2180 MHz)						Y
WQVP364	AT - AWS-3 (1695-1710 MHz, 1755-1780 MHz, and 2155-2180 MHz)						Y
WQVP365	AT - AWS-3 (1695-1710 MHz, 1755-1780 MHz, and 2155-2180 MHz)						Y
WQVP366	AT - AWS-3 (1695-1710 MHz, 1755-1780 MHz, and 2155-2180 MHz)						Y
WQVP367	AT - AWS-3 (1695-1710 MHz, 1755-1780 MHz, and 2155-2180 MHz)						Y
WQVP368	AT - AWS-3 (1695-1710 MHz, 1755-1780 MHz, and 2155-2180 MHz)						Y
WQVP369	AT - AWS-3 (1695-1710 MHz, 1755-1780 MHz, and 2155-2180 MHz)						Y
WQVP372	AT - AWS-3 (1695-1710 MHz, 1755-1780 MHz, and 2155-2180 MHz)						Y
WQVP373	AT - AWS-3 (1695-1710 MHz, 1755-1780 MHz, and 2155-2180 MHz)						Y
WQVP374	AT - AWS-3 (1695-1710 MHz, 1755-1780 MHz, and 2155-2180 MHz)						Y
WQVP375	AT - AWS-3 (1695-1710 MHz, 1755-1780 MHz, and 2155-2180 MHz)						Y
WQVP377	AT - AWS-3 (1695-1710 MHz, 1755-1780 MHz, and 2155-2180 MHz)						Y
WQVP378	AT - AWS-3 (1695-1710 MHz, 1755-1780 MHz, and 2155-2180 MHz)						Y
WQVP379	AT - AWS-3 (1695-1710 MHz, 1755-1780 MHz, and 2155-2180 MHz)						Y

112) Call Sign	113) Radio Service Code	114) Location Number	115) Path Number (Microwave only)	116) Frequency Number	117) Lower or Center Frequency (MHz)	118) Upper Frequency (MHz)	119) Constructed Yes / No
WQVP380	AT - AWS-3 (1695-1710 MHz, 1755-1780 MHz, and 2155-2180 MHz)						Y
WQVP381	AT - AWS-3 (1695-1710 MHz, 1755-1780 MHz, and 2155-2180 MHz)						Y
WQVP383	AT - AWS-3 (1695-1710 MHz, 1755-1780 MHz, and 2155-2180 MHz)						Y
WQVP384	AT - AWS-3 (1695-1710 MHz, 1755-1780 MHz, and 2155-2180 MHz)						Y
WQVP385	AT - AWS-3 (1695-1710 MHz, 1755-1780 MHz, and 2155-2180 MHz)						Y
WQVP386	AT - AWS-3 (1695-1710 MHz, 1755-1780 MHz, and 2155-2180 MHz)						Y
WQVP388	AT - AWS-3 (1695-1710 MHz, 1755-1780 MHz, and 2155-2180 MHz)						Y
WQVP390	AT - AWS-3 (1695-1710 MHz, 1755-1780 MHz, and 2155-2180 MHz)						Y
WQVP392	AT - AWS-3 (1695-1710 MHz, 1755-1780 MHz, and 2155-2180 MHz)						Y
WQVP393	AT - AWS-3 (1695-1710 MHz, 1755-1780 MHz, and 2155-2180 MHz)						Y
WQVP394	AT - AWS-3 (1695-1710 MHz, 1755-1780 MHz, and 2155-2180 MHz)						Y
WQVP395	AT - AWS-3 (1695-1710 MHz, 1755-1780 MHz, and 2155-2180 MHz)						Y
WQVP396	AT - AWS-3 (1695-1710 MHz, 1755-1780 MHz, and 2155-2180 MHz)						Y
WQVP397	AT - AWS-3 (1695-1710 MHz, 1755-1780 MHz, and 2155-2180 MHz)						Y
WQVP401	AT - AWS-3 (1695-1710 MHz, 1755-1780 MHz, and 2155-2180 MHz)						Y
WQVP402	AT - AWS-3 (1695-1710 MHz, 1755-1780 MHz, and 2155-2180 MHz)						Y

112) Call Sign	113) Radio Service Code	114) Location Number	115) Path Number (Microwave only)	116) Frequency Number	117) Lower or Center Frequency (MHz)	118) Upper Frequency (MHz)	119) Constructed Yes / No
WQVP403	AT - AWS-3 (1695-1710 MHz, 1755-1780 MHz, and 2155-2180 MHz)						Y
WQVP404	AT - AWS-3 (1695-1710 MHz, 1755-1780 MHz, and 2155-2180 MHz)						Y
WQVP405	AT - AWS-3 (1695-1710 MHz, 1755-1780 MHz, and 2155-2180 MHz)						Y
WQVP406	AT - AWS-3 (1695-1710 MHz, 1755-1780 MHz, and 2155-2180 MHz)						Y
WQVP407	AT - AWS-3 (1695-1710 MHz, 1755-1780 MHz, and 2155-2180 MHz)						Y
WQVP408	AT - AWS-3 (1695-1710 MHz, 1755-1780 MHz, and 2155-2180 MHz)						Y
WQVP409	AT - AWS-3 (1695-1710 MHz, 1755-1780 MHz, and 2155-2180 MHz)						Y
WQVP412	AT - AWS-3 (1695-1710 MHz, 1755-1780 MHz, and 2155-2180 MHz)						Y
WQVP413	AT - AWS-3 (1695-1710 MHz, 1755-1780 MHz, and 2155-2180 MHz)						Y
WQVP414	AT - AWS-3 (1695-1710 MHz, 1755-1780 MHz, and 2155-2180 MHz)						Y
WQVP416	AT - AWS-3 (1695-1710 MHz, 1755-1780 MHz, and 2155-2180 MHz)						Y
WQVP417	AT - AWS-3 (1695-1710 MHz, 1755-1780 MHz, and 2155-2180 MHz)						Y
WQVP418	AT - AWS-3 (1695-1710 MHz, 1755-1780 MHz, and 2155-2180 MHz)						Y
WQVP419	AT - AWS-3 (1695-1710 MHz, 1755-1780 MHz, and 2155-2180 MHz)						Y
WQVP420	AT - AWS-3 (1695-1710 MHz, 1755-1780 MHz, and 2155-2180 MHz)						Y
WQVP421	AT - AWS-3 (1695-1710 MHz, 1755-1780 MHz, and 2155-2180 MHz)						Y

112) Call Sign	113) Radio Service Code	114) Location Number	115) Path Number (Microwave only)	116) Frequency Number	117) Lower or Center Frequency (MHz)	118) Upper Frequency (MHz)	119) Constructed Yes / No
WQVP422	AT - AWS-3 (1695-1710 MHz, 1755-1780 MHz, and 2155-2180 MHz)						Y
WQVP423	AT - AWS-3 (1695-1710 MHz, 1755-1780 MHz, and 2155-2180 MHz)						Y
WQVP424	AT - AWS-3 (1695-1710 MHz, 1755-1780 MHz, and 2155-2180 MHz)						Y
WQVP425	AT - AWS-3 (1695-1710 MHz, 1755-1780 MHz, and 2155-2180 MHz)						Y
WQVP426	AT - AWS-3 (1695-1710 MHz, 1755-1780 MHz, and 2155-2180 MHz)						Y
WQVP427	AT - AWS-3 (1695-1710 MHz, 1755-1780 MHz, and 2155-2180 MHz)						Y
WQVP430	AT - AWS-3 (1695-1710 MHz, 1755-1780 MHz, and 2155-2180 MHz)						Y
WQVP431	AT - AWS-3 (1695-1710 MHz, 1755-1780 MHz, and 2155-2180 MHz)						Y
WQVP432	AT - AWS-3 (1695-1710 MHz, 1755-1780 MHz, and 2155-2180 MHz)						Y
WQVP433	AT - AWS-3 (1695-1710 MHz, 1755-1780 MHz, and 2155-2180 MHz)						Y
WQVP434	AT - AWS-3 (1695-1710 MHz, 1755-1780 MHz, and 2155-2180 MHz)						Y
WQVP435	AT - AWS-3 (1695-1710 MHz, 1755-1780 MHz, and 2155-2180 MHz)						Y
WQVP436	AT - AWS-3 (1695-1710 MHz, 1755-1780 MHz, and 2155-2180 MHz)						Y
WQVP441	AT - AWS-3 (1695-1710 MHz, 1755-1780 MHz, and 2155-2180 MHz)						Y
WQVP442	AT - AWS-3 (1695-1710 MHz, 1755-1780 MHz, and 2155-2180 MHz)						Y
WQVP443	AT - AWS-3 (1695-1710 MHz, 1755-1780 MHz, and 2155-2180 MHz)						Y

112) Call Sign	113) Radio Service Code	114) Location Number	115) Path Number (Microwave only)	116) Frequency Number	117) Lower or Center Frequency (MHz)	118) Upper Frequency (MHz)	119) Constructed Yes / No
WQVP444	AT - AWS-3 (1695-1710 MHz, 1755-1780 MHz, and 2155-2180 MHz)						Y
WQVP445	AT - AWS-3 (1695-1710 MHz, 1755-1780 MHz, and 2155-2180 MHz)						Y
WQVP446	AT - AWS-3 (1695-1710 MHz, 1755-1780 MHz, and 2155-2180 MHz)						Y
WQVP447	AT - AWS-3 (1695-1710 MHz, 1755-1780 MHz, and 2155-2180 MHz)						Y
WQVP448	AT - AWS-3 (1695-1710 MHz, 1755-1780 MHz, and 2155-2180 MHz)						Y
WQVP449	AT - AWS-3 (1695-1710 MHz, 1755-1780 MHz, and 2155-2180 MHz)						Y
WQVP450	AT - AWS-3 (1695-1710 MHz, 1755-1780 MHz, and 2155-2180 MHz)						Y
WQVP451	AT - AWS-3 (1695-1710 MHz, 1755-1780 MHz, and 2155-2180 MHz)						Y
WQVP452	AT - AWS-3 (1695-1710 MHz, 1755-1780 MHz, and 2155-2180 MHz)						Y
WQVP453	AT - AWS-3 (1695-1710 MHz, 1755-1780 MHz, and 2155-2180 MHz)						Y
WQVP883	AW - AWS (1710-1755 MHz and 2110-2155 MHz)						Y
WQVP886	AW - AWS (1710-1755 MHz and 2110-2155 MHz)						Y
WQVP888	AW - AWS (1710-1755 MHz and 2110-2155 MHz)						Y
WQVP890	AW - AWS (1710-1755 MHz and 2110-2155 MHz)						Y
WQVQ454	CW - PCS Broadband						Y
WQWY367	AW - AWS (1710-1755 MHz and 2110-2155 MHz)						Y
WQXA288	CW - PCS Broadband						Y

112) Call Sign	113) Radio Service Code	114) Location Number	115) Path Number (Microwave only)	116) Frequency Number	117) Lower or Center Frequency (MHz)	118) Upper Frequency (MHz)	119) Constructed Yes / No
WQXA290	CW - PCS Broadband						Y
WQXF498	CW - PCS Broadband						Y
WQXI341	CW - PCS Broadband						Y
WQXK643	WY - 700 MHz Lower Band (Blocks A, B & E)						Y
WQXK765	CW - PCS Broadband						Y
WQXK766	AW - AWS (1710-1755 MHz and 2110-2155 MHz)						Y
WQXK770	AW - AWS (1710-1755 MHz and 2110-2155 MHz)						Y
WQXK771	AW - AWS (1710-1755 MHz and 2110-2155 MHz)						Y
WQXK772	CW - PCS Broadband						Y
WQXK773	AW - AWS (1710-1755 MHz and 2110-2155 MHz)						Y
WQXK774	AW - AWS (1710-1755 MHz and 2110-2155 MHz)						Y
WQXK775	AW - AWS (1710-1755 MHz and 2110-2155 MHz)						Y
WQXK776	CW - PCS Broadband						Y
WQXK777	CW - PCS Broadband						Y
WQXU633	AW - AWS (1710-1755 MHz and 2110-2155 MHz)						Y
WQXV298	WY - 700 MHz Lower Band (Blocks A, B & E)						Y
WQXV299	WY - 700 MHz Lower Band (Blocks A, B & E)						Y
WQXY452	CW - PCS Broadband						Y
WQXZ569	CW - PCS Broadband						Y

112) Call Sign	113) Radio Service Code	114) Location Number	115) Path Number (Microwave only)	116) Frequency Number	117) Lower or Center Frequency (MHz)	118) Upper Frequency (MHz)	119) Constructed Yes / No
WQYA436	CW - PCS Broadband						Y
WQYB229	WY - 700 MHz Lower Band (Blocks A, B & E)						Y
WQYH204	CW - PCS Broadband						Y
WQYH205	CW - PCS Broadband						Y
WQYH206	CW - PCS Broadband						Y
WQYH789	CW - PCS Broadband						Y
WQYH791	CW - PCS Broadband						Y
WQYH793	CW - PCS Broadband						Y
WQYH795	CW - PCS Broadband						Y
WQYH928	CW - PCS Broadband						Y
WQYH929	CW - PCS Broadband						Y
WQYH930	CW - PCS Broadband						Y
WQYH932	CW - PCS Broadband						Y
WQYS937	CW - PCS Broadband						Y
WQYS939	CW - PCS Broadband						Y
WQYS940	WY - 700 MHz Lower Band (Blocks A, B & E)						Y
WQYV243	CW - PCS Broadband						Y
WQZA666	CW - PCS Broadband						Y
WQZA677	CW - PCS Broadband						Y

112) Call Sign	113) Radio Service Code	114) Location Number	115) Path Number (Microwave only)	116) Frequency Number	117) Lower or Center Frequency (MHz)	118) Upper Frequency (MHz)	119) Constructed Yes / No
WQZA678	CW - PCS Broadband						Y
WQZA679	CW - PCS Broadband						Y
WQZA680	CW - PCS Broadband						Y
WQZA681	CW - PCS Broadband						Y
WQZA682	AW - AWS (1710-1755 MHz and 2110-2155 MHz)						Y
WQZA683	AW - AWS (1710-1755 MHz and 2110-2155 MHz)						Y
WQZA693	CW - PCS Broadband						Y
WQZA694	AW - AWS (1710-1755 MHz and 2110-2155 MHz)						Y
WQZA696	CW - PCS Broadband						Y
WQZB242	AW - AWS (1710-1755 MHz and 2110-2155 MHz)						Y
WQZB245	CW - PCS Broadband						Y
WQZB246	CW - PCS Broadband						Y
WQZE879	CW - PCS Broadband						Y
WQZG687	CW - PCS Broadband						Y
WQZJ420	AW - AWS (1710-1755 MHz and 2110-2155 MHz)						Y
WQZK310	WT - 600 MHz Band						Y
WQZK311	WT - 600 MHz Band						Y
WQZK312	WT - 600 MHz Band						Y
WQZK313	WT - 600 MHz Band						Y

112) Call Sign	113) Radio Service Code	114) Location Number	115) Path Number (Microwave only)	116) Frequency Number	117) Lower or Center Frequency (MHz)	118) Upper Frequency (MHz)	119) Constructed Yes / No
WQZK314	WT - 600 MHz Band						Y
WQZK315	WT - 600 MHz Band						Y
WQZK316	WT - 600 MHz Band						Y
WQZK317	WT - 600 MHz Band						Y
WQZK318	WT - 600 MHz Band						Y
WQZK319	WT - 600 MHz Band						Y
WQZK320	WT - 600 MHz Band						Y
WQZK321	WT - 600 MHz Band						Y
WQZK322	WT - 600 MHz Band						Y
WQZK323	WT - 600 MHz Band						Y
WQZK324	WT - 600 MHz Band						Y
WQZK325	WT - 600 MHz Band						Y
WQZK326	WT - 600 MHz Band						Y
WQZK327	WT - 600 MHz Band						Y
WQZK328	WT - 600 MHz Band						Y
WQZK329	WT - 600 MHz Band						Y
WQZK330	WT - 600 MHz Band						Y
WQZK331	WT - 600 MHz Band						Y
WQZK332	WT - 600 MHz Band						Y

112) Call Sign	113) Radio Service Code	114) Location Number	115) Path Number (Microwave only)	116) Frequency Number	117) Lower or Center Frequency (MHz)	118) Upper Frequency (MHz)	119) Constructed Yes / No
WQZK333	WT - 600 MHz Band						Y
WQZK334	WT - 600 MHz Band						Y
WQZK335	WT - 600 MHz Band						Y
WQZK336	WT - 600 MHz Band						Y
WQZK337	WT - 600 MHz Band						Y
WQZK354	WT - 600 MHz Band						Y
WQZK355	WT - 600 MHz Band						Y
WQZK356	WT - 600 MHz Band						Y
WQZK357	WT - 600 MHz Band						Y
WQZK358	WT - 600 MHz Band						Y
WQZK359	WT - 600 MHz Band						Y
WQZK360	WT - 600 MHz Band						Y
WQZK361	WT - 600 MHz Band						Y
WQZK362	WT - 600 MHz Band						Y
WQZK363	WT - 600 MHz Band						Y
WQZK364	WT - 600 MHz Band						Y
WQZK365	WT - 600 MHz Band						Y
WQZK366	WT - 600 MHz Band						Y
WQZK367	WT - 600 MHz Band						Y

112) Call Sign	113) Radio Service Code	114) Location Number	115) Path Number (Microwave only)	116) Frequency Number	117) Lower or Center Frequency (MHz)	118) Upper Frequency (MHz)	119) Constructed Yes / No
WQZK368	WT - 600 MHz Band						Y
WQZK369	WT - 600 MHz Band						Y
WQZK370	WT - 600 MHz Band						Y
WQZK371	WT - 600 MHz Band						Y
WQZK372	WT - 600 MHz Band						Y
WQZK373	WT - 600 MHz Band						Y
WQZK374	WT - 600 MHz Band						Y
WQZK375	WT - 600 MHz Band						Y
WQZK376	WT - 600 MHz Band						Y
WQZK377	WT - 600 MHz Band						Y
WQZK382	WT - 600 MHz Band						Y
WQZK383	WT - 600 MHz Band						Y
WQZK384	WT - 600 MHz Band						Y
WQZK385	WT - 600 MHz Band						Y
WQZK386	WT - 600 MHz Band						Y
WQZK387	WT - 600 MHz Band						Y
WQZK388	WT - 600 MHz Band						Y
WQZK389	WT - 600 MHz Band						Y
WQZK390	WT - 600 MHz Band						Y

112) Call Sign	113) Radio Service Code	114) Location Number	115) Path Number (Microwave only)	116) Frequency Number	117) Lower or Center Frequency (MHz)	118) Upper Frequency (MHz)	119) Constructed Yes / No
WQZK391	WT - 600 MHz Band						Y
WQZK392	WT - 600 MHz Band						Y
WQZK393	WT - 600 MHz Band						Y
WQZK394	WT - 600 MHz Band						Y
WQZK395	WT - 600 MHz Band						Y
WQZK396	WT - 600 MHz Band						Y
WQZK397	WT - 600 MHz Band						Y
WQZK398	WT - 600 MHz Band						Y
WQZK399	WT - 600 MHz Band						Y
WQZK400	WT - 600 MHz Band						Y
WQZK401	WT - 600 MHz Band						Y
WQZK402	WT - 600 MHz Band						Y
WQZK403	WT - 600 MHz Band						Y
WQZK404	WT - 600 MHz Band						Y
WQZK405	WT - 600 MHz Band						Y
WQZK406	WT - 600 MHz Band						Y
WQZK407	WT - 600 MHz Band						Y
WQZK408	WT - 600 MHz Band						Y
WQZK409	WT - 600 MHz Band						Y

112) Call Sign	113) Radio Service Code	114) Location Number	115) Path Number (Microwave only)	116) Frequency Number	117) Lower or Center Frequency (MHz)	118) Upper Frequency (MHz)	119) Constructed Yes / No
WQZK410	WT - 600 MHz Band						Y
WQZK411	WT - 600 MHz Band						Y
WQZK412	WT - 600 MHz Band						Y
WQZK413	WT - 600 MHz Band						Y
WQZK414	WT - 600 MHz Band						Y
WQZK415	WT - 600 MHz Band						Y
WQZK416	WT - 600 MHz Band						Y
WQZK417	WT - 600 MHz Band						Y
WQZK418	WT - 600 MHz Band						Y
WQZK419	WT - 600 MHz Band						Y
WQZK420	WT - 600 MHz Band						Y
WQZK421	WT - 600 MHz Band						Y
WQZK422	WT - 600 MHz Band						Y
WQZK423	WT - 600 MHz Band						Y
WQZK424	WT - 600 MHz Band						Y
WQZK425	WT - 600 MHz Band						Y
WQZK426	WT - 600 MHz Band						Y
WQZK427	WT - 600 MHz Band						Y
WQZK428	WT - 600 MHz Band						Y

112) Call Sign	113) Radio Service Code	114) Location Number	115) Path Number (Microwave only)	116) Frequency Number	117) Lower or Center Frequency (MHz)	118) Upper Frequency (MHz)	119) Constructed Yes / No
WQZK429	WT - 600 MHz Band						Y
WQZK430	WT - 600 MHz Band						Y
WQZK431	WT - 600 MHz Band						Y
WQZK432	WT - 600 MHz Band						Y
WQZK433	WT - 600 MHz Band						Y
WQZK434	WT - 600 MHz Band						Y
WQZK435	WT - 600 MHz Band						Y
WQZK436	WT - 600 MHz Band						Y
WQZK437	WT - 600 MHz Band						Y
WQZK438	WT - 600 MHz Band						Y
WQZK439	WT - 600 MHz Band						Y
WQZK440	WT - 600 MHz Band						Y
WQZK441	WT - 600 MHz Band						Y
WQZK442	WT - 600 MHz Band						Y
WQZK443	WT - 600 MHz Band						Y
WQZK444	WT - 600 MHz Band						Y
WQZK445	WT - 600 MHz Band						Y
WQZK446	WT - 600 MHz Band						Y
WQZK447	WT - 600 MHz Band						Y

112) Call Sign	113) Radio Service Code	114) Location Number	115) Path Number (Microwave only)	116) Frequency Number	117) Lower or Center Frequency (MHz)	118) Upper Frequency (MHz)	119) Constructed Yes / No
WQZK448	WT - 600 MHz Band						Y
WQZK449	WT - 600 MHz Band						Y
WQZK450	WT - 600 MHz Band						Y
WQZK451	WT - 600 MHz Band						Y
WQZK452	WT - 600 MHz Band						Y
WQZK453	WT - 600 MHz Band						Y
WQZK454	WT - 600 MHz Band						Y
WQZK455	WT - 600 MHz Band						Y
WQZK456	WT - 600 MHz Band						Y
WQZK457	WT - 600 MHz Band						Y
WQZK458	WT - 600 MHz Band						Y
WQZK459	WT - 600 MHz Band						Y
WQZK460	WT - 600 MHz Band						Y
WQZK461	WT - 600 MHz Band						Y
WQZK462	WT - 600 MHz Band						Y
WQZK463	WT - 600 MHz Band						Y
WQZK464	WT - 600 MHz Band						Y
WQZK465	WT - 600 MHz Band						Y
WQZK466	WT - 600 MHz Band						Y

112) Call Sign	113) Radio Service Code	114) Location Number	115) Path Number (Microwave only)	116) Frequency Number	117) Lower or Center Frequency (MHz)	118) Upper Frequency (MHz)	119) Constructed Yes / No
WQZK467	WT - 600 MHz Band						Y
WQZK468	WT - 600 MHz Band						Y
WQZK469	WT - 600 MHz Band						Y
WQZK470	WT - 600 MHz Band						Y
WQZK471	WT - 600 MHz Band						Y
WQZK472	WT - 600 MHz Band						Y
WQZK473	WT - 600 MHz Band						Y
WQZK474	WT - 600 MHz Band						Y
WQZK475	WT - 600 MHz Band						Y
WQZK476	WT - 600 MHz Band						Y
WQZK477	WT - 600 MHz Band						Y
WQZK482	WT - 600 MHz Band						Y
WQZK483	WT - 600 MHz Band						Y
WQZK484	WT - 600 MHz Band						Y
WQZK485	WT - 600 MHz Band						Y
WQZK490	WT - 600 MHz Band						Y
WQZK491	WT - 600 MHz Band						Y
WQZK492	WT - 600 MHz Band						Y
WQZK493	WT - 600 MHz Band						Y

112) Call Sign	113) Radio Service Code	114) Location Number	115) Path Number (Microwave only)	116) Frequency Number	117) Lower or Center Frequency (MHz)	118) Upper Frequency (MHz)	119) Constructed Yes / No
WQZK502	WT - 600 MHz Band						Y
WQZK503	WT - 600 MHz Band						Y
WQZK504	WT - 600 MHz Band						Y
WQZK528	WT - 600 MHz Band						Y
WQZK529	WT - 600 MHz Band						Y
WQZK530	WT - 600 MHz Band						Y
WQZK531	WT - 600 MHz Band						Y
WQZK544	WT - 600 MHz Band						Y
WQZK545	WT - 600 MHz Band						Y
WQZK546	WT - 600 MHz Band						Y
WQZK547	WT - 600 MHz Band						Y
WQZK548	WT - 600 MHz Band						Y
WQZK549	WT - 600 MHz Band						Y
WQZK550	WT - 600 MHz Band						Y
WQZK551	WT - 600 MHz Band						Y
WQZK552	WT - 600 MHz Band						Y
WQZK553	WT - 600 MHz Band						Y
WQZK554	WT - 600 MHz Band						Y
WQZK555	WT - 600 MHz Band						Y

112) Call Sign	113) Radio Service Code	114) Location Number	115) Path Number (Microwave only)	116) Frequency Number	117) Lower or Center Frequency (MHz)	118) Upper Frequency (MHz)	119) Constructed Yes / No
WQZK556	WT - 600 MHz Band						Y
WQZK557	WT - 600 MHz Band						Y
WQZK558	WT - 600 MHz Band						Y
WQZK559	WT - 600 MHz Band						Y
WQZK560	WT - 600 MHz Band						Y
WQZK561	WT - 600 MHz Band						Y
WQZK562	WT - 600 MHz Band						Y
WQZK563	WT - 600 MHz Band						Y
WQZK564	WT - 600 MHz Band						Y
WQZK565	WT - 600 MHz Band						Y
WQZK566	WT - 600 MHz Band						Y
WQZK567	WT - 600 MHz Band						Y
WQZK568	WT - 600 MHz Band						Y
WQZK569	WT - 600 MHz Band						Y
WQZK570	WT - 600 MHz Band						Y
WQZK571	WT - 600 MHz Band						Y
WQZK572	WT - 600 MHz Band						Y
WQZK573	WT - 600 MHz Band						Y
WQZK574	WT - 600 MHz Band						Y

112) Call Sign	113) Radio Service Code	114) Location Number	115) Path Number (Microwave only)	116) Frequency Number	117) Lower or Center Frequency (MHz)	118) Upper Frequency (MHz)	119) Constructed Yes / No
WQZK575	WT - 600 MHz Band						Y
WQZK576	WT - 600 MHz Band						Y
WQZK577	WT - 600 MHz Band						Y
WQZK578	WT - 600 MHz Band						Y
WQZK579	WT - 600 MHz Band						Y
WQZK584	WT - 600 MHz Band						Y
WQZK585	WT - 600 MHz Band						Y
WQZK586	WT - 600 MHz Band						Y
WQZK587	WT - 600 MHz Band						Y
WQZK588	WT - 600 MHz Band						Y
WQZK589	WT - 600 MHz Band						Y
WQZK590	WT - 600 MHz Band						Y
WQZK591	WT - 600 MHz Band						Y
WQZK592	WT - 600 MHz Band						Y
WQZK593	WT - 600 MHz Band						Y
WQZK594	WT - 600 MHz Band						Y
WQZK595	WT - 600 MHz Band						Y
WQZK596	WT - 600 MHz Band						Y
WQZK597	WT - 600 MHz Band						Y

112) Call Sign	113) Radio Service Code	114) Location Number	115) Path Number (Microwave only)	116) Frequency Number	117) Lower or Center Frequency (MHz)	118) Upper Frequency (MHz)	119) Constructed Yes / No
WQZK598	WT - 600 MHz Band						Y
WQZK599	WT - 600 MHz Band						Y
WQZK600	WT - 600 MHz Band						Y
WQZK601	WT - 600 MHz Band						Y
WQZK602	WT - 600 MHz Band						Y
WQZK603	WT - 600 MHz Band						Y
WQZK604	WT - 600 MHz Band						Y
WQZK605	WT - 600 MHz Band						Y
WQZK610	WT - 600 MHz Band						Y
WQZK611	WT - 600 MHz Band						Y
WQZK612	WT - 600 MHz Band						Y
WQZK613	WT - 600 MHz Band						Y
WQZK614	WT - 600 MHz Band						Y
WQZK615	WT - 600 MHz Band						Y
WQZK616	WT - 600 MHz Band						Y
WQZK617	WT - 600 MHz Band						Y
WQZK618	WT - 600 MHz Band						Y
WQZK619	WT - 600 MHz Band						Y
WQZK620	WT - 600 MHz Band						Y

112) Call Sign	113) Radio Service Code	114) Location Number	115) Path Number (Microwave only)	116) Frequency Number	117) Lower or Center Frequency (MHz)	118) Upper Frequency (MHz)	119) Constructed Yes / No
WQZK625	WT - 600 MHz Band						Y
WQZK626	WT - 600 MHz Band						Y
WQZK627	WT - 600 MHz Band						Y
WQZK628	WT - 600 MHz Band						Y
WQZK629	WT - 600 MHz Band						Y
WQZK630	WT - 600 MHz Band						Y
WQZK631	WT - 600 MHz Band						Y
WQZK632	WT - 600 MHz Band						Y
WQZK633	WT - 600 MHz Band						Y
WQZK634	WT - 600 MHz Band						Y
WQZK635	WT - 600 MHz Band						Y
WQZK636	WT - 600 MHz Band						Y
WQZK637	WT - 600 MHz Band						Y
WQZK638	WT - 600 MHz Band						Y
WQZK639	WT - 600 MHz Band						Y
WQZK640	WT - 600 MHz Band						Y
WQZK641	WT - 600 MHz Band						Y
WQZK642	WT - 600 MHz Band						Y
WQZK643	WT - 600 MHz Band						Y

112) Call Sign	113) Radio Service Code	114) Location Number	115) Path Number (Microwave only)	116) Frequency Number	117) Lower or Center Frequency (MHz)	118) Upper Frequency (MHz)	119) Constructed Yes / No
WQZK644	WT - 600 MHz Band						Y
WQZK645	WT - 600 MHz Band						Y
WQZK646	WT - 600 MHz Band						Y
WQZK647	WT - 600 MHz Band						Y
WQZK648	WT - 600 MHz Band						Y
WQZK649	WT - 600 MHz Band						Y
WQZK650	WT - 600 MHz Band						Y
WQZK651	WT - 600 MHz Band						Y
WQZK652	WT - 600 MHz Band						Y
WQZK653	WT - 600 MHz Band						Y
WQZK654	WT - 600 MHz Band						Y
WQZK655	WT - 600 MHz Band						Y
WQZK656	WT - 600 MHz Band						Y
WQZK657	WT - 600 MHz Band						Y
WQZK658	WT - 600 MHz Band						Y
WQZK659	WT - 600 MHz Band						Y
WQZK660	WT - 600 MHz Band						Y
WQZK661	WT - 600 MHz Band						Y
WQZK662	WT - 600 MHz Band						Y

112) Call Sign	113) Radio Service Code	114) Location Number	115) Path Number (Microwave only)	116) Frequency Number	117) Lower or Center Frequency (MHz)	118) Upper Frequency (MHz)	119) Constructed Yes / No
WQZK663	WT - 600 MHz Band						Y
WQZK664	WT - 600 MHz Band						Y
WQZK665	WT - 600 MHz Band						Y
WQZK666	WT - 600 MHz Band						Y
WQZK667	WT - 600 MHz Band						Y
WQZK668	WT - 600 MHz Band						Y
WQZK669	WT - 600 MHz Band						Y
WQZK670	WT - 600 MHz Band						Y
WQZK671	WT - 600 MHz Band						Y
WQZK672	WT - 600 MHz Band						Y
WQZK673	WT - 600 MHz Band						Y
WQZK674	WT - 600 MHz Band						Y
WQZK675	WT - 600 MHz Band						Y
WQZK676	WT - 600 MHz Band						Y
WQZK677	WT - 600 MHz Band						Y
WQZK678	WT - 600 MHz Band						Y
WQZK679	WT - 600 MHz Band						Y
WQZK680	WT - 600 MHz Band						Y
WQZK681	WT - 600 MHz Band						Y

112) Call Sign	113) Radio Service Code	114) Location Number	115) Path Number (Microwave only)	116) Frequency Number	117) Lower or Center Frequency (MHz)	118) Upper Frequency (MHz)	119) Constructed Yes / No
WQZK682	WT - 600 MHz Band						Y
WQZK683	WT - 600 MHz Band						Y
WQZK684	WT - 600 MHz Band						Y
WQZK685	WT - 600 MHz Band						Y
WQZK686	WT - 600 MHz Band						Y
WQZK687	WT - 600 MHz Band						Y
WQZK688	WT - 600 MHz Band						Y
WQZK689	WT - 600 MHz Band						Y
WQZK690	WT - 600 MHz Band						Y
WQZK691	WT - 600 MHz Band						Y
WQZK692	WT - 600 MHz Band						Y
WQZK693	WT - 600 MHz Band						Y
WQZK694	WT - 600 MHz Band						Y
WQZK695	WT - 600 MHz Band						Y
WQZK696	WT - 600 MHz Band						Y
WQZK697	WT - 600 MHz Band						Y
WQZK698	WT - 600 MHz Band						Y
WQZK705	WT - 600 MHz Band						Y
WQZK706	WT - 600 MHz Band						Y

112) Call Sign	113) Radio Service Code	114) Location Number	115) Path Number (Microwave only)	116) Frequency Number	117) Lower or Center Frequency (MHz)	118) Upper Frequency (MHz)	119) Constructed Yes / No
WQZK707	WT - 600 MHz Band						Y
WQZK708	WT - 600 MHz Band						Y
WQZK709	WT - 600 MHz Band						Y
WQZK710	WT - 600 MHz Band						Y
WQZK711	WT - 600 MHz Band						Y
WQZK712	WT - 600 MHz Band						Y
WQZK713	WT - 600 MHz Band						Y
WQZK714	WT - 600 MHz Band						Y
WQZK715	WT - 600 MHz Band						Y
WQZK716	WT - 600 MHz Band						Y
WQZK737	WT - 600 MHz Band						Y
WQZK738	WT - 600 MHz Band						Y
WQZK739	WT - 600 MHz Band						Y
WQZK740	WT - 600 MHz Band						Y
WQZK741	WT - 600 MHz Band						Y
WQZK742	WT - 600 MHz Band						Y
WQZK743	WT - 600 MHz Band						Y
WQZK744	WT - 600 MHz Band						Y
WQZK745	WT - 600 MHz Band						Y

112) Call Sign	113) Radio Service Code	114) Location Number	115) Path Number (Microwave only)	116) Frequency Number	117) Lower or Center Frequency (MHz)	118) Upper Frequency (MHz)	119) Constructed Yes / No
WQZK746	WT - 600 MHz Band						Y
WQZK747	WT - 600 MHz Band						Y
WQZK748	WT - 600 MHz Band						Y
WQZK749	WT - 600 MHz Band						Y
WQZK750	WT - 600 MHz Band						Y
WQZK751	WT - 600 MHz Band						Y
WQZK752	WT - 600 MHz Band						Y
WQZK754	WT - 600 MHz Band						Y
WQZK755	WT - 600 MHz Band						Y
WQZK759	WT - 600 MHz Band						Y
WQZK760	WT - 600 MHz Band						Y
WQZK769	WT - 600 MHz Band						Y
WQZK770	WT - 600 MHz Band						Y
WQZK771	WT - 600 MHz Band						Y
WQZK772	WT - 600 MHz Band						Y
WQZK773	WT - 600 MHz Band						Y
WQZK774	WT - 600 MHz Band						Y
WQZK775	WT - 600 MHz Band						Y
WQZK776	WT - 600 MHz Band						Y

112) Call Sign	113) Radio Service Code	114) Location Number	115) Path Number (Microwave only)	116) Frequency Number	117) Lower or Center Frequency (MHz)	118) Upper Frequency (MHz)	119) Constructed Yes / No
WQZK777	WT - 600 MHz Band						Y
WQZK778	WT - 600 MHz Band						Y
WQZK779	WT - 600 MHz Band						Y
WQZK784	WT - 600 MHz Band						Y
WQZK785	WT - 600 MHz Band						Y
WQZK786	WT - 600 MHz Band						Y
WQZK791	WT - 600 MHz Band						Y
WQZK792	WT - 600 MHz Band						Y
WQZK793	WT - 600 MHz Band						Y
WQZK794	WT - 600 MHz Band						Y
WQZK804	WT - 600 MHz Band						Y
WQZK805	WT - 600 MHz Band						Y
WQZK806	WT - 600 MHz Band						Y
WQZK807	WT - 600 MHz Band						Y
WQZK808	WT - 600 MHz Band						Y
WQZK809	WT - 600 MHz Band						Y
WQZK837	WT - 600 MHz Band						Y
WQZK838	WT - 600 MHz Band						Y
WQZK839	WT - 600 MHz Band						Y

112) Call Sign	113) Radio Service Code	114) Location Number	115) Path Number (Microwave only)	116) Frequency Number	117) Lower or Center Frequency (MHz)	118) Upper Frequency (MHz)	119) Constructed Yes / No
WQZK840	WT - 600 MHz Band						Y
WQZK841	WT - 600 MHz Band						Y
WQZK842	WT - 600 MHz Band						Y
WQZK843	WT - 600 MHz Band						Y
WQZK844	WT - 600 MHz Band						Y
WQZK849	WT - 600 MHz Band						Y
WQZK850	WT - 600 MHz Band						Y
WQZK851	WT - 600 MHz Band						Y
WQZK852	WT - 600 MHz Band						Y
WQZK853	WT - 600 MHz Band						Y
WQZK854	WT - 600 MHz Band						Y
WQZK855	WT - 600 MHz Band						Y
WQZK856	WT - 600 MHz Band						Y
WQZK857	WT - 600 MHz Band						Y
WQZK858	WT - 600 MHz Band						Y
WQZK859	WT - 600 MHz Band						Y
WQZK860	WT - 600 MHz Band						Y
WQZK865	WT - 600 MHz Band						Y
WQZK866	WT - 600 MHz Band						Y

112) Call Sign	113) Radio Service Code	114) Location Number	115) Path Number (Microwave only)	116) Frequency Number	117) Lower or Center Frequency (MHz)	118) Upper Frequency (MHz)	119) Constructed Yes / No
WQZK867	WT - 600 MHz Band						Y
WQZK868	WT - 600 MHz Band						Y
WQZK869	WT - 600 MHz Band						Y
WQZK870	WT - 600 MHz Band						Y
WQZK871	WT - 600 MHz Band						Y
WQZK872	WT - 600 MHz Band						Y
WQZK873	WT - 600 MHz Band						Y
WQZK874	WT - 600 MHz Band						Y
WQZK875	WT - 600 MHz Band						Y
WQZK876	WT - 600 MHz Band						Y
WQZK877	WT - 600 MHz Band						Y
WQZK878	WT - 600 MHz Band						Y
WQZK879	WT - 600 MHz Band						Y
WQZK880	WT - 600 MHz Band						Y
WQZK881	WT - 600 MHz Band						Y
WQZK882	WT - 600 MHz Band						Y
WQZK883	WT - 600 MHz Band						Y
WQZK884	WT - 600 MHz Band						Y
WQZK885	WT - 600 MHz Band						Y

112) Call Sign	113) Radio Service Code	114) Location Number	115) Path Number (Microwave only)	116) Frequency Number	117) Lower or Center Frequency (MHz)	118) Upper Frequency (MHz)	119) Constructed Yes / No
WQZK886	WT - 600 MHz Band						Y
WQZK887	WT - 600 MHz Band						Y
WQZK888	WT - 600 MHz Band						Y
WQZK895	WT - 600 MHz Band						Y
WQZK896	WT - 600 MHz Band						Y
WQZK897	WT - 600 MHz Band						Y
WQZK898	WT - 600 MHz Band						Y
WQZK899	WT - 600 MHz Band						Y
WQZK900	WT - 600 MHz Band						Y
WQZK901	WT - 600 MHz Band						Y
WQZK902	WT - 600 MHz Band						Y
WQZK903	WT - 600 MHz Band						Y
WQZK904	WT - 600 MHz Band						Y
WQZK905	WT - 600 MHz Band						Y
WQZK906	WT - 600 MHz Band						Y
WQZK907	WT - 600 MHz Band						Y
WQZK908	WT - 600 MHz Band						Y
WQZK909	WT - 600 MHz Band						Y
WQZK910	WT - 600 MHz Band						Y

112) Call Sign	113) Radio Service Code	114) Location Number	115) Path Number (Microwave only)	116) Frequency Number	117) Lower or Center Frequency (MHz)	118) Upper Frequency (MHz)	119) Constructed Yes / No
WQZK919	WT - 600 MHz Band						Y
WQZK920	WT - 600 MHz Band						Y
WQZK921	WT - 600 MHz Band						Y
WQZK924	WT - 600 MHz Band						Y
WQZK925	WT - 600 MHz Band						Y
WQZK926	WT - 600 MHz Band						Y
WQZK927	WT - 600 MHz Band						Y
WQZK928	WT - 600 MHz Band						Y
WQZK929	WT - 600 MHz Band						Y
WQZK930	WT - 600 MHz Band						Y
WQZK931	WT - 600 MHz Band						Y
WQZK932	WT - 600 MHz Band						Y
WQZK933	WT - 600 MHz Band						Y
WQZK934	WT - 600 MHz Band						Y
WQZK935	WT - 600 MHz Band						Y
WQZK938	WT - 600 MHz Band						Y
WQZK939	WT - 600 MHz Band						Y
WQZK940	WT - 600 MHz Band						Y
WQZK941	WT - 600 MHz Band						Y

112) Call Sign	113) Radio Service Code	114) Location Number	115) Path Number (Microwave only)	116) Frequency Number	117) Lower or Center Frequency (MHz)	118) Upper Frequency (MHz)	119) Constructed Yes / No
WQZK945	WT - 600 MHz Band						Y
WQZK946	WT - 600 MHz Band						Y
WQZK947	WT - 600 MHz Band						Y
WQZK948	WT - 600 MHz Band						Y
WQZK949	WT - 600 MHz Band						Y
WQZK950	WT - 600 MHz Band						Y
WQZK955	WT - 600 MHz Band						Y
WQZK956	WT - 600 MHz Band						Y
WQZK957	WT - 600 MHz Band						Y
WQZK958	WT - 600 MHz Band						Y
WQZK959	WT - 600 MHz Band						Y
WQZK960	WT - 600 MHz Band						Y
WQZK961	WT - 600 MHz Band						Y
WQZK962	WT - 600 MHz Band						Y
WQZK966	WT - 600 MHz Band						Y
WQZK967	WT - 600 MHz Band						Y
WQZK968	WT - 600 MHz Band						Y
WQZK969	WT - 600 MHz Band						Y
WQZK970	WT - 600 MHz Band						Y

112) Call Sign	113) Radio Service Code	114) Location Number	115) Path Number (Microwave only)	116) Frequency Number	117) Lower or Center Frequency (MHz)	118) Upper Frequency (MHz)	119) Constructed Yes / No
WQZK971	WT - 600 MHz Band						Y
WQZK972	WT - 600 MHz Band						Y
WQZK973	WT - 600 MHz Band						Y
WQZK974	WT - 600 MHz Band						Y
WQZK978	WT - 600 MHz Band						Y
WQZK979	WT - 600 MHz Band						Y
WQZK980	WT - 600 MHz Band						Y
WQZK984	WT - 600 MHz Band						Y
WQZK985	WT - 600 MHz Band						Y
WQZK986	WT - 600 MHz Band						Y
WQZK987	WT - 600 MHz Band						Y
WQZK992	WT - 600 MHz Band						Y
WQZK993	WT - 600 MHz Band						Y
WQZK994	WT - 600 MHz Band						Y
WQZK995	WT - 600 MHz Band						Y
WQZK996	WT - 600 MHz Band						Y
WQZK997	WT - 600 MHz Band						Y
WQZK998	WT - 600 MHz Band						Y
WQZL207	WT - 600 MHz Band						Y

112) Call Sign	113) Radio Service Code	114) Location Number	115) Path Number (Microwave only)	116) Frequency Number	117) Lower or Center Frequency (MHz)	118) Upper Frequency (MHz)	119) Constructed Yes / No
WQZL208	WT - 600 MHz Band						Y
WQZL211	WT - 600 MHz Band						Y
WQZL212	WT - 600 MHz Band						Y
WQZL215	WT - 600 MHz Band						Y
WQZL216	WT - 600 MHz Band						Y
WQZL217	WT - 600 MHz Band						Y
WQZL218	WT - 600 MHz Band						Y
WQZL219	WT - 600 MHz Band						Y
WQZL220	WT - 600 MHz Band						Y
WQZL221	WT - 600 MHz Band						Y
WQZL222	WT - 600 MHz Band						Y
WQZL231	WT - 600 MHz Band						Y
WQZL232	WT - 600 MHz Band						Y
WQZL233	WT - 600 MHz Band						Y
WQZL234	WT - 600 MHz Band						Y
WQZL235	WT - 600 MHz Band						Y
WQZL236	WT - 600 MHz Band						Y
WQZL237	WT - 600 MHz Band						Y
WQZL238	WT - 600 MHz Band						Y

112) Call Sign	113) Radio Service Code	114) Location Number	115) Path Number (Microwave only)	116) Frequency Number	117) Lower or Center Frequency (MHz)	118) Upper Frequency (MHz)	119) Constructed Yes / No
WQZL243	WT - 600 MHz Band						Y
WQZL244	WT - 600 MHz Band						Y
WQZL245	WT - 600 MHz Band						Y
WQZL246	WT - 600 MHz Band						Y
WQZL255	WT - 600 MHz Band						Y
WQZL256	WT - 600 MHz Band						Y
WQZL257	WT - 600 MHz Band						Y
WQZL258	WT - 600 MHz Band						Y
WQZL259	WT - 600 MHz Band						Y
WQZL260	WT - 600 MHz Band						Y
WQZL261	WT - 600 MHz Band						Y
WQZL262	WT - 600 MHz Band						Y
WQZL263	WT - 600 MHz Band						Y
WQZL264	WT - 600 MHz Band						Y
WQZL265	WT - 600 MHz Band						Y
WQZL270	WT - 600 MHz Band						Y
WQZL271	WT - 600 MHz Band						Y
WQZL272	WT - 600 MHz Band						Y
WQZL287	WT - 600 MHz Band						Y

112) Call Sign	113) Radio Service Code	114) Location Number	115) Path Number (Microwave only)	116) Frequency Number	117) Lower or Center Frequency (MHz)	118) Upper Frequency (MHz)	119) Constructed Yes / No
WQZL288	WT - 600 MHz Band						Y
WQZL289	WT - 600 MHz Band						Y
WQZL290	WT - 600 MHz Band						Y
WQZL291	WT - 600 MHz Band						Y
WQZL292	WT - 600 MHz Band						Y
WQZL293	WT - 600 MHz Band						Y
WQZL294	WT - 600 MHz Band						Y
WQZL295	WT - 600 MHz Band						Y
WQZL296	WT - 600 MHz Band						Y
WQZL297	WT - 600 MHz Band						Y
WQZL298	WT - 600 MHz Band						Y
WQZL299	WT - 600 MHz Band						Y
WQZL300	WT - 600 MHz Band						Y
WQZL301	WT - 600 MHz Band						Y
WQZL302	WT - 600 MHz Band						Y
WQZL303	WT - 600 MHz Band						Y
WQZL304	WT - 600 MHz Band						Y
WQZL305	WT - 600 MHz Band						Y
WQZL306	WT - 600 MHz Band						Y

112) Call Sign	113) Radio Service Code	114) Location Number	115) Path Number (Microwave only)	116) Frequency Number	117) Lower or Center Frequency (MHz)	118) Upper Frequency (MHz)	119) Constructed Yes / No
WQZL307	WT - 600 MHz Band						Y
WQZL308	WT - 600 MHz Band						Y
WQZL309	WT - 600 MHz Band						Y
WQZL310	WT - 600 MHz Band						Y
WQZL311	WT - 600 MHz Band						Y
WQZL312	WT - 600 MHz Band						Y
WQZL313	WT - 600 MHz Band						Y
WQZL314	WT - 600 MHz Band						Y
WQZL315	WT - 600 MHz Band						Y
WQZL331	WT - 600 MHz Band						Y
WQZL332	WT - 600 MHz Band						Y
WQZL333	WT - 600 MHz Band						Y
WQZL334	WT - 600 MHz Band						Y
WQZL335	WT - 600 MHz Band						Y
WQZL336	WT - 600 MHz Band						Y
WQZL337	WT - 600 MHz Band						Y
WQZL338	WT - 600 MHz Band						Y
WQZL339	WT - 600 MHz Band						Y
WQZL340	WT - 600 MHz Band						Y

112) Call Sign	113) Radio Service Code	114) Location Number	115) Path Number (Microwave only)	116) Frequency Number	117) Lower or Center Frequency (MHz)	118) Upper Frequency (MHz)	119) Constructed Yes / No
WQZL341	WT - 600 MHz Band						Y
WQZL342	WT - 600 MHz Band						Y
WQZL349	WT - 600 MHz Band						Y
WQZL350	WT - 600 MHz Band						Y
WQZL351	WT - 600 MHz Band						Y
WQZL352	WT - 600 MHz Band						Y
WQZL356	WT - 600 MHz Band						Y
WQZL357	WT - 600 MHz Band						Y
WQZL358	WT - 600 MHz Band						Y
WQZL359	WT - 600 MHz Band						Y
WQZL360	WT - 600 MHz Band						Y
WQZL361	WT - 600 MHz Band						Y
WQZL362	WT - 600 MHz Band						Y
WQZL363	WT - 600 MHz Band						Y
WQZL364	WT - 600 MHz Band						Y
WQZL365	WT - 600 MHz Band						Y
WQZL366	WT - 600 MHz Band						Y
WQZL370	WT - 600 MHz Band						Y
WQZL371	WT - 600 MHz Band						Y

112) Call Sign	113) Radio Service Code	114) Location Number	115) Path Number (Microwave only)	116) Frequency Number	117) Lower or Center Frequency (MHz)	118) Upper Frequency (MHz)	119) Constructed Yes / No
WQZL372	WT - 600 MHz Band						Y
WQZL376	WT - 600 MHz Band						Y
WQZL377	WT - 600 MHz Band						Y
WQZL378	WT - 600 MHz Band						Y
WQZL379	WT - 600 MHz Band						Y
WQZL380	WT - 600 MHz Band						Y
WQZL381	WT - 600 MHz Band						Y
WQZL382	WT - 600 MHz Band						Y
WQZL383	WT - 600 MHz Band						Y
WQZL384	WT - 600 MHz Band						Y
WQZL385	WT - 600 MHz Band						Y
WQZL386	WT - 600 MHz Band						Y
WQZL387	WT - 600 MHz Band						Y
WQZL392	WT - 600 MHz Band						Y
WQZL393	WT - 600 MHz Band						Y
WQZL394	WT - 600 MHz Band						Y
WQZL395	WT - 600 MHz Band						Y
WQZL396	WT - 600 MHz Band						Y
WQZL397	WT - 600 MHz Band						Y

112) Call Sign	113) Radio Service Code	114) Location Number	115) Path Number (Microwave only)	116) Frequency Number	117) Lower or Center Frequency (MHz)	118) Upper Frequency (MHz)	119) Constructed Yes / No
WQZL398	WT - 600 MHz Band						Y
WQZL399	WT - 600 MHz Band						Y
WQZL400	WT - 600 MHz Band						Y
WQZL409	WT - 600 MHz Band						Y
WQZL410	WT - 600 MHz Band						Y
WQZL411	WT - 600 MHz Band						Y
WQZL412	WT - 600 MHz Band						Y
WQZL413	WT - 600 MHz Band						Y
WQZL414	WT - 600 MHz Band						Y
WQZL415	WT - 600 MHz Band						Y
WQZL416	WT - 600 MHz Band						Y
WQZL417	WT - 600 MHz Band						Y
WQZL418	WT - 600 MHz Band						Y
WQZL419	WT - 600 MHz Band						Y
WQZL420	WT - 600 MHz Band						Y
WQZL421	WT - 600 MHz Band						Y
WQZL422	WT - 600 MHz Band						Y
WQZL423	WT - 600 MHz Band						Y
WQZL424	WT - 600 MHz Band						Y

112) Call Sign	113) Radio Service Code	114) Location Number	115) Path Number (Microwave only)	116) Frequency Number	117) Lower or Center Frequency (MHz)	118) Upper Frequency (MHz)	119) Constructed Yes / No
WQZL425	WT - 600 MHz Band						Y
WQZL426	WT - 600 MHz Band						Y
WQZL427	WT - 600 MHz Band						Y
WQZL428	WT - 600 MHz Band						Y
WQZL448	WT - 600 MHz Band						Y
WQZL449	WT - 600 MHz Band						Y
WQZL450	WT - 600 MHz Band						Y
WQZL451	WT - 600 MHz Band						Y
WQZL452	WT - 600 MHz Band						Y
WQZL453	WT - 600 MHz Band						Y
WQZL454	WT - 600 MHz Band						Y
WQZL455	WT - 600 MHz Band						Y
WQZL456	WT - 600 MHz Band						Y
WQZL466	WT - 600 MHz Band						Y
WQZL467	WT - 600 MHz Band						Y
WQZL468	WT - 600 MHz Band						Y
WQZL469	WT - 600 MHz Band						Y
WQZL470	WT - 600 MHz Band						Y
WQZL471	WT - 600 MHz Band						Y

112) Call Sign	113) Radio Service Code	114) Location Number	115) Path Number (Microwave only)	116) Frequency Number	117) Lower or Center Frequency (MHz)	118) Upper Frequency (MHz)	119) Constructed Yes / No
WQZL472	WT - 600 MHz Band						Y
WQZL473	WT - 600 MHz Band						Y
WQZL474	WT - 600 MHz Band						Y
WQZL475	WT - 600 MHz Band						Y
WQZL476	WT - 600 MHz Band						Y
WQZL477	WT - 600 MHz Band						Y
WQZL478	WT - 600 MHz Band						Y
WQZL479	WT - 600 MHz Band						Y
WQZL480	WT - 600 MHz Band						Y
WQZL481	WT - 600 MHz Band						Y
WQZL482	WT - 600 MHz Band						Y
WQZL483	WT - 600 MHz Band						Y
WQZL484	WT - 600 MHz Band						Y
WQZL485	WT - 600 MHz Band						Y
WQZL486	WT - 600 MHz Band						Y
WQZL487	WT - 600 MHz Band						Y
WQZL488	WT - 600 MHz Band						Y
WQZL489	WT - 600 MHz Band						Y
WQZL490	WT - 600 MHz Band						Y

112) Call Sign	113) Radio Service Code	114) Location Number	115) Path Number (Microwave only)	116) Frequency Number	117) Lower or Center Frequency (MHz)	118) Upper Frequency (MHz)	119) Constructed Yes / No
WQZL491	WT - 600 MHz Band						Y
WQZL492	WT - 600 MHz Band						Y
WQZL493	WT - 600 MHz Band						Y
WQZL494	WT - 600 MHz Band						Y
WQZL495	WT - 600 MHz Band						Y
WQZL496	WT - 600 MHz Band						Y
WQZL497	WT - 600 MHz Band						Y
WQZL498	WT - 600 MHz Band						Y
WQZL503	WT - 600 MHz Band						Y
WQZL504	WT - 600 MHz Band						Y
WQZL505	WT - 600 MHz Band						Y
WQZL506	WT - 600 MHz Band						Y
WQZL507	WT - 600 MHz Band						Y
WQZL508	WT - 600 MHz Band						Y
WQZL509	WT - 600 MHz Band						Y
WQZL510	WT - 600 MHz Band						Y
WQZL511	WT - 600 MHz Band						Y
WQZL512	WT - 600 MHz Band						Y
WQZL513	WT - 600 MHz Band						Y

112) Call Sign	113) Radio Service Code	114) Location Number	115) Path Number (Microwave only)	116) Frequency Number	117) Lower or Center Frequency (MHz)	118) Upper Frequency (MHz)	119) Constructed Yes / No
WQZL514	WT - 600 MHz Band						Y
WQZL515	WT - 600 MHz Band						Y
WQZL516	WT - 600 MHz Band						Y
WQZL517	WT - 600 MHz Band						Y
WQZL518	WT - 600 MHz Band						Y
WQZL519	WT - 600 MHz Band						Y
WQZL520	WT - 600 MHz Band						Y
WQZL525	WT - 600 MHz Band						Y
WQZL526	WT - 600 MHz Band						Y
WQZL531	WT - 600 MHz Band						Y
WQZL532	WT - 600 MHz Band						Y
WQZL533	WT - 600 MHz Band						Y
WQZL534	WT - 600 MHz Band						Y
WQZL535	WT - 600 MHz Band						Y
WQZL536	WT - 600 MHz Band						Y
WQZL537	WT - 600 MHz Band						Y
WQZL538	WT - 600 MHz Band						Y
WQZL539	WT - 600 MHz Band						Y
WQZL540	WT - 600 MHz Band						Y

112) Call Sign	113) Radio Service Code	114) Location Number	115) Path Number (Microwave only)	116) Frequency Number	117) Lower or Center Frequency (MHz)	118) Upper Frequency (MHz)	119) Constructed Yes / No
WQZL541	WT - 600 MHz Band						Y
WQZL542	WT - 600 MHz Band						Y
WQZL543	WT - 600 MHz Band						Y
WQZL544	WT - 600 MHz Band						Y
WQZL545	WT - 600 MHz Band						Y
WQZL546	WT - 600 MHz Band						Y
WQZL547	WT - 600 MHz Band						Y
WQZL548	WT - 600 MHz Band						Y
WQZL549	WT - 600 MHz Band						Y
WQZL550	WT - 600 MHz Band						Y
WQZL551	WT - 600 MHz Band						Y
WQZL552	WT - 600 MHz Band						Y
WQZL553	WT - 600 MHz Band						Y
WQZL554	WT - 600 MHz Band						Y
WQZL555	WT - 600 MHz Band						Y
WQZL556	WT - 600 MHz Band						Y
WQZL557	WT - 600 MHz Band						Y
WQZL558	WT - 600 MHz Band						Y
WQZL559	WT - 600 MHz Band						Y

112) Call Sign	113) Radio Service Code	114) Location Number	115) Path Number (Microwave only)	116) Frequency Number	117) Lower or Center Frequency (MHz)	118) Upper Frequency (MHz)	119) Constructed Yes / No
WQZL560	WT - 600 MHz Band						Y
WQZL569	WT - 600 MHz Band						Y
WQZL570	WT - 600 MHz Band						Y
WQZL571	WT - 600 MHz Band						Y
WQZL572	WT - 600 MHz Band						Y
WQZL573	WT - 600 MHz Band						Y
WQZL574	WT - 600 MHz Band						Y
WQZL575	WT - 600 MHz Band						Y
WQZL576	WT - 600 MHz Band						Y
WQZL577	WT - 600 MHz Band						Y
WQZL578	WT - 600 MHz Band						Y
WQZL579	WT - 600 MHz Band						Y
WQZL580	WT - 600 MHz Band						Y
WQZL581	WT - 600 MHz Band						Y
WQZL582	WT - 600 MHz Band						Y
WQZL583	WT - 600 MHz Band						Y
WQZL584	WT - 600 MHz Band						Y
WQZL585	WT - 600 MHz Band						Y
WQZL586	WT - 600 MHz Band						Y

112) Call Sign	113) Radio Service Code	114) Location Number	115) Path Number (Microwave only)	116) Frequency Number	117) Lower or Center Frequency (MHz)	118) Upper Frequency (MHz)	119) Constructed Yes / No
WQZL587	WT - 600 MHz Band						Y
WQZL588	WT - 600 MHz Band						Y
WQZL589	WT - 600 MHz Band						Y
WQZL590	WT - 600 MHz Band						Y
WQZL591	WT - 600 MHz Band						Y
WQZL592	WT - 600 MHz Band						Y
WQZL593	WT - 600 MHz Band						Y
WQZL594	WT - 600 MHz Band						Y
WQZL595	WT - 600 MHz Band						Y
WQZL596	WT - 600 MHz Band						Y
WQZL597	WT - 600 MHz Band						Y
WQZL598	WT - 600 MHz Band						Y
WQZL599	WT - 600 MHz Band						Y
WQZL600	WT - 600 MHz Band						Y
WQZL601	WT - 600 MHz Band						Y
WQZL602	WT - 600 MHz Band						Y
WQZL603	WT - 600 MHz Band						Y
WQZL604	WT - 600 MHz Band						Y
WQZL605	WT - 600 MHz Band						Y

112) Call Sign	113) Radio Service Code	114) Location Number	115) Path Number (Microwave only)	116) Frequency Number	117) Lower or Center Frequency (MHz)	118) Upper Frequency (MHz)	119) Constructed Yes / No
WQZL606	WT - 600 MHz Band						Y
WQZL607	WT - 600 MHz Band						Y
WQZL608	WT - 600 MHz Band						Y
WQZL609	WT - 600 MHz Band						Y
WQZL610	WT - 600 MHz Band						Y
WQZL611	WT - 600 MHz Band						Y
WQZL612	WT - 600 MHz Band						Y
WQZL613	WT - 600 MHz Band						Y
WQZL614	WT - 600 MHz Band						Y
WQZL615	WT - 600 MHz Band						Y
WQZL616	WT - 600 MHz Band						Y
WQZL617	WT - 600 MHz Band						Y
WQZL618	WT - 600 MHz Band						Y
WQZL619	WT - 600 MHz Band						Y
WQZL620	WT - 600 MHz Band						Y
WQZL621	WT - 600 MHz Band						Y
WQZL622	WT - 600 MHz Band						Y
WQZL623	WT - 600 MHz Band						Y
WQZL624	WT - 600 MHz Band						Y

112) Call Sign	113) Radio Service Code	114) Location Number	115) Path Number (Microwave only)	116) Frequency Number	117) Lower or Center Frequency (MHz)	118) Upper Frequency (MHz)	119) Constructed Yes / No
WQZL625	WT - 600 MHz Band						Y
WQZL626	WT - 600 MHz Band						Y
WQZL627	WT - 600 MHz Band						Y
WQZL628	WT - 600 MHz Band						Y
WQZL629	WT - 600 MHz Band						Y
WQZL630	WT - 600 MHz Band						Y
WQZL631	WT - 600 MHz Band						Y
WQZL632	WT - 600 MHz Band						Y
WQZL633	WT - 600 MHz Band						Y
WQZL634	WT - 600 MHz Band						Y
WQZL635	WT - 600 MHz Band						Y
WQZL636	WT - 600 MHz Band						Y
WQZL637	WT - 600 MHz Band						Y
WQZL649	WT - 600 MHz Band						Y
WQZL650	WT - 600 MHz Band						Y
WQZL651	WT - 600 MHz Band						Y
WQZL652	WT - 600 MHz Band						Y
WQZL653	WT - 600 MHz Band						Y
WQZL654	WT - 600 MHz Band						Y

112) Call Sign	113) Radio Service Code	114) Location Number	115) Path Number (Microwave only)	116) Frequency Number	117) Lower or Center Frequency (MHz)	118) Upper Frequency (MHz)	119) Constructed Yes / No
WQZL655	WT - 600 MHz Band						Y
WQZL656	WT - 600 MHz Band						Y
WQZL657	WT - 600 MHz Band						Y
WQZL658	WT - 600 MHz Band						Y
WQZL659	WT - 600 MHz Band						Y
WQZL660	WT - 600 MHz Band						Y
WQZL661	WT - 600 MHz Band						Y
WQZL662	WT - 600 MHz Band						Y
WQZL663	WT - 600 MHz Band						Y
WQZL672	WT - 600 MHz Band						Y
WQZL673	WT - 600 MHz Band						Y
WQZL674	WT - 600 MHz Band						Y
WQZL675	WT - 600 MHz Band						Y
WQZL676	WT - 600 MHz Band						Y
WQZL677	WT - 600 MHz Band						Y
WQZL690	WT - 600 MHz Band						Y
WQZL691	WT - 600 MHz Band						Y
WQZL692	WT - 600 MHz Band						Y
WQZL693	WT - 600 MHz Band						Y

112) Call Sign	113) Radio Service Code	114) Location Number	115) Path Number (Microwave only)	116) Frequency Number	117) Lower or Center Frequency (MHz)	118) Upper Frequency (MHz)	119) Constructed Yes / No
WQZL694	WT - 600 MHz Band						Y
WQZL698	WT - 600 MHz Band						Y
WQZL699	WT - 600 MHz Band						Y
WQZL700	WT - 600 MHz Band						Y
WQZL701	WT - 600 MHz Band						Y
WQZL706	WT - 600 MHz Band						Y
WQZL707	WT - 600 MHz Band						Y
WQZL708	WT - 600 MHz Band						Y
WQZL709	WT - 600 MHz Band						Y
WQZL710	WT - 600 MHz Band						Y
WQZL711	WT - 600 MHz Band						Y
WQZL712	WT - 600 MHz Band						Y
WQZL713	WT - 600 MHz Band						Y
WQZL718	WT - 600 MHz Band						Y
WQZL719	WT - 600 MHz Band						Y
WQZL720	WT - 600 MHz Band						Y
WQZL721	WT - 600 MHz Band						Y
WQZL722	WT - 600 MHz Band						Y
WQZL723	WT - 600 MHz Band						Y

112) Call Sign	113) Radio Service Code	114) Location Number	115) Path Number (Microwave only)	116) Frequency Number	117) Lower or Center Frequency (MHz)	118) Upper Frequency (MHz)	119) Constructed Yes / No
WQZL724	WT - 600 MHz Band						Y
WQZL725	WT - 600 MHz Band						Y
WQZL726	WT - 600 MHz Band						Y
WQZL727	WT - 600 MHz Band						Y
WQZL728	WT - 600 MHz Band						Y
WQZL729	WT - 600 MHz Band						Y
WQZL730	WT - 600 MHz Band						Y
WQZL731	WT - 600 MHz Band						Y
WQZL732	WT - 600 MHz Band						Y
WQZL745	WT - 600 MHz Band						Y
WQZL746	WT - 600 MHz Band						Y
WQZL747	WT - 600 MHz Band						Y
WQZL748	WT - 600 MHz Band						Y
WQZL756	WT - 600 MHz Band						Y
WQZL757	WT - 600 MHz Band						Y
WQZL758	WT - 600 MHz Band						Y
WQZL759	WT - 600 MHz Band						Y
WQZL760	WT - 600 MHz Band						Y
WQZL761	WT - 600 MHz Band						Y

112) Call Sign	113) Radio Service Code	114) Location Number	115) Path Number (Microwave only)	116) Frequency Number	117) Lower or Center Frequency (MHz)	118) Upper Frequency (MHz)	119) Constructed Yes / No
WQZL762	WT - 600 MHz Band						Y
WQZL763	WT - 600 MHz Band						Y
WQZL764	WT - 600 MHz Band						Y
WQZL765	WT - 600 MHz Band						Y
WQZL766	WT - 600 MHz Band						Y
WQZL767	WT - 600 MHz Band						Y
WQZL768	WT - 600 MHz Band						Y
WQZL769	WT - 600 MHz Band						Y
WQZL770	WT - 600 MHz Band						Y
WQZL771	WT - 600 MHz Band						Y
WQZL772	WT - 600 MHz Band						Y
WQZL773	WT - 600 MHz Band						Y
WQZL774	WT - 600 MHz Band						Y
WQZL775	WT - 600 MHz Band						Y
WQZL776	WT - 600 MHz Band						Y
WQZL777	WT - 600 MHz Band						Y
WQZL782	WT - 600 MHz Band						Y
WQZL783	WT - 600 MHz Band						Y
WQZL784	WT - 600 MHz Band						Y

112) Call Sign	113) Radio Service Code	114) Location Number	115) Path Number (Microwave only)	116) Frequency Number	117) Lower or Center Frequency (MHz)	118) Upper Frequency (MHz)	119) Constructed Yes / No
WQZL785	WT - 600 MHz Band						Y
WQZL786	WT - 600 MHz Band						Y
WQZL787	WT - 600 MHz Band						Y
WQZL788	WT - 600 MHz Band						Y
WQZL789	WT - 600 MHz Band						Y
WQZL790	WT - 600 MHz Band						Y
WQZL791	WT - 600 MHz Band						Y
WQZL792	WT - 600 MHz Band						Y
WQZL793	WT - 600 MHz Band						Y
WQZL794	WT - 600 MHz Band						Y
WQZL795	WT - 600 MHz Band						Y
WQZL796	WT - 600 MHz Band						Y
WQZL797	WT - 600 MHz Band						Y
WQZL798	WT - 600 MHz Band						Y
WQZL799	WT - 600 MHz Band						Y
WQZL800	WT - 600 MHz Band						Y
WQZL801	WT - 600 MHz Band						Y
WQZL802	WT - 600 MHz Band						Y
WQZL807	WT - 600 MHz Band						Y

112) Call Sign	113) Radio Service Code	114) Location Number	115) Path Number (Microwave only)	116) Frequency Number	117) Lower or Center Frequency (MHz)	118) Upper Frequency (MHz)	119) Constructed Yes / No
WQZL808	WT - 600 MHz Band						Y
WQZL809	WT - 600 MHz Band						Y
WQZL810	WT - 600 MHz Band						Y
WQZL811	WT - 600 MHz Band						Y
WQZL812	WT - 600 MHz Band						Y
WQZL813	WT - 600 MHz Band						Y
WQZL814	WT - 600 MHz Band						Y
WQZL815	WT - 600 MHz Band						Y
WQZL816	WT - 600 MHz Band						Y
WQZL817	WT - 600 MHz Band						Y
WQZL818	WT - 600 MHz Band						Y
WQZL823	WT - 600 MHz Band						Y
WQZL824	WT - 600 MHz Band						Y
WQZL825	WT - 600 MHz Band						Y
WQZL826	WT - 600 MHz Band						Y
WQZL827	WT - 600 MHz Band						Y
WQZL828	WT - 600 MHz Band						Y
WQZL829	WT - 600 MHz Band						Y
WQZL830	WT - 600 MHz Band						Y

112) Call Sign	113) Radio Service Code	114) Location Number	115) Path Number (Microwave only)	116) Frequency Number	117) Lower or Center Frequency (MHz)	118) Upper Frequency (MHz)	119) Constructed Yes / No
WQZL840	WT - 600 MHz Band						Y
WQZL841	WT - 600 MHz Band						Y
WQZL842	WT - 600 MHz Band						Y
WQZL843	WT - 600 MHz Band						Y
WQZL844	WT - 600 MHz Band						Y
WQZL845	WT - 600 MHz Band						Y
WQZL846	WT - 600 MHz Band						Y
WQZL847	WT - 600 MHz Band						Y
WQZL848	WT - 600 MHz Band						Y
WQZL849	WT - 600 MHz Band						Y
WQZL850	WT - 600 MHz Band						Y
WQZL851	WT - 600 MHz Band						Y
WQZL852	WT - 600 MHz Band						Y
WQZL853	WT - 600 MHz Band						Y
WQZL854	WT - 600 MHz Band						Y
WQZL855	WT - 600 MHz Band						Y
WQZL856	WT - 600 MHz Band						Y
WQZL857	WT - 600 MHz Band						Y
WQZL858	WT - 600 MHz Band						Y

112) Call Sign	113) Radio Service Code	114) Location Number	115) Path Number (Microwave only)	116) Frequency Number	117) Lower or Center Frequency (MHz)	118) Upper Frequency (MHz)	119) Constructed Yes / No
WQZL859	WT - 600 MHz Band						Y
WQZL860	WT - 600 MHz Band						Y
WQZL861	WT - 600 MHz Band						Y
WQZL862	WT - 600 MHz Band						Y
WQZL863	WT - 600 MHz Band						Y
WQZL864	WT - 600 MHz Band						Y
WQZL865	WT - 600 MHz Band						Y
WQZL866	WT - 600 MHz Band						Y
WQZL867	WT - 600 MHz Band						Y
WQZL868	WT - 600 MHz Band						Y
WQZL869	WT - 600 MHz Band						Y
WQZL870	WT - 600 MHz Band						Y
WQZL871	WT - 600 MHz Band						Y
WQZL876	WT - 600 MHz Band						Y
WQZL877	WT - 600 MHz Band						Y
WQZL878	WT - 600 MHz Band						Y
WQZL879	WT - 600 MHz Band						Y
WQZL880	WT - 600 MHz Band						Y
WQZL881	WT - 600 MHz Band						Y

112) Call Sign	113) Radio Service Code	114) Location Number	115) Path Number (Microwave only)	116) Frequency Number	117) Lower or Center Frequency (MHz)	118) Upper Frequency (MHz)	119) Constructed Yes / No
WQZL882	WT - 600 MHz Band						Y
WQZL883	WT - 600 MHz Band						Y
WQZL884	WT - 600 MHz Band						Y
WQZL885	WT - 600 MHz Band						Y
WQZL886	WT - 600 MHz Band						Y
WQZL887	WT - 600 MHz Band						Y
WQZL888	WT - 600 MHz Band						Y
WQZL889	WT - 600 MHz Band						Y
WQZL890	WT - 600 MHz Band						Y
WQZL895	WT - 600 MHz Band						Y
WQZL896	WT - 600 MHz Band						Y
WQZL899	WT - 600 MHz Band						Y
WQZL900	WT - 600 MHz Band						Y
WQZL901	WT - 600 MHz Band						Y
WQZL902	WT - 600 MHz Band						Y
WQZL907	WT - 600 MHz Band						Y
WQZL908	WT - 600 MHz Band						Y
WQZL909	WT - 600 MHz Band						Y
WQZL914	WT - 600 MHz Band						Y

112) Call Sign	113) Radio Service Code	114) Location Number	115) Path Number (Microwave only)	116) Frequency Number	117) Lower or Center Frequency (MHz)	118) Upper Frequency (MHz)	119) Constructed Yes / No
WQZL915	WT - 600 MHz Band						Y
WQZL916	WT - 600 MHz Band						Y
WQZL917	WT - 600 MHz Band						Y
WQZL918	WT - 600 MHz Band						Y
WQZL919	WT - 600 MHz Band						Y
WQZL920	WT - 600 MHz Band						Y
WQZL929	WT - 600 MHz Band						Y
WQZL930	WT - 600 MHz Band						Y
WQZL931	WT - 600 MHz Band						Y
WQZL932	WT - 600 MHz Band						Y
WQZL936	WT - 600 MHz Band						Y
WQZL937	WT - 600 MHz Band						Y
WQZL938	WT - 600 MHz Band						Y
WQZL939	WT - 600 MHz Band						Y
WQZL940	WT - 600 MHz Band						Y
WQZL941	WT - 600 MHz Band						Y
WQZL950	WT - 600 MHz Band						Y
WQZL951	WT - 600 MHz Band						Y
WQZL952	WT - 600 MHz Band						Y

112) Call Sign	113) Radio Service Code	114) Location Number	115) Path Number (Microwave only)	116) Frequency Number	117) Lower or Center Frequency (MHz)	118) Upper Frequency (MHz)	119) Constructed Yes / No
WQZL953	WT - 600 MHz Band						Y
WQZL954	WT - 600 MHz Band						Y
WQZL955	WT - 600 MHz Band						Y
WQZL956	WT - 600 MHz Band						Y
WQZL957	WT - 600 MHz Band						Y
WQZL958	WT - 600 MHz Band						Y
WQZL959	WT - 600 MHz Band						Y
WQZL960	WT - 600 MHz Band						Y
WQZL961	WT - 600 MHz Band						Y
WQZL962	WT - 600 MHz Band						Y
WQZL963	WT - 600 MHz Band						Y
WQZL964	WT - 600 MHz Band						Y
WQZL965	WT - 600 MHz Band						Y
WQZL966	WT - 600 MHz Band						Y
WQZL967	WT - 600 MHz Band						Y
WQZL968	WT - 600 MHz Band						Y
WQZL969	WT - 600 MHz Band						Y
WQZL970	WT - 600 MHz Band						Y
WQZL971	WT - 600 MHz Band						Y

112) Call Sign	113) Radio Service Code	114) Location Number	115) Path Number (Microwave only)	116) Frequency Number	117) Lower or Center Frequency (MHz)	118) Upper Frequency (MHz)	119) Constructed Yes / No
WQZL972	WT - 600 MHz Band						Y
WQZL989	WT - 600 MHz Band						Y
WQZL990	WT - 600 MHz Band						Y
WQZL991	WT - 600 MHz Band						Y
WQZL992	WT - 600 MHz Band						Y
WQZL997	WT - 600 MHz Band						Y
WQZL998	WT - 600 MHz Band						Y
WQZL999	WT - 600 MHz Band						Y
WQZM200	WT - 600 MHz Band						Y
WQZM201	WT - 600 MHz Band						Y
WQZM202	WT - 600 MHz Band						Y
WQZM203	WT - 600 MHz Band						Y
WQZM204	WT - 600 MHz Band						Y
WQZM205	WT - 600 MHz Band						Y
WQZM206	WT - 600 MHz Band						Y
WQZM207	WT - 600 MHz Band						Y
WQZM208	WT - 600 MHz Band						Y
WQZM209	WT - 600 MHz Band						Y
WQZM210	WT - 600 MHz Band						Y

112) Call Sign	113) Radio Service Code	114) Location Number	115) Path Number (Microwave only)	116) Frequency Number	117) Lower or Center Frequency (MHz)	118) Upper Frequency (MHz)	119) Constructed Yes / No
WQZM215	WT - 600 MHz Band						Y
WQZM216	WT - 600 MHz Band						Y
WQZM217	WT - 600 MHz Band						Y
WQZM218	WT - 600 MHz Band						Y
WQZM219	WT - 600 MHz Band						Y
WQZM220	WT - 600 MHz Band						Y
WQZM221	WT - 600 MHz Band						Y
WQZM222	WT - 600 MHz Band						Y
WQZM223	WT - 600 MHz Band						Y
WQZM224	WT - 600 MHz Band						Y
WQZM225	WT - 600 MHz Band						Y
WQZM226	WT - 600 MHz Band						Y
WQZM227	WT - 600 MHz Band						Y
WQZM228	WT - 600 MHz Band						Y
WQZM229	WT - 600 MHz Band						Y
WQZM230	WT - 600 MHz Band						Y
WQZM231	WT - 600 MHz Band						Y
WQZQ345	CW - PCS Broadband						Y
WQZQ346	CW - PCS Broadband						Y

112) Call Sign	113) Radio Service Code	114) Location Number	115) Path Number (Microwave only)	116) Frequency Number	117) Lower or Center Frequency (MHz)	118) Upper Frequency (MHz)	119) Constructed Yes / No
WQZQ347	CW - PCS Broadband						Y
WRAB212	CW - PCS Broadband						Y
WRAB213	CW - PCS Broadband						Y
WRAB214	CW - PCS Broadband						Y
WRAB215	CW - PCS Broadband						Y
WRAB216	CW - PCS Broadband						Y
WRAB217	AW - AWS (1710-1755 MHz and 2110-2155 MHz)						Y
WRAB218	AW - AWS (1710-1755 MHz and 2110-2155 MHz)						Y
WRAB224	CW - PCS Broadband						Y
WRAB227	AW - AWS (1710-1755 MHz and 2110-2155 MHz)						Y
WRAB234	CW - PCS Broadband						Y
WRAM889	CW - PCS Broadband						Y
WRAM900	CW - PCS Broadband						Y
WRAM906	WY - 700 MHz Lower Band (Blocks A, B & E)						Y
WRAR792	WY - 700 MHz Lower Band (Blocks A, B & E)						Y
WRBN273	WY - 700 MHz Lower Band (Blocks A, B & E)						Y
WRBN274	WY - 700 MHz Lower Band (Blocks A, B & E)						Y
WRCE696	WY - 700 MHz Lower Band (Blocks A, B & E)						Y
WRCE697	WY - 700 MHz Lower Band (Blocks A, B & E)						Y

112) Call Sign	113) Radio Service Code	114) Location Number	115) Path Number (Microwave only)	116) Frequency Number	117) Lower or Center Frequency (MHz)	118) Upper Frequency (MHz)	119) Constructed Yes / No
WRCE698	WY - 700 MHz Lower Band (Blocks A, B & E)						Y
WRES291	UU - Upper Microwave Flexible Use Service						Y
WRES292	UU - Upper Microwave Flexible Use Service						Y
WRES293	UU - Upper Microwave Flexible Use Service						Y
WRES296	UU - Upper Microwave Flexible Use Service						Y
WRES297	UU - Upper Microwave Flexible Use Service						Y
WRES298	UU - Upper Microwave Flexible Use Service						Y
WRES300	UU - Upper Microwave Flexible Use Service						Y
WRES301	UU - Upper Microwave Flexible Use Service						Y
WRES302	UU - Upper Microwave Flexible Use Service						Y
WRES304	UU - Upper Microwave Flexible Use Service						Y
WRES305	UU - Upper Microwave Flexible Use Service						Y
WRES307	UU - Upper Microwave Flexible Use Service						Y
WRES308	UU - Upper Microwave Flexible Use Service						Y
WRES309	UU - Upper Microwave Flexible Use Service						Y
WRES311	UU - Upper Microwave Flexible Use Service						Y
WRES312	UU - Upper Microwave Flexible Use Service						Y
WRES313	UU - Upper Microwave Flexible Use Service						Y
WRES314	UU - Upper Microwave Flexible Use Service						Y

112) Call Sign	113) Radio Service Code	114) Location Number	115) Path Number (Microwave only)	116) Frequency Number	117) Lower or Center Frequency (MHz)	118) Upper Frequency (MHz)	119) Constructed Yes / No
WRES315	UU - Upper Microwave Flexible Use Service						Y
WRES317	UU - Upper Microwave Flexible Use Service						Y
WRES319	UU - Upper Microwave Flexible Use Service						Y
WRES320	UU - Upper Microwave Flexible Use Service						Y
WRES321	UU - Upper Microwave Flexible Use Service						Y
WRES323	UU - Upper Microwave Flexible Use Service						Y
WRES324	UU - Upper Microwave Flexible Use Service						Y
WRES325	UU - Upper Microwave Flexible Use Service						Y
WRES326	UU - Upper Microwave Flexible Use Service						Y
WRES327	UU - Upper Microwave Flexible Use Service						Y
WRES329	UU - Upper Microwave Flexible Use Service						Y
WRES331	UU - Upper Microwave Flexible Use Service						Y
WRES332	UU - Upper Microwave Flexible Use Service						Y
WRES333	UU - Upper Microwave Flexible Use Service						Y
WRES337	UU - Upper Microwave Flexible Use Service						Y
WRES338	UU - Upper Microwave Flexible Use Service						Y
WRES342	UU - Upper Microwave Flexible Use Service						Y
WRES343	UU - Upper Microwave Flexible Use Service						Y
WRES345	UU - Upper Microwave Flexible Use Service						Y

112) Call Sign	113) Radio Service Code	114) Location Number	115) Path Number (Microwave only)	116) Frequency Number	117) Lower or Center Frequency (MHz)	118) Upper Frequency (MHz)	119) Constructed Yes / No
WRES346	UU - Upper Microwave Flexible Use Service						Y
WRES347	UU - Upper Microwave Flexible Use Service						Y
WRES354	UU - Upper Microwave Flexible Use Service						Y
WRES355	UU - Upper Microwave Flexible Use Service						Y
WRES359	UU - Upper Microwave Flexible Use Service						Y
WRES361	UU - Upper Microwave Flexible Use Service						Y
WRES362	UU - Upper Microwave Flexible Use Service						Y
WRES363	UU - Upper Microwave Flexible Use Service						Y
WRES365	UU - Upper Microwave Flexible Use Service						Y
WRES366	UU - Upper Microwave Flexible Use Service						Y
WRES368	UU - Upper Microwave Flexible Use Service						Y
WRES369	UU - Upper Microwave Flexible Use Service						Y
WRES370	UU - Upper Microwave Flexible Use Service						Y
WRES371	UU - Upper Microwave Flexible Use Service						Y
WRES372	UU - Upper Microwave Flexible Use Service						Y
WRES377	UU - Upper Microwave Flexible Use Service						Y
WRES378	UU - Upper Microwave Flexible Use Service						Y
WRES379	UU - Upper Microwave Flexible Use Service						Y
WRES381	UU - Upper Microwave Flexible Use Service						Y

112) Call Sign	113) Radio Service Code	114) Location Number	115) Path Number (Microwave only)	116) Frequency Number	117) Lower or Center Frequency (MHz)	118) Upper Frequency (MHz)	119) Constructed Yes / No
WRES382	UU - Upper Microwave Flexible Use Service						Y
WRES383	UU - Upper Microwave Flexible Use Service						Y
WRES384	UU - Upper Microwave Flexible Use Service						Y
WRES385	UU - Upper Microwave Flexible Use Service						Y
WRES387	UU - Upper Microwave Flexible Use Service						Y
WRES388	UU - Upper Microwave Flexible Use Service						Y
WRES391	UU - Upper Microwave Flexible Use Service						Y
WRES392	UU - Upper Microwave Flexible Use Service						Y
WRES393	UU - Upper Microwave Flexible Use Service						Y
WRES395	UU - Upper Microwave Flexible Use Service						Y
WRES396	UU - Upper Microwave Flexible Use Service						Y
WRES397	UU - Upper Microwave Flexible Use Service						Y
WRES398	UU - Upper Microwave Flexible Use Service						Y
WRES399	UU - Upper Microwave Flexible Use Service						Y
WRES401	UU - Upper Microwave Flexible Use Service						Y
WRES404	UU - Upper Microwave Flexible Use Service						Y
WRES405	UU - Upper Microwave Flexible Use Service						Y
WRES407	UU - Upper Microwave Flexible Use Service						Y
WRES408	UU - Upper Microwave Flexible Use Service						Y

112) Call Sign	113) Radio Service Code	114) Location Number	115) Path Number (Microwave only)	116) Frequency Number	117) Lower or Center Frequency (MHz)	118) Upper Frequency (MHz)	119) Constructed Yes / No
WRES409	UU - Upper Microwave Flexible Use Service						Y
WRES412	UU - Upper Microwave Flexible Use Service						Y
WRES414	UU - Upper Microwave Flexible Use Service						Y
WRES418	UU - Upper Microwave Flexible Use Service						Y
WRES419	UU - Upper Microwave Flexible Use Service						Y
WRES420	UU - Upper Microwave Flexible Use Service						Y
WRES421	UU - Upper Microwave Flexible Use Service						Y
WRES422	UU - Upper Microwave Flexible Use Service						Y
WRES424	UU - Upper Microwave Flexible Use Service						Y
WRES425	UU - Upper Microwave Flexible Use Service						Y
WRES426	UU - Upper Microwave Flexible Use Service						Y
WRES427	UU - Upper Microwave Flexible Use Service						Y
WRES428	UU - Upper Microwave Flexible Use Service						Y
WRES431	UU - Upper Microwave Flexible Use Service						Y
WRES432	UU - Upper Microwave Flexible Use Service						Y
WRES433	UU - Upper Microwave Flexible Use Service						Y
WRES435	UU - Upper Microwave Flexible Use Service						Y
WRES436	UU - Upper Microwave Flexible Use Service						Y
WRES437	UU - Upper Microwave Flexible Use Service						Y

112) Call Sign	113) Radio Service Code	114) Location Number	115) Path Number (Microwave only)	116) Frequency Number	117) Lower or Center Frequency (MHz)	118) Upper Frequency (MHz)	119) Constructed Yes / No
WRES439	UU - Upper Microwave Flexible Use Service						Y
WRES440	UU - Upper Microwave Flexible Use Service						Y
WRES441	UU - Upper Microwave Flexible Use Service						Y
WRES442	UU - Upper Microwave Flexible Use Service						Y
WRES443	UU - Upper Microwave Flexible Use Service						Y
WRES445	UU - Upper Microwave Flexible Use Service						Y
WRES446	UU - Upper Microwave Flexible Use Service						Y
WRES449	UU - Upper Microwave Flexible Use Service						Y
WRES451	UU - Upper Microwave Flexible Use Service						Y
WRES452	UU - Upper Microwave Flexible Use Service						Y
WRES453	UU - Upper Microwave Flexible Use Service						Y
WRES455	UU - Upper Microwave Flexible Use Service						Y
WRES456	UU - Upper Microwave Flexible Use Service						Y
WRES457	UU - Upper Microwave Flexible Use Service						Y
WRES458	UU - Upper Microwave Flexible Use Service						Y
WRES459	UU - Upper Microwave Flexible Use Service						Y
WRES460	UU - Upper Microwave Flexible Use Service						Y
WRES462	UU - Upper Microwave Flexible Use Service						Y
WRES463	UU - Upper Microwave Flexible Use Service						Y

112) Call Sign	113) Radio Service Code	114) Location Number	115) Path Number (Microwave only)	116) Frequency Number	117) Lower or Center Frequency (MHz)	118) Upper Frequency (MHz)	119) Constructed Yes / No
WRES464	UU - Upper Microwave Flexible Use Service						Y
WRES465	UU - Upper Microwave Flexible Use Service						Y
WRES467	UU - Upper Microwave Flexible Use Service						Y
WRES469	UU - Upper Microwave Flexible Use Service						Y
WRES471	UU - Upper Microwave Flexible Use Service						Y
WRES473	UU - Upper Microwave Flexible Use Service						Y
WRES475	UU - Upper Microwave Flexible Use Service						Y
WRES478	UU - Upper Microwave Flexible Use Service						Y
WRES479	UU - Upper Microwave Flexible Use Service						Y
WRES481	UU - Upper Microwave Flexible Use Service						Y
WRES482	UU - Upper Microwave Flexible Use Service						Y
WRES483	UU - Upper Microwave Flexible Use Service						Y
WRES484	UU - Upper Microwave Flexible Use Service						Y
WRES485	UU - Upper Microwave Flexible Use Service						Y
WRES486	UU - Upper Microwave Flexible Use Service						Y
WRES487	UU - Upper Microwave Flexible Use Service						Y
WRES488	UU - Upper Microwave Flexible Use Service						Y
WRES490	UU - Upper Microwave Flexible Use Service						Y
WRES492	UU - Upper Microwave Flexible Use Service						Y

112) Call Sign	113) Radio Service Code	114) Location Number	115) Path Number (Microwave only)	116) Frequency Number	117) Lower or Center Frequency (MHz)	118) Upper Frequency (MHz)	119) Constructed Yes / No
WRES493	UU - Upper Microwave Flexible Use Service						Y
WRES494	UU - Upper Microwave Flexible Use Service						Y
WRES495	UU - Upper Microwave Flexible Use Service						Y
WRES497	UU - Upper Microwave Flexible Use Service						Y
WRES498	UU - Upper Microwave Flexible Use Service						Y
WRES499	UU - Upper Microwave Flexible Use Service						Y
WRES504	UU - Upper Microwave Flexible Use Service						Y
WRES507	UU - Upper Microwave Flexible Use Service						Y
WRES508	UU - Upper Microwave Flexible Use Service						Y
WRES510	UU - Upper Microwave Flexible Use Service						Y
WRES511	UU - Upper Microwave Flexible Use Service						Y
WRES512	UU - Upper Microwave Flexible Use Service						Y
WRES513	UU - Upper Microwave Flexible Use Service						Y
WRES514	UU - Upper Microwave Flexible Use Service						Y
WRES516	UU - Upper Microwave Flexible Use Service						Y
WRES519	UU - Upper Microwave Flexible Use Service						Y
WRES522	UU - Upper Microwave Flexible Use Service						Y
WRES523	UU - Upper Microwave Flexible Use Service						Y
WRES525	UU - Upper Microwave Flexible Use Service						Y

112) Call Sign	113) Radio Service Code	114) Location Number	115) Path Number (Microwave only)	116) Frequency Number	117) Lower or Center Frequency (MHz)	118) Upper Frequency (MHz)	119) Constructed Yes / No
WRES526	UU - Upper Microwave Flexible Use Service						Y
WRES527	UU - Upper Microwave Flexible Use Service						Y
WRES528	UU - Upper Microwave Flexible Use Service						Y
WRES529	UU - Upper Microwave Flexible Use Service						Y
WRES530	UU - Upper Microwave Flexible Use Service						Y
WRES532	UU - Upper Microwave Flexible Use Service						Y
WRES533	UU - Upper Microwave Flexible Use Service						Y
WRES534	UU - Upper Microwave Flexible Use Service						Y
WRES535	UU - Upper Microwave Flexible Use Service						Y
WRES536	UU - Upper Microwave Flexible Use Service						Y
WRES537	UU - Upper Microwave Flexible Use Service						Y
WRES538	UU - Upper Microwave Flexible Use Service						Y
WRES539	UU - Upper Microwave Flexible Use Service						Y
WRES542	UU - Upper Microwave Flexible Use Service						Y
WRES543	UU - Upper Microwave Flexible Use Service						Y
WRES544	UU - Upper Microwave Flexible Use Service						Y
WRES547	UU - Upper Microwave Flexible Use Service						Y
WRES548	UU - Upper Microwave Flexible Use Service						Y
WRES549	UU - Upper Microwave Flexible Use Service						Y

112) Call Sign	113) Radio Service Code	114) Location Number	115) Path Number (Microwave only)	116) Frequency Number	117) Lower or Center Frequency (MHz)	118) Upper Frequency (MHz)	119) Constructed Yes / No
WRES551	UU - Upper Microwave Flexible Use Service						Y
WRES552	UU - Upper Microwave Flexible Use Service						Y
WRES553	UU - Upper Microwave Flexible Use Service						Y
WRES555	UU - Upper Microwave Flexible Use Service						Y
WRES556	UU - Upper Microwave Flexible Use Service						Y
WRES558	UU - Upper Microwave Flexible Use Service						Y
WRES559	UU - Upper Microwave Flexible Use Service						Y
WRES560	UU - Upper Microwave Flexible Use Service						Y
WRES562	UU - Upper Microwave Flexible Use Service						Y
WRES563	UU - Upper Microwave Flexible Use Service						Y
WRES564	UU - Upper Microwave Flexible Use Service						Y
WRES565	UU - Upper Microwave Flexible Use Service						Y
WRES566	UU - Upper Microwave Flexible Use Service						Y
WRES568	UU - Upper Microwave Flexible Use Service						Y
WRES570	UU - Upper Microwave Flexible Use Service						Y
WRES571	UU - Upper Microwave Flexible Use Service						Y
WRES572	UU - Upper Microwave Flexible Use Service						Y
WRES574	UU - Upper Microwave Flexible Use Service						Y
WRES575	UU - Upper Microwave Flexible Use Service						Y

112) Call Sign	113) Radio Service Code	114) Location Number	115) Path Number (Microwave only)	116) Frequency Number	117) Lower or Center Frequency (MHz)	118) Upper Frequency (MHz)	119) Constructed Yes / No
WRES576	UU - Upper Microwave Flexible Use Service						Y
WRES577	UU - Upper Microwave Flexible Use Service						Y
WRES578	UU - Upper Microwave Flexible Use Service						Y
WRES580	UU - Upper Microwave Flexible Use Service						Y
WRES582	UU - Upper Microwave Flexible Use Service						Y
WRES583	UU - Upper Microwave Flexible Use Service						Y
WRES584	UU - Upper Microwave Flexible Use Service						Y
WRES585	UU - Upper Microwave Flexible Use Service						Y
WRES589	UU - Upper Microwave Flexible Use Service						Y
WRES590	UU - Upper Microwave Flexible Use Service						Y
WRES594	UU - Upper Microwave Flexible Use Service						Y
WRES595	UU - Upper Microwave Flexible Use Service						Y
WRES597	UU - Upper Microwave Flexible Use Service						Y
WRES598	UU - Upper Microwave Flexible Use Service						Y
WRES599	UU - Upper Microwave Flexible Use Service						Y
WRES606	UU - Upper Microwave Flexible Use Service						Y
WRES608	UU - Upper Microwave Flexible Use Service						Y
WRES612	UU - Upper Microwave Flexible Use Service						Y
WRES614	UU - Upper Microwave Flexible Use Service						Y

112) Call Sign	113) Radio Service Code	114) Location Number	115) Path Number (Microwave only)	116) Frequency Number	117) Lower or Center Frequency (MHz)	118) Upper Frequency (MHz)	119) Constructed Yes / No
WRES615	UU - Upper Microwave Flexible Use Service						Y
WRES617	UU - Upper Microwave Flexible Use Service						Y
WRES619	UU - Upper Microwave Flexible Use Service						Y
WRES620	UU - Upper Microwave Flexible Use Service						Y
WRES621	UU - Upper Microwave Flexible Use Service						Y
WRES623	UU - Upper Microwave Flexible Use Service						Y
WRES624	UU - Upper Microwave Flexible Use Service						Y
WRES625	UU - Upper Microwave Flexible Use Service						Y
WRES626	UU - Upper Microwave Flexible Use Service						Y
WRES627	UU - Upper Microwave Flexible Use Service						Y
WRES633	UU - Upper Microwave Flexible Use Service						Y
WRES635	UU - Upper Microwave Flexible Use Service						Y
WRES636	UU - Upper Microwave Flexible Use Service						Y
WRES638	UU - Upper Microwave Flexible Use Service						Y
WRES639	UU - Upper Microwave Flexible Use Service						Y
WRES640	UU - Upper Microwave Flexible Use Service						Y
WRES642	UU - Upper Microwave Flexible Use Service						Y
WRES643	UU - Upper Microwave Flexible Use Service						Y
WRES646	UU - Upper Microwave Flexible Use Service						Y

112) Call Sign	113) Radio Service Code	114) Location Number	115) Path Number (Microwave only)	116) Frequency Number	117) Lower or Center Frequency (MHz)	118) Upper Frequency (MHz)	119) Constructed Yes / No
WRES647	UU - Upper Microwave Flexible Use Service						Y
WRES650	UU - Upper Microwave Flexible Use Service						Y
WRES651	UU - Upper Microwave Flexible Use Service						Y
WRES652	UU - Upper Microwave Flexible Use Service						Y
WRES654	UU - Upper Microwave Flexible Use Service						Y
WRES656	UU - Upper Microwave Flexible Use Service						Y
WRES657	UU - Upper Microwave Flexible Use Service						Y
WRES658	UU - Upper Microwave Flexible Use Service						Y
WRES659	UU - Upper Microwave Flexible Use Service						Y
WRES662	UU - Upper Microwave Flexible Use Service						Y
WRES665	UU - Upper Microwave Flexible Use Service						Y
WRES666	UU - Upper Microwave Flexible Use Service						Y
WRES668	UU - Upper Microwave Flexible Use Service						Y
WRES669	UU - Upper Microwave Flexible Use Service						Y
WRES670	UU - Upper Microwave Flexible Use Service						Y
WRES677	UU - Upper Microwave Flexible Use Service						Y
WRES681	UU - Upper Microwave Flexible Use Service						Y
WRES683	UU - Upper Microwave Flexible Use Service						Y
WRES684	UU - Upper Microwave Flexible Use Service						Y

112) Call Sign	113) Radio Service Code	114) Location Number	115) Path Number (Microwave only)	116) Frequency Number	117) Lower or Center Frequency (MHz)	118) Upper Frequency (MHz)	119) Constructed Yes / No
WRES685	UU - Upper Microwave Flexible Use Service						Y
WRES686	UU - Upper Microwave Flexible Use Service						Y
WRES687	UU - Upper Microwave Flexible Use Service						Y
WRES689	UU - Upper Microwave Flexible Use Service						Y
WRES690	UU - Upper Microwave Flexible Use Service						Y
WRES691	UU - Upper Microwave Flexible Use Service						Y
WRES692	UU - Upper Microwave Flexible Use Service						Y
WRES693	UU - Upper Microwave Flexible Use Service						Y
WRES695	UU - Upper Microwave Flexible Use Service						Y
WRES698	UU - Upper Microwave Flexible Use Service						Y
WRES699	UU - Upper Microwave Flexible Use Service						Y
WRES702	UU - Upper Microwave Flexible Use Service						Y
WRES704	UU - Upper Microwave Flexible Use Service						Y
WRES705	UU - Upper Microwave Flexible Use Service						Y
WRES707	UU - Upper Microwave Flexible Use Service						Y
WRES708	UU - Upper Microwave Flexible Use Service						Y
WRES709	UU - Upper Microwave Flexible Use Service						Y
WRES710	UU - Upper Microwave Flexible Use Service						Y
WRES711	UU - Upper Microwave Flexible Use Service						Y

112) Call Sign	113) Radio Service Code	114) Location Number	115) Path Number (Microwave only)	116) Frequency Number	117) Lower or Center Frequency (MHz)	118) Upper Frequency (MHz)	119) Constructed Yes / No
WRES713	UU - Upper Microwave Flexible Use Service						Y
WRES716	UU - Upper Microwave Flexible Use Service						Y
WRES718	UU - Upper Microwave Flexible Use Service						Y
WRES719	UU - Upper Microwave Flexible Use Service						Y
WRES720	UU - Upper Microwave Flexible Use Service						Y
WRES721	UU - Upper Microwave Flexible Use Service						Y
WRES723	UU - Upper Microwave Flexible Use Service						Y
WRES724	UU - Upper Microwave Flexible Use Service						Y
WRES725	UU - Upper Microwave Flexible Use Service						Y
WRES726	UU - Upper Microwave Flexible Use Service						Y
WRES727	UU - Upper Microwave Flexible Use Service						Y
WRES728	UU - Upper Microwave Flexible Use Service						Y
WRES729	UU - Upper Microwave Flexible Use Service						Y
WRES730	UU - Upper Microwave Flexible Use Service						Y
WRES732	UU - Upper Microwave Flexible Use Service						Y
WRES733	UU - Upper Microwave Flexible Use Service						Y
WRES734	UU - Upper Microwave Flexible Use Service						Y
WRES735	UU - Upper Microwave Flexible Use Service						Y
WRES737	UU - Upper Microwave Flexible Use Service						Y

112) Call Sign	113) Radio Service Code	114) Location Number	115) Path Number (Microwave only)	116) Frequency Number	117) Lower or Center Frequency (MHz)	118) Upper Frequency (MHz)	119) Constructed Yes / No
WRES739	UU - Upper Microwave Flexible Use Service						Y
WRES741	UU - Upper Microwave Flexible Use Service						Y
WRES742	UU - Upper Microwave Flexible Use Service						Y
WRES744	UU - Upper Microwave Flexible Use Service						Y
WRES746	UU - Upper Microwave Flexible Use Service						Y
WRES749	UU - Upper Microwave Flexible Use Service						Y
WRES750	UU - Upper Microwave Flexible Use Service						Y
WRES752	UU - Upper Microwave Flexible Use Service						Y
WRES753	UU - Upper Microwave Flexible Use Service						Y
WRES754	UU - Upper Microwave Flexible Use Service						Y
WRES755	UU - Upper Microwave Flexible Use Service						Y
WRES756	UU - Upper Microwave Flexible Use Service						Y
WRES757	UU - Upper Microwave Flexible Use Service						Y
WRES758	UU - Upper Microwave Flexible Use Service						Y
WRES759	UU - Upper Microwave Flexible Use Service						Y
WRES761	UU - Upper Microwave Flexible Use Service						Y
WRES763	UU - Upper Microwave Flexible Use Service						Y
WRES764	UU - Upper Microwave Flexible Use Service						Y
WRES765	UU - Upper Microwave Flexible Use Service						Y

112) Call Sign	113) Radio Service Code	114) Location Number	115) Path Number (Microwave only)	116) Frequency Number	117) Lower or Center Frequency (MHz)	118) Upper Frequency (MHz)	119) Constructed Yes / No
WRES766	UU - Upper Microwave Flexible Use Service						Y
WRES768	UU - Upper Microwave Flexible Use Service						Y
WRES769	UU - Upper Microwave Flexible Use Service						Y
WRES770	UU - Upper Microwave Flexible Use Service						Y
WRES771	UU - Upper Microwave Flexible Use Service						Y
WRES776	UU - Upper Microwave Flexible Use Service						Y
WRES779	UU - Upper Microwave Flexible Use Service						Y
WRES780	UU - Upper Microwave Flexible Use Service						Y
WRES781	UU - Upper Microwave Flexible Use Service						Y
WRES783	UU - Upper Microwave Flexible Use Service						Y
WRES784	UU - Upper Microwave Flexible Use Service						Y
WRES785	UU - Upper Microwave Flexible Use Service						Y
WRES786	UU - Upper Microwave Flexible Use Service						Y
WRES787	UU - Upper Microwave Flexible Use Service						Y
WRES788	UU - Upper Microwave Flexible Use Service						Y
WRES789	UU - Upper Microwave Flexible Use Service						Y
WRES791	UU - Upper Microwave Flexible Use Service						Y
WRES792	UU - Upper Microwave Flexible Use Service						Y
WRES793	UU - Upper Microwave Flexible Use Service						Y

112) Call Sign	113) Radio Service Code	114) Location Number	115) Path Number (Microwave only)	116) Frequency Number	117) Lower or Center Frequency (MHz)	118) Upper Frequency (MHz)	119) Constructed Yes / No
WRES796	UU - Upper Microwave Flexible Use Service						Y
WRES797	UU - Upper Microwave Flexible Use Service						Y
WRES800	UU - Upper Microwave Flexible Use Service						Y
WRES801	UU - Upper Microwave Flexible Use Service						Y
WRES802	UU - Upper Microwave Flexible Use Service						Y
WRES803	UU - Upper Microwave Flexible Use Service						Y
WRES805	UU - Upper Microwave Flexible Use Service						Y
WRES806	UU - Upper Microwave Flexible Use Service						Y
WRES807	UU - Upper Microwave Flexible Use Service						Y
WRES808	UU - Upper Microwave Flexible Use Service						Y
WRES809	UU - Upper Microwave Flexible Use Service						Y
WRES810	UU - Upper Microwave Flexible Use Service						Y
WRES811	UU - Upper Microwave Flexible Use Service						Y
WRES812	UU - Upper Microwave Flexible Use Service						Y
WRES814	UU - Upper Microwave Flexible Use Service						Y
WRES815	UU - Upper Microwave Flexible Use Service						Y
WRES816	UU - Upper Microwave Flexible Use Service						Y
WRES817	UU - Upper Microwave Flexible Use Service						Y
WRES818	UU - Upper Microwave Flexible Use Service						Y

112) Call Sign	113) Radio Service Code	114) Location Number	115) Path Number (Microwave only)	116) Frequency Number	117) Lower or Center Frequency (MHz)	118) Upper Frequency (MHz)	119) Constructed Yes / No
WRES819	UU - Upper Microwave Flexible Use Service						Y
WRES820	UU - Upper Microwave Flexible Use Service						Y
WRES821	UU - Upper Microwave Flexible Use Service						Y
WRES822	UU - Upper Microwave Flexible Use Service						Y
WRES825	UU - Upper Microwave Flexible Use Service						Y
WRES826	UU - Upper Microwave Flexible Use Service						Y
WRES827	UU - Upper Microwave Flexible Use Service						Y
WRES828	UU - Upper Microwave Flexible Use Service						Y
WRES831	UU - Upper Microwave Flexible Use Service						Y
WRES832	UU - Upper Microwave Flexible Use Service						Y
WRES833	UU - Upper Microwave Flexible Use Service						Y
WRES834	UU - Upper Microwave Flexible Use Service						Y
WRES836	UU - Upper Microwave Flexible Use Service						Y
WRES837	UU - Upper Microwave Flexible Use Service						Y
WRES838	UU - Upper Microwave Flexible Use Service						Y
WRES840	UU - Upper Microwave Flexible Use Service						Y
WRES841	UU - Upper Microwave Flexible Use Service						Y
WRES843	UU - Upper Microwave Flexible Use Service						Y
WRES844	UU - Upper Microwave Flexible Use Service						Y

112) Call Sign	113) Radio Service Code	114) Location Number	115) Path Number (Microwave only)	116) Frequency Number	117) Lower or Center Frequency (MHz)	118) Upper Frequency (MHz)	119) Constructed Yes / No
WRES845	UU - Upper Microwave Flexible Use Service						Y
WRES846	UU - Upper Microwave Flexible Use Service						Y
WRES847	UU - Upper Microwave Flexible Use Service						Y
WRES848	UU - Upper Microwave Flexible Use Service						Y
WRES849	UU - Upper Microwave Flexible Use Service						Y
WRES850	UU - Upper Microwave Flexible Use Service						Y
WRES853	UU - Upper Microwave Flexible Use Service						Y
WRES854	UU - Upper Microwave Flexible Use Service						Y
WRES857	UU - Upper Microwave Flexible Use Service						Y
WRES858	UU - Upper Microwave Flexible Use Service						Y
WRES860	UU - Upper Microwave Flexible Use Service						Y
WRES863	UU - Upper Microwave Flexible Use Service						Y
WRES865	UU - Upper Microwave Flexible Use Service						Y
WRES867	UU - Upper Microwave Flexible Use Service						Y
WRES868	UU - Upper Microwave Flexible Use Service						Y
WRES869	UU - Upper Microwave Flexible Use Service						Y
WRES870	UU - Upper Microwave Flexible Use Service						Y
WRES872	UU - Upper Microwave Flexible Use Service						Y
WRES873	UU - Upper Microwave Flexible Use Service						Y

112) Call Sign	113) Radio Service Code	114) Location Number	115) Path Number (Microwave only)	116) Frequency Number	117) Lower or Center Frequency (MHz)	118) Upper Frequency (MHz)	119) Constructed Yes / No
WRES874	UU - Upper Microwave Flexible Use Service						Y
WRES876	UU - Upper Microwave Flexible Use Service						Y
WRES877	UU - Upper Microwave Flexible Use Service						Y
WRES878	UU - Upper Microwave Flexible Use Service						Y
WRES879	UU - Upper Microwave Flexible Use Service						Y
WRES880	UU - Upper Microwave Flexible Use Service						Y
WRES881	UU - Upper Microwave Flexible Use Service						Y
WRES882	UU - Upper Microwave Flexible Use Service						Y
WRES883	UU - Upper Microwave Flexible Use Service						Y
WRES884	UU - Upper Microwave Flexible Use Service						Y
WRES885	UU - Upper Microwave Flexible Use Service						Y
WRES887	UU - Upper Microwave Flexible Use Service						Y
WRES890	UU - Upper Microwave Flexible Use Service						Y
WRES891	UU - Upper Microwave Flexible Use Service						Y
WRES893	UU - Upper Microwave Flexible Use Service						Y
WRES896	UU - Upper Microwave Flexible Use Service						Y
WRES900	UU - Upper Microwave Flexible Use Service						Y
WRES901	UU - Upper Microwave Flexible Use Service						Y
WRES903	UU - Upper Microwave Flexible Use Service						Y

112) Call Sign	113) Radio Service Code	114) Location Number	115) Path Number (Microwave only)	116) Frequency Number	117) Lower or Center Frequency (MHz)	118) Upper Frequency (MHz)	119) Constructed Yes / No
WRES904	UU - Upper Microwave Flexible Use Service						Y
WRES906	UU - Upper Microwave Flexible Use Service						Y
WRES909	UU - Upper Microwave Flexible Use Service						Y
WRES910	UU - Upper Microwave Flexible Use Service						Y
WRES911	UU - Upper Microwave Flexible Use Service						Y
WRES913	UU - Upper Microwave Flexible Use Service						Y
WRES914	UU - Upper Microwave Flexible Use Service						Y
WRES918	UU - Upper Microwave Flexible Use Service						Y
WRES921	UU - Upper Microwave Flexible Use Service						Y
WRES922	UU - Upper Microwave Flexible Use Service						Y
WRES923	UU - Upper Microwave Flexible Use Service						Y
WRES924	UU - Upper Microwave Flexible Use Service						Y
WRES925	UU - Upper Microwave Flexible Use Service						Y
WRES926	UU - Upper Microwave Flexible Use Service						Y
WRES927	UU - Upper Microwave Flexible Use Service						Y
WRES928	UU - Upper Microwave Flexible Use Service						Y
WRES932	UU - Upper Microwave Flexible Use Service						Y
WRES933	UU - Upper Microwave Flexible Use Service						Y
WRES934	UU - Upper Microwave Flexible Use Service						Y

112) Call Sign	113) Radio Service Code	114) Location Number	115) Path Number (Microwave only)	116) Frequency Number	117) Lower or Center Frequency (MHz)	118) Upper Frequency (MHz)	119) Constructed Yes / No
WRES935	UU - Upper Microwave Flexible Use Service						Y
WRES936	UU - Upper Microwave Flexible Use Service						Y
WRES940	UU - Upper Microwave Flexible Use Service						Y
WRES941	UU - Upper Microwave Flexible Use Service						Y
WRES943	UU - Upper Microwave Flexible Use Service						Y
WRES944	UU - Upper Microwave Flexible Use Service						Y
WRES945	UU - Upper Microwave Flexible Use Service						Y
WRES946	UU - Upper Microwave Flexible Use Service						Y
WRES948	UU - Upper Microwave Flexible Use Service						Y
WRES950	UU - Upper Microwave Flexible Use Service						Y
WRES952	UU - Upper Microwave Flexible Use Service						Y
WRES953	UU - Upper Microwave Flexible Use Service						Y
WRES954	UU - Upper Microwave Flexible Use Service						Y
WRES956	UU - Upper Microwave Flexible Use Service						Y
WRES957	UU - Upper Microwave Flexible Use Service						Y
WRES959	UU - Upper Microwave Flexible Use Service						Y
WRES961	UU - Upper Microwave Flexible Use Service						Y
WRES962	UU - Upper Microwave Flexible Use Service						Y
WRES963	UU - Upper Microwave Flexible Use Service						Y

112) Call Sign	113) Radio Service Code	114) Location Number	115) Path Number (Microwave only)	116) Frequency Number	117) Lower or Center Frequency (MHz)	118) Upper Frequency (MHz)	119) Constructed Yes / No
WRES964	UU - Upper Microwave Flexible Use Service						Y
WRES965	UU - Upper Microwave Flexible Use Service						Y
WRES966	UU - Upper Microwave Flexible Use Service						Y
WRES967	UU - Upper Microwave Flexible Use Service						Y
WRES970	UU - Upper Microwave Flexible Use Service						Y
WRES971	UU - Upper Microwave Flexible Use Service						Y
WRES974	UU - Upper Microwave Flexible Use Service						Y
WRES975	UU - Upper Microwave Flexible Use Service						Y
WRES978	UU - Upper Microwave Flexible Use Service						Y
WRES979	UU - Upper Microwave Flexible Use Service						Y
WRES981	UU - Upper Microwave Flexible Use Service						Y
WRES983	UU - Upper Microwave Flexible Use Service						Y
WRES984	UU - Upper Microwave Flexible Use Service						Y
WRES985	UU - Upper Microwave Flexible Use Service						Y
WRES987	UU - Upper Microwave Flexible Use Service						Y
WRES988	UU - Upper Microwave Flexible Use Service						Y
WRES990	UU - Upper Microwave Flexible Use Service						Y
WRES991	UU - Upper Microwave Flexible Use Service						Y
WRES992	UU - Upper Microwave Flexible Use Service						Y

112) Call Sign	113) Radio Service Code	114) Location Number	115) Path Number (Microwave only)	116) Frequency Number	117) Lower or Center Frequency (MHz)	118) Upper Frequency (MHz)	119) Constructed Yes / No
WRES993	UU - Upper Microwave Flexible Use Service						Y
WRES994	UU - Upper Microwave Flexible Use Service						Y
WRES996	UU - Upper Microwave Flexible Use Service						Y
WRES997	UU - Upper Microwave Flexible Use Service						Y
WRES999	UU - Upper Microwave Flexible Use Service						Y
WRET201	UU - Upper Microwave Flexible Use Service						Y
WRET202	UU - Upper Microwave Flexible Use Service						Y
WRET204	UU - Upper Microwave Flexible Use Service						Y
WRET205	UU - Upper Microwave Flexible Use Service						Y
WRET206	UU - Upper Microwave Flexible Use Service						Y
WRET207	UU - Upper Microwave Flexible Use Service						Y
WRET208	UU - Upper Microwave Flexible Use Service						Y
WRET209	UU - Upper Microwave Flexible Use Service						Y
WRET210	UU - Upper Microwave Flexible Use Service						Y
WRET211	UU - Upper Microwave Flexible Use Service						Y
WRET212	UU - Upper Microwave Flexible Use Service						Y
WRET213	UU - Upper Microwave Flexible Use Service						Y
WRET215	UU - Upper Microwave Flexible Use Service						Y
WRET216	UU - Upper Microwave Flexible Use Service						Y

112) Call Sign	113) Radio Service Code	114) Location Number	115) Path Number (Microwave only)	116) Frequency Number	117) Lower or Center Frequency (MHz)	118) Upper Frequency (MHz)	119) Constructed Yes / No
WRET217	UU - Upper Microwave Flexible Use Service						Y
WRET218	UU - Upper Microwave Flexible Use Service						Y
WRET219	UU - Upper Microwave Flexible Use Service						Y
WRET221	UU - Upper Microwave Flexible Use Service						Y
WRET222	UU - Upper Microwave Flexible Use Service						Y
WRET223	UU - Upper Microwave Flexible Use Service						Y
WRET224	UU - Upper Microwave Flexible Use Service						Y
WRET226	UU - Upper Microwave Flexible Use Service						Y
WRET227	UU - Upper Microwave Flexible Use Service						Y
WRET228	UU - Upper Microwave Flexible Use Service						Y
WRET229	UU - Upper Microwave Flexible Use Service						Y
WRET234	UU - Upper Microwave Flexible Use Service						Y
WRET235	UU - Upper Microwave Flexible Use Service						Y
WRET236	UU - Upper Microwave Flexible Use Service						Y
WRET237	UU - Upper Microwave Flexible Use Service						Y
WRET238	UU - Upper Microwave Flexible Use Service						Y
WRET239	UU - Upper Microwave Flexible Use Service						Y
WRET240	UU - Upper Microwave Flexible Use Service						Y
WRET241	UU - Upper Microwave Flexible Use Service						Y

112) Call Sign	113) Radio Service Code	114) Location Number	115) Path Number (Microwave only)	116) Frequency Number	117) Lower or Center Frequency (MHz)	118) Upper Frequency (MHz)	119) Constructed Yes / No
WRET242	UU - Upper Microwave Flexible Use Service						Y
WRET243	UU - Upper Microwave Flexible Use Service						Y
WRET246	UU - Upper Microwave Flexible Use Service						Y
WRET247	UU - Upper Microwave Flexible Use Service						Y
WRET248	UU - Upper Microwave Flexible Use Service						Y
WRET249	UU - Upper Microwave Flexible Use Service						Y
WRET251	UU - Upper Microwave Flexible Use Service						Y
WRET252	UU - Upper Microwave Flexible Use Service						Y
WRET253	UU - Upper Microwave Flexible Use Service						Y
WRET254	UU - Upper Microwave Flexible Use Service						Y
WRET255	UU - Upper Microwave Flexible Use Service						Y
WRET257	UU - Upper Microwave Flexible Use Service						Y
WRET258	UU - Upper Microwave Flexible Use Service						Y
WRET259	UU - Upper Microwave Flexible Use Service						Y
WRET260	UU - Upper Microwave Flexible Use Service						Y
WRET261	UU - Upper Microwave Flexible Use Service						Y
WRET262	UU - Upper Microwave Flexible Use Service						Y
WRET263	UU - Upper Microwave Flexible Use Service						Y
WRET264	UU - Upper Microwave Flexible Use Service						Y

112) Call Sign	113) Radio Service Code	114) Location Number	115) Path Number (Microwave only)	116) Frequency Number	117) Lower or Center Frequency (MHz)	118) Upper Frequency (MHz)	119) Constructed Yes / No
WRET268	UU - Upper Microwave Flexible Use Service						Y
WRET269	UU - Upper Microwave Flexible Use Service						Y
WRET270	UU - Upper Microwave Flexible Use Service						Y
WRET271	UU - Upper Microwave Flexible Use Service						Y
WRET274	UU - Upper Microwave Flexible Use Service						Y
WRET275	UU - Upper Microwave Flexible Use Service						Y
WRET276	UU - Upper Microwave Flexible Use Service						Y
WRET277	UU - Upper Microwave Flexible Use Service						Y
WRET279	UU - Upper Microwave Flexible Use Service						Y
WRET280	UU - Upper Microwave Flexible Use Service						Y
WRET281	UU - Upper Microwave Flexible Use Service						Y
WRET283	UU - Upper Microwave Flexible Use Service						Y
WRET284	UU - Upper Microwave Flexible Use Service						Y
WRET286	UU - Upper Microwave Flexible Use Service						Y
WRET287	UU - Upper Microwave Flexible Use Service						Y
WRET288	UU - Upper Microwave Flexible Use Service						Y
WRET289	UU - Upper Microwave Flexible Use Service						Y
WRET290	UU - Upper Microwave Flexible Use Service						Y
WRET291	UU - Upper Microwave Flexible Use Service						Y

112) Call Sign	113) Radio Service Code	114) Location Number	115) Path Number (Microwave only)	116) Frequency Number	117) Lower or Center Frequency (MHz)	118) Upper Frequency (MHz)	119) Constructed Yes / No
WRET292	UU - Upper Microwave Flexible Use Service						Y
WRET293	UU - Upper Microwave Flexible Use Service						Y
WRET296	UU - Upper Microwave Flexible Use Service						Y
WRET297	UU - Upper Microwave Flexible Use Service						Y
WRET300	UU - Upper Microwave Flexible Use Service						Y
WRET301	UU - Upper Microwave Flexible Use Service						Y
WRET303	UU - Upper Microwave Flexible Use Service						Y
WRET306	UU - Upper Microwave Flexible Use Service						Y
WRET308	UU - Upper Microwave Flexible Use Service						Y
WRET310	UU - Upper Microwave Flexible Use Service						Y
WRET311	UU - Upper Microwave Flexible Use Service						Y
WRET312	UU - Upper Microwave Flexible Use Service						Y
WRET313	UU - Upper Microwave Flexible Use Service						Y
WRET315	UU - Upper Microwave Flexible Use Service						Y
WRET316	UU - Upper Microwave Flexible Use Service						Y
WRET317	UU - Upper Microwave Flexible Use Service						Y
WRET319	UU - Upper Microwave Flexible Use Service						Y
WRET320	UU - Upper Microwave Flexible Use Service						Y
WRET321	UU - Upper Microwave Flexible Use Service						Y

112) Call Sign	113) Radio Service Code	114) Location Number	115) Path Number (Microwave only)	116) Frequency Number	117) Lower or Center Frequency (MHz)	118) Upper Frequency (MHz)	119) Constructed Yes / No
WRET322	UU - Upper Microwave Flexible Use Service						Y
WRET323	UU - Upper Microwave Flexible Use Service						Y
WRET324	UU - Upper Microwave Flexible Use Service						Y
WRET325	UU - Upper Microwave Flexible Use Service						Y
WRET326	UU - Upper Microwave Flexible Use Service						Y
WRET327	UU - Upper Microwave Flexible Use Service						Y
WRET328	UU - Upper Microwave Flexible Use Service						Y
WRET330	UU - Upper Microwave Flexible Use Service						Y
WRET333	UU - Upper Microwave Flexible Use Service						Y
WRET334	UU - Upper Microwave Flexible Use Service						Y
WRET336	UU - Upper Microwave Flexible Use Service						Y
WRET339	UU - Upper Microwave Flexible Use Service						Y
WRET343	UU - Upper Microwave Flexible Use Service						Y
WRET344	UU - Upper Microwave Flexible Use Service						Y
WRET346	UU - Upper Microwave Flexible Use Service						Y
WRET347	UU - Upper Microwave Flexible Use Service						Y
WRET349	UU - Upper Microwave Flexible Use Service						Y
WRET352	UU - Upper Microwave Flexible Use Service						Y
WRET353	UU - Upper Microwave Flexible Use Service						Y

112) Call Sign	113) Radio Service Code	114) Location Number	115) Path Number (Microwave only)	116) Frequency Number	117) Lower or Center Frequency (MHz)	118) Upper Frequency (MHz)	119) Constructed Yes / No
WRET354	UU - Upper Microwave Flexible Use Service						Y
WRET356	UU - Upper Microwave Flexible Use Service						Y
WRET357	UU - Upper Microwave Flexible Use Service						Y
WRET362	UU - Upper Microwave Flexible Use Service						Y
WRET365	UU - Upper Microwave Flexible Use Service						Y
WRET366	UU - Upper Microwave Flexible Use Service						Y
WRET367	UU - Upper Microwave Flexible Use Service						Y
WRET368	UU - Upper Microwave Flexible Use Service						Y
WRET369	UU - Upper Microwave Flexible Use Service						Y
WRET370	UU - Upper Microwave Flexible Use Service						Y
WRET372	UU - Upper Microwave Flexible Use Service						Y
WRET373	UU - Upper Microwave Flexible Use Service						Y
WRET377	UU - Upper Microwave Flexible Use Service						Y
WRET378	UU - Upper Microwave Flexible Use Service						Y
WRET379	UU - Upper Microwave Flexible Use Service						Y
WRET380	UU - Upper Microwave Flexible Use Service						Y
WRET381	UU - Upper Microwave Flexible Use Service						Y
WRET382	UU - Upper Microwave Flexible Use Service						Y
WRET384	UU - Upper Microwave Flexible Use Service						Y

112) Call Sign	113) Radio Service Code	114) Location Number	115) Path Number (Microwave only)	116) Frequency Number	117) Lower or Center Frequency (MHz)	118) Upper Frequency (MHz)	119) Constructed Yes / No
WRET387	UU - Upper Microwave Flexible Use Service						Y
WRET388	UU - Upper Microwave Flexible Use Service						Y
WRET390	UU - Upper Microwave Flexible Use Service						Y
WRET391	UU - Upper Microwave Flexible Use Service						Y
WRET392	UU - Upper Microwave Flexible Use Service						Y
WRET393	UU - Upper Microwave Flexible Use Service						Y
WRET395	UU - Upper Microwave Flexible Use Service						Y
WRET397	UU - Upper Microwave Flexible Use Service						Y
WRET400	UU - Upper Microwave Flexible Use Service						Y
WRET401	UU - Upper Microwave Flexible Use Service						Y
WRET402	UU - Upper Microwave Flexible Use Service						Y
WRET404	UU - Upper Microwave Flexible Use Service						Y
WRET405	UU - Upper Microwave Flexible Use Service						Y
WRET407	UU - Upper Microwave Flexible Use Service						Y
WRET409	UU - Upper Microwave Flexible Use Service						Y
WRET410	UU - Upper Microwave Flexible Use Service						Y
WRET411	UU - Upper Microwave Flexible Use Service						Y
WRET413	UU - Upper Microwave Flexible Use Service						Y
WRET414	UU - Upper Microwave Flexible Use Service						Y

112) Call Sign	113) Radio Service Code	114) Location Number	115) Path Number (Microwave only)	116) Frequency Number	117) Lower or Center Frequency (MHz)	118) Upper Frequency (MHz)	119) Constructed Yes / No
WRET415	UU - Upper Microwave Flexible Use Service						Y
WRET416	UU - Upper Microwave Flexible Use Service						Y
WRET417	UU - Upper Microwave Flexible Use Service						Y
WRET418	UU - Upper Microwave Flexible Use Service						Y
WRET419	UU - Upper Microwave Flexible Use Service						Y
WRET422	UU - Upper Microwave Flexible Use Service						Y
WRET423	UU - Upper Microwave Flexible Use Service						Y
WRET427	UU - Upper Microwave Flexible Use Service						Y
WRET428	UU - Upper Microwave Flexible Use Service						Y
WRET431	UU - Upper Microwave Flexible Use Service						Y
WRET432	UU - Upper Microwave Flexible Use Service						Y
WRET433	UU - Upper Microwave Flexible Use Service						Y
WRET434	UU - Upper Microwave Flexible Use Service						Y
WRET436	UU - Upper Microwave Flexible Use Service						Y
WRET438	UU - Upper Microwave Flexible Use Service						Y
WRET439	UU - Upper Microwave Flexible Use Service						Y
WRET440	UU - Upper Microwave Flexible Use Service						Y
WRET442	UU - Upper Microwave Flexible Use Service						Y
WRET443	UU - Upper Microwave Flexible Use Service						Y

112) Call Sign	113) Radio Service Code	114) Location Number	115) Path Number (Microwave only)	116) Frequency Number	117) Lower or Center Frequency (MHz)	118) Upper Frequency (MHz)	119) Constructed Yes / No
WRET445	UU - Upper Microwave Flexible Use Service						Y
WRET446	UU - Upper Microwave Flexible Use Service						Y
WRET447	UU - Upper Microwave Flexible Use Service						Y
WRET448	UU - Upper Microwave Flexible Use Service						Y
WRET449	UU - Upper Microwave Flexible Use Service						Y
WRET450	UU - Upper Microwave Flexible Use Service						Y
WRET452	UU - Upper Microwave Flexible Use Service						Y
WRET453	UU - Upper Microwave Flexible Use Service						Y
WRET454	UU - Upper Microwave Flexible Use Service						Y
WRET455	UU - Upper Microwave Flexible Use Service						Y
WRET457	UU - Upper Microwave Flexible Use Service						Y
WRET459	UU - Upper Microwave Flexible Use Service						Y
WRET460	UU - Upper Microwave Flexible Use Service						Y
WRET462	UU - Upper Microwave Flexible Use Service						Y
WRET464	UU - Upper Microwave Flexible Use Service						Y
WRET465	UU - Upper Microwave Flexible Use Service						Y
WRET466	UU - Upper Microwave Flexible Use Service						Y
WRET467	UU - Upper Microwave Flexible Use Service						Y
WRET468	UU - Upper Microwave Flexible Use Service						Y

112) Call Sign	113) Radio Service Code	114) Location Number	115) Path Number (Microwave only)	116) Frequency Number	117) Lower or Center Frequency (MHz)	118) Upper Frequency (MHz)	119) Constructed Yes / No
WRET469	UU - Upper Microwave Flexible Use Service						Y
WRET470	UU - Upper Microwave Flexible Use Service						Y
WRET471	UU - Upper Microwave Flexible Use Service						Y
WRET473	UU - Upper Microwave Flexible Use Service						Y
WRET474	UU - Upper Microwave Flexible Use Service						Y
WRET475	UU - Upper Microwave Flexible Use Service						Y
WRET476	UU - Upper Microwave Flexible Use Service						Y
WRET477	UU - Upper Microwave Flexible Use Service						Y
WRET479	UU - Upper Microwave Flexible Use Service						Y
WRET480	UU - Upper Microwave Flexible Use Service						Y
WRET481	UU - Upper Microwave Flexible Use Service						Y
WRET482	UU - Upper Microwave Flexible Use Service						Y
WRET483	UU - Upper Microwave Flexible Use Service						Y
WRET484	UU - Upper Microwave Flexible Use Service						Y
WRET486	UU - Upper Microwave Flexible Use Service						Y
WRET487	UU - Upper Microwave Flexible Use Service						Y
WRET488	UU - Upper Microwave Flexible Use Service						Y
WRET489	UU - Upper Microwave Flexible Use Service						Y
WRET490	UU - Upper Microwave Flexible Use Service						Y

112) Call Sign	113) Radio Service Code	114) Location Number	115) Path Number (Microwave only)	116) Frequency Number	117) Lower or Center Frequency (MHz)	118) Upper Frequency (MHz)	119) Constructed Yes / No
WRET491	UU - Upper Microwave Flexible Use Service						Y
WRET492	UU - Upper Microwave Flexible Use Service						Y
WRET496	UU - Upper Microwave Flexible Use Service						Y
WRET498	UU - Upper Microwave Flexible Use Service						Y
WRET499	UU - Upper Microwave Flexible Use Service						Y
WRET500	UU - Upper Microwave Flexible Use Service						Y
WRET501	UU - Upper Microwave Flexible Use Service						Y
WRET502	UU - Upper Microwave Flexible Use Service						Y
WRET503	UU - Upper Microwave Flexible Use Service						Y
WRET504	UU - Upper Microwave Flexible Use Service						Y
WRET505	UU - Upper Microwave Flexible Use Service						Y
WRET506	UU - Upper Microwave Flexible Use Service						Y
WRET507	UU - Upper Microwave Flexible Use Service						Y
WRET508	UU - Upper Microwave Flexible Use Service						Y
WRET511	UU - Upper Microwave Flexible Use Service						Y
WRET512	UU - Upper Microwave Flexible Use Service						Y
WRET513	UU - Upper Microwave Flexible Use Service						Y
WRET514	UU - Upper Microwave Flexible Use Service						Y
WRET515	UU - Upper Microwave Flexible Use Service						Y

112) Call Sign	113) Radio Service Code	114) Location Number	115) Path Number (Microwave only)	116) Frequency Number	117) Lower or Center Frequency (MHz)	118) Upper Frequency (MHz)	119) Constructed Yes / No
WRET517	UU - Upper Microwave Flexible Use Service						Y
WRET518	UU - Upper Microwave Flexible Use Service						Y
WRET519	UU - Upper Microwave Flexible Use Service						Y
WRET520	UU - Upper Microwave Flexible Use Service						Y
WRET521	UU - Upper Microwave Flexible Use Service						Y
WRET523	UU - Upper Microwave Flexible Use Service						Y
WRET524	UU - Upper Microwave Flexible Use Service						Y
WRET525	UU - Upper Microwave Flexible Use Service						Y
WRET526	UU - Upper Microwave Flexible Use Service						Y
WRET527	UU - Upper Microwave Flexible Use Service						Y
WRET528	UU - Upper Microwave Flexible Use Service						Y
WRET529	UU - Upper Microwave Flexible Use Service						Y
WRET530	UU - Upper Microwave Flexible Use Service						Y
WRET531	UU - Upper Microwave Flexible Use Service						Y
WRET532	UU - Upper Microwave Flexible Use Service						Y
WRET533	UU - Upper Microwave Flexible Use Service						Y
WRET537	UU - Upper Microwave Flexible Use Service						Y
WRET539	UU - Upper Microwave Flexible Use Service						Y
WRET542	UU - Upper Microwave Flexible Use Service						Y

112) Call Sign	113) Radio Service Code	114) Location Number	115) Path Number (Microwave only)	116) Frequency Number	117) Lower or Center Frequency (MHz)	118) Upper Frequency (MHz)	119) Constructed Yes / No
WRET543	UU - Upper Microwave Flexible Use Service						Y
WRET546	UU - Upper Microwave Flexible Use Service						Y
WRET547	UU - Upper Microwave Flexible Use Service						Y
WRET548	UU - Upper Microwave Flexible Use Service						Y
WRET549	UU - Upper Microwave Flexible Use Service						Y
WRET550	UU - Upper Microwave Flexible Use Service						Y
WRET551	UU - Upper Microwave Flexible Use Service						Y
WRET552	UU - Upper Microwave Flexible Use Service						Y
WRET553	UU - Upper Microwave Flexible Use Service						Y
WRET555	UU - Upper Microwave Flexible Use Service						Y
WRET557	UU - Upper Microwave Flexible Use Service						Y
WRET558	UU - Upper Microwave Flexible Use Service						Y
WRET559	UU - Upper Microwave Flexible Use Service						Y
WRET560	UU - Upper Microwave Flexible Use Service						Y
WRET563	UU - Upper Microwave Flexible Use Service						Y
WRET565	UU - Upper Microwave Flexible Use Service						Y
WRET567	UU - Upper Microwave Flexible Use Service						Y
WRET569	UU - Upper Microwave Flexible Use Service						Y
WRET574	UU - Upper Microwave Flexible Use Service						Y

112) Call Sign	113) Radio Service Code	114) Location Number	115) Path Number (Microwave only)	116) Frequency Number	117) Lower or Center Frequency (MHz)	118) Upper Frequency (MHz)	119) Constructed Yes / No
WRET577	UU - Upper Microwave Flexible Use Service						Y
WRET578	UU - Upper Microwave Flexible Use Service						Y
WRET581	UU - Upper Microwave Flexible Use Service						Y
WRET582	UU - Upper Microwave Flexible Use Service						Y
WRET583	UU - Upper Microwave Flexible Use Service						Y
WRET584	UU - Upper Microwave Flexible Use Service						Y
WRET586	UU - Upper Microwave Flexible Use Service						Y
WRET588	UU - Upper Microwave Flexible Use Service						Y
WRET589	UU - Upper Microwave Flexible Use Service						Y
WRET590	UU - Upper Microwave Flexible Use Service						Y
WRET596	UU - Upper Microwave Flexible Use Service						Y
WRET597	UU - Upper Microwave Flexible Use Service						Y
WRET599	UU - Upper Microwave Flexible Use Service						Y
WRET600	UU - Upper Microwave Flexible Use Service						Y
WRET601	UU - Upper Microwave Flexible Use Service						Y
WRET604	UU - Upper Microwave Flexible Use Service						Y
WRET607	UU - Upper Microwave Flexible Use Service						Y
WRET610	UU - Upper Microwave Flexible Use Service						Y
WRET612	UU - Upper Microwave Flexible Use Service						Y

112) Call Sign	113) Radio Service Code	114) Location Number	115) Path Number (Microwave only)	116) Frequency Number	117) Lower or Center Frequency (MHz)	118) Upper Frequency (MHz)	119) Constructed Yes / No
WRET614	UU - Upper Microwave Flexible Use Service						Y
WRET617	UU - Upper Microwave Flexible Use Service						Y
WRET618	UU - Upper Microwave Flexible Use Service						Y
WRET620	UU - Upper Microwave Flexible Use Service						Y
WRET622	UU - Upper Microwave Flexible Use Service						Y
WRET623	UU - Upper Microwave Flexible Use Service						Y
WRET624	UU - Upper Microwave Flexible Use Service						Y
WRET627	UU - Upper Microwave Flexible Use Service						Y
WRET629	UU - Upper Microwave Flexible Use Service						Y
WRET630	UU - Upper Microwave Flexible Use Service						Y
WRET635	UU - Upper Microwave Flexible Use Service						Y
WRET636	UU - Upper Microwave Flexible Use Service						Y
WRET638	UU - Upper Microwave Flexible Use Service						Y
WRET639	UU - Upper Microwave Flexible Use Service						Y
WRET640	UU - Upper Microwave Flexible Use Service						Y
WRET641	UU - Upper Microwave Flexible Use Service						Y
WRET642	UU - Upper Microwave Flexible Use Service						Y
WRET643	UU - Upper Microwave Flexible Use Service						Y
WRET644	UU - Upper Microwave Flexible Use Service						Y

112) Call Sign	113) Radio Service Code	114) Location Number	115) Path Number (Microwave only)	116) Frequency Number	117) Lower or Center Frequency (MHz)	118) Upper Frequency (MHz)	119) Constructed Yes / No
WRET647	UU - Upper Microwave Flexible Use Service						Y
WRET653	UU - Upper Microwave Flexible Use Service						Y
WRET655	UU - Upper Microwave Flexible Use Service						Y
WRET657	UU - Upper Microwave Flexible Use Service						Y
WRET658	UU - Upper Microwave Flexible Use Service						Y
WRET659	UU - Upper Microwave Flexible Use Service						Y
WRET662	UU - Upper Microwave Flexible Use Service						Y
WRET663	UU - Upper Microwave Flexible Use Service						Y
WRET664	UU - Upper Microwave Flexible Use Service						Y
WRET665	UU - Upper Microwave Flexible Use Service						Y
WRET666	UU - Upper Microwave Flexible Use Service						Y
WRET668	UU - Upper Microwave Flexible Use Service						Y
WRET670	UU - Upper Microwave Flexible Use Service						Y
WRET671	UU - Upper Microwave Flexible Use Service						Y
WRET672	UU - Upper Microwave Flexible Use Service						Y
WRET673	UU - Upper Microwave Flexible Use Service						Y
WRET674	UU - Upper Microwave Flexible Use Service						Y
WRET675	UU - Upper Microwave Flexible Use Service						Y
WRET676	UU - Upper Microwave Flexible Use Service						Y

112) Call Sign	113) Radio Service Code	114) Location Number	115) Path Number (Microwave only)	116) Frequency Number	117) Lower or Center Frequency (MHz)	118) Upper Frequency (MHz)	119) Constructed Yes / No
WRET677	UU - Upper Microwave Flexible Use Service						Y
WRET679	UU - Upper Microwave Flexible Use Service						Y
WRET680	UU - Upper Microwave Flexible Use Service						Y
WRET681	UU - Upper Microwave Flexible Use Service						Y
WRET682	UU - Upper Microwave Flexible Use Service						Y
WRET683	UU - Upper Microwave Flexible Use Service						Y
WRET687	UU - Upper Microwave Flexible Use Service						Y
WRET689	UU - Upper Microwave Flexible Use Service						Y
WRET690	UU - Upper Microwave Flexible Use Service						Y
WRET691	UU - Upper Microwave Flexible Use Service						Y
WRET692	UU - Upper Microwave Flexible Use Service						Y
WRET693	UU - Upper Microwave Flexible Use Service						Y
WRET694	UU - Upper Microwave Flexible Use Service						Y
WRET696	UU - Upper Microwave Flexible Use Service						Y
WRET697	UU - Upper Microwave Flexible Use Service						Y
WRET698	UU - Upper Microwave Flexible Use Service						Y
WRET699	UU - Upper Microwave Flexible Use Service						Y
WRET701	UU - Upper Microwave Flexible Use Service						Y
WRET702	UU - Upper Microwave Flexible Use Service						Y

112) Call Sign	113) Radio Service Code	114) Location Number	115) Path Number (Microwave only)	116) Frequency Number	117) Lower or Center Frequency (MHz)	118) Upper Frequency (MHz)	119) Constructed Yes / No
WRET704	UU - Upper Microwave Flexible Use Service						Y
WRET705	UU - Upper Microwave Flexible Use Service						Y
WRET706	UU - Upper Microwave Flexible Use Service						Y
WRET707	UU - Upper Microwave Flexible Use Service						Y
WRET709	UU - Upper Microwave Flexible Use Service						Y
WRET710	UU - Upper Microwave Flexible Use Service						Y
WRET712	UU - Upper Microwave Flexible Use Service						Y
WRET713	UU - Upper Microwave Flexible Use Service						Y
WRET714	UU - Upper Microwave Flexible Use Service						Y
WRET715	UU - Upper Microwave Flexible Use Service						Y
WRET716	UU - Upper Microwave Flexible Use Service						Y
WRET717	UU - Upper Microwave Flexible Use Service						Y
WRET718	UU - Upper Microwave Flexible Use Service						Y
WRET722	UU - Upper Microwave Flexible Use Service						Y
WRET724	UU - Upper Microwave Flexible Use Service						Y
WRET725	UU - Upper Microwave Flexible Use Service						Y
WRET726	UU - Upper Microwave Flexible Use Service						Y
WRET727	UU - Upper Microwave Flexible Use Service						Y
WRET729	UU - Upper Microwave Flexible Use Service						Y

112) Call Sign	113) Radio Service Code	114) Location Number	115) Path Number (Microwave only)	116) Frequency Number	117) Lower or Center Frequency (MHz)	118) Upper Frequency (MHz)	119) Constructed Yes / No
WRET730	UU - Upper Microwave Flexible Use Service						Y
WRET731	UU - Upper Microwave Flexible Use Service						Y
WRET732	UU - Upper Microwave Flexible Use Service						Y
WRET733	UU - Upper Microwave Flexible Use Service						Y
WRET735	UU - Upper Microwave Flexible Use Service						Y
WRET737	UU - Upper Microwave Flexible Use Service						Y
WRET740	UU - Upper Microwave Flexible Use Service						Y
WRET741	UU - Upper Microwave Flexible Use Service						Y
WRET742	UU - Upper Microwave Flexible Use Service						Y
WRET743	UU - Upper Microwave Flexible Use Service						Y
WRET745	UU - Upper Microwave Flexible Use Service						Y
WRET746	UU - Upper Microwave Flexible Use Service						Y
WRET747	UU - Upper Microwave Flexible Use Service						Y
WRET748	UU - Upper Microwave Flexible Use Service						Y
WRET749	UU - Upper Microwave Flexible Use Service						Y
WRET751	UU - Upper Microwave Flexible Use Service						Y
WRET752	UU - Upper Microwave Flexible Use Service						Y
WRET753	UU - Upper Microwave Flexible Use Service						Y
WRET754	UU - Upper Microwave Flexible Use Service						Y

112) Call Sign	113) Radio Service Code	114) Location Number	115) Path Number (Microwave only)	116) Frequency Number	117) Lower or Center Frequency (MHz)	118) Upper Frequency (MHz)	119) Constructed Yes / No
WRET755	UU - Upper Microwave Flexible Use Service						Y
WRET756	UU - Upper Microwave Flexible Use Service						Y
WRET757	UU - Upper Microwave Flexible Use Service						Y
WRET758	UU - Upper Microwave Flexible Use Service						Y
WRET759	UU - Upper Microwave Flexible Use Service						Y
WRET760	UU - Upper Microwave Flexible Use Service						Y
WRET761	UU - Upper Microwave Flexible Use Service						Y
WRET763	UU - Upper Microwave Flexible Use Service						Y
WRET765	UU - Upper Microwave Flexible Use Service						Y
WRET766	UU - Upper Microwave Flexible Use Service						Y
WRET767	UU - Upper Microwave Flexible Use Service						Y
WRET770	UU - Upper Microwave Flexible Use Service						Y
WRET771	UU - Upper Microwave Flexible Use Service						Y
WRET773	UU - Upper Microwave Flexible Use Service						Y
WRET774	UU - Upper Microwave Flexible Use Service						Y
WRET775	UU - Upper Microwave Flexible Use Service						Y
WRET778	UU - Upper Microwave Flexible Use Service						Y
WRET781	UU - Upper Microwave Flexible Use Service						Y
WRET782	UU - Upper Microwave Flexible Use Service						Y

112) Call Sign	113) Radio Service Code	114) Location Number	115) Path Number (Microwave only)	116) Frequency Number	117) Lower or Center Frequency (MHz)	118) Upper Frequency (MHz)	119) Constructed Yes / No
WRET783	UU - Upper Microwave Flexible Use Service						Y
WRET785	UU - Upper Microwave Flexible Use Service						Y
WRET786	UU - Upper Microwave Flexible Use Service						Y
WRET788	UU - Upper Microwave Flexible Use Service						Y
WRET790	UU - Upper Microwave Flexible Use Service						Y
WRET792	UU - Upper Microwave Flexible Use Service						Y
WRET793	UU - Upper Microwave Flexible Use Service						Y
WRET796	UU - Upper Microwave Flexible Use Service						Y
WRET797	UU - Upper Microwave Flexible Use Service						Y
WRET798	UU - Upper Microwave Flexible Use Service						Y
WRET799	UU - Upper Microwave Flexible Use Service						Y
WRET800	UU - Upper Microwave Flexible Use Service						Y
WRET802	UU - Upper Microwave Flexible Use Service						Y
WRET803	UU - Upper Microwave Flexible Use Service						Y
WRET804	UU - Upper Microwave Flexible Use Service						Y
WRET807	UU - Upper Microwave Flexible Use Service						Y
WRET808	UU - Upper Microwave Flexible Use Service						Y
WRET810	UU - Upper Microwave Flexible Use Service						Y
WRET811	UU - Upper Microwave Flexible Use Service						Y

112) Call Sign	113) Radio Service Code	114) Location Number	115) Path Number (Microwave only)	116) Frequency Number	117) Lower or Center Frequency (MHz)	118) Upper Frequency (MHz)	119) Constructed Yes / No
WRET812	UU - Upper Microwave Flexible Use Service						Y
WRET815	UU - Upper Microwave Flexible Use Service						Y
WRET818	UU - Upper Microwave Flexible Use Service						Y
WRET819	UU - Upper Microwave Flexible Use Service						Y
WRET821	UU - Upper Microwave Flexible Use Service						Y
WRET822	UU - Upper Microwave Flexible Use Service						Y
WRET824	UU - Upper Microwave Flexible Use Service						Y
WRET825	UU - Upper Microwave Flexible Use Service						Y
WRET827	UU - Upper Microwave Flexible Use Service						Y
WRET829	UU - Upper Microwave Flexible Use Service						Y
WRET830	UU - Upper Microwave Flexible Use Service						Y
WRET833	UU - Upper Microwave Flexible Use Service						Y
WRET834	UU - Upper Microwave Flexible Use Service						Y
WRET835	UU - Upper Microwave Flexible Use Service						Y
WRET836	UU - Upper Microwave Flexible Use Service						Y
WRHN202	UU - Upper Microwave Flexible Use Service						Y
WRHN203	UU - Upper Microwave Flexible Use Service						Y
WRHN204	UU - Upper Microwave Flexible Use Service						Y
WRHN205	UU - Upper Microwave Flexible Use Service						Y

112) Call Sign	113) Radio Service Code	114) Location Number	115) Path Number (Microwave only)	116) Frequency Number	117) Lower or Center Frequency (MHz)	118) Upper Frequency (MHz)	119) Constructed Yes / No
WRHN206	UU - Upper Microwave Flexible Use Service						Y
WRHN207	UU - Upper Microwave Flexible Use Service						Y
WRHN208	UU - Upper Microwave Flexible Use Service						Y
WRHN209	UU - Upper Microwave Flexible Use Service						Y
WRHN210	UU - Upper Microwave Flexible Use Service						Y
WRHN211	UU - Upper Microwave Flexible Use Service						Y
WRHN212	UU - Upper Microwave Flexible Use Service						Y
WRHN213	UU - Upper Microwave Flexible Use Service						Y
WRHN214	UU - Upper Microwave Flexible Use Service						Y
WRHN215	UU - Upper Microwave Flexible Use Service						Y
WRHN216	UU - Upper Microwave Flexible Use Service						Y
WRHN217	UU - Upper Microwave Flexible Use Service						Y
WRHN226	UU - Upper Microwave Flexible Use Service						Y
WRHN227	UU - Upper Microwave Flexible Use Service						Y
WRHN228	UU - Upper Microwave Flexible Use Service						Y
WRHN229	UU - Upper Microwave Flexible Use Service						Y
WRHN230	UU - Upper Microwave Flexible Use Service						Y
WRHN231	UU - Upper Microwave Flexible Use Service						Y
WRHN232	UU - Upper Microwave Flexible Use Service						Y

112) Call Sign	113) Radio Service Code	114) Location Number	115) Path Number (Microwave only)	116) Frequency Number	117) Lower or Center Frequency (MHz)	118) Upper Frequency (MHz)	119) Constructed Yes / No
WRHN233	UU - Upper Microwave Flexible Use Service						Y
WRHN234	UU - Upper Microwave Flexible Use Service						Y
WRHN235	UU - Upper Microwave Flexible Use Service						Y
WRHN236	UU - Upper Microwave Flexible Use Service						Y
WRHN237	UU - Upper Microwave Flexible Use Service						Y
WRHN238	UU - Upper Microwave Flexible Use Service						Y
WRHN239	UU - Upper Microwave Flexible Use Service						Y
WRHN244	UU - Upper Microwave Flexible Use Service						Y
WRHN245	UU - Upper Microwave Flexible Use Service						Y
WRHN246	UU - Upper Microwave Flexible Use Service						Y
WRHN247	UU - Upper Microwave Flexible Use Service						Y
WRHN248	UU - Upper Microwave Flexible Use Service						Y
WRHN249	UU - Upper Microwave Flexible Use Service						Y
WRHN250	UU - Upper Microwave Flexible Use Service						Y
WRHN251	UU - Upper Microwave Flexible Use Service						Y
WRHN254	UU - Upper Microwave Flexible Use Service						Y
WRHN255	UU - Upper Microwave Flexible Use Service						Y
WRHN256	UU - Upper Microwave Flexible Use Service						Y
WRHN257	UU - Upper Microwave Flexible Use Service						Y

112) Call Sign	113) Radio Service Code	114) Location Number	115) Path Number (Microwave only)	116) Frequency Number	117) Lower or Center Frequency (MHz)	118) Upper Frequency (MHz)	119) Constructed Yes / No
WRHN258	UU - Upper Microwave Flexible Use Service						Y
WRHN261	UU - Upper Microwave Flexible Use Service						Y
WRHN262	UU - Upper Microwave Flexible Use Service						Y
WRHN263	UU - Upper Microwave Flexible Use Service						Y
WRHN264	UU - Upper Microwave Flexible Use Service						Y
WRHN265	UU - Upper Microwave Flexible Use Service						Y
WRHN266	UU - Upper Microwave Flexible Use Service						Y
WRHN267	UU - Upper Microwave Flexible Use Service						Y
WRHN268	UU - Upper Microwave Flexible Use Service						Y
WRHN269	UU - Upper Microwave Flexible Use Service						Y
WRHN270	UU - Upper Microwave Flexible Use Service						Y
WRHN275	UU - Upper Microwave Flexible Use Service						Y
WRHN276	UU - Upper Microwave Flexible Use Service						Y
WRHN277	UU - Upper Microwave Flexible Use Service						Y
WRHN278	UU - Upper Microwave Flexible Use Service						Y
WRHN279	UU - Upper Microwave Flexible Use Service						Y
WRHN280	UU - Upper Microwave Flexible Use Service						Y
WRHN281	UU - Upper Microwave Flexible Use Service						Y
WRHN282	UU - Upper Microwave Flexible Use Service						Y

112) Call Sign	113) Radio Service Code	114) Location Number	115) Path Number (Microwave only)	116) Frequency Number	117) Lower or Center Frequency (MHz)	118) Upper Frequency (MHz)	119) Constructed Yes / No
WRHN283	UU - Upper Microwave Flexible Use Service						Y
WRHN284	UU - Upper Microwave Flexible Use Service						Y
WRHN285	UU - Upper Microwave Flexible Use Service						Y
WRHN286	UU - Upper Microwave Flexible Use Service						Y
WRHN287	UU - Upper Microwave Flexible Use Service						Y
WRHN288	UU - Upper Microwave Flexible Use Service						Y
WRHN289	UU - Upper Microwave Flexible Use Service						Y
WRHN290	UU - Upper Microwave Flexible Use Service						Y
WRHN291	UU - Upper Microwave Flexible Use Service						Y
WRHN292	UU - Upper Microwave Flexible Use Service						Y
WRHN293	UU - Upper Microwave Flexible Use Service						Y
WRHN294	UU - Upper Microwave Flexible Use Service						Y
WRHN295	UU - Upper Microwave Flexible Use Service						Y
WRHN296	UU - Upper Microwave Flexible Use Service						Y
WRHN297	UU - Upper Microwave Flexible Use Service						Y
WRHN298	UU - Upper Microwave Flexible Use Service						Y
WRHN299	UU - Upper Microwave Flexible Use Service						Y
WRHN300	UU - Upper Microwave Flexible Use Service						Y
WRHN309	UU - Upper Microwave Flexible Use Service						Y

112) Call Sign	113) Radio Service Code	114) Location Number	115) Path Number (Microwave only)	116) Frequency Number	117) Lower or Center Frequency (MHz)	118) Upper Frequency (MHz)	119) Constructed Yes / No
WRHN310	UU - Upper Microwave Flexible Use Service						Y
WRHN311	UU - Upper Microwave Flexible Use Service						Y
WRHN312	UU - Upper Microwave Flexible Use Service						Y
WRHN313	UU - Upper Microwave Flexible Use Service						Y
WRHN314	UU - Upper Microwave Flexible Use Service						Y
WRHN315	UU - Upper Microwave Flexible Use Service						Y
WRHN316	UU - Upper Microwave Flexible Use Service						Y
WRHN322	UU - Upper Microwave Flexible Use Service						Y
WRHN323	UU - Upper Microwave Flexible Use Service						Y
WRHN324	UU - Upper Microwave Flexible Use Service						Y
WRHN325	UU - Upper Microwave Flexible Use Service						Y
WRHN326	UU - Upper Microwave Flexible Use Service						Y
WRHN327	UU - Upper Microwave Flexible Use Service						Y
WRHN342	UU - Upper Microwave Flexible Use Service						Y
WRHN343	UU - Upper Microwave Flexible Use Service						Y
WRHN344	UU - Upper Microwave Flexible Use Service						Y
WRHN345	UU - Upper Microwave Flexible Use Service						Y
WRHN346	UU - Upper Microwave Flexible Use Service						Y
WRHN347	UU - Upper Microwave Flexible Use Service						Y

112) Call Sign	113) Radio Service Code	114) Location Number	115) Path Number (Microwave only)	116) Frequency Number	117) Lower or Center Frequency (MHz)	118) Upper Frequency (MHz)	119) Constructed Yes / No
WRHN348	UU - Upper Microwave Flexible Use Service						Y
WRHN349	UU - Upper Microwave Flexible Use Service						Y
WRHN350	UU - Upper Microwave Flexible Use Service						Y
WRHN351	UU - Upper Microwave Flexible Use Service						Y
WRHN352	UU - Upper Microwave Flexible Use Service						Y
WRHN353	UU - Upper Microwave Flexible Use Service						Y
WRHN359	UU - Upper Microwave Flexible Use Service						Y
WRHN360	UU - Upper Microwave Flexible Use Service						Y
WRHN361	UU - Upper Microwave Flexible Use Service						Y
WRHN362	UU - Upper Microwave Flexible Use Service						Y
WRHN371	UU - Upper Microwave Flexible Use Service						Y
WRHN372	UU - Upper Microwave Flexible Use Service						Y
WRHN373	UU - Upper Microwave Flexible Use Service						Y
WRHN374	UU - Upper Microwave Flexible Use Service						Y
WRHN375	UU - Upper Microwave Flexible Use Service						Y
WRHN376	UU - Upper Microwave Flexible Use Service						Y
WRHN383	UU - Upper Microwave Flexible Use Service						Y
WRHN384	UU - Upper Microwave Flexible Use Service						Y
WRHN385	UU - Upper Microwave Flexible Use Service						Y

112) Call Sign	113) Radio Service Code	114) Location Number	115) Path Number (Microwave only)	116) Frequency Number	117) Lower or Center Frequency (MHz)	118) Upper Frequency (MHz)	119) Constructed Yes / No
WRHN386	UU - Upper Microwave Flexible Use Service						Y
WRHN387	UU - Upper Microwave Flexible Use Service						Y
WRHN388	UU - Upper Microwave Flexible Use Service						Y
WRHN395	UU - Upper Microwave Flexible Use Service						Y
WRHN396	UU - Upper Microwave Flexible Use Service						Y
WRHN397	UU - Upper Microwave Flexible Use Service						Y
WRHN398	UU - Upper Microwave Flexible Use Service						Y
WRHN399	UU - Upper Microwave Flexible Use Service						Y
WRHN400	UU - Upper Microwave Flexible Use Service						Y
WRHN401	UU - Upper Microwave Flexible Use Service						Y
WRHN402	UU - Upper Microwave Flexible Use Service						Y
WRHN403	UU - Upper Microwave Flexible Use Service						Y
WRHN404	UU - Upper Microwave Flexible Use Service						Y
WRHN405	UU - Upper Microwave Flexible Use Service						Y
WRHN406	UU - Upper Microwave Flexible Use Service						Y
WRHN407	UU - Upper Microwave Flexible Use Service						Y
WRHN408	UU - Upper Microwave Flexible Use Service						Y
WRHN409	UU - Upper Microwave Flexible Use Service						Y
WRHN410	UU - Upper Microwave Flexible Use Service						Y

112) Call Sign	113) Radio Service Code	114) Location Number	115) Path Number (Microwave only)	116) Frequency Number	117) Lower or Center Frequency (MHz)	118) Upper Frequency (MHz)	119) Constructed Yes / No
WRHN411	UU - Upper Microwave Flexible Use Service						Y
WRHN412	UU - Upper Microwave Flexible Use Service						Y
WRHN413	UU - Upper Microwave Flexible Use Service						Y
WRHN414	UU - Upper Microwave Flexible Use Service						Y
WRHN415	UU - Upper Microwave Flexible Use Service						Y
WRHN416	UU - Upper Microwave Flexible Use Service						Y
WRHN417	UU - Upper Microwave Flexible Use Service						Y
WRHN418	UU - Upper Microwave Flexible Use Service						Y
WRHN419	UU - Upper Microwave Flexible Use Service						Y
WRHN420	UU - Upper Microwave Flexible Use Service						Y
WRHN421	UU - Upper Microwave Flexible Use Service						Y
WRHN422	UU - Upper Microwave Flexible Use Service						Y
WRHN431	UU - Upper Microwave Flexible Use Service						Y
WRHN432	UU - Upper Microwave Flexible Use Service						Y
WRHN433	UU - Upper Microwave Flexible Use Service						Y
WRHN434	UU - Upper Microwave Flexible Use Service						Y
WRHN435	UU - Upper Microwave Flexible Use Service						Y
WRHN436	UU - Upper Microwave Flexible Use Service						Y
WRHN437	UU - Upper Microwave Flexible Use Service						Y

112) Call Sign	113) Radio Service Code	114) Location Number	115) Path Number (Microwave only)	116) Frequency Number	117) Lower or Center Frequency (MHz)	118) Upper Frequency (MHz)	119) Constructed Yes / No
WRHN438	UU - Upper Microwave Flexible Use Service						Y
WRHN439	UU - Upper Microwave Flexible Use Service						Y
WRHN440	UU - Upper Microwave Flexible Use Service						Y
WRHN441	UU - Upper Microwave Flexible Use Service						Y
WRHN442	UU - Upper Microwave Flexible Use Service						Y
WRHN443	UU - Upper Microwave Flexible Use Service						Y
WRHN444	UU - Upper Microwave Flexible Use Service						Y
WRHN445	UU - Upper Microwave Flexible Use Service						Y
WRHN446	UU - Upper Microwave Flexible Use Service						Y
WRHN447	UU - Upper Microwave Flexible Use Service						Y
WRHN448	UU - Upper Microwave Flexible Use Service						Y
WRHN449	UU - Upper Microwave Flexible Use Service						Y
WRHN450	UU - Upper Microwave Flexible Use Service						Y
WRHN451	UU - Upper Microwave Flexible Use Service						Y
WRHN452	UU - Upper Microwave Flexible Use Service						Y
WRHN453	UU - Upper Microwave Flexible Use Service						Y
WRHN459	UU - Upper Microwave Flexible Use Service						Y
WRHN460	UU - Upper Microwave Flexible Use Service						Y
WRHN461	UU - Upper Microwave Flexible Use Service						Y

112) Call Sign	113) Radio Service Code	114) Location Number	115) Path Number (Microwave only)	116) Frequency Number	117) Lower or Center Frequency (MHz)	118) Upper Frequency (MHz)	119) Constructed Yes / No
WRHN462	UU - Upper Microwave Flexible Use Service						Y
WRHN463	UU - Upper Microwave Flexible Use Service						Y
WRHN464	UU - Upper Microwave Flexible Use Service						Y
WRHN473	UU - Upper Microwave Flexible Use Service						Y
WRHN474	UU - Upper Microwave Flexible Use Service						Y
WRHN475	UU - Upper Microwave Flexible Use Service						Y
WRHN476	UU - Upper Microwave Flexible Use Service						Y
WRHN477	UU - Upper Microwave Flexible Use Service						Y
WRHN478	UU - Upper Microwave Flexible Use Service						Y
WRHN479	UU - Upper Microwave Flexible Use Service						Y
WRHN480	UU - Upper Microwave Flexible Use Service						Y
WRHN481	UU - Upper Microwave Flexible Use Service						Y
WRHN482	UU - Upper Microwave Flexible Use Service						Y
WRHN483	UU - Upper Microwave Flexible Use Service						Y
WRHN484	UU - Upper Microwave Flexible Use Service						Y
WRHN485	UU - Upper Microwave Flexible Use Service						Y
WRHN486	UU - Upper Microwave Flexible Use Service						Y
WRHN487	UU - Upper Microwave Flexible Use Service						Y
WRHN488	UU - Upper Microwave Flexible Use Service						Y

112) Call Sign	113) Radio Service Code	114) Location Number	115) Path Number (Microwave only)	116) Frequency Number	117) Lower or Center Frequency (MHz)	118) Upper Frequency (MHz)	119) Constructed Yes / No
WRHN489	UU - Upper Microwave Flexible Use Service						Y
WRHN490	UU - Upper Microwave Flexible Use Service						Y
WRHN491	UU - Upper Microwave Flexible Use Service						Y
WRHN492	UU - Upper Microwave Flexible Use Service						Y
WRHN493	UU - Upper Microwave Flexible Use Service						Y
WRHN494	UU - Upper Microwave Flexible Use Service						Y
WRHN495	UU - Upper Microwave Flexible Use Service						Y
WRHN496	UU - Upper Microwave Flexible Use Service						Y
WRHN497	UU - Upper Microwave Flexible Use Service						Y
WRHN498	UU - Upper Microwave Flexible Use Service						Y
WRHN499	UU - Upper Microwave Flexible Use Service						Y
WRHN500	UU - Upper Microwave Flexible Use Service						Y
WRHN501	UU - Upper Microwave Flexible Use Service						Y
WRHN502	UU - Upper Microwave Flexible Use Service						Y
WRHN503	UU - Upper Microwave Flexible Use Service						Y
WRHN504	UU - Upper Microwave Flexible Use Service						Y
WRHN505	UU - Upper Microwave Flexible Use Service						Y
WRHN506	UU - Upper Microwave Flexible Use Service						Y
WRHN507	UU - Upper Microwave Flexible Use Service						Y

112) Call Sign	113) Radio Service Code	114) Location Number	115) Path Number (Microwave only)	116) Frequency Number	117) Lower or Center Frequency (MHz)	118) Upper Frequency (MHz)	119) Constructed Yes / No
WRHN508	UU - Upper Microwave Flexible Use Service						Y
WRHN509	UU - Upper Microwave Flexible Use Service						Y
WRHN510	UU - Upper Microwave Flexible Use Service						Y
WRHN511	UU - Upper Microwave Flexible Use Service						Y
WRHN512	UU - Upper Microwave Flexible Use Service						Y
WRHN513	UU - Upper Microwave Flexible Use Service						Y
WRHN514	UU - Upper Microwave Flexible Use Service						Y
WRHN515	UU - Upper Microwave Flexible Use Service						Y
WRHN516	UU - Upper Microwave Flexible Use Service						Y
WRHN524	UU - Upper Microwave Flexible Use Service						Y
WRHN525	UU - Upper Microwave Flexible Use Service						Y
WRHN526	UU - Upper Microwave Flexible Use Service						Y
WRHN527	UU - Upper Microwave Flexible Use Service						Y
WRHN528	UU - Upper Microwave Flexible Use Service						Y
WRHN529	UU - Upper Microwave Flexible Use Service						Y
WRHN530	UU - Upper Microwave Flexible Use Service						Y
WRHN531	UU - Upper Microwave Flexible Use Service						Y
WRHN532	UU - Upper Microwave Flexible Use Service						Y
WRHN533	UU - Upper Microwave Flexible Use Service						Y

112) Call Sign	113) Radio Service Code	114) Location Number	115) Path Number (Microwave only)	116) Frequency Number	117) Lower or Center Frequency (MHz)	118) Upper Frequency (MHz)	119) Constructed Yes / No
WRHN540	UU - Upper Microwave Flexible Use Service						Y
WRHN541	UU - Upper Microwave Flexible Use Service						Y
WRHN542	UU - Upper Microwave Flexible Use Service						Y
WRHN543	UU - Upper Microwave Flexible Use Service						Y
WRHN544	UU - Upper Microwave Flexible Use Service						Y
WRHN545	UU - Upper Microwave Flexible Use Service						Y
WRHN546	UU - Upper Microwave Flexible Use Service						Y
WRHN547	UU - Upper Microwave Flexible Use Service						Y
WRHN548	UU - Upper Microwave Flexible Use Service						Y
WRHN549	UU - Upper Microwave Flexible Use Service						Y
WRHN550	UU - Upper Microwave Flexible Use Service						Y
WRHN551	UU - Upper Microwave Flexible Use Service						Y
WRHN552	UU - Upper Microwave Flexible Use Service						Y
WRHN553	UU - Upper Microwave Flexible Use Service						Y
WRHN554	UU - Upper Microwave Flexible Use Service						Y
WRHN555	UU - Upper Microwave Flexible Use Service						Y
WRHN566	UU - Upper Microwave Flexible Use Service						Y
WRHN567	UU - Upper Microwave Flexible Use Service						Y
WRHN568	UU - Upper Microwave Flexible Use Service						Y

112) Call Sign	113) Radio Service Code	114) Location Number	115) Path Number (Microwave only)	116) Frequency Number	117) Lower or Center Frequency (MHz)	118) Upper Frequency (MHz)	119) Constructed Yes / No
WRHN569	UU - Upper Microwave Flexible Use Service						Y
WRHN570	UU - Upper Microwave Flexible Use Service						Y
WRHN571	UU - Upper Microwave Flexible Use Service						Y
WRHN572	UU - Upper Microwave Flexible Use Service						Y
WRHN573	UU - Upper Microwave Flexible Use Service						Y
WRHN574	UU - Upper Microwave Flexible Use Service						Y
WRHN575	UU - Upper Microwave Flexible Use Service						Y
WRHN576	UU - Upper Microwave Flexible Use Service						Y
WRHN577	UU - Upper Microwave Flexible Use Service						Y
WRHN578	UU - Upper Microwave Flexible Use Service						Y
WRHN579	UU - Upper Microwave Flexible Use Service						Y
WRHN580	UU - Upper Microwave Flexible Use Service						Y
WRHN581	UU - Upper Microwave Flexible Use Service						Y
WRHN582	UU - Upper Microwave Flexible Use Service						Y
WRHN583	UU - Upper Microwave Flexible Use Service						Y
WRHN590	UU - Upper Microwave Flexible Use Service						Y
WRHN591	UU - Upper Microwave Flexible Use Service						Y
WRHN592	UU - Upper Microwave Flexible Use Service						Y
WRHN593	UU - Upper Microwave Flexible Use Service						Y

112) Call Sign	113) Radio Service Code	114) Location Number	115) Path Number (Microwave only)	116) Frequency Number	117) Lower or Center Frequency (MHz)	118) Upper Frequency (MHz)	119) Constructed Yes / No
WRHN594	UU - Upper Microwave Flexible Use Service						Y
WRHN609	UU - Upper Microwave Flexible Use Service						Y
WRHN610	UU - Upper Microwave Flexible Use Service						Y
WRHN611	UU - Upper Microwave Flexible Use Service						Y
WRHN612	UU - Upper Microwave Flexible Use Service						Y
WRHN613	UU - Upper Microwave Flexible Use Service						Y
WRHN614	UU - Upper Microwave Flexible Use Service						Y
WRHN615	UU - Upper Microwave Flexible Use Service						Y
WRHN616	UU - Upper Microwave Flexible Use Service						Y
WRHN617	UU - Upper Microwave Flexible Use Service						Y
WRHN618	UU - Upper Microwave Flexible Use Service						Y
WRHN639	UU - Upper Microwave Flexible Use Service						Y
WRHN640	UU - Upper Microwave Flexible Use Service						Y
WRHN641	UU - Upper Microwave Flexible Use Service						Y
WRHN642	UU - Upper Microwave Flexible Use Service						Y
WRHN643	UU - Upper Microwave Flexible Use Service						Y
WRHN644	UU - Upper Microwave Flexible Use Service						Y
WRHN645	UU - Upper Microwave Flexible Use Service						Y
WRHN646	UU - Upper Microwave Flexible Use Service						Y

112) Call Sign	113) Radio Service Code	114) Location Number	115) Path Number (Microwave only)	116) Frequency Number	117) Lower or Center Frequency (MHz)	118) Upper Frequency (MHz)	119) Constructed Yes / No
WRHN647	UU - Upper Microwave Flexible Use Service						Y
WRHN648	UU - Upper Microwave Flexible Use Service						Y
WRHN649	UU - Upper Microwave Flexible Use Service						Y
WRHN650	UU - Upper Microwave Flexible Use Service						Y
WRHN655	UU - Upper Microwave Flexible Use Service						Y
WRHN656	UU - Upper Microwave Flexible Use Service						Y
WRHN657	UU - Upper Microwave Flexible Use Service						Y
WRHN658	UU - Upper Microwave Flexible Use Service						Y
WRHN659	UU - Upper Microwave Flexible Use Service						Y
WRHN660	UU - Upper Microwave Flexible Use Service						Y
WRHN661	UU - Upper Microwave Flexible Use Service						Y
WRHN662	UU - Upper Microwave Flexible Use Service						Y
WRHN663	UU - Upper Microwave Flexible Use Service						Y
WRHN664	UU - Upper Microwave Flexible Use Service						Y
WRHN671	UU - Upper Microwave Flexible Use Service						Y
WRHN672	UU - Upper Microwave Flexible Use Service						Y
WRHN673	UU - Upper Microwave Flexible Use Service						Y
WRHN674	UU - Upper Microwave Flexible Use Service						Y
WRHN675	UU - Upper Microwave Flexible Use Service						Y

112) Call Sign	113) Radio Service Code	114) Location Number	115) Path Number (Microwave only)	116) Frequency Number	117) Lower or Center Frequency (MHz)	118) Upper Frequency (MHz)	119) Constructed Yes / No
WRHN676	UU - Upper Microwave Flexible Use Service						Y
WRHN677	UU - Upper Microwave Flexible Use Service						Y
WRHN678	UU - Upper Microwave Flexible Use Service						Y
WRHN679	UU - Upper Microwave Flexible Use Service						Y
WRHN680	UU - Upper Microwave Flexible Use Service						Y
WRHN701	UU - Upper Microwave Flexible Use Service						Y
WRHN702	UU - Upper Microwave Flexible Use Service						Y
WRHN703	UU - Upper Microwave Flexible Use Service						Y
WRHN704	UU - Upper Microwave Flexible Use Service						Y
WRHN705	UU - Upper Microwave Flexible Use Service						Y
WRHN706	UU - Upper Microwave Flexible Use Service						Y
WRHN707	UU - Upper Microwave Flexible Use Service						Y
WRHN708	UU - Upper Microwave Flexible Use Service						Y
WRHN709	UU - Upper Microwave Flexible Use Service						Y
WRHN710	UU - Upper Microwave Flexible Use Service						Y
WRHN711	UU - Upper Microwave Flexible Use Service						Y
WRHN712	UU - Upper Microwave Flexible Use Service						Y
WRHN713	UU - Upper Microwave Flexible Use Service						Y
WRHN714	UU - Upper Microwave Flexible Use Service						Y

112) Call Sign	113) Radio Service Code	114) Location Number	115) Path Number (Microwave only)	116) Frequency Number	117) Lower or Center Frequency (MHz)	118) Upper Frequency (MHz)	119) Constructed Yes / No
WRHN715	UU - Upper Microwave Flexible Use Service						Y
WRHN716	UU - Upper Microwave Flexible Use Service						Y
WRHN717	UU - Upper Microwave Flexible Use Service						Y
WRHN718	UU - Upper Microwave Flexible Use Service						Y
WRHN719	UU - Upper Microwave Flexible Use Service						Y
WRHN720	UU - Upper Microwave Flexible Use Service						Y
WRHN721	UU - Upper Microwave Flexible Use Service						Y
WRHN722	UU - Upper Microwave Flexible Use Service						Y
WRHN723	UU - Upper Microwave Flexible Use Service						Y
WRHN724	UU - Upper Microwave Flexible Use Service						Y
WRHN731	UU - Upper Microwave Flexible Use Service						Y
WRHN732	UU - Upper Microwave Flexible Use Service						Y
WRHN733	UU - Upper Microwave Flexible Use Service						Y
WRHN734	UU - Upper Microwave Flexible Use Service						Y
WRHN735	UU - Upper Microwave Flexible Use Service						Y
WRHN736	UU - Upper Microwave Flexible Use Service						Y
WRHN737	UU - Upper Microwave Flexible Use Service						Y
WRHN738	UU - Upper Microwave Flexible Use Service						Y
WRHN739	UU - Upper Microwave Flexible Use Service						Y

112) Call Sign	113) Radio Service Code	114) Location Number	115) Path Number (Microwave only)	116) Frequency Number	117) Lower or Center Frequency (MHz)	118) Upper Frequency (MHz)	119) Constructed Yes / No
WRHN740	UU - Upper Microwave Flexible Use Service						Y
WRHN741	UU - Upper Microwave Flexible Use Service						Y
WRHN742	UU - Upper Microwave Flexible Use Service						Y
WRHN786	UU - Upper Microwave Flexible Use Service						Y
WRHN787	UU - Upper Microwave Flexible Use Service						Y
WRHN788	UU - Upper Microwave Flexible Use Service						Y
WRHN789	UU - Upper Microwave Flexible Use Service						Y
WRHN790	UU - Upper Microwave Flexible Use Service						Y
WRHN799	UU - Upper Microwave Flexible Use Service						Y
WRHN800	UU - Upper Microwave Flexible Use Service						Y
WRHN801	UU - Upper Microwave Flexible Use Service						Y
WRHN802	UU - Upper Microwave Flexible Use Service						Y
WRHN821	UU - Upper Microwave Flexible Use Service						Y
WRHN822	UU - Upper Microwave Flexible Use Service						Y
WRHN823	UU - Upper Microwave Flexible Use Service						Y
WRHN824	UU - Upper Microwave Flexible Use Service						Y
WRHN825	UU - Upper Microwave Flexible Use Service						Y
WRHN826	UU - Upper Microwave Flexible Use Service						Y
WRHN833	UU - Upper Microwave Flexible Use Service						Y

112) Call Sign	113) Radio Service Code	114) Location Number	115) Path Number (Microwave only)	116) Frequency Number	117) Lower or Center Frequency (MHz)	118) Upper Frequency (MHz)	119) Constructed Yes / No
WRHN834	UU - Upper Microwave Flexible Use Service						Y
WRHN835	UU - Upper Microwave Flexible Use Service						Y
WRHN836	UU - Upper Microwave Flexible Use Service						Y
WRHN837	UU - Upper Microwave Flexible Use Service						Y
WRHN838	UU - Upper Microwave Flexible Use Service						Y
WRHN839	UU - Upper Microwave Flexible Use Service						Y
WRHN840	UU - Upper Microwave Flexible Use Service						Y
WRHN841	UU - Upper Microwave Flexible Use Service						Y
WRHN842	UU - Upper Microwave Flexible Use Service						Y
WRHN843	UU - Upper Microwave Flexible Use Service						Y
WRHN844	UU - Upper Microwave Flexible Use Service						Y
WRHN845	UU - Upper Microwave Flexible Use Service						Y
WRHN846	UU - Upper Microwave Flexible Use Service						Y
WRHN847	UU - Upper Microwave Flexible Use Service						Y
WRHN848	UU - Upper Microwave Flexible Use Service						Y
WRHN853	UU - Upper Microwave Flexible Use Service						Y
WRHN854	UU - Upper Microwave Flexible Use Service						Y
WRHN855	UU - Upper Microwave Flexible Use Service						Y
WRHN856	UU - Upper Microwave Flexible Use Service						Y

112) Call Sign	113) Radio Service Code	114) Location Number	115) Path Number (Microwave only)	116) Frequency Number	117) Lower or Center Frequency (MHz)	118) Upper Frequency (MHz)	119) Constructed Yes / No
WRHN857	UU - Upper Microwave Flexible Use Service						Y
WRHN858	UU - Upper Microwave Flexible Use Service						Y
WRHN859	UU - Upper Microwave Flexible Use Service						Y
WRHN872	UU - Upper Microwave Flexible Use Service						Y
WRHN873	UU - Upper Microwave Flexible Use Service						Y
WRHN874	UU - Upper Microwave Flexible Use Service						Y
WRHN875	UU - Upper Microwave Flexible Use Service						Y
WRHN876	UU - Upper Microwave Flexible Use Service						Y
WRHN877	UU - Upper Microwave Flexible Use Service						Y
WRHN878	UU - Upper Microwave Flexible Use Service						Y
WRHN879	UU - Upper Microwave Flexible Use Service						Y
WRHN880	UU - Upper Microwave Flexible Use Service						Y
WRHN881	UU - Upper Microwave Flexible Use Service						Y
WRHN882	UU - Upper Microwave Flexible Use Service						Y
WRHN883	UU - Upper Microwave Flexible Use Service						Y
WRHN884	UU - Upper Microwave Flexible Use Service						Y
WRHN885	UU - Upper Microwave Flexible Use Service						Y
WRHN886	UU - Upper Microwave Flexible Use Service						Y
WRHN887	UU - Upper Microwave Flexible Use Service						Y

112) Call Sign	113) Radio Service Code	114) Location Number	115) Path Number (Microwave only)	116) Frequency Number	117) Lower or Center Frequency (MHz)	118) Upper Frequency (MHz)	119) Constructed Yes / No
WRHN888	UU - Upper Microwave Flexible Use Service						Y
WRHN889	UU - Upper Microwave Flexible Use Service						Y
WRHN892	UU - Upper Microwave Flexible Use Service						Y
WRHN893	UU - Upper Microwave Flexible Use Service						Y
WRHN894	UU - Upper Microwave Flexible Use Service						Y
WRHN895	UU - Upper Microwave Flexible Use Service						Y
WRHN896	UU - Upper Microwave Flexible Use Service						Y
WRHN897	UU - Upper Microwave Flexible Use Service						Y
WRHN898	UU - Upper Microwave Flexible Use Service						Y
WRHN899	UU - Upper Microwave Flexible Use Service						Y
WRHN910	UU - Upper Microwave Flexible Use Service						Y
WRHN911	UU - Upper Microwave Flexible Use Service						Y
WRHN912	UU - Upper Microwave Flexible Use Service						Y
WRHN913	UU - Upper Microwave Flexible Use Service						Y
WRHN914	UU - Upper Microwave Flexible Use Service						Y
WRHN915	UU - Upper Microwave Flexible Use Service						Y
WRHN916	UU - Upper Microwave Flexible Use Service						Y
WRHN917	UU - Upper Microwave Flexible Use Service						Y
WRHN918	UU - Upper Microwave Flexible Use Service						Y

112) Call Sign	113) Radio Service Code	114) Location Number	115) Path Number (Microwave only)	116) Frequency Number	117) Lower or Center Frequency (MHz)	118) Upper Frequency (MHz)	119) Constructed Yes / No
WRHN919	UU - Upper Microwave Flexible Use Service						Y
WRHN920	UU - Upper Microwave Flexible Use Service						Y
WRHN921	UU - Upper Microwave Flexible Use Service						Y
WRHN922	UU - Upper Microwave Flexible Use Service						Y
WRHN923	UU - Upper Microwave Flexible Use Service						Y
WRHN924	UU - Upper Microwave Flexible Use Service						Y
WRHN925	UU - Upper Microwave Flexible Use Service						Y
WRHN926	UU - Upper Microwave Flexible Use Service						Y
WRHN927	UU - Upper Microwave Flexible Use Service						Y
WRHN928	UU - Upper Microwave Flexible Use Service						Y
WRHN929	UU - Upper Microwave Flexible Use Service						Y
WRHN930	UU - Upper Microwave Flexible Use Service						Y
WRHN931	UU - Upper Microwave Flexible Use Service						Y
WRHN932	UU - Upper Microwave Flexible Use Service						Y
WRHN933	UU - Upper Microwave Flexible Use Service						Y
WRHN934	UU - Upper Microwave Flexible Use Service						Y
WRHN935	UU - Upper Microwave Flexible Use Service						Y
WRHN936	UU - Upper Microwave Flexible Use Service						Y
WRHN937	UU - Upper Microwave Flexible Use Service						Y

112) Call Sign	113) Radio Service Code	114) Location Number	115) Path Number (Microwave only)	116) Frequency Number	117) Lower or Center Frequency (MHz)	118) Upper Frequency (MHz)	119) Constructed Yes / No
WRHN938	UU - Upper Microwave Flexible Use Service						Y
WRHN939	UU - Upper Microwave Flexible Use Service						Y
WRHN940	UU - Upper Microwave Flexible Use Service						Y
WRHN941	UU - Upper Microwave Flexible Use Service						Y
WRHN942	UU - Upper Microwave Flexible Use Service						Y
WRHN943	UU - Upper Microwave Flexible Use Service						Y
WRHN944	UU - Upper Microwave Flexible Use Service						Y
WRHN945	UU - Upper Microwave Flexible Use Service						Y
WRHN946	UU - Upper Microwave Flexible Use Service						Y
WRHN947	UU - Upper Microwave Flexible Use Service						Y
WRHN948	UU - Upper Microwave Flexible Use Service						Y
WRHN949	UU - Upper Microwave Flexible Use Service						Y
WRHN950	UU - Upper Microwave Flexible Use Service						Y
WRHN985	UU - Upper Microwave Flexible Use Service						Y
WRHN986	UU - Upper Microwave Flexible Use Service						Y
WRHN987	UU - Upper Microwave Flexible Use Service						Y
WRHN988	UU - Upper Microwave Flexible Use Service						Y
WRHN989	UU - Upper Microwave Flexible Use Service						Y
WRHN990	UU - Upper Microwave Flexible Use Service						Y

112) Call Sign	113) Radio Service Code	114) Location Number	115) Path Number (Microwave only)	116) Frequency Number	117) Lower or Center Frequency (MHz)	118) Upper Frequency (MHz)	119) Constructed Yes / No
WRHN999	UU - Upper Microwave Flexible Use Service						Y
WRHP200	UU - Upper Microwave Flexible Use Service						Y
WRHP201	UU - Upper Microwave Flexible Use Service						Y
WRHP202	UU - Upper Microwave Flexible Use Service						Y
WRHP203	UU - Upper Microwave Flexible Use Service						Y
WRHP204	UU - Upper Microwave Flexible Use Service						Y
WRHP205	UU - Upper Microwave Flexible Use Service						Y
WRHP206	UU - Upper Microwave Flexible Use Service						Y
WRHP207	UU - Upper Microwave Flexible Use Service						Y
WRHP212	UU - Upper Microwave Flexible Use Service						Y
WRHP213	UU - Upper Microwave Flexible Use Service						Y
WRHP214	UU - Upper Microwave Flexible Use Service						Y
WRHP215	UU - Upper Microwave Flexible Use Service						Y
WRHP216	UU - Upper Microwave Flexible Use Service						Y
WRHP217	UU - Upper Microwave Flexible Use Service						Y
WRHP218	UU - Upper Microwave Flexible Use Service						Y
WRHP219	UU - Upper Microwave Flexible Use Service						Y
WRHP220	UU - Upper Microwave Flexible Use Service						Y
WRHP221	UU - Upper Microwave Flexible Use Service						Y

112) Call Sign	113) Radio Service Code	114) Location Number	115) Path Number (Microwave only)	116) Frequency Number	117) Lower or Center Frequency (MHz)	118) Upper Frequency (MHz)	119) Constructed Yes / No
WRHP222	UU - Upper Microwave Flexible Use Service						Y
WRHP223	UU - Upper Microwave Flexible Use Service						Y
WRHP224	UU - Upper Microwave Flexible Use Service						Y
WRHP225	UU - Upper Microwave Flexible Use Service						Y
WRHP226	UU - Upper Microwave Flexible Use Service						Y
WRHP227	UU - Upper Microwave Flexible Use Service						Y
WRHP228	UU - Upper Microwave Flexible Use Service						Y
WRHP229	UU - Upper Microwave Flexible Use Service						Y
WRHP230	UU - Upper Microwave Flexible Use Service						Y
WRHP231	UU - Upper Microwave Flexible Use Service						Y
WRHP232	UU - Upper Microwave Flexible Use Service						Y
WRHP233	UU - Upper Microwave Flexible Use Service						Y
WRHP234	UU - Upper Microwave Flexible Use Service						Y
WRHP235	UU - Upper Microwave Flexible Use Service						Y
WRHP240	UU - Upper Microwave Flexible Use Service						Y
WRHP241	UU - Upper Microwave Flexible Use Service						Y
WRHP242	UU - Upper Microwave Flexible Use Service						Y
WRHP243	UU - Upper Microwave Flexible Use Service						Y
WRHP244	UU - Upper Microwave Flexible Use Service						Y

112) Call Sign	113) Radio Service Code	114) Location Number	115) Path Number (Microwave only)	116) Frequency Number	117) Lower or Center Frequency (MHz)	118) Upper Frequency (MHz)	119) Constructed Yes / No
WRHP245	UU - Upper Microwave Flexible Use Service						Y
WRHP246	UU - Upper Microwave Flexible Use Service						Y
WRHP247	UU - Upper Microwave Flexible Use Service						Y
WRHP248	UU - Upper Microwave Flexible Use Service						Y
WRHP249	UU - Upper Microwave Flexible Use Service						Y
WRHP250	UU - Upper Microwave Flexible Use Service						Y
WRHP251	UU - Upper Microwave Flexible Use Service						Y
WRHP252	UU - Upper Microwave Flexible Use Service						Y
WRHP253	UU - Upper Microwave Flexible Use Service						Y
WRHP254	UU - Upper Microwave Flexible Use Service						Y
WRHP255	UU - Upper Microwave Flexible Use Service						Y
WRHP256	UU - Upper Microwave Flexible Use Service						Y
WRHP257	UU - Upper Microwave Flexible Use Service						Y
WRHP258	UU - Upper Microwave Flexible Use Service						Y
WRHP259	UU - Upper Microwave Flexible Use Service						Y
WRHP260	UU - Upper Microwave Flexible Use Service						Y
WRHP261	UU - Upper Microwave Flexible Use Service						Y
WRHP262	UU - Upper Microwave Flexible Use Service						Y
WRHP263	UU - Upper Microwave Flexible Use Service						Y

112) Call Sign	113) Radio Service Code	114) Location Number	115) Path Number (Microwave only)	116) Frequency Number	117) Lower or Center Frequency (MHz)	118) Upper Frequency (MHz)	119) Constructed Yes / No
WRHP278	UU - Upper Microwave Flexible Use Service						Y
WRHP279	UU - Upper Microwave Flexible Use Service						Y
WRHP280	UU - Upper Microwave Flexible Use Service						Y
WRHP281	UU - Upper Microwave Flexible Use Service						Y
WRHP282	UU - Upper Microwave Flexible Use Service						Y
WRHP283	UU - Upper Microwave Flexible Use Service						Y
WRHP284	UU - Upper Microwave Flexible Use Service						Y
WRHP285	UU - Upper Microwave Flexible Use Service						Y
WRHP286	UU - Upper Microwave Flexible Use Service						Y
WRHP287	UU - Upper Microwave Flexible Use Service						Y
WRHP288	UU - Upper Microwave Flexible Use Service						Y
WRHP289	UU - Upper Microwave Flexible Use Service						Y
WRHP290	UU - Upper Microwave Flexible Use Service						Y
WRHP291	UU - Upper Microwave Flexible Use Service						Y
WRHP292	UU - Upper Microwave Flexible Use Service						Y
WRHP293	UU - Upper Microwave Flexible Use Service						Y
WRHP311	UU - Upper Microwave Flexible Use Service						Y
WRHP312	UU - Upper Microwave Flexible Use Service						Y
WRHP313	UU - Upper Microwave Flexible Use Service						Y

112) Call Sign	113) Radio Service Code	114) Location Number	115) Path Number (Microwave only)	116) Frequency Number	117) Lower or Center Frequency (MHz)	118) Upper Frequency (MHz)	119) Constructed Yes / No
WRHP314	UU - Upper Microwave Flexible Use Service						Y
WRHP315	UU - Upper Microwave Flexible Use Service						Y
WRHP316	UU - Upper Microwave Flexible Use Service						Y
WRHP317	UU - Upper Microwave Flexible Use Service						Y
WRHP318	UU - Upper Microwave Flexible Use Service						Y
WRHP319	UU - Upper Microwave Flexible Use Service						Y
WRHP320	UU - Upper Microwave Flexible Use Service						Y
WRHP321	UU - Upper Microwave Flexible Use Service						Y
WRHP322	UU - Upper Microwave Flexible Use Service						Y
WRHP323	UU - Upper Microwave Flexible Use Service						Y
WRHP324	UU - Upper Microwave Flexible Use Service						Y
WRHP325	UU - Upper Microwave Flexible Use Service						Y
WRHP326	UU - Upper Microwave Flexible Use Service						Y
WRHP327	UU - Upper Microwave Flexible Use Service						Y
WRHP328	UU - Upper Microwave Flexible Use Service						Y
WRHP329	UU - Upper Microwave Flexible Use Service						Y
WRHP330	UU - Upper Microwave Flexible Use Service						Y
WRHP335	UU - Upper Microwave Flexible Use Service						Y
WRHP336	UU - Upper Microwave Flexible Use Service						Y

112) Call Sign	113) Radio Service Code	114) Location Number	115) Path Number (Microwave only)	116) Frequency Number	117) Lower or Center Frequency (MHz)	118) Upper Frequency (MHz)	119) Constructed Yes / No
WRHP337	UU - Upper Microwave Flexible Use Service						Y
WRHP338	UU - Upper Microwave Flexible Use Service						Y
WRHP345	UU - Upper Microwave Flexible Use Service						Y
WRHP346	UU - Upper Microwave Flexible Use Service						Y
WRHP347	UU - Upper Microwave Flexible Use Service						Y
WRHP348	UU - Upper Microwave Flexible Use Service						Y
WRHP349	UU - Upper Microwave Flexible Use Service						Y
WRHP350	UU - Upper Microwave Flexible Use Service						Y
WRHP351	UU - Upper Microwave Flexible Use Service						Y
WRHP352	UU - Upper Microwave Flexible Use Service						Y
WRHP353	UU - Upper Microwave Flexible Use Service						Y
WRHP354	UU - Upper Microwave Flexible Use Service						Y
WRHP355	UU - Upper Microwave Flexible Use Service						Y
WRHP356	UU - Upper Microwave Flexible Use Service						Y
WRHP357	UU - Upper Microwave Flexible Use Service						Y
WRHP358	UU - Upper Microwave Flexible Use Service						Y
WRHP359	UU - Upper Microwave Flexible Use Service						Y
WRHP360	UU - Upper Microwave Flexible Use Service						Y
WRHP361	UU - Upper Microwave Flexible Use Service						Y

112) Call Sign	113) Radio Service Code	114) Location Number	115) Path Number (Microwave only)	116) Frequency Number	117) Lower or Center Frequency (MHz)	118) Upper Frequency (MHz)	119) Constructed Yes / No
WRHP362	UU - Upper Microwave Flexible Use Service						Y
WRHP363	UU - Upper Microwave Flexible Use Service						Y
WRHP364	UU - Upper Microwave Flexible Use Service						Y
WRHP365	UU - Upper Microwave Flexible Use Service						Y
WRHP366	UU - Upper Microwave Flexible Use Service						Y
WRHP367	UU - Upper Microwave Flexible Use Service						Y
WRHP368	UU - Upper Microwave Flexible Use Service						Y
WRHP369	UU - Upper Microwave Flexible Use Service						Y
WRHP370	UU - Upper Microwave Flexible Use Service						Y
WRHP371	UU - Upper Microwave Flexible Use Service						Y
WRHP372	UU - Upper Microwave Flexible Use Service						Y
WRHP379	UU - Upper Microwave Flexible Use Service						Y
WRHP380	UU - Upper Microwave Flexible Use Service						Y
WRHP381	UU - Upper Microwave Flexible Use Service						Y
WRHP386	UU - Upper Microwave Flexible Use Service						Y
WRHP387	UU - Upper Microwave Flexible Use Service						Y
WRHP388	UU - Upper Microwave Flexible Use Service						Y
WRHP389	UU - Upper Microwave Flexible Use Service						Y
WRHP390	UU - Upper Microwave Flexible Use Service						Y

112) Call Sign	113) Radio Service Code	114) Location Number	115) Path Number (Microwave only)	116) Frequency Number	117) Lower or Center Frequency (MHz)	118) Upper Frequency (MHz)	119) Constructed Yes / No
WRHP391	UU - Upper Microwave Flexible Use Service						Y
WRHP404	UU - Upper Microwave Flexible Use Service						Y
WRHP405	UU - Upper Microwave Flexible Use Service						Y
WRHP406	UU - Upper Microwave Flexible Use Service						Y
WRHP407	UU - Upper Microwave Flexible Use Service						Y
WRHP408	UU - Upper Microwave Flexible Use Service						Y
WRHP409	UU - Upper Microwave Flexible Use Service						Y
WRHP410	UU - Upper Microwave Flexible Use Service						Y
WRHP411	UU - Upper Microwave Flexible Use Service						Y
WRHP412	UU - Upper Microwave Flexible Use Service						Y
WRHP413	UU - Upper Microwave Flexible Use Service						Y
WRHP414	UU - Upper Microwave Flexible Use Service						Y
WRHP415	UU - Upper Microwave Flexible Use Service						Y
WRHP416	UU - Upper Microwave Flexible Use Service						Y
WRHP417	UU - Upper Microwave Flexible Use Service						Y
WRHP418	UU - Upper Microwave Flexible Use Service						Y
WRHP419	UU - Upper Microwave Flexible Use Service						Y
WRHP430	UU - Upper Microwave Flexible Use Service						Y
WRHP431	UU - Upper Microwave Flexible Use Service						Y

112) Call Sign	113) Radio Service Code	114) Location Number	115) Path Number (Microwave only)	116) Frequency Number	117) Lower or Center Frequency (MHz)	118) Upper Frequency (MHz)	119) Constructed Yes / No
WRHP432	UU - Upper Microwave Flexible Use Service						Y
WRHP433	UU - Upper Microwave Flexible Use Service						Y
WRHP434	UU - Upper Microwave Flexible Use Service						Y
WRHP435	UU - Upper Microwave Flexible Use Service						Y
WRHP436	UU - Upper Microwave Flexible Use Service						Y
WRHP437	UU - Upper Microwave Flexible Use Service						Y
WRHP442	UU - Upper Microwave Flexible Use Service						Y
WRHP443	UU - Upper Microwave Flexible Use Service						Y
WRHP444	UU - Upper Microwave Flexible Use Service						Y
WRHP445	UU - Upper Microwave Flexible Use Service						Y
WRHP446	UU - Upper Microwave Flexible Use Service						Y
WRHP447	UU - Upper Microwave Flexible Use Service						Y
WRHP448	UU - Upper Microwave Flexible Use Service						Y
WRHP449	UU - Upper Microwave Flexible Use Service						Y
WRHP450	UU - Upper Microwave Flexible Use Service						Y
WRHP451	UU - Upper Microwave Flexible Use Service						Y
WRHP452	UU - Upper Microwave Flexible Use Service						Y
WRHP453	UU - Upper Microwave Flexible Use Service						Y
WRHP454	UU - Upper Microwave Flexible Use Service						Y

112) Call Sign	113) Radio Service Code	114) Location Number	115) Path Number (Microwave only)	116) Frequency Number	117) Lower or Center Frequency (MHz)	118) Upper Frequency (MHz)	119) Constructed Yes / No
WRHP455	UU - Upper Microwave Flexible Use Service						Y
WRHP456	UU - Upper Microwave Flexible Use Service						Y
WRHP457	UU - Upper Microwave Flexible Use Service						Y
WRHP458	UU - Upper Microwave Flexible Use Service						Y
WRHP459	UU - Upper Microwave Flexible Use Service						Y
WRHP460	UU - Upper Microwave Flexible Use Service						Y
WRHP461	UU - Upper Microwave Flexible Use Service						Y
WRHP483	UU - Upper Microwave Flexible Use Service						Y
WRHP484	UU - Upper Microwave Flexible Use Service						Y
WRHP485	UU - Upper Microwave Flexible Use Service						Y
WRHP486	UU - Upper Microwave Flexible Use Service						Y
WRHP487	UU - Upper Microwave Flexible Use Service						Y
WRHP488	UU - Upper Microwave Flexible Use Service						Y
WRHP489	UU - Upper Microwave Flexible Use Service						Y
WRHP490	UU - Upper Microwave Flexible Use Service						Y
WRHP491	UU - Upper Microwave Flexible Use Service						Y
WRHP492	UU - Upper Microwave Flexible Use Service						Y
WRHP497	UU - Upper Microwave Flexible Use Service						Y
WRHP498	UU - Upper Microwave Flexible Use Service						Y

112) Call Sign	113) Radio Service Code	114) Location Number	115) Path Number (Microwave only)	116) Frequency Number	117) Lower or Center Frequency (MHz)	118) Upper Frequency (MHz)	119) Constructed Yes / No
WRHP499	UU - Upper Microwave Flexible Use Service						Y
WRHP500	UU - Upper Microwave Flexible Use Service						Y
WRHP501	UU - Upper Microwave Flexible Use Service						Y
WRHP502	UU - Upper Microwave Flexible Use Service						Y
WRHP503	UU - Upper Microwave Flexible Use Service						Y
WRHP504	UU - Upper Microwave Flexible Use Service						Y
WRHP505	UU - Upper Microwave Flexible Use Service						Y
WRHP506	UU - Upper Microwave Flexible Use Service						Y
WRHP507	UU - Upper Microwave Flexible Use Service						Y
WRHP508	UU - Upper Microwave Flexible Use Service						Y
WRHP509	UU - Upper Microwave Flexible Use Service						Y
WRHP510	UU - Upper Microwave Flexible Use Service						Y
WRHP511	UU - Upper Microwave Flexible Use Service						Y
WRHP512	UU - Upper Microwave Flexible Use Service						Y
WRHP537	UU - Upper Microwave Flexible Use Service						Y
WRHP538	UU - Upper Microwave Flexible Use Service						Y
WRHP539	UU - Upper Microwave Flexible Use Service						Y
WRHP556	UU - Upper Microwave Flexible Use Service						Y
WRHP557	UU - Upper Microwave Flexible Use Service						Y

112) Call Sign	113) Radio Service Code	114) Location Number	115) Path Number (Microwave only)	116) Frequency Number	117) Lower or Center Frequency (MHz)	118) Upper Frequency (MHz)	119) Constructed Yes / No
WRHP558	UU - Upper Microwave Flexible Use Service						Y
WRHP559	UU - Upper Microwave Flexible Use Service						Y
WRHP560	UU - Upper Microwave Flexible Use Service						Y
WRHP561	UU - Upper Microwave Flexible Use Service						Y
WRHP562	UU - Upper Microwave Flexible Use Service						Y
WRHP573	UU - Upper Microwave Flexible Use Service						Y
WRHP574	UU - Upper Microwave Flexible Use Service						Y
WRHP575	UU - Upper Microwave Flexible Use Service						Y
WRHP576	UU - Upper Microwave Flexible Use Service						Y
WRHP577	UU - Upper Microwave Flexible Use Service						Y
WRHP578	UU - Upper Microwave Flexible Use Service						Y
WRHP579	UU - Upper Microwave Flexible Use Service						Y
WRHP580	UU - Upper Microwave Flexible Use Service						Y
WRHP581	UU - Upper Microwave Flexible Use Service						Y
WRHP582	UU - Upper Microwave Flexible Use Service						Y
WRHP583	UU - Upper Microwave Flexible Use Service						Y
WRHP584	UU - Upper Microwave Flexible Use Service						Y
WRHP585	UU - Upper Microwave Flexible Use Service						Y
WRHP586	UU - Upper Microwave Flexible Use Service						Y

112) Call Sign	113) Radio Service Code	114) Location Number	115) Path Number (Microwave only)	116) Frequency Number	117) Lower or Center Frequency (MHz)	118) Upper Frequency (MHz)	119) Constructed Yes / No
WRHP587	UU - Upper Microwave Flexible Use Service						Y
WRHP588	UU - Upper Microwave Flexible Use Service						Y
WRHP589	UU - Upper Microwave Flexible Use Service						Y
WRHP590	UU - Upper Microwave Flexible Use Service						Y
WRHP591	UU - Upper Microwave Flexible Use Service						Y
WRHP592	UU - Upper Microwave Flexible Use Service						Y
WRHP593	UU - Upper Microwave Flexible Use Service						Y
WRHP594	UU - Upper Microwave Flexible Use Service						Y
WRHP595	UU - Upper Microwave Flexible Use Service						Y
WRHP596	UU - Upper Microwave Flexible Use Service						Y
WRHP597	UU - Upper Microwave Flexible Use Service						Y
WRHP598	UU - Upper Microwave Flexible Use Service						Y
WRHP606	UU - Upper Microwave Flexible Use Service						Y
WRHP607	UU - Upper Microwave Flexible Use Service						Y
WRHP608	UU - Upper Microwave Flexible Use Service						Y
WRHP609	UU - Upper Microwave Flexible Use Service						Y
WRHP610	UU - Upper Microwave Flexible Use Service						Y
WRHP611	UU - Upper Microwave Flexible Use Service						Y
WRHP612	UU - Upper Microwave Flexible Use Service						Y

112) Call Sign	113) Radio Service Code	114) Location Number	115) Path Number (Microwave only)	116) Frequency Number	117) Lower or Center Frequency (MHz)	118) Upper Frequency (MHz)	119) Constructed Yes / No
WRHP613	UU - Upper Microwave Flexible Use Service						Y
WRHP614	UU - Upper Microwave Flexible Use Service						Y
WRHP615	UU - Upper Microwave Flexible Use Service						Y
WRHP616	UU - Upper Microwave Flexible Use Service						Y
WRHP617	UU - Upper Microwave Flexible Use Service						Y
WRHP618	UU - Upper Microwave Flexible Use Service						Y
WRHP619	UU - Upper Microwave Flexible Use Service						Y
WRHP620	UU - Upper Microwave Flexible Use Service						Y
WRHP621	UU - Upper Microwave Flexible Use Service						Y
WRHP622	UU - Upper Microwave Flexible Use Service						Y
WRHP623	UU - Upper Microwave Flexible Use Service						Y
WRHP624	UU - Upper Microwave Flexible Use Service						Y
WRHP625	UU - Upper Microwave Flexible Use Service						Y
WRHP626	UU - Upper Microwave Flexible Use Service						Y
WRHP627	UU - Upper Microwave Flexible Use Service						Y
WRHP628	UU - Upper Microwave Flexible Use Service						Y
WRHP629	UU - Upper Microwave Flexible Use Service						Y
WRHP630	UU - Upper Microwave Flexible Use Service						Y
WRHP631	UU - Upper Microwave Flexible Use Service						Y

112) Call Sign	113) Radio Service Code	114) Location Number	115) Path Number (Microwave only)	116) Frequency Number	117) Lower or Center Frequency (MHz)	118) Upper Frequency (MHz)	119) Constructed Yes / No
WRHP632	UU - Upper Microwave Flexible Use Service						Y
WRHP633	UU - Upper Microwave Flexible Use Service						Y
WRHP634	UU - Upper Microwave Flexible Use Service						Y
WRHP635	UU - Upper Microwave Flexible Use Service						Y
WRHP636	UU - Upper Microwave Flexible Use Service						Y
WRHP637	UU - Upper Microwave Flexible Use Service						Y
WRHP638	UU - Upper Microwave Flexible Use Service						Y
WRHP639	UU - Upper Microwave Flexible Use Service						Y
WRHP646	UU - Upper Microwave Flexible Use Service						Y
WRHP647	UU - Upper Microwave Flexible Use Service						Y
WRHP648	UU - Upper Microwave Flexible Use Service						Y
WRHP649	UU - Upper Microwave Flexible Use Service						Y
WRHP650	UU - Upper Microwave Flexible Use Service						Y
WRHP651	UU - Upper Microwave Flexible Use Service						Y
WRHP652	UU - Upper Microwave Flexible Use Service						Y
WRHP653	UU - Upper Microwave Flexible Use Service						Y
WRHP654	UU - Upper Microwave Flexible Use Service						Y
WRHP655	UU - Upper Microwave Flexible Use Service						Y
WRHP656	UU - Upper Microwave Flexible Use Service						Y

112) Call Sign	113) Radio Service Code	114) Location Number	115) Path Number (Microwave only)	116) Frequency Number	117) Lower or Center Frequency (MHz)	118) Upper Frequency (MHz)	119) Constructed Yes / No
WRHP657	UU - Upper Microwave Flexible Use Service						Y
WRHP678	UU - Upper Microwave Flexible Use Service						Y
WRHP679	UU - Upper Microwave Flexible Use Service						Y
WRHP680	UU - Upper Microwave Flexible Use Service						Y
WRHP681	UU - Upper Microwave Flexible Use Service						Y
WRHP682	UU - Upper Microwave Flexible Use Service						Y
WRHP683	UU - Upper Microwave Flexible Use Service						Y
WRHP684	UU - Upper Microwave Flexible Use Service						Y
WRHP685	UU - Upper Microwave Flexible Use Service						Y
WRHP706	UU - Upper Microwave Flexible Use Service						Y
WRHP707	UU - Upper Microwave Flexible Use Service						Y
WRHP708	UU - Upper Microwave Flexible Use Service						Y
WRHP709	UU - Upper Microwave Flexible Use Service						Y
WRHP710	UU - Upper Microwave Flexible Use Service						Y
WRHP711	UU - Upper Microwave Flexible Use Service						Y
WRHP712	UU - Upper Microwave Flexible Use Service						Y
WRHP713	UU - Upper Microwave Flexible Use Service						Y
WRHP714	UU - Upper Microwave Flexible Use Service						Y
WRHP715	UU - Upper Microwave Flexible Use Service						Y

112) Call Sign	113) Radio Service Code	114) Location Number	115) Path Number (Microwave only)	116) Frequency Number	117) Lower or Center Frequency (MHz)	118) Upper Frequency (MHz)	119) Constructed Yes / No
WRHP724	UU - Upper Microwave Flexible Use Service						Y
WRHP725	UU - Upper Microwave Flexible Use Service						Y
WRHP726	UU - Upper Microwave Flexible Use Service						Y
WRHP727	UU - Upper Microwave Flexible Use Service						Y
WRHP728	UU - Upper Microwave Flexible Use Service						Y
WRHP729	UU - Upper Microwave Flexible Use Service						Y
WRHP730	UU - Upper Microwave Flexible Use Service						Y
WRHP731	UU - Upper Microwave Flexible Use Service						Y
WRHP732	UU - Upper Microwave Flexible Use Service						Y
WRHP733	UU - Upper Microwave Flexible Use Service						Y
WRHP734	UU - Upper Microwave Flexible Use Service						Y
WRHP735	UU - Upper Microwave Flexible Use Service						Y
WRHP736	UU - Upper Microwave Flexible Use Service						Y
WRHP737	UU - Upper Microwave Flexible Use Service						Y
WRHP738	UU - Upper Microwave Flexible Use Service						Y
WRHP749	UU - Upper Microwave Flexible Use Service						Y
WRHP750	UU - Upper Microwave Flexible Use Service						Y
WRHP751	UU - Upper Microwave Flexible Use Service						Y
WRHP752	UU - Upper Microwave Flexible Use Service						Y

112) Call Sign	113) Radio Service Code	114) Location Number	115) Path Number (Microwave only)	116) Frequency Number	117) Lower or Center Frequency (MHz)	118) Upper Frequency (MHz)	119) Constructed Yes / No
WRHP753	UU - Upper Microwave Flexible Use Service						Y
WRHP754	UU - Upper Microwave Flexible Use Service						Y
WRHP755	UU - Upper Microwave Flexible Use Service						Y
WRHP756	UU - Upper Microwave Flexible Use Service						Y
WRHP757	UU - Upper Microwave Flexible Use Service						Y
WRHP758	UU - Upper Microwave Flexible Use Service						Y
WRHP769	UU - Upper Microwave Flexible Use Service						Y
WRHP770	UU - Upper Microwave Flexible Use Service						Y
WRHP771	UU - Upper Microwave Flexible Use Service						Y
WRHP772	UU - Upper Microwave Flexible Use Service						Y
WRHP773	UU - Upper Microwave Flexible Use Service						Y
WRHP774	UU - Upper Microwave Flexible Use Service						Y
WRHP775	UU - Upper Microwave Flexible Use Service						Y
WRHP776	UU - Upper Microwave Flexible Use Service						Y
WRHP777	UU - Upper Microwave Flexible Use Service						Y
WRHP778	UU - Upper Microwave Flexible Use Service						Y
WRHP779	UU - Upper Microwave Flexible Use Service						Y
WRHP780	UU - Upper Microwave Flexible Use Service						Y
WRHP781	UU - Upper Microwave Flexible Use Service						Y

112) Call Sign	113) Radio Service Code	114) Location Number	115) Path Number (Microwave only)	116) Frequency Number	117) Lower or Center Frequency (MHz)	118) Upper Frequency (MHz)	119) Constructed Yes / No
WRHP782	UU - Upper Microwave Flexible Use Service						Y
WRHP783	UU - Upper Microwave Flexible Use Service						Y
WRHP784	UU - Upper Microwave Flexible Use Service						Y
WRHP785	UU - Upper Microwave Flexible Use Service						Y
WRHP786	UU - Upper Microwave Flexible Use Service						Y
WRHP787	UU - Upper Microwave Flexible Use Service						Y
WRHP788	UU - Upper Microwave Flexible Use Service						Y
WRHP789	UU - Upper Microwave Flexible Use Service						Y
WRHP790	UU - Upper Microwave Flexible Use Service						Y
WRHP791	UU - Upper Microwave Flexible Use Service						Y
WRHP792	UU - Upper Microwave Flexible Use Service						Y
WRHP793	UU - Upper Microwave Flexible Use Service						Y
WRHP794	UU - Upper Microwave Flexible Use Service						Y
WRHP795	UU - Upper Microwave Flexible Use Service						Y
WRHP796	UU - Upper Microwave Flexible Use Service						Y
WRHP797	UU - Upper Microwave Flexible Use Service						Y
WRHP798	UU - Upper Microwave Flexible Use Service						Y
WRHP799	UU - Upper Microwave Flexible Use Service						Y
WRHP800	UU - Upper Microwave Flexible Use Service						Y

112) Call Sign	113) Radio Service Code	114) Location Number	115) Path Number (Microwave only)	116) Frequency Number	117) Lower or Center Frequency (MHz)	118) Upper Frequency (MHz)	119) Constructed Yes / No
WRHP801	UU - Upper Microwave Flexible Use Service						Y
WRHP802	UU - Upper Microwave Flexible Use Service						Y
WRHP813	UU - Upper Microwave Flexible Use Service						Y
WRHP814	UU - Upper Microwave Flexible Use Service						Y
WRHP815	UU - Upper Microwave Flexible Use Service						Y
WRHP816	UU - Upper Microwave Flexible Use Service						Y
WRHP817	UU - Upper Microwave Flexible Use Service						Y
WRHP818	UU - Upper Microwave Flexible Use Service						Y
WRHP819	UU - Upper Microwave Flexible Use Service						Y
WRHP820	UU - Upper Microwave Flexible Use Service						Y
WRHP831	UU - Upper Microwave Flexible Use Service						Y
WRHP832	UU - Upper Microwave Flexible Use Service						Y
WRHP833	UU - Upper Microwave Flexible Use Service						Y
WRHP834	UU - Upper Microwave Flexible Use Service						Y
WRHP835	UU - Upper Microwave Flexible Use Service						Y
WRHP836	UU - Upper Microwave Flexible Use Service						Y
WRHP837	UU - Upper Microwave Flexible Use Service						Y
WRHP838	UU - Upper Microwave Flexible Use Service						Y
WRHP839	UU - Upper Microwave Flexible Use Service						Y

112) Call Sign	113) Radio Service Code	114) Location Number	115) Path Number (Microwave only)	116) Frequency Number	117) Lower or Center Frequency (MHz)	118) Upper Frequency (MHz)	119) Constructed Yes / No
WRHP840	UU - Upper Microwave Flexible Use Service						Y
WRHP841	UU - Upper Microwave Flexible Use Service						Y
WRHP842	UU - Upper Microwave Flexible Use Service						Y
WRHP843	UU - Upper Microwave Flexible Use Service						Y
WRHP844	UU - Upper Microwave Flexible Use Service						Y
WRHP851	UU - Upper Microwave Flexible Use Service						Y
WRHP852	UU - Upper Microwave Flexible Use Service						Y
WRHP853	UU - Upper Microwave Flexible Use Service						Y
WRHP854	UU - Upper Microwave Flexible Use Service						Y
WRHP855	UU - Upper Microwave Flexible Use Service						Y
WRHP856	UU - Upper Microwave Flexible Use Service						Y
WRHP857	UU - Upper Microwave Flexible Use Service						Y
WRHP858	UU - Upper Microwave Flexible Use Service						Y
WRHP859	UU - Upper Microwave Flexible Use Service						Y
WRHP860	UU - Upper Microwave Flexible Use Service						Y
WRHP861	UU - Upper Microwave Flexible Use Service						Y
WRHP862	UU - Upper Microwave Flexible Use Service						Y
WRHP873	UU - Upper Microwave Flexible Use Service						Y
WRHP874	UU - Upper Microwave Flexible Use Service						Y

112) Call Sign	113) Radio Service Code	114) Location Number	115) Path Number (Microwave only)	116) Frequency Number	117) Lower or Center Frequency (MHz)	118) Upper Frequency (MHz)	119) Constructed Yes / No
WRHP875	UU - Upper Microwave Flexible Use Service						Y
WRHP876	UU - Upper Microwave Flexible Use Service						Y
WRHP877	UU - Upper Microwave Flexible Use Service						Y
WRHP878	UU - Upper Microwave Flexible Use Service						Y
WRHP879	UU - Upper Microwave Flexible Use Service						Y
WRHP880	UU - Upper Microwave Flexible Use Service						Y
WRHP881	UU - Upper Microwave Flexible Use Service						Y
WRHP882	UU - Upper Microwave Flexible Use Service						Y
WRHP883	UU - Upper Microwave Flexible Use Service						Y
WRHP884	UU - Upper Microwave Flexible Use Service						Y
WRHP885	UU - Upper Microwave Flexible Use Service						Y
WRHP886	UU - Upper Microwave Flexible Use Service						Y
WRHP887	UU - Upper Microwave Flexible Use Service						Y
WRHP888	UU - Upper Microwave Flexible Use Service						Y
WRHP889	UU - Upper Microwave Flexible Use Service						Y
WRHP896	UU - Upper Microwave Flexible Use Service						Y
WRHP897	UU - Upper Microwave Flexible Use Service						Y
WRHP898	UU - Upper Microwave Flexible Use Service						Y
WRHP899	UU - Upper Microwave Flexible Use Service						Y

112) Call Sign	113) Radio Service Code	114) Location Number	115) Path Number (Microwave only)	116) Frequency Number	117) Lower or Center Frequency (MHz)	118) Upper Frequency (MHz)	119) Constructed Yes / No
WRHP900	UU - Upper Microwave Flexible Use Service						Y
WRHP901	UU - Upper Microwave Flexible Use Service						Y
WRHP902	UU - Upper Microwave Flexible Use Service						Y
WRHP903	UU - Upper Microwave Flexible Use Service						Y
WRHP904	UU - Upper Microwave Flexible Use Service						Y
WRHP905	UU - Upper Microwave Flexible Use Service						Y
WRHP906	UU - Upper Microwave Flexible Use Service						Y
WRHP907	UU - Upper Microwave Flexible Use Service						Y
WRHP908	UU - Upper Microwave Flexible Use Service						Y
WRHP909	UU - Upper Microwave Flexible Use Service						Y
WRHP910	UU - Upper Microwave Flexible Use Service						Y
WRHP911	UU - Upper Microwave Flexible Use Service						Y
WRHP912	UU - Upper Microwave Flexible Use Service						Y
WRHP913	UU - Upper Microwave Flexible Use Service						Y
WRHP914	UU - Upper Microwave Flexible Use Service						Y
WRHP915	UU - Upper Microwave Flexible Use Service						Y
WRHP916	UU - Upper Microwave Flexible Use Service						Y
WRHP917	UU - Upper Microwave Flexible Use Service						Y
WRHP918	UU - Upper Microwave Flexible Use Service						Y

112) Call Sign	113) Radio Service Code	114) Location Number	115) Path Number (Microwave only)	116) Frequency Number	117) Lower or Center Frequency (MHz)	118) Upper Frequency (MHz)	119) Constructed Yes / No
WRHP919	UU - Upper Microwave Flexible Use Service						Y
WRHP920	UU - Upper Microwave Flexible Use Service						Y
WRHP921	UU - Upper Microwave Flexible Use Service						Y
WRHP922	UU - Upper Microwave Flexible Use Service						Y
WRHP923	UU - Upper Microwave Flexible Use Service						Y
WRHP924	UU - Upper Microwave Flexible Use Service						Y
WRHP925	UU - Upper Microwave Flexible Use Service						Y
WRHP926	UU - Upper Microwave Flexible Use Service						Y
WRHP927	UU - Upper Microwave Flexible Use Service						Y
WRHP928	UU - Upper Microwave Flexible Use Service						Y
WRHP929	UU - Upper Microwave Flexible Use Service						Y
WRHP930	UU - Upper Microwave Flexible Use Service						Y
WRHP931	UU - Upper Microwave Flexible Use Service						Y
WRHP932	UU - Upper Microwave Flexible Use Service						Y
WRHP933	UU - Upper Microwave Flexible Use Service						Y
WRHP934	UU - Upper Microwave Flexible Use Service						Y
WRHP935	UU - Upper Microwave Flexible Use Service						Y
WRHP936	UU - Upper Microwave Flexible Use Service						Y
WRHP937	UU - Upper Microwave Flexible Use Service						Y

112) Call Sign	113) Radio Service Code	114) Location Number	115) Path Number (Microwave only)	116) Frequency Number	117) Lower or Center Frequency (MHz)	118) Upper Frequency (MHz)	119) Constructed Yes / No
WRHP938	UU - Upper Microwave Flexible Use Service						Y
WRHP939	UU - Upper Microwave Flexible Use Service						Y
WRHP940	UU - Upper Microwave Flexible Use Service						Y
WRHP941	UU - Upper Microwave Flexible Use Service						Y
WRHP942	UU - Upper Microwave Flexible Use Service						Y
WRHP943	UU - Upper Microwave Flexible Use Service						Y
WRHP944	UU - Upper Microwave Flexible Use Service						Y
WRHP945	UU - Upper Microwave Flexible Use Service						Y
WRHP946	UU - Upper Microwave Flexible Use Service						Y
WRHP947	UU - Upper Microwave Flexible Use Service						Y
WRHP948	UU - Upper Microwave Flexible Use Service						Y
WRHP957	UU - Upper Microwave Flexible Use Service						Y
WRHP958	UU - Upper Microwave Flexible Use Service						Y
WRHP959	UU - Upper Microwave Flexible Use Service						Y
WRHP960	UU - Upper Microwave Flexible Use Service						Y
WRHP961	UU - Upper Microwave Flexible Use Service						Y
WRHP962	UU - Upper Microwave Flexible Use Service						Y
WRHP963	UU - Upper Microwave Flexible Use Service						Y
WRHP964	UU - Upper Microwave Flexible Use Service						Y

112) Call Sign	113) Radio Service Code	114) Location Number	115) Path Number (Microwave only)	116) Frequency Number	117) Lower or Center Frequency (MHz)	118) Upper Frequency (MHz)	119) Constructed Yes / No
WRHP965	UU - Upper Microwave Flexible Use Service						Y
WRHP966	UU - Upper Microwave Flexible Use Service						Y
WRHP977	UU - Upper Microwave Flexible Use Service						Y
WRHP978	UU - Upper Microwave Flexible Use Service						Y
WRHP979	UU - Upper Microwave Flexible Use Service						Y
WRHP980	UU - Upper Microwave Flexible Use Service						Y
WRHP981	UU - Upper Microwave Flexible Use Service						Y
WRHP982	UU - Upper Microwave Flexible Use Service						Y
WRHP983	UU - Upper Microwave Flexible Use Service						Y
WRHP984	UU - Upper Microwave Flexible Use Service						Y
WRHP985	UU - Upper Microwave Flexible Use Service						Y
WRHP986	UU - Upper Microwave Flexible Use Service						Y
WRHP987	UU - Upper Microwave Flexible Use Service						Y
WRHP988	UU - Upper Microwave Flexible Use Service						Y
WRHP989	UU - Upper Microwave Flexible Use Service						Y
WRHP990	UU - Upper Microwave Flexible Use Service						Y
WRHP991	UU - Upper Microwave Flexible Use Service						Y
WRHP992	UU - Upper Microwave Flexible Use Service						Y
WRHP993	UU - Upper Microwave Flexible Use Service						Y

112) Call Sign	113) Radio Service Code	114) Location Number	115) Path Number (Microwave only)	116) Frequency Number	117) Lower or Center Frequency (MHz)	118) Upper Frequency (MHz)	119) Constructed Yes / No
WRHP994	UU - Upper Microwave Flexible Use Service						Y
WRHP995	UU - Upper Microwave Flexible Use Service						Y
WRHP996	UU - Upper Microwave Flexible Use Service						Y
WRHP997	UU - Upper Microwave Flexible Use Service						Y
WRHP998	UU - Upper Microwave Flexible Use Service						Y
WRHP999	UU - Upper Microwave Flexible Use Service						Y
WRHQ200	UU - Upper Microwave Flexible Use Service						Y
WRHQ201	UU - Upper Microwave Flexible Use Service						Y
WRHQ202	UU - Upper Microwave Flexible Use Service						Y
WRHQ203	UU - Upper Microwave Flexible Use Service						Y
WRHQ204	UU - Upper Microwave Flexible Use Service						Y
WRHQ205	UU - Upper Microwave Flexible Use Service						Y
WRHQ206	UU - Upper Microwave Flexible Use Service						Y
WRHQ207	UU - Upper Microwave Flexible Use Service						Y
WRHQ208	UU - Upper Microwave Flexible Use Service						Y
WRHQ209	UU - Upper Microwave Flexible Use Service						Y
WRHQ210	UU - Upper Microwave Flexible Use Service						Y
WRHQ211	UU - Upper Microwave Flexible Use Service						Y
WRHQ212	UU - Upper Microwave Flexible Use Service						Y

112) Call Sign	113) Radio Service Code	114) Location Number	115) Path Number (Microwave only)	116) Frequency Number	117) Lower or Center Frequency (MHz)	118) Upper Frequency (MHz)	119) Constructed Yes / No
WRHQ213	UU - Upper Microwave Flexible Use Service						Y
WRHQ214	UU - Upper Microwave Flexible Use Service						Y
WRHQ215	UU - Upper Microwave Flexible Use Service						Y
WRHQ226	UU - Upper Microwave Flexible Use Service						Y
WRHQ227	UU - Upper Microwave Flexible Use Service						Y
WRHQ228	UU - Upper Microwave Flexible Use Service						Y
WRHQ229	UU - Upper Microwave Flexible Use Service						Y
WRHQ230	UU - Upper Microwave Flexible Use Service						Y
WRHQ231	UU - Upper Microwave Flexible Use Service						Y
WRHQ232	UU - Upper Microwave Flexible Use Service						Y
WRHQ233	UU - Upper Microwave Flexible Use Service						Y
WRHQ244	UU - Upper Microwave Flexible Use Service						Y
WRHQ245	UU - Upper Microwave Flexible Use Service						Y
WRHQ246	UU - Upper Microwave Flexible Use Service						Y
WRHQ247	UU - Upper Microwave Flexible Use Service						Y
WRHQ264	UU - Upper Microwave Flexible Use Service						Y
WRHQ265	UU - Upper Microwave Flexible Use Service						Y
WRHQ266	UU - Upper Microwave Flexible Use Service						Y
WRHQ267	UU - Upper Microwave Flexible Use Service						Y

112) Call Sign	113) Radio Service Code	114) Location Number	115) Path Number (Microwave only)	116) Frequency Number	117) Lower or Center Frequency (MHz)	118) Upper Frequency (MHz)	119) Constructed Yes / No
WRHQ268	UU - Upper Microwave Flexible Use Service						Y
WRHQ269	UU - Upper Microwave Flexible Use Service						Y
WRHQ270	UU - Upper Microwave Flexible Use Service						Y
WRHQ271	UU - Upper Microwave Flexible Use Service						Y
WRHQ272	UU - Upper Microwave Flexible Use Service						Y
WRHQ273	UU - Upper Microwave Flexible Use Service						Y
WRHQ278	UU - Upper Microwave Flexible Use Service						Y
WRHQ279	UU - Upper Microwave Flexible Use Service						Y
WRHQ280	UU - Upper Microwave Flexible Use Service						Y
WRHQ281	UU - Upper Microwave Flexible Use Service						Y
WRHQ282	UU - Upper Microwave Flexible Use Service						Y
WRHQ283	UU - Upper Microwave Flexible Use Service						Y
WRHQ284	UU - Upper Microwave Flexible Use Service						Y
WRHQ285	UU - Upper Microwave Flexible Use Service						Y
WRHQ286	UU - Upper Microwave Flexible Use Service						Y
WRHQ287	UU - Upper Microwave Flexible Use Service						Y
WRHQ292	UU - Upper Microwave Flexible Use Service						Y
WRHQ293	UU - Upper Microwave Flexible Use Service						Y
WRHQ306	UU - Upper Microwave Flexible Use Service						Y

112) Call Sign	113) Radio Service Code	114) Location Number	115) Path Number (Microwave only)	116) Frequency Number	117) Lower or Center Frequency (MHz)	118) Upper Frequency (MHz)	119) Constructed Yes / No
WRHQ307	UU - Upper Microwave Flexible Use Service						Y
WRHQ308	UU - Upper Microwave Flexible Use Service						Y
WRHQ309	UU - Upper Microwave Flexible Use Service						Y
WRHQ310	UU - Upper Microwave Flexible Use Service						Y
WRHQ311	UU - Upper Microwave Flexible Use Service						Y
WRHQ312	UU - Upper Microwave Flexible Use Service						Y
WRHQ313	UU - Upper Microwave Flexible Use Service						Y
WRHQ314	UU - Upper Microwave Flexible Use Service						Y
WRHQ315	UU - Upper Microwave Flexible Use Service						Y
WRHQ326	UU - Upper Microwave Flexible Use Service						Y
WRHQ327	UU - Upper Microwave Flexible Use Service						Y
WRHQ328	UU - Upper Microwave Flexible Use Service						Y
WRHQ329	UU - Upper Microwave Flexible Use Service						Y
WRHQ330	UU - Upper Microwave Flexible Use Service						Y
WRHQ331	UU - Upper Microwave Flexible Use Service						Y
WRHQ332	UU - Upper Microwave Flexible Use Service						Y
WRHQ333	UU - Upper Microwave Flexible Use Service						Y
WRHQ334	UU - Upper Microwave Flexible Use Service						Y
WRHQ335	UU - Upper Microwave Flexible Use Service						Y

112) Call Sign	113) Radio Service Code	114) Location Number	115) Path Number (Microwave only)	116) Frequency Number	117) Lower or Center Frequency (MHz)	118) Upper Frequency (MHz)	119) Constructed Yes / No
WRHQ336	UU - Upper Microwave Flexible Use Service						Y
WRHQ337	UU - Upper Microwave Flexible Use Service						Y
WRHQ338	UU - Upper Microwave Flexible Use Service						Y
WRHQ339	UU - Upper Microwave Flexible Use Service						Y
WRHQ340	UU - Upper Microwave Flexible Use Service						Y
WRHQ341	UU - Upper Microwave Flexible Use Service						Y
WRHQ342	UU - Upper Microwave Flexible Use Service						Y
WRHQ343	UU - Upper Microwave Flexible Use Service						Y
WRHQ344	UU - Upper Microwave Flexible Use Service						Y
WRHQ345	UU - Upper Microwave Flexible Use Service						Y
WRHQ346	UU - Upper Microwave Flexible Use Service						Y
WRHQ347	UU - Upper Microwave Flexible Use Service						Y
WRHQ348	UU - Upper Microwave Flexible Use Service						Y
WRHQ349	UU - Upper Microwave Flexible Use Service						Y
WRHQ350	UU - Upper Microwave Flexible Use Service						Y
WRHQ351	UU - Upper Microwave Flexible Use Service						Y
WRHQ352	UU - Upper Microwave Flexible Use Service						Y
WRHQ353	UU - Upper Microwave Flexible Use Service						Y
WRHQ354	UU - Upper Microwave Flexible Use Service						Y

112) Call Sign	113) Radio Service Code	114) Location Number	115) Path Number (Microwave only)	116) Frequency Number	117) Lower or Center Frequency (MHz)	118) Upper Frequency (MHz)	119) Constructed Yes / No
WRHQ355	UU - Upper Microwave Flexible Use Service						Y
WRHQ356	UU - Upper Microwave Flexible Use Service						Y
WRHQ357	UU - Upper Microwave Flexible Use Service						Y
WRHQ358	UU - Upper Microwave Flexible Use Service						Y
WRHQ359	UU - Upper Microwave Flexible Use Service						Y
WRHQ360	UU - Upper Microwave Flexible Use Service						Y
WRHQ361	UU - Upper Microwave Flexible Use Service						Y
WRHQ362	UU - Upper Microwave Flexible Use Service						Y
WRHQ363	UU - Upper Microwave Flexible Use Service						Y
WRHQ364	UU - Upper Microwave Flexible Use Service						Y
WRHQ365	UU - Upper Microwave Flexible Use Service						Y
WRHQ366	UU - Upper Microwave Flexible Use Service						Y
WRHQ367	UU - Upper Microwave Flexible Use Service						Y
WRHQ368	UU - Upper Microwave Flexible Use Service						Y
WRHQ369	UU - Upper Microwave Flexible Use Service						Y
WRHQ370	UU - Upper Microwave Flexible Use Service						Y
WRHQ371	UU - Upper Microwave Flexible Use Service						Y
WRHQ372	UU - Upper Microwave Flexible Use Service						Y
WRHQ373	UU - Upper Microwave Flexible Use Service						Y

112) Call Sign	113) Radio Service Code	114) Location Number	115) Path Number (Microwave only)	116) Frequency Number	117) Lower or Center Frequency (MHz)	118) Upper Frequency (MHz)	119) Constructed Yes / No
WRHQ374	UU - Upper Microwave Flexible Use Service						Y
WRHQ375	UU - Upper Microwave Flexible Use Service						Y
WRHQ376	UU - Upper Microwave Flexible Use Service						Y
WRHQ377	UU - Upper Microwave Flexible Use Service						Y
WRHQ378	UU - Upper Microwave Flexible Use Service						Y
WRHQ379	UU - Upper Microwave Flexible Use Service						Y
WRHQ380	UU - Upper Microwave Flexible Use Service						Y
WRHQ381	UU - Upper Microwave Flexible Use Service						Y
WRHQ382	UU - Upper Microwave Flexible Use Service						Y
WRHQ383	UU - Upper Microwave Flexible Use Service						Y
WRHQ384	UU - Upper Microwave Flexible Use Service						Y
WRHQ385	UU - Upper Microwave Flexible Use Service						Y
WRHQ386	UU - Upper Microwave Flexible Use Service						Y
WRHQ387	UU - Upper Microwave Flexible Use Service						Y
WRHQ388	UU - Upper Microwave Flexible Use Service						Y
WRHQ389	UU - Upper Microwave Flexible Use Service						Y
WRHQ390	UU - Upper Microwave Flexible Use Service						Y
WRHQ391	UU - Upper Microwave Flexible Use Service						Y
WRHQ392	UU - Upper Microwave Flexible Use Service						Y

112) Call Sign	113) Radio Service Code	114) Location Number	115) Path Number (Microwave only)	116) Frequency Number	117) Lower or Center Frequency (MHz)	118) Upper Frequency (MHz)	119) Constructed Yes / No
WRHQ393	UU - Upper Microwave Flexible Use Service						Y
WRHQ394	UU - Upper Microwave Flexible Use Service						Y
WRHQ399	UU - Upper Microwave Flexible Use Service						Y
WRHQ400	UU - Upper Microwave Flexible Use Service						Y
WRHQ401	UU - Upper Microwave Flexible Use Service						Y
WRHQ402	UU - Upper Microwave Flexible Use Service						Y
WRHQ403	UU - Upper Microwave Flexible Use Service						Y
WRHQ404	UU - Upper Microwave Flexible Use Service						Y
WRHQ405	UU - Upper Microwave Flexible Use Service						Y
WRHQ406	UU - Upper Microwave Flexible Use Service						Y
WRHQ407	UU - Upper Microwave Flexible Use Service						Y
WRHQ408	UU - Upper Microwave Flexible Use Service						Y
WRHQ409	UU - Upper Microwave Flexible Use Service						Y
WRHQ410	UU - Upper Microwave Flexible Use Service						Y
WRHQ411	UU - Upper Microwave Flexible Use Service						Y
WRHQ412	UU - Upper Microwave Flexible Use Service						Y
WRHQ413	UU - Upper Microwave Flexible Use Service						Y
WRHQ414	UU - Upper Microwave Flexible Use Service						Y
WRHQ415	UU - Upper Microwave Flexible Use Service						Y

112) Call Sign	113) Radio Service Code	114) Location Number	115) Path Number (Microwave only)	116) Frequency Number	117) Lower or Center Frequency (MHz)	118) Upper Frequency (MHz)	119) Constructed Yes / No
WRHQ416	UU - Upper Microwave Flexible Use Service						Y
WRHQ417	UU - Upper Microwave Flexible Use Service						Y
WRHQ418	UU - Upper Microwave Flexible Use Service						Y
WRHQ419	UU - Upper Microwave Flexible Use Service						Y
WRHQ420	UU - Upper Microwave Flexible Use Service						Y
WRHQ421	UU - Upper Microwave Flexible Use Service						Y
WRHQ422	UU - Upper Microwave Flexible Use Service						Y
WRHQ423	UU - Upper Microwave Flexible Use Service						Y
WRHQ424	UU - Upper Microwave Flexible Use Service						Y
WRHQ425	UU - Upper Microwave Flexible Use Service						Y
WRHQ426	UU - Upper Microwave Flexible Use Service						Y
WRHQ431	UU - Upper Microwave Flexible Use Service						Y
WRHQ432	UU - Upper Microwave Flexible Use Service						Y
WRHQ433	UU - Upper Microwave Flexible Use Service						Y
WRHQ434	UU - Upper Microwave Flexible Use Service						Y
WRHQ435	UU - Upper Microwave Flexible Use Service						Y
WRHQ436	UU - Upper Microwave Flexible Use Service						Y
WRHQ437	UU - Upper Microwave Flexible Use Service						Y
WRHQ438	UU - Upper Microwave Flexible Use Service						Y

112) Call Sign	113) Radio Service Code	114) Location Number	115) Path Number (Microwave only)	116) Frequency Number	117) Lower or Center Frequency (MHz)	118) Upper Frequency (MHz)	119) Constructed Yes / No
WRHQ439	UU - Upper Microwave Flexible Use Service						Y
WRHQ440	UU - Upper Microwave Flexible Use Service						Y
WRHQ441	UU - Upper Microwave Flexible Use Service						Y
WRHQ442	UU - Upper Microwave Flexible Use Service						Y
WRHQ443	UU - Upper Microwave Flexible Use Service						Y
WRHQ444	UU - Upper Microwave Flexible Use Service						Y
WRHQ445	UU - Upper Microwave Flexible Use Service						Y
WRHQ446	UU - Upper Microwave Flexible Use Service						Y
WRHQ447	UU - Upper Microwave Flexible Use Service						Y
WRHQ448	UU - Upper Microwave Flexible Use Service						Y
WRHQ449	UU - Upper Microwave Flexible Use Service						Y
WRHQ450	UU - Upper Microwave Flexible Use Service						Y
WRHQ457	UU - Upper Microwave Flexible Use Service						Y
WRHQ458	UU - Upper Microwave Flexible Use Service						Y
WRHQ459	UU - Upper Microwave Flexible Use Service						Y
WRHQ460	UU - Upper Microwave Flexible Use Service						Y
WRHQ461	UU - Upper Microwave Flexible Use Service						Y
WRHQ462	UU - Upper Microwave Flexible Use Service						Y
WRHQ463	UU - Upper Microwave Flexible Use Service						Y

112) Call Sign	113) Radio Service Code	114) Location Number	115) Path Number (Microwave only)	116) Frequency Number	117) Lower or Center Frequency (MHz)	118) Upper Frequency (MHz)	119) Constructed Yes / No
WRHQ464	UU - Upper Microwave Flexible Use Service						Y
WRHQ465	UU - Upper Microwave Flexible Use Service						Y
WRHQ466	UU - Upper Microwave Flexible Use Service						Y
WRHQ467	UU - Upper Microwave Flexible Use Service						Y
WRHQ468	UU - Upper Microwave Flexible Use Service						Y
WRHQ469	UU - Upper Microwave Flexible Use Service						Y
WRHQ470	UU - Upper Microwave Flexible Use Service						Y
WRHQ471	UU - Upper Microwave Flexible Use Service						Y
WRHQ472	UU - Upper Microwave Flexible Use Service						Y
WRHQ473	UU - Upper Microwave Flexible Use Service						Y
WRHQ474	UU - Upper Microwave Flexible Use Service						Y
WRHQ475	UU - Upper Microwave Flexible Use Service						Y
WRHQ476	UU - Upper Microwave Flexible Use Service						Y
WRHQ477	UU - Upper Microwave Flexible Use Service						Y
WRHQ478	UU - Upper Microwave Flexible Use Service						Y
WRHQ479	UU - Upper Microwave Flexible Use Service						Y
WRHQ480	UU - Upper Microwave Flexible Use Service						Y
WRHQ481	UU - Upper Microwave Flexible Use Service						Y
WRHQ482	UU - Upper Microwave Flexible Use Service						Y

112) Call Sign	113) Radio Service Code	114) Location Number	115) Path Number (Microwave only)	116) Frequency Number	117) Lower or Center Frequency (MHz)	118) Upper Frequency (MHz)	119) Constructed Yes / No
WRHQ483	UU - Upper Microwave Flexible Use Service						Y
WRHQ484	UU - Upper Microwave Flexible Use Service						Y
WRHQ495	UU - Upper Microwave Flexible Use Service						Y
WRHQ496	UU - Upper Microwave Flexible Use Service						Y
WRHQ497	UU - Upper Microwave Flexible Use Service						Y
WRHQ498	UU - Upper Microwave Flexible Use Service						Y
WRHQ505	UU - Upper Microwave Flexible Use Service						Y
WRHQ506	UU - Upper Microwave Flexible Use Service						Y
WRHQ507	UU - Upper Microwave Flexible Use Service						Y
WRHQ508	UU - Upper Microwave Flexible Use Service						Y
WRHQ509	UU - Upper Microwave Flexible Use Service						Y
WRHQ510	UU - Upper Microwave Flexible Use Service						Y
WRHQ511	UU - Upper Microwave Flexible Use Service						Y
WRHQ512	UU - Upper Microwave Flexible Use Service						Y
WRHQ513	UU - Upper Microwave Flexible Use Service						Y
WRHQ514	UU - Upper Microwave Flexible Use Service						Y
WRHQ515	UU - Upper Microwave Flexible Use Service						Y
WRHQ516	UU - Upper Microwave Flexible Use Service						Y
WRHQ517	UU - Upper Microwave Flexible Use Service						Y

112) Call Sign	113) Radio Service Code	114) Location Number	115) Path Number (Microwave only)	116) Frequency Number	117) Lower or Center Frequency (MHz)	118) Upper Frequency (MHz)	119) Constructed Yes / No
WRHQ518	UU - Upper Microwave Flexible Use Service						Y
WRHQ519	UU - Upper Microwave Flexible Use Service						Y
WRHQ520	UU - Upper Microwave Flexible Use Service						Y
WRHQ521	UU - Upper Microwave Flexible Use Service						Y
WRHQ522	UU - Upper Microwave Flexible Use Service						Y
WRHQ523	UU - Upper Microwave Flexible Use Service						Y
WRHQ524	UU - Upper Microwave Flexible Use Service						Y
WRHQ525	UU - Upper Microwave Flexible Use Service						Y
WRHQ526	UU - Upper Microwave Flexible Use Service						Y
WRHQ527	UU - Upper Microwave Flexible Use Service						Y
WRHQ528	UU - Upper Microwave Flexible Use Service						Y
WRHQ529	UU - Upper Microwave Flexible Use Service						Y
WRHQ530	UU - Upper Microwave Flexible Use Service						Y
WRHQ531	UU - Upper Microwave Flexible Use Service						Y
WRHQ532	UU - Upper Microwave Flexible Use Service						Y
WRHQ533	UU - Upper Microwave Flexible Use Service						Y
WRHQ534	UU - Upper Microwave Flexible Use Service						Y
WRHQ535	UU - Upper Microwave Flexible Use Service						Y
WRHQ536	UU - Upper Microwave Flexible Use Service						Y

112) Call Sign	113) Radio Service Code	114) Location Number	115) Path Number (Microwave only)	116) Frequency Number	117) Lower or Center Frequency (MHz)	118) Upper Frequency (MHz)	119) Constructed Yes / No
WRHQ537	UU - Upper Microwave Flexible Use Service						Y
WRHQ538	UU - Upper Microwave Flexible Use Service						Y
WRHQ539	UU - Upper Microwave Flexible Use Service						Y
WRHQ540	UU - Upper Microwave Flexible Use Service						Y
WRHQ541	UU - Upper Microwave Flexible Use Service						Y
WRHQ542	UU - Upper Microwave Flexible Use Service						Y
WRHQ543	UU - Upper Microwave Flexible Use Service						Y
WRHQ544	UU - Upper Microwave Flexible Use Service						Y
WRHQ545	UU - Upper Microwave Flexible Use Service						Y
WRHQ546	UU - Upper Microwave Flexible Use Service						Y
WRHQ547	UU - Upper Microwave Flexible Use Service						Y
WRHQ548	UU - Upper Microwave Flexible Use Service						Y
WRHQ549	UU - Upper Microwave Flexible Use Service						Y
WRHQ550	UU - Upper Microwave Flexible Use Service						Y
WRHQ551	UU - Upper Microwave Flexible Use Service						Y
WRHQ552	UU - Upper Microwave Flexible Use Service						Y
WRHQ583	UU - Upper Microwave Flexible Use Service						Y
WRHQ584	UU - Upper Microwave Flexible Use Service						Y
WRHQ585	UU - Upper Microwave Flexible Use Service						Y

112) Call Sign	113) Radio Service Code	114) Location Number	115) Path Number (Microwave only)	116) Frequency Number	117) Lower or Center Frequency (MHz)	118) Upper Frequency (MHz)	119) Constructed Yes / No
WRHQ586	UU - Upper Microwave Flexible Use Service						Y
WRHQ587	UU - Upper Microwave Flexible Use Service						Y
WRHQ588	UU - Upper Microwave Flexible Use Service						Y
WRHQ603	UU - Upper Microwave Flexible Use Service						Y
WRHQ604	UU - Upper Microwave Flexible Use Service						Y
WRHQ605	UU - Upper Microwave Flexible Use Service						Y
WRHQ606	UU - Upper Microwave Flexible Use Service						Y
WRHQ607	UU - Upper Microwave Flexible Use Service						Y
WRHQ608	UU - Upper Microwave Flexible Use Service						Y
WRHQ609	UU - Upper Microwave Flexible Use Service						Y
WRHQ610	UU - Upper Microwave Flexible Use Service						Y
WRHQ611	UU - Upper Microwave Flexible Use Service						Y
WRHQ612	UU - Upper Microwave Flexible Use Service						Y
WRHQ613	UU - Upper Microwave Flexible Use Service						Y
WRHQ614	UU - Upper Microwave Flexible Use Service						Y
WRHQ615	UU - Upper Microwave Flexible Use Service						Y
WRHQ616	UU - Upper Microwave Flexible Use Service						Y
WRHQ617	UU - Upper Microwave Flexible Use Service						Y
WRHQ618	UU - Upper Microwave Flexible Use Service						Y

112) Call Sign	113) Radio Service Code	114) Location Number	115) Path Number (Microwave only)	116) Frequency Number	117) Lower or Center Frequency (MHz)	118) Upper Frequency (MHz)	119) Constructed Yes / No
WRHQ619	UU - Upper Microwave Flexible Use Service						Y
WRHQ620	UU - Upper Microwave Flexible Use Service						Y
WRHQ621	UU - Upper Microwave Flexible Use Service						Y
WRHQ622	UU - Upper Microwave Flexible Use Service						Y
WRHQ623	UU - Upper Microwave Flexible Use Service						Y
WRHQ624	UU - Upper Microwave Flexible Use Service						Y
WRHQ625	UU - Upper Microwave Flexible Use Service						Y
WRHQ626	UU - Upper Microwave Flexible Use Service						Y
WRHQ627	UU - Upper Microwave Flexible Use Service						Y
WRHQ628	UU - Upper Microwave Flexible Use Service						Y
WRHQ629	UU - Upper Microwave Flexible Use Service						Y
WRHQ630	UU - Upper Microwave Flexible Use Service						Y
WRHQ631	UU - Upper Microwave Flexible Use Service						Y
WRHQ632	UU - Upper Microwave Flexible Use Service						Y
WRHQ643	UU - Upper Microwave Flexible Use Service						Y
WRHQ644	UU - Upper Microwave Flexible Use Service						Y
WRHQ645	UU - Upper Microwave Flexible Use Service						Y
WRHQ646	UU - Upper Microwave Flexible Use Service						Y
WRHQ647	UU - Upper Microwave Flexible Use Service						Y

112) Call Sign	113) Radio Service Code	114) Location Number	115) Path Number (Microwave only)	116) Frequency Number	117) Lower or Center Frequency (MHz)	118) Upper Frequency (MHz)	119) Constructed Yes / No
WRHQ648	UU - Upper Microwave Flexible Use Service						Y
WRHQ649	UU - Upper Microwave Flexible Use Service						Y
WRHQ650	UU - Upper Microwave Flexible Use Service						Y
WRHQ651	UU - Upper Microwave Flexible Use Service						Y
WRHQ652	UU - Upper Microwave Flexible Use Service						Y
WRHQ653	UU - Upper Microwave Flexible Use Service						Y
WRHQ654	UU - Upper Microwave Flexible Use Service						Y
WRHQ655	UU - Upper Microwave Flexible Use Service						Y
WRHQ656	UU - Upper Microwave Flexible Use Service						Y
WRHQ657	UU - Upper Microwave Flexible Use Service						Y
WRHQ658	UU - Upper Microwave Flexible Use Service						Y
WRHQ659	UU - Upper Microwave Flexible Use Service						Y
WRHQ660	UU - Upper Microwave Flexible Use Service						Y
WRHQ661	UU - Upper Microwave Flexible Use Service						Y
WRHQ662	UU - Upper Microwave Flexible Use Service						Y
WRHQ663	UU - Upper Microwave Flexible Use Service						Y
WRHQ664	UU - Upper Microwave Flexible Use Service						Y
WRHQ665	UU - Upper Microwave Flexible Use Service						Y
WRHQ666	UU - Upper Microwave Flexible Use Service						Y

112) Call Sign	113) Radio Service Code	114) Location Number	115) Path Number (Microwave only)	116) Frequency Number	117) Lower or Center Frequency (MHz)	118) Upper Frequency (MHz)	119) Constructed Yes / No
WRHQ667	UU - Upper Microwave Flexible Use Service						Y
WRHQ668	UU - Upper Microwave Flexible Use Service						Y
WRHQ669	UU - Upper Microwave Flexible Use Service						Y
WRHQ670	UU - Upper Microwave Flexible Use Service						Y
WRHQ671	UU - Upper Microwave Flexible Use Service						Y
WRHQ672	UU - Upper Microwave Flexible Use Service						Y
WRHQ673	UU - Upper Microwave Flexible Use Service						Y
WRHQ674	UU - Upper Microwave Flexible Use Service						Y
WRHQ675	UU - Upper Microwave Flexible Use Service						Y
WRHQ676	UU - Upper Microwave Flexible Use Service						Y
WRHQ677	UU - Upper Microwave Flexible Use Service						Y
WRHQ678	UU - Upper Microwave Flexible Use Service						Y
WRHQ679	UU - Upper Microwave Flexible Use Service						Y
WRHQ680	UU - Upper Microwave Flexible Use Service						Y
WRHQ681	UU - Upper Microwave Flexible Use Service						Y
WRHQ682	UU - Upper Microwave Flexible Use Service						Y
WRHQ683	UU - Upper Microwave Flexible Use Service						Y
WRHQ684	UU - Upper Microwave Flexible Use Service						Y
WRHQ685	UU - Upper Microwave Flexible Use Service						Y

112) Call Sign	113) Radio Service Code	114) Location Number	115) Path Number (Microwave only)	116) Frequency Number	117) Lower or Center Frequency (MHz)	118) Upper Frequency (MHz)	119) Constructed Yes / No
WRHQ686	UU - Upper Microwave Flexible Use Service						Y
WRHQ687	UU - Upper Microwave Flexible Use Service						Y
WRHQ688	UU - Upper Microwave Flexible Use Service						Y
WRHQ689	UU - Upper Microwave Flexible Use Service						Y
WRHQ690	UU - Upper Microwave Flexible Use Service						Y
WRHQ691	UU - Upper Microwave Flexible Use Service						Y
WRHQ692	UU - Upper Microwave Flexible Use Service						Y
WRHQ693	UU - Upper Microwave Flexible Use Service						Y
WRHQ694	UU - Upper Microwave Flexible Use Service						Y
WRHQ695	UU - Upper Microwave Flexible Use Service						Y
WRHQ696	UU - Upper Microwave Flexible Use Service						Y
WRHQ697	UU - Upper Microwave Flexible Use Service						Y
WRHQ704	UU - Upper Microwave Flexible Use Service						Y
WRHQ705	UU - Upper Microwave Flexible Use Service						Y
WRHQ706	UU - Upper Microwave Flexible Use Service						Y
WRHQ707	UU - Upper Microwave Flexible Use Service						Y
WRHQ708	UU - Upper Microwave Flexible Use Service						Y
WRHQ709	UU - Upper Microwave Flexible Use Service						Y
WRHQ710	UU - Upper Microwave Flexible Use Service						Y

112) Call Sign	113) Radio Service Code	114) Location Number	115) Path Number (Microwave only)	116) Frequency Number	117) Lower or Center Frequency (MHz)	118) Upper Frequency (MHz)	119) Constructed Yes / No
WRHQ711	UU - Upper Microwave Flexible Use Service						Y
WRHQ712	UU - Upper Microwave Flexible Use Service						Y
WRHQ713	UU - Upper Microwave Flexible Use Service						Y
WRHQ714	UU - Upper Microwave Flexible Use Service						Y
WRHQ715	UU - Upper Microwave Flexible Use Service						Y
WRHQ716	UU - Upper Microwave Flexible Use Service						Y
WRHQ717	UU - Upper Microwave Flexible Use Service						Y
WRHQ718	UU - Upper Microwave Flexible Use Service						Y
WRHQ719	UU - Upper Microwave Flexible Use Service						Y
WRHQ726	UU - Upper Microwave Flexible Use Service						Y
WRHQ727	UU - Upper Microwave Flexible Use Service						Y
WRHQ728	UU - Upper Microwave Flexible Use Service						Y
WRHQ729	UU - Upper Microwave Flexible Use Service						Y
WRHQ730	UU - Upper Microwave Flexible Use Service						Y
WRHQ731	UU - Upper Microwave Flexible Use Service						Y
WRHQ732	UU - Upper Microwave Flexible Use Service						Y
WRHQ733	UU - Upper Microwave Flexible Use Service						Y
WRHQ734	UU - Upper Microwave Flexible Use Service						Y
WRHQ735	UU - Upper Microwave Flexible Use Service						Y

112) Call Sign	113) Radio Service Code	114) Location Number	115) Path Number (Microwave only)	116) Frequency Number	117) Lower or Center Frequency (MHz)	118) Upper Frequency (MHz)	119) Constructed Yes / No
WRHQ744	UU - Upper Microwave Flexible Use Service						Y
WRHQ745	UU - Upper Microwave Flexible Use Service						Y
WRHQ746	UU - Upper Microwave Flexible Use Service						Y
WRHQ747	UU - Upper Microwave Flexible Use Service						Y
WRHQ748	UU - Upper Microwave Flexible Use Service						Y
WRHQ749	UU - Upper Microwave Flexible Use Service						Y
WRHQ750	UU - Upper Microwave Flexible Use Service						Y
WRHQ751	UU - Upper Microwave Flexible Use Service						Y
WRHQ752	UU - Upper Microwave Flexible Use Service						Y
WRHQ753	UU - Upper Microwave Flexible Use Service						Y
WRHQ754	UU - Upper Microwave Flexible Use Service						Y
WRHQ755	UU - Upper Microwave Flexible Use Service						Y
WRHQ756	UU - Upper Microwave Flexible Use Service						Y
WRHQ757	UU - Upper Microwave Flexible Use Service						Y
WRHQ758	UU - Upper Microwave Flexible Use Service						Y
WRHQ759	UU - Upper Microwave Flexible Use Service						Y
WRHQ760	UU - Upper Microwave Flexible Use Service						Y
WRHQ761	UU - Upper Microwave Flexible Use Service						Y
WRHQ762	UU - Upper Microwave Flexible Use Service						Y

112) Call Sign	113) Radio Service Code	114) Location Number	115) Path Number (Microwave only)	116) Frequency Number	117) Lower or Center Frequency (MHz)	118) Upper Frequency (MHz)	119) Constructed Yes / No
WRHQ763	UU - Upper Microwave Flexible Use Service						Y
WRHQ772	UU - Upper Microwave Flexible Use Service						Y
WRHQ773	UU - Upper Microwave Flexible Use Service						Y
WRHQ774	UU - Upper Microwave Flexible Use Service						Y
WRHQ775	UU - Upper Microwave Flexible Use Service						Y
WRHQ776	UU - Upper Microwave Flexible Use Service						Y
WRHQ777	UU - Upper Microwave Flexible Use Service						Y
WRHQ778	UU - Upper Microwave Flexible Use Service						Y
WRHQ779	UU - Upper Microwave Flexible Use Service						Y
WRHQ780	UU - Upper Microwave Flexible Use Service						Y
WRHQ781	UU - Upper Microwave Flexible Use Service						Y
WRHQ782	UU - Upper Microwave Flexible Use Service						Y
WRHQ783	UU - Upper Microwave Flexible Use Service						Y
WRHQ784	UU - Upper Microwave Flexible Use Service						Y
WRHQ785	UU - Upper Microwave Flexible Use Service						Y
WRHQ786	UU - Upper Microwave Flexible Use Service						Y
WRHQ787	UU - Upper Microwave Flexible Use Service						Y
WRHQ788	UU - Upper Microwave Flexible Use Service						Y
WRHQ789	UU - Upper Microwave Flexible Use Service						Y

112) Call Sign	113) Radio Service Code	114) Location Number	115) Path Number (Microwave only)	116) Frequency Number	117) Lower or Center Frequency (MHz)	118) Upper Frequency (MHz)	119) Constructed Yes / No
WRHQ790	UU - Upper Microwave Flexible Use Service						Y
WRHQ791	UU - Upper Microwave Flexible Use Service						Y
WRHQ792	UU - Upper Microwave Flexible Use Service						Y
WRHQ793	UU - Upper Microwave Flexible Use Service						Y
WRHQ794	UU - Upper Microwave Flexible Use Service						Y
WRHQ795	UU - Upper Microwave Flexible Use Service						Y
WRHQ796	UU - Upper Microwave Flexible Use Service						Y
WRHQ797	UU - Upper Microwave Flexible Use Service						Y
WRHQ798	UU - Upper Microwave Flexible Use Service						Y
WRHQ799	UU - Upper Microwave Flexible Use Service						Y
WRHQ800	UU - Upper Microwave Flexible Use Service						Y
WRHQ801	UU - Upper Microwave Flexible Use Service						Y
WRHQ802	UU - Upper Microwave Flexible Use Service						Y
WRHQ803	UU - Upper Microwave Flexible Use Service						Y
WRHQ804	UU - Upper Microwave Flexible Use Service						Y
WRHQ805	UU - Upper Microwave Flexible Use Service						Y
WRHQ806	UU - Upper Microwave Flexible Use Service						Y
WRHQ807	UU - Upper Microwave Flexible Use Service						Y
WRHQ808	UU - Upper Microwave Flexible Use Service						Y

112) Call Sign	113) Radio Service Code	114) Location Number	115) Path Number (Microwave only)	116) Frequency Number	117) Lower or Center Frequency (MHz)	118) Upper Frequency (MHz)	119) Constructed Yes / No
WRHQ809	UU - Upper Microwave Flexible Use Service						Y
WRHQ810	UU - Upper Microwave Flexible Use Service						Y
WRHQ811	UU - Upper Microwave Flexible Use Service						Y
WRHQ818	UU - Upper Microwave Flexible Use Service						Y
WRHQ819	UU - Upper Microwave Flexible Use Service						Y
WRHQ820	UU - Upper Microwave Flexible Use Service						Y
WRHQ821	UU - Upper Microwave Flexible Use Service						Y
WRHQ822	UU - Upper Microwave Flexible Use Service						Y
WRHQ823	UU - Upper Microwave Flexible Use Service						Y
WRHQ824	UU - Upper Microwave Flexible Use Service						Y
WRHQ825	UU - Upper Microwave Flexible Use Service						Y
WRHQ826	UU - Upper Microwave Flexible Use Service						Y
WRHQ827	UU - Upper Microwave Flexible Use Service						Y
WRHQ828	UU - Upper Microwave Flexible Use Service						Y
WRHQ829	UU - Upper Microwave Flexible Use Service						Y
WRHQ830	UU - Upper Microwave Flexible Use Service						Y
WRHQ831	UU - Upper Microwave Flexible Use Service						Y
WRHQ832	UU - Upper Microwave Flexible Use Service						Y
WRHQ833	UU - Upper Microwave Flexible Use Service						Y

112) Call Sign	113) Radio Service Code	114) Location Number	115) Path Number (Microwave only)	116) Frequency Number	117) Lower or Center Frequency (MHz)	118) Upper Frequency (MHz)	119) Constructed Yes / No
WRHQ834	UU - Upper Microwave Flexible Use Service						Y
WRHQ835	UU - Upper Microwave Flexible Use Service						Y
WRHQ836	UU - Upper Microwave Flexible Use Service						Y
WRHQ837	UU - Upper Microwave Flexible Use Service						Y
WRHQ838	UU - Upper Microwave Flexible Use Service						Y
WRHQ839	UU - Upper Microwave Flexible Use Service						Y
WRHQ840	UU - Upper Microwave Flexible Use Service						Y
WRHQ841	UU - Upper Microwave Flexible Use Service						Y
WRHQ842	UU - Upper Microwave Flexible Use Service						Y
WRHQ843	UU - Upper Microwave Flexible Use Service						Y
WRHQ844	UU - Upper Microwave Flexible Use Service						Y
WRHQ845	UU - Upper Microwave Flexible Use Service						Y
WRHQ846	UU - Upper Microwave Flexible Use Service						Y
WRHQ847	UU - Upper Microwave Flexible Use Service						Y
WRHQ848	UU - Upper Microwave Flexible Use Service						Y
WRHQ849	UU - Upper Microwave Flexible Use Service						Y
WRHQ850	UU - Upper Microwave Flexible Use Service						Y
WRHQ851	UU - Upper Microwave Flexible Use Service						Y
WRHQ852	UU - Upper Microwave Flexible Use Service						Y

112) Call Sign	113) Radio Service Code	114) Location Number	115) Path Number (Microwave only)	116) Frequency Number	117) Lower or Center Frequency (MHz)	118) Upper Frequency (MHz)	119) Constructed Yes / No
WRHQ853	UU - Upper Microwave Flexible Use Service						Y
WRHQ854	UU - Upper Microwave Flexible Use Service						Y
WRHQ855	UU - Upper Microwave Flexible Use Service						Y
WRHQ856	UU - Upper Microwave Flexible Use Service						Y
WRHQ857	UU - Upper Microwave Flexible Use Service						Y
WRHQ858	UU - Upper Microwave Flexible Use Service						Y
WRHQ859	UU - Upper Microwave Flexible Use Service						Y
WRHQ860	UU - Upper Microwave Flexible Use Service						Y
WRHQ861	UU - Upper Microwave Flexible Use Service						Y
WRHQ862	UU - Upper Microwave Flexible Use Service						Y
WRHQ863	UU - Upper Microwave Flexible Use Service						Y
WRHQ864	UU - Upper Microwave Flexible Use Service						Y
WRHQ865	UU - Upper Microwave Flexible Use Service						Y
WRHQ866	UU - Upper Microwave Flexible Use Service						Y
WRHQ867	UU - Upper Microwave Flexible Use Service						Y
WRHQ868	UU - Upper Microwave Flexible Use Service						Y
WRHQ869	UU - Upper Microwave Flexible Use Service						Y
WRHQ870	UU - Upper Microwave Flexible Use Service						Y
WRHQ871	UU - Upper Microwave Flexible Use Service						Y

112) Call Sign	113) Radio Service Code	114) Location Number	115) Path Number (Microwave only)	116) Frequency Number	117) Lower or Center Frequency (MHz)	118) Upper Frequency (MHz)	119) Constructed Yes / No
WRHQ872	UU - Upper Microwave Flexible Use Service						Y
WRHQ873	UU - Upper Microwave Flexible Use Service						Y
WRHQ874	UU - Upper Microwave Flexible Use Service						Y
WRHQ879	UU - Upper Microwave Flexible Use Service						Y
WRHQ880	UU - Upper Microwave Flexible Use Service						Y
WRHQ881	UU - Upper Microwave Flexible Use Service						Y
WRHQ882	UU - Upper Microwave Flexible Use Service						Y
WRHQ883	UU - Upper Microwave Flexible Use Service						Y
WRHQ884	UU - Upper Microwave Flexible Use Service						Y
WRHQ885	UU - Upper Microwave Flexible Use Service						Y
WRHQ886	UU - Upper Microwave Flexible Use Service						Y
WRHQ887	UU - Upper Microwave Flexible Use Service						Y
WRHQ888	UU - Upper Microwave Flexible Use Service						Y
WRHQ889	UU - Upper Microwave Flexible Use Service						Y
WRHQ890	UU - Upper Microwave Flexible Use Service						Y
WRHQ891	UU - Upper Microwave Flexible Use Service						Y
WRHQ892	UU - Upper Microwave Flexible Use Service						Y
WRHQ893	UU - Upper Microwave Flexible Use Service						Y
WRHQ894	UU - Upper Microwave Flexible Use Service						Y

112) Call Sign	113) Radio Service Code	114) Location Number	115) Path Number (Microwave only)	116) Frequency Number	117) Lower or Center Frequency (MHz)	118) Upper Frequency (MHz)	119) Constructed Yes / No
WRHQ895	UU - Upper Microwave Flexible Use Service						Y
WRHQ896	UU - Upper Microwave Flexible Use Service						Y
WRHQ897	UU - Upper Microwave Flexible Use Service						Y
WRHQ898	UU - Upper Microwave Flexible Use Service						Y
WRHQ899	UU - Upper Microwave Flexible Use Service						Y
WRHQ900	UU - Upper Microwave Flexible Use Service						Y
WRHQ901	UU - Upper Microwave Flexible Use Service						Y
WRHQ902	UU - Upper Microwave Flexible Use Service						Y
WRHQ903	UU - Upper Microwave Flexible Use Service						Y
WRHQ904	UU - Upper Microwave Flexible Use Service						Y
WRHQ905	UU - Upper Microwave Flexible Use Service						Y
WRHQ906	UU - Upper Microwave Flexible Use Service						Y
WRHQ907	UU - Upper Microwave Flexible Use Service						Y
WRHQ908	UU - Upper Microwave Flexible Use Service						Y
WRHQ909	UU - Upper Microwave Flexible Use Service						Y
WRHQ910	UU - Upper Microwave Flexible Use Service						Y
WRHQ911	UU - Upper Microwave Flexible Use Service						Y
WRHQ912	UU - Upper Microwave Flexible Use Service						Y
WRHQ913	UU - Upper Microwave Flexible Use Service						Y

112) Call Sign	113) Radio Service Code	114) Location Number	115) Path Number (Microwave only)	116) Frequency Number	117) Lower or Center Frequency (MHz)	118) Upper Frequency (MHz)	119) Constructed Yes / No
WRHQ914	UU - Upper Microwave Flexible Use Service						Y
WRHQ915	UU - Upper Microwave Flexible Use Service						Y
WRHQ916	UU - Upper Microwave Flexible Use Service						Y
WRHQ917	UU - Upper Microwave Flexible Use Service						Y
WRHQ918	UU - Upper Microwave Flexible Use Service						Y
WRHQ919	UU - Upper Microwave Flexible Use Service						Y
WRHQ920	UU - Upper Microwave Flexible Use Service						Y
WRHQ921	UU - Upper Microwave Flexible Use Service						Y
WRHQ922	UU - Upper Microwave Flexible Use Service						Y
WRHQ923	UU - Upper Microwave Flexible Use Service						Y
WRHQ924	UU - Upper Microwave Flexible Use Service						Y
WRHQ925	UU - Upper Microwave Flexible Use Service						Y
WRHQ926	UU - Upper Microwave Flexible Use Service						Y
WRHQ927	UU - Upper Microwave Flexible Use Service						Y
WRHQ928	UU - Upper Microwave Flexible Use Service						Y
WRHQ929	UU - Upper Microwave Flexible Use Service						Y
WRHQ930	UU - Upper Microwave Flexible Use Service						Y
WRHQ931	UU - Upper Microwave Flexible Use Service						Y
WRHQ932	UU - Upper Microwave Flexible Use Service						Y

112) Call Sign	113) Radio Service Code	114) Location Number	115) Path Number (Microwave only)	116) Frequency Number	117) Lower or Center Frequency (MHz)	118) Upper Frequency (MHz)	119) Constructed Yes / No
WRHQ933	UU - Upper Microwave Flexible Use Service						Y
WRHQ934	UU - Upper Microwave Flexible Use Service						Y
WRHQ935	UU - Upper Microwave Flexible Use Service						Y
WRHQ936	UU - Upper Microwave Flexible Use Service						Y
WRHQ937	UU - Upper Microwave Flexible Use Service						Y
WRHQ938	UU - Upper Microwave Flexible Use Service						Y
WRHQ939	UU - Upper Microwave Flexible Use Service						Y
WRHQ940	UU - Upper Microwave Flexible Use Service						Y
WRHQ941	UU - Upper Microwave Flexible Use Service						Y
WRHQ942	UU - Upper Microwave Flexible Use Service						Y
WRHQ943	UU - Upper Microwave Flexible Use Service						Y
WRHQ944	UU - Upper Microwave Flexible Use Service						Y
WRHQ945	UU - Upper Microwave Flexible Use Service						Y
WRHQ995	UU - Upper Microwave Flexible Use Service						Y
WRHQ996	UU - Upper Microwave Flexible Use Service						Y
WRHQ997	UU - Upper Microwave Flexible Use Service						Y
WRHQ998	UU - Upper Microwave Flexible Use Service						Y
WRHQ999	UU - Upper Microwave Flexible Use Service						Y
WRHR205	UU - Upper Microwave Flexible Use Service						Y

112) Call Sign	113) Radio Service Code	114) Location Number	115) Path Number (Microwave only)	116) Frequency Number	117) Lower or Center Frequency (MHz)	118) Upper Frequency (MHz)	119) Constructed Yes / No
WRHR206	UU - Upper Microwave Flexible Use Service						Y
WRHR207	UU - Upper Microwave Flexible Use Service						Y
WRHR208	UU - Upper Microwave Flexible Use Service						Y
WRHR209	UU - Upper Microwave Flexible Use Service						Y
WRHR220	UU - Upper Microwave Flexible Use Service						Y
WRHR221	UU - Upper Microwave Flexible Use Service						Y
WRHR222	UU - Upper Microwave Flexible Use Service						Y
WRHR223	UU - Upper Microwave Flexible Use Service						Y
WRHR224	UU - Upper Microwave Flexible Use Service						Y
WRHR225	UU - Upper Microwave Flexible Use Service						Y
WRHR226	UU - Upper Microwave Flexible Use Service						Y
WRHR227	UU - Upper Microwave Flexible Use Service						Y
WRHR228	UU - Upper Microwave Flexible Use Service						Y
WRHR229	UU - Upper Microwave Flexible Use Service						Y
WRHR230	UU - Upper Microwave Flexible Use Service						Y
WRHR231	UU - Upper Microwave Flexible Use Service						Y
WRHR232	UU - Upper Microwave Flexible Use Service						Y
WRHR233	UU - Upper Microwave Flexible Use Service						Y
WRHR234	UU - Upper Microwave Flexible Use Service						Y

112) Call Sign	113) Radio Service Code	114) Location Number	115) Path Number (Microwave only)	116) Frequency Number	117) Lower or Center Frequency (MHz)	118) Upper Frequency (MHz)	119) Constructed Yes / No
WRHR235	UU - Upper Microwave Flexible Use Service						Y
WRHR236	UU - Upper Microwave Flexible Use Service						Y
WRHR237	UU - Upper Microwave Flexible Use Service						Y
WRHR238	UU - Upper Microwave Flexible Use Service						Y
WRHR239	UU - Upper Microwave Flexible Use Service						Y
WRHR244	UU - Upper Microwave Flexible Use Service						Y
WRHR245	UU - Upper Microwave Flexible Use Service						Y
WRHR246	UU - Upper Microwave Flexible Use Service						Y
WRHR247	UU - Upper Microwave Flexible Use Service						Y
WRHR248	UU - Upper Microwave Flexible Use Service						Y
WRHR249	UU - Upper Microwave Flexible Use Service						Y
WRHR250	UU - Upper Microwave Flexible Use Service						Y
WRHR251	UU - Upper Microwave Flexible Use Service						Y
WRHR252	UU - Upper Microwave Flexible Use Service						Y
WRHR253	UU - Upper Microwave Flexible Use Service						Y
WRHR254	UU - Upper Microwave Flexible Use Service						Y
WRHR255	UU - Upper Microwave Flexible Use Service						Y
WRHR256	UU - Upper Microwave Flexible Use Service						Y
WRHR257	UU - Upper Microwave Flexible Use Service						Y

112) Call Sign	113) Radio Service Code	114) Location Number	115) Path Number (Microwave only)	116) Frequency Number	117) Lower or Center Frequency (MHz)	118) Upper Frequency (MHz)	119) Constructed Yes / No
WRHR262	UU - Upper Microwave Flexible Use Service						Y
WRHR263	UU - Upper Microwave Flexible Use Service						Y
WRHR264	UU - Upper Microwave Flexible Use Service						Y
WRHR265	UU - Upper Microwave Flexible Use Service						Y
WRHR266	UU - Upper Microwave Flexible Use Service						Y
WRHR267	UU - Upper Microwave Flexible Use Service						Y
WRHR271	UU - Upper Microwave Flexible Use Service						Y
WRHR272	UU - Upper Microwave Flexible Use Service						Y
WRHR273	UU - Upper Microwave Flexible Use Service						Y
WRHR274	UU - Upper Microwave Flexible Use Service						Y
WRHR275	UU - Upper Microwave Flexible Use Service						Y
WRHR276	UU - Upper Microwave Flexible Use Service						Y
WRHR278	UU - Upper Microwave Flexible Use Service						Y
WRHR281	UU - Upper Microwave Flexible Use Service						Y
WRHR282	UU - Upper Microwave Flexible Use Service						Y
WRHR283	UU - Upper Microwave Flexible Use Service						Y
WRHR284	UU - Upper Microwave Flexible Use Service						Y
WRHR285	UU - Upper Microwave Flexible Use Service						Y
WRHR286	UU - Upper Microwave Flexible Use Service						Y

112) Call Sign	113) Radio Service Code	114) Location Number	115) Path Number (Microwave only)	116) Frequency Number	117) Lower or Center Frequency (MHz)	118) Upper Frequency (MHz)	119) Constructed Yes / No
WRHR287	UU - Upper Microwave Flexible Use Service						Y
WRHR288	UU - Upper Microwave Flexible Use Service						Y
WRHR289	UU - Upper Microwave Flexible Use Service						Y
WRHR290	UU - Upper Microwave Flexible Use Service						Y
WRHR291	UU - Upper Microwave Flexible Use Service						Y
WRHR292	UU - Upper Microwave Flexible Use Service						Y
WRHR293	UU - Upper Microwave Flexible Use Service						Y
WRHR294	UU - Upper Microwave Flexible Use Service						Y
WRHR295	UU - Upper Microwave Flexible Use Service						Y
WRHR296	UU - Upper Microwave Flexible Use Service						Y
WRHR297	UU - Upper Microwave Flexible Use Service						Y
WRHR298	UU - Upper Microwave Flexible Use Service						Y
WRHR299	UU - Upper Microwave Flexible Use Service						Y
WRHR304	UU - Upper Microwave Flexible Use Service						Y
WRHR305	UU - Upper Microwave Flexible Use Service						Y
WRHR306	UU - Upper Microwave Flexible Use Service						Y
WRHR307	UU - Upper Microwave Flexible Use Service						Y
WRHR308	UU - Upper Microwave Flexible Use Service						Y
WRHR315	UU - Upper Microwave Flexible Use Service						Y

112) Call Sign	113) Radio Service Code	114) Location Number	115) Path Number (Microwave only)	116) Frequency Number	117) Lower or Center Frequency (MHz)	118) Upper Frequency (MHz)	119) Constructed Yes / No
WRHR316	UU - Upper Microwave Flexible Use Service						Y
WRKX558	AW - AWS (1710-1755 MHz and 2110-2155 MHz)						Y
WRNL258	PM - 3.7 GHz Service						Y
WRNL259	PM - 3.7 GHz Service						Y
WRNL260	PM - 3.7 GHz Service						Y
WRNL261	PM - 3.7 GHz Service						Y
WRNL262	PM - 3.7 GHz Service						Y
WRNL263	PM - 3.7 GHz Service						Y
WRNL264	PM - 3.7 GHz Service						Y
WRNL265	PM - 3.7 GHz Service						Y
WRNL270	PM - 3.7 GHz Service						Y
WRNL271	PM - 3.7 GHz Service						Y
WRNL272	PM - 3.7 GHz Service						Y
WRNL273	PM - 3.7 GHz Service						Y
WRNL274	PM - 3.7 GHz Service						Y
WRNL275	PM - 3.7 GHz Service						Y
WRNL276	PM - 3.7 GHz Service						Y
WRNL277	PM - 3.7 GHz Service						Y
WRNL280	PM - 3.7 GHz Service						Y

112) Call Sign	113) Radio Service Code	114) Location Number	115) Path Number (Microwave only)	116) Frequency Number	117) Lower or Center Frequency (MHz)	118) Upper Frequency (MHz)	119) Constructed Yes / No
WRNL281	PM - 3.7 GHz Service						Y
WRNL282	PM - 3.7 GHz Service						Y
WRNL283	PM - 3.7 GHz Service						Y
WRNL284	PM - 3.7 GHz Service						Y
WRNL285	PM - 3.7 GHz Service						Y
WRNL286	PM - 3.7 GHz Service						Y
WRNL287	PM - 3.7 GHz Service						Y
WRNL290	PM - 3.7 GHz Service						Y
WRNL291	PM - 3.7 GHz Service						Y
WRNL292	PM - 3.7 GHz Service						Y
WRNL293	PM - 3.7 GHz Service						Y
WRNL296	PM - 3.7 GHz Service						Y
WRNL297	PM - 3.7 GHz Service						Y
WRNL298	PM - 3.7 GHz Service						Y
WRNL299	PM - 3.7 GHz Service						Y
WRNL300	PM - 3.7 GHz Service						Y
WRNL301	PM - 3.7 GHz Service						Y
WRNL304	PM - 3.7 GHz Service						Y
WRNL305	PM - 3.7 GHz Service						Y

112) Call Sign	113) Radio Service Code	114) Location Number	115) Path Number (Microwave only)	116) Frequency Number	117) Lower or Center Frequency (MHz)	118) Upper Frequency (MHz)	119) Constructed Yes / No
WRNL306	PM - 3.7 GHz Service						Y
WRNL307	PM - 3.7 GHz Service						Y
WRNL308	PM - 3.7 GHz Service						Y
WRNL309	PM - 3.7 GHz Service						Y
WRNL310	PM - 3.7 GHz Service						Y
WRNL311	PM - 3.7 GHz Service						Y
WRNL312	PM - 3.7 GHz Service						Y
WRNL313	PM - 3.7 GHz Service						Y
WRNL314	PM - 3.7 GHz Service						Y
WRNL315	PM - 3.7 GHz Service						Y
WRNL316	PM - 3.7 GHz Service						Y
WRNL317	PM - 3.7 GHz Service						Y
WRNL318	PM - 3.7 GHz Service						Y
WRNL319	PM - 3.7 GHz Service						Y
WRNL324	PM - 3.7 GHz Service						Y
WRNL325	PM - 3.7 GHz Service						Y
WRNL326	PM - 3.7 GHz Service						Y
WRNL327	PM - 3.7 GHz Service						Y
WRNL330	PM - 3.7 GHz Service						Y

112) Call Sign	113) Radio Service Code	114) Location Number	115) Path Number (Microwave only)	116) Frequency Number	117) Lower or Center Frequency (MHz)	118) Upper Frequency (MHz)	119) Constructed Yes / No
WRNL331	PM - 3.7 GHz Service						Y
WRNL334	PM - 3.7 GHz Service						Y
WRNL337	PM - 3.7 GHz Service						Y
WRNL341	PM - 3.7 GHz Service						Y
WRNL342	PM - 3.7 GHz Service						Y
WRNL345	PM - 3.7 GHz Service						Y
WRNL346	PM - 3.7 GHz Service						Y
WRNL347	PM - 3.7 GHz Service						Y
WRNL350	PM - 3.7 GHz Service						Y
WRNL351	PM - 3.7 GHz Service						Y
WRNL352	PM - 3.7 GHz Service						Y
WRNL353	PM - 3.7 GHz Service						Y
WRNL358	PM - 3.7 GHz Service						Y
WRNL359	PM - 3.7 GHz Service						Y
WRNL360	PM - 3.7 GHz Service						Y
WRNL361	PM - 3.7 GHz Service						Y
WRNL362	PM - 3.7 GHz Service						Y
WRNL363	PM - 3.7 GHz Service						Y
WRNL364	PM - 3.7 GHz Service						Y

112) Call Sign	113) Radio Service Code	114) Location Number	115) Path Number (Microwave only)	116) Frequency Number	117) Lower or Center Frequency (MHz)	118) Upper Frequency (MHz)	119) Constructed Yes / No
WRNL365	PM - 3.7 GHz Service						Y
WRNL366	PM - 3.7 GHz Service						Y
WRNL367	PM - 3.7 GHz Service						Y
WRNL368	PM - 3.7 GHz Service						Y
WRNL369	PM - 3.7 GHz Service						Y
WRNL370	PM - 3.7 GHz Service						Y
WRNL371	PM - 3.7 GHz Service						Y
WRNL378	PM - 3.7 GHz Service						Y
WRNL379	PM - 3.7 GHz Service						Y
WRNL380	PM - 3.7 GHz Service						Y
WRNL381	PM - 3.7 GHz Service						Y
WRNL384	PM - 3.7 GHz Service						Y
WRNL385	PM - 3.7 GHz Service						Y
WRNL392	PM - 3.7 GHz Service						Y
WRNL393	PM - 3.7 GHz Service						Y
WRNL396	PM - 3.7 GHz Service						Y
WRNL397	PM - 3.7 GHz Service						Y
WRNL398	PM - 3.7 GHz Service						Y
WRNL399	PM - 3.7 GHz Service						Y

112) Call Sign	113) Radio Service Code	114) Location Number	115) Path Number (Microwave only)	116) Frequency Number	117) Lower or Center Frequency (MHz)	118) Upper Frequency (MHz)	119) Constructed Yes / No
WRQR428	PK - 3.45 GHz Service						Y
WRQR429	PK - 3.45 GHz Service						Y
WRQR430	PK - 3.45 GHz Service						Y
WRQR431	PK - 3.45 GHz Service						Y
WRQR432	PK - 3.45 GHz Service						Y
WRQR433	PK - 3.45 GHz Service						Y
WRQR434	PK - 3.45 GHz Service						Y
WRQR435	PK - 3.45 GHz Service						Y
WRQR438	PK - 3.45 GHz Service						Y
WRQR439	PK - 3.45 GHz Service						Y
WRQR440	PK - 3.45 GHz Service						Y
WRQR441	PK - 3.45 GHz Service						Y
WRQR442	PK - 3.45 GHz Service						Y
WRQR443	PK - 3.45 GHz Service						Y
WRQR444	PK - 3.45 GHz Service						Y
WRQR445	PK - 3.45 GHz Service						Y
WRQR446	PK - 3.45 GHz Service						Y
WRQR447	PK - 3.45 GHz Service						Y
WRQR448	PK - 3.45 GHz Service						Y

112) Call Sign	113) Radio Service Code	114) Location Number	115) Path Number (Microwave only)	116) Frequency Number	117) Lower or Center Frequency (MHz)	118) Upper Frequency (MHz)	119) Constructed Yes / No
WRQR449	PK - 3.45 GHz Service						Y
WRQR452	PK - 3.45 GHz Service						Y
WRQR453	PK - 3.45 GHz Service						Y
WRQR454	PK - 3.45 GHz Service						Y
WRQR455	PK - 3.45 GHz Service						Y
WRQR456	PK - 3.45 GHz Service						Y
WRQR457	PK - 3.45 GHz Service						Y
WRQR458	PK - 3.45 GHz Service						Y
WRQR459	PK - 3.45 GHz Service						Y
WRQR460	PK - 3.45 GHz Service						Y
WRQR461	PK - 3.45 GHz Service						Y
WRQR462	PK - 3.45 GHz Service						Y
WRQR463	PK - 3.45 GHz Service						Y
WRQR464	PK - 3.45 GHz Service						Y
WRQR465	PK - 3.45 GHz Service						Y
WRQR466	PK - 3.45 GHz Service						Y
WRQR467	PK - 3.45 GHz Service						Y
WRQR468	PK - 3.45 GHz Service						Y
WRQR469	PK - 3.45 GHz Service						Y

112) Call Sign	113) Radio Service Code	114) Location Number	115) Path Number (Microwave only)	116) Frequency Number	117) Lower or Center Frequency (MHz)	118) Upper Frequency (MHz)	119) Constructed Yes / No
WRQR470	PK - 3.45 GHz Service						Y
WRQR471	PK - 3.45 GHz Service						Y
WRQR474	PK - 3.45 GHz Service						Y
WRQR475	PK - 3.45 GHz Service						Y
WRQR476	PK - 3.45 GHz Service						Y
WRQR477	PK - 3.45 GHz Service						Y
WRQR480	PK - 3.45 GHz Service						Y
WRQR481	PK - 3.45 GHz Service						Y
WRQR482	PK - 3.45 GHz Service						Y
WRQR483	PK - 3.45 GHz Service						Y
WRQR486	PK - 3.45 GHz Service						Y
WRQR487	PK - 3.45 GHz Service						Y
WRQR500	PK - 3.45 GHz Service						Y
WRQR501	PK - 3.45 GHz Service						Y
WRQR504	PK - 3.45 GHz Service						Y
WRQR505	PK - 3.45 GHz Service						Y
WRQR506	PK - 3.45 GHz Service						Y
WRQR507	PK - 3.45 GHz Service						Y
WRQR510	PK - 3.45 GHz Service						Y

112) Call Sign	113) Radio Service Code	114) Location Number	115) Path Number (Microwave only)	116) Frequency Number	117) Lower or Center Frequency (MHz)	118) Upper Frequency (MHz)	119) Constructed Yes / No
WRQR511	PK - 3.45 GHz Service						Y
WRQR512	PK - 3.45 GHz Service						Y
WRQR513	PK - 3.45 GHz Service						Y
WRQR516	PK - 3.45 GHz Service						Y
WRQR517	PK - 3.45 GHz Service						Y
WRQR518	PK - 3.45 GHz Service						Y
WRQR519	PK - 3.45 GHz Service						Y
WRQR520	PK - 3.45 GHz Service						Y
WRQR521	PK - 3.45 GHz Service						Y
WRQR522	PK - 3.45 GHz Service						Y
WRQR523	PK - 3.45 GHz Service						Y
WRQR524	PK - 3.45 GHz Service						Y
WRQR525	PK - 3.45 GHz Service						Y
WRQR526	PK - 3.45 GHz Service						Y
WRQR527	PK - 3.45 GHz Service						Y
WRQR528	PK - 3.45 GHz Service						Y
WRQR529	PK - 3.45 GHz Service						Y
WRQR530	PK - 3.45 GHz Service						Y
WRQR531	PK - 3.45 GHz Service						Y

112) Call Sign	113) Radio Service Code	114) Location Number	115) Path Number (Microwave only)	116) Frequency Number	117) Lower or Center Frequency (MHz)	118) Upper Frequency (MHz)	119) Constructed Yes / No
WRQR532	PK - 3.45 GHz Service						Y
WRQR533	PK - 3.45 GHz Service						Y
WRQR534	PK - 3.45 GHz Service						Y
WRQR535	PK - 3.45 GHz Service						Y
WRQR550	PK - 3.45 GHz Service						Y
WRQR551	PK - 3.45 GHz Service						Y
WRQR552	PK - 3.45 GHz Service						Y
WRQR553	PK - 3.45 GHz Service						Y
WRQR560	PK - 3.45 GHz Service						Y
WRQR561	PK - 3.45 GHz Service						Y
WRQR570	PK - 3.45 GHz Service						Y
WRQR571	PK - 3.45 GHz Service						Y
WRQR582	PK - 3.45 GHz Service						Y
WRQR590	PK - 3.45 GHz Service						Y
WRQR591	PK - 3.45 GHz Service						Y
WRQR604	PK - 3.45 GHz Service						Y
WRQR605	PK - 3.45 GHz Service						Y
WRQR606	PK - 3.45 GHz Service						Y
WRQR625	PK - 3.45 GHz Service						Y

112) Call Sign	113) Radio Service Code	114) Location Number	115) Path Number (Microwave only)	116) Frequency Number	117) Lower or Center Frequency (MHz)	118) Upper Frequency (MHz)	119) Constructed Yes / No
WRQR626	PK - 3.45 GHz Service						Y
WRLS922	PL - 3.5 GHz Band Priority Access License						Y
WRLS923	PL - 3.5 GHz Band Priority Access License						Y
WRLS924	PL - 3.5 GHz Band Priority Access License						Y
WRLS925	PL - 3.5 GHz Band Priority Access License						Y
WRLS926	PL - 3.5 GHz Band Priority Access License						Y
WRLS927	PL - 3.5 GHz Band Priority Access License						Y

Attachment(s):

Type	Description	Date Entered
O	Second Signature Exhibit	04/16/2023
O	Description of Transaction and Public Interest Statement	04/16/2023

REFERENCE COPY

This is not an official FCC license. It is a record of public information contained in the FCC's licensing database on the date that this reference copy was generated. In cases where FCC rules require the presentation, posting, or display of an FCC license, this document may not be used in place of an official FCC license.



Federal Communications Commission
Wireless Telecommunications Bureau

RADIO STATION AUTHORIZATION

LICENSEE: NEW CINGULAR WIRELESS PCS, LLC

ATTN: FCC GROUP
NEW CINGULAR WIRELESS PCS, LLC
208 S. AKARD ST. 20F
DALLAS, TX 75202

Table with Call Sign (WQGD545), File Number, and Radio Service (AW - AWS (1710-1755 MHz and 2110-2155 MHz)).

FCC Registration Number (FRN): 0003291192

Table with columns: Grant Date, Effective Date, Expiration Date, Print Date, Market Number, Channel Block, Sub-Market Designator, Market Name, 1st Build-out Date, 2nd Build-out Date, 3rd Build-out Date, 4th Build-out Date.

Waivers/Conditions:

This authorization is conditioned upon the licensee, prior to initiating operations from any base or fixed station, making reasonable efforts to coordinate frequency usage with known co-channel and adjacent channel incumbent federal users operating in the 1710-1755 MHz band whose facilities could be affected by the proposed operations.

Special Condition for AU/name change (6/4/2016): Grant of the request to update licensee name is conditioned on it not reflecting an assignment or transfer of control (see Rule 1.948); if an assignment or transfer occurred without proper notification or FCC approval, the grant is void and the station is licensed under the prior name.

Conditions:

Pursuant to §309(h) of the Communications Act of 1934, as amended, 47 U.S.C. §309(h), this license is subject to the following conditions: This license shall not vest in the licensee any right to operate the station nor any right in the use of the frequencies designated in the license beyond the term thereof nor in any other manner than authorized herein.

This license may not authorize operation throughout the entire geographic area or spectrum identified on the hardcopy version. To view the specific geographic area and spectrum authorized by this license, refer to the Spectrum and Market Area information under the Market Tab of the license record in the Universal Licensing System (ULS).

Licensee Name: NEW CINGULAR WIRELESS PCS, LLC

Call Sign: WQGD545

File Number:

Print Date:

700 MHz Relicensed Area Information:

Market	Market Name	Buildout Deadline	Buildout Notification	Status
---------------	--------------------	--------------------------	------------------------------	---------------

Reference Copy

Reference Copy Only. Do Not Mail to the FCC as an Application.

Submitted: 01/22/2024 at 14:24:20
File Number: 0010867837

FCC 601

Main Form

FCC Application for Radio Service Authorization: Wireless Telecommunications Bureau Public Safety and Homeland Security Bureau

Approved by OMB

3060 - 0798

See instructions for public burden estimate

1) Radio Service Code: <p style="text-align: center;">AW</p>	1a) Existing Radio Service Code:
--	----------------------------------

General Information

2) (Select only one) (AU) NE - New RO - Renewal Only AU - Administrative Update NT - Required Notifications MD - Modification RM - Renewal/Modification WD - Withdrawal of Application EX - Requests for Extension of Time AM - Amendment CA - Cancellation of License RL - Registered Location/Link	
3a) If this application is for a Demonstration License or a S pecial Temporary Authorization (STA), enter the code and attach the required exhibit as described in the instructions. Otherwise enter ' N/A ' (Not Applicable).	(N) <u>M</u> <u>S</u> <u>N/A</u>
3b) If this application is for Special Temporary Authority due to an emergency situation, enter 'Y'; otherwise enter 'N'. Refer to Rule 1.915 for an explanation of situations considered to be an emergency.	() <u>Y</u> <u>N</u>
4) If this application is for an Amendment or Withdrawal, enter the file number of the pending application currently on file with the FCC.	File Number
5) If this application is for a Modification, Renewal Only, Renewal/Modification, Cancellation of License, , or Administrative Update, enter the call sign of the existing FCC license. If this is a request for Registered Location/Link, enter the FCC call sign assigned to the geographic license.	Call Sign WQGD545
6a) If this application is for a New, Amendment, Renewal Only, or Renewal/Modification, enter the requested authorization expiration date (this item is optional).	MM DD ____ / ____
6b) If this application is for a Renewal Only or Renewal/Modification and the license is a geographic area license, is the license used to provide service to customers (C), or is the license used for private business (internal) purposes or to meet the licensee's public interest/public safety communications needs (P)?	() <u>C</u> <u>P</u>
7) Is this application "major" as defined in § 1.929 of the Commission's Rules when read in conjunction with the applicable radio service rules found in Parts 22 and 90 of the Commission's Rules? (NOTE: This question only applies to certain site-specific applications. See the instructions for applicability and full text of § 1.929).	() <u>Y</u> <u>N</u>
8) Are attachments (other than associated schedules) being filed with this application?	() <u>Y</u> <u>N</u>

Fees, Waivers, and Exemptions

9) Is the Applicant exempt from FCC application fees?	(N) <u>Y</u> <u>N</u>
10) Is the Applicant exempt from FCC regulatory fees?	(N) <u>Y</u> <u>N</u>
11) Does this application include a request for a Waiver of the Commission's Rule(s)? If 'Yes', attach an exhibit providing rule number(s) and explaining circumstances.	(N) <u>Y</u> <u>N</u>
12) Are the frequencies or parameters requested in this filing covered by grandfathered privileges, previously approved by waiver, or functionally integrated with an existing station?	() <u>Y</u> <u>N</u>

Applicant Information

13) FCC Registration Number (FRN): 0003291192			
14) Applicant/Licensee Legal Entity Type: (Select One) <input type="checkbox"/> Individual <input type="checkbox"/> Unincorporated Association <input type="checkbox"/> Trust <input type="checkbox"/> Government Entity <input type="checkbox"/> Corporation <input checked="" type="checkbox"/> Limited Liability Company <input type="checkbox"/> General Partnership <input type="checkbox"/> Limited Partnership <input type="checkbox"/> Limited Liability Partnership <input type="checkbox"/> Consortium <input type="checkbox"/> Other: _____			
15) If the Licensee name is being updated, is the update a result from the sale (or transfer of control) of the license(s) to party and for which proper Commission approval has not been received or proper notification not provided?			<input type="checkbox"/> Yes <input checked="" type="checkbox"/> No
16) First Name (if individual):	MI:	Last Name:	Suffix:
17) Legal Entity Name (if other than individual): New Cingular Wireless PCS, LLC			
18) Attention To: National Regulatory Compliance			
19) P.O. Box:	And/Or	20) Street Address: 208 S Akard St, 20F	
21) City: Dallas	22) State: TX	23) Zip Code: 75202	
24) Telephone Number: (855)699-7073		25) Fax:	
26) E-Mail Address: FCCMW@att.com			

27) Demographics (Optional)

Race: <input type="checkbox"/> American Indian or Alaska Native <input type="checkbox"/> Asian <input type="checkbox"/> Black or African-American <input type="checkbox"/> Native Hawaiian or Other Pacific Islander <input type="checkbox"/> White	Ethnicity: <input type="checkbox"/> Hispanic or Latino <input type="checkbox"/> Not Hispanic or Latino	Gender: <input type="checkbox"/> Male <input type="checkbox"/> Female
--	--	---

Real Party in Interest

28) Name of Real Party in Interest of Applicant (If different from Applicant):	29) FCC Registration Number (FRN) of Real Party in Interest:
--	--

Contact Information (If different from the Applicant) Check here if same as Applicant.

30) First Name: Jessica	MI: J	Last Name: Dunk	Suffix:
31) Company Name: AT&T Services, Inc.			
32) Attention To: NRC			
33) P.O. Box:	And /Or	34) Street Address: 208 S Akard St, 20F	
35) City: Dallas	36) State: TX	37) Zip Code: 75202	
38) Telephone Number: (855)699-7073		39) Fax:	
40) E-Mail Address: FCCMW@att.com			

Regulatory Status

41) This filing is for authorization to provide or use the following type(s) of radio service offering (enter all that apply):
() Common Carrier () Non-Common Carrier () Private, internal communications () Broadcast Services () Band Manager

Type of Radio Service

42) This filing is for authorization to provide the following type(s) of radio service (choose all that apply):
() Fixed () Mobile () Radiolocation () Satellite (sound) () Broadcast Services
43) Does the Applicant propose to provide service interconnected to the public telephone network? () Yes () No

Alien Ownership Questions (If any answer is 'Y', provide an attachment explaining the circumstances. In preparing the attachment, refer to the Main Form Instructions for the "Alien Ownership Questions".)

44) Is the Applicant a foreign government or the representative of any foreign government? () Yes () No
45) Is the Applicant an alien or the representative of an alien? () Yes () No
46) Is the Applicant a corporation organized under the laws of any foreign government? () Yes () No
47) Is the Applicant a corporation of which more than one-fifth of the capital stock is owned of record or voted by aliens or their representatives, or by a foreign government or representative thereof, or by any corporation organized under the laws of a foreign country? () Yes () No

48a) Is the Applicant directly or indirectly controlled by any other corporation of which more than one-fourth of the capital stock (Yes No) is owned of record or voted by aliens or their representatives, or by a foreign government or representative thereof, or by any corporation organized under the laws of a foreign country?

48b) If the answer to 47 or 48a is 'Y' select one of the choices below.

The Applicant is exempt from the provisions of Section 310(b).

If checked, it is not necessary to file a petition for declaratory ruling if the Applicant includes in the attachment required by Item 47 or Item 48a a showing that the requested license(s) is exempt from the provisions of Section 310(b).

The Applicant has received a declaratory ruling(s) approving its foreign ownership, and the application involves only the acquisition of additional spectrum for the provision of a wireless service in a geographic coverage area for which the Applicant has been previously authorized.

If checked, include in the attachment required by Item 47 or Item 48a the citation(s) of the applicable declaratory ruling(s) by DA/FCC number, the FCC Record citation, if available, release date, and a statement that there has been no change in the foreign ownership of the Applicant since the issuance of its ruling.

The Applicant: (i) has received a declaratory ruling(s) approving its foreign ownership, but is not able to make the certification specified immediately above; or (ii) is an "affiliate" of a Licensee or Lessee/Sublessee that received a declaratory ruling(s) under 47 CFR § 1.5000(a) and is relying on the affiliate's ruling for purposes of filing this application as permitted under the affiliate's ruling and 47 CFR § 1.5004(b)

If checked, and if the Applicant received its declaratory ruling(s) on or after August 9, 2013, include in the attachment required by Item 47 or Item 48a the citation(s) of the Applicant's declaratory ruling(s) by DA/FCC number, the FCC Record citation, if available, release date, and a statement that the Applicant is in compliance with the terms and conditions of its ruling and with the Commission's Rules.

If checked, and if the Applicant received its declaratory ruling(s) prior to August 9, 2013, include in the attachment required by Item 48a a copy of a petition for declaratory ruling filed contemporaneously with the Commission to extend the Applicant's existing ruling(s) to cover the same radio service(s) and geographic coverage area(s) involved in the application. Alternatively, the Applicant may request a new declaratory ruling pursuant to Section 1.5000(a) of the Commission's Rules, 47 CFR § 1.5000 (a). Petitions for declaratory ruling may be filed electronically on the Internet through the International Bureau Filing System (IBFS) (with a copy attached hereto).

If checked, and if the Applicant is relying on an affiliate's ruling for purposes of filing this application, include in the attachment required by Item 47 or Item 48a the citation(s) of the applicable declaratory ruling(s) by DA/FCC number, the FCC Record citation, if available, release date, and a statement that the Applicant is in compliance with the terms and conditions of the named affiliate's ruling and with the Commission's Rules. The Applicant must also include a certification of compliance signed by the named affiliate or other qualified entity as specified in 47 CFR § 1.5004(b). See Main Form Instructions for Items 47 or 48a, as applicable.

The Applicant has not received a declaratory ruling approving its foreign ownership and is requesting a declaratory ruling under 47 CFR § 1.5004(b) in a petition filed contemporaneously with the Commission.

If checked, include in the attachment required by Item 47 or 48a a copy of the petition for declaratory ruling filed contemporaneously with the Commission pursuant to 47 CFR § 1.5004(b). Petitions for declaratory ruling may be filed electronically on the Internet through the International Bureau Filing System (IBFS) (with a copy attached hereto).

Basic Qualification Questions

49) Has the Applicant or any party to this application had any FCC station authorization, license or construction permit revoked or had any application for an initial, modification or renewal of FCC station authorization, license, or construction permit denied by the Commission?	() <u>Yes</u> <u>No</u>
50) Has the Applicant or any party to this application, or any party directly or indirectly controlling the Applicant, ever been convicted of a felony by any state or federal court?	() <u>Yes</u> <u>No</u>
51) Has any court finally adjudged the Applicant or any party directly or indirectly controlling the Applicant guilty of unlawfully monopolizing or attempting unlawfully to monopolize radio communication, directly or indirectly, through control of manufacture or sale of radio apparatus, exclusive traffic arrangement, or any other means or unfair methods of competition?	() <u>Yes</u> <u>No</u>

Note: If the answer to any of 49-51 is 'Y', attach an exhibit explaining the circumstances.

Aeronautical Advisory Station (Unicom) Certification

52) () I certify that the station will be located on property of the airport to be served, and, in cases where the airport does not have a control tower, RCO, or FAA flight service station, that I have notified the owner of the airport and all aviation service organizations located at the airport within ten days prior to application.
--

Broadband Radio Service and Educational Broadband Service Cable Cross-Ownership

53a) Will the requested facilities be used to provide multichannel video programming service?	() <u>Yes</u> <u>No</u>
53b) If the answer to question 53a is 'Y', does the Applicant operate, control or have an attributable interest (as defined in 47 CFR § 27.1202) in a cable television system whose franchise area is located within the geographic service area of the requested facilities?	() <u>Yes</u> <u>No</u>

Note: If the answer to question 53b is 'Y', attach an exhibit explaining how the Applicant complies with 47 CFR § 27.1202 or justifying a waiver of that rule. If a waiver of the Commission Rule(s) is being requested, Item 11a must be answered 'Y'.

Broadband Radio Service and Educational Broadband Service (Part 27)

54) (For EBS only) Does the Applicant comply with the programming requirements contained in 47 CFR § 27.1203?	() <u>Yes</u> <u>No</u>
---	--------------------------

Note: If the answer to item 54 is 'N', attach an exhibit explaining how the Applicant complies with 47 CFR § 27.1203 of the Commission's Rules or justifying a waiver of that rule. If a waiver of the Commission Rule(s) is being requested, Item 11a must be answered 'Y'.

55) (For BRS and EBS) Does the Applicant comply with 47 CFR §§ 27.50, 27.55, and 27.1221?	() <u>Yes</u> <u>No</u>
---	--------------------------

Note: If the answer to item 55 is 'N', attach an exhibit justifying a waiver of that rule(s). If a waiver of the Commission Rule(s) is being requested, Item 11a must be answered 'Y'.

For Applicants Who Participated in an Auction

56) Is the Applicant a qualifying rural wireless partnership or a member of a qualifying rural wireless partnership?	() <u>Yes</u> <u>No</u>
--	--------------------------

Note: If the answer to item 56 is 'Y', attach an exhibit listing all members of the qualifying rural wireless partnership, including their FRN numbers.

For Renewal Applicants

57) Operation/Performance Requirement Certification	
[For a site-based license]: Applicant certifies that it is continuing to operate consistent with its most recently filed construction notification (or most recent authorization, if no construction notification was required).	() <u>Yes</u> <u>No</u>
[For a geographic license, commercial service - licensee in its initial license term with an interim performance requirement]: Applicant certifies that it has met its interim performance requirement, that over the portion of the license term following the interim performance requirement, it continues to use its facilities to provide at least the level of service required by its interim performance requirement, it has met its final performance requirement, and it continues to use its facilities to provide at least the level of service required by its final performance requirement through the end of the license term.	() <u>Yes</u> <u>No</u>
[For a geographic license, commercial service - licensee in its initial license term with no interim performance requirement]: Applicant certifies that it has met its final performance requirement and it continues to use its facilities to provide at least the level of service required by its final performance requirement through the end of the license term. [Note: licensee must provide a showing demonstrating that the final performance requirement has been met, either separately in a timely application for notification of completion of construction, or as part of its renewal application, depending on the radio service.]	() <u>Yes</u> <u>No</u>
[For a geographic license, commercial service - licensee in any subsequent term]: Applicant certifies that it continues to use its facilities to provide at least the level of service required by its final performance requirement through the end of any subsequent license terms.	() <u>Yes</u> <u>No</u>
[For a geographic license, private systems - licensee in its initial license term with an interim performance requirement]: Applicant certifies that it has met its interim performance requirement, that over the portion of the license term following the interim performance requirement, it continues to use its facilities to further its private business or public interest/public safety communications needs at or above the level required to meet its interim performance requirement, it has met its final performance requirement, and it continues to use its facilities to provide at least the level of operation required by its final performance requirement through the end of the license term.	() <u>Yes</u> <u>No</u>
[For a geographic license, private systems - licensee in its initial license term with no interim performance requirement]: Applicant certifies that it has met its final performance requirement, it continues to use its facilities to further its private business or public interest/public safety communications needs, and it continues to use its facilities to provide at least the level of operation required by its final performance requirement through the end of the license term. [Note: licensee must provide a showing demonstrating that the final performance requirement has been met, either separately in a timely application for notification of completion of construction, or as part of its renewal application, depending on the radio service.]	() <u>Yes</u> <u>No</u>

[For a geographic license, private systems - licensee in any subsequent term]: Applicant certifies that it continues to use its facilities to further its private business or public interest/public safety communications needs at or above the level required to meet its final performance requirement through the end of any subsequent license terms.	(<input type="checkbox"/>) <u>Yes</u> <u>No</u>
[For a partitioned or disaggregated license without a performance requirement, for the first renewal application filed after effective date of the rules]: Applicant certifies that the partitioned and/or disaggregated license that is the subject of this renewal application has no separate performance requirement and that this is the first renewal of this license filed subsequent to the effective date of the rules.	(<input type="checkbox"/>) <u>Yes</u> <u>No</u>
[For a partitioned or disaggregated license without a performance requirement, for any subsequent renewal filings]: Applicant certifies that it continues to use its facilities to provide service or to further the applicant's private business or public interest/public safety needs.	(<input type="checkbox"/>) <u>Yes</u> <u>No</u>

Discontinuance of Service Certification

58) Applicant certifies that no permanent discontinuance of service or operation, as applicable, occurred during its current license term. Note: If the response to either item 57 or item 58 is 'N', attach an exhibit that demonstrates that over the course of the license term, the Applicant provided and continues to provide service to the public, or operated and continues to operate the license to meet the Applicant's private business or public interest/public safety communications needs. This exhibit must include a detailed description of the Applicant's provision of service or, when allowed under the relevant service rules or pursuant to waiver, use of the spectrum for private business or public interest/public safety communications needs, during the entire license period and address, as applicable: 1) the level and quality of service provided by the applicant (e.g., the population served, the area served, the number of subscribers, the services offered); (2) the date service commenced, whether service was ever interrupted, and the duration of any interruption or outage; (3) the extent to which service is provided to rural areas; (4) the extent to which service is provided to qualifying tribal land as defined in 47 CFR § 1.2110(e)(3)(i); and (5) any other factors associated with the level of service to the public. The licensee may note in its exhibit: 1) any grant(s) of waiver or extension of a performance deadline or license renewal subject to meeting a performance requirement; or 2) if the final performance deadline and/or expiration date for the license accelerated because the licensee did not meet an interim performance requirement.	(<input type="checkbox"/>) <u>Yes</u> <u>No</u>
--	---

Regulatory Compliance Certification [same for all]

59) Applicant certifies that it has substantially complied with all applicable FCC rules, policies, and the Communications Act of 1934, as amended. Note: If the response to item 59 is 'N', attach an exhibit explaining the circumstances and demonstrating why Applicant's license should be renewed.	(<input type="checkbox"/>) <u>Yes</u> <u>No</u>
--	---

General Certification Statements

1) The Applicant waives any claim to the use of any particular frequency or of the electromagnetic spectrum as against the regulatory power of the United States because of the previous use of the same, whether by license or otherwise, and requests an authorization in accordance with this application.
2) The Applicant certifies that grant of this application would not cause the Applicant to be in violation of any pertinent cross-ownership or attribution rules.* *If the Applicant has sought a waiver of any such rule in connection with this application, it may make this certification subject to the outcome of the waiver request.
3) The Applicant certifies that all statements made in this application and in the exhibits, attachments, or documents incorporated by reference are material, are part of this application, and are true, complete, correct, and made in good faith.
4) The Applicant certifies that neither the Applicant nor any other party to the application is subject to a denial of Federal benefits pursuant to § 5301 of the Anti-Drug Abuse Act of 1988, 21 U.S.C. § 862, because of a conviction for possession or distribution of a controlled substance. This certification does not apply to applications filed in services exempted under § 1.2002(c) of the rules, 47 CFR § 1.2002(c). See 47 CFR § 1.2002(b) for the definition of "party to the application" as used in this certification.
5) The Applicant certifies that it either (1) has current required ownership data on file with the Commission, (2) is filing updated ownership data simultaneously with this application, or (3) is not required to file ownership data under the Commission's Rules.
6) The Applicant certifies that the facilities, operations, and transmitters for which this authorization is hereby requested are either: (1) categorically excluded from routine environmental evaluation for RF exposure as set forth in 47 CFR § 1.1307(b); or, (2) have been found not to cause human exposure to levels of radiofrequency radiation in excess of the limits specified in 47 CFR §§ 1.1310 and 2.1093; or, (3) are the subject of one or more Environmental Assessments filed with the Commission.
7) The Applicant certifies that it has reviewed the appropriate Commission Rules defining eligibility to hold the requested license(s) and is eligible to hold the requested license(s).
8) The Applicant certifies that it is not in default on any payment for Commission licenses and that it is not delinquent on any non-tax debt owed to any federal agency.
9) The Applicant certifies that the Applicant and all of the related individuals and entities required to be disclosed on this application and FCC Form 602 (FCC Ownership Disclosure Information for the Wireless Telecommunications Services) are not person(s) who have been, for reasons of national security, barred by any agency of the Federal Government from bidding on a contract, participating in an auction, or receiving a grant. This certification applies only to applications for licenses for spectrum that is required by Sections 6103, 6401-6403 of the Middle Class Tax Relief and Job Creation Act of 2012, codified at 47 U.S.C. §§ 309, 1413, 1451-1452, to be assigned by a system of competitive bidding under 47 U.S.C. § 309(j).

Signature

60) Typed or Printed Name of Party Authorized to Sign

First Name: Jessica	MI:	Last Name: Dunk	Suffix:
61) Title: Assistant Secretary - Compliance			
Signature: Jessica Dunk			62) Date: 01/22/2024
FAILURE TO SIGN THIS APPLICATION MAY RESULT IN DISMISSAL OF THE APPLICATION AND FORFEITURE OF ANY FEES PAID.			
Upon grant of this license application, the Licensee may be subject to certain construction or coverage requirements. Failure to meet the construction or coverage requirements will result in termination of the license. Consult appropriate FCC regulations to determine the construction or coverage requirements that apply to the type of license requested in this application.			
WILLFUL FALSE STATEMENTS MADE ON THIS FORM OR ANY ATTACHMENTS ARE PUNISHABLE BY FINE AND/OR IMPRISONMENT (U.S. Code, Title 18, § 1001) AND/OR REVOCATION OF ANY STATION LICENSE OR CONSTRUCTION PERMIT (U.S. Code, Title 47, § 312(a)(1)), AND/OR FORFEITURE (U.S. Code, Title 47, § 503).			

Reference Copy Only. Do Not Mail to the FCC as an Application.

Submitted: 01/13/2023 at 18:08:22
 File Number: 0010373624

FCC 601
Main Form

FCC Application for Radio Service Authorization: Wireless Telecommunications Bureau Public Safety and Homeland Security Bureau

Approved by OMB
 3060 - 0798
 See instructions for
 public burden estimate

1) Radio Service Code: <b style="text-align: center;">AW	1a) Existing Radio Service Code:
---	----------------------------------

General Information

2) (Select only one) (AU) NE - New RO - Renewal Only AU - Administrative Update NT - Required Notifications MD - Modification RM - Renewal/Modification WD - Withdrawal of Application EX - Requests for Extension of Time AM - Amendment CA - Cancellation of License RL - Registered Location/Link	
3a) If this application is for a Demonstration License or a S pecial Temporary Authorization (STA), enter the code and attach the required exhibit as described in the instructions. Otherwise enter ' N/A ' (Not Applicable).	(N) <u>M</u> <u>S</u> <u>N/A</u>
3b) If this application is for Special Temporary Authority due to an emergency situation, enter 'Y'; otherwise enter 'N'. Refer to Rule 1.915 for an explanation of situations considered to be an emergency.	() <u>Y</u> <u>N</u>
4) If this application is for an Amendment or Withdrawal, enter the file number of the pending application currently on file with the FCC.	File Number
5) If this application is for a Modification, Renewal Only, Renewal/Modification, Cancellation of License, , or Administrative Update, enter the call sign of the existing FCC license. If this is a request for Registered Location/Link, enter the FCC call sign assigned to the geographic license.	Call Sign WQGD545
6a) If this application is for a New, Amendment, Renewal Only, or Renewal/Modification, enter the requested authorization expiration date (this item is optional).	MM DD ____ / ____
6b) If this application is for a Renewal Only or Renewal/Modification and the license is a geographic area license, is the license used to provide service to customers (C), or is the license used for private business (internal) purposes or to meet the licensee's public interest/public safety communications needs (P)?	() <u>C</u> <u>P</u>
7) Is this application "major" as defined in § 1.929 of the Commission's Rules when read in conjunction with the applicable radio service rules found in Parts 22 and 90 of the Commission's Rules? (NOTE: This question only applies to certain site-specific applications. See the instructions for applicability and full text of § 1.929).	() <u>Y</u> <u>N</u>
8) Are attachments (other than associated schedules) being filed with this application?	() <u>Y</u> <u>N</u>

Fees, Waivers, and Exemptions

9) Is the Applicant exempt from FCC application fees?	(N) <u>Y</u> <u>N</u>
10) Is the Applicant exempt from FCC regulatory fees?	(N) <u>Y</u> <u>N</u>
11) Does this application include a request for a Waiver of the Commission's Rule(s)? If 'Yes', attach an exhibit providing rule number(s) and explaining circumstances.	(N) <u>Y</u> <u>N</u>
12) Are the frequencies or parameters requested in this filing covered by grandfathered privileges, previously approved by waiver, or functionally integrated with an existing station?	() <u>Y</u> <u>N</u>

Applicant Information

13) FCC Registration Number (FRN): 0003291192			
14) Applicant/Licensee Legal Entity Type: (Select One) () Individual () Unincorporated Association () Trust () Government Entity () Corporation (<input checked="" type="checkbox"/>) Limited Liability Company () General Partnership () Limited Partnership () Limited Liability Partnership () Consortium () Other: _____			
15) If the Licensee name is being updated, is the update a result from the sale (or transfer of control) of the license(s) to party and for which proper Commission approval has not been received or proper notification not provided?			() <u>Yes</u> <u>No</u>
16) First Name (if individual):	MI:	Last Name:	Suffix:
17) Legal Entity Name (if other than individual): NEW CINGULAR WIRELESS PCS, LLC			
18) Attention To: FCC Group			
19) P.O. Box:	And/Or	20) Street Address: 208 S. Akard St. 20F	
21) City: Dallas	22) State: TX	23) Zip Code: 75202	
24) Telephone Number: (855)699-7073		25) Fax:	
26) E-Mail Address: FCCMW@att.com			

27) Demographics (Optional)

Race: () American Indian or Alaska Native () Asian () Black or African-American () Native Hawaiian or Other Pacific Islander () White	Ethnicity: () Hispanic or Latino () Not Hispanic or Latino	Gender: () Male () Female
---	--	-----------------------------------

Real Party in Interest

28) Name of Real Party in Interest of Applicant (If different from Applicant):	29) FCC Registration Number (FRN) of Real Party in Interest:
--	--

Contact Information (If different from the Applicant)**() Check here if same as Applicant.**

30) First Name: Cecil	MI: J	Last Name: Mathew	Suffix:
31) Company Name: AT&T Services, Inc.			
32) Attention To:			
33) P.O. Box:	And /Or	34) Street Address: 208 S. Akard St. 20F	
35) City: Dallas	36) State: TX	37) Zip Code: 75202	
38) Telephone Number: (855)699-7073		39) Fax:	
40) E-Mail Address: FCCMW@att.com			

Regulatory Status

41) This filing is for authorization to provide or use the following type(s) of radio service offering (enter all that apply):
() Common Carrier () Non-Common Carrier () Private, internal communications () Broadcast Services () Band Manager

Type of Radio Service

42) This filing is for authorization to provide the following type(s) of radio service (choose all that apply):
() Fixed () Mobile () Radiolocation () Satellite (sound) () Broadcast Services
43) Does the Applicant propose to provide service interconnected to the public telephone network? () Yes () No

Alien Ownership Questions (If any answer is 'Y', provide an attachment explaining the circumstances. In preparing the attachment, refer to the Main Form Instructions for the "Alien Ownership Questions".)

44) Is the Applicant a foreign government or the representative of any foreign government? () Yes () No
45) Is the Applicant an alien or the representative of an alien? () Yes () No
46) Is the Applicant a corporation organized under the laws of any foreign government? () Yes () No
47) Is the Applicant a corporation of which more than one-fifth of the capital stock is owned of record or voted by aliens or their representatives, or by a foreign government or representative thereof, or by any corporation organized under the laws of a foreign country? () Yes () No

48a) Is the Applicant directly or indirectly controlled by any other corporation of which more than one-fourth of the capital stock () Yes No is owned of record or voted by aliens or their representatives, or by a foreign government or representative thereof, or by any corporation organized under the laws of a foreign country?

48b) If the answer to 47 or 48a is 'Y' select one of the choices below.

The Applicant is exempt from the provisions of Section 310(b).

If checked, it is not necessary to file a petition for declaratory ruling if the Applicant includes in the attachment required by Item 47 or Item 48a a showing that the requested license(s) is exempt from the provisions of Section 310(b).

The Applicant has received a declaratory ruling(s) approving its foreign ownership, and the application involves only the acquisition of additional spectrum for the provision of a wireless service in a geographic coverage area for which the Applicant has been previously authorized.

If checked, include in the attachment required by Item 47 or Item 48a the citation(s) of the applicable declaratory ruling(s) by DA/FCC number, the FCC Record citation, if available, release date, and a statement that there has been no change in the foreign ownership of the Applicant since the issuance of its ruling.

The Applicant: (i) has received a declaratory ruling(s) approving its foreign ownership, but is not able to make the certification specified immediately above; or (ii) is an "affiliate" of a Licensee or Lessee/Sublessee that received a declaratory ruling(s) under 47 CFR § 1.5000(a) and is relying on the affiliate's ruling for purposes of filing this application as permitted under the affiliate's ruling and 47 CFR § 1.5004(b)

If checked, and if the Applicant received its declaratory ruling(s) on or after August 9, 2013, include in the attachment required by Item 47 or Item 48a the citation(s) of the Applicant's declaratory ruling(s) by DA/FCC number, the FCC Record citation, if available, release date, and a statement that the Applicant is in compliance with the terms and conditions of its ruling and with the Commission's Rules.

If checked, and if the Applicant received its declaratory ruling(s) prior to August 9, 2013, include in the attachment required by Item 48a a copy of a petition for declaratory ruling filed contemporaneously with the Commission to extend the Applicant's existing ruling(s) to cover the same radio service(s) and geographic coverage area(s) involved in the application. Alternatively, the Applicant may request a new declaratory ruling pursuant to Section 1.5000(a) of the Commission's Rules, 47 CFR § 1.5000 (a). Petitions for declaratory ruling may be filed electronically on the Internet through the International Bureau Filing System (IBFS) (with a copy attached hereto).

If checked, and if the Applicant is relying on an affiliate's ruling for purposes of filing this application, include in the attachment required by Item 47 or Item 48a the citation(s) of the applicable declaratory ruling(s) by DA/FCC number, the FCC Record citation, if available, release date, and a statement that the Applicant is in compliance with the terms and conditions of the named affiliate's ruling and with the Commission's Rules. The Applicant must also include a certification of compliance signed by the named affiliate or other qualified entity as specified in 47 CFR § 1.5004(b). See Main Form Instructions for Items 47 or 48a, as applicable.

The Applicant has not received a declaratory ruling approving its foreign ownership and is requesting a declaratory ruling under 47 CFR § 1.5004(b) in a petition filed contemporaneously with the Commission.

If checked, include in the attachment required by Item 47 or 48a a copy of the petition for declaratory ruling filed contemporaneously with the Commission pursuant to 47 CFR § 1.5004(b). Petitions for declaratory ruling may be filed electronically on the Internet through the International Bureau Filing System (IBFS) (with a copy attached hereto).

Basic Qualification Questions

49) Has the Applicant or any party to this application had any FCC station authorization, license or construction permit revoked or had any application for an initial, modification or renewal of FCC station authorization, license, or construction permit denied by the Commission?	() <u>Yes</u> <u>No</u>
50) Has the Applicant or any party to this application, or any party directly or indirectly controlling the Applicant, ever been convicted of a felony by any state or federal court?	() <u>Yes</u> <u>No</u>
51) Has any court finally adjudged the Applicant or any party directly or indirectly controlling the Applicant guilty of unlawfully monopolizing or attempting unlawfully to monopolize radio communication, directly or indirectly, through control of manufacture or sale of radio apparatus, exclusive traffic arrangement, or any other means or unfair methods of competition?	() <u>Yes</u> <u>No</u>

Note: If the answer to any of 49-51 is 'Y', attach an exhibit explaining the circumstances.

Aeronautical Advisory Station (Unicom) Certification

52) () I certify that the station will be located on property of the airport to be served, and, in cases where the airport does not have a control tower, RCO, or FAA flight service station, that I have notified the owner of the airport and all aviation service organizations located at the airport within ten days prior to application.
--

Broadband Radio Service and Educational Broadband Service Cable Cross-Ownership

53a) Will the requested facilities be used to provide multichannel video programming service?	() <u>Yes</u> <u>No</u>
53b) If the answer to question 53a is 'Y', does the Applicant operate, control or have an attributable interest (as defined in 47 CFR § 27.1202) in a cable television system whose franchise area is located within the geographic service area of the requested facilities?	() <u>Yes</u> <u>No</u>

Note: If the answer to question 53b is 'Y', attach an exhibit explaining how the Applicant complies with 47 CFR § 27.1202 or justifying a waiver of that rule. If a waiver of the Commission Rule(s) is being requested, Item 11a must be answered 'Y'.

Broadband Radio Service and Educational Broadband Service (Part 27)

54) (For EBS only) Does the Applicant comply with the programming requirements contained in 47 CFR § 27.1203?	() <u>Yes</u> <u>No</u>
---	--------------------------

Note: If the answer to item 54 is 'N', attach an exhibit explaining how the Applicant complies with 47 CFR § 27.1203 of the Commission's Rules or justifying a waiver of that rule. If a waiver of the Commission Rule(s) is being requested, Item 11a must be answered 'Y'.

55) (For BRS and EBS) Does the Applicant comply with 47 CFR §§ 27.50, 27.55, and 27.1221?	() <u>Yes</u> <u>No</u>
---	--------------------------

Note: If the answer to item 55 is 'N', attach an exhibit justifying a waiver of that rule(s). If a waiver of the Commission Rule(s) is being requested, Item 11a must be answered 'Y'.

For Applicants Who Participated in an Auction

56) Is the Applicant a qualifying rural wireless partnership or a member of a qualifying rural wireless partnership?	() <u>Yes</u> <u>No</u>
--	--------------------------

Note: If the answer to item 56 is 'Y', attach an exhibit listing all members of the qualifying rural wireless partnership, including their FRN numbers.

For Renewal Applicants**57) Operation/Performance Requirement Certification**

[For a site-based license]: Applicant certifies that it is continuing to operate consistent with its most recently filed construction notification (or most recent authorization, if no construction notification was required).	() <u>Yes</u> <u>No</u>
[For a geographic license, commercial service - licensee in its initial license term with an interim performance requirement]: Applicant certifies that it has met its interim performance requirement, that over the portion of the license term following the interim performance requirement, it continues to use its facilities to provide at least the level of service required by its interim performance requirement, it has met its final performance requirement, and it continues to use its facilities to provide at least the level of service required by its final performance requirement through the end of the license term.	() <u>Yes</u> <u>No</u>
[For a geographic license, commercial service - licensee in its initial license term with no interim performance requirement]: Applicant certifies that it has met its final performance requirement and it continues to use its facilities to provide at least the level of service required by its final performance requirement through the end of the license term. [Note: licensee must provide a showing demonstrating that the final performance requirement has been met, either separately in a timely application for notification of completion of construction, or as part of its renewal application, depending on the radio service.]	() <u>Yes</u> <u>No</u>
[For a geographic license, commercial service - licensee in any subsequent term]: Applicant certifies that it continues to use its facilities to provide at least the level of service required by its final performance requirement through the end of any subsequent license terms.	() <u>Yes</u> <u>No</u>
[For a geographic license, private systems - licensee in its initial license term with an interim performance requirement]: Applicant certifies that it has met its interim performance requirement, that over the portion of the license term following the interim performance requirement, it continues to use its facilities to further its private business or public interest/public safety communications needs at or above the level required to meet its interim performance requirement, it has met its final performance requirement, and it continues to use its facilities to provide at least the level of operation required by its final performance requirement through the end of the license term.	() <u>Yes</u> <u>No</u>
[For a geographic license, private systems - licensee in its initial license term with no interim performance requirement]: Applicant certifies that it has met its final performance requirement, it continues to use its facilities to further its private business or public interest/public safety communications needs, and it continues to use its facilities to provide at least the level of operation required by its final performance requirement through the end of the license term. [Note: licensee must provide a showing demonstrating that the final performance requirement has been met, either separately in a timely application for notification of completion of construction, or as part of its renewal application, depending on the radio service.]	() <u>Yes</u> <u>No</u>

[For a geographic license, private systems - licensee in any subsequent term]: Applicant certifies that it continues to use its facilities to further its private business or public interest/public safety communications needs at or above the level required to meet its final performance requirement through the end of any subsequent license terms.	(<input type="checkbox"/>) <u>Yes</u> <u>No</u>
[For a partitioned or disaggregated license without a performance requirement, for the first renewal application filed after effective date of the rules]: Applicant certifies that the partitioned and/or disaggregated license that is the subject of this renewal application has no separate performance requirement and that this is the first renewal of this license filed subsequent to the effective date of the rules.	(<input type="checkbox"/>) <u>Yes</u> <u>No</u>
[For a partitioned or disaggregated license without a performance requirement, for any subsequent renewal filings]: Applicant certifies that it continues to use its facilities to provide service or to further the applicant's private business or public interest/public safety needs.	(<input type="checkbox"/>) <u>Yes</u> <u>No</u>

Discontinuance of Service Certification

58) Applicant certifies that no permanent discontinuance of service or operation, as applicable, occurred during its current license term. Note: If the response to either item 57 or item 58 is 'N', attach an exhibit that demonstrates that over the course of the license term, the Applicant provided and continues to provide service to the public, or operated and continues to operate the license to meet the Applicant's private business or public interest/public safety communications needs. This exhibit must include a detailed description of the Applicant's provision of service or, when allowed under the relevant service rules or pursuant to waiver, use of the spectrum for private business or public interest/public safety communications needs, during the entire license period and address, as applicable: 1) the level and quality of service provided by the applicant (e.g., the population served, the area served, the number of subscribers, the services offered); (2) the date service commenced, whether service was ever interrupted, and the duration of any interruption or outage; (3) the extent to which service is provided to rural areas; (4) the extent to which service is provided to qualifying tribal land as defined in 47 CFR § 1.2110(e)(3)(i); and (5) any other factors associated with the level of service to the public. The licensee may note in its exhibit: 1) any grant(s) of waiver or extension of a performance deadline or license renewal subject to meeting a performance requirement; or 2) if the final performance deadline and/or expiration date for the license accelerated because the licensee did not meet an interim performance requirement.	(<input type="checkbox"/>) <u>Yes</u> <u>No</u>
--	---

Regulatory Compliance Certification [same for all]

59) Applicant certifies that it has substantially complied with all applicable FCC rules, policies, and the Communications Act of 1934, as amended. Note: If the response to item 59 is 'N', attach an exhibit explaining the circumstances and demonstrating why Applicant's license should be renewed.	(<input type="checkbox"/>) <u>Yes</u> <u>No</u>
--	---

General Certification Statements

1) The Applicant waives any claim to the use of any particular frequency or of the electromagnetic spectrum as against the regulatory power of the United States because of the previous use of the same, whether by license or otherwise, and requests an authorization in accordance with this application.
2) The Applicant certifies that grant of this application would not cause the Applicant to be in violation of any pertinent cross-ownership or attribution rules.* *If the Applicant has sought a waiver of any such rule in connection with this application, it may make this certification subject to the outcome of the waiver request.
3) The Applicant certifies that all statements made in this application and in the exhibits, attachments, or documents incorporated by reference are material, are part of this application, and are true, complete, correct, and made in good faith.
4) The Applicant certifies that neither the Applicant nor any other party to the application is subject to a denial of Federal benefits pursuant to § 5301 of the Anti-Drug Abuse Act of 1988, 21 U.S.C. § 862, because of a conviction for possession or distribution of a controlled substance. This certification does not apply to applications filed in services exempted under § 1.2002(c) of the rules, 47 CFR § 1.2002(c). See 47 CFR § 1.2002(b) for the definition of "party to the application" as used in this certification.
5) The Applicant certifies that it either (1) has current required ownership data on file with the Commission, (2) is filing updated ownership data simultaneously with this application, or (3) is not required to file ownership data under the Commission's Rules.
6) The Applicant certifies that the facilities, operations, and transmitters for which this authorization is hereby requested are either: (1) categorically excluded from routine environmental evaluation for RF exposure as set forth in 47 CFR § 1.1307(b); or, (2) have been found not to cause human exposure to levels of radiofrequency radiation in excess of the limits specified in 47 CFR §§ 1.1310 and 2.1093; or, (3) are the subject of one or more Environmental Assessments filed with the Commission.
7) The Applicant certifies that it has reviewed the appropriate Commission Rules defining eligibility to hold the requested license(s) and is eligible to hold the requested license(s).
8) The Applicant certifies that it is not in default on any payment for Commission licenses and that it is not delinquent on any non-tax debt owed to any federal agency.
9) The Applicant certifies that the Applicant and all of the related individuals and entities required to be disclosed on this application and FCC Form 602 (FCC Ownership Disclosure Information for the Wireless Telecommunications Services) are not person(s) who have been, for reasons of national security, barred by any agency of the Federal Government from bidding on a contract, participating in an auction, or receiving a grant. This certification applies only to applications for licenses for spectrum that is required by Sections 6103, 6401-6403 of the Middle Class Tax Relief and Job Creation Act of 2012, codified at 47 U.S.C. §§ 309, 1413, 1451-1452, to be assigned by a system of competitive bidding under 47 U.S.C. § 309(j).

Signature

60) Typed or Printed Name of Party Authorized to Sign

First Name: Cecil	MI: J	Last Name: Mathew	Suffix:
61) Title: Assistant Secretary - Compliance			
Signature: Cecil J Mathew			62) Date: 01/13/2023
FAILURE TO SIGN THIS APPLICATION MAY RESULT IN DISMISSAL OF THE APPLICATION AND FORFEITURE OF ANY FEES PAID.			
Upon grant of this license application, the Licensee may be subject to certain construction or coverage requirements. Failure to meet the construction or coverage requirements will result in termination of the license. Consult appropriate FCC regulations to determine the construction or coverage requirements that apply to the type of license requested in this application.			
WILLFUL FALSE STATEMENTS MADE ON THIS FORM OR ANY ATTACHMENTS ARE PUNISHABLE BY FINE AND/OR IMPRISONMENT (U.S. Code, Title 18, § 1001) AND/OR REVOCATION OF ANY STATION LICENSE OR CONSTRUCTION PERMIT (U.S. Code, Title 47, § 312(a)(1)), AND/OR FORFEITURE (U.S. Code, Title 47, § 503).			

Reference Copy Only. Do Not Mail to the FCC as an Application.

Submitted: 09/22/2021 at 15:37:25
File Number: 0009724420

FCC 601
Main Form

FCC Application for Radio Service Authorization: Wireless Telecommunications Bureau Public Safety and Homeland Security Bureau

Approved by OMB
3060 - 0798
See instructions for
public burden estimate

1) Radio Service Code: AW	1a) Existing Radio Service Code:
-------------------------------------	----------------------------------

General Information

2) (Select only one) RO) NE - New RO - Renewal Only AU - Administrative Update NT - Required Notifications MD - Modification RM - Renewal/Modification WD - Withdrawal of Application EX - Requests for Extension of Time AM - Amendment CA - Cancellation of License RL - Registered Location/Link	
3a) If this application is for a <u>D</u> emonstration License or a <u>S</u> pecial Temporary Authorization (STA), enter the code and attach the required exhibit as described in the instructions. Otherwise enter ' <u>N/A</u> ' (Not Applicable).	(<input type="checkbox"/>) <u>N</u> <input type="checkbox"/> <u>M</u> <input type="checkbox"/> <u>S</u> <input type="checkbox"/> <u>N/A</u>
3b) If this application is for Special Temporary Authority due to an emergency situation, enter 'Y'; otherwise enter 'N'. Refer to Rule 1.915 for an explanation of situations considered to be an emergency.	(<input type="checkbox"/>) <u>Yes</u> <input type="checkbox"/> <u>No</u>
4) If this application is for an Amendment or Withdrawal, enter the file number of the pending application currently on file with the FCC.	File Number
5) If this application is for a Modification, Renewal Only, Renewal/Modification, Cancellation of License, , or Administrative Update, enter the call sign of the existing FCC license. If this is a request for Registered Location/Link, enter the FCC call sign assigned to the geographic license.	Call Sign WQGD545
6a) If this application is for a New, Amendment, Renewal Only, or Renewal/Modification, enter the requested authorization expiration date (this item is optional).	MM DD ____ / ____
6b) If this application is for a Renewal Only or Renewal/Modification and the license is a geographic area license, is the license used to provide service to customers (C), or is the license used for private business (internal) purposes or to meet the licensee's public interest/public safety communications needs (P)?	(<input checked="" type="checkbox"/>) <u>C</u> <input type="checkbox"/> <u>P</u>
7) Is this application "major" as defined in § 1.929 of the Commission's Rules when read in conjunction with the applicable radio service rules found in Parts 22 and 90 of the Commission's Rules? (NOTE: This question only applies to certain site-specific applications. See the instructions for applicability and full text of § 1.929).	(<input type="checkbox"/>) <u>Yes</u> <input type="checkbox"/> <u>No</u>
8) Are attachments (other than associated schedules) being filed with this application?	(<input checked="" type="checkbox"/>) <u>Yes</u> <input type="checkbox"/> <u>No</u>

Fees, Waivers, and Exemptions

9) Is the Applicant exempt from FCC application fees?	<input checked="" type="checkbox"/> <u>Yes</u> <input type="checkbox"/> <u>No</u>
10) Is the Applicant exempt from FCC regulatory fees?	<input checked="" type="checkbox"/> <u>Yes</u> <input type="checkbox"/> <u>No</u>
11a) Does this application include a request for a Waiver of the Commission's Rule(s)? If 'Yes', attach an exhibit providing rule number(s) and explaining circumstances.	<input checked="" type="checkbox"/> <u>Yes</u> <input type="checkbox"/> <u>No</u>
11b) If 11a is 'Y', and a feeable waiver request is attached, enter the number of rule sections involved.	Number of Rule Section(s): _____
12) Are the frequencies or parameters requested in this filing covered by grandfathered privileges, previously approved by waiver, or functionally integrated with an existing station?	<input checked="" type="checkbox"/> <u>Yes</u> <input type="checkbox"/> <u>No</u>

Applicant Information

13) FCC Registration Number (FRN): 0003291192			
14) Applicant/Licensee Legal Entity Type: (Select One) <input type="checkbox"/> Individual <input type="checkbox"/> Unincorporated Association <input type="checkbox"/> Trust <input type="checkbox"/> Government Entity <input type="checkbox"/> Corporation <input checked="" type="checkbox"/> Limited Liability Company <input type="checkbox"/> General Partnership <input type="checkbox"/> Limited Partnership <input type="checkbox"/> Limited Liability Partnership <input type="checkbox"/> Consortium <input type="checkbox"/> Other: _____			
15) If the Licensee name is being updated, is the update a result from the sale (or transfer of control) of the license(s) to party and for which proper Commission approval has not been received or proper notification not provided?			<input type="checkbox"/> Yes <input checked="" type="checkbox"/> No
16) First Name (if individual):	MI:	Last Name:	Suffix:
17) Legal Entity Name (if other than individual): New Cingular Wireless PCS, LLC			
18) Attention To: FCC GROUP			
19) P.O. Box:	And/Or	20) Street Address: 208 S Akard St., RM 2100	
21) City: Dallas	22) State: TX	23) Zip Code: 75202	
24) Telephone Number: (855)699-7073		25) Fax:	
26) E-Mail Address: FCCMW@att.com			

27) Demographics (Optional)

Race: <input type="checkbox"/> American Indian or Alaska Native <input type="checkbox"/> Asian <input type="checkbox"/> Black or African-American <input type="checkbox"/> Native Hawaiian or Other Pacific Islander <input type="checkbox"/> White	Ethnicity: <input type="checkbox"/> Hispanic or Latino <input type="checkbox"/> Not Hispanic or Latino	Gender: <input type="checkbox"/> Male <input type="checkbox"/> Female
--	--	---

Real Party in Interest

28) Name of Real Party in Interest of Applicant (If different from Applicant):	29) FCC Registration Number (FRN) of Real Party in Interest:
--	--

Contact Information (If different from the Applicant) Check here if same as Applicant.

30) First Name: Cecil	MI: J	Last Name: Mathew	Suffix:
31) Company Name: AT&T Services, Inc.			
32) Attention To:			
33) P.O. Box:	And /Or	34) Street Address: 208 S Akard St., RM 2100	
35) City: Dallas	36) State: TX	37) Zip Code: 75202	
38) Telephone Number: (855)699-7073		39) Fax:	
40) E-Mail Address: FCCMW@att.com			

Regulatory Status

41) This filing is for authorization to provide or use the following type(s) of radio service offering (enter all that apply):
() Common Carrier () Non-Common Carrier () Private, internal communications () Broadcast Services () Band Manager

Type of Radio Service

42) This filing is for authorization to provide the following type(s) of radio service (choose all that apply):
() Fixed () Mobile () Radiolocation () Satellite (sound) () Broadcast Services
43) Does the Applicant propose to provide service interconnected to the public telephone network? () N Yes No

Alien Ownership Questions (If any answer is 'Y', provide an attachment explaining the circumstances. In preparing the attachment, refer to the Main Form Instructions for the "Alien Ownership Questions".)

44) Is the Applicant a foreign government or the representative of any foreign government? () N Yes No
45) Is the Applicant an alien or the representative of an alien? () N Yes No
46) Is the Applicant a corporation organized under the laws of any foreign government? () N Yes No
47) Is the Applicant a corporation of which more than one-fifth of the capital stock is owned of record or voted by aliens or their representatives, or by a foreign government or representative thereof, or by any corporation organized under the laws of a foreign country? () N Yes No

48a) Is the Applicant directly or indirectly controlled by any other corporation of which more than one-fourth of the capital stock is owned of record or voted by aliens or their representatives, or by a foreign government or representative thereof, or by any corporation organized under the laws of a foreign country? () Yes No

48b) If the answer to 47 or 48a is 'Y' select one of the choices below.

The Applicant is exempt from the provisions of Section 310(b).

If checked, it is not necessary to file a petition for declaratory ruling if the Applicant includes in the attachment required by Item 47 or Item 48a a showing that the requested license(s) is exempt from the provisions of Section 310(b).

The Applicant has received a declaratory ruling(s) approving its foreign ownership, and the application involves only the acquisition of additional spectrum for the provision of a wireless service in a geographic coverage area for which the Applicant has been previously authorized.

If checked, include in the attachment required by Item 47 or Item 48a the citation(s) of the applicable declaratory ruling(s) by DA/FCC number, the FCC Record citation, if available, release date, and a statement that there has been no change in the foreign ownership of the Applicant since the issuance of its ruling.

The Applicant: (i) has received a declaratory ruling(s) approving its foreign ownership, but is not able to make the certification specified immediately above; or (ii) is an "affiliate" of a Licensee or Lessee/Sublessee that received a declaratory ruling(s) under 47 CFR § 1.990(a) and is relying on the affiliate's ruling for purposes of filing this application as permitted under the affiliate's ruling and 47 CFR § 1.994(b).

If checked, and if the Applicant received its declaratory ruling(s) on or after August 9, 2013, include in the attachment required by Item 47 or Item 48a the citation(s) of the Applicant's declaratory ruling(s) by DA/FCC number, the FCC Record citation, if available, release date, and a statement that the Applicant is in compliance with the terms and conditions of its ruling and with the Commission's Rules.

If checked, and if the Applicant received its declaratory ruling(s) prior to August 9, 2013, include in the attachment required by Item 48a a copy of a petition for declaratory ruling filed contemporaneously with the Commission to extend the Applicant's existing ruling(s) to cover the same radio service(s) and geographic coverage area(s) involved in the application. Alternatively, the Applicant may request a new declaratory ruling pursuant to Section 1.990(a) of the Commission's Rules, 47 CFR § 1.990(a). Petitions for declaratory ruling may be filed electronically on the Internet through the International Bureau Filing System (IBFS) (with a copy attached hereto).

If checked, and if the Applicant is relying on an affiliate's ruling for purposes of filing this application, include in the attachment required by Item 47 or Item 48a the citation(s) of the applicable declaratory ruling(s) by DA/FCC number, the FCC Record citation, if available, release date, and a statement that the Applicant is in compliance with the terms and conditions of the named affiliate's ruling and with the Commission's Rules. The Applicant must also include a certification of compliance signed by the named affiliate or other qualified entity as specified in 47 CFR § 1.994(b). See Main Form Instructions for Items 47 or 48a, as applicable.

The Applicant has not received a declaratory ruling approving its foreign ownership and is requesting a declaratory ruling under 47 CFR § 1.990(a) in a petition filed contemporaneously with the Commission.

If checked, include in the attachment required by Item 47 or 48a a copy of the petition for declaratory ruling filed contemporaneously with the Commission pursuant to 47 CFR § 1.990(a). Petitions for declaratory ruling may be filed electronically on the Internet through the International Bureau Filing System (IBFS) (with a copy attached hereto).

Basic Qualification Questions

49) Has the Applicant or any party to this application had any FCC station authorization, license or construction permit revoked or had any application for an initial, modification or renewal of FCC station authorization, license, or construction permit denied by the Commission?	(<input type="checkbox"/>) <u>Yes</u> <input type="checkbox"/> <u>No</u>
50) Has the Applicant or any party to this application, or any party directly or indirectly controlling the Applicant, ever been convicted of a felony by any state or federal court?	(<input type="checkbox"/>) <u>Yes</u> <input type="checkbox"/> <u>No</u>
51) Has any court finally adjudged the Applicant or any party directly or indirectly controlling the Applicant guilty of unlawfully monopolizing or attempting unlawfully to monopolize radio communication, directly or indirectly, through control of manufacture or sale of radio apparatus, exclusive traffic arrangement, or any other means or unfair methods of competition?	(<input type="checkbox"/>) <u>Yes</u> <input type="checkbox"/> <u>No</u>

Note: If the answer to any of 49-51 is 'Y', attach an exhibit explaining the circumstances.

Aeronautical Advisory Station (Unicom) Certification

52) (<input type="checkbox"/>) I certify that the station will be located on property of the airport to be served, and, in cases where the airport does not have a control tower, RCO, or FAA flight service station, that I have notified the owner of the airport and all aviation service organizations located at the airport within ten days prior to application.

Broadband Radio Service and Educational Broadband Service Cable Cross-Ownership

53a) Will the requested facilities be used to provide multichannel video programming service?	(<input type="checkbox"/>) <u>Yes</u> <input type="checkbox"/> <u>No</u>
53b) If the answer to question 53a is 'Y', does the Applicant operate, control or have an attributable interest (as defined in 47 CFR § 27.1202) in a cable television system whose franchise area is located within the geographic service area of the requested facilities?	(<input type="checkbox"/>) <u>Yes</u> <input type="checkbox"/> <u>No</u>

Note: If the answer to question 53b is 'Y', attach an exhibit explaining how the Applicant complies with 47 CFR § 27.1202 or justifying a waiver of that rule. If a waiver of the Commission Rule(s) is being requested, Item 11a must be answered 'Y'.

Broadband Radio Service and Educational Broadband Service (Part 27)

54) (For EBS only) Does the Applicant comply with the programming requirements contained in 47 CFR § 27.1203?	(<input type="checkbox"/>) <u>Yes</u> <input type="checkbox"/> <u>No</u>
Note: If the answer to item 54 is 'N', attach an exhibit explaining how the Applicant complies with 47 CFR § 27.1203 of the Commission's Rules or justifying a waiver of that rule. If a waiver of the Commission Rule(s) is being requested, Item 11a must be answered 'Y'.	
55) (For BRS and EBS) Does the Applicant comply with 47 CFR §§ 27.50, 27.55, and 27.1221?	(<input type="checkbox"/>) <u>Yes</u> <input type="checkbox"/> <u>No</u>
Note: If the answer to item 55 is 'N', attach an exhibit justifying a waiver of that rule(s). If a waiver of the Commission Rule(s) is being requested, Item 11a must be answered 'Y'.	

For Applicants Who Participated in an Auction

56) Is the Applicant a qualifying rural wireless partnership or a member of a qualifying rural wireless partnership?	(<input type="checkbox"/>) <u>Yes</u> <input type="checkbox"/> <u>No</u>
Note: If the answer to item 56 is 'Y', attach an exhibit listing all members of the qualifying rural wireless partnership, including their FRN numbers.	

For Renewal Applicants

57) Operation/Performance Requirement Certification	
[For a site-based license]: Applicant certifies that it is continuing to operate consistent with its most recently filed construction notification (or most recent authorization, if no construction notification was required).	(<input type="checkbox"/>) <u>Yes</u> <input type="checkbox"/> <u>No</u>
[For a geographic license, commercial service - licensee in its initial license term with an interim performance requirement]: Applicant certifies that it has met its interim performance requirement, that over the portion of the license term following the interim performance requirement, it continues to use its facilities to provide at least the level of service required by its interim performance requirement, it has met its final performance requirement, and it continues to use its facilities to provide at least the level of service required by its final performance requirement through the end of the license term.	(<input type="checkbox"/>) <u>Yes</u> <input type="checkbox"/> <u>No</u>
[For a geographic license, commercial service - licensee in its initial license term with no interim performance requirement]: Applicant certifies that it has met its final performance requirement and it continues to use its facilities to provide at least the level of service required by its final performance requirement through the end of the license term. [Note: licensee must provide a showing demonstrating that the final performance requirement has been met, either separately in a timely application for notification of completion of construction, or as part of its renewal application, depending on the radio service.]	(<input type="checkbox"/>) <u>Yes</u> <input type="checkbox"/> <u>No</u>
[For a geographic license, commercial service - licensee in any subsequent term]: Applicant certifies that it continues to use its facilities to provide at least the level of service required by its final performance requirement through the end of any subsequent license terms.	(<input type="checkbox"/>) <u>Yes</u> <input type="checkbox"/> <u>No</u>
[For a geographic license, private systems - licensee in its initial license term with an interim performance requirement]: Applicant certifies that it has met its interim performance requirement, that over the portion of the license term following the interim performance requirement, it continues to use its facilities to further its private business or public interest/public safety communications needs at or above the level required to meet its interim performance requirement, it has met its final performance requirement, and it continues to use its facilities to provide at least the level of operation required by its final performance requirement through the end of the license term.	(<input type="checkbox"/>) <u>Yes</u> <input type="checkbox"/> <u>No</u>
[For a geographic license, private systems - licensee in its initial license term with no interim performance requirement]: Applicant certifies that it has met its final performance requirement, it continues to use its facilities to further its private business or public interest/public safety communications needs, and it continues to use its facilities to provide at least the level of operation required by its final performance requirement through the end of the license term. [Note: licensee must provide a showing demonstrating that the final performance requirement has been met, either separately in a timely application for notification of completion of construction, or as part of its renewal application, depending on the radio service.]	(<input type="checkbox"/>) <u>Yes</u> <input type="checkbox"/> <u>No</u>

[For a geographic license, private systems - licensee in any subsequent term]: Applicant certifies that it continues to use its facilities to further its private business or public interest/public safety communications needs at or above the level required to meet its final performance requirement through the end of any subsequent license terms.	(<input type="checkbox"/>) <u>Yes</u> <u>No</u>
[For a partitioned or disaggregated license without a performance requirement, for the first renewal application filed after effective date of the rules]: Applicant certifies that the partitioned and/or disaggregated license that is the subject of this renewal application has no separate performance requirement and that this is the first renewal of this license filed subsequent to the effective date of the rules.	(<input type="checkbox"/>) <u>Yes</u> <u>No</u>
[For a partitioned or disaggregated license without a performance requirement, for any subsequent renewal filings]: Applicant certifies that it continues to use its facilities to provide service or to further the applicant's private business or public interest/public safety needs.	(<input type="checkbox"/>) <u>Yes</u> <u>No</u>

Discontinuance of Service Certification

58) Applicant certifies that no permanent discontinuance of service or operation, as applicable, occurred during its current license term. Note: If the response to either item 57 or item 58 is 'N', attach an exhibit that demonstrates that over the course of the license term, the Applicant provided and continues to provide service to the public, or operated and continues to operate the license to meet the Applicant's private business or public interest/public safety communications needs. This exhibit must include a detailed description of the Applicant's provision of service or, when allowed under the relevant service rules or pursuant to waiver, use of the spectrum for private business or public interest/public safety communications needs, during the entire license period and address, as applicable: 1) the level and quality of service provided by the applicant (e.g., the population served, the area served, the number of subscribers, the services offered); (2) the date service commenced, whether service was ever interrupted, and the duration of any interruption or outage; (3) the extent to which service is provided to rural areas; (4) the extent to which service is provided to qualifying tribal land as defined in 47 CFR § 1.2110(e)(3)(i); and (5) any other factors associated with the level of service to the public. The licensee may note in its exhibit: 1) any grant(s) of waiver or extension of a performance deadline or license renewal subject to meeting a performance requirement; or 2) if the final performance deadline and/or expiration date for the license accelerated because the licensee did not meet an interim performance requirement.	(<input type="checkbox"/>) <u>Yes</u> <u>No</u>
--	---

Regulatory Compliance Certification [same for all]

59) Applicant certifies that it has substantially complied with all applicable FCC rules, policies, and the Communications Act of 1934, as amended. Note: If the response to item 59 is 'N', attach an exhibit explaining the circumstances and demonstrating why Applicant's license should be renewed.	(<input type="checkbox"/>) <u>Yes</u> <u>No</u>
--	---

General Certification Statements

1) The Applicant waives any claim to the use of any particular frequency or of the electromagnetic spectrum as against the regulatory power of the United States because of the previous use of the same, whether by license or otherwise, and requests an authorization in accordance with this application.
2) The Applicant certifies that grant of this application would not cause the Applicant to be in violation of any pertinent cross-ownership or attribution rules.* *If the Applicant has sought a waiver of any such rule in connection with this application, it may make this certification subject to the outcome of the waiver request.
3) The Applicant certifies that all statements made in this application and in the exhibits, attachments, or documents incorporated by reference are material, are part of this application, and are true, complete, correct, and made in good faith.
4) The Applicant certifies that neither the Applicant nor any other party to the application is subject to a denial of Federal benefits pursuant to § 5301 of the Anti-Drug Abuse Act of 1988, 21 U.S.C. § 862, because of a conviction for possession or distribution of a controlled substance. This certification does not apply to applications filed in services exempted under § 1.2002(c) of the rules, 47 CFR § 1.2002(c). See 47 CFR § 1.2002(b) for the definition of "party to the application" as used in this certification.
5) The Applicant certifies that it either (1) has current required ownership data on file with the Commission, (2) is filing updated ownership data simultaneously with this application, or (3) is not required to file ownership data under the Commission's Rules.
6) The Applicant certifies that the facilities, operations, and transmitters for which this authorization is hereby requested are either: (1) categorically excluded from routine environmental evaluation for RF exposure as set forth in 47 CFR § 1.1307(b); or, (2) have been found not to cause human exposure to levels of radiofrequency radiation in excess of the limits specified in 47 CFR §§ 1.1310 and 2.1093; or, (3) are the subject of one or more Environmental Assessments filed with the Commission.
7) The Applicant certifies that it has reviewed the appropriate Commission Rules defining eligibility to hold the requested license(s) and is eligible to hold the requested license(s).
8) The Applicant certifies that it is not in default on any payment for Commission licenses and that it is not delinquent on any non-tax debt owed to any federal agency.
9) The Applicant certifies that the Applicant and all of the related individuals and entities required to be disclosed on this application and FCC Form 602 (FCC Ownership Disclosure Information for the Wireless Telecommunications Services) are not person(s) who have been, for reasons of national security, barred by any agency of the Federal Government from bidding on a contract, participating in an auction, or receiving a grant. This certification applies only to applications for licenses for spectrum that is required by Sections 6103, 6401-6403 of the Middle Class Tax Relief and Job Creation Act of 2012, codified at 47 U.S.C. §§ 309, 1413, 1451-1452, to be assigned by a system of competitive bidding under 47 U.S.C. § 309(j).

Signature

60) Typed or Printed Name of Party Authorized to Sign

First Name: Mike	MI:	Last Name: Hargrove	Suffix:
61) Title: VP-Access-Construction & Engineering			
Signature: Mike Hargrove			62) Date: 09/22/2021
FAILURE TO SIGN THIS APPLICATION MAY RESULT IN DISMISSAL OF THE APPLICATION AND FORFEITURE OF ANY FEES PAID.			
Upon grant of this license application, the Licensee may be subject to certain construction or coverage requirements. Failure to meet the construction or coverage requirements will result in termination of the license. Consult appropriate FCC regulations to determine the construction or coverage requirements that apply to the type of license requested in this application.			
WILLFUL FALSE STATEMENTS MADE ON THIS FORM OR ANY ATTACHMENTS ARE PUNISHABLE BY FINE AND/OR IMPRISONMENT (U.S. Code, Title 18, § 1001) AND/OR REVOCATION OF ANY STATION LICENSE OR CONSTRUCTION PERMIT (U.S. Code, Title 47, § 312(a)(1)), AND/OR FORFEITURE (U.S. Code, Title 47, § 503).			

Attachment(s):

Type	Description	Date Entered
0	License Renewal Exhibit	09/22/2021

REFERENCE COPY

This is not an official FCC license. It is a record of public information contained in the FCC's licensing database on the date that this reference copy was generated. In cases where FCC rules require the presentation, posting, or display of an FCC license, this document may not be used in place of an official FCC license.



Federal Communications Commission
Wireless Telecommunications Bureau

RADIO STATION AUTHORIZATION

LICENSEE: NEW CINGULAR WIRELESS PCS, LLC

ATTN: FCC GROUP
NEW CINGULAR WIRELESS PCS, LLC
208 S. AKARD ST. 20F
DALLAS, TX 75202

Table with Call Sign (WQGD758), File Number (0010170266), and Radio Service (AW - AWS (1710-1755 MHz and 2110-2155 MHz)).

FCC Registration Number (FRN): 0003291192

Table with columns: Grant Date, Effective Date, Expiration Date, Print Date, Market Number, Channel Block, Sub-Market Designator, Market Name, 1st Build-out Date, 2nd Build-out Date, 3rd Build-out Date, 4th Build-out Date.

Waivers/Conditions:

This authorization is conditioned upon the licensee, prior to initiating operations from any base or fixed station, making reasonable efforts to coordinate frequency usage with known co-channel and adjacent channel incumbent federal users operating in the 1710-1755 MHz band whose facilities could be affected by the proposed operations.

Special Condition for AU/name change (6/4/2016): Grant of the request to update licensee name is conditioned on it not reflecting an assignment or transfer of control (see Rule 1.948); if an assignment or transfer occurred without proper notification or FCC approval, the grant is void and the station is licensed under the prior name.

Conditions:

Pursuant to §309(h) of the Communications Act of 1934, as amended, 47 U.S.C. §309(h), this license is subject to the following conditions: This license shall not vest in the licensee any right to operate the station nor any right in the use of the frequencies designated in the license beyond the term thereof nor in any other manner than authorized herein.

This license may not authorize operation throughout the entire geographic area or spectrum identified on the hardcopy version. To view the specific geographic area and spectrum authorized by this license, refer to the Spectrum and Market Area information under the Market Tab of the license record in the Universal Licensing System (ULS).

Licensee Name: NEW CINGULAR WIRELESS PCS, LLC

Call Sign: WQGD758

File Number: 0010170266

Print Date: 02-10-2023

700 MHz Relicensed Area Information:

Market	Market Name	Buildout Deadline	Buildout Notification	Status
---------------	--------------------	--------------------------	------------------------------	---------------

Reference Copy

Reference Copy Only. Do Not Mail to the FCC as an Application.

Submitted: 01/22/2024 at 14:24:20
 File Number: 0010867683

FCC 601
Main Form

FCC Application for Radio Service Authorization: Wireless Telecommunications Bureau Public Safety and Homeland Security Bureau

Approved by OMB
 3060 - 0798
 See instructions for
 public burden estimate

1) Radio Service Code: <p style="text-align: center;">AW</p>	1a) Existing Radio Service Code:
--	----------------------------------

General Information

2) (Select only one) (AU) NE - New RO - Renewal Only AU - Administrative Update NT - Required Notifications MD - Modification RM - Renewal/Modification WD - Withdrawal of Application EX - Requests for Extension of Time AM - Amendment CA - Cancellation of License RL - Registered Location/Link	
3a) If this application is for a Demonstration License or a S pecial Temporary Authorization (STA), enter the code and attach the required exhibit as described in the instructions. Otherwise enter ' N/A ' (Not Applicable).	(N) <u>M</u> <u>S</u> <u>N/A</u>
3b) If this application is for Special Temporary Authority due to an emergency situation, enter 'Y'; otherwise enter 'N'. Refer to Rule 1.915 for an explanation of situations considered to be an emergency.	() <u>Y</u> <u>N</u>
4) If this application is for an Amendment or Withdrawal, enter the file number of the pending application currently on file with the FCC.	File Number
5) If this application is for a Modification, Renewal Only, Renewal/Modification, Cancellation of License, , or Administrative Update, enter the call sign of the existing FCC license. If this is a request for Registered Location/Link, enter the FCC call sign assigned to the geographic license.	Call Sign WQGD758
6a) If this application is for a New, Amendment, Renewal Only, or Renewal/Modification, enter the requested authorization expiration date (this item is optional).	MM DD _____ / _____
6b) If this application is for a Renewal Only or Renewal/Modification and the license is a geographic area license, is the license used to provide service to customers (C), or is the license used for private business (internal) purposes or to meet the licensee's public interest/public safety communications needs (P)?	() <u>C</u> <u>P</u>
7) Is this application "major" as defined in § 1.929 of the Commission's Rules when read in conjunction with the applicable radio service rules found in Parts 22 and 90 of the Commission's Rules? (NOTE: This question only applies to certain site-specific applications. See the instructions for applicability and full text of § 1.929).	() <u>Y</u> <u>N</u>
8) Are attachments (other than associated schedules) being filed with this application?	() <u>Y</u> <u>N</u>

Fees, Waivers, and Exemptions

9) Is the Applicant exempt from FCC application fees?	(N) <u>Y</u> <u>N</u>
10) Is the Applicant exempt from FCC regulatory fees?	(N) <u>Y</u> <u>N</u>
11) Does this application include a request for a Waiver of the Commission's Rule(s)? If 'Yes', attach an exhibit providing rule number(s) and explaining circumstances.	(N) <u>Y</u> <u>N</u>
12) Are the frequencies or parameters requested in this filing covered by grandfathered privileges, previously approved by waiver, or functionally integrated with an existing station?	() <u>Y</u> <u>N</u>

Applicant Information

13) FCC Registration Number (FRN): 0003291192			
14) Applicant/Licensee Legal Entity Type: (Select One) <input type="checkbox"/> Individual <input type="checkbox"/> Unincorporated Association <input type="checkbox"/> Trust <input type="checkbox"/> Government Entity <input type="checkbox"/> Corporation <input checked="" type="checkbox"/> Limited Liability Company <input type="checkbox"/> General Partnership <input type="checkbox"/> Limited Partnership <input type="checkbox"/> Limited Liability Partnership <input type="checkbox"/> Consortium <input type="checkbox"/> Other: _____			
15) If the Licensee name is being updated, is the update a result from the sale (or transfer of control) of the license(s) to party and for which proper Commission approval has not been received or proper notification not provided?			<input type="checkbox"/> Yes <input checked="" type="checkbox"/> No
16) First Name (if individual):	MI:	Last Name:	Suffix:
17) Legal Entity Name (if other than individual): New Cingular Wireless PCS, LLC			
18) Attention To: National Regulatory Compliance			
19) P.O. Box:	And/Or	20) Street Address: 208 S Akard St, 20F	
21) City: Dallas	22) State: TX	23) Zip Code: 75202	
24) Telephone Number: (855)699-7073		25) Fax:	
26) E-Mail Address: FCCMW@att.com			

27) Demographics (Optional)

Race: <input type="checkbox"/> American Indian or Alaska Native <input type="checkbox"/> Asian <input type="checkbox"/> Black or African-American <input type="checkbox"/> Native Hawaiian or Other Pacific Islander <input type="checkbox"/> White	Ethnicity: <input type="checkbox"/> Hispanic or Latino <input type="checkbox"/> Not Hispanic or Latino	Gender: <input type="checkbox"/> Male <input type="checkbox"/> Female
--	--	---

Real Party in Interest

28) Name of Real Party in Interest of Applicant (If different from Applicant):	29) FCC Registration Number (FRN) of Real Party in Interest:
--	--

Contact Information (If different from the Applicant) Check here if same as Applicant.

30) First Name: Jessica	MI: J	Last Name: Dunk	Suffix:
31) Company Name: AT&T Services, Inc.			
32) Attention To: NRC			
33) P.O. Box:	And /Or	34) Street Address: 208 S Akard St, 20F	
35) City: Dallas	36) State: TX	37) Zip Code: 75202	
38) Telephone Number: (855)699-7073		39) Fax:	
40) E-Mail Address: FCCMW@att.com			

Regulatory Status

41) This filing is for authorization to provide or use the following type(s) of radio service offering (enter all that apply):
() Common Carrier () Non-Common Carrier () Private, internal communications () Broadcast Services () Band Manager

Type of Radio Service

42) This filing is for authorization to provide the following type(s) of radio service (choose all that apply):
() Fixed () Mobile () Radiolocation () Satellite (sound) () Broadcast Services
43) Does the Applicant propose to provide service interconnected to the public telephone network? () Yes () No

Alien Ownership Questions (If any answer is 'Y', provide an attachment explaining the circumstances. In preparing the attachment, refer to the Main Form Instructions for the "Alien Ownership Questions".)

44) Is the Applicant a foreign government or the representative of any foreign government? () Yes () No
45) Is the Applicant an alien or the representative of an alien? () Yes () No
46) Is the Applicant a corporation organized under the laws of any foreign government? () Yes () No
47) Is the Applicant a corporation of which more than one-fifth of the capital stock is owned of record or voted by aliens or their representatives, or by a foreign government or representative thereof, or by any corporation organized under the laws of a foreign country? () Yes () No

48a) Is the Applicant directly or indirectly controlled by any other corporation of which more than one-fourth of the capital stock (Yes No) is owned of record or voted by aliens or their representatives, or by a foreign government or representative thereof, or by any corporation organized under the laws of a foreign country?

48b) If the answer to 47 or 48a is 'Y' select one of the choices below.

The Applicant is exempt from the provisions of Section 310(b).

If checked, it is not necessary to file a petition for declaratory ruling if the Applicant includes in the attachment required by Item 47 or Item 48a a showing that the requested license(s) is exempt from the provisions of Section 310(b).

The Applicant has received a declaratory ruling(s) approving its foreign ownership, and the application involves only the acquisition of additional spectrum for the provision of a wireless service in a geographic coverage area for which the Applicant has been previously authorized.

If checked, include in the attachment required by Item 47 or Item 48a the citation(s) of the applicable declaratory ruling(s) by DA/FCC number, the FCC Record citation, if available, release date, and a statement that there has been no change in the foreign ownership of the Applicant since the issuance of its ruling.

The Applicant: (i) has received a declaratory ruling(s) approving its foreign ownership, but is not able to make the certification specified immediately above; or (ii) is an "affiliate" of a Licensee or Lessee/Sublessee that received a declaratory ruling(s) under 47 CFR § 1.5000(a) and is relying on the affiliate's ruling for purposes of filing this application as permitted under the affiliate's ruling and 47 CFR § 1.5004(b)

If checked, and if the Applicant received its declaratory ruling(s) on or after August 9, 2013, include in the attachment required by Item 47 or Item 48a the citation(s) of the Applicant's declaratory ruling(s) by DA/FCC number, the FCC Record citation, if available, release date, and a statement that the Applicant is in compliance with the terms and conditions of its ruling and with the Commission's Rules.

If checked, and if the Applicant received its declaratory ruling(s) prior to August 9, 2013, include in the attachment required by Item 48a a copy of a petition for declaratory ruling filed contemporaneously with the Commission to extend the Applicant's existing ruling(s) to cover the same radio service(s) and geographic coverage area(s) involved in the application. Alternatively, the Applicant may request a new declaratory ruling pursuant to Section 1.5000(a) of the Commission's Rules, 47 CFR § 1.5000 (a). Petitions for declaratory ruling may be filed electronically on the Internet through the International Bureau Filing System (IBFS) (with a copy attached hereto).

If checked, and if the Applicant is relying on an affiliate's ruling for purposes of filing this application, include in the attachment required by Item 47 or Item 48a the citation(s) of the applicable declaratory ruling(s) by DA/FCC number, the FCC Record citation, if available, release date, and a statement that the Applicant is in compliance with the terms and conditions of the named affiliate's ruling and with the Commission's Rules. The Applicant must also include a certification of compliance signed by the named affiliate or other qualified entity as specified in 47 CFR § 1.5004(b). See Main Form Instructions for Items 47 or 48a, as applicable.

The Applicant has not received a declaratory ruling approving its foreign ownership and is requesting a declaratory ruling under 47 CFR § 1.5004(b) in a petition filed contemporaneously with the Commission.

If checked, include in the attachment required by Item 47 or 48a a copy of the petition for declaratory ruling filed contemporaneously with the Commission pursuant to 47 CFR § 1.5004(b). Petitions for declaratory ruling may be filed electronically on the Internet through the International Bureau Filing System (IBFS) (with a copy attached hereto).

Basic Qualification Questions

49) Has the Applicant or any party to this application had any FCC station authorization, license or construction permit revoked or had any application for an initial, modification or renewal of FCC station authorization, license, or construction permit denied by the Commission?	() <u>Yes</u> <u>No</u>
50) Has the Applicant or any party to this application, or any party directly or indirectly controlling the Applicant, ever been convicted of a felony by any state or federal court?	() <u>Yes</u> <u>No</u>
51) Has any court finally adjudged the Applicant or any party directly or indirectly controlling the Applicant guilty of unlawfully monopolizing or attempting unlawfully to monopolize radio communication, directly or indirectly, through control of manufacture or sale of radio apparatus, exclusive traffic arrangement, or any other means or unfair methods of competition?	() <u>Yes</u> <u>No</u>

Note: If the answer to any of 49-51 is 'Y', attach an exhibit explaining the circumstances.

Aeronautical Advisory Station (Unicom) Certification

52) () I certify that the station will be located on property of the airport to be served, and, in cases where the airport does not have a control tower, RCO, or FAA flight service station, that I have notified the owner of the airport and all aviation service organizations located at the airport within ten days prior to application.
--

Broadband Radio Service and Educational Broadband Service Cable Cross-Ownership

53a) Will the requested facilities be used to provide multichannel video programming service?	() <u>Yes</u> <u>No</u>
53b) If the answer to question 53a is 'Y', does the Applicant operate, control or have an attributable interest (as defined in 47 CFR § 27.1202) in a cable television system whose franchise area is located within the geographic service area of the requested facilities?	() <u>Yes</u> <u>No</u>

Note: If the answer to question 53b is 'Y', attach an exhibit explaining how the Applicant complies with 47 CFR § 27.1202 or justifying a waiver of that rule. If a waiver of the Commission Rule(s) is being requested, Item 11a must be answered 'Y'.

Broadband Radio Service and Educational Broadband Service (Part 27)

54) (For EBS only) Does the Applicant comply with the programming requirements contained in 47 CFR § 27.1203?	() <u>Yes</u> <u>No</u>
---	--------------------------

Note: If the answer to item 54 is 'N', attach an exhibit explaining how the Applicant complies with 47 CFR § 27.1203 of the Commission's Rules or justifying a waiver of that rule. If a waiver of the Commission Rule(s) is being requested, Item 11a must be answered 'Y'.

55) (For BRS and EBS) Does the Applicant comply with 47 CFR §§ 27.50, 27.55, and 27.1221?	() <u>Yes</u> <u>No</u>
---	--------------------------

Note: If the answer to item 55 is 'N', attach an exhibit justifying a waiver of that rule(s). If a waiver of the Commission Rule(s) is being requested, Item 11a must be answered 'Y'.

For Applicants Who Participated in an Auction

56) Is the Applicant a qualifying rural wireless partnership or a member of a qualifying rural wireless partnership?	() <u>Yes</u> <u>No</u>
--	--------------------------

Note: If the answer to item 56 is 'Y', attach an exhibit listing all members of the qualifying rural wireless partnership, including their FRN numbers.

For Renewal Applicants

57) Operation/Performance Requirement Certification	
[For a site-based license]: Applicant certifies that it is continuing to operate consistent with its most recently filed construction notification (or most recent authorization, if no construction notification was required).	() <u>Yes</u> <u>No</u>
[For a geographic license, commercial service - licensee in its initial license term with an interim performance requirement]: Applicant certifies that it has met its interim performance requirement, that over the portion of the license term following the interim performance requirement, it continues to use its facilities to provide at least the level of service required by its interim performance requirement, it has met its final performance requirement, and it continues to use its facilities to provide at least the level of service required by its final performance requirement through the end of the license term.	() <u>Yes</u> <u>No</u>
[For a geographic license, commercial service - licensee in its initial license term with no interim performance requirement]: Applicant certifies that it has met its final performance requirement and it continues to use its facilities to provide at least the level of service required by its final performance requirement through the end of the license term. [Note: licensee must provide a showing demonstrating that the final performance requirement has been met, either separately in a timely application for notification of completion of construction, or as part of its renewal application, depending on the radio service.]	() <u>Yes</u> <u>No</u>
[For a geographic license, commercial service - licensee in any subsequent term]: Applicant certifies that it continues to use its facilities to provide at least the level of service required by its final performance requirement through the end of any subsequent license terms.	() <u>Yes</u> <u>No</u>
[For a geographic license, private systems - licensee in its initial license term with an interim performance requirement]: Applicant certifies that it has met its interim performance requirement, that over the portion of the license term following the interim performance requirement, it continues to use its facilities to further its private business or public interest/public safety communications needs at or above the level required to meet its interim performance requirement, it has met its final performance requirement, and it continues to use its facilities to provide at least the level of operation required by its final performance requirement through the end of the license term.	() <u>Yes</u> <u>No</u>
[For a geographic license, private systems - licensee in its initial license term with no interim performance requirement]: Applicant certifies that it has met its final performance requirement, it continues to use its facilities to further its private business or public interest/public safety communications needs, and it continues to use its facilities to provide at least the level of operation required by its final performance requirement through the end of the license term. [Note: licensee must provide a showing demonstrating that the final performance requirement has been met, either separately in a timely application for notification of completion of construction, or as part of its renewal application, depending on the radio service.]	() <u>Yes</u> <u>No</u>

[For a geographic license, private systems - licensee in any subsequent term]: Applicant certifies that it continues to use its facilities to further its private business or public interest/public safety communications needs at or above the level required to meet its final performance requirement through the end of any subsequent license terms.	(<input type="checkbox"/>) <u>Yes</u> <u>No</u>
[For a partitioned or disaggregated license without a performance requirement, for the first renewal application filed after effective date of the rules]: Applicant certifies that the partitioned and/or disaggregated license that is the subject of this renewal application has no separate performance requirement and that this is the first renewal of this license filed subsequent to the effective date of the rules.	(<input type="checkbox"/>) <u>Yes</u> <u>No</u>
[For a partitioned or disaggregated license without a performance requirement, for any subsequent renewal filings]: Applicant certifies that it continues to use its facilities to provide service or to further the applicant's private business or public interest/public safety needs.	(<input type="checkbox"/>) <u>Yes</u> <u>No</u>

Discontinuance of Service Certification

58) Applicant certifies that no permanent discontinuance of service or operation, as applicable, occurred during its current license term. Note: If the response to either item 57 or item 58 is 'N', attach an exhibit that demonstrates that over the course of the license term, the Applicant provided and continues to provide service to the public, or operated and continues to operate the license to meet the Applicant's private business or public interest/public safety communications needs. This exhibit must include a detailed description of the Applicant's provision of service or, when allowed under the relevant service rules or pursuant to waiver, use of the spectrum for private business or public interest/public safety communications needs, during the entire license period and address, as applicable: 1) the level and quality of service provided by the applicant (e.g., the population served, the area served, the number of subscribers, the services offered); (2) the date service commenced, whether service was ever interrupted, and the duration of any interruption or outage; (3) the extent to which service is provided to rural areas; (4) the extent to which service is provided to qualifying tribal land as defined in 47 CFR § 1.2110(e)(3)(i); and (5) any other factors associated with the level of service to the public. The licensee may note in its exhibit: 1) any grant(s) of waiver or extension of a performance deadline or license renewal subject to meeting a performance requirement; or 2) if the final performance deadline and/or expiration date for the license accelerated because the licensee did not meet an interim performance requirement.	(<input type="checkbox"/>) <u>Yes</u> <u>No</u>
--	---

Regulatory Compliance Certification [same for all]

59) Applicant certifies that it has substantially complied with all applicable FCC rules, policies, and the Communications Act of 1934, as amended. Note: If the response to item 59 is 'N', attach an exhibit explaining the circumstances and demonstrating why Applicant's license should be renewed.	(<input type="checkbox"/>) <u>Yes</u> <u>No</u>
--	---

General Certification Statements

1) The Applicant waives any claim to the use of any particular frequency or of the electromagnetic spectrum as against the regulatory power of the United States because of the previous use of the same, whether by license or otherwise, and requests an authorization in accordance with this application.
2) The Applicant certifies that grant of this application would not cause the Applicant to be in violation of any pertinent cross-ownership or attribution rules.* *If the Applicant has sought a waiver of any such rule in connection with this application, it may make this certification subject to the outcome of the waiver request.
3) The Applicant certifies that all statements made in this application and in the exhibits, attachments, or documents incorporated by reference are material, are part of this application, and are true, complete, correct, and made in good faith.
4) The Applicant certifies that neither the Applicant nor any other party to the application is subject to a denial of Federal benefits pursuant to § 5301 of the Anti-Drug Abuse Act of 1988, 21 U.S.C. § 862, because of a conviction for possession or distribution of a controlled substance. This certification does not apply to applications filed in services exempted under § 1.2002(c) of the rules, 47 CFR § 1.2002(c). See 47 CFR § 1.2002(b) for the definition of "party to the application" as used in this certification.
5) The Applicant certifies that it either (1) has current required ownership data on file with the Commission, (2) is filing updated ownership data simultaneously with this application, or (3) is not required to file ownership data under the Commission's Rules.
6) The Applicant certifies that the facilities, operations, and transmitters for which this authorization is hereby requested are either: (1) categorically excluded from routine environmental evaluation for RF exposure as set forth in 47 CFR § 1.1307(b); or, (2) have been found not to cause human exposure to levels of radiofrequency radiation in excess of the limits specified in 47 CFR §§ 1.1310 and 2.1093; or, (3) are the subject of one or more Environmental Assessments filed with the Commission.
7) The Applicant certifies that it has reviewed the appropriate Commission Rules defining eligibility to hold the requested license(s) and is eligible to hold the requested license(s).
8) The Applicant certifies that it is not in default on any payment for Commission licenses and that it is not delinquent on any non-tax debt owed to any federal agency.
9) The Applicant certifies that the Applicant and all of the related individuals and entities required to be disclosed on this application and FCC Form 602 (FCC Ownership Disclosure Information for the Wireless Telecommunications Services) are not person(s) who have been, for reasons of national security, barred by any agency of the Federal Government from bidding on a contract, participating in an auction, or receiving a grant. This certification applies only to applications for licenses for spectrum that is required by Sections 6103, 6401-6403 of the Middle Class Tax Relief and Job Creation Act of 2012, codified at 47 U.S.C. §§ 309, 1413, 1451-1452, to be assigned by a system of competitive bidding under 47 U.S.C. § 309(j).

Signature

60) Typed or Printed Name of Party Authorized to Sign

First Name: Jessica	MI:	Last Name: Dunk	Suffix:
61) Title: Assistant Secretary - Compliance			
Signature: Jessica Dunk			62) Date: 01/22/2024
FAILURE TO SIGN THIS APPLICATION MAY RESULT IN DISMISSAL OF THE APPLICATION AND FORFEITURE OF ANY FEES PAID.			
Upon grant of this license application, the Licensee may be subject to certain construction or coverage requirements. Failure to meet the construction or coverage requirements will result in termination of the license. Consult appropriate FCC regulations to determine the construction or coverage requirements that apply to the type of license requested in this application.			
WILLFUL FALSE STATEMENTS MADE ON THIS FORM OR ANY ATTACHMENTS ARE PUNISHABLE BY FINE AND/OR IMPRISONMENT (U.S. Code, Title 18, § 1001) AND/OR REVOCATION OF ANY STATION LICENSE OR CONSTRUCTION PERMIT (U.S. Code, Title 47, § 312(a)(1)), AND/OR FORFEITURE (U.S. Code, Title 47, § 503).			

Reference Copy Only. Do Not Mail to the FCC as an Application.

Submitted: 01/13/2023 at 18:08:22
 File Number: 0010375055

FCC 601
Main Form

FCC Application for Radio Service Authorization: Wireless Telecommunications Bureau Public Safety and Homeland Security Bureau

Approved by OMB
 3060 - 0798
 See instructions for
 public burden estimate

1) Radio Service Code: <p style="text-align: center;">AW</p>	1a) Existing Radio Service Code:
--	----------------------------------

General Information

2) (Select only one) (AU) NE - New RO - Renewal Only AU - Administrative Update NT - Required Notifications MD - Modification RM - Renewal/Modification WD - Withdrawal of Application EX - Requests for Extension of Time AM - Amendment CA - Cancellation of License RL - Registered Location/Link	
3a) If this application is for a Demonstration License or a S pecial Temporary Authorization (STA), enter the code and attach the required exhibit as described in the instructions. Otherwise enter ' N/A ' (Not Applicable).	(N) <u>M</u> <u>S</u> <u>N/A</u>
3b) If this application is for Special Temporary Authority due to an emergency situation, enter 'Y'; otherwise enter 'N'. Refer to Rule 1.915 for an explanation of situations considered to be an emergency.	() <u>Y</u> <u>N</u>
4) If this application is for an Amendment or Withdrawal, enter the file number of the pending application currently on file with the FCC.	File Number
5) If this application is for a Modification, Renewal Only, Renewal/Modification, Cancellation of License, , or Administrative Update, enter the call sign of the existing FCC license. If this is a request for Registered Location/Link, enter the FCC call sign assigned to the geographic license.	Call Sign WQGD758
6a) If this application is for a New, Amendment, Renewal Only, or Renewal/Modification, enter the requested authorization expiration date (this item is optional).	MM DD _____ / _____
6b) If this application is for a Renewal Only or Renewal/Modification and the license is a geographic area license, is the license used to provide service to customers (C), or is the license used for private business (internal) purposes or to meet the licensee's public interest/public safety communications needs (P)?	() <u>C</u> <u>P</u>
7) Is this application "major" as defined in § 1.929 of the Commission's Rules when read in conjunction with the applicable radio service rules found in Parts 22 and 90 of the Commission's Rules? (NOTE: This question only applies to certain site-specific applications. See the instructions for applicability and full text of § 1.929).	() <u>Y</u> <u>N</u>
8) Are attachments (other than associated schedules) being filed with this application?	() <u>Y</u> <u>N</u>

Fees, Waivers, and Exemptions

9) Is the Applicant exempt from FCC application fees?	(N) <u>Y</u> <u>N</u>
10) Is the Applicant exempt from FCC regulatory fees?	(N) <u>Y</u> <u>N</u>
11) Does this application include a request for a Waiver of the Commission's Rule(s)? If 'Yes', attach an exhibit providing rule number(s) and explaining circumstances.	(N) <u>Y</u> <u>N</u>
12) Are the frequencies or parameters requested in this filing covered by grandfathered privileges, previously approved by waiver, or functionally integrated with an existing station?	() <u>Y</u> <u>N</u>

Applicant Information

13) FCC Registration Number (FRN): 0003291192			
14) Applicant/Licensee Legal Entity Type: (Select One) <input type="checkbox"/> Individual <input type="checkbox"/> Unincorporated Association <input type="checkbox"/> Trust <input type="checkbox"/> Government Entity <input type="checkbox"/> Corporation <input checked="" type="checkbox"/> Limited Liability Company <input type="checkbox"/> General Partnership <input type="checkbox"/> Limited Partnership <input type="checkbox"/> Limited Liability Partnership <input type="checkbox"/> Consortium <input type="checkbox"/> Other: _____			
15) If the Licensee name is being updated, is the update a result from the sale (or transfer of control) of the license(s) to party and for which proper Commission approval has not been received or proper notification not provided?			<input type="checkbox"/> Yes <input checked="" type="checkbox"/> No
16) First Name (if individual):	MI:	Last Name:	Suffix:
17) Legal Entity Name (if other than individual): NEW CINGULAR WIRELESS PCS, LLC			
18) Attention To: FCC Group			
19) P.O. Box:	And/Or	20) Street Address: 208 S. Akard St. 20F	
21) City: Dallas	22) State: TX	23) Zip Code: 75202	
24) Telephone Number: (855)699-7073		25) Fax:	
26) E-Mail Address: FCCMW@att.com			

27) Demographics (Optional)

Race: <input type="checkbox"/> American Indian or Alaska Native <input type="checkbox"/> Asian <input type="checkbox"/> Black or African-American <input type="checkbox"/> Native Hawaiian or Other Pacific Islander <input type="checkbox"/> White	Ethnicity: <input type="checkbox"/> Hispanic or Latino <input type="checkbox"/> Not Hispanic or Latino	Gender: <input type="checkbox"/> Male <input type="checkbox"/> Female
--	--	---

Real Party in Interest

28) Name of Real Party in Interest of Applicant (If different from Applicant):	29) FCC Registration Number (FRN) of Real Party in Interest:
--	--

Contact Information (If different from the Applicant) Check here if same as Applicant.

30) First Name: Cecil	MI: J	Last Name: Mathew	Suffix:
31) Company Name: AT&T Services, Inc.			
32) Attention To:			
33) P.O. Box:	And /Or	34) Street Address: 208 S. Akard St. 20F	
35) City: Dallas	36) State: TX	37) Zip Code: 75202	
38) Telephone Number: (855)699-7073		39) Fax:	
40) E-Mail Address: FCCMW@att.com			

Regulatory Status

41) This filing is for authorization to provide or use the following type(s) of radio service offering (enter all that apply):
() Common Carrier () Non-Common Carrier () Private, internal communications () Broadcast Services () Band Manager

Type of Radio Service

42) This filing is for authorization to provide the following type(s) of radio service (choose all that apply):
() Fixed () Mobile () Radiolocation () Satellite (sound) () Broadcast Services
43) Does the Applicant propose to provide service interconnected to the public telephone network? () Yes () No

Alien Ownership Questions (If any answer is 'Y', provide an attachment explaining the circumstances. In preparing the attachment, refer to the Main Form Instructions for the "Alien Ownership Questions".)

44) Is the Applicant a foreign government or the representative of any foreign government? () Yes () No
45) Is the Applicant an alien or the representative of an alien? () Yes () No
46) Is the Applicant a corporation organized under the laws of any foreign government? () Yes () No
47) Is the Applicant a corporation of which more than one-fifth of the capital stock is owned of record or voted by aliens or their representatives, or by a foreign government or representative thereof, or by any corporation organized under the laws of a foreign country? () Yes () No

48a) Is the Applicant directly or indirectly controlled by any other corporation of which more than one-fourth of the capital stock (Yes No) is owned of record or voted by aliens or their representatives, or by a foreign government or representative thereof, or by any corporation organized under the laws of a foreign country?

48b) If the answer to 47 or 48a is 'Y' select one of the choices below.

The Applicant is exempt from the provisions of Section 310(b).

If checked, it is not necessary to file a petition for declaratory ruling if the Applicant includes in the attachment required by Item 47 or Item 48a a showing that the requested license(s) is exempt from the provisions of Section 310(b).

The Applicant has received a declaratory ruling(s) approving its foreign ownership, and the application involves only the acquisition of additional spectrum for the provision of a wireless service in a geographic coverage area for which the Applicant has been previously authorized.

If checked, include in the attachment required by Item 47 or Item 48a the citation(s) of the applicable declaratory ruling(s) by DA/FCC number, the FCC Record citation, if available, release date, and a statement that there has been no change in the foreign ownership of the Applicant since the issuance of its ruling.

The Applicant: (i) has received a declaratory ruling(s) approving its foreign ownership, but is not able to make the certification specified immediately above; or (ii) is an "affiliate" of a Licensee or Lessee/Sublessee that received a declaratory ruling(s) under 47 CFR § 1.5000(a) and is relying on the affiliate's ruling for purposes of filing this application as permitted under the affiliate's ruling and 47 CFR § 1.5004(b)

If checked, and if the Applicant received its declaratory ruling(s) on or after August 9, 2013, include in the attachment required by Item 47 or Item 48a the citation(s) of the Applicant's declaratory ruling(s) by DA/FCC number, the FCC Record citation, if available, release date, and a statement that the Applicant is in compliance with the terms and conditions of its ruling and with the Commission's Rules.

If checked, and if the Applicant received its declaratory ruling(s) prior to August 9, 2013, include in the attachment required by Item 48a a copy of a petition for declaratory ruling filed contemporaneously with the Commission to extend the Applicant's existing ruling(s) to cover the same radio service(s) and geographic coverage area(s) involved in the application. Alternatively, the Applicant may request a new declaratory ruling pursuant to Section 1.5000(a) of the Commission's Rules, 47 CFR § 1.5000 (a). Petitions for declaratory ruling may be filed electronically on the Internet through the International Bureau Filing System (IBFS) (with a copy attached hereto).

If checked, and if the Applicant is relying on an affiliate's ruling for purposes of filing this application, include in the attachment required by Item 47 or Item 48a the citation(s) of the applicable declaratory ruling(s) by DA/FCC number, the FCC Record citation, if available, release date, and a statement that the Applicant is in compliance with the terms and conditions of the named affiliate's ruling and with the Commission's Rules. The Applicant must also include a certification of compliance signed by the named affiliate or other qualified entity as specified in 47 CFR § 1.5004(b). See Main Form Instructions for Items 47 or 48a, as applicable.

The Applicant has not received a declaratory ruling approving its foreign ownership and is requesting a declaratory ruling under 47 CFR § 1.5004(b) in a petition filed contemporaneously with the Commission.

If checked, include in the attachment required by Item 47 or 48a a copy of the petition for declaratory ruling filed contemporaneously with the Commission pursuant to 47 CFR § 1.5004(b). Petitions for declaratory ruling may be filed electronically on the Internet through the International Bureau Filing System (IBFS) (with a copy attached hereto).

Basic Qualification Questions

49) Has the Applicant or any party to this application had any FCC station authorization, license or construction permit revoked or had any application for an initial, modification or renewal of FCC station authorization, license, or construction permit denied by the Commission?	() <u>Yes</u> <u>No</u>
50) Has the Applicant or any party to this application, or any party directly or indirectly controlling the Applicant, ever been convicted of a felony by any state or federal court?	() <u>Yes</u> <u>No</u>
51) Has any court finally adjudged the Applicant or any party directly or indirectly controlling the Applicant guilty of unlawfully monopolizing or attempting unlawfully to monopolize radio communication, directly or indirectly, through control of manufacture or sale of radio apparatus, exclusive traffic arrangement, or any other means or unfair methods of competition?	() <u>Yes</u> <u>No</u>

Note: If the answer to any of 49-51 is 'Y', attach an exhibit explaining the circumstances.

Aeronautical Advisory Station (Unicom) Certification

52) () I certify that the station will be located on property of the airport to be served, and, in cases where the airport does not have a control tower, RCO, or FAA flight service station, that I have notified the owner of the airport and all aviation service organizations located at the airport within ten days prior to application.
--

Broadband Radio Service and Educational Broadband Service Cable Cross-Ownership

53a) Will the requested facilities be used to provide multichannel video programming service?	() <u>Yes</u> <u>No</u>
53b) If the answer to question 53a is 'Y', does the Applicant operate, control or have an attributable interest (as defined in 47 CFR § 27.1202) in a cable television system whose franchise area is located within the geographic service area of the requested facilities?	() <u>Yes</u> <u>No</u>

Note: If the answer to question 53b is 'Y', attach an exhibit explaining how the Applicant complies with 47 CFR § 27.1202 or justifying a waiver of that rule. If a waiver of the Commission Rule(s) is being requested, Item 11a must be answered 'Y'.

Broadband Radio Service and Educational Broadband Service (Part 27)

54) (For EBS only) Does the Applicant comply with the programming requirements contained in 47 CFR § 27.1203?	() <u>Yes</u> <u>No</u>
---	--------------------------

Note: If the answer to item 54 is 'N', attach an exhibit explaining how the Applicant complies with 47 CFR § 27.1203 of the Commission's Rules or justifying a waiver of that rule. If a waiver of the Commission Rule(s) is being requested, Item 11a must be answered 'Y'.

55) (For BRS and EBS) Does the Applicant comply with 47 CFR §§ 27.50, 27.55, and 27.1221?	() <u>Yes</u> <u>No</u>
---	--------------------------

Note: If the answer to item 55 is 'N', attach an exhibit justifying a waiver of that rule(s). If a waiver of the Commission Rule(s) is being requested, Item 11a must be answered 'Y'.

For Applicants Who Participated in an Auction

56) Is the Applicant a qualifying rural wireless partnership or a member of a qualifying rural wireless partnership?	() <u>Yes</u> <u>No</u>
--	--------------------------

Note: If the answer to item 56 is 'Y', attach an exhibit listing all members of the qualifying rural wireless partnership, including their FRN numbers.

For Renewal Applicants

57) Operation/Performance Requirement Certification	
[For a site-based license]: Applicant certifies that it is continuing to operate consistent with its most recently filed construction notification (or most recent authorization, if no construction notification was required).	() <u>Yes</u> <u>No</u>
[For a geographic license, commercial service - licensee in its initial license term with an interim performance requirement]: Applicant certifies that it has met its interim performance requirement, that over the portion of the license term following the interim performance requirement, it continues to use its facilities to provide at least the level of service required by its interim performance requirement, it has met its final performance requirement, and it continues to use its facilities to provide at least the level of service required by its final performance requirement through the end of the license term.	() <u>Yes</u> <u>No</u>
[For a geographic license, commercial service - licensee in its initial license term with no interim performance requirement]: Applicant certifies that it has met its final performance requirement and it continues to use its facilities to provide at least the level of service required by its final performance requirement through the end of the license term. [Note: licensee must provide a showing demonstrating that the final performance requirement has been met, either separately in a timely application for notification of completion of construction, or as part of its renewal application, depending on the radio service.]	() <u>Yes</u> <u>No</u>
[For a geographic license, commercial service - licensee in any subsequent term]: Applicant certifies that it continues to use its facilities to provide at least the level of service required by its final performance requirement through the end of any subsequent license terms.	() <u>Yes</u> <u>No</u>
[For a geographic license, private systems - licensee in its initial license term with an interim performance requirement]: Applicant certifies that it has met its interim performance requirement, that over the portion of the license term following the interim performance requirement, it continues to use its facilities to further its private business or public interest/public safety communications needs at or above the level required to meet its interim performance requirement, it has met its final performance requirement, and it continues to use its facilities to provide at least the level of operation required by its final performance requirement through the end of the license term.	() <u>Yes</u> <u>No</u>
[For a geographic license, private systems - licensee in its initial license term with no interim performance requirement]: Applicant certifies that it has met its final performance requirement, it continues to use its facilities to further its private business or public interest/public safety communications needs, and it continues to use its facilities to provide at least the level of operation required by its final performance requirement through the end of the license term. [Note: licensee must provide a showing demonstrating that the final performance requirement has been met, either separately in a timely application for notification of completion of construction, or as part of its renewal application, depending on the radio service.]	() <u>Yes</u> <u>No</u>

[For a geographic license, private systems - licensee in any subsequent term]: Applicant certifies that it continues to use its facilities to further its private business or public interest/public safety communications needs at or above the level required to meet its final performance requirement through the end of any subsequent license terms.	(<input type="checkbox"/>) <u>Yes</u> <u>No</u>
[For a partitioned or disaggregated license without a performance requirement, for the first renewal application filed after effective date of the rules]: Applicant certifies that the partitioned and/or disaggregated license that is the subject of this renewal application has no separate performance requirement and that this is the first renewal of this license filed subsequent to the effective date of the rules.	(<input type="checkbox"/>) <u>Yes</u> <u>No</u>
[For a partitioned or disaggregated license without a performance requirement, for any subsequent renewal filings]: Applicant certifies that it continues to use its facilities to provide service or to further the applicant's private business or public interest/public safety needs.	(<input type="checkbox"/>) <u>Yes</u> <u>No</u>

Discontinuance of Service Certification

58) Applicant certifies that no permanent discontinuance of service or operation, as applicable, occurred during its current license term. Note: If the response to either item 57 or item 58 is 'N', attach an exhibit that demonstrates that over the course of the license term, the Applicant provided and continues to provide service to the public, or operated and continues to operate the license to meet the Applicant's private business or public interest/public safety communications needs. This exhibit must include a detailed description of the Applicant's provision of service or, when allowed under the relevant service rules or pursuant to waiver, use of the spectrum for private business or public interest/public safety communications needs, during the entire license period and address, as applicable: 1) the level and quality of service provided by the applicant (e.g., the population served, the area served, the number of subscribers, the services offered); (2) the date service commenced, whether service was ever interrupted, and the duration of any interruption or outage; (3) the extent to which service is provided to rural areas; (4) the extent to which service is provided to qualifying tribal land as defined in 47 CFR § 1.2110(e)(3)(i); and (5) any other factors associated with the level of service to the public. The licensee may note in its exhibit: 1) any grant(s) of waiver or extension of a performance deadline or license renewal subject to meeting a performance requirement; or 2) if the final performance deadline and/or expiration date for the license accelerated because the licensee did not meet an interim performance requirement.	(<input type="checkbox"/>) <u>Yes</u> <u>No</u>
--	---

Regulatory Compliance Certification [same for all]

59) Applicant certifies that it has substantially complied with all applicable FCC rules, policies, and the Communications Act of 1934, as amended. Note: If the response to item 59 is 'N', attach an exhibit explaining the circumstances and demonstrating why Applicant's license should be renewed.	(<input type="checkbox"/>) <u>Yes</u> <u>No</u>
--	---

General Certification Statements

1) The Applicant waives any claim to the use of any particular frequency or of the electromagnetic spectrum as against the regulatory power of the United States because of the previous use of the same, whether by license or otherwise, and requests an authorization in accordance with this application.
2) The Applicant certifies that grant of this application would not cause the Applicant to be in violation of any pertinent cross-ownership or attribution rules.* *If the Applicant has sought a waiver of any such rule in connection with this application, it may make this certification subject to the outcome of the waiver request.
3) The Applicant certifies that all statements made in this application and in the exhibits, attachments, or documents incorporated by reference are material, are part of this application, and are true, complete, correct, and made in good faith.
4) The Applicant certifies that neither the Applicant nor any other party to the application is subject to a denial of Federal benefits pursuant to § 5301 of the Anti-Drug Abuse Act of 1988, 21 U.S.C. § 862, because of a conviction for possession or distribution of a controlled substance. This certification does not apply to applications filed in services exempted under § 1.2002(c) of the rules, 47 CFR § 1.2002(c). See 47 CFR § 1.2002(b) for the definition of "party to the application" as used in this certification.
5) The Applicant certifies that it either (1) has current required ownership data on file with the Commission, (2) is filing updated ownership data simultaneously with this application, or (3) is not required to file ownership data under the Commission's Rules.
6) The Applicant certifies that the facilities, operations, and transmitters for which this authorization is hereby requested are either: (1) categorically excluded from routine environmental evaluation for RF exposure as set forth in 47 CFR § 1.1307(b); or, (2) have been found not to cause human exposure to levels of radiofrequency radiation in excess of the limits specified in 47 CFR §§ 1.1310 and 2.1093; or, (3) are the subject of one or more Environmental Assessments filed with the Commission.
7) The Applicant certifies that it has reviewed the appropriate Commission Rules defining eligibility to hold the requested license(s) and is eligible to hold the requested license(s).
8) The Applicant certifies that it is not in default on any payment for Commission licenses and that it is not delinquent on any non-tax debt owed to any federal agency.
9) The Applicant certifies that the Applicant and all of the related individuals and entities required to be disclosed on this application and FCC Form 602 (FCC Ownership Disclosure Information for the Wireless Telecommunications Services) are not person(s) who have been, for reasons of national security, barred by any agency of the Federal Government from bidding on a contract, participating in an auction, or receiving a grant. This certification applies only to applications for licenses for spectrum that is required by Sections 6103, 6401-6403 of the Middle Class Tax Relief and Job Creation Act of 2012, codified at 47 U.S.C. §§ 309, 1413, 1451-1452, to be assigned by a system of competitive bidding under 47 U.S.C. § 309(j).

Signature

60) Typed or Printed Name of Party Authorized to Sign

First Name: Cecil	MI: J	Last Name: Mathew	Suffix:
61) Title: Assistant Secretary - Compliance			
Signature: Cecil J Mathew			62) Date: 01/13/2023
FAILURE TO SIGN THIS APPLICATION MAY RESULT IN DISMISSAL OF THE APPLICATION AND FORFEITURE OF ANY FEES PAID.			
Upon grant of this license application, the Licensee may be subject to certain construction or coverage requirements. Failure to meet the construction or coverage requirements will result in termination of the license. Consult appropriate FCC regulations to determine the construction or coverage requirements that apply to the type of license requested in this application.			
WILLFUL FALSE STATEMENTS MADE ON THIS FORM OR ANY ATTACHMENTS ARE PUNISHABLE BY FINE AND/OR IMPRISONMENT (U.S. Code, Title 18, § 1001) AND/OR REVOCATION OF ANY STATION LICENSE OR CONSTRUCTION PERMIT (U.S. Code, Title 47, § 312(a)(1)), AND/OR FORFEITURE (U.S. Code, Title 47, § 503).			

REFERENCE COPY

This is not an official FCC license. It is a record of public information contained in the FCC's licensing database on the date that this reference copy was generated. In cases where FCC rules require the presentation, posting, or display of an FCC license, this document may not be used in place of an official FCC license.



Federal Communications Commission
Wireless Telecommunications Bureau

RADIO STATION AUTHORIZATION

LICENSEE: NEW CINGULAR WIRELESS PCS, LLC

ATTN: FCC GROUP
NEW CINGULAR WIRELESS PCS, LLC
208 S. AKARD ST. 20F
DALLAS, TX 75202

Table with Call Sign (WQGT878), File Number (0010170266), and Radio Service (AW - AWS (1710-1755 MHz and 2110-2155 MHz))

FCC Registration Number (FRN): 0003291192

Table with columns: Grant Date, Effective Date, Expiration Date, Print Date, Market Number, Channel Block, Sub-Market Designator, Market Name, 1st Build-out Date, 2nd Build-out Date, 3rd Build-out Date, 4th Build-out Date

Waivers/Conditions:

This authorization is conditioned upon the licensee, prior to initiating operations from any base or fixed station, making reasonable efforts to coordinate frequency usage with known co-channel and adjacent channel incumbent federal users operating in the 1710-1755 MHz band whose facilities could be affected by the proposed operations.

Conditions:

Pursuant to §309(h) of the Communications Act of 1934, as amended, 47 U.S.C. §309(h), this license is subject to the following conditions: This license shall not vest in the licensee any right to operate the station nor any right in the use of the frequencies designated in the license beyond the term thereof nor in any other manner than authorized herein.

This license may not authorize operation throughout the entire geographic area or spectrum identified on the hardcopy version. To view the specific geographic area and spectrum authorized by this license, refer to the Spectrum and Market Area information under the Market Tab of the license record in the Universal Licensing System (ULS).

Licensee Name: NEW CINGULAR WIRELESS PCS, LLC

Call Sign: WQGT878

File Number: 0010170266

Print Date: 02-10-2023

700 MHz Relicensed Area Information:

Market	Market Name	Buildout Deadline	Buildout Notification	Status
---------------	--------------------	--------------------------	------------------------------	---------------

Reference Copy

Reference Copy Only. Do Not Mail to the FCC as an Application.

Submitted: 01/22/2024 at 14:24:20
 File Number: 0010867695

FCC 601

Main Form

FCC Application for Radio Service Authorization: Wireless Telecommunications Bureau Public Safety and Homeland Security Bureau

Approved by OMB

3060 - 0798

See instructions for public burden estimate

1) Radio Service Code: <p style="text-align: center;">AW</p>	1a) Existing Radio Service Code:
--	----------------------------------

General Information

2) (Select only one) (AU) NE - New RO - Renewal Only AU - Administrative Update NT - Required Notifications MD - Modification RM - Renewal/Modification WD - Withdrawal of Application EX - Requests for Extension of Time AM - Amendment CA - Cancellation of License RL - Registered Location/Link	
3a) If this application is for a Demonstration License or a S pecial Temporary Authorization (STA), enter the code and attach the required exhibit as described in the instructions. Otherwise enter ' N/A ' (Not Applicable).	(N) <u>M</u> <u>S</u> <u>N/A</u>
3b) If this application is for Special Temporary Authority due to an emergency situation, enter 'Y'; otherwise enter 'N'. Refer to Rule 1.915 for an explanation of situations considered to be an emergency.	() <u>Y</u> <u>N</u>
4) If this application is for an Amendment or Withdrawal, enter the file number of the pending application currently on file with the FCC.	File Number
5) If this application is for a Modification, Renewal Only, Renewal/Modification, Cancellation of License, , or Administrative Update, enter the call sign of the existing FCC license. If this is a request for Registered Location/Link, enter the FCC call sign assigned to the geographic license.	Call Sign WQGT878
6a) If this application is for a New, Amendment, Renewal Only, or Renewal/Modification, enter the requested authorization expiration date (this item is optional).	MM DD _____ / _____
6b) If this application is for a Renewal Only or Renewal/Modification and the license is a geographic area license, is the license used to provide service to customers (C), or is the license used for private business (internal) purposes or to meet the licensee's public interest/public safety communications needs (P)?	() <u>C</u> <u>P</u>
7) Is this application "major" as defined in § 1.929 of the Commission's Rules when read in conjunction with the applicable radio service rules found in Parts 22 and 90 of the Commission's Rules? (NOTE: This question only applies to certain site-specific applications. See the instructions for applicability and full text of § 1.929).	() <u>Y</u> <u>N</u>
8) Are attachments (other than associated schedules) being filed with this application?	() <u>Y</u> <u>N</u>

Fees, Waivers, and Exemptions

9) Is the Applicant exempt from FCC application fees?	(N) <u>Y</u> <u>N</u>
10) Is the Applicant exempt from FCC regulatory fees?	(N) <u>Y</u> <u>N</u>
11) Does this application include a request for a Waiver of the Commission's Rule(s)? If 'Yes', attach an exhibit providing rule number(s) and explaining circumstances.	(N) <u>Y</u> <u>N</u>
12) Are the frequencies or parameters requested in this filing covered by grandfathered privileges, previously approved by waiver, or functionally integrated with an existing station?	() <u>Y</u> <u>N</u>

Applicant Information

13) FCC Registration Number (FRN): 0003291192			
14) Applicant/Licensee Legal Entity Type: (Select One) <input type="checkbox"/> Individual <input type="checkbox"/> Unincorporated Association <input type="checkbox"/> Trust <input type="checkbox"/> Government Entity <input type="checkbox"/> Corporation <input checked="" type="checkbox"/> Limited Liability Company <input type="checkbox"/> General Partnership <input type="checkbox"/> Limited Partnership <input type="checkbox"/> Limited Liability Partnership <input type="checkbox"/> Consortium <input type="checkbox"/> Other: _____			
15) If the Licensee name is being updated, is the update a result from the sale (or transfer of control) of the license(s) to party and for which proper Commission approval has not been received or proper notification not provided?			<input type="checkbox"/> Yes <input checked="" type="checkbox"/> No
16) First Name (if individual):	MI:	Last Name:	Suffix:
17) Legal Entity Name (if other than individual): New Cingular Wireless PCS, LLC			
18) Attention To: National Regulatory Compliance			
19) P.O. Box:	And/Or	20) Street Address: 208 S Akard St, 20F	
21) City: Dallas	22) State: TX	23) Zip Code: 75202	
24) Telephone Number: (855)699-7073		25) Fax:	
26) E-Mail Address: FCCMW@att.com			

27) Demographics (Optional)

Race: <input type="checkbox"/> American Indian or Alaska Native <input type="checkbox"/> Asian <input type="checkbox"/> Black or African-American <input type="checkbox"/> Native Hawaiian or Other Pacific Islander <input type="checkbox"/> White	Ethnicity: <input type="checkbox"/> Hispanic or Latino <input type="checkbox"/> Not Hispanic or Latino	Gender: <input type="checkbox"/> Male <input type="checkbox"/> Female
--	--	---

Real Party in Interest

28) Name of Real Party in Interest of Applicant (If different from Applicant):	29) FCC Registration Number (FRN) of Real Party in Interest:
--	--

Contact Information (If different from the Applicant) Check here if same as Applicant.

30) First Name: Jessica	MI: J	Last Name: Dunk	Suffix:
31) Company Name: AT&T Services, Inc.			
32) Attention To: NRC			
33) P.O. Box:	And /Or	34) Street Address: 208 S Akard St, 20F	
35) City: Dallas	36) State: TX	37) Zip Code: 75202	
38) Telephone Number: (855)699-7073		39) Fax:	
40) E-Mail Address: FCCMW@att.com			

Regulatory Status

41) This filing is for authorization to provide or use the following type(s) of radio service offering (enter all that apply):
() Common Carrier () Non-Common Carrier () Private, internal communications () Broadcast Services () Band Manager

Type of Radio Service

42) This filing is for authorization to provide the following type(s) of radio service (choose all that apply):
() Fixed () Mobile () Radiolocation () Satellite (sound) () Broadcast Services
43) Does the Applicant propose to provide service interconnected to the public telephone network? () Yes () No

Alien Ownership Questions (If any answer is 'Y', provide an attachment explaining the circumstances. In preparing the attachment, refer to the Main Form Instructions for the "Alien Ownership Questions".)

44) Is the Applicant a foreign government or the representative of any foreign government? () Yes () No
45) Is the Applicant an alien or the representative of an alien? () Yes () No
46) Is the Applicant a corporation organized under the laws of any foreign government? () Yes () No
47) Is the Applicant a corporation of which more than one-fifth of the capital stock is owned of record or voted by aliens or their representatives, or by a foreign government or representative thereof, or by any corporation organized under the laws of a foreign country? () Yes () No

48a) Is the Applicant directly or indirectly controlled by any other corporation of which more than one-fourth of the capital stock (Yes No) is owned of record or voted by aliens or their representatives, or by a foreign government or representative thereof, or by any corporation organized under the laws of a foreign country?

48b) If the answer to 47 or 48a is 'Y' select one of the choices below.

The Applicant is exempt from the provisions of Section 310(b).

If checked, it is not necessary to file a petition for declaratory ruling if the Applicant includes in the attachment required by Item 47 or Item 48a a showing that the requested license(s) is exempt from the provisions of Section 310(b).

The Applicant has received a declaratory ruling(s) approving its foreign ownership, and the application involves only the acquisition of additional spectrum for the provision of a wireless service in a geographic coverage area for which the Applicant has been previously authorized.

If checked, include in the attachment required by Item 47 or Item 48a the citation(s) of the applicable declaratory ruling(s) by DA/FCC number, the FCC Record citation, if available, release date, and a statement that there has been no change in the foreign ownership of the Applicant since the issuance of its ruling.

The Applicant: (i) has received a declaratory ruling(s) approving its foreign ownership, but is not able to make the certification specified immediately above; or (ii) is an "affiliate" of a Licensee or Lessee/Sublessee that received a declaratory ruling(s) under 47 CFR § 1.5000(a) and is relying on the affiliate's ruling for purposes of filing this application as permitted under the affiliate's ruling and 47 CFR § 1.5004(b)

If checked, and if the Applicant received its declaratory ruling(s) on or after August 9, 2013, include in the attachment required by Item 47 or Item 48a the citation(s) of the Applicant's declaratory ruling(s) by DA/FCC number, the FCC Record citation, if available, release date, and a statement that the Applicant is in compliance with the terms and conditions of its ruling and with the Commission's Rules.

If checked, and if the Applicant received its declaratory ruling(s) prior to August 9, 2013, include in the attachment required by Item 48a a copy of a petition for declaratory ruling filed contemporaneously with the Commission to extend the Applicant's existing ruling(s) to cover the same radio service(s) and geographic coverage area(s) involved in the application. Alternatively, the Applicant may request a new declaratory ruling pursuant to Section 1.5000(a) of the Commission's Rules, 47 CFR § 1.5000 (a). Petitions for declaratory ruling may be filed electronically on the Internet through the International Bureau Filing System (IBFS) (with a copy attached hereto).

If checked, and if the Applicant is relying on an affiliate's ruling for purposes of filing this application, include in the attachment required by Item 47 or Item 48a the citation(s) of the applicable declaratory ruling(s) by DA/FCC number, the FCC Record citation, if available, release date, and a statement that the Applicant is in compliance with the terms and conditions of the named affiliate's ruling and with the Commission's Rules. The Applicant must also include a certification of compliance signed by the named affiliate or other qualified entity as specified in 47 CFR § 1.5004(b). See Main Form Instructions for Items 47 or 48a, as applicable.

The Applicant has not received a declaratory ruling approving its foreign ownership and is requesting a declaratory ruling under 47 CFR § 1.5004(b) in a petition filed contemporaneously with the Commission.

If checked, include in the attachment required by Item 47 or 48a a copy of the petition for declaratory ruling filed contemporaneously with the Commission pursuant to 47 CFR § 1.5004(b). Petitions for declaratory ruling may be filed electronically on the Internet through the International Bureau Filing System (IBFS) (with a copy attached hereto).

Basic Qualification Questions

49) Has the Applicant or any party to this application had any FCC station authorization, license or construction permit revoked or had any application for an initial, modification or renewal of FCC station authorization, license, or construction permit denied by the Commission?	() <u>Yes</u> <u>No</u>
50) Has the Applicant or any party to this application, or any party directly or indirectly controlling the Applicant, ever been convicted of a felony by any state or federal court?	() <u>Yes</u> <u>No</u>
51) Has any court finally adjudged the Applicant or any party directly or indirectly controlling the Applicant guilty of unlawfully monopolizing or attempting unlawfully to monopolize radio communication, directly or indirectly, through control of manufacture or sale of radio apparatus, exclusive traffic arrangement, or any other means or unfair methods of competition?	() <u>Yes</u> <u>No</u>

Note: If the answer to any of 49-51 is 'Y', attach an exhibit explaining the circumstances.

Aeronautical Advisory Station (Unicom) Certification

52) () I certify that the station will be located on property of the airport to be served, and, in cases where the airport does not have a control tower, RCO, or FAA flight service station, that I have notified the owner of the airport and all aviation service organizations located at the airport within ten days prior to application.
--

Broadband Radio Service and Educational Broadband Service Cable Cross-Ownership

53a) Will the requested facilities be used to provide multichannel video programming service?	() <u>Yes</u> <u>No</u>
53b) If the answer to question 53a is 'Y', does the Applicant operate, control or have an attributable interest (as defined in 47 CFR § 27.1202) in a cable television system whose franchise area is located within the geographic service area of the requested facilities?	() <u>Yes</u> <u>No</u>

Note: If the answer to question 53b is 'Y', attach an exhibit explaining how the Applicant complies with 47 CFR § 27.1202 or justifying a waiver of that rule. If a waiver of the Commission Rule(s) is being requested, Item 11a must be answered 'Y'.

Broadband Radio Service and Educational Broadband Service (Part 27)

54) (For EBS only) Does the Applicant comply with the programming requirements contained in 47 CFR § 27.1203?	() <u>Yes</u> <u>No</u>
---	--------------------------

Note: If the answer to item 54 is 'N', attach an exhibit explaining how the Applicant complies with 47 CFR § 27.1203 of the Commission's Rules or justifying a waiver of that rule. If a waiver of the Commission Rule(s) is being requested, Item 11a must be answered 'Y'.

55) (For BRS and EBS) Does the Applicant comply with 47 CFR §§ 27.50, 27.55, and 27.1221?	() <u>Yes</u> <u>No</u>
---	--------------------------

Note: If the answer to item 55 is 'N', attach an exhibit justifying a waiver of that rule(s). If a waiver of the Commission Rule(s) is being requested, Item 11a must be answered 'Y'.

For Applicants Who Participated in an Auction

56) Is the Applicant a qualifying rural wireless partnership or a member of a qualifying rural wireless partnership?	() <u>Yes</u> <u>No</u>
--	--------------------------

Note: If the answer to item 56 is 'Y', attach an exhibit listing all members of the qualifying rural wireless partnership, including their FRN numbers.

For Renewal Applicants

57) Operation/Performance Requirement Certification	
[For a site-based license]: Applicant certifies that it is continuing to operate consistent with its most recently filed construction notification (or most recent authorization, if no construction notification was required).	() <u>Yes</u> <u>No</u>
[For a geographic license, commercial service - licensee in its initial license term with an interim performance requirement]: Applicant certifies that it has met its interim performance requirement, that over the portion of the license term following the interim performance requirement, it continues to use its facilities to provide at least the level of service required by its interim performance requirement, it has met its final performance requirement, and it continues to use its facilities to provide at least the level of service required by its final performance requirement through the end of the license term.	() <u>Yes</u> <u>No</u>
[For a geographic license, commercial service - licensee in its initial license term with no interim performance requirement]: Applicant certifies that it has met its final performance requirement and it continues to use its facilities to provide at least the level of service required by its final performance requirement through the end of the license term. [Note: licensee must provide a showing demonstrating that the final performance requirement has been met, either separately in a timely application for notification of completion of construction, or as part of its renewal application, depending on the radio service.]	() <u>Yes</u> <u>No</u>
[For a geographic license, commercial service - licensee in any subsequent term]: Applicant certifies that it continues to use its facilities to provide at least the level of service required by its final performance requirement through the end of any subsequent license terms.	() <u>Yes</u> <u>No</u>
[For a geographic license, private systems - licensee in its initial license term with an interim performance requirement]: Applicant certifies that it has met its interim performance requirement, that over the portion of the license term following the interim performance requirement, it continues to use its facilities to further its private business or public interest/public safety communications needs at or above the level required to meet its interim performance requirement, it has met its final performance requirement, and it continues to use its facilities to provide at least the level of operation required by its final performance requirement through the end of the license term.	() <u>Yes</u> <u>No</u>
[For a geographic license, private systems - licensee in its initial license term with no interim performance requirement]: Applicant certifies that it has met its final performance requirement, it continues to use its facilities to further its private business or public interest/public safety communications needs, and it continues to use its facilities to provide at least the level of operation required by its final performance requirement through the end of the license term. [Note: licensee must provide a showing demonstrating that the final performance requirement has been met, either separately in a timely application for notification of completion of construction, or as part of its renewal application, depending on the radio service.]	() <u>Yes</u> <u>No</u>

[For a geographic license, private systems - licensee in any subsequent term]: Applicant certifies that it continues to use its facilities to further its private business or public interest/public safety communications needs at or above the level required to meet its final performance requirement through the end of any subsequent license terms.	(<input type="checkbox"/>) <u>Yes</u> <u>No</u>
[For a partitioned or disaggregated license without a performance requirement, for the first renewal application filed after effective date of the rules]: Applicant certifies that the partitioned and/or disaggregated license that is the subject of this renewal application has no separate performance requirement and that this is the first renewal of this license filed subsequent to the effective date of the rules.	(<input type="checkbox"/>) <u>Yes</u> <u>No</u>
[For a partitioned or disaggregated license without a performance requirement, for any subsequent renewal filings]: Applicant certifies that it continues to use its facilities to provide service or to further the applicant's private business or public interest/public safety needs.	(<input type="checkbox"/>) <u>Yes</u> <u>No</u>

Discontinuance of Service Certification

58) Applicant certifies that no permanent discontinuance of service or operation, as applicable, occurred during its current license term. Note: If the response to either item 57 or item 58 is 'N', attach an exhibit that demonstrates that over the course of the license term, the Applicant provided and continues to provide service to the public, or operated and continues to operate the license to meet the Applicant's private business or public interest/public safety communications needs. This exhibit must include a detailed description of the Applicant's provision of service or, when allowed under the relevant service rules or pursuant to waiver, use of the spectrum for private business or public interest/public safety communications needs, during the entire license period and address, as applicable: 1) the level and quality of service provided by the applicant (e.g., the population served, the area served, the number of subscribers, the services offered); (2) the date service commenced, whether service was ever interrupted, and the duration of any interruption or outage; (3) the extent to which service is provided to rural areas; (4) the extent to which service is provided to qualifying tribal land as defined in 47 CFR § 1.2110(e)(3)(i); and (5) any other factors associated with the level of service to the public. The licensee may note in its exhibit: 1) any grant(s) of waiver or extension of a performance deadline or license renewal subject to meeting a performance requirement; or 2) if the final performance deadline and/or expiration date for the license accelerated because the licensee did not meet an interim performance requirement.	(<input type="checkbox"/>) <u>Yes</u> <u>No</u>
--	---

Regulatory Compliance Certification [same for all]

59) Applicant certifies that it has substantially complied with all applicable FCC rules, policies, and the Communications Act of 1934, as amended. Note: If the response to item 59 is 'N', attach an exhibit explaining the circumstances and demonstrating why Applicant's license should be renewed.	(<input type="checkbox"/>) <u>Yes</u> <u>No</u>
--	---

General Certification Statements

1) The Applicant waives any claim to the use of any particular frequency or of the electromagnetic spectrum as against the regulatory power of the United States because of the previous use of the same, whether by license or otherwise, and requests an authorization in accordance with this application.
2) The Applicant certifies that grant of this application would not cause the Applicant to be in violation of any pertinent cross-ownership or attribution rules.* *If the Applicant has sought a waiver of any such rule in connection with this application, it may make this certification subject to the outcome of the waiver request.
3) The Applicant certifies that all statements made in this application and in the exhibits, attachments, or documents incorporated by reference are material, are part of this application, and are true, complete, correct, and made in good faith.
4) The Applicant certifies that neither the Applicant nor any other party to the application is subject to a denial of Federal benefits pursuant to § 5301 of the Anti-Drug Abuse Act of 1988, 21 U.S.C. § 862, because of a conviction for possession or distribution of a controlled substance. This certification does not apply to applications filed in services exempted under § 1.2002(c) of the rules, 47 CFR § 1.2002(c). See 47 CFR § 1.2002(b) for the definition of "party to the application" as used in this certification.
5) The Applicant certifies that it either (1) has current required ownership data on file with the Commission, (2) is filing updated ownership data simultaneously with this application, or (3) is not required to file ownership data under the Commission's Rules.
6) The Applicant certifies that the facilities, operations, and transmitters for which this authorization is hereby requested are either: (1) categorically excluded from routine environmental evaluation for RF exposure as set forth in 47 CFR § 1.1307(b); or, (2) have been found not to cause human exposure to levels of radiofrequency radiation in excess of the limits specified in 47 CFR §§ 1.1310 and 2.1093; or, (3) are the subject of one or more Environmental Assessments filed with the Commission.
7) The Applicant certifies that it has reviewed the appropriate Commission Rules defining eligibility to hold the requested license(s) and is eligible to hold the requested license(s).
8) The Applicant certifies that it is not in default on any payment for Commission licenses and that it is not delinquent on any non-tax debt owed to any federal agency.
9) The Applicant certifies that the Applicant and all of the related individuals and entities required to be disclosed on this application and FCC Form 602 (FCC Ownership Disclosure Information for the Wireless Telecommunications Services) are not person(s) who have been, for reasons of national security, barred by any agency of the Federal Government from bidding on a contract, participating in an auction, or receiving a grant. This certification applies only to applications for licenses for spectrum that is required by Sections 6103, 6401-6403 of the Middle Class Tax Relief and Job Creation Act of 2012, codified at 47 U.S.C. §§ 309, 1413, 1451-1452, to be assigned by a system of competitive bidding under 47 U.S.C. § 309(j).

Signature

60) Typed or Printed Name of Party Authorized to Sign

First Name: Jessica	MI:	Last Name: Dunk	Suffix:
61) Title: Assistant Secretary - Compliance			
Signature: Jessica Dunk			62) Date: 01/22/2024
FAILURE TO SIGN THIS APPLICATION MAY RESULT IN DISMISSAL OF THE APPLICATION AND FORFEITURE OF ANY FEES PAID.			
Upon grant of this license application, the Licensee may be subject to certain construction or coverage requirements. Failure to meet the construction or coverage requirements will result in termination of the license. Consult appropriate FCC regulations to determine the construction or coverage requirements that apply to the type of license requested in this application.			
WILLFUL FALSE STATEMENTS MADE ON THIS FORM OR ANY ATTACHMENTS ARE PUNISHABLE BY FINE AND/OR IMPRISONMENT (U.S. Code, Title 18, § 1001) AND/OR REVOCATION OF ANY STATION LICENSE OR CONSTRUCTION PERMIT (U.S. Code, Title 47, § 312(a)(1)), AND/OR FORFEITURE (U.S. Code, Title 47, § 503).			

**FCC Form 608 FCC Application or Notification for Spectrum Leasing Arrangement/
Main Form Notification of a Private Commons Arrangement**
**Wireless Telecommunications Bureau
Public Safety and Homeland Security Bureau**

3060-1058

Submitted: 10/04/2023 at
19:51:55
File Number: 0010658952

See 608 Main Form Instructions
For public burden estimate

General Information

Application/Notification Purpose

1a) Purpose of Filing (Select only one):	
<input type="checkbox"/> LN – New	<input type="checkbox"/> LM – Modification
<input type="checkbox"/> LT – Transfer of Control	<input type="checkbox"/> LE – Extend the Term
<input type="checkbox"/> LI – Light Touch Leasing Certification	<input checked="" type="checkbox"/> AM – Amendment
	<input type="checkbox"/> LU – Administrative Update
	<input type="checkbox"/> LC – Cancel
	<input type="checkbox"/> WD – Withdraw
1b) If this filing is for an Amendment (AM) or Withdrawal (WD), enter the File Number of the pending Application/Notification currently on file with the FCC.	File Number: 0010658952

Classification of Filing

For Leases/Subleases Only

2a) Classification of Filing (Select only one):	2b) Type of Filing
<input type="checkbox"/> ML – Spectrum Manager Lease	<input checked="" type="checkbox"/> L – Lease
<input checked="" type="checkbox"/> TL – <i>De Facto</i> Transfer Lease	<input type="checkbox"/> S – Sublease (Must be filed manually)

For Private Commons Arrangements Only (Must be filed Manually)

2c) This filing will be a Private Commons Arrangement pursuant to a (Select only one):	2d) If a Private Commons Arrangement pursuant to a Lease or Sublease, choose the legal type (Select only one):
<input type="checkbox"/> N – License	<input type="checkbox"/> M – Spectrum Manager
<input type="checkbox"/> L – Lease	<input type="checkbox"/> T – <i>De Facto</i> Transfer
<input type="checkbox"/> S – Sublease	

Term of Lease/Sublease

3) Indicate whether the existing Lease/Sublease is:	<input checked="" type="checkbox"/> Long-Term	or	<input type="checkbox"/> Short-Term
---	---	----	-------------------------------------

Other Wireless Licenses

4a) Is this filing part of a series of filings involving other wireless license(s) or lease(s) held by the Applicant, affiliates of the Licensee (e.g., parents, subsidiaries, or commonly-controlled entities), or third parties that are not included on this filing and for which Commission approval or notification is required?	<input type="checkbox"/> Yes <input checked="" type="checkbox"/> No
4b) If the answer to 4a is 'Y', is this filing the lead Application/Notification?	<input type="checkbox"/> Yes <input checked="" type="checkbox"/> No
4c) If the answer to 4a is 'Y' and the answer to 4b is 'N', provide the File Number of the lead Application/Notification.	File Number: _____

Attachments

5) Are attachments (other than associated schedules) being filed with this Application/Notification?	(<input checked="" type="checkbox"/>) <u>Yes</u> <u>No</u>
--	--

Fees and Waivers**Exemption from Application Fees**

6) Is the Applicant exempt from FCC application fees? If the answer to 6 is 'Y', attach an exhibit demonstrating how the applicant is exempt from FCC application fees.	(<input type="checkbox"/>) <u>Yes</u> <u>No</u>
--	---

Waiver/Deferral of Fees

7) Is a waiver/deferral of the FCC application fees being requested? If the answer to 7 is 'Y', attach a date-stamped copy of the request for waiver/deferral of the FCC application fees.	(<input type="checkbox"/>) <u>Yes</u> <u>No</u>
---	---

Waiver of Commission Rules

8) Does this filing include a request for waiver of the Commission's Rules (other than a request for application fee waivers)? If the answer to 8 is 'Y', attach an exhibit specifying the rule section(s) for which a waiver is being requested and including a justification for the waiver request.	(<input type="checkbox"/>) <u>Yes</u> <u>No</u>
---	---

Regulatory Status and Offerings**Radio Service Offerings**

9) The Applicant will provide the following type(s) of radio service offerings (select all that apply): (<input type="checkbox"/>) Common Carrier (<input type="checkbox"/>) Non-common Carrier (<input type="checkbox"/>) Private, internal communications (<input type="checkbox"/>) Broadcast Services All entities that are planning to use the leased spectrum for telecommunications services should select common carrier in this item. The term 'telecommunications service' means the offering of telecommunications (i.e., the transmission, between or among points specified by the user, of information of the user's choosing, without change in the form or content of the information as sent and received) for a fee directly to the public, or to such classes of users as to be effectively available directly to the public, regardless of the facilities used. Non-common carriers do not hold themselves out indiscriminately for hire as carriers of communications provided by the customer. A person engaged in radio broadcasting shall not, insofar as such person is so engaged, be deemed a common carrier. Thus, those entities meeting this definition would select non- common carrier for this item. Private internal users are those entities that utilize telecommunications services purely for internal business purposes or public safety communications and not on a for-hire or for-profit basis. Such entities should select 'Private' for this item. The term 'Broadcast Services' shall have the same meaning as that for "broadcasting" in § 3(6) of the Communications Act of 1934, i.e., the dissemination of radio communications intended to be received by the public, directly or by the intermediary of relay stations." 47 U.S.C. § 153(6). If the Applicant is modifying the type of radio service offerings it provides, please provide an exhibit explaining the modification.

Radio Service

10) The Applicant will provide the following type(s) of radio service (select all that apply): (<input type="checkbox"/>) Fixed (<input type="checkbox"/>) Mobile (<input type="checkbox"/>) Radiolocation (<input type="checkbox"/>) Satellite (sound) (<input type="checkbox"/>) Broadcast Services	
11) Does the Applicant propose to provide service interconnected to the public telephone network?	(<input type="checkbox"/>) <u>Yes</u> <u>No</u>

Designated Entity Information (If the answer to 12a, 12b or 12c is 'Y', Schedule A must be completed.)

Bidding Credits

12a) Does this filing involve any spectrum associated with any licenses that were awarded with bidding credits within the last five years? If the response to this item is 'Y', the licenses may be subject to the FCC's unjust enrichment rules, and the Applicant should answer relevant bidding credit questions.	(<input type="radio"/>) <u>Yes</u> <input type="radio"/> <u>No</u>
---	--

Closed Bidding

12b) Does this filing involve any spectrum associated with any licenses that were originally granted pursuant to closed bidding within the last five years? If the response to this item is 'Y', the Applicant should answer relevant closed bidding questions.	(<input type="radio"/>) <u>Yes</u> <input type="radio"/> <u>No</u>
--	--

Competition-Related Information

13) Does this filing involve a license authorization or Spectrum Lease/Sublease that may be used to provide interconnected mobile voice and/or data services that would create a geographic overlap with another license authorization(s) or spectrum leasing arrangement(s), that also could be used to provide interconnected mobile voice and/or data services, in which the Applicant already holds attributable interests, as defined in Section 20.22(b) of the Commission's Rules, either as a licensee or spectrum lessee/sublessee? If 'Y', specify in an exhibit all geographic areas/markets (e.g., BTA, CMA, county, etc.) where there are spectrum overlaps and the total amount of spectrum that the Assignee/Transferee will hold and/or lease in each geographic area/market.	(<input checked="" type="radio"/>) <u>Yes</u> <input type="radio"/> <u>No</u>
14) If the answer to Item 13 is 'Y', would/does this application for a spectrum leasing or subleasing arrangement reduce the number of entities providing service in the affected market(s)?	(<input type="radio"/>) <u>Yes</u> <input type="radio"/> <u>No</u>

Broadband Radio Service and Educational Broadband Service Information

15a) Will the requested facilities be used to provide multichannel video programming service?	(<input type="radio"/>) <u>Yes</u> <input type="radio"/> <u>No</u>
15b) If the answer to 15a is 'Y', does the Applicant operate, control or have an attributable interest (as defined in Section 27.1202 of the Commission's Rules) in a cable television system whose franchise area is located within the geographic service area of the requested facilities? If 'Y', provide an exhibit explaining how the Applicant (Lessee/Sublessee) complies with Section 27.1202 of the Commission's Rules or justifying a waiver of that rule. If a waiver of the Commission's Rule(s) is being requested, 8a must be answered 'Y'.	(<input type="radio"/>) <u>Yes</u> <input type="radio"/> <u>No</u>
16) Does the Applicant comply with the programming requirements contained in Section 27.1203 of the Commission's Rules? If 'N', provide an exhibit explaining how the Applicant complies with Section 27.1203 of the Commission's Rules or justifying a waiver of that rule. If a waiver of the Commission's Rule(s) is being requested, 8a must be answered 'Y'.	(<input type="radio"/>) <u>Yes</u> <input type="radio"/> <u>No</u>

Part 90 Public Safety Services

Eligibility

17) Is the Applicant a public safety entity or otherwise an entity that will use the leased spectrum to provide communications in support of public safety operations pursuant to Section 90.523 of the Commission's Rules?	(<input type="radio"/>) <u>Yes</u> <input type="radio"/> <u>No</u>
---	--

600 MHz Band Information

<p>18) Is the spectrum leasing/subleasing arrangement for a term of one year or more (either initially or cumulatively) and involves any licenses in the 600 MHz Band initially granted in the last six years that would, if leased, create a geographic overlap with another licenses(s) in which the Lessee/Sublessee already holds attributable interests, as defined in Section 20.22(b) of the Commission's Rules, either as a licensee or spectrum Lessee/Sublessee, and that would result in the Lessee/Sublessee holding an attributable interest, as defined in Section 20.22(b) of the Commission's Rules, in one-third or more of the total suitable and available below-1-GHz spectrum as calculated on a county-by-county population-weighted basis in the relevant license area, utilizing 2010 U.S. Census data?</p> <p>The initial grant date is the date that the license was originally granted by the Commission after an auction, even if the license was acquired in the secondary market. The initial grant date is not the date on which the Commission granted an assignment or transfer of control of the license.</p> <p>If 'Y', provide an exhibit detailing the proposed spectrum leasing/subleasing exchange of 600 MHz band spectrum in the same market(s), including a list of all file numbers for applications associated with the proposed spectrum leasing arrangement exchange, or describing the <i>pro forma</i> nature of the spectrum leasing arrangement, as appropriate.</p>	<p>(<input checked="" type="radio"/>) <u>Yes</u> <input type="radio"/> <u>No</u></p>
<p>19) Is the spectrum leasing/subleasing arrangement for a term of one year or more (either initially or cumulatively) and involves any licenses that were initially granted as reserved spectrum licenses in the 600 MHz Band in the last six years? Otherwise, enter 'N'.</p> <p>The initial grant date is the date that the license was originally granted by the Commission after an auction, even if the license was acquired in the secondary market. The initial grant date is not the date on which the Commission granted an assignment or transfer of control of the license.</p> <p>If 'Y', provide an exhibit demonstrating how the Lessee/Sublessee would have qualified to bid on that reserved spectrum license(s) in Auction 1002 as of the FCC Form 175 filing deadline (February 10, 2016) for Auction 1002, the forward auction of the Broadcast Incentive Auction.</p>	<p>(<input type="radio"/>) <u>Yes</u> <input checked="" type="radio"/> <u>No</u></p>

Licensee Information

FRN

20) FCC Registration Number: **0003291192**

Entity

21) Licensee is a(n) (Select One):

() Individual () Unincorporated Association () Trust () Government Entity () Corporation () Limited Liability Company

() General Partnership () Limited Partnership () Limited Liability Partnership

() Other: _____

Licensee Name

22) Licensee Name (if entity): **New Cingular Wireless PCS, LLC**

23) Licensee Name (if individual): First: MI: Last: Suffix:

24) Attention To: **Cecil J. Mathew**

Address

25) P.O. Box: **And /Or** 26) Street Address: **208 S. Akard Street, RM 1016**

27) City: **Dallas** 28) State: **TX** 29) Zip Code: **75202**

30) Telephone Number: **(855)699-7073** 31) FAX Number: **(214)746-6410**

32) E-Mail Address: **FCCMW@att.com**

33) Demographics (Optional):

Race:

() American Indian or Alaska Native
() Asian
() Black or African-American
() Native Hawaiian or Other Pacific Islander
() White

Ethnicity:

() Hispanic or Latino
() Not Hispanic or Latino

Gender:

() Male
() Female

Licensee Contact Information

Contact Name (if other than Licensee)

() Check here if same as Licensee Information

34) Name: First: MI: Last: Suffix:

35) Company Name: **AT&T Mobility LLC**

36) Attention To: **Jessica B. Lyons**

Address

37) P.O. Box: **And /Or** 38) Street Address: **601 New Jersey Ave. NW, Suite 650**

39) City: **Washington** 40) State: **DC** 41) Zip Code: **20001**

42) Telephone Number: **(202)457-2100** 43) FAX Number:

44) E-Mail Address: **jessica.lyons@att.com**

Lessee Information

FRN

45) FCC Registration Number: **0030856223**

Entity

46) Lessee is a(n) (Select One):

() Individual () Unincorporated Association () Trust () Government Entity () Corporation () Limited Liability Company

() General Partnership () Limited Partnership () Limited Liability Partnership

() Other: _____

Lessee Name

47) If the Lessee name is being updated, is the update a result of a change in ownership, corporate structure, or entity for which proper Commission approval has not been received or proper notification not provided? () Yes **No**

48) Lessee Name (if entity): **Trace-Tek**

49) Lessee Name (if individual): First: MI: Last: Suffix:

50) Attention To: **licenses@trace-tek.com**

Name of Real Party in Interest

51) Name of Real Party in Interest: **Trace-Tek**

52) FCC Registration Number (FRN): **0030856223**

Address

53) P.O. Box: **And /Or** 54) Street Address: **2625 Commons Boulevard**

55) City: **Beavercreek** 56) State: **OH** 57) Zip Code: **45341**

58) Telephone Number: **(972)672-0477** 59) FAX Number:

60) E-Mail Address: **licenses@trace-tek.com**

61) Demographics (Optional):

Race:	Ethnicity:	Gender:
() American Indian or Alaska Native	() Hispanic or Latino	() Male
() Asian	() Not Hispanic or Latino	() Female
() Black or African-American		
() Native Hawaiian or Other Pacific Islander		
() White		

Lessee Contact Information

Contact Name (if other than Lessee)

() Check here if same as Lessee Information

62) Name: First: **Dan** MI: Last: **Burgess** Suffix:

63) Company Name: **Trace-Tek**

64) Attention To: **licenses@trace-tek.com**

Address

65) P.O. Box: **And /Or** 66) Street Address: **2625 Commons Boulevard**

67) City: **Beavercreek** 68) State: **OH** 69) Zip Code: **45341**

70) Telephone Number: **(972)672-0477** 71) FAX Number:

72) E-Mail Address: **licenses@trace-tek.com**

Sublessee Information

FRN

73) FCC Registration Number:

Entity

74) Sublessee is a(n) (Select One):

() Individual () Unincorporated Association () Trust () Government Entity () Corporation () Limited Liability Company

() General Partnership () Limited Partnership () Limited Liability Partnership

() Other: _____

Sublessee Name

75) If the Sublessee name is being updated, is the update a result of a change in ownership, corporate structure, or entity for which proper Commission approval has not been received or proper notification not provided?

() Yes **No**

76) Sublessee Name (if entity):

77) Sublessee Name (if individual):

First:

MI:

Last:

Suffix:

78) Attention To:

Name of Real Party in Interest

79) Name of Real Party in Interest:

80) FCC Registration Number (FRN):

Address

81) P.O. Box:

**And
/Or**

82) Street Address:

83) City:

84) State:

85) Zip Code:

86) Telephone Number:

87) FAX Number:

88) E-Mail Address:

89) Demographics (Optional):

Race:

() American Indian or Alaska Native

() Asian

() Black or African-American

() Native Hawaiian or Other Pacific Islander

() White

Ethnicity:

() Hispanic or Latino

() Not Hispanic or Latino

Gender:

() Male

() Female

Sublessee Contact Information

Contact Name (if other than Sublessee)

() **Check here if same as Sublessee Information**

90) Name:

First:

MI:

Last:

Suffix:

91) Company Name:

92) Attention To:

Address

93) P.O. Box:

**And
/Or**

94) Street Address:

95) City:

96) State:

97) Zip Code:

98) Telephone Number:

99) FAX Number:

100) E-Mail Address:

Transferee Information

FRN

101) FCC Registration Number:

Entity

102) Transferee is a(n) (Select One):

() Individual () Unincorporated Association () Trust () Government Entity () Corporation () Limited Liability Company

() General Partnership () Limited Partnership () Limited Liability Partnership

() Other: _____

Transferee Name

103) Transferee Name (if entity):

104) Transferee Name (if individual):

First:

MI:

Last:

Suffix:

105) Attention To:

Name of Real Party in Interest

106) Name of Real Party in Interest:

107) FCC Registration Number (FRN):

Address

108) P.O. Box:

And
/Or

109) Street Address:

110) City:

111) State:

112) Zip Code:

113) Telephone Number:

114) FAX Number:

115) E-Mail Address:

116) Demographics (Optional):

Race:

() American Indian or Alaska Native

() Asian

() Black or African-American

() Native Hawaiian or Other Pacific Islander

() White

Ethnicity:

() Hispanic or Latino

() Not Hispanic or Latino

Gender:

() Male

() Female

Transferee Contact Information

Contact Name (if other than Transferee)

() Check here if same as Transferee Information

117) Name:

First:

MI:

Last:

Suffix:

118) Company Name:

119) Attention To:

Address

120) P.O. Box:

And
/Or

121) Street Address:

122) City:

123) State:

124) Zip Code:

125) Telephone Number:

126) FAX Number:

127) E-Mail Address:

Transferor Information

FRN

128) FCC Registration Number:

Entity

129) Transferor is a(n) (Select One):

() Individual () Unincorporated Association () Trust () Government Entity () Corporation () Limited Liability Company

() General Partnership () Limited Partnership () Limited Liability Partnership

() Other: _____

Transferor Name

130) Transferor Name (if entity):

131) Transferor Name (if individual):

First:

MI:

Last:

Suffix:

132) Attention To:

Address

133) P.O. Box:

And
/Or

134) Street Address:

135) City:

136) State:

137) Zip Code:

138) Telephone Number:

139) FAX Number:

140) E-Mail Address:

139) Demographics (Optional):

Race:

() American Indian or Alaska Native

() Asian

() Black or African-American

() Native Hawaiian or Other Pacific Islander

() White

Ethnicity:

() Hispanic or Latino

() Not Hispanic or Latino

Gender:

() Male

() Female

Transferor Contact Information

Contact Name (if other than Transferor)

() Check here if same as Transferor Information

140) Name:

First:

MI:

Last:

Suffix:

141) Company Name:

142) Attention To:

Address

143) P.O. Box:

And
/Or

144) Street Address:

145) City:

146) State:

147) Zip Code:

148) Telephone Number:

149) FAX Number:

150) E-Mail Address:

Ownership Disclosure Information

FCC Form 602

153a) Is the Applicant required to file FCC Form 602, Ownership Disclosure Information for the Wireless Telecommunications Services?	(<input checked="" type="radio"/>) <u>Yes</u> <input type="radio"/> <u>No</u>
153b) If the answer to 151a is 'Y', provide the File Number of FCC Form 602 that has been filed in conjunction with application or is already on file with the FCC.	File Number: <u>0009774970</u>

Alien Ownership Questions

Alien Ownership (If any answer is 'Y', provide an attachment explaining the circumstances. In preparing the attachment, refer to the Main Form Instructions for the "Alien Ownership Questions".)

154) Is the Lessee/Sublessee or Post-Transfer Lessee/Sublessee a foreign government or the representative of any foreign government?	(<input type="radio"/>) <u>Yes</u> <input checked="" type="radio"/> <u>No</u>
155) Is the Lessee/Sublessee or Post-Transfer Lessee/Sublessee an alien or the representative of an alien?	(<input type="radio"/>) <u>Yes</u> <input checked="" type="radio"/> <u>No</u>
156) Is the Lessee/Sublessee or Post-Transfer Lessee/Sublessee a corporation organized under the laws of a foreign government?	(<input type="radio"/>) <u>Yes</u> <input checked="" type="radio"/> <u>No</u>
157) Is the Lessee/Sublessee or Post-Transfer Lessee/Sublessee a corporation of which more than one-fifth of the capital stock is owned of record or voted by aliens or their representatives, or by a foreign government or representative thereof, or by any corporation organized under the laws of a foreign country?	(<input type="radio"/>) <u>Yes</u> <input checked="" type="radio"/> <u>No</u>
158a) Is the Lessee/Sublessee or Post-Transfer Lessee/Sublessee directly or indirectly controlled by any other corporation of which more than one-fourth of the capital stock is owned of record or voted by aliens or their representatives, or by a foreign government or representative thereof, or by any corporation organized under the laws of a foreign country?	(<input type="radio"/>) <u>Yes</u> <input checked="" type="radio"/> <u>No</u>

158b) If the answer to 155 or 156a is 'Y' select one of the choices below.

The Lessee/Sublessee or Post-Transfer Lessee/Sublessee is exempt from the provisions of Section 310(b).

It is not necessary to file a petition for declaratory ruling if the Lessee/Sublessee or Post-Transfer Lessee/Sublessee includes in the attachment required by Item 155 or Item 156a a showing that the subject Lease(s) is exempt from the provisions of Section 310(b).

The Lessee/Sublessee or Post-Transfer Lessee/Sublessee has received a declaratory ruling(s) approving its foreign ownership, and the application/notification involves only the acquisition/use of additional spectrum for the provision of a wireless service in a geographic coverage area for which the Lessee/Sublessee or Post-Transfer Lessee/Sublessee has been previously authorized.

If checked, include in the attachment required by Item 155 or Item 156a the citation(s) of the applicable declaratory ruling(s) by DA/FCC number, the FCC Record citation, if available, release date, and a statement that there has been no change in the foreign ownership of the Lessee/Sublessee or Post-Transfer Lessee/Sublessee since the issuance of its ruling.

The Lessee/Sublessee or Post-Transfer Lessee/Sublessee: (i) has received a declaratory ruling(s) approving its foreign ownership, but is not able to make the certification specified immediately above; or (ii) is an "affiliate" of a Licensee or Lessee/SubLessee that received a declaratory ruling(s) under Section 1.990(a) of the Commission's Rules, 47 CFR § 1.990(a), and is relying on the affiliate's ruling for purposes of filing this application/notification as permitted under the affiliate's ruling and Section 1.994(b) of the Rules, 47 CFR § 1.994(b).

If checked, and if the Lessee/Sublessee or Post-Transfer Lessee/Sublessee received its declaratory ruling(s) on or after August 9, 2013, include in the attachment required by Item 155 or Item 156a the citation(s) of the Lessee/Sublessee or Post-Transfer Lessee/Sublessee's declaratory ruling(s) by DA/FCC number, the FCC Record citation, if available, release date, and a statement that the Lessee/Sublessee or Post-Transfer Lessee/Sublessee is in compliance with the terms and conditions of its ruling and with the Commission's Rules.

If checked, and if the Lessee/Sublessee or Post-Transfer Lessee/Sublessee received its declaratory ruling(s) prior to August 9, 2013, include in the attachment required by Item 156a a copy of a petition for declaratory ruling filed contemporaneously with the Commission to extend the Lessee/Sublessee or Post-Transfer Lessee/Sublessee's existing ruling(s) to cover the same radio service(s) and geographic coverage area(s) involved in the application/notification. Alternatively, the Lessee/Sublessee or Post-Transfer Lessee/Sublessee may request a new declaratory ruling pursuant to Section 1.990(a) of the Commission's Rules, 47 CFR § 1.990(a). Petitions for declaratory ruling may be filed electronically on the Internet through the International Bureau Filing System (IBFS) (with a copy attached hereto).

If checked, and if the Lessee/Sublessee or Post-Transfer Lessee/Sublessee is relying on an affiliate's ruling for purposes of filing this application/notification, include in the attachment required by Item 155 or Item 156a the citation(s) of the applicable declaratory ruling(s) by DA/FCC number, the FCC Record citation, if available, release date, and a statement that the Lessee/Sublessee or Post-Transfer Lessee/Sublessee is in compliance with the terms and conditions of the named affiliate's ruling and with the Commission's Rules. The Lessee/Sublessee or Post-Transfer Lessee/Sublessee must also include a certification of compliance signed by the named affiliate or other qualified entity as specified in Section 1.994(b) of the Rules, 47 CFR § 1.994(b). See Main Form Instructions for Items 155 or 156a, as applicable.

The Lessee/Sublessee or Post-Transfer Lessee/Sublessee has not received a declaratory ruling approving its foreign ownership and is requesting a declaratory ruling under Section 1.990(a) of the Commission's Rules, 47 CFR § 1.990(a), in a petition filed contemporaneously with the Commission.

If checked, include in the attachment required by Item 155 or 156a a copy of the petition for declaratory ruling filed contemporaneously with the Commission pursuant to Section 1.990(a) of the Commission's Rules, 47 CFR § 1.990(a). Petitions for declaratory ruling may be filed electronically on the Internet through the International Bureau Filing System (IBFS) (with a copy attached hereto).

Basic Qualification Information

Basic Qualification Questions (If any answer is 'Y', provide an attachment explaining the circumstances)

159) Has the Applicant or any party to this application had any FCC station authorization, license, or construction permit revoked or had any application for an initial, modification, or renewal of FCC station authorization, license, or construction permit denied by the Commission?	(N) <u>Yes</u> No
160) Has the Applicant or any party to this filing, or any party directly or indirectly controlling the Applicant or any party to this filing ever been convicted of a felony by any state or federal court?	(N) <u>Yes</u> No
161) Has any court finally adjudged the Applicant or any party directly or indirectly controlling the Applicant guilty of unlawfully monopolizing or attempting unlawfully to monopolize radio communication, directly or indirectly, through control of manufacture or sale of radio apparatus, exclusive traffic arrangement, or any other means or unfair methods of competition?	(N) <u>Yes</u> No

Spectrum Aggregation Limit Certification(s)

<p>162) The Licensee/Lessor/Sublessor certifies that grant of this application would not cause the Licensee/Lessor/Sublessor to be in violation of the 40 megahertz in-band spectrum aggregation limit set forth under section 96.31 of the Commission's rules for 3.5 GHz licenses, taking into consideration the spectrum attribution rules under section 20.22(b) of the Commission's rules.</p> <p>If the Licensee/Lessor/Sublessor has sought a waiver of section 96.31 in connection with this application, it may make this certification subject to the outcome of the waiver request.</p>	<p>() <u>Yes</u> <u>No</u></p>
<p>163) The Licensee/Lessor/Sublessor certifies that grant of this application would not cause the Licensee/Lessor/Sublessor to be in violation of the 40 megahertz in-band spectrum aggregation limit set forth under section 27.1606 of the Commission's rules for 3.45 GHz licenses, taking into consideration the spectrum attribution rules under section 20.22(b) of the Commission's rules.</p> <p>If the Licensee/Lessor/Sublessor has sought a waiver of section 27.1606 in connection with this application, it may make this certification subject to the outcome of the waiver request.</p>	<p>() <u>Yes</u> <u>No</u></p>
<p>164) The Lessee/Sublessee/Transferee certifies that grant of this application would not cause the Lessee/Sublessee/Transferee to be in violation of the 40 megahertz in-band spectrum aggregation limit set forth under section 96.31 of the Commission's rules for 3.5 GHz licenses, taking into consideration the spectrum attribution rules under section 20.22(b) of the Commission's rules.</p> <p>If the Lessee/Sublessee/Transferee has sought a waiver of section 96.31 in connection with this application, it may make this certification subject to the outcome of the waiver request.</p>	<p>() <u>Yes</u> <u>No</u></p>
<p>165) The Lessee/Sublessee/Transferee certifies that grant of this application would not cause the Lessee/Sublessee/Transferee to be in violation of the 40 megahertz in-band spectrum aggregation limit set forth under section 27.1606 of the Commission's rules for 3.45 GHz licenses, taking into consideration the spectrum attribution rules under section 20.22(b) of the Commission's rules.</p> <p>If the Lessee/Sublessee/Transferee has sought a waiver of section 27.1606 in connection with this application, it may make this certification subject to the outcome of the waiver request.</p>	<p>() <u>Yes</u> <u>No</u></p>

Licensee Certification Statements

- | | |
|----|---|
| 1) | The Licensee agrees that the Lease is not a sale or transfer of the license itself. |
| 2) | The Licensee certifies that it will not consent to assignment of the Lease except to the extent such assignment complies with the Commission's Rules and Regulations. |
| 3) | The Licensee certifies that it holds exclusive use rights to use the licensed spectrum. |
| 4) | The Licensee certifies that it is not in default on any payment for Commission licenses and that it is not delinquent on any non-tax debt owed to any federal agency. |

The Licensee certifies that all of its statements made in this Application/Notification and in the schedules, exhibits, attachments, or documents incorporated by reference are material, are part of this Application/Notification, and are true, complete, correct, and made in good faith.

Type or Printed Name of Party Authorized to Sign

166) First Name: Jessica	MI: B	Last Name: Lyons	Suffix:
167) Title: Asst. Secretary of Manager			
168) Signature: Jessica B Lyons		165) Date: 10/04/2023	

FAILURE TO SIGN THIS APPLICATION MAY RESULT IN DISMISSAL OF THE APPLICATION AND FORFEITURE OF ANY FEES PAID.

WILLFUL FALSE STATEMENTS MADE ON THIS FORM OR ANY ATTACHMENTS ARE PUNISHABLE BY FINE AND/OR IMPRISONMENT (U.S. Code, Title 18, Section 1001) AND/OR REVOCATION OF ANY STATION LICENSE OR CONSTRUCTION PERMIT (U.S. Code, Title 47, Section 312(a)(1)), AND/OR FORFEITURE (U.S. Code, Title 47, Section 503).

Lessee Certification Statements

1)	The Lessee agrees that the Lease is not a sale or transfer of the license itself.
2)	The Lessee acknowledges that it is required to comply with the Commission's Rules and Regulations and other applicable law at all times, and if the Lessee fails to so comply, the Lease/Sublease may be revoked, cancelled, or terminated by either the Licensee or the Commission.
3)	The Lessee certifies that neither it nor any other party to the Application/Notification is subject to a denial of Federal benefits pursuant to Section 5301 of the Anti-Drug Abuse Act of 1988, 21 U.S.C. § 862, because of a conviction for possession or distribution of a controlled substance. This certification does not apply to applications filed in services exempted under Section 1.2002(c) of the Commission's Rules. See Section 1.2002(b) of the Commission's Rules for the definition of "party to the application" as used in this certification.
4)	The Lessee hereby accepts Commission oversight and enforcement consistent with the license and lease authorization. The Lessee acknowledges that it must cooperate fully with any investigation or inquiry conducted either by the Commission or the Licensee, allow the Commission or the Licensee to conduct on-site inspections of transmission facilities, and suspend operations at the direction of the Commission or the Licensee and to the extent that such suspension of operation would be consistent with applicable Commission policies.
5)	The Lessee acknowledges that in the event an authorization held by a Licensee that has associated with it a spectrum leasing arrangement that is the subject of this filing is revoked, cancelled, terminated, or otherwise ceases to be in effect, the Lessee will have no continuing authority to use the leased spectrum and will be required to terminate its operations no later than the date on which the Licensee ceases to have any authority to operate under the license, unless otherwise authorized by the Commission.
6)	The Lessee agrees the Lease shall not be assigned to any entity that is not eligible or qualified to enter into a spectrum leasing arrangement under the Commission's Rules and Regulations.
7)	The Lessee waives any claim to the use of any particular frequency or of the electromagnetic spectrum as against the regulatory power of the United States because of the previous use of the same, whether by spectrum lease or otherwise.
8)	The Lessee certifies that it is not in default on any payment for Commission licenses and that it is not delinquent on any non-tax debt owed to any federal agency.
9)	The Lessee certifies that it and all of the related individuals and entities required to be disclosed on this application and FCC Form 602 (FCC Ownership Disclosure Information for the Wireless Telecommunications Services) are not person(s) who have been, for reasons of national security, barred by any agency of the Federal Government from bidding on a contract, participating in an auction, or receiving a grant. This certification applies only to applications for licenses for spectrum that is required by Sections 6103, 6401-6403 of the Middle Class Tax Relief and Job Creation Act of 2012, codified at 47 U.S.C. §§ 309, 1413, 1451-1452, to be assigned by a system of competitive bidding under 47 U.S.C. § 309(j).
<p>The Lessee certifies that all of its statements made in this Application/Notification and in the schedules, exhibits, attachments, or documents incorporated by reference are material, are part of this Application/Notification, and are true, complete, correct, and made in good faith.</p>	

Type or Printed Name of Party Authorized to Sign

168) First Name: Shantell	MI:	Last Name: Brown	Suffix:
169) Title: Manager			
170) Signature: Shantell Brown		171) Date: 10/04/2023	
<p>FAILURE TO SIGN THIS APPLICATION MAY RESULT IN DISMISSAL OF THE APPLICATION AND FORFEITURE OF ANY FEES PAID.</p> <p>WILLFUL FALSE STATEMENTS MADE ON THIS FORM OR ANY ATTACHMENTS ARE PUNISHABLE BY FINE AND/OR IMPRISONMENT (U.S. Code, Title 18, Section 1001) AND/OR REVOCATION OF ANY STATION LICENSE OR CONSTRUCTION PERMIT (U.S. Code, Title 47, Section 312(a)(1)), AND/OR FORFEITURE (U.S. Code, Title 47, Section 503).</p>			

Sublessee Certification Statements

1)	The Sublessee agrees that the Lease is not a, sale or transfer of the license itself.
2)	The Sublessee acknowledges that it is required to comply with the Commission's Rules and regulations and other applicable law at all times, and if the Sublessee fails to so comply, the Lease may be revoked, cancelled, or terminated by either the licensee or the Commission.
3)	The Sublessee certifies that neither it nor any other party to the Application/Notification is subject to a denial of Federal benefits pursuant to Section 5301 of the Anti-Drug Abuse Act of 1988, 21 U.S.C. § 862, because of a conviction for possession or distribution of a controlled substance. This certification does not apply to applications filed in services exempted under Section 1.2002(c) of the Commission's Rules. See Section 1.2002(b) of the Commission's Rules for the definition of "party to the application" as used in this certification.
4)	The Sublessee hereby accepts Commission oversight and enforcement consistent with the license authorization. The Sublessee acknowledges that it must cooperate fully with any investigation or inquiry conducted either by the Commission or the Licensee, allow the Commission or the licensee to conduct on-site inspections of transmission facilities, and suspend operations at the direction of the Commission or the Licensee and to the extent that such suspension of operation would be consistent with the applicable Commission policies.
5)	The Sublessee acknowledges that in the event an authorization held by a Licensee that has entered into a spectrum leasing arrangement is revoked, cancelled, terminated, or otherwise ceases to be in effect, the Sublessee will have no continuing authority to use the leased spectrum and will be required to terminate its operations no later than the date on which the Licensee ceases to have any authority to operate under the license, unless otherwise authorized by the Commission.
6)	The Sublessee agrees the Lease/Sublease shall not be assigned to any entity that is not eligible or qualified to enter into a spectrum leasing arrangement under the Commission's Rules and regulations.
7)	The Sublessee waives any claim to the use of any particular frequency or of the electromagnetic spectrum as against the regulatory power of the United States because of the previous use of the same, whether by spectrum lease or otherwise.
8)	The Sublessee certifies that it is not in default on any payment for Commission licenses and that it is not delinquent on any non-tax debt owed to any federal agency.
9)	The Sublessee certifies that it and all of the related individuals and entities required to be disclosed on this application and FCC Form 602 (FCC Ownership Disclosure Information for the Wireless Telecommunications Services) are not person(s) who have been, for reasons of national security, barred by any agency of the Federal Government from bidding on a contract, participating in an auction, or receiving a grant. This certification applies only to applications for licenses for spectrum that is required by Sections 6103, 6401-6403 of the Middle Class Tax Relief and Job Creation Act of 2012, codified at 47 U.S.C. §§ 309, 1413, 1451-1452, to be assigned by a system of competitive bidding under 47 U.S.C. § 309(j).
The Sublessee certifies that all of its statements made in this Application/Notification and in the schedules, exhibits, attachments, or documents incorporated by reference are material, are part of this Application/Notification, and are true, complete, correct, and made in good faith.	

Type or Printed Name of Party Authorized to Sign

172) First Name:	MI:	Last Name:	Suffix:
173) Title:			
174) Signature:		175) Date:	

FAILURE TO SIGN THIS APPLICATION MAY RESULT IN DISMISSAL OF THE APPLICATION AND FORFEITURE OF ANY FEES PAID.

WILLFUL FALSE STATEMENTS MADE ON THIS FORM OR ANY ATTACHMENTS ARE PUNISHABLE BY FINE AND/OR IMPRISONMENT (U.S. Code, Title 18, Section 1001) AND/OR REVOCATION OF ANY STATION LICENSE OR CONSTRUCTION PERMIT (U.S. Code, Title 47, Section 312(a)(1)), AND/OR FORFEITURE (U.S. Code, Title 47, Section 503).

Transferee Certification Statements

1)	The Transferee agrees that the Lease/Sublease is not a sale or transfer of the license itself.
2)	The Transferee acknowledges that it is required to comply with the Commission's Rules and Regulations and other applicable law at all times, and if the Transferee fails to so comply, the Lease/Sublease may be revoked, cancelled, or terminated by either the licensee or the Commission.
3)	The Transferee certifies that neither it nor any other party to the Application/Notification is subject to a denial of Federal benefits pursuant to Section 5301 of the Anti-Drug Abuse Act of 1988, 21 U.S.C. § 862, because of a conviction for possession or distribution of a controlled substance. This certification does not apply to applications filed in services exempted under Section 1.2002(c) of the Commission's Rules. See Section 1.2002(b) of the Commission's Rules for the definition of "party to the application" as used in this certification.)
4)	The Transferee hereby accepts Commission oversight and enforcement consistent with the license authorization. The Transferee acknowledges that it must cooperate fully with any investigation or inquiry conducted either by the Commission or the Licensee, allow the Commission or the licensee to conduct on-site inspections of transmission facilities, and suspend operations at the direction of the Commission or the Licensee and to the extent that such suspension of operation would be consistent with the applicable Commission policies.
5)	The Transferee acknowledges that in the event an authorization held by a Licensee that has entered into a spectrum leasing arrangement is revoked, cancelled, terminated, or otherwise ceases to be in effect, the Transferee will have no continuing authority to use the leased spectrum and will be required to terminate its operations no later than the date on which the Licensee ceases to have any authority to operate under the license, unless otherwise authorized by the Commission.
6)	The Transferee agrees the Lease shall not be assigned to any entity that is not eligible or qualified to enter into a spectrum leasing arrangement under the Commission's Rules and Regulations.
7)	The Transferee waives any claim to the use of any particular frequency or of the electromagnetic spectrum as against the regulatory power of the United States because of the previous use of the same, whether by spectrum lease or otherwise.
8)	The Transferee certifies that it is not in default on any payment for Commission licenses and that it is not delinquent on any non-tax debt owed to any federal agency.
9)	The Transferee certifies that it and all of the related individuals and entities required to be disclosed on this application and FCC Form 602 (FCC Ownership Disclosure Information for the Wireless Telecommunications Services) are not person(s) who have been, for reasons of national security, barred by any agency of the Federal Government from bidding on a contract, participating in an auction, or receiving a grant. This certification applies only to applications for licenses for spectrum that is required by Sections 6103, 6401-6403 of the Middle Class Tax Relief and Job Creation Act of 2012, codified at 47 U.S.C. §§ 309, 1413, 1451-1452, to be assigned by a system of competitive bidding under 47 U.S.C. § 309(j).
The Transferee certifies that all of its statements made in this Application/Notification and in the schedules, exhibits, attachments, or documents incorporated by reference are material, are part of this Application/Notification, and are true, complete, correct, and made in good faith.	

Type or Printed Name of Party Authorized to Sign

176) First Name:	MI:	Last Name:	Suffix:
177) Title:			
178) Signature:		179) Date:	

FAILURE TO SIGN THIS APPLICATION MAY RESULT IN DISMISSAL OF THE APPLICATION AND FORFEITURE OF ANY FEES PAID.

WILLFUL FALSE STATEMENTS MADE ON THIS FORM OR ANY ATTACHMENTS ARE PUNISHABLE BY FINE AND/OR IMPRISONMENT (U.S. Code, Title 18, Section 1001) AND/OR REVOCATION OF ANY STATION LICENSE OR CONSTRUCTION PERMIT (U.S. Code, Title 47, Section 312(a)(1)), AND/OR FORFEITURE (U.S. Code, Title 47, Section 503).

Transferor Certification Statements

1)	The Transferor certifies either (1) that control of the Lessee/Sublessee will not be transferred until consent of the Federal Communications Commission has been given, or (2) that prior Commission consent is not required because the Lease/Sublease is subject to streamlined notification procedures for <i>pro forma</i> transfers of control. See <i>Federal Communications Bar Association's Petition for Forbearance from Section 310(d) of the Communications Act Regarding Non-Substantial Assignments of Wireless Licenses and Transfers of Control Involving Telecommunications Carriers and Personal Communications Industry Association's Broadband Personal Communications Services Alliance's Petition for Forbearance For Broadband Personal Communications Services</i> , Memorandum Opinion and Order, 13 FCC Rcd 6293 (1998)
2)	The Transferor certifies that it is not in default on any payment for Commission licenses and that it is not delinquent on any non-tax debt owed to any federal agency.
The Transferor certifies that all of its statements made in this Application/Notification and in the schedules, exhibits, attachments, or documents incorporated by reference are material, are part of this Application/Notification, and are true, complete, correct, and made in good faith.	

Type or Printed Name of Party Authorized to Sign

180) First Name:	MI:	Last Name:	Suffix:
181) Title:			
182) Signature:		183) Date:	
FAILURE TO SIGN THIS APPLICATION MAY RESULT IN DISMISSAL OF THE APPLICATION AND FORFEITURE OF ANY FEES PAID.			
WILLFUL FALSE STATEMENTS MADE ON THIS FORM OR ANY ATTACHMENTS ARE PUNISHABLE BY FINE AND/OR IMPRISONMENT (U.S. Code, Title 18, Section 1001) AND/OR REVOCATION OF ANY STATION LICENSE OR CONSTRUCTION PERMIT (U.S. Code, Title 47, Section 312(a)(1)), AND/OR FORFEITURE (U.S. Code, Title 47, Section 503).			

Private Commons Manager Certification Statements

1)	The Licensee/Lessee/Sublessee manager of the Private Commons certifies that it will retain <i>de facto</i> control of the use of the spectrum under the Private Commons arrangement, including that it will maintain reasonable oversight over the users' use of the spectrum under the arrangement so as to ensure that the use of the spectrum, and communications equipment employed, comply with all technical and service rules applicable under the license authorization.
2)	The Licensee/Lessee/Sublessee manager of the Private Commons arrangement certifies that it will maintain the ability to ensure that users under the arrangement comply with all the technical and service rules applicable under the license authorization.
3)	The Licensee/Lessee/Sublessee manager of the Private Commons certifies that it and all of the related individuals and entities required to be disclosed on this application and FCC Form 602 (FCC Ownership Disclosure Information for the Wireless Telecommunications Services) are not person(s) who have been, for reasons of national security, barred by any agency of the Federal Government from bidding on a contract, participating in an auction, or receiving a grant. This certification applies only to applications for licenses for spectrum that is required by Sections 6103, 6401-6403 of the Middle Class Tax Relief and Job Creation Act of 2012, codified at 47 U.S.C. §§ 309, 1413, 1451-1452, to be assigned by a system of competitive bidding under 47 U.S.C. § 309(j).
The Licensee/Lessee/Sublessee manager of the Private Commons arrangement certifies that all of its statements made in this Notification and in the schedules, exhibits, attachments, or documents incorporated by reference are material, are part of this Notification, and are true, complete, correct, and made in good faith.	

Type or Printed Name of Party Authorized to Sign

184) First Name:	MI:	Last Name:	Suffix:
185) Title:			
186) Signature:		187) Date:	

**FAILURE TO SIGN THIS APPLICATION MAY RESULT IN DISMISSAL OF THE APPLICATION AND FORFEITURE OF ANY FEES PAID.
WILLFUL FALSE STATEMENTS MADE ON THIS FORM OR ANY ATTACHMENTS ARE PUNISHABLE BY FINE AND/OR IMPRISONMENT (U.S. Code, Title 18, Section 1001) AND/OR REVOCATION OF ANY STATION LICENSE OR CONSTRUCTION PERMIT (U.S. Code, Title 47, Section 312(a)(1)), AND/OR FORFEITURE (U.S. Code, Title 47, Section 503).**

License Authorization(s) or Identifiers (pertaining to Lease(s)/Sublease(s)/Private Commons) Associated with the Spectrum To Be Included in the Filing

188) Call Sign(s) or Lease/Sublease/ Private Commons Identifier(s)	189) Radio Service Code	190) Location Number	191) Path Number (Microwave only)	192) Frequency Number	193) Lower Frequency (MHz)	194) Upper Frequency (MHz)
WPZA238	WZ - 700 MHz Lower Band (Blocks C, D)					
WPZA238	WZ - 700 MHz Lower Band (Blocks C, D)					
WPZA238	WZ - 700 MHz Lower Band (Blocks C, D)					
WPZA238	WZ - 700 MHz Lower Band (Blocks C, D)					
WQDI528	CW - PCS Broadband					
WQGT878	AW - AWS (1710-1755 MHz and 2110-2155					
WQGV784	AW - AWS (1710-1755 MHz and 2110-2155					
WQGV784	AW - AWS (1710-1755 MHz and 2110-2155					
WQGV784	AW - AWS (1710-1755 MHz and 2110-2155					
WRAS910	AT - AWS-3 (1695-1710 MHz, 1755-1780 MHz,					

* Note: Items 190 – 194 are for New Leases involving spectrum associated with site-based authorizations when only a portion of the licensed locations, paths and/or frequencies will be leased.

**Schedule for Licensees that Received Bidding Credits
or
Involving Licenses Won in Closed Bidding**

**Designated Entity Information
Bidding Credits**

1) Has the full amount of the bidding credits awarded with regard to each of the subject license(s) been paid as part of unjust enrichment payment(s) in previous transaction(s)?	() <u>Yes</u> <u>No</u>
If the response to Item 1 is 'Y', Items 2 and 3 are not required to be completed.	

Bidding Credits - (Spectrum Manager Leases Only)

2a) Does the Applicant have a general partnership interest or have a direct or indirect ownership interests of ten percent or greater in the Licensee?	() <u>Yes</u> <u>No</u>
2b) Is the Applicant a "controlling interest holder" or "affiliate" of the current Licensee? For purposes of determining whether the Licensee has retained the requisite degree of ownership and control over the leased spectrum in order to remain eligible for the license or for bidding credits, the <i>de jure</i> control standard in 47 CFR § 1.2110 and the <i>de facto</i> control standard in 47 CFR § 1.9010 will be applied (pursuant to the conditions set forth in 47 CFR § 1.9020).	() <u>Yes</u> <u>No</u>
2c) Does the Applicant share office space, equipment, or other facilities with any party controlling the entity from which spectrum is being leased/subleased?	() <u>Yes</u> <u>No</u>
2d) Is the Applicant a disclosable interest holder that holds a ten percent or greater interest of any kind in the Licensee and is the Lease/Sublease for more than 25% of the spectrum capacity of the subject license(s)?	() <u>Yes</u> <u>No</u>
2e) Does the Licensee certify that the Lease/Sublease does not affect its continuing eligibility to retain bidding credit(s)?	() <u>Yes</u> <u>No</u>

**Bidding Credits – (Long-Term De Facto Transfer Leases Only)
Eligibility**

3a) With respect to each of the subject licenses, the Applicant: () qualifies for the same designated entity benefit as the current Licensee () qualifies for a different designated entity benefit than the current Licensee () does not qualify for any designated entity status
--

3b) If the Applicant states in Item 3a that it qualifies for the same designated entity benefit as the current Licensee or qualifies for a different designated entity status than the current Licensee, the Applicant qualifies for a (select one): () small business bidding credit (___%) () rural service provider bidding credit	
3c) Is the Applicant a disclosable interest holder that holds a ten percent or greater interest of any kind in the Licensee and is the Lease/Sublease for more than 25% of the spectrum capacity of the subject license(s)?	() <u>Yes</u> <u>No</u>

Closed Bidding Licenses

4) Have construction notifications been submitted as required by the Commission's Rules for each of the subject licenses? If the response to Item 4 is 'Y', Items 5 and 6 are not required to be completed.	() <u>Yes</u> <u>No</u>
--	--------------------------

Closed Bidding Licenses – (Spectrum Manager Leases Only)

5a) Does the Applicant have a general partnership interest or have a direct or indirect ownership interest of ten percent or greater in the Licensee?	() <u>Yes</u> <u>No</u>
5b) Is the Applicant a "controlling interest holder" or "affiliate" of the current Licensee?	() <u>Yes</u> <u>No</u>
5c) Does the Applicant share office space, equipment or other facilities with any party controlling the entity from which spectrum is being leased?	() <u>Yes</u> <u>No</u>
5d) Does the Licensee certify that the Lease/Sublease does not affect its continuing eligibility to retain closed bidding licenses?	() <u>Yes</u> <u>No</u>

Closed Bidding Licenses – (Long-Term *De Facto* Transfer Leases Only)**Eligibility**

6) With respect to each of the subject licenses, the Applicant: () a) qualifies for closed bidding () b) does not qualify for closed bidding
--

7) Revenue and Asset Information for the Applicant

Purpose (Check Modify if filing an Amendment application and changing the Revenue and Asset Information from what was provided on the original filing)

Modify

Gross Revenue Disclosure Most Recent Reportable Year

8a) Were the Applicant and any predecessors-in-interest in existence for a full year of the relevant period? If 'N', explain why in an attachment.	() <u>Yes</u> <u>No</u>
If 'Y', provide the following information.	
8b) Gross Revenues	\$ _____ (Format: 99,999.99)
8c) Year-end Date:	_____ (Date Format: MM/DD/YYYY)

One Year Prior to Most Recent Reportable Year

9a) Were the Applicant and any predecessors-in-interest in existence for a full year of the relevant period? If 'N', explain why in an attachment.	() <u>Yes</u> <u>No</u>
If 'Y', provide the following information.	
9b) Gross Revenues	\$ _____ (Format: 99,999.99)
9c) Year-end Date:	_____ (Date Format: MM/DD/YYYY)

Two Years Prior to Most Recent Reportable Year

10a) Were the Applicant and any predecessors-in-interest in existence for a full year of the relevant period? If 'N', explain why in an attachment.	() <u>Yes</u> <u>No</u>
If 'Y', provide the following information.	
10b) Gross Revenues	\$ _____ (Format: 99,999.99)
10c) Year-end Date:	_____ (Date Format: MM/DD/YYYY)

Three Years Prior to Most Recent Reportable Year

11a) Were the Applicant and any predecessors-in-interest in existence for a full year of the relevant period? If 'N', explain why in an attachment.	() <u>Yes</u> <u>No</u>
If 'Y', provide the following information.	
11b) Gross Revenues	\$ _____ (Format: 99,999.99)
11c) Year-end Date:	_____ (Date Format: MM/DD/YYYY)

Four Years Prior to Most Recent Reportable Year

12a) Were the Applicant and any predecessors-in-interest in existence for a full year of the relevant period? If 'N', explain why in an attachment.	() <u>Yes</u> <u>No</u>
If 'Y', provide the following information.	
12b) Gross Revenues	\$ _____ (Format: 99,999.99)
12c) Year-end Date:	_____ (Date Format: MM/DD/YYYY)

Average Gross Revenue

13) Average Gross Revenue of Reported Years: \$ _____ (Format: 99,999.99)

Asset Disclosure

14) Total Assets as of Application Filing Date: \$ _____

Financial Statements

15) Audited or Unaudited (Check One)

The Applicant used audited financial statements.

The Applicant used unaudited financial statements prepared in accordance with Generally Accepted Accounting Principles (GAAP) and certified by the Applicant's chief financial officer or the equivalent.

Reference Copy

Reference Copy

Closed Bidding/Designated Entity Eligibility

Total Gross Revenues for Most Recent Reportable Year

36a) Gross Revenues:	\$ _____	(Format: 99,999.99)
36b) Year-end Date:	_____	(Date Format: MM/DD/YYYY)

Total Gross Revenues for One Year Prior to Most Recent Reportable Year

37a) Gross Revenues:	\$ _____	(Format: 99,999.99)
37b) Year-end Date:	_____	(Date Format: MM/DD/YYYY)

Total Gross Revenues for Two Years Prior to Most Recent Reportable Year

38a) Gross Revenues:	\$ _____	(Format: 99,999.99)
38b) Year-end Date:	_____	(Date Format: MM/DD/YYYY)

Total Gross Revenues for Three Years Prior to the Most Recent Reportable Year

39a) Gross Revenues:	\$ _____	(Format: _____)
39b) Year-end Date:	_____	(Date Format: _____)

Total Gross Revenues for Four Years Prior to the Most Recent Reportable Year

40a) Gross Revenues:	\$ _____	(Format: 99,999.99)
40b) Year-end Date:	_____	(Date Format: MM/DD/YYYY)

Total Aggregate Average Gross Revenues for Designated Entity (License(s) Requiring Disclosure of Three Years of Gross Revenue Data)

41) Aggregate Average Gross Revenue:	\$ _____	(Format: 99,999.99)
--------------------------------------	----------	---------------------

Total Aggregate Average Gross Revenues for Designated Entity (License(s) Requiring Disclosure of Five Years of Gross Revenue Data)

41) Aggregate Average Gross Revenue:	\$ _____	(Format: 99,999.99)
--------------------------------------	----------	---------------------

Total Aggregate Average Gross Revenues for Closed Bidding

42) Aggregate Average Gross Revenue:	\$ _____	(Format: 99,999.99)
--------------------------------------	----------	---------------------

Total Assets Disclosure for Closed Bidding

43) Total Assets:	\$ _____	(Format: 99,999.99)
-------------------	----------	---------------------

Rural Service Provider Bidding Credit

36) Is the Applicant seeking a Rural Service Provider (RSP) bidding credit?	() <u>Yes</u> No
---	--------------------------

If the Applicant (the Lessee/Sublessee/Transferee) is seeking a rural service provider (RSP) bidding credit, provide in an exhibit the following information requested in a-e.

a) for the Applicant, submit the combined number of commercial communications service subscribers to wireless, wireline, broadband, and cable services that the Applicant serves and provide a list of the name(s) and the Federal Information Processing Standard (FIPS) number(s) for each county in which the Applicant has at least one commercial wireless, wireline, broadband, or cable subscriber;

b) for each of the Applicant's Affiliates, Controlling Interests, and the Affiliates of its Controlling Interests, submit the individual or entity's name, its FCC Registration Number (FRN), its relationship to the Applicant, and its combined number of commercial communications service subscribers to wireless, wireline, broadband, and cable services. For each of the Applicant's Affiliates, Controlling Interests, and the Affiliates of its Controlling Interests, also provide a list of the name(s) and the FIPS number(s) for each county in which it has at least one commercial wireless, wireline, broadband, or cable subscriber;

c) if neither the Applicant, nor any of its Affiliates, its Controlling Interests, or the Affiliates of its Controlling Interests have at least one wireless, wireline, broadband, or cable subscriber in a market for which the Applicant is applying for a license, list the market(s) in which the Applicant, its Affiliates, its Controlling Interests, and the Affiliates of its Controlling Interests have no such subscribers;

d) a detailed explanation demonstrating that: (i) the Applicant is in the business of providing commercial communications services; (ii) the Applicant serves predominantly rural areas; and (iii) the primary focus of the Applicant's business activity is the provision of services to rural areas (defined as counties with a population density of 100 or fewer persons per square mile); and

e) If the Applicant is an existing rural partnership that was providing service as of July 16, 2015, provide a detailed explanation demonstrating that each member of the partnership is independently eligible for the RSP bidding credit by providing, with respect to each member of the partnership, the same information as is required in a-d above.

Schedule for New Lease or New Sublease

Term of Lease [For New Leases Only]

1) Indicate whether the Lease is: (<input checked="" type="checkbox"/>) Long-Term or () Short-Term* * The cumulative lease period for a Short-Term Lease cannot exceed 365 days from the original commencement date.	
2) If this filing is for a Long-Term <i>De Facto</i> Transfer Lease, have the Licensee and Lessee entered into any Short-Term <i>De Facto</i> Transfer Lease(s) with regard to any spectrum covered by the license(s) that are part of this filing or within the same geographic area(s) of the license(s) that are part of this filing?	(<input type="checkbox"/>) <u>Yes</u> <u>No</u>

Leased Spectrum (For Geographically-Licensed Services) [For New Leases Only]

3a) Does this filing involve geographic-area licenses where only a portion of the licensed spectrum and/or the licensed geographic area will be leased?	(<input checked="" type="checkbox"/>) <u>Yes</u> <u>No</u>
3b) If the answer to 3a is 'Yes', does this filing involve one or more individual point-to-point microwave links that will be leased? If the response to 3b is 'Yes', complete Schedule H. If the response to 3b is 'No', complete Schedule F and, if applicable, Schedule G.	(<input type="checkbox"/>) <u>Yes</u> <u>No</u>

Leased Spectrum (For Site-Based Services) [For New Leases Only]

3c) Does this filing involve site-based licenses where only a portion of the licensed locations, paths and/or frequencies will be leased? If the response to 3c is 'No', complete Items 184 (Call Sign) and 185 (Radio Service Code) on the Main Form. If the response to 3c is 'Yes', in addition to Items 184 (Call Sign) and 185 (Radio Service Code), complete Items 186-190 (Location Number, Path Number, Frequency Number, Lower Frequency and Upper Frequency), as appropriate, on the Main Form.	() <u>Yes</u> <u>No</u>
---	-----------------------------

Type and Term of Sublease [For New Subleases Only]

4a) If the existing Lease is a Long-Term <i>De Facto</i> Transfer Lease, are the Lessee and Sublessee entering into a Spectrum Manager Sublease or a Long-Term <i>De Facto</i> Transfer Sublease? () Spectrum Manager Sublease or () Long-Term <i>De Facto</i> Transfer Sublease
4b) If the answer to 4a is 'Spectrum Manager Sublease', indicate whether the Sublease is: () Long-Term or () Short-Term
5) If the existing Lease is a Long-Term Spectrum Manager Lease, indicate whether the Spectrum Manager Sublease is: () Long-Term or () Short-Term

**Schedule for Supplemental Information Pertaining to a New Lease, New Sublease,
 Revision to Extend the Term of an Existing Lease or Sublease, or
 Revision to Cancel an Existing Lease or Sublease**

License Authorizations/Lease Identifiers/Sublease Identifiers (Complete as many Schedule E's as necessary)

1) Call Sign(s) or Lease/Sublease Identifier(s)	2) Radio Service Code	3) Commencement Date (MM/DD/YYYY) OR Check box for FCC Grant Date	4) Expiration Date (MM/DD/YYYY)	5) Revised Expiration Date (MM/DD/YYYY)	6) Cancellation Date (MM/DD/YYYY) OR Check box if Lease/Sublease Never Commenced
WPZA238	WZ	<input checked="" type="checkbox"/>	05/30/2027		<input type="checkbox"/>
WQDI528	CW	<input checked="" type="checkbox"/>	09/06/2025		<input type="checkbox"/>
WQGT878	AW	<input checked="" type="checkbox"/>	05/30/2027		<input type="checkbox"/>
WQGV784	AW	<input checked="" type="checkbox"/>	05/30/2027		<input type="checkbox"/>
WRAS910	AT	<input checked="" type="checkbox"/>	05/30/2027		<input type="checkbox"/>

**Schedule for Defined Geographic Area To Be Leased
(Geographically-Licensed Services)**

Call Sign

1) Call Sign: WPZA238

Geographic Area of Spectrum To Be Included in Lease

2) Defined Area to be Leased	3) Undefined Area to be Leased (Complete Schedule G)	4a) Population of Leased Area
	Schedule G # Attached:1	

5) Frequencies of Spectrum To Be Included in Lease (MHz)

Spectrum Leased

Lower Frequency/Bandwidth	Upper Frequency/Bandwidth

**Schedule for Defined Geographic Area To Be Leased
 (Geographically-Licensed Services)**

Call Sign

1) Call Sign: <u>WPZA238</u>

Geographic Area of Spectrum To Be Included in Lease

2) Defined Area to be Leased	3) Undefined Area to be Leased (Complete Schedule G)	4a) Population of Leased Area
	Schedule G # Attached:2	

5) Frequencies of Spectrum To Be Included in Lease (MHz)

Spectrum Leased	
Lower Frequency/Bandwidth	Upper Frequency/Bandwidth

**Schedule for Defined Geographic Area To Be Leased
 (Geographically-Licensed Services)**

Call Sign

1) Call Sign: <u>WPZA238</u>

Geographic Area of Spectrum To Be Included in Lease

2) Defined Area to be Leased	3) Undefined Area to be Leased (Complete Schedule G)	4a) Population of Leased Area
	Schedule G # Attached:3	

5) Frequencies of Spectrum To Be Included in Lease (MHz)

Spectrum Leased	
Lower Frequency/Bandwidth	Upper Frequency/Bandwidth

Schedule for Defined Geographic Area To Be Leased
(Geographically-Licensed Services)

Call Sign

1) Call Sign: <u>WPZA238</u>

Geographic Area of Spectrum To Be Included in Lease

2) Defined Area to be Leased	3) Undefined Area to be Leased (Complete Schedule G)	4a) Population of Leased Area
	Schedule G # Attached:4	

5) Frequencies of Spectrum To Be Included in Lease (MHz)

Spectrum Leased	
Lower Frequency/Bandwidth	Upper Frequency/Bandwidth

Schedule for Defined Geographic Area To Be Leased
(Geographically-Licensed Services)

Call Sign

1) Call Sign: <u>WQDI528</u>

Geographic Area of Spectrum To Be Included in Lease

2) Defined Area to be Leased	3) Undefined Area to be Leased (Complete Schedule G)	4a) Population of Leased Area
	Schedule G # Attached:5	

5) Frequencies of Spectrum To Be Included in Lease (MHz)

Spectrum Leased	
Lower Frequency/Bandwidth	Upper Frequency/Bandwidth

**Schedule for Defined Geographic Area To Be Leased
(Geographically-Licensed Services)**

Call Sign

1) Call Sign: <u>WQGT878</u>

Geographic Area of Spectrum To Be Included in Lease

2) Defined Area to be Leased	3) Undefined Area to be Leased (Complete Schedule G)	4a) Population of Leased Area
	Schedule G # Attached:6	

5) Frequencies of Spectrum To Be Included in Lease (MHz)

Spectrum Leased	
Lower Frequency/Bandwidth	Upper Frequency/Bandwidth

**Schedule for Defined Geographic Area To Be Leased
 (Geographically-Licensed Services)**

Call Sign

1) Call Sign: <u>WQGV784</u>

Geographic Area of Spectrum To Be Included in Lease

2) Defined Area to be Leased	3) Undefined Area to be Leased (Complete Schedule G)	4a) Population of Leased Area
	Schedule G # Attached:7	

5) Frequencies of Spectrum To Be Included in Lease (MHz)

Spectrum Leased	
Lower Frequency/Bandwidth	Upper Frequency/Bandwidth

**Schedule for Defined Geographic Area To Be Leased
 (Geographically-Licensed Services)**

Call Sign

1) Call Sign: <u>WQGV784</u>

Geographic Area of Spectrum To Be Included in Lease

2) Defined Area to be Leased	3) Undefined Area to be Leased (Complete Schedule G)	4a) Population of Leased Area
	Schedule G # Attached:8	

5) Frequencies of Spectrum To Be Included in Lease (MHz)

Spectrum Leased	
Lower Frequency/Bandwidth	Upper Frequency/Bandwidth

**Schedule for Defined Geographic Area To Be Leased
 (Geographically-Licensed Services)**

Call Sign

1) Call Sign: <u>WQGV784</u>

Geographic Area of Spectrum To Be Included in Lease

2) Defined Area to be Leased	3) Undefined Area to be Leased (Complete Schedule G)	4a) Population of Leased Area
	Schedule G # Attached:9	

5) Frequencies of Spectrum To Be Included in Lease (MHz)

Spectrum Leased	
Lower Frequency/Bandwidth	Upper Frequency/Bandwidth

**Schedule for Defined Geographic Area To Be Leased
 (Geographically-Licensed Services)**

Call Sign

1) Call Sign: <u>WRAS910</u>

Geographic Area of Spectrum To Be Included in Lease

2) Defined Area to be Leased	3) Undefined Area to be Leased (Complete Schedule G)	4a) Population of Leased Area
	Schedule G # Attached:10	

5) Frequencies of Spectrum To Be Included in Lease (MHz)

Spectrum Leased	
Lower Frequency/Bandwidth	Upper Frequency/Bandwidth

Number: 1

Schedule for Leases that Involve an Undefined Geographic Area

For each undefined geographic area, complete up to 300 Latitude/Longitude combinations for every 3 degrees azimuth, using NAD83 Datum.

Latitude (DD-MM-SS.S-D)

Longitude (DDD-MM-SS.S-D)

1	39-41-41.5 N	086-24-11.2 W
2	39-41-29.8 N	086-24-12.8 W
3	39-41-29.9 N	086-24-32.1 W
4	39-41-45.5 N	086-24-31.8 W
5	39-41-41.5 N	086-24-11.3 W
6	39-41-41.5 N	086-24-11.2 W

Number: 2

Schedule for Leases that Involve an Undefined Geographic Area

For each undefined geographic area, complete up to 300 Latitude/Longitude combinations for every 3 degrees azimuth, using NAD83 Datum.

Latitude (DD-MM-SS.S-D)

Longitude (DDD-MM-SS.S-D)

1	39-41-10.0 N	086-24-59.2 W
2	39-41-32.6 N	086-24-58.9 W
3	39-41-32.8 N	086-24-37.0 W
4	39-41-09.8 N	086-24-36.5 W
5	39-41-10.0 N	086-24-59.2 W

Number: 3

Schedule for Leases that Involve an Undefined Geographic Area

For each undefined geographic area, complete up to 300 Latitude/Longitude combinations for every 3 degrees azimuth, using NAD83 Datum.

Latitude (DD-MM-SS.S-D)

Longitude (DDD-MM-SS.S-D)

1	41-43-15.5 N	086-18-47.6 W
2	41-43-21.0 N	086-18-47.8 W
3	41-43-21.1 N	086-18-38.9 W
4	41-43-15.5 N	086-18-38.9 W
5	41-43-15.5 N	086-18-47.6 W

Number: 4

Schedule for Leases that Involve an Undefined Geographic Area

For each undefined geographic area, complete up to 300 Latitude/Longitude combinations for every 3 degrees azimuth, using NAD83 Datum.

Latitude (DD-MM-SS.S-D)

Longitude (DDD-MM-SS.S-D)

1	39-21-34.9 N	086-02-15.1 W
2	39-20-54.1 N	086-02-07.9 W
3	39-20-51.6 N	086-02-37.1 W
4	39-21-10.9 N	086-02-57.2 W
5	39-21-35.3 N	086-02-50.0 W
6	39-21-34.9 N	086-02-15.1 W

Number: 5

Schedule for Leases that Involve an Undefined Geographic Area

For each undefined geographic area, complete up to 300 Latitude/Longitude combinations for every 3 degrees azimuth, using NAD83 Datum.

Latitude (DD-MM-SS.S-D)

Longitude (DDD-MM-SS.S-D)

1	38-45-01.5 N	085-24-18.6 W
2	38-45-01.2 N	085-23-54.5 W
3	38-44-40.8 N	085-23-53.4 W
4	38-44-41.4 N	085-24-21.0 W
5	38-45-01.5 N	085-24-18.6 W

Number: 6

Schedule for Leases that Involve an Undefined Geographic Area

For each undefined geographic area, complete up to 300 Latitude/Longitude combinations for every 3 degrees azimuth, using NAD83 Datum.

	Latitude (DD-MM-SS.S-D)	Longitude (DDD-MM-SS.S-D)
1	38-09-12.9 N	086-36-02.4 W
2	38-09-09.3 N	086-35-50.4 W
3	38-09-01.9 N	086-35-51.0 W
4	38-09-00.5 N	086-36-12.6 W
5	38-09-12.9 N	086-36-02.4 W

Number: 7

Schedule for Leases that Involve an Undefined Geographic Area

For each undefined geographic area, complete up to 300 Latitude/Longitude combinations for every 3 degrees azimuth, using NAD83 Datum.

Latitude (DD-MM-SS.S-D)

Longitude (DDD-MM-SS.S-D)

1	41-31-50.3 N	086-54-14.8 W
2	41-31-18.0 N	086-54-14.2 W
3	41-31-17.3 N	086-54-47.1 W
4	41-31-44.6 N	086-54-47.9 W
5	41-31-50.3 N	086-54-14.8 W

Number: 8

Schedule for Leases that Involve an Undefined Geographic Area

For each undefined geographic area, complete up to 300 Latitude/Longitude combinations for every 3 degrees azimuth, using NAD83 Datum.

Latitude (DD-MM-SS.S-D)

Longitude (DDD-MM-SS.S-D)

1	41-42-18.5 N	086-54-56.2 W
2	41-42-03.9 N	086-54-55.2 W
3	41-42-03.1 N	086-55-09.3 W
4	41-42-18.2 N	086-55-09.3 W
5	41-42-18.5 N	086-54-56.2 W

Number: 9

Schedule for Leases that Involve an Undefined Geographic Area

For each undefined geographic area, complete up to 300 Latitude/Longitude combinations for every 3 degrees azimuth, using NAD83 Datum.

Latitude (DD-MM-SS.S-D)

Longitude (DDD-MM-SS.S-D)

1	41-43-15.5 N	086-18-47.6 W
2	41-43-21.0 N	086-18-47.8 W
3	41-43-21.1 N	086-18-38.9 W
4	41-43-15.5 N	086-18-38.9 W
5	41-43-15.5 N	086-18-47.6 W

Number: 10

Schedule for Leases that Involve an Undefined Geographic Area

For each undefined geographic area, complete up to 300 Latitude/Longitude combinations for every 3 degrees azimuth, using NAD83 Datum.

Latitude (DD-MM-SS.S-D)

Longitude (DDD-MM-SS.S-D)

1	38-09-12.9 N	086-36-02.4 W
2	38-09-09.3 N	086-35-50.4 W
3	38-09-01.9 N	086-35-51.0 W
4	38-09-00.5 N	086-36-12.6 W
5	38-09-12.9 N	086-36-02.4 W

Attachment(s):

Type	Description	Date Entered
O	Exhibit 3 - Site Information	10/03/2023
O	Exhibit 2 - Licenses	08/16/2023
O	Exhibit 1 - Description of Leases	08/16/2023

REFERENCE COPY

This is not an official FCC license. It is a record of public information contained in the FCC's licensing database on the date that this reference copy was generated. In cases where FCC rules require the presentation, posting, or display of an FCC license, this document may not be used in place of an official FCC license.



Federal Communications Commission
Wireless Telecommunications Bureau

RADIO STATION AUTHORIZATION

LICENSEE: NEW CINGULAR WIRELESS PCS, LLC

ATTN: FCC GROUP
NEW CINGULAR WIRELESS PCS, LLC
208 S. AKARD ST. 20F
DALLAS, TX 75202

Table with Call Sign (WQQQ250), File Number, and Radio Service (CW - PCS Broadband).

FCC Registration Number (FRN): 0003291192

Table with columns: Grant Date, Effective Date, Expiration Date, Print Date, Market Number, Channel Block, Sub-Market Designator, Market Name, 1st Build-out Date, 2nd Build-out Date, 3rd Build-out Date, 4th Build-out Date.

Waivers/Conditions:

This authorization is subject to the condition that, in the event that systems using the same frequencies as granted herein are authorized in an adjacent foreign territory (Canada/United States), future coordination of any base station transmitters within 72 km (45 miles) of the United States/Canada border shall be required to eliminate any harmful interference to operations in the adjacent foreign territory and to ensure continuance of equal access to the frequencies by both countries.

This authorization is conditioned upon the full and timely payment of all monies due pursuant to Sections 1.2110 and 24.716 of the Commission's Rules and the terms of the Commission's installment plan as set forth in the Note and Security Agreement executed by the licensee. Failure to comply with this condition will result in the automatic cancellation of this authorization.

Conditions:

Pursuant to §309(h) of the Communications Act of 1934, as amended, 47 U.S.C. §309(h), this license is subject to the following conditions: This license shall not vest in the licensee any right to operate the station nor any right in the use of the frequencies designated in the license beyond the term thereof nor in any other manner than authorized herein.

This license may not authorize operation throughout the entire geographic area or spectrum identified on the hardcopy version. To view the specific geographic area and spectrum authorized by this license, refer to the Spectrum and Market Area information under the Market Tab of the license record in the Universal Licensing System (ULS).

Licensee Name: NEW CINGULAR WIRELESS PCS, LLC

Call Sign: WQQQ250

File Number:

Print Date:

700 MHz Relicensed Area Information:

Market	Market Name	Buildout Deadline	Buildout Notification	Status
---------------	--------------------	--------------------------	------------------------------	---------------

Reference Copy

Reference Copy Only. Do Not Mail to the FCC as an Application.

Submitted: 01/23/2024 at 17:43:02
 File Number: 0010873470

FCC 601
Main Form

FCC Application for Radio Service Authorization: Wireless Telecommunications Bureau Public Safety and Homeland Security Bureau

Approved by OMB
 3060 - 0798
 See instructions for
 public burden estimate

1) Radio Service Code: CW	1a) Existing Radio Service Code:
---	----------------------------------

General Information

2) (Select only one) (AU) NE - New RO - Renewal Only AU - Administrative Update NT - Required Notifications MD - Modification RM - Renewal/Modification WD - Withdrawal of Application EX - Requests for Extension of Time AM - Amendment CA - Cancellation of License RL - Registered Location/Link	
3a) If this application is for a Demonstration License or a S pecial Temporary Authorization (STA), enter the code and attach the required exhibit as described in the instructions. Otherwise enter ' N/A ' (Not Applicable).	(N) <u>M</u> <u>S</u> <u>N/A</u>
3b) If this application is for Special Temporary Authority due to an emergency situation, enter 'Y'; otherwise enter 'N'. Refer to Rule 1.915 for an explanation of situations considered to be an emergency.	() <u>Y</u> <u>N</u>
4) If this application is for an Amendment or Withdrawal, enter the file number of the pending application currently on file with the FCC.	File Number
5) If this application is for a Modification, Renewal Only, Renewal/Modification, Cancellation of License, , or Administrative Update, enter the call sign of the existing FCC license. If this is a request for Registered Location/Link, enter the FCC call sign assigned to the geographic license.	Call Sign WQQQ250
6a) If this application is for a New, Amendment, Renewal Only, or Renewal/Modification, enter the requested authorization expiration date (this item is optional).	MM DD ____ / ____
6b) If this application is for a Renewal Only or Renewal/Modification and the license is a geographic area license, is the license used to provide service to customers (C), or is the license used for private business (internal) purposes or to meet the licensee's public interest/public safety communications needs (P)?	() <u>C</u> <u>P</u>
7) Is this application "major" as defined in § 1.929 of the Commission's Rules when read in conjunction with the applicable radio service rules found in Parts 22 and 90 of the Commission's Rules? (NOTE: This question only applies to certain site-specific applications. See the instructions for applicability and full text of § 1.929).	() <u>Y</u> <u>N</u>
8) Are attachments (other than associated schedules) being filed with this application?	() <u>Y</u> <u>N</u>

Fees, Waivers, and Exemptions

9) Is the Applicant exempt from FCC application fees?	(N) <u>Y</u> <u>N</u>
10) Is the Applicant exempt from FCC regulatory fees?	(N) <u>Y</u> <u>N</u>
11) Does this application include a request for a Waiver of the Commission's Rule(s)? If 'Yes', attach an exhibit providing rule number(s) and explaining circumstances.	(N) <u>Y</u> <u>N</u>
12) Are the frequencies or parameters requested in this filing covered by grandfathered privileges, previously approved by waiver, or functionally integrated with an existing station?	() <u>Y</u> <u>N</u>

Applicant Information

13) FCC Registration Number (FRN): 0003291192			
14) Applicant/Licensee Legal Entity Type: (Select One) <input type="checkbox"/> Individual <input type="checkbox"/> Unincorporated Association <input type="checkbox"/> Trust <input type="checkbox"/> Government Entity <input type="checkbox"/> Corporation <input checked="" type="checkbox"/> Limited Liability Company <input type="checkbox"/> General Partnership <input type="checkbox"/> Limited Partnership <input type="checkbox"/> Limited Liability Partnership <input type="checkbox"/> Consortium <input type="checkbox"/> Other: _____			
15) If the Licensee name is being updated, is the update a result from the sale (or transfer of control) of the license(s) to party and for which proper Commission approval has not been received or proper notification not provided?			<input type="checkbox"/> Yes <input checked="" type="checkbox"/> No
16) First Name (if individual):	MI:	Last Name:	Suffix:
17) Legal Entity Name (if other than individual): New Cingular Wireless PCS, LLC			
18) Attention To: National Regulatory Compliance			
19) P.O. Box:	And/Or	20) Street Address: 208 S Akard St, 20F	
21) City: Dallas	22) State: TX	23) Zip Code: 75202	
24) Telephone Number: (855)699-7073		25) Fax: (214)746-6410	
26) E-Mail Address: FCCMW@att.com			

27) Demographics (Optional)

Race: <input type="checkbox"/> American Indian or Alaska Native <input type="checkbox"/> Asian <input type="checkbox"/> Black or African-American <input type="checkbox"/> Native Hawaiian or Other Pacific Islander <input type="checkbox"/> White	Ethnicity: <input type="checkbox"/> Hispanic or Latino <input type="checkbox"/> Not Hispanic or Latino	Gender: <input type="checkbox"/> Male <input type="checkbox"/> Female
--	--	---

Real Party in Interest

28) Name of Real Party in Interest of Applicant (If different from Applicant):	29) FCC Registration Number (FRN) of Real Party in Interest:
--	--

Contact Information (If different from the Applicant) Check here if same as Applicant.

30) First Name: Jessica	MI: J	Last Name: Dunk	Suffix:
31) Company Name: AT&T Services, Inc.			
32) Attention To: NRC			
33) P.O. Box:	And /Or	34) Street Address: 208 S Akard St, 20F	
35) City: Dallas	36) State: TX	37) Zip Code: 75202	
38) Telephone Number: (855)699-7073		39) Fax: (214)746-6410	
40) E-Mail Address: FCCMW@att.com			

Regulatory Status

41) This filing is for authorization to provide or use the following type(s) of radio service offering (enter all that apply):
() Common Carrier () Non-Common Carrier () Private, internal communications () Broadcast Services () Band Manager

Type of Radio Service

42) This filing is for authorization to provide the following type(s) of radio service (choose all that apply):
() Fixed () Mobile () Radiolocation () Satellite (sound) () Broadcast Services
43) Does the Applicant propose to provide service interconnected to the public telephone network? () Yes () No

Alien Ownership Questions (If any answer is 'Y', provide an attachment explaining the circumstances. In preparing the attachment, refer to the Main Form Instructions for the "Alien Ownership Questions".)

44) Is the Applicant a foreign government or the representative of any foreign government? () Yes () No
45) Is the Applicant an alien or the representative of an alien? () Yes () No
46) Is the Applicant a corporation organized under the laws of any foreign government? () Yes () No
47) Is the Applicant a corporation of which more than one-fifth of the capital stock is owned of record or voted by aliens or their representatives, or by a foreign government or representative thereof, or by any corporation organized under the laws of a foreign country? () Yes () No

48a) Is the Applicant directly or indirectly controlled by any other corporation of which more than one-fourth of the capital stock () Yes No is owned of record or voted by aliens or their representatives, or by a foreign government or representative thereof, or by any corporation organized under the laws of a foreign country?

48b) If the answer to 47 or 48a is 'Y' select one of the choices below.

The Applicant is exempt from the provisions of Section 310(b).

If checked, it is not necessary to file a petition for declaratory ruling if the Applicant includes in the attachment required by Item 47 or Item 48a a showing that the requested license(s) is exempt from the provisions of Section 310(b).

The Applicant has received a declaratory ruling(s) approving its foreign ownership, and the application involves only the acquisition of additional spectrum for the provision of a wireless service in a geographic coverage area for which the Applicant has been previously authorized.

If checked, include in the attachment required by Item 47 or Item 48a the citation(s) of the applicable declaratory ruling(s) by DA/FCC number, the FCC Record citation, if available, release date, and a statement that there has been no change in the foreign ownership of the Applicant since the issuance of its ruling.

The Applicant: (i) has received a declaratory ruling(s) approving its foreign ownership, but is not able to make the certification specified immediately above; or (ii) is an "affiliate" of a Licensee or Lessee/Sublessee that received a declaratory ruling(s) under 47 CFR § 1.5000(a) and is relying on the affiliate's ruling for purposes of filing this application as permitted under the affiliate's ruling and 47 CFR § 1.5004(b)

If checked, and if the Applicant received its declaratory ruling(s) on or after August 9, 2013, include in the attachment required by Item 47 or Item 48a the citation(s) of the Applicant's declaratory ruling(s) by DA/FCC number, the FCC Record citation, if available, release date, and a statement that the Applicant is in compliance with the terms and conditions of its ruling and with the Commission's Rules.

If checked, and if the Applicant received its declaratory ruling(s) prior to August 9, 2013, include in the attachment required by Item 48a a copy of a petition for declaratory ruling filed contemporaneously with the Commission to extend the Applicant's existing ruling(s) to cover the same radio service(s) and geographic coverage area(s) involved in the application. Alternatively, the Applicant may request a new declaratory ruling pursuant to Section 1.5000(a) of the Commission's Rules, 47 CFR § 1.5000 (a). Petitions for declaratory ruling may be filed electronically on the Internet through the International Bureau Filing System (IBFS) (with a copy attached hereto).

If checked, and if the Applicant is relying on an affiliate's ruling for purposes of filing this application, include in the attachment required by Item 47 or Item 48a the citation(s) of the applicable declaratory ruling(s) by DA/FCC number, the FCC Record citation, if available, release date, and a statement that the Applicant is in compliance with the terms and conditions of the named affiliate's ruling and with the Commission's Rules. The Applicant must also include a certification of compliance signed by the named affiliate or other qualified entity as specified in 47 CFR § 1.5004(b). See Main Form Instructions for Items 47 or 48a, as applicable.

The Applicant has not received a declaratory ruling approving its foreign ownership and is requesting a declaratory ruling under 47 CFR § 1.5004(b) in a petition filed contemporaneously with the Commission.

If checked, include in the attachment required by Item 47 or 48a a copy of the petition for declaratory ruling filed contemporaneously with the Commission pursuant to 47 CFR § 1.5004(b). Petitions for declaratory ruling may be filed electronically on the Internet through the International Bureau Filing System (IBFS) (with a copy attached hereto).

Basic Qualification Questions

49) Has the Applicant or any party to this application had any FCC station authorization, license or construction permit revoked or had any application for an initial, modification or renewal of FCC station authorization, license, or construction permit denied by the Commission?	() <u>Yes</u> <u>No</u>
50) Has the Applicant or any party to this application, or any party directly or indirectly controlling the Applicant, ever been convicted of a felony by any state or federal court?	() <u>Yes</u> <u>No</u>
51) Has any court finally adjudged the Applicant or any party directly or indirectly controlling the Applicant guilty of unlawfully monopolizing or attempting unlawfully to monopolize radio communication, directly or indirectly, through control of manufacture or sale of radio apparatus, exclusive traffic arrangement, or any other means or unfair methods of competition?	() <u>Yes</u> <u>No</u>

Note: If the answer to any of 49-51 is 'Y', attach an exhibit explaining the circumstances.

Aeronautical Advisory Station (Unicom) Certification

52) () I certify that the station will be located on property of the airport to be served, and, in cases where the airport does not have a control tower, RCO, or FAA flight service station, that I have notified the owner of the airport and all aviation service organizations located at the airport within ten days prior to application.
--

Broadband Radio Service and Educational Broadband Service Cable Cross-Ownership

53a) Will the requested facilities be used to provide multichannel video programming service?	() <u>Yes</u> <u>No</u>
53b) If the answer to question 53a is 'Y', does the Applicant operate, control or have an attributable interest (as defined in 47 CFR § 27.1202) in a cable television system whose franchise area is located within the geographic service area of the requested facilities?	() <u>Yes</u> <u>No</u>

Note: If the answer to question 53b is 'Y', attach an exhibit explaining how the Applicant complies with 47 CFR § 27.1202 or justifying a waiver of that rule. If a waiver of the Commission Rule(s) is being requested, Item 11a must be answered 'Y'.

Broadband Radio Service and Educational Broadband Service (Part 27)

54) (For EBS only) Does the Applicant comply with the programming requirements contained in 47 CFR § 27.1203?	() <u>Yes</u> <u>No</u>
---	--------------------------

Note: If the answer to item 54 is 'N', attach an exhibit explaining how the Applicant complies with 47 CFR § 27.1203 of the Commission's Rules or justifying a waiver of that rule. If a waiver of the Commission Rule(s) is being requested, Item 11a must be answered 'Y'.

55) (For BRS and EBS) Does the Applicant comply with 47 CFR §§ 27.50, 27.55, and 27.1221?	() <u>Yes</u> <u>No</u>
---	--------------------------

Note: If the answer to item 55 is 'N', attach an exhibit justifying a waiver of that rule(s). If a waiver of the Commission Rule(s) is being requested, Item 11a must be answered 'Y'.

For Applicants Who Participated in an Auction

56) Is the Applicant a qualifying rural wireless partnership or a member of a qualifying rural wireless partnership?	() <u>Yes</u> <u>No</u>
--	--------------------------

Note: If the answer to item 56 is 'Y', attach an exhibit listing all members of the qualifying rural wireless partnership, including their FRN numbers.

For Renewal Applicants

57) Operation/Performance Requirement Certification	
[For a site-based license]: Applicant certifies that it is continuing to operate consistent with its most recently filed construction notification (or most recent authorization, if no construction notification was required).	() <u>Yes</u> <u>No</u>
[For a geographic license, commercial service - licensee in its initial license term with an interim performance requirement]: Applicant certifies that it has met its interim performance requirement, that over the portion of the license term following the interim performance requirement, it continues to use its facilities to provide at least the level of service required by its interim performance requirement, it has met its final performance requirement, and it continues to use its facilities to provide at least the level of service required by its final performance requirement through the end of the license term.	() <u>Yes</u> <u>No</u>
[For a geographic license, commercial service - licensee in its initial license term with no interim performance requirement]: Applicant certifies that it has met its final performance requirement and it continues to use its facilities to provide at least the level of service required by its final performance requirement through the end of the license term. [Note: licensee must provide a showing demonstrating that the final performance requirement has been met, either separately in a timely application for notification of completion of construction, or as part of its renewal application, depending on the radio service.]	() <u>Yes</u> <u>No</u>
[For a geographic license, commercial service - licensee in any subsequent term]: Applicant certifies that it continues to use its facilities to provide at least the level of service required by its final performance requirement through the end of any subsequent license terms.	() <u>Yes</u> <u>No</u>
[For a geographic license, private systems - licensee in its initial license term with an interim performance requirement]: Applicant certifies that it has met its interim performance requirement, that over the portion of the license term following the interim performance requirement, it continues to use its facilities to further its private business or public interest/public safety communications needs at or above the level required to meet its interim performance requirement, it has met its final performance requirement, and it continues to use its facilities to provide at least the level of operation required by its final performance requirement through the end of the license term.	() <u>Yes</u> <u>No</u>
[For a geographic license, private systems - licensee in its initial license term with no interim performance requirement]: Applicant certifies that it has met its final performance requirement, it continues to use its facilities to further its private business or public interest/public safety communications needs, and it continues to use its facilities to provide at least the level of operation required by its final performance requirement through the end of the license term. [Note: licensee must provide a showing demonstrating that the final performance requirement has been met, either separately in a timely application for notification of completion of construction, or as part of its renewal application, depending on the radio service.]	() <u>Yes</u> <u>No</u>

[For a geographic license, private systems - licensee in any subsequent term]: Applicant certifies that it continues to use its facilities to further its private business or public interest/public safety communications needs at or above the level required to meet its final performance requirement through the end of any subsequent license terms.	(<input type="checkbox"/>) <u>Yes</u> <u>No</u>
[For a partitioned or disaggregated license without a performance requirement, for the first renewal application filed after effective date of the rules]: Applicant certifies that the partitioned and/or disaggregated license that is the subject of this renewal application has no separate performance requirement and that this is the first renewal of this license filed subsequent to the effective date of the rules.	(<input type="checkbox"/>) <u>Yes</u> <u>No</u>
[For a partitioned or disaggregated license without a performance requirement, for any subsequent renewal filings]: Applicant certifies that it continues to use its facilities to provide service or to further the applicant's private business or public interest/public safety needs.	(<input type="checkbox"/>) <u>Yes</u> <u>No</u>

Discontinuance of Service Certification

58) Applicant certifies that no permanent discontinuance of service or operation, as applicable, occurred during its current license term. Note: If the response to either item 57 or item 58 is 'N', attach an exhibit that demonstrates that over the course of the license term, the Applicant provided and continues to provide service to the public, or operated and continues to operate the license to meet the Applicant's private business or public interest/public safety communications needs. This exhibit must include a detailed description of the Applicant's provision of service or, when allowed under the relevant service rules or pursuant to waiver, use of the spectrum for private business or public interest/public safety communications needs, during the entire license period and address, as applicable: 1) the level and quality of service provided by the applicant (e.g., the population served, the area served, the number of subscribers, the services offered); (2) the date service commenced, whether service was ever interrupted, and the duration of any interruption or outage; (3) the extent to which service is provided to rural areas; (4) the extent to which service is provided to qualifying tribal land as defined in 47 CFR § 1.2110(e)(3)(i); and (5) any other factors associated with the level of service to the public. The licensee may note in its exhibit: 1) any grant(s) of waiver or extension of a performance deadline or license renewal subject to meeting a performance requirement; or 2) if the final performance deadline and/or expiration date for the license accelerated because the licensee did not meet an interim performance requirement.	(<input type="checkbox"/>) <u>Yes</u> <u>No</u>
--	---

Regulatory Compliance Certification [same for all]

59) Applicant certifies that it has substantially complied with all applicable FCC rules, policies, and the Communications Act of 1934, as amended. Note: If the response to item 59 is 'N', attach an exhibit explaining the circumstances and demonstrating why Applicant's license should be renewed.	(<input type="checkbox"/>) <u>Yes</u> <u>No</u>
--	---

General Certification Statements

1) The Applicant waives any claim to the use of any particular frequency or of the electromagnetic spectrum as against the regulatory power of the United States because of the previous use of the same, whether by license or otherwise, and requests an authorization in accordance with this application.
2) The Applicant certifies that grant of this application would not cause the Applicant to be in violation of any pertinent cross-ownership or attribution rules.* *If the Applicant has sought a waiver of any such rule in connection with this application, it may make this certification subject to the outcome of the waiver request.
3) The Applicant certifies that all statements made in this application and in the exhibits, attachments, or documents incorporated by reference are material, are part of this application, and are true, complete, correct, and made in good faith.
4) The Applicant certifies that neither the Applicant nor any other party to the application is subject to a denial of Federal benefits pursuant to § 5301 of the Anti-Drug Abuse Act of 1988, 21 U.S.C. § 862, because of a conviction for possession or distribution of a controlled substance. This certification does not apply to applications filed in services exempted under § 1.2002(c) of the rules, 47 CFR § 1.2002(c). See 47 CFR § 1.2002(b) for the definition of "party to the application" as used in this certification.
5) The Applicant certifies that it either (1) has current required ownership data on file with the Commission, (2) is filing updated ownership data simultaneously with this application, or (3) is not required to file ownership data under the Commission's Rules.
6) The Applicant certifies that the facilities, operations, and transmitters for which this authorization is hereby requested are either: (1) categorically excluded from routine environmental evaluation for RF exposure as set forth in 47 CFR § 1.1307(b); or, (2) have been found not to cause human exposure to levels of radiofrequency radiation in excess of the limits specified in 47 CFR §§ 1.1310 and 2.1093; or, (3) are the subject of one or more Environmental Assessments filed with the Commission.
7) The Applicant certifies that it has reviewed the appropriate Commission Rules defining eligibility to hold the requested license(s) and is eligible to hold the requested license(s).
8) The Applicant certifies that it is not in default on any payment for Commission licenses and that it is not delinquent on any non-tax debt owed to any federal agency.
9) The Applicant certifies that the Applicant and all of the related individuals and entities required to be disclosed on this application and FCC Form 602 (FCC Ownership Disclosure Information for the Wireless Telecommunications Services) are not person(s) who have been, for reasons of national security, barred by any agency of the Federal Government from bidding on a contract, participating in an auction, or receiving a grant. This certification applies only to applications for licenses for spectrum that is required by Sections 6103, 6401-6403 of the Middle Class Tax Relief and Job Creation Act of 2012, codified at 47 U.S.C. §§ 309, 1413, 1451-1452, to be assigned by a system of competitive bidding under 47 U.S.C. § 309(j).

Signature

60) Typed or Printed Name of Party Authorized to Sign

First Name: Jessica	MI:	Last Name: Dunk	Suffix:
61) Title: Assistant Secretary - Compliance			
Signature: Jessica Dunk			62) Date: 01/23/2024
FAILURE TO SIGN THIS APPLICATION MAY RESULT IN DISMISSAL OF THE APPLICATION AND FORFEITURE OF ANY FEES PAID.			
Upon grant of this license application, the Licensee may be subject to certain construction or coverage requirements. Failure to meet the construction or coverage requirements will result in termination of the license. Consult appropriate FCC regulations to determine the construction or coverage requirements that apply to the type of license requested in this application.			
WILLFUL FALSE STATEMENTS MADE ON THIS FORM OR ANY ATTACHMENTS ARE PUNISHABLE BY FINE AND/OR IMPRISONMENT (U.S. Code, Title 18, § 1001) AND/OR REVOCATION OF ANY STATION LICENSE OR CONSTRUCTION PERMIT (U.S. Code, Title 47, § 312(a)(1)), AND/OR FORFEITURE (U.S. Code, Title 47, § 503).			

Reference Copy Only. Do Not Mail to the FCC as an Application.

Submitted: 01/22/2024 at 14:43:18
 File Number: 0010868106

FCC 601
Main Form

FCC Application for Radio Service Authorization: Wireless Telecommunications Bureau Public Safety and Homeland Security Bureau

Approved by OMB
 3060 - 0798
 See instructions for
 public burden estimate

1) Radio Service Code: <p style="text-align: center;">CW</p>	1a) Existing Radio Service Code:
--	----------------------------------

General Information

2) (Select only one) (AU) NE - New RO - Renewal Only AU - Administrative Update NT - Required Notifications MD - Modification RM - Renewal/Modification WD - Withdrawal of Application EX - Requests for Extension of Time AM - Amendment CA - Cancellation of License RL - Registered Location/Link	
3a) If this application is for a Demonstration License or a S pecial Temporary Authorization (STA), enter the code and attach the required exhibit as described in the instructions. Otherwise enter ' N/A ' (Not Applicable).	(N) <u>M</u> <u>S</u> <u>N/A</u>
3b) If this application is for Special Temporary Authority due to an emergency situation, enter 'Y'; otherwise enter 'N'. Refer to Rule 1.915 for an explanation of situations considered to be an emergency.	() <u>Y</u> <u>N</u>
4) If this application is for an Amendment or Withdrawal, enter the file number of the pending application currently on file with the FCC.	File Number
5) If this application is for a Modification, Renewal Only, Renewal/Modification, Cancellation of License, , or Administrative Update, enter the call sign of the existing FCC license. If this is a request for Registered Location/Link, enter the FCC call sign assigned to the geographic license.	Call Sign WQQQ250
6a) If this application is for a New, Amendment, Renewal Only, or Renewal/Modification, enter the requested authorization expiration date (this item is optional).	MM DD _____ / _____
6b) If this application is for a Renewal Only or Renewal/Modification and the license is a geographic area license, is the license used to provide service to customers (C), or is the license used for private business (internal) purposes or to meet the licensee's public interest/public safety communications needs (P)?	() <u>C</u> <u>P</u>
7) Is this application "major" as defined in § 1.929 of the Commission's Rules when read in conjunction with the applicable radio service rules found in Parts 22 and 90 of the Commission's Rules? (NOTE: This question only applies to certain site-specific applications. See the instructions for applicability and full text of § 1.929).	() <u>Y</u> <u>N</u>
8) Are attachments (other than associated schedules) being filed with this application?	() <u>Y</u> <u>N</u>

Fees, Waivers, and Exemptions

9) Is the Applicant exempt from FCC application fees?	(N) <u>Y</u> <u>N</u>
10) Is the Applicant exempt from FCC regulatory fees?	(N) <u>Y</u> <u>N</u>
11) Does this application include a request for a Waiver of the Commission's Rule(s)? If 'Yes', attach an exhibit providing rule number(s) and explaining circumstances.	(N) <u>Y</u> <u>N</u>
12) Are the frequencies or parameters requested in this filing covered by grandfathered privileges, previously approved by waiver, or functionally integrated with an existing station?	() <u>Y</u> <u>N</u>

Applicant Information

13) FCC Registration Number (FRN): 0003291192			
14) Applicant/Licensee Legal Entity Type: (Select One) <input type="checkbox"/> Individual <input type="checkbox"/> Unincorporated Association <input type="checkbox"/> Trust <input type="checkbox"/> Government Entity <input type="checkbox"/> Corporation <input checked="" type="checkbox"/> Limited Liability Company <input type="checkbox"/> General Partnership <input type="checkbox"/> Limited Partnership <input type="checkbox"/> Limited Liability Partnership <input type="checkbox"/> Consortium <input type="checkbox"/> Other: _____			
15) If the Licensee name is being updated, is the update a result from the sale (or transfer of control) of the license(s) to party and for which proper Commission approval has not been received or proper notification not provided?			<input type="checkbox"/> Yes <input checked="" type="checkbox"/> No
16) First Name (if individual):	MI:	Last Name:	Suffix:
17) Legal Entity Name (if other than individual): New Cingular Wireless PCS, LLC			
18) Attention To: National Regulatory Compliance			
19) P.O. Box:	And/Or	20) Street Address: 208 S Akard St, 20F	
21) City: Dallas	22) State: TX	23) Zip Code: 75202	
24) Telephone Number: (855)699-7073		25) Fax: (214)746-6410	
26) E-Mail Address: FCCMW@att.com			

27) Demographics (Optional)

Race: <input type="checkbox"/> American Indian or Alaska Native <input type="checkbox"/> Asian <input type="checkbox"/> Black or African-American <input type="checkbox"/> Native Hawaiian or Other Pacific Islander <input type="checkbox"/> White	Ethnicity: <input type="checkbox"/> Hispanic or Latino <input type="checkbox"/> Not Hispanic or Latino	Gender: <input type="checkbox"/> Male <input type="checkbox"/> Female
--	--	---

Real Party in Interest

28) Name of Real Party in Interest of Applicant (If different from Applicant):	29) FCC Registration Number (FRN) of Real Party in Interest:
--	--

Contact Information (If different from the Applicant) Check here if same as Applicant.

30) First Name: Cecil	MI: J	Last Name: Mathew	Suffix:
31) Company Name: AT&T Services, Inc.			
32) Attention To: FCC Regulatory Comp			
33) P.O. Box:	And /Or	34) Street Address: 208 S. Akard St. 20F	
35) City: Dallas	36) State: TX	37) Zip Code: 75202	
38) Telephone Number: (855)699-7073		39) Fax: (214)746-6410	
40) E-Mail Address: FCCMW@att.com			

Regulatory Status

41) This filing is for authorization to provide or use the following type(s) of radio service offering (enter all that apply):
() Common Carrier () Non-Common Carrier () Private, internal communications () Broadcast Services () Band Manager

Type of Radio Service

42) This filing is for authorization to provide the following type(s) of radio service (choose all that apply):
() Fixed () Mobile () Radiolocation () Satellite (sound) () Broadcast Services
43) Does the Applicant propose to provide service interconnected to the public telephone network? () Yes () No

Alien Ownership Questions (If any answer is 'Y', provide an attachment explaining the circumstances. In preparing the attachment, refer to the Main Form Instructions for the "Alien Ownership Questions".)

44) Is the Applicant a foreign government or the representative of any foreign government? () Yes () No
45) Is the Applicant an alien or the representative of an alien? () Yes () No
46) Is the Applicant a corporation organized under the laws of any foreign government? () Yes () No
47) Is the Applicant a corporation of which more than one-fifth of the capital stock is owned of record or voted by aliens or their representatives, or by a foreign government or representative thereof, or by any corporation organized under the laws of a foreign country? () Yes () No

48a) Is the Applicant directly or indirectly controlled by any other corporation of which more than one-fourth of the capital stock () Yes No is owned of record or voted by aliens or their representatives, or by a foreign government or representative thereof, or by any corporation organized under the laws of a foreign country?

48b) If the answer to 47 or 48a is 'Y' select one of the choices below.

The Applicant is exempt from the provisions of Section 310(b).

If checked, it is not necessary to file a petition for declaratory ruling if the Applicant includes in the attachment required by Item 47 or Item 48a a showing that the requested license(s) is exempt from the provisions of Section 310(b).

The Applicant has received a declaratory ruling(s) approving its foreign ownership, and the application involves only the acquisition of additional spectrum for the provision of a wireless service in a geographic coverage area for which the Applicant has been previously authorized.

If checked, include in the attachment required by Item 47 or Item 48a the citation(s) of the applicable declaratory ruling(s) by DA/FCC number, the FCC Record citation, if available, release date, and a statement that there has been no change in the foreign ownership of the Applicant since the issuance of its ruling.

The Applicant: (i) has received a declaratory ruling(s) approving its foreign ownership, but is not able to make the certification specified immediately above; or (ii) is an "affiliate" of a Licensee or Lessee/Sublessee that received a declaratory ruling(s) under 47 CFR § 1.5000(a) and is relying on the affiliate's ruling for purposes of filing this application as permitted under the affiliate's ruling and 47 CFR § 1.5004(b)

If checked, and if the Applicant received its declaratory ruling(s) on or after August 9, 2013, include in the attachment required by Item 47 or Item 48a the citation(s) of the Applicant's declaratory ruling(s) by DA/FCC number, the FCC Record citation, if available, release date, and a statement that the Applicant is in compliance with the terms and conditions of its ruling and with the Commission's Rules.

If checked, and if the Applicant received its declaratory ruling(s) prior to August 9, 2013, include in the attachment required by Item 48a a copy of a petition for declaratory ruling filed contemporaneously with the Commission to extend the Applicant's existing ruling(s) to cover the same radio service(s) and geographic coverage area(s) involved in the application. Alternatively, the Applicant may request a new declaratory ruling pursuant to Section 1.5000(a) of the Commission's Rules, 47 CFR § 1.5000 (a). Petitions for declaratory ruling may be filed electronically on the Internet through the International Bureau Filing System (IBFS) (with a copy attached hereto).

If checked, and if the Applicant is relying on an affiliate's ruling for purposes of filing this application, include in the attachment required by Item 47 or Item 48a the citation(s) of the applicable declaratory ruling(s) by DA/FCC number, the FCC Record citation, if available, release date, and a statement that the Applicant is in compliance with the terms and conditions of the named affiliate's ruling and with the Commission's Rules. The Applicant must also include a certification of compliance signed by the named affiliate or other qualified entity as specified in 47 CFR § 1.5004(b). See Main Form Instructions for Items 47 or 48a, as applicable.

The Applicant has not received a declaratory ruling approving its foreign ownership and is requesting a declaratory ruling under 47 CFR § 1.5004(b) in a petition filed contemporaneously with the Commission.

If checked, include in the attachment required by Item 47 or 48a a copy of the petition for declaratory ruling filed contemporaneously with the Commission pursuant to 47 CFR § 1.5004(b). Petitions for declaratory ruling may be filed electronically on the Internet through the International Bureau Filing System (IBFS) (with a copy attached hereto).

Basic Qualification Questions

49) Has the Applicant or any party to this application had any FCC station authorization, license or construction permit revoked or had any application for an initial, modification or renewal of FCC station authorization, license, or construction permit denied by the Commission?	() <u>Yes</u> <u>No</u>
50) Has the Applicant or any party to this application, or any party directly or indirectly controlling the Applicant, ever been convicted of a felony by any state or federal court?	() <u>Yes</u> <u>No</u>
51) Has any court finally adjudged the Applicant or any party directly or indirectly controlling the Applicant guilty of unlawfully monopolizing or attempting unlawfully to monopolize radio communication, directly or indirectly, through control of manufacture or sale of radio apparatus, exclusive traffic arrangement, or any other means or unfair methods of competition?	() <u>Yes</u> <u>No</u>

Note: If the answer to any of 49-51 is 'Y', attach an exhibit explaining the circumstances.

Aeronautical Advisory Station (Unicom) Certification

52) () I certify that the station will be located on property of the airport to be served, and, in cases where the airport does not have a control tower, RCO, or FAA flight service station, that I have notified the owner of the airport and all aviation service organizations located at the airport within ten days prior to application.
--

Broadband Radio Service and Educational Broadband Service Cable Cross-Ownership

53a) Will the requested facilities be used to provide multichannel video programming service?	() <u>Yes</u> <u>No</u>
53b) If the answer to question 53a is 'Y', does the Applicant operate, control or have an attributable interest (as defined in 47 CFR § 27.1202) in a cable television system whose franchise area is located within the geographic service area of the requested facilities?	() <u>Yes</u> <u>No</u>

Note: If the answer to question 53b is 'Y', attach an exhibit explaining how the Applicant complies with 47 CFR § 27.1202 or justifying a waiver of that rule. If a waiver of the Commission Rule(s) is being requested, Item 11a must be answered 'Y'.

Broadband Radio Service and Educational Broadband Service (Part 27)

54) (For EBS only) Does the Applicant comply with the programming requirements contained in 47 CFR § 27.1203?	() <u>Yes</u> <u>No</u>
---	--------------------------

Note: If the answer to item 54 is 'N', attach an exhibit explaining how the Applicant complies with 47 CFR § 27.1203 of the Commission's Rules or justifying a waiver of that rule. If a waiver of the Commission Rule(s) is being requested, Item 11a must be answered 'Y'.

55) (For BRS and EBS) Does the Applicant comply with 47 CFR §§ 27.50, 27.55, and 27.1221?	() <u>Yes</u> <u>No</u>
---	--------------------------

Note: If the answer to item 55 is 'N', attach an exhibit justifying a waiver of that rule(s). If a waiver of the Commission Rule(s) is being requested, Item 11a must be answered 'Y'.

For Applicants Who Participated in an Auction

56) Is the Applicant a qualifying rural wireless partnership or a member of a qualifying rural wireless partnership?	() <u>Yes</u> <u>No</u>
--	--------------------------

Note: If the answer to item 56 is 'Y', attach an exhibit listing all members of the qualifying rural wireless partnership, including their FRN numbers.

For Renewal Applicants

57) Operation/Performance Requirement Certification	
[For a site-based license]: Applicant certifies that it is continuing to operate consistent with its most recently filed construction notification (or most recent authorization, if no construction notification was required).	() <u>Yes</u> <u>No</u>
[For a geographic license, commercial service - licensee in its initial license term with an interim performance requirement]: Applicant certifies that it has met its interim performance requirement, that over the portion of the license term following the interim performance requirement, it continues to use its facilities to provide at least the level of service required by its interim performance requirement, it has met its final performance requirement, and it continues to use its facilities to provide at least the level of service required by its final performance requirement through the end of the license term.	() <u>Yes</u> <u>No</u>
[For a geographic license, commercial service - licensee in its initial license term with no interim performance requirement]: Applicant certifies that it has met its final performance requirement and it continues to use its facilities to provide at least the level of service required by its final performance requirement through the end of the license term. [Note: licensee must provide a showing demonstrating that the final performance requirement has been met, either separately in a timely application for notification of completion of construction, or as part of its renewal application, depending on the radio service.]	() <u>Yes</u> <u>No</u>
[For a geographic license, commercial service - licensee in any subsequent term]: Applicant certifies that it continues to use its facilities to provide at least the level of service required by its final performance requirement through the end of any subsequent license terms.	() <u>Yes</u> <u>No</u>
[For a geographic license, private systems - licensee in its initial license term with an interim performance requirement]: Applicant certifies that it has met its interim performance requirement, that over the portion of the license term following the interim performance requirement, it continues to use its facilities to further its private business or public interest/public safety communications needs at or above the level required to meet its interim performance requirement, it has met its final performance requirement, and it continues to use its facilities to provide at least the level of operation required by its final performance requirement through the end of the license term.	() <u>Yes</u> <u>No</u>
[For a geographic license, private systems - licensee in its initial license term with no interim performance requirement]: Applicant certifies that it has met its final performance requirement, it continues to use its facilities to further its private business or public interest/public safety communications needs, and it continues to use its facilities to provide at least the level of operation required by its final performance requirement through the end of the license term. [Note: licensee must provide a showing demonstrating that the final performance requirement has been met, either separately in a timely application for notification of completion of construction, or as part of its renewal application, depending on the radio service.]	() <u>Yes</u> <u>No</u>

[For a geographic license, private systems - licensee in any subsequent term]: Applicant certifies that it continues to use its facilities to further its private business or public interest/public safety communications needs at or above the level required to meet its final performance requirement through the end of any subsequent license terms.	(<input type="checkbox"/>) <u>Yes</u> <u>No</u>
[For a partitioned or disaggregated license without a performance requirement, for the first renewal application filed after effective date of the rules]: Applicant certifies that the partitioned and/or disaggregated license that is the subject of this renewal application has no separate performance requirement and that this is the first renewal of this license filed subsequent to the effective date of the rules.	(<input type="checkbox"/>) <u>Yes</u> <u>No</u>
[For a partitioned or disaggregated license without a performance requirement, for any subsequent renewal filings]: Applicant certifies that it continues to use its facilities to provide service or to further the applicant's private business or public interest/public safety needs.	(<input type="checkbox"/>) <u>Yes</u> <u>No</u>

Discontinuance of Service Certification

58) Applicant certifies that no permanent discontinuance of service or operation, as applicable, occurred during its current license term. Note: If the response to either item 57 or item 58 is 'N', attach an exhibit that demonstrates that over the course of the license term, the Applicant provided and continues to provide service to the public, or operated and continues to operate the license to meet the Applicant's private business or public interest/public safety communications needs. This exhibit must include a detailed description of the Applicant's provision of service or, when allowed under the relevant service rules or pursuant to waiver, use of the spectrum for private business or public interest/public safety communications needs, during the entire license period and address, as applicable: 1) the level and quality of service provided by the applicant (e.g., the population served, the area served, the number of subscribers, the services offered); (2) the date service commenced, whether service was ever interrupted, and the duration of any interruption or outage; (3) the extent to which service is provided to rural areas; (4) the extent to which service is provided to qualifying tribal land as defined in 47 CFR § 1.2110(e)(3)(i); and (5) any other factors associated with the level of service to the public. The licensee may note in its exhibit: 1) any grant(s) of waiver or extension of a performance deadline or license renewal subject to meeting a performance requirement; or 2) if the final performance deadline and/or expiration date for the license accelerated because the licensee did not meet an interim performance requirement.	(<input type="checkbox"/>) <u>Yes</u> <u>No</u>
--	---

Regulatory Compliance Certification [same for all]

59) Applicant certifies that it has substantially complied with all applicable FCC rules, policies, and the Communications Act of 1934, as amended. Note: If the response to item 59 is 'N', attach an exhibit explaining the circumstances and demonstrating why Applicant's license should be renewed.	(<input type="checkbox"/>) <u>Yes</u> <u>No</u>
--	---

General Certification Statements

1) The Applicant waives any claim to the use of any particular frequency or of the electromagnetic spectrum as against the regulatory power of the United States because of the previous use of the same, whether by license or otherwise, and requests an authorization in accordance with this application.
2) The Applicant certifies that grant of this application would not cause the Applicant to be in violation of any pertinent cross-ownership or attribution rules.* *If the Applicant has sought a waiver of any such rule in connection with this application, it may make this certification subject to the outcome of the waiver request.
3) The Applicant certifies that all statements made in this application and in the exhibits, attachments, or documents incorporated by reference are material, are part of this application, and are true, complete, correct, and made in good faith.
4) The Applicant certifies that neither the Applicant nor any other party to the application is subject to a denial of Federal benefits pursuant to § 5301 of the Anti-Drug Abuse Act of 1988, 21 U.S.C. § 862, because of a conviction for possession or distribution of a controlled substance. This certification does not apply to applications filed in services exempted under § 1.2002(c) of the rules, 47 CFR § 1.2002(c). See 47 CFR § 1.2002(b) for the definition of "party to the application" as used in this certification.
5) The Applicant certifies that it either (1) has current required ownership data on file with the Commission, (2) is filing updated ownership data simultaneously with this application, or (3) is not required to file ownership data under the Commission's Rules.
6) The Applicant certifies that the facilities, operations, and transmitters for which this authorization is hereby requested are either: (1) categorically excluded from routine environmental evaluation for RF exposure as set forth in 47 CFR § 1.1307(b); or, (2) have been found not to cause human exposure to levels of radiofrequency radiation in excess of the limits specified in 47 CFR §§ 1.1310 and 2.1093; or, (3) are the subject of one or more Environmental Assessments filed with the Commission.
7) The Applicant certifies that it has reviewed the appropriate Commission Rules defining eligibility to hold the requested license(s) and is eligible to hold the requested license(s).
8) The Applicant certifies that it is not in default on any payment for Commission licenses and that it is not delinquent on any non-tax debt owed to any federal agency.
9) The Applicant certifies that the Applicant and all of the related individuals and entities required to be disclosed on this application and FCC Form 602 (FCC Ownership Disclosure Information for the Wireless Telecommunications Services) are not person(s) who have been, for reasons of national security, barred by any agency of the Federal Government from bidding on a contract, participating in an auction, or receiving a grant. This certification applies only to applications for licenses for spectrum that is required by Sections 6103, 6401-6403 of the Middle Class Tax Relief and Job Creation Act of 2012, codified at 47 U.S.C. §§ 309, 1413, 1451-1452, to be assigned by a system of competitive bidding under 47 U.S.C. § 309(j).

Signature

60) Typed or Printed Name of Party Authorized to Sign

First Name: Jessica	MI:	Last Name: Dunk	Suffix:
61) Title: Assistant Secretary - Compliance			
Signature: Jessica Dunk			62) Date: 01/22/2024
FAILURE TO SIGN THIS APPLICATION MAY RESULT IN DISMISSAL OF THE APPLICATION AND FORFEITURE OF ANY FEES PAID.			
Upon grant of this license application, the Licensee may be subject to certain construction or coverage requirements. Failure to meet the construction or coverage requirements will result in termination of the license. Consult appropriate FCC regulations to determine the construction or coverage requirements that apply to the type of license requested in this application.			
WILLFUL FALSE STATEMENTS MADE ON THIS FORM OR ANY ATTACHMENTS ARE PUNISHABLE BY FINE AND/OR IMPRISONMENT (U.S. Code, Title 18, § 1001) AND/OR REVOCATION OF ANY STATION LICENSE OR CONSTRUCTION PERMIT (U.S. Code, Title 47, § 312(a)(1)), AND/OR FORFEITURE (U.S. Code, Title 47, § 503).			

Reference Copy Only. Do Not Mail to the FCC as an Application.

Submitted: 01/13/2023 at 18:08:22
File Number: 0010369388

FCC 601
Main Form

FCC Application for Radio Service Authorization: Wireless Telecommunications Bureau Public Safety and Homeland Security Bureau

Approved by OMB
3060 - 0798
See instructions for
public burden estimate

1) Radio Service Code: <p style="text-align: center;">CW</p>	1a) Existing Radio Service Code:
--	----------------------------------

General Information

2) (Select only one) (AU) NE - New RO - Renewal Only AU - Administrative Update NT - Required Notifications MD - Modification RM - Renewal/Modification WD - Withdrawal of Application EX - Requests for Extension of Time AM - Amendment CA - Cancellation of License RL - Registered Location/Link	
3a) If this application is for a Demonstration License or a Special Temporary Authorization (STA), enter the code and attach the required exhibit as described in the instructions. Otherwise enter ' <u>N/A</u> ' (Not Applicable).	(N) <u>M</u> <u>S</u> <u>N/A</u>
3b) If this application is for Special Temporary Authority due to an emergency situation, enter 'Y'; otherwise enter 'N'. Refer to Rule 1.915 for an explanation of situations considered to be an emergency.	() <u>Y</u> <u>N</u>
4) If this application is for an Amendment or Withdrawal, enter the file number of the pending application currently on file with the FCC.	File Number
5) If this application is for a Modification, Renewal Only, Renewal/Modification, Cancellation of License, , or Administrative Update, enter the call sign of the existing FCC license. If this is a request for Registered Location/Link, enter the FCC call sign assigned to the geographic license.	Call Sign WQQQ250
6a) If this application is for a New, Amendment, Renewal Only, or Renewal/Modification, enter the requested authorization expiration date (this item is optional).	MM DD ____ / ____
6b) If this application is for a Renewal Only or Renewal/Modification and the license is a geographic area license, is the license used to provide service to customers (C), or is the license used for private business (internal) purposes or to meet the licensee's public interest/public safety communications needs (P)?	() <u>C</u> <u>P</u>
7) Is this application "major" as defined in § 1.929 of the Commission's Rules when read in conjunction with the applicable radio service rules found in Parts 22 and 90 of the Commission's Rules? (NOTE: This question only applies to certain site-specific applications. See the instructions for applicability and full text of § 1.929).	() <u>Y</u> <u>N</u>
8) Are attachments (other than associated schedules) being filed with this application?	() <u>Y</u> <u>N</u>

Fees, Waivers, and Exemptions

9) Is the Applicant exempt from FCC application fees?	(N) <u>Y</u> <u>N</u>
10) Is the Applicant exempt from FCC regulatory fees?	(N) <u>Y</u> <u>N</u>
11) Does this application include a request for a Waiver of the Commission's Rule(s)? If 'Yes', attach an exhibit providing rule number(s) and explaining circumstances.	(N) <u>Y</u> <u>N</u>
12) Are the frequencies or parameters requested in this filing covered by grandfathered privileges, previously approved by waiver, or functionally integrated with an existing station?	() <u>Y</u> <u>N</u>

Applicant Information

13) FCC Registration Number (FRN): 0003291192			
14) Applicant/Licensee Legal Entity Type: (Select One) <input type="checkbox"/> Individual <input type="checkbox"/> Unincorporated Association <input type="checkbox"/> Trust <input type="checkbox"/> Government Entity <input type="checkbox"/> Corporation <input checked="" type="checkbox"/> Limited Liability Company <input type="checkbox"/> General Partnership <input type="checkbox"/> Limited Partnership <input type="checkbox"/> Limited Liability Partnership <input type="checkbox"/> Consortium <input type="checkbox"/> Other: _____			
15) If the Licensee name is being updated, is the update a result from the sale (or transfer of control) of the license(s) to party and for which proper Commission approval has not been received or proper notification not provided?			<input type="checkbox"/> Yes <input checked="" type="checkbox"/> No
16) First Name (if individual):	MI:	Last Name:	Suffix:
17) Legal Entity Name (if other than individual): NEW CINGULAR WIRELESS PCS, LLC			
18) Attention To: FCC Group			
19) P.O. Box:	And/Or	20) Street Address: 208 S. Akard St. 20F	
21) City: Dallas	22) State: TX	23) Zip Code: 75202	
24) Telephone Number: (855)699-7073		25) Fax: (214)746-6410	
26) E-Mail Address: FCCMW@att.com			

27) Demographics (Optional)

Race: <input type="checkbox"/> American Indian or Alaska Native <input type="checkbox"/> Asian <input type="checkbox"/> Black or African-American <input type="checkbox"/> Native Hawaiian or Other Pacific Islander <input type="checkbox"/> White	Ethnicity: <input type="checkbox"/> Hispanic or Latino <input type="checkbox"/> Not Hispanic or Latino	Gender: <input type="checkbox"/> Male <input type="checkbox"/> Female
--	--	---

Real Party in Interest

28) Name of Real Party in Interest of Applicant (If different from Applicant):	29) FCC Registration Number (FRN) of Real Party in Interest:
--	--

Contact Information (If different from the Applicant) Check here if same as Applicant.

30) First Name: Cecil	MI: J	Last Name: Mathew	Suffix:
31) Company Name: AT&T Services, Inc.			
32) Attention To: FCC Regulatory Comp			
33) P.O. Box:	And /Or	34) Street Address: 208 S. Akard St. 20F	
35) City: Dallas	36) State: TX	37) Zip Code: 75202	
38) Telephone Number: (855)699-7073		39) Fax: (214)746-6410	
40) E-Mail Address: FCCMW@att.com			

Regulatory Status

41) This filing is for authorization to provide or use the following type(s) of radio service offering (enter all that apply):
() Common Carrier () Non-Common Carrier () Private, internal communications () Broadcast Services () Band Manager

Type of Radio Service

42) This filing is for authorization to provide the following type(s) of radio service (choose all that apply):
() Fixed () Mobile () Radiolocation () Satellite (sound) () Broadcast Services
43) Does the Applicant propose to provide service interconnected to the public telephone network? () Yes () No

Alien Ownership Questions (If any answer is 'Y', provide an attachment explaining the circumstances. In preparing the attachment, refer to the Main Form Instructions for the "Alien Ownership Questions".)

44) Is the Applicant a foreign government or the representative of any foreign government? () Yes () No
45) Is the Applicant an alien or the representative of an alien? () Yes () No
46) Is the Applicant a corporation organized under the laws of any foreign government? () Yes () No
47) Is the Applicant a corporation of which more than one-fifth of the capital stock is owned of record or voted by aliens or their representatives, or by a foreign government or representative thereof, or by any corporation organized under the laws of a foreign country? () Yes () No

48a) Is the Applicant directly or indirectly controlled by any other corporation of which more than one-fourth of the capital stock () Yes No is owned of record or voted by aliens or their representatives, or by a foreign government or representative thereof, or by any corporation organized under the laws of a foreign country?

48b) If the answer to 47 or 48a is 'Y' select one of the choices below.

The Applicant is exempt from the provisions of Section 310(b).

If checked, it is not necessary to file a petition for declaratory ruling if the Applicant includes in the attachment required by Item 47 or Item 48a a showing that the requested license(s) is exempt from the provisions of Section 310(b).

The Applicant has received a declaratory ruling(s) approving its foreign ownership, and the application involves only the acquisition of additional spectrum for the provision of a wireless service in a geographic coverage area for which the Applicant has been previously authorized.

If checked, include in the attachment required by Item 47 or Item 48a the citation(s) of the applicable declaratory ruling(s) by DA/FCC number, the FCC Record citation, if available, release date, and a statement that there has been no change in the foreign ownership of the Applicant since the issuance of its ruling.

The Applicant: (i) has received a declaratory ruling(s) approving its foreign ownership, but is not able to make the certification specified immediately above; or (ii) is an "affiliate" of a Licensee or Lessee/Sublessee that received a declaratory ruling(s) under 47 CFR § 1.5000(a) and is relying on the affiliate's ruling for purposes of filing this application as permitted under the affiliate's ruling and 47 CFR § 1.5004(b)

If checked, and if the Applicant received its declaratory ruling(s) on or after August 9, 2013, include in the attachment required by Item 47 or Item 48a the citation(s) of the Applicant's declaratory ruling(s) by DA/FCC number, the FCC Record citation, if available, release date, and a statement that the Applicant is in compliance with the terms and conditions of its ruling and with the Commission's Rules.

If checked, and if the Applicant received its declaratory ruling(s) prior to August 9, 2013, include in the attachment required by Item 48a a copy of a petition for declaratory ruling filed contemporaneously with the Commission to extend the Applicant's existing ruling(s) to cover the same radio service(s) and geographic coverage area(s) involved in the application. Alternatively, the Applicant may request a new declaratory ruling pursuant to Section 1.5000(a) of the Commission's Rules, 47 CFR § 1.5000 (a). Petitions for declaratory ruling may be filed electronically on the Internet through the International Bureau Filing System (IBFS) (with a copy attached hereto).

If checked, and if the Applicant is relying on an affiliate's ruling for purposes of filing this application, include in the attachment required by Item 47 or Item 48a the citation(s) of the applicable declaratory ruling(s) by DA/FCC number, the FCC Record citation, if available, release date, and a statement that the Applicant is in compliance with the terms and conditions of the named affiliate's ruling and with the Commission's Rules. The Applicant must also include a certification of compliance signed by the named affiliate or other qualified entity as specified in 47 CFR § 1.5004(b). See Main Form Instructions for Items 47 or 48a, as applicable.

The Applicant has not received a declaratory ruling approving its foreign ownership and is requesting a declaratory ruling under 47 CFR § 1.5004(b) in a petition filed contemporaneously with the Commission.

If checked, include in the attachment required by Item 47 or 48a a copy of the petition for declaratory ruling filed contemporaneously with the Commission pursuant to 47 CFR § 1.5004(b). Petitions for declaratory ruling may be filed electronically on the Internet through the International Bureau Filing System (IBFS) (with a copy attached hereto).

Basic Qualification Questions

49) Has the Applicant or any party to this application had any FCC station authorization, license or construction permit revoked or had any application for an initial, modification or renewal of FCC station authorization, license, or construction permit denied by the Commission?	() <u>Yes</u> <u>No</u>
50) Has the Applicant or any party to this application, or any party directly or indirectly controlling the Applicant, ever been convicted of a felony by any state or federal court?	() <u>Yes</u> <u>No</u>
51) Has any court finally adjudged the Applicant or any party directly or indirectly controlling the Applicant guilty of unlawfully monopolizing or attempting unlawfully to monopolize radio communication, directly or indirectly, through control of manufacture or sale of radio apparatus, exclusive traffic arrangement, or any other means or unfair methods of competition?	() <u>Yes</u> <u>No</u>

Note: If the answer to any of 49-51 is 'Y', attach an exhibit explaining the circumstances.

Aeronautical Advisory Station (Unicom) Certification

52) () I certify that the station will be located on property of the airport to be served, and, in cases where the airport does not have a control tower, RCO, or FAA flight service station, that I have notified the owner of the airport and all aviation service organizations located at the airport within ten days prior to application.
--

Broadband Radio Service and Educational Broadband Service Cable Cross-Ownership

53a) Will the requested facilities be used to provide multichannel video programming service?	() <u>Yes</u> <u>No</u>
53b) If the answer to question 53a is 'Y', does the Applicant operate, control or have an attributable interest (as defined in 47 CFR § 27.1202) in a cable television system whose franchise area is located within the geographic service area of the requested facilities?	() <u>Yes</u> <u>No</u>

Note: If the answer to question 53b is 'Y', attach an exhibit explaining how the Applicant complies with 47 CFR § 27.1202 or justifying a waiver of that rule. If a waiver of the Commission Rule(s) is being requested, Item 11a must be answered 'Y'.

Broadband Radio Service and Educational Broadband Service (Part 27)

54) (For EBS only) Does the Applicant comply with the programming requirements contained in 47 CFR § 27.1203?	() <u>Yes</u> <u>No</u>
---	--------------------------

Note: If the answer to item 54 is 'N', attach an exhibit explaining how the Applicant complies with 47 CFR § 27.1203 of the Commission's Rules or justifying a waiver of that rule. If a waiver of the Commission Rule(s) is being requested, Item 11a must be answered 'Y'.

55) (For BRS and EBS) Does the Applicant comply with 47 CFR §§ 27.50, 27.55, and 27.1221?	() <u>Yes</u> <u>No</u>
---	--------------------------

Note: If the answer to item 55 is 'N', attach an exhibit justifying a waiver of that rule(s). If a waiver of the Commission Rule(s) is being requested, Item 11a must be answered 'Y'.

For Applicants Who Participated in an Auction

56) Is the Applicant a qualifying rural wireless partnership or a member of a qualifying rural wireless partnership?	() <u>Yes</u> <u>No</u>
--	--------------------------

Note: If the answer to item 56 is 'Y', attach an exhibit listing all members of the qualifying rural wireless partnership, including their FRN numbers.

For Renewal Applicants

57) Operation/Performance Requirement Certification	
[For a site-based license]: Applicant certifies that it is continuing to operate consistent with its most recently filed construction notification (or most recent authorization, if no construction notification was required).	() <u>Yes</u> <u>No</u>
[For a geographic license, commercial service - licensee in its initial license term with an interim performance requirement]: Applicant certifies that it has met its interim performance requirement, that over the portion of the license term following the interim performance requirement, it continues to use its facilities to provide at least the level of service required by its interim performance requirement, it has met its final performance requirement, and it continues to use its facilities to provide at least the level of service required by its final performance requirement through the end of the license term.	() <u>Yes</u> <u>No</u>
[For a geographic license, commercial service - licensee in its initial license term with no interim performance requirement]: Applicant certifies that it has met its final performance requirement and it continues to use its facilities to provide at least the level of service required by its final performance requirement through the end of the license term. [Note: licensee must provide a showing demonstrating that the final performance requirement has been met, either separately in a timely application for notification of completion of construction, or as part of its renewal application, depending on the radio service.]	() <u>Yes</u> <u>No</u>
[For a geographic license, commercial service - licensee in any subsequent term]: Applicant certifies that it continues to use its facilities to provide at least the level of service required by its final performance requirement through the end of any subsequent license terms.	() <u>Yes</u> <u>No</u>
[For a geographic license, private systems - licensee in its initial license term with an interim performance requirement]: Applicant certifies that it has met its interim performance requirement, that over the portion of the license term following the interim performance requirement, it continues to use its facilities to further its private business or public interest/public safety communications needs at or above the level required to meet its interim performance requirement, it has met its final performance requirement, and it continues to use its facilities to provide at least the level of operation required by its final performance requirement through the end of the license term.	() <u>Yes</u> <u>No</u>
[For a geographic license, private systems - licensee in its initial license term with no interim performance requirement]: Applicant certifies that it has met its final performance requirement, it continues to use its facilities to further its private business or public interest/public safety communications needs, and it continues to use its facilities to provide at least the level of operation required by its final performance requirement through the end of the license term. [Note: licensee must provide a showing demonstrating that the final performance requirement has been met, either separately in a timely application for notification of completion of construction, or as part of its renewal application, depending on the radio service.]	() <u>Yes</u> <u>No</u>

[For a geographic license, private systems - licensee in any subsequent term]: Applicant certifies that it continues to use its facilities to further its private business or public interest/public safety communications needs at or above the level required to meet its final performance requirement through the end of any subsequent license terms.	() <u>Yes</u> <u>No</u>
[For a partitioned or disaggregated license without a performance requirement, for the first renewal application filed after effective date of the rules]: Applicant certifies that the partitioned and/or disaggregated license that is the subject of this renewal application has no separate performance requirement and that this is the first renewal of this license filed subsequent to the effective date of the rules.	() <u>Yes</u> <u>No</u>
[For a partitioned or disaggregated license without a performance requirement, for any subsequent renewal filings]: Applicant certifies that it continues to use its facilities to provide service or to further the applicant's private business or public interest/public safety needs.	() <u>Yes</u> <u>No</u>

Discontinuance of Service Certification

58) Applicant certifies that no permanent discontinuance of service or operation, as applicable, occurred during its current license term. Note: If the response to either item 57 or item 58 is 'N', attach an exhibit that demonstrates that over the course of the license term, the Applicant provided and continues to provide service to the public, or operated and continues to operate the license to meet the Applicant's private business or public interest/public safety communications needs. This exhibit must include a detailed description of the Applicant's provision of service or, when allowed under the relevant service rules or pursuant to waiver, use of the spectrum for private business or public interest/public safety communications needs, during the entire license period and address, as applicable: 1) the level and quality of service provided by the applicant (e.g., the population served, the area served, the number of subscribers, the services offered); (2) the date service commenced, whether service was ever interrupted, and the duration of any interruption or outage; (3) the extent to which service is provided to rural areas; (4) the extent to which service is provided to qualifying tribal land as defined in 47 CFR § 1.2110(e)(3)(i); and (5) any other factors associated with the level of service to the public. The licensee may note in its exhibit: 1) any grant(s) of waiver or extension of a performance deadline or license renewal subject to meeting a performance requirement; or 2) if the final performance deadline and/or expiration date for the license accelerated because the licensee did not meet an interim performance requirement.	() <u>Yes</u> <u>No</u>
--	--------------------------

Regulatory Compliance Certification [same for all]

59) Applicant certifies that it has substantially complied with all applicable FCC rules, policies, and the Communications Act of 1934, as amended. Note: If the response to item 59 is 'N', attach an exhibit explaining the circumstances and demonstrating why Applicant's license should be renewed.	() <u>Yes</u> <u>No</u>
--	--------------------------

General Certification Statements

1) The Applicant waives any claim to the use of any particular frequency or of the electromagnetic spectrum as against the regulatory power of the United States because of the previous use of the same, whether by license or otherwise, and requests an authorization in accordance with this application.
2) The Applicant certifies that grant of this application would not cause the Applicant to be in violation of any pertinent cross-ownership or attribution rules.* *If the Applicant has sought a waiver of any such rule in connection with this application, it may make this certification subject to the outcome of the waiver request.
3) The Applicant certifies that all statements made in this application and in the exhibits, attachments, or documents incorporated by reference are material, are part of this application, and are true, complete, correct, and made in good faith.
4) The Applicant certifies that neither the Applicant nor any other party to the application is subject to a denial of Federal benefits pursuant to § 5301 of the Anti-Drug Abuse Act of 1988, 21 U.S.C. § 862, because of a conviction for possession or distribution of a controlled substance. This certification does not apply to applications filed in services exempted under § 1.2002(c) of the rules, 47 CFR § 1.2002(c). See 47 CFR § 1.2002(b) for the definition of "party to the application" as used in this certification.
5) The Applicant certifies that it either (1) has current required ownership data on file with the Commission, (2) is filing updated ownership data simultaneously with this application, or (3) is not required to file ownership data under the Commission's Rules.
6) The Applicant certifies that the facilities, operations, and transmitters for which this authorization is hereby requested are either: (1) categorically excluded from routine environmental evaluation for RF exposure as set forth in 47 CFR § 1.1307(b); or, (2) have been found not to cause human exposure to levels of radiofrequency radiation in excess of the limits specified in 47 CFR §§ 1.1310 and 2.1093; or, (3) are the subject of one or more Environmental Assessments filed with the Commission.
7) The Applicant certifies that it has reviewed the appropriate Commission Rules defining eligibility to hold the requested license(s) and is eligible to hold the requested license(s).
8) The Applicant certifies that it is not in default on any payment for Commission licenses and that it is not delinquent on any non-tax debt owed to any federal agency.
9) The Applicant certifies that the Applicant and all of the related individuals and entities required to be disclosed on this application and FCC Form 602 (FCC Ownership Disclosure Information for the Wireless Telecommunications Services) are not person(s) who have been, for reasons of national security, barred by any agency of the Federal Government from bidding on a contract, participating in an auction, or receiving a grant. This certification applies only to applications for licenses for spectrum that is required by Sections 6103, 6401-6403 of the Middle Class Tax Relief and Job Creation Act of 2012, codified at 47 U.S.C. §§ 309, 1413, 1451-1452, to be assigned by a system of competitive bidding under 47 U.S.C. § 309(j).

Signature

60) Typed or Printed Name of Party Authorized to Sign

First Name: Cecil	MI: J	Last Name: Mathew	Suffix:
61) Title: Assistant Secretary - Compliance			
Signature: Cecil J Mathew			62) Date: 01/13/2023
FAILURE TO SIGN THIS APPLICATION MAY RESULT IN DISMISSAL OF THE APPLICATION AND FORFEITURE OF ANY FEES PAID.			
Upon grant of this license application, the Licensee may be subject to certain construction or coverage requirements. Failure to meet the construction or coverage requirements will result in termination of the license. Consult appropriate FCC regulations to determine the construction or coverage requirements that apply to the type of license requested in this application.			
WILLFUL FALSE STATEMENTS MADE ON THIS FORM OR ANY ATTACHMENTS ARE PUNISHABLE BY FINE AND/OR IMPRISONMENT (U.S. Code, Title 18, § 1001) AND/OR REVOCATION OF ANY STATION LICENSE OR CONSTRUCTION PERMIT (U.S. Code, Title 47, § 312(a)(1)), AND/OR FORFEITURE (U.S. Code, Title 47, § 503).			

REFERENCE COPY

This is not an official FCC license. It is a record of public information contained in the FCC's licensing database on the date that this reference copy was generated. In cases where FCC rules require the presentation, posting, or display of an FCC license, this document may not be used in place of an official FCC license.



Federal Communications Commission
Wireless Telecommunications Bureau

RADIO STATION AUTHORIZATION

LICENSEE: NEW CINGULAR WIRELESS PCS, LLC

ATTN: FCC GROUP
NEW CINGULAR WIRELESS PCS, LLC
208 S. AKARD ST. 20F
DALLAS, TX 75202

Table with Call Sign (WQXA289), File Number, and Radio Service (CW - PCS Broadband).

FCC Registration Number (FRN): 0003291192

Table with columns: Grant Date, Effective Date, Expiration Date, Print Date, Market Number, Channel Block, Sub-Market Designator, Market Name, 1st Build-out Date, 2nd Build-out Date, 3rd Build-out Date, 4th Build-out Date.

Waivers/Conditions:

This authorization is subject to the condition that, in the event that systems using the same frequencies as granted herein are authorized in an adjacent foreign territory (Canada/United States), future coordination of any base station transmitters within 72 km (45 miles) of the United States/Canada border shall be required to eliminate any harmful interference to operations in the adjacent foreign territory and to ensure continuance of equal access to the frequencies by both countries.

Conditions:

Pursuant to §309(h) of the Communications Act of 1934, as amended, 47 U.S.C. §309(h), this license is subject to the following conditions: This license shall not vest in the licensee any right to operate the station nor any right in the use of the frequencies designated in the license beyond the term thereof nor in any other manner than authorized herein. Neither the license nor the right granted thereunder shall be assigned or otherwise transferred in violation of the Communications Act of 1934, as amended. See 47 U.S.C. § 310(d). This license is subject in terms to the right of use or control conferred by §706 of the Communications Act of 1934, as amended. See 47 U.S.C. §606.

This license may not authorize operation throughout the entire geographic area or spectrum identified on the hardcopy version. To view the specific geographic area and spectrum authorized by this license, refer to the Spectrum and Market Area information under the Market Tab of the license record in the Universal Licensing System (ULS). To view the license record, go to the ULS homepage at http://wireless.fcc.gov/uls/index.htm?job=home and select "License Search". Follow the instructions on how to search for license information.

Licensee Name: NEW CINGULAR WIRELESS PCS, LLC

Call Sign: WQXA289

File Number:

Print Date:

700 MHz Relicensed Area Information:

Market	Market Name	Buildout Deadline	Buildout Notification	Status
---------------	--------------------	--------------------------	------------------------------	---------------

Reference Copy

Reference Copy Only. Do Not Mail to the FCC as an Application.

Submitted: 01/23/2024 at 17:43:02
 File Number: 0010873483

FCC 601
Main Form

FCC Application for Radio Service Authorization: Wireless Telecommunications Bureau Public Safety and Homeland Security Bureau

Approved by OMB
 3060 - 0798
 See instructions for
 public burden estimate

1) Radio Service Code: <p style="text-align: center;">CW</p>	1a) Existing Radio Service Code:
--	----------------------------------

General Information

2) (Select only one) (AU) NE - New RO - Renewal Only AU - Administrative Update NT - Required Notifications MD - Modification RM - Renewal/Modification WD - Withdrawal of Application EX - Requests for Extension of Time AM - Amendment CA - Cancellation of License RL - Registered Location/Link	
3a) If this application is for a Demonstration License or a S pecial Temporary Authorization (STA), enter the code and attach the required exhibit as described in the instructions. Otherwise enter ' N/A ' (Not Applicable).	(N) <u>M</u> <u>S</u> <u>N/A</u>
3b) If this application is for Special Temporary Authority due to an emergency situation, enter 'Y'; otherwise enter 'N'. Refer to Rule 1.915 for an explanation of situations considered to be an emergency.	() <u>Y</u> <u>N</u>
4) If this application is for an Amendment or Withdrawal, enter the file number of the pending application currently on file with the FCC.	File Number
5) If this application is for a Modification, Renewal Only, Renewal/Modification, Cancellation of License, , or Administrative Update, enter the call sign of the existing FCC license. If this is a request for Registered Location/Link, enter the FCC call sign assigned to the geographic license.	Call Sign WQXA289
6a) If this application is for a New, Amendment, Renewal Only, or Renewal/Modification, enter the requested authorization expiration date (this item is optional).	MM DD _____ / _____
6b) If this application is for a Renewal Only or Renewal/Modification and the license is a geographic area license, is the license used to provide service to customers (C), or is the license used for private business (internal) purposes or to meet the licensee's public interest/public safety communications needs (P)?	() <u>C</u> <u>P</u>
7) Is this application "major" as defined in § 1.929 of the Commission's Rules when read in conjunction with the applicable radio service rules found in Parts 22 and 90 of the Commission's Rules? (NOTE: This question only applies to certain site-specific applications. See the instructions for applicability and full text of § 1.929).	() <u>Y</u> <u>N</u>
8) Are attachments (other than associated schedules) being filed with this application?	() <u>Y</u> <u>N</u>

Fees, Waivers, and Exemptions

9) Is the Applicant exempt from FCC application fees?	(N) <u>Y</u> <u>N</u>
10) Is the Applicant exempt from FCC regulatory fees?	(N) <u>Y</u> <u>N</u>
11) Does this application include a request for a Waiver of the Commission's Rule(s)? If 'Yes', attach an exhibit providing rule number(s) and explaining circumstances.	(N) <u>Y</u> <u>N</u>
12) Are the frequencies or parameters requested in this filing covered by grandfathered privileges, previously approved by waiver, or functionally integrated with an existing station?	() <u>Y</u> <u>N</u>

Applicant Information

13) FCC Registration Number (FRN): 0003291192			
14) Applicant/Licensee Legal Entity Type: (Select One) <input type="checkbox"/> Individual <input type="checkbox"/> Unincorporated Association <input type="checkbox"/> Trust <input type="checkbox"/> Government Entity <input type="checkbox"/> Corporation <input checked="" type="checkbox"/> Limited Liability Company <input type="checkbox"/> General Partnership <input type="checkbox"/> Limited Partnership <input type="checkbox"/> Limited Liability Partnership <input type="checkbox"/> Consortium <input type="checkbox"/> Other: _____			
15) If the Licensee name is being updated, is the update a result from the sale (or transfer of control) of the license(s) to party and for which proper Commission approval has not been received or proper notification not provided?			<input type="checkbox"/> Yes <input checked="" type="checkbox"/> No
16) First Name (if individual):	MI:	Last Name:	Suffix:
17) Legal Entity Name (if other than individual): New Cingular Wireless PCS, LLC			
18) Attention To: National Regulatory Compliance			
19) P.O. Box:	And/Or	20) Street Address: 208 S Akard St, 20F	
21) City: Dallas	22) State: TX	23) Zip Code: 75202	
24) Telephone Number: (855)699-7073		25) Fax: (214)746-6410	
26) E-Mail Address: FCCMW@att.com			

27) Demographics (Optional)

Race: <input type="checkbox"/> American Indian or Alaska Native <input type="checkbox"/> Asian <input type="checkbox"/> Black or African-American <input type="checkbox"/> Native Hawaiian or Other Pacific Islander <input type="checkbox"/> White	Ethnicity: <input type="checkbox"/> Hispanic or Latino <input type="checkbox"/> Not Hispanic or Latino	Gender: <input type="checkbox"/> Male <input type="checkbox"/> Female
--	--	---

Real Party in Interest

28) Name of Real Party in Interest of Applicant (If different from Applicant):	29) FCC Registration Number (FRN) of Real Party in Interest:
--	--

Contact Information (If different from the Applicant) Check here if same as Applicant.

30) First Name: Jessica	MI: J	Last Name: Dunk	Suffix:
31) Company Name: AT&T Services, Inc.			
32) Attention To: NRC			
33) P.O. Box:	And /Or	34) Street Address: 208 S Akard St, 20F	
35) City: Dallas	36) State: TX	37) Zip Code: 75202	
38) Telephone Number: (855)699-7073		39) Fax: (214)746-6410	
40) E-Mail Address: FCCMW@att.com			

Regulatory Status

41) This filing is for authorization to provide or use the following type(s) of radio service offering (enter all that apply):
() Common Carrier () Non-Common Carrier () Private, internal communications () Broadcast Services () Band Manager

Type of Radio Service

42) This filing is for authorization to provide the following type(s) of radio service (choose all that apply):
() Fixed () Mobile () Radiolocation () Satellite (sound) () Broadcast Services
43) Does the Applicant propose to provide service interconnected to the public telephone network? () Yes No

Alien Ownership Questions (If any answer is 'Y', provide an attachment explaining the circumstances. In preparing the attachment, refer to the Main Form Instructions for the "Alien Ownership Questions".)

44) Is the Applicant a foreign government or the representative of any foreign government? () Yes No
45) Is the Applicant an alien or the representative of an alien? () Yes No
46) Is the Applicant a corporation organized under the laws of any foreign government? () Yes No
47) Is the Applicant a corporation of which more than one-fifth of the capital stock is owned of record or voted by aliens or their representatives, or by a foreign government or representative thereof, or by any corporation organized under the laws of a foreign country? () Yes No

48a) Is the Applicant directly or indirectly controlled by any other corporation of which more than one-fourth of the capital stock () **Yes** **No** is owned of record or voted by aliens or their representatives, or by a foreign government or representative thereof, or by any corporation organized under the laws of a foreign country?

48b) If the answer to 47 or 48a is 'Y' select one of the choices below.

The Applicant is exempt from the provisions of Section 310(b).

If checked, it is not necessary to file a petition for declaratory ruling if the Applicant includes in the attachment required by Item 47 or Item 48a a showing that the requested license(s) is exempt from the provisions of Section 310(b).

The Applicant has received a declaratory ruling(s) approving its foreign ownership, and the application involves only the acquisition of additional spectrum for the provision of a wireless service in a geographic coverage area for which the Applicant has been previously authorized.

If checked, include in the attachment required by Item 47 or Item 48a the citation(s) of the applicable declaratory ruling(s) by DA/FCC number, the FCC Record citation, if available, release date, and a statement that there has been no change in the foreign ownership of the Applicant since the issuance of its ruling.

The Applicant: (i) has received a declaratory ruling(s) approving its foreign ownership, but is not able to make the certification specified immediately above; or (ii) is an "affiliate" of a Licensee or Lessee/Sublessee that received a declaratory ruling(s) under 47 CFR § 1.5000(a) and is relying on the affiliate's ruling for purposes of filing this application as permitted under the affiliate's ruling and 47 CFR § 1.5004(b)

If checked, and if the Applicant received its declaratory ruling(s) on or after August 9, 2013, include in the attachment required by Item 47 or Item 48a the citation(s) of the Applicant's declaratory ruling(s) by DA/FCC number, the FCC Record citation, if available, release date, and a statement that the Applicant is in compliance with the terms and conditions of its ruling and with the Commission's Rules.

If checked, and if the Applicant received its declaratory ruling(s) prior to August 9, 2013, include in the attachment required by Item 48a a copy of a petition for declaratory ruling filed contemporaneously with the Commission to extend the Applicant's existing ruling(s) to cover the same radio service(s) and geographic coverage area(s) involved in the application. Alternatively, the Applicant may request a new declaratory ruling pursuant to Section 1.5000(a) of the Commission's Rules, 47 CFR § 1.5000 (a). Petitions for declaratory ruling may be filed electronically on the Internet through the International Bureau Filing System (IBFS) (with a copy attached hereto).

If checked, and if the Applicant is relying on an affiliate's ruling for purposes of filing this application, include in the attachment required by Item 47 or Item 48a the citation(s) of the applicable declaratory ruling(s) by DA/FCC number, the FCC Record citation, if available, release date, and a statement that the Applicant is in compliance with the terms and conditions of the named affiliate's ruling and with the Commission's Rules. The Applicant must also include a certification of compliance signed by the named affiliate or other qualified entity as specified in 47 CFR § 1.5004(b). See Main Form Instructions for Items 47 or 48a, as applicable.

The Applicant has not received a declaratory ruling approving its foreign ownership and is requesting a declaratory ruling under 47 CFR § 1.5004(b) in a petition filed contemporaneously with the Commission.

If checked, include in the attachment required by Item 47 or 48a a copy of the petition for declaratory ruling filed contemporaneously with the Commission pursuant to 47 CFR § 1.5004(b). Petitions for declaratory ruling may be filed electronically on the Internet through the International Bureau Filing System (IBFS) (with a copy attached hereto).

Basic Qualification Questions

49) Has the Applicant or any party to this application had any FCC station authorization, license or construction permit revoked or had any application for an initial, modification or renewal of FCC station authorization, license, or construction permit denied by the Commission?	() <u>Yes</u> <u>No</u>
50) Has the Applicant or any party to this application, or any party directly or indirectly controlling the Applicant, ever been convicted of a felony by any state or federal court?	() <u>Yes</u> <u>No</u>
51) Has any court finally adjudged the Applicant or any party directly or indirectly controlling the Applicant guilty of unlawfully monopolizing or attempting unlawfully to monopolize radio communication, directly or indirectly, through control of manufacture or sale of radio apparatus, exclusive traffic arrangement, or any other means or unfair methods of competition?	() <u>Yes</u> <u>No</u>

Note: If the answer to any of 49-51 is 'Y', attach an exhibit explaining the circumstances.

Aeronautical Advisory Station (Unicom) Certification

52) () I certify that the station will be located on property of the airport to be served, and, in cases where the airport does not have a control tower, RCO, or FAA flight service station, that I have notified the owner of the airport and all aviation service organizations located at the airport within ten days prior to application.
--

Broadband Radio Service and Educational Broadband Service Cable Cross-Ownership

53a) Will the requested facilities be used to provide multichannel video programming service?	() <u>Yes</u> <u>No</u>
53b) If the answer to question 53a is 'Y', does the Applicant operate, control or have an attributable interest (as defined in 47 CFR § 27.1202) in a cable television system whose franchise area is located within the geographic service area of the requested facilities?	() <u>Yes</u> <u>No</u>

Note: If the answer to question 53b is 'Y', attach an exhibit explaining how the Applicant complies with 47 CFR § 27.1202 or justifying a waiver of that rule. If a waiver of the Commission Rule(s) is being requested, Item 11a must be answered 'Y'.

Broadband Radio Service and Educational Broadband Service (Part 27)

54) (For EBS only) Does the Applicant comply with the programming requirements contained in 47 CFR § 27.1203?	() <u>Yes</u> <u>No</u>
---	--------------------------

Note: If the answer to item 54 is 'N', attach an exhibit explaining how the Applicant complies with 47 CFR § 27.1203 of the Commission's Rules or justifying a waiver of that rule. If a waiver of the Commission Rule(s) is being requested, Item 11a must be answered 'Y'.

55) (For BRS and EBS) Does the Applicant comply with 47 CFR §§ 27.50, 27.55, and 27.1221?	() <u>Yes</u> <u>No</u>
---	--------------------------

Note: If the answer to item 55 is 'N', attach an exhibit justifying a waiver of that rule(s). If a waiver of the Commission Rule(s) is being requested, Item 11a must be answered 'Y'.

For Applicants Who Participated in an Auction

56) Is the Applicant a qualifying rural wireless partnership or a member of a qualifying rural wireless partnership?	() <u>Yes</u> <u>No</u>
--	--------------------------

Note: If the answer to item 56 is 'Y', attach an exhibit listing all members of the qualifying rural wireless partnership, including their FRN numbers.

For Renewal Applicants

57) Operation/Performance Requirement Certification	
[For a site-based license]: Applicant certifies that it is continuing to operate consistent with its most recently filed construction notification (or most recent authorization, if no construction notification was required).	() <u>Yes</u> <u>No</u>
[For a geographic license, commercial service - licensee in its initial license term with an interim performance requirement]: Applicant certifies that it has met its interim performance requirement, that over the portion of the license term following the interim performance requirement, it continues to use its facilities to provide at least the level of service required by its interim performance requirement, it has met its final performance requirement, and it continues to use its facilities to provide at least the level of service required by its final performance requirement through the end of the license term.	() <u>Yes</u> <u>No</u>
[For a geographic license, commercial service - licensee in its initial license term with no interim performance requirement]: Applicant certifies that it has met its final performance requirement and it continues to use its facilities to provide at least the level of service required by its final performance requirement through the end of the license term. [Note: licensee must provide a showing demonstrating that the final performance requirement has been met, either separately in a timely application for notification of completion of construction, or as part of its renewal application, depending on the radio service.]	() <u>Yes</u> <u>No</u>
[For a geographic license, commercial service - licensee in any subsequent term]: Applicant certifies that it continues to use its facilities to provide at least the level of service required by its final performance requirement through the end of any subsequent license terms.	() <u>Yes</u> <u>No</u>
[For a geographic license, private systems - licensee in its initial license term with an interim performance requirement]: Applicant certifies that it has met its interim performance requirement, that over the portion of the license term following the interim performance requirement, it continues to use its facilities to further its private business or public interest/public safety communications needs at or above the level required to meet its interim performance requirement, it has met its final performance requirement, and it continues to use its facilities to provide at least the level of operation required by its final performance requirement through the end of the license term.	() <u>Yes</u> <u>No</u>
[For a geographic license, private systems - licensee in its initial license term with no interim performance requirement]: Applicant certifies that it has met its final performance requirement, it continues to use its facilities to further its private business or public interest/public safety communications needs, and it continues to use its facilities to provide at least the level of operation required by its final performance requirement through the end of the license term. [Note: licensee must provide a showing demonstrating that the final performance requirement has been met, either separately in a timely application for notification of completion of construction, or as part of its renewal application, depending on the radio service.]	() <u>Yes</u> <u>No</u>

[For a geographic license, private systems - licensee in any subsequent term]: Applicant certifies that it continues to use its facilities to further its private business or public interest/public safety communications needs at or above the level required to meet its final performance requirement through the end of any subsequent license terms.	() <u>Yes</u> <u>No</u>
[For a partitioned or disaggregated license without a performance requirement, for the first renewal application filed after effective date of the rules]: Applicant certifies that the partitioned and/or disaggregated license that is the subject of this renewal application has no separate performance requirement and that this is the first renewal of this license filed subsequent to the effective date of the rules.	() <u>Yes</u> <u>No</u>
[For a partitioned or disaggregated license without a performance requirement, for any subsequent renewal filings]: Applicant certifies that it continues to use its facilities to provide service or to further the applicant's private business or public interest/public safety needs.	() <u>Yes</u> <u>No</u>

Discontinuance of Service Certification

58) Applicant certifies that no permanent discontinuance of service or operation, as applicable, occurred during its current license term. Note: If the response to either item 57 or item 58 is 'N', attach an exhibit that demonstrates that over the course of the license term, the Applicant provided and continues to provide service to the public, or operated and continues to operate the license to meet the Applicant's private business or public interest/public safety communications needs. This exhibit must include a detailed description of the Applicant's provision of service or, when allowed under the relevant service rules or pursuant to waiver, use of the spectrum for private business or public interest/public safety communications needs, during the entire license period and address, as applicable: 1) the level and quality of service provided by the applicant (e.g., the population served, the area served, the number of subscribers, the services offered); (2) the date service commenced, whether service was ever interrupted, and the duration of any interruption or outage; (3) the extent to which service is provided to rural areas; (4) the extent to which service is provided to qualifying tribal land as defined in 47 CFR § 1.2110(e)(3)(i); and (5) any other factors associated with the level of service to the public. The licensee may note in its exhibit: 1) any grant(s) of waiver or extension of a performance deadline or license renewal subject to meeting a performance requirement; or 2) if the final performance deadline and/or expiration date for the license accelerated because the licensee did not meet an interim performance requirement.	() <u>Yes</u> <u>No</u>
--	--------------------------

Regulatory Compliance Certification [same for all]

59) Applicant certifies that it has substantially complied with all applicable FCC rules, policies, and the Communications Act of 1934, as amended. Note: If the response to item 59 is 'N', attach an exhibit explaining the circumstances and demonstrating why Applicant's license should be renewed.	() <u>Yes</u> <u>No</u>
--	--------------------------

General Certification Statements

1) The Applicant waives any claim to the use of any particular frequency or of the electromagnetic spectrum as against the regulatory power of the United States because of the previous use of the same, whether by license or otherwise, and requests an authorization in accordance with this application.
2) The Applicant certifies that grant of this application would not cause the Applicant to be in violation of any pertinent cross-ownership or attribution rules.* *If the Applicant has sought a waiver of any such rule in connection with this application, it may make this certification subject to the outcome of the waiver request.
3) The Applicant certifies that all statements made in this application and in the exhibits, attachments, or documents incorporated by reference are material, are part of this application, and are true, complete, correct, and made in good faith.
4) The Applicant certifies that neither the Applicant nor any other party to the application is subject to a denial of Federal benefits pursuant to § 5301 of the Anti-Drug Abuse Act of 1988, 21 U.S.C. § 862, because of a conviction for possession or distribution of a controlled substance. This certification does not apply to applications filed in services exempted under § 1.2002(c) of the rules, 47 CFR § 1.2002(c). See 47 CFR § 1.2002(b) for the definition of "party to the application" as used in this certification.
5) The Applicant certifies that it either (1) has current required ownership data on file with the Commission, (2) is filing updated ownership data simultaneously with this application, or (3) is not required to file ownership data under the Commission's Rules.
6) The Applicant certifies that the facilities, operations, and transmitters for which this authorization is hereby requested are either: (1) categorically excluded from routine environmental evaluation for RF exposure as set forth in 47 CFR § 1.1307(b); or, (2) have been found not to cause human exposure to levels of radiofrequency radiation in excess of the limits specified in 47 CFR §§ 1.1310 and 2.1093; or, (3) are the subject of one or more Environmental Assessments filed with the Commission.
7) The Applicant certifies that it has reviewed the appropriate Commission Rules defining eligibility to hold the requested license(s) and is eligible to hold the requested license(s).
8) The Applicant certifies that it is not in default on any payment for Commission licenses and that it is not delinquent on any non-tax debt owed to any federal agency.
9) The Applicant certifies that the Applicant and all of the related individuals and entities required to be disclosed on this application and FCC Form 602 (FCC Ownership Disclosure Information for the Wireless Telecommunications Services) are not person(s) who have been, for reasons of national security, barred by any agency of the Federal Government from bidding on a contract, participating in an auction, or receiving a grant. This certification applies only to applications for licenses for spectrum that is required by Sections 6103, 6401-6403 of the Middle Class Tax Relief and Job Creation Act of 2012, codified at 47 U.S.C. §§ 309, 1413, 1451-1452, to be assigned by a system of competitive bidding under 47 U.S.C. § 309(j).

Signature

60) Typed or Printed Name of Party Authorized to Sign

First Name: Jessica	MI:	Last Name: Dunk	Suffix:
61) Title: Assistant Secretary - Compliance			
Signature: Jessica Dunk			62) Date: 01/23/2024
FAILURE TO SIGN THIS APPLICATION MAY RESULT IN DISMISSAL OF THE APPLICATION AND FORFEITURE OF ANY FEES PAID.			
Upon grant of this license application, the Licensee may be subject to certain construction or coverage requirements. Failure to meet the construction or coverage requirements will result in termination of the license. Consult appropriate FCC regulations to determine the construction or coverage requirements that apply to the type of license requested in this application.			
WILLFUL FALSE STATEMENTS MADE ON THIS FORM OR ANY ATTACHMENTS ARE PUNISHABLE BY FINE AND/OR IMPRISONMENT (U.S. Code, Title 18, § 1001) AND/OR REVOCATION OF ANY STATION LICENSE OR CONSTRUCTION PERMIT (U.S. Code, Title 47, § 312(a)(1)), AND/OR FORFEITURE (U.S. Code, Title 47, § 503).			

Reference Copy Only. Do Not Mail to the FCC as an Application.

Submitted: 01/22/2024 at 14:43:18
 File Number: 0010868119

FCC 601
Main Form

FCC Application for Radio Service Authorization: Wireless Telecommunications Bureau Public Safety and Homeland Security Bureau

Approved by OMB
 3060 - 0798
 See instructions for
 public burden estimate

1) Radio Service Code: <p style="text-align: center;">CW</p>	1a) Existing Radio Service Code:
--	----------------------------------

General Information

2) (Select only one) (AU) NE - New RO - Renewal Only AU - Administrative Update NT - Required Notifications MD - Modification RM - Renewal/Modification WD - Withdrawal of Application EX - Requests for Extension of Time AM - Amendment CA - Cancellation of License RL - Registered Location/Link	
3a) If this application is for a Demonstration License or a S pecial Temporary Authorization (STA), enter the code and attach the required exhibit as described in the instructions. Otherwise enter ' N/A ' (Not Applicable).	(N) <u>M</u> <u>S</u> <u>N/A</u>
3b) If this application is for Special Temporary Authority due to an emergency situation, enter 'Y'; otherwise enter 'N'. Refer to Rule 1.915 for an explanation of situations considered to be an emergency.	() <u>Y</u> <u>N</u>
4) If this application is for an Amendment or Withdrawal, enter the file number of the pending application currently on file with the FCC.	File Number
5) If this application is for a Modification, Renewal Only, Renewal/Modification, Cancellation of License, , or Administrative Update, enter the call sign of the existing FCC license. If this is a request for Registered Location/Link, enter the FCC call sign assigned to the geographic license.	Call Sign WQXA289
6a) If this application is for a New, Amendment, Renewal Only, or Renewal/Modification, enter the requested authorization expiration date (this item is optional).	MM DD _____ / _____
6b) If this application is for a Renewal Only or Renewal/Modification and the license is a geographic area license, is the license used to provide service to customers (C), or is the license used for private business (internal) purposes or to meet the licensee's public interest/public safety communications needs (P)?	() <u>C</u> <u>P</u>
7) Is this application "major" as defined in § 1.929 of the Commission's Rules when read in conjunction with the applicable radio service rules found in Parts 22 and 90 of the Commission's Rules? (NOTE: This question only applies to certain site-specific applications. See the instructions for applicability and full text of § 1.929).	() <u>Y</u> <u>N</u>
8) Are attachments (other than associated schedules) being filed with this application?	() <u>Y</u> <u>N</u>

Fees, Waivers, and Exemptions

9) Is the Applicant exempt from FCC application fees?	(N) <u>Y</u> <u>N</u>
10) Is the Applicant exempt from FCC regulatory fees?	(N) <u>Y</u> <u>N</u>
11) Does this application include a request for a Waiver of the Commission's Rule(s)? If 'Yes', attach an exhibit providing rule number(s) and explaining circumstances.	(N) <u>Y</u> <u>N</u>
12) Are the frequencies or parameters requested in this filing covered by grandfathered privileges, previously approved by waiver, or functionally integrated with an existing station?	() <u>Y</u> <u>N</u>

Applicant Information

13) FCC Registration Number (FRN): 0003291192			
14) Applicant/Licensee Legal Entity Type: (Select One) () Individual () Unincorporated Association () Trust () Government Entity () Corporation (<input checked="" type="checkbox"/>) Limited Liability Company () General Partnership () Limited Partnership () Limited Liability Partnership () Consortium () Other: _____			
15) If the Licensee name is being updated, is the update a result from the sale (or transfer of control) of the license(s) to party and for which proper Commission approval has not been received or proper notification not provided?			() <u>Yes</u> <u>No</u>
16) First Name (if individual):	MI:	Last Name:	Suffix:
17) Legal Entity Name (if other than individual): New Cingular Wireless PCS, LLC			
18) Attention To: National Regulatory Compliance			
19) P.O. Box:	And/Or	20) Street Address: 208 S Akard St, 20F	
21) City: Dallas	22) State: TX	23) Zip Code: 75202	
24) Telephone Number: (855)699-7073		25) Fax: (214)746-6410	
26) E-Mail Address: FCCMW@att.com			

27) Demographics (Optional)

Race: () American Indian or Alaska Native () Asian () Black or African-American () Native Hawaiian or Other Pacific Islander () White	Ethnicity: () Hispanic or Latino () Not Hispanic or Latino	Gender: () Male () Female
---	--	-----------------------------------

Real Party in Interest

28) Name of Real Party in Interest of Applicant (If different from Applicant):	29) FCC Registration Number (FRN) of Real Party in Interest:
--	--

Contact Information (If different from the Applicant)**() Check here if same as Applicant.**

30) First Name: Cecil	MI: J	Last Name: Mathew	Suffix:
31) Company Name: AT&T Services, Inc.			
32) Attention To:			
33) P.O. Box:	And /Or	34) Street Address: 208 S. Akard St. 20F	
35) City: Dallas	36) State: TX	37) Zip Code: 75202	
38) Telephone Number: (855)699-7073		39) Fax: (214)746-6410	
40) E-Mail Address: FCCMW@att.com			

Regulatory Status

41) This filing is for authorization to provide or use the following type(s) of radio service offering (enter all that apply):
() Common Carrier () Non-Common Carrier () Private, internal communications () Broadcast Services () Band Manager

Type of Radio Service

42) This filing is for authorization to provide the following type(s) of radio service (choose all that apply):
() Fixed () Mobile () Radiolocation () Satellite (sound) () Broadcast Services
43) Does the Applicant propose to provide service interconnected to the public telephone network? () Yes () No

Alien Ownership Questions (If any answer is 'Y', provide an attachment explaining the circumstances. In preparing the attachment, refer to the Main Form Instructions for the "Alien Ownership Questions".)

44) Is the Applicant a foreign government or the representative of any foreign government? () Yes () No
45) Is the Applicant an alien or the representative of an alien? () Yes () No
46) Is the Applicant a corporation organized under the laws of any foreign government? () Yes () No
47) Is the Applicant a corporation of which more than one-fifth of the capital stock is owned of record or voted by aliens or their representatives, or by a foreign government or representative thereof, or by any corporation organized under the laws of a foreign country? () Yes () No

48a) Is the Applicant directly or indirectly controlled by any other corporation of which more than one-fourth of the capital stock () Yes No is owned of record or voted by aliens or their representatives, or by a foreign government or representative thereof, or by any corporation organized under the laws of a foreign country?

48b) If the answer to 47 or 48a is 'Y' select one of the choices below.

The Applicant is exempt from the provisions of Section 310(b).

If checked, it is not necessary to file a petition for declaratory ruling if the Applicant includes in the attachment required by Item 47 or Item 48a a showing that the requested license(s) is exempt from the provisions of Section 310(b).

The Applicant has received a declaratory ruling(s) approving its foreign ownership, and the application involves only the acquisition of additional spectrum for the provision of a wireless service in a geographic coverage area for which the Applicant has been previously authorized.

If checked, include in the attachment required by Item 47 or Item 48a the citation(s) of the applicable declaratory ruling(s) by DA/FCC number, the FCC Record citation, if available, release date, and a statement that there has been no change in the foreign ownership of the Applicant since the issuance of its ruling.

The Applicant: (i) has received a declaratory ruling(s) approving its foreign ownership, but is not able to make the certification specified immediately above; or (ii) is an "affiliate" of a Licensee or Lessee/Sublessee that received a declaratory ruling(s) under 47 CFR § 1.5000(a) and is relying on the affiliate's ruling for purposes of filing this application as permitted under the affiliate's ruling and 47 CFR § 1.5004(b)

If checked, and if the Applicant received its declaratory ruling(s) on or after August 9, 2013, include in the attachment required by Item 47 or Item 48a the citation(s) of the Applicant's declaratory ruling(s) by DA/FCC number, the FCC Record citation, if available, release date, and a statement that the Applicant is in compliance with the terms and conditions of its ruling and with the Commission's Rules.

If checked, and if the Applicant received its declaratory ruling(s) prior to August 9, 2013, include in the attachment required by Item 48a a copy of a petition for declaratory ruling filed contemporaneously with the Commission to extend the Applicant's existing ruling(s) to cover the same radio service(s) and geographic coverage area(s) involved in the application. Alternatively, the Applicant may request a new declaratory ruling pursuant to Section 1.5000(a) of the Commission's Rules, 47 CFR § 1.5000 (a). Petitions for declaratory ruling may be filed electronically on the Internet through the International Bureau Filing System (IBFS) (with a copy attached hereto).

If checked, and if the Applicant is relying on an affiliate's ruling for purposes of filing this application, include in the attachment required by Item 47 or Item 48a the citation(s) of the applicable declaratory ruling(s) by DA/FCC number, the FCC Record citation, if available, release date, and a statement that the Applicant is in compliance with the terms and conditions of the named affiliate's ruling and with the Commission's Rules. The Applicant must also include a certification of compliance signed by the named affiliate or other qualified entity as specified in 47 CFR § 1.5004(b). See Main Form Instructions for Items 47 or 48a, as applicable.

The Applicant has not received a declaratory ruling approving its foreign ownership and is requesting a declaratory ruling under 47 CFR § 1.5004(b) in a petition filed contemporaneously with the Commission.

If checked, include in the attachment required by Item 47 or 48a a copy of the petition for declaratory ruling filed contemporaneously with the Commission pursuant to 47 CFR § 1.5004(b). Petitions for declaratory ruling may be filed electronically on the Internet through the International Bureau Filing System (IBFS) (with a copy attached hereto).

Basic Qualification Questions

49) Has the Applicant or any party to this application had any FCC station authorization, license or construction permit revoked or had any application for an initial, modification or renewal of FCC station authorization, license, or construction permit denied by the Commission?	() <u>Yes</u> <u>No</u>
50) Has the Applicant or any party to this application, or any party directly or indirectly controlling the Applicant, ever been convicted of a felony by any state or federal court?	() <u>Yes</u> <u>No</u>
51) Has any court finally adjudged the Applicant or any party directly or indirectly controlling the Applicant guilty of unlawfully monopolizing or attempting unlawfully to monopolize radio communication, directly or indirectly, through control of manufacture or sale of radio apparatus, exclusive traffic arrangement, or any other means or unfair methods of competition?	() <u>Yes</u> <u>No</u>

Note: If the answer to any of 49-51 is 'Y', attach an exhibit explaining the circumstances.

Aeronautical Advisory Station (Unicom) Certification

52) () I certify that the station will be located on property of the airport to be served, and, in cases where the airport does not have a control tower, RCO, or FAA flight service station, that I have notified the owner of the airport and all aviation service organizations located at the airport within ten days prior to application.
--

Broadband Radio Service and Educational Broadband Service Cable Cross-Ownership

53a) Will the requested facilities be used to provide multichannel video programming service?	() <u>Yes</u> <u>No</u>
53b) If the answer to question 53a is 'Y', does the Applicant operate, control or have an attributable interest (as defined in 47 CFR § 27.1202) in a cable television system whose franchise area is located within the geographic service area of the requested facilities?	() <u>Yes</u> <u>No</u>

Note: If the answer to question 53b is 'Y', attach an exhibit explaining how the Applicant complies with 47 CFR § 27.1202 or justifying a waiver of that rule. If a waiver of the Commission Rule(s) is being requested, Item 11a must be answered 'Y'.

Broadband Radio Service and Educational Broadband Service (Part 27)

54) (For EBS only) Does the Applicant comply with the programming requirements contained in 47 CFR § 27.1203?	() <u>Yes</u> <u>No</u>
---	--------------------------

Note: If the answer to item 54 is 'N', attach an exhibit explaining how the Applicant complies with 47 CFR § 27.1203 of the Commission's Rules or justifying a waiver of that rule. If a waiver of the Commission Rule(s) is being requested, Item 11a must be answered 'Y'.

55) (For BRS and EBS) Does the Applicant comply with 47 CFR §§ 27.50, 27.55, and 27.1221?	() <u>Yes</u> <u>No</u>
---	--------------------------

Note: If the answer to item 55 is 'N', attach an exhibit justifying a waiver of that rule(s). If a waiver of the Commission Rule(s) is being requested, Item 11a must be answered 'Y'.

For Applicants Who Participated in an Auction

56) Is the Applicant a qualifying rural wireless partnership or a member of a qualifying rural wireless partnership?	() <u>Yes</u> <u>No</u>
--	--------------------------

Note: If the answer to item 56 is 'Y', attach an exhibit listing all members of the qualifying rural wireless partnership, including their FRN numbers.

For Renewal Applicants

57) Operation/Performance Requirement Certification	
[For a site-based license]: Applicant certifies that it is continuing to operate consistent with its most recently filed construction notification (or most recent authorization, if no construction notification was required).	() <u>Yes</u> <u>No</u>
[For a geographic license, commercial service - licensee in its initial license term with an interim performance requirement]: Applicant certifies that it has met its interim performance requirement, that over the portion of the license term following the interim performance requirement, it continues to use its facilities to provide at least the level of service required by its interim performance requirement, it has met its final performance requirement, and it continues to use its facilities to provide at least the level of service required by its final performance requirement through the end of the license term.	() <u>Yes</u> <u>No</u>
[For a geographic license, commercial service - licensee in its initial license term with no interim performance requirement]: Applicant certifies that it has met its final performance requirement and it continues to use its facilities to provide at least the level of service required by its final performance requirement through the end of the license term. [Note: licensee must provide a showing demonstrating that the final performance requirement has been met, either separately in a timely application for notification of completion of construction, or as part of its renewal application, depending on the radio service.]	() <u>Yes</u> <u>No</u>
[For a geographic license, commercial service - licensee in any subsequent term]: Applicant certifies that it continues to use its facilities to provide at least the level of service required by its final performance requirement through the end of any subsequent license terms.	() <u>Yes</u> <u>No</u>
[For a geographic license, private systems - licensee in its initial license term with an interim performance requirement]: Applicant certifies that it has met its interim performance requirement, that over the portion of the license term following the interim performance requirement, it continues to use its facilities to further its private business or public interest/public safety communications needs at or above the level required to meet its interim performance requirement, it has met its final performance requirement, and it continues to use its facilities to provide at least the level of operation required by its final performance requirement through the end of the license term.	() <u>Yes</u> <u>No</u>
[For a geographic license, private systems - licensee in its initial license term with no interim performance requirement]: Applicant certifies that it has met its final performance requirement, it continues to use its facilities to further its private business or public interest/public safety communications needs, and it continues to use its facilities to provide at least the level of operation required by its final performance requirement through the end of the license term. [Note: licensee must provide a showing demonstrating that the final performance requirement has been met, either separately in a timely application for notification of completion of construction, or as part of its renewal application, depending on the radio service.]	() <u>Yes</u> <u>No</u>

[For a geographic license, private systems - licensee in any subsequent term]: Applicant certifies that it continues to use its facilities to further its private business or public interest/public safety communications needs at or above the level required to meet its final performance requirement through the end of any subsequent license terms.	() <u>Yes</u> <u>No</u>
[For a partitioned or disaggregated license without a performance requirement, for the first renewal application filed after effective date of the rules]: Applicant certifies that the partitioned and/or disaggregated license that is the subject of this renewal application has no separate performance requirement and that this is the first renewal of this license filed subsequent to the effective date of the rules.	() <u>Yes</u> <u>No</u>
[For a partitioned or disaggregated license without a performance requirement, for any subsequent renewal filings]: Applicant certifies that it continues to use its facilities to provide service or to further the applicant's private business or public interest/public safety needs.	() <u>Yes</u> <u>No</u>

Discontinuance of Service Certification

58) Applicant certifies that no permanent discontinuance of service or operation, as applicable, occurred during its current license term. Note: If the response to either item 57 or item 58 is 'N', attach an exhibit that demonstrates that over the course of the license term, the Applicant provided and continues to provide service to the public, or operated and continues to operate the license to meet the Applicant's private business or public interest/public safety communications needs. This exhibit must include a detailed description of the Applicant's provision of service or, when allowed under the relevant service rules or pursuant to waiver, use of the spectrum for private business or public interest/public safety communications needs, during the entire license period and address, as applicable: 1) the level and quality of service provided by the applicant (e.g., the population served, the area served, the number of subscribers, the services offered); (2) the date service commenced, whether service was ever interrupted, and the duration of any interruption or outage; (3) the extent to which service is provided to rural areas; (4) the extent to which service is provided to qualifying tribal land as defined in 47 CFR § 1.2110(e)(3)(i); and (5) any other factors associated with the level of service to the public. The licensee may note in its exhibit: 1) any grant(s) of waiver or extension of a performance deadline or license renewal subject to meeting a performance requirement; or 2) if the final performance deadline and/or expiration date for the license accelerated because the licensee did not meet an interim performance requirement.	() <u>Yes</u> <u>No</u>
--	--------------------------

Regulatory Compliance Certification [same for all]

59) Applicant certifies that it has substantially complied with all applicable FCC rules, policies, and the Communications Act of 1934, as amended. Note: If the response to item 59 is 'N', attach an exhibit explaining the circumstances and demonstrating why Applicant's license should be renewed.	() <u>Yes</u> <u>No</u>
--	--------------------------

General Certification Statements

1) The Applicant waives any claim to the use of any particular frequency or of the electromagnetic spectrum as against the regulatory power of the United States because of the previous use of the same, whether by license or otherwise, and requests an authorization in accordance with this application.
2) The Applicant certifies that grant of this application would not cause the Applicant to be in violation of any pertinent cross-ownership or attribution rules.* *If the Applicant has sought a waiver of any such rule in connection with this application, it may make this certification subject to the outcome of the waiver request.
3) The Applicant certifies that all statements made in this application and in the exhibits, attachments, or documents incorporated by reference are material, are part of this application, and are true, complete, correct, and made in good faith.
4) The Applicant certifies that neither the Applicant nor any other party to the application is subject to a denial of Federal benefits pursuant to § 5301 of the Anti-Drug Abuse Act of 1988, 21 U.S.C. § 862, because of a conviction for possession or distribution of a controlled substance. This certification does not apply to applications filed in services exempted under § 1.2002(c) of the rules, 47 CFR § 1.2002(c). See 47 CFR § 1.2002(b) for the definition of "party to the application" as used in this certification.
5) The Applicant certifies that it either (1) has current required ownership data on file with the Commission, (2) is filing updated ownership data simultaneously with this application, or (3) is not required to file ownership data under the Commission's Rules.
6) The Applicant certifies that the facilities, operations, and transmitters for which this authorization is hereby requested are either: (1) categorically excluded from routine environmental evaluation for RF exposure as set forth in 47 CFR § 1.1307(b); or, (2) have been found not to cause human exposure to levels of radiofrequency radiation in excess of the limits specified in 47 CFR §§ 1.1310 and 2.1093; or, (3) are the subject of one or more Environmental Assessments filed with the Commission.
7) The Applicant certifies that it has reviewed the appropriate Commission Rules defining eligibility to hold the requested license(s) and is eligible to hold the requested license(s).
8) The Applicant certifies that it is not in default on any payment for Commission licenses and that it is not delinquent on any non-tax debt owed to any federal agency.
9) The Applicant certifies that the Applicant and all of the related individuals and entities required to be disclosed on this application and FCC Form 602 (FCC Ownership Disclosure Information for the Wireless Telecommunications Services) are not person(s) who have been, for reasons of national security, barred by any agency of the Federal Government from bidding on a contract, participating in an auction, or receiving a grant. This certification applies only to applications for licenses for spectrum that is required by Sections 6103, 6401-6403 of the Middle Class Tax Relief and Job Creation Act of 2012, codified at 47 U.S.C. §§ 309, 1413, 1451-1452, to be assigned by a system of competitive bidding under 47 U.S.C. § 309(j).

Signature

60) Typed or Printed Name of Party Authorized to Sign

First Name: Jessica	MI:	Last Name: Dunk	Suffix:
61) Title: Assistant Secretary - Compliance			
Signature: Jessica Dunk			62) Date: 01/22/2024
FAILURE TO SIGN THIS APPLICATION MAY RESULT IN DISMISSAL OF THE APPLICATION AND FORFEITURE OF ANY FEES PAID.			
Upon grant of this license application, the Licensee may be subject to certain construction or coverage requirements. Failure to meet the construction or coverage requirements will result in termination of the license. Consult appropriate FCC regulations to determine the construction or coverage requirements that apply to the type of license requested in this application.			
WILLFUL FALSE STATEMENTS MADE ON THIS FORM OR ANY ATTACHMENTS ARE PUNISHABLE BY FINE AND/OR IMPRISONMENT (U.S. Code, Title 18, § 1001) AND/OR REVOCATION OF ANY STATION LICENSE OR CONSTRUCTION PERMIT (U.S. Code, Title 47, § 312(a)(1)), AND/OR FORFEITURE (U.S. Code, Title 47, § 503).			

Reference Copy Only. Do Not Mail to the FCC as an Application.

Submitted: 01/13/2023 at 18:08:22
 File Number: 0010373155

FCC 601
Main Form

FCC Application for Radio Service Authorization: Wireless Telecommunications Bureau Public Safety and Homeland Security Bureau

Approved by OMB
 3060 - 0798
 See instructions for
 public burden estimate

1) Radio Service Code: <p style="text-align: center;">CW</p>	1a) Existing Radio Service Code:
--	----------------------------------

General Information

2) (Select only one) (AU) NE - New RO - Renewal Only AU - Administrative Update NT - Required Notifications MD - Modification RM - Renewal/Modification WD - Withdrawal of Application EX - Requests for Extension of Time AM - Amendment CA - Cancellation of License RL - Registered Location/Link	
3a) If this application is for a Demonstration License or a <u>Special</u> Temporary Authorization (STA), enter the code and attach the required exhibit as described in the instructions. Otherwise enter ' <u>N/A</u> ' (Not Applicable).	(N) <u>M</u> <u>S</u> <u>N/A</u>
3b) If this application is for Special Temporary Authority due to an emergency situation, enter 'Y'; otherwise enter 'N'. Refer to Rule 1.915 for an explanation of situations considered to be an emergency.	() <u>Y</u> No
4) If this application is for an Amendment or Withdrawal, enter the file number of the pending application currently on file with the FCC.	File Number
5) If this application is for a Modification, Renewal Only, Renewal/Modification, Cancellation of License, , or Administrative Update, enter the call sign of the existing FCC license. If this is a request for Registered Location/Link, enter the FCC call sign assigned to the geographic license.	Call Sign WQXA289
6a) If this application is for a New, Amendment, Renewal Only, or Renewal/Modification, enter the requested authorization expiration date (this item is optional).	MM DD _____ / _____
6b) If this application is for a Renewal Only or Renewal/Modification and the license is a geographic area license, is the license used to provide service to customers (C), or is the license used for private business (internal) purposes or to meet the licensee's public interest/public safety communications needs (P)?	() <u>C</u> <u>P</u>
7) Is this application "major" as defined in § 1.929 of the Commission's Rules when read in conjunction with the applicable radio service rules found in Parts 22 and 90 of the Commission's Rules? (NOTE: This question only applies to certain site-specific applications. See the instructions for applicability and full text of § 1.929).	() <u>Y</u> No
8) Are attachments (other than associated schedules) being filed with this application?	() <u>Y</u> No

Fees, Waivers, and Exemptions

9) Is the Applicant exempt from FCC application fees?	(N) <u>Y</u> No
10) Is the Applicant exempt from FCC regulatory fees?	(N) <u>Y</u> No
11) Does this application include a request for a Waiver of the Commission's Rule(s)? If 'Yes', attach an exhibit providing rule number(s) and explaining circumstances.	(N) <u>Y</u> No
12) Are the frequencies or parameters requested in this filing covered by grandfathered privileges, previously approved by waiver, or functionally integrated with an existing station?	() <u>Y</u> No

Applicant Information

13) FCC Registration Number (FRN): 0003291192			
14) Applicant/Licensee Legal Entity Type: (Select One) <input type="checkbox"/> Individual <input type="checkbox"/> Unincorporated Association <input type="checkbox"/> Trust <input type="checkbox"/> Government Entity <input type="checkbox"/> Corporation <input checked="" type="checkbox"/> Limited Liability Company <input type="checkbox"/> General Partnership <input type="checkbox"/> Limited Partnership <input type="checkbox"/> Limited Liability Partnership <input type="checkbox"/> Consortium <input type="checkbox"/> Other: _____			
15) If the Licensee name is being updated, is the update a result from the sale (or transfer of control) of the license(s) to party and for which proper Commission approval has not been received or proper notification not provided?			<input type="checkbox"/> Yes <input checked="" type="checkbox"/> No
16) First Name (if individual):	MI:	Last Name:	Suffix:
17) Legal Entity Name (if other than individual): NEW CINGULAR WIRELESS PCS, LLC			
18) Attention To: FCC Group			
19) P.O. Box:	And/Or	20) Street Address: 208 S. Akard St. 20F	
21) City: Dallas	22) State: TX	23) Zip Code: 75202	
24) Telephone Number: (855)699-7073		25) Fax: (214)746-6410	
26) E-Mail Address: FCCMW@att.com			

27) Demographics (Optional)

Race: <input type="checkbox"/> American Indian or Alaska Native <input type="checkbox"/> Asian <input type="checkbox"/> Black or African-American <input type="checkbox"/> Native Hawaiian or Other Pacific Islander <input type="checkbox"/> White	Ethnicity: <input type="checkbox"/> Hispanic or Latino <input type="checkbox"/> Not Hispanic or Latino	Gender: <input type="checkbox"/> Male <input type="checkbox"/> Female
--	--	---

Real Party in Interest

28) Name of Real Party in Interest of Applicant (If different from Applicant):	29) FCC Registration Number (FRN) of Real Party in Interest:
--	--

Contact Information (If different from the Applicant) Check here if same as Applicant.

30) First Name: Cecil	MI: J	Last Name: Mathew	Suffix:
31) Company Name: AT&T Services, Inc.			
32) Attention To:			
33) P.O. Box:	And /Or	34) Street Address: 208 S. Akard St. 20F	
35) City: Dallas	36) State: TX	37) Zip Code: 75202	
38) Telephone Number: (855)699-7073		39) Fax: (214)746-6410	
40) E-Mail Address: FCCMW@att.com			

Regulatory Status

41) This filing is for authorization to provide or use the following type(s) of radio service offering (enter all that apply):
() Common Carrier () Non-Common Carrier () Private, internal communications () Broadcast Services () Band Manager

Type of Radio Service

42) This filing is for authorization to provide the following type(s) of radio service (choose all that apply):
() Fixed () Mobile () Radiolocation () Satellite (sound) () Broadcast Services
43) Does the Applicant propose to provide service interconnected to the public telephone network? () Yes No

Alien Ownership Questions (If any answer is 'Y', provide an attachment explaining the circumstances. In preparing the attachment, refer to the Main Form Instructions for the "Alien Ownership Questions".)

44) Is the Applicant a foreign government or the representative of any foreign government? () Yes No
45) Is the Applicant an alien or the representative of an alien? () Yes No
46) Is the Applicant a corporation organized under the laws of any foreign government? () Yes No
47) Is the Applicant a corporation of which more than one-fifth of the capital stock is owned of record or voted by aliens or their representatives, or by a foreign government or representative thereof, or by any corporation organized under the laws of a foreign country? () Yes No

48a) Is the Applicant directly or indirectly controlled by any other corporation of which more than one-fourth of the capital stock (Yes No) is owned of record or voted by aliens or their representatives, or by a foreign government or representative thereof, or by any corporation organized under the laws of a foreign country?

48b) If the answer to 47 or 48a is 'Y' select one of the choices below.

The Applicant is exempt from the provisions of Section 310(b).

If checked, it is not necessary to file a petition for declaratory ruling if the Applicant includes in the attachment required by Item 47 or Item 48a a showing that the requested license(s) is exempt from the provisions of Section 310(b).

The Applicant has received a declaratory ruling(s) approving its foreign ownership, and the application involves only the acquisition of additional spectrum for the provision of a wireless service in a geographic coverage area for which the Applicant has been previously authorized.

If checked, include in the attachment required by Item 47 or Item 48a the citation(s) of the applicable declaratory ruling(s) by DA/FCC number, the FCC Record citation, if available, release date, and a statement that there has been no change in the foreign ownership of the Applicant since the issuance of its ruling.

The Applicant: (i) has received a declaratory ruling(s) approving its foreign ownership, but is not able to make the certification specified immediately above; or (ii) is an "affiliate" of a Licensee or Lessee/Sublessee that received a declaratory ruling(s) under 47 CFR § 1.5000(a) and is relying on the affiliate's ruling for purposes of filing this application as permitted under the affiliate's ruling and 47 CFR § 1.5004(b)

If checked, and if the Applicant received its declaratory ruling(s) on or after August 9, 2013, include in the attachment required by Item 47 or Item 48a the citation(s) of the Applicant's declaratory ruling(s) by DA/FCC number, the FCC Record citation, if available, release date, and a statement that the Applicant is in compliance with the terms and conditions of its ruling and with the Commission's Rules.

If checked, and if the Applicant received its declaratory ruling(s) prior to August 9, 2013, include in the attachment required by Item 48a a copy of a petition for declaratory ruling filed contemporaneously with the Commission to extend the Applicant's existing ruling(s) to cover the same radio service(s) and geographic coverage area(s) involved in the application. Alternatively, the Applicant may request a new declaratory ruling pursuant to Section 1.5000(a) of the Commission's Rules, 47 CFR § 1.5000 (a). Petitions for declaratory ruling may be filed electronically on the Internet through the International Bureau Filing System (IBFS) (with a copy attached hereto).

If checked, and if the Applicant is relying on an affiliate's ruling for purposes of filing this application, include in the attachment required by Item 47 or Item 48a the citation(s) of the applicable declaratory ruling(s) by DA/FCC number, the FCC Record citation, if available, release date, and a statement that the Applicant is in compliance with the terms and conditions of the named affiliate's ruling and with the Commission's Rules. The Applicant must also include a certification of compliance signed by the named affiliate or other qualified entity as specified in 47 CFR § 1.5004(b). See Main Form Instructions for Items 47 or 48a, as applicable.

The Applicant has not received a declaratory ruling approving its foreign ownership and is requesting a declaratory ruling under 47 CFR § 1.5004(b) in a petition filed contemporaneously with the Commission.

If checked, include in the attachment required by Item 47 or 48a a copy of the petition for declaratory ruling filed contemporaneously with the Commission pursuant to 47 CFR § 1.5004(b). Petitions for declaratory ruling may be filed electronically on the Internet through the International Bureau Filing System (IBFS) (with a copy attached hereto).

Basic Qualification Questions

49) Has the Applicant or any party to this application had any FCC station authorization, license or construction permit revoked or had any application for an initial, modification or renewal of FCC station authorization, license, or construction permit denied by the Commission?	() <u>Yes</u> <u>No</u>
50) Has the Applicant or any party to this application, or any party directly or indirectly controlling the Applicant, ever been convicted of a felony by any state or federal court?	() <u>Yes</u> <u>No</u>
51) Has any court finally adjudged the Applicant or any party directly or indirectly controlling the Applicant guilty of unlawfully monopolizing or attempting unlawfully to monopolize radio communication, directly or indirectly, through control of manufacture or sale of radio apparatus, exclusive traffic arrangement, or any other means or unfair methods of competition?	() <u>Yes</u> <u>No</u>

Note: If the answer to any of 49-51 is 'Y', attach an exhibit explaining the circumstances.

Aeronautical Advisory Station (Unicom) Certification

52) () I certify that the station will be located on property of the airport to be served, and, in cases where the airport does not have a control tower, RCO, or FAA flight service station, that I have notified the owner of the airport and all aviation service organizations located at the airport within ten days prior to application.
--

Broadband Radio Service and Educational Broadband Service Cable Cross-Ownership

53a) Will the requested facilities be used to provide multichannel video programming service?	() <u>Yes</u> <u>No</u>
53b) If the answer to question 53a is 'Y', does the Applicant operate, control or have an attributable interest (as defined in 47 CFR § 27.1202) in a cable television system whose franchise area is located within the geographic service area of the requested facilities?	() <u>Yes</u> <u>No</u>

Note: If the answer to question 53b is 'Y', attach an exhibit explaining how the Applicant complies with 47 CFR § 27.1202 or justifying a waiver of that rule. If a waiver of the Commission Rule(s) is being requested, Item 11a must be answered 'Y'.

Broadband Radio Service and Educational Broadband Service (Part 27)

54) (For EBS only) Does the Applicant comply with the programming requirements contained in 47 CFR § 27.1203?	() <u>Yes</u> <u>No</u>
---	--------------------------

Note: If the answer to item 54 is 'N', attach an exhibit explaining how the Applicant complies with 47 CFR § 27.1203 of the Commission's Rules or justifying a waiver of that rule. If a waiver of the Commission Rule(s) is being requested, Item 11a must be answered 'Y'.

55) (For BRS and EBS) Does the Applicant comply with 47 CFR §§ 27.50, 27.55, and 27.1221?	() <u>Yes</u> <u>No</u>
---	--------------------------

Note: If the answer to item 55 is 'N', attach an exhibit justifying a waiver of that rule(s). If a waiver of the Commission Rule(s) is being requested, Item 11a must be answered 'Y'.

For Applicants Who Participated in an Auction

56) Is the Applicant a qualifying rural wireless partnership or a member of a qualifying rural wireless partnership?	() <u>Yes</u> <u>No</u>
--	--------------------------

Note: If the answer to item 56 is 'Y', attach an exhibit listing all members of the qualifying rural wireless partnership, including their FRN numbers.

For Renewal Applicants

57) Operation/Performance Requirement Certification	
[For a site-based license]: Applicant certifies that it is continuing to operate consistent with its most recently filed construction notification (or most recent authorization, if no construction notification was required).	() <u>Yes</u> <u>No</u>
[For a geographic license, commercial service - licensee in its initial license term with an interim performance requirement]: Applicant certifies that it has met its interim performance requirement, that over the portion of the license term following the interim performance requirement, it continues to use its facilities to provide at least the level of service required by its interim performance requirement, it has met its final performance requirement, and it continues to use its facilities to provide at least the level of service required by its final performance requirement through the end of the license term.	() <u>Yes</u> <u>No</u>
[For a geographic license, commercial service - licensee in its initial license term with no interim performance requirement]: Applicant certifies that it has met its final performance requirement and it continues to use its facilities to provide at least the level of service required by its final performance requirement through the end of the license term. [Note: licensee must provide a showing demonstrating that the final performance requirement has been met, either separately in a timely application for notification of completion of construction, or as part of its renewal application, depending on the radio service.]	() <u>Yes</u> <u>No</u>
[For a geographic license, commercial service - licensee in any subsequent term]: Applicant certifies that it continues to use its facilities to provide at least the level of service required by its final performance requirement through the end of any subsequent license terms.	() <u>Yes</u> <u>No</u>
[For a geographic license, private systems - licensee in its initial license term with an interim performance requirement]: Applicant certifies that it has met its interim performance requirement, that over the portion of the license term following the interim performance requirement, it continues to use its facilities to further its private business or public interest/public safety communications needs at or above the level required to meet its interim performance requirement, it has met its final performance requirement, and it continues to use its facilities to provide at least the level of operation required by its final performance requirement through the end of the license term.	() <u>Yes</u> <u>No</u>
[For a geographic license, private systems - licensee in its initial license term with no interim performance requirement]: Applicant certifies that it has met its final performance requirement, it continues to use its facilities to further its private business or public interest/public safety communications needs, and it continues to use its facilities to provide at least the level of operation required by its final performance requirement through the end of the license term. [Note: licensee must provide a showing demonstrating that the final performance requirement has been met, either separately in a timely application for notification of completion of construction, or as part of its renewal application, depending on the radio service.]	() <u>Yes</u> <u>No</u>

[For a geographic license, private systems - licensee in any subsequent term]: Applicant certifies that it continues to use its facilities to further its private business or public interest/public safety communications needs at or above the level required to meet its final performance requirement through the end of any subsequent license terms.	() <u>Yes</u> <u>No</u>
[For a partitioned or disaggregated license without a performance requirement, for the first renewal application filed after effective date of the rules]: Applicant certifies that the partitioned and/or disaggregated license that is the subject of this renewal application has no separate performance requirement and that this is the first renewal of this license filed subsequent to the effective date of the rules.	() <u>Yes</u> <u>No</u>
[For a partitioned or disaggregated license without a performance requirement, for any subsequent renewal filings]: Applicant certifies that it continues to use its facilities to provide service or to further the applicant's private business or public interest/public safety needs.	() <u>Yes</u> <u>No</u>

Discontinuance of Service Certification

58) Applicant certifies that no permanent discontinuance of service or operation, as applicable, occurred during its current license term. Note: If the response to either item 57 or item 58 is 'N', attach an exhibit that demonstrates that over the course of the license term, the Applicant provided and continues to provide service to the public, or operated and continues to operate the license to meet the Applicant's private business or public interest/public safety communications needs. This exhibit must include a detailed description of the Applicant's provision of service or, when allowed under the relevant service rules or pursuant to waiver, use of the spectrum for private business or public interest/public safety communications needs, during the entire license period and address, as applicable: 1) the level and quality of service provided by the applicant (e.g., the population served, the area served, the number of subscribers, the services offered); (2) the date service commenced, whether service was ever interrupted, and the duration of any interruption or outage; (3) the extent to which service is provided to rural areas; (4) the extent to which service is provided to qualifying tribal land as defined in 47 CFR § 1.2110(e)(3)(i); and (5) any other factors associated with the level of service to the public. The licensee may note in its exhibit: 1) any grant(s) of waiver or extension of a performance deadline or license renewal subject to meeting a performance requirement; or 2) if the final performance deadline and/or expiration date for the license accelerated because the licensee did not meet an interim performance requirement.	() <u>Yes</u> <u>No</u>
--	--------------------------

Regulatory Compliance Certification [same for all]

59) Applicant certifies that it has substantially complied with all applicable FCC rules, policies, and the Communications Act of 1934, as amended. Note: If the response to item 59 is 'N', attach an exhibit explaining the circumstances and demonstrating why Applicant's license should be renewed.	() <u>Yes</u> <u>No</u>
--	--------------------------

General Certification Statements

1) The Applicant waives any claim to the use of any particular frequency or of the electromagnetic spectrum as against the regulatory power of the United States because of the previous use of the same, whether by license or otherwise, and requests an authorization in accordance with this application.
2) The Applicant certifies that grant of this application would not cause the Applicant to be in violation of any pertinent cross-ownership or attribution rules.* *If the Applicant has sought a waiver of any such rule in connection with this application, it may make this certification subject to the outcome of the waiver request.
3) The Applicant certifies that all statements made in this application and in the exhibits, attachments, or documents incorporated by reference are material, are part of this application, and are true, complete, correct, and made in good faith.
4) The Applicant certifies that neither the Applicant nor any other party to the application is subject to a denial of Federal benefits pursuant to § 5301 of the Anti-Drug Abuse Act of 1988, 21 U.S.C. § 862, because of a conviction for possession or distribution of a controlled substance. This certification does not apply to applications filed in services exempted under § 1.2002(c) of the rules, 47 CFR § 1.2002(c). See 47 CFR § 1.2002(b) for the definition of "party to the application" as used in this certification.
5) The Applicant certifies that it either (1) has current required ownership data on file with the Commission, (2) is filing updated ownership data simultaneously with this application, or (3) is not required to file ownership data under the Commission's Rules.
6) The Applicant certifies that the facilities, operations, and transmitters for which this authorization is hereby requested are either: (1) categorically excluded from routine environmental evaluation for RF exposure as set forth in 47 CFR § 1.1307(b); or, (2) have been found not to cause human exposure to levels of radiofrequency radiation in excess of the limits specified in 47 CFR §§ 1.1310 and 2.1093; or, (3) are the subject of one or more Environmental Assessments filed with the Commission.
7) The Applicant certifies that it has reviewed the appropriate Commission Rules defining eligibility to hold the requested license(s) and is eligible to hold the requested license(s).
8) The Applicant certifies that it is not in default on any payment for Commission licenses and that it is not delinquent on any non-tax debt owed to any federal agency.
9) The Applicant certifies that the Applicant and all of the related individuals and entities required to be disclosed on this application and FCC Form 602 (FCC Ownership Disclosure Information for the Wireless Telecommunications Services) are not person(s) who have been, for reasons of national security, barred by any agency of the Federal Government from bidding on a contract, participating in an auction, or receiving a grant. This certification applies only to applications for licenses for spectrum that is required by Sections 6103, 6401-6403 of the Middle Class Tax Relief and Job Creation Act of 2012, codified at 47 U.S.C. §§ 309, 1413, 1451-1452, to be assigned by a system of competitive bidding under 47 U.S.C. § 309(j).

Signature

60) Typed or Printed Name of Party Authorized to Sign

First Name: Cecil	MI: J	Last Name: Mathew	Suffix:
61) Title: Assistant Secretary - Compliance			
Signature: Cecil J Mathew			62) Date: 01/13/2023
FAILURE TO SIGN THIS APPLICATION MAY RESULT IN DISMISSAL OF THE APPLICATION AND FORFEITURE OF ANY FEES PAID.			
Upon grant of this license application, the Licensee may be subject to certain construction or coverage requirements. Failure to meet the construction or coverage requirements will result in termination of the license. Consult appropriate FCC regulations to determine the construction or coverage requirements that apply to the type of license requested in this application.			
WILLFUL FALSE STATEMENTS MADE ON THIS FORM OR ANY ATTACHMENTS ARE PUNISHABLE BY FINE AND/OR IMPRISONMENT (U.S. Code, Title 18, § 1001) AND/OR REVOCATION OF ANY STATION LICENSE OR CONSTRUCTION PERMIT (U.S. Code, Title 47, § 312(a)(1)), AND/OR FORFEITURE (U.S. Code, Title 47, § 503).			

EXHIBIT B

SITE DEVELOPMENT PLAN:

**500' VICINITY MAP
LEGAL DESCRIPTIONS
FLOOD PLAIN CERTIFICATION
SITE PLAN
VERTICAL TOWER PROFILE**



AT&T

SITE NAME:
MEADOWVIEW

FA# 16147981
 PACE# MRTNK068653, MRTNK074069, MRTNK074078,
 MRTNK074335, MRTNK074234
 USID# 328954

NEW BUILD SITE WITH PROPOSED 190'-0" MONOPOLE WITH
 A 5' LIGHTING ARRESTOR & INSTALLATION OF PROPOSED
 WUC & GENERATOR ON A 10' X 17' CONCRETE PAD

CALL KENTUCKY
 ONE CALL
 (800) 752-6007
 CALL 3 WORKING DAYS
 BEFORE YOU DIG!



VICINITY MAP

NOT TO SCALE

DRIVE DIRECTIONS

STARTING AT CALDWELL COUNTY COURTHOUSE, 100 E MARKET ST, PRINCETON, KY 42445:
 HEAD NORTHWEST ON US-62 W / KY-139 / KY-293 / W MARKET ST TOWARD KY-293 / W COURT SQ, 92 FEET
 TURN LEFT ONTO KY-293 / W COURT SQ, THEN IMMEDIATELY TURN LEFT ONTO US-62 E / KY-91 / KY-293 / W MAIN ST, 0.2 MILES
 KEEP RIGHT TO STAY ON KY-91 / HOPKINSVILLE ST, 505 FEET
 TURN RIGHT ONTO CADIZ ST, 0.6 MILES
 BEAR LEFT ONTO KY-139 / E LEGION DR, 5.8 MILES
 TURN RIGHT ONTO KY-1272 / KY 1272, 1.7 MILES
 TURN RIGHT TO STAY ON KY-1272 / KY 1272, 1.4 MILES
 ARRIVE AT SITE ACCESS DRIVE ON THE RIGHT

DIRECTIONS PREPARED BY:
 MARK PATTERSON
 (502) 276-2779

SCOPE OF WORK

CONSTRUCTION DRAWINGS FOR:
 CONSTRUCTION OF A NEW UNMANNED TELECOMMUNICATIONS FACILITY.
 SITE WORK: NEW TOWER, UNMANNED EQUIPMENT CABINET, AND UTILITY INSTALLATIONS.

PROJECT INFORMATION

COUNTY: CALDWELL
 SITE ADDRESS: KENTUCKY HIGHWAY 1272 PRINCETON, KY 42445
 APPLICANT: NEW CINGULAR WIRELESS PCS LLC A DELAWARE LIMITED LIABILITY COMPANY, D/B/A AT&T MOBILITY MEIDINGER TOWER 462 S. 4TH STREET SUITE 2400 LOUISVILLE, KY 40202
 LATITUDE: 37° 00' 42.419046" (37.011783)
 LONGITUDE: -87° 54' 25.326762" (-87.907035)

CONTACT INFORMATION

EMERGENCY
 CALL 911

LANDLORD APPROVAL

SIGNATURE DATE

SHEET INDEX

T-1	TITLE SHEET & PROJECT INFORMATION
SURVEY: B-1 - B-1.6 B-2	SITE SURVEY 500' RADIUS & ABUTTERS MAP
GENERAL: GN-1 GN-2	GENERAL NOTES & SPECIFICATIONS ANTENNA INSTALLATION NOTES
CIVIL: C-1 C-2 C-3 C-4 C-5 - C-5.4 C-6 C-7 - C-7.1 C-8 C-9	OVERALL SITE PLAN ENLARGED SITE PLAN COMPOUND SITE PLAN TOWER ELEVATION WUC SPECS GENERATOR SPECS FENCE DETAILS WUC FOUNDATION PLAN (PAD) GROUND EQUIPMENT SPECS
RADIO FREQUENCY DATA SHEETS: RF-1 RF-2 RF-3 RF-4 - RF-4.1 RF-5	RADIO FREQUENCY DATA SHEET ANTENNA MOUNT & ORIENTATION PROPOSED EQUIPMENT SCHEDULE EQUIPMENT SPECS MOUNT PARTS LIST

PREPARED BY:



PREPARED FOR:



11/20/2023
 EN PERMIT: 3594

REVISIONS

REV.	DATE	DESCRIPTION
A	10/13/23	PRELIM ISSUE
B	11/01/23	PRELIM ISSUE
0	11/17/23	CONSTRUCTION

SITE NAME:
 MEADOWVIEW
 SITE INFORMATION:
 KENTUCKY HIGHWAY 1272
 PRINCETON, KY 42445
 CALDWELL COUNTY

FA NUMBER:
 16147981

USID:
 328954

POD PROJECT NUMBER: 23-157801
 DRAWN BY: EW
 CHECKED BY: MEP
 DATE: 11/17/23

SHEET TITLE:
**TITLE SHEET
 & PROJECT
 INFORMATION**

SHEET NUMBER:

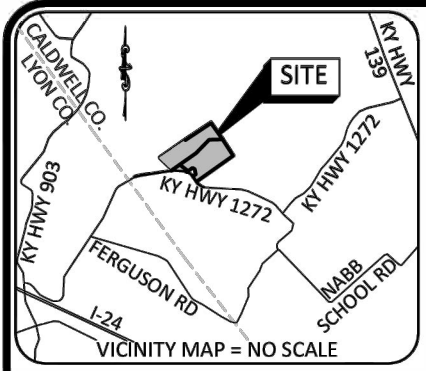
T-1

BUILDING CODES AND STANDARDS

CONTRACTOR'S WORK SHALL COMPLY WITH ALL APPLICABLE NATIONAL, STATE AND LOCAL CODES AS ADOPTED BY THE LOCAL AUTHORITY HAVING JURISDICTION FOR THE LOCATION.

- CONTRACTOR'S WORK SHALL COMPLY WITH THE LATEST EDITION OF THE FOLLOWING STANDARDS:
- AMERICAN CONCRETE INSTITUTE 318
- AMERICAN INSTITUTE OF STEEL CONSTRUCTION MANUAL OF STEEL CONSTRUCTION
- TELECOMMUNICATIONS INDUSTRY ASSOCIATION TIA-222
- STRUCTURAL STANDARDS FOR STEEL ANTENNA TOWER AND SUPPORTING STRUCTURES TIA-601
- COMMERCIAL BUILDING GROUNDING AND BONDING REQUIREMENTS FOR TELECOMMUNICATIONS
- INSTITUTE FOR ELECTRICAL AND ELECTRONICS ENGINEERS IEEE-81, IEEE 1100, IEEE C62.41
- ANSI T1.311, FOR TELECOM - DC POWER SYSTEMS - TELECOM, ENVIRONMENTAL PROTECTION
- 2018 KENTUCKY BUILDING CODE, 4TH EDITION/2015 IBC W/ AMENDMENTS
- 2018 KENTUCKY BUILDING CODE, 4TH EDITION/2015 IMC W/ AMENDMENTS
- 2018 KENTUCKY BUILDING CODE, 4TH EDITION/2017 NEC

FOR ANY CONFLICTS BETWEEN SECTIONS OF LISTED CODES AND STANDARDS, THE MOST RESTRICTIVE REQUIREMENT SHALL GOVERN.



GLOBAL POSITIONING SYSTEMS NOTE

1. RANDOM TRAVERSE CONTROL MONUMENTS WERE SET USING GPS METHODS. A PORTION OF THE TOPOGRAPHY AND FOUND BOUNDARY MONUMENTS WERE ALSO LOCATED USING GPS METHODS.
2. THE TYPE OF GPS UTILIZED WAS NETWORK ADJUSTED REAL TIME KINEMATIC (KYTC VRS NETWORK), NAD 83 KENTUCKY SINGLE ZONE WITH THE ORTHOMETRIC HEIGHT COMPUTED USING GEOID 20B. RELATIVE POSITIONAL ACCURACY VARIED FROM 0.03' TO 0.06' HORIZONTALLY.
3. SPECTRA PRECISION SP80 DUAL FREQUENCY RECEIVERS WERE USED TO PERFORM THE SURVEY.

BASED ON KENTUCKY STATE PLANE SINGLE ZONE. THE SOURCE OF BEARINGS WERE DETERMINED BY A GPS OBSERVATIONS COMPLETED ON AUGUST 9, 2023

PARCEL ID: 41-13 & 14
SPRINGLAKE FARMS LLC
TRACT 10 OF
DEED BOOK 336, PAGE 332

PARCEL ID: 41-9 10 12
RICHARD B. LESTER
TRACT 2 OF
DEED BOOK 139, PAGE 41

PARCEL ID: 41-8 15 53-12
JOHN H. & BONNIE B. BROWN
REVOCABLE TRUST
PARCEL IV, TRACT I OF
DEED BOOK 286, PAGE 287

PARCEL ID: 41-9 10 12
RICHARD B. LESTER
TRACT 2 OF
DEED BOOK 112, PAGE 99

PARCEL ID: 41-9 10 12
RICHARD B. LESTER
TRACT 1 OF
DEED BOOK 112, PAGE 99

PROPOSED VARIABLE WIDTH
ACCESS & UTILITY
EASEMENT "D"
(10,038.754 S.F.)
DETAIL SHEET B-1.1 - B.1-2

PROPOSED LEASE AREA
(10,000.000 S.F.)
DETAIL SHEET B.1-1

PROPOSED 30' / VARIABLE
WIDTH ACCESS & UTILITY
EASEMENT "A"
(28,344.138 S.F.)
DETAIL SHEET B.1-1 - B.1-3

PROPOSED VARIABLE
WIDTH ACCESS & UTILITY
EASEMENT "E"
(19,358.151 S.F.)
DETAIL SHEET B-1.3 - B.1-4

PROPOSED VARIABLE
WIDTH ACCESS & UTILITY
EASEMENT "B"
(3,152.088 S.F.)
DETAIL SHEET B.1-3 - B.1-4

PARCEL ID: 41-11A 12A
ANDREW PERRY LESTER
DEED BOOK 263, PAGE 415

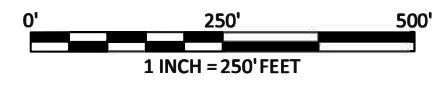
PARCEL ID: 41-11A 12A
ANDREW PERRY LESTER
DEED BOOK 190, PAGE 305

PROPOSED VARIABLE
WIDTH ACCESS & UTILITY
EASEMENT "C"
(9,920.642 S.F.)
DETAIL SHEET B.1-4

PARCEL ID: 41-11
RICHARD B. LESTER
DEED BOOK 265, PAGE 469

PARCEL ID: 41-13 & 14
SPRINGLAKE FARMS LLC
TRACT 10 OF
DEED BOOK 336, PAGE 332

KENTUCKY HIGHWAY 1272
60' PUBLIC RIGHT OF WAY
PER DEED BOOK 336, PAGE 332



FAA COORDINATE POINT
NAD 83
LATITUDE: 37°00'42.419046"
LONGITUDE: -87°54'25.326762"
NAVD 88
ELEVATION: 551± AMSL
NORTHING: 3,535,153.335
EASTING: 4,291,467.731

TEMPORARY BENCHMARK
NORTHING: 3,535,405.022
EASTING: 4,291,536.486
ELEVATION: 546.7± AMSL
LOCATION: SET 1/2" REBAR
WITH A RED PLASTIC CAP
STAMPED "POD TRV",
N20°35'17"E 193.3± FROM
THE NORTHEAST CORNER OF
THE PROPOSED LEASE AREA.

P.O.C.
LEASE & ESMT. "A"
P.O.R.
FOUND 22"
SASSAFRAS TREE

P.O.B. TIE
S71°23'49"W 891.34'

P.O.B.
LEASE &
ESMT. "A"

P.O.B.
ESMT. "D"

P.O.B. TIE ESMT. "D"
N54°04'38"E 655.98'
N54°04'38"E 752.00'
PROPERTY LINE

P.O.R. TIE N58°43'17"E 3060.53'
P.O.R. TIE S58°43'17"W 3060.53'

P.O.C. ESMT. "B" & "D"
P.O.B. ESMT. "C" & "E"
P.O.R.
FOUND 1/2" REBAR
WITH A YELLOW PLASTIC
CAP STAMPED "3536"

P.O.B.
ESMT. "B"

P.O.R. TIE
N81°52'37"E 1047.11'

LEGEND

- EX. EXISTING
- S.F. SQUARE FEET
- ESMT. EASEMENT
- P.O.C. POINT OF COMMENCEMENT
- P.O.R. POINT OF REFERENCE
- P.O.B. POINT OF BEGINNING
- FOUND MONUMENT AS NOTED
- PROPERTY LINE
- ADJACENT PROPERTY LINE
- RIGHT OF WAY LINE

LAND SURVEYOR'S CERTIFICATE

I, MARK E. PATTERSON, HEREBY CERTIFY THAT I AM A LICENSED PROFESSIONAL LAND SURVEYOR LICENSED IN COMPLIANCE WITH THE LAWS OF THE COMMONWEALTH OF KENTUCKY. I FURTHER CERTIFY THAT THIS PLAT AND THE SURVEY ON THE GROUND WERE PERFORMED BY PERSONS UNDER MY DIRECT SUPERVISION, AND THAT THE DIRECTIONAL AND LINEAR MEASUREMENTS BEING WITNESSED BY MONUMENTS SHOWN HEREON ARE TRUE AND CORRECT TO THE BEST OF MY KNOWLEDGE. THE "RURAL" SURVEY, AND THE PLAT ON WHICH IT IS BASED, MEETS ALL SPECIFICATIONS AS STATED IN KAR 201 18:150.



MARK PATTERSON, PLS #3136

10/24/2023

DATE

PREPARED BY:
POD
POWER OF DESIGN
11490 BLUEGRASS PARKWAY
LOUISVILLE, KY 40299
502-437-5252

PREPARED FOR:
smartlink

PREPARED FOR:
at&t

REVISIONS

REV.	DATE	DESCRIPTION
A	8.25.23	PRELIM ISSUE w/TITLE
0	10.4.23	ISSUED AS FINAL
1	10.24.23	TITLE ESMT. "D & E"

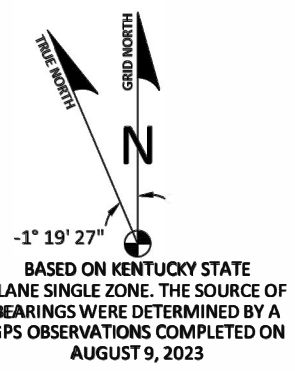
SITE INFORMATION:
MEADOWVIEW
KENTUCKY HIGHWAY 1272
PRINCETON, KY 42445
CALDWELL COUNTY
PROPERTY OWNER:
ANDREW PERRY LESTER
2924 HWY 1272
PRINCETON, KY 42445
TAX PARCEL NUMBER:
41-11A 12A
SOURCE OF TITLE:
DEED BOOK 263, PAGE 415 &
DEED BOOK 190, PAGE 305
PROPERTY OWNER:
RICHARD B. LESTER
2788 HWY 1272
PRINCETON, KY 42445
TAX PARCEL NUMBER:
41-9 10 12
SOURCE OF TITLE:
DEED BOOK 112, PAGE 99

FA NUMBER:
16147981

POD NUMBER: 23-157906
CHECKED BY: MEP
DRAWN BY: DAP
SURVEY DATE: 8.9.23
PLAT DATE: 8.25.23

SHEET TITLE:
SITE SURVEY
THIS DOES NOT REPRESENT A
BOUNDARY SURVEY OF THE
PARENT PARCEL

SHEET NUMBER: (7 pages)
B-1



FAA COORDINATE POINT
 NAD 83
 LATITUDE: 37°00'42.419046"
 LONGITUDE: -87°54'25.326762"
 NAVD 88
 ELEVATION: 551± AMSL
 NORTHING: 3,535,153.335
 EASTING: 4,291,467.731

TEMPORARY BENCHMARK
 NORTHING: 3,535,405.022
 EASTING: 4,291,536.486
 ELEVATION: 546.7± AMSL
 LOCATION: SET 1/2" REBAR WITH A RED PLASTIC CAP STAMPED "POD TRV", N20°35'17"E 193.3± FROM THE NORTHEAST CORNER OF THE PROPOSED LEASE AREA.

GENERAL NOTES

NO SEARCH OF PUBLIC RECORDS HAS BEEN COMPLETED BY POD GROUP TO DETERMINE ANY DEFECTS AND/OR AMBIGUITIES IN THE TITLE OF THE SUBJECT PROPERTY.

THIS SURVEY IS FOR THE PROPOSED LEASE AREA AND THE PROPOSED ACCESS & UTILITY EASEMENTS ONLY, AND NO BOUNDARY SURVEY OF THE PARENT TRACT HAS BEEN PERFORMED.

A PORTION OF THIS SURVEY WAS CONDUCTED BY METHOD OF RANDOM TRAVERSE WITH SIDE SHOTS. UNADJUSTED CLOSURE EQUALS 0.077', FOR A PRECISION OF 1:43,655 AND HAS NOT BEEN ADJUSTED.

THIS PROPERTY IS SUBJECT TO ANY RECORDED EASEMENTS AND/OR RIGHTS OF WAY SHOWN HEREON OR NOT.

THIS PLAT IS NOT INTENDED FOR LAND TRANSFER.

THE PARENT PARCEL, THE PROPOSED LEASE AREA AND THE PROPOSED ACCESS & UTILITY EASEMENTS SHOWN HEREON ARE NOT LOCATED IN A 100 YEAR FLOOD PLAIN (ZONE "X") PER FLOOD HAZARD BOUNDARY MAP, COMMUNITY-PANEL NUMBER 21033C0250D, DATED APRIL 19, 2019.

GLOBAL POSITIONING SYSTEMS NOTE

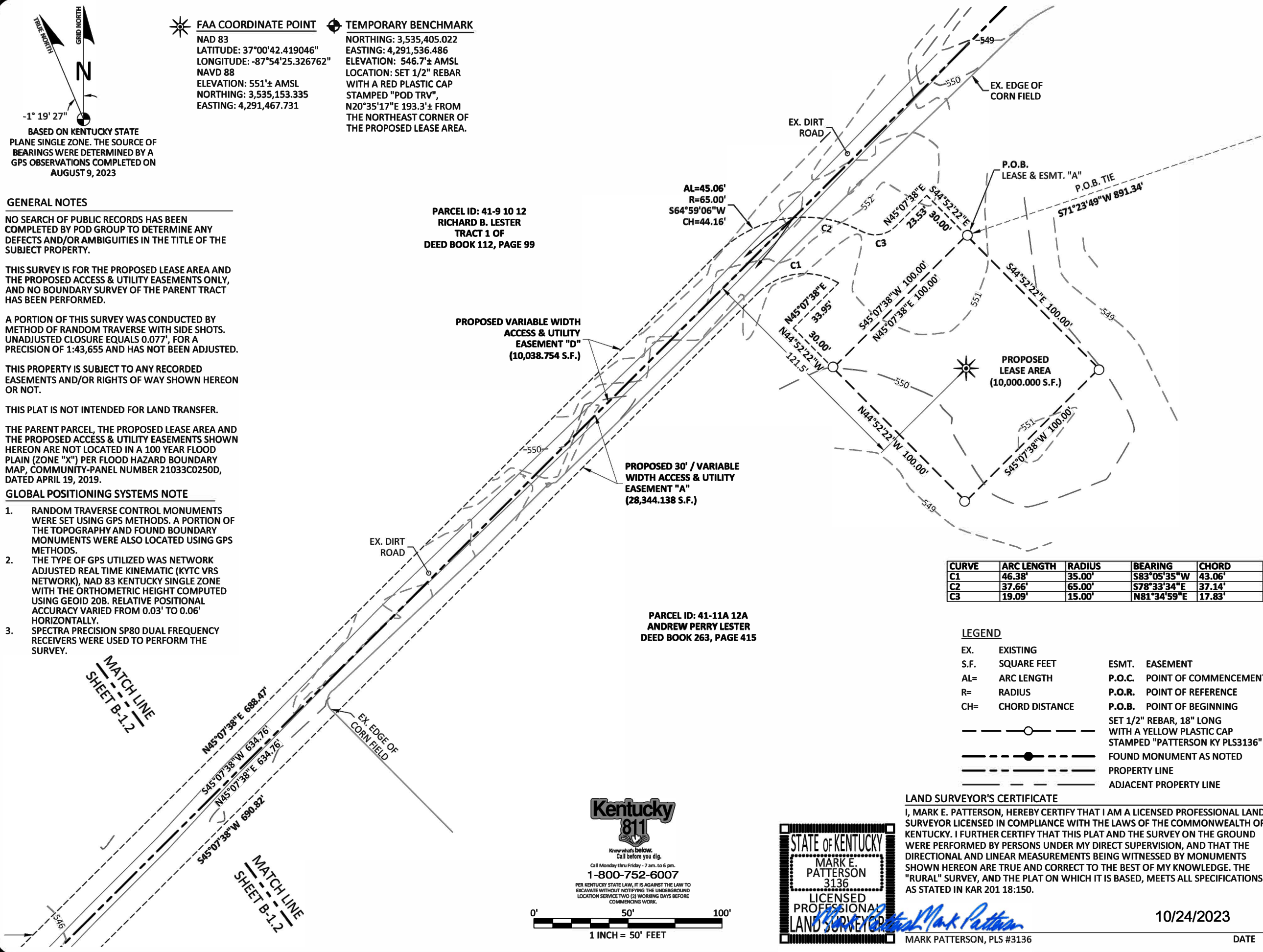
- RANDOM TRAVERSE CONTROL MONUMENTS WERE SET USING GPS METHODS. A PORTION OF THE TOPOGRAPHY AND FOUND BOUNDARY MONUMENTS WERE ALSO LOCATED USING GPS METHODS.
- THE TYPE OF GPS UTILIZED WAS NETWORK ADJUSTED REAL TIME KINEMATIC (KYTC VRS NETWORK), NAD 83 KENTUCKY SINGLE ZONE WITH THE ORTHOMETRIC HEIGHT COMPUTED USING GEOID 20B. RELATIVE POSITIONAL ACCURACY VARIED FROM 0.03' TO 0.06' HORIZONTALLY.
- SPECTRA PRECISION SP80 DUAL FREQUENCY RECEIVERS WERE USED TO PERFORM THE SURVEY.

PARCEL ID: 41-9 10 12
 RICHARD B. LESTER
 TRACT 1 OF
 DEED BOOK 112, PAGE 99

PROPOSED VARIABLE WIDTH ACCESS & UTILITY EASEMENT "D" (10,038.754 S.F.)

PROPOSED 30' / VARIABLE WIDTH ACCESS & UTILITY EASEMENT "A" (28,344.138 S.F.)

PARCEL ID: 41-11A 12A
 ANDREW PERRY LESTER
 DEED BOOK 263, PAGE 415



CURVE	ARC LENGTH	RADIUS	BEARING	CHORD
C1	46.38'	35.00'	S83°05'35"W	43.06'
C2	37.66'	65.00'	S78°33'34"E	37.14'
C3	19.09'	15.00'	N81°34'59"E	17.83'

LEGEND

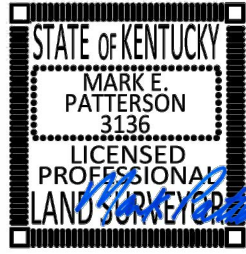
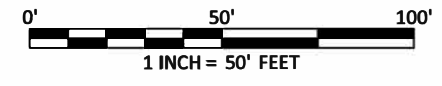
- EX. EXISTING
- S.F. SQUARE FEET
- AL= ARC LENGTH
- R= RADIUS
- CH= CHORD DISTANCE
- ESMT. EASEMENT
- P.O.C. POINT OF COMMENCEMENT
- P.O.R. POINT OF REFERENCE
- P.O.B. POINT OF BEGINNING
- SET 1/2" REBAR, 18" LONG WITH A YELLOW PLASTIC CAP STAMPED "PATTERSON KY PLS3136"
- FOUND MONUMENT AS NOTED
- PROPERTY LINE
- ADJACENT PROPERTY LINE

LAND SURVEYOR'S CERTIFICATE

I, MARK E. PATTERSON, HEREBY CERTIFY THAT I AM A LICENSED PROFESSIONAL LAND SURVEYOR LICENSED IN COMPLIANCE WITH THE LAWS OF THE COMMONWEALTH OF KENTUCKY. I FURTHER CERTIFY THAT THIS PLAT AND THE SURVEY ON THE GROUND WERE PERFORMED BY PERSONS UNDER MY DIRECT SUPERVISION, AND THAT THE DIRECTIONAL AND LINEAR MEASUREMENTS BEING WITNESSED BY MONUMENTS SHOWN HEREON ARE TRUE AND CORRECT TO THE BEST OF MY KNOWLEDGE. THE "RURAL" SURVEY, AND THE PLAT ON WHICH IT IS BASED, MEETS ALL SPECIFICATIONS AS STATED IN KAR 201 18:150.



PER KENTUCKY STATE LAW, IT IS AGAINST THE LAW TO EXCAVATE WITHOUT NOTIFYING THE UNDERGROUND LOCATION SERVICE TWO (2) WORKING DAYS BEFORE COMMENCING WORK.



MARK PATTERSON, PLS #3136

10/24/2023

DATE

PREPARED BY:
POD
 POWER OF DESIGN
 11490 BLUEGRASS PARKWAY
 LOUISVILLE, KY 40299
 502-437-5252

PREPARED FOR:

PREPARED FOR:

REVISIONS

REV.	DATE	DESCRIPTION
A	8.25.23	PRELIM ISSUE w/TITLE
0	10.4.23	ISSUED AS FINAL
1	10.24.23	TITLE ESMT. "D & E"

SITE INFORMATION:
MEADOWVIEW
 KENTUCKY HIGHWAY 1272
 PRINCETON, KY 42445
 CALDWELL COUNTY
PROPERTY OWNER:
 ANDREW PERRY LESTER
 2924 HWY 1272
 PRINCETON, KY 42445
TAX PARCEL NUMBER:
 41-11A 12A
SOURCE OF TITLE:
 DEED BOOK 263, PAGE 415 &
 DEED BOOK 190, PAGE 305

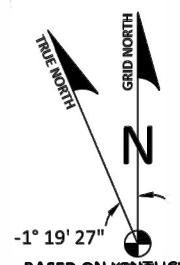
PROPERTY OWNER:
 RICHARD B. LESTER
 2788 HWY 1272
 PRINCETON, KY 42445
TAX PARCEL NUMBER:
 41-9 10 12
SOURCE OF TITLE:
 DEED BOOK 112, PAGE 99

FA NUMBER:
 16147981

POD NUMBER: 23-157906
 CHECKED BY: MEP
 DRAWN BY: DAP
 SURVEY DATE: 8.9.23
 PLAT DATE: 8.25.23

SHEET TITLE:
SITE SURVEY
 THIS DOES NOT REPRESENT A
 BOUNDARY SURVEY OF THE
 PARENT PARCEL

SHEET NUMBER: (7 pages)
B-1.1



BASED ON KENTUCKY STATE PLANE SINGLE ZONE. THE SOURCE OF BEARINGS WERE DETERMINED BY A GPS OBSERVATIONS COMPLETED ON AUGUST 9, 2023

FAA COORDINATE POINT
 NAD 83
 LATITUDE: 37°00'42.419046"
 LONGITUDE: -87°54'25.326762"
 NAVD 88
 ELEVATION: 551± AMSL
 NORTHING: 3,535,153.335
 EASTING: 4,291,467.731

TEMPORARY BENCHMARK
 NORTHING: 3,535,405.022
 EASTING: 4,291,536.486
 ELEVATION: 546.7± AMSL
 LOCATION: SET 1/2" REBAR WITH A RED PLASTIC CAP STAMPED "POD TRV", N20°35'17"E 193.3± FROM THE NORTHEAST CORNER OF THE PROPOSED LEASE AREA.

GENERAL NOTES

NO SEARCH OF PUBLIC RECORDS HAS BEEN COMPLETED BY POD GROUP TO DETERMINE ANY DEFECTS AND/OR AMBIGUITIES IN THE TITLE OF THE SUBJECT PROPERTY.

THIS SURVEY IS FOR THE PROPOSED LEASE AREA AND THE PROPOSED ACCESS & UTILITY EASEMENTS ONLY, AND NO BOUNDARY SURVEY OF THE PARENT TRACT HAS BEEN PERFORMED.

A PORTION OF THIS SURVEY WAS CONDUCTED BY METHOD OF RANDOM TRAVERSE WITH SIDE SHOTS. UNADJUSTED CLOSURE EQUALS 0.077', FOR A PRECISION OF 1:43,655 AND HAS NOT BEEN ADJUSTED.

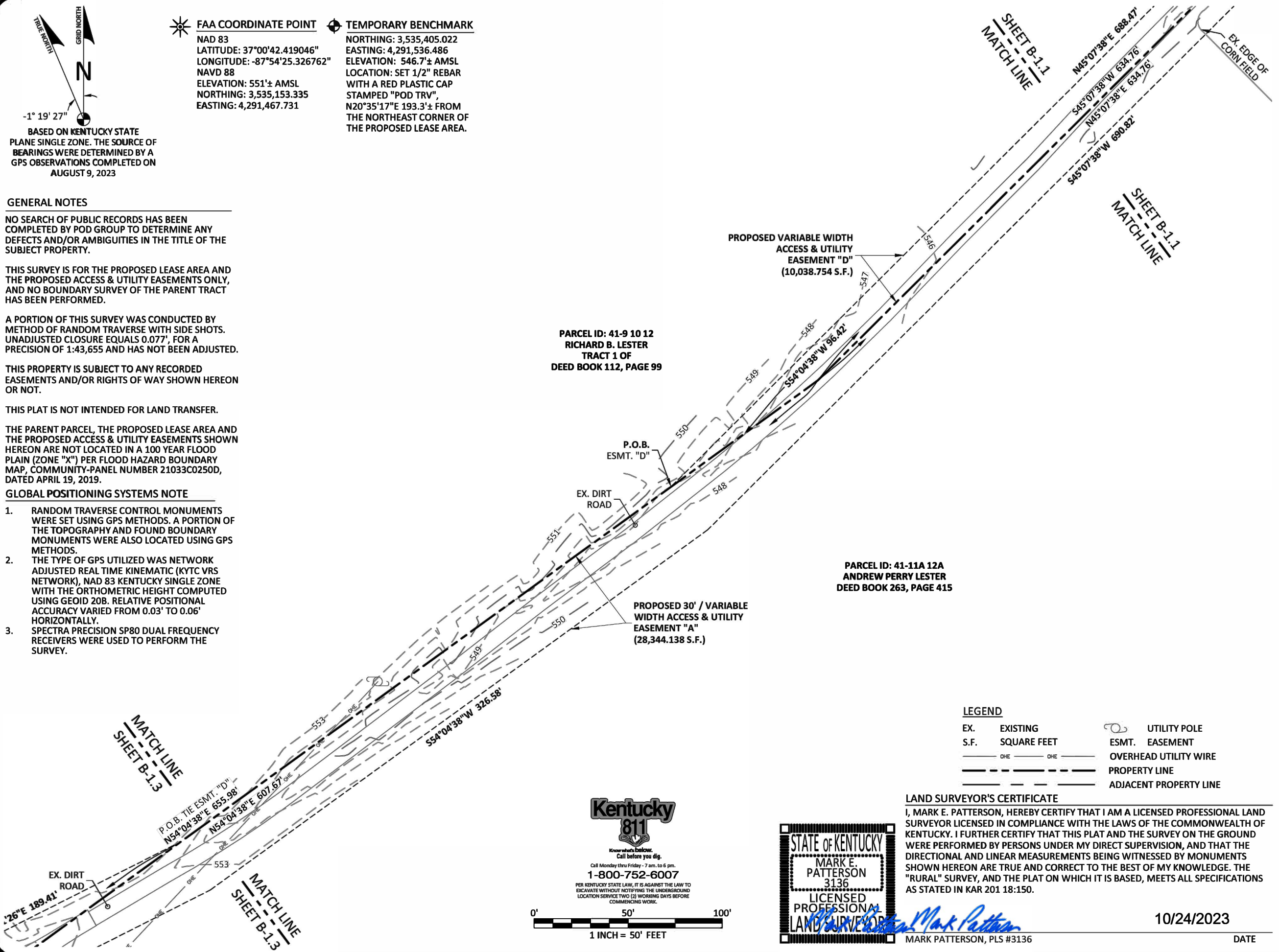
THIS PROPERTY IS SUBJECT TO ANY RECORDED EASEMENTS AND/OR RIGHTS OF WAY SHOWN HEREON OR NOT.

THIS PLAT IS NOT INTENDED FOR LAND TRANSFER.

THE PARENT PARCEL, THE PROPOSED LEASE AREA AND THE PROPOSED ACCESS & UTILITY EASEMENTS SHOWN HEREON ARE NOT LOCATED IN A 100 YEAR FLOOD PLAIN (ZONE "X") PER FLOOD HAZARD BOUNDARY MAP, COMMUNITY-PANEL NUMBER 21033C0250D, DATED APRIL 19, 2019.

GLOBAL POSITIONING SYSTEMS NOTE

1. RANDOM TRAVERSE CONTROL MONUMENTS WERE SET USING GPS METHODS. A PORTION OF THE TOPOGRAPHY AND FOUND BOUNDARY MONUMENTS WERE ALSO LOCATED USING GPS METHODS.
2. THE TYPE OF GPS UTILIZED WAS NETWORK ADJUSTED REAL TIME KINEMATIC (KYTC VRS NETWORK), NAD 83 KENTUCKY SINGLE ZONE WITH THE ORTHOMETRIC HEIGHT COMPUTED USING GEOID 20B. RELATIVE POSITIONAL ACCURACY VARIED FROM 0.03' TO 0.06' HORIZONTALLY.
3. SPECTRA PRECISION SP80 DUAL FREQUENCY RECEIVERS WERE USED TO PERFORM THE SURVEY.



PREPARED BY:

 POWER OF DESIGN
 11490 BLUEGRASS PARKWAY
 LOUISVILLE, KY 40299
 502-437-5252

PREPARED FOR:

PREPARED FOR:

REVISIONS

REV.	DATE	DESCRIPTION
A	8.25.23	PRELIM ISSUE w/TITLE
0	10.4.23	ISSUED AS FINAL
1	10.24.23	TITLE ESMT. "D & E"

SITE INFORMATION:
MEADOWVIEW
 KENTUCKY HIGHWAY 1272
 PRINCETON, KY 42445
 CALDWELL COUNTY

PROPERTY OWNER:
 ANDREW PERRY LESTER
 2924 HWY 1272
 PRINCETON, KY 42445

TAX PARCEL NUMBER:
 41-11A 12A

SOURCE OF TITLE:
 DEED BOOK 263, PAGE 415 &
 DEED BOOK 190, PAGE 305

PROPERTY OWNER:
 RICHARD B. LESTER
 2788 HWY 1272
 PRINCETON, KY 42445

TAX PARCEL NUMBER:
 41-9 10 12

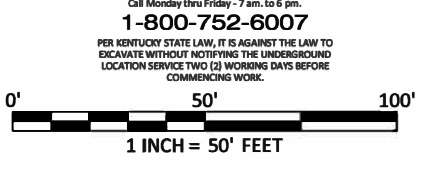
SOURCE OF TITLE:
 DEED BOOK 112, PAGE 99

FA NUMBER:
 16147981

POD NUMBER: 23-157906
 CHECKED BY: MEP
 DRAWN BY: DAP
 SURVEY DATE: 8.9.23
 PLAT DATE: 8.25.23

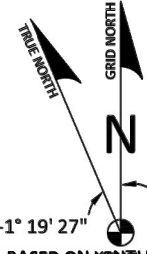
SHEET TITLE:
SITE SURVEY
 THIS DOES NOT REPRESENT A
 BOUNDARY SURVEY OF THE
 PARENT PARCEL

SHEET NUMBER: (7 pages)
B-1.2



LAND SURVEYOR'S CERTIFICATE
 I, MARK E. PATTERSON, HEREBY CERTIFY THAT I AM A LICENSED PROFESSIONAL LAND SURVEYOR LICENSED IN COMPLIANCE WITH THE LAWS OF THE COMMONWEALTH OF KENTUCKY. I FURTHER CERTIFY THAT THIS PLAT AND THE SURVEY ON THE GROUND WERE PERFORMED BY PERSONS UNDER MY DIRECT SUPERVISION, AND THAT THE DIRECTIONAL AND LINEAR MEASUREMENTS BEING WITNESSED BY MONUMENTS SHOWN HEREON ARE TRUE AND CORRECT TO THE BEST OF MY KNOWLEDGE. THE "RURAL" SURVEY, AND THE PLAT ON WHICH IT IS BASED, MEETS ALL SPECIFICATIONS AS STATED IN KAR 201 18:150.

MARK PATTERSON, PLS #3136
 10/24/2023
 DATE



BASED ON KENTUCKY STATE PLANE SINGLE ZONE. THE SOURCE OF BEARINGS WERE DETERMINED BY A GPS OBSERVATIONS COMPLETED ON AUGUST 9, 2023

FAA COORDINATE POINT
 NAD 83
 LATITUDE: 37°00'42.419046"
 LONGITUDE: -87°54'25.326762"
 NAVD 88
 ELEVATION: 551± AMSL
 NORTHING: 3,535,153.335
 EASTING: 4,291,467.731

TEMPORARY BENCHMARK
 NORTHING: 3,535,405.022
 EASTING: 4,291,536.486
 ELEVATION: 546.7± AMSL
 LOCATION: SET 1/2" REBAR WITH A RED PLASTIC CAP STAMPED "POD TRV", N20°35'17"E 193.3± FROM THE NORTHEAST CORNER OF THE PROPOSED LEASE AREA.

GENERAL NOTES

NO SEARCH OF PUBLIC RECORDS HAS BEEN COMPLETED BY POD GROUP TO DETERMINE ANY DEFECTS AND/OR AMBIGUITIES IN THE TITLE OF THE SUBJECT PROPERTY.

THIS SURVEY IS FOR THE PROPOSED LEASE AREA AND THE PROPOSED ACCESS & UTILITY EASEMENTS ONLY, AND NO BOUNDARY SURVEY OF THE PARENT TRACT HAS BEEN PERFORMED.

A PORTION OF THIS SURVEY WAS CONDUCTED BY METHOD OF RANDOM TRAVERSE WITH SIDE SHOTS. UNADJUSTED CLOSURE EQUALS 0.077', FOR A PRECISION OF 1:43,655 AND HAS NOT BEEN ADJUSTED.

THIS PROPERTY IS SUBJECT TO ANY RECORDED EASEMENTS AND/OR RIGHTS OF WAY SHOWN HEREON OR NOT.

THIS PLAT IS NOT INTENDED FOR LAND TRANSFER.

THE PARENT PARCEL, THE PROPOSED LEASE AREA AND THE PROPOSED ACCESS & UTILITY EASEMENTS SHOWN HEREON ARE NOT LOCATED IN A 100 YEAR FLOOD PLAIN (ZONE "X") PER FLOOD HAZARD BOUNDARY MAP, COMMUNITY-PANEL NUMBER 21033C0250D, DATED APRIL 19, 2019.

GLOBAL POSITIONING SYSTEMS NOTE

1. RANDOM TRAVERSE CONTROL MONUMENTS WERE SET USING GPS METHODS. A PORTION OF THE TOPOGRAPHY AND FOUND BOUNDARY MONUMENTS WERE ALSO LOCATED USING GPS METHODS.
2. THE TYPE OF GPS UTILIZED WAS NETWORK ADJUSTED REAL TIME KINEMATIC (KYTC VRS NETWORK), NAD 83 KENTUCKY SINGLE ZONE WITH THE ORTHOMETRIC HEIGHT COMPUTED USING GEOID 20B. RELATIVE POSITIONAL ACCURACY VARIED FROM 0.03' TO 0.06' HORIZONTALLY.
3. SPECTRA PRECISION SP80 DUAL FREQUENCY RECEIVERS WERE USED TO PERFORM THE SURVEY.

PARCEL ID: 41-9 10 12
 RICHARD B. LESTER
 TRACT 1 OF
 DEED BOOK 112, PAGE 99

PARCEL ID: 41-11A 12A
 ANDREW PERRY LESTER
 DEED BOOK 263, PAGE 415

MATCH LINE
 SHEET B-1.4

MATCH LINE
 SHEET B-1.4

PARCEL ID: 41-11A 12A
 ANDREW PERRY LESTER
 DEED BOOK 190, PAGE 305

PROPOSED 30' / VARIABLE
 WIDTH ACCESS & UTILITY
 EASEMENT "E"
 (19,358.151 S.F.)

PROPOSED 30' / VARIABLE
 WIDTH ACCESS & UTILITY
 EASEMENT "A"
 (28,344.138 S.F.)

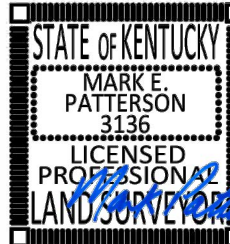
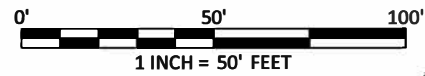
PROPOSED VARIABLE
 WIDTH ACCESS & UTILITY
 EASEMENT "B"
 (3,152.088 S.F.)

LEGEND

- P.O.B. POINT OF BEGINNING
- EX. EXISTING
- S.F. SQUARE FEET
- OHE — OVERHEAD UTILITY WIRE
- — — — — PROPERTY LINE
- — — — — ADJACENT PROPERTY LINE
- UTILITY POLE
- ESMT. EASEMENT

LAND SURVEYOR'S CERTIFICATE

I, MARK E. PATTERSON, HEREBY CERTIFY THAT I AM A LICENSED PROFESSIONAL LAND SURVEYOR LICENSED IN COMPLIANCE WITH THE LAWS OF THE COMMONWEALTH OF KENTUCKY. I FURTHER CERTIFY THAT THIS PLAT AND THE SURVEY ON THE GROUND WERE PERFORMED BY PERSONS UNDER MY DIRECT SUPERVISION, AND THAT THE DIRECTIONAL AND LINEAR MEASUREMENTS BEING WITNESSED BY MONUMENTS SHOWN HEREON ARE TRUE AND CORRECT TO THE BEST OF MY KNOWLEDGE. THE "RURAL" SURVEY, AND THE PLAT ON WHICH IT IS BASED, MEETS ALL SPECIFICATIONS AS STATED IN KAR 201 18:150.



MARK PATTERSON, PLS #3136

10/24/2023

DATE

PREPARED BY:
POD
 POWER OF DESIGN
 11490 BLUEGRASS PARKWAY
 LOUISVILLE, KY 40299
 502-437-5252

PREPARED FOR:

PREPARED FOR:

REVISIONS

REV.	DATE	DESCRIPTION
A	8.25.23	PRELIM ISSUE w/TITLE
0	10.4.23	ISSUED AS FINAL
1	10.24.23	TITLE ESMT. "D & E"

SITE INFORMATION:
MEADOWVIEW
 KENTUCKY HIGHWAY 1272
 PRINCETON, KY 42445
 CALDWELL COUNTY

PROPERTY OWNER:
 ANDREW PERRY LESTER
 2924 HWY 1272
 PRINCETON, KY 42445

TAX PARCEL NUMBER:
 41-11A 12A

SOURCE OF TITLE:
 DEED BOOK 263, PAGE 415 &
 DEED BOOK 190, PAGE 305

PROPERTY OWNER:
 RICHARD B. LESTER
 2788 HWY 1272
 PRINCETON, KY 42445

TAX PARCEL NUMBER:
 41-9 10 12

SOURCE OF TITLE:
 DEED BOOK 112, PAGE 99

FA NUMBER:
 16147981

POD NUMBER: 23-157906
 CHECKED BY: MEP
 DRAWN BY: DAP
 SURVEY DATE: 8.9.23
 PLAT DATE: 8.25.23

SHEET TITLE:
SITE SURVEY
 THIS DOES NOT REPRESENT A
 BOUNDARY SURVEY OF THE
 PARENT PARCEL

SHEET NUMBER: (7 pages)
B-1.3

GENERAL NOTES

NO SEARCH OF PUBLIC RECORDS HAS BEEN COMPLETED BY POD GROUP TO DETERMINE ANY DEFECTS AND/OR AMBIGUITIES IN THE TITLE OF THE SUBJECT PROPERTY.

THIS SURVEY IS FOR THE PROPOSED LEASE AREA AND THE PROPOSED ACCESS & UTILITY EASEMENTS ONLY, AND NO BOUNDARY SURVEY OF THE PARENT TRACT HAS BEEN PERFORMED.

A PORTION OF THIS SURVEY WAS CONDUCTED BY METHOD OF RANDOM TRAVERSE WITH SIDE SHOTS. UNADJUSTED CLOSURE EQUALS 0.077', FOR A PRECISION OF 1:43,655 AND HAS NOT BEEN ADJUSTED.

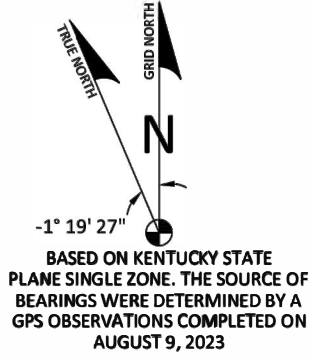
THIS PROPERTY IS SUBJECT TO ANY RECORDED EASEMENTS AND/OR RIGHTS OF WAY SHOWN HEREON OR NOT.

THIS PLAT IS NOT INTENDED FOR LAND TRANSFER.

THE PARENT PARCEL, THE PROPOSED LEASE AREA AND THE PROPOSED ACCESS & UTILITY EASEMENTS SHOWN HEREON ARE NOT LOCATED IN A 100 YEAR FLOOD PLAIN (ZONE "X") PER FLOOD HAZARD BOUNDARY MAP, COMMUNITY-PANEL NUMBER 21033C0250D, DATED APRIL 19, 2019.

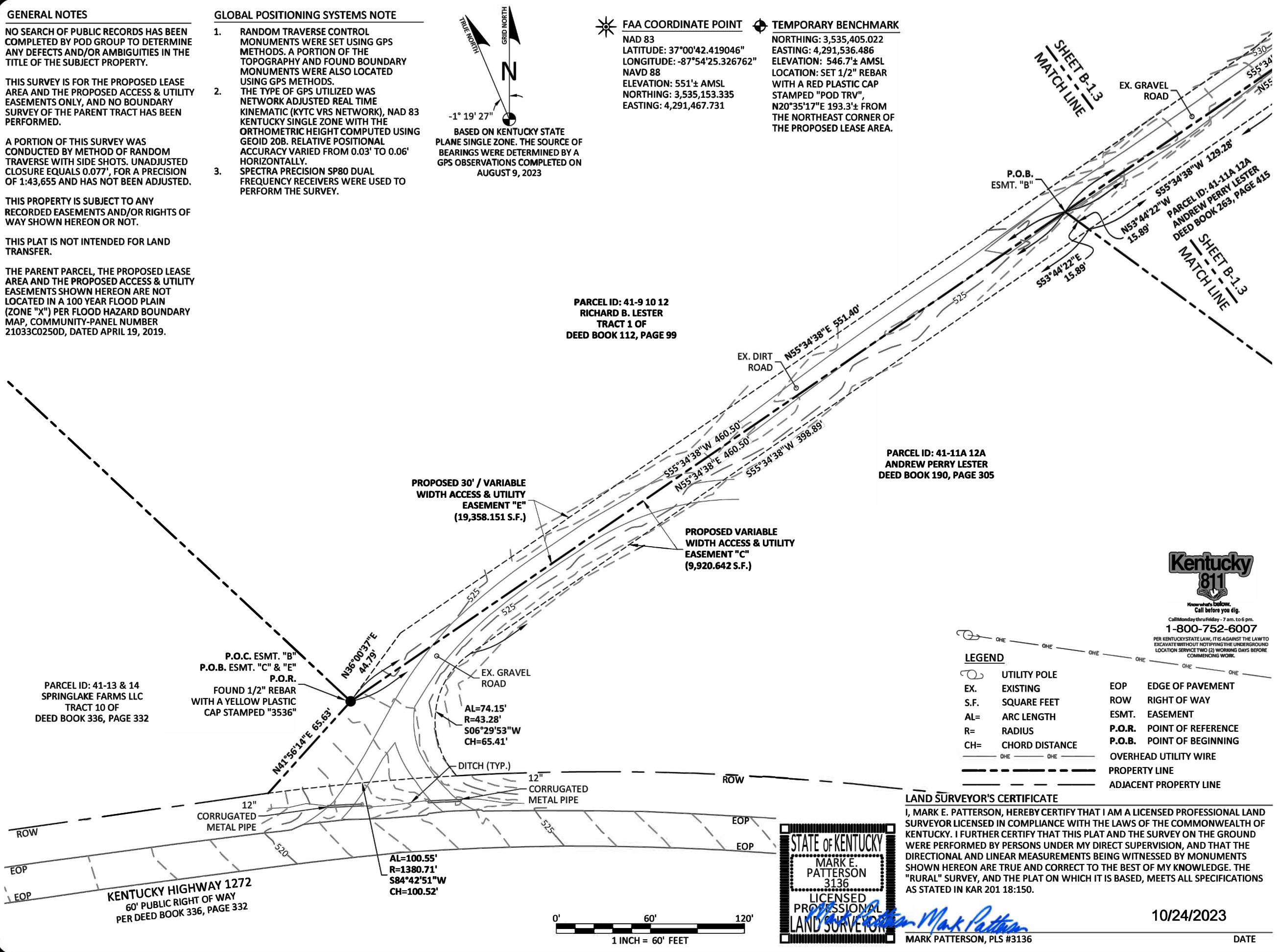
GLOBAL POSITIONING SYSTEMS NOTE

1. RANDOM TRAVERSE CONTROL MONUMENTS WERE SET USING GPS METHODS. A PORTION OF THE TOPOGRAPHY AND FOUND BOUNDARY MONUMENTS WERE ALSO LOCATED USING GPS METHODS.
2. THE TYPE OF GPS UTILIZED WAS NETWORK ADJUSTED REAL TIME KINEMATIC (KYTC VRS NETWORK), NAD 83 KENTUCKY SINGLE ZONE WITH THE ORTHOMETRIC HEIGHT COMPUTED USING GEOID 20B. RELATIVE POSITIONAL ACCURACY VARIED FROM 0.03' TO 0.06' HORIZONTALLY.
3. SPECTRA PRECISION SP80 DUAL FREQUENCY RECEIVERS WERE USED TO PERFORM THE SURVEY.



FAA COORDINATE POINT
 NAD 83
 LATITUDE: 37°00'42.419046"
 LONGITUDE: -87°54'25.326762"
 NAVD 88
 ELEVATION: 551± AMSL

TEMPORARY BENCHMARK
 NORTHING: 3,535,405.022
 EASTING: 4,291,536.486
 ELEVATION: 546.7± AMSL
 LOCATION: SET 1/2" REBAR WITH A RED PLASTIC CAP STAMPED "POD TRV", N20°35'17"E 193.3± FROM THE NORTHEAST CORNER OF THE PROPOSED LEASE AREA.



PARCEL ID: 41-9 10 12
 RICHARD B. LESTER
 TRACT 1 OF
 DEED BOOK 112, PAGE 99

PARCEL ID: 41-11A 12A
 ANDREW PERRY LESTER
 DEED BOOK 190, PAGE 305

PARCEL ID: 41-13 & 14
 SPRINGLAKE FARMS LLC
 TRACT 10 OF
 DEED BOOK 336, PAGE 332

P.O.C. ESMT. "B"
 P.O.B. ESMT. "C" & "E"
 P.O.R.
 FOUND 1/2" REBAR WITH A YELLOW PLASTIC CAP STAMPED "3536"

PROPOSED 30' / VARIABLE WIDTH ACCESS & UTILITY EASEMENT "E" (19,358.151 S.F.)

PROPOSED VARIABLE WIDTH ACCESS & UTILITY EASEMENT "C" (9,920.642 S.F.)

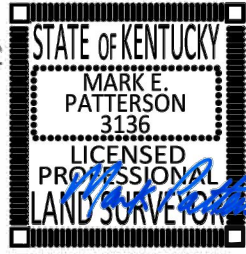


PER KENTUCKY STATE LAW, IT IS AGAINST THE LAW TO EXCAVATE WITHOUT NOTIFYING THE UNDERGROUND LOCATION SERVICE TWO (2) WORKING DAYS BEFORE COMMENCING WORK.

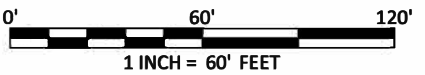
LEGEND

UTILITY POLE	EOP EDGE OF PAVEMENT
EX. EXISTING	ROW RIGHT OF WAY
S.F. SQUARE FEET	ESMT. EASEMENT
AL= ARC LENGTH	P.O.R. POINT OF REFERENCE
R= RADIUS	P.O.B. POINT OF BEGINNING
CH= CHORD DISTANCE	OVERHEAD UTILITY WIRE
PROPERTY LINE	ADJACENT PROPERTY LINE

LAND SURVEYOR'S CERTIFICATE
 I, MARK E. PATTERSON, HEREBY CERTIFY THAT I AM A LICENSED PROFESSIONAL LAND SURVEYOR LICENSED IN COMPLIANCE WITH THE LAWS OF THE COMMONWEALTH OF KENTUCKY. I FURTHER CERTIFY THAT THIS PLAT AND THE SURVEY ON THE GROUND WERE PERFORMED BY PERSONS UNDER MY DIRECT SUPERVISION, AND THAT THE DIRECTIONAL AND LINEAR MEASUREMENTS BEING WITNESSED BY MONUMENTS SHOWN HEREON ARE TRUE AND CORRECT TO THE BEST OF MY KNOWLEDGE. THE "RURAL" SURVEY, AND THE PLAT ON WHICH IT IS BASED, MEETS ALL SPECIFICATIONS AS STATED IN KAR 201 18:150.



MARK PATTERSON, PLS #3136
 DATE 10/24/2023



PREPARED BY:
POD
 POWER OF DESIGN
 11490 BLUEGRASS PARKWAY
 LOUISVILLE, KY 40299
 502-437-5252

PREPARED FOR:

PREPARED FOR:

REVISIONS

REV.	DATE	DESCRIPTION
A	8.25.23	PRELIM ISSUE w/TITLE
0	10.4.23	ISSUED AS FINAL
1	10.24.23	TITLE ESMT. "D & E"

SITE INFORMATION:
MEADOWVIEW
 KENTUCKY HIGHWAY 1272
 PRINCETON, KY 42445
 CALDWELL COUNTY

PROPERTY OWNER:
 ANDREW PERRY LESTER
 2924 HWY 1272
 PRINCETON, KY 42445

TAX PARCEL NUMBER:
 41-11A 12A

SOURCE OF TITLE:
 DEED BOOK 263, PAGE 415 &
 DEED BOOK 190, PAGE 305

PROPERTY OWNER:
 RICHARD B. LESTER
 2788 HWY 1272
 PRINCETON, KY 42445

TAX PARCEL NUMBER:
 41-9 10 12

SOURCE OF TITLE:
 DEED BOOK 112, PAGE 99

FA NUMBER:
 16147981

POD NUMBER: 23-157906
 CHECKED BY: MEP
 DRAWN BY: DAP
 SURVEY DATE: 8.9.23
 PLAT DATE: 8.25.23

SHEET TITLE:
SITE SURVEY
 THIS DOES NOT REPRESENT A BOUNDARY SURVEY OF THE PARENT PARCEL

SHEET NUMBER: (7 pages)
B-1.4

LEGAL DESCRIPTIONS

PROPOSED LEASE AREA

THE FOLLOWING IS A DESCRIPTION OF THE PROPOSED LEASE AREA TO BE GRANTED FROM THE PROPERTY CONVEYED TO ANDREW PERRY LESTER AS RECORDED IN DEED BOOK 263, PAGE 415, PARCEL ID: 41-11A 12A, IN THE OFFICE OF THE CLERK OF CALDWELL COUNTY, KENTUCKY, WHICH IS MORE PARTICULARLY DESCRIBED AS FOLLOWS:

BEARING DATUM USED HEREIN IS BASED UPON KENTUCKY SINGLE ZONE STATE PLANE COORDINATE SYSTEM, NAD 83, FROM A REAL TIME KINEMATIC GLOBAL POSITIONING SYSTEM OBSERVATION USING THE KENTUCKY TRANSPORTATION CABINET VRS NETWORK COMPLETED ON AUGUST 9, 2023.

COMMENCING AT A FOUND 22" SASSAFRAS TREE IN THE COMMON CORNER OF THE PROPERTY CONVEYED TO ANDREW PERRY LESTER AS RECORDED IN DEED BOOK 263, PAGE 415, PARCEL ID: 41-11A 12A, AND THE PROPERTY CONVEYED TO RICHARD B. LESTER AS RECORDED IN DEED BOOK 112, PAGE 99, TRACT 1, SAID CORNER ALSO BEING IN THE SOUTHWEST LINE OF THE PROPERTY CONVEYED TO RICHARD B. LESTER AS RECORDED IN DEED BOOK 112, PAGE 99, TRACT 2, BOTH BEING PARCEL ID: 41-9 10 12; FOR REFERENCE SAID POINT BEING N58°43'17"E 3,060.53' FROM A FOUND 1/2" REBAR WITH A YELLOW PLASTIC CAP STAMPED "3536" IN THE COMMON CORNER TO THE AFOREMENTIONED RICHARD B. LESTER PROPERTY, TRACT 1 AND CORNER TO THE PROPERTY CONVEYED TO ANDREW PERRY LESTER AS RECORDED IN DEED BOOK 190, PAGE 305, PARCEL ID: 41-11A 12A, ALSO CORNER TO THE PROPERTY CONVEYED TO SPRINGLAKE FARMS LLC AS RECORDED IN DEED BOOK 336, PAGE 332, TRACT 10, PARCEL ID: 41-13 & 14; THENCE LEAVING SAID CORNER AND TRAVERSING THE LAND OF ANDREW PERRY LESTER, DEED BOOK 263, PAGE 415, 571°23'49"W 891.34' TO A SET 1/2" REBAR, 18" LONG, WITH A YELLOW PLASTIC CAP STAMPED "PATTERSON KY PLS3136", HEREAFTER REFERRED TO AS A "SET IPC" IN THE NORTHERN MOST CORNER OF THE PROPOSED LEASE AND BEING THE TRUE POINT OF BEGINNING; THENCE S44°52'22"E 100.00' TO A "SET IPC"; THENCE S45°07'38"W 100.00' TO A "SET IPC"; THENCE N44°52'22"W 100.00' TO A "SET IPC"; THENCE N45°07'38"E 100.00' TO THE POINT OF BEGINNING CONTAINING 10,000.000 SQUARE FEET AS PER SURVEY BY MARK E. PATTERSON, PLS #3136 DATED AUGUST 9, 2023.

PROPOSED 30' / VARIABLE WIDTH ACCESS & UTILITY EASEMENT "A"

THE FOLLOWING IS A DESCRIPTION OF THE PROPOSED 30' / VARIABLE WIDTH ACCESS & UTILITY EASEMENT "A" TO BE GRANTED FROM THE PROPERTY CONVEYED TO ANDREW PERRY LESTER AS RECORDED IN DEED BOOK 263, PAGE 415, PARCEL ID: 41-11A 12A, IN THE OFFICE OF THE CLERK OF CALDWELL COUNTY, KENTUCKY, WHICH IS MORE PARTICULARLY DESCRIBED AS FOLLOWS:

BEARING DATUM USED HEREIN IS BASED UPON KENTUCKY SINGLE ZONE STATE PLANE COORDINATE SYSTEM, NAD 83, FROM A REAL TIME KINEMATIC GLOBAL POSITIONING SYSTEM OBSERVATION USING THE KENTUCKY TRANSPORTATION CABINET VRS NETWORK COMPLETED ON AUGUST 9, 2023.

COMMENCING AT A FOUND 22" SASSAFRAS TREE IN THE COMMON CORNER OF THE PROPERTY CONVEYED TO ANDREW PERRY LESTER AS RECORDED IN DEED BOOK 263, PAGE 415, PARCEL ID: 41-11A 12A, AND THE PROPERTY CONVEYED TO RICHARD B. LESTER AS RECORDED IN DEED BOOK 112, PAGE 99, TRACT 1, SAID CORNER ALSO BEING IN THE SOUTHWEST LINE OF THE PROPERTY CONVEYED TO RICHARD B. LESTER AS RECORDED IN DEED BOOK 112, PAGE 99, TRACT 2, BOTH BEING PARCEL ID: 41-9 10 12; FOR REFERENCE SAID POINT BEING N58°43'17"E 3,060.53' FROM A FOUND 1/2" REBAR WITH A YELLOW PLASTIC CAP STAMPED "3536" IN THE COMMON CORNER TO THE AFOREMENTIONED RICHARD B. LESTER PROPERTY, TRACT 1 AND CORNER TO THE PROPERTY CONVEYED TO ANDREW PERRY LESTER AS RECORDED IN DEED BOOK 190, PAGE 305, PARCEL ID: 41-11A 12A, ALSO CORNER TO THE PROPERTY CONVEYED TO SPRINGLAKE FARMS LLC AS RECORDED IN DEED BOOK 336, PAGE 332, TRACT 10, PARCEL ID: 41-13 & 14; THENCE LEAVING SAID CORNER AND TRAVERSING THE LAND OF ANDREW PERRY LESTER, DEED BOOK 263, PAGE 415, 571°23'49"W 891.34' TO A SET 1/2" REBAR, 18" LONG, WITH A YELLOW PLASTIC CAP STAMPED "PATTERSON KY PLS3136", HEREAFTER REFERRED TO AS A "SET IPC" IN THE NORTHERN MOST CORNER OF THE PROPOSED LEASE AND BEING THE TRUE POINT OF BEGINNING; THENCE WITH SAID LEASE AREA, S45°07'38"W 100.00' TO A "SET IPC"; THENCE LEAVING SAID LEASE AREA, N44°52'22"W 30.00'; THENCE N45°07'38"E 33.95'; THENCE ALONG THE ARC OF A NON-TANGENT CURVE TO THE LEFT HAVING A RADIUS OF 35.00', ARC LENGTH OF 46.38', THE CHORD OF WHICH BEARS S83°05'35"W 43.06'; THENCE S45°07'38"W 690.82'; THENCE S54°04'38"W 326.58'; THENCE S63°11'26"W 189.41' TO THE COMMON LINE OF THE AFOREMENTIONED RICHARD B. LESTER PROPERTY, TRACT 1 AND ANDREW PERRY LESTER PROPERTY; THENCE WITH SAID COMMON LINE FOR THE NEXT TWO CALLS, N54°04'38"E 607.67'; THENCE N45°07'38"E 634.76'; THENCE LEAVING SAID COMMON LINE AND TRAVERSING THE LAND OF THE AFOREMENTIONED ANDREW PERRY LESTER PROPERTY, ALONG THE ARC OF A NON-TANGENT CURVE TO THE RIGHT HAVING A RADIUS OF 65.00', ARC LENGTH OF 37.66', THE CHORD OF WHICH BEARS S78°33'34"E 37.14'; THENCE ALONG THE ARC OF A REVERSE CURVE TO THE LEFT HAVING A RADIUS OF 15.00', ARC LENGTH OF 19.09', THE CHORD OF WHICH BEARS N81°34'59"E 17.83'; THENCE N45°07'38"E 23.53'; THENCE S44°52'22"E 30.00' TO THE POINT OF BEGINNING CONTAINING 28,344.138 SQUARE FEET AS PER SURVEY BY MARK E. PATTERSON, PLS #3136 DATED AUGUST 9, 2023.

PROPOSED VARIABLE WIDTH ACCESS & UTILITY EASEMENT "B"

THE FOLLOWING IS A DESCRIPTION OF THE PROPOSED VARIABLE WIDTH ACCESS & UTILITY EASEMENT "B" TO BE GRANTED FROM THE PROPERTY CONVEYED TO ANDREW PERRY LESTER AS RECORDED IN DEED BOOK 263, PAGE 415, PARCEL ID: 41-11A 12A, IN THE OFFICE OF THE CLERK OF CALDWELL COUNTY, KENTUCKY, WHICH IS MORE PARTICULARLY DESCRIBED AS FOLLOWS:

BEARING DATUM USED HEREIN IS BASED UPON KENTUCKY SINGLE ZONE STATE PLANE COORDINATE SYSTEM, NAD 83, FROM A REAL TIME KINEMATIC GLOBAL POSITIONING SYSTEM OBSERVATION USING THE KENTUCKY TRANSPORTATION CABINET VRS NETWORK COMPLETED ON AUGUST 9, 2023.

COMMENCING AT A FOUND 1/2" REBAR WITH A YELLOW PLASTIC CAP STAMPED "3536" IN THE COMMON CORNER TO THE PROPERTY CONVEYED TO RICHARD B. LESTER AS RECORDED IN DEED BOOK 112, PAGE 99, TRACT 1, PARCEL ID: 41-9 10 12 AND CORNER TO THE PROPERTY CONVEYED TO ANDREW PERRY LESTER AS RECORDED IN DEED BOOK 190, PAGE 305, PARCEL ID: 41-11A 12A, ALSO CORNER TO THE PROPERTY CONVEYED TO SPRINGLAKE FARMS LLC AS RECORDED IN DEED BOOK 336, PAGE 332, TRACT 10, PARCEL ID: 41-13 & 14, FOR REFERENCE SAID REBAR IS S58°43'17"W 3,060.53' FROM A FOUND 22" SASSAFRAS TREE IN THE COMMON CORNER OF THE AFOREMENTIONED RICHARD B. LESTER AS RECORDED IN DEED BOOK 112, PAGE 99, TRACT 1, SAID CORNER ALSO BEING IN THE SOUTHWEST LINE OF THE PROPERTY CONVEYED TO RICHARD B. LESTER AS RECORDED IN DEED BOOK 112, PAGE 99, TRACT 2, BOTH BEING PARCEL ID: 41-9 10 12 AND CORNER TO THE PROPERTY CONVEYED TO ANDREW PERRY LESTER AS RECORDED IN DEED BOOK 263, PAGE 415, PARCEL ID: 41-11A 12A; THENCE WITH THE COMMON LINE OF THE AFOREMENTIONED RICHARD B. LESTER PROPERTY, TRACT 1 AND ANDREW PERRY LESTER PROPERTY DEED BOOK 190, PAGE 305, N55°34'38"E 460.50' TO THE COMMON CORNER TO ANDREW PERRY LESTER, DEED BOOK 190, PAGE 305 AND DEED BOOK 263, PAGE 415 AND BEING THE TRUE POINT OF BEGINNING; THENCE WITH THE COMMON LINE OF THE AFOREMENTIONED RICHARD B. LESTER PROPERTY, TRACT 1 AND ANDREW PERRY LESTER PROPERTY, DEED BOOK 263, PAGE 415, N55°34'38"E 291.00'; THENCE LEAVING SAID COMMON LINE, S50°06'04"W 157.18'; THENCE S55°34'38"W 129.28' TO THE COMMON LINE OF THE AFOREMENTIONED ANDREW PERRY LESTER PROPERTY, DEED BOOK 190, PAGE 305 AND DEED BOOK 263, PAGE 415; THENCE WITH SAID COMMON LINE, N53°44'22"W 15.89' TO THE POINT OF BEGINNING CONTAINING 3,152.088 SQUARE FEET AS PER SURVEY BY MARK E. PATTERSON, PLS #3136 DATED AUGUST 9, 2023.

PROPOSED VARIABLE WIDTH ACCESS & UTILITY EASEMENT "C"

THE FOLLOWING IS A DESCRIPTION OF THE PROPOSED VARIABLE WIDTH ACCESS & UTILITY EASEMENT "C" TO BE GRANTED FROM THE PROPERTY CONVEYED TO ANDREW PERRY LESTER AS RECORDED IN DEED BOOK 190, PAGE 305, PARCEL ID: 41-11A 12A, IN THE OFFICE OF THE CLERK OF CALDWELL COUNTY, KENTUCKY, WHICH IS MORE PARTICULARLY DESCRIBED AS FOLLOWS:

BEARING DATUM USED HEREIN IS BASED UPON KENTUCKY SINGLE ZONE STATE PLANE COORDINATE SYSTEM, NAD 83, FROM A REAL TIME KINEMATIC GLOBAL POSITIONING SYSTEM OBSERVATION USING THE KENTUCKY TRANSPORTATION CABINET VRS NETWORK COMPLETED ON AUGUST 9, 2023.

BEGINNING AT A FOUND 1/2" REBAR WITH A YELLOW PLASTIC CAP STAMPED "3536" IN THE COMMON CORNER TO THE PROPERTY CONVEYED TO RICHARD B. LESTER AS RECORDED IN DEED BOOK 112, PAGE 99, TRACT 1, PARCEL ID: 41-9 10 12 AND CORNER TO THE PROPERTY CONVEYED TO ANDREW PERRY LESTER AS RECORDED IN DEED BOOK 190, PAGE 305, PARCEL ID: 41-11A 12A, ALSO CORNER TO THE PROPERTY CONVEYED TO SPRINGLAKE FARMS LLC AS RECORDED IN DEED BOOK 336, PAGE 332, TRACT 10, PARCEL ID: 41-13 & 14, FOR REFERENCE SAID REBAR IS S58°43'17"W 3,060.53' FROM A FOUND 22" SASSAFRAS TREE IN THE COMMON CORNER OF THE AFOREMENTIONED RICHARD B. LESTER AS RECORDED IN DEED BOOK 112, PAGE 99, TRACT 1, SAID CORNER ALSO BEING IN THE SOUTHWEST LINE OF THE PROPERTY CONVEYED TO RICHARD B. LESTER AS RECORDED IN DEED BOOK 112, PAGE 99, TRACT 2, BOTH BEING PARCEL ID: 41-9 10 12 AND CORNER TO THE PROPERTY CONVEYED TO ANDREW PERRY LESTER AS RECORDED IN DEED BOOK 263, PAGE 415, PARCEL ID: 41-11A 12A; THENCE WITH THE COMMON LINE OF THE AFOREMENTIONED RICHARD B. LESTER PROPERTY, TRACT 1 AND ANDREW PERRY LESTER PROPERTY DEED BOOK 190, PAGE 305, N55°34'38"E 460.50' TO THE COMMON CORNER TO ANDREW PERRY LESTER, DEED BOOK 190, PAGE 305 AND DEED BOOK 263, PAGE 415; THENCE WITH THE COMMON LINE OF THE AFOREMENTIONED ANDREW PERRY LESTER PROPERTY, DEED BOOK 190, PAGE 305 AND DEED BOOK 263, PAGE 415, S53°44'22"E 15.89'; THENCE LEAVING SAID COMMON LINE AND TRAVERSING THE LAND OF ANDREW PERRY LESTER PROPERTY, DEED BOOK 190, PAGE 305, S55°34'38"W 398.89'; THENCE ALONG THE ARC OF A CURVE TO THE LEFT HAVING A RADIUS OF 43.28', ARC LENGTH OF 74.15', THE CHORD OF WHICH BEARS S06°29'53"W 65.41' TO THE NORTH RIGHT OF WAY LINE OF KENTUCKY HIGHWAY 1272; THENCE WITH RIGHT OF WAY LINE OF KENTUCKY HIGHWAY 1272, ALONG THE ARC OF A NON-TANGENT CURVE TO THE LEFT HAVING A RADIUS OF 1380.71', ARC LENGTH OF 100.55', THE CHORD OF WHICH BEARS S84°42'51"W 100.52' TO THE COMMON CORNER OF THE AFOREMENTIONED SPRINGLAKE FARMS LLC PROPERTY AND ANDREW PERRY LESTER PROPERTY, DEED BOOK 190, PAGE 305; THENCE LEAVING THE RIGHT OF WAY OF KENTUCKY HIGHWAY 1272 AND WITH SPRINGLAKE FARMS LLC PROPERTY AND ANDREW PERRY LESTER PROPERTY, N41°56'14"E 65.63' TO THE POINT OF BEGINNING CONTAINING 9,920.642 SQUARE FEET AS PER SURVEY BY MARK E. PATTERSON, PLS #3136 DATED AUGUST 9, 2023.

PROPOSED VARIABLE WIDTH ACCESS & UTILITY EASEMENT "D"

THE FOLLOWING IS A DESCRIPTION OF THE PROPOSED VARIABLE WIDTH ACCESS & UTILITY EASEMENT "D" TO BE GRANTED FROM THE PROPERTY CONVEYED TO RICHARD B. LESTER AS RECORDED IN DEED BOOK 112, PAGE 99, TRACT 1, PARCEL ID: 41-9 10 12, IN THE OFFICE OF THE CLERK OF CALDWELL COUNTY, KENTUCKY, WHICH IS MORE PARTICULARLY DESCRIBED AS FOLLOWS:

BEARING DATUM USED HEREIN IS BASED UPON KENTUCKY SINGLE ZONE STATE PLANE COORDINATE SYSTEM, NAD 83, FROM A REAL TIME KINEMATIC GLOBAL POSITIONING SYSTEM OBSERVATION USING THE KENTUCKY TRANSPORTATION CABINET VRS NETWORK COMPLETED ON AUGUST 9, 2023.

COMMENCING AT A FOUND 1/2" REBAR WITH A YELLOW PLASTIC CAP STAMPED "3536" IN THE COMMON CORNER TO THE PROPERTY CONVEYED TO RICHARD B. LESTER AS RECORDED IN DEED BOOK 112, PAGE 99, TRACT 1, PARCEL ID: 41-9 10 12 AND CORNER TO THE PROPERTY CONVEYED TO ANDREW PERRY LESTER AS RECORDED IN DEED BOOK 190, PAGE 305, PARCEL ID: 41-11A 12A, ALSO CORNER TO THE PROPERTY CONVEYED TO SPRINGLAKE FARMS LLC AS RECORDED IN DEED BOOK 336, PAGE 332, TRACT 10, PARCEL ID: 41-13 & 14, FOR REFERENCE SAID REBAR IS S58°43'17"W 3,060.53' FROM A FOUND 22" SASSAFRAS TREE IN THE COMMON CORNER OF THE AFOREMENTIONED RICHARD B. LESTER AS RECORDED IN DEED BOOK 112, PAGE 99, TRACT 1, SAID CORNER ALSO BEING IN THE SOUTHWEST LINE OF THE PROPERTY CONVEYED TO RICHARD B. LESTER AS RECORDED IN DEED BOOK 112, PAGE 99, TRACT 2, BOTH BEING PARCEL ID: 41-9 10 12 AND CORNER TO THE PROPERTY CONVEYED TO ANDREW PERRY LESTER AS RECORDED IN DEED BOOK 263, PAGE 415, PARCEL ID: 41-11A 12A; THENCE WITH THE COMMON LINE OF THE AFOREMENTIONED RICHARD B. LESTER PROPERTY, TRACT 1 AND ANDREW PERRY LESTER PROPERTY, DEED BOOK 190, PAGE 305, N55°34'38"E 460.50' TO THE COMMON CORNER TO ANDREW PERRY LESTER, DEED BOOK 190, PAGE 305 AND DEED BOOK 263, PAGE 415; THENCE WITH THE COMMON LINE OF THE AFOREMENTIONED RICHARD B. LESTER PROPERTY, TRACT 1 AND ANDREW PERRY LESTER PROPERTY, DEED BOOK 263, PAGE 415, FOR THE NEXT TWO CALLS, N55°34'38"E 291.00'; THENCE N54°04'38"E 655.98' TO THE TRUE POINT OF BEGINNING; THENCE LEAVING SAID COMMON LINE AND TRAVERSING THE LAND OF RICHARD B. LESTER PROPERTY, TRACT 1, N45°07'38"E 688.47'; THENCE ALONG THE ARC OF A CURVE TO THE RIGHT HAVING A RADIUS OF 65.00', ARC LENGTH OF 45.06', THE CHORD OF WHICH BEARS N64°59'06"E 44.16' TO THE COMMON LINE OF THE AFOREMENTIONED RICHARD B. LESTER PROPERTY, TRACT 1 AND ANDREW PERRY LESTER PROPERTY, DEED BOOK 263, PAGE 415; THENCE WITH SAID COMMON LINE, FOR THE NEXT TWO CALLS, S45°07'38"W 634.76'; THENCE S54°04'38"W 96.42' TO THE POINT OF BEGINNING CONTAINING 10,038.754 SQUARE FEET AS PER SURVEY BY MARK E. PATTERSON, PLS #3136 DATED AUGUST 9, 2023.

PROPOSED VARIABLE WIDTH ACCESS & UTILITY EASEMENT "E"

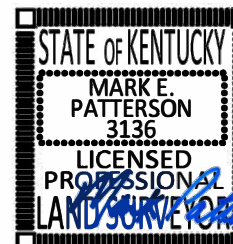
THE FOLLOWING IS A DESCRIPTION OF THE PROPOSED VARIABLE WIDTH ACCESS & UTILITY EASEMENT "E" TO BE GRANTED FROM THE PROPERTY CONVEYED TO RICHARD B. LESTER AS RECORDED IN DEED BOOK 112, PAGE 99, TRACT 1, PARCEL ID: 41-9 10 12, IN THE OFFICE OF THE CLERK OF CALDWELL COUNTY, KENTUCKY, WHICH IS MORE PARTICULARLY DESCRIBED AS FOLLOWS:

BEARING DATUM USED HEREIN IS BASED UPON KENTUCKY SINGLE ZONE STATE PLANE COORDINATE SYSTEM, NAD 83, FROM A REAL TIME KINEMATIC GLOBAL POSITIONING SYSTEM OBSERVATION USING THE KENTUCKY TRANSPORTATION CABINET VRS NETWORK COMPLETED ON AUGUST 9, 2023.

BEGINNING AT A FOUND 1/2" REBAR WITH A YELLOW PLASTIC CAP STAMPED "3536" IN THE COMMON CORNER TO THE PROPERTY CONVEYED TO RICHARD B. LESTER AS RECORDED IN DEED BOOK 112, PAGE 99, TRACT 1, PARCEL ID: 41-9 10 12 AND CORNER TO THE PROPERTY CONVEYED TO ANDREW PERRY LESTER AS RECORDED IN DEED BOOK 190, PAGE 305, PARCEL ID: 41-11A 12A, ALSO CORNER TO THE PROPERTY CONVEYED TO SPRINGLAKE FARMS LLC AS RECORDED IN DEED BOOK 336, PAGE 332, TRACT 10, PARCEL ID: 41-13 & 14, FOR REFERENCE SAID REBAR IS S58°43'17"W 3,060.53' FROM A FOUND 22" SASSAFRAS TREE IN THE COMMON CORNER OF THE AFOREMENTIONED RICHARD B. LESTER AS RECORDED IN DEED BOOK 112, PAGE 99, TRACT 1, SAID CORNER ALSO BEING IN THE SOUTHWEST LINE OF THE PROPERTY CONVEYED TO RICHARD B. LESTER AS RECORDED IN DEED BOOK 112, PAGE 99, TRACT 2, BOTH BEING PARCEL ID: 41-9 10 12 AND CORNER TO THE PROPERTY CONVEYED TO ANDREW PERRY LESTER AS RECORDED IN DEED BOOK 263, PAGE 415, PARCEL ID: 41-11A 12A; THENCE LEAVING SAID COMMON CORNER AND TRAVERSING THE LAND OF RICHARD B. LESTER PROPERTY, TRACT 1, N36°00'37"E 44.79'; THENCE N55°34'38"E 551.40'; THENCE N50°06'04"E 156.79'; THENCE N54°04'38"E 148.16'; THENCE N63°11'26"E 189.41' TO THE COMMON LINE OF THE AFOREMENTIONED RICHARD B. LESTER PROPERTY, TRACT 1 AND ANDREW PERRY LESTER PROPERTY, DEED BOOK 263, PAGE 415; THENCE WITH SAID COMMON LINE, FOR THE NEXT TWO CALLS, S54°04'38"W 334.14'; THENCE S55°34'38"W 291.00' TO THE COMMON CORNER TO ANDREW PERRY LESTER, DEED BOOK 190, PAGE 305 AND DEED BOOK 263, PAGE 415 TO THE COMMON CORNER TO ANDREW PERRY LESTER, DEED BOOK 190, PAGE 305 AND DEED BOOK 263, PAGE 415; THENCE WITH THE COMMON LINE OF THE AFOREMENTIONED RICHARD B. LESTER PROPERTY, TRACT 1 AND ANDREW PERRY LESTER PROPERTY DEED BOOK 190, PAGE 305, S55°34'38"W 460.50' TO THE POINT OF BEGINNING CONTAINING 19,358.151 SQUARE FEET AS PER SURVEY BY MARK E. PATTERSON, PLS #3136 DATED AUGUST 9, 2023.

LAND SURVEYOR'S CERTIFICATE

I, MARK E. PATTERSON, HEREBY CERTIFY THAT I AM A LICENSED PROFESSIONAL LAND SURVEYOR LICENSED IN COMPLIANCE WITH THE LAWS OF THE COMMONWEALTH OF KENTUCKY. I FURTHER CERTIFY THAT THIS PLAT AND THE SURVEY ON THE GROUND WERE PERFORMED BY PERSONS UNDER MY DIRECT SUPERVISION, AND THAT THE DIRECTIONAL AND LINEAR MEASUREMENTS BEING WITNESSED BY MONUMENTS SHOWN HEREON ARE TRUE AND CORRECT TO THE BEST OF MY KNOWLEDGE. THE "RURAL" SURVEY, AND THE PLAT ON WHICH IT IS BASED, MEETS ALL SPECIFICATIONS AS STATED IN KAR 201 18:150.



MARK PATTERSON, PLS #3136

10/24/2023

DATE

POD POWER OF DESIGN 11490 BLUEGRASS PARKWAY LOUISVILLE, KY 40299 502-437-5252

smartlink

at&t

Table with 3 columns: REV, DATE, DESCRIPTION. Row 1: A, 8.25.23, PRELIM ISSUE w/TITLE. Row 2: 0, 10.4.23, ISSUED AS FINAL. Row 3: 1, 10.24.23, TITLE ESMT. "D & E"

SITE INFORMATION: MEADOWVIEW KENTUCKY HIGHWAY 1272 PRINCETON, KY 42445 CALDWELL COUNTY PROPERTY OWNER: ANDREW PERRY LESTER 2924 HWY 1272 PRINCETON, KY 42445 TAX PARCEL NUMBER: 41-11A 12A SOURCE OF TITLE: DEED BOOK 263, PAGE 415 & DEED BOOK 190, PAGE 305 PROPERTY OWNER: RICHARD B. LESTER 2788 HWY 1272 PRINCETON, KY 42445 TAX PARCEL NUMBER: 41-9 10 12 SOURCE OF TITLE: DEED BOOK 112, PAGE 99

FA NUMBER: 16147981 POD NUMBER: 23-157906 CHECKED BY: MEP DRAWN BY: DAP SURVEY DATE: 8.9.23 PLAT DATE: 8.25.23

SHEET TITLE: SITE SURVEY THIS DOES NOT REPRESENT A BOUNDARY SURVEY OF THE PARENT PARCEL

SHEET NUMBER: (7 pages) B-1.5

REPORT OF TITLE - PARCEL ID: 41-11A 12A

THIS SURVEY DOES NOT CONSTITUTE A TITLE SEARCH BY POD GROUP, LLC AND AS SUCH WE ARE NOT RESPONSIBLE FOR THE INVESTIGATION OR INDEPENDENT SEARCH FOR EASEMENTS OF RECORD, ENCUMBRANCES, RESTRICTIVE COVENANTS, OWNERSHIP TITLE EVIDENCE, UNRECORDED EASEMENTS, AUGMENTING EASEMENTS, IMPLIED OR PRESCRIPTIVE EASEMENTS, OR ANY OTHER FACTS THAT AN ACCURATE AND CURRENT TITLE SEARCH MAY DISCLOSE. INFORMATION REGARDING THESE MATTERS WERE GAINED FROM AMC SETTLEMENT SERVICES, ORDER #: 50030212, DATED JULY 20, 2023. THE FOLLOWING COMMENTS ARE IN REGARD TO SAID REPORT AND THE NUMBERS IN THE COMMENTS CORRESPOND TO THE NUMBERING SYSTEM IN SAID REPORT.

TAX INFORMATION

TAXES(YEAR): 2022 TAX ID#: 41-11A-12A ADDITIONAL INFORMATION: TAX TYPE : COUNTY STATUS:PAID ASSESSED AS 78.91 ACRES TAX PERIOD: ANNUALLY AMOUNT: \$721.90 DUE DATE:

ASSESSMENT INFORMATION

LAND: \$0.00 BUILDING: \$0.00 TOTAL: \$89,725.00

MORTGAGE/ DEED OF TRUST INFORMATION

MORTGAGEE: FARMERS BANK AND TRUST COMPANY MORTGAGOR: ANDREW PERRY LESTER, SPOUSE OF LINDA DIANE LESTER, AND LINDA DIANE LESTER, SPOUSE OF ANDREW PERRY LESTER AMOUNT: \$150,000.00 DATED: 04/24/2017 RECORDED: 05/18/2017 REFERENCE: BOOK / PAGE : 324 / 511 OPEN ENDED: NO OPEN ENDED AMOUNT:

ADDITIONAL INFORMATION:

MODIFICATION OF MORTGAGE TO CHANGE MATURITY DATE TO 4/15/2021 RECORDED 5/21/2020 IN BOOK 355, PAGE 509. MODIFICATION OF MORTGAGE TO CHANGE MATURITY DATE TO 4/15/2022 RECORDED 5/11/2021 IN BOO 369, PAGE 156. MODIFICATION OF MORTGAGE TO CHANGE MATURITY DATE TO 5/15/2023 RECORDED 6/7/2022 IN BOOK 384, PAGE 159. MODIFICATION OF MORTGAGE TO CHANGE MATURITY DATE TO 5/15/2024 RECORDED 5/16/2023 IN BOOK 393, PAGE 339. (MORTGAGE AFFECTS THE PARENT PARCEL.)

JUDGMENT AND LIEN INFORMATION

NONE OF RECORD.

OTHER INFORMATION

NONE OF RECORD.

UCC

NONE OF RECORD.

EXCEPTIONS

- 1. SUBJECT TO RIGHT OF WAY EASEMENT FROM ANDY LESTER AND DENISE LESTER TO PENNYRILE RURAL ELECTRIC COOPERATIVE CORPORATION RECORDED 1/22/1988 IN BOOK 170, PAGE 445, CALDWELL COUNTY RECORDS. (RIGHT OF WAY AS RECORDED IN BOOK 170, PAGE 445, AFFECTS THE PARENT PARCEL, UNABLE TO DETERMINE LOCATION.)
2. SUBJECT TO RIGHT OF WAY EASEMENT FROM RICHARD B. LESTER TO LYON COUNTY WATER DISTRICT RECORDED 10/7/1996 IN BOOK 205, PAGE 590, CALDWELL COUNTY RECORDS. (RIGHT OF WAY AS RECORDED IN BOOK 205, PAGE 590, CAN NOT BE PLOTTED, UNABLE TO DETERMINE LOCATION.)
3. PLEASE NOTE: THE LIABILITY FOR THIS REPORT IS LIMITED TO THE COST OF THE REPORT.

LEGAL DESCRIPTION, PARCEL ID: 41-11A 12A (NOT FIELD SURVEYED)

ALL THAT PARCEL OF LAND IN THE IN THE COUNTY OF CALDWELL AND COMMONWEALTH OF KENTUCKY AS MORE FULLY DESCRIBED IN DEED BOOK 263 PAGE 415, BOOK 190 PAGE 305, BOOK 168 PAGE 327 AND PARCEL # 41-11A-12A, BEING KNOWN AND DESIGNATED AS:

DEED BOOK 263, PAGE 415

BEGINNING AT A STAKE LOCATED IN THE ROAD BED OF AN OLD ABANDONED PRIVATE ROAD, 39 FEET NORTH OF THE RIGHT OF WAY LINE OF KENTUCKY HIGHWAY 1272; THENCE WITH SAID ROAD BED AND THE LINE OF RICHARD B. LESTER, N. 50° 50' E. 751.5 FEET TO A FENCE POST, N. 49° 20' E. 752.4 FEET TO A STAKE, THENCE N. 40° 23' E. 955.0 FEET TO A STAKE; THENCE LEAVING OLD ROAD BED AND WITH ANOTHER LINE OF RICHARD B. LESTER, N. 82° 28' E. 709.5 FEET TO A 15-INCH SASSAFRAS; THENCE WITH ANOTHER LINE OF THE SAID LESTER, S. 37° 54' E. 1130 FEET TO A CORNER POST, CORNER TO J. & G. BROWN; THENCE WITH THE SAID BROWN LINE S. 52° 00' W. 2341.0 FEET TO A FENCE POST, CORNER OF THE SAID BROWN AND THE RIGHT OF WAY LINE OF KENTUCKY HIGHWAY NO. 1272, THENCE WITH SAID RIGHT OF WAY LINE N. 38° 44' W. 350 FEET TO A STAKE, CORNER OF GLADYS LESTER, THENCE WITH HER LINE, N. 53° 56' E. 200 FEET TO A STAKE; THENCE N. 15° 06' W. 277.3 FEET TO A STAKE; N. 69° 14' W. 139.0 FEET TO A STAKE, S. 50° 71' W. 351 FEET TO A STAKE IN THE RIGHT OF WAY LINE OF THE SAID KENTUCKY HIGHWAY NO. 1272; THENCE WITH SAID RIGHT OF WAY LINE AS FOLLOWS: N. 78° 27' W. 200.0 FEET; N. 84° 51' W. 200.0 FEET S. 89° 35' W. 200.0 FEET; S. 85° 12' W. 173.20 FEET TO A STAKE IN SAID RIGHT OF WAY; THENCE N. 50° 38' W. 39.0 FEET TO THE POINT OF BEGINNING, CONTAINING 75.2 ACRES, MORE OR LESS. THIS DESCRIPTION ACCORDING TO PLAT AND SURVEY OF JAMES E. ARNOLD, LIE. NO. 1520, DATED MARCH 1, 1975.

THERE IS EXCEPTED AND NOT INCLUDED THE FOLLOWING DESCRIBED PROPERTY WHICH WAS CONVEYED TO ANDREW PERRY LESTER AND DENISE FRANKLIN LESTER, HUSBAND AND WIFE, DATED JULY 17, 1987, RECORDED IN DEED BOOK 168, PAGE 327: BEGINNING AT A FENCE POST IN THE NORTHERLY RIGHT-OF-WAY OF KY. 1272 CORNER TO GLADYS LESTER AND RICHARD B. LESTER, THENCE WITH SAID RIGHT- OF-WAY N 78 DEGREES 27' W 200.00 FEET; THENCE N 84 DEGREES 51' W. 200.00 FEET; THENCE S 89 DEGREES 35' W 200.00 FEET; THENCE S 85 DEGREES 12' W 173.20 FEET; THENCE LEAVING SAID RIGHT-OF-WAY AND WITH THE CENTER OF AND OLD ROAD BED N 50 DEGREES 38' W 39.00 FEET; THENCE N 50 DEGREES 50' E 460.5 FEET TO AN IRON PIN IN THE CENTER OF OLD ROAD BED; THENCE S 58 DEGREES 29' E 607.04 FEET TO A 1/2" IRON PIN; THENCE S 50 DEGREES 11' W 100 FEET TO THE BEGINNING, CONTAINING 3.71 ACRES, MORE OR LESS.

BEING A PART OF TRACT I OF THE SAME PROPERTY CONVEYED RICHARD B. LESTER, BY DEED OF CONVEYANCE FROM GLADYS CHILDRESS LESTER, WIDOW, DATED MARCH 13, 1975, AND RECORDED IN DEED BOOK 139, PAGE 41, CALDWELL COUNTY CLERK'S OFFICE.

DEED BOOK 190, PAGE 305 - TRACT 1 (PREVIOUS RECORDED IN DEED BOOK 168, PAGE 327 - TRACT 1) BEGINNING AT A FENCE POST IN THE NORTHERLY RIGHT-OF-WAY OF KY. 1272 CORNER TO GLADYS LESTER AND RICHARD B. LESTER, THENCE WITH SAID RIGHT- OF-WAY N 78 DEGREES 27' W 200.00 FEET; THENCE N 84 DEGREES 51' W. 200.00 FEET; THENCE S 89 DEGREES 35' W 200.00 FEET; THENCE S 85 DEGREES 12' W 173.20 FEET; THENCE LEAVING SAID RIGHT-OF-WAY AND WITH THE CENTER OF AND OLD ROAD BED N 50 DEGREES 38' W 39.00 FEET; THENCE N 50 DEGREES 50' E 460.5 FEET TO AN IRON PIN IN THE CENTER OF OLD ROAD BED; THENCE S 58 DEGREES 29' E 607.04 FEET TO A 1/2" IRON PIN; THENCE S 50 DEGREES 11' W 100 FEET TO THE BEGINNING, CONTAINING 3.71 ACRES, MORE OR LESS.

PARCEL NUMBER: 41-11A-12A

BY FEE SIMPLE DEED FROM RICHARD B. LESTER, A SINGLE PERSON AS SET FORTH IN DEED BOOK / PAGE : 263 / 415, DATED 03/02/2007 AND RECORDED 03/02/2007, CALDWELL COUNTY RECORDS, STATE OF KENTUCKY.

BY FEE SIMPLE DEED FROM DENISE FRANKLIN LESTER (HER 1/2 INTEREST) AS SET FORTH IN DEED BOOK / PAGE : 190 / 305, DATED 06/30/1993 AND RECORDED 07/08/1993, CALDWELL COUNTY RECORDS, STATE OF KENTUCKY.

BY FEE SIMPLE DEED FROM RICHARD B. LESTER, WIDOWER AS SET FORTH IN DEED BOOK / PAGE : 168 / 327, DATED 07/17/1987 AND RECORDED 07/17/1987, CALDWELL COUNTY RECORDS, STATE OF KENTUCKY.

REPORT OF TITLE - PARCEL ID: 41-9 10 12

THIS SURVEY DOES NOT CONSTITUTE A TITLE SEARCH BY POD GROUP, LLC AND AS SUCH WE ARE NOT RESPONSIBLE FOR THE INVESTIGATION OR INDEPENDENT SEARCH FOR EASEMENTS OF RECORD, ENCUMBRANCES, RESTRICTIVE COVENANTS, OWNERSHIP TITLE EVIDENCE, UNRECORDED EASEMENTS, AUGMENTING EASEMENTS, IMPLIED OR PRESCRIPTIVE EASEMENTS, OR ANY OTHER FACTS THAT AN ACCURATE AND CURRENT TITLE SEARCH MAY DISCLOSE. INFORMATION REGARDING THESE MATTERS WERE GAINED FROM AMC SETTLEMENT SERVICES, ORDER #: 50031086, DATED OCTOBER 13, 2023. THE FOLLOWING COMMENTS ARE IN REGARD TO SAID REPORT AND THE NUMBERS IN THE COMMENTS CORRESPOND TO THE NUMBERING SYSTEM IN SAID REPORT.

TAX INFORMATION

TAXES(YEAR): 2022 TAX ID#: 41-9-10-12 ADDITIONAL INFORMATION: TAX TYPE : COUNTY STATUS: PAID TAX PERIOD: ANNUALLY AMOUNT: \$361.77 DUE DATE:

ASSESSMENT INFORMATION

LAND: \$0.00 BUILDING: \$0.00 TOTAL: \$44,847.00

MORTGAGE/ DEED OF TRUST INFORMATION

NONE OF RECORD.

JUDGMENT AND LIEN INFORMATION

NONE OF RECORD.

OTHER INFORMATION

NONE OF RECORD.

UCC

NONE OF RECORD.

EXCEPTIONS

- 1. SUBJECT TO RIGHT OF WAY EASEMENT FROM RICHARD B. LESTER TO THE LYON COUNTY WATER DISTRICT RECORDED IN 10/7/1996 IN BOOK 205 PAGE 590, CALDWELL RECORDS OF DEEDS. (RIGHT OF WAY AS RECORDED IN BOOK 205, PAGE 590, CAN NOT BE PLOTTED, UNABLE TO DETERMINE LOCATION.)
2. SUBJECT TO RIGHT OF WAY EASEMENT FROM GLADYS LESTER TO THE LYON COUNTY WATER DISTRICT RECORDED IN 10/7/1996 IN BOOK 205 PAGE 592, CALDWELL RECORDS OF DEEDS. (RIGHT OF WAY AS RECORDED IN BOOK 205, PAGE 592, CAN NOT BE PLOTTED, UNABLE TO DETERMINE LOCATION.)
3. PLEASE NOTE: THE LIABILITY FOR THIS REPORT IS LIMITED TO THE COST OF THE REPORT.

LEGAL DESCRIPTION, PARCEL ID: 41-9 10 12 (NOT FIELD SURVEYED)

ALL THAT PARCEL OF LAND IN THE IN THE COUNTY OF CALDWELL AND COMMONWEALTH OF KENTUCKY AS MORE FULLY DESCRIBED IN DEED BOOK D139 PAGE 41, BOOK B112 PAGE 99 AND BOOK 169 PAGE 429 AND PARCEL # 41-9-10-12, BEING KNOWN AND DESIGNATED AS:

PARCEL OF LAND SITUATED, LYING AND BEING IN THE COUNTY OF CALDWELL, STATE OF KENTUCKY, MORE PARTICULARLY BOUNDED AND DESCRIBED AS FOLLOWS:

TRACT 1:

BEGINNING AT A STAKE ON THE SOUTH SIDE OF A LARGE OAK TREE, AND IS AN ORIGINAL CORNER TO TRACT OF WHICH LAND HEREIN DESCRIBED IS A PART, ITS IS ALSO CORNER TO ANOTHER TRACT OWNED BY THE PARTY OF THE FIRST PART AND TO LAND OWNED BY WYLIE BROWN, FROM THIS BEGINNING POINT WITH AN ORIGINAL LINE, S.40°E. 65 POLES AND 5 FT. TO A SASSAFRAS TREE ABOUT 10 INCHES IN DIAMETER; THENCE, LEAVING LINE OF ORIGINAL TRACT WITH A FENCE S.82°35'W. 43 POLES AND 5FT. TO A STAKE IN THE CENTER OF FARM ROAD; THENCE, WITH THE CENTER OF THIS ROAD S.41°10'W. 58 POLES, S.49°20'W. 45 POLES AND 10 FEET TO A STAKE AT A CORNER POST AT BACK OF LOT AND ON THE SOUTH BANK OF THE ROAD FROM THE HIGHWAY TO THE HOUSE; THENCE, WITH THE SOUTH LINE OF THIS ROAD S.50°50'W. 45 POLES AND 9 FT. TO A STAKE IN THIS ROAD WHERE IT INTERSECTS WITH THE HIGHWAY; THENCE, WITH AN OLD ABANDONED ROAD AND LINE OF F. CAYCE, N.50°W. 55 POLES AND 5 FT. TO STAKE, A CORNER POST F. CAYCE CORNER; THENCE, (WITH CAYCE 98.5 POLES TO STONE A CORNER WITH BROWN, CONTINUING WITH BROWN SAME COURSE 98 POLES 3 FT.) N.51°15'E. 196 POLES AND 11 FT. TO THE BEGINNING, CONTAINING 62.5 ACRES, MORE OR LESS, ACCORDING TO SURVEY OF EARL L. ADAMS DATED MAY 13, 1964.

EXCEPTING AND RESERVING THEREFROM THAT PROPERTY CONVEYED FROM RICHARD B. LESTER, WIDOWER, TO ANDREW PERRY LESTER AND DENISE FRANKLIN LESTER, HUSBAND AND WIFE, BY DEED DATED 7/17/1987 AND RECORDED 7/17/1987 IN BOOK 168, PAGE 327, CALDWELL COUNTY RECORDS. (NOTE: TRACT II OF THIS DEED WAS CONVEYED BACK TO RICHARD B. LESTER IN VESTING DEED IN BOOK 169, PAGE 429)

EXCEPTING AND RESERVING THEREFROM THAT PROPERTY CONVEYED FROM RICHARD B. LESTER, A SINGLE PERSON, TO ANDREW PERRY LESTER BY DEED DATED 3/2/2007 AND RECORDED 3/2/2007 IN BOOK 263, PAGE 415, CALDWELL COUNTY RECORDS. (NOTE: THIS IS A CORRECTIVE OF ORIGINAL DEED RECORDED 2/19/2007 IN BOOK 263, PAGE 268 TO CORRECT LEGAL DESCRIPTION)

PARCEL NUMBER: 41-9-10-12

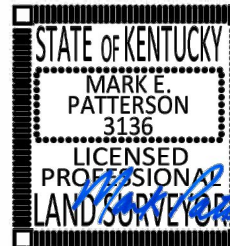
BY FEE SIMPLE DEED FROM GLADYS CHILDRENS LESTER, A WIDOW AS SET FORTH IN DEED BOOK / PAGE : D139 / 41, DATED 05/13/1975 AND RECORDED 05/13/1975, CALDWELL COUNTY RECORDS, STATE OF KENTUCKY.

BY FEE SIMPLE DEED FROM CHARLES D. LESTER AND GLADYS C. LESTER, HIS WIFE AS SET FORTH IN DEED BOOK / PAGE : B112 / 199, DATED 05/15/1964 AND RECORDED 05/15/1964, CALDWELL COUNTY RECORDS, STATE OF KENTUCKY.

BY FEE SIMPLE DEED FROM ANDREW PERRY LESTER AND DENISE FRANKLIN LESTER, HUSBAND AND WIFE AS SET FORTH IN DEED BOOK / PAGE : 169 / 429, DATED 11/12/1987 AND RECORDED 11/12/1987, CALDWELL COUNTY RECORDS, STATE OF KENTUCKY.

LAND SURVEYOR'S CERTIFICATE

I, MARK E. PATTERSON, HEREBY CERTIFY THAT I AM A LICENSED PROFESSIONAL LAND SURVEYOR LICENSED IN COMPLIANCE WITH THE LAWS OF THE COMMONWEALTH OF KENTUCKY. I FURTHER CERTIFY THAT THIS PLAT AND THE SURVEY ON THE GROUND WERE PERFORMED BY PERSONS UNDER MY DIRECT SUPERVISION, AND THAT THE DIRECTIONAL AND LINEAR MEASUREMENTS BEING WITNESSED BY MONUMENTS SHOWN HEREON ARE TRUE AND CORRECT TO THE BEST OF MY KNOWLEDGE. THE "RURAL" SURVEY, AND THE PLAT ON WHICH IT IS BASED, MEETS ALL SPECIFICATIONS AS STATED IN KAR 201.18-150.



MARK PATTERSON, PLS #3136

10/24/2023

DATE

PREPARED BY:



PREPARED FOR:



PREPARED FOR:



REVISIONS

Table with 3 columns: REV, DATE, DESCRIPTION. Row 1: A, 8.25.23, PRELIM ISSUE w/TITLE. Row 2: 0, 10.4.23, ISSUED AS FINAL. Row 3: 1, 10.24.23, TITLE ESMT. "D & E"

SITE INFORMATION:

MEADOWVIEW KENTUCKY HIGHWAY 1272 PRINCETON, KY 42445 CALDWELL COUNTY PROPERTY OWNER: ANDREW PERRY LESTER 2924 HWY 1272 PRINCETON, KY 42445 TAX PARCEL NUMBER: 41-11A 12A SOURCE OF TITLE: DEED BOOK 263, PAGE 415 & DEED BOOK 190, PAGE 305 PROPERTY OWNER: RICHARD B. LESTER 2788 HWY 1272 PRINCETON, KY 42445 TAX PARCEL NUMBER: 41-9 10 12 SOURCE OF TITLE: DEED BOOK 112, PAGE 99

FA NUMBER:

16147981

POD NUMBER: 23-157906 CHECKED BY: MEP DRAWN BY: DAP SURVEY DATE: 8.9.23 PLAT DATE: 8.25.23

SHEET TITLE:

SITE SURVEY THIS DOES NOT REPRESENT A BOUNDARY SURVEY OF THE PARENT PARCEL

SHEET NUMBER: (7 pages)

B-1.6

- (A1)** PARCEL ID: 41-11A 12A
LESTER ANDREW P
2924 HWY 1272
PRINCETON KY 42445
- (B1)** PARCEL ID: 41-9 10 12
LESTER RICHARD B
2788 HWY 1272
PRINCETON KY 42445
- (C1)** PARCEL ID: 41-11
LESTER RICHARD B
2788 HWY 1272
PRINCETON KY 42445
- (D1)** PARCEL ID: 41-13 & 14
SPRINGLAKE FARMS LLC
150 EAST PALMETTO PARK ROAD
SUITE 800
BOCA RATON FL 33432
- (E1)** PARCEL ID: 41-8 15 53-12
BROWN JOHN AND BONNIE
REVOCABLE TRUST
2691 HWY 1272
PRINCETON KY 42445
- (F1)** PARCEL ID: 41-17 53-13A
BROWN JOHN AND BONNIE
REVOCABLE TRUST
2691 HWY 1272
PRINCETON KY 42445
- (G1)** PARCEL ID: 41-16
BROWN JOHN AND BONNIE
REVOCABLE TRUST
2691 HWY 1272
PRINCETON KY 42445

GENERAL NOTE:

1. ALL INFORMATION SHOWN HEREON WAS OBTAINED FROM THE RECORDS OF THE CALDWELL COUNTY KENTUCKY PROPERTY VALUATION ADMINISTRATION OFFICE ON AUGUST 9, 2023 AND RE-VERIFIED ON OCTOBER 26, 2023. THE PROPERTY VALUATION ADMINISTRATION RECORDS MAY NOT REFLECT THE CURRENT OWNERS AND ADDRESSES DUE TO THE INACCURACIES AND TIME LAPSE IN UPDATING FILES. POD AND THE COUNTY PROPERTY VALUATION ADMINISTRATION EXPRESSLY DISCLAIMS ANY WARRANTY FOR THE CONTENT AND ANY ERRORS CONTAINED IN THEIR FILES
2. THIS MAP IS FOR GENERAL INFORMATIONAL PURPOSES ONLY AND IS NOT A BOUNDARY SURVEY
3. NOT FOR RECORDING OR PROPERTY TRANSFER.

NOTE:
PARCEL NUMBERS ARE OF RECORD IN THE CALDWELL COUNTY PROPERTY VALUATION ADMINISTRATOR OFFICE.

PREPARED BY:



11490 BLUEGRASS PARKWAY
LOUISVILLE, KY 40299
502-437-5252

PREPARED FOR:



PREPARED FOR:



REVISIONS

REV.	DATE	DESCRIPTION
A	10.26.23	ISSUED FOR REVIEW
0	11.14.23	ISSUED AS FINAL

SITE INFORMATION:
MEADOWVIEW
 KENTUCKY HIGHWAY 1272
 PRINCETON, KY 42445
 CALDWELL COUNTY

PROPERTY OWNER:
 ANDREW PERRY LESTER
 2924 HWY 1272
 PRINCETON, KY 42445

TAX PARCEL NUMBER:
 41-11A 12A

SOURCE OF TITLE:
 DEED BOOK 263, PAGE 415 &
 DEED BOOK 190, PAGE 305

PROPERTY OWNER:
 RICHARD B. LESTER
 2788 HWY 1272
 PRINCETON, KY 42445

TAX PARCEL NUMBER:
 41-9 1012

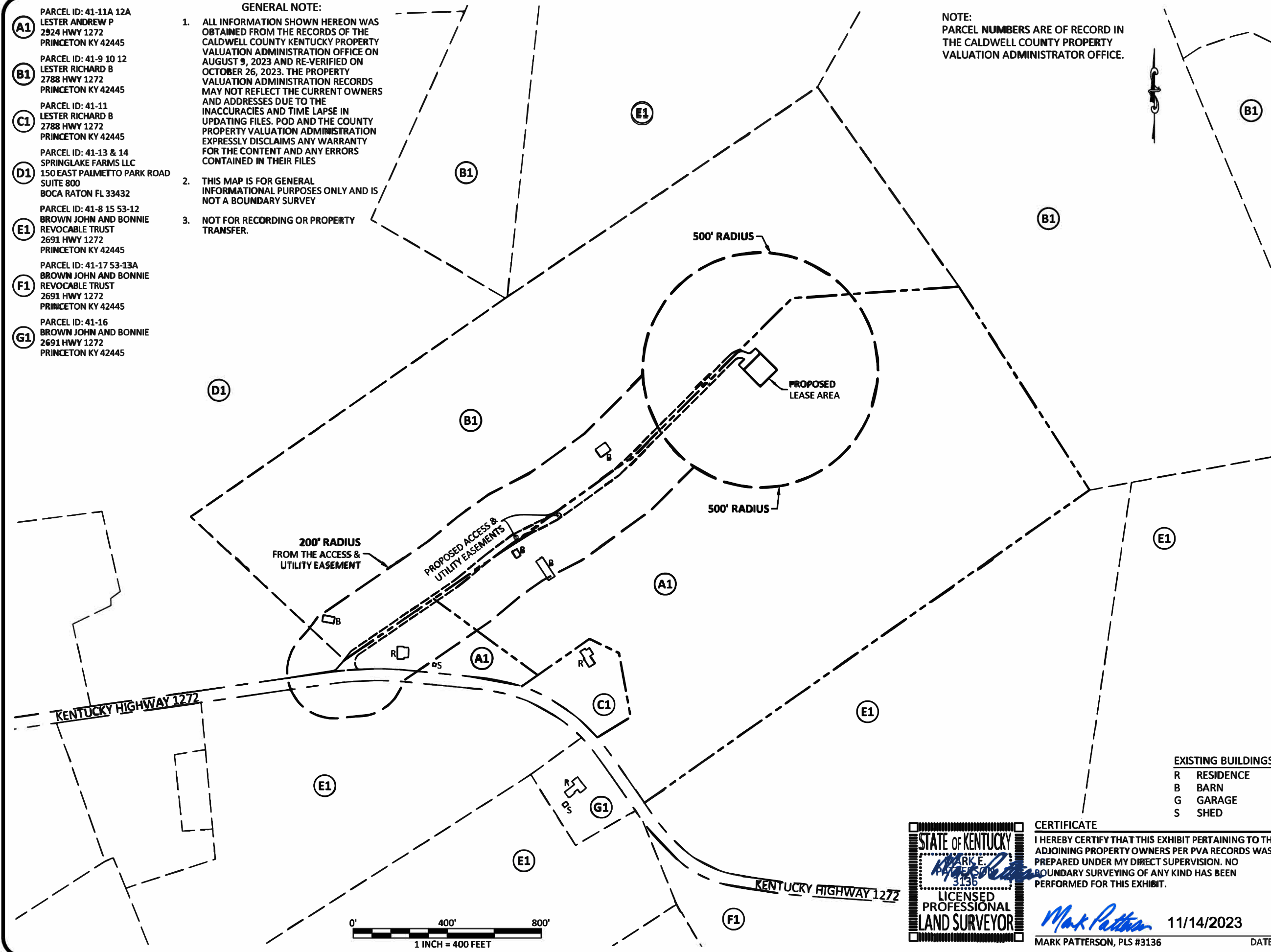
SOURCE OF TITLE:
 DEED BOOK 112, PAGE 99

FA NUMBER:
16147981

POD NUMBER: 23-160073
CHECKED BY: MEP
DRAWN BY: DAP
SURVEY DATE: 8.9.23
PLAT DATE: 10.26.23

SHEET TITLE:
500' RADIUS AND ABUTTERS MAP

SHEET NUMBER: (1 page)
B-2



EXISTING BUILDINGS

- R RESIDENCE
- B BARN
- G GARAGE
- S SHED

STATE OF KENTUCKY
 MARK E. PATTERSON
 3136
LICENSED PROFESSIONAL LAND SURVEYOR

CERTIFICATE
 I HEREBY CERTIFY THAT THIS EXHIBIT PERTAINING TO THE ADJOINING PROPERTY OWNERS PER PVA RECORDS WAS PREPARED UNDER MY DIRECT SUPERVISION. NO BOUNDARY SURVEYING OF ANY KIND HAS BEEN PERFORMED FOR THIS EXHIBIT.

Mark Patterson 11/14/2023
 MARK PATTERSON, PLS #3136 DATE

NOTES:

THE CONTRACTOR MUST PROVIDE CLOSE-OUT DOCUMENTS AT THE FINAL INSPECTION WALK BEFORE PAYMENTS WILL BE MADE.

GENERAL REQUIREMENTS:

1. THE CONTRACTOR SHALL GIVE ALL NOTICES AND COMPLY WITH ALL LAWS, ORDINANCES, RULES, REGULATIONS AND LAWFUL ORDERS OF ANY PUBLIC AUTHORITY, MUNICIPAL AND UTILITY COMPANY. SPECIFICATIONS AND LOCAL AND STATE JURISDICTIONAL CODES BEARING ON THE PERFORMANCE OF THE WORK. THE WORK PERFORMED ON THE PROJECT AND THE MATERIALS INSTALLED SHALL BE IN STRICT ACCORDANCE WITH ALL APPLICABLE CODES, REGULATIONS AND ORDINANCES.
2. THE ARCHITECT/ENGINEER HAVE MADE EVERY EFFORT TO SET FORTH IN THE CONSTRUCTION AND CONTRACT DOCUMENTS, THE COMPLETE SCOPE OF WORK. THE CONTRACTOR BIDDING THE JOB IS NEVERTHELESS CAUTIONED THAT MINOR OMISSIONS OR ERRORS IN THE DRAWINGS AND/OR SPECIFICATIONS SHALL NOT EXCUSE SAID CONTRACTOR FROM COMPLETING THE PROJECT AND IMPROVEMENTS IN ACCORDANCE WITH THE INTENT OF THESE DOCUMENTS.
3. THE CONTRACTOR OR BIDDER SHALL BEAR THE RESPONSIBILITY OF NOTIFYING (IN WRITING) AT&T'S REPRESENTATIVE OF ANY CONFLICTS, ERRORS OR OMISSIONS PRIOR TO THE SUBMISSION OF CONTRACTOR'S PROPOSAL OR PERFORMANCE OF WORK.
4. THE SCOPE OF WORK SHALL INCLUDE FURNISHING ALL MATERIALS, EQUIPMENT, LABOR AND ALL OTHER MATERIALS AND LABOR DEEMED NECESSARY TO COMPLETE THE WORK/PROJECT AS DESCRIBED HEREIN.
5. THE CONTRACTOR SHALL VISIT THE JOB SITE PRIOR TO THE SUBMISSION OF BIDS OR PERFORMING WORK AND FAMILIARIZE HIMSELF WITH THE FIELD CONDITIONS AND TO VERIFY THAT THE PROJECT CAN BE CONSTRUCTED IN ACCORDANCE WITH THE CONTRACT.
6. THE CONTRACTOR SHALL OBTAIN AUTHORIZATION TO PROCEED WITH CONSTRUCTION PRIOR TO STARTING WORK ON ANY ITEM NOT CLEARLY DEFINED BY THE CONSTRUCTION DRAWINGS/CONTRACT.
7. THE CONTRACTOR SHALL INSTALL ALL EQUIPMENT AND MATERIALS ACCORDING TO THE MANUFACTURER'S/VENDOR'S SPECIFICATIONS UNLESS OTHERWISE NOTED OR WHERE LOCAL CODES OR ORDINANCES TAKE PRECEDENCE.
8. THE CONTRACTOR SHALL MAINTAIN A FULL SET OF CONSTRUCTION DOCUMENTS AT THE SITE, UPDATED WITH THE LATEST REVISIONS AND ADDENDUMS OR CLARIFICATIONS AVAILABLE FOR THE USE BY ALL PERSONNEL INVOLVED WITH THE PROJECT.
9. THE CONTRACTOR SHALL SUPERVISE AND DIRECT THE PROJECT DESCRIBED HEREIN. THE CONTRACTOR SHALL BE SOLELY RESPONSIBLE FOR ALL CONSTRUCTION MEANS, METHODS, TECHNIQUES, SEQUENCES AND PROCEDURES, AND FOR COORDINATING ALL PORTIONS OF THE WORK UNDER THE CONTRACT.
10. THE CONTRACTOR SHALL BE RESPONSIBLE FOR OBTAINING ALL PERMITS AND INSPECTIONS WHICH MAY BE REQUIRED FOR THE WORK BY THE ARCHITECT/ENGINEER, THE STATE, COUNTY OR LOCAL GOVERNMENT AUTHORITY.
11. THE CONTRACTOR SHALL MAKE NECESSARY PROVISIONS TO PROTECT EXISTING IMPROVEMENTS, EASEMENTS, PAVING, CURBING, ETC., DURING SHALL REPAIR ANY DAMAGE THAT MAY HAVE OCCURRED DUE TO CONSTRUCTION ON OR ABOUT THE PROPERTY.
12. THE CONTRACTOR SHALL KEEP THE GENERAL WORK AREA CLEAN AND HAZARD FREE DURING CONSTRUCTION AND DISPOSE OF ALL DIRT, DEBRIS/RUBBISH AND REMOVE EQUIPMENT NOT SPECIFIED AS REMAINING ON THE PROPERTY.
13. THE CONTRACTOR SHALL COMPLY WITH ALL PERTINENT SECTIONS OF THE APPLICABLE BUILDING CODES AND ALL OSHA REQUIREMENTS AS THEY APPLY TO THIS PROJECT.
14. THE CONTRACTOR SHALL NOTIFY AT&T'S REPRESENTATIVE WHERE A CONFLICT OCCURS ON ANY OF THE CONTRACT DOCUMENTS. THE CONTRACTOR IS NOT TO ORDER MATERIAL OR CONSTRUCT ANY PORTION OF THE WORK THAT IS IN CONFLICT UNTIL THAT CONFLICT IS RESOLVED BY AT&T'S REPRESENTATIVE.
15. THE CONTRACTOR SHALL VERIFY ALL DIMENSIONS, ELEVATIONS.
16. THE CONTRACTOR SHALL NOTIFY THE RF ENGINEER FOR ANTENNA AZIMUTH VERIFICATION (DURING ANTENNA INSTALLATION) PRIOR TO COORDINATING SITE SWEEPING.
17. THE CONTRACTOR SHALL SUBMIT, AT THE END OF THE PROJECT, A COMPLETE SET OF AS-BUILT DRAWINGS TO AT&T'S PROJECT MANAGER.

SITE WORK AND DRAINAGE

EARTHWORK, EXCAVATION AND GRADING

PART 1 GENERAL

- 1.01 WORK INCLUDED: REFER TO SURVEY AND SITE PLAN FOR WORK INCLUDED.
- 1.02 RELATED WORK
 - A. CONSTRUCTION OF EQUIPMENT FOUNDATIONS
 - B. INSTALLATION OF ANTENNA SYSTEM
 - C. SITE PREPARATION
- 1.03 DESCRIPTIONS
 - A. ACCESS ROAD, TURNAROUND AREAS AND SITES ARE CONSTRUCTED TO PROVIDE A WELL DRAINED, EASILY MAINTAINED, EVEN SURFACE FOR MATERIAL AND EQUIPMENT DELIVERIES AND MAINTENANCE PERSONNEL ACCESS.
- 1.04 QUALITY ASSURANCE
 - A. APPLY SOIL STERILIZER IN ACCORDANCE WITH MANUFACTURER'S RECOMMENDATION (USE AS NEEDED)
 - B. VEGETATION LANDSCAPING, IF INCLUDED WITHIN THE CONTRACT WILL BE PLACED AND MAINTAINED AS RECOMMENDED BY NURSERY INDUSTRY STANDARDS.
- 1.05 SEQUENCING
 - A. CONTRACTOR IS RESPONSIBLE FOR LAYOUT AND CONSTRUCTION STAKING.
 - B. GRUB THE COMPLETE ROAD AND SITE AREA PRIOR TO FOUNDATION CONSTRUCTION OR PLACEMENT OF BACK FILL OR SUB-BASE MATERIAL.
 - C. CONSTRUCT TEMPORARY CONSTRUCTION ZONE ALONG ACCESS DRIVE.
 - D. THE SITE AREA WILL BE BROUGHT TO SUB-BASE COURSE ELEVATION AND THE ACCESS ROAD TO BASE COURSE ELEVATION PRIOR TO FORMING FOUNDATIONS.
 - E. APPLY SILT STERILIZER PRIOR TO PLACING BASE MATERIALS.
 - F. IF REQUIRED, GRADE, SEED, FERTILIZE AND MULCH DISTURBED AREAS IMMEDIATELY AFTER BRINGING THE SITE AND ACCESS ROAD TO BASE ELEVATION. WATER TO ENSURE GROWTH.
 - G. REMOVE EXCESS GRAVEL FROM TEMPORARY CONSTRUCTION ZONE.
 - H. AFTER APPLICATIONS OF FINAL SURFACES, APPLY SOIL STERILIZER TO THE STONE SURFACES.
- 1.06 SUBMITTALS
 - A. BEFORE CONSTRUCTION
 1. IF LANDSCAPING IS APPLICABLE TO THE CONTRACT, SUBMIT TWO COPIES OF THE LANDSCAPING PLAN UNDER NURSERY LETTERHEAD. IF A LANDSCAPE ALLOWANCE IS INCLUDED IN THE CONTRACT, PROVIDE AN ITEMIZED LISTING OF PROPOSED COSTS UNDER NURSERY LETTERHEAD (REFER TO SITE PLAN FOR LANDSCAPING REQUIREMENT).
 2. SUBMIT FOR APPROVAL, 1/2 CUBIC FOOT OF THE PROPOSED SURFACE COURSE MATERIAL.
 3. LANDSCAPING WARRANTY STATEMENT, IF REQUIRED.

PART 2 PRODUCTS

- 2.01 MATERIALS
 - A. ROAD AND SITE MATERIALS: FILL MATERIAL SHALL BE ACCEPTABLE, SELECT FILL AND SHALL BE IN ACCORDANCE WITH LOCAL DEPARTMENT OF HIGHWAY AND PUBLIC TRANSPORTATION STANDARD SPECIFICATIONS.
 - B. SOIL STERILIZER SHALL BE EPA REGISTERED OF LIQUID COMPOSITION AND OF PRE-EMERGENCE DESIGN.
 - C. SOIL STABILIZER FABRIC SHALL BE MIRAFI OR EQUAL - 500% AT ACCESS ROAD AND SOAK AT COMPOUND.
 - D. GRAVEL FILL: WELL GRADED, HARD, DURABLE, NATURAL SAND AND GRAVEL, FREE FROM ICE AND SNOW, ROOTS, SOD RUBBISH, AND OTHER DELETERIOUS OR ORGANIC MATTER. MATERIAL SHALL CONFORM TO THE FOLLOWING GRADATION REQUIREMENTS:

U.S. SIEVE NO.	PASSING BY WEIGHT
4"	100
1/2"	50-85
#4	40-75
#10	30-60
#40	10-30
#100	5-20
#200	0-5

GRAVEL FILL TO BE PLACED IN LIFTS OF 9" MAXIMUM THICKNESS AND COMPACTED TO 95% STANDARD PROCTOR DENSITY.

2.02 EQUIPMENT

- A. COMPACTION SHALL BE ACCOMPLISHED BY MECHANICAL MEANS. LARGER AREAS SHALL BE COMPACTED BY SHEEP'S FOOT, VIBRATORY OR RUBBER TIED ROLLERS WEIGHING AT LEAST 5 TONS. SMALLER AREAS SHALL BE COMPACTED BY POWER-DRIVER, HAND-HELD TAMPER.
- B. PRIOR TO OTHER EXCAVATION AND CONSTRUCTION EFFORTS, GRUB ORGANIC MATERIAL TO A MINIMUM OF 6" BELOW ORIGINAL GROUND LEVEL.
- C. UNLESS OTHERWISE INSTRUCTED BY AT&T, REMOVE TREES, BRUSH AND DEBRIS FROM THE PROPERTY TO AN AUTHORIZED DISPOSAL LOCATION.
- D. PRIOR TO PLACEMENT OF FILL OR BASE MATERIALS, ROLL THE SOIL.
- E. WHERE UNSTABLE CONDITIONS ARE ENCOUNTERED, LINE THE RUBBED AREAS WITH STABILIZER MAT PRIOR TO PLACEMENT OF FILL OR BASE MATERIAL.

PART 3 EXECUTION

- 3.30 INSTALLATION
 - A. THE SITE AND TURNAROUND SHALL BE AT THE SUB-BASE COURSE ELEVATION PRIOR TO FORMING FOUNDATIONS. GRADE OR FILL THE SITE AND ACCESS ROAD AS REQUIRED TO PRODUCE EVEN DISTRIBUTION OF SPOILS RESULTING FROM FOUNDATION EXCAVATIONS. THE RESULTING GRADE SHALL CORRESPOND WITH SAID SUB-BASE COURSE. ELEVATIONS ARE TO BE CALCULATED FROM FINISHED GRADES OR SLOPES INDICATED.
 - B. CLEAR EXCESS SPOILS, IF ANY, FROM JOB SITE AND DO NOT SPREAD BEYOND THE LIMITS OF THE LEASE PROPERTY UNLESS AUTHORIZED BY PROJECT MANAGER.
 - C. DO NOT CREATE DEPRESSIONS WHERE WATER MAY POND.
- D. SEED, FERTILIZER AND STRAW COVER SHALL BE APPLIED TO ALL OTHER DISTURBED AREAS AND DITCHES, DRAINAGE SWALES, NOT OTHERWISE RIPRAPPED.
- E. IF A DITCH LIES WITH SLOPES GREATER THAN TEN PERCENT, MOUNT DIVERSIONARY HEADWALLS IN THE DITCH FOR 6'-0" ABOVE THE CULVERT ENTRANCE.
- F. SEED AND FERTILIZER SHALL BE APPLIED TO SURFACE CONDITIONS WHICH WILL ENCOURAGE ROOTING. RAKE AREAS TO BE SEEDED TO EVEN THE SURFACE AND TO LOOSEN THE SOIL.
- G. SOW SEEDS IN TWO DIRECTIONS IN TWICE THE QUANTITY RECOMMENDED BY THE SEED PRODUCER.
- H. IT IS THE CONTRACTOR'S RESPONSIBILITY TO ENSURE GROWTH OF SEEDED AND LANDSCAPED AREAS BY WATERING TO THE POINT OF RELEASE FROM THE CONTRACT. CONTINUE TO REWORK BARE AREAS UNTIL COMPLETE COVERAGE IS OBTAINED.

3.04 FIELD QUALITY CONTROL

- A. COMPACTION SHALL BE 90% STANDARD PROCTOR DENSITY IN ACCORDANCE WITH ASTM D-1557 FOR SITE WORK AND 95% STANDARD PROCTOR DENSITY UNDER SLAB AREAS. AREAS OF SETTLEMENT WILL BE EXCAVATED AND REFILLED AT CONTRACTOR'S EXPENSE.

EROSION AND SEDIMENT CONTROL NOTES:

1. UNLESS OTHERWISE INDICATED, ALL VEGETATIVE AND STRUCTURAL EROSION AND SEDIMENT CONTROL PRACTICES WILL BE CONSTRUCTED AND MAINTAINED ACCORDING TO MINIMUM STANDARDS AND SPECIFICATIONS OF THE EPA "STORMWATER MANAGEMENT FOR CONSTRUCTION ACTIVITIES" MANUAL, (LATEST EDITION).
2. ALL EROSION AND SEDIMENT CONTROL MEASURES ARE TO BE PLACED PRIOR TO OR AS THE FIRST STEP OF CLEARING. ADD MEASURES AS NECESSARY AS DISTURBANCES INCREASE AS PART OF THE PHASED CONSTRUCTION.
3. A COPY OF THE APPROVED EROSION AND SEDIMENT CONTROL PLAN, ALONG WITH THE APPROVED NOTICE OF INTENT AND STORMWATER POLLUTION PREVENTION PLAN SHALL BE MAINTAINED ON THE SITE AT ALL TIMES.
4. PRIOR TO COMMENCING LAND DISTURBING ACTIVITIES IN AREAS OTHER THAN INDICATED ON THESE PLANS (INCLUDING BUT NOT LIMITED TO, OFF-SITE BORROW OR WASTE AREAS), THE CONTRACTOR SHALL SUBMIT A SUPPLEMENTARY EROSION CONTROL PLAN TO THE OWNER FOR REVIEW AND APPROVAL BY THE PLAN APPROVING AUTHORITY.
5. THE CONTRACTOR IS RESPONSIBLE FOR INSTALLATION OF ANY ADDITIONAL EROSION CONTROL MEASURES NECESSARY TO PREVENT EROSION AND SEDIMENTATION AS DETERMINED BY THE PLAN APPROVING AUTHORITY.
6. ALL DISTURBED AREAS ARE TO DRAIN TO APPROVED SEDIMENT CONTROL MEASURES FINAL STABILIZATION IS ACHIEVED.
7. DURING DEWATERING OPERATIONS, WATER WILL BE PUMPED INTO AN APPROVED FILTERING DEVICE.
8. CONSTRUCTION SHALL BE SEQUENCED TO MINIMIZE EXPOSURE TIME OF CLEARED SURFACE AREA. EROSION AND SEDIMENT CONTROL MEASURES SHALL BE IN PLACE AND FUNCTIONAL PRIOR TO EARTH MOVING OPERATIONS. ALL CONTROL MEASURES SHALL BE CHECKED AND REPAIRED AS NECESSARY, AND AT MAXIMUM 14 CALENDAR DAYS IN DRY PERIODS AND WITHIN 24 HOURS AFTER ANY RAINFALL EXCEEDING 0.5 INCH WITHIN A 24 HOUR PERIOD.
9. THE CONTRACTOR SHALL DESIGNATE IN WRITING THE NAME AND PHONE NUMBER OF THE INDIVIDUAL RESPONSIBLE FOR EROSION AND SEDIMENT CONTROLS.
10. PRE-CONSTRUCTION VEGETATIVE GROUND COVER SHALL NOT BE REMOVED MORE THAN 20 CALENDAR DAYS PRIOR TO GRADING. ALL GRADED AREAS EXPECTED TO REMAIN UNFINISHED FOR MORE THAN 30 CALENDAR DAYS SHALL BE COVERED WITH TEMPORARY GRASS, SOD, STRAW, MULCH OR FABRIC MATS. PERMANENT SOIL STABILIZATION SHALL BE INSTALLED WITHIN 15 CALENDAR DAYS OF FINAL GRADING.
11. THE CONTRACTOR SHALL MAINTAIN RECORDS OF EROSION CONTROL INSPECTIONS AND REPAIRS FOR A MINIMUM OF 3 YEARS AFTER CONSTRUCTION COMPLETION.
12. MULCHING SHALL CONSIST OF LOOSE HAY OR STRAW APPLIED AT THE RATE OF 2 TONS/ACRE.
13. THE CONTRACTOR SHALL REMOVE SEDIMENT FROM TRAPS, SILT FENCES, SEDIMENT PONDS, ETC. AS NECESSARY AND WHEN CAPACITY HAS BEEN REDUCED BY 50%.
14. STOCKPILES SHALL BE STABILIZED AND PROTECTED FROM EROSION.

PREPARED BY:



11490 BLUEGRASS PARKWAY
LOUISVILLE, KY 40299
502-437-5252

PREPARED FOR:




11/20/2023
EN PERMIT: 3594

REVISIONS

REV.	DATE	DESCRIPTION
A	10/13/23	PRELIM ISSUE
B	11/01/23	PRELIM ISSUE
0	11/17/23	CONSTRUCTION

SITE NAME:
MEADOWVIEW
SITE INFORMATION:
KENTUCKY HIGHWAY 1272
PRINCETON, KY 42445
CALDWELL COUNTY

FA NUMBER:
16147981

USID:
328954

POD PROJECT NUMBER: 23-157801
DRAWN BY: EW
CHECKED BY: MEP
DATE: 11/17/23

SHEET TITLE:
**GENERAL NOTES
& SPECIFICATIONS**

SHEET NUMBER:
GN-1

SPECIAL CONSTRUCTION — ANTENNA INSTALLATION

PART 1 GENERAL

1.01 CODES REQUIREMENTS

- A. INSTALL ANTENNA, COAXIAL CABLES, TMA'S, GROUNDING SYSTEM, AND ALL OTHER EQUIPMENT SHOWN ON THESE DRAWINGS OR THE AT&T RF DESIGN IN ACCORDANCE WITH DRAWINGS AND SPECIFICATIONS IN EFFECT AT THE PROJECT LOCATION AND RECOMMENDATIONS OF STATE AND LOCAL BUILDING CODES HAVING JURISDICTION OVER SPECIFIC PORTIONS OF WORK. THESE CODES INCLUDE, BUT ARE NOT LIMITED TO THE FOLLOWING:
 - 1. EIA — ELECTRONIC INDUSTRIES ASSOCIATION RS-22. STRUCTURAL STANDARDS FOR STEEL ANTENNA TOWERS AND ANTENNA SUPPORTING STRUCTURES.
 - 2. FAA — FEDERAL AVIATION ADMINISTRATION ADVISORY CIRCULAR AC 70/7480—IH, CONSTRUCTION MARKING AND LIGHTING.
 - 3. FCC — FEDERAL COMMUNICATION COMMISSION RULES AND REGULATIONS FORM 715, OBSTRUCTION MARKING AND LIGHTING SPECIFICATION FOR ANTENNA STRUCTURES.
 - 4. AISC — AMERICAN INSTITUTE OF STEEL CONSTRUCTION FOR STRUCTURAL JOINTS USING ASTM 1325 OR A490 BOLTS.
 - 5. NEC — NATIONAL ELECTRIC CODE — ON TOWER LIGHTING KITS.
 - 6. UL — UNDERWRITER'S LABORATORIES APPROVED ELECTRICAL PRODUCTS.
 - 7. IN ALL CASES, PART 77 OF THE FAA RULES AND PARTS 17 AND 22 OR THE FCC RULES ARE APPLICABLE AND IN THE EVENT OF CONFLICT, SUPERSEDE ANY OTHER STANDARDS OR SPECIFICATIONS.
 - 8. LIFE SAFETY CODE NFPA, LATEST EDITION.

1.02 WORK INCLUDED

- A. INSTALLATION OF GALVANIZED STEEL ANTENNA MOUNTS AS INDICATED ON DRAWINGS.
- B. INSTALLATION OF GALVANIZED STEEL CABLE LADDER AS INDICATED ON DRAWINGS.
- C. INSTALLATION OF ALL ANTENNAS, TMA'S, COAXIAL CABLES, AND OTHER EQUIPMENT AS SPECIFIED ON THE AT&T RF DESIGN.
- D. INSTALLATION OF PROPER GROUNDING FOR LINES, ANTENNAS AND OTHER NEW EQUIPMENT.
- E. TESTING OF ALL LINES, ANTENNAS, AND OTHER EQUIPMENT PER AT&T SPECIFICATIONS.
- F. DAILY CLEAN UP AND REMOVAL OF ALL DEBRIS, EXCESS MATERIALS, AND TRASH FROM THE SITE.
- G. RELATED WORK
 - 1. FURNISH THE FOLLOWING WORK AS SPECIFIED IN CONSTRUCTION DOCUMENTS, BUT COORDINATE WITH OTHER TRADES PRIOR TO BID:
 - a. FLASHING OF OPENINGS INTO OUTSIDE WALLS.
 - b. SEALING AND CAULKING ALL OPENINGS.
 - c. PAINTING.
 - d. CUTTING AND PATCHING.

1.03 GENERAL

- A. NO WORK SHALL BE PERFORMED ON THE SITE BY THE CONTRACTOR WITHOUT A FINAL RE CONFIGURATION SHEET.
- B. CONTRACTOR IS RESPONSIBLE TO REVIEW AND ADHERE TO RF EXPOSURE OCCUPATIONAL M.O.P. PROVIDED BY OWNER.

PART 2 PRODUCTS

2.01 EQUIPMENT

- A. UNLESS SPECIFIED OTHERWISE BY OWNER, ANTENNAS, COAXIAL CABLES, TMA'S, JUMPERS, CONNECTORS, GROUND KITS, AND ATTACHMENT HARDWARE ARE FURNISHED BY OTHERS UNDER SEPARATE CONTRACT.
- B. ALL WEATHERPROOFING TO BE SUPPLIED BY CONTRACTOR.

PART 3 EXECUTION

3.01 INSTALLATION

- A. ANY EXISTING CONDITIONS THAT WOULD PREVENT THE INSTALLATION OF THE MOUNTS, COAXIAL CABLES, ANTENNAS, OR ANY OTHER EQUIPMENT TO BE INSTALLED ACCORDING TO THE SPECIFIED RE CONFIGURATION OR THAT WOULD CAUSE SHADOWING, SHALL BE BROUGHT TO THE ATTENTION OF THE CONSTRUCTION MANAGER IMMEDIATELY.
- B. THE CONTRACTOR SHOULD CHECK TO VERIFY THAT NO PART OF THE TOWER STRUCTURE OR OTHER OBSTRUCTIONS EXISTS WITHIN A 180 DEGREE VIEW OF THE ANTENNAS AND MOUNT.
- C. INSTALL ANTENNAS AS INDICATED ON DRAWINGS AND AT&T SPECIFICATIONS.
- D. INSTALL GALVANIZED STEEL ANTENNA MOUNTS.
- E. INSTALL COAXIAL CABLES AND TERMINATIONS BETWEEN ANTENNAS AND EQUIPMENT PER MANUFACTURER'S RECOMMENDATIONS. WEATHERPROOF ALL CONNECTORS BETWEEN THE ANTENNA AND EQUIPMENT PER MANUFACTURER'S REQUIREMENTS. TERMINATE ALL COAXIAL CABLE THREE (3) FEET IN EXCESS OF ENTRY PORT LOCATION UNLESS OTHERWISE STATED.
- F. BENDS IN COAXIAL CABLES ARE TO BE KEPT TO A MINIMUM. UNDER NO CIRCUMSTANCES SHOULD COAXIAL CABLE BE BENT TO A RADIUS LESS THAN FOLLOWS:

CABLE SIZE	MINIMUM BENDING RADIUS
1/2" SUPERFLEX	1.25"
1/2"	5"
3/8"	3.75"
5/8"	8"
7/8"	10"
1-1/4"	15"
1-5/8"	20"

- G. JUMPERS SHALL BE INSTALLED WITH MINIMUM BENDS. MINIMUM BENDING RADIUS FOR 1/2" JUMPER IS 5". JUMPERS SHALL NOT BE COILED.
- H. ANTENNA JUMPERS SHALL BE SUPPORTED AT MAXIMUM 3' SPACING WITH SUPPORT SUPPLIED WITHIN 18" OF EACH END OF THE JUMPER.
- I. CABLES THAT EXCEED THE MINIMUM BENDING RADIUS, ARE CRUSHED, OR ARE OTHERWISE DAMAGED SHALL BE DISCARDED AND REPLACED AT CONTRACTOR'S EXPENSE.
- J. DO NOT REMOVE DUST CAPS FROM CONNECTORS OF JUMPERS UNTIL CONNECTION IS READY TO BE MADE. USE CARE IN MAKING CONNECTIONS. VISUALLY INSPECT THE CENTER PIN.
- K. ANTENNAS SHALL BE INSTALLED WITH DOWNTILT BRACKETS AND HEAVY DUTY CLAMPS SUPPLIED BY THE MANUFACTURER.

3.02 GROUNDING

- A. ANTENNA AND COAXIAL CABLE GROUNDING:
 - 1. GROUNDS SHALL BE INSTALLED ON THE COAXIAL CABLE APPROXIMATELY TWO FEET ABOVE THE VERTICAL TO HORIZONTAL TRANSITION.
 - 2. ALL EXTERIOR #6 GREEN GROUND WIRE DAISY CHAIN CONNECTIONS TO BE WEATHER SEALED WITH APPROVED WEATHERPROOFING KIT.
 - 3. ALL COAXIAL CABLE GROUNDING KITS ARE TO BE INSTALLED ON STRAIGHT RUNS OF COAXIAL CABLE (NOT WITHIN BENDS).
 - 4. ALL COAX GROUNDS SHALL BE BONDED TO THE GROUND BAR UTILIZING TWO HOLE LUGS.
 - 5. ALL COAX GROUND LEADS ARE TO BE INSTALLED WITH 2" OF SLACK TO ACCOMMODATE MOVEMENT IN THE LINES.
 - 6. ALL COAX GROUNDS SHALL BE INSTALLED SUCH THAT THE LEADS FALL DOWNWARD TO THE CONNECTION TO THE GROUND BAR.
- B. ALL ANTENNA MOUNTING PIPES TO BE BONDED TO TOWER GROUND BAR.


3.03 COLOR CODING

- A. ALL JUMPERS, COAX RUNS, AND BIAS—T POWER CABLES TO HAVE COLOR CODE BANDS INSTALLED ON BOTH ENDS.
- B. COLOR CODE BANDS TO BE INSTALLED UTILIZING MINIMUM THREE WRAPS OF 3M-35 TAPE. COLOR CODE BANDS ON MAIN COAX CABLES AT TOP OF TOWER TO BE INSTALLED UTILIZING MINIMUM 3" WIDE BANDS WITH MINIMUM 3/4" SPACING BETWEEN BANDS. COLOR CODE BANDS NEAR GROUND LEVEL TO BE INSTALLED UTILIZING 3/4" WIDE BANDS.
- C. ON 'COMMON' ELEMENTS, THOSE CARRYING BOTH 850MHz AND 1900MHz SIGNALS, THE COLOR CODE IS TO MATCH THE 850MHz COLOR CODE (NO WHITE).

3.04 INSPECTION, TESTING, AND CLOSE OUT


- A. MOUNT ORIENTATION MUST BE LESS THAN 10 DEGREES FROM THE DESIRED AZIMUTH. MOUNTS MUST NOT OVERSHADOW OR IMPEDE ANTENNAS ON OTHER SECTORS.
- B. ALL ANTENNAS MUST BE WITHIN ±3 DEGREES FROM THE SPECIFIED RF CONFIGURATION. ALL ANTENNAS IN A SECTOR MUST BE WITHIN ±1 DEGREE FROM OTHER ANTENNAS IN THE SAME SECTOR.
- C. EACH ANTENNA MUST HAVE THE DOWNTILT VERIFIED UTILIZING A DIGITAL LEVEL. A PHOTOGRAPH OF THE ANTENNA WITH THE LEVEL IN PLACE MUST BE TAKEN FOR EACH ANTENNA. ALL PHOTOGRAPHS MUST CLEARLY IDENTIFY THE SECTOR AND ANTENNA BEING DISPLAYED.
- D. THE MODEL NUMBER OF ALL NEW AND EXISTING ANTENNAS SHALL BE PHOTOGRAPHED. THIS INFORMATION SHOULD BE RECORDED ON THE JOB CHECKLIST. ALL PHOTOGRAPHS MUST CLEARLY IDENTIFY THE SECTOR AND ANTENNA BEING DISPLAYED.
- E. THE CONTRACTOR SHALL CONDUCT SWEEP TEST FOR THE COMPLETED ANTENNA SYSTEM PER AT&T REQUIREMENTS.


PREPARED BY:



11490 BLUEGRASS PARKWAY
LOUISVILLE, KY 40299
502-437-5252

PREPARED FOR:





11/20/2023
EN PERMIT: 3594

REVISIONS

REV.	DATE	DESCRIPTION
A	10/13/23	PRELIM ISSUE
B	11/01/23	PRELIM ISSUE
0	11/17/23	CONSTRUCTION

SITE NAME:
MEADOWVIEW

SITE INFORMATION:
KENTUCKY HIGHWAY 1272
PRINCETON, KY 42445
CALDWELL COUNTY

FA NUMBER:
16147981

USID:
328954

POD PROJECT NUMBER: 23-157801
DRAWN BY: EW
CHECKED BY: MEP
DATE: 11/17/23

SHEET TITLE:
**ANTENNA
INSTALLATION
NOTES**

SHEET NUMBER:
GN-2

PREPARED BY:

POD
 POWER OF DESIGN
 11490 BLUEGRASS PARKWAY
 LOUISVILLE, KY 40299
 502-437-5252

PREPARED FOR:


Mark E. Patterson

 11/20/2023
 EN PERMIT: 3594

REVISIONS		
REV.	DATE	DESCRIPTION
A	10/13/23	PRELIM ISSUE
B	11/01/23	PRELIM ISSUE
0	11/17/23	CONSTRUCTION

SITE NAME:
 MEADOWVIEW
 SITE INFORMATION:
 KENTUCKY HIGHWAY 1272
 PRINCETON, KY 42445
 CALDWELL COUNTY

FA NUMBER:
 16147981

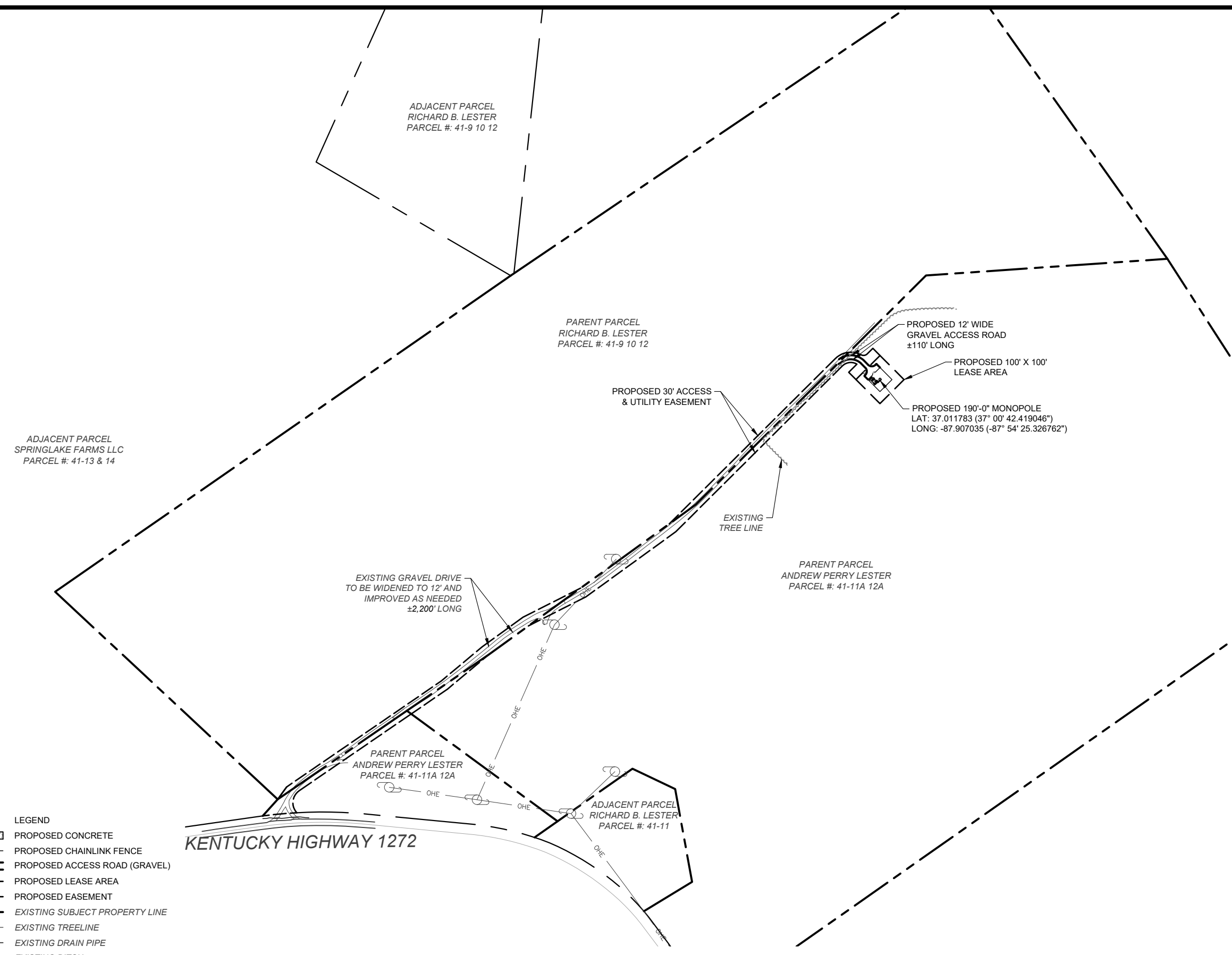
USID:
 328954

POD PROJECT NUMBER: 23-157801
 DRAWN BY: EW
 CHECKED BY: MEP
 DATE: 11/17/23


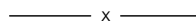

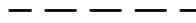
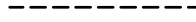



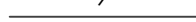





SHEET TITLE:

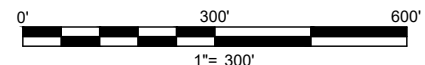

OVERALL SITE PLAN

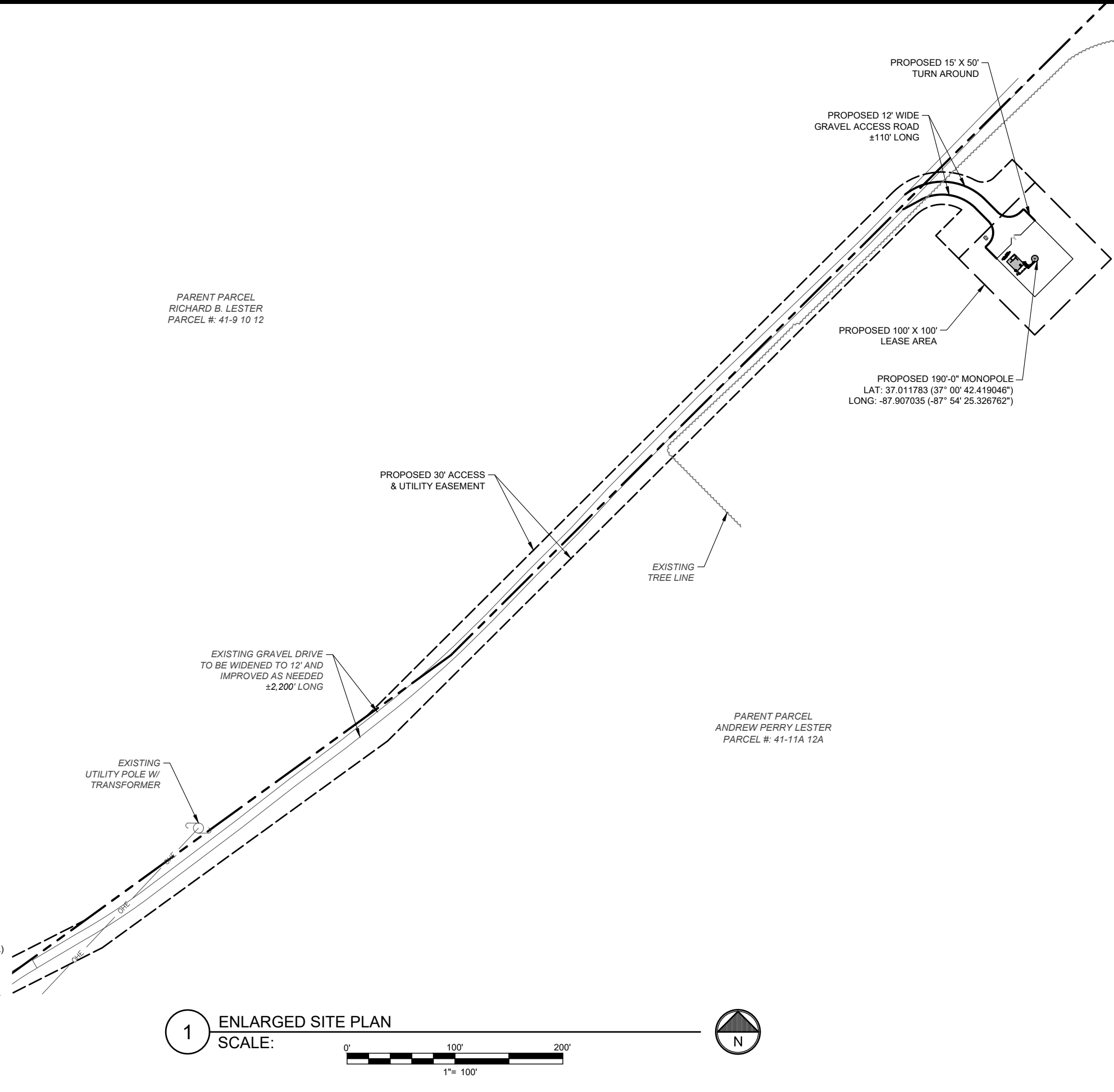
SHEET NUMBER:
C-1



LEGEND

	PROPOSED CONCRETE
	PROPOSED CHAINLINK FENCE
	PROPOSED ACCESS ROAD (GRAVEL)
	PROPOSED LEASE AREA
	PROPOSED EASEMENT
	EXISTING SUBJECT PROPERTY LINE
	EXISTING TREELINE
	EXISTING DRAIN PIPE
	EXISTING DITCH
	EXISTING ROAD (ASPHALT)
	EXISTING ROAD (GRAVEL)
	EXISTING ROAD (DIRT)
	EXISTING OVERHEAD ELECTRIC
	EXISTING UTILITY POLE

1 OVERALL SITE PLAN
 SCALE:  



PREPARED BY:

 POWER OF DESIGN
 11490 BLUEGRASS PARKWAY
 LOUISVILLE, KY 40299
 502-437-5252

PREPARED FOR:


Mark E. Patterson

 11/20/2023
 EN PERMIT: 3594

REVISIONS		
REV.	DATE	DESCRIPTION
A	10/13/23	PRELIM ISSUE
B	11/01/23	PRELIM ISSUE
0	11/17/23	CONSTRUCTION

SITE NAME:
 MEADOWVIEW
 SITE INFORMATION:
 KENTUCKY HIGHWAY 1272
 PRINCETON, KY 42445
 CALDWELL COUNTY












FA NUMBER:
 16147981

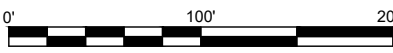
USID:
 328954

POD PROJECT NUMBER: 23-157801
 DRAWN BY: EW
 CHECKED BY: MEP
 DATE: 11/17/23

SHEET TITLE:
ENLARGED SITE PLAN

SHEET NUMBER:
C-2

- LEGEND
-  PROPOSED CONCRETE
 -  PROPOSED CHAINLINK FENCE
 -  PROPOSED ACCESS ROAD (GRAVEL)
 -  PROPOSED LEASE AREA
 -  PROPOSED EASEMENT
 -  EXISTING SUBJECT PROPERTY LINE
 -  EXISTING TREELINE
 -  EXISTING ROAD (GRAVEL)
 -  EXISTING ROAD (DIRT)
 -  EXISTING OVERHEAD ELECTRIC
 -  EXISTING UTILITY POLE

1 ENLARGED SITE PLAN
 SCALE: 
 1" = 100'



TOWER NOTES:

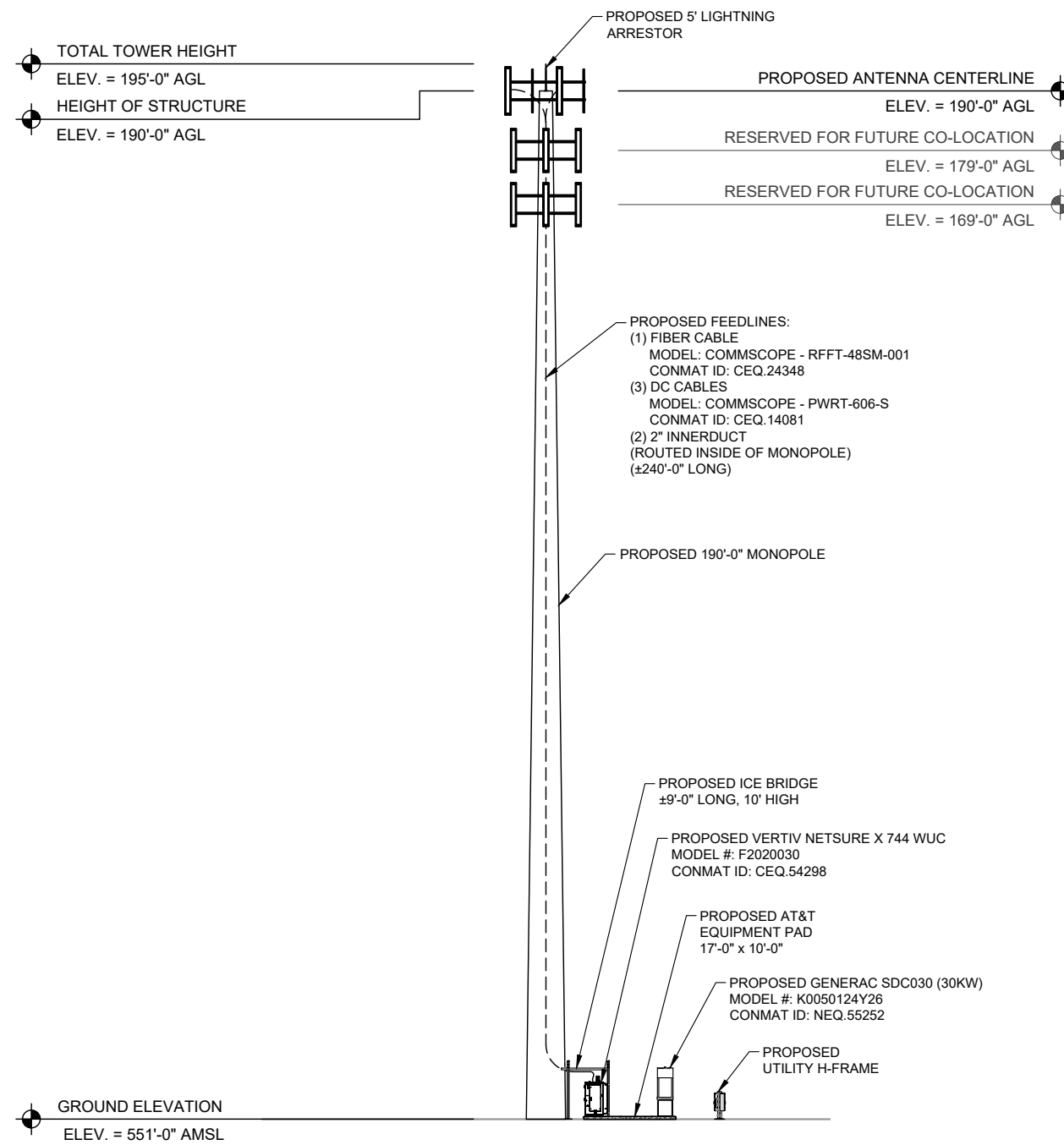
1. THE NEW TOWER, FOUNDATION, ANTENNA MOUNTS, AND ANTENNAS WERE DESIGNED BY OTHERS.
2. THE TOWER ELEVATION SHOWN IS FOR REFERENCE ONLY.
3. TOWER AND FOUNDATION DESIGN WAS NOT PROVIDED TO POWER OF DESIGN GROUP, LLC.
4. CONTRACTOR TO FIELD VERIFY ANTENNA MOUNT CONFIGURATION WITH AT&T. ALL ANTENNAS AND MOUNTING HARDWARE SHALL CONFORM TO DESIGN REQUIREMENTS PER INTERNATIONAL BUILDING CODE (LATEST EDITION) AND EIA/TIA-222-G STRUCTURAL STANDARDS FOR STEEL ANTENNA TOWERS AND ANTENNA SUPPORTING STRUCTURES, BASIC WIND SPEED AS LISTED IN TOWER DRAWINGS.
5. SEE TOWER MANUFACTURER'S DRAWINGS FOR TOWER AND FOUNDATION DETAILS & SPECIFICATIONS.
6. MANUFACTURER'S DRAWINGS SUPERCEDE A&E DRAWINGS.

GENERAL NOTES:

1. ALL WORK PRESENTED ON THESE DRAWINGS MUST BE COMPLETED BY THE CONTRACTOR UNLESS NOTED OTHERWISE. THE CONTRACTOR MUST HAVE CONSIDERABLE EXPERIENCE IN PERFORMANCE OF WORK SIMILAR TO THAT DESCRIBED HEREIN. BY ACCEPTANCE OF THIS ASSIGNMENT, THE CONTRACTOR IS ATTESTING THAT HE DOES HAVE SUFFICIENT EXPERIENCE AND ABILITY, THAT HE IS KNOWLEDGEABLE OF THE WORK TO BE PERFORMED AND THAT HE IS PROPERLY LICENSED AND PROPERLY REGISTERED TO DO THIS WORK IN THE STATE AND/OR COUNTY IN WHICH IT IS TO BE PERFORMED.
2. ALL MATERIALS AND EQUIPMENT FURNISHED SHALL BE NEW AND OF GOOD QUALITY, FREE FROM FAULTS AND DEFECTS AND IN CONFORMANCE WITH THE CONTRACT DOCUMENTS. ANY AND ALL SUBSTITUTIONS MUST BE PROPERLY APPROVED AND AUTHORIZED IN WRITING BY THE OWNER AND ENGINEER PRIOR TO INSTALLATION. THE CONTRACTOR SHALL FURNISH SATISFACTORY EVIDENCE AS TO THE KIND AND QUALITY OF THE MATERIALS AND EQUIPMENT BEING SUBSTITUTED.
3. THE CONTRACTOR SHALL BE RESPONSIBLE FOR INITIATING, MAINTAINING, AND SUPERVISING ALL SAFETY PRECAUTIONS AND PROGRAMS IN CONNECTION WITH THE WORK. THE CONTRACTOR IS RESPONSIBLE FOR INSURING THAT THIS PROJECT AND RELATED WORK COMPLIES WITH ALL APPLICABLE LOCAL, STATE, AND FEDERAL SAFETY CODES AND REGULATIONS GOVERNING THIS WORK.
4. ALL DIMENSIONS SHALL BE VERIFIED WITH THE PLANS (LATEST REVISION) PRIOR TO COMMENCING CONSTRUCTION. NOTIFY THE OWNER IMMEDIATELY IF DISCREPANCIES ARE DISCOVERED.
5. ALL MATERIALS AND WORKMANSHIP SHALL BE WARRANTED FOR ONE (1) YEAR FROM THE DATE OF ACCEPTANCE.

TOWER NOTES:

1. CARRIER LOADING SHOWN IS FOR ILLUSTRATIVE PURPOSES ONLY AND MAY NOT REPRESENT ACTUAL FINAL LOADING. PLEASE REFER TO THE LATEST RFDS OR APPLICATION FOR CONFIRMATION.
2. ONLY ONE SECTOR SHOWN FOR CLARITY
3. THE TOWER WILL BE PAINTED A GRAY OR NEUTRAL COLOR OR WILL UTILIZE A GALVANIZED STEEL FINISH.
4. TOWER LIGHTING WILL ONLY BE UTILIZED IF STRICTLY REQUIRED BY THE FAA OR OTHER APPLICABLE REGULATORY ORGANIZATION.



1 PROPOSED TOWER ELEVATION
SCALE: NOT TO SCALE

PREPARED BY:

11490 BLUEGRASS PARKWAY
LOUISVILLE, KY 40299
502-437-5252

PREPARED FOR:

11/20/2023
EN PERMIT: 3594

REVISIONS

REV.	DATE	DESCRIPTION
A	10/13/23	PRELIM ISSUE
B	11/01/23	PRELIM ISSUE
0	11/17/23	CONSTRUCTION

SITE NAME:
MEADOWVIEW

SITE INFORMATION:
KENTUCKY HIGHWAY 1272
PRINCETON, KY 42445
CALDWELL COUNTY

FA NUMBER:
16147981

USID:
328954

POD PROJECT NUMBER: 23-157801
 DRAWN BY: EW
 CHECKED BY: MEP
 DATE: 11/17/23

SHEET TITLE:
TOWER ELEVATION

SHEET NUMBER:
C-4

Vertiv™ eSure™ Rectifier

R48-2000e3



Vertiv™ eSure™ Rectifier



Benefits

- Optimize the amount of energy delivered and reduce power consumption with over 96% efficiency.
- Increase space for revenue generating equipment with modules that pack more power in a small space with high power density.
- Facilitate easy maintenance, expansion and system changes with hot swappable capabilities.
- Enjoy increased reliability and active load sharing with Digital Signal Processing (DSP) which translates into fewer components and optimized operation.
- Appreciate the flexibility to utilize in a variety of applications with a wide input voltage range of 85 VAC to 300 VAC and full power output at temperatures from -40°C to +65°C.

In addition to reducing power consumption and lowering operating cost, eSure™ high-efficiency rectifiers offer superior performance and uncompromised reliability.

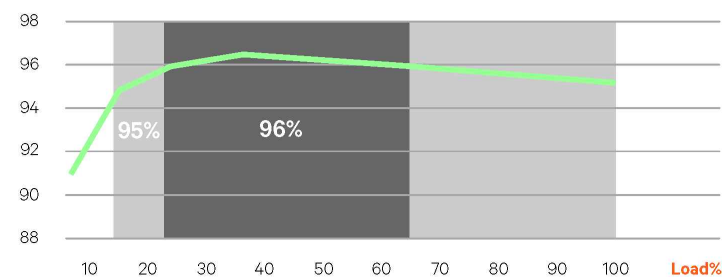
Description

The 2000 watt high-efficiency eSure rectifier (model R48-2000e3) converts standard AC supply voltages into stable nominal -48 VDC voltage that is adjustable to application needs. This constant power rectifier designed with the latest patented switch-mode technology, uses DSP (Digital Signal Processing) for efficient operation.

The R48-2000e3 can be connected in parallel with other rectifiers and converters to support a variety of telecom applications. Unified remote management and control of the power system is enabled when combined with a Vertiv™ controller.



% Efficiency



R48-2000e3 Efficiency Curve at 250 VAC Nominal

Technical Specifications

AC Input	R48-2000E3
Voltage	85 VAC to 300 VAC (see figure 1), 187 VAC to 264 VAC (nominal)
Frequency	45 Hz to 65 Hz
Maximum Current	12 A
Power Factor	>0.99 from 50 to 100% load
Protection	High and low voltage protection, surge and lightning protection Adapts to poor quality grid (voltage dip, weak mains) Disconnection at 415 VAC Mains fuses in both lines

DC Output	
Voltage	-42 VDC to -58 VDC
Maximum Power	2000 W
Maximum Current	42 A @ -48 VDC, limit set point 0 to 42 A (see figure 2)
Peak Efficiency	96.2%
Protection	Fuse for reverse connection and back feeding protection High voltage shutdown High temperature protection
Temperature Derating	Full output power up to +65°C at input voltage range 200 to 250 VAC

Control and Monitoring	
Alarms and Signaling	Alarm and status reported via CAN bus to system controller
Visual Indications	Green LED: Normal Operation Yellow LED: Alarm Red LED: Failure

Environmental	
Operating Temperature	-40°C to 80°C / -40°F to +176°F (see figure 3)
Storage Temperature	-40°C to +70°C / -40°F to +158°F
Relative Humidity	0 to 95%
Altitude	Full output power up to +65°C at input voltage range @200- 250 VAC

Standards Compliance	
Safety	EN 60950-1; IEC 60950-1; UL 60950-1
EMC	EN55022, CISPR22, ETSI EN300 296: 2005, FCC CFR 47 Part 15, Telcordia GR-1089-CORE Issue 6 (Class B conducted and radiated)
Environment	REACH, RoHS, WEEE

Mechanics	
Dimensions (H x W x D)	41 x 84.5 x 252.5 mm / 1.61 x 3.33 x 9.94 inches
Weight	1.13 kg / 2.49 lbs

Ordering Information

Part Number	Description
1R482000E3	eSure™ rectifier, -48 VDC, 2000 W

Vertiv.com | Vertiv Headquarters, 1050 Dearborn Drive, Columbus, OH, 43085, USA

© 2021 Vertiv Group Corp. All rights reserved. Vertiv™ and the Vertiv logo are trademarks or registered trademarks of Vertiv Group Corp. All other names and logos referred to are trade names, trademarks or registered trademarks of their respective owners. While every precaution has been taken to ensure accuracy and completeness here, Vertiv Group Corp. assumes no responsibility, and disclaims all liability, for damages resulting from use of this information or for any errors or omissions. Specifications, rebates and other promotional offers are subject to change at Vertiv's sole discretion upon notice.

R48-2000E3 (R02/2021)

Figures

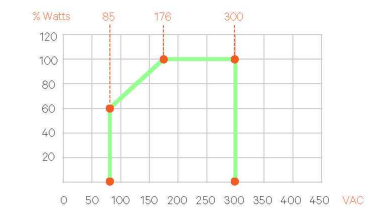


Figure 1: Output Power vs. Input Voltage and Vo > 48 VDC at Tamb < 55°C

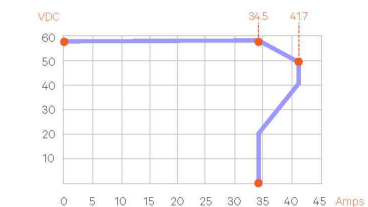


Figure 2: Output Voltage vs. Output Current at Maximum Output Power 2000 W

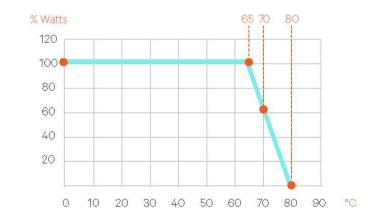


Figure 3: Output Power vs. Temperature at Uin > 200 VAC

PREPARED BY:



PREPARED FOR:



REVISIONS

REV.	DATE	DESCRIPTION
A	10/13/23	PRELIM ISSUE
B	11/01/23	PRELIM ISSUE
0	11/17/23	CONSTRUCTION

SITE NAME:
MEADOWVIEW
SITE INFORMATION:
KENTUCKY HIGHWAY 1272
PRINCETON, KY 42445
CALDWELL COUNTY

FA NUMBER:
16147981

USID:
328954

POD PROJECT NUMBER: 23-157801
DRAWN BY: EW
CHECKED BY: MEP
DATE: 11/17/23

SHEET TITLE:
RECTIFIER
SPECS

SHEET NUMBER:
C-5.1

NOTE:

POWER OF DESIGN GROUP, NOR OUR ENGINEER IS RESPONSIBLE FOR DESIGN OR MANUFACTURE OF THE SPECS SHOWN ON THIS SHEET. PLEASE CONTACT THE MANUFACTURE FOR ANY QUESTIONS OR CONCERNS

1 VERTIV -48V RECTIFIER - MODEL #: R48-2000E3 (NEQ.15930)
SCALE: NOT TO SCALE

1. General Operating Instructions

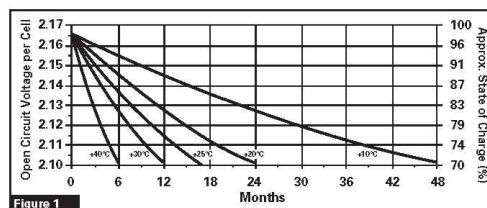
1.1 Operating Temperature Range

The recommended operating temperature range for PowerSafe SBS EON Technology™ batteries in hybrid applications is -40°C to +50°C. Optimum life and performance are attained at +20°C, however, with the correct controls in place, cyclic performance in hybrid applications is not impacted by elevated temperatures (providing that the maximum battery temperature is not allowed to exceed +50°C).

1.2 Storage

PowerSafe SBS EON Technology battery types have a shelf life of 2 years when stored at 20°C. Higher temperatures increase the rate of self discharge and reduce storage life.

Figure 1 gives the relationship between storage time, open circuit voltage (OCV) and state of charge as a function of temperature.



1.3 Freshening Charge

PowerSafe SBS EON Technology battery types must be given a freshening charge when the OCV approaches 2.10 Volts/cell or when maximum storage time is reached (whichever occurs first).

The freshening charge should be conducted using constant voltage in the range of 2.29 to 2.40 volts per cell for a period of 24 hours. The charge current should be limited to a value expressed numerically in Amps as 10% of the 10 hour capacity rating of the battery (ie. 19 Amps for SBS 190F).

The maximum storage times between refresh charge and recommended OCV audit frequency is given in the table below.

Temperature (°C / °F)	Storage Time (Months)	OCV Audit Interval (Months)
+10 / +50	48	6
+15 / +59	34	6
+20 / +68	24	4
+25 / +77	17	4
+30 / +86	12	3
+35 / +95	8.5	2
+40 / +104	6	2

1.4 Commissioning

Prior to commencement of cyclic duty, the battery must be given a commissioning charge. This shall consist of 24 hours charge at a voltage equivalent to 2.40 Volts/cell with no load connected.

1.5 Fast Charging

Fast charge techniques must be used for frequent discharge cyclic applications. In such applications the rectifier output voltage should be set at 2.40 Volts/cell (20°C).

1.6 Current Limit

Inherent low internal resistance allows PowerSafe SBS EON Technology battery types to accept in-rush currents up to 600% C₁₀ amps (e.g. PowerSafe SBS 190F in-rush current up to 1140 Amps). For reliable cyclic performance and to achieve maximum cycle life potential, the acceptable recharge current limit range is 0.1 to 1C₁₀ Amps (e.g. for PowerSafe SBS 190F the recharge current range is 19 Amps to 190 Amps per series string).

1.7 Disposal

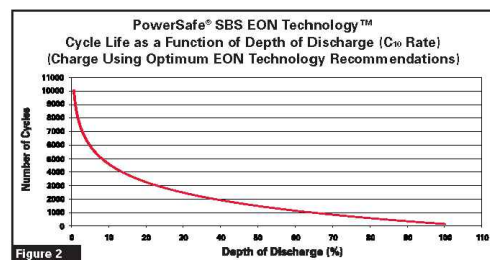
PowerSafe SBS EON Technology batteries are recyclable. End of life batteries must be packaged and transported according to prevailing transportation rules and regulations. End of life batteries must be disposed of in compliance with local and national laws by a licensed battery recycler.

2. Cyclic Operation Guidelines

2.1 Cyclic Performance

PowerSafe SBS EON Technology has been developed from proven SBS Thin Plate Pure Lead (TPPL) technology, to provide the added capability of delivering higher levels of cyclic performance as illustrated in figure 2.

In order to achieve the cycle life shown in figure 2 PowerSafe SBS EON Technology batteries must be returned to full state of charge using the charge regime options recommended by EnerSys® prior to commencement of the next discharge cycle. Operating at partial state of charge will significantly reduce cycle life.



2.2 Discharge

Depth of discharge must be measured using an Ah counting device, with an accuracy ±1% of full range of expected discharge cycle currents. The classification of the shunt should be minimum of 0.2. A low voltage disconnect should be used to protect the battery from abusive deep discharge (typically 1.75 Volts/cell).

2.3 Recharge

Optimum cycle life (figure 2) is achieved by controlling the amount of recharge back into the battery to a level where 103% of discharged Ah is returned. Controlled recharge can be achieved by Ah counting using a device capable of measuring float current equivalent to 100mA/100Ah of installed battery capacity.

Alternatively, where Ah counting during recharge is not available, it is possible to calculate the required recharge time based upon the following formula.

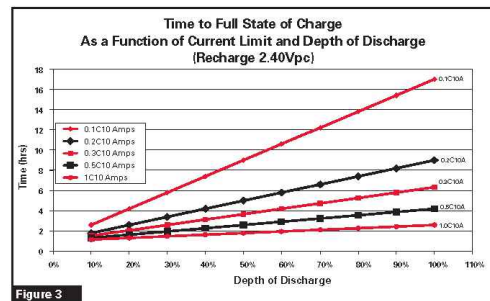
$$\text{Recharge time (hrs)} = \frac{\text{((discharged Ah} \times 0.8) / \text{recharge current limit)} \times 2}{1}$$

Example

PowerSafe SBS 190F discharge to 80% depth of discharge removes 152Ah. With a current limit of 0.5C₁₀ A (95 Amps), the time to recharge the battery is:

$$\begin{aligned} \text{Time (hrs)} &= \frac{((152 \times 0.8) / 95) \times 2}{1} \\ &= (121.6/95) \times 2 + 1 \\ &= 1.28 \times 2 + 1 \\ &= 2.56 + 1 \\ &= 3.56 \text{ hrs} \end{aligned}$$

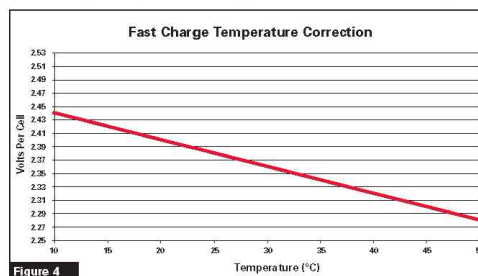
Indication of time to full state of charge using the above formula for various depths of discharge and current limits is shown in figure 3.



The time to reach full state of charge is influenced by battery temperature and charge voltage during the recharge.

1) Where Ah counting is used to control the recharge (i.e. 103% of discharged Ah is returned) the battery voltage can be maintained at a constant 2.40 Volts/cell provided that the battery temperature is controlled at or below +50°C discharged Ah returned.

2) Where time formula recharge is used, temperature compensation for charge voltage should be applied at the rates shown in figure 4.



Where rectifier voltage cannot be adjusted to values >2.40 Volts/cell to compensate for temperatures below 20°C, the time to full state of charge will be increased. For additional information and guidance on this, please contact your EnerSys® representative.

At the end of controlled recharge the battery can revert to either discharge mode, or where the battery is used to provide mains back up the voltage should be reduced to float voltage level of 2.29 Volts/cell.

2.4 Data Recording

In order for the warranty to be valid, the user must provide, by means of routine regular data logging, the following data:

- 1) The number of cycles performed and the depth of discharge ("dod") of each cycle.
- 2) The duration of each discharge and charge cycle, and the Ah in and out.
- 3) Full details of the recharge voltage/current profile for the last 50 cycles.
- 4) A full history of the ambient and battery surface temperatures, recorded at regular intervals throughout battery operation and life.
- 5) The time and date of each "event" (an "event" is defined as the start /stop of the battery discharge, the start/stop of the battery recharge, the start stop of any generator input power or other input power source, etc).

Warning

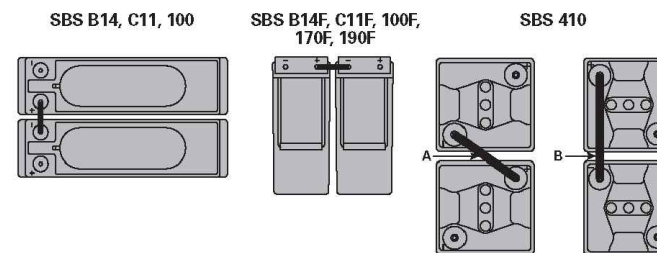
In hybrid applications it is important that the maximum temperature of the battery in operation does not exceed +50°C. Continuous charge at 2.40volts/cell will significantly reduce the battery life.

3. General Specifications

PowerSafe SBS Battery Type	Nominal Voltage (V)	Nominal Capacity (Ah)		Nominal Dimensions				Weight kg	Weight lbs	Typical Short Circuit Current (A)	Resistance (mΩ)	Internal Terminals		
		to 1.80Vpc @ 20°C	10 hr rate to 1.75Vpc @ 77°F	8 hr rate Length mm	in	Width mm	Height mm							
SBS B14	12	62	62	280	11.0	97	3.8	264	10.4	19.1	42.0	1800	7.0	M8 F
SBS B14F	12	62	62	303	11.9	97	3.8	264	10.4	19.1	42.0	1800	7.0	M6 M
SBS C11	12	92	91	395	15.6	105	4.1	264	10.4	28.0	61.6	2300	5.5	M8 F
SBS C11F	12	92	91	417	16.4	105	4.1	256	10.1	28.0	61.6	2300	5.5	M6 M
SBS 100	12	100	100	395	15.6	108	4.3	287	11.3	32.6	71.9	2210	5.6	M8 F
SBS 100F	12	100	100	395	15.6	108	4.3	287	11.3	32.6	71.9	2210	5.6	M6 M
SBS 170F	12	170	170	561	22.1	125	4.9	283	11.1	52.5	115.7	3400	4.0	M6 M
SBS 190F	12	190	190	561	22.1	125	4.9	316	12.4	60.0	132.3	3800	3.3	M6 M
SBS 410	2	410	410	200	7.9	208	8.2	239	9.4	23.2	51.1	4725	1.3	M8 M

4. Connectors

PowerSafe SBS Battery Type	Connector Part No.
SBS B14, C11	2205-8919
SBS B14F, C11F	2205-8891
SBS 100	2205-8750
SBS 100F	2205-8749
SBS 170F & 190F	2205-8769
SBS 410	2205-9887 (A)
SBS 410	2205-8865 (B)



NOTE:
POWER OF DESIGN GROUP, NOR OUR ENGINEER IS RESPONSIBLE FOR DESIGN OR MANUFACTURE OF THE SPECS SHOWN ON THIS SHEET. PLEASE CONTACT THE MANUFACTURE FOR ANY QUESTIONS OR CONCERNS

1 ENERSYS 12V 190AH BATTERY - MODEL #: SBS-190F (NEQ.19858)
SCALE: NOT TO SCALE

PREPARED BY:



PREPARED FOR:



REVISIONS

REV.	DATE	DESCRIPTION
A	10/13/23	PRELIM ISSUE
B	11/01/23	PRELIM ISSUE
0	11/17/23	CONSTRUCTION

SITE NAME:
MEADOWVIEW
SITE INFORMATION:
KENTUCKY HIGHWAY 1272
PRINCETON, KY 42445
CALDWELL COUNTY

FA NUMBER:
16147981

USID:
328954

POD PROJECT NUMBER: 23-157801
DRAWN BY: EW
CHECKED BY: MEP
DATE: 11/17/23

SHEET TITLE:

BATTERY
SPECS

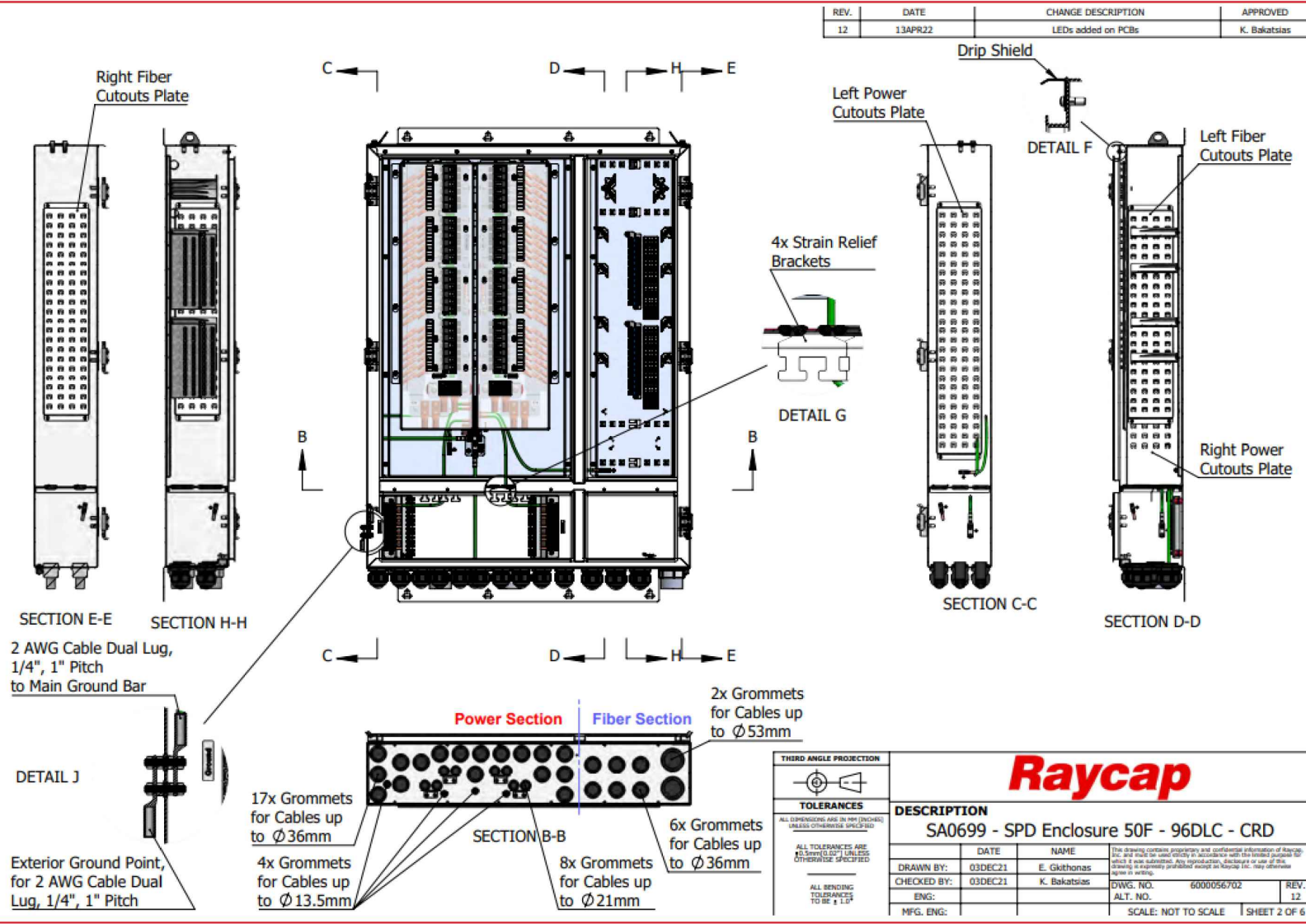
SHEET NUMBER:

C-5.2

DC50-48-60-96-50F

ATT Item Number: CEQ.54898

Raycap DC50-48-60-96-50F
52.24" H, 40" wide, 9" Deep



REV.	DATE	CHANGE DESCRIPTION	APPROVED
12	13APR22	LEDs added on PCBs	K. Bakatsias

Raycap

THIRD ANGLE PROJECTION

TOLERANCES
ALL DIMENSIONS ARE IN MM (INCHES) UNLESS OTHERWISE SPECIFIED

DESCRIPTION
SA0699 - SPD Enclosure 50F - 96DLC - CRD

DRAWN BY:	03DEC21	E. Gkithonas	DATE	NAME
CHECKED BY:	03DEC21	K. Bakatsias	DWG. NO.	6000056702
ENG:			ALT. NO.	
MFG. ENG:			SCALE:	NOT TO SCALE

REV. 12 SHEET 2 OF 6

Raycap 3

NOTE:
POWER OF DESIGN GROUP, NOR OUR ENGINEER IS RESPONSIBLE FOR DESIGN OR MANUFACTURE OF THE SPECS SHOWN ON THIS SHEET. PLEASE CONTACT THE MANUFACTURE FOR ANY QUESTIONS OR CONCERNS

1 RAYCAP OVP & FIBER CABINET - MODEL #: DC50-48-60-96-50F (CEQ.54898)
SCALE: NOT TO SCALE

PREPARED BY:
POD
POWER OF DESIGN
11490 BLUEGRASS PARKWAY
LOUISVILLE, KY 40299
502-437-5252

PREPARED FOR:
smartlink

REVISIONS		
REV.	DATE	DESCRIPTION
A	10/13/23	PRELIM ISSUE
B	11/01/23	PRELIM ISSUE
0	11/17/23	CONSTRUCTION

SITE NAME:
MEADOWVIEW
SITE INFORMATION:
KENTUCKY HIGHWAY 1272
PRINCETON, KY 42445
CALDWELL COUNTY

FA NUMBER:
16147981

USID:
328954

POD PROJECT NUMBER: 23-157801
DRAWN BY: EW
CHECKED BY: MEP
DATE: 11/17/23

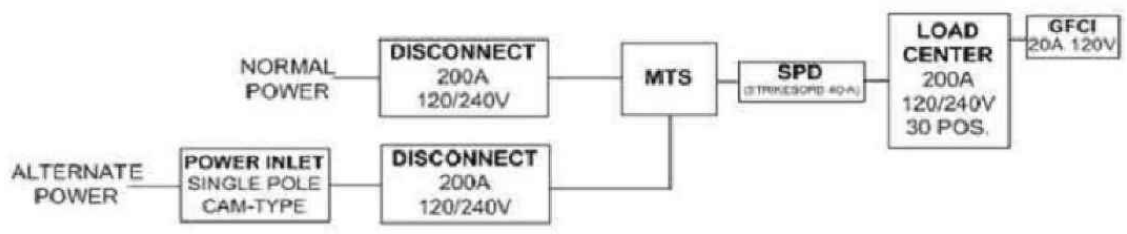
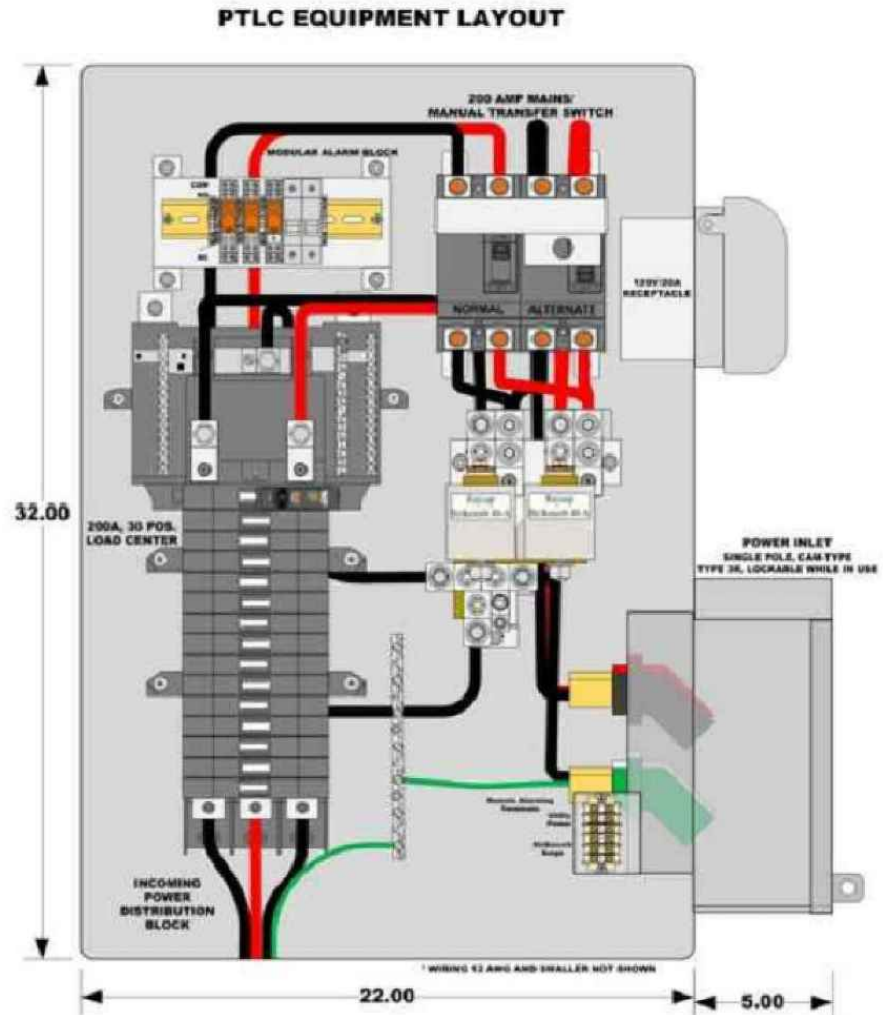
SHEET TITLE:
OVP & FIBER CABINET SPECS

SHEET NUMBER:
C-5.3

PREPARED BY:

 11490 BLUEGRASS PARKWAY
 LOUISVILLE, KY 40299
 502-437-5252

PREPARED FOR:

PTLC-MTS-12200-CL - NEQ19706

- UL 891 Listed, 32x22*x10 (*27 with CamLok Connector Panel), 240/120, 200A Power Transfer Load Center
- Mechanically interlocked "mains" enabling manual transfer between Utility and an Alternative Power Source connected via CamLok style connectors
- PTLC includes Strikesorb surge protection; 30-position Square D QO panel board and alarm monitor for utility power loss.
- Exterior AC receptacle, NEMA 3R enclosure.

REVISIONS		
REV.	DATE	DESCRIPTION
A	10/13/23	PRELIM ISSUE
B	11/01/23	PRELIM ISSUE
0	11/17/23	CONSTRUCTION

SITE NAME:
MEADOWVIEW

SITE INFORMATION:
KENTUCKY HIGHWAY 1272
PRINCETON, KY 42445
CALDWELL COUNTY

FA NUMBER:
16147981

USID:
328954

POD PROJECT NUMBER: 23-157801
 DRAWN BY: EW
 CHECKED BY: MEP
 DATE: 11/17/23

SHEET TITLE:
**PTLC & MTS
SPECS**

SHEET NUMBER:
C-5.4

NOTE:
 POWER OF DESIGN GROUP, NOR OUR ENGINEER IS RESPONSIBLE FOR DESIGN OR MANUFACTURE OF THE SPECS SHOWN ON THIS SHEET. PLEASE CONTACT THE MANUFACTURE FOR ANY QUESTIONS OR CONCERNS

1 INTERSECT PTLC & MTS - MODEL #: PTLC-MTS-12200-CL (NEQ.19706)
 SCALE: NOT TO SCALE

SDC030 | 2.2L | 30 kW
INDUSTRIAL DIESEL GENERATOR SET
 EPA Certified Stationary Emergency



Standby Power Rating
 30 kW, 38 kVA, 60 Hz



Image used for illustration purposes only



*EPA Certified Prime ratings are not available in the US or its Territories

Codes and Standards

Not all codes and standards apply to all configurations. Contact factory for details.

- UL2200, UL6200, UL1236, UL489, UL142
- CSA C22.2, ULC S601
- BS5514 and DIN 6271
- SAE J1349
- NFPA 37, 70, 99, 110
- NEC700, 701, 702, 708
- ISO 3046, 7637, 8528, 9001
- NEMA ICS10, MG1, 250, ICS6, AB1
- ANSI C62.41

Powering Ahead

For over 60 years, Generac has provided innovative design and superior manufacturing.

Generac ensures superior quality by designing and manufacturing most of its generator components, including alternators, enclosures and base tanks, control systems and communications software.

Generac gensets utilize a wide variety of options, configurations and arrangements, allowing us to meet the standby power needs of practically every application.

Generac searched globally to ensure the most reliable engines power our generators. We choose only engines that have already been proven in heavy-duty industrial applications under adverse conditions.

Generac is committed to ensuring our customers' service support continues after their generator purchase.

SDC030 | 2.2L | 30 kW
INDUSTRIAL DIESEL GENERATOR SET
 EPA Certified Stationary Emergency



APPLICATION AND ENGINEERING DATA

ENGINE SPECIFICATIONS

General		Cooling System	
Make	Perkins	Cooling System Type	Pressurized Closed
EPA Emissions Compliance	Stationary Emergency	Water Pump Type	Pre-Lubed, Self Sealing
EPA Emissions Reference	See Emission Data Sheet	Fan Type	Pusher
Cylinder #	4	Fan Speed - RPM	3,000
Type	In-Line	Fan Diameter - in (mm)	11 (279)
Displacement - in ³ (L)	135 (2.22)	Fuel System	
Bore - in (mm)	3.3 (84)	Fuel Type	Ultra Low Sulfur Diesel Fuel
Stroke - in (mm)	3.9 (100)	Fuel Specifications	ASTM
Compression Ratio	23.3:1	Fuel Filtering (Microns)	5
Intake Air Method	Turbocharged	Fuel Inject Pump	Distribution Injection Pump
Cylinder Head	Cast Iron	Fuel Pump Type	Cassette
Piston Type	Aluminum	Injector Type	Indirect, Pintle Nozzle
Crankshaft Type	Forged Steel	Fuel Supply Line - in (mm)	0.31 (7.94) ID
		Fuel Return Line - in (mm)	0.31 (7.94) ID
Engine Governing		Engine Electrical System	
Governor	Electronic Isochronous	System Voltage	12 VDC
Frequency Regulation (Steady State)	±0.5%	Battery Charger Alternator	Standard
		Battery Size	See Battery Index 01619708BY
Lubrication System		Battery Voltage	12 VDC
Oil Pump Type	Gear	Ground Polarity	Negative
Oil Filter Type	Full-Flow Cartridge		
Crankcase Capacity - qt (L)	11.2 (10.6)		

ALTERNATOR SPECIFICATIONS

Standard Model	K0050124Y26	Standard Excitation	Permanent Magnet Excitation
Poles	4	Bearings	Single Sealed
Field Type	Revolving	Coupling	Direct via Flexible Disc
Insulation Class - Rotor	H	Load Capacity - Standby	100%
Insulation Class - Stator	H	Prototype Short Circuit Test	Yes
Total Harmonic Distortion	<5% (3-Phase Only)	Voltage Regulator Type	Digital
Telephone Interference Factor (TIF)	<50	Number of Sensed Phases	All
		Regulation Accuracy (Steady State)	±0.25%

SPEC SHEET

1 of 6

PREPARED BY:



PREPARED FOR:



REVISIONS

REV.	DATE	DESCRIPTION
A	10/13/23	PRELIM ISSUE
B	11/01/23	PRELIM ISSUE
0	11/17/23	CONSTRUCTION

SITE NAME:
 MEADOWVIEW
SITE INFORMATION:
 KENTUCKY HIGHWAY 1272
 PRINCETON, KY 42445
 CALDWELL COUNTY

FA NUMBER:
 16147981

USID:
 328954

POD PROJECT NUMBER: 23-157801
DRAWN BY: EW
CHECKED BY: MEP
DATE: 11/17/23

SHEET TITLE:
**GENERATOR
 SPECS**

SHEET NUMBER:
C-6

SPEC SHEET

4 of 6

NOTE:
 POWER OF DESIGN GROUP, NOR OUR ENGINEER IS RESPONSIBLE FOR DESIGN OR MANUFACTURE OF THE SPECS SHOWN ON THIS SHEET. PLEASE CONTACT THE MANUFACTURE FOR ANY QUESTIONS OR CONCERNS

1 GENERAC SDC030 (30KW) - MODEL #: K0050124Y26
 SCALE: NOT TO SCALE

PREPARED BY:



11490 BLUEGRASS PARKWAY
LOUISVILLE, KY 40299
502-437-5252

PREPARED FOR:




11/20/2023
EN PERMIT: 3594

REVISIONS		
REV.	DATE	DESCRIPTION
A	10/13/23	PRELIM ISSUE
B	11/01/23	PRELIM ISSUE
0	11/17/23	CONSTRUCTION

SITE NAME:
MEADOWVIEW
SITE INFORMATION:
KENTUCKY HIGHWAY 1272
PRINCETON, KY 42445
CALDWELL COUNTY

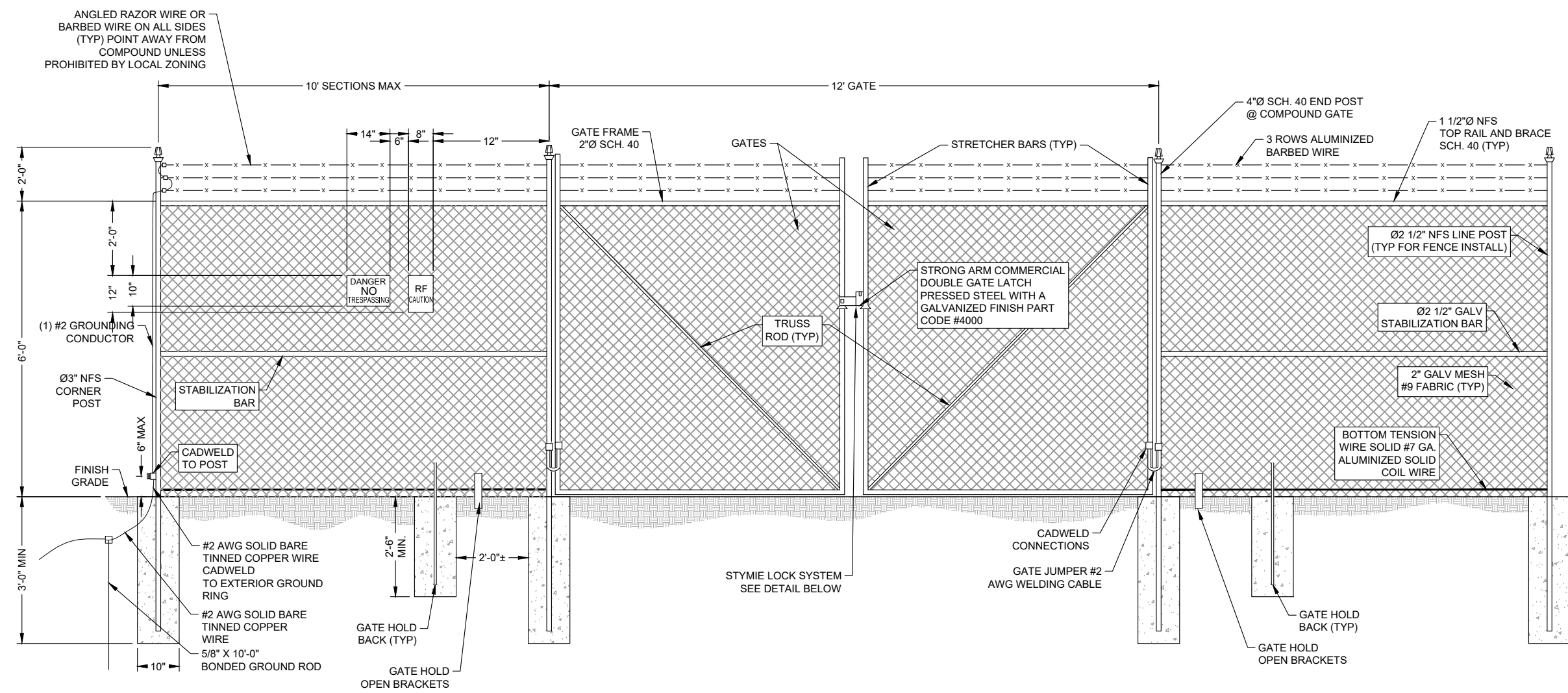
FA NUMBER:
16147981

USID:
328954

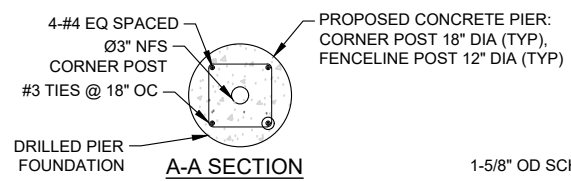
POD PROJECT NUMBER: 23-157801
DRAWN BY: EW
CHECKED BY: MEP
DATE: 11/17/23

SHEET TITLE:
FENCE DETAILS

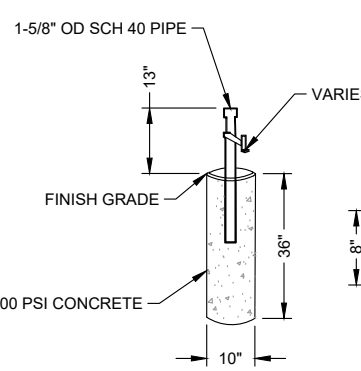
SHEET NUMBER:
C-7



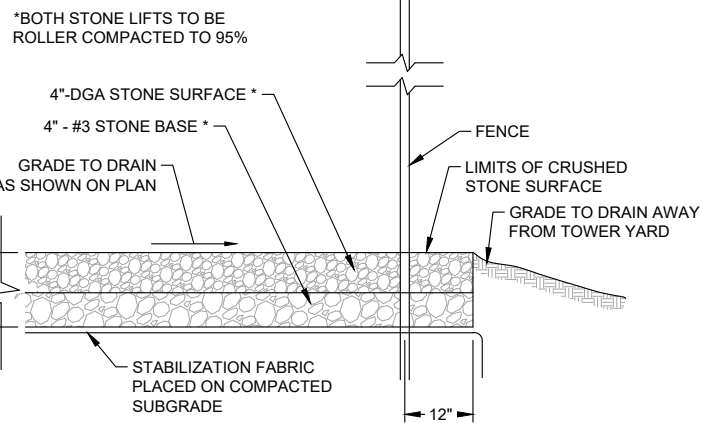
1 FENCE AND SIGNAGE DETAIL AND SPECIFICATIONS
SCALE: NOT TO SCALE



2 FENCE POST DETAIL
SCALE: NOT TO SCALE

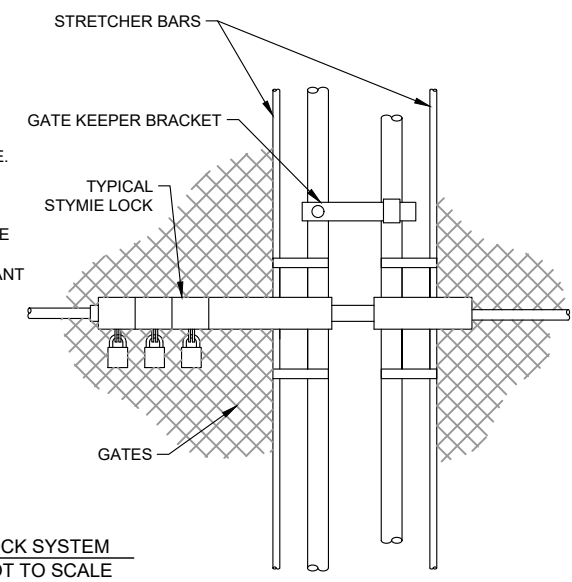


3 GATE STOP DETAIL
SCALE: NOT TO SCALE




4 COMPOUND SURFACING
SCALE: NOT TO SCALE

STANDARD COMBINATION LOCK SPEC
ALL LOCK SHOULD BE MARINE GRADE BRASS LOCK WITH STAINLESS STEEL SHACKLE, SOLID BRASS BODY PROVIDES STRENGTH AND CORROSION RESISTANCE. STAINLESS STEEL SHACKLES RESIST HACKSAWS, BOLT CUTTERS, AND CORROSIVE WEATHER CONDITIONS ALL LOCKS SHOULD BE A PROGRAMMABLE COMBINATION LOCK THAT IS STRONG, DURABLE AND HIGHLY WEATHER RESISTANT



5 STYMIE LOCK SYSTEM
SCALE: NOT TO SCALE

NOTICE



AT&T operates antennas at this site.
Beyond This Point you are entering an area where radio frequency (RF) fields *may exceed* the FCC General Population Exposure Limits.
 Follow safety guidelines for working in an RF environment.
 Contact AT&T at 800-638-2822, option 9 and 3, and follow their instructions prior to performing any maintenance or repairs above this point.

● NO-2-BTP-AL-128 This is AT&T Site ●

1 8"x12" NOTICE SIGN DETAIL
SCALE: NOT TO SCALE

INFORMATION

Federal Communications Commission
 Tower Registration Number

1234567

Posted in accordance with Federal Communications Commission rules on antenna tower registration
 47 CFR 17.4(g)

2 12"x18" FCC REGISTRATION SIGN DETAIL
SCALE: NOT TO SCALE

WARNING




**Beyond this point:
 Radio frequency fields at this site exceed the FCC rules for human exposure.**

Failure to obey all posted signs and site guidelines for working in radio frequency environments could result in serious injury.
 In accordance with Federal Communications Commission rules on radio frequency emissions 47 CFR 1.1307(b)


3 8"x12" WARNING SIGN DETAIL
SCALE: NOT TO SCALE

PREPARED BY:



POWER OF DESIGN
 11490 BLUEGRASS PARKWAY
 LOUISVILLE, KY 40299
 502-437-5252

PREPARED FOR:



REVISIONS

REV.	DATE	DESCRIPTION
A	10/13/23	PRELIM ISSUE
B	11/01/23	PRELIM ISSUE
0	11/17/23	CONSTRUCTION

SITE NAME:
 MEADOWVIEW

SITE INFORMATION:
 KENTUCKY HIGHWAY 1272
 PRINCETON, KY 42445
 CALDWELL COUNTY

FA NUMBER:
 16147981

USID:
 328954

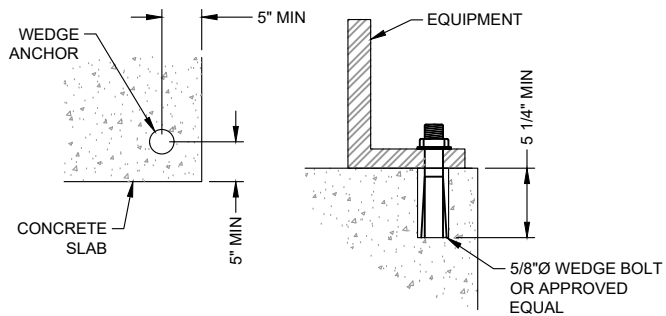
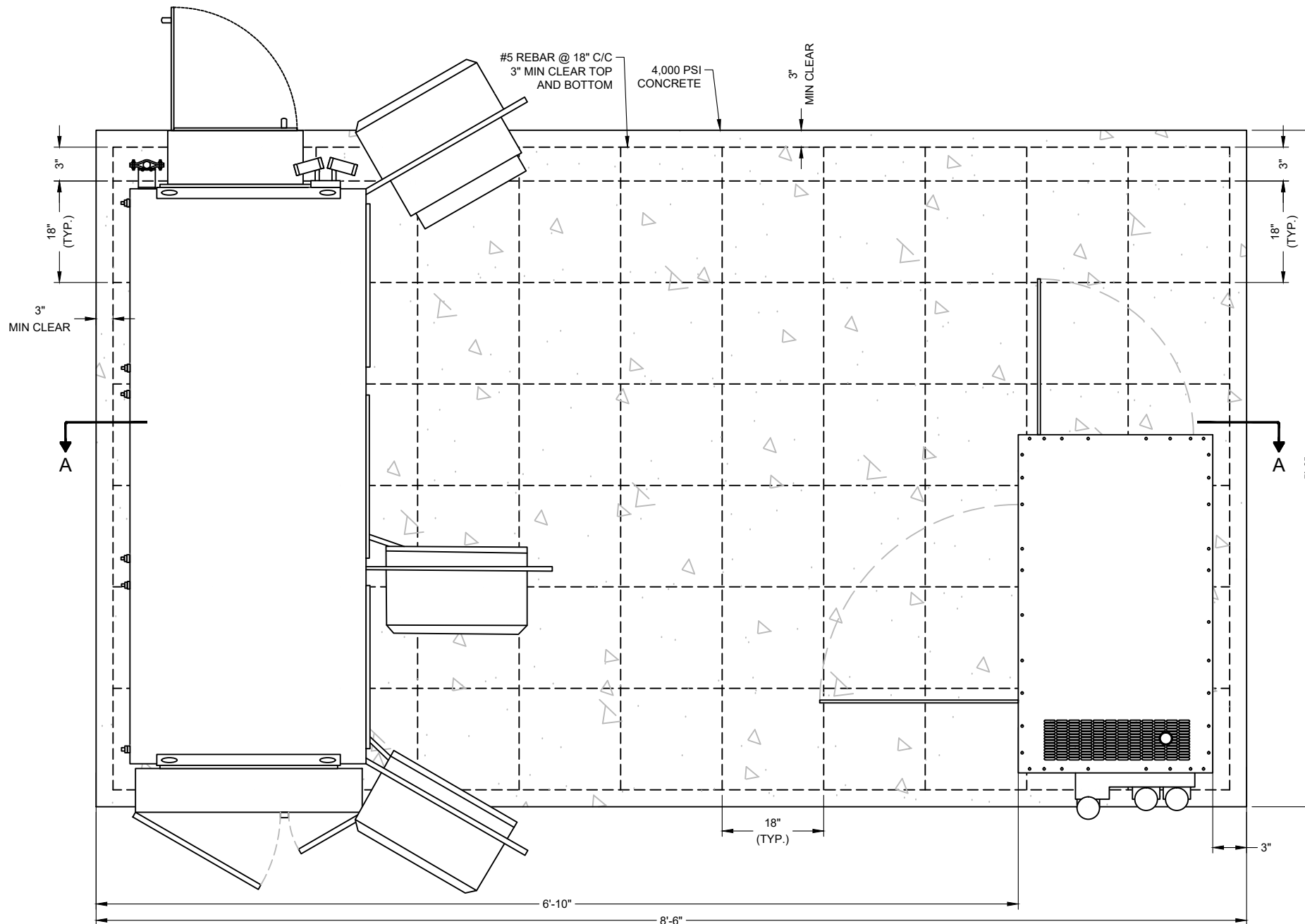
POD PROJECT NUMBER: 23-157801
 DRAWN BY: EW
 CHECKED BY: MEP
 DATE: 11/17/23

SHEET TITLE:
**AT&T SIGNAGE
 DETAILS**

SHEET NUMBER:
C-7.1

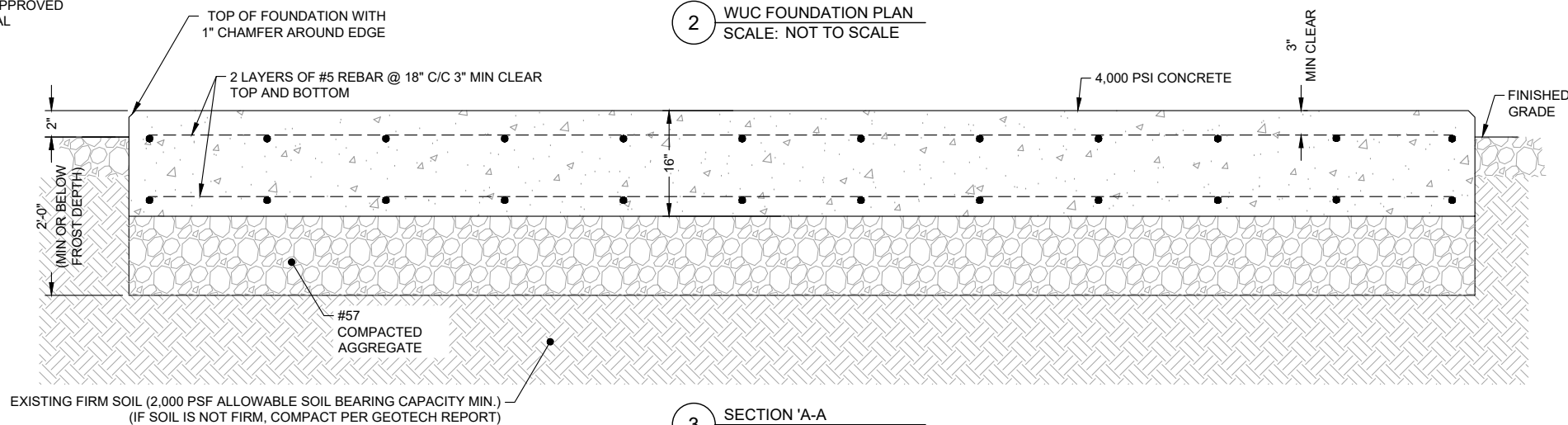
FOUNDATION NOTES:

1. REFER TO CIVIL DRAWINGS FOR ORIENTATION OF FOUNDATION.
2. USE A HIGH-EARLY STRENGTH CONCRETE MIX SO THE CABINET MAY BE PLACED THREE DAYS FOLLOWING CONCRETE POURING. COARSE AGGREGATE USED IN THE CONCRETE SHALL BE GRADED FROM 3/4" TO NO. 4 ONLY. THE COMPRESSION STRENGTH OF THE CONCRETE MUST BE A MINIMUM OF 4000 PSI AS DETERMINED BY ASTM C39 TEST OF COMPRESSION STRENGTH OF CONCRETE CYLINDERS.
3. CURE THE PAD FOR A MINIMUM OF THREE DAYS BEFORE EQUIPMENT INSTALLATION, OR PER SPECIFICATIONS FOR THE TYPE OF CONCRETE USED AND PER LOCAL CODES AND REQUIREMENTS.
4. ALL CONCRETE SHALL HAVE 28 DAY STRENGTH OF 4000 PSI MINIMUM, WITH A SLUMP OF 3"-7" AND SHALL BE AIR ENTRAINED @ 5.5 ± 1.1%. 5 TEST CYLINDERS SHALL BE MADE FOR THE 3, 7, & (2) 28 DAY TESTS WITH ONE SPARE
5. REINFORCING STEEL SHALL CONFORM TO ASTM A 615, GRADE 60, DEFORMED UNLESS NOTED OTHERWISE. WELDED WIRE REINFORCEMENT SHALL CONFORM TO ASTM A 185 FOR STEEL WELDED WIRE REINFORCEMENT UNLESS NOTED OTHERWISE. SPLICES SHALL BE CLASS "B" AND ALL HOOKS SHALL BE STANDARD UNLESS NOTED OTHERWISE.
6. CONTRACTOR TO ENSURE FOUNDATION / SLAB ARE POURED TO MEET FLATNESS LEVEL TOLERANCES AS INDICATED IN ACI 4.5.6 AND ACI 4.5.7.
7. SLAB TOLERANCE IS ± 1/4".
8. THIS FOUNDATION IS DESIGNED FOR 2,000 PSF ALLOWABLE SOIL BEARING CAPACITY.
9. A CHAMFER, 3/4", SHALL BE PROVIDED AT ALL EXPOSED EDGES OF CONCRETE, IN ACCORDANCE WITH ACI 301 SECTION 4.2.4.
10. FOUNDATION BEARING MATERIAL SHALL BE TESTED & VERIFIED BY A LICENSED GEOTECHNICAL ENGINEER.
11. GROUND REBAR TO GROUND RING IN (2) LOCATIONS USING #2 SOLID BARE TINNED COPPER GROUND WIRE.
12. INSTALLATION OF CONCRETE EXPANSION/WEDGE ANCHORS, SHALL BE PER MANUFACTURER'S WRITTEN RECOMMENDED PROCEDURE. THE ANCHOR BOLT, DOWEL OR ROD SHALL CONFORM TO MANUFACTURER'S RECOMMENDATION FOR EMBEDMENT DEPTH OR AS SHOWN ON THE DRAWINGS. NO REBAR SHALL BE CUT WITHOUT PRIOR ENGINEERING APPROVAL WHEN DRILLING HOLES IN CONCRETE.
13. CONDUITS SHALL EXTEND APPROXIMATELY 2" ABOVE FINISHED SURFACE. SEAL CONDUITS TO PREVENT CONCRETE ENTRY DURING POUR.
14. CONTRACTOR SHALL VERIFY THE PLACEMENT OF CONDUITS WITH THE ACTUAL ENCLOSURE KNOCK-OUT AND OR STUB-UP LOCATIONS TO ENSURE THE PROPER ALIGNMENT OF ALL CONDUITS.
15. FOUNDATION DESIGNED FOR A MINIMUM 2,000 PSF SOIL BEARING CAPACITY
16. USE SHIMS AS REQUIRED TO ASSURE WUC IS BEARING AT PERIMETER. SEAL PERIMETER W/ CAULK OR GROUT DESIRED.



1 GENERATOR ANCHOR BOLT DETAIL
SCALE: NOT TO SCALE

2 WUC FOUNDATION PLAN
SCALE: NOT TO SCALE



3 SECTION 'A-A'
SCALE: NOT TO SCALE

PREPARED BY:

 11490 BLUEGRASS PARKWAY
 LOUISVILLE, KY 40299
 502-437-5252

PREPARED FOR:

STATE OF KENTUCKY

 MARK E. PATTERSON
 16,300
 LICENSED PROFESSIONAL ENGINEER
 11/20/23
 EN PERMIT: 3594

REVISIONS

REV.	DATE	DESCRIPTION
A	10/13/23	PRELIM ISSUE
B	11/01/23	PRELIM ISSUE
0	11/17/23	CONSTRUCTION

SITE NAME:
MEADOWVIEW
 SITE INFORMATION:
 KENTUCKY HIGHWAY 1272
 PRINCETON, KY 42445
 CALDWELL COUNTY

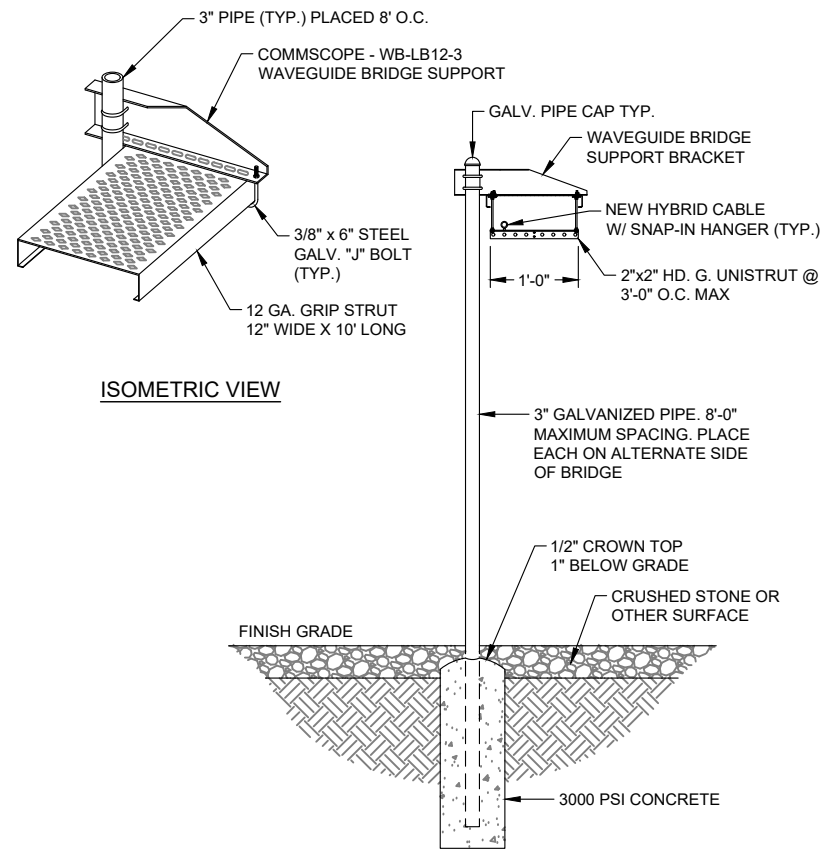
FA NUMBER:
16147981

USID:
328954

POD PROJECT NUMBER: 23-157801
 DRAWN BY: EW
 CHECKED BY: MEP
 DATE: 11/17/23

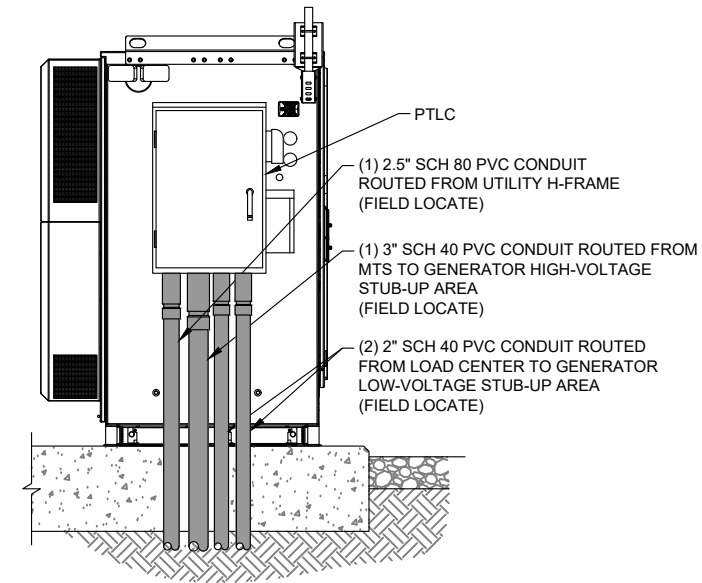
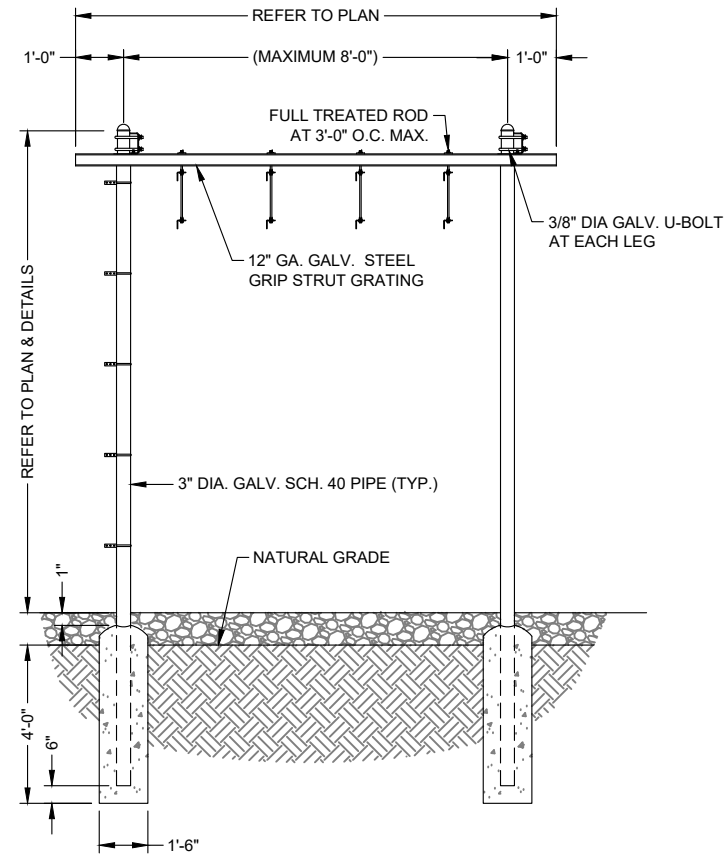
SHEET TITLE:
**WUC FOUNDATION
 PLAN (PAD)**

SHEET NUMBER:
C-8

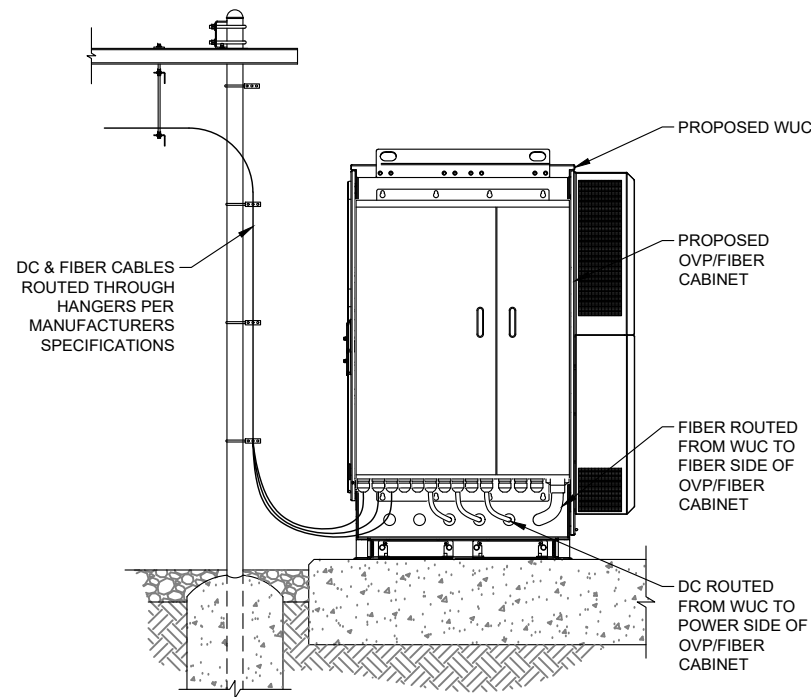


ISOMETRIC VIEW

1 ICE BRIDGE DETAIL
 SCALE: NOT TO SCALE



2 PTLC DETAIL
 SCALE: NOT TO SCALE



3 OVP & FIBER CABINET DETAIL
 SCALE: NOT TO SCALE

4 NOT USED
 SCALE: NOT TO SCALE

5 NOT USED
 SCALE: NOT TO SCALE

PREPARED BY:
POD
 POWER OF DESIGN
 11490 BLUEGRASS PARKWAY
 LOUISVILLE, KY 40299
 502-437-5252

PREPARED FOR:
smartlink

STATE OF KENTUCKY

 MARK E.
 PATTERSON
 16,300
 LICENSED
 PROFESSIONAL ENGINEER
 11/20/2023
 EN PERMIT: 3594

REVISIONS		
REV.	DATE	DESCRIPTION
A	10/13/23	PRELIM ISSUE
B	11/01/23	PRELIM ISSUE
0	11/17/23	CONSTRUCTION

SITE NAME:
 MEADOWVIEW
 SITE INFORMATION:
 KENTUCKY HIGHWAY 1272
 PRINCETON, KY 42445
 CALDWELL COUNTY

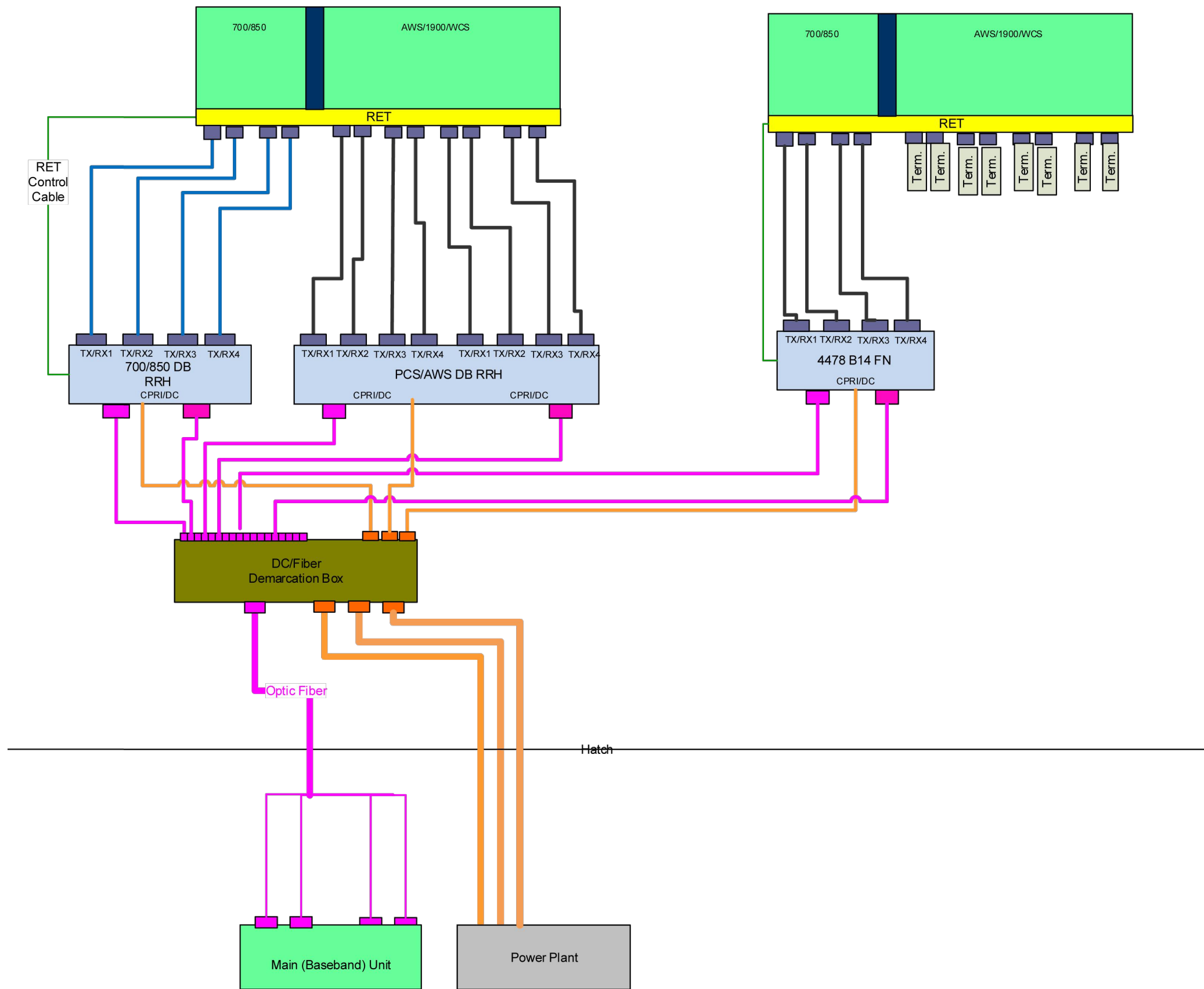
FA NUMBER:
 16147981

USID:
 328954

POD PROJECT NUMBER: 23-157801
 DRAWN BY: EW
 CHECKED BY: MEP
 DATE: 11/17/23

SHEET TITLE:
**EQUIPMENT
 SPECS**

SHEET NUMBER:
C-9



PREPARED BY:

 POWER OF DESIGN
 11490 BLUEGRASS PARKWAY
 LOUISVILLE, KY 40299
 502-437-5252

PREPARED FOR:


REVISIONS

REV.	DATE	DESCRIPTION
A	10/13/23	PRELIM ISSUE
B	11/01/23	PRELIM ISSUE
0	11/17/23	CONSTRUCTION

SITE NAME:
MEADOWVIEW
 SITE INFORMATION:
 KENTUCKY HIGHWAY 1272
 PRINCETON, KY 42445
 CALDWELL COUNTY

FA NUMBER:
16147981

USID:
328954

POD PROJECT NUMBER: 23-157801
 DRAWN BY: EW
 CHECKED BY: MEP
 DATE: 11/17/23

SHEET TITLE:

RADIO FREQUENCY
DATA SHEETS

SHEET NUMBER:

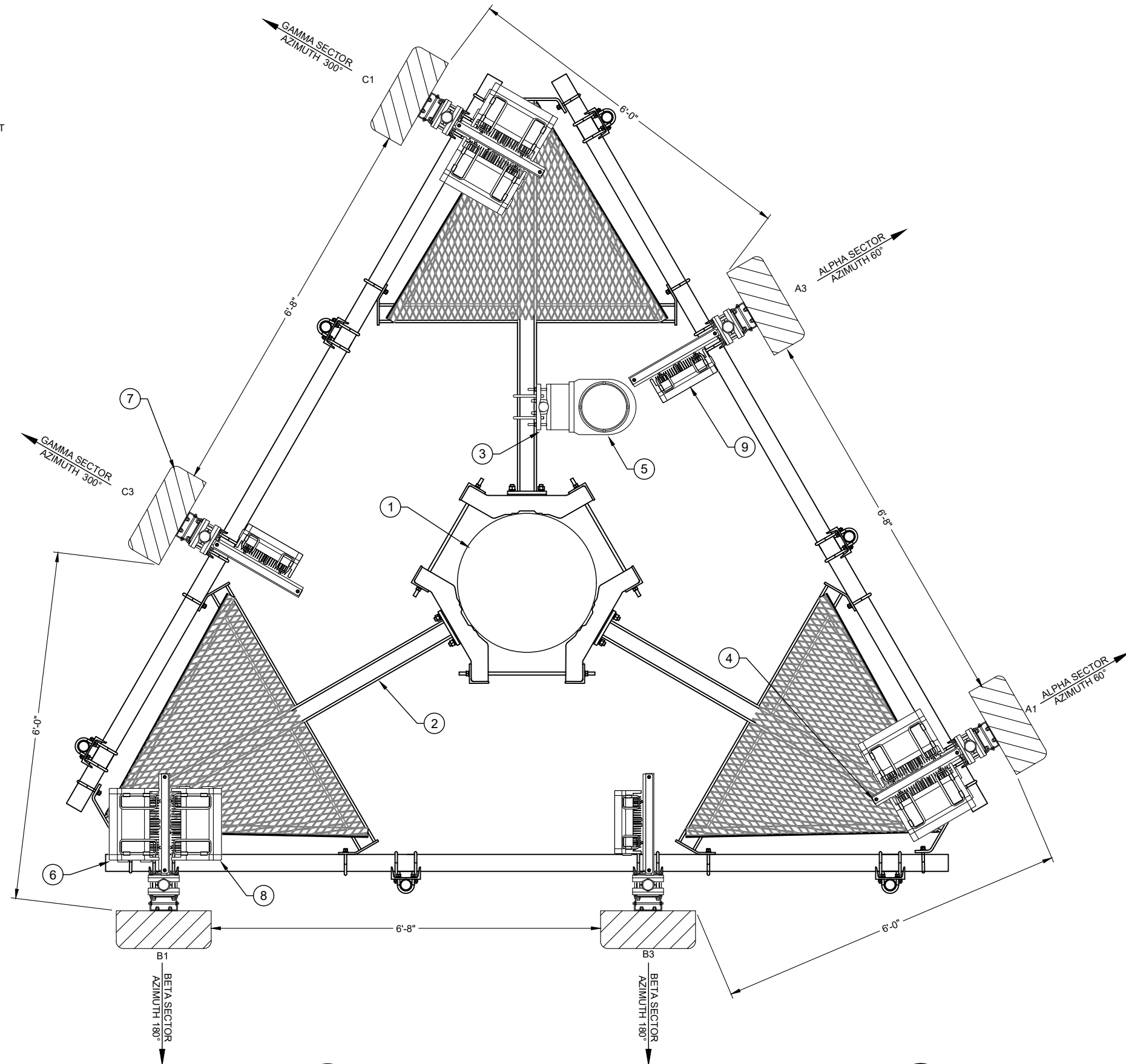
RF-1

1 PLUMBING DIAGRAM - ALPHA SECTOR (TYP.)
 SCALE: NOT TO SCALE

NOTE: THE RF DESIGN AND ANY ASSOCIATED INFORMATION ON THIS SHEET HAS BEEN PREPARED AND DESIGNED BY OTHERS. POWER OF DESIGN DID NOT DESIGN OR PREPARE ANY RF.

EQUIPMENT LEGEND:

- ① PROPOSED 190'-0" MONOPOLE
- ② PROPOSED SITE PRO 1 - RMQLP-4126-HK PLATFORM MOUNT
CONMAT ID: ANT.55229
(1 TOTAL)
- ③ PROPOSED 2-1/2" SCH 40 (2-7/8" O.D.) BY 8'-0" LONG
GALV. PIPE W/ CROSSOVER HARDWARE
CONMAT ID:
(1 TOTAL)
- ④ PROPOSED ERICSSON - SXK1255394/2 BACK-TO-BACK MOUNT
CONMAT ID: CEQ.53714
(2 PER SECTOR, 6 TOTAL)
- ⑤ PROPOSED RAYCAP - DC9-48-60-24-8C SQUID
(1 FIBER LINE AND (3) DC CABLE TO BE INSTALLED
CONMAT ID: CEQ.21427
(1 TOTAL)
- ⑥ PROPOSED ERICSSON - 4490 B5/B12 RADIO
CONMAT ID: CEQ.56842
(1 PER SECTOR, 3 TOTAL)
- ⑦ PROPOSED COMMSCOPE - NNH4-65D-R6 ANTENNA
CONMAT ID: ANT.16194
(2 PER SECTOR, 6 TOTAL)
- ⑧ PROPOSED ERICSSON - 4890 B25/B66 RADIO
CONMAT ID:
(1 PER SECTOR, 3 TOTAL)
- ⑨ PROPOSED ERICSSON - 4478 B14 RADIO
CONMAT ID: CEQ.44942
(1 PER SECTOR, 3 TOTAL)



① ANTENNA LAYOUT - RAD CENTER 190'-0"
SCALE: 1" = 2'

PREPARED BY:

 11490 BLUEGRASS PARKWAY
 LOUISVILLE, KY 40299
 502-437-5252

PREPARED FOR:

Mark E. Patterson

 11/20/2023
 EN PERMIT: 3594

REVISIONS		
REV.	DATE	DESCRIPTION
A	10/13/23	PRELIM ISSUE
B	11/01/23	PRELIM ISSUE
0	11/17/23	CONSTRUCTION

SITE NAME:
MEADOWVIEW
 SITE INFORMATION:
 KENTUCKY HIGHWAY 1272
 PRINCETON, KY 42445
 CALDWELL COUNTY

FA NUMBER:
16147981

USID:
328954

POD PROJECT NUMBER: 23-157801
 DRAWN BY: EW
 CHECKED BY: MEP
 DATE: 11/17/23

SHEET TITLE:
**ANTENNA MOUNT
 & ORIENTATION**

SHEET NUMBER:
RF-2

FINAL EQUIPMENT SCHEDULE (VERIFY WITH CURRENT RFDS)																			
ALPHA	ANTENNA				RADIO			DIPLEXER			TMA		SURGE PROTECTION		CABLES				
	POSITION	TECH.	STATUS/MANUFACTURER MODEL	AZIMUTH	RAD CENTER	QTY.	STATUS/MODEL	LOCATION	QTY.	STATUS	LOCATION	QTY.	STATUS	QTY.	STATUS/MODEL	QTY.	STATUS/TYPE	SIZE	LENGTH
A1	LTE 700 LTE 1900 5G 850 5G 1900 5G AWS	(P) COMMSCOPE - NNH4-65D-R6	60°	190°-0"	1	(P) ERICSSON - 4490 B5/B12	TOWER	-	-	-	-	-	-	1	(P) RAYCAP DC9-48-60-24-8C-EV	1	(P) FIBER	3/8"	240'-0"
					1	(P) ERICSSON - 4890 B25/B66	TOWER	-	-	-	-	-	-	2	(P) DC	7/8"	240'-0"		
A2	-	-	-	-	-	-	-	-	-	-	-	-	-	-	-	-	-	-	
A3	LTE 700	(P) COMMSCOPE - NNH4-65D-R6	60°	190°-0"	1	(P) ERICSSON - 4478 B14	TOWER	-	-	-	-	-	-	-	-	-	-	-	
A4	-	-	-	-	-	-	-	-	-	-	-	-	-	-	-	-	-	-	
A5	-	-	-	-	-	-	-	-	-	-	-	-	-	-	-	-	-	-	
BETA																			
B1	LTE 700 LTE 1900 5G 850 5G 1900 5G AWS	(P) COMMSCOPE - NNH4-65D-R6	180°	190°-0"	1	(P) ERICSSON - 4490 B5/B12	TOWER	-	-	-	-	-	-	-	-	-	-	-	
					1	(P) ERICSSON - 4890 B25/B66	TOWER	-	-	-	-	-	-	-	-	-			
B2	-	-	-	-	-	-	-	-	-	-	-	-	-	-	-	-	-	-	
B3	LTE 700	(P) COMMSCOPE - NNH4-65D-R6	180°	190°-0"	1	(P) ERICSSON - 4478 B14	TOWER	-	-	-	-	-	-	-	-	-	-	-	
B4	-	-	-	-	-	-	-	-	-	-	-	-	-	-	-	-	-	-	
B5	-	-	-	-	-	-	-	-	-	-	-	-	-	-	-	-	-	-	
GAMMA																			
C1	LTE 700 LTE 1900 5G 850 5G 1900 5G AWS	(P) COMMSCOPE - NNH4-65D-R6	300°	190°-0"	1	(P) ERICSSON - 4490 B5/B12	TOWER	-	-	-	-	-	-	-	-	-	-	-	
					1	(P) ERICSSON - 4890 B25/B66	TOWER	-	-	-	-	-	-	-	-				
C2	-	-	-	-	-	-	-	-	-	-	-	-	-	-	-	-	-	-	
C3	LTE 700	(P) COMMSCOPE - NNH4-65D-R6	300°	190°-0"	1	(P) ERICSSON - 4478 B14	TOWER	-	-	-	-	-	-	-	-	-	-	-	
C4	-	-	-	-	-	-	-	-	-	-	-	-	-	-	-	-	-	-	
C5	-	-	-	-	-	-	-	-	-	-	-	-	-	-	-	-	-	-	

NOTE:
(E) - EXISTING
(R) - RELOCATED
(P) - PROPOSED

1 PROPOSED EQUIPMENT SCHEDULE
SCALE: NOT TO SCALE

PREPARED BY:

 11490 BLUEGRASS PARKWAY
 LOUISVILLE, KY 40299
 502-437-5252

PREPARED FOR:




11/20/2023
 EN PERMIT: 3594

REVISIONS		
REV.	DATE	DESCRIPTION
A	10/13/23	PRELIM ISSUE
B	11/01/23	PRELIM ISSUE
0	11/17/23	CONSTRUCTION

SITE NAME:
MEADOWVIEW
 SITE INFORMATION:
 KENTUCKY HIGHWAY 1272
 PRINCETON, KY 42445
 CALDWELL COUNTY

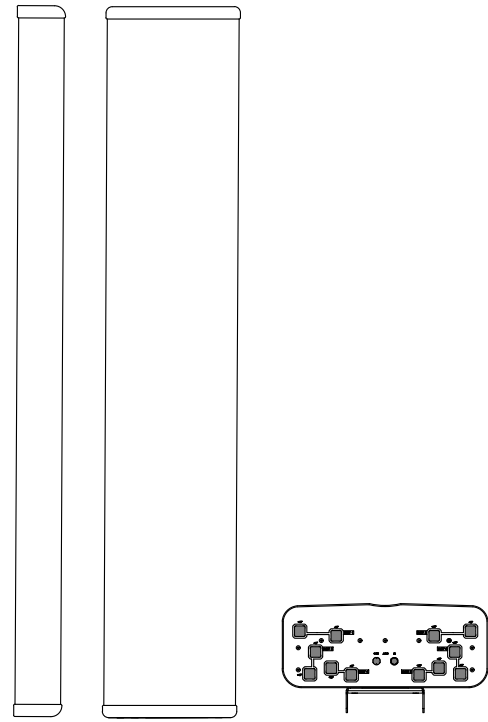
FA NUMBER:
16147981

USID:
328954

POD PROJECT NUMBER: 23-157801
 DRAWN BY: EW
 CHECKED BY: MEP
 DATE: 11/17/23

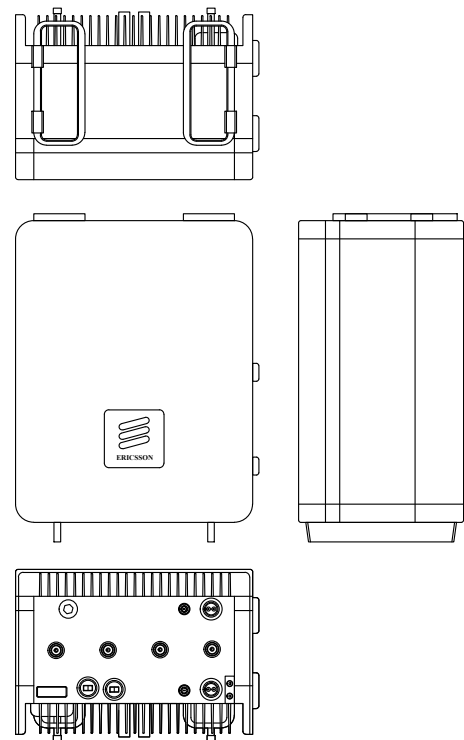
SHEET TITLE:
TOWER ELEVATION

SHEET NUMBER:
RF-3



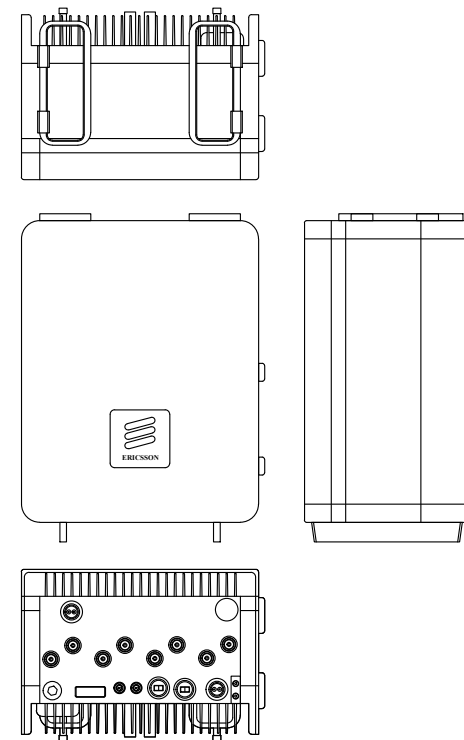
COMMSCOPE - NNH4-65D-R6
 WEIGHT (FULLY EQUIPPED): 88.2 LBS
 SIZE (HxWxD): 105.8x19.6x7.8 IN.
 CONNECTOR TYPE: 4.3-10 FEMALE (12 TOTAL PORTS)

1 COMMSCOPE - NNH4-65D-R6
 SCALE: NOT TO SCALE



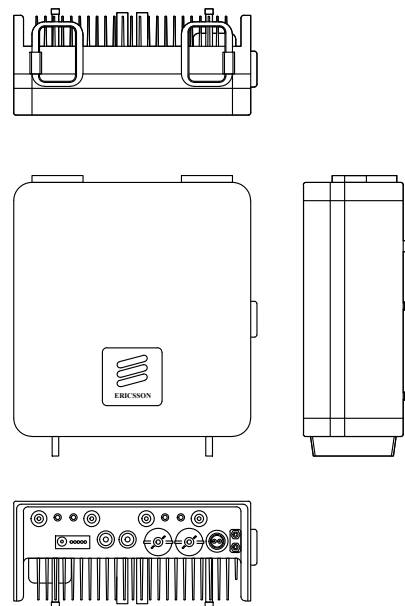
ERICSSON - 4490 B5/B12
 WEIGHT: 20.83 LBS
 SIZE (HxWxD): 15.12x17.48x6.77 IN.

2 ERICSSON - RADIO 4490 B5/B12
 SCALE: NOT TO SCALE



ERICSSON - 4890 B25/B66
 WEIGHT: 20.83 LBS
 SIZE (HxWxD): 15.12x17.48x6.93 IN.

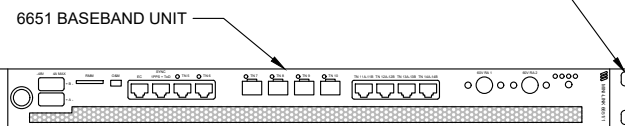
3 ERICSSON - 4890 B2/B66A
 SCALE: NOT TO SCALE



ERICSSON - RADIO 4478 B14
 WEIGHT: 60.0 LBS
 SIZE (HxWxD): 15.0x13.0x8.0 IN.

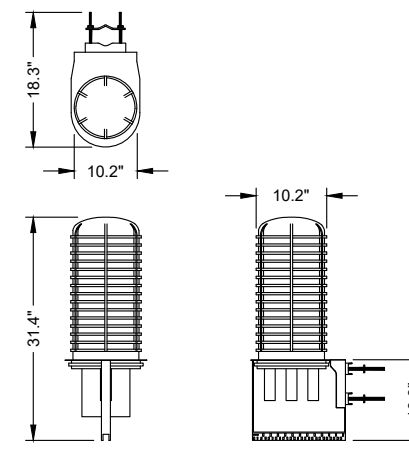
4 ERICSSON - RADIO 4478 B14 (CEQ.44942)
 SCALE: NOT TO SCALE

INSTALL TO STANDARD FIF RACK/CABINET
 WITH FIF RACK BRACKET AND (4) 10-32
 THREAD SCREWS, (2) PER SIDE.



ERICSSON - 6651 STAND-ALONE BASEBAND
 WEIGHT: 10.0 LBS
 SIZE (HxWxD): 1.7x17.6x9.4 IN.

5 ERICSSON - BB 6651
 SCALE: NOT TO SCALE



RAYCAP - DC9-48-60-24-8C
 WEIGHT (WITHOUT MOUNTING HARDWARE): 26.2 LBS
 SIZE (HxWxD): 31.4x10.2x10.2 IN.

6 RAYCAP - DC9-48-60-24-8C
 SCALE: NOT TO SCALE

PREPARED BY:

 POWER OF DESIGN
 11490 BLUEGRASS PARKWAY
 LOUISVILLE, KY 40299
 502-437-5252

PREPARED FOR:


REVISIONS

REV.	DATE	DESCRIPTION
A	10/13/23	PRELIM ISSUE
B	11/01/23	PRELIM ISSUE
0	11/17/23	CONSTRUCTION

SITE NAME:
 MEADOWVIEW
 SITE INFORMATION:
 KENTUCKY HIGHWAY 1272
 PRINCETON, KY 42445
 CALDWELL COUNTY

FA NUMBER:
 16147981

USID:
 328954

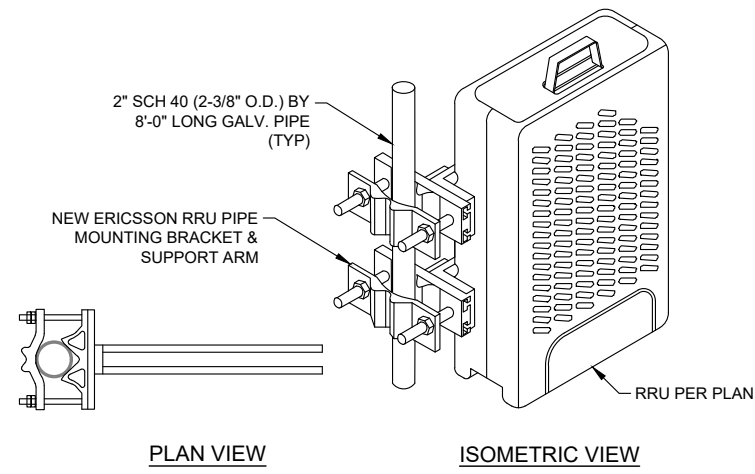
POD PROJECT NUMBER: 23-157801
 DRAWN BY: EW
 CHECKED BY: MEP
 DATE: 11/17/23

SHEET TITLE:

EQUIPMENT
 SPECS

SHEET NUMBER:

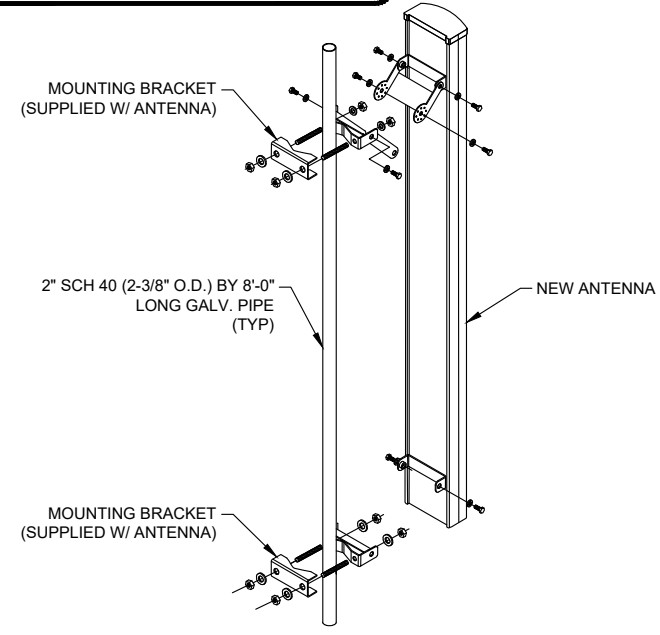
RF-4



1 ERICSSON - SXK1255394/2 (CEQ.53714)
SCALE: NOT TO SCALE

INSTALLER NOTES:

1. COMPLY WITH MANUFACTURERS INSTRUCTIONS TO ENSURE THAT ALL RRHs RECEIVE ELECTRICAL POWER WITHIN 24 HOURS OF BEING REMOVED FROM THE MANUFACTURER'S PACKAGING.
2. DO NOT OPEN RRH PACKAGES IN THE RAIN.
3. ALL PIPES, BRACKETS, AND MISCELLANEOUS HARDWARE TO BE GALVANIZED UNLESS NOTED OTHERWISE.

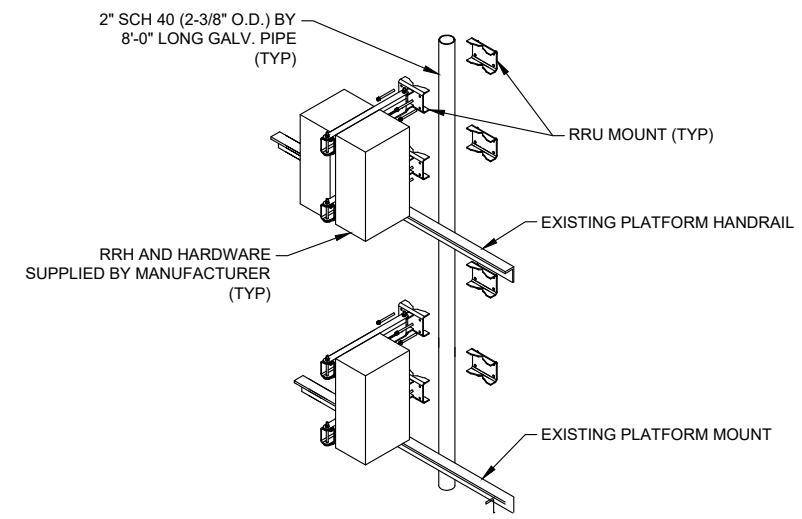


2 ANTENNA WITH RRHs MOUNTING DETAIL
SCALE: NOT TO SCALE

INSTALLER NOTES:

1. COMPLY WITH MANUFACTURERS INSTRUCTIONS TO ENSURE THAT ALL RRHs RECEIVE ELECTRICAL POWER WITHIN 24 HOURS OF BEING REMOVED FROM THE MANUFACTURER'S PACKAGING.
2. DO NOT OPEN RRH PACKAGES IN THE RAIN.
3. ALL PIPES, BRACKETS, AND MISCELLANEOUS HARDWARE TO BE GALVANIZED UNLESS NOTED OTHERWISE.

NOTE:
ANTENNA NOT SHOWN FOR CLARITY



3 BACK-TO-BACK MOUNTING DETAIL
SCALE: NOT TO SCALE

PREPARED BY:
POD
POWER OF DESIGN
11490 BLUEGRASS PARKWAY
LOUISVILLE, KY 40299
502-437-5252

PREPARED FOR:
smartlink

REVISIONS		
REV.	DATE	DESCRIPTION
A	10/13/23	PRELIM ISSUE
B	11/01/23	PRELIM ISSUE
0	11/17/23	CONSTRUCTION

SITE NAME:
MEADOWVIEW
SITE INFORMATION:
KENTUCKY HIGHWAY 1272
PRINCETON, KY 42445
CALDWELL COUNTY

FA NUMBER:
16147981

USID:
328954

POD PROJECT NUMBER: 23-157801
DRAWN BY: EW
CHECKED BY: MEP
DATE: 11/17/23

SHEET TITLE:
**EQUIPMENT
SPECS**

SHEET NUMBER:
RF-4.1

4 NOT USED
SCALE: NOT TO SCALE

5 NOT USED
SCALE: NOT TO SCALE

6 NOT USED
SCALE: NOT TO SCALE

ITEM	QTY	PART	PART DESCRIPTION	LENGTH	UNIT WT.	NET WT.
1	6	X-LWRM	RING MOUNT WELDMENT		68.81	412.85
2	66	G58LW	5/8" HOG LOCKWASHER		0.03	1.72
3	60	A58NUT	5/8" HOG A325 HEX NUT		0.13	7.79
4	18	G58R-24	5/8" x 24" THREADED ROD (HOG		2.09	37.63
4	18	G58R-48	5/8" x 48" THREADED ROD (HOG.)		4.18	75.27
5	24	A58234	5/8" x 2-3/4" HOG A325 HEX BOLT	2 3/4 in	0.36	8.54
6	24	A58FW	5/8" HOG A325 FLATWASHER		0.03	0.82
7	36	X-UB1306	1/2" X 3-5/8" X 6" X 3" U-BOLT (HOG.)		0.83	29.82
8	264	G12FW	1/2" HOG USS FLATWASHER	3/32 in	0.03	9
9	252	G12LW	1/2" HOG LOCKWASHER	1/8 in	0.01	3.5
10	252	G12NUT	1/2" HOG HEAVY 2H HEX NUT		0.07	18.05
11	12	P2126	2-3/8" X 126" (2" SCH. 40) GALVANIZED PIPE	126 in	40.75	489.03
12	84	X-UB1212	1/2" X 2-4/2" X 4-1/2" X 2" U-BOLT (HOG		0.63	52.51
13	3	P3174	3-1/2" X 74" SCH 40 GALVANIZED PIPE	174 in	109.97	329.9
14	3	X-SV196L	LONG PLATFORM WELDMENT		230.94	692.81
15	3	P2174	2-3/8" OD X 74" SCH 40 GALVANIZED PIPE	174 in	55.75	167.24
16	12	SCX1	CROSSOVER PLATE 2-3/8" X 2-3/8"	6 in	3.71	44.5
17	15	SCX4	CROSSOVER PLATE	8 1/2 in	6.02	90.32
18	6	G58NUT	5/8" HOG HEAVY 2H HEX NUT		0.13	0.78
19	6	X-254923	PLATFORM REINFORCEMENT KIT ANGLE	84 in	22.83	137
20	6	X-TBW	T-BRACKET WELDMENT		13.6	81.6
21	6	G5802	5/8" x 2" HOG HEX BOLT GR5		0.27	1.62
22	12	G12065	4/2" x 6-4/2" HOG HEX BOLT GR5 FULL THREAD	5 1/2 in	0.41	4.91
23	3	X-AHCP	ANGLE HANDRAIL CORNER PLATE		12.92	38.76
					TOTAL WT. #	2735.65

PREPARED BY:

POD
 POWER OF DESIGN
 11490 BLUEGRASS PARKWAY
 LOUISVILLE, KY 40299
 502-437-5252

PREPARED FOR:




11/20/2023
 EN PERMIT: 3594

REVISIONS

REV.	DATE	DESCRIPTION
A	10/13/23	PRELIM ISSUE
B	11/01/23	PRELIM ISSUE
0	11/17/23	CONSTRUCTION

SITE NAME:
 MEADOWVIEW
 SITE INFORMATION:
 KENTUCKY HIGHWAY 1272
 PRINCETON, KY 42445
 CALDWELL COUNTY

FA NUMBER:
 16147981

USID:
 328954

POD PROJECT NUMBER: 23-157801
 DRAWN BY: EW
 CHECKED BY: MEP
 DATE: 11/17/23

SHEET TITLE:
MOUNT PARTS LIST

SHEET NUMBER:
RF-5

EXHIBIT C
TOWER AND FOUNDATION DESIGN

April 4, 2024

Kentucky Public Service Commission
211 Sower Boulevard
Frankfort, KY 40602

RE: Site Name – Meadowview
Proposed Cell Tower
37° 00'42.41" (37.011783°) -87° 54' 25.32" (-87.907035°)

Dear Kentucky Public Service Commission:

The Project / Construction Manager for the proposed new communications facility will be John Lounsbury. His contact information is (770) 865-2254 or jlounsbury@Tillmaninfrastructure.com

John has been in the industry completing civil construction and constructing towers since 1996. He has worked at Tillman Infrastructures since 2018 completing project and construction management on new site build projects.

Thank you,

Kendra Moorhead

Kendra Morehead
Director of Construction East Region - Tillman Infrastructure
770-714-9771

Meadowview – List of Qualified Professionals

Mark E. Patterson
Professional Engineer, Kentucky License 16,300
Licensed Professional Land Surveyor, License No. 3136
Power of Design
11490 Bluegrass Parkway
Louisville, KY 40299

Robert E. Beacom
Kentucky License 28165
Saber Industries Inc.
8653 East Highway 67
Alvarado, TX 76009

John Lounsbury
Construction Manager
Tillman Infrastructure, LLC.
299 Market St, Suite 350
Saddle Brook, NJ 07663

Sherri Lewis
RF Engineer
1025 Lenox Park Blvd. NE,
3rd Floor
Atlanta, GA 30319

March 29, 2024

Ms. Chelsea Iglesias
Project Controls Coordinator Sr.
Tillman Infrastructure, LLC.
299 Market St, Suite 350
Saddle Brook, NJ 07663

RE: 190' Sabre Monopole for TI-OPP-32968, KY

Dear Ms. Iglesias,

Upon receipt of order, we propose to design a monopole for the above referenced project for a Basic Wind Speed of 106 mph and 30 mph with 1.5" radial ice, Structure Class II, Exposure C, Topographic Category 1 in accordance with the Telecommunications Industry Association Standard ANSI/TIA-222-H, "Structural Standard for Antenna Supporting Structures and Antennas".

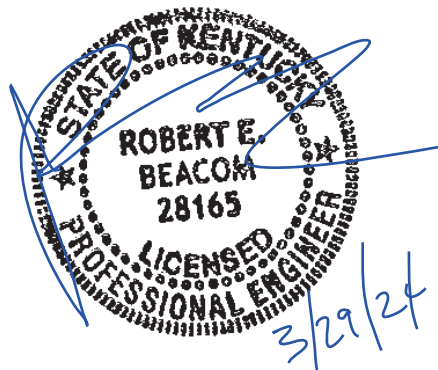
When designed according to this standard, the wind pressures and steel strength capacities include several safety factors. Therefore, it is highly unlikely that the monopole will fail structurally in a wind event where the design wind speed is exceeded within the range of the built-in safety factors.

When designed according to this standard, the wind pressures and steel strength capacities include several safety factors. Therefore, it is highly unlikely that the monopole will fail structurally in a wind event where the design wind speed is exceeded within the range of the built-in safety factors.

Should the wind speed increase beyond the capacity of the built-in safety factors, to the point of failure of one or more structural elements, the most likely location of the failure would be within the monopole shaft, above the base plate. Assuming that the wind pressure profile is similar to that used to design the monopole, the monopole will buckle at the location of the highest combined stress ratio within the monopole shaft. This is likely to result in the portion of the monopole above leaning over and remaining in a permanently deformed condition. **Please note that this letter only applies to the above referenced monopole designed and manufactured by Sabre Industries.** This would effectively result in a zero foot fall radius.

Sincerely,

Robert E. Beacom, P.E., S.E.
Engineering Manager





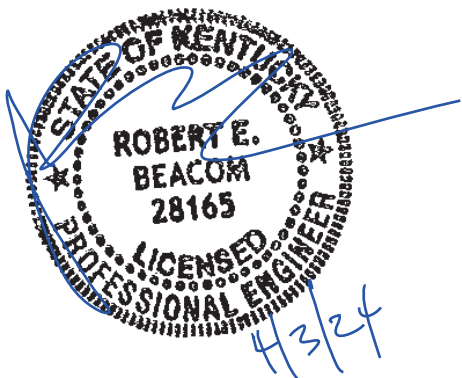
Structural Design Report
190' Monopole
Site: TI-OPP-32968, KY

Prepared for: TILLMAN INFRASTRUCTURE, LLC
by: Sabre Industries™

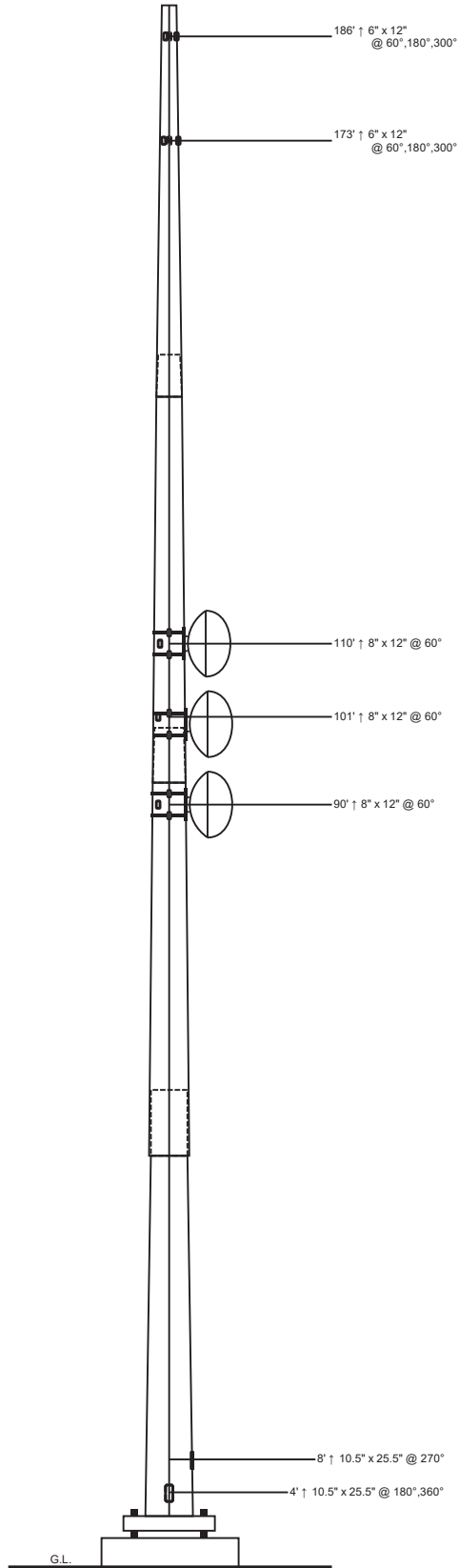
Job Number: 24-4809-TJH

April 2, 2024

Monopole Profile.....	1
Foundation Design Summary (Option 1).....	2
Foundation Design Summary (Option 2).....	3
Pole Calculations.....	4-23
Foundation Calculations.....	24-32



Length (ft)	53'-3"	53'-6"	53'-6"	49'-0"
Number Of Sides	18			
Thickness (in)	1/2"	3/8"	1/4"	
Lap Splice (ft)	8'-3"	6'-9"	5'-3"	
Top Diameter (in)	55.55"	45.45"	34.73"	24.5"
Bottom Diameter (in)	68.61"	58.57"	47.86"	36.52"
Taper (in/ft)		0.2453		
Grade	A572-65			
Weight (lbs)	20979	15813	9483	4663
Overall Steel Height (ft)	189			



Designed Appurtenance Loading

Elev	Description	Tx-Line
190	(1) 278 sq. ft. EPA 6000# (no Ice)	(9) 1 5/8"
175	(1) 278 sq. ft. EPA 6000# (no Ice)	(9) 1 5/8"
110	(1) Dish Mount (Monopole Only) - Pipe Mount (8'-10' Dish)	
110	(1) 8' Solid Dish W/ Radome	(1) EW63
100	(1) Dish Mount (Monopole Only) - Pipe Mount (8'-10' Dish)	
100	(1) 8' Solid Dish W/ Radome	(1) EW63
90	(1) Dish Mount (Monopole Only) - Pipe Mount (8'-10' Dish)	
90	(1) 8' Solid Dish W/ Radome	(1) EW63

Design Criteria - ANSI/TIA-222-H

Wind Speed (No Ice)	106 mph
Wind Speed (Ice)	30 mph
Design Ice Thickness	1.50 in
Risk Category	II
Exposure Category	C
Topographic Factor Procedure	Method 1 (Simplified)
Topographic Category	1
Ground Elevation	550 ft
Seismic Importance Factor, Ie	1.00
0.2-sec Spectral Response, Ss	0.604 g
1-sec Spectral Response, S1	0.226 g
Site Class	C
Seismic Design Category	D
Basic Seismic Force-Resisting System	Telecommunication Tower (Pole: Steel)

Limit State Load Combination Reactions

Load Combination	Axial (kips)	Shear (kips)	Moment (ft-k)	Deflection (ft)	Sway (deg)
1.2 D + 1.0 Wo	74.68	44.95	6499.35	11.38	7.25
0.9 D + 1.0 Wo	56.06	45.22	6440.54	11.22	7.14
1.2 D + 1.0 Di + 1.0 Wi	117.52	6.35	969.7	1.78	1.14
1.2 D + 1.0 Ev + 1.0 Eh	83.04	2.97	491.33	0.91	0.58
0.9 D - 1.0 Ev + 1.0 Eh	50.96	2.99	481.59	0.88	0.56
1.0 D + 1.0 Wo (Service @ 60 mph)	62.27	12.87	1857.9	3.29	2.08

Base Plate Dimensions

Shape	Diameter	Thickness	Bolt Circle	Bolt Qty	Bolt Diameter
Round	81.75"	2.5"	76"	22	2.25"

Anchor Bolt Dimensions

Length	Diameter	Hole Diameter	Weight	Type	Finish
84"	2.25"	2.625"	2664.2	A615-75	Galv

Notes

- 1) Antenna Feed Lines Run Inside Pole
- 2) All dimensions are above ground level, unless otherwise specified.
- 3) Weights shown are estimates. Final weights may vary.
- 4) Full Height Step Bolts
- 5) This tower design and, if applicable, the foundation design(s) shown on the following page(s) also meet or exceed the requirements of the 2015 International Building Code.
- 6) Tower Rating: 76.3%



Sabre Industries
 7101 Southbridge Drive
 P.O. Box 658
 Sioux City, IA 51102-0658
 Phone: (712) 258-6690
 Fax: (712) 279-0814

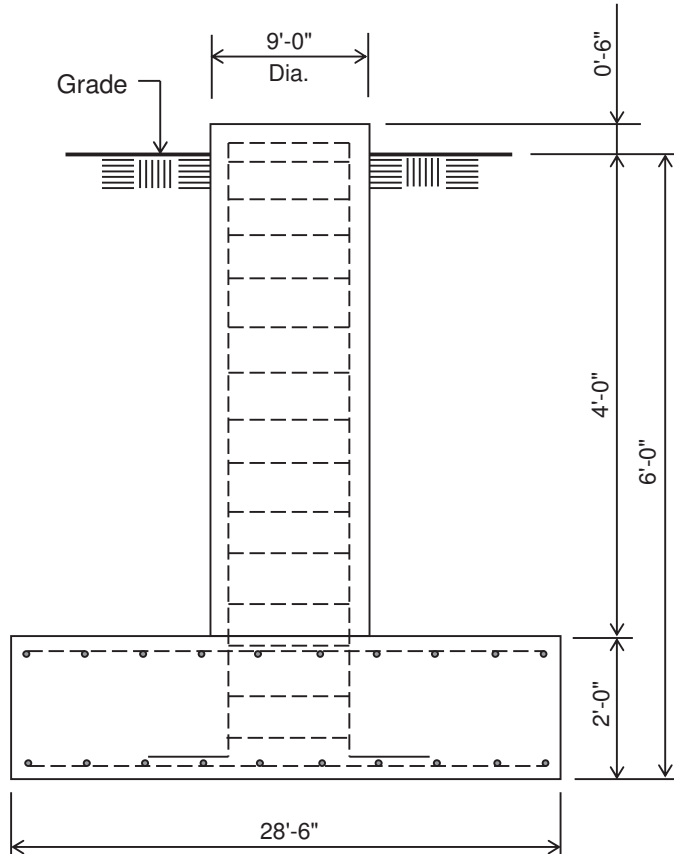
Information contained herein is the sole property of Sabre Communications Corporation, constitutes a trade secret as defined by Iowa Code Ch. 550 and shall not be reproduced, copied or used in whole or part for any purpose whatsoever without the prior written consent of Sabre Communications Corporation.

Job:	24-4809-TJH		
Customer:	TILLMAN INFRASTRUCTURE, LLC		
Site Name:	TI-OPP-32968, KY		
Description:	190' Monopole		
Date:	4/2/2024	By:	TTW

Customer: TILLMAN INFRASTRUCTURE, LLC

Site: TI-OPP-32968, KY

190' Monopole



ELEVATION VIEW

(70.77 Cu. Yds.)

(1 REQUIRED; NOT TO SCALE)

Notes:

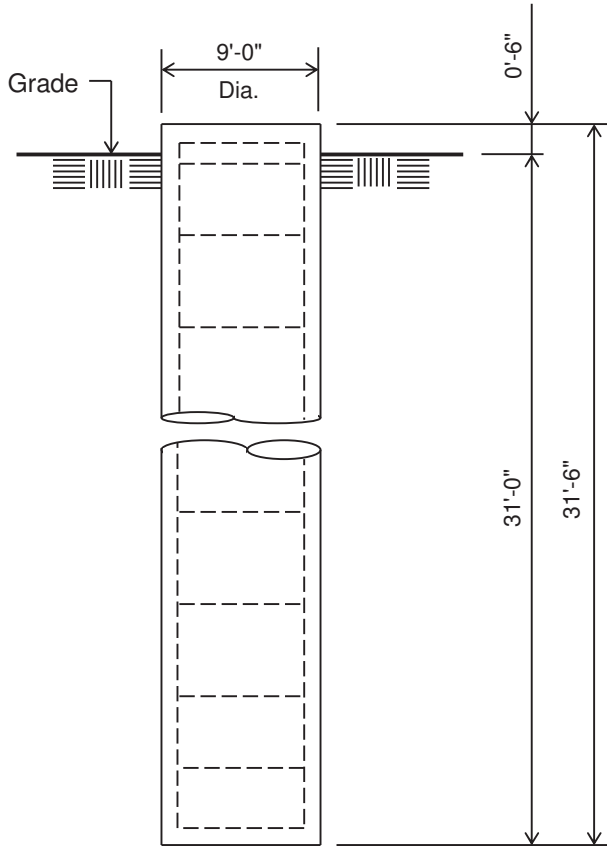
- 1) Concrete shall have a minimum 28-day compressive strength of 4,500 psi, in accordance with ACI 318-14.
- 2) Rebar to conform to ASTM specification A615 Grade 60.
- 3) All rebar to have a minimum of 3" concrete cover.
- 4) All exposed concrete corners to be chamfered 3/4".
- 5) The foundation design is based on the geotechnical report by POD, Project No. 23-157985, dated March 25, 2024.
- 6) See the geotechnical report for compaction requirements, if specified.
- 7) 4 ft of soil cover is required over the entire area of the foundation slab.
- 8) This foundation is designed for a max capacity ratio of 90%.
- 9) The bottom anchor bolt template shall be positioned as closely as possible to the bottom of the anchor bolts.

Rebar Schedule for Pad and Pier	
Pier	(50) #10 vertical rebar w/ hooks at bottom w/ #5 ties, (2) within top 5" of pier, then 4" C/C
Pad	(41) #10 horizontal rebar evenly spaced each way top and bottom (164 total)

Customer: TILLMAN INFRASTRUCTURE, LLC

Site: TI-OPP-32968, KY

190' Monopole



ELEVATION VIEW

(74.22 Cu. Yds.)

(1 REQUIRED; NOT TO SCALE)

Notes:

- 1) Concrete shall have a minimum 28-day compressive strength of 4,500 psi, in accordance with ACI 318-14.
- 2) Rebar to conform to ASTM specification A615 Grade 60.
- 3) All rebar to have a minimum of 3" concrete cover.
- 4) All exposed concrete corners to be chamfered 3/4".
- 5) The foundation design is based on the geotechnical report by POD, Project No. 23-157985, dated March 25, 2024.
- 6) See the geotechnical report for drilled pier installation requirements, if specified.
- 7) This foundation is designed for a max capacity ratio of 90%.
- 8) The bottom anchor bolt template shall be positioned as closely as possible to the bottom of the anchor bolts.

Rebar Schedule for Pier	
Pier	(50) #10 vertical rebar w/ #5 ties, (2) within top 5" of pier, then 6" C/C

Tel: (416) 736-7453 Fax: (416) 736-4372 Web: www.guymast.com

Processed under license at:

Sabre Towers and Poles on: 2 apr 2024 at: 10:03:38
 =====

190' Monopole / TI-OPP-32968, KY

* All pole diameters shown on the following pages are across corners.
 See profile drawing for widths across flats.

POLE GEOMETRY
 =====

ELEV	SECTION	No.	OUTSIDE	THICK	RESISTANCES		SPLICE	..OVERLAP..		w/t
ft	NAME	SIDE	DIAM	-NESS	*Pn	*Mn	TYPE	LENGTH	RATIO	
			in	in	kip	ft-kip		ft		
189.0	A	18	24.88	0.250	1429.2	711.2				16.0
			35.77	0.250	1839.1	1323.9				
145.2	A/B	18	35.77	0.250	1839.1	1323.9	SLIP	5.25	1.75	
			36.58	0.375	3152.7	2306.0				
140.0	B	18	36.58	0.375	3152.7	2306.0				16.0
			46.90	0.375	3777.0	3558.1				
98.5	B/C	18	46.90	0.375	3777.0	3558.1	SLIP	6.75	1.72	
			47.84	0.500	5496.4	5255.7				
91.7	C	18	47.84	0.500	5496.4	5255.7				15.8
			57.41	0.500	6313.3	7268.9				
53.2	C/D	18	57.41	0.500	6313.3	7268.9	SLIP	8.25	1.72	
			58.48	0.500	6396.5	7504.5				
45.0	D	18	58.48	0.500	6396.5	7504.5				19.5
			69.67	0.500	7186.7	10073.6				
0.0										

POLE ASSEMBLY
 =====

SECTION	BASE	BOLTS AT BASE OF SECTION				CALC
NAME	ELEV	NUMBER	TYPE	DIAM	STRENGTH	BASE
	ft			in	ksi	ELEV
						ft
A	140.000	0	A325	0.00	92.0	140.000
B	91.750	0	A325	0.00	92.0	91.750
C	45.000	0	A325	0.00	92.0	45.000
D	0.000	0	A325	0.00	92.0	0.000

POLE SECTIONS
 =====

SECTION	No. of	LENGTH	OUTSIDE DIAMETER		BEND	MAT-	FLANGE ID		FLANGE WELD	
NAME	SIDES		BOT	TOP	RAD	ERIAL	BOT	TOP	GROUP	ID
		ft	*	*	in	ID	BOT	TOP	BOT	TOP
			in	in						
A	18	49.00	37.08	24.88	0.625	1	0	0	0	0
B	18	53.50	48.59	35.27	0.625	2	0	0	0	0
C	18	53.50	59.48	46.15	0.625	3	0	0	0	0
D	18	53.25	69.67	56.41	0.625	4	0	0	0	0

* - Diameter of circumscribed circle

MATERIAL TYPES

=====

TYPE OF SHAPE	TYPE NO	NO OF ELEM.	ORIENT	HEIGHT	WIDTH	.THICKNESS.		IRREGULARITY	
			& deg	in	in	WEB	FLANGE	.PROJECTION. % OF AREA	ORIENT deg
PL	1	1	0.0	37.08	0.25	0.250	0.250	0.00	0.0
PL	2	1	0.0	48.59	0.38	0.375	0.375	0.00	0.0
PL	3	1	0.0	59.48	0.50	0.500	0.500	0.00	0.0
PL	4	1	0.0	69.67	0.50	0.500	0.500	0.00	0.0

& - With respect to vertical

MATERIAL PROPERTIES

=====

MATERIAL TYPE NO.	ELASTIC MODULUS ksi	UNIT WEIGHT pcf	.. STRENGTH ..		THERMAL COEFFICIENT /deg
			Fu ksi	Fy ksi	
1	29000.0	490.0	80.0	65.0	0.00001170
2	29000.0	490.0	80.0	65.0	0.00001170
3	29000.0	490.0	80.0	65.0	0.00001170
4	29000.0	490.0	80.0	65.0	0.00001170

* Only 5 condition(s) shown in full

* Some concentrated wind loads may have been derived from full-scale wind tunnel testing

LOADING CONDITION A

106 mph wind with no ice. Wind Azimuth: 0° (1.2 D + 1.0 Wo)

LOADS ON POLE

=====

LOAD TYPE	ELEV ft	APPLY. RADIUS ft	LOAD..AT AZI	LOAD AZI FORCES MOMENTS	
					HORIZ kip	DOWN kip	VERTICAL ft-kip	TORSNAL ft-kip
C	189.000	0.00	0.0	0.0	11.8674	7.2000	0.0000	0.0000
C	187.000	0.00	0.0	0.0	0.0000	2.1004	0.0000	0.0000
C	184.500	0.00	0.0	0.0	0.0279	0.0151	0.0000	0.0000
C	175.000	0.00	0.0	0.0	0.0306	0.0168	0.0000	0.0000
C	174.000	0.00	0.0	0.0	0.0000	1.9544	0.0000	0.0000
C	174.000	0.00	0.0	0.0	11.6637	7.2000	0.0000	0.0000
C	165.000	0.00	0.0	0.0	0.0303	0.0168	0.0000	0.0000
C	155.000	0.00	0.0	0.0	0.0299	0.0168	0.0000	0.0000
C	145.000	0.00	0.0	0.0	0.0294	0.0168	0.0000	0.0000
C	135.000	0.00	0.0	0.0	0.0290	0.0168	0.0000	0.0000
C	125.000	0.00	0.0	0.0	0.0285	0.0168	0.0000	0.0000
C	115.000	0.00	0.0	0.0	0.0280	0.0168	0.0000	0.0000
C	109.000	0.00	0.0	0.0	0.0000	0.0667	0.0000	0.0000
C	105.000	0.00	0.0	0.0	0.0275	0.0168	0.0000	0.0000
C	99.000	0.00	0.0	0.0	0.0000	0.0606	0.0000	0.0000
C	95.000	0.00	0.0	0.0	0.0269	0.0168	0.0000	0.0000
C	89.000	0.00	0.0	0.0	0.0000	0.0545	0.0000	0.0000
C	85.000	0.00	0.0	0.0	0.0263	0.0168	0.0000	0.0000
C	75.000	0.00	0.0	0.0	0.0256	0.0168	0.0000	0.0000
C	65.000	0.00	0.0	0.0	0.0249	0.0168	0.0000	0.0000
C	55.000	0.00	0.0	0.0	0.0240	0.0168	0.0000	0.0000
C	45.000	0.00	0.0	0.0	0.0230	0.0168	0.0000	0.0000
C	35.000	0.00	0.0	0.0	0.0218	0.0168	0.0000	0.0000
C	25.000	0.00	0.0	0.0	0.0203	0.0168	0.0000	0.0000
C	15.000	0.00	0.0	0.0	0.0183	0.0168	0.0000	0.0000
D	189.000	0.00	180.0	0.0	0.0574	0.0812	0.0000	0.0000
D	145.250	0.00	180.0	0.0	0.0748	0.1108	0.0000	0.0000
D	145.250	0.00	180.0	0.0	0.0770	0.2857	0.0000	0.0000

D	140.000	0.00	180.0	0.0	0.0770	0.2857	0.0000	0.0000
D	140.000	0.00	180.0	0.0	0.0784	0.1770	0.0000	0.0000
D	98.500	0.00	180.0	0.0	0.0911	0.2190	0.0000	0.0000
D	98.500	0.00	180.0	0.0	0.0927	0.5236	0.0000	0.0000
D	91.750	0.00	180.0	0.0	0.0927	0.5236	0.0000	0.0000
D	91.750	0.00	180.0	0.0	0.0933	0.3067	0.0000	0.0000
D	53.250	0.00	180.0	0.0	0.0991	0.3586	0.0000	0.0000
D	53.250	0.00	180.0	0.0	0.0990	0.7331	0.0000	0.0000
D	45.000	0.00	180.0	0.0	0.0990	0.7331	0.0000	0.0000
D	45.000	0.00	180.0	0.0	0.0985	0.3746	0.0000	0.0000
D	11.250	0.00	180.0	0.0	0.0883	0.4189	0.0000	0.0000
D	11.250	0.00	180.0	0.0	0.0888	0.4278	0.0000	0.0000
D	0.000	0.00	180.0	0.0	0.0907	0.4366	0.0000	0.0000

ANTENNA LOADING

=====

..... ANTENNA	ATTACHMENT			 ANTENNA FORCES			
TYPE	ELEV	AZI	RAD	AZI	AXIAL	SHEAR	GRAVITY	TORSION
	ft		ft		kip	kip	kip	ft-kip
STD+R	89.0	0.0	2.7	0.0	1.58	0.00	0.40	0.00
STD+R	99.0	0.0	2.6	0.0	1.62	0.00	0.40	0.00
STD+R	109.0	0.0	2.5	0.0	1.65	0.00	0.40	0.00

=====

LOADING CONDITION M

106 mph wind with no ice. Wind Azimuth: 0* (0.9 D + 1.0 Wo)

LOADS ON POLE

=====

LOAD	ELEV	APPLY..LOAD..AT	LOAD FORCES MOMENTS		
TYPE	ft	RADIUS	AZI	HORIZ	DOWN	VERTICAL	TORSNAL	
		ft		kip	kip	ft-kip	ft-kip	
C	189.000	0.00	0.0	11.8674	5.4000	0.0000	0.0000	
C	187.000	0.00	0.0	0.0000	1.5753	0.0000	0.0000	
C	184.500	0.00	0.0	0.0279	0.0113	0.0000	0.0000	
C	175.000	0.00	0.0	0.0306	0.0126	0.0000	0.0000	
C	174.000	0.00	0.0	0.0000	1.4658	0.0000	0.0000	
C	174.000	0.00	0.0	11.6637	5.4000	0.0000	0.0000	
C	165.000	0.00	0.0	0.0303	0.0126	0.0000	0.0000	
C	155.000	0.00	0.0	0.0299	0.0126	0.0000	0.0000	
C	145.000	0.00	0.0	0.0294	0.0126	0.0000	0.0000	
C	135.000	0.00	0.0	0.0290	0.0126	0.0000	0.0000	
C	125.000	0.00	0.0	0.0285	0.0126	0.0000	0.0000	
C	115.000	0.00	0.0	0.0280	0.0126	0.0000	0.0000	
C	109.000	0.00	0.0	0.0000	0.0500	0.0000	0.0000	
C	105.000	0.00	0.0	0.0275	0.0126	0.0000	0.0000	
C	99.000	0.00	0.0	0.0000	0.0454	0.0000	0.0000	
C	95.000	0.00	0.0	0.0269	0.0126	0.0000	0.0000	
C	89.000	0.00	0.0	0.0000	0.0409	0.0000	0.0000	
C	85.000	0.00	0.0	0.0263	0.0126	0.0000	0.0000	
C	75.000	0.00	0.0	0.0256	0.0126	0.0000	0.0000	
C	65.000	0.00	0.0	0.0249	0.0126	0.0000	0.0000	
C	55.000	0.00	0.0	0.0240	0.0126	0.0000	0.0000	
C	45.000	0.00	0.0	0.0230	0.0126	0.0000	0.0000	
C	35.000	0.00	0.0	0.0218	0.0126	0.0000	0.0000	
C	25.000	0.00	0.0	0.0203	0.0126	0.0000	0.0000	
C	15.000	0.00	0.0	0.0183	0.0126	0.0000	0.0000	
D	189.000	0.00	180.0	0.0	0.0574	0.0609	0.0000	0.0000
D	145.250	0.00	180.0	0.0	0.0748	0.0831	0.0000	0.0000
D	145.250	0.00	180.0	0.0	0.0770	0.2143	0.0000	0.0000
D	140.000	0.00	180.0	0.0	0.0770	0.2143	0.0000	0.0000
D	140.000	0.00	180.0	0.0	0.0784	0.1327	0.0000	0.0000
D	98.500	0.00	180.0	0.0	0.0911	0.1643	0.0000	0.0000
D	98.500	0.00	180.0	0.0	0.0927	0.3927	0.0000	0.0000
D	91.750	0.00	180.0	0.0	0.0927	0.3927	0.0000	0.0000
D	91.750	0.00	180.0	0.0	0.0933	0.2300	0.0000	0.0000
D	53.250	0.00	180.0	0.0	0.0991	0.2690	0.0000	0.0000
D	53.250	0.00	180.0	0.0	0.0990	0.5498	0.0000	0.0000
D	45.000	0.00	180.0	0.0	0.0990	0.5498	0.0000	0.0000
D	45.000	0.00	180.0	0.0	0.0985	0.2809	0.0000	0.0000
D	11.250	0.00	180.0	0.0	0.0883	0.3142	0.0000	0.0000
D	11.250	0.00	180.0	0.0	0.0888	0.3208	0.0000	0.0000

D 0.000 0.00 180.0 0.0 0.0907 0.3275 0.0000 0.0000

ANTENNA LOADING

=====

..... ANTENNA	ATTACHMENT			 ANTENNA FORCES			
TYPE	ELEV	AZI	RAD	AZI	AXIAL	SHEAR	GRAVITY	TORSION
	ft		ft		kip	kip	kip	ft-kip
STD+R	89.0	0.0	2.7	0.0	1.58	0.00	0.30	0.00
STD+R	99.0	0.0	2.6	0.0	1.62	0.00	0.30	0.00
STD+R	109.0	0.0	2.5	0.0	1.65	0.00	0.30	0.00

LOADING CONDITION Y

30 mph wind with 1.5 ice. Wind Azimuth: 0° (1.2 D + 1.0 Di + 1.0 Wi)

LOADS ON POLE

=====

LOAD	ELEV	APPLY. LOAD	AT	LOAD FORCES MOMENTS	
TYPE	ft	RADIUS	AZI	AZI	HORIZ	DOWN	VERTICAL	TORSNAL
		ft			kip	kip	ft-kip	ft-kip
C	189.000	0.00	0.0	0.0	1.6300	17.9218	0.0000	0.0000
C	187.000	0.00	0.0	0.0	0.0000	2.1004	0.0000	0.0000
C	184.500	0.00	0.0	0.0	0.0179	0.0271	0.0000	0.0000
C	175.000	0.00	0.0	0.0	0.0196	0.0288	0.0000	0.0000
C	174.000	0.00	0.0	0.0	0.0000	1.9544	0.0000	0.0000
C	174.000	0.00	0.0	0.0	1.5966	17.8340	0.0000	0.0000
C	165.000	0.00	0.0	0.0	0.0193	0.0288	0.0000	0.0000
C	155.000	0.00	0.0	0.0	0.0189	0.0288	0.0000	0.0000
C	145.000	0.00	0.0	0.0	0.0185	0.0288	0.0000	0.0000
C	135.000	0.00	0.0	0.0	0.0181	0.0288	0.0000	0.0000
C	125.000	0.00	0.0	0.0	0.0177	0.0288	0.0000	0.0000
C	115.000	0.00	0.0	0.0	0.0173	0.0288	0.0000	0.0000
C	109.000	0.00	0.0	0.0	0.0000	0.0667	0.0000	0.0000
C	105.000	0.00	0.0	0.0	0.0168	0.0288	0.0000	0.0000
C	99.000	0.00	0.0	0.0	0.0000	0.0606	0.0000	0.0000
C	95.000	0.00	0.0	0.0	0.0163	0.0288	0.0000	0.0000
C	89.000	0.00	0.0	0.0	0.0000	0.0545	0.0000	0.0000
C	85.000	0.00	0.0	0.0	0.0158	0.0288	0.0000	0.0000
C	75.000	0.00	0.0	0.0	0.0152	0.0288	0.0000	0.0000
C	65.000	0.00	0.0	0.0	0.0146	0.0288	0.0000	0.0000
C	55.000	0.00	0.0	0.0	0.0139	0.0288	0.0000	0.0000
C	45.000	0.00	0.0	0.0	0.0131	0.0288	0.0000	0.0000
C	35.000	0.00	0.0	0.0	0.0122	0.0288	0.0000	0.0000
C	25.000	0.00	0.0	0.0	0.0110	0.0288	0.0000	0.0000
C	15.000	0.00	0.0	0.0	0.0095	0.0288	0.0000	0.0000
D	189.000	0.00	180.0	0.0	0.0092	0.1411	0.0000	0.0000
D	145.250	0.00	180.0	0.0	0.0115	0.1892	0.0000	0.0000
D	145.250	0.00	180.0	0.0	0.0118	0.3667	0.0000	0.0000
D	140.000	0.00	180.0	0.0	0.0118	0.3667	0.0000	0.0000
D	140.000	0.00	180.0	0.0	0.0120	0.2597	0.0000	0.0000
D	98.500	0.00	180.0	0.0	0.0137	0.3174	0.0000	0.0000
D	98.500	0.00	180.0	0.0	0.0139	0.6243	0.0000	0.0000
D	91.750	0.00	180.0	0.0	0.0139	0.6243	0.0000	0.0000
D	91.750	0.00	180.0	0.0	0.0139	0.4086	0.0000	0.0000
D	53.250	0.00	180.0	0.0	0.0146	0.4718	0.0000	0.0000
D	53.250	0.00	180.0	0.0	0.0146	0.8478	0.0000	0.0000
D	45.000	0.00	180.0	0.0	0.0146	0.8478	0.0000	0.0000
D	45.000	0.00	180.0	0.0	0.0145	0.4897	0.0000	0.0000
D	11.250	0.00	180.0	0.0	0.0129	0.5343	0.0000	0.0000
D	11.250	0.00	180.0	0.0	0.0129	0.5392	0.0000	0.0000
D	0.000	0.00	180.0	0.0	0.0131	0.5403	0.0000	0.0000

ANTENNA LOADING

=====

..... ANTENNA	ATTACHMENT			 ANTENNA FORCES			
TYPE	ELEV	AZI	RAD	AZI	AXIAL	SHEAR	GRAVITY	TORSION
	ft		ft		kip	kip	kip	ft-kip
STD+R	89.0	0.0	2.7	0.0	0.14	0.00	1.45	0.00
STD+R	99.0	0.0	2.6	0.0	0.14	0.00	1.46	0.00
STD+R	109.0	0.0	2.5	0.0	0.14	0.00	1.47	0.00

=====
 LOADING CONDITION AK =====

Seismic - Azimuth: 0° (1.2 D + 1.0 Ev + 1.0 Eh)

LOADS ON POLE
 =====

LOAD TYPE	ELEV ft	APPLY. RADIUS ft	LOAD. AZI	AT AZI	LOAD AZIFORCES.....	MOMENTS.....	
						HORIZ kip	DOWN kip	VERTICAL ft-kip	TORSNAL ft-kip
C	189.000	0.00	0.0	0.0	0.0	0.7484	7.8084	0.0000	0.0000
C	187.000	0.00	0.0	0.0	0.0	0.2137	2.2779	0.0000	0.0000
C	184.500	0.00	0.0	0.0	0.0	0.0015	0.0164	0.0000	0.0000
C	175.000	0.00	0.0	0.0	0.0	0.0015	0.0182	0.0000	0.0000
C	174.000	0.00	0.0	0.0	0.0	0.1722	2.1194	0.0000	0.0000
C	174.000	0.00	0.0	0.0	0.0	0.6344	7.8084	0.0000	0.0000
C	165.000	0.00	0.0	0.0	0.0	0.0013	0.0182	0.0000	0.0000
C	164.500	0.00	0.0	0.0	0.0	0.3773	5.1963	0.0000	0.0000
C	155.000	0.00	0.0	0.0	0.0	0.0012	0.0182	0.0000	0.0000
C	145.000	0.00	0.0	0.0	0.0	0.0010	0.0182	0.0000	0.0000
C	135.000	0.00	0.0	0.0	0.0	0.0009	0.0182	0.0000	0.0000
C	125.000	0.00	0.0	0.0	0.0	0.0008	0.0182	0.0000	0.0000
C	118.500	0.00	0.0	0.0	0.0	0.4337	11.5092	0.0000	0.0000
C	115.000	0.00	0.0	0.0	0.0	0.0006	0.0182	0.0000	0.0000
C	109.000	0.00	0.0	0.0	0.0	0.0371	1.1648	0.0000	0.0000
C	109.000	0.00	0.0	0.0	0.0	0.0023	0.0723	0.0000	0.0000
C	105.000	0.00	0.0	0.0	0.0	0.0005	0.0182	0.0000	0.0000
C	99.000	0.00	0.0	0.0	0.0	0.0306	1.1648	0.0000	0.0000
C	99.000	0.00	0.0	0.0	0.0	0.0017	0.0657	0.0000	0.0000
C	95.000	0.00	0.0	0.0	0.0	0.0004	0.0182	0.0000	0.0000
C	89.000	0.00	0.0	0.0	0.0	0.0248	1.1648	0.0000	0.0000
C	89.000	0.00	0.0	0.0	0.0	0.0013	0.0591	0.0000	0.0000
C	85.000	0.00	0.0	0.0	0.0	0.0004	0.0182	0.0000	0.0000
C	75.000	0.00	0.0	0.0	0.0	0.0003	0.0182	0.0000	0.0000
C	71.750	0.00	0.0	0.0	0.0	0.2669	19.3184	0.0000	0.0000
C	65.000	0.00	0.0	0.0	0.0	0.0002	0.0182	0.0000	0.0000
C	55.000	0.00	0.0	0.0	0.0	0.0001	0.0182	0.0000	0.0000
C	45.000	0.00	0.0	0.0	0.0	0.0001	0.0182	0.0000	0.0000
C	35.000	0.00	0.0	0.0	0.0	0.0001	0.0182	0.0000	0.0000
C	26.620	0.00	0.0	0.0	0.0	0.0437	22.9877	0.0000	0.0000
C	25.000	0.00	0.0	0.0	0.0	0.0000	0.0182	0.0000	0.0000
C	15.000	0.00	0.0	0.0	0.0	0.0000	0.0182	0.0000	0.0000
D	189.000	0.00	180.0	180.0	180.0	0.0000	0.0000	0.0000	0.0000
D	0.000	0.00	180.0	180.0	180.0	0.0000	0.0000	0.0000	0.0000

ANTENNA LOADING
 =====

.....ANTENNA..... TYPE	ELEV ft	AZI	ATTACHMENT	ANTENNA FORCES.....			
			RAD ft	AZI	AXIAL kip	SHEAR kip	GRAVITY kip	TORSION ft-kip
STD+R	89.0	0.0	2.7	0.0	0.00	0.00	0.00	0.00
STD+R	99.0	0.0	2.6	0.0	0.00	0.00	0.00	0.00
STD+R	109.0	0.0	2.5	0.0	0.00	0.00	0.00	0.00

=====
 LOADING CONDITION AL =====

Seismic - Azimuth: 0° (0.9 D - 1.0 Ev + 1.0 Eh)

LOADS ON POLE
 =====

LOAD TYPE	ELEV ft	APPLY. RADIUS ft	LOAD. AZI	AT AZI	LOAD AZIFORCES.....	MOMENTS.....	
						HORIZ kip	DOWN kip	VERTICAL ft-kip	TORSNAL ft-kip
C	189.000	0.00	0.0	0.0	0.0	0.7484	4.7916	0.0000	0.0000
C	187.000	0.00	0.0	0.0	0.0	0.2137	1.3978	0.0000	0.0000
C	184.500	0.00	0.0	0.0	0.0	0.0015	0.0100	0.0000	0.0000

C	175.000	0.00	0.0	0.0	0.0015	0.0112	0.0000	0.0000
C	174.000	0.00	0.0	0.0	0.1722	1.3006	0.0000	0.0000
C	174.000	0.00	0.0	0.0	0.6344	4.7916	0.0000	0.0000
C	165.000	0.00	0.0	0.0	0.0013	0.0112	0.0000	0.0000
C	164.500	0.00	0.0	0.0	0.3773	3.1886	0.0000	0.0000
C	155.000	0.00	0.0	0.0	0.0012	0.0112	0.0000	0.0000
C	145.000	0.00	0.0	0.0	0.0010	0.0112	0.0000	0.0000
C	135.000	0.00	0.0	0.0	0.0009	0.0112	0.0000	0.0000
C	125.000	0.00	0.0	0.0	0.0008	0.0112	0.0000	0.0000
C	118.500	0.00	0.0	0.0	0.4337	7.0625	0.0000	0.0000
C	115.000	0.00	0.0	0.0	0.0006	0.0112	0.0000	0.0000
C	109.000	0.00	0.0	0.0	0.0371	0.7147	0.0000	0.0000
C	109.000	0.00	0.0	0.0	0.0023	0.0444	0.0000	0.0000
C	105.000	0.00	0.0	0.0	0.0005	0.0112	0.0000	0.0000
C	99.000	0.00	0.0	0.0	0.0306	0.7147	0.0000	0.0000
C	99.000	0.00	0.0	0.0	0.0017	0.0404	0.0000	0.0000
C	95.000	0.00	0.0	0.0	0.0004	0.0112	0.0000	0.0000
C	89.000	0.00	0.0	0.0	0.0248	0.7147	0.0000	0.0000
C	89.000	0.00	0.0	0.0	0.0013	0.0363	0.0000	0.0000
C	85.000	0.00	0.0	0.0	0.0004	0.0112	0.0000	0.0000
C	75.000	0.00	0.0	0.0	0.0003	0.0112	0.0000	0.0000
C	71.750	0.00	0.0	0.0	0.2669	11.8547	0.0000	0.0000
C	65.000	0.00	0.0	0.0	0.0002	0.0112	0.0000	0.0000
C	55.000	0.00	0.0	0.0	0.0001	0.0112	0.0000	0.0000
C	45.000	0.00	0.0	0.0	0.0001	0.0112	0.0000	0.0000
C	35.000	0.00	0.0	0.0	0.0001	0.0112	0.0000	0.0000
C	26.620	0.00	0.0	0.0	0.0437	14.1063	0.0000	0.0000
C	25.000	0.00	0.0	0.0	0.0000	0.0112	0.0000	0.0000
C	15.000	0.00	0.0	0.0	0.0000	0.0112	0.0000	0.0000
D	189.000	0.00	180.0	180.0	0.0000	0.0000	0.0000	0.0000
D	0.000	0.00	180.0	180.0	0.0000	0.0000	0.0000	0.0000

ANTENNA LOADING

=====

..... ANTENNA	ATTACHMENT				ANTENNA FORCES			
	TYPE	ELEV ft	AZI	RAD ft	AZI	AXIAL kip	SHEAR kip	GRAVITY kip
STD+R	89.0	0.0	2.7	0.0	0.00	0.00	0.00	0.00
STD+R	99.0	0.0	2.6	0.0	0.00	0.00	0.00	0.00
STD+R	109.0	0.0	2.5	0.0	0.00	0.00	0.00	0.00

=====

(USA 222-H) - Monopole Spatial Analysis (c)2017 Guymast Inc.
 Tel: (416) 736-7453 Fax: (416) 736-4372 Web: www.guymast.com

Processed under license at:
 Sabre Towers and Poles on: 2 apr 2024 at: 10:03:38

190' Monopole / TI-OPP-32968, KY

MAXIMUM POLE DEFORMATIONS CALCULATED (w.r.t. wind direction)

MAST ELEV ft	DEFLECTIONS (ft)			ROTATIONS (deg)		
	HORIZONTAL ALONG	ACROSS	DOWN	TILT ALONG	ACROSS	TWIST
189.0	11.38B	-0.09K	0.98L	7.25B	-0.04K	-0.02U
182.7	10.60B	-0.09K	0.89L	7.21B	-0.04K	-0.02U
176.5	9.83B	-0.08K	0.79L	7.09B	-0.04K	-0.02U
170.2	9.08B	-0.08K	0.70L	6.92B	-0.04K	-0.02U
164.0	8.35B	-0.07K	0.61L	6.66B	-0.04K	-0.02U
157.7	7.65B	-0.07K	0.53L	6.34B	-0.04K	-0.02U

151.5	6.99B	-0.06K	0.46L	5.97B	-0.04K	-0.02U
145.2	6.36B	-0.06K	0.39L	5.57B	-0.04K	-0.02U
140.0	5.87B	-0.06K	0.35L	5.34B	-0.04K	-0.02U
134.1	5.33B	-0.05K	0.30L	5.05B	-0.04K	-0.01U
128.1	4.83B	-0.05K	0.26L	4.77B	-0.04K	-0.01U
122.2	4.35B	-0.05K	0.22L	4.47B	-0.04K	-0.01U
116.3	3.91B	-0.04K	0.18L	4.18B	-0.04K	-0.01U
110.4	3.49B	-0.04K	0.15L	3.90B	-0.03K	-0.01U
104.4	3.11B	-0.04K	0.13L	3.61B	-0.03K	0.01Q
98.5	2.75B	-0.03K	0.11L	3.32B	-0.03K	0.01Q
91.7	2.37B	-0.03K	0.09L	3.08B	-0.03K	0.01Q
86.2	2.09B	-0.02K	0.07L	2.88B	-0.03K	0.01Q
80.7	1.82B	-0.02K	0.06L	2.68B	-0.03K	0.01Q
75.2	1.57B	-0.02K	0.05L	2.48B	-0.03K	0.01Q
69.7	1.35B	-0.02K	0.04L	2.28B	-0.03K	0.01Q
64.2	1.14B	-0.01K	0.03L	2.09B	-0.02K	0.01Q
58.7	0.95B	-0.01K	0.02L	1.90B	-0.02K	0.01Q
53.2	0.77B	-0.01K	0.02L	1.71B	-0.02K	0.01Q
45.0	0.55B	-0.01K	0.01L	1.43B	-0.02K	0.00Q
39.4	0.42B	-0.01K	0.01L	1.24B	-0.02K	0.00Q
33.7	0.30B	0.00K	0.00L	1.05B	-0.01K	0.00Q
28.1	0.21B	0.00K	0.00L	0.87B	-0.01K	0.00Q
22.5	0.13B	0.00K	0.00L	0.69B	-0.01K	0.00Q
16.9	0.07B	0.00K	0.00A	0.51B	-0.01K	0.00Q
11.2	0.03B	0.00K	0.00AF	0.34B	0.00K	0.00Q
5.6	0.01B	0.00K	0.00AF	0.17B	0.00K	0.00Q
0.0	0.00A	0.00A	0.00A	0.00A	0.00A	0.00A

MAXIMUM ANTENNA AND REFLECTOR ROTATIONS

=====

ELEV ft	ANT AZI deg	ANT TYPE BEAM DEFLECTIONS (deg)			
			ROLL	YAW	PITCH	TOTAL
109.0	0.0	STD+R	-3.744 J	0.118 C	3.824 A	3.824 A
99.0	0.0	STD+R	-3.264 J	0.091 C	3.343 A	3.343 A
89.0	0.0	STD+R	-2.899 J	0.073 C	2.976 A	2.976 A

MAXIMUM POLE FORCES CALCULATED(w.r.t. to wind direction)

=====

MAST ELEV ft	TOTAL	SHEAR.w.r.t.WIND.DIR	MOMENT.w.r.t.WIND.DIR		TORSION ft-kip	
	AXIAL kip	ALONG kip	ALONG ft-kip	ACROSS ft-kip		
189.0	17.92 AD	11.89 T	-0.01 U	0.08 U	-0.05 U	0.01 U

182.7	20.95 AD	12.28 T	-0.01 U	-81.09 C	0.04 U	-0.04 O
	20.95 AE	12.36 X	0.04 B	-81.19 L	-0.10 X	0.03 J
176.5	21.90 AE	12.74 X	0.04 B	-165.65 A	-0.26 B	-0.10 O
	21.90 AB	12.73 W	0.05 I	-165.67 A	-0.34 B	-0.10 O
170.2	42.71 AB	24.82 W	0.05 I	-300.25 F	-0.44 I	-0.17 O
	42.71 AA	24.81 W	-0.08 U	-300.35 F	-0.43 I	-0.17 O
164.0	43.77 AA	25.25 W	-0.08 U	-469.15 F	0.83 U	-0.26 O
	43.77 AA	25.28 T	0.05 Q	-469.20 F	0.89 U	-0.24 O
157.7	44.84 AA	25.70 T	0.05 Q	-641.14 F	1.04 U	-0.34 O
	44.84 AA	25.70 F	-0.08 U	-641.08 F	1.04 U	-0.35 O
151.5	45.99 AA	26.17 F	-0.08 U	-815.72 F	1.55 U	-0.42 O
	45.99 AA	26.21 W	-0.08 T	-815.74 F	1.59 U	-0.42 O
145.2	47.15 AA	26.67 W	-0.08 T	-992.82 F	1.94 U	-0.49 O
	47.15 AA	26.72 F	-0.10 U	-992.72 F	1.92 U	-0.49 O
140.0	49.11 AA	27.15 F	-0.10 U	-1144.38 F	2.46 U	-0.53 O
	49.11 AA	27.18 W	0.20 C	-1144.49 F	2.47 U	-0.52 O
134.1	50.70 AA	27.67 W	0.20 C	-1317.28 F	3.26 U	-0.64 O
	50.70 AA	27.78 W	-0.24 N	-1317.46 F	3.22 U	-0.63 O
128.1	52.31 AA	28.26 W	-0.24 N	-1493.80 F	4.06 U	-0.77 O
	52.31 AA	28.17 V	-0.22 N	-1493.84 F	4.06 U	-0.78 O
122.2	54.00 AA	28.69 V	-0.22 N	-1672.79 F	4.29 U	-0.88 O
	54.00 AA	28.68 X	-0.26 N	-1672.64 F	4.23 U	-0.88 O
116.3	55.71 AA	29.18 X	-0.26 N	-1854.68 F	5.75 N	-0.99 O
	55.71 AA	29.32 H	-0.31 K	-1854.61 F	5.75 N	-0.99 O
110.4	57.50 AA	29.86 H	-0.31 K	-2039.63 H	7.25 N	-1.07 O
	57.50 AA	29.79 H	-0.35 K	-2039.75 H	7.15 N	-1.07 O
104.4	60.87 AA	31.84 M	-0.57 K	-2234.91 H	9.20 N	-4.70 U
	60.87 AA	31.87 M	-0.40 W	-2234.76 H	9.31 N	-4.69 U
98.5	64.25 AA	34.02 M	-0.61 W	-2435.45 H	10.12 N	-8.81 U
	64.25 AA	33.96 M	-0.65 K	-2435.39 H	10.10 N	-8.80 U
91.7	68.49 AA	34.61 M	-0.65 K	-2672.06 H	13.33 K	-8.86 U
	68.49 AA	34.66 M	-0.59 K	-2671.83 H	13.33 K	-8.85 U
86.2	72.27 AA	36.75 X	-0.80 K	-2875.25 L	16.27 K	-12.92 U
	72.27 AA	36.79 M	-0.91 K	-2875.35 L	16.15 K	-12.92 U
80.7	74.62 AA	37.33 M	-0.91 K	-3087.41 L	21.22 K	-12.92 U
	74.62 AA	37.21 M	-0.75 K	-3087.54 L	21.22 K	-12.92 U
75.2	76.99 AA	37.74 M	-0.75 K	-3302.28 B	25.43 K	12.96 Q
	76.99 AA	37.74 M	-0.78 K	-3302.53 B	25.36 K	12.96 Q
69.7	79.44 AA	38.30 M	-0.78 K	-3520.41 B	29.74 K	13.02 Q
	79.44 AA	38.40 M	-0.84 K	-3520.36 B	29.86 K	13.02 Q

64.2	81.94 AA	38.96 M	-0.84 K	-3741.26 B	34.54 K	13.08 Q	
	81.94 AA	38.89 M	-0.75 J	-3741.13 B	34.69 K	13.08 Q	
58.7	84.46 AA	39.43 M	-0.75 J	-3965.07 B	38.79 K	13.14 Q	
	84.46 AA	39.37 B	-0.76 J	-3965.07 B	38.81 K	13.15 Q	
53.2	87.06 AA	39.94 B	-0.76 J	-4191.27 B	43.02 K	13.20 Q	
	87.06 AA	40.03 M	-0.85 K	-4191.33 B	42.96 K	13.20 Q	
45.0	94.05 AA	40.85 M	-0.85 K	-4535.45 B	50.09 K	13.26 Q	
	94.08 AA	40.89 M	-0.78 K	-4535.52 B	50.11 K	13.26 Q	
39.4	96.86 AA	41.44 M	-0.78 K	-4773.84 B	54.54 K	13.29 Q	
	96.86 AA	41.42 M	-0.82 K	-4773.78 B	54.55 K	13.29 Q	
33.7	99.70 AA	41.98 M	-0.82 K	-5013.92 B	59.22 K	13.32 Q	
	99.70 AA	42.09 M	-0.87 K	-5013.86 B	59.23 K	13.32 Q	
28.1	102.56 AA	42.62 M	-0.87 K	-5256.71 B	64.17 K	13.34 Q	
	102.56 AA	42.61 M	-0.87 K	-5256.76 B	64.23 K	13.34 Q	
22.5	105.49 AA	43.15 M	-0.87 K	-5501.56 B	69.18 K	13.36 Q	
	105.49 AA	43.15 M	-0.90 K	-5501.57 B	69.19 K	13.36 Q	
16.9	108.43 AA	43.66 M	-0.90 K	-5748.46 B	74.31 K	13.38 Q	
	108.43 AA	43.67 M	-0.87 K	-5748.45 B	74.30 K	13.38 Q	
11.2	111.45 AA	44.19 M	-0.87 K	-5997.08 B	79.22 K	13.39 Q	
	111.45 AA	44.21 M	-0.87 K	-5997.07 B	79.22 K	13.39 Q	
5.6	114.48 AA	44.71 M	-0.87 K	-6247.33 B	84.13 K	13.40 Q	
	114.48 AA	44.71 M	-0.88 K	-6247.34 B	84.14 K	13.40 Q	
	117.52 AA	45.22 M	-0.88 K	-6499.35 B	89.10 K	13.40 Q	
base	reaction	117.52 AA	-45.22 M	0.88 K	6499.35 B	-89.10 K	-13.40 Q

COMPLIANCE WITH 4.8.2 & 4.5.4
=====

ELEV	AXIAL	BENDING	SHEAR + TORSIONAL	TOTAL	SATISFIED	D/t (w/t)	MAX ALLOWED
ft							
189.00	0.01AD	0.00U	0.02T	0.01AI	YES	16.05A	45.2
	0.01AD	0.10C	0.02T	0.11C	YES	17.13A	45.2
182.75	0.01AE	0.10L	0.02X	0.11L	YES	17.13A	45.2
	0.01AE	0.19A	0.02X	0.20A	YES	18.21A	45.2
176.50	0.01AB	0.19A	0.02W	0.20A	YES	18.21A	45.2
	0.03AB	0.31F	0.03W	0.33F	YES	19.29A	45.2
170.25	0.03AA	0.31F	0.03W	0.33F	YES	19.29A	45.2
	0.03AA	0.45F	0.03W	0.46F	YES	20.37A	45.2
164.00	0.03AA	0.45F	0.03T	0.46F	YES	20.37A	45.2
	0.03AA	0.56F	0.03T	0.58F	YES	21.45A	45.2
157.75	0.03AA	0.56F	0.03F	0.58F	YES	21.45A	45.2

151.50	0.03AA	0.66F	0.03F	0.68F	YES	22.53A	45.2
	0.03AA	0.66F	0.03W	0.68F	YES	22.53A	45.2
145.25	0.03AA	0.75F	0.03W	0.76F	YES	23.62A	45.2
	0.02AA	0.45F	0.02F	0.46F	YES	15.63A	45.2
140.00	0.02AA	0.48F	0.02F	0.49F	YES	16.23A	45.2
	0.02AA	0.50F	0.02W	0.50F	YES	16.00A	45.2
134.07	0.02AA	0.53F	0.02W	0.54F	YES	16.68A	45.2
	0.02AA	0.53F	0.02W	0.54F	YES	16.68A	45.2
128.14	0.02AA	0.56F	0.02W	0.57F	YES	17.36A	45.2
	0.02AA	0.56F	0.02V	0.57F	YES	17.36A	45.2
122.21	0.02AA	0.59F	0.02V	0.60F	YES	18.05A	45.2
	0.02AA	0.59F	0.02O	0.60F	YES	18.05A	45.2
116.29	0.02AA	0.62F	0.02O	0.63F	YES	18.73A	45.2
	0.02AA	0.62F	0.02H	0.63F	YES	18.73A	45.2
110.36	0.02AA	0.64H	0.02H	0.65H	YES	19.42A	45.2
	0.02AA	0.64H	0.02H	0.65H	YES	19.42A	45.2
104.43	0.02AA	0.66H	0.02X	0.67H	YES	20.10A	45.2
	0.02AA	0.66H	0.02M	0.67H	YES	20.10A	45.2
98.50	0.02AA	0.68H	0.02X	0.69H	YES	20.78A	45.2
	0.01AA	0.48H	0.01X	0.49H	YES	15.50A	45.2
91.75	0.01AA	0.49H	0.01X	0.50H	YES	16.08A	45.2
	0.01AA	0.51H	0.01X	0.52H	YES	15.82A	45.2
86.25	0.01AA	0.52L	0.01X	0.53L	YES	16.29A	45.2
	0.01AA	0.52L	0.01X	0.53L	YES	16.29A	45.2
80.75	0.01AA	0.53L	0.01X	0.54L	YES	16.77A	45.2
	0.01AA	0.53L	0.01X	0.54L	YES	16.77A	45.2
75.25	0.01AA	0.54B	0.01X	0.55B	YES	17.25A	45.2
	0.01AA	0.54B	0.01M	0.55B	YES	17.25A	45.2
69.75	0.01AA	0.55B	0.01M	0.56B	YES	17.72A	45.2
	0.01AA	0.55B	0.01M	0.56B	YES	17.72A	45.2
64.25	0.01AA	0.56B	0.01M	0.57B	YES	18.20A	45.2
	0.01AA	0.56B	0.01B	0.57B	YES	18.20A	45.2
58.75	0.01AA	0.57B	0.01B	0.58B	YES	18.67A	45.2
	0.01AA	0.57B	0.01B	0.58B	YES	18.67A	45.2
53.25	0.01AA	0.58B	0.01B	0.58B	YES	19.15A	45.2
	0.01AA	0.58B	0.01M	0.58B	YES	19.15A	45.2
45.00	0.01AA	0.59B	0.01W	0.60B	YES	19.86A	45.2
	0.01AA	0.60B	0.01W	0.61B	YES	19.51A	45.2
39.37	0.01AA	0.61B	0.01W	0.62B	YES	20.00A	45.2
	0.01AA	0.61B	0.01W	0.62B	YES	20.00A	45.2
	0.02AA	0.62B	0.01W	0.63B	YES	20.48A	45.2

33.75	0.02AA	0.62B	0.01W	0.63B	YES	20.48A	45.2
28.12	0.02AA	0.62B	0.01W	0.63B	YES	20.97A	45.2
22.50	0.02AA	0.63B	0.01W	0.64B	YES	21.46A	45.2
16.87	0.02AA	0.63B	0.01W	0.64B	YES	21.94A	45.2
11.25	0.02AA	0.64B	0.01W	0.65B	YES	22.43A	45.2
5.62	0.02AA	0.64B	0.01W	0.65B	YES	22.92A	45.2
0.00	0.02AA	0.65B	0.01W	0.66B	YES	23.40A	45.2

MAXIMUM LOADS ONTO FOUNDATION(w.r.t. wind direction)

DOWN	SHEAR.w.r.t.WIND.DIR	MOMENT.w.r.t.WIND.DIR	TORSION
kip	ALONG	ALONG	ft-kip
	ACROSS	ACROSS	
	kip	ft-kip	
117.52	45.22	-6499.35	13.40
AA	M	B	Q

(USA 222-H) - Monopole Spatial Analysis (c)2017 Guymast Inc.

Tel:(416)736-7453 Fax:(416)736-4372 Web:www.guymast.com

Processed under license at:

Sabre Towers and Poles on: 2 apr 2024 at: 10:03:58

190' Monopole / TI-OPP-32968, KY

 ***** Service Load Condition *****

* Only 1 condition(s) shown in full
 * Some concentrated wind loads may have been derived from full-scale wind tunnel testing

LOADING CONDITION A =====

60 mph wind with no ice. Wind Azimuth: 0° (1.0 D + 1.0 Wo)

LOADS ON POLE

LOAD TYPE	ELEV ft	APPLY RADIUS ft	LOAD AT AZI	LOAD AZI	FORCES		MOMENTS	
					HORIZ kip	DOWN kip	VERTICAL ft-kip	TORSNAL ft-kip
C	189.000	0.00	0.0	0.0	3.4020	6.0000	0.0000	0.0000
C	187.000	0.00	0.0	0.0	0.0000	1.7503	0.0000	0.0000
C	184.500	0.00	0.0	0.0	0.0080	0.0126	0.0000	0.0000
C	175.000	0.00	0.0	0.0	0.0088	0.0140	0.0000	0.0000
C	174.000	0.00	0.0	0.0	0.0000	1.6286	0.0000	0.0000

C	174.000	0.00	0.0	0.0	3.3437	6.0000	0.0000	0.0000
C	165.000	0.00	0.0	0.0	0.0087	0.0140	0.0000	0.0000
C	155.000	0.00	0.0	0.0	0.0086	0.0140	0.0000	0.0000
C	145.000	0.00	0.0	0.0	0.0084	0.0140	0.0000	0.0000
C	135.000	0.00	0.0	0.0	0.0083	0.0140	0.0000	0.0000
C	125.000	0.00	0.0	0.0	0.0082	0.0140	0.0000	0.0000
C	115.000	0.00	0.0	0.0	0.0080	0.0140	0.0000	0.0000
C	109.000	0.00	0.0	0.0	0.0000	0.0556	0.0000	0.0000
C	105.000	0.00	0.0	0.0	0.0079	0.0140	0.0000	0.0000
C	99.000	0.00	0.0	0.0	0.0000	0.0505	0.0000	0.0000
C	95.000	0.00	0.0	0.0	0.0077	0.0140	0.0000	0.0000
C	89.000	0.00	0.0	0.0	0.0000	0.0454	0.0000	0.0000
C	85.000	0.00	0.0	0.0	0.0075	0.0140	0.0000	0.0000
C	75.000	0.00	0.0	0.0	0.0073	0.0140	0.0000	0.0000
C	65.000	0.00	0.0	0.0	0.0071	0.0140	0.0000	0.0000
C	55.000	0.00	0.0	0.0	0.0069	0.0140	0.0000	0.0000
C	45.000	0.00	0.0	0.0	0.0066	0.0140	0.0000	0.0000
C	35.000	0.00	0.0	0.0	0.0063	0.0140	0.0000	0.0000
C	25.000	0.00	0.0	0.0	0.0058	0.0140	0.0000	0.0000
C	15.000	0.00	0.0	0.0	0.0052	0.0140	0.0000	0.0000

D	189.000	0.00	180.0	0.0	0.0165	0.0677	0.0000	0.0000
D	145.250	0.00	180.0	0.0	0.0214	0.0923	0.0000	0.0000
D	145.250	0.00	180.0	0.0	0.0221	0.2381	0.0000	0.0000
D	140.000	0.00	180.0	0.0	0.0221	0.2381	0.0000	0.0000
D	140.000	0.00	180.0	0.0	0.0225	0.1475	0.0000	0.0000
D	98.500	0.00	180.0	0.0	0.0261	0.1825	0.0000	0.0000
D	98.500	0.00	180.0	0.0	0.0266	0.4363	0.0000	0.0000
D	91.750	0.00	180.0	0.0	0.0266	0.4363	0.0000	0.0000
D	91.750	0.00	180.0	0.0	0.0268	0.2556	0.0000	0.0000
D	53.250	0.00	180.0	0.0	0.0284	0.2989	0.0000	0.0000
D	53.250	0.00	180.0	0.0	0.0284	0.6109	0.0000	0.0000
D	45.000	0.00	180.0	0.0	0.0284	0.6109	0.0000	0.0000
D	45.000	0.00	180.0	0.0	0.0282	0.3121	0.0000	0.0000
D	11.250	0.00	180.0	0.0	0.0253	0.3491	0.0000	0.0000
D	11.250	0.00	180.0	0.0	0.0255	0.3565	0.0000	0.0000
D	0.000	0.00	180.0	0.0	0.0260	0.3639	0.0000	0.0000

ANTENNA LOADING

=====

..... ANTENNA	ATTACHMENT			 ANTENNA FORCES			
TYPE	ELEV	AZI	RAD	AZI	AXIAL	SHEAR	GRAVITY	TORSION
	ft		ft		kip	kip	kip	ft-kip
STD+R	89.0	0.0	2.7	0.0	0.45	0.00	0.34	0.00
STD+R	99.0	0.0	2.6	0.0	0.46	0.00	0.34	0.00
STD+R	109.0	0.0	2.5	0.0	0.47	0.00	0.34	0.00

=====

MAXIMUM POLE DEFORMATIONS CALCULATED (w.r.t. wind direction)

=====

MAST ELEV ft DEFLECTIONS (ft) ROTATIONS (deg)		
	HORIZONTAL ALONG	ACROSS	DOWN	TILT ALONG	ACROSS	TWIST
189.0	3.29L	0.01D	0.08L	2.08L	0.01H	0.00E
182.7	3.06L	0.01D	0.08L	2.07L	0.01H	0.00E
176.5	2.84L	0.01D	0.07L	2.04L	0.01H	0.00E
170.2	2.62L	0.01D	0.06L	1.99L	0.01H	0.00E
164.0	2.41L	0.01D	0.05L	1.91L	0.01H	0.00E
157.7	2.20L	0.01D	0.05L	1.82L	0.01H	0.00E
151.5	2.01L	0.01D	0.04L	1.71L	0.01H	0.00E
145.2	1.83L	0.01D	0.03L	1.60L	0.01H	0.00D
140.0	1.69L	0.01D	0.03L	1.53L	0.01H	0.00D
134.1	1.53L	0.01D	0.03L	1.45L	0.01H	0.00D
128.1	1.39L	0.01D	0.02L	1.37L	0.01H	0.00D

.....

122.2	1.25L	0.01D	0.02L	1.28L	0.01H	0.00D
116.3	1.12L	0.01D	0.02L	1.20L	0.01H	0.00D
110.4	1.00L	0.01D	0.01L	1.12L	0.01H	0.00D
104.4	0.89L	0.01D	0.01L	1.03L	0.01D	0.00D
98.5	0.79L	0.01D	0.01L	0.95L	0.01D	0.00D
91.7	0.68L	0.01D	0.01L	0.88L	0.01D	0.00D
86.2	0.60L	0.00D	0.01L	0.82L	0.01D	0.00D
80.7	0.52L	0.00D	0.01L	0.77L	0.01D	0.00D
75.2	0.45L	0.00D	0.00L	0.71L	0.01D	0.00D
69.7	0.39L	0.00D	0.00L	0.65L	0.00D	0.00D
64.2	0.33L	0.00D	0.00L	0.60L	0.00D	0.00D
58.7	0.27L	0.00D	0.00L	0.54L	0.00D	0.00D
53.2	0.22L	0.00D	0.00L	0.49L	0.00D	0.00D
45.0	0.16L	0.00D	0.00L	0.41L	0.00D	0.00D
39.4	0.12L	0.00D	0.00L	0.35L	0.00D	0.00D
33.7	0.09L	0.00D	0.00L	0.30L	0.00D	0.00D
28.1	0.06L	0.00D	0.00L	0.25L	0.00D	0.00D
22.5	0.04L	0.00D	0.00L	0.20L	0.00D	0.00D
16.9	0.02L	0.00D	0.00L	0.15L	0.00D	0.00D
11.2	0.01L	0.00D	0.00B	0.10L	0.00D	0.00D
5.6	0.00L	0.00D	0.00B	0.05L	0.00D	0.00D
0.0	0.00A	0.00A	0.00A	0.00A	0.00A	0.00A

MAXIMUM ANTENNA AND REFLECTOR ROTATIONS

=====

ELEV ft	ANT AZI deg	ANT TYPE BEAM DEFLECTIONS (deg)			
			ROLL	YAW	PITCH	TOTAL
109.0	0.0	STD+R	-1.070 J	0.011 C	1.094 A	1.094 A
99.0	0.0	STD+R	-0.932 J	0.009 C	0.956 A	0.956 A
89.0	0.0	STD+R	-0.827 J	0.007 C	0.850 A	0.850 A

MAXIMUM POLE FORCES CALCULATED(w.r.t. to wind direction)

=====

MAST ELEV ft	TOTAL AXIAL kip	SHEAR.w.r.t.WIND.DIR		MOMENT.w.r.t.WIND.DIR		TORSION ft-kip
		ALONG kip	ACROSS kip	ALONG ft-kip	ACROSS ft-kip	
189.0	6.00 B	3.41 B	0.00 K	-0.02 C	0.01 K	0.00 E
182.7	8.20 B	3.52 B	0.00 K	-23.27 B	-0.01 E	0.00 J
	8.21 B	3.54 B	0.01 K	-23.26 A	-0.02 L	0.00 J
176.5	8.66 B	3.65 B	0.01 K	-47.51 B	-0.08 K	0.01 K
	8.67 B	3.63 B	0.02 F	-47.52 B	-0.07 K	0.01 K
	16.79 B	7.10 B	0.02 F	-86.08 B	-0.16 K	0.01 F

170.2	16.79 B	7.11 H	0.02 F	-86.06 B	-0.15 K	0.01 K
	17.31 B	7.24 H	0.02 F	-134.44 B	-0.26 F	0.02 F
164.0	17.31 B	7.24 J	0.02 F	-134.44 B	-0.24 F	0.02 F
	17.83 B	7.36 J	0.02 F	-183.49 B	-0.38 F	0.03 F
157.7	17.83 B	7.37 K	0.02 B	-183.52 B	-0.37 F	0.03 F
	18.39 B	7.51 K	0.02 B	-233.21 B	-0.49 F	0.03 F
151.5	18.39 E	7.53 L	0.03 F	-233.20 B	-0.48 F	0.03 F
	18.95 E	7.66 L	0.03 F	-283.89 L	-0.66 F	0.04 F
145.2	18.95 E	7.64 L	0.03 F	-283.90 L	-0.67 F	0.04 F
	20.22 E	7.76 L	0.03 F	-327.15 L	-0.80 F	0.05 F
140.0	20.21 B	7.77 J	0.03 L	-327.13 L	-0.81 F	0.05 F
	21.12 B	7.92 J	0.03 L	-376.76 L	-0.80 F	0.05 F
134.1	21.11 B	7.91 L	0.04 L	-376.81 L	-0.78 F	0.05 F
	22.03 B	8.04 L	0.04 L	-427.17 L	-0.85 B	0.05 F
128.1	22.04 E	8.07 J	0.06 L	-427.20 L	-0.83 B	0.05 F
	23.00 E	8.22 J	0.06 L	-478.41 L	-0.91 B	0.06 F
122.2	23.00 E	8.20 A	0.07 L	-478.52 L	-0.96 H	0.06 F
	23.98 E	8.34 A	0.07 L	-530.37 L	-1.20 L	0.06 F
116.3	23.98 E	8.39 A	0.06 L	-530.35 L	-1.21 L	0.06 F
	25.00 E	8.54 A	0.06 L	-583.29 L	-1.55 L	0.06 F
110.4	25.00 E	8.55 H	0.07 H	-583.30 L	-1.58 L	0.06 F
	26.44 E	9.11 A	0.08 H	-638.22 L	-2.38 H	1.23 E
104.4	26.44 E	9.12 L	0.09 H	-638.25 L	-2.35 H	1.23 E
	27.90 E	9.74 L	-0.14 J	-695.64 H	-3.34 H	2.41 D
98.5	27.90 E	9.75 L	-0.14 J	-695.62 H	-3.33 H	2.41 D
	30.86 E	9.94 L	-0.14 J	-764.66 L	-4.01 H	2.42 D
91.7	30.86 E	9.94 L	-0.14 J	-764.65 L	-4.03 H	2.42 D
	32.66 E	10.54 L	-0.21 J	-822.72 L	-4.90 H	3.64 D
86.2	32.66 E	10.58 A	0.21 D	-822.76 L	-4.90 H	3.64 D
	34.13 E	10.73 A	0.21 D	-883.40 L	-5.25 H	3.65 D
80.7	34.13 E	10.67 L	0.21 D	-883.42 L	-5.23 H	3.65 D
	35.62 E	10.82 L	0.21 D	-945.01 L	-5.71 H	3.66 D
75.2	35.62 E	10.81 L	0.21 D	-944.95 L	-5.70 H	3.66 D
	37.16 E	10.97 L	0.21 D	-1007.22 L	-6.02 H	3.67 D
69.7	37.16 E	10.98 L	0.21 D	-1007.27 L	-5.97 H	3.67 D
	38.74 E	11.14 L	0.21 D	-1070.28 L	-6.31 H	3.68 D
64.2	38.74 E	11.18 L	0.21 D	-1070.25 L	-6.31 H	3.68 D
	40.33 E	11.34 L	0.21 D	-1134.30 L	-6.50 H	3.69 D
58.7	40.33 E	11.30 L	0.21 D	-1134.28 L	-6.49 H	3.69 D
	41.97 E	11.46 L	0.21 D	-1198.91 L	-7.47 D	3.69 D
53.2						

	41.97 E	11.44 L	0.21 D	-1198.93 L	-7.48 D	3.69 D
	47.01 E	11.67 L	0.21 D	-1297.13 L	-9.26 D	3.70 D
45.0	47.02 E	11.69 L	0.21 D	-1297.12 L	-9.26 D	3.70 D
	48.80 E	11.85 L	0.21 D	-1365.11 L	-10.49 D	3.70 D
39.4	48.80 E	11.84 L	0.21 D	-1365.10 L	-10.49 D	3.70 D
	50.62 E	12.00 L	0.21 D	-1433.75 L	-11.70 D	3.71 D
33.7	50.62 E	11.98 L	-0.23 K	-1433.76 L	-11.70 D	3.71 D
	52.46 E	12.14 L	-0.23 K	-1502.98 L	-12.92 D	3.71 D
28.1	52.46 E	12.13 L	-0.25 K	-1502.97 L	-12.92 D	3.71 D
	54.35 E	12.28 L	-0.25 K	-1572.79 L	-14.14 D	3.71 D
22.5	54.35 E	12.28 L	-0.24 K	-1572.78 L	-14.14 D	3.71 D
	56.26 E	12.43 L	-0.24 K	-1643.20 L	-15.35 D	3.71 D
16.9	56.26 E	12.43 L	-0.23 K	-1643.20 L	-15.35 D	3.71 D
	58.22 E	12.58 L	-0.23 K	-1714.21 L	-16.56 D	3.72 D
11.2	58.22 E	12.58 L	-0.23 K	-1714.21 L	-16.56 D	3.72 D
	60.24 E	12.72 L	-0.23 K	-1785.79 L	-17.77 D	3.72 D
5.6	60.24 E	12.72 L	-0.23 K	-1785.78 L	-17.77 D	3.72 D
	62.27 E	12.87 L	-0.23 K	-1857.90 L	-18.98 D	3.72 D

base	62.27 E	-12.87 L	0.23 K	1857.90 L	18.98 D	-3.72 D
reaction						

COMPLIANCE WITH 4.8.2 & 4.5.4
=====

ELEV	AXIAL	BENDING	SHEAR +	TOTAL	SATISFIED	D/t (w/t)	MAX
ft			TORSIONAL				ALLOWED
189.00	0.00B	0.00C	0.00B	0.00C	YES	16.05A	45.2
	0.01B	0.03B	0.00B	0.03B	YES	17.13A	45.2
182.75	0.01B	0.03A	0.00B	0.03A	YES	17.13A	45.2
	0.01B	0.05B	0.00B	0.06B	YES	18.21A	45.2
176.50	0.01B	0.05B	0.00B	0.06B	YES	18.21A	45.2
	0.01B	0.09B	0.01B	0.10B	YES	19.29A	45.2
170.25	0.01B	0.09B	0.01H	0.10B	YES	19.29A	45.2
	0.01B	0.13B	0.01H	0.14B	YES	20.37A	45.2
164.00	0.01B	0.13B	0.01J	0.14B	YES	20.37A	45.2
	0.01B	0.16B	0.01J	0.17B	YES	21.45A	45.2
157.75	0.01B	0.16B	0.01K	0.17B	YES	21.45A	45.2
	0.01B	0.19B	0.01K	0.20B	YES	22.53A	45.2
151.50	0.01E	0.19B	0.01L	0.20B	YES	22.53A	45.2
	0.01E	0.21L	0.01L	0.22L	YES	23.62A	45.2
145.25	0.01E	0.13L	0.00L	0.13L	YES	15.63A	45.2
	0.01E	0.14L	0.00L	0.14L	YES	16.23A	45.2
140.00							

	0.01B	0.14L	0.00J	0.15L	YES	16.00A	45.2
	0.01B	0.15L	0.00J	0.16L	YES	16.68A	45.2
134.07	0.01B	0.15L	0.00L	0.16L	YES	16.68A	45.2
	0.01B	0.16L	0.00L	0.17L	YES	17.36A	45.2
128.14	0.01E	0.16L	0.00J	0.17L	YES	17.36A	45.2
	0.01E	0.17L	0.00J	0.18L	YES	18.05A	45.2
122.21	0.01E	0.17L	0.00A	0.18L	YES	18.05A	45.2
	0.01E	0.18L	0.00A	0.18L	YES	18.73A	45.2
116.29	0.01E	0.18L	0.00A	0.18L	YES	18.73A	45.2
	0.01E	0.18L	0.00A	0.19L	YES	19.42A	45.2
110.36	0.01E	0.18L	0.00H	0.19L	YES	19.42A	45.2
	0.01E	0.19L	0.00A	0.20L	YES	20.10A	45.2
104.43	0.01E	0.19L	0.00L	0.20L	YES	20.10A	45.2
	0.01E	0.20H	0.01L	0.20H	YES	20.78A	45.2
98.50	0.01E	0.14H	0.00L	0.14H	YES	15.50A	45.2
	0.01E	0.14L	0.00L	0.15L	YES	16.08A	45.2
91.75	0.01E	0.15L	0.00L	0.15L	YES	15.82A	45.2
	0.01E	0.15L	0.00L	0.15L	YES	16.29A	45.2
86.25	0.01E	0.15L	0.00A	0.15L	YES	16.29A	45.2
	0.01E	0.15L	0.00A	0.16L	YES	16.77A	45.2
80.75	0.01E	0.15L	0.00L	0.16L	YES	16.77A	45.2
	0.01E	0.15L	0.00L	0.16L	YES	17.25A	45.2
75.25	0.01E	0.15L	0.00L	0.16L	YES	17.25A	45.2
	0.01E	0.16L	0.00L	0.16L	YES	17.72A	45.2
69.75	0.01E	0.16L	0.00L	0.16L	YES	17.72A	45.2
	0.01E	0.16L	0.00L	0.17L	YES	18.20A	45.2
64.25	0.01E	0.16L	0.00L	0.17L	YES	18.20A	45.2
	0.01E	0.16L	0.00L	0.17L	YES	18.67A	45.2
58.75	0.01E	0.16L	0.00L	0.17L	YES	18.67A	45.2
	0.01E	0.16L	0.00C	0.17L	YES	19.15A	45.2
53.25	0.01E	0.16L	0.00C	0.17L	YES	19.15A	45.2
	0.01E	0.17L	0.00C	0.18L	YES	19.86A	45.2
45.00	0.01E	0.17L	0.00C	0.18L	YES	19.51A	45.2
	0.01E	0.17L	0.00C	0.18L	YES	20.00A	45.2
39.37	0.01E	0.17L	0.00C	0.18L	YES	20.00A	45.2
	0.01E	0.18L	0.00C	0.18L	YES	20.48A	45.2
33.75	0.01E	0.18L	0.00C	0.18L	YES	20.48A	45.2
	0.01E	0.18L	0.00C	0.19L	YES	20.97A	45.2
28.12	0.01E	0.18L	0.00C	0.19L	YES	20.97A	45.2
	0.01E	0.18L	0.00C	0.19L	YES	21.46A	45.2
22.50	0.01E	0.18L	0.00C	0.19L	YES	21.46A	45.2

16.87	0.01E	0.18L	0.00C	0.19L	YES	21.94A	45.2
	0.01E	0.18L	0.00C	0.19L	YES	21.94A	45.2
11.25	0.01E	0.18L	0.00C	0.19L	YES	22.43A	45.2
	0.01E	0.18L	0.00C	0.19L	YES	22.43A	45.2
5.62	0.01E	0.18L	0.00C	0.19L	YES	22.92A	45.2
	0.01E	0.18L	0.00C	0.19L	YES	22.92A	45.2
0.00	0.01E	0.18L	0.00C	0.19L	YES	23.40A	45.2

MAXIMUM LOADS ONTO FOUNDATION (w.r.t. wind direction)

DOWN	SHEAR.w.r.t.WIND.DIR		MOMENT.w.r.t.WIND.DIR		TORSION
kip	ALONG	ACROSS	ALONG	ACROSS	ft-kip
	kip	kip	ft-kip	ft-kip	
62.27	12.87	-0.23	-1857.90	-18.98	3.72
E	L	K	L	D	D

Seismic Load Effects
Equivalent Lateral Force Procedure
ANSI/TIA-222-H

		Vertical Distribution of Seismic Forces					
		W_n (kips)	w/h_n^{ke}	F_{sz} or E_{fb} (kips)	E_v (kips)	$1.2 D + 1.0 E_v$ (kips)	$0.9 D - 1.0 E_v$ (kips)
Parameters	Description	h_n (ft.)	w_i (kips)	W_n (kips)	w/h_n^{ke}	F_{sz} or E_{fb} (kips)	E_v (kips)
Risk Category	II	189.00	6.0000	6.0000	214,326.0000	0.7484	0.6084
R	1.500	187.00	1.7503	0.0000	61,206.2407	0.2137	0.1775
S_S	0.604	184.50	0.0126	0.0000	428.9072	0.0015	0.0100
S_1	0.226	175.00	0.0140	0.0000	428.7500	0.0015	0.0112
Site Class	C	174.00	6.0000	6.0000	181,656.0000	0.6344	0.6084
T_L (sec)	12.000	174.00	1.6286	0.0000	49,307.4936	0.1722	0.1651
F_a	1.258	165.00	0.0140	0.0000	381.1500	0.0013	0.0014
F_v	1.500	164.50	3.9928	0.0000	108,046.1662	0.3773	0.4049
S_{MS}	0.760	155.00	0.0140	0.0000	336.3500	0.0012	0.0014
S_{M1}	0.339	145.00	0.0140	0.0000	294.3500	0.0010	0.0014
S_{DS}	0.507	135.00	0.0140	0.0000	255.1500	0.0009	0.0014
S_{D1}	0.226	125.00	0.0140	0.0000	218.7500	0.0008	0.0014
T_s	0.446	118.50	8.8437	0.0000	124,185.4463	0.4337	0.8968
I_e	1.000	115.00	0.0140	0.0000	185.1500	0.0006	0.0014
Ω	1.500	109.00	0.0556	0.0000	660.5836	0.0023	0.0056
C_S	0.047	109.00	0.8950	0.0000	10,633.4950	0.0371	0.0908
E (ksi)	29,000	105.00	0.0140	0.0000	154.3500	0.0005	0.0014
l_{top} (in ⁴)	1,433	99.00	0.0505	0.0000	494.9505	0.0017	0.0051
l_{bot} (in ⁴)	63,499	99.00	0.8950	0.0000	8,771.8950	0.0306	0.0908
g (in/s ²)	32,466	95.00	0.0140	0.0000	126.3500	0.0004	0.0014
W_t (kips)	386.4	89.00	0.0454	0.0000	359.6134	0.0013	0.0046
W_u (kips)	63.811	89.00	0.8950	0.0000	7,089.2950	0.0248	0.0908
W_L (kips)	12.000	85.00	0.0140	0.0000	101.1500	0.0004	0.0014
L_p (in)	51.811	75.00	0.0140	0.0000	78.7500	0.0003	0.0014
f_1 (Hertz)	2268	71.75	14.8443	0.0000	76,419.3842	0.2669	1.5052
T (sec)	3.197	65.00	0.0140	0.0000	59.1500	0.0002	0.0014
k_e	2.0000	55.00	0.0140	0.0000	42.3500	0.0001	0.0014
V_s (kips)	2.999	45.00	0.0140	0.0000	28.3500	0.0001	0.0014
Seismic Design Category	D	35.00	0.0140	0.0000	17.1500	0.0001	0.0014
		26.62	17.6638	0.0000	12,516.9997	0.0437	1.7911
		25.00	0.0140	0.0000	8.7500	0.0000	0.0014
		15.00	0.0140	0.0000	3.1500	0.0000	0.0014
		Σ	63.81	12.0000	858,821.62	3.00	6.47
							83.04
							50.96

Round Flange Plate and Bolts per ANSI/TIA 222-H
Elevation = 189 feet

Pole Data

Diameter: 24.5 in
Thickness: 0.25 in
Yield (Fy): 65 ksi
of Sides: 18 "0" IF Round
Strength (Fu): 80 ksi

Reactions

Moment, Mu: 711.2 ft-kips
Axial, Pu: 0 kips
Shear, Vu: 0 kips

Bolt Data

Quantity: 22
Diameter: 1.25 in
Bolt Material: A325
Strength (Fu): 105 ksi
Yield (Fy): 81 ksi
BC Diam. (in): 28.5 BC Override:

Flange Bolt Results

Allowable Φ *Rnt: 76.31 kips
Adjusted Φ *Rnt (due to shear): 76.31 kips
Maximum Bolt Tension: 54.45 kips
Bolt Interaction Ratio: **71.3% Pass**

Plate Data

Diameter (in): 31.75 Dia. Override:
Thickness: 1.5 in
Center Hole Diam.: 17 in
Yield (Fy): 50 ksi
Single-Rod B-eff: 3.53 in
Drain Hole: 1 in. diameter
Drain Location: 11.25 in. center of pole to center of drain hole

Flange Plate Results

Compression Side Plate (Mu/Z): 33.0 ksi
Allowable Φ *Fy: 45.0 ksi
Compr. Plate Interaction Ratio: **73.4% Pass**

Round Base Plate and Anchor Rods, per ANSI/TIA 222-H

Pole Data

Diameter:	68.610	in (flat to flat)
Thickness:	0.5	in
Yield (Fy):	65	ksi
# of Sides:	18	"0" IF Round
Strength (Fu):	80	ksi

Reactions

Moment, Mu:	6499.35	ft-kips
Axial, Pu:	74.68	kips
Shear, Vu:	44.95	kips

Anchor Rod Data

Quantity:	22	
Diameter:	2.25	in
Rod Material:	A615	
Strength (Fu):	100	ksi
Yield (Fy):	75	ksi
BC Diam. (in):	76	BC Override:

Plate Data

Diameter (in):	81.75	Dia. Override:
Thickness:	2.5	in
Yield (Fy):	50	ksi
Eff Width/Rod:	9.90	in
Drain Hole:	2.625	in. diameter
Drain Location:	32.25	in. center of pole to center of drain hole
Center Hole:	56.5	in. diameter

Anchor Rod Results

(per 4.9.9)

Maximum Put:	184.04 Kips
$\Phi_t^*R_{nt}$:	243.75 Kips
Vu:	2.04 Kips
$\Phi_v^*R_{nv}$:	149.10 Kips
Tension Interaction Ratio:	0.57
Maximum Puc:	189.98 Kips
$\Phi_c^*R_{nc}$:	268.39 Kips
Vu:	2.04 Kips
$\Phi_c^*R_{nc}$:	120.77 Kips
Compression Interaction Ratio:	0.71
Maximum Interaction Ratio:	70.8% Pass

Base Plate Results

Base Plate (Mu/Z):	29.1 ksi
Allowable Φ^*F_y :	45.0 ksi (per AISC)
Base Plate Interaction Ratio:	64.8% Pass

MAT FOUNDATION DESIGN BY SABRE INDUSTRIES

190' Monopole TILLMAN INFRASTRUCTURE, LLC TI-OPP-32968, KY (24-4809-TJH) 04/02/24 TTW

Overall Loads:

Factored Moment (ft-kips)	7221.5
Factored Axial (kips)	82.97777778
Factored Shear (kips)	49.94444444
Bearing Design Strength (ksf)	5.25
Water Table Below Grade (ft)	999
Width of Mat (ft)	28.5
Thickness of Mat (ft)	2
Depth to Bottom of Slab (ft)	6
Quantity of Bolts in Bolt Circle	22
Bolt Circle Diameter (in)	76
Effective Anchor Bolt Embedment (in)	66.5
Diameter of Pier (ft)	9
Ht. of Pier Above Ground (ft)	0.5
Ht. of Pier Below Ground (ft)	4
Quantity of Bars in Mat	41
Bar Diameter in Mat (in)	1.27
Area of Bars in Mat (in ²)	51.94
Spacing of Bars in Mat (in)	8.37
Quantity of Bars Pier	50
Bar Diameter in Pier (in)	1.27
Tie Bar Diameter in Pier (in)	0.625
Spacing of Ties (in)	4
Area of Bars in Pier (in ²)	63.34
Spacing of Bars in Pier (in)	6.25
f'c (ksi)	4.5
fy (ksi)	60
Unit Wt. of Soil (kcf)	0.12
Unit Wt. of Concrete (kcf)	0.15

Max. Net Bearing Press. (ksf)	5.09
Allowable Bearing Pressure (ksf)	3.50
Safety Factor	2.00
Ultimate Bearing Pressure (ksf)	7.00
Bearing Φs	0.75

Minimum Pier Diameter (ft)	9.00
Equivalent Square b (ft)	7.98
Square Pier? (Y/N)	N

Recommended Spacing (in)	5 to 12
--------------------------	---------

Minimum Pier A _s (in ²)	45.80
Recommended Spacing (in)	5 to 12

Volume of Concrete (yd³) 70.77

Two-Way Shear Action:

Average d (in)	19.73
φv _c (ksi)	0.187
φv _c = φ(2 + 4/β _c)f' _c ^{1/2}	0.302
φv _c = φ(α _s d/b _o +2)f' _c ^{1/2}	0.187
φv _c = φ4f' _c ^{1/2}	0.201
Shear perimeter, b _o (in)	461.77
β _c	1

v _u (ksi)	0.110
----------------------	-------

J (in ³)	2.038E+07
c + d (in)	115.44
0.40M _{sc} (ft-kips)	2978.5

One-Way Shear:

φV _c (kips)	679.0
------------------------	-------

V _u (kips)	478.3
-----------------------	-------

Stability:

Overturning Design Strength (ft-k)	9171.3
------------------------------------	--------

Total Applied M (ft-k)	7546.1
------------------------	--------

Pier-Slab Transfer by Flexure:

b_{slab} (ft)	15.00		
ϕM_n (ft-kips)	4560.9	$0.60M_{sc}$ (ft-kips)	4467.8

Pier Design:

ϕV_n (kips)	1539.6	V_u (kips)	49.9
$\phi V_c = \phi 2(1 + N_u / (2000A_g)) f'_c{}^{1/2} b_w d$	943.2		
V_s (kips)	795.2	*** $V_s \max = 4 f'_c{}^{1/2} b_w d$ (kips)	2503.8
Maximum Spacing (in)	6.78	(Only if Shear Ties are Required)	
Actual Hook Development (in)	18.46	Req'd Hook Development l_{dh} (in) - Tension	15.90
		Req'd Hook Development l_{dc} (in) - Compression	17.15

Flexure in Slab:

ϕM_n (ft-kips)	4332.9	M_u (ft-kips)	3616.7
a (in)	2.38		
Steel Ratio	0.00770		
β_1	0.825		
Maximum Steel Ratio (ρ_t)	0.0197		
Minimum Steel Ratio	0.0018		
Rebar Development in Pad (in)	114.00	Required Development in Pad (in)	34.08

Condition	1 is OK, 0 Fails
Maximum Soil Bearing Pressure	1
Pier Area of Steel	1
Pier Shear	1
Interaction Diagram	1
Two-Way Shear Action	1
One-Way Shear Action	1
Overturning	1
Flexure	1
Steel Ratio	1
Length of Development in Pad	1
Hook Development	1
Anchor Bolt Pullout	1
Anchor Bolt Punching Shear	1

=====
LFile for Windows, Version 2019-11.009

Analysis of Individual Files and Drilled Shafts
Subjected to Lateral Loading Using the p-y Method
© 1985-2019 by Ensoft, Inc.
All Rights Reserved

=====
This copy of LFile is being used by:

TTW
Sioux City

Serial Number of Security Device: 227885655

This copy of LFile is licensed for exclusive use by:

Sabre Communications Corporation

Use of this program by any entity other than Sabre Communications Corporation
is a violation of the software license agreement.

Files Used for Analysis

Path to file locations:
\Program Files (x86)\Ensoft\Lpile2019\files\

Name of input data file:
24-4809-TJH.lp11d

Name of output report file:
24-4809-TJH.lp11o

Name of plot output file:
24-4809-TJH.lp11p

Name of runtime message file:
24-4809-TJH.lp11r

Date and Time of Analysis

Date: April 2, 2024

Time: 10:14:30

Problem Title

Site : TI-OPP-32968, KY

Tower : 190' Monopole

Prepared for : TILLMAN INFRASTRUCTURE, LLC

Job Number : 24-4809-TJH

Engineer : TTW

Program Options and Settings

Computational Options:

- Conventional Analysis
- Engineering Units Used for Data Input and Computations:
- US Customary System Units (pounds, feet, inches)

Analysis Control Options:

- Maximum number of iterations allowed = 999
- Deflection tolerance for convergence = 1.0000E-05 in
- Maximum allowable deflection = 100.0000 in
- Number of pile increments = 100

Loading Type and Number of Cycles of Loading:

- Static loading specified
- Use of p-y modification factors for p-y curves not selected
- Analysis uses layering correction (Method of Georgiadis)
- No distributed lateral loads are entered
- Loading by lateral soil movements acting on pile not selected
- Input of shear resistance at the pile tip not selected
- Input of moment resistance at the pile tip not selected
- Input of side resistance moment along pile not selected
- Computation of pile-head foundation stiffness matrix not selected
- Push-over analysis of pile not selected
- Buckling analysis of pile not selected

Output Options:

- Output files use decimal points to denote decimal symbols.
- Report only summary tables of pile-head deflection, maximum bending moment, and maximum shear force in output report file.
- No p-y curves to be computed and reported for user-specified depths
- Print using wide report formats

Pile Structural Properties and Geometry

- Number of pile sections defined = 1
- Total length of pile = 31.500 ft
- Depth of ground surface below top of pile = 0.5000 ft

Pile diameters used for p-y curve computations are defined using 2 points.

p-y curves are computed using pile diameter values interpolated with depth over the length of the pile. A summary of values of pile diameter vs. depth follows.

Point No.	Depth Below Pile Head feet	Pile Diameter inches
1	0.000	108.0000
2	31.500	108.0000

Input Structural Properties for Pile Sections:

Pile Section No. 1:

- Section 1 is a round drilled shaft, bored pile, or CIDH pile
- Length of section = 31.500000 ft
- Shaft Diameter = 108.000000 in
- Shear capacity of section = 0.0000 lbs

Ground Slope and Pile Batter Angles

- Ground Slope Angle = 0.000 degrees
- = 0.000 radians
- Pile Batter Angle = 0.000 degrees
- = 0.000 radians

Soil and Rock Layering Information

 The soil profile is modelled using 3 layers

Layer 1 is stiff clay without free water

Distance from top of pile to top of layer = 0.500000 ft
 Distance from top of pile to bottom of layer = 2.500000 ft
 Effective unit weight at top of layer = 120.000000 pcf
 Effective unit weight at bottom of layer = 120.000000 pcf
 Undrained cohesion at top of layer = 500.000000 psf
 Undrained cohesion at bottom of layer = 500.000000 psf
 Epsilon-50 at top of layer = 0.020000
 Epsilon-50 at bottom of layer = 0.020000

Layer 2 is stiff clay without free water

Distance from top of pile to top of layer = 2.500000 ft
 Distance from top of pile to bottom of layer = 18.500000 ft
 Effective unit weight at top of layer = 120.000000 pcf
 Effective unit weight at bottom of layer = 120.000000 pcf
 Undrained cohesion at top of layer = 1500. psf
 Undrained cohesion at bottom of layer = 1500. psf
 Epsilon-50 at top of layer = 0.007000
 Epsilon-50 at bottom of layer = 0.007000

Layer 3 is stiff clay without free water

Distance from top of pile to top of layer = 18.500000 ft
 Distance from top of pile to bottom of layer = 40.500000 ft
 Effective unit weight at top of layer = 120.000000 pcf
 Effective unit weight at bottom of layer = 120.000000 pcf
 Undrained cohesion at top of layer = 2500. psf
 Undrained cohesion at bottom of layer = 2500. psf
 Epsilon-50 at top of layer = 0.005000
 Epsilon-50 at bottom of layer = 0.005000

(Depth of the lowest soil layer extends 9.000 ft below the pile tip)

 Summary of Input Soil Properties

Layer Num.	Soil Type Name (p-y Curve Type)	Layer Depth ft	Effective Unit Wt. pcf	Cohesion psf	E50 or krm
1	Stiff Clay w/o Free Water	0.5000	120.0000	500.0000	0.02000
2	Stiff Clay w/o Free Water	2.5000	120.0000	1500.	0.00700
3	Stiff Clay w/o Free Water	18.5000	120.0000	2500.	0.00500
		40.5000	120.0000	2500.	0.00500

 Static Loading Type

Static loading criteria were used when computing p-y curves for all analyses.

 Pile-head Loading and Pile-head Fixity Conditions

Number of loads specified = 2

Load Analysis No.	Load Type	Condition 1	Condition 2	Axial Thrust Force, lbs	Compute Top y vs. Pile Length	Run
1	1	V = 66593. lbs	M = 115544000. in-lbs	110637.	No	
Yes						

2 1 V = 14300. lbs M = 24772000. in-lbs 69189. No
 Yes

V = shear force applied normal to pile axis
 M = bending moment applied to pile head
 y = lateral deflection normal to pile axis
 S = pile slope relative to original pile batter angle
 R = rotational stiffness applied to pile head
 Values of top y vs. pile lengths can be computed only for load types with
 specified shear loading (Load Types 1, 2, and 3).
 Thrust force is assumed to be acting axially for all pile batter angles.

 Computations of Nominal Moment Capacity and Nonlinear Bending Stiffness

Axial thrust force values were determined from pile-head loading conditions

Number of Pile Sections Analyzed = 1

File Section No. 1:

Dimensions and Properties of Drilled Shaft (Bored Pile):

Length of Section = 31.500000 ft
 Shaft Diameter = 108.000000 in
 Concrete Cover Thickness (to edge of long. rebar) = 3.625000 in
 Number of Reinforcing Bars = 50 bars
 Yield Stress of Reinforcing Bars = 60000. psi
 Modulus of Elasticity of Reinforcing Bars = 29000000. psi
 Gross Area of Shaft = 9161. sq. in.
 Total Area of Reinforcing Steel = 63.338435 sq. in.
 Area Ratio of Steel Reinforcement = 0.69 percent
 Edge-to-Edge Bar Spacing = 4.976401 in
 Maximum Concrete Aggregate Size = 0.750000 in
 Ratio of Bar Spacing to Aggregate Size = 6.64
 Offset of Center of Rebar Cage from Center of Pile = 0.0000 in

Axial Structural Capacities:

Nom. Axial Structural Capacity = $0.85 F_c A_c + F_y A_s$ = 38598.419 kips
 Tensile Load for Cracking of Concrete = -4217.352 kips
 Nominal Axial Tensile Capacity = -3800.306 kips

Reinforcing Bar Dimensions and Positions Used in Computations:

Bar Number	Bar Diam. inches	Bar Area sq. in.	X inches	Y inches
1	1.270000	1.266769	49.740000	0.000000
2	1.270000	1.266769	49.347785	6.234075
3	1.270000	1.266769	48.177326	12.369835
4	1.270000	1.266769	46.247082	18.310515
5	1.270000	1.266769	43.587494	23.962428
6	1.270000	1.266769	40.240505	29.236438
7	1.270000	1.266769	36.258900	34.049373
8	1.270000	1.266769	31.705469	38.325329
9	1.270000	1.266769	26.652025	41.996871
10	1.270000	1.266769	21.178262	45.006098
11	1.270000	1.266769	15.370505	47.305551
12	1.270000	1.266769	9.320347	48.858968
13	1.270000	1.266769	3.123200	49.641849
14	1.270000	1.266769	-3.123200	49.641849
15	1.270000	1.266769	-9.320347	48.858968
16	1.270000	1.266769	-15.370505	47.305551
17	1.270000	1.266769	-21.178262	45.006098
18	1.270000	1.266769	-26.652025	41.996871
19	1.270000	1.266769	-31.705469	38.325329
20	1.270000	1.266769	-36.258900	34.049373
21	1.270000	1.266769	-40.240505	29.236438
22	1.270000	1.266769	-43.587494	23.962428
23	1.270000	1.266769	-46.247082	18.310515
24	1.270000	1.266769	-48.177326	12.369835
25	1.270000	1.266769	-49.347785	6.234075
26	1.270000	1.266769	-49.740000	0.000000

27	1.270000	1.266769	-49.347785	-6.234075
28	1.270000	1.266769	-48.177326	-12.369835
29	1.270000	1.266769	-46.247082	-18.310515
30	1.270000	1.266769	-43.587494	-23.962428
31	1.270000	1.266769	-40.240505	-29.236438
32	1.270000	1.266769	-36.258900	-34.049373
33	1.270000	1.266769	-31.705469	-38.325329
34	1.270000	1.266769	-26.652025	-41.996871
35	1.270000	1.266769	-21.178262	-45.006098
36	1.270000	1.266769	-15.370505	-47.305551
37	1.270000	1.266769	-9.320347	-48.858968
38	1.270000	1.266769	-3.123200	-49.641849
39	1.270000	1.266769	3.123200	-49.641849
40	1.270000	1.266769	9.320347	-48.858968
41	1.270000	1.266769	15.370505	-47.305551
42	1.270000	1.266769	21.178262	-45.006098
43	1.270000	1.266769	26.652025	-41.996871
44	1.270000	1.266769	31.705469	-38.325329
45	1.270000	1.266769	36.258900	-34.049373
46	1.270000	1.266769	40.240505	-29.236438
47	1.270000	1.266769	43.587494	-23.962428
48	1.270000	1.266769	46.247082	-18.310515
49	1.270000	1.266769	48.177326	-12.369835
50	1.270000	1.266769	49.347785	-6.234075

NOTE: The positions of the above rebars were computed by LFile

Minimum spacing between any two bars not equal to zero = 4.976 inches
between bars 1 and 50.

Ratio of bar spacing to maximum aggregate size = 6.64

Concrete Properties:

Compressive Strength of Concrete = 4500. psi
Modulus of Elasticity of Concrete = 3823676. psi
Modulus of Rupture of Concrete = -503.115295 psi
Compression Strain at Peak Stress = 0.002001
Tensile Strain at Fracture of Concrete = -0.0001152
Maximum Coarse Aggregate Size = 0.750000 in

Number of Axial Thrust Force Values Determined from Pile-head Loadings = 2

Number	Axial Thrust Force kips
1	69.189
2	110.637

Summary of Results for Nominal Moment Capacity for Section 1

Moment values interpolated at maximum compressive strain = 0.003
or maximum developed moment if pile fails at smaller strains.

Load No.	Axial Thrust kips	Nominal Mom. Cap. in-kip	Max. Comp. Strain
1	69.189	178680.372	0.00300000
2	110.637	180363.765	0.00300000

Note that the values of moment capacity in the table above are not factored by a strength reduction factor (phi-factor).

In ACI 318, the value of the strength reduction factor depends on whether the transverse reinforcing steel bars are tied hoops (0.65) or spirals (0.75).

The above values should be multiplied by the appropriate strength reduction factor to compute ultimate moment capacity according to ACI 318, or the value required by the design standard being followed.

The following table presents factored moment capacities and corresponding bending stiffnesses computed for common resistance factor values used for reinforced concrete sections.

Axial Load No.	Resist. Factor	Nominal Ax. Thrust kips	Nominal Moment Cap in-kips	Ult. (Fac) Ax. Thrust kips	Ult. (Fac) Moment Cap in-kips	Bend. Stiff. at Ult Mom kip-in ²
1	0.65	69.188889	178680.	44.972778	116142.	4.8355E+09
2	0.65	110.637037	180364.	71.914074	117236.	4.8876E+09
1	0.75	69.188889	178680.	51.891667	134010.	4.6574E+09
2	0.75	110.637037	180364.	82.977778	135273.	4.7092E+09
1	0.90	69.188889	178680.	62.270000	160812.	3.0027E+09
2	0.90	110.637037	180364.	99.573333	162327.	3.0417E+09

Layering Correction Equivalent Depths of Soil & Rock Layers

Layer No.	Top of Layer Below Pile Head ft	Equivalent Top Depth Below Grnd Surf ft	Same Layer Type As Layer Above	Layer is Rock or is Below Rock Layer	F0 Integral for Layer lbs	F1 Integral for Layer lbs
1	0.5000	0.00	N.A.	No	0.00	29753.
2	2.5000	0.7228	Yes	No	29753.	903618.
3	18.5000	11.5323	Yes	No	933372.	N.A.

Notes: The F0 integral of Layer n+1 equals the sum of the F0 and F1 integrals for Layer n. Layering correction equivalent depths are computed only for soil types with both shallow-depth and deep-depth expressions for peak lateral load transfer. These soil types are soft and stiff clays, non-liquefied sands, and cemented c-phi soil.

Summary of Pile-head Responses for Conventional Analyses

Definitions of Pile-head Loading Conditions:

Load Type 1: Load 1 = Shear, V, lbs, and Load 2 = Moment, M, in-lbs
Load Type 2: Load 1 = Shear, V, lbs, and Load 2 = Slope, S, radians
Load Type 3: Load 1 = Shear, V, lbs, and Load 2 = Rot. Stiffness, R, in-lbs/rad.
Load Type 4: Load 1 = Top Deflection, y, inches, and Load 2 = Moment, M, in-lbs
Load Type 5: Load 1 = Top Deflection, y, inches, and Load 2 = Slope, S, radians

Load Case No.	Load Type	Pile-head Load 1	Load Type 2	Pile-head Load 2	Axial Loading lbs	Pile-head Deflection inches	Pile-head Rotation radians	Max Shear in Pile lbs	Max Moment in Pile in-lbs
1	V, lb	66593.	M, in-lb	1.16E+08	110637.	15.0854	-0.06159	-690778.	1.18E+08
2	V, lb	14300.	M, in-lb	2.48E+07	69189.	0.04270	-2.63E-04	-137840.	2.52E+07

Maximum pile-head deflection = 15.0854073060 inches
Maximum pile-head rotation = -0.0615914511 radians = -3.528930 deg.

The analysis ended normally.

IBC 1807.3.2.1

Moment (ft·k)	7,221.50	
Shear (k)	49.94	
Caisson diameter (ft)	9	
Caisson height above ground (ft)	0.5	
Caisson height below ground (ft)	29	
Lateral soil pressure (lb/ft ²)	300.00	
Ground to application of force, h (ft)	145.09	
Applied lateral force, P (lb)	49,944	
Lateral soil bearing pressure, S ₁ (lb/ft)	2,900.00	
Diameter, b (ft)	9	
A	4.48	$= (2.34P)/(S_1 b)$
Minimum depth of embedment, d (ft)	28.94	$= 0.5A[1 + (1 + (4.36h / A))^{1/2}]$

EXHIBIT D
COMPETING UTILITIES, CORPORATIONS, OR PERSONS LIST

KY Public Service Commission

Master Utility Search

- Search for the utility of interest by using any single or combination of criteria.

- Enter Partial names to return the closest match for Utility Name and Address/City/Contact entries.

Utility ID	Utility Name	Address/City/Contact	Utility Type	Status
<input type="text"/>	<input type="text"/>	<input type="text"/>	<input type="text"/>	Active <input type="text"/>

	Utility ID	Utility Name	Utility Type	Class	City	State
<input type="button" value="View"/>	4111300	2600Hz, Inc. dba ZSWITCH	Cellular	D	Henderson	NV
<input type="button" value="View"/>	4113600	AFNET, LLC	Cellular	D	Alpharetta	GA
<input type="button" value="View"/>	4108300	Air Voice Wireless, LLC d/b/a AirTalk Wireless	Cellular	A	Houston	TX
<input type="button" value="View"/>	4113150	ALLDATA COMMUNICATIONS CORP.	Cellular	D	Brooklyn	NY
<input type="button" value="View"/>	4111900	ALLNETAIR, INC.	Cellular	D	West Palm Beach	FL
<input type="button" value="View"/>	44451184	Alltel Corporation d/b/a Verizon Wireless	Cellular	A	Lisle	IL
<input type="button" value="View"/>	4110850	AltaWorx, LLC	Cellular	D	Fairhope	AL
<input type="button" value="View"/>	4107800	American Broadband and Telecommunications Company	Cellular	D	Toledo	OH
<input type="button" value="View"/>	4108650	AmeriMex Communications Corp.	Cellular	A	Safety Harbor	FL
<input type="button" value="View"/>	4105100	AmeriVision Communications, Inc. d/b/a Affinity 4	Cellular	D	Virginia Beach	VA
<input type="button" value="View"/>	4114250	Approved Contact LLC	Cellular	C	Reno	NV
<input type="button" value="View"/>	4115050	Aquarius Silver LLC	Cellular	C	Sheridan	WY
<input type="button" value="View"/>	4105700	Assurance Wireless USA, L.P.	Cellular	D	Atlanta	GA
<input type="button" value="View"/>	4114150	Atlantic Mobile US LLC d/b/a Angel Mobile	Cellular	C	Wilmington	DE
<input type="button" value="View"/>	4113100	BARK TECHNOLOGIES, INC.	Cellular	D	Atlanta	GA
<input type="button" value="View"/>	4108600	BCN Telecom, Inc.	Cellular	D	Morristown	NJ
<input type="button" value="View"/>	4106000	Best Buy Health, Inc. d/b/a GreatCall d/b/a Jitterbug	Cellular	A	San Diego	CA
<input type="button" value="View"/>	4111050	BlueBird Communications, LLC	Cellular	D	New York	NY

View	4107600	Boomerang Wireless, LLC	Cellular	A	Dallas	TX
View	4100700	Cellco Partnership dba Verizon Wireless	Cellular	A	Basking Ridge	NJ
View	4106600	Cintex Wireless, LLC	Cellular	D	Houston	TX
View	4112900	Clear Mobile, LLC	Cellular	D	Tulsa	OK
View	4114550	Cliq Communications LLC d/b/a Cliq Mobile	Cellular	D	Coral Gables	FL
View	4111150	Comcast OTR1, LLC	Cellular	A	Phoeniexville	PA
View	4113550	Comlink Total Solutions Corp	Cellular	C	Fort Myers	FL
View	4101900	Consumer Cellular, Incorporated	Cellular	A	Portland	OR
View	4112700	Cox Wireless, LLC	Cellular	D	Atlanta	GA
View	4108850	Cricket Wireless, LLC	Cellular	A	San Antonio	TX
View	4111500	CSC Wireless, LLC d/b/a Altice Wireless	Cellular	B	Long Island City	NY
View	4114000	Daywalker Mobile Inc.	Cellular	D	Bartlesville	OK
View	4112000	DISH Wireless L.L.C.	Cellular	A	Englewood	CO
View	4111200	Dynalink Communications, Inc.	Cellular	C	Brooklyn	NY
View	4111800	Earthlink, LLC	Cellular	B	Atlanta	GA
View	4101000	East Kentucky Network, LLC dba Appalachian Wireless	Cellular	A	Ivel	KY
View	4002300	Easy Telephone Service Company dba Easy Wireless	Cellular	D	Ocala	FL
View	4113250	Elevate Platforms, LLC	Cellular	D	Nashville	TN
View	4109500	Enhanced Communications Group, LLC	Cellular	D	Bartlesville	OK
View	4113800	EVOLVE WIRELESS LLC	Cellular	D	Maumee	OH
View	4110450	Excellus Communications, LLC	Cellular	D	Harrisburg	SD
View	4112400	Excess Telecom Inc.	Cellular	D	Beverly Hills	CA
View	4104800	France Telecom Corporate Solutions L.L.C.	Cellular	D	Herndon	VA
View	4111750	Gabb Wireless, Inc.	Cellular	B	Lehi	UT
View	4109350	Global Connection Inc. of America	Cellular	D	Newport	KY
View	4102200	Globalstar USA, LLC	Cellular	C	Covington	LA
View	4112850	GO TECHNOLOGY MANAGEMENT, LLC	Cellular	D	Atlanta	GA
View	4109600	Google North America Inc.	Cellular	A	Mountain View	CA
View	4113500	GR8 CONNECT Corp.	Cellular	C	Brooklyn	NY
View	33350363	Granite Telecommunications, LLC	Cellular	D	Quincy	MA
View	4114300	Group F Consulting, LLC	Cellular	D		
View	4114050	Helix Wireless Inc.	Cellular	C	Monmouth Junction	NJ
View	4111350	HELLO MOBILE TELECOM LLC	Cellular	D	Dania Beach	FL
View	4112950	Hoop Wireless, LLC	Cellular	D	Lakewood	NJ
View	4103100	i-Wireless, LLC	Cellular	C	Newport	KY
View	4112550	IDT Domestic Telecom, Inc.	Cellular	D	Newark	NJ
View	4109800	IM Telecom, LLC d/b/a Infiniti Mobile	Cellular	D	Plano	TX

View	4112650	Insight Mobile, Inc.	Cellular	D	Los Angeles	CA
View	4111950	J Rhodes Enterprises LLC	Cellular	D	Gulf Breeze	FL
View	22215360	KDDI America, Inc.	Cellular	D	Staten Island	NY
View	10872	Kentucky RSA #1 Partnership	Cellular	A	Basking Ridge	NJ
View	4112200	Lexvor Inc.	Cellular	D	Irvine	CA
View	4111250	Liberty Mobile Wireless, LLC	Cellular	B	Sunny Isles Beach	FL
View	4114900	Liberty Wireless, LLC	Cellular	C	Rockville	MD
View	4114750	Link Mobile, Inc.	Cellular	C	New York	NY
View	4111400	Locus Telecommunications, LLC	Cellular	D	Fort Lee	NJ
View	4114500	Lux Mobile USA, Inc	Cellular	D	Baton Rouge	LA
View	4107300	Lycamobile USA, Inc.	Cellular	D	Newark	NJ
View	4112500	Marconi Wireless Holdings, LLC	Cellular	B	Westlake Village	CA
View	4113850	MAXSIP TEL KENTUCKY LLC d/b/a Maxsip Telecom	Cellular	D	Woodmere	NY
View	4114800	Mediacom Wireless LLC	Cellular	C	Mediacom Park	NY
View	4108800	MetroPCS Michigan, LLC	Cellular	A	Bellevue	WA
View	4111700	Mint Mobile, LLC	Cellular	B	Costa Mesa	CA
View	4111850	Mobi, Inc.	Cellular	D	Honolulu	HI
View	4114100	MVNO Connect LLC	Cellular	D	St. Petersburg	FL
View	4113350	NatWireless, LLC	Cellular	D	Houston	TX
View	4202400	New Cingular Wireless PCS, LLC dba AT&T Mobility, PCS	Cellular	A	San Antonio	TX
View	4110700	Norcell, LLC	Cellular	D	Clayton	WA
View	4113700	Nova Labs, Inc. dba Helium Mobile	Cellular	C	Boulder	CO
View	4110750	Onvoy Spectrum, LLC	Cellular	D	Chicago	IL
View	4114950	Panda Mobile LLC	Cellular	C	Sparks	NV
View	4109050	Patriot Mobile LLC	Cellular	C	Grapevine	TX
View	4110250	Plintron Technologies USA LLC	Cellular	D	Bellevue	WA
View	33351182	PNG Telecommunications, Inc. dba PowerNet Global Communications	Cellular	D	Cincinnati	OH
View	4114850	POWER MOBILE LLC	Cellular	C	Rockville Centre	NY
View	4112800	Prepaid Wireless Group, LLC dba Prepaid Wireless Wholesale	Cellular	D	Rockville	MD
View	4114350	PRESTO WIRELESS Corp.	Cellular	D	Fair Lawn	NJ
View	4115000	Prosper Wireless LLC	Cellular	C	Sherman Oaks	CA
View	4107700	Puretalk Holdings, Inc.	Cellular	A	Covington	GA
View	4106700	Q Link Wireless, LLC	Cellular	A	Dania	FL
View	4108700	Ready Wireless, LLC	Cellular	D	Cedar Rapids	IA
View	4113200	Red Pocket Inc.	Cellular	D	Thousand Oaks	CA
View	4114200	Rocstar Wireless LLC	Cellular	D	Bedford	TX

View	4114700	Rocket Mobile LLC	Cellular	C	West Palm Beach	FL
View	4106200	Rural Cellular Corporation	Cellular	A	Basking Ridge	NJ
View	4108550	Sage Telecom Communications, LLC dba TruConnect	Cellular	A	Los Angeles	CA
View	4113050	Sarver Corporation	Cellular	D	Ontario	CA
View	4109150	SelectTel, Inc. d/b/a SelectTel Wireless	Cellular	A	Fremont	NE
View	4110150	Spectrotel of the South LLC dba Touch Base Communications	Cellular	D	Neptune	NJ
View	4111450	Spectrum Mobile, LLC	Cellular	A	St. Louis	MO
View	4114400	Splash Cellular Inc.	Cellular	C	Bountiful	UT
View	4200100	Sprint Spectrum, L.P.	Cellular	A	Atlanta	GA
View	4200500	SprintCom, LLC	Cellular	A	Atlanta	GA
View	4111600	STX Group LLC dba Twigby	Cellular	D	Murfreesboro	TN
View	4113450	Syntegra North America, LLC	Cellular	D	Denton	TX
View	4202200	T-Mobile Central, LLC dba T-Mobile	Cellular	A	Bellevue	WA
View	4002500	TAG Mobile Bankruptcy Sale Entity, LLC	Cellular	D	Plano	TX
View	4107200	Telefonica Global Solutions USA, Inc.	Cellular	D	Miami	FL
View	4112100	Tello LLC	Cellular	A	Atlanta	GA
View	4108900	Telrite Corporation	Cellular	D	Covington	GA
View	4108450	Tempo Telecom, LLC	Cellular	D	Dallas	TX
View	4113900	TERRACOM Inc. d/b/a Maxsip Tel	Cellular	C	Chattanooga	TN
View	4113950	THE LIGHT PHONE INC.	Cellular	D	Brooklyn	NY
View	4110400	Torch Wireless Corp.	Cellular	B	Bartlett	TN
View	4103300	Touchtone Communications, Inc.	Cellular	D	Cedar Knolls	NJ
View	4104200	TracFone Wireless, Inc.	Cellular	D	Miami	FL
View	4112250	TROOMI WIRELESS, Inc.	Cellular	D	Orem	UT
View	4114600	TruConnect Communications, Inc.	Cellular	C	Los Angeles	CA
View	4002000	Truphone, Inc.	Cellular	D	Durham	NC
View	4112600	Tube Incorporated dba Reach Mobile	Cellular	D	Atlanta	GA
View	4112750	Unity Wireless, Inc.	Cellular	D	Pembroke Pines	FL
View	4110300	UVNV, Inc. d/b/a Mint Mobile	Cellular	D	Costa Mesa	CA
View	10630	Verizon Americas LLC dba Verizon Wireless	Cellular	A	Basking Ridge	NJ
View	4113300	Via Wireless, LLC	Cellular	D	Houston	TX
View	4110800	Visible Service LLC	Cellular	D	Basking Ridge	NJ
View	4113750	VOLT MOBILE Inc	Cellular	C	Delray Beach	FL
View	4114450	WeIncentivize LLC d/b/a ChosenWireless	Cellular	C	San Diego	CA
View	4113000	Whoop Connect Inc.	Cellular	D	Melbourne	FL
View	4106500	WiMacTel, Inc.	Cellular	D	Calgary, AB	CA
View	4110950	Wing Tel Inc.	Cellular	D	New York	NY

View	4113400	Wrizzle, Inc.	Cellular	D	New Milford	CT
View	4113650	XCHANGE TELECOM LLC	Cellular	D	Brooklyn	NY
View	4112150	Zefcom, LLC	Cellular	C	Wichita Falls	TX

EXHIBIT E
FAA

Federal Airways & Airspace
Summary Report: New Construction
Antenna Tower

Airspace User: Not Identified

File: 16147981

Location: Eddyville,KY

Latitude: 37°0'42.42"N(37.011783) Longitude: 87°54'25.33"W(-87.907035)

SITE ELEVATION AMSL.....551 ft.

STRUCTURE HEIGHT.....195 ft.

OVERALL HEIGHT AMSL.....746 ft.

NOTICE CRITERIA

- FAR 77.9(a): NNR (DNE 200 ft AGL)
- FAR 77.9(b): NNR (DNE Notice Slope)
- FAR 77.9(c): NNR (Not a Traverse Way)
- FAR 77.9: NNR FAR 77.9 IFR Straight-In Notice Criteria
- FAR 77.9: NNR FAR 77.9 IFR Offset Notice Criteria
- FAR 77.9: NNR (DNE EMI Notice Screening Criteria)
- FAR 77.9(d): NNR (Off Airport Construction)

NR = Notice Required

NNR = Notice Not Required

PNR = Possible Notice Required (depends upon actual IFR procedure) For new construction review Air Navigation Facilities at bottom of this report.

Notice to the FAA is not required at the analyzed location and height for slope, height or Straight-In procedures. Please review the 'Air Navigation' section for notice requirements for offset IFR procedures and EMI. The maximum height to avoid notice is 751 ft AMSL.

OBSTRUCTION STANDARDS

- FAR 77.17(a)(1): DNE 499 ft AGL
- FAR 77.17(a)(2): DNE - Airport Surface
- FAR 77.19(a): DNE - Horizontal Surface
- FAR 77.19(b): DNE - Conical Surface
- FAR 77.19(c): DNE - Primary Surface
- FAR 77.19(d): DNE - Approach Surface
- FAR 77.19(e): DNE - Transitional Surface
- FAR 77.21(a)(1): DNE - Inner Horizontal Surface
- FAR 77.21(a)(2): DNE - Conical Surface
- FAR 77.21(a)(3): DNE - Outer Horizontal Surface
- FAR 77.21(b)(1): DNE - Primary Surface
- FAR 77.21(b)(2): DNE - Clear Zone Surface
- FAR 77.21(b)(3): DNE - Approach Surface
- FAR 77.21(b)(4): DNE - Transitional Surface
- FAR 77.23(b): DNE - Approach Surface

VFR TRAFFIC PATTERN AIRSPACE FOR :2M0: PRINCETON-CALDWELL COUNTY

Type: A RD: 38526.68 RE: 584.3

- FAR 77.17(a)(1): DNE 499 ft AGL
- FAR 77.17(a)(2): DNE - Greater than 5.99 NM
- VFR Horizontal Surface: DNE
- VFR Conical Surface: DNE
- VFR Primary Surface: DNE
- VFR Approach Surface: DNE
- FVFR Transitional Surface: DNE

VFR TRAFFIC PATTERN AIRSPACE FOR :1M9: LAKE BARKLEY STATE PARK

Type: A RD: 68417.23 RE: 570

- FAR 77.17(a)(1): DNE 499 ft AGL

FAR 77.17(a)(2): DNE - Greater than 5.99 NM
VFR Horizontal Surface: DNE
VFR Conical Surface: DNE
VFR Primary Surface: DNE
VFR Approach Surface: DNE
FVFR Transitional Surface: DNE

AIR NAVIGATION ELECTRONIC FACILITIES

APCH		FAC	ST		DIST		DELTA		GRND	
IDNT	TYPE	AT	FREQ	VECTOR	(ft)	ELEVA	ST	LOCATION	ANGLE	
BEAR										
HOP	ATCT	I	A/G	136.55	171206	+52	KY	CAMPBELL AAF	.02	
HXW	TACAN	R	114.9	138.04	172909	+203	KY	SCREAMING EAGLE RWY 23	.07	
FKP	LOCALIZER	I	111.9	137.74	173618	+194	KY	CAMPBELL A RWY 23	.06	
FK	NDB	I	27	124.89	175563	+153	KY	AIRBE	.05	
FKP	LOM	I		124.89	175607	+153	KY	RWY 23	.05	
HOP	RADAR	I		135.43	177121	+83	KY	CAMPBELL AAF	.03	
EUY	LOCALIZER	I	110.5	227.07	189997	+166	KY	RWY 23 KYLE- OAKLE	.05	
CKV	LOCALIZER	I	111.7	134.17	198948	+199	TN	RWY 35 OUTLAW FLD	.06	
EOD	ATCT	I	A/G	142.41	202697	+17	TN	SABRE AAF (FORT C	0.00	
CKV	VOR/DME	R	110.6	134.59	202701	+208	TN	CLARKSVILLE	.06	
KHPX	RADAR WXL	Y		119.01	207508	+132	KY	FORT CAMPBELL WXL	.04	
CK	NDB	I	33	139.34	233173	+245	TN	SNUFF	.06	
CKV	LOM	I		139.34	233179	+245	TN	RWY 35 OUTLAW FLD	.06	

CFR Title 47, §1.30000-§1.30004 AM STUDY NOT REQUIRED: Structure is not near a FCC licensed AM station. Movement Method Proof specified in §73.151(c) is not required. Please review AM Station Report for details.

SECTION 2110 FAA EXTENSION, SAFETY AND SECURITY ACT - RURAL AREA ANALYSIS

Object Located Within Rural Area, User has identified location is on or adjacent to Agricultural Land.
***** Rural Tower Registration Required Once FAA Begins Program. *****

Airspace® Summary Version 20.11.602

AIRSPACE® and TERPS® are registered ® trademarks of Federal Airways & Airspace® Copyright © 1989 - 2020

18/03/2024 02:45

EXHIBIT F
KENTUCKY AIRPORT ZONING COMMISSION



KENTUCKY TRANSPORTATION CABINET
KENTUCKY AIRPORT ZONING COMMISSION

APPLICATION FOR PERMIT TO CONSTRUCT OR ALTER A STRUCTURE

APPLICANT (name)		PHONE	
ADDRESS (street)		CITY	
STATE		ZIP	
APPLICANT'S REPRESENTATIVE (name)		PHONE	
ADDRESS (street)		CITY	
STATE		ZIP	
APPLICATION FOR <input type="checkbox"/> New Construction <input type="checkbox"/> Alteration <input type="checkbox"/>		WORK SCHEDULE	
DURATION <input type="checkbox"/> Permanent <input type="checkbox"/> Temporary (months days)		Start End	
TYPE <input type="checkbox"/> Crane <input type="checkbox"/> Building <input type="checkbox"/> Antenna <input type="checkbox"/> Tower Other (describe) <input type="checkbox"/> Power Line <input type="checkbox"/>		MARKING/PAINTING/LIGHTING PREFERRED <input type="checkbox"/> Flag-Orange & White White- medium intensity <input type="checkbox"/> Dual- red & medium intensity white <input type="checkbox"/> Dual- red & high intensity white <input type="checkbox"/> Other	
LATITUDE 37 ° 00 '42 . 419"		LONGITUDE -87 ° 54' 25 . 32 "	
DATUM <input type="checkbox"/> NAD83 <input type="checkbox"/> NAD27 <input type="checkbox"/> Other			
NEAREST KENTUCKY City		Name and Phone # of on-site POC	
SITE ELEVATION (AMSL, feet)		TOTAL STRUCTURE HEIGHT (AGL, feet)	
CURRENT (FAA aeronautical study #)		PREVIOUS (FAA aeronautical study #)	
OVERALL HEIGHT (site elevation plus total structure height, feet)			
DISTANCE (from nearest Kentucky public use or Military airport to structure)			
DIRECTION (from nearest Kentucky public use or Military airport to structure)			
DESCRIPTION OF LOCATION (Marked drawing, Google Map, or any certified survey.)			
DESCRIPTION OF PROPOSAL			
FAA Form 7460-1 (Has the "Notice of Construction or Alteration" been filed with the Federal Aviation Administration?) <input type="checkbox"/> No <input type="checkbox"/> Yes, when?			
CERTIFICATION (I hereby certify that all the above entries, made by me, are true, complete, and correct to the best of my knowledge and belief.)			
PENALTIES (Persons failing to comply with KRS 183.861 to 183.990 and 602 KAR 050 are liable for fines and/or imprisonment as set forth in KRS 183.990(3). Noncompliance with FAA regulations may result in further penalties.)			
NAME		TITLE	
SIGNATURE <i>Tania Rogers</i>		DATE	

From: [Airport Zoning Commission](#)
To: [Tania Rogers](#)
Cc: [Airport Zoning Commission](#)
Subject: FW: Meadowview_KAZC application - Permit not Required
Date: Tuesday, April 9, 2024 4:38:24 PM
Attachments: [image001.png](#)
[image004.png](#)
[image005.png](#)
[image006.png](#)
[image007.png](#)
[image008.png](#)
[TC 55-2 rev 08-23 Meadowview_KAZC.pdf](#)
[Meadowview - Final Survey Rev1 10.24.23 \(1\).pdf](#)

WARNING: This message was sent from outside the company. Please exercise your best judgement when opening or responding.

Tania,

Thank you for checking on this location and height.
The location and height are not in KAZC's jurisdiction, and no KAZC Permit is required.
This application is not required to be approved by the KY Airport Zoning Commission.

Aeronautical Study Result

The structure is not in KAZC's jurisdiction and does not require a permit.

Structure's Coordinates: 37°00'42.42"N, 87°54'25.32"W

Structure's Height : 195 ft.

User-submitted ground elevation is 551 ft.

DEM's ground elevation is 550.76 ft (KYAPED 2-FT DEM Phase 2).

Contact us if you have any questions.

Regards,



Anthony Adams
KY AIRPORT ZONING
COMMISSION, ADMINISTRATOR
Department of Aviation
90 Airport Road, Bldg 400
Frankfort, Kentucky 40601
(502) 564-0151 office
(502) 330-4022 mobile
[Airport Zoning Commission | KYTC](#)

From: Tania Rogers <vania.rogers@smartlinkgroup.com>
Sent: Monday, March 18, 2024 1:29 PM
To: Adams, Anthony W (KYTC) <anthony.adams@ky.gov>
Subject: Meadowview_KAZC application

****CAUTION** PDF attachments may contain links to malicious sites. Please contact the COT Service Desk ServiceCorrespondence@ky.gov for any assistance.**

Please see attached application and survey for Meadowview .

Thank you,



Tania Rogers

Project Manager

📞 919-760-7923

✉️ Tania.rogers@smartlinkgroup.com

📍 10 Church Circle, Annapolis, MD 21401

🌐 www.smartlinkgroup.com



EXHIBIT G
GEOTECHNICAL REPORT

GEOTECHNICAL REPORT

Meadowview

(16147981)

37° 00' 42.42" N

87° 54' 23.33" W

State Route 1272
Princeton, Caldwell County, Kentucky

Prepared For:



Prepared By:





March 25, 2024

Ms. Michelle Ward
AT&T Mobility, LLC
1120 20th Street
Washington, DC 20036

Re: Geotechnical Report – **PROPOSED MONOPOLE TOWER**
Site Name: **Meadowview**
Site Address: State Route 1272, Princeton, Caldwell County, Kentucky
Coordinates: N37° 00' 42.42" W87° 54' 25.33"
POD Project No. 23-157985

Dear Ms. Michelle Ward:

Attached is our geotechnical engineering report for the referenced project. This report contains our findings, an engineering interpretation of these findings with respect to the available project characteristics, and recommendations to aid design and construction of the tower and equipment support foundations.

We appreciate the opportunity to be of service to you on this project. If you have any questions regarding this report, please contact our office.

Cordially,

Mark Patterson, P.E.
Geotechnical Engineer



Copies submitted: (3) Ms. Michelle Ward

LETTER OF TRANSMITTAL

TABLE OF CONTENTS

	<u>Page</u>
1. PURPOSE AND SCOPE.....	1
2. PROJECT CHARACTERISTICS	1
3. SUBSURFACE CONDITIONS	1
4. FOUNDATION DESIGN RECOMMENDATIONS	2
4.1. PROPOSED TOWER	2
4.1.1. Drilled Piers	3
4.1.2. Mat Foundation	3
4.2. EQUIPMENT PLATFORM.....	4
4.3. EQUIPMENT SLAB.....	4
4.4. EQUIPMENT BUILDING	4
4.5. DRAINAGE AND GROUNDWATER CONSIDERATIONS.....	5
5. GENERAL CONSTRUCTION PROCEDURES AND RECOMMENDATIONS.....	5
5.1 DRILLED PIERS	5
5.2 FILL COMPACTION	6
5.3 CONSTRUCTION DEWATERING	6
6 FIELD INVESTIGATION	7
7 WARRANTY AND LIMITATIONS OF STUDY	7

APPENDIX

BORING LOCATION PLAN
BORING LOG
SOIL SAMPLE CLASSIFICATION

Geotechnical Report
PROPOSED TOWER

Site Name: **Meadowview**
State Route 1272, Princeton, Caldwell County, Kentucky
N37° 00' 42.42" W87° 54' 25.33"

1. PURPOSE AND SCOPE

The purpose of this study was to determine the general subsurface conditions at the site of the proposed tower by drilling three borings and to evaluate this data with respect to foundation concept and design for the proposed tower and shelter. Also included is an evaluation of the site with respect to potential construction problems and recommendations dealing with quality control during construction.

2. PROJECT CHARACTERISTICS

Our client is proposing to construct a tower and either an equipment shelter, slab or platform at N37° 00' 42.42" W87° 54' 25.33", State Route 1272, Princeton, Caldwell County, Kentucky. The site located in an open farm field in a rural area east of I-24 and the Land Between the Lakes. The proposed lease area will be 10,000 square feet and will be accessed from State Route 1272 along an existing farm road running northeast to the proposed lease area. The elevation at the proposed tower location is about EL 551 and there about 2 feet change in elevation across the proposed lease area. The development will also include a small equipment shelter near the base of the tower. The proposed tower location is shown on the Boring Location Plan in the Appendix.

3. SUBSURFACE CONDITIONS

The subsurface conditions were explored by drilling three test borings near the base of the proposed tower. The Geotechnical Soil Test Boring Logs, which are included in the Appendix, describes the materials and conditions encountered. A sheet defining the terms and symbols used on the boring logs is also included in the Appendix. The general subsurface conditions disclosed by the test borings are discussed in the following paragraphs.

According to the Kentucky Geological Survey, Kentucky Geologic Map Information Services, the site is underlain by the Upper Mississippian age Ste Genevieve and St. Louis Limestone Formations. These formations consist of course grained limestone with chert throughout and have an intensely high karst potential. No sinkholes were mapped at the site. However, there are many sinkholes mapped within one mile of the site. Most all of southcentral Kentucky area is highly karst and it is an inherited risk in building in the area.

The borings encountered a thin veneer of topsoil at the existing ground surface. Below the topsoil, the borings

encountered silty clay (CL-CH) that became clay (CH) of medium to high plasticity. The SPT N-values in the clay soil were between 6 to 28 blows per foot (bpf) generally indicating a medium to very stiff consistency. Higher SPT N-values in the deeper soil may have been inflated by the significant amount of chert fragments in the soil. The borings were terminated at the scheduled depths of 20 and 40 feet in the clay.

Observations made at the completion of soil drilling operations indicated the borings to be dry. It must be noted, however, that short-term water readings in test borings are not necessarily a reliable indication of the actual groundwater level. Furthermore, it must be emphasized that the groundwater level is not stationary, but will fluctuate seasonally.

Based on the limited subsurface conditions encountered at the site and using Table 1615.1.1 of the 2018 Kentucky Building Code, the site class is considered "C". Seismic design requirements for telecommunication towers are given in section 1622 of the code. A detailed seismic study was beyond the scope of this report.

4. FOUNDATION DESIGN RECOMMENDATIONS

The following design recommendations are based on the previously described project information, the subsurface conditions encountered in our borings, the results of our laboratory testing, empirical correlations for the soil types encountered, our analyses, and our experience. If there is any change in the project criteria or structure location, you should retain us to review our recommendations so that we can determine if any modifications are required. The findings of such a review can then be presented in a supplemental report or addendum.

We recommend that the geotechnical engineer be retained to review the near-final project plans and specifications, pertaining to the geotechnical aspects of the project, prior to bidding and construction. We recommend this review to check that our assumptions and evaluations are appropriate based on the current project information provided to us, and to check that our foundation and earthwork recommendations were properly interpreted and implemented.

4.1. Proposed Tower

Our findings indicate that the proposed tower can be supported on drilled piers or on a common mat foundation.

4.1.1. Drilled Piers

The following table summarizes the recommended values for use in analyzing lateral and frictional resistance for the various strata encountered at the test boring. It is important to note that these values are estimated based on the standard penetration test results and soil types, and were not directly measured. The all values provided are ultimate values and appropriate factors of safety should be used in conjunction with these values. If the piers will bear deeper than about 40 feet, a deeper boring should be drilled to determine the nature of the deeper material.

Depth Below Ground Surface, feet	0 - 2	2 - 18	18 - 40
Ultimate Bearing Pressure (psf)		8,300	13,800
C Undrained Shear Strength, psf	500	1,500	2,500
ϕ Angle of Internal Friction degrees	0	0	0
Total Unit Weight, pcf	120	120	120
Soil Modulus Parameter k, pci	30	500	500
Passive Soil Pressure, psf/one foot of depth		1,500 + 40(D-2)	1,675 + 40(D-18)
Side Friction, psf		300	500

Note: D = Depth below ground surface (in feet) to point at which the passive pressure is calculated.

It is important that the drilled piers be installed by an experienced, competent drilled pier contractor who will be responsible for properly installing the piers in accordance with industry standards and generally accepted methods, without causing deterioration of the subgrade. The recommendations contained herein relate only to the soil-pier interaction and do not account for the structural design of the piers.

4.1.2. Mat Foundation

The tower could be supported on a common mat foundation bearing on the clay at a minimum of 4 feet can be designed using a net ultimate soil pressure of 7,000 pounds per square foot may be used. An appropriate factor of

safety shall be applied. A friction value of 0.30 may be used between the concrete and the clay soil. The passive pressures given for the drilled pier foundation may be used to resist lateral forces.

It is important that the mat be designed with an adequate factor of safety with regard to overturning under the maximum design wind load.

4.2. Equipment Platform

An equipment platform may be supported on shallow piers bearing in the natural clay and designed for a net ultimate soil pressure of 5,000 pounds per square foot. An appropriate factor of safety shall be applied. The piers should bear at a depth of at least 30 inches to minimize the effects of frost action. All existing topsoil or soft natural soil should be removed beneath footings.

4.3. Equipment Slab

A concrete slab supporting the equipment must be supported on at least 6-inch layer of relatively clean granular material such as gravel or crushed stone containing not more than 10 percent material that passes through a No. 4 sieve. This is to help distribute concentrated loads and equalize moisture conditions beneath the slab. Provided that a minimum of 6 in. of granular material is placed below the slab, a modulus of subgrade reaction (k_{30}) of 110 lbs/cu.in. can be used for design of the slab. All existing topsoil or soft natural soil should be removed beneath crushed stone layer.

4.4. Equipment Building

If an equipment building support on a slab is chosen in place of the equipment platform, it may be supported on shallow spread footings bearing in the natural clay soil and designed for a net ultimate soil pressure of 5,000 pounds per square foot. An appropriate factor of safety shall be applied.

The footings should be at least ten inches wide. If the footings bear on soil they should bear at a depth of at least 30 inches to minimize the effects of frost action. All existing topsoil or soft natural soil should be removed beneath footings.

The floor slab for the new equipment building can be supported on firm natural soils or on new compacted structural fill. Floor slabs must be supported on at least 4-inch layer of relatively clean granular material such as gravel or crushed stone containing not more than 10 percent material that passes through a No. 4 sieve. This is to

help distribute concentrated loads and equalize moisture conditions beneath the slab. Provided that a minimum of 4 in. of granular material is placed below the slab, a modulus of subgrade reaction (k_{30}) of 110 lbs/cu.in. can be used for design of the floor slabs.

4.5. Drainage and Groundwater Considerations

Good site drainage must be provided. Surface run-off water should be drained away from the tower and platform and not allowed to pond. It is recommended that all foundation concrete be placed the same day the excavation is made.

At the time of this investigation, groundwater was not encountered. Therefore, no special provisions regarding groundwater control are considered necessary for shallow foundations. Any seepage should be able to be pumped with sumps.

5. GENERAL CONSTRUCTION PROCEDURES AND RECOMMENDATIONS

It is possible that variations in subsurface conditions will be encountered during construction. Although only minor variations that can be readily evaluated and adjusted for during construction are anticipated, it is recommended the geotechnical engineer or a qualified representative be retained to perform continuous inspection and review during construction of the soils-related phases of the work. This will permit correlation between the test boring data and the actual soil conditions encountered during construction.

5.1 Drilled Piers

The following recommendations are recommended for drilled pier construction:

- ▶ All piers must be poured the same day drilling is completed so that any shale is not allowed to swell. Clean the foundation bearing area so it is nearly level or suitably benched and is free of ponded water or loose material.
- ▶ Make provisions for ground water removal from the drilled shaft excavation. While the borings were dry prior to rock coring and significant seepage is not anticipated, the drilled pier contractor should have pumps on hand to remove water in the event seepage into the drilled pier is encountered.
- ▶ Specify concrete slumps ranging from 4 to 7 inches for the drilled shaft construction. These slumps are recommended to fill irregularities along the sides and bottom of the drilled hole, displace water as it is placed, and permit placement of reinforcing cages into the fluid concrete.

- Retain the geotechnical engineer to observe foundation excavations after the bottom of the hole is leveled, cleaned of any mud or extraneous material, and dewatered.
- Install a temporary protective steel casing to prevent side wall collapse, prevent excessive mud and water intrusion in the drilled shaft.
- The protective steel casing may be extracted as the concrete is placed provided a sufficient head of concrete is maintained inside the steel casing to prevent soil or water intrusion into the newly placed concrete.
- Direct the concrete placement into the drilled hole through a centering chute to reduce side flow or segregation.

5.2 Fill Compaction

All engineered fill placed adjacent to and above the tower foundation should be compacted to a dry density of at least 95 percent of the standard Proctor maximum dry density (ASTM D-698). This minimum compaction requirement should be increased to 98 percent for any fill placed below the tower foundation bearing elevation. Any fill placed beneath the tower foundation should be limited to well-graded sand and gravel or crushed stone. The compaction should be accomplished by placing the fill in about 8 inch (or less) loose lifts and mechanically compacting each lift to at least the specified minimum dry density. Field density tests should be performed on each lift as necessary to insure that adequate moisture conditioning and compaction is being achieved.

Compaction by flooding is not considered acceptable. This method will generally not achieve the desired compaction and the large quantities of water will tend to soften the foundation soils.

5.3 Construction Dewatering

If groundwater is encountered in the shallow foundations, it should be minor and can be handled by conventional dewatering methods such as pumping from sumps.

If groundwater is encountered in the drilled pier excavations, it may be more difficult since pumping directly from the excavations could cause a deterioration of the bottom of the excavation. If the pier excavations are not dewatered, concrete should be placed by the tremie method. If groundwater sits on the bottom of the foundation for longer than an hour, the bottom should be cleaned again before the pier is poured.

6 FIELD INVESTIGATION

Three soil test boring was drilled near the base of the existing tower. Split-spoon samples were obtained by the Standard Penetration Test (SPT) procedure (ASTM D1586) in all test borings. The borings were terminated at the scheduled depths of 20 and 40 feet. The split-spoon samples were inspected and visually classified by a geotechnical engineer. Representative portions of the soil samples were sealed in glass jars and returned to our laboratory.

The boring log is included in the Appendix along with a sheet defining the terms and symbols used on the logs and an explanation of the Standard Penetration Test (SPT) procedure. The log present visual descriptions of the soil strata encountered, Unified System soil classifications, groundwater observations, sampling information, laboratory test results, and other pertinent field data and observations.

7 WARRANTY AND LIMITATIONS OF STUDY

Our professional services have been performed, our findings obtained, and our recommendations prepared in accordance with generally accepted geotechnical engineering principles and practices. This warranty is in lieu of all other warranties, either express or implied. POD Group is not responsible for the independent conclusions, opinions or recommendations made by others based on the field exploration and laboratory test data presented in this report.

A geotechnical study is inherently limited since the engineering recommendations are developed from information obtained from test borings, which depict subsurface conditions only at the specific locations, times and depths shown on the log. Soil conditions at other locations may differ from those encountered in the test borings, and the passage of time may cause the soil conditions to change from those described in this report.

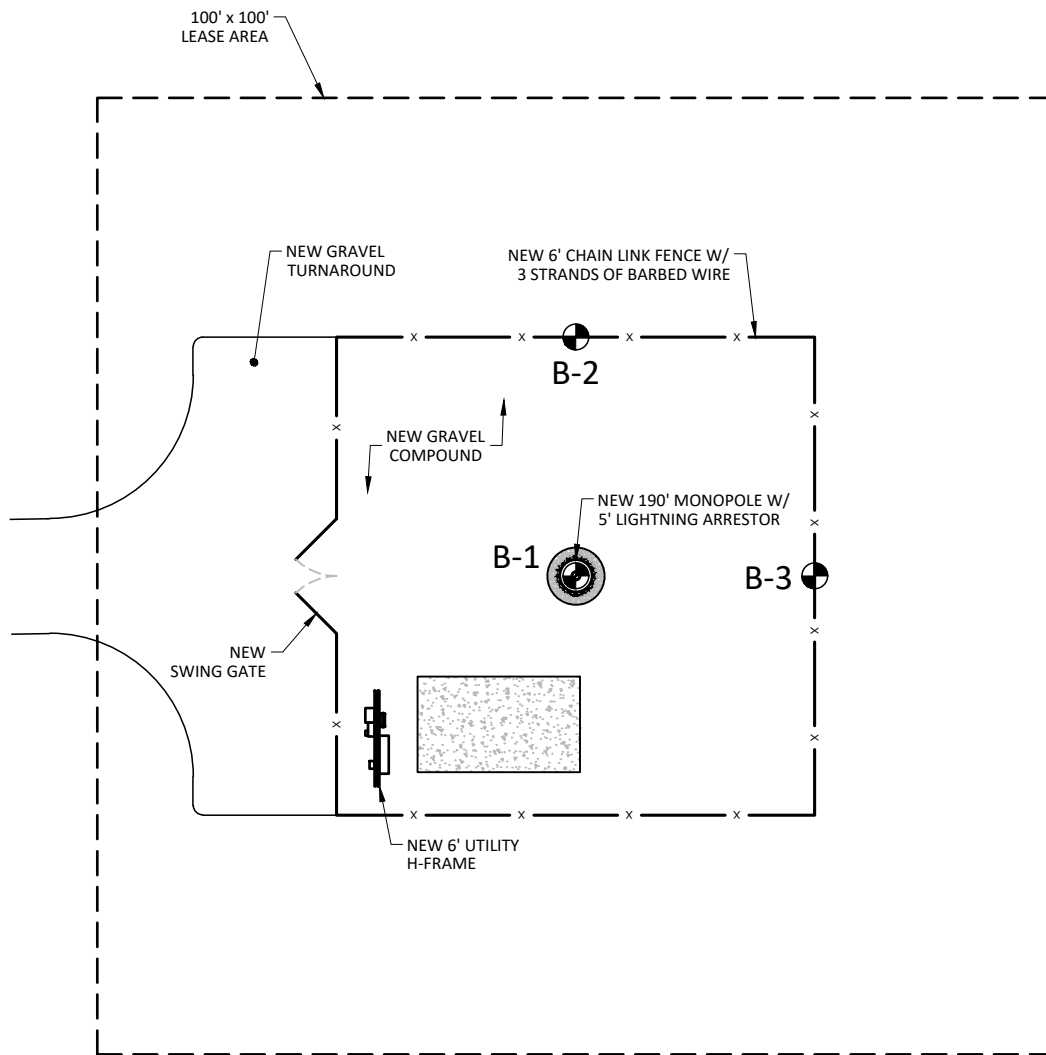
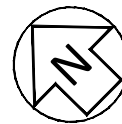
The nature and extent of variation and change in the subsurface conditions at the site may not become evident until the course of construction. Construction monitoring by the geotechnical engineer or a representative is therefore considered necessary to verify the subsurface conditions and to check that the soils connected construction phases are properly completed. If significant variations or changes are in evidence, it may then be necessary to reevaluate the recommendations of this report. Furthermore, if the project characteristics are altered significantly from those discussed in this report, if the project information contained in this report is incorrect, or if additional information becomes available, a review must be made by this office to determine if any modification in the recommendations will be required.

APPENDIX

BORING LOCATION PLAN

BORING LOG

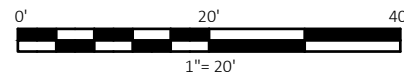
SOIL SAMPLE CLASSIFICATION




LEGEND



BORING LOCATION



SHEET TITLE: BORING LOCATION PLAN	FA NUMBER: 16147981	SITE INFORMATION: MEADOWVIEW KENTUCKY HIGHWAY 1272 PRINCETON, KY 42445 CALDWELL COUNTY	PREPARED BY:  POWER OF DESIGN 11490 BLUEGRASS PKWY LOUISVILLE, KY 40299 502-437-5252
	LATITUDE: 37° 00' 42.41" N LONGITUDE: 87° 54' 25.32" W		
SHEET NUMBER: 1	POD NUMBER: 23-157985 DRAWN BY: SM CHECKED BY: MEP DATE: 3.25.2024		



Boring Log

Boring: B-1
Page 1 of 1

Project: Meadowview **City, State: Princeton, KY**

Method: H.S.A **Boring Date: 2-Mar-24** **Location: Tower Center**

Inside Diameter: 3 3/4" **Drill Rig Type: D-25 truck** **Hammer Type: Auto**

Groundwater: DRY **Weather:**

Driller: Cornerstone Geotech Servi **Note: Topsoil was encountered at the ground surface**

From (ft)	To (ft)	Material Description	Sample Depth (ft)	Sample Type	Blows per 6-inch increment	Recovery (in)	SPT-N value	Rock Quality (RQD,%)	Atterberg Limits	Moisture Content (%)	% Fines (clay & silt)	Unconfined Compressive Strength, (ksf)
0.0	18.5	SILTY CLAY (CL-CH) - medium stiff, moist, brown, trace root fiber - stiff	1-2.5	SS	3, 4, 6		10,			27%		2.0
			3.5-5	SS	3, 3, 5		8,			22%		3.1
			6-7.5	SS	4, 5, 8		13,			22%		3.2
			8.5-10	SS	3, 5, 6		11,		CL	21%		-
			13.5	SS	9, 13, 12		25,			20%		-
18.5	40.0	CLAY (CH) - very stiif, reddish brown-tan mottled with chert fragments	18.5-20	SS	6, 8, 14		22,			23%		4.2
			23.5-25	SS	5, 8, 9		17,		CH	23%		-
			28.5-30	SS	7, 8, 11		19,			15%		-
			33.5-35	SS	8, 8, 8		16,			25%		-
			38.5-40	SS	6, 50,		50,			18%		3.2
		Boring Terminated at 40 feet										



Boring Log

Boring: B-2

Page 1 of 1

Project: Meadowview

City, State

Princeton, KY

Method: H.S.A

Boring Date: 2-Mar-24

Location: Tower Center

Inside Diameter: 3 3/4"

Drill Rig Type: D-25 truck

Hammer Type: Auto

Groundwater: DRY

Weather:

Driller: Cornerstone Geotech Servi

Note: Topsoil was encountered at the ground surface

From (ft)	To (ft)	Material Description	Sample Depth (ft)	Sample Type	Blows per 6-inch increment	Recovery (in)	SPT-N value	Rock Quality (RQD,%)	Atterberg Limits	Moisture Content (%)	% Fines (clay & silt)	Unconfined Compressive Strength, (ksf)
0.0	20.0	SILTY CLAY (CL-CH) - medium stiff, slightly moist, brown	1- 2.5	SS	3, 4, 5		9,					2.9
			3.5 - 5	SS	3, 3, 3		6,					-
	6.0	- stiff	6 - 7.5	SS	4, 6, 7		13,					3.1
			8.5-10	SS	5, 5, 8		13,					4.0
	13.5	- very stiff	13.5-15	SS	4, 7, 9		16,					4.1
	18.5	- with some chert fragments	18.5-20	SS	8, 16, 12		28,					-
		Boring Terminated at 20 feet										



Boring Log

Boring: B-3
Page 1 of 1

Project: Meadowview **City, State: Princeton, KY**

Method: H.S.A **Boring Date: 2-Mar-24** **Location: Tower Center**

Inside Diameter: 3 3/4" **Drill Rig Type: D-25 truck** **Hammer Type: Auto**

Groundwater: DRY **Weather:**

Driller: Cornerstone Geotech Servi **Note: Topsoil was encountered at the ground surface**

From (ft)	To (ft)	Material Description	Sample Depth (ft)	Sample Type	Blows per 6-inch increment	Recovery (in)	SPT-N value	Rock Quality (RQD, %)	Atterberg Limits	Moisture Content (%)	% Fines (clay & silt)	Unconfined Compressive Strength, (ksf)
0.0	6.0	SILTY CLAY (CL-CH) - medium stiff, slightly moist, brown - stiff	1- 2.5	SS	3, 4, 5		9,					4.2
	3.5		3.5 - 5	SS	3, 3, 3		6,					4.4
6.0	20.0	CLAY (CH) - very stiff, reddish brown with trace chert - with chert fragments	6 - 7.5	SS	4, 6, 7		13,					4.8
			8.5-10	SS	5, 5, 8		13,					3.5
			13.5-15	SS	4, 7, 9		16,					-
	18.5		18.5-20	SS	8, 16, 12		28,					5.5
		Boring Terminated at 20 feet										

SOIL SAMPLE CLASSIFICATION

FINE AND COARSE GRAINED SOIL INFORMATION						
COARSE GRAINED SOILS (SANDS & GRAVELS)		FINE GRAINED SOILS (SILTS & CLAYS)			PARTICLE SIZE	
N	Relative Density	N	Consistency	Qu, KSF Estimated		
0-4	Very Loose	0-1	Very Soft	0-0.5	Boulders	Greater than 300 mm (12 in)
5-10	Loose	2-4	Soft	0.5-1	Cobbles	75 mm to 300 mm (3 to 12 in)
11-20	Firm	5-8	Firm	1-2	Gravel	4.74 mm to 75 mm (3/16 to 3 in)
21-30	Very Firm	9-15	Stiff	2-4	Coarse Sand	2 mm to 4.75 mm
31-50	Dense	16-30	Very Stiff	4-8	Medium Sand	0.425 mm to 2 mm
Over 50	Very Dense	Over 31	Hard	8+	Fine Sand	0.075 mm to 0.425 mm
					Silts & Clays	Less than 0.075 mm

The **STANDARD PENETRATION TEST** as defined by ASTM D 1586 is a method to obtain a disturbed soil sample for examination and testing and to obtain relative density and consistency information. A standard 1.4-inch I.D./2-inch O.D. split-barrel sampler is driven three 6-inch increments with a 140 lb. hammer falling 30 inches. The hammer can either be of a trip, free-fall design, or actuated by a rope and cathead. The blow counts required to drive the sampler the final two increments are added together and designate the N-value defined in the above tables.

ROCK PROPERTIES			
ROCK QUALITY DESIGNATION (RQD)		ROCK HARDNESS	
Percent RQD	Quality		
0-25	Very Poor	Very Hard:	Rock can be broken by heavy hammer blows.
25-50	Poor	Hard:	Rock cannot be broken by thumb pressure, but can be broken by moderate hammer blows.
50-75	Fair	Moderately Hard:	Small pieces can be broken off along sharp edges by considerable hard thumb pressure; can be broken with light hammer blows.
75-90	Good	Soft:	Rock is coherent but breaks very easily with thumb pressure at sharp edges and crumbles with firm hand pressure.
90-100	Excellent	Very Soft:	Rock disintegrates or easily compresses when touched; can be hard to very hard soil.

Recovery =	$\frac{\text{Length of Rock Core Recovered}}{\text{Length of Core Run}} \times 100$	63 REC	BQ	1-7/16
		NQ	NQ	1-7/8
		43 RQD	HQ	2-1/2
RQD =	$\frac{\text{Sum of 4 in. and longer Rock Pieces Recovered}}{\text{Length of Core Run}} \times 100$			

SYMBOLS

KEY TO MATERIAL TYPES		SOIL PROPERTY SYMBOLS	
SOILS		ROCKS	
Group Symbols	Typical Names	Symbols	Typical Names
GW	Well graded gravel - sand mixture, little or no fines		Limestone or Dolomite
GP	Poorly graded gravels or gravel - sand mixture, little or no fines		Shale
GM	Silty gravels, gravel - sand silt mixtures		Sandstone
GC	Clayey gravels, gravel - sand - clay mixtures		
SW	Well graded sands, gravelly sands, little or no fines		
SP	Poorly graded sands or gravelly sands, little or no fines		
SM	Silty sands, sand - silt mixtures		
SC	Clayey sands, sand - clay mixtures		
ML	Inorganic silts and very fine sands, rock flour, silty or clayey fine sands, or clayey silts		
OL	Organic silts and organic silty clays of low plasticity		
CL	Inorganic clays of low range plasticity, gravelly clays, sandy clays, silty clays, lean clays		
MH	Inorganic silts, micaceous or diatomaceous fine sandy or silty soils, elastic silts		
CH	Inorganic clays of high range plasticity, fat clays		

SAMPLING SYMBOLS	
SS	Split Spoon Sample
	Relatively Undisturbed Sample
	Rock Core Sample

**EXHIBIT H
DIRECTIONS TO WCF SITE**

Driving Directions to Proposed Tower Site

1. Beginning at 100 E Market Street, Princeton, KY 42445, head southwest toward E Market Street and travel approximately 98 feet.
2. Turn right onto E Market Street and travel approximately 128 feet.
3. Turn left onto W Court Square / N Harrison Street and travel approximately 240 feet.
4. Turn left onto W Main Street and travel approximately 0.1 miles.
5. Take a slight right onto Hopkinsville Street and travel approximately 495 feet.
6. Turn right onto Cadiz Street and travel approximately 0.6 miles.
7. Turn left onto KY-139 S / Cadiz Road and travel approximately 5.8 miles.
8. Turn right onto KY-1272 and travel approximately 2.9 miles.
9. The access road to the site is located on the right. The site address is Kentucky Highway 1272, Princeton, KY 42445.
10. The site coordinates are:
 - 37° 00' 42.419046" North latitude
 - 87° 54' 25.326762" West longitude



Prepared by:
Chris Shouse
Pike Legal Group
1578 Highway 44 East, Suite 6
P.O. Box 396
Shepherdsville, KY 40165-3069
Telephone: 502-955-4400 or 800-516-4293

EXHIBIT I
COPY OF REAL ESTATE AGREEMENT

Market: KY/TN
Cell Site Number: SKKY010177
Cell Site Name: Meadowview
Fixed Asset Number: 16147981

OPTION AND LAND LEASE AGREEMENT

THIS OPTION AND LAND LEASE AGREEMENT ("Agreement"), dated as of the latter of the signature dates below (the "Effective Date"), is entered into by Andrew Perry Lester and his spouse, Linda Diane Lester, dealing with their homestead property, having a mailing address of 2924 State Route 1272, Princeton, KY ("Landlord") and New Cingular Wireless PCS, LLC, a Delaware limited liability company, having a mailing address of 1025 Lenox Park Blvd NE, 3rd Floor, Atlanta, GA 30319 ("Tenant").

BACKGROUND

Landlord owns or controls that certain plot, parcel or tract of land, as described on Exhibit 1, together with all rights and privileges arising in connection therewith, located at 2924 State Route 1272, in the County of Caldwell, State of Kentucky (collectively, the "Property"). Landlord desires to grant to Tenant the right to use a portion of the Property in accordance with this Agreement.

The parties agree as follows:

1. OPTION TO LEASE.

(a) Landlord grants to Tenant an exclusive option (the "Option") to lease a certain portion of the Property containing approximately 10,000 square feet including the air space above such ground space, as described on attached Exhibit 1, (the "Premises"), for the placement of a Communication Facility in accordance with the terms of this Agreement.

(b) During the Option Term, and during the Term, Tenant and its agents, engineers, surveyors and other representatives will have the right to enter upon the Property to inspect, examine, conduct soil borings, drainage testing, material sampling, radio frequency testing and other geological or engineering tests or studies of the Property (collectively, the "Tests"), to apply for and obtain licenses, permits, approvals, or other relief required of or deemed necessary or appropriate at Tenant's sole discretion for its use of the Premises and include, without limitation, applications for zoning variances, zoning ordinances, amendments, special use permits, and construction permits (collectively, the "Government Approvals"), initiate the ordering and/or scheduling of necessary utilities, and otherwise to do those things on or off the Property that, in the opinion of Tenant, are necessary in Tenant's sole discretion to determine the physical condition of the Property, the environmental history of the Property, Landlord's title to the Property and the feasibility or suitability of the Property for Tenant's Permitted Use, all at Tenant's expense. Tenant will not be liable to Landlord or any third party on account of any pre-existing defect or condition on or with respect to the Property, whether or not such defect or condition is disclosed by Tenant's inspection. Tenant will restore the Property to its condition as it existed at the commencement of the Option Term, reasonable wear and tear and loss by casualty or other causes beyond Tenant's control excepted.

(c) In consideration of Landlord granting Tenant the Option, Tenant agrees to pay Landlord the sum of [REDACTED] within ninety (90) business days after the Effective Date. The Option may be exercised during an initial term of one (1) year commencing on the Effective Date (the "Initial Option Term") which term may be renewed by Tenant for an additional one (1) year (the "Renewal Option Term") upon written notification to Landlord and the payment of an additional [REDACTED] no later than five (5) days prior to the expiration date of the Initial Option Term. The Initial Option Term and any Renewal Option Term are collectively referred to as the "Option Term."

(d) The Option may be sold, assigned or transferred at any time by Tenant without the written consent of Landlord. Upon notification to Landlord of such sale, assignment or transfer, Tenant shall immediately

be released from any and all liability under this Agreement, including the payment of any rental or other sums due, without any further action.

(e) During the Option Term, Tenant may exercise the Option by notifying Landlord in writing. If Tenant exercises the Option, then Landlord leases the Premises to Tenant subject to the terms and conditions of this Agreement. If Tenant does not exercise the Option during the Initial Option Term or any extension thereof, then this Agreement will terminate, and the parties will have no further liability to each other.

(f) If during the Option Term, or during the Term if the Option is exercised, Landlord decides to subdivide, sell, or change the status of the zoning of the Premises, the Property or any of Landlord's contiguous, adjoining or surrounding property (the "Surrounding Property"), or in the event of a threatened foreclosure on any of the foregoing, Landlord shall immediately notify Tenant in writing. Landlord agrees that during the Option Term, or during the Term if the Option is exercised, Landlord shall not initiate or consent to any change in the zoning of the Premises, the Property or the Surrounding Property or impose or consent to any other use or restriction that would prevent or limit Tenant from using the Premises for the Permitted Use. Any and all terms and conditions of this Agreement that by their sense and context are intended to be applicable during the Option Term shall be so applicable.

2. **PERMITTED USE.** Tenant may use the Premises for the transmission and reception of communications signals and the installation, construction, maintenance, operation, repair, replacement and upgrade of communications fixtures and related equipment, cables, accessories and improvements, which may include a suitable support structure ("Structure"), associated antennas, equipment shelters or cabinets and fencing and any other items necessary to the successful and secure use of the Premises (the "Communication Facility"), as well as the right to test, survey and review title on the Property; Tenant further has the right but not the obligation to add, modify and/or replace equipment in order to be in compliance with any current or future federal, state or local mandated application, including, but not limited to, emergency 911 communication services, (collectively, the "Permitted Use"). Landlord and Tenant agree that any portion of the Communication Facility that may be conceptually described on Exhibit 1 will not be deemed to limit Tenant's Permitted Use. If Exhibit 1 includes drawings of the initial installation of the Communication Facility, Landlord's execution of this Agreement will signify Landlord's approval of Exhibit 1. For a period of ninety (90) days following the start of construction, Landlord grants Tenant, its subtenants, licensees and sublicensees, the right to use Landlord's contiguous, adjoining or surrounding property (the "Surrounding Property") as may reasonably be required during construction and installation of the Communication Facility. Tenant has the right to install and operate transmission cables from the equipment shelter or cabinet to the antennas, electric lines from the main feed to the equipment shelter or cabinet and communication lines from the Property's main entry point to the equipment shelter or cabinet, install a generator and to make other improvements, alterations, upgrades or additions appropriate for Tenant's Permitted Use, including the right to construct a fence around the Premises or equipment, install warning signs to make individuals aware of risks, install protective barriers, install any other control measures reasonably required by Tenant's safety procedures or applicable law, and undertake any other appropriate means to secure the Premises or equipment at Tenant's expense. Tenant has the right to modify, supplement, replace, upgrade, expand the Communication Facility (including, for example, increasing the number of antennas or adding microwave dishes) or relocate the Communication Facility within the Premises at any time during the Term. Tenant will be allowed to make such alterations to the Property in order to ensure that the Communication Facility complies with all applicable federal, state or local laws, rules or regulations. In the event Tenant desires to modify or upgrade the Communication Facility, in a manner that requires an additional portion of the Property (the "Additional Premises") for such modification or upgrade, Landlord agrees to lease to Tenant the Additional Premises, upon the same terms and conditions set forth herein, except that the Rent shall increase, in conjunction with the lease of the Additional Premises by the amount equivalent to the then-current per square foot rental rate charged by Landlord to Tenant times the square footage of the Additional Premises. Landlord agrees to take such actions and enter into and deliver to Tenant such documents as Tenant reasonably requests in order to effect and memorialize the lease of the Additional Premises to Tenant.

3. **TERM.**

(a) The initial lease term will be five (5) years (the "Initial Term"), commencing on the effective date of written notification by Tenant to Landlord of Tenant's exercise of the Option (the "Term Commencement Date"). The Initial Term will terminate on the fifth (5th) anniversary of the Term Commencement Date.

(b) This Agreement will automatically renew for seventeen (17) additional five (5) year term(s) (each additional five (5) year term shall be defined as an "Extension Term"), upon the same terms and conditions set forth herein unless Tenant notifies Landlord in writing of Tenant's intention not to renew this Agreement at least sixty (60) days prior to the expiration of the Initial Term or the then-existing Extension Term.

(c) Unless (i) Landlord or Tenant notifies the other in writing of its intention to terminate this Agreement at least six (6) months prior to the expiration of the final Extension Term, or (ii) the Agreement is terminated as otherwise permitted by this Agreement prior to the end of the final Extension Term, this Agreement shall continue in force upon the same covenants, terms and conditions for a further term of one (1) year, and for annual terms thereafter ("Annual Term") until terminated by either party hereto by giving to the other party hereto written notice of its intention to so terminate at least six (6) months prior to the end of any such Annual Term. Monthly rent during such Annual Terms shall be [REDACTED]

If Tenant remains in possession of the Premises after the termination of this Agreement, then Tenant will be deemed to be occupying the Premises on a month-to-month basis (the "Holdover Term"), subject to the terms and conditions of this Agreement.

(d) The Initial Term, any Extension Terms, any Annual Terms and any Holdover Term are collectively referred to as the "Term."

4. RENT.

(a) Commencing on the first day of the month following the date that Tenant commences construction (the "Rent Commencement Date"), Tenant will pay Landlord on or before the fifth (5th) day of each calendar month in advance, [REDACTED] (the "Rent"), at the address set forth above. In any partial month occurring after the Rent Commencement Date, the Rent will be prorated. The initial Rent payment will be forwarded by Tenant to Landlord within ninety (90) days after the Rent Commencement Date.

(b) Upon the commencement of each Extension Term, the monthly Rent will increase by [REDACTED] over the Rent paid during the previous five (5) year term.

(c) All charges payable under this Agreement such as utilities and taxes shall be billed by Landlord within one (1) year from the end of the calendar year in which the charges were incurred; any charges beyond such period shall not be billed by Landlord and shall not be payable by Tenant. The foregoing shall not apply to monthly Rent which is due and payable without a requirement that it be billed by Landlord. The provisions of this subsection shall survive the termination or expiration of this Agreement.

5. APPROVALS.

(a) Landlord agrees that Tenant's ability to use the Premises is contingent upon the suitability of the Premises and Property for the Permitted Use and Tenant's ability to obtain and maintain all Government Approvals. Landlord authorizes Tenant to prepare, execute and file all required applications to obtain Government Approvals for the Permitted Use and agrees to reasonably assist Tenant with such applications and with obtaining and maintaining the Government Approvals.

(b) Tenant has the right to obtain a title report or commitment for a leasehold title policy from a title insurance company of its choice and to have the Property surveyed by a surveyor of its choice.

(c) Tenant may also perform and obtain, at Tenant's sole cost and expense, soil borings, percolation tests, engineering procedures, environmental investigation or other tests or reports on, over, and under the Property, necessary to determine if Tenant's use of the Premises will be compatible with Tenant's engineering specifications, system, design, operations or Government Approvals.

6. TERMINATION. This Agreement may be terminated, without penalty or further liability, as follows:

(a) by either party on thirty (30) days prior written notice, if the other party remains in default under Section 6.5 of this Agreement after the applicable cure periods;

(b) by Tenant upon written notice to Landlord, if Tenant is unable to obtain, or maintain, any required approval(s) or the issuance of a license or permit by any agency, board, court or other governmental authority necessary for the construction or operation of the Communication Facility as now or hereafter intended by Tenant; or if Tenant determines, in its sole discretion that the cost of or delay in obtaining or retaining the same is commercially unreasonable;

(c) by Tenant, upon written notice to Landlord, if Tenant determines, in its sole discretion, due to the title report results or survey results, that the condition of the Premises is unsatisfactory for its intended uses;

(d) by Tenant upon written notice to Landlord for any reason or no reason, at any time prior to commencement of construction by Tenant; or

(e) by Tenant upon sixty (60) days' prior written notice to Landlord for any reason or no reason, so long as Tenant pays Landlord a termination fee equal to [REDACTED] provided, however, that no such termination fee will be payable on account of the termination of this Agreement by Tenant under any termination provision contained in any other Section of this Agreement, including the following: Section 5 Approvals, Section 6(a) Termination, Section 6(b) Termination, Section 6(c) Termination, Section 6(d) Termination, Section 11(d) Environmental, Section 08 Condemnation or Section 19 Casualty.

7. **INSURANCE.** During the Option Term and throughout the Term, Tenant will purchase and maintain in full force and effect such general liability policy as Tenant may deem necessary. Said policy of general liability insurance will at a minimum provide a combined single limit of [REDACTED]. Notwithstanding the foregoing, Tenant shall have the right to self-insure such general liability coverage.

8. **INTERFERENCE.**

(a) Prior to or concurrent with the execution of this Agreement, Landlord has provided or will provide Tenant with a list of radio frequency user(s) and frequencies used on the Property as of the Effective Date. Tenant warrants that its use of the Premises will not interfere with those existing radio frequency uses on the Property, as long as the existing radio frequency user(s) operate and continue to operate within their respective frequencies and in accordance with all applicable laws and regulations.

(b) Landlord will not grant, after the Effective Date, a lease, license or any other right to any third party, if the exercise of such grant may in any way adversely affect or interfere with the Communication Facility, the operations of Tenant or the rights of Tenant under this Agreement. Landlord will notify Tenant in writing prior to granting any third party the right to install and operate communications equipment on the Property.

(c) Landlord will not, nor will Landlord permit its employees, tenants, licensees, invitees, agents or independent contractors to interfere in any way with the Communication Facility, the operations of Tenant or the rights of Tenant under this Agreement. Landlord will cause such interference to cease within twenty-four (24) hours after receipt of notice of interference from Tenant. In the event any such interference does not cease within the aforementioned cure period, Landlord shall cease all operations which are suspected of causing interference (except for intermittent testing to determine the cause of such interference) until the interference has been corrected.

(d) For the purposes of this Agreement, "interference" may include, but is not limited to, any use on the Property or Surrounding Property that causes electronic or physical obstruction with, or degradation of, the communications signals from the Communication Facility.

9. **INDEMNIFICATION.**

(a) Tenant agrees to indemnify, defend and hold Landlord harmless from and against any and all injury, loss, damage or liability, costs or expenses in connection with a third party claim (including reasonable attorneys' fees and court costs) arising directly from the installation, use, maintenance, repair or removal of the Communication Facility or Tenant's breach of any provision of this Agreement, except to the extent attributable to the negligent or intentional act or omission of Landlord, its employees, invitees, agents or independent contractors.

(b) Landlord agrees to indemnify, defend and hold Tenant harmless from and against any and all injury, loss, damage or liability, costs or expenses in connection with a third party claim (including reasonable

attorneys' fees and court costs) arising directly from the actions or failure to act of Landlord, its employees, invitees, agents or independent contractors, or Landlord's breach of any provision of this Agreement, except to the extent attributable to the negligent or intentional act or omission of Tenant, its employees, agents or independent contractors.

(c) The indemnified party: (i) shall promptly provide the indemnifying party with written notice of any claim, demand, lawsuit, or the like for which it seeks indemnification pursuant to this Section 9 and provide the indemnifying party with copies of any demands, notices, summonses, or legal papers received in connection with such claim, demand, lawsuit, or the like; (ii) shall not settle any such claim, demand, lawsuit, or the like without the prior written consent of the indemnifying party; and (iii) shall fully cooperate with the indemnifying party in the defense of the claim, demand, lawsuit, or the like. A delay in notice shall not relieve the indemnifying party of its indemnity obligation, except (1) to the extent the indemnifying party can show it was prejudiced by the delay; and (2) the indemnifying party shall not be liable for any settlement or litigation expenses incurred before the time when notice is given.

10. WARRANTIES.

(a) Each of Tenant and Landlord (to the extent not a natural person) each acknowledge and represent that it is duly organized, validly existing and in good standing and has the right, power, and authority or capacity, as applicable, to enter into this Agreement and bind itself hereto through the party or individual set forth as signatory for the party below.

(b) Landlord represents, warrants and agrees that: (i) Landlord solely owns the Property as a legal lot in fee simple, or controls the Property by lease or license; (ii) the Property is not and will not be encumbered by any liens, restrictions, mortgages, covenants, conditions, easements, leases, or any other agreements of record or not of record, which would adversely affect Tenant's Permitted Use and enjoyment of the Premises under this Agreement; (iii) then Landlord grants to Tenant sole, actual, quiet and peaceful use, enjoyment and possession of the Premises in accordance with the terms of this Agreement without hindrance or ejection by any persons lawfully claiming under Landlord; (iv) Landlord's execution and performance of this Agreement will not violate any laws, ordinances, covenants or the provisions of any mortgage, lease or other agreement binding on Landlord; and (v) if the Property is or becomes encumbered by a deed to secure a debt, mortgage or other security interest, then Landlord will provide promptly to Tenant a mutually agreeable subordination, non-disturbance and attornment agreement executed by Landlord and the holder of such security interest in the form attached hereto as Exhibit 10(b).

11. ENVIRONMENTAL.

(a) Landlord represents and warrants, except as may be identified in Exhibit 11 attached to this Agreement, (i) the Property, as of the Effective Date, is free of hazardous substances, including asbestos-containing materials and lead paint, and (ii) the Property has never been subject to any contamination or hazardous conditions resulting in any environmental investigation, inquiry or remediation. Landlord and Tenant agree that each will be responsible for compliance with any and all applicable governmental laws, rules, statutes, regulations, codes, ordinances, or principles of common law regulating or imposing standards of liability or standards of conduct with regard to protection of the environment or worker health and safety, as may now or at any time hereafter be in effect, to the extent such apply to that party's activity conducted in or on the Property.

(b) Landlord and Tenant agree to hold harmless and indemnify the other from, and to assume all duties, responsibilities and liabilities at the sole cost and expense of the indemnifying party for, payment of penalties, sanctions, forfeitures, losses, costs or damages, and for responding to any action, notice, claim, order, summons, citation, directive, litigation, investigation or proceeding ("Claims"), to the extent arising from that party's breach of its obligations or representations under Section 11(a). Landlord agrees to hold harmless and indemnify Tenant from, and to assume all duties, responsibilities and liabilities at the sole cost and expense of Landlord for, payment of penalties, sanctions, forfeitures, losses, costs or damages, and for responding to any Claims, to the extent arising from subsurface or other contamination of the Property with hazardous substances prior to the Effective Date or from such contamination caused by the acts or omissions of Landlord during the Term. Tenant agrees to hold harmless and indemnify Landlord from, and to assume all duties, responsibilities

and liabilities at the sole cost and expense of Tenant for, payment of penalties, sanctions, forfeitures, losses, costs or damages, and for responding to any Claims, to the extent arising from hazardous substances brought onto the Property by Tenant.

(c) The indemnification provisions contained in this Section 11 specifically include reasonable costs, expenses and fees incurred in connection with any investigation of Property conditions or any clean-up, remediation, removal or restoration work required by any governmental authority. The provisions of this Section 01 will survive the expiration or termination of this Agreement.

(d) In the event Tenant becomes aware of any hazardous materials on the Property, or any environmental, health or safety condition or matter relating to the Property, that, in Tenant's sole determination, renders the condition of the Premises or Property unsuitable for Tenant's use, or if Tenant believes that the leasing or continued leasing of the Premises would expose Tenant to undue risks of liability to a government agency or other third party, then Tenant will have the right, in addition to any other rights it may have at law or in equity, to terminate this Agreement upon written notice to Landlord.

12. **ACCESS.** At all times throughout the Term of this Agreement, Tenant, Tenant and its employees, agents, and subcontractors, will have twenty-four (24) hour per day, seven (7) day per week pedestrian and vehicular access ("**Access**") to and over the Property, from an open and improved public road to the Premises, for the installation, maintenance and operation of the Communication Facility and any utilities serving the Premises. As may be described more fully in Exhibit 1, Landlord grants to Tenant an easement for such Access and Landlord agrees to provide to Tenant such codes, keys and other instruments necessary for such Access to Tenant. Upon Tenant's request, Landlord will execute a separate recordable easement evidencing this right. Landlord shall execute a letter granting Tenant Access to the Property substantially in the form attached as Exhibit 12; upon Tenant's request, Landlord shall execute additional letters during the Term. If Tenant elects to utilize an Unmanned Aircraft System ("**UAS**") in connection with its installation, construction, monitoring, site audits, inspections, maintenance, repair, modification, or alteration activities at a Property, Landlord hereby grants Tenant, or any UAS operator acting on Tenant's behalf, express permission to fly over the applicable Property and Premises, and consents to the use of audio and video navigation and recording in connection with the use of the UAS. Landlord acknowledges that in the event Tenant cannot obtain Access to the Premises, Tenant shall incur significant damage. If Landlord fails to provide the Access granted by this Section 12, such failure shall be a default under this Agreement. In connection with such default, in addition to any other rights or remedies available to Tenant under this Agreement or at law or equity, Landlord shall pay Tenant, as liquidated damages and not as a penalty, [REDACTED] per day in consideration of Tenant's damages until Landlord cures such default. Landlord and Tenant agree that Tenant's damages in the event of a denial of Access are difficult, if not impossible, to ascertain, and the liquidated damages set forth above are a reasonable approximation of such damages.

13. **REMOVAL/RESTORATION.** All portions of the Communication Facility brought onto the Property by Tenant will be and remain Tenant's personal property and, at Tenant's option, may be removed by Tenant at any time during the Term. Landlord covenants and agrees that no part of the Communication Facility constructed, erected or placed on the Premises by Tenant will become, or be considered as being affixed to or a part of, the Property, it being the specific intention of the Landlord that all improvements of every kind and nature constructed, erected or placed by Tenant on the Premises will be and remain the property of the Tenant and may be removed by Tenant at any time during the Term. Within one hundred twenty (120) days after the termination of this Agreement, Tenant will, to the extent reasonable, restore the Premises to its condition at the commencement of the Agreement, reasonable wear and tear and loss by casualty or other causes beyond Tenant's control excepted. To the extent required by law, Tenant will remove above-ground facilities. Notwithstanding the foregoing, Tenant will not be responsible for the replacement of any trees, shrubs, or other vegetation, nor will Tenant be required to remove from the Premises or the Property any underground utilities.

14. **MAINTENANCE/UTILITIES.**

(a) Tenant will keep and maintain the Premises in good condition, reasonable wear and tear and damage from the elements excepted. Landlord will maintain and repair the Property and access thereto and all

areas of the Premises where Tenant does not have exclusive control, in good and tenantable condition, subject to reasonable wear and tear and damage from the elements. Landlord will be responsible for maintenance of landscaping on the Property, including any landscaping installed by Tenant as a condition of this Agreement or any required permit.

(b) Tenant will be responsible for paying on a monthly or quarterly basis all utilities charges for electricity, telephone service or any other utility used or consumed by Tenant on the Premises. In the event Tenant cannot secure its own metered electrical supply, Tenant will have the right, at its own cost and expense, to sub-meter from Landlord. When sub-metering is required under this Agreement, Landlord will read the meter and provide Tenant with an invoice and usage data on a monthly basis. Tenant shall reimburse Landlord for such utility usage at the same rate charged to Landlord by the utility service provider. Landlord further agrees to provide the usage data and invoice on forms provided by Tenant and to send such forms to such address and/or agent designated by Tenant. Tenant will remit payment within sixty (60) days of receipt of the usage data and required forms. Landlord shall maintain accurate and detailed records of all utility expenses, invoices and payments applicable to Tenant's reimbursement obligations hereunder. Within fifteen (15) days after a request from Tenant, Landlord shall provide copies of such utility billing records to the Tenant in the form of copies of invoices, contracts and cancelled checks. If the utility billing records reflect an overpayment by Tenant, Tenant shall have the right to deduct the amount of such overpayment from any monies due to Landlord from Tenant.

(c) As noted in Section 0(c) above, any utility fee recovery by Landlord is limited to a twelve (12) month period. If Tenant submeters electricity from Landlord, Landlord agrees to give Tenant at least twenty-four (24) hours advance notice of any planned interruptions of said electricity. Landlord acknowledges that Tenant provides a communication service which requires electrical power to operate and must operate twenty-four (24) hours per day, seven (7) days per week. If the interruption is for an extended period of time, in Tenant's reasonable determination, Landlord agrees to allow Tenant the right to bring in a temporary source of power for the duration of the interruption. Landlord will not be responsible for interference with, interruption of or failure, beyond the reasonable control of Landlord, of such services to be furnished or supplied by Landlord.

(d) Tenant will have the right to install utilities, at Tenant's expense, and to improve present utilities on the Property and the Premises. Landlord hereby grants to any service company providing utility or similar services, including electric power and telecommunications, to Tenant an easement over the Property, from an open and improved public road to the Premises, and upon the Premises, for the purpose of constructing, operating and maintaining such lines, wires, circuits, and conduits, associated equipment cabinets and such appurtenances thereto, as such service companies may from time to time require in order to provide such services to the Premises. Upon Tenant's or service company's request, Landlord will execute a separate recordable easement evidencing this grant, at no cost to Tenant or the service company.

15. DEFAULT AND RIGHT TO CURE.

(a) The following will be deemed a default by Tenant and a breach of this Agreement: (i) non-payment of Rent if such Rent remains unpaid for more than thirty (30) days after written notice from Landlord of such failure to pay; or (ii) Tenant's failure to perform any other term or condition under this Agreement within forty-five (45) days after written notice from Landlord specifying the failure. No such failure, however, will be deemed to exist if Tenant has commenced to cure such default within such period and provided that such efforts are prosecuted to completion with reasonable diligence. Delay in curing a default will be excused if due to causes beyond the reasonable control of Tenant. If Tenant remains in default beyond any applicable cure period, then Landlord will have the right to exercise any and all rights and remedies available to it under law and equity.

(b) The following will be deemed a default by Landlord and a breach of this Agreement: (i) Landlord's failure to provide Access to the Premises as required by Section 12 within twenty-four (24) hours after written notice of such failure; (ii) Landlord's failure to cure an interference problem as required by Section 8 within twenty-four (24) hours after written notice of such failure; or (iii) Landlord's failure to perform any term, condition or breach of any warranty or covenant under this Agreement within forty-five (45) days after written notice from Tenant specifying the failure. No such failure, however, will be deemed to exist if Landlord has commenced to cure the default within such period and provided such efforts are prosecuted to completion with reasonable diligence. Delay in curing a default will be excused if due to causes beyond the reasonable control of Landlord. If Landlord remains in default beyond any applicable cure period, Tenant will have: (i) the

right to cure Landlord's default and to deduct the costs of such cure from any monies due to Landlord from Tenant, and (ii) any and all other rights available to it under law and equity.

16. ASSIGNMENT/SUBLEASE. Tenant will have the right to assign this Agreement or sublease the Premises and its rights herein, in whole or in part, without Landlord's consent. Upon notification to Landlord of such assignment, Tenant will be relieved of all future performance, liabilities and obligations under this Agreement to the extent of such assignment.

17. NOTICES. All notices, requests and demands hereunder will be given by first class certified or registered mail, return receipt requested, or by a nationally recognized overnight courier, postage prepaid, to be effective when properly sent and received, refused or returned undelivered. Notices will be addressed to the parties hereto as follows:

If to Tenant: New Cingular Wireless PCS, LLC
Attn: Tower Asset Group - Lease Administration
Re: Cell Site #: SKY010177; Cell Site Name: Meadowview (KY)
Fixed Asset #: 16147981
1025 Lenox Park Blvd NE 3rd Floor
Atlanta, Georgia 30319

With a copy to: New Cingular Wireless PCS, LLC
Attn.: Legal Dept— Network Operations
Re: Cell Site #: SKY010177; Cell Site Name: Meadowview (KY)
Fixed Asset #:16147981
208 S. Akard Street
Dallas, TX 75202-4206

The copy sent to the Legal Department is an administrative step which alone does not constitute legal notice.

If to Landlord: Andrew Perry Lester and his spouse, Linda Diane Lester,



Either party hereto may change the place for the giving of notice to it by thirty (30) days' prior written notice to the other party hereto as provided herein.

18. CONDEMNATION. In the event Landlord receives notification of any condemnation proceedings affecting the Property, Landlord will provide notice of the proceeding to Tenant within twenty-four (24) hours. If a condemning authority takes all of the Property, or a portion sufficient, in Tenant's sole determination, to render the Premises unsuitable for Tenant, this Agreement will terminate as of the date the title vests in the condemning authority. The parties will each be entitled to pursue their own separate awards in the condemnation proceeds, which for Tenant will include, where applicable, the value of its Communication Facility, moving expenses, prepaid Rent, and business dislocation expenses. Tenant will be entitled to reimbursement for any prepaid Rent on a *pro rata* basis.

19. CASUALTY. Landlord will provide notice to Tenant of any casualty or other harm affecting the Property within twenty-four (24) hours of the casualty or other harm. If any part of the Communication Facility or the Property is damaged by casualty or other harm as to render the Premises unsuitable, in Tenant's sole determination, then Tenant may terminate this Agreement by providing written notice to Landlord, which termination will be effective as of the date of such casualty or other harm. Upon such termination, Tenant will be entitled to collect all insurance proceeds payable to Tenant on account thereof and to be reimbursed for any prepaid Rent on a *pro rata* basis. Landlord agrees to permit Tenant to place temporary transmission and reception

facilities on the Property, but only until such time as Tenant is able to activate a replacement transmission facility at another location; notwithstanding the termination of this Agreement, such temporary facilities will be governed by all of the terms and conditions of this Agreement, including Rent. If Landlord or Tenant undertakes to rebuild or restore the Premises and/or the Communication Facility, as applicable, Landlord agrees to permit Tenant to place temporary transmission and reception facilities on the Property until the reconstruction of the Premises and/or the Communication Facility is completed. If Landlord determines not to rebuild or restore the Property, Landlord will notify Tenant of such determination within thirty (30) days after the casualty or other harm. If Landlord does not so notify Tenant and Tenant decides not to terminate under this Section 19, then Landlord will promptly rebuild or restore any portion of the Property interfering with or required for Tenant's Permitted Use of the Premises to substantially the same condition as existed before the casualty or other harm. Landlord agrees that the Rent shall be abated until the Property and/or the Premises are rebuilt or restored, unless Tenant places temporary transmission and reception facilities on the Property.

20. WAIVER OF LANDLORD'S LIENS. Landlord waives any and all lien rights it may have, statutory or otherwise, concerning the Communication Facility or any portion thereof. The Communication Facility shall be deemed personal property for purposes of this Agreement, regardless of whether any portion is deemed real or personal property under applicable law; Landlord consents to Tenant's right to remove all or any portion of the Communication Facility from time to time in Tenant's sole discretion and without Landlord's consent.

21. TAXES.

(a) Landlord shall be responsible for (i) all taxes and assessments levied upon the lands, improvements and other property of Landlord including any such taxes that may be calculated by a taxing authority using any method, including the income method, (ii) all sales, use, license, value added, documentary, stamp, gross receipts, registration, real estate transfer, conveyance, excise, recording, and other similar taxes and fees imposed in connection with this Agreement, and (iii) all sales, use, license, value added, documentary, stamp, gross receipts, registration, real estate transfer, conveyance, excise, recording, and other similar taxes and fees imposed in connection with a sale of the Property or assignment of Rent payments by Landlord. Tenant shall be responsible for (y) any taxes and assessments attributable to and levied upon Tenant's leasehold improvements on the Premises if and as set forth in this Section 21 and (z) all sales, use, license, value added, documentary, stamp, gross receipts, registration, real estate transfer, conveyance, excise, recording, and other similar taxes and fees imposed in connection with an assignment of this Agreement or sublease by Tenant. Nothing herein shall require Tenant to pay any inheritance, franchise, income, payroll, excise, privilege, rent, capital stock, stamp, documentary, estate or profit tax, or any tax of similar nature, that is or may be imposed upon Landlord.

(b) In the event Landlord receives a notice of assessment with respect to which taxes or assessments are imposed on Tenant's leasehold improvements on the Premises, Landlord shall provide Tenant with copies of each such notice immediately upon receipt, but in no event later than thirty (30) days after the date of such notice of assessment. If Landlord does not provide such notice or notices to Tenant in a timely manner and Tenant's rights with respect to such taxes are prejudiced by the delay, Landlord shall reimburse Tenant for any increased costs directly resulting from the delay and Landlord shall be responsible for payment of the tax or assessment set forth in the notice, and Landlord shall not have the right to reimbursement of such amount from Tenant. If Landlord provides a notice of assessment to Tenant within such time period and requests reimbursement from Tenant as set forth below, then Tenant shall reimburse Landlord for the tax or assessments identified on the notice of assessment on Tenant's leasehold improvements, which has been paid by Landlord. If Landlord seeks reimbursement from Tenant, Landlord shall, no later than thirty (30) days after Landlord's payment of the taxes or assessments for the assessed tax year, provide Tenant with written notice including evidence that Landlord has timely paid same, and Landlord shall provide to Tenant any other documentation reasonably requested by Tenant to allow Tenant to evaluate the payment and to reimburse Landlord.

(c) For any tax amount for which Tenant is responsible under this Agreement, Tenant shall have the right to contest, in good faith, the validity or the amount thereof using such administrative, appellate or other proceedings as may be appropriate in the jurisdiction, and may defer payment of such obligations, pay same under protest, or take such other steps as permitted by law. This right shall include the ability to institute any legal, regulatory or informal action in the name of Landlord, Tenant, or both, with respect to the valuation of the

Premises. Landlord shall cooperate with respect to the commencement and prosecution of any such proceedings and will execute any documents required therefor. The expense of any such proceedings shall be borne by Tenant and any refunds or rebates secured as a result of Tenant's action shall belong to Tenant, to the extent the amounts were originally paid by Tenant. In the event Tenant notifies Landlord by the due date for assessment of Tenant's intent to contest the assessment, Landlord shall not pay the assessment pending conclusion of the contest, unless required by applicable law.

(d) Landlord shall not split or cause the tax parcel on which the Premises are located to be split, bifurcated, separated or divided without the prior written consent of Tenant.

(e) Tenant shall have the right but not the obligation to pay any taxes due by Landlord hereunder if Landlord fails to timely do so, in addition to any other rights or remedies of Tenant. In the event that Tenant exercises its rights under this Section 21(e) due to such Landlord default, Tenant shall have the right to deduct such tax amounts paid from any monies due to Landlord from Tenant as provided in Section 15(b), provided that Tenant may exercise such right without having provided to Landlord notice and the opportunity to cure per Section 15(b).

(f) Any tax-related notices shall be sent to Tenant in the manner set forth in Section 17. Promptly after the Effective Date, Landlord shall provide the following address to the taxing authority for the authority's use in the event the authority needs to communicate with Tenant. In the event that Tenant's tax address changes by notice to Landlord, Landlord shall be required to provide Tenant's new tax address to the taxing authority or authorities.

(g) Notwithstanding anything to the contrary contained in this Section 21, Tenant shall have no obligation to reimburse any tax or assessment for which the Landlord is reimbursed or rebated by a third party.

22. SALE OF PROPERTY.

(a) Landlord may sell the Property or a portion thereof to a third party, provided: (i) the sale is made subject to the terms of this Agreement; and (ii) if the sale does not include the assignment of Landlord's full interest in this Agreement, the purchaser must agree to perform, without requiring compensation from Tenant or any subtenant, any obligation of Landlord under this Agreement, including Landlord's obligation to cooperate with Tenant as provided hereunder.

(b) If Landlord, at any time during the Term of this Agreement, decides to rezone or sell, subdivide or otherwise transfer all or any part of the Premises, or all or any part of the Property or the Surrounding Property, to a purchaser other than Tenant, Landlord shall promptly notify Tenant in writing, and such rezoning, sale, subdivision or transfer shall be subject to this Agreement and Tenant's rights hereunder. In the event of a change in ownership, transfer or sale of the Property, within ten (10) days of such transfer, Landlord or its successor shall send the documents listed below in this Section 2222(b) to Tenant. Until Tenant receives all such documents, Tenant's failure to make payments under this Agreement shall not be an event of default and Tenant reserves the right to hold payments due under this Agreement.

- i. Old deed to Property
- ii. New deed to Property
- iii. Bill of Sale or Transfer
- iv. Copy of current Tax Bill
- v. New IRS Form W-9
- vi. Completed and Signed Tenant Payment Direction Form
- vii. Full contact information for new Landlord including phone number(s)

(c) Landlord agrees not to sell, lease or use any areas of the Property or the Surrounding Property for the installation, operation or maintenance of other wireless communication facilities if such installation, operation or maintenance would interfere with Tenant's Permitted Use or communications equipment as determined by radio propagation tests performed by Tenant in its sole discretion. Landlord or Landlord's prospective purchaser shall reimburse Tenant for any costs and expenses of such testing. If the radio frequency propagation tests demonstrate levels of interference unacceptable to Tenant, Landlord shall be prohibited from

selling, leasing or using any areas of the Property or the Surrounding Property for purposes of any installation, operation or maintenance of any other wireless communication facility or equipment.

(d) The provisions of this Section 22 shall in no way limit or impair the obligations of Landlord under this Agreement, including interference and access obligations.

23. RIGHT OF FIRST REFUSAL. Notwithstanding the provisions contained in Section 22, if at any time after the Effective Date, Landlord receives a bona fide written offer from a third party seeking any sale, conveyance, assignment or transfer, whether in whole or in part, of any property interest in or related to the Premises, including without limitation any offer seeking an assignment or transfer of the Rent payments associated with this Agreement or an offer to purchase an easement with respect to the Premises (“Offer”), Landlord shall immediately furnish Tenant with a copy of the Offer. Tenant shall have the right within ninety (90) days after it receives such copy to match the financial terms of the Offer and agree in writing to match such terms of the Offer. Such writing shall be in the form of a contract substantially similar to the Offer but Tenant may assign its rights to a third party. If Tenant chooses not to exercise this right or fails to provide written notice to Landlord within the ninety (90) day period, Landlord may sell, convey, assign or transfer such property interest in or related to the Premises pursuant to the Offer, subject to the terms of this Agreement. If Landlord attempts to sell, convey, assign or transfer such property interest in or related to the Premises without complying with this Section 23, the sale, conveyance, assignment or transfer shall be void. Tenant shall not be responsible for any failure to make payments under this Agreement and reserves the right to hold payments due under this Agreement until Landlord complies with this Section 23. Tenant’s failure to exercise the right of first refusal shall not be deemed a waiver of the rights contained in this Section 23 with respect to any future proposed conveyances as described herein.

24. MISCELLANEOUS.

(a) **Amendment/Waiver.** This Agreement cannot be amended, modified or revised unless done in writing and signed by Landlord and Tenant. No provision may be waived except in a writing signed by both parties. The failure by a party to enforce any provision of this Agreement or to require performance by the other party will not be construed to be a waiver, or in any way affect the right of either party to enforce such provision thereafter.

(b) **Memorandum of Lease.** Contemporaneously with the execution of this Agreement, the parties will execute a recordable Memorandum of Lease substantially in the form attached as Exhibit 24(b). Either party may record this Memorandum of Lease at any time during the Term, in its absolute discretion. Thereafter during the Term, either party will, at any time upon fifteen (15) business days’ prior written notice from the other, execute, acknowledge and deliver to the other a recordable Memorandum of Lease.

(c) **Limitation of Liability.** Except for the indemnity obligations set forth in this Agreement, and otherwise notwithstanding anything to the contrary in this Agreement, Tenant and Landlord each waives any claims that each may have against the other with respect to consequential, incidental or special damages, however caused, based on any theory of liability.

(d) **Compliance with Law.** Tenant agrees to comply with all federal, state and local laws, orders, rules and regulations (“Laws”) applicable to Tenant’s use of the Communication Facility on the Property. Landlord agrees to comply with all Laws relating to Landlord’s ownership and use of the Property and any improvements on the Property.

(e) **Bind and Benefit.** The terms and conditions contained in this Agreement will run with the Property and bind and inure to the benefit of the parties, their respective heirs, executors, administrators, successors and assigns.

(f) **Entire Agreement.** This Agreement and the exhibits attached hereto, all being a part hereof, constitute the entire agreement of the parties hereto and will supersede all prior offers, negotiations and agreements with respect to the subject matter of this Agreement. Exhibits are numbered to correspond to the Section wherein they are first referenced. Except as otherwise stated in this Agreement, each party shall bear its own fees and expenses (including the fees and expenses of its agents, brokers, representatives, attorneys, and accountants) incurred in connection with the negotiation, drafting, execution and performance of this Agreement and the transactions it contemplates.

(g) **Governing Law.** This Agreement will be governed by the laws of the state in which the Premises are located, without regard to conflicts of law.

(h) **Interpretation.** Unless otherwise specified, the following rules of construction and interpretation apply: (i) captions are for convenience and reference only and in no way define or limit the construction of the terms and conditions hereof; (ii) use of the term "including" will be interpreted to mean "including but not limited to"; (iii) whenever a party's consent is required under this Agreement, except as otherwise stated in the Agreement or as same may be duplicative, such consent will not be unreasonably withheld, conditioned or delayed; (iv) exhibits are an integral part of this Agreement and are incorporated by reference into this Agreement; (v) use of the terms "termination" or "expiration" are interchangeable; (vi) reference to a default will take into consideration any applicable notice, grace and cure periods; (vii) to the extent there is any issue with respect to any alleged, perceived or actual ambiguity in this Agreement, the ambiguity shall not be resolved on the basis of who drafted the Agreement; (viii) the singular use of words includes the plural where appropriate; and (ix) if any provision of this Agreement is held invalid, illegal or unenforceable, the remaining provisions of this Agreement shall remain in full force if the overall purpose of the Agreement is not rendered impossible and the original purpose, intent or consideration is not materially impaired.

(i) **Affiliates.** All references to "Tenant" shall be deemed to include any Affiliate of New Cingular Wireless PCS, LLC using the Premises for any Permitted Use or otherwise exercising the rights of Tenant pursuant to this Agreement. "Affiliate" means with respect to a party to this Agreement, any person or entity that (directly or indirectly) controls, is controlled by, or under common control with, that party. "Control" of a person or entity means the power (directly or indirectly) to direct the management or policies of that person or entity, whether through the ownership of voting securities, by contract, by agency or otherwise.

(j) **Survival.** Any provisions of this Agreement relating to indemnification shall survive the termination or expiration hereof. In addition, any terms and conditions contained in this Agreement that by their sense and context are intended to survive the termination or expiration of this Agreement shall so survive.

(k) **W-9.** As a condition precedent to payment, Landlord agrees to provide Tenant with a completed IRS Form W-9, or its equivalent, upon execution of this Agreement and at such other times as may be reasonably requested by Tenant, including any change in Landlord's name or address.

(l) **Execution/No Option.** The submission of this Agreement to any party for examination or consideration does not constitute an offer, reservation of or option for the Premises based on the terms set forth herein. This Agreement will become effective as a binding Agreement only upon the handwritten legal execution, acknowledgment and delivery hereof by Landlord and Tenant. This Agreement may be executed in two (2) or more counterparts, all of which shall be considered one and the same agreement and shall become effective when one or more counterparts have been signed by each of the parties. All parties need not sign the same counterpart.

(m) **Attorneys' Fees.** In the event that any dispute between the parties related to this Agreement should result in litigation, the prevailing party in such litigation shall be entitled to recover from the other party all reasonable fees and expenses of enforcing any right of the prevailing party, including reasonable attorneys' fees and expenses. Prevailing party means the party determined by the court to have most nearly prevailed even if such party did not prevail in all matters. This provision will not be construed to entitle any party other than Landlord, Tenant and their respective Affiliates to recover their fees and expenses.

(n) **WAIVER OF JURY TRIAL.** EACH PARTY, TO THE EXTENT PERMITTED BY LAW, KNOWINGLY, VOLUNTARILY AND INTENTIONALLY WAIVES ITS RIGHT TO A TRIAL BY JURY IN ANY ACTION OR PROCEEDING UNDER ANY THEORY OF LIABILITY ARISING OUT OF OR IN ANY WAY CONNECTED WITH THIS AGREEMENT OR THE TRANSACTIONS IT CONTEMPLATES.

(o) **No Additional Fees/Incidental Fees.** Unless otherwise specified in this Agreement, all rights and obligations set forth in the Agreement shall be provided by Landlord and/or Tenant, as the case may be, at no additional cost. No unilateral fees or additional costs or expenses are to be applied by either party to the other party, for any task or service including, but not limited to, review of plans, structural analyses, consents, provision of documents or other communications between the parties.

(p) **Further Acts.** Upon request, Landlord will cause to be promptly and duly taken, executed, acknowledged and delivered all such further acts, documents, and assurances as Tenant may request from time

to time in order to effectuate, carry out and perform all of the terms, provisions and conditions of this Agreement and all transactions and permitted use contemplated by this Agreement.

[SIGNATURES APPEAR ON NEXT PAGE]

IN WITNESS WHEREOF, the parties have caused this Agreement to be effective as of the Effective Date.


“LANDLORD”

Andrew Perry Lester and his spouse, Linda Diane Lester, dealing with their homestead property

By: 

Print Name: Andrew Perry Lester

Date: 11/17/23

By: 

Print Name: Linda Diane Lester

Date: 11/18/23

“TENANT”

**New Cingular Wireless PCS, LLC,
a Delaware limited liability company**

By: **AT&T Mobility Corporation**

Its: **Manager**

By: 

Print Name: Chris Tharp

Its: Area Manager

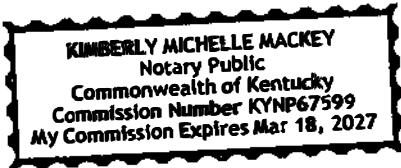
Date: 11-16-23

[ACKNOWLEDGMENTS APPEAR ON NEXT PAGE]

TENANT ACKNOWLEDGMENT

STATE OF Kentucky)
) ss:
COUNTY OF Jefferson)

On the 16th day of November, 2023, before me personally appeared Chris Therp, and acknowledged under oath that he/she is the Area Manager of AT&T Mobility Corporation, the Manager of New Cingular Wireless PCS, LLC, the Tenant named in the attached instrument, and as such was authorized to execute this instrument on behalf of the Tenant.



Kimberly Mackey
Notary Public: Kimberly Mackey #KYNP67599
My Commission Expires: March 18, 2027

LANDLORD ACKNOWLEDGMENT

STATE OF Ky)
) ss:
COUNTY OF Caldwell)

On the 7 day of Nov., 2023 before me, personally appeared Andrew Perry Lester and his spouse, Linda Diane Lester, dealing with their homestead property, who acknowledged under oath, that they are the individuals named in the within instrument, and that they executed the same in their stated capacity as the voluntary act and deed of the **Landlord** for the purposes therein contained.

Charity Cannon
Notary Public: KYNP48344
My Commission Expires: 4-1-26

EXHIBIT 1

DESCRIPTION OF PROPERTY AND PREMISES

Page 1 of 2

to the Option and Land Lease Agreement dated November 16, 2023, by and between Andrew Perry Lester and his spouse, Linda Diane Lester, dealing with their homestead property, as Landlord, and New Cingular Wireless PCS, LLC, a Delaware limited liability company, as Tenant.

The Property is legally described as follows:

ALL THAT PARCEL OF LAND IN THE IN THE COUNTY OF CALDWELL AND COMMONWEALTH OF KENTUCKY AS MORE FULLY DESCRIBED IN DEED BOOK 263 PAGE 415, BOOK 190 PAGE 305, BOOK 168 PAGE 327 AND PARCEL # 41-11A-12A, BEING KNOWN AND DESIGNATED AS:

DEED BOOK 263, PAGE 415

BEGINNING AT A STAKE LOCATED IN THE ROAD BED OF AN OLD ABANDONED PRIVATE ROAD, 39 FEET NORTH OF THE RIGHT OF WAY LINE OF KENTUCKY HIGHWAY 1272; THENCE WITH SAID ROAD BED AND THE LINE OF RICHARD B. LESTER, N. 50° 50' E. 751.5 FEET TO A FENCE POST, N. 49° 20' E. 752.4 FEET TO A STAKE, THENCE N. 40° 23' E. 955.0 FEET TO A STAKE; THENCE LEAVING OLD ROAD BED AND WITH ANOTHER LINE OF RICHARD B. LESTER, N. 82° 28' E. 709.5 FEET TO A 15-INCH SASSAFRAS; THENCE WITH ANOTHER LINE OF THE SAID LESTER, S. 37° 54' E. 1130 FEET TO A CORNER POST, CORNER TO J. & G. BROWN; THENCE WITH THE SAID BROWN LINES S. 52° 00' W. 2341.0 FEET TO A FENCE POST, CORNER OF THE SAID BROWN AND THE RIGHT OF WAY LINE OF KENTUCKY HIGHWAY NO. 1272, THENCE WITH SAID RIGHT OF WAY LINE N. 38° 44' W. 350 FEET TO A STAKE, CORNER OF GLADYS LESTER, THENCE WITH HER LINE, N. 53° 56' E. 200 FEET TO A STAKE; THENCE N. 15° 06' W. 277.3 FEET TO A STAKE; N. 69° 14' W. 139.0 FEET TO A STAKE, S. 50° 71' W. 351 FEET TO A STAKE IN THE RIGHT OF WAY LINE OF THE SAID KENTUCKY HIGHWAY NO. 1272; THENCE WITH SAID RIGHT OF WAY LINE AS FOLLOWS: N. 78° 27' W. 200.0 FEET; N. 84° 51' W. 200.0 FEET; S. 89° 35' W. 200.0 FEET; S. 85° 12' W. 173.20 FEET TO A STAKE IN SAID RIGHT OF WAY; THENCE N. 50° 38' W. 39.0 FEET TO THE POINT OF BEGINNING, CONTAINING 75.2 ACRES, MORE OR LESS. THIS DESCRIPTION ACCORDING TO PLAT AND SURVEY OF JAMES E. ARNOLD, LIE. NO. 1520, DATED MARCH 1, 1975.

THERE IS EXCEPTED AND NOT INCLUDED THE FOLLOWING DESCRIBED PROPERTY WHICH WAS CONVEYED TO ANDREW PERRY LESTER AND DENISE FRANKLIN LESTER, HUSBAND AND WIFE, DATED JULY 17, 1987, RECORDED IN DEED BOOK 168, PAGE 327:

BEGINNING AT A FENCE POST IN THE NORTHERLY RIGHT-OF-WAY OF KY. 1272 CORNER TO GLADYS LESTER AND RICHARD B. LESTER, THENCE WITH SAID RIGHT- OF-WAY N 78 DEGREES 27' W 200.00 FEET; THENCE N 84 DEGREES 51' W. 200.00 FEET; THENCE S 89 DEGREES 35' W 200.00 FEET; THENCE S 85 DEGREES 12' W 173.20 FEET; THENCE LEAVING SAID RIGHT-OF-WAY AND WITH THE CENTER OF AND OLD ROAD BED N 50 DEGREES 38' W 39.00 FEET; THENCE N 50 DEGREES 50' E 460.5 FEET TO AN IRON PIN IN THE CENTER OF OLD ROAD BED; THENCE S 8 DEGREES 29' E 607.04 FEET TO A 1/2" IRON PIN; THENCE S 50 DEGREES 11' W 100 FEET TO THE BEGINNING, CONTAINING 3.71 ACRES, MORE OR LESS.

BEING A PART OF TRACT 1 OF THE SAME PROPERTY CONVEYED RICHARD B. LESTER, BY DEED OF CONVEYANCE FROM GLADYS CHILDRESS LESTER, WIDOW, DATED MARCH 13, 1975, AND RECORDED IN DEED BOOK 139, PAGE 41, CALDWELL COUNTY CLERK'S OFFICE.

DEED BOOK 190, PAGE 305 - TRACT 1 (PREVIOUS RECORDED IN DEED BOOK 168, PAGE 327 - TRACT 1)

BEGINNING AT A FENCE POST IN THE NORTHERLY RIGHT-OF-WAY OF KY. 1272 CORNER TO GLADYS LESTER AND RICHARD B. LESTER, THENCE WITH SAID RIGHT- OF-WAY N 78 DEGREES 27' W 200.00 FEET; THENCE N 84 DEGREES 51' W. 200.00 FEET; THENCE S 89 DEGREES 35' W 200.00 FEET; THENCE S 85 DEGREES 12' W 173.20 FEET; THENCE LEAVING SAID RIGHT-OF-WAY AND WITH THE CENTER OF AND OLD ROAD BED N 50 DEGREES 38' W 39.00 FEET; THENCE N 50 DEGREES 50' E 460.5 FEET TO AN IRON PIN IN THE CENTER OF OLD ROAD BED; THENCE S 8 DEGREES 29' E 607.04 FEET TO A 1/2" IRON PIN; THENCE S 50 DEGREES 11' W 100 FEET TO THE BEGINNING, CONTAINING 3.71 ACRES, MORE OR LESS.

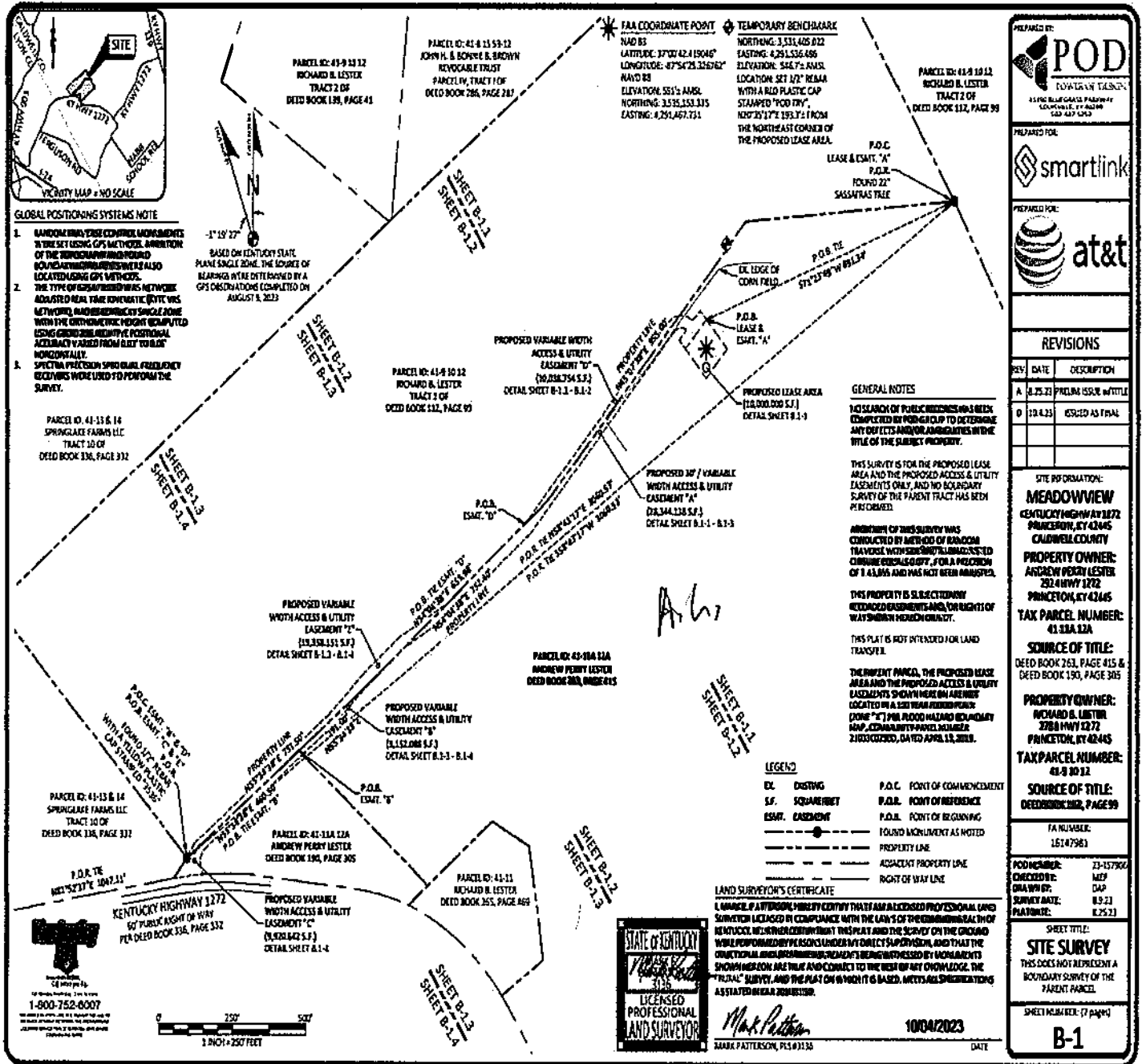
PARCEL NUMBER: 41-11A-12A

BY FEE SIMPLE DEED FROM RICHARD B. LESTER, A SINGLE PERSON AS SET FORTH IN DEED BOOK / PAGE : 263 / 415, DATED 03/02/2007 AND RECORDED 03/02/2007, CALDWELL COUNTY RECORDS, STATE OF KENTUCKY.

BY FEE SIMPLE DEED FROM DENISE FRANKLIN LESTER (HER 1/2 INTEREST) ASSET FORTH IN DEED BOOK / PAGE : 190 / 305, DATED 06/30/1993 AND RECORDED 07/08/1993, CALDWELL COUNTY RECORDS, STATE OF KENTUCKY.

BY FEE SIMPLE DEED FROM RICHARD B. LESTER, WIDOWER AS SET FORTH IN DEED BOOK / PAGE : 168 / 327, DATED 07/17/1987 AND RECORDED 07/17/1987, CALDWELL COUNTY RECORDS, STATE OF KENTUCKY.

The Premises are described and/or depicted as follows:



POD
TOWN OF TAYLOR
4510 BLUE GRASS PARKWAY
LEXINGTON, KY 40503
502-437-1243

smartlink

at&t

REVISIONS

REV.	DATE	DESCRIPTION
A	8.25.23	PRELIM. ISSUE WITH TITLE
D	10.4.23	ISSUED AS FINAL

GENERAL NOTES

NO SEARCH OF PUBLIC RECORDS HAS BEEN CONDUCTED BY POD TO DETERMINE ANY EASEMENTS OR ENCUMBRANCES WITHIN THE TITLE OF THE SUBJECT PROPERTY.

THIS SURVEY IS FOR THE PROPOSED LEASE AREA AND THE PROPOSED ACCESS & UTILITY EASEMENTS ONLY, AND NO BOUNDARY SURVEY OF THE PARENT TRACT HAS BEEN PERFORMED.

A SEARCH OF THIS SURVEY WAS CONDUCTED BY METHOD OF RANDOM TRAVERSE WITH SENSITIVE TOTAL STATIONED CHAIN SURVEYING, P.O.B. OR A PROVISION OF 14.8.05 AND HAS NOT BEEN ABANDONED.

THIS PROPERTY IS SUBJECT TO AN EASEMENT OF WAY AND RIGHT OF WAY SURVEY BY WATSON HENCH COUNTY.

THIS PLAT IS NOT INTENDED FOR LAND TRANSFER.

THE ENTIRE PARCEL, THE PROPOSED LEASE AREA AND THE PROPOSED ACCESS & UTILITY EASEMENTS SHOWN HEREON ARE LOCATED IN A 100 YEAR FLOOD HAZARD ZONE (ZONE "X") PER FLOOD HAZARD ELEVATION MAP, CALDWELL COUNTY PARCEL NUMBER 230240000, DATED APRIL 15, 2015.

LEGEND

DL	DISTING	P.O.C.	POINT OF COMMENCEMENT
S.F.	SQUARE FEET	P.O.R.	POINT OF REFERENCE
ESMT.	EASEMENT	P.O.B.	POINT OF BEGINNING
			FOUND ENCUMBRANCE AS NOTED
			PROPERTY LINE
			ADJACENT PROPERTY LINE
			RIGHT OF WAY LINE

LAND SURVEYOR'S CERTIFICATE

I, MARK PATTERSON, hereby certify that I am a licensed professional land surveyor licensed in compliance with the laws of the Commonwealth of Kentucky, and that I have personally conducted this survey on the ground and that the conclusions and representations herein are true and correct to the best of my knowledge, the "TRUTH" SURVEY, AND THE PLAT ON WHICH IT IS BASED, MEETS ALL REQUIREMENTS AS STATED IN KRS 203.010.

Mark Patterson
MARK PATTERSON, PLS #1234

10/04/2023
DATE

SITE INFORMATION:
MEADOWVIEW
KENTUCKY HIGHWAY 1272
PRINCETON, KY 42445
CALDWELL COUNTY

PROPERTY OWNER:
ANDREW PERRY LESTER
2324 HWY 1272
PRINCETON, KY 42445

TAX PARCEL NUMBER:
41-13A-12A

SOURCE OF TITLE:
DEED BOOK 263, PAGE 415 &
DEED BOOK 190, PAGE 305

PROPERTY OWNER:
RICHARD B. LESTER
3788 HWY 1272
PRINCETON, KY 42445

TAX PARCEL NUMBER:
41-9-10-12

SOURCE OF TITLE:
DEED BOOK 112, PAGE 99

TA NUMBER:
15147961

POD MEMBER: 23-157966
CREATED BY: MJP
DRAWN BY: DAP
SURVEY DATE: 8.23
PLATTING: 8.23

SHEET TITLE:
SITE SURVEY
THIS DOES NOT REPRESENT A
BOUNDARY SURVEY OF THE
PARENT PARCEL

SHEET NUMBER: (7 pages)
B-1

- Notes:**
1. THIS EXHIBIT MAY BE REPLACED BY A LAND SURVEY AND/OR CONSTRUCTION DRAWINGS OF THE PREMISES ONCE RECEIVED BY TENANT.
 2. ANY SETBACK OF THE PREMISES FROM THE PROPERTY'S BOUNDARIES SHALL BE THE DISTANCE REQUIRED BY THE APPLICABLE GOVERNMENTAL AUTHORITIES.
 3. WIDTH OF ACCESS ROAD SHALL BE THE WIDTH REQUIRED BY THE APPLICABLE GOVERNMENTAL AUTHORITIES, INCLUDING POLICE AND FIRE DEPARTMENTS.
 4. THE TYPE, NUMBER AND MOUNTING POSITIONS AND LOCATIONS OF ANTENNAS AND TRANSMISSION LINES ARE ILLUSTRATIVE ONLY. ACTUAL TYPES, NUMBERS AND MOUNTING POSITIONS MAY VARY FROM WHAT IS SHOWN ABOVE.
- 1.

**EXHIBIT J
NOTIFICATION LISTING
CERTIFIED GREEN CARD RECEIPTS**

Meadowview – Notice List

LESTER ANDREW P
2924 HWY 1272
PRINCETON KY 42445

LESTER RICHARD B
2788 HWY 1272
PRINCETON KY 42445

SPRINGLAKE FARMS LLC
150 EAST PALMETTO PARK ROAD SUITE 800
BOCA RATON FL 33432

BROWN JOHN AND BONNIE
REVOCABLE TRUST
2691 HWY 1272
PRINCETON KY 42445

BROWN JOHN AND BONNIE
2691 HWY 1272
PRINCETON KY 42445

7021 1970 0000 8657 2238

**U.S. Postal Service™
CERTIFIED MAIL® RECEIPT**
Domestic Mail Only

For delivery information, visit our website at www.usps.com®.

OFFICIAL USE

Certified Mail Fee \$ 40165

Extra Services & Fees (check box, add fee as appropriate)

Return Receipt (hardcopy) \$

Return Receipt (electronic) \$

Certified Mail Restricted Delivery \$

Adult Signature Required \$

Adult Signature Restricted Delivery \$

Postmark Here
APR 10 2024

To: **SPRINGLAKE FARMS LLC**
150 EAST PALMETTO PARK ROAD SUITE 800
BOCA RATON FL 33432

City

PS Form 3800, April 2015 PSN 7530-02-000-9047 See Reverse for Instructions

7021 1970 0000 8657 2238

**U.S. Postal Service™
CERTIFIED MAIL® RECEIPT**
Domestic Mail Only

For delivery information, visit our website at www.usps.com®.

OFFICIAL USE

Certified Mail Fee \$ 40165

Extra Services & Fees (check box, add fee as appropriate)

Return Receipt (hardcopy) \$

Return Receipt (electronic) \$

Certified Mail Restricted Delivery \$

Adult Signature Required \$

Adult Signature Restricted Delivery \$

Postmark Here
APR 10 2024

To: **BROWN JOHN AND BONNIE
REVOCABLE TRUST**
2691 HWY 1272
PRINCETON KY 42445

PS Form 3800, April 2015 PSN 7530-02-000-9047 See Reverse for Instructions

7021 1970 0000 8657 2238

**U.S. Postal Service™
CERTIFIED MAIL® RECEIPT**
Domestic Mail Only

For delivery information, visit our website at www.usps.com®.

OFFICIAL USE

Certified Mail Fee \$ 40165

Extra Services & Fees (check box, add fee as appropriate)

Return Receipt (hardcopy) \$

Return Receipt (electronic) \$

Certified Mail Restricted Delivery \$

Adult Signature Required \$

Adult Signature Restricted Delivery \$

Postmark Here
APR 10 2024

To: **DAKOTA YOUNG
COUNTY JUDGE EXECUTIVE**
100 E MARKET STREET
PRINCETON, KY 42445

PS Form 3800, April 2015 PSN 7530-02-000-9047 See Reverse for Instructions

7021 1970 0000 8657 2238

**U.S. Postal Service™
CERTIFIED MAIL® RECEIPT**
Domestic Mail Only

For delivery information, visit our website at www.usps.com®.

OFFICIAL USE

Certified Mail Fee \$ 40165

Extra Services & Fees (check box, add fee as appropriate)

Return Receipt (hardcopy) \$

Return Receipt (electronic) \$

Certified Mail Restricted Delivery \$

Adult Signature Required \$

Adult Signature Restricted Delivery \$

Postmark Here
APR 10 2024

To: **LESTER RICHARD B**
2788 HWY 1272
PRINCETON KY 42445

PS Form 3800, April 2015 PSN 7530-02-000-9047 See Reverse for Instructions

7021 1970 0000 8657 2238

**U.S. Postal Service™
CERTIFIED MAIL® RECEIPT**
Domestic Mail Only

For delivery information, visit our website at www.usps.com®.

OFFICIAL USE

Certified Mail Fee \$ 40165

Extra Services & Fees (check box, add fee as appropriate)

Return Receipt (hardcopy) \$

Return Receipt (electronic) \$

Certified Mail Restricted Delivery \$

Adult Signature Required \$

Adult Signature Restricted Delivery \$

Postmark Here
APR 10 2024

To: **BROWN JOHN AND BONNIE**
2691 HWY 1272
PRINCETON KY 42445

PS Form 3800, April 2015 PSN 7530-02-000-9047 See Reverse for Instructions

7021 1970 0000 8657 2238

**U.S. Postal Service™
CERTIFIED MAIL® RECEIPT**
Domestic Mail Only

For delivery information, visit our website at www.usps.com®.

OFFICIAL USE

Certified Mail Fee \$ 40165

Extra Services & Fees (check box, add fee as appropriate)

Return Receipt (hardcopy) \$

Return Receipt (electronic) \$

Certified Mail Restricted Delivery \$

Adult Signature Required \$

Adult Signature Restricted Delivery \$

Postmark Here
APR 10 2024

To: **LESTER ANDREW P**
2924 HWY 1272
PRINCETON KY 42445

PS Form 3800, April 2015 PSN 7530-02-000-9047 See Reverse for Instructions

SENDER: COMPLETE THIS SECTION

- Complete items 1, 2, and 3.
- Print your name and address on the reverse so that we can return the card to you.
- Attach this card to the back of the mailpiece, or on the front if space permits.

1. Article Addressed to:

BROWN JOHN AND BONNIE
2691 HWY 1272
PRINCETON KY 42445



9590 9402 7548 2098 3234 07

2. Article Number (Transfer from service label)

7021 1970 0000 8657 0205

PS Form 3811, July 2020 PSN 7530-02-000-9053

COMPLETE THIS SECTION ON DELIVERY

A. Signature

X *Bonnie Brown*

- Agent
 Addressee

B. Received by (Printed Name)

BONNIE BROWN

C. Date of Delivery

01/13/24

D. Is delivery address different from item 1? Yes
If YES, enter delivery address below: No

3. Service Type

- Adult Signature
- Adult Signature Restricted Delivery
- Certified Mail®
- Certified Mail Restricted Delivery
- Collect on Delivery
- Collect on Delivery Restricted Delivery
- Insured Mail
- Priority Mail Express®
- Registered Mail™
- Registered Mail Restricted Delivery
- Signature Confirmation™
- Signature Confirmation Restricted Delivery

Mail Restricted Delivery (00)

Domestic Return Receipt

SENDER: COMPLETE THIS SECTION

- Complete items 1, 2, and 3.
- Print your name and address on the reverse so that we can return the card to you.
- Attach this card to the back of the mailpiece, or on the front if space permits.

1. Article Addressed to:

DAKOTA YOUNG
COUNTY JUDGE EXECUTIVE
100 E MARKET STREET
PRINCETON, KY 42445



9590 9402 7548 2098 3248 62

2. Article Number (Transfer from service label)

7021 1970 0000 8657 2278

PS Form 3811, July 2020 PSN 7530-02-000-9053

COMPLETE THIS SECTION ON DELIVERY

A. Signature

X *William Young*

- Agent
 Addressee

B. Received by (Printed Name)

WILLIAM YOUNG

C. Date of Delivery

4-12-24

D. Is delivery address different from item 1? Yes
If YES, enter delivery address below: No

3. Service Type

- Adult Signature
- Adult Signature Restricted Delivery
- Certified Mail®
- Certified Mail Restricted Delivery
- Collect on Delivery
- Collect on Delivery Restricted Delivery
- Insured Mail
- Priority Mail Express®
- Registered Mail™
- Registered Mail Restricted Delivery
- Signature Confirmation™
- Signature Confirmation Restricted Delivery

Registered Mail Restricted Delivery - \$500

Domestic Return Receipt

SENDER: COMPLETE THIS SECTION

- Complete items 1, 2, and 3.
- Print your name and address on the reverse so that we can return the card to you.
- Attach this card to the back of the mailpiece, or on the front if space permits.

1. Article Addressed to:

LESTER RICHARD B
2788 HWY 1272
PRINCETON KY 42445



9590 9402 7548 2098 3248 86

2. Article Number (Transfer from service label)

7021 1970 0000 8657 2254

PS Form 3811, July 2020 PSN 7530-02-000-9053

COMPLETE THIS SECTION ON DELIVERY

- A. Signature Agent
 Addressee
- B. Received by (Printed Name) C. Date of Delivery
- D. Is delivery address different from item 1? Yes
If YES, enter delivery address below: No

3. Service Type
- Adult Signature
 - Adult Signature Restricted Delivery
 - Certified Mail®
 - Certified Mail Restricted Delivery
 - Collect on Delivery
 - Collect on Delivery Restricted Delivery
 - Priority Mail Express®
 - Registered Mail™
 - Registered Mail Restricted Delivery
 - Signature Confirmation™
 - Signature Confirmation Restricted Delivery
- Mail Restricted Delivery (00)

Domestic Return Receipt

SENDER: COMPLETE THIS SECTION

- Complete items 1, 2, and 3.
- Print your name and address on the reverse so that we can return the card to you.
- Attach this card to the back of the mailpiece, or on the front if space permits.

1. Article Addressed to:

BROWN JOHN AND BONNIE
REVOCABLE TRUST
2691 HWY 1272
PRINCETON KY 42445



9590 9402 7548 2098 3249 09

2. Article Number (Transfer from service label)

7021 1970 0000 8657 2230

PS Form 3811, July 2020 PSN 7530-02-000-9053

COMPLETE THIS SECTION ON DELIVERY

- A. Signature Agent
 Addressee
- B. Received by (Printed Name) C. Date of Delivery
- D. Is delivery address different from item 1? Yes
If YES, enter delivery address below: No

3. Service Type
- Adult Signature
 - Adult Signature Restricted Delivery
 - Certified Mail®
 - Certified Mail Restricted Delivery
 - Collect on Delivery
 - Collect on Delivery Restricted Delivery
 - Priority Mail Express®
 - Registered Mail™
 - Registered Mail Restricted Delivery
 - Signature Confirmation™
 - Signature Confirmation Restricted Delivery
- Mail Restricted Delivery (00)

Domestic Return Receipt

**Track Packages
Anytime, Anywhere**

Get the free Informed Delivery® feature to receive automated notifications on your packages

Learn More

(<https://reg.usps.com/xsell?app=UspsTools&ref=homepageBanner&appURL=https%3A%2F%2Finformeddelivery.usps.com/box/pages/intro/start.action>)

Tracking Number:

Remove X

70211970000086572261

Copy

Add to Informed Delivery (<https://informedelivery.usps.com/>)

Latest Update

Your item was delivered to an individual at the address at 11:54 am on April 12, 2024 in PRINCETON, KY 42445.

Delivered

Delivered, Left with Individual

PRINCETON, KY 42445
April 12, 2024, 11:54 am

[See All Tracking History](#)

Get More Out of USPS Tracking:

USPS Tracking Plus®

[What Do USPS Tracking Statuses Mean?](#)

(<https://faq.usps.com/s/article/Where-is-my-package>)

Feedback

Text & Email Updates



USPS Tracking Plus®



Product Information



See Less ^

Track Another Package

Enter tracking or barcode numbers

Need More Help?

Contact USPS Tracking support for further assistance.

FAQs

EXHIBIT K
COPY OF PROPERTY OWNER NOTIFICATION



PIKE LEGAL GROUP PLLC
1578 Highway 44 East, Unit 6
PO Box 369
Shepherdsville, KY 40165-0369
Phone: 502-955-4400
Fax: 502-543-4410

VIA CERTIFIED MAIL

**Notice of Proposed Construction of
Wireless Communications Facility
Site Name: Meadowview**

Dear Landowner:

New Cingular Wireless PCS, LLC, a Delaware limited liability company, d/b/a AT&T Mobility is filing an application with the Kentucky Public Service Commission ("PSC") to construct a new wireless communications facility on a site located off Kentucky Highway 1272, Princeton, KY 42445 (37° 00' 42.419046" North latitude, 87° 54' 25.326762" West longitude). The proposed facility will include a 190-foot tall tower with a 5-foot tall lightning arrestor attached at the top for a total height of 195 feet, plus related ground facilities. This facility is needed to provide improved service for wireless communications in the area.

This notice is being sent to you because the County Property Valuation Administrator's records indicate that you may own property that is within a 500' radius of the proposed tower site or contiguous to the property on which the tower is to be constructed. You have a right to submit testimony to the PSC, either in writing or to request intervention in the PSC's proceedings on the application. You may contact the PSC for additional information concerning this matter at: Kentucky Public Service Commission, Executive Director, 211 Sower Boulevard, P.O. Box 615, Frankfort, Kentucky 40602. Please refer to docket number 2024-00095 in any correspondence sent in connection with this matter.

We have attached a map showing the site location for the proposed tower. AT&T Mobility's radio frequency engineers assisted in selecting the proposed site for the facility, and they have determined it is the proper location and elevation needed to provide quality service to wireless customers in the area. Please feel free to contact us toll free at (800) 516-4293 if you have any comments or questions about this proposal.

Sincerely,
David A. Pike
Attorney for Applicant

enclosures

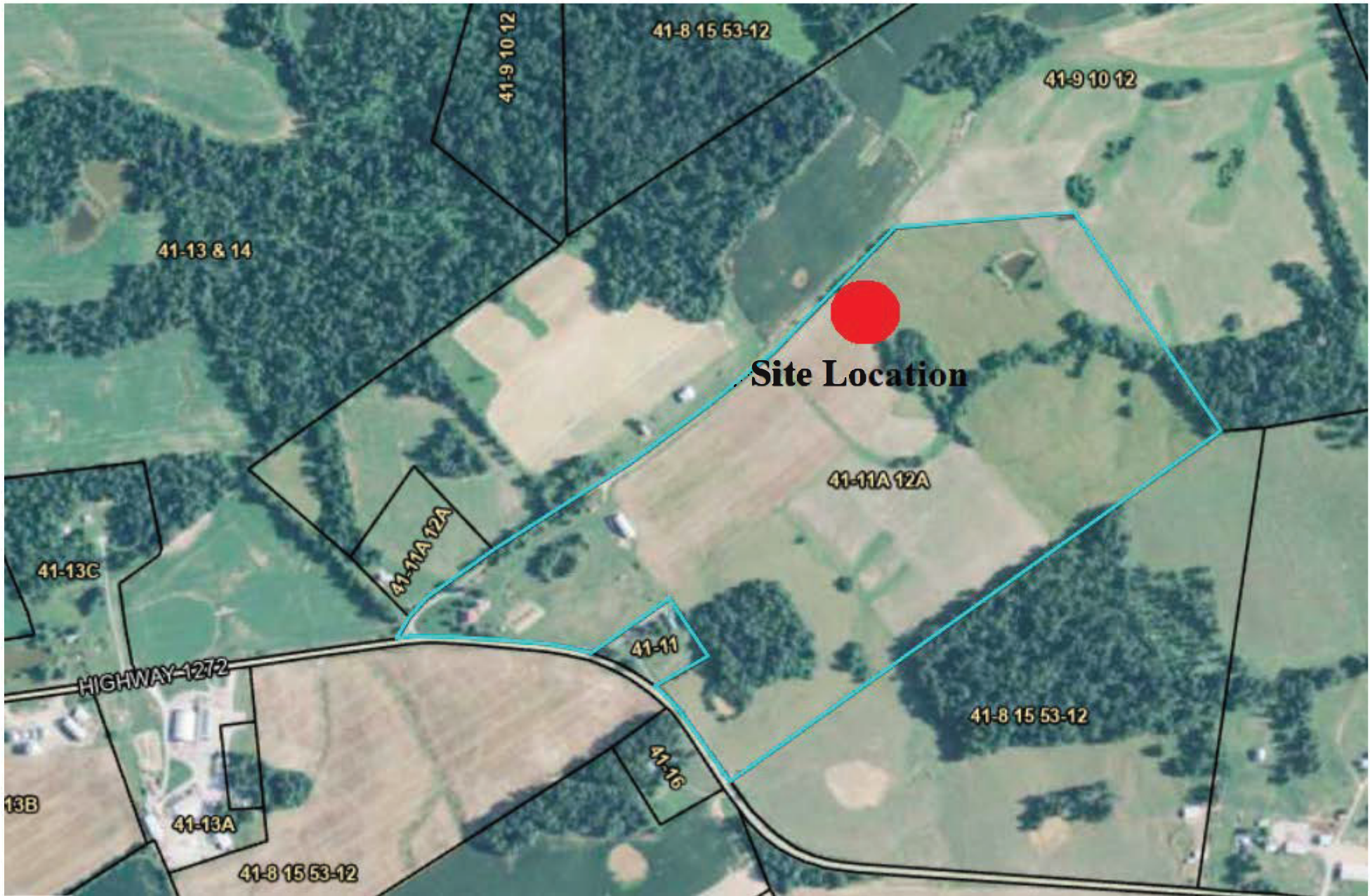


EXHIBIT L
COPY OF COUNTY JUDGE/EXECUTIVE NOTICE



PIKE LEGAL GROUP PLLC
1578 Highway 44 East, Unit 6
PO Box 369
Shepherdsville, KY 40165-0369
Phone: 502-955-4400
Fax: 502-543-4410

VIA CERTIFIED MAIL

Dakota Young
County Judge Executive
100 E Market Street
Princeton, KY 42445

RE: Notice of Proposal to Construct Wireless Communications Facility
Kentucky Public Service Commission Docket No. 2024-00095
Site Name: Meadowview

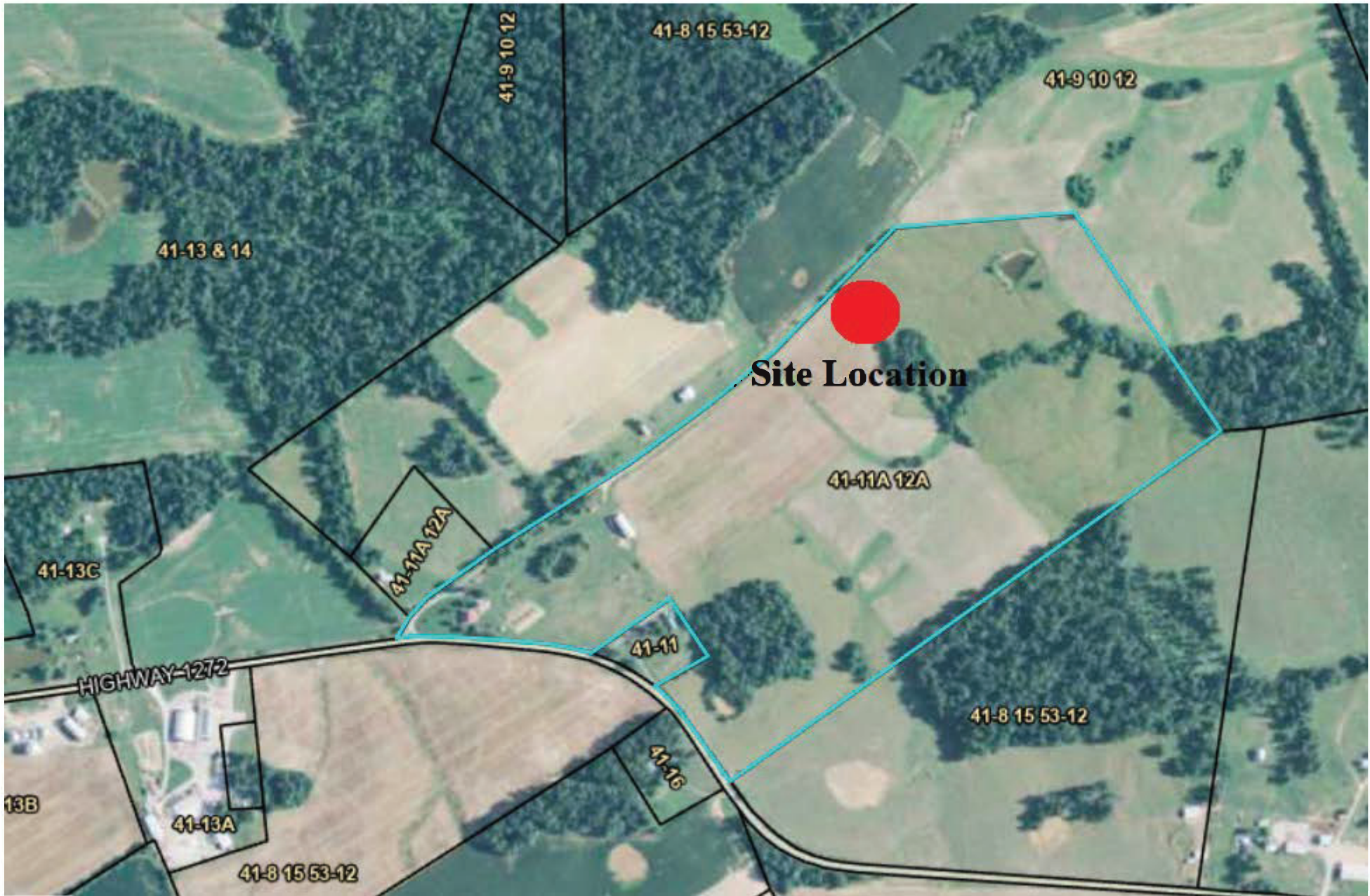
Dear Judge/Executive:

New Cingular Wireless PCS, LLC, a Delaware limited liability company, d/b/a AT&T Mobility is filing an application with the Kentucky Public Service Commission ("PSC") to construct a new wireless communications facility on a site located off Kentucky Highway 1272, Princeton, KY 42445 (37° 00' 42.419046" North latitude, 87° 54' 25.326762" West longitude). The proposed facility will include a 190-foot tall tower with a 5-foot tall lightning arrestor attached at the top for a total height of 195 feet, plus related ground facilities. This facility is needed to provide improved service for wireless communications in the area.

You have a right to submit comments to the PSC or to request intervention in the PSC's proceedings on the application. You may contact the PSC at: Executive Director, Public Service Commission, 211 Sower Boulevard, P.O. Box 615, Frankfort, Kentucky 40602. Please refer to docket number 2024-00095 in any correspondence sent in connection with this matter.

We have attached a map showing the site location for the proposed tower. AT&T Mobility's radio frequency engineers assisted in selecting the proposed site for the facility, and they have determined it is the proper location and elevation needed to provide quality service to wireless customers in the area. Please feel free to contact us toll free at (800) 516-4293 if you have any comments or questions about this proposal.

Sincerely,
David A. Pike
Attorney for Applicant
enclosures



**EXHIBIT M
COPY OF POSTED NOTICES
AND NEWSPAPER NOTICE ADVERTISEMENT**

SITE NAME: MEADOWVIEW
NOTICE SIGNS

The signs are at least (2) feet by four (4) feet in size, of durable material, with the text printed in black letters at least one (1) inch in height against a white background, except for the word “**tower**,” which is at least four (4) inches in height.

New Cingular Wireless PCS, LLC, a Delaware limited liability company, d/b/a AT&T Mobility proposes to construct a telecommunications **tower** on this site. If you have questions, please contact Pike Legal Group, PLLC, P.O. Box 369, Shepherdsville, KY 40165; telephone: (800) 516-4293, or the Executive Director, Public Service Commission, 211 Sower Boulevard, PO Box 615, Frankfort, Kentucky 40602. Please refer to docket number 2024-00095 in your correspondence.

New Cingular Wireless PCS, LLC, a Delaware limited liability company, d/b/a AT&T Mobility proposes to construct a telecommunications **tower** near this site. If you have questions, please contact Pike Legal Group, PLLC, P.O. Box 369, Shepherdsville, KY 40165; telephone: (800) 516-4293, or the Executive Director, Public Service Commission, 211 Sower Boulevard, PO Box 615, Frankfort, Kentucky 40602. Please refer to docket number 2024-00095 in your correspondence.



PIKE LEGAL GROUP PLLC
1578 Highway 44 East, Unit 6
PO Box 369
Shepherdsville, KY 40165-0369
Phone: 502-955-4400
Fax: 502-543-4410

Telephone: (270) 601-4115
Email: sbrennan@timesleader.net

The Times Leader
P.O. Box 439
Princeton, KY 42445

RE: Legal Notice Advertisement
Site Name: Meadowview

Dear Advertising Department:

Please publish the following legal notice advertisement in the next edition of *The Times Leader*:

NOTICE

New Cingular Wireless PCS, LLC, a Delaware limited liability company, d/b/a AT&T Mobility has filed an application with the Kentucky Public Service Commission ("PSC") to construct a new wireless communications facility on a site located off Kentucky Highway 1272, Princeton, KY 42445 (37° 00' 42.419046" North latitude, -87° 54' 25.326762" West longitude). You may contact the PSC for additional information concerning this matter at: Kentucky Public Service Commission, Executive Director, 211 Sower Boulevard, P.O. Box 615, Frankfort, Kentucky 40602. Please refer to docket number 2024-00095 in any correspondence sent in connection with this matter.

After this advertisement has been published, please forward a tearsheet copy, affidavit of publication, and invoice to Pike Legal Group, PLLC, P. O. Box 369, Shepherdsville, KY 40165. Please call me at (800) 516-4293 if you have any questions. Thank you for your assistance.

Sincerely,
Chris Shouse
Pike Legal Group, PLLC

EXHIBIT N
COPY OF RADIO FREQUENCY DESIGN SEARCH AREA



Lat: 37.014521

Long: -87.902209

Radius: .35 miles

Meadowview Search Area