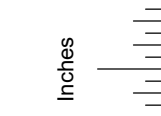
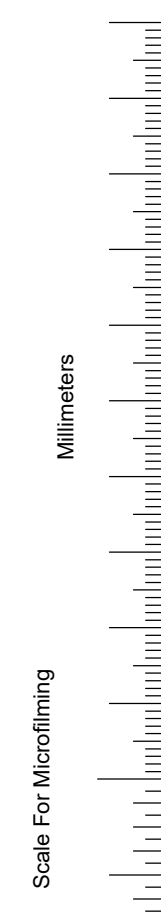
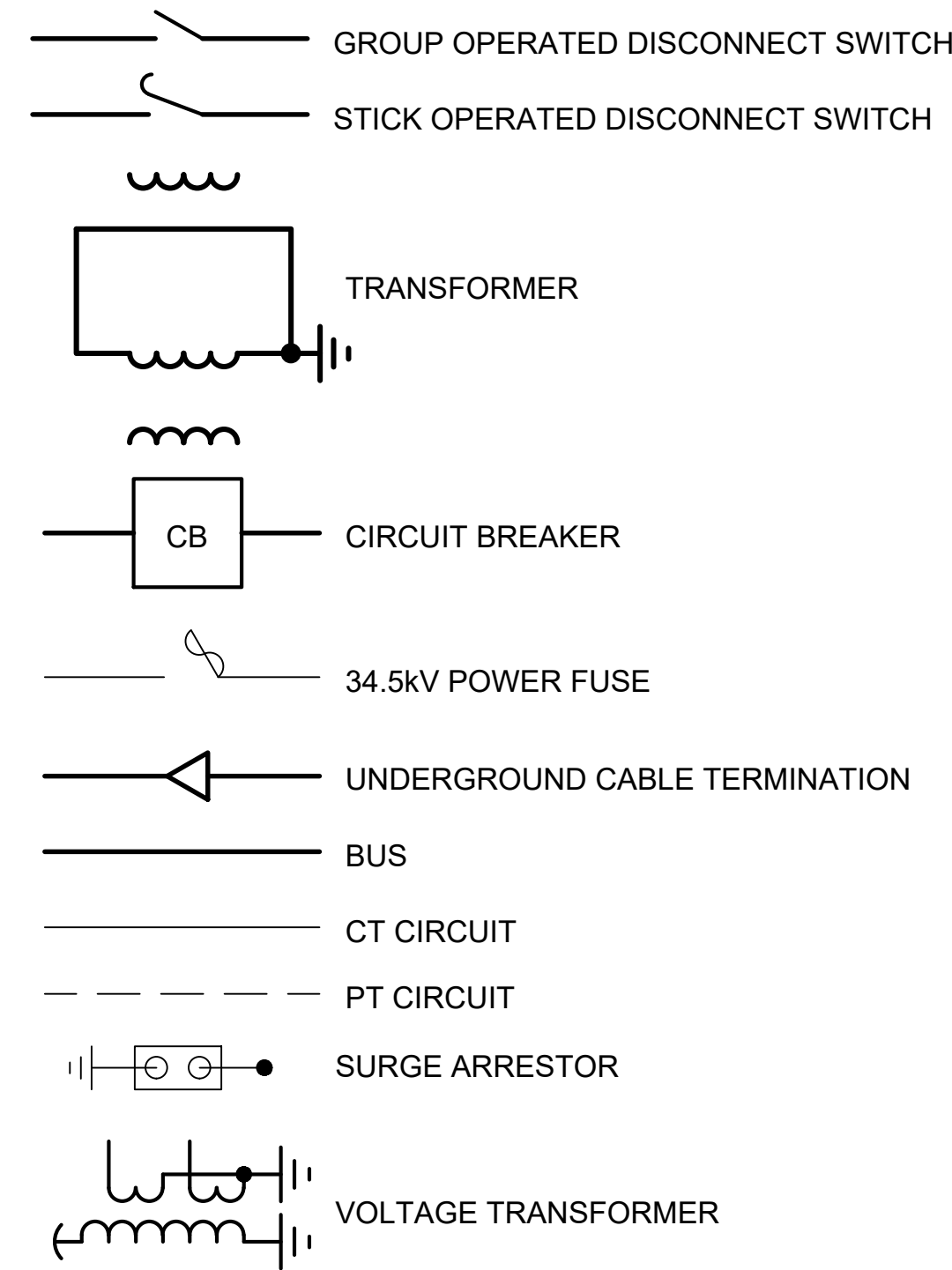
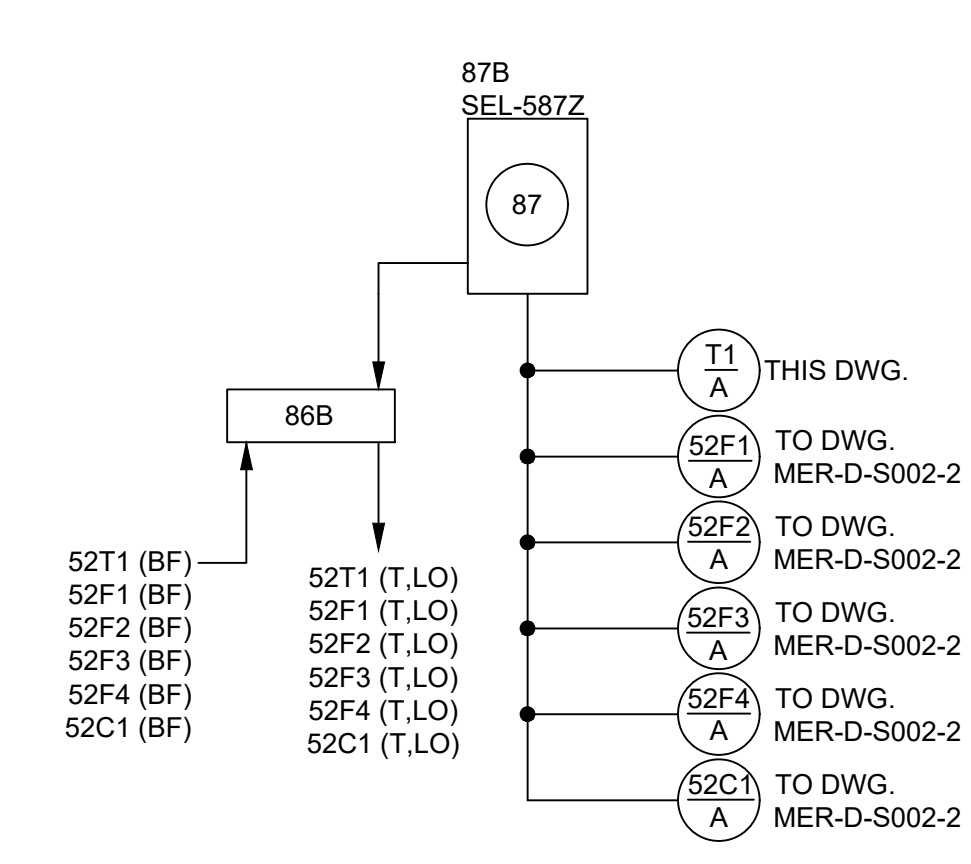
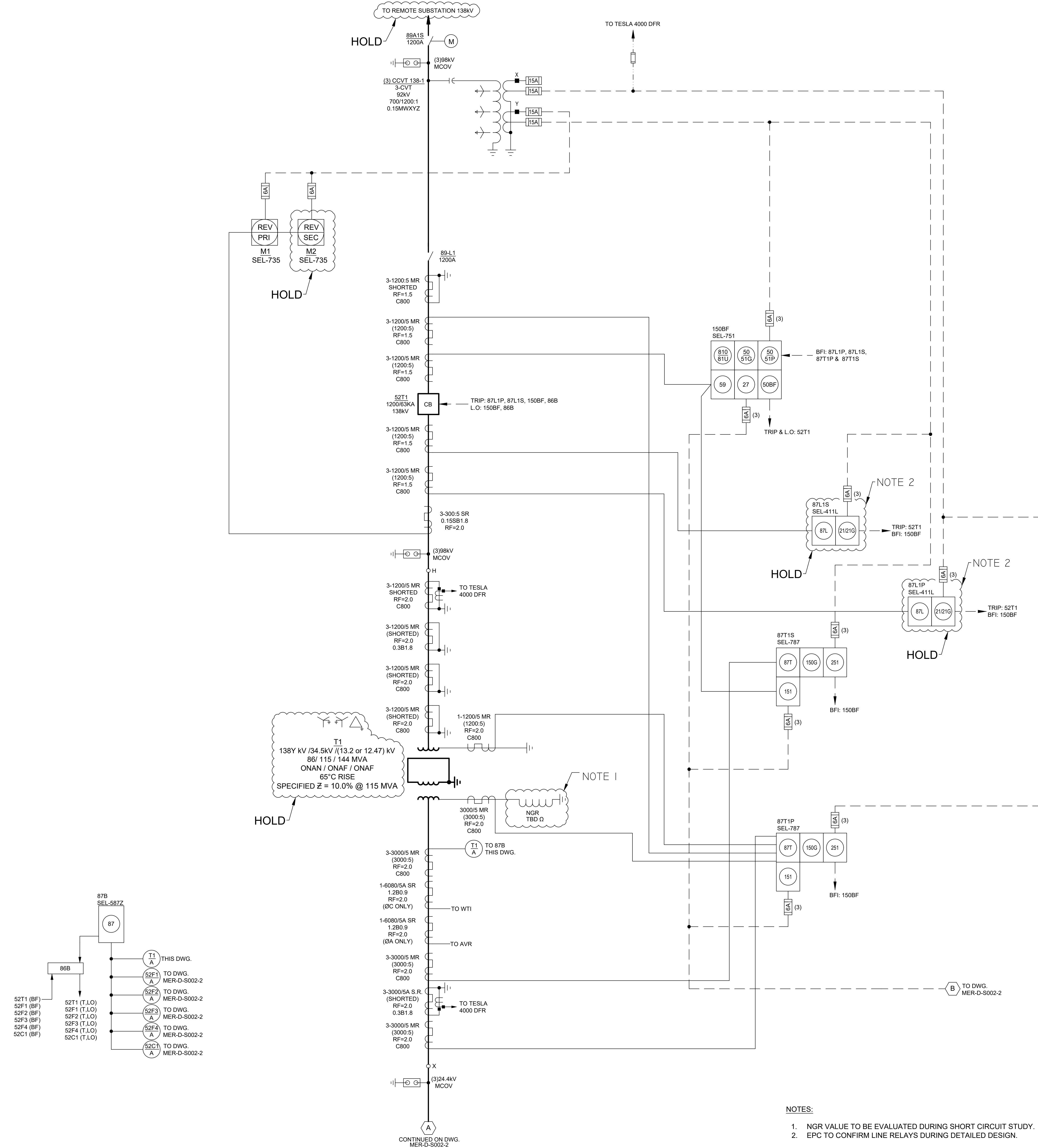


LEGEND



Case No. 2023-00361
Attachment 1 to Response to PSC-2 Question No. 30
Page 1 of 2
Tummonds

no.	date	by	ckd	description
A	06/29/23	SSP	SUI	ISSUED FOR 30% REVIEW
B	10/30/23	SSP	SUI	ISSUED FOR 30% REVIEW



- NOTES:**
1. NGR VALUE TO BE EVALUATED DURING SHORT CIRCUIT STUDY.
 2. EPC TO CONFIRM LINE RELAYS DURING DETAILED DESIGN.

PRELIMINARY - NOT FOR CONSTRUCTION

BURNS MCDONNELL
9400 WARD PARKWAY
KANSAS CITY, MO 64114
816-333-9400
Burns & McDonnell Engineering Co., Inc.
License No. 43

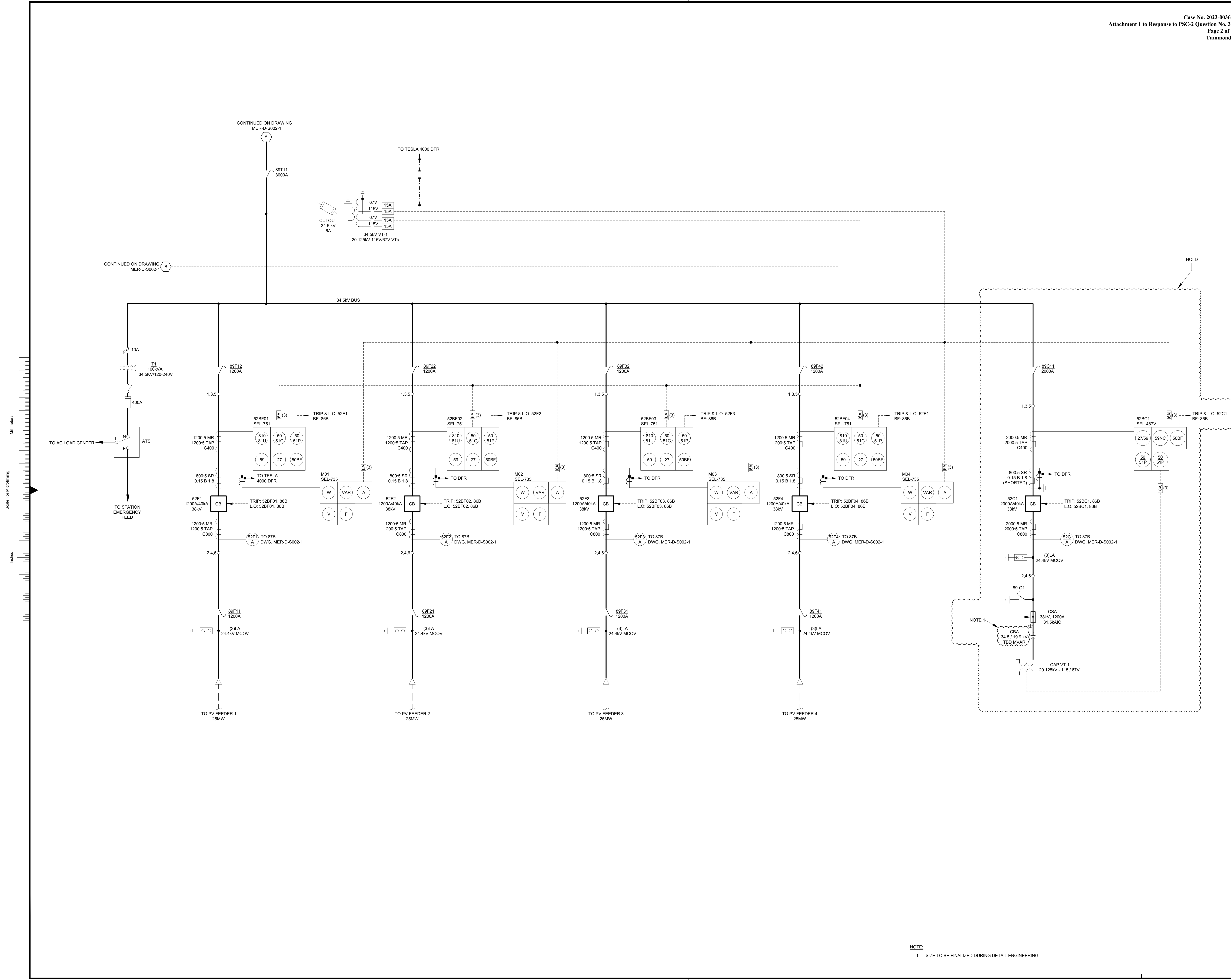
date	detailed
06/29/23	S.PAWAR
designed	checked
N.BHOSALE	S. IYENGAR



MERCER COUNTY, KENTUCKY
MERCER SOLAR
138-34.5KV SUBSTATION
RELAYING & METERING SINGLE LINE
SHEET 1

project	contract
157644	XXXX
drawing	rev.
MER-D-S002-1	B
sheet 1 of 2	sheets
file MER-D-S002-1	

no.	date	by	ckd	description
A	06/29/23	SSP	SUI	ISSUED FOR 30% REVIEW
B	10/30/23	SSP	SUI	ISSUED FOR 30% REVIEW



Scale For Microfitting
 Millimeters
 Inches

PRELIMINARY - NOT FOR CONSTRUCTION

BURNS MCDONNELL
 9400 WARD PARKWAY
 KANSAS CITY, MO 64114
 816-333-9400
 Burns & McDonnell Engineering Co., Inc.
 License No. 43

date	06/29/23	detailed	S.PAWAR
designed	N.BHOSALE	checked	S. IYENGAR



MERCER COUNTY, KENTUCKY
 MERCER SOLAR
 138-34.5KV SUBSTATION
 RELAYING & METERING SINGLE LINE
 SHEET 2

project	157644	contract	xxx
drawing	MER-D-S002-2	rev.	B
sheet	2	of	2
file	MER-D-S002-2	sheets	

NOTE:
 1. SIZE TO BE FINALIZED DURING DETAIL ENGINEERING.