

**COMMONWEALTH OF KENTUCKY
BEFORE THE PUBLIC SERVICE COMMISSION**

In the Matter of:

THE APPLICATION OF)
NEW CINGULAR WIRELESS PCS, LLC,)
A DELAWARE LIMITED LIABILITY COMPANY,)
D/B/A AT&T MOBILITY)
AND TILLMAN INFRASTRUCTURE LLC, A DELAWARE)
LIMITED LIABILITY COMPANY)
FOR ISSUANCE OF A CERTIFICATE OF PUBLIC) CASE NO.: 2023-00296
CONVENIENCE AND NECESSITY TO CONSTRUCT)
A WIRELESS COMMUNICATIONS FACILITY)
IN THE COMMONWEALTH OF KENTUCKY)
IN THE COUNTY OF HARLAN)

SITE NAME: CLOVER FORK

* * * * *

**APPLICATION FOR
CERTIFICATE OF PUBLIC CONVENIENCE AND NECESSITY
FOR CONSTRUCTION OF A WIRELESS COMMUNICATIONS FACILITY**

New Cingular Wireless PCS, LLC, a Delaware limited liability company, d/b/a AT&T Mobility and Tillman Infrastructure LLC, a Delaware limited liability company (“Applicants”), by counsel, pursuant to (i) KRS §§ 278.020, 278.040, 278.650, 278.665, and other statutory authority, and the rules and regulations applicable thereto, and (ii) the Telecommunications Act of 1996, respectfully submit this Application requesting issuance of a Certificate of Public Convenience and Necessity (“CPCN”) from the Kentucky Public Service Commission (“PSC”) to construct, maintain, and operate a Wireless Communications Facility (“WCF”) to serve the customers of AT&T Mobility with wireless communications services.

In support of this Application, Applicants respectfully provide and state the following information:

1. The complete name and address of the Applicants are: New Cingular Wireless PCS, LLC, a Delaware limited liability company, d/b/a AT&T Mobility, having an address of Meidinger Tower, 462 S. 4th Street, Suite 2400, Louisville, Kentucky 40202 and Tillman Infrastructure LLC, a Delaware limited liability company having an address of 152 W 57th Street, New York, NY 10019.

2. Applicants propose construction of an antenna tower for communications services, which is to be located in an area outside the jurisdiction of a planning commission, and Applicants submit this application to the PSC for a certificate of public convenience and necessity pursuant to KRS §§ 278.020(1), 278.040, 278.650, 278.665, and other statutory authority.

3. AT&T Mobility is a limited liability company organized in the State of Delaware on October 20, 1994. AT&T Mobility's Certificate of Good standing issued by the State of Delaware is attached as part of **Exhibit A** and hereby incorporated by reference.

4. Tillman Infrastructure LLC is a limited liability company organized in the State of Delaware on June 13, 2016. Tillman Infrastructure LLC's Certificate of Good standing issued by the State of Delaware is attached as part of **Exhibit A** and hereby incorporated by reference.

5. Both Applicants attest that they are in good standing in the state in which they are organized and further state that they are authorized to transact business in Kentucky. Copies of Applicants' Certificate of Authorization issued by the Kentucky Secretary of State are attached as part of **Exhibit A** and are hereby incorporated by reference.

6. AT&T Mobility operates on frequencies licensed by the Federal Communications Commission ("FCC") pursuant to applicable FCC requirements. A copy of

AT&T Mobility's FCC applications and licenses to provide wireless services are attached to this Application or described as part of **Exhibit A**, and the facility will be constructed and operated in accordance with applicable FCC regulations.

7. The public convenience and necessity require the construction of the proposed WCF. The construction of the WCF will bring or improve AT&T Mobility's services to an area currently not served or not adequately served by AT&T Mobility by increasing coverage or capacity and thereby enhancing the public's access to innovative and competitive wireless communications services. The WCF will provide a necessary link in AT&T Mobility's communications network that is designed to meet the increasing demands for wireless services in Kentucky's wireless communications service area. The WCF is an integral link in AT&T Mobility's network design that must be in place to provide adequate coverage to the service area.

8. To address the above-described service needs, Applicants propose to construct a WCF in a lease area located at 227 Industrial Park Road, Harlan, KY 40831 (36° 50' 08.82" North latitude, 83° 19' 39.46" West longitude), on a parcel of land located entirely within the county referenced in the caption of this application. The property on which the WCF will be located is owned by Harlan Countians for Progress, LLC, a Kentucky limited liability company pursuant to a Deed recorded at Deed Book 479, Page 151 in the office of the County Clerk. The proposed WCF will consist of a 175-foot tall tower, with an approximately 10-foot tall lightning arrestor attached at the top, for a total height of 185-feet. The WCF will also include concrete foundations and a shelter or cabinets to accommodate the placement of AT&T Mobility's radio electronics equipment and appurtenant equipment. AT&T Mobility's equipment cabinet or shelter will be approved for

use in the Commonwealth of Kentucky by the relevant building inspector. The WCF compound will be fenced and all access gate(s) will be secured. A description of the manner in which the proposed WCF will be constructed is attached as **Exhibit B** and **Exhibit C**.

9. A list of utilities, corporations, or persons with whom the proposed WCF is likely to compete is attached as **Exhibit D**.

10. The site development plan and a vertical profile sketch of the WCF signed and sealed by a professional engineer registered in Kentucky depicting the tower height, as well as a proposed configuration for the antennas of AT&T Mobility has also been included as part of **Exhibit B**.

11. Foundation design plans signed and sealed by a professional engineer registered in Kentucky and a description of the standards according to which the tower was designed are included as part of **Exhibit C**.

12. Applicants have considered the likely effects of the installation of the proposed WCF on nearby land uses and values and have concluded that there is no more suitable location reasonably available from which adequate services can be provided, and that there are no reasonably available opportunities to co-locate AT&T Mobility's antennas on an existing structure. When suitable towers or structures exist, AT&T Mobility attempts to co-locate on existing structures such as communications towers or other structures capable of supporting AT&T Mobility's facilities; however, no other suitable or available co-location site was found to be located in the vicinity of the site.

13. Copies of the application and Determination of No Hazard to Air Navigation issued by the Federal Aviation Administration ("FAA") are attached as **Exhibit E**.

14. A copy of the Kentucky Airport Zoning Commission ("KAZC") application along with documentation from a KAZC Administrator confirming KAZC approval for the proposed construction is not required are attached as **Exhibit F**.

15. A geotechnical engineering firm has performed soil boring(s) and subsequent geotechnical engineering studies at the WCF site. A copy of the geotechnical engineering report, signed and sealed by a professional engineer registered in the Commonwealth of Kentucky, is attached as **Exhibit G**. The name and address of the geotechnical engineering firm and the professional engineer registered in the Commonwealth of Kentucky who supervised the examination of this WCF site are included as part of this exhibit.

16. Clear directions to the proposed WCF site from the County seat are attached as **Exhibit H**. The name and telephone number of the preparer of **Exhibit H** are included as part of this exhibit.

17. Applicants, pursuant to a written agreement, have acquired the right to use the WCF site and associated property rights. A copy of the agreement or an abbreviated agreement recorded with the County Clerk is attached as **Exhibit I**.

18. Personnel directly responsible for the design and construction of the proposed WCF are well qualified and experienced. The tower and foundation drawings for the proposed tower submitted as part of **Exhibit C** bear the signature and stamp of a professional engineer registered in the Commonwealth of Kentucky. All tower designs meet or exceed the minimum requirements of applicable laws and regulations.

19. The Construction Manager for the proposed facility is John Lounsbury and the identity and qualifications of each person directly responsible for design and construction of

the proposed tower are contained in **Exhibits B & C**.

20. As noted on the Survey attached as part of **Exhibit B**, the surveyor has determined that the site is within Zone AE (area with base flood elevation 1185 feet) per the FEMA Floodplain Maps.

21. **Exhibit B** includes a map drawn to an appropriate scale that shows the location of the proposed tower and identifies every owner of real estate within 500 feet of the proposed tower (according to the records maintained by the County Property Valuation Administrator). Every structure and every easement within 500 feet of the proposed tower or within 200 feet of the access road including intersection with the public street system is illustrated in **Exhibit B**.

22. Applicants have notified every person who, according to the records of the County Property Valuation Administrator, owns property which is within 500 feet of the proposed tower or contiguous to the site property, by certified mail, return receipt requested, of the proposed construction. Each notified property owner has been provided with a map of the location of the proposed construction, the PSC docket number for this application, the address of the PSC, and has been informed of his or her right to request intervention. A list of the notified property owners and a copy of the form of the notice sent by certified mail to each landowner are attached as **Exhibit J** and **Exhibit K**, respectively. Copies of the certified green card receipts for each of the landowners who were provided notice are also included as part of **Exhibit J**.

23. Applicants have notified the Harlan County Judge/Executive and the Mayor for the City of Harlan by certified mail, return receipt requested, of the proposed construction. This notice included the PSC docket number under which the application will

be processed and informed the recipients of their right to request intervention. A copy of those notices are attached as **Exhibit L**.

24. Notice signs meeting the requirements prescribed by 807 KAR 5:063, Section 1(2) that measure at least 2 feet in height and 4 feet in width and that contain all required language in letters of required height, have been posted, one in a visible location on the proposed site and one on the nearest public road. Such signs shall remain posted for at least two weeks after filing of the Application, and a copy of the posted text is attached as **Exhibit M**. A legal notice advertisement regarding the location of the proposed facility has been published in a newspaper of general circulation in the county in which the WCF is proposed to be located. A copy of the newspaper legal notice advertisement is attached as part of **Exhibit M**.

25. The general area where the proposed facility will be located is industrial in character.

26. The process that was used by AT&T Mobility's radio frequency engineers in selecting the site for the proposed WCF was consistent with the general process used for selecting all other existing and proposed WCF facilities within the proposed network design area. Applicant's radio frequency engineers have conducted studies and tests in order to develop a highly efficient network that is designed to handle voice and data traffic in the service area. The engineers determined an optimum area for the placement of the proposed facility in terms of elevation and location to provide the best quality service to customers in the service area. A radio frequency design search area prepared in reference to these radio frequency studies was considered by the Applicants when searching for sites for its antennas that would provide the coverage deemed necessary by AT&T Mobility's

Radio Frequency Engineers. A map of the area in which the tower is proposed to be located which is drawn to scale and clearly depicts the necessary search area within which the site should be located pursuant to radio frequency requirements is attached as **Exhibit N**.

27. The tower must be located at the proposed location and proposed height to provide necessary service to wireless communications users in the subject area.

28. All Exhibits to this Application are hereby incorporated by reference as if fully set out as part of the Application.

29. All responses and requests associated with this Application may be directed to:

David A. Pike
Pike Legal Group, PLLC
1578 Highway 44 East, Suite 6
P. O. Box 369
Shepherdsville, KY 40165-0369
Telephone: (502) 955-4400
Telefax: (502) 543-4410
Email: dpike@pikelegal.com

WHEREFORE, Applicants respectfully request that the PSC accept the foregoing Application for filing, and having met the requirements of KRS §§ 278.020(1), 278.650, and 278.665 and all applicable rules and regulations of the PSC, grant a Certificate of Public Convenience and Necessity to construct and operate the WCF at the location set forth herein.

Respectfully submitted,



David A. Pike
Pike Legal Group, PLLC
1578 Highway 44 East, Suite 6
P. O. Box 369
Shepherdsville, KY 40165-0369
Telephone: (502) 955-4400
Telefax: (502) 543-4410
Email: dpike@pikelegal.com
Attorney for Applicants

LIST OF EXHIBITS

- A - Corporate Documentation & FCC License Documentation
- B - Site Development Plan:
 - 500' Vicinity Map
 - Legal Descriptions
 - Flood Plain Certification
 - Site Plan
 - Vertical Tower Profile
- C - Tower and Foundation Design
 - Construction Manager Letter
 - List of Qualified Professionals
 - Tower and Foundation Drawings
- D - Competing Utilities, Corporations, or Persons List
- E - FAA
- F - Kentucky Airport Zoning Commission
- G - Geotechnical Report
- H - Directions to WCF Site
- I - Copy of Real Estate Agreement
- J - Notification Listing & Certified Green Receipts
- K - Copy of Property Owner Notification
- L - Copy of County Judge/Executive & City Mayor Notice
- M - Copy of Posted Notices and Newspaper Notice Advertisement
- N - Copy of Radio Frequency Design Search Area

EXHIBIT A
CORPORATE DOCUMENTATION & FCC LICENSE
DOCUMENTATION

Commonwealth of Kentucky
Michael G. Adams, Secretary of State

Michael G. Adams
Secretary of State
P. O. Box 718
Frankfort, KY 40602-0718
(502) 564-3490
<http://www.sos.ky.gov>

Certificate of Authorization

Authentication number: 288316

Visit <https://web.sos.ky.gov/ftshow/certvalidate.aspx> to authenticate this certificate.

I, Michael G. Adams, Secretary of State of the Commonwealth of Kentucky, do hereby certify that according to the records in the Office of the Secretary of State,

NEW CINGULAR WIRELESS PCS, LLC

, a limited liability company authorized under the laws of the state of Delaware, is authorized to transact business in the Commonwealth of Kentucky, and received the authority to transact business in Kentucky on October 14, 1999.

I further certify that all fees and penalties owed to the Secretary of State have been paid; that an application for certificate of withdrawal has not been filed; and that the most recent annual report required by KRS 14A.6-010 has been delivered to the Secretary of State.

IN WITNESS WHEREOF, I have hereunto set my hand and affixed my Official Seal at Frankfort, Kentucky, this 27th day of March, 2023, in the 231st year of the Commonwealth.



Michael G. Adams

Michael G. Adams
Secretary of State
Commonwealth of Kentucky
288316/0481848

Delaware

Page 1

The First State

I, JEFFREY W. BULLOCK, SECRETARY OF STATE OF THE STATE OF DELAWARE, DO HEREBY CERTIFY "NEW CINGULAR WIRELESS PCS, LLC" IS DULY FORMED UNDER THE LAWS OF THE STATE OF DELAWARE AND IS IN GOOD STANDING AND HAS A LEGAL EXISTENCE SO FAR AS THE RECORDS OF THIS OFFICE SHOW, AS OF THE TWENTY-SEVENTH DAY OF MARCH, A.D. 2023.

AND I DO HEREBY FURTHER CERTIFY THAT THE SAID "NEW CINGULAR WIRELESS PCS, LLC" WAS FORMED ON THE TWENTIETH DAY OF OCTOBER, A.D. 1994.



1445544 8300

SR# 20231163146

You may verify this certificate online at corp.delaware.gov/authver.shtml

A handwritten signature in black ink, appearing to read "JBULLOCK", is written over a horizontal line. Below the line, the text "Jeffrey W. Bullock, Secretary of State" is printed in a small font.

Authentication: 203015265

Date: 03-27-23

Commonwealth of Kentucky
Michael G. Adams, Secretary of State

0998026 0998026

Michael G. Adams
KY Secretary of State

Received and Filed

9/6/2023 12:00:00 AM

Fee receipt: \$134.00

Michael G. Adams
Secretary of State
P. O. Box 718
Frankfort, KY 40602-0718
(502) 564-3490
<http://www.sos.ky.gov>

Certificate of Authority

RCA

Pursuant to the provisions of KRS 14A.9 - 030 the undersigned hereby applies for authority to transact business in Kentucky on behalf of the entity named below and, for that purpose, submits the following statements.

1. The business entity is a limited liability company.
2. The name of the entity is: TILLMAN INFRASTRUCTURE LLC
3. The name of the entity to be used in Kentucky is (if applicable):
4. It is an entity organized and existing under the laws of the state of Delaware.
5. The date of organization is See Original Certificate of Authority. and the period of duration is perpetual

Principal Office

152 W 57TH STREET
NEW YORK, NY 10019

Registered Agent Name/Address

Registered Agent Solutions, Inc.
828 Lane Allen Road Suite 219
Lexington, KY 40504

Members/Managers

Manager Suruchi Ahuja 152 w 57th Street 27th floor

6. Suruchi Ahuja, Manager, on 9/6/2023

7. I, Registered Agent Solutions, Inc., consent to serve as the registered agent on behalf of the this entity on 9/6/2023

Delaware

Page 1

The First State

I, JEFFREY W. BULLOCK, SECRETARY OF STATE OF THE STATE OF DELAWARE, DO HEREBY CERTIFY "TILLMAN INFRASTRUCTURE LLC" IS DULY FORMED UNDER THE LAWS OF THE STATE OF DELAWARE AND IS IN GOOD STANDING AND HAS A LEGAL EXISTENCE SO FAR AS THE RECORDS OF THIS OFFICE SHOW, AS OF THE ELEVENTH DAY OF JANUARY, A.D. 2023.

AND I DO HEREBY FURTHER CERTIFY THAT THE SAID "TILLMAN INFRASTRUCTURE LLC" WAS FORMED ON THE THIRTEENTH DAY OF JUNE, A.D. 2016.

AND I DO HEREBY FURTHER CERTIFY THAT THE ANNUAL TAXES HAVE BEEN PAID TO DATE.




Jeffrey W. Bullock, Secretary of State

6067508 8300

SR# 20230085788

You may verify this certificate online at corp.delaware.gov/authver.shtml

Authentication: 202467074

Date: 01-11-23

REFERENCE COPY

This is not an official FCC license. It is a record of public information contained in the FCC's licensing database on the date that this reference copy was generated. In cases where FCC rules require the presentation, posting, or display of an FCC license, this document may not be used in place of an official FCC license.



**Federal Communications Commission
Wireless Telecommunications Bureau**

RADIO STATION AUTHORIZATION

LICENSEE: NEW CINGULAR WIRELESS PCS, LLC

ATTN: FCC GROUP
NEW CINGULAR WIRELESS PCS, LLC
208 S. AKARD ST. 20F
DALLAS, TX 75202

Call Sign KNKN673	File Number
Radio Service CL - Cellular	
Market Numer CMA453	Channel Block A
Sub-Market Designator 0	

FCC Registration Number (FRN): 0003291192

Market Name Kentucky 11 - Clay
--

Grant Date 09-08-2021	Effective Date 01-14-2023	Expiration Date 10-01-2031	Five Yr Build-Out Date	Print Date
---------------------------------	-------------------------------------	--------------------------------------	-------------------------------	-------------------

Site Information:

Location	Latitude	Longitude	Ground Elevation (meters)	Structure Hgt to Tip (meters)	Antenna Structure Registration No.
4	36-44-50.6 N	084-08-43.6 W	469.7	62.2	1043812
Address: 969 CELL TOWER ROAD (76426)					
City: WILLIAMSBURG County: WHITLEY State: KY Construction Deadline:					

Antenna: 1

Maximum Transmitting ERP in Watts: 140.820								
Azimuth(from true north)	0	45	90	135	180	225	270	315
Antenna Height AAT (meters)	164.200	142.000	198.300	134.200	151.500	124.900	186.500	184.500
Transmitting ERP (watts)	80.790	33.632	2.346	0.254	0.164	0.164	5.156	40.160

Antenna: 2

Maximum Transmitting ERP in Watts: 140.820								
Azimuth(from true north)	0	45	90	135	180	225	270	315
Antenna Height AAT (meters)	164.200	142.000	198.300	134.200	151.500	124.900	186.500	184.500
Transmitting ERP (watts)	1.159	16.802	80.666	104.784	22.590	1.407	0.209	0.204

Antenna: 3

Maximum Transmitting ERP in Watts: 140.820								
Azimuth(from true north)	0	45	90	135	180	225	270	315
Antenna Height AAT (meters)	164.200	142.000	198.300	134.200	151.500	124.900	186.500	184.500
Transmitting ERP (watts)	0.393	0.106	0.095	1.187	9.994	34.712	26.126	3.238

Conditions:

Pursuant to §309(h) of the Communications Act of 1934, as amended, 47 U.S.C. §309(h), this license is subject to the following conditions: This license shall not vest in the licensee any right to operate the station nor any right in the use of the frequencies designated in the license beyond the term thereof nor in any other manner than authorized herein. Neither the license nor the right granted thereunder shall be assigned or otherwise transferred in violation of the Communications Act of 1934, as amended. See 47 U.S.C. § 310(d). This license is subject in terms to the right of use or control conferred by §706 of the Communications Act of 1934, as amended. See 47 U.S.C. §606.

Licensee Name: NEW CINGULAR WIRELESS PCS, LLC

Call Sign: KNKN673

File Number:

Print Date:

Location	Latitude	Longitude	Ground Elevation (meters)	Structure Hgt to Tip (meters)	Antenna Structure Registration No.
7	36-38-29.0 N	083-46-24.9 W	917.4	64.9	1056643

Address: 2 MILES NORTHWEST OF NOETOWN 19 MIL (76435)

City: Middlesboro County: BELL State: KY Construction Deadline:

Antenna: 1

Maximum Transmitting ERP in Watts:	140.820							
Azimuth(from true north)	0	45	90	135	180	225	270	315
Antenna Height AAT (meters)	514.300	514.900	478.800	557.800	452.400	334.800	345.400	421.600
Transmitting ERP (watts)	41.864	12.118	1.035	0.164	0.104	0.102	0.886	11.503

Antenna: 2

Maximum Transmitting ERP in Watts:	140.820							
Azimuth(from true north)	0	45	90	135	180	225	270	315
Antenna Height AAT (meters)	514.300	514.900	478.800	557.800	452.400	334.800	345.400	421.600
Transmitting ERP (watts)	0.286	0.947	0.706	0.874	0.879	0.224	0.101	0.109

Location	Latitude	Longitude	Ground Elevation (meters)	Structure Hgt to Tip (meters)	Antenna Structure Registration No.
12	36-58-46.0 N	083-01-30.2 W	736.8	80.5	1010610

Address: 21834 HIGHWAY 160 (76432)

City: GORDON County: LETCHER State: KY Construction Deadline:

Antenna: 1

Maximum Transmitting ERP in Watts:	140.820							
Azimuth(from true north)	0	45	90	135	180	225	270	315
Antenna Height AAT (meters)	316.700	319.800	30.000	54.700	30.000	198.900	238.900	287.300
Transmitting ERP (watts)	112.719	46.762	8.219	1.163	0.285	0.298	5.383	44.574

Antenna: 2

Maximum Transmitting ERP in Watts:	140.820							
Azimuth(from true north)	0	45	90	135	180	225	270	315
Antenna Height AAT (meters)	316.700	319.800	30.000	54.700	30.000	198.900	238.900	287.300
Transmitting ERP (watts)	0.636	12.989	91.274	94.955	26.405	2.175	0.841	0.311

Antenna: 3

Maximum Transmitting ERP in Watts:	140.820							
Azimuth(from true north)	0	45	90	135	180	225	270	315
Antenna Height AAT (meters)	316.700	319.800	30.000	54.700	30.000	198.900	238.900	287.300
Transmitting ERP (watts)	1.458	0.224	0.588	1.866	27.246	84.787	72.123	11.074

Location	Latitude	Longitude	Ground Elevation (meters)	Structure Hgt to Tip (meters)	Antenna Structure Registration No.
13	36-40-53.1 N	084-08-46.5 W	446.2	58.8	

Address: 895 WAGON WHEEL ROAD (76433)

City: WILLIAMSBURG County: WHITLEY State: KY Construction Deadline:

Antenna: 1

Maximum Transmitting ERP in Watts:	140.820							
Azimuth(from true north)	0	45	90	135	180	225	270	315
Antenna Height AAT (meters)	159.200	160.200	107.400	125.700	101.200	58.800	107.500	145.600
Transmitting ERP (watts)	24.755	89.034	70.279	10.065	1.351	0.211	0.387	1.828

Licensee Name: NEW CINGULAR WIRELESS PCS, LLC

Call Sign: KNKN673

File Number:

Print Date:

Location	Latitude	Longitude	Ground Elevation (meters)	Structure Hgt to Tip (meters)	Antenna Structure Registration No.
13	36-40-53.1 N	084-08-46.5 W	446.2	58.8	

Address: 895 WAGON WHEEL ROAD (76433)

City: WILLIAMSBURG County: WHITLEY State: KY Construction Deadline:

Antenna: 2

Maximum Transmitting ERP in Watts:	140.820							
Azimuth(from true north)	0	45	90	135	180	225	270	315
Antenna Height AAT (meters)	159.200	160.200	107.400	125.700	101.200	58.800	107.500	145.600
Transmitting ERP (watts)	0.124	3.716	14.234	28.095	19.823	32.016	11.426	8.167

Antenna: 3

Maximum Transmitting ERP in Watts:	140.820							
Azimuth(from true north)	0	45	90	135	180	225	270	315
Antenna Height AAT (meters)	159.200	160.200	107.400	125.700	101.200	58.800	107.500	145.600
Transmitting ERP (watts)	21.702	2.370	0.815	0.286	0.611	12.974	63.085	92.160

Location	Latitude	Longitude	Ground Elevation (meters)	Structure Hgt to Tip (meters)	Antenna Structure Registration No.
16	36-50-41.4 N	084-09-27.9 W	410.0	97.8	1204258

Address: 4499 HIGHWAY 511 (64046)

City: Rockholds County: WHITLEY State: KY Construction Deadline: 02-23-2013

Antenna: 1

Maximum Transmitting ERP in Watts:	140.820							
Azimuth(from true north)	0	45	90	135	180	225	270	315
Antenna Height AAT (meters)	144.000	137.900	124.500	157.700	188.600	187.400	152.500	147.000
Transmitting ERP (watts)	40.926	37.139	5.069	0.465	0.105	0.099	1.028	10.105

Antenna: 2

Maximum Transmitting ERP in Watts:	140.820							
Azimuth(from true north)	0	45	90	135	180	225	270	315
Antenna Height AAT (meters)	144.000	137.900	124.500	157.700	188.600	187.400	152.500	147.000
Transmitting ERP (watts)	0.176	0.199	0.523	10.033	46.347	45.959	7.311	1.005

Location	Latitude	Longitude	Ground Elevation (meters)	Structure Hgt to Tip (meters)	Antenna Structure Registration No.
17	37-09-19.2 N	083-26-33.1 W	516.6	98.1	1043811

Address: 2255 DAVIDSON FORK ROAD (76424)

City: THOUSAND STICKS County: LESLIE State: KY Construction Deadline: 02-23-2013

Antenna: 1

Maximum Transmitting ERP in Watts:	140.820							
Azimuth(from true north)	0	45	90	135	180	225	270	315
Antenna Height AAT (meters)	255.100	250.600	210.300	157.900	145.900	186.400	230.000	208.500
Transmitting ERP (watts)	183.310	76.153	8.501	2.109	0.426	0.548	8.899	75.006

Antenna: 2

Maximum Transmitting ERP in Watts:	140.820							
Azimuth(from true north)	0	45	90	135	180	225	270	315
Antenna Height AAT (meters)	255.100	250.600	210.300	157.900	145.900	186.400	230.000	208.500
Transmitting ERP (watts)	1.243	25.877	136.672	204.174	47.594	4.976	1.640	0.627

Licensee Name: NEW CINGULAR WIRELESS PCS, LLC

Call Sign: KNKN673

File Number:

Print Date:

Location	Latitude	Longitude	Ground Elevation (meters)	Structure Hgt to Tip (meters)	Antenna Structure Registration No.
17	37-09-19.2 N	083-26-33.1 W	516.6	98.1	1043811

Address: 2255 DAVIDSON FORK ROAD (76424)

City: THOUSAND STICKS County: LESLIE State: KY Construction Deadline: 02-23-2013

Antenna: 3

Maximum Transmitting ERP in Watts:	140.820							
Azimuth(from true north)	0	45	90	135	180	225	270	315
Antenna Height AAT (meters)	255.100	250.600	210.300	157.900	145.900	186.400	230.000	208.500
Transmitting ERP (watts)	2.923	0.456	0.895	4.155	54.327	193.511	147.915	23.334

Location	Latitude	Longitude	Ground Elevation (meters)	Structure Hgt to Tip (meters)	Antenna Structure Registration No.
18	36-45-42.1 N	083-40-29.0 W	685.2	129.5	1215974

Address: RO7 PO BOX 264E BIRD BRANCH ROAD (76437)

City: PINEVILLE County: BELL State: KY Construction Deadline: 02-23-2013

Antenna: 1

Maximum Transmitting ERP in Watts:	140.820							
Azimuth(from true north)	0	45	90	135	180	225	270	315
Antenna Height AAT (meters)	314.900	270.100	337.000	312.300	338.800	334.000	355.300	387.000
Transmitting ERP (watts)	91.981	37.204	3.868	0.986	0.201	0.271	4.377	36.079

Antenna: 2

Maximum Transmitting ERP in Watts:	140.820							
Azimuth(from true north)	0	45	90	135	180	225	270	315
Antenna Height AAT (meters)	314.900	270.100	337.000	312.300	338.800	334.000	355.300	387.000
Transmitting ERP (watts)	2.152	13.241	26.567	29.575	18.963	5.601	3.888	1.518

Antenna: 3

Maximum Transmitting ERP in Watts:	140.820							
Azimuth(from true north)	0	45	90	135	180	225	270	315
Antenna Height AAT (meters)	314.900	270.100	337.000	312.300	338.800	334.000	355.300	387.000
Transmitting ERP (watts)	5.299	1.993	2.409	5.378	23.634	32.748	36.478	14.971

Location	Latitude	Longitude	Ground Elevation (meters)	Structure Hgt to Tip (meters)	Antenna Structure Registration No.
19	36-53-53.5 N	083-19-27.0 W	858.6	35.4	

Address: 3017 NORTH US HIGHWAY 421 (76355)

City: BAXTER County: HARLAN State: KY Construction Deadline: 02-23-2013

Antenna: 1

Maximum Transmitting ERP in Watts:	140.820							
Azimuth(from true north)	0	45	90	135	180	225	270	315
Antenna Height AAT (meters)	423.700	288.900	270.400	273.500	415.500	424.000	260.500	381.500
Transmitting ERP (watts)	118.281	51.051	5.389	1.305	0.258	0.357	5.945	46.435

Antenna: 2

Maximum Transmitting ERP in Watts:	140.820							
Azimuth(from true north)	0	45	90	135	180	225	270	315
Antenna Height AAT (meters)	423.700	288.900	270.400	273.500	415.500	424.000	260.500	381.500
Transmitting ERP (watts)	4.387	28.108	56.992	61.619	38.611	11.792	8.653	3.099

Licensee Name: NEW CINGULAR WIRELESS PCS, LLC

Call Sign: KNKN673

File Number:

Print Date:

Location	Latitude	Longitude	Ground Elevation (meters)	Structure Hgt to Tip (meters)	Antenna Structure Registration No.
19	36-53-53.5 N	083-19-27.0 W	858.6	35.4	

Address: 3017 NORTH US HIGHWAY 421 (76355)

City: BAXTER County: HARLAN State: KY Construction Deadline: 02-23-2013

Antenna: 3

Maximum Transmitting ERP in Watts:	140.820							
Azimuth(from true north)	0	45	90	135	180	225	270	315
Antenna Height AAT (meters)	423.700	288.900	270.400	273.500	415.500	424.000	260.500	381.500
Transmitting ERP (watts)	1.510	0.244	0.451	2.060	26.719	99.966	80.742	11.222

Location	Latitude	Longitude	Ground Elevation (meters)	Structure Hgt to Tip (meters)	Antenna Structure Registration No.
22	37-09-01.0 N	083-41-03.6 W	484.0	94.4	1267062

Address: Bear Creek Rd (87003)

City: Hector County: CLAY State: KY Construction Deadline: 02-23-2013

Antenna: 1

Maximum Transmitting ERP in Watts:	140.820							
Azimuth(from true north)	0	45	90	135	180	225	270	315
Antenna Height AAT (meters)	247.900	220.000	188.600	160.500	206.100	259.700	247.500	246.500
Transmitting ERP (watts)	153.770	65.269	4.896	0.487	0.313	0.307	9.959	76.610

Antenna: 2

Maximum Transmitting ERP in Watts:	140.820							
Azimuth(from true north)	0	45	90	135	180	225	270	315
Antenna Height AAT (meters)	247.900	220.000	188.600	160.500	206.100	259.700	247.500	246.500
Transmitting ERP (watts)	1.554	22.565	112.704	140.260	30.708	1.874	0.302	0.278

Antenna: 3

Maximum Transmitting ERP in Watts:	140.820							
Azimuth(from true north)	0	45	90	135	180	225	270	315
Antenna Height AAT (meters)	247.900	220.000	188.600	160.500	206.100	259.700	247.500	246.500
Transmitting ERP (watts)	1.012	0.314	0.295	4.424	44.416	139.728	106.944	13.222

Location	Latitude	Longitude	Ground Elevation (meters)	Structure Hgt to Tip (meters)	Antenna Structure Registration No.
23	37-08-58.7 N	083-45-07.4 W	452.6	96.0	1043808

Address: LUCAS ROAD ON TOP OF HILL (76428)

City: MANCHESTER County: CLAY State: KY Construction Deadline:

Antenna: 1

Maximum Transmitting ERP in Watts:	140.820							
Azimuth(from true north)	0	45	90	135	180	225	270	315
Antenna Height AAT (meters)	212.800	191.000	150.800	181.400	199.900	198.200	202.800	202.900
Transmitting ERP (watts)	111.736	45.822	5.058	1.185	0.248	0.336	5.441	44.976

Antenna: 2

Maximum Transmitting ERP in Watts:	140.820							
Azimuth(from true north)	0	45	90	135	180	225	270	315
Antenna Height AAT (meters)	212.800	191.000	150.800	181.400	199.900	198.200	202.800	202.900
Transmitting ERP (watts)	0.630	13.113	68.789	97.232	23.078	2.526	0.830	0.308

Licensee Name: NEW CINGULAR WIRELESS PCS, LLC

Call Sign: KNKN673

File Number:

Print Date:

Location	Latitude	Longitude	Ground Elevation (meters)	Structure Hgt to Tip (meters)	Antenna Structure Registration No.
23	37-08-58.7 N	083-45-07.4 W	452.6	96.0	1043808

Address: LUCAS ROAD ON TOP OF HILL (76428)

City: MANCHESTER County: CLAY State: KY Construction Deadline:

Antenna: 3

Maximum Transmitting ERP in Watts:	140.820							
Azimuth(from true north)	0	45	90	135	180	225	270	315
Antenna Height AAT (meters)	212.800	191.000	150.800	181.400	199.900	198.200	202.800	202.900
Transmitting ERP (watts)	4.442	3.181	3.850	5.507	16.941	16.885	21.020	12.170

Location	Latitude	Longitude	Ground Elevation (meters)	Structure Hgt to Tip (meters)	Antenna Structure Registration No.
24	36-52-13.8 N	083-24-54.2 W	835.2	80.5	1007945

Address: 3700 WATTS CREEK TOWER ROAD (76431)

City: WALLINS CREEK County: HARLAN State: KY Construction Deadline:

Antenna: 1

Maximum Transmitting ERP in Watts:	140.820							
Azimuth(from true north)	0	45	90	135	180	225	270	315
Antenna Height AAT (meters)	357.800	283.300	392.600	363.200	337.000	470.900	325.200	332.900
Transmitting ERP (watts)	116.142	48.918	4.986	1.287	0.267	0.341	5.779	46.632

Antenna: 2

Maximum Transmitting ERP in Watts:	140.820							
Azimuth(from true north)	0	45	90	135	180	225	270	315
Antenna Height AAT (meters)	357.800	283.300	392.600	363.200	337.000	470.900	325.200	332.900
Transmitting ERP (watts)	1.626	16.756	46.777	60.050	27.346	5.464	2.977	1.029

Antenna: 3

Maximum Transmitting ERP in Watts:	140.820							
Azimuth(from true north)	0	45	90	135	180	225	270	315
Antenna Height AAT (meters)	357.800	283.300	392.600	363.200	337.000	470.900	325.200	332.900
Transmitting ERP (watts)	1.479	0.233	0.427	2.031	27.025	95.886	77.822	11.442

Location	Latitude	Longitude	Ground Elevation (meters)	Structure Hgt to Tip (meters)	Antenna Structure Registration No.
25	36-36-37.5 N	083-42-49.1 W	346.5	60.3	1232693

Address: 131 AMESBURY STREET (76438)

City: MIDDLESBORO County: BELL State: KY Construction Deadline:

Antenna: 1

Maximum Transmitting ERP in Watts:	140.820							
Azimuth(from true north)	0	45	90	135	180	225	270	315
Antenna Height AAT (meters)	30.000	30.000	30.000	30.000	30.000	30.000	30.000	30.000
Transmitting ERP (watts)	145.069	41.420	3.508	0.571	0.313	0.301	3.015	39.614

Antenna: 2

Maximum Transmitting ERP in Watts:	140.820							
Azimuth(from true north)	0	45	90	135	180	225	270	315
Antenna Height AAT (meters)	30.000	30.000	30.000	30.000	30.000	30.000	30.000	30.000
Transmitting ERP (watts)	0.125	3.991	32.278	53.652	8.875	0.818	0.150	0.111

Licensee Name: NEW CINGULAR WIRELESS PCS, LLC

Call Sign: KNKN673

File Number:

Print Date:

Location	Latitude	Longitude	Ground Elevation (meters)	Structure Hgt to Tip (meters)	Antenna Structure Registration No.
25	36-36-37.5 N	083-42-49.1 W	346.5	60.3	1232693

Address: 131 AMESBURY STREET (76438)

City: MIDDLESBORO County: BELL State: KY Construction Deadline:

Antenna: 3

Maximum Transmitting ERP in Watts:	140.820							
Azimuth(from true north)	0	45	90	135	180	225	270	315
Antenna Height AAT (meters)	30.000	30.000	30.000	30.000	30.000	30.000	30.000	30.000
Transmitting ERP (watts)	0.906	0.242	0.226	0.866	20.330	108.084	76.154	7.898

Location	Latitude	Longitude	Ground Elevation (meters)	Structure Hgt to Tip (meters)	Antenna Structure Registration No.
26	36-42-35.9 N	083-40-58.1 W	636.1	57.3	

Address: RURAL ROUTE 1 BOX 109 (76441)

City: PINEVILLE County: BELL State: KY Construction Deadline:

Antenna: 1

Maximum Transmitting ERP in Watts:	140.820							
Azimuth(from true north)	0	45	90	135	180	225	270	315
Antenna Height AAT (meters)	218.900	188.400	284.100	201.300	245.000	65.400	242.700	257.700
Transmitting ERP (watts)	15.060	36.966	29.277	42.643	20.844	12.416	3.511	5.735

Antenna: 2

Maximum Transmitting ERP in Watts:	140.820							
Azimuth(from true north)	0	45	90	135	180	225	270	315
Antenna Height AAT (meters)	218.900	188.400	284.100	201.300	245.000	65.400	242.700	257.700
Transmitting ERP (watts)	0.639	0.133	0.186	4.240	28.970	66.602	17.897	2.186

Control Points:

Control Pt. No. 1

Address: 1650 LYNDON FARMS COURT

City: LOUISVILLE County: State: KY Telephone Number: (502)329-4700

Waivers/Conditions:

WE MAKE NO FINDING IN THESE CASES THE ISSUES RAISED IN FOOTNOTE 3 OF LA STAR CELLULAR TELEPHONE COMPANY, 7 FF Rcd 3762 (1992). THEREFORE, THESE GRANTS OF TRANSFERS/ASSIGNMENTS ARE CONDITIONED ON ANY SUBSEQUENT ACTION THE COMMISSION MAY TAKE CONCERNING THE

Commission approval of this application and the licenses contained therein are subject to the conditions set forth in the Memorandum Opinion and Order, adopted on December 29, 2006 and released on March 26, 2007, and revised in the Order on Reconsideration, adopted and released on March 26, 2007. See AT&T Inc. and BellSouth Corporation Application for Transfer of Control, WC Docket No. 06-74, Memorandum Opinion and Order, FCC 06-189 (rel. Mar. 26, 2007); AT&T Inc. and BellSouth Corporation, WC Docket No. 06-74, Order on Reconsideration, FCC 07-44 (rel. Mar. 26, 2007).

Reference Copy Only. Do Not Mail to the FCC as an Application.

Submitted: 01/13/2023 at 18:08:22
 File Number: 0010374419

FCC 601
Main Form

FCC Application for Radio Service Authorization: Wireless Telecommunications Bureau Public Safety and Homeland Security Bureau

Approved by OMB
 3060 - 0798
 See instructions for
 public burden estimate

1) Radio Service Code: <p style="text-align: center;">CL</p>	1a) Existing Radio Service Code:
--	----------------------------------

General Information

2) (Select only one) (AU) NE - New RO - Renewal Only AU - Administrative Update NT - Required Notifications MD - Modification RM - Renewal/Modification WD - Withdrawal of Application EX - Requests for Extension of Time AM - Amendment CA - Cancellation of License RL - Registered Location/Link	
3a) If this application is for a Demonstration License or a S pecial Temporary Authorization (STA), enter the code and attach the required exhibit as described in the instructions. Otherwise enter ' N/A ' (Not Applicable).	(N) <u>M</u> <u>S</u> <u>N/A</u>
3b) If this application is for Special Temporary Authority due to an emergency situation, enter 'Y'; otherwise enter 'N'. Refer to Rule 1.915 for an explanation of situations considered to be an emergency.	() <u>Y</u> <u>N</u>
4) If this application is for an Amendment or Withdrawal, enter the file number of the pending application currently on file with the FCC.	File Number
5) If this application is for a Modification, Renewal Only, Renewal/Modification, Cancellation of License, , or Administrative Update, enter the call sign of the existing FCC license. If this is a request for Registered Location/Link, enter the FCC call sign assigned to the geographic license.	Call Sign KNKN673
6a) If this application is for a New, Amendment, Renewal Only, or Renewal/Modification, enter the requested authorization expiration date (this item is optional).	MM DD ____ / ____
6b) If this application is for a Renewal Only or Renewal/Modification and the license is a geographic area license, is the license used to provide service to customers (C), or is the license used for private business (internal) purposes or to meet the licensee's public interest/public safety communications needs (P)?	() <u>C</u> <u>P</u>
7) Is this application "major" as defined in § 1.929 of the Commission's Rules when read in conjunction with the applicable radio service rules found in Parts 22 and 90 of the Commission's Rules? (NOTE: This question only applies to certain site-specific applications. See the instructions for applicability and full text of § 1.929).	() <u>Y</u> <u>N</u>
8) Are attachments (other than associated schedules) being filed with this application?	() <u>Y</u> <u>N</u>

Fees, Waivers, and Exemptions

9) Is the Applicant exempt from FCC application fees?	(N) <u>Y</u> <u>N</u>
10) Is the Applicant exempt from FCC regulatory fees?	(N) <u>Y</u> <u>N</u>
11) Does this application include a request for a Waiver of the Commission's Rule(s)? If 'Yes', attach an exhibit providing rule number(s) and explaining circumstances.	(N) <u>Y</u> <u>N</u>
12) Are the frequencies or parameters requested in this filing covered by grandfathered privileges, previously approved by waiver, or functionally integrated with an existing station?	() <u>Y</u> <u>N</u>

Applicant Information

13) FCC Registration Number (FRN): 0003291192			
14) Applicant/Licensee Legal Entity Type: (Select One) <input type="checkbox"/> Individual <input type="checkbox"/> Unincorporated Association <input type="checkbox"/> Trust <input type="checkbox"/> Government Entity <input type="checkbox"/> Corporation <input checked="" type="checkbox"/> Limited Liability Company <input type="checkbox"/> General Partnership <input type="checkbox"/> Limited Partnership <input type="checkbox"/> Limited Liability Partnership <input type="checkbox"/> Consortium <input type="checkbox"/> Other: _____			
15) If the Licensee name is being updated, is the update a result from the sale (or transfer of control) of the license(s) to party and for which proper Commission approval has not been received or proper notification not provided?			<input type="checkbox"/> Yes <input checked="" type="checkbox"/> No
16) First Name (if individual):	MI:	Last Name:	Suffix:
17) Legal Entity Name (if other than individual): NEW CINGULAR WIRELESS PCS, LLC			
18) Attention To: FCC Group			
19) P.O. Box:	And/Or	20) Street Address: 208 S. Akard St. 20F	
21) City: Dallas	22) State: TX	23) Zip Code: 75202	
24) Telephone Number: (855)699-7073		25) Fax:	
26) E-Mail Address: FCCMW@att.com			

27) Demographics (Optional)

Race: <input type="checkbox"/> American Indian or Alaska Native <input type="checkbox"/> Asian <input type="checkbox"/> Black or African-American <input type="checkbox"/> Native Hawaiian or Other Pacific Islander <input type="checkbox"/> White	Ethnicity: <input type="checkbox"/> Hispanic or Latino <input type="checkbox"/> Not Hispanic or Latino	Gender: <input type="checkbox"/> Male <input type="checkbox"/> Female
--	--	---

Real Party in Interest

28) Name of Real Party in Interest of Applicant (If different from Applicant):	29) FCC Registration Number (FRN) of Real Party in Interest:
--	--

Contact Information (If different from the Applicant) Check here if same as Applicant.

30) First Name: Cecil	MI: J	Last Name: Mathew	Suffix:
31) Company Name: AT&T Services, Inc.			
32) Attention To:			
33) P.O. Box:	And /Or	34) Street Address: 208 S. Akard St. 20F	
35) City: Dallas	36) State: TX	37) Zip Code: 75202	
38) Telephone Number: (855)699-7073		39) Fax:	
40) E-Mail Address: FCCMW@att.com			

Regulatory Status

41) This filing is for authorization to provide or use the following type(s) of radio service offering (enter all that apply):
() Common Carrier () Non-Common Carrier () Private, internal communications () Broadcast Services () Band Manager

Type of Radio Service

42) This filing is for authorization to provide the following type(s) of radio service (choose all that apply):
() Fixed () Mobile () Radiolocation () Satellite (sound) () Broadcast Services
43) Does the Applicant propose to provide service interconnected to the public telephone network? () Yes () No

Alien Ownership Questions (If any answer is 'Y', provide an attachment explaining the circumstances. In preparing the attachment, refer to the Main Form Instructions for the "Alien Ownership Questions".)

44) Is the Applicant a foreign government or the representative of any foreign government? () Yes () No
45) Is the Applicant an alien or the representative of an alien? () Yes () No
46) Is the Applicant a corporation organized under the laws of any foreign government? () Yes () No
47) Is the Applicant a corporation of which more than one-fifth of the capital stock is owned of record or voted by aliens or their representatives, or by a foreign government or representative thereof, or by any corporation organized under the laws of a foreign country? () Yes () No

48a) Is the Applicant directly or indirectly controlled by any other corporation of which more than one-fourth of the capital stock (Yes No) is owned of record or voted by aliens or their representatives, or by a foreign government or representative thereof, or by any corporation organized under the laws of a foreign country?

48b) If the answer to 47 or 48a is 'Y' select one of the choices below.

The Applicant is exempt from the provisions of Section 310(b).

If checked, it is not necessary to file a petition for declaratory ruling if the Applicant includes in the attachment required by Item 47 or Item 48a a showing that the requested license(s) is exempt from the provisions of Section 310(b).

The Applicant has received a declaratory ruling(s) approving its foreign ownership, and the application involves only the acquisition of additional spectrum for the provision of a wireless service in a geographic coverage area for which the Applicant has been previously authorized.

If checked, include in the attachment required by Item 47 or Item 48a the citation(s) of the applicable declaratory ruling(s) by DA/FCC number, the FCC Record citation, if available, release date, and a statement that there has been no change in the foreign ownership of the Applicant since the issuance of its ruling.

The Applicant: (i) has received a declaratory ruling(s) approving its foreign ownership, but is not able to make the certification specified immediately above; or (ii) is an "affiliate" of a Licensee or Lessee/Sublessee that received a declaratory ruling(s) under 47 CFR § 1.5000(a) and is relying on the affiliate's ruling for purposes of filing this application as permitted under the affiliate's ruling and 47 CFR § 1.5004(b)

If checked, and if the Applicant received its declaratory ruling(s) on or after August 9, 2013, include in the attachment required by Item 47 or Item 48a the citation(s) of the Applicant's declaratory ruling(s) by DA/FCC number, the FCC Record citation, if available, release date, and a statement that the Applicant is in compliance with the terms and conditions of its ruling and with the Commission's Rules.

If checked, and if the Applicant received its declaratory ruling(s) prior to August 9, 2013, include in the attachment required by Item 48a a copy of a petition for declaratory ruling filed contemporaneously with the Commission to extend the Applicant's existing ruling(s) to cover the same radio service(s) and geographic coverage area(s) involved in the application. Alternatively, the Applicant may request a new declaratory ruling pursuant to Section 1.5000(a) of the Commission's Rules, 47 CFR § 1.5000 (a). Petitions for declaratory ruling may be filed electronically on the Internet through the International Bureau Filing System (IBFS) (with a copy attached hereto).

If checked, and if the Applicant is relying on an affiliate's ruling for purposes of filing this application, include in the attachment required by Item 47 or Item 48a the citation(s) of the applicable declaratory ruling(s) by DA/FCC number, the FCC Record citation, if available, release date, and a statement that the Applicant is in compliance with the terms and conditions of the named affiliate's ruling and with the Commission's Rules. The Applicant must also include a certification of compliance signed by the named affiliate or other qualified entity as specified in 47 CFR § 1.5004(b). See Main Form Instructions for Items 47 or 48a, as applicable.

The Applicant has not received a declaratory ruling approving its foreign ownership and is requesting a declaratory ruling under 47 CFR § 1.5004(b) in a petition filed contemporaneously with the Commission.

If checked, include in the attachment required by Item 47 or 48a a copy of the petition for declaratory ruling filed contemporaneously with the Commission pursuant to 47 CFR § 1.5004(b). Petitions for declaratory ruling may be filed electronically on the Internet through the International Bureau Filing System (IBFS) (with a copy attached hereto).

Basic Qualification Questions

49) Has the Applicant or any party to this application had any FCC station authorization, license or construction permit revoked or had any application for an initial, modification or renewal of FCC station authorization, license, or construction permit denied by the Commission?	(<input type="checkbox"/>) <u>Yes</u> <u>No</u>
50) Has the Applicant or any party to this application, or any party directly or indirectly controlling the Applicant, ever been convicted of a felony by any state or federal court?	(<input type="checkbox"/>) <u>Yes</u> <u>No</u>
51) Has any court finally adjudged the Applicant or any party directly or indirectly controlling the Applicant guilty of unlawfully monopolizing or attempting unlawfully to monopolize radio communication, directly or indirectly, through control of manufacture or sale of radio apparatus, exclusive traffic arrangement, or any other means or unfair methods of competition?	(<input type="checkbox"/>) <u>Yes</u> <u>No</u>

Note: If the answer to any of 49-51 is 'Y', attach an exhibit explaining the circumstances.

Aeronautical Advisory Station (Unicom) Certification

52) (<input type="checkbox"/>) I certify that the station will be located on property of the airport to be served, and, in cases where the airport does not have a control tower, RCO, or FAA flight service station, that I have notified the owner of the airport and all aviation service organizations located at the airport within ten days prior to application.

Broadband Radio Service and Educational Broadband Service Cable Cross-Ownership

53a) Will the requested facilities be used to provide multichannel video programming service?	(<input type="checkbox"/>) <u>Yes</u> <u>No</u>
53b) If the answer to question 53a is 'Y', does the Applicant operate, control or have an attributable interest (as defined in 47 CFR § 27.1202) in a cable television system whose franchise area is located within the geographic service area of the requested facilities?	(<input type="checkbox"/>) <u>Yes</u> <u>No</u>

Note: If the answer to question 53b is 'Y', attach an exhibit explaining how the Applicant complies with 47 CFR § 27.1202 or justifying a waiver of that rule. If a waiver of the Commission Rule(s) is being requested, Item 11a must be answered 'Y'.

Broadband Radio Service and Educational Broadband Service (Part 27)

54) (For EBS only) Does the Applicant comply with the programming requirements contained in 47 CFR § 27.1203?	(<input type="checkbox"/>) <u>Yes</u> <u>No</u>
---	---

Note: If the answer to item 54 is 'N', attach an exhibit explaining how the Applicant complies with 47 CFR § 27.1203 of the Commission's Rules or justifying a waiver of that rule. If a waiver of the Commission Rule(s) is being requested, Item 11a must be answered 'Y'.

55) (For BRS and EBS) Does the Applicant comply with 47 CFR §§ 27.50, 27.55, and 27.1221?	(<input type="checkbox"/>) <u>Yes</u> <u>No</u>
---	---

Note: If the answer to item 55 is 'N', attach an exhibit justifying a waiver of that rule(s). If a waiver of the Commission Rule(s) is being requested, Item 11a must be answered 'Y'.

For Applicants Who Participated in an Auction

56) Is the Applicant a qualifying rural wireless partnership or a member of a qualifying rural wireless partnership?	(<input type="checkbox"/>) <u>Yes</u> <u>No</u>
--	---

Note: If the answer to item 56 is 'Y', attach an exhibit listing all members of the qualifying rural wireless partnership, including their FRN numbers.

For Renewal Applicants

57) Operation/Performance Requirement Certification	
[For a site-based license]: Applicant certifies that it is continuing to operate consistent with its most recently filed construction notification (or most recent authorization, if no construction notification was required).	(<input type="checkbox"/>) <u>Yes</u> <u>No</u>
[For a geographic license, commercial service - licensee in its initial license term with an interim performance requirement]: Applicant certifies that it has met its interim performance requirement, that over the portion of the license term following the interim performance requirement, it continues to use its facilities to provide at least the level of service required by its interim performance requirement, it has met its final performance requirement, and it continues to use its facilities to provide at least the level of service required by its final performance requirement through the end of the license term.	(<input type="checkbox"/>) <u>Yes</u> <u>No</u>
[For a geographic license, commercial service - licensee in its initial license term with no interim performance requirement]: Applicant certifies that it has met its final performance requirement and it continues to use its facilities to provide at least the level of service required by its final performance requirement through the end of the license term. [Note: licensee must provide a showing demonstrating that the final performance requirement has been met, either separately in a timely application for notification of completion of construction, or as part of its renewal application, depending on the radio service.]	(<input type="checkbox"/>) <u>Yes</u> <u>No</u>
[For a geographic license, commercial service - licensee in any subsequent term]: Applicant certifies that it continues to use its facilities to provide at least the level of service required by its final performance requirement through the end of any subsequent license terms.	(<input type="checkbox"/>) <u>Yes</u> <u>No</u>
[For a geographic license, private systems - licensee in its initial license term with an interim performance requirement]: Applicant certifies that it has met its interim performance requirement, that over the portion of the license term following the interim performance requirement, it continues to use its facilities to further its private business or public interest/public safety communications needs at or above the level required to meet its interim performance requirement, it has met its final performance requirement, and it continues to use its facilities to provide at least the level of operation required by its final performance requirement through the end of the license term.	(<input type="checkbox"/>) <u>Yes</u> <u>No</u>
[For a geographic license, private systems - licensee in its initial license term with no interim performance requirement]: Applicant certifies that it has met its final performance requirement, it continues to use its facilities to further its private business or public interest/public safety communications needs, and it continues to use its facilities to provide at least the level of operation required by its final performance requirement through the end of the license term. [Note: licensee must provide a showing demonstrating that the final performance requirement has been met, either separately in a timely application for notification of completion of construction, or as part of its renewal application, depending on the radio service.]	(<input type="checkbox"/>) <u>Yes</u> <u>No</u>

[For a geographic license, private systems - licensee in any subsequent term]: Applicant certifies that it continues to use its facilities to further its private business or public interest/public safety communications needs at or above the level required to meet its final performance requirement through the end of any subsequent license terms.	(<input type="checkbox"/>) <u>Yes</u> <u>No</u>
[For a partitioned or disaggregated license without a performance requirement, for the first renewal application filed after effective date of the rules]: Applicant certifies that the partitioned and/or disaggregated license that is the subject of this renewal application has no separate performance requirement and that this is the first renewal of this license filed subsequent to the effective date of the rules.	(<input type="checkbox"/>) <u>Yes</u> <u>No</u>
[For a partitioned or disaggregated license without a performance requirement, for any subsequent renewal filings]: Applicant certifies that it continues to use its facilities to provide service or to further the applicant's private business or public interest/public safety needs.	(<input type="checkbox"/>) <u>Yes</u> <u>No</u>

Discontinuance of Service Certification

58) Applicant certifies that no permanent discontinuance of service or operation, as applicable, occurred during its current license term. Note: If the response to either item 57 or item 58 is 'N', attach an exhibit that demonstrates that over the course of the license term, the Applicant provided and continues to provide service to the public, or operated and continues to operate the license to meet the Applicant's private business or public interest/public safety communications needs. This exhibit must include a detailed description of the Applicant's provision of service or, when allowed under the relevant service rules or pursuant to waiver, use of the spectrum for private business or public interest/public safety communications needs, during the entire license period and address, as applicable: 1) the level and quality of service provided by the applicant (e.g., the population served, the area served, the number of subscribers, the services offered); (2) the date service commenced, whether service was ever interrupted, and the duration of any interruption or outage; (3) the extent to which service is provided to rural areas; (4) the extent to which service is provided to qualifying tribal land as defined in 47 CFR § 1.2110(e)(3)(i); and (5) any other factors associated with the level of service to the public. The licensee may note in its exhibit: 1) any grant(s) of waiver or extension of a performance deadline or license renewal subject to meeting a performance requirement; or 2) if the final performance deadline and/or expiration date for the license accelerated because the licensee did not meet an interim performance requirement.	(<input type="checkbox"/>) <u>Yes</u> <u>No</u>
--	---

Regulatory Compliance Certification [same for all]

59) Applicant certifies that it has substantially complied with all applicable FCC rules, policies, and the Communications Act of 1934, as amended. Note: If the response to item 59 is 'N', attach an exhibit explaining the circumstances and demonstrating why Applicant's license should be renewed.	(<input type="checkbox"/>) <u>Yes</u> <u>No</u>
--	---

General Certification Statements

1) The Applicant waives any claim to the use of any particular frequency or of the electromagnetic spectrum as against the regulatory power of the United States because of the previous use of the same, whether by license or otherwise, and requests an authorization in accordance with this application.
2) The Applicant certifies that grant of this application would not cause the Applicant to be in violation of any pertinent cross-ownership or attribution rules.* *If the Applicant has sought a waiver of any such rule in connection with this application, it may make this certification subject to the outcome of the waiver request.
3) The Applicant certifies that all statements made in this application and in the exhibits, attachments, or documents incorporated by reference are material, are part of this application, and are true, complete, correct, and made in good faith.
4) The Applicant certifies that neither the Applicant nor any other party to the application is subject to a denial of Federal benefits pursuant to § 5301 of the Anti-Drug Abuse Act of 1988, 21 U.S.C. § 862, because of a conviction for possession or distribution of a controlled substance. This certification does not apply to applications filed in services exempted under § 1.2002(c) of the rules, 47 CFR § 1.2002(c). See 47 CFR § 1.2002(b) for the definition of "party to the application" as used in this certification.
5) The Applicant certifies that it either (1) has current required ownership data on file with the Commission, (2) is filing updated ownership data simultaneously with this application, or (3) is not required to file ownership data under the Commission's Rules.
6) The Applicant certifies that the facilities, operations, and transmitters for which this authorization is hereby requested are either: (1) categorically excluded from routine environmental evaluation for RF exposure as set forth in 47 CFR § 1.1307(b); or, (2) have been found not to cause human exposure to levels of radiofrequency radiation in excess of the limits specified in 47 CFR §§ 1.1310 and 2.1093; or, (3) are the subject of one or more Environmental Assessments filed with the Commission.
7) The Applicant certifies that it has reviewed the appropriate Commission Rules defining eligibility to hold the requested license(s) and is eligible to hold the requested license(s).
8) The Applicant certifies that it is not in default on any payment for Commission licenses and that it is not delinquent on any non-tax debt owed to any federal agency.
9) The Applicant certifies that the Applicant and all of the related individuals and entities required to be disclosed on this application and FCC Form 602 (FCC Ownership Disclosure Information for the Wireless Telecommunications Services) are not person(s) who have been, for reasons of national security, barred by any agency of the Federal Government from bidding on a contract, participating in an auction, or receiving a grant. This certification applies only to applications for licenses for spectrum that is required by Sections 6103, 6401-6403 of the Middle Class Tax Relief and Job Creation Act of 2012, codified at 47 U.S.C. §§ 309, 1413, 1451-1452, to be assigned by a system of competitive bidding under 47 U.S.C. § 309(j).

Signature

60) Typed or Printed Name of Party Authorized to Sign

First Name: Cecil	MI: J	Last Name: Mathew	Suffix:
61) Title: Assistant Secretary - Compliance			
Signature: Cecil J Mathew			62) Date: 01/13/2023
FAILURE TO SIGN THIS APPLICATION MAY RESULT IN DISMISSAL OF THE APPLICATION AND FORFEITURE OF ANY FEES PAID.			
Upon grant of this license application, the Licensee may be subject to certain construction or coverage requirements. Failure to meet the construction or coverage requirements will result in termination of the license. Consult appropriate FCC regulations to determine the construction or coverage requirements that apply to the type of license requested in this application.			
WILLFUL FALSE STATEMENTS MADE ON THIS FORM OR ANY ATTACHMENTS ARE PUNISHABLE BY FINE AND/OR IMPRISONMENT (U.S. Code, Title 18, § 1001) AND/OR REVOCATION OF ANY STATION LICENSE OR CONSTRUCTION PERMIT (U.S. Code, Title 47, § 312(a)(1)), AND/OR FORFEITURE (U.S. Code, Title 47, § 503).			

Technical Data Schedule for the
Cellular and Air-ground (Commercial Aviation)
Radiotelephone Services (Part 22)

Cellular Unserved Area Information

1) Identify whether this is a New or Modification application for Unserved Area. () Yes () No			
If claiming Unserved Area, complete Items 2 through 5, as applicable.			
2) Market Designator	3) Market Name	4) Sub-Market Designator	5) Channel Block

Control Points

6) Action A/M/D	7) Control Point Number	8) Location Street Address, City or Town, County/Borough/Parish, State	9) Telephone Number

Commercial Air-ground Technical Parameters (Antenna Data)

10) Action A/M/D	11) Channel Block	12) Location Number	13) Antenna Number	14) Height to Tip of Antenna AGL (meters)	15) Maximum ERP (watts)

Cellular Radial Data

16) Action: () A dd M odify D elete	17) Location Number:		
18) Identify whether this is a New or Modification application using the non-PSD methodology (in accordance with 47 CFR § 22.911(a) or (b)), or using the PSD methodology (in accordance with 47 CFR § 22.911(c)).			
<input type="checkbox"/> Non-PSD <input type="checkbox"/> PSD			
19) Sector Number:			
20) Provide the Maximum ERP in watts/MHz (per sector) if the PSD option for determining the CGSA was selected under Item 18 of this Schedule F.			
Watts/MHz			
21) If this location/PSD sector contributes to the CGSA, and you are requesting that the CGSA boundary be determined using the PSD methodology (in accordance with 47 CFR § 22.911(c)), have you attached the required exhibit? If 'N/A', attach an exhibit explaining the circumstances.			
<input type="checkbox"/> Yes <input type="checkbox"/> No <input type="checkbox"/> N/A – Not applicable			
22) Antenna Number:			
23) Provide the Maximum ERP in watts (per emission) if the Non-PSD option for determining the CGSA was selected under Item 18 of this Schedule F.			
Watts			
24) If this location/Non-PSD antenna contributes to the CGSA, are you requesting that the CGSA boundary be determined using an alternative methodology under 47 CFR § 22.911(b) (non-PSD)? If 'Yes', attach an exhibit explaining the circumstances.			
<input type="checkbox"/> Yes <input checked="" type="checkbox"/> No			
25-27) If this location contributes to the CGSA and you are requesting that the CGSA boundary be determined using the Non-PSD methodology (in accordance with 47 CFR § 22.911(a) or (b)), please provide the following information:			
Azimuth (degrees from true north)	25) Antenna Height AAT (meters)	26) Transmitting ERP (watts)	27) Distance to CGSA (kilometers)
0°			
45°			
90°			
135°			
180°			
225°			
270°			
315°			

I certify that the proposed Cellular base or repeater stations comply with the ERP limits and all other applicable requirements in the Commission's rules, including 47 CFR § 22.913.

**FCC Form 608 FCC Application or Notification for Spectrum Leasing Arrangement/
Main Form Notification of a Private Commons Arrangement**
Wireless Telecommunications Bureau
Public Safety and Homeland Security Bureau

3060-1058

Submitted: 01/22/2023 at
21:00:45
File Number: 0010339462

See 608 Main Form Instructions
For public burden estimate

General Information

Application/Notification Purpose

1a) Purpose of Filing (Select only one):	
<input checked="" type="checkbox"/> LN – New	<input type="checkbox"/> LM – Modification
<input type="checkbox"/> LT – Transfer of Control	<input type="checkbox"/> LE – Extend the Term
<input type="checkbox"/> LI – Light Touch Leasing Certification	<input type="checkbox"/> AM – Amendment
	<input type="checkbox"/> LU – Administrative Update
	<input type="checkbox"/> LC – Cancel
	<input type="checkbox"/> WD – Withdraw
1b) If this filing is for an Amendment (AM) or Withdrawal (WD), enter the File Number of the pending Application/Notification currently on file with the FCC.	File Number: _____

Classification of Filing

For Leases/Subleases Only

2a) Classification of Filing (Select only one):	2b) Type of Filing
<input type="checkbox"/> ML – Spectrum Manager Lease	<input checked="" type="checkbox"/> L – Lease
<input checked="" type="checkbox"/> TL – <i>De Facto</i> Transfer Lease	<input type="checkbox"/> S – Sublease (Must be filed manually)

For Private Commons Arrangements Only (Must be filed Manually)

2c) This filing will be a Private Commons Arrangement pursuant to a (Select only one):	2d) If a Private Commons Arrangement pursuant to a Lease or Sublease, choose the legal type (Select only one):
<input type="checkbox"/> N – License	<input type="checkbox"/> M – Spectrum Manager
<input type="checkbox"/> L – Lease	<input type="checkbox"/> T – <i>De Facto</i> Transfer
<input type="checkbox"/> S – Sublease	

Term of Lease/Sublease

3) Indicate whether the existing Lease/Sublease is:	<input checked="" type="checkbox"/> Long-Term	or	<input type="checkbox"/> Short-Term
---	---	----	-------------------------------------

Other Wireless Licenses

4a) Is this filing part of a series of filings involving other wireless license(s) or lease(s) held by the Applicant, affiliates of the Licensee (e.g., parents, subsidiaries, or commonly-controlled entities), or third parties that are not included on this filing and for which Commission approval or notification is required?	<input type="checkbox"/> Yes <input checked="" type="checkbox"/> No
4b) If the answer to 4a is 'Y', is this filing the lead Application/Notification?	<input type="checkbox"/> Yes <input checked="" type="checkbox"/> No
4c) If the answer to 4a is 'Y' and the answer to 4b is 'N', provide the File Number of the lead Application/Notification.	File Number: _____

Attachments

5) Are attachments (other than associated schedules) being filed with this Application/Notification?	(<input checked="" type="checkbox"/>) <u>Yes</u> <u>No</u>
--	--

Fees and Waivers

Exemption from Application Fees

6) Is the Applicant exempt from FCC application fees? If the answer to 6 is 'Y', attach an exhibit demonstrating how the applicant is exempt from FCC application fees.	(<input type="checkbox"/>) <u>Yes</u> <u>No</u>
--	---

Waiver/Deferral of Fees

7) Is a waiver/deferral of the FCC application fees being requested? If the answer to 7 is 'Y', attach a date-stamped copy of the request for waiver/deferral of the FCC application fees.	(<input type="checkbox"/>) <u>Yes</u> <u>No</u>
---	---

Waiver of Commission Rules

8) Does this filing include a request for waiver of the Commission's Rules (other than a request for application fee waivers)? If the answer to 8 is 'Y', attach an exhibit specifying the rule section(s) for which a waiver is being requested and including a justification for the waiver request.	(<input type="checkbox"/>) <u>Yes</u> <u>No</u>
---	---

Regulatory Status and Offerings

Radio Service Offerings

9) The Applicant will provide the following type(s) of radio service offerings (select all that apply): (<input type="checkbox"/>) Common Carrier (<input type="checkbox"/>) Non-common Carrier (<input type="checkbox"/>) Private, internal communications (<input type="checkbox"/>) Broadcast Services All entities that are planning to use the leased spectrum for telecommunications services should select common carrier in this item. The term 'telecommunications service' means the offering of telecommunications (i.e., the transmission, between or among points specified by the user, of information of the user's choosing, without change in the form or content of the information as sent and received) for a fee directly to the public, or to such classes of users as to be effectively available directly to the public, regardless of the facilities used. Non-common carriers do not hold themselves out indiscriminately for hire as carriers of communications provided by the customer. A person engaged in radio broadcasting shall not, insofar as such person is so engaged, be deemed a common carrier. Thus, those entities meeting this definition would select non- common carrier for this item. Private internal users are those entities that utilize telecommunications services purely for internal business purposes or public safety communications and not on a for-hire or for-profit basis. Such entities should select 'Private' for this item. The term 'Broadcast Services' shall have the same meaning as that for "broadcasting" in § 3(6) of the Communications Act of 1934, i.e., the dissemination of radio communications intended to be received by the public, directly or by the intermediary of relay stations." 47 U.S.C. § 153(6). If the Applicant is modifying the type of radio service offerings it provides, please provide an exhibit explaining the modification.

Radio Service

10) The Applicant will provide the following type(s) of radio service (select all that apply): (<input type="checkbox"/>) Fixed (<input type="checkbox"/>) Mobile (<input type="checkbox"/>) Radiolocation (<input type="checkbox"/>) Satellite (sound) (<input type="checkbox"/>) Broadcast Services	
11) Does the Applicant propose to provide service interconnected to the public telephone network?	(<input type="checkbox"/>) <u>Yes</u> <u>No</u>

Designated Entity Information (If the answer to 12a, 12b or 12c is 'Y', Schedule A must be completed.)

Bidding Credits

12a) Does this filing involve any spectrum associated with any licenses that were awarded with bidding credits within the last five years? If the response to this item is 'Y', the licenses may be subject to the FCC's unjust enrichment rules, and the Applicant should answer relevant bidding credit questions.	(<input type="checkbox"/>) <u>Yes</u> <u>No</u>
---	---

Closed Bidding

12b) Does this filing involve any spectrum associated with any licenses that were originally granted pursuant to closed bidding within the last five years? If the response to this item is 'Y', the Applicant should answer relevant closed bidding questions.	(<input type="checkbox"/>) <u>Yes</u> <u>No</u>
--	---

Competition-Related Information

13) Does this filing involve a license authorization or Spectrum Lease/Sublease that may be used to provide interconnected mobile voice and/or data services that would create a geographic overlap with another license authorization(s) or spectrum leasing arrangement(s), that also could be used to provide interconnected mobile voice and/or data services, in which the Applicant already holds attributable interests, as defined in Section 20.22(b) of the Commission's Rules, either as a licensee or spectrum lessee/sublessee? If 'Y', specify in an exhibit all geographic areas/markets (e.g., BTA, CMA, county, etc.) where there are spectrum overlaps and the total amount of spectrum that the Assignee/Transferee will hold and/or lease in each geographic area/market.	(<input checked="" type="checkbox"/>) <u>Yes</u> <u>No</u>
--	--

14) If the answer to Item 13 is 'Y', would/does this application for a spectrum leasing or subleasing arrangement reduce the number of entities providing service in the affected market(s)?	(<input type="checkbox"/>) <u>Yes</u> <u>No</u>
--	---

Broadband Radio Service and Educational Broadband Service Information

15a) Will the requested facilities be used to provide multichannel video programming service?	(<input type="checkbox"/>) <u>Yes</u> <u>No</u>
15b) If the answer to 15a is 'Y', does the Applicant operate, control or have an attributable interest (as defined in Section 27.1202 of the Commission's Rules) in a cable television system whose franchise area is located within the geographic service area of the requested facilities? If 'Y', provide an exhibit explaining how the Applicant (Lessee/Sublessee) complies with Section 27.1202 of the Commission's Rules or justifying a waiver of that rule. If a waiver of the Commission's Rule(s) is being requested, 8a must be answered 'Y'.	(<input type="checkbox"/>) <u>Yes</u> <u>No</u>

16) Does the Applicant comply with the programming requirements contained in Section 27.1203 of the Commission's Rules? If 'N', provide an exhibit explaining how the Applicant complies with Section 27.1203 of the Commission's Rules or justifying a waiver of that rule. If a waiver of the Commission's Rule(s) is being requested, 8a must be answered 'Y'.	(<input type="checkbox"/>) <u>Yes</u> <u>No</u>
--	---

Part 90 Public Safety Services

Eligibility

17) Is the Applicant a public safety entity or otherwise an entity that will use the leased spectrum to provide communications in support of public safety operations pursuant to Section 90.523 of the Commission's Rules?	(<input type="checkbox"/>) <u>Yes</u> <u>No</u>
---	---

600 MHz Band Information

<p>18) Is the spectrum leasing/subleasing arrangement for a term of one year or more (either initially or cumulatively) and involves any licenses in the 600 MHz Band initially granted in the last six years that would, if leased, create a geographic overlap with another licenses(s) in which the Lessee/Sublessee already holds attributable interests, as defined in Section 20.22(b) of the Commission's Rules, either as a licensee or spectrum Lessee/Sublessee, and that would result in the Lessee/Sublessee holding an attributable interest, as defined in Section 20.22(b) of the Commission's Rules, in one-third or more of the total suitable and available below-1-GHz spectrum as calculated on a county-by-county population-weighted basis in the relevant license area, utilizing 2010 U.S. Census data?</p> <p>The initial grant date is the date that the license was originally granted by the Commission after an auction, even if the license was acquired in the secondary market. The initial grant date is not the date on which the Commission granted an assignment or transfer of control of the license.</p> <p>If 'Y', provide an exhibit detailing the proposed spectrum leasing/subleasing exchange of 600 MHz band spectrum in the same market(s), including a list of all file numbers for applications associated with the proposed spectrum leasing arrangement exchange, or describing the <i>pro forma</i> nature of the spectrum leasing arrangement, as appropriate.</p>	<p>() <u>Yes</u> <u>No</u></p>
<p>19) Is the spectrum leasing/subleasing arrangement for a term of one year or more (either initially or cumulatively) and involves any licenses that were initially granted as reserved spectrum licenses in the 600 MHz Band in the last six years? Otherwise, enter 'N'.</p> <p>The initial grant date is the date that the license was originally granted by the Commission after an auction, even if the license was acquired in the secondary market. The initial grant date is not the date on which the Commission granted an assignment or transfer of control of the license.</p> <p>If 'Y', provide an exhibit demonstrating how the Lessee/Sublessee would have qualified to bid on that reserved spectrum license(s) in Auction 1002 as of the FCC Form 175 filing deadline (February 10, 2016) for Auction 1002, the forward auction of the Broadcast Incentive Auction.</p>	<p>() <u>Yes</u> <u>No</u></p>

Licensee Information

FRN

20) FCC Registration Number: **0003291192**

Entity

21) Licensee is a(n) (Select One):

() Individual () Unincorporated Association () Trust () Government Entity () Corporation () Limited Liability Company

() General Partnership () Limited Partnership () Limited Liability Partnership

() Other: _____

Licensee Name

22) Licensee Name (if entity): **New Cingular Wireless PCS, LLC**

23) Licensee Name (if individual): First: MI: Last: Suffix:

24) Attention To: **Cecil J. Mathew**

Address

25) P.O. Box: And /Or 26) Street Address: **208 S. Akard Street, RM 1016**

27) City: **Dallas** 28) State: **TX** 29) Zip Code: **75202**

30) Telephone Number: **(855)699-7073** 31) FAX Number: **(214)746-6410**

32) E-Mail Address: **FCCMW@att.com**

33) Demographics (Optional):

Race:

() American Indian or Alaska Native
() Asian
() Black or African-American
() Native Hawaiian or Other Pacific Islander
() White

Ethnicity:

() Hispanic or Latino
() Not Hispanic or Latino

Gender:

() Male
() Female

Licensee Contact Information

Contact Name (if other than Licensee)

() Check here if same as Licensee Information

34) Name: First: MI: Last: Suffix:

35) Company Name: **AT&T Mobility LLC**

36) Attention To: **Michael P. Goggin**

Address

37) P.O. Box: And /Or 38) Street Address: **1120 20th Street NW, Suite 1000**

39) City: **Washington** 40) State: **DC** 41) Zip Code: **20036**

42) Telephone Number: **(202)457-2055** 43) FAX Number:

44) E-Mail Address: **michael.p.goggin@att.com**

Lessee Information

FRN

45) FCC Registration Number: **0030856223**

Entity

46) Lessee is a(n) (Select One):

() Individual () Unincorporated Association () Trust () Government Entity () Corporation () Limited Liability Company

() General Partnership () Limited Partnership () Limited Liability Partnership

() Other: _____

Lessee Name

47) If the Lessee name is being updated, is the update a result of a change in ownership, corporate structure, or entity for which proper Commission approval has not been received or proper notification not provided? () Yes No

48) Lessee Name (if entity): **Trace-Tek**

49) Lessee Name (if individual): First: MI: Last: Suffix:

50) Attention To: **licenses@trace-tek.com**

Name of Real Party in Interest

51) Name of Real Party in Interest: **Trace-Tek**

52) FCC Registration Number (FRN): **0030856223**

Address

53) P.O. Box: **And /Or** 54) Street Address: **2625 Commons Boulevard**

55) City: **Beavercreek** 56) State: **OH** 57) Zip Code: **45341**

58) Telephone Number: **(972)672-0477** 59) FAX Number:

60) E-Mail Address: **licenses@trace-tek.com**

61) Demographics (Optional):

Race:

() American Indian or Alaska Native

() Asian

() Black or African-American

() Native Hawaiian or Other Pacific Islander

() White

Ethnicity:

() Hispanic or Latino

() Not Hispanic or Latino

Gender:

() Male

() Female

Lessee Contact Information

Contact Name (if other than Lessee)

() **Check here if same as Lessee Information**

62) Name: First: **Dan** MI: Last: **Burgess** Suffix:

63) Company Name: **Trace-Tek**

64) Attention To: **licenses@trace-tek.com**

Address

65) P.O. Box: **And /Or** 66) Street Address: **2625 Commons Boulevard**

67) City: **Beavercreek** 68) State: **OH** 69) Zip Code: **45341**

70) Telephone Number: **(972)672-0477** 71) FAX Number:

72) E-Mail Address: **licenses@trace-tek.com**

Sublessee Information

FRN

73) FCC Registration Number:

Entity

74) Sublessee is a(n) (Select One):

() Individual () Unincorporated Association () Trust () Government Entity () Corporation () Limited Liability Company

() General Partnership () Limited Partnership () Limited Liability Partnership

() Other: _____

Sublessee Name

75) If the Sublessee name is being updated, is the update a result of a change in ownership, corporate structure, or entity for which proper Commission approval has not been received or proper notification not provided?

() Yes **No**

76) Sublessee Name (if entity):

77) Sublessee Name (if individual):

First:

MI:

Last:

Suffix:

78) Attention To:

Name of Real Party in Interest

79) Name of Real Party in Interest:

80) FCC Registration Number (FRN):

Address

81) P.O. Box:

**And
/Or**

82) Street Address:

83) City:

84) State:

85) Zip Code:

86) Telephone Number:

87) FAX Number:

88) E-Mail Address:

89) Demographics (Optional):

Race:

() American Indian or Alaska Native

() Asian

() Black or African-American

() Native Hawaiian or Other Pacific Islander

() White

Ethnicity:

() Hispanic or Latino

() Not Hispanic or Latino

Gender:

() Male

() Female

Sublessee Contact Information

Contact Name (if other than Sublessee)

() **Check here if same as Sublessee Information**

90) Name:

First:

MI:

Last:

Suffix:

91) Company Name:

92) Attention To:

Address

93) P.O. Box:

**And
/Or**

94) Street Address:

95) City:

96) State:

97) Zip Code:

98) Telephone Number:

99) FAX Number:

100) E-Mail Address:

Transferee Information

FRN

101) FCC Registration Number:

Entity

102) Transferee is a(n) (Select One):

() Individual () Unincorporated Association () Trust () Government Entity () Corporation () Limited Liability Company

() General Partnership () Limited Partnership () Limited Liability Partnership

() Other: _____

Transferee Name

103) Transferee Name (if entity):

104) Transferee Name (if individual):

First:

MI:

Last:

Suffix:

105) Attention To:

Name of Real Party in Interest

106) Name of Real Party in Interest:

107) FCC Registration Number (FRN):

Address

108) P.O. Box:

And
/Or

109) Street Address:

110) City:

111) State:

112) Zip Code:

113) Telephone Number:

114) FAX Number:

115) E-Mail Address:

116) Demographics (Optional):

Race:

() American Indian or Alaska Native

() Asian

() Black or African-American

() Native Hawaiian or Other Pacific Islander

() White

Ethnicity:

() Hispanic or Latino

() Not Hispanic or Latino

Gender:

() Male

() Female

Transferee Contact Information

Contact Name (if other than Transferee)

() Check here if same as Transferee Information

117) Name:

First:

MI:

Last:

Suffix:

118) Company Name:

119) Attention To:

Address

120) P.O. Box:

And
/Or

121) Street Address:

122) City:

123) State:

124) Zip Code:

125) Telephone Number:

126) FAX Number:

127) E-Mail Address:

Transferor Information

FRN

128) FCC Registration Number:

Entity

129) Transferor is a(n) (Select One):

() Individual () Unincorporated Association () Trust () Government Entity () Corporation () Limited Liability Company

() General Partnership () Limited Partnership () Limited Liability Partnership

() Other: _____

Transferor Name

130) Transferor Name (if entity):

131) Transferor Name (if individual):

First:

MI:

Last:

Suffix:

132) Attention To:

Address

133) P.O. Box:

And
/Or

134) Street Address:

135) City:

136) State:

137) Zip Code:

138) Telephone Number:

139) FAX Number:

140) E-Mail Address:

139) Demographics (Optional):

Race:

() American Indian or Alaska Native

() Asian

() Black or African-American

() Native Hawaiian or Other Pacific Islander

() White

Ethnicity:

() Hispanic or Latino

() Not Hispanic or Latino

Gender:

() Male

() Female

Transferor Contact Information

Contact Name (if other than Transferor)

() Check here if same as Transferor Information

140) Name:

First:

MI:

Last:

Suffix:

141) Company Name:

142) Attention To:

Address

143) P.O. Box:

And
/Or

144) Street Address:

145) City:

146) State:

147) Zip Code:

148) Telephone Number:

149) FAX Number:

150) E-Mail Address:

Ownership Disclosure Information

FCC Form 602

153a) Is the Applicant required to file FCC Form 602, Ownership Disclosure Information for the Wireless Telecommunications Services?	(<input checked="" type="radio"/>) <u>Yes</u> <input type="radio"/> <u>No</u>
153b) If the answer to 151a is 'Y', provide the File Number of FCC Form 602 that has been filed in conjunction with application or is already on file with the FCC.	File Number: <u>0009774970</u>

Alien Ownership Questions

Alien Ownership (If any answer is 'Y', provide an attachment explaining the circumstances. In preparing the attachment, refer to the Main Form Instructions for the "Alien Ownership Questions".)

154) Is the Lessee/Sublessee or Post-Transfer Lessee/Sublessee a foreign government or the representative of any foreign government?	(<input type="radio"/>) <u>Yes</u> <input checked="" type="radio"/> <u>No</u>
155) Is the Lessee/Sublessee or Post-Transfer Lessee/Sublessee an alien or the representative of an alien?	(<input type="radio"/>) <u>Yes</u> <input checked="" type="radio"/> <u>No</u>
156) Is the Lessee/Sublessee or Post-Transfer Lessee/Sublessee a corporation organized under the laws of a foreign government?	(<input type="radio"/>) <u>Yes</u> <input checked="" type="radio"/> <u>No</u>
157) Is the Lessee/Sublessee or Post-Transfer Lessee/Sublessee a corporation of which more than one-fifth of the capital stock is owned of record or voted by aliens or their representatives, or by a foreign government or representative thereof, or by any corporation organized under the laws of a foreign country?	(<input type="radio"/>) <u>Yes</u> <input checked="" type="radio"/> <u>No</u>
158a) Is the Lessee/Sublessee or Post-Transfer Lessee/Sublessee directly or indirectly controlled by any other corporation of which more than one-fourth of the capital stock is owned of record or voted by aliens or their representatives, or by a foreign government or representative thereof, or by any corporation organized under the laws of a foreign country?	(<input type="radio"/>) <u>Yes</u> <input checked="" type="radio"/> <u>No</u>

158b) If the answer to 155 or 156a is 'Y' select one of the choices below.

The Lessee/Sublessee or Post-Transfer Lessee/Sublessee is exempt from the provisions of Section 310(b).

It is not necessary to file a petition for declaratory ruling if the Lessee/Sublessee or Post-Transfer Lessee/Sublessee includes in the attachment required by Item 155 or Item 156a a showing that the subject Lease(s) is exempt from the provisions of Section 310(b).

The Lessee/Sublessee or Post-Transfer Lessee/Sublessee has received a declaratory ruling(s) approving its foreign ownership, and the application/notification involves only the acquisition/use of additional spectrum for the provision of a wireless service in a geographic coverage area for which the Lessee/Sublessee or Post-Transfer Lessee/Sublessee has been previously authorized.

If checked, include in the attachment required by Item 155 or Item 156a the citation(s) of the applicable declaratory ruling(s) by DA/FCC number, the FCC Record citation, if available, release date, and a statement that there has been no change in the foreign ownership of the Lessee/Sublessee or Post-Transfer Lessee/Sublessee since the issuance of its ruling.

The Lessee/Sublessee or Post-Transfer Lessee/Sublessee: (i) has received a declaratory ruling(s) approving its foreign ownership, but is not able to make the certification specified immediately above; or (ii) is an "affiliate" of a Licensee or Lessee/SubLessee that received a declaratory ruling(s) under Section 1.990(a) of the Commission's Rules, 47 CFR § 1.990(a), and is relying on the affiliate's ruling for purposes of filing this application/notification as permitted under the affiliate's ruling and Section 1.994(b) of the Rules, 47 CFR § 1.994(b).

If checked, and if the Lessee/Sublessee or Post-Transfer Lessee/Sublessee received its declaratory ruling(s) on or after August 9, 2013, include in the attachment required by Item 155 or Item 156a the citation(s) of the Lessee/Sublessee or Post-Transfer Lessee/Sublessee's declaratory ruling(s) by DA/FCC number, the FCC Record citation, if available, release date, and a statement that the Lessee/Sublessee or Post-Transfer Lessee/Sublessee is in compliance with the terms and conditions of its ruling and with the Commission's Rules.

If checked, and if the Lessee/Sublessee or Post-Transfer Lessee/Sublessee received its declaratory ruling(s) prior to August 9, 2013, include in the attachment required by Item 156a a copy of a petition for declaratory ruling filed contemporaneously with the Commission to extend the Lessee/Sublessee or Post-Transfer Lessee/Sublessee's existing ruling(s) to cover the same radio service(s) and geographic coverage area(s) involved in the application/notification. Alternatively, the Lessee/Sublessee or Post-Transfer Lessee/Sublessee may request a new declaratory ruling pursuant to Section 1.990(a) of the Commission's Rules, 47 CFR § 1.990(a). Petitions for declaratory ruling may be filed electronically on the Internet through the International Bureau Filing System (IBFS) (with a copy attached hereto).

If checked, and if the Lessee/Sublessee or Post-Transfer Lessee/Sublessee is relying on an affiliate's ruling for purposes of filing this application/notification, include in the attachment required by Item 155 or Item 156a the citation(s) of the applicable declaratory ruling(s) by DA/FCC number, the FCC Record citation, if available, release date, and a statement that the Lessee/Sublessee or Post-Transfer Lessee/Sublessee is in compliance with the terms and conditions of the named affiliate's ruling and with the Commission's Rules. The Lessee/Sublessee or Post-Transfer Lessee/Sublessee must also include a certification of compliance signed by the named affiliate or other qualified entity as specified in Section 1.994(b) of the Rules, 47 CFR § 1.994(b). See Main Form Instructions for Items 155 or 156a, as applicable.

The Lessee/Sublessee or Post-Transfer Lessee/Sublessee has not received a declaratory ruling approving its foreign ownership and is requesting a declaratory ruling under Section 1.990(a) of the Commission's Rules, 47 CFR § 1.990(a), in a petition filed contemporaneously with the Commission.

If checked, include in the attachment required by Item 155 or 156a a copy of the petition for declaratory ruling filed contemporaneously with the Commission pursuant to Section 1.990(a) of the Commission's Rules, 47 CFR § 1.990(a). Petitions for declaratory ruling may be filed electronically on the Internet through the International Bureau Filing System (IBFS) (with a copy attached hereto).

Basic Qualification Information

Basic Qualification Questions (If any answer is 'Y', provide an attachment explaining the circumstances)

159) Has the Applicant or any party to this application had any FCC station authorization, license, or construction permit revoked or had any application for an initial, modification, or renewal of FCC station authorization, license, or construction permit denied by the Commission?	(N) <u>Yes</u> No
160) Has the Applicant or any party to this filing, or any party directly or indirectly controlling the Applicant or any party to this filing ever been convicted of a felony by any state or federal court?	(N) <u>Yes</u> No
161) Has any court finally adjudged the Applicant or any party directly or indirectly controlling the Applicant guilty of unlawfully monopolizing or attempting unlawfully to monopolize radio communication, directly or indirectly, through control of manufacture or sale of radio apparatus, exclusive traffic arrangement, or any other means or unfair methods of competition?	(N) <u>Yes</u> No

Spectrum Aggregation Limit Certification(s)

<p>162) The Licensee/Lessor/Sublessor certifies that grant of this application would not cause the Licensee/Lessor/Sublessor to be in violation of the 40 megahertz in-band spectrum aggregation limit set forth under section 96.31 of the Commission's rules for 3.5 GHz licenses, taking into consideration the spectrum attribution rules under section 20.22(b) of the Commission's rules.</p> <p>If the Licensee/Lessor/Sublessor has sought a waiver of section 96.31 in connection with this application, it may make this certification subject to the outcome of the waiver request.</p>	<p>() <u>Yes</u> <u>No</u></p>
<p>163) The Licensee/Lessor/Sublessor certifies that grant of this application would not cause the Licensee/Lessor/Sublessor to be in violation of the 40 megahertz in-band spectrum aggregation limit set forth under section 27.1606 of the Commission's rules for 3.45 GHz licenses, taking into consideration the spectrum attribution rules under section 20.22(b) of the Commission's rules.</p> <p>If the Licensee/Lessor/Sublessor has sought a waiver of section 27.1606 in connection with this application, it may make this certification subject to the outcome of the waiver request.</p>	<p>() <u>Yes</u> <u>No</u></p>
<p>164) The Lessee/Sublessee/Transferee certifies that grant of this application would not cause the Lessee/Sublessee/Transferee to be in violation of the 40 megahertz in-band spectrum aggregation limit set forth under section 96.31 of the Commission's rules for 3.5 GHz licenses, taking into consideration the spectrum attribution rules under section 20.22(b) of the Commission's rules.</p> <p>If the Lessee/Sublessee/Transferee has sought a waiver of section 96.31 in connection with this application, it may make this certification subject to the outcome of the waiver request.</p>	<p>() <u>Yes</u> <u>No</u></p>
<p>165) The Lessee/Sublessee/Transferee certifies that grant of this application would not cause the Lessee/Sublessee/Transferee to be in violation of the 40 megahertz in-band spectrum aggregation limit set forth under section 27.1606 of the Commission's rules for 3.45 GHz licenses, taking into consideration the spectrum attribution rules under section 20.22(b) of the Commission's rules.</p> <p>If the Lessee/Sublessee/Transferee has sought a waiver of section 27.1606 in connection with this application, it may make this certification subject to the outcome of the waiver request.</p>	<p>() <u>Yes</u> <u>No</u></p>

Licensee Certification Statements

1)	The Licensee agrees that the Lease is not a sale or transfer of the license itself.
2)	The Licensee certifies that it will not consent to assignment of the Lease except to the extent such assignment complies with the Commission's Rules and Regulations.
3)	The Licensee certifies that it holds exclusive use rights to use the licensed spectrum.
4)	The Licensee certifies that it is not in default on any payment for Commission licenses and that it is not delinquent on any non-tax debt owed to any federal agency.
The Licensee certifies that all of its statements made in this Application/Notification and in the schedules, exhibits, attachments, or documents incorporated by reference are material, are part of this Application/Notification, and are true, complete, correct, and made in good faith.	

Type or Printed Name of Party Authorized to Sign

166) First Name: Jessica	MI: B	Last Name: Lyons	Suffix:
167) Title: Asst. Secretary of Manager			
168) Signature: Jessica B Lyons		165) Date: 01/23/2023	
FAILURE TO SIGN THIS APPLICATION MAY RESULT IN DISMISSAL OF THE APPLICATION AND FORFEITURE OF ANY FEES PAID.			
WILLFUL FALSE STATEMENTS MADE ON THIS FORM OR ANY ATTACHMENTS ARE PUNISHABLE BY FINE AND/OR IMPRISONMENT (U.S. Code, Title 18, Section 1001) AND/OR REVOCATION OF ANY STATION LICENSE OR CONSTRUCTION PERMIT (U.S. Code, Title 47, Section 312(a)(1)), AND/OR FORFEITURE (U.S. Code, Title 47, Section 503).			

Lessee Certification Statements

1)	The Lessee agrees that the Lease is not a sale or transfer of the license itself.
2)	The Lessee acknowledges that it is required to comply with the Commission's Rules and Regulations and other applicable law at all times, and if the Lessee fails to so comply, the Lease/Sublease may be revoked, cancelled, or terminated by either the Licensee or the Commission.
3)	The Lessee certifies that neither it nor any other party to the Application/Notification is subject to a denial of Federal benefits pursuant to Section 5301 of the Anti-Drug Abuse Act of 1988, 21 U.S.C. § 862, because of a conviction for possession or distribution of a controlled substance. This certification does not apply to applications filed in services exempted under Section 1.2002(c) of the Commission's Rules. See Section 1.2002(b) of the Commission's Rules for the definition of "party to the application" as used in this certification.
4)	The Lessee hereby accepts Commission oversight and enforcement consistent with the license and lease authorization. The Lessee acknowledges that it must cooperate fully with any investigation or inquiry conducted either by the Commission or the Licensee, allow the Commission or the Licensee to conduct on-site inspections of transmission facilities, and suspend operations at the direction of the Commission or the Licensee and to the extent that such suspension of operation would be consistent with applicable Commission policies.
5)	The Lessee acknowledges that in the event an authorization held by a Licensee that has associated with it a spectrum leasing arrangement that is the subject of this filing is revoked, cancelled, terminated, or otherwise ceases to be in effect, the Lessee will have no continuing authority to use the leased spectrum and will be required to terminate its operations no later than the date on which the Licensee ceases to have any authority to operate under the license, unless otherwise authorized by the Commission.
6)	The Lessee agrees the Lease shall not be assigned to any entity that is not eligible or qualified to enter into a spectrum leasing arrangement under the Commission's Rules and Regulations.
7)	The Lessee waives any claim to the use of any particular frequency or of the electromagnetic spectrum as against the regulatory power of the United States because of the previous use of the same, whether by spectrum lease or otherwise.
8)	The Lessee certifies that it is not in default on any payment for Commission licenses and that it is not delinquent on any non-tax debt owed to any federal agency.
9)	The Lessee certifies that it and all of the related individuals and entities required to be disclosed on this application and FCC Form 602 (FCC Ownership Disclosure Information for the Wireless Telecommunications Services) are not person(s) who have been, for reasons of national security, barred by any agency of the Federal Government from bidding on a contract, participating in an auction, or receiving a grant. This certification applies only to applications for licenses for spectrum that is required by Sections 6103, 6401-6403 of the Middle Class Tax Relief and Job Creation Act of 2012, codified at 47 U.S.C. §§ 309, 1413, 1451-1452, to be assigned by a system of competitive bidding under 47 U.S.C. § 309(j).
<p>The Lessee certifies that all of its statements made in this Application/Notification and in the schedules, exhibits, attachments, or documents incorporated by reference are material, are part of this Application/Notification, and are true, complete, correct, and made in good faith.</p>	

Type or Printed Name of Party Authorized to Sign

168) First Name: Dan	MI:	Last Name: Burgess	Suffix:
169) Title: Manager			
170) Signature: Dan Burgess		171) Date: 01/23/2023	
<p>FAILURE TO SIGN THIS APPLICATION MAY RESULT IN DISMISSAL OF THE APPLICATION AND FORFEITURE OF ANY FEES PAID.</p> <p>WILLFUL FALSE STATEMENTS MADE ON THIS FORM OR ANY ATTACHMENTS ARE PUNISHABLE BY FINE AND/OR IMPRISONMENT (U.S. Code, Title 18, Section 1001) AND/OR REVOCATION OF ANY STATION LICENSE OR CONSTRUCTION PERMIT (U.S. Code, Title 47, Section 312(a)(1)), AND/OR FORFEITURE (U.S. Code, Title 47, Section 503).</p>			

Sublessee Certification Statements

1)	The Sublessee agrees that the Lease is not a, sale or transfer of the license itself.
2)	The Sublessee acknowledges that it is required to comply with the Commission's Rules and regulations and other applicable law at all times, and if the Sublessee fails to so comply, the Lease may be revoked, cancelled, or terminated by either the licensee or the Commission.
3)	The Sublessee certifies that neither it nor any other party to the Application/Notification is subject to a denial of Federal benefits pursuant to Section 5301 of the Anti-Drug Abuse Act of 1988, 21 U.S.C. § 862, because of a conviction for possession or distribution of a controlled substance. This certification does not apply to applications filed in services exempted under Section 1.2002(c) of the Commission's Rules. See Section 1.2002(b) of the Commission's Rules for the definition of "party to the application" as used in this certification.
4)	The Sublessee hereby accepts Commission oversight and enforcement consistent with the license authorization. The Sublessee acknowledges that it must cooperate fully with any investigation or inquiry conducted either by the Commission or the Licensee, allow the Commission or the licensee to conduct on-site inspections of transmission facilities, and suspend operations at the direction of the Commission or the Licensee and to the extent that such suspension of operation would be consistent with the applicable Commission policies.
5)	The Sublessee acknowledges that in the event an authorization held by a Licensee that has entered into a spectrum leasing arrangement is revoked, cancelled, terminated, or otherwise ceases to be in effect, the Sublessee will have no continuing authority to use the leased spectrum and will be required to terminate its operations no later than the date on which the Licensee ceases to have any authority to operate under the license, unless otherwise authorized by the Commission.
6)	The Sublessee agrees the Lease/Sublease shall not be assigned to any entity that is not eligible or qualified to enter into a spectrum leasing arrangement under the Commission's Rules and regulations.
7)	The Sublessee waives any claim to the use of any particular frequency or of the electromagnetic spectrum as against the regulatory power of the United States because of the previous use of the same, whether by spectrum lease or otherwise.
8)	The Sublessee certifies that it is not in default on any payment for Commission licenses and that it is not delinquent on any non-tax debt owed to any federal agency.
9)	The Sublessee certifies that it and all of the related individuals and entities required to be disclosed on this application and FCC Form 602 (FCC Ownership Disclosure Information for the Wireless Telecommunications Services) are not person(s) who have been, for reasons of national security, barred by any agency of the Federal Government from bidding on a contract, participating in an auction, or receiving a grant. This certification applies only to applications for licenses for spectrum that is required by Sections 6103, 6401-6403 of the Middle Class Tax Relief and Job Creation Act of 2012, codified at 47 U.S.C. §§ 309, 1413, 1451-1452, to be assigned by a system of competitive bidding under 47 U.S.C. § 309(j).
The Sublessee certifies that all of its statements made in this Application/Notification and in the schedules, exhibits, attachments, or documents incorporated by reference are material, are part of this Application/Notification, and are true, complete, correct, and made in good faith.	

Type or Printed Name of Party Authorized to Sign

172) First Name:	MI:	Last Name:	Suffix:
173) Title:			
174) Signature:		175) Date:	

**FAILURE TO SIGN THIS APPLICATION MAY RESULT IN DISMISSAL OF THE APPLICATION AND FORFEITURE OF ANY FEES PAID.
WILLFUL FALSE STATEMENTS MADE ON THIS FORM OR ANY ATTACHMENTS ARE PUNISHABLE BY FINE AND/OR IMPRISONMENT (U.S. Code, Title 18, Section 1001) AND/OR REVOCATION OF ANY STATION LICENSE OR CONSTRUCTION PERMIT (U.S. Code, Title 47, Section 312(a)(1)), AND/OR FORFEITURE (U.S. Code, Title 47, Section 503).**

Transferee Certification Statements

1)	The Transferee agrees that the Lease/Sublease is not a sale or transfer of the license itself.
2)	The Transferee acknowledges that it is required to comply with the Commission's Rules and Regulations and other applicable law at all times, and if the Transferee fails to so comply, the Lease/Sublease may be revoked, cancelled, or terminated by either the licensee or the Commission.
3)	The Transferee certifies that neither it nor any other party to the Application/Notification is subject to a denial of Federal benefits pursuant to Section 5301 of the Anti-Drug Abuse Act of 1988, 21 U.S.C. § 862, because of a conviction for possession or distribution of a controlled substance. This certification does not apply to applications filed in services exempted under Section 1.2002(c) of the Commission's Rules. See Section 1.2002(b) of the Commission's Rules for the definition of "party to the application" as used in this certification.)
4)	The Transferee hereby accepts Commission oversight and enforcement consistent with the license authorization. The Transferee acknowledges that it must cooperate fully with any investigation or inquiry conducted either by the Commission or the Licensee, allow the Commission or the licensee to conduct on-site inspections of transmission facilities, and suspend operations at the direction of the Commission or the Licensee and to the extent that such suspension of operation would be consistent with the applicable Commission policies.
5)	The Transferee acknowledges that in the event an authorization held by a Licensee that has entered into a spectrum leasing arrangement is revoked, cancelled, terminated, or otherwise ceases to be in effect, the Transferee will have no continuing authority to use the leased spectrum and will be required to terminate its operations no later than the date on which the Licensee ceases to have any authority to operate under the license, unless otherwise authorized by the Commission.
6)	The Transferee agrees the Lease shall not be assigned to any entity that is not eligible or qualified to enter into a spectrum leasing arrangement under the Commission's Rules and Regulations.
7)	The Transferee waives any claim to the use of any particular frequency or of the electromagnetic spectrum as against the regulatory power of the United States because of the previous use of the same, whether by spectrum lease or otherwise.
8)	The Transferee certifies that it is not in default on any payment for Commission licenses and that it is not delinquent on any non-tax debt owed to any federal agency.
9)	The Transferee certifies that it and all of the related individuals and entities required to be disclosed on this application and FCC Form 602 (FCC Ownership Disclosure Information for the Wireless Telecommunications Services) are not person(s) who have been, for reasons of national security, barred by any agency of the Federal Government from bidding on a contract, participating in an auction, or receiving a grant. This certification applies only to applications for licenses for spectrum that is required by Sections 6103, 6401-6403 of the Middle Class Tax Relief and Job Creation Act of 2012, codified at 47 U.S.C. §§ 309, 1413, 1451-1452, to be assigned by a system of competitive bidding under 47 U.S.C. § 309(j).
The Transferee certifies that all of its statements made in this Application/Notification and in the schedules, exhibits, attachments, or documents incorporated by reference are material, are part of this Application/Notification, and are true, complete, correct, and made in good faith.	

Type or Printed Name of Party Authorized to Sign

176) First Name:	MI:	Last Name:	Suffix:
177) Title:			
178) Signature:		179) Date:	

FAILURE TO SIGN THIS APPLICATION MAY RESULT IN DISMISSAL OF THE APPLICATION AND FORFEITURE OF ANY FEES PAID.

WILLFUL FALSE STATEMENTS MADE ON THIS FORM OR ANY ATTACHMENTS ARE PUNISHABLE BY FINE AND/OR IMPRISONMENT (U.S. Code, Title 18, Section 1001) AND/OR REVOCATION OF ANY STATION LICENSE OR CONSTRUCTION PERMIT (U.S. Code, Title 47, Section 312(a)(1)), AND/OR FORFEITURE (U.S. Code, Title 47, Section 503).

Transferor Certification Statements

1)	The Transferor certifies either (1) that control of the Lessee/Sublessee will not be transferred until consent of the Federal Communications Commission has been given, or (2) that prior Commission consent is not required because the Lease/Sublease is subject to streamlined notification procedures for <i>pro forma</i> transfers of control. See <i>Federal Communications Bar Association's Petition for Forbearance from Section 310(d) of the Communications Act Regarding Non-Substantial Assignments of Wireless Licenses and Transfers of Control Involving Telecommunications Carriers and Personal Communications Industry Association's Broadband Personal Communications Services Alliance's Petition for Forbearance For Broadband Personal Communications Services</i> . Memorandum Opinion and Order, 13 FCC Rcd 6293 (1998)
2)	The Transferor certifies that it is not in default on any payment for Commission licenses and that it is not delinquent on any non-tax debt owed to any federal agency.
The Transferor certifies that all of its statements made in this Application/Notification and in the schedules, exhibits, attachments, or documents incorporated by reference are material, are part of this Application/Notification, and are true, complete, correct, and made in good faith.	

Type or Printed Name of Party Authorized to Sign

180) First Name:	MI:	Last Name:	Suffix:
181) Title:			
182) Signature:		183) Date:	
FAILURE TO SIGN THIS APPLICATION MAY RESULT IN DISMISSAL OF THE APPLICATION AND FORFEITURE OF ANY FEES PAID.			
WILLFUL FALSE STATEMENTS MADE ON THIS FORM OR ANY ATTACHMENTS ARE PUNISHABLE BY FINE AND/OR IMPRISONMENT (U.S. Code, Title 18, Section 1001) AND/OR REVOCATION OF ANY STATION LICENSE OR CONSTRUCTION PERMIT (U.S. Code, Title 47, Section 312(a)(1)), AND/OR FORFEITURE (U.S. Code, Title 47, Section 503).			

Private Commons Manager Certification Statements

1)	The Licensee/Lessee/Sublessee manager of the Private Commons certifies that it will retain <i>de facto</i> control of the use of the spectrum under the Private Commons arrangement, including that it will maintain reasonable oversight over the users' use of the spectrum under the arrangement so as to ensure that the use of the spectrum, and communications equipment employed, comply with all technical and service rules applicable under the license authorization.
2)	The Licensee/Lessee/Sublessee manager of the Private Commons arrangement certifies that it will maintain the ability to ensure that users under the arrangement comply with all the technical and service rules applicable under the license authorization.
3)	The Licensee/Lessee/Sublessee manager of the Private Commons certifies that it and all of the related individuals and entities required to be disclosed on this application and FCC Form 602 (FCC Ownership Disclosure Information for the Wireless Telecommunications Services) are not person(s) who have been, for reasons of national security, barred by any agency of the Federal Government from bidding on a contract, participating in an auction, or receiving a grant. This certification applies only to applications for licenses for spectrum that is required by Sections 6103, 6401-6403 of the Middle Class Tax Relief and Job Creation Act of 2012, codified at 47 U.S.C. §§ 309, 1413, 1451-1452, to be assigned by a system of competitive bidding under 47 U.S.C. § 309(j).
The Licensee/Lessee/Sublessee manager of the Private Commons arrangement certifies that all of its statements made in this Notification and in the schedules, exhibits, attachments, or documents incorporated by reference are material, are part of this Notification, and are true, complete, correct, and made in good faith.	

Type or Printed Name of Party Authorized to Sign

184) First Name:	MI:	Last Name:	Suffix:
185) Title:			
186) Signature:		187) Date:	
FAILURE TO SIGN THIS APPLICATION MAY RESULT IN DISMISSAL OF THE APPLICATION AND FORFEITURE OF ANY FEES PAID.			
WILLFUL FALSE STATEMENTS MADE ON THIS FORM OR ANY ATTACHMENTS ARE PUNISHABLE BY FINE AND/OR IMPRISONMENT (U.S. Code, Title 18, Section 1001) AND/OR REVOCATION OF ANY STATION LICENSE OR CONSTRUCTION PERMIT (U.S. Code, Title 47, Section 312(a)(1)), AND/OR FORFEITURE (U.S. Code, Title 47, Section 503).			

License Authorization(s) or Identifiers (pertaining to Lease(s)/Sublease(s)/Private Commons) Associated with the Spectrum To Be Included in the Filing

188) Call Sign(s) or Lease/Sublease/ Private Commons Identifier(s)	189) Radio Service Code	190) Location Number	191) Path Number (Microwave only)	192) Frequency Number	193) Lower Frequency (MHz)	194) Upper Frequency (MHz)
KNKA225	CL - Cellular					
KNKA256	CL - Cellular					
KNKA364	CL - Cellular					
KNKN309	CL - Cellular					
KNKN673	CL - Cellular					
KNKN719	CL - Cellular					
KNKN753	CL - Cellular					
KNKN877	CL - Cellular					

* Note: Items 190 – 194 are for New Leases involving spectrum associated with site-based authorizations when only a portion of the licensed locations, paths and/or frequencies will be leased.

**Schedule for Licensees that Received Bidding Credits
or
Involving Licenses Won in Closed Bidding**

**Designated Entity Information
Bidding Credits**

1) Has the full amount of the bidding credits awarded with regard to each of the subject license(s) been paid as part of unjust enrichment payment(s) in previous transaction(s)?	() <u>Yes</u> <u>No</u>
If the response to Item 1 is 'Y', Items 2 and 3 are not required to be completed.	

Bidding Credits - (Spectrum Manager Leases Only)

2a) Does the Applicant have a general partnership interest or have a direct or indirect ownership interests of ten percent or greater in the Licensee?	() <u>Yes</u> <u>No</u>
2b) Is the Applicant a "controlling interest holder" or "affiliate" of the current Licensee? For purposes of determining whether the Licensee has retained the requisite degree of ownership and control over the leased spectrum in order to remain eligible for the license or for bidding credits, the <i>de jure</i> control standard in 47 CFR §1.2110 and the <i>de facto</i> control standard in 47 CFR § 1.9010 will be applied (pursuant to the conditions set forth in 47 CFR §1.9020).	() <u>Yes</u> <u>No</u>
2c) Does the Applicant share office space, equipment, or other facilities with any party controlling the entity from which spectrum is being leased/subleased?	() <u>Yes</u> <u>No</u>
2d) Is the Applicant a disclosable interest holder that holds a ten percent or greater interest of any kind in the Licensee and is the Lease/Sublease for more than 25% of the spectrum capacity of the subject license(s)?	() <u>Yes</u> <u>No</u>
2e) Does the Licensee certify that the Lease/Sublease does not affect its continuing eligibility to retain bidding credit(s)?	() <u>Yes</u> <u>No</u>

**Bidding Credits – (Long-Term De Facto Transfer Leases Only)
Eligibility**

3a) With respect to each of the subject licenses, the Applicant: () qualifies for the same designated entity benefit as the current Licensee () qualifies for a different designated entity benefit than the current Licensee () does not qualify for any designated entity status
--

3b) If the Applicant states in Item 3a that it qualifies for the same designated entity benefit as the current Licensee or qualifies for a different designated entity status than the current Licensee, the Applicant qualifies for a (select one): () small business bidding credit (___%) () rural service provider bidding credit	
3c) Is the Applicant a disclosable interest holder that holds a ten percent or greater interest of any kind in the Licensee and is the Lease/Sublease for more than 25% of the spectrum capacity of the subject license(s)?	() <u>Yes</u> <u>No</u>

Closed Bidding Licenses

4) Have construction notifications been submitted as required by the Commission's Rules for each of the subject licenses? If the response to Item 4 is 'Y', Items 5 and 6 are not required to be completed.	() <u>Yes</u> <u>No</u>
--	--------------------------

Closed Bidding Licenses – (Spectrum Manager Leases Only)

5a) Does the Applicant have a general partnership interest or have a direct or indirect ownership interest of ten percent or greater in the Licensee?	() <u>Yes</u> <u>No</u>
5b) Is the Applicant a "controlling interest holder" or "affiliate" of the current Licensee?	() <u>Yes</u> <u>No</u>
5c) Does the Applicant share office space, equipment or other facilities with any party controlling the entity from which spectrum is being leased?	() <u>Yes</u> <u>No</u>
5d) Does the Licensee certify that the Lease/Sublease does not affect its continuing eligibility to retain closed bidding licenses?	() <u>Yes</u> <u>No</u>

Closed Bidding Licenses – (Long-Term *De Facto* Transfer Leases Only)**Eligibility**

6) With respect to each of the subject licenses, the Applicant: () a) qualifies for closed bidding () b) does not qualify for closed bidding
--

7) Revenue and Asset Information for the Applicant

Purpose (Check Modify if filing an Amendment application and changing the Revenue and Asset Information from what was provided on the original filing)

<input type="checkbox"/> Modify

Gross Revenue Disclosure Most Recent Reportable Year

8a) Were the Applicant and any predecessors-in-interest in existence for a full year of the relevant period? If 'N', explain why in an attachment.	() <u>Yes</u> <u>No</u>
If 'Y', provide the following information.	
8b) Gross Revenues	\$ _____ (Format: 99,999.99)
8c) Year-end Date:	_____ (Date Format: MM/DD/YYYY)

One Year Prior to Most Recent Reportable Year

9a) Were the Applicant and any predecessors-in-interest in existence for a full year of the relevant period? If 'N', explain why in an attachment.	() <u>Yes</u> <u>No</u>
If 'Y', provide the following information.	
9b) Gross Revenues	\$ _____ (Format: 99,999.99)
9c) Year-end Date:	_____ (Date Format: MM/DD/YYYY)

Two Years Prior to Most Recent Reportable Year

10a) Were the Applicant and any predecessors-in-interest in existence for a full year of the relevant period? If 'N', explain why in an attachment.	() <u>Yes</u> <u>No</u>
If 'Y', provide the following information.	
10b) Gross Revenues	\$ _____ (Format: 99,999.99)
10c) Year-end Date:	_____ (Date Format: MM/DD/YYYY)

Three Years Prior to Most Recent Reportable Year

11a) Were the Applicant and any predecessors-in-interest in existence for a full year of the relevant period? If 'N', explain why in an attachment.	() <u>Yes</u> <u>No</u>
If 'Y', provide the following information.	
11b) Gross Revenues	\$ _____ (Format: 99,999.99)
11c) Year-end Date:	_____ (Date Format: MM/DD/YYYY)

Four Years Prior to Most Recent Reportable Year

12a) Were the Applicant and any predecessors-in-interest in existence for a full year of the relevant period? If 'N', explain why in an attachment.	() <u>Yes</u> <u>No</u>
If 'Y', provide the following information.	
12b) Gross Revenues	\$ _____ (Format: 99,999.99)
12c) Year-end Date:	_____ (Date Format: MM/DD/YYYY)

Average Gross Revenue

13) Average Gross Revenue of Reported Years: \$ _____ (Format: 99,999.99)

Asset Disclosure

14) Total Assets as of Application Filing Date: \$ _____

Financial Statements

15) Audited or Unaudited (Check One)

The Applicant used audited financial statements.

The Applicant used unaudited financial statements prepared in accordance with Generally Accepted Accounting Principles (GAAP) and certified by the Applicant's chief financial officer or the equivalent.

Reference Copy

Reference Copy

Closed Bidding/Designated Entity Eligibility

Total Gross Revenues for Most Recent Reportable Year

36a) Gross Revenues	\$ _____	(Format: 99,999.99)
36b) Year-end Date:	_____	(Date Format: MM/DD/YYYY)

Total Gross Revenues for One Year Prior to Most Recent Reportable Year

37a) Gross Revenues:	\$ _____	(Format: 99,999.99)
37b) Year-end Date:	_____	(Date Format: MM/DD/YYYY)

Total Gross Revenues for Two Years Prior to Most Recent Reportable Year

38a) Gross Revenues:	\$ _____	(Format: 99,999.99)
38b) Year-end Date:	_____	(Date Format: MM/DD/YYYY)

Total Gross Revenues for Three Years Prior to the Most Recent Reportable Year

39a) Gross Revenues:	\$ _____	(Format: _____)
39b) Year-end Date:	_____	(Date Format: _____)

Total Gross Revenues for Four Years Prior to the Most Recent Reportable Year

40a) Gross Revenues:	\$ _____	(Format: 99,999.99)
40b) Year-end Date:	_____	(Date Format: MM/DD/YYYY)

Total Aggregate Average Gross Revenues for Designated Entity (License(s) Requiring Disclosure of Three Years of Gross Revenue Data)

41) Aggregate Average Gross Revenue:	\$ _____	(Format: 99,999.99)
--------------------------------------	----------	---------------------

Total Aggregate Average Gross Revenues for Designated Entity (License(s) Requiring Disclosure of Five Years of Gross Revenue Data)

41) Aggregate Average Gross Revenue:	\$ _____	(Format: 99,999.99)
--------------------------------------	----------	---------------------

Total Aggregate Average Gross Revenues for Closed Bidding

42) Aggregate Average Gross Revenue:	\$ _____	(Format: 99,999.99)
--------------------------------------	----------	---------------------

Total Assets Disclosure for Closed Bidding

43) Total Assets:	\$ _____	(Format: 99,999.99)
-------------------	----------	---------------------

Rural Service Provider Bidding Credit

36) Is the Applicant seeking a Rural Service Provider (RSP) bidding credit?	(<input type="checkbox"/>) Yes <input checked="" type="checkbox"/> No
---	---

If the Applicant (the Lessee/Sublessee/Transferee) is seeking a rural service provider (RSP) bidding credit, provide in an exhibit the following information requested in a-e.

a) for the Applicant, submit the combined number of commercial communications service subscribers to wireless, wireline, broadband, and cable services that the Applicant serves and provide a list of the name(s) and the Federal Information Processing Standard (FIPS) number(s) for each county in which the Applicant has at least one commercial wireless, wireline, broadband, or cable subscriber;

b) for each of the Applicant's Affiliates, Controlling Interests, and the Affiliates of its Controlling Interests, submit the individual or entity's name, its FCC Registration Number (FRN), its relationship to the Applicant, and its combined number of commercial communications service subscribers to wireless, wireline, broadband, and cable services. For each of the Applicant's Affiliates, Controlling Interests, and the Affiliates of its Controlling Interests, also provide a list of the name(s) and the FIPS number(s) for each county in which it has at least one commercial wireless, wireline, broadband, or cable subscriber;

c) if neither the Applicant, nor any of its Affiliates, its Controlling Interests, or the Affiliates of its Controlling Interests have at least one wireless, wireline, broadband, or cable subscriber in a market for which the Applicant is applying for a license, list the market(s) in which the Applicant, its Affiliates, its Controlling Interests, and the Affiliates of its Controlling Interests have no such subscribers;

d) a detailed explanation demonstrating that: (i) the Applicant is in the business of providing commercial communications services; (ii) the Applicant serves predominantly rural areas; and (iii) the primary focus of the Applicant's business activity is the provision of services to rural areas (defined as counties with a population density of 100 or fewer persons per square mile); and

e) If the Applicant is an existing rural partnership that was providing service as of July 16, 2015, provide a detailed explanation demonstrating that each member of the partnership is independently eligible for the RSP bidding credit by providing, with respect to each member of the partnership, the same information as is required in a-d above.

Schedule for New Lease or New Sublease

Term of Lease [For New Leases Only]

1) Indicate whether the Lease is: <input checked="" type="checkbox"/> Long-Term or <input type="checkbox"/> Short-Term* * The cumulative lease period for a Short-Term Lease cannot exceed 365 days from the original commencement date.	
2) If this filing is for a Long-Term <i>De Facto</i> Transfer Lease, have the Licensee and Lessee entered into any Short-Term <i>De Facto</i> Transfer Lease(s) with regard to any spectrum covered by the license(s) that are part of this filing or within the same geographic area(s) of the license(s) that are part of this filing?	<input type="checkbox"/> Yes <input checked="" type="checkbox"/> No

Leased Spectrum (For Geographically-Licensed Services) [For New Leases Only]

3a) Does this filing involve geographic-area licenses where only a portion of the licensed spectrum and/or the licensed geographic area will be leased?	<input type="checkbox"/> Yes <input checked="" type="checkbox"/> No
3b) If the answer to 3a is 'Yes', does this filing involve one or more individual point-to-point microwave links that will be leased? If the response to 3b is 'Yes', complete Schedule H. If the response to 3b is 'No', complete Schedule F and, if applicable, Schedule G.	<input type="checkbox"/> Yes <input checked="" type="checkbox"/> No

Leased Spectrum (For Site-Based Services) [For New Leases Only]

3c) Does this filing involve site-based licenses where only a portion of the licensed locations, paths and/or frequencies will be leased? If the response to 3c is 'No', complete Items 184 (Call Sign) and 185 (Radio Service Code) on the Main Form. If the response to 3c is 'Yes', in addition to Items 184 (Call Sign) and 185 (Radio Service Code), complete Items 186-190 (Location Number, Path Number, Frequency Number, Lower Frequency and Upper Frequency), as appropriate, on the Main Form.	<input type="checkbox"/> Yes <input checked="" type="checkbox"/> No
---	---

Type and Term of Sublease [For New Subleases Only]

4a) If the existing Lease is a Long-Term <i>De Facto</i> Transfer Lease, are the Lessee and Sublessee entering into a Spectrum Manager Sublease or a Long-Term <i>De Facto</i> Transfer Sublease? <input type="checkbox"/> Spectrum Manager Sublease or <input type="checkbox"/> Long-Term <i>De Facto</i> Transfer Sublease
4b) If the answer to 4a is 'Spectrum Manager Sublease', indicate whether the Sublease is: <input type="checkbox"/> Long-Term or <input type="checkbox"/> Short-Term
5) If the existing Lease is a Long-Term Spectrum Manager Lease, indicate whether the Spectrum Manager Sublease is: <input type="checkbox"/> Long-Term or <input type="checkbox"/> Short-Term

**Schedule for Supplemental Information Pertaining to a New Lease, New Sublease,
Revision to Extend the Term of an Existing Lease or Sublease, or
Revision to Cancel an Existing Lease or Sublease**

License Authorizations/Lease Identifiers/Sublease Identifiers (Complete as many Schedule E's as necessary)

1) Call Sign(s) or Lease/Sublease Identifier(s)	2) Radio Service Code	3) Commencement Date (MM/DD/YYYY) OR Check box for FCC Grant Date	4) Expiration Date (MM/DD/YYYY)	5) Revised Expiration Date (MM/DD/YYYY)	6) Cancellation Date (MM/DD/YYYY) OR Check box if Lease/Sublease Never Commenced
KNKA225	CL	<input checked="" type="checkbox"/>	10/01/2023		<input type="checkbox"/>
KNKA256	CL	<input checked="" type="checkbox"/>	10/01/2024		<input type="checkbox"/>
KNKA364	CL	<input checked="" type="checkbox"/>	09/16/2026		<input type="checkbox"/>
KNKN309	CL	<input checked="" type="checkbox"/>	09/16/2026		<input type="checkbox"/>
KNKN673	CL	<input checked="" type="checkbox"/>	09/16/2026		<input type="checkbox"/>
KNKN719	CL	<input checked="" type="checkbox"/>	09/16/2026		<input type="checkbox"/>
KNKN753	CL	<input checked="" type="checkbox"/>	09/16/2026		<input type="checkbox"/>
KNKN877	CL	<input checked="" type="checkbox"/>	09/16/2026		<input type="checkbox"/>

Attachment(s):

Type	Description	Date Entered
0	Exhibit 1 - Public Interest Statement	01/04/2023
0	Exhibit 2 - Licenses	01/04/2023
0	Exhibit 3 - Site Information	01/04/2023
0	Manchester USP Shapefile (KNKN673)	01/04/2023
0	Jesup FCI Shapefile (KNKN877)	01/04/2023
0	FCI Sheridan Shapefile (KNKN309)	01/04/2023
0	FCI Schuylkill Shapefile (KNKN719)	01/04/2023
0	Miami FCI Shapefile (KNKA225 and KNKA364)	01/04/2023
0	FCI Forrest City Shapefile (KNKN753)	01/04/2023
0	FCI Danbury Shapefile (KNKA256)	01/04/2023

REFERENCE COPY

This is not an official FCC license. It is a record of public information contained in the FCC's licensing database on the date that this reference copy was generated. In cases where FCC rules require the presentation, posting, or display of an FCC license, this document may not be used in place of an official FCC license.



Federal Communications Commission
Wireless Telecommunications Bureau

RADIO STATION AUTHORIZATION

LICENSEE: NEW CINGULAR WIRELESS PCS, LLC

ATTN: FCC GROUP
NEW CINGULAR WIRELESS PCS, LLC
208 S. AKARD ST. 20F
DALLAS, TX 75202

Table with 2 columns: Call Sign (KNLF251), File Number, and Radio Service (CW - PCS Broadband).

FCC Registration Number (FRN): 0003291192

Table with 4 columns: Grant Date (06-02-2015), Effective Date (01-14-2023), Expiration Date (06-23-2025), Print Date, Market Number (MTA026), Channel Block (A), Sub-Market Designator (15), Market Name (Louisville-Lexington-Evansville), 1st Build-out Date (06-23-2000), 2nd Build-out Date (06-23-2005), 3rd Build-out Date, 4th Build-out Date.

Waivers/Conditions:

This authorization is subject to the condition that, in the event that systems using the same frequencies as granted herein are authorized in an adjacent foreign territory (Canada/United States), future coordination of any base station transmitters within 72 km (45 miles) of the United States/Canada border shall be required to eliminate any harmful interference to operations in the adjacent foreign territory and to ensure continuance of equal access to the frequencies by both countries.

This authorization is subject to the condition that the remaining balance of the winning bid amount will be paid in accordance with Part 1 of the Commission's rules, 47 C.F.R. Part 1.

Conditions:

Pursuant to §309(h) of the Communications Act of 1934, as amended, 47 U.S.C. §309(h), this license is subject to the following conditions: This license shall not vest in the licensee any right to operate the station nor any right in the use of the frequencies designated in the license beyond the term thereof nor in any other manner than authorized herein. Neither the license nor the right granted thereunder shall be assigned or otherwise transferred in violation of the Communications Act of 1934, as amended. See 47 U.S.C. § 310(d). This license is subject in terms to the right of use or control conferred by §706 of the Communications Act of 1934, as amended. See 47 U.S.C. §606.

This license may not authorize operation throughout the entire geographic area or spectrum identified on the hardcopy version. To view the specific geographic area and spectrum authorized by this license, refer to the Spectrum and Market Area information under the Market Tab of the license record in the Universal Licensing System (ULS). To view the license record, go to the ULS homepage at http://wireless.fcc.gov/uls/index.htm?job=home and select "License Search". Follow the instructions on how to search for license information.

Licensee Name: NEW CINGULAR WIRELESS PCS, LLC

Call Sign: KNLF251

File Number:

Print Date:

This license is conditioned upon compliance with the provisions of Applications of AT&T Wireless Services, Inc. and Cingular Wireless Corporation For Consent to Transfer Control of Licenses and Authorizations, Memorandum Opinion and Order, FCC 04-255 (rel. Oct. 26, 2004).

Spectrum Lease Associated with this License. See Spectrum Leasing Arrangement Letter dated 12/06/2004 and File # 0001918512.

Commission approval of this application and the licenses contained therein are subject to the conditions set forth in the Memorandum Opinion and Order, adopted on December 29, 2006 and released on March 26, 2007, and revised in the Order on Reconsideration, adopted and released on March 26, 2007. See AT&T Inc. and BellSouth Corporation Application for Transfer of Control, WC Docket No. 06-74, Memorandum Opinion and Order, FCC 06-189 (rel. Mar. 26, 2007); AT&T Inc. and BellSouth Corporation, WC Docket No. 06-74, Order on Reconsideration, FCC 07-44 (rel. Mar. 26, 2007).

ReportMill
Reference
Copy

Licensee Name: NEW CINGULAR WIRELESS PCS, LLC

Call Sign: KNLF251

File Number:

Print Date:

700 MHz Relicensed Area Information:

Market	Market Name	Buildout Deadline	Buildout Notification	Status
---------------	--------------------	--------------------------	------------------------------	---------------

Report Reference Copy

Reference Copy Only. Do Not Mail to the FCC as an Application.

Submitted: 01/13/2023 at 18:08:22
 File Number: 0010374919

FCC 601
Main Form

FCC Application for Radio Service Authorization: Wireless Telecommunications Bureau Public Safety and Homeland Security Bureau

Approved by OMB
 3060 - 0798
 See instructions for
 public burden estimate

1) Radio Service Code: <p style="text-align: center;">CW</p>	1a) Existing Radio Service Code:
--	----------------------------------

General Information

2) (Select only one) (AU) NE - New RO - Renewal Only AU - Administrative Update NT - Required Notifications MD - Modification RM - Renewal/Modification WD - Withdrawal of Application EX - Requests for Extension of Time AM - Amendment CA - Cancellation of License RL - Registered Location/Link	
3a) If this application is for a Demonstration License or a Special Temporary Authorization (STA) , enter the code and attach the required exhibit as described in the instructions. Otherwise enter ' N/A ' (Not Applicable).	(N) <u>M</u> <u>S</u> <u>N/A</u>
3b) If this application is for Special Temporary Authority due to an emergency situation, enter 'Y'; otherwise enter 'N'. Refer to Rule 1.915 for an explanation of situations considered to be an emergency.	() <u>Y</u> es <u>N</u> o
4) If this application is for an Amendment or Withdrawal, enter the file number of the pending application currently on file with the FCC.	File Number
5) If this application is for a Modification, Renewal Only, Renewal/Modification, Cancellation of License, , or Administrative Update, enter the call sign of the existing FCC license. If this is a request for Registered Location/Link, enter the FCC call sign assigned to the geographic license.	Call Sign KNLF251
6a) If this application is for a New, Amendment, Renewal Only, or Renewal/Modification, enter the requested authorization expiration date (this item is optional).	MM DD _____ / _____
6b) If this application is for a Renewal Only or Renewal/Modification and the license is a geographic area license, is the license used to provide service to customers (C), or is the license used for private business (internal) purposes or to meet the licensee's public interest/public safety communications needs (P)?	() <u>C</u> <u>P</u>
7) Is this application "major" as defined in § 1.929 of the Commission's Rules when read in conjunction with the applicable radio service rules found in Parts 22 and 90 of the Commission's Rules? (NOTE: This question only applies to certain site-specific applications. See the instructions for applicability and full text of § 1.929).	() <u>Y</u> es <u>N</u> o
8) Are attachments (other than associated schedules) being filed with this application?	() <u>Y</u> es <u>N</u> o

Fees, Waivers, and Exemptions

9) Is the Applicant exempt from FCC application fees?	(N) <u>Y</u> es <u>N</u> o
10) Is the Applicant exempt from FCC regulatory fees?	(N) <u>Y</u> es <u>N</u> o
11) Does this application include a request for a Waiver of the Commission's Rule(s)? If 'Yes', attach an exhibit providing rule number(s) and explaining circumstances.	(N) <u>Y</u> es <u>N</u> o
12) Are the frequencies or parameters requested in this filing covered by grandfathered privileges, previously approved by waiver, or functionally integrated with an existing station?	() <u>Y</u> es <u>N</u> o

Applicant Information

13) FCC Registration Number (FRN): 0003291192			
14) Applicant/Licensee Legal Entity Type: (Select One) <input type="checkbox"/> Individual <input type="checkbox"/> Unincorporated Association <input type="checkbox"/> Trust <input type="checkbox"/> Government Entity <input checked="" type="checkbox"/> Corporation <input type="checkbox"/> Limited Liability Company <input type="checkbox"/> General Partnership <input type="checkbox"/> Limited Partnership <input type="checkbox"/> Limited Liability Partnership <input type="checkbox"/> Consortium <input type="checkbox"/> Other: _____			
15) If the Licensee name is being updated, is the update a result from the sale (or transfer of control) of the license(s) to party and for which proper Commission approval has not been received or proper notification not provided?			<input type="checkbox"/> Yes <input checked="" type="checkbox"/> No
16) First Name (if individual):	MI:	Last Name:	Suffix:
17) Legal Entity Name (if other than individual): NEW CINGULAR WIRELESS PCS, LLC			
18) Attention To: FCC Group			
19) P.O. Box:	And/Or	20) Street Address: 208 S. Akard St. 20F	
21) City: Dallas	22) State: TX	23) Zip Code: 75202	
24) Telephone Number: (855)699-7073		25) Fax: (214)746-6410	
26) E-Mail Address: FCCMW@att.com			

27) Demographics (Optional)

Race: <input type="checkbox"/> American Indian or Alaska Native <input type="checkbox"/> Asian <input type="checkbox"/> Black or African-American <input type="checkbox"/> Native Hawaiian or Other Pacific Islander <input type="checkbox"/> White	Ethnicity: <input type="checkbox"/> Hispanic or Latino <input type="checkbox"/> Not Hispanic or Latino	Gender: <input type="checkbox"/> Male <input type="checkbox"/> Female
--	--	---

Real Party in Interest

28) Name of Real Party in Interest of Applicant (If different from Applicant):	29) FCC Registration Number (FRN) of Real Party in Interest:
--	--

Contact Information (If different from the Applicant) Check here if same as Applicant.

30) First Name: Cecil	MI: J	Last Name: Mathew	Suffix:
31) Company Name: AT&T Services, Inc.			
32) Attention To: FCC Group			
33) P.O. Box:	And /Or	34) Street Address: 208 S. Akard St. 20F	
35) City: Dallas	36) State: TX	37) Zip Code: 75202	
38) Telephone Number: (855)699-7073		39) Fax: (214)757-3706	
40) E-Mail Address: FCCMW@att.com			

Regulatory Status

41) This filing is for authorization to provide or use the following type(s) of radio service offering (enter all that apply):

() Common Carrier () Non-Common Carrier () Private, internal communications () Broadcast Services () Band Manager

Type of Radio Service

42) This filing is for authorization to provide the following type(s) of radio service (choose all that apply):

() Fixed () Mobile () Radiolocation () Satellite (sound) () Broadcast Services

43) Does the Applicant propose to provide service interconnected to the public telephone network? () Yes () No

Alien Ownership Questions (If any answer is 'Y', provide an attachment explaining the circumstances. In preparing the attachment, refer to the Main Form Instructions for the "Alien Ownership Questions".)

44) Is the Applicant a foreign government or the representative of any foreign government? () Yes () No

45) Is the Applicant an alien or the representative of an alien? () Yes () No

46) Is the Applicant a corporation organized under the laws of any foreign government? () Yes () No

47) Is the Applicant a corporation of which more than one-fifth of the capital stock is owned of record or voted by aliens or their representatives, or by a foreign government or representative thereof, or by any corporation organized under the laws of a foreign country? () Yes () No

48a) Is the Applicant directly or indirectly controlled by any other corporation of which more than one-fourth of the capital stock (Yes No) is owned of record or voted by aliens or their representatives, or by a foreign government or representative thereof, or by any corporation organized under the laws of a foreign country?

48b) If the answer to 47 or 48a is 'Y' select one of the choices below.

The Applicant is exempt from the provisions of Section 310(b).

If checked, include in the attachment required by Item 47 or Item 48a a showing that the requested license(s) is exempt from the provisions of Section 310(b).

The Applicant has received a declaratory ruling(s) approving its foreign ownership, and the application involves only the acquisition of additional spectrum for the provision of a wireless service in a geographic coverage area for which the Applicant has been previously authorized.

If checked, include in the attachment required by Item 47 or Item 48a the citation(s) of the applicable declaratory ruling(s) by DA/FCC number, the FCC Record citation, if available, release date, and a statement that there has been no change in the foreign ownership of the Applicant since the issuance of its ruling.

The Applicant: (i) has received a declaratory ruling(s) approving its foreign ownership, but is not able to make the certification specified immediately above; or (ii) is an "affiliate" of a Licensee or Lessee/Sublessee that received a declaratory ruling(s) under 47 CFR § 1.5000(a) and is relying on the affiliate's ruling for purposes of filing this application as permitted under the affiliate's ruling and 47 CFR § 1.5004(b)

If checked, and if the Applicant received its declaratory ruling(s) on or after August 9, 2013, include in the attachment required by Item 47 or Item 48a the citation(s) of the Applicant's declaratory ruling(s) by DA/FCC number, the FCC Record citation, if available, release date, and a statement that the Applicant is in compliance with the terms and conditions of its ruling and with the Commission's Rules.

If checked, and if the Applicant received its declaratory ruling(s) prior to August 9, 2013, include in the attachment required by Item 48a a copy of a petition for declaratory ruling filed contemporaneously with the Commission to extend the Applicant's existing ruling(s) to cover the same radio service(s) and geographic coverage area(s) involved in the application. Alternatively, the Applicant may request a new declaratory ruling pursuant to Section 1.5000(a) of the Commission's Rules, 47 CFR § 1.5000 (a). Petitions for declaratory ruling may be filed electronically on the Internet through the International Bureau Filing System (IBFS) (with a copy attached hereto).

If checked, and if the Applicant is relying on an affiliate's ruling for purposes of filing this application, include in the attachment required by Item 47 or Item 48a the citation(s) of the applicable declaratory ruling(s) by DA/FCC number, the FCC Record citation, if available, release date, and a statement that the Applicant is in compliance with the terms and conditions of the named affiliate's ruling and with the Commission's Rules. The Applicant must also include a certification of compliance signed by the named affiliate or other qualified entity as specified in 47 CFR § 1.5004(b). See Main Form Instructions for Items 47 or 48a, as applicable.

The Applicant has not received a declaratory ruling approving its foreign ownership and is requesting a declaratory ruling under 47 CFR § 1.5004(b) in a petition filed contemporaneously with the Commission.

If checked, include in the attachment required by Item 47 or 48a a copy of the petition for declaratory ruling filed contemporaneously with the Commission pursuant to 47 CFR § 1.5004(b). Petitions for declaratory ruling may be filed electronically on the Internet through the International Bureau Filing System (IBFS) (with a copy attached hereto).

Basic Qualification Questions

49) Has the Applicant or any party to this application had any FCC station authorization, license or construction permit revoked or had any application for an initial, modification or renewal of FCC station authorization, license, or construction permit denied by the Commission?	(<input type="checkbox"/>) <u>Yes</u> <u>No</u>
50) Has the Applicant or any party to this application, or any party directly or indirectly controlling the Applicant, ever been convicted of a felony by any state or federal court?	(<input type="checkbox"/>) <u>Yes</u> <u>No</u>
51) Has any court finally adjudged the Applicant or any party directly or indirectly controlling the Applicant guilty of unlawfully monopolizing or attempting unlawfully to monopolize radio communication, directly or indirectly, through control of manufacture or sale of radio apparatus, exclusive traffic arrangement, or any other means or unfair methods of competition?	(<input type="checkbox"/>) <u>Yes</u> <u>No</u>

Note: If the answer to any of 49-51 is 'Y', attach an exhibit explaining the circumstances.

Aeronautical Advisory Station (Unicom) Certification

52) (<input type="checkbox"/>) I certify that the station will be located on property of the airport to be served, and, in cases where the airport does not have a control tower, RCO, or FAA flight service station, that I have notified the owner of the airport and all aviation service organizations located at the airport within ten days prior to application.

Broadband Radio Service and Educational Broadband Service Cable Cross-Ownership

53a) Will the requested facilities be used to provide multichannel video programming service?	(<input type="checkbox"/>) <u>Yes</u> <u>No</u>
53b) If the answer to question 53a is 'Y', does the Applicant operate, control or have an attributable interest (as defined in 47 CFR § 27.1202) in a cable television system whose franchise area is located within the geographic service area of the requested facilities?	(<input type="checkbox"/>) <u>Yes</u> <u>No</u>

Note: If the answer to question 53b is 'Y', attach an exhibit explaining how the Applicant complies with 47 CFR § 27.1202 or justifying a waiver of that rule. If a waiver of the Commission Rule(s) is being requested, Item 11a must be answered 'Y'.

Broadband Radio Service and Educational Broadband Service (Part 27)

54) (For EBS only) Does the Applicant comply with the programming requirements contained in 47 CFR § 27.1203?	(<input type="checkbox"/>) <u>Yes</u> <u>No</u>
---	---

Note: If the answer to item 54 is 'N', attach an exhibit explaining how the Applicant complies with 47 CFR § 27.1203 of the Commission's Rules or justifying a waiver of that rule. If a waiver of the Commission Rule(s) is being requested, Item 11a must be answered 'Y'.

55) (For BRS and EBS) Does the Applicant comply with 47 CFR §§ 27.50, 27.55, and 27.1221?	(<input type="checkbox"/>) <u>Yes</u> <u>No</u>
---	---

Note: If the answer to item 55 is 'N', attach an exhibit justifying a waiver of that rule(s). If a waiver of the Commission Rule(s) is being requested, Item 11a must be answered 'Y'.

For Applicants Who Participated in an Auction

56) Is the Applicant a qualifying rural wireless partnership or a member of a qualifying rural wireless partnership?	(<input type="checkbox"/>) <u>Yes</u> <u>No</u>
--	---

Note: If the answer to item 56 is 'Y', attach an exhibit listing all members of the qualifying rural wireless partnership, including their FRN numbers.

For Renewal Applicants**57) Operation/Performance Requirement Certification**

[For a site-based license]: Applicant certifies that it is continuing to operate consistent with its most recently filed construction notification (or most recent authorization, if no construction notification was required).	(<input type="checkbox"/>) <u>Yes</u> <u>No</u>
[For a geographic license, commercial service - licensee in its initial license term with an interim performance requirement]: Applicant certifies that it has met its interim performance requirement, that over the portion of the license term following the interim performance requirement, it continues to use its facilities to provide at least the level of service required by its interim performance requirement, it has met its final performance requirement, and it continues to use its facilities to provide at least the level of service required by its final performance requirement through the end of the license term.	(<input type="checkbox"/>) <u>Yes</u> <u>No</u>
[For a geographic license, commercial service - licensee in its initial license term with no interim performance requirement]: Applicant certifies that it has met its final performance requirement and it continues to use its facilities to provide at least the level of service required by its final performance requirement through the end of the license term. [Note: licensee must provide a showing demonstrating that the final performance requirement has been met, either separately in a timely application for notification of completion of construction, or as part of its renewal application, depending on the radio service.]	(<input type="checkbox"/>) <u>Yes</u> <u>No</u>
[For a geographic license, commercial service - licensee in any subsequent term]: Applicant certifies that it continues to use its facilities to provide at least the level of service required by its final performance requirement through the end of any subsequent license terms.	(<input type="checkbox"/>) <u>Yes</u> <u>No</u>
[For a geographic license, private systems - licensee in its initial license term with an interim performance requirement]: Applicant certifies that it has met its interim performance requirement, that over the portion of the license term following the interim performance requirement, it continues to use its facilities to further its private business or public interest/public safety communications needs at or above the level required to meet its interim performance requirement, it has met its final performance requirement, and it continues to use its facilities to provide at least the level of operation required by its final performance requirement through the end of the license term.	(<input type="checkbox"/>) <u>Yes</u> <u>No</u>
[For a geographic license, private systems - licensee in its initial license term with no interim performance requirement]: Applicant certifies that it has met its final performance requirement, it continues to use its facilities to further its private business or public interest/public safety communications needs, and it continues to use its facilities to provide at least the level of operation required by its final performance requirement through the end of the license term. [Note: licensee must provide a showing demonstrating that the final performance requirement has been met, either separately in a timely application for notification of completion of construction, or as part of its renewal application, depending on the radio service.]	(<input type="checkbox"/>) <u>Yes</u> <u>No</u>

[For a geographic license, private systems - licensee in any subsequent term]: Applicant certifies that it continues to use its facilities to further its private business or public interest/public safety communications needs at or above the level required to meet its final performance requirement through the end of any subsequent license terms.	(<input type="checkbox"/>) <u>Yes</u> <u>No</u>
[For a partitioned or disaggregated license without a performance requirement, for the first renewal application filed after effective date of the rules]: Applicant certifies that the partitioned and/or disaggregated license that is the subject of this renewal application has no separate performance requirement and that this is the first renewal of this license filed subsequent to the effective date of the rules.	(<input type="checkbox"/>) <u>Yes</u> <u>No</u>
[For a partitioned or disaggregated license without a performance requirement, for any subsequent renewal filings]: Applicant certifies that it continues to use its facilities to provide service or to further the applicant's private business or public interest/public safety needs.	(<input type="checkbox"/>) <u>Yes</u> <u>No</u>

Discontinuance of Service Certification

58) Applicant certifies that no permanent discontinuance of service or operation, as applicable, occurred during its current license term. Note: If the response to either item 57 or item 58 is 'N', attach an exhibit that demonstrates that over the course of the license term, the Applicant provided and continues to provide service to the public, or operated and continues to operate the license to meet the Applicant's private business or public interest/public safety communications needs. This exhibit must include a detailed description of the Applicant's provision of service or, when allowed under the relevant service rules or pursuant to waiver, use of the spectrum for private business or public interest/public safety communications needs, during the entire license period and address, as applicable: 1) the level and quality of service provided by the applicant (e.g., the population served, the area served, the number of subscribers, the services offered); (2) the date service commenced, whether service was ever interrupted, and the duration of any interruption or outage; (3) the extent to which service is provided to rural areas; (4) the extent to which service is provided to qualifying tribal land as defined in 47 CFR § 1.2110(e)(3)(i); and (5) any other factors associated with the level of service to the public. The licensee may note in its exhibit: 1) any grant(s) of waiver or extension of a performance deadline or license renewal subject to meeting a performance requirement; or 2) if the final performance deadline and/or expiration date for the license accelerated because the licensee did not meet an interim performance requirement.	(<input type="checkbox"/>) <u>Yes</u> <u>No</u>
--	---

Regulatory Compliance Certification [same for all]

59) Applicant certifies that it has substantially complied with all applicable FCC rules, policies, and the Communications Act of 1934, as amended. Note: If the response to item 59 is 'N', attach an exhibit explaining the circumstances and demonstrating why Applicant's license should be renewed.	(<input type="checkbox"/>) <u>Yes</u> <u>No</u>
--	---

General Certification Statements

1) The Applicant waives any claim to the use of any particular frequency or of the electromagnetic spectrum as against the regulatory power of the United States because of the previous use of the same, whether by license or otherwise, and requests an authorization in accordance with this application.
2) The Applicant certifies that grant of this application would not cause the Applicant to be in violation of any pertinent cross-ownership or attribution rules.* *If the Applicant has sought a waiver of any such rule in connection with this application, it may make this certification subject to the outcome of the waiver request.
3) The Applicant certifies that all statements made in this application and in the exhibits, attachments, or documents incorporated by reference are material, are part of this application, and are true, complete, correct, and made in good faith.
4) The Applicant certifies that neither the Applicant nor any other party to the application is subject to a denial of Federal benefits pursuant to § 5301 of the Anti-Drug Abuse Act of 1988, 21 U.S.C. § 862, because of a conviction for possession or distribution of a controlled substance. This certification does not apply to applications filed in services exempted under § 1.2002(c) of the rules, 47 CFR § 1.2002(c). See 47 CFR § 1.2002(b) for the definition of "party to the application" as used in this certification.
5) The Applicant certifies that it either (1) has current required ownership data on file with the Commission, (2) is filing updated ownership data simultaneously with this application, or (3) is not required to file ownership data under the Commission's Rules.
6) The Applicant certifies that the facilities, operations, and transmitters for which this authorization is hereby requested are either: (1) categorically excluded from routine environmental evaluation for RF exposure as set forth in 47 CFR § 1.1307(b); or, (2) have been found not to cause human exposure to levels of radiofrequency radiation in excess of the limits specified in 47 CFR §§ 1.1310 and 2.1093; or, (3) are the subject of one or more Environmental Assessments filed with the Commission.
7) The Applicant certifies that it has reviewed the appropriate Commission Rules defining eligibility to hold the requested license(s) and is eligible to hold the requested license(s).
8) The Applicant certifies that it is not in default on any payment for Commission licenses and that it is not delinquent on any non-tax debt owed to any federal agency.
9) The Applicant certifies that the Applicant and all of the related individuals and entities required to be disclosed on this application and FCC Form 602 (FCC Ownership Disclosure Information for the Wireless Telecommunications Services) are not person(s) who have been, for reasons of national security, barred by any agency of the Federal Government from bidding on a contract, participating in an auction, or receiving a grant. This certification applies only to applications for licenses for spectrum that is required by Sections 6103, 6401-6403 of the Middle Class Tax Relief and Job Creation Act of 2012, codified at 47 U.S.C. §§ 309, 1413, 1451-1452, to be assigned by a system of competitive bidding under 47 U.S.C. § 309(j).

Signature

60) Typed or Printed Name of Party Authorized to Sign

First Name: Cecil	MI: J	Last Name: Mathew	Suffix:
61) Title: Assistant Secretary - Compliance			
Signature: Cecil J Mathew			62) Date: 01/13/2023
FAILURE TO SIGN THIS APPLICATION MAY RESULT IN DISMISSAL OF THE APPLICATION AND FORFEITURE OF ANY FEES PAID.			
Upon grant of this license application, the Licensee may be subject to certain construction or coverage requirements. Failure to meet the construction or coverage requirements will result in termination of the license. Consult appropriate FCC regulations to determine the construction or coverage requirements that apply to the type of license requested in this application.			
WILLFUL FALSE STATEMENTS MADE ON THIS FORM OR ANY ATTACHMENTS ARE PUNISHABLE BY FINE AND/OR IMPRISONMENT (U.S. Code, Title 18, § 1001) AND/OR REVOCATION OF ANY STATION LICENSE OR CONSTRUCTION PERMIT (U.S. Code, Title 47, § 312(a)(1)), AND/OR FORFEITURE (U.S. Code, Title 47, § 503).			

**FCC Form 608 FCC Application or Notification for Spectrum Leasing Arrangement/
Main Form Notification of a Private Commons Arrangement**

3060-1058

Submitted: 01/23/2023 at
18:42:37
File Number: 0010338098

**Wireless Telecommunications Bureau
Public Safety and Homeland Security Bureau**

See 608 Main Form Instructions
For public burden estimate

General Information
Application/Notification Purpose

1a) Purpose of Filing (Select only one):	
<input checked="" type="checkbox"/> LN – New	<input type="checkbox"/> LM – Modification
<input type="checkbox"/> LT – Transfer of Control	<input type="checkbox"/> LE – Extend the Term
<input type="checkbox"/> LI – Light Touch Leasing Certification	<input type="checkbox"/> AM – Amendment
	<input type="checkbox"/> LU – Administrative Update
	<input type="checkbox"/> LC – Cancel
	<input type="checkbox"/> WD – Withdraw
1b) If this filing is for an Amendment (AM) or Withdrawal (WD), enter the File Number of the pending Application/Notification currently on file with the FCC.	File Number: _____

Classification of Filing
For Leases/Subleases Only

2a) Classification of Filing (Select only one):	2b) Type of Filing
<input type="checkbox"/> ML – Spectrum Manager Lease	<input checked="" type="checkbox"/> L – Lease
<input checked="" type="checkbox"/> TL – <i>De Facto</i> Transfer Lease	<input type="checkbox"/> S – Sublease (Must be filed manually)

For Private Commons Arrangements Only (Must be filed Manually)

2c) This filing will be a Private Commons Arrangement pursuant to a (Select only one):	2d) If a Private Commons Arrangement pursuant to a Lease or Sublease, choose the legal type (Select only one):
<input type="checkbox"/> N – License	<input type="checkbox"/> M – Spectrum Manager
<input type="checkbox"/> L – Lease	<input type="checkbox"/> T – <i>De Facto</i> Transfer
<input type="checkbox"/> S – Sublease	

Term of Lease/Sublease

3) Indicate whether the existing Lease/Sublease is:	<input checked="" type="checkbox"/> Long-Term	or	<input type="checkbox"/> Short-Term
---	---	----	-------------------------------------

Other Wireless Licenses

4a) Is this filing part of a series of filings involving other wireless license(s) or lease(s) held by the Applicant, affiliates of the Licensee (e.g., parents, subsidiaries, or commonly-controlled entities), or third parties that are not included on this filing and for which Commission approval or notification is required?	<input type="checkbox"/> Yes <input checked="" type="checkbox"/> No
4b) If the answer to 4a is 'Y', is this filing the lead Application/Notification?	<input type="checkbox"/> Yes <input checked="" type="checkbox"/> No
4c) If the answer to 4a is 'Y' and the answer to 4b is 'N', provide the File Number of the lead Application/Notification.	File Number: _____

Attachments

5) Are attachments (other than associated schedules) being filed with this Application/Notification?	(<input checked="" type="checkbox"/>) <u>Yes</u> <u>No</u>
--	--

Fees and Waivers

Exemption from Application Fees

6) Is the Applicant exempt from FCC application fees? If the answer to 6 is 'Y', attach an exhibit demonstrating how the applicant is exempt from FCC application fees.	(<input type="checkbox"/>) <u>Yes</u> <u>No</u>
--	---

Waiver/Deferral of Fees

7) Is a waiver/deferral of the FCC application fees being requested? If the answer to 7 is 'Y', attach a date-stamped copy of the request for waiver/deferral of the FCC application fees.	(<input type="checkbox"/>) <u>Yes</u> <u>No</u>
---	---

Waiver of Commission Rules

8) Does this filing include a request for waiver of the Commission's Rules (other than a request for application fee waivers)? If the answer to 8 is 'Y', attach an exhibit specifying the rule section(s) for which a waiver is being requested and including a justification for the waiver request.	(<input type="checkbox"/>) <u>Yes</u> <u>No</u>
---	---

Regulatory Status and Offerings

Radio Service Offerings

9) The Applicant will provide the following type(s) of radio service offerings (select all that apply): (<input type="checkbox"/>) Common Carrier (<input type="checkbox"/>) Non-common Carrier (<input type="checkbox"/>) Private, internal communications (<input type="checkbox"/>) Broadcast Services All entities that are planning to use the leased spectrum for telecommunications services should select common carrier in this item. The term 'telecommunications service' means the offering of telecommunications (i.e., the transmission, between or among points specified by the user, of information of the user's choosing, without change in the form or content of the information as sent and received) for a fee directly to the public, or to such classes of users as to be effectively available directly to the public, regardless of the facilities used. Non-common carriers do not hold themselves out indiscriminately for hire as carriers of communications provided by the customer. A person engaged in radio broadcasting shall not, insofar as such person is so engaged, be deemed a common carrier. Thus, those entities meeting this definition would select non- common carrier for this item. Private internal users are those entities that utilize telecommunications services purely for internal business purposes or public safety communications and not on a for-hire or for-profit basis. Such entities should select 'Private' for this item. The term 'Broadcast Services' shall have the same meaning as that for "broadcasting" in § 3(6) of the Communications Act of 1934, i.e., the dissemination of radio communications intended to be received by the public, directly or by the intermediary of relay stations." 47 U.S.C. § 153(6). If the Applicant is modifying the type of radio service offerings it provides, please provide an exhibit explaining the modification.

Radio Service

10) The Applicant will provide the following type(s) of radio service (select all that apply): (<input type="checkbox"/>) Fixed (<input type="checkbox"/>) Mobile (<input type="checkbox"/>) Radiolocation (<input type="checkbox"/>) Satellite (sound) (<input type="checkbox"/>) Broadcast Services	
11) Does the Applicant propose to provide service interconnected to the public telephone network?	(<input type="checkbox"/>) <u>Yes</u> <u>No</u>

Designated Entity Information (If the answer to 12a, 12b or 12c is 'Y', Schedule A must be completed.)

Bidding Credits

12a) Does this filing involve any spectrum associated with any licenses that were awarded with bidding credits within the last five years? If the response to this item is 'Y', the licenses may be subject to the FCC's unjust enrichment rules, and the Applicant should answer relevant bidding credit questions.	(<input type="radio"/>) <u>Yes</u> <input checked="" type="radio"/> <u>No</u>
---	---

Closed Bidding

12b) Does this filing involve any spectrum associated with any licenses that were originally granted pursuant to closed bidding within the last five years? If the response to this item is 'Y', the Applicant should answer relevant closed bidding questions.	(<input type="radio"/>) <u>Yes</u> <input checked="" type="radio"/> <u>No</u>
--	---

Competition-Related Information

13) Does this filing involve a license authorization or Spectrum Lease/Sublease that may be used to provide interconnected mobile voice and/or data services that would create a geographic overlap with another license authorization(s) or spectrum leasing arrangement(s), that also could be used to provide interconnected mobile voice and/or data services, in which the Applicant already holds attributable interests, as defined in Section 20.22(b) of the Commission's Rules, either as a licensee or spectrum lessee/sublessee? If 'Y', specify in an exhibit all geographic areas/markets (e.g., BTA, CMA, county, etc.) where there are spectrum overlaps and the total amount of spectrum that the Assignee/Transferee will hold and/or lease in each geographic area/market.	(<input checked="" type="radio"/>) <u>Yes</u> <input type="radio"/> <u>No</u>
--	---

14) If the answer to Item 13 is 'Y', would/does this application for a spectrum leasing or subleasing arrangement reduce the number of entities providing service in the affected market(s)?	(<input type="radio"/>) <u>Yes</u> <input checked="" type="radio"/> <u>No</u>
--	---

Broadband Radio Service and Educational Broadband Service Information

15a) Will the requested facilities be used to provide multichannel video programming service?	(<input type="radio"/>) <u>Yes</u> <input checked="" type="radio"/> <u>No</u>
15b) If the answer to 15a is 'Y', does the Applicant operate, control or have an attributable interest (as defined in Section 27.1202 of the Commission's Rules) in a cable television system whose franchise area is located within the geographic service area of the requested facilities? If 'Y', provide an exhibit explaining how the Applicant (Lessee/Sublessee) complies with Section 27.1202 of the Commission's Rules or justifying a waiver of that rule. If a waiver of the Commission's Rule(s) is being requested, 8a must be answered 'Y'.	(<input type="radio"/>) <u>Yes</u> <input checked="" type="radio"/> <u>No</u>

16) Does the Applicant comply with the programming requirements contained in Section 27.1203 of the Commission's Rules? If 'N', provide an exhibit explaining how the Applicant complies with Section 27.1203 of the Commission's Rules or justifying a waiver of that rule. If a waiver of the Commission's Rule(s) is being requested, 8a must be answered 'Y'.	(<input type="radio"/>) <u>Yes</u> <input checked="" type="radio"/> <u>No</u>
--	---

Part 90 Public Safety Services

Eligibility

17) Is the Applicant a public safety entity or otherwise an entity that will use the leased spectrum to provide communications in support of public safety operations pursuant to Section 90.523 of the Commission's Rules?	(<input type="radio"/>) <u>Yes</u> <input checked="" type="radio"/> <u>No</u>
---	---

600 MHz Band Information

<p>18) Is the spectrum leasing/subleasing arrangement for a term of one year or more (either initially or cumulatively) and involves any licenses in the 600 MHz Band initially granted in the last six years that would, if leased, create a geographic overlap with another licenses(s) in which the Lessee/Sublessee already holds attributable interests, as defined in Section 20.22(b) of the Commission's Rules, either as a licensee or spectrum Lessee/Sublessee, and that would result in the Lessee/Sublessee holding an attributable interest, as defined in Section 20.22(b) of the Commission's Rules, in one-third or more of the total suitable and available below-1-GHz spectrum as calculated on a county-by-county population-weighted basis in the relevant license area, utilizing 2010 U.S. Census data?</p> <p>The initial grant date is the date that the license was originally granted by the Commission after an auction, even if the license was acquired in the secondary market. The initial grant date is not the date on which the Commission granted an assignment or transfer of control of the license.</p> <p>If 'Y', provide an exhibit detailing the proposed spectrum leasing/subleasing exchange of 600 MHz band spectrum in the same market(s), including a list of all file numbers for applications associated with the proposed spectrum leasing arrangement exchange, or describing the <i>pro forma</i> nature of the spectrum leasing arrangement, as appropriate.</p>	<p>(<input checked="" type="radio"/>) <u>Yes</u> <input type="radio"/> <u>No</u></p>
<p>19) Is the spectrum leasing/subleasing arrangement for a term of one year or more (either initially or cumulatively) and involves any licenses that were initially granted as reserved spectrum licenses in the 600 MHz Band in the last six years? Otherwise, enter 'N'.</p> <p>The initial grant date is the date that the license was originally granted by the Commission after an auction, even if the license was acquired in the secondary market. The initial grant date is not the date on which the Commission granted an assignment or transfer of control of the license.</p> <p>If 'Y', provide an exhibit demonstrating how the Lessee/Sublessee would have qualified to bid on that reserved spectrum license(s) in Auction 1002 as of the FCC Form 175 filing deadline (February 10, 2016) for Auction 1002, the forward auction of the Broadcast Incentive Auction.</p>	<p>(<input type="radio"/>) <u>Yes</u> <input checked="" type="radio"/> <u>No</u></p>

Licensee Information

FRN

20) FCC Registration Number: **0003291192**

Entity

21) Licensee is a(n) (Select One):

() Individual () Unincorporated Association () Trust () Government Entity () Corporation () Limited Liability Company

() General Partnership () Limited Partnership () Limited Liability Partnership

() Other: _____

Licensee Name

22) Licensee Name (if entity): **New Cingular Wireless PCS, LLC**

23) Licensee Name (if individual): First: MI: Last: Suffix:

24) Attention To: **Cecil J. Mathew**

Address

25) P.O. Box: And /Or 26) Street Address: **208 S. Akard Street, RM 1016**

27) City: **Dallas** 28) State: **TX** 29) Zip Code: **75202**

30) Telephone Number: **(855)699-7073** 31) FAX Number: **(214)746-6410**

32) E-Mail Address: **FCCMW@att.com**

33) Demographics (Optional):

Race:

() American Indian or Alaska Native
() Asian
() Black or African-American
() Native Hawaiian or Other Pacific Islander
() White

Ethnicity:

() Hispanic or Latino
() Not Hispanic or Latino

Gender:

() Male
() Female

Licensee Contact Information

Contact Name (if other than Licensee)

() Check here if same as Licensee Information

34) Name: First: MI: Last: Suffix:

35) Company Name: **AT&T Mobility LLC**

36) Attention To: **Michael P. Goggin**

Address

37) P.O. Box: And /Or 38) Street Address: **1120 20th Street NW, Suite 1000**

39) City: **Washington** 40) State: **DC** 41) Zip Code: **20036**

42) Telephone Number: **(202)457-2055** 43) FAX Number:

44) E-Mail Address: **michael.p.goggin@att.com**

Lessee Information

FRN

45) FCC Registration Number: **0030856223**

Entity

46) Lessee is a(n) (Select One):

() Individual () Unincorporated Association () Trust () Government Entity () Corporation () Limited Liability Company

() General Partnership () Limited Partnership () Limited Liability Partnership

() Other: _____

Lessee Name

47) If the Lessee name is being updated, is the update a result of a change in ownership, corporate structure, or entity for which proper Commission approval has not been received or proper notification not provided? () Yes **No**

48) Lessee Name (if entity): **Trace-Tek**

49) Lessee Name (if individual): First: MI: Last: Suffix:

50) Attention To: **licenses@trace-tek.com**

Name of Real Party in Interest

51) Name of Real Party in Interest: **Trace-Tek**

52) FCC Registration Number (FRN): **0030856223**

Address

53) P.O. Box: **And /Or** 54) Street Address: **2625 Commons Boulevard**

55) City: **Beavercreek** 56) State: **OH** 57) Zip Code: **45341**

58) Telephone Number: **(972)672-0477** 59) FAX Number:

60) E-Mail Address: **licenses@trace-tek.com**

61) Demographics (Optional):

Race:	Ethnicity:	Gender:
() American Indian or Alaska Native	() Hispanic or Latino	() Male
() Asian	() Not Hispanic or Latino	() Female
() Black or African-American		
() Native Hawaiian or Other Pacific Islander		
() White		

Lessee Contact Information

Contact Name (if other than Lessee)

() Check here if same as Lessee Information

62) Name: First: **Dan** MI: Last: **Burgess** Suffix:

63) Company Name: **Trace-Tek**

64) Attention To: **licenses@trace-tek.com**

Address

65) P.O. Box: **And /Or** 66) Street Address: **2625 Commons Boulevard**

67) City: **Beavercreek** 68) State: **OH** 69) Zip Code: **45341**

70) Telephone Number: **(972)672-0477** 71) FAX Number:

72) E-Mail Address: **licenses@trace-tek.com**

Sublessee Information

FRN

73) FCC Registration Number:

Entity

74) Sublessee is a(n) (Select One):

() Individual () Unincorporated Association () Trust () Government Entity () Corporation () Limited Liability Company

() General Partnership () Limited Partnership () Limited Liability Partnership

() Other: _____

Sublessee Name

75) If the Sublessee name is being updated, is the update a result of a change in ownership, corporate structure, or entity for which proper Commission approval has not been received or proper notification not provided?

() Yes **No**

76) Sublessee Name (if entity):

77) Sublessee Name (if individual):

First:

MI:

Last:

Suffix:

78) Attention To:

Name of Real Party in Interest

79) Name of Real Party in Interest:

80) FCC Registration Number (FRN):

Address

81) P.O. Box:

**And
/Or**

82) Street Address:

83) City:

84) State:

85) Zip Code:

86) Telephone Number:

87) FAX Number:

88) E-Mail Address:

89) Demographics (Optional):

Race:

() American Indian or Alaska Native

() Asian

() Black or African-American

() Native Hawaiian or Other Pacific Islander

() White

Ethnicity:

() Hispanic or Latino

() Not Hispanic or Latino

Gender:

() Male

() Female

Sublessee Contact Information

Contact Name (if other than Sublessee)

() **Check here if same as Sublessee Information**

90) Name:

First:

MI:

Last:

Suffix:

91) Company Name:

92) Attention To:

Address

93) P.O. Box:

**And
/Or**

94) Street Address:

95) City:

96) State:

97) Zip Code:

98) Telephone Number:

99) FAX Number:

100) E-Mail Address:

Transferee Information

FRN

101) FCC Registration Number:

Entity

102) Transferee is a(n) (Select One):

() Individual () Unincorporated Association () Trust () Government Entity () Corporation () Limited Liability Company

() General Partnership () Limited Partnership () Limited Liability Partnership

() Other: _____

Transferee Name

103) Transferee Name (if entity):

104) Transferee Name (if individual):

First:

MI:

Last:

Suffix:

105) Attention To:

Name of Real Party in Interest

106) Name of Real Party in Interest:

107) FCC Registration Number (FRN):

Address

108) P.O. Box:

And
/Or

109) Street Address:

110) City:

111) State:

112) Zip Code:

113) Telephone Number:

114) FAX Number:

115) E-Mail Address:

116) Demographics (Optional):

Race:

() American Indian or Alaska Native

() Asian

() Black or African-American

() Native Hawaiian or Other Pacific Islander

() White

Ethnicity:

() Hispanic or Latino

() Not Hispanic or Latino

Gender:

() Male

() Female

Transferee Contact Information

Contact Name (if other than Transferee)

() Check here if same as Transferee Information

117) Name:

First:

MI:

Last:

Suffix:

118) Company Name:

119) Attention To:

Address

120) P.O. Box:

And
/Or

121) Street Address:

122) City:

123) State:

124) Zip Code:

125) Telephone Number:

126) FAX Number:

127) E-Mail Address:

Transferor Information

FRN

128) FCC Registration Number:

Entity

129) Transferor is a(n) (Select One):

() Individual () Unincorporated Association () Trust () Government Entity () Corporation () Limited Liability Company

() General Partnership () Limited Partnership () Limited Liability Partnership

() Other: _____

Transferor Name

130) Transferor Name (if entity):

131) Transferor Name (if individual):

First:

MI:

Last:

Suffix:

132) Attention To:

Address

133) P.O. Box:

And
/Or

134) Street Address:

135) City:

136) State:

137) Zip Code:

138) Telephone Number:

139) FAX Number:

140) E-Mail Address:

139) Demographics (Optional):

Race:

() American Indian or Alaska Native

() Asian

() Black or African-American

() Native Hawaiian or Other Pacific Islander

() White

Ethnicity:

() Hispanic or Latino

() Not Hispanic or Latino

Gender:

() Male

() Female

Transferor Contact Information

Contact Name (if other than Transferor)

() Check here if same as Transferor Information

140) Name:

First:

MI:

Last:

Suffix:

141) Company Name:

142) Attention To:

Address

143) P.O. Box:

And
/Or

144) Street Address:

145) City:

146) State:

147) Zip Code:

148) Telephone Number:

149) FAX Number:

150) E-Mail Address:

Ownership Disclosure Information

FCC Form 602

153a) Is the Applicant required to file FCC Form 602, Ownership Disclosure Information for the Wireless Telecommunications Services?	(<input checked="" type="radio"/>) <u>Yes</u> <input type="radio"/> <u>No</u>
153b) If the answer to 151a is 'Y', provide the File Number of FCC Form 602 that has been filed in conjunction with application or is already on file with the FCC.	File Number: <u>0009774970</u>

Alien Ownership Questions

Alien Ownership (If any answer is 'Y', provide an attachment explaining the circumstances. In preparing the attachment, refer to the Main Form Instructions for the "Alien Ownership Questions".)

154) Is the Lessee/Sublessee or Post-Transfer Lessee/Sublessee a foreign government or the representative of any foreign government?	(<input type="radio"/>) <u>Yes</u> <input checked="" type="radio"/> <u>No</u>
155) Is the Lessee/Sublessee or Post-Transfer Lessee/Sublessee an alien or the representative of an alien?	(<input type="radio"/>) <u>Yes</u> <input checked="" type="radio"/> <u>No</u>
156) Is the Lessee/Sublessee or Post-Transfer Lessee/Sublessee a corporation organized under the laws of a foreign government?	(<input type="radio"/>) <u>Yes</u> <input checked="" type="radio"/> <u>No</u>
157) Is the Lessee/Sublessee or Post-Transfer Lessee/Sublessee a corporation of which more than one-fifth of the capital stock is owned of record or voted by aliens or their representatives, or by a foreign government or representative thereof, or by any corporation organized under the laws of a foreign country?	(<input type="radio"/>) <u>Yes</u> <input checked="" type="radio"/> <u>No</u>
158a) Is the Lessee/Sublessee or Post-Transfer Lessee/Sublessee directly or indirectly controlled by any other corporation of which more than one-fourth of the capital stock is owned of record or voted by aliens or their representatives, or by a foreign government or representative thereof, or by any corporation organized under the laws of a foreign country?	(<input type="radio"/>) <u>Yes</u> <input checked="" type="radio"/> <u>No</u>

158b) If the answer to 155 or 156a is 'Y' select one of the choices below.

The Lessee/Sublessee or Post-Transfer Lessee/Sublessee is exempt from the provisions of Section 310(b).

It is not necessary to file a petition for declaratory ruling if the Lessee/Sublessee or Post-Transfer Lessee/Sublessee includes in the attachment required by Item 155 or Item 156a a showing that the subject Lease(s) is exempt from the provisions of Section 310(b).

The Lessee/Sublessee or Post-Transfer Lessee/Sublessee has received a declaratory ruling(s) approving its foreign ownership, and the application/notification involves only the acquisition/use of additional spectrum for the provision of a wireless service in a geographic coverage area for which the Lessee/Sublessee or Post-Transfer Lessee/Sublessee has been previously authorized.

If checked, include in the attachment required by Item 155 or Item 156a the citation(s) of the applicable declaratory ruling(s) by DA/FCC number, the FCC Record citation, if available, release date, and a statement that there has been no change in the foreign ownership of the Lessee/Sublessee or Post-Transfer Lessee/Sublessee since the issuance of its ruling.

The Lessee/Sublessee or Post-Transfer Lessee/Sublessee: (i) has received a declaratory ruling(s) approving its foreign ownership, but is not able to make the certification specified immediately above; or (ii) is an "affiliate" of a Licensee or Lessee/SubLessee that received a declaratory ruling(s) under Section 1.990(a) of the Commission's Rules, 47 CFR § 1.990(a), and is relying on the affiliate's ruling for purposes of filing this application/notification as permitted under the affiliate's ruling and Section 1.994(b) of the Rules, 47 CFR § 1.994(b).

If checked, and if the Lessee/Sublessee or Post-Transfer Lessee/Sublessee received its declaratory ruling(s) on or after August 9, 2013, include in the attachment required by Item 155 or Item 156a the citation(s) of the Lessee/Sublessee or Post-Transfer Lessee/Sublessee's declaratory ruling(s) by DA/FCC number, the FCC Record citation, if available, release date, and a statement that the Lessee/Sublessee or Post-Transfer Lessee/Sublessee is in compliance with the terms and conditions of its ruling and with the Commission's Rules.

If checked, and if the Lessee/Sublessee or Post-Transfer Lessee/Sublessee received its declaratory ruling(s) prior to August 9, 2013, include in the attachment required by Item 156a a copy of a petition for declaratory ruling filed contemporaneously with the Commission to extend the Lessee/Sublessee or Post-Transfer Lessee/Sublessee's existing ruling(s) to cover the same radio service(s) and geographic coverage area(s) involved in the application/notification. Alternatively, the Lessee/Sublessee or Post-Transfer Lessee/Sublessee may request a new declaratory ruling pursuant to Section 1.990(a) of the Commission's Rules, 47 CFR § 1.990(a). Petitions for declaratory ruling may be filed electronically on the Internet through the International Bureau Filing System (IBFS) (with a copy attached hereto).

If checked, and if the Lessee/Sublessee or Post-Transfer Lessee/Sublessee is relying on an affiliate's ruling for purposes of filing this application/notification, include in the attachment required by Item 155 or Item 156a the citation(s) of the applicable declaratory ruling(s) by DA/FCC number, the FCC Record citation, if available, release date, and a statement that the Lessee/Sublessee or Post-Transfer Lessee/Sublessee is in compliance with the terms and conditions of the named affiliate's ruling and with the Commission's Rules. The Lessee/Sublessee or Post-Transfer Lessee/Sublessee must also include a certification of compliance signed by the named affiliate or other qualified entity as specified in Section 1.994(b) of the Rules, 47 CFR § 1.994(b). See Main Form Instructions for Items 155 or 156a, as applicable.

The Lessee/Sublessee or Post-Transfer Lessee/Sublessee has not received a declaratory ruling approving its foreign ownership and is requesting a declaratory ruling under Section 1.990(a) of the Commission's Rules, 47 CFR § 1.990(a), in a petition filed contemporaneously with the Commission.

If checked, include in the attachment required by Item 155 or 156a a copy of the petition for declaratory ruling filed contemporaneously with the Commission pursuant to Section 1.990(a) of the Commission's Rules, 47 CFR § 1.990(a). Petitions for declaratory ruling may be filed electronically on the Internet through the International Bureau Filing System (IBFS) (with a copy attached hereto).

Basic Qualification Information

Basic Qualification Questions (If any answer is 'Y', provide an attachment explaining the circumstances)

159) Has the Applicant or any party to this application had any FCC station authorization, license, or construction permit revoked or had any application for an initial, modification, or renewal of FCC station authorization, license, or construction permit denied by the Commission?	(N) <u>Yes</u> No
160) Has the Applicant or any party to this filing, or any party directly or indirectly controlling the Applicant or any party to this filing ever been convicted of a felony by any state or federal court?	(N) <u>Yes</u> No
161) Has any court finally adjudged the Applicant or any party directly or indirectly controlling the Applicant guilty of unlawfully monopolizing or attempting unlawfully to monopolize radio communication, directly or indirectly, through control of manufacture or sale of radio apparatus, exclusive traffic arrangement, or any other means or unfair methods of competition?	(N) <u>Yes</u> No

Spectrum Aggregation Limit Certification(s)

<p>162) The Licensee/Lessor/Sublessor certifies that grant of this application would not cause the Licensee/Lessor/Sublessor to be in violation of the 40 megahertz in-band spectrum aggregation limit set forth under section 96.31 of the Commission's rules for 3.5 GHz licenses, taking into consideration the spectrum attribution rules under section 20.22(b) of the Commission's rules.</p> <p>If the Licensee/Lessor/Sublessor has sought a waiver of section 96.31 in connection with this application, it may make this certification subject to the outcome of the waiver request.</p>	<p>() <u>Yes</u> <u>No</u></p>
<p>163) The Licensee/Lessor/Sublessor certifies that grant of this application would not cause the Licensee/Lessor/Sublessor to be in violation of the 40 megahertz in-band spectrum aggregation limit set forth under section 27.1606 of the Commission's rules for 3.45 GHz licenses, taking into consideration the spectrum attribution rules under section 20.22(b) of the Commission's rules.</p> <p>If the Licensee/Lessor/Sublessor has sought a waiver of section 27.1606 in connection with this application, it may make this certification subject to the outcome of the waiver request.</p>	<p>() <u>Yes</u> <u>No</u></p>
<p>164) The Lessee/Sublessee/Transferee certifies that grant of this application would not cause the Lessee/Sublessee/Transferee to be in violation of the 40 megahertz in-band spectrum aggregation limit set forth under section 96.31 of the Commission's rules for 3.5 GHz licenses, taking into consideration the spectrum attribution rules under section 20.22(b) of the Commission's rules.</p> <p>If the Lessee/Sublessee/Transferee has sought a waiver of section 96.31 in connection with this application, it may make this certification subject to the outcome of the waiver request.</p>	<p>() <u>Yes</u> <u>No</u></p>
<p>165) The Lessee/Sublessee/Transferee certifies that grant of this application would not cause the Lessee/Sublessee/Transferee to be in violation of the 40 megahertz in-band spectrum aggregation limit set forth under section 27.1606 of the Commission's rules for 3.45 GHz licenses, taking into consideration the spectrum attribution rules under section 20.22(b) of the Commission's rules.</p> <p>If the Lessee/Sublessee/Transferee has sought a waiver of section 27.1606 in connection with this application, it may make this certification subject to the outcome of the waiver request.</p>	<p>() <u>Yes</u> <u>No</u></p>

Licensee Certification Statements

- | | |
|----|---|
| 1) | The Licensee agrees that the Lease is not a sale or transfer of the license itself. |
| 2) | The Licensee certifies that it will not consent to assignment of the Lease except to the extent such assignment complies with the Commission's Rules and Regulations. |
| 3) | The Licensee certifies that it holds exclusive use rights to use the licensed spectrum. |
| 4) | The Licensee certifies that it is not in default on any payment for Commission licenses and that it is not delinquent on any non-tax debt owed to any federal agency. |

The Licensee certifies that all of its statements made in this Application/Notification and in the schedules, exhibits, attachments, or documents incorporated by reference are material, are part of this Application/Notification, and are true, complete, correct, and made in good faith.

Type or Printed Name of Party Authorized to Sign

166) First Name: Jessica	MI: B	Last Name: Lyons	Suffix:
167) Title: Asst. Secretary of Manager			
168) Signature: Jessica B Lyons		165) Date: 01/23/2023	

FAILURE TO SIGN THIS APPLICATION MAY RESULT IN DISMISSAL OF THE APPLICATION AND FORFEITURE OF ANY FEES PAID.

WILLFUL FALSE STATEMENTS MADE ON THIS FORM OR ANY ATTACHMENTS ARE PUNISHABLE BY FINE AND/OR IMPRISONMENT (U.S. Code, Title 18, Section 1001) AND/OR REVOCATION OF ANY STATION LICENSE OR CONSTRUCTION PERMIT (U.S. Code, Title 47, Section 312(a)(1)), AND/OR FORFEITURE (U.S. Code, Title 47, Section 503).

Lessee Certification Statements

1)	The Lessee agrees that the Lease is not a sale or transfer of the license itself.
2)	The Lessee acknowledges that it is required to comply with the Commission's Rules and Regulations and other applicable law at all times, and if the Lessee fails to so comply, the Lease/Sublease may be revoked, cancelled, or terminated by either the Licensee or the Commission.
3)	The Lessee certifies that neither it nor any other party to the Application/Notification is subject to a denial of Federal benefits pursuant to Section 5301 of the Anti-Drug Abuse Act of 1988, 21 U.S.C. § 862, because of a conviction for possession or distribution of a controlled substance. This certification does not apply to applications filed in services exempted under Section 1.2002(c) of the Commission's Rules. See Section 1.2002(b) of the Commission's Rules for the definition of "party to the application" as used in this certification.
4)	The Lessee hereby accepts Commission oversight and enforcement consistent with the license and lease authorization. The Lessee acknowledges that it must cooperate fully with any investigation or inquiry conducted either by the Commission or the Licensee, allow the Commission or the Licensee to conduct on-site inspections of transmission facilities, and suspend operations at the direction of the Commission or the Licensee and to the extent that such suspension of operation would be consistent with applicable Commission policies.
5)	The Lessee acknowledges that in the event an authorization held by a Licensee that has associated with it a spectrum leasing arrangement that is the subject of this filing is revoked, cancelled, terminated, or otherwise ceases to be in effect, the Lessee will have no continuing authority to use the leased spectrum and will be required to terminate its operations no later than the date on which the Licensee ceases to have any authority to operate under the license, unless otherwise authorized by the Commission.
6)	The Lessee agrees the Lease shall not be assigned to any entity that is not eligible or qualified to enter into a spectrum leasing arrangement under the Commission's Rules and Regulations.
7)	The Lessee waives any claim to the use of any particular frequency or of the electromagnetic spectrum as against the regulatory power of the United States because of the previous use of the same, whether by spectrum lease or otherwise.
8)	The Lessee certifies that it is not in default on any payment for Commission licenses and that it is not delinquent on any non-tax debt owed to any federal agency.
9)	The Lessee certifies that it and all of the related individuals and entities required to be disclosed on this application and FCC Form 602 (FCC Ownership Disclosure Information for the Wireless Telecommunications Services) are not person(s) who have been, for reasons of national security, barred by any agency of the Federal Government from bidding on a contract, participating in an auction, or receiving a grant. This certification applies only to applications for licenses for spectrum that is required by Sections 6103, 6401-6403 of the Middle Class Tax Relief and Job Creation Act of 2012, codified at 47 U.S.C. §§ 309, 1413, 1451-1452, to be assigned by a system of competitive bidding under 47 U.S.C. § 309(j).
<p>The Lessee certifies that all of its statements made in this Application/Notification and in the schedules, exhibits, attachments, or documents incorporated by reference are material, are part of this Application/Notification, and are true, complete, correct, and made in good faith.</p>	

Type or Printed Name of Party Authorized to Sign

168) First Name: Dan	MI:	Last Name: Burgess	Suffix:
169) Title: Manager			
170) Signature: Dan Burgess		171) Date: 01/23/2023	
<p>FAILURE TO SIGN THIS APPLICATION MAY RESULT IN DISMISSAL OF THE APPLICATION AND FORFEITURE OF ANY FEES PAID.</p> <p>WILLFUL FALSE STATEMENTS MADE ON THIS FORM OR ANY ATTACHMENTS ARE PUNISHABLE BY FINE AND/OR IMPRISONMENT (U.S. Code, Title 18, Section 1001) AND/OR REVOCATION OF ANY STATION LICENSE OR CONSTRUCTION PERMIT (U.S. Code, Title 47, Section 312(a)(1)), AND/OR FORFEITURE (U.S. Code, Title 47, Section 503).</p>			

Sublessee Certification Statements

1)	The Sublessee agrees that the Lease is not a, sale or transfer of the license itself.
2)	The Sublessee acknowledges that it is required to comply with the Commission's Rules and regulations and other applicable law at all times, and if the Sublessee fails to so comply, the Lease may be revoked, cancelled, or terminated by either the licensee or the Commission.
3)	The Sublessee certifies that neither it nor any other party to the Application/Notification is subject to a denial of Federal benefits pursuant to Section 5301 of the Anti-Drug Abuse Act of 1988, 21 U.S.C. § 862, because of a conviction for possession or distribution of a controlled substance. This certification does not apply to applications filed in services exempted under Section 1.2002(c) of the Commission's Rules. See Section 1.2002(b) of the Commission's Rules for the definition of "party to the application" as used in this certification.
4)	The Sublessee hereby accepts Commission oversight and enforcement consistent with the license authorization. The Sublessee acknowledges that it must cooperate fully with any investigation or inquiry conducted either by the Commission or the Licensee, allow the Commission or the licensee to conduct on-site inspections of transmission facilities, and suspend operations at the direction of the Commission or the Licensee and to the extent that such suspension of operation would be consistent with the applicable Commission policies.
5)	The Sublessee acknowledges that in the event an authorization held by a Licensee that has entered into a spectrum leasing arrangement is revoked, cancelled, terminated, or otherwise ceases to be in effect, the Sublessee will have no continuing authority to use the leased spectrum and will be required to terminate its operations no later than the date on which the Licensee ceases to have any authority to operate under the license, unless otherwise authorized by the Commission.
6)	The Sublessee agrees the Lease/Sublease shall not be assigned to any entity that is not eligible or qualified to enter into a spectrum leasing arrangement under the Commission's Rules and regulations.
7)	The Sublessee waives any claim to the use of any particular frequency or of the electromagnetic spectrum as against the regulatory power of the United States because of the previous use of the same, whether by spectrum lease or otherwise.
8)	The Sublessee certifies that it is not in default on any payment for Commission licenses and that it is not delinquent on any non-tax debt owed to any federal agency.
9)	The Sublessee certifies that it and all of the related individuals and entities required to be disclosed on this application and FCC Form 602 (FCC Ownership Disclosure Information for the Wireless Telecommunications Services) are not person(s) who have been, for reasons of national security, barred by any agency of the Federal Government from bidding on a contract, participating in an auction, or receiving a grant. This certification applies only to applications for licenses for spectrum that is required by Sections 6103, 6401-6403 of the Middle Class Tax Relief and Job Creation Act of 2012, codified at 47 U.S.C. §§ 309, 1413, 1451-1452, to be assigned by a system of competitive bidding under 47 U.S.C. § 309(j).
The Sublessee certifies that all of its statements made in this Application/Notification and in the schedules, exhibits, attachments, or documents incorporated by reference are material, are part of this Application/Notification, and are true, complete, correct, and made in good faith.	

Type or Printed Name of Party Authorized to Sign

172) First Name:	MI:	Last Name:	Suffix:
173) Title:			
174) Signature:		175) Date:	

FAILURE TO SIGN THIS APPLICATION MAY RESULT IN DISMISSAL OF THE APPLICATION AND FORFEITURE OF ANY FEES PAID.
WILLFUL FALSE STATEMENTS MADE ON THIS FORM OR ANY ATTACHMENTS ARE PUNISHABLE BY FINE AND/OR IMPRISONMENT (U.S. Code, Title 18, Section 1001) AND/OR REVOCATION OF ANY STATION LICENSE OR CONSTRUCTION PERMIT (U.S. Code, Title 47, Section 312(a)(1)), AND/OR FORFEITURE (U.S. Code, Title 47, Section 503).

Transferee Certification Statements

1)	The Transferee agrees that the Lease/Sublease is not a sale or transfer of the license itself.
2)	The Transferee acknowledges that it is required to comply with the Commission's Rules and Regulations and other applicable law at all times, and if the Transferee fails to so comply, the Lease/Sublease may be revoked, cancelled, or terminated by either the licensee or the Commission.
3)	The Transferee certifies that neither it nor any other party to the Application/Notification is subject to a denial of Federal benefits pursuant to Section 5301 of the Anti-Drug Abuse Act of 1988, 21 U.S.C. § 862, because of a conviction for possession or distribution of a controlled substance. This certification does not apply to applications filed in services exempted under Section 1.2002(c) of the Commission's Rules. See Section 1.2002(b) of the Commission's Rules for the definition of "party to the application" as used in this certification.)
4)	The Transferee hereby accepts Commission oversight and enforcement consistent with the license authorization. The Transferee acknowledges that it must cooperate fully with any investigation or inquiry conducted either by the Commission or the Licensee, allow the Commission or the licensee to conduct on-site inspections of transmission facilities, and suspend operations at the direction of the Commission or the Licensee and to the extent that such suspension of operation would be consistent with the applicable Commission policies.
5)	The Transferee acknowledges that in the event an authorization held by a Licensee that has entered into a spectrum leasing arrangement is revoked, cancelled, terminated, or otherwise ceases to be in effect, the Transferee will have no continuing authority to use the leased spectrum and will be required to terminate its operations no later than the date on which the Licensee ceases to have any authority to operate under the license, unless otherwise authorized by the Commission.
6)	The Transferee agrees the Lease shall not be assigned to any entity that is not eligible or qualified to enter into a spectrum leasing arrangement under the Commission's Rules and Regulations.
7)	The Transferee waives any claim to the use of any particular frequency or of the electromagnetic spectrum as against the regulatory power of the United States because of the previous use of the same, whether by spectrum lease or otherwise.
8)	The Transferee certifies that it is not in default on any payment for Commission licenses and that it is not delinquent on any non-tax debt owed to any federal agency.
9)	The Transferee certifies that it and all of the related individuals and entities required to be disclosed on this application and FCC Form 602 (FCC Ownership Disclosure Information for the Wireless Telecommunications Services) are not person(s) who have been, for reasons of national security, barred by any agency of the Federal Government from bidding on a contract, participating in an auction, or receiving a grant. This certification applies only to applications for licenses for spectrum that is required by Sections 6103, 6401-6403 of the Middle Class Tax Relief and Job Creation Act of 2012, codified at 47 U.S.C. §§ 309, 1413, 1451-1452, to be assigned by a system of competitive bidding under 47 U.S.C. § 309(j).
The Transferee certifies that all of its statements made in this Application/Notification and in the schedules, exhibits, attachments, or documents incorporated by reference are material, are part of this Application/Notification, and are true, complete, correct, and made in good faith.	

Type or Printed Name of Party Authorized to Sign

176) First Name:	MI:	Last Name:	Suffix:
177) Title:			
178) Signature:		179) Date:	

FAILURE TO SIGN THIS APPLICATION MAY RESULT IN DISMISSAL OF THE APPLICATION AND FORFEITURE OF ANY FEES PAID.

WILLFUL FALSE STATEMENTS MADE ON THIS FORM OR ANY ATTACHMENTS ARE PUNISHABLE BY FINE AND/OR IMPRISONMENT (U.S. Code, Title 18, Section 1001) AND/OR REVOCATION OF ANY STATION LICENSE OR CONSTRUCTION PERMIT (U.S. Code, Title 47, Section 312(a)(1)), AND/OR FORFEITURE (U.S. Code, Title 47, Section 503).

Transferor Certification Statements

1)	The Transferor certifies either (1) that control of the Lessee/Sublessee will not be transferred until consent of the Federal Communications Commission has been given, or (2) that prior Commission consent is not required because the Lease/Sublease is subject to streamlined notification procedures for <i>pro forma</i> transfers of control. See <i>Federal Communications Bar Association's Petition for Forbearance from Section 310(d) of the Communications Act Regarding Non-Substantial Assignments of Wireless Licenses and Transfers of Control Involving Telecommunications Carriers and Personal Communications Industry Association's Broadband Personal Communications Services Alliance's Petition for Forbearance For Broadband Personal Communications Services</i> . Memorandum Opinion and Order, 13 FCC Rcd 6293 (1998)
2)	The Transferor certifies that it is not in default on any payment for Commission licenses and that it is not delinquent on any non-tax debt owed to any federal agency.
The Transferor certifies that all of its statements made in this Application/Notification and in the schedules, exhibits, attachments, or documents incorporated by reference are material, are part of this Application/Notification, and are true, complete, correct, and made in good faith.	

Type or Printed Name of Party Authorized to Sign

180) First Name:	MI:	Last Name:	Suffix:
181) Title:			
182) Signature:		183) Date:	
FAILURE TO SIGN THIS APPLICATION MAY RESULT IN DISMISSAL OF THE APPLICATION AND FORFEITURE OF ANY FEES PAID.			
WILLFUL FALSE STATEMENTS MADE ON THIS FORM OR ANY ATTACHMENTS ARE PUNISHABLE BY FINE AND/OR IMPRISONMENT (U.S. Code, Title 18, Section 1001) AND/OR REVOCATION OF ANY STATION LICENSE OR CONSTRUCTION PERMIT (U.S. Code, Title 47, Section 312(a)(1)), AND/OR FORFEITURE (U.S. Code, Title 47, Section 503).			

Private Commons Manager Certification Statements

1)	The Licensee/Lessee/Sublessee manager of the Private Commons certifies that it will retain <i>de facto</i> control of the use of the spectrum under the Private Commons arrangement, including that it will maintain reasonable oversight over the users' use of the spectrum under the arrangement so as to ensure that the use of the spectrum, and communications equipment employed, comply with all technical and service rules applicable under the license authorization.
2)	The Licensee/Lessee/Sublessee manager of the Private Commons arrangement certifies that it will maintain the ability to ensure that users under the arrangement comply with all the technical and service rules applicable under the license authorization.
3)	The Licensee/Lessee/Sublessee manager of the Private Commons certifies that it and all of the related individuals and entities required to be disclosed on this application and FCC Form 602 (FCC Ownership Disclosure Information for the Wireless Telecommunications Services) are not person(s) who have been, for reasons of national security, barred by any agency of the Federal Government from bidding on a contract, participating in an auction, or receiving a grant. This certification applies only to applications for licenses for spectrum that is required by Sections 6103, 6401-6403 of the Middle Class Tax Relief and Job Creation Act of 2012, codified at 47 U.S.C. §§ 309, 1413, 1451-1452, to be assigned by a system of competitive bidding under 47 U.S.C. § 309(j).
The Licensee/Lessee/Sublessee manager of the Private Commons arrangement certifies that all of its statements made in this Notification and in the schedules, exhibits, attachments, or documents incorporated by reference are material, are part of this Notification, and are true, complete, correct, and made in good faith.	

Type or Printed Name of Party Authorized to Sign

184) First Name:	MI:	Last Name:	Suffix:
185) Title:			
186) Signature:		187) Date:	
FAILURE TO SIGN THIS APPLICATION MAY RESULT IN DISMISSAL OF THE APPLICATION AND FORFEITURE OF ANY FEES PAID.			
WILLFUL FALSE STATEMENTS MADE ON THIS FORM OR ANY ATTACHMENTS ARE PUNISHABLE BY FINE AND/OR IMPRISONMENT (U.S. Code, Title 18, Section 1001) AND/OR REVOCATION OF ANY STATION LICENSE OR CONSTRUCTION PERMIT (U.S. Code, Title 47, Section 312(a)(1)), AND/OR FORFEITURE (U.S. Code, Title 47, Section 503).			

License Authorization(s) or Identifiers (pertaining to Lease(s)/Sublease(s)/Private Commons) Associated with the Spectrum To Be Included in the Filing

188) Call Sign(s) or Lease/Sublease/ Private Commons Identifier(s)	189) Radio Service Code	190) Location Number	191) Path Number (Microwave only)	192) Frequency Number	193) Lower Frequency (MHz)	194) Upper Frequency (MHz)
KNLF235	CW - PCS Broadband					
KNLF237	CW - PCS Broadband					
KNLF251	CW - PCS Broadband					
KNLF256	CW - PCS Broadband					
KNLF367	CW - PCS Broadband					
KNLF367	CW - PCS Broadband					
KNLF391	CW - PCS Broadband					
KNLF467	CW - PCS Broadband					
KNLF882	CW - PCS Broadband					
KNLF928	CW - PCS Broadband					
KNLF948	CW - PCS Broadband					
KNLF948	CW - PCS Broadband					
KNLG485	CW - PCS Broadband					
KNLG502	CW - PCS Broadband					
KNLG518	CW - PCS Broadband					

* Note: Items 190 – 194 are for New Leases involving spectrum associated with site-based authorizations when only a portion of the licensed locations, paths and/or frequencies will be leased.

**Schedule for Licensees that Received Bidding Credits
or
Involving Licenses Won in Closed Bidding**

**Designated Entity Information
Bidding Credits**

1) Has the full amount of the bidding credits awarded with regard to each of the subject license(s) been paid as part of unjust enrichment payment(s) in previous transaction(s)?	() <u>Yes</u> <u>No</u>
If the response to Item 1 is 'Y', Items 2 and 3 are not required to be completed.	

Bidding Credits - (Spectrum Manager Leases Only)

2a) Does the Applicant have a general partnership interest or have a direct or indirect ownership interests of ten percent or greater in the Licensee?	() <u>Yes</u> <u>No</u>
2b) Is the Applicant a "controlling interest holder" or "affiliate" of the current Licensee? For purposes of determining whether the Licensee has retained the requisite degree of ownership and control over the leased spectrum in order to remain eligible for the license or for bidding credits, the <i>de jure</i> control standard in 47 CFR §1.2110 and the <i>de facto</i> control standard in 47 CFR § 1.9010 will be applied (pursuant to the conditions set forth in 47 CFR §1.9020).	() <u>Yes</u> <u>No</u>
2c) Does the Applicant share office space, equipment, or other facilities with any party controlling the entity from which spectrum is being leased/subleased?	() <u>Yes</u> <u>No</u>
2d) Is the Applicant a disclosable interest holder that holds a ten percent or greater interest of any kind in the Licensee and is the Lease/Sublease for more than 25% of the spectrum capacity of the subject license(s)?	() <u>Yes</u> <u>No</u>
2e) Does the Licensee certify that the Lease/Sublease does not affect its continuing eligibility to retain bidding credit(s)?	() <u>Yes</u> <u>No</u>

**Bidding Credits – (Long-Term De Facto Transfer Leases Only)
Eligibility**

3a) With respect to each of the subject licenses, the Applicant: () qualifies for the same designated entity benefit as the current Licensee () qualifies for a different designated entity benefit than the current Licensee () does not qualify for any designated entity status
--

3b) If the Applicant states in Item 3a that it qualifies for the same designated entity benefit as the current Licensee or qualifies for a different designated entity status than the current Licensee, the Applicant qualifies for a (select one): () small business bidding credit (___%) () rural service provider bidding credit	
3c) Is the Applicant a disclosable interest holder that holds a ten percent or greater interest of any kind in the Licensee and is the Lease/Sublease for more than 25% of the spectrum capacity of the subject license(s)?	() <u>Yes</u> <u>No</u>

Closed Bidding Licenses

4) Have construction notifications been submitted as required by the Commission's Rules for each of the subject licenses? If the response to Item 4 is 'Y', Items 5 and 6 are not required to be completed.	() <u>Yes</u> <u>No</u>
--	--------------------------

Closed Bidding Licenses – (Spectrum Manager Leases Only)

5a) Does the Applicant have a general partnership interest or have a direct or indirect ownership interest of ten percent or greater in the Licensee?	() <u>Yes</u> <u>No</u>
5b) Is the Applicant a "controlling interest holder" or "affiliate" of the current Licensee?	() <u>Yes</u> <u>No</u>
5c) Does the Applicant share office space, equipment or other facilities with any party controlling the entity from which spectrum is being leased?	() <u>Yes</u> <u>No</u>
5d) Does the Licensee certify that the Lease/Sublease does not affect its continuing eligibility to retain closed bidding licenses?	() <u>Yes</u> <u>No</u>

Closed Bidding Licenses – (Long-Term *De Facto* Transfer Leases Only)**Eligibility**

6) With respect to each of the subject licenses, the Applicant: () a) qualifies for closed bidding () b) does not qualify for closed bidding
--

7) Revenue and Asset Information for the Applicant

Purpose (Check Modify if filing an Amendment application and changing the Revenue and Asset Information from what was provided on the original filing)

Modify

Gross Revenue Disclosure Most Recent Reportable Year

8a) Were the Applicant and any predecessors-in-interest in existence for a full year of the relevant period? If 'N', explain why in an attachment.	() <u>Yes</u> <u>No</u>
If 'Y', provide the following information.	
8b) Gross Revenues \$ _____ (Format: 99,999.99)	
8c) Year-end Date: _____ (Date Format: MM/DD/YYYY)	

One Year Prior to Most Recent Reportable Year

9a) Were the Applicant and any predecessors-in-interest in existence for a full year of the relevant period? If 'N', explain why in an attachment.	() <u>Yes</u> <u>No</u>
If 'Y', provide the following information.	
9b) Gross Revenues \$ _____ (Format: 99,999.99)	
9c) Year-end Date: _____ (Date Format: MM/DD/YYYY)	

Two Years Prior to Most Recent Reportable Year

10a) Were the Applicant and any predecessors-in-interest in existence for a full year of the relevant period? If 'N', explain why in an attachment.	() <u>Yes</u> <u>No</u>
If 'Y', provide the following information.	
10b) Gross Revenues \$ _____ (Format: 99,999.99)	
10c) Year-end Date: _____ (Date Format: MM/DD/YYYY)	

Three Years Prior to Most Recent Reportable Year

11a) Were the Applicant and any predecessors-in-interest in existence for a full year of the relevant period? If 'N', explain why in an attachment.	() <u>Yes</u> <u>No</u>
If 'Y', provide the following information.	
11b) Gross Revenues \$ _____ (Format: 99,999.99)	
11c) Year-end Date: _____ (Date Format: MM/DD/YYYY)	

Four Years Prior to Most Recent Reportable Year

12a) Were the Applicant and any predecessors-in-interest in existence for a full year of the relevant period? If 'N', explain why in an attachment.	() <u>Yes</u> <u>No</u>
If 'Y', provide the following information.	
12b) Gross Revenues \$ _____ (Format: 99,999.99)	
12c) Year-end Date: _____ (Date Format: MM/DD/YYYY)	

Average Gross Revenue

13) Average Gross Revenue of Reported Years: \$ _____ (Format: 99,999.99)

Asset Disclosure

14) Total Assets as of Application Filing Date: \$ _____

Financial Statements

15) Audited or Unaudited (Check One)

The Applicant used audited financial statements.

The Applicant used unaudited financial statements prepared in accordance with Generally Accepted Accounting Principles (GAAP) and certified by the Applicant's chief financial officer or the equivalent.

Reference Copy

Reference Copy

Closed Bidding/Designated Entity Eligibility

Total Gross Revenues for Most Recent Reportable Year

36a) Gross Revenues	\$ _____	(Format: 99,999.99)
36b) Year-end Date:	_____	(Date Format: MM/DD/YYYY)

Total Gross Revenues for One Year Prior to Most Recent Reportable Year

37a) Gross Revenues:	\$ _____	(Format: 99,999.99)
37b) Year-end Date:	_____	(Date Format: MM/DD/YYYY)

Total Gross Revenues for Two Years Prior to Most Recent Reportable Year

38a) Gross Revenues:	\$ _____	(Format: 99,999.99)
38b) Year-end Date:	_____	(Date Format: MM/DD/YYYY)

Total Gross Revenues for Three Years Prior to the Most Recent Reportable Year

39a) Gross Revenues:	\$ _____	(Format:
39b) Year-end Date:	_____	(Date Format:

Total Gross Revenues for Four Years Prior to the Most Recent Reportable Year

40a) Gross Revenues:	\$ _____	(Format: 99,999.99)
40b) Year-end Date:	_____	(Date Format: MM/DD/YYYY)

Total Aggregate Average Gross Revenues for Designated Entity (License(s) Requiring Disclosure of Three Years of Gross Revenue Data)

41) Aggregate Average Gross Revenue:	\$ _____	(Format: 99,999.99)
--------------------------------------	----------	---------------------

Total Aggregate Average Gross Revenues for Designated Entity (License(s) Requiring Disclosure of Five Years of Gross Revenue Data)

41) Aggregate Average Gross Revenue:	\$ _____	(Format: 99,999.99)
--------------------------------------	----------	---------------------

Total Aggregate Average Gross Revenues for Closed Bidding

42) Aggregate Average Gross Revenue:	\$ _____	(Format: 99,999.99)
--------------------------------------	----------	---------------------

Total Assets Disclosure for Closed Bidding

43) Total Assets:	\$ _____	(Format: 99,999.99)
-------------------	----------	---------------------

Rural Service Provider Bidding Credit

36) Is the Applicant seeking a Rural Service Provider (RSP) bidding credit?	(<input type="checkbox"/>) Yes <input checked="" type="checkbox"/> No
---	---

If the Applicant (the Lessee/Sublessee/Transferee) is seeking a rural service provider (RSP) bidding credit, provide in an exhibit the following information requested in a-e.

a) for the Applicant, submit the combined number of commercial communications service subscribers to wireless, wireline, broadband, and cable services that the Applicant serves and provide a list of the name(s) and the Federal Information Processing Standard (FIPS) number(s) for each county in which the Applicant has at least one commercial wireless, wireline, broadband, or cable subscriber;

b) for each of the Applicant's Affiliates, Controlling Interests, and the Affiliates of its Controlling Interests, submit the individual or entity's name, its FCC Registration Number (FRN), its relationship to the Applicant, and its combined number of commercial communications service subscribers to wireless, wireline, broadband, and cable services. For each of the Applicant's Affiliates, Controlling Interests, and the Affiliates of its Controlling Interests, also provide a list of the name(s) and the FIPS number(s) for each county in which it has at least one commercial wireless, wireline, broadband, or cable subscriber;

c) if neither the Applicant, nor any of its Affiliates, its Controlling Interests, or the Affiliates of its Controlling Interests have at least one wireless, wireline, broadband, or cable subscriber in a market for which the Applicant is applying for a license, list the market(s) in which the Applicant, its Affiliates, its Controlling Interests, and the Affiliates of its Controlling Interests have no such subscribers;

d) a detailed explanation demonstrating that: (i) the Applicant is in the business of providing commercial communications services; (ii) the Applicant serves predominantly rural areas; and (iii) the primary focus of the Applicant's business activity is the provision of services to rural areas (defined as counties with a population density of 100 or fewer persons per square mile); and

e) If the Applicant is an existing rural partnership that was providing service as of July 16, 2015, provide a detailed explanation demonstrating that each member of the partnership is independently eligible for the RSP bidding credit by providing, with respect to each member of the partnership, the same information as is required in a-d above.

Schedule for New Lease or New Sublease

Term of Lease [For New Leases Only]

1) Indicate whether the Lease is: <input checked="" type="checkbox"/> Long-Term or <input type="checkbox"/> Short-Term* * The cumulative lease period for a Short-Term Lease cannot exceed 365 days from the original commencement date.	
2) If this filing is for a Long-Term <i>De Facto</i> Transfer Lease, have the Licensee and Lessee entered into any Short-Term <i>De Facto</i> Transfer Lease(s) with regard to any spectrum covered by the license(s) that are part of this filing or within the same geographic area(s) of the license(s) that are part of this filing?	<input type="checkbox"/> Yes <input checked="" type="checkbox"/> No

Leased Spectrum (For Geographically-Licensed Services) [For New Leases Only]

3a) Does this filing involve geographic-area licenses where only a portion of the licensed spectrum and/or the licensed geographic area will be leased?	<input checked="" type="checkbox"/> Yes <input type="checkbox"/> No
3b) If the answer to 3a is 'Yes', does this filing involve one or more individual point-to-point microwave links that will be leased? If the response to 3b is 'Yes', complete Schedule H. If the response to 3b is 'No', complete Schedule F and, if applicable, Schedule G.	<input type="checkbox"/> Yes <input checked="" type="checkbox"/> No

Leased Spectrum (For Site-Based Services) [For New Leases Only]

3c) Does this filing involve site-based licenses where only a portion of the licensed locations, paths and/or frequencies will be leased? If the response to 3c is 'No', complete Items 184 (Call Sign) and 185 (Radio Service Code) on the Main Form. If the response to 3c is 'Yes', in addition to Items 184 (Call Sign) and 185 (Radio Service Code), complete Items 186-190 (Location Number, Path Number, Frequency Number, Lower Frequency and Upper Frequency), as appropriate, on the Main Form.	<input type="checkbox"/> Yes <input type="checkbox"/> No
---	--

Type and Term of Sublease [For New Subleases Only]

4a) If the existing Lease is a Long-Term <i>De Facto</i> Transfer Lease, are the Lessee and Sublessee entering into a Spectrum Manager Sublease or a Long-Term <i>De Facto</i> Transfer Sublease? <input type="checkbox"/> Spectrum Manager Sublease or <input type="checkbox"/> Long-Term <i>De Facto</i> Transfer Sublease	
4b) If the answer to 4a is 'Spectrum Manager Sublease', indicate whether the Sublease is: <input type="checkbox"/> Long-Term or <input type="checkbox"/> Short-Term	
5) If the existing Lease is a Long-Term Spectrum Manager Lease, indicate whether the Spectrum Manager Sublease is: <input type="checkbox"/> Long-Term or <input type="checkbox"/> Short-Term	

**Schedule for Supplemental Information Pertaining to a New Lease, New Sublease,
Revision to Extend the Term of an Existing Lease or Sublease, or
Revision to Cancel an Existing Lease or Sublease**

License Authorizations/Lease Identifiers/Sublease Identifiers (Complete as many Schedule E's as necessary)

1) Call Sign(s) or Lease/Sublease Identifier(s)	2) Radio Service Code	3) Commencement Date (MM/DD/YYYY) OR Check box for FCC Grant Date	4) Expiration Date (MM/DD/YYYY)	5) Revised Expiration Date (MM/DD/YYYY)	6) Cancellation Date (MM/DD/YYYY) OR Check box if Lease/Sublease Never Commenced
KNLF235	CW	<input checked="" type="checkbox"/>	06/23/2025		<input type="checkbox"/>
KNLF237	CW	<input checked="" type="checkbox"/>	06/23/2025		<input type="checkbox"/>
KNLF251	CW	<input checked="" type="checkbox"/>	06/23/2025		<input type="checkbox"/>
KNLF256	CW	<input checked="" type="checkbox"/>	06/23/2025		<input type="checkbox"/>
KNLF367	CW	<input checked="" type="checkbox"/>	09/16/2026		<input type="checkbox"/>
KNLF391	CW	<input checked="" type="checkbox"/>	09/16/2026		<input type="checkbox"/>
KNLF467	CW	<input checked="" type="checkbox"/>	09/16/2026		<input type="checkbox"/>
KNLF882	CW	<input checked="" type="checkbox"/>	09/16/2026		<input type="checkbox"/>
KNLF928	CW	<input checked="" type="checkbox"/>	09/16/2026		<input type="checkbox"/>
KNLF948	CW	<input checked="" type="checkbox"/>	09/16/2026		<input type="checkbox"/>
KNLG485	CW	<input checked="" type="checkbox"/>	09/16/2026		<input type="checkbox"/>
KNLG502	CW	<input checked="" type="checkbox"/>	09/16/2026		<input type="checkbox"/>

1) Call Sign(s) or Lease/Sublease Identifier(s)	2) Radio Service Code	3) Commencement Date (MM/DD/YYYY) OR Check box for FCC Grant Date	4) Expiration Date (MM/DD/YYYY)	5) Revised Expiration Date (MM/DD/YYYY)	6) Cancellation Date (MM/DD/YYYY) OR Check box if Lease/Sublease Never Commenced
KNLG518	CW	<input checked="" type="checkbox"/>	09/16/2026		<input type="checkbox"/>

**Schedule for Defined Geographic Area To Be Leased
 (Geographically-Licensed Services)**

Call Sign

1) Call Sign: <u>KNLF235</u>

Geographic Area of Spectrum To Be Included in Lease

2) Defined Area to be Leased	3) Undefined Area to be Leased (Complete Schedule G)	4a) Population of Leased Area
	Schedule G # Attached:1	

5) Frequencies of Spectrum To Be Included in Lease (MHz)

Spectrum Leased	
Lower Frequency/Bandwidth	Upper Frequency/Bandwidth
001850.00000000	001860.00000000
001930.00000000	001940.00000000

**Schedule for Defined Geographic Area To Be Leased
(Geographically-Licensed Services)**

Call Sign

1) Call Sign: KNLF237

Geographic Area of Spectrum To Be Included in Lease

2) Defined Area to be Leased	3) Undefined Area to be Leased (Complete Schedule G)	4a) Population of Leased Area
	Schedule G # Attached:2	

5) Frequencies of Spectrum To Be Included in Lease (MHz)

Spectrum Leased

Lower Frequency/Bandwidth	Upper Frequency/Bandwidth

**Schedule for Defined Geographic Area To Be Leased
(Geographically-Licensed Services)**

Call Sign

1) Call Sign: KNLF251

Geographic Area of Spectrum To Be Included in Lease

2) Defined Area to be Leased	3) Undefined Area to be Leased (Complete Schedule G)	4a) Population of Leased Area
	Schedule G # Attached:3	

5) Frequencies of Spectrum To Be Included in Lease (MHz)

Spectrum Leased

Lower Frequency/Bandwidth	Upper Frequency/Bandwidth

**Schedule for Defined Geographic Area To Be Leased
(Geographically-Licensed Services)**

Call Sign

1) Call Sign: KNLF256

Geographic Area of Spectrum To Be Included in Lease

2) Defined Area to be Leased	3) Undefined Area to be Leased (Complete Schedule G)	4a) Population of Leased Area
	Schedule G # Attached:4	

5) Frequencies of Spectrum To Be Included in Lease (MHz)

Spectrum Leased	
Lower Frequency/Bandwidth	Upper Frequency/Bandwidth

**Schedule for Defined Geographic Area To Be Leased
 (Geographically-Licensed Services)**

Call Sign

1) Call Sign: <u>KNLF367</u>

Geographic Area of Spectrum To Be Included in Lease

2) Defined Area to be Leased	3) Undefined Area to be Leased (Complete Schedule G)	4a) Population of Leased Area
	Schedule G # Attached:5	

5) Frequencies of Spectrum To Be Included in Lease (MHz)

Spectrum Leased	
Lower Frequency/Bandwidth	Upper Frequency/Bandwidth

**Schedule for Defined Geographic Area To Be Leased
 (Geographically-Licensed Services)**

Call Sign

1) Call Sign: <u>KNLF367</u>

Geographic Area of Spectrum To Be Included in Lease

2) Defined Area to be Leased	3) Undefined Area to be Leased (Complete Schedule G)	4a) Population of Leased Area
	Schedule G # Attached:6	

5) Frequencies of Spectrum To Be Included in Lease (MHz)

Spectrum Leased	
Lower Frequency/Bandwidth	Upper Frequency/Bandwidth

**Schedule for Defined Geographic Area To Be Leased
 (Geographically-Licensed Services)**

Call Sign

1) Call Sign: <u>KNLF391</u>

Geographic Area of Spectrum To Be Included in Lease

2) Defined Area to be Leased	3) Undefined Area to be Leased (Complete Schedule G)	4a) Population of Leased Area
	Schedule G # Attached:7	

5) Frequencies of Spectrum To Be Included in Lease (MHz)

Spectrum Leased	
Lower Frequency/Bandwidth	Upper Frequency/Bandwidth

**Schedule for Defined Geographic Area To Be Leased
 (Geographically-Licensed Services)**

Call Sign

1) Call Sign: <u>KNLF467</u>

Geographic Area of Spectrum To Be Included in Lease

2) Defined Area to be Leased	3) Undefined Area to be Leased (Complete Schedule G)	4a) Population of Leased Area
	Schedule G # Attached:8	

5) Frequencies of Spectrum To Be Included in Lease (MHz)

Spectrum Leased	
Lower Frequency/Bandwidth	Upper Frequency/Bandwidth

**Schedule for Defined Geographic Area To Be Leased
 (Geographically-Licensed Services)**

Call Sign

1) Call Sign: <u>KNLF882</u>

Geographic Area of Spectrum To Be Included in Lease

2) Defined Area to be Leased	3) Undefined Area to be Leased (Complete Schedule G)	4a) Population of Leased Area
	Schedule G # Attached:9	

5) Frequencies of Spectrum To Be Included in Lease (MHz)

Spectrum Leased	
Lower Frequency/Bandwidth	Upper Frequency/Bandwidth

**Schedule for Defined Geographic Area To Be Leased
 (Geographically-Licensed Services)**

Call Sign

1) Call Sign: <u>KNLF928</u>

Geographic Area of Spectrum To Be Included in Lease

2) Defined Area to be Leased	3) Undefined Area to be Leased (Complete Schedule G)	4a) Population of Leased Area
	Schedule G # Attached:10	

5) Frequencies of Spectrum To Be Included in Lease (MHz)

Spectrum Leased	
Lower Frequency/Bandwidth	Upper Frequency/Bandwidth

**Schedule for Defined Geographic Area To Be Leased
(Geographically-Licensed Services)**

Call Sign

1) Call Sign: KNLF948

Geographic Area of Spectrum To Be Included in Lease

2) Defined Area to be Leased	3) Undefined Area to be Leased (Complete Schedule G)	4a) Population of Leased Area
	Schedule G # Attached:11	

5) Frequencies of Spectrum To Be Included in Lease (MHz)

Spectrum Leased

Lower Frequency/Bandwidth	Upper Frequency/Bandwidth

**Schedule for Defined Geographic Area To Be Leased
(Geographically-Licensed Services)**

Call Sign

1) Call Sign: KNLF948

Geographic Area of Spectrum To Be Included in Lease

2) Defined Area to be Leased	3) Undefined Area to be Leased (Complete Schedule G)	4a) Population of Leased Area
	Schedule G # Attached:12	

5) Frequencies of Spectrum To Be Included in Lease (MHz)

Spectrum Leased

Lower Frequency/Bandwidth	Upper Frequency/Bandwidth

**Schedule for Defined Geographic Area To Be Leased
(Geographically-Licensed Services)**

Call Sign

1) Call Sign: <u>KNLG485</u>

Geographic Area of Spectrum To Be Included in Lease

2) Defined Area to be Leased	3) Undefined Area to be Leased (Complete Schedule G)	4a) Population of Leased Area
	Schedule G # Attached:13	

5) Frequencies of Spectrum To Be Included in Lease (MHz)

Spectrum Leased	
Lower Frequency/Bandwidth	Upper Frequency/Bandwidth

**Schedule for Defined Geographic Area To Be Leased
 (Geographically-Licensed Services)**

Call Sign

1) Call Sign: <u>KNLG502</u>

Geographic Area of Spectrum To Be Included in Lease

2) Defined Area to be Leased	3) Undefined Area to be Leased (Complete Schedule G)	4a) Population of Leased Area
	Schedule G # Attached:14	

5) Frequencies of Spectrum To Be Included in Lease (MHz)

Spectrum Leased	
Lower Frequency/Bandwidth	Upper Frequency/Bandwidth

**Schedule for Defined Geographic Area To Be Leased
 (Geographically-Licensed Services)**

Call Sign

1) Call Sign: <u>KNLG518</u>

Geographic Area of Spectrum To Be Included in Lease

2) Defined Area to be Leased	3) Undefined Area to be Leased (Complete Schedule G)	4a) Population of Leased Area
	Schedule G # Attached:15	

5) Frequencies of Spectrum To Be Included in Lease (MHz)

Spectrum Leased	
Lower Frequency/Bandwidth	Upper Frequency/Bandwidth

Number: 1

Schedule for Leases that Involve an Undefined Geographic Area

For each undefined geographic area, complete up to 300 Latitude/Longitude combinations for every 3 degrees azimuth, using NAD83 Datum.

	Latitude (DD-MM-SS.S-D)	Longitude (DDD-MM-SS.S-D)
1	38-26-13.5 N	082-42-26.7 W
2	38-26-12.8 N	082-42-08.2 W
3	38-26-05.8 N	082-42-06.6 W
4	38-26-00.5 N	082-42-13.5 W
5	38-26-00.7 N	082-42-25.2 W
6	38-26-13.5 N	082-42-26.7 W

Number: 2

Schedule for Leases that Involve an Undefined Geographic Area

For each undefined geographic area, complete up to 300 Latitude/Longitude combinations for every 3 degrees azimuth, using NAD83 Datum.

	Latitude (DD-MM-SS.S-D)	Longitude (DDD-MM-SS.S-D)
1	38-52-15.4 N	089-24-33.8 W
2	38-52-15.4 N	089-24-23.5 W
3	38-51-59.9 N	089-24-19.2 W
4	38-51-51.5 N	089-24-26.0 W
5	38-51-51.5 N	089-24-43.2 W
6	38-52-00.8 N	089-24-43.2 W
7	38-52-15.4 N	089-24-33.8 W

Number: 3

Schedule for Leases that Involve an Undefined Geographic Area

For each undefined geographic area, complete up to 300 Latitude/Longitude combinations for every 3 degrees azimuth, using NAD83 Datum.

	Latitude (DD-MM-SS.S-D)	Longitude (DDD-MM-SS.S-D)
1	37-10-52.2 N	083-47-34.4 W
2	37-10-55.7 N	083-47-29.6 W
3	37-10-50.5 N	083-47-15.2 W
4	37-10-44.4 N	083-47-12.3 W
5	37-10-38.8 N	083-47-16.8 W
6	37-10-37.7 N	083-47-24.1 W
7	37-10-41.2 N	083-47-28.2 W
8	37-10-52.2 N	083-47-34.4 W

Number: 4

Schedule for Leases that Involve an Undefined Geographic Area

For each undefined geographic area, complete up to 300 Latitude/Longitude combinations for every 3 degrees azimuth, using NAD83 Datum.

Latitude (DD-MM-SS.S-D)

Longitude (DDD-MM-SS.S-D)

1	32-53-41.3 N	090-27-04.6 W
2	32-53-44.5 N	090-25-39.4 W
3	32-52-45.6 N	090-25-38.1 W
4	32-52-47.0 N	090-27-01.3 W
5	32-53-41.3 N	090-27-04.6 W

Number: 5

Schedule for Leases that Involve an Undefined Geographic Area

For each undefined geographic area, complete up to 300 Latitude/Longitude combinations for every 3 degrees azimuth, using NAD83 Datum.

Latitude (DD-MM-SS.S-D)

Longitude (DDD-MM-SS.S-D)

1	32-43-31.6 N	081-15-29.8 W
2	32-43-28.5 N	081-14-56.8 W
3	32-43-01.5 N	081-14-59.6 W
4	32-43-04.3 N	081-15-33.8 W
5	32-43-31.6 N	081-15-29.8 W

Number: 6

Schedule for Leases that Involve an Undefined Geographic Area

For each undefined geographic area, complete up to 300 Latitude/Longitude combinations for every 3 degrees azimuth, using NAD83 Datum.

Latitude (DD-MM-SS.S-D)

Longitude (DDD-MM-SS.S-D)

1	31-33-55.8 N	081-54-19.2 W
2	31-33-56.7 N	081-54-11.4 W
3	31-33-52.0 N	081-53-55.9 W
4	31-33-45.5 N	081-53-55.0 W
5	31-33-43.7 N	081-54-18.2 W
6	31-33-55.8 N	081-54-19.2 W

Number: 7

Schedule for Leases that Involve an Undefined Geographic Area

For each undefined geographic area, complete up to 300 Latitude/Longitude combinations for every 3 degrees azimuth, using NAD83 Datum.

Latitude (DD-MM-SS.S-D)

Longitude (DDD-MM-SS.S-D)

1	31-28-20.6 N	092-27-03.8 W
2	31-28-20.4 N	092-25-59.5 W
3	31-27-39.4 N	092-26-05.1 W
4	31-27-41.9 N	092-27-06.3 W
5	31-28-20.6 N	092-27-03.8 W

Number: 8

Schedule for Leases that Involve an Undefined Geographic Area

For each undefined geographic area, complete up to 300 Latitude/Longitude combinations for every 3 degrees azimuth, using NAD83 Datum.

Latitude (DD-MM-SS.S-D)

Longitude (DDD-MM-SS.S-D)

1	34-59-04.6 N	090-48-28.4 W
2	34-59-03.1 N	090-47-26.3 W
3	34-58-23.7 N	090-47-26.6 W
4	34-58-25.8 N	090-48-30.6 W
5	34-59-04.6 N	090-48-28.4 W

Number: 9

Schedule for Leases that Involve an Undefined Geographic Area

For each undefined geographic area, complete up to 300 Latitude/Longitude combinations for every 3 degrees azimuth, using NAD83 Datum.

Latitude (DD-MM-SS.S-D)

Longitude (DDD-MM-SS.S-D)

1	34-40-11.1 N	079-43-15.3 W
2	34-40-30.9 N	079-43-11.2 W
3	34-40-28.8 N	079-42-56.7 W
4	34-40-08.9 N	079-43-01.1 W
5	34-40-11.1 N	079-43-15.3 W

Number: 10

Schedule for Leases that Involve an Undefined Geographic Area

For each undefined geographic area, complete up to 300 Latitude/Longitude combinations for every 3 degrees azimuth, using NAD83 Datum.

	Latitude (DD-MM-SS.S-D)	Longitude (DDD-MM-SS.S-D)
1	31-28-20.6 N	092-27-03.8 W
2	31-28-20.4 N	092-25-59.5 W
3	31-27-39.4 N	092-26-05.1 W
4	31-27-41.9 N	092-27-06.3 W
5	31-28-20.6 N	092-27-03.8 W

Number: 11

Schedule for Leases that Involve an Undefined Geographic Area

For each undefined geographic area, complete up to 300 Latitude/Longitude combinations for every 3 degrees azimuth, using NAD83 Datum.

Latitude (DD-MM-SS.S-D)

Longitude (DDD-MM-SS.S-D)

1	32-43-31.6 N	081-15-29.8 W
2	32-43-28.5 N	081-14-56.8 W
3	32-43-01.5 N	081-14-59.6 W
4	32-43-04.3 N	081-15-33.8 W
5	32-43-31.6 N	081-15-29.8 W

Number: 12

Schedule for Leases that Involve an Undefined Geographic Area

For each undefined geographic area, complete up to 300 Latitude/Longitude combinations for every 3 degrees azimuth, using NAD83 Datum.

Latitude (DD-MM-SS.S-D)

Longitude (DDD-MM-SS.S-D)

1	31-33-55.8 N	081-54-19.2 W
2	31-33-56.7 N	081-54-11.4 W
3	31-33-52.0 N	081-53-55.9 W
4	31-33-45.5 N	081-53-55.0 W
5	31-33-43.7 N	081-54-18.2 W
6	31-33-55.8 N	081-54-19.2 W

Number: 13

Schedule for Leases that Involve an Undefined Geographic Area

For each undefined geographic area, complete up to 300 Latitude/Longitude combinations for every 3 degrees azimuth, using NAD83 Datum.

	Latitude (DD-MM-SS.S-D)	Longitude (DDD-MM-SS.S-D)
1	25-37-06.5 N	080-24-48.7 W
2	25-37-14.5 N	080-24-41.2 W
3	25-37-07.9 N	080-24-28.2 W
4	25-36-59.4 N	080-24-27.9 W
5	25-36-58.9 N	080-24-39.8 W
6	25-37-06.5 N	080-24-48.7 W

Number: 14

Schedule for Leases that Involve an Undefined Geographic Area

For each undefined geographic area, complete up to 300 Latitude/Longitude combinations for every 3 degrees azimuth, using NAD83 Datum.

Latitude (DD-MM-SS.S-D)

Longitude (DDD-MM-SS.S-D)

1	41-26-18.6 N	073-28-18.5 W
2	41-26-19.8 N	073-27-51.5 W
3	41-26-02.2 N	073-27-50.9 W
4	41-26-00.4 N	073-28-06.5 W
5	41-26-18.6 N	073-28-18.5 W

Number: 15

Schedule for Leases that Involve an Undefined Geographic Area

For each undefined geographic area, complete up to 300 Latitude/Longitude combinations for every 3 degrees azimuth, using NAD83 Datum.

Latitude (DD-MM-SS.S-D)

Longitude (DDD-MM-SS.S-D)

1	45-05-13.0 N	123-23-26.1 W
2	45-05-12.7 N	123-22-40.1 W
3	45-04-55.2 N	123-22-38.7 W
4	45-04-55.6 N	123-23-28.0 W
5	45-05-13.0 N	123-23-26.1 W

Attachment(s):

Type	Description	Date Entered
O	Exhibit 3 - Site Information	01/04/2023
O	Exhibit 2 - Description of Licenses	01/04/2023
O	Exhibit 1 - Description of Transaction	01/04/2023

REFERENCE COPY

This is not an official FCC license. It is a record of public information contained in the FCC's licensing database on the date that this reference copy was generated. In cases where FCC rules require the presentation, posting, or display of an FCC license, this document may not be used in place of an official FCC license.



Federal Communications Commission
Wireless Telecommunications Bureau

RADIO STATION AUTHORIZATION

LICENSEE: NEW CINGULAR WIRELESS PCS, LLC

ATTN: FCC GROUP
NEW CINGULAR WIRELESS PCS, LLC
208 S. AKARD ST. 20F
DALLAS, TX 75202

Table with Call Sign (KNLF288), File Number, and Radio Service (CW - PCS Broadband).

FCC Registration Number (FRN): 0003291192

Table with columns: Grant Date, Effective Date, Expiration Date, Print Date, Market Number, Channel Block, Sub-Market Designator, Market Name, 1st Build-out Date, 2nd Build-out Date, 3rd Build-out Date, 4th Build-out Date.

Waivers/Conditions:

Commission approval of this application and the licenses contained therein are subject to the conditions set forth in the Memorandum Opinion and Order, adopted on December 29, 2006 and released on March 26, 2007, and revised in the Order on Reconsideration, adopted and released on March 26, 2007.

Conditions:

Pursuant to §309(h) of the Communications Act of 1934, as amended, 47 U.S.C. §309(h), this license is subject to the following conditions: This license shall not vest in the licensee any right to operate the station nor any right in the use of the frequencies designated in the license beyond the term thereof nor in any other manner than authorized herein.

This license may not authorize operation throughout the entire geographic area or spectrum identified on the hardcopy version. To view the specific geographic area and spectrum authorized by this license, refer to the Spectrum and Market Area information under the Market Tab of the license record in the Universal Licensing System (ULS).

Licensee Name: NEW CINGULAR WIRELESS PCS, LLC

Call Sign: KNLF288

File Number:

Print Date:

700 MHz Relicensed Area Information:

Market	Market Name	Buildout Deadline	Buildout Notification	Status
---------------	--------------------	--------------------------	------------------------------	---------------

Report
Reference
Copy

Reference Copy Only. Do Not Mail to the FCC as an Application.

Submitted: 01/13/2023 at 18:08:22
 File Number: 0010371578

FCC 601
Main Form

FCC Application for Radio Service Authorization: Wireless Telecommunications Bureau Public Safety and Homeland Security Bureau

Approved by OMB
 3060 - 0798
 See instructions for
 public burden estimate

1) Radio Service Code: <p style="text-align: center;">CW</p>	1a) Existing Radio Service Code:
--	----------------------------------

General Information

2) (Select only one) (AU) NE - New RO - Renewal Only AU - Administrative Update NT - Required Notifications MD - Modification RM - Renewal/Modification WD - Withdrawal of Application EX - Requests for Extension of Time AM - Amendment CA - Cancellation of License RL - Registered Location/Link	
3a) If this application is for a Demonstration License or a Special Temporary Authorization (STA) , enter the code and attach the required exhibit as described in the instructions. Otherwise enter ' N/A ' (Not Applicable).	(N) <u>M</u> <u>S</u> <u>N/A</u>
3b) If this application is for Special Temporary Authority due to an emergency situation, enter 'Y'; otherwise enter 'N'. Refer to Rule 1.915 for an explanation of situations considered to be an emergency.	() <u>Y</u> es <u>N</u> o
4) If this application is for an Amendment or Withdrawal, enter the file number of the pending application currently on file with the FCC.	File Number
5) If this application is for a Modification, Renewal Only, Renewal/Modification, Cancellation of License, , or Administrative Update, enter the call sign of the existing FCC license. If this is a request for Registered Location/Link, enter the FCC call sign assigned to the geographic license.	Call Sign KNLF288
6a) If this application is for a New, Amendment, Renewal Only, or Renewal/Modification, enter the requested authorization expiration date (this item is optional).	MM DD _____ / _____
6b) If this application is for a Renewal Only or Renewal/Modification and the license is a geographic area license, is the license used to provide service to customers (C), or is the license used for private business (internal) purposes or to meet the licensee's public interest/public safety communications needs (P)?	() <u>C</u> <u>P</u>
7) Is this application "major" as defined in § 1.929 of the Commission's Rules when read in conjunction with the applicable radio service rules found in Parts 22 and 90 of the Commission's Rules? (NOTE: This question only applies to certain site-specific applications. See the instructions for applicability and full text of § 1.929).	() <u>Y</u> es <u>N</u> o
8) Are attachments (other than associated schedules) being filed with this application?	() <u>Y</u> es <u>N</u> o

Fees, Waivers, and Exemptions

9) Is the Applicant exempt from FCC application fees?	(N) <u>Y</u> es <u>N</u> o
10) Is the Applicant exempt from FCC regulatory fees?	(N) <u>Y</u> es <u>N</u> o
11) Does this application include a request for a Waiver of the Commission's Rule(s)? If 'Yes', attach an exhibit providing rule number(s) and explaining circumstances.	(N) <u>Y</u> es <u>N</u> o
12) Are the frequencies or parameters requested in this filing covered by grandfathered privileges, previously approved by waiver, or functionally integrated with an existing station?	() <u>Y</u> es <u>N</u> o

Applicant Information

13) FCC Registration Number (FRN): 0003291192			
14) Applicant/Licensee Legal Entity Type: (Select One) () Individual () Unincorporated Association () Trust () Government Entity () Corporation (<input checked="" type="checkbox"/>) Limited Liability Company () General Partnership () Limited Partnership () Limited Liability Partnership () Consortium () Other: _____			
15) If the Licensee name is being updated, is the update a result from the sale (or transfer of control) of the license(s) to party and for which proper Commission approval has not been received or proper notification not provided?			() <u>Yes</u> <u>No</u>
16) First Name (if individual):	MI:	Last Name:	Suffix:
17) Legal Entity Name (if other than individual): NEW CINGULAR WIRELESS PCS, LLC			
18) Attention To: FCC Group			
19) P.O. Box:	And/Or	20) Street Address: 208 S. Akard St. 20F	
21) City: Dallas	22) State: TX	23) Zip Code: 75202	
24) Telephone Number: (855)699-7073		25) Fax: (214)746-6410	
26) E-Mail Address: FCCMW@att.com			

27) Demographics (Optional)

Race: () American Indian or Alaska Native () Asian () Black or African-American () Native Hawaiian or Other Pacific Islander () White	Ethnicity: () Hispanic or Latino () Not Hispanic or Latino	Gender: () Male () Female
---	--	-----------------------------------

Real Party in Interest

28) Name of Real Party in Interest of Applicant (If different from Applicant):	29) FCC Registration Number (FRN) of Real Party in Interest:
--	--

Contact Information (If different from the Applicant)**() Check here if same as Applicant.**

30) First Name: Cecil	MI: J	Last Name: Mathew	Suffix:
31) Company Name: AT&T Services, Inc.			
32) Attention To: FCC Group			
33) P.O. Box:	And /Or	34) Street Address: 208 S. Akard St. 20F	
35) City: Dallas	36) State: TX	37) Zip Code: 75202	
38) Telephone Number: (855)699-7073		39) Fax: (214)746-6410	
40) E-Mail Address: FCCMW@att.com			

Regulatory Status

41) This filing is for authorization to provide or use the following type(s) of radio service offering (enter all that apply):

() Common Carrier () Non-Common Carrier () Private, internal communications () Broadcast Services () Band Manager

Type of Radio Service

42) This filing is for authorization to provide the following type(s) of radio service (choose all that apply):

() Fixed () Mobile () Radiolocation () Satellite (sound) () Broadcast Services

43) Does the Applicant propose to provide service interconnected to the public telephone network? () Yes () No

Alien Ownership Questions (If any answer is 'Y', provide an attachment explaining the circumstances. In preparing the attachment, refer to the Main Form Instructions for the "Alien Ownership Questions".)

44) Is the Applicant a foreign government or the representative of any foreign government? () Yes () No

45) Is the Applicant an alien or the representative of an alien? () Yes () No

46) Is the Applicant a corporation organized under the laws of any foreign government? () Yes () No

47) Is the Applicant a corporation of which more than one-fifth of the capital stock is owned of record or voted by aliens or their representatives, or by a foreign government or representative thereof, or by any corporation organized under the laws of a foreign country? () Yes () No

48a) Is the Applicant directly or indirectly controlled by any other corporation of which more than one-fourth of the capital stock () Yes No is owned of record or voted by aliens or their representatives, or by a foreign government or representative thereof, or by any corporation organized under the laws of a foreign country?

48b) If the answer to 47 or 48a is 'Y' select one of the choices below.

The Applicant is exempt from the provisions of Section 310(b).

If checked, it is not necessary to file a petition for declaratory ruling if the Applicant includes in the attachment required by Item 47 or Item 48a a showing that the requested license(s) is exempt from the provisions of Section 310(b).

The Applicant has received a declaratory ruling(s) approving its foreign ownership, and the application involves only the acquisition of additional spectrum for the provision of a wireless service in a geographic coverage area for which the Applicant has been previously authorized.

If checked, include in the attachment required by Item 47 or Item 48a the citation(s) of the applicable declaratory ruling(s) by DA/FCC number, the FCC Record citation, if available, release date, and a statement that there has been no change in the foreign ownership of the Applicant since the issuance of its ruling.

The Applicant: (i) has received a declaratory ruling(s) approving its foreign ownership, but is not able to make the certification specified immediately above; or (ii) is an "affiliate" of a Licensee or Lessee/Sublessee that received a declaratory ruling(s) under 47 CFR § 1.5000(a) and is relying on the affiliate's ruling for purposes of filing this application as permitted under the affiliate's ruling and 47 CFR § 1.5004(b)

If checked, and if the Applicant received its declaratory ruling(s) on or after August 9, 2013, include in the attachment required by Item 47 or Item 48a the citation(s) of the Applicant's declaratory ruling(s) by DA/FCC number, the FCC Record citation, if available, release date, and a statement that the Applicant is in compliance with the terms and conditions of its ruling and with the Commission's Rules.

If checked, and if the Applicant received its declaratory ruling(s) prior to August 9, 2013, include in the attachment required by Item 48a a copy of a petition for declaratory ruling filed contemporaneously with the Commission to extend the Applicant's existing ruling(s) to cover the same radio service(s) and geographic coverage area(s) involved in the application. Alternatively, the Applicant may request a new declaratory ruling pursuant to Section 1.5000(a) of the Commission's Rules, 47 CFR § 1.5000 (a). Petitions for declaratory ruling may be filed electronically on the Internet through the International Bureau Filing System (IBFS) (with a copy attached hereto).

If checked, and if the Applicant is relying on an affiliate's ruling for purposes of filing this application, include in the attachment required by Item 47 or Item 48a the citation(s) of the applicable declaratory ruling(s) by DA/FCC number, the FCC Record citation, if available, release date, and a statement that the Applicant is in compliance with the terms and conditions of the named affiliate's ruling and with the Commission's Rules. The Applicant must also include a certification of compliance signed by the named affiliate or other qualified entity as specified in 47 CFR § 1.5004(b). See Main Form Instructions for Items 47 or 48a, as applicable.

The Applicant has not received a declaratory ruling approving its foreign ownership and is requesting a declaratory ruling under 47 CFR § 1.5004(b) in a petition filed contemporaneously with the Commission.

If checked, include in the attachment required by Item 47 or 48a a copy of the petition for declaratory ruling filed contemporaneously with the Commission pursuant to 47 CFR § 1.5004(b). Petitions for declaratory ruling may be filed electronically on the Internet through the International Bureau Filing System (IBFS) (with a copy attached hereto).

Basic Qualification Questions

49) Has the Applicant or any party to this application had any FCC station authorization, license or construction permit revoked or had any application for an initial, modification or renewal of FCC station authorization, license, or construction permit denied by the Commission?	(<input type="checkbox"/>) <u>Yes</u> <u>No</u>
50) Has the Applicant or any party to this application, or any party directly or indirectly controlling the Applicant, ever been convicted of a felony by any state or federal court?	(<input type="checkbox"/>) <u>Yes</u> <u>No</u>
51) Has any court finally adjudged the Applicant or any party directly or indirectly controlling the Applicant guilty of unlawfully monopolizing or attempting unlawfully to monopolize radio communication, directly or indirectly, through control of manufacture or sale of radio apparatus, exclusive traffic arrangement, or any other means or unfair methods of competition?	(<input type="checkbox"/>) <u>Yes</u> <u>No</u>

Note: If the answer to any of 49-51 is 'Y', attach an exhibit explaining the circumstances.

Aeronautical Advisory Station (Unicom) Certification

52) (<input type="checkbox"/>) I certify that the station will be located on property of the airport to be served, and, in cases where the airport does not have a control tower, RCO, or FAA flight service station, that I have notified the owner of the airport and all aviation service organizations located at the airport within ten days prior to application.

Broadband Radio Service and Educational Broadband Service Cable Cross-Ownership

53a) Will the requested facilities be used to provide multichannel video programming service?	(<input type="checkbox"/>) <u>Yes</u> <u>No</u>
53b) If the answer to question 53a is 'Y', does the Applicant operate, control or have an attributable interest (as defined in 47 CFR § 27.1202) in a cable television system whose franchise area is located within the geographic service area of the requested facilities?	(<input type="checkbox"/>) <u>Yes</u> <u>No</u>

Note: If the answer to question 53b is 'Y', attach an exhibit explaining how the Applicant complies with 47 CFR § 27.1202 or justifying a waiver of that rule. If a waiver of the Commission Rule(s) is being requested, Item 11a must be answered 'Y'.

Broadband Radio Service and Educational Broadband Service (Part 27)

54) (For EBS only) Does the Applicant comply with the programming requirements contained in 47 CFR § 27.1203?	(<input type="checkbox"/>) <u>Yes</u> <u>No</u>
Note: If the answer to item 54 is 'N', attach an exhibit explaining how the Applicant complies with 47 CFR § 27.1203 of the Commission's Rules or justifying a waiver of that rule. If a waiver of the Commission Rule(s) is being requested, Item 11a must be answered 'Y'.	
55) (For BRS and EBS) Does the Applicant comply with 47 CFR §§ 27.50, 27.55, and 27.1221?	(<input type="checkbox"/>) <u>Yes</u> <u>No</u>
Note: If the answer to item 55 is 'N', attach an exhibit justifying a waiver of that rule(s). If a waiver of the Commission Rule(s) is being requested, Item 11a must be answered 'Y'.	

For Applicants Who Participated in an Auction

56) Is the Applicant a qualifying rural wireless partnership or a member of a qualifying rural wireless partnership?	(<input type="checkbox"/>) <u>Yes</u> <u>No</u>
Note: If the answer to item 56 is 'Y', attach an exhibit listing all members of the qualifying rural wireless partnership, including their FRN numbers.	

For Renewal Applicants**57) Operation/Performance Requirement Certification**

[For a site-based license]: Applicant certifies that it is continuing to operate consistent with its most recently filed construction notification (or most recent authorization, if no construction notification was required).	(<input type="checkbox"/>) <u>Yes</u> <u>No</u>
[For a geographic license, commercial service - licensee in its initial license term with an interim performance requirement]: Applicant certifies that it has met its interim performance requirement, that over the portion of the license term following the interim performance requirement, it continues to use its facilities to provide at least the level of service required by its interim performance requirement, it has met its final performance requirement, and it continues to use its facilities to provide at least the level of service required by its final performance requirement through the end of the license term.	(<input type="checkbox"/>) <u>Yes</u> <u>No</u>
[For a geographic license, commercial service - licensee in its initial license term with no interim performance requirement]: Applicant certifies that it has met its final performance requirement and it continues to use its facilities to provide at least the level of service required by its final performance requirement through the end of the license term. [Note: licensee must provide a showing demonstrating that the final performance requirement has been met, either separately in a timely application for notification of completion of construction, or as part of its renewal application, depending on the radio service.]	(<input type="checkbox"/>) <u>Yes</u> <u>No</u>
[For a geographic license, commercial service - licensee in any subsequent term]: Applicant certifies that it continues to use its facilities to provide at least the level of service required by its final performance requirement through the end of any subsequent license terms.	(<input type="checkbox"/>) <u>Yes</u> <u>No</u>
[For a geographic license, private systems - licensee in its initial license term with an interim performance requirement]: Applicant certifies that it has met its interim performance requirement, that over the portion of the license term following the interim performance requirement, it continues to use its facilities to further its private business or public interest/public safety communications needs at or above the level required to meet its interim performance requirement, it has met its final performance requirement, and it continues to use its facilities to provide at least the level of operation required by its final performance requirement through the end of the license term.	(<input type="checkbox"/>) <u>Yes</u> <u>No</u>
[For a geographic license, private systems - licensee in its initial license term with no interim performance requirement]: Applicant certifies that it has met its final performance requirement, it continues to use its facilities to further its private business or public interest/public safety communications needs, and it continues to use its facilities to provide at least the level of operation required by its final performance requirement through the end of the license term. [Note: licensee must provide a showing demonstrating that the final performance requirement has been met, either separately in a timely application for notification of completion of construction, or as part of its renewal application, depending on the radio service.]	(<input type="checkbox"/>) <u>Yes</u> <u>No</u>

[For a geographic license, private systems - licensee in any subsequent term]: Applicant certifies that it continues to use its facilities to further its private business or public interest/public safety communications needs at or above the level required to meet its final performance requirement through the end of any subsequent license terms.	(<input type="checkbox"/>) <u>Yes</u> <u>No</u>
[For a partitioned or disaggregated license without a performance requirement, for the first renewal application filed after effective date of the rules]: Applicant certifies that the partitioned and/or disaggregated license that is the subject of this renewal application has no separate performance requirement and that this is the first renewal of this license filed subsequent to the effective date of the rules.	(<input type="checkbox"/>) <u>Yes</u> <u>No</u>
[For a partitioned or disaggregated license without a performance requirement, for any subsequent renewal filings]: Applicant certifies that it continues to use its facilities to provide service or to further the applicant's private business or public interest/public safety needs.	(<input type="checkbox"/>) <u>Yes</u> <u>No</u>

Discontinuance of Service Certification

58) Applicant certifies that no permanent discontinuance of service or operation, as applicable, occurred during its current license term. Note: If the response to either item 57 or item 58 is 'N', attach an exhibit that demonstrates that over the course of the license term, the Applicant provided and continues to provide service to the public, or operated and continues to operate the license to meet the Applicant's private business or public interest/public safety communications needs. This exhibit must include a detailed description of the Applicant's provision of service or, when allowed under the relevant service rules or pursuant to waiver, use of the spectrum for private business or public interest/public safety communications needs, during the entire license period and address, as applicable: 1) the level and quality of service provided by the applicant (e.g., the population served, the area served, the number of subscribers, the services offered); (2) the date service commenced, whether service was ever interrupted, and the duration of any interruption or outage; (3) the extent to which service is provided to rural areas; (4) the extent to which service is provided to qualifying tribal land as defined in 47 CFR § 1.2110(e)(3)(i); and (5) any other factors associated with the level of service to the public. The licensee may note in its exhibit: 1) any grant(s) of waiver or extension of a performance deadline or license renewal subject to meeting a performance requirement; or 2) if the final performance deadline and/or expiration date for the license accelerated because the licensee did not meet an interim performance requirement.	(<input type="checkbox"/>) <u>Yes</u> <u>No</u>
--	---

Regulatory Compliance Certification [same for all]

59) Applicant certifies that it has substantially complied with all applicable FCC rules, policies, and the Communications Act of 1934, as amended. Note: If the response to item 59 is 'N', attach an exhibit explaining the circumstances and demonstrating why Applicant's license should be renewed.	(<input type="checkbox"/>) <u>Yes</u> <u>No</u>
--	---

General Certification Statements

1) The Applicant waives any claim to the use of any particular frequency or of the electromagnetic spectrum as against the regulatory power of the United States because of the previous use of the same, whether by license or otherwise, and requests an authorization in accordance with this application.
2) The Applicant certifies that grant of this application would not cause the Applicant to be in violation of any pertinent cross-ownership or attribution rules.* *If the Applicant has sought a waiver of any such rule in connection with this application, it may make this certification subject to the outcome of the waiver request.
3) The Applicant certifies that all statements made in this application and in the exhibits, attachments, or documents incorporated by reference are material, are part of this application, and are true, complete, correct, and made in good faith.
4) The Applicant certifies that neither the Applicant nor any other party to the application is subject to a denial of Federal benefits pursuant to § 5301 of the Anti-Drug Abuse Act of 1988, 21 U.S.C. § 862, because of a conviction for possession or distribution of a controlled substance. This certification does not apply to applications filed in services exempted under § 1.2002(c) of the rules, 47 CFR § 1.2002(c). See 47 CFR § 1.2002(b) for the definition of "party to the application" as used in this certification.
5) The Applicant certifies that it either (1) has current required ownership data on file with the Commission, (2) is filing updated ownership data simultaneously with this application, or (3) is not required to file ownership data under the Commission's Rules.
6) The Applicant certifies that the facilities, operations, and transmitters for which this authorization is hereby requested are either: (1) categorically excluded from routine environmental evaluation for RF exposure as set forth in 47 CFR § 1.1307(b); or, (2) have been found not to cause human exposure to levels of radiofrequency radiation in excess of the limits specified in 47 CFR §§ 1.1310 and 2.1093; or, (3) are the subject of one or more Environmental Assessments filed with the Commission.
7) The Applicant certifies that it has reviewed the appropriate Commission Rules defining eligibility to hold the requested license(s) and is eligible to hold the requested license(s).
8) The Applicant certifies that it is not in default on any payment for Commission licenses and that it is not delinquent on any non-tax debt owed to any federal agency.
9) The Applicant certifies that the Applicant and all of the related individuals and entities required to be disclosed on this application and FCC Form 602 (FCC Ownership Disclosure Information for the Wireless Telecommunications Services) are not person(s) who have been, for reasons of national security, barred by any agency of the Federal Government from bidding on a contract, participating in an auction, or receiving a grant. This certification applies only to applications for licenses for spectrum that is required by Sections 6103, 6401-6403 of the Middle Class Tax Relief and Job Creation Act of 2012, codified at 47 U.S.C. §§ 309, 1413, 1451-1452, to be assigned by a system of competitive bidding under 47 U.S.C. § 309(j).

Signature

60) Typed or Printed Name of Party Authorized to Sign

First Name: Cecil	MI: J	Last Name: Mathew	Suffix:
61) Title: Assistant Secretary - Compliance			
Signature: Cecil J Mathew			62) Date: 01/13/2023
FAILURE TO SIGN THIS APPLICATION MAY RESULT IN DISMISSAL OF THE APPLICATION AND FORFEITURE OF ANY FEES PAID.			
Upon grant of this license application, the Licensee may be subject to certain construction or coverage requirements. Failure to meet the construction or coverage requirements will result in termination of the license. Consult appropriate FCC regulations to determine the construction or coverage requirements that apply to the type of license requested in this application.			
WILLFUL FALSE STATEMENTS MADE ON THIS FORM OR ANY ATTACHMENTS ARE PUNISHABLE BY FINE AND/OR IMPRISONMENT (U.S. Code, Title 18, § 1001) AND/OR REVOCATION OF ANY STATION LICENSE OR CONSTRUCTION PERMIT (U.S. Code, Title 47, § 312(a)(1)), AND/OR FORFEITURE (U.S. Code, Title 47, § 503).			

REFERENCE COPY

This is not an official FCC license. It is a record of public information contained in the FCC's licensing database on the date that this reference copy was generated. In cases where FCC rules require the presentation, posting, or display of an FCC license, this document may not be used in place of an official FCC license.



Federal Communications Commission
Wireless Telecommunications Bureau

RADIO STATION AUTHORIZATION

LICENSEE: NEW CINGULAR WIRELESS PCS, LLC

ATTN: FCC GROUP
NEW CINGULAR WIRELESS PCS, LLC
208 S. AKARD ST. 20F
DALLAS, TX 75202

Table with Call Sign (KNLH398), File Number, and Radio Service (CW - PCS Broadband).

FCC Registration Number (FRN): 0003291192

Table with columns: Grant Date, Effective Date, Expiration Date, Print Date, Market Number, Channel Block, Sub-Market Designator, Market Name, 1st Build-out Date, 2nd Build-out Date, 3rd Build-out Date, 4th Build-out Date.

Waivers/Conditions:

This authorization is subject to the condition that, in the event that systems using the same frequencies as granted herein are authorized in an adjacent foreign territory (Canada/United States), future coordination of any base station transmitters within 72 km (45 miles) of the United States/Canada border shall be required to eliminate any harmful interference to operations in the adjacent foreign territory and to ensure continuance of equal access to the frequencies by both countries.

Conditions:

Pursuant to §309(h) of the Communications Act of 1934, as amended, 47 U.S.C. §309(h), this license is subject to the following conditions: This license shall not vest in the licensee any right to operate the station nor any right in the use of the frequencies designated in the license beyond the term thereof nor in any other manner than authorized herein.

This license may not authorize operation throughout the entire geographic area or spectrum identified on the hardcopy version. To view the specific geographic area and spectrum authorized by this license, refer to the Spectrum and Market Area information under the Market Tab of the license record in the Universal Licensing System (ULS).

Licensee Name: NEW CINGULAR WIRELESS PCS, LLC

Call Sign: KNLH398

File Number:

Print Date:

700 MHz Relicensed Area Information:

Market	Market Name	Buildout Deadline	Buildout Notification	Status
---------------	--------------------	--------------------------	------------------------------	---------------

Report
Reference
Copy

Reference Copy Only. Do Not Mail to the FCC as an Application.

Submitted: 01/13/2023 at 08:55:27
 File Number: 0010359082

FCC 601
Main Form

FCC Application for Radio Service Authorization: Wireless Telecommunications Bureau Public Safety and Homeland Security Bureau

Approved by OMB
 3060 - 0798
 See instructions for
 public burden estimate

1) Radio Service Code: <p style="text-align: center;">CW</p>	1a) Existing Radio Service Code:
--	----------------------------------

General Information

2) (Select only one) (AU) NE - New RO - Renewal Only AU - Administrative Update NT - Required Notifications MD - Modification RM - Renewal/Modification WD - Withdrawal of Application EX - Requests for Extension of Time AM - Amendment CA - Cancellation of License RL - Registered Location/Link	
3a) If this application is for a Demonstration License or a Special Temporary Authorization (STA) , enter the code and attach the required exhibit as described in the instructions. Otherwise enter ' N/A ' (Not Applicable).	(N) <u>M</u> <u>S</u> <u>N/A</u>
3b) If this application is for Special Temporary Authority due to an emergency situation, enter 'Y'; otherwise enter 'N'. Refer to Rule 1.915 for an explanation of situations considered to be an emergency.	() <u>Y</u> <u>N</u>
4) If this application is for an Amendment or Withdrawal, enter the file number of the pending application currently on file with the FCC.	File Number
5) If this application is for a Modification, Renewal Only, Renewal/Modification, Cancellation of License, , or Administrative Update, enter the call sign of the existing FCC license. If this is a request for Registered Location/Link, enter the FCC call sign assigned to the geographic license.	Call Sign KNLH398
6a) If this application is for a New, Amendment, Renewal Only, or Renewal/Modification, enter the requested authorization expiration date (this item is optional).	MM DD _____ / _____
6b) If this application is for a Renewal Only or Renewal/Modification and the license is a geographic area license, is the license used to provide service to customers (C), or is the license used for private business (internal) purposes or to meet the licensee's public interest/public safety communications needs (P)?	() <u>C</u> <u>P</u>
7) Is this application "major" as defined in § 1.929 of the Commission's Rules when read in conjunction with the applicable radio service rules found in Parts 22 and 90 of the Commission's Rules? (NOTE: This question only applies to certain site-specific applications. See the instructions for applicability and full text of § 1.929).	() <u>Y</u> <u>N</u>
8) Are attachments (other than associated schedules) being filed with this application?	() <u>Y</u> <u>N</u>

Fees, Waivers, and Exemptions

9) Is the Applicant exempt from FCC application fees?	(N) <u>Y</u> <u>N</u>
10) Is the Applicant exempt from FCC regulatory fees?	(N) <u>Y</u> <u>N</u>
11) Does this application include a request for a Waiver of the Commission's Rule(s)? If 'Yes', attach an exhibit providing rule number(s) and explaining circumstances.	(N) <u>Y</u> <u>N</u>
12) Are the frequencies or parameters requested in this filing covered by grandfathered privileges, previously approved by waiver, or functionally integrated with an existing station?	() <u>Y</u> <u>N</u>

Applicant Information

13) FCC Registration Number (FRN): 0003291192			
14) Applicant/Licensee Legal Entity Type: (Select One) () Individual () Unincorporated Association () Trust () Government Entity () Corporation (<input checked="" type="checkbox"/>) Limited Liability Company () General Partnership () Limited Partnership () Limited Liability Partnership () Consortium () Other: _____			
15) If the Licensee name is being updated, is the update a result from the sale (or transfer of control) of the license(s) to party and for which proper Commission approval has not been received or proper notification not provided?			() <u>Yes</u> <u>No</u>
16) First Name (if individual):	MI:	Last Name:	Suffix:
17) Legal Entity Name (if other than individual): NEW CINGULAR WIRELESS PCS, LLC			
18) Attention To: Cecil J Mathew			
19) P.O. Box:	And/Or	20) Street Address: 208 S. Akard St. 20F	
21) City: Dallas	22) State: TX	23) Zip Code: 75202	
24) Telephone Number: (855)699-7073		25) Fax: (214)746-6410	
26) E-Mail Address: FCCMW@att.com			

27) Demographics (Optional)

Race: () American Indian or Alaska Native () Asian () Black or African-American () Native Hawaiian or Other Pacific Islander () White	Ethnicity: () Hispanic or Latino () Not Hispanic or Latino	Gender: () Male () Female
---	--	-----------------------------------

Real Party in Interest

28) Name of Real Party in Interest of Applicant (If different from Applicant):	29) FCC Registration Number (FRN) of Real Party in Interest:
--	--

Contact Information (If different from the Applicant)**() Check here if same as Applicant.**

30) First Name: Cecil	MI: J	Last Name: Mathew	Suffix:
31) Company Name: AT&T Services, LLC			
32) Attention To: FCC Group			
33) P.O. Box:	And /Or	34) Street Address: 208 S. Akard St. 20F	
35) City: Dallas	36) State: TX	37) Zip Code: 75202	
38) Telephone Number: (855)699-7073		39) Fax: (214)746-6410	
40) E-Mail Address: FCCMW@att.com			

Regulatory Status

41) This filing is for authorization to provide or use the following type(s) of radio service offering (enter all that apply):
() Common Carrier () Non-Common Carrier () Private, internal communications () Broadcast Services () Band Manager

Type of Radio Service

42) This filing is for authorization to provide the following type(s) of radio service (choose all that apply):
() Fixed () Mobile () Radiolocation () Satellite (sound) () Broadcast Services
43) Does the Applicant propose to provide service interconnected to the public telephone network? () Yes () No

Alien Ownership Questions (If any answer is 'Y', provide an attachment explaining the circumstances. In preparing the attachment, refer to the Main Form Instructions for the "Alien Ownership Questions".)

44) Is the Applicant a foreign government or the representative of any foreign government? () Yes () No
45) Is the Applicant an alien or the representative of an alien? () Yes () No
46) Is the Applicant a corporation organized under the laws of any foreign government? () Yes () No
47) Is the Applicant a corporation of which more than one-fifth of the capital stock is owned of record or voted by aliens or their representatives, or by a foreign government or representative thereof, or by any corporation organized under the laws of a foreign country? () Yes () No

48a) Is the Applicant directly or indirectly controlled by any other corporation of which more than one-fourth of the capital stock () Yes No is owned of record or voted by aliens or their representatives, or by a foreign government or representative thereof, or by any corporation organized under the laws of a foreign country?

48b) If the answer to 47 or 48a is 'Y' select one of the choices below.

The Applicant is exempt from the provisions of Section 310(b).

If checked, it is not necessary to file a petition for declaratory ruling if the Applicant includes in the attachment required by Item 47 or Item 48a a showing that the requested license(s) is exempt from the provisions of Section 310(b).

The Applicant has received a declaratory ruling(s) approving its foreign ownership, and the application involves only the acquisition of additional spectrum for the provision of a wireless service in a geographic coverage area for which the Applicant has been previously authorized.

If checked, include in the attachment required by Item 47 or Item 48a the citation(s) of the applicable declaratory ruling(s) by DA/FCC number, the FCC Record citation, if available, release date, and a statement that there has been no change in the foreign ownership of the Applicant since the issuance of its ruling.

The Applicant: (i) has received a declaratory ruling(s) approving its foreign ownership, but is not able to make the certification specified immediately above; or (ii) is an "affiliate" of a Licensee or Lessee/Sublessee that received a declaratory ruling(s) under 47 CFR § 1.5000(a) and is relying on the affiliate's ruling for purposes of filing this application as permitted under the affiliate's ruling and 47 CFR § 1.5004(b)

If checked, and if the Applicant received its declaratory ruling(s) on or after August 9, 2013, include in the attachment required by Item 47 or Item 48a the citation(s) of the Applicant's declaratory ruling(s) by DA/FCC number, the FCC Record citation, if available, release date, and a statement that the Applicant is in compliance with the terms and conditions of its ruling and with the Commission's Rules.

If checked, and if the Applicant received its declaratory ruling(s) prior to August 9, 2013, include in the attachment required by Item 48a a copy of a petition for declaratory ruling filed contemporaneously with the Commission to extend the Applicant's existing ruling(s) to cover the same radio service(s) and geographic coverage area(s) involved in the application. Alternatively, the Applicant may request a new declaratory ruling pursuant to Section 1.5000(a) of the Commission's Rules, 47 CFR § 1.5000 (a). Petitions for declaratory ruling may be filed electronically on the Internet through the International Bureau Filing System (IBFS) (with a copy attached hereto).

If checked, and if the Applicant is relying on an affiliate's ruling for purposes of filing this application, include in the attachment required by Item 47 or Item 48a the citation(s) of the applicable declaratory ruling(s) by DA/FCC number, the FCC Record citation, if available, release date, and a statement that the Applicant is in compliance with the terms and conditions of the named affiliate's ruling and with the Commission's Rules. The Applicant must also include a certification of compliance signed by the named affiliate or other qualified entity as specified in 47 CFR § 1.5004(b). See Main Form Instructions for Items 47 or 48a, as applicable.

The Applicant has not received a declaratory ruling approving its foreign ownership and is requesting a declaratory ruling under 47 CFR § 1.5004(b) in a petition filed contemporaneously with the Commission.

If checked, include in the attachment required by Item 47 or 48a a copy of the petition for declaratory ruling filed contemporaneously with the Commission pursuant to 47 CFR § 1.5004(b). Petitions for declaratory ruling may be filed electronically on the Internet through the International Bureau Filing System (IBFS) (with a copy attached hereto).

Basic Qualification Questions

49) Has the Applicant or any party to this application had any FCC station authorization, license or construction permit revoked or had any application for an initial, modification or renewal of FCC station authorization, license, or construction permit denied by the Commission?	(<input type="checkbox"/>) <u>Yes</u> <u>No</u>
50) Has the Applicant or any party to this application, or any party directly or indirectly controlling the Applicant, ever been convicted of a felony by any state or federal court?	(<input type="checkbox"/>) <u>Yes</u> <u>No</u>
51) Has any court finally adjudged the Applicant or any party directly or indirectly controlling the Applicant guilty of unlawfully monopolizing or attempting unlawfully to monopolize radio communication, directly or indirectly, through control of manufacture or sale of radio apparatus, exclusive traffic arrangement, or any other means or unfair methods of competition?	(<input type="checkbox"/>) <u>Yes</u> <u>No</u>

Note: If the answer to any of 49-51 is 'Y', attach an exhibit explaining the circumstances.

Aeronautical Advisory Station (Unicom) Certification

52) (<input type="checkbox"/>) I certify that the station will be located on property of the airport to be served, and, in cases where the airport does not have a control tower, RCO, or FAA flight service station, that I have notified the owner of the airport and all aviation service organizations located at the airport within ten days prior to application.

Broadband Radio Service and Educational Broadband Service Cable Cross-Ownership

53a) Will the requested facilities be used to provide multichannel video programming service?	(<input type="checkbox"/>) <u>Yes</u> <u>No</u>
53b) If the answer to question 53a is 'Y', does the Applicant operate, control or have an attributable interest (as defined in 47 CFR § 27.1202) in a cable television system whose franchise area is located within the geographic service area of the requested facilities?	(<input type="checkbox"/>) <u>Yes</u> <u>No</u>

Note: If the answer to question 53b is 'Y', attach an exhibit explaining how the Applicant complies with 47 CFR § 27.1202 or justifying a waiver of that rule. If a waiver of the Commission Rule(s) is being requested, Item 11a must be answered 'Y'.

Broadband Radio Service and Educational Broadband Service (Part 27)

54) (For EBS only) Does the Applicant comply with the programming requirements contained in 47 CFR § 27.1203?	(<input type="checkbox"/>) <u>Yes</u> <u>No</u>
Note: If the answer to item 54 is 'N', attach an exhibit explaining how the Applicant complies with 47 CFR § 27.1203 of the Commission's Rules or justifying a waiver of that rule. If a waiver of the Commission Rule(s) is being requested, Item 11a must be answered 'Y'.	
55) (For BRS and EBS) Does the Applicant comply with 47 CFR §§ 27.50, 27.55, and 27.1221?	(<input type="checkbox"/>) <u>Yes</u> <u>No</u>
Note: If the answer to item 55 is 'N', attach an exhibit justifying a waiver of that rule(s). If a waiver of the Commission Rule(s) is being requested, Item 11a must be answered 'Y'.	

For Applicants Who Participated in an Auction

56) Is the Applicant a qualifying rural wireless partnership or a member of a qualifying rural wireless partnership?	(<input type="checkbox"/>) <u>Yes</u> <u>No</u>
Note: If the answer to item 56 is 'Y', attach an exhibit listing all members of the qualifying rural wireless partnership, including their FRN numbers.	

For Renewal Applicants

57) Operation/Performance Requirement Certification	
[For a site-based license]: Applicant certifies that it is continuing to operate consistent with its most recently filed construction notification (or most recent authorization, if no construction notification was required).	(<input type="checkbox"/>) <u>Yes</u> <u>No</u>
[For a geographic license, commercial service - licensee in its initial license term with an interim performance requirement]: Applicant certifies that it has met its interim performance requirement, that over the portion of the license term following the interim performance requirement, it continues to use its facilities to provide at least the level of service required by its interim performance requirement, it has met its final performance requirement, and it continues to use its facilities to provide at least the level of service required by its final performance requirement through the end of the license term.	(<input type="checkbox"/>) <u>Yes</u> <u>No</u>
[For a geographic license, commercial service - licensee in its initial license term with no interim performance requirement]: Applicant certifies that it has met its final performance requirement and it continues to use its facilities to provide at least the level of service required by its final performance requirement through the end of the license term. [Note: licensee must provide a showing demonstrating that the final performance requirement has been met, either separately in a timely application for notification of completion of construction, or as part of its renewal application, depending on the radio service.]	(<input type="checkbox"/>) <u>Yes</u> <u>No</u>
[For a geographic license, commercial service - licensee in any subsequent term]: Applicant certifies that it continues to use its facilities to provide at least the level of service required by its final performance requirement through the end of any subsequent license terms.	(<input type="checkbox"/>) <u>Yes</u> <u>No</u>
[For a geographic license, private systems - licensee in its initial license term with an interim performance requirement]: Applicant certifies that it has met its interim performance requirement, that over the portion of the license term following the interim performance requirement, it continues to use its facilities to further its private business or public interest/public safety communications needs at or above the level required to meet its interim performance requirement, it has met its final performance requirement, and it continues to use its facilities to provide at least the level of operation required by its final performance requirement through the end of the license term.	(<input type="checkbox"/>) <u>Yes</u> <u>No</u>
[For a geographic license, private systems - licensee in its initial license term with no interim performance requirement]: Applicant certifies that it has met its final performance requirement, it continues to use its facilities to further its private business or public interest/public safety communications needs, and it continues to use its facilities to provide at least the level of operation required by its final performance requirement through the end of the license term. [Note: licensee must provide a showing demonstrating that the final performance requirement has been met, either separately in a timely application for notification of completion of construction, or as part of its renewal application, depending on the radio service.]	(<input type="checkbox"/>) <u>Yes</u> <u>No</u>

[For a geographic license, private systems - licensee in any subsequent term]: Applicant certifies that it continues to use its facilities to further its private business or public interest/public safety communications needs at or above the level required to meet its final performance requirement through the end of any subsequent license terms.	(<input type="checkbox"/>) <u>Yes</u> <u>No</u>
[For a partitioned or disaggregated license without a performance requirement, for the first renewal application filed after effective date of the rules]: Applicant certifies that the partitioned and/or disaggregated license that is the subject of this renewal application has no separate performance requirement and that this is the first renewal of this license filed subsequent to the effective date of the rules.	(<input type="checkbox"/>) <u>Yes</u> <u>No</u>
[For a partitioned or disaggregated license without a performance requirement, for any subsequent renewal filings]: Applicant certifies that it continues to use its facilities to provide service or to further the applicant's private business or public interest/public safety needs.	(<input type="checkbox"/>) <u>Yes</u> <u>No</u>

Discontinuance of Service Certification

58) Applicant certifies that no permanent discontinuance of service or operation, as applicable, occurred during its current license term. Note: If the response to either item 57 or item 58 is 'N', attach an exhibit that demonstrates that over the course of the license term, the Applicant provided and continues to provide service to the public, or operated and continues to operate the license to meet the Applicant's private business or public interest/public safety communications needs. This exhibit must include a detailed description of the Applicant's provision of service or, when allowed under the relevant service rules or pursuant to waiver, use of the spectrum for private business or public interest/public safety communications needs, during the entire license period and address, as applicable: 1) the level and quality of service provided by the applicant (e.g., the population served, the area served, the number of subscribers, the services offered); (2) the date service commenced, whether service was ever interrupted, and the duration of any interruption or outage; (3) the extent to which service is provided to rural areas; (4) the extent to which service is provided to qualifying tribal land as defined in 47 CFR § 1.2110(e)(3)(i); and (5) any other factors associated with the level of service to the public. The licensee may note in its exhibit: 1) any grant(s) of waiver or extension of a performance deadline or license renewal subject to meeting a performance requirement; or 2) if the final performance deadline and/or expiration date for the license accelerated because the licensee did not meet an interim performance requirement.	(<input type="checkbox"/>) <u>Yes</u> <u>No</u>
--	---

Regulatory Compliance Certification [same for all]

59) Applicant certifies that it has substantially complied with all applicable FCC rules, policies, and the Communications Act of 1934, as amended. Note: If the response to item 59 is 'N', attach an exhibit explaining the circumstances and demonstrating why Applicant's license should be renewed.	(<input type="checkbox"/>) <u>Yes</u> <u>No</u>
--	---

General Certification Statements

1) The Applicant waives any claim to the use of any particular frequency or of the electromagnetic spectrum as against the regulatory power of the United States because of the previous use of the same, whether by license or otherwise, and requests an authorization in accordance with this application.
2) The Applicant certifies that grant of this application would not cause the Applicant to be in violation of any pertinent cross-ownership or attribution rules.* *If the Applicant has sought a waiver of any such rule in connection with this application, it may make this certification subject to the outcome of the waiver request.
3) The Applicant certifies that all statements made in this application and in the exhibits, attachments, or documents incorporated by reference are material, are part of this application, and are true, complete, correct, and made in good faith.
4) The Applicant certifies that neither the Applicant nor any other party to the application is subject to a denial of Federal benefits pursuant to § 5301 of the Anti-Drug Abuse Act of 1988, 21 U.S.C. § 862, because of a conviction for possession or distribution of a controlled substance. This certification does not apply to applications filed in services exempted under § 1.2002(c) of the rules, 47 CFR § 1.2002(c). See 47 CFR § 1.2002(b) for the definition of "party to the application" as used in this certification.
5) The Applicant certifies that it either (1) has current required ownership data on file with the Commission, (2) is filing updated ownership data simultaneously with this application, or (3) is not required to file ownership data under the Commission's Rules.
6) The Applicant certifies that the facilities, operations, and transmitters for which this authorization is hereby requested are either: (1) categorically excluded from routine environmental evaluation for RF exposure as set forth in 47 CFR § 1.1307(b); or, (2) have been found not to cause human exposure to levels of radiofrequency radiation in excess of the limits specified in 47 CFR §§ 1.1310 and 2.1093; or, (3) are the subject of one or more Environmental Assessments filed with the Commission.
7) The Applicant certifies that it has reviewed the appropriate Commission Rules defining eligibility to hold the requested license(s) and is eligible to hold the requested license(s).
8) The Applicant certifies that it is not in default on any payment for Commission licenses and that it is not delinquent on any non-tax debt owed to any federal agency.
9) The Applicant certifies that the Applicant and all of the related individuals and entities required to be disclosed on this application and FCC Form 602 (FCC Ownership Disclosure Information for the Wireless Telecommunications Services) are not person(s) who have been, for reasons of national security, barred by any agency of the Federal Government from bidding on a contract, participating in an auction, or receiving a grant. This certification applies only to applications for licenses for spectrum that is required by Sections 6103, 6401-6403 of the Middle Class Tax Relief and Job Creation Act of 2012, codified at 47 U.S.C. §§ 309, 1413, 1451-1452, to be assigned by a system of competitive bidding under 47 U.S.C. § 309(j).

Signature

60) Typed or Printed Name of Party Authorized to Sign

First Name: Cecil	MI: J	Last Name: Mathew	Suffix:
61) Title: Assistant Secretary - Compliance			
Signature: Cecil J Mathew			62) Date: 01/13/2023
FAILURE TO SIGN THIS APPLICATION MAY RESULT IN DISMISSAL OF THE APPLICATION AND FORFEITURE OF ANY FEES PAID.			
Upon grant of this license application, the Licensee may be subject to certain construction or coverage requirements. Failure to meet the construction or coverage requirements will result in termination of the license. Consult appropriate FCC regulations to determine the construction or coverage requirements that apply to the type of license requested in this application.			
WILLFUL FALSE STATEMENTS MADE ON THIS FORM OR ANY ATTACHMENTS ARE PUNISHABLE BY FINE AND/OR IMPRISONMENT (U.S. Code, Title 18, § 1001) AND/OR REVOCATION OF ANY STATION LICENSE OR CONSTRUCTION PERMIT (U.S. Code, Title 47, § 312(a)(1)), AND/OR FORFEITURE (U.S. Code, Title 47, § 503).			

ereference Copy

Reference Copy Only. Do Not Mail to the FCC as an Application.

Submitted: 01/13/2023 at 18:08:22
 File Number: 0010367813

FCC 601
Main Form

FCC Application for Radio Service Authorization: Wireless Telecommunications Bureau Public Safety and Homeland Security Bureau

Approved by OMB
 3060 - 0798
 See instructions for
 public burden estimate

1) Radio Service Code: <p style="text-align: center;">CW</p>	1a) Existing Radio Service Code:
--	----------------------------------

General Information

2) (Select only one) (AU) NE - New RO - Renewal Only AU - Administrative Update NT - Required Notifications MD - Modification RM - Renewal/Modification WD - Withdrawal of Application EX - Requests for Extension of Time AM - Amendment CA - Cancellation of License RL - Registered Location/Link	
3a) If this application is for a Demonstration License or a Special Temporary Authorization (STA) , enter the code and attach the required exhibit as described in the instructions. Otherwise enter ' N/A ' (Not Applicable).	(N) <u>M</u> <u>S</u> <u>N/A</u>
3b) If this application is for Special Temporary Authority due to an emergency situation, enter 'Y'; otherwise enter 'N'. Refer to Rule 1.915 for an explanation of situations considered to be an emergency.	() <u>Y</u> <u>N</u>
4) If this application is for an Amendment or Withdrawal, enter the file number of the pending application currently on file with the FCC.	File Number
5) If this application is for a Modification, Renewal Only, Renewal/Modification, Cancellation of License, , or Administrative Update, enter the call sign of the existing FCC license. If this is a request for Registered Location/Link, enter the FCC call sign assigned to the geographic license.	Call Sign KNLH398
6a) If this application is for a New, Amendment, Renewal Only, or Renewal/Modification, enter the requested authorization expiration date (this item is optional).	MM DD _____ / _____
6b) If this application is for a Renewal Only or Renewal/Modification and the license is a geographic area license, is the license used to provide service to customers (C), or is the license used for private business (internal) purposes or to meet the licensee's public interest/public safety communications needs (P)?	() <u>C</u> <u>P</u>
7) Is this application "major" as defined in § 1.929 of the Commission's Rules when read in conjunction with the applicable radio service rules found in Parts 22 and 90 of the Commission's Rules? (NOTE: This question only applies to certain site-specific applications. See the instructions for applicability and full text of § 1.929).	() <u>Y</u> <u>N</u>
8) Are attachments (other than associated schedules) being filed with this application?	() <u>Y</u> <u>N</u>

Fees, Waivers, and Exemptions

9) Is the Applicant exempt from FCC application fees?	(N) <u>Y</u> <u>N</u>
10) Is the Applicant exempt from FCC regulatory fees?	(N) <u>Y</u> <u>N</u>
11) Does this application include a request for a Waiver of the Commission's Rule(s)? If 'Yes', attach an exhibit providing rule number(s) and explaining circumstances.	(N) <u>Y</u> <u>N</u>
12) Are the frequencies or parameters requested in this filing covered by grandfathered privileges, previously approved by waiver, or functionally integrated with an existing station?	() <u>Y</u> <u>N</u>

Applicant Information

13) FCC Registration Number (FRN): 0003291192			
14) Applicant/Licensee Legal Entity Type: (Select One) <input type="checkbox"/> Individual <input type="checkbox"/> Unincorporated Association <input type="checkbox"/> Trust <input type="checkbox"/> Government Entity <input type="checkbox"/> Corporation <input checked="" type="checkbox"/> Limited Liability Company <input type="checkbox"/> General Partnership <input type="checkbox"/> Limited Partnership <input type="checkbox"/> Limited Liability Partnership <input type="checkbox"/> Consortium <input type="checkbox"/> Other: _____			
15) If the Licensee name is being updated, is the update a result from the sale (or transfer of control) of the license(s) to party and for which proper Commission approval has not been received or proper notification not provided?			<input type="checkbox"/> Yes <input checked="" type="checkbox"/> No
16) First Name (if individual):	MI:	Last Name:	Suffix:
17) Legal Entity Name (if other than individual): NEW CINGULAR WIRELESS PCS, LLC			
18) Attention To: FCC Group			
19) P.O. Box:	And/Or	20) Street Address: 208 S. Akard St. 20F	
21) City: Dallas	22) State: TX	23) Zip Code: 75202	
24) Telephone Number: (855)699-7073		25) Fax: (214)746-6410	
26) E-Mail Address: FCCMW@att.com			

27) Demographics (Optional)

Race: <input type="checkbox"/> American Indian or Alaska Native <input type="checkbox"/> Asian <input type="checkbox"/> Black or African-American <input type="checkbox"/> Native Hawaiian or Other Pacific Islander <input type="checkbox"/> White	Ethnicity: <input type="checkbox"/> Hispanic or Latino <input type="checkbox"/> Not Hispanic or Latino	Gender: <input type="checkbox"/> Male <input type="checkbox"/> Female
--	--	---

Real Party in Interest

28) Name of Real Party in Interest of Applicant (If different from Applicant):	29) FCC Registration Number (FRN) of Real Party in Interest:
--	--

Contact Information (If different from the Applicant) Check here if same as Applicant.

30) First Name: Cecil	MI: J	Last Name: Mathew	Suffix:
31) Company Name: AT&T Services, Inc.			
32) Attention To: FCC Group			
33) P.O. Box:	And /Or	34) Street Address: 208 S. Akard St. 20F	
35) City: Dallas	36) State: TX	37) Zip Code: 75202	
38) Telephone Number: (855)699-7073		39) Fax: (214)746-6410	
40) E-Mail Address: FCCMW@att.com			

Regulatory Status

41) This filing is for authorization to provide or use the following type(s) of radio service offering (enter all that apply):
() Common Carrier () Non-Common Carrier () Private, internal communications () Broadcast Services () Band Manager

Type of Radio Service

42) This filing is for authorization to provide the following type(s) of radio service (choose all that apply):
() Fixed () Mobile () Radiolocation () Satellite (sound) () Broadcast Services
43) Does the Applicant propose to provide service interconnected to the public telephone network? () Yes () No

Alien Ownership Questions (If any answer is 'Y', provide an attachment explaining the circumstances. In preparing the attachment, refer to the Main Form Instructions for the "Alien Ownership Questions".)

44) Is the Applicant a foreign government or the representative of any foreign government? () Yes () No
45) Is the Applicant an alien or the representative of an alien? () Yes () No
46) Is the Applicant a corporation organized under the laws of any foreign government? () Yes () No
47) Is the Applicant a corporation of which more than one-fifth of the capital stock is owned of record or voted by aliens or their representatives, or by a foreign government or representative thereof, or by any corporation organized under the laws of a foreign country? () Yes () No

48a) Is the Applicant directly or indirectly controlled by any other corporation of which more than one-fourth of the capital stock () Yes No is owned of record or voted by aliens or their representatives, or by a foreign government or representative thereof, or by any corporation organized under the laws of a foreign country?

48b) If the answer to 47 or 48a is 'Y' select one of the choices below.

The Applicant is exempt from the provisions of Section 310(b).

If checked, it is not necessary to file a petition for declaratory ruling if the Applicant includes in the attachment required by Item 47 or Item 48a a showing that the requested license(s) is exempt from the provisions of Section 310(b).

The Applicant has received a declaratory ruling(s) approving its foreign ownership, and the application involves only the acquisition of additional spectrum for the provision of a wireless service in a geographic coverage area for which the Applicant has been previously authorized.

If checked, include in the attachment required by Item 47 or Item 48a the citation(s) of the applicable declaratory ruling(s) by DA/FCC number, the FCC Record citation, if available, release date, and a statement that there has been no change in the foreign ownership of the Applicant since the issuance of its ruling.

The Applicant: (i) has received a declaratory ruling(s) approving its foreign ownership, but is not able to make the certification specified immediately above; or (ii) is an "affiliate" of a Licensee or Lessee/Sublessee that received a declaratory ruling(s) under 47 CFR § 1.5000(a) and is relying on the affiliate's ruling for purposes of filing this application as permitted under the affiliate's ruling and 47 CFR § 1.5004(b)

If checked, and if the Applicant received its declaratory ruling(s) on or after August 9, 2013, include in the attachment required by Item 47 or Item 48a the citation(s) of the Applicant's declaratory ruling(s) by DA/FCC number, the FCC Record citation, if available, release date, and a statement that the Applicant is in compliance with the terms and conditions of its ruling and with the Commission's Rules.

If checked, and if the Applicant received its declaratory ruling(s) prior to August 9, 2013, include in the attachment required by Item 48a a copy of a petition for declaratory ruling filed contemporaneously with the Commission to extend the Applicant's existing ruling(s) to cover the same radio service(s) and geographic coverage area(s) involved in the application. Alternatively, the Applicant may request a new declaratory ruling pursuant to Section 1.5000(a) of the Commission's Rules, 47 CFR § 1.5000 (a). Petitions for declaratory ruling may be filed electronically on the Internet through the International Bureau Filing System (IBFS) (with a copy attached hereto).

If checked, and if the Applicant is relying on an affiliate's ruling for purposes of filing this application, include in the attachment required by Item 47 or Item 48a the citation(s) of the applicable declaratory ruling(s) by DA/FCC number, the FCC Record citation, if available, release date, and a statement that the Applicant is in compliance with the terms and conditions of the named affiliate's ruling and with the Commission's Rules. The Applicant must also include a certification of compliance signed by the named affiliate or other qualified entity as specified in 47 CFR § 1.5004(b). See Main Form Instructions for Items 47 or 48a, as applicable.

The Applicant has not received a declaratory ruling approving its foreign ownership and is requesting a declaratory ruling under 47 CFR § 1.5004(b) in a petition filed contemporaneously with the Commission.

If checked, include in the attachment required by Item 47 or 48a a copy of the petition for declaratory ruling filed contemporaneously with the Commission pursuant to 47 CFR § 1.5004(b). Petitions for declaratory ruling may be filed electronically on the Internet through the International Bureau Filing System (IBFS) (with a copy attached hereto).

Basic Qualification Questions

49) Has the Applicant or any party to this application had any FCC station authorization, license or construction permit revoked or had any application for an initial, modification or renewal of FCC station authorization, license, or construction permit denied by the Commission?	(<input type="checkbox"/>) <u>Yes</u> <u>No</u>
50) Has the Applicant or any party to this application, or any party directly or indirectly controlling the Applicant, ever been convicted of a felony by any state or federal court?	(<input type="checkbox"/>) <u>Yes</u> <u>No</u>
51) Has any court finally adjudged the Applicant or any party directly or indirectly controlling the Applicant guilty of unlawfully monopolizing or attempting unlawfully to monopolize radio communication, directly or indirectly, through control of manufacture or sale of radio apparatus, exclusive traffic arrangement, or any other means or unfair methods of competition?	(<input type="checkbox"/>) <u>Yes</u> <u>No</u>

Note: If the answer to any of 49-51 is 'Y', attach an exhibit explaining the circumstances.

Aeronautical Advisory Station (Unicom) Certification

52) (<input type="checkbox"/>) I certify that the station will be located on property of the airport to be served, and, in cases where the airport does not have a control tower, RCO, or FAA flight service station, that I have notified the owner of the airport and all aviation service organizations located at the airport within ten days prior to application.

Broadband Radio Service and Educational Broadband Service Cable Cross-Ownership

53a) Will the requested facilities be used to provide multichannel video programming service?	(<input type="checkbox"/>) <u>Yes</u> <u>No</u>
53b) If the answer to question 53a is 'Y', does the Applicant operate, control or have an attributable interest (as defined in 47 CFR § 27.1202) in a cable television system whose franchise area is located within the geographic service area of the requested facilities?	(<input type="checkbox"/>) <u>Yes</u> <u>No</u>

Note: If the answer to question 53b is 'Y', attach an exhibit explaining how the Applicant complies with 47 CFR § 27.1202 or justifying a waiver of that rule. If a waiver of the Commission Rule(s) is being requested, Item 11a must be answered 'Y'.

Broadband Radio Service and Educational Broadband Service (Part 27)

54) (For EBS only) Does the Applicant comply with the programming requirements contained in 47 CFR § 27.1203?	(<input type="checkbox"/>) <u>Yes</u> <u>No</u>
Note: If the answer to item 54 is 'N', attach an exhibit explaining how the Applicant complies with 47 CFR § 27.1203 of the Commission's Rules or justifying a waiver of that rule. If a waiver of the Commission Rule(s) is being requested, Item 11a must be answered 'Y'.	
55) (For BRS and EBS) Does the Applicant comply with 47 CFR §§ 27.50, 27.55, and 27.1221?	(<input type="checkbox"/>) <u>Yes</u> <u>No</u>
Note: If the answer to item 55 is 'N', attach an exhibit justifying a waiver of that rule(s). If a waiver of the Commission Rule(s) is being requested, Item 11a must be answered 'Y'.	

For Applicants Who Participated in an Auction

56) Is the Applicant a qualifying rural wireless partnership or a member of a qualifying rural wireless partnership?	(<input type="checkbox"/>) <u>Yes</u> <u>No</u>
Note: If the answer to item 56 is 'Y', attach an exhibit listing all members of the qualifying rural wireless partnership, including their FRN numbers.	

For Renewal Applicants**57) Operation/Performance Requirement Certification**

[For a site-based license]: Applicant certifies that it is continuing to operate consistent with its most recently filed construction notification (or most recent authorization, if no construction notification was required).	(<input type="checkbox"/>) <u>Yes</u> <u>No</u>
[For a geographic license, commercial service - licensee in its initial license term with an interim performance requirement]: Applicant certifies that it has met its interim performance requirement, that over the portion of the license term following the interim performance requirement, it continues to use its facilities to provide at least the level of service required by its interim performance requirement, it has met its final performance requirement, and it continues to use its facilities to provide at least the level of service required by its final performance requirement through the end of the license term.	(<input type="checkbox"/>) <u>Yes</u> <u>No</u>
[For a geographic license, commercial service - licensee in its initial license term with no interim performance requirement]: Applicant certifies that it has met its final performance requirement and it continues to use its facilities to provide at least the level of service required by its final performance requirement through the end of the license term. [Note: licensee must provide a showing demonstrating that the final performance requirement has been met, either separately in a timely application for notification of completion of construction, or as part of its renewal application, depending on the radio service.]	(<input type="checkbox"/>) <u>Yes</u> <u>No</u>
[For a geographic license, commercial service - licensee in any subsequent term]: Applicant certifies that it continues to use its facilities to provide at least the level of service required by its final performance requirement through the end of any subsequent license terms.	(<input type="checkbox"/>) <u>Yes</u> <u>No</u>
[For a geographic license, private systems - licensee in its initial license term with an interim performance requirement]: Applicant certifies that it has met its interim performance requirement, that over the portion of the license term following the interim performance requirement, it continues to use its facilities to further its private business or public interest/public safety communications needs at or above the level required to meet its interim performance requirement, it has met its final performance requirement, and it continues to use its facilities to provide at least the level of operation required by its final performance requirement through the end of the license term.	(<input type="checkbox"/>) <u>Yes</u> <u>No</u>
[For a geographic license, private systems - licensee in its initial license term with no interim performance requirement]: Applicant certifies that it has met its final performance requirement, it continues to use its facilities to further its private business or public interest/public safety communications needs, and it continues to use its facilities to provide at least the level of operation required by its final performance requirement through the end of the license term. [Note: licensee must provide a showing demonstrating that the final performance requirement has been met, either separately in a timely application for notification of completion of construction, or as part of its renewal application, depending on the radio service.]	(<input type="checkbox"/>) <u>Yes</u> <u>No</u>

[For a geographic license, private systems - licensee in any subsequent term]: Applicant certifies that it continues to use its facilities to further its private business or public interest/public safety communications needs at or above the level required to meet its final performance requirement through the end of any subsequent license terms.	(<input type="checkbox"/>) <u>Yes</u> <u>No</u>
[For a partitioned or disaggregated license without a performance requirement, for the first renewal application filed after effective date of the rules]: Applicant certifies that the partitioned and/or disaggregated license that is the subject of this renewal application has no separate performance requirement and that this is the first renewal of this license filed subsequent to the effective date of the rules.	(<input type="checkbox"/>) <u>Yes</u> <u>No</u>
[For a partitioned or disaggregated license without a performance requirement, for any subsequent renewal filings]: Applicant certifies that it continues to use its facilities to provide service or to further the applicant's private business or public interest/public safety needs.	(<input type="checkbox"/>) <u>Yes</u> <u>No</u>

Discontinuance of Service Certification

58) Applicant certifies that no permanent discontinuance of service or operation, as applicable, occurred during its current license term. Note: If the response to either item 57 or item 58 is 'N', attach an exhibit that demonstrates that over the course of the license term, the Applicant provided and continues to provide service to the public, or operated and continues to operate the license to meet the Applicant's private business or public interest/public safety communications needs. This exhibit must include a detailed description of the Applicant's provision of service or, when allowed under the relevant service rules or pursuant to waiver, use of the spectrum for private business or public interest/public safety communications needs, during the entire license period and address, as applicable: 1) the level and quality of service provided by the applicant (e.g., the population served, the area served, the number of subscribers, the services offered); (2) the date service commenced, whether service was ever interrupted, and the duration of any interruption or outage; (3) the extent to which service is provided to rural areas; (4) the extent to which service is provided to qualifying tribal land as defined in 47 CFR § 1.2110(e)(3)(i); and (5) any other factors associated with the level of service to the public. The licensee may note in its exhibit: 1) any grant(s) of waiver or extension of a performance deadline or license renewal subject to meeting a performance requirement; or 2) if the final performance deadline and/or expiration date for the license accelerated because the licensee did not meet an interim performance requirement.	(<input type="checkbox"/>) <u>Yes</u> <u>No</u>
--	---

Regulatory Compliance Certification [same for all]

59) Applicant certifies that it has substantially complied with all applicable FCC rules, policies, and the Communications Act of 1934, as amended. Note: If the response to item 59 is 'N', attach an exhibit explaining the circumstances and demonstrating why Applicant's license should be renewed.	(<input type="checkbox"/>) <u>Yes</u> <u>No</u>
--	---

General Certification Statements

1) The Applicant waives any claim to the use of any particular frequency or of the electromagnetic spectrum as against the regulatory power of the United States because of the previous use of the same, whether by license or otherwise, and requests an authorization in accordance with this application.
2) The Applicant certifies that grant of this application would not cause the Applicant to be in violation of any pertinent cross-ownership or attribution rules.* *If the Applicant has sought a waiver of any such rule in connection with this application, it may make this certification subject to the outcome of the waiver request.
3) The Applicant certifies that all statements made in this application and in the exhibits, attachments, or documents incorporated by reference are material, are part of this application, and are true, complete, correct, and made in good faith.
4) The Applicant certifies that neither the Applicant nor any other party to the application is subject to a denial of Federal benefits pursuant to § 5301 of the Anti-Drug Abuse Act of 1988, 21 U.S.C. § 862, because of a conviction for possession or distribution of a controlled substance. This certification does not apply to applications filed in services exempted under § 1.2002(c) of the rules, 47 CFR § 1.2002(c). See 47 CFR § 1.2002(b) for the definition of "party to the application" as used in this certification.
5) The Applicant certifies that it either (1) has current required ownership data on file with the Commission, (2) is filing updated ownership data simultaneously with this application, or (3) is not required to file ownership data under the Commission's Rules.
6) The Applicant certifies that the facilities, operations, and transmitters for which this authorization is hereby requested are either: (1) categorically excluded from routine environmental evaluation for RF exposure as set forth in 47 CFR § 1.1307(b); or, (2) have been found not to cause human exposure to levels of radiofrequency radiation in excess of the limits specified in 47 CFR §§ 1.1310 and 2.1093; or, (3) are the subject of one or more Environmental Assessments filed with the Commission.
7) The Applicant certifies that it has reviewed the appropriate Commission Rules defining eligibility to hold the requested license(s) and is eligible to hold the requested license(s).
8) The Applicant certifies that it is not in default on any payment for Commission licenses and that it is not delinquent on any non-tax debt owed to any federal agency.
9) The Applicant certifies that the Applicant and all of the related individuals and entities required to be disclosed on this application and FCC Form 602 (FCC Ownership Disclosure Information for the Wireless Telecommunications Services) are not person(s) who have been, for reasons of national security, barred by any agency of the Federal Government from bidding on a contract, participating in an auction, or receiving a grant. This certification applies only to applications for licenses for spectrum that is required by Sections 6103, 6401-6403 of the Middle Class Tax Relief and Job Creation Act of 2012, codified at 47 U.S.C. §§ 309, 1413, 1451-1452, to be assigned by a system of competitive bidding under 47 U.S.C. § 309(j).

Signature

60) Typed or Printed Name of Party Authorized to Sign

First Name: Cecil	MI: J	Last Name: Mathew	Suffix:
61) Title: Assistant Secretary - Compliance			
Signature: Cecil J Mathew			62) Date: 01/13/2023
FAILURE TO SIGN THIS APPLICATION MAY RESULT IN DISMISSAL OF THE APPLICATION AND FORFEITURE OF ANY FEES PAID.			
Upon grant of this license application, the Licensee may be subject to certain construction or coverage requirements. Failure to meet the construction or coverage requirements will result in termination of the license. Consult appropriate FCC regulations to determine the construction or coverage requirements that apply to the type of license requested in this application.			
WILLFUL FALSE STATEMENTS MADE ON THIS FORM OR ANY ATTACHMENTS ARE PUNISHABLE BY FINE AND/OR IMPRISONMENT (U.S. Code, Title 18, § 1001) AND/OR REVOCATION OF ANY STATION LICENSE OR CONSTRUCTION PERMIT (U.S. Code, Title 47, § 312(a)(1)), AND/OR FORFEITURE (U.S. Code, Title 47, § 503).			

REFERENCE COPY

This is not an official FCC license. It is a record of public information contained in the FCC's licensing database on the date that this reference copy was generated. In cases where FCC rules require the presentation, posting, or display of an FCC license, this document may not be used in place of an official FCC license.



Federal Communications Commission
Wireless Telecommunications Bureau

RADIO STATION AUTHORIZATION

LICENSEE: NEW CINGULAR WIRELESS PCS, LLC

ATTN: FCC GROUP
NEW CINGULAR WIRELESS PCS, LLC
208 S. AKARD ST. 20F
DALLAS, TX 75202

Table with Call Sign (KNLH550), File Number, and Radio Service (CW - PCS Broadband).

FCC Registration Number (FRN): 0003291192

Table with columns: Grant Date, Effective Date, Expiration Date, Print Date, Market Number, Channel Block, Sub-Market Designator, Market Name, 1st Build-out Date, 2nd Build-out Date, 3rd Build-out Date, 4th Build-out Date.

Waivers/Conditions:

This authorization is subject to the condition that, in the event that systems using the same frequencies as granted herein are authorized in an adjacent foreign territory (Canada/United States), future coordination of any base station transmitters within 72 km (45 miles) of the United States/Canada border shall be required to eliminate any harmful interference to operations in the adjacent foreign territory and to ensure continuance of equal access to the frequencies by both countries.

This authorization is subject to the condition that the remaining balance of the winning bid amount will be paid in accordance with Part 1 of the Commission's rules, 47 C.F.R. Part 1.

Conditions:

Pursuant to §309(h) of the Communications Act of 1934, as amended, 47 U.S.C. §309(h), this license is subject to the following conditions: This license shall not vest in the licensee any right to operate the station nor any right in the use of the frequencies designated in the license beyond the term thereof nor in any other manner than authorized herein.

This license may not authorize operation throughout the entire geographic area or spectrum identified on the hardcopy version. To view the specific geographic area and spectrum authorized by this license, refer to the Spectrum and Market Area information under the Market Tab of the license record in the Universal Licensing System (ULS).

Licensee Name: NEW CINGULAR WIRELESS PCS, LLC

Call Sign: KNLH550

File Number:

Print Date:

700 MHz Relicensed Area Information:

Market	Market Name	Buildout Deadline	Buildout Notification	Status
---------------	--------------------	--------------------------	------------------------------	---------------

Report Reference Copy

Reference Copy Only. Do Not Mail to the FCC as an Application.

Submitted: 01/13/2023 at 18:08:22
 File Number: 0010371952

FCC 601
Main Form

FCC Application for Radio Service Authorization: Wireless Telecommunications Bureau Public Safety and Homeland Security Bureau

Approved by OMB
 3060 - 0798
 See instructions for
 public burden estimate

1) Radio Service Code: <p style="text-align: center;">CW</p>	1a) Existing Radio Service Code:
--	----------------------------------

General Information

2) (Select only one) (AU) NE - New RO - Renewal Only AU - Administrative Update NT - Required Notifications MD - Modification RM - Renewal/Modification WD - Withdrawal of Application EX - Requests for Extension of Time AM - Amendment CA - Cancellation of License RL - Registered Location/Link	
3a) If this application is for a Demonstration License or a Special Temporary Authorization (STA) , enter the code and attach the required exhibit as described in the instructions. Otherwise enter ' N/A ' (Not Applicable).	(N) <u>M</u> <u>S</u> <u>N/A</u>
3b) If this application is for Special Temporary Authority due to an emergency situation, enter 'Y'; otherwise enter 'N'. Refer to Rule 1.915 for an explanation of situations considered to be an emergency.	() <u>Y</u> <u>N</u>
4) If this application is for an Amendment or Withdrawal, enter the file number of the pending application currently on file with the FCC.	File Number
5) If this application is for a Modification, Renewal Only, Renewal/Modification, Cancellation of License, , or Administrative Update, enter the call sign of the existing FCC license. If this is a request for Registered Location/Link, enter the FCC call sign assigned to the geographic license.	Call Sign KNLH550
6a) If this application is for a New, Amendment, Renewal Only, or Renewal/Modification, enter the requested authorization expiration date (this item is optional).	MM DD _____ / _____
6b) If this application is for a Renewal Only or Renewal/Modification and the license is a geographic area license, is the license used to provide service to customers (C), or is the license used for private business (internal) purposes or to meet the licensee's public interest/public safety communications needs (P)?	() <u>C</u> <u>P</u>
7) Is this application "major" as defined in § 1.929 of the Commission's Rules when read in conjunction with the applicable radio service rules found in Parts 22 and 90 of the Commission's Rules? (NOTE: This question only applies to certain site-specific applications. See the instructions for applicability and full text of § 1.929).	() <u>Y</u> <u>N</u>
8) Are attachments (other than associated schedules) being filed with this application?	() <u>Y</u> <u>N</u>

Fees, Waivers, and Exemptions

9) Is the Applicant exempt from FCC application fees?	(N) <u>Y</u> <u>N</u>
10) Is the Applicant exempt from FCC regulatory fees?	(N) <u>Y</u> <u>N</u>
11) Does this application include a request for a Waiver of the Commission's Rule(s)? If 'Yes', attach an exhibit providing rule number(s) and explaining circumstances.	(N) <u>Y</u> <u>N</u>
12) Are the frequencies or parameters requested in this filing covered by grandfathered privileges, previously approved by waiver, or functionally integrated with an existing station?	() <u>Y</u> <u>N</u>

Applicant Information

13) FCC Registration Number (FRN): 0003291192			
14) Applicant/Licensee Legal Entity Type: (Select One) <input type="checkbox"/> Individual <input type="checkbox"/> Unincorporated Association <input type="checkbox"/> Trust <input type="checkbox"/> Government Entity <input type="checkbox"/> Corporation <input checked="" type="checkbox"/> Limited Liability Company <input type="checkbox"/> General Partnership <input type="checkbox"/> Limited Partnership <input type="checkbox"/> Limited Liability Partnership <input type="checkbox"/> Consortium <input type="checkbox"/> Other: _____			
15) If the Licensee name is being updated, is the update a result from the sale (or transfer of control) of the license(s) to party and for which proper Commission approval has not been received or proper notification not provided?			<input type="checkbox"/> Yes <input checked="" type="checkbox"/> No
16) First Name (if individual):	MI:	Last Name:	Suffix:
17) Legal Entity Name (if other than individual): NEW CINGULAR WIRELESS PCS, LLC			
18) Attention To: FCC Group			
19) P.O. Box:	And/Or	20) Street Address: 208 S. Akard St. 20F	
21) City: Dallas	22) State: TX	23) Zip Code: 75202	
24) Telephone Number: (855)699-7073		25) Fax: (214)746-6410	
26) E-Mail Address: FCCMW@att.com			

27) Demographics (Optional)

Race: <input type="checkbox"/> American Indian or Alaska Native <input type="checkbox"/> Asian <input type="checkbox"/> Black or African-American <input type="checkbox"/> Native Hawaiian or Other Pacific Islander <input type="checkbox"/> White	Ethnicity: <input type="checkbox"/> Hispanic or Latino <input type="checkbox"/> Not Hispanic or Latino	Gender: <input type="checkbox"/> Male <input type="checkbox"/> Female
--	--	---

Real Party in Interest

28) Name of Real Party in Interest of Applicant (If different from Applicant):	29) FCC Registration Number (FRN) of Real Party in Interest:
--	--

Contact Information (If different from the Applicant)

Check here if same as Applicant.

30) First Name: Cecil	MI: J	Last Name: Mathew	Suffix:
31) Company Name: AT&T Services, Inc.			
32) Attention To: FCC Group			
33) P.O. Box:	And /Or	34) Street Address: 208 S. Akard St. 20F	
35) City: Dallas	36) State: TX	37) Zip Code: 75202	
38) Telephone Number: (855)699-7073		39) Fax: (214)746-6410	
40) E-Mail Address: FCCMW@att.com			

Regulatory Status

41) This filing is for authorization to provide or use the following type(s) of radio service offering (enter all that apply):
() Common Carrier () Non-Common Carrier () Private, internal communications () Broadcast Services () Band Manager

Type of Radio Service

42) This filing is for authorization to provide the following type(s) of radio service (choose all that apply):
() Fixed () Mobile () Radiolocation () Satellite (sound) () Broadcast Services
43) Does the Applicant propose to provide service interconnected to the public telephone network? () Yes () No

Alien Ownership Questions (If any answer is 'Y', provide an attachment explaining the circumstances. In preparing the attachment, refer to the Main Form Instructions for the "Alien Ownership Questions".)

44) Is the Applicant a foreign government or the representative of any foreign government? () Yes () No
45) Is the Applicant an alien or the representative of an alien? () Yes () No
46) Is the Applicant a corporation organized under the laws of any foreign government? () Yes () No
47) Is the Applicant a corporation of which more than one-fifth of the capital stock is owned of record or voted by aliens or their representatives, or by a foreign government or representative thereof, or by any corporation organized under the laws of a foreign country? () Yes () No

48a) Is the Applicant directly or indirectly controlled by any other corporation of which more than one-fourth of the capital stock (Yes No) is owned of record or voted by aliens or their representatives, or by a foreign government or representative thereof, or by any corporation organized under the laws of a foreign country?

48b) If the answer to 47 or 48a is 'Y' select one of the choices below.

The Applicant is exempt from the provisions of Section 310(b).

If checked, it is not necessary to file a petition for declaratory ruling if the Applicant includes in the attachment required by Item 47 or Item 48a a showing that the requested license(s) is exempt from the provisions of Section 310(b).

The Applicant has received a declaratory ruling(s) approving its foreign ownership, and the application involves only the acquisition of additional spectrum for the provision of a wireless service in a geographic coverage area for which the Applicant has been previously authorized.

If checked, include in the attachment required by Item 47 or Item 48a the citation(s) of the applicable declaratory ruling(s) by DA/FCC number, the FCC Record citation, if available, release date, and a statement that there has been no change in the foreign ownership of the Applicant since the issuance of its ruling.

The Applicant: (i) has received a declaratory ruling(s) approving its foreign ownership, but is not able to make the certification specified immediately above; or (ii) is an "affiliate" of a Licensee or Lessee/Sublessee that received a declaratory ruling(s) under 47 CFR § 1.5000(a) and is relying on the affiliate's ruling for purposes of filing this application as permitted under the affiliate's ruling and 47 CFR § 1.5004(b)

If checked, and if the Applicant received its declaratory ruling(s) on or after August 9, 2013, include in the attachment required by Item 47 or Item 48a the citation(s) of the Applicant's declaratory ruling(s) by DA/FCC number, the FCC Record citation, if available, release date, and a statement that the Applicant is in compliance with the terms and conditions of its ruling and with the Commission's Rules.

If checked, and if the Applicant received its declaratory ruling(s) prior to August 9, 2013, include in the attachment required by Item 48a a copy of a petition for declaratory ruling filed contemporaneously with the Commission to extend the Applicant's existing ruling(s) to cover the same radio service(s) and geographic coverage area(s) involved in the application. Alternatively, the Applicant may request a new declaratory ruling pursuant to Section 1.5000(a) of the Commission's Rules, 47 CFR § 1.5000 (a). Petitions for declaratory ruling may be filed electronically on the Internet through the International Bureau Filing System (IBFS) (with a copy attached hereto).

If checked, and if the Applicant is relying on an affiliate's ruling for purposes of filing this application, include in the attachment required by Item 47 or Item 48a the citation(s) of the applicable declaratory ruling(s) by DA/FCC number, the FCC Record citation, if available, release date, and a statement that the Applicant is in compliance with the terms and conditions of the named affiliate's ruling and with the Commission's Rules. The Applicant must also include a certification of compliance signed by the named affiliate or other qualified entity as specified in 47 CFR § 1.5004(b). See Main Form Instructions for Items 47 or 48a, as applicable.

The Applicant has not received a declaratory ruling approving its foreign ownership and is requesting a declaratory ruling under 47 CFR § 1.5004(b) in a petition filed contemporaneously with the Commission.

If checked, include in the attachment required by Item 47 or 48a a copy of the petition for declaratory ruling filed contemporaneously with the Commission pursuant to 47 CFR § 1.5004(b). Petitions for declaratory ruling may be filed electronically on the Internet through the International Bureau Filing System (IBFS) (with a copy attached hereto).

Basic Qualification Questions

49) Has the Applicant or any party to this application had any FCC station authorization, license or construction permit revoked or had any application for an initial, modification or renewal of FCC station authorization, license, or construction permit denied by the Commission?	(<input type="checkbox"/>) <u>Yes</u> <u>No</u>
50) Has the Applicant or any party to this application, or any party directly or indirectly controlling the Applicant, ever been convicted of a felony by any state or federal court?	(<input type="checkbox"/>) <u>Yes</u> <u>No</u>
51) Has any court finally adjudged the Applicant or any party directly or indirectly controlling the Applicant guilty of unlawfully monopolizing or attempting unlawfully to monopolize radio communication, directly or indirectly, through control of manufacture or sale of radio apparatus, exclusive traffic arrangement, or any other means or unfair methods of competition?	(<input type="checkbox"/>) <u>Yes</u> <u>No</u>

Note: If the answer to any of 49-51 is 'Y', attach an exhibit explaining the circumstances.

Aeronautical Advisory Station (Unicom) Certification

52) (<input type="checkbox"/>) I certify that the station will be located on property of the airport to be served, and, in cases where the airport does not have a control tower, RCO, or FAA flight service station, that I have notified the owner of the airport and all aviation service organizations located at the airport within ten days prior to application.

Broadband Radio Service and Educational Broadband Service Cable Cross-Ownership

53a) Will the requested facilities be used to provide multichannel video programming service?	(<input type="checkbox"/>) <u>Yes</u> <u>No</u>
53b) If the answer to question 53a is 'Y', does the Applicant operate, control or have an attributable interest (as defined in 47 CFR § 27.1202) in a cable television system whose franchise area is located within the geographic service area of the requested facilities?	(<input type="checkbox"/>) <u>Yes</u> <u>No</u>

Note: If the answer to question 53b is 'Y', attach an exhibit explaining how the Applicant complies with 47 CFR § 27.1202 or justifying a waiver of that rule. If a waiver of the Commission Rule(s) is being requested, Item 11a must be answered 'Y'.

Broadband Radio Service and Educational Broadband Service (Part 27)

54) (For EBS only) Does the Applicant comply with the programming requirements contained in 47 CFR § 27.1203?	(<input type="checkbox"/>) <u>Yes</u> <u>No</u>
Note: If the answer to item 54 is 'N', attach an exhibit explaining how the Applicant complies with 47 CFR § 27.1203 of the Commission's Rules or justifying a waiver of that rule. If a waiver of the Commission Rule(s) is being requested, Item 11a must be answered 'Y'.	
55) (For BRS and EBS) Does the Applicant comply with 47 CFR §§ 27.50, 27.55, and 27.1221?	(<input type="checkbox"/>) <u>Yes</u> <u>No</u>
Note: If the answer to item 55 is 'N', attach an exhibit justifying a waiver of that rule(s). If a waiver of the Commission Rule(s) is being requested, Item 11a must be answered 'Y'.	

For Applicants Who Participated in an Auction

56) Is the Applicant a qualifying rural wireless partnership or a member of a qualifying rural wireless partnership?	(<input type="checkbox"/>) <u>Yes</u> <u>No</u>
Note: If the answer to item 56 is 'Y', attach an exhibit listing all members of the qualifying rural wireless partnership, including their FRN numbers.	

For Renewal Applicants

57) Operation/Performance Requirement Certification

[For a site-based license]: Applicant certifies that it is continuing to operate consistent with its most recently filed construction notification (or most recent authorization, if no construction notification was required).	(<input type="checkbox"/>) <u>Yes</u> <u>No</u>
[For a geographic license, commercial service - licensee in its initial license term with an interim performance requirement]: Applicant certifies that it has met its interim performance requirement, that over the portion of the license term following the interim performance requirement, it continues to use its facilities to provide at least the level of service required by its interim performance requirement, it has met its final performance requirement, and it continues to use its facilities to provide at least the level of service required by its final performance requirement through the end of the license term.	(<input type="checkbox"/>) <u>Yes</u> <u>No</u>
[For a geographic license, commercial service - licensee in its initial license term with no interim performance requirement]: Applicant certifies that it has met its final performance requirement and it continues to use its facilities to provide at least the level of service required by its final performance requirement through the end of the license term. [Note: licensee must provide a showing demonstrating that the final performance requirement has been met, either separately in a timely application for notification of completion of construction, or as part of its renewal application, depending on the radio service.]	(<input type="checkbox"/>) <u>Yes</u> <u>No</u>
[For a geographic license, commercial service - licensee in any subsequent term]: Applicant certifies that it continues to use its facilities to provide at least the level of service required by its final performance requirement through the end of any subsequent license terms.	(<input type="checkbox"/>) <u>Yes</u> <u>No</u>
[For a geographic license, private systems - licensee in its initial license term with an interim performance requirement]: Applicant certifies that it has met its interim performance requirement, that over the portion of the license term following the interim performance requirement, it continues to use its facilities to further its private business or public interest/public safety communications needs at or above the level required to meet its interim performance requirement, it has met its final performance requirement, and it continues to use its facilities to provide at least the level of operation required by its final performance requirement through the end of the license term.	(<input type="checkbox"/>) <u>Yes</u> <u>No</u>
[For a geographic license, private systems - licensee in its initial license term with no interim performance requirement]: Applicant certifies that it has met its final performance requirement, it continues to use its facilities to further its private business or public interest/public safety communications needs, and it continues to use its facilities to provide at least the level of operation required by its final performance requirement through the end of the license term. [Note: licensee must provide a showing demonstrating that the final performance requirement has been met, either separately in a timely application for notification of completion of construction, or as part of its renewal application, depending on the radio service.]	(<input type="checkbox"/>) <u>Yes</u> <u>No</u>

[For a geographic license, private systems - licensee in any subsequent term]: Applicant certifies that it continues to use its facilities to further its private business or public interest/public safety communications needs at or above the level required to meet its final performance requirement through the end of any subsequent license terms.	(<input type="checkbox"/>) <u>Yes</u> <u>No</u>
[For a partitioned or disaggregated license without a performance requirement, for the first renewal application filed after effective date of the rules]: Applicant certifies that the partitioned and/or disaggregated license that is the subject of this renewal application has no separate performance requirement and that this is the first renewal of this license filed subsequent to the effective date of the rules.	(<input type="checkbox"/>) <u>Yes</u> <u>No</u>
[For a partitioned or disaggregated license without a performance requirement, for any subsequent renewal filings]: Applicant certifies that it continues to use its facilities to provide service or to further the applicant's private business or public interest/public safety needs.	(<input type="checkbox"/>) <u>Yes</u> <u>No</u>

Discontinuance of Service Certification

58) Applicant certifies that no permanent discontinuance of service or operation, as applicable, occurred during its current license term. Note: If the response to either item 57 or item 58 is 'N', attach an exhibit that demonstrates that over the course of the license term, the Applicant provided and continues to provide service to the public, or operated and continues to operate the license to meet the Applicant's private business or public interest/public safety communications needs. This exhibit must include a detailed description of the Applicant's provision of service or, when allowed under the relevant service rules or pursuant to waiver, use of the spectrum for private business or public interest/public safety communications needs, during the entire license period and address, as applicable: 1) the level and quality of service provided by the applicant (e.g., the population served, the area served, the number of subscribers, the services offered); (2) the date service commenced, whether service was ever interrupted, and the duration of any interruption or outage; (3) the extent to which service is provided to rural areas; (4) the extent to which service is provided to qualifying tribal land as defined in 47 CFR § 1.2110(e)(3)(i); and (5) any other factors associated with the level of service to the public. The licensee may note in its exhibit: 1) any grant(s) of waiver or extension of a performance deadline or license renewal subject to meeting a performance requirement; or 2) if the final performance deadline and/or expiration date for the license accelerated because the licensee did not meet an interim performance requirement.	(<input type="checkbox"/>) <u>Yes</u> <u>No</u>
--	---

Regulatory Compliance Certification [same for all]

59) Applicant certifies that it has substantially complied with all applicable FCC rules, policies, and the Communications Act of 1934, as amended. Note: If the response to item 59 is 'N', attach an exhibit explaining the circumstances and demonstrating why Applicant's license should be renewed.	(<input type="checkbox"/>) <u>Yes</u> <u>No</u>
--	---

General Certification Statements

1) The Applicant waives any claim to the use of any particular frequency or of the electromagnetic spectrum as against the regulatory power of the United States because of the previous use of the same, whether by license or otherwise, and requests an authorization in accordance with this application.
2) The Applicant certifies that grant of this application would not cause the Applicant to be in violation of any pertinent cross-ownership or attribution rules.* *If the Applicant has sought a waiver of any such rule in connection with this application, it may make this certification subject to the outcome of the waiver request.
3) The Applicant certifies that all statements made in this application and in the exhibits, attachments, or documents incorporated by reference are material, are part of this application, and are true, complete, correct, and made in good faith.
4) The Applicant certifies that neither the Applicant nor any other party to the application is subject to a denial of Federal benefits pursuant to § 5301 of the Anti-Drug Abuse Act of 1988, 21 U.S.C. § 862, because of a conviction for possession or distribution of a controlled substance. This certification does not apply to applications filed in services exempted under § 1.2002(c) of the rules, 47 CFR § 1.2002(c). See 47 CFR § 1.2002(b) for the definition of "party to the application" as used in this certification.
5) The Applicant certifies that it either (1) has current required ownership data on file with the Commission, (2) is filing updated ownership data simultaneously with this application, or (3) is not required to file ownership data under the Commission's Rules.
6) The Applicant certifies that the facilities, operations, and transmitters for which this authorization is hereby requested are either: (1) categorically excluded from routine environmental evaluation for RF exposure as set forth in 47 CFR § 1.1307(b); or, (2) have been found not to cause human exposure to levels of radiofrequency radiation in excess of the limits specified in 47 CFR §§ 1.1310 and 2.1093; or, (3) are the subject of one or more Environmental Assessments filed with the Commission.
7) The Applicant certifies that it has reviewed the appropriate Commission Rules defining eligibility to hold the requested license(s) and is eligible to hold the requested license(s).
8) The Applicant certifies that it is not in default on any payment for Commission licenses and that it is not delinquent on any non-tax debt owed to any federal agency.
9) The Applicant certifies that the Applicant and all of the related individuals and entities required to be disclosed on this application and FCC Form 602 (FCC Ownership Disclosure Information for the Wireless Telecommunications Services) are not person(s) who have been, for reasons of national security, barred by any agency of the Federal Government from bidding on a contract, participating in an auction, or receiving a grant. This certification applies only to applications for licenses for spectrum that is required by Sections 6103, 6401-6403 of the Middle Class Tax Relief and Job Creation Act of 2012, codified at 47 U.S.C. §§ 309, 1413, 1451-1452, to be assigned by a system of competitive bidding under 47 U.S.C. § 309(j).

Signature

60) Typed or Printed Name of Party Authorized to Sign

First Name: Cecil	MI: J	Last Name: Mathew	Suffix:
-----------------------------	-----------------	-----------------------------	---------

61) Title: **Assistant Secretary - Compliance**

Signature: Cecil J Mathew	62) Date: 01/13/2023
-------------------------------------	--------------------------------

FAILURE TO SIGN THIS APPLICATION MAY RESULT IN DISMISSAL OF THE APPLICATION AND FORFEITURE OF ANY FEES PAID.

Upon grant of this license application, the Licensee may be subject to certain construction or coverage requirements. Failure to meet the construction or coverage requirements will result in termination of the license. Consult appropriate FCC regulations to determine the construction or coverage requirements that apply to the type of license requested in this application.

WILLFUL FALSE STATEMENTS MADE ON THIS FORM OR ANY ATTACHMENTS ARE PUNISHABLE BY FINE AND/OR IMPRISONMENT (U.S. Code, Title 18, § 1001) AND/OR REVOCATION OF ANY STATION LICENSE OR CONSTRUCTION PERMIT (U.S. Code, Title 47, § 312(a)(1)), AND/OR FORFEITURE (U.S. Code, Title 47, § 503).

ereference Copy

REFERENCE COPY

This is not an official FCC license. It is a record of public information contained in the FCC's licensing database on the date that this reference copy was generated. In cases where FCC rules require the presentation, posting, or display of an FCC license, this document may not be used in place of an official FCC license.



Federal Communications Commission
Wireless Telecommunications Bureau

RADIO STATION AUTHORIZATION

LICENSEE: NEW CINGULAR WIRELESS PCS, LLC

ATTN: FCC GROUP
NEW CINGULAR WIRELESS PCS, LLC
208 S. AKARD ST. 20F
DALLAS, TX 75202

Table with Call Sign (KNLH575), File Number, and Radio Service (CW - PCS Broadband).

FCC Registration Number (FRN): 0003291192

Table with columns: Grant Date, Effective Date, Expiration Date, Print Date, Market Number, Channel Block, Sub-Market Designator, Market Name, 1st Build-out Date, 2nd Build-out Date, 3rd Build-out Date, 4th Build-out Date.

Waivers/Conditions:

This authorization is subject to the condition that, in the event that systems using the same frequencies as granted herein are authorized in an adjacent foreign territory (Canada/United States), future coordination of any base station transmitters within 72 km (45 miles) of the United States/Canada border shall be required to eliminate any harmful interference to operations in the adjacent foreign territory and to ensure continuance of equal access to the frequencies by both countries.

This authorization is subject to the condition that the remaining balance of the winning bid amount will be paid in accordance with Part 1 of the Commission's rules, 47 C.F.R. Part 1.

Conditions:

Pursuant to §309(h) of the Communications Act of 1934, as amended, 47 U.S.C. §309(h), this license is subject to the following conditions: This license shall not vest in the licensee any right to operate the station nor any right in the use of the frequencies designated in the license beyond the term thereof nor in any other manner than authorized herein.

This license may not authorize operation throughout the entire geographic area or spectrum identified on the hardcopy version. To view the specific geographic area and spectrum authorized by this license, refer to the Spectrum and Market Area information under the Market Tab of the license record in the Universal Licensing System (ULS).

Licensee Name: NEW CINGULAR WIRELESS PCS, LLC

Call Sign: KNLH575

File Number:

Print Date:

700 MHz Relicensed Area Information:

Market	Market Name	Buildout Deadline	Buildout Notification	Status
---------------	--------------------	--------------------------	------------------------------	---------------

Report
Reference
Copy

Reference Copy Only. Do Not Mail to the FCC as an Application.

Submitted: 01/13/2023 at 18:08:22
 File Number: 0010372422

FCC 601

Main Form

FCC Application for Radio Service Authorization: Wireless Telecommunications Bureau Public Safety and Homeland Security Bureau

Approved by OMB

3060 - 0798

See instructions for public burden estimate

1) Radio Service Code: <p style="text-align: center;">CW</p>	1a) Existing Radio Service Code:
--	----------------------------------

General Information

2) (Select only one) (AU) NE - New RO - Renewal Only AU - Administrative Update NT - Required Notifications MD - Modification RM - Renewal/Modification WD - Withdrawal of Application EX - Requests for Extension of Time AM - Amendment CA - Cancellation of License RL - Registered Location/Link	
3a) If this application is for a Demonstration License or a Special Temporary Authorization (STA) , enter the code and attach the required exhibit as described in the instructions. Otherwise enter ' N/A ' (Not Applicable).	(N) <u>M</u> <u>S</u> <u>N/A</u>
3b) If this application is for Special Temporary Authority due to an emergency situation, enter 'Y'; otherwise enter 'N'. Refer to Rule 1.915 for an explanation of situations considered to be an emergency.	() <u>Y</u> <u>N</u>
4) If this application is for an Amendment or Withdrawal, enter the file number of the pending application currently on file with the FCC.	File Number
5) If this application is for a Modification, Renewal Only, Renewal/Modification, Cancellation of License, , or Administrative Update, enter the call sign of the existing FCC license. If this is a request for Registered Location/Link, enter the FCC call sign assigned to the geographic license.	Call Sign <p style="text-align: center;">KNLH575</p>
6a) If this application is for a New, Amendment, Renewal Only, or Renewal/Modification, enter the requested authorization expiration date (this item is optional).	MM DD _____ / _____
6b) If this application is for a Renewal Only or Renewal/Modification and the license is a geographic area license, is the license used to provide service to customers (C), or is the license used for private business (internal) purposes or to meet the licensee's public interest/public safety communications needs (P)?	() <u>C</u> <u>P</u>
7) Is this application "major" as defined in § 1.929 of the Commission's Rules when read in conjunction with the applicable radio service rules found in Parts 22 and 90 of the Commission's Rules? (NOTE: This question only applies to certain site-specific applications. See the instructions for applicability and full text of § 1.929).	() <u>Y</u> <u>N</u>
8) Are attachments (other than associated schedules) being filed with this application?	() <u>Y</u> <u>N</u>

Fees, Waivers, and Exemptions

9) Is the Applicant exempt from FCC application fees?	(N) <u>Y</u> <u>N</u>
10) Is the Applicant exempt from FCC regulatory fees?	(N) <u>Y</u> <u>N</u>
11) Does this application include a request for a Waiver of the Commission's Rule(s)? If 'Yes', attach an exhibit providing rule number(s) and explaining circumstances.	(N) <u>Y</u> <u>N</u>
12) Are the frequencies or parameters requested in this filing covered by grandfathered privileges, previously approved by waiver, or functionally integrated with an existing station?	() <u>Y</u> <u>N</u>

Applicant Information

13) FCC Registration Number (FRN): 0003291192			
14) Applicant/Licensee Legal Entity Type: (Select One) () Individual () Unincorporated Association () Trust () Government Entity () Corporation (<input checked="" type="checkbox"/>) Limited Liability Company () General Partnership () Limited Partnership () Limited Liability Partnership () Consortium () Other: _____			
15) If the Licensee name is being updated, is the update a result from the sale (or transfer of control) of the license(s) to party and for which proper Commission approval has not been received or proper notification not provided?			() <u>Yes</u> <u>No</u>
16) First Name (if individual):	MI:	Last Name:	Suffix:
17) Legal Entity Name (if other than individual): NEW CINGULAR WIRELESS PCS, LLC			
18) Attention To: FCC Group			
19) P.O. Box:	And/Or	20) Street Address: 208 S. Akard St. 20F	
21) City: Dallas	22) State: TX	23) Zip Code: 75202	
24) Telephone Number: (855)699-7073		25) Fax: (214)746-6410	
26) E-Mail Address: FCCMW@att.com			

27) Demographics (Optional)

Race: () American Indian or Alaska Native () Asian () Black or African-American () Native Hawaiian or Other Pacific Islander () White	Ethnicity: () Hispanic or Latino () Not Hispanic or Latino	Gender: () Male () Female
---	--	-----------------------------------

Real Party in Interest

28) Name of Real Party in Interest of Applicant (If different from Applicant):	29) FCC Registration Number (FRN) of Real Party in Interest:
--	--

Contact Information (If different from the Applicant)**() Check here if same as Applicant.**

30) First Name: Cecil	MI: J	Last Name: Mathew	Suffix:
31) Company Name: AT&T Services, Inc.			
32) Attention To: FCC Group			
33) P.O. Box:	And /Or	34) Street Address: 208 S. Akard St. 20F	
35) City: Dallas	36) State: TX	37) Zip Code: 75202	
38) Telephone Number: (855)699-7073		39) Fax: (214)746-6410	
40) E-Mail Address: FCCMW@att.com			

Regulatory Status

41) This filing is for authorization to provide or use the following type(s) of radio service offering (enter all that apply):
() Common Carrier () Non-Common Carrier () Private, internal communications () Broadcast Services () Band Manager

Type of Radio Service

42) This filing is for authorization to provide the following type(s) of radio service (choose all that apply):
() Fixed () Mobile () Radiolocation () Satellite (sound) () Broadcast Services
43) Does the Applicant propose to provide service interconnected to the public telephone network? () Yes () No

Alien Ownership Questions (If any answer is 'Y', provide an attachment explaining the circumstances. In preparing the attachment, refer to the Main Form Instructions for the "Alien Ownership Questions".)

44) Is the Applicant a foreign government or the representative of any foreign government? () Yes () No
45) Is the Applicant an alien or the representative of an alien? () Yes () No
46) Is the Applicant a corporation organized under the laws of any foreign government? () Yes () No
47) Is the Applicant a corporation of which more than one-fifth of the capital stock is owned of record or voted by aliens or their representatives, or by a foreign government or representative thereof, or by any corporation organized under the laws of a foreign country? () Yes () No

48a) Is the Applicant directly or indirectly controlled by any other corporation of which more than one-fourth of the capital stock (Yes No) is owned of record or voted by aliens or their representatives, or by a foreign government or representative thereof, or by any corporation organized under the laws of a foreign country?

48b) If the answer to 47 or 48a is 'Y' select one of the choices below.

The Applicant is exempt from the provisions of Section 310(b).

If checked, it is not necessary to file a petition for declaratory ruling if the Applicant includes in the attachment required by Item 47 or Item 48a a showing that the requested license(s) is exempt from the provisions of Section 310(b).

The Applicant has received a declaratory ruling(s) approving its foreign ownership, and the application involves only the acquisition of additional spectrum for the provision of a wireless service in a geographic coverage area for which the Applicant has been previously authorized.

If checked, include in the attachment required by Item 47 or Item 48a the citation(s) of the applicable declaratory ruling(s) by DA/FCC number, the FCC Record citation, if available, release date, and a statement that there has been no change in the foreign ownership of the Applicant since the issuance of its ruling.

The Applicant: (i) has received a declaratory ruling(s) approving its foreign ownership, but is not able to make the certification specified immediately above; or (ii) is an "affiliate" of a Licensee or Lessee/Sublessee that received a declaratory ruling(s) under 47 CFR § 1.5000(a) and is relying on the affiliate's ruling for purposes of filing this application as permitted under the affiliate's ruling and 47 CFR § 1.5004(b)

If checked, and if the Applicant received its declaratory ruling(s) on or after August 9, 2013, include in the attachment required by Item 47 or Item 48a the citation(s) of the Applicant's declaratory ruling(s) by DA/FCC number, the FCC Record citation, if available, release date, and a statement that the Applicant is in compliance with the terms and conditions of its ruling and with the Commission's Rules.

If checked, and if the Applicant received its declaratory ruling(s) prior to August 9, 2013, include in the attachment required by Item 48a a copy of a petition for declaratory ruling filed contemporaneously with the Commission to extend the Applicant's existing ruling(s) to cover the same radio service(s) and geographic coverage area(s) involved in the application. Alternatively, the Applicant may request a new declaratory ruling pursuant to Section 1.5000(a) of the Commission's Rules, 47 CFR § 1.5000 (a). Petitions for declaratory ruling may be filed electronically on the Internet through the International Bureau Filing System (IBFS) (with a copy attached hereto).

If checked, and if the Applicant is relying on an affiliate's ruling for purposes of filing this application, include in the attachment required by Item 47 or Item 48a the citation(s) of the applicable declaratory ruling(s) by DA/FCC number, the FCC Record citation, if available, release date, and a statement that the Applicant is in compliance with the terms and conditions of the named affiliate's ruling and with the Commission's Rules. The Applicant must also include a certification of compliance signed by the named affiliate or other qualified entity as specified in 47 CFR § 1.5004(b). See Main Form Instructions for Items 47 or 48a, as applicable.

The Applicant has not received a declaratory ruling approving its foreign ownership and is requesting a declaratory ruling under 47 CFR § 1.5004(b) in a petition filed contemporaneously with the Commission.

If checked, include in the attachment required by Item 47 or 48a a copy of the petition for declaratory ruling filed contemporaneously with the Commission pursuant to 47 CFR § 1.5004(b). Petitions for declaratory ruling may be filed electronically on the Internet through the International Bureau Filing System (IBFS) (with a copy attached hereto).

Basic Qualification Questions

49) Has the Applicant or any party to this application had any FCC station authorization, license or construction permit revoked or had any application for an initial, modification or renewal of FCC station authorization, license, or construction permit denied by the Commission?	(<input type="checkbox"/>) <u>Yes</u> <u>No</u>
50) Has the Applicant or any party to this application, or any party directly or indirectly controlling the Applicant, ever been convicted of a felony by any state or federal court?	(<input type="checkbox"/>) <u>Yes</u> <u>No</u>
51) Has any court finally adjudged the Applicant or any party directly or indirectly controlling the Applicant guilty of unlawfully monopolizing or attempting unlawfully to monopolize radio communication, directly or indirectly, through control of manufacture or sale of radio apparatus, exclusive traffic arrangement, or any other means or unfair methods of competition?	(<input type="checkbox"/>) <u>Yes</u> <u>No</u>

Note: If the answer to any of 49-51 is 'Y', attach an exhibit explaining the circumstances.

Aeronautical Advisory Station (Unicom) Certification

52) (<input type="checkbox"/>) I certify that the station will be located on property of the airport to be served, and, in cases where the airport does not have a control tower, RCO, or FAA flight service station, that I have notified the owner of the airport and all aviation service organizations located at the airport within ten days prior to application.

Broadband Radio Service and Educational Broadband Service Cable Cross-Ownership

53a) Will the requested facilities be used to provide multichannel video programming service?	(<input type="checkbox"/>) <u>Yes</u> <u>No</u>
53b) If the answer to question 53a is 'Y', does the Applicant operate, control or have an attributable interest (as defined in 47 CFR § 27.1202) in a cable television system whose franchise area is located within the geographic service area of the requested facilities?	(<input type="checkbox"/>) <u>Yes</u> <u>No</u>

Note: If the answer to question 53b is 'Y', attach an exhibit explaining how the Applicant complies with 47 CFR § 27.1202 or justifying a waiver of that rule. If a waiver of the Commission Rule(s) is being requested, Item 11a must be answered 'Y'.

Broadband Radio Service and Educational Broadband Service (Part 27)

54) (For EBS only) Does the Applicant comply with the programming requirements contained in 47 CFR § 27.1203?	(<input type="checkbox"/>) <u>Yes</u> <u>No</u>
---	---

Note: If the answer to item 54 is 'N', attach an exhibit explaining how the Applicant complies with 47 CFR § 27.1203 of the Commission's Rules or justifying a waiver of that rule. If a waiver of the Commission Rule(s) is being requested, Item 11a must be answered 'Y'.

55) (For BRS and EBS) Does the Applicant comply with 47 CFR §§ 27.50, 27.55, and 27.1221?	(<input type="checkbox"/>) <u>Yes</u> <u>No</u>
---	---

Note: If the answer to item 55 is 'N', attach an exhibit justifying a waiver of that rule(s). If a waiver of the Commission Rule(s) is being requested, Item 11a must be answered 'Y'.

For Applicants Who Participated in an Auction

56) Is the Applicant a qualifying rural wireless partnership or a member of a qualifying rural wireless partnership?	(<input type="checkbox"/>) <u>Yes</u> <u>No</u>
--	---

Note: If the answer to item 56 is 'Y', attach an exhibit listing all members of the qualifying rural wireless partnership, including their FRN numbers.

For Renewal Applicants**57) Operation/Performance Requirement Certification**

[For a site-based license]: Applicant certifies that it is continuing to operate consistent with its most recently filed construction notification (or most recent authorization, if no construction notification was required).	(<input type="checkbox"/>) <u>Yes</u> <u>No</u>
[For a geographic license, commercial service - licensee in its initial license term with an interim performance requirement]: Applicant certifies that it has met its interim performance requirement, that over the portion of the license term following the interim performance requirement, it continues to use its facilities to provide at least the level of service required by its interim performance requirement, it has met its final performance requirement, and it continues to use its facilities to provide at least the level of service required by its final performance requirement through the end of the license term.	(<input type="checkbox"/>) <u>Yes</u> <u>No</u>
[For a geographic license, commercial service - licensee in its initial license term with no interim performance requirement]: Applicant certifies that it has met its final performance requirement and it continues to use its facilities to provide at least the level of service required by its final performance requirement through the end of the license term. [Note: licensee must provide a showing demonstrating that the final performance requirement has been met, either separately in a timely application for notification of completion of construction, or as part of its renewal application, depending on the radio service.]	(<input type="checkbox"/>) <u>Yes</u> <u>No</u>
[For a geographic license, commercial service - licensee in any subsequent term]: Applicant certifies that it continues to use its facilities to provide at least the level of service required by its final performance requirement through the end of any subsequent license terms.	(<input type="checkbox"/>) <u>Yes</u> <u>No</u>
[For a geographic license, private systems - licensee in its initial license term with an interim performance requirement]: Applicant certifies that it has met its interim performance requirement, that over the portion of the license term following the interim performance requirement, it continues to use its facilities to further its private business or public interest/public safety communications needs at or above the level required to meet its interim performance requirement, it has met its final performance requirement, and it continues to use its facilities to provide at least the level of operation required by its final performance requirement through the end of the license term.	(<input type="checkbox"/>) <u>Yes</u> <u>No</u>
[For a geographic license, private systems - licensee in its initial license term with no interim performance requirement]: Applicant certifies that it has met its final performance requirement, it continues to use its facilities to further its private business or public interest/public safety communications needs, and it continues to use its facilities to provide at least the level of operation required by its final performance requirement through the end of the license term. [Note: licensee must provide a showing demonstrating that the final performance requirement has been met, either separately in a timely application for notification of completion of construction, or as part of its renewal application, depending on the radio service.]	(<input type="checkbox"/>) <u>Yes</u> <u>No</u>

[For a geographic license, private systems - licensee in any subsequent term]: Applicant certifies that it continues to use its facilities to further its private business or public interest/public safety communications needs at or above the level required to meet its final performance requirement through the end of any subsequent license terms.	(<input type="checkbox"/>) <u>Yes</u> <u>No</u>
[For a partitioned or disaggregated license without a performance requirement, for the first renewal application filed after effective date of the rules]: Applicant certifies that the partitioned and/or disaggregated license that is the subject of this renewal application has no separate performance requirement and that this is the first renewal of this license filed subsequent to the effective date of the rules.	(<input type="checkbox"/>) <u>Yes</u> <u>No</u>
[For a partitioned or disaggregated license without a performance requirement, for any subsequent renewal filings]: Applicant certifies that it continues to use its facilities to provide service or to further the applicant's private business or public interest/public safety needs.	(<input type="checkbox"/>) <u>Yes</u> <u>No</u>

Discontinuance of Service Certification

58) Applicant certifies that no permanent discontinuance of service or operation, as applicable, occurred during its current license term. Note: If the response to either item 57 or item 58 is 'N', attach an exhibit that demonstrates that over the course of the license term, the Applicant provided and continues to provide service to the public, or operated and continues to operate the license to meet the Applicant's private business or public interest/public safety communications needs. This exhibit must include a detailed description of the Applicant's provision of service or, when allowed under the relevant service rules or pursuant to waiver, use of the spectrum for private business or public interest/public safety communications needs, during the entire license period and address, as applicable: 1) the level and quality of service provided by the applicant (e.g., the population served, the area served, the number of subscribers, the services offered); (2) the date service commenced, whether service was ever interrupted, and the duration of any interruption or outage; (3) the extent to which service is provided to rural areas; (4) the extent to which service is provided to qualifying tribal land as defined in 47 CFR § 1.2110(e)(3)(i); and (5) any other factors associated with the level of service to the public. The licensee may note in its exhibit: 1) any grant(s) of waiver or extension of a performance deadline or license renewal subject to meeting a performance requirement; or 2) if the final performance deadline and/or expiration date for the license accelerated because the licensee did not meet an interim performance requirement.	(<input type="checkbox"/>) <u>Yes</u> <u>No</u>
--	---

Regulatory Compliance Certification [same for all]

59) Applicant certifies that it has substantially complied with all applicable FCC rules, policies, and the Communications Act of 1934, as amended. Note: If the response to item 59 is 'N', attach an exhibit explaining the circumstances and demonstrating why Applicant's license should be renewed.	(<input type="checkbox"/>) <u>Yes</u> <u>No</u>
--	---

General Certification Statements

1) The Applicant waives any claim to the use of any particular frequency or of the electromagnetic spectrum as against the regulatory power of the United States because of the previous use of the same, whether by license or otherwise, and requests an authorization in accordance with this application.
2) The Applicant certifies that grant of this application would not cause the Applicant to be in violation of any pertinent cross-ownership or attribution rules.* *If the Applicant has sought a waiver of any such rule in connection with this application, it may make this certification subject to the outcome of the waiver request.
3) The Applicant certifies that all statements made in this application and in the exhibits, attachments, or documents incorporated by reference are material, are part of this application, and are true, complete, correct, and made in good faith.
4) The Applicant certifies that neither the Applicant nor any other party to the application is subject to a denial of Federal benefits pursuant to § 5301 of the Anti-Drug Abuse Act of 1988, 21 U.S.C. § 862, because of a conviction for possession or distribution of a controlled substance. This certification does not apply to applications filed in services exempted under § 1.2002(c) of the rules, 47 CFR § 1.2002(c). See 47 CFR § 1.2002(b) for the definition of "party to the application" as used in this certification.
5) The Applicant certifies that it either (1) has current required ownership data on file with the Commission, (2) is filing updated ownership data simultaneously with this application, or (3) is not required to file ownership data under the Commission's Rules.
6) The Applicant certifies that the facilities, operations, and transmitters for which this authorization is hereby requested are either: (1) categorically excluded from routine environmental evaluation for RF exposure as set forth in 47 CFR § 1.1307(b); or, (2) have been found not to cause human exposure to levels of radiofrequency radiation in excess of the limits specified in 47 CFR §§ 1.1310 and 2.1093; or, (3) are the subject of one or more Environmental Assessments filed with the Commission.
7) The Applicant certifies that it has reviewed the appropriate Commission Rules defining eligibility to hold the requested license(s) and is eligible to hold the requested license(s).
8) The Applicant certifies that it is not in default on any payment for Commission licenses and that it is not delinquent on any non-tax debt owed to any federal agency.
9) The Applicant certifies that the Applicant and all of the related individuals and entities required to be disclosed on this application and FCC Form 602 (FCC Ownership Disclosure Information for the Wireless Telecommunications Services) are not person(s) who have been, for reasons of national security, barred by any agency of the Federal Government from bidding on a contract, participating in an auction, or receiving a grant. This certification applies only to applications for licenses for spectrum that is required by Sections 6103, 6401-6403 of the Middle Class Tax Relief and Job Creation Act of 2012, codified at 47 U.S.C. §§ 309, 1413, 1451-1452, to be assigned by a system of competitive bidding under 47 U.S.C. § 309(j).

Signature

60) Typed or Printed Name of Party Authorized to Sign

First Name: Cecil	MI: J	Last Name: Mathew	Suffix:
61) Title: Assistant Secretary - Compliance			
Signature: Cecil J Mathew			62) Date: 01/13/2023
FAILURE TO SIGN THIS APPLICATION MAY RESULT IN DISMISSAL OF THE APPLICATION AND FORFEITURE OF ANY FEES PAID.			
Upon grant of this license application, the Licensee may be subject to certain construction or coverage requirements. Failure to meet the construction or coverage requirements will result in termination of the license. Consult appropriate FCC regulations to determine the construction or coverage requirements that apply to the type of license requested in this application.			
WILLFUL FALSE STATEMENTS MADE ON THIS FORM OR ANY ATTACHMENTS ARE PUNISHABLE BY FINE AND/OR IMPRISONMENT (U.S. Code, Title 18, § 1001) AND/OR REVOCATION OF ANY STATION LICENSE OR CONSTRUCTION PERMIT (U.S. Code, Title 47, § 312(a)(1)), AND/OR FORFEITURE (U.S. Code, Title 47, § 503).			

REFERENCE COPY

This is not an official FCC license. It is a record of public information contained in the FCC's licensing database on the date that this reference copy was generated. In cases where FCC rules require the presentation, posting, or display of an FCC license, this document may not be used in place of an official FCC license.



Federal Communications Commission
Wireless Telecommunications Bureau

RADIO STATION AUTHORIZATION

LICENSEE: NEW CINGULAR WIRELESS PCS, LLC

ATTN: FCC GROUP
NEW CINGULAR WIRELESS PCS, LLC
208 S. AKARD ST. 20F
DALLAS, TX 75202

Table with Call Sign (WPOI255), File Number, and Radio Service (CW - PCS Broadband).

FCC Registration Number (FRN): 0003291192

Table with columns: Grant Date, Effective Date, Expiration Date, Print Date, Market Number, Channel Block, Sub-Market Designator, Market Name, 1st Build-out Date, 2nd Build-out Date, 3rd Build-out Date, 4th Build-out Date.

Waivers/Conditions:

This authorization is subject to the condition that, in the event that systems using the same frequencies as granted herein are authorized in an adjacent foreign territory (Canada/United States), future coordination of any base station transmitters within 72 km (45 miles) of the United States/Canada border shall be required to eliminate any harmful interference to operations in the adjacent foreign territory and to ensure continuance of equal access to the frequencies by both countries.

This authorization is subject to the condition that the remaining balance of the winning bid amount will be paid in accordance with Part 1 of the Commission's rules, 47 C.F.R. Part 1.

Conditions:

Pursuant to §309(h) of the Communications Act of 1934, as amended, 47 U.S.C. §309(h), this license is subject to the following conditions: This license shall not vest in the licensee any right to operate the station nor any right in the use of the frequencies designated in the license beyond the term thereof nor in any other manner than authorized herein.

This license may not authorize operation throughout the entire geographic area or spectrum identified on the hardcopy version. To view the specific geographic area and spectrum authorized by this license, refer to the Spectrum and Market Area information under the Market Tab of the license record in the Universal Licensing System (ULS).

Licensee Name: NEW CINGULAR WIRELESS PCS, LLC

Call Sign: WPOI255

File Number:

Print Date:

This license is conditioned upon compliance with the provisions of Applications of AT&T Wireless Services, Inc. and Cingular Wireless Corporation For Consent to Transfer Control of Licenses and Authorizations, Memorandum Opinion and Order, FCC 04-255 (rel. Oct. 26, 2004).

Spectrum Lease Associated with this License. See Spectrum Leasing Arrangement Letter dated 12/06/2004 and File # 0001918558.

The Spectrum Leasing Arrangement, which became effective upon approval of application file number 0001918558, was terminated on 04/14/2005. See file number 0002135370.

Commission approval of this application and the licenses contained therein are subject to the conditions set forth in the Memorandum Opinion and Order, adopted on December 29, 2006 and released on March 26, 2007, and revised in the Order on Reconsideration, adopted and released on March 26, 2007. See AT&T Inc. and BellSouth Corporation Application for Transfer of Control, WC Docket No. 06-74, Memorandum Opinion and Order, FCC 06-189 (rel. Mar. 26, 2007); AT&T Inc. and BellSouth Corporation, WC Docket No. 06-74, Order on Reconsideration, FCC 07-44 (rel. Mar. 26, 2007).

Licensee Name: NEW CINGULAR WIRELESS PCS, LLC

Call Sign: WPOI255

File Number:

Print Date:

700 MHz Relicensed Area Information:

Market	Market Name	Buildout Deadline	Buildout Notification	Status
---------------	--------------------	--------------------------	------------------------------	---------------

Report
Reference
Copy

**FCC Form 608 FCC Application or Notification for Spectrum Leasing Arrangement/
Main Form Notification of a Private Commons Arrangement**
Wireless Telecommunications Bureau
Public Safety and Homeland Security Bureau

3060-1058

Submitted: 01/23/2023 at
18:56:21
File Number: 0010338141

See 608 Main Form Instructions
For public burden estimate

General Information

Application/Notification Purpose

1a) Purpose of Filing (Select only one):	
<input checked="" type="checkbox"/> LN – New	<input type="checkbox"/> LM – Modification
<input type="checkbox"/> LT – Transfer of Control	<input type="checkbox"/> LE – Extend the Term
<input type="checkbox"/> LI – Light Touch Leasing Certification	<input type="checkbox"/> AM – Amendment
	<input type="checkbox"/> LU – Administrative Update
	<input type="checkbox"/> LC – Cancel
	<input type="checkbox"/> WD – Withdraw
1b) If this filing is for an Amendment (AM) or Withdrawal (WD), enter the File Number of the pending Application/Notification currently on file with the FCC.	File Number: _____

Classification of Filing

For Leases/Subleases Only

2a) Classification of Filing (Select only one):	2b) Type of Filing
<input type="checkbox"/> ML – Spectrum Manager Lease	<input checked="" type="checkbox"/> L – Lease
<input checked="" type="checkbox"/> TL – <i>De Facto</i> Transfer Lease	<input type="checkbox"/> S – Sublease (Must be filed manually)

For Private Commons Arrangements Only (Must be filed Manually)

2c) This filing will be a Private Commons Arrangement pursuant to a (Select only one):	2d) If a Private Commons Arrangement pursuant to a Lease or Sublease, choose the legal type (Select only one):
<input type="checkbox"/> N – License	<input type="checkbox"/> M – Spectrum Manager
<input type="checkbox"/> L – Lease	<input type="checkbox"/> T – <i>De Facto</i> Transfer
<input type="checkbox"/> S – Sublease	

Term of Lease/Sublease

3) Indicate whether the existing Lease/Sublease is:	<input checked="" type="checkbox"/> Long-Term	or	<input type="checkbox"/> Short-Term
---	---	----	-------------------------------------

Other Wireless Licenses

4a) Is this filing part of a series of filings involving other wireless license(s) or lease(s) held by the Applicant, affiliates of the Licensee (e.g., parents, subsidiaries, or commonly-controlled entities), or third parties that are not included on this filing and for which Commission approval or notification is required?	<input type="checkbox"/> Yes <input checked="" type="checkbox"/> No
4b) If the answer to 4a is 'Y', is this filing the lead Application/Notification?	<input type="checkbox"/> Yes <input checked="" type="checkbox"/> No
4c) If the answer to 4a is 'Y' and the answer to 4b is 'N', provide the File Number of the lead Application/Notification.	File Number: _____

Attachments

5) Are attachments (other than associated schedules) being filed with this Application/Notification?	(<input checked="" type="checkbox"/>) <u>Yes</u> <u>No</u>
--	--

Fees and Waivers

Exemption from Application Fees

6) Is the Applicant exempt from FCC application fees? If the answer to 6 is 'Y', attach an exhibit demonstrating how the applicant is exempt from FCC application fees.	(<input type="checkbox"/>) <u>Yes</u> <u>No</u>
--	---

Waiver/Deferral of Fees

7) Is a waiver/deferral of the FCC application fees being requested? If the answer to 7 is 'Y', attach a date-stamped copy of the request for waiver/deferral of the FCC application fees.	(<input type="checkbox"/>) <u>Yes</u> <u>No</u>
---	---

Waiver of Commission Rules

8) Does this filing include a request for waiver of the Commission's Rules (other than a request for application fee waivers)? If the answer to 8 is 'Y', attach an exhibit specifying the rule section(s) for which a waiver is being requested and including a justification for the waiver request.	(<input type="checkbox"/>) <u>Yes</u> <u>No</u>
---	---

Regulatory Status and Offerings

Radio Service Offerings

9) The Applicant will provide the following type(s) of radio service offerings (select all that apply): (<input type="checkbox"/>) Common Carrier (<input type="checkbox"/>) Non-common Carrier (<input type="checkbox"/>) Private, internal communications (<input type="checkbox"/>) Broadcast Services All entities that are planning to use the leased spectrum for telecommunications services should select common carrier in this item. The term 'telecommunications service' means the offering of telecommunications (i.e., the transmission, between or among points specified by the user, of information of the user's choosing, without change in the form or content of the information as sent and received) for a fee directly to the public, or to such classes of users as to be effectively available directly to the public, regardless of the facilities used. Non-common carriers do not hold themselves out indiscriminately for hire as carriers of communications provided by the customer. A person engaged in radio broadcasting shall not, insofar as such person is so engaged, be deemed a common carrier. Thus, those entities meeting this definition would select non- common carrier for this item. Private internal users are those entities that utilize telecommunications services purely for internal business purposes or public safety communications and not on a for-hire or for-profit basis. Such entities should select 'Private' for this item. The term 'Broadcast Services' shall have the same meaning as that for "broadcasting" in § 3(6) of the Communications Act of 1934, i.e., the dissemination of radio communications intended to be received by the public, directly or by the intermediary of relay stations." 47 U.S.C. § 153(6). If the Applicant is modifying the type of radio service offerings it provides, please provide an exhibit explaining the modification.

Radio Service

10) The Applicant will provide the following type(s) of radio service (select all that apply): (<input type="checkbox"/>) Fixed (<input type="checkbox"/>) Mobile (<input type="checkbox"/>) Radiolocation (<input type="checkbox"/>) Satellite (sound) (<input type="checkbox"/>) Broadcast Services	
11) Does the Applicant propose to provide service interconnected to the public telephone network?	(<input type="checkbox"/>) <u>Yes</u> <u>No</u>

Designated Entity Information (If the answer to 12a, 12b or 12c is 'Y', Schedule A must be completed.)

Bidding Credits

12a) Does this filing involve any spectrum associated with any licenses that were awarded with bidding credits within the last five years? If the response to this item is 'Y', the licenses may be subject to the FCC's unjust enrichment rules, and the Applicant should answer relevant bidding credit questions.	(<input type="radio"/>) <u>Yes</u> <input type="radio"/> <u>No</u>
---	--

Closed Bidding

12b) Does this filing involve any spectrum associated with any licenses that were originally granted pursuant to closed bidding within the last five years? If the response to this item is 'Y', the Applicant should answer relevant closed bidding questions.	(<input type="radio"/>) <u>Yes</u> <input type="radio"/> <u>No</u>
--	--

Competition-Related Information

13) Does this filing involve a license authorization or Spectrum Lease/Sublease that may be used to provide interconnected mobile voice and/or data services that would create a geographic overlap with another license authorization(s) or spectrum leasing arrangement(s), that also could be used to provide interconnected mobile voice and/or data services, in which the Applicant already holds attributable interests, as defined in Section 20.22(b) of the Commission's Rules, either as a licensee or spectrum lessee/sublessee? If 'Y', specify in an exhibit all geographic areas/markets (e.g., BTA, CMA, county, etc.) where there are spectrum overlaps and the total amount of spectrum that the Assignee/Transferee will hold and/or lease in each geographic area/market.	(<input checked="" type="radio"/>) <u>Yes</u> <input type="radio"/> <u>No</u>
14) If the answer to Item 13 is 'Y', would/does this application for a spectrum leasing or subleasing arrangement reduce the number of entities providing service in the affected market(s)?	(<input type="radio"/>) <u>Yes</u> <input type="radio"/> <u>No</u>

Broadband Radio Service and Educational Broadband Service Information

15a) Will the requested facilities be used to provide multichannel video programming service?	(<input type="radio"/>) <u>Yes</u> <input type="radio"/> <u>No</u>
15b) If the answer to 15a is 'Y', does the Applicant operate, control or have an attributable interest (as defined in Section 27.1202 of the Commission's Rules) in a cable television system whose franchise area is located within the geographic service area of the requested facilities? If 'Y', provide an exhibit explaining how the Applicant (Lessee/Sublessee) complies with Section 27.1202 of the Commission's Rules or justifying a waiver of that rule. If a waiver of the Commission's Rule(s) is being requested, 8a must be answered 'Y'.	(<input type="radio"/>) <u>Yes</u> <input type="radio"/> <u>No</u>
16) Does the Applicant comply with the programming requirements contained in Section 27.1203 of the Commission's Rules? If 'N', provide an exhibit explaining how the Applicant complies with Section 27.1203 of the Commission's Rules or justifying a waiver of that rule. If a waiver of the Commission's Rule(s) is being requested, 8a must be answered 'Y'.	(<input type="radio"/>) <u>Yes</u> <input type="radio"/> <u>No</u>

Part 90 Public Safety Services

Eligibility

17) Is the Applicant a public safety entity or otherwise an entity that will use the leased spectrum to provide communications in support of public safety operations pursuant to Section 90.523 of the Commission's Rules?	(<input type="radio"/>) <u>Yes</u> <input type="radio"/> <u>No</u>
---	--

600 MHz Band Information

<p>18) Is the spectrum leasing/subleasing arrangement for a term of one year or more (either initially or cumulatively) and involves any licenses in the 600 MHz Band initially granted in the last six years that would, if leased, create a geographic overlap with another licenses(s) in which the Lessee/Sublessee already holds attributable interests, as defined in Section 20.22(b) of the Commission's Rules, either as a licensee or spectrum Lessee/Sublessee, and that would result in the Lessee/Sublessee holding an attributable interest, as defined in Section 20.22(b) of the Commission's Rules, in one-third or more of the total suitable and available below-1-GHz spectrum as calculated on a county-by-county population-weighted basis in the relevant license area, utilizing 2010 U.S. Census data?</p> <p>The initial grant date is the date that the license was originally granted by the Commission after an auction, even if the license was acquired in the secondary market. The initial grant date is not the date on which the Commission granted an assignment or transfer of control of the license.</p> <p>If 'Y', provide an exhibit detailing the proposed spectrum leasing/subleasing exchange of 600 MHz band spectrum in the same market(s), including a list of all file numbers for applications associated with the proposed spectrum leasing arrangement exchange, or describing the <i>pro forma</i> nature of the spectrum leasing arrangement, as appropriate.</p>	<p>(<input checked="" type="radio"/>) <u>Yes</u> <input type="radio"/> <u>No</u></p>
<p>19) Is the spectrum leasing/subleasing arrangement for a term of one year or more (either initially or cumulatively) and involves any licenses that were initially granted as reserved spectrum licenses in the 600 MHz Band in the last six years? Otherwise, enter 'N'.</p> <p>The initial grant date is the date that the license was originally granted by the Commission after an auction, even if the license was acquired in the secondary market. The initial grant date is not the date on which the Commission granted an assignment or transfer of control of the license.</p> <p>If 'Y', provide an exhibit demonstrating how the Lessee/Sublessee would have qualified to bid on that reserved spectrum license(s) in Auction 1002 as of the FCC Form 175 filing deadline (February 10, 2016) for Auction 1002, the forward auction of the Broadcast Incentive Auction.</p>	<p>(<input type="radio"/>) <u>Yes</u> <input checked="" type="radio"/> <u>No</u></p>

Licensee Information

FRN

20) FCC Registration Number: **0003291192**

Entity

21) Licensee is a(n) (Select One):

() Individual () Unincorporated Association () Trust () Government Entity () Corporation () Limited Liability Company

() General Partnership () Limited Partnership () Limited Liability Partnership

() Other: _____

Licensee Name

22) Licensee Name (if entity): **New Cingular Wireless PCS, LLC**

23) Licensee Name (if individual): First: MI: Last: Suffix:

24) Attention To: **Cecil J. Mathew**

Address

25) P.O. Box: And /Or 26) Street Address: **208 S. Akard Street, RM 1016**

27) City: **Dallas** 28) State: **TX** 29) Zip Code: **75202**

30) Telephone Number: **(855)699-7073** 31) FAX Number: **(214)746-6410**

32) E-Mail Address: **FCCMW@att.com**

33) Demographics (Optional):

Race:

() American Indian or Alaska Native
() Asian
() Black or African-American
() Native Hawaiian or Other Pacific Islander
() White

Ethnicity:

() Hispanic or Latino
() Not Hispanic or Latino

Gender:

() Male
() Female

Licensee Contact Information

Contact Name (if other than Licensee)

() Check here if same as Licensee Information

34) Name: First: MI: Last: Suffix:

35) Company Name: **AT&T Mobility LLC**

36) Attention To: **Michael P. Goggin**

Address

37) P.O. Box: And /Or 38) Street Address: **1120 20th Street NW, Suite 1000**

39) City: **Washington** 40) State: **DC** 41) Zip Code: **20036**

42) Telephone Number: **(202)457-2055** 43) FAX Number:

44) E-Mail Address: **michael.p.goggin@att.com**

Lessee Information

FRN

45) FCC Registration Number: **0030856223**

Entity

46) Lessee is a(n) (Select One):

() Individual () Unincorporated Association () Trust () Government Entity () Corporation () Limited Liability Company

() General Partnership () Limited Partnership () Limited Liability Partnership

() Other: _____

Lessee Name

47) If the Lessee name is being updated, is the update a result of a change in ownership, corporate structure, or entity for which proper Commission approval has not been received or proper notification not provided? () Yes No

48) Lessee Name (if entity): **Trace-Tek**

49) Lessee Name (if individual): First: MI: Last: Suffix:

50) Attention To: **licenses@trace-tek.com**

Name of Real Party in Interest

51) Name of Real Party in Interest: **Trace-Tek**

52) FCC Registration Number (FRN): **0030856223**

Address

53) P.O. Box: **And /Or** 54) Street Address: **2625 Commons Boulevard**

55) City: **Beavercreek** 56) State: **OH** 57) Zip Code: **45341**

58) Telephone Number: **(972)672-0477** 59) FAX Number:

60) E-Mail Address: **licenses@trace-tek.com**

61) Demographics (Optional):

Race:	Ethnicity:	Gender:
() American Indian or Alaska Native	() Hispanic or Latino	() Male
() Asian	() Not Hispanic or Latino	() Female
() Black or African-American		
() Native Hawaiian or Other Pacific Islander		
() White		

Lessee Contact Information

Contact Name (if other than Lessee)

() **Check here if same as Lessee Information**

62) Name: First: **Dan** MI: Last: **Burgess** Suffix:

63) Company Name: **Trace-Tek**

64) Attention To: **licenses@trace-tek.com**

Address

65) P.O. Box: **And /Or** 66) Street Address: **2625 Commons Boulevard**

67) City: **Beavercreek** 68) State: **OH** 69) Zip Code: **45341**

70) Telephone Number: **(972)672-0477** 71) FAX Number:

72) E-Mail Address: **licenses@trace-tek.com**

Sublessee Information

FRN

73) FCC Registration Number:

Entity

74) Sublessee is a(n) (Select One):

() Individual () Unincorporated Association () Trust () Government Entity () Corporation () Limited Liability Company

() General Partnership () Limited Partnership () Limited Liability Partnership

() Other: _____

Sublessee Name

75) If the Sublessee name is being updated, is the update a result of a change in ownership, corporate structure, or entity for which proper Commission approval has not been received or proper notification not provided?

() Yes **No**

76) Sublessee Name (if entity):

77) Sublessee Name (if individual):

First:

MI:

Last:

Suffix:

78) Attention To:

Name of Real Party in Interest

79) Name of Real Party in Interest:

80) FCC Registration Number (FRN):

Address

81) P.O. Box:

**And
/Or**

82) Street Address:

83) City:

84) State:

85) Zip Code:

86) Telephone Number:

87) FAX Number:

88) E-Mail Address:

89) Demographics (Optional):

Race:

() American Indian or Alaska Native

() Asian

() Black or African-American

() Native Hawaiian or Other Pacific Islander

() White

Ethnicity:

() Hispanic or Latino

() Not Hispanic or Latino

Gender:

() Male

() Female

Sublessee Contact Information

Contact Name (if other than Sublessee)

() **Check here if same as Sublessee Information**

90) Name:

First:

MI:

Last:

Suffix:

91) Company Name:

92) Attention To:

Address

93) P.O. Box:

**And
/Or**

94) Street Address:

95) City:

96) State:

97) Zip Code:

98) Telephone Number:

99) FAX Number:

100) E-Mail Address:

Transferee Information

FRN

101) FCC Registration Number:

Entity

102) Transferee is a(n) (Select One):

() Individual () Unincorporated Association () Trust () Government Entity () Corporation () Limited Liability Company

() General Partnership () Limited Partnership () Limited Liability Partnership

() Other: _____

Transferee Name

103) Transferee Name (if entity):

104) Transferee Name (if individual):

First:

MI:

Last:

Suffix:

105) Attention To:

Name of Real Party in Interest

106) Name of Real Party in Interest:

107) FCC Registration Number (FRN):

Address

108) P.O. Box:

And
/Or

109) Street Address:

110) City:

111) State:

112) Zip Code:

113) Telephone Number:

114) FAX Number:

115) E-Mail Address:

116) Demographics (Optional):

Race:

() American Indian or Alaska Native

() Asian

() Black or African-American

() Native Hawaiian or Other Pacific Islander

() White

Ethnicity:

() Hispanic or Latino

() Not Hispanic or Latino

Gender:

() Male

() Female

Transferee Contact Information

Contact Name (if other than Transferee)

() Check here if same as Transferee Information

117) Name:

First:

MI:

Last:

Suffix:

118) Company Name:

119) Attention To:

Address

120) P.O. Box:

And
/Or

121) Street Address:

122) City:

123) State:

124) Zip Code:

125) Telephone Number:

126) FAX Number:

127) E-Mail Address:

Transferor Information

FRN

128) FCC Registration Number:

Entity

129) Transferor is a(n) (Select One):

() Individual () Unincorporated Association () Trust () Government Entity () Corporation () Limited Liability Company

() General Partnership () Limited Partnership () Limited Liability Partnership

() Other: _____

Transferor Name

130) Transferor Name (if entity):

131) Transferor Name (if individual):

First:

MI:

Last:

Suffix:

132) Attention To:

Address

133) P.O. Box:

And
/Or

134) Street Address:

135) City:

136) State:

137) Zip Code:

138) Telephone Number:

139) FAX Number:

140) E-Mail Address:

139) Demographics (Optional):

Race:

() American Indian or Alaska Native

() Asian

() Black or African-American

() Native Hawaiian or Other Pacific Islander

() White

Ethnicity:

() Hispanic or Latino

() Not Hispanic or Latino

Gender:

() Male

() Female

Transferor Contact Information

Contact Name (if other than Transferor)

() Check here if same as Transferor Information

140) Name:

First:

MI:

Last:

Suffix:

141) Company Name:

142) Attention To:

Address

143) P.O. Box:

And
/Or

144) Street Address:

145) City:

146) State:

147) Zip Code:

148) Telephone Number:

149) FAX Number:

150) E-Mail Address:

Ownership Disclosure Information

FCC Form 602

153a) Is the Applicant required to file FCC Form 602, Ownership Disclosure Information for the Wireless Telecommunications Services?	(<input checked="" type="radio"/>) <u>Yes</u> <u>No</u>
153b) If the answer to 151a is 'Y', provide the File Number of FCC Form 602 that has been filed in conjunction with application or is already on file with the FCC.	File Number: <u>0009774970</u>

Alien Ownership Questions

Alien Ownership (If any answer is 'Y', provide an attachment explaining the circumstances. In preparing the attachment, refer to the Main Form Instructions for the "Alien Ownership Questions".)

154) Is the Lessee/Sublessee or Post-Transfer Lessee/Sublessee a foreign government or the representative of any foreign government?	(<input type="radio"/>) <u>Yes</u> <u>No</u>
155) Is the Lessee/Sublessee or Post-Transfer Lessee/Sublessee an alien or the representative of an alien?	(<input type="radio"/>) <u>Yes</u> <u>No</u>
156) Is the Lessee/Sublessee or Post-Transfer Lessee/Sublessee a corporation organized under the laws of a foreign government?	(<input type="radio"/>) <u>Yes</u> <u>No</u>
157) Is the Lessee/Sublessee or Post-Transfer Lessee/Sublessee a corporation of which more than one-fifth of the capital stock is owned of record or voted by aliens or their representatives, or by a foreign government or representative thereof, or by any corporation organized under the laws of a foreign country?	(<input type="radio"/>) <u>Yes</u> <u>No</u>
158a) Is the Lessee/Sublessee or Post-Transfer Lessee/Sublessee directly or indirectly controlled by any other corporation of which more than one-fourth of the capital stock is owned of record or voted by aliens or their representatives, or by a foreign government or representative thereof, or by any corporation organized under the laws of a foreign country?	(<input type="radio"/>) <u>Yes</u> <u>No</u>

158b) If the answer to 155 or 156a is 'Y' select one of the choices below.

The Lessee/Sublessee or Post-Transfer Lessee/Sublessee is exempt from the provisions of Section 310(b).

It is not necessary to file a petition for declaratory ruling if the Lessee/Sublessee or Post-Transfer Lessee/Sublessee includes in the attachment required by Item 155 or Item 156a a showing that the subject Lease(s) is exempt from the provisions of Section 310(b).

The Lessee/Sublessee or Post-Transfer Lessee/Sublessee has received a declaratory ruling(s) approving its foreign ownership, and the application/notification involves only the acquisition/use of additional spectrum for the provision of a wireless service in a geographic coverage area for which the Lessee/Sublessee or Post-Transfer Lessee/Sublessee has been previously authorized.

If checked, include in the attachment required by Item 155 or Item 156a the citation(s) of the applicable declaratory ruling(s) by DA/FCC number, the FCC Record citation, if available, release date, and a statement that there has been no change in the foreign ownership of the Lessee/Sublessee or Post-Transfer Lessee/Sublessee since the issuance of its ruling.

The Lessee/Sublessee or Post-Transfer Lessee/Sublessee: (i) has received a declaratory ruling(s) approving its foreign ownership, but is not able to make the certification specified immediately above; or (ii) is an "affiliate" of a Licensee or Lessee/SubLessee that received a declaratory ruling(s) under Section 1.990(a) of the Commission's Rules, 47 CFR § 1.990(a), and is relying on the affiliate's ruling for purposes of filing this application/notification as permitted under the affiliate's ruling and Section 1.994(b) of the Rules, 47 CFR § 1.994(b).

If checked, and if the Lessee/Sublessee or Post-Transfer Lessee/Sublessee received its declaratory ruling(s) on or after August 9, 2013, include in the attachment required by Item 155 or Item 156a the citation(s) of the Lessee/Sublessee or Post-Transfer Lessee/Sublessee's declaratory ruling(s) by DA/FCC number, the FCC Record citation, if available, release date, and a statement that the Lessee/Sublessee or Post-Transfer Lessee/Sublessee is in compliance with the terms and conditions of its ruling and with the Commission's Rules.

If checked, and if the Lessee/Sublessee or Post-Transfer Lessee/Sublessee received its declaratory ruling(s) prior to August 9, 2013, include in the attachment required by Item 156a a copy of a petition for declaratory ruling filed contemporaneously with the Commission to extend the Lessee/Sublessee or Post-Transfer Lessee/Sublessee's existing ruling(s) to cover the same radio service(s) and geographic coverage area(s) involved in the application/notification. Alternatively, the Lessee/Sublessee or Post-Transfer Lessee/Sublessee may request a new declaratory ruling pursuant to Section 1.990(a) of the Commission's Rules, 47 CFR § 1.990(a). Petitions for declaratory ruling may be filed electronically on the Internet through the International Bureau Filing System (IBFS) (with a copy attached hereto).

If checked, and if the Lessee/Sublessee or Post-Transfer Lessee/Sublessee is relying on an affiliate's ruling for purposes of filing this application/notification, include in the attachment required by Item 155 or Item 156a the citation(s) of the applicable declaratory ruling(s) by DA/FCC number, the FCC Record citation, if available, release date, and a statement that the Lessee/Sublessee or Post-Transfer Lessee/Sublessee is in compliance with the terms and conditions of the named affiliate's ruling and with the Commission's Rules. The Lessee/Sublessee or Post-Transfer Lessee/Sublessee must also include a certification of compliance signed by the named affiliate or other qualified entity as specified in Section 1.994(b) of the Rules, 47 CFR § 1.994(b). See Main Form Instructions for Items 155 or 156a, as applicable.

The Lessee/Sublessee or Post-Transfer Lessee/Sublessee has not received a declaratory ruling approving its foreign ownership and is requesting a declaratory ruling under Section 1.990(a) of the Commission's Rules, 47 CFR § 1.990(a), in a petition filed contemporaneously with the Commission.

If checked, include in the attachment required by Item 155 or 156a a copy of the petition for declaratory ruling filed contemporaneously with the Commission pursuant to Section 1.990(a) of the Commission's Rules, 47 CFR § 1.990(a). Petitions for declaratory ruling may be filed electronically on the Internet through the International Bureau Filing System (IBFS) (with a copy attached hereto).

Basic Qualification Information

Basic Qualification Questions (If any answer is 'Y', provide an attachment explaining the circumstances)

159) Has the Applicant or any party to this application had any FCC station authorization, license, or construction permit revoked or had any application for an initial, modification, or renewal of FCC station authorization, license, or construction permit denied by the Commission?	(N) <u>Yes</u> No
160) Has the Applicant or any party to this filing, or any party directly or indirectly controlling the Applicant or any party to this filing ever been convicted of a felony by any state or federal court?	(N) <u>Yes</u> No
161) Has any court finally adjudged the Applicant or any party directly or indirectly controlling the Applicant guilty of unlawfully monopolizing or attempting unlawfully to monopolize radio communication, directly or indirectly, through control of manufacture or sale of radio apparatus, exclusive traffic arrangement, or any other means or unfair methods of competition?	(N) <u>Yes</u> No

Spectrum Aggregation Limit Certification(s)

<p>162) The Licensee/Lessor/Sublessor certifies that grant of this application would not cause the Licensee/Lessor/Sublessor to be in violation of the 40 megahertz in-band spectrum aggregation limit set forth under section 96.31 of the Commission's rules for 3.5 GHz licenses, taking into consideration the spectrum attribution rules under section 20.22(b) of the Commission's rules.</p> <p>If the Licensee/Lessor/Sublessor has sought a waiver of section 96.31 in connection with this application, it may make this certification subject to the outcome of the waiver request.</p>	<p>() <u>Yes</u> <u>No</u></p>
<p>163) The Licensee/Lessor/Sublessor certifies that grant of this application would not cause the Licensee/Lessor/Sublessor to be in violation of the 40 megahertz in-band spectrum aggregation limit set forth under section 27.1606 of the Commission's rules for 3.45 GHz licenses, taking into consideration the spectrum attribution rules under section 20.22(b) of the Commission's rules.</p> <p>If the Licensee/Lessor/Sublessor has sought a waiver of section 27.1606 in connection with this application, it may make this certification subject to the outcome of the waiver request.</p>	<p>() <u>Yes</u> <u>No</u></p>
<p>164) The Lessee/Sublessee/Transferee certifies that grant of this application would not cause the Lessee/Sublessee/Transferee to be in violation of the 40 megahertz in-band spectrum aggregation limit set forth under section 96.31 of the Commission's rules for 3.5 GHz licenses, taking into consideration the spectrum attribution rules under section 20.22(b) of the Commission's rules.</p> <p>If the Lessee/Sublessee/Transferee has sought a waiver of section 96.31 in connection with this application, it may make this certification subject to the outcome of the waiver request.</p>	<p>() <u>Yes</u> <u>No</u></p>
<p>165) The Lessee/Sublessee/Transferee certifies that grant of this application would not cause the Lessee/Sublessee/Transferee to be in violation of the 40 megahertz in-band spectrum aggregation limit set forth under section 27.1606 of the Commission's rules for 3.45 GHz licenses, taking into consideration the spectrum attribution rules under section 20.22(b) of the Commission's rules.</p> <p>If the Lessee/Sublessee/Transferee has sought a waiver of section 27.1606 in connection with this application, it may make this certification subject to the outcome of the waiver request.</p>	<p>() <u>Yes</u> <u>No</u></p>

Licensee Certification Statements

1)	The Licensee agrees that the Lease is not a sale or transfer of the license itself.
2)	The Licensee certifies that it will not consent to assignment of the Lease except to the extent such assignment complies with the Commission's Rules and Regulations.
3)	The Licensee certifies that it holds exclusive use rights to use the licensed spectrum.
4)	The Licensee certifies that it is not in default on any payment for Commission licenses and that it is not delinquent on any non-tax debt owed to any federal agency.
The Licensee certifies that all of its statements made in this Application/Notification and in the schedules, exhibits, attachments, or documents incorporated by reference are material, are part of this Application/Notification, and are true, complete, correct, and made in good faith.	

Type or Printed Name of Party Authorized to Sign

166) First Name: Jessica	MI: B	Last Name: Lyons	Suffix:
167) Title: Asst. Secretary of Manager			
168) Signature: Jessica B Lyons		165) Date: 01/23/2023	
FAILURE TO SIGN THIS APPLICATION MAY RESULT IN DISMISSAL OF THE APPLICATION AND FORFEITURE OF ANY FEES PAID.			
WILLFUL FALSE STATEMENTS MADE ON THIS FORM OR ANY ATTACHMENTS ARE PUNISHABLE BY FINE AND/OR IMPRISONMENT (U.S. Code, Title 18, Section 1001) AND/OR REVOCATION OF ANY STATION LICENSE OR CONSTRUCTION PERMIT (U.S. Code, Title 47, Section 312(a)(1)), AND/OR FORFEITURE (U.S. Code, Title 47, Section 503).			

Lessee Certification Statements

1)	The Lessee agrees that the Lease is not a sale or transfer of the license itself.
2)	The Lessee acknowledges that it is required to comply with the Commission's Rules and Regulations and other applicable law at all times, and if the Lessee fails to so comply, the Lease/Sublease may be revoked, cancelled, or terminated by either the Licensee or the Commission.
3)	The Lessee certifies that neither it nor any other party to the Application/Notification is subject to a denial of Federal benefits pursuant to Section 5301 of the Anti-Drug Abuse Act of 1988, 21 U.S.C. § 862, because of a conviction for possession or distribution of a controlled substance. This certification does not apply to applications filed in services exempted under Section 1.2002(c) of the Commission's Rules. See Section 1.2002(b) of the Commission's Rules for the definition of "party to the application" as used in this certification.
4)	The Lessee hereby accepts Commission oversight and enforcement consistent with the license and lease authorization. The Lessee acknowledges that it must cooperate fully with any investigation or inquiry conducted either by the Commission or the Licensee, allow the Commission or the Licensee to conduct on-site inspections of transmission facilities, and suspend operations at the direction of the Commission or the Licensee and to the extent that such suspension of operation would be consistent with applicable Commission policies.
5)	The Lessee acknowledges that in the event an authorization held by a Licensee that has associated with it a spectrum leasing arrangement that is the subject of this filing is revoked, cancelled, terminated, or otherwise ceases to be in effect, the Lessee will have no continuing authority to use the leased spectrum and will be required to terminate its operations no later than the date on which the Licensee ceases to have any authority to operate under the license, unless otherwise authorized by the Commission.
6)	The Lessee agrees the Lease shall not be assigned to any entity that is not eligible or qualified to enter into a spectrum leasing arrangement under the Commission's Rules and Regulations.
7)	The Lessee waives any claim to the use of any particular frequency or of the electromagnetic spectrum as against the regulatory power of the United States because of the previous use of the same, whether by spectrum lease or otherwise.
8)	The Lessee certifies that it is not in default on any payment for Commission licenses and that it is not delinquent on any non-tax debt owed to any federal agency.
9)	The Lessee certifies that it and all of the related individuals and entities required to be disclosed on this application and FCC Form 602 (FCC Ownership Disclosure Information for the Wireless Telecommunications Services) are not person(s) who have been, for reasons of national security, barred by any agency of the Federal Government from bidding on a contract, participating in an auction, or receiving a grant. This certification applies only to applications for licenses for spectrum that is required by Sections 6103, 6401-6403 of the Middle Class Tax Relief and Job Creation Act of 2012, codified at 47 U.S.C. §§ 309, 1413, 1451-1452, to be assigned by a system of competitive bidding under 47 U.S.C. § 309(j).
<p>The Lessee certifies that all of its statements made in this Application/Notification and in the schedules, exhibits, attachments, or documents incorporated by reference are material, are part of this Application/Notification, and are true, complete, correct, and made in good faith.</p>	

Type or Printed Name of Party Authorized to Sign

168) First Name: Dan	MI:	Last Name: Burgess	Suffix:
169) Title: Manager			
170) Signature: Dan Burgess		171) Date: 01/23/2023	
<p>FAILURE TO SIGN THIS APPLICATION MAY RESULT IN DISMISSAL OF THE APPLICATION AND FORFEITURE OF ANY FEES PAID.</p> <p>WILLFUL FALSE STATEMENTS MADE ON THIS FORM OR ANY ATTACHMENTS ARE PUNISHABLE BY FINE AND/OR IMPRISONMENT (U.S. Code, Title 18, Section 1001) AND/OR REVOCATION OF ANY STATION LICENSE OR CONSTRUCTION PERMIT (U.S. Code, Title 47, Section 312(a)(1)), AND/OR FORFEITURE (U.S. Code, Title 47, Section 503).</p>			

Sublessee Certification Statements

1)	The Sublessee agrees that the Lease is not a, sale or transfer of the license itself.
2)	The Sublessee acknowledges that it is required to comply with the Commission's Rules and regulations and other applicable law at all times, and if the Sublessee fails to so comply, the Lease may be revoked, cancelled, or terminated by either the licensee or the Commission.
3)	The Sublessee certifies that neither it nor any other party to the Application/Notification is subject to a denial of Federal benefits pursuant to Section 5301 of the Anti-Drug Abuse Act of 1988, 21 U.S.C. § 862, because of a conviction for possession or distribution of a controlled substance. This certification does not apply to applications filed in services exempted under Section 1.2002(c) of the Commission's Rules. See Section 1.2002(b) of the Commission's Rules for the definition of "party to the application" as used in this certification.
4)	The Sublessee hereby accepts Commission oversight and enforcement consistent with the license authorization. The Sublessee acknowledges that it must cooperate fully with any investigation or inquiry conducted either by the Commission or the Licensee, allow the Commission or the licensee to conduct on-site inspections of transmission facilities, and suspend operations at the direction of the Commission or the Licensee and to the extent that such suspension of operation would be consistent with the applicable Commission policies.
5)	The Sublessee acknowledges that in the event an authorization held by a Licensee that has entered into a spectrum leasing arrangement is revoked, cancelled, terminated, or otherwise ceases to be in effect, the Sublessee will have no continuing authority to use the leased spectrum and will be required to terminate its operations no later than the date on which the Licensee ceases to have any authority to operate under the license, unless otherwise authorized by the Commission.
6)	The Sublessee agrees the Lease/Sublease shall not be assigned to any entity that is not eligible or qualified to enter into a spectrum leasing arrangement under the Commission's Rules and regulations.
7)	The Sublessee waives any claim to the use of any particular frequency or of the electromagnetic spectrum as against the regulatory power of the United States because of the previous use of the same, whether by spectrum lease or otherwise.
8)	The Sublessee certifies that it is not in default on any payment for Commission licenses and that it is not delinquent on any non-tax debt owed to any federal agency.
9)	The Sublessee certifies that it and all of the related individuals and entities required to be disclosed on this application and FCC Form 602 (FCC Ownership Disclosure Information for the Wireless Telecommunications Services) are not person(s) who have been, for reasons of national security, barred by any agency of the Federal Government from bidding on a contract, participating in an auction, or receiving a grant. This certification applies only to applications for licenses for spectrum that is required by Sections 6103, 6401-6403 of the Middle Class Tax Relief and Job Creation Act of 2012, codified at 47 U.S.C. §§ 309, 1413, 1451-1452, to be assigned by a system of competitive bidding under 47 U.S.C. § 309(j).
The Sublessee certifies that all of its statements made in this Application/Notification and in the schedules, exhibits, attachments, or documents incorporated by reference are material, are part of this Application/Notification, and are true, complete, correct, and made in good faith.	

Type or Printed Name of Party Authorized to Sign

172) First Name:	MI:	Last Name:	Suffix:
173) Title:			
174) Signature:		175) Date:	

FAILURE TO SIGN THIS APPLICATION MAY RESULT IN DISMISSAL OF THE APPLICATION AND FORFEITURE OF ANY FEES PAID.
WILLFUL FALSE STATEMENTS MADE ON THIS FORM OR ANY ATTACHMENTS ARE PUNISHABLE BY FINE AND/OR IMPRISONMENT (U.S. Code, Title 18, Section 1001) AND/OR REVOCATION OF ANY STATION LICENSE OR CONSTRUCTION PERMIT (U.S. Code, Title 47, Section 312(a)(1)), AND/OR FORFEITURE (U.S. Code, Title 47, Section 503).

Transferee Certification Statements

1)	The Transferee agrees that the Lease/Sublease is not a sale or transfer of the license itself.
2)	The Transferee acknowledges that it is required to comply with the Commission's Rules and Regulations and other applicable law at all times, and if the Transferee fails to so comply, the Lease/Sublease may be revoked, cancelled, or terminated by either the licensee or the Commission.
3)	The Transferee certifies that neither it nor any other party to the Application/Notification is subject to a denial of Federal benefits pursuant to Section 5301 of the Anti-Drug Abuse Act of 1988, 21 U.S.C. § 862, because of a conviction for possession or distribution of a controlled substance. This certification does not apply to applications filed in services exempted under Section 1.2002(c) of the Commission's Rules. See Section 1.2002(b) of the Commission's Rules for the definition of "party to the application" as used in this certification.)
4)	The Transferee hereby accepts Commission oversight and enforcement consistent with the license authorization. The Transferee acknowledges that it must cooperate fully with any investigation or inquiry conducted either by the Commission or the Licensee, allow the Commission or the licensee to conduct on-site inspections of transmission facilities, and suspend operations at the direction of the Commission or the Licensee and to the extent that such suspension of operation would be consistent with the applicable Commission policies.
5)	The Transferee acknowledges that in the event an authorization held by a Licensee that has entered into a spectrum leasing arrangement is revoked, cancelled, terminated, or otherwise ceases to be in effect, the Transferee will have no continuing authority to use the leased spectrum and will be required to terminate its operations no later than the date on which the Licensee ceases to have any authority to operate under the license, unless otherwise authorized by the Commission.
6)	The Transferee agrees the Lease shall not be assigned to any entity that is not eligible or qualified to enter into a spectrum leasing arrangement under the Commission's Rules and Regulations.
7)	The Transferee waives any claim to the use of any particular frequency or of the electromagnetic spectrum as against the regulatory power of the United States because of the previous use of the same, whether by spectrum lease or otherwise.
8)	The Transferee certifies that it is not in default on any payment for Commission licenses and that it is not delinquent on any non-tax debt owed to any federal agency.
9)	The Transferee certifies that it and all of the related individuals and entities required to be disclosed on this application and FCC Form 602 (FCC Ownership Disclosure Information for the Wireless Telecommunications Services) are not person(s) who have been, for reasons of national security, barred by any agency of the Federal Government from bidding on a contract, participating in an auction, or receiving a grant. This certification applies only to applications for licenses for spectrum that is required by Sections 6103, 6401-6403 of the Middle Class Tax Relief and Job Creation Act of 2012, codified at 47 U.S.C. §§ 309, 1413, 1451-1452, to be assigned by a system of competitive bidding under 47 U.S.C. § 309(j).
The Transferee certifies that all of its statements made in this Application/Notification and in the schedules, exhibits, attachments, or documents incorporated by reference are material, are part of this Application/Notification, and are true, complete, correct, and made in good faith.	

Type or Printed Name of Party Authorized to Sign

176) First Name:	MI:	Last Name:	Suffix:
177) Title:			
178) Signature:		179) Date:	

FAILURE TO SIGN THIS APPLICATION MAY RESULT IN DISMISSAL OF THE APPLICATION AND FORFEITURE OF ANY FEES PAID.

WILLFUL FALSE STATEMENTS MADE ON THIS FORM OR ANY ATTACHMENTS ARE PUNISHABLE BY FINE AND/OR IMPRISONMENT (U.S. Code, Title 18, Section 1001) AND/OR REVOCATION OF ANY STATION LICENSE OR CONSTRUCTION PERMIT (U.S. Code, Title 47, Section 312(a)(1)), AND/OR FORFEITURE (U.S. Code, Title 47, Section 503).

Transferor Certification Statements

1)	The Transferor certifies either (1) that control of the Lessee/Sublessee will not be transferred until consent of the Federal Communications Commission has been given, or (2) that prior Commission consent is not required because the Lease/Sublease is subject to streamlined notification procedures for <i>pro forma</i> transfers of control. See <i>Federal Communications Bar Association's Petition for Forbearance from Section 310(d) of the Communications Act Regarding Non-Substantial Assignments of Wireless Licenses and Transfers of Control Involving Telecommunications Carriers and Personal Communications Industry Association's Broadband Personal Communications Services Alliance's Petition for Forbearance For Broadband Personal Communications Services</i> . Memorandum Opinion and Order, 13 FCC Rcd 6293 (1998)
2)	The Transferor certifies that it is not in default on any payment for Commission licenses and that it is not delinquent on any non-tax debt owed to any federal agency.
The Transferor certifies that all of its statements made in this Application/Notification and in the schedules, exhibits, attachments, or documents incorporated by reference are material, are part of this Application/Notification, and are true, complete, correct, and made in good faith.	

Type or Printed Name of Party Authorized to Sign

180) First Name:	MI:	Last Name:	Suffix:
181) Title:			
182) Signature:		183) Date:	
FAILURE TO SIGN THIS APPLICATION MAY RESULT IN DISMISSAL OF THE APPLICATION AND FORFEITURE OF ANY FEES PAID.			
WILLFUL FALSE STATEMENTS MADE ON THIS FORM OR ANY ATTACHMENTS ARE PUNISHABLE BY FINE AND/OR IMPRISONMENT (U.S. Code, Title 18, Section 1001) AND/OR REVOCATION OF ANY STATION LICENSE OR CONSTRUCTION PERMIT (U.S. Code, Title 47, Section 312(a)(1)), AND/OR FORFEITURE (U.S. Code, Title 47, Section 503).			

Private Commons Manager Certification Statements

1)	The Licensee/Lessee/Sublessee manager of the Private Commons certifies that it will retain <i>de facto</i> control of the use of the spectrum under the Private Commons arrangement, including that it will maintain reasonable oversight over the users' use of the spectrum under the arrangement so as to ensure that the use of the spectrum, and communications equipment employed, comply with all technical and service rules applicable under the license authorization.
2)	The Licensee/Lessee/Sublessee manager of the Private Commons arrangement certifies that it will maintain the ability to ensure that users under the arrangement comply with all the technical and service rules applicable under the license authorization.
3)	The Licensee/Lessee/Sublessee manager of the Private Commons certifies that it and all of the related individuals and entities required to be disclosed on this application and FCC Form 602 (FCC Ownership Disclosure Information for the Wireless Telecommunications Services) are not person(s) who have been, for reasons of national security, barred by any agency of the Federal Government from bidding on a contract, participating in an auction, or receiving a grant. This certification applies only to applications for licenses for spectrum that is required by Sections 6103, 6401-6403 of the Middle Class Tax Relief and Job Creation Act of 2012, codified at 47 U.S.C. §§ 309, 1413, 1451-1452, to be assigned by a system of competitive bidding under 47 U.S.C. § 309(j).
The Licensee/Lessee/Sublessee manager of the Private Commons arrangement certifies that all of its statements made in this Notification and in the schedules, exhibits, attachments, or documents incorporated by reference are material, are part of this Notification, and are true, complete, correct, and made in good faith.	

Type or Printed Name of Party Authorized to Sign

184) First Name:	MI:	Last Name:	Suffix:
185) Title:			
186) Signature:		187) Date:	
FAILURE TO SIGN THIS APPLICATION MAY RESULT IN DISMISSAL OF THE APPLICATION AND FORFEITURE OF ANY FEES PAID.			
WILLFUL FALSE STATEMENTS MADE ON THIS FORM OR ANY ATTACHMENTS ARE PUNISHABLE BY FINE AND/OR IMPRISONMENT (U.S. Code, Title 18, Section 1001) AND/OR REVOCATION OF ANY STATION LICENSE OR CONSTRUCTION PERMIT (U.S. Code, Title 47, Section 312(a)(1)), AND/OR FORFEITURE (U.S. Code, Title 47, Section 503).			

License Authorization(s) or Identifiers (pertaining to Lease(s)/Sublease(s)/Private Commons) Associated with the Spectrum To Be Included in the Filing

188) Call Sign(s) or Lease/Sublease/ Private Commons Identifier(s)	189) Radio Service Code	190) Location Number	191) Path Number (Microwave only)	192) Frequency Number	193) Lower Frequency (MHz)	194) Upper Frequency (MHz)
KNLG608	CW - PCS Broadband					
KNLG639	CW - PCS Broadband					
KNLG639	CW - PCS Broadband					
KNLG690	CW - PCS Broadband					
KNLG691	CW - PCS Broadband					
KNLG716	CW - PCS Broadband					
KNLG801	CW - PCS Broadband					
KNLH348	CW - PCS Broadband					
KNLH591	CW - PCS Broadband					
KNLH591	CW - PCS Broadband					
WPOI206	CW - PCS Broadband					
WPOI206	CW - PCS Broadband					
WPOI255	CW - PCS Broadband					
WPOI257	CW - PCS Broadband					
WPOI416	CW - PCS Broadband					

* Note: Items 190 – 194 are for New Leases involving spectrum associated with site-based authorizations when only a portion of the licensed locations, paths and/or frequencies will be leased.

**Schedule for Licensees that Received Bidding Credits
or
Involving Licenses Won in Closed Bidding**

**Designated Entity Information
Bidding Credits**

1) Has the full amount of the bidding credits awarded with regard to each of the subject license(s) been paid as part of unjust enrichment payment(s) in previous transaction(s)?	() <u>Yes</u> <u>No</u>
If the response to Item 1 is 'Y', Items 2 and 3 are not required to be completed.	

Bidding Credits - (Spectrum Manager Leases Only)

2a) Does the Applicant have a general partnership interest or have a direct or indirect ownership interests of ten percent or greater in the Licensee?	() <u>Yes</u> <u>No</u>
2b) Is the Applicant a "controlling interest holder" or "affiliate" of the current Licensee? For purposes of determining whether the Licensee has retained the requisite degree of ownership and control over the leased spectrum in order to remain eligible for the license or for bidding credits, the <i>de jure</i> control standard in 47 CFR §1.2110 and the <i>de facto</i> control standard in 47 CFR § 1.9010 will be applied (pursuant to the conditions set forth in 47 CFR §1.9020).	() <u>Yes</u> <u>No</u>
2c) Does the Applicant share office space, equipment, or other facilities with any party controlling the entity from which spectrum is being leased/subleased?	() <u>Yes</u> <u>No</u>
2d) Is the Applicant a disclosable interest holder that holds a ten percent or greater interest of any kind in the Licensee and is the Lease/Sublease for more than 25% of the spectrum capacity of the subject license(s)?	() <u>Yes</u> <u>No</u>
2e) Does the Licensee certify that the Lease/Sublease does not affect its continuing eligibility to retain bidding credit(s)?	() <u>Yes</u> <u>No</u>

**Bidding Credits – (Long-Term De Facto Transfer Leases Only)
Eligibility**

3a) With respect to each of the subject licenses, the Applicant: () qualifies for the same designated entity benefit as the current Licensee () qualifies for a different designated entity benefit than the current Licensee () does not qualify for any designated entity status
--

3b) If the Applicant states in Item 3a that it qualifies for the same designated entity benefit as the current Licensee or qualifies for a different designated entity status than the current Licensee, the Applicant qualifies for a (select one): () small business bidding credit (___%) () rural service provider bidding credit	
3c) Is the Applicant a disclosable interest holder that holds a ten percent or greater interest of any kind in the Licensee and is the Lease/Sublease for more than 25% of the spectrum capacity of the subject license(s)?	() <u>Yes</u> <u>No</u>

Closed Bidding Licenses

4) Have construction notifications been submitted as required by the Commission's Rules for each of the subject licenses? If the response to Item 4 is 'Y', Items 5 and 6 are not required to be completed.	() <u>Yes</u> <u>No</u>
--	--------------------------

Closed Bidding Licenses – (Spectrum Manager Leases Only)

5a) Does the Applicant have a general partnership interest or have a direct or indirect ownership interest of ten percent or greater in the Licensee?	() <u>Yes</u> <u>No</u>
5b) Is the Applicant a "controlling interest holder" or "affiliate" of the current Licensee?	() <u>Yes</u> <u>No</u>
5c) Does the Applicant share office space, equipment or other facilities with any party controlling the entity from which spectrum is being leased?	() <u>Yes</u> <u>No</u>
5d) Does the Licensee certify that the Lease/Sublease does not affect its continuing eligibility to retain closed bidding licenses?	() <u>Yes</u> <u>No</u>

Closed Bidding Licenses – (Long-Term De Facto Transfer Leases Only)**Eligibility**

6) With respect to each of the subject licenses, the Applicant: () a) qualifies for closed bidding () b) does not qualify for closed bidding
--

7) Revenue and Asset Information for the Applicant

Purpose (Check Modify if filing an Amendment application and changing the Revenue and Asset Information from what was provided on the original filing)

<input type="checkbox"/> Modify

Gross Revenue Disclosure Most Recent Reportable Year

8a) Were the Applicant and any predecessors-in-interest in existence for a full year of the relevant period? If 'N', explain why in an attachment.	() <u>Yes</u> <u>No</u>
If 'Y', provide the following information.	
8b) Gross Revenues	\$ _____ (Format: 99,999.99)
8c) Year-end Date:	_____ (Date Format: MM/DD/YYYY)

One Year Prior to Most Recent Reportable Year

9a) Were the Applicant and any predecessors-in-interest in existence for a full year of the relevant period? If 'N', explain why in an attachment.	() <u>Yes</u> <u>No</u>
If 'Y', provide the following information.	
9b) Gross Revenues	\$ _____ (Format: 99,999.99)
9c) Year-end Date:	_____ (Date Format: MM/DD/YYYY)

Two Years Prior to Most Recent Reportable Year

10a) Were the Applicant and any predecessors-in-interest in existence for a full year of the relevant period? If 'N', explain why in an attachment.	() <u>Yes</u> <u>No</u>
If 'Y', provide the following information.	
10b) Gross Revenues	\$ _____ (Format: 99,999.99)
10c) Year-end Date:	_____ (Date Format: MM/DD/YYYY)

Three Years Prior to Most Recent Reportable Year

11a) Were the Applicant and any predecessors-in-interest in existence for a full year of the relevant period? If 'N', explain why in an attachment.	() <u>Yes</u> <u>No</u>
If 'Y', provide the following information.	
11b) Gross Revenues	\$ _____ (Format: 99,999.99)
11c) Year-end Date:	_____ (Date Format: MM/DD/YYYY)

Four Years Prior to Most Recent Reportable Year

12a) Were the Applicant and any predecessors-in-interest in existence for a full year of the relevant period? If 'N', explain why in an attachment.	() <u>Yes</u> <u>No</u>
If 'Y', provide the following information.	
12b) Gross Revenues	\$ _____ (Format: 99,999.99)
12c) Year-end Date:	_____ (Date Format: MM/DD/YYYY)

Average Gross Revenue

13) Average Gross Revenue of Reported Years: \$ _____ (Format: 99,999.99)

Asset Disclosure

14) Total Assets as of Application Filing Date: \$ _____

Financial Statements

15) Audited or Unaudited (Check One)

The Applicant used audited financial statements.

The Applicant used unaudited financial statements prepared in accordance with Generally Accepted Accounting Principles (GAAP) and certified by the Applicant's chief financial officer or the equivalent.

Reference Copy

Reference Copy

Closed Bidding/Designated Entity Eligibility

Total Gross Revenues for Most Recent Reportable Year

36a) Gross Revenues	\$ _____	(Format: 99,999.99)
36b) Year-end Date:	_____	(Date Format: MM/DD/YYYY)

Total Gross Revenues for One Year Prior to Most Recent Reportable Year

37a) Gross Revenues:	\$ _____	(Format: 99,999.99)
37b) Year-end Date:	_____	(Date Format: MM/DD/YYYY)

Total Gross Revenues for Two Years Prior to Most Recent Reportable Year

38a) Gross Revenues:	\$ _____	(Format: 99,999.99)
38b) Year-end Date:	_____	(Date Format: MM/DD/YYYY)

Total Gross Revenues for Three Years Prior to the Most Recent Reportable Year

39a) Gross Revenues:	\$ _____	(Format: _____)
39b) Year-end Date:	_____	(Date Format: _____)

Total Gross Revenues for Four Years Prior to the Most Recent Reportable Year

40a) Gross Revenues:	\$ _____	(Format: 99,999.99)
40b) Year-end Date:	_____	(Date Format: MM/DD/YYYY)

Total Aggregate Average Gross Revenues for Designated Entity (License(s) Requiring Disclosure of Three Years of Gross Revenue Data)

41) Aggregate Average Gross Revenue:	\$ _____	(Format: 99,999.99)
--------------------------------------	----------	---------------------

Total Aggregate Average Gross Revenues for Designated Entity (License(s) Requiring Disclosure of Five Years of Gross Revenue Data)

41) Aggregate Average Gross Revenue:	\$ _____	(Format: 99,999.99)
--------------------------------------	----------	---------------------

Total Aggregate Average Gross Revenues for Closed Bidding

42) Aggregate Average Gross Revenue:	\$ _____	(Format: 99,999.99)
--------------------------------------	----------	---------------------

Total Assets Disclosure for Closed Bidding

43) Total Assets:	\$ _____	(Format: 99,999.99)
-------------------	----------	---------------------

Rural Service Provider Bidding Credit

36) Is the Applicant seeking a Rural Service Provider (RSP) bidding credit?	() Yes No
---	-----------------------------

If the Applicant (the Lessee/Sublessee/Transferee) is seeking a rural service provider (RSP) bidding credit, provide in an exhibit the following information requested in a-e.

a) for the Applicant, submit the combined number of commercial communications service subscribers to wireless, wireline, broadband, and cable services that the Applicant serves and provide a list of the name(s) and the Federal Information Processing Standard (FIPS) number(s) for each county in which the Applicant has at least one commercial wireless, wireline, broadband, or cable subscriber;

b) for each of the Applicant's Affiliates, Controlling Interests, and the Affiliates of its Controlling Interests, submit the individual or entity's name, its FCC Registration Number (FRN), its relationship to the Applicant, and its combined number of commercial communications service subscribers to wireless, wireline, broadband, and cable services. For each of the Applicant's Affiliates, Controlling Interests, and the Affiliates of its Controlling Interests, also provide a list of the name(s) and the FIPS number(s) for each county in which it has at least one commercial wireless, wireline, broadband, or cable subscriber;

c) if neither the Applicant, nor any of its Affiliates, its Controlling Interests, or the Affiliates of its Controlling Interests have at least one wireless, wireline, broadband, or cable subscriber in a market for which the Applicant is applying for a license, list the market(s) in which the Applicant, its Affiliates, its Controlling Interests, and the Affiliates of its Controlling Interests have no such subscribers;

d) a detailed explanation demonstrating that: (i) the Applicant is in the business of providing commercial communications services; (ii) the Applicant serves predominantly rural areas; and (iii) the primary focus of the Applicant's business activity is the provision of services to rural areas (defined as counties with a population density of 100 or fewer persons per square mile); and

e) If the Applicant is an existing rural partnership that was providing service as of July 16, 2015, provide a detailed explanation demonstrating that each member of the partnership is independently eligible for the RSP bidding credit by providing, with respect to each member of the partnership, the same information as is required in a-d above.

Schedule for New Lease or New Sublease

Term of Lease [For New Leases Only]

1) Indicate whether the Lease is: (<input checked="" type="checkbox"/>) Long-Term or (<input type="checkbox"/>) Short-Term*	
* The cumulative lease period for a Short-Term Lease cannot exceed 365 days from the original commencement date.	
2) If this filing is for a Long-Term <i>De Facto</i> Transfer Lease, have the Licensee and Lessee entered into any Short-Term <i>De Facto</i> Transfer Lease(s) with regard to any spectrum covered by the license(s) that are part of this filing or within the same geographic area(s) of the license(s) that are part of this filing?	(<input type="checkbox"/>) <u>Yes</u> <u>No</u>

Leased Spectrum (For Geographically-Licensed Services) [For New Leases Only]

3a) Does this filing involve geographic-area licenses where only a portion of the licensed spectrum and/or the licensed geographic area will be leased?	(<input checked="" type="checkbox"/>) <u>Yes</u> <u>No</u>
3b) If the answer to 3a is 'Yes', does this filing involve one or more individual point-to-point microwave links that will be leased? If the response to 3b is 'Yes', complete Schedule H. If the response to 3b is 'No', complete Schedule F and, if applicable, Schedule G.	(<input type="checkbox"/>) <u>Yes</u> <u>No</u>

Leased Spectrum (For Site-Based Services) [For New Leases Only]

3c) Does this filing involve site-based licenses where only a portion of the licensed locations, paths and/or frequencies will be leased? If the response to 3c is 'No', complete Items 184 (Call Sign) and 185 (Radio Service Code) on the Main Form. If the response to 3c is 'Yes', in addition to Items 184 (Call Sign) and 185 (Radio Service Code), complete Items 186-190 (Location Number, Path Number, Frequency Number, Lower Frequency and Upper Frequency), as appropriate, on the Main Form.	(<input type="checkbox"/>) <u>Yes</u> <u>No</u>
---	---

Type and Term of Sublease [For New Subleases Only]

4a) If the existing Lease is a Long-Term <i>De Facto</i> Transfer Lease, are the Lessee and Sublessee entering into a Spectrum Manager Sublease or a Long-Term <i>De Facto</i> Transfer Sublease? (<input type="checkbox"/>) Spectrum Manager Sublease or (<input type="checkbox"/>) Long-Term <i>De Facto</i> Transfer Sublease
4b) If the answer to 4a is 'Spectrum Manager Sublease', indicate whether the Sublease is: (<input type="checkbox"/>) Long-Term or (<input type="checkbox"/>) Short-Term
5) If the existing Lease is a Long-Term Spectrum Manager Lease, indicate whether the Spectrum Manager Sublease is: (<input type="checkbox"/>) Long-Term or (<input type="checkbox"/>) Short-Term

**Schedule for Supplemental Information Pertaining to a New Lease, New Sublease,
Revision to Extend the Term of an Existing Lease or Sublease, or
Revision to Cancel an Existing Lease or Sublease**

License Authorizations/Lease Identifiers/Sublease Identifiers (Complete as many Schedule E's as necessary)

1) Call Sign(s) or Lease/Sublease Identifier(s)	2) Radio Service Code	3) Commencement Date (MM/DD/YYYY) OR Check box for FCC Grant Date	4) Expiration Date (MM/DD/YYYY)	5) Revised Expiration Date (MM/DD/YYYY)	6) Cancellation Date (MM/DD/YYYY) OR Check box if Lease/Sublease Never Commenced
KNLG608	CW	<input checked="" type="checkbox"/>	09/16/2026		<input type="checkbox"/>
KNLG639	CW	<input checked="" type="checkbox"/>	09/16/2026		<input type="checkbox"/>
KNLG690	CW	<input checked="" type="checkbox"/>	09/16/2026		<input type="checkbox"/>
KNLG691	CW	<input checked="" type="checkbox"/>	09/16/2026		<input type="checkbox"/>
KNLG716	CW	<input checked="" type="checkbox"/>	09/16/2026		<input type="checkbox"/>
KNLG801	CW	<input checked="" type="checkbox"/>	09/16/2026		<input type="checkbox"/>
KNLH348	CW	<input checked="" type="checkbox"/>	09/16/2026		<input type="checkbox"/>
KNLH591	CW	<input checked="" type="checkbox"/>	09/16/2026		<input type="checkbox"/>
WPOI206	CW	<input checked="" type="checkbox"/>	06/23/2025		<input type="checkbox"/>
WPOI255	CW	<input checked="" type="checkbox"/>	06/23/2025		<input type="checkbox"/>
WPOI257	CW	<input checked="" type="checkbox"/>	06/23/2025		<input type="checkbox"/>
WPOI416	CW	<input checked="" type="checkbox"/>	06/23/2025		<input type="checkbox"/>

**Schedule for Defined Geographic Area To Be Leased
 (Geographically-Licensed Services)**

Call Sign

1) Call Sign: <u>KNLG608</u>

Geographic Area of Spectrum To Be Included in Lease

2) Defined Area to be Leased	3) Undefined Area to be Leased (Complete Schedule G)	4a) Population of Leased Area
	Schedule G # Attached:1	

5) Frequencies of Spectrum To Be Included in Lease (MHz)

Spectrum Leased	
Lower Frequency/Bandwidth	Upper Frequency/Bandwidth

**Schedule for Defined Geographic Area To Be Leased
(Geographically-Licensed Services)**

Call Sign

1) Call Sign: KNLG639

Geographic Area of Spectrum To Be Included in Lease

2) Defined Area to be Leased	3) Undefined Area to be Leased (Complete Schedule G)	4a) Population of Leased Area
	Schedule G # Attached:2	

5) Frequencies of Spectrum To Be Included in Lease (MHz)

Spectrum Leased

Lower Frequency/Bandwidth	Upper Frequency/Bandwidth

**Schedule for Defined Geographic Area To Be Leased
 (Geographically-Licensed Services)**

Call Sign

1) Call Sign: <u>KNLG639</u>

Geographic Area of Spectrum To Be Included in Lease

2) Defined Area to be Leased	3) Undefined Area to be Leased (Complete Schedule G)	4a) Population of Leased Area
	Schedule G # Attached:3	

5) Frequencies of Spectrum To Be Included in Lease (MHz)

Spectrum Leased	
Lower Frequency/Bandwidth	Upper Frequency/Bandwidth

**Schedule for Defined Geographic Area To Be Leased
 (Geographically-Licensed Services)**

Call Sign

1) Call Sign: <u>KNLG690</u>

Geographic Area of Spectrum To Be Included in Lease

2) Defined Area to be Leased	3) Undefined Area to be Leased (Complete Schedule G)	4a) Population of Leased Area
	Schedule G # Attached:4	

5) Frequencies of Spectrum To Be Included in Lease (MHz)

Spectrum Leased	
Lower Frequency/Bandwidth	Upper Frequency/Bandwidth

**Schedule for Defined Geographic Area To Be Leased
 (Geographically-Licensed Services)**

Call Sign

1) Call Sign: <u>KNLG691</u>

Geographic Area of Spectrum To Be Included in Lease

2) Defined Area to be Leased	3) Undefined Area to be Leased (Complete Schedule G)	4a) Population of Leased Area
	Schedule G # Attached:5	

5) Frequencies of Spectrum To Be Included in Lease (MHz)

Spectrum Leased	
Lower Frequency/Bandwidth	Upper Frequency/Bandwidth

**Schedule for Defined Geographic Area To Be Leased
 (Geographically-Licensed Services)**

Call Sign

1) Call Sign: <u>KNLG716</u>

Geographic Area of Spectrum To Be Included in Lease

2) Defined Area to be Leased	3) Undefined Area to be Leased (Complete Schedule G)	4a) Population of Leased Area
	Schedule G # Attached:6	

5) Frequencies of Spectrum To Be Included in Lease (MHz)

Spectrum Leased	
Lower Frequency/Bandwidth	Upper Frequency/Bandwidth

**Schedule for Defined Geographic Area To Be Leased
 (Geographically-Licensed Services)**

Call Sign

1) Call Sign: <u>KNLG801</u>

Geographic Area of Spectrum To Be Included in Lease

2) Defined Area to be Leased	3) Undefined Area to be Leased (Complete Schedule G)	4a) Population of Leased Area
	Schedule G # Attached:7	

5) Frequencies of Spectrum To Be Included in Lease (MHz)

Spectrum Leased	
Lower Frequency/Bandwidth	Upper Frequency/Bandwidth

**Schedule for Defined Geographic Area To Be Leased
 (Geographically-Licensed Services)**

Call Sign

1) Call Sign: <u>KNLH348</u>

Geographic Area of Spectrum To Be Included in Lease

2) Defined Area to be Leased	3) Undefined Area to be Leased (Complete Schedule G)	4a) Population of Leased Area
	Schedule G # Attached:8	

5) Frequencies of Spectrum To Be Included in Lease (MHz)

Spectrum Leased	
Lower Frequency/Bandwidth	Upper Frequency/Bandwidth

**Schedule for Defined Geographic Area To Be Leased
 (Geographically-Licensed Services)**

Call Sign

1) Call Sign: <u>KNLH591</u>

Geographic Area of Spectrum To Be Included in Lease

2) Defined Area to be Leased	3) Undefined Area to be Leased (Complete Schedule G)	4a) Population of Leased Area
	Schedule G # Attached:9	

5) Frequencies of Spectrum To Be Included in Lease (MHz)

Spectrum Leased	
Lower Frequency/Bandwidth	Upper Frequency/Bandwidth

**Schedule for Defined Geographic Area To Be Leased
(Geographically-Licensed Services)**

Call Sign

1) Call Sign: KNLH591

Geographic Area of Spectrum To Be Included in Lease

2) Defined Area to be Leased	3) Undefined Area to be Leased (Complete Schedule G)	4a) Population of Leased Area
	Schedule G # Attached:10	

5) Frequencies of Spectrum To Be Included in Lease (MHz)

Spectrum Leased

Lower Frequency/Bandwidth	Upper Frequency/Bandwidth

**Schedule for Defined Geographic Area To Be Leased
 (Geographically-Licensed Services)**

Call Sign

1) Call Sign: <u>WPOI206</u>

Geographic Area of Spectrum To Be Included in Lease

2) Defined Area to be Leased	3) Undefined Area to be Leased (Complete Schedule G)	4a) Population of Leased Area
	Schedule G # Attached:11	

5) Frequencies of Spectrum To Be Included in Lease (MHz)

Spectrum Leased	
Lower Frequency/Bandwidth	Upper Frequency/Bandwidth

**Schedule for Defined Geographic Area To Be Leased
 (Geographically-Licensed Services)**

Call Sign

1) Call Sign: <u>WPOI206</u>

Geographic Area of Spectrum To Be Included in Lease

2) Defined Area to be Leased	3) Undefined Area to be Leased (Complete Schedule G)	4a) Population of Leased Area
	Schedule G # Attached:12	

5) Frequencies of Spectrum To Be Included in Lease (MHz)

Spectrum Leased	
Lower Frequency/Bandwidth	Upper Frequency/Bandwidth

**Schedule for Defined Geographic Area To Be Leased
 (Geographically-Licensed Services)**

Call Sign

1) Call Sign: <u>WPOI255</u>

Geographic Area of Spectrum To Be Included in Lease

2) Defined Area to be Leased	3) Undefined Area to be Leased (Complete Schedule G)	4a) Population of Leased Area
	Schedule G # Attached:13	

5) Frequencies of Spectrum To Be Included in Lease (MHz)

Spectrum Leased	
Lower Frequency/Bandwidth	Upper Frequency/Bandwidth

**Schedule for Defined Geographic Area To Be Leased
 (Geographically-Licensed Services)**

Call Sign

1) Call Sign: <u>WPOI257</u>

Geographic Area of Spectrum To Be Included in Lease

2) Defined Area to be Leased	3) Undefined Area to be Leased (Complete Schedule G)	4a) Population of Leased Area
	Schedule G # Attached:14	

5) Frequencies of Spectrum To Be Included in Lease (MHz)

Spectrum Leased	
Lower Frequency/Bandwidth	Upper Frequency/Bandwidth

**Schedule for Defined Geographic Area To Be Leased
 (Geographically-Licensed Services)**

Call Sign

1) Call Sign: <u>WPOI416</u>

Geographic Area of Spectrum To Be Included in Lease

2) Defined Area to be Leased	3) Undefined Area to be Leased (Complete Schedule G)	4a) Population of Leased Area
	Schedule G # Attached:15	

5) Frequencies of Spectrum To Be Included in Lease (MHz)

Spectrum Leased	
Lower Frequency/Bandwidth	Upper Frequency/Bandwidth

Number: 1

Schedule for Leases that Involve an Undefined Geographic Area

For each undefined geographic area, complete up to 300 Latitude/Longitude combinations for every 3 degrees azimuth, using NAD83 Datum.

	Latitude (DD-MM-SS.S-D)	Longitude (DDD-MM-SS.S-D)
1	31-28-20.6 N	092-27-03.8 W
2	31-28-20.4 N	092-25-59.5 W
3	31-27-39.4 N	092-26-05.1 W
4	31-27-41.9 N	092-27-06.3 W
5	31-28-20.6 N	092-27-03.8 W

Number: 2

Schedule for Leases that Involve an Undefined Geographic Area

For each undefined geographic area, complete up to 300 Latitude/Longitude combinations for every 3 degrees azimuth, using NAD83 Datum.

	Latitude (DD-MM-SS.S-D)	Longitude (DDD-MM-SS.S-D)
1	32-43-31.6 N	081-15-29.8 W
2	32-43-28.5 N	081-14-56.8 W
3	32-43-01.5 N	081-14-59.6 W
4	32-43-04.3 N	081-15-33.8 W
5	32-43-31.6 N	081-15-29.8 W

Number: 3

Schedule for Leases that Involve an Undefined Geographic Area

For each undefined geographic area, complete up to 300 Latitude/Longitude combinations for every 3 degrees azimuth, using NAD83 Datum.

	Latitude (DD-MM-SS.S-D)	Longitude (DDD-MM-SS.S-D)
1	31-33-55.8 N	081-54-19.2 W
2	31-33-56.7 N	081-54-11.4 W
3	31-33-52.0 N	081-53-55.9 W
4	31-33-45.5 N	081-53-55.0 W
5	31-33-43.7 N	081-54-18.2 W
6	31-33-55.8 N	081-54-19.2 W

Number: 4

Schedule for Leases that Involve an Undefined Geographic Area

For each undefined geographic area, complete up to 300 Latitude/Longitude combinations for every 3 degrees azimuth, using NAD83 Datum.

	Latitude (DD-MM-SS.S-D)	Longitude (DDD-MM-SS.S-D)
1	39-23-07.6 N	075-09-51.9 W
2	39-23-15.7 N	075-09-29.3 W
3	39-22-58.0 N	075-09-18.1 W
4	39-22-55.9 N	075-09-23.1 W
5	39-22-55.1 N	075-09-44.0 W
6	39-23-07.6 N	075-09-51.9 W

Number: 5

Schedule for Leases that Involve an Undefined Geographic Area

For each undefined geographic area, complete up to 300 Latitude/Longitude combinations for every 3 degrees azimuth, using NAD83 Datum.

Latitude (DD-MM-SS.S-D)

Longitude (DDD-MM-SS.S-D)

1	40-44-09.6 N	076-21-11.0 W
2	40-44-06.8 N	076-20-19.5 W
3	40-43-43.4 N	076-20-17.2 W
4	40-43-41.9 N	076-21-08.8 W
5	40-44-09.6 N	076-21-11.0 W

Number: 6

Schedule for Leases that Involve an Undefined Geographic Area

For each undefined geographic area, complete up to 300 Latitude/Longitude combinations for every 3 degrees azimuth, using NAD83 Datum.

	Latitude (DD-MM-SS.S-D)	Longitude (DDD-MM-SS.S-D)
1	35-32-11.2 N	098-00-32.1 W
2	35-32-11.0 N	098-00-07.9 W
3	35-31-52.8 N	098-00-07.8 W
4	35-31-53.1 N	098-00-29.4 W
5	35-32-11.2 N	098-00-32.1 W

Number: 7

Schedule for Leases that Involve an Undefined Geographic Area

For each undefined geographic area, complete up to 300 Latitude/Longitude combinations for every 3 degrees azimuth, using NAD83 Datum.

	Latitude (DD-MM-SS.S-D)	Longitude (DDD-MM-SS.S-D)
1	40-46-13.4 N	080-42-25.5 W
2	40-46-19.4 N	080-42-28.9 W
3	40-46-26.9 N	080-42-23.0 W
4	40-46-28.2 N	080-42-17.8 W
5	40-46-24.8 N	080-42-06.9 W
6	40-46-18.7 N	080-42-03.9 W
7	40-46-15.2 N	080-42-13.6 W
8	40-46-14.5 N	080-42-16.6 W
9	40-46-13.4 N	080-42-25.5 W

Number: 8

Schedule for Leases that Involve an Undefined Geographic Area

For each undefined geographic area, complete up to 300 Latitude/Longitude combinations for every 3 degrees azimuth, using NAD83 Datum.

	Latitude (DD-MM-SS.S-D)	Longitude (DDD-MM-SS.S-D)
1	38-52-15.4 N	089-24-33.8 W
2	38-52-15.4 N	089-24-23.5 W
3	38-51-59.9 N	089-24-19.2 W
4	38-51-51.5 N	089-24-26.0 W
5	38-51-51.5 N	089-24-43.2 W
6	38-52-00.8 N	089-24-43.2 W
7	38-52-15.4 N	089-24-33.8 W

Number: 9

Schedule for Leases that Involve an Undefined Geographic Area

For each undefined geographic area, complete up to 300 Latitude/Longitude combinations for every 3 degrees azimuth, using NAD83 Datum.

Latitude (DD-MM-SS.S-D)

Longitude (DDD-MM-SS.S-D)

1	37-17-51.7 N	077-20-56.5 W
2	37-17-59.2 N	077-21-01.2 W
3	37-18-03.8 N	077-20-51.0 W
4	37-18-04.5 N	077-20-39.0 W
5	37-17-58.5 N	077-20-37.3 W
6	37-17-51.7 N	077-20-56.5 W

Number: 10

Schedule for Leases that Involve an Undefined Geographic Area

For each undefined geographic area, complete up to 300 Latitude/Longitude combinations for every 3 degrees azimuth, using NAD83 Datum.

	Latitude (DD-MM-SS.S-D)	Longitude (DDD-MM-SS.S-D)
1	37-18-24.8 N	077-20-56.0 W
2	37-18-25.7 N	077-20-42.1 W
3	37-18-16.5 N	077-20-39.5 W
4	37-18-05.9 N	077-20-40.3 W
5	37-18-05.3 N	077-20-48.4 W
6	37-18-11.7 N	077-20-55.7 W
7	37-18-24.8 N	077-20-56.0 W

Number: 11

Schedule for Leases that Involve an Undefined Geographic Area

For each undefined geographic area, complete up to 300 Latitude/Longitude combinations for every 3 degrees azimuth, using NAD83 Datum.

	Latitude (DD-MM-SS.S-D)	Longitude (DDD-MM-SS.S-D)
1	37-17-51.7 N	077-20-56.5 W
2	37-17-59.2 N	077-21-01.2 W
3	37-18-03.8 N	077-20-51.0 W
4	37-18-04.5 N	077-20-39.0 W
5	37-17-58.5 N	077-20-37.3 W
6	37-17-51.7 N	077-20-56.5 W

Number: 12

Schedule for Leases that Involve an Undefined Geographic Area

For each undefined geographic area, complete up to 300 Latitude/Longitude combinations for every 3 degrees azimuth, using NAD83 Datum.

	Latitude (DD-MM-SS.S-D)	Longitude (DDD-MM-SS.S-D)
1	37-18-24.8 N	077-20-56.0 W
2	37-18-25.7 N	077-20-42.1 W
3	37-18-16.5 N	077-20-39.5 W
4	37-18-05.9 N	077-20-40.3 W
5	37-18-05.3 N	077-20-48.4 W
6	37-18-11.7 N	077-20-55.7 W
7	37-18-24.8 N	077-20-56.0 W

Number: 13

Schedule for Leases that Involve an Undefined Geographic Area

For each undefined geographic area, complete up to 300 Latitude/Longitude combinations for every 3 degrees azimuth, using NAD83 Datum.

Latitude (DD-MM-SS.S-D)

Longitude (DDD-MM-SS.S-D)

1	37-10-52.2 N	083-47-34.4 W
2	37-10-55.7 N	083-47-29.6 W
3	37-10-50.5 N	083-47-15.2 W
4	37-10-44.4 N	083-47-12.3 W
5	37-10-38.8 N	083-47-16.8 W
6	37-10-37.7 N	083-47-24.1 W
7	37-10-41.2 N	083-47-28.2 W
8	37-10-52.2 N	083-47-34.4 W

Number: 14

Schedule for Leases that Involve an Undefined Geographic Area

For each undefined geographic area, complete up to 300 Latitude/Longitude combinations for every 3 degrees azimuth, using NAD83 Datum.

	Latitude (DD-MM-SS.S-D)	Longitude (DDD-MM-SS.S-D)
1	32-53-41.3 N	090-27-04.6 W
2	32-53-44.5 N	090-25-39.4 W
3	32-52-45.6 N	090-25-38.1 W
4	32-52-47.0 N	090-27-01.3 W
5	32-53-41.3 N	090-27-04.6 W

Number: 15

Schedule for Leases that Involve an Undefined Geographic Area

For each undefined geographic area, complete up to 300 Latitude/Longitude combinations for every 3 degrees azimuth, using NAD83 Datum.

	Latitude (DD-MM-SS.S-D)	Longitude (DDD-MM-SS.S-D)
1	39-23-07.6 N	075-09-51.9 W
2	39-23-15.7 N	075-09-29.3 W
3	39-22-58.0 N	075-09-18.1 W
4	39-22-55.9 N	075-09-23.1 W
5	39-22-55.1 N	075-09-44.0 W
6	39-23-07.6 N	075-09-51.9 W

Attachment(s):

Type	Description	Date Entered
O	Exhibit 3 - Site Information	01/04/2023
O	Exhibit 2 - Description of Licenses	01/04/2023
O	Exhibit 1 - Description of Transaction	01/04/2023

REPORTMILL

REFERENCE COPY

This is not an official FCC license. It is a record of public information contained in the FCC's licensing database on the date that this reference copy was generated. In cases where FCC rules require the presentation, posting, or display of an FCC license, this document may not be used in place of an official FCC license.



Federal Communications Commission
Wireless Telecommunications Bureau

RADIO STATION AUTHORIZATION

LICENSEE: NEW CINGULAR WIRELESS PCS, LLC

ATTN: FCC GROUP
NEW CINGULAR WIRELESS PCS, LLC
208 S AKARD ST. RM 2100
DALLAS, TX 75202

Table with Call Sign (WQGA823), File Number (0009696753), and Radio Service (AW - AWS (1710-1755 MHz and 2110-2155 MHz))

FCC Registration Number (FRN): 0003291192

Table with columns: Grant Date, Effective Date, Expiration Date, Print Date, Market Number, Channel Block, Sub-Market Designator, Market Name, 1st Build-out Date, 2nd Build-out Date, 3rd Build-out Date, 4th Build-out Date

Waivers/Conditions:

This authorization is conditioned upon the licensee, prior to initiating operations from any base or fixed station, making reasonable efforts to coordinate frequency usage with known co-channel and adjacent channel incumbent federal users operating in the 1710-1755 MHz band whose facilities could be affected by the proposed operations.

Conditions:

Pursuant to §309(h) of the Communications Act of 1934, as amended, 47 U.S.C. §309(h), this license is subject to the following conditions: This license shall not vest in the licensee any right to operate the station nor any right in the use of the frequencies designated in the license beyond the term thereof nor in any other manner than authorized herein.

This license may not authorize operation throughout the entire geographic area or spectrum identified on the hardcopy version. To view the specific geographic area and spectrum authorized by this license, refer to the Spectrum and Market Area information under the Market Tab of the license record in the Universal Licensing System (ULS).

Licensee Name: NEW CINGULAR WIRELESS PCS, LLC

Call Sign: WQGA823

File Number: 0009696753

Print Date: 05-09-2023

700 MHz Relicensed Area Information:

Market	Market Name	Buildout Deadline	Buildout Notification	Status
---------------	--------------------	--------------------------	------------------------------	---------------

Reference Copy

Reference Copy Only. Do Not Mail to the FCC as an Application.

Submitted: 05/01/2023 at 11:47:30
 File Number: 0009696753

FCC 601

Main Form

FCC Application for Radio Service Authorization: Wireless Telecommunications Bureau Public Safety and Homeland Security Bureau

Approved by OMB

3060 - 0798

See instructions for public burden estimate

1) Radio Service Code: <p style="text-align: center;">AW</p>	1a) Existing Radio Service Code:
--	----------------------------------

General Information

2) (Select only one) (AM) NE - New RO - Renewal Only AU - Administrative Update NT - Required Notifications MD - Modification RM - Renewal/Modification WD - Withdrawal of Application EX - Requests for Extension of Time AM - Amendment CA - Cancellation of License RL - Registered Location/Link	
3a) If this application is for a Demonstration License or a S pecial Temporary Authorization (STA), enter the code and attach the required exhibit as described in the instructions. Otherwise enter ' N/A ' (Not Applicable).	(N) <u>M</u> <u>S</u> <u>N/A</u>
3b) If this application is for Special Temporary Authority due to an emergency situation, enter 'Y'; otherwise enter 'N'. Refer to Rule 1.915 for an explanation of situations considered to be an emergency.	() <u>Y</u> <u>N</u>
4) If this application is for an Amendment or Withdrawal, enter the file number of the pending application currently on file with the FCC.	File Number 0009696753
5) If this application is for a Modification, Renewal Only, Renewal/Modification, Cancellation of License, , or Administrative Update, enter the call sign of the existing FCC license. If this is a request for Registered Location/Link, enter the FCC call sign assigned to the geographic license.	Call Sign WQGA823
6a) If this application is for a New, Amendment, Renewal Only, or Renewal/Modification, enter the requested authorization expiration date (this item is optional).	MM DD _____ / _____
6b) If this application is for a Renewal Only or Renewal/Modification and the license is a geographic area license, is the license used to provide service to customers (C), or is the license used for private business (internal) purposes or to meet the licensee's public interest/public safety communications needs (P)?	() <u>C</u> <u>P</u>
7) Is this application "major" as defined in § 1.929 of the Commission's Rules when read in conjunction with the applicable radio service rules found in Parts 22 and 90 of the Commission's Rules? (NOTE: This question only applies to certain site-specific applications. See the instructions for applicability and full text of § 1.929).	() <u>Y</u> <u>N</u>
8) Are attachments (other than associated schedules) being filed with this application?	(Y) <u>Y</u> <u>N</u>

Fees, Waivers, and Exemptions

9) Is the Applicant exempt from FCC application fees?	(N) <u>Y</u> <u>N</u>
10) Is the Applicant exempt from FCC regulatory fees?	(N) <u>Y</u> <u>N</u>
11) Does this application include a request for a Waiver of the Commission's Rule(s)? If 'Yes', attach an exhibit providing rule number(s) and explaining circumstances.	(N) <u>Y</u> <u>N</u>
12) Are the frequencies or parameters requested in this filing covered by grandfathered privileges, previously approved by waiver, or functionally integrated with an existing station?	(N) <u>Y</u> <u>N</u>

Applicant Information

13) FCC Registration Number (FRN): 0003291192			
14) Applicant/Licensee Legal Entity Type: (Select One) <input type="checkbox"/> Individual <input type="checkbox"/> Unincorporated Association <input type="checkbox"/> Trust <input type="checkbox"/> Government Entity <input type="checkbox"/> Corporation <input checked="" type="checkbox"/> Limited Liability Company <input type="checkbox"/> General Partnership <input type="checkbox"/> Limited Partnership <input type="checkbox"/> Limited Liability Partnership <input type="checkbox"/> Consortium <input type="checkbox"/> Other: _____			
15) If the Licensee name is being updated, is the update a result from the sale (or transfer of control) of the license(s) to party and for which proper Commission approval has not been received or proper notification not provided?			<input type="checkbox"/> Yes <input checked="" type="checkbox"/> No
16) First Name (if individual):	MI:	Last Name:	Suffix:
17) Legal Entity Name (if other than individual): New Cingular Wireless PCS, LLC			
18) Attention To: FCC Group			
19) P.O. Box:	And/Or	20) Street Address: 208 S Akard St. RM 2100	
21) City: Dallas	22) State: TX	23) Zip Code: 75202	
24) Telephone Number: (855)699-7073		25) Fax:	
26) E-Mail Address: FCCMW@att.com			

27) Demographics (Optional)

Race: <input type="checkbox"/> American Indian or Alaska Native <input type="checkbox"/> Asian <input type="checkbox"/> Black or African-American <input type="checkbox"/> Native Hawaiian or Other Pacific Islander <input type="checkbox"/> White	Ethnicity: <input type="checkbox"/> Hispanic or Latino <input type="checkbox"/> Not Hispanic or Latino	Gender: <input type="checkbox"/> Male <input type="checkbox"/> Female
--	--	---

Real Party in Interest

28) Name of Real Party in Interest of Applicant (If different from Applicant):	29) FCC Registration Number (FRN) of Real Party in Interest:
--	--

Contact Information (If different from the Applicant) Check here if same as Applicant.

30) First Name: Cecil	MI: J	Last Name: Mathew	Suffix:
31) Company Name: AT&T Services, Inc.			
32) Attention To:			
33) P.O. Box:	And /Or	34) Street Address: 208 S Akard St. RM 2100	
35) City: Dallas	36) State: TX	37) Zip Code: 75202	
38) Telephone Number: (855)699-7073		39) Fax:	
40) E-Mail Address: FCCMW@att.com			

Regulatory Status

41) This filing is for authorization to provide or use the following type(s) of radio service offering (enter all that apply):
() Common Carrier () Non-Common Carrier () Private, internal communications () Broadcast Services () Band Manager

Type of Radio Service

42) This filing is for authorization to provide the following type(s) of radio service (choose all that apply):
() Fixed () Mobile () Radiolocation () Satellite (sound) () Broadcast Services
43) Does the Applicant propose to provide service interconnected to the public telephone network? () Y () Yes () No

Alien Ownership Questions (If any answer is 'Y', provide an attachment explaining the circumstances. In preparing the attachment, refer to the Main Form Instructions for the "Alien Ownership Questions".)

44) Is the Applicant a foreign government or the representative of any foreign government? () N () Yes () No
45) Is the Applicant an alien or the representative of an alien? () N () Yes () No
46) Is the Applicant a corporation organized under the laws of any foreign government? () N () Yes () No
47) Is the Applicant a corporation of which more than one-fifth of the capital stock is owned of record or voted by aliens or their representatives, or by a foreign government or representative thereof, or by any corporation organized under the laws of a foreign country? () N () Yes () No

48a) Is the Applicant directly or indirectly controlled by any other corporation of which more than one-fourth of the capital stock (**N**) **Yes** **No** is owned of record or voted by aliens or their representatives, or by a foreign government or representative thereof, or by any corporation organized under the laws of a foreign country?

48b) If the answer to 47 or 48a is 'Y' select one of the choices below.

The Applicant is exempt from the provisions of Section 310(b).

If checked, it is not necessary to file a petition for declaratory ruling if the Applicant includes in the attachment required by Item 47 or Item 48a a showing that the requested license(s) is exempt from the provisions of Section 310(b).

The Applicant has received a declaratory ruling(s) approving its foreign ownership, and the application involves only the acquisition of additional spectrum for the provision of a wireless service in a geographic coverage area for which the Applicant has been previously authorized.

If checked, include in the attachment required by Item 47 or Item 48a the citation(s) of the applicable declaratory ruling(s) by DA/FCC number, the FCC Record citation, if available, release date, and a statement that there has been no change in the foreign ownership of the Applicant since the issuance of its ruling.

The Applicant: (i) has received a declaratory ruling(s) approving its foreign ownership, but is not able to make the certification specified immediately above; or (ii) is an "affiliate" of a Licensee or Lessee/Sublessee that received a declaratory ruling(s) under 47 CFR § 1.5000(a) and is relying on the affiliate's ruling for purposes of filing this application as permitted under the affiliate's ruling and 47 CFR § 1.5004(b)

If checked, and if the Applicant received its declaratory ruling(s) on or after August 9, 2013, include in the attachment required by Item 47 or Item 48a the citation(s) of the Applicant's declaratory ruling(s) by DA/FCC number, the FCC Record citation, if available, release date, and a statement that the Applicant is in compliance with the terms and conditions of its ruling and with the Commission's Rules.

If checked, and if the Applicant received its declaratory ruling(s) prior to August 9, 2013, include in the attachment required by Item 48a a copy of a petition for declaratory ruling filed contemporaneously with the Commission to extend the Applicant's existing ruling(s) to cover the same radio service(s) and geographic coverage area(s) involved in the application. Alternatively, the Applicant may request a new declaratory ruling pursuant to Section 1.5000(a) of the Commission's Rules, 47 CFR § 1.5000 (a). Petitions for declaratory ruling may be filed electronically on the Internet through the International Bureau Filing System (IBFS) (with a copy attached hereto).

If checked, and if the Applicant is relying on an affiliate's ruling for purposes of filing this application, include in the attachment required by Item 47 or Item 48a the citation(s) of the applicable declaratory ruling(s) by DA/FCC number, the FCC Record citation, if available, release date, and a statement that the Applicant is in compliance with the terms and conditions of the named affiliate's ruling and with the Commission's Rules. The Applicant must also include a certification of compliance signed by the named affiliate or other qualified entity as specified in 47 CFR § 1.5004(b). See Main Form Instructions for Items 47 or 48a, as applicable.

The Applicant has not received a declaratory ruling approving its foreign ownership and is requesting a declaratory ruling under 47 CFR § 1.5004(b) in a petition filed contemporaneously with the Commission.

If checked, include in the attachment required by Item 47 or 48a a copy of the petition for declaratory ruling filed contemporaneously with the Commission pursuant to 47 CFR § 1.5004(b). Petitions for declaratory ruling may be filed electronically on the Internet through the International Bureau Filing System (IBFS) (with a copy attached hereto).

Basic Qualification Questions

49) Has the Applicant or any party to this application had any FCC station authorization, license or construction permit revoked or had any application for an initial, modification or renewal of FCC station authorization, license, or construction permit denied by the Commission?	(<input type="radio"/>) <u>Yes</u> <input type="radio"/> <u>No</u>
50) Has the Applicant or any party to this application, or any party directly or indirectly controlling the Applicant, ever been convicted of a felony by any state or federal court?	(<input type="radio"/>) <u>Yes</u> <input type="radio"/> <u>No</u>
51) Has any court finally adjudged the Applicant or any party directly or indirectly controlling the Applicant guilty of unlawfully monopolizing or attempting unlawfully to monopolize radio communication, directly or indirectly, through control of manufacture or sale of radio apparatus, exclusive traffic arrangement, or any other means or unfair methods of competition?	(<input type="radio"/>) <u>Yes</u> <input type="radio"/> <u>No</u>

Note: If the answer to any of 49-51 is 'Y', attach an exhibit explaining the circumstances.

Aeronautical Advisory Station (Unicom) Certification

52) (<input type="checkbox"/>) I certify that the station will be located on property of the airport to be served, and, in cases where the airport does not have a control tower, RCO, or FAA flight service station, that I have notified the owner of the airport and all aviation service organizations located at the airport within ten days prior to application.

Broadband Radio Service and Educational Broadband Service Cable Cross-Ownership

53a) Will the requested facilities be used to provide multichannel video programming service?	(<input type="checkbox"/>) <u>Yes</u> <input type="checkbox"/> <u>No</u>
53b) If the answer to question 53a is 'Y', does the Applicant operate, control or have an attributable interest (as defined in 47 CFR § 27.1202) in a cable television system whose franchise area is located within the geographic service area of the requested facilities?	(<input type="checkbox"/>) <u>Yes</u> <input type="checkbox"/> <u>No</u>

Note: If the answer to question 53b is 'Y', attach an exhibit explaining how the Applicant complies with 47 CFR § 27.1202 or justifying a waiver of that rule. If a waiver of the Commission Rule(s) is being requested, Item 11a must be answered 'Y'.

Broadband Radio Service and Educational Broadband Service (Part 27)

54) (For EBS only) Does the Applicant comply with the programming requirements contained in 47 CFR § 27.1203?	(<input type="checkbox"/>) <u>Yes</u> <input type="checkbox"/> <u>No</u>
Note: If the answer to item 54 is 'N', attach an exhibit explaining how the Applicant complies with 47 CFR § 27.1203 of the Commission's Rules or justifying a waiver of that rule. If a waiver of the Commission Rule(s) is being requested, Item 11a must be answered 'Y'.	
55) (For BRS and EBS) Does the Applicant comply with 47 CFR §§ 27.50, 27.55, and 27.1221?	(<input type="checkbox"/>) <u>Yes</u> <input type="checkbox"/> <u>No</u>
Note: If the answer to item 55 is 'N', attach an exhibit justifying a waiver of that rule(s). If a waiver of the Commission Rule(s) is being requested, Item 11a must be answered 'Y'.	

For Applicants Who Participated in an Auction

56) Is the Applicant a qualifying rural wireless partnership or a member of a qualifying rural wireless partnership?	(<input type="checkbox"/>) <u>Yes</u> <input type="checkbox"/> <u>No</u>
Note: If the answer to item 56 is 'Y', attach an exhibit listing all members of the qualifying rural wireless partnership, including their FRN numbers.	

For Renewal Applicants

57) Operation/Performance Requirement Certification	
[For a site-based license]: Applicant certifies that it is continuing to operate consistent with its most recently filed construction notification (or most recent authorization, if no construction notification was required).	(<input type="checkbox"/>) <u>Yes</u> <input type="checkbox"/> <u>No</u>
[For a geographic license, commercial service - licensee in its initial license term with an interim performance requirement]: Applicant certifies that it has met its interim performance requirement, that over the portion of the license term following the interim performance requirement, it continues to use its facilities to provide at least the level of service required by its interim performance requirement, it has met its final performance requirement, and it continues to use its facilities to provide at least the level of service required by its final performance requirement through the end of the license term.	(<input type="checkbox"/>) <u>Yes</u> <input type="checkbox"/> <u>No</u>
[For a geographic license, commercial service - licensee in its initial license term with no interim performance requirement]: Applicant certifies that it has met its final performance requirement and it continues to use its facilities to provide at least the level of service required by its final performance requirement through the end of the license term. [Note: licensee must provide a showing demonstrating that the final performance requirement has been met, either separately in a timely application for notification of completion of construction, or as part of its renewal application, depending on the radio service.]	(<input type="checkbox"/>) <u>Yes</u> <input type="checkbox"/> <u>No</u>
[For a geographic license, commercial service - licensee in any subsequent term]: Applicant certifies that it continues to use its facilities to provide at least the level of service required by its final performance requirement through the end of any subsequent license terms.	(<input type="checkbox"/>) <u>Yes</u> <input type="checkbox"/> <u>No</u>
[For a geographic license, private systems - licensee in its initial license term with an interim performance requirement]: Applicant certifies that it has met its interim performance requirement, that over the portion of the license term following the interim performance requirement, it continues to use its facilities to further its private business or public interest/public safety communications needs at or above the level required to meet its interim performance requirement, it has met its final performance requirement, and it continues to use its facilities to provide at least the level of operation required by its final performance requirement through the end of the license term.	(<input type="checkbox"/>) <u>Yes</u> <input type="checkbox"/> <u>No</u>
[For a geographic license, private systems - licensee in its initial license term with no interim performance requirement]: Applicant certifies that it has met its final performance requirement, it continues to use its facilities to further its private business or public interest/public safety communications needs, and it continues to use its facilities to provide at least the level of operation required by its final performance requirement through the end of the license term. [Note: licensee must provide a showing demonstrating that the final performance requirement has been met, either separately in a timely application for notification of completion of construction, or as part of its renewal application, depending on the radio service.]	(<input type="checkbox"/>) <u>Yes</u> <input type="checkbox"/> <u>No</u>

[For a geographic license, private systems - licensee in any subsequent term]: Applicant certifies that it continues to use its facilities to further its private business or public interest/public safety communications needs at or above the level required to meet its final performance requirement through the end of any subsequent license terms.	(<input type="checkbox"/>) <u>Yes</u> <u>No</u>
[For a partitioned or disaggregated license without a performance requirement, for the first renewal application filed after effective date of the rules]: Applicant certifies that the partitioned and/or disaggregated license that is the subject of this renewal application has no separate performance requirement and that this is the first renewal of this license filed subsequent to the effective date of the rules.	(<input type="checkbox"/>) <u>Yes</u> <u>No</u>
[For a partitioned or disaggregated license without a performance requirement, for any subsequent renewal filings]: Applicant certifies that it continues to use its facilities to provide service or to further the applicant's private business or public interest/public safety needs.	(<input type="checkbox"/>) <u>Yes</u> <u>No</u>

Discontinuance of Service Certification

58) Applicant certifies that no permanent discontinuance of service or operation, as applicable, occurred during its current license term. Note: If the response to either item 57 or item 58 is 'N', attach an exhibit that demonstrates that over the course of the license term, the Applicant provided and continues to provide service to the public, or operated and continues to operate the license to meet the Applicant's private business or public interest/public safety communications needs. This exhibit must include a detailed description of the Applicant's provision of service or, when allowed under the relevant service rules or pursuant to waiver, use of the spectrum for private business or public interest/public safety communications needs, during the entire license period and address, as applicable: 1) the level and quality of service provided by the applicant (e.g., the population served, the area served, the number of subscribers, the services offered); (2) the date service commenced, whether service was ever interrupted, and the duration of any interruption or outage; (3) the extent to which service is provided to rural areas; (4) the extent to which service is provided to qualifying tribal land as defined in 47 CFR § 1.2110(e)(3)(i); and (5) any other factors associated with the level of service to the public. The licensee may note in its exhibit: 1) any grant(s) of waiver or extension of a performance deadline or license renewal subject to meeting a performance requirement; or 2) if the final performance deadline and/or expiration date for the license accelerated because the licensee did not meet an interim performance requirement.	(<input type="checkbox"/>) <u>Yes</u> <u>No</u>
--	---

Regulatory Compliance Certification [same for all]

59) Applicant certifies that it has substantially complied with all applicable FCC rules, policies, and the Communications Act of 1934, as amended. Note: If the response to item 59 is 'N', attach an exhibit explaining the circumstances and demonstrating why Applicant's license should be renewed.	(<input type="checkbox"/>) <u>Yes</u> <u>No</u>
--	---

General Certification Statements

1) The Applicant waives any claim to the use of any particular frequency or of the electromagnetic spectrum as against the regulatory power of the United States because of the previous use of the same, whether by license or otherwise, and requests an authorization in accordance with this application.
2) The Applicant certifies that grant of this application would not cause the Applicant to be in violation of any pertinent cross-ownership or attribution rules.* *If the Applicant has sought a waiver of any such rule in connection with this application, it may make this certification subject to the outcome of the waiver request.
3) The Applicant certifies that all statements made in this application and in the exhibits, attachments, or documents incorporated by reference are material, are part of this application, and are true, complete, correct, and made in good faith.
4) The Applicant certifies that neither the Applicant nor any other party to the application is subject to a denial of Federal benefits pursuant to § 5301 of the Anti-Drug Abuse Act of 1988, 21 U.S.C. § 862, because of a conviction for possession or distribution of a controlled substance. This certification does not apply to applications filed in services exempted under § 1.2002(c) of the rules, 47 CFR § 1.2002(c). See 47 CFR § 1.2002(b) for the definition of "party to the application" as used in this certification.
5) The Applicant certifies that it either (1) has current required ownership data on file with the Commission, (2) is filing updated ownership data simultaneously with this application, or (3) is not required to file ownership data under the Commission's Rules.
6) The Applicant certifies that the facilities, operations, and transmitters for which this authorization is hereby requested are either: (1) categorically excluded from routine environmental evaluation for RF exposure as set forth in 47 CFR § 1.1307(b); or, (2) have been found not to cause human exposure to levels of radiofrequency radiation in excess of the limits specified in 47 CFR §§ 1.1310 and 2.1093; or, (3) are the subject of one or more Environmental Assessments filed with the Commission.
7) The Applicant certifies that it has reviewed the appropriate Commission Rules defining eligibility to hold the requested license(s) and is eligible to hold the requested license(s).
8) The Applicant certifies that it is not in default on any payment for Commission licenses and that it is not delinquent on any non-tax debt owed to any federal agency.
9) The Applicant certifies that the Applicant and all of the related individuals and entities required to be disclosed on this application and FCC Form 602 (FCC Ownership Disclosure Information for the Wireless Telecommunications Services) are not person(s) who have been, for reasons of national security, barred by any agency of the Federal Government from bidding on a contract, participating in an auction, or receiving a grant. This certification applies only to applications for licenses for spectrum that is required by Sections 6103, 6401-6403 of the Middle Class Tax Relief and Job Creation Act of 2012, codified at 47 U.S.C. §§ 309, 1413, 1451-1452, to be assigned by a system of competitive bidding under 47 U.S.C. § 309(j).

Signature

60) Typed or Printed Name of Party Authorized to Sign

First Name: Cecil	MI: J	Last Name: Mathew	Suffix:
-----------------------------	-----------------	-----------------------------	---------

61) Title: Assistant Secretary-Compliance

Signature: Cecil J Mathew	62) Date: 05/01/2023
-------------------------------------	--------------------------------

FAILURE TO SIGN THIS APPLICATION MAY RESULT IN DISMISSAL OF THE APPLICATION AND FORFEITURE OF ANY FEES PAID.

Upon grant of this license application, the Licensee may be subject to certain construction or coverage requirements. Failure to meet the construction or coverage requirements will result in termination of the license. Consult appropriate FCC regulations to determine the construction or coverage requirements that apply to the type of license requested in this application.

WILLFUL FALSE STATEMENTS MADE ON THIS FORM OR ANY ATTACHMENTS ARE PUNISHABLE BY FINE AND/OR IMPRISONMENT (U.S. Code, Title 18, § 1001) AND/OR REVOCATION OF ANY STATION LICENSE OR CONSTRUCTION PERMIT (U.S. Code, Title 47, § 312(a)(1)), AND/OR FORFEITURE (U.S. Code, Title 47, § 503).

ereference Copy

Attachment(s):

Type	Description	Date Entered
O	License Renewal Exhibit	05/01/2023

REPORTMILL

Reference Copy Only. Do Not Mail to the FCC as an Application.

Submitted: 01/13/2023 at 18:08:22
File Number: 0010368519

FCC 601

Main Form

FCC Application for Radio Service Authorization: Wireless Telecommunications Bureau Public Safety and Homeland Security Bureau

Approved by OMB

3060 - 0798

See instructions for public burden estimate

1) Radio Service Code: AW	1a) Existing Radio Service Code:
-------------------------------------	----------------------------------

General Information

2) (Select only one) (AU) NE - New RO - Renewal Only AU - Administrative Update NT - Required Notifications MD - Modification RM - Renewal/Modification WD - Withdrawal of Application EX - Requests for Extension of Time AM - Amendment CA - Cancellation of License RL - Registered Location/Link	
3a) If this application is for a Demonstration License or a S pecial Temporary Authorization (STA), enter the code and attach the required exhibit as described in the instructions. Otherwise enter ' N/A ' (Not Applicable).	(N) <u>M</u> <u>S</u> <u>N/A</u>
3b) If this application is for Special Temporary Authority due to an emergency situation, enter 'Y'; otherwise enter 'N'. Refer to Rule 1.915 for an explanation of situations considered to be an emergency.	() <u>Y</u> <u>N</u>
4) If this application is for an Amendment or Withdrawal, enter the file number of the pending application currently on file with the FCC.	File Number
5) If this application is for a Modification, Renewal Only, Renewal/Modification, Cancellation of License, , or Administrative Update, enter the call sign of the existing FCC license. If this is a request for Registered Location/Link, enter the FCC call sign assigned to the geographic license.	Call Sign WQGA824
6a) If this application is for a New, Amendment, Renewal Only, or Renewal/Modification, enter the requested authorization expiration date (this item is optional).	MM DD ____ / ____
6b) If this application is for a Renewal Only or Renewal/Modification and the license is a geographic area license, is the license used to provide service to customers (C), or is the license used for private business (internal) purposes or to meet the licensee's public interest/public safety communications needs (P)?	() <u>C</u> <u>P</u>
7) Is this application "major" as defined in § 1.929 of the Commission's Rules when read in conjunction with the applicable radio service rules found in Parts 22 and 90 of the Commission's Rules? (NOTE: This question only applies to certain site-specific applications. See the instructions for applicability and full text of § 1.929).	() <u>Y</u> <u>N</u>
8) Are attachments (other than associated schedules) being filed with this application?	() <u>Y</u> <u>N</u>

Fees, Waivers, and Exemptions

9) Is the Applicant exempt from FCC application fees?	(N) <u>Y</u> <u>N</u>
10) Is the Applicant exempt from FCC regulatory fees?	(N) <u>Y</u> <u>N</u>
11) Does this application include a request for a Waiver of the Commission's Rule(s)? If 'Yes', attach an exhibit providing rule number(s) and explaining circumstances.	(N) <u>Y</u> <u>N</u>
12) Are the frequencies or parameters requested in this filing covered by grandfathered privileges, previously approved by waiver, or functionally integrated with an existing station?	() <u>Y</u> <u>N</u>

Applicant Information

13) FCC Registration Number (FRN): 0003291192			
14) Applicant/Licensee Legal Entity Type: (Select One) () Individual () Unincorporated Association () Trust () Government Entity () Corporation (<input checked="" type="checkbox"/>) Limited Liability Company () General Partnership () Limited Partnership () Limited Liability Partnership () Consortium () Other: _____			
15) If the Licensee name is being updated, is the update a result from the sale (or transfer of control) of the license(s) to party and for which proper Commission approval has not been received or proper notification not provided?			() <u>Yes</u> <u>No</u>
16) First Name (if individual):	MI:	Last Name:	Suffix:
17) Legal Entity Name (if other than individual): NEW CINGULAR WIRELESS PCS, LLC			
18) Attention To: FCC Group			
19) P.O. Box:	And/Or	20) Street Address: 208 S. Akard St. 20F	
21) City: Dallas	22) State: TX	23) Zip Code: 75202	
24) Telephone Number: (855)699-7073		25) Fax:	
26) E-Mail Address: FCCMW@att.com			

27) Demographics (Optional)

Race: () American Indian or Alaska Native () Asian () Black or African-American () Native Hawaiian or Other Pacific Islander () White	Ethnicity: () Hispanic or Latino () Not Hispanic or Latino	Gender: () Male () Female
---	--	-----------------------------------

Real Party in Interest

28) Name of Real Party in Interest of Applicant (If different from Applicant):	29) FCC Registration Number (FRN) of Real Party in Interest:
--	--

Contact Information (If different from the Applicant)**() Check here if same as Applicant.**

30) First Name: Cecil	MI: J	Last Name: Mathew	Suffix:
31) Company Name: AT&T Services, Inc.			
32) Attention To:			
33) P.O. Box:	And /Or	34) Street Address: 208 S. Akard St. 20F	
35) City: Dallas	36) State: TX	37) Zip Code: 75202	
38) Telephone Number: (855)699-7073		39) Fax:	
40) E-Mail Address: FCCMW@att.com			

Regulatory Status

41) This filing is for authorization to provide or use the following type(s) of radio service offering (enter all that apply):
() Common Carrier () Non-Common Carrier () Private, internal communications () Broadcast Services () Band Manager

Type of Radio Service

42) This filing is for authorization to provide the following type(s) of radio service (choose all that apply):
() Fixed () Mobile () Radiolocation () Satellite (sound) () Broadcast Services
43) Does the Applicant propose to provide service interconnected to the public telephone network? () Yes () No

Alien Ownership Questions (If any answer is 'Y', provide an attachment explaining the circumstances. In preparing the attachment, refer to the Main Form Instructions for the "Alien Ownership Questions".)

44) Is the Applicant a foreign government or the representative of any foreign government? () Yes () No
45) Is the Applicant an alien or the representative of an alien? () Yes () No
46) Is the Applicant a corporation organized under the laws of any foreign government? () Yes () No
47) Is the Applicant a corporation of which more than one-fifth of the capital stock is owned of record or voted by aliens or their representatives, or by a foreign government or representative thereof, or by any corporation organized under the laws of a foreign country? () Yes () No

48a) Is the Applicant directly or indirectly controlled by any other corporation of which more than one-fourth of the capital stock (Yes No) is owned of record or voted by aliens or their representatives, or by a foreign government or representative thereof, or by any corporation organized under the laws of a foreign country?

48b) If the answer to 47 or 48a is 'Y' select one of the choices below.

The Applicant is exempt from the provisions of Section 310(b).

If checked, it is not necessary to file a petition for declaratory ruling if the Applicant includes in the attachment required by Item 47 or Item 48a a showing that the requested license(s) is exempt from the provisions of Section 310(b).

The Applicant has received a declaratory ruling(s) approving its foreign ownership, and the application involves only the acquisition of additional spectrum for the provision of a wireless service in a geographic coverage area for which the Applicant has been previously authorized.

If checked, include in the attachment required by Item 47 or Item 48a the citation(s) of the applicable declaratory ruling(s) by DA/FCC number, the FCC Record citation, if available, release date, and a statement that there has been no change in the foreign ownership of the Applicant since the issuance of its ruling.

The Applicant: (i) has received a declaratory ruling(s) approving its foreign ownership, but is not able to make the certification specified immediately above; or (ii) is an "affiliate" of a Licensee or Lessee/Sublessee that received a declaratory ruling(s) under 47 CFR § 1.5000(a) and is relying on the affiliate's ruling for purposes of filing this application as permitted under the affiliate's ruling and 47 CFR § 1.5004(b)

If checked, and if the Applicant received its declaratory ruling(s) on or after August 9, 2013, include in the attachment required by Item 47 or Item 48a the citation(s) of the Applicant's declaratory ruling(s) by DA/FCC number, the FCC Record citation, if available, release date, and a statement that the Applicant is in compliance with the terms and conditions of its ruling and with the Commission's Rules.

If checked, and if the Applicant received its declaratory ruling(s) prior to August 9, 2013, include in the attachment required by Item 48a a copy of a petition for declaratory ruling filed contemporaneously with the Commission to extend the Applicant's existing ruling(s) to cover the same radio service(s) and geographic coverage area(s) involved in the application. Alternatively, the Applicant may request a new declaratory ruling pursuant to Section 1.5000(a) of the Commission's Rules, 47 CFR § 1.5000 (a). Petitions for declaratory ruling may be filed electronically on the Internet through the International Bureau Filing System (IBFS) (with a copy attached hereto).

If checked, and if the Applicant is relying on an affiliate's ruling for purposes of filing this application, include in the attachment required by Item 47 or Item 48a the citation(s) of the applicable declaratory ruling(s) by DA/FCC number, the FCC Record citation, if available, release date, and a statement that the Applicant is in compliance with the terms and conditions of the named affiliate's ruling and with the Commission's Rules. The Applicant must also include a certification of compliance signed by the named affiliate or other qualified entity as specified in 47 CFR § 1.5004(b). See Main Form Instructions for Items 47 or 48a, as applicable.

The Applicant has not received a declaratory ruling approving its foreign ownership and is requesting a declaratory ruling under 47 CFR § 1.5004(b) in a petition filed contemporaneously with the Commission.

If checked, include in the attachment required by Item 47 or 48a a copy of the petition for declaratory ruling filed contemporaneously with the Commission pursuant to 47 CFR § 1.5004(b). Petitions for declaratory ruling may be filed electronically on the Internet through the International Bureau Filing System (IBFS) (with a copy attached hereto).

Basic Qualification Questions

49) Has the Applicant or any party to this application had any FCC station authorization, license or construction permit revoked or had any application for an initial, modification or renewal of FCC station authorization, license, or construction permit denied by the Commission?	(<input type="checkbox"/>) <u>Yes</u> <u>No</u>
50) Has the Applicant or any party to this application, or any party directly or indirectly controlling the Applicant, ever been convicted of a felony by any state or federal court?	(<input type="checkbox"/>) <u>Yes</u> <u>No</u>
51) Has any court finally adjudged the Applicant or any party directly or indirectly controlling the Applicant guilty of unlawfully monopolizing or attempting unlawfully to monopolize radio communication, directly or indirectly, through control of manufacture or sale of radio apparatus, exclusive traffic arrangement, or any other means or unfair methods of competition?	(<input type="checkbox"/>) <u>Yes</u> <u>No</u>

Note: If the answer to any of 49-51 is 'Y', attach an exhibit explaining the circumstances.

Aeronautical Advisory Station (Unicom) Certification

52) (<input type="checkbox"/>) I certify that the station will be located on property of the airport to be served, and, in cases where the airport does not have a control tower, RCO, or FAA flight service station, that I have notified the owner of the airport and all aviation service organizations located at the airport within ten days prior to application.

Broadband Radio Service and Educational Broadband Service Cable Cross-Ownership

53a) Will the requested facilities be used to provide multichannel video programming service?	(<input type="checkbox"/>) <u>Yes</u> <u>No</u>
53b) If the answer to question 53a is 'Y', does the Applicant operate, control or have an attributable interest (as defined in 47 CFR § 27.1202) in a cable television system whose franchise area is located within the geographic service area of the requested facilities?	(<input type="checkbox"/>) <u>Yes</u> <u>No</u>

Note: If the answer to question 53b is 'Y', attach an exhibit explaining how the Applicant complies with 47 CFR § 27.1202 or justifying a waiver of that rule. If a waiver of the Commission Rule(s) is being requested, Item 11a must be answered 'Y'.

Broadband Radio Service and Educational Broadband Service (Part 27)

54) (For EBS only) Does the Applicant comply with the programming requirements contained in 47 CFR § 27.1203?	(<input type="checkbox"/>) <u>Yes</u> <u>No</u>
Note: If the answer to item 54 is 'N', attach an exhibit explaining how the Applicant complies with 47 CFR § 27.1203 of the Commission's Rules or justifying a waiver of that rule. If a waiver of the Commission Rule(s) is being requested, Item 11a must be answered 'Y'.	
55) (For BRS and EBS) Does the Applicant comply with 47 CFR §§ 27.50, 27.55, and 27.1221?	(<input type="checkbox"/>) <u>Yes</u> <u>No</u>
Note: If the answer to item 55 is 'N', attach an exhibit justifying a waiver of that rule(s). If a waiver of the Commission Rule(s) is being requested, Item 11a must be answered 'Y'.	

For Applicants Who Participated in an Auction

56) Is the Applicant a qualifying rural wireless partnership or a member of a qualifying rural wireless partnership?	(<input type="checkbox"/>) <u>Yes</u> <u>No</u>
Note: If the answer to item 56 is 'Y', attach an exhibit listing all members of the qualifying rural wireless partnership, including their FRN numbers.	

For Renewal Applicants

57) Operation/Performance Requirement Certification	
[For a site-based license]: Applicant certifies that it is continuing to operate consistent with its most recently filed construction notification (or most recent authorization, if no construction notification was required).	(<input type="checkbox"/>) <u>Yes</u> <u>No</u>
[For a geographic license, commercial service - licensee in its initial license term with an interim performance requirement]: Applicant certifies that it has met its interim performance requirement, that over the portion of the license term following the interim performance requirement, it continues to use its facilities to provide at least the level of service required by its interim performance requirement, it has met its final performance requirement, and it continues to use its facilities to provide at least the level of service required by its final performance requirement through the end of the license term.	(<input type="checkbox"/>) <u>Yes</u> <u>No</u>
[For a geographic license, commercial service - licensee in its initial license term with no interim performance requirement]: Applicant certifies that it has met its final performance requirement and it continues to use its facilities to provide at least the level of service required by its final performance requirement through the end of the license term. [Note: licensee must provide a showing demonstrating that the final performance requirement has been met, either separately in a timely application for notification of completion of construction, or as part of its renewal application, depending on the radio service.]	(<input type="checkbox"/>) <u>Yes</u> <u>No</u>
[For a geographic license, commercial service - licensee in any subsequent term]: Applicant certifies that it continues to use its facilities to provide at least the level of service required by its final performance requirement through the end of any subsequent license terms.	(<input type="checkbox"/>) <u>Yes</u> <u>No</u>
[For a geographic license, private systems - licensee in its initial license term with an interim performance requirement]: Applicant certifies that it has met its interim performance requirement, that over the portion of the license term following the interim performance requirement, it continues to use its facilities to further its private business or public interest/public safety communications needs at or above the level required to meet its interim performance requirement, it has met its final performance requirement, and it continues to use its facilities to provide at least the level of operation required by its final performance requirement through the end of the license term.	(<input type="checkbox"/>) <u>Yes</u> <u>No</u>
[For a geographic license, private systems - licensee in its initial license term with no interim performance requirement]: Applicant certifies that it has met its final performance requirement, it continues to use its facilities to further its private business or public interest/public safety communications needs, and it continues to use its facilities to provide at least the level of operation required by its final performance requirement through the end of the license term. [Note: licensee must provide a showing demonstrating that the final performance requirement has been met, either separately in a timely application for notification of completion of construction, or as part of its renewal application, depending on the radio service.]	(<input type="checkbox"/>) <u>Yes</u> <u>No</u>

[For a geographic license, private systems - licensee in any subsequent term]: Applicant certifies that it continues to use its facilities to further its private business or public interest/public safety communications needs at or above the level required to meet its final performance requirement through the end of any subsequent license terms.	(<input type="checkbox"/>) <u>Yes</u> <u>No</u>
[For a partitioned or disaggregated license without a performance requirement, for the first renewal application filed after effective date of the rules]: Applicant certifies that the partitioned and/or disaggregated license that is the subject of this renewal application has no separate performance requirement and that this is the first renewal of this license filed subsequent to the effective date of the rules.	(<input type="checkbox"/>) <u>Yes</u> <u>No</u>
[For a partitioned or disaggregated license without a performance requirement, for any subsequent renewal filings]: Applicant certifies that it continues to use its facilities to provide service or to further the applicant's private business or public interest/public safety needs.	(<input type="checkbox"/>) <u>Yes</u> <u>No</u>

Discontinuance of Service Certification

58) Applicant certifies that no permanent discontinuance of service or operation, as applicable, occurred during its current license term. Note: If the response to either item 57 or item 58 is 'N', attach an exhibit that demonstrates that over the course of the license term, the Applicant provided and continues to provide service to the public, or operated and continues to operate the license to meet the Applicant's private business or public interest/public safety communications needs. This exhibit must include a detailed description of the Applicant's provision of service or, when allowed under the relevant service rules or pursuant to waiver, use of the spectrum for private business or public interest/public safety communications needs, during the entire license period and address, as applicable: 1) the level and quality of service provided by the applicant (e.g., the population served, the area served, the number of subscribers, the services offered); (2) the date service commenced, whether service was ever interrupted, and the duration of any interruption or outage; (3) the extent to which service is provided to rural areas; (4) the extent to which service is provided to qualifying tribal land as defined in 47 CFR § 1.2110(e)(3)(i); and (5) any other factors associated with the level of service to the public. The licensee may note in its exhibit: 1) any grant(s) of waiver or extension of a performance deadline or license renewal subject to meeting a performance requirement; or 2) if the final performance deadline and/or expiration date for the license accelerated because the licensee did not meet an interim performance requirement.	(<input type="checkbox"/>) <u>Yes</u> <u>No</u>
--	---

Regulatory Compliance Certification [same for all]

59) Applicant certifies that it has substantially complied with all applicable FCC rules, policies, and the Communications Act of 1934, as amended. Note: If the response to item 59 is 'N', attach an exhibit explaining the circumstances and demonstrating why Applicant's license should be renewed.	(<input type="checkbox"/>) <u>Yes</u> <u>No</u>
--	---

General Certification Statements

1) The Applicant waives any claim to the use of any particular frequency or of the electromagnetic spectrum as against the regulatory power of the United States because of the previous use of the same, whether by license or otherwise, and requests an authorization in accordance with this application.
2) The Applicant certifies that grant of this application would not cause the Applicant to be in violation of any pertinent cross-ownership or attribution rules.* *If the Applicant has sought a waiver of any such rule in connection with this application, it may make this certification subject to the outcome of the waiver request.
3) The Applicant certifies that all statements made in this application and in the exhibits, attachments, or documents incorporated by reference are material, are part of this application, and are true, complete, correct, and made in good faith.
4) The Applicant certifies that neither the Applicant nor any other party to the application is subject to a denial of Federal benefits pursuant to § 5301 of the Anti-Drug Abuse Act of 1988, 21 U.S.C. § 862, because of a conviction for possession or distribution of a controlled substance. This certification does not apply to applications filed in services exempted under § 1.2002(c) of the rules, 47 CFR § 1.2002(c). See 47 CFR § 1.2002(b) for the definition of "party to the application" as used in this certification.
5) The Applicant certifies that it either (1) has current required ownership data on file with the Commission, (2) is filing updated ownership data simultaneously with this application, or (3) is not required to file ownership data under the Commission's Rules.
6) The Applicant certifies that the facilities, operations, and transmitters for which this authorization is hereby requested are either: (1) categorically excluded from routine environmental evaluation for RF exposure as set forth in 47 CFR § 1.1307(b); or, (2) have been found not to cause human exposure to levels of radiofrequency radiation in excess of the limits specified in 47 CFR §§ 1.1310 and 2.1093; or, (3) are the subject of one or more Environmental Assessments filed with the Commission.
7) The Applicant certifies that it has reviewed the appropriate Commission Rules defining eligibility to hold the requested license(s) and is eligible to hold the requested license(s).
8) The Applicant certifies that it is not in default on any payment for Commission licenses and that it is not delinquent on any non-tax debt owed to any federal agency.
9) The Applicant certifies that the Applicant and all of the related individuals and entities required to be disclosed on this application and FCC Form 602 (FCC Ownership Disclosure Information for the Wireless Telecommunications Services) are not person(s) who have been, for reasons of national security, barred by any agency of the Federal Government from bidding on a contract, participating in an auction, or receiving a grant. This certification applies only to applications for licenses for spectrum that is required by Sections 6103, 6401-6403 of the Middle Class Tax Relief and Job Creation Act of 2012, codified at 47 U.S.C. §§ 309, 1413, 1451-1452, to be assigned by a system of competitive bidding under 47 U.S.C. § 309(j).

Signature

60) Typed or Printed Name of Party Authorized to Sign

First Name: Cecil	MI: J	Last Name: Mathew	Suffix:
61) Title: Assistant Secretary - Compliance			
Signature: Cecil J Mathew			62) Date: 01/13/2023
FAILURE TO SIGN THIS APPLICATION MAY RESULT IN DISMISSAL OF THE APPLICATION AND FORFEITURE OF ANY FEES PAID.			
Upon grant of this license application, the Licensee may be subject to certain construction or coverage requirements. Failure to meet the construction or coverage requirements will result in termination of the license. Consult appropriate FCC regulations to determine the construction or coverage requirements that apply to the type of license requested in this application.			
WILLFUL FALSE STATEMENTS MADE ON THIS FORM OR ANY ATTACHMENTS ARE PUNISHABLE BY FINE AND/OR IMPRISONMENT (U.S. Code, Title 18, § 1001) AND/OR REVOCATION OF ANY STATION LICENSE OR CONSTRUCTION PERMIT (U.S. Code, Title 47, § 312(a)(1)), AND/OR FORFEITURE (U.S. Code, Title 47, § 503).			

ereference Copy

REFERENCE COPY

This is not an official FCC license. It is a record of public information contained in the FCC's licensing database on the date that this reference copy was generated. In cases where FCC rules require the presentation, posting, or display of an FCC license, this document may not be used in place of an official FCC license.



Federal Communications Commission
Wireless Telecommunications Bureau

RADIO STATION AUTHORIZATION

LICENSEE: NEW CINGULAR WIRELESS PCS, LLC

ATTN: CECIL J MATHEW
NEW CINGULAR WIRELESS PCS, LLC
208 S. AKARD ST. 20F
DALLAS, TX 75202

Call Sign WQGA824	File Number
Radio Service AW - AWS (1710-1755 MHz and 2110-2155 MHz)	

FCC Registration Number (FRN): 0003291192

Grant Date 11-16-2021	Effective Date 01-14-2023	Expiration Date 11-29-2036	Print Date
Market Number CMA453	Channel Block A	Sub-Market Designator 0	
Market Name Kentucky 11 - Clay			
1st Build-out Date	2nd Build-out Date	3rd Build-out Date	4th Build-out Date

Waivers/Conditions:

This authorization is conditioned upon the licensee, prior to initiating operations from any base or fixed station, making reasonable efforts to coordinate frequency usage with known co-channel and adjacent channel incumbent federal users operating in the 1710-1755 MHz band whose facilities could be affected by the proposed operations. See, e.g., FCC and NTIA Coordination Procedures in the 1710-1755 MHz Band, Public Notice, FCC 06-50, WTB Docket No. 02-353, rel. April 20, 2006.

Conditions:

Pursuant to §309(h) of the Communications Act of 1934, as amended, 47 U.S.C. §309(h), this license is subject to the following conditions: This license shall not vest in the licensee any right to operate the station nor any right in the use of the frequencies designated in the license beyond the term thereof nor in any other manner than authorized herein. Neither the license nor the right granted thereunder shall be assigned or otherwise transferred in violation of the Communications Act of 1934, as amended. See 47 U.S.C. § 310(d). This license is subject in terms to the right of use or control conferred by §706 of the Communications Act of 1934, as amended. See 47 U.S.C. §606.

This license may not authorize operation throughout the entire geographic area or spectrum identified on the hardcopy version. To view the specific geographic area and spectrum authorized by this license, refer to the Spectrum and Market Area information under the Market Tab of the license record in the Universal Licensing System (ULS). To view the license record, go to the ULS homepage at <http://wireless.fcc.gov/uls/index.htm?job=home> and select "License Search". Follow the instructions on how to search for license information.

Licensee Name: NEW CINGULAR WIRELESS PCS, LLC

Call Sign: WQGA824

File Number:

Print Date:

700 MHz Relicensed Area Information:

Market	Market Name	Buildout Deadline	Buildout Notification	Status
---------------	--------------------	--------------------------	------------------------------	---------------

Reference Copy

Reference Copy Only. Do Not Mail to the FCC as an Application.

Submitted: 01/13/2023 at 08:55:27
 File Number: 0010359795

FCC 601

FCC Application for Radio Service Authorization:

Approved by OMB

Main Form

Wireless Telecommunications Bureau Public Safety and Homeland Security Bureau

3060 - 0798

See instructions for
 public burden estimate

1) Radio Service Code: <p style="text-align: center;">AW</p>	1a) Existing Radio Service Code:
--	----------------------------------

General Information

2) (Select only one) (AU) NE - New RO - Renewal Only AU - Administrative Update NT - Required Notifications MD - Modification RM - Renewal/Modification WD - Withdrawal of Application EX - Requests for Extension of Time AM - Amendment CA - Cancellation of License RL - Registered Location/Link	
3a) If this application is for a Demonstration License or a Special Temporary Authorization (STA) , enter the code and attach the required exhibit as described in the instructions. Otherwise enter ' N/A ' (Not Applicable).	(N) <u>M</u> <u>S</u> <u>N/A</u>
3b) If this application is for Special Temporary Authority due to an emergency situation, enter 'Y'; otherwise enter 'N'. Refer to Rule 1.915 for an explanation of situations considered to be an emergency.	() <u>Y</u> <u>N</u>
4) If this application is for an Amendment or Withdrawal, enter the file number of the pending application currently on file with the FCC.	File Number
5) If this application is for a Modification, Renewal Only, Renewal/Modification, Cancellation of License, , or Administrative Update, enter the call sign of the existing FCC license. If this is a request for Registered Location/Link, enter the FCC call sign assigned to the geographic license.	Call Sign WQGA824
6a) If this application is for a New, Amendment, Renewal Only, or Renewal/Modification, enter the requested authorization expiration date (this item is optional).	MM DD _____ / _____
6b) If this application is for a Renewal Only or Renewal/Modification and the license is a geographic area license, is the license used to provide service to customers (C), or is the license used for private business (internal) purposes or to meet the licensee's public interest/public safety communications needs (P)?	() <u>C</u> <u>P</u>
7) Is this application "major" as defined in § 1.929 of the Commission's Rules when read in conjunction with the applicable radio service rules found in Parts 22 and 90 of the Commission's Rules? (NOTE: This question only applies to certain site-specific applications. See the instructions for applicability and full text of § 1.929).	() <u>Y</u> <u>N</u>
8) Are attachments (other than associated schedules) being filed with this application?	() <u>Y</u> <u>N</u>

Fees, Waivers, and Exemptions

9) Is the Applicant exempt from FCC application fees?	(N) <u>Y</u> <u>N</u>
10) Is the Applicant exempt from FCC regulatory fees?	(N) <u>Y</u> <u>N</u>
11) Does this application include a request for a Waiver of the Commission's Rule(s)? If 'Yes', attach an exhibit providing rule number(s) and explaining circumstances.	(N) <u>Y</u> <u>N</u>
12) Are the frequencies or parameters requested in this filing covered by grandfathered privileges, previously approved by waiver, or functionally integrated with an existing station?	() <u>Y</u> <u>N</u>

Applicant Information

13) FCC Registration Number (FRN): 0003291192			
14) Applicant/Licensee Legal Entity Type: (Select One) () Individual () Unincorporated Association () Trust () Government Entity () Corporation (<input checked="" type="checkbox"/>) Limited Liability Company () General Partnership () Limited Partnership () Limited Liability Partnership () Consortium () Other: _____			
15) If the Licensee name is being updated, is the update a result from the sale (or transfer of control) of the license(s) to party and for which proper Commission approval has not been received or proper notification not provided?			() <u>Yes</u> <u>No</u>
16) First Name (if individual):	MI:	Last Name:	Suffix:
17) Legal Entity Name (if other than individual): NEW CINGULAR WIRELESS PCS, LLC			
18) Attention To: Cecil J Mathew			
19) P.O. Box:	And/Or	20) Street Address: 208 S. Akard St. 20F	
21) City: Dallas	22) State: TX	23) Zip Code: 75202	
24) Telephone Number: (855)699-7073		25) Fax:	
26) E-Mail Address: FCCMW@att.com			

27) Demographics (Optional)

Race: () American Indian or Alaska Native () Asian () Black or African-American () Native Hawaiian or Other Pacific Islander () White	Ethnicity: () Hispanic or Latino () Not Hispanic or Latino	Gender: () Male () Female
---	--	-----------------------------------

Real Party in Interest

28) Name of Real Party in Interest of Applicant (If different from Applicant):	29) FCC Registration Number (FRN) of Real Party in Interest:
--	--

Contact Information (If different from the Applicant)**() Check here if same as Applicant.**

30) First Name: Cecil	MI: J	Last Name: Mathew	Suffix:
31) Company Name: AT&T Services, LLC			
32) Attention To:			
33) P.O. Box:	And /Or	34) Street Address: 208 S. Akard St. 20F	
35) City: Dallas	36) State: TX	37) Zip Code: 75202	
38) Telephone Number: (855)699-7073		39) Fax:	
40) E-Mail Address: FCCMW@att.com			

Regulatory Status

41) This filing is for authorization to provide or use the following type(s) of radio service offering (enter all that apply):
() Common Carrier () Non-Common Carrier () Private, internal communications () Broadcast Services () Band Manager

Type of Radio Service

42) This filing is for authorization to provide the following type(s) of radio service (choose all that apply):
() Fixed () Mobile () Radiolocation () Satellite (sound) () Broadcast Services
43) Does the Applicant propose to provide service interconnected to the public telephone network? () Yes () No

Alien Ownership Questions (If any answer is 'Y', provide an attachment explaining the circumstances. In preparing the attachment, refer to the Main Form Instructions for the "Alien Ownership Questions".)

44) Is the Applicant a foreign government or the representative of any foreign government? () Yes () No
45) Is the Applicant an alien or the representative of an alien? () Yes () No
46) Is the Applicant a corporation organized under the laws of any foreign government? () Yes () No
47) Is the Applicant a corporation of which more than one-fifth of the capital stock is owned of record or voted by aliens or their representatives, or by a foreign government or representative thereof, or by any corporation organized under the laws of a foreign country? () Yes () No

48a) Is the Applicant directly or indirectly controlled by any other corporation of which more than one-fourth of the capital stock (Yes No) is owned of record or voted by aliens or their representatives, or by a foreign government or representative thereof, or by any corporation organized under the laws of a foreign country?

48b) If the answer to 47 or 48a is 'Y' select one of the choices below.

The Applicant is exempt from the provisions of Section 310(b).

If checked, it is not necessary to file a petition for declaratory ruling if the Applicant includes in the attachment required by Item 47 or Item 48a a showing that the requested license(s) is exempt from the provisions of Section 310(b).

The Applicant has received a declaratory ruling(s) approving its foreign ownership, and the application involves only the acquisition of additional spectrum for the provision of a wireless service in a geographic coverage area for which the Applicant has been previously authorized.

If checked, include in the attachment required by Item 47 or Item 48a the citation(s) of the applicable declaratory ruling(s) by DA/FCC number, the FCC Record citation, if available, release date, and a statement that there has been no change in the foreign ownership of the Applicant since the issuance of its ruling.

The Applicant: (i) has received a declaratory ruling(s) approving its foreign ownership, but is not able to make the certification specified immediately above; or (ii) is an "affiliate" of a Licensee or Lessee/Sublessee that received a declaratory ruling(s) under 47 CFR § 1.5000(a) and is relying on the affiliate's ruling for purposes of filing this application as permitted under the affiliate's ruling and 47 CFR § 1.5004(b)

If checked, and if the Applicant received its declaratory ruling(s) on or after August 9, 2013, include in the attachment required by Item 47 or Item 48a the citation(s) of the Applicant's declaratory ruling(s) by DA/FCC number, the FCC Record citation, if available, release date, and a statement that the Applicant is in compliance with the terms and conditions of its ruling and with the Commission's Rules.

If checked, and if the Applicant received its declaratory ruling(s) prior to August 9, 2013, include in the attachment required by Item 48a a copy of a petition for declaratory ruling filed contemporaneously with the Commission to extend the Applicant's existing ruling(s) to cover the same radio service(s) and geographic coverage area(s) involved in the application. Alternatively, the Applicant may request a new declaratory ruling pursuant to Section 1.5000(a) of the Commission's Rules, 47 CFR § 1.5000 (a). Petitions for declaratory ruling may be filed electronically on the Internet through the International Bureau Filing System (IBFS) (with a copy attached hereto).

If checked, and if the Applicant is relying on an affiliate's ruling for purposes of filing this application, include in the attachment required by Item 47 or Item 48a the citation(s) of the applicable declaratory ruling(s) by DA/FCC number, the FCC Record citation, if available, release date, and a statement that the Applicant is in compliance with the terms and conditions of the named affiliate's ruling and with the Commission's Rules. The Applicant must also include a certification of compliance signed by the named affiliate or other qualified entity as specified in 47 CFR § 1.5004(b). See Main Form Instructions for Items 47 or 48a, as applicable.

The Applicant has not received a declaratory ruling approving its foreign ownership and is requesting a declaratory ruling under 47 CFR § 1.5004(b) in a petition filed contemporaneously with the Commission.

If checked, include in the attachment required by Item 47 or 48a a copy of the petition for declaratory ruling filed contemporaneously with the Commission pursuant to 47 CFR § 1.5004(b). Petitions for declaratory ruling may be filed electronically on the Internet through the International Bureau Filing System (IBFS) (with a copy attached hereto).

Basic Qualification Questions

49) Has the Applicant or any party to this application had any FCC station authorization, license or construction permit revoked or had any application for an initial, modification or renewal of FCC station authorization, license, or construction permit denied by the Commission?	(<input type="checkbox"/>) <u>Yes</u> <u>No</u>
50) Has the Applicant or any party to this application, or any party directly or indirectly controlling the Applicant, ever been convicted of a felony by any state or federal court?	(<input type="checkbox"/>) <u>Yes</u> <u>No</u>
51) Has any court finally adjudged the Applicant or any party directly or indirectly controlling the Applicant guilty of unlawfully monopolizing or attempting unlawfully to monopolize radio communication, directly or indirectly, through control of manufacture or sale of radio apparatus, exclusive traffic arrangement, or any other means or unfair methods of competition?	(<input type="checkbox"/>) <u>Yes</u> <u>No</u>

Note: If the answer to any of 49-51 is 'Y', attach an exhibit explaining the circumstances.

Aeronautical Advisory Station (Unicom) Certification

52) (<input type="checkbox"/>) I certify that the station will be located on property of the airport to be served, and, in cases where the airport does not have a control tower, RCO, or FAA flight service station, that I have notified the owner of the airport and all aviation service organizations located at the airport within ten days prior to application.

Broadband Radio Service and Educational Broadband Service Cable Cross-Ownership

53a) Will the requested facilities be used to provide multichannel video programming service?	(<input type="checkbox"/>) <u>Yes</u> <u>No</u>
53b) If the answer to question 53a is 'Y', does the Applicant operate, control or have an attributable interest (as defined in 47 CFR § 27.1202) in a cable television system whose franchise area is located within the geographic service area of the requested facilities?	(<input type="checkbox"/>) <u>Yes</u> <u>No</u>

Note: If the answer to question 53b is 'Y', attach an exhibit explaining how the Applicant complies with 47 CFR § 27.1202 or justifying a waiver of that rule. If a waiver of the Commission Rule(s) is being requested, Item 11a must be answered 'Y'.

Broadband Radio Service and Educational Broadband Service (Part 27)

54) (For EBS only) Does the Applicant comply with the programming requirements contained in 47 CFR § 27.1203?	(<input type="checkbox"/>) <u>Yes</u> <u>No</u>
Note: If the answer to item 54 is 'N', attach an exhibit explaining how the Applicant complies with 47 CFR § 27.1203 of the Commission's Rules or justifying a waiver of that rule. If a waiver of the Commission Rule(s) is being requested, Item 11a must be answered 'Y'.	
55) (For BRS and EBS) Does the Applicant comply with 47 CFR §§ 27.50, 27.55, and 27.1221?	(<input type="checkbox"/>) <u>Yes</u> <u>No</u>
Note: If the answer to item 55 is 'N', attach an exhibit justifying a waiver of that rule(s). If a waiver of the Commission Rule(s) is being requested, Item 11a must be answered 'Y'.	

For Applicants Who Participated in an Auction

56) Is the Applicant a qualifying rural wireless partnership or a member of a qualifying rural wireless partnership?	(<input type="checkbox"/>) <u>Yes</u> <u>No</u>
Note: If the answer to item 56 is 'Y', attach an exhibit listing all members of the qualifying rural wireless partnership, including their FRN numbers.	

For Renewal Applicants

57) Operation/Performance Requirement Certification	
[For a site-based license]: Applicant certifies that it is continuing to operate consistent with its most recently filed construction notification (or most recent authorization, if no construction notification was required).	(<input type="checkbox"/>) <u>Yes</u> <u>No</u>
[For a geographic license, commercial service - licensee in its initial license term with an interim performance requirement]: Applicant certifies that it has met its interim performance requirement, that over the portion of the license term following the interim performance requirement, it continues to use its facilities to provide at least the level of service required by its interim performance requirement, it has met its final performance requirement, and it continues to use its facilities to provide at least the level of service required by its final performance requirement through the end of the license term.	(<input type="checkbox"/>) <u>Yes</u> <u>No</u>
[For a geographic license, commercial service - licensee in its initial license term with no interim performance requirement]: Applicant certifies that it has met its final performance requirement and it continues to use its facilities to provide at least the level of service required by its final performance requirement through the end of the license term. [Note: licensee must provide a showing demonstrating that the final performance requirement has been met, either separately in a timely application for notification of completion of construction, or as part of its renewal application, depending on the radio service.]	(<input type="checkbox"/>) <u>Yes</u> <u>No</u>
[For a geographic license, commercial service - licensee in any subsequent term]: Applicant certifies that it continues to use its facilities to provide at least the level of service required by its final performance requirement through the end of any subsequent license terms.	(<input type="checkbox"/>) <u>Yes</u> <u>No</u>
[For a geographic license, private systems - licensee in its initial license term with an interim performance requirement]: Applicant certifies that it has met its interim performance requirement, that over the portion of the license term following the interim performance requirement, it continues to use its facilities to further its private business or public interest/public safety communications needs at or above the level required to meet its interim performance requirement, it has met its final performance requirement, and it continues to use its facilities to provide at least the level of operation required by its final performance requirement through the end of the license term.	(<input type="checkbox"/>) <u>Yes</u> <u>No</u>
[For a geographic license, private systems - licensee in its initial license term with no interim performance requirement]: Applicant certifies that it has met its final performance requirement, it continues to use its facilities to further its private business or public interest/public safety communications needs, and it continues to use its facilities to provide at least the level of operation required by its final performance requirement through the end of the license term. [Note: licensee must provide a showing demonstrating that the final performance requirement has been met, either separately in a timely application for notification of completion of construction, or as part of its renewal application, depending on the radio service.]	(<input type="checkbox"/>) <u>Yes</u> <u>No</u>

[For a geographic license, private systems - licensee in any subsequent term]: Applicant certifies that it continues to use its facilities to further its private business or public interest/public safety communications needs at or above the level required to meet its final performance requirement through the end of any subsequent license terms.	(<input type="checkbox"/>) <u>Yes</u> <u>No</u>
[For a partitioned or disaggregated license without a performance requirement, for the first renewal application filed after effective date of the rules]: Applicant certifies that the partitioned and/or disaggregated license that is the subject of this renewal application has no separate performance requirement and that this is the first renewal of this license filed subsequent to the effective date of the rules.	(<input type="checkbox"/>) <u>Yes</u> <u>No</u>
[For a partitioned or disaggregated license without a performance requirement, for any subsequent renewal filings]: Applicant certifies that it continues to use its facilities to provide service or to further the applicant's private business or public interest/public safety needs.	(<input type="checkbox"/>) <u>Yes</u> <u>No</u>

Discontinuance of Service Certification

58) Applicant certifies that no permanent discontinuance of service or operation, as applicable, occurred during its current license term. Note: If the response to either item 57 or item 58 is 'N', attach an exhibit that demonstrates that over the course of the license term, the Applicant provided and continues to provide service to the public, or operated and continues to operate the license to meet the Applicant's private business or public interest/public safety communications needs. This exhibit must include a detailed description of the Applicant's provision of service or, when allowed under the relevant service rules or pursuant to waiver, use of the spectrum for private business or public interest/public safety communications needs, during the entire license period and address, as applicable: 1) the level and quality of service provided by the applicant (e.g., the population served, the area served, the number of subscribers, the services offered); (2) the date service commenced, whether service was ever interrupted, and the duration of any interruption or outage; (3) the extent to which service is provided to rural areas; (4) the extent to which service is provided to qualifying tribal land as defined in 47 CFR § 1.2110(e)(3)(i); and (5) any other factors associated with the level of service to the public. The licensee may note in its exhibit: 1) any grant(s) of waiver or extension of a performance deadline or license renewal subject to meeting a performance requirement; or 2) if the final performance deadline and/or expiration date for the license accelerated because the licensee did not meet an interim performance requirement.	(<input type="checkbox"/>) <u>Yes</u> <u>No</u>
--	---

Regulatory Compliance Certification [same for all]

59) Applicant certifies that it has substantially complied with all applicable FCC rules, policies, and the Communications Act of 1934, as amended. Note: If the response to item 59 is 'N', attach an exhibit explaining the circumstances and demonstrating why Applicant's license should be renewed.	(<input type="checkbox"/>) <u>Yes</u> <u>No</u>
--	---

General Certification Statements

1) The Applicant waives any claim to the use of any particular frequency or of the electromagnetic spectrum as against the regulatory power of the United States because of the previous use of the same, whether by license or otherwise, and requests an authorization in accordance with this application.
2) The Applicant certifies that grant of this application would not cause the Applicant to be in violation of any pertinent cross-ownership or attribution rules.* *If the Applicant has sought a waiver of any such rule in connection with this application, it may make this certification subject to the outcome of the waiver request.
3) The Applicant certifies that all statements made in this application and in the exhibits, attachments, or documents incorporated by reference are material, are part of this application, and are true, complete, correct, and made in good faith.
4) The Applicant certifies that neither the Applicant nor any other party to the application is subject to a denial of Federal benefits pursuant to § 5301 of the Anti-Drug Abuse Act of 1988, 21 U.S.C. § 862, because of a conviction for possession or distribution of a controlled substance. This certification does not apply to applications filed in services exempted under § 1.2002(c) of the rules, 47 CFR § 1.2002(c). See 47 CFR § 1.2002(b) for the definition of "party to the application" as used in this certification.
5) The Applicant certifies that it either (1) has current required ownership data on file with the Commission, (2) is filing updated ownership data simultaneously with this application, or (3) is not required to file ownership data under the Commission's Rules.
6) The Applicant certifies that the facilities, operations, and transmitters for which this authorization is hereby requested are either: (1) categorically excluded from routine environmental evaluation for RF exposure as set forth in 47 CFR § 1.1307(b); or, (2) have been found not to cause human exposure to levels of radiofrequency radiation in excess of the limits specified in 47 CFR §§ 1.1310 and 2.1093; or, (3) are the subject of one or more Environmental Assessments filed with the Commission.
7) The Applicant certifies that it has reviewed the appropriate Commission Rules defining eligibility to hold the requested license(s) and is eligible to hold the requested license(s).
8) The Applicant certifies that it is not in default on any payment for Commission licenses and that it is not delinquent on any non-tax debt owed to any federal agency.
9) The Applicant certifies that the Applicant and all of the related individuals and entities required to be disclosed on this application and FCC Form 602 (FCC Ownership Disclosure Information for the Wireless Telecommunications Services) are not person(s) who have been, for reasons of national security, barred by any agency of the Federal Government from bidding on a contract, participating in an auction, or receiving a grant. This certification applies only to applications for licenses for spectrum that is required by Sections 6103, 6401-6403 of the Middle Class Tax Relief and Job Creation Act of 2012, codified at 47 U.S.C. §§ 309, 1413, 1451-1452, to be assigned by a system of competitive bidding under 47 U.S.C. § 309(j).

Signature

60) Typed or Printed Name of Party Authorized to Sign

First Name: Cecil	MI: J	Last Name: Mathew	Suffix:
-----------------------------	-----------------	-----------------------------	---------

61) Title: Assistant Secretary - Compliance

Signature: Cecil J Mathew	62) Date: 01/13/2023
-------------------------------------	--------------------------------

FAILURE TO SIGN THIS APPLICATION MAY RESULT IN DISMISSAL OF THE APPLICATION AND FORFEITURE OF ANY FEES PAID.

Upon grant of this license application, the Licensee may be subject to certain construction or coverage requirements. Failure to meet the construction or coverage requirements will result in termination of the license. Consult appropriate FCC regulations to determine the construction or coverage requirements that apply to the type of license requested in this application.

WILLFUL FALSE STATEMENTS MADE ON THIS FORM OR ANY ATTACHMENTS ARE PUNISHABLE BY FINE AND/OR IMPRISONMENT (U.S. Code, Title 18, § 1001) AND/OR REVOCATION OF ANY STATION LICENSE OR CONSTRUCTION PERMIT (U.S. Code, Title 47, § 312(a)(1)), AND/OR FORFEITURE (U.S. Code, Title 47, § 503).

ereference Copy

**FCC Form 608 FCC Application or Notification for Spectrum Leasing Arrangement/
Main Form Notification of a Private Commons Arrangement**
**Wireless Telecommunications Bureau
Public Safety and Homeland Security Bureau**

3060-1058

Submitted: 01/24/2023 at
10:35:53
File Number: 0010339688

See 608 Main Form Instructions
For public burden estimate

General Information

Application/Notification Purpose

1a) Purpose of Filing (Select only one):	
<input checked="" type="checkbox"/> LN – New	<input type="checkbox"/> LM – Modification
<input type="checkbox"/> LT – Transfer of Control	<input type="checkbox"/> LE – Extend the Term
<input type="checkbox"/> LI – Light Touch Leasing Certification	<input type="checkbox"/> AM – Amendment
	<input type="checkbox"/> LU – Administrative Update
	<input type="checkbox"/> LC – Cancel
	<input type="checkbox"/> WD – Withdraw
1b) If this filing is for an Amendment (AM) or Withdrawal (WD), enter the File Number of the pending Application/Notification currently on file with the FCC.	File Number: _____

Classification of Filing

For Leases/Subleases Only

2a) Classification of Filing (Select only one):	2b) Type of Filing
<input type="checkbox"/> ML – Spectrum Manager Lease	<input checked="" type="checkbox"/> L – Lease
<input checked="" type="checkbox"/> TL – <i>De Facto</i> Transfer Lease	<input type="checkbox"/> S – Sublease (Must be filed manually)

For Private Commons Arrangements Only (Must be filed Manually)

2c) This filing will be a Private Commons Arrangement pursuant to a (Select only one):	2d) If a Private Commons Arrangement pursuant to a Lease or Sublease, choose the legal type (Select only one):
<input type="checkbox"/> N – License	<input type="checkbox"/> M – Spectrum Manager
<input type="checkbox"/> L – Lease	<input type="checkbox"/> T – <i>De Facto</i> Transfer
<input type="checkbox"/> S – Sublease	

Term of Lease/Sublease

3) Indicate whether the existing Lease/Sublease is:	<input checked="" type="checkbox"/> Long-Term	or	<input type="checkbox"/> Short-Term
---	---	----	-------------------------------------

Other Wireless Licenses

4a) Is this filing part of a series of filings involving other wireless license(s) or lease(s) held by the Applicant, affiliates of the Licensee (e.g., parents, subsidiaries, or commonly-controlled entities), or third parties that are not included on this filing and for which Commission approval or notification is required?	<input type="checkbox"/> Yes <input checked="" type="checkbox"/> No
4b) If the answer to 4a is 'Y', is this filing the lead Application/Notification?	<input type="checkbox"/> Yes <input checked="" type="checkbox"/> No
4c) If the answer to 4a is 'Y' and the answer to 4b is 'N', provide the File Number of the lead Application/Notification.	File Number: _____

Attachments

5) Are attachments (other than associated schedules) being filed with this Application/Notification?	(<input checked="" type="checkbox"/>) <u>Yes</u> <u>No</u>
--	--

Fees and Waivers

Exemption from Application Fees

6) Is the Applicant exempt from FCC application fees? If the answer to 6 is 'Y', attach an exhibit demonstrating how the applicant is exempt from FCC application fees.	(<input type="checkbox"/>) <u>Yes</u> <u>No</u>
--	---

Waiver/Deferral of Fees

7) Is a waiver/deferral of the FCC application fees being requested? If the answer to 7 is 'Y', attach a date-stamped copy of the request for waiver/deferral of the FCC application fees.	(<input type="checkbox"/>) <u>Yes</u> <u>No</u>
---	---

Waiver of Commission Rules

8) Does this filing include a request for waiver of the Commission's Rules (other than a request for application fee waivers)? If the answer to 8 is 'Y', attach an exhibit specifying the rule section(s) for which a waiver is being requested and including a justification for the waiver request.	(<input type="checkbox"/>) <u>Yes</u> <u>No</u>
---	---

Regulatory Status and Offerings

Radio Service Offerings

9) The Applicant will provide the following type(s) of radio service offerings (select all that apply): (<input type="checkbox"/>) Common Carrier (<input type="checkbox"/>) Non-common Carrier (<input type="checkbox"/>) Private, internal communications (<input type="checkbox"/>) Broadcast Services All entities that are planning to use the leased spectrum for telecommunications services should select common carrier in this item. The term 'telecommunications service' means the offering of telecommunications (i.e., the transmission, between or among points specified by the user, of information of the user's choosing, without change in the form or content of the information as sent and received) for a fee directly to the public, or to such classes of users as to be effectively available directly to the public, regardless of the facilities used. Non-common carriers do not hold themselves out indiscriminately for hire as carriers of communications provided by the customer. A person engaged in radio broadcasting shall not, insofar as such person is so engaged, be deemed a common carrier. Thus, those entities meeting this definition would select non- common carrier for this item. Private internal users are those entities that utilize telecommunications services purely for internal business purposes or public safety communications and not on a for-hire or for-profit basis. Such entities should select 'Private' for this item. The term 'Broadcast Services' shall have the same meaning as that for "broadcasting" in § 3(6) of the Communications Act of 1934, i.e., the dissemination of radio communications intended to be received by the public, directly or by the intermediary of relay stations." 47 U.S.C. § 153(6). If the Applicant is modifying the type of radio service offerings it provides, please provide an exhibit explaining the modification.

Radio Service

10) The Applicant will provide the following type(s) of radio service (select all that apply): (<input type="checkbox"/>) Fixed (<input type="checkbox"/>) Mobile (<input type="checkbox"/>) Radiolocation (<input type="checkbox"/>) Satellite (sound) (<input type="checkbox"/>) Broadcast Services	
11) Does the Applicant propose to provide service interconnected to the public telephone network?	(<input type="checkbox"/>) <u>Yes</u> <u>No</u>

Designated Entity Information (If the answer to 12a, 12b or 12c is 'Y', Schedule A must be completed.)

Bidding Credits

12a) Does this filing involve any spectrum associated with any licenses that were awarded with bidding credits within the last five years? If the response to this item is 'Y', the licenses may be subject to the FCC's unjust enrichment rules, and the Applicant should answer relevant bidding credit questions.	(<input checked="" type="radio"/>) <u>Yes</u> <u>No</u>
---	---

Closed Bidding

12b) Does this filing involve any spectrum associated with any licenses that were originally granted pursuant to closed bidding within the last five years? If the response to this item is 'Y', the Applicant should answer relevant closed bidding questions.	(<input type="radio"/>) <u>Yes</u> <u>No</u>
--	--

Competition-Related Information

13) Does this filing involve a license authorization or Spectrum Lease/Sublease that may be used to provide interconnected mobile voice and/or data services that would create a geographic overlap with another license authorization(s) or spectrum leasing arrangement(s), that also could be used to provide interconnected mobile voice and/or data services, in which the Applicant already holds attributable interests, as defined in Section 20.22(b) of the Commission's Rules, either as a licensee or spectrum lessee/sublessee? If 'Y', specify in an exhibit all geographic areas/markets (e.g., BTA, CMA, county, etc.) where there are spectrum overlaps and the total amount of spectrum that the Assignee/Transferee will hold and/or lease in each geographic area/market.	(<input checked="" type="radio"/>) <u>Yes</u> <u>No</u>
14) If the answer to Item 13 is 'Y', would/does this application for a spectrum leasing or subleasing arrangement reduce the number of entities providing service in the affected market(s)?	(<input type="radio"/>) <u>Yes</u> <u>No</u>

Broadband Radio Service and Educational Broadband Service Information

15a) Will the requested facilities be used to provide multichannel video programming service?	(<input type="radio"/>) <u>Yes</u> <u>No</u>
15b) If the answer to 15a is 'Y', does the Applicant operate, control or have an attributable interest (as defined in Section 27.1202 of the Commission's Rules) in a cable television system whose franchise area is located within the geographic service area of the requested facilities? If 'Y', provide an exhibit explaining how the Applicant (Lessee/Sublessee) complies with Section 27.1202 of the Commission's Rules or justifying a waiver of that rule. If a waiver of the Commission's Rule(s) is being requested, 8a must be answered 'Y'.	(<input type="radio"/>) <u>Yes</u> <u>No</u>
16) Does the Applicant comply with the programming requirements contained in Section 27.1203 of the Commission's Rules? If 'N', provide an exhibit explaining how the Applicant complies with Section 27.1203 of the Commission's Rules or justifying a waiver of that rule. If a waiver of the Commission's Rule(s) is being requested, 8a must be answered 'Y'.	(<input type="radio"/>) <u>Yes</u> <u>No</u>

Part 90 Public Safety Services

Eligibility

17) Is the Applicant a public safety entity or otherwise an entity that will use the leased spectrum to provide communications in support of public safety operations pursuant to Section 90.523 of the Commission's Rules?	(<input type="radio"/>) <u>Yes</u> <u>No</u>
---	--

600 MHz Band Information

<p>18) Is the spectrum leasing/subleasing arrangement for a term of one year or more (either initially or cumulatively) and involves any licenses in the 600 MHz Band initially granted in the last six years that would, if leased, create a geographic overlap with another licenses(s) in which the Lessee/Sublessee already holds attributable interests, as defined in Section 20.22(b) of the Commission's Rules, either as a licensee or spectrum Lessee/Sublessee, and that would result in the Lessee/Sublessee holding an attributable interest, as defined in Section 20.22(b) of the Commission's Rules, in one-third or more of the total suitable and available below-1-GHz spectrum as calculated on a county-by-county population-weighted basis in the relevant license area, utilizing 2010 U.S. Census data?</p> <p>The initial grant date is the date that the license was originally granted by the Commission after an auction, even if the license was acquired in the secondary market. The initial grant date is not the date on which the Commission granted an assignment or transfer of control of the license.</p> <p>If 'Y', provide an exhibit detailing the proposed spectrum leasing/subleasing exchange of 600 MHz band spectrum in the same market(s), including a list of all file numbers for applications associated with the proposed spectrum leasing arrangement exchange, or describing the <i>pro forma</i> nature of the spectrum leasing arrangement, as appropriate.</p>	<p>(<input checked="" type="radio"/>) <u>Yes</u> <input type="radio"/> <u>No</u></p>
<p>19) Is the spectrum leasing/subleasing arrangement for a term of one year or more (either initially or cumulatively) and involves any licenses that were initially granted as reserved spectrum licenses in the 600 MHz Band in the last six years? Otherwise, enter 'N'.</p> <p>The initial grant date is the date that the license was originally granted by the Commission after an auction, even if the license was acquired in the secondary market. The initial grant date is not the date on which the Commission granted an assignment or transfer of control of the license.</p> <p>If 'Y', provide an exhibit demonstrating how the Lessee/Sublessee would have qualified to bid on that reserved spectrum license(s) in Auction 1002 as of the FCC Form 175 filing deadline (February 10, 2016) for Auction 1002, the forward auction of the Broadcast Incentive Auction.</p>	<p>(<input type="radio"/>) <u>Yes</u> <input checked="" type="radio"/> <u>No</u></p>

Licensee Information

FRN

20) FCC Registration Number: **0003291192**

Entity

21) Licensee is a(n) (Select One):

() Individual () Unincorporated Association () Trust () Government Entity () Corporation () Limited Liability Company

() General Partnership () Limited Partnership () Limited Liability Partnership

() Other: _____

Licensee Name

22) Licensee Name (if entity): **New Cingular Wireless PCS, LLC**

23) Licensee Name (if individual): First: MI: Last: Suffix:

24) Attention To: **Cecil J. Mathew**

Address

25) P.O. Box: And /Or 26) Street Address: **208 S. Akard Street, RM 1016**

27) City: **Dallas** 28) State: **TX** 29) Zip Code: **75202**

30) Telephone Number: **(855)699-7073** 31) FAX Number: **(214)746-6410**

32) E-Mail Address: **FCCMW@att.com**

33) Demographics (Optional):

Race:

() American Indian or Alaska Native
() Asian
() Black or African-American
() Native Hawaiian or Other Pacific Islander
() White

Ethnicity:

() Hispanic or Latino
() Not Hispanic or Latino

Gender:

() Male
() Female

Licensee Contact Information

Contact Name (if other than Licensee)

() Check here if same as Licensee Information

34) Name: First: MI: Last: Suffix:

35) Company Name: **AT&T Mobility LLC**

36) Attention To: **Michael P. Goggin**

Address

37) P.O. Box: And /Or 38) Street Address: **1120 20th Street NW, Suite 1000**

39) City: **Washington** 40) State: **DC** 41) Zip Code: **20036**

42) Telephone Number: **(202)457-2055** 43) FAX Number:

44) E-Mail Address: **michael.p.goggin@att.com**

Lessee Information

FRN

45) FCC Registration Number: **0030856223**

Entity

46) Lessee is a(n) (Select One):

() Individual () Unincorporated Association () Trust () Government Entity () Corporation () Limited Liability Company

() General Partnership () Limited Partnership () Limited Liability Partnership

() Other: _____

Lessee Name

47) If the Lessee name is being updated, is the update a result of a change in ownership, corporate structure, or entity for which proper Commission approval has not been received or proper notification not provided? () Yes No

48) Lessee Name (if entity): **Trace-Tek**

49) Lessee Name (if individual): First: MI: Last: Suffix:

50) Attention To: **licenses@trace-tek.com**

Name of Real Party in Interest

51) Name of Real Party in Interest: **Trace-Tek**

52) FCC Registration Number (FRN): **0030856223**

Address

53) P.O. Box: **And /Or** 54) Street Address: **2625 Commons Boulevard**

55) City: **Beavercreek** 56) State: **OH** 57) Zip Code: **45341**

58) Telephone Number: **(972)672-0477** 59) FAX Number:

60) E-Mail Address: **licenses@trace-tek.com**

61) Demographics (Optional):

Race:	Ethnicity:	Gender:
() American Indian or Alaska Native	() Hispanic or Latino	() Male
() Asian	() Not Hispanic or Latino	() Female
() Black or African-American		
() Native Hawaiian or Other Pacific Islander		
() White		

Lessee Contact Information

Contact Name (if other than Lessee)

() **Check here if same as Lessee Information**

62) Name: First: **Dan** MI: Last: **Burgess** Suffix:

63) Company Name: **Trace-Tek**

64) Attention To: **licenses@trace-tek.com**

Address

65) P.O. Box: **And /Or** 66) Street Address: **2625 Commons Boulevard**

67) City: **Beavercreek** 68) State: **OH** 69) Zip Code: **45341**

70) Telephone Number: **(972)672-0477** 71) FAX Number:

72) E-Mail Address: **licenses@trace-tek.com**

Sublessee Information

FRN

73) FCC Registration Number:

Entity

74) Sublessee is a(n) (Select One):

() Individual () Unincorporated Association () Trust () Government Entity () Corporation () Limited Liability Company

() General Partnership () Limited Partnership () Limited Liability Partnership

() Other: _____

Sublessee Name

75) If the Sublessee name is being updated, is the update a result of a change in ownership, corporate structure, or entity for which proper Commission approval has not been received or proper notification not provided?

() Yes **No**

76) Sublessee Name (if entity):

77) Sublessee Name (if individual):

First:

MI:

Last:

Suffix:

78) Attention To:

Name of Real Party in Interest

79) Name of Real Party in Interest:

80) FCC Registration Number (FRN):

Address

81) P.O. Box:

**And
/Or**

82) Street Address:

83) City:

84) State:

85) Zip Code:

86) Telephone Number:

87) FAX Number:

88) E-Mail Address:

89) Demographics (Optional):

Race:

() American Indian or Alaska Native

() Asian

() Black or African-American

() Native Hawaiian or Other Pacific Islander

() White

Ethnicity:

() Hispanic or Latino

() Not Hispanic or Latino

Gender:

() Male

() Female

Sublessee Contact Information

Contact Name (if other than Sublessee)

() **Check here if same as Sublessee Information**

90) Name:

First:

MI:

Last:

Suffix:

91) Company Name:

92) Attention To:

Address

93) P.O. Box:

**And
/Or**

94) Street Address:

95) City:

96) State:

97) Zip Code:

98) Telephone Number:

99) FAX Number:

100) E-Mail Address:

Transferee Information

FRN

101) FCC Registration Number:

Entity

102) Transferee is a(n) (Select One):

() Individual () Unincorporated Association () Trust () Government Entity () Corporation () Limited Liability Company

() General Partnership () Limited Partnership () Limited Liability Partnership

() Other: _____

Transferee Name

103) Transferee Name (if entity):

104) Transferee Name (if individual):

First:

MI:

Last:

Suffix:

105) Attention To:

Name of Real Party in Interest

106) Name of Real Party in Interest:

107) FCC Registration Number (FRN):

Address

108) P.O. Box:

And
/Or

109) Street Address:

110) City:

111) State:

112) Zip Code:

113) Telephone Number:

114) FAX Number:

115) E-Mail Address:

116) Demographics (Optional):

Race:

() American Indian or Alaska Native

() Asian

() Black or African-American

() Native Hawaiian or Other Pacific Islander

() White

Ethnicity:

() Hispanic or Latino

() Not Hispanic or Latino

Gender:

() Male

() Female

Transferee Contact Information

Contact Name (if other than Transferee)

() Check here if same as Transferee Information

117) Name:

First:

MI:

Last:

Suffix:

118) Company Name:

119) Attention To:

Address

120) P.O. Box:

And
/Or

121) Street Address:

122) City:

123) State:

124) Zip Code:

125) Telephone Number:

126) FAX Number:

127) E-Mail Address:

Transferor Information

FRN

128) FCC Registration Number:

Entity

129) Transferor is a(n) (Select One):

() Individual () Unincorporated Association () Trust () Government Entity () Corporation () Limited Liability Company

() General Partnership () Limited Partnership () Limited Liability Partnership

() Other: _____

Transferor Name

130) Transferor Name (if entity):

131) Transferor Name (if individual):

First:

MI:

Last:

Suffix:

132) Attention To:

Address

133) P.O. Box:

And
/Or

134) Street Address:

135) City:

136) State:

137) Zip Code:

138) Telephone Number:

139) FAX Number:

140) E-Mail Address:

139) Demographics (Optional):

Race:

() American Indian or Alaska Native

() Asian

() Black or African-American

() Native Hawaiian or Other Pacific Islander

() White

Ethnicity:

() Hispanic or Latino

() Not Hispanic or Latino

Gender:

() Male

() Female

Transferor Contact Information

Contact Name (if other than Transferor)

() Check here if same as Transferor Information

140) Name:

First:

MI:

Last:

Suffix:

141) Company Name:

142) Attention To:

Address

143) P.O. Box:

And
/Or

144) Street Address:

145) City:

146) State:

147) Zip Code:

148) Telephone Number:

149) FAX Number:

150) E-Mail Address:

Ownership Disclosure Information

FCC Form 602

153a) Is the Applicant required to file FCC Form 602, Ownership Disclosure Information for the Wireless Telecommunications Services?	(<input checked="" type="radio"/>) <u>Yes</u> <input type="radio"/> <u>No</u>
153b) If the answer to 151a is 'Y', provide the File Number of FCC Form 602 that has been filed in conjunction with application or is already on file with the FCC.	File Number: <u>0009774970</u>

Alien Ownership Questions

Alien Ownership (If any answer is 'Y', provide an attachment explaining the circumstances. In preparing the attachment, refer to the Main Form Instructions for the "Alien Ownership Questions".)

154) Is the Lessee/Sublessee or Post-Transfer Lessee/Sublessee a foreign government or the representative of any foreign government?	(<input type="radio"/>) <u>Yes</u> <input checked="" type="radio"/> <u>No</u>
155) Is the Lessee/Sublessee or Post-Transfer Lessee/Sublessee an alien or the representative of an alien?	(<input type="radio"/>) <u>Yes</u> <input checked="" type="radio"/> <u>No</u>
156) Is the Lessee/Sublessee or Post-Transfer Lessee/Sublessee a corporation organized under the laws of a foreign government?	(<input type="radio"/>) <u>Yes</u> <input checked="" type="radio"/> <u>No</u>
157) Is the Lessee/Sublessee or Post-Transfer Lessee/Sublessee a corporation of which more than one-fifth of the capital stock is owned of record or voted by aliens or their representatives, or by a foreign government or representative thereof, or by any corporation organized under the laws of a foreign country?	(<input type="radio"/>) <u>Yes</u> <input checked="" type="radio"/> <u>No</u>
158a) Is the Lessee/Sublessee or Post-Transfer Lessee/Sublessee directly or indirectly controlled by any other corporation of which more than one-fourth of the capital stock is owned of record or voted by aliens or their representatives, or by a foreign government or representative thereof, or by any corporation organized under the laws of a foreign country?	(<input type="radio"/>) <u>Yes</u> <input checked="" type="radio"/> <u>No</u>

158b) If the answer to 155 or 156a is 'Y' select one of the choices below.

The Lessee/Sublessee or Post-Transfer Lessee/Sublessee is exempt from the provisions of Section 310(b).

It is not necessary to file a petition for declaratory ruling if the Lessee/Sublessee or Post-Transfer Lessee/Sublessee includes in the attachment required by Item 155 or Item 156a a showing that the subject Lease(s) is exempt from the provisions of Section 310(b).

The Lessee/Sublessee or Post-Transfer Lessee/Sublessee has received a declaratory ruling(s) approving its foreign ownership, and the application/notification involves only the acquisition/use of additional spectrum for the provision of a wireless service in a geographic coverage area for which the Lessee/Sublessee or Post-Transfer Lessee/Sublessee has been previously authorized.

If checked, include in the attachment required by Item 155 or Item 156a the citation(s) of the applicable declaratory ruling(s) by DA/FCC number, the FCC Record citation, if available, release date, and a statement that there has been no change in the foreign ownership of the Lessee/Sublessee or Post-Transfer Lessee/Sublessee since the issuance of its ruling.

The Lessee/Sublessee or Post-Transfer Lessee/Sublessee: (i) has received a declaratory ruling(s) approving its foreign ownership, but is not able to make the certification specified immediately above; or (ii) is an "affiliate" of a Licensee or Lessee/SubLessee that received a declaratory ruling(s) under Section 1.990(a) of the Commission's Rules, 47 CFR § 1.990(a), and is relying on the affiliate's ruling for purposes of filing this application/notification as permitted under the affiliate's ruling and Section 1.994(b) of the Rules, 47 CFR § 1.994(b).

If checked, and if the Lessee/Sublessee or Post-Transfer Lessee/Sublessee received its declaratory ruling(s) on or after August 9, 2013, include in the attachment required by Item 155 or Item 156a the citation(s) of the Lessee/Sublessee or Post-Transfer Lessee/Sublessee's declaratory ruling(s) by DA/FCC number, the FCC Record citation, if available, release date, and a statement that the Lessee/Sublessee or Post-Transfer Lessee/Sublessee is in compliance with the terms and conditions of its ruling and with the Commission's Rules.

If checked, and if the Lessee/Sublessee or Post-Transfer Lessee/Sublessee received its declaratory ruling(s) prior to August 9, 2013, include in the attachment required by Item 156a a copy of a petition for declaratory ruling filed contemporaneously with the Commission to extend the Lessee/Sublessee or Post-Transfer Lessee/Sublessee's existing ruling(s) to cover the same radio service(s) and geographic coverage area(s) involved in the application/notification. Alternatively, the Lessee/Sublessee or Post-Transfer Lessee/Sublessee may request a new declaratory ruling pursuant to Section 1.990(a) of the Commission's Rules, 47 CFR § 1.990(a). Petitions for declaratory ruling may be filed electronically on the Internet through the International Bureau Filing System (IBFS) (with a copy attached hereto).

If checked, and if the Lessee/Sublessee or Post-Transfer Lessee/Sublessee is relying on an affiliate's ruling for purposes of filing this application/notification, include in the attachment required by Item 155 or Item 156a the citation(s) of the applicable declaratory ruling(s) by DA/FCC number, the FCC Record citation, if available, release date, and a statement that the Lessee/Sublessee or Post-Transfer Lessee/Sublessee is in compliance with the terms and conditions of the named affiliate's ruling and with the Commission's Rules. The Lessee/Sublessee or Post-Transfer Lessee/Sublessee must also include a certification of compliance signed by the named affiliate or other qualified entity as specified in Section 1.994(b) of the Rules, 47 CFR § 1.994(b). See Main Form Instructions for Items 155 or 156a, as applicable.

The Lessee/Sublessee or Post-Transfer Lessee/Sublessee has not received a declaratory ruling approving its foreign ownership and is requesting a declaratory ruling under Section 1.990(a) of the Commission's Rules, 47 CFR § 1.990(a), in a petition filed contemporaneously with the Commission.

If checked, include in the attachment required by Item 155 or 156a a copy of the petition for declaratory ruling filed contemporaneously with the Commission pursuant to Section 1.990(a) of the Commission's Rules, 47 CFR § 1.990(a). Petitions for declaratory ruling may be filed electronically on the Internet through the International Bureau Filing System (IBFS) (with a copy attached hereto).

Basic Qualification Information

Basic Qualification Questions (If any answer is 'Y', provide an attachment explaining the circumstances)

159) Has the Applicant or any party to this application had any FCC station authorization, license, or construction permit revoked or had any application for an initial, modification, or renewal of FCC station authorization, license, or construction permit denied by the Commission?	(N) <u>Yes</u> No
160) Has the Applicant or any party to this filing, or any party directly or indirectly controlling the Applicant or any party to this filing ever been convicted of a felony by any state or federal court?	(N) <u>Yes</u> No
161) Has any court finally adjudged the Applicant or any party directly or indirectly controlling the Applicant guilty of unlawfully monopolizing or attempting unlawfully to monopolize radio communication, directly or indirectly, through control of manufacture or sale of radio apparatus, exclusive traffic arrangement, or any other means or unfair methods of competition?	(N) <u>Yes</u> No

Spectrum Aggregation Limit Certification(s)

<p>162) The Licensee/Lessor/Sublessor certifies that grant of this application would not cause the Licensee/Lessor/Sublessor to be in violation of the 40 megahertz in-band spectrum aggregation limit set forth under section 96.31 of the Commission's rules for 3.5 GHz licenses, taking into consideration the spectrum attribution rules under section 20.22(b) of the Commission's rules.</p> <p>If the Licensee/Lessor/Sublessor has sought a waiver of section 96.31 in connection with this application, it may make this certification subject to the outcome of the waiver request.</p>	<p>() <u>Yes</u> <u>No</u></p>
<p>163) The Licensee/Lessor/Sublessor certifies that grant of this application would not cause the Licensee/Lessor/Sublessor to be in violation of the 40 megahertz in-band spectrum aggregation limit set forth under section 27.1606 of the Commission's rules for 3.45 GHz licenses, taking into consideration the spectrum attribution rules under section 20.22(b) of the Commission's rules.</p> <p>If the Licensee/Lessor/Sublessor has sought a waiver of section 27.1606 in connection with this application, it may make this certification subject to the outcome of the waiver request.</p>	<p>() <u>Yes</u> <u>No</u></p>
<p>164) The Lessee/Sublessee/Transferee certifies that grant of this application would not cause the Lessee/Sublessee/Transferee to be in violation of the 40 megahertz in-band spectrum aggregation limit set forth under section 96.31 of the Commission's rules for 3.5 GHz licenses, taking into consideration the spectrum attribution rules under section 20.22(b) of the Commission's rules.</p> <p>If the Lessee/Sublessee/Transferee has sought a waiver of section 96.31 in connection with this application, it may make this certification subject to the outcome of the waiver request.</p>	<p>() <u>Yes</u> <u>No</u></p>
<p>165) The Lessee/Sublessee/Transferee certifies that grant of this application would not cause the Lessee/Sublessee/Transferee to be in violation of the 40 megahertz in-band spectrum aggregation limit set forth under section 27.1606 of the Commission's rules for 3.45 GHz licenses, taking into consideration the spectrum attribution rules under section 20.22(b) of the Commission's rules.</p> <p>If the Lessee/Sublessee/Transferee has sought a waiver of section 27.1606 in connection with this application, it may make this certification subject to the outcome of the waiver request.</p>	<p>() <u>Yes</u> <u>No</u></p>

Licensee Certification Statements

1)	The Licensee agrees that the Lease is not a sale or transfer of the license itself.
2)	The Licensee certifies that it will not consent to assignment of the Lease except to the extent such assignment complies with the Commission's Rules and Regulations.
3)	The Licensee certifies that it holds exclusive use rights to use the licensed spectrum.
4)	The Licensee certifies that it is not in default on any payment for Commission licenses and that it is not delinquent on any non-tax debt owed to any federal agency.
The Licensee certifies that all of its statements made in this Application/Notification and in the schedules, exhibits, attachments, or documents incorporated by reference are material, are part of this Application/Notification, and are true, complete, correct, and made in good faith.	

Type or Printed Name of Party Authorized to Sign

166) First Name: Jessica	MI: B	Last Name: Lyons	Suffix:
167) Title: Asst. Secretary of Manager			
168) Signature: Jessica B Lyons		165) Date: 01/24/2023	
FAILURE TO SIGN THIS APPLICATION MAY RESULT IN DISMISSAL OF THE APPLICATION AND FORFEITURE OF ANY FEES PAID.			
WILLFUL FALSE STATEMENTS MADE ON THIS FORM OR ANY ATTACHMENTS ARE PUNISHABLE BY FINE AND/OR IMPRISONMENT (U.S. Code, Title 18, Section 1001) AND/OR REVOCATION OF ANY STATION LICENSE OR CONSTRUCTION PERMIT (U.S. Code, Title 47, Section 312(a)(1)), AND/OR FORFEITURE (U.S. Code, Title 47, Section 503).			

Lessee Certification Statements

1)	The Lessee agrees that the Lease is not a sale or transfer of the license itself.
2)	The Lessee acknowledges that it is required to comply with the Commission's Rules and Regulations and other applicable law at all times, and if the Lessee fails to so comply, the Lease/Sublease may be revoked, cancelled, or terminated by either the Licensee or the Commission.
3)	The Lessee certifies that neither it nor any other party to the Application/Notification is subject to a denial of Federal benefits pursuant to Section 5301 of the Anti-Drug Abuse Act of 1988, 21 U.S.C. § 862, because of a conviction for possession or distribution of a controlled substance. This certification does not apply to applications filed in services exempted under Section 1.2002(c) of the Commission's Rules. See Section 1.2002(b) of the Commission's Rules for the definition of "party to the application" as used in this certification.
4)	The Lessee hereby accepts Commission oversight and enforcement consistent with the license and lease authorization. The Lessee acknowledges that it must cooperate fully with any investigation or inquiry conducted either by the Commission or the Licensee, allow the Commission or the Licensee to conduct on-site inspections of transmission facilities, and suspend operations at the direction of the Commission or the Licensee and to the extent that such suspension of operation would be consistent with applicable Commission policies.
5)	The Lessee acknowledges that in the event an authorization held by a Licensee that has associated with it a spectrum leasing arrangement that is the subject of this filing is revoked, cancelled, terminated, or otherwise ceases to be in effect, the Lessee will have no continuing authority to use the leased spectrum and will be required to terminate its operations no later than the date on which the Licensee ceases to have any authority to operate under the license, unless otherwise authorized by the Commission.
6)	The Lessee agrees the Lease shall not be assigned to any entity that is not eligible or qualified to enter into a spectrum leasing arrangement under the Commission's Rules and Regulations.
7)	The Lessee waives any claim to the use of any particular frequency or of the electromagnetic spectrum as against the regulatory power of the United States because of the previous use of the same, whether by spectrum lease or otherwise.
8)	The Lessee certifies that it is not in default on any payment for Commission licenses and that it is not delinquent on any non-tax debt owed to any federal agency.
9)	The Lessee certifies that it and all of the related individuals and entities required to be disclosed on this application and FCC Form 602 (FCC Ownership Disclosure Information for the Wireless Telecommunications Services) are not person(s) who have been, for reasons of national security, barred by any agency of the Federal Government from bidding on a contract, participating in an auction, or receiving a grant. This certification applies only to applications for licenses for spectrum that is required by Sections 6103, 6401-6403 of the Middle Class Tax Relief and Job Creation Act of 2012, codified at 47 U.S.C. §§ 309, 1413, 1451-1452, to be assigned by a system of competitive bidding under 47 U.S.C. § 309(j).
<p>The Lessee certifies that all of its statements made in this Application/Notification and in the schedules, exhibits, attachments, or documents incorporated by reference are material, are part of this Application/Notification, and are true, complete, correct, and made in good faith.</p>	

Type or Printed Name of Party Authorized to Sign

168) First Name: Dan	MI:	Last Name: Burgess	Suffix:
169) Title: Manager			
170) Signature: Dan Burgess		171) Date: 01/24/2023	
<p>FAILURE TO SIGN THIS APPLICATION MAY RESULT IN DISMISSAL OF THE APPLICATION AND FORFEITURE OF ANY FEES PAID.</p> <p>WILLFUL FALSE STATEMENTS MADE ON THIS FORM OR ANY ATTACHMENTS ARE PUNISHABLE BY FINE AND/OR IMPRISONMENT (U.S. Code, Title 18, Section 1001) AND/OR REVOCATION OF ANY STATION LICENSE OR CONSTRUCTION PERMIT (U.S. Code, Title 47, Section 312(a)(1)), AND/OR FORFEITURE (U.S. Code, Title 47, Section 503).</p>			

Sublessee Certification Statements

1)	The Sublessee agrees that the Lease is not a, sale or transfer of the license itself.
2)	The Sublessee acknowledges that it is required to comply with the Commission's Rules and regulations and other applicable law at all times, and if the Sublessee fails to so comply, the Lease may be revoked, cancelled, or terminated by either the licensee or the Commission.
3)	The Sublessee certifies that neither it nor any other party to the Application/Notification is subject to a denial of Federal benefits pursuant to Section 5301 of the Anti-Drug Abuse Act of 1988, 21 U.S.C. § 862, because of a conviction for possession or distribution of a controlled substance. This certification does not apply to applications filed in services exempted under Section 1.2002(c) of the Commission's Rules. See Section 1.2002(b) of the Commission's Rules for the definition of "party to the application" as used in this certification.
4)	The Sublessee hereby accepts Commission oversight and enforcement consistent with the license authorization. The Sublessee acknowledges that it must cooperate fully with any investigation or inquiry conducted either by the Commission or the Licensee, allow the Commission or the licensee to conduct on-site inspections of transmission facilities, and suspend operations at the direction of the Commission or the Licensee and to the extent that such suspension of operation would be consistent with the applicable Commission policies.
5)	The Sublessee acknowledges that in the event an authorization held by a Licensee that has entered into a spectrum leasing arrangement is revoked, cancelled, terminated, or otherwise ceases to be in effect, the Sublessee will have no continuing authority to use the leased spectrum and will be required to terminate its operations no later than the date on which the Licensee ceases to have any authority to operate under the license, unless otherwise authorized by the Commission.
6)	The Sublessee agrees the Lease/Sublease shall not be assigned to any entity that is not eligible or qualified to enter into a spectrum leasing arrangement under the Commission's Rules and regulations.
7)	The Sublessee waives any claim to the use of any particular frequency or of the electromagnetic spectrum as against the regulatory power of the United States because of the previous use of the same, whether by spectrum lease or otherwise.
8)	The Sublessee certifies that it is not in default on any payment for Commission licenses and that it is not delinquent on any non-tax debt owed to any federal agency.
9)	The Sublessee certifies that it and all of the related individuals and entities required to be disclosed on this application and FCC Form 602 (FCC Ownership Disclosure Information for the Wireless Telecommunications Services) are not person(s) who have been, for reasons of national security, barred by any agency of the Federal Government from bidding on a contract, participating in an auction, or receiving a grant. This certification applies only to applications for licenses for spectrum that is required by Sections 6103, 6401-6403 of the Middle Class Tax Relief and Job Creation Act of 2012, codified at 47 U.S.C. §§ 309, 1413, 1451-1452, to be assigned by a system of competitive bidding under 47 U.S.C. § 309(j).
The Sublessee certifies that all of its statements made in this Application/Notification and in the schedules, exhibits, attachments, or documents incorporated by reference are material, are part of this Application/Notification, and are true, complete, correct, and made in good faith.	

Type or Printed Name of Party Authorized to Sign

172) First Name:	MI:	Last Name:	Suffix:
173) Title:			
174) Signature:		175) Date:	

FAILURE TO SIGN THIS APPLICATION MAY RESULT IN DISMISSAL OF THE APPLICATION AND FORFEITURE OF ANY FEES PAID.
WILLFUL FALSE STATEMENTS MADE ON THIS FORM OR ANY ATTACHMENTS ARE PUNISHABLE BY FINE AND/OR IMPRISONMENT (U.S. Code, Title 18, Section 1001) AND/OR REVOCATION OF ANY STATION LICENSE OR CONSTRUCTION PERMIT (U.S. Code, Title 47, Section 312(a)(1)), AND/OR FORFEITURE (U.S. Code, Title 47, Section 503).

Transferee Certification Statements

1)	The Transferee agrees that the Lease/Sublease is not a sale or transfer of the license itself.
2)	The Transferee acknowledges that it is required to comply with the Commission's Rules and Regulations and other applicable law at all times, and if the Transferee fails to so comply, the Lease/Sublease may be revoked, cancelled, or terminated by either the licensee or the Commission.
3)	The Transferee certifies that neither it nor any other party to the Application/Notification is subject to a denial of Federal benefits pursuant to Section 5301 of the Anti-Drug Abuse Act of 1988, 21 U.S.C. § 862, because of a conviction for possession or distribution of a controlled substance. This certification does not apply to applications filed in services exempted under Section 1.2002(c) of the Commission's Rules. See Section 1.2002(b) of the Commission's Rules for the definition of "party to the application" as used in this certification.)
4)	The Transferee hereby accepts Commission oversight and enforcement consistent with the license authorization. The Transferee acknowledges that it must cooperate fully with any investigation or inquiry conducted either by the Commission or the Licensee, allow the Commission or the licensee to conduct on-site inspections of transmission facilities, and suspend operations at the direction of the Commission or the Licensee and to the extent that such suspension of operation would be consistent with the applicable Commission policies.
5)	The Transferee acknowledges that in the event an authorization held by a Licensee that has entered into a spectrum leasing arrangement is revoked, cancelled, terminated, or otherwise ceases to be in effect, the Transferee will have no continuing authority to use the leased spectrum and will be required to terminate its operations no later than the date on which the Licensee ceases to have any authority to operate under the license, unless otherwise authorized by the Commission.
6)	The Transferee agrees the Lease shall not be assigned to any entity that is not eligible or qualified to enter into a spectrum leasing arrangement under the Commission's Rules and Regulations.
7)	The Transferee waives any claim to the use of any particular frequency or of the electromagnetic spectrum as against the regulatory power of the United States because of the previous use of the same, whether by spectrum lease or otherwise.
8)	The Transferee certifies that it is not in default on any payment for Commission licenses and that it is not delinquent on any non-tax debt owed to any federal agency.
9)	The Transferee certifies that it and all of the related individuals and entities required to be disclosed on this application and FCC Form 602 (FCC Ownership Disclosure Information for the Wireless Telecommunications Services) are not person(s) who have been, for reasons of national security, barred by any agency of the Federal Government from bidding on a contract, participating in an auction, or receiving a grant. This certification applies only to applications for licenses for spectrum that is required by Sections 6103, 6401-6403 of the Middle Class Tax Relief and Job Creation Act of 2012, codified at 47 U.S.C. §§ 309, 1413, 1451-1452, to be assigned by a system of competitive bidding under 47 U.S.C. § 309(j).
The Transferee certifies that all of its statements made in this Application/Notification and in the schedules, exhibits, attachments, or documents incorporated by reference are material, are part of this Application/Notification, and are true, complete, correct, and made in good faith.	

Type or Printed Name of Party Authorized to Sign

176) First Name:	MI:	Last Name:	Suffix:
177) Title:			
178) Signature:		179) Date:	

FAILURE TO SIGN THIS APPLICATION MAY RESULT IN DISMISSAL OF THE APPLICATION AND FORFEITURE OF ANY FEES PAID.

WILLFUL FALSE STATEMENTS MADE ON THIS FORM OR ANY ATTACHMENTS ARE PUNISHABLE BY FINE AND/OR IMPRISONMENT (U.S. Code, Title 18, Section 1001) AND/OR REVOCATION OF ANY STATION LICENSE OR CONSTRUCTION PERMIT (U.S. Code, Title 47, Section 312(a)(1)), AND/OR FORFEITURE (U.S. Code, Title 47, Section 503).

Transferor Certification Statements

1)	The Transferor certifies either (1) that control of the Lessee/Sublessee will not be transferred until consent of the Federal Communications Commission has been given, or (2) that prior Commission consent is not required because the Lease/Sublease is subject to streamlined notification procedures for <i>pro forma</i> transfers of control. See <i>Federal Communications Bar Association's Petition for Forbearance from Section 310(d) of the Communications Act Regarding Non-Substantial Assignments of Wireless Licenses and Transfers of Control Involving Telecommunications Carriers and Personal Communications Industry Association's Broadband Personal Communications Services Alliance's Petition for Forbearance For Broadband Personal Communications Services</i> . Memorandum Opinion and Order, 13 FCC Rcd 6293 (1998)
2)	The Transferor certifies that it is not in default on any payment for Commission licenses and that it is not delinquent on any non-tax debt owed to any federal agency.
The Transferor certifies that all of its statements made in this Application/Notification and in the schedules, exhibits, attachments, or documents incorporated by reference are material, are part of this Application/Notification, and are true, complete, correct, and made in good faith.	

Type or Printed Name of Party Authorized to Sign

180) First Name:	MI:	Last Name:	Suffix:
181) Title:			
182) Signature:		183) Date:	
FAILURE TO SIGN THIS APPLICATION MAY RESULT IN DISMISSAL OF THE APPLICATION AND FORFEITURE OF ANY FEES PAID.			
WILLFUL FALSE STATEMENTS MADE ON THIS FORM OR ANY ATTACHMENTS ARE PUNISHABLE BY FINE AND/OR IMPRISONMENT (U.S. Code, Title 18, Section 1001) AND/OR REVOCATION OF ANY STATION LICENSE OR CONSTRUCTION PERMIT (U.S. Code, Title 47, Section 312(a)(1)), AND/OR FORFEITURE (U.S. Code, Title 47, Section 503).			

Private Commons Manager Certification Statements

1)	The Licensee/Lessee/Sublessee manager of the Private Commons certifies that it will retain <i>de facto</i> control of the use of the spectrum under the Private Commons arrangement, including that it will maintain reasonable oversight over the users' use of the spectrum under the arrangement so as to ensure that the use of the spectrum, and communications equipment employed, comply with all technical and service rules applicable under the license authorization.
2)	The Licensee/Lessee/Sublessee manager of the Private Commons arrangement certifies that it will maintain the ability to ensure that users under the arrangement comply with all the technical and service rules applicable under the license authorization.
3)	The Licensee/Lessee/Sublessee manager of the Private Commons certifies that it and all of the related individuals and entities required to be disclosed on this application and FCC Form 602 (FCC Ownership Disclosure Information for the Wireless Telecommunications Services) are not person(s) who have been, for reasons of national security, barred by any agency of the Federal Government from bidding on a contract, participating in an auction, or receiving a grant. This certification applies only to applications for licenses for spectrum that is required by Sections 6103, 6401-6403 of the Middle Class Tax Relief and Job Creation Act of 2012, codified at 47 U.S.C. §§ 309, 1413, 1451-1452, to be assigned by a system of competitive bidding under 47 U.S.C. § 309(j).
The Licensee/Lessee/Sublessee manager of the Private Commons arrangement certifies that all of its statements made in this Notification and in the schedules, exhibits, attachments, or documents incorporated by reference are material, are part of this Notification, and are true, complete, correct, and made in good faith.	

Type or Printed Name of Party Authorized to Sign

184) First Name:	MI:	Last Name:	Suffix:
185) Title:			
186) Signature:		187) Date:	
FAILURE TO SIGN THIS APPLICATION MAY RESULT IN DISMISSAL OF THE APPLICATION AND FORFEITURE OF ANY FEES PAID.			
WILLFUL FALSE STATEMENTS MADE ON THIS FORM OR ANY ATTACHMENTS ARE PUNISHABLE BY FINE AND/OR IMPRISONMENT (U.S. Code, Title 18, Section 1001) AND/OR REVOCATION OF ANY STATION LICENSE OR CONSTRUCTION PERMIT (U.S. Code, Title 47, Section 312(a)(1)), AND/OR FORFEITURE (U.S. Code, Title 47, Section 503).			

License Authorization(s) or Identifiers (pertaining to Lease(s)/Sublease(s)/Private Commons) Associated with the Spectrum To Be Included in the Filing

188) Call Sign(s) or Lease/Sublease/ Private Commons Identifier(s)	189) Radio Service Code	190) Location Number	191) Path Number (Microwave only)	192) Frequency Number	193) Lower Frequency (MHz)	194) Upper Frequency (MHz)
WQGA766	AW - AWS (1710-1755 MHz and 2110-2155)					
WQGA766	AW - AWS (1710-1755 MHz and 2110-2155)					
WQGA769	AW - AWS (1710-1755 MHz and 2110-2155)					
WQGA787	AW - AWS (1710-1755 MHz and 2110-2155)					
WQGA787	AW - AWS (1710-1755 MHz and 2110-2155)					
WQGA787	AW - AWS (1710-1755 MHz and 2110-2155)					
WQGA795	AW - AWS (1710-1755 MHz and 2110-2155)					
WQGA814	AW - AWS (1710-1755 MHz and 2110-2155)					
WQGA822	AW - AWS (1710-1755 MHz and 2110-2155)					
WQGA824	AW - AWS (1710-1755 MHz and 2110-2155)					
WQGA838	AW - AWS (1710-1755 MHz and 2110-2155)					
WQGD505	AW - AWS (1710-1755 MHz and 2110-2155)					
WQGD594	AW - AWS (1710-1755 MHz and 2110-2155)					
WQGD594	AW - AWS (1710-1755 MHz and 2110-2155)					
WQGD703	AW - AWS (1710-1755 MHz and 2110-2155)					

* Note: Items 190 – 194 are for New Leases involving spectrum associated with site-based authorizations when only a portion of the licensed locations, paths and/or frequencies will be leased.

**Schedule for Licensees that Received Bidding Credits
or
Involving Licenses Won in Closed Bidding**

**Designated Entity Information
Bidding Credits**

1) Has the full amount of the bidding credits awarded with regard to each of the subject license(s) been paid as part of unjust enrichment payment(s) in previous transaction(s)?	() <u>Yes</u> <u>No</u>
If the response to Item 1 is 'Y', Items 2 and 3 are not required to be completed.	

Bidding Credits - (Spectrum Manager Leases Only)

2a) Does the Applicant have a general partnership interest or have a direct or indirect ownership interests of ten percent or greater in the Licensee?	() <u>Yes</u> <u>No</u>
2b) Is the Applicant a "controlling interest holder" or "affiliate" of the current Licensee? For purposes of determining whether the Licensee has retained the requisite degree of ownership and control over the leased spectrum in order to remain eligible for the license or for bidding credits, the <i>de jure</i> control standard in 47 CFR §1.2110 and the <i>de facto</i> control standard in 47 CFR § 1.9010 will be applied (pursuant to the conditions set forth in 47 CFR §1.9020).	() <u>Yes</u> <u>No</u>
2c) Does the Applicant share office space, equipment, or other facilities with any party controlling the entity from which spectrum is being leased/subleased?	() <u>Yes</u> <u>No</u>
2d) Is the Applicant a disclosable interest holder that holds a ten percent or greater interest of any kind in the Licensee and is the Lease/Sublease for more than 25% of the spectrum capacity of the subject license(s)?	() <u>Yes</u> <u>No</u>
2e) Does the Licensee certify that the Lease/Sublease does not affect its continuing eligibility to retain bidding credit(s)?	() <u>Yes</u> <u>No</u>

**Bidding Credits – (Long-Term De Facto Transfer Leases Only)
Eligibility**

3a) With respect to each of the subject licenses, the Applicant: () qualifies for the same designated entity benefit as the current Licensee () qualifies for a different designated entity benefit than the current Licensee () does not qualify for any designated entity status
--

3b) If the Applicant states in Item 3a that it qualifies for the same designated entity benefit as the current Licensee or qualifies for a different designated entity status than the current Licensee, the Applicant qualifies for a (select one): () small business bidding credit (___%) () rural service provider bidding credit	
3c) Is the Applicant a disclosable interest holder that holds a ten percent or greater interest of any kind in the Licensee and is the Lease/Sublease for more than 25% of the spectrum capacity of the subject license(s)?	() <u>Yes</u> <u>No</u>

Closed Bidding Licenses

4) Have construction notifications been submitted as required by the Commission's Rules for each of the subject licenses? If the response to Item 4 is 'Y', Items 5 and 6 are not required to be completed.	() <u>Yes</u> <u>No</u>
--	--------------------------

Closed Bidding Licenses – (Spectrum Manager Leases Only)

5a) Does the Applicant have a general partnership interest or have a direct or indirect ownership interest of ten percent or greater in the Licensee?	() <u>Yes</u> <u>No</u>
5b) Is the Applicant a "controlling interest holder" or "affiliate" of the current Licensee?	() <u>Yes</u> <u>No</u>
5c) Does the Applicant share office space, equipment or other facilities with any party controlling the entity from which spectrum is being leased?	() <u>Yes</u> <u>No</u>
5d) Does the Licensee certify that the Lease/Sublease does not affect its continuing eligibility to retain closed bidding licenses?	() <u>Yes</u> <u>No</u>

**Closed Bidding Licenses – (Long-Term *De Facto* Transfer Leases Only)
Eligibility**

6) With respect to each of the subject licenses, the Applicant: () a) qualifies for closed bidding () b) does not qualify for closed bidding
--

7) Revenue and Asset Information for the Applicant

Purpose (Check Modify if filing an Amendment application and changing the Revenue and Asset Information from what was provided on the original filing)

<input type="checkbox"/> Modify

Gross Revenue Disclosure Most Recent Reportable Year

8a) Were the Applicant and any predecessors-in-interest in existence for a full year of the relevant period? If 'N', explain why in an attachment.	() <u>Yes</u> <u>No</u>
If 'Y', provide the following information.	
8b) Gross Revenues	\$ _____ (Format: 99,999.99)
8c) Year-end Date:	_____ (Date Format: MM/DD/YYYY)

One Year Prior to Most Recent Reportable Year

9a) Were the Applicant and any predecessors-in-interest in existence for a full year of the relevant period? If 'N', explain why in an attachment.	() <u>Yes</u> <u>No</u>
If 'Y', provide the following information.	
9b) Gross Revenues	\$ _____ (Format: 99,999.99)
9c) Year-end Date:	_____ (Date Format: MM/DD/YYYY)

Two Years Prior to Most Recent Reportable Year

10a) Were the Applicant and any predecessors-in-interest in existence for a full year of the relevant period? If 'N', explain why in an attachment.	() <u>Yes</u> <u>No</u>
If 'Y', provide the following information.	
10b) Gross Revenues	\$ _____ (Format: 99,999.99)
10c) Year-end Date:	_____ (Date Format: MM/DD/YYYY)

Three Years Prior to Most Recent Reportable Year

11a) Were the Applicant and any predecessors-in-interest in existence for a full year of the relevant period? If 'N', explain why in an attachment.	() <u>Yes</u> <u>No</u>
If 'Y', provide the following information.	
11b) Gross Revenues	\$ _____ (Format: 99,999.99)
11c) Year-end Date:	_____ (Date Format: MM/DD/YYYY)

Four Years Prior to Most Recent Reportable Year

12a) Were the Applicant and any predecessors-in-interest in existence for a full year of the relevant period? If 'N', explain why in an attachment.	() <u>Yes</u> <u>No</u>
If 'Y', provide the following information.	
12b) Gross Revenues	\$ _____ (Format: 99,999.99)
12c) Year-end Date:	_____ (Date Format: MM/DD/YYYY)

Average Gross Revenue

13) Average Gross Revenue of Reported Years: \$ _____ (Format: 99,999.99)

Asset Disclosure

14) Total Assets as of Application Filing Date: \$ _____

Financial Statements

15) Audited or Unaudited (Check One)

The Applicant used audited financial statements.

The Applicant used unaudited financial statements prepared in accordance with Generally Accepted Accounting Principles (GAAP) and certified by the Applicant's chief financial officer or the equivalent.

Reference Copy

Reference Copy

Closed Bidding/Designated Entity Eligibility

Total Gross Revenues for Most Recent Reportable Year

36a) Gross Revenues	\$ _____	(Format: 99,999.99)
36b) Year-end Date:	_____	(Date Format: MM/DD/YYYY)

Total Gross Revenues for One Year Prior to Most Recent Reportable Year

37a) Gross Revenues:	\$ _____	(Format: 99,999.99)
37b) Year-end Date:	_____	(Date Format: MM/DD/YYYY)

Total Gross Revenues for Two Years Prior to Most Recent Reportable Year

38a) Gross Revenues:	\$ _____	(Format: 99,999.99)
38b) Year-end Date:	_____	(Date Format: MM/DD/YYYY)

Total Gross Revenues for Three Years Prior to the Most Recent Reportable Year

39a) Gross Revenues:	\$ _____	(Format: _____)
39b) Year-end Date:	_____	(Date Format: _____)

Total Gross Revenues for Four Years Prior to the Most Recent Reportable Year

40a) Gross Revenues:	\$ _____	(Format: 99,999.99)
40b) Year-end Date:	_____	(Date Format: MM/DD/YYYY)

Total Aggregate Average Gross Revenues for Designated Entity (License(s) Requiring Disclosure of Three Years of Gross Revenue Data)

41) Aggregate Average Gross Revenue:	\$ _____	(Format: 99,999.99)
--------------------------------------	----------	---------------------

Total Aggregate Average Gross Revenues for Designated Entity (License(s) Requiring Disclosure of Five Years of Gross Revenue Data)

41) Aggregate Average Gross Revenue:	\$ _____	(Format: 99,999.99)
--------------------------------------	----------	---------------------

Total Aggregate Average Gross Revenues for Closed Bidding

42) Aggregate Average Gross Revenue:	\$ _____	(Format: 99,999.99)
--------------------------------------	----------	---------------------

Total Assets Disclosure for Closed Bidding

43) Total Assets:	\$ _____	(Format: 99,999.99)
-------------------	----------	---------------------

Rural Service Provider Bidding Credit

36) Is the Applicant seeking a Rural Service Provider (RSP) bidding credit?	(<input type="checkbox"/>) Yes <input checked="" type="checkbox"/> No
---	---

If the Applicant (the Lessee/Sublessee/Transferee) is seeking a rural service provider (RSP) bidding credit, provide in an exhibit the following information requested in a-e.

a) for the Applicant, submit the combined number of commercial communications service subscribers to wireless, wireline, broadband, and cable services that the Applicant serves and provide a list of the name(s) and the Federal Information Processing Standard (FIPS) number(s) for each county in which the Applicant has at least one commercial wireless, wireline, broadband, or cable subscriber;

b) for each of the Applicant's Affiliates, Controlling Interests, and the Affiliates of its Controlling Interests, submit the individual or entity's name, its FCC Registration Number (FRN), its relationship to the Applicant, and its combined number of commercial communications service subscribers to wireless, wireline, broadband, and cable services. For each of the Applicant's Affiliates, Controlling Interests, and the Affiliates of its Controlling Interests, also provide a list of the name(s) and the FIPS number(s) for each county in which it has at least one commercial wireless, wireline, broadband, or cable subscriber;

c) if neither the Applicant, nor any of its Affiliates, its Controlling Interests, or the Affiliates of its Controlling Interests have at least one wireless, wireline, broadband, or cable subscriber in a market for which the Applicant is applying for a license, list the market(s) in which the Applicant, its Affiliates, its Controlling Interests, and the Affiliates of its Controlling Interests have no such subscribers;

d) a detailed explanation demonstrating that: (i) the Applicant is in the business of providing commercial communications services; (ii) the Applicant serves predominantly rural areas; and (iii) the primary focus of the Applicant's business activity is the provision of services to rural areas (defined as counties with a population density of 100 or fewer persons per square mile); and

e) If the Applicant is an existing rural partnership that was providing service as of July 16, 2015, provide a detailed explanation demonstrating that each member of the partnership is independently eligible for the RSP bidding credit by providing, with respect to each member of the partnership, the same information as is required in a-d above.

Schedule for New Lease or New Sublease

Term of Lease [For New Leases Only]

1) Indicate whether the Lease is: (<input checked="" type="checkbox"/>) Long-Term or (<input type="checkbox"/>) Short-Term*	
* The cumulative lease period for a Short-Term Lease cannot exceed 365 days from the original commencement date.	
2) If this filing is for a Long-Term <i>De Facto</i> Transfer Lease, have the Licensee and Lessee entered into any Short-Term <i>De Facto</i> Transfer Lease(s) with regard to any spectrum covered by the license(s) that are part of this filing or within the same geographic area(s) of the license(s) that are part of this filing?	(<input type="checkbox"/>) Yes <input checked="" type="checkbox"/> No

Leased Spectrum (For Geographically-Licensed Services) [For New Leases Only]

3a) Does this filing involve geographic-area licenses where only a portion of the licensed spectrum and/or the licensed geographic area will be leased?	(<input checked="" type="checkbox"/>) Yes <input type="checkbox"/> No
3b) If the answer to 3a is 'Yes', does this filing involve one or more individual point-to-point microwave links that will be leased? If the response to 3b is 'Yes', complete Schedule H. If the response to 3b is 'No', complete Schedule F and, if applicable, Schedule G.	(<input type="checkbox"/>) Yes <input checked="" type="checkbox"/> No

Leased Spectrum (For Site-Based Services) [For New Leases Only]

3c) Does this filing involve site-based licenses where only a portion of the licensed locations, paths and/or frequencies will be leased? If the response to 3c is 'No', complete Items 184 (Call Sign) and 185 (Radio Service Code) on the Main Form. If the response to 3c is 'Yes', in addition to Items 184 (Call Sign) and 185 (Radio Service Code), complete Items 186-190 (Location Number, Path Number, Frequency Number, Lower Frequency and Upper Frequency), as appropriate, on the Main Form.	(<input type="checkbox"/>) Yes <input checked="" type="checkbox"/> No
---	---

Type and Term of Sublease [For New Subleases Only]

4a) If the existing Lease is a Long-Term <i>De Facto</i> Transfer Lease, are the Lessee and Sublessee entering into a Spectrum Manager Sublease or a Long-Term <i>De Facto</i> Transfer Sublease? (<input type="checkbox"/>) Spectrum Manager Sublease or (<input type="checkbox"/>) Long-Term <i>De Facto</i> Transfer Sublease	
4b) If the answer to 4a is 'Spectrum Manager Sublease', indicate whether the Sublease is: (<input type="checkbox"/>) Long-Term or (<input type="checkbox"/>) Short-Term	
5) If the existing Lease is a Long-Term Spectrum Manager Lease, indicate whether the Spectrum Manager Sublease is: (<input type="checkbox"/>) Long-Term or (<input type="checkbox"/>) Short-Term	

**Schedule for Supplemental Information Pertaining to a New Lease, New Sublease,
Revision to Extend the Term of an Existing Lease or Sublease, or
Revision to Cancel an Existing Lease or Sublease**

License Authorizations/Lease Identifiers/Sublease Identifiers (Complete as many Schedule E's as necessary)

1) Call Sign(s) or Lease/Sublease Identifier(s)	2) Radio Service Code	3) Commencement Date (MM/DD/YYYY) OR Check box for FCC Grant Date	4) Expiration Date (MM/DD/YYYY)	5) Revised Expiration Date (MM/DD/YYYY)	6) Cancellation Date (MM/DD/YYYY) OR Check box if Lease/Sublease Never Commenced
WQGA766	AW	<input checked="" type="checkbox"/>	09/16/2026		<input type="checkbox"/>
WQGA769	AW	<input checked="" type="checkbox"/>	09/16/2026		<input type="checkbox"/>
WQGA787	AW	<input checked="" type="checkbox"/>	09/16/2026		<input type="checkbox"/>
WQGA795	AW	<input checked="" type="checkbox"/>	09/16/2026		<input type="checkbox"/>
WQGA814	AW	<input checked="" type="checkbox"/>	09/16/2026		<input type="checkbox"/>
WQGA822	AW	<input checked="" type="checkbox"/>	09/16/2026		<input type="checkbox"/>
WQGA824	AW	<input checked="" type="checkbox"/>	09/16/2026		<input type="checkbox"/>
WQGA838	AW	<input checked="" type="checkbox"/>	09/16/2026		<input type="checkbox"/>
WQGD505	AW	<input checked="" type="checkbox"/>	09/16/2026		<input type="checkbox"/>
WQGD594	AW	<input checked="" type="checkbox"/>	09/16/2026		<input type="checkbox"/>
WQGD703	AW	<input checked="" type="checkbox"/>	09/16/2026		<input type="checkbox"/>

Schedule for Defined Geographic Area To Be Leased
(Geographically-Licensed Services)

Call Sign

1) Call Sign: <u>WQGA766</u>

Geographic Area of Spectrum To Be Included in Lease

2) Defined Area to be Leased	3) Undefined Area to be Leased (Complete Schedule G)	4a) Population of Leased Area
	Schedule G # Attached:1	

5) Frequencies of Spectrum To Be Included in Lease (MHz)

Spectrum Leased	
Lower Frequency/Bandwidth	Upper Frequency/Bandwidth

Schedule for Defined Geographic Area To Be Leased
(Geographically-Licensed Services)

Call Sign

1) Call Sign: WQGA766

Geographic Area of Spectrum To Be Included in Lease

2) Defined Area to be Leased	3) Undefined Area to be Leased (Complete Schedule G)	4a) Population of Leased Area
	Schedule G # Attached:2	

5) Frequencies of Spectrum To Be Included in Lease (MHz)

Spectrum Leased	
Lower Frequency/Bandwidth	Upper Frequency/Bandwidth

**Schedule for Defined Geographic Area To Be Leased
 (Geographically-Licensed Services)**

Call Sign

1) Call Sign: <u>WQGA769</u>

Geographic Area of Spectrum To Be Included in Lease

2) Defined Area to be Leased	3) Undefined Area to be Leased (Complete Schedule G)	4a) Population of Leased Area
	Schedule G # Attached:3	

5) Frequencies of Spectrum To Be Included in Lease (MHz)

Spectrum Leased	
Lower Frequency/Bandwidth	Upper Frequency/Bandwidth

**Schedule for Defined Geographic Area To Be Leased
 (Geographically-Licensed Services)**

Call Sign

1) Call Sign: <u>WQGA787</u>

Geographic Area of Spectrum To Be Included in Lease

2) Defined Area to be Leased	3) Undefined Area to be Leased (Complete Schedule G)	4a) Population of Leased Area
	Schedule G # Attached:4	

5) Frequencies of Spectrum To Be Included in Lease (MHz)

Spectrum Leased	
Lower Frequency/Bandwidth	Upper Frequency/Bandwidth

**Schedule for Defined Geographic Area To Be Leased
 (Geographically-Licensed Services)**

Call Sign

1) Call Sign: <u>WQGA787</u>

Geographic Area of Spectrum To Be Included in Lease

2) Defined Area to be Leased	3) Undefined Area to be Leased (Complete Schedule G)	4a) Population of Leased Area
	Schedule G # Attached:5	

5) Frequencies of Spectrum To Be Included in Lease (MHz)

Spectrum Leased	
Lower Frequency/Bandwidth	Upper Frequency/Bandwidth

**Schedule for Defined Geographic Area To Be Leased
 (Geographically-Licensed Services)**

Call Sign

1) Call Sign: <u>WQGA787</u>

Geographic Area of Spectrum To Be Included in Lease

2) Defined Area to be Leased	3) Undefined Area to be Leased (Complete Schedule G)	4a) Population of Leased Area
	Schedule G # Attached:6	

5) Frequencies of Spectrum To Be Included in Lease (MHz)

Spectrum Leased	
Lower Frequency/Bandwidth	Upper Frequency/Bandwidth

**Schedule for Defined Geographic Area To Be Leased
 (Geographically-Licensed Services)**

Call Sign

1) Call Sign: <u>WQGA795</u>

Geographic Area of Spectrum To Be Included in Lease

2) Defined Area to be Leased	3) Undefined Area to be Leased (Complete Schedule G)	4a) Population of Leased Area
	Schedule G # Attached:7	

5) Frequencies of Spectrum To Be Included in Lease (MHz)

Spectrum Leased	
Lower Frequency/Bandwidth	Upper Frequency/Bandwidth

**Schedule for Defined Geographic Area To Be Leased
 (Geographically-Licensed Services)**

Call Sign

1) Call Sign: <u>WQGA814</u>

Geographic Area of Spectrum To Be Included in Lease

2) Defined Area to be Leased	3) Undefined Area to be Leased (Complete Schedule G)	4a) Population of Leased Area
	Schedule G # Attached:8	

5) Frequencies of Spectrum To Be Included in Lease (MHz)

Spectrum Leased	
Lower Frequency/Bandwidth	Upper Frequency/Bandwidth

**Schedule for Defined Geographic Area To Be Leased
 (Geographically-Licensed Services)**

Call Sign

1) Call Sign: <u>WQGA822</u>

Geographic Area of Spectrum To Be Included in Lease

2) Defined Area to be Leased	3) Undefined Area to be Leased (Complete Schedule G)	4a) Population of Leased Area
	Schedule G # Attached:9	

5) Frequencies of Spectrum To Be Included in Lease (MHz)

Spectrum Leased	
Lower Frequency/Bandwidth	Upper Frequency/Bandwidth

**Schedule for Defined Geographic Area To Be Leased
 (Geographically-Licensed Services)**

Call Sign

1) Call Sign: <u>WQGA824</u>

Geographic Area of Spectrum To Be Included in Lease

2) Defined Area to be Leased	3) Undefined Area to be Leased (Complete Schedule G)	4a) Population of Leased Area
	Schedule G # Attached:10	

5) Frequencies of Spectrum To Be Included in Lease (MHz)

Spectrum Leased	
Lower Frequency/Bandwidth	Upper Frequency/Bandwidth

Schedule for Defined Geographic Area To Be Leased
(Geographically-Licensed Services)

Call Sign

1) Call Sign: WQGA838

Geographic Area of Spectrum To Be Included in Lease

2) Defined Area to be Leased	3) Undefined Area to be Leased (Complete Schedule G)	4a) Population of Leased Area
	Schedule G # Attached:11	

5) Frequencies of Spectrum To Be Included in Lease (MHz)

Spectrum Leased

Lower Frequency/Bandwidth	Upper Frequency/Bandwidth

Schedule for Defined Geographic Area To Be Leased
(Geographically-Licensed Services)

Call Sign

1) Call Sign: WQGD505

Geographic Area of Spectrum To Be Included in Lease

2) Defined Area to be Leased	3) Undefined Area to be Leased (Complete Schedule G)	4a) Population of Leased Area
	Schedule G # Attached:12	

5) Frequencies of Spectrum To Be Included in Lease (MHz)

Spectrum Leased

Lower Frequency/Bandwidth	Upper Frequency/Bandwidth

**Schedule for Defined Geographic Area To Be Leased
 (Geographically-Licensed Services)**

Call Sign

1) Call Sign: <u>WQGD594</u>

Geographic Area of Spectrum To Be Included in Lease

2) Defined Area to be Leased	3) Undefined Area to be Leased (Complete Schedule G)	4a) Population of Leased Area
	Schedule G # Attached:13	

5) Frequencies of Spectrum To Be Included in Lease (MHz)

Spectrum Leased	
Lower Frequency/Bandwidth	Upper Frequency/Bandwidth

Schedule for Defined Geographic Area To Be Leased
(Geographically-Licensed Services)

Call Sign

1) Call Sign: <u>WQGD594</u>

Geographic Area of Spectrum To Be Included in Lease

2) Defined Area to be Leased	3) Undefined Area to be Leased (Complete Schedule G)	4a) Population of Leased Area
	Schedule G # Attached:14	

5) Frequencies of Spectrum To Be Included in Lease (MHz)

Spectrum Leased	
Lower Frequency/Bandwidth	Upper Frequency/Bandwidth

**Schedule for Defined Geographic Area To Be Leased
 (Geographically-Licensed Services)**

Call Sign

1) Call Sign: <u>WQGD703</u>

Geographic Area of Spectrum To Be Included in Lease

2) Defined Area to be Leased	3) Undefined Area to be Leased (Complete Schedule G)	4a) Population of Leased Area
	Schedule G # Attached:15	

5) Frequencies of Spectrum To Be Included in Lease (MHz)

Spectrum Leased	
Lower Frequency/Bandwidth	Upper Frequency/Bandwidth

Number: 1

Schedule for Leases that Involve an Undefined Geographic Area

For each undefined geographic area, complete up to 300 Latitude/Longitude combinations for every 3 degrees azimuth, using NAD83 Datum.

Latitude (DD-MM-SS.S-D)

Longitude (DDD-MM-SS.S-D)

1	37-17-51.7 N	077-20-56.5 W
2	37-17-59.2 N	077-21-01.2 W
3	37-18-03.8 N	077-20-51.0 W
4	37-18-04.5 N	077-20-39.0 W
5	37-17-58.5 N	077-20-37.3 W
6	37-17-51.7 N	077-20-56.5 W

Number: 2

Schedule for Leases that Involve an Undefined Geographic Area

For each undefined geographic area, complete up to 300 Latitude/Longitude combinations for every 3 degrees azimuth, using NAD83 Datum.

	Latitude (DD-MM-SS.S-D)	Longitude (DDD-MM-SS.S-D)
1	37-18-24.8 N	077-20-56.0 W
2	37-18-25.7 N	077-20-42.1 W
3	37-18-16.5 N	077-20-39.5 W
4	37-18-05.9 N	077-20-40.3 W
5	37-18-05.3 N	077-20-48.4 W
6	37-18-11.7 N	077-20-55.7 W
7	37-18-24.8 N	077-20-56.0 W

Number: 3

Schedule for Leases that Involve an Undefined Geographic Area

For each undefined geographic area, complete up to 300 Latitude/Longitude combinations for every 3 degrees azimuth, using NAD83 Datum.

	Latitude (DD-MM-SS.S-D)	Longitude (DDD-MM-SS.S-D)
1	25-37-06.5 N	080-24-48.7 W
2	25-37-14.5 N	080-24-41.2 W
3	25-37-07.9 N	080-24-28.2 W
4	25-36-59.4 N	080-24-27.9 W
5	25-36-58.9 N	080-24-39.8 W
6	25-37-06.5 N	080-24-48.7 W

Number: 4

Schedule for Leases that Involve an Undefined Geographic Area

For each undefined geographic area, complete up to 300 Latitude/Longitude combinations for every 3 degrees azimuth, using NAD83 Datum.

	Latitude (DD-MM-SS.S-D)	Longitude (DDD-MM-SS.S-D)
1	39-38-38.4 N	105-06-31.9 W
2	39-38-38.7 N	105-06-14.9 W
3	39-38-20.8 N	105-06-15.4 W
4	39-38-21.4 N	105-06-24.6 W
5	39-38-33.6 N	105-06-32.2 W
6	39-38-38.4 N	105-06-31.9 W

Number: 5

Schedule for Leases that Involve an Undefined Geographic Area

For each undefined geographic area, complete up to 300 Latitude/Longitude combinations for every 3 degrees azimuth, using NAD83 Datum.

Latitude (DD-MM-SS.S-D)

Longitude (DDD-MM-SS.S-D)

1	29-58-31.1 N	094-05-17.5 W
2	29-58-31.9 N	094-04-17.4 W
3	29-57-25.9 N	094-04-15.5 W
4	29-57-25.2 N	094-05-16.7 W
5	29-58-31.1 N	094-05-17.5 W

Number: 6

Schedule for Leases that Involve an Undefined Geographic Area

For each undefined geographic area, complete up to 300 Latitude/Longitude combinations for every 3 degrees azimuth, using NAD83 Datum.

	Latitude (DD-MM-SS.S-D)	Longitude (DDD-MM-SS.S-D)
1	31-28-20.6 N	092-27-03.8 W
2	31-28-20.4 N	092-25-59.5 W
3	31-27-39.4 N	092-26-05.1 W
4	31-27-41.9 N	092-27-06.3 W
5	31-28-20.6 N	092-27-03.8 W

Number: 7

Schedule for Leases that Involve an Undefined Geographic Area

For each undefined geographic area, complete up to 300 Latitude/Longitude combinations for every 3 degrees azimuth, using NAD83 Datum.

Latitude (DD-MM-SS.S-D)

Longitude (DDD-MM-SS.S-D)

1	38-26-13.5 N	082-42-26.7 W
2	38-26-12.8 N	082-42-08.2 W
3	38-26-05.8 N	082-42-06.6 W
4	38-26-00.5 N	082-42-13.5 W
5	38-26-00.7 N	082-42-25.2 W
6	38-26-13.5 N	082-42-26.7 W

Number: 8

Schedule for Leases that Involve an Undefined Geographic Area

For each undefined geographic area, complete up to 300 Latitude/Longitude combinations for every 3 degrees azimuth, using NAD83 Datum.

	Latitude (DD-MM-SS.S-D)	Longitude (DDD-MM-SS.S-D)
1	39-35-46.2 N	078-45-56.0 W
2	39-35-49.9 N	078-45-55.2 W
3	39-35-51.9 N	078-45-51.3 W
4	39-35-52.0 N	078-45-39.9 W
5	39-35-49.2 N	078-45-34.0 W
6	39-35-38.6 N	078-45-33.5 W
7	39-35-35.7 N	078-45-36.0 W
8	39-35-34.6 N	078-45-41.1 W
9	39-35-37.4 N	078-45-48.0 W
10	39-35-46.2 N	078-45-56.0 W

Number: 9

Schedule for Leases that Involve an Undefined Geographic Area

For each undefined geographic area, complete up to 300 Latitude/Longitude combinations for every 3 degrees azimuth, using NAD83 Datum.

	Latitude (DD-MM-SS.S-D)	Longitude (DDD-MM-SS.S-D)
1	37-46-10.2 N	082-38-52.2 W
2	37-46-15.5 N	082-38-53.1 W
3	37-46-21.7 N	082-38-50.9 W
4	37-46-25.1 N	082-38-46.3 W
5	37-46-24.4 N	082-38-38.8 W
6	37-46-09.9 N	082-38-40.5 W
7	37-46-10.2 N	082-38-52.2 W

Number: 10

Schedule for Leases that Involve an Undefined Geographic Area

For each undefined geographic area, complete up to 300 Latitude/Longitude combinations for every 3 degrees azimuth, using NAD83 Datum.

	Latitude (DD-MM-SS.S-D)	Longitude (DDD-MM-SS.S-D)
1	37-10-52.2 N	083-47-34.4 W
2	37-10-55.7 N	083-47-29.6 W
3	37-10-50.5 N	083-47-15.2 W
4	37-10-44.4 N	083-47-12.3 W
5	37-10-38.8 N	083-47-16.8 W
6	37-10-37.7 N	083-47-24.1 W
7	37-10-41.2 N	083-47-28.2 W
8	37-10-52.2 N	083-47-34.4 W

Number: 11

Schedule for Leases that Involve an Undefined Geographic Area

For each undefined geographic area, complete up to 300 Latitude/Longitude combinations for every 3 degrees azimuth, using NAD83 Datum.

	Latitude (DD-MM-SS.S-D)	Longitude (DDD-MM-SS.S-D)
1	40-46-13.4 N	080-42-25.5 W
2	40-46-19.4 N	080-42-28.9 W
3	40-46-26.9 N	080-42-23.0 W
4	40-46-28.2 N	080-42-17.8 W
5	40-46-24.8 N	080-42-06.9 W
6	40-46-18.7 N	080-42-03.9 W
7	40-46-15.2 N	080-42-13.6 W
8	40-46-14.5 N	080-42-16.6 W
9	40-46-13.4 N	080-42-25.5 W

Number: 12

Schedule for Leases that Involve an Undefined Geographic Area

For each undefined geographic area, complete up to 300 Latitude/Longitude combinations for every 3 degrees azimuth, using NAD83 Datum.

Latitude (DD-MM-SS.S-D)

Longitude (DDD-MM-SS.S-D)

1	39-23-07.6 N	075-09-51.9 W
2	39-23-15.7 N	075-09-29.3 W
3	39-22-58.0 N	075-09-18.1 W
4	39-22-55.9 N	075-09-23.1 W
5	39-22-55.1 N	075-09-44.0 W
6	39-23-07.6 N	075-09-51.9 W

Number: 13

Schedule for Leases that Involve an Undefined Geographic Area

For each undefined geographic area, complete up to 300 Latitude/Longitude combinations for every 3 degrees azimuth, using NAD83 Datum.

	Latitude (DD-MM-SS.S-D)	Longitude (DDD-MM-SS.S-D)
1	32-43-31.6 N	081-15-29.8 W
2	32-43-28.5 N	081-14-56.8 W
3	32-43-01.5 N	081-14-59.6 W
4	32-43-04.3 N	081-15-33.8 W
5	32-43-31.6 N	081-15-29.8 W

Number: 14

Schedule for Leases that Involve an Undefined Geographic Area

For each undefined geographic area, complete up to 300 Latitude/Longitude combinations for every 3 degrees azimuth, using NAD83 Datum.

	Latitude (DD-MM-SS.S-D)	Longitude (DDD-MM-SS.S-D)
1	31-33-55.8 N	081-54-19.2 W
2	31-33-56.7 N	081-54-11.4 W
3	31-33-52.0 N	081-53-55.9 W
4	31-33-45.5 N	081-53-55.0 W
5	31-33-43.7 N	081-54-18.2 W
6	31-33-55.8 N	081-54-19.2 W

Number: 15

Schedule for Leases that Involve an Undefined Geographic Area

For each undefined geographic area, complete up to 300 Latitude/Longitude combinations for every 3 degrees azimuth, using NAD83 Datum.

	Latitude (DD-MM-SS.S-D)	Longitude (DDD-MM-SS.S-D)
1	37-17-51.7 N	077-20-56.5 W
2	37-17-59.2 N	077-21-01.2 W
3	37-18-03.8 N	077-20-51.0 W
4	37-18-04.5 N	077-20-39.0 W
5	37-17-58.5 N	077-20-37.3 W
6	37-17-51.7 N	077-20-56.5 W

Attachment(s):

Type	Description	Date Entered
O	Exhibit 3 - Site Information	01/04/2023
O	Exhibit 2 - Description of Licenses	01/04/2023
O	Exhibit 1 - Description of Transaction	01/04/2023

REPORTMILL

REFERENCE COPY

This is not an official FCC license. It is a record of public information contained in the FCC's licensing database on the date that this reference copy was generated. In cases where FCC rules require the presentation, posting, or display of an FCC license, this document may not be used in place of an official FCC license.



Federal Communications Commission
Wireless Telecommunications Bureau

RADIO STATION AUTHORIZATION

LICENSEE: NEW CINGULAR WIRELESS PCS, LLC

ATTN: CECIL J MATHEW
NEW CINGULAR WIRELESS PCS, LLC
208 S AKARD ST., RM 1015
DALLAS, TX 75202

Table with Call Sign (WQGA852), File Number, and Radio Service (AW - AWS (1710-1755 MHz and 2110-2155 MHz))

FCC Registration Number (FRN): 0003291192

Table with columns: Grant Date, Effective Date, Expiration Date, Print Date, Market Number, Channel Block, Sub-Market Designator, Market Name, 1st Build-out Date, 2nd Build-out Date, 3rd Build-out Date, 4th Build-out Date

Waivers/Conditions:

This authorization is conditioned upon the licensee, prior to initiating operations from any base or fixed station, making reasonable efforts to coordinate frequency usage with known co-channel and adjacent channel incumbent federal users operating in the 1710-1755 MHz band whose facilities could be affected by the proposed operations.

Conditions:

Pursuant to §309(h) of the Communications Act of 1934, as amended, 47 U.S.C. §309(h), this license is subject to the following conditions: This license shall not vest in the licensee any right to operate the station nor any right in the use of the frequencies designated in the license beyond the term thereof nor in any other manner than authorized herein.

This license may not authorize operation throughout the entire geographic area or spectrum identified on the hardcopy version. To view the specific geographic area and spectrum authorized by this license, refer to the Spectrum and Market Area information under the Market Tab of the license record in the Universal Licensing System (ULS).

Licensee Name: NEW CINGULAR WIRELESS PCS, LLC

Call Sign: WQGA852

File Number:

Print Date:

700 MHz Relicensed Area Information:

Market	Market Name	Buildout Deadline	Buildout Notification	Status
---------------	--------------------	--------------------------	------------------------------	---------------

Reference Copy

Reference Copy Only. Do Not Mail to the FCC as an Application.

Submitted: 05/27/2021 at 16:00:24
File Number: 0009567304

FCC 601
Main Form

FCC Application for Radio Service Authorization: Wireless Telecommunications Bureau Public Safety and Homeland Security Bureau

Approved by OMB
3060 - 0798
See instructions for
public burden estimate

1) Radio Service Code AW	1a) Existing Radio Service Code
--	---------------------------------

General Information

2) (Select only one) (NT) NE - New RO - Renewal Only AU - Administrative Update NT - Required Notifications MD - Modification RM - Renewal/Modification WD - Withdrawal of Application EX - Requests for Extension of Time AM - Amendment CA - Cancellation of License DU - Duplicate License RL - Registered Location/Link	
3a) If this application is for a <u>D</u> emonstration License or a <u>S</u> pecial Temporary Authorization (STA), enter the code and attach the required exhibit as described in the instructions. Otherwise enter ' <u>N/A</u> ' (Not Applicable).	(N) <u>M</u> <u>S</u> <u>N/A</u>
3b) If this application is for Special Temporary Authority due to an emergency situation, enter 'Y'; otherwise enter 'N'. Refer to Rule 1.915 for an explanation of situations considered to be an emergency.	() <u>Y</u> es <u>N</u> o
4) If this application is for an Amendment or Withdrawal, enter the file number of the pending application currently on file with the FCC.	File Number
5) If this application is for a Modification, Renewal Only, Renewal/Modification, Cancellation of License, Duplicate License, or Administrative Update, enter the call sign of the existing FCC license. If this is a request for Registered Location/Link, enter the FCC call sign assigned to the geographic license.	Call Sign
6a) If this application is for a New, Amendment, Renewal Only, or Renewal/Modification, enter the requested authorization expiration date (this item is optional).	MM DD ____ / ____
6b) If this application is for a Renewal Only or Renewal/Modification and the license is a geographic area license, is the license used to provide service to customers (C), or is the license used for private business (internal) purposes or to meet the licensee's public interest/public safety communications needs (P)?	() <u>C</u> <u>P</u>
7) Is this application "major" as defined in § 1.929 of the Commission's Rules when read in conjunction with the applicable radio service rules found in Parts 22 and 90 of the Commission's Rules? (NOTE: This question only applies to certain site-specific applications. See the instructions for applicability and full text of § 1.929).	() <u>Y</u> es <u>N</u> o
8) Are attachments (other than associated schedules) being filed with this application?	(Y) <u>Y</u> es <u>N</u> o

Fees, Waivers, and Exemptions

9) Is the Applicant exempt from FCC application fees?	(N) <u>Y</u> es <u>N</u> o
10) Is the Applicant exempt from FCC regulatory fees?	() <u>Y</u> es <u>N</u> o
11a) Does this application include a request for a Waiver of the Commission's Rule(s)? If 'Yes', attach an exhibit providing rule number(s) and explaining circumstances.	(N) <u>Y</u> es <u>N</u> o
11b) If 11a is 'Y', and a feeable waiver request is attached, enter the number of rule sections involved.	Number of Rule Section(s): _____
12) Are the frequencies or parameters requested in this filing covered by grandfathered privileges, previously approved by waiver, or functionally integrated with an existing station?	() <u>Y</u> es <u>N</u> o

Applicant Information

13) FCC Registration Number (FRN): 0003291192			
14) Applicant/Licensee Legal Entity Type: (Select One) <input type="checkbox"/> Individual <input type="checkbox"/> Unincorporated Association <input type="checkbox"/> Trust <input type="checkbox"/> Government Entity <input type="checkbox"/> Corporation <input checked="" type="checkbox"/> Limited Liability Company <input type="checkbox"/> General Partnership <input type="checkbox"/> Limited Partnership <input type="checkbox"/> Limited Liability Partnership <input type="checkbox"/> Consortium <input type="checkbox"/> Other: _____			
15) If the Licensee name is being updated, is the update a result from the sale (or transfer of control) of the license(s) to party and for which proper Commission approval has not been received or proper notification not provided?			<input type="checkbox"/> Yes <input checked="" type="checkbox"/> No
16) First Name (if individual):	MI:	Last Name:	Suffix:
17) Legal Entity Name (if other than individual): New Cingular Wireless PCS, LLC			
18) Attention To: Cecil J Mathew			
19) P.O. Box:	And/Or	20) Street Address: 208 S Akard St., RM 1015	
21) City: Dallas	22) State: TX	23) Zip Code: 75202	
24) Telephone Number: (855)699-7073		25) Fax: (214)746-6410	
26) E-Mail Address: FCCMW@att.com			

27) Demographics (Optional)

Race: <input type="checkbox"/> American Indian or Alaska Native <input type="checkbox"/> Asian <input type="checkbox"/> Black or African-American <input type="checkbox"/> Native Hawaiian or Other Pacific Islander <input type="checkbox"/> White	Ethnicity: <input type="checkbox"/> Hispanic or Latino <input type="checkbox"/> Not Hispanic or Latino	Gender: <input type="checkbox"/> Male <input type="checkbox"/> Female
--	--	---

Real Party in Interest

28) Name of Real Party in Interest of Applicant (If different from Applicant):	29) FCC Registration Number (FRN) of Real Party in Interest:
--	--

Contact Information (If different from the Applicant) Check here if same as Applicant.

30) First Name: Cecil	MI: J	Last Name: Mathew	Suffix:
31) Company Name: AT&T Mobility LLC			
32) Attention To: Michael P. Goggin			
33) P.O. Box:	And /Or	34) Street Address: 208 S Akard St., RM 1015	
35) City: Dallas	36) State: TX	37) Zip Code: 75202	
38) Telephone Number: (855)699-7073		39) Fax: (214)746-6410	
40) E-Mail Address: FCCMW@att.com			

Regulatory Status

41) This filing is for authorization to provide or use the following type(s) of radio service offering (enter all that apply):
() Common Carrier () Non-Common Carrier () Private, internal communications () Broadcast Services () Band Manager

Type of Radio Service

42) This filing is for authorization to provide the following type(s) of radio service (choose all that apply):
() Fixed () Mobile () Radiolocation () Satellite (sound) () Broadcast Services
43) Does the Applicant propose to provide service interconnected to the public telephone network? () Yes No

Alien Ownership Questions (If any answer is 'Y', provide an attachment explaining the circumstances. In preparing the attachment, refer to the Main Form Instructions for the "Alien Ownership Questions".)

44) Is the Applicant a foreign government or the representative of any foreign government? () Yes No
45) Is the Applicant an alien or the representative of an alien? () Yes No
46) Is the Applicant a corporation organized under the laws of any foreign government? () Yes No
47) Is the Applicant a corporation of which more than one-fifth of the capital stock is owned of record or voted by aliens or their representatives, or by a foreign government or representative thereof, or by any corporation organized under the laws of a foreign country? () Yes No

48a) Is the Applicant directly or indirectly controlled by any other corporation of which more than one-fourth of the capital stock is owned of record or voted by aliens or their representatives, or by a foreign government or representative thereof, or by any corporation organized under the laws of a foreign country? () Yes No

48b) If the answer to 47 or 48a is 'Y' select one of the choices below.

The Applicant is exempt from the provisions of Section 310(b).

If checked, it is not necessary to file a petition for declaratory ruling if the Applicant includes in the attachment required by Item 47 or Item 48a a showing that the requested license(s) is exempt from the provisions of Section 310(b).

The Applicant has received a declaratory ruling(s) approving its foreign ownership, and the application involves only the acquisition of additional spectrum for the provision of a wireless service in a geographic coverage area for which the Applicant has been previously authorized.

If checked, include in the attachment required by Item 47 or Item 48a the citation(s) of the applicable declaratory ruling(s) by DA/FCC number, the FCC Record citation, if available, release date, and a statement that there has been no change in the foreign ownership of the Applicant since the issuance of its ruling.

The Applicant: (i) has received a declaratory ruling(s) approving its foreign ownership, but is not able to make the certification specified immediately above; or (ii) is an "affiliate" of a Licensee or Lessee/Sublessee that received a declaratory ruling(s) under 47 CFR § 1.990(a) and is relying on the affiliate's ruling for purposes of filing this application as permitted under the affiliate's ruling and 47 CFR § 1.994(b).

If checked, and if the Applicant received its declaratory ruling(s) on or after August 9, 2013, include in the attachment required by Item 47 or Item 48a the citation(s) of the Applicant's declaratory ruling(s) by DA/FCC number, the FCC Record citation, if available, release date, and a statement that the Applicant is in compliance with the terms and conditions of its ruling and with the Commission's Rules.

If checked, and if the Applicant received its declaratory ruling(s) prior to August 9, 2013, include in the attachment required by Item 48a a copy of a petition for declaratory ruling filed contemporaneously with the Commission to extend the Applicant's existing ruling(s) to cover the same radio service(s) and geographic coverage area(s) involved in the application. Alternatively, the Applicant may request a new declaratory ruling pursuant to Section 1.990(a) of the Commission's Rules, 47 CFR § 1.990(a). Petitions for declaratory ruling may be filed electronically on the Internet through the International Bureau Filing System (IBFS) (with a copy attached hereto).

If checked, and if the Applicant is relying on an affiliate's ruling for purposes of filing this application, include in the attachment required by Item 47 or Item 48a the citation(s) of the applicable declaratory ruling(s) by DA/FCC number, the FCC Record citation, if available, release date, and a statement that the Applicant is in compliance with the terms and conditions of the named affiliate's ruling and with the Commission's Rules. The Applicant must also include a certification of compliance signed by the named affiliate or other qualified entity as specified in 47 CFR § 1.994(b). See Main Form Instructions for Items 47 or 48a, as applicable.

The Applicant has not received a declaratory ruling approving its foreign ownership and is requesting a declaratory ruling under 47 CFR § 1.990(a) in a petition filed contemporaneously with the Commission.

If checked, include in the attachment required by Item 47 or 48a a copy of the petition for declaratory ruling filed contemporaneously with the Commission pursuant to 47 CFR § 1.990(a). Petitions for declaratory ruling may be filed electronically on the Internet through the International Bureau Filing System (IBFS) (with a copy attached hereto).

Basic Qualification Questions

49) Has the Applicant or any party to this application had any FCC station authorization, license or construction permit revoked or had any application for an initial, modification or renewal of FCC station authorization, license, or construction permit denied by the Commission?	(<input type="checkbox"/>) <u>Yes</u> <u>No</u>
50) Has the Applicant or any party to this application, or any party directly or indirectly controlling the Applicant, ever been convicted of a felony by any state or federal court?	(<input type="checkbox"/>) <u>Yes</u> <u>No</u>
51) Has any court finally adjudged the Applicant or any party directly or indirectly controlling the Applicant guilty of unlawfully monopolizing or attempting unlawfully to monopolize radio communication, directly or indirectly, through control of manufacture or sale of radio apparatus, exclusive traffic arrangement, or any other means or unfair methods of competition?	(<input type="checkbox"/>) <u>Yes</u> <u>No</u>

Note: If the answer to any of 49-51 is 'Y', attach an exhibit explaining the circumstances.

Aeronautical Advisory Station (Unicom) Certification

52) (<input type="checkbox"/>) I certify that the station will be located on property of the airport to be served, and, in cases where the airport does not have a control tower, RCO, or FAA flight service station, that I have notified the owner of the airport and all aviation service organizations located at the airport within ten days prior to application.

Broadband Radio Service and Educational Broadband Service Cable Cross-Ownership

53a) Will the requested facilities be used to provide multichannel video programming service?	(<input type="checkbox"/>) <u>Yes</u> <u>No</u>
53b) If the answer to question 53a is 'Y', does the Applicant operate, control or have an attributable interest (as defined in 47 CFR § 27.1202) in a cable television system whose franchise area is located within the geographic service area of the requested facilities?	(<input type="checkbox"/>) <u>Yes</u> <u>No</u>

Note: If the answer to question 53b is 'Y', attach an exhibit explaining how the Applicant complies with 47 CFR § 27.1202 or justifying a waiver of that rule. If a waiver of the Commission Rule(s) is being requested, Item 11a must be answered 'Y'.

Broadband Radio Service and Educational Broadband Service (Part 27)

54) (For EBS only) Does the Applicant comply with the programming requirements contained in 47 CFR § 27.1203?	(<input type="checkbox"/>) <u>Yes</u> <u>No</u>
Note: If the answer to item 54 is 'N', attach an exhibit explaining how the Applicant complies with 47 CFR § 27.1203 of the Commission's Rules or justifying a waiver of that rule. If a waiver of the Commission Rule(s) is being requested, Item 11a must be answered 'Y'.	
55) (For BRS and EBS) Does the Applicant comply with 47 CFR §§ 27.50, 27.55, and 27.1221?	(<input type="checkbox"/>) <u>Yes</u> <u>No</u>
Note: If the answer to item 55 is 'N', attach an exhibit justifying a waiver of that rule(s). If a waiver of the Commission Rule(s) is being requested, Item 11a must be answered 'Y'.	

For Applicants Who Participated in an Auction

56) Is the Applicant a qualifying rural wireless partnership or a member of a qualifying rural wireless partnership?	(<input type="checkbox"/>) <u>Yes</u> <u>No</u>
Note: If the answer to item 56 is 'Y', attach an exhibit listing all members of the qualifying rural wireless partnership, including their FRN numbers.	

For Renewal Applicants

57) Operation/Performance Requirement Certification	
[For a site-based license]: Applicant certifies that it is continuing to operate consistent with its most recently filed construction notification (or most recent authorization, if no construction notification was required).	(<input type="checkbox"/>) <u>Yes</u> <u>No</u>
[For a geographic license, commercial service - licensee in its initial license term with an interim performance requirement]: Applicant certifies that it has met its interim performance requirement, that over the portion of the license term following the interim performance requirement, it continues to use its facilities to provide at least the level of service required by its interim performance requirement, it has met its final performance requirement, and it continues to use its facilities to provide at least the level of service required by its final performance requirement through the end of the license term.	(<input type="checkbox"/>) <u>Yes</u> <u>No</u>
[For a geographic license, commercial service - licensee in its initial license term with no interim performance requirement]: Applicant certifies that it has met its final performance requirement and it continues to use its facilities to provide at least the level of service required by its final performance requirement through the end of the license term. [Note: licensee must provide a showing demonstrating that the final performance requirement has been met, either separately in a timely application for notification of completion of construction, or as part of its renewal application, depending on the radio service.]	(<input type="checkbox"/>) <u>Yes</u> <u>No</u>
[For a geographic license, commercial service - licensee in any subsequent term]: Applicant certifies that it continues to use its facilities to provide at least the level of service required by its final performance requirement through the end of any subsequent license terms.	(<input type="checkbox"/>) <u>Yes</u> <u>No</u>
[For a geographic license, private systems - licensee in its initial license term with an interim performance requirement]: Applicant certifies that it has met its interim performance requirement, that over the portion of the license term following the interim performance requirement, it continues to use its facilities to further its private business or public interest/public safety communications needs at or above the level required to meet its interim performance requirement, it has met its final performance requirement, and it continues to use its facilities to provide at least the level of operation required by its final performance requirement through the end of the license term.	(<input type="checkbox"/>) <u>Yes</u> <u>No</u>
[For a geographic license, private systems - licensee in its initial license term with no interim performance requirement]: Applicant certifies that it has met its final performance requirement, it continues to use its facilities to further its private business or public interest/public safety communications needs, and it continues to use its facilities to provide at least the level of operation required by its final performance requirement through the end of the license term. [Note: licensee must provide a showing demonstrating that the final performance requirement has been met, either separately in a timely application for notification of completion of construction, or as part of its renewal application, depending on the radio service.]	(<input type="checkbox"/>) <u>Yes</u> <u>No</u>

[For a geographic license, private systems - licensee in any subsequent term]: Applicant certifies that it continues to use its facilities to further its private business or public interest/public safety communications needs at or above the level required to meet its final performance requirement through the end of any subsequent license terms.	(<input type="checkbox"/>) <u>Yes</u> <u>No</u>
[For a partitioned or disaggregated license without a performance requirement, for the first renewal application filed after effective date of the rules]: Applicant certifies that the partitioned and/or disaggregated license that is the subject of this renewal application has no separate performance requirement and that this is the first renewal of this license filed subsequent to the effective date of the rules.	(<input type="checkbox"/>) <u>Yes</u> <u>No</u>
[For a partitioned or disaggregated license without a performance requirement, for any subsequent renewal filings]: Applicant certifies that it continues to use its facilities to provide service or to further the applicant's private business or public interest/public safety needs.	(<input type="checkbox"/>) <u>Yes</u> <u>No</u>

Discontinuance of Service Certification

58) Applicant certifies that no permanent discontinuance of service or operation, as applicable, occurred during its current license term. Note: If the response to either item 57 or item 58 is 'N', attach an exhibit that demonstrates that over the course of the license term, the Applicant provided and continues to provide service to the public, or operated and continues to operate the license to meet the Applicant's private business or public interest/public safety communications needs. This exhibit must include a detailed description of the Applicant's provision of service or, when allowed under the relevant service rules or pursuant to waiver, use of the spectrum for private business or public interest/public safety communications needs, during the entire license period and address, as applicable: 1) the level and quality of service provided by the applicant (e.g., the population served, the area served, the number of subscribers, the services offered); (2) the date service commenced, whether service was ever interrupted, and the duration of any interruption or outage; (3) the extent to which service is provided to rural areas; (4) the extent to which service is provided to qualifying tribal land as defined in 47 CFR § 1.2110(e)(3)(i); and (5) any other factors associated with the level of service to the public. The licensee may note in its exhibit: 1) any grant(s) of waiver or extension of a performance deadline or license renewal subject to meeting a performance requirement; or 2) if the final performance deadline and/or expiration date for the license accelerated because the licensee did not meet an interim performance requirement.	(<input type="checkbox"/>) <u>Yes</u> <u>No</u>
--	---

Regulatory Compliance Certification [same for all]

59) Applicant certifies that it has substantially complied with all applicable FCC rules, policies, and the Communications Act of 1934, as amended. Note: If the response to item 59 is 'N', attach an exhibit explaining the circumstances and demonstrating why Applicant's license should be renewed.	(<input type="checkbox"/>) <u>Yes</u> <u>No</u>
--	---

General Certification Statements

1) The Applicant waives any claim to the use of any particular frequency or of the electromagnetic spectrum as against the regulatory power of the United States because of the previous use of the same, whether by license or otherwise, and requests an authorization in accordance with this application.
2) The Applicant certifies that grant of this application would not cause the Applicant to be in violation of any pertinent cross-ownership or attribution rules.* *If the Applicant has sought a waiver of any such rule in connection with this application, it may make this certification subject to the outcome of the waiver request.
3) The Applicant certifies that all statements made in this application and in the exhibits, attachments, or documents incorporated by reference are material, are part of this application, and are true, complete, correct, and made in good faith.
4) The Applicant certifies that neither the Applicant nor any other party to the application is subject to a denial of Federal benefits pursuant to § 5301 of the Anti-Drug Abuse Act of 1988, 21 U.S.C. § 862, because of a conviction for possession or distribution of a controlled substance. This certification does not apply to applications filed in services exempted under § 1.2002(c) of the rules, 47 CFR § 1.2002(c). See 47 CFR § 1.2002(b) for the definition of "party to the application" as used in this certification.
5) The Applicant certifies that it either (1) has current required ownership data on file with the Commission, (2) is filing updated ownership data simultaneously with this application, or (3) is not required to file ownership data under the Commission's Rules.
6) The Applicant certifies that the facilities, operations, and transmitters for which this authorization is hereby requested are either: (1) categorically excluded from routine environmental evaluation for RF exposure as set forth in 47 CFR § 1.1307(b); or, (2) have been found not to cause human exposure to levels of radiofrequency radiation in excess of the limits specified in 47 CFR §§ 1.1310 and 2.1093; or, (3) are the subject of one or more Environmental Assessments filed with the Commission.
7) The Applicant certifies that it has reviewed the appropriate Commission Rules defining eligibility to hold the requested license(s) and is eligible to hold the requested license(s).
8) The Applicant certifies that it is not in default on any payment for Commission licenses and that it is not delinquent on any non-tax debt owed to any federal agency.
9) The Applicant certifies that the Applicant and all of the related individuals and entities required to be disclosed on this application and FCC Form 602 (FCC Ownership Disclosure Information for the Wireless Telecommunications Services) are not person(s) who have been, for reasons of national security, barred by any agency of the Federal Government from bidding on a contract, participating in an auction, or receiving a grant. This certification applies only to applications for licenses for spectrum that is required by Sections 6103, 6401-6403 of the Middle Class Tax Relief and Job Creation Act of 2012, codified at 47 U.S.C. §§ 309, 1413, 1451-1452, to be assigned by a system of competitive bidding under 47 U.S.C. § 309(j).

Signature

60) Typed or Printed Name of Party Authorized to Sign

First Name: Mike	MI:	Last Name: Hargrove	Suffix:
----------------------------	-----	-------------------------------	---------

61) Title: **VP-Access-Construction & Engineering**

Signature: Mike Hargrove	62) Date: 05/27/2021
------------------------------------	--------------------------------

FAILURE TO SIGN THIS APPLICATION MAY RESULT IN DISMISSAL OF THE APPLICATION AND FORFEITURE OF ANY FEES PAID.

Upon grant of this license application, the Licensee may be subject to certain construction or coverage requirements. Failure to meet the construction or coverage requirements will result in termination of the license. Consult appropriate FCC regulations to determine the construction or coverage requirements that apply to the type of license requested in this application.

WILLFUL FALSE STATEMENTS MADE ON THIS FORM OR ANY ATTACHMENTS ARE PUNISHABLE BY FINE AND/OR IMPRISONMENT (U.S. Code, Title 18, § 1001) AND/OR REVOCATION OF ANY STATION LICENSE OR CONSTRUCTION PERMIT (U.S. Code, Title 47, § 312(a)(1)), AND/OR FORFEITURE (U.S. Code, Title 47, § 503).

ereference Copy

**Schedule for
Required Notifications for
Wireless Services**

1) Purpose

The purpose of this submission: Enter one purpose only - **1, 2, 3, 4, I, S, G or H** (**2**) See below and refer to instructions.

Satisfaction of Buildout/Coverage Requirements (Market-based services and State License Radio Service (SL) only)

- 1** 1st buildout/coverage requirements for the referenced system have been met. (List call signs in 2a)
- 2** 2nd buildout/coverage requirements for the referenced system have been met. (List call signs in 2a)
- 3** 3rd buildout/coverage requirements for the referenced system have been met. (List call signs in 2a)
- 4** 4th buildout/coverage requirements for the referenced system have been met. (List call signs in 2a)
- I** Tribal lands buildout/coverage requirements for the referenced system have been met. (List call signs in 2a)

Satisfaction of Construction Requirements (Site-licensed services only)

- S** Construction requirements for the referenced parameters have been met. (List, as applicable, call signs, locations or paths, frequencies, actual date of construction and mobile units in Item 2.)

Extended Implementation (Slow Growth) (Land Mobile Services only)

- G** Notification of compliance with yearly station construction commitments for Licensees with approved extended implementation plans. (List call signs in Item 2a.)
- H** Final notification that construction requirements have been met for the referenced system with approved extended implementation plan. (List, as applicable, call signs, locations, frequencies, actual date of construction and mobile units in Item 2.)

2) Call Signs/Locations or Paths/Frequencies

2a) Call Sign	2b) Location Number	2c) Path Number (Microwave only)	2d) Center (Assigned) or Lower Frequency (MHz)	2e) Upper Frequency (MHz)	2f) Actual Date of Construction (mm/dd/yy)	2g) Number of Operational Mobiles (see instructions)
WQGA852						

3) Certification

By signing the Main Form, the applicant certifies, as set forth in 47 C.F.R. §1.946(c) of the Commission's rules, that it has commenced service or operations by the expiration of its construction period, or met its coverage or substantial service obligations by the expiration of its coverage period.

Attachment(s):

Type	Description	Date Entered
O	Confidentiality Exhibit	05/27/2021
O	Exhibit	05/27/2021
O	Map	05/27/2021

REPORTMILL

Reference Copy Only. Do Not Mail to the FCC as an Application.

Submitted: 09/08/2021 at 09:49:51
 File Number: 0009696511

FCC 601
Main Form

FCC Application for Radio Service Authorization: Wireless Telecommunications Bureau Public Safety and Homeland Security Bureau

Approved by OMB
 3060 - 0798
 See instructions for
 public burden estimate

1) Radio Service Code: AW	1a) Existing Radio Service Code:
-------------------------------------	----------------------------------

General Information

2) (Select only one) AM) NE - New MD - Modification AM - Amendment RO - Renewal Only RM - Renewal/Modification CA - Cancellation of License AU - Administrative Update WD - Withdrawal of Application RL - Registered Location/Link NT - Required Notifications EX - Requests for Extension of Time	
3a) If this application is for a <u>D</u> emonstration License or a <u>S</u> pecial Temporary Authorization (STA), enter the code and attach the required exhibit as described in the instructions. Otherwise enter ' <u>N/A</u> ' (Not Applicable).	(<input type="checkbox"/>) <u>N</u> <input type="checkbox"/> <u>M</u> <input type="checkbox"/> <u>S</u> <input type="checkbox"/> <u>N/A</u>
3b) If this application is for Special Temporary Authority due to an emergency situation, enter 'Y'; otherwise enter 'N'. Refer to Rule 1.915 for an explanation of situations considered to be an emergency.	(<input type="checkbox"/>) <u>Y</u> <input type="checkbox"/> <u>No</u>
4) If this application is for an Amendment or Withdrawal, enter the file number of the pending application currently on file with the FCC.	File Number 0009696511
5) If this application is for a Modification, Renewal Only, Renewal/Modification, Cancellation of License, , or Administrative Update, enter the call sign of the existing FCC license. If this is a request for Registered Location/Link, enter the FCC call sign assigned to the geographic license.	Call Sign WQGA852
6a) If this application is for a New, Amendment, Renewal Only, or Renewal/Modification, enter the requested authorization expiration date (this item is optional).	MM / DD ____ / ____
6b) If this application is for a Renewal Only or Renewal/Modification and the license is a geographic area license, is the license used to provide service to customers (C), or is the license used for private business (internal) purposes or to meet the licensee's public interest/public safety communications needs (P)?	(<input type="checkbox"/>) <u>C</u> <input type="checkbox"/> <u>P</u>
7) Is this application "major" as defined in § 1.929 of the Commission's Rules when read in conjunction with the applicable radio service rules found in Parts 22 and 90 of the Commission's Rules? (NOTE: This question only applies to certain site-specific applications. See the instructions for applicability and full text of § 1.929).	(<input type="checkbox"/>) <u>Y</u> <input type="checkbox"/> <u>No</u>
8) Are attachments (other than associated schedules) being filed with this application?	(<input checked="" type="checkbox"/>) <u>Y</u> <input type="checkbox"/> <u>No</u>

Fees, Waivers, and Exemptions

9) Is the Applicant exempt from FCC application fees?	<input checked="" type="checkbox"/> <u>Y</u> <input type="checkbox"/> <u>No</u>
10) Is the Applicant exempt from FCC regulatory fees?	<input checked="" type="checkbox"/> <u>Y</u> <input type="checkbox"/> <u>No</u>
11a) Does this application include a request for a Waiver of the Commission's Rule(s)? If 'Yes', attach an exhibit providing rule number(s) and explaining circumstances.	<input checked="" type="checkbox"/> <u>Y</u> <input type="checkbox"/> <u>No</u>
11b) If 11a is 'Y', and a feeable waiver request is attached, enter the number of rule sections involved.	Number of Rule Section(s): _____
12) Are the frequencies or parameters requested in this filing covered by grandfathered privileges, previously approved by waiver, or functionally integrated with an existing station?	<input checked="" type="checkbox"/> <u>Y</u> <input type="checkbox"/> <u>No</u>

Applicant Information

13) FCC Registration Number (FRN): 0003291192			
14) Applicant/Licensee Legal Entity Type: (Select One) () Individual () Unincorporated Association () Trust () Government Entity () Corporation (<input checked="" type="checkbox"/>) Limited Liability Company () General Partnership () Limited Partnership () Limited Liability Partnership () Consortium () Other: _____			
15) If the Licensee name is being updated, is the update a result from the sale (or transfer of control) of the license(s) to party and for which proper Commission approval has not been received or proper notification not provided?			() <u>Yes</u> <u>No</u>
16) First Name (if individual):	MI:	Last Name:	Suffix:
17) Legal Entity Name (if other than individual): New Cingular Wireless PCS, LLC			
18) Attention To: FCC Group			
19) P.O. Box:	And/Or	20) Street Address: 208 S Akard St., RM 2100	
21) City: Dallas	22) State: TX	23) Zip Code: 75202	
24) Telephone Number: (855)699-7073		25) Fax:	
26) E-Mail Address: FCCMW@att.com			

27) Demographics (Optional)

Race: () American Indian or Alaska Native () Asian () Black or African-American () Native Hawaiian or Other Pacific Islander () White	Ethnicity: () Hispanic or Latino () Not Hispanic or Latino	Gender: () Male () Female
---	--	-----------------------------------

Real Party in Interest

28) Name of Real Party in Interest of Applicant (If different from Applicant):	29) FCC Registration Number (FRN) of Real Party in Interest:
--	--

Contact Information (If different from the Applicant)**() Check here if same as Applicant.**

30) First Name: Cecil	MI: J	Last Name: Mathew	Suffix:
31) Company Name: AT&T Services, Inc.			
32) Attention To:			
33) P.O. Box:	And /Or	34) Street Address: 208 S Akard St., RM 2100	
35) City: Dallas	36) State: TX	37) Zip Code: 75202	
38) Telephone Number: (855)699-7073		39) Fax:	
40) E-Mail Address: FCCMW@att.com			

Regulatory Status

41) This filing is for authorization to provide or use the following type(s) of radio service offering (enter all that apply):
() Common Carrier () Non-Common Carrier () Private, internal communications () Broadcast Services () Band Manager

Type of Radio Service

42) This filing is for authorization to provide the following type(s) of radio service (choose all that apply):
() Fixed () Mobile () Radiolocation () Satellite (sound) () Broadcast Services

43) Does the Applicant propose to provide service interconnected to the public telephone network? () Y () Yes () No

Alien Ownership Questions (If any answer is 'Y', provide an attachment explaining the circumstances. In preparing the attachment, refer to the Main Form Instructions for the "Alien Ownership Questions".)

44) Is the Applicant a foreign government or the representative of any foreign government? () N () Yes () No

45) Is the Applicant an alien or the representative of an alien? () N () Yes () No

46) Is the Applicant a corporation organized under the laws of any foreign government? () N () Yes () No

47) Is the Applicant a corporation of which more than one-fifth of the capital stock is owned of record or voted by aliens or their representatives, or by a foreign government or representative thereof, or by any corporation organized under the laws of a foreign country? () N () Yes () No

48a) Is the Applicant directly or indirectly controlled by any other corporation of which more than one-fourth of the capital stock is owned of record or voted by aliens or their representatives, or by a foreign government or representative thereof, or by any corporation organized under the laws of a foreign country? (N) Yes No

48b) If the answer to 47 or 48a is 'Y' select one of the choices below.

The Applicant is exempt from the provisions of Section 310(b).

If checked, it is not necessary to file a petition for declaratory ruling if the Applicant includes in the attachment required by Item 47 or Item 48a a showing that the requested license(s) is exempt from the provisions of Section 310(b).

The Applicant has received a declaratory ruling(s) approving its foreign ownership, and the application involves only the acquisition of additional spectrum for the provision of a wireless service in a geographic coverage area for which the Applicant has been previously authorized.

If checked, include in the attachment required by Item 47 or Item 48a the citation(s) of the applicable declaratory ruling(s) by DA/FCC number, the FCC Record citation, if available, release date, and a statement that there has been no change in the foreign ownership of the Applicant since the issuance of its ruling.

The Applicant: (i) has received a declaratory ruling(s) approving its foreign ownership, but is not able to make the certification specified immediately above; or (ii) is an "affiliate" of a Licensee or Lessee/Sublessee that received a declaratory ruling(s) under 47 CFR § 1.990(a) and is relying on the affiliate's ruling for purposes of filing this application as permitted under the affiliate's ruling and 47 CFR § 1.994(b).

If checked, and if the Applicant received its declaratory ruling(s) on or after August 9, 2013, include in the attachment required by Item 47 or Item 48a the citation(s) of the Applicant's declaratory ruling(s) by DA/FCC number, the FCC Record citation, if available, release date, and a statement that the Applicant is in compliance with the terms and conditions of its ruling and with the Commission's Rules.

If checked, and if the Applicant received its declaratory ruling(s) prior to August 9, 2013, include in the attachment required by Item 48a a copy of a petition for declaratory ruling filed contemporaneously with the Commission to extend the Applicant's existing ruling(s) to cover the same radio service(s) and geographic coverage area(s) involved in the application. Alternatively, the Applicant may request a new declaratory ruling pursuant to Section 1.990(a) of the Commission's Rules, 47 CFR § 1.990(a). Petitions for declaratory ruling may be filed electronically on the Internet through the International Bureau Filing System (IBFS) (with a copy attached hereto).

If checked, and if the Applicant is relying on an affiliate's ruling for purposes of filing this application, include in the attachment required by Item 47 or Item 48a the citation(s) of the applicable declaratory ruling(s) by DA/FCC number, the FCC Record citation, if available, release date, and a statement that the Applicant is in compliance with the terms and conditions of the named affiliate's ruling and with the Commission's Rules. The Applicant must also include a certification of compliance signed by the named affiliate or other qualified entity as specified in 47 CFR § 1.994(b). See Main Form Instructions for Items 47 or 48a, as applicable.

The Applicant has not received a declaratory ruling approving its foreign ownership and is requesting a declaratory ruling under 47 CFR § 1.990(a) in a petition filed contemporaneously with the Commission.

If checked, include in the attachment required by Item 47 or 48a a copy of the petition for declaratory ruling filed contemporaneously with the Commission pursuant to 47 CFR § 1.990(a). Petitions for declaratory ruling may be filed electronically on the Internet through the International Bureau Filing System (IBFS) (with a copy attached hereto).

Basic Qualification Questions

49) Has the Applicant or any party to this application had any FCC station authorization, license or construction permit revoked or had any application for an initial, modification or renewal of FCC station authorization, license, or construction permit denied by the Commission?	(<input type="radio"/> N) <u>Yes</u> <input type="radio"/> No
50) Has the Applicant or any party to this application, or any party directly or indirectly controlling the Applicant, ever been convicted of a felony by any state or federal court?	(<input type="radio"/> N) <u>Yes</u> <input type="radio"/> No
51) Has any court finally adjudged the Applicant or any party directly or indirectly controlling the Applicant guilty of unlawfully monopolizing or attempting unlawfully to monopolize radio communication, directly or indirectly, through control of manufacture or sale of radio apparatus, exclusive traffic arrangement, or any other means or unfair methods of competition?	(<input type="radio"/> N) <u>Yes</u> <input type="radio"/> No

Note: If the answer to any of 49-51 is 'Y', attach an exhibit explaining the circumstances.

Aeronautical Advisory Station (Unicom) Certification

52) (<input type="checkbox"/>) I certify that the station will be located on property of the airport to be served, and, in cases where the airport does not have a control tower, RCO, or FAA flight service station, that I have notified the owner of the airport and all aviation service organizations located at the airport within ten days prior to application.

Broadband Radio Service and Educational Broadband Service Cable Cross-Ownership

53a) Will the requested facilities be used to provide multichannel video programming service?	(<input type="checkbox"/>) <u>Yes</u> <input type="radio"/> No
53b) If the answer to question 53a is 'Y', does the Applicant operate, control or have an attributable interest (as defined in 47 CFR § 27.1202) in a cable television system whose franchise area is located within the geographic service area of the requested facilities?	(<input type="checkbox"/>) <u>Yes</u> <input type="radio"/> No

Note: If the answer to question 53b is 'Y', attach an exhibit explaining how the Applicant complies with 47 CFR § 27.1202 or justifying a waiver of that rule. If a waiver of the Commission Rule(s) is being requested, Item 11a must be answered 'Y'.

Broadband Radio Service and Educational Broadband Service (Part 27)

54) (For EBS only) Does the Applicant comply with the programming requirements contained in 47 CFR § 27.1203?	(<input type="checkbox"/>) <u>Yes</u> <input type="radio"/> No
---	--

Note: If the answer to item 54 is 'N', attach an exhibit explaining how the Applicant complies with 47 CFR § 27.1203 of the Commission's Rules or justifying a waiver of that rule. If a waiver of the Commission Rule(s) is being requested, Item 11a must be answered 'Y'.

55) (For BRS and EBS) Does the Applicant comply with 47 CFR §§ 27.50, 27.55, and 27.1221?	(<input type="checkbox"/>) <u>Yes</u> <input type="radio"/> No
---	--

Note: If the answer to item 55 is 'N', attach an exhibit justifying a waiver of that rule(s). If a waiver of the Commission Rule(s) is being requested, Item 11a must be answered 'Y'.

For Applicants Who Participated in an Auction

56) Is the Applicant a qualifying rural wireless partnership or a member of a qualifying rural wireless partnership?	(<input type="checkbox"/>) <u>Yes</u> <input type="radio"/> No
--	--

Note: If the answer to item 56 is 'Y', attach an exhibit listing all members of the qualifying rural wireless partnership, including their FRN numbers.

For Renewal Applicants

57) Operation/Performance Requirement Certification	
[For a site-based license]: Applicant certifies that it is continuing to operate consistent with its most recently filed construction notification (or most recent authorization, if no construction notification was required).	(<input type="checkbox"/>) <u>Yes</u> <input type="radio"/> No
[For a geographic license, commercial service - licensee in its initial license term with an interim performance requirement]: Applicant certifies that it has met its interim performance requirement, that over the portion of the license term following the interim performance requirement, it continues to use its facilities to provide at least the level of service required by its interim performance requirement, it has met its final performance requirement, and it continues to use its facilities to provide at least the level of service required by its final performance requirement through the end of the license term.	(<input type="checkbox"/>) <u>Yes</u> <input type="radio"/> No
[For a geographic license, commercial service - licensee in its initial license term with no interim performance requirement]: Applicant certifies that it has met its final performance requirement and it continues to use its facilities to provide at least the level of service required by its final performance requirement through the end of the license term. [Note: licensee must provide a showing demonstrating that the final performance requirement has been met, either separately in a timely application for notification of completion of construction, or as part of its renewal application, depending on the radio service.]	(<input type="checkbox"/>) <u>Yes</u> <input type="radio"/> No
[For a geographic license, commercial service - licensee in any subsequent term]: Applicant certifies that it continues to use its facilities to provide at least the level of service required by its final performance requirement through the end of any subsequent license terms.	(<input type="checkbox"/>) <u>Yes</u> <input type="radio"/> No
[For a geographic license, private systems - licensee in its initial license term with an interim performance requirement]: Applicant certifies that it has met its interim performance requirement, that over the portion of the license term following the interim performance requirement, it continues to use its facilities to further its private business or public interest/public safety communications needs at or above the level required to meet its interim performance requirement, it has met its final performance requirement, and it continues to use its facilities to provide at least the level of operation required by its final performance requirement through the end of the license term.	(<input type="checkbox"/>) <u>Yes</u> <input type="radio"/> No
[For a geographic license, private systems - licensee in its initial license term with no interim performance requirement]: Applicant certifies that it has met its final performance requirement, it continues to use its facilities to further its private business or public interest/public safety communications needs, and it continues to use its facilities to provide at least the level of operation required by its final performance requirement through the end of the license term. [Note: licensee must provide a showing demonstrating that the final performance requirement has been met, either separately in a timely application for notification of completion of construction, or as part of its renewal application, depending on the radio service.]	(<input type="checkbox"/>) <u>Yes</u> <input type="radio"/> No

[For a geographic license, private systems - licensee in any subsequent term]: Applicant certifies that it continues to use its facilities to further its private business or public interest/public safety communications needs at or above the level required to meet its final performance requirement through the end of any subsequent license terms.	() <u>Yes</u> <u>No</u>
[For a partitioned or disaggregated license without a performance requirement, for the first renewal application filed after effective date of the rules]: Applicant certifies that the partitioned and/or disaggregated license that is the subject of this renewal application has no separate performance requirement and that this is the first renewal of this license filed subsequent to the effective date of the rules.	() <u>Yes</u> <u>No</u>
[For a partitioned or disaggregated license without a performance requirement, for any subsequent renewal filings]: Applicant certifies that it continues to use its facilities to provide service or to further the applicant's private business or public interest/public safety needs.	() <u>Yes</u> <u>No</u>

Discontinuance of Service Certification

58) Applicant certifies that no permanent discontinuance of service or operation, as applicable, occurred during its current license term. Note: If the response to either item 57 or item 58 is 'N', attach an exhibit that demonstrates that over the course of the license term, the Applicant provided and continues to provide service to the public, or operated and continues to operate the license to meet the Applicant's private business or public interest/public safety communications needs. This exhibit must include a detailed description of the Applicant's provision of service or, when allowed under the relevant service rules or pursuant to waiver, use of the spectrum for private business or public interest/public safety communications needs, during the entire license period and address, as applicable: 1) the level and quality of service provided by the applicant (e.g., the population served, the area served, the number of subscribers, the services offered); (2) the date service commenced, whether service was ever interrupted, and the duration of any interruption or outage; (3) the extent to which service is provided to rural areas; (4) the extent to which service is provided to qualifying tribal land as defined in 47 CFR § 1.2110(e)(3)(i); and (5) any other factors associated with the level of service to the public. The licensee may note in its exhibit: 1) any grant(s) of waiver or extension of a performance deadline or license renewal subject to meeting a performance requirement; or 2) if the final performance deadline and/or expiration date for the license accelerated because the licensee did not meet an interim performance requirement.	() <u>Yes</u> <u>No</u>
--	--------------------------

Regulatory Compliance Certification [same for all]

59) Applicant certifies that it has substantially complied with all applicable FCC rules, policies, and the Communications Act of 1934, as amended. Note: If the response to item 59 is 'N', attach an exhibit explaining the circumstances and demonstrating why Applicant's license should be renewed.	() <u>Yes</u> <u>No</u>
--	--------------------------

General Certification Statements

1) The Applicant waives any claim to the use of any particular frequency or of the electromagnetic spectrum as against the regulatory power of the United States because of the previous use of the same, whether by license or otherwise, and requests an authorization in accordance with this application.
2) The Applicant certifies that grant of this application would not cause the Applicant to be in violation of any pertinent cross-ownership or attribution rules.* *If the Applicant has sought a waiver of any such rule in connection with this application, it may make this certification subject to the outcome of the waiver request.
3) The Applicant certifies that all statements made in this application and in the exhibits, attachments, or documents incorporated by reference are material, are part of this application, and are true, complete, correct, and made in good faith.
4) The Applicant certifies that neither the Applicant nor any other party to the application is subject to a denial of Federal benefits pursuant to § 5301 of the Anti-Drug Abuse Act of 1988, 21 U.S.C. § 862, because of a conviction for possession or distribution of a controlled substance. This certification does not apply to applications filed in services exempted under § 1.2002(c) of the rules, 47 CFR § 1.2002(c). See 47 CFR § 1.2002(b) for the definition of "party to the application" as used in this certification.
5) The Applicant certifies that it either (1) has current required ownership data on file with the Commission, (2) is filing updated ownership data simultaneously with this application, or (3) is not required to file ownership data under the Commission's Rules.
6) The Applicant certifies that the facilities, operations, and transmitters for which this authorization is hereby requested are either: (1) categorically excluded from routine environmental evaluation for RF exposure as set forth in 47 CFR § 1.1307(b); or, (2) have been found not to cause human exposure to levels of radiofrequency radiation in excess of the limits specified in 47 CFR §§ 1.1310 and 2.1093; or, (3) are the subject of one or more Environmental Assessments filed with the Commission.
7) The Applicant certifies that it has reviewed the appropriate Commission Rules defining eligibility to hold the requested license(s) and is eligible to hold the requested license(s).
8) The Applicant certifies that it is not in default on any payment for Commission licenses and that it is not delinquent on any non-tax debt owed to any federal agency.
9) The Applicant certifies that the Applicant and all of the related individuals and entities required to be disclosed on this application and FCC Form 602 (FCC Ownership Disclosure Information for the Wireless Telecommunications Services) are not person(s) who have been, for reasons of national security, barred by any agency of the Federal Government from bidding on a contract, participating in an auction, or receiving a grant. This certification applies only to applications for licenses for spectrum that is required by Sections 6103, 6401-6403 of the Middle Class Tax Relief and Job Creation Act of 2012, codified at 47 U.S.C. §§ 309, 1413, 1451-1452, to be assigned by a system of competitive bidding under 47 U.S.C. § 309(j).

Signature

60) Typed or Printed Name of Party Authorized to Sign

First Name: Mike	MI:	Last Name: Hargrove	Suffix:
61) Title: VP-Access-Construction & Engineering			
Signature: Mike Hargrove			62) Date: 09/08/2021
FAILURE TO SIGN THIS APPLICATION MAY RESULT IN DISMISSAL OF THE APPLICATION AND FORFEITURE OF ANY FEES PAID.			
Upon grant of this license application, the Licensee may be subject to certain construction or coverage requirements. Failure to meet the construction or coverage requirements will result in termination of the license. Consult appropriate FCC regulations to determine the construction or coverage requirements that apply to the type of license requested in this application.			
WILLFUL FALSE STATEMENTS MADE ON THIS FORM OR ANY ATTACHMENTS ARE PUNISHABLE BY FINE AND/OR IMPRISONMENT (U.S. Code, Title 18, § 1001) AND/OR REVOCATION OF ANY STATION LICENSE OR CONSTRUCTION PERMIT (U.S. Code, Title 47, § 312(a)(1)), AND/OR FORFEITURE (U.S. Code, Title 47, § 503).			

Attachment(s):

Type	Description	Date Entered
0	License Renewal Exhibit	09/08/2021

REPORTMILL

EXHIBIT B

SITE DEVELOPMENT PLAN:

**500' VICINITY MAP
LEGAL DESCRIPTIONS
FLOOD PLAIN CERTIFICATION
SITE PLAN
VERTICAL TOWER PROFILE**

BUILDING CODES
<ul style="list-style-type: none"> • 2018 INTERNATIONAL BUILDING CODE • 2015 INTERNATIONAL EXISTING BUILDING CODE • 2015 INTERNATIONAL FIRE CODE • 2015 INTERNATIONAL MECHANICAL CODE • 2018 INTERNATIONAL RESIDENTIAL CODE • 2012 INTERNATIONAL ENERGY CONSERVATION CODE

HANDICAP REQUIREMENTS

FACILITY IS UNMANNED AND NOT FOR HUMAN HABITATION. HANDICAP ACCESS IS NOT REQUIRED

PLUMBING REQUIREMENTS


FACILITY HAS NO SANITARY OR POTABLE WATER.

VICINITY MAP



LOCATION MAP





RAWLAND CONSTRUCTION DRAWINGS


175'-0" SELF-SUPPORT TOWER

SITE NAME
CLOVER FORK (15724961)

SITE ID
TI-OPP- 22295

SITE COORDINATES
**36° 50' 08.82"N, 83° 19' 39.46"W
36.835783, -83.327628**

SITE ADDRESS
**227 INDUSTRIAL PARK ROAD
HARLAN, KY 40831**



FLOOD PLAIN NOTE

PER THE FEMA FLOOD PLAIN MAPS, THE SITE IS LOCATED IN AN AREA DESIGNATED AS ZONE "AE" (AREA WITH BASE FLOOD ELEVATION 1184 FEET). COMMUNITY PANEL # 21095C0279F, DATED 08/10/2021.

PROJECT SUMMARY		CONTACTS	
TYPE OF OCCUPANCY:	TELECOMMUNICATIONS	LAND OWNER:	HARLAN COUNTIANS FOR PROGRESS, LLC
SITE TYPE:	RAWLAND	TOWER OWNER:	TILLMAN INFRASTRUCTURE, LLC 152 WEST 57TH STREET, 27TH FLOOR NY, NY 10019
TOWER TYPE:	SELF-SUPPORT	ENGINEER:	TOWERSOURCE 1355 WINDWARD CONCOURSE SUITE 410 ALPHARETTA, GA 30005 (678) 990-2338
LAT/LONG(DMS):	36° 50' 08.82"N, 83° 19' 39.46"W	MUNICIPALITY:	HARLAN COUNTY 210 E. CENTRAL STREET HARLAN, KY 40831
LAT/LONG(DEC):	36.835783, -83.327628	POWER COMPANY:	KENTUCKY UTILITY COMPANY
JURISDICTION:	HARLAN COUNTY	TELCO COMPANY:	TBD
COUNTY:	HARLAN		
DEED BOOK & PAGE:	479, PAGE 151		
PARCEL ID:	069-40-00-230.00		
ZONED:	NONE		

SITE DIRECTIONS


FROM 210 EAST CENTRAL ST., HARLAN, KY 40831		
HEAD WEST ON E CENTRAL ST. TOWARD N. 1ST ST.	0.25 MI.	TURN RIGHT TO STAY ON INDUSTRIAL PARK RD. 0.1 MI.
TURN LEFT ONTO US-421 S / S US HWY 421	0.75 MI.	THE SITE WILL BE ON THE LEFT.
TURN RIGHT ONTO INDUSTRIAL PARK RD.	0.1 MI.	DIRECTIONS PREPARED BY: MIKE THOMAS (813) 997-2376

SHEET INDEX		
SHEET	SHEET TITLE	REV
T1	TITLE SHEET	0
--	SURVEY (BY OTHERS)	-
GN1	GENERAL NOTES	0
GN2	GENERAL NOTES	0
C1	OVERALL SITE PLAN	0
C1.1	FLOOD ELEVATION CERTIFICATE	0
C1.2	FLOODPLAIN MAP	0
C1.3	SETBACKS PLAN	0
C2	SITE PLAN	0
C3	TOWER ELEVATION	0
C4	EQUIPMENT LAYOUT AND DETAILS	0
C5	UTILITY BACKBOARD H-FRAME	0
C6	CONSTRUCTION DETAILS	0
C7	ANTENNA PLAN AND SCHEDULE	0
C8	GRADING AND EROSION CONTROL PLAN	0
C9	GRADING AND EROSION CONTROL NOTES	0
C10	EROSION CONTROL DETAILS	0
C11	SITE SIGNAGE	0
E1	OVERALL UTILITY SERVICE PLAN	0
E2	ENLARGED UTILITY SERVICE PLAN	0
E3	ELECTRICAL PANEL SCHEDULE, DIAGRAM & NOTES	0
E4	ELECTRICAL SINGLE-LINE DIAGRAM	0
E5	GENERATOR SPECIFICATIONS (BY OTHERS)	0
56	GENERATOR SPECIFICATIONS (BY OTHERS)	0
G-1	GROUNDING PLAN	0
G-2	EQUIPMENT GROUNDING PLAN & RISER DIAGRAM	0
G-3	FENCE GROUNDING DETAILS	0
G-4	GROUNDING DETAILS & NOTES	0
G-5	GROUNDING DETAILS	0
ST-1.1	STRUCTURAL DETAILS (BY OTHERS)	0
ST-1.2	FOUNDATION DETAILS	0
ST-2	STRUCTURAL DETAILS (BY OTHERS)	0
ST-3	STRUCTURAL DETAILS (BY OTHERS)	0
ST-4	STRUCTURAL DETAILS (BY OTHERS)	0
ST-5	STRUCTURAL DETAILS (BY OTHERS)	0
ST-6	STRUCTURAL DETAILS (BY OTHERS)	0
ST-7	STRUCTURAL DETAILS (BY OTHERS)	0
DC1	DC/FIBER SYSTEM DIAGRAM	0
DC2	DC WIRING DIAGRAM	0
T&F	TOWER AND FOUNDATION DESIGN (BY OTHERS)	--

SCOPE

- INSTALL NEW 60' x 60' FENCED TELECOMMUNICATION COMPOUND WITHIN NEW 7,888 SQ. FT. LEASE PREMISES
- INSTALL NEW 600A. 120/240V, 1Ø MULTI TENANT METER CENTER ON NEW ELEVATED STEEL PLATFORM
- INSTALL NEW 175'-0" SELF-SUPPORT TOWER

PREPARED FOR:



A&E FIRM:



1355 WINDWARD CONCOURSE
SUITE 410
ALPHARETTA, GA 30005
TEL: 678-990-2338

THE INFORMATION CONTAINED IN THIS SET OF DOCUMENTS IS PROPRIETARY BY NATURE. ANY USE OR DISCLOSURE OTHER THAN THAT WHICH RELATES TO THE CLIENT IS STRICTLY PROHIBITED.

PROJECT INFORMATION:

CLOVER FORK 15724961 22295

DRAWN BY:	SJH
CHECKED BY:	MAT
APPROVED BY:	PJN

REVISIONS

REV.	DATE	DESCRIPTION
0	09/06/23	ISSUED FOR FINALS



09/06/2023

SHEET TITLE:
COVER SHEET

SHEET #: T1	REVISION: 0
-----------------------	-----------------------

GPS NOTES

THE FOLLOWING GPS STATISTICS UPON WHICH THIS SURVEY IS BASED HAVE BEEN PRODUCED AT THE 95% CONFIDENCE LEVEL:

POSITIONAL ACCURACY: 0.02 FEET (HORZ) 0.24 FEET (VERT)
 TYPE OF EQUIPMENT: GEOMAX ZENITH35 PRO BASE AND ROVER, DUAL FREQUENCY
 TYPE OF GPS FIELD PROCEDURE: ONLINE POSITION USER INTERFACE
 DATES OF SURVEY: 03/21/2022
 DATUM / EPOCH: NAD_83(2011)(EPOCH:2010.0000)
 PUBLISHED / FIXED CONTROL USE: N/A
 GEOID MODEL: 18
 COMBINED GRID FACTOR(S): 1.00001669 CENTERED ON THE GPS BASE POINT AS SHOWN HEREON.
 CONVERGENCE ANGLE: 1.48713889
 BENCHMARKS USED: DJ9534, DJ9532, DN7506

PARENT PARCEL

OWNER: HARLAN COUNTIANS FOR PROGRESS, LLC
 SITE ADDRESS: 227 INDUSTRIAL PARK RD. HARLAN, KY 40831
 PARCEL ID: 069-40-00-230.00
 AREA: 3.1 ACRES (PER TAX ASSESSOR)
 ZONING: NO ZONING IN HARLAN COUNTY
 ALL ZONING INFORMATION SHOULD BE VERIFIED WITH THE PROPER ZONING OFFICIALS
 REFERENCE: DEED BOOK 479 PAGE 151

SURVEYOR'S CERTIFICATE

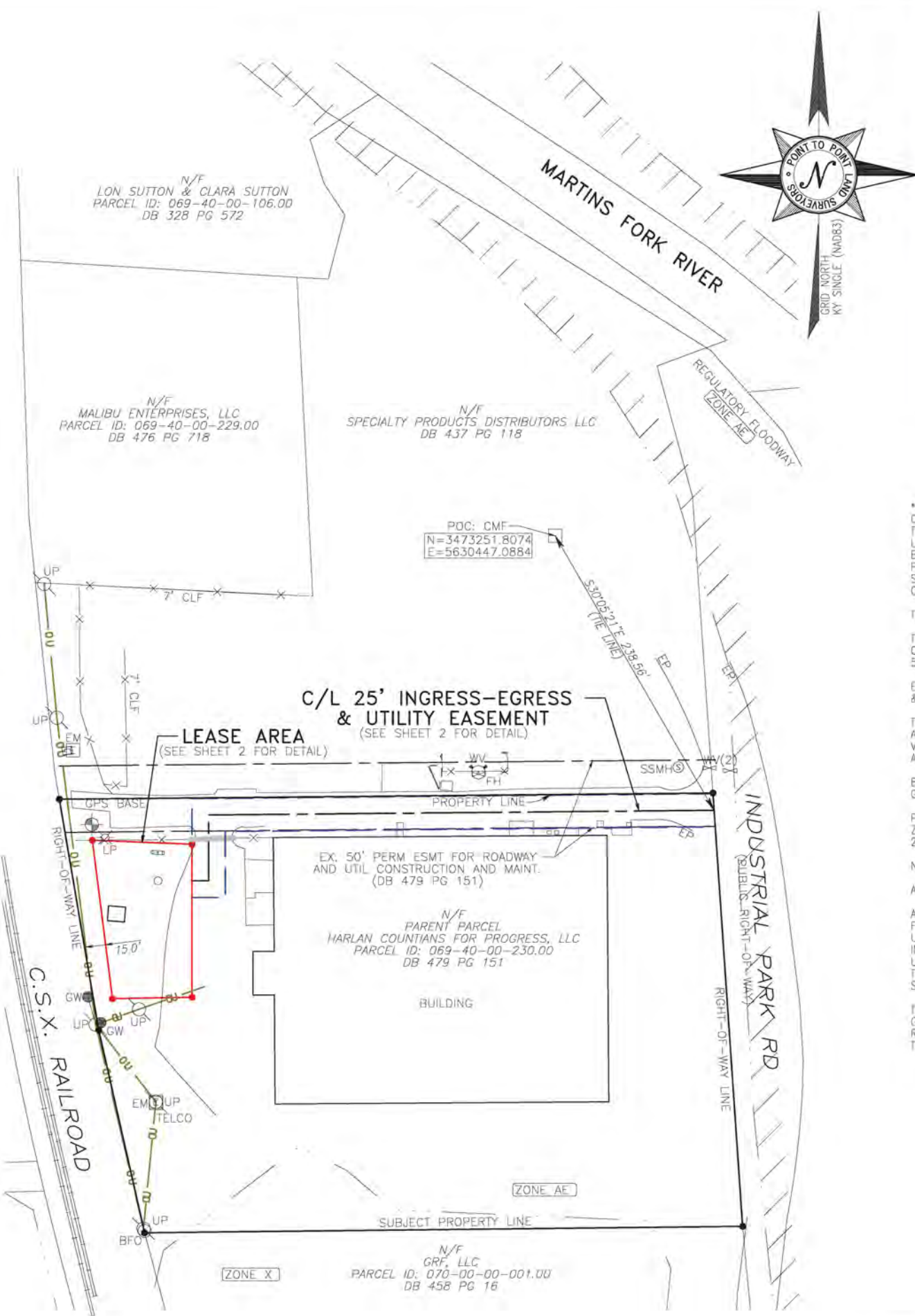
I, G. DARRELL TAYLOR, A KENTUCKY PROFESSIONAL LAND SURVEYOR, CERTIFY THAT THE INFORMATION SHOWN HEREON WAS COMPILED USING DATA FROM AN ACTUAL FIELD SURVEY MADE UNDER MY DIRECT SUPERVISION BY METHOD OF RANDOM TRAVERSE WITH SIDE SHOTS. THE UNADJUSTED PRECISION RATIO OF THE TRAVERSE EXCEEDED 1:10,000 AND WAS NOT ADJUSTED FOR CLOSURE. THIS SURVEY MEETS OR EXCEEDS THE MINIMUM STANDARDS FOR AN URBAN SURVEY AS ESTABLISHED BY THE STATE OF KENTUCKY, PER 201 KAR 18:150 AND IN EFFECT ON THE DATE OF THIS SURVEY.

G. DARRELL TAYLOR, PLS 4179 04/05/2022
DATE

TITLE EXCEPTIONS

THIS SURVEY WAS COMPLETED WITH THE AID OF TITLE WORK PREPARED BY WESTCOR LAND TITLE INSURANCE COMPANY, COMMITMENT DATE OF FEBRUARY 22, 2022, BEING COMMITMENT NO. TL-127801-C, FOR THE PARENT PARCEL, TO DETERMINE THE IMPACTS OF EXISTING TITLE EXCEPTIONS.

10. TERMS AND CONDITIONS CONTAINED IN THAT DECLARATION OF COVENANTS, CONDITIONS AND RESTRICTIONS DATED MAY 27, 1994 AND RECORDED JUNE 22, 1994 IN (BOOK) 21 (PAGE) 110 (INSTRUMENT) 09390 IN HARLAN COUNTY, KENTUCKY. [THIS ITEM IS APPLICABLE TO THE PARENT PARCEL AND IS BLANKET IN NATURE.]



GENERAL NOTES

* THIS SPECIFIC PURPOSE SURVEY IS FOR THE LEASED PREMISES AND EASEMENTS ONLY. THIS SPECIFIC PURPOSE SURVEY WAS PREPARED FOR THE EXCLUSIVE USE OF TILLMAN INFRASTRUCTURE, LLC AND EXCLUSIVELY FOR THE TRANSFERRAL OF THE LEASED PREMISES AND THE RIGHTS OF EASEMENT SHOWN HEREON AND SHALL NOT BE USED AS AN EXHIBIT OR EVIDENCE IN THE FEE SIMPLE TRANSFERRAL OF THE PARENT PARCEL NOR ANY PORTION OR PORTIONS THEREOF. BOUNDARY INFORMATION SHOWN HEREON HAS BEEN COMPILED FROM TAX MAPS AND DEED DESCRIPTIONS ONLY. NO BOUNDARY SURVEY OF THE PARENT PARCEL WAS PERFORMED.

THIS DRAWING DOES NOT REPRESENT A BOUNDARY SURVEY.

THE FIELD DATA UPON WHICH THIS SPECIFIC PURPOSE SURVEY IS BASED HAS A CLOSURE PRECISION OF ONE FOOT IN 10,000+ FEET AND AN ANGULAR ERROR OF 5.0" PER ANGULAR POINT AND WAS NOT ADJUSTED FOR CLOSURE.

EQUIPMENT USED FOR ANGULAR & LINEAR MEASUREMENTS: LEICA TPS 1200 ROBOTIC & GEOMAX ZENITH 35. [DATE OF LAST FIELD VISIT: 03/21/2022]

THE 1" CONTOURS AND SPOT ELEVATIONS SHOWN ON THIS SPECIFIC PURPOSE SURVEY ARE ADJUSTED TO NAVD 88 DATUM (COMPUTED USING GEOID18) AND HAVE A VERTICAL ACCURACY OF ± 0.5". CONTOURS OUTSIDE THE IMMEDIATE SITE AREA ARE APPROXIMATE.

BEARINGS SHOWN ON THIS SPECIFIC PURPOSE SURVEY ARE BASED ON KENTUCKY GRID NORTH (NAD 83) SINGLE ZONE.

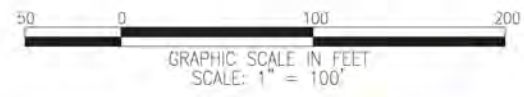
PER THE FEMA FLOODPLAIN MAPS, THE SITE IS LOCATED IN AN AREA DESIGNATED AS ZONE AE (AREA WITH BASE FLOOD ELEVATION 1185 FEET). COMMUNITY PANEL NO. : 21095C0279F DATED: 08/10/2021

NO WETLAND AREAS HAVE BEEN INVESTIGATED BY THIS SPECIFIC PURPOSE SURVEY.

ALL ZONING INFORMATION SHOULD BE VERIFIED WITH THE PROPER ZONING OFFICIALS.

ANY UNDERGROUND UTILITIES SHOWN HAVE BEEN LOCATED FROM ABOVE GROUND FIELD SURVEY INFORMATION. THE SURVEYOR MAKES NO GUARANTEES THAT ANY UNDERGROUND UTILITIES SHOWN COMPRISE ALL SUCH UTILITIES IN THE AREA, EITHER IN-SERVICE OR ABANDONED. THE SURVEYOR FURTHER DOES NOT WARRANT THAT ANY UNDERGROUND UTILITIES SHOWN ARE IN THE EXACT LOCATION INDICATED ALTHOUGH THEY ARE LOCATED AS ACCURATELY AS POSSIBLE FROM INFORMATION AVAILABLE. THE SURVEYOR HAS NOT PHYSICALLY LOCATED ANY UNDERGROUND UTILITIES.

THIS MAP IS NOT A CERTIFIED SURVEY AND HAS NOT BEEN REVIEWED BY A LOCAL GOVERNMENT AGENCY FOR COMPLIANCE WITH ANY APPLICABLE LAND DEVELOPMENT REGULATIONS. THIS MAP IS ONLY INTENDED FOR THE PARTIES AND PURPOSES SHOWN. THIS MAP IS NOT FOR RECORDATION.



Know what's below.
Call before you dig.

[SURVEY NOT VALID WITHOUT SHEETS 2 & 3.]

STATE OF KENTUCKY
G. DARRELL TAYLOR
 4179
 LICENSED PROFESSIONAL LAND SURVEYOR

NO.	DATE	REVISION
2	5-10-22	ING/EGR. ESMT.
3	3-1-23	FEMA BFE
4	8-4-23	500' RADIUS
5	8-29-23	COMMENTS

SPECIFIC PURPOSE SURVEY PREPARED BY:
POINT TO POINT LAND SURVEYORS
 100 Governors Trace, Ste. 103
 Peachtree City, GA 30269
 (p) 678.565.4440 (f) 678.565.4497
 (w) pointtopointsurvey.com



SPECIFIC PURPOSE SURVEY PREPARED FOR:
TILLMAN INFRASTRUCTURE

TILLMAN INFRASTRUCTURE, LLC
 152 W 57TH STREET, 27TH FLOOR
 NEW YORK, NY 10019

15724961

HARLAN COUNTY, KENTUCKY

DRAWN BY: MK
 CHECKED BY: DMM
 APPROVED: D. MILLER
 DATE: APRIL 05, 2022
 P2P JOB #: 220384KY

SHEET:
1
 OF 3

LEGEND	
PDB	POINT OF BEGINNING
POC	POINT OF COMMENCEMENT
CMF	CONCRETE MONUMENT FOUND
UP	UTILITY POLE
LP	LIGHT POLE
SSMH	SANITARY SEWER MANHOLE
INV	INVERT
FH	FIRE HYDRANT
EP	EDGE OF PAVEMENT
BC	BACK OF CURB
OU	OVERHEAD UTILITY
CPP	CORRUGATED POLYETHYLENE PIPE
CW	CUT WIRE AND/OR
TR	TRANSFORMER
CLF	CHAIN LINK FENCE
WV	WATER VALVE
CP	CONCRETE PAD
N/F	NOW OR FORMERLY
AC	AIR CONDITIONER
DI	DROP INLET

UTILITY LEGEND	
	OVERHEAD UTILITY LINE
	UNDERGROUND TELECOMMUNICATIONS LINE
	UNDERGROUND FIBEROPTIC LINE
	UNDERGROUND GAS LINE
	UNDERGROUND SEWER LINE
	UNDERGROUND ELECTRIC LINE
	UNDERGROUND WATER LINE
	UNKNOWN UNDERGROUND UTILITY LINE

E:\Dropbox (Point to Point)\P2P Current Jobs\2022\220384KY-TI-01P-22285\220384KY.p2p

SITE INFORMATION

LEASE AREA = 7888 SQ.FT. (0.1811 ACRES)
 LATITUDE = 36°50'08.82" (NAD 83) (36.835783)
 LONGITUDE = -83°19'39.46" (NAD 83) (-83.327628)
 AT CENTER OF PROPOSED TOWER
 ELEVATION AT CENTER OF PROPOSED TOWER = 1181.6' A.M.S.L.

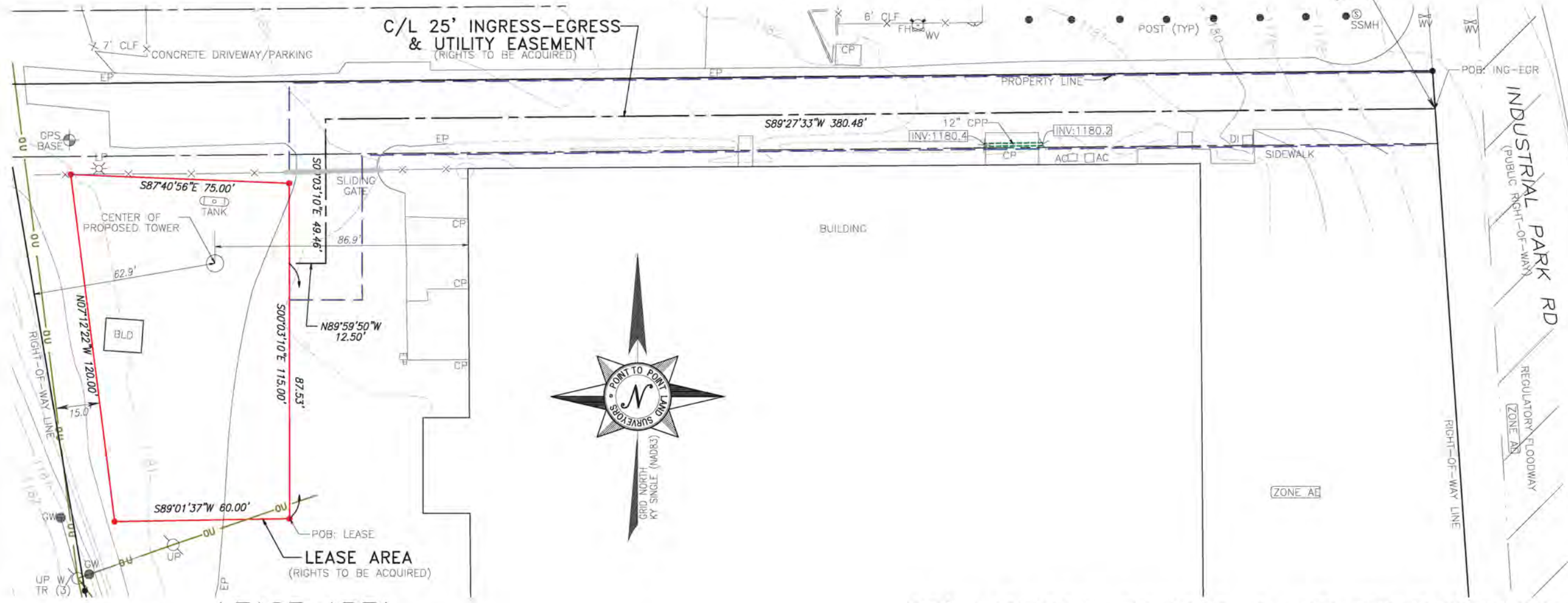
PARENT PARCEL

PER WESTCOR LAND TITLE INSURANCE COMPANY COMMITMENT NO. TIL-127601-C
 BEGINNING AT AN IRON PIN THE EAST RIGHT-OF-WAY OF THE C.H.X. RAILROAD AT THE NORTHWEST CORNER OF THE DAISY CAWOOD HEIRS PROPERTY; THENCE WITH SAID RIGHT-OF-WAY N 07° 24. 19. W 77.91 FEET TO AN IRON PIN; THENCE N 04° 42. 27. W 176.15 FEET TO AN IRON PIN AT THE SOUTHWEST CORNER OF TRACT 3 BEING THAT TRACT B. SHOWN ON THE DECEMBER 30, 1993, SURVEY BY LEE MILLER & ASSOCIATES, INC., HARLAN KENTUCKY; THENCE WITH THE SOUTH LINE OF SAID TRACT 3, S 85° 32. 58. E 483.88 FEET TO AN IRON PIN ON THE WEST SIDE OF THE INDUSTRIAL PARK ROAD; THENCE, WITH THE WEST LINE OF SAID ROAD S 01° 03. 43. W 348.37 FEET TO AN IRON PIN IN THE NORTH LINE OF THE DAISY CAWOOD HEIRS PROPERTY, THENCE, WITH SAID LINE N 76° 19. 24. W 473.23 FEET TO THE BEGINNING, CONTAINING APPROXIMATELY 3.534 ACRES, MORE OR LESS, AS SURVEYED DECEMBER 30, 1993, BY LEE MILLER & ASSOCIATES, INC., HARLAN KENTUCKY, WHICH IS INCORPORATED HEREIN BY REFERENCE.

THE 50 FOOT WIDE PERMANENT EASEMENT FOR ROADWAY AND UTILITY CONSTRUCTION AND MAINTENANCE ALONG THE NORTH LINE OF THIS TRACT IS COMMON PROPERTY FOR ALL IDA PROPERTY AND AS EXCEPTED FROM THIS DESCRIPTION.

PARCEL ID #069-40-00-230.00

THIS BEING THE SAME PROPERTY CONVEYED TO HARLAN COUNTIANS FOR PROGRESS LLC, A KENTUCKY LIMITED LIABILITY COMPANY, FROM HARLAN COUNTY INDUSTRIAL DEVELOPMENT AUTHORITY INC., A KENTUCKY CORPORATION, IN A DEED OF CONVEYANCE, DATED MARCH 22, 2019 AND RECORDED MARCH 22, 2019 IN BOOK 479 PAGE 151.



STATE OF KENTUCKY
G. DARRELL TAYLOR
 4179
 LICENSED PROFESSIONAL LAND SURVEYOR

NO.	DATE	REVISION
2	5-10-22	ING/EGR. ESMT.
3	3-1-23	FEMA BFE
4	8-4-23	500' RADIUS
5	8-29-23	COMMENTS

* SPECIFIC PURPOSE SURVEY PREPARED BY:
POINT TO POINT LAND SURVEYORS
 100 Governors Trace, Ste. 103
 Peachtree City, GA 30269
 (p) 678.565.4440 (f) 678.565.4497
 (w) pointtopointsurvey.com



SPECIFIC PURPOSE SURVEY PREPARED FOR:
TILLMAN INFRASTRUCTURE

TILLMAN INFRASTRUCTURE, LLC
 152 W 57TH STREET, 27TH FLOOR
 NEW YORK, NY 10019

15724961

HARLAN COUNTY, KENTUCKY

DRAWN BY: MK
 CHECKED BY: DMM
 APPROVED: D. MILLER
 DATE: APRIL 05, 2022
 P2P JOB #: 220384KY

SHEET:
2
 OF 3

LEGEND

- POB POINT OF BEGINNING
- POC POINT OF COMMENCEMENT
- CMF CONCRETE MONUMENT FOUND
- UP UTILITY POLE
- LP LIGHT POLE
- SSMH SANITARY SEWER MANHOLE
- INV INVERT
- FH FIRE HYDRANT
- EP EDGE OF PAVEMENT
- BC BACK OF CURB
- OU OVERHEAD UTILITY
- CPP CORRUGATED POLYETHYLENE PIPE
- CW GUY WIRE AND/OR TRANSFORMER
- TR TRANSFORMER
- CLF CHAIN LINK FENCE
- WV WATER VALVE
- CP CONCRETE PAD
- N/F NOW OR FORMERLY
- AC AIR CONDITIONER
- DI DROP INLET

UTILITY LEGEND

- OVERHEAD UTILITY LINE
- UNDERGROUND TELECOMMUNICATIONS LINE
- UNDERGROUND FIBEROPTIC LINE
- UNDERGROUND GAS LINE
- UNDERGROUND SEWER LINE
- UNDERGROUND ELECTRIC LINE
- UNDERGROUND WATER LINE
- UNKNOWN UNDERGROUND UTILITY LINE

LEASE AREA

ALL THE TRACT OR PARCEL OF LAND LYING AND BEING IN HARLAN COUNTY, KENTUCKY, AND BEING A PORTION OF THE LANDS OF HARLAN COUNTIANS FOR PROGRESS, LLC, AS RECORDED IN DEED BOOK 479 PAGE 151, HARLAN COUNTY RECORDS, AND BEING MORE PARTICULARLY DESCRIBED AS FOLLOWS:
 TO FIND THE POINT OF BEGINNING, COMMENCE AT A RIGHT-OF-WAY CONCRETE MONUMENT, SAID MONUMENT HAVING A KENTUCKY GRID NORTH, NAD 83, SINGLE ZONE VALUE OF N: 3473251.8074 E: 5630447.0884; THENCE RUNNING ALONG A TIE LINE, SOUTH 30°05'21" EAST, 238.56 FEET TO A POINT ON THE WESTERLY RIGHT-OF-WAY LINE OF INDUSTRIAL PARK ROAD; THENCE LEAVING SAID RIGHT-OF-WAY LINE AND RUNNING, SOUTH 89°27'33" WEST, 380.48 FEET TO A POINT; THENCE, SOUTH 00°03'10" EAST, 49.46 FEET TO A POINT; THENCE, NORTH 89°59'50" WEST, 12.50 FEET TO THE A POINT ON THE LEASE AREA; THENCE RUNNING ALONG SAID LEASE AREA, SOUTH 00°03'10" EAST, 87.53 FEET TO A POINT AND THE TRUE POINT OF BEGINNING; THENCE, SOUTH 89°01'37" WEST, 60.00 FEET TO A POINT; THENCE, NORTH 07°12'22" WEST, 120.00 FEET TO A POINT; THENCE, SOUTH 87°40'56" EAST, 75.00 FEET TO A POINT; THENCE, SOUTH 00°03'10" EAST, 115.00 FEET TO A POINT AND THE POINT OF BEGINNING.
 BEARINGS BASED ON KENTUCKY GRID NORTH, NAD 83, SINGLE ZONE.
 SAID TRACT CONTAINS 0.1811 ACRES (7,888 SQUARE FEET), MORE OR LESS.

25' INGRESS-EGRESS & UTILITY EASEMENT

TOGETHER WITH A 25-FOOT INGRESS-EGRESS AND UTILITY EASEMENT, MEASURING 12.5 FEET EACH SIDE OF CENTERLINE, LYING AND BEING IN HARLAN COUNTY, KENTUCKY, AND BEING A PORTION OF THE LANDS OF HARLAN COUNTIANS FOR PROGRESS, LLC, AS RECORDED IN DEED BOOK 479 PAGE 151, HARLAN COUNTY RECORDS, AND BEING MORE PARTICULARLY DESCRIBED BY THE FOLLOWING CENTERLINE DATA:
 TO FIND THE POINT OF BEGINNING, COMMENCE AT A RIGHT-OF-WAY CONCRETE MONUMENT, SAID MONUMENT HAVING A KENTUCKY GRID NORTH, NAD 83, SINGLE ZONE VALUE OF N: 3473251.8074 E: 5630447.0884; THENCE RUNNING ALONG A TIE LINE, SOUTH 30°05'21" EAST, 238.56 FEET TO A POINT ON THE WESTERLY RIGHT-OF-WAY LINE OF INDUSTRIAL PARK ROAD, AND THE TRUE POINT OF BEGINNING; THENCE LEAVING SAID RIGHT-OF-WAY LINE AND RUNNING, SOUTH 89°27'33" WEST, 380.48 FEET TO A POINT; THENCE, SOUTH 00°03'10" EAST, 49.46 FEET TO A POINT; THENCE, NORTH 89°59'50" WEST, 12.50 FEET TO THE ENDING AT A POINT ON THE LEASE AREA.
 BEARINGS BASED ON KENTUCKY GRID NORTH, NAD 83, SINGLE ZONE.
 GRAPHIC SCALE IN FEET
 SCALE: 1" = 40'
 SURVEY NOT VALID WITHOUT SHEET 1 & 3

500' RADIUS AND ADJOINERS DRAWING

A - HARLAN COUNTIANS FOR PROGRESS, LLC
200 WALDON ROAD, HARLAN KY 40831
PARCEL ID: 069-40-00-230.00

B - GRF, LLC
PO BOX 1306 CORBIN, KY 40702
PARCEL ID: 070-00-00-001.00

B(1) - REDBOW INC.
1816 S. HWY 421, HARLAN KY 40831
PARCEL ID: 070-00-00-001.00_1

B(2) - SAVE-A-LOT OF HARLAN
PO BOX 130, MIDDLESBORO, KY 40965
PARCEL ID: 070-00-00-001.00_2

B(3) - PARSONS-KIMEL ASSOCIATES
2083 MANOR DRIVE, LEXINGTON, KY 40502
PARCEL ID: 070-00-00-001.00_3

C - SPECIALTY PRODUCTS DISTRIBUTORS LLC
PO BOX 956 HARLAN KY 40831
PARCEL ID: 069-40-00-230.00

D - MALIBU ENTERPRISES, LLC
6452 HWY 38 EVARTS, KY 40828
PARCEL ID: 069-40-00-229.00

E - LON SUTTON & CLARA SUTTON
PO BOX 647 HARLAN, KY 40831
PARCEL ID: 069-40-00-106.00

F - JERRY GARRETT PHILLIPS
443 HWY 3459 HARLAN, KY 40831
PARCEL ID: 069-40-00-099.00

G - JERRY PHILLIPS
443 HWY 3459 HARLAN, KY 40831
PARCEL ID: 069-40-00-098.00

H - MRS. HENRY GILES ESTATE
PO BOX 83 HARLAN, KY 40831
PARCEL ID: 069-40-00-097.00

I - MRS. HENRY GILES
PO BOX 83 HARLAN, KY 40831
PARCEL ID: 069-40-00-096.00

J - HARLAN CHURCH OF GOD
H C 78 BOX 785 HARLAN, KY 40831
PARCEL ID: 069-40-00-094.00

K - HARLAN CHURCH OF GOD
H C 78 BOX 785 HARLAN, KY 40831
PARCEL ID: 069-40-00-093.00

L - VICKI LYNN BURGAN
531 HWY 3459 HARLAN, KY 40831
PARCEL ID: 069-40-00-092.00

M - WAYNE TERRY DAY
543 HWY 3459 HARLAN, KY 40831
PARCEL ID: 069-40-00-091.00

M(1) - KENNETH H. DAY & TERRY DAY
543 HWY 3459 HARLAN, KY 40831
PARCEL ID: 069-40-00-091.00_1

N - RUSSELL GEORGE GOINS
PO BOX 191 GRAYS KNOB, KY 40829
PARCEL ID: 069-40-00-090.01

O - JENNIFER G. GOINS & AIMEE PAYTON
573 HWY 3459 HARLAN, KY 40831
PARCEL ID: 069-40-00-090.00

P - KY REAL ESTATE ACQUISITION
& MANAGEMENT GROUP
PO BOX 128 HARLAN, KY 40831
PARCEL ID: 070-00-00-002.00

P (10) - HOBERT & FRANKIE JOHNSON
PO BOX 475, HARLAN, KY 40831
PARCEL ID: 070-00-00-002.00_10

P (13) - DENNIS C. JOHNSON
PO BOX 1274, HARLAN, KY 40831
PARCEL ID: 070-00-00-002.00_13

P (16) - ALKA LEE BENNETT
PO BOX 1240, HARLAN, KY 40831
PARCEL ID: 070-00-00-002.00_16

P (17) - CURTIS W. FRAZIER
PO BOX 1003, HARLAN, KY 40831
PARCEL ID: 070-00-00-002.00_17

P (2) - AMERICA LAWSON OR BOBBY WITT
PO BOX 1237, HARLAN, KY 40831
PARCEL ID: 070-00-00-002.00_2

P (20) - TONI FARMER
PO BOX 576, HARLAN, KY 40831
PARCEL ID: 070-00-00-002.00_20

P (22) - WILLARD & BESSIE VANWINKLE
PO BOX 212, HARLAN, KY 40831
PARCEL ID: 070-00-00-002.00_22

P (25) - FLOSSIE HOLMES
PO BOX 81, HARLAN, KY 40831
PARCEL ID: 070-00-00-002.00_25

P (26) - DAVID BRUCE
852 HWY 3459, LOT 3, HARLAN, KY 40831
PARCEL ID: 070-00-00-002.00_26

P (27) - PARTICIA CODY
PO BOX 455, HARLAN, KY 40831
PARCEL ID: 070-00-00-002.00_27

P (3) - REGINALD STEPHENS
GENERAL DEL, HARLAN, KY 40831
PARCEL ID: 070-00-00-002.00_3

P (4) - MARTHA ROBINSON
PO BOX 244, HARLAN, KY 40831
PARCEL ID: 070-00-00-002.00_4

P (6) - LOUIS & LISA GIBBONS
PO BOX 370, HARLAN, KY 40831
PARCEL ID: 070-00-00-002.00_6

P (7) - SHARON & DAVID ROWLETTE
PO BOX 1013, HARLAN, KY 40831
PARCEL ID: 070-00-00-002.00_7

P (9) - GILL SMITH JR.
PO BOX 692, HARLAN, KY 40831
PARCEL ID: 070-00-00-002.00_9

Q - KENTUCKY UTILITIES
184 BANK DRIVE, HARLAN KY 40831
PARCEL ID: 070-00-00-003.00

R - KATRINA G. TAYLOR & CHARLES M. TAYLOR
44 TARBOT LANE HARLAN, KY 40831
PARCEL ID: 069-40-00-089.00

S - KATRINA G. TAYLOR & CHARLES M. TAYLOR
44 TARBOT LANE HARLAN, KY 40831
PARCEL ID: 069-40-00-089.01

T - DANNY SMALLWOOD & JENNIFER SMALLWOOD
1485 HWY 1084 BAXTER, KY 40806
PARCEL ID: 069-40-00-082.00

U - DANNY K & JENNIFER SMALLWOOD
1485 HWY 1084, BAXTER, KY 40806
PARCEL ID: 069-40-00-081.00

V - DANNY SMALLWOOD
1485 HWY 1084 BAXTER, KY 40806
PARCEL ID: 069-40-00-080.00

W - EDWARD C GILES & WILLA JEAN GILES
PO BOX 83 HARLAN, KY 40831
PARCEL ID: 069-40-00-079.00

X - REDBOW INC.
PO BOX 130, MIDDLESBORO, KY 40965
PARCEL ID: 069-40-00-228.00

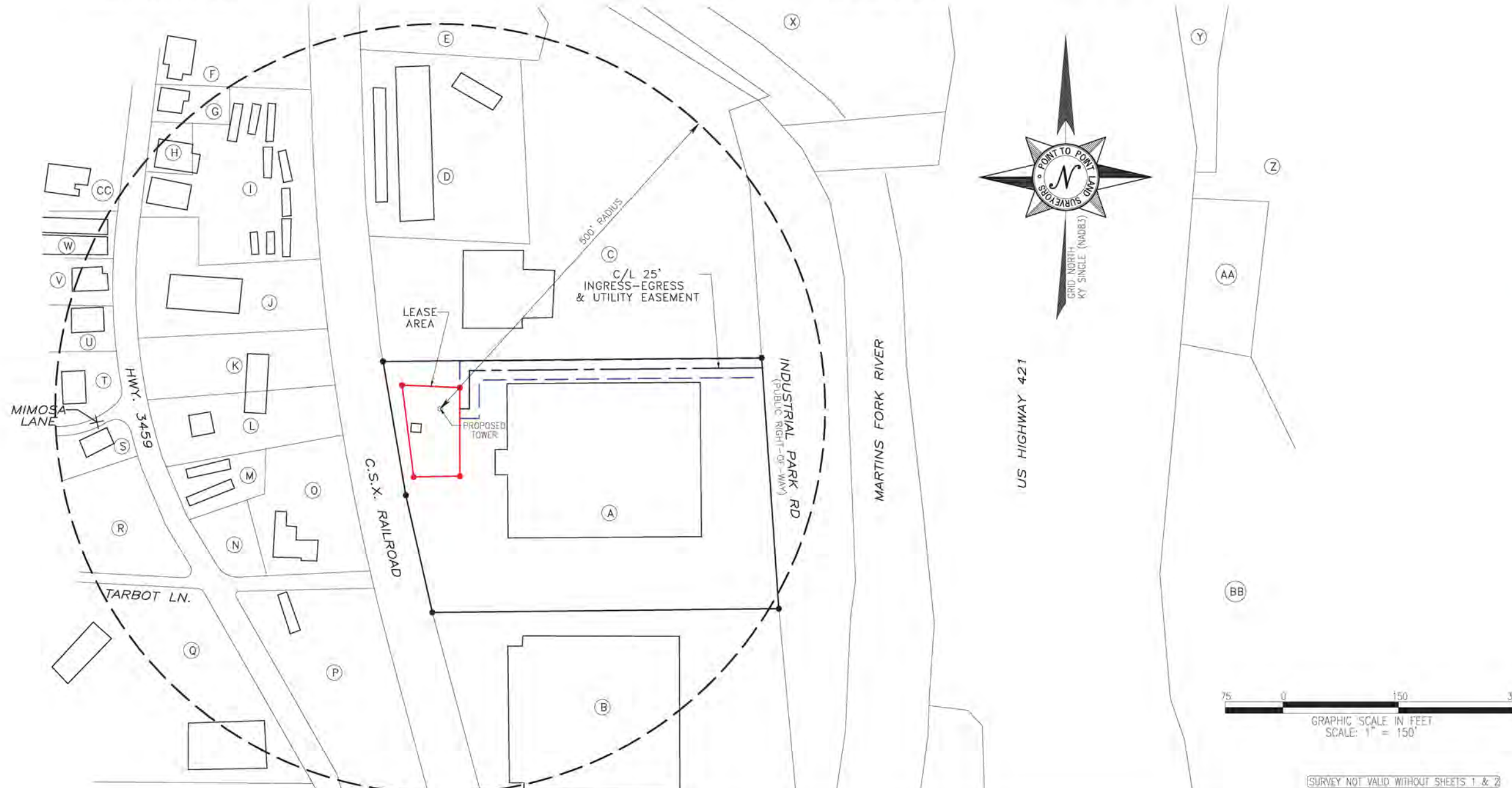
Y - MOUNTAIN RECOVERY REALTY LLC
149 SIMONTON DRIVE, HARLAN, KY 40831
PARCEL ID: 082-20-33-001.00

Z - CLOVERTOWN CHURCH OF GOD
P.O. BOX 1243, HARLAN, KY 40831
PARCEL ID: 082-20-39-018.00

AA - CLOVERTOWN CHURCH OF GOD
P.O. BOX 1243, HARLAN, KY 40831
PARCEL ID: 082-20-39-019.00

BB - ROBERT BURNS & KATHY
2311 W HWY 72, HARLAND KY 40831
PARCEL ID: 083-10-00-017.00

CC - CARL EDWARD & WILLA JEAN GILES
PO BOX 83, HARLAN, KY 40831
PARCEL ID: 069-40-00-078.00



STATE of KENTUCKY
G. DARRELL TAYLOR
4179
LICENSED PROFESSIONAL LAND SURVEYOR

NO.	DATE	REVISION
2	5-10-22	ING/EGR. ESMT.
3	3-1-23	FEMA BFE
4	8-4-23	500' RADIUS
5	8-29-23	COMMENTS

* SPECIFIC PURPOSE SURVEY PREPARED BY:
POINT TO POINT LAND SURVEYORS
100 Governors Trace, Ste. 103
Peachtree City, GA 30269
(p) 678.565.4440 (f) 678.565.4497
(w) pointtopointsurvey.com



SPECIFIC PURPOSE SURVEY PREPARED FOR:
TILLMAN INFRASTRUCTURE
TILLMAN INFRASTRUCTURE, LLC
152 W 57TH STREET, 27TH FLOOR
NEW YORK, NY 10019

15724961
HARLAN COUNTY, KENTUCKY

DRAWN BY: MK
CHECKED BY: DMM
APPROVED: D. MILLER
DATE: APRIL 05, 2022
P2P JOB #: 220384KY

SHEET:
3
OF 3

SURVEY NOT VALID WITHOUT SHEETS 1 & 2

ELECTRICAL INSTALLATION NOTES:

- ALL ELECTRICAL WORK SHALL BE PERFORMED IN ACCORDANCE WITH THE PROJECT SPECIFICATIONS, NEC AND ALL APPLICABLE LOCAL CODES.
- CONDUIT ROUTINGS ARE SCHEMATIC. SUBCONTRACTOR SHALL INSTALL CONDUITS SO THAT ACCESS TO EQUIPMENT IS NOT BLOCKED.
- WIRING, RACEWAY AND SUPPORT METHODS AND MATERIALS SHALL COMPLY WITH THE REQUIREMENTS OF THE NEC.
- ALL CIRCUITS SHALL BE SEGREGATED AND MAINTAIN MINIMUM CABLE SEPARATION AS REQUIRED BY THE NEC.
- CABLES SHALL NOT BE ROUTED THROUGH LADDER-STYLE CABLE TRAY RUNGS.
- EACH END OF EVERY POWER, POWER PHASE CONDUCTOR (I.E. HOTS), GROUNDING AND T1 CONDUCTOR AND CABLE SHALL BE LABELED WITH COLOR-CODED INSULATION OR ELECTRICAL TAPE (3M BRAND, 1/2" PLASTIC ELECTRICAL TAPE WITH UV PROTECTION, OR EQUAL). THE IDENTIFICATION METHOD SHALL CONFORM WITH NEC AND OSHA.
- ALL ELECTRICAL COMPONENTS SHALL BE CLEARLY LABELED WITH PLASTIC TAPE PER COLOR SCHEDULE. ALL EQUIPMENT SHALL BE LABELED WITH THEIR VOLTAGE RATING, BRANCH CIRCUIT ID NUMBERS (I.E. PANEL BOARD AND CIRCUIT ID'S).
- PANEL BOARDS (ID NUMBERS) AND INTERNAL CIRCUIT BREAKERS (CIRCUIT ID NUMBERS) SHALL BE CLEARLY LABELED WITH PLASTIC LABELS.
- ALL TIE WRAPS SHALL BE CUT FLUSH WITH APPROVED CUTTING TOOL TO REMOVE SHARP EDGES.
- POWER, CONTROL AND EQUIPMENT GROUND WIRING IN TUBING OR CONDUIT SHALL BE SINGLE CONDUCTOR (#14 AWG OR LARGER), 600V, OIL RESISTANT THHN OR THWN-2, CLASS B STRANDED COPPER CABLE RATED FOR 90° C (WET & DRY) OPERATION LISTED OR LABELED FOR THE LOCATION AND RACEWAY SYSTEM USED UNLESS OTHERWISE SPECIFIED.
- SUPPLEMENTAL EQUIPMENT GROUND WIRING LOCATED INDOORS SHALL BE SINGLE CONDUCTOR (#6 AWG OR LARGER), 600V, OIL RESISTANT THHN OR THWN-2 GREEN INSULATION CLASS B STRANDED COPPER CABLE RATED FOR 90° C (WET & DRY) OPERATION LISTED OR LABELED FOR THE LOCATION AND RACEWAY SYSTEM UNLESS OTHERWISE SPECIFIED.
- POWER, CONTROL AND EQUIPMENT GROUND WIRING NOT IN TUBING OR CONDUIT SHALL BE MULTI-CONDUCTOR, TYPE TC CABLE (#14 AWG OR LARGER), 600V, OIL RESISTANT THHN OR THWN-2, CLASS B STRANDED COPPER CABLE RATED FOR 90° C (WET & DRY) OPERATION WITH OUTER JACKET LISTED OR LABELED FOR THE LOCATION AND RACEWAY SYSTEM USED UNLESS OTHERWISE SPECIFIED.
- ALL POWER AND GROUNDING CONNECTIONS SHALL BE CRIMP-STYLE, COMPRESSION WIRE LUGS AND WIRE NUTS BY THOMAS AND BETTS (OR EQUAL). LUGS AND WIRE NUTS SHALL BE RATED FOR OPERATION AT NO LESS THAN 75° C (90° C IF AVAILABLE).
- RACEWAY AND CABLE TRAY SHALL BE LISTED OR LABELED FOR ELECTRICAL USE IN ACCORDANCE WITH NEMA, UL, ANSII/IEEC AND NEC.
- ELECTRICAL METALLIC TUBING (EMT) OR RIGID NONMETALLIC CONDUIT (I.E. RIGID PVC SCHEDULE 40 OR RIGID PVC SCHEDULE 80 FOR LOCATIONS SUBJECT TO PHYSICAL DAMAGE) SHALL BE USED FOR EXPOSED INDOOR LOCATIONS.
- ELECTRICAL METALLIC TUBING (EMT), ELECTRICAL NONMETALLIC TUBING (ENT) OR RIGID NONMETALLIC CONDUIT (RIGID PVC, SCHEDULE 40) SHALL BE USED FOR CONCEALED INDOOR LOCATIONS.
- GALVANIZED STEEL INTERMEDIATE METALLIC CONDUIT (IMC) SHALL BE USED FOR OUTDOOR LOCATIONS ABOVE GRADE.
- RIGID NONMETALLIC CONDUIT (I.E. RIGID PVC SCHEDULE 40 OR RIGID PVC SCHEDULE 80) SHALL BE USED UNDERGROUND; DIRECT BURIED, IN AREAS OF OCCASIONAL LIGHT VEHICLE TRAFFIC OR ENCASED IN REINFORCED CONCRETE IN AREAS OF HEAVY VEHICLE TRAFFIC.
- LIQUID-TITE FLEXIBLE METALLIC CONDUIT (LIQUID-TITE FLEX) SHALL BE USED INDOORS AND OUTDOORS, WHERE VIBRATION OCCURS OR FLEXIBILITY IS NEEDED.
- CONDUIT AND TUBING FITTINGS SHALL BE THREADED OR COMPRESSION-TYPE AND APPROVED FOR THE LOCATION USED. SET SCREW FITTINGS ARE NOT ACCEPTABLE.
- CABINETS, BOXES AND WIRE WAYS SHALL BE LABELED FOR ELECTRICAL USE IN ACCORDANCE WITH NEMA, UL, ANSII/IEEC AND NEC.
- WIREWAYS SHALL BE EPOXY-COATED (GRAY) AND INCLUDE A HINGED COVER, DESIGNED TO SWING OPEN DOWNWARDS; SHALL BE PANDUIT TYPE E (OR EQUAL); AND RATED NEMA 1 (OR BETTER).

ELECTRICAL INSTALLATION NOTES CONTINUED:

- EQUIPMENT CABINETS, TERMINAL BOXES, JUNCTION BOXES AND PULL BOXES SHALL BE GALVANIZED OR EPOXY-COATED SHEET STEEL. SHALL MEET OR EXCEED UL 50 AND RATED NEMA 1 (OR BETTER) INDOORS OR NEMA 3 (OR BETTER) OUTDOORS.
- METAL RECEPTACLE, SWITCH AND DEVICE BOXES SHALL BE GALVANIZED, EPOXY-COATED OR NON-CORRODING; SHALL MEET OR EXCEED UL 514A AND NEMA OS 1; AND RATED NEMA 1 (OR BETTER) INDOORS OR WEATHER PROTECTED (WP OR BETTER) OUTDOORS.
- NONMETALLIC RECEPTACLE, SWITCH AND DEVICE BOXES SHALL MEET OR EXCEED NEMA OS 2; AND RATED NEMA 1 (OR BETTER) INDOORS OR WEATHER PROTECTED (WP OR BETTER) OUTDOORS.
- THE SUBCONTRACTOR SHALL NOTIFY AND OBTAIN NECESSARY AUTHORIZATION FROM THE CONTRACTOR BEFORE COMMENCING WORK ON THE AC POWER DISTRIBUTION PANELS.
- THE SUBCONTRACTOR SHALL PROVIDE NECESSARY TAGGING ON THE BREAKERS, CABLES AND DISTRIBUTION PANELS IN ACCORDANCE WITH THE APPLICABLE CODES AND STANDARDS TO SAFEGUARD AGAINST LIFE AND PROPERTY.
- INSTALL PLASTIC LABEL ON THE METER CENTER IDENTIFYING SPECIFIC CARRIER.

KEY NOTES: (SEE GROUNDING PLAN DIAGRAM - SHEET G1)

- TOWER GROUNDING:** EXTEND #2 SOLID TINNED CU WIRE FROM BURIED GROUND RING TO TOWER AND MAKE EXOTHERMIC CONNECTION.
- GROUND ROD:** COPPER CLAD STEEL, 3/4"Ø X TEN (10) FEET LONG.
- ICE BRIDGE SUPPORT POST GROUNDING:** EXTEND #2 TINNED CU WIRE FROM BURIED GROUND RING TO ALL ICE BRIDGE SUPPORT POST WITH CADWELD CONNECTION WELD.
- FENCE GROUNDING:** IF FENCE IS WITHIN 6' OF GROUNDING RING, EXTEND #2 TINNED CU WIRE FROM BURIED GROUND RING TO FENCE CORNER POSTS AND EXOTHERMICALLY WELDED. BOND INTERMEDIATE POST IF REQUIRED TO MAINTAIN 25' MAX. SPACING.
- TOWER GROUNDING BAR:** EXTEND #2 TINNED CU WIRE FROM BURIED GROUND RING UP TO THE TOWER GROUND BAR AND MAKE A MECHANICAL CONNECTION. SECURE GROUND BAR DIRECTLY TO TOWER WITH ISOLATOR KIT USING STAINLESS STEEL MOUNTING MATERIAL.
- MULTI TENANT UTILITY FRAME:** BOND METER, TELCO BOX AND FRAME POST TO COMPOUND GROUND RING WITH MECHANICAL CONNECTION AT CABINET AND EXOTHERMIC WELD AT GROUND RING.
- ANTENNA GROUND BAR:** MOUNT GROUND BAR DIRECTLY TO THE TOWER AT TOP OF COAX RUNS. SECURE TO TOWER WITH ISOLATOR KIT USING STAINLESS STEEL MOUNTING MATERIAL.
- FENCE/GATE:** BOND ALL FENCE POSTS AND GATES TO COMPOUND GROUND RING WITH EXOTHERMIC WELDS.
- EXTERIOR GFCI RECEPTACLE GROUNDING:** EXTEND #2 TINNED CU WIRE FROM BURIED GROUND RING TO THE EXTERIOR GFCI RECEPTACLE AND MAKE A MECHANICAL CONNECTION.

GREENFIELD GROUNDING NOTES:

- ALL GROUND ELECTRODE SYSTEMS (INCLUDING TELECOMMUNICATION, RADIO, LIGHTNING PROTECTION AND AC POWER GES'S) SHALL BE BONDED TOGETHER AT OR BELOW GRADE, BY TWO OR MORE COPPER BONDING CONDUCTORS IN ACCORDANCE WITH THE NEC.
- THE SUBCONTRACTOR SHALL PERFORM IEEE FALL-OF-POTENTIAL RESISTANCE TO EARTH TESTING (PER IEEE 11000 AND 81) FOR GROUND ELECTRODE SYSTEMS, THE SUBCONTRACTOR SHALL FURNISH AND INSTALL SUPPLEMENTAL GROUND ELECTRODES AS NEEDED TO ACHIEVE A TEXT RESULT OF 5 OHMS OR LESS.
- THE SUBCONTRACTOR IS RESPONSIBLE FOR PROPERLY SEQUENCING GROUNDING AND UNDERGROUND CONDUIT INSTALLATION AS TO PREVENT ANY LOSS OF CONTINUITY IN THE GROUNDING SYSTEM OR DAMAGE TO THE CONDUIT AND PROVIDE TESTING RESULTS.
- METAL CONDUIT AND TRAY SHALL BE GROUNDED AND MADE ELECTRICALLY CONTINUOUS WITH LISTED BONDING FITTINGS OR BY BONDING ACROSS THE DISCONTINUITY WITH #6 AWG COPPER WIRE UL APPROVED GROUNDING TYPE CONDUIT CLAMPS.
- METAL RACEWAY SHALL NOT BE USED AS THE NEC REQUIRED EQUIPMENT GROUND CONDUCTOR. STRANDED COPPER CONDUCTORS WITH GREEN INSULATION, SIZED IN ACCORDANCE WITH THE NEC, SHALL BE FURNISHED AND INSTALLED WITH THE POWER CIRCUITS TO BTS EQUIPMENT.
- EACH BTS CABINET FRAME SHALL BE DIRECTLY CONNECTED TO THE MASTER GROUND BAR WITH GREEN INSULATED SUPPLEMENTAL EQUIPMENT GROUND WIRES, #6 AWG STRANDED COPPER OR LARGER FOR INDOOR BTS; 32 AWG SOLID TINNED COPPER FOR OUTDOOR BTS.

- ALL EXTERIOR GROUND CONDUCTORS BETWEEN EQUIPMENT/GROUND BARS AND THE GROUND RING SHALL BE #2 AWG SOLID TINNED COPPER UNLESS OTHERWISE INDICATED.
- ALUMINUM CONDUCTOR OR COPPER CLAD STEEL CONDUCTOR SHALL NOT BE USED FOR GROUNDING CONNECTIONS.
- USE OF 90° BENDS IN THE PROTECTION GROUNDING CONDUCTORS SHALL BE AVOIDED WHEN 45° BENDS CAN BE ADEQUATELY SUPPORTED.
- EXOTHERMIC WELDS SHALL BE USED FOR ALL GROUNDING CONNECTIONS BELOW GRADE.
- ALL GROUND CONNECTION ABOVE GRADE (INTERIOR AND EXTERIOR) SHALL BE FORMED USING HIGH PRESS CRIMPS.
- COMPRESSION GROUND CONNECTIONS MAY BE REPLACED BY EXOTHERMIC WELD CONNECTIONS.
- ICE BRIDGE BONDING CONDUCTORS SHALL BE EXOTHERMICALLY BONDED OR BOLTED TO THE BRIDGE AND THE TOWER GROUND BAR.
- APPROVED ANTIOXIDANT COATINGS (I.E. CONDUCTIVE GEL OR PASTE) SHALL BE USED ON ALL COMPRESSION AND BOLTED GROUND CONNECTIONS.
- ALL EXTERIOR GROUND CONNECTIONS SHALL BE COATED WITH A CORROSION RESISTANT MATERIAL.
- MISCELLANEOUS ELECTRICAL AND NON-ELECTRICAL METAL BOXES, FRAMES AND SUPPORTS SHALL BE BONDED TO THE GROUND RING, IN ACCORDANCE WITH THE NEC.
- BOND ALL METALLIC OBJECTS WITHIN 6 FT. OF MAIN GROUND WIRES WITH (1) #2 AWG TIN-PLATED COPPER GROUND CONDUCTOR.
- GROUND CONDUCTORS USED IN THE FACILITY GROUND AND LIGHTNING PROTECTION SYSTEMS SHALL NOT BE ROUTED THROUGH METALLIC OBJECTS THAT FORM A RING AROUND THE CONDUCTOR, SUCH AS METALLIC CONDUITS, METAL SUPPORT CLIPS OR SLEEVES THROUGH WALL OR FLOORS, WHEN IT IS REQUIRED TO BE HOUSED IN CONDUIT TO MEET CODE REQUIREMENTS OF LOCAL CONDITIONS, NON-METALIC MATERIAL SUCH AS PVC PLASTIC CONDUIT SHALL BE USED. WHERE USE OF METAL CONDUIT IS UNAVOIDABLE (E.G. NONMETALLIC CONDUIT PROHIBITED BY LOCAL CODE) THE GROUND CONDUCTOR SHALL BE BONDED TO EACH END OF THE METAL CONDUIT.

PREPARED FOR:



A&E FIRM:



1355 WINDWARD CONCOURSE
SUITE 410
ALPHARETTA, GA 30005
TEL: 678-990-2338

THE INFORMATION CONTAINED IN THIS SET OF DOCUMENTS IS PROPRIETARY BY NATURE. ANY USE OR DISCLOSURE OTHER THAN THAT WHICH RELATES TO THE CLIENT IS STRICTLY PROHIBITED.

PROJECT INFORMATION:

CLOVER FORK
15724961
22295

DRAWN BY:	SJH
CHECKED BY:	MAT
APPROVED BY:	PJN

REVISIONS

REV.	DATE	DESCRIPTION
0	09/06/23	ISSUED FOR FINALS



09/06/2023

SHEET TITLE:

GENERAL NOTES

SHEET #:

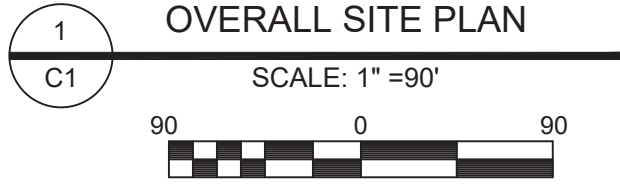
GN2

REVISION:

0



SURVEY NOTE:
 1. TILLMAN INFRASTRUCTURE STAFF SHALL COORDINATE WITH THE PROPERTY OWNER TO OBTAIN THE PROPER EASEMENT AGREEMENTS TO CONSTRUCT AND MAINTAIN EQUIPMENT IN AND AROUND THE TOWER COMPOUND.
 2. PROPOSED COMPOUND LAYOUT BASED ON SURVEY PROVIDED BY POINT TO POINT LAND SURVEYORS DATED 03/01/2023 AND SITE VISIT ON 03/08/2022.



NOTE:
 SITE DESIGN HAS NOT BEEN COORDINATED WITH FINAL STAMPED TOWER FABRICATION DRAWINGS. CONTRACTOR SHALL VERIFY ALL DIMENSIONS AND ANGLES ON THIS SITE DESIGN WITH FINAL STAMPED TOWER DRAWINGS PRIOR TO BEGINNING CONSTRUCTION. NOTIFY ENGINEER IMMEDIATELY IF ANY DISCREPANCIES ARE DISCOVERED.

PREPARED FOR:
TILLMAN
INFRASTRUCTURE

A&E FIRM:
towersource
 A NextEdge Company
 1355 WINDWARD CONCOURSE
 SUITE 410
 ALPHARETTA, GA 30005
 TEL: 678-990-2338

THE INFORMATION CONTAINED IN THIS SET OF DOCUMENTS IS PROPRIETARY BY NATURE. ANY USE OR DISCLOSURE OTHER THAN THAT WHICH RELATES TO THE CLIENT IS STRICTLY PROHIBITED.

PROJECT INFORMATION:
CLOVER FORK
15724961
22295

DRAWN BY:	SJH
CHECKED BY:	MAT
APPROVED BY:	PJN

REVISIONS		
REV.	DATE	DESCRIPTION
0	09/06/23	ISSUED FOR FINALS



09/06/2023

SHEET TITLE:
OVERALL SITE PLAN

SHEET #:	REVISION:
C1	0

ELEVATION CERTIFICATE

Important: Follow the instructions on pages 1-9.

Copy all pages of this Elevation Certificate and all attachments for (1) community official, (2) insurance agent/company, and (3) building owner.

SECTION A – PROPERTY INFORMATION						FOR INSURANCE COMPANY USE	
A1. Building Owner's Name Tillman Infrastructure						Policy Number:	
A2. Building Street Address (including Apt., Unit, Suite, and/or Bldg. No.) or P.O. Route and Box No. 227 Industrial Park Road						Company NAIC Number:	
City Harlan		State Kentucky		ZIP Code 40831			
A3. Property Description (Lot and Block Numbers, Tax Parcel Number, Legal Description, etc.) Parcel ID 069-40-00-230.00, Deed Book 479 ,Page 151							
A4. Building Use (e.g., Residential, Non-Residential, Addition, Accessory, etc.) <u>Telecommunication</u>							
A5. Latitude/Longitude: Lat. <u>36.835783</u> Long. <u>-83.327628</u> Horizontal Datum: <input type="checkbox"/> NAD 1927 <input checked="" type="checkbox"/> NAD 1983							
A6. Attach at least 2 photographs of the building if the Certificate is being used to obtain flood insurance.							
A7. Building Diagram Number <u>5</u>							
A8. For a building with a crawlspace or enclosure(s):							
a) Square footage of crawlspace or enclosure(s) <u>N/A</u> sq ft							
b) Number of permanent flood openings in the crawlspace or enclosure(s) within 1.0 foot above adjacent grade <u>N/A</u>							
c) Total net area of flood openings in A8.b <u>N/A</u> sq in							
d) Engineered flood openings? <input type="checkbox"/> Yes <input checked="" type="checkbox"/> No							
A9. For a building with an attached garage:							
a) Square footage of attached garage <u>N/A</u> sq ft							
b) Number of permanent flood openings in the attached garage within 1.0 foot above adjacent grade <u>N/A</u>							
c) Total net area of flood openings in A9.b <u>N/A</u> sq in							
d) Engineered flood openings? <input type="checkbox"/> Yes <input checked="" type="checkbox"/> No							
SECTION B – FLOOD INSURANCE RATE MAP (FIRM) INFORMATION							
B1. NFIP Community Name & Community Number Harlan County - 210098				B2. County Name Harlan County		B3. State Kentucky	
B4. Map/Panel Number 21095C0279	B5. Suffix F	B6. FIRM Index Date 08-10-2021	B7. FIRM Panel Effective/ Revised Date 08-10-2021	B8. Flood Zone(s) AE	B9. Base Flood Elevation(s) (Zone AO, use Base Flood Depth) 1185.0		
B10. Indicate the source of the Base Flood Elevation (BFE) data or base flood depth entered in Item B9: <input checked="" type="checkbox"/> FIS Profile <input type="checkbox"/> FIRM <input type="checkbox"/> Community Determined <input type="checkbox"/> Other/Source: _____							
B11. Indicate elevation datum used for BFE in Item B9: <input type="checkbox"/> NGVD 1929 <input checked="" type="checkbox"/> NAVD 1988 <input type="checkbox"/> Other/Source: _____							
B12. Is the building located in a Coastal Barrier Resources System (CBRS) area or Otherwise Protected Area (OPA)? <input type="checkbox"/> Yes <input checked="" type="checkbox"/> No Designation Date: _____ <input type="checkbox"/> CBRS <input type="checkbox"/> OPA							

PREPARED FOR:



A&E FIRM:



1355 WINDWARD CONCOURSE
SUITE 410
ALPHARETTA, GA 30005
TEL: 678-990-2338

THE INFORMATION CONTAINED IN THIS SET OF DOCUMENTS IS PROPRIETARY BY NATURE. ANY USE OR DISCLOSURE OTHER THAN THAT WHICH RELATES TO THE CLIENT IS STRICTLY PROHIBITED.

PROJECT INFORMATION:

CLOVER FORK
15724961
22295

DRAWN BY:	SJH
CHECKED BY:	MAT
APPROVED BY:	PJN

REVISIONS		
REV.	DATE	DESCRIPTION
0	09/06/23	ISSUED FOR FINALS



09/06/2023

SHEET TITLE:
**FLOOD ELEVATION
CERTIFICATE**

SHEET #: C1.1	REVISION: 0
-------------------------	-----------------------



PREPARED FOR:



A&E FIRM:



1355 WINDWARD CONCOURSE
SUITE 410
ALPHARETTA, GA 30005
TEL: 678-990-2338

THE INFORMATION CONTAINED IN THIS SET OF DOCUMENTS IS PROPRIETARY BY NATURE. ANY USE OR DISCLOSURE OTHER THAN THAT WHICH RELATES TO THE CLIENT IS STRICTLY PROHIBITED.

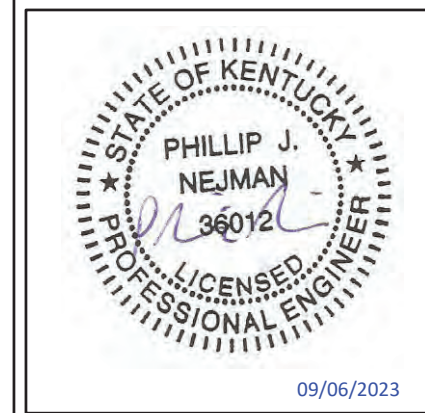
PROJECT INFORMATION:

CLOVER FORK
15724961
22295

DRAWN BY:	SJH
CHECKED BY:	MAT
APPROVED BY:	PJN

REVISIONS

REV.	DATE	DESCRIPTION
0	09/06/23	ISSUED FOR FINALS



- PIN**
 - Approximate location based on user input and does not represent an authoritative property location
- MAP PANELS**
 - Selected FloodMap Boundary
 - Digital Data Available
 - No Digital Data Available
 - Unmapped
- OTHER AREAS**
 - NO SCREEN Area of Minimal Flood Hazard Zone X
 - Effective LOMRs
 - Area of Undetermined Flood Hazard Zone D
 - Otherwise Protected Area
 - Coastal Barrier Resource System Area

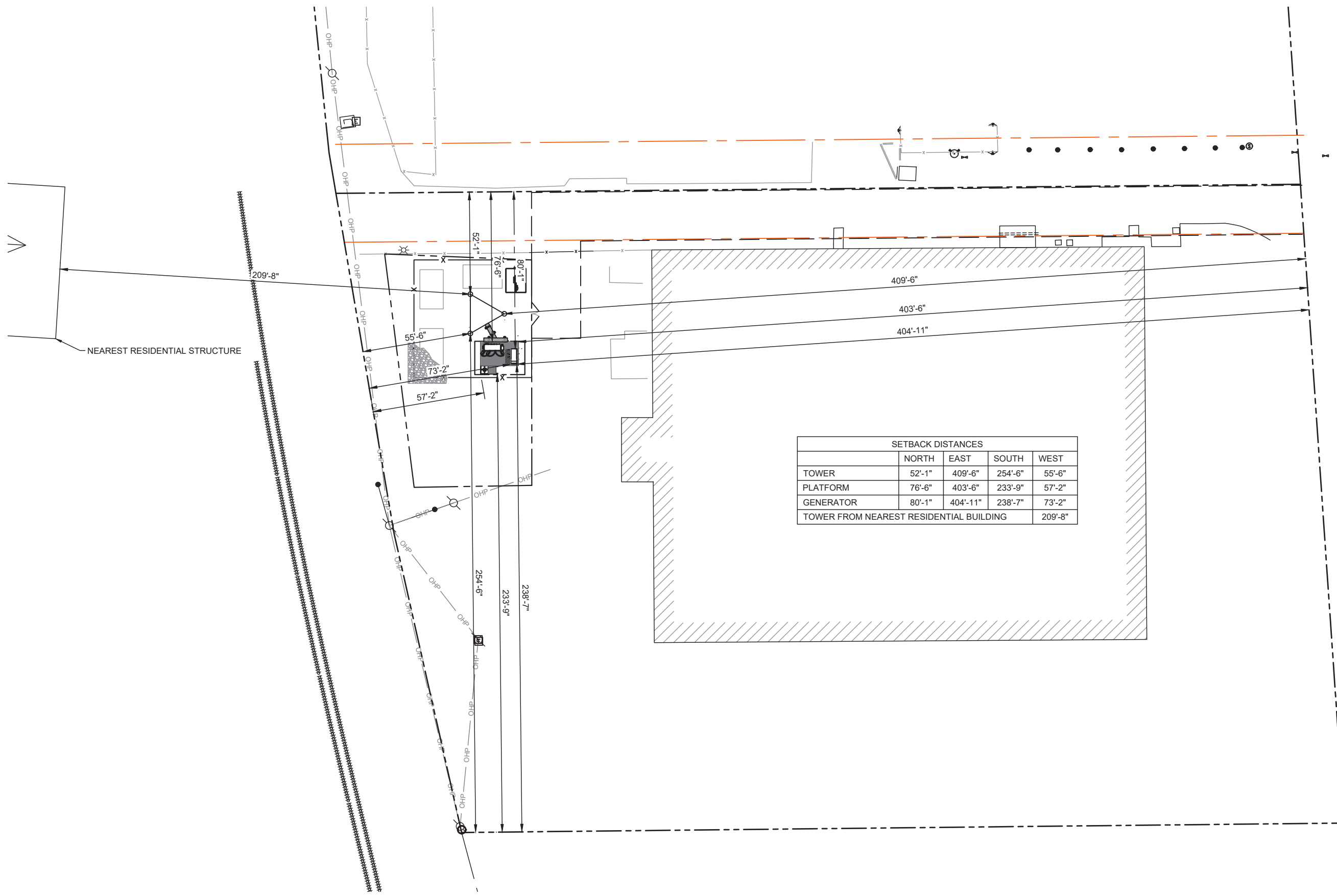
- SPECIAL FLOOD HAZARD AREAS**
 - Without Base Flood Elevation (BFE) Zone A, V, A99
 - With BFE or Depth
 - Regulatory Floodway Zone AE, AO, AH, VE, AR
- OTHER AREAS OF FLOOD HAZARD**
 - 0.2% Annual Chance Flood Hazard. Areas of 1% annual chance flood with average depth less than one foot or with drainage areas of less than one square mile. Zone X
 - Future Conditions 1% Annual Chance Flood Hazard Zone X
 - Area with Reduced Flood Risk due to Levee. See Notes. Zone X
 - Area with Flood Risk due to Levee Zone D

- OTHER FEATURES**
 - 20.2 Cross Sections with 1% Annual Chance
 - 17.5 Water Surface Elevation
 - Coastal Transect
 - Base Flood Elevation Line (BFE)
 - Limit of Study
 - Jurisdiction Boundary
 - Coastal Transect Baseline
 - Profile Baseline
 - Hydrographic Feature
- GENERAL STRUCTURES**
 - Channel, Culvert, or Storm Sewer
 - Levee, Dike, or Floodwall

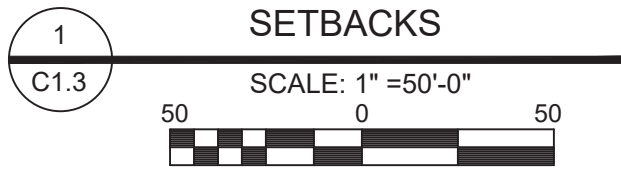
1 FLOODPLAIN MAP
C1.2 NOT TO SCALE

SHEET TITLE:
FLOODPLAIN MAP

SHEET #: **C1.2** REVISION: **0**



SETBACK DISTANCES				
	NORTH	EAST	SOUTH	WEST
TOWER	52'-1"	409'-6"	254'-6"	55'-6"
PLATFORM	76'-6"	403'-6"	233'-9"	57'-2"
GENERATOR	80'-1"	404'-11"	238'-7"	73'-2"
TOWER FROM NEAREST RESIDENTIAL BUILDING	209'-8"			



PREPARED FOR:
TILLMAN
INFRASTRUCTURE

A&E FIRM:
towersource
 A NextEdge Company
 1355 WINDWARD CONCOURSE
 SUITE 410
 ALPHARETTA, GA 30005
 TEL: 678-990-2338

THE INFORMATION CONTAINED IN THIS SET OF DOCUMENTS IS PROPRIETARY BY NATURE. ANY USE OR DISCLOSURE OTHER THAN THAT WHICH RELATES TO THE CLIENT IS STRICTLY PROHIBITED.

PROJECT INFORMATION:
CLOVER FORK
15724961
22295

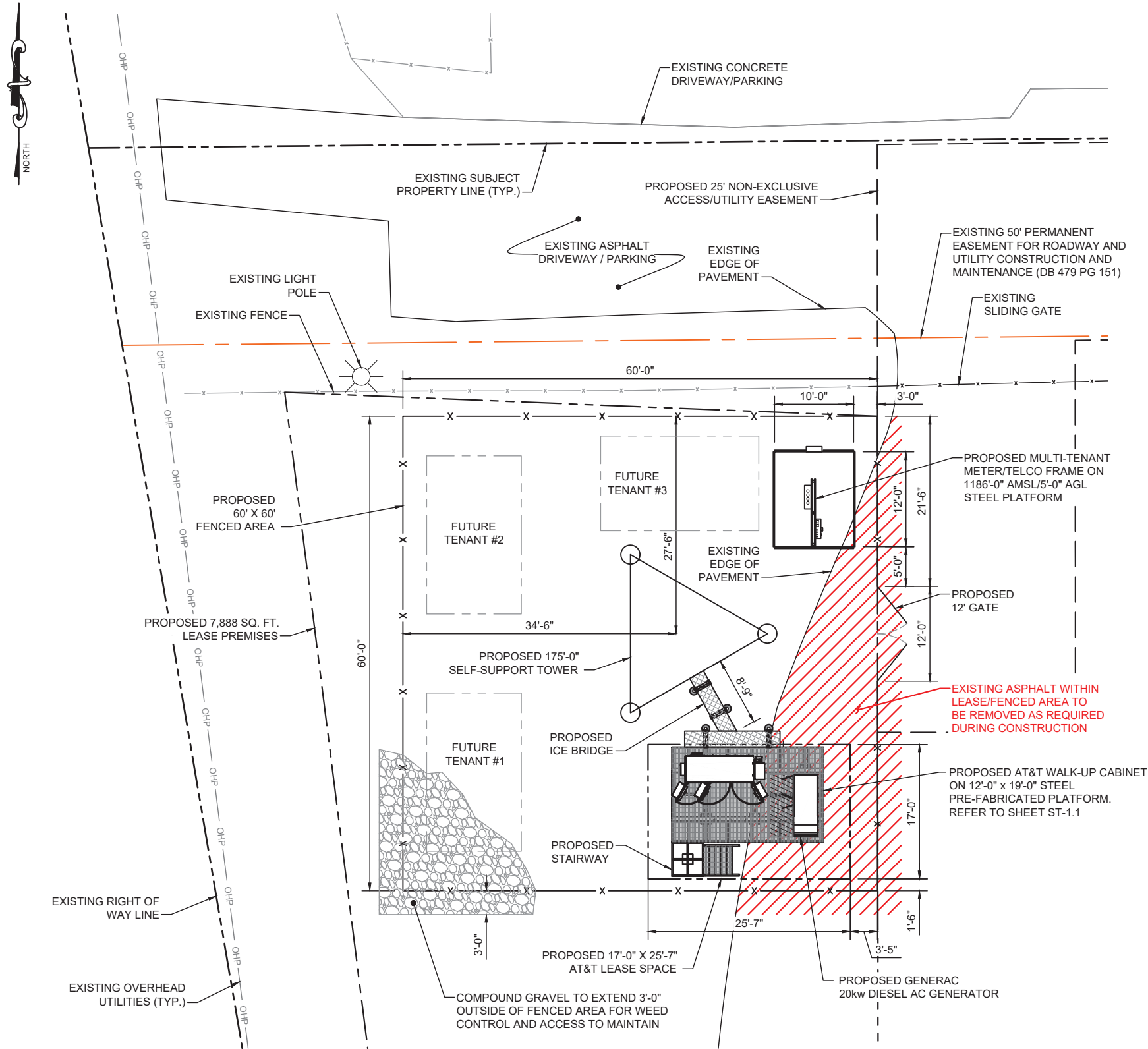
DRAWN BY: SJH
 CHECKED BY: MAT
 APPROVED BY: PJN

REVISIONS		
REV.	DATE	DESCRIPTION
0	09/06/23	ISSUED FOR FINALS

STATE OF KENTUCKY
 PHILLIP J. NEJMAN
 36012
 LICENSED PROFESSIONAL ENGINEER
 09/06/2023

SHEET TITLE:
FLOODPLAIN MAP

SHEET #: **C1.3** REVISION: **0**



1 **SITE PLAN**
C2 **SCALE: 1" = 16'-0"**

FLOOD PLAIN NOTE
 PER THE FEMA FLOOD PLAIN MAPS, THE SITE IS LOCATED IN AN AREA DESIGNATED AS ZONE "AE" (AREA WITH BASE FLOOD ELEVATION 1185 FEET). COMMUNITY PANEL # 21095C0279F, DATED 08/10/2021.

GENERAL NOTES:

- ALL MATERIALS AND WORKMANSHIP SHALL CONFORM TO THE DRAWINGS AND SPECIFICATIONS. ALL WORK SHALL BE DONE IN ACCORDANCE WITH THE LATEST EDITION OF THE STATE, LOCAL AND NATIONAL CODES, ORDINANCES AND OR REGULATIONS APPLICABLE TO THIS PROJECT.
- THE CONTRACTOR SHALL BE RESPONSIBLE FOR COORDINATING THE WORK OF ALL TRADES AND SHALL CHECK ALL DIMENSIONS. ALL DISCREPANCIES SHALL BE CALLED TO THE ATTENTION OF THE TILLMAN INFRASTRUCTURE CONSTRUCTION MANAGER AND/OR ENGINEER AND BE RESOLVED BEFORE PROCEEDING WITH WORK. WHERE THERE IS A CONFLICT BETWEEN DRAWING AND TILLMAN INFRASTRUCTURE SPECIFICATIONS, THE TILLMAN INFRASTRUCTURE CONSTRUCTION MANAGER SHOULD BE CONTACTED FOR CLARIFICATION.
- ALL INFORMATION SHOWN ON THE DRAWINGS RELATIVE TO EXISTING CONDITIONS IS GIVEN AS THE BEST PRESENT KNOWLEDGE, BUT WITHOUT GUARANTEE OF ACCURACY. WHERE ACTUAL CONDITIONS CONFLICT WITH THE DRAWINGS, THEY SHALL BE REPORTED TO THE TILLMAN INFRASTRUCTURE CONSTRUCTION MANAGER AND/OR ENGINEER SO THAT PROPER REVISIONS MAY BE MADE. MODIFICATION OF DETAILS OF CONSTRUCTION SHALL NOT BE MADE WITHOUT WRITTEN APPROVAL OF THE CONSTRUCTION MANAGER AND/OR ENGINEER.
- CONTRACTOR SHALL REVIEW AND BE FAMILIAR WITH SITE CONDITIONS AS SHOWN ON THE ATTACHED SITE PLAN AND/OR SURVEY DRAWINGS.
- ALL FINISHED GRADES SHALL SLOPE MINIMUM 1/4 IN./FT. AWAY FROM EQUIPMENT IN ALL DIRECTIONS. CONTRACTOR SHALL SLOPE SWALES AS REQUIRED ALONG EXISTING TERRAIN TO DRAIN AWAY FROM COMPOUND AND ACCESS DRIVE.
- THE PROPOSED TOWER AND TOWER FOUNDATIONS WERE DESIGNED BY OTHERS. TOWER INFORMATION PROVIDED ON THESE PLANS ARE PROVIDED FOR REFERENCE PURPOSES ONLY. TOWER DIMENSIONS SHOWN ON THIS PLAN ARE FOR TOWER CENTER LOCATION. DO NOT SCALE. NOTIFY ENGINEER OR TILLMAN INFRASTRUCTURE CONSTRUCTION MANAGER OF ANY CONFLICTS OR DISCREPANCIES.
- THE CONTRACTOR SHALL PROVIDE ADEQUATE EXCAVATION SLOPING, SHORING, BRACING, AND GUYS IN ACCORDANCE WITH ALL NATIONAL, STATE, AND LOCAL SAFETY ORDINANCES.
- UPON COMPLETION OF CONSTRUCTION, CONTRACTOR IS RESPONSIBLE FOR REPAIRING ANY DAMAGE CAUSED BY CONSTRUCTION ACTIVITIES TO THE EXISTING ACCESS ROAD AND COMPOUND GRAVEL AREAS. ANY NEW FILL MATERIALS SHALL BE COMPACTED.
- THE CONTRACTOR IS HEREBY NOTIFIED THAT PRIOR TO COMMENCING CONSTRUCTION, HE IS RESPONSIBLE FOR CONTACTING THE UTILITY COMPANIES INVOLVED AND SHALL REQUEST A VERIFICATION AT THE CONSTRUCTION SITE OF THE LOCATIONS OF THEIR UNDERGROUND UTILITIES AND WHERE THEY MAY POSSIBLY CONFLICT WITH THE PLACEMENT OF IMPROVEMENTS AS SHOWN ON THESE PLANS. THE CONTRACTOR OR ANY SUBCONTRACTOR FOR THIS CONTRACT WILL BE REQUIRED TO NOTIFY "STATE 811" 48 HOURS IN ADVANCE OF PERFORMING ANY WORK. ANY UTILITIES DAMAGED BY CONSTRUCTION ACTIVITIES SHALL BE REPAIRED BY THE CONTRACTOR, AT NO EXPENSE TO THE OWNER.
- CONTRACTOR TO PROVIDE DUMPSTER AND PORTABLE TOILET FACILITY DURING CONSTRUCTION.
- CONTRACTOR TO PROVIDE STYMIE LOCK OR EQUIVALENT AS APPROVED BY TILLMAN INFRASTRUCTURE CONSTRUCTION MANAGER.

SURVEY NOTE:

- TILLMAN INFRASTRUCTURE STAFF SHALL COORDINATE WITH THE PROPERTY OWNER TO OBTAIN THE PROPER EASEMENT AGREEMENTS TO CONSTRUCT AND MAINTAIN EQUIPMENT IN AND AROUND THE TOWER COMPOUND.
- PROPOSED COMPOUND LAYOUT BASED ON SURVEY PROVIDED BY POINT TO POINT LAND SURVEYORS DATED 03/01/2023 AND SITE VISIT ON 03/08/2022.

NOTE:
 THERE WILL BE ONE OR TWO TRIPS PER MONTH FOR MAINTENANCE PURPOSES TO THIS SITE (ONCE CONSTRUCTION IS COMPLETED).

- NOTES:**
- CONTRACTOR TO CLEAR AND GRUB EXISTING VEGETATION AND REMOVE TREES AS NEEDED WITHIN ACCESS ROAD AND TURNAROUND AREA.
 - CONTRACTOR TO VERIFY WITH TILLMAN CM IF THE EXTENT OF CLEARING AND GRUBBING AND THE TREE REMOVAL IS THE LEASE AREA, FENCED AREA OR A SPECIFIC DISTANCE BEYOND FENCED AREA.

PREPARED FOR:

A&E FIRM:

1355 WINDWARD CONCOURSE
 SUITE 410
 ALPHARETTA, GA 30005
 TEL: 678-990-2338

THE INFORMATION CONTAINED IN THIS SET OF DOCUMENTS IS PROPRIETARY BY NATURE. ANY USE OR DISCLOSURE OTHER THAN THAT WHICH RELATES TO THE CLIENT IS STRICTLY PROHIBITED.

PROJECT INFORMATION:

CLOVER FORK
15724961
22295

DRAWN BY:	SJH
CHECKED BY:	MAT
APPROVED BY:	PJN

REVISIONS

REV.	DATE	DESCRIPTION
0	09/06/23	ISSUED FOR FINALS

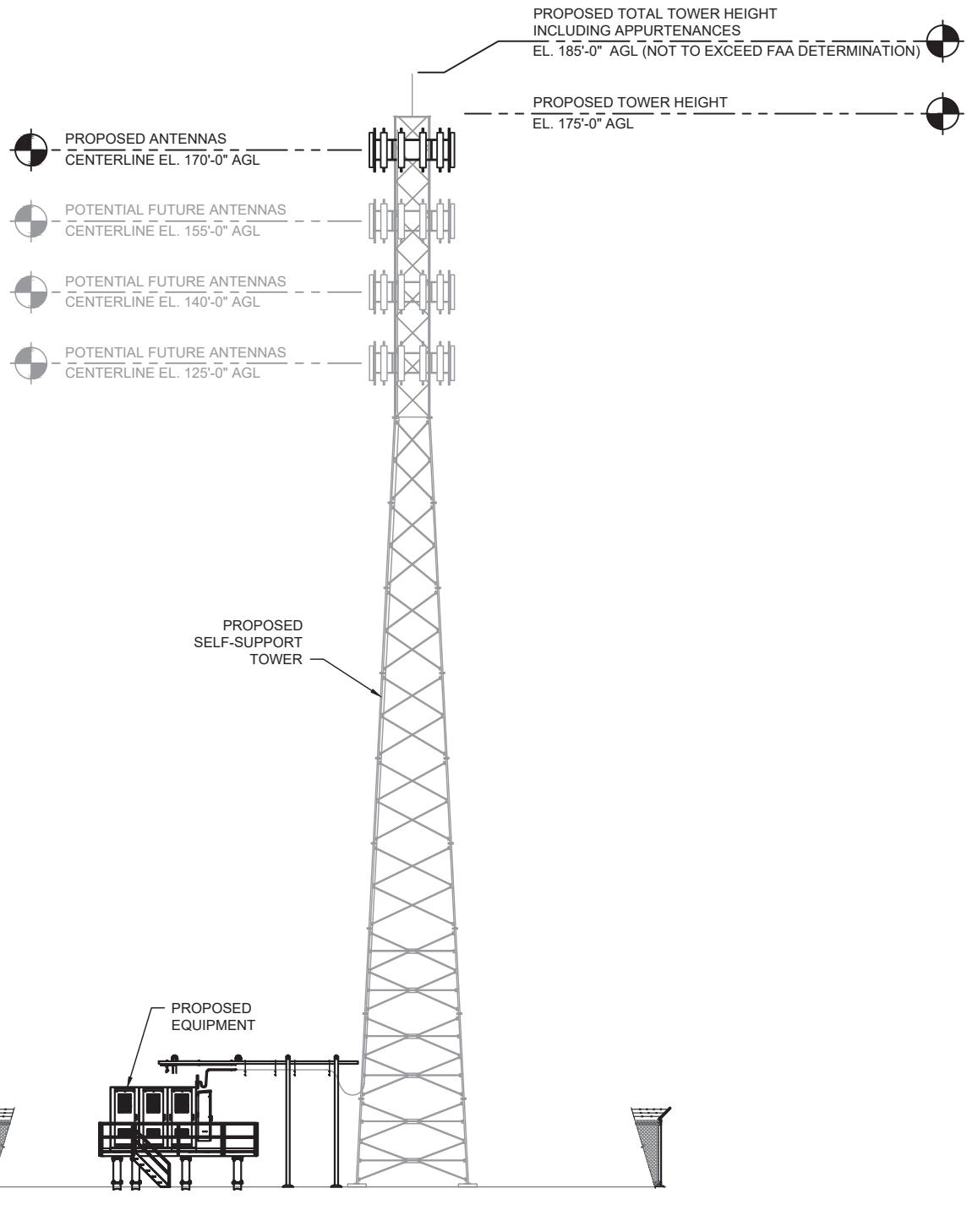
SHEET TITLE:
SITE PLAN

SHEET #: **C2** REVISION: **0**

NOTES:

- CALCULATIONS FOR THE STRUCTURE AND THE ANTENNA MOUNTS WERE PREPARED BY OTHERS AND THOSE CALCULATIONS CERTIFY THE CAPACITY OF THE STRUCTURE TO SUPPORT THE NEW EQUIPMENT.
- CABLES NOT SHOWN FOR CLARITY.

NOTE:
 SITE DESIGN HAS NOT BEEN COORDINATED WITH FINAL STAMPED TOWER FABRICATION DRAWINGS. CONTRACTOR SHALL VERIFY ALL DIMENSIONS AND ANGLES ON THIS SITE DESIGN WITH FINAL STAMPED TOWER DRAWINGS PRIOR TO BEGINNING CONSTRUCTION. NOTIFY ENGINEER IMMEDIATELY IF ANY DISCREPANCIES ARE DISCOVERED.



1 TOWER ELEVATION
 C3 NOT TO SCALE

PREPARED FOR:

TILLMAN
INFRASTRUCTURE

A&E FIRM:

towersource
 A NextEdge Company

1355 WINDWARD CONCOURSE
 SUITE 410
 ALPHARETTA, GA 30005
 TEL: 678-990-2338

THE INFORMATION CONTAINED IN THIS SET OF DOCUMENTS IS PROPRIETARY BY NATURE. ANY USE OR DISCLOSURE OTHER THAN THAT WHICH RELATES TO THE CLIENT IS STRICTLY PROHIBITED.

PROJECT INFORMATION:

CLOVER FORK
15724961
22295

DRAWN BY:	SJH
CHECKED BY:	MAT
APPROVED BY:	PJN

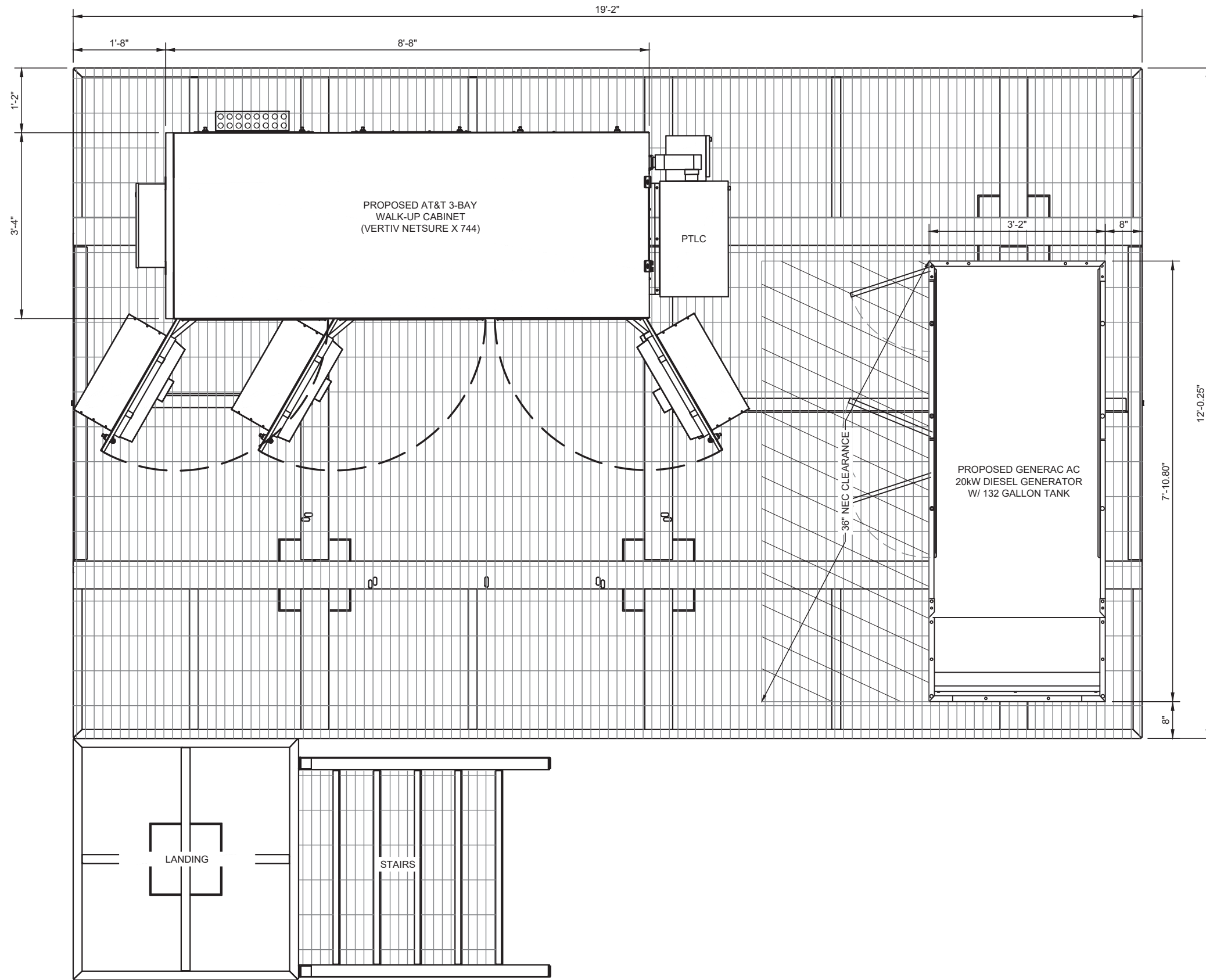
REVISIONS		
REV.	DATE	DESCRIPTION
0	09/06/23	ISSUED FOR FINALS

STATE OF KENTUCKY
 PHILLIP J. NEJMAN
 36012
 LICENSED PROFESSIONAL ENGINEER

09/06/2023

SHEET TITLE:
TOWER ELEVATION

SHEET #: C3	REVISION: 0
-----------------------	-----------------------



NOTE:
NOT TO SCALE
SEE MANUFACTURER'S DRAWINGS FOR EXACT MEASUREMENTS AND DETAILS.

PREPARED FOR:



A&E FIRM:



1355 WINDWARD CONCOURSE
SUITE 410
ALPHARETTA, GA 30005
TEL: 678-990-2338

THE INFORMATION CONTAINED IN THIS SET OF DOCUMENTS IS PROPRIETARY BY NATURE. ANY USE OR DISCLOSURE OTHER THAN THAT WHICH RELATES TO THE CLIENT IS STRICTLY PROHIBITED.

PROJECT INFORMATION:

CLOVER FORK
15724961
22295

DRAWN BY:	SJH
CHECKED BY:	MAT
APPROVED BY:	PJN

REVISIONS

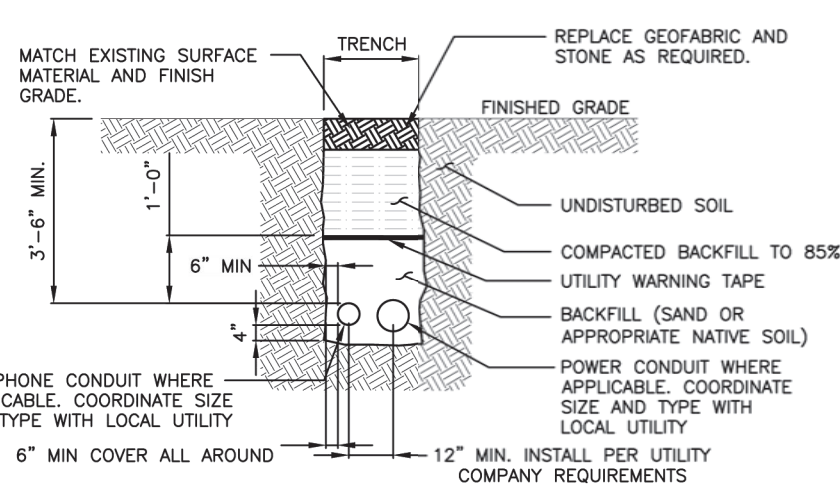
REV.	DATE	DESCRIPTION
0	09/06/23	ISSUED FOR FINALS



09/06/2023

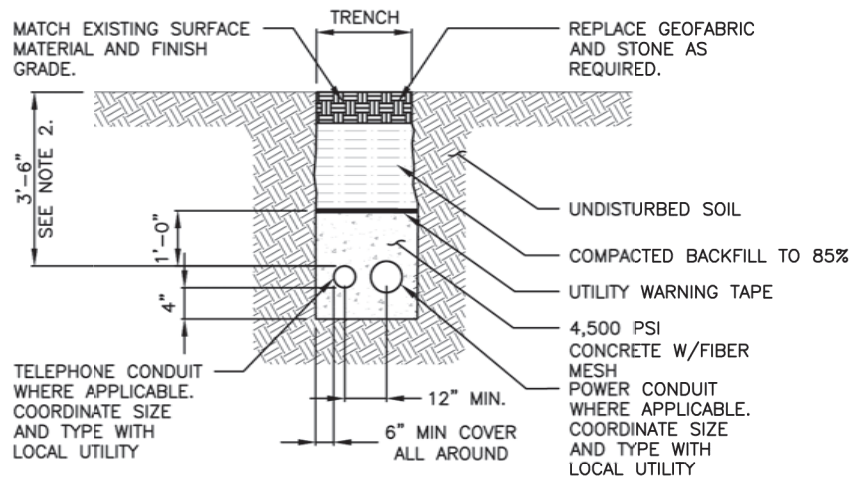
SHEET TITLE:
EQUIPMENT LAYOUT AND DETAILS

SHEET #:	REVISION:
C4	0



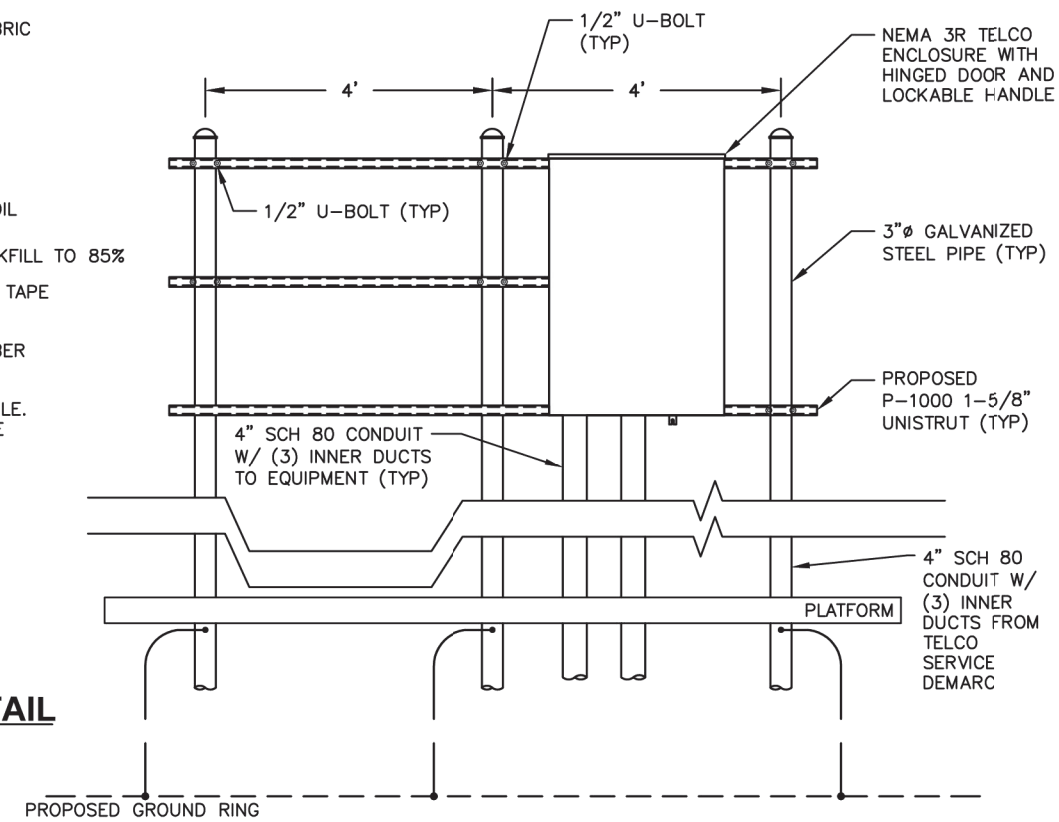
- NOTES:**
1. CONDUITS TO BE BURIED 6" BELOW FROST DEPTH WHERE APPLICABLE.
 2. SEPARATION DIMENSION TO BE VERIFIED WITH LOCAL UTILITY COMPANY REQUIREMENTS.

1 UTILITY TRENCH DETAIL
SCALE: N.T.S.



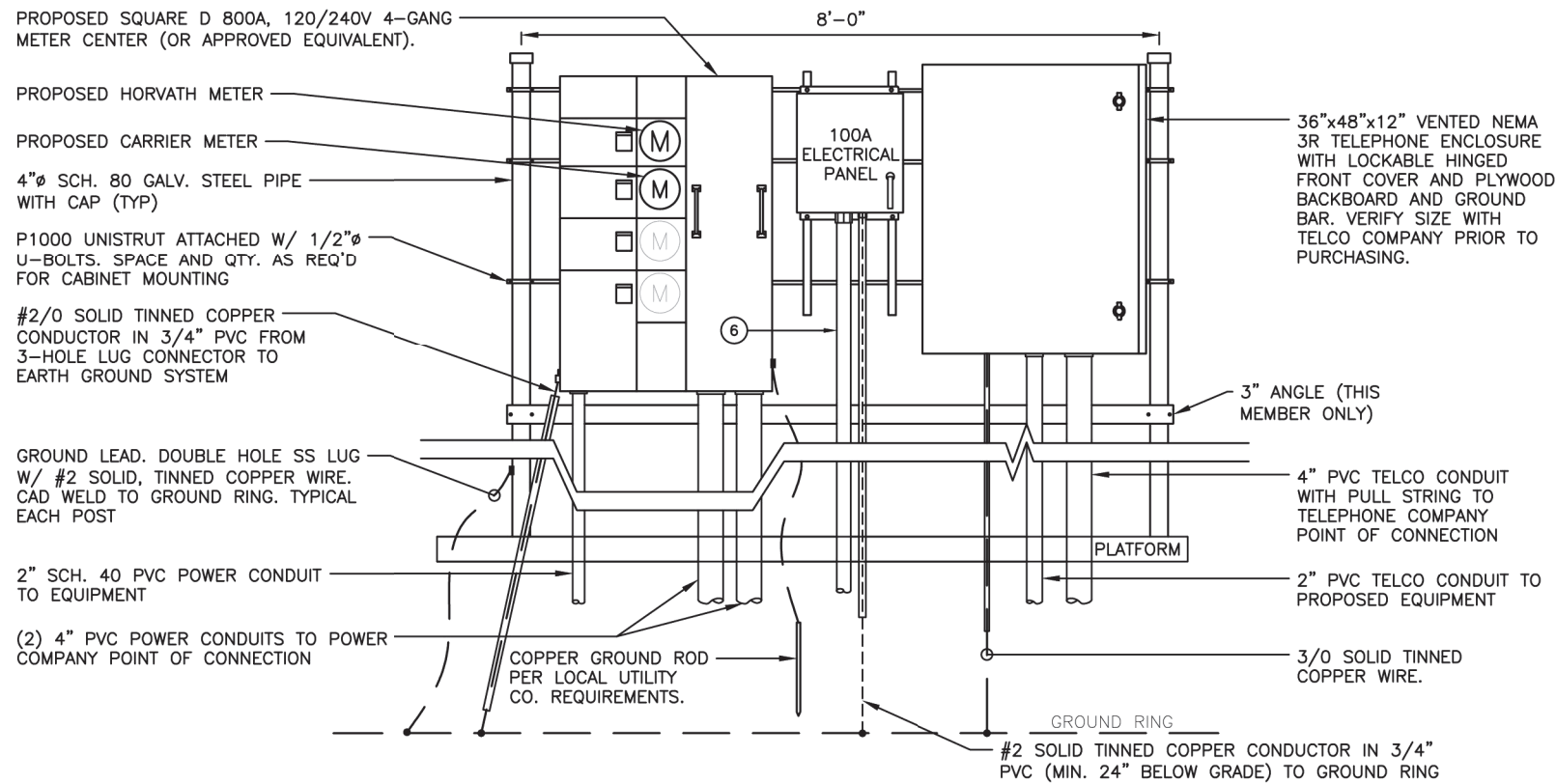
- NOTES:**
1. ENCASE ALL PVC CONDUITS/PIPES IN CONCRETE WHEN INSTALLED UNDER ACCESS ROADS OR HIGH TRAFFIC AREAS.
 2. CONDUITS TO BE BURIED 6" BELOW FROST DEPTH WHERE APPLICABLE.

2 CONCRETE ENCASED UTILITY TRENCH DETAIL
SCALE: N.T.S.



4 H-FRAME DETAIL (BACK)
SCALE: N.T.S.

- NOTES:**
1. STEEL SHALL BE HOT-DIPPED GALVANIZED.
 2. CONTRACTOR TO SUPPLY ALL MATERIAL UNLESS OTHERWISE NOTED.
 3. ALL HARDWARE TO BE STAINLESS STEEL.
 4. CONTRACTOR TO PROVIDE AND INSTALL LUG CONNECTION AT METER CENTER.
 5. ADD NAMEPLATES TO INDICATE METERS. COORDINATE TO MATCH METER WITH BREAKER SWITCH. UNUSED METER SOCKETS SHALL BE COVERED W/ LEXAN METER COVER.
 6. CONTRACTOR TO ATTACH H-FRAME TO PLATFORM PER MANUFACTURER'S SPECIFICATIONS.



3 H-FRAME DETAIL (FRONT)
SCALE: N.T.S.

THE INFORMATION CONTAINED IN THIS SET OF DOCUMENTS IS PROPRIETARY BY NATURE. ANY USE OR DISCLOSURE OTHER THAN THAT WHICH RELATES TO THE CLIENT IS STRICTLY PROHIBITED.

PROJECT INFORMATION:
CLOVER FORK
15724961
22295

DRAWN BY:	SJH
CHECKED BY:	MAT
APPROVED BY:	PJN

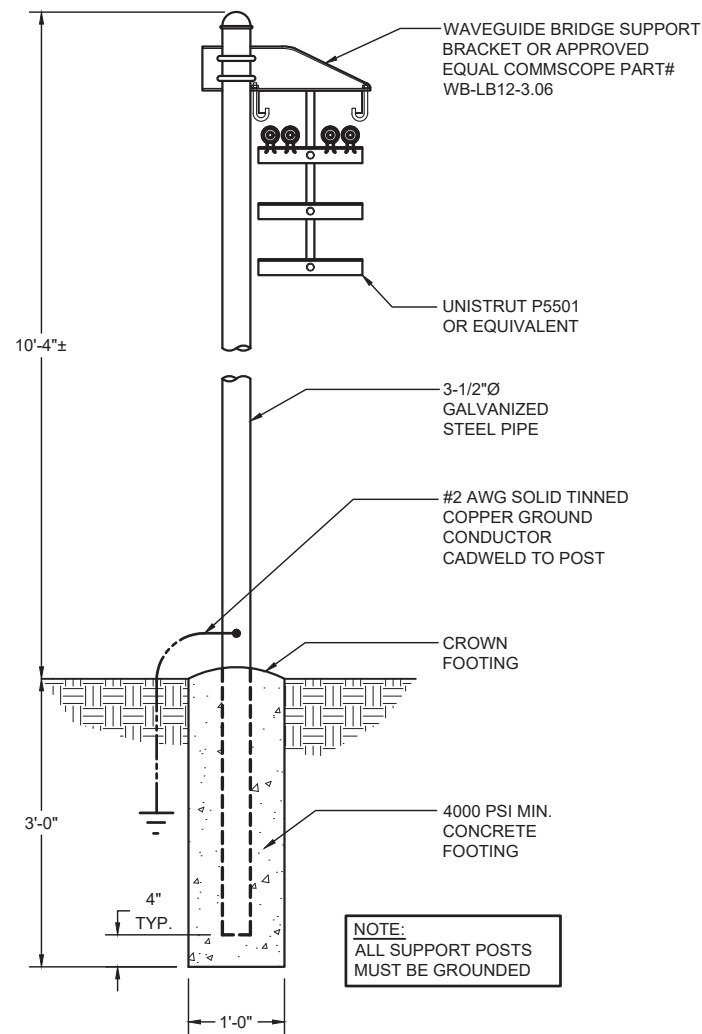
REVISIONS		
REV.	DATE	DESCRIPTION
0	09/06/23	ISSUED FOR FINALS



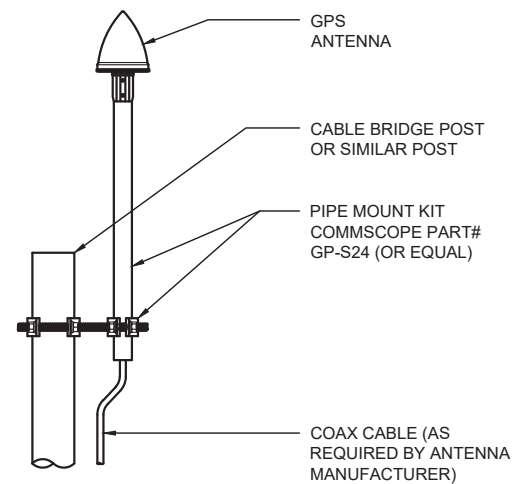
09/06/2023

SHEET TITLE:
UTILITY BACKBOARD H-FRAME

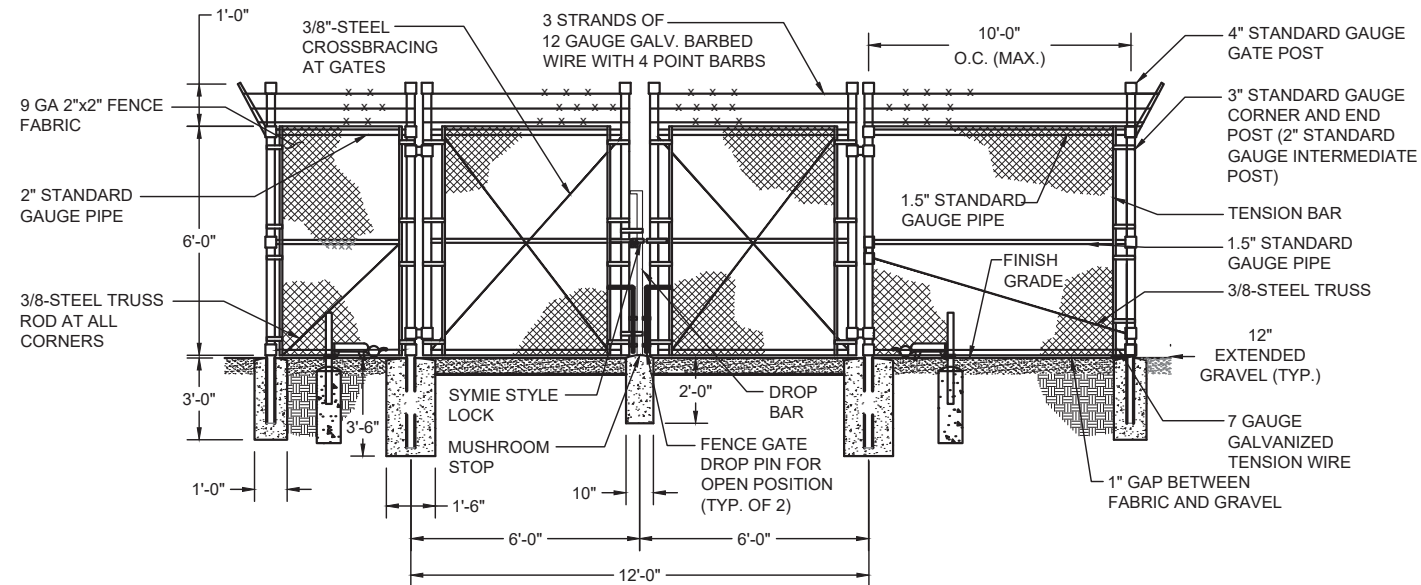
SHEET #: **C5** REVISION: **0**



1 CABLE BRIDGE DETAIL
C6 NOT TO SCALE

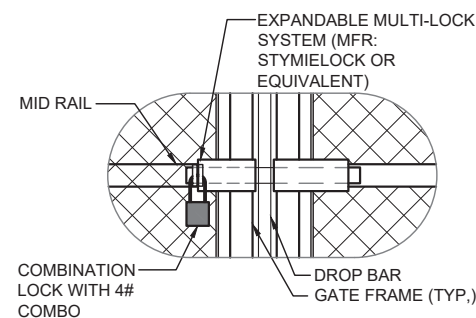


2 GPS ANTENNA MOUNTING DETAIL
C6 NOT TO SCALE

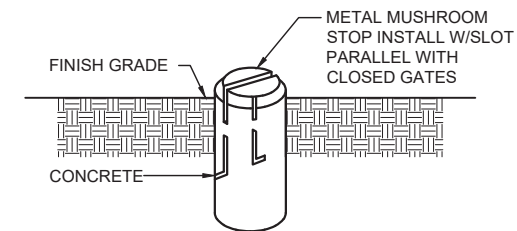


NOTE:
IF APPLICABLE, MATCH EXISTING
CONDITIONS AS PRACTICAL

3 TYPICAL FENCE AND GATE DETAIL
C6 NOT TO SCALE



4 LOCK DETAIL
C6 NOT TO SCALE



5 MUSHROOM STOP DETAIL
C6 NOT TO SCALE

PREPARED FOR:



A&E FIRM:



1355 WINDWARD CONCOURSE
SUITE 410
ALPHARETTA, GA 30005
TEL: 678-990-2338

THE INFORMATION CONTAINED IN THIS SET OF DOCUMENTS IS PROPRIETARY BY NATURE. ANY USE OR DISCLOSURE OTHER THAN THAT WHICH RELATES TO THE CLIENT IS STRICTLY PROHIBITED.

PROJECT INFORMATION:

CLOVER FORK
15724961
22295

DRAWN BY:	SJH
CHECKED BY:	MAT
APPROVED BY:	PJN

REVISIONS

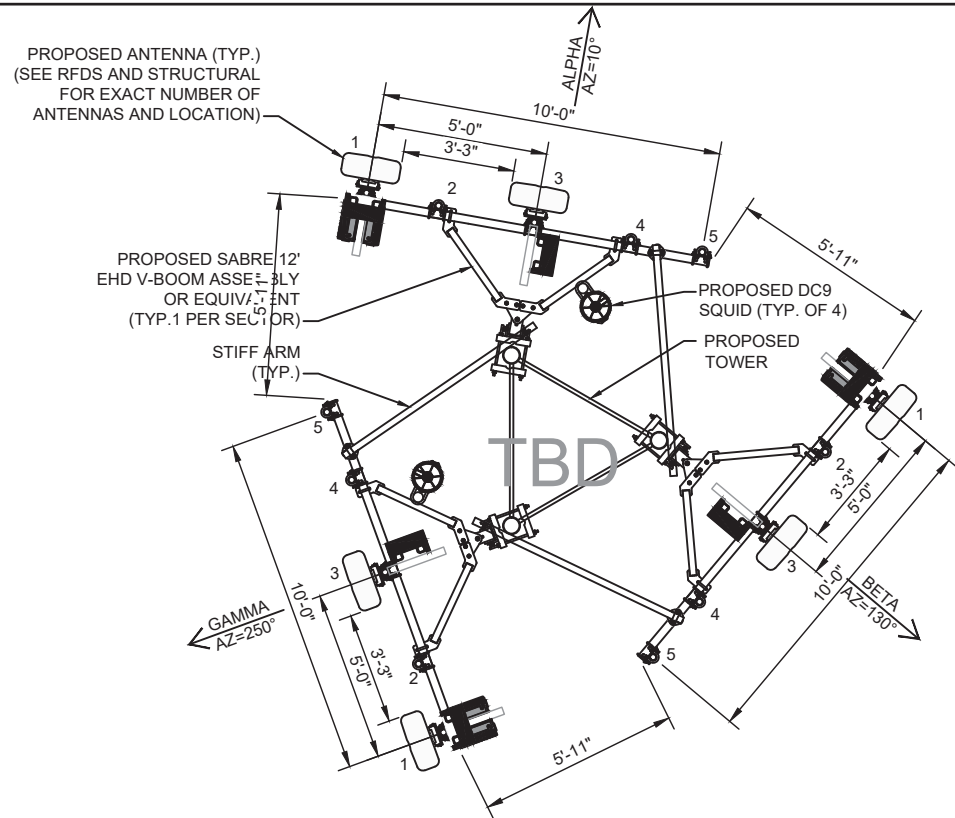
REV.	DATE	DESCRIPTION
0	09/06/23	ISSUED FOR FINALS



09/06/2023

SHEET TITLE:
CONSTRUCTION DETAILS

SHEET #:	REVISION:
C6	0



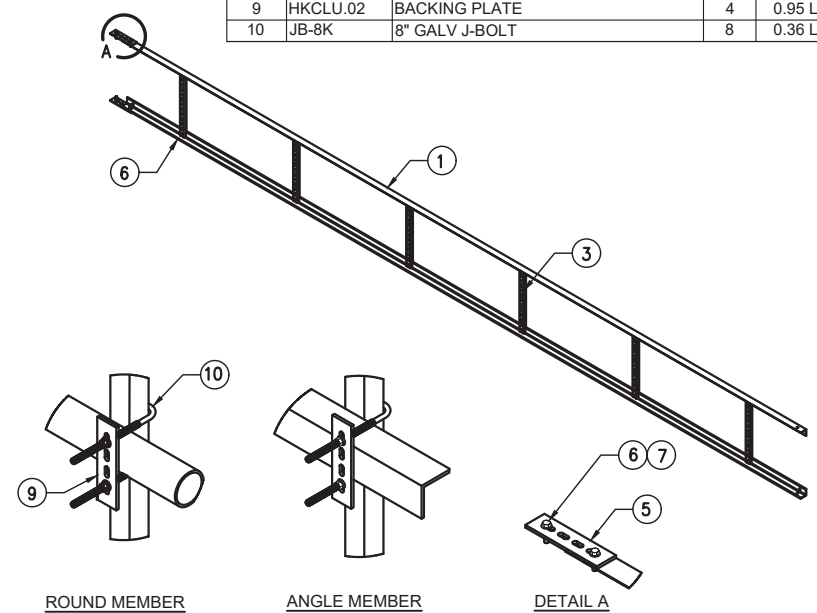
1 ANTENNA MOUNTING PLAN
 SCALE: 1" = 5'-0"
 C7

TOWERSOURCE HAS NOT ANALYZED THE PROPOSED MOUNT FOR THE PROPOSED CONFIGURATION.

NOTE:
 ANTENNA INFO BASED ON RFDS
 V. 1.00 DATED 01/26/2023.

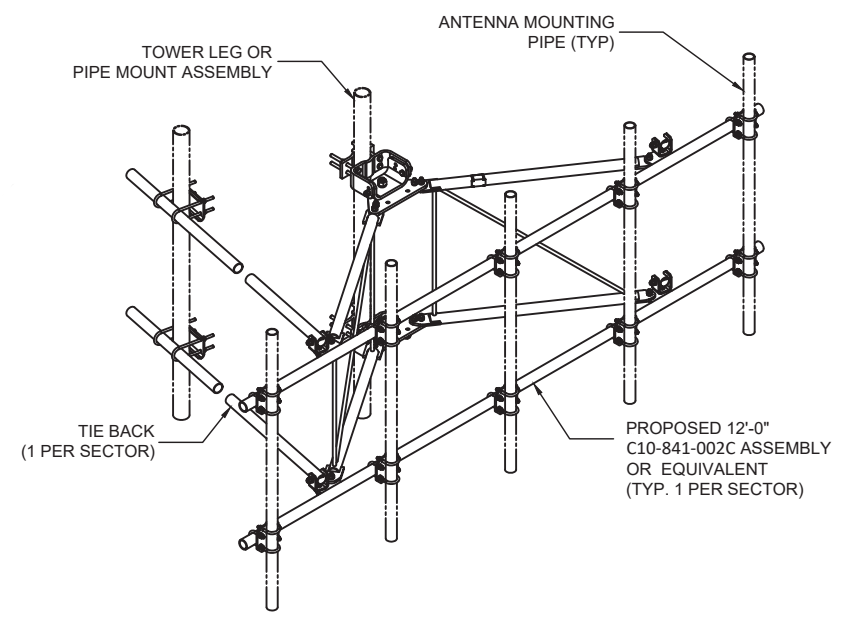
AN ANTENNA MOUNT ANALYSIS HAS NOT BEEN PERFORMED FOR THE PROPOSED ANTENNA MOUNTS. TOWERSOURCE ACCEPTS NO RESPONSIBILITY FOR THE ANTENNA MOUNTS TO SUPPORT THE PROPOSED LOADS OR THE PROPER INSTALLATION OF THE ANTENNA MOUNT. CONTRACTOR TO INSTALL MOUNT PER MANUFACTURER'S SPECIFICATIONS.

ITEM	PART NO.	DESCRIPTION	QTY.	WEIGHT
1	CL20.01	20" ANGLE SIDE RAIL	2	49.38 LBS
2	CL0620UH	HARDWARE KIT (ITEMS 3-10)	1	-
3	CL06R.01	20" LADDER RUNG	6	1.69 LBS
4	CL20H	HARDWARE KIT (ITEMS 5-7)	1	-
5	HKCLU.02	BACKING PLATE	2	0.95 LBS
6	GB-03145	3/8" X 1-1/2" GALV BOLT KIT	16	0.07 LBS
7	GWFF-03	3/8" GALV FLAT WASHER	4	0.01 LBS
8	HKCLU	LADDER HARDWARE KIT (ITEMS 9-10)	2	-
9	HKCLU.02	BACKING PLATE	4	0.95 LBS
10	JB-8K	8" GALV J-BOLT	8	0.36 LBS



2 CABLE LADDER DETAIL
 SCALE: N.T.S.
 C7

ANTENNA AND RRH SCHEDULE							CABLE COUNT	
SECTOR	ANTENNA MODEL	TECHNOLOGY	AZIMUTH	ANTENNA H	RRH MODEL	DIPLEXER	QUANTITY	TRUNK CABLE TYPE
ALPHA	NNH4-65D-R6	850/1900/AWS	10	170'-0"	4478 B5 / 4415 B25 / 4426 B66	-	6	CONDUCTOR (3 PR) 6AWG DC CABLE
	-	-	-	-	-	-	2	FIBER (24 PR) 10MM FIBER
	NNH4-65D-R6	700	10	170'-0"	4478 B14	-	2	DC9-48-60-24-EV
	-	-	-	-	-	-	-	-
BETA	NNH4-65D-R6	850/1900/AWS	130	170'-0"	4478 B5 / 4415 B25 / 4426 B66	-	-	-
	-	-	-	-	-	-	-	-
	NNH4-65D-R6	700	130	170'-0"	4478 B14	-	-	-
	-	-	-	-	-	-	-	-
GAMMA	NNH4-65D-R6	850/1900/AWS	250	170'-0"	4478 B5 / 4415 B25 / 4426 B66	-	-	-
	-	-	-	-	-	-	-	-
	NNH4-65D-R6	700	250	170'-0"	4478 B14	-	-	-
	-	-	-	-	-	-	-	-



3 ANTENNA MOUNT FRAME DETAIL
 SCALE: N.T.S.
 C7

PREPARED FOR:

A&E FIRM:

1355 WINDWARD CONCOURSE
 SUITE 410
 ALPHARETTA, GA 30005
 TEL: 678-990-2338

THE INFORMATION CONTAINED IN THIS SET OF DOCUMENTS IS PROPRIETARY BY NATURE. ANY USE OR DISCLOSURE OTHER THAN THAT WHICH RELATES TO THE CLIENT IS STRICTLY PROHIBITED.

PROJECT INFORMATION:

CLOVER FORK
15724961
22295

DRAWN BY:	SJH
CHECKED BY:	MAT
APPROVED BY:	PJN

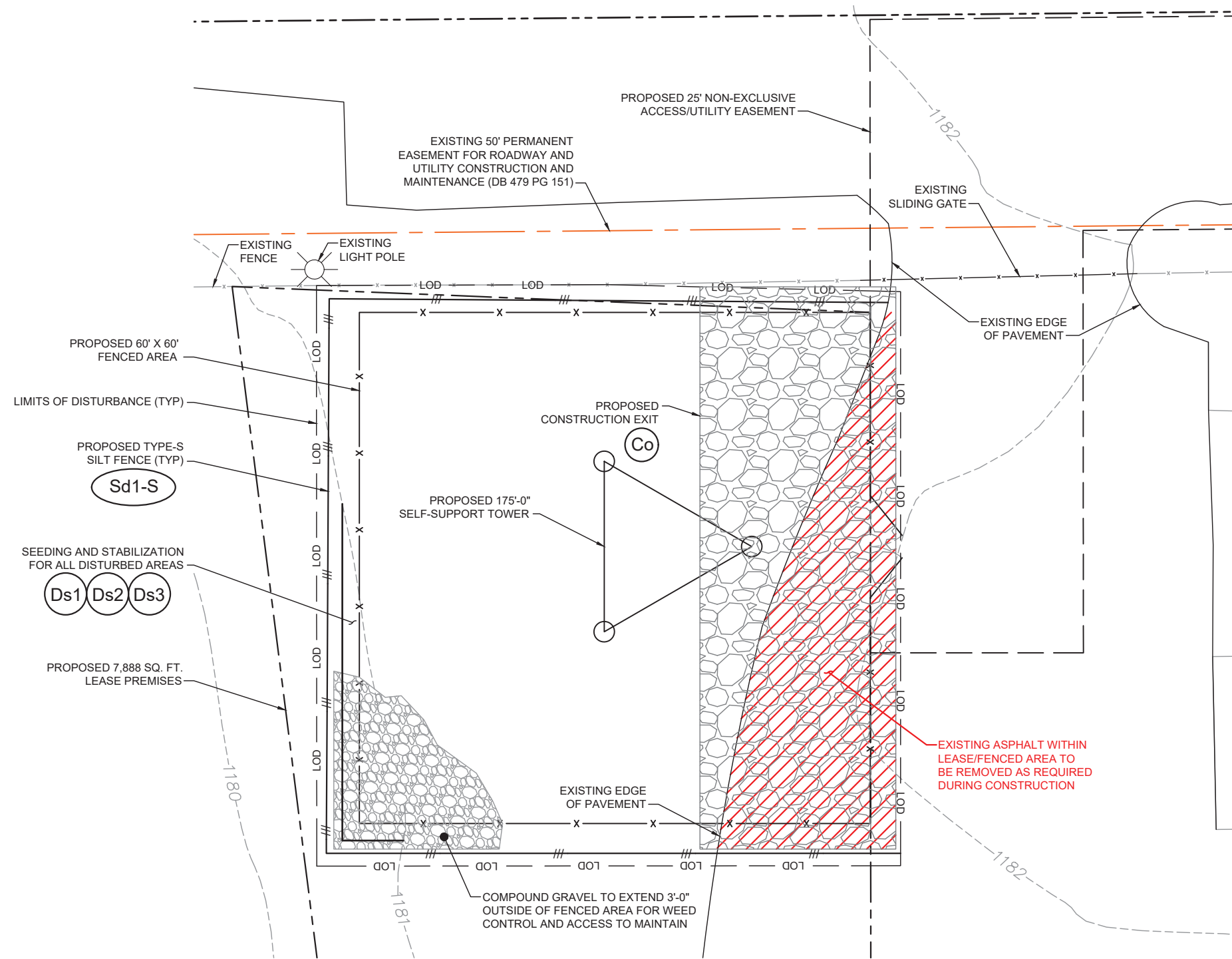
REVISIONS		
REV.	DATE	DESCRIPTION
0	09/06/23	ISSUED FOR FINALS

09/06/2023

SHEET TITLE:
ANTENNA PLAN AND SCHEDULE

SHEET #:
C7

REVISION:
0



1 GRADING & EROSION CONTROL PLAN



LEGEND

EXISTING CONTOURS	---
PROPOSED CONTOURS	—
SILT FENCE	///
LIMITS OF DISTURBANCE	— LOD — LOD —
TREE PROTECTION FENCE	— TPF —
EXISTING SPOT ELEVATION	x XXX
PROPOSED SPOT ELEVATION	● XXX

NOTE:

CURRENT DESIGN ANTICIPATES APPROXIMATELY 4,664± SQ. FT. (0.107 ACRES) OF CLEARING AND GRADING FOR THE PROPOSED PROJECT. IF ADDITIONAL CLEARING IS REQUIRED BEYOND WHAT IS SHOWN IN THE PLANS THE CONTRACTOR SHALL NOTIFY THE ENGINEER AND/OR CONSTRUCTION MANAGER. IF DURING THE BID WALK OR CONSTRUCTION IT IS DETERMINED THAT MORE THAN (1) ACRE OF LAND IS TO BE DISTURBED FOR CONSTRUCTION AN EROSION AND SEDIMENTATION CONTROL PLAN MUST BE FILED 30 DAYS PRIOR TO CONSTRUCTION.

PREPARED FOR:

TILLMAN INFRASTRUCTURE

A&E FIRM:

towersource
A NextEdge Company

1355 WINDWARD CONCOURSE
SUITE 410
ALPHARETTA, GA 30005
TEL: 678-990-2338

THE INFORMATION CONTAINED IN THIS SET OF DOCUMENTS IS PROPRIETARY BY NATURE. ANY USE OR DISCLOSURE OTHER THAN THAT WHICH RELATES TO THE CLIENT IS STRICTLY PROHIBITED.

PROJECT INFORMATION:

CLOVER FORK
15724961
22295

DRAWN BY:	SJH
CHECKED BY:	MAT
APPROVED BY:	PJN

REVISIONS

REV.	DATE	DESCRIPTION
0	09/06/23	ISSUED FOR FINALS

STATE OF KENTUCKY

PHILLIP J. NEJMAN

36012

PROFESSIONAL ENGINEER

09/06/2023

SHEET TITLE:

GRADING AND EROSION CONTROL PLAN

SHEET #:	REVISION:
C8	0

EXCAVATION & GRADING NOTES:

- ALL EXCAVATIONS ON WHICH CONCRETE IS TO BE PLACED SHALL BE SUBSTANTIALLY HORIZONTAL ON UNDISTURBED AND UNFROZEN SOIL AND BE FREE FROM LOOSE MATERIAL AND EXCESS GROUNDWATER. DEWATERING FOR EXCESS GROUNDWATER SHALL BE PROVIDED IF REQUIRED.
- CONCRETE FOUNDATIONS SHALL NOT BE PLACED ON ORGANIC MATERIAL. IF SOUND SOIL IS NOT REACHED AT THE DESIGNATED EXCAVATION DEPTH, THE UNSATISFACTORY SOIL SHALL BE EXCAVATED TO ITS FULL DEPTH AND EITHER BE REPLACED WITH MECHANICALLY COMPACTED GRANULAR MATERIAL OR THE EXCAVATION BE FILLED WITH CONCRETE OF THE SAME QUALITY SPECIFIED FOR THE FOUNDATION.
- CRUSHED STONE MAY BE USED TO STABILIZE THE BOTTOM OF THE EXCAVATION. STONE, IF USED, SHALL NOT BE USED AS COMPILING CONCRETE THICKNESS.
- ALL EXCAVATIONS SHALL BE CLEAN OF UNSUITABLE MATERIAL SUCH AS VEGETATION, TRASH, DEBRIS AND SO FORTH BEFORE AND AFTER COMPLETION OF THE FOUNDATION AND OTHER CONSTRUCTION BELOW GRADE, AND BEFORE BACKFILLING.
- BACKFILLING SHALL:
-USE APPROVED MATERIALS CONSISTING OF EARTH, LOAM, SANDY CLAY, SAND AND GRAVEL, OR SOFT SHALE;
-BE FREE FROM CLODS OR STONES OVER 2-1/2" MAXIMUM DIMENSIONS
-BE PLACED IN 6" LAYERS AND COMPACTED TO 95% STANDARD PROCTOR
EXCEPT IN GRASSED/LANDSCAPED AREAS, WHERE 90% STANDARD PROCTOR IS REQUIRED.
- FILL PREPARATION:
REMOVE ALL VEGETATION, TOPSOIL, DEBRIS, WET AND UNSATISFACTORY SOIL MATERIALS, OBSTRUCTIONS, AND DELETERIOUS MATERIALS FROM GROUND SURFACE PRIOR TO PLACING FILLS. PLOW, STRIP, OR BREAK UP SLOPED SURFACES STEEPER THAN 1 VERTICAL TO 4 HORIZONTAL SO FILL MATERIAL WILL BOND WITH EXISTING SURFACE. WHEN SUBGRADE OR EXISTING GROUND SURFACE TO RECEIVE FILL HAS A DENSITY LESS THAN THAT REQUIRED FOR FILL, BREAK UP GROUND SURFACE TO DEPTH REQUIRED, PULVERIZE, MOISTURE-CONDITION OR AERATE SOIL AND RECOMPACT TO REQUIRED DENSITY.
- PROTECT EXISTING GRAVEL SURFACING AND SUBGRADE IN AREAS WHERE EQUIPMENT LOADS WILL OPERATE. USE PLANKING OR OTHER SUITABLE MATERIALS DESIGNED TO SPREAD EQUIPMENT LOADS. REPAIR DAMAGE TO EXISTING GRAVEL SURFACING OR SUBGRADE WHERE SUCH DAMAGE IS DUE TO THE CONTRACTOR'S OPERATIONS. DAMAGED GRAVEL SURFACING SHALL BE RESTORED TO MATCH THE ADJACENT UNDAMAGED GRAVEL SURFACING AND SHALL BE OF THE SAME THICKNESS.
- REPLACE EXISTING GRAVEL SURFACING ON AREAS FROM WHICH GRAVEL SURFACING IS REMOVED DURING CONSTRUCTION OPERATIONS. GRAVEL SURFACING SHALL BE REPLACED TO MATCH EXISTING ADJACENT GRAVEL SURFACING AND SHALL BE OF THE SAME THICKNESS. SURFACES OF GRAVEL SURFACING SHALL BE FREE FROM CORRUGATIONS AND WAVES. EXISTING GRAVEL SURFACING MAY BE EXCAVATED SEPARATELY AND REUSED IF INJURIOUS AMOUNTS OF EARTH, ORGANIC MATTER, OR OTHER DELETERIOUS MATERIALS ARE REMOVED PRIOR TO REUSE. FURNISH ALL ADDITIONAL GRAVEL RESURFACING MATERIAL AS REQUIRED. BEFORE GRAVEL SURFACING IS REPLACED, SUBGRADE SHALL BE GRADED TO CONFORM TO REQUIRED SUBGRADE ELEVATIONS, AND LOOSE OR DISTURBED MATERIALS SHALL BE THOROUGHLY COMPACTED. DEPRESSIONS IN THE SUBGRADE SHALL BE FILLED AND COMPACTED WITH APPROVED SELECTED MATERIAL. GRAVEL SURFACING MATERIAL MAY BE USED FOR FILLING DEPRESSIONS IN THE SUBGRADE, SUBJECT TO ENGINEER'S APPROVAL.
- DAMAGE TO EXISTING STRUCTURES AND UTILITIES RESULTING FROM CONTRACTOR'S NEGLIGENCE SHALL BE REPAIRED / REPLACED TO OWNER'S SATISFACTION AT CONTRACTOR'S EXPENSE.
- CONTRACTOR SHALL COORDINATE THE CONSTRUCTION SCHEDULE WITH PROPERTY OWNER SO AS TO AVOID INTERRUPTIONS TO PROPERTY OWNER'S OPERATIONS.
- ENSURE POSITIVE DRAINAGE DURING AND AFTER COMPLETION OF CONSTRUCTION.
- ALL CUT AND FILL SLOPES SHALL BE 2 HORIZONTAL TO 1 VERTICAL MAXIMUM.
- REMOVE ALL ORGANICS, ROCKS GREATER THAN 3", UNUSED FILL AND OTHER DEBRIS TO AN AREA OFF SITE IN A LEGAL MANNER.
- CONTRACTOR SHALL ENSURE THAT SOILS ARE SUITABLE TO PREVENT SETTLING OF PLATFORM AND EQUIPMENT.

ACTIVITY SCHEDULE	
WORK DESCRIPTION	WORKING DAYS
INSTALLATION OF EROSION CONTROL MEASURES	1-2
CLEARING, GRUBBING, AND GRADING	3-5
MAINTAINING EROSION CONTROL MEASURES	6-8
TEMPORARY GRASSING	9-12
BUILDING CONSTRUCTION	13-19
FINAL LANDSCAPING, GRASSING	20-23
REMOVING EROSION CONTROL MEASURES	24-26

THE INSTALLATION OF EROSION CONTROL MEASURES AND PRACTICES SHALL TAKE PLACE PRIOR TO OR CONCURRENT WITH LAND DISTURBING ACTIVITIES.

GENERAL NOTES:

- ALL MATERIALS AND WORKMANSHIP SHALL CONFORM TO THE DRAWINGS AND SPECIFICATIONS. ALL WORK SHALL BE DONE IN ACCORDANCE WITH THE LATEST EDITION OF THE STATE, LOCAL AND NATIONAL CODES, ORDINANCES AND OR REGULATIONS APPLICABLE TO THE PROJECT.
- THE CONTRACTOR SHALL BE RESPONSIBLE FOR COORDINATING THE WORK OF ALL TRADES AND SHALL CHECK ALL DIMENSIONS. ALL DISCREPANCIES SHALL BE CALLED TO THE ATTENTION OF THE TILLMAN CONSTRUCTION MANAGER AND/OR ENGINEER AND BE RESOLVED BEFORE PROCEEDING WITH WORK. WHERE THERE IS A CONFLICT BETWEEN DRAWING AND TILLMAN SPECIFICATIONS, THE TILLMAN INFRASTRUCTURE CONSTRUCTION MANAGER SHOULD BE CONTACTED FOR CLARIFICATION.
- ALL INFORMATION SHOWN ON THE DRAWINGS RELATIVE TO EXISTING CONDITIONS IS GIVEN AS THE BEST PRESENT KNOWLEDGE, BUT WITHOUT GUARANTEE OF ACCURACY. WHERE ACTUAL CONDITIONS CONFLICT WITH THE DRAWINGS, THEY SHALL BE REPORTED TO THE TILLMAN INFRASTRUCTURE CONSTRUCTION MANAGER AND/OR ENGINEER SO THAT PROPER REVISIONS MAY BE MADE. MODIFICATION OF DETAILS OF CONSTRUCTION SHALL NOT BE MADE WITHOUT WRITTEN APPROVAL OF THE CONSTRUCTION MANAGER AND/OR ENGINEER.
- CONTRACTOR SHALL REVIEW AND BE FAMILIAR WITH SITE CONDITIONS AS SHOWN ON THE ATTACHED SITE PLAN AND/OR SURVEY DRAWINGS.
- ALL FINISHED GRADES SHALL SLOPE MINIMUM 1/4 IN./FR. AWAY FROM EQUIPMENT IN ALL DIRECTIONS. CONTRACTOR SHALL SLOPE SWALES AS REQUIRED ALONG EXISTING TERRAIN TO DRAIN AWAY FROM COMPOUND AND ACCESS DRIVE.
- THE PROPOSED TOWER AND TOWER FOUNDATIONS WERE DESIGNED BY OTHERS. TOWER INFORMATION PROVIDED ON THESE PLANS ARE PROVIDED FOR REFERENCE PURPOSES ONLY. TOWER DIMENSIONS SHOWN THIS PLAN ARE FOR TOWER CENTER LOCATION, CAISSONS AND TOWER SHOWN ON THIS PLAN ARE ILLUSTRATIVE, SEE DESIGN DRAWINGS BY OTHERS. DO NOT SCALE. NOTIFY ENGINEER OR TILLMAN CONSTRUCTION MANAGER OF ANY CONFLICTS OR DISCREPANCIES. CONTRACTOR TO OBTAIN COPY OF TOWER DESIGN DRAWINGS FROM TILLMAN INFRASTRUCTURE CONSTRUCTION MANAGER TO CONFIRM COAX ROUTING AND ANTENNA MOUNT INFORMATION.
- THE CONTRACTOR SHALL PROVIDE ADEQUATE EXCAVATION SLOPING SHORING, BRACING, AND GUYS IN ACCORDANCE WITH ALL NATIONAL, STATE, AND LOCAL SAFETY ORDINATES.
- UPON COMPLETION OF CONSTRUCTION, CONTRACTOR IS RESPONSIBLE FOR REPAIRING ANY DAMAGE CAUSED BY CONSTRUCTION ACTIVITIES TO THE EXISTING ACCESS ROAD AND COMPOUND GRAVEL AREAS. ANY NEW FILL MATERIAL SHALL BE COMPACTED.
- THE CONTRACTOR IS HEREBY NOTIFIED THAT PRIOR COMMENCING CONSTRUCTION, HE/SHE IS RESPONSIBLE FOR CONTACTING THE UTILITY COMPANIES INVOLVED AND SHALL REQUEST A VERIFICATIONS AT THE CONSTRUCTION SITE OF THE LOCATIONS OF THEIR UNDERGROUND UTILITIES AND WHERE THEY MAY POSSIBLY CONFLICT WITH THE PLACEMENT OF IMPROVEMENTS AS SHOWN ON THESE PLANS. THE CONTRACTOR OR ANY SUBCONTRACTOR FOR THEIR CONTRACT WILL BE REQUIRED TO NOTIFY "STATE 811" IN ADVANCE OF PERFORMING ANY WORK. ANY UTILITIES DAMAGED BY CONSTRUCTION ACTIVITIES SHALL BE REPAIRED BY THE CONTRACTOR, AT NO EXPENSE TO THE OWNER.
- CONTRACTOR TO PROVIDE DUMPSTER AND PORTABLE TOILET FACILITY DURING CONSTRUCTION.
- CONTRACTOR TO PROVIDE STYMIE LOCK OR EQUIVALENT AS APPROVED BY TILLMAN INFRASTRUCTURE CONSTRUCTION MANAGER.



DISTURBED AREA STABILIZATION (WITH MULCHING ONLY)

Ds1

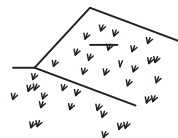
NO SCALE



DISTURBED AREA STABILIZATION (WITH TEMPORARY SEEDING)

Ds2

NO SCALE



DISTURBED AREA STABILIZATION (WITH PERMANENT VEGETATION)

Ds3

NO SCALE

GENERAL EROSION & SEDIMENT CONTROL NOTES:

- ADDITIONAL EROSION CONTROL MEASURES WILL BE EMPLOYED WHERE DETERMINED NECESSARY BY ACTUAL SITE CONDITIONS.
 - PRIOR TO COMMENCING LAND DISTURBANCE ACTIVITY, THE LIMITS OF LAND DISTURBANCE SHALL BE CLEARLY AND ACCURATELY DEMARCATED WITH STAKES, RIBBONS, OR OTHER APPROPRIATE MEANS.
 - THE CONSTRUCTION OF THE SITE WILL INITIATE WITH THE INSTALLATION OF EROSION CONTROL MEASURES SUFFICIENT TO CONTROL SEDIMENT DEPOSITS AND EROSION. CONTRACTOR SHALL CALL APPROPRIATE COUNTY FOR AN INSPECTION OF SOIL EROSION CONTROL MEASURES PRIOR TO BEGINNING GRADING ACTIVITY. ALL SEDIMENT CONTROL WILL BE MAINTAINED UNTIL ALL UPSTREAM GROUND WITHIN THE CONSTRUCTION AREA HAS BEEN COMPLETELY STABILIZED.
 - THE LOCATION OF SOME OF THE EROSION CONTROL DEVICES MAY HAVE TO BE ALTERED FROM THAT SHOWN ON THE PLANS IF DRAINAGE PATTERNS DURING CONSTRUCTION ARE DIFFERENT FROM THE FINAL PROPOSED DRAINAGE PATTERNS. ANY DIFFICULTY IN CONTROLLING EROSION DURING ANY PHASE OF CONSTRUCTION SHALL BE REPORTED TO THE ENGINEER IMMEDIATELY.
 - EROSION CONTROL MEASURES WILL BE MAINTAINED AT ALL TIMES. IF FULL IMPLEMENTATION OF THE APPROVED PLAN DOES NOT PROVIDE FOR ELECTIVE EROSION CONTROL, ADDITIONAL EROSION AND SEDIMENT CONTROL MEASURES SHALL BE IMPLEMENTED TO CONTROL OR TREAT THE SEDIMENT SOURCE.
 - THE CONTRACTOR SHALL REMOVE ACCUMULATED SILT WHEN THE SILT IS WITHIN 12" OF THE TOP OF THE SILT FENCE.
 - FAILURE TO INSTALL, OPERATE OR MAINTAIN ALL EROSION CONTROL MEASURES WILL RESULT IN ALL CONSTRUCTION BEING STOPPED ON THE JOB SITE UNTIL SUCH MEASURES ARE CORRECTED.
 - SILT BARRIERS TO BE PLACED AT DOWNSTREAM TOE OF ALL CUT AND FILL SLOPES.
 - ANY DISTURBED AREA LEFT EXPOSED FOR A PERIOD GREATER THAN 7 DAYS SHALL BE STABILIZED WITH SEEDING.
 - SEEDING:
 - SEEDING WITH MULCH** (CONVENTIONAL SEEDING ON SLOPES LESS THAN 3:1) (HYDRAULIC SEEDING EQUIPMENT ON SLOPES 3:1 AND STEEPER)

SEED SPECIES	APPLICATION RATE/ACRE	PLANNING DATES
HULLED COMMON BERMUDA GRASS	10lbs.	3/1 - 6/15
FESCUE	50lbs.	9/1 - 10/31
FESCUE	50lbs.	11/1 - 2/28
RYE GRASS	50lbs.	
HAY MULCH FOR TEMPORARY COVER	5000lbs.	6/15 - 8/31
 - TOPDRESSING:** APPLY WHEN PLANTS ARE 2 TO 4 INCHES TALL
FERTILIZER (AMMONIUM NITRATE 33.5%) 300 lbs./acre
 - SECOND-YEAR-FERTILIZER:** (5-10-15 OR EQUIVALENT) 800 lbs./acre
- HYDRAULIC SEEDING EQUIPMENT WHEN HYDRAULIC SEEDING AND FERTILIZING EQUIPMENT IS USED, NO GRADING AND SHAPING OR SEEDBED PREPARATION WILL BE REQUIRED. THE FERTILIZER, SEED AND WOOD CELLULOSE FIBER MULCH WILL BE MIXED WITH WATER AND APPLIED IN A SLURRY. ALL SLURRY INGREDIENTS MUST BE COMBINED TO FORM A HOMOGENEOUS MIXTURE, AND SPREAD UNIFORMLY OVER THE AREA WITHIN ONE HOUR AFTER MIXTURE IS MADE. STRAW OR HAY MULCH AND ASPHALT EMULSION WILL BE APPLIED WITH BLOWER-TYPE MULCH SPREADING EQUIPMENT WITHIN 24 HOURS AFTER SEEDING, THE MULCH WILL BE SPREAD UNIFORMLY OVER THE AREA, LEAVING ABOUT 25 PERCENT OF THE GROUND SURFACE EXPOSED.
- CONVENTIONAL SEEDING EQUIPMENT GRADE, SHAPE AND SMOOTH WHERE NEEDED TO PROVIDE FOR SAFE EQUIPMENT OPERATION AT SEEDING TIME AND FOR MAINTENANCE PURPOSES. THE LIME AND FERTILIZER IN DRY FORM WILL BE SPREAD UNIFORMLY OVER THE AREA IMMEDIATELY BEFORE SEEDBED PREPARATION. A SEEDBED WILL BE PREPARED BY SCARIFYING TO A DEPTH OF 1 TO 4 INCHES AS DETERMINED ON SITE. THE SEEDBED MUST BE WELL PULVERIZED, SMOOTHED AND FIRMED. SEEDING WILL BE DONE WITH CULTIPACKER-SEEDER, DRILL, ROTARY SEEDER OR OTHER MECHANICAL OR HAND SEEDER. SEED WILL BE DISTRIBUTED UNIFORMLY OVER A FRESHLY PREPARED SEEDBED AND COVERED LIGHTLY. WITHIN 24 HOURS AFTER SEEDING, STRAW OR HAY MULCH WILL BE SPREAD UNIFORMLY OVER THE AREA, LEAVING ABOUT 25 PERCENT OF THE GROUND SURFACE EXPOSED. MULCH WILL BE SPREAD WITH BLOWER-TYPE MULCH EQUIPMENT OR BY HAND AND ANCHORED IMMEDIATELY AFTER IT IS SPREAD. A DISK HARROW WITH THE DISK SET STRAIGHT OR A SPECIAL PACKER DISK MAY BE USED TO PRESS THE MULCH INTO THE SOIL.
- CONTRACTOR SHALL REMOVE ALL EROSION & SEDIMENT CONTROL MEASURES AFTER COMPLETION OF CONSTRUCTION AND ESTABLISHMENT OF PERMANENT GROUND COVER.
 - THE ESCAPE OF SEDIMENT FROM THE SITE SHALL BE PREVENTED BY THE INSTALLATION OF EROSION CONTROL MEASURES AND PRACTICES PRIOR TO, OR CONCURRENT WITH, LAND-DISTURBING ACTIVITIES.
 - ALL CUT AND FILL SLOPES MUST BE SURFACED ROUGHENED AND VEGETATED WITHIN SEVEN (7) DAYS OF THEIR CONSTRUCTION.
 - ALL FILL SLOPES WILL HAVE SILT FENCE AT TOE OF SLOPES.
 - ALL SEDIMENT AND EROSION CONTROL MEASURES WILL BE CHECKED DAILY AND ANY DEFICIENCIES NOTED WILL BE CORRECTED BY THE END OF EACH DAY. ADDITIONAL EROSION AND SEDIMENT CONTROL MEASURES WILL BE INSTALLED IF DEEMED NECESSARY AFTER ON-SITE INSPECTION BY THE ISSUING AUTHORITY.
 - THE ONLY MATERIAL TO BE BURIED ON-SITE IS VEGETATIVE MATERIAL. CONSTRUCTION WASTE MAY NEITHER BE BURNED NOR BURIED AND MUST BE TAKEN TO A STATE APPROVED LANDFILL.
 - A 25' MIN UNDISTURBED VEGETATIVE BUFFER ADJACENT TO ALL RUNNING STREAMS AND CREEKS WILL BE LEFT AND MAINTAINED.

PREPARED FOR:



A&E FIRM:



1355 WINDWARD CONCOURSE
SUITE 410
ALPHARETTA, GA 30005
TEL: 678-990-2338

THE INFORMATION CONTAINED IN THIS SET OF DOCUMENTS IS PROPRIETARY BY NATURE. ANY USE OR DISCLOSURE OTHER THAN THAT WHICH RELATES TO THE CLIENT IS STRICTLY PROHIBITED.

PROJECT INFORMATION:

CLOVER FORK
15724961
22295

DRAWN BY:	SJH
CHECKED BY:	MAT
APPROVED BY:	PJN

REVISIONS

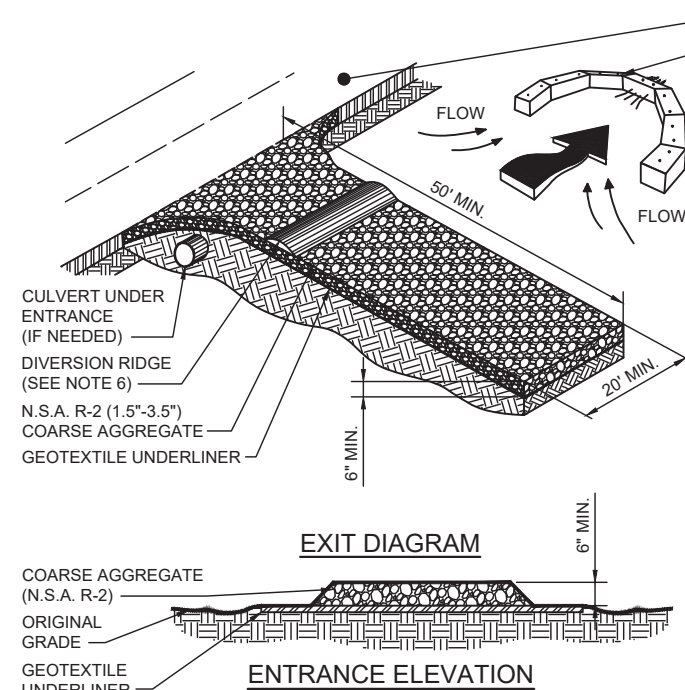
REV.	DATE	DESCRIPTION
0	09/06/23	ISSUED FOR FINALS



09/06/2023

SHEET TITLE:
GRADING AND EROSION CONTROL NOTES

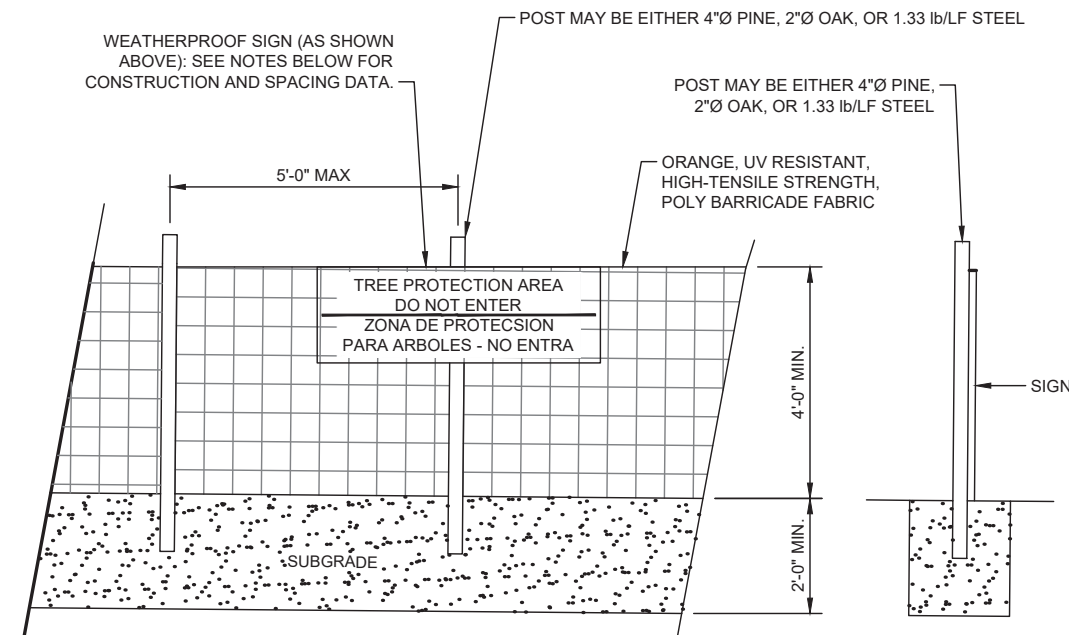
SHEET #: C9	REVISION: 0
-----------------------	-----------------------



- NOTES:**
1. AVOID LOCATING ON STEEP SLOPES OR AT CURVES ON PUBLIC ROADS.
 2. REMOVE ALL VEGETATION AND OTHER UNSUITABLE MATERIAL FROM THE FOUNDATION AREA, GRADE, AND CROWN FOR POSITIVE DRAINAGE.
 3. AGGREGATE SIZE SHALL BE IN ACCORDANCE WITH NATIONAL STONE ASSOCIATION R-2 (1.5"-3.5" STONE).
 4. GRAVEL PAD SHALL HAVE A MINIMUM THICKNESS OF 6".
 5. PAD WIDTH SHALL BE EQUAL FULL WIDTH AT ALL POINTS OF VEHICULAR EGRESS, BUT NO LESS THAN 20'.
 6. A DIVERSION RIDGE SHOULD BE CONSTRUCTED WHEN GRADE TOWARD PAVED AREA IS GREATER THAN 2%..
 7. INSTALL PIPE UNDER THE ENTRANCE IF NEEDED TO MAINTAIN DRAINAGE DITCHES.
 8. WHEN WASHING IS REQUIRED, IT SHOULD BE DONE ON AN AREA STABILIZED WITH CRUSHED STONE THAT DRAINS INTO AN APPROVED SEDIMENT TRAP OR SEDIMENT BASIN (DIVERT ALL SURFACE RUNOFF AND DRAINAGE FROM THE ENTRANCE TO A SEDIMENT CONTROL DEVICE).
 9. WASHRACKS AND/OR TIRE WASHERS MAY BE REQUIRED DEPENDING ON SCALE AND CIRCUMSTANCE. IF NECESSARY, WASHRACK DESIGN MAY CONSIST OF ANY MATERIAL SUITABLE FOR TRUCK TRAFFIC THAT REMOVE MUD AND DIRT.
 10. MAINTAIN AREA IN A WAY THAT PREVENTS TRACKING AND/OR FLOW OF MUD ONTO PUBLIC RIGHTS-OF-WAYS. THIS MAY REQUIRE TOP DRESSING, REPAIR AND/OR CLEANOUT OF ANY MEASURES USED TO TRAP SEDIMENT.

(Co) CRUSHED STONE CONSTRUCTION EXIT

1 CONSTRUCTION EXIT
C10 NOT TO SCALE



NOTE:
INSTALL TREE PROTECTION FENCE AND SIGNAGE PRIOR TO CALLING FOR SITE INSPECTION. MAINTAIN TREE PROTECTION FENCE THROUGHOUT DURATION OF PROJECT. ADDITIONAL SIGNS MAY BE REQUIRED BASED ON ACTUAL FIELD CONDITIONS.

2 TREE PROTECTION FENCE
C10 NOT TO SCALE

SEEDING SCHEDULE FOR WINTER / SPRING CONSTRUCTION ACTIVITIES

SEEDING MIXTURE	
SPECIES	RATE (LB/ACRE)
RYE (GRAIN)	120
ANNUAL LESPEDEZA (KOBÉ IN PIEDMONT AND COASTAL PLAIN, KOREAN IN MOUNTAINS)	50

OMIT ANNUAL LESPEDEZA WHEN DURATION OF TEMPORARY COVER IS NOT TO EXTEND BEYOND JUNE.

SEEDING DATES	
MOUNTAINS -- ABOVE 2500 FT.:	FEB 15 - MAY 15
BELOW 2500 FT.:	FEB. 1 - MAY 1
PIEDMONT --	JAN. 1 - MAY 1
COASTAL PLAIN --	DEC. 1 - APR. 15

SOIL AMENDMENTS
FOLLOW RECOMMENDATIONS OF SOIL TESTS OR APPLY 2,000 LB/ACRE GROUND AGRICULTURAL LIMESTONE AND 750 LB/ACRE 10-10-10 FERTILIZER.

MULCH
APPLY 4,000 LB/ACRE STRAW. ANCHOR STRAW BY TACKING WITH ASPHALT, NETTING, OR A MULCH ANCHORING TOOL. A DISK WITH BLADES SET NEARLY STRAIGHT CAN BE USED AS A MULCH ANCHORING TOOL.

MAINTENANCE
REFERTILIZE IF GROWTH IS NOT FULLY ADEQUATE. RESEED, REFERTILIZE AND MULCH IMMEDIATELY FOLLOWING EROSION OR OTHER DAMAGE.

SEEDING SCHEDULE FOR SUMMER CONSTRUCTION ACTIVITIES

SEEDING MIXTURE	
SPECIES	RATE (LB/ACRE)
COMMON BERMUDAGRASS	40-80 (1-2 LB/1,000 SQ. FT.)

SEEDING DATES	
COASTAL PLAIN --	APR. 1 - JULY
PIEDMONT --	APR. 15 - JUNE 30

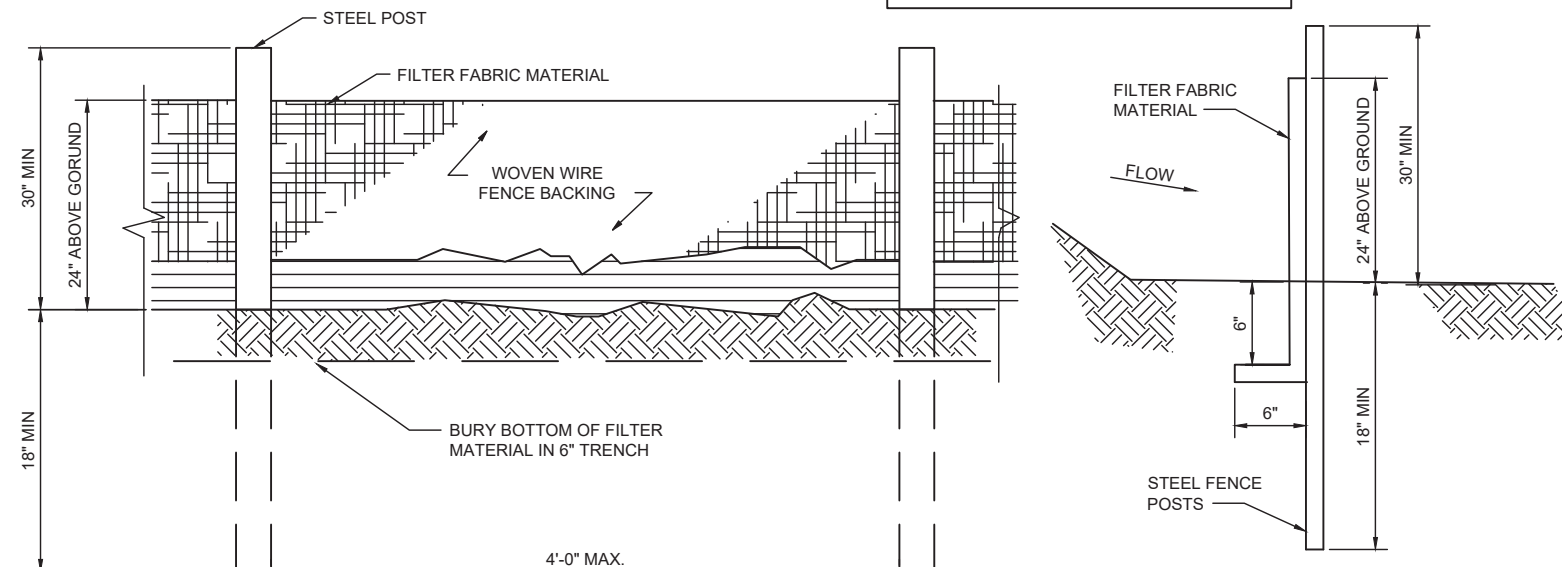
SOIL AMENDMENTS
APPLY LIME AND FERTILIZER ACCORDING TO SOIL TESTS, OR APPLY 3,000 LB/ACRE GROUND AGRICULTURAL LIMESTONE AND 500 LB/ACRE 10-10-10 FERTILIZER.

MULCH
USE JUTE, EXCELSIOR MATTING, OR OTHER EFFECTIVE CHANNEL LINING MATERIAL TO COVER THE BOTTOM OF CHANNELS AND DITCHES. THE LINING SHOULD EXTEND ABOVE THE HIGHEST CALCULATED DEPTH OF FLOW. ON CHANNEL SIDE SLOPES ABOVE THIS HEIGHT, AND IN DRAINAGES NOT REQUIRING TEMPORARY LINING, APPLY 4,000 LB/ACRE GRAIN STRAW AND ANCHOR STRAW BY STAPLING NETTING OVER THE TOP.

MAINTENANCE
A MINIMUM OF 3 WEEKS IS REQUIRED FOR ESTABLISHMENT. INSPECT AND REPAIR MULCH FREQUENTLY. REFERTILIZE THE FOLLOWING APR. WITH 50 LB/ACRE NITROGEN.

CONTRACTOR SHALL BE RESPONSIBLE FOR CONSTRUCTION AND MAINTENANCE OF EROSION AND SEDIMENTATION CONTROLS DURING CONSTRUCTION. INSTALL SILT FENCE AS SHOWN HERE ADDITIONALLY REQUIRED FOR PROTECTION OF ADJACENT PROPERTIES, ROADWAYS, AND WATERWAYS.

EROSION CONTROL MEASURES WILL BE MAINTAINED AT ALL TIMES. IF FULL IMPLEMENTATION OF THE APPROVED PLAN DOES NOT PROVIDE FOR EFFECTIVE EROSION CONTROL, ADDITIONAL EROSION CONTROL AND SEDIMENT CONTROL MEASURES SHALL BE IMPLEMENTED TO CONTROL OR TREAT THE SEDIMENT SOURCE.



NOTE: USE 36" DOT APPROVED FABRIC USE STEEL POSTS

(Sd1-S) SILT FENCE, TYPE-S

3 SEDIMENT FENCE (SILT FENCE)
C10 NOT TO SCALE

PREPARED FOR:



1355 WINDWARD CONCOURSE
SUITE 410
ALPHARETTA, GA 30005
TEL: 678-990-2338

THE INFORMATION CONTAINED IN THIS SET OF DOCUMENTS IS PROPRIETARY BY NATURE. ANY USE OR DISCLOSURE OTHER THAN THAT WHICH RELATES TO THE CLIENT IS STRICTLY PROHIBITED.

PROJECT INFORMATION:

CLOVER FORK
15724961
22295

DRAWN BY:	SJH
CHECKED BY:	MAT
APPROVED BY:	PJN

REVISIONS

REV.	DATE	DESCRIPTION
0	09/06/23	ISSUED FOR FINALS



09/06/2023

SHEET TITLE:
EROSION CONTROL DETAILS

SHEET #: **C10** REVISION: **0**



WHITE BACKGROUND, RED/BLACK LETTERING
 MOUNTING LOCATION: SHELTER OR TENANT IMPROVEMENT ROOM DOOR.
 IF OUTDOOR CABINET SITE PLACE ON END CABINET CLOSEST TO SITE ACCESS POINT.
 PLACE ON GENERATOR.
 QUANTITY: 1 TO 2

1 PROPERTY OF TILLMAN INFRASTRUCTURE
 C11 SCALE: N.T.S.

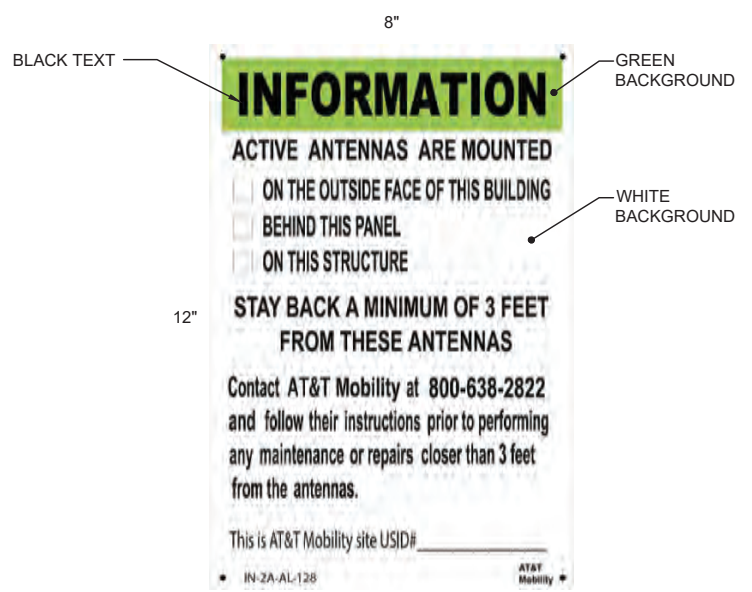
SIGNAGE NOTES:

- SIGNS SHALL BE FABRICATED FROM CORROSION RESISTANT PRESSED METAL & PAINTED WITH LONG LASTING UV RESISTANT COATING.
- SIGNS (EXCEPT WHERE NOTED OTHERWISE) SHALL BE MOUNTED TO THE TOWER, GATE & FENCE USING A MINIMUM OF 9 GAUGE ALUMINUM WIRE, HOG RINGS (FENCE) OR BRACKETS, WHERE NECESSARY. BRACKETS SHALL BE OF SIMILAR METAL AS THE STRUCTURE TO AVOID GALVANIC CORROSION.
- ADDITIONAL E911 ADDRESS & FCC REGISTRATION SIGNS SHALL BE MOUNTED AT EACH ACCESS ROAD GATE LEADING TO THE COMPOUND AS WELL AS THE COMPOUND GATE ITSELF.
- SIGNS NEED NOT BE PLACED IF ACCURATE AND APPROPRIATE SIGNAGE ALREADY EXISTS.



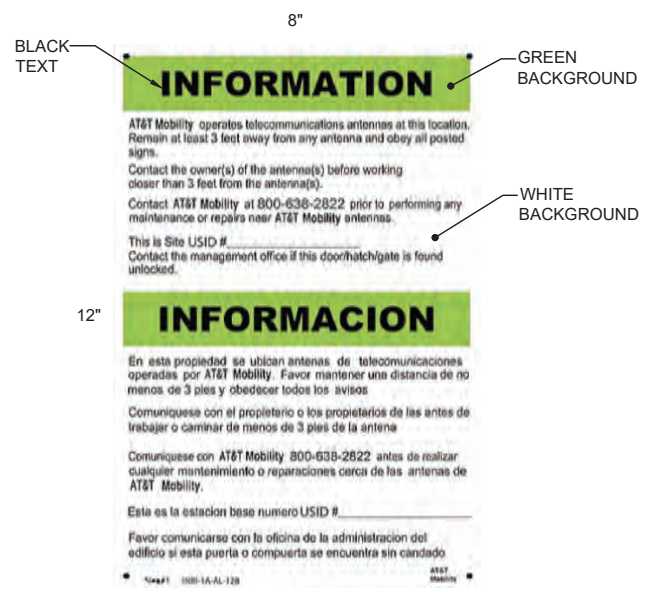
WHITE/GREEN BACKGROUND, WHITE/BLACK LETTERING
 MOUNTING LOCATION: GATE & BASE OF TOWER
 QUANTITY: 2

2 FCC REGISTRATION SIGN
 C11 SCALE: N.T.S.



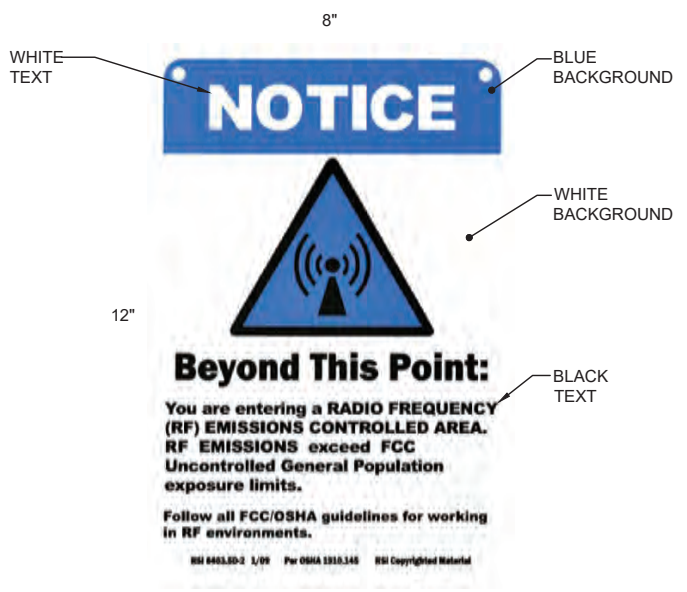
WHITE/GREEN BACKGROUND, WHITE/BLACK LETTERING
 MOUNTING LOCATION: GATE & BASE OF TOWER
 QUANTITY: 2

3 RF EXPOSURE INFORMATION SIGN
 C11 SCALE: N.T.S.



WHITE/GREEN BACKGROUND, WHITE/BLACK LETTERING
 MOUNTING LOCATION: GATE & BASE OF TOWER
 QUANTITY: 2

4 RX EXPOSURE INFORMATION SIGN
 C11 SCALE: N.T.S.



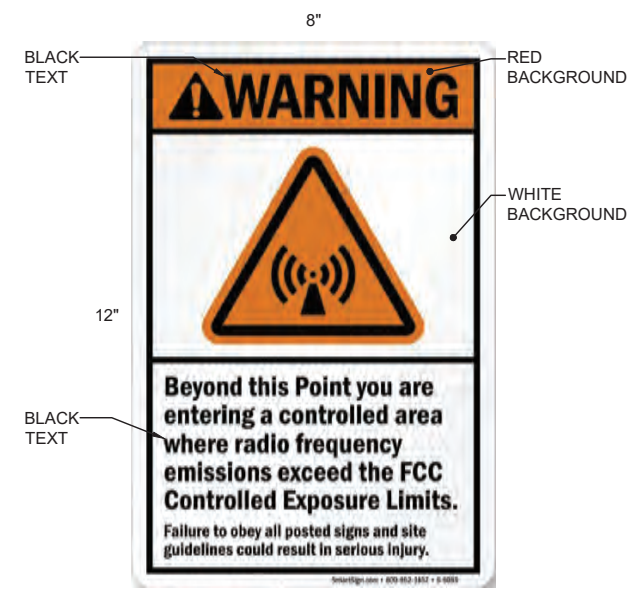
WHITE/BLUE BACKGROUND, WHITE/BLACK LETTERING
 MOUNTING LOCATION: GATE & BASE OF TOWER
 QUANTITY: 1

5 RX EXPOSURE NOTICE SIGN
 C11 SCALE: N.T.S.



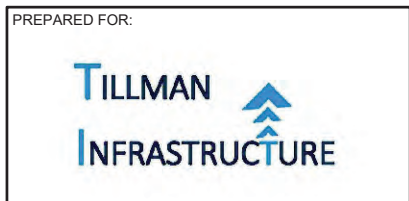
WHITE/YELLOW BACKGROUND, WHITE/BLACK LETTERING
 MOUNTING LOCATION: GATE & BASE OF TOWER
 QUANTITY: 1

6 RX EXPOSURE CAUTION SIGN
 C11 SCALE: N.T.S.



WHITE/ORANGE BACKGROUND, WHITE/BLACK LETTERING
 MOUNTING LOCATION: GATE & BASE OF TOWER
 QUANTITY: 1

7 RX EXPOSURE WARNING SIGN
 C11 SCALE: N.T.S.



THE INFORMATION CONTAINED IN THIS SET OF DOCUMENTS IS PROPRIETARY BY NATURE. ANY USE OR DISCLOSURE OTHER THAN THAT WHICH RELATES TO THE CLIENT IS STRICTLY PROHIBITED.

PROJECT INFORMATION:
 CLOVER FORK
 15724961
 22295

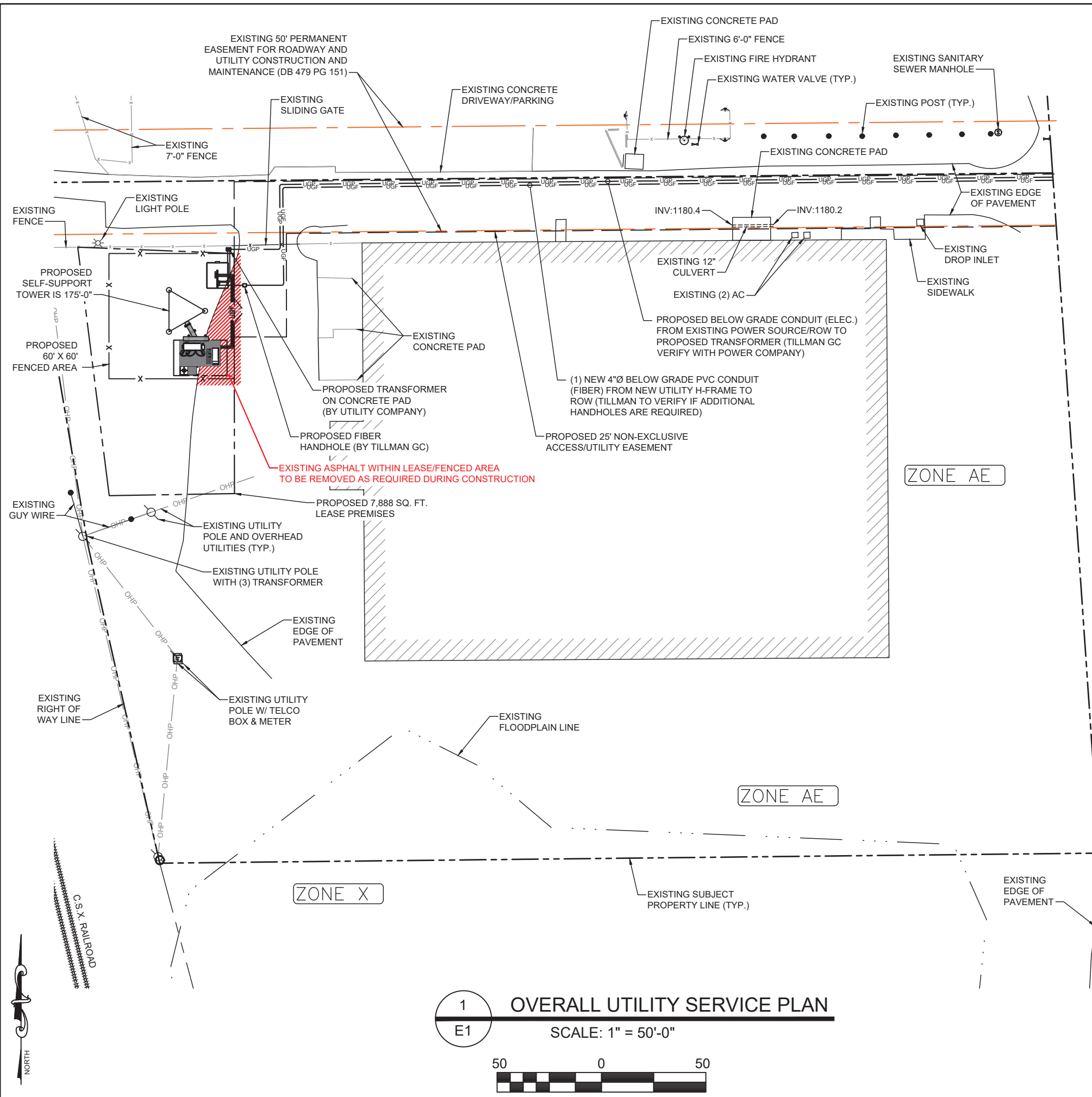
DRAWN BY:	SJH
CHECKED BY:	MAT
APPROVED BY:	PJN

REVISIONS		
REV.	DATE	DESCRIPTION
0	09/06/23	ISSUED FOR FINALS



SHEET TITLE:
 SITE SIGNAGE

SHEET #: C11 REVISION: 0



1
E1

OVERALL UTILITY SERVICE PLAN

SCALE: 1" = 50'-0"

ELECTRICAL NOTES AND SPECIFICATIONS:

- ALL ELECTRICAL WORK SHALL COMPLY WITH NEC, STATE, AND LOCAL CODES.
- CONTRACTOR SHALL OBTAIN OWNER/TENANT SPECIFICATIONS AND REVIEW FOR ADDITIONAL DETAILS AND REQUIREMENTS THAT MAY NOT BE SHOWN IN THESE DRAWINGS. CONTRACTOR SHALL COMPLY WITH ANY ADDITIONAL OWNER/TENANT SPECIFICATIONS AND REQUIREMENTS.
- CONTRACTOR SHALL COORDINATE WITH THE ELECTRICAL UTILITY FOR THE EXACT TRANSFORMER LOCATION, METERING REQUIREMENTS, AND SERVICE ROUTING. CONTRACTOR SHALL COORDINATE WITH THE TELEPHONE UTILITY FOR THE EXACT TELEPHONE REQUIREMENTS AND SERVICE ROUTING.
- PRIOR TO PURCHASING EQUIPMENT, THE CONTRACTORS SHALL CONTACT THE ELECTRIC UTILITY AND LOCATION IN WRITING THE MAXIMUM AVAILABLE FAULT CURRENT AT THE UTILITY SERVICE POINT. PROVIDE MAX AFC SIGNAGE AS REQUIRED PER NEC 110.24. THE CONTRACTOR SHALL ENSURE ALL ELECTRICAL EQUIPMENT, CIRCUIT BREAKERS, DISCONNECTS, FUSES, AND PANEL BOARDS HAVE A FAULT CURRENT INTERRUPTING RATING GREATER THAN THE AVAILABLE FAULT CURRENT. IN NO CASE SHALL THE FAULT CURRENT INTERRUPTING RATING BE LESS THAN 10,000 AMPS.
- CONTRACTOR TO PROVIDE 2-200 LB TEST POLYETHYLENE PULL CORDS SECURELY FASTENED AT EACH END OF POWER AND TELCO CONDUIT. PROVIDE CAPS ON ENDS OF UNUSED CONDUIT.
- CONTRACTOR TO PROVIDE A REBAR MARKER WITH AT LEAST 2 FEET EXPOSED ABOVE GRADE AND PAINTED BRIGHT ORANGE TO INDICATE LOCATION OF CONDUIT CAPPED BELOW GRADE.
- PRIOR TO TRENCHING, CONTRACTOR SHALL LOCATE ALL EXISTING UNDERGROUND UTILITIES. CONTRACTOR SHALL REPAIR AT CONTRACTOR'S EXPENSE ANY DAMAGE TO EXISTING UTILITIES.
- CONTRACTOR TO VERIFY EXACT ROUTING OF POWER AND TELCO CONDUIT WITH LOCAL UTILITIES AND OWENR/TENANT. ENSURE ALL CONDUIT STUB-UPS ACCOMMODATE EQUIPMENT REQUIREMENTS.
- UNDERGROUND CONDUITS SHALL BE SCHEDULE 40 PVC UNLESS NOTED OTHERWISE. USE SCHEDULE 80 PVC UNDER ROADS. USE LONG-SWEP RIGID GALVANIZED STEEL (RGS) FOR ELBOWS. USE RGS FOR RISERS TO EQUIPMENT. MANUFACTURED BENDS SHALL HAVE A MINIMUM RADIUS OF 36" FOR CONDUIT.
- CONDUIT RUNS SHALL HAVE A CONTINUOUS SLOPE DOWNWARD AND AWAY FROM THE EQUIPMENT TO ALLOW WATER TO FLOW AWAY FROM THE EQUIPMENT AND SHELTER. EXCAVATE TRENCHES ALONG STRAIGHT LINES PRIOR TO INSTALLING CONDUIT TO ACCOMMODATE ADJUSTING THE ELEVATION, AS NEEDED.
- CONDUIT ENTERING EQUIPMENT SHALL BE SEALED WITH A SEALANT THAT IS IDENTIFIED FOR USE WITH THE CABLE. CONDUCTOR INSULATION, SHIELDING, ETC.
- THE OWNER SHALL FURNISH AND THE CONTRACTOR SHALL INSTALL ADDITIONAL SIGNAGE TO BE LOCATED AT THE COMPOUND FENCE. CONTRACTOR SHALL COORDINATE WITH OWNER/TENANT TILLMAN INFRASTRUCTURE CONSTRUCTION MANAGER FOR PLACEMENT OF SIGNAGE.
- UPON COMPLETION OF CONSTRUCTION, CONTRACTOR IS RESPONSIBLE FOR REPAIRING ANY DAMAGE CAUSED BY CONSTRUCTION ACTIVITIES TO THE LANDSCAPING AREA.
- IF GENERATOR/FUEL CELL IS INSTALLED, CONTRACTOR SHALL PROVIDE A LABEL TO READ: "OPENING THE DISCONNECT WILL CAUSE THE GENERATOR TO START. TO REMOVE POWER ENTIRELY FROM THE EQUIPMENT, THE GENERATOR MUST BE TURNED OFF AND THE GENERATOR BREAKER MUST BE OPENED."
- CONTRACTORS SHALL ENSURE A MINIMUM 3' CLEARANCE IN FRONT OF ELECTRICAL PANELS PER NEC.
- ALL ELECTRICAL MATERIALS, DEVICES, APPLIANCES AND EQUIPMENT SHALL BE LABEL LISTED BY AN APPROVED THIRD PARTY TESTING AGENCY.
- FLEX CONDUIT RUNS NOT TO EXCEED 36" WITHOUT PRIOR TMO APPROVAL.

CONDUIT ROUTING NOTE:

- CONTRACTOR TO PROVIDE PULL BOXES AS NEEDED TO ENSURE NO GREATER THAN 360 DEGREES OF BENDS BETWEEN PULL POINTS IN CONDUIT RUNS.
- CONTRACTOR COORDINATE WITH LOCAL UTILITY COMPANY FOR SERVICE TO THIS POINT.
- ALL CONDUIT TO BE RUN WITHIN 2' UTILITY BUFFER AS SHOWN ON CIVIL PLANS. CONDUIT SHOWN OUTSIDE OF 2' UTILITY BUFFER FOR CLARITY PURPOSES ONLY.

PREPARED FOR:

A&E FIRM:

1355 WINDWARD CONCOURSE
SUITE 410
ALPHARETTA, GA 30005
TEL: 678-990-2338

THE INFORMATION CONTAINED IN THIS SET OF DOCUMENTS IS PROPRIETARY BY NATURE. ANY USE OR DISCLOSURE OTHER THAN THAT WHICH RELATES TO THE CLIENT IS STRICTLY PROHIBITED.

PROJECT INFORMATION:

CLOVER FORK
15724961
22295

DRAWN BY:	SJH
CHECKED BY:	MAT
APPROVED BY:	PJN

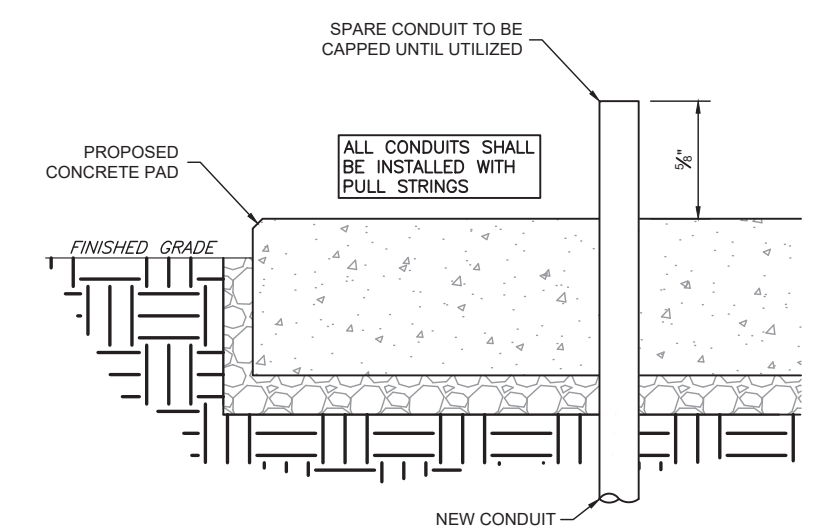
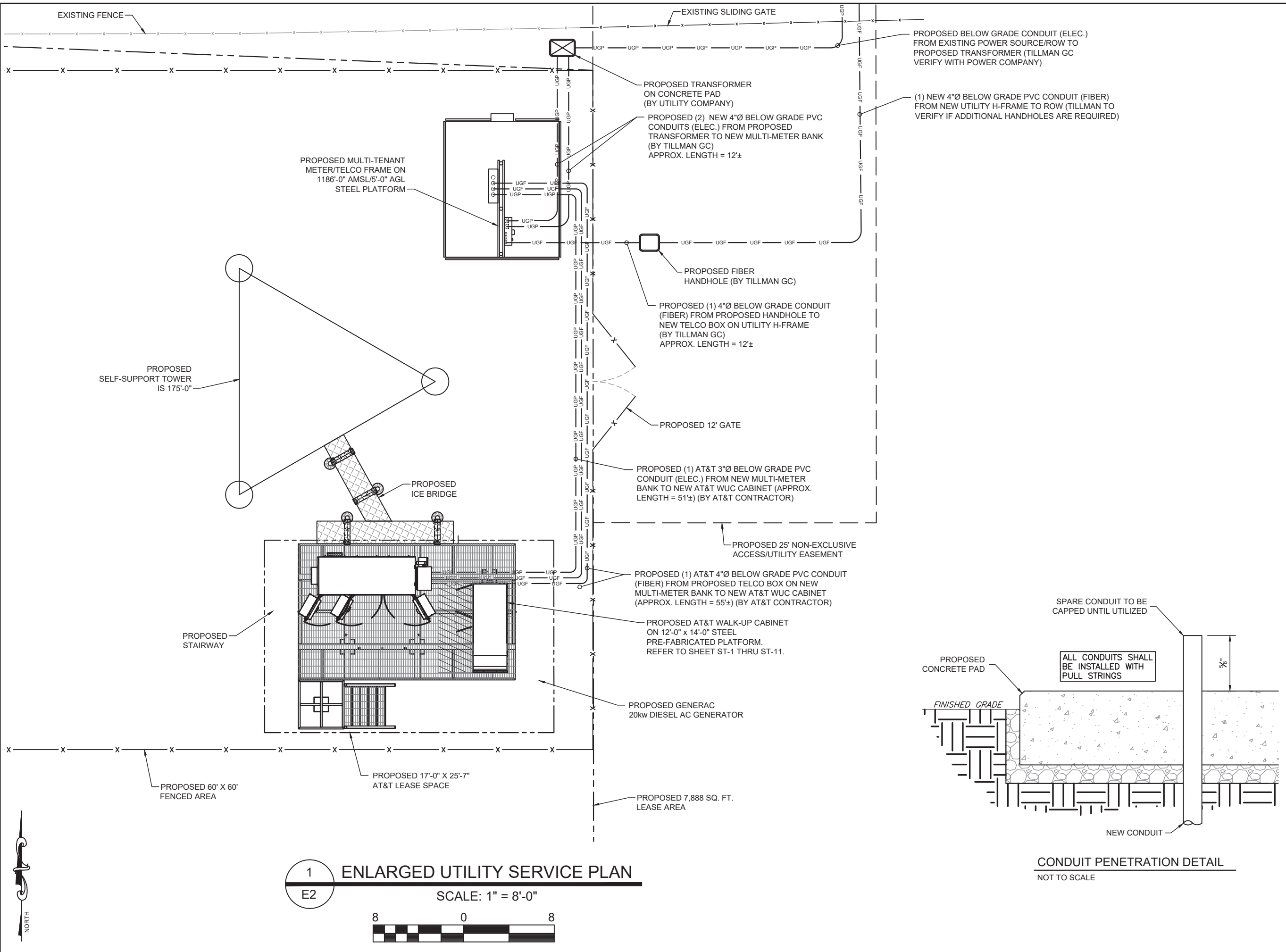
REVISIONS

REV.	DATE	DESCRIPTION
0	09/06/23	ISSUED FOR FINALS

09/06/2023

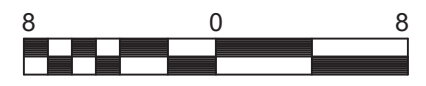
SHEET TITLE:
OVERALL UTILITY SERVICE PLAN

SHEET #:	REVISION:
E1	0



CONDUIT PENETRATION DETAIL
NOT TO SCALE

1 ENLARGED UTILITY SERVICE PLAN
E2 SCALE: 1" = 8'-0"



PREPARED FOR:
TILLMAN
INFRASTRUCTURE

A&E FIRM:
towersource
A NextEdge Company
1355 WINDWARD CONCOURSE
SUITE 410
ALPHARETTA, GA 30005
TEL: 678-990-2338

THE INFORMATION CONTAINED IN THIS SET OF DOCUMENTS IS PROPRIETARY BY NATURE. ANY USE OR DISCLOSURE OTHER THAN THAT WHICH RELATES TO THE CLIENT IS STRICTLY PROHIBITED.

PROJECT INFORMATION:

CLOVER FORK
15724961
22295

DRAWN BY:	SJH
CHECKED BY:	MAT
APPROVED BY:	PJN

REVISIONS		
REV.	DATE	DESCRIPTION
0	09/06/23	ISSUED FOR FINALS

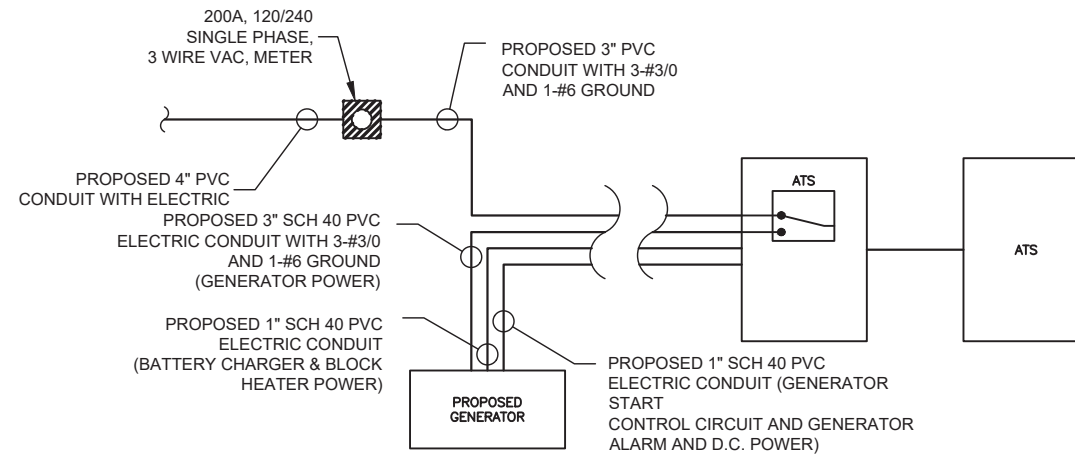
STATE OF KENTUCKY
PHILLIP J. NEJMAN
36012
LICENSED PROFESSIONAL ENGINEER
09/06/2023

SHEET TITLE:
ENLARGED UTILITY SERVICE PLAN

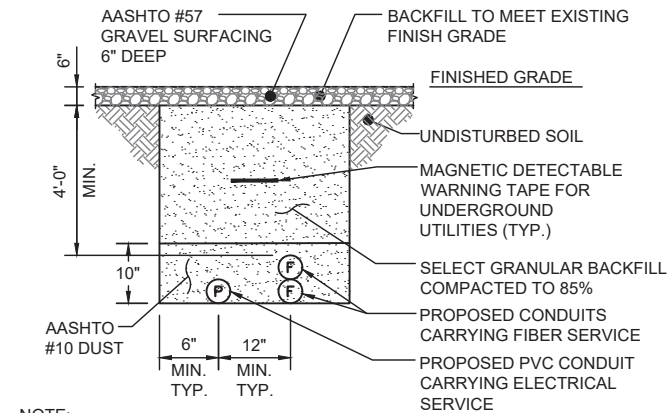
SHEET #: E2	REVISION: 0
-----------------------	-----------------------

ELECTRICAL NOTES

- SUBMITTAL OF BID INDICATES THAT THE CONTRACTOR IS COGNIZANT OF ALL JOB SITE CONDITIONS AND WORK TO BE PERFORMED UNDER THIS CONTRACT.
- CONTRACTOR SHALL PERFORM ALL VERIFICATIONS, OBSERVATION TESTS, AND EXAMINATION WORK PRIOR TO ORDERING OF ANY EQUIPMENT AND THE ACTUAL CONSTRUCTION. CONTRACTOR SHALL ISSUE A WRITTEN NOTICE OF ALL FINDINGS TO THE PROJECT MANAGER LISTING ALL MALFUNCTIONS, FAULTY EQUIPMENT AND DISCREPANCIES.
- VERIFY HEIGHTS WITH PROJECT MANAGER PRIOR TO INSTALLATION.
- THESE PLANS ARE DIAGRAMMATIC ONLY, FOLLOW AS CLOSELY AS POSSIBLE.
- CONTRACTOR SHALL COORDINATE ALL WORK BETWEEN TRADES AND ALL OTHER SCHEDULING AND PROVISIONARY CIRCUMSTANCES SURROUNDING THE PROJECT.
- CONTRACTOR SHALL PROVIDE ALL LABOR, MATERIALS, INSURANCE, EQUIPMENT, INSTALLATION CONSTRUCTION TOOLS, TRANSPORTATION, ETC., FOR COMPLETE AND FUNCTIONALLY OPERATING SYSTEMS ENERGIZED AND READY FOR USE THROUGHOUT AS INDICATED ON DRAWINGS, AS SPECIFIED HEREIN AND/OR AS OTHERWISE REQUIRED.
- ALL MATERIALS AND EQUIPMENT SHALL BE NEW AND IN PERFECT CONDITION WHEN INSTALLED AND SHALL BE OF THE BEST GRADE AND OF THE SAME MANUFACTURER THROUGHOUT FOR EACH CLASS OR GROUP OF EQUIPMENT. ELECTRICAL MATERIALS SHALL BE LISTED AND APPROVED BY UNDERWRITER'S LABORATORIES AND SHALL BEAR THE INSPECTION LABEL "J" WHERE SUBJECT TO SUCH APPROVAL. MATERIALS SHALL MEET WITH APPROVAL OF ALL GOVERNING BODIES HAVING JURISDICTION OVER THE CONSTRUCTION. MATERIALS SHALL BE MANUFACTURED IN ACCORDANCE WITH ALL CURRENT APPLICABLE STANDARDS ESTABLISHED BY ANSI, NEMA AND NBFU. ALL MATERIALS AND EQUIPMENT SHALL BE APPROVED FOR THEIR INTENDED USE AND LOCATION.
- ALL WORK SHALL COMPLY WITH ALL APPLICABLE GOVERNING STATE, COUNTY AND CITY CODES AND OSHA, NFPA, NEC & ASHRAE REQUIREMENTS.
- ENTIRE JOB SHALL BE GUARANTEED FOR A PERIOD OF ONE (1) YEAR AFTER THE DATE OF JOB ACCEPTANCE. ALL WORK, MATERIAL AND EQUIPMENT FOUND TO BE FAULTY DURING THAT PERIOD SHALL BE CORRECTED AT ONCE, UPON WRITTEN NOTIFICATION, AT THE EXPENSE OF THE CONTRACTOR.
- PROPERLY SEAL ALL PENETRATIONS. PROVIDE UL LISTED FIRE-STOPS WHERE PENETRATIONS ARE MADE THROUGH FIRE-RATED ASSEMBLIES. WATER-TIGHT USING SILICONE SEALANT.
- DELIVER ALL BROCHURES, OPERATING MANUALS, CATALOGS AND SHOP DRAWINGS TO THE PROJECT MANAGER AT JOB COMPLETION. PROVIDE MAINTENANCE MANUALS FOR MECHANICAL EQUIPMENT. AFFIX MAINTENANCE LABELS TO MECHANICAL EQUIPMENT.
- ALL CONDUCTORS SHALL BE COPPER. MINIMUM CONDUCTOR SIZE SHALL BE #12 AWG., UNLESS OTHERWISE NOTED. CONDUCTORS SHALL BE TYPE THHW, RATED IN ACCORDANCE WITH NEC 110-14(C).
- ALL CIRCUIT BREAKERS, FUSES AND ELECTRICAL EQUIPMENT SHALL HAVE AN INTERRUPTING RATING NOT LESS THE MAXIMUM INTERRUPTING CURRENT TO WHICH THEY MAY BE SUBJECTED.
- THE ENTIRE ELECTRICAL INSTALLATION SHALL BE GROUNDED IN ACCORDANCE WITH THE NATIONAL ELECTRICAL CODE; ARTICLES 250 & 810 AND THE UTILITY COMPANY STANDARDS.
- CONDUIT:
 - RIGID CONDUIT SHALL BE U.L. LABEL GALVANIZED ZINC COATED WITH ZINC INTERIOR AND SHALL BE USED WHEN INSTALLED IN OR UNDER CONCRETE SLABS, IN CONTACT WITH THE EARTH, UNDER PUBLIC ROADWAYS, IN MASONRY WALLS OR EXPOSED ON BUILDING EXTERIOR. RIGID CONDUIT IN CONTACT WITH EARTH SHALL BE 1/2 LAPPED WRAPPED WITH HUNTS WRAP PROCESS NO. 3.
 - ELECTRICAL METALLIC TUBING SHALL HAVE U.L. LABEL, FITTINGS SHALL BE GLAND RING COMPRESSION TYPE. EMT SHALL BE USED ONLY FOR INTERIOR RUNS.
 - LIQUID-TIGHT FLEXIBLE METAL CONDUIT SHALL BE U.L. LISTED AND SHALL BE USED AT FINAL CONNECTIONS TO MECHANICAL EQUIPMENT & RECTIFIERS AND WHERE PERMITTED BY CODE. ALL CONDUIT IN EXCESS OF SIX FEET IN LENGTH SHALL CONTAIN A FULL-SIZE GROUND CONDUCTOR.
 - CONDUIT RUNS SHALL BE SURFACE MOUNTED ON CEILINGS OR WALLS UNLESS NOTED OTHERWISE. ALL CONDUIT SHALL RUN PARALLEL OR PERPENDICULAR TO WALLS, FLOOR, CEILING, OR BEAMS. VERIFY EXACT ROUTING OF ALL EXPOSED CONDUIT WITH THE PROJECT MANAGER PRIOR TO INSTALLING.
 - PVC CONDUIT MAY BE PROVIDED ONLY WHERE SHOWN, OR IN UNDERGROUND INSTALLATIONS. PROVIDE UV-RESISTANT CONDUIT WHERE EXPOSED TO THE ATMOSPHERE. PROVIDE GROUND CONDUCTOR IN ALL PVC RUNS; EXCEPT WHERE PERMITTED BY CODE TO OMIT.
- ALL ELECTRICAL EQUIPMENT SHALL BE LABELED WITH PERMANENT ENGRAVED PLASTIC LABELS. BACKGROUND SHALL BE BLACK WITH WHITE LETTERS; EXCEPT AS REQUIRED BY CODE TO FOLLOW A DIFFERENT SCHEME.
- UPON COMPLETION OF WORK, CONDUCT CONTINUITY, SHORT CIRCUIT, AND FALL OF POTENTIAL GROUNDING TESTS FOR APPROVAL. SUBMIT TEST REPORTS TO PROJECT MANAGER. GROUNDING SYSTEM RESISTANCE SHALL NOT EXCEED 5 OHMS. IF THE RESISTANCE VALUE IS EXCEEDED, NOTIFY THE PROJECT MANAGER FOR FURTHER INSTRUCTION ON METHODS FOR REDUCING THE RESISTANCE VALUE.
- CLEAN PREMISES OF ALL DEBRIS RESULTING FROM WORK AND LEAVE WORK IN A COMPLETE AND UNDAMAGED CONDITION. LEGALLY DISPOSE OF ALL REMOVED, UNUSED AND EXCESS MATERIAL GENERATED BY THE WORK OF THIS CONTRACT. DELIVER ITEMS INDICATED ON THE DRAWINGS TO THE OWNER IN GOOD CONDITION. OBTAIN SIGNED RECEIPT UPON DELIVERY.
- COORDINATE WITH UTILITY COMPANY FOR CONNECTION OF TEMPORARY AND PERMANENT POWER TO THE SITE. THE TEMPORARY POWER AND ALL HOOKUP COSTS SHALL BE PAID BY THE CONTRACTOR.
- VERIFY ALL EXISTING CIRCUITRY PRIOR TO REMOVAL AND NEW WORK. MAINTAIN POWER TO ALL OTHER AREAS & CIRCUITS NOT SCHEDULED FOR REMOVAL.
- RED LINED AS-BUILT PLANS SHALL BE PROVIDED TO THE CONSTRUCTION MANAGER.



1 POWER DIAGRAM
E3 SCALE: N.T.S.



NOTE: EXCAVATE EXISTING SUBGRADE AS REQUIRED TO INSTALL CONDUITS IN ACCORDANCE WITH OSHA AND ALL APPLICABLE CODES.

2 TYPICAL TRENCH DETAIL
E3 SCALE: N.T.S.

INTEGRATED LOAD CENTER																										
LOAD			LOAD PER PHASE (VA)								LOAD PER PHASE (VA)								LOAD							
DESCRIPTION	QTY.	UNIT V.A.	PHASE		WIRE COLOR	LOADS CONTINUOUS	LOADS NON-CONTINUOUS	LOADS SUB-PANEL	WIRE SIZE	GROUNDING WIRE SIZE	TRIP	TRIP	GROUNDING WIRE SIZE	WIRE SIZE	LOADS SUB-PANEL	LOADS NON-CONTINUOUS	LOADS CONTINUOUS	PHASE		UNIT V.A.	QTY.	DESCRIPTION				
			A	B														A	B							
RECTIFIER #1	1	1400	1400		BLK	X			8	(10)	40	40	(10)	8			X	BLK	1400		1400	1	RECTIFIER #5			
	1	1400		1400	RED												X	RED		1400	1400	1	RECTIFIER #5			
RECTIFIER #2	1	1400	1400		BLK	X			8	(10)	40	40	(10)	8			X	BLK	1400		1400	1	RECTIFIER #6			
	1	1400		1400	RED												X	RED		1400	1400	1	RECTIFIER #6			
RECTIFIER #3	1	1400	1400		BLK	X			8	(10)	40	40	(10)	8			X	BLK	1400		1400	1	RECTIFIER #7			
	1	1400		1400	RED												X	RED		1400	1400	1	RECTIFIER #7			
RECTIFIER #4	1	1400	1400		BLK	X			8	(10)	40	40	(10)	8			X	BLK	1400		1400	1	RECTIFIER #8			
	1	1400		1400	RED												X	RED		1400	1400	1	RECTIFIER #8			
GFCI RECEPTACLES	2	180	360		BLK	X			12	(12)	20							BLK								
OPTIONAL FIBER BOX RECEPTACLE	1	180		180	RED	X			12	12	20							RED								
BATTERY CHARGER/BLOCK HEATER (IF REQUIRED)	1	240	480		BLK	X			12	12	20							BLK								
					RED													RED								
OIL HEATER (IF REQUIRED)	1	180	180		BLK	X			12	12	20							BLK								
SUBTOTAL CONTINUOUS			6,380	7,280																		5,600	5,600	SUBTOTAL CONTINUOUS	TOTAL KVA CONTINUOUS x 1.25	31.075
SUBTOTAL NON-CONTINUOUS			-	-																		-	-	SUBTOTAL NON-CONTINUOUS	TOTAL KVA NON-CONTINUOUS	-
SUBTOTAL SUB-PANEL			-	-																		-	-	SUBTOTAL SUB-PANEL	TOTAL KVA SUB-PANEL	-
PANEL DESIGNATION: ELECTRICAL PANEL (ITEM 2)																						TOTAL KVA	31.075			
MAIN LUGS: N/A		MAIN BREAKER: 200 AMP		BRANCH BREAKER TYPE: SIEMENS - BL																TOTAL KVA	31.075					
VOLTAGE: 120/240		CYCLE: 60		PHASE: 1		WIRES: 3		MAIN COPPER BUS: 200 AMPS				NEUTRAL: 200 AMPS				TOTAL AMPS	129.48									

3 PANEL SCHEDULE
E3 SCALE: N.T.S.

PREPARED FOR:

A&E FIRM:

1355 WINDWARD CONCOURSE SUITE 410
ALPHARETTA, GA 30005
TEL: 678-990-2338

THE INFORMATION CONTAINED IN THIS SET OF DOCUMENTS IS PROPRIETARY BY NATURE. ANY USE OR DISCLOSURE OTHER THAN THAT WHICH RELATES TO THE CLIENT IS STRICTLY PROHIBITED.

PROJECT INFORMATION:

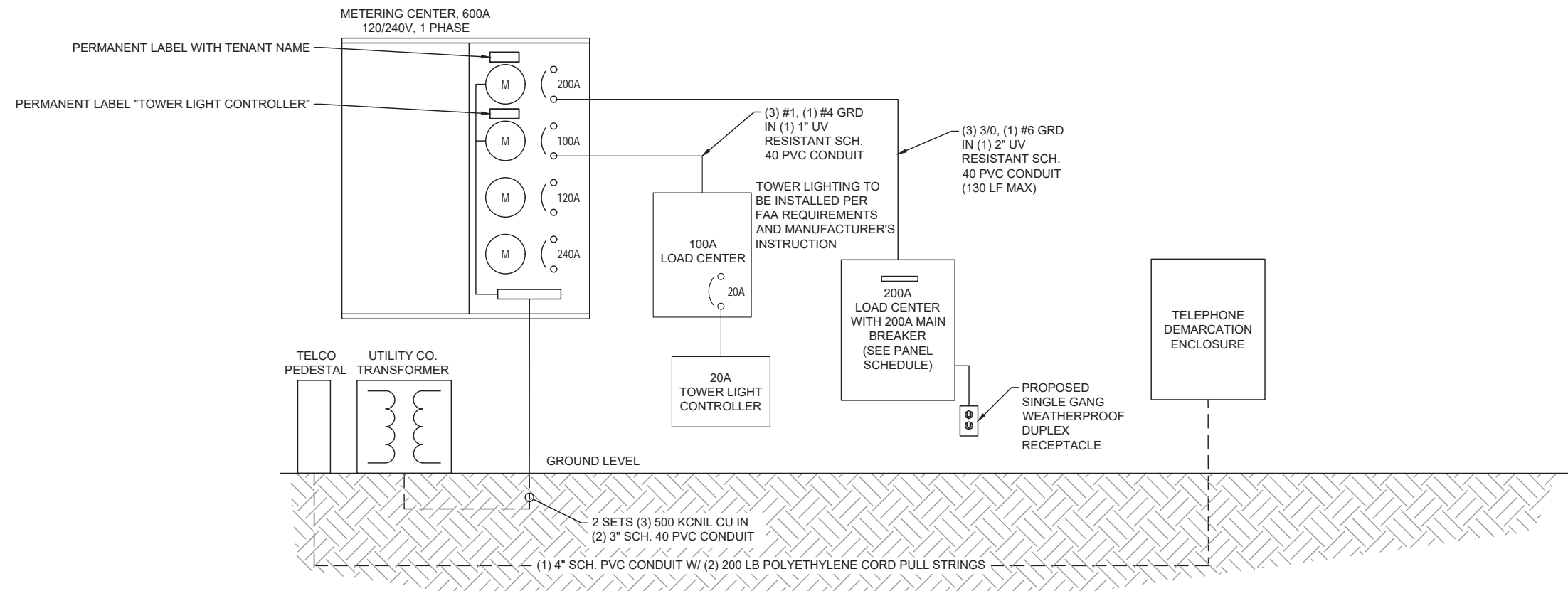
CLOVER FORK
15724961
22295

DRAWN BY:	SJH
CHECKED BY:	MAT
APPROVED BY:	PJN

REVISIONS		
REV.	DATE	DESCRIPTION
0	09/06/23	ISSUED FOR FINALS

SHEET TITLE:
ELECTRICAL PANEL SCHEDULE, DIAGRAM, AND NOTES

SHEET #:	E3	REVISION:	0
----------	----	-----------	---



1 ELECTRICAL SINGLE-LINE DIAGRAM
E4 SCALE: N.T.S.

THIS SPACE INTENTIONALLY LEFT BLANK

PREPARED FOR:
TILLMAN
INFRASTRUCTURE

A&E FIRM:
towersource
 A NextEdge Company
 1355 WINDWARD CONCOURSE
 SUITE 410
 ALPHARETTA, GA 30005
 TEL: 678-990-2338

THE INFORMATION CONTAINED IN THIS SET OF DOCUMENTS IS PROPRIETARY BY NATURE. ANY USE OR DISCLOSURE OTHER THAN THAT WHICH RELATES TO THE CLIENT IS STRICTLY PROHIBITED.

PROJECT INFORMATION:
CLOVER FORK
15724961
22295

DRAWN BY:	SJH
CHECKED BY:	MAT
APPROVED BY:	PJN

REVISIONS		
REV.	DATE	DESCRIPTION
0	09/06/23	ISSUED FOR FINALS

STATE OF KENTUCKY
 PHILLIP J. NEJMAN
 36012
 LICENSED PROFESSIONAL ENGINEER
 09/06/2023

SHEET TITLE:
 ELECTRICAL SINGLE-LINE
 DIAGRAM

SHEET #:	REVISION:
E4	0

PREPARED FOR:



A&E FIRM:



1355 WINDWARD CONCOURSE
SUITE 410
ALPHARETTA, GA 30005
TEL: 678-990-2338

THE INFORMATION CONTAINED IN THIS SET OF DOCUMENTS IS PROPRIETARY BY NATURE. ANY USE OR DISCLOSURE OTHER THAN THAT WHICH RELATES TO THE CLIENT IS STRICTLY PROHIBITED.

PROJECT INFORMATION:

CLOVER FORK
15724961
22295

DRAWN BY:	SJH
CHECKED BY:	MAT
APPROVED BY:	PJN

REVISIONS

REV.	DATE	DESCRIPTION
0	09/06/23	ISSUED FOR FINALS

FOR INFORMATION PURPOSES ONLY

SHEET TITLE:
GENERATOR SPECIFICATIONS
(BY OTHERS)

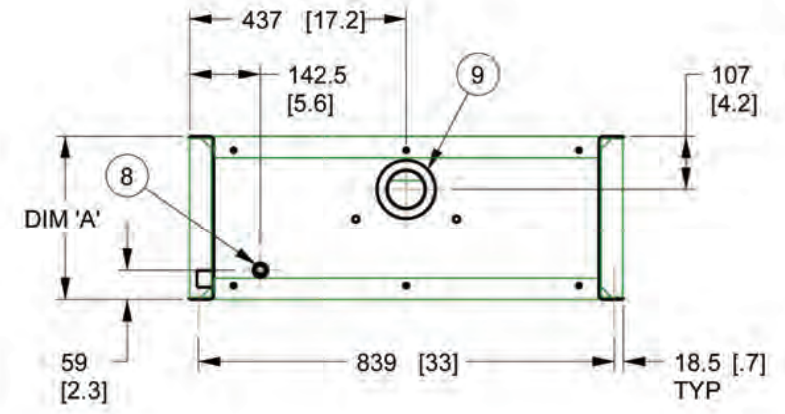
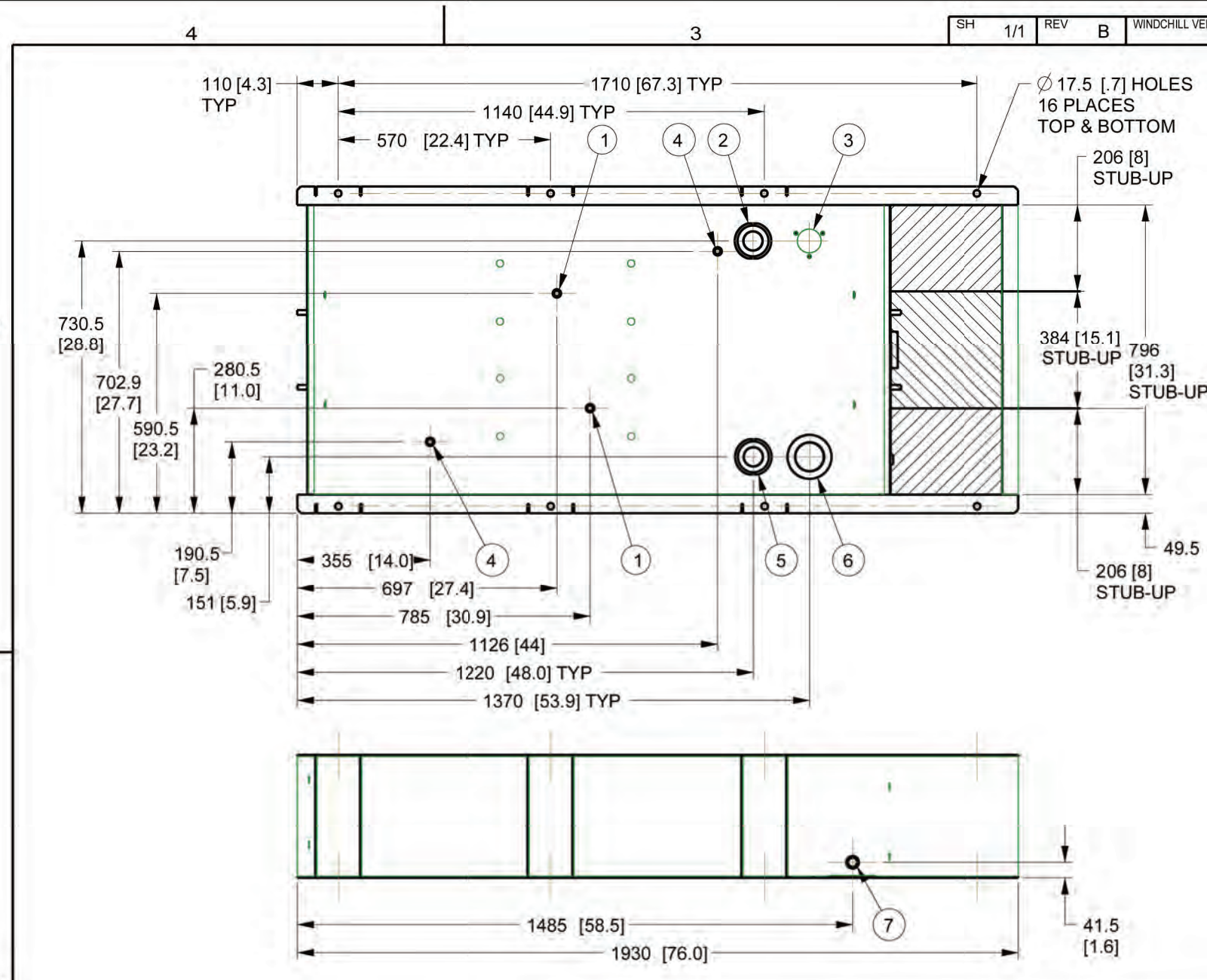
SHEET #: **E5** REVISION: **0**

SH 1/1 REV B WINDCHILL VERSION B.1

I/N	TANK FITTING	PROVIDING FUNCTION
1	3/8" NPT COUPLING	FUEL SUPPLY
2	2" NPT WELD FLANGE	FUEL FILL
3		FUEL LEVEL
4	3/8" NPT COUPLING	FUEL RETURN
5	2" NPT WELD FLANGE	VENT
6	3" NPT WELD FLANGE	EMERGENCY VENT
7	3/4" NPT COUPLING	DRAIN
8	1/2" NPT HALF COUPLING	LEAK DETECTOR
9	3" NPT WELD FLANGE	OUTER EMERGENCY VENT

CAPACITY: LITER [GALLONS]
WEIGHT: KILOGRAMS [POUNDS]
LENGTH: MM [INCH]
UL #142 / ULC-S601 LISTED

LOW VOLTAGE STUB-UP
 HIGH VOLTAGE STUB-UP



TANK P/N	10000016804	10000016806	10000016816
DIM 'A'	330 [13]	635 [25]	940 [37]
TOTAL CAPACITY	227 [60]	524 [138]	820 [217]
USABLE CAPACITY	204 [54]	501 [132]	799 [211]
DRY WEIGHT	218 [480]	322 [710]	417 [919]

GENERAC

TITLE
INSTALL A-GROUP BASETANKS

ISSUE DATE:
SIZE **B** CAGE NO N/A DWG NO **10000031326** REV **B**
SCALE 0.080 WT-KG 0.000 SHEET 1 of 1

DRAWING CREATED FROM PRO/ENGINEER 3D FILE. ECO MODIFICATION TO BE APPLIED TO SOLID MODEL ONLY.

INSTALLATION DRAWING

GENERAC POWER SYSTEMS OWNS THE COPYRIGHT OF THIS DRAWING, WHICH IS SUPPLIED IN CONFIDENCE AND MUST NOT BE USED FOR ANY PURPOSE OTHER THAN FOR WHICH IT IS SUPPLIED WITHOUT THE EXPRESS WRITTEN CONSENT OF GENERAC POWER SYSTEMS ©GENERAC POWER SYSTEMS 2013

ELECTRONICALLY APPROVED INSIDE WINDCHILL

PREPARED FOR:



A&E FIRM:



1355 WINDWARD CONCOURSE
SUITE 410
ALPHARETTA, GA 30005
TEL: 678-990-2338

THE INFORMATION CONTAINED IN THIS SET OF DOCUMENTS IS PROPRIETARY BY NATURE. ANY USE OR DISCLOSURE OTHER THAN THAT WHICH RELATES TO THE CLIENT IS STRICTLY PROHIBITED.

PROJECT INFORMATION:

CLOVER FORK
15724961
22295

DRAWN BY: SJH
CHECKED BY: MAT
APPROVED BY: PJN

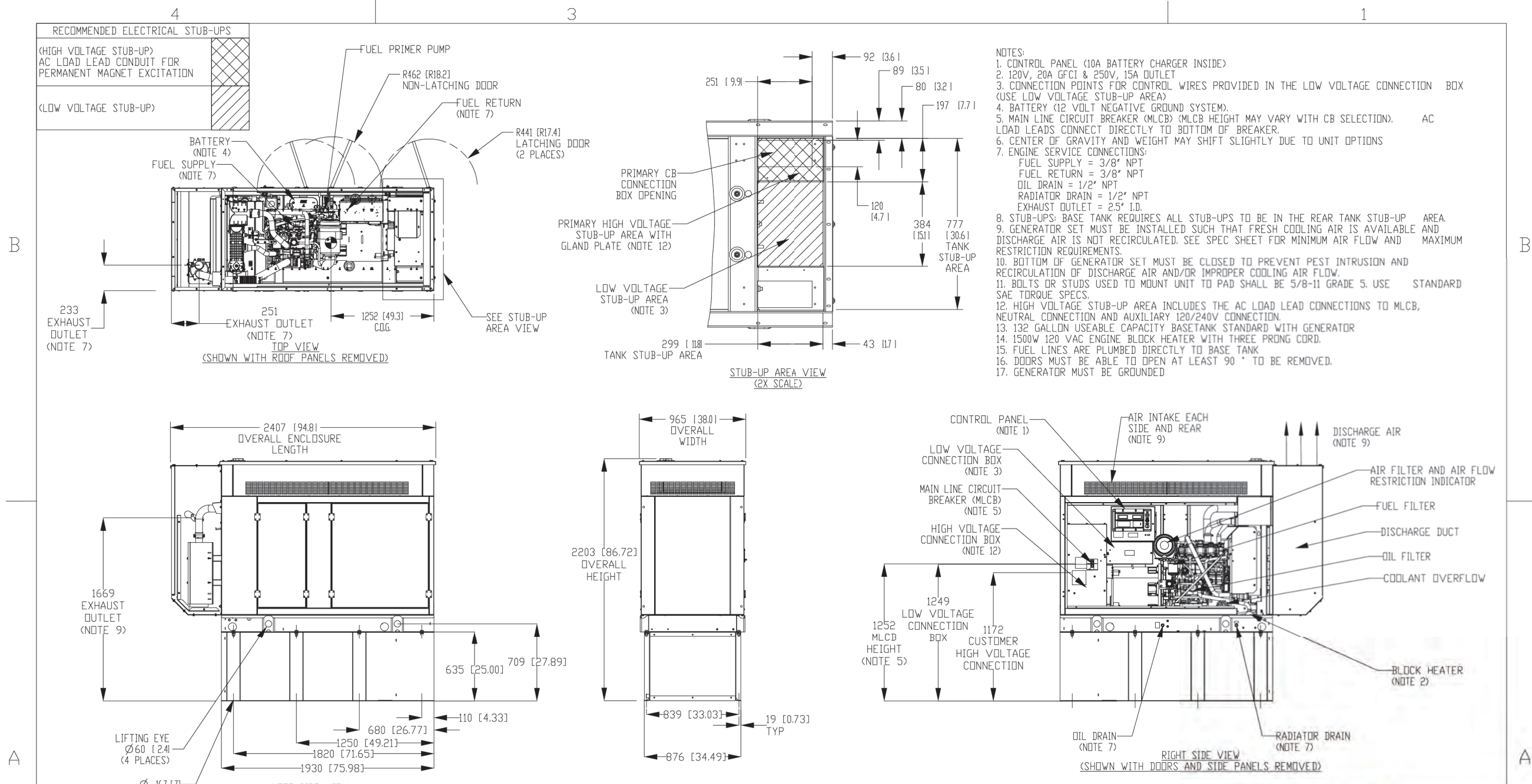
REVISIONS

REV.	DATE	DESCRIPTION
0	09/06/23	ISSUED FOR FINALS

FOR INFORMATION PURPOSES ONLY

SHEET TITLE:
GENERATOR SPECIFICATIONS (BY OTHERS)

SHEET #: E6
REVISION: 0



WEIGHT DATA: INCLUDES FUEL TANK
GENERATOR: 2,672 Lbs.
GENERATOR WITH SHIPPING SKID: 2,772 Lbs.
WEIGHT: KG [LBS]
DIMENSIONS: MM [INCHES]

GENERAC

TITLE
INSTALL D2.2L G22
20KW SSS L2A Y01 EXT
132 GALLON STANDARD TANK

ISSUE DATE: 12/18/17

SIZE B	CAGE NO N/A	DWG NO SD20ATTSTD132	REV A
-----------	----------------	-------------------------	----------

SCALE 0.030 WT-KG SEE ABOVE SHEET 1 of 1

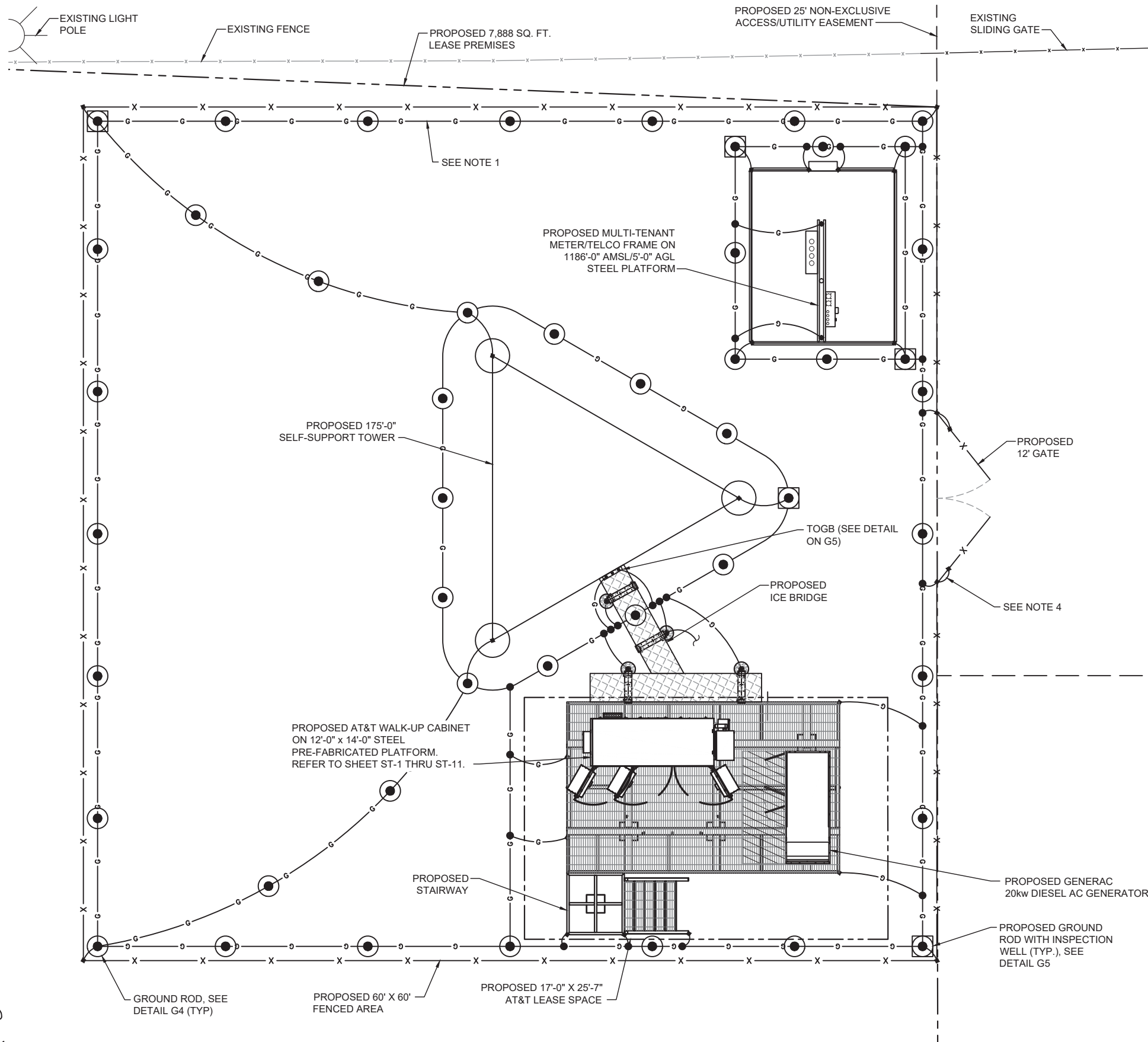
GENERAC POWER SYSTEMS OWNS THE COPYRIGHT OF THIS DRAWING WHICH IS SUPPLIED IN CONFIDENCE AND MUST NOT BE USED FOR ANY PURPOSE OTHER THAN FOR WHICH IT IS SUPPLIED WITHOUT THE EXPRESS WRITTEN CONSENT OF GENERAC POWER SYSTEMS. ©GENERAC POWER SYSTEMS 2015

ELECTRONICALLY APPROVED
INSIDE WINDCHILL

DRAWING CREATED FROM PRO/ENGINEER 3D FILE. ECO MODIFICATION TO BE APPLIED TO SOLID MODEL ONLY.

FOR PRELIMINARY USE ONLY

INSTALLATION DRAWING



GROUNDING NOTES AND SPECIFICATIONS:

1. THE GROUND RING SHALL CONSIST OF 2 AWG TINNED SOLID BARE COPPER CONDUCTOR, UNLESS NOTED OTHERWISE, BURIED AT 24" BELOW FINISHED GRADE (OR 6" BELOW FROSTLINE). ALL CONNECTIONS SHALL BE MADE USING AN EXOTHERMIC WELD, UNLESS NOTED OTHERWISE.
2. GROUND CONDUCTOR BEND RADIUS SHALL NOT BE LESS THAN 12"
3. GROUND RODS SHOULD BE SPACED 2X HEIGHT APART AROUND COMPOUND GROUND RING. (EX. 10' ROD SHOULD BE SPACED 20' APART). MINIMUM SPACING BETWEEN GROUND RODS IS 10' UNLESS NOTED OTHERWISE.
4. GATES SHALL BE BONDED TO GATE POSTS USING FLEXIBLE JUMPER STRAP (BELDEN 8662 FLAT BRAID TINNED COPPER OR EQUAL) WITH EXOTHERMIC WELDS.
5. ALL GROUNDING/BONDING CONDUCTORS LOCATED ABOVE FINISHED GRADE SHALL BE RUN IN 1/2" FLEX CONDUIT.
6. CONTRACTOR SHALL NOTIFY THE OWNER/TENANT TILLMAN INFRASTRUCTURE CONSTRUCTION MANAGER TO INSPECT THE GROUNDING SYSTEM PRIOR TO BACKFILLING.

LEGEND:

- GROUND ROD EXOTHERMICALLY WELDED TO GROUND RING
- GROUND RING
- GROUND ROD INSPECTION WELL
- EXOTHERMIC WELD TYPE CONNECTION
- PARALLEL CADWELD
- MECHANICAL CONNECTION

PREPARED FOR:



A&E FIRM:



1355 WINDWARD CONCOURSE
SUITE 410
ALPHARETTA, GA 30005
TEL: 678-990-2338

THE INFORMATION CONTAINED IN THIS SET OF DOCUMENTS IS PROPRIETARY BY NATURE. ANY USE OR DISCLOSURE OTHER THAN THAT WHICH RELATES TO THE CLIENT IS STRICTLY PROHIBITED.

PROJECT INFORMATION:

CLOVER FORK
15724961
22295

DRAWN BY:	SJH
CHECKED BY:	MAT
APPROVED BY:	PJN

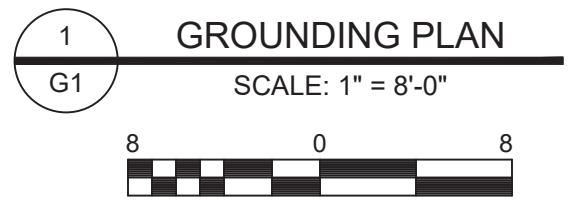
REVISIONS		
REV.	DATE	DESCRIPTION
0	09/06/23	ISSUED FOR FINALS



09/06/2023

SHEET TITLE:
GROUNDING PLAN

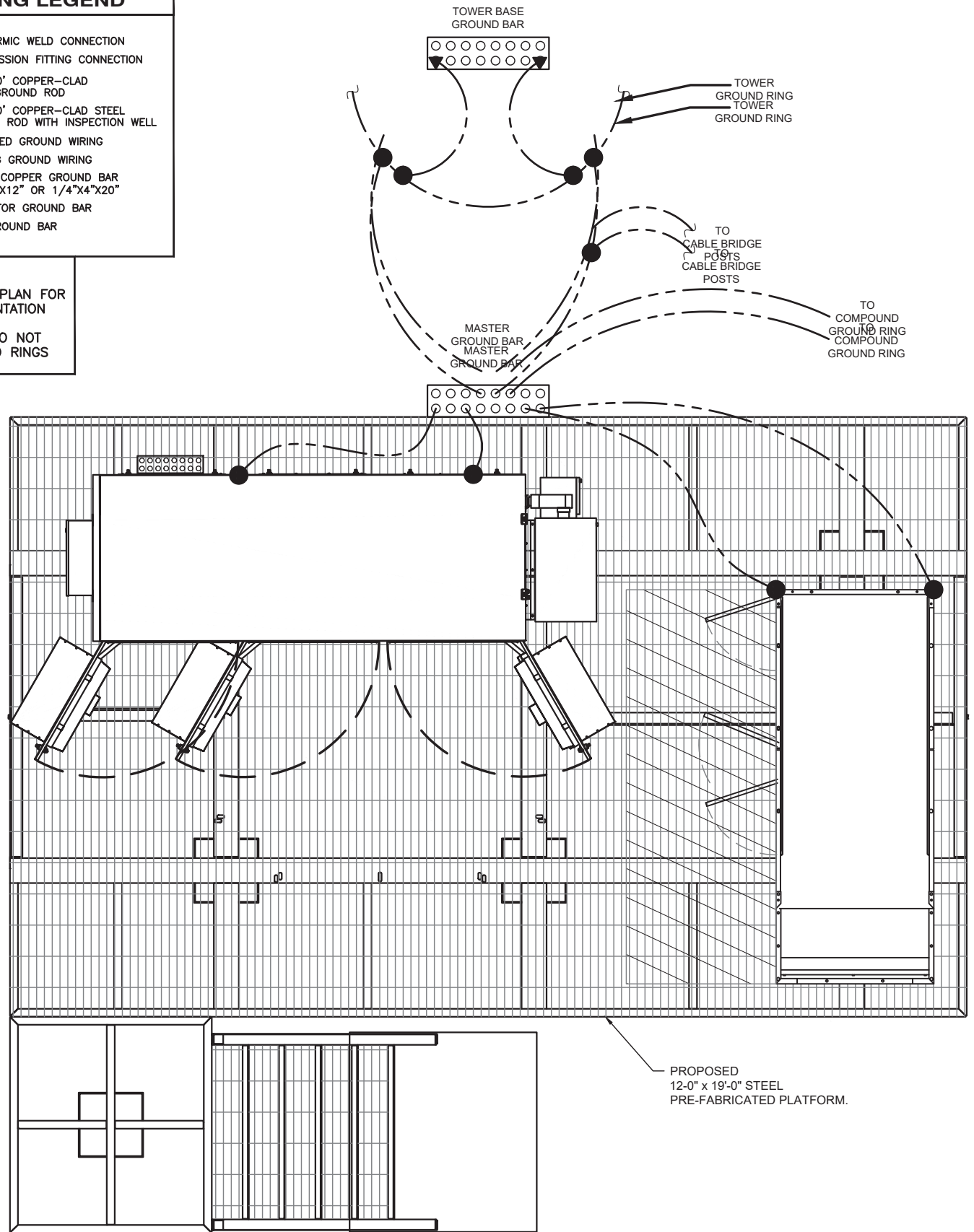
SHEET #: **G1** REVISION: **0**



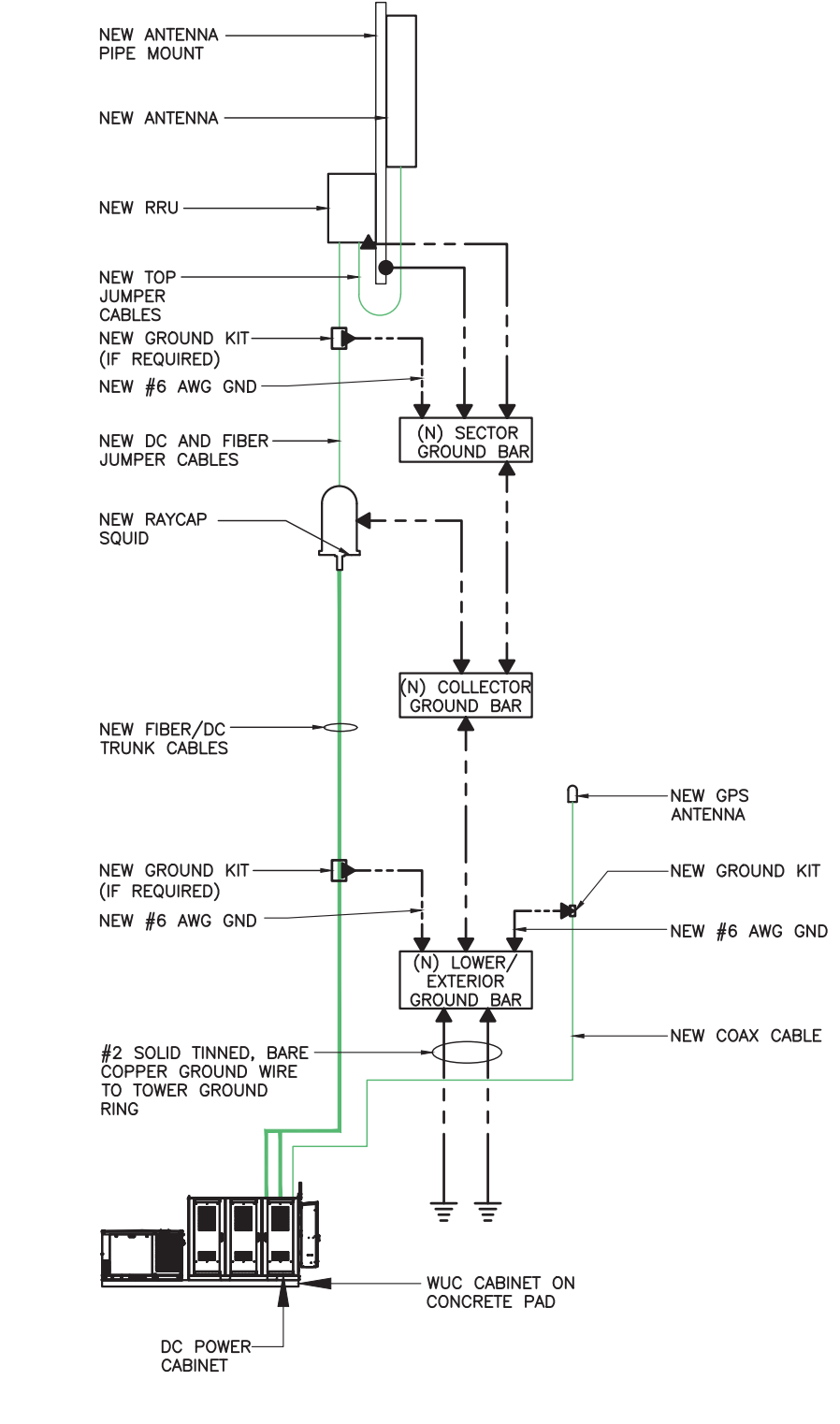
GROUNDING LEGEND

- EXOTHERMIC WELD CONNECTION
- ▲ COMPRESSION FITTING CONNECTION
- 5/8"x10" COPPER-CLAD STEEL GROUND ROD
- ⊙ 5/8"x10" COPPER-CLAD STEEL GROUND ROD WITH INSPECTION WELL
- - - PROPOSED GROUND WIRING
- — — EXISTING GROUND WIRING
- ▬ TINNED COPPER GROUND BAR 1/4"x4"x12" OR 1/4"x4"x20"
- CGB COLLECTOR GROUND BAR
- MGB MAIN GROUND BAR

NOTES:
 1. SEE COMPOUND PLAN FOR EQUIPMENT ORIENTATION
 2. HELICAL PIERS DO NOT REQUIRE GROUND RINGS



1 **EQUIPMENT GROUNDING PLAN**
 G2 NOT TO SCALE



NOTE:
 1. (1) ANTENNA/RRU/ RAYCAP SHOWN FOR CLARITY. GROUNDING IS TYPICAL FOR EACH ADDITIONAL.
 2. ADDITIONAL CABLE GROUND KIT REQUIRED AT MIDPOINT FOR CABLE LENGTHS GREATER THAN 200 FT.

LEGEND:

- EXOTHERMIC CONNECTION
- ▲ MECHANICAL CONNECTION
- GROUND KIT
- #2 GREEN STRANDED INSULATED COPPER GND WIRE (SUNLIGHT RESISTANT) U.N.O.

2 **TYPICAL RISER DIAGRAM**
 G2 NOT TO SCALE

PREPARED FOR:



A&E FIRM:

 1355 WINDWARD CONCOURSE
 SUITE 410
 ALPHARETTA, GA 30005
 TEL: 678-990-2338

THE INFORMATION CONTAINED IN THIS SET OF DOCUMENTS IS PROPRIETARY BY NATURE. ANY USE OR DISCLOSURE OTHER THAN THAT WHICH RELATES TO THE CLIENT IS STRICTLY PROHIBITED.

PROJECT INFORMATION:
CLOVER FORK
15724961
22295

DRAWN BY:	SJH
CHECKED BY:	MAT
APPROVED BY:	PJN

REVISIONS		
REV.	DATE	DESCRIPTION
0	09/06/23	ISSUED FOR FINALS



09/06/2023

SHEET TITLE:
EQUIPMENT GROUNDING PLAN AND RISER DIAGRAM

SHEET #:	REVISION:
G2	0

PREPARED FOR:



A&E FIRM:



1355 WINDWARD CONCOURSE
SUITE 410
ALPHARETTA, GA 30005
TEL: 678-990-2338

THE INFORMATION CONTAINED IN THIS SET OF DOCUMENTS IS PROPRIETARY BY NATURE. ANY USE OR DISCLOSURE OTHER THAN THAT WHICH RELATES TO THE CLIENT IS STRICTLY PROHIBITED.

PROJECT INFORMATION:

CLOVER FORK
15724961
22295

DRAWN BY: SJH
CHECKED BY: MAT
APPROVED BY: PJN

REVISIONS

REV.	DATE	DESCRIPTION
0	09/06/23	ISSUED FOR FINALS



09/06/2023

SHEET TITLE:
FENCE GROUNDING DETAILS

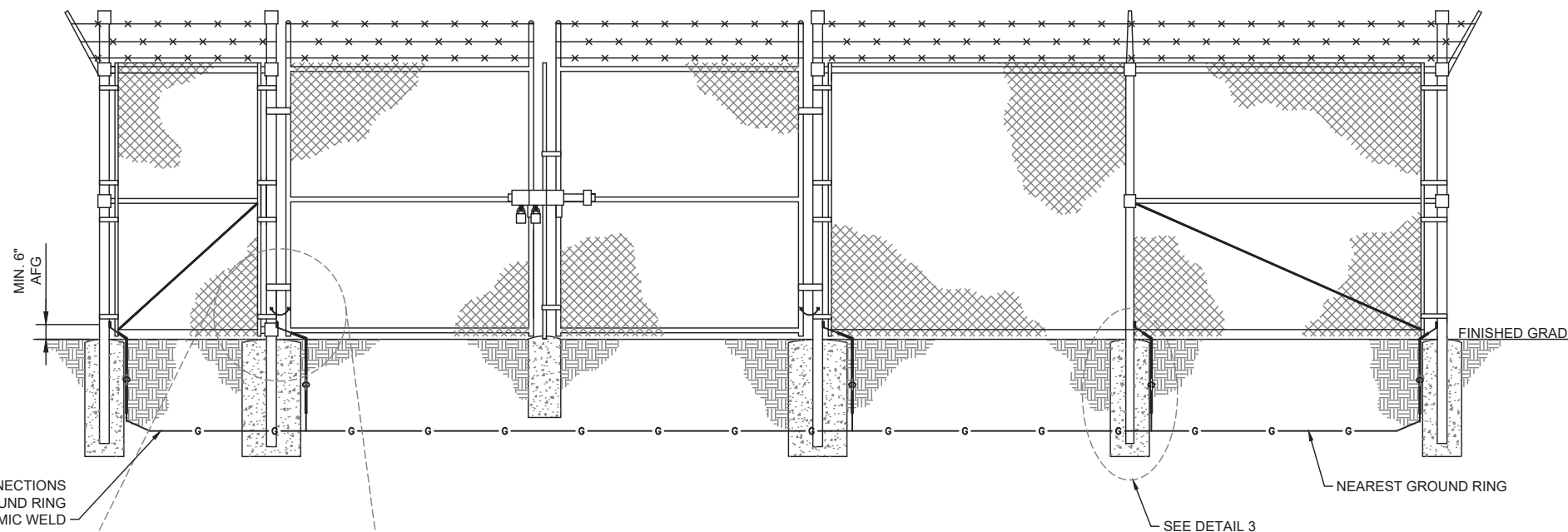
SHEET #: **G3** REVISION: **0**

GUY ANCHOR CONNECTION NOTES:

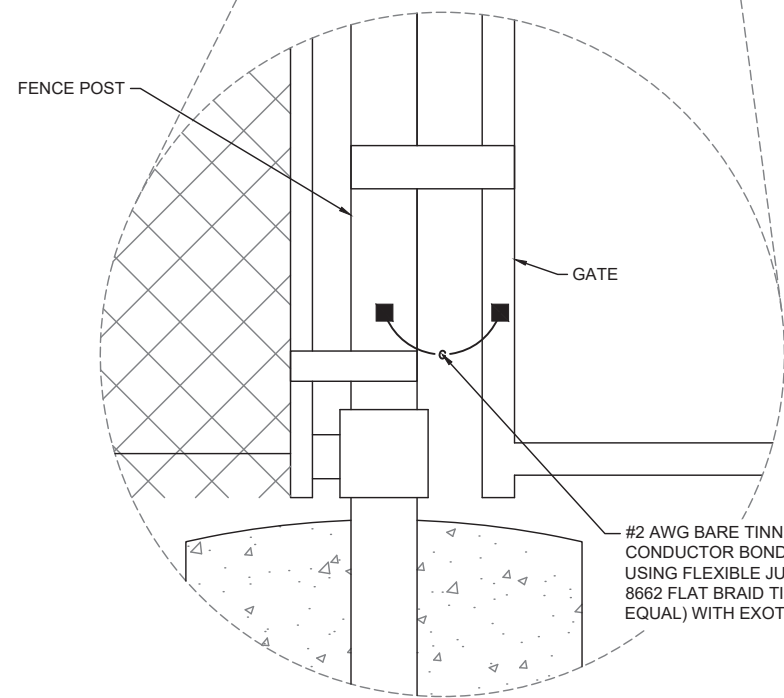
1. THE USE OF WIRE ROPE CLIPS AS DEAD END SLEEVES IS PROHIBITED.
2. THE PREFERRED SAFETY LOOP IS A FIGURE 8 CONFIGURATION. IN SOME CASES A SINGLE LOOP MAY BE REQUIRED AND IS PERMITTED WITH CROWN CASTLE APPROVAL.
3. THE TURNBUCKLE SAFETY LOOP SHALL BE ROUTED THROUGH THE THIMBLES AS SHOWN. THE SAFETY WIRE ROPE MAY BE ROUTED THROUGH A TURNBUCKLE EYE/JAW IF IT IS THE PATH OF LEAST RESISTANCE AS LONG AS THE CONDITION DECREASES THE RISK OF DAMAGING THE PRE-FORM OR OTHER GUY ASSEMBLY HARDWARE.
4. THE TAG END OF GUY WIRES SHALL NOT TOUCH THE GROUND.
5. DEAD END SLEEVES SHALL BE INSTALLED SO FULLY EVEN WITH THE SHORT TAIL SIDE OF THE PRE-FORM.
6. ALL EXISTING SCREW TYPE SHACKLES AT THE FAN PLATE SHALL HAVE MOUSING INSTALLED AS PART OF THE MODIFICATION.

FAN PLATE DIMENSION NOTES:

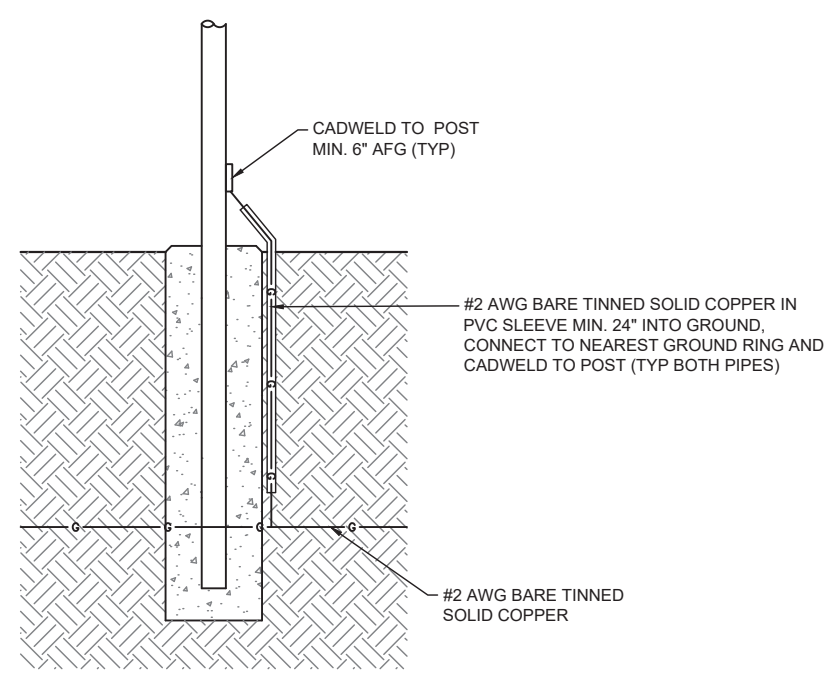
1. CONTRACTOR TO OBTAIN DURING PRE-SITE CONSTRUCTION WALK AND SUBMIT TO THE EOR THE FOLLOWING DIMENSIONS: A, B, C, D, E AND F. PRIOR TO INSTALLATION OF THE NEW HARDWARE.
2. NOTE: THERE ARE (5) HOLES IN EXISTING FAN INNER PLATE, NUMBER HOLE 1 THROUGH 5 STARTING AT BOTTOM AND (5) HOLES IN EXISTING FAN OUTER PLATE, NUMBER HOLES 1 THROUGH 5 STARTING AT BOTTOM END.



1 FENCE GROUNDING DETAIL
G3 NOT TO SCALE



2 GATE GROUNDING DETAIL
G3 NOT TO SCALE



3 POST GROUNDING DETAIL
G3 NOT TO SCALE

GROUNDING NOTES:

- GROUNDING SHALL COMPLY WITH ARTICLE 250 OF THE NATIONAL ELECTRICAL CODE.
- ALL GROUNDING DEVICES SHALL BE U.L. APPROVED OR LISTED FOR THEIR INTENDED USE.
- ALL WIRES SHALL BE AWG THHN/THWN COPPER UNLESS NOTED OTHERWISE.
- GROUNDING CONNECTIONS TO GROUND RODS, GROUND RING WIRE, TOWER BASE AND FENCE POSTS SHALL BE EXOTHERMIC ("CADWELDS") UNLESS NOTED OTHERWISE. CLEAN SURFACES TO SHINY METAL. WHERE GROUND WIRES ARE CADWELDED TO GALVANIZED SURFACES, SPRAY CADWELD WITH GALVANIZING PAINT.
- GROUNDING CONNECTIONS TO GROUND BARS ARE TO BE TWO-HOLE BRASS MECHANICAL CONNECTORS WITH STAINLESS STEEL HARDWARE (INCLUDING SCREW SET) CLEAN GROUND BAR TO SHINY METAL. AFTER MECHANICAL CONNECTION, TREAT WITH PROTECTIVE ANTIOXIDANT COATING.
- GROUND COAXIAL CABLE SHIELDS AT BOTH ENDS WITH MANUFACTURER'S GROUNDING KITS.
- ROUTE GROUNDING CONDUCTORS THE SHORTEST AND STRAIGHTEST PATH POSSIBLE. BEND GROUNDING LEADS WITH A MINIMUM 12" RADIUS.
- INSTALL #2 AWG GREEN-INSULATED STRANDED WIRE FOR ABOVE GRADE GROUNDING AND #2 BARE TINNED COPPER WIRE FOR BELOW GRADE GROUNDING UNLESS OTHERWISE NOTED.
- REFER TO GROUNDING PLAN FOR GROUND BAR LOCATIONS. GROUNDING CONNECTIONS SHALL BE EXOTHERMIC TYPE ("CADWELDS") TO ANTENNA MOUNTS AND GROUND RING. REMAINING GROUNDING CONNECTIONS SHALL BE COMPRESSION FITTINGS. CONNECTIONS TO GROUND BARS SHALL BE MADE WITH TWO-HOLE LUGS.
- THE GROUND ELECTRODE SYSTEM SHALL CONSIST OF DRIVEN GROUND RODS POSITION ACCORDING TO GROUNDING PLAN. THE GROUND RODS SHALL BE 5/8"x10'-0" COPPER CLAD STEEL INTERCONNECTED WITH #2 BARE TINNED COPPER WIRE BURIED 36" BELOW GRADE. BURY GROUND RODS A MAXIMUM OF 15' APART, AND A MINIMUM OF 8' APART.
- IF ROCK IS ENCOUNTERED GROUND RODS SHALL BE PLACED AT AN OBLIQUE ANGLE NOT TO EXCEED 45°.
- EXOTHERMIC WELDS SHALL BE MADE IN ACCORDANCE WITH ERICO PRODUCTS BULLETIN A-AT.
- CONSTRUCTION OF GROUND RING AND CONNECTIONS TO EXISTING GROUND RING SYSTEM SHALL BE DOCUMENTED WITH PHOTOGRAPHS PRIOR TO BACKFILLING SITE. PROVIDE PHOTOS TO THE CARRIER CONSTRUCTION MANAGER.
- ALL GROUND LEADS EXCEPT THOSE TO THE EQUIPMENT ARE TO BE #2 BARE TINNED COPPER WIRE. ALL EXTERIOR GROUND BARS TINNED COPPER.
- PRIOR TO INSTALLING LUGS ON GROUND WIRES, APPLY THOMAS & BETTS KOPR-SHIELD (TM OF JET LUBE INC.). PRIOR TO BOLTING GROUND WIRE LUGS TO GROUND BARS, APPLY KOPR-SHIELD OR EQUAL.
- ENGAGE AN INDEPENDENT ELECTRICAL TESTING FIRM TO TEST AND VERIFY THAT IMPEDANCE DOES NOT EXCEED FIVE OHMS TO GROUND BY MEANS OF "FALL OF POTENTIAL TEST". TEST SHALL BE WITNESSED BY A CARRIER REPRESENTATIVE, AND RECORDED ON THE "GROUND RESISTANCE TEST" FORM.
- WHERE BARE COPPER GROUND WIRES ARE ROUTED FROM ANY CONNECTION ABOVE GRADE TO GROUND RING, INSTALL WIRE IN 3/4" PVC SLEEVE, FROM 1' BELOW GRADE AND SEAL TOP WITH SILICONE MATERIAL.
- PREPARE ALL BONDING SURFACES FOR GROUNDING CONNECTIONS BY REMOVING ALL PAINT AND CORROSION DOWN TO SHINY METAL. FOLLOWING CONNECTION, APPLY APPROPRIATE ANTI-OXIDIZATION PAINT.
- ANY SITE WHERE THE EQUIPMENT (BTS, CABLE BRIDGE, PPC, GENERATOR, ETC.) IS LOCATED WITHIN 6 FEET OF METAL FENCING, THE GROUND RING SHALL BE BONDED TO THE NEAREST FENCE POST USING (3) RUNS OF #2 BARE TINNED COPPER WIRE.

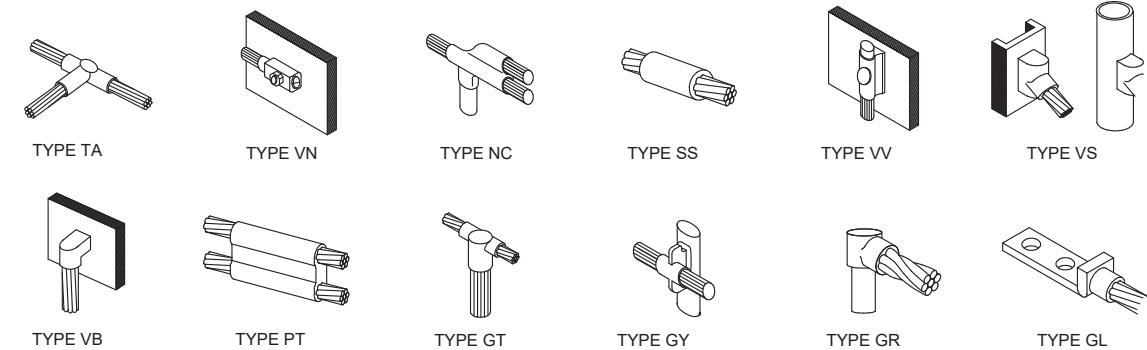
CABLE COLOR CODING NOTES:

- SECTOR ORIENTATION/AZIMUTH WILL VARY FROM REGION AND IS SITE SPECIFIC. REFER TO RF REPORT FOR EACH SITE TO DETERMINE THE ANTENNA LOCATION AND FUNCTION OF EACH TOWER SECTOR FACE.
- THE ANTENNA SYSTEM CABLES SHALL BE LABELED WITH VINYL TAPE EXCEPT IN LOCATIONS WHERE ENVIRONMENTAL CONDITIONS CAUSE PHYSICAL DAMAGE, THEN PHYSICAL TAGS ARE PREFERRED.
- THE STANDARD IS BASED ON EIGHT COLORED TAPES - RED, BLUE, GREEN, YELLOW, ORANGE, BROWN, WHITE & VIOLET. THESE TAPES MUST BE 3/4" WIDE & UV RESISTANT SUCH AS SCOTCH 35 VINYL ELECTRICAL COLOR CODING TAPE AND SHOULD BE READILY AVAILABLE TO THE ELECTRICIAN OR SUBCONTRACTOR ON SITE.
- USING COLOR BANDS ON THE CABLES, MARK ALL RF CABLES BY SECTOR AND NUMBER AS SHOWN ON "CABLE MARKING COLOR CONVENTION TABLE".
- WHEN AN EXISTING COAXIAL LINE THAT IS INTENDED TO BE A SHARED LINE BETWEEN GSM/3G AND IS-136 TDMA IS ENCOUNTERED, THE SUBCONTRACTOR SHALL REMOVE THE EXISTING COLOR CODING SCHEME AND REPLACE IT WITH THE COLOR CODING AND TAGGING STANDARD THAT IS OUTLINED IN THE CURRENT VERSION OF ND-00027. IN THE ABSENCE OF AN EXISTING COLOR CODING TAGGING SCHEME, OR WHEN INSTALLING PROPOSED COAXIAL CABLES, THIS GUIDELINE SHALL BE IMPLEMENTED AT THAT SITE REGARDLESS OF TECHNOLOGY.
- ALL COLOR CODE TAPE SHALL BE 3M-35 AND SHALL BE A MINIMUM OF (3) WRAPS OF TAPE AND SHALL BE NEATLY TRIMMED AND SMOOTHED OUT SO AS TO AVOID UNRAVELING.
- ALL COLOR BANDS INSTALLED AT THE TOP OF TOWER SHALL BE A MINIMUM OF 3" WIDE AND SHALL HAVE A MINIMUM OF 3/4" OF SPACE IN BETWEEN EACH COLOR.
- ALL COLOR CODES SHALL BE INSTALLED AS TO ALIGN NEATLY WITH ONE ANOTHER FROM SIDE TO SIDE.
- IF EXISTING CABLES AT THE SITE ALREADY HAVE A COLOR CODING SCHEME AND THEY ARE NOT INTENDED TO BE REUSED OR SHARED WITH THE GSM TECHNOLOGY, THE EXISTING COLOR CODING SCHEME SHALL REMAIN UNTOUCHED.

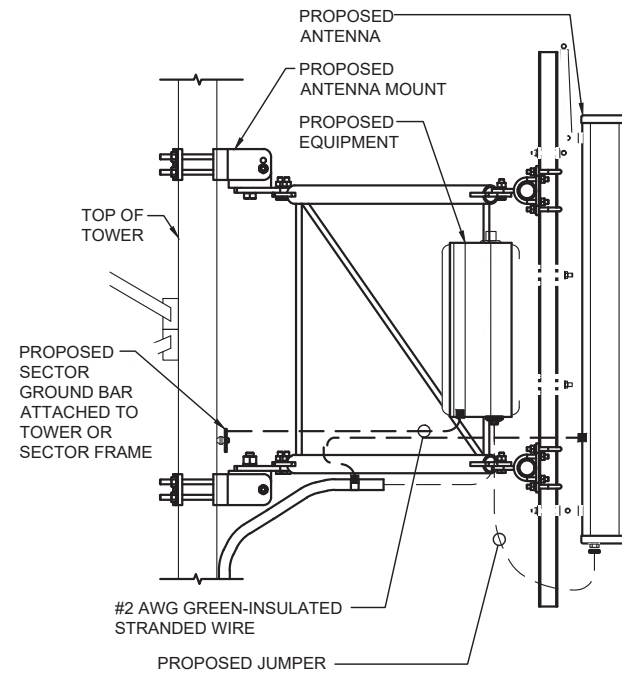
CABLE MARKING TAGS:

WHEN USING THE ALTERNATIVE LABELING METHOD, EACH RF CABLE SHALL BE IDENTIFIED WITH A METAL ID TAG MADE OF STAINLESS STEEL OR BRASS. THE TAG SHALL BE 1-1/2" IN DIAMETER WITH 1/4" STAMPED LETTERS AND NUMBERS INDICATING THE SECTOR, ANTENNA POSITION AND CABLE NUMBER. ID MARKING LOCATIONS SHOULD BE AS PER "CABLE MARKING LOCATIONS TABLE". THE TAG SHOULD BE ATTACHED WITH CORROSION PROOF WIRE AROUND THE CABLE AT THE SAME LOCATION AS DEFINED ABOVE. THE TAG SHOULD BE LABELED AS SHOWN ON THE "GSM AND UMTS LINE TAG" DETAIL.

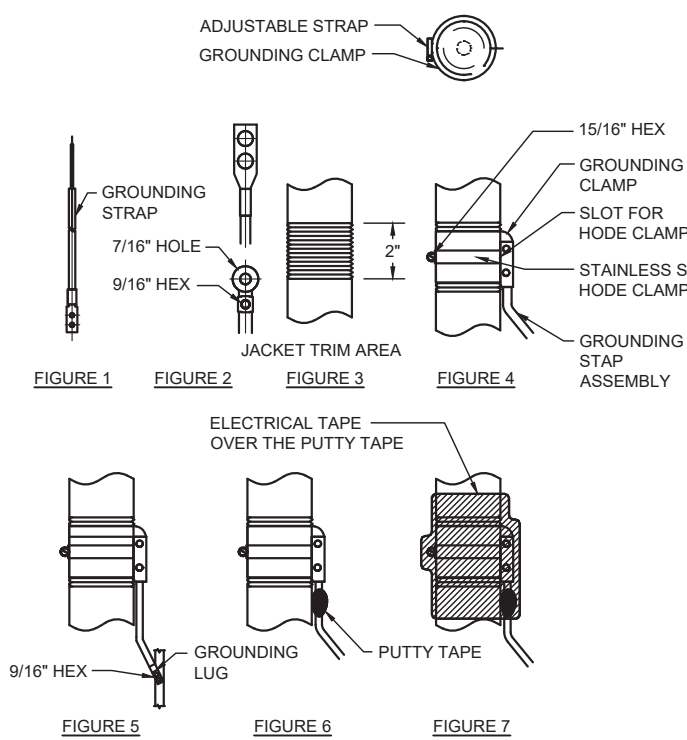
CABLE MARKING LOCATIONS TABLE	
NO.	LOCATIONS
1	EACH JUMPER SHALL BE COLOR CODED WITH (1) SET OF 3" WIDE BANDS.
2	EACH MAIN COAX SHALL BE COLOR CODED WITH (1) SET OF 3" WIDE BANDS AT THE TOP JUMPER CONNECTION AND WITH (1) SET OF 3/4" WIDE COLOR BANDS PRIOR TO ENTERING THE BTS OR SHELTER.
3	CABLE ENTRY PORT ON THE INTERIOR OF SHELTER.
4	ALL BOTTOM JUMPERS SHALL BE COLOR CODED WITH (1) SET OF 3/4" WIDE BANDS ON EACH END OF THE BOTTOM JUMPER.
5	ALL BOTTOM JUMPERS SHALL BE COLOR CODED WITH (1) SET OF 3/4" WIDE BANDS ON EACH END OF THE BOTTOM JUMPER.



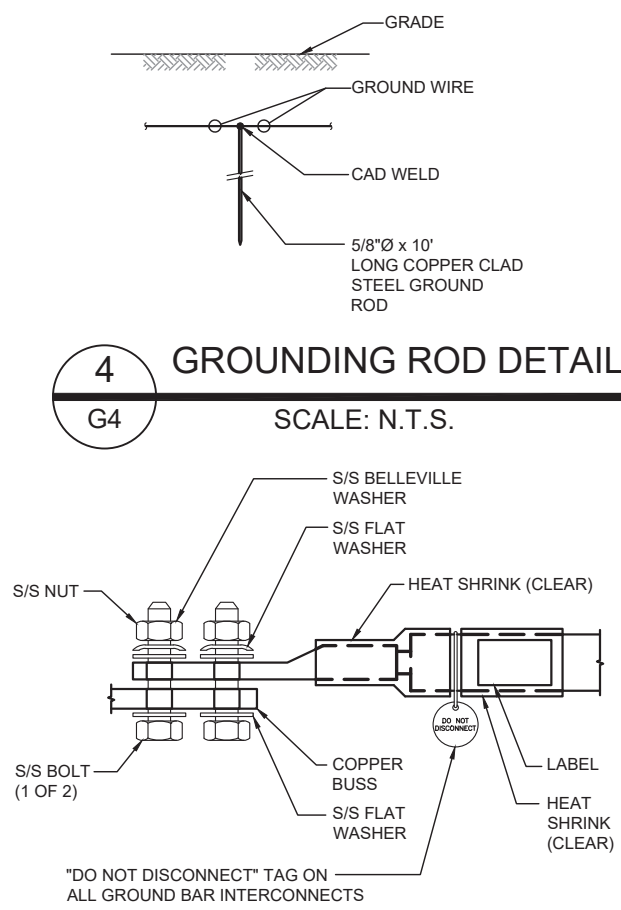
1 CADWELD GROUNDING CONNECTION DETAILS
G4 SCALE: N.T.S.



2 ANTENNA AND CABLE GROUNDING
G4 SCALE: N.T.S.

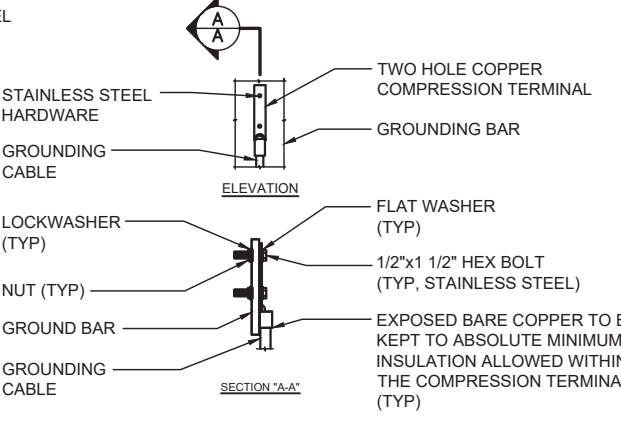


3 GROUNDING STRAP WEATHERPROOFING DETAILS
G4 SCALE: N.T.S.



4 GROUNDING ROD DETAIL
G4 SCALE: N.T.S.

5 GENERAL LUG DETAIL
G4 SCALE: N.T.S.



6 TYPICAL GROUND BAR CONNECTION DETAIL
G4 SCALE: N.T.S.

- NOTES:**
- ALL HARDWARE 18-8 STAINLESS STEEL INCLUDING BELLEVILLES. COAT ALL SURFACES WITH ANTI-OXIDATION COMPOUND BEFORE MATING.
 - FOR GROUND BOND TO STEEL ONLY: INSERT A DRAGON TOOTH WASHER BETWEEN LUG AND STEEL, COAT ALL SURFACES WITH ANTI-OXIDATION COMPOUND.
 - COAT ALL BARRELS WITH ANTI-OXIDATION COMPOUND BEFORE CRIMPING.

- NOTE:**
- "DOUBLING UP" OR "STACKING" OF CONNECTIONS IS NOT PERMITTED.
 - OXIDE INHIBITING COMPOUND TO BE USED AT ALL LOCATIONS.

PREPARED FOR:
TILLMAN INFRASTRUCTURE

A&E FIRM:
towersource
A NextEdge Company
1355 WINDWARD CONCOURSE
SUITE 410
ALPHARETTA, GA 30005
TEL: 678-990-2338

THE INFORMATION CONTAINED IN THIS SET OF DOCUMENTS IS PROPRIETARY BY NATURE. ANY USE OR DISCLOSURE OTHER THAN THAT WHICH RELATES TO THE CLIENT IS STRICTLY PROHIBITED.

PROJECT INFORMATION:
CLOVER FORK
15724961
22295

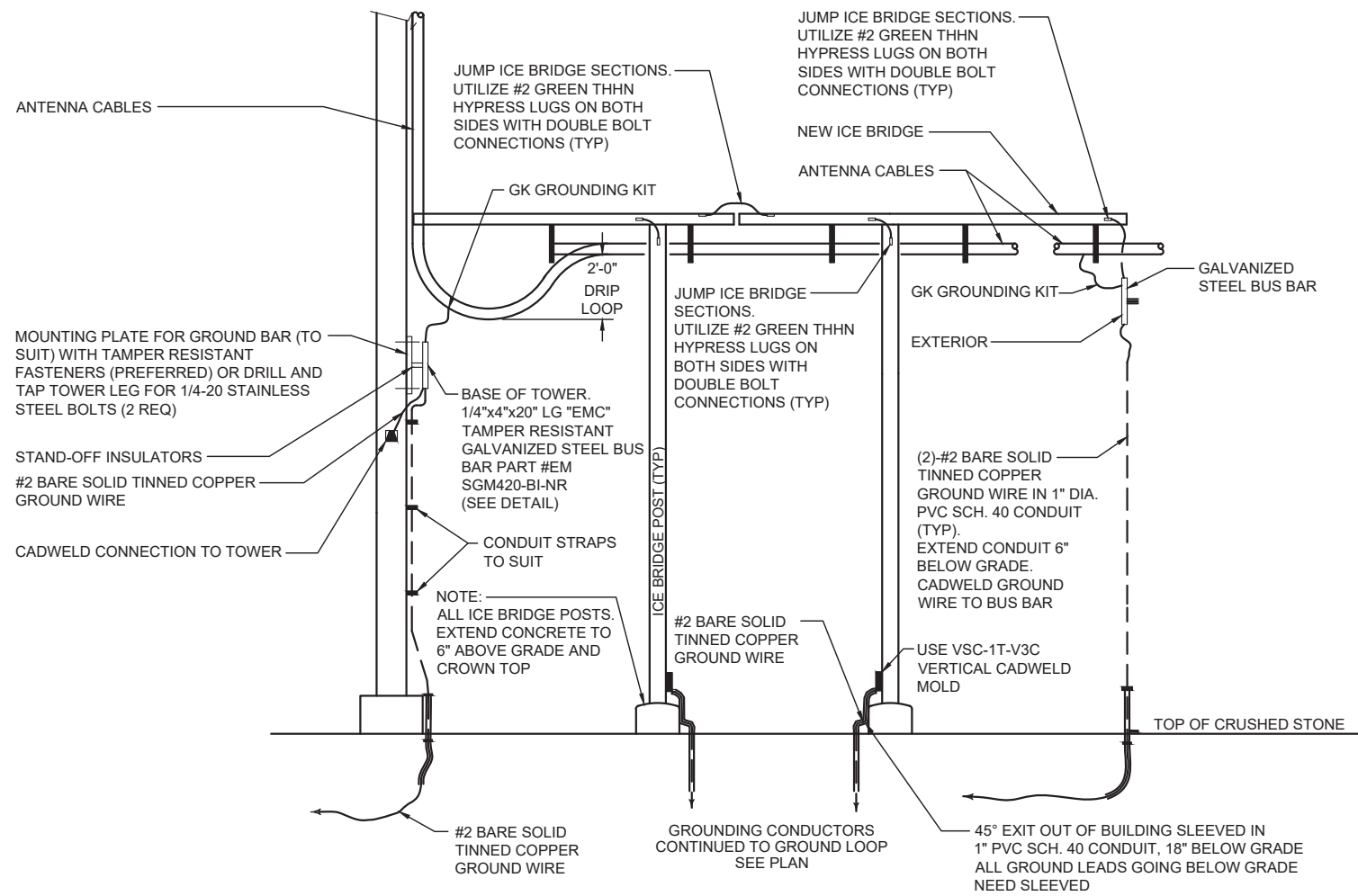
DRAWN BY:	SJH
CHECKED BY:	MAT
APPROVED BY:	PJN

REVISIONS		
REV.	DATE	DESCRIPTION
0	09/06/23	ISSUED FOR FINALS

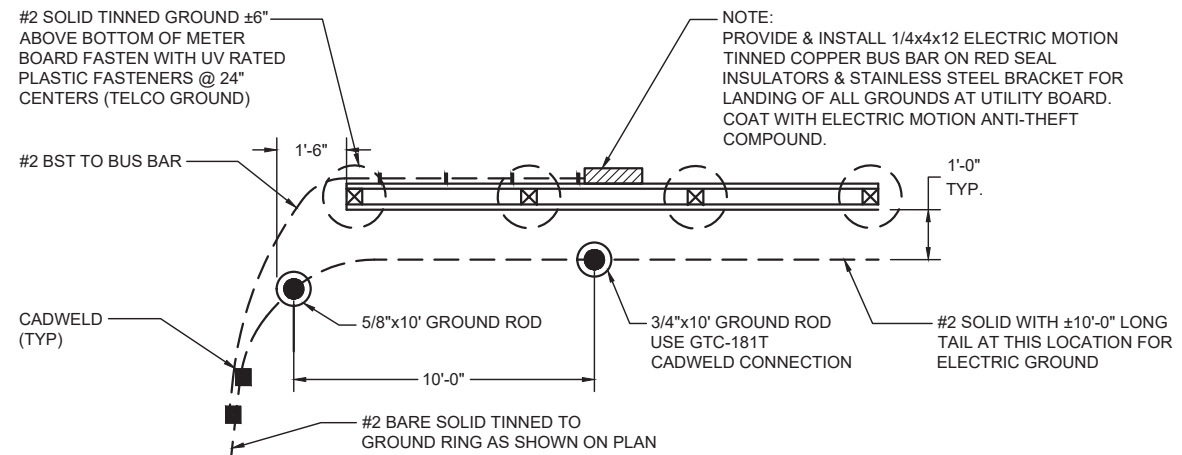
STATE OF KENTUCKY
PHILLIP J. NEJMAN
36012
LICENSED PROFESSIONAL ENGINEER
09/06/2023

SHEET TITLE:
GROUNDING DETAILS AND NOTES

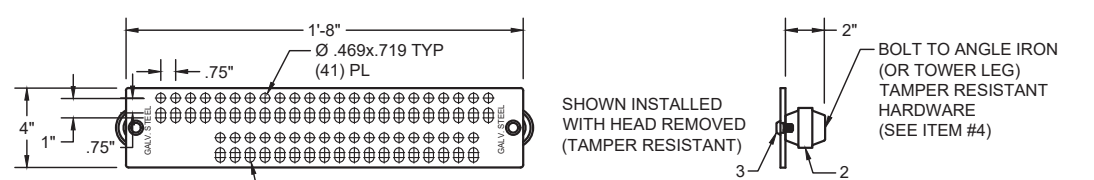
SHEET #:	REVISION:
G4	0



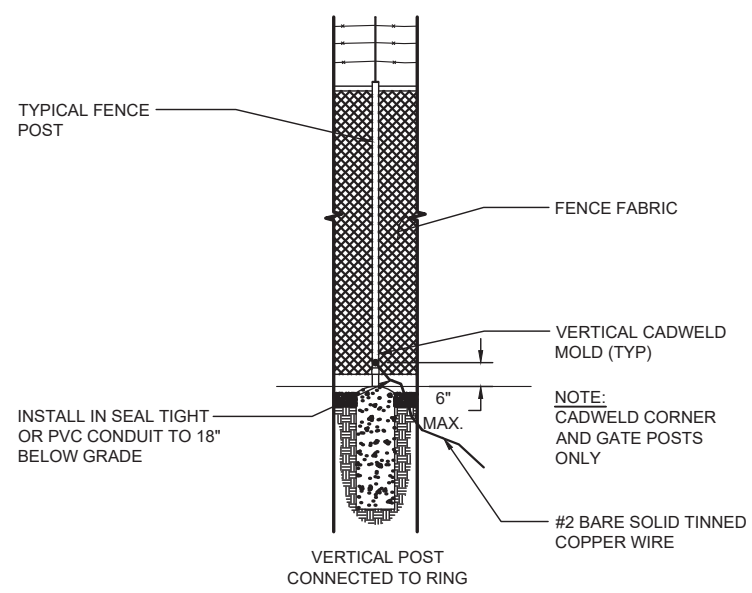
1
G5
GROUNDING AT ICE BRIDGE
SCALE: N.T.S.



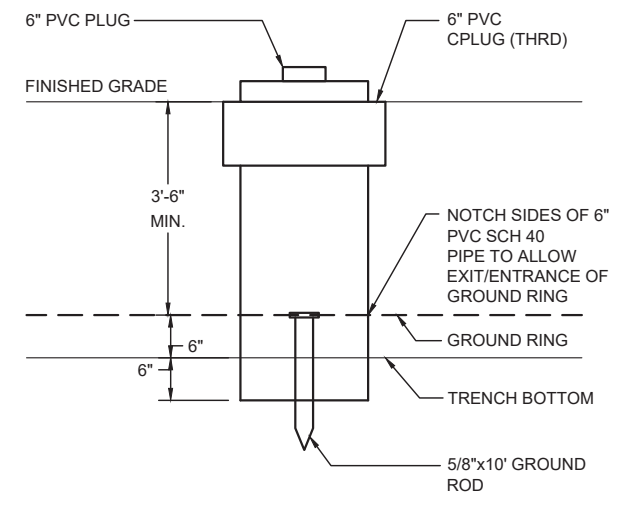
2
G5
METER BOARD UTILITY GROUNDING DETAIL
SCALE: N.T.S.



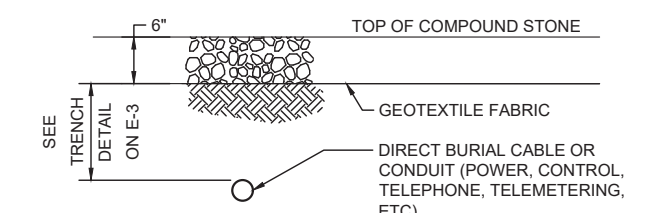
3
G5
TOWER BUS BAR DETAIL
SCALE: N.T.S.



4
G5
TYPICAL FENCE POST GROUNDING
SCALE: N.T.S.



5
G5
INSPECTION WELL DETAIL
SCALE: N.T.S.



INSTALLATION
 1. THE TAPE SHALL BE MAGNETIC DETECTABLE MARKER LAID DIRECTLY ABOVE THE CABLE OR CONDUIT UNDER RIGID TYPE AND OIL MAT PAVEMENTS, AND DIRECTLY ON TOP OF THE COMPACTED EARTH SUBGRADE IMMEDIATELY BEFORE RESTORING THE PAVEMENT.
 2. IN OPEN AREAS, THE TAPE SHALL BE LAID DURING THE BACKFILLING OPERATION ON SMOOTH, COMPACTED BACKFILL AT A DISTANCE OF 8" BELOW THE SURFACE OF THE AREA.
 3. THE ENDS OF THE TAPE SHALL BE LAPPED APPROXIMATELY SIX (6) INCHES.
 4. TAPE SHALL BE THE COLOR AS INDICATED AND HAVE THE FOLLOWING MARKINGS:

RED	CAUTION	CAUTION	CAUTION
	BURIED ELECTRIC LINE BELOW		
ORANGE	CAUTION	CAUTION	CAUTION
	BURIED TELEPHONE LINE BELOW		

6
G5
STANDARD MARKER TAPE DETAIL
SCALE: N.T.S.

THE INFORMATION CONTAINED IN THIS SET OF DOCUMENTS IS PROPRIETARY BY NATURE. ANY USE OR DISCLOSURE OTHER THAN THAT WHICH RELATES TO THE CLIENT IS STRICTLY PROHIBITED.

PROJECT INFORMATION:
CLOVER FORK
15724961
22295

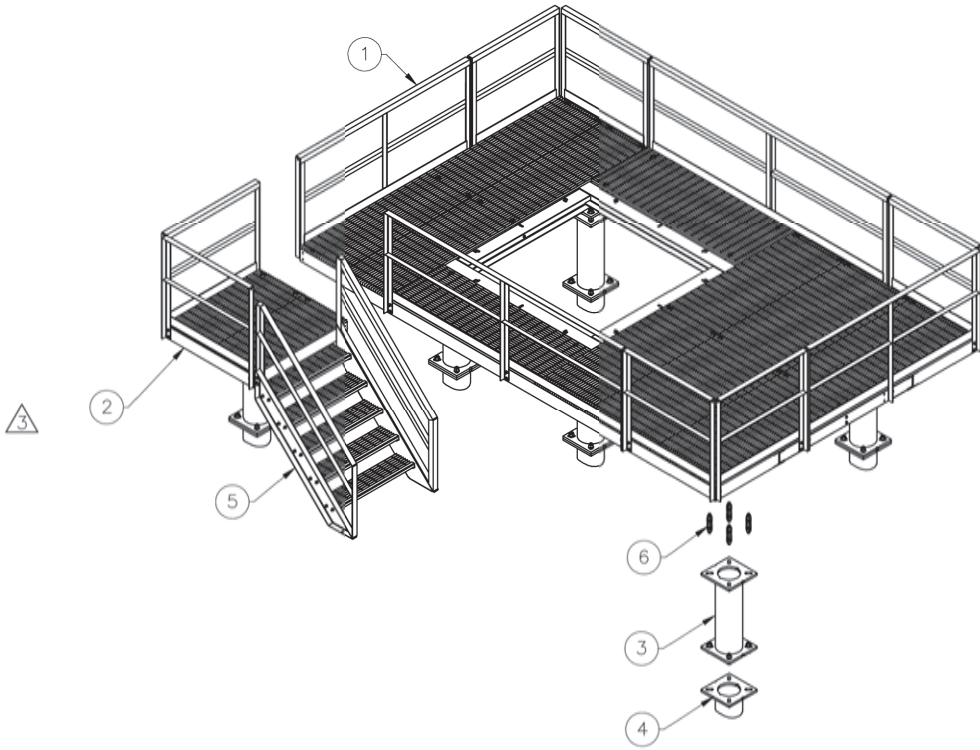
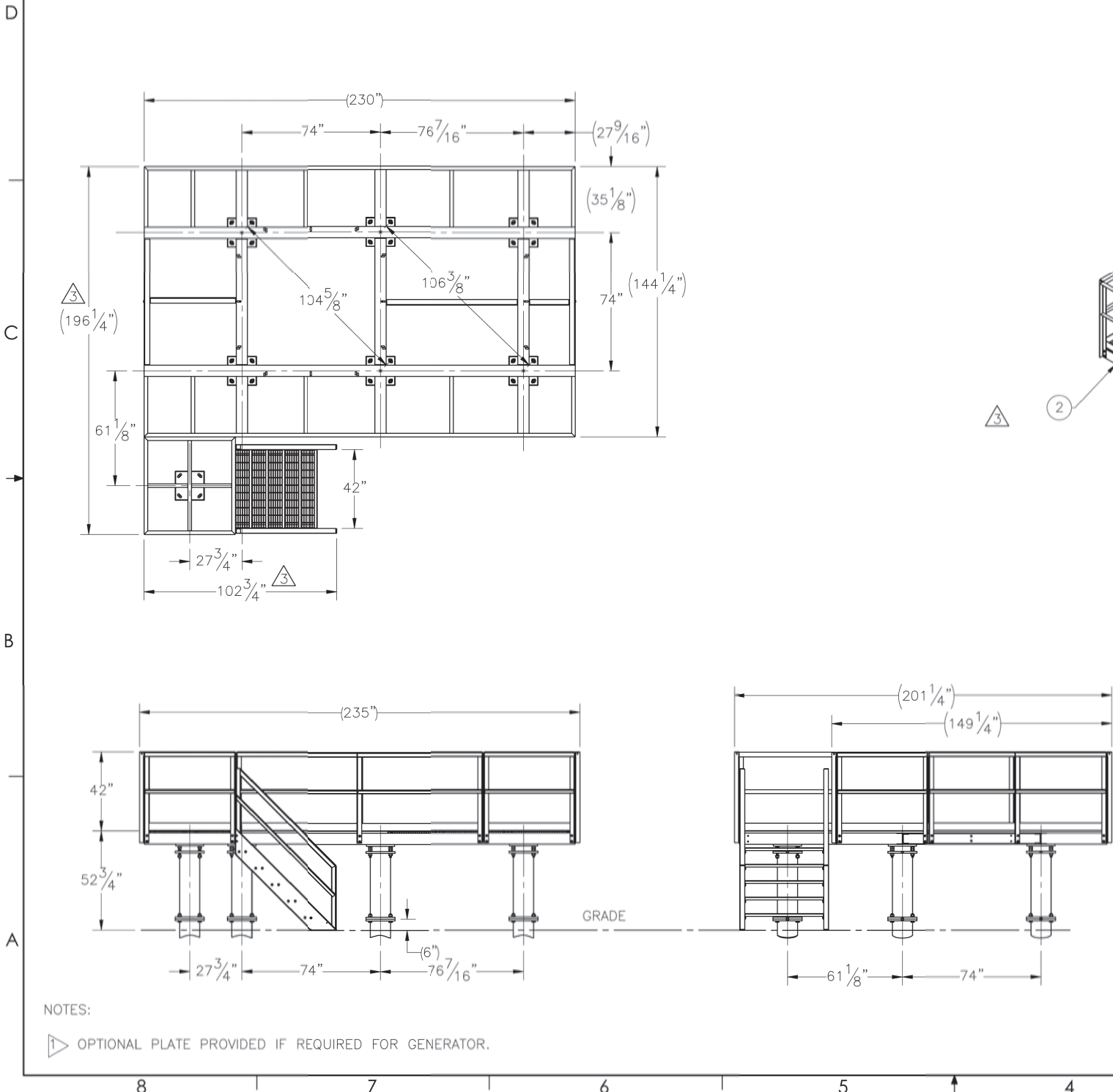
DRAWN BY:	SJH
CHECKED BY:	MAT
APPROVED BY:	PJN

REVISIONS		
REV.	DATE	DESCRIPTION
0	09/06/23	ISSUED FOR FINALS



THE INFORMATION CONTAINED IN THIS DRAWING IS THE SOLE PROPERTY OF ELECTRO MECHANICAL INDUSTRIES, INC. ANY REPRODUCTION IN PART OR WHOLE WITHOUT THE WRITTEN PERMISSION OF ELECTRO MECHANICAL IND., IS PROHIBITED.

REVISIONS					
REV.	DCN #	DESCRIPTION	DATE	BY	APPROVED
3	01257	ADDED 1003-0030-0006, 1007-T010-0360, AND 400-000-1001	8/3/2023	BLH	JPB



ITEM NO.	QTY REQD	PART NUMBER	DESCRIPTION	LENGTH	WEIGHT
1	1	1001-0010-0052	12' X 19' WIC PLATFORM		2220.8
2	1	1003-0030-0006	STAIR LANDING		258.5
3	7	1007-T010-0360	3.0 FT EXTENSION		215.7
4	7	400-000-1001	10" X 10", 1" BASE, 1" HDW. - HELICAL PIER		347
5	1	450-000-0133	5 TREAD STAIR ASSY (42" WIDE)		366.5
6	6	1000-0020-0077	QUAD MOUNT 1" LEVELING HARDWARE KIT		15.2
7	1	P-006-606	RODENT GUARD	36"	2.7

SURFACE FINISH	UNLESS OTHERWISE SPECIFIED	UNLESS OTHERWISE SPECIFIED DIMENSIONS ARE IN INCHES	APPROVALS	DATE	 ELECTRO MECHANICAL INDUSTRIES, INC. 11230 NEESEY DRIVE HOUSTON, TEXAS 77065 1-800-453-0050
MATERIAL	SEE PARTS LIST	TOLERANCES	DRAWN	10/18/2019	
THIRD ANGLE PROJECTION		.0000 ± .06 .0000 ± .015 .0000 ± .006 FRACTIONS ± 1/16 ANGLES ± .25°	CHECKER	10/25/2019	
NEXT ASSY	USED ON	HOLES: DRILLED OR PUNCHED ± .002 BURNED ± .002	ENGINEER	10/28/2019	
APPLICATIONS			PRODUCTION	10/28/2019	TITLE: WIC AND GENERATOR, 12' X 19' PLATFORM, 4' ELEV. SHEET B DRAWING NO. 1000-0010-0146-04 REV 3 SCALE: 1/60 WEIGHT: 9336.96 lbs. SHEET 1 OF 1

NOTES:
 ▶ OPTIONAL PLATE PROVIDED IF REQUIRED FOR GENERATOR.

PREPARED FOR:

A&E FIRM:

1355 WINDWARD CONCOURSE
SUITE 410
ALPHARETTA, GA 30005
TEL: 678-990-2338

THE INFORMATION CONTAINED IN THIS SET OF DOCUMENTS IS PROPRIETARY BY NATURE. ANY USE OR DISCLOSURE OTHER THAN THAT WHICH RELATES TO THE CLIENT IS STRICTLY PROHIBITED.

PROJECT INFORMATION:

CLOVER FORK
15724961
22295

DRAWN BY:	SJH
CHECKED BY:	MAT
APPROVED BY:	PJN

REVISIONS		
REV.	DATE	DESCRIPTION
0	09/06/23	ISSUED FOR FINALS

FOR INFORMATION PURPOSES ONLY

SHEET TITLE:
STRUCTURAL DETAILS

SHEET #:
ST-1.1

REVISION:
0

SEE MANUFACTURER'S DRAWINGS FOR EXACT MEASUREMENTS AND DETAILS

PREPARED FOR:



A&E FIRM:



1355 WINDWARD CONCOURSE
SUITE 410
ALPHARETTA, GA 30005
TEL: 678-990-2338

THE INFORMATION CONTAINED IN THIS SET OF DOCUMENTS IS PROPRIETARY BY NATURE. ANY USE OR DISCLOSURE OTHER THAN THAT WHICH RELATES TO THE CLIENT IS STRICTLY PROHIBITED.

PROJECT INFORMATION:

CLOVER FORK
15724961
22295

DRAWN BY:	SJH
CHECKED BY:	MAT
APPROVED BY:	PJN

REVISIONS		
REV.	DATE	DESCRIPTION
0	09/06/23	ISSUED FOR FINALS



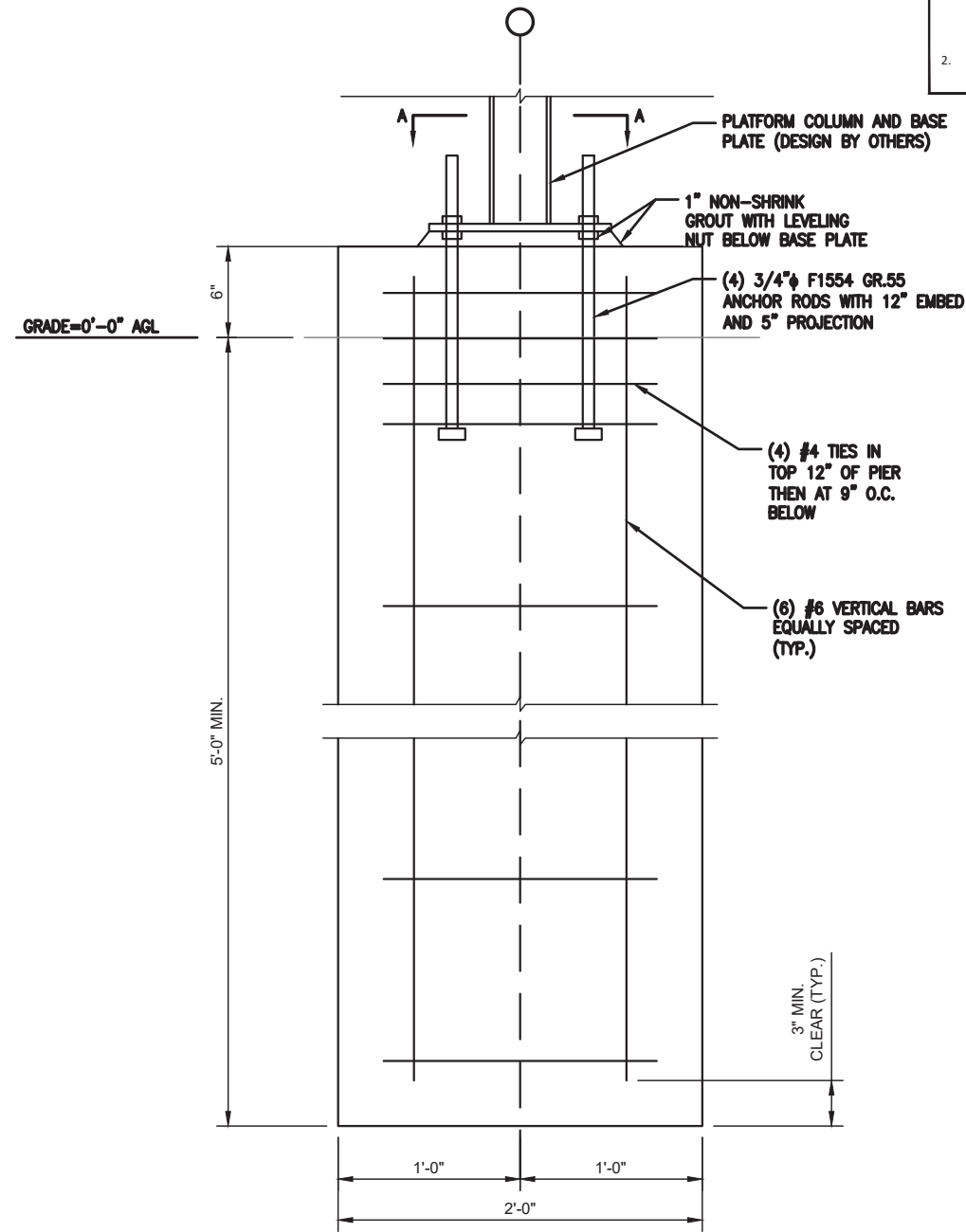
09/06/2023

SHEET TITLE:
FOUNDATION DETAILS

SHEET #: **ST-1.2** REVISION: **0**

NOTES:

- FOUNDATION DESIGN BASED ON THE FOLLOWING BASE DESIGN REACTIONS PROVIDED BY THE PRE-ENGINEERED PLATFORM MANUFACTURER (ELECTRO MECHANICAL INDUSTRIES, INC):
COMPRESSION (ASD LEVEL): AXIAL = 8.34 KIPS, SHEAR = 3.33 KIPS, MOMENT = 4.15 K-FT
UPLIFT (ASD LEVEL): AXIAL = 1.31 KIPS, SHEAR = 6.45 KIPS, MOMENT = 19.35 K-FT
- FOUNDATION DESIGN BASED ON THE GEOTECHNICAL REPORT BY ENVIRONMENTAL CORPORATION OF AMERICAN, PROJECT NO. 23-00518, DATED 03/15/2023.



1 TYPICAL PIER FOUNDATION DETAIL
ST-1.2 SCALE: 1" = 1'-0"



PREPARED FOR:



A&E FIRM:



1355 WINDWARD CONCOURSE
SUITE 410
ALPHARETTA, GA 30005
TEL: 678-990-2338

THE INFORMATION CONTAINED IN THIS SET OF DOCUMENTS IS PROPRIETARY BY NATURE. ANY USE OR DISCLOSURE OTHER THAN THAT WHICH RELATES TO THE CLIENT IS STRICTLY PROHIBITED.

PROJECT INFORMATION:

CLOVER FORK
15724961
22295

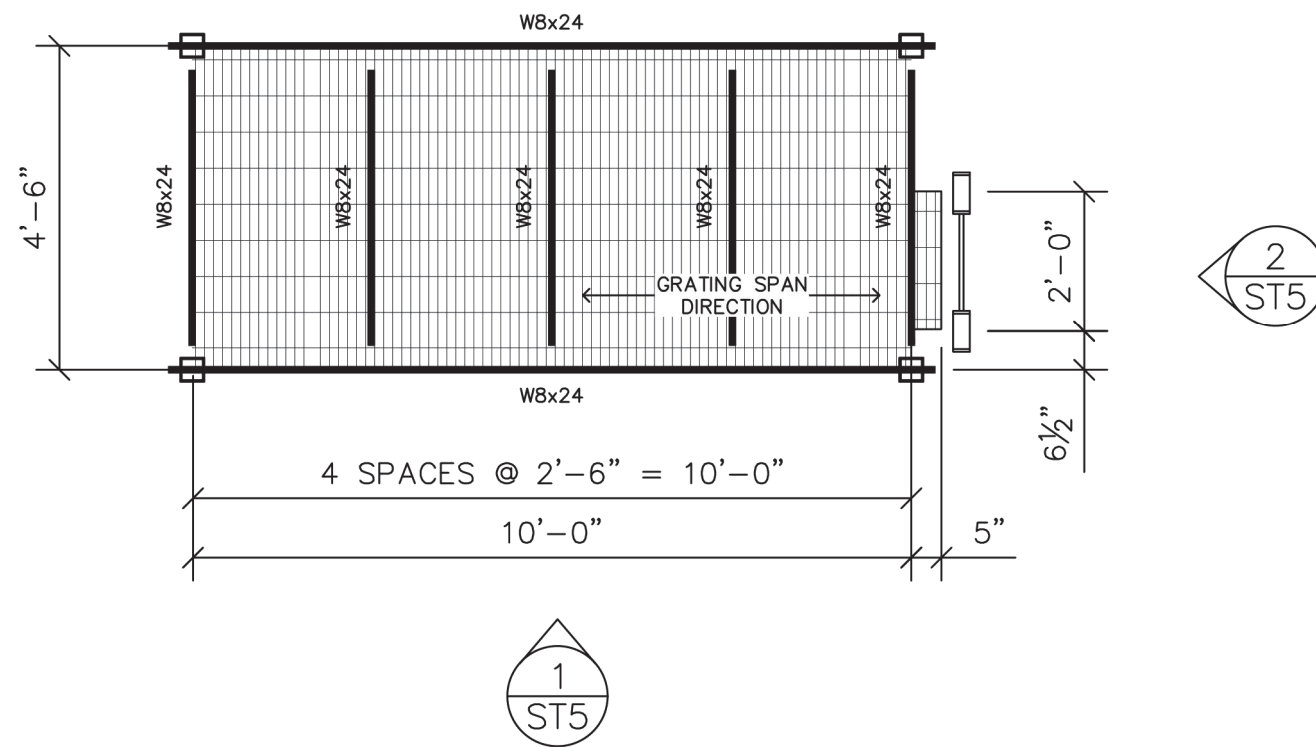
DRAWN BY:	SJH
CHECKED BY:	MAT
APPROVED BY:	PJN

REVISIONS		
REV.	DATE	DESCRIPTION
0	09/06/23	ISSUED FOR FINALS

FOR INFORMATION PURPOSES ONLY

SHEET TITLE:
STRUCTURAL DETAILS

SHEET #: **ST-2** REVISION: **0**



1/ST-3 METER RACK PLATFORM FRAMING/GRATING PLAN
SCALE: 3/8" = 1'-0"

SEE MANUFACTURER'S DRAWINGS FOR EXACT MEASUREMENTS AND DETAILS

PREPARED FOR:



A&E FIRM:



1355 WINDWARD CONCOURSE
SUITE 410
ALPHARETTA, GA 30005
TEL: 678-990-2338

THE INFORMATION CONTAINED IN THIS SET OF DOCUMENTS IS PROPRIETARY BY NATURE. ANY USE OR DISCLOSURE OTHER THAN THAT WHICH RELATES TO THE CLIENT IS STRICTLY PROHIBITED.

PROJECT INFORMATION:

CLOVER FORK
15724961
22295

DRAWN BY:	SJH
CHECKED BY:	MAT
APPROVED BY:	PJN

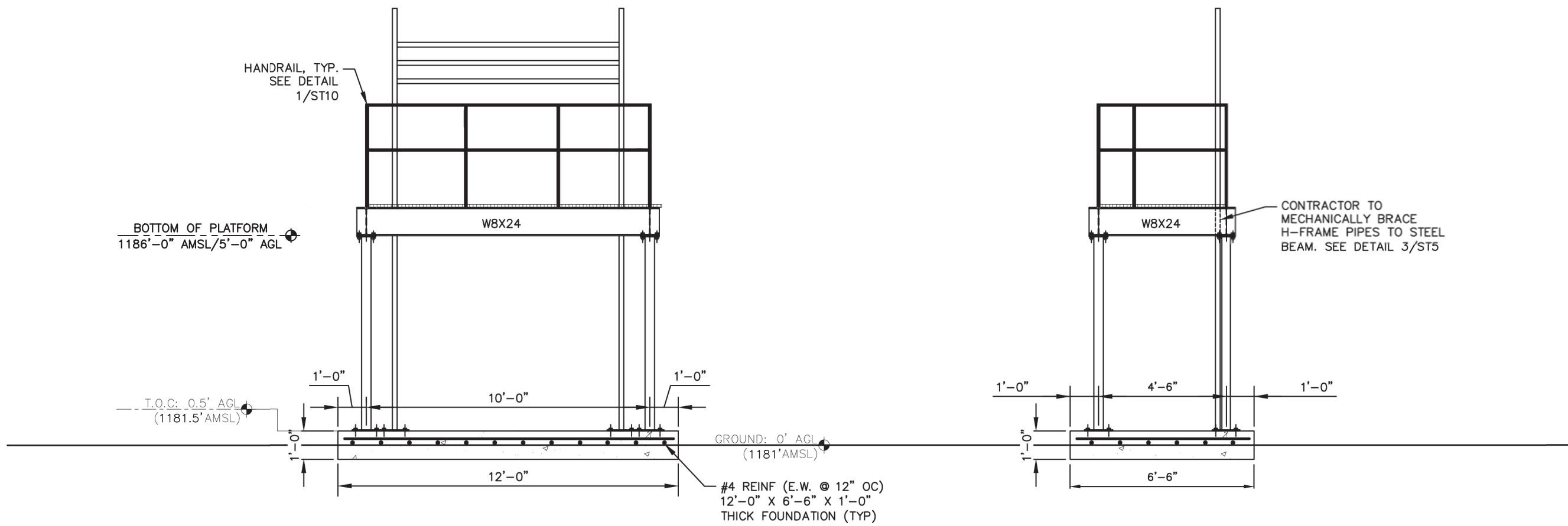
REVISIONS

REV.	DATE	DESCRIPTION
0	09/06/23	ISSUED FOR FINALS

FOR INFORMATION PURPOSES ONLY

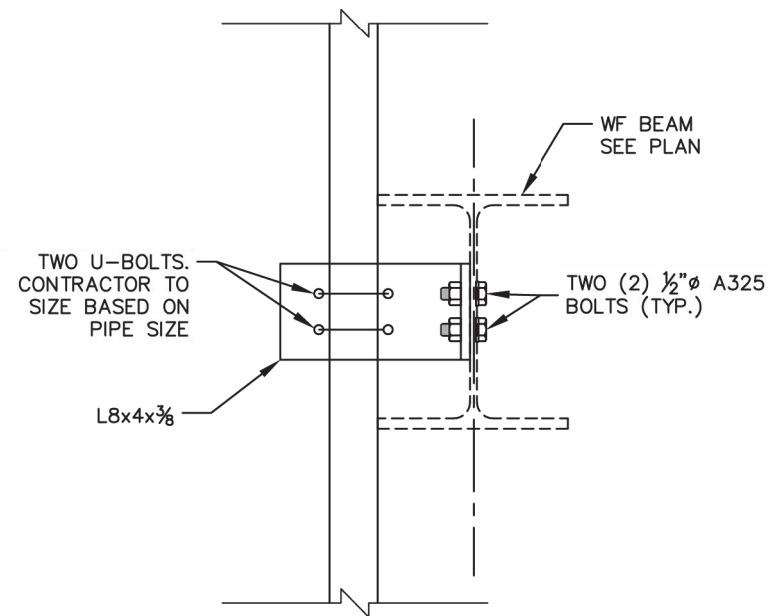
SHEET TITLE:
STRUCTURAL DETAILS

SHEET #: **ST-3** REVISION: **0**



1 METER RACK PLATFORM FRONT VIEW
SCALE: 1/4" = 1'-0"

2 METER RACK PLATFORM SIDE VIEW
SCALE: 1/4" = 1'-0"



3 METER RACK PLATFORM CONNECTION DETAIL
SCALE: 1-1/2" = 1'-0"

SEE MANUFACTURER'S DRAWINGS FOR EXACT MEASUREMENTS AND DETAILS

PREPARED FOR:



A&E FIRM:



1355 WINDWARD CONCOURSE
SUITE 410
ALPHARETTA, GA 30005
TEL: 678-990-2338

THE INFORMATION CONTAINED IN THIS SET OF DOCUMENTS IS PROPRIETARY BY NATURE. ANY USE OR DISCLOSURE OTHER THAN THAT WHICH RELATES TO THE CLIENT IS STRICTLY PROHIBITED.

PROJECT INFORMATION:

CLOVER FORK
15724961
22295

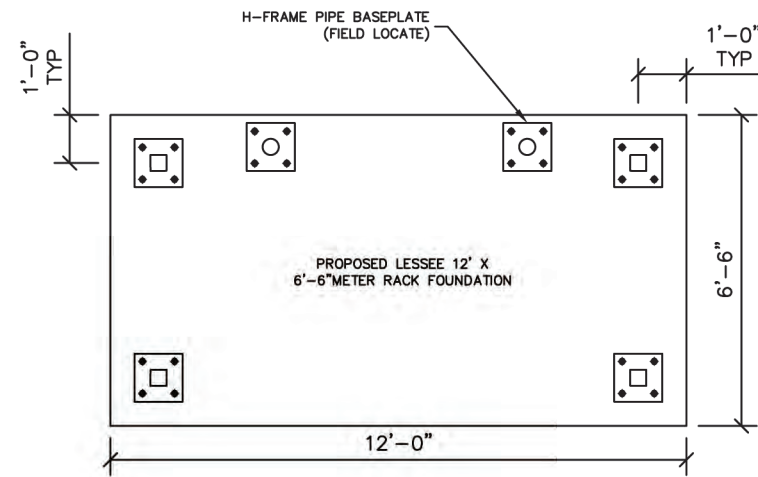
DRAWN BY:	SJH
CHECKED BY:	MAT
APPROVED BY:	PJN

REVISIONS		
REV.	DATE	DESCRIPTION
0	09/06/23	ISSUED FOR FINALS

**FOR INFORMATION
PURPOSES ONLY**

SHEET TITLE:
STRUCTURAL DETAILS

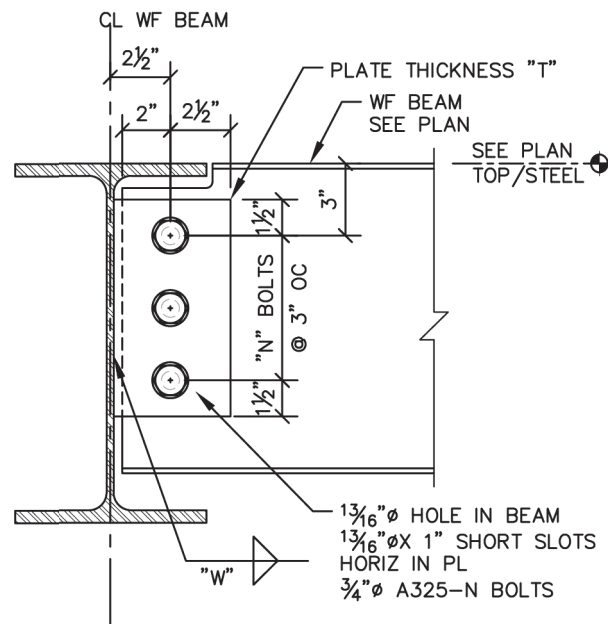
SHEET #: **ST-4** REVISION: **0**



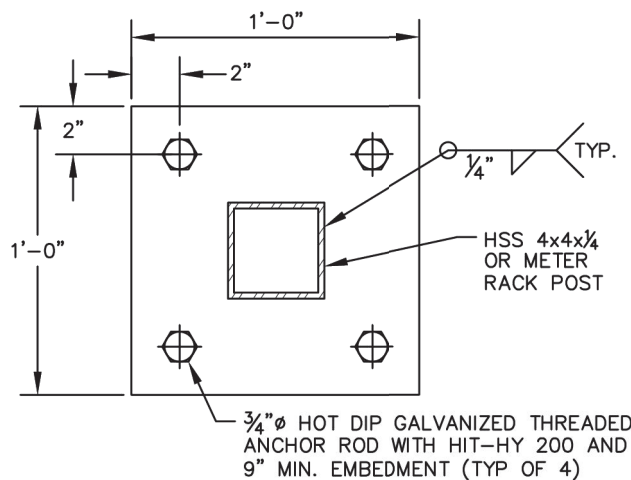
2 **METER RACK PLATFORM FOUNDATION PLAN**
ST-6 SCALE: 1/4" = 1'-0"

SEE MANUFACTURER'S DRAWINGS FOR EXACT MEASUREMENTS AND DETAILS

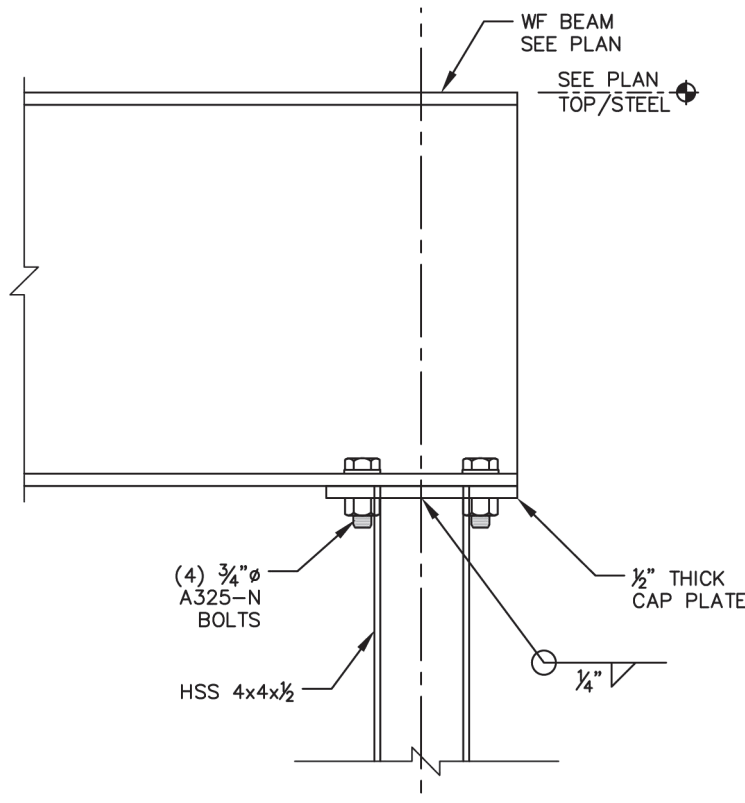
CONNECTION SCHEDULE			
BEAM SIZE	"N" NO. OF $\frac{3}{4}$ " ϕ BOLTS	"T" PLATE THICKNESS	"W" WELD SIZE
W8	2	1/4"	3/16"
W10	2	1/4"	3/16"



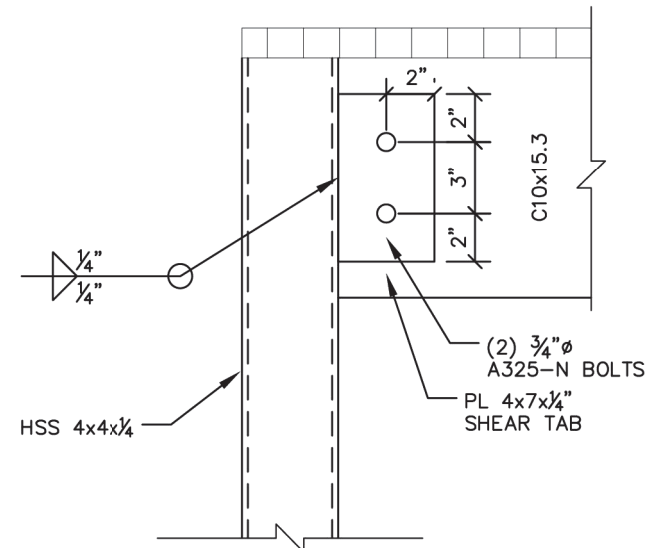
1 BEAM TO BEAM CONNECTION
SCALE: 1-1/2" = 1'-0"



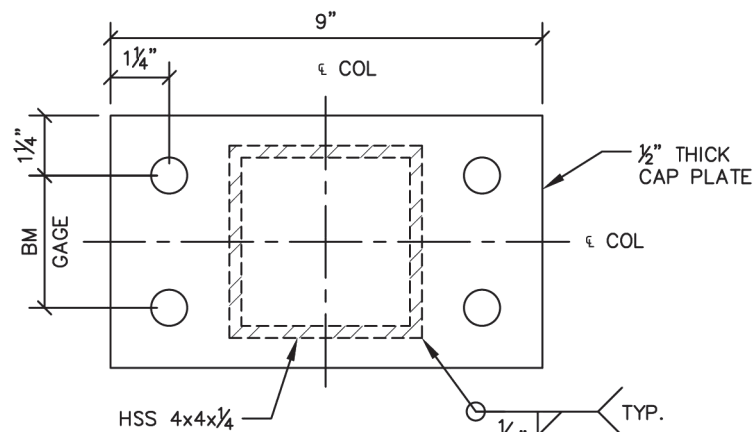
4 BASE PLATE DETAIL
SCALE: 1-1/2" = 1'-0"



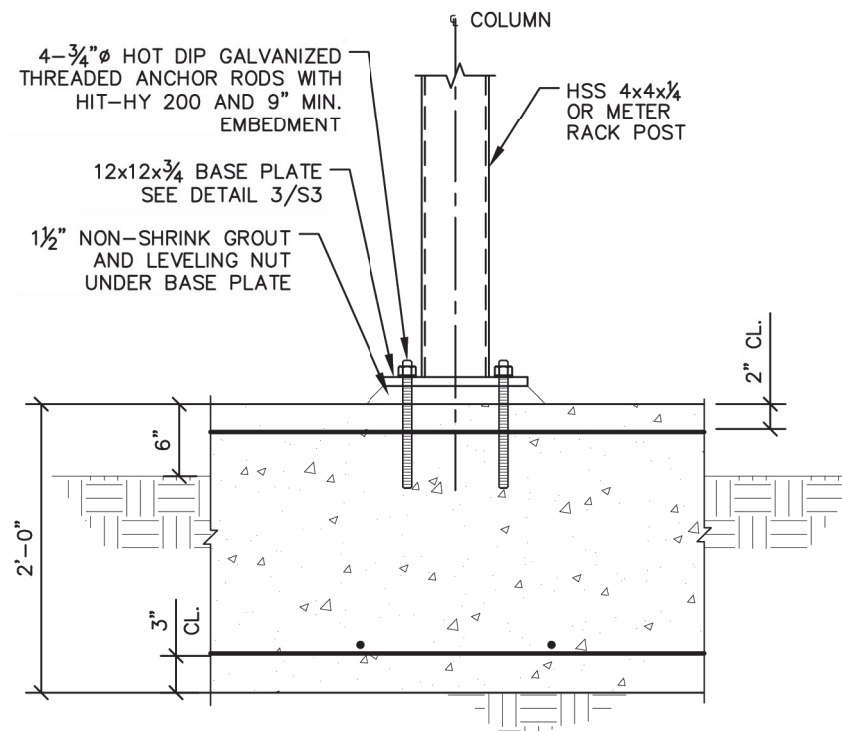
2 BEAM OVER EXTERIOR COLUMN
SCALE: 1-1/2" = 1'-0"



3 BEAM TO COLUMN CONN. (LANDING)
SCALE: 1-1/2" = 1'-0"



5 CAP PLATE DETAIL
SCALE: 3" = 1'-0"



6 COLUMN CONNECTION TO MAT FOUNDATION
SCALE: 3/4" = 1'-0"

PREPARED FOR:



A&E FIRM:



1355 WINDWARD CONCOURSE
SUITE 410
ALPHARETTA, GA 30005
TEL: 678-990-2338

THE INFORMATION CONTAINED IN THIS SET OF DOCUMENTS IS PROPRIETARY BY NATURE. ANY USE OR DISCLOSURE OTHER THAN THAT WHICH RELATES TO THE CLIENT IS STRICTLY PROHIBITED.

PROJECT INFORMATION:

CLOVER FORK
15724961
22295

DRAWN BY:	SJH
CHECKED BY:	MAT
APPROVED BY:	PJN

REVISIONS

REV.	DATE	DESCRIPTION
0	09/06/23	ISSUED FOR FINALS

FOR INFORMATION PURPOSES ONLY

SHEET TITLE:
STRUCTURAL DETAILS

SHEET #: **ST-7** REVISION: **0**

PREPARED FOR:



A&E FIRM:



1355 WINDWARD CONCOURSE
SUITE 410
ALPHARETTA, GA 30005
TEL: 678-990-2338

THE INFORMATION CONTAINED IN THIS SET OF DOCUMENTS IS PROPRIETARY BY NATURE. ANY USE OR DISCLOSURE OTHER THAN THAT WHICH RELATES TO THE CLIENT IS STRICTLY PROHIBITED.

PROJECT INFORMATION:

CLOVER FORK
15724961
22295

DRAWN BY:	SJH
CHECKED BY:	MAT
APPROVED BY:	PJN

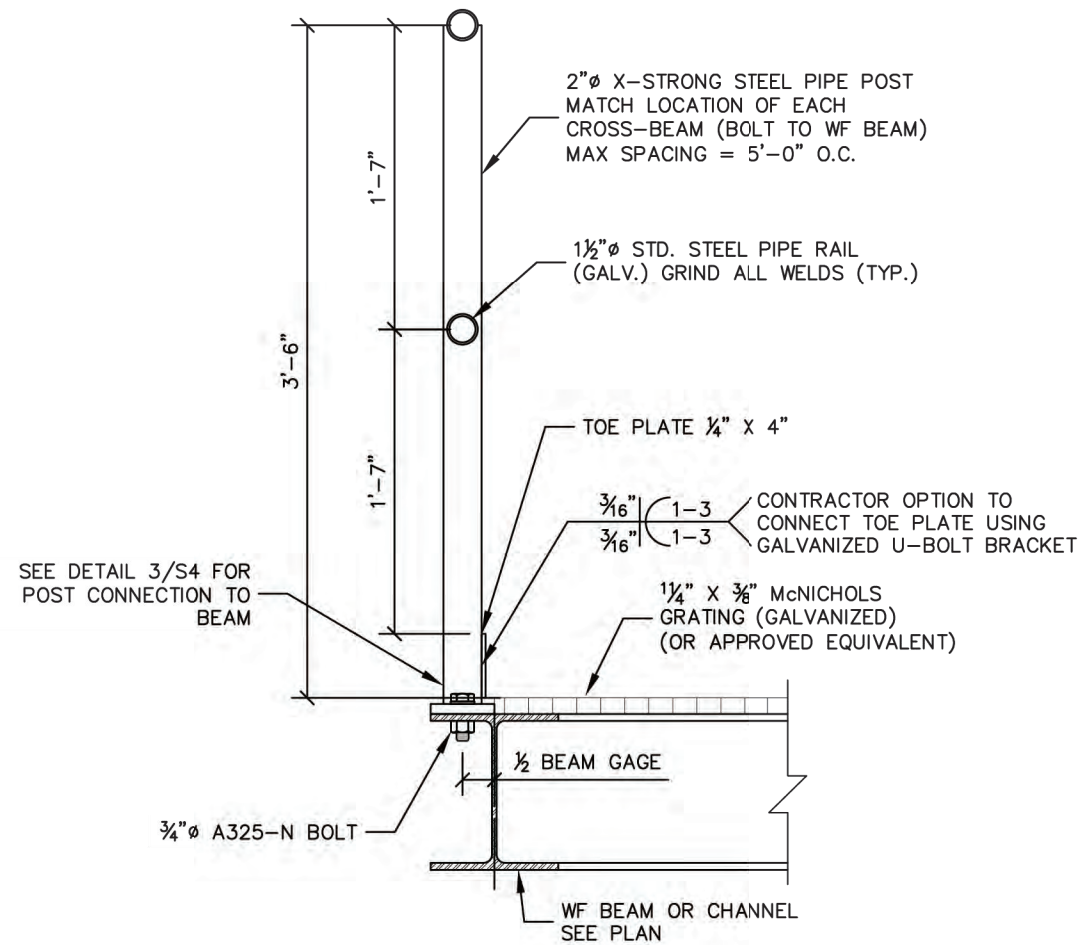
REVISIONS

REV.	DATE	DESCRIPTION
0	09/06/23	ISSUED FOR FINALS

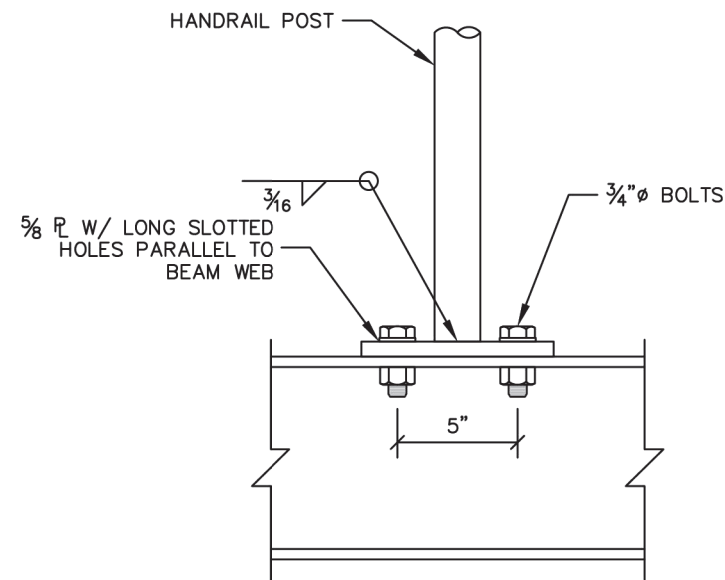
FOR INFORMATION PURPOSES ONLY

SHEET TITLE:
STRUCTURAL DETAILS

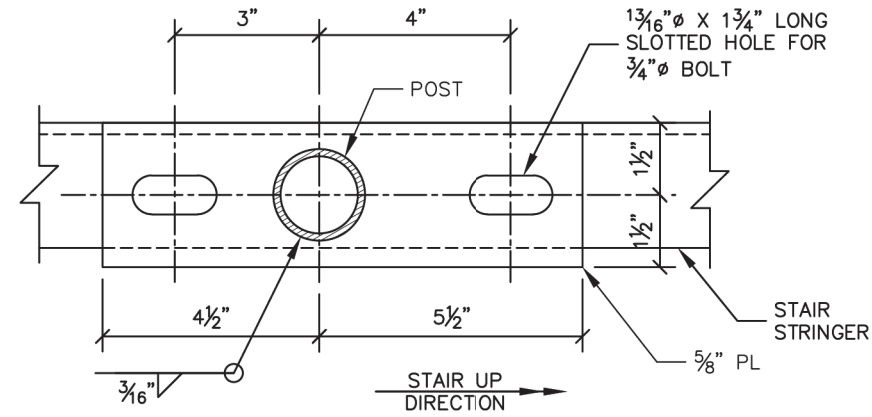
SHEET #: **ST-10** REVISION: **0**



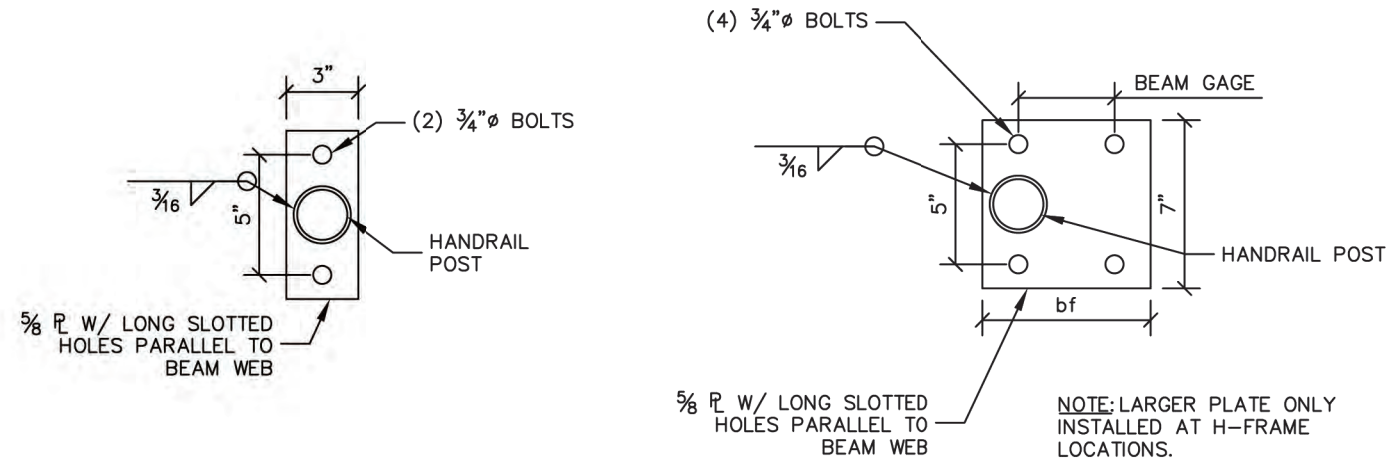
1 HANDRAIL ON BEAM DETAIL
SCALE: 1" = 1'-0"



3 HANDRAIL ON BEAM DETAIL
SCALE: 1-1/2" = 1'-0"



2 HANDRAIL ON STRINGER DETAIL
SCALE: 3" = 1'-0"



4 HANDRAIL TO BEAM CONNECTION DETAILS
SCALE: 1-1/2" = 1'-0"

PREPARED FOR:



A&E FIRM:



1355 WINDWARD CONCOURSE
SUITE 410
ALPHARETTA, GA 30005
TEL: 678-990-2338

THE INFORMATION CONTAINED IN THIS SET OF DOCUMENTS IS PROPRIETARY BY NATURE. ANY USE OR DISCLOSURE OTHER THAN THAT WHICH RELATES TO THE CLIENT IS STRICTLY PROHIBITED.

PROJECT INFORMATION:

CLOVER FORK
15724961
22295

DRAWN BY:	SJH
CHECKED BY:	MAT
APPROVED BY:	PJN

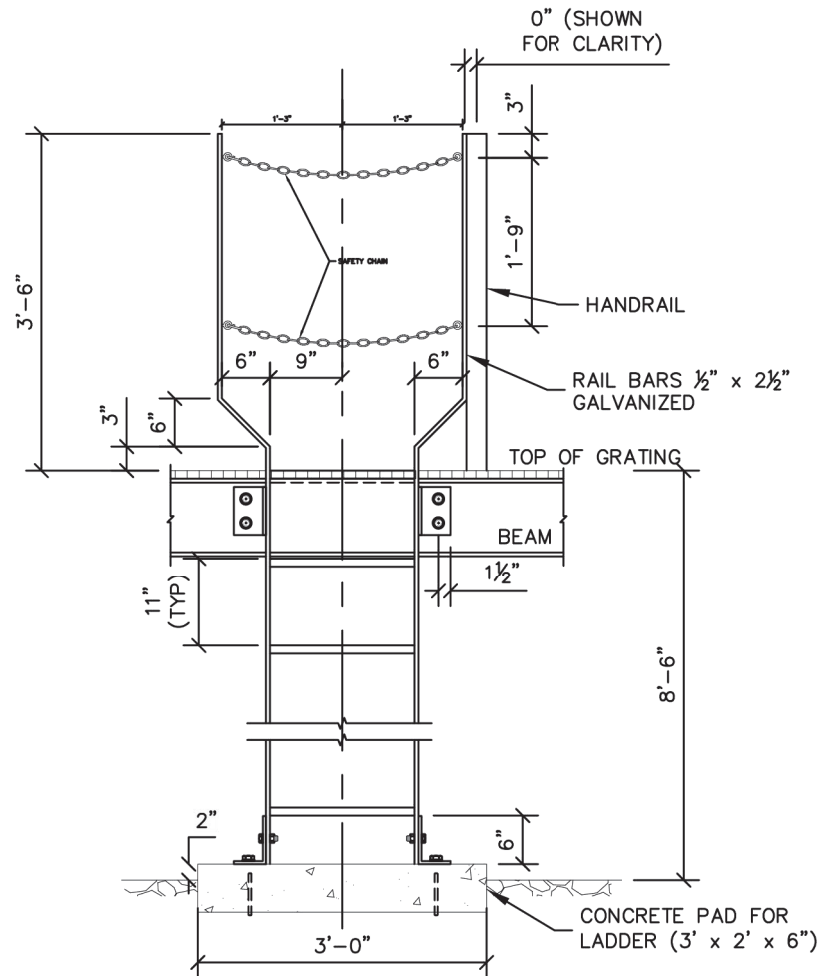
REVISIONS

REV.	DATE	DESCRIPTION
0	09/06/23	ISSUED FOR FINALS

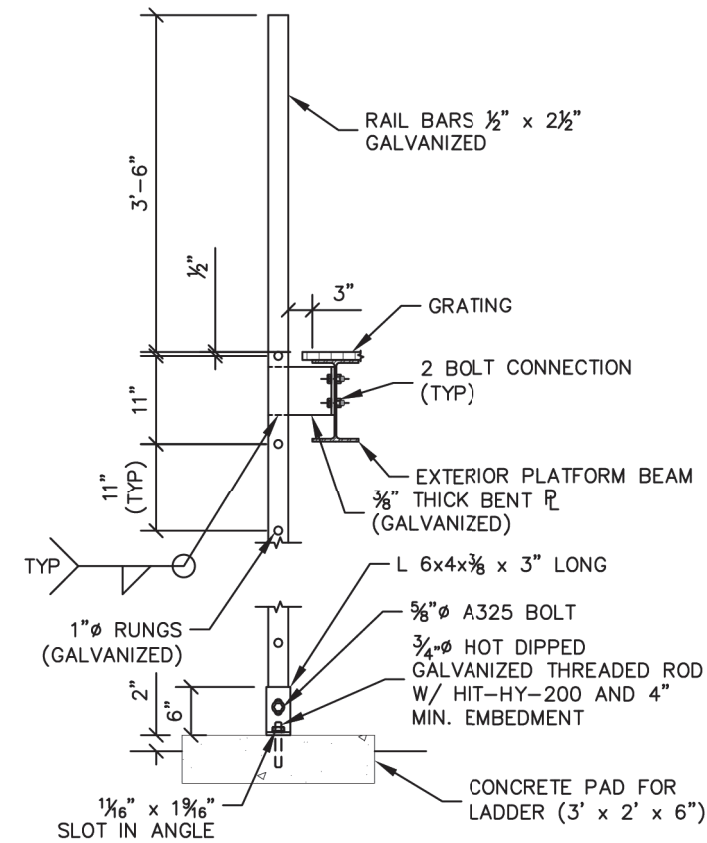
FOR INFORMATION
PURPOSES ONLY

SHEET TITLE:
STRUCTURAL DETAILS

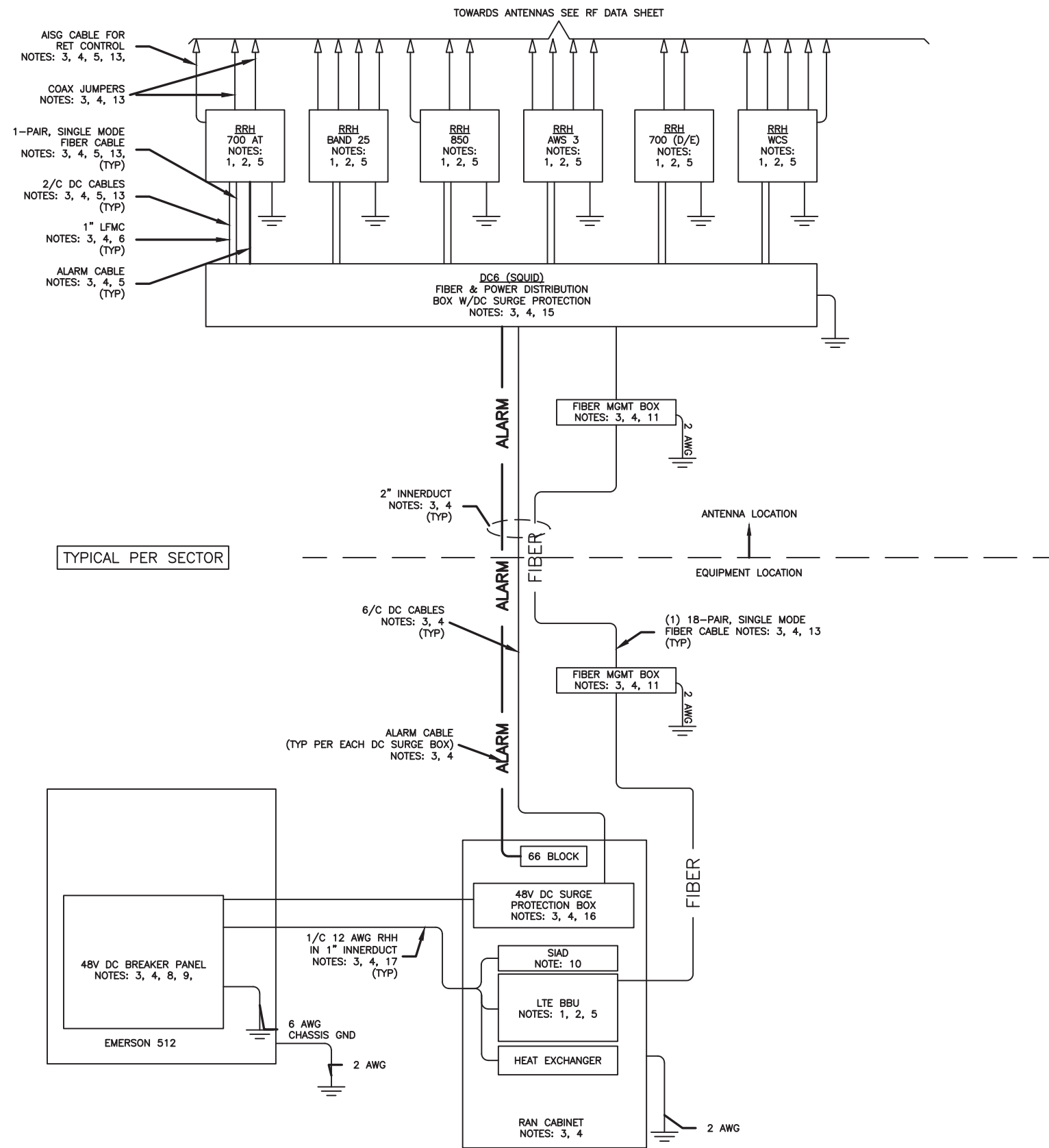
SHEET #: **ST-11** REVISION: **0**



1 CLIMBING LADDER DETAIL
SCALE: 1/2" = 1'-0"



2 CLIMBING LADDER SECTION
SCALE: 1/2" = 1'-0"



NOTES:

1. FURNISHED BY OEM/AT&T.
2. INSTALLED BY OEM OR AS SCOPED BY MARKET.
3. FURNISHED BY OTHERS
4. INSTALLED BY OTHERS
5. FINAL CONNECTION BY OEM OR AS SCOPED BY MARKET.
6. OPEN END OF LFMC TO BE LEFT WEATHERPROOFED UNTIL TERMINATED.
7. DELETED.
8. BREAKERS SPECIFIED SOLD SEPERATELY.
9. BREAKERS TO BE TAGGED AND LOCKED OUT.
10. SIAD IS FURNISHED AND INSTALLED BY OTHERS AND INCLUDES POWER CONNECTIONS AND FIBER TO THE UNIT OR AS SCOPED BY MARKET. INSTALL 10 AWG CHASSIS GROUND. PROVIDE (2) 10A BREAKERS FROM A 24V DC POWER SOURCE OR (2) 5A BREAKERS FROM A 48V DC POWER SOURCE AND CONNECT USING MFR POWER CABLE WITH SPECIAL CONNECTOR.
11. FIBER MANAGEMENT BOX IS J-SOURCE MODEL 12126FM4SEC.
12. LEC TO FURNISH AND INSTALL NETWORK INTERFACE DEVICE.
13. LEAVE COILED AND PROTECTED UNTIL TERMINATED.
14. SEE DETAIL 1408 FOR DC POWER CABLE SIZES.
15. FIBER AND POWER DISTRIBUTION BOX 4/48V SURGE SHALL BE RAYCAP MODEL DC6-48-60-18-8F.
16. POWER DISTRIBUTION W/DC SURGE PROTECTION BOX SHALL BE RAYCAP MODEL DC6-48-60-0-18.
17. SINGLE-CONDUCTOR DC POWER CABLES SHALL BE TELCOFLEX OR KS24194, COPPER, UL LISTED RHH NON-HALOGEN, LOW SMOKE WITH BRAIDED COVER, TYPE TC (1/0 AND LARGER). UNLESS OTHERWISE NOTED, STRANDING SHALL BE CLASS B (TYPE III) FOR CABLES SIZES 14, 12 & 10 AWG AND CLASS 1 (TYPE IV) FOR SIZES 8 AWG AND LARGER. CABLES SHALL BE COLOR CODED RED FOR +24V, BLUE FOR -48V AND GRAY FOR 24V AND 48V RETURN CONDUCTORS. MULTI-CONDUCTOR DC POWER CABLES SHALL COPPER, CLASS B STRANDED WITH FLAME RETARDANT PVC JACKET, TYPE TC, UL LISTED FOR 90°C DRY/ 75°C WET INSTALLATION.
18. 10A FUSE FOR HEAT EXCHANGER FURNISHED AND INSTALLED BY OTHERS.
19. DELETED
20. GROUNDING WIRES SHALL BE COPPER, GREEN THHN/THWN UL LISTED FOR 90°C DRY/75°C WET INSTALLATION. MINIMUM SIZE IS 6 AWG UNLESS NOTED OTHERWISE.
21. RET CONTROL FROM THE RRH IS AN OPTIONAL METHOD OF CONNECTION. REFER TO RF DATA SHEET FOR APPLICABILITY.
22. DELETED.
23. FIBER AND POWER DISTRIBUTION BOX 4/48V SURGE SHALL BE RAYCAP MODEL DC6-48-60-0-1E.
24. FIBER MANAGEMENT BOX IS COMMSCOPE MODEL FB 18188.
25. FIBER AND POWER DISTRIBUTION BOX 4/48V SURGE SHALL BE RAYCAP MODEL DC12-48-60-0-25E.

1 DC1 **DC/FIBER SYSTEM DIAGRAM**
NOT TO SCALE

PREPARED FOR:



A&E FIRM:



1355 WINDWARD CONCOURSE
SUITE 410
ALPHARETTA, GA 30005
TEL: 678-990-2338

THE INFORMATION CONTAINED IN THIS SET OF DOCUMENTS IS PROPRIETARY BY NATURE. ANY USE OR DISCLOSURE OTHER THAN THAT WHICH RELATES TO THE CLIENT IS STRICTLY PROHIBITED.

PROJECT INFORMATION:

CLOVER FORK
15724961
22295

DRAWN BY:	SJH
CHECKED BY:	MAT
APPROVED BY:	PJN

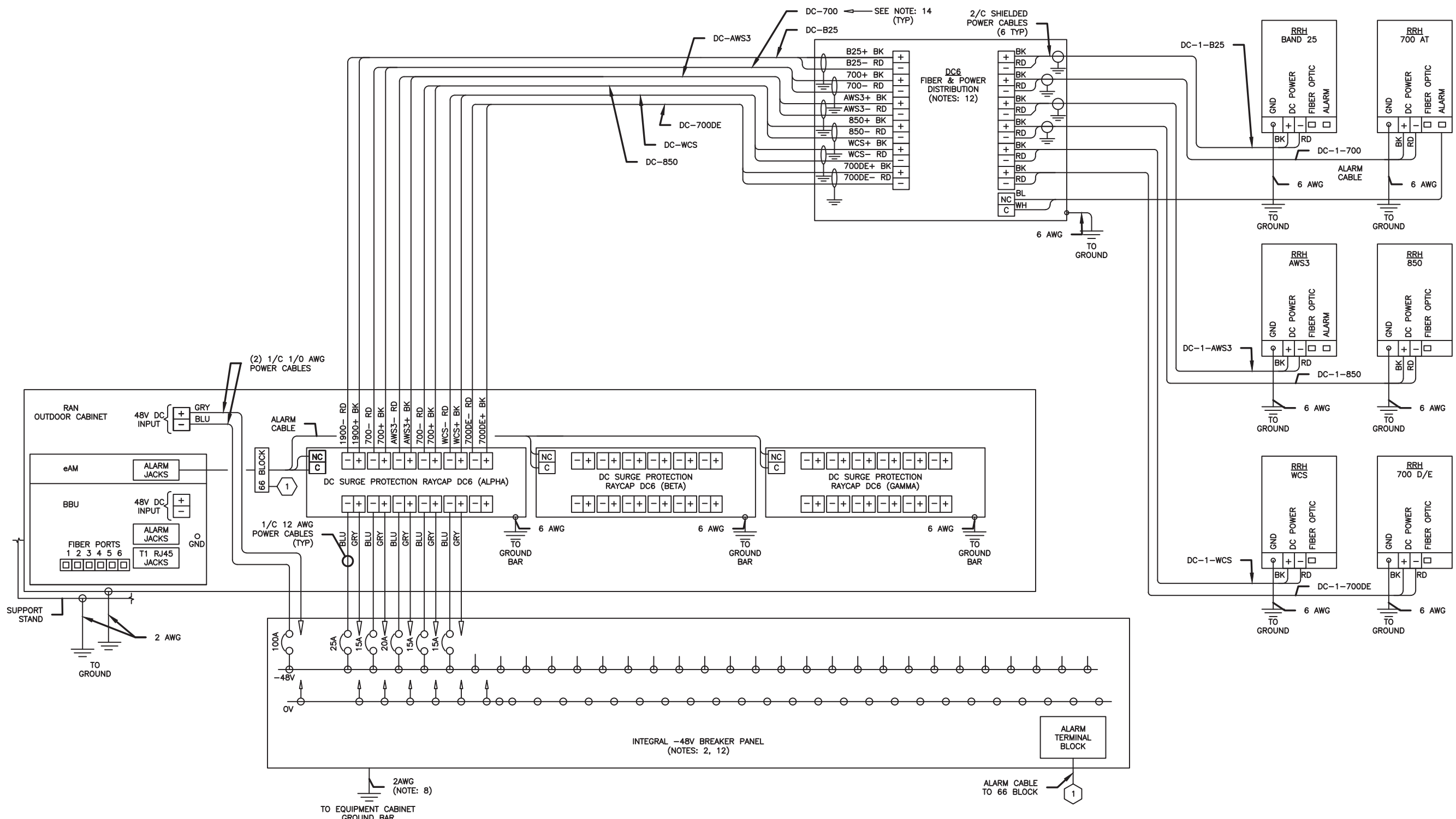
REVISIONS		
REV.	DATE	DESCRIPTION
0	09/06/23	ISSUED FOR FINALS



09/06/2023

SHEET TITLE:
DC/FIBER SYSTEM DIAGRAM

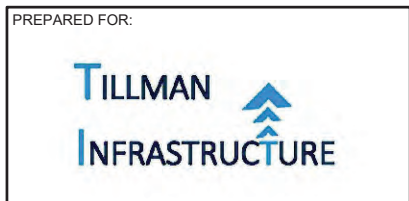
SHEET #: **DC1** REVISION: **0**



- NOTES**
1. LABEL THE DC POWER CABLES AT BOTH ENDS OF EVERY WIRE AND IN ANY PULL BOX IF USED. LABEL SHALL BE DURABLE, SELF ADHESIVE, WRAPPED LONGITUDINALLY ALONG THE CABLE AND STATE THE SECTOR, FREQUENCY BAND AND POLARITY; I.E. "A-AWS+".
 2. INSTALL ON IN AUXILIARY EQUIPMENT CABINET.
 3. CABLE TERMINALS FOR +24V INPUT FEED A, FEED B AND REFERENCE GROUND SHALL BE 2-HOLE: 3/8" ON 1" CENTER.
 4. INSTALL CABLE TERMINALS FOR FEED A AND FEED B RETURN BACK-TO-BACK ON OPPOSITE SIDES OF PAD USING 1-HOLE 3/8" TERMINALS.
 5. CABLE TERMINALS FOR CHASSIS GROUND SHALL BE 2-HOLE, 1/4" ON 5/8" CENTER.
 6. WHEN DISTRIBUTION BOX IS NOT USED, INSTALL 3 RUNS OF (2) 2/C CABLES IN CONDUIT, 1 EACH FROM DC SURGE SHELF TO DC6s.
 7. A JUNCTION BOX IS REQUIRED WHEN FIBER OPTIC CABLES ARE INSTALLED IN CONDUIT AS SCOPED BY MARKET.
 8. CONVERTER REFERENCE GROUND IS NOT REQUIRED WHEN CONVERTER AND 24V DC POWER PLANT ARE ON THE SAME RACK OR ENCLOSURE.
 9. THE BARE GROUND WIRE OF EACH MULTI-CONDUCTOR CABLE AND DRAIN WIRE WHEN A SHIELDED CABLE IS USED, SHALL BE CONNECTED TO THE EQUIPMENT CABINET GROUND BAR.
 10. SEE ALARM BLOCK ASSIGNMENT DETAIL FOR ALARM CABLE CONNECTIONS.
 11. PROVIDE A JUNCTION BOX, AS SCOPED BY MARKET, TO COIL EXCESS DC POWER AND OPTICAL FIBER CABLES (FIBER CALES NOT SHOWN FOR CLARITY)
 12. NOTED EQUIPMENT MAY BE COMMON TO LTE AND UMTS SYSTEMS.
 13. CABLE GROUND WIRE AND SHIELD DRAIN WIRE TO BE LEFT UN-TERMINATED AT RRH.
 14. WHEN AN RRH IS USED INSTEAD OF AN AWS RRH CABLE, LABELS SHOULD REFLECT CORRECT FREQUENCY BAND.

TYPICAL PER SECTOR

1 DC WIRING DIAGRAM
DC2 NOT TO SCALE



A&E FIRM:
towersource
 A NextEdge Company
 1355 WINDWARD CONCOURSE
 SUITE 410
 ALPHARETTA, GA 30005
 TEL: 678-990-2338

THE INFORMATION CONTAINED IN THIS SET OF DOCUMENTS IS PROPRIETARY BY NATURE. ANY USE OR DISCLOSURE OTHER THAN THAT WHICH RELATES TO THE CLIENT IS STRICTLY PROHIBITED.

PROJECT INFORMATION:
CLOVER FORK
15724961
22295

DRAWN BY: SJH
 CHECKED BY: MAT
 APPROVED BY: PJN

REVISIONS		
REV.	DATE	DESCRIPTION
0	09/06/23	ISSUED FOR FINALS



09/06/2023

SHEET TITLE:
DC WIRING DIAGRAM

SHEET #: **DC2** REVISION: **0**

PREPARED FOR:



A&E FIRM:



1355 WINDWARD CONCOURSE
SUITE 410
ALPHARETTA, GA 30005
TEL: 678-990-2338

THE INFORMATION CONTAINED IN THIS SET OF DOCUMENTS IS PROPRIETARY BY NATURE. ANY USE OR DISCLOSURE OTHER THAN THAT WHICH RELATES TO THE CLIENT IS STRICTLY PROHIBITED.

PROJECT INFORMATION:

CLOVER FORK
15724961
22295

DRAWN BY:	SJH
CHECKED BY:	MAT
APPROVED BY:	PJN

REVISIONS

REV.	DATE	DESCRIPTION
0	09/06/23	ISSUED FOR FINALS

FOR INFORMATION PURPOSES ONLY

SHEET TITLE:
TOWER AND FOUNDATION
DESIGN (BY OTHERS)

SHEET #:	T&F	REVISION:	0
----------	-----	-----------	---

TBD

(FOR INFORMATION PURPOSES ONLY)



NELLO
1201 S Sheridan St
South Bend, IN 46619
(574)288-3632 Ext. 1267
Fax: (574) 255-5860
www.nelloinc.com

Tower and Foundation Drawing Package

Sales Order: SO30980

Drawing Number(s)
Tower: 633549
Foundation: 633550

Site Name: TI-OPP-22295 / Clover Fork
Location: Harlan County, KY

Prepared for: Tillman Infrastructure
Date: 08/28/2023



1201 S Sheridan St
South Bend, IN 46619

Phone: 574-288-3632
Fax: 574-288-5860
www.nelloinc.com

August 24, 2023

Tillman Infrastructure
152 W 57th Street
New York, NY 10019

Re: Nello Tower Fall Radius – Nello 175' NSX Lattice Self-Support Tower
Project Name: TI-OPP-22295/Clover Fork
Nello Job #: SO30980
Tower Drawing #: 633549

To Whom It May Concern:

This letter is regarding your inquiry about the expected performance of your proposed tower designed by Nello based on site-specific criteria.

Our towers are designed to meet or exceed industry standards defined by TIA-222-H, "Structural Standards for Antenna Supporting Structures and Antennas" (TIA Standard). It is our opinion that the possibility of a tower collapse is very unlikely. The tower is designed using extreme wind and ice conditions. In fact, wind speeds specified by the TIA Standard are 50-year wind speeds. That is, they have only a 2% statistical chance of occurring in any given year.

This tower has been designed using the following wind conditions as a minimum: a 105 mph 3-second gust ultimate wind speed with no ice and a 30 mph 3-second gust wind with 1" ice. The TIA Standard specifies 105 mph as the ultimate wind speed required for this site in Harlan County, KY. The "3-second gust wind speed" refers to a wind measured at 33 feet above the ground. Equations in the TIA Standard take into account that wind speed escalates with increasing height of the tower.

Although we cannot guarantee exactly how a tower would fall if it were to fail, the most likely mode of failure would be a buckling failure of one of the tower sections due to excessive wind loading. The tower leg with the highest stress ratio is located at the 120' – 140' level. The stress ratio in that leg is calculated to be 100% of the code-permitted design loading. Given that the tower section with the highest stress ratio will most likely fail first, the proposed tower would fail at the 120' level with the top 55' of the tower collapsing. Depending on the conditions at the time of failure and the stress levels in structural material below, the top 55' of the tower would likely fall within a 0' fall radius.

The fall radius statement above assumes proper foundation construction and tower installation. The foundation design should be reviewed to ensure that no foundation limit state governs the entire structural system and negates the fall radius design. The fall radius expectancy requires that the foundation be designed with a capacity greater than that of the tower capacity. If the foundation design used in association with this tower is performed by a third party then Nello must be provided the opportunity to review the design in order to confirm that the fall radius remains satisfactory. If for some reason Nello does not provide the tower design or is not given the opportunity to design or review the foundation for this specific project then the content of this letter becomes void.

If you have any other questions or concerns regarding the design of your site-specific tower, please contact our engineering or sales department.

Sincerely,

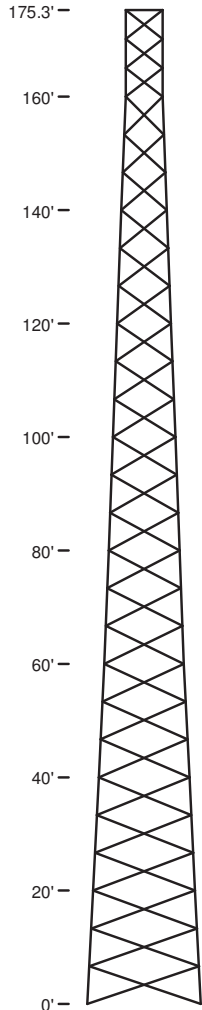
Jason M. Lambert, PE
Vice President of Engineering



08/28/2023

Self-Supporting Tower Section Data

Section Number	Bottom Elevation (ft)	Top Elevation (ft)	Model	Bottom Face Width (ft)	Top Face Width (ft)	Number of Panels	Leg Size (in)	Diagonal Size (in)	Girt Size (in)	Mid-Horizontal Size (in)	Redundant Horizontal Size (in)	Redundant Diagonal Size (in)
9	160	175.3	NSX	6.5	6.5	3	P2x.154	L1 3/4x1 3/4x1/8	L2x2x1/8			
8	140	160	NSX	8.0	6.5	3	P3x.216	L2x2x3/16				
7	120	140	NSX	9.5	8.0	3	P4x.237	L2 1/2x2 1/2x3/16				
6	100	120	NSX	11.0	9.5	3	P6x.28	L2 1/2x2 1/2x3/16				
5	80	100	NSX	12.5	11.0	3	P8x.322	L2 1/2x2 1/2x1/4				
4	60	80	NSX	14.0	12.5	3	P8x.322	L3x3x3/16				
3	40	60	NSX	16.0	14.0	3	P8x.322	L3x3x3/16				
2	20	40	NSX	18.0	16.0	3	P8x.322	L3x3x3/16				
1	0	20	NSX	20.0	18.0	3	P10x.365	L3 1/2x3 1/2x1/4				



Tower Reactions


No Ice
 Shear: 51.6 kips
 Moment: 5967.55 ft-kips
 Weight: 53.3 kips

With Ice
 Shear: 6.0 kips
 Moment: 710.66 ft-kips
 Weight: 99.3 kips

Leg Reactions

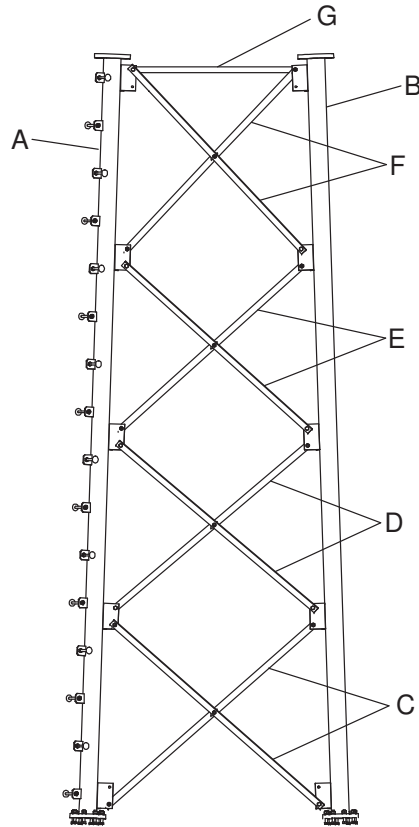
Compression: 362.3 kips
 Uplift: -321.4 kips
 Shear: 33.2 kips



TITLE: Tillman Infrastructure NSX 20' X 175.3' TI-OPP-22295 / Clover Fork Harlan Co., KY		 1201 S. Sheridan St. South Bend, IN 46619 Bus: (574)288-3632 Fax: (574)288-5860
--	--	---

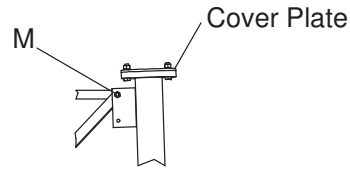
COPYRIGHT NOTICE: This drawing is the property of Nello Inc. It is not to be reproduced, copied or traced in whole or in part without our written consent.	ORIG. DATE: 8/28/2023	DWG NO: 633549
	DWG. PROG: v2.05	SHEET: 1 OF 6

REV	BY	DATE	DESCRIPTION

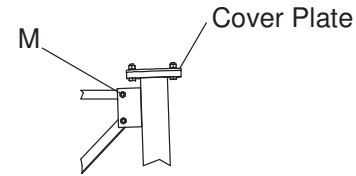


NSX Section Detail

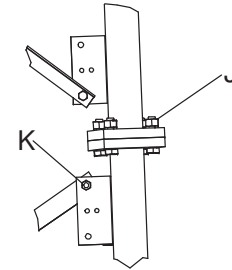
1. A part number is stamped on the bottom footpad of each leg.
2. A part number is stamped and /or labeled on the bottom end of each angle.
3. Be sure to place diagonal bracing angles in correct positions, angles in the top panel may be longer than they are in the middle panel.
4. The bolt head must bear against the angle bracing.



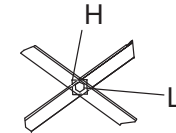
One plain nut and one lockwasher per bolt.
Detail A: NSX Top Connection
 *Applicable to all 20 ft Sections.
 *Applicable to all Sections Shorter than 20 ft and are Straight.



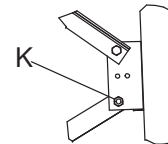
One plain nut and one lockwasher per bolt.
Detail B: NSX Top Connection
 *Applicable to all Sections Shorter than 20 ft that are Tapered Sections.



One plain nut and one lockwasher per bolt.
NSX Leg Connection



One plain nut and one lockwasher per bolt.
NSX Spacer Detail



One plain nut and one lockwasher per bolt.
NSX Bracing Detail

- NSX Section Legend:**
- A. Climbing Leg
 - B. Non-Climbing Leg
 - C. Diag., Panel 1
 - D. Diag., Panel 2
 - E. Diag., Panel 3
 - F. Diag., Panel 4
 - G. Top Girt
 - H. Spacer
 - J. Leg Bolts
 - K. Diagonal Bolts
 - L. Stitch Bolts
 - M. Top Girt Bolts



TITLE:
 Tillman Infrastructure
 NSX 20' X 175.3'
 TI-OPP-22295 / Clover Fork
 Harlan Co., KY



REV	BY	DATE	DESCRIPTION

COPYRIGHT NOTICE: This drawing is the property of Nello Inc. It is not to be reproduced, copied or traced in whole or in part without our written consent.	ORIG. DATE: 8/28/2023	DWG NO: 633549
	DWG. PROG: v2.05	SHEET: 2 OF 6

NSX Section Part Numbers

Item	Elevation	Climbing Leg (A)	Non-Climbing Leg (B)	Diagonal - Panel 1 (C)	Diagonal - Panel 2 (D)	Diagonal - Panel 3 (E)	Diagonal - Panel 4 (F)	Top Girt (G)	Spacer (H)
9	160' - 175.3'	141418		167539	167540	167539		167279	132233
8	140' - 160'	141279		167274	167275	167276			132233
7	120' - 140'	141259		166883	166884	166885			132233
6	100' - 120'	129729		167243	167244	167245			132233
5	80' - 100'	129695		169691	169692	169693			132233
4	60' - 80'	187754		166874	166875	166876			132233
3	40' - 60'	129695		167990	167991	167992			132233
2	20' - 40'	129705		167984	167985	167986			132233
1	0' - 20'	190037		168462	168463	168464			132233

NSX Section Hardware

Item	Elevation	Leg Bolts (J)	Diagonal Bolts (K)	Stitch Bolts (L)	Top Girt Bolts (M)	Section Weight (Lbs.)
9	160' - 175.3'	(12) 3/4" x 3-1/2"	(36) 1/2" x 1-1/2"	(9) 1/2" x 1-1/2"	(6) 1/2" x 1-1/2"	670
8	140' - 160'	(24) 3/4" x 3-1/2"	(36) 1/2" x 1-1/2"	(9) 1/2" x 1-3/4"		1220
7	120' - 140'	(24) 3/4" x 3-1/2"	(36) 5/8" x 2-1/2"	(9) 5/8" x 2-1/2"		1650
6	100' - 120'	(24) 1" x 3-3/4"	(36) 5/8" x 2-1/2"	(9) 5/8" x 2-1/2"		2280
5	80' - 100'	(24) 1" x 3-3/4"	(36) 3/4" x 2-1/4"	(9) 3/4" x 2-1/4"		3260
4	60' - 80'	(24) 1" x 3-3/4"	(36) 3/4" x 2-1/4"	(9) 3/4" x 2-1/4"		3280
3	40' - 60'	(24) 1" x 3-3/4"	(36) 3/4" x 2-1/4"	(9) 3/4" x 2-1/4"		3400
2	20' - 40'	(30) 1" x 3-3/4"	(36) 3/4" x 2-1/4"	(9) 3/4" x 2-1/4"		3620
1	0' - 20'	0	(36) 3/4" x 2-1/4"	(9) 3/4" x 2-1/4"		5300



TITLE:
Tillman Infrastructure
NSX 20' X 175.3'
TI-OPP-22295 / Clover Fork
Harlan Co., KY



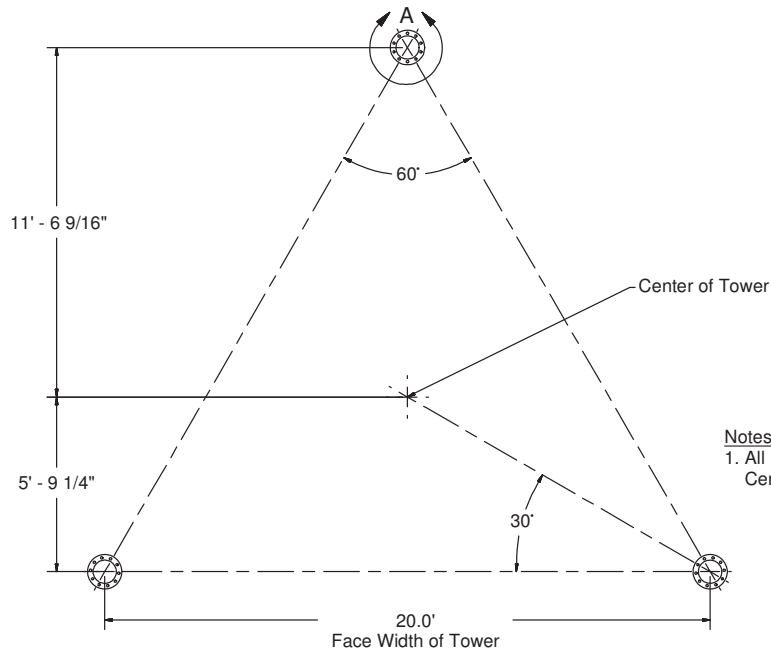
COPYRIGHT NOTICE:
This drawing is the property of Nello Inc. It is not to be reproduced, copied or traced in whole or in part without our written consent.

ORIG. DATE: 8/28/2023 DWG NO: 633549
DWG. PROG: v2.05 SHEET: 3 OF 6

REV	BY	DATE	DESCRIPTION

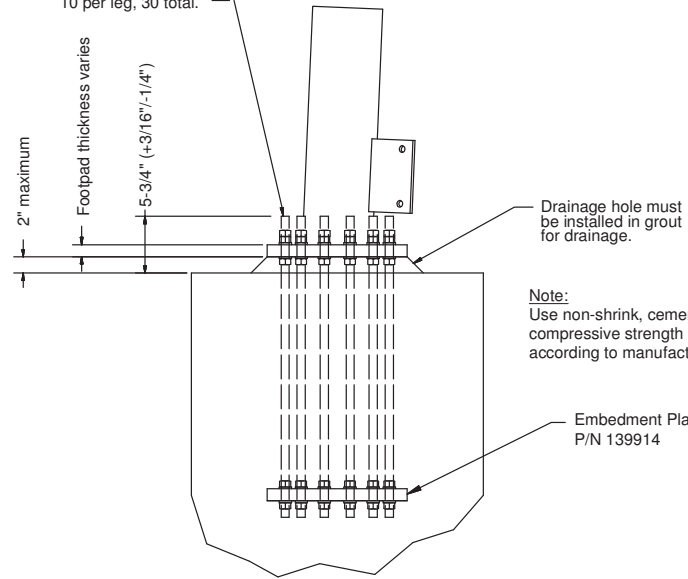


DETAIL A
Bolt hole must be aligned with center of tower.



Notes:
1. All Dimensions are from Center of Bolt Circles.

1" Diameter x 60" ASTM F1554 Grade 105 anchor bolts, P/N 102970 on a 14-1/4" bolt circle, 10 per leg, 30 total.



Drainage hole must be installed in grout for drainage.

Note:
Use non-shrink, cement grout with a minimum compressive strength of 5000 psi. Mix and install according to manufacturer's recommendations.

Embedment Plate P/N 139914



TITLE:
Tillman Infrastructure
NSX 20' X 175.3'

TI-OPP-22295 / Clover Fork
Harlan Co., KY



COPYRIGHT NOTICE:
This drawing is the property of Nello Inc. It is not to be reproduced, copied or traced in whole or in part without our written consent.

ORIG. DATE: 8/28/2023

DWG NO: 633549

DWG. PROG: v2.05

SHEET: 4 OF 6

REV	BY	DATE	DESCRIPTION

Antenna Loading

Height	Qty.	Description
170'	1	40,000 sq in CaAa (6,000 lbs)
155'	1	40,000 sq in CaAa (6,000 lbs)
140'	1	30,000 sq in CaAa (4,000 lbs)
125'	1	Dish Pipe Mount
115'	1	Dish Pipe Mount

Feedline Loading

Height	Qty.	Description
0' - 175'	2	Waveguide Ladder (need qty of 2)
0' - 170'	9	LDF7-50A (1-5/8 FOAM)
0' - 155'	2	Waveguide Ladder (need qty of 2)
0' - 155'	9	LDF7-50A (1-5/8 FOAM)
0' - 140'	2	Waveguide Ladder (need qty of 2)
0' - 140'	9	LDF7-50A (1-5/8 FOAM)
0' - 125'	1	EW63
0' - 115'	1	EW63

Dish Loading

Height	Qty.	Description
125'	1	8' Solid Dish
115'	1	8' Solid Dish



TITLE:
Tillman Infrastructure
NSX 20' X 175.3'
TI-OPP-22295 / Clover Fork
Harlan Co., KY



COPYRIGHT NOTICE:
This drawing is the property of Nello Inc. It is not to be reproduced, copied or traced in whole or in part without our written consent.

ORIG. DATE: 8/28/2023
DWG. NO: 633549
DWG. PROG: v2.05
SHEET: 5 OF 6

REV	BY	DATE	DESCRIPTION

Tower Notes:

1. Tower is designed per TIA-222-H, "Structural Standard for Antenna Supporting Structures, Anennas and Small Wind Turbine Support Structures," for the following loading conditions:
 105 mph 3-second gust ultimate wind speed with no ice per ASCE 7-16
 30 mph 3-second gust basic wind speed with 1 inch basic ice thickness per ASCE 7-16
 Risk Category: II
 Exposure Category: C
 Topographic Category: 1
 Crest Height: 0 feet
2. A tower field inspection shall be performed in order to verify that design exposure and topographic parameters are consistent with the existing tower site conditions.
3. Tower design includes the antennas, dishes, and/or lines listed in the appurtenance loading tables on sheet 5.
4. Antenna mounting pipes may need to be field cut to match the lengths listed in the appurtenance loading tables on sheet 5.
5. Tower member design does not include stresses due to erection since erection equipment and procedures are unknown. Tower installation shall be performed by competent and qualified erectors in accordance with TIA-222-H and OSHA standards and all applicable building codes.
6. Field connections shall be bolted. No field welds shall be allowed unless otherwise noted.
7. Structural bolts shall conform to ASTM A325, except for 1/2 inch diameter and smaller bolts, which shall conform to ASTM A449 or SAE J429 Grade 5.
8. Structural steel and connection bolts shall be galvanized after fabrication in accordance with TIA-222-H.
9. All high strength bolts shall be tightened to a "snug tight" condition as defined in the RCSC "Specification for Structural Joints Using ASTM A325 or A490 Bolts."
10. Tower shall be marked and lighted in conformance with local building codes, FAA regulations, and TIA-222-H.
11. Tower shall be grounded in conformance with local building codes and TIA-222-H. Evaluation of protective grounding and consideration for special grounding systems shall be performed by others.
12. Allowable tolerance on as-built tower steel height is plus 1% or minus 1/2%.
13. Maintenance and inspection shall be performed over the life of the structure in accordance with TIA-222-H.
14. Material specifications:
 Self Supporting Pipe Legs - ASTM A500 Grade 50
 Angle Bracing - ASTM A529 Grade 50
 Leg Footpads - ASTM A572 Grade 50
 Leg Side Plates - ASTM A36 (Min)
15. Remove anchor bolt template before erecting tower. Place non-shrink grout under base section footpads after leveling tower.
16. Concrete contractor shall be responsible for properly aligning anchor bolts and materials before and after placing concrete, regardless of whether an anchor bolt template is provided.



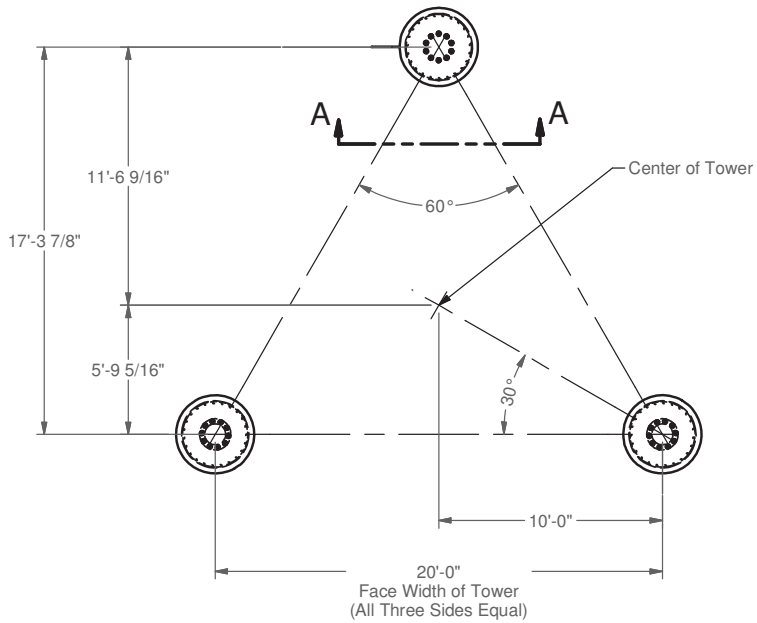
TITLE:
 Tillman Infrastructure
 NSX 20' X 175.3'
 TI-OPP-22295 / Clover Fork
 Harlan Co., KY



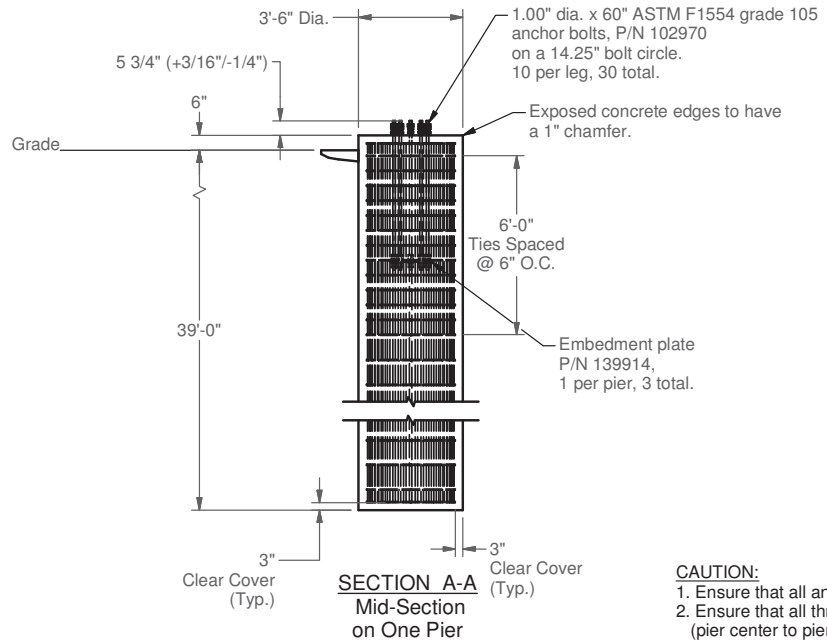
COPYRIGHT NOTICE:
 This drawing is the property of Nello Inc. It is not to be reproduced, copied or traced in whole or in part without our written consent.

ORIG. DATE: 8/28/2023 DWG NO: 633549
 DWG. PROG: v2.05 SHEET: 6 OF 6

REV	BY	DATE	DESCRIPTION



PLAN VIEW
DRILLED PIER FOUNDATION
ONE PIER PER LEG, THREE TOTAL
(CONCRETE VOLUME: 14.1 CU. YD. PER PIER, 42.2 CU. YD. TOTAL)



#8 reinforcing bars,
 468.00" long,
 spaced at 4.6" O.C. around inside of ties.
 23 per pier, 69 total.

#4 reinforcing bars,
 130.00" long before being bent into circle with
 36.00" outer diameter and 18.00" overlap.
 Top 2 ties spaced at 5" O.C.
 Next 12 ties spaced at 6" O.C.
 Bottom 2 ties spaced at 5" O.C.
 Remainder of ties spaced at 9.88" O.C.
 54 per pier, 162 total.

CAUTION:
 1. Ensure that all anchor bolt nuts are tightened.
 2. Ensure that all three face width dimensions
 (pier center to pier center)
 are measured and verified before pouring concrete.

Concrete Compressive Strength, $f_c = 4500$ psi



TITLE:
 Tillman Infrastructure
 NSX 20' X 175.3'
 TI-OPP-22295 / Clover Fork
 Harlan Co., KY




COPYRIGHT NOTICE: This drawing is the property of Nello Inc. It is not to be reproduced, copied or traced in whole or in part without our written consent.		ORIG. DATE: 8/25/2023	DWG NO: 633550
		DWG. PROG: v2.05	SHEET: 1 OF 2

REV	BY	DATE	DESCRIPTION

Foundation Notes:

1. This foundation has been designed for the following tower reactions:
 - Leg Compression: 362.3 Kips
 - Leg Uplift: 321.4 Kips
 - Leg Shear: 33.2 Kips
 - Tower Shear: 51.6 Kips
 - Tower Moment: 5967.5 ft-Kips
 - Tower Weight: 53.3 Kips
2. Foundation design is based on the Geotechnical Report dated 03/15/2023, by Environmental Corporation of America; Project No. 23-000518.
3. A field inspection shall be performed in order to verify that the actual site soil parameters meet or exceed the assumed soil parameters and that the depth of standard foundations are adequate based on the frost penetration and groundwater depth. Local frost depth must be no deeper than the bottom of the base foundation or the top of the anchor.
4. Reinforcement shall be deformed and conform to the requirements of ASTM A615 Grade 60 unless otherwise noted. Splices in reinforcement shall not be allowed unless otherwise indicated.
5. Welding is prohibited on reinforcing steel and anchorage.
6. Backfill above foundation should be compacted to 95% of maximum dry density at water content within 2 percent of optimum. Backfill must be clean and free of organic and frozen soils and foreign materials.
7. Finished grade shall be leveled over the entire foundation footprint. Backfill is recommended to slope to native grade using a 2:1 (H:V) slope.
8. Loose material shall be removed from bottom of excavation prior to concrete placement.
9. Concrete cover from exposed surface of concrete to surface of reinforcement shall not be less than 3".
10. Concrete and reinforcement installation must conform to ACI 318, "Building Code Requirements for Structural Concrete."
11. Concrete shall develop a minimum compressive strength of 4500 psi at 28 days.
12. Concrete shall be placed as soon as practical after excavating to avoid disturbance of bearing and side wall surfaces
13. Concrete contractor shall be responsible for properly aligning anchor bolts before and after placing concrete, regardless of whether an anchor bolt template is provided.
14. Positive drainage shall be maintained during construction and throughout the life of the facility to minimize the potential for surface water infiltration.
15. It shall be the contractor's responsibility to locate and prevent damage to any existing underground utilities, foundations or other buried objects that might be damaged or interfered with during construction of the foundation.
16. It is permissible for the top of the vertical reinforcement cage alignment to fluctuate slightly, allowing for a minimum clear cover of 2" to a maximum clear cover of 3" over the top of any individual vertical bar.
17. Earthwork operations and foundation installation methods shall be in accordance with the geotechnical report and all applicable American Concrete Institute (ACI) Standards.
18. Temporary steel casing or drilling slurry techniques may be required for installation of the drilled pier foundation. Permanent casing on drilled piers may not be used.
19. Concrete shall be placed by tremie methods if drilling slurry is used or if there is more than 1 inch of water at the bottom of the shaft excavation.
20. Groundwater may be encountered at 38.5 feet bgs at this site based on the geotechnical investigation. The need for dewatering should be anticipated below this depth.
21. Rock conditions were encountered about 28.5 feet bgs in the geotechnical investigation.



TITLE: Tillman Infrastructure NSX 20' X 175.3' TI-OPP-22295 / Clover Fork Harlan Co., KY		 1201 S. Sheridan St. South Bend, IN 46619 Bus: (574)288-3632 Fax: (574)288-5860
---	--	---

COPYRIGHT NOTICE: This drawing is the property of Nello Inc. It is not to be reproduced, copied or traced in whole or in part without our written consent.	ORIG. DATE: 8/25/2023	DWG NO: 633550
	DWG. PROG: v2.05	SHEET: 2 OF 2

REV	BY	DATE	DESCRIPTION



Design Supporting Calculations

Sales Order: SO30980

Drawing Number(s)
Tower: 633549
Foundation: 633550
Order Description: NSX 20' x 175.3'
Site Name: TI-OPP-22295 / Clover Fork
Location: Harlan County, KY

Prepared For:
Customer: Tillman Infrastructure
Contact: Chelsea Reeves
Date: 8/28/2023



08/28/2023

Table of Contents

Tower Analysis - Short form

Tower Analysis - Long form

Foundation Analysis

Seismic Analysis

DESIGNED APPURTENANCE LOADING

TYPE	ELEVATION	TYPE	ELEVATION
40,000 sq in CaAa (6,000 lbs)	170	8' Solid Dish	125
40,000 sq in CaAa (6,000 lbs)	155	Dish Pipe Mount	115
30,000 sq in CaAa (4,000 lbs)	140	8' Solid Dish	115
Dish Pipe Mount	125		

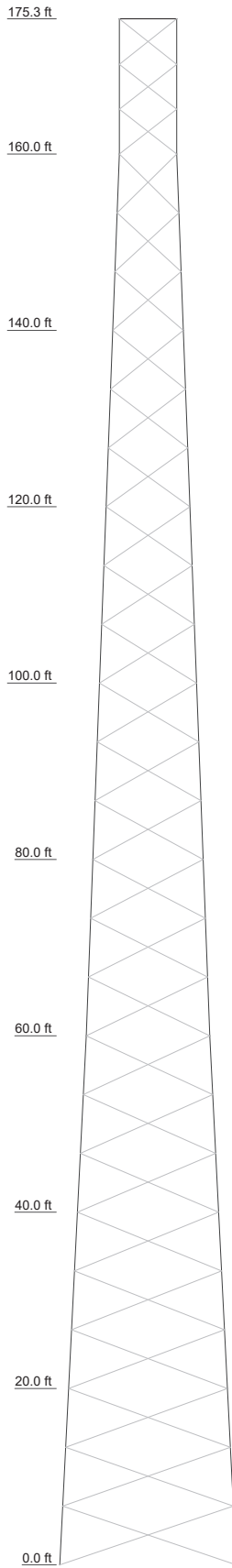
MATERIAL STRENGTH

GRADE	Fy	Fu	GRADE	Fy	Fu
A500-50	50 ksi	62 ksi	A529-50	50 ksi	65 ksi

TOWER DESIGN NOTES

1. Tower designed for Exposure C to the TIA-222-H Standard.
2. Tower designed for a 105 mph ultimate wind in accordance with the TIA-222-H Standard.
3. Tower is also designed for a 30 mph basic wind with 1.00 in ice. Ice is considered to increase in thickness with height.
4. Deflections are based upon a 60 mph wind.
5. Tower Risk Category II.
6. Topographic Category 1 with Crest Height of 0.00 ft
7. TOWER RATING: 99.9%

Section	T1	T2	T3	T4	T5	T6	T7	T8	T9
Legs	P2x.154	P3x.216	P4x.237	P6x.28	P8x.322	P10x.365			
Leg Grade					A500-50				
Diagonals	L1 3/4x1 3/4x1/8	L2x2x3/16	L2 1/2x2 1/2x3/16	L2 1/2x2 1/2x1/4	L3x3x3/16	L3 1/2x3 1/2x1/4			
Diagonal Grade					A529-50				
Top Girts	L2x2x1/8				N.A.				
Face Width (ft)	6.5	8	9.5	11	12.5	14	16	18	20
# Panels @ (ft)	3 @ 5.1				24 @ 6.66667				
Weight (lb)	454.8	955.7	1382.3	1997.9	2871.4	3977.5	5326.7	6971.8	8725.2

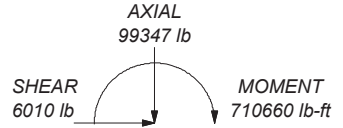


ALL REACTIONS ARE FACTORED

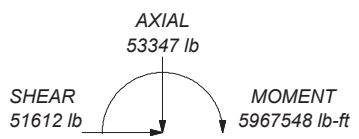
MAX. CORNER REACTIONS AT BASE:

DOWN: 362315 lb
SHEAR: 33186 lb

UPLIFT: -321417 lb
SHEAR: 29851 lb



TORQUE 2199 lb-ft
30 mph WIND - 1.0000 in ICE



TORQUE 23660 lb-ft
REACTIONS - 105 mph WIND

Nello Corporation		Job: SO30980; Tower 633549; Foundation 633550	
1201 S. Sheridan Street		Project: NS 175' - TI-OPP-22295 / Clover Fork - Harlan Co., KY	
South Bend, IN. 46619		Client: Tillman Infrastructure	Drawn by: AG
Phone: 800-806-3556		Code: TIA-222-H	Date: 08/28/23
FAX:		Path: N:\eri\6335\633549.eri	Scale: NTS
			Dwg No. E-1

tnxTower Nello Corporation 1201 S. Sheridan Street South Bend, IN. 46619 Phone: 800-806-3556 FAX:	Job SO30980; Tower 633549; Foundation 633550	Page 1 of 47
	Project NS 175' - TI-OPP-22295 / Clover Fork - Harlan Co., KY	Date 10:41:48 08/28/23
	Client Tillman Infrastructure	Designed by AG

Tower Input Data

The main tower is a 3x free standing tower with an overall height of 175.30 ft above the ground line.

The base of the tower is set at an elevation of 0.00 ft above the ground line.

The face width of the tower is 6.50 ft at the top and 20.00 ft at the base.

This tower is designed using the TIA-222-H standard.

The following design criteria apply:

Tower base elevation above sea level: 0.00 ft.

Ultimate wind speed of 105 mph.

Risk Category II.

Exposure Category C.

Simplified Topographic Factor Procedure for wind speed-up calculations is used.

Topographic Category: 1.

Crest Height: 0.00 ft.

Nominal ice thickness of 1.0000 in.

Ice thickness is considered to increase with height.

Ice density of 56 pcf.

A wind speed of 30 mph is used in combination with ice.

Temperature drop of 50 °F.

Deflections calculated using a wind speed of 60 mph.

A non-linear (P-delta) analysis was used.

Pressures are calculated at each section.

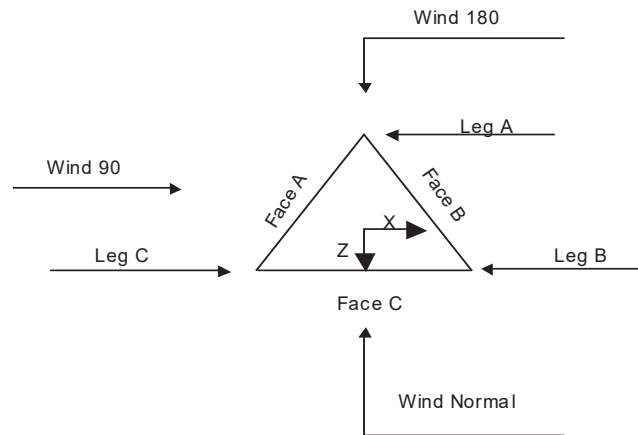
Stress ratio used in tower member design is 1.

Local bending stresses due to climbing loads, feed line supports, and appurtenance mounts are not considered.

Options

- | | | |
|--|---|---|
| <ul style="list-style-type: none"> Consider Moments - Legs Consider Moments - Horizontals Consider Moments - Diagonals Use Moment Magnification Use Code Stress Ratios √ Use Code Safety Factors - Guys Escalate Ice Always Use Max Kz Use Special Wind Profile Include Bolts In Member Capacity Leg Bolts Are At Top Of Section √ Secondary Horizontal Braces Leg Use Diamond Inner Bracing (4 Sided) √ SR Members Have Cut Ends SR Members Are Concentric | <ul style="list-style-type: none"> Distribute Leg Loads As Uniform Assume Legs Pinned √ Assume Rigid Index Plate √ Use Clear Spans For Wind Area √ Use Clear Spans For KL/r √ Retension Guys To Initial Tension Bypass Mast Stability Checks √ Use Azimuth Dish Coefficients √ Project Wind Area of Appurt. √ Autocalc Torque Arm Areas Add IBC .6D+W Combination Sort Capacity Reports By Component √ Triangulate Diamond Inner Bracing Treat Feed Line Bundles As Cylinder Ignore KL/ry For 60 Deg. Angle Legs | <ul style="list-style-type: none"> Use ASCE 10 X-Brace Ly Rules √ Calculate Redundant Bracing Forces √ Ignore Redundant Members in FEA √ SR Leg Bolts Resist Compression √ All Leg Panels Have Same Allowable Offset Girt At Foundation √ Consider Feed Line Torque Include Angle Block Shear Check Use TIA-222-H Bracing Resist. Exemption Use TIA-222-H Tension Splice Exemption <li style="text-align: center;">Poles √ Include Shear-Torsion Interaction Always Use Sub-Critical Flow Use Top Mounted Sockets Pole Without Linear Attachments Pole With Shroud Or No Appurtenances Outside and Inside Corner Radii Are Known |
|--|---|---|

tnxTower Nello Corporation 1201 S. Sheridan Street South Bend, IN. 46619 Phone: 800-806-3556 FAX:	Job SO30980; Tower 633549; Foundation 633550	Page 2 of 47
	Project NS 175' - TI-OPP-22295 / Clover Fork - Harlan Co., KY	Date 10:41:48 08/28/23
	Client Tillman Infrastructure	Designed by AG



Triangular Tower

Tower Section Geometry

Tower Section	Tower Elevation	Assembly Database	Description	Section Width	Number of Sections	Section Length
	<i>ft</i>			<i>ft</i>		<i>ft</i>
T1	175.30-160.00			6.50	1	15.30
T2	160.00-140.00			6.50	1	20.00
T3	140.00-120.00			8.00	1	20.00
T4	120.00-100.00			9.50	1	20.00
T5	100.00-80.00			11.00	1	20.00
T6	80.00-60.00			12.50	1	20.00
T7	60.00-40.00			14.00	1	20.00
T8	40.00-20.00			16.00	1	20.00
T9	20.00-0.00			18.00	1	20.00

Tower Section Geometry (cont'd)

Tower Section	Tower Elevation	Diagonal Spacing	Bracing Type	Has K Brace End Panels	Has Horizontals	Top Girt Offset	Bottom Girt Offset
	<i>ft</i>	<i>ft</i>				<i>in</i>	<i>in</i>
T1	175.30-160.00	5.10	X Brace	No	No	0.0000	0.0000
T2	160.00-140.00	6.67	X Brace	No	No	0.0000	0.0000
T3	140.00-120.00	6.67	X Brace	No	No	0.0000	0.0000
T4	120.00-100.00	6.67	X Brace	No	No	0.0000	0.0000
T5	100.00-80.00	6.67	X Brace	No	No	0.0000	0.0000
T6	80.00-60.00	6.67	X Brace	No	No	0.0000	0.0000

tnxTower Nello Corporation 1201 S. Sheridan Street South Bend, IN. 46619 Phone: 800-806-3556 FAX:	Job SO30980; Tower 633549; Foundation 633550	Page 3 of 47
	Project NS 175' - TI-OPP-22295 / Clover Fork - Harlan Co., KY	Date 10:41:48 08/28/23
	Client Tillman Infrastructure	Designed by AG

Tower Section	Tower Elevation ft	Diagonal Spacing ft	Bracing Type	Has K Brace End Panels	Has Horizontals	Top Girt Offset in	Bottom Girt Offset in
T7	60.00-40.00	6.67	X Brace	No	No	0.0000	0.0000
T8	40.00-20.00	6.67	X Brace	No	No	0.0000	0.0000
T9	20.00-0.00	6.67	X Brace	No	No	0.0000	0.0000

Tower Section Geometry (cont'd)

Tower Elevation ft	Leg Type	Leg Size	Leg Grade	Diagonal Type	Diagonal Size	Diagonal Grade
T1 175.30-160.00	Pipe	P2x.154	A500-50 (50 ksi)	Equal Angle	L1 3/4x1 3/4x1/8	A529-50 (50 ksi)
T2 160.00-140.00	Pipe	P3x.216	A500-50 (50 ksi)	Equal Angle	L2x2x3/16	A529-50 (50 ksi)
T3 140.00-120.00	Pipe	P4x.237	A500-50 (50 ksi)	Equal Angle	L2 1/2x2 1/2x3/16	A529-50 (50 ksi)
T4 120.00-100.00	Pipe	P6x.28	A500-50 (50 ksi)	Equal Angle	L2 1/2x2 1/2x3/16	A529-50 (50 ksi)
T5 100.00-80.00	Pipe	P8x.322	A500-50 (50 ksi)	Equal Angle	L2 1/2x2 1/2x1/4	A529-50 (50 ksi)
T6 80.00-60.00	Pipe	P8x.322	A500-50 (50 ksi)	Equal Angle	L3x3x3/16	A529-50 (50 ksi)
T7 60.00-40.00	Pipe	P8x.322	A500-50 (50 ksi)	Equal Angle	L3x3x3/16	A529-50 (50 ksi)
T8 40.00-20.00	Pipe	P8x.322	A500-50 (50 ksi)	Equal Angle	L3x3x3/16	A529-50 (50 ksi)
T9 20.00-0.00	Pipe	P10x.365	A500-50 (50 ksi)	Equal Angle	L3 1/2x3 1/2x1/4	A529-50 (50 ksi)

Tower Section Geometry (cont'd)

Tower Elevation ft	Top Girt Type	Top Girt Size	Top Girt Grade	Bottom Girt Type	Bottom Girt Size	Bottom Girt Grade
T1 175.30-160.00	Equal Angle	L2x2x1/8	A529-50 (50 ksi)	Solid Round		A529-50 (50 ksi)

Tower Section Geometry (cont'd)

Tower Elevation ft	Gusset Area (per face) ft ²	Gusset Thickness in	Gusset Grade	Adjust. Factor A _f	Adjust. Factor A _r	Weight Mult.	Double Angle Stitch Bolt Spacing Diagonals in	Double Angle Stitch Bolt Spacing Horizontals in	Double Angle Stitch Bolt Spacing Redundants in
175.30-160.00 T1	0.00	0.0000	A36 (36 ksi)	1	1	1.1	36.0000	36.0000	36.0000
160.00-140.00 T2	0.00	0.0000	A36 (36 ksi)	1	1	1.1	36.0000	36.0000	36.0000

tnxTower Nello Corporation 1201 S. Sheridan Street South Bend, IN. 46619 Phone: 800-806-3556 FAX:	Job SO30980; Tower 633549; Foundation 633550	Page 4 of 47
	Project NS 175' - TI-OPP-22295 / Clover Fork - Harlan Co., KY	Date 10:41:48 08/28/23
	Client Tillman Infrastructure	Designed by AG

Tower Elevation	Gusset Area (per face)	Gusset Thickness	Gusset Grade	Adjust. Factor A_f	Adjust. Factor A_r	Weight Mult.	Double Angle Stitch Bolt Spacing Diagonals	Double Angle Stitch Bolt Spacing Horizontals	Double Angle Stitch Bolt Spacing Redundants
ft	ft ²	in					in	in	in
T3 140.00-120.00	0.00	0.0000	A36 (36 ksi)	1	1	1.1	36.0000	36.0000	36.0000
T4 120.00-100.00	0.00	0.0000	A36 (36 ksi)	1	1	1.1	36.0000	36.0000	36.0000
T5 100.00-80.00	0.00	0.0000	A36 (36 ksi)	1	1	1.1	36.0000	36.0000	36.0000
T6 80.00-60.00	0.00	0.0000	A36 (36 ksi)	1	1	1.1	36.0000	36.0000	36.0000
T7 60.00-40.00	0.00	0.0000	A36 (36 ksi)	1	1	1.1	36.0000	36.0000	36.0000
T8 40.00-20.00	0.00	0.0000	A36 (36 ksi)	1	1	1.1	36.0000	36.0000	36.0000
T9 20.00-0.00	0.00	0.0000	A36 (36 ksi)	1	1	1.1	36.0000	36.0000	36.0000

Tower Section Geometry (cont'd)

Tower Elevation	Calc K Single Angles	Calc K Solid Rounds	Legs	K Factors ¹						
				X Brace Diags	K Brace Diags	Single Diags	Girts	Horiz.	Sec. Horiz.	Inner Brace
				X Y	X Y	X Y	X Y	X Y	X Y	X Y
T1 175.30-160.00	No	Yes	1	1	1	1	1	1	1	1
T2 160.00-140.00	No	Yes	1	1	1	1	1	1	1	1
T3 140.00-120.00	No	Yes	1	1	1	1	1	1	1	1
T4 120.00-100.00	No	Yes	1	1	1	1	1	1	1	1
T5 100.00-80.00	No	Yes	1	1	1	1	1	1	1	1
T6 80.00-60.00	No	Yes	1	1	1	1	1	1	1	1
T7 60.00-40.00	No	Yes	1	1	1	1	1	1	1	1
T8 40.00-20.00	No	Yes	1	1	1	1	1	1	1	1
T9 20.00-0.00	No	Yes	1	1	1	1	1	1	1	1

¹Note: K factors are applied to member segment lengths. K-braces without inner supporting members will have the K factor in the out-of-plane direction applied to the overall length.

Tower Section Geometry (cont'd)

Job	SO30980; Tower 633549; Foundation 633550	Page	5 of 47
Project	NS 175' - TI-OPP-22295 / Clover Fork - Harlan Co., KY	Date	10:41:48 08/28/23
Client	Tillman Infrastructure	Designed by	AG

Tower Elevation ft	Leg		Diagonal		Top Girt		Bottom Girt		Mid Girt		Long Horizontal		Short Horizontal	
	Net Width Deduct in	U	Net Width Deduct in	U	Net Width Deduct in	U	Net Width Deduct in	U	Net Width Deduct in	U	Net Width Deduct in	U	Net Width Deduct in	U
T1 175.30-160.00	0.0000	1	0.0000	0.75	0.0000	0.75	0.0000	0.75	0.0000	0.75	0.0000	0.75	0.0000	0.75
T2 160.00-140.00	0.0000	1	0.0000	0.75	0.0000	0.75	0.0000	0.75	0.0000	0.75	0.0000	0.75	0.0000	0.75
T3 140.00-120.00	0.0000	1	0.0000	0.75	0.0000	0.75	0.0000	0.75	0.0000	0.75	0.0000	0.75	0.0000	0.75
T4 120.00-100.00	0.0000	1	0.0000	0.75	0.0000	0.75	0.0000	0.75	0.0000	0.75	0.0000	0.75	0.0000	0.75
T5 100.00-80.00	0.0000	1	0.0000	0.75	0.0000	0.75	0.0000	0.75	0.0000	0.75	0.0000	0.75	0.0000	0.75
T6 80.00-60.00	0.0000	1	0.0000	0.75	0.0000	0.75	0.0000	0.75	0.0000	0.75	0.0000	0.75	0.0000	0.75
T7 60.00-40.00	0.0000	1	0.0000	0.75	0.0000	0.75	0.0000	0.75	0.0000	0.75	0.0000	0.75	0.0000	0.75
T8 40.00-20.00	0.0000	1	0.0000	0.75	0.0000	0.75	0.0000	0.75	0.0000	0.75	0.0000	0.75	0.0000	0.75
T9 20.00-0.00	0.0000	1	0.0000	0.75	0.0000	0.75	0.0000	0.75	0.0000	0.75	0.0000	0.75	0.0000	0.75

Tower Elevation ft	Redundant Horizontal		Redundant Diagonal		Redundant Sub-Diagonal		Redundant Sub-Horizontal		Redundant Vertical		Redundant Hip		Redundant Hip Diagonal	
	Net Width Deduct in	U	Net Width Deduct in	U	Net Width Deduct in	U	Net Width Deduct in	U	Net Width Deduct in	U	Net Width Deduct in	U	Net Width Deduct in	U
T1 175.30-160.00	0.0000	0.75	0.0000	0.75	0.0000	0.75	0.0000	0.75	0.0000	0.75	0.0000	0.75	0.0000	0.75
T2 160.00-140.00	0.0000	0.75	0.0000	0.75	0.0000	0.75	0.0000	0.75	0.0000	0.75	0.0000	0.75	0.0000	0.75
T3 140.00-120.00	0.0000	0.75	0.0000	0.75	0.0000	0.75	0.0000	0.75	0.0000	0.75	0.0000	0.75	0.0000	0.75
T4 120.00-100.00	0.0000	0.75	0.0000	0.75	0.0000	0.75	0.0000	0.75	0.0000	0.75	0.0000	0.75	0.0000	0.75
T5 100.00-80.00	0.0000	0.75	0.0000	0.75	0.0000	0.75	0.0000	0.75	0.0000	0.75	0.0000	0.75	0.0000	0.75
T6 80.00-60.00	0.0000	0.75	0.0000	0.75	0.0000	0.75	0.0000	0.75	0.0000	0.75	0.0000	0.75	0.0000	0.75
T7 60.00-40.00	0.0000	0.75	0.0000	0.75	0.0000	0.75	0.0000	0.75	0.0000	0.75	0.0000	0.75	0.0000	0.75
T8 40.00-20.00	0.0000	0.75	0.0000	0.75	0.0000	0.75	0.0000	0.75	0.0000	0.75	0.0000	0.75	0.0000	0.75
T9 20.00-0.00	0.0000	0.75	0.0000	0.75	0.0000	0.75	0.0000	0.75	0.0000	0.75	0.0000	0.75	0.0000	0.75

Feed Line/Linear Appurtenances - Entered As Round Or Flat

Description	Face or Leg	Allow Shield	Exclude From Torque Calculation	Component Type	Placement ft	Total Number	Number Per Row	Clear Spacing in	Width or Diameter in	Perimeter in	Weight plf
Waveguide Ladder (need qty of 2)	C	No	No	Af (CaAa)	175.00 - 0.00	2	2	30.0000 0.0000	1.7500		2.27
LDF7-50A (1-5/8 FOAM)	C	No	No	Ar (CaAa)	170.00 - 0.00	9	5	0.2700 0.0000	1.9800		0.82
Waveguide Ladder (need qty of 2)	B	No	No	Af (CaAa)	155.00 - 0.00	2	2	30.0000 0.0000	1.7500		2.27
LDF7-50A (1-5/8)	B	No	No	Ar (CaAa)	155.00 - 0.00	9	5	0.2700	1.9800		0.82

tnxTower Nello Corporation 1201 S. Sheridan Street South Bend, IN. 46619 Phone: 800-806-3556 FAX:	Job SO30980; Tower 633549; Foundation 633550	Page 6 of 47
	Project NS 175' - TI-OPP-22295 / Clover Fork - Harlan Co., KY	Date 10:41:48 08/28/23
	Client Tillman Infrastructure	Designed by AG

Description	Face or Leg	Allow Shield	Exclude From Torque Calculation	Component Type	Placement ft	Total Number	Number Per Row	Clear Spacing in	Width or Diameter in	Perimeter in	Weight plf
FOAM)								0.0000			
Waveguide Ladder (need qty of 2)	A	No	No	Af (CaAa)	140.00 - 0.00	2	2	30.0000	1.7500		2.27
LDF7-50A (1-5/8	A	No	No	Ar (CaAa)	140.00 - 0.00	9	5	0.2700	1.9800		0.82
FOAM)								0.0000			
EW63	C	No	No	Ar (CaAa)	125.00 - 0.00	1	1	0.6758	1.5742		0.51
								0.0000			
EW63	B	No	No	Ar (CaAa)	115.00 - 0.00	1	1	0.6758	1.5742		0.51
								0.0000			

Feed Line/Linear Appurtenances Section Areas

Tower Section	Tower Elevation ft	Face	A _R ft ²	A _F ft ²	C _{AA} In Face ft ²	C _{AA} Out Face ft ²	Weight lb
T1	175.30-160.00	A	0.000	0.000	0.000	0.000	0.00
		B	0.000	0.000	0.000	0.000	0.00
		C	0.000	0.000	26.570	0.000	142.05
T2	160.00-140.00	A	0.000	0.000	0.000	0.000	0.00
		B	0.000	0.000	35.480	0.000	178.95
		C	0.000	0.000	47.307	0.000	238.60
T3	140.00-120.00	A	0.000	0.000	47.307	0.000	238.60
		B	0.000	0.000	47.307	0.000	238.60
		C	0.000	0.000	48.094	0.000	241.15
T4	120.00-100.00	A	0.000	0.000	47.307	0.000	238.60
		B	0.000	0.000	49.668	0.000	246.25
		C	0.000	0.000	50.455	0.000	248.80
T5	100.00-80.00	A	0.000	0.000	47.307	0.000	238.60
		B	0.000	0.000	50.455	0.000	248.80
		C	0.000	0.000	50.455	0.000	248.80
T6	80.00-60.00	A	0.000	0.000	47.307	0.000	238.60
		B	0.000	0.000	50.455	0.000	248.80
		C	0.000	0.000	50.455	0.000	248.80
T7	60.00-40.00	A	0.000	0.000	47.307	0.000	238.60
		B	0.000	0.000	50.455	0.000	248.80
		C	0.000	0.000	50.455	0.000	248.80
T8	40.00-20.00	A	0.000	0.000	47.307	0.000	238.60
		B	0.000	0.000	50.455	0.000	248.80
		C	0.000	0.000	50.455	0.000	248.80
T9	20.00-0.00	A	0.000	0.000	47.307	0.000	238.60
		B	0.000	0.000	50.455	0.000	248.80
		C	0.000	0.000	50.455	0.000	248.80

Feed Line/Linear Appurtenances Section Areas - With Ice

Tower Section	Tower Elevation ft	Face or Leg	Ice Thickness in	A _R ft ²	A _F ft ²	C _{AA} In Face ft ²	C _{AA} Out Face ft ²	Weight lb
T1	175.30-160.00	A	1.176	0.000	0.000	0.000	0.000	0.00
		B		0.000	0.000	0.000	0.000	0.00
		C		0.000	0.000	34.249	0.000	455.06
T2	160.00-140.00	A	1.163	0.000	0.000	0.000	0.000	0.00
		B		0.000	0.000	43.326	0.000	575.36
		C		0.000	0.000	57.768	0.000	767.14

tnxTower Nello Corporation 1201 S. Sheridan Street South Bend, IN. 46619 Phone: 800-806-3556 FAX:	Job SO30980; Tower 633549; Foundation 633550	Page 7 of 47
	Project NS 175' - TI-OPP-22295 / Clover Fork - Harlan Co., KY	Date 10:41:48 08/28/23
	Client Tillman Infrastructure	Designed by AG

Tower Section	Tower Elevation ft	Face or Leg	Ice Thickness in	A _R ft ²	A _F ft ²	C _{AA} In Face ft ²	C _{AA} Out Face ft ²	Weight lb
T3	140.00-120.00	A	1.147	0.000	0.000	57.526	0.000	759.04
		B		0.000	0.000	57.526	0.000	759.04
		C		0.000	0.000	59.460	0.000	780.66
T4	120.00-100.00	A	1.128	0.000	0.000	57.247	0.000	749.79
		B		0.000	0.000	62.992	0.000	813.29
		C		0.000	0.000	64.907	0.000	834.46
T5	100.00-80.00	A	1.106	0.000	0.000	56.919	0.000	738.94
		B		0.000	0.000	64.489	0.000	821.53
		C		0.000	0.000	64.489	0.000	821.53
T6	80.00-60.00	A	1.078	0.000	0.000	56.517	0.000	725.78
		B		0.000	0.000	63.978	0.000	805.85
		C		0.000	0.000	63.978	0.000	805.85
T7	60.00-40.00	A	1.042	0.000	0.000	55.995	0.000	708.85
		B		0.000	0.000	63.313	0.000	785.70
		C		0.000	0.000	63.313	0.000	785.70
T8	40.00-20.00	A	0.991	0.000	0.000	55.235	0.000	684.59
		B		0.000	0.000	62.346	0.000	756.86
		C		0.000	0.000	62.346	0.000	756.86
T9	20.00-0.00	A	0.887	0.000	0.000	53.729	0.000	637.73
		B		0.000	0.000	60.427	0.000	701.31
		C		0.000	0.000	60.427	0.000	701.31

Feed Line Center of Pressure

Section	Elevation ft	CP _x in	CP _z in	CP _x Ice in	CP _z Ice in
T1	175.30-160.00	0.0000	5.2065	0.0000	5.4352
T2	160.00-140.00	3.4114	1.8263	3.6928	2.5575
T3	140.00-120.00	-0.0000	-2.2086	-0.0000	-1.3634
T4	120.00-100.00	0.3620	-2.1251	0.5985	-1.0775
T5	100.00-80.00	0.5065	-2.3335	0.8217	-1.2589
T6	80.00-60.00	0.5164	-2.3950	0.8523	-1.3367
T7	60.00-40.00	0.5554	-2.5797	0.9083	-1.4623
T8	40.00-20.00	0.5919	-2.7534	0.9596	-1.6078
T9	20.00-0.00	0.5733	-2.6766	0.9178	-1.6733

Shielding Factor Ka

Tower Section	Feed Line Record No.	Description	Feed Line Segment Elev.	K _a No Ice	K _a Ice
T1	1	Waveguide Ladder (need qty of 2)	160.00 - 175.00	0.6000	0.6000
T1	2	LDF7-50A (1-5/8 FOAM)	160.00 - 170.00	0.6000	0.6000
T2	1	Waveguide Ladder (need qty of 2)	140.00 - 160.00	0.6000	0.6000
T2	2	LDF7-50A (1-5/8 FOAM)	140.00 - 160.00	0.6000	0.6000
T2	3	Waveguide Ladder (need qty of 2)	140.00 - 155.00	0.6000	0.6000

Tower Section	Feed Line Record No.	Description	Feed Line Segment Elev.	K _a No Ice	K _a Ice
T2	4	LDF7-50A (1-5/8 FOAM)	140.00 - 155.00	0.6000	0.6000
T3	1	Waveguide Ladder (need qty of 2)	120.00 - 140.00	0.6000	0.6000
T3	2	LDF7-50A (1-5/8 FOAM)	120.00 - 140.00	0.6000	0.6000
T3	3	Waveguide Ladder (need qty of 2)	120.00 - 140.00	0.6000	0.6000
T3	4	LDF7-50A (1-5/8 FOAM)	120.00 - 140.00	0.6000	0.6000
T3	5	Waveguide Ladder (need qty of 2)	120.00 - 140.00	0.6000	0.6000
T3	6	LDF7-50A (1-5/8 FOAM)	120.00 - 140.00	0.6000	0.6000
T3	7	EW63	120.00 - 125.00	0.6000	0.6000
T4	1	Waveguide Ladder (need qty of 2)	100.00 - 120.00	0.6000	0.6000
T4	2	LDF7-50A (1-5/8 FOAM)	100.00 - 120.00	0.6000	0.6000
T4	3	Waveguide Ladder (need qty of 2)	100.00 - 120.00	0.6000	0.6000
T4	4	LDF7-50A (1-5/8 FOAM)	100.00 - 120.00	0.6000	0.6000
T4	5	Waveguide Ladder (need qty of 2)	100.00 - 120.00	0.6000	0.6000
T4	6	LDF7-50A (1-5/8 FOAM)	100.00 - 120.00	0.6000	0.6000
T4	7	EW63	100.00 - 120.00	0.6000	0.6000
T4	8	EW63	100.00 - 115.00	0.6000	0.6000
T5	1	Waveguide Ladder (need qty of 2)	80.00 - 100.00	0.6000	0.6000
T5	2	LDF7-50A (1-5/8 FOAM)	80.00 - 100.00	0.6000	0.6000
T5	3	Waveguide Ladder (need qty of 2)	80.00 - 100.00	0.6000	0.6000
T5	4	LDF7-50A (1-5/8 FOAM)	80.00 - 100.00	0.6000	0.6000
T5	5	Waveguide Ladder (need qty of 2)	80.00 - 100.00	0.6000	0.6000
T5	6	LDF7-50A (1-5/8 FOAM)	80.00 - 100.00	0.6000	0.6000
T5	7	EW63	80.00 - 100.00	0.6000	0.6000
T5	8	EW63	80.00 - 100.00	0.6000	0.6000
T6	1	Waveguide Ladder (need qty of 2)	60.00 - 80.00	0.6000	0.6000
T6	2	LDF7-50A (1-5/8 FOAM)	60.00 - 80.00	0.6000	0.6000
T6	3	Waveguide Ladder (need qty of 2)	60.00 - 80.00	0.6000	0.6000
T6	4	LDF7-50A (1-5/8 FOAM)	60.00 - 80.00	0.6000	0.6000
T6	5	Waveguide Ladder (need qty of 2)	60.00 - 80.00	0.6000	0.6000
T6	6	LDF7-50A (1-5/8 FOAM)	60.00 - 80.00	0.6000	0.6000
T6	7	EW63	60.00 - 80.00	0.6000	0.6000
T6	8	EW63	60.00 - 80.00	0.6000	0.6000
T7	1	Waveguide Ladder (need qty of 2)	40.00 - 60.00	0.6000	0.6000
T7	2	LDF7-50A (1-5/8 FOAM)	40.00 - 60.00	0.6000	0.6000
T7	3	Waveguide Ladder (need qty of 2)	40.00 - 60.00	0.6000	0.6000
T7	4	LDF7-50A (1-5/8 FOAM)	40.00 - 60.00	0.6000	0.6000
T7	5	Waveguide Ladder (need qty of 2)	40.00 - 60.00	0.6000	0.6000

Job	SO30980; Tower 633549; Foundation 633550	Page	9 of 47
Project	NS 175' - TI-OPP-22295 / Clover Fork - Harlan Co., KY	Date	10:41:48 08/28/23
Client	Tillman Infrastructure	Designed by	AG

Tower Section	Feed Line Record No.	Description	Feed Line Segment Elev.	K _a No Ice	K _a Ice
T7	6	LDF7-50A (1-5/8 FOAM)	40.00 - 60.00	0.6000	0.6000
T7	7	EW63	40.00 - 60.00	0.6000	0.6000
T7	8	EW63	40.00 - 60.00	0.6000	0.6000
T8	1	Waveguide Ladder (need qty of 2)	20.00 - 40.00	0.6000	0.6000
T8	2	LDF7-50A (1-5/8 FOAM)	20.00 - 40.00	0.6000	0.6000
T8	3	Waveguide Ladder (need qty of 2)	20.00 - 40.00	0.6000	0.6000
T8	4	LDF7-50A (1-5/8 FOAM)	20.00 - 40.00	0.6000	0.6000
T8	5	Waveguide Ladder (need qty of 2)	20.00 - 40.00	0.6000	0.6000
T8	6	LDF7-50A (1-5/8 FOAM)	20.00 - 40.00	0.6000	0.6000
T8	7	EW63	20.00 - 40.00	0.6000	0.6000
T8	8	EW63	20.00 - 40.00	0.6000	0.6000
T9	1	Waveguide Ladder (need qty of 2)	0.00 - 20.00	0.6000	0.6000
T9	2	LDF7-50A (1-5/8 FOAM)	0.00 - 20.00	0.6000	0.6000
T9	3	Waveguide Ladder (need qty of 2)	0.00 - 20.00	0.6000	0.6000
T9	4	LDF7-50A (1-5/8 FOAM)	0.00 - 20.00	0.6000	0.6000
T9	5	Waveguide Ladder (need qty of 2)	0.00 - 20.00	0.6000	0.6000
T9	6	LDF7-50A (1-5/8 FOAM)	0.00 - 20.00	0.6000	0.6000
T9	7	EW63	0.00 - 20.00	0.6000	0.6000
T9	8	EW63	0.00 - 20.00	0.6000	0.6000

Discrete Tower Loads

Description	Face or Leg	Offset Type	Offsets: Horz Lateral	Azimuth Adjustment	Placement	C _A A _A Front	C _A A _A Side	Weight
			Vert ft ft ft	°	ft	ft ²	ft ²	lb
40,000 sq in CaAa (6,000 lbs)	C	None		0.0000	170.00	No Ice 278.00 1/2" Ice 334.00 1" Ice 390.00	278.00 334.00 390.00	6000.00 8040.00 10080.00
40,000 sq in CaAa (6,000 lbs)	B	None		0.0000	155.00	No Ice 278.00 1/2" Ice 334.00 1" Ice 390.00	278.00 334.00 390.00	6000.00 8040.00 10080.00
30,000 sq in CaAa (4,000 lbs)	A	None		0.0000	140.00	No Ice 208.00 1/2" Ice 250.00 1" Ice 292.00	208.00 250.00 292.00	4000.00 5360.00 6720.00
Dish Pipe Mount	C	From Leg	0.00 0.00 0.00	0.0000	125.00	No Ice 0.00 1/2" Ice 0.00 1" Ice 0.00	1.80 2.10 2.40	103.00 119.00 135.00
Dish Pipe Mount	B	From Leg	0.00 0.00 0.00	0.0000	115.00	No Ice 0.00 1/2" Ice 0.00 1" Ice 0.00	1.80 2.10 2.40	103.00 119.00 135.00

tnxTower Nello Corporation 1201 S. Sheridan Street South Bend, IN. 46619 Phone: 800-806-3556 FAX:	Job SO30980; Tower 633549; Foundation 633550	Page 10 of 47
	Project NS 175' - TI-OPP-22295 / Clover Fork - Harlan Co., KY	Date 10:41:48 08/28/23
	Client Tillman Infrastructure	Designed by AG

Dishes

Description	Face or Leg	Dish Type	Offset Type	Offsets: Horz Lateral Vert	Azimuth Adjustment	3 dB Beam Width	Elevation	Outside Diameter	Aperture Area	Weight
				ft	°	°	ft	ft	ft ²	lb
8' Solid Dish	C	Paraboloid w/o Radome	From Leg	0.00	60.0000		125.00	8.00	No Ice	250.00
				0.00					1/2" Ice	535.00
				0.00					1" Ice	820.00
8' Solid Dish	B	Paraboloid w/o Radome	From Leg	0.00	60.0000		115.00	8.00	No Ice	250.00
				0.00					1/2" Ice	535.00
				0.00					1" Ice	820.00

Tower Pressures - No Ice

$G_H = 0.850$

Section Elevation	z	K _z	q _z	A _G	F _a	A _F	A _R	A _{leg}	Leg %	C _{AA} In Face	C _{AA} Out Face
ft	ft		psf	ft ²	e	ft ²	ft ²	ft ²		ft ²	ft ²
T1 175.30-160.00	167.65	1.411	34	102.478	A	8.059	6.056	6.056	42.90	0.000	0.000
					B	8.059	6.056	42.90	0.000	0.000	
					C	8.059	6.056	42.90	26.570	0.000	
T2 160.00-140.00	150.00	1.378	33	150.837	A	9.457	11.678	11.678	55.25	0.000	0.000
					B	9.457	11.678	55.25	35.480	0.000	
					C	9.457	11.678	55.25	47.307	0.000	
T3 140.00-120.00	130.00	1.337	32	182.505	A	13.165	15.014	15.014	53.28	47.307	0.000
					B	13.165	15.014	53.28	47.307	0.000	
					C	13.165	15.014	53.28	48.094	0.000	
T4 120.00-100.00	110.00	1.291	31	216.049	A	14.464	22.104	22.104	60.45	47.307	0.000
					B	14.464	22.104	60.45	49.668	0.000	
					C	14.464	22.104	60.45	50.455	0.000	
T5 100.00-80.00	90.00	1.238	30	249.385	A	15.856	28.777	28.777	64.47	47.307	0.000
					B	15.856	28.777	64.47	50.455	0.000	
					C	15.856	28.777	64.47	50.455	0.000	
T6 80.00-60.00	70.00	1.174	28	279.385	A	21.044	28.777	28.777	57.76	47.307	0.000
					B	21.044	28.777	57.76	50.455	0.000	
					C	21.044	28.777	57.76	50.455	0.000	
T7 60.00-40.00	50.00	1.094	26	314.393	A	23.446	28.798	28.798	55.12	47.307	0.000
					B	23.446	28.798	55.12	50.455	0.000	
					C	23.446	28.798	55.12	50.455	0.000	
T8 40.00-20.00	30.00	0.982	24	354.393	A	26.236	28.798	28.798	52.33	47.307	0.000
					B	26.236	28.798	52.33	50.455	0.000	
					C	26.236	28.798	52.33	50.455	0.000	
T9 20.00-0.00	10.00	0.85	20	397.939	A	33.579	35.893	35.893	51.67	47.307	0.000
					B	33.579	35.893	51.67	50.455	0.000	
					C	33.579	35.893	51.67	50.455	0.000	

Tower Pressure - With Ice

$G_H = 0.850$

tnxTower Nello Corporation 1201 S. Sheridan Street South Bend, IN. 46619 Phone: 800-806-3556 FAX:	Job SO30980; Tower 633549; Foundation 633550	Page 11 of 47
	Project NS 175' - TI-OPP-22295 / Clover Fork - Harlan Co., KY	Date 10:41:48 08/28/23
	Client Tillman Infrastructure	Designed by AG

Section Elevation ft	z ft	K _Z	q _z psf	t _z in	A _G ft ²	F a c e	A _F ft ²	A _R ft ²	A _{leg} ft ²	Leg %	C _A A _A In Face ft ²	C _A A _A Out Face ft ²	
T1 175.30-160.00	167.65	1.411	3	1.1765	105.478	A	8.059	22.716	12.056	39.17	0.000	0.000	
						B	8.059	22.716			0.000	0.000	
						C	8.059	22.716			34.249	0.000	
T2 160.00-140.00	150.00	1.378	3	1.1635	154.718	A	9.457	30.445	19.441	48.72	0.000	0.000	
						B	9.457	30.445			43.326	0.000	
						C	9.457	30.445			48.72	57.768	0.000
T3 140.00-120.00	130.00	1.337	3	1.1469	186.331	A	13.165	34.747	22.668	47.31	57.526	0.000	
						B	13.165	34.747			47.31	57.526	0.000
						C	13.165	34.747			47.31	59.460	0.000
T4 120.00-100.00	110.00	1.291	3	1.1279	219.812	A	14.464	42.682	29.631	51.85	57.247	0.000	
						B	14.464	42.682			51.85	62.992	0.000
						C	14.464	42.682			51.85	64.907	0.000
T5 100.00-80.00	90.00	1.238	2	1.1055	253.073	A	15.856	50.178	36.154	54.75	56.919	0.000	
						B	15.856	50.178			54.75	64.489	0.000
						C	15.856	50.178			54.75	64.489	0.000
T6 80.00-60.00	70.00	1.174	2	1.0781	282.981	A	21.044	51.096	35.971	49.86	56.517	0.000	
						B	21.044	51.096			49.86	63.978	0.000
						C	21.044	51.096			49.86	63.978	0.000
T7 60.00-40.00	50.00	1.094	2	1.0424	317.872	A	23.446	52.053	35.759	47.36	55.995	0.000	
						B	23.446	52.053			47.36	63.313	0.000
						C	23.446	52.053			47.36	63.313	0.000
T8 40.00-20.00	30.00	0.982	2	0.9905	357.699	A	26.236	52.737	35.412	44.84	55.235	0.000	
						B	26.236	52.737			44.84	62.346	0.000
						C	26.236	52.737			44.84	62.346	0.000
T9 20.00-0.00	10.00	0.85	2	0.8875	400.901	A	33.579	58.848	41.819	45.25	53.729	0.000	
						B	33.579	58.848			45.25	60.427	0.000
						C	33.579	58.848			45.25	60.427	0.000

Tower Pressure - Service

$G_H = 0.850$

Section Elevation ft	z ft	K _Z	q _z psf	A _G ft ²	F a c e	A _F ft ²	A _R ft ²	A _{leg} ft ²	Leg %	C _A A _A In Face ft ²	C _A A _A Out Face ft ²	
T1 175.30-160.00	167.65	1.411	11	102.478	A	8.059	6.056	6.056	42.90	0.000	0.000	
					B	8.059	6.056			42.90	0.000	0.000
					C	8.059	6.056			42.90	26.570	0.000
T2 160.00-140.00	150.00	1.378	11	150.837	A	9.457	11.678	11.678	55.25	0.000	0.000	
					B	9.457	11.678			55.25	35.480	0.000
					C	9.457	11.678			55.25	47.307	0.000
T3 140.00-120.00	130.00	1.337	10	182.505	A	13.165	15.014	15.014	53.28	47.307	0.000	
					B	13.165	15.014			53.28	47.307	0.000
					C	13.165	15.014			53.28	48.094	0.000
T4 120.00-100.00	110.00	1.291	10	216.049	A	14.464	22.104	22.104	60.45	47.307	0.000	
					B	14.464	22.104			60.45	49.668	0.000
					C	14.464	22.104			60.45	50.455	0.000
T5 100.00-80.00	90.00	1.238	10	249.385	A	15.856	28.777	28.777	64.47	47.307	0.000	
					B	15.856	28.777			64.47	50.455	0.000
					C	15.856	28.777			64.47	50.455	0.000
T6 80.00-60.00	70.00	1.174	9	279.385	A	21.044	28.777	28.777	57.76	47.307	0.000	
					B	21.044	28.777			57.76	50.455	0.000
					C	21.044	28.777			57.76	50.455	0.000
T7 60.00-40.00	50.00	1.094	9	314.393	A	23.446	28.798	28.798	55.12	47.307	0.000	

tnxTower Nello Corporation 1201 S. Sheridan Street South Bend, IN. 46619 Phone: 800-806-3556 FAX:	Job SO30980; Tower 633549; Foundation 633550	Page 12 of 47
	Project NS 175' - TI-OPP-22295 / Clover Fork - Harlan Co., KY	Date 10:41:48 08/28/23
	Client Tillman Infrastructure	Designed by AG

Section Elevation ft	z ft	K _Z	q _z psf	A _G ft ²	F _a c e	A _F ft ²	A _R ft ²	A _{leg} ft ²	Leg %	C _{AA} In Face ft ²	C _{AA} Out Face ft ²
T8 40.00-20.00	30.00	0.982	8	354.393	B	23.446	28.798	28.798	55.12	50.455	0.000
					C	23.446	28.798			50.455	0.000
					A	26.236	28.798			47.307	0.000
					B	26.236	28.798			50.455	0.000
T9 20.00-0.00	10.00	0.85	7	397.939	C	26.236	28.798	35.893	52.33	50.455	0.000
					A	33.579	35.893			47.307	0.000
					B	33.579	35.893			50.455	0.000
					C	33.579	35.893			50.455	0.000

Tower Forces - No Ice - Wind Normal To Face

Section Elevation ft	Add Weight lb	Self Weight lb	F _a c e	e	C _F	q _z psf	D _F	D _R	A _E ft ²	F lb	w plf	Ctrl. Face
T1 175.30-160.00	142.05	454.80	A	0.138	2.817	34	1	1	11.490	1319.38	86.23	C
			B	0.138	2.817	1	1	11.490				
			C	0.138	2.817	1	1	11.490				
T2 160.00-140.00	417.55	975.66	A	0.14	2.808	33	1	1	16.074	2256.74	112.84	C
			B	0.14	2.808	1	1	16.074				
			C	0.14	2.808	1	1	16.074				
T3 140.00-120.00	718.35	1382.25	A	0.154	2.755	32	1	1	21.323	3104.87	155.24	C
			B	0.154	2.755	1	1	21.323				
			C	0.154	2.755	1	1	21.323				
T4 120.00-100.00	733.65	1997.92	A	0.169	2.702	31	1	1	24.910	3297.37	164.87	C
			B	0.169	2.702	1	1	24.910				
			C	0.169	2.702	1	1	24.910				
T5 100.00-80.00	736.20	2971.44	A	0.179	2.668	30	1	1	28.345	3382.72	169.14	C
			B	0.179	2.668	1	1	28.345				
			C	0.179	2.668	1	1	28.345				
T6 80.00-60.00	736.20	2977.54	A	0.178	2.67	28	1	1	33.523	3540.92	177.05	C
			B	0.178	2.67	1	1	33.523				
			C	0.178	2.67	1	1	33.523				
T7 60.00-40.00	736.20	3095.16	A	0.166	2.713	26	1	1	35.745	3465.30	173.26	C
			B	0.166	2.713	1	1	35.745				
			C	0.166	2.713	1	1	35.745				
T8 40.00-20.00	736.20	3230.67	A	0.155	2.752	24	1	1	38.718	3303.95	165.20	C
			B	0.155	2.752	1	1	38.718				
			C	0.155	2.752	1	1	38.718				
T9 20.00-0.00	736.20	4971.79	A	0.175	2.683	20	1	1	49.070	3294.21	164.71	C
			B	0.175	2.683	1	1	49.070				
			C	0.175	2.683	1	1	49.070				
Sum Weight:	5692.60	22057.23						OTM	2183683.1 4 lb-ft	26965.46		

Tower Forces - No Ice - Wind 60 To Face

Section Elevation ft	Add Weight lb	Self Weight lb	F _a c e	e	C _F	q _z psf	D _F	D _R	A _E ft ²	F lb	w plf	Ctrl. Face
-------------------------	------------------	-------------------	--------------------------	---	----------------	-----------------------	----------------	----------------	-----------------------------------	---------	----------	---------------

tnxTower Nello Corporation 1201 S. Sheridan Street South Bend, IN. 46619 Phone: 800-806-3556 FAX:	Job SO30980; Tower 633549; Foundation 633550	Page 13 of 47
	Project NS 175' - TI-OPP-22295 / Clover Fork - Harlan Co., KY	Date 10:41:48 08/28/23
	Client Tillman Infrastructure	Designed by AG

Section Elevation ft	Add Weight lb	Self Weight lb	F a c e	e	C _F	q _z psf	D _F	D _R	A _E ft ²	F lb	w plf	Ctrl. Face
T1 175.30-160.00	142.05	454.80	A	0.138	2.817	34	0.8	1	9.878	1188.72	77.69	A
			B	0.138	2.817		0.8	1	9.878			
			C	0.138	2.817		0.8	1	9.878			
T2 160.00-140.00	417.55	975.66	A	0.14	2.808	33	0.8	1	14.182	2107.44	105.37	A
			B	0.14	2.808		0.8	1	14.182			
			C	0.14	2.808		0.8	1	14.182			
T3 140.00-120.00	718.35	1382.25	A	0.154	2.755	32	0.8	1	18.690	2907.00	145.35	C
			B	0.154	2.755		0.8	1	18.690			
			C	0.154	2.755		0.8	1	18.690			
T4 120.00-100.00	733.65	1997.92	A	0.169	2.702	31	0.8	1	22.018	3091.56	154.58	C
			B	0.169	2.702		0.8	1	22.018			
			C	0.169	2.702		0.8	1	22.018			
T5 100.00-80.00	736.20	2971.44	A	0.179	2.668	30	0.8	1	25.174	3169.17	158.46	C
			B	0.179	2.668		0.8	1	25.174			
			C	0.179	2.668		0.8	1	25.174			
T6 80.00-60.00	736.20	2977.54	A	0.178	2.67	28	0.8	1	29.314	3271.88	163.59	C
			B	0.178	2.67		0.8	1	29.314			
			C	0.178	2.67		0.8	1	29.314			
T7 60.00-40.00	736.20	3095.16	A	0.166	2.713	26	0.8	1	31.056	3181.56	159.08	C
			B	0.166	2.713		0.8	1	31.056			
			C	0.166	2.713		0.8	1	31.056			
T8 40.00-20.00	736.20	3230.67	A	0.155	2.752	24	0.8	1	33.471	3014.71	150.74	C
			B	0.155	2.752		0.8	1	33.471			
			C	0.155	2.752		0.8	1	33.471			
T9 20.00-0.00	736.20	4971.79	A	0.175	2.683	20	0.8	1	42.355	2981.89	149.09	C
			B	0.175	2.683		0.8	1	42.355			
			C	0.175	2.683		0.8	1	42.355			
Sum Weight:	5692.60	22057.23						OTM	2026981.1 7 lb-ft	24913.92		

Tower Forces - No Ice - Wind 90 To Face

Section Elevation ft	Add Weight lb	Self Weight lb	F a c e	e	C _F	q _z psf	D _F	D _R	A _E ft ²	F lb	w plf	Ctrl. Face
T1 175.30-160.00	142.05	454.80	A	0.138	2.817	34	0.85	1	10.281	1183.51	77.35	B
			B	0.138	2.817		0.85	1	10.281			
			C	0.138	2.817		0.85	1	10.281			
T2 160.00-140.00	417.55	975.66	A	0.14	2.808	33	0.85	1	14.655	2181.76	109.09	A
			B	0.14	2.808		0.85	1	14.655			
			C	0.14	2.808		0.85	1	14.655			
T3 140.00-120.00	718.35	1382.25	A	0.154	2.755	32	0.85	1	19.348	2956.46	147.82	C
			B	0.154	2.755		0.85	1	19.348			
			C	0.154	2.755		0.85	1	19.348			
T4 120.00-100.00	733.65	1997.92	A	0.169	2.702	31	0.85	1	22.741	3143.01	157.15	C
			B	0.169	2.702		0.85	1	22.741			
			C	0.169	2.702		0.85	1	22.741			
T5 100.00-80.00	736.20	2971.44	A	0.179	2.668	30	0.85	1	25.967	3222.56	161.13	C
			B	0.179	2.668		0.85	1	25.967			
			C	0.179	2.668		0.85	1	25.967			
T6 80.00-60.00	736.20	2977.54	A	0.178	2.67	28	0.85	1	30.367	3339.14	166.96	C
			B	0.178	2.67		0.85	1	30.367			
			C	0.178	2.67		0.85	1	30.367			

tnxTower Nello Corporation 1201 S. Sheridan Street South Bend, IN. 46619 Phone: 800-806-3556 FAX:	Job SO30980; Tower 633549; Foundation 633550	Page 14 of 47
	Project NS 175' - TI-OPP-22295 / Clover Fork - Harlan Co., KY	Date 10:41:48 08/28/23
	Client Tillman Infrastructure	Designed by AG

Section Elevation ft	Add Weight lb	Self Weight lb	F a c e	e	C _F	q _z psf	D _F	D _R	A _E ft ²	F lb	w plf	Ctrl. Face
T7 60.00-40.00	736.20	3095.16	A	0.166	2.713	26	0.85	1	32.229	3252.50	162.62	C
			B	0.166	2.713		0.85	1	32.229			
			C	0.166	2.713		0.85	1	32.229			
T8 40.00-20.00	736.20	3230.67	A	0.155	2.752	24	0.85	1	34.783	3087.02	154.35	C
			B	0.155	2.752		0.85	1	34.783			
			C	0.155	2.752		0.85	1	34.783			
T9 20.00-0.00	736.20	4971.79	A	0.175	2.683	20	0.85	1	44.033	3059.97	153.00	C
			B	0.175	2.683		0.85	1	44.033			
			C	0.175	2.683		0.85	1	44.033			
Sum Weight:	5692.60	22057.23						OTM	2065356.6 9 lb-ft	25425.93		

Tower Forces - With Ice - Wind Normal To Face

Section Elevation ft	Add Weight lb	Self Weight lb	F a c e	e	C _F	q _z psf	D _F	D _R	A _E ft ²	F lb	w plf	Ctrl. Face
T1 175.30-160.00	455.06	1581.87	A	0.292	2.318	3	1	1	21.607	163.42	10.68	C
			B	0.292	2.318		1	1	21.607			
			C	0.292	2.318		1	1	21.607			
T2 160.00-140.00	1342.50	2380.24	A	0.258	2.414	3	1	1	27.328	268.46	13.42	C
			B	0.258	2.414		1	1	27.328			
			C	0.258	2.414		1	1	27.328			
T3 140.00-120.00	2298.74	3157.10	A	0.257	2.416	3	1	1	33.554	364.45	18.22	C
			B	0.257	2.416		1	1	33.554			
			C	0.257	2.416		1	1	33.554			
T4 120.00-100.00	2397.53	4054.30	A	0.26	2.408	3	1	1	39.540	396.07	19.80	C
			B	0.26	2.408		1	1	39.540			
			C	0.26	2.408		1	1	39.540			
T5 100.00-80.00	2382.01	5285.32	A	0.261	2.405	2	1	1	45.349	409.31	20.47	C
			B	0.261	2.405		1	1	45.349			
			C	0.261	2.405		1	1	45.349			
T6 80.00-60.00	2337.48	5616.41	A	0.255	2.423	2	1	1	50.998	415.02	20.75	C
			B	0.255	2.423		1	1	50.998			
			C	0.255	2.423		1	1	50.998			
T7 60.00-40.00	2280.26	5824.18	A	0.238	2.475	2	1	1	53.743	402.07	20.10	C
			B	0.238	2.475		1	1	53.743			
			C	0.238	2.475		1	1	53.743			
T8 40.00-20.00	2198.32	6011.77	A	0.221	2.528	2	1	1	56.740	375.69	18.78	C
			B	0.221	2.528		1	1	56.740			
			C	0.221	2.528		1	1	56.740			
T9 20.00-0.00	2040.35	8024.18	A	0.231	2.497	2	1	1	67.739	357.38	17.87	C
			B	0.231	2.497		1	1	67.739			
			C	0.231	2.497		1	1	67.739			
Sum Weight:	17732.26	41935.37						OTM	259450.53 lb-ft	3151.88		

Tower Forces - With Ice - Wind 60 To Face

tnxTower Nello Corporation 1201 S. Sheridan Street South Bend, IN. 46619 Phone: 800-806-3556 FAX:	Job SO30980; Tower 633549; Foundation 633550	Page 15 of 47
	Project NS 175' - TI-OPP-22295 / Clover Fork - Harlan Co., KY	Date 10:41:48 08/28/23
	Client Tillman Infrastructure	Designed by AG

Section Elevation	Add Weight	Self Weight	F a c e	e	C _F	q _z	D _F	D _R	A _E	F	w	Ctrl. Face
ft	lb	lb				psf			ft ²	lb	plf	
T1 175.30-160.00	455.06	1581.87	A	0.292	2.318	3	0.8	1	19.996	154.65	10.11	A
			B	0.292	2.318		0.8	1	19.996			
			C	0.292	2.318		0.8	1	19.996			
T2 160.00-140.00	1342.50	2380.24	A	0.258	2.414	3	0.8	1	25.436	257.98	12.90	A
			B	0.258	2.414		0.8	1	25.436			
			C	0.258	2.414		0.8	1	25.436			
T3 140.00-120.00	2298.74	3157.10	A	0.257	2.416	3	0.8	1	30.921	350.28	17.51	C
			B	0.257	2.416		0.8	1	30.921			
			C	0.257	2.416		0.8	1	30.921			
T4 120.00-100.00	2397.53	4054.30	A	0.26	2.408	3	0.8	1	36.648	381.10	19.05	C
			B	0.26	2.408		0.8	1	36.648			
			C	0.26	2.408		0.8	1	36.648			
T5 100.00-80.00	2382.01	5285.32	A	0.261	2.405	2	0.8	1	42.178	393.59	19.68	C
			B	0.261	2.405		0.8	1	42.178			
			C	0.261	2.405		0.8	1	42.178			
T6 80.00-60.00	2337.48	5616.41	A	0.255	2.423	2	0.8	1	46.790	395.09	19.75	C
			B	0.255	2.423		0.8	1	46.790			
			C	0.255	2.423		0.8	1	46.790			
T7 60.00-40.00	2280.26	5824.18	A	0.238	2.475	2	0.8	1	49.054	380.94	19.05	C
			B	0.238	2.475		0.8	1	49.054			
			C	0.238	2.475		0.8	1	49.054			
T8 40.00-20.00	2198.32	6011.77	A	0.221	2.528	2	0.8	1	51.493	354.00	17.70	C
			B	0.221	2.528		0.8	1	51.493			
			C	0.221	2.528		0.8	1	51.493			
T9 20.00-0.00	2040.35	8024.18	A	0.231	2.497	2	0.8	1	61.024	333.65	16.68	C
			B	0.231	2.497		0.8	1	61.024			
			C	0.231	2.497		0.8	1	61.024			
Sum Weight:	17732.26	41935.37						OTM	248164.87 lb-ft	3001.29		

Tower Forces - With Ice - Wind 90 To Face

Section Elevation	Add Weight	Self Weight	F a c e	e	C _F	q _z	D _F	D _R	A _E	F	w	Ctrl. Face
ft	lb	lb				psf			ft ²	lb	plf	
T1 175.30-160.00	455.06	1581.87	A	0.292	2.318	3	0.85	1	20.399	153.75	10.05	B
			B	0.292	2.318		0.85	1	20.399			
			C	0.292	2.318		0.85	1	20.399			
T2 160.00-140.00	1342.50	2380.24	A	0.258	2.414	3	0.85	1	25.909	263.62	13.18	A
			B	0.258	2.414		0.85	1	25.909			
			C	0.258	2.414		0.85	1	25.909			
T3 140.00-120.00	2298.74	3157.10	A	0.257	2.416	3	0.85	1	31.580	353.82	17.69	C
			B	0.257	2.416		0.85	1	31.580			
			C	0.257	2.416		0.85	1	31.580			
T4 120.00-100.00	2397.53	4054.30	A	0.26	2.408	3	0.85	1	37.371	384.84	19.24	C
			B	0.26	2.408		0.85	1	37.371			
			C	0.26	2.408		0.85	1	37.371			
T5 100.00-80.00	2382.01	5285.32	A	0.261	2.405	2	0.85	1	42.970	397.52	19.88	C
			B	0.261	2.405		0.85	1	42.970			
			C	0.261	2.405		0.85	1	42.970			
T6 80.00-60.00	2337.48	5616.41	A	0.255	2.423	2	0.85	1	47.842	400.08	20.00	C
			B	0.255	2.423		0.85	1	47.842			

tnxTower Nello Corporation 1201 S. Sheridan Street South Bend, IN. 46619 Phone: 800-806-3556 FAX:	Job SO30980; Tower 633549; Foundation 633550	Page 16 of 47
	Project NS 175' - TI-OPP-22295 / Clover Fork - Harlan Co., KY	Date 10:41:48 08/28/23
	Client Tillman Infrastructure	Designed by AG

Section Elevation ft	Add Weight lb	Self Weight lb	F a c e	e	C _F	q _z psf	D _F	D _R	A _E ft ²	F lb	w plf	Ctrl. Face
T7 60.00-40.00	2280.26	5824.18	C	0.255	2.423	2	0.85	1	47.842	386.22	19.31	C
			A	0.238	2.475		0.85	1	50.226			
			B	0.238	2.475		0.85	1	50.226			
T8 40.00-20.00	2198.32	6011.77	C	0.238	2.475	2	0.85	1	50.226	359.43	17.97	C
			A	0.221	2.528		0.85	1	52.805			
			B	0.221	2.528		0.85	1	52.805			
T9 20.00-0.00	2040.35	8024.18	C	0.221	2.528	2	0.85	1	52.805	339.58	16.98	C
			A	0.231	2.497		0.85	1	62.703			
			B	0.231	2.497		0.85	1	62.703			
Sum Weight:	17732.26	41935.37	C	0.231	2.497			1	62.703			
								OTM	250920.98 lb-ft	3038.87		

Tower Forces - Service - Wind Normal To Face

Section Elevation ft	Add Weight lb	Self Weight lb	F a c e	e	C _F	q _z psf	D _F	D _R	A _E ft ²	F lb	w plf	Ctrl. Face
T1 175.30-160.00	142.05	454.80	A	0.138	2.817	11	1	1	11.490	430.82	28.16	C
			B	0.138	2.817		1	1	11.490			
			C	0.138	2.817		1	1	11.490			
T2 160.00-140.00	417.55	975.66	A	0.14	2.808	11	1	1	16.074	736.89	36.84	C
			B	0.14	2.808		1	1	16.074			
			C	0.14	2.808		1	1	16.074			
T3 140.00-120.00	718.35	1382.25	A	0.154	2.755	10	1	1	21.693	1022.92	51.15	C
			B	0.154	2.755		1	1	21.693			
			C	0.154	2.755		1	1	21.693			
T4 120.00-100.00	733.65	1997.92	A	0.169	2.702	10	1	1	27.058	1126.59	56.33	C
			B	0.169	2.702		1	1	27.058			
			C	0.169	2.702		1	1	27.058			
T5 100.00-80.00	736.20	2971.44	A	0.179	2.668	10	1	1	31.383	1171.35	58.57	C
			B	0.179	2.668		1	1	31.383			
			C	0.179	2.668		1	1	31.383			
T6 80.00-60.00	736.20	2977.54	A	0.178	2.67	9	1	1	36.693	1222.39	61.12	C
			B	0.178	2.67		1	1	36.693			
			C	0.178	2.67		1	1	36.693			
T7 60.00-40.00	736.20	3095.16	A	0.166	2.713	9	1	1	39.202	1199.82	59.99	C
			B	0.166	2.713		1	1	39.202			
			C	0.166	2.713		1	1	39.202			
T8 40.00-20.00	736.20	3230.67	A	0.155	2.752	8	1	1	42.190	1141.34	57.07	C
			B	0.155	2.752		1	1	42.190			
			C	0.155	2.752		1	1	42.190			
T9 20.00-0.00	736.20	4971.79	A	0.175	2.683	7	1	1	52.706	1130.88	56.54	C
			B	0.175	2.683		1	1	52.706			
			C	0.175	2.683		1	1	52.706			
Sum Weight:	5692.60	22057.23						OTM	736193.31 lb-ft	9182.99		

tnxTower Nello Corporation 1201 S. Sheridan Street South Bend, IN. 46619 Phone: 800-806-3556 FAX:	Job SO30980; Tower 633549; Foundation 633550	Page 17 of 47
	Project NS 175' - TI-OPP-22295 / Clover Fork - Harlan Co., KY	Date 10:41:48 08/28/23
	Client Tillman Infrastructure	Designed by AG

Tower Forces - Service - Wind 60 To Face

Section Elevation	Add Weight	Self Weight	F a c e	e	C _F	q _z	D _F	D _R	A _E	F	w	Ctrl. Face
ft	lb	lb				psf			ft ²	lb	plf	
T1 175.30-160.00	142.05	454.80	A	0.138	2.817	11	0.8	1	9.878	388.15	25.37	A
			B	0.138	2.817		0.8	1	9.878			
			C	0.138	2.817		0.8	1	9.878			
T2 160.00-140.00	417.55	975.66	A	0.14	2.808	11	0.8	1	14.182	688.14	34.41	A
			B	0.14	2.808		0.8	1	14.182			
			C	0.14	2.808		0.8	1	14.182			
T3 140.00-120.00	718.35	1382.25	A	0.154	2.755	10	0.8	1	19.060	958.30	47.92	C
			B	0.154	2.755		0.8	1	19.060			
			C	0.154	2.755		0.8	1	19.060			
T4 120.00-100.00	733.65	1997.92	A	0.169	2.702	10	0.8	1	24.166	1059.39	52.97	C
			B	0.169	2.702		0.8	1	24.166			
			C	0.169	2.702		0.8	1	24.166			
T5 100.00-80.00	736.20	2971.44	A	0.179	2.668	10	0.8	1	28.211	1101.62	55.08	C
			B	0.179	2.668		0.8	1	28.211			
			C	0.179	2.668		0.8	1	28.211			
T6 80.00-60.00	736.20	2977.54	A	0.178	2.67	9	0.8	1	32.484	1134.54	56.73	C
			B	0.178	2.67		0.8	1	32.484			
			C	0.178	2.67		0.8	1	32.484			
T7 60.00-40.00	736.20	3095.16	A	0.166	2.713	9	0.8	1	34.513	1107.17	55.36	C
			B	0.166	2.713		0.8	1	34.513			
			C	0.166	2.713		0.8	1	34.513			
T8 40.00-20.00	736.20	3230.67	A	0.155	2.752	8	0.8	1	36.943	1046.89	52.34	C
			B	0.155	2.752		0.8	1	36.943			
			C	0.155	2.752		0.8	1	36.943			
T9 20.00-0.00	736.20	4971.79	A	0.175	2.683	7	0.8	1	45.991	1028.89	51.44	C
			B	0.175	2.683		0.8	1	45.991			
			C	0.175	2.683		0.8	1	45.991			
Sum Weight:	5692.60	22057.23						OTM	685025.32 lb-ft	8513.10		

Tower Forces - Service - Wind 90 To Face

Section Elevation	Add Weight	Self Weight	F a c e	e	C _F	q _z	D _F	D _R	A _E	F	w	Ctrl. Face
ft	lb	lb				psf			ft ²	lb	plf	
T1 175.30-160.00	142.05	454.80	A	0.138	2.817	11	0.85	1	10.281	386.45	25.26	B
			B	0.138	2.817		0.85	1	10.281			
			C	0.138	2.817		0.85	1	10.281			
T2 160.00-140.00	417.55	975.66	A	0.14	2.808	11	0.85	1	14.655	712.41	35.62	A
			B	0.14	2.808		0.85	1	14.655			
			C	0.14	2.808		0.85	1	14.655			
T3 140.00-120.00	718.35	1382.25	A	0.154	2.755	10	0.85	1	19.718	974.46	48.72	C
			B	0.154	2.755		0.85	1	19.718			
			C	0.154	2.755		0.85	1	19.718			
T4 120.00-100.00	733.65	1997.92	A	0.169	2.702	10	0.85	1	24.889	1076.19	53.81	C
			B	0.169	2.702		0.85	1	24.889			
			C	0.169	2.702		0.85	1	24.889			
T5 100.00-80.00	736.20	2971.44	A	0.179	2.668	10	0.85	1	29.004	1119.05	55.95	C
			B	0.179	2.668		0.85	1	29.004			
			C	0.179	2.668		0.85	1	29.004			

tnxTower Nello Corporation 1201 S. Sheridan Street South Bend, IN. 46619 Phone: 800-806-3556 FAX:	Job SO30980; Tower 633549; Foundation 633550	Page 18 of 47
	Project NS 175' - TI-OPP-22295 / Clover Fork - Harlan Co., KY	Date 10:41:48 08/28/23
	Client Tillman Infrastructure	Designed by AG

Section Elevation ft	Add Weight lb	Self Weight lb	F a c e	e	C _F	q _z psf	D _F	D _R	A _E ft ²	F lb	w plf	Ctrl. Face
T6 80.00-60.00	736.20	2977.54	A	0.178	2.67	9	0.85	1	33.537	1156.50	57.82	C
			B	0.178	2.67		0.85	1	33.537			
			C	0.178	2.67		0.85	1	33.537			
T7 60.00-40.00	736.20	3095.16	A	0.166	2.713	9	0.85	1	35.685	1130.33	56.52	C
			B	0.166	2.713		0.85	1	35.685			
			C	0.166	2.713		0.85	1	35.685			
T8 40.00-20.00	736.20	3230.67	A	0.155	2.752	8	0.85	1	38.255	1070.51	53.53	C
			B	0.155	2.752		0.85	1	38.255			
			C	0.155	2.752		0.85	1	38.255			
T9 20.00-0.00	736.20	4971.79	A	0.175	2.683	7	0.85	1	47.669	1054.39	52.72	C
			B	0.175	2.683		0.85	1	47.669			
			C	0.175	2.683		0.85	1	47.669			
Sum Weight:	5692.60	22057.23						OTM	697556.10 lb-ft	8680.29		

Mast Vectors - No Ice

Section No.	Section Elevation ft	Wind Azimuth °	Directionality	F lb	V _x lb	V _z lb	OTM _x lb-ft	OTM _z lb-ft	Torque lb-ft
T1	175.30-160.00	0	Wind Normal	1319.38	0.00	-1319.38	-220912.07	0.00	0.00
		30	Wind 90	1183.51	591.75	-1024.95	-171551.08	-99207.62	348.07
		60	Wind 60	1075.10	931.06	-537.55	-89838.35	-156092.27	468.96
		90	Wind 90	1069.89	1069.89	0.00	281.56	-179366.53	464.20
		120	Wind Normal	1205.76	1044.21	602.88	101354.02	-175062.64	468.96
		150	Wind 90	1183.51	591.75	1024.95	172114.19	-99207.62	348.07
		180	Wind 60	1188.72	0.00	1188.72	199570.09	0.00	0.00
		210	Wind 90	1183.51	-591.75	1024.95	172114.19	99207.62	-348.07
		240	Wind Normal	1205.76	-1044.21	602.88	101354.02	175062.64	-468.96
		270	Wind 90	1069.89	-1069.89	0.00	281.56	179366.53	-464.20
		300	Wind 60	1075.10	-931.06	-537.55	-89838.35	156092.27	-468.96
		330	Wind 90	1183.51	-591.75	-1024.95	-171551.08	99207.62	-348.07
T2	160.00-140.00	0	Wind Normal	2256.74	0.00	-2256.74	-338186.23	-351.01	641.55
		30	Wind 90	2181.76	1090.88	-1889.46	-283094.67	-163983.35	1147.79
		60	Wind 60	2051.95	1777.04	-1025.97	-153571.17	-266906.74	834.88
		90	Wind 90	1959.78	1959.78	0.00	324.85	-294318.15	298.26
		120	Wind Normal	2034.76	1762.15	1017.38	152931.62	-264673.69	193.33
		150	Wind 90	2015.28	1007.64	1745.28	262116.99	-151496.77	36.60
		180	Wind 60	2107.44	0.00	2107.44	316441.27	-351.01	-641.55
		210	Wind 90	2181.76	-1090.88	1889.46	283744.37	163281.32	-1147.79
		240	Wind Normal	2201.24	-1906.33	1100.62	165418.19	285599.05	-834.88
		270	Wind 90	1959.78	-1959.78	0.00	324.85	293616.13	-298.26
		300	Wind 60	1885.46	-1632.86	-942.73	-141084.60	244577.33	-193.33
		330	Wind 90	2015.28	-1007.64	-1745.28	-261467.29	150794.75	-36.60
T3	140.00-120.00	0	Wind Normal	3104.87	0.00	-3104.87	-403625.82	0.00	-0.00
		30	Wind 90	2956.46	1478.23	-2560.37	-332841.52	-192170.19	597.35
		60	Wind 60	2907.00	2517.53	-1453.50	-188947.76	-327279.29	30.72
		90	Wind 90	2956.46	2956.46	0.00	7.02	-384340.39	-544.14
		120	Wind Normal	3104.87	2688.89	1552.43	201823.45	-349556.30	30.72
		150	Wind 90	2956.46	1478.23	2560.37	332855.56	-192170.19	597.35
		180	Wind 60	2907.00	0.00	2907.00	377916.59	0.00	0.00
		210	Wind 90	2956.46	-1478.23	2560.37	332855.56	192170.19	-597.35
		240	Wind Normal	3104.87	-2688.89	1552.43	201823.45	349556.30	-30.72
		270	Wind 90	2956.46	-2956.46	0.00	7.02	384340.39	544.14

Section No.	Section Elevation ft	Wind Azimuth °	Directionality	F lb	V _x lb	V _z lb	OTM _x lb-ft	OTM _z lb-ft	Torque lb-ft
T4	120.00-100.00	300	Wind 60	2907.00	-2517.53	-1453.50	-188947.76	327279.29	-30.72
		330	Wind 90	2956.46	-1478.23	-2560.37	-332841.52	192170.19	-597.35
		0	Wind Normal	3297.37	0.00	-3297.37	-362691.63	-20.40	99.46
		30	Wind 90	3143.01	1571.51	-2721.93	-299393.31	-172886.22	782.27
		60	Wind 60	3091.56	2677.37	-1545.78	-170016.90	-294531.34	130.29
		90	Wind 90	3143.01	3143.01	0.00	19.07	-345752.03	-556.61
		120	Wind Normal	3297.37	2855.61	1648.69	181374.43	-314137.08	30.82
		150	Wind 90	3143.01	1571.51	2721.93	299431.46	-172886.22	610.00
		180	Wind 60	3091.56	0.00	3091.56	340091.02	-20.40	-99.46
		210	Wind 90	3143.01	-1571.51	2721.93	299431.46	172845.42	-782.27
T5	100.00-80.00	240	Wind Normal	3297.37	-2855.61	1648.69	181374.43	314096.29	-130.29
		270	Wind 90	3143.01	-3143.01	0.00	19.07	345711.24	556.61
		300	Wind 60	3091.56	-2677.37	-1545.78	-170016.90	294490.55	-30.82
		330	Wind 90	3143.01	-1571.51	-2721.93	-299393.31	172845.42	-610.00
		0	Wind Normal	3382.72	0.00	-3382.72	-304427.16	-30.54	142.78
		30	Wind 90	3222.56	1611.28	-2790.82	-251155.80	-145045.59	873.94
		60	Wind 60	3169.17	2744.58	-1584.58	-142594.96	-247042.81	142.78
		90	Wind 90	3222.56	3222.56	0.00	17.63	-290060.64	-626.64
		120	Wind Normal	3382.72	2929.52	1691.36	152240.03	-263687.47	0.00
		150	Wind 90	3222.56	1611.28	2790.82	251191.06	-145045.59	626.64
T6	80.00-60.00	180	Wind 60	3169.17	0.00	3169.17	285242.83	-30.54	-142.78
		210	Wind 90	3222.56	-1611.28	2790.82	251191.06	144984.51	-873.94
		240	Wind Normal	3382.72	-2929.52	1691.36	152240.03	263626.39	-142.78
		270	Wind 90	3222.56	-3222.56	0.00	17.63	289999.55	626.64
		300	Wind 60	3169.17	-2744.58	-1584.58	-142594.96	246981.72	0.00
		330	Wind 90	3222.56	-1611.28	-2790.82	-251155.80	144984.51	-626.64
		0	Wind Normal	3540.92	0.00	-3540.92	-247844.67	-34.37	152.38
		30	Wind 90	3339.14	1669.57	-2891.78	-202404.59	-116904.17	930.36
		60	Wind 60	3271.88	2833.53	-1635.94	-114495.80	-198381.28	152.38
		90	Wind 90	3339.14	3339.14	0.00	19.84	-233773.96	-666.43
T7	60.00-40.00	120	Wind Normal	3540.92	3066.53	1770.46	123952.10	-214691.33	0.00
		150	Wind 90	3339.14	1669.57	2891.78	202444.27	-116904.17	666.43
		180	Wind 60	3271.88	0.00	3271.88	229051.13	-34.37	-152.38
		210	Wind 90	3339.14	-1669.57	2891.78	202444.27	116835.43	-930.36
		240	Wind Normal	3540.92	-3066.53	1770.46	123952.10	214622.60	-152.38
		270	Wind 90	3339.14	-3339.14	0.00	19.84	233705.23	666.43
		300	Wind 60	3271.88	-2833.53	-1635.94	-114495.80	198312.55	0.00
		330	Wind 90	3339.14	-1669.57	-2891.78	-202404.59	116835.43	-666.43
		0	Wind Normal	3465.30	0.00	-3465.30	-173242.42	-38.83	160.39
		30	Wind 90	3252.50	1626.25	-2816.74	-140814.81	-81351.24	977.01
T8	40.00-20.00	60	Wind 60	3181.56	2755.31	-1590.78	-79516.66	-137804.56	160.39
		90	Wind 90	3252.50	3252.50	0.00	22.42	-162663.66	-699.20
		120	Wind Normal	3465.30	3001.04	1732.65	86654.84	-150090.58	0.00
		150	Wind 90	3252.50	1626.25	2816.74	140859.65	-81351.24	699.20
		180	Wind 60	3181.56	0.00	3181.56	159100.58	-38.83	-160.39
		210	Wind 90	3252.50	-1626.25	2816.74	140859.65	81273.59	-977.01
		240	Wind Normal	3465.30	-3001.04	1732.65	86654.84	150012.92	-160.39
		270	Wind 90	3252.50	-3252.50	0.00	22.42	162586.00	699.20
		300	Wind 60	3181.56	-2755.31	-1590.78	-79516.66	137726.90	0.00
		330	Wind 90	3252.50	-1626.25	-2816.74	-140814.82	81273.59	-699.20

tnxTower Nello Corporation 1201 S. Sheridan Street South Bend, IN. 46619 Phone: 800-806-3556 FAX:	Job SO30980; Tower 633549; Foundation 633550	Page 20 of 47
	Project NS 175' - TI-OPP-22295 / Clover Fork - Harlan Co., KY	Date 10:41:48 08/28/23
	Client Tillman Infrastructure	Designed by AG

Section No.	Section Elevation ft	Wind Azimuth °	Directionality	F lb	V _x lb	V _z lb	OTM _x lb-ft	OTM _z lb-ft	Torque lb-ft
T9	20.00-0.00	330	Wind 90	3087.02	-1543.51	-2673.44	-80177.72	46261.34	-708.31
		0	Wind Normal	3294.21	0.00	-3294.21	-32913.83	-49.03	157.39
		30	Wind 90	3059.97	1529.98	-2650.01	-26471.81	-15348.88	955.13
		60	Wind 60	2981.89	2582.39	-1490.94	-14881.13	-25872.94	157.39
		90	Wind 90	3059.97	3059.97	0.00	28.31	-30648.72	-682.52
		120	Wind Normal	3294.21	2852.87	1647.11	16499.38	-28577.76	0.00
		150	Wind 90	3059.97	1529.98	2650.01	26528.42	-15348.88	682.52
		180	Wind 60	2981.89	0.00	2981.89	29847.19	-49.03	-157.39
		210	Wind 90	3059.97	-1529.98	2650.01	26528.42	15250.82	-955.13
		240	Wind Normal	3294.21	-2852.87	1647.11	16499.38	28479.70	-157.39
		270	Wind 90	3059.97	-3059.97	0.00	28.31	30550.67	682.52
		300	Wind 60	2981.89	-2582.39	-1490.94	-14881.13	25774.88	0.00
		330	Wind 90	3059.97	-1529.98	-2650.01	-26471.81	15250.82	-682.52

Mast Totals - No Ice

Wind Azimuth °	V _x lb	V _z lb	OTM _x lb-ft	OTM _z lb-ft	Torque lb-ft
0	0.00	-26965.46	-2182937.08	-568.11	1516.92
30	12712.97	-22019.50	-1787905.29	-1033246.45	7602.49
60	21429.63	-12372.40	-999057.98	-1732279.51	2240.75
90	25090.32	0.00	746.07	-2013578.56	-3721.39
120	23062.13	13314.93	1066414.52	-1846360.02	723.84
150	12629.72	21875.32	1767770.05	-1020759.88	4975.12
180	0.00	24913.92	2027727.24	-568.11	-1516.92
210	-12712.97	22019.50	1789397.43	1032110.24	-7602.49
240	-23206.31	13398.17	1078901.10	1866851.18	-2240.75
270	-25090.32	0.00	746.07	2012442.35	3721.39
300	-21285.45	-12289.16	-986571.40	1709515.92	-723.84
330	-12629.72	-21875.32	-1766277.91	1019623.66	-4975.12

Mast Vectors - With Ice

Section No.	Section Elevation ft	Wind Azimuth °	Directionality	F lb	V _x lb	V _z lb	OTM _x lb-ft	OTM _z lb-ft	Torque lb-ft
T1	175.30-160.00	0	Wind Normal	163.42	0.00	-163.42	-26494.08	0.00	0.00
		30	Wind 90	153.75	76.87	-133.15	-21418.87	-12887.93	42.19
		60	Wind 60	145.37	125.89	-72.69	-11281.99	-21106.19	62.14
		90	Wind 90	144.47	144.47	0.00	903.67	-24220.85	65.44
		120	Wind Normal	154.15	133.50	77.07	13825.05	-22380.49	62.14
		150	Wind 90	153.75	76.87	133.15	23226.22	-12887.93	42.19
		180	Wind 60	154.65	0.00	154.65	26830.00	0.00	0.00
		210	Wind 90	153.75	-76.87	133.15	23226.22	12887.93	-42.19
		240	Wind Normal	154.15	-133.50	77.07	13825.05	22380.49	-62.14
		270	Wind 90	144.47	-144.47	0.00	903.67	24220.85	-65.44
		300	Wind 60	145.37	-125.89	-72.69	-11281.99	21106.19	-62.14
		330	Wind 90	153.75	-76.87	-133.15	-21418.87	12887.93	-42.19
		T2	160.00-140.00	0	Wind Normal	268.46	0.00	-268.46	-39222.90
30	Wind 90			263.62	131.81	-228.30	-33199.47	-20902.10	133.88
60	Wind 60			253.45	219.50	-126.73	-17962.84	-34054.94	107.50

Section No.	Section Elevation ft	Wind Azimuth °	Directionality	F lb	V _x lb	V _z lb	OTM _x lb-ft	OTM _z lb-ft	Torque lb-ft
T3	140.00-120.00	90	Wind 90	245.50	245.50	0.00	1046.17	-37955.67	52.32
		120	Wind Normal	250.34	216.80	125.17	19821.63	-33650.41	24.89
		150	Wind 90	250.03	125.02	216.53	33526.32	-19882.79	-9.22
		180	Wind 60	257.98	0.00	257.98	39743.73	-1130.37	-82.61
		210	Wind 90	263.62	-131.81	228.30	35291.82	18641.37	-133.88
		240	Wind Normal	263.93	-228.57	131.97	20840.94	33155.18	-107.50
		270	Wind 90	245.50	-245.50	0.00	1046.17	35694.93	-52.32
		300	Wind 60	239.86	-207.73	-119.93	-16943.52	30028.70	-24.89
		330	Wind 90	250.03	-125.02	-216.53	-31433.97	17622.05	9.22
		0	Wind Normal	364.45	0.00	-364.45	-47318.49	0.00	-0.00
		30	Wind 90	353.82	176.91	-306.42	-39774.99	-22998.47	50.87
		60	Wind 60	350.28	303.35	-175.14	-22708.77	-39435.84	6.16
		90	Wind 90	353.82	353.82	0.00	59.53	-45996.94	-40.20
		120	Wind Normal	364.45	315.62	182.22	23748.53	-41030.56	6.16
		150	Wind 90	353.82	176.91	306.42	39894.04	-22998.47	50.87
180	Wind 60	350.28	0.00	350.28	45596.11	0.00	0.00		
210	Wind 90	353.82	-176.91	306.42	39894.04	22998.47	-50.87		
240	Wind Normal	364.45	-315.62	182.22	23748.53	41030.56	-6.16		
270	Wind 90	353.82	-353.82	0.00	59.53	45996.94	40.20		
300	Wind 60	350.28	-303.35	-175.14	-22708.77	39435.84	-6.16		
330	Wind 90	353.82	-176.91	-306.42	-39774.99	22998.47	-50.87		
0	Wind Normal	396.07	0.00	-396.07	-43409.40	-169.32	19.76		
30	Wind 90	384.84	192.42	-333.28	-36502.68	-21335.57	79.38		
60	Wind 60	381.10	330.04	-190.55	-20802.04	-36473.76	25.88		
90	Wind 90	384.84	384.84	0.00	158.34	-42501.82	-34.56		
120	Wind Normal	396.07	343.01	198.04	21942.21	-37900.08	6.12		
150	Wind 90	384.84	192.42	333.28	36819.37	-21335.57	45.16		
180	Wind 60	381.10	0.00	381.10	42079.10	-169.32	-19.76		
210	Wind 90	384.84	-192.42	333.28	36819.37	20996.94	-79.38		
240	Wind Normal	396.07	-343.01	198.04	21942.21	37561.45	-25.88		
270	Wind 90	384.84	-384.84	0.00	158.34	42163.19	34.56		
300	Wind 60	381.10	-330.04	-190.55	-20802.04	36135.13	-6.12		
330	Wind 90	384.84	-192.42	-333.28	-36502.68	20996.94	-45.16		
0	Wind Normal	409.31	0.00	-409.31	-36695.22	-247.30	28.03		
30	Wind 90	397.52	198.76	-344.27	-30841.12	-18135.86	90.25		
60	Wind 60	393.59	340.86	-196.80	-17568.97	-30924.95	28.03		
90	Wind 90	397.52	397.52	0.00	142.78	-36024.42	-41.70		
120	Wind Normal	409.31	354.47	204.66	18561.78	-32149.94	0.00		
150	Wind 90	397.52	198.76	344.27	31126.68	-18135.86	41.70		
180	Wind 60	393.59	0.00	393.59	35566.28	-247.30	-28.03		
210	Wind 90	397.52	-198.76	344.27	31126.68	17641.27	-90.25		
240	Wind Normal	409.31	-354.47	204.66	18561.78	31655.35	-28.03		
270	Wind 90	397.52	-397.52	0.00	142.78	35529.83	41.70		
300	Wind 60	393.59	-340.86	-196.80	-17568.97	30430.36	0.00		
330	Wind 90	397.52	-198.76	-344.27	-30841.12	17641.27	-41.70		
0	Wind Normal	415.02	0.00	-415.02	-28895.88	-269.78	29.48		
30	Wind 90	400.08	200.04	-346.48	-24097.58	-14272.45	95.62		
60	Wind 60	395.09	342.16	-197.55	-13672.53	-24221.07	29.48		
90	Wind 90	400.08	400.08	0.00	155.76	-28275.11	-44.57		
120	Wind Normal	415.02	359.42	207.51	14681.57	-25429.23	0.00		
150	Wind 90	400.08	200.04	346.48	24409.09	-14272.45	44.57		
180	Wind 60	395.09	0.00	395.09	27812.33	-269.78	-29.48		
210	Wind 90	400.08	-200.04	346.48	24409.09	13732.89	-95.62		
240	Wind Normal	415.02	-359.42	207.51	14681.57	24889.67	-29.48		
270	Wind 90	400.08	-400.08	0.00	155.76	27735.56	44.57		
300	Wind 60	395.09	-342.16	-197.55	-13672.53	23681.51	0.00		
330	Wind 90	400.08	-200.04	-346.48	-24097.58	13732.89	-44.57		
0	Wind Normal	402.07	0.00	-402.07	-19934.83	-292.55	30.43		
30	Wind 90	386.22	193.11	-334.48	-16555.05	-9948.13	99.78		
60	Wind 60	380.94	329.90	-190.47	-9354.58	-16787.71	30.43		
90	Wind 90	386.22	386.22	0.00	168.90	-19603.71	-47.07		

tnxTower Nello Corporation 1201 S. Sheridan Street South Bend, IN. 46619 Phone: 800-806-3556 FAX:	Job SO30980; Tower 633549; Foundation 633550	Page 22 of 47
	Project NS 175' - TI-OPP-22295 / Clover Fork - Harlan Co., KY	Date 10:41:48 08/28/23
	Client Tillman Infrastructure	Designed by AG

Section No.	Section Elevation ft	Wind Azimuth °	Directionality	F lb	V _x lb	V _z lb	OTM _x lb-ft	OTM _z lb-ft	Torque lb-ft
T8	40.00-20.00	120	Wind Normal	402.07	348.21	201.04	10220.77	-17702.89	0.00
		150	Wind 90	386.22	193.11	334.48	16892.86	-9948.13	47.07
		180	Wind 60	380.94	0.00	380.94	19215.87	-292.55	-30.43
		210	Wind 90	386.22	-193.11	334.48	16892.86	9363.03	-99.78
		240	Wind Normal	402.07	-348.21	201.04	10220.77	17117.79	-30.43
		270	Wind 90	386.22	-386.22	0.00	168.90	19018.61	47.07
		300	Wind 60	380.94	-329.90	-190.47	-9354.58	16202.61	0.00
		330	Wind 90	386.22	-193.11	-334.48	-16555.05	9363.03	-47.07
		0	Wind Normal	375.69	0.00	-375.69	-11091.08	-311.27	30.04
		30	Wind 90	359.43	179.71	-311.27	-9158.44	-5702.65	100.19
		60	Wind 60	354.00	306.58	-177.00	-5130.34	-9508.54	30.04
		90	Wind 90	359.43	359.43	0.00	179.71	-11094.04	-48.16
		120	Wind Normal	375.69	325.36	187.85	5815.10	-10072.06	0.00
		150	Wind 90	359.43	179.71	311.27	9517.86	-5702.65	48.16
		180	Wind 60	354.00	0.00	354.00	10799.81	-311.27	-30.04
T9	20.00-0.00	210	Wind 90	359.43	-179.71	311.27	9517.86	5080.12	-100.19
		240	Wind Normal	375.69	-325.36	187.85	5815.10	9449.52	-30.04
		270	Wind 90	359.43	-359.43	0.00	179.71	10471.50	48.16
		300	Wind 60	354.00	-306.58	-177.00	-5130.34	8886.01	0.00
		330	Wind 90	359.43	-179.71	-311.27	-9158.44	5080.12	-48.16
		0	Wind Normal	357.38	0.00	-357.38	-3397.34	-305.62	27.33
		30	Wind 90	339.58	169.79	-294.09	-2764.42	-2003.53	94.70
		60	Wind 60	333.65	288.95	-166.83	-1491.80	-3195.12	27.33
		90	Wind 90	339.58	339.58	0.00	176.45	-3701.45	-47.35
		120	Wind Normal	357.38	309.50	178.69	1963.35	-3400.61	0.00
		150	Wind 90	339.58	169.79	294.09	3117.32	-2003.53	47.35
		180	Wind 60	333.65	0.00	333.65	3512.95	-305.62	-27.33
		210	Wind 90	339.58	-169.79	294.09	3117.32	1392.29	-94.70
		240	Wind Normal	357.38	-309.50	178.69	1963.35	2789.38	-27.33
		270	Wind 90	339.58	-339.58	0.00	176.45	3090.21	47.35
300	Wind 60	333.65	-288.95	-166.83	-1491.80	2583.88	0.00		
330	Wind 90	339.58	-169.79	-294.09	-2764.42	1392.29	-47.35		

Mast Totals - With Ice

Wind Azimuth °	V _x lb	V _z lb	OTM _x lb-ft	OTM _z lb-ft	Torque lb-ft
0	0.00	-3151.88	-256459.22	-2726.20	247.69
30	1519.43	-2631.74	-214312.63	-128186.69	786.85
60	2587.24	-1493.74	-119973.85	-215708.11	346.99
90	3011.47	0.00	2991.31	-249374.02	-185.84
120	2705.88	1562.24	130580.00	-223716.28	99.31
150	1512.64	2619.97	218529.76	-127167.38	357.84
180	0.00	3001.29	251156.18	-2726.20	-247.69
210	-1519.43	2631.74	220295.26	122734.29	-786.85
240	-2717.65	1569.04	131599.31	220029.39	-346.99
270	-3011.47	0.00	2991.31	243921.62	185.84
300	-2575.47	-1486.95	-118954.54	208490.22	-99.31
330	-1512.64	-2619.97	-212547.13	121714.98	-357.84

Mast Vectors - Service

Job	SO30980; Tower 633549; Foundation 633550	Page	23 of 47
Project	NS 175' - TI-OPP-22295 / Clover Fork - Harlan Co., KY	Date	10:41:48 08/28/23
Client	Tillman Infrastructure	Designed by	AG

Section No.	Section Elevation ft	Wind Azimuth °	Directionality	F lb	V _x lb	V _z lb	OTM _x lb-ft	OTM _z lb-ft	Torque lb-ft
T1	175.30-160.00	0	Wind Normal	430.82	0.00	-430.82	-71944.93	0.00	0.00
		30	Wind 90	386.45	193.23	-334.68	-55827.06	-32394.32	113.66
		60	Wind 60	351.05	304.02	-175.53	-29145.35	-50968.90	153.13
		90	Wind 90	349.35	349.35	0.00	281.56	-58568.66	151.57
		120	Wind Normal	393.72	340.97	196.86	33284.81	-57163.31	153.13
		150	Wind 90	386.45	193.23	334.68	56390.17	-32394.32	113.66
		180	Wind 60	388.15	0.00	388.15	65355.36	0.00	0.00
		210	Wind 90	386.45	-193.23	334.68	56390.17	32394.32	-113.66
		240	Wind Normal	393.72	-340.97	196.86	33284.81	57163.31	-153.13
		270	Wind 90	349.35	-349.35	0.00	281.56	58568.66	-151.57
		300	Wind 60	351.05	-304.02	-175.53	-29145.35	50968.90	-153.13
		330	Wind 90	386.45	-193.23	-334.68	-55827.06	32394.32	-113.66
T2	160.00-140.00	0	Wind Normal	736.89	0.00	-736.89	-110209.38	-351.01	209.48
		30	Wind 90	712.41	356.21	-616.97	-92220.30	-53781.98	374.79
		60	Wind 60	670.02	580.26	-335.01	-49926.91	-87389.62	272.61
		90	Wind 90	639.93	639.93	0.00	324.85	-96340.28	97.39
		120	Wind Normal	664.41	575.40	332.21	50155.63	-86660.46	63.13
		150	Wind 90	658.05	329.02	569.89	85808.00	-49704.73	11.95
		180	Wind 60	688.14	0.00	688.14	103546.54	-351.01	-209.48
		210	Wind 90	712.41	-356.21	616.97	92870.00	53079.95	-374.79
		240	Wind Normal	718.77	-622.48	359.39	54232.88	93020.44	-272.61
		270	Wind 90	639.93	-639.93	0.00	324.85	95638.26	-97.39
		300	Wind 60	615.66	-533.18	-307.83	-45849.66	79625.59	-63.13
		330	Wind 90	658.05	-329.02	-569.89	-85158.30	49002.70	-11.95
T3	140.00-120.00	0	Wind Normal	1022.92	0.00	-1022.92	-132972.02	0.00	-0.00
		30	Wind 90	974.46	487.23	-843.90	-109700.61	-63339.73	195.05
		60	Wind 60	958.30	829.92	-479.15	-62282.78	-107889.10	10.03
		90	Wind 90	974.46	974.46	0.00	7.02	-126679.46	-177.68
		120	Wind Normal	1022.92	885.87	511.46	66496.54	-115163.23	10.03
		150	Wind 90	974.46	487.23	843.90	109714.66	-63339.73	195.05
		180	Wind 60	958.30	0.00	958.30	124586.63	0.00	0.00
		210	Wind 90	974.46	-487.23	843.90	109714.66	63339.73	-195.05
		240	Wind Normal	1022.92	-885.87	511.46	66496.54	115163.23	-10.03
		270	Wind 90	974.46	-974.46	0.00	7.02	126679.46	177.68
		300	Wind 60	958.30	-829.92	-479.15	-62282.78	107889.10	-10.03
		330	Wind 90	974.46	-487.23	-843.90	-109700.61	63339.73	-195.05
T4	120.00-100.00	0	Wind Normal	1126.59	0.00	-1126.59	-123906.18	-20.40	32.48
		30	Wind 90	1076.19	538.10	-932.01	-102501.94	-59210.93	255.44
		60	Wind 60	1059.39	917.46	-529.70	-58247.43	-100940.94	42.54
		90	Wind 90	1076.19	1076.19	0.00	19.07	-118401.46	-181.75
		120	Wind Normal	1126.59	975.66	563.30	61981.70	-107342.81	10.06
		150	Wind 90	1076.19	538.10	932.01	102540.08	-59210.93	199.18
		180	Wind 60	1059.39	0.00	1059.39	116552.08	-20.40	-32.48
		210	Wind 90	1076.19	-538.10	932.01	102540.08	59170.14	-255.44
		240	Wind Normal	1126.59	-975.66	563.30	61981.70	107302.02	-42.54
		270	Wind 90	1076.19	-1076.19	0.00	19.07	118360.67	181.75
		300	Wind 60	1059.39	-917.46	-529.70	-58247.43	100900.14	-10.06
		330	Wind 90	1076.19	-538.10	-932.01	-102501.94	59170.14	-199.18
T5	100.00-80.00	0	Wind Normal	1171.35	0.00	-1171.35	-105403.68	-30.54	46.62
		30	Wind 90	1119.05	559.52	-969.13	-87203.66	-50387.78	285.37
		60	Wind 60	1101.62	954.03	-550.81	-49555.13	-85893.08	46.62
		90	Wind 90	1119.05	1119.05	0.00	17.63	-100745.01	-204.62
		120	Wind Normal	1171.35	1014.42	585.67	52728.29	-91328.07	0.00
		150	Wind 90	1119.05	559.52	969.13	87238.92	-50387.78	204.62
		180	Wind 60	1101.62	0.00	1101.62	99163.16	-30.54	-46.62
		210	Wind 90	1119.05	-559.52	969.13	87238.92	50326.69	-285.37
		240	Wind Normal	1171.35	-1014.42	585.67	52728.29	91266.99	-46.62
		270	Wind 90	1119.05	-1119.05	0.00	17.63	100683.93	204.62
		300	Wind 60	1101.62	-954.03	-550.81	-49555.13	85832.00	0.00
		330	Wind 90	1119.05	-559.52	-969.13	-87203.66	50326.69	-204.62
T6	80.00-60.00	0	Wind Normal	1222.39	0.00	-1222.39	-85547.35	-34.37	49.76

tnxTower Nello Corporation 1201 S. Sheridan Street South Bend, IN. 46619 Phone: 800-806-3556 FAX:	Job SO30980; Tower 633549; Foundation 633550	Page 24 of 47
	Project NS 175' - TI-OPP-22295 / Clover Fork - Harlan Co., KY	Date 10:41:48 08/28/23
	Client Tillman Infrastructure	Designed by AG

Section No.	Section Elevation ft	Wind Azimuth °	Directionality	F lb	V _x lb	V _z lb	OTM _x lb-ft	OTM _z lb-ft	Torque lb-ft
T7	60.00-40.00	30	Wind 90	1156.50	578.25	-1001.56	-70089.22	-40511.85	303.79
		60	Wind 60	1134.54	982.54	-567.27	-39688.94	-68812.00	49.76
		90	Wind 90	1156.50	1156.50	0.00	19.84	-80989.34	-217.61
		120	Wind Normal	1222.39	1058.62	611.19	42803.44	-74137.73	0.00
		150	Wind 90	1156.50	578.25	1001.56	70128.90	-40511.85	217.61
		180	Wind 60	1134.54	0.00	1134.54	79437.41	-34.37	-49.76
		210	Wind 90	1156.50	-578.25	1001.56	70128.90	40443.12	-303.79
		240	Wind Normal	1222.39	-1058.62	611.19	42803.44	74068.99	-49.76
		270	Wind 90	1156.50	-1156.50	0.00	19.84	80920.60	217.61
		300	Wind 60	1134.54	-982.54	-567.27	-39688.94	68743.26	0.00
		330	Wind 90	1156.50	-578.25	-1001.56	-70089.22	40443.12	-217.61
		0	Wind Normal	1199.82	0.00	-1199.82	-59968.37	-38.83	52.37
		30	Wind 90	1130.33	565.16	-978.89	-48922.30	-28297.08	319.02
		60	Wind 60	1107.17	958.84	-553.58	-27656.78	-47980.61	52.37
		90	Wind 90	1130.33	1130.33	0.00	22.42	-56555.33	-228.31
T8	40.00-20.00	120	Wind Normal	1199.82	1039.07	599.91	30017.81	-51992.37	0.00
		150	Wind 90	1130.33	565.16	978.89	48967.14	-28297.08	228.31
		180	Wind 60	1107.17	0.00	1107.17	55380.82	-38.83	-52.37
		210	Wind 90	1130.33	-565.16	978.89	48967.14	28219.42	-319.02
		240	Wind Normal	1199.82	-1039.07	599.91	30017.81	51914.71	-52.37
		270	Wind 90	1130.33	-1130.33	0.00	22.42	56477.67	228.31
		300	Wind 60	1107.17	-958.84	-553.58	-27656.78	47902.95	0.00
		330	Wind 90	1130.33	-565.16	-978.89	-48922.30	28219.42	-228.31
		0	Wind Normal	1141.34	0.00	-1141.34	-34214.88	-43.93	53.21
		30	Wind 90	1070.51	535.25	-927.08	-27787.18	-16101.51	323.45
		60	Wind 60	1046.89	906.64	-523.45	-15678.04	-27243.02	53.21
		90	Wind 90	1070.51	1070.51	0.00	25.36	-32159.09	-231.29
		120	Wind Normal	1141.34	988.43	570.67	17145.48	-29696.85	0.00
		150	Wind 90	1070.51	535.25	927.08	27837.91	-16101.51	231.29
		180	Wind 60	1046.89	0.00	1046.89	31432.17	-43.93	-53.21
210	Wind 90	1070.51	-535.25	927.08	27837.91	16013.65	-323.45		
T9	20.00-0.00	240	Wind Normal	1141.34	-988.43	570.67	17145.48	29608.99	-53.21
		270	Wind 90	1070.51	-1070.51	0.00	25.36	32071.23	231.29
		300	Wind 60	1046.89	-906.64	-523.45	-15678.04	27155.16	0.00
		330	Wind 90	1070.51	-535.25	-927.08	-27787.18	16013.65	-231.29
		0	Wind Normal	1130.88	0.00	-1130.88	-11280.46	-49.03	51.39
		30	Wind 90	1054.39	527.19	-913.13	-9102.97	-5320.98	311.88
		60	Wind 60	1028.89	891.05	-514.45	-5116.16	-8959.51	51.39
		90	Wind 90	1054.39	1054.39	0.00	28.31	-10592.92	-222.86
		120	Wind Normal	1130.88	979.37	565.44	5682.69	-9842.71	0.00
		150	Wind 90	1054.39	527.19	913.13	9159.59	-5320.98	222.86
		180	Wind 60	1028.89	0.00	1028.89	10317.24	-49.03	-51.39
		210	Wind 90	1054.39	-527.19	913.13	9159.59	5222.92	-311.88
		240	Wind Normal	1130.88	-979.37	565.44	5682.69	9744.65	-51.39
		270	Wind 90	1054.39	-1054.39	0.00	28.31	10494.86	222.86
		300	Wind 60	1028.89	-891.05	-514.45	-5116.16	8861.45	0.00
330	Wind 90	1054.39	-527.19	-913.13	-9102.97	5222.92	-222.86		

Mast Totals - Service

Wind Azimuth °	V _x lb	V _z lb	OTM _x lb-ft	OTM _z lb-ft	Torque lb-ft
0	0.00	-9182.99	-735447.25	-568.11	495.32
30	4340.14	-7517.35	-603355.24	-349346.16	2482.45
60	7324.74	-4228.94	-337297.52	-586076.77	731.67
90	8570.70	0.00	746.07	-681031.56	-1215.15

tnxTower Nello Corporation 1201 S. Sheridan Street South Bend, IN. 46619 Phone: 800-806-3556 FAX:	Job SO30980; Tower 633549; Foundation 633550	Page 25 of 47
	Project NS 175' - TI-OPP-22295 / Clover Fork - Harlan Co., KY	Date 10:41:48 08/28/23
	Client Tillman Infrastructure	Designed by AG

Wind Azimuth °	V _x lb	V _z lb	OTM _x lb-ft	OTM _z lb-ft	Torque lb-ft
120	7857.80	4536.70	360296.40	-623327.55	236.36
150	4312.96	7470.27	597785.37	-345268.91	1624.53
180	0.00	8513.10	685771.39	-568.11	-495.32
210	-4340.14	7517.35	604847.37	348209.94	-2482.45
240	-7904.88	4563.88	364373.65	629253.34	-731.67
270	-8570.70	0.00	746.07	679895.35	1215.15
300	-7277.66	-4201.76	-333220.27	577878.56	-236.36
330	-4312.96	-7470.27	-596293.24	344132.70	-1624.53

Discrete Appurtenance Pressures - No Ice G_H = 0.850

Description	Aiming Azimuth °	Weight lb	Offset _x ft	Offset _z ft	z ft	K _z	q _z psf	C _A A _C Front ft ²	C _A A _C Side ft ²
40,000 sq in CaAa (6,000 lbs)	0.0000	6000.00	0.00	0.00	170.00	1.415	34	278.00	278.00
40,000 sq in CaAa (6,000 lbs)	0.0000	6000.00	0.00	0.00	155.00	1.388	33	278.00	278.00
30,000 sq in CaAa (4,000 lbs)	0.0000	4000.00	0.00	0.00	140.00	1.359	33	208.00	208.00
Dish Pipe Mount	240.0000	103.00	-4.56	2.63	125.00	1.326	32	0.00	1.80
Dish Pipe Mount	120.0000	103.00	4.94	2.85	115.00	1.303	31	0.00	1.80
Sum Weight:		16206.00							

Discrete Appurtenance Vectors - No Ice

40,000 sq in CaAa (6,000 lbs) - Elevation 170 - None C

Wind Azimuth °	F _a lb	F _s lb	V _x lb	V _z lb	OTM _x lb-ft	OTM _z lb-ft	Torque lb-ft
0	8022.68	0.00	0.00	-8022.68	-1363856.23	0.00	0.00
30	8022.68	0.00	4011.34	-6947.85	-1181134.14	-681928.12	0.00
60	8022.68	0.00	6947.85	-4011.34	-681928.12	-1181134.14	0.00
90	8022.68	0.00	8022.68	0.00	0.00	-1363856.23	0.00
120	8022.68	0.00	6947.85	4011.34	681928.12	-1181134.14	0.00
150	8022.68	0.00	4011.34	6947.85	1181134.14	-681928.12	0.00
180	8022.68	0.00	0.00	8022.68	1363856.23	0.00	0.00
210	8022.68	0.00	-4011.34	6947.85	1181134.14	681928.12	0.00
240	8022.68	0.00	-6947.85	4011.34	681928.12	1181134.14	0.00
270	8022.68	0.00	-8022.68	0.00	0.00	1363856.23	0.00
300	8022.68	0.00	-6947.85	-4011.34	-681928.12	1181134.14	0.00
330	8022.68	0.00	-4011.34	-6947.85	-1181134.14	681928.12	0.00

40,000 sq in CaAa (6,000 lbs) - Elevation 155 - None B

Wind Azimuth °	F _a lb	F _s lb	V _x lb	V _z lb	OTM _x lb-ft	OTM _z lb-ft	Torque lb-ft
0	7868.17	0.00	0.00	-7868.17	-1219566.93	0.00	0.00
30	7868.17	0.00	3934.09	-6814.04	-1056175.94	-609783.46	0.00
60	7868.17	0.00	6814.04	-3934.09	-609783.46	-1056175.94	0.00
90	7868.17	0.00	7868.17	0.00	0.00	-1219566.93	0.00

tnxTower Nello Corporation 1201 S. Sheridan Street South Bend, IN. 46619 Phone: 800-806-3556 FAX:	Job SO30980; Tower 633549; Foundation 633550	Page 26 of 47
	Project NS 175' - TI-OPP-22295 / Clover Fork - Harlan Co., KY	Date 10:41:48 08/28/23
	Client Tillman Infrastructure	Designed by AG

40,000 sq in CaAa (6,000 lbs) - Elevation 155 - None B							
Wind Azimuth °	F _a lb	F _s lb	V _x lb	V _z lb	OTM _x lb-ft	OTM _z lb-ft	Torque lb-ft
120	7868.17	0.00	6814.04	3934.09	609783.46	-1056175.94	0.00
150	7868.17	0.00	3934.09	6814.04	1056175.94	-609783.46	0.00
180	7868.17	0.00	0.00	7868.17	1219566.93	0.00	0.00
210	7868.17	0.00	-3934.09	6814.04	1056175.94	609783.46	0.00
240	7868.17	0.00	-6814.04	3934.09	609783.46	1056175.94	0.00
270	7868.17	0.00	-7868.17	0.00	0.00	1219566.93	0.00
300	7868.17	0.00	-6814.04	-3934.09	-609783.46	1056175.94	0.00
330	7868.17	0.00	-3934.09	-6814.04	-1056175.94	609783.46	0.00

30,000 sq in CaAa (4,000 lbs) - Elevation 140 - None A							
Wind Azimuth °	F _a lb	F _s lb	V _x lb	V _z lb	OTM _x lb-ft	OTM _z lb-ft	Torque lb-ft
0	5762.18	0.00	0.00	-5762.18	-806704.50	0.00	0.00
30	5762.18	0.00	2881.09	-4990.19	-698626.59	-403352.25	0.00
60	5762.18	0.00	4990.19	-2881.09	-403352.25	-698626.59	0.00
90	5762.18	0.00	5762.18	0.00	0.00	-806704.50	0.00
120	5762.18	0.00	4990.19	2881.09	403352.25	-698626.59	0.00
150	5762.18	0.00	2881.09	4990.19	698626.59	-403352.25	0.00
180	5762.18	0.00	0.00	5762.18	806704.50	0.00	0.00
210	5762.18	0.00	-2881.09	4990.19	698626.59	403352.25	0.00
240	5762.18	0.00	-4990.19	2881.09	403352.25	698626.59	0.00
270	5762.18	0.00	-5762.18	0.00	0.00	806704.50	0.00
300	5762.18	0.00	-4990.19	-2881.09	-403352.25	698626.59	0.00
330	5762.18	0.00	-2881.09	-4990.19	-698626.59	403352.25	0.00

Dish Pipe Mount - Elevation 125 - From Leg C							
Wind Azimuth °	F _a lb	F _s lb	V _x lb	V _z lb	OTM _x lb-ft	OTM _z lb-ft	Torque lb-ft
0	0.00	42.17	-21.08	-36.52	-4293.31	3105.33	-222.15
30	0.00	24.34	-12.17	-21.08	-2364.07	1991.48	-128.26
60	0.00	0.00	0.00	0.00	271.32	469.94	0.00
90	0.00	24.34	12.17	21.08	2906.71	-1051.60	128.26
120	0.00	42.17	21.08	36.52	4835.94	-2165.45	222.15
150	0.00	48.69	24.34	42.17	5542.09	-2573.15	256.51
180	0.00	42.17	21.08	36.52	4835.94	-2165.45	222.15
210	0.00	24.34	12.17	21.08	2906.71	-1051.60	128.26
240	0.00	0.00	0.00	0.00	271.32	469.94	0.00
270	0.00	24.34	-12.17	-21.08	-2364.07	1991.48	-128.26
300	0.00	42.17	-21.08	-36.52	-4293.31	3105.33	-222.15
330	0.00	48.69	-24.34	-42.17	-4999.46	3513.02	-256.51

Dish Pipe Mount - Elevation 115 - From Leg B							
Wind Azimuth °	F _a lb	F _s lb	V _x lb	V _z lb	OTM _x lb-ft	OTM _z lb-ft	Torque lb-ft
0	0.00	41.43	20.72	-35.88	-3832.76	-2890.93	236.22
30	0.00	47.84	23.92	-41.43	-4471.12	-3259.48	272.76
60	0.00	41.43	20.72	-35.88	-3832.76	-2890.93	236.22
90	0.00	23.92	11.96	-20.72	-2088.75	-1884.02	136.38
120	0.00	0.00	0.00	0.00	293.62	-508.56	0.00
150	0.00	23.92	-11.96	20.72	2675.99	866.90	-136.38
180	0.00	41.43	-20.72	35.88	4420.00	1873.81	-236.22

tnxTower Nello Corporation 1201 S. Sheridan Street South Bend, IN. 46619 Phone: 800-806-3556 FAX:	Job SO30980; Tower 633549; Foundation 633550	Page 27 of 47
	Project NS 175' - TI-OPP-22295 / Clover Fork - Harlan Co., KY	Date 10:41:48 08/28/23
	Client Tillman Infrastructure	Designed by AG

Dish Pipe Mount - Elevation 115 - From Leg B							
Wind Azimuth °	F_a lb	F_s lb	V_x lb	V_z lb	OTM_x lb-ft	OTM_z lb-ft	Torque lb-ft
210	0.00	47.84	-23.92	41.43	5058.35	2242.36	-272.76
240	0.00	41.43	-20.72	35.88	4420.00	1873.81	-236.22
270	0.00	23.92	-11.96	20.72	2675.99	866.90	-136.38
300	0.00	0.00	0.00	0.00	293.62	-508.56	0.00
330	0.00	23.92	11.96	-20.72	-2088.75	-1884.02	136.38

Discrete Appurtenance Totals - No Ice

Wind Azimuth °	V_x lb	V_z lb	OTM_x lb-ft	OTM_z lb-ft	Torque lb-ft
0	-0.37	-21725.43	-3398253.73	214.40	14.08
30	10838.26	-18814.59	-2942771.86	-1696331.83	144.51
60	18772.79	-10862.40	-1698625.27	-2938357.67	236.22
90	21677.17	0.37	817.96	-3393063.28	264.64
120	18773.16	10863.03	1700193.39	-2938610.69	222.15
150	10838.90	18814.96	2944154.75	-1696770.08	120.13
180	0.37	21725.43	3399383.60	-291.65	-14.08
210	-10838.26	18814.59	2943901.73	1696254.58	-144.51
240	-18772.79	10862.40	1699755.15	2938280.42	-236.22
270	-21677.17	-0.37	311.92	3392986.03	-264.64
300	-18773.16	-10863.03	-1699063.52	2938533.44	-222.15
330	-10838.90	-18814.96	-2943024.88	1696692.83	-120.13

Discrete Appurtenance Pressures - With Ice $G_H = 0.850$

Description	Aiming Azimuth °	Weight lb	Offset _x ft	Offset _z ft	z ft	K_z	q_z psf	C_{AAc} Front ft ²	C_{AAc} Side ft ²	t_z in
40,000 sq in CaAa (6,000 lbs)	0.0000	10806.77	0.00	0.00	170.00	1.415	3	409.95	409.95	1.1781
40,000 sq in CaAa (6,000 lbs)	0.0000	10762.58	0.00	0.00	155.00	1.388	3	408.74	408.74	1.1673
30,000 sq in CaAa (4,000 lbs)	0.0000	7142.90	0.00	0.00	140.00	1.359	3	305.06	305.06	1.1555
Dish Pipe Mount	240.0000	139.56	-4.56	2.63	125.00	1.326	3	0.00	2.49	1.1425
Dish Pipe Mount	120.0000	139.26	4.94	2.85	115.00	1.303	3	0.00	2.48	1.1330
Sum Weight:		28991.06								

Discrete Appurtenance Vectors - With Ice

40,000 sq in CaAa (6,000 lbs) - Elevation 170 - None C							
Wind Azimuth °	F_a lb	F_s lb	V_x lb	V_z lb	OTM_x lb-ft	OTM_z lb-ft	Torque lb-ft
0	965.76	0.00	0.00	-965.76	-164179.63	0.00	0.00
30	965.76	0.00	482.88	-836.37	-142183.73	-82089.82	0.00
60	965.76	0.00	836.37	-482.88	-82089.82	-142183.73	0.00

tnxTower Nello Corporation 1201 S. Sheridan Street South Bend, IN. 46619 Phone: 800-806-3556 FAX:	Job	SO30980; Tower 633549; Foundation 633550	Page	28 of 47
	Project	NS 175' - TI-OPP-22295 / Clover Fork - Harlan Co., KY	Date	10:41:48 08/28/23
	Client	Tillman Infrastructure	Designed by	AG

40,000 sq in CaAa (6,000 lbs) - Elevation 170 - None C							
Wind Azimuth °	F _a lb	F _s lb	V _x lb	V _z lb	OTM _x lb-ft	OTM _z lb-ft	Torque lb-ft
90	965.76	0.00	965.76	0.00	0.00	-164179.63	0.00
120	965.76	0.00	836.37	482.88	82089.82	-142183.73	0.00
150	965.76	0.00	482.88	836.37	142183.73	-82089.82	0.00
180	965.76	0.00	0.00	965.76	164179.63	0.00	0.00
210	965.76	0.00	-482.88	836.37	142183.73	82089.82	0.00
240	965.76	0.00	-836.37	482.88	82089.82	142183.73	0.00
270	965.76	0.00	-965.76	0.00	0.00	164179.63	0.00
300	965.76	0.00	-836.37	-482.88	-82089.82	142183.73	0.00
330	965.76	0.00	-482.88	-836.37	-142183.73	82089.82	0.00

40,000 sq in CaAa (6,000 lbs) - Elevation 155 - None B							
Wind Azimuth °	F _a lb	F _s lb	V _x lb	V _z lb	OTM _x lb-ft	OTM _z lb-ft	Torque lb-ft
0	944.36	0.00	0.00	-944.36	-146375.74	0.00	0.00
30	944.36	0.00	472.18	-817.84	-126765.11	-73187.87	0.00
60	944.36	0.00	817.84	-472.18	-73187.87	-126765.11	0.00
90	944.36	0.00	944.36	0.00	0.00	-146375.74	0.00
120	944.36	0.00	817.84	472.18	73187.87	-126765.11	0.00
150	944.36	0.00	472.18	817.84	126765.11	-73187.87	0.00
180	944.36	0.00	0.00	944.36	146375.74	0.00	0.00
210	944.36	0.00	-472.18	817.84	126765.11	73187.87	0.00
240	944.36	0.00	-817.84	472.18	73187.87	126765.11	0.00
270	944.36	0.00	-944.36	0.00	0.00	146375.74	0.00
300	944.36	0.00	-817.84	-472.18	-73187.87	126765.11	0.00
330	944.36	0.00	-472.18	-817.84	-126765.11	73187.87	0.00

30,000 sq in CaAa (4,000 lbs) - Elevation 140 - None A							
Wind Azimuth °	F _a lb	F _s lb	V _x lb	V _z lb	OTM _x lb-ft	OTM _z lb-ft	Torque lb-ft
0	689.88	0.00	0.00	-689.88	-96582.95	0.00	0.00
30	689.88	0.00	344.94	-597.45	-83643.29	-48291.47	0.00
60	689.88	0.00	597.45	-344.94	-48291.47	-83643.29	0.00
90	689.88	0.00	689.88	0.00	0.00	-96582.95	0.00
120	689.88	0.00	597.45	344.94	48291.47	-83643.29	0.00
150	689.88	0.00	344.94	597.45	83643.29	-48291.47	0.00
180	689.88	0.00	0.00	689.88	96582.95	0.00	0.00
210	689.88	0.00	-344.94	597.45	83643.29	48291.47	0.00
240	689.88	0.00	-597.45	344.94	48291.47	83643.29	0.00
270	689.88	0.00	-689.88	0.00	0.00	96582.95	0.00
300	689.88	0.00	-597.45	-344.94	-48291.47	83643.29	0.00
330	689.88	0.00	-344.94	-597.45	-83643.29	48291.47	0.00

Dish Pipe Mount - Elevation 125 - From Leg C							
Wind Azimuth °	F _a lb	F _s lb	V _x lb	V _z lb	OTM _x lb-ft	OTM _z lb-ft	Torque lb-ft
0	0.00	4.75	-2.38	-4.12	-146.90	933.80	-25.04
30	0.00	2.74	-1.37	-2.38	70.56	808.24	-14.46
60	0.00	0.00	0.00	0.00	367.62	636.74	0.00
90	0.00	2.74	1.37	2.38	664.68	465.23	14.46
120	0.00	4.75	2.38	4.12	882.14	339.68	25.04
150	0.00	5.49	2.74	4.75	961.74	293.72	28.91

tnxTower Nello Corporation 1201 S. Sheridan Street South Bend, IN. 46619 Phone: 800-806-3556 FAX:	Job SO30980; Tower 633549; Foundation 633550	Page 29 of 47
	Project NS 175' - TI-OPP-22295 / Clover Fork - Harlan Co., KY	Date 10:41:48 08/28/23
	Client Tillman Infrastructure	Designed by AG

Dish Pipe Mount - Elevation 125 - From Leg C							
Wind Azimuth °	F_a lb	F_s lb	V_x lb	V_z lb	OTM_x lb-ft	OTM_z lb-ft	Torque lb-ft
180	0.00	4.75	2.38	4.12	882.14	339.68	25.04
210	0.00	2.74	1.37	2.38	664.68	465.23	14.46
240	0.00	0.00	0.00	0.00	367.62	636.74	0.00
270	0.00	2.74	-1.37	-2.38	70.56	808.24	-14.46
300	0.00	4.75	-2.38	-4.12	-146.90	933.80	-25.04
330	0.00	5.49	-2.74	-4.75	-226.50	979.75	-28.91

Dish Pipe Mount - Elevation 115 - From Leg B							
Wind Azimuth °	F_a lb	F_s lb	V_x lb	V_z lb	OTM_x lb-ft	OTM_z lb-ft	Torque lb-ft
0	0.00	4.66	2.33	-4.04	-67.09	-955.50	26.57
30	0.00	5.38	2.69	-4.66	-138.88	-996.95	30.68
60	0.00	4.66	2.33	-4.04	-67.09	-955.50	26.57
90	0.00	2.69	1.35	-2.33	129.04	-842.26	15.34
120	0.00	0.00	0.00	0.00	396.97	-687.57	0.00
150	0.00	2.69	-1.35	2.33	664.89	-532.88	-15.34
180	0.00	4.66	-2.33	4.04	861.03	-419.65	-26.57
210	0.00	5.38	-2.69	4.66	932.82	-378.20	-30.68
240	0.00	4.66	-2.33	4.04	861.03	-419.65	-26.57
270	0.00	2.69	-1.35	2.33	664.89	-532.88	-15.34
300	0.00	0.00	0.00	0.00	396.97	-687.57	0.00
330	0.00	2.69	1.35	-2.33	129.04	-842.26	15.34

Discrete Appurtenance Totals - With Ice

Wind Azimuth °	V_x lb	V_z lb	OTM_x lb-ft	OTM_z lb-ft	Torque lb-ft
0	-0.05	-2608.15	-407352.32	-21.70	1.53
30	1301.32	-2258.70	-352660.45	-203757.86	16.22
60	2254.00	-1304.04	-203268.63	-352910.89	26.57
90	2602.72	0.05	793.72	-407515.36	29.79
120	2254.04	1304.12	204848.28	-352940.03	25.04
150	1301.40	2258.75	354218.77	-203808.33	13.58
180	0.05	2608.15	408881.50	-79.97	-1.53
210	-1301.32	2258.70	354189.63	203656.19	-16.22
240	-2254.00	1304.04	204797.81	352809.22	-26.57
270	-2602.72	-0.05	735.45	407413.68	-29.79
300	-2254.04	-1304.12	-203319.10	352838.36	-25.04
330	-1301.40	-2258.75	-352689.59	203706.66	-13.58

Discrete Appurtenance Pressures - Service $G_H = 0.850$

Description	Aiming Azimuth °	Weight lb	Offset _x ft	Offset _z ft	z ft	K_z	q_z psf	C_{AAc} Front ft ²	C_{AAc} Side ft ²
40,000 sq in CaAa (6,000 lbs)	0.0000	6000.00	0.00	0.00	170.00	1.415	11	278.00	278.00
40,000 sq in CaAa (6,000 lbs)	0.0000	6000.00	0.00	0.00	155.00	1.388	11	278.00	278.00

Description	Aiming Azimuth °	Weight lb	Offset _x ft	Offset _z ft	z ft	K _z	q _z psf	C _{AAC} Front ft ²	C _{AAC} Side ft ²
lbs) 30,000 sq in CaAa (4,000 lbs)	0.0000	4000.00	0.00	0.00	140.00	1.359	11	208.00	208.00
Dish Pipe Mount	240.0000	103.00	-4.56	2.63	125.00	1.326	10	0.00	1.80
Dish Pipe Mount	120.0000	103.00	4.94	2.85	115.00	1.303	10	0.00	1.80
Sum Weight:		16206.00							

Discrete Appurtenance Vectors - Service

40,000 sq in CaAa (6,000 lbs) - Elevation 170 - None C

Wind Azimuth °	F _a lb	F _s lb	V _x lb	V _z lb	OTM _x lb-ft	OTM _z lb-ft	Torque lb-ft
0	2619.65	0.00	0.00	-2619.65	-445340.81	0.00	0.00
30	2619.65	0.00	1309.83	-2268.69	-385676.45	-222670.41	0.00
60	2619.65	0.00	2268.69	-1309.83	-222670.41	-385676.45	0.00
90	2619.65	0.00	2619.65	0.00	0.00	-445340.81	0.00
120	2619.65	0.00	2268.69	1309.83	222670.41	-385676.45	0.00
150	2619.65	0.00	1309.83	2268.69	385676.45	-222670.41	0.00
180	2619.65	0.00	0.00	2619.65	445340.81	0.00	0.00
210	2619.65	0.00	-1309.83	2268.69	385676.45	222670.41	0.00
240	2619.65	0.00	-2268.69	1309.83	222670.41	385676.45	0.00
270	2619.65	0.00	-2619.65	0.00	0.00	445340.81	0.00
300	2619.65	0.00	-2268.69	-1309.83	-222670.41	385676.45	0.00
330	2619.65	0.00	-1309.83	-2268.69	-385676.45	222670.41	0.00

40,000 sq in CaAa (6,000 lbs) - Elevation 155 - None B

Wind Azimuth °	F _a lb	F _s lb	V _x lb	V _z lb	OTM _x lb-ft	OTM _z lb-ft	Torque lb-ft
0	2569.20	0.00	0.00	-2569.20	-398225.93	0.00	0.00
30	2569.20	0.00	1284.60	-2224.99	-344873.78	-199112.97	0.00
60	2569.20	0.00	2224.99	-1284.60	-199112.97	-344873.78	0.00
90	2569.20	0.00	2569.20	0.00	0.00	-398225.93	0.00
120	2569.20	0.00	2224.99	1284.60	199112.97	-344873.78	0.00
150	2569.20	0.00	1284.60	2224.99	344873.78	-199112.97	0.00
180	2569.20	0.00	0.00	2569.20	398225.93	0.00	0.00
210	2569.20	0.00	-1284.60	2224.99	344873.78	199112.97	0.00
240	2569.20	0.00	-2224.99	1284.60	199112.97	344873.78	0.00
270	2569.20	0.00	-2569.20	0.00	0.00	398225.93	0.00
300	2569.20	0.00	-2224.99	-1284.60	-199112.97	344873.78	0.00
330	2569.20	0.00	-1284.60	-2224.99	-344873.78	199112.97	0.00

30,000 sq in CaAa (4,000 lbs) - Elevation 140 - None A

Wind Azimuth °	F _a lb	F _s lb	V _x lb	V _z lb	OTM _x lb-ft	OTM _z lb-ft	Torque lb-ft
0	1881.53	0.00	0.00	-1881.53	-263413.71	0.00	0.00
30	1881.53	0.00	940.76	-1629.45	-228122.97	-131706.86	0.00
60	1881.53	0.00	1629.45	-940.76	-131706.86	-228122.97	0.00
90	1881.53	0.00	1881.53	0.00	0.00	-263413.71	0.00
120	1881.53	0.00	1629.45	940.76	131706.86	-228122.97	0.00
150	1881.53	0.00	940.76	1629.45	228122.97	-131706.86	0.00

tnxTower Nello Corporation 1201 S. Sheridan Street South Bend, IN. 46619 Phone: 800-806-3556 FAX:	Job SO30980; Tower 633549; Foundation 633550	Page 31 of 47
	Project NS 175' - TI-OPP-22295 / Clover Fork - Harlan Co., KY	Date 10:41:48 08/28/23
	Client Tillman Infrastructure	Designed by AG

30,000 sq in CaAa (4,000 lbs) - Elevation 140 - None A							
Wind Azimuth °	F _a lb	F _s lb	V _x lb	V _z lb	OTM _x lb-ft	OTM _z lb-ft	Torque lb-ft
180	1881.53	0.00	0.00	1881.53	263413.71	0.00	0.00
210	1881.53	0.00	-940.76	1629.45	228122.97	131706.86	0.00
240	1881.53	0.00	-1629.45	940.76	131706.86	228122.97	0.00
270	1881.53	0.00	-1881.53	0.00	0.00	263413.71	0.00
300	1881.53	0.00	-1629.45	-940.76	-131706.86	228122.97	0.00
330	1881.53	0.00	-940.76	-1629.45	-228122.97	131706.86	0.00

Dish Pipe Mount - Elevation 125 - From Leg C							
Wind Azimuth °	F _a lb	F _s lb	V _x lb	V _z lb	OTM _x lb-ft	OTM _z lb-ft	Torque lb-ft
0	0.00	13.77	-6.88	-11.92	-1219.17	1330.47	-72.54
30	0.00	7.95	-3.97	-6.88	-589.22	966.77	-41.88
60	0.00	0.00	0.00	0.00	271.32	469.94	0.00
90	0.00	7.95	3.97	6.88	1131.85	-26.89	41.88
120	0.00	13.77	6.88	11.92	1761.81	-390.60	72.54
150	0.00	15.90	7.95	13.77	1992.39	-523.72	83.76
180	0.00	13.77	6.88	11.92	1761.81	-390.60	72.54
210	0.00	7.95	3.97	6.88	1131.85	-26.89	41.88
240	0.00	0.00	0.00	0.00	271.32	469.94	0.00
270	0.00	7.95	-3.97	-6.88	-589.22	966.77	-41.88
300	0.00	13.77	-6.88	-11.92	-1219.17	1330.47	-72.54
330	0.00	15.90	-7.95	-13.77	-1449.75	1463.60	-83.76

Dish Pipe Mount - Elevation 115 - From Leg B							
Wind Azimuth °	F _a lb	F _s lb	V _x lb	V _z lb	OTM _x lb-ft	OTM _z lb-ft	Torque lb-ft
0	0.00	13.53	6.76	-11.72	-1053.77	-1286.48	77.13
30	0.00	15.62	7.81	-13.53	-1262.21	-1406.82	89.07
60	0.00	13.53	6.76	-11.72	-1053.77	-1286.48	77.13
90	0.00	7.81	3.91	-6.76	-484.30	-957.69	44.53
120	0.00	0.00	0.00	0.00	293.62	-508.56	0.00
150	0.00	7.81	-3.91	6.76	1071.53	-59.43	-44.53
180	0.00	13.53	-6.76	11.72	1641.01	269.35	-77.13
210	0.00	15.62	-7.81	13.53	1849.45	389.70	-89.07
240	0.00	13.53	-6.76	11.72	1641.01	269.35	-77.13
270	0.00	7.81	-3.91	6.76	1071.53	-59.43	-44.53
300	0.00	0.00	0.00	0.00	293.62	-508.56	0.00
330	0.00	7.81	3.91	-6.76	-484.30	-957.69	44.53

Discrete Appurtenance Totals - Service

Wind Azimuth °	V _x lb	V _z lb	OTM _x lb-ft	OTM _z lb-ft	Torque lb-ft
0	-0.12	-7094.02	-1109253.40	43.99	4.60
30	3539.03	-6143.54	-960524.63	-553930.28	47.19
60	6129.89	-3546.91	-554272.68	-959489.74	77.13
90	7078.26	0.12	647.56	-1107965.04	86.41
120	6130.01	3547.11	555545.66	-959572.36	72.54
150	3539.23	6143.66	961737.12	-554073.38	39.23

tnxTower Nello Corporation 1201 S. Sheridan Street South Bend, IN. 46619 Phone: 800-806-3556 FAX:	Job SO30980; Tower 633549; Foundation 633550	Page 32 of 47
	Project NS 175' - TI-OPP-22295 / Clover Fork - Harlan Co., KY	Date 10:41:48 08/28/23
	Client Tillman Infrastructure	Designed by AG

Wind Azimuth °	V _x lb	V _z lb	OTM _x lb-ft	OTM _z lb-ft	Torque lb-ft
180	0.12	7094.02	1110383.28	-121.24	-4.60
210	-3539.03	6143.54	961654.50	553853.03	-47.19
240	-6129.89	3546.91	555402.56	959412.49	-77.13
270	-7078.26	-0.12	482.32	1107887.79	-86.41
300	-6130.01	-3547.11	-554415.78	959495.11	-72.54
330	-3539.23	-6143.66	-960607.25	553996.13	-39.23

Dish Pressures - No Ice

Elevation ft	Dish Description	Aiming Azimuth °	Weight lb	Offset _x ft	Offset _z ft	K _z	A _A ft ²	q _z psf
125.00	8' Solid Dish	300.0000	250.00	-4.56	2.63	1.326	50.27	32
115.00	8' Solid Dish	180.0000	250.00	4.94	2.85	1.303	50.27	31
	Sum		500.00					
	Weight:							

Dish Vectors - No Ice

8' Solid Dish - Elevation 125 - From Leg C											
Wind Azimuth °	C _A	C _S	C _M	F _A lb	F _S lb	F _M lb-ft	V _x lb	V _z lb	OTM _x lb-ft	OTM _z lb-ft	Torque lb-ft
0	-0.001170	-0.001170	-0.000366	-621.46	-621.46	-1555.25	-227.47	-848.94	-105458.47	29574.59	-6027.72
30	-0.000030	-0.000880	-0.000336	-15.93	-467.43	-1427.77	219.91	-412.77	-50937.76	-26348.50	-2731.75
60	0.004220	-0.000620	0.000223	2241.52	-329.32	947.60	2105.88	835.56	105103.34	-262093.82	10307.05
90	0.003980	0.000080	0.000108	2114.04	42.49	458.93	1809.57	1093.82	137386.14	-225055.20	10216.17
120	0.003970	-0.000000	-0.000000	2108.73	0.00	0.00	1826.21	1054.36	132454.13	-227136.03	9621.08
150	0.003980	-0.000080	-0.000108	2114.04	-42.49	-458.93	1852.06	1020.22	128186.07	-230366.86	9074.45
180	0.004220	0.000620	-0.000223	2241.52	329.32	-947.60	1776.55	1405.96	176403.85	-220928.44	10146.83
210	-0.000030	0.000880	0.000336	-15.93	467.43	1427.77	-247.51	396.84	50262.97	32079.77	2586.35
240	-0.001170	0.001170	0.000366	-621.46	621.46	1555.25	-848.94	227.47	29092.51	107257.63	356.86
270	-0.001980	0.001000	0.000278	-1051.71	531.17	1181.31	-1176.39	-65.85	-7572.85	148189.33	-2217.93
300	-0.002700	-0.000000	-0.000000	-1434.15	0.00	0.00	-1242.01	-717.07	-88975.74	156391.75	-6543.30
330	-0.001980	-0.001000	-0.000278	-1051.71	-531.17	-1181.31	-645.22	-985.86	-122573.68	81793.57	-7378.91

8' Solid Dish - Elevation 115 - From Leg B											
Wind Azimuth °	C _A	C _S	C _M	F _A lb	F _S lb	F _M lb-ft	V _x lb	V _z lb	OTM _x lb-ft	OTM _z lb-ft	Torque lb-ft
0	0.003970	0.000000	0.000000	2072.04	0.00	0.00	0.00	-2072.04	-237571.44	-1234.37	10230.68
30	0.003980	-0.000080	-0.000108	2077.25	-41.75	-450.94	-41.75	-2077.25	-238171.65	3567.32	9686.48
60	0.004220	0.000620	-0.000223	2202.52	323.59	-931.11	323.59	-2202.52	-252576.73	-38447.51	10866.27
90	-0.000030	0.000880	0.000336	-15.66	459.29	1402.93	459.29	15.66	2513.30	-54053.02	2634.91
120	-0.001170	0.001170	0.000366	-610.65	610.65	1528.19	610.65	610.65	70937.45	-71459.16	253.87
150	-0.001980	0.001000	0.000278	-1033.41	521.92	1160.76	521.92	1033.41	119554.61	-61255.56	-2453.87
180	-0.002700	0.000000	0.000000	-1409.19	0.00	0.00	0.00	1409.19	162769.87	-1234.37	-6957.89
210	-0.001980	-0.001000	-0.000278	-1033.41	-521.92	-1160.76	-521.92	1033.41	119554.61	58786.81	-7751.04
240	-0.001170	-0.001170	-0.000366	-610.65	-610.65	-1528.19	-610.65	610.65	70937.45	68990.41	-6284.04
270	-0.000030	-0.000880	-0.000336	-15.66	-459.29	-1402.93	-459.29	15.66	2513.30	51584.27	-2789.53
300	0.004220	-0.000620	0.000223	2202.52	-323.59	931.11	-323.59	-2202.52	-252576.73	35978.76	10883.58
330	0.003980	0.000080	0.000108	2077.25	41.75	450.94	41.75	-2077.25	-238171.65	-6036.07	10826.41

tnxTower Nello Corporation 1201 S. Sheridan Street South Bend, IN. 46619 Phone: 800-806-3556 FAX:	Job SO30980; Tower 633549; Foundation 633550	Page 33 of 47
	Project NS 175' - TI-OPP-22295 / Clover Fork - Harlan Co., KY	Date 10:41:48 08/28/23
	Client Tillman Infrastructure	Designed by AG

Dish Totals - No Ice

Wind Azimuth °	V _x lb	V _z lb	OTM _x lb-ft	OTM _z lb-ft	Torque lb-ft
0	-227.47	-2920.97	-343029.90	28340.22	4202.95
30	178.16	-2490.03	-289109.41	-22781.18	6954.72
60	2429.47	-1366.96	-147473.40	-300541.33	21173.32
90	2268.86	1109.48	139899.44	-279108.22	12851.08
120	2436.86	1665.02	203391.58	-298595.19	9874.94
150	2373.98	2053.63	247740.68	-291622.42	6620.58
180	1776.55	2815.16	339173.72	-222162.82	3188.94
210	-769.44	1430.24	169817.58	90866.58	-5164.69
240	-1459.59	838.12	100029.96	176248.04	-5927.18
270	-1635.68	-50.19	-5059.55	199773.60	-5007.46
300	-1565.60	-2919.59	-341552.47	192370.51	4340.28
330	-603.47	-3063.11	-360745.33	75757.50	3447.50

Dish Pressures - With Ice

Elevation ft	Dish Description	Aiming Azimuth °	Weight lb	Offset _x ft	Offset _z ft	K _z	A _A ft ²	q _z psf	t _z in
125.00	8' Solid Dish	300.0000	901.20	-4.56	2.63	1.326	52.67	3	1.1425
115.00	8' Solid Dish	180.0000	895.79	4.94	2.85	1.303	52.65	3	1.1330
	Sum Weight:		1796.99						

Dish Vectors - With Ice

8' Solid Dish - Elevation 125 - From Leg C											
Wind Azimuth °	C _A	C _S	C _M	F _A lb	F _S lb	F _M lb-ft	V _x lb	V _z lb	OTM _x lb-ft	OTM _z lb-ft	Torque lb-ft
0	-0.001170	-0.001170	-0.000366	-53.15	-53.15	-133.02	-19.46	-72.61	-6702.38	6543.71	-515.56
30	-0.000030	-0.000880	-0.000336	-1.36	-39.98	-122.12	18.81	-35.30	-2039.17	1760.56	-233.65
60	0.004220	-0.000620	0.000223	191.72	-28.17	81.05	180.12	71.47	11307.17	-18402.96	881.57
90	0.003980	0.000080	0.000108	180.82	3.63	39.25	154.77	93.56	14068.34	-15235.01	873.80
120	0.003970	-0.000000	-0.000000	180.36	0.00	0.00	156.20	90.18	13646.50	-15412.99	822.90
150	0.003980	-0.000080	-0.000108	180.82	-3.63	-39.25	158.41	87.26	13281.45	-15689.32	776.15
180	0.004220	0.000620	-0.000223	191.72	28.17	-81.05	151.95	120.25	17405.56	-14882.05	867.87
210	-0.000030	0.000880	0.000336	-1.36	39.98	122.12	-21.17	33.94	6616.62	6757.98	221.21
240	-0.001170	0.001170	0.000366	-53.15	53.15	133.02	-72.61	19.46	4805.89	13188.01	30.52
270	-0.001980	0.001000	0.000278	-89.95	45.43	101.04	-100.62	-5.63	1669.87	16688.94	-189.70
300	-0.002700	-0.000000	-0.000000	-122.66	0.00	0.00	-106.23	-61.33	-5292.60	17390.50	-559.65
330	-0.001980	-0.001000	-0.000278	-89.95	-45.43	-101.04	-55.19	-84.32	-8166.26	11010.05	-631.13

8' Solid Dish - Elevation 115 - From Leg B											
Wind Azimuth °	C _A	C _S	C _M	F _A lb	F _S lb	F _M lb-ft	V _x lb	V _z lb	OTM _x lb-ft	OTM _z lb-ft	Torque lb-ft
0	0.003970	0.000000	0.000000	177.16	0.00	0.00	0.00	-177.16	-17819.31	-4422.98	874.71
30	0.003980	-0.000080	-0.000108	177.60	-3.57	-38.55	-3.57	-177.60	-17870.62	-4012.44	828.18
60	0.004220	0.000620	-0.000223	188.31	27.67	-79.61	27.67	-188.31	-19102.24	-7604.64	929.05
90	-0.000030	0.000880	0.000336	-1.34	39.27	119.95	39.27	1.34	2707.56	-8938.89	225.28
120	-0.001170	0.001170	0.000366	-52.21	52.21	130.66	52.21	52.21	8557.72	-10427.09	21.71
150	-0.001980	0.001000	0.000278	-88.35	44.62	99.24	44.62	88.35	12714.41	-9554.69	-209.80
180	-0.002700	0.000000	0.000000	-120.48	0.00	0.00	0.00	120.48	16409.24	-4422.98	-594.89

tnxTower Nello Corporation 1201 S. Sheridan Street South Bend, IN. 46619 Phone: 800-806-3556 FAX:	Job SO30980; Tower 633549; Foundation 633550	Page 34 of 47
	Project NS 175' - TI-OPP-22295 / Clover Fork - Harlan Co., KY	Date 10:41:48 08/28/23
	Client Tillman Infrastructure	Designed by AG

8' Solid Dish - Elevation 115 - From Leg B											
Wind Azimuth °	C _A	C _S	C _M	F _A	F _S	F _M	V _x	V _z	OTM _x	OTM _z	Torque
				lb	lb	lb-ft	lb	lb	lb-ft	lb-ft	lb-ft
210	-0.001980	-0.001000	-0.000278	-88.35	-44.62	-99.24	-44.62	88.35	12714.41	708.74	-662.70
240	-0.001170	-0.001170	-0.000366	-52.21	-52.21	-130.66	-52.21	52.21	8557.72	1581.13	-537.28
270	-0.000030	-0.000880	-0.000336	-1.34	-39.27	-119.95	-39.27	1.34	2707.56	92.93	-238.50
300	0.004220	-0.000620	0.000223	188.31	-27.67	79.61	-27.67	-188.31	-19102.24	-1241.31	930.53
330	0.003980	0.000080	0.000108	177.60	3.57	38.55	3.57	-177.60	-17870.62	-4833.51	925.64

Dish Totals - With Ice

Wind Azimuth °	V _x	V _z	OTM _x	OTM _z	Torque
	lb	lb	lb-ft	lb-ft	lb-ft
0	-19.46	-249.77	-24521.69	2120.73	359.15
30	15.24	-212.91	-19909.80	-2251.88	594.53
60	207.78	-116.85	-7795.07	-26007.60	1810.62
90	194.04	94.89	16775.90	-24173.90	1099.08
120	208.41	142.39	22204.22	-25840.07	844.60
150	203.03	175.62	25995.86	-25244.02	566.34
180	151.95	240.74	33814.81	-19305.02	272.98
210	-65.79	122.30	19331.02	7466.72	-441.49
240	-124.82	71.67	13363.60	14769.14	-506.75
270	-139.89	-4.29	4377.43	16781.87	-428.20
300	-133.90	-249.64	-24394.83	16149.18	370.87
330	-51.62	-261.92	-26036.88	6176.53	294.52

Dish Pressures - Service

Elevation ft	Dish Description	Aiming Azimuth °	Weight lb	Offset _x ft	Offset _z ft	K _z	A _A ft ²	q _z psf
125.00	8' Solid Dish	300.0000	250.00	-4.56	2.63	1.326	50.27	10
115.00	8' Solid Dish	180.0000	250.00	4.94	2.85	1.303	50.27	10
	Sum Weight:		500.00					

Dish Vectors - Service

8' Solid Dish - Elevation 125 - From Leg C											
Wind Azimuth °	C _A	C _S	C _M	F _A	F _S	F _M	V _x	V _z	OTM _x	OTM _z	Torque
				lb	lb	lb-ft	lb	lb	lb-ft	lb-ft	lb-ft
0	-0.001170	-0.001170	-0.000366	-202.93	-202.93	-507.84	-74.28	-277.20	-33991.91	10425.19	-1968.24
30	-0.000030	-0.000880	-0.000336	-5.20	-152.63	-466.21	71.81	-134.78	-16189.23	-7835.42	-892.00
60	0.004220	-0.000620	0.000223	731.93	-107.53	309.42	687.63	272.84	34762.96	-84813.48	3365.57
90	0.003980	0.000080	0.000108	690.30	13.88	149.85	590.88	357.17	45304.29	-72719.24	3335.89
120	0.003970	-0.000000	-0.000000	688.56	0.00	0.00	596.31	344.28	43693.83	-73398.69	3141.58
150	0.003980	-0.000080	-0.000108	690.30	-13.88	-149.85	604.75	333.13	42300.18	-74453.66	2963.09
180	0.004220	0.000620	-0.000223	731.93	107.53	-309.42	580.10	459.09	58044.76	-71371.72	3313.25
210	-0.000030	0.000880	0.000336	-5.20	152.63	466.21	-80.82	129.58	16855.90	11243.20	844.52
240	-0.001170	0.001170	0.000366	-202.93	202.93	507.84	-277.20	74.28	9943.10	35791.08	116.53
270	-0.001980	0.001000	0.000278	-343.42	173.44	385.73	-384.13	-21.50	-2029.26	49156.53	-724.22
300	-0.002700	-0.000000	-0.000000	-468.29	0.00	0.00	-405.55	-234.15	-28609.80	51834.87	-2136.59
330	-0.001980	-0.001000	-0.000278	-343.42	-173.44	-385.73	-210.69	-321.91	-39580.55	27476.28	-2409.44

tnxTower Nello Corporation 1201 S. Sheridan Street South Bend, IN. 46619 Phone: 800-806-3556 FAX:	Job SO30980; Tower 633549; Foundation 633550	Page 35 of 47
	Project NS 175' - TI-OPP-22295 / Clover Fork - Harlan Co., KY	Date 10:41:48 08/28/23
	Client Tillman Infrastructure	Designed by AG

8' Solid Dish - Elevation 115 - From Leg B											
Wind Azimuth °	C _A	C _S	C _M	F _A	F _S	F _M	V _x	V _z	OTM _x	OTM _z	Torque
				lb	lb	lb-ft	lb	lb	lb-ft	lb-ft	lb-ft
0	0.003970	0.000000	0.000000	676.58	0.00	0.00	0.00	-676.58	-77094.39	-1234.37	3340.63
30	0.003980	-0.000080	-0.000108	678.29	-13.63	-147.25	-13.63	-678.29	-77290.38	333.53	3162.93
60	0.004220	0.000620	-0.000223	719.19	105.66	-304.04	105.66	-719.19	-81994.08	-13385.60	3548.17
90	-0.000030	0.000880	0.000336	-5.11	149.97	458.10	149.97	5.11	1300.63	-18481.28	860.38
120	-0.001170	0.001170	0.000366	-199.40	199.40	499.00	199.40	199.40	23643.21	-24164.92	82.90
150	-0.001980	0.001000	0.000278	-337.44	170.42	379.02	170.42	337.44	39518.20	-20833.13	-801.26
180	-0.002700	0.000000	0.000000	-460.14	0.00	0.00	0.00	460.14	53629.30	-1234.37	-2271.96
210	-0.001980	-0.001000	-0.000278	-337.44	-170.42	-379.02	-170.42	337.44	39518.20	18364.38	-2530.95
240	-0.001170	-0.001170	-0.000366	-199.40	-199.40	-499.00	-199.40	199.40	23643.21	21696.17	-2051.93
270	-0.000030	-0.000880	-0.000336	-5.11	-149.97	-458.10	-149.97	5.11	1300.63	16012.53	-910.87
300	0.004220	-0.000620	0.000223	719.19	-105.66	304.04	-105.66	-719.19	-81994.08	10916.85	3553.82
330	0.003980	0.000080	0.000108	678.29	13.63	147.25	13.63	-678.29	-77290.38	-2802.28	3535.16

Dish Totals - Service

Wind Azimuth °	V _x	V _z	OTM _x	OTM _z	Torque
	lb	lb	lb-ft	lb-ft	lb-ft
0	-74.28	-953.79	-111086.30	9190.81	1372.39
30	58.17	-813.07	-93479.61	-7501.89	2270.93
60	793.30	-446.35	-47231.11	-98199.08	6913.74
90	740.85	362.28	46604.92	-91200.51	4196.27
120	795.71	543.68	67337.04	-97563.61	3224.47
150	775.18	670.57	81818.38	-95286.79	2161.82
180	580.10	919.23	111674.07	-72606.10	1041.29
210	-251.24	467.02	56374.10	29607.58	-1686.43
240	-476.60	273.67	33586.31	57487.24	-1935.40
270	-534.10	-16.39	-728.63	65169.06	-1635.09
300	-511.22	-953.34	-110603.87	62751.72	1417.23
330	-197.05	-1000.20	-116870.93	24674.00	1125.72

Force Totals

Load Case	Vertical Forces	Sum of Forces X	Sum of Forces Z	Sum of Overturning Moments, M _x	Sum of Overturning Moments, M _z	Sum of Torques
	lb	lb	lb	lb-ft	lb-ft	lb-ft
Leg Weight	12887.78					
Bracing Weight	9169.45					
Total Member Self-Weight	22057.23			2682.21	-700.48	
Total Weight	44455.83			2682.21	-700.48	
Wind 0 deg - No Ice		-227.84	-51611.86	-5924220.71	27986.50	5733.95
Wind 30 deg - No Ice		23729.39	-43324.12	-5019786.56	-2752359.46	14701.73
Wind 60 deg - No Ice		42631.89	-24601.76	-2845156.65	-4971178.50	23650.29
Wind 90 deg - No Ice		49036.35	1109.85	141463.46	-5685750.06	9394.33
Wind 120 deg - No Ice		44272.15	25842.98	2969999.49	-5083565.89	10820.93
Wind 150 deg - No Ice		25842.60	42743.91	4959665.48	-3009152.37	11715.83
Wind 180 deg - No Ice		1776.92	49454.51	5766284.56	-223022.57	1657.95
Wind 210 deg - No Ice		-24320.67	42264.34	4903116.74	2819231.40	-12911.69
Wind 240 deg - No Ice		-43438.69	25098.69	2878686.20	4981379.64	-8404.15
Wind 270 deg - No Ice		-48403.17	-50.56	-4001.56	5605201.98	-1550.71
Wind 300 deg - No Ice		-41624.21	-26071.78	-3027187.39	4840419.86	3394.30

<p>tnxTower</p> <p>Nello Corporation 1201 S. Sheridan Street South Bend, IN. 46619 Phone: 800-806-3556 FAX:</p>	<p>Job</p> <p>SO30980; Tower 633549; Foundation 633550</p>	<p>Page</p> <p>36 of 47</p>
	<p>Project</p> <p>NS 175' - TI-OPP-22295 / Clover Fork - Harlan Co., KY</p>	<p>Date</p> <p>10:41:48 08/28/23</p>
	<p>Client</p> <p>Tillman Infrastructure</p>	<p>Designed by</p> <p>AG</p>

Load Case	Vertical Forces lb	Sum of Forces X lb	Sum of Forces Z lb	Sum of Overturning Moments, M _x lb-ft	Sum of Overturning Moments, M _z lb-ft	Sum of Torques lb-ft
Wind 330 deg - No Ice		-24072.09	-43753.39	-5070048.12	2792073.99	-1647.74
Member Ice	19878.14					
Total Weight Ice	90455.68			8683.41	-3088.28	
Wind 0 deg - Ice		-19.50	-6009.80	-688333.22	-627.17	608.36
Wind 30 deg - Ice		2835.99	-5103.34	-586882.88	-334196.44	1397.60
Wind 60 deg - Ice		5049.02	-2914.62	-331037.56	-594626.61	2184.18
Wind 90 deg - Ice		5808.23	94.94	20560.94	-681063.27	943.03
Wind 120 deg - Ice		5168.33	3008.75	357632.49	-602496.38	968.95
Wind 150 deg - Ice		3017.07	5054.33	598744.38	-356219.72	937.76
Wind 180 deg - Ice		152.00	5850.18	693852.49	-22111.19	23.77
Wind 210 deg - Ice		-2886.54	5012.73	593815.91	333857.20	-1244.55
Wind 240 deg - Ice		-5096.47	2944.74	349760.72	587607.75	-880.31
Wind 270 deg - Ice		-5754.07	-4.34	8104.19	668117.18	-272.16
Wind 300 deg - Ice		-4963.41	-3040.71	-346668.47	577477.76	246.53
Wind 330 deg - Ice		-2865.65	-5140.64	-591273.60	331598.17	-76.90
Total Weight	44455.83			2682.21	-700.48	
Wind 0 deg - Service		-74.40	-17230.80	-1956533.01	9234.80	1872.31
Wind 30 deg - Service		7937.34	-14473.96	-1658105.54	-910210.23	4800.56
Wind 60 deg - Service		14247.93	-8222.20	-939547.38	-1643197.49	7722.54
Wind 90 deg - Service		16389.81	362.40	47252.47	-1879629.01	3067.54
Wind 120 deg - Service		14783.52	8627.49	982433.03	-1679895.41	3533.36
Wind 150 deg - Service		8627.37	14284.50	1640594.81	-994060.97	3825.58
Wind 180 deg - Service		580.22	16526.35	1907082.67	-72727.34	541.37
Wind 210 deg - Service		-8130.41	14127.91	1622129.91	932238.67	-4216.06
Wind 240 deg - Service		-14511.37	8384.46	952616.45	1646721.18	-2744.21
Wind 270 deg - Service		-16183.06	-16.51	-246.31	1853520.31	-506.35
Wind 300 deg - Service		-13918.89	-8702.21	-998985.99	1600693.50	1108.34
Wind 330 deg - Service		-8049.25	-14614.13	-1674517.48	923370.94	-538.04

Load Combinations

Comb. No.	Description
1	Dead Only
2	1.2 Dead+1.0 Wind 0 deg - No Ice
3	0.9 Dead+1.0 Wind 0 deg - No Ice
4	1.2 Dead+1.0 Wind 30 deg - No Ice
5	0.9 Dead+1.0 Wind 30 deg - No Ice
6	1.2 Dead+1.0 Wind 60 deg - No Ice
7	0.9 Dead+1.0 Wind 60 deg - No Ice
8	1.2 Dead+1.0 Wind 90 deg - No Ice
9	0.9 Dead+1.0 Wind 90 deg - No Ice
10	1.2 Dead+1.0 Wind 120 deg - No Ice
11	0.9 Dead+1.0 Wind 120 deg - No Ice
12	1.2 Dead+1.0 Wind 150 deg - No Ice
13	0.9 Dead+1.0 Wind 150 deg - No Ice
14	1.2 Dead+1.0 Wind 180 deg - No Ice
15	0.9 Dead+1.0 Wind 180 deg - No Ice
16	1.2 Dead+1.0 Wind 210 deg - No Ice
17	0.9 Dead+1.0 Wind 210 deg - No Ice
18	1.2 Dead+1.0 Wind 240 deg - No Ice
19	0.9 Dead+1.0 Wind 240 deg - No Ice
20	1.2 Dead+1.0 Wind 270 deg - No Ice
21	0.9 Dead+1.0 Wind 270 deg - No Ice
22	1.2 Dead+1.0 Wind 300 deg - No Ice
23	0.9 Dead+1.0 Wind 300 deg - No Ice

<i>Comb. No.</i>	<i>Description</i>
24	1.2 Dead+1.0 Wind 330 deg - No Ice
25	0.9 Dead+1.0 Wind 330 deg - No Ice
26	1.2 Dead+1.0 Ice+1.0 Temp
27	1.2 Dead+1.0 Wind 0 deg+1.0 Ice+1.0 Temp
28	1.2 Dead+1.0 Wind 30 deg+1.0 Ice+1.0 Temp
29	1.2 Dead+1.0 Wind 60 deg+1.0 Ice+1.0 Temp
30	1.2 Dead+1.0 Wind 90 deg+1.0 Ice+1.0 Temp
31	1.2 Dead+1.0 Wind 120 deg+1.0 Ice+1.0 Temp
32	1.2 Dead+1.0 Wind 150 deg+1.0 Ice+1.0 Temp
33	1.2 Dead+1.0 Wind 180 deg+1.0 Ice+1.0 Temp
34	1.2 Dead+1.0 Wind 210 deg+1.0 Ice+1.0 Temp
35	1.2 Dead+1.0 Wind 240 deg+1.0 Ice+1.0 Temp
36	1.2 Dead+1.0 Wind 270 deg+1.0 Ice+1.0 Temp
37	1.2 Dead+1.0 Wind 300 deg+1.0 Ice+1.0 Temp
38	1.2 Dead+1.0 Wind 330 deg+1.0 Ice+1.0 Temp
39	Dead+Wind 0 deg - Service
40	Dead+Wind 30 deg - Service
41	Dead+Wind 60 deg - Service
42	Dead+Wind 90 deg - Service
43	Dead+Wind 120 deg - Service
44	Dead+Wind 150 deg - Service
45	Dead+Wind 180 deg - Service
46	Dead+Wind 210 deg - Service
47	Dead+Wind 240 deg - Service
48	Dead+Wind 270 deg - Service
49	Dead+Wind 300 deg - Service
50	Dead+Wind 330 deg - Service

Maximum Member Forces

<i>Section No.</i>	<i>Elevation ft</i>	<i>Component Type</i>	<i>Condition</i>	<i>Gov. Load Comb.</i>	<i>Axial lb</i>	<i>Major Axis Moment lb-ft</i>	<i>Minor Axis Moment lb-ft</i>
T1	175.3 - 160	Leg	Max Tension	15	10483.66	2.18	-14.21
			Max. Compression	2	-14979.46	4.42	340.84
			Max. Mx	20	-2509.07	404.89	-8.08
			Max. My	2	3655.77	-23.14	397.66
			Max. Vy	8	-2688.93	-258.18	-23.55
			Max. Vx	2	2693.19	0.43	274.30
		Diagonal	Max Tension	8	3799.71	0.00	0.00
			Max. Compression	20	-3834.53	0.00	0.00
			Max. Mx	35	471.49	16.43	0.13
			Max. My	20	-3620.93	1.82	7.94
			Max. Vy	35	-15.61	16.43	0.13
			Max. Vx	20	-1.92	1.82	7.94
		Top Girt	Max Tension	14	862.84	0.00	0.00
			Max. Compression	18	-911.39	0.00	0.00
			Max. Mx	26	-26.17	-41.89	0.00
			Max. My	6	-448.89	0.00	0.00
			Max. Vy	26	25.78	0.00	0.00
			Max. Vx	6	-0.00	0.00	0.00
T2	160 - 140	Leg	Max Tension	15	48720.61	406.77	28.08
			Max. Compression	2	-58686.51	479.46	2.73
			Max. Mx	22	15258.82	2160.35	2.73
			Max. My	8	-4764.82	-55.53	-2377.10
			Max. Vy	22	2316.72	-1688.87	2.73
			Max. Vx	16	-2175.61	-52.93	1232.61
		Diagonal	Max Tension	8	7626.73	0.00	0.00
			Max. Compression	20	-7628.56	0.00	0.00

Section No.	Elevation ft	Component Type	Condition	Gov. Load Comb.	Axial lb	Major Axis Moment lb-ft	Minor Axis Moment lb-ft
T3	140 - 120	Leg	Max. Mx	12	3448.16	42.02	1.85
			Max. My	8	-7571.79	-4.55	-27.45
			Max. Vy	32	-22.75	30.03	2.79
			Max. Vx	8	5.93	0.00	0.00
			Max Tension	15	101238.90	-630.48	-86.91
			Max. Compression	2	-116142.54	525.93	54.97
			Max. Mx	10	-97490.42	752.52	-256.38
		Diagonal	Max. My	12	-8076.48	-186.53	-1344.88
			Max. Vy	22	-2118.49	-480.78	11.81
			Max. Vx	12	-1880.94	1.64	159.97
			Max Tension	8	9353.33	0.00	0.00
			Max. Compression	8	-9863.46	0.00	0.00
			Max. Mx	10	7956.43	63.83	-1.85
			Max. My	8	-9062.12	-17.70	-26.35
T4	120 - 100	Leg	Max. Vy	35	-32.30	46.60	-3.37
			Max. Vx	8	5.34	0.00	0.00
			Max Tension	15	153265.82	-550.34	-8.34
			Max. Compression	2	-170904.62	1702.01	-43.36
			Max. Mx	2	-170904.62	1702.01	-43.36
			Max. My	24	-7899.40	-3.30	1357.30
			Max. Vy	2	-738.47	1557.84	-216.97
		Diagonal	Max. Vx	24	995.31	-1099.49	-584.57
			Max Tension	8	9936.99	0.00	0.00
			Max. Compression	8	-9977.81	0.00	0.00
			Max. Mx	2	7612.28	51.84	-1.24
			Max. My	6	-9327.18	2.88	-21.03
			Max. Vy	33	36.20	47.71	-4.90
			Max. Vx	6	3.78	0.00	0.00
T5	100 - 80	Leg	Max Tension	15	198802.82	-1716.94	61.00
			Max. Compression	2	-220545.11	1566.86	4.97
			Max. Mx	2	-204508.66	1756.53	-9.92
			Max. My	12	-6815.85	-37.64	-1869.64
			Max. Vy	3	93.45	1753.95	-10.01
			Max. Vx	16	-122.15	-1.76	1834.00
			Max Tension	8	9476.86	0.00	0.00
		Diagonal	Max. Compression	8	-9633.24	0.00	0.00
			Max. Mx	31	921.42	65.49	-6.05
			Max. My	6	-8919.75	13.06	-13.92
			Max. Vy	33	45.45	65.09	-6.30
			Max. Vx	6	2.49	0.00	0.00
			Max Tension	15	239354.21	-1522.42	86.64
			Max. Compression	2	-265228.56	2987.45	-15.75
T6	80 - 60	Leg	Max. Mx	2	-265228.56	2987.45	-15.75
			Max. My	12	-6959.05	-114.18	-2323.12
			Max. Vy	2	-303.31	2987.45	-15.75
			Max. Vx	8	180.75	-118.26	2289.10
			Max Tension	8	9216.74	0.00	0.00
			Max. Compression	8	-9407.59	0.00	0.00
			Max. Mx	31	935.56	84.00	7.36
		Diagonal	Max. My	6	-8804.38	11.18	-15.03
			Max. Vy	33	52.27	82.45	-7.90
			Max. Vx	6	2.46	0.00	0.00
			Max Tension	15	269450.57	-1917.21	67.40
			Max. Compression	2	-299629.52	1790.08	-7.16
			Max. Mx	2	-277818.06	2987.45	-15.86
			Max. My	12	-7179.65	-114.79	-2309.18
T7	60 - 40	Leg	Max. Vy	2	293.07	2987.45	-15.86
			Max. Vx	8	-175.73	-118.95	2275.79
			Max Tension	8	7195.58	0.00	0.00
			Max. Compression	8	-7504.83	0.00	0.00
			Max. Mx	33	520.45	101.39	-12.34

tnxTower Nello Corporation 1201 S. Sheridan Street South Bend, IN. 46619 Phone: 800-806-3556 FAX:	Job SO30980; Tower 633549; Foundation 633550	Page 39 of 47
	Project NS 175' - TI-OPP-22295 / Clover Fork - Harlan Co., KY	Date 10:41:48 08/28/23
	Client Tillman Infrastructure	Designed by AG

Section No.	Elevation ft	Component Type	Condition	Gov. Load Comb.	Axial lb	Major Axis Moment lb-ft	Minor Axis Moment lb-ft
T8	40 - 20	Leg	Max. My	6	-6849.84	17.75	-16.42
			Max. Vy	33	58.16	101.39	-12.34
			Max. Vx	29	-2.94	0.00	0.00
			Max Tension	15	294857.08	-1387.00	77.96
			Max. Compression	2	-329326.04	3342.07	-63.90
			Max. Mx	2	-329326.04	3342.07	-63.90
	Diagonal	Max. My	12	-8639.79	-41.11	-2805.99	
		Max. Vy	2	-357.66	3342.07	-63.90	
		Max. Vx	5	194.73	-52.59	-2791.74	
		Max Tension	8	7260.57	0.00	0.00	
		Max. Compression	8	-7476.42	0.00	0.00	
		Max. Mx	33	425.17	120.99	-14.82	
T9	20 - 0	Leg	Max. My	29	702.79	115.55	-15.06
			Max. Vy	33	63.09	120.99	-14.82
			Max. Vx	29	-3.13	0.00	0.00
			Max Tension	15	317792.66	-2633.17	167.27
			Max. Compression	2	-357671.52	0.00	-0.46
			Max. Mx	31	-75390.02	8800.69	7.91
	Diagonal	Max. My	12	-9780.06	-203.33	-4318.49	
		Max. Vy	33	-1953.36	-4776.08	9.34	
		Max. Vx	12	-709.44	-203.36	-4318.49	
		Max Tension	8	7982.03	0.00	0.00	
		Max. Compression	8	-8305.46	0.00	0.00	
		Max. Mx	33	-1820.49	199.32	26.09	
Max. My	29	-2792.54	182.50	-26.62			
Max. Vy	33	86.70	199.32	26.09			
Max. Vx	29	4.67	0.00	0.00			

Maximum Reactions

Location	Condition	Gov. Load Comb.	Vertical lb	Horizontal, X lb	Horizontal, Z lb
Leg C	Max. Vert	18	352428.12	28088.47	-15944.72
	Max. H _x	18	352428.12	28088.47	-15944.72
	Max. H _z	7	-319197.95	-26057.86	14252.38
	Min. Vert	7	-319197.95	-26057.86	14252.38
	Min. H _x	7	-319197.95	-26057.86	14252.38
	Min. H _z	18	352428.12	28088.47	-15944.72
Leg B	Max. Vert	10	360235.78	-28705.48	-16233.47
	Max. H _x	23	-317913.72	25539.24	14964.46
	Max. H _z	23	-317913.72	25539.24	14964.46
	Min. Vert	23	-317913.72	25539.24	14964.46
	Min. H _x	10	360235.78	-28705.48	-16233.47
	Min. H _z	10	360235.78	-28705.48	-16233.47
Leg A	Max. Vert	2	362315.11	167.49	33185.81
	Max. H _x	21	13583.20	2194.92	1077.60
	Max. H _z	2	362315.11	167.49	33185.81
	Min. Vert	15	-321417.09	-19.22	-29851.42
	Min. H _x	9	5140.20	-1993.44	352.06
	Min. H _z	15	-321417.09	-19.22	-29851.42

Tower Mast Reaction Summary

<p>tnxTower</p> <p>Nello Corporation 1201 S. Sheridan Street South Bend, IN. 46619 Phone: 800-806-3556 FAX:</p>	Job SO30980; Tower 633549; Foundation 633550	Page 40 of 47
	Project NS 175' - TI-OPP-22295 / Clover Fork - Harlan Co., KY	Date 10:41:48 08/28/23
	Client Tillman Infrastructure	Designed by AG

Load Combination	Vertical lb	Shear _x lb	Shear _z lb	Overturning Moment, M _x lb-ft	Overturning Moment, M _z lb-ft	Torque lb-ft
Dead Only	44455.83	-0.00	-0.00	2682.08	-700.36	0.00
1.2 Dead+1.0 Wind 0 deg - No Ice	53346.99	-227.84	-51611.86	-5967482.86	27980.12	5745.01
0.9 Dead+1.0 Wind 0 deg - No Ice	40010.24	-227.84	-51611.86	-5957184.72	28149.05	5743.10
1.2 Dead+1.0 Wind 30 deg - No Ice	53346.99	23729.41	-43324.10	-5056473.21	-2773248.37	14734.04
0.9 Dead+1.0 Wind 30 deg - No Ice	40010.24	23729.39	-43324.12	-5047832.84	-2767795.55	14721.33
1.2 Dead+1.0 Wind 60 deg - No Ice	53346.99	42631.89	-24601.76	-2865575.65	-5008497.57	23660.29
0.9 Dead+1.0 Wind 60 deg - No Ice	40010.24	42631.89	-24601.76	-2861036.15	-4998873.94	23648.55
1.2 Dead+1.0 Wind 90 deg - No Ice	53346.99	49036.35	1109.84	143014.35	-5728266.26	9412.07
0.9 Dead+1.0 Wind 90 deg - No Ice	40009.72	49036.22	1110.45	141965.29	-5717303.65	9414.42
1.2 Dead+1.0 Wind 120 deg - No Ice	53346.99	44272.15	25842.98	2992569.74	-5121308.11	10861.67
0.9 Dead+1.0 Wind 120 deg - No Ice	40010.24	44272.15	25842.98	2986182.11	-5111550.57	10852.04
1.2 Dead+1.0 Wind 150 deg - No Ice	53346.99	25842.60	42743.91	4997198.63	-3031517.83	11763.39
0.9 Dead+1.0 Wind 150 deg - No Ice	40010.24	25842.61	42743.91	4987008.32	-3025653.31	11747.46
1.2 Dead+1.0 Wind 180 deg - No Ice	53346.99	1776.92	49454.51	5809832.16	-224634.04	1674.16
0.9 Dead+1.0 Wind 180 deg - No Ice	40010.24	1776.92	49454.51	5798106.55	-224047.89	1675.68
1.2 Dead+1.0 Wind 210 deg - No Ice	53346.99	-24320.67	42264.34	4940324.81	2840068.86	-12957.83
0.9 Dead+1.0 Wind 210 deg - No Ice	40010.24	-24320.67	42264.34	4930220.18	2834942.15	-12938.47
1.2 Dead+1.0 Wind 240 deg - No Ice	53346.99	-43438.69	25098.69	2900665.08	5018215.97	-8455.42
0.9 Dead+1.0 Wind 240 deg - No Ice	40010.24	-43438.69	25098.69	2894425.72	5009038.77	-8443.40
1.2 Dead+1.0 Wind 270 deg - No Ice	53346.99	-48403.17	-50.56	-3461.36	5646905.23	-1583.62
0.9 Dead+1.0 Wind 270 deg - No Ice	40010.70	-48403.34	-51.13	-4266.11	5636499.53	-1578.33
1.2 Dead+1.0 Wind 300 deg - No Ice	53346.99	-41624.21	-26071.78	-3048957.20	4876457.55	3367.78
0.9 Dead+1.0 Wind 300 deg - No Ice	40010.24	-41624.21	-26071.78	-3044117.38	4867487.31	3377.13
1.2 Dead+1.0 Wind 330 deg - No Ice	53346.99	-24072.09	-43753.39	-5107079.08	2812835.05	-1672.80
0.9 Dead+1.0 Wind 330 deg - No Ice	40010.24	-24072.09	-43753.39	-5098361.87	2807742.53	-1655.99
1.2 Dead+1.0 Ice+1.0 Temp	99346.83	-0.00	-0.00	9241.63	-3232.72	0.21
1.2 Dead+1.0 Wind 0 deg+1.0 Ice+1.0 Temp	99346.83	-19.50	-6009.78	-697095.35	-784.33	611.62
1.2 Dead+1.0 Wind 30 deg+1.0 Ice+1.0 Temp	99346.83	2835.98	-5103.33	-594280.33	-338948.64	1408.06
1.2 Dead+1.0 Wind 60 deg+1.0 Ice+1.0 Temp	99346.83	5049.00	-2914.62	-334928.14	-602932.69	2199.00
1.2 Dead+1.0 Wind 90 deg+1.0 Ice+1.0 Temp	99346.83	5808.21	94.94	21457.82	-690549.23	958.78
1.2 Dead+1.0 Wind 120 deg+1.0 Ice+1.0 Temp	99346.83	5168.32	3008.74	363145.17	-610871.34	981.27

Job	SO30980; Tower 633549; Foundation 633550	Page	41 of 47
Project	NS 175' - TI-OPP-22295 / Clover Fork - Harlan Co., KY	Date	10:41:48 08/28/23
Client	Tillman Infrastructure	Designed by	AG

Load Combination	Vertical	Shear _x	Shear _z	Overturning Moment, M _x	Overturning Moment, M _z	Torque
	lb	lb	lb	lb-ft	lb-ft	lb-ft
1.2 Dead+1.0 Wind 150 deg+1.0 Ice+1.0 Temp	99346.83	3017.06	5054.32	607586.53	-361228.42	943.15
1.2 Dead+1.0 Wind 180 deg+1.0 Ice+1.0 Temp	99346.83	152.00	5850.16	704001.53	-22528.68	21.00
1.2 Dead+1.0 Wind 210 deg+1.0 Ice+1.0 Temp	99346.83	-2886.54	5012.72	602603.39	338299.38	-1255.20
1.2 Dead+1.0 Wind 240 deg+1.0 Ice+1.0 Temp	99346.83	-5096.46	2944.73	355180.59	595508.86	-895.90
1.2 Dead+1.0 Wind 270 deg+1.0 Ice+1.0 Temp	99346.83	-5754.06	-4.34	8849.30	677147.65	-288.14
1.2 Dead+1.0 Wind 300 deg+1.0 Ice+1.0 Temp	99346.83	-4963.39	-3040.70	-350747.39	585270.27	234.23
1.2 Dead+1.0 Wind 330 deg+1.0 Ice+1.0 Temp	99346.83	-2865.65	-5140.62	-598719.85	336016.74	-81.99
Dead+Wind 0 deg - Service	44455.83	-74.40	-17230.80	-1967830.77	8709.92	1874.83
Dead+Wind 30 deg - Service	44455.88	7937.54	-14473.87	-1667597.04	-916477.68	4806.17
Dead+Wind 60 deg - Service	44455.83	14247.93	-8222.20	-944574.28	-1653985.23	7731.24
Dead+Wind 90 deg - Service	44455.83	16389.81	362.40	48285.39	-1891864.17	3078.52
Dead+Wind 120 deg - Service	44455.83	14783.52	8627.49	989253.24	-1690828.17	3544.50
Dead+Wind 150 deg - Service	44455.88	8627.19	14284.63	1651537.19	-1000760.33	3830.28
Dead+Wind 180 deg - Service	44455.83	580.22	16526.35	1919682.57	-73700.04	542.02
Dead+Wind 210 deg - Service	44455.83	-8130.41	14127.91	1632979.59	937456.58	-4225.02
Dead+Wind 240 deg - Service	44455.83	-14511.37	8384.46	959274.75	1656336.04	-2757.47
Dead+Wind 270 deg - Service	44455.83	-16183.06	-16.51	517.61	1864466.45	-518.79
Dead+Wind 300 deg - Service	44455.83	-13918.89	-8702.21	-1004353.24	1610081.25	1099.34
Dead+Wind 330 deg - Service	44455.89	-8049.46	-14614.03	-1684094.78	928553.42	-540.04

Solution Summary

Load Comb.	Sum of Applied Forces			Sum of Reactions			% Error
	PX lb	PY lb	PZ lb	PX lb	PY lb	PZ lb	
1	-0.00	-44455.83	-0.00	0.00	44455.83	0.00	0.000%
2	-227.84	-53346.99	-51611.86	227.84	53346.99	51611.86	0.000%
3	-227.84	-40010.24	-51611.86	227.84	40010.24	51611.86	0.000%
4	23729.39	-53346.99	-43324.12	-23729.41	53346.99	43324.10	0.000%
5	23729.39	-40010.24	-43324.12	-23729.39	40010.24	43324.12	0.000%
6	42631.89	-53346.99	-24601.76	-42631.89	53346.99	24601.76	0.000%
7	42631.89	-40010.24	-24601.76	-42631.89	40010.24	24601.76	0.000%
8	49036.35	-53346.99	1109.85	-49036.35	53346.99	-1109.84	0.000%
9	49036.35	-40010.24	1109.85	-49036.22	40009.72	-1110.45	0.001%
10	44272.15	-53346.99	25842.98	-44272.15	53346.99	-25842.98	0.000%
11	44272.15	-40010.24	25842.98	-44272.15	40010.24	-25842.98	0.000%
12	25842.60	-53346.99	42743.91	-25842.60	53346.99	-42743.91	0.000%
13	25842.60	-40010.24	42743.91	-25842.61	40010.24	-42743.91	0.000%
14	1776.92	-53346.99	49454.51	-1776.92	53346.99	-49454.51	0.000%
15	1776.92	-40010.24	49454.51	-1776.92	40010.24	-49454.51	0.000%
16	-24320.67	-53346.99	42264.34	24320.67	53346.99	-42264.34	0.000%
17	-24320.67	-40010.24	42264.34	24320.67	40010.24	-42264.34	0.000%
18	-43438.69	-53346.99	25098.69	43438.69	53346.99	-25098.69	0.000%
19	-43438.69	-40010.24	25098.69	43438.69	40010.24	-25098.69	0.000%
20	-48403.17	-53346.99	-50.56	48403.17	53346.99	50.56	0.000%
21	-48403.17	-40010.24	-50.56	48403.34	40010.70	51.13	0.001%
22	-41624.21	-53346.99	-26071.78	41624.21	53346.99	26071.78	0.000%
23	-41624.21	-40010.24	-26071.78	41624.21	40010.24	26071.78	0.000%
24	-24072.09	-53346.99	-43753.39	24072.09	53346.99	43753.39	0.000%
25	-24072.09	-40010.24	-43753.39	24072.09	40010.24	43753.39	0.000%
26	-0.00	-99346.84	-0.00	0.00	99346.83	0.00	0.000%

tnxTower Nello Corporation 1201 S. Sheridan Street South Bend, IN. 46619 Phone: 800-806-3556 FAX:	Job	Page
	Project	Date
	Client	Designed by
	SO30980; Tower 633549; Foundation 633550	42 of 47
	NS 175' - TI-OPP-22295 / Clover Fork - Harlan Co., KY	10:41:48 08/28/23
	Tillman Infrastructure	AG

Load Comb.	Sum of Applied Forces			Sum of Reactions			% Error
	PX lb	PY lb	PZ lb	PX lb	PY lb	PZ lb	
27	-19.50	-99346.84	-6009.80	19.50	99346.83	6009.78	0.000%
28	2835.99	-99346.84	-5103.34	-2835.98	99346.83	5103.33	0.000%
29	5049.02	-99346.84	-2914.62	-5049.00	99346.83	2914.62	0.000%
30	5808.23	-99346.84	94.94	-5808.21	99346.83	-94.94	0.000%
31	5168.33	-99346.84	3008.75	-5168.32	99346.83	-3008.74	0.000%
32	3017.07	-99346.84	5054.33	-3017.06	99346.83	-5054.32	0.000%
33	152.00	-99346.84	5850.18	-152.00	99346.83	-5850.16	0.000%
34	-2886.54	-99346.84	5012.73	2886.54	99346.83	-5012.72	0.000%
35	-5096.47	-99346.84	2944.74	5096.46	99346.83	-2944.73	0.000%
36	-5754.07	-99346.84	-4.34	5754.06	99346.83	4.34	0.000%
37	-4963.41	-99346.84	-3040.71	4963.39	99346.83	3040.70	0.000%
38	-2865.65	-99346.84	-5140.64	2865.65	99346.83	5140.62	0.000%
39	-74.40	-44455.83	-17230.80	74.40	44455.83	17230.80	0.000%
40	7937.34	-44455.83	-14473.96	-7937.54	44455.88	14473.87	0.000%
41	14247.93	-44455.83	-8222.20	-14247.93	44455.83	8222.20	0.000%
42	16389.81	-44455.83	362.40	-16389.81	44455.83	-362.40	0.000%
43	14783.52	-44455.83	8627.49	-14783.52	44455.83	-8627.49	0.000%
44	8627.37	-44455.83	14284.50	-8627.19	44455.88	-14284.63	0.000%
45	580.22	-44455.83	16526.35	-580.22	44455.83	-16526.35	0.000%
46	-8130.41	-44455.83	14127.91	8130.41	44455.83	-14127.91	0.000%
47	-14511.37	-44455.83	8384.46	14511.37	44455.83	-8384.46	0.000%
48	-16183.06	-44455.83	-16.51	16183.06	44455.83	16.51	0.000%
49	-13918.89	-44455.83	-8702.21	13918.89	44455.83	8702.21	0.000%
50	-8049.25	-44455.83	-14614.13	8049.46	44455.89	14614.03	0.001%

Non-Linear Convergence Results

Load Combination	Converged?	Number of Cycles	Displacement Tolerance	Force Tolerance
1	Yes	4	0.0000001	0.0000001
2	Yes	4	0.0000001	0.00000140
3	Yes	4	0.0000001	0.00000139
4	Yes	4	0.0000001	0.00000300
5	Yes	4	0.0000001	0.00000261
6	Yes	4	0.0000001	0.00000376
7	Yes	4	0.0000001	0.00000322
8	Yes	4	0.0000001	0.00000271
9	Yes	4	0.0000001	0.00000246
10	Yes	4	0.0000001	0.00000146
11	Yes	4	0.0000001	0.00000146
12	Yes	4	0.0000001	0.00000290
13	Yes	4	0.0000001	0.00000255
14	Yes	4	0.0000001	0.00000376
15	Yes	4	0.0000001	0.00000322
16	Yes	4	0.0000001	0.00000300
17	Yes	4	0.0000001	0.00000261
18	Yes	4	0.0000001	0.00000142
19	Yes	4	0.0000001	0.00000140
20	Yes	4	0.0000001	0.00000282
21	Yes	4	0.0000001	0.00000252
22	Yes	4	0.0000001	0.00000369
23	Yes	4	0.0000001	0.00000315
24	Yes	4	0.0000001	0.00000279
25	Yes	4	0.0000001	0.00000241
26	Yes	4	0.0000001	0.00000001
27	Yes	4	0.0000001	0.00000583

tnxTower Nello Corporation 1201 S. Sheridan Street South Bend, IN. 46619 Phone: 800-806-3556 FAX:	Job SO30980; Tower 633549; Foundation 633550	Page 43 of 47
	Project NS 175' - TI-OPP-22295 / Clover Fork - Harlan Co., KY	Date 10:41:48 08/28/23
	Client Tillman Infrastructure	Designed by AG

28	Yes	4	0.00000001	0.00000584
29	Yes	4	0.00000001	0.00000591
30	Yes	4	0.00000001	0.00000591
31	Yes	4	0.00000001	0.00000596
32	Yes	4	0.00000001	0.00000601
33	Yes	4	0.00000001	0.00000604
34	Yes	4	0.00000001	0.00000597
35	Yes	4	0.00000001	0.00000591
36	Yes	4	0.00000001	0.00000587
37	Yes	4	0.00000001	0.00000588
38	Yes	4	0.00000001	0.00000584
39	Yes	4	0.00000001	0.00000001
40	Yes	4	0.00000001	0.00000001
41	Yes	4	0.00000001	0.00000001
42	Yes	4	0.00000001	0.00000001
43	Yes	4	0.00000001	0.00000001
44	Yes	4	0.00000001	0.00000001
45	Yes	4	0.00000001	0.00000001
46	Yes	4	0.00000001	0.00000001
47	Yes	4	0.00000001	0.00000001
48	Yes	4	0.00000001	0.00000001
49	Yes	4	0.00000001	0.00000001
50	Yes	4	0.00000001	0.00000001

Maximum Tower Deflections - Service Wind

Section No.	Elevation ft	Horz. Deflection in	Gov. Load Comb.	Tilt °	Twist °
T1	175.3 - 160	7.719	39	0.3985	0.0551
T2	160 - 140	6.424	39	0.3862	0.0545
T3	140 - 120	4.842	39	0.3390	0.0528
T4	120 - 100	3.499	39	0.2694	0.0496
T5	100 - 80	2.420	39	0.2155	0.0352
T6	80 - 60	1.556	39	0.1731	0.0255
T7	60 - 40	0.871	39	0.1265	0.0168
T8	40 - 20	0.392	39	0.0788	0.0095
T9	20 - 0	0.106	39	0.0321	0.0034

Critical Deflections and Radius of Curvature - Service Wind

Elevation ft	Appurtenance	Gov. Load Comb.	Deflection in	Tilt °	Twist °	Radius of Curvature ft
170.00	40,000 sq in CaAa (6,000 lbs)	39	7.267	0.3956	0.0550	116721
155.00	40,000 sq in CaAa (6,000 lbs)	39	6.012	0.3780	0.0541	31344
140.00	30,000 sq in CaAa (4,000 lbs)	39	4.842	0.3390	0.0528	18856
125.00	8' Solid Dish	39	3.810	0.2864	0.0514	17339
115.00	8' Solid Dish	39	3.206	0.2539	0.0466	18132

Maximum Tower Deflections - Design Wind

tnxTower Nello Corporation 1201 S. Sheridan Street South Bend, IN. 46619 Phone: 800-806-3556 FAX:	Job SO30980; Tower 633549; Foundation 633550	Page 44 of 47
	Project NS 175' - TI-OPP-22295 / Clover Fork - Harlan Co., KY	Date 10:41:48 08/28/23
	Client Tillman Infrastructure	Designed by AG

Section No.	Elevation ft	Horz. Deflection in	Gov. Load Comb.	Tilt °	Twist °
T1	175.3 - 160	23.585	2	1.2214	0.1691
T2	160 - 140	19.615	2	1.1836	0.1671
T3	140 - 120	14.769	2	1.0381	0.1621
T4	120 - 100	10.659	2	0.8240	0.1520
T5	100 - 80	7.361	2	0.6583	0.1081
T6	80 - 60	4.724	2	0.5280	0.0781
T7	60 - 40	2.639	2	0.3854	0.0514
T8	40 - 20	1.184	2	0.2397	0.0291
T9	20 - 0	0.319	2	0.0976	0.0106

Critical Deflections and Radius of Curvature - Design Wind

Elevation ft	Appurtenance	Gov. Load Comb.	Deflection in	Tilt °	Twist °	Radius of Curvature ft
170.00	40,000 sq in CaAa (6,000 lbs)	2	22.199	1.2124	0.1686	38050
155.00	40,000 sq in CaAa (6,000 lbs)	2	18.353	1.1583	0.1658	10240
140.00	30,000 sq in CaAa (4,000 lbs)	2	14.769	1.0381	0.1621	6120
125.00	8' Solid Dish	2	11.608	0.8764	0.1576	5663
115.00	8' Solid Dish	2	9.762	0.7764	0.1430	5929

Compression Checks

Leg Design Data (Compression)

Section No.	Elevation ft	Size	L ft	L _u ft	Kl/r	A in ²	P _u lb	φP _n lb	Ratio P _u / φP _n
T1	175.3 - 160	P2x.154	15.30	5.10	77.8 K=1.00	1.0745	-14979.50	31079.10	0.482 ¹ ✓
T2	160 - 140	P3x.216	20.02	6.67	68.8 K=1.00	2.2285	-58686.50	70930.60	0.827 ¹ ✓
T3	140 - 120	P4x.237	20.02	6.67	53.0 K=1.00	3.1741	-116143.00	116271.00	0.999 ¹ ✓
T4	120 - 100	P6x.28	20.02	6.67	35.7 K=1.00	5.5813	-170905.00	228860.00	0.747 ¹ ✓
T5	100 - 80	P8x.322	20.02	6.67	27.3 K=1.00	8.3993	-220545.00	357982.00	0.616 ¹ ✓
T6	80 - 60	P8x.322	20.02	6.67	27.3 K=1.00	8.3993	-265229.00	357982.00	0.741 ¹ ✓
T7	60 - 40	P8x.322	20.03	6.68	27.3 K=1.00	8.3993	-299630.00	357954.00	0.837 ¹ ✓
T8	40 - 20	P8x.322	20.03	6.68	27.3 K=1.00	8.3993	-329326.00	357954.00	0.920 ¹ ✓
T9	20 - 0	P10x.365	20.03	6.68	21.8 K=1.00	11.9083	-357672.00	517553.00	0.691 ¹ ✓

tnxTower Nello Corporation 1201 S. Sheridan Street South Bend, IN. 46619 Phone: 800-806-3556 FAX:	Job SO30980; Tower 633549; Foundation 633550	Page 45 of 47
	Project NS 175' - TI-OPP-22295 / Clover Fork - Harlan Co., KY	Date 10:41:48 08/28/23
	Client Tillman Infrastructure	Designed by AG

¹ $P_u / \phi P_n$ controls

Diagonal Design Data (Compression)

Section No.	Elevation ft	Size	L ft	L_u ft	Kl/r	A in^2	P_u lb	ϕP_n lb	Ratio $\frac{P_u}{\phi P_n}$
T1	175.3 - 160	L1 3/4x1 3/4x1/8	8.26	4.01	138.6 K=1.00	0.4219	-3834.53	6287.27	0.610 ¹ ✓
T2	160 - 140	L2x2x3/16	9.85	4.90	149.3 K=1.00	0.7150	-7628.56	9178.64	0.831 ¹ ✓
T3	140 - 120	L2 1/2x2 1/2x3/16	11.40	5.62	136.4 K=1.00	0.9020	-9863.46	13886.40	0.710 ¹ ✓
T4	120 - 100	L2 1/2x2 1/2x3/16	12.65	6.15	149.0 K=1.00	0.9020	-9735.43	11624.40	0.837 ¹ ✓
T5	100 - 80	L2 1/2x2 1/2x1/4	13.95	6.71	163.9 K=1.00	1.1900	-9505.04	12676.80	0.750 ¹ ✓
T6	80 - 60	L3x3x3/16	15.28	7.38	148.6 K=1.00	1.0900	-9407.59	14128.60	0.666 ¹ ✓
T7	60 - 40	L3x3x3/16	17.03	8.30	167.2 K=1.00	1.0900	-7417.12	11159.90	0.665 ¹ ✓
T8	40 - 20	L3x3x3/16	18.88	9.24	186.0 K=1.00	1.0900	-7317.73	9021.92	0.811 ¹ ✓
T9	20 - 0	L3 1/2x3 1/2x1/4	20.77	10.09	174.4 K=1.00	1.6900	-8305.46	15902.50	0.522 ¹ ✓

¹ $P_u / \phi P_n$ controls

Top Girt Design Data (Compression)

Section No.	Elevation ft	Size	L ft	L_u ft	Kl/r	A in^2	P_u lb	ϕP_n lb	Ratio $\frac{P_u}{\phi P_n}$
T1	175.3 - 160	L2x2x1/8	6.50	6.30	190.2 K=1.00	0.4844	-911.39	3831.03	0.238 ¹ ✓

¹ $P_u / \phi P_n$ controls

Tension Checks

Leg Design Data (Tension)

Section No.	Elevation ft	Size	L ft	L_u ft	Kl/r	A in^2	P_u lb	ϕP_n lb	Ratio $\frac{P_u}{\phi P_n}$
-------------	-----------------	------	---------	-------------	--------	-------------	-------------	------------------	---------------------------------

tnxTower Nello Corporation 1201 S. Sheridan Street South Bend, IN. 46619 Phone: 800-806-3556 FAX:	Job SO30980; Tower 633549; Foundation 633550	Page 46 of 47
	Project NS 175' - TI-OPP-22295 / Clover Fork - Harlan Co., KY	Date 10:41:48 08/28/23
	Client Tillman Infrastructure	Designed by AG

Section No.	Elevation ft	Size	L ft	L _u ft	Kl/r	A in ²	P _u lb	φP _n lb	Ratio $\frac{P_u}{\phi P_n}$
T1	175.3 - 160	P2x.154	15.30	5.10	77.8	1.0745	10483.70	48353.90	0.217 ¹
T2	160 - 140	P3x.216	20.02	6.67	68.8	2.2285	48720.60	100281.00	0.486 ¹
T3	140 - 120	P4x.237	20.02	6.67	53.0	3.1741	101239.00	142832.00	0.709 ¹
T4	120 - 100	P6x.28	20.02	6.67	35.7	5.5813	153266.00	251161.00	0.610 ¹
T5	100 - 80	P8x.322	20.02	6.67	27.3	8.3993	198803.00	377967.00	0.526 ¹
T6	80 - 60	P8x.322	20.02	6.67	27.3	8.3993	239354.00	377967.00	0.633 ¹
T7	60 - 40	P8x.322	20.03	6.68	27.3	8.3993	269451.00	377967.00	0.713 ¹
T8	40 - 20	P8x.322	20.03	6.68	27.3	8.3993	294857.00	377967.00	0.780 ¹
T9	20 - 0	P10x.365	20.03	6.68	21.8	11.9083	317793.00	535873.00	0.593 ¹

¹ P_u / φP_n controls

Diagonal Design Data (Tension)

Section No.	Elevation ft	Size	L ft	L _u ft	Kl/r	A in ²	P _u lb	φP _n lb	Ratio $\frac{P_u}{\phi P_n}$
T1	175.3 - 160	L1 3/4x1 3/4x1/8	8.26	4.01	88.1	0.3164	3799.71	15424.80	0.246 ¹
T2	160 - 140	L2x2x3/16	9.85	4.90	95.4	0.5363	7626.73	26142.20	0.292 ¹
T3	140 - 120	L2 1/2x2 1/2x3/16	11.40	5.62	86.8	0.6765	9353.33	32979.40	0.284 ¹
T4	120 - 100	L2 1/2x2 1/2x3/16	11.81	5.73	88.4	0.6765	9936.99	32979.40	0.301 ¹
T5	100 - 80	L2 1/2x2 1/2x1/4	13.08	6.28	97.9	0.8925	9476.86	43509.40	0.218 ¹
T6	80 - 60	L3x3x3/16	14.83	7.16	91.5	0.8175	9216.74	39853.10	0.231 ¹
T7	60 - 40	L3x3x3/16	16.42	8.00	102.2	0.8175	7195.58	39853.10	0.181 ¹
T8	40 - 20	L3x3x3/16	18.26	8.93	114.1	0.8175	7260.57	39853.10	0.182 ¹
T9	20 - 0	L3 1/2x3 1/2x1/4	20.77	10.09	111.0	1.2675	7982.03	61790.60	0.129 ¹

¹ P_u / φP_n controls

tnxTower Nello Corporation 1201 S. Sheridan Street South Bend, IN. 46619 Phone: 800-806-3556 FAX:	Job SO30980; Tower 633549; Foundation 633550	Page 47 of 47
	Project NS 175' - TI-OPP-22295 / Clover Fork - Harlan Co., KY	Date 10:41:48 08/28/23
	Client Tillman Infrastructure	Designed by AG

Top Girt Design Data (Tension)

Section No.	Elevation ft	Size	L ft	L _u ft	Kl/r	A in ²	P _u lb	φP _n lb	Ratio $\frac{P_u}{\phi P_n}$ ¹
T1	175.3 - 160	L2x2x1/8	6.50	6.30	120.8	0.3633	862.84	17710.00	0.049 ¹

¹ P_u / φP_n controls

Section Capacity Table

Section No.	Elevation ft	Component Type	Size	Critical Element	P lb	φP _{allow} lb	% Capacity	Pass Fail	
T1	175.3 - 160	Leg	P2x.154	3	-14979.50	31079.10	48.2	Pass	
		Diagonal	L1 3/4x1 3/4x1/8	7	-3834.53	6287.27	61.0	Pass	
		Top Girt	L2x2x1/8	5	-911.39	3831.03	23.8	Pass	
T2	160 - 140	Leg	P3x.216	27	-58686.50	70930.60	82.7	Pass	
		Diagonal	L2x2x3/16	34	-7628.56	9178.64	83.1	Pass	
T3	140 - 120	Leg	P4x.237	48	-116143.00	116271.00	99.9	Pass	
		Diagonal	L2 1/2x2 1/2x3/16	50	-9863.46	13886.40	71.0	Pass	
T4	120 - 100	Leg	P6x.28	69	-170905.00	228860.00	74.7	Pass	
		Diagonal	L2 1/2x2 1/2x3/16	71	-9735.43	11624.40	83.7	Pass	
T5	100 - 80	Leg	P8x.322	90	-220545.00	357982.00	61.6	Pass	
		Diagonal	L2 1/2x2 1/2x1/4	92	-9505.04	12676.80	75.0	Pass	
T6	80 - 60	Leg	P8x.322	111	-265229.00	357982.00	74.1	Pass	
		Diagonal	L3x3x3/16	113	-9407.59	14128.60	66.6	Pass	
T7	60 - 40	Leg	P8x.322	132	-299630.00	357954.00	83.7	Pass	
		Diagonal	L3x3x3/16	134	-7417.12	11159.90	66.5	Pass	
T8	40 - 20	Leg	P8x.322	153	-329326.00	357954.00	92.0	Pass	
		Diagonal	L3x3x3/16	155	-7317.73	9021.92	81.1	Pass	
T9	20 - 0	Leg	P10x.365	174	-357672.00	517553.00	69.1	Pass	
		Diagonal	L3 1/2x3 1/2x1/4	176	-8305.46	15902.50	52.2	Pass	
							Summary		
							Leg (T3)	99.9	Pass
							Diagonal (T4)	83.7	Pass
							Top Girt (T1)	23.8	Pass
							RATING =	99.9	Pass

Drilled Pier Foundation Design

Order/Quote Number: **SO30980**
 Part Number: **633550**
 Tower Model: **NSX 20' x 175.3'**
 Company: **Tillman Infrastructure**
 Site: **NS 175' - TI-OPP-22295 / Clover Fork - Harlan Co., KY**



Tower Reactions (Factored)	
Leg Compression:	362.315 kips
Leg Uplift:	321.417 kips
Leg Shear:	33.186 kips
Tower Shear:	51.612 kips
Tower Moment:	5967.548 ft-kips
Tower Weight:	53.347 kips

Foundation Design Reactions	
Additional Load Factor:	1.00
Compression:	362.315 kips
Uplift:	321.417 kips
Shear:	33.186 kips

ANSI/TIA-222-H - Design Factors	
Uplift Resistance Factor, Phi:	0.75
Compressive Resistance Factor, Phi:	0.75
Bearing Capacity Resistance, Phi:	0.75
Lateral Resistance Factor, Phi:	0.75

Foundation Dimensions	
Pier Diameter:	3.5 ft
Pier Extension:	0.5 ft
Pier Depth:	39 ft
Total Pier Length:	39.5 ft
Volume per Pier:	14.1 yd ³
Total Volume:	42.2 yd ³

Foundation LPILE Loads (Divided by Φ _p)	
Shear Load:	44,248 lb
Moment Load:	0 lb-in
Axial Load:	483,087 lb

Summary Check	
Uplift:	OK 94.0%
Uplift Cone Check:	OK 15.3%
Compression:	OK 76.8%
Minimum 3 Pier Diameter Spacing:	OK
Max Pier Length / Diameter Ratio:	OK
Neglect Frost Depth:	OK
Neglect Top Portion of Pier:	OK
Minimum Depth:	OK
Pier Compressive Strength:	OK 12.1%
Pier Tensile Strength:	OK 32.8%
Minimum Vertical Reinforcement:	OK
Rebar Strength:	OK
Rebar Spacing:	OK
Compressive Shear:	OK
Anchor Bolt Strength:	OK 60.0%
Anchor Bolt Development:	OK
Embedment Plate Fit:	OK
Seismic Lateral Restraint:	OK

Max. Foundation Capacity Rating
94.0%

Fall Radius

Site Details	
Rock Depth:	28.5 ft
Frost Depth:	1.67 ft
Water Depth:	38.5 ft
Upper Pier Neglected:	3.5 ft
Minimum Pier Depth:	ft
Soil Induced Uplift Load:	kips
Seismic Site Class:	C <small>TIA-222-H 5-10</small>
Mapped Response Acc., S _s :	0.353 g
Design Response Acc., S _{DS} :	0.306 g
Design Response Acc., S _{DI} :	0.100 g
Seismic Design Category:	B
Soil Corrosion Risk:	
Soil Weight:	110 pcf

Tower Dimensions	
Tower Base Width:	20 ft
Base Leg Diameter (Nom.):	10 in
Base Leg Member:	Pipe
Bracing System:	X-Braced

Material Specifications	
Concrete Strength:	4500 psi
Concrete Weight:	150 pcf
Rebar Yield Strength:	60 ksi
Clear Cover:	3 in
Clear Cover (Top of Pier):	3 in

Geotechnical Report	
Company:	Environmental Corporation of America
Date:	3/15/2023
Project:	23-000518

Compression/Uplift Resistance Design

Layer	Depth (ft)	Depth (ft)	Length (ft)	Diameter (ft)	Allowable Skin Friction				Ultimate Skin Friction				Net Concrete Weight ⁽¹⁾				Friction Resistance							
					Uplift		Compression		Uplift		Compression		Weight		Compression		Uplift		Ultimate Bearing		Uplift		Comp.	
					(ksf)	Safety Factor	(ksf)	Safety Factor	(ksf)	(kips)	(ksf)	(kips)	(pcf)	(kips)	(kips)	(kips)	(ksf)	(kips)	(kips)	(kips)	(kips)	(kips)	(kips)	(kips)
1	-0.5	0	0.5	3.5	0.000	2.0	0.000	2.0	0.000	0.00	0.00	0.000	0.00	150	0.72	0.72	12.00	3.0	0.00	0.00	0.00	0.00		
2	0	3.5	3.5	3.5	0.000	2.0	0.000	2.0	0.000	0.00	0.00	0.000	0.00	150	1.35	5.05	12.00	3.0	0.00	0.00	0.00	0.00		
3	3.5	8.5	5	3.5	0.539	2.0	0.539	2.0	1.078	59.27	1.078	59.27	150	1.92	7.22	0.00	0.00	59.27	59.27	0.00	0.00	0.00		
4	8.5	13.5	5	3.5	0.270	2.0	0.270	2.0	0.540	29.69	0.540	29.69	150	1.92	7.22	0.00	0.00	29.69	29.69	0.00	0.00	0.00		
5	13.5	18.5	5	3.5	0.113	2.0	0.113	2.0	0.226	12.42	0.226	12.42	150	1.92	7.22	0.00	0.00	12.42	12.42	0.00	0.00	0.00		
6	18.5	23.5	5	3.5	0.056	2.0	0.056	2.0	0.112	6.16	0.112	6.16	150	1.92	7.22	0.00	0.00	6.16	6.16	0.00	0.00	0.00		
7	23.5	28.5	5	3.5	0.580	2.0	0.580	2.0	1.160	63.77	1.160	63.77	150	1.92	7.22	0.00	0.00	63.77	63.77	0.00	0.00	0.00		
8	28.5	39	10.5	3.5	0.937	2.0	0.937	2.0	1.874	216.36	1.874	144.24	87.6	4.04	14.85	0.00	0.00	216.36	144.24	0.00	0.00	0.00		
9	39	39	0	3.5	0.0	0.0	0.000	0.0	0.000	0.00	0.000	0.00	87.6	0.00	0.00	0.00	0.00	0.00	0.00	0.00	0.00			
10	39	39	0	3.5	0.0	0.0	0.000	0.0	0.000	0.00	0.000	0.00	87.6	0.00	0.00	0.00	0.00	0.00	0.00	0.00	0.00			
11	39	39	0	3.5	0.0	0.0	0.000	0.0	0.000	0.00	0.000	0.00	87.6	0.00	0.00	0.00	0.00	0.00	0.00	0.00	0.00			
12	39	39	0	3.5	0.0	0.0	0.000	0.0	0.000	0.00	0.000	0.00	87.6	0.00	0.00	0.00	0.00	0.00	0.00	0.00	0.00			
13	39	39	0	3.5	0.0	0.0	0.000	0.0	0.000	0.00	0.000	0.00	87.6	0.00	0.00	0.00	0.00	0.00	0.00	0.00	0.00			
14	39	39	0	3.5	0.0	0.0	0.000	0.0	0.000	0.00	0.000	0.00	87.6	0.00	0.00	0.00	0.00	0.00	0.00	0.00	0.00			
15	39	39	0	3.5	0.0	0.0	0.000	0.0	0.000	0.00	0.000	0.00	87.6	0.00	0.00	0.00	0.00	0.00	0.00	0.00	0.00			
16	39	39	0	3.5	0.0	0.0	0.000	0.0	0.000	0.00	0.000	0.00	87.6	0.00	0.00	0.00	0.00	0.00	0.00	0.00	0.00			
17	39	39	0	3.5	0.0	0.0	0.000	0.0	0.000	0.00	0.000	0.00	87.6	0.00	0.00	0.00	0.00	0.00	0.00	0.00	0.00			
18	39	39	0	3.5	0.0	0.0	0.000	0.0	0.000	0.00	0.000	0.00	87.6	0.00	0.00	0.00	0.00	0.00	0.00	0.00	0.00			
19	39	39	0	3.5	0.0	0.0	0.000	0.0	0.000	0.00	0.000	0.00	87.6	0.00	0.00	0.00	0.00	0.00	0.00	0.00	0.00			
20	39	39	0	3.5	0.0	0.0	0.000	0.0	0.000	0.00	0.000	0.00	87.6	0.00	0.00	0.00	0.00	0.00	0.00	0.00	0.00			
21	39	39	0	3.5	0.0	0.0	0.000	0.0	0.000	0.00	0.000	0.00	87.6	0.00	0.00	0.00	0.00	0.00	0.00	0.00	0.00			
22	39	39	0	3.5	0.0	0.0	0.000	0.0	0.000	0.00	0.000	0.00	87.6	0.00	0.00	0.00	0.00	36.00	346.36	0.00	0.00	346.36		
Total										387.67		315.55		15.73	56.71			346.36	341.79	0.00	0.00	496.43		

Extended Pier:

94.0% 76.8%

Uplift Cone Resistance - Weight of Soil Cone

Prominent Subsurface Material Type:

Pier Depth (ft)	Pier Depth (ft)	Pier Diameter (ft)	Pier Volume (ft ³)	Pier Weight (kips)	Friction Angle (deg)	Soil Weight (kcf)	Cone Frustum				Soil Volume (ft ³)	Soil Weight (kips)	Uplift Capacity (kips)
							Height (ft)	Radius (ft)	Radius (ft)	Volume (ft ³)			
0	3.5	3.5	33.67	5.05	0	0.110	3.50	22.25	22.25	5442	5408	594.86	449.93
3.5	39	3.5	341.55	51.23	30	0.110	35.50	1.75	22.25	19959	19617	2157.87	1656.83
39	39	3.5	0.00	0.00	30	0.110	0.00	1.75	1.75	0	0	0.00	0.00

OK 2106.76

Vertical Reinforcement Design

Number of Bars	Bar Size	Bar Length (in)	Bar Diameter (in)	Bar Weight (lb/ft)	Total Bar Weight (lb)	Bar Area (sq in)	Total Bar Area (sq in)	Minimum Bar Area Required (sq in)	Rebar Circle Diameter (in)	Ctr-Ctr Spacing (in)	Clear Spacing (in)	Equivalent Pipe				Induced Moment (ft-kips)*	Induced Stress (ksi)	Design Stress (ksi)
												Outer Diameter (in)	Inner Diameter (in)	Thickness (in)	Section Modulus (in ⁴)			
23	8	468	1.000	2.670	2395	0.79	18.17	6.93	34.000	4.6	3.6	34.17	33.83	0.340	153.7	404.43	49.27	54

OK TIA-222-H 9-4.1

Pier Axial Strength - Compression and Tension

Pier Gross Area (in ²)	Nominal Compressive Strength (kip)	Compressive Strength Reduction Factor	Design Compressive Strength (kip)	Mislocation Overload Factor	Check Compressive Strength Ratio	Nominal Tensile Strength (kip)	Tensile Strength Reduction Factor	Design Tensile Strength (kip)	Check Tensile Strength Ratio
1385.44	6320.02	0.65	3286.41	1.10	0.121	1090.20	0.90	981.18	0.328

ACI-318-14 22.4.2.2-318-14 Table 21C1-318-14 22.4.2.1

TIA-222-H 9-4.1

Development Length - Vertical Rebar

Bar Size	Reinf. Location Factor, α	Coating Factor, β	Reinf. Size Factor, γ	Lightwt. Aggregate Factor, λ	Spacing or Cover, c (in)	Transverse Reinf. Index, K _{tr}	Develop. Length f _d (in)
8	1.0	1.0	1.0	1.0	2.32	0.0	28.9

ACI-318-14 25.4.2.4-318-14 Table 25-318-14 Table 25-4.2.4

ACI-318-14 25.4-318-14 Table 25.4.2.2

Tie Reinforcement Design

Number of Bars	Bar Size	Bar Diameter (in)	Bar Weight (lb/ft)	Total Bar Weight (lb)	Bar Area (sq in)	Overlap Length (in)	Total Length (in)	Zone	Maximum Tie Spacing (in)	Zone Distance (in)	Number of Tie Spaces	Actual Tie Spacing (in)	Number of Ties per Zone	Standard Applied	Confinement Applied

54	4	0.500	0.668	391	0.20	18.0	130.0	End	5	5	1	5	2
								Top	6	72	12	6	12
								Middle	10	385.5	39	9 7/8	38
								End	5	5	1	5	2

ACI-318-14 2.3

Shear (Compression)

Distance to Max. Shear d_{max} (in)	Compressive Shear V (kip)	Factored Axial Force N_u (lb)	Distance to Tension Reinf. d (in)	Ratio of A_s to $b_w d$ ρ_w	Concrete Weight W_c (lb)	Pier Gross Area A_g (in ²)	Nom. Strength Concrete V_c (kip)	Minimum Bar Area A_{smin} (in ²)	Total Bar Area A_s (in ²)	Nom. Strength Reinforcement V_s (kip)	Des. Shear Strength ϕV_n (kip)	Factored Axial Force N_u (lb)	Nom. Shear Concrete V_c (kip)	Des. Shear Strength ϕV_n (kip)
	33.19	362315	33.600	0.013	0.000	1385.442	214.089	0.352	0.400	161.280	281.527	321417	101.484	197.073
								OK	OK		OK			OK
											11.8%			16.8%

ACI-318-14 22.5.1 ACI-318-14 2.2

ACI-318-14 22.5.6

ACI-318-14 18

ACI-318-14 22.5.10.6

ACI-318-14 22.5.1

ACI-318-14 22.5.1

ACI-318-14 23

ACI-318-14 22.9.3.1

Splice Length - Ties

Bar Size	Reinf. Location Factor, α	Coating Factor, β	Reinf. Size Factor, γ	Lightwt. Aggregate Factor, λ	Spacing or Cover, c (in)	Transverse Reinf. Index, K_T	Development Length l_d (in)	Splice Length Tolerance (in)	Splice Length $1.3 l_d$ (in)
4	1.0	1.0	0.8	1.0	3.25	0.0	12.0	1.0	18.0

ACI-318-14 25.4.2.4 ACI-318-14 Table 25.4.2.4

ACI-318-14 25.4.2.3 ACI-318-14 Table 25.4.2.2

ACI-318-14 Table 25.5.2.1

Anchor Bolts and Embedment Plate

Number of Bolts	Bolt Diameter (in)	Bolt Length (in)	Anchor Bolt P/N	Bolt Projection (in)	Projection Tolerance Above (in)	Projection Tolerance Below (in)	Plate P/N	Plate O.D. / Width	Plate I.D.	Bolt Circle Diameter (in)	Plate Thickness (in)
10	1.00	60	102970	5.75	0.1875	-0.25	139914	16.75	0	14.25	0.5

Std. Pattern

Anchor Bolt Design

Bolt Threads per Inch	Gross Area (in ²)	Bolt Net Area (in ²)	Bolt Yield Strength (ksi)	Ultimate Tensile Stress (ksi)	Bolt Resistance Factor	Bolt Nominal Tensile Strength (kip)	Bolt Design Tensile Strength (kip)	Nominal Shear Rupture Strength (kip)	Nominal Compression Yield Strength (kip)	Nominal Shear Yield Strength (kip)	Anchor Bolt Interaction Equation	Anchor Bolt Embedded Length (in)	Rebar Engaged by Bolts (in)	Length Required (in)	Gap Between Rebar & Plate (in)
8	0.785	0.606	105	125	0.75	75.718	56.788	49.087	63.603	19.081	0.600 OK 60.0%	54.06	38.19 OK	28.89	8.13 OK

TIA-222-H 4.9.9.1

TIA-222-H 4.9.9 TIA-222-H 4.9.9 TIA-222-H 4.9.9 TIA-222-H 4.9.9 TIA-222-H 4.9.9 TIA-222-H 4.9.9

TIA-222-H 4.9.9

Notes

- Foundation design is based on the Geotechnical Report dated 03/15/2023, by Environmental Corporation of America; Project No. 23-000518.
 - Groundwater may be encountered at 38.5 feet bgs at this site based on the geotechnical investigation. The need for dewatering should be anticipated below this depth.

- Rock conditions were encountered about 28.5 feet bgs in the geotechnical investigation.

SST Drilled Pier Foundation Design Summary

Max. Foundation Capacity Rating:	94.0%
----------------------------------	-------

FOUNDATION DIMENSIONS	
Tower Width:	20 ft
Pier Extension:	0.5 ft
Pier Depth:	39 ft
Pier Diameter:	3.5 ft
Clear Cover:	3 in
Clear Cover (Top of Pier):	3 in
Volume per Pier:	14.1 yd ³
Total Volume:	42.2 yd ³

PIER REINFORCEMENT	
Bar Size:	8
Bar Length:	468 in
On Center Spacing:	4.6 in
Quantity per Pier:	23
Total Quantity:	69
Weight per Pier:	2395 lbs
Total Weight:	7185 lbs

TIE REINFORCEMENT	
Bar Size:	4
Bar Length:	130 in
Circular Tie Outer Diameter:	36 in
Overlap:	18 in
Tie Termination Type:	Overlap
Quantity per Pier:	54
Total Quantity:	162
Top Zone - Quantity:	2
Top Zone - Spacing:	5 in
Anchor Zone - Quantity:	12
Anchor Zone - Spacing:	6 in
Middle Zone - Quantity:	38
Middle Zone - Spacing:	9.875 in
Bottom Zone - Quantity:	2
Bottom Zone - Spacing:	5 in
Weight per Pier:	391 lbs
Total Weight:	1173 lbs

TOWER REACTIONS	
Leg Compression:	362.3 kip
Leg Uplift:	321.4 kip
Leg Shear:	33.2 kip
Tower Shear:	51.6 kip
Tower Moment:	5967.5 ft-kip
Tower Weight:	53.3 kip

MATERIAL SPECIFICATIONS	
Concrete Strength:	4500 psi
Concrete Weight:	150 pcf
Rebar Yield Strength:	60 ksi

ANCHORING DETAILS	
Anchor P/N:	102970
Anchor Diameter:	1 in
Anchor Length:	60 in
Anchor Quantity per Leg:	10
	Std. Pattern
Anchor Projection:	5.75 in
	+ 0.1875" -0.25"
Bolt Circle Diameter:	14.25 in
Template P/N	139914

BACKFILL CRITERIA (NON-STRUCTURAL)	
Loose Lift Thickness:	8 in
Percent Compaction:	95%
ASTM Standard:	D698
Optimum Moisture Content:	2%
	-2%

ECO #:	
--------	--

ADDITIONAL NOTES
<p>- Foundation design is based on the Geotechnical Report dated 03/15/2023, by Environmental Corporation of America; Project No. 23-000518.</p> <p>- Groundwater may be encountered at 38.5 feet bgs at this site based on the geotechnical investigation. The need for dewatering should be anticipated below this depth.</p> <p>- Rock conditions were encountered about 28.5 feet bgs in the geotechnical investigation.</p>

⚠ This is a beta release of the new ATC Hazards by Location website. Please [contact us](#) with feedback.

ℹ The ATC Hazards by Location website will not be updated to support ASCE 7-22. [Find out why.](#)

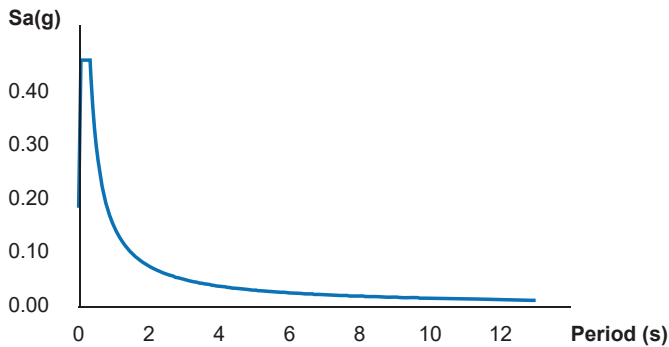
ATC Hazards by Location

Search Information

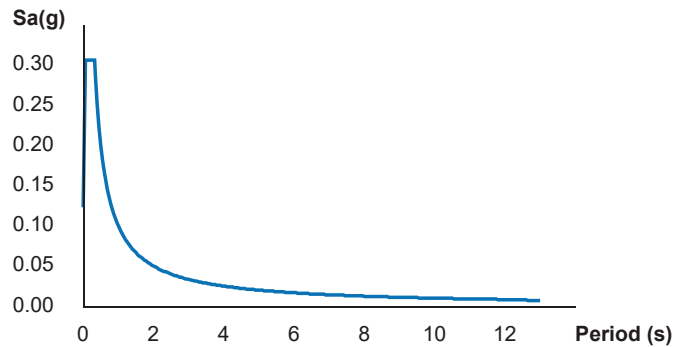
Coordinates: 36.835783, -83.327628
Elevation: 1184 ft
Timestamp: 2023-08-24T19:18:58.874Z
Hazard Type: Seismic
Reference Document: ASCE7-16
Risk Category: II
Site Class: C



MCE_R Horizontal Response Spectrum



Design Horizontal Response Spectrum



Basic Parameters

Name	Value	Description
S _S	0.353	MCE _R ground motion (period=0.2s)
S ₁	0.1	MCE _R ground motion (period=1.0s)
S _{MS}	0.46	Site-modified spectral acceleration value
S _{M1}	0.15	Site-modified spectral acceleration value
S _{DS}	0.306	Numeric seismic design value at 0.2s SA
S _{D1}	0.1	Numeric seismic design value at 1.0s SA

Additional Information

Name	Value	Description
SDC	B	Seismic design category
F _a	1.3	Site amplification factor at 0.2s
F _v	1.5	Site amplification factor at 1.0s
CR _S	0.932	Coefficient of risk (0.2s)
CR ₁	0.924	Coefficient of risk (1.0s)

PGA	0.218	MCE _G peak ground acceleration
F _{PGA}	1.2	Site amplification factor at PGA
PGA _M	0.262	Site modified peak ground acceleration
T _L	12	Long-period transition period (s)
SsRT	0.353	Probabilistic risk-targeted ground motion (0.2s)
SsUH	0.379	Factored uniform-hazard spectral acceleration (2% probability of exceedance in 50 years)
SsD	1.5	Factored deterministic acceleration value (0.2s)
S1RT	0.1	Probabilistic risk-targeted ground motion (1.0s)
S1UH	0.108	Factored uniform-hazard spectral acceleration (2% probability of exceedance in 50 years)
S1D	0.6	Factored deterministic acceleration value (1.0s)
PGAd	0.5	Factored deterministic acceleration value (PGA)

The results indicated here DO NOT reflect any state or local amendments to the values or any delineation lines made during the building code adoption process. Users should confirm any output obtained from this tool with the local Authority Having Jurisdiction before proceeding with design.

Please note that the ATC Hazards by Location website will not be updated to support ASCE 7-22. [Find out why.](#)

Disclaimer

Hazard loads are provided by the U.S. Geological Survey [Seismic Design Web Services](#).

While the information presented on this website is believed to be correct, ATC and its sponsors and contributors assume no responsibility or liability for its accuracy. The material presented in the report should not be used or relied upon for any specific application without competent examination and verification of its accuracy, suitability and applicability by engineers or other licensed professionals. ATC does not intend that the use of this information replace the sound judgment of such competent professionals, having experience and knowledge in the field of practice, nor to substitute for the standard of care required of such professionals in interpreting and applying the results of the report provided by this website. Users of the information from this website assume all liability arising from such use. Use of the output of this website does not imply approval by the governing building code bodies responsible for building code approval and interpretation for the building site described by latitude/longitude location in the report.

EXHIBIT C
TOWER AND FOUNDATION DESIGN

Clover Fork – List of Qualified Professionals

Phillip J. Nejman
Professional Engineer
Kentucky License 36012
Tower Source LLC
1355 Windward Concourse
Suite 410
Alpharetta, GA 30005

Jason Mark Lambert
Professional Engineer
Kentucky License No. 28217
Nello Inc.
1201 S Sheridan Street
South Bend, IN 46619

Hèctor A. Acosta
M.S.C.E., P.E.
Kentucky License 31144
1375 Union Hill Industrial Court, Suite A
Alpharetta, GA 30004

Athulya Balakrishnan
P.E. Project Engineer
1375 Union Hill Industrial Court, Suite A
Alpharetta, GA 30004

G. Darrell Taylor
Licensed Professional Land Surveyor
License No. 4179
Point to Point Land Surveyors
100 Governors Trace, Ste. 103
Peachtree, GA 30269

John Lounsbury
Construction Manager
152 W 57th Street
New York, NY 10019

Sherri Lewis
RF Engineer
1025 Lenox Park Blvd. NE,
3rd Floor
Atlanta, GA 30319



August 21, 2023

Kentucky Public Service Commission
211 Sower Blvd.
P.O. Box 615
Frankfort, KY 40602-0615

RE: Site Name – Clover Fork / TI-OPP-22295
Proposed Cell Tower
36° 50' 08.82" (36.835783°) -83° 19' 39.46" (-83.327628°)

Dear Commissioners:

The Project / Construction Manager for the proposed new communications facility will be John Lounsbury. His contact information is (770) 865-2254 or jlounsbury@Tillmaninfrastructure.com

John has been in the industry completing civil construction and constructing towers since 1996. He has worked at Tillman Infrastructures since 2018 completing project and construction management on new site build projects.

Thank you,

Kendra Moorhead

Kendra Morehead
Director of Construction East Region - Tillman Infrastructure
770-714-9771



NELLO
1201 S Sheridan St
South Bend, IN 46619
(574)288-3632 Ext. 1267
Fax: (574) 255-5860
www.nelloinc.com

Tower and Foundation Drawing Package

Sales Order: SO30980

Drawing Number(s)
Tower: 633549
Foundation: 633550

Site Name: TI-OPP-22295 / Clover Fork
Location: Harlan County, KY

Prepared for: Tillman Infrastructure
Date: 08/28/2023



1201 S Sheridan St
South Bend, IN 46619

Phone: 574-288-3632
Fax: 574-288-5860
www.nelloinc.com

August 24, 2023

Tillman Infrastructure
152 W 57th Street
New York, NY 10019

Re: Nello Tower Fall Radius – Nello 175' NSX Lattice Self-Support Tower
Project Name: TI-OPP-22295/Clover Fork
Nello Job #: SO30980
Tower Drawing #: 633549

To Whom It May Concern:

This letter is regarding your inquiry about the expected performance of your proposed tower designed by Nello based on site-specific criteria.

Our towers are designed to meet or exceed industry standards defined by TIA-222-H, “Structural Standards for Antenna Supporting Structures and Antennas” (TIA Standard). It is our opinion that the possibility of a tower collapse is very unlikely. The tower is designed using extreme wind and ice conditions. In fact, wind speeds specified by the TIA Standard are 50-year wind speeds. That is, they have only a 2% statistical chance of occurring in any given year.

This tower has been designed using the following wind conditions as a minimum: a 105 mph 3-second gust ultimate wind speed with no ice and a 30 mph 3-second gust wind with 1” ice. The TIA Standard specifies 105 mph as the ultimate wind speed required for this site in Harlan County, KY. The “3-second gust wind speed” refers to a wind measured at 33 feet above the ground. Equations in the TIA Standard take into account that wind speed escalates with increasing height of the tower.

Although we cannot guarantee exactly how a tower would fall if it were to fail, the most likely mode of failure would be a buckling failure of one of the tower sections due to excessive wind loading. The tower leg with the highest stress ratio is located at the 120’ – 140’ level. The stress ratio in that leg is calculated to be 100% of the code-permitted design loading. Given that the tower section with the highest stress ratio will most likely fail first, the proposed tower would fail at the 120’ level with the top 55’ of the tower collapsing. Depending on the conditions at the time of failure and the stress levels in structural material below, the top 55’ of the tower would likely fall within a 0’ fall radius.

The fall radius statement above assumes proper foundation construction and tower installation. The foundation design should be reviewed to ensure that no foundation limit state governs the entire structural system and negates the fall radius design. The fall radius expectancy requires that the foundation be designed with a capacity greater than that of the tower capacity. If the foundation design used in association with this tower is performed by a third party then Nello must be provided the opportunity to review the design in order to confirm that the fall radius remains satisfactory. If for some reason Nello does not provide the tower design or is not given the opportunity to design or review the foundation for this specific project then the content of this letter becomes void.

If you have any other questions or concerns regarding the design of your site-specific tower, please contact our engineering or sales department.

Sincerely,

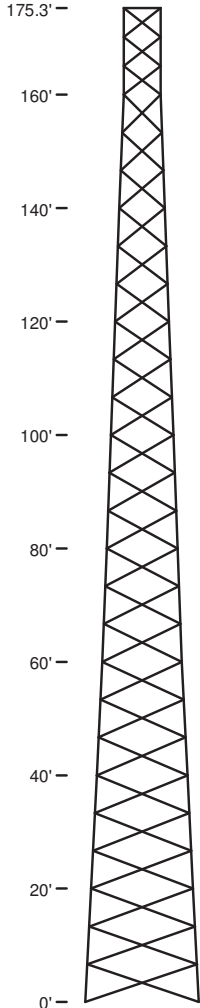
Jason M. Lambert, PE
Vice President of Engineering



08/28/2023

Self-Supporting Tower Section Data

Section Number	Bottom Elevation (ft)	Top Elevation (ft)	Model	Bottom Face Width (ft)	Top Face Width (ft)	Number of Panels	Leg Size (in)	Diagonal Size (in)	Girt Size (in)	Mid-Horizontal Size (in)	Redundant Horizontal Size (in)	Redundant Diagonal Size (in)
9	160	175.3	NSX	6.5	6.5	3	P2x.154	L1 3/4x1 3/4x1/8	L2x2x1/8			
8	140	160	NSX	8.0	6.5	3	P3x.216	L2x2x3/16				
7	120	140	NSX	9.5	8.0	3	P4x.237	L2 1/2x2 1/2x3/16				
6	100	120	NSX	11.0	9.5	3	P6x.28	L2 1/2x2 1/2x3/16				
5	80	100	NSX	12.5	11.0	3	P8x.322	L2 1/2x2 1/2x1/4				
4	60	80	NSX	14.0	12.5	3	P8x.322	L3x3x3/16				
3	40	60	NSX	16.0	14.0	3	P8x.322	L3x3x3/16				
2	20	40	NSX	18.0	16.0	3	P8x.322	L3x3x3/16				
1	0	20	NSX	20.0	18.0	3	P10x.365	L3 1/2x3 1/2x1/4				



Tower Reactions


No Ice
 Shear: 51.6 kips
 Moment: 5967.55 ft-kips
 Weight: 53.3 kips

With Ice
 Shear: 6.0 kips
 Moment: 710.66 ft-kips
 Weight: 99.3 kips

Leg Reactions

Compression: 362.3 kips
 Uplift: -321.4 kips
 Shear: 33.2 kips

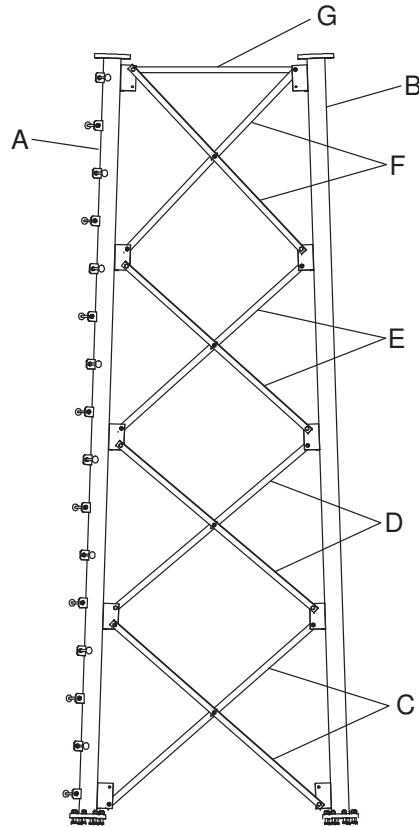


TITLE: Tillman Infrastructure NSX 20' X 175.3'		 1201 S. Sheridan St. South Bend, IN 46619 Bus: (574)288-3632 Fax: (574)288-5860
TI-OPP-22295 / Clover Fork Harlan Co., KY		

COPYRIGHT NOTICE:
 This drawing is the property of Nello Inc. It is not to be reproduced, copied or traced in whole or in part without our written consent.

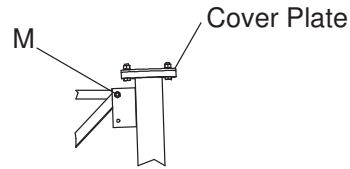
ORIG. DATE: 8/28/2023 DWG NO: 633549
 DWG. PROG: v2.05 SHEET: 1 OF 6

REV	BY	DATE	DESCRIPTION

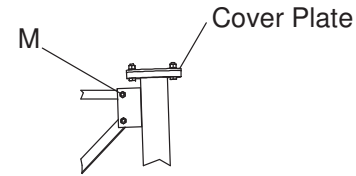


NSX Section Detail

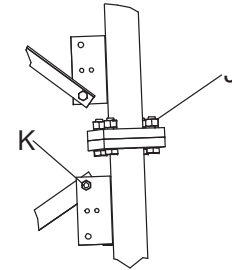
1. A part number is stamped on the bottom footpad of each leg.
2. A part number is stamped and /or labeled on the bottom end of each angle.
3. Be sure to place diagonal bracing angles in correct positions, angles in the top panel may be longer than they are in the middle panel.
4. The bolt head must bear against the angle bracing.



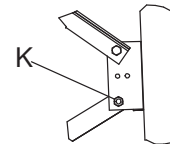
One plain nut and one lockwasher per bolt.
Detail A: NSX Top Connection
 *Applicable to all 20 ft Sections.
 *Applicable to all Sections Shorter than 20 ft and are Straight.



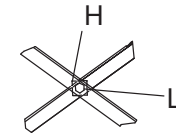
One plain nut and one lockwasher per bolt.
Detail B: NSX Top Connection
 *Applicable to all Sections Shorter than 20 ft that are Tapered Sections.



One plain nut and one lockwasher per bolt.
NSX Leg Connection



One plain nut and one lockwasher per bolt.
NSX Bracing Detail



One plain nut and one lockwasher per bolt.
NSX Spacer Detail

- NSX Section Legend:**
- A. Climbing Leg
 - B. Non-Climbing Leg
 - C. Diag., Panel 1
 - D. Diag., Panel 2
 - E. Diag., Panel 3
 - F. Diag., Panel 4
 - G. Top Girt
 - H. Spacer
 - J. Leg Bolts
 - K. Diagonal Bolts
 - L. Stitch Bolts
 - M. Top Girt Bolts



TITLE:
 Tillman Infrastructure
 NSX 20' X 175.3'
 TI-OPP-22295 / Clover Fork
 Harlan Co., KY



COPYRIGHT NOTICE: This drawing is the property of Nello Inc. It is not to be reproduced, copied or traced in whole or in part without our written consent.		ORIG. DATE: 8/28/2023	DWG NO: 633549
		DWG. PROG: v2.05	SHEET: 2 OF 6

REV	BY	DATE	DESCRIPTION

NSX Section Part Numbers

Item	Elevation	Climbing Leg (A)	Non-Climbing Leg (B)	Diagonal - Panel 1 (C)	Diagonal - Panel 2 (D)	Diagonal - Panel 3 (E)	Diagonal - Panel 4 (F)	Top Girt (G)	Spacer (H)
9	160' - 175.3'	141418		167539	167540	167539		167279	132233
8	140' - 160'	141279		167274	167275	167276			132233
7	120' - 140'	141259		166883	166884	166885			132233
6	100' - 120'	129729		167243	167244	167245			132233
5	80' - 100'	129695		169691	169692	169693			132233
4	60' - 80'	187754		166874	166875	166876			132233
3	40' - 60'	129695		167990	167991	167992			132233
2	20' - 40'	129705		167984	167985	167986			132233
1	0' - 20'	190037		168462	168463	168464			132233

NSX Section Hardware

Item	Elevation	Leg Bolts (J)	Diagonal Bolts (K)	Stitch Bolts (L)	Top Girt Bolts (M)	Section Weight (Lbs.)
9	160' - 175.3'	(12) 3/4" x 3-1/2"	(36) 1/2" x 1-1/2"	(9) 1/2" x 1-1/2"	(6) 1/2" x 1-1/2"	670
8	140' - 160'	(24) 3/4" x 3-1/2"	(36) 1/2" x 1-1/2"	(9) 1/2" x 1-3/4"		1220
7	120' - 140'	(24) 3/4" x 3-1/2"	(36) 5/8" x 2-1/2"	(9) 5/8" x 2-1/2"		1650
6	100' - 120'	(24) 1" x 3-3/4"	(36) 5/8" x 2-1/2"	(9) 5/8" x 2-1/2"		2280
5	80' - 100'	(24) 1" x 3-3/4"	(36) 3/4" x 2-1/4"	(9) 3/4" x 2-1/4"		3260
4	60' - 80'	(24) 1" x 3-3/4"	(36) 3/4" x 2-1/4"	(9) 3/4" x 2-1/4"		3280
3	40' - 60'	(24) 1" x 3-3/4"	(36) 3/4" x 2-1/4"	(9) 3/4" x 2-1/4"		3400
2	20' - 40'	(30) 1" x 3-3/4"	(36) 3/4" x 2-1/4"	(9) 3/4" x 2-1/4"		3620
1	0' - 20'	0	(36) 3/4" x 2-1/4"	(9) 3/4" x 2-1/4"		5300



TITLE:
Tillman Infrastructure
NSX 20' X 175.3'
TI-OPP-22295 / Clover Fork
Harlan Co., KY



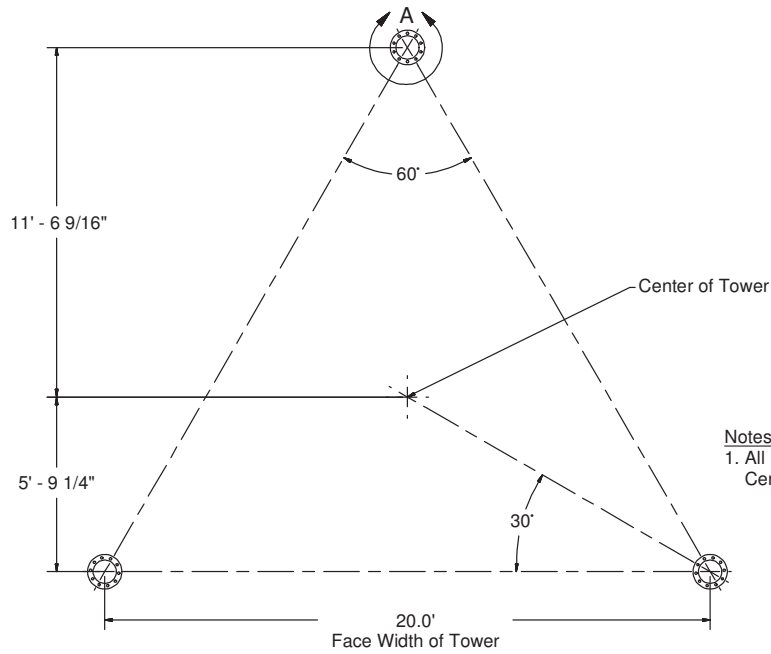
COPYRIGHT NOTICE:
This drawing is the property of Nello Inc. It is not to be reproduced, copied or traced in whole or in part without our written consent.

ORIG. DATE: 8/28/2023 DWG NO: 633549
DWG. PROG: v2.05 SHEET: 3 OF 6

REV	BY	DATE	DESCRIPTION

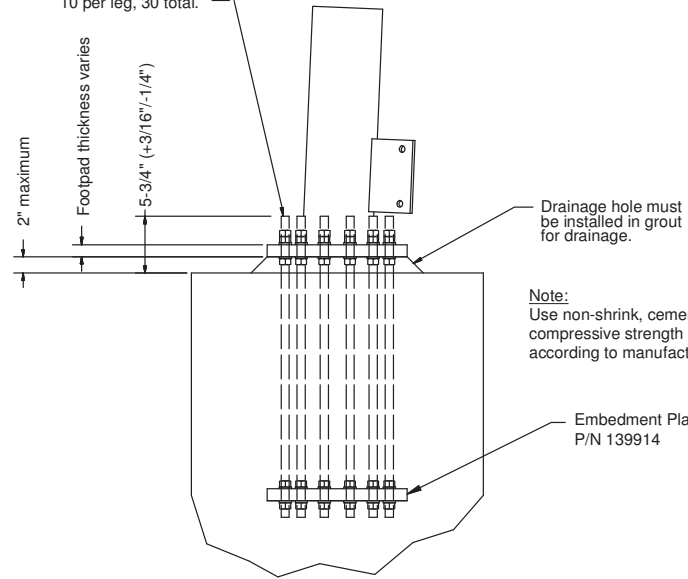


DETAIL A
Bolt hole must be aligned with center of tower.



Notes:
1. All Dimensions are from Center of Bolt Circles.

1" Diameter x 60" ASTM F1554 Grade 105 anchor bolts, P/N 102970 on a 14-1/4" bolt circle, 10 per leg, 30 total.



Drainage hole must be installed in grout for drainage.

Note:
Use non-shrink, cement grout with a minimum compressive strength of 5000 psi. Mix and install according to manufacturer's recommendations.

Embedment Plate P/N 139914



TITLE:
Tillman Infrastructure
NSX 20' X 175.3'
TI-OPP-22295 / Clover Fork
Harlan Co., KY



COPYRIGHT NOTICE:
This drawing is the property of Nello Inc. It is not to be reproduced, copied or traced in whole or in part without our written consent.

ORIG. DATE: 8/28/2023 DWG NO: 633549
DWG. PROG: v2.05 SHEET: 4 OF 6

REV	BY	DATE	DESCRIPTION

Antenna Loading

Height	Qty.	Description
170'	1	40,000 sq in CaAa (6,000 lbs)
155'	1	40,000 sq in CaAa (6,000 lbs)
140'	1	30,000 sq in CaAa (4,000 lbs)
125'	1	Dish Pipe Mount
115'	1	Dish Pipe Mount

Feedline Loading

Height	Qty.	Description
0' - 175'	2	Waveguide Ladder (need qty of 2)
0' - 170'	9	LDF7-50A (1-5/8 FOAM)
0' - 155'	2	Waveguide Ladder (need qty of 2)
0' - 155'	9	LDF7-50A (1-5/8 FOAM)
0' - 140'	2	Waveguide Ladder (need qty of 2)
0' - 140'	9	LDF7-50A (1-5/8 FOAM)
0' - 125'	1	EW63
0' - 115'	1	EW63

Dish Loading

Height	Qty.	Description
125'	1	8' Solid Dish
115'	1	8' Solid Dish



08/28/2023

TITLE:

Tillman Infrastructure
NSX 20' X 175.3'

TI-OPP-22295 / Clover Fork
Harlan Co., KY



1201 S. Sheridan St.
South Bend, IN 46619
Bus: (574)288-3632
Fax: (574)288-5860

COPYRIGHT NOTICE:
This drawing is the property of Nello Inc. It is not to be reproduced, copied or traced in whole or in part without our written consent.

ORIG. DATE: 8/28/2023

DWG NO: 633549

DWG. PROG: v2.05

SHEET: 5 OF 6

REV	BY	DATE	DESCRIPTION

Tower Notes:

1. Tower is designed per TIA-222-H, "Structural Standard for Antenna Supporting Structures, Anennas and Small Wind Turbine Support Structures," for the following loading conditions:
 105 mph 3-second gust ultimate wind speed with no ice per ASCE 7-16
 30 mph 3-second gust basic wind speed with 1 inch basic ice thickness per ASCE 7-16
 Risk Category: II
 Exposure Category: C
 Topographic Category: 1
 Crest Height: 0 feet
2. A tower field inspection shall be performed in order to verify that design exposure and topographic parameters are consistent with the existing tower site conditions.
3. Tower design includes the antennas, dishes, and/or lines listed in the appurtenance loading tables on sheet 5.
4. Antenna mounting pipes may need to be field cut to match the lengths listed in the appurtenance loading tables on sheet 5.
5. Tower member design does not include stresses due to erection since erection equipment and procedures are unknown. Tower installation shall be performed by competent and qualified erectors in accordance with TIA-222-H and OSHA standards and all applicable building codes.
6. Field connections shall be bolted. No field welds shall be allowed unless otherwise noted.
7. Structural bolts shall conform to ASTM A325, except for 1/2 inch diameter and smaller bolts, which shall conform to ASTM A449 or SAE J429 Grade 5.
8. Structural steel and connection bolts shall be galvanized after fabrication in accordance with TIA-222-H.
9. All high strength bolts shall be tightened to a "snug tight" condition as defined in the RCSC "Specification for Structural Joints Using ASTM A325 or A490 Bolts."
10. Tower shall be marked and lighted in conformance with local building codes, FAA regulations, and TIA-222-H.
11. Tower shall be grounded in conformance with local building codes and TIA-222-H. Evaluation of protective grounding and consideration for special grounding systems shall be performed by others.
12. Allowable tolerance on as-built tower steel height is plus 1% or minus 1/2%.
13. Maintenance and inspection shall be performed over the life of the structure in accordance with TIA-222-H.
14. Material specifications:
 Self Supporting Pipe Legs - ASTM A500 Grade 50
 Angle Bracing - ASTM A529 Grade 50
 Leg Footpads - ASTM A572 Grade 50
 Leg Side Plates - ASTM A36 (Min)
15. Remove anchor bolt template before erecting tower. Place non-shrink grout under base section footpads after leveling tower.
16. Concrete contractor shall be responsible for properly aligning anchor bolts and materials before and after placing concrete, regardless of whether an anchor bolt template is provided.

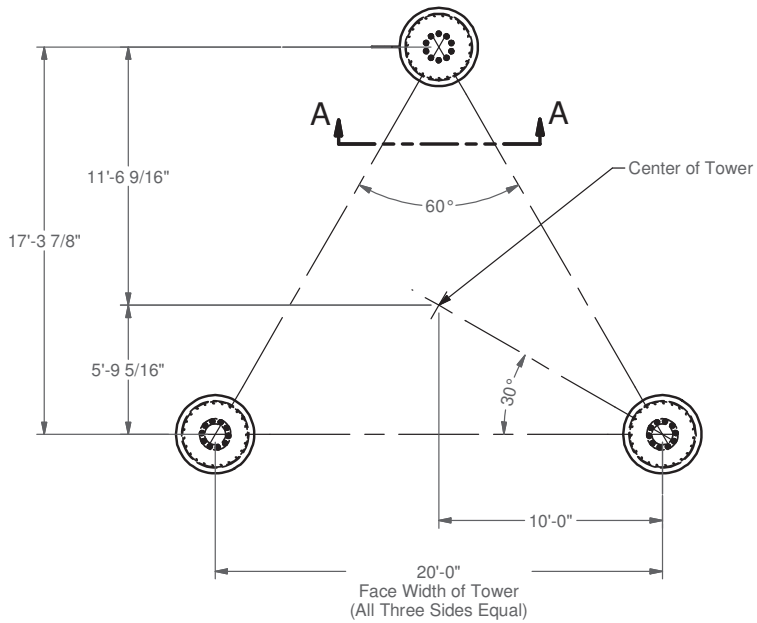


TITLE:
 Tillman Infrastructure
 NSX 20' X 175.3'
 TI-OPP-22295 / Clover Fork
 Harlan Co., KY

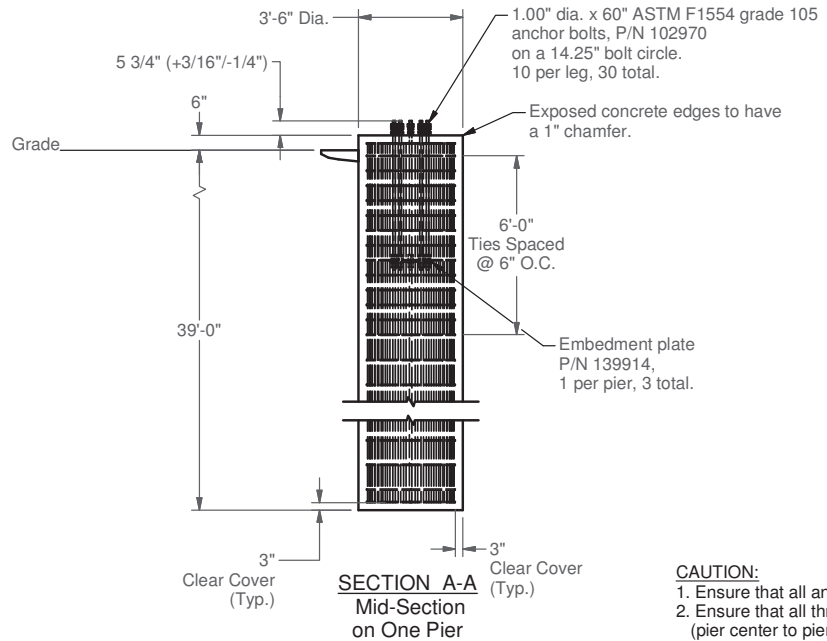


<p>COPYRIGHT NOTICE: This drawing is the property of Nello Inc. It is not to be reproduced, copied or traced in whole or in part without our written consent.</p>	ORIG. DATE: 8/28/2023	DWG NO: 633549
	DWG. PROG: v2.05	SHEET: 6 OF 6

REV	BY	DATE	DESCRIPTION



PLAN VIEW
DRILLED PIER FOUNDATION
ONE PIER PER LEG, THREE TOTAL
(CONCRETE VOLUME: 14.1 CU. YD. PER PIER, 42.2 CU. YD. TOTAL)



#8 reinforcing bars,
 468.00" long,
 spaced at 4.6" O.C. around inside of ties.
 23 per pier, 69 total.

#4 reinforcing bars,
 130.00" long before being bent into circle with
 36.00" outer diameter and 18.00" overlap.
 Top 2 ties spaced at 5" O.C.
 Next 12 ties spaced at 6" O.C.
 Bottom 2 ties spaced at 5" O.C.
 Remainder of ties spaced at 9.88" O.C.
 54 per pier, 162 total.

CAUTION:
 1. Ensure that all anchor bolt nuts are tightened.
 2. Ensure that all three face width dimensions
 (pier center to pier center)
 are measured and verified before pouring concrete.

Concrete Compressive Strength, $f'_c = 4500$ psi



TITLE:
 Tillman Infrastructure
 NSX 20' X 175.3'
 TI-OPP-22295 / Clover Fork
 Harlan Co., KY



REV	BY	DATE	DESCRIPTION

COPYRIGHT NOTICE: This drawing is the property of Nello Inc. It is not to be reproduced, copied or traced in whole or in part without our written consent.	ORIG. DATE: 8/25/2023	DWG NO: 633550
	DWG. PROG: v2.05	SHEET: 1 OF 2

Foundation Notes:

1. This foundation has been designed for the following tower reactions:
 Leg Compression: 362.3 Kips
 Leg Uplift: 321.4 Kips
 Leg Shear: 33.2 Kips
 Tower Shear: 51.6 Kips
 Tower Moment: 5967.5 ft-Kips
 Tower Weight: 53.3 Kips
2. Foundation design is based on the Geotechnical Report dated 03/15/2023, by Environmental Corporation of America; Project No. 23-000518.
3. A field inspection shall be performed in order to verify that the actual site soil parameters meet or exceed the assumed soil parameters and that the depth of standard foundations are adequate based on the frost penetration and groundwater depth. Local frost depth must be no deeper than the bottom of the base foundation or the top of the anchor.
4. Reinforcement shall be deformed and conform to the requirements of ASTM A615 Grade 60 unless otherwise noted. Splices in reinforcement shall not be allowed unless otherwise indicated.
5. Welding is prohibited on reinforcing steel and anchorage.
6. Backfill above foundation should be compacted to 95% of maximum dry density at water content within 2 percent of optimum. Backfill must be clean and free of organic and frozen soils and foreign materials.
7. Finished grade shall be leveled over the entire foundation footprint. Backfill is recommended to slope to native grade using a 2:1 (H:V) slope.
8. Loose material shall be removed from bottom of excavation prior to concrete placement.
9. Concrete cover from exposed surface of concrete to surface of reinforcement shall not be less than 3".
10. Concrete and reinforcement installation must conform to ACI 318, "Building Code Requirements for Structural Concrete."
11. Concrete shall develop a minimum compressive strength of 4500 psi at 28 days.
12. Concrete shall be placed as soon as practical after excavating to avoid disturbance of bearing and side wall surfaces
13. Concrete contractor shall be responsible for properly aligning anchor bolts before and after placing concrete, regardless of whether an anchor bolt template is provided.
14. Positive drainage shall be maintained during construction and throughout the life of the facility to minimize the potential for surface water infiltration.
15. It shall be the contractor's responsibility to locate and prevent damage to any existing underground utilities, foundations or other buried objects that might be damaged or interfered with during construction of the foundation.
16. It is permissible for the top of the vertical reinforcement cage alignment to fluctuate slightly, allowing for a minimum clear cover of 2" to a maximum clear cover of 3" over the top of any individual vertical bar.
17. Earthwork operations and foundation installation methods shall be in accordance with the geotechnical report and all applicable American Concrete Institute (ACI) Standards.
18. Temporary steel casing or drilling slurry techniques may be required for installation of the drilled pier foundation. Permanent casing on drilled piers may not be used.
19. Concrete shall be placed by tremie methods if drilling slurry is used or if there is more than 1 inch of water at the bottom of the shaft excavation.
20. Groundwater may be encountered at 38.5 feet bgs at this site based on the geotechnical investigation. The need for dewatering should be anticipated below this depth.
21. Rock conditions were encountered about 28.5 feet bgs in the geotechnical investigation.



TITLE:
 Tillman Infrastructure
 NSX 20' X 175.3'
 TI-OPP-22295 / Clover Fork
 Harlan Co., KY



COPYRIGHT NOTICE: This drawing is the property of Nello Inc. It is not to be reproduced, copied or traced in whole or in part without our written consent.	ORIG. DATE: 8/25/2023	DWG NO: 633550
	DWG. PROG: v2.05	SHEET: 2 OF 2

REV	BY	DATE	DESCRIPTION



N E L L O

Design Supporting Calculations

Sales Order: SO30980

Drawing Number(s)
Tower: 633549
Foundation: 633550
Order Description: NSX 20' x 175.3'
Site Name: TI-OPP-22295 / Clover Fork
Location: Harlan County, KY

Prepared For:
Customer: Tillman Infrastructure
Contact: Chelsea Reeves
Date: 8/28/2023



Table of Contents

Tower Analysis - Short form

Tower Analysis - Long form

Foundation Analysis

Seismic Analysis

DESIGNED APPURTENANCE LOADING

TYPE	ELEVATION	TYPE	ELEVATION
40,000 sq in CaAa (6,000 lbs)	170	8' Solid Dish	125
40,000 sq in CaAa (6,000 lbs)	155	Dish Pipe Mount	115
30,000 sq in CaAa (4,000 lbs)	140	8' Solid Dish	115
Dish Pipe Mount	125		

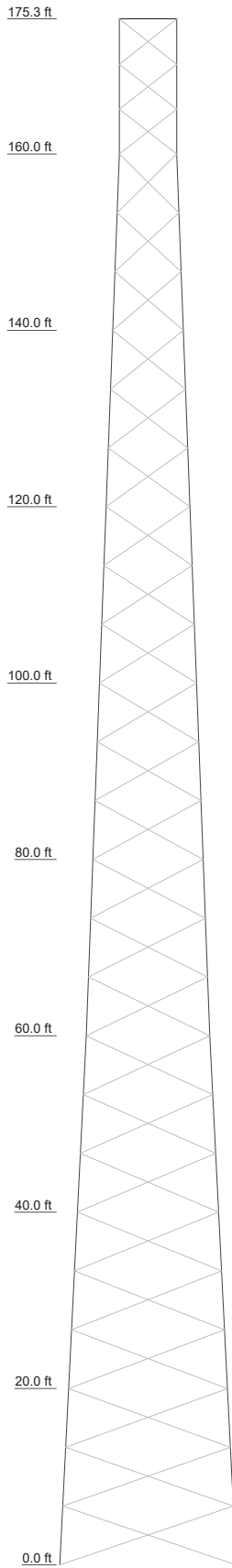
MATERIAL STRENGTH

GRADE	Fy	Fu	GRADE	Fy	Fu
A500-50	50 ksi	62 ksi	A529-50	50 ksi	65 ksi

TOWER DESIGN NOTES

1. Tower designed for Exposure C to the TIA-222-H Standard.
2. Tower designed for a 105 mph ultimate wind in accordance with the TIA-222-H Standard.
3. Tower is also designed for a 30 mph basic wind with 1.00 in ice. Ice is considered to increase in thickness with height.
4. Deflections are based upon a 60 mph wind.
5. Tower Risk Category II.
6. Topographic Category 1 with Crest Height of 0.00 ft
7. TOWER RATING: 99.9%

Section	T1	T2	T3	T4	T5	T6	T7	T8	T9
Legs	P2x.154	P3x.216	P4x.237	P6x.28	P8x.322	P10x.365			
Leg Grade					A500-50				
Diagonals	L1 3/4x1 3/4x1/8	L2x2x3/16	L2 1/2x2 1/2x3/16	L2 1/2x2 1/2x1/4	L3x3x3/16	L3 1/2x3 1/2x1/4			
Diagonal Grade					A529-50				
Top Girts	L2x2x1/8								
Face Width (ft)	6.5	8	9.5	11	12.5	14	16	18	20
# Panels @ (ft)	3 @ 5.1				24 @ 6.66667				
Weight (lb)	454.8	955.7	1382.3	1987.8	2671.4	3326.7	4071.8	4971.8	6057.2

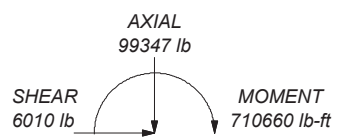


ALL REACTIONS ARE FACTORED

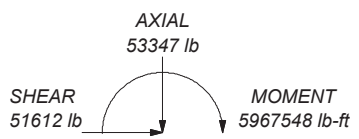
MAX. CORNER REACTIONS AT BASE:

DOWN: 362315 lb
SHEAR: 33186 lb

UPLIFT: -321417 lb
SHEAR: 29851 lb



TORQUE 2199 lb-ft
30 mph WIND - 1.0000 in ICE



TORQUE 23660 lb-ft
REACTIONS - 105 mph WIND

Nello Corporation		Job: SO30980; Tower 633549; Foundation 633550	
1201 S. Sheridan Street		Project: NS 175' - TI-OPP-22295 / Clover Fork - Harlan Co., KY	
South Bend, IN. 46619		Client: Tillman Infrastructure	Drawn by: AG
Phone: 800-806-3556		Code: TIA-222-H	Date: 08/28/23
FAX:		Path: N:\eri\6335\633549.eri	Scale: NTS
			Dwg No. E-1

tnxTower Nello Corporation 1201 S. Sheridan Street South Bend, IN. 46619 Phone: 800-806-3556 FAX:	Job SO30980; Tower 633549; Foundation 633550	Page 1 of 47
	Project NS 175' - TI-OPP-22295 / Clover Fork - Harlan Co., KY	Date 10:41:48 08/28/23
	Client Tillman Infrastructure	Designed by AG

Tower Input Data

The main tower is a 3x free standing tower with an overall height of 175.30 ft above the ground line.

The base of the tower is set at an elevation of 0.00 ft above the ground line.

The face width of the tower is 6.50 ft at the top and 20.00 ft at the base.

This tower is designed using the TIA-222-H standard.

The following design criteria apply:

Tower base elevation above sea level: 0.00 ft.

Ultimate wind speed of 105 mph.

Risk Category II.

Exposure Category C.

Simplified Topographic Factor Procedure for wind speed-up calculations is used.

Topographic Category: 1.

Crest Height: 0.00 ft.

Nominal ice thickness of 1.0000 in.

Ice thickness is considered to increase with height.

Ice density of 56 pcf.

A wind speed of 30 mph is used in combination with ice.

Temperature drop of 50 °F.

Deflections calculated using a wind speed of 60 mph.

A non-linear (P-delta) analysis was used.

Pressures are calculated at each section.

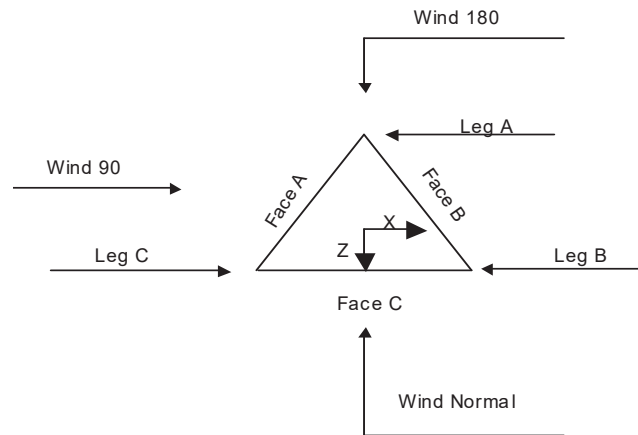
Stress ratio used in tower member design is 1.

Local bending stresses due to climbing loads, feed line supports, and appurtenance mounts are not considered.

Options

- | | | |
|--|---|---|
| <ul style="list-style-type: none"> Consider Moments - Legs Consider Moments - Horizontals Consider Moments - Diagonals Use Moment Magnification Use Code Stress Ratios √ Use Code Safety Factors - Guys Escalate Ice Always Use Max Kz Use Special Wind Profile Include Bolts In Member Capacity Leg Bolts Are At Top Of Section √ Secondary Horizontal Braces Leg Use Diamond Inner Bracing (4 Sided) √ SR Members Have Cut Ends SR Members Are Concentric | <ul style="list-style-type: none"> Distribute Leg Loads As Uniform Assume Legs Pinned √ Assume Rigid Index Plate √ Use Clear Spans For Wind Area √ Use Clear Spans For KL/r √ Retension Guys To Initial Tension Bypass Mast Stability Checks √ Use Azimuth Dish Coefficients √ Project Wind Area of Appurt. √ Autocalc Torque Arm Areas Add IBC .6D+W Combination Sort Capacity Reports By Component √ Triangulate Diamond Inner Bracing Treat Feed Line Bundles As Cylinder Ignore KL/ry For 60 Deg. Angle Legs | <ul style="list-style-type: none"> Use ASCE 10 X-Brace Ly Rules √ Calculate Redundant Bracing Forces √ Ignore Redundant Members in FEA √ SR Leg Bolts Resist Compression √ All Leg Panels Have Same Allowable Offset Girt At Foundation √ Consider Feed Line Torque Include Angle Block Shear Check Use TIA-222-H Bracing Resist. Exemption Use TIA-222-H Tension Splice Exemption <li style="text-align: center;">Poles √ Include Shear-Torsion Interaction Always Use Sub-Critical Flow Use Top Mounted Sockets Pole Without Linear Attachments Pole With Shroud Or No Appurtenances Outside and Inside Corner Radii Are Known |
|--|---|---|

tnxTower Nello Corporation 1201 S. Sheridan Street South Bend, IN. 46619 Phone: 800-806-3556 FAX:	Job SO30980; Tower 633549; Foundation 633550	Page 2 of 47
	Project NS 175' - TI-OPP-22295 / Clover Fork - Harlan Co., KY	Date 10:41:48 08/28/23
	Client Tillman Infrastructure	Designed by AG



Triangular Tower

Tower Section Geometry

Tower Section	Tower Elevation	Assembly Database	Description	Section Width	Number of Sections	Section Length
	<i>ft</i>			<i>ft</i>		<i>ft</i>
T1	175.30-160.00			6.50	1	15.30
T2	160.00-140.00			6.50	1	20.00
T3	140.00-120.00			8.00	1	20.00
T4	120.00-100.00			9.50	1	20.00
T5	100.00-80.00			11.00	1	20.00
T6	80.00-60.00			12.50	1	20.00
T7	60.00-40.00			14.00	1	20.00
T8	40.00-20.00			16.00	1	20.00
T9	20.00-0.00			18.00	1	20.00

Tower Section Geometry (cont'd)

Tower Section	Tower Elevation	Diagonal Spacing	Bracing Type	Has K Brace End Panels	Has Horizontals	Top Girt Offset	Bottom Girt Offset
	<i>ft</i>	<i>ft</i>				<i>in</i>	<i>in</i>
T1	175.30-160.00	5.10	X Brace	No	No	0.0000	0.0000
T2	160.00-140.00	6.67	X Brace	No	No	0.0000	0.0000
T3	140.00-120.00	6.67	X Brace	No	No	0.0000	0.0000
T4	120.00-100.00	6.67	X Brace	No	No	0.0000	0.0000
T5	100.00-80.00	6.67	X Brace	No	No	0.0000	0.0000
T6	80.00-60.00	6.67	X Brace	No	No	0.0000	0.0000

tnxTower Nello Corporation 1201 S. Sheridan Street South Bend, IN. 46619 Phone: 800-806-3556 FAX:	Job SO30980; Tower 633549; Foundation 633550	Page 3 of 47
	Project NS 175' - TI-OPP-22295 / Clover Fork - Harlan Co., KY	Date 10:41:48 08/28/23
	Client Tillman Infrastructure	Designed by AG

Tower Section	Tower Elevation ft	Diagonal Spacing ft	Bracing Type	Has K Brace End Panels	Has Horizontals	Top Girt Offset in	Bottom Girt Offset in
T7	60.00-40.00	6.67	X Brace	No	No	0.0000	0.0000
T8	40.00-20.00	6.67	X Brace	No	No	0.0000	0.0000
T9	20.00-0.00	6.67	X Brace	No	No	0.0000	0.0000

Tower Section Geometry (cont'd)

Tower Elevation ft	Leg Type	Leg Size	Leg Grade	Diagonal Type	Diagonal Size	Diagonal Grade
T1 175.30-160.00	Pipe	P2x.154	A500-50 (50 ksi)	Equal Angle	L1 3/4x1 3/4x1/8	A529-50 (50 ksi)
T2 160.00-140.00	Pipe	P3x.216	A500-50 (50 ksi)	Equal Angle	L2x2x3/16	A529-50 (50 ksi)
T3 140.00-120.00	Pipe	P4x.237	A500-50 (50 ksi)	Equal Angle	L2 1/2x2 1/2x3/16	A529-50 (50 ksi)
T4 120.00-100.00	Pipe	P6x.28	A500-50 (50 ksi)	Equal Angle	L2 1/2x2 1/2x3/16	A529-50 (50 ksi)
T5 100.00-80.00	Pipe	P8x.322	A500-50 (50 ksi)	Equal Angle	L2 1/2x2 1/2x1/4	A529-50 (50 ksi)
T6 80.00-60.00	Pipe	P8x.322	A500-50 (50 ksi)	Equal Angle	L3x3x3/16	A529-50 (50 ksi)
T7 60.00-40.00	Pipe	P8x.322	A500-50 (50 ksi)	Equal Angle	L3x3x3/16	A529-50 (50 ksi)
T8 40.00-20.00	Pipe	P8x.322	A500-50 (50 ksi)	Equal Angle	L3x3x3/16	A529-50 (50 ksi)
T9 20.00-0.00	Pipe	P10x.365	A500-50 (50 ksi)	Equal Angle	L3 1/2x3 1/2x1/4	A529-50 (50 ksi)

Tower Section Geometry (cont'd)

Tower Elevation ft	Top Girt Type	Top Girt Size	Top Girt Grade	Bottom Girt Type	Bottom Girt Size	Bottom Girt Grade
T1 175.30-160.00	Equal Angle	L2x2x1/8	A529-50 (50 ksi)	Solid Round		A529-50 (50 ksi)

Tower Section Geometry (cont'd)

Tower Elevation ft	Gusset Area (per face) ft ²	Gusset Thickness in	Gusset Grade	Adjust. Factor A _f	Adjust. Factor A _r	Weight Mult.	Double Angle Stitch Bolt Spacing Diagonals in	Double Angle Stitch Bolt Spacing Horizontals in	Double Angle Stitch Bolt Spacing Redundants in
175.30-160.00	0.00	0.0000	A36 (36 ksi)	1	1	1.1	36.0000	36.0000	36.0000
160.00-140.00	0.00	0.0000	A36 (36 ksi)	1	1	1.1	36.0000	36.0000	36.0000

tnxTower Nello Corporation 1201 S. Sheridan Street South Bend, IN. 46619 Phone: 800-806-3556 FAX:	Job SO30980; Tower 633549; Foundation 633550	Page 4 of 47
	Project NS 175' - TI-OPP-22295 / Clover Fork - Harlan Co., KY	Date 10:41:48 08/28/23
	Client Tillman Infrastructure	Designed by AG

Tower Elevation	Gusset Area (per face)	Gusset Thickness	Gusset Grade	Adjust. Factor A_f	Adjust. Factor A_r	Weight Mult.	Double Angle Stitch Bolt Spacing Diagonals	Double Angle Stitch Bolt Spacing Horizontals	Double Angle Stitch Bolt Spacing Redundants
ft	ft ²	in					in	in	in
T3 140.00-120.00	0.00	0.0000	A36 (36 ksi)	1	1	1.1	36.0000	36.0000	36.0000
T4 120.00-100.00	0.00	0.0000	A36 (36 ksi)	1	1	1.1	36.0000	36.0000	36.0000
T5 100.00-80.00	0.00	0.0000	A36 (36 ksi)	1	1	1.1	36.0000	36.0000	36.0000
T6 80.00-60.00	0.00	0.0000	A36 (36 ksi)	1	1	1.1	36.0000	36.0000	36.0000
T7 60.00-40.00	0.00	0.0000	A36 (36 ksi)	1	1	1.1	36.0000	36.0000	36.0000
T8 40.00-20.00	0.00	0.0000	A36 (36 ksi)	1	1	1.1	36.0000	36.0000	36.0000
T9 20.00-0.00	0.00	0.0000	A36 (36 ksi)	1	1	1.1	36.0000	36.0000	36.0000

Tower Section Geometry (cont'd)

Tower Elevation	Calc K Single Angles	Calc K Solid Rounds	Legs	K Factors ¹						
				X Brace Diags	K Brace Diags	Single Diags	Girts	Horiz.	Sec. Horiz.	Inner Brace
				X Y	X Y	X Y	X Y	X Y	X Y	X Y
T1 175.30-160.00	No	Yes	1	1	1	1	1	1	1	1
T2 160.00-140.00	No	Yes	1	1	1	1	1	1	1	1
T3 140.00-120.00	No	Yes	1	1	1	1	1	1	1	1
T4 120.00-100.00	No	Yes	1	1	1	1	1	1	1	1
T5 100.00-80.00	No	Yes	1	1	1	1	1	1	1	1
T6 80.00-60.00	No	Yes	1	1	1	1	1	1	1	1
T7 60.00-40.00	No	Yes	1	1	1	1	1	1	1	1
T8 40.00-20.00	No	Yes	1	1	1	1	1	1	1	1
T9 20.00-0.00	No	Yes	1	1	1	1	1	1	1	1

¹Note: K factors are applied to member segment lengths. K-braces without inner supporting members will have the K factor in the out-of-plane direction applied to the overall length.

Tower Section Geometry (cont'd)

tnxTower Nello Corporation 1201 S. Sheridan Street South Bend, IN. 46619 Phone: 800-806-3556 FAX:	Job SO30980; Tower 633549; Foundation 633550	Page 5 of 47
	Project NS 175' - TI-OPP-22295 / Clover Fork - Harlan Co., KY	Date 10:41:48 08/28/23
	Client Tillman Infrastructure	Designed by AG

Tower Elevation ft	Leg		Diagonal		Top Girt		Bottom Girt		Mid Girt		Long Horizontal		Short Horizontal	
	Net Width Deduct in	U	Net Width Deduct in	U	Net Width Deduct in	U	Net Width Deduct in	U	Net Width Deduct in	U	Net Width Deduct in	U	Net Width Deduct in	U
T1 175.30-160.00	0.0000	1	0.0000	0.75	0.0000	0.75	0.0000	0.75	0.0000	0.75	0.0000	0.75	0.0000	0.75
T2 160.00-140.00	0.0000	1	0.0000	0.75	0.0000	0.75	0.0000	0.75	0.0000	0.75	0.0000	0.75	0.0000	0.75
T3 140.00-120.00	0.0000	1	0.0000	0.75	0.0000	0.75	0.0000	0.75	0.0000	0.75	0.0000	0.75	0.0000	0.75
T4 120.00-100.00	0.0000	1	0.0000	0.75	0.0000	0.75	0.0000	0.75	0.0000	0.75	0.0000	0.75	0.0000	0.75
T5 100.00-80.00	0.0000	1	0.0000	0.75	0.0000	0.75	0.0000	0.75	0.0000	0.75	0.0000	0.75	0.0000	0.75
T6 80.00-60.00	0.0000	1	0.0000	0.75	0.0000	0.75	0.0000	0.75	0.0000	0.75	0.0000	0.75	0.0000	0.75
T7 60.00-40.00	0.0000	1	0.0000	0.75	0.0000	0.75	0.0000	0.75	0.0000	0.75	0.0000	0.75	0.0000	0.75
T8 40.00-20.00	0.0000	1	0.0000	0.75	0.0000	0.75	0.0000	0.75	0.0000	0.75	0.0000	0.75	0.0000	0.75
T9 20.00-0.00	0.0000	1	0.0000	0.75	0.0000	0.75	0.0000	0.75	0.0000	0.75	0.0000	0.75	0.0000	0.75

Tower Elevation ft	Redundant Horizontal		Redundant Diagonal		Redundant Sub-Diagonal		Redundant Sub-Horizontal		Redundant Vertical		Redundant Hip		Redundant Hip Diagonal	
	Net Width Deduct in	U	Net Width Deduct in	U	Net Width Deduct in	U	Net Width Deduct in	U	Net Width Deduct in	U	Net Width Deduct in	U	Net Width Deduct in	U
T1 175.30-160.00	0.0000	0.75	0.0000	0.75	0.0000	0.75	0.0000	0.75	0.0000	0.75	0.0000	0.75	0.0000	0.75
T2 160.00-140.00	0.0000	0.75	0.0000	0.75	0.0000	0.75	0.0000	0.75	0.0000	0.75	0.0000	0.75	0.0000	0.75
T3 140.00-120.00	0.0000	0.75	0.0000	0.75	0.0000	0.75	0.0000	0.75	0.0000	0.75	0.0000	0.75	0.0000	0.75
T4 120.00-100.00	0.0000	0.75	0.0000	0.75	0.0000	0.75	0.0000	0.75	0.0000	0.75	0.0000	0.75	0.0000	0.75
T5 100.00-80.00	0.0000	0.75	0.0000	0.75	0.0000	0.75	0.0000	0.75	0.0000	0.75	0.0000	0.75	0.0000	0.75
T6 80.00-60.00	0.0000	0.75	0.0000	0.75	0.0000	0.75	0.0000	0.75	0.0000	0.75	0.0000	0.75	0.0000	0.75
T7 60.00-40.00	0.0000	0.75	0.0000	0.75	0.0000	0.75	0.0000	0.75	0.0000	0.75	0.0000	0.75	0.0000	0.75
T8 40.00-20.00	0.0000	0.75	0.0000	0.75	0.0000	0.75	0.0000	0.75	0.0000	0.75	0.0000	0.75	0.0000	0.75
T9 20.00-0.00	0.0000	0.75	0.0000	0.75	0.0000	0.75	0.0000	0.75	0.0000	0.75	0.0000	0.75	0.0000	0.75

Feed Line/Linear Appurtenances - Entered As Round Or Flat

Description	Face or Leg	Allow Shield	Exclude From Torque Calculation	Component Type	Placement ft	Total Number	Number Per Row	Clear Spacing in	Width or Diameter in	Perimeter in	Weight plf
Waveguide Ladder (need qty of 2)	C	No	No	Af (CaAa)	175.00 - 0.00	2	2	30.0000 0.0000	1.7500		2.27
LDF7-50A (1-5/8 FOAM)	C	No	No	Ar (CaAa)	170.00 - 0.00	9	5	0.2700 0.0000	1.9800		0.82
Waveguide Ladder (need qty of 2)	B	No	No	Af (CaAa)	155.00 - 0.00	2	2	30.0000 0.0000	1.7500		2.27
LDF7-50A (1-5/8)	B	No	No	Ar (CaAa)	155.00 - 0.00	9	5	0.2700	1.9800		0.82

tnxTower Nello Corporation 1201 S. Sheridan Street South Bend, IN. 46619 Phone: 800-806-3556 FAX:	Job SO30980; Tower 633549; Foundation 633550	Page 6 of 47
	Project NS 175' - TI-OPP-22295 / Clover Fork - Harlan Co., KY	Date 10:41:48 08/28/23
	Client Tillman Infrastructure	Designed by AG

Description	Face or Leg	Allow Shield	Exclude From Torque Calculation	Component Type	Placement ft	Total Number	Number Per Row	Clear Spacing in	Width or Diameter in	Perimeter in	Weight plf
FOAM)								0.0000			
Waveguide Ladder (need qty of 2)	A	No	No	Af (CaAa)	140.00 - 0.00	2	2	30.0000	1.7500		2.27
LDF7-50A (1-5/8	A	No	No	Ar (CaAa)	140.00 - 0.00	9	5	0.2700	1.9800		0.82
FOAM)								0.0000			
EW63	C	No	No	Ar (CaAa)	125.00 - 0.00	1	1	0.6758	1.5742		0.51
								0.0000			
EW63	B	No	No	Ar (CaAa)	115.00 - 0.00	1	1	0.6758	1.5742		0.51
								0.0000			

Feed Line/Linear Appurtenances Section Areas

Tower Section	Tower Elevation ft	Face	A _R ft ²	A _F ft ²	C _{AA} In Face ft ²	C _{AA} Out Face ft ²	Weight lb
T1	175.30-160.00	A	0.000	0.000	0.000	0.000	0.00
		B	0.000	0.000	0.000	0.000	0.00
		C	0.000	0.000	26.570	0.000	142.05
T2	160.00-140.00	A	0.000	0.000	0.000	0.000	0.00
		B	0.000	0.000	35.480	0.000	178.95
		C	0.000	0.000	47.307	0.000	238.60
T3	140.00-120.00	A	0.000	0.000	47.307	0.000	238.60
		B	0.000	0.000	47.307	0.000	238.60
		C	0.000	0.000	48.094	0.000	241.15
T4	120.00-100.00	A	0.000	0.000	47.307	0.000	238.60
		B	0.000	0.000	49.668	0.000	246.25
		C	0.000	0.000	50.455	0.000	248.80
T5	100.00-80.00	A	0.000	0.000	47.307	0.000	238.60
		B	0.000	0.000	50.455	0.000	248.80
		C	0.000	0.000	50.455	0.000	248.80
T6	80.00-60.00	A	0.000	0.000	47.307	0.000	238.60
		B	0.000	0.000	50.455	0.000	248.80
		C	0.000	0.000	50.455	0.000	248.80
T7	60.00-40.00	A	0.000	0.000	47.307	0.000	238.60
		B	0.000	0.000	50.455	0.000	248.80
		C	0.000	0.000	50.455	0.000	248.80
T8	40.00-20.00	A	0.000	0.000	47.307	0.000	238.60
		B	0.000	0.000	50.455	0.000	248.80
		C	0.000	0.000	50.455	0.000	248.80
T9	20.00-0.00	A	0.000	0.000	47.307	0.000	238.60
		B	0.000	0.000	50.455	0.000	248.80
		C	0.000	0.000	50.455	0.000	248.80

Feed Line/Linear Appurtenances Section Areas - With Ice

Tower Section	Tower Elevation ft	Face or Leg	Ice Thickness in	A _R ft ²	A _F ft ²	C _{AA} In Face ft ²	C _{AA} Out Face ft ²	Weight lb
T1	175.30-160.00	A	1.176	0.000	0.000	0.000	0.000	0.00
		B		0.000	0.000	0.000	0.000	0.00
		C		0.000	0.000	34.249	0.000	455.06
T2	160.00-140.00	A	1.163	0.000	0.000	0.000	0.000	0.00
		B		0.000	0.000	43.326	0.000	575.36
		C		0.000	0.000	57.768	0.000	767.14

tnxTower Nello Corporation 1201 S. Sheridan Street South Bend, IN. 46619 Phone: 800-806-3556 FAX:	Job SO30980; Tower 633549; Foundation 633550	Page 7 of 47
	Project NS 175' - TI-OPP-22295 / Clover Fork - Harlan Co., KY	Date 10:41:48 08/28/23
	Client Tillman Infrastructure	Designed by AG

Tower Section	Tower Elevation ft	Face or Leg	Ice Thickness in	A _R ft ²	A _F ft ²	C _{AA} In Face ft ²	C _{AA} Out Face ft ²	Weight lb
T3	140.00-120.00	A	1.147	0.000	0.000	57.526	0.000	759.04
		B		0.000	0.000	57.526	0.000	759.04
		C		0.000	0.000	59.460	0.000	780.66
T4	120.00-100.00	A	1.128	0.000	0.000	57.247	0.000	749.79
		B		0.000	0.000	62.992	0.000	813.29
		C		0.000	0.000	64.907	0.000	834.46
T5	100.00-80.00	A	1.106	0.000	0.000	56.919	0.000	738.94
		B		0.000	0.000	64.489	0.000	821.53
		C		0.000	0.000	64.489	0.000	821.53
T6	80.00-60.00	A	1.078	0.000	0.000	56.517	0.000	725.78
		B		0.000	0.000	63.978	0.000	805.85
		C		0.000	0.000	63.978	0.000	805.85
T7	60.00-40.00	A	1.042	0.000	0.000	55.995	0.000	708.85
		B		0.000	0.000	63.313	0.000	785.70
		C		0.000	0.000	63.313	0.000	785.70
T8	40.00-20.00	A	0.991	0.000	0.000	55.235	0.000	684.59
		B		0.000	0.000	62.346	0.000	756.86
		C		0.000	0.000	62.346	0.000	756.86
T9	20.00-0.00	A	0.887	0.000	0.000	53.729	0.000	637.73
		B		0.000	0.000	60.427	0.000	701.31
		C		0.000	0.000	60.427	0.000	701.31

Feed Line Center of Pressure

Section	Elevation ft	CP _x in	CP _z in	CP _x Ice in	CP _z Ice in
T1	175.30-160.00	0.0000	5.2065	0.0000	5.4352
T2	160.00-140.00	3.4114	1.8263	3.6928	2.5575
T3	140.00-120.00	-0.0000	-2.2086	-0.0000	-1.3634
T4	120.00-100.00	0.3620	-2.1251	0.5985	-1.0775
T5	100.00-80.00	0.5065	-2.3335	0.8217	-1.2589
T6	80.00-60.00	0.5164	-2.3950	0.8523	-1.3367
T7	60.00-40.00	0.5554	-2.5797	0.9083	-1.4623
T8	40.00-20.00	0.5919	-2.7534	0.9596	-1.6078
T9	20.00-0.00	0.5733	-2.6766	0.9178	-1.6733

Shielding Factor Ka

Tower Section	Feed Line Record No.	Description	Feed Line Segment Elev.	K _a No Ice	K _a Ice
T1	1	Waveguide Ladder (need qty of 2)	160.00 - 175.00	0.6000	0.6000
T1	2	LDF7-50A (1-5/8 FOAM)	160.00 - 170.00	0.6000	0.6000
T2	1	Waveguide Ladder (need qty of 2)	140.00 - 160.00	0.6000	0.6000
T2	2	LDF7-50A (1-5/8 FOAM)	140.00 - 160.00	0.6000	0.6000
T2	3	Waveguide Ladder (need qty of 2)	140.00 - 155.00	0.6000	0.6000

Tower Section	Feed Line Record No.	Description	Feed Line Segment Elev.	K _a No Ice	K _a Ice
T2	4	LDF7-50A (1-5/8 FOAM)	140.00 - 155.00	0.6000	0.6000
T3	1	Waveguide Ladder (need qty of 2)	120.00 - 140.00	0.6000	0.6000
T3	2	LDF7-50A (1-5/8 FOAM)	120.00 - 140.00	0.6000	0.6000
T3	3	Waveguide Ladder (need qty of 2)	120.00 - 140.00	0.6000	0.6000
T3	4	LDF7-50A (1-5/8 FOAM)	120.00 - 140.00	0.6000	0.6000
T3	5	Waveguide Ladder (need qty of 2)	120.00 - 140.00	0.6000	0.6000
T3	6	LDF7-50A (1-5/8 FOAM)	120.00 - 140.00	0.6000	0.6000
T3	7	EW63	120.00 - 125.00	0.6000	0.6000
T4	1	Waveguide Ladder (need qty of 2)	100.00 - 120.00	0.6000	0.6000
T4	2	LDF7-50A (1-5/8 FOAM)	100.00 - 120.00	0.6000	0.6000
T4	3	Waveguide Ladder (need qty of 2)	100.00 - 120.00	0.6000	0.6000
T4	4	LDF7-50A (1-5/8 FOAM)	100.00 - 120.00	0.6000	0.6000
T4	5	Waveguide Ladder (need qty of 2)	100.00 - 120.00	0.6000	0.6000
T4	6	LDF7-50A (1-5/8 FOAM)	100.00 - 120.00	0.6000	0.6000
T4	7	EW63	100.00 - 120.00	0.6000	0.6000
T4	8	EW63	100.00 - 115.00	0.6000	0.6000
T5	1	Waveguide Ladder (need qty of 2)	80.00 - 100.00	0.6000	0.6000
T5	2	LDF7-50A (1-5/8 FOAM)	80.00 - 100.00	0.6000	0.6000
T5	3	Waveguide Ladder (need qty of 2)	80.00 - 100.00	0.6000	0.6000
T5	4	LDF7-50A (1-5/8 FOAM)	80.00 - 100.00	0.6000	0.6000
T5	5	Waveguide Ladder (need qty of 2)	80.00 - 100.00	0.6000	0.6000
T5	6	LDF7-50A (1-5/8 FOAM)	80.00 - 100.00	0.6000	0.6000
T5	7	EW63	80.00 - 100.00	0.6000	0.6000
T5	8	EW63	80.00 - 100.00	0.6000	0.6000
T6	1	Waveguide Ladder (need qty of 2)	60.00 - 80.00	0.6000	0.6000
T6	2	LDF7-50A (1-5/8 FOAM)	60.00 - 80.00	0.6000	0.6000
T6	3	Waveguide Ladder (need qty of 2)	60.00 - 80.00	0.6000	0.6000
T6	4	LDF7-50A (1-5/8 FOAM)	60.00 - 80.00	0.6000	0.6000
T6	5	Waveguide Ladder (need qty of 2)	60.00 - 80.00	0.6000	0.6000
T6	6	LDF7-50A (1-5/8 FOAM)	60.00 - 80.00	0.6000	0.6000
T6	7	EW63	60.00 - 80.00	0.6000	0.6000
T6	8	EW63	60.00 - 80.00	0.6000	0.6000
T7	1	Waveguide Ladder (need qty of 2)	40.00 - 60.00	0.6000	0.6000
T7	2	LDF7-50A (1-5/8 FOAM)	40.00 - 60.00	0.6000	0.6000
T7	3	Waveguide Ladder (need qty of 2)	40.00 - 60.00	0.6000	0.6000
T7	4	LDF7-50A (1-5/8 FOAM)	40.00 - 60.00	0.6000	0.6000
T7	5	Waveguide Ladder (need qty of 2)	40.00 - 60.00	0.6000	0.6000

Job	SO30980; Tower 633549; Foundation 633550	Page	9 of 47
Project	NS 175' - TI-OPP-22295 / Clover Fork - Harlan Co., KY	Date	10:41:48 08/28/23
Client	Tillman Infrastructure	Designed by	AG

Tower Section	Feed Line Record No.	Description	Feed Line Segment Elev.	K _a No Ice	K _a Ice
T7	6	LDF7-50A (1-5/8 FOAM)	40.00 - 60.00	0.6000	0.6000
T7	7	EW63	40.00 - 60.00	0.6000	0.6000
T7	8	EW63	40.00 - 60.00	0.6000	0.6000
T8	1	Waveguide Ladder (need qty of 2)	20.00 - 40.00	0.6000	0.6000
T8	2	LDF7-50A (1-5/8 FOAM)	20.00 - 40.00	0.6000	0.6000
T8	3	Waveguide Ladder (need qty of 2)	20.00 - 40.00	0.6000	0.6000
T8	4	LDF7-50A (1-5/8 FOAM)	20.00 - 40.00	0.6000	0.6000
T8	5	Waveguide Ladder (need qty of 2)	20.00 - 40.00	0.6000	0.6000
T8	6	LDF7-50A (1-5/8 FOAM)	20.00 - 40.00	0.6000	0.6000
T8	7	EW63	20.00 - 40.00	0.6000	0.6000
T8	8	EW63	20.00 - 40.00	0.6000	0.6000
T9	1	Waveguide Ladder (need qty of 2)	0.00 - 20.00	0.6000	0.6000
T9	2	LDF7-50A (1-5/8 FOAM)	0.00 - 20.00	0.6000	0.6000
T9	3	Waveguide Ladder (need qty of 2)	0.00 - 20.00	0.6000	0.6000
T9	4	LDF7-50A (1-5/8 FOAM)	0.00 - 20.00	0.6000	0.6000
T9	5	Waveguide Ladder (need qty of 2)	0.00 - 20.00	0.6000	0.6000
T9	6	LDF7-50A (1-5/8 FOAM)	0.00 - 20.00	0.6000	0.6000
T9	7	EW63	0.00 - 20.00	0.6000	0.6000
T9	8	EW63	0.00 - 20.00	0.6000	0.6000

Discrete Tower Loads

Description	Face or Leg	Offset Type	Offsets: Horz Lateral	Azimuth Adjustment	Placement	C _A A _A Front	C _A A _A Side	Weight
			Vert ft ft ft	°	ft	ft ²	ft ²	lb
40,000 sq in CaAa (6,000 lbs)	C	None		0.0000	170.00	No Ice 278.00 1/2" Ice 334.00 1" Ice 390.00	278.00 334.00 390.00	6000.00 8040.00 10080.00
40,000 sq in CaAa (6,000 lbs)	B	None		0.0000	155.00	No Ice 278.00 1/2" Ice 334.00 1" Ice 390.00	278.00 334.00 390.00	6000.00 8040.00 10080.00
30,000 sq in CaAa (4,000 lbs)	A	None		0.0000	140.00	No Ice 208.00 1/2" Ice 250.00 1" Ice 292.00	208.00 250.00 292.00	4000.00 5360.00 6720.00
Dish Pipe Mount	C	From Leg	0.00 0.00 0.00	0.0000	125.00	No Ice 0.00 1/2" Ice 0.00 1" Ice 0.00	1.80 2.10 2.40	103.00 119.00 135.00
Dish Pipe Mount	B	From Leg	0.00 0.00 0.00	0.0000	115.00	No Ice 0.00 1/2" Ice 0.00 1" Ice 0.00	1.80 2.10 2.40	103.00 119.00 135.00

tnxTower Nello Corporation 1201 S. Sheridan Street South Bend, IN. 46619 Phone: 800-806-3556 FAX:	Job SO30980; Tower 633549; Foundation 633550	Page 10 of 47
	Project NS 175' - TI-OPP-22295 / Clover Fork - Harlan Co., KY	Date 10:41:48 08/28/23
	Client Tillman Infrastructure	Designed by AG

Dishes

Description	Face or Leg	Dish Type	Offset Type	Offsets: Horz Lateral Vert	Azimuth Adjustment	3 dB Beam Width	Elevation	Outside Diameter	Aperture Area	Weight
				ft	°	°	ft	ft	ft ²	lb
8' Solid Dish	C	Paraboloid w/o Radome	From Leg	0.00	60.0000		125.00	8.00	No Ice	250.00
				0.00					1/2" Ice	535.00
				0.00					1" Ice	820.00
8' Solid Dish	B	Paraboloid w/o Radome	From Leg	0.00	60.0000		115.00	8.00	No Ice	250.00
				0.00					1/2" Ice	535.00
				0.00					1" Ice	820.00

Tower Pressures - No Ice

$G_H = 0.850$

Section Elevation	z	K _z	q _z	A _G	F a c e	A _F	A _R	A _{leg}	Leg %	C _{AA} In Face	C _{AA} Out Face
ft	ft		psf	ft ²	e	ft ²	ft ²	ft ²		ft ²	ft ²
T1 175.30-160.00	167.65	1.411	34	102.478	A	8.059	6.056	6.056	42.90	0.000	0.000
					B	8.059	6.056	42.90	0.000	0.000	
					C	8.059	6.056	42.90	26.570	0.000	
T2 160.00-140.00	150.00	1.378	33	150.837	A	9.457	11.678	11.678	55.25	0.000	0.000
					B	9.457	11.678	55.25	35.480	0.000	
					C	9.457	11.678	55.25	47.307	0.000	
T3 140.00-120.00	130.00	1.337	32	182.505	A	13.165	15.014	15.014	53.28	47.307	0.000
					B	13.165	15.014	53.28	47.307	0.000	
					C	13.165	15.014	53.28	48.094	0.000	
T4 120.00-100.00	110.00	1.291	31	216.049	A	14.464	22.104	22.104	60.45	47.307	0.000
					B	14.464	22.104	60.45	49.668	0.000	
					C	14.464	22.104	60.45	50.455	0.000	
T5 100.00-80.00	90.00	1.238	30	249.385	A	15.856	28.777	28.777	64.47	47.307	0.000
					B	15.856	28.777	64.47	50.455	0.000	
					C	15.856	28.777	64.47	50.455	0.000	
T6 80.00-60.00	70.00	1.174	28	279.385	A	21.044	28.777	28.777	57.76	47.307	0.000
					B	21.044	28.777	57.76	50.455	0.000	
					C	21.044	28.777	57.76	50.455	0.000	
T7 60.00-40.00	50.00	1.094	26	314.393	A	23.446	28.798	28.798	55.12	47.307	0.000
					B	23.446	28.798	55.12	50.455	0.000	
					C	23.446	28.798	55.12	50.455	0.000	
T8 40.00-20.00	30.00	0.982	24	354.393	A	26.236	28.798	28.798	52.33	47.307	0.000
					B	26.236	28.798	52.33	50.455	0.000	
					C	26.236	28.798	52.33	50.455	0.000	
T9 20.00-0.00	10.00	0.85	20	397.939	A	33.579	35.893	35.893	51.67	47.307	0.000
					B	33.579	35.893	51.67	50.455	0.000	
					C	33.579	35.893	51.67	50.455	0.000	

Tower Pressure - With Ice

$G_H = 0.850$

tnxTower Nello Corporation 1201 S. Sheridan Street South Bend, IN. 46619 Phone: 800-806-3556 FAX:	Job SO30980; Tower 633549; Foundation 633550	Page 11 of 47
	Project NS 175' - TI-OPP-22295 / Clover Fork - Harlan Co., KY	Date 10:41:48 08/28/23
	Client Tillman Infrastructure	Designed by AG

Section Elevation ft	z ft	K _Z	q _z psf	t _z in	A _G ft ²	F a c e ft ²	A _F ft ²	A _R ft ²	A _{leg} ft ²	Leg %	C _{AA} In Face ft ²	C _{AA} Out Face ft ²
T1 175.30-160.00	167.65	1.411	3	1.1765	105.478	A 8.059 B 8.059 C 8.059	8.059 22.716 22.716	22.716	12.056	39.17	0.000	0.000
T2 160.00-140.00	150.00	1.378	3	1.1635	154.718	A 9.457 B 9.457 C 9.457	30.445 30.445 30.445	19.441	48.72	48.72	0.000	0.000
T3 140.00-120.00	130.00	1.337	3	1.1469	186.331	A 13.165 B 13.165 C 13.165	34.747 34.747 34.747	22.668	47.31	47.31	57.526	0.000
T4 120.00-100.00	110.00	1.291	3	1.1279	219.812	A 14.464 B 14.464 C 14.464	42.682 42.682 42.682	29.631	51.85	51.85	57.247	0.000
T5 100.00-80.00	90.00	1.238	2	1.1055	253.073	A 15.856 B 15.856 C 15.856	50.178 50.178 50.178	36.154	54.75	54.75	56.919	0.000
T6 80.00-60.00	70.00	1.174	2	1.0781	282.981	A 21.044 B 21.044 C 21.044	51.096 51.096 51.096	35.971	49.86	49.86	64.489	0.000
T7 60.00-40.00	50.00	1.094	2	1.0424	317.872	A 23.446 B 23.446 C 23.446	52.053 52.053 52.053	35.759	47.36	47.36	63.978	0.000
T8 40.00-20.00	30.00	0.982	2	0.9905	357.699	A 26.236 B 26.236 C 26.236	52.737 52.737 52.737	35.412	44.84	44.84	63.313	0.000
T9 20.00-0.00	10.00	0.85	2	0.8875	400.901	A 33.579 B 33.579 C 33.579	58.848 58.848 58.848	41.819	45.25	45.25	55.235	0.000

Tower Pressure - Service

$$G_H = 0.850$$

Section Elevation ft	z ft	K _Z	q _z psf	A _G ft ²	F a c e ft ²	A _F ft ²	A _R ft ²	A _{leg} ft ²	Leg %	C _{AA} In Face ft ²	C _{AA} Out Face ft ²
T1 175.30-160.00	167.65	1.411	11	102.478	A 8.059 B 8.059 C 8.059	8.059 6.056 6.056	6.056	6.056	42.90	0.000	0.000
T2 160.00-140.00	150.00	1.378	11	150.837	A 9.457 B 9.457 C 9.457	11.678 11.678 11.678	11.678	11.678	55.25	0.000	0.000
T3 140.00-120.00	130.00	1.337	10	182.505	A 13.165 B 13.165 C 13.165	15.014 15.014 15.014	15.014	15.014	55.25	35.480	0.000
T4 120.00-100.00	110.00	1.291	10	216.049	A 14.464 B 14.464 C 14.464	22.104 22.104 22.104	22.104	22.104	55.25	47.307	0.000
T5 100.00-80.00	90.00	1.238	10	249.385	A 15.856 B 15.856 C 15.856	28.777 28.777 28.777	28.777	28.777	53.28	48.094	0.000
T6 80.00-60.00	70.00	1.174	9	279.385	A 21.044 B 21.044 C 21.044	28.777 28.777 28.777	28.777	28.777	53.28	47.307	0.000
T7 60.00-40.00	50.00	1.094	9	314.393	A 23.446	28.798	28.798	28.798	60.45	49.668	0.000

tnxTower Nello Corporation 1201 S. Sheridan Street South Bend, IN. 46619 Phone: 800-806-3556 FAX:	Job SO30980; Tower 633549; Foundation 633550	Page 12 of 47
	Project NS 175' - TI-OPP-22295 / Clover Fork - Harlan Co., KY	Date 10:41:48 08/28/23
	Client Tillman Infrastructure	Designed by AG

Section Elevation ft	z ft	K _Z	q _z psf	A _G ft ²	F _a c e	A _F ft ²	A _R ft ²	A _{leg} ft ²	Leg %	C _{AA} In Face ft ²	C _{AA} Out Face ft ²
T8 40.00-20.00	30.00	0.982	8	354.393	B	23.446	28.798	28.798	55.12	50.455	0.000
					C	23.446	28.798			50.455	0.000
					A	26.236	28.798			47.307	0.000
					B	26.236	28.798			50.455	0.000
T9 20.00-0.00	10.00	0.85	7	397.939	C	26.236	28.798	35.893	52.33	50.455	0.000
					A	33.579	35.893			47.307	0.000
					B	33.579	35.893			50.455	0.000
					C	33.579	35.893			50.455	0.000

Tower Forces - No Ice - Wind Normal To Face

Section Elevation ft	Add Weight lb	Self Weight lb	F _a c e	e	C _F	q _z psf	D _F	D _R	A _E ft ²	F lb	w plf	Ctrl. Face
T1 175.30-160.00	142.05	454.80	A	0.138	2.817	34	1	1	11.490	1319.38	86.23	C
			B	0.138	2.817	1	1	11.490				
			C	0.138	2.817	1	1	11.490				
T2 160.00-140.00	417.55	975.66	A	0.14	2.808	33	1	1	16.074	2256.74	112.84	C
			B	0.14	2.808	1	1	16.074				
			C	0.14	2.808	1	1	16.074				
T3 140.00-120.00	718.35	1382.25	A	0.154	2.755	32	1	1	21.323	3104.87	155.24	C
			B	0.154	2.755	1	1	21.323				
			C	0.154	2.755	1	1	21.323				
T4 120.00-100.00	733.65	1997.92	A	0.169	2.702	31	1	1	24.910	3297.37	164.87	C
			B	0.169	2.702	1	1	24.910				
			C	0.169	2.702	1	1	24.910				
T5 100.00-80.00	736.20	2971.44	A	0.179	2.668	30	1	1	28.345	3382.72	169.14	C
			B	0.179	2.668	1	1	28.345				
			C	0.179	2.668	1	1	28.345				
T6 80.00-60.00	736.20	2977.54	A	0.178	2.67	28	1	1	33.523	3540.92	177.05	C
			B	0.178	2.67	1	1	33.523				
			C	0.178	2.67	1	1	33.523				
T7 60.00-40.00	736.20	3095.16	A	0.166	2.713	26	1	1	35.745	3465.30	173.26	C
			B	0.166	2.713	1	1	35.745				
			C	0.166	2.713	1	1	35.745				
T8 40.00-20.00	736.20	3230.67	A	0.155	2.752	24	1	1	38.718	3303.95	165.20	C
			B	0.155	2.752	1	1	38.718				
			C	0.155	2.752	1	1	38.718				
T9 20.00-0.00	736.20	4971.79	A	0.175	2.683	20	1	1	49.070	3294.21	164.71	C
			B	0.175	2.683	1	1	49.070				
			C	0.175	2.683	1	1	49.070				
Sum Weight:	5692.60	22057.23						OTM	2183683.1 4 lb-ft	26965.46		

Tower Forces - No Ice - Wind 60 To Face

Section Elevation ft	Add Weight lb	Self Weight lb	F _a c e	e	C _F	q _z psf	D _F	D _R	A _E ft ²	F lb	w plf	Ctrl. Face
-------------------------	------------------	-------------------	--------------------------	---	----------------	-----------------------	----------------	----------------	-----------------------------------	---------	----------	---------------

tnxTower Nello Corporation 1201 S. Sheridan Street South Bend, IN. 46619 Phone: 800-806-3556 FAX:	Job SO30980; Tower 633549; Foundation 633550	Page 13 of 47
	Project NS 175' - TI-OPP-22295 / Clover Fork - Harlan Co., KY	Date 10:41:48 08/28/23
	Client Tillman Infrastructure	Designed by AG

Section Elevation	Add Weight	Self Weight	F a c e	e	C _F	q _z	D _F	D _R	A _E	F	w	Ctrl. Face
ft	lb	lb				psf			ft ²	lb	plf	
T1 175.30-160.00	142.05	454.80	A	0.138	2.817	34	0.8	1	9.878	1188.72	77.69	A
			B	0.138	2.817		0.8	1	9.878			
			C	0.138	2.817		0.8	1	9.878			
T2 160.00-140.00	417.55	975.66	A	0.14	2.808	33	0.8	1	14.182	2107.44	105.37	A
			B	0.14	2.808		0.8	1	14.182			
			C	0.14	2.808		0.8	1	14.182			
T3 140.00-120.00	718.35	1382.25	A	0.154	2.755	32	0.8	1	18.690	2907.00	145.35	C
			B	0.154	2.755		0.8	1	18.690			
			C	0.154	2.755		0.8	1	18.690			
T4 120.00-100.00	733.65	1997.92	A	0.169	2.702	31	0.8	1	22.018	3091.56	154.58	C
			B	0.169	2.702		0.8	1	22.018			
			C	0.169	2.702		0.8	1	22.018			
T5 100.00-80.00	736.20	2971.44	A	0.179	2.668	30	0.8	1	25.174	3169.17	158.46	C
			B	0.179	2.668		0.8	1	25.174			
			C	0.179	2.668		0.8	1	25.174			
T6 80.00-60.00	736.20	2977.54	A	0.178	2.67	28	0.8	1	29.314	3271.88	163.59	C
			B	0.178	2.67		0.8	1	29.314			
			C	0.178	2.67		0.8	1	29.314			
T7 60.00-40.00	736.20	3095.16	A	0.166	2.713	26	0.8	1	31.056	3181.56	159.08	C
			B	0.166	2.713		0.8	1	31.056			
			C	0.166	2.713		0.8	1	31.056			
T8 40.00-20.00	736.20	3230.67	A	0.155	2.752	24	0.8	1	33.471	3014.71	150.74	C
			B	0.155	2.752		0.8	1	33.471			
			C	0.155	2.752		0.8	1	33.471			
T9 20.00-0.00	736.20	4971.79	A	0.175	2.683	20	0.8	1	42.355	2981.89	149.09	C
			B	0.175	2.683		0.8	1	42.355			
			C	0.175	2.683		0.8	1	42.355			
Sum Weight:	5692.60	22057.23						OTM	2026981.1 7 lb-ft	24913.92		

Tower Forces - No Ice - Wind 90 To Face

Section Elevation	Add Weight	Self Weight	F a c e	e	C _F	q _z	D _F	D _R	A _E	F	w	Ctrl. Face
ft	lb	lb				psf			ft ²	lb	plf	
T1 175.30-160.00	142.05	454.80	A	0.138	2.817	34	0.85	1	10.281	1183.51	77.35	B
			B	0.138	2.817		0.85	1	10.281			
			C	0.138	2.817		0.85	1	10.281			
T2 160.00-140.00	417.55	975.66	A	0.14	2.808	33	0.85	1	14.655	2181.76	109.09	A
			B	0.14	2.808		0.85	1	14.655			
			C	0.14	2.808		0.85	1	14.655			
T3 140.00-120.00	718.35	1382.25	A	0.154	2.755	32	0.85	1	19.348	2956.46	147.82	C
			B	0.154	2.755		0.85	1	19.348			
			C	0.154	2.755		0.85	1	19.348			
T4 120.00-100.00	733.65	1997.92	A	0.169	2.702	31	0.85	1	22.741	3143.01	157.15	C
			B	0.169	2.702		0.85	1	22.741			
			C	0.169	2.702		0.85	1	22.741			
T5 100.00-80.00	736.20	2971.44	A	0.179	2.668	30	0.85	1	25.967	3222.56	161.13	C
			B	0.179	2.668		0.85	1	25.967			
			C	0.179	2.668		0.85	1	25.967			
T6 80.00-60.00	736.20	2977.54	A	0.178	2.67	28	0.85	1	30.367	3339.14	166.96	C
			B	0.178	2.67		0.85	1	30.367			
			C	0.178	2.67		0.85	1	30.367			

tnxTower Nello Corporation 1201 S. Sheridan Street South Bend, IN. 46619 Phone: 800-806-3556 FAX:	Job SO30980; Tower 633549; Foundation 633550	Page 14 of 47
	Project NS 175' - TI-OPP-22295 / Clover Fork - Harlan Co., KY	Date 10:41:48 08/28/23
	Client Tillman Infrastructure	Designed by AG

Section Elevation ft	Add Weight lb	Self Weight lb	F a c e	e	C _F	q _z psf	D _F	D _R	A _E ft ²	F lb	w plf	Ctrl. Face
T7 60.00-40.00	736.20	3095.16	A	0.166	2.713	26	0.85	1	32.229	3252.50	162.62	C
			B	0.166	2.713		0.85	1	32.229			
			C	0.166	2.713		0.85	1	32.229			
T8 40.00-20.00	736.20	3230.67	A	0.155	2.752	24	0.85	1	34.783	3087.02	154.35	C
			B	0.155	2.752		0.85	1	34.783			
			C	0.155	2.752		0.85	1	34.783			
T9 20.00-0.00	736.20	4971.79	A	0.175	2.683	20	0.85	1	44.033	3059.97	153.00	C
			B	0.175	2.683		0.85	1	44.033			
			C	0.175	2.683		0.85	1	44.033			
Sum Weight:	5692.60	22057.23						OTM	2065356.6 9 lb-ft	25425.93		

Tower Forces - With Ice - Wind Normal To Face

Section Elevation ft	Add Weight lb	Self Weight lb	F a c e	e	C _F	q _z psf	D _F	D _R	A _E ft ²	F lb	w plf	Ctrl. Face
T1 175.30-160.00	455.06	1581.87	A	0.292	2.318	3	1	1	21.607	163.42	10.68	C
			B	0.292	2.318		1	1	21.607			
			C	0.292	2.318		1	1	21.607			
T2 160.00-140.00	1342.50	2380.24	A	0.258	2.414	3	1	1	27.328	268.46	13.42	C
			B	0.258	2.414		1	1	27.328			
			C	0.258	2.414		1	1	27.328			
T3 140.00-120.00	2298.74	3157.10	A	0.257	2.416	3	1	1	33.554	364.45	18.22	C
			B	0.257	2.416		1	1	33.554			
			C	0.257	2.416		1	1	33.554			
T4 120.00-100.00	2397.53	4054.30	A	0.26	2.408	3	1	1	39.540	396.07	19.80	C
			B	0.26	2.408		1	1	39.540			
			C	0.26	2.408		1	1	39.540			
T5 100.00-80.00	2382.01	5285.32	A	0.261	2.405	2	1	1	45.349	409.31	20.47	C
			B	0.261	2.405		1	1	45.349			
			C	0.261	2.405		1	1	45.349			
T6 80.00-60.00	2337.48	5616.41	A	0.255	2.423	2	1	1	50.998	415.02	20.75	C
			B	0.255	2.423		1	1	50.998			
			C	0.255	2.423		1	1	50.998			
T7 60.00-40.00	2280.26	5824.18	A	0.238	2.475	2	1	1	53.743	402.07	20.10	C
			B	0.238	2.475		1	1	53.743			
			C	0.238	2.475		1	1	53.743			
T8 40.00-20.00	2198.32	6011.77	A	0.221	2.528	2	1	1	56.740	375.69	18.78	C
			B	0.221	2.528		1	1	56.740			
			C	0.221	2.528		1	1	56.740			
T9 20.00-0.00	2040.35	8024.18	A	0.231	2.497	2	1	1	67.739	357.38	17.87	C
			B	0.231	2.497		1	1	67.739			
			C	0.231	2.497		1	1	67.739			
Sum Weight:	17732.26	41935.37						OTM	259450.53 lb-ft	3151.88		

Tower Forces - With Ice - Wind 60 To Face

Section Elevation <i>ft</i>	Add Weight <i>lb</i>	Self Weight <i>lb</i>	<i>F</i> <i>a</i> <i>c</i> <i>e</i>	<i>e</i>	<i>C_F</i>	<i>q_z</i> <i>psf</i>	<i>D_F</i>	<i>D_R</i>	<i>A_E</i> <i>ft²</i>	<i>F</i> <i>lb</i>	<i>w</i> <i>plf</i>	<i>Ctrl.</i> <i>Face</i>	
T1 175.30-160.00	455.06	1581.87	A	0.292	2.318	3	0.8	1	19.996	154.65	10.11	A	
			B	0.292	2.318		0.8		1				19.996
			C	0.292	2.318		0.8		1				19.996
T2 160.00-140.00	1342.50	2380.24	A	0.258	2.414	3	0.8	1	25.436	257.98	12.90	A	
			B	0.258	2.414		0.8		1				25.436
			C	0.258	2.414		0.8		1				25.436
T3 140.00-120.00	2298.74	3157.10	A	0.257	2.416	3	0.8	1	30.921	350.28	17.51	C	
			B	0.257	2.416		0.8		1				30.921
			C	0.257	2.416		0.8		1				30.921
T4 120.00-100.00	2397.53	4054.30	A	0.26	2.408	3	0.8	1	36.648	381.10	19.05	C	
			B	0.26	2.408		0.8		1				36.648
			C	0.26	2.408		0.8		1				36.648
T5 100.00-80.00	2382.01	5285.32	A	0.261	2.405	2	0.8	1	42.178	393.59	19.68	C	
			B	0.261	2.405		0.8		1				42.178
			C	0.261	2.405		0.8		1				42.178
T6 80.00-60.00	2337.48	5616.41	A	0.255	2.423	2	0.8	1	46.790	395.09	19.75	C	
			B	0.255	2.423		0.8		1				46.790
			C	0.255	2.423		0.8		1				46.790
T7 60.00-40.00	2280.26	5824.18	A	0.238	2.475	2	0.8	1	49.054	380.94	19.05	C	
			B	0.238	2.475		0.8		1				49.054
			C	0.238	2.475		0.8		1				49.054
T8 40.00-20.00	2198.32	6011.77	A	0.221	2.528	2	0.8	1	51.493	354.00	17.70	C	
			B	0.221	2.528		0.8		1				51.493
			C	0.221	2.528		0.8		1				51.493
T9 20.00-0.00	2040.35	8024.18	A	0.231	2.497	2	0.8	1	61.024	333.65	16.68	C	
			B	0.231	2.497		0.8		1				61.024
			C	0.231	2.497		0.8		1				61.024
Sum Weight:	17732.26	41935.37						OTM	248164.87 lb-ft	3001.29			

Tower Forces - With Ice - Wind 90 To Face

Section Elevation <i>ft</i>	Add Weight <i>lb</i>	Self Weight <i>lb</i>	<i>F</i> <i>a</i> <i>c</i> <i>e</i>	<i>e</i>	<i>C_F</i>	<i>q_z</i> <i>psf</i>	<i>D_F</i>	<i>D_R</i>	<i>A_E</i> <i>ft²</i>	<i>F</i> <i>lb</i>	<i>w</i> <i>plf</i>	<i>Ctrl.</i> <i>Face</i>	
T1 175.30-160.00	455.06	1581.87	A	0.292	2.318	3	0.85	1	20.399	153.75	10.05	B	
			B	0.292	2.318		0.85		1				20.399
			C	0.292	2.318		0.85		1				20.399
T2 160.00-140.00	1342.50	2380.24	A	0.258	2.414	3	0.85	1	25.909	263.62	13.18	A	
			B	0.258	2.414		0.85		1				25.909
			C	0.258	2.414		0.85		1				25.909
T3 140.00-120.00	2298.74	3157.10	A	0.257	2.416	3	0.85	1	31.580	353.82	17.69	C	
			B	0.257	2.416		0.85		1				31.580
			C	0.257	2.416		0.85		1				31.580
T4 120.00-100.00	2397.53	4054.30	A	0.26	2.408	3	0.85	1	37.371	384.84	19.24	C	
			B	0.26	2.408		0.85		1				37.371
			C	0.26	2.408		0.85		1				37.371
T5 100.00-80.00	2382.01	5285.32	A	0.261	2.405	2	0.85	1	42.970	397.52	19.88	C	
			B	0.261	2.405		0.85		1				42.970
			C	0.261	2.405		0.85		1				42.970
T6 80.00-60.00	2337.48	5616.41	A	0.255	2.423	2	0.85	1	47.842	400.08	20.00	C	
			B	0.255	2.423		0.85		1				47.842

tnxTower Nello Corporation 1201 S. Sheridan Street South Bend, IN. 46619 Phone: 800-806-3556 FAX:	Job SO30980; Tower 633549; Foundation 633550	Page 16 of 47
	Project NS 175' - TI-OPP-22295 / Clover Fork - Harlan Co., KY	Date 10:41:48 08/28/23
	Client Tillman Infrastructure	Designed by AG

Section Elevation ft	Add Weight lb	Self Weight lb	F a c e	e	C _F	q _z psf	D _F	D _R	A _E ft ²	F lb	w plf	Ctrl. Face
T7 60.00-40.00	2280.26	5824.18	C	0.255	2.423	2	0.85	1	47.842	386.22	19.31	C
			A	0.238	2.475		0.85	1	50.226			
			B	0.238	2.475		0.85	1	50.226			
T8 40.00-20.00	2198.32	6011.77	C	0.238	2.475	2	0.85	1	50.226	359.43	17.97	C
			A	0.221	2.528		0.85	1	52.805			
			B	0.221	2.528		0.85	1	52.805			
T9 20.00-0.00	2040.35	8024.18	C	0.221	2.528	2	0.85	1	52.805	339.58	16.98	C
			A	0.231	2.497		0.85	1	62.703			
			B	0.231	2.497		0.85	1	62.703			
Sum Weight:	17732.26	41935.37	C	0.231	2.497			1	62.703			
								OTM	250920.98 lb-ft	3038.87		

Tower Forces - Service - Wind Normal To Face

Section Elevation ft	Add Weight lb	Self Weight lb	F a c e	e	C _F	q _z psf	D _F	D _R	A _E ft ²	F lb	w plf	Ctrl. Face
T1 175.30-160.00	142.05	454.80	A	0.138	2.817	11	1	1	11.490	430.82	28.16	C
			B	0.138	2.817		1	1	11.490			
			C	0.138	2.817		1	1	11.490			
T2 160.00-140.00	417.55	975.66	A	0.14	2.808	11	1	1	16.074	736.89	36.84	C
			B	0.14	2.808		1	1	16.074			
			C	0.14	2.808		1	1	16.074			
T3 140.00-120.00	718.35	1382.25	A	0.154	2.755	10	1	1	21.693	1022.92	51.15	C
			B	0.154	2.755		1	1	21.693			
			C	0.154	2.755		1	1	21.693			
T4 120.00-100.00	733.65	1997.92	A	0.169	2.702	10	1	1	27.058	1126.59	56.33	C
			B	0.169	2.702		1	1	27.058			
			C	0.169	2.702		1	1	27.058			
T5 100.00-80.00	736.20	2971.44	A	0.179	2.668	10	1	1	31.383	1171.35	58.57	C
			B	0.179	2.668		1	1	31.383			
			C	0.179	2.668		1	1	31.383			
T6 80.00-60.00	736.20	2977.54	A	0.178	2.67	9	1	1	36.693	1222.39	61.12	C
			B	0.178	2.67		1	1	36.693			
			C	0.178	2.67		1	1	36.693			
T7 60.00-40.00	736.20	3095.16	A	0.166	2.713	9	1	1	39.202	1199.82	59.99	C
			B	0.166	2.713		1	1	39.202			
			C	0.166	2.713		1	1	39.202			
T8 40.00-20.00	736.20	3230.67	A	0.155	2.752	8	1	1	42.190	1141.34	57.07	C
			B	0.155	2.752		1	1	42.190			
			C	0.155	2.752		1	1	42.190			
T9 20.00-0.00	736.20	4971.79	A	0.175	2.683	7	1	1	52.706	1130.88	56.54	C
			B	0.175	2.683		1	1	52.706			
			C	0.175	2.683		1	1	52.706			
Sum Weight:	5692.60	22057.23						OTM	736193.31 lb-ft	9182.99		

tnxTower Nello Corporation 1201 S. Sheridan Street South Bend, IN. 46619 Phone: 800-806-3556 FAX:	Job SO30980; Tower 633549; Foundation 633550	Page 17 of 47
	Project NS 175' - TI-OPP-22295 / Clover Fork - Harlan Co., KY	Date 10:41:48 08/28/23
	Client Tillman Infrastructure	Designed by AG

Tower Forces - Service - Wind 60 To Face

Section Elevation	Add Weight	Self Weight	F a c e	e	C _F	q _z psf	D _F	D _R	A _E ft ²	F lb	w plf	Ctrl. Face
T1 175.30-160.00	142.05	454.80	A	0.138	2.817	11	0.8	1	9.878	388.15	25.37	A
			B	0.138	2.817		0.8	1	9.878			
			C	0.138	2.817		0.8	1	9.878			
T2 160.00-140.00	417.55	975.66	A	0.14	2.808	11	0.8	1	14.182	688.14	34.41	A
			B	0.14	2.808		0.8	1	14.182			
			C	0.14	2.808		0.8	1	14.182			
T3 140.00-120.00	718.35	1382.25	A	0.154	2.755	10	0.8	1	19.060	958.30	47.92	C
			B	0.154	2.755		0.8	1	19.060			
			C	0.154	2.755		0.8	1	19.060			
T4 120.00-100.00	733.65	1997.92	A	0.169	2.702	10	0.8	1	24.166	1059.39	52.97	C
			B	0.169	2.702		0.8	1	24.166			
			C	0.169	2.702		0.8	1	24.166			
T5 100.00-80.00	736.20	2971.44	A	0.179	2.668	10	0.8	1	28.211	1101.62	55.08	C
			B	0.179	2.668		0.8	1	28.211			
			C	0.179	2.668		0.8	1	28.211			
T6 80.00-60.00	736.20	2977.54	A	0.178	2.67	9	0.8	1	32.484	1134.54	56.73	C
			B	0.178	2.67		0.8	1	32.484			
			C	0.178	2.67		0.8	1	32.484			
T7 60.00-40.00	736.20	3095.16	A	0.166	2.713	9	0.8	1	34.513	1107.17	55.36	C
			B	0.166	2.713		0.8	1	34.513			
			C	0.166	2.713		0.8	1	34.513			
T8 40.00-20.00	736.20	3230.67	A	0.155	2.752	8	0.8	1	36.943	1046.89	52.34	C
			B	0.155	2.752		0.8	1	36.943			
			C	0.155	2.752		0.8	1	36.943			
T9 20.00-0.00	736.20	4971.79	A	0.175	2.683	7	0.8	1	45.991	1028.89	51.44	C
			B	0.175	2.683		0.8	1	45.991			
			C	0.175	2.683		0.8	1	45.991			
Sum Weight:	5692.60	22057.23						OTM	685025.32 lb-ft	8513.10		

Tower Forces - Service - Wind 90 To Face

Section Elevation	Add Weight	Self Weight	F a c e	e	C _F	q _z psf	D _F	D _R	A _E ft ²	F lb	w plf	Ctrl. Face
T1 175.30-160.00	142.05	454.80	A	0.138	2.817	11	0.85	1	10.281	386.45	25.26	B
			B	0.138	2.817		0.85	1	10.281			
			C	0.138	2.817		0.85	1	10.281			
T2 160.00-140.00	417.55	975.66	A	0.14	2.808	11	0.85	1	14.655	712.41	35.62	A
			B	0.14	2.808		0.85	1	14.655			
			C	0.14	2.808		0.85	1	14.655			
T3 140.00-120.00	718.35	1382.25	A	0.154	2.755	10	0.85	1	19.718	974.46	48.72	C
			B	0.154	2.755		0.85	1	19.718			
			C	0.154	2.755		0.85	1	19.718			
T4 120.00-100.00	733.65	1997.92	A	0.169	2.702	10	0.85	1	24.889	1076.19	53.81	C
			B	0.169	2.702		0.85	1	24.889			
			C	0.169	2.702		0.85	1	24.889			
T5 100.00-80.00	736.20	2971.44	A	0.179	2.668	10	0.85	1	29.004	1119.05	55.95	C
			B	0.179	2.668		0.85	1	29.004			
			C	0.179	2.668		0.85	1	29.004			

tnxTower Nello Corporation 1201 S. Sheridan Street South Bend, IN. 46619 Phone: 800-806-3556 FAX:	Job SO30980; Tower 633549; Foundation 633550	Page 18 of 47
	Project NS 175' - TI-OPP-22295 / Clover Fork - Harlan Co., KY	Date 10:41:48 08/28/23
	Client Tillman Infrastructure	Designed by AG

Section Elevation ft	Add Weight lb	Self Weight lb	F a c e	e	C _F	q _z psf	D _F	D _R	A _E ft ²	F lb	w plf	Ctrl. Face
T6 80.00-60.00	736.20	2977.54	A	0.178	2.67	9	0.85	1	33.537	1156.50	57.82	C
			B	0.178	2.67		0.85	1	33.537			
			C	0.178	2.67		0.85	1	33.537			
T7 60.00-40.00	736.20	3095.16	A	0.166	2.713	9	0.85	1	35.685	1130.33	56.52	C
			B	0.166	2.713		0.85	1	35.685			
			C	0.166	2.713		0.85	1	35.685			
T8 40.00-20.00	736.20	3230.67	A	0.155	2.752	8	0.85	1	38.255	1070.51	53.53	C
			B	0.155	2.752		0.85	1	38.255			
			C	0.155	2.752		0.85	1	38.255			
T9 20.00-0.00	736.20	4971.79	A	0.175	2.683	7	0.85	1	47.669	1054.39	52.72	C
			B	0.175	2.683		0.85	1	47.669			
			C	0.175	2.683		0.85	1	47.669			
Sum Weight:	5692.60	22057.23						OTM	697556.10 lb-ft	8680.29		

Mast Vectors - No Ice

Section No.	Section Elevation ft	Wind Azimuth °	Directionality	F lb	V _x lb	V _z lb	OTM _x lb-ft	OTM _z lb-ft	Torque lb-ft		
T1	175.30-160.00	0	Wind Normal	1319.38	0.00	-1319.38	-220912.07	0.00	0.00		
		30	Wind 90	1183.51	591.75	-1024.95	-171551.08	-99207.62	348.07		
		60	Wind 60	1075.10	931.06	-537.55	-89838.35	-156092.27	468.96		
		90	Wind 90	1069.89	1069.89	0.00	281.56	-179366.53	464.20		
		120	Wind Normal	1205.76	1044.21	602.88	101354.02	-175062.64	468.96		
		150	Wind 90	1183.51	591.75	1024.95	172114.19	-99207.62	348.07		
		180	Wind 60	1188.72	0.00	1188.72	199570.09	0.00	0.00		
		210	Wind 90	1183.51	-591.75	1024.95	172114.19	99207.62	-348.07		
		240	Wind Normal	1205.76	-1044.21	602.88	101354.02	175062.64	-468.96		
		270	Wind 90	1069.89	-1069.89	0.00	281.56	179366.53	-464.20		
		300	Wind 60	1075.10	-931.06	-537.55	-89838.35	156092.27	-468.96		
		330	Wind 90	1183.51	-591.75	-1024.95	-171551.08	99207.62	-348.07		
		T2	160.00-140.00	0	Wind Normal	2256.74	0.00	-2256.74	-338186.23	-351.01	641.55
				30	Wind 90	2181.76	1090.88	-1889.46	-283094.67	-163983.35	1147.79
60	Wind 60			2051.95	1777.04	-1025.97	-153571.17	-266906.74	834.88		
90	Wind 90			1959.78	1959.78	0.00	324.85	-294318.15	298.26		
120	Wind Normal			2034.76	1762.15	1017.38	152931.62	-264673.69	193.33		
150	Wind 90			2015.28	1007.64	1745.28	262116.99	-151496.77	36.60		
180	Wind 60			2107.44	0.00	2107.44	316441.27	-351.01	-641.55		
210	Wind 90			2181.76	-1090.88	1889.46	283744.37	163281.32	-1147.79		
240	Wind Normal			2201.24	-1906.33	1100.62	165418.19	285599.05	-834.88		
270	Wind 90			1959.78	-1959.78	0.00	324.85	293616.13	-298.26		
300	Wind 60			1885.46	-1632.86	-942.73	-141084.60	244577.33	-193.33		
330	Wind 90			2015.28	-1007.64	-1745.28	-261467.29	150794.75	-36.60		
T3	140.00-120.00			0	Wind Normal	3104.87	0.00	-3104.87	-403625.82	0.00	-0.00
				30	Wind 90	2956.46	1478.23	-2560.37	-332841.52	-192170.19	597.35
		60	Wind 60	2907.00	2517.53	-1453.50	-188947.76	-327279.29	30.72		
		90	Wind 90	2956.46	2956.46	0.00	7.02	-384340.39	-544.14		
		120	Wind Normal	3104.87	2688.89	1552.43	201823.45	-349556.30	30.72		
		150	Wind 90	2956.46	1478.23	2560.37	332855.56	-192170.19	597.35		
		180	Wind 60	2907.00	0.00	2907.00	377916.59	0.00	0.00		
		210	Wind 90	2956.46	-1478.23	2560.37	332855.56	192170.19	-597.35		
		240	Wind Normal	3104.87	-2688.89	1552.43	201823.45	349556.30	-30.72		
		270	Wind 90	2956.46	-2956.46	0.00	7.02	384340.39	544.14		

tnxTower

Nello Corporation
 1201 S. Sheridan Street
 South Bend, IN. 46619
 Phone: 800-806-3556
 FAX:

Job	SO30980; Tower 633549; Foundation 633550	Page	19 of 47
Project	NS 175' - TI-OPP-22295 / Clover Fork - Harlan Co., KY	Date	10:41:48 08/28/23
Client	Tillman Infrastructure	Designed by	AG

Section No.	Section Elevation ft	Wind Azimuth °	Directionality	F lb	V _x lb	V _z lb	OTM _x lb-ft	OTM _z lb-ft	Torque lb-ft
T4	120.00-100.00	300	Wind 60	2907.00	-2517.53	-1453.50	-188947.76	327279.29	-30.72
		330	Wind 90	2956.46	-1478.23	-2560.37	-332841.52	192170.19	-597.35
		0	Wind Normal	3297.37	0.00	-3297.37	-362691.63	-20.40	99.46
		30	Wind 90	3143.01	1571.51	-2721.93	-299393.31	-172886.22	782.27
		60	Wind 60	3091.56	2677.37	-1545.78	-170016.90	-294531.34	130.29
		90	Wind 90	3143.01	3143.01	0.00	19.07	-345752.03	-556.61
		120	Wind Normal	3297.37	2855.61	1648.69	181374.43	-314137.08	30.82
		150	Wind 90	3143.01	1571.51	2721.93	299431.46	-172886.22	610.00
		180	Wind 60	3091.56	0.00	3091.56	340091.02	-20.40	-99.46
		210	Wind 90	3143.01	-1571.51	2721.93	299431.46	172845.42	-782.27
		240	Wind Normal	3297.37	-2855.61	1648.69	181374.43	314096.29	-130.29
		T5	100.00-80.00	270	Wind 90	3143.01	-3143.01	0.00	19.07
300	Wind 60			3091.56	-2677.37	-1545.78	-170016.90	294490.55	-30.82
330	Wind 90			3143.01	-1571.51	-2721.93	-299393.31	172845.42	-610.00
0	Wind Normal			3382.72	0.00	-3382.72	-304427.16	-30.54	142.78
30	Wind 90			3222.56	1611.28	-2790.82	-251155.80	-145045.59	873.94
60	Wind 60			3169.17	2744.58	-1584.58	-142594.96	-247042.81	142.78
90	Wind 90			3222.56	3222.56	0.00	17.63	-290060.64	-626.64
120	Wind Normal			3382.72	2929.52	1691.36	152240.03	-263687.47	0.00
150	Wind 90			3222.56	1611.28	2790.82	251191.06	-145045.59	626.64
180	Wind 60			3169.17	0.00	3169.17	285242.83	-30.54	-142.78
210	Wind 90			3222.56	-1611.28	2790.82	251191.06	144984.51	-873.94
T6	80.00-60.00			240	Wind Normal	3382.72	-2929.52	1691.36	152240.03
		270	Wind 90	3222.56	-3222.56	0.00	17.63	289999.55	626.64
		300	Wind 60	3169.17	-2744.58	-1584.58	-142594.96	246981.72	0.00
		330	Wind 90	3222.56	-1611.28	-2790.82	-251155.80	144984.51	-626.64
		0	Wind Normal	3540.92	0.00	-3540.92	-247844.67	-34.37	152.38
		30	Wind 90	3339.14	1669.57	-2891.78	-202404.59	-116904.17	930.36
		60	Wind 60	3271.88	2833.53	-1635.94	-114495.80	-198381.28	152.38
		90	Wind 90	3339.14	3339.14	0.00	19.84	-233773.96	-666.43
		120	Wind Normal	3540.92	3066.53	1770.46	123952.10	-214691.33	0.00
		150	Wind 90	3339.14	1669.57	2891.78	202444.27	-116904.17	666.43
		180	Wind 60	3271.88	0.00	3271.88	229051.13	-34.37	-152.38
		T7	60.00-40.00	210	Wind 90	3339.14	-1669.57	2891.78	202444.27
240	Wind Normal			3540.92	-3066.53	1770.46	123952.10	214622.60	-152.38
270	Wind 90			3339.14	-3339.14	0.00	19.84	233705.23	666.43
300	Wind 60			3271.88	-2833.53	-1635.94	-114495.80	198312.55	0.00
330	Wind 90			3339.14	-1669.57	-2891.78	-202404.59	116835.43	-666.43
0	Wind Normal			3465.30	0.00	-3465.30	-173242.42	-38.83	160.39
30	Wind 90			3252.50	1626.25	-2816.74	-140814.81	-81351.24	977.01
60	Wind 60			3181.56	2755.31	-1590.78	-79516.66	-137804.56	160.39
90	Wind 90			3252.50	3252.50	0.00	22.42	-162663.66	-699.20
120	Wind Normal			3465.30	3001.04	1732.65	86654.84	-150090.58	0.00
150	Wind 90			3252.50	1626.25	2816.74	140859.65	-81351.24	699.20
T8	40.00-20.00			180	Wind 60	3181.56	0.00	3181.56	159100.58
		210	Wind 90	3252.50	-1626.25	2816.74	140859.65	81273.59	-977.01
		240	Wind Normal	3465.30	-3001.04	1732.65	86654.84	150012.92	-160.39
		270	Wind 90	3252.50	-3252.50	0.00	22.42	162586.00	699.20
		300	Wind 60	3181.56	-2755.31	-1590.78	-79516.66	137726.90	0.00
		330	Wind 90	3252.50	-1626.25	-2816.74	-140814.82	81273.59	-699.20
		0	Wind Normal	3303.95	0.00	-3303.95	-99093.23	-43.93	162.96
		30	Wind 90	3087.02	1543.51	-2673.44	-80177.72	-46349.20	990.57
		60	Wind 60	3014.71	2610.81	-1507.35	-45195.23	-78368.29	162.96
		90	Wind 90	3087.02	3087.02	0.00	25.36	-92654.47	-708.31
		120	Wind Normal	3303.95	2861.31	1651.98	49584.66	-85883.15	0.00
		150	Wind 90	3087.02	1543.51	2673.44	80228.44	-46349.20	708.31
180	Wind 60	3014.71	0.00	3014.71	90466.55	-43.93	-162.96		
210	Wind 90	3087.02	-1543.51	2673.44	80228.44	46261.34	-990.57		
240	Wind Normal	3303.95	-2861.31	1651.98	49584.66	85795.29	-162.96		
270	Wind 90	3087.02	-3087.02	0.00	25.36	92566.61	708.31		
300	Wind 60	3014.71	-2610.81	-1507.35	-45195.23	78280.44	0.00		

tnxTower Nello Corporation 1201 S. Sheridan Street South Bend, IN. 46619 Phone: 800-806-3556 FAX:	Job SO30980; Tower 633549; Foundation 633550	Page 20 of 47
	Project NS 175' - TI-OPP-22295 / Clover Fork - Harlan Co., KY	Date 10:41:48 08/28/23
	Client Tillman Infrastructure	Designed by AG

Section No.	Section Elevation ft	Wind Azimuth °	Directionality	F lb	V _x lb	V _z lb	OTM _x lb-ft	OTM _z lb-ft	Torque lb-ft
T9	20.00-0.00	330	Wind 90	3087.02	-1543.51	-2673.44	-80177.72	46261.34	-708.31
		0	Wind Normal	3294.21	0.00	-3294.21	-32913.83	-49.03	157.39
		30	Wind 90	3059.97	1529.98	-2650.01	-26471.81	-15348.88	955.13
		60	Wind 60	2981.89	2582.39	-1490.94	-14881.13	-25872.94	157.39
		90	Wind 90	3059.97	3059.97	0.00	28.31	-30648.72	-682.52
		120	Wind Normal	3294.21	2852.87	1647.11	16499.38	-28577.76	0.00
		150	Wind 90	3059.97	1529.98	2650.01	26528.42	-15348.88	682.52
		180	Wind 60	2981.89	0.00	2981.89	29847.19	-49.03	-157.39
		210	Wind 90	3059.97	-1529.98	2650.01	26528.42	15250.82	-955.13
		240	Wind Normal	3294.21	-2852.87	1647.11	16499.38	28479.70	-157.39
		270	Wind 90	3059.97	-3059.97	0.00	28.31	30550.67	682.52
		300	Wind 60	2981.89	-2582.39	-1490.94	-14881.13	25774.88	0.00
		330	Wind 90	3059.97	-1529.98	-2650.01	-26471.81	15250.82	-682.52

Mast Totals - No Ice

Wind Azimuth °	V _x lb	V _z lb	OTM _x lb-ft	OTM _z lb-ft	Torque lb-ft
0	0.00	-26965.46	-2182937.08	-568.11	1516.92
30	12712.97	-22019.50	-1787905.29	-1033246.45	7602.49
60	21429.63	-12372.40	-999057.98	-1732279.51	2240.75
90	25090.32	0.00	746.07	-2013578.56	-3721.39
120	23062.13	13314.93	1066414.52	-1846360.02	723.84
150	12629.72	21875.32	1767770.05	-1020759.88	4975.12
180	0.00	24913.92	2027727.24	-568.11	-1516.92
210	-12712.97	22019.50	1789397.43	1032110.24	-7602.49
240	-23206.31	13398.17	1078901.10	1866851.18	-2240.75
270	-25090.32	0.00	746.07	2012442.35	3721.39
300	-21285.45	-12289.16	-986571.40	1709515.92	-723.84
330	-12629.72	-21875.32	-1766277.91	1019623.66	-4975.12

Mast Vectors - With Ice

Section No.	Section Elevation ft	Wind Azimuth °	Directionality	F lb	V _x lb	V _z lb	OTM _x lb-ft	OTM _z lb-ft	Torque lb-ft
T1	175.30-160.00	0	Wind Normal	163.42	0.00	-163.42	-26494.08	0.00	0.00
		30	Wind 90	153.75	76.87	-133.15	-21418.87	-12887.93	42.19
		60	Wind 60	145.37	125.89	-72.69	-11281.99	-21106.19	62.14
		90	Wind 90	144.47	144.47	0.00	903.67	-24220.85	65.44
		120	Wind Normal	154.15	133.50	77.07	13825.05	-22380.49	62.14
		150	Wind 90	153.75	76.87	133.15	23226.22	-12887.93	42.19
		180	Wind 60	154.65	0.00	154.65	26830.00	0.00	0.00
		210	Wind 90	153.75	-76.87	133.15	23226.22	12887.93	-42.19
		240	Wind Normal	154.15	-133.50	77.07	13825.05	22380.49	-62.14
		270	Wind 90	144.47	-144.47	0.00	903.67	24220.85	-65.44
		300	Wind 60	145.37	-125.89	-72.69	-11281.99	21106.19	-62.14
		330	Wind 90	153.75	-76.87	-133.15	-21418.87	12887.93	-42.19
		T2	160.00-140.00	0	Wind Normal	268.46	0.00	-268.46	-39222.90
30	Wind 90			263.62	131.81	-228.30	-33199.47	-20902.10	133.88
60	Wind 60			253.45	219.50	-126.73	-17962.84	-34054.94	107.50

tnxTower

Nello Corporation
1201 S. Sheridan Street
South Bend, IN. 46619
Phone: 800-806-3556
FAX:

Job

SO30980; Tower 633549; Foundation 633550

Page

21 of 47

Project

NS 175' - TI-OPP-22295 / Clover Fork - Harlan Co., KY

Date

10:41:48 08/28/23

Client

Tillman Infrastructure

Designed by

AG

Section No.	Section Elevation ft	Wind Azimuth °	Directionality	F lb	V _x lb	V _z lb	OTM _x lb-ft	OTM _z lb-ft	Torque lb-ft
T3	140.00-120.00	90	Wind 90	245.50	245.50	0.00	1046.17	-37955.67	52.32
		120	Wind Normal	250.34	216.80	125.17	19821.63	-33650.41	24.89
		150	Wind 90	250.03	125.02	216.53	33526.32	-19882.79	-9.22
		180	Wind 60	257.98	0.00	257.98	39743.73	-1130.37	-82.61
		210	Wind 90	263.62	-131.81	228.30	35291.82	18641.37	-133.88
		240	Wind Normal	263.93	-228.57	131.97	20840.94	33155.18	-107.50
		270	Wind 90	245.50	-245.50	0.00	1046.17	35694.93	-52.32
		300	Wind 60	239.86	-207.73	-119.93	-16943.52	30028.70	-24.89
		330	Wind 90	250.03	-125.02	-216.53	-31433.97	17622.05	9.22
		0	Wind Normal	364.45	0.00	-364.45	-47318.49	0.00	-0.00
		30	Wind 90	353.82	176.91	-306.42	-39774.99	-22998.47	50.87
		60	Wind 60	350.28	303.35	-175.14	-22708.77	-39435.84	6.16
		90	Wind 90	353.82	353.82	0.00	59.53	-45996.94	-40.20
		120	Wind Normal	364.45	315.62	182.22	23748.53	-41030.56	6.16
		150	Wind 90	353.82	176.91	306.42	39894.04	-22998.47	50.87
		180	Wind 60	350.28	0.00	350.28	45596.11	0.00	0.00
210	Wind 90	353.82	-176.91	306.42	39894.04	22998.47	-50.87		
240	Wind Normal	364.45	-315.62	182.22	23748.53	41030.56	-6.16		
270	Wind 90	353.82	-353.82	0.00	59.53	45996.94	40.20		
300	Wind 60	350.28	-303.35	-175.14	-22708.77	39435.84	-6.16		
330	Wind 90	353.82	-176.91	-306.42	-39774.99	22998.47	-50.87		
0	Wind Normal	396.07	0.00	-396.07	-43409.40	-169.32	19.76		
30	Wind 90	384.84	192.42	-333.28	-36502.68	-21335.57	79.38		
60	Wind 60	381.10	330.04	-190.55	-20802.04	-36473.76	25.88		
90	Wind 90	384.84	384.84	0.00	158.34	-42501.82	-34.56		
120	Wind Normal	396.07	343.01	198.04	21942.21	-37900.08	6.12		
150	Wind 90	384.84	192.42	333.28	36819.37	-21335.57	45.16		
180	Wind 60	381.10	0.00	381.10	42079.10	-169.32	-19.76		
210	Wind 90	384.84	-192.42	333.28	36819.37	20996.94	-79.38		
240	Wind Normal	396.07	-343.01	198.04	21942.21	37561.45	-25.88		
270	Wind 90	384.84	-384.84	0.00	158.34	42163.19	34.56		
300	Wind 60	381.10	-330.04	-190.55	-20802.04	36135.13	-6.12		
330	Wind 90	384.84	-192.42	-333.28	-36502.68	20996.94	-45.16		
0	Wind Normal	409.31	0.00	-409.31	-36695.22	-247.30	28.03		
30	Wind 90	397.52	198.76	-344.27	-30841.12	-18135.86	90.25		
60	Wind 60	393.59	340.86	-196.80	-17568.97	-30924.95	28.03		
90	Wind 90	397.52	397.52	0.00	142.78	-36024.42	-41.70		
120	Wind Normal	409.31	354.47	204.66	18561.78	-32149.94	0.00		
150	Wind 90	397.52	198.76	344.27	31126.68	-18135.86	41.70		
180	Wind 60	393.59	0.00	393.59	35566.28	-247.30	-28.03		
210	Wind 90	397.52	-198.76	344.27	31126.68	17641.27	-90.25		
240	Wind Normal	409.31	-354.47	204.66	18561.78	31655.35	-28.03		
270	Wind 90	397.52	-397.52	0.00	142.78	35529.83	41.70		
300	Wind 60	393.59	-340.86	-196.80	-17568.97	30430.36	0.00		
330	Wind 90	397.52	-198.76	-344.27	-30841.12	17641.27	-41.70		
0	Wind Normal	415.02	0.00	-415.02	-28895.88	-269.78	29.48		
30	Wind 90	400.08	200.04	-346.48	-24097.58	-14272.45	95.62		
60	Wind 60	395.09	342.16	-197.55	-13672.53	-24221.07	29.48		
90	Wind 90	400.08	400.08	0.00	155.76	-28275.11	-44.57		
120	Wind Normal	415.02	359.42	207.51	14681.57	-25429.23	0.00		
150	Wind 90	400.08	200.04	346.48	24409.09	-14272.45	44.57		
180	Wind 60	395.09	0.00	395.09	27812.33	-269.78	-29.48		
210	Wind 90	400.08	-200.04	346.48	24409.09	13732.89	-95.62		
240	Wind Normal	415.02	-359.42	207.51	14681.57	24889.67	-29.48		
270	Wind 90	400.08	-400.08	0.00	155.76	27735.56	44.57		
300	Wind 60	395.09	-342.16	-197.55	-13672.53	23681.51	0.00		
330	Wind 90	400.08	-200.04	-346.48	-24097.58	13732.89	-44.57		
0	Wind Normal	402.07	0.00	-402.07	-19934.83	-292.55	30.43		
30	Wind 90	386.22	193.11	-334.48	-16555.05	-9948.13	99.78		
60	Wind 60	380.94	329.90	-190.47	-9354.58	-16787.71	30.43		
90	Wind 90	386.22	386.22	0.00	168.90	-19603.71	-47.07		

tnxTower Nello Corporation 1201 S. Sheridan Street South Bend, IN. 46619 Phone: 800-806-3556 FAX:	Job SO30980; Tower 633549; Foundation 633550	Page 22 of 47
	Project NS 175' - TI-OPP-22295 / Clover Fork - Harlan Co., KY	Date 10:41:48 08/28/23
	Client Tillman Infrastructure	Designed by AG

Section No.	Section Elevation ft	Wind Azimuth °	Directionality	F lb	V _x lb	V _z lb	OTM _x lb-ft	OTM _z lb-ft	Torque lb-ft
T8	40.00-20.00	120	Wind Normal	402.07	348.21	201.04	10220.77	-17702.89	0.00
		150	Wind 90	386.22	193.11	334.48	16892.86	-9948.13	47.07
		180	Wind 60	380.94	0.00	380.94	19215.87	-292.55	-30.43
		210	Wind 90	386.22	-193.11	334.48	16892.86	9363.03	-99.78
		240	Wind Normal	402.07	-348.21	201.04	10220.77	17117.79	-30.43
		270	Wind 90	386.22	-386.22	0.00	168.90	19018.61	47.07
		300	Wind 60	380.94	-329.90	-190.47	-9354.58	16202.61	0.00
		330	Wind 90	386.22	-193.11	-334.48	-16555.05	9363.03	-47.07
		0	Wind Normal	375.69	0.00	-375.69	-11091.08	-311.27	30.04
		30	Wind 90	359.43	179.71	-311.27	-9158.44	-5702.65	100.19
		60	Wind 60	354.00	306.58	-177.00	-5130.34	-9508.54	30.04
		90	Wind 90	359.43	359.43	0.00	179.71	-11094.04	-48.16
		120	Wind Normal	375.69	325.36	187.85	5815.10	-10072.06	0.00
		150	Wind 90	359.43	179.71	311.27	9517.86	-5702.65	48.16
		180	Wind 60	354.00	0.00	354.00	10799.81	-311.27	-30.04
210	Wind 90	359.43	-179.71	311.27	9517.86	5080.12	-100.19		
240	Wind Normal	375.69	-325.36	187.85	5815.10	9449.52	-30.04		
270	Wind 90	359.43	-359.43	0.00	179.71	10471.50	48.16		
300	Wind 60	354.00	-306.58	-177.00	-5130.34	8886.01	0.00		
330	Wind 90	359.43	-179.71	-311.27	-9158.44	5080.12	-48.16		
T9	20.00-0.00	0	Wind Normal	357.38	0.00	-357.38	-3397.34	-305.62	27.33
		30	Wind 90	339.58	169.79	-294.09	-2764.42	-2003.53	94.70
		60	Wind 60	333.65	288.95	-166.83	-1491.80	-3195.12	27.33
		90	Wind 90	339.58	339.58	0.00	176.45	-3701.45	-47.35
		120	Wind Normal	357.38	309.50	178.69	1963.35	-3400.61	0.00
		150	Wind 90	339.58	169.79	294.09	3117.32	-2003.53	47.35
		180	Wind 60	333.65	0.00	333.65	3512.95	-305.62	-27.33
		210	Wind 90	339.58	-169.79	294.09	3117.32	1392.29	-94.70
		240	Wind Normal	357.38	-309.50	178.69	1963.35	2789.38	-27.33
		270	Wind 90	339.58	-339.58	0.00	176.45	3090.21	47.35
		300	Wind 60	333.65	-288.95	-166.83	-1491.80	2583.88	0.00
		330	Wind 90	339.58	-169.79	-294.09	-2764.42	1392.29	-47.35

Mast Totals - With Ice

Wind Azimuth °	V _x lb	V _z lb	OTM _x lb-ft	OTM _z lb-ft	Torque lb-ft
0	0.00	-3151.88	-256459.22	-2726.20	247.69
30	1519.43	-2631.74	-214312.63	-128186.69	786.85
60	2587.24	-1493.74	-119973.85	-215708.11	346.99
90	3011.47	0.00	2991.31	-249374.02	-185.84
120	2705.88	1562.24	130580.00	-223716.28	99.31
150	1512.64	2619.97	218529.76	-127167.38	357.84
180	0.00	3001.29	251156.18	-2726.20	-247.69
210	-1519.43	2631.74	220295.26	122734.29	-786.85
240	-2717.65	1569.04	131599.31	220029.39	-346.99
270	-3011.47	0.00	2991.31	243921.62	185.84
300	-2575.47	-1486.95	-118954.54	208490.22	-99.31
330	-1512.64	-2619.97	-212547.13	121714.98	-357.84

Mast Vectors - Service

Section No.	Section Elevation ft	Wind Azimuth °	Directionality	F lb	V _x lb	V _z lb	OTM _x lb-ft	OTM _z lb-ft	Torque lb-ft
T1	175.30-160.00	0	Wind Normal	430.82	0.00	-430.82	-71944.93	0.00	0.00
		30	Wind 90	386.45	193.23	-334.68	-55827.06	-32394.32	113.66
		60	Wind 60	351.05	304.02	-175.53	-29145.35	-50968.90	153.13
		90	Wind 90	349.35	349.35	0.00	281.56	-58568.66	151.57
		120	Wind Normal	393.72	340.97	196.86	33284.81	-57163.31	153.13
		150	Wind 90	386.45	193.23	334.68	56390.17	-32394.32	113.66
		180	Wind 60	388.15	0.00	388.15	65355.36	0.00	0.00
		210	Wind 90	386.45	-193.23	334.68	56390.17	32394.32	-113.66
		240	Wind Normal	393.72	-340.97	196.86	33284.81	57163.31	-153.13
		270	Wind 90	349.35	-349.35	0.00	281.56	58568.66	-151.57
		300	Wind 60	351.05	-304.02	-175.53	-29145.35	50968.90	-153.13
		330	Wind 90	386.45	-193.23	-334.68	-55827.06	32394.32	-113.66
		T2	160.00-140.00	0	Wind Normal	736.89	0.00	-736.89	-110209.38
30	Wind 90			712.41	356.21	-616.97	-92220.30	-53781.98	374.79
60	Wind 60			670.02	580.26	-335.01	-49926.91	-87389.62	272.61
90	Wind 90			639.93	639.93	0.00	324.85	-96340.28	97.39
120	Wind Normal			664.41	575.40	332.21	50155.63	-86660.46	63.13
150	Wind 90			658.05	329.02	569.89	85808.00	-49704.73	11.95
180	Wind 60			688.14	0.00	688.14	103546.54	-351.01	-209.48
210	Wind 90			712.41	-356.21	616.97	92870.00	53079.95	-374.79
240	Wind Normal			718.77	-622.48	359.39	54232.88	93020.44	-272.61
270	Wind 90			639.93	-639.93	0.00	324.85	95638.26	-97.39
300	Wind 60			615.66	-533.18	-307.83	-45849.66	79625.59	-63.13
330	Wind 90			658.05	-329.02	-569.89	-85158.30	49002.70	-11.95
T3	140.00-120.00			0	Wind Normal	1022.92	0.00	-1022.92	-132972.02
		30	Wind 90	974.46	487.23	-843.90	-109700.61	-63339.73	195.05
		60	Wind 60	958.30	829.92	-479.15	-62282.78	-107889.10	10.03
		90	Wind 90	974.46	974.46	0.00	7.02	-126679.46	-177.68
		120	Wind Normal	1022.92	885.87	511.46	66496.54	-115163.23	10.03
		150	Wind 90	974.46	487.23	843.90	109714.66	-63339.73	195.05
		180	Wind 60	958.30	0.00	958.30	124586.63	0.00	0.00
		210	Wind 90	974.46	-487.23	843.90	109714.66	63339.73	-195.05
		240	Wind Normal	1022.92	-885.87	511.46	66496.54	115163.23	-10.03
		270	Wind 90	974.46	-974.46	0.00	7.02	126679.46	177.68
		300	Wind 60	958.30	-829.92	-479.15	-62282.78	107889.10	-10.03
		330	Wind 90	974.46	-487.23	-843.90	-109700.61	63339.73	-195.05
		T4	120.00-100.00	0	Wind Normal	1126.59	0.00	-1126.59	-123906.18
30	Wind 90			1076.19	538.10	-932.01	-102501.94	-59210.93	255.44
60	Wind 60			1059.39	917.46	-529.70	-58247.43	-100940.94	42.54
90	Wind 90			1076.19	1076.19	0.00	19.07	-118401.46	-181.75
120	Wind Normal			1126.59	975.66	563.30	61981.70	-107342.81	10.06
150	Wind 90			1076.19	538.10	932.01	102540.08	-59210.93	199.18
180	Wind 60			1059.39	0.00	1059.39	116552.08	-20.40	-32.48
210	Wind 90			1076.19	-538.10	932.01	102540.08	59170.14	-255.44
240	Wind Normal			1126.59	-975.66	563.30	61981.70	107302.02	-42.54
270	Wind 90			1076.19	-1076.19	0.00	19.07	118360.67	181.75
300	Wind 60			1059.39	-917.46	-529.70	-58247.43	100900.14	-10.06
330	Wind 90			1076.19	-538.10	-932.01	-102501.94	59170.14	-199.18
T5	100.00-80.00			0	Wind Normal	1171.35	0.00	-1171.35	-105403.68
		30	Wind 90	1119.05	559.52	-969.13	-87203.66	-50387.78	285.37
		60	Wind 60	1101.62	954.03	-550.81	-49555.13	-85893.08	46.62
		90	Wind 90	1119.05	1119.05	0.00	17.63	-100745.01	-204.62
		120	Wind Normal	1171.35	1014.42	585.67	52728.29	-91328.07	0.00
		150	Wind 90	1119.05	559.52	969.13	87238.92	-50387.78	204.62
		180	Wind 60	1101.62	0.00	1101.62	99163.16	-30.54	-46.62
		210	Wind 90	1119.05	-559.52	969.13	87238.92	50326.69	-285.37
		240	Wind Normal	1171.35	-1014.42	585.67	52728.29	91266.99	-46.62
		270	Wind 90	1119.05	-1119.05	0.00	17.63	100683.93	204.62
		300	Wind 60	1101.62	-954.03	-550.81	-49555.13	85832.00	0.00
		330	Wind 90	1119.05	-559.52	-969.13	-87203.66	50326.69	-204.62
		T6	80.00-60.00	0	Wind Normal	1222.39	0.00	-1222.39	-85547.35

tnxTower Nello Corporation 1201 S. Sheridan Street South Bend, IN. 46619 Phone: 800-806-3556 FAX:	Job SO30980; Tower 633549; Foundation 633550	Page 24 of 47
	Project NS 175' - TI-OPP-22295 / Clover Fork - Harlan Co., KY	Date 10:41:48 08/28/23
	Client Tillman Infrastructure	Designed by AG

Section No.	Section Elevation ft	Wind Azimuth °	Directionality	F lb	V _x lb	V _z lb	OTM _x lb-ft	OTM _z lb-ft	Torque lb-ft
T7	60.00-40.00	30	Wind 90	1156.50	578.25	-1001.56	-70089.22	-40511.85	303.79
		60	Wind 60	1134.54	982.54	-567.27	-39688.94	-68812.00	49.76
		90	Wind 90	1156.50	1156.50	0.00	19.84	-80989.34	-217.61
		120	Wind Normal	1222.39	1058.62	611.19	42803.44	-74137.73	0.00
		150	Wind 90	1156.50	578.25	1001.56	70128.90	-40511.85	217.61
		180	Wind 60	1134.54	0.00	1134.54	79437.41	-34.37	-49.76
		210	Wind 90	1156.50	-578.25	1001.56	70128.90	40443.12	-303.79
		240	Wind Normal	1222.39	-1058.62	611.19	42803.44	74068.99	-49.76
		270	Wind 90	1156.50	-1156.50	0.00	19.84	80920.60	217.61
		300	Wind 60	1134.54	-982.54	-567.27	-39688.94	68743.26	0.00
		330	Wind 90	1156.50	-578.25	-1001.56	-70089.22	40443.12	-217.61
		0	Wind Normal	1199.82	0.00	-1199.82	-59968.37	-38.83	52.37
		30	Wind 90	1130.33	565.16	-978.89	-48922.30	-28297.08	319.02
		60	Wind 60	1107.17	958.84	-553.58	-27656.78	-47980.61	52.37
		90	Wind 90	1130.33	1130.33	0.00	22.42	-56555.33	-228.31
T8	40.00-20.00	120	Wind Normal	1199.82	1039.07	599.91	30017.81	-51992.37	0.00
		150	Wind 90	1130.33	565.16	978.89	48967.14	-28297.08	228.31
		180	Wind 60	1107.17	0.00	1107.17	55380.82	-38.83	-52.37
		210	Wind 90	1130.33	-565.16	978.89	48967.14	28219.42	-319.02
		240	Wind Normal	1199.82	-1039.07	599.91	30017.81	51914.71	-52.37
		270	Wind 90	1130.33	-1130.33	0.00	22.42	56477.67	228.31
		300	Wind 60	1107.17	-958.84	-553.58	-27656.78	47902.95	0.00
		330	Wind 90	1130.33	-565.16	-978.89	-48922.30	28219.42	-228.31
		0	Wind Normal	1141.34	0.00	-1141.34	-34214.88	-43.93	53.21
		30	Wind 90	1070.51	535.25	-927.08	-27787.18	-16101.51	323.45
		60	Wind 60	1046.89	906.64	-523.45	-15678.04	-27243.02	53.21
		90	Wind 90	1070.51	1070.51	0.00	25.36	-32159.09	-231.29
		120	Wind Normal	1141.34	988.43	570.67	17145.48	-29696.85	0.00
		150	Wind 90	1070.51	535.25	927.08	27837.91	-16101.51	231.29
		180	Wind 60	1046.89	0.00	1046.89	31432.17	-43.93	-53.21
210	Wind 90	1070.51	-535.25	927.08	27837.91	16013.65	-323.45		
T9	20.00-0.00	240	Wind Normal	1141.34	-988.43	570.67	17145.48	29608.99	-53.21
		270	Wind 90	1070.51	-1070.51	0.00	25.36	32071.23	231.29
		300	Wind 60	1046.89	-906.64	-523.45	-15678.04	27155.16	0.00
		330	Wind 90	1070.51	-535.25	-927.08	-27787.18	16013.65	-231.29
		0	Wind Normal	1130.88	0.00	-1130.88	-11280.46	-49.03	51.39
		30	Wind 90	1054.39	527.19	-913.13	-9102.97	-5320.98	311.88
		60	Wind 60	1028.89	891.05	-514.45	-5116.16	-8959.51	51.39
		90	Wind 90	1054.39	1054.39	0.00	28.31	-10592.92	-222.86
		120	Wind Normal	1130.88	979.37	565.44	5682.69	-9842.71	0.00
		150	Wind 90	1054.39	527.19	913.13	9159.59	-5320.98	222.86
		180	Wind 60	1028.89	0.00	1028.89	10317.24	-49.03	-51.39
		210	Wind 90	1054.39	-527.19	913.13	9159.59	5222.92	-311.88
		240	Wind Normal	1130.88	-979.37	565.44	5682.69	9744.65	-51.39
		270	Wind 90	1054.39	-1054.39	0.00	28.31	10494.86	222.86
		300	Wind 60	1028.89	-891.05	-514.45	-5116.16	8861.45	0.00
330	Wind 90	1054.39	-527.19	-913.13	-9102.97	5222.92	-222.86		

Mast Totals - Service

Wind Azimuth °	V _x lb	V _z lb	OTM _x lb-ft	OTM _z lb-ft	Torque lb-ft
0	0.00	-9182.99	-735447.25	-568.11	495.32
30	4340.14	-7517.35	-603355.24	-349346.16	2482.45
60	7324.74	-4228.94	-337297.52	-586076.77	731.67
90	8570.70	0.00	746.07	-681031.56	-1215.15

tnxTower Nello Corporation 1201 S. Sheridan Street South Bend, IN. 46619 Phone: 800-806-3556 FAX:	Job SO30980; Tower 633549; Foundation 633550	Page 25 of 47
	Project NS 175' - TI-OPP-22295 / Clover Fork - Harlan Co., KY	Date 10:41:48 08/28/23
	Client Tillman Infrastructure	Designed by AG

Wind Azimuth °	V _x lb	V _z lb	OTM _x lb-ft	OTM _z lb-ft	Torque lb-ft
120	7857.80	4536.70	360296.40	-623327.55	236.36
150	4312.96	7470.27	597785.37	-345268.91	1624.53
180	0.00	8513.10	685771.39	-568.11	-495.32
210	-4340.14	7517.35	604847.37	348209.94	-2482.45
240	-7904.88	4563.88	364373.65	629253.34	-731.67
270	-8570.70	0.00	746.07	679895.35	1215.15
300	-7277.66	-4201.76	-333220.27	577878.56	-236.36
330	-4312.96	-7470.27	-596293.24	344132.70	-1624.53

Discrete Appurtenance Pressures - No Ice G_H = 0.850

Description	Aiming Azimuth °	Weight lb	Offset _x ft	Offset _z ft	z ft	K _z	q _z psf	C _A A _C Front ft ²	C _A A _C Side ft ²
40,000 sq in CaAa (6,000 lbs)	0.0000	6000.00	0.00	0.00	170.00	1.415	34	278.00	278.00
40,000 sq in CaAa (6,000 lbs)	0.0000	6000.00	0.00	0.00	155.00	1.388	33	278.00	278.00
30,000 sq in CaAa (4,000 lbs)	0.0000	4000.00	0.00	0.00	140.00	1.359	33	208.00	208.00
Dish Pipe Mount	240.0000	103.00	-4.56	2.63	125.00	1.326	32	0.00	1.80
Dish Pipe Mount	120.0000	103.00	4.94	2.85	115.00	1.303	31	0.00	1.80
Sum Weight:		16206.00							

Discrete Appurtenance Vectors - No Ice

40,000 sq in CaAa (6,000 lbs) - Elevation 170 - None C

Wind Azimuth °	F _a lb	F _s lb	V _x lb	V _z lb	OTM _x lb-ft	OTM _z lb-ft	Torque lb-ft
0	8022.68	0.00	0.00	-8022.68	-1363856.23	0.00	0.00
30	8022.68	0.00	4011.34	-6947.85	-1181134.14	-681928.12	0.00
60	8022.68	0.00	6947.85	-4011.34	-681928.12	-1181134.14	0.00
90	8022.68	0.00	8022.68	0.00	0.00	-1363856.23	0.00
120	8022.68	0.00	6947.85	4011.34	681928.12	-1181134.14	0.00
150	8022.68	0.00	4011.34	6947.85	1181134.14	-681928.12	0.00
180	8022.68	0.00	0.00	8022.68	1363856.23	0.00	0.00
210	8022.68	0.00	-4011.34	6947.85	1181134.14	681928.12	0.00
240	8022.68	0.00	-6947.85	4011.34	681928.12	1181134.14	0.00
270	8022.68	0.00	-8022.68	0.00	0.00	1363856.23	0.00
300	8022.68	0.00	-6947.85	-4011.34	-681928.12	1181134.14	0.00
330	8022.68	0.00	-4011.34	-6947.85	-1181134.14	681928.12	0.00

40,000 sq in CaAa (6,000 lbs) - Elevation 155 - None B

Wind Azimuth °	F _a lb	F _s lb	V _x lb	V _z lb	OTM _x lb-ft	OTM _z lb-ft	Torque lb-ft
0	7868.17	0.00	0.00	-7868.17	-1219566.93	0.00	0.00
30	7868.17	0.00	3934.09	-6814.04	-1056175.94	-609783.46	0.00
60	7868.17	0.00	6814.04	-3934.09	-609783.46	-1056175.94	0.00
90	7868.17	0.00	7868.17	0.00	0.00	-1219566.93	0.00

tnxTower Nello Corporation 1201 S. Sheridan Street South Bend, IN. 46619 Phone: 800-806-3556 FAX:	Job SO30980; Tower 633549; Foundation 633550	Page 26 of 47
	Project NS 175' - TI-OPP-22295 / Clover Fork - Harlan Co., KY	Date 10:41:48 08/28/23
	Client Tillman Infrastructure	Designed by AG

40,000 sq in CaAa (6,000 lbs) - Elevation 155 - None B							
Wind Azimuth °	F _a lb	F _s lb	V _x lb	V _z lb	OTM _x lb-ft	OTM _z lb-ft	Torque lb-ft
120	7868.17	0.00	6814.04	3934.09	609783.46	-1056175.94	0.00
150	7868.17	0.00	3934.09	6814.04	1056175.94	-609783.46	0.00
180	7868.17	0.00	0.00	7868.17	1219566.93	0.00	0.00
210	7868.17	0.00	-3934.09	6814.04	1056175.94	609783.46	0.00
240	7868.17	0.00	-6814.04	3934.09	609783.46	1056175.94	0.00
270	7868.17	0.00	-7868.17	0.00	0.00	1219566.93	0.00
300	7868.17	0.00	-6814.04	-3934.09	-609783.46	1056175.94	0.00
330	7868.17	0.00	-3934.09	-6814.04	-1056175.94	609783.46	0.00

30,000 sq in CaAa (4,000 lbs) - Elevation 140 - None A							
Wind Azimuth °	F _a lb	F _s lb	V _x lb	V _z lb	OTM _x lb-ft	OTM _z lb-ft	Torque lb-ft
0	5762.18	0.00	0.00	-5762.18	-806704.50	0.00	0.00
30	5762.18	0.00	2881.09	-4990.19	-698626.59	-403352.25	0.00
60	5762.18	0.00	4990.19	-2881.09	-403352.25	-698626.59	0.00
90	5762.18	0.00	5762.18	0.00	0.00	-806704.50	0.00
120	5762.18	0.00	4990.19	2881.09	403352.25	-698626.59	0.00
150	5762.18	0.00	2881.09	4990.19	698626.59	-403352.25	0.00
180	5762.18	0.00	0.00	5762.18	806704.50	0.00	0.00
210	5762.18	0.00	-2881.09	4990.19	698626.59	403352.25	0.00
240	5762.18	0.00	-4990.19	2881.09	403352.25	698626.59	0.00
270	5762.18	0.00	-5762.18	0.00	0.00	806704.50	0.00
300	5762.18	0.00	-4990.19	-2881.09	-403352.25	698626.59	0.00
330	5762.18	0.00	-2881.09	-4990.19	-698626.59	403352.25	0.00

Dish Pipe Mount - Elevation 125 - From Leg C							
Wind Azimuth °	F _a lb	F _s lb	V _x lb	V _z lb	OTM _x lb-ft	OTM _z lb-ft	Torque lb-ft
0	0.00	42.17	-21.08	-36.52	-4293.31	3105.33	-222.15
30	0.00	24.34	-12.17	-21.08	-2364.07	1991.48	-128.26
60	0.00	0.00	0.00	0.00	271.32	469.94	0.00
90	0.00	24.34	12.17	21.08	2906.71	-1051.60	128.26
120	0.00	42.17	21.08	36.52	4835.94	-2165.45	222.15
150	0.00	48.69	24.34	42.17	5542.09	-2573.15	256.51
180	0.00	42.17	21.08	36.52	4835.94	-2165.45	222.15
210	0.00	24.34	12.17	21.08	2906.71	-1051.60	128.26
240	0.00	0.00	0.00	0.00	271.32	469.94	0.00
270	0.00	24.34	-12.17	-21.08	-2364.07	1991.48	-128.26
300	0.00	42.17	-21.08	-36.52	-4293.31	3105.33	-222.15
330	0.00	48.69	-24.34	-42.17	-4999.46	3513.02	-256.51

Dish Pipe Mount - Elevation 115 - From Leg B							
Wind Azimuth °	F _a lb	F _s lb	V _x lb	V _z lb	OTM _x lb-ft	OTM _z lb-ft	Torque lb-ft
0	0.00	41.43	20.72	-35.88	-3832.76	-2890.93	236.22
30	0.00	47.84	23.92	-41.43	-4471.12	-3259.48	272.76
60	0.00	41.43	20.72	-35.88	-3832.76	-2890.93	236.22
90	0.00	23.92	11.96	-20.72	-2088.75	-1884.02	136.38
120	0.00	0.00	0.00	0.00	293.62	-508.56	0.00
150	0.00	23.92	-11.96	20.72	2675.99	866.90	-136.38
180	0.00	41.43	-20.72	35.88	4420.00	1873.81	-236.22

tnxTower Nello Corporation 1201 S. Sheridan Street South Bend, IN. 46619 Phone: 800-806-3556 FAX:	Job SO30980; Tower 633549; Foundation 633550	Page 27 of 47
	Project NS 175' - TI-OPP-22295 / Clover Fork - Harlan Co., KY	Date 10:41:48 08/28/23
	Client Tillman Infrastructure	Designed by AG

Dish Pipe Mount - Elevation 115 - From Leg B							
Wind Azimuth °	F_a lb	F_s lb	V_x lb	V_z lb	OTM_x lb-ft	OTM_z lb-ft	Torque lb-ft
210	0.00	47.84	-23.92	41.43	5058.35	2242.36	-272.76
240	0.00	41.43	-20.72	35.88	4420.00	1873.81	-236.22
270	0.00	23.92	-11.96	20.72	2675.99	866.90	-136.38
300	0.00	0.00	0.00	0.00	293.62	-508.56	0.00
330	0.00	23.92	11.96	-20.72	-2088.75	-1884.02	136.38

Discrete Appurtenance Totals - No Ice

Wind Azimuth °	V_x lb	V_z lb	OTM_x lb-ft	OTM_z lb-ft	Torque lb-ft
0	-0.37	-21725.43	-3398253.73	214.40	14.08
30	10838.26	-18814.59	-2942771.86	-1696331.83	144.51
60	18772.79	-10862.40	-1698625.27	-2938357.67	236.22
90	21677.17	0.37	817.96	-3393063.28	264.64
120	18773.16	10863.03	1700193.39	-2938610.69	222.15
150	10838.90	18814.96	2944154.75	-1696770.08	120.13
180	0.37	21725.43	3399383.60	-291.65	-14.08
210	-10838.26	18814.59	2943901.73	1696254.58	-144.51
240	-18772.79	10862.40	1699755.15	2938280.42	-236.22
270	-21677.17	-0.37	311.92	3392986.03	-264.64
300	-18773.16	-10863.03	-1699063.52	2938533.44	-222.15
330	-10838.90	-18814.96	-2943024.88	1696692.83	-120.13

Discrete Appurtenance Pressures - With Ice $G_H = 0.850$

Description	Aiming Azimuth °	Weight lb	Offset _x ft	Offset _z ft	z ft	K_z	q_z psf	C_{AAc} Front ft ²	C_{AAc} Side ft ²	t_z in
40,000 sq in CaAa (6,000 lbs)	0.0000	10806.77	0.00	0.00	170.00	1.415	3	409.95	409.95	1.1781
40,000 sq in CaAa (6,000 lbs)	0.0000	10762.58	0.00	0.00	155.00	1.388	3	408.74	408.74	1.1673
30,000 sq in CaAa (4,000 lbs)	0.0000	7142.90	0.00	0.00	140.00	1.359	3	305.06	305.06	1.1555
Dish Pipe Mount	240.0000	139.56	-4.56	2.63	125.00	1.326	3	0.00	2.49	1.1425
Dish Pipe Mount	120.0000	139.26	4.94	2.85	115.00	1.303	3	0.00	2.48	1.1330
Sum Weight:		28991.06								

Discrete Appurtenance Vectors - With Ice

40,000 sq in CaAa (6,000 lbs) - Elevation 170 - None C							
Wind Azimuth °	F_a lb	F_s lb	V_x lb	V_z lb	OTM_x lb-ft	OTM_z lb-ft	Torque lb-ft
0	965.76	0.00	0.00	-965.76	-164179.63	0.00	0.00
30	965.76	0.00	482.88	-836.37	-142183.73	-82089.82	0.00
60	965.76	0.00	836.37	-482.88	-82089.82	-142183.73	0.00

tnxTower Nello Corporation 1201 S. Sheridan Street South Bend, IN. 46619 Phone: 800-806-3556 FAX:	Job	SO30980; Tower 633549; Foundation 633550	Page	28 of 47
	Project	NS 175' - TI-OPP-22295 / Clover Fork - Harlan Co., KY	Date	10:41:48 08/28/23
	Client	Tillman Infrastructure	Designed by	AG

40,000 sq in CaAa (6,000 lbs) - Elevation 170 - None C							
Wind Azimuth °	F _a lb	F _s lb	V _x lb	V _z lb	OTM _x lb-ft	OTM _z lb-ft	Torque lb-ft
90	965.76	0.00	965.76	0.00	0.00	-164179.63	0.00
120	965.76	0.00	836.37	482.88	82089.82	-142183.73	0.00
150	965.76	0.00	482.88	836.37	142183.73	-82089.82	0.00
180	965.76	0.00	0.00	965.76	164179.63	0.00	0.00
210	965.76	0.00	-482.88	836.37	142183.73	82089.82	0.00
240	965.76	0.00	-836.37	482.88	82089.82	142183.73	0.00
270	965.76	0.00	-965.76	0.00	0.00	164179.63	0.00
300	965.76	0.00	-836.37	-482.88	-82089.82	142183.73	0.00
330	965.76	0.00	-482.88	-836.37	-142183.73	82089.82	0.00

40,000 sq in CaAa (6,000 lbs) - Elevation 155 - None B							
Wind Azimuth °	F _a lb	F _s lb	V _x lb	V _z lb	OTM _x lb-ft	OTM _z lb-ft	Torque lb-ft
0	944.36	0.00	0.00	-944.36	-146375.74	0.00	0.00
30	944.36	0.00	472.18	-817.84	-126765.11	-73187.87	0.00
60	944.36	0.00	817.84	-472.18	-73187.87	-126765.11	0.00
90	944.36	0.00	944.36	0.00	0.00	-146375.74	0.00
120	944.36	0.00	817.84	472.18	73187.87	-126765.11	0.00
150	944.36	0.00	472.18	817.84	126765.11	-73187.87	0.00
180	944.36	0.00	0.00	944.36	146375.74	0.00	0.00
210	944.36	0.00	-472.18	817.84	126765.11	73187.87	0.00
240	944.36	0.00	-817.84	472.18	73187.87	126765.11	0.00
270	944.36	0.00	-944.36	0.00	0.00	146375.74	0.00
300	944.36	0.00	-817.84	-472.18	-73187.87	126765.11	0.00
330	944.36	0.00	-472.18	-817.84	-126765.11	73187.87	0.00

30,000 sq in CaAa (4,000 lbs) - Elevation 140 - None A							
Wind Azimuth °	F _a lb	F _s lb	V _x lb	V _z lb	OTM _x lb-ft	OTM _z lb-ft	Torque lb-ft
0	689.88	0.00	0.00	-689.88	-96582.95	0.00	0.00
30	689.88	0.00	344.94	-597.45	-83643.29	-48291.47	0.00
60	689.88	0.00	597.45	-344.94	-48291.47	-83643.29	0.00
90	689.88	0.00	689.88	0.00	0.00	-96582.95	0.00
120	689.88	0.00	597.45	344.94	48291.47	-83643.29	0.00
150	689.88	0.00	344.94	597.45	83643.29	-48291.47	0.00
180	689.88	0.00	0.00	689.88	96582.95	0.00	0.00
210	689.88	0.00	-344.94	597.45	83643.29	48291.47	0.00
240	689.88	0.00	-597.45	344.94	48291.47	83643.29	0.00
270	689.88	0.00	-689.88	0.00	0.00	96582.95	0.00
300	689.88	0.00	-597.45	-344.94	-48291.47	83643.29	0.00
330	689.88	0.00	-344.94	-597.45	-83643.29	48291.47	0.00

Dish Pipe Mount - Elevation 125 - From Leg C							
Wind Azimuth °	F _a lb	F _s lb	V _x lb	V _z lb	OTM _x lb-ft	OTM _z lb-ft	Torque lb-ft
0	0.00	4.75	-2.38	-4.12	-146.90	933.80	-25.04
30	0.00	2.74	-1.37	-2.38	70.56	808.24	-14.46
60	0.00	0.00	0.00	0.00	367.62	636.74	0.00
90	0.00	2.74	1.37	2.38	664.68	465.23	14.46
120	0.00	4.75	2.38	4.12	882.14	339.68	25.04
150	0.00	5.49	2.74	4.75	961.74	293.72	28.91

tnxTower Nello Corporation 1201 S. Sheridan Street South Bend, IN. 46619 Phone: 800-806-3556 FAX:	Job SO30980; Tower 633549; Foundation 633550	Page 29 of 47
	Project NS 175' - TI-OPP-22295 / Clover Fork - Harlan Co., KY	Date 10:41:48 08/28/23
	Client Tillman Infrastructure	Designed by AG

Dish Pipe Mount - Elevation 125 - From Leg C							
Wind Azimuth °	F_a lb	F_s lb	V_x lb	V_z lb	OTM_x lb-ft	OTM_z lb-ft	Torque lb-ft
180	0.00	4.75	2.38	4.12	882.14	339.68	25.04
210	0.00	2.74	1.37	2.38	664.68	465.23	14.46
240	0.00	0.00	0.00	0.00	367.62	636.74	0.00
270	0.00	2.74	-1.37	-2.38	70.56	808.24	-14.46
300	0.00	4.75	-2.38	-4.12	-146.90	933.80	-25.04
330	0.00	5.49	-2.74	-4.75	-226.50	979.75	-28.91

Dish Pipe Mount - Elevation 115 - From Leg B							
Wind Azimuth °	F_a lb	F_s lb	V_x lb	V_z lb	OTM_x lb-ft	OTM_z lb-ft	Torque lb-ft
0	0.00	4.66	2.33	-4.04	-67.09	-955.50	26.57
30	0.00	5.38	2.69	-4.66	-138.88	-996.95	30.68
60	0.00	4.66	2.33	-4.04	-67.09	-955.50	26.57
90	0.00	2.69	1.35	-2.33	129.04	-842.26	15.34
120	0.00	0.00	0.00	0.00	396.97	-687.57	0.00
150	0.00	2.69	-1.35	2.33	664.89	-532.88	-15.34
180	0.00	4.66	-2.33	4.04	861.03	-419.65	-26.57
210	0.00	5.38	-2.69	4.66	932.82	-378.20	-30.68
240	0.00	4.66	-2.33	4.04	861.03	-419.65	-26.57
270	0.00	2.69	-1.35	2.33	664.89	-532.88	-15.34
300	0.00	0.00	0.00	0.00	396.97	-687.57	0.00
330	0.00	2.69	1.35	-2.33	129.04	-842.26	15.34

Discrete Appurtenance Totals - With Ice

Wind Azimuth °	V_x lb	V_z lb	OTM_x lb-ft	OTM_z lb-ft	Torque lb-ft
0	-0.05	-2608.15	-407352.32	-21.70	1.53
30	1301.32	-2258.70	-352660.45	-203757.86	16.22
60	2254.00	-1304.04	-203268.63	-352910.89	26.57
90	2602.72	0.05	793.72	-407515.36	29.79
120	2254.04	1304.12	204848.28	-352940.03	25.04
150	1301.40	2258.75	354218.77	-203808.33	13.58
180	0.05	2608.15	408881.50	-79.97	-1.53
210	-1301.32	2258.70	354189.63	203656.19	-16.22
240	-2254.00	1304.04	204797.81	352809.22	-26.57
270	-2602.72	-0.05	735.45	407413.68	-29.79
300	-2254.04	-1304.12	-203319.10	352838.36	-25.04
330	-1301.40	-2258.75	-352689.59	203706.66	-13.58

Discrete Appurtenance Pressures - Service $G_H = 0.850$

Description	Aiming Azimuth °	Weight lb	Offset _x ft	Offset _z ft	z ft	K_z	q_z psf	C_{AAc} Front ft ²	C_{AAc} Side ft ²
40,000 sq in CaAa (6,000 lbs)	0.0000	6000.00	0.00	0.00	170.00	1.415	11	278.00	278.00
40,000 sq in CaAa (6,000 lbs)	0.0000	6000.00	0.00	0.00	155.00	1.388	11	278.00	278.00

Description	Aiming Azimuth °	Weight lb	Offset _x ft	Offset _z ft	z ft	K _z	q _z psf	C _{AAC} Front ft ²	C _{AAC} Side ft ²
lbs) 30,000 sq in CaAa (4,000 lbs)	0.0000	4000.00	0.00	0.00	140.00	1.359	11	208.00	208.00
Dish Pipe Mount	240.0000	103.00	-4.56	2.63	125.00	1.326	10	0.00	1.80
Dish Pipe Mount	120.0000	103.00	4.94	2.85	115.00	1.303	10	0.00	1.80
Sum Weight:		16206.00							

Discrete Appurtenance Vectors - Service

40,000 sq in CaAa (6,000 lbs) - Elevation 170 - None C

Wind Azimuth °	F _a lb	F _s lb	V _x lb	V _z lb	OTM _x lb-ft	OTM _z lb-ft	Torque lb-ft
0	2619.65	0.00	0.00	-2619.65	-445340.81	0.00	0.00
30	2619.65	0.00	1309.83	-2268.69	-385676.45	-222670.41	0.00
60	2619.65	0.00	2268.69	-1309.83	-222670.41	-385676.45	0.00
90	2619.65	0.00	2619.65	0.00	0.00	-445340.81	0.00
120	2619.65	0.00	2268.69	1309.83	222670.41	-385676.45	0.00
150	2619.65	0.00	1309.83	2268.69	385676.45	-222670.41	0.00
180	2619.65	0.00	0.00	2619.65	445340.81	0.00	0.00
210	2619.65	0.00	-1309.83	2268.69	385676.45	222670.41	0.00
240	2619.65	0.00	-2268.69	1309.83	222670.41	385676.45	0.00
270	2619.65	0.00	-2619.65	0.00	0.00	445340.81	0.00
300	2619.65	0.00	-2268.69	-1309.83	-222670.41	385676.45	0.00
330	2619.65	0.00	-1309.83	-2268.69	-385676.45	222670.41	0.00

40,000 sq in CaAa (6,000 lbs) - Elevation 155 - None B

Wind Azimuth °	F _a lb	F _s lb	V _x lb	V _z lb	OTM _x lb-ft	OTM _z lb-ft	Torque lb-ft
0	2569.20	0.00	0.00	-2569.20	-398225.93	0.00	0.00
30	2569.20	0.00	1284.60	-2224.99	-344873.78	-199112.97	0.00
60	2569.20	0.00	2224.99	-1284.60	-199112.97	-344873.78	0.00
90	2569.20	0.00	2569.20	0.00	0.00	-398225.93	0.00
120	2569.20	0.00	2224.99	1284.60	199112.97	-344873.78	0.00
150	2569.20	0.00	1284.60	2224.99	344873.78	-199112.97	0.00
180	2569.20	0.00	0.00	2569.20	398225.93	0.00	0.00
210	2569.20	0.00	-1284.60	2224.99	344873.78	199112.97	0.00
240	2569.20	0.00	-2224.99	1284.60	199112.97	344873.78	0.00
270	2569.20	0.00	-2569.20	0.00	0.00	398225.93	0.00
300	2569.20	0.00	-2224.99	-1284.60	-199112.97	344873.78	0.00
330	2569.20	0.00	-1284.60	-2224.99	-344873.78	199112.97	0.00

30,000 sq in CaAa (4,000 lbs) - Elevation 140 - None A

Wind Azimuth °	F _a lb	F _s lb	V _x lb	V _z lb	OTM _x lb-ft	OTM _z lb-ft	Torque lb-ft
0	1881.53	0.00	0.00	-1881.53	-263413.71	0.00	0.00
30	1881.53	0.00	940.76	-1629.45	-228122.97	-131706.86	0.00
60	1881.53	0.00	1629.45	-940.76	-131706.86	-228122.97	0.00
90	1881.53	0.00	1881.53	0.00	0.00	-263413.71	0.00
120	1881.53	0.00	1629.45	940.76	131706.86	-228122.97	0.00
150	1881.53	0.00	940.76	1629.45	228122.97	-131706.86	0.00

tnxTower Nello Corporation 1201 S. Sheridan Street South Bend, IN. 46619 Phone: 800-806-3556 FAX:	Job SO30980; Tower 633549; Foundation 633550	Page 31 of 47
	Project NS 175' - TI-OPP-22295 / Clover Fork - Harlan Co., KY	Date 10:41:48 08/28/23
	Client Tillman Infrastructure	Designed by AG

30,000 sq in CaAa (4,000 lbs) - Elevation 140 - None A							
Wind Azimuth °	F _a lb	F _s lb	V _x lb	V _z lb	OTM _x lb-ft	OTM _z lb-ft	Torque lb-ft
180	1881.53	0.00	0.00	1881.53	263413.71	0.00	0.00
210	1881.53	0.00	-940.76	1629.45	228122.97	131706.86	0.00
240	1881.53	0.00	-1629.45	940.76	131706.86	228122.97	0.00
270	1881.53	0.00	-1881.53	0.00	0.00	263413.71	0.00
300	1881.53	0.00	-1629.45	-940.76	-131706.86	228122.97	0.00
330	1881.53	0.00	-940.76	-1629.45	-228122.97	131706.86	0.00

Dish Pipe Mount - Elevation 125 - From Leg C							
Wind Azimuth °	F _a lb	F _s lb	V _x lb	V _z lb	OTM _x lb-ft	OTM _z lb-ft	Torque lb-ft
0	0.00	13.77	-6.88	-11.92	-1219.17	1330.47	-72.54
30	0.00	7.95	-3.97	-6.88	-589.22	966.77	-41.88
60	0.00	0.00	0.00	0.00	271.32	469.94	0.00
90	0.00	7.95	3.97	6.88	1131.85	-26.89	41.88
120	0.00	13.77	6.88	11.92	1761.81	-390.60	72.54
150	0.00	15.90	7.95	13.77	1992.39	-523.72	83.76
180	0.00	13.77	6.88	11.92	1761.81	-390.60	72.54
210	0.00	7.95	3.97	6.88	1131.85	-26.89	41.88
240	0.00	0.00	0.00	0.00	271.32	469.94	0.00
270	0.00	7.95	-3.97	-6.88	-589.22	966.77	-41.88
300	0.00	13.77	-6.88	-11.92	-1219.17	1330.47	-72.54
330	0.00	15.90	-7.95	-13.77	-1449.75	1463.60	-83.76

Dish Pipe Mount - Elevation 115 - From Leg B							
Wind Azimuth °	F _a lb	F _s lb	V _x lb	V _z lb	OTM _x lb-ft	OTM _z lb-ft	Torque lb-ft
0	0.00	13.53	6.76	-11.72	-1053.77	-1286.48	77.13
30	0.00	15.62	7.81	-13.53	-1262.21	-1406.82	89.07
60	0.00	13.53	6.76	-11.72	-1053.77	-1286.48	77.13
90	0.00	7.81	3.91	-6.76	-484.30	-957.69	44.53
120	0.00	0.00	0.00	0.00	293.62	-508.56	0.00
150	0.00	7.81	-3.91	6.76	1071.53	-59.43	-44.53
180	0.00	13.53	-6.76	11.72	1641.01	269.35	-77.13
210	0.00	15.62	-7.81	13.53	1849.45	389.70	-89.07
240	0.00	13.53	-6.76	11.72	1641.01	269.35	-77.13
270	0.00	7.81	-3.91	6.76	1071.53	-59.43	-44.53
300	0.00	0.00	0.00	0.00	293.62	-508.56	0.00
330	0.00	7.81	3.91	-6.76	-484.30	-957.69	44.53

Discrete Appurtenance Totals - Service

Wind Azimuth °	V _x lb	V _z lb	OTM _x lb-ft	OTM _z lb-ft	Torque lb-ft
0	-0.12	-7094.02	-1109253.40	43.99	4.60
30	3539.03	-6143.54	-960524.63	-553930.28	47.19
60	6129.89	-3546.91	-554272.68	-959489.74	77.13
90	7078.26	0.12	647.56	-1107965.04	86.41
120	6130.01	3547.11	555545.66	-959572.36	72.54
150	3539.23	6143.66	961737.12	-554073.38	39.23

Job	SO30980; Tower 633549; Foundation 633550	Page	32 of 47
Project	NS 175' - TI-OPP-22295 / Clover Fork - Harlan Co., KY	Date	10:41:48 08/28/23
Client	Tillman Infrastructure	Designed by	AG

Wind Azimuth °	V _x lb	V _z lb	OTM _x lb-ft	OTM _z lb-ft	Torque lb-ft
180	0.12	7094.02	1110383.28	-121.24	-4.60
210	-3539.03	6143.54	961654.50	553853.03	-47.19
240	-6129.89	3546.91	555402.56	959412.49	-77.13
270	-7078.26	-0.12	482.32	1107887.79	-86.41
300	-6130.01	-3547.11	-554415.78	959495.11	-72.54
330	-3539.23	-6143.66	-960607.25	553996.13	-39.23

Dish Pressures - No Ice

Elevation ft	Dish Description	Aiming Azimuth °	Weight lb	Offset _x ft	Offset _z ft	K _z	A _A ft ²	q _z psf
125.00	8' Solid Dish	300.0000	250.00	-4.56	2.63	1.326	50.27	32
115.00	8' Solid Dish	180.0000	250.00	4.94	2.85	1.303	50.27	31
	Sum Weight:		500.00					

Dish Vectors - No Ice

8' Solid Dish - Elevation 125 - From Leg C											
Wind Azimuth °	C _A	C _S	C _M	F _A lb	F _S lb	F _M lb-ft	V _x lb	V _z lb	OTM _x lb-ft	OTM _z lb-ft	Torque lb-ft
0	-0.001170	-0.001170	-0.000366	-621.46	-621.46	-1555.25	-227.47	-848.94	-105458.47	29574.59	-6027.72
30	-0.000030	-0.000880	-0.000336	-15.93	-467.43	-1427.77	219.91	-412.77	-50937.76	-26348.50	-2731.75
60	0.004220	-0.000620	0.000223	2241.52	-329.32	947.60	2105.88	835.56	105103.34	-262093.82	10307.05
90	0.003980	0.000080	0.000108	2114.04	42.49	458.93	1809.57	1093.82	137386.14	-225055.20	10216.17
120	0.003970	-0.000000	-0.000000	2108.73	0.00	0.00	1826.21	1054.36	132454.13	-227136.03	9621.08
150	0.003980	-0.000080	-0.000108	2114.04	-42.49	-458.93	1852.06	1020.22	128186.07	-230366.86	9074.45
180	0.004220	0.000620	-0.000223	2241.52	329.32	-947.60	1776.55	1405.96	176403.85	-220928.44	10146.83
210	-0.000030	0.000880	0.000336	-15.93	467.43	1427.77	-247.51	396.84	50262.97	32079.77	2586.35
240	-0.001170	0.001170	0.000366	-621.46	621.46	1555.25	-848.94	227.47	29092.51	107257.63	356.86
270	-0.001980	0.001000	0.000278	-1051.71	531.17	1181.31	-1176.39	-65.85	-7572.85	148189.33	-2217.93
300	-0.002700	-0.000000	-0.000000	-1434.15	0.00	0.00	-1242.01	-717.07	-88975.74	156391.75	-6543.30
330	-0.001980	-0.001000	-0.000278	-1051.71	-531.17	-1181.31	-645.22	-985.86	-122573.68	81793.57	-7378.91

8' Solid Dish - Elevation 115 - From Leg B											
Wind Azimuth °	C _A	C _S	C _M	F _A lb	F _S lb	F _M lb-ft	V _x lb	V _z lb	OTM _x lb-ft	OTM _z lb-ft	Torque lb-ft
0	0.003970	0.000000	0.000000	2072.04	0.00	0.00	0.00	-2072.04	-237571.44	-1234.37	10230.68
30	0.003980	-0.000080	-0.000108	2077.25	-41.75	-450.94	-41.75	-2077.25	-238171.65	3567.32	9686.48
60	0.004220	0.000620	-0.000223	2202.52	323.59	-931.11	323.59	-2202.52	-252576.73	-38447.51	10866.27
90	-0.000030	0.000880	0.000336	-15.66	459.29	1402.93	459.29	15.66	2513.30	-54053.02	2634.91
120	-0.001170	0.001170	0.000366	-610.65	610.65	1528.19	610.65	610.65	70937.45	-71459.16	253.87
150	-0.001980	0.001000	0.000278	-1033.41	521.92	1160.76	521.92	1033.41	119554.61	-61255.56	-2453.87
180	-0.002700	0.000000	0.000000	-1409.19	0.00	0.00	0.00	1409.19	162769.87	-1234.37	-6957.89
210	-0.001980	-0.001000	-0.000278	-1033.41	-521.92	-1160.76	-521.92	1033.41	119554.61	58786.81	-7751.04
240	-0.001170	-0.001170	-0.000366	-610.65	-610.65	-1528.19	-610.65	610.65	70937.45	68990.41	-6284.04
270	-0.000030	-0.000880	-0.000336	-15.66	-459.29	-1402.93	-459.29	15.66	2513.30	51584.27	-2789.53
300	0.004220	-0.000620	0.000223	2202.52	-323.59	931.11	-323.59	-2202.52	-252576.73	35978.76	10883.58
330	0.003980	0.000080	0.000108	2077.25	41.75	450.94	41.75	-2077.25	-238171.65	-6036.07	10826.41

tnxTower Nello Corporation 1201 S. Sheridan Street South Bend, IN. 46619 Phone: 800-806-3556 FAX:	Job SO30980; Tower 633549; Foundation 633550	Page 33 of 47
	Project NS 175' - TI-OPP-22295 / Clover Fork - Harlan Co., KY	Date 10:41:48 08/28/23
	Client Tillman Infrastructure	Designed by AG

Dish Totals - No Ice

Wind Azimuth °	V _x lb	V _z lb	OTM _x lb-ft	OTM _z lb-ft	Torque lb-ft
0	-227.47	-2920.97	-343029.90	28340.22	4202.95
30	178.16	-2490.03	-289109.41	-22781.18	6954.72
60	2429.47	-1366.96	-147473.40	-300541.33	21173.32
90	2268.86	1109.48	139899.44	-279108.22	12851.08
120	2436.86	1665.02	203391.58	-298595.19	9874.94
150	2373.98	2053.63	247740.68	-291622.42	6620.58
180	1776.55	2815.16	339173.72	-222162.82	3188.94
210	-769.44	1430.24	169817.58	90866.58	-5164.69
240	-1459.59	838.12	100029.96	176248.04	-5927.18
270	-1635.68	-50.19	-5059.55	199773.60	-5007.46
300	-1565.60	-2919.59	-341552.47	192370.51	4340.28
330	-603.47	-3063.11	-360745.33	75757.50	3447.50

Dish Pressures - With Ice

Elevation ft	Dish Description	Aiming Azimuth °	Weight lb	Offset _x ft	Offset _z ft	K _z	A _A ft ²	q _z psf	t _z in
125.00	8' Solid Dish	300.0000	901.20	-4.56	2.63	1.326	52.67	3	1.1425
115.00	8' Solid Dish	180.0000	895.79	4.94	2.85	1.303	52.65	3	1.1330
	Sum Weight:		1796.99						

Dish Vectors - With Ice

8' Solid Dish - Elevation 125 - From Leg C											
Wind Azimuth °	C _A	C _S	C _M	F _A lb	F _S lb	F _M lb-ft	V _x lb	V _z lb	OTM _x lb-ft	OTM _z lb-ft	Torque lb-ft
0	-0.001170	-0.001170	-0.000366	-53.15	-53.15	-133.02	-19.46	-72.61	-6702.38	6543.71	-515.56
30	-0.000030	-0.000880	-0.000336	-1.36	-39.98	-122.12	18.81	-35.30	-2039.17	1760.56	-233.65
60	0.004220	-0.000620	0.000223	191.72	-28.17	81.05	180.12	71.47	11307.17	-18402.96	881.57
90	0.003980	0.000080	0.000108	180.82	3.63	39.25	154.77	93.56	14068.34	-15235.01	873.80
120	0.003970	-0.000000	-0.000000	180.36	0.00	0.00	156.20	90.18	13646.50	-15412.99	822.90
150	0.003980	-0.000080	-0.000108	180.82	-3.63	-39.25	158.41	87.26	13281.45	-15689.32	776.15
180	0.004220	0.000620	-0.000223	191.72	28.17	-81.05	151.95	120.25	17405.56	-14882.05	867.87
210	-0.000030	0.000880	0.000336	-1.36	39.98	122.12	-21.17	33.94	6616.62	6757.98	221.21
240	-0.001170	0.001170	0.000366	-53.15	53.15	133.02	-72.61	19.46	4805.89	13188.01	30.52
270	-0.001980	0.001000	0.000278	-89.95	45.43	101.04	-100.62	-5.63	1669.87	16688.94	-189.70
300	-0.002700	-0.000000	-0.000000	-122.66	0.00	0.00	-106.23	-61.33	-5292.60	17390.50	-559.65
330	-0.001980	-0.001000	-0.000278	-89.95	-45.43	-101.04	-55.19	-84.32	-8166.26	11010.05	-631.13

8' Solid Dish - Elevation 115 - From Leg B											
Wind Azimuth °	C _A	C _S	C _M	F _A lb	F _S lb	F _M lb-ft	V _x lb	V _z lb	OTM _x lb-ft	OTM _z lb-ft	Torque lb-ft
0	0.003970	0.000000	0.000000	177.16	0.00	0.00	0.00	-177.16	-17819.31	-4422.98	874.71
30	0.003980	-0.000080	-0.000108	177.60	-3.57	-38.55	-3.57	-177.60	-17870.62	-4012.44	828.18
60	0.004220	0.000620	-0.000223	188.31	27.67	-79.61	27.67	-188.31	-19102.24	-7604.64	929.05
90	-0.000030	0.000880	0.000336	-1.34	39.27	119.95	39.27	1.34	2707.56	-8938.89	225.28
120	-0.001170	0.001170	0.000366	-52.21	52.21	130.66	52.21	52.21	8557.72	-10427.09	21.71
150	-0.001980	0.001000	0.000278	-88.35	44.62	99.24	44.62	88.35	12714.41	-9554.69	-209.80
180	-0.002700	0.000000	0.000000	-120.48	0.00	0.00	0.00	120.48	16409.24	-4422.98	-594.89

tnxTower Nello Corporation 1201 S. Sheridan Street South Bend, IN. 46619 Phone: 800-806-3556 FAX:	Job SO30980; Tower 633549; Foundation 633550	Page 34 of 47
	Project NS 175' - TI-OPP-22295 / Clover Fork - Harlan Co., KY	Date 10:41:48 08/28/23
	Client Tillman Infrastructure	Designed by AG

8' Solid Dish - Elevation 115 - From Leg B											
Wind Azimuth °	C _A	C _S	C _M	F _A	F _S	F _M	V _x	V _z	OTM _x	OTM _z	Torque
				lb	lb	lb-ft	lb	lb	lb-ft	lb-ft	lb-ft
210	-0.001980	-0.001000	-0.000278	-88.35	-44.62	-99.24	-44.62	88.35	12714.41	708.74	-662.70
240	-0.001170	-0.001170	-0.000366	-52.21	-52.21	-130.66	-52.21	52.21	8557.72	1581.13	-537.28
270	-0.000030	-0.000880	-0.000336	-1.34	-39.27	-119.95	-39.27	1.34	2707.56	92.93	-238.50
300	0.004220	-0.000620	0.000223	188.31	-27.67	79.61	-27.67	-188.31	-19102.24	-1241.31	930.53
330	0.003980	0.000080	0.000108	177.60	3.57	38.55	3.57	-177.60	-17870.62	-4833.51	925.64

Dish Totals - With Ice

Wind Azimuth °	V _x	V _z	OTM _x	OTM _z	Torque
	lb	lb	lb-ft	lb-ft	lb-ft
0	-19.46	-249.77	-24521.69	2120.73	359.15
30	15.24	-212.91	-19909.80	-2251.88	594.53
60	207.78	-116.85	-7795.07	-26007.60	1810.62
90	194.04	94.89	16775.90	-24173.90	1099.08
120	208.41	142.39	22204.22	-25840.07	844.60
150	203.03	175.62	25995.86	-25244.02	566.34
180	151.95	240.74	33814.81	-19305.02	272.98
210	-65.79	122.30	19331.02	7466.72	-441.49
240	-124.82	71.67	13363.60	14769.14	-506.75
270	-139.89	-4.29	4377.43	16781.87	-428.20
300	-133.90	-249.64	-24394.83	16149.18	370.87
330	-51.62	-261.92	-26036.88	6176.53	294.52

Dish Pressures - Service

Elevation ft	Dish Description	Aiming Azimuth °	Weight lb	Offset _x ft	Offset _z ft	K _z	A _A ft ²	q _z psf
125.00	8' Solid Dish	300.0000	250.00	-4.56	2.63	1.326	50.27	10
115.00	8' Solid Dish	180.0000	250.00	4.94	2.85	1.303	50.27	10
	Sum Weight:		500.00					

Dish Vectors - Service

8' Solid Dish - Elevation 125 - From Leg C											
Wind Azimuth °	C _A	C _S	C _M	F _A	F _S	F _M	V _x	V _z	OTM _x	OTM _z	Torque
				lb	lb	lb-ft	lb	lb	lb-ft	lb-ft	lb-ft
0	-0.001170	-0.001170	-0.000366	-202.93	-202.93	-507.84	-74.28	-277.20	-33991.91	10425.19	-1968.24
30	-0.000030	-0.000880	-0.000336	-5.20	-152.63	-466.21	71.81	-134.78	-16189.23	-7835.42	-892.00
60	0.004220	-0.000620	0.000223	731.93	-107.53	309.42	687.63	272.84	34762.96	-84813.48	3365.57
90	0.003980	0.000080	0.000108	690.30	13.88	149.85	590.88	357.17	45304.29	-72719.24	3335.89
120	0.003970	-0.000000	-0.000000	688.56	0.00	0.00	596.31	344.28	43693.83	-73398.69	3141.58
150	0.003980	-0.000080	-0.000108	690.30	-13.88	-149.85	604.75	333.13	42300.18	-74453.66	2963.09
180	0.004220	0.000620	-0.000223	731.93	107.53	-309.42	580.10	459.09	58044.76	-71371.72	3313.25
210	-0.000030	0.000880	0.000336	-5.20	152.63	466.21	-80.82	129.58	16855.90	11243.20	844.52
240	-0.001170	0.001170	0.000366	-202.93	202.93	507.84	-277.20	74.28	9943.10	35791.08	116.53
270	-0.001980	0.001000	0.000278	-343.42	173.44	385.73	-384.13	-21.50	-2029.26	49156.53	-724.22
300	-0.002700	-0.000000	-0.000000	-468.29	0.00	0.00	-405.55	-234.15	-28609.80	51834.87	-2136.59
330	-0.001980	-0.001000	-0.000278	-343.42	-173.44	-385.73	-210.69	-321.91	-39580.55	27476.28	-2409.44

tnxTower Nello Corporation 1201 S. Sheridan Street South Bend, IN. 46619 Phone: 800-806-3556 FAX:	Job SO30980; Tower 633549; Foundation 633550	Page 35 of 47
	Project NS 175' - TI-OPP-22295 / Clover Fork - Harlan Co., KY	Date 10:41:48 08/28/23
	Client Tillman Infrastructure	Designed by AG

8' Solid Dish - Elevation 115 - From Leg B											
Wind Azimuth °	C _A	C _S	C _M	F _A	F _S	F _M	V _x	V _z	OTM _x	OTM _z	Torque
				lb	lb	lb-ft	lb	lb	lb-ft	lb-ft	lb-ft
0	0.003970	0.000000	0.000000	676.58	0.00	0.00	0.00	-676.58	-77094.39	-1234.37	3340.63
30	0.003980	-0.000080	-0.000108	678.29	-13.63	-147.25	-13.63	-678.29	-77290.38	333.53	3162.93
60	0.004220	0.000620	-0.000223	719.19	105.66	-304.04	105.66	-719.19	-81994.08	-13385.60	3548.17
90	-0.000030	0.000880	0.000336	-5.11	149.97	458.10	149.97	5.11	1300.63	-18481.28	860.38
120	-0.001170	0.001170	0.000366	-199.40	199.40	499.00	199.40	199.40	23643.21	-24164.92	82.90
150	-0.001980	0.001000	0.000278	-337.44	170.42	379.02	170.42	337.44	39518.20	-20833.13	-801.26
180	-0.002700	0.000000	0.000000	-460.14	0.00	0.00	0.00	460.14	53629.30	-1234.37	-2271.96
210	-0.001980	-0.001000	-0.000278	-337.44	-170.42	-379.02	-170.42	337.44	39518.20	18364.38	-2530.95
240	-0.001170	-0.001170	-0.000366	-199.40	-199.40	-499.00	-199.40	199.40	23643.21	21696.17	-2051.93
270	-0.000030	-0.000880	-0.000336	-5.11	-149.97	-458.10	-149.97	5.11	1300.63	16012.53	-910.87
300	0.004220	-0.000620	0.000223	719.19	-105.66	304.04	-105.66	-719.19	-81994.08	10916.85	3553.82
330	0.003980	0.000080	0.000108	678.29	13.63	147.25	13.63	-678.29	-77290.38	-2802.28	3535.16

Dish Totals - Service

Wind Azimuth °	V _x	V _z	OTM _x	OTM _z	Torque
	lb	lb	lb-ft	lb-ft	lb-ft
0	-74.28	-953.79	-111086.30	9190.81	1372.39
30	58.17	-813.07	-93479.61	-7501.89	2270.93
60	793.30	-446.35	-47231.11	-98199.08	6913.74
90	740.85	362.28	46604.92	-91200.51	4196.27
120	795.71	543.68	67337.04	-97563.61	3224.47
150	775.18	670.57	81818.38	-95286.79	2161.82
180	580.10	919.23	111674.07	-72606.10	1041.29
210	-251.24	467.02	56374.10	29607.58	-1686.43
240	-476.60	273.67	33586.31	57487.24	-1935.40
270	-534.10	-16.39	-728.63	65169.06	-1635.09
300	-511.22	-953.34	-110603.87	62751.72	1417.23
330	-197.05	-1000.20	-116870.93	24674.00	1125.72

Force Totals

Load Case	Vertical Forces	Sum of Forces X	Sum of Forces Z	Sum of Overturning Moments, M _x	Sum of Overturning Moments, M _z	Sum of Torques
	lb	lb	lb	lb-ft	lb-ft	lb-ft
Leg Weight	12887.78					
Bracing Weight	9169.45					
Total Member Self-Weight	22057.23			2682.21	-700.48	
Total Weight	44455.83			2682.21	-700.48	
Wind 0 deg - No Ice		-227.84	-51611.86	-5924220.71	27986.50	5733.95
Wind 30 deg - No Ice		23729.39	-43324.12	-5019786.56	-2752359.46	14701.73
Wind 60 deg - No Ice		42631.89	-24601.76	-2845156.65	-4971178.50	23650.29
Wind 90 deg - No Ice		49036.35	1109.85	141463.46	-5685750.06	9394.33
Wind 120 deg - No Ice		44272.15	25842.98	2969999.49	-5083565.89	10820.93
Wind 150 deg - No Ice		25842.60	42743.91	4959665.48	-3009152.37	11715.83
Wind 180 deg - No Ice		1776.92	49454.51	5766284.56	-223022.57	1657.95
Wind 210 deg - No Ice		-24320.67	42264.34	4903116.74	2819231.40	-12911.69
Wind 240 deg - No Ice		-43438.69	25098.69	2878686.20	4981379.64	-8404.15
Wind 270 deg - No Ice		-48403.17	-50.56	-4001.56	5605201.98	-1550.71
Wind 300 deg - No Ice		-41624.21	-26071.78	-3027187.39	4840419.86	3394.30

tnxTower Nello Corporation 1201 S. Sheridan Street South Bend, IN. 46619 Phone: 800-806-3556 FAX:	Job SO30980; Tower 633549; Foundation 633550	Page 36 of 47
	Project NS 175' - TI-OPP-22295 / Clover Fork - Harlan Co., KY	Date 10:41:48 08/28/23
	Client Tillman Infrastructure	Designed by AG

Load Case	Vertical Forces lb	Sum of Forces X lb	Sum of Forces Z lb	Sum of Overturning Moments, M _x lb-ft	Sum of Overturning Moments, M _z lb-ft	Sum of Torques lb-ft
Wind 330 deg - No Ice		-24072.09	-43753.39	-5070048.12	2792073.99	-1647.74
Member Ice	19878.14					
Total Weight Ice	90455.68			8683.41	-3088.28	
Wind 0 deg - Ice		-19.50	-6009.80	-688333.22	-627.17	608.36
Wind 30 deg - Ice		2835.99	-5103.34	-586882.88	-334196.44	1397.60
Wind 60 deg - Ice		5049.02	-2914.62	-331037.56	-594626.61	2184.18
Wind 90 deg - Ice		5808.23	94.94	20560.94	-681063.27	943.03
Wind 120 deg - Ice		5168.33	3008.75	357632.49	-602496.38	968.95
Wind 150 deg - Ice		3017.07	5054.33	598744.38	-356219.72	937.76
Wind 180 deg - Ice		152.00	5850.18	693852.49	-22111.19	23.77
Wind 210 deg - Ice		-2886.54	5012.73	593815.91	333857.20	-1244.55
Wind 240 deg - Ice		-5096.47	2944.74	349760.72	587607.75	-880.31
Wind 270 deg - Ice		-5754.07	-4.34	8104.19	668117.18	-272.16
Wind 300 deg - Ice		-4963.41	-3040.71	-346668.47	577477.76	246.53
Wind 330 deg - Ice		-2865.65	-5140.64	-591273.60	331598.17	-76.90
Total Weight	44455.83			2682.21	-700.48	
Wind 0 deg - Service		-74.40	-17230.80	-1956533.01	9234.80	1872.31
Wind 30 deg - Service		7937.34	-14473.96	-1658105.54	-910210.23	4800.56
Wind 60 deg - Service		14247.93	-8222.20	-939547.38	-1643197.49	7722.54
Wind 90 deg - Service		16389.81	362.40	47252.47	-1879629.01	3067.54
Wind 120 deg - Service		14783.52	8627.49	982433.03	-1679895.41	3533.36
Wind 150 deg - Service		8627.37	14284.50	1640594.81	-994060.97	3825.58
Wind 180 deg - Service		580.22	16526.35	1907082.67	-72727.34	541.37
Wind 210 deg - Service		-8130.41	14127.91	1622129.91	932238.67	-4216.06
Wind 240 deg - Service		-14511.37	8384.46	952616.45	1646721.18	-2744.21
Wind 270 deg - Service		-16183.06	-16.51	-246.31	1853520.31	-506.35
Wind 300 deg - Service		-13918.89	-8702.21	-998985.99	1600693.50	1108.34
Wind 330 deg - Service		-8049.25	-14614.13	-1674517.48	923370.94	-538.04

Load Combinations

Comb. No.	Description
1	Dead Only
2	1.2 Dead+1.0 Wind 0 deg - No Ice
3	0.9 Dead+1.0 Wind 0 deg - No Ice
4	1.2 Dead+1.0 Wind 30 deg - No Ice
5	0.9 Dead+1.0 Wind 30 deg - No Ice
6	1.2 Dead+1.0 Wind 60 deg - No Ice
7	0.9 Dead+1.0 Wind 60 deg - No Ice
8	1.2 Dead+1.0 Wind 90 deg - No Ice
9	0.9 Dead+1.0 Wind 90 deg - No Ice
10	1.2 Dead+1.0 Wind 120 deg - No Ice
11	0.9 Dead+1.0 Wind 120 deg - No Ice
12	1.2 Dead+1.0 Wind 150 deg - No Ice
13	0.9 Dead+1.0 Wind 150 deg - No Ice
14	1.2 Dead+1.0 Wind 180 deg - No Ice
15	0.9 Dead+1.0 Wind 180 deg - No Ice
16	1.2 Dead+1.0 Wind 210 deg - No Ice
17	0.9 Dead+1.0 Wind 210 deg - No Ice
18	1.2 Dead+1.0 Wind 240 deg - No Ice
19	0.9 Dead+1.0 Wind 240 deg - No Ice
20	1.2 Dead+1.0 Wind 270 deg - No Ice
21	0.9 Dead+1.0 Wind 270 deg - No Ice
22	1.2 Dead+1.0 Wind 300 deg - No Ice
23	0.9 Dead+1.0 Wind 300 deg - No Ice

<i>Comb. No.</i>	<i>Description</i>
24	1.2 Dead+1.0 Wind 330 deg - No Ice
25	0.9 Dead+1.0 Wind 330 deg - No Ice
26	1.2 Dead+1.0 Ice+1.0 Temp
27	1.2 Dead+1.0 Wind 0 deg+1.0 Ice+1.0 Temp
28	1.2 Dead+1.0 Wind 30 deg+1.0 Ice+1.0 Temp
29	1.2 Dead+1.0 Wind 60 deg+1.0 Ice+1.0 Temp
30	1.2 Dead+1.0 Wind 90 deg+1.0 Ice+1.0 Temp
31	1.2 Dead+1.0 Wind 120 deg+1.0 Ice+1.0 Temp
32	1.2 Dead+1.0 Wind 150 deg+1.0 Ice+1.0 Temp
33	1.2 Dead+1.0 Wind 180 deg+1.0 Ice+1.0 Temp
34	1.2 Dead+1.0 Wind 210 deg+1.0 Ice+1.0 Temp
35	1.2 Dead+1.0 Wind 240 deg+1.0 Ice+1.0 Temp
36	1.2 Dead+1.0 Wind 270 deg+1.0 Ice+1.0 Temp
37	1.2 Dead+1.0 Wind 300 deg+1.0 Ice+1.0 Temp
38	1.2 Dead+1.0 Wind 330 deg+1.0 Ice+1.0 Temp
39	Dead+Wind 0 deg - Service
40	Dead+Wind 30 deg - Service
41	Dead+Wind 60 deg - Service
42	Dead+Wind 90 deg - Service
43	Dead+Wind 120 deg - Service
44	Dead+Wind 150 deg - Service
45	Dead+Wind 180 deg - Service
46	Dead+Wind 210 deg - Service
47	Dead+Wind 240 deg - Service
48	Dead+Wind 270 deg - Service
49	Dead+Wind 300 deg - Service
50	Dead+Wind 330 deg - Service

Maximum Member Forces

<i>Section No.</i>	<i>Elevation ft</i>	<i>Component Type</i>	<i>Condition</i>	<i>Gov. Load Comb.</i>	<i>Axial lb</i>	<i>Major Axis Moment lb-ft</i>	<i>Minor Axis Moment lb-ft</i>
T1	175.3 - 160	Leg	Max Tension	15	10483.66	2.18	-14.21
			Max. Compression	2	-14979.46	4.42	340.84
			Max. Mx	20	-2509.07	404.89	-8.08
			Max. My	2	3655.77	-23.14	397.66
			Max. Vy	8	-2688.93	-258.18	-23.55
			Max. Vx	2	2693.19	0.43	274.30
		Diagonal	Max Tension	8	3799.71	0.00	0.00
			Max. Compression	20	-3834.53	0.00	0.00
			Max. Mx	35	471.49	16.43	0.13
			Max. My	20	-3620.93	1.82	7.94
			Max. Vy	35	-15.61	16.43	0.13
			Max. Vx	20	-1.92	1.82	7.94
		Top Girt	Max Tension	14	862.84	0.00	0.00
			Max. Compression	18	-911.39	0.00	0.00
			Max. Mx	26	-26.17	-41.89	0.00
			Max. My	6	-448.89	0.00	0.00
			Max. Vy	26	25.78	0.00	0.00
			Max. Vx	6	-0.00	0.00	0.00
T2	160 - 140	Leg	Max Tension	15	48720.61	406.77	28.08
			Max. Compression	2	-58686.51	479.46	2.73
			Max. Mx	22	15258.82	2160.35	2.73
			Max. My	8	-4764.82	-55.53	-2377.10
			Max. Vy	22	2316.72	-1688.87	2.73
			Max. Vx	16	-2175.61	-52.93	1232.61
		Diagonal	Max Tension	8	7626.73	0.00	0.00
			Max. Compression	20	-7628.56	0.00	0.00

tnxTower Nello Corporation 1201 S. Sheridan Street South Bend, IN. 46619 Phone: 800-806-3556 FAX:	Job	SO30980; Tower 633549; Foundation 633550	Page	38 of 47
	Project	NS 175' - TI-OPP-22295 / Clover Fork - Harlan Co., KY	Date	10:41:48 08/28/23
	Client	Tillman Infrastructure	Designed by	AG

Section No.	Elevation ft	Component Type	Condition	Gov. Load Comb.	Axial lb	Major Axis Moment lb-ft	Minor Axis Moment lb-ft
T3	140 - 120	Leg	Max. Mx	12	3448.16	42.02	1.85
			Max. My	8	-7571.79	-4.55	-27.45
			Max. Vy	32	-22.75	30.03	2.79
			Max. Vx	8	5.93	0.00	0.00
			Max Tension	15	101238.90	-630.48	-86.91
			Max. Compression	2	-116142.54	525.93	54.97
			Max. Mx	10	-97490.42	752.52	-256.38
		Diagonal	Max. My	12	-8076.48	-186.53	-1344.88
			Max. Vy	22	-2118.49	-480.78	11.81
			Max. Vx	12	-1880.94	1.64	159.97
			Max Tension	8	9353.33	0.00	0.00
			Max. Compression	8	-9863.46	0.00	0.00
			Max. Mx	10	7956.43	63.83	-1.85
			Max. My	8	-9062.12	-17.70	-26.35
T4	120 - 100	Leg	Max. Vy	35	-32.30	46.60	-3.37
			Max. Vx	8	5.34	0.00	0.00
			Max Tension	15	153265.82	-550.34	-8.34
			Max. Compression	2	-170904.62	1702.01	-43.36
			Max. Mx	2	-170904.62	1702.01	-43.36
			Max. My	24	-7899.40	-3.30	1357.30
			Max. Vy	2	-738.47	1557.84	-216.97
		Diagonal	Max. Vx	24	995.31	-1099.49	-584.57
			Max Tension	8	9936.99	0.00	0.00
			Max. Compression	8	-9977.81	0.00	0.00
			Max. Mx	2	7612.28	51.84	-1.24
			Max. My	6	-9327.18	2.88	-21.03
			Max. Vy	33	36.20	47.71	-4.90
			Max. Vx	6	3.78	0.00	0.00
T5	100 - 80	Leg	Max Tension	15	198802.82	-1716.94	61.00
			Max. Compression	2	-220545.11	1566.86	4.97
			Max. Mx	2	-204508.66	1756.53	-9.92
			Max. My	12	-6815.85	-37.64	-1869.64
			Max. Vy	3	93.45	1753.95	-10.01
			Max. Vx	16	-122.15	-1.76	1834.00
			Max Tension	8	9476.86	0.00	0.00
		Diagonal	Max. Compression	8	-9633.24	0.00	0.00
			Max. Mx	31	921.42	65.49	-6.05
			Max. My	6	-8919.75	13.06	-13.92
			Max. Vy	33	45.45	65.09	-6.30
			Max. Vx	6	2.49	0.00	0.00
			Max Tension	15	239354.21	-1522.42	86.64
			Max. Compression	2	-265228.56	2987.45	-15.75
T6	80 - 60	Leg	Max. Mx	2	-265228.56	2987.45	-15.75
			Max. My	12	-6959.05	-114.18	-2323.12
			Max. Vy	2	-303.31	2987.45	-15.75
			Max. Vx	8	180.75	-118.26	2289.10
			Max Tension	8	9216.74	0.00	0.00
			Max. Compression	8	-9407.59	0.00	0.00
			Max. Mx	31	935.56	84.00	7.36
		Diagonal	Max. My	6	-8804.38	11.18	-15.03
			Max. Vy	33	52.27	82.45	-7.90
			Max. Vx	6	2.46	0.00	0.00
			Max Tension	15	269450.57	-1917.21	67.40
			Max. Compression	2	-299629.52	1790.08	-7.16
			Max. Mx	2	-277818.06	2987.45	-15.86
			Max. My	12	-7179.65	-114.79	-2309.18
T7	60 - 40	Leg	Max. Vy	2	293.07	2987.45	-15.86
			Max. Vx	8	-175.73	-118.95	2275.79
			Max Tension	8	7195.58	0.00	0.00
			Max. Compression	8	-7504.83	0.00	0.00
			Max. Mx	33	520.45	101.39	-12.34
			Max. My	12	-7179.65	-114.79	-2309.18
			Max. Vy	2	293.07	2987.45	-15.86
		Diagonal	Max. Vx	8	-175.73	-118.95	2275.79
			Max Tension	8	7195.58	0.00	0.00
			Max. Compression	8	-7504.83	0.00	0.00
			Max. Mx	33	520.45	101.39	-12.34

tnxTower Nello Corporation 1201 S. Sheridan Street South Bend, IN. 46619 Phone: 800-806-3556 FAX:	Job	SO30980; Tower 633549; Foundation 633550	Page	39 of 47
	Project	NS 175' - TI-OPP-22295 / Clover Fork - Harlan Co., KY	Date	10:41:48 08/28/23
	Client	Tillman Infrastructure	Designed by	AG

Section No.	Elevation ft	Component Type	Condition	Gov. Load Comb.	Axial lb	Major Axis Moment lb-ft	Minor Axis Moment lb-ft
T8	40 - 20	Leg	Max. My	6	-6849.84	17.75	-16.42
			Max. Vy	33	58.16	101.39	-12.34
			Max. Vx	29	-2.94	0.00	0.00
			Max Tension	15	294857.08	-1387.00	77.96
			Max. Compression	2	-329326.04	3342.07	-63.90
			Max. Mx	2	-329326.04	3342.07	-63.90
		Diagonal	Max. My	12	-8639.79	-41.11	-2805.99
			Max. Vy	2	-357.66	3342.07	-63.90
			Max. Vx	5	194.73	-52.59	-2791.74
			Max Tension	8	7260.57	0.00	0.00
			Max. Compression	8	-7476.42	0.00	0.00
			Max. Mx	33	425.17	120.99	-14.82
T9	20 - 0	Leg	Max. My	29	702.79	115.55	-15.06
			Max. Vy	33	63.09	120.99	-14.82
			Max. Vx	29	-3.13	0.00	0.00
			Max Tension	15	317792.66	-2633.17	167.27
			Max. Compression	2	-357671.52	0.00	-0.46
			Max. Mx	31	-75390.02	8800.69	7.91
		Diagonal	Max. My	12	-9780.06	-203.33	-4318.49
			Max. Vy	33	-1953.36	-4776.08	9.34
			Max. Vx	12	-709.44	-203.36	-4318.49
			Max Tension	8	7982.03	0.00	0.00
			Max. Compression	8	-8305.46	0.00	0.00
			Max. Mx	33	-1820.49	199.32	26.09
Max. My	29	-2792.54	182.50	-26.62			
Max. Vy	33	86.70	199.32	26.09			
Max. Vx	29	4.67	0.00	0.00			

Maximum Reactions

Location	Condition	Gov. Load Comb.	Vertical lb	Horizontal, X lb	Horizontal, Z lb
Leg C	Max. Vert	18	352428.12	28088.47	-15944.72
	Max. H _x	18	352428.12	28088.47	-15944.72
	Max. H _z	7	-319197.95	-26057.86	14252.38
	Min. Vert	7	-319197.95	-26057.86	14252.38
	Min. H _x	7	-319197.95	-26057.86	14252.38
	Min. H _z	18	352428.12	28088.47	-15944.72
Leg B	Max. Vert	10	360235.78	-28705.48	-16233.47
	Max. H _x	23	-317913.72	25539.24	14964.46
	Max. H _z	23	-317913.72	25539.24	14964.46
	Min. Vert	23	-317913.72	25539.24	14964.46
	Min. H _x	10	360235.78	-28705.48	-16233.47
	Min. H _z	10	360235.78	-28705.48	-16233.47
Leg A	Max. Vert	2	362315.11	167.49	33185.81
	Max. H _x	21	13583.20	2194.92	1077.60
	Max. H _z	2	362315.11	167.49	33185.81
	Min. Vert	15	-321417.09	-19.22	-29851.42
	Min. H _x	9	5140.20	-1993.44	352.06
	Min. H _z	15	-321417.09	-19.22	-29851.42

Tower Mast Reaction Summary

tnxTower Nello Corporation 1201 S. Sheridan Street South Bend, IN. 46619 Phone: 800-806-3556 FAX:	Job SO30980; Tower 633549; Foundation 633550	Page 40 of 47
	Project NS 175' - TI-OPP-22295 / Clover Fork - Harlan Co., KY	Date 10:41:48 08/28/23
	Client Tillman Infrastructure	Designed by AG

Load Combination	Vertical lb	Shear _x lb	Shear _z lb	Overturning Moment, M _x lb-ft	Overturning Moment, M _z lb-ft	Torque lb-ft
Dead Only	44455.83	-0.00	-0.00	2682.08	-700.36	0.00
1.2 Dead+1.0 Wind 0 deg - No Ice	53346.99	-227.84	-51611.86	-5967482.86	27980.12	5745.01
0.9 Dead+1.0 Wind 0 deg - No Ice	40010.24	-227.84	-51611.86	-5957184.72	28149.05	5743.10
1.2 Dead+1.0 Wind 30 deg - No Ice	53346.99	23729.41	-43324.10	-5056473.21	-2773248.37	14734.04
0.9 Dead+1.0 Wind 30 deg - No Ice	40010.24	23729.39	-43324.12	-5047832.84	-2767795.55	14721.33
1.2 Dead+1.0 Wind 60 deg - No Ice	53346.99	42631.89	-24601.76	-2865575.65	-5008497.57	23660.29
0.9 Dead+1.0 Wind 60 deg - No Ice	40010.24	42631.89	-24601.76	-2861036.15	-4998873.94	23648.55
1.2 Dead+1.0 Wind 90 deg - No Ice	53346.99	49036.35	1109.84	143014.35	-5728266.26	9412.07
0.9 Dead+1.0 Wind 90 deg - No Ice	40009.72	49036.22	1110.45	141965.29	-5717303.65	9414.42
1.2 Dead+1.0 Wind 120 deg - No Ice	53346.99	44272.15	25842.98	2992569.74	-5121308.11	10861.67
0.9 Dead+1.0 Wind 120 deg - No Ice	40010.24	44272.15	25842.98	2986182.11	-5111550.57	10852.04
1.2 Dead+1.0 Wind 150 deg - No Ice	53346.99	25842.60	42743.91	4997198.63	-3031517.83	11763.39
0.9 Dead+1.0 Wind 150 deg - No Ice	40010.24	25842.61	42743.91	4987008.32	-3025653.31	11747.46
1.2 Dead+1.0 Wind 180 deg - No Ice	53346.99	1776.92	49454.51	5809832.16	-224634.04	1674.16
0.9 Dead+1.0 Wind 180 deg - No Ice	40010.24	1776.92	49454.51	5798106.55	-224047.89	1675.68
1.2 Dead+1.0 Wind 210 deg - No Ice	53346.99	-24320.67	42264.34	4940324.81	2840068.86	-12957.83
0.9 Dead+1.0 Wind 210 deg - No Ice	40010.24	-24320.67	42264.34	4930220.18	2834942.15	-12938.47
1.2 Dead+1.0 Wind 240 deg - No Ice	53346.99	-43438.69	25098.69	2900665.08	5018215.97	-8455.42
0.9 Dead+1.0 Wind 240 deg - No Ice	40010.24	-43438.69	25098.69	2894425.72	5009038.77	-8443.40
1.2 Dead+1.0 Wind 270 deg - No Ice	53346.99	-48403.17	-50.56	-3461.36	5646905.23	-1583.62
0.9 Dead+1.0 Wind 270 deg - No Ice	40010.70	-48403.34	-51.13	-4266.11	5636499.53	-1578.33
1.2 Dead+1.0 Wind 300 deg - No Ice	53346.99	-41624.21	-26071.78	-3048957.20	4876457.55	3367.78
0.9 Dead+1.0 Wind 300 deg - No Ice	40010.24	-41624.21	-26071.78	-3044117.38	4867487.31	3377.13
1.2 Dead+1.0 Wind 330 deg - No Ice	53346.99	-24072.09	-43753.39	-5107079.08	2812835.05	-1672.80
0.9 Dead+1.0 Wind 330 deg - No Ice	40010.24	-24072.09	-43753.39	-5098361.87	2807742.53	-1655.99
1.2 Dead+1.0 Ice+1.0 Temp	99346.83	-0.00	-0.00	9241.63	-3232.72	0.21
1.2 Dead+1.0 Wind 0 deg+1.0 Ice+1.0 Temp	99346.83	-19.50	-6009.78	-697095.35	-784.33	611.62
1.2 Dead+1.0 Wind 30 deg+1.0 Ice+1.0 Temp	99346.83	2835.98	-5103.33	-594280.33	-338948.64	1408.06
1.2 Dead+1.0 Wind 60 deg+1.0 Ice+1.0 Temp	99346.83	5049.00	-2914.62	-334928.14	-602932.69	2199.00
1.2 Dead+1.0 Wind 90 deg+1.0 Ice+1.0 Temp	99346.83	5808.21	94.94	21457.82	-690549.23	958.78
1.2 Dead+1.0 Wind 120 deg+1.0 Ice+1.0 Temp	99346.83	5168.32	3008.74	363145.17	-610871.34	981.27

Job	SO30980; Tower 633549; Foundation 633550	Page	41 of 47
Project	NS 175' - TI-OPP-22295 / Clover Fork - Harlan Co., KY	Date	10:41:48 08/28/23
Client	Tillman Infrastructure	Designed by	AG

Load Combination	Vertical	Shear _x	Shear _z	Overturning Moment, M _x	Overturning Moment, M _z	Torque
	lb	lb	lb	lb-ft	lb-ft	lb-ft
1.2 Dead+1.0 Wind 150 deg+1.0 Ice+1.0 Temp	99346.83	3017.06	5054.32	607586.53	-361228.42	943.15
1.2 Dead+1.0 Wind 180 deg+1.0 Ice+1.0 Temp	99346.83	152.00	5850.16	704001.53	-22528.68	21.00
1.2 Dead+1.0 Wind 210 deg+1.0 Ice+1.0 Temp	99346.83	-2886.54	5012.72	602603.39	338299.38	-1255.20
1.2 Dead+1.0 Wind 240 deg+1.0 Ice+1.0 Temp	99346.83	-5096.46	2944.73	355180.59	595508.86	-895.90
1.2 Dead+1.0 Wind 270 deg+1.0 Ice+1.0 Temp	99346.83	-5754.06	-4.34	8849.30	677147.65	-288.14
1.2 Dead+1.0 Wind 300 deg+1.0 Ice+1.0 Temp	99346.83	-4963.39	-3040.70	-350747.39	585270.27	234.23
1.2 Dead+1.0 Wind 330 deg+1.0 Ice+1.0 Temp	99346.83	-2865.65	-5140.62	-598719.85	336016.74	-81.99
Dead+Wind 0 deg - Service	44455.83	-74.40	-17230.80	-1967830.77	8709.92	1874.83
Dead+Wind 30 deg - Service	44455.88	7937.54	-14473.87	-1667597.04	-916477.68	4806.17
Dead+Wind 60 deg - Service	44455.83	14247.93	-8222.20	-944574.28	-1653985.23	7731.24
Dead+Wind 90 deg - Service	44455.83	16389.81	362.40	48285.39	-1891864.17	3078.52
Dead+Wind 120 deg - Service	44455.83	14783.52	8627.49	989253.24	-1690828.17	3544.50
Dead+Wind 150 deg - Service	44455.88	8627.19	14284.63	1651537.19	-1000760.33	3830.28
Dead+Wind 180 deg - Service	44455.83	580.22	16526.35	1919682.57	-73700.04	542.02
Dead+Wind 210 deg - Service	44455.83	-8130.41	14127.91	1632979.59	937456.58	-4225.02
Dead+Wind 240 deg - Service	44455.83	-14511.37	8384.46	959274.75	1656336.04	-2757.47
Dead+Wind 270 deg - Service	44455.83	-16183.06	-16.51	517.61	1864466.45	-518.79
Dead+Wind 300 deg - Service	44455.83	-13918.89	-8702.21	-1004353.24	1610081.25	1099.34
Dead+Wind 330 deg - Service	44455.89	-8049.46	-14614.03	-1684094.78	928553.42	-540.04

Solution Summary

Load Comb.	Sum of Applied Forces			Sum of Reactions			% Error
	PX lb	PY lb	PZ lb	PX lb	PY lb	PZ lb	
1	-0.00	-44455.83	-0.00	0.00	44455.83	0.00	0.000%
2	-227.84	-53346.99	-51611.86	227.84	53346.99	51611.86	0.000%
3	-227.84	-40010.24	-51611.86	227.84	40010.24	51611.86	0.000%
4	23729.39	-53346.99	-43324.12	-23729.41	53346.99	43324.10	0.000%
5	23729.39	-40010.24	-43324.12	-23729.39	40010.24	43324.12	0.000%
6	42631.89	-53346.99	-24601.76	-42631.89	53346.99	24601.76	0.000%
7	42631.89	-40010.24	-24601.76	-42631.89	40010.24	24601.76	0.000%
8	49036.35	-53346.99	1109.85	-49036.35	53346.99	-1109.84	0.000%
9	49036.35	-40010.24	1109.85	-49036.22	40009.72	-1110.45	0.001%
10	44272.15	-53346.99	25842.98	-44272.15	53346.99	-25842.98	0.000%
11	44272.15	-40010.24	25842.98	-44272.15	40010.24	-25842.98	0.000%
12	25842.60	-53346.99	42743.91	-25842.60	53346.99	-42743.91	0.000%
13	25842.60	-40010.24	42743.91	-25842.61	40010.24	-42743.91	0.000%
14	1776.92	-53346.99	49454.51	-1776.92	53346.99	-49454.51	0.000%
15	1776.92	-40010.24	49454.51	-1776.92	40010.24	-49454.51	0.000%
16	-24320.67	-53346.99	42264.34	24320.67	53346.99	-42264.34	0.000%
17	-24320.67	-40010.24	42264.34	24320.67	40010.24	-42264.34	0.000%
18	-43438.69	-53346.99	25098.69	43438.69	53346.99	-25098.69	0.000%
19	-43438.69	-40010.24	25098.69	43438.69	40010.24	-25098.69	0.000%
20	-48403.17	-53346.99	-50.56	48403.17	53346.99	50.56	0.000%
21	-48403.17	-40010.24	-50.56	48403.34	40010.70	51.13	0.001%
22	-41624.21	-53346.99	-26071.78	41624.21	53346.99	26071.78	0.000%
23	-41624.21	-40010.24	-26071.78	41624.21	40010.24	26071.78	0.000%
24	-24072.09	-53346.99	-43753.39	24072.09	53346.99	43753.39	0.000%
25	-24072.09	-40010.24	-43753.39	24072.09	40010.24	43753.39	0.000%
26	-0.00	-99346.84	-0.00	0.00	99346.83	0.00	0.000%

tnxTower Nello Corporation 1201 S. Sheridan Street South Bend, IN. 46619 Phone: 800-806-3556 FAX:	Job	Page
	Project	Date
	Client	Designed by
	SO30980; Tower 633549; Foundation 633550	42 of 47
	NS 175' - TI-OPP-22295 / Clover Fork - Harlan Co., KY	10:41:48 08/28/23
	Tillman Infrastructure	AG

Load Comb.	Sum of Applied Forces			Sum of Reactions			% Error
	PX lb	PY lb	PZ lb	PX lb	PY lb	PZ lb	
27	-19.50	-99346.84	-6009.80	19.50	99346.83	6009.78	0.000%
28	2835.99	-99346.84	-5103.34	-2835.98	99346.83	5103.33	0.000%
29	5049.02	-99346.84	-2914.62	-5049.00	99346.83	2914.62	0.000%
30	5808.23	-99346.84	94.94	-5808.21	99346.83	-94.94	0.000%
31	5168.33	-99346.84	3008.75	-5168.32	99346.83	-3008.74	0.000%
32	3017.07	-99346.84	5054.33	-3017.06	99346.83	-5054.32	0.000%
33	152.00	-99346.84	5850.18	-152.00	99346.83	-5850.16	0.000%
34	-2886.54	-99346.84	5012.73	2886.54	99346.83	-5012.72	0.000%
35	-5096.47	-99346.84	2944.74	5096.46	99346.83	-2944.73	0.000%
36	-5754.07	-99346.84	-4.34	5754.06	99346.83	4.34	0.000%
37	-4963.41	-99346.84	-3040.71	4963.39	99346.83	3040.70	0.000%
38	-2865.65	-99346.84	-5140.64	2865.65	99346.83	5140.62	0.000%
39	-74.40	-44455.83	-17230.80	74.40	44455.83	17230.80	0.000%
40	7937.34	-44455.83	-14473.96	-7937.54	44455.88	14473.87	0.000%
41	14247.93	-44455.83	-8222.20	-14247.93	44455.83	8222.20	0.000%
42	16389.81	-44455.83	362.40	-16389.81	44455.83	-362.40	0.000%
43	14783.52	-44455.83	8627.49	-14783.52	44455.83	-8627.49	0.000%
44	8627.37	-44455.83	14284.50	-8627.19	44455.88	-14284.63	0.000%
45	580.22	-44455.83	16526.35	-580.22	44455.83	-16526.35	0.000%
46	-8130.41	-44455.83	14127.91	8130.41	44455.83	-14127.91	0.000%
47	-14511.37	-44455.83	8384.46	14511.37	44455.83	-8384.46	0.000%
48	-16183.06	-44455.83	-16.51	16183.06	44455.83	16.51	0.000%
49	-13918.89	-44455.83	-8702.21	13918.89	44455.83	8702.21	0.000%
50	-8049.25	-44455.83	-14614.13	8049.46	44455.89	14614.03	0.001%

Non-Linear Convergence Results

Load Combination	Converged?	Number of Cycles	Displacement Tolerance	Force Tolerance
1	Yes	4	0.0000001	0.0000001
2	Yes	4	0.0000001	0.00000140
3	Yes	4	0.0000001	0.00000139
4	Yes	4	0.0000001	0.00000300
5	Yes	4	0.0000001	0.00000261
6	Yes	4	0.0000001	0.00000376
7	Yes	4	0.0000001	0.00000322
8	Yes	4	0.0000001	0.00000271
9	Yes	4	0.0000001	0.00000246
10	Yes	4	0.0000001	0.00000146
11	Yes	4	0.0000001	0.00000146
12	Yes	4	0.0000001	0.00000290
13	Yes	4	0.0000001	0.00000255
14	Yes	4	0.0000001	0.00000376
15	Yes	4	0.0000001	0.00000322
16	Yes	4	0.0000001	0.00000300
17	Yes	4	0.0000001	0.00000261
18	Yes	4	0.0000001	0.00000142
19	Yes	4	0.0000001	0.00000140
20	Yes	4	0.0000001	0.00000282
21	Yes	4	0.0000001	0.00000252
22	Yes	4	0.0000001	0.00000369
23	Yes	4	0.0000001	0.00000315
24	Yes	4	0.0000001	0.00000279
25	Yes	4	0.0000001	0.00000241
26	Yes	4	0.0000001	0.00000001
27	Yes	4	0.0000001	0.00000583

tnxTower Nello Corporation 1201 S. Sheridan Street South Bend, IN. 46619 Phone: 800-806-3556 FAX:	Job SO30980; Tower 633549; Foundation 633550	Page 43 of 47
	Project NS 175' - TI-OPP-22295 / Clover Fork - Harlan Co., KY	Date 10:41:48 08/28/23
	Client Tillman Infrastructure	Designed by AG

28	Yes	4	0.00000001	0.00000584
29	Yes	4	0.00000001	0.00000591
30	Yes	4	0.00000001	0.00000591
31	Yes	4	0.00000001	0.00000596
32	Yes	4	0.00000001	0.00000601
33	Yes	4	0.00000001	0.00000604
34	Yes	4	0.00000001	0.00000597
35	Yes	4	0.00000001	0.00000591
36	Yes	4	0.00000001	0.00000587
37	Yes	4	0.00000001	0.00000588
38	Yes	4	0.00000001	0.00000584
39	Yes	4	0.00000001	0.00000001
40	Yes	4	0.00000001	0.00000001
41	Yes	4	0.00000001	0.00000001
42	Yes	4	0.00000001	0.00000001
43	Yes	4	0.00000001	0.00000001
44	Yes	4	0.00000001	0.00000001
45	Yes	4	0.00000001	0.00000001
46	Yes	4	0.00000001	0.00000001
47	Yes	4	0.00000001	0.00000001
48	Yes	4	0.00000001	0.00000001
49	Yes	4	0.00000001	0.00000001
50	Yes	4	0.00000001	0.00000001

Maximum Tower Deflections - Service Wind

Section No.	Elevation ft	Horz. Deflection in	Gov. Load Comb.	Tilt °	Twist °
T1	175.3 - 160	7.719	39	0.3985	0.0551
T2	160 - 140	6.424	39	0.3862	0.0545
T3	140 - 120	4.842	39	0.3390	0.0528
T4	120 - 100	3.499	39	0.2694	0.0496
T5	100 - 80	2.420	39	0.2155	0.0352
T6	80 - 60	1.556	39	0.1731	0.0255
T7	60 - 40	0.871	39	0.1265	0.0168
T8	40 - 20	0.392	39	0.0788	0.0095
T9	20 - 0	0.106	39	0.0321	0.0034

Critical Deflections and Radius of Curvature - Service Wind

Elevation ft	Appurtenance	Gov. Load Comb.	Deflection in	Tilt °	Twist °	Radius of Curvature ft
170.00	40,000 sq in CaAa (6,000 lbs)	39	7.267	0.3956	0.0550	116721
155.00	40,000 sq in CaAa (6,000 lbs)	39	6.012	0.3780	0.0541	31344
140.00	30,000 sq in CaAa (4,000 lbs)	39	4.842	0.3390	0.0528	18856
125.00	8' Solid Dish	39	3.810	0.2864	0.0514	17339
115.00	8' Solid Dish	39	3.206	0.2539	0.0466	18132

Maximum Tower Deflections - Design Wind

tnxTower Nello Corporation 1201 S. Sheridan Street South Bend, IN. 46619 Phone: 800-806-3556 FAX:	Job SO30980; Tower 633549; Foundation 633550	Page 44 of 47
	Project NS 175' - TI-OPP-22295 / Clover Fork - Harlan Co., KY	Date 10:41:48 08/28/23
	Client Tillman Infrastructure	Designed by AG

Section No.	Elevation ft	Horz. Deflection in	Gov. Load Comb.	Tilt °	Twist °
T1	175.3 - 160	23.585	2	1.2214	0.1691
T2	160 - 140	19.615	2	1.1836	0.1671
T3	140 - 120	14.769	2	1.0381	0.1621
T4	120 - 100	10.659	2	0.8240	0.1520
T5	100 - 80	7.361	2	0.6583	0.1081
T6	80 - 60	4.724	2	0.5280	0.0781
T7	60 - 40	2.639	2	0.3854	0.0514
T8	40 - 20	1.184	2	0.2397	0.0291
T9	20 - 0	0.319	2	0.0976	0.0106

Critical Deflections and Radius of Curvature - Design Wind

Elevation ft	Appurtenance	Gov. Load Comb.	Deflection in	Tilt °	Twist °	Radius of Curvature ft
170.00	40,000 sq in CaAa (6,000 lbs)	2	22.199	1.2124	0.1686	38050
155.00	40,000 sq in CaAa (6,000 lbs)	2	18.353	1.1583	0.1658	10240
140.00	30,000 sq in CaAa (4,000 lbs)	2	14.769	1.0381	0.1621	6120
125.00	8' Solid Dish	2	11.608	0.8764	0.1576	5663
115.00	8' Solid Dish	2	9.762	0.7764	0.1430	5929

Compression Checks

Leg Design Data (Compression)

Section No.	Elevation ft	Size	L ft	L _u ft	Kl/r	A in ²	P _u lb	φP _n lb	Ratio P _u /φP _n
T1	175.3 - 160	P2x.154	15.30	5.10	77.8 K=1.00	1.0745	-14979.50	31079.10	0.482 ¹ ✓
T2	160 - 140	P3x.216	20.02	6.67	68.8 K=1.00	2.2285	-58686.50	70930.60	0.827 ¹ ✓
T3	140 - 120	P4x.237	20.02	6.67	53.0 K=1.00	3.1741	-116143.00	116271.00	0.999 ¹ ✓
T4	120 - 100	P6x.28	20.02	6.67	35.7 K=1.00	5.5813	-170905.00	228860.00	0.747 ¹ ✓
T5	100 - 80	P8x.322	20.02	6.67	27.3 K=1.00	8.3993	-220545.00	357982.00	0.616 ¹ ✓
T6	80 - 60	P8x.322	20.02	6.67	27.3 K=1.00	8.3993	-265229.00	357982.00	0.741 ¹ ✓
T7	60 - 40	P8x.322	20.03	6.68	27.3 K=1.00	8.3993	-299630.00	357954.00	0.837 ¹ ✓
T8	40 - 20	P8x.322	20.03	6.68	27.3 K=1.00	8.3993	-329326.00	357954.00	0.920 ¹ ✓
T9	20 - 0	P10x.365	20.03	6.68	21.8 K=1.00	11.9083	-357672.00	517553.00	0.691 ¹ ✓

tnxTower Nello Corporation 1201 S. Sheridan Street South Bend, IN. 46619 Phone: 800-806-3556 FAX:	Job SO30980; Tower 633549; Foundation 633550	Page 45 of 47
	Project NS 175' - TI-OPP-22295 / Clover Fork - Harlan Co., KY	Date 10:41:48 08/28/23
	Client Tillman Infrastructure	Designed by AG

¹ $P_u / \phi P_n$ controls

Diagonal Design Data (Compression)

Section No.	Elevation ft	Size	L ft	L _u ft	Kl/r	A in ²	P _u lb	φP _n lb	Ratio $\frac{P_u}{\phi P_n}$
T1	175.3 - 160	L1 3/4x1 3/4x1/8	8.26	4.01	138.6 K=1.00	0.4219	-3834.53	6287.27	0.610 ¹ ✓
T2	160 - 140	L2x2x3/16	9.85	4.90	149.3 K=1.00	0.7150	-7628.56	9178.64	0.831 ¹ ✓
T3	140 - 120	L2 1/2x2 1/2x3/16	11.40	5.62	136.4 K=1.00	0.9020	-9863.46	13886.40	0.710 ¹ ✓
T4	120 - 100	L2 1/2x2 1/2x3/16	12.65	6.15	149.0 K=1.00	0.9020	-9735.43	11624.40	0.837 ¹ ✓
T5	100 - 80	L2 1/2x2 1/2x1/4	13.95	6.71	163.9 K=1.00	1.1900	-9505.04	12676.80	0.750 ¹ ✓
T6	80 - 60	L3x3x3/16	15.28	7.38	148.6 K=1.00	1.0900	-9407.59	14128.60	0.666 ¹ ✓
T7	60 - 40	L3x3x3/16	17.03	8.30	167.2 K=1.00	1.0900	-7417.12	11159.90	0.665 ¹ ✓
T8	40 - 20	L3x3x3/16	18.88	9.24	186.0 K=1.00	1.0900	-7317.73	9021.92	0.811 ¹ ✓
T9	20 - 0	L3 1/2x3 1/2x1/4	20.77	10.09	174.4 K=1.00	1.6900	-8305.46	15902.50	0.522 ¹ ✓

¹ $P_u / \phi P_n$ controls

Top Girt Design Data (Compression)

Section No.	Elevation ft	Size	L ft	L _u ft	Kl/r	A in ²	P _u lb	φP _n lb	Ratio $\frac{P_u}{\phi P_n}$
T1	175.3 - 160	L2x2x1/8	6.50	6.30	190.2 K=1.00	0.4844	-911.39	3831.03	0.238 ¹ ✓

¹ $P_u / \phi P_n$ controls

Tension Checks

Leg Design Data (Tension)

Section No.	Elevation ft	Size	L ft	L _u ft	Kl/r	A in ²	P _u lb	φP _n lb	Ratio $\frac{P_u}{\phi P_n}$
-------------	-----------------	------	---------	----------------------	------	----------------------	----------------------	-----------------------	---------------------------------

tnxTower Nello Corporation 1201 S. Sheridan Street South Bend, IN. 46619 Phone: 800-806-3556 FAX:	Job SO30980; Tower 633549; Foundation 633550	Page 46 of 47
	Project NS 175' - TI-OPP-22295 / Clover Fork - Harlan Co., KY	Date 10:41:48 08/28/23
	Client Tillman Infrastructure	Designed by AG

Section No.	Elevation ft	Size	L ft	L _u ft	Kl/r	A in ²	P _u lb	φP _n lb	Ratio $\frac{P_u}{\phi P_n}$
T1	175.3 - 160	P2x.154	15.30	5.10	77.8	1.0745	10483.70	48353.90	0.217 ¹
T2	160 - 140	P3x.216	20.02	6.67	68.8	2.2285	48720.60	100281.00	0.486 ¹
T3	140 - 120	P4x.237	20.02	6.67	53.0	3.1741	101239.00	142832.00	0.709 ¹
T4	120 - 100	P6x.28	20.02	6.67	35.7	5.5813	153266.00	251161.00	0.610 ¹
T5	100 - 80	P8x.322	20.02	6.67	27.3	8.3993	198803.00	377967.00	0.526 ¹
T6	80 - 60	P8x.322	20.02	6.67	27.3	8.3993	239354.00	377967.00	0.633 ¹
T7	60 - 40	P8x.322	20.03	6.68	27.3	8.3993	269451.00	377967.00	0.713 ¹
T8	40 - 20	P8x.322	20.03	6.68	27.3	8.3993	294857.00	377967.00	0.780 ¹
T9	20 - 0	P10x.365	20.03	6.68	21.8	11.9083	317793.00	535873.00	0.593 ¹

¹ P_u / φP_n controls

Diagonal Design Data (Tension)

Section No.	Elevation ft	Size	L ft	L _u ft	Kl/r	A in ²	P _u lb	φP _n lb	Ratio $\frac{P_u}{\phi P_n}$
T1	175.3 - 160	L1 3/4x1 3/4x1/8	8.26	4.01	88.1	0.3164	3799.71	15424.80	0.246 ¹
T2	160 - 140	L2x2x3/16	9.85	4.90	95.4	0.5363	7626.73	26142.20	0.292 ¹
T3	140 - 120	L2 1/2x2 1/2x3/16	11.40	5.62	86.8	0.6765	9353.33	32979.40	0.284 ¹
T4	120 - 100	L2 1/2x2 1/2x3/16	11.81	5.73	88.4	0.6765	9936.99	32979.40	0.301 ¹
T5	100 - 80	L2 1/2x2 1/2x1/4	13.08	6.28	97.9	0.8925	9476.86	43509.40	0.218 ¹
T6	80 - 60	L3x3x3/16	14.83	7.16	91.5	0.8175	9216.74	39853.10	0.231 ¹
T7	60 - 40	L3x3x3/16	16.42	8.00	102.2	0.8175	7195.58	39853.10	0.181 ¹
T8	40 - 20	L3x3x3/16	18.26	8.93	114.1	0.8175	7260.57	39853.10	0.182 ¹
T9	20 - 0	L3 1/2x3 1/2x1/4	20.77	10.09	111.0	1.2675	7982.03	61790.60	0.129 ¹

¹ P_u / φP_n controls

tnxTower Nello Corporation 1201 S. Sheridan Street South Bend, IN. 46619 Phone: 800-806-3556 FAX:	Job SO30980; Tower 633549; Foundation 633550	Page 47 of 47
	Project NS 175' - TI-OPP-22295 / Clover Fork - Harlan Co., KY	Date 10:41:48 08/28/23
	Client Tillman Infrastructure	Designed by AG

Top Girt Design Data (Tension)

Section No.	Elevation ft	Size	L ft	L _u ft	Kl/r	A in ²	P _u lb	φP _n lb	Ratio $\frac{P_u}{\phi P_n}$ ¹
T1	175.3 - 160	L2x2x1/8	6.50	6.30	120.8	0.3633	862.84	17710.00	0.049 ¹

¹ P_u / φP_n controls

Section Capacity Table

Section No.	Elevation ft	Component Type	Size	Critical Element	P lb	φP _{allow} lb	% Capacity	Pass Fail	
T1	175.3 - 160	Leg	P2x.154	3	-14979.50	31079.10	48.2	Pass	
		Diagonal	L1 3/4x1 3/4x1/8	7	-3834.53	6287.27	61.0	Pass	
		Top Girt	L2x2x1/8	5	-911.39	3831.03	23.8	Pass	
T2	160 - 140	Leg	P3x.216	27	-58686.50	70930.60	82.7	Pass	
		Diagonal	L2x2x3/16	34	-7628.56	9178.64	83.1	Pass	
T3	140 - 120	Leg	P4x.237	48	-116143.00	116271.00	99.9	Pass	
		Diagonal	L2 1/2x2 1/2x3/16	50	-9863.46	13886.40	71.0	Pass	
T4	120 - 100	Leg	P6x.28	69	-170905.00	228860.00	74.7	Pass	
		Diagonal	L2 1/2x2 1/2x3/16	71	-9735.43	11624.40	83.7	Pass	
T5	100 - 80	Leg	P8x.322	90	-220545.00	357982.00	61.6	Pass	
		Diagonal	L2 1/2x2 1/2x1/4	92	-9505.04	12676.80	75.0	Pass	
T6	80 - 60	Leg	P8x.322	111	-265229.00	357982.00	74.1	Pass	
		Diagonal	L3x3x3/16	113	-9407.59	14128.60	66.6	Pass	
T7	60 - 40	Leg	P8x.322	132	-299630.00	357954.00	83.7	Pass	
		Diagonal	L3x3x3/16	134	-7417.12	11159.90	66.5	Pass	
T8	40 - 20	Leg	P8x.322	153	-329326.00	357954.00	92.0	Pass	
		Diagonal	L3x3x3/16	155	-7317.73	9021.92	81.1	Pass	
T9	20 - 0	Leg	P10x.365	174	-357672.00	517553.00	69.1	Pass	
		Diagonal	L3 1/2x3 1/2x1/4	176	-8305.46	15902.50	52.2	Pass	
							Summary		
							Leg (T3)	99.9	Pass
							Diagonal (T4)	83.7	Pass
							Top Girt (T1)	23.8	Pass
							RATING =	99.9	Pass

Drilled Pier Foundation Design

Order/Quote Number: **SO30980**
 Part Number: **633550**
 Tower Model: **NSX 20' x 175.3'**
 Company: **Tillman Infrastructure**
 Site: **NS 175' - TI-OPP-22295 / Clover Fork - Harlan Co., KY**



Tower Reactions (Factored)

Leg Compression:	362.315 kips
Leg Uplift:	321.417 kips
Leg Shear:	33.186 kips
Tower Shear:	51.612 kips
Tower Moment:	5967.548 ft-kips
Tower Weight:	53.347 kips

Foundation Design Reactions

Additional Load Factor:	1.00
Compression:	362.315 kips
Uplift:	321.417 kips
Shear:	33.186 kips

ANSI/TIA-222-H - Design Factors

Uplift Resistance Factor, Phi:	0.75
Compressive Resistance Factor, Phi:	0.75
Bearing Capacity Resistance, Phi:	0.75
Lateral Resistance Factor, Phi:	0.75

Foundation Dimensions

Pier Diameter:	3.5 ft
Pier Extension:	0.5 ft
Pier Depth:	39 ft
Total Pier Length:	39.5 ft
Volume per Pier:	14.1 yd ³
Total Volume:	42.2 yd ³

Foundation LPILE Loads (Divided by Φ_p)

Shear Load:	44,248 lb
Moment Load:	0 lb-in
Axial Load:	483,087 lb

Summary Check

Uplift:	OK	94.0%
Uplift Cone Check:	OK	15.3%
Compression:	OK	76.8%
Minimum 3 Pier Diameter Spacing:	OK	
Max Pier Length / Diameter Ratio:	OK	
Neglect Frost Depth:	OK	
Neglect Top Portion of Pier:	OK	
Minimum Depth:	OK	
Pier Compressive Strength:	OK	12.1%
Pier Tensile Strength:	OK	32.8%
Minimum Vertical Reinforcement:	OK	
Rebar Strength:	OK	
Rebar Spacing:	OK	
Compressive Shear:	OK	
Anchor Bolt Strength:	OK	60.0%
Anchor Bolt Development:	OK	
Embedment Plate Fit:	OK	
Seismic Lateral Restraint:	OK	

Max. Foundation Capacity Rating
94.0%

Fall Radius

Site Details

Rock Depth:	28.5 ft
Frost Depth:	1.67 ft
Water Depth:	38.5 ft
Upper Pier Neglected:	3.5 ft
Minimum Pier Depth:	ft
Soil Induced Uplift Load:	kips
Seismic Site Class:	C
Mapped Response Acc., S _s :	0.353 g
Design Response Acc., S _{DS} :	0.306 g
Design Response Acc., S _{DI} :	0.100 g
Seismic Design Category:	B
Soil Corrosion Risk:	
Soil Weight:	110 pcf

Tower Dimensions

Tower Base Width:	20 ft
Base Leg Diameter (Nom.):	10 in
Base Leg Member:	Pipe
Bracing System:	X-Braced

Material Specifications

Concrete Strength:	4500 psi
Concrete Weight:	150 pcf
Rebar Yield Strength:	60 ksi
Clear Cover:	3 in
Clear Cover (Top of Pier):	3 in

Geotechnical Report

Company:	Environmental Corporation of America
Date:	3/15/2023
Project:	23-000518

Compression/Uplift Resistance Design

Layer	Depth (ft)	Depth (ft)	Length (ft)	Diameter (ft)	Allowable Skin Friction				Ultimate Skin Friction				Net Concrete Weight ⁽¹⁾				Friction Resistance				
					Uplift		Compression		Uplift		Compression		Weight		Compression		Uplift		Ultimate Bearing (ksf)	Uplift (kips)	Comp. (kips)
					(ksf)	Safety Factor	(ksf)	Safety Factor	(ksf)	(kips)	(ksf)	(kips)	(pcf)	(kips)	(kips)	(kips)	(kips)	(kips)			
1	-0.5	0	0.5	3.5	0.000	2.0	0.000	2.0	0.000	0.00	0.00	0.000	0.00	150	0.72	0.72	12.00	3.0	0.00	0.00	
2	0	3.5	3.5	3.5	0.000	2.0	0.000	2.0	0.000	0.00	0.000	0.00	150	1.35	5.05	12.00	3.0	0.00	0.00		
3	3.5	8.5	5	3.5	0.539	2.0	0.539	2.0	1.078	59.27	1.078	59.27	150	1.92	7.22	0.00	0.00	59.27	59.27		
4	8.5	13.5	5	3.5	0.270	2.0	0.270	2.0	0.540	29.69	0.540	29.69	150	1.92	7.22	0.00	0.00	29.69	29.69		
5	13.5	18.5	5	3.5	0.113	2.0	0.113	2.0	0.226	12.42	0.226	12.42	150	1.92	7.22	0.00	0.00	12.42	12.42		
6	18.5	23.5	5	3.5	0.056	2.0	0.056	2.0	0.112	6.16	0.112	6.16	150	1.92	7.22	0.00	0.00	6.16	6.16		
7	23.5	28.5	5	3.5	0.580	2.0	0.580	2.0	1.160	63.77	1.160	63.77	150	1.92	7.22	0.00	0.00	63.77	63.77		
8	28.5	39	10.5	3.5	0.937	2.0	0.937	2.0	1.874	216.36	1.874	144.24	87.6	4.04	14.85	0.00	0.00	216.36	144.24		
9	39	39	0	3.5	0.0	0.000	0.0	0.000	0.00	0.000	0.00	87.6	0.00	0.00	0.00	0.00	0.00	0.00	0.00		
10	39	39	0	3.5	0.0	0.000	0.0	0.000	0.00	0.000	0.00	87.6	0.00	0.00	0.00	0.00	0.00	0.00	0.00		
11	39	39	0	3.5	0.0	0.000	0.0	0.000	0.00	0.000	0.00	87.6	0.00	0.00	0.00	0.00	0.00	0.00	0.00		
12	39	39	0	3.5	0.0	0.000	0.0	0.000	0.00	0.000	0.00	87.6	0.00	0.00	0.00	0.00	0.00	0.00	0.00		
13	39	39	0	3.5	0.0	0.000	0.0	0.000	0.00	0.000	0.00	87.6	0.00	0.00	0.00	0.00	0.00	0.00	0.00		
14	39	39	0	3.5	0.0	0.000	0.0	0.000	0.00	0.000	0.00	87.6	0.00	0.00	0.00	0.00	0.00	0.00	0.00		
15	39	39	0	3.5	0.0	0.000	0.0	0.000	0.00	0.000	0.00	87.6	0.00	0.00	0.00	0.00	0.00	0.00	0.00		
16	39	39	0	3.5	0.0	0.000	0.0	0.000	0.00	0.000	0.00	87.6	0.00	0.00	0.00	0.00	0.00	0.00	0.00		
17	39	39	0	3.5	0.0	0.000	0.0	0.000	0.00	0.000	0.00	87.6	0.00	0.00	0.00	0.00	0.00	0.00	0.00		
18	39	39	0	3.5	0.0	0.000	0.0	0.000	0.00	0.000	0.00	87.6	0.00	0.00	0.00	0.00	0.00	0.00	0.00		
19	39	39	0	3.5	0.0	0.000	0.0	0.000	0.00	0.000	0.00	87.6	0.00	0.00	0.00	0.00	0.00	0.00	0.00		
20	39	39	0	3.5	0.0	0.000	0.0	0.000	0.00	0.000	0.00	87.6	0.00	0.00	0.00	0.00	0.00	0.00	0.00		
21	39	39	0	3.5	0.0	0.000	0.0	0.000	0.00	0.000	0.00	87.6	0.00	0.00	0.00	0.00	0.00	0.00	0.00		
22	39	39	0	3.5	0.0	0.000	0.0	0.000	0.00	0.000	0.00	87.6	0.00	0.00	0.00	0.00	0.00	0.00	0.00		
Total										387.67		315.55	15.73	56.71		346.36	341.79	496.43	OK	OK	

Extended Pier:

94.0% 76.8%

Uplift Cone Resistance - Weight of Soil Cone

Prominent Subsurface Material Type:

Pier Depth (ft)	Pier Diameter (ft)	Pier Volume (ft ³)	Pier Weight (kips)	Friction Angle (deg)	Soil Weight (kcf)	Cone Frustum				Soil Volume (ft ³)	Soil Weight (kips)	Uplift Capacity (kips)
						Height (ft)	Radius (ft)	Radius (ft)	Volume (ft ³)			
0	3.5	33.67	5.05	0	0.110	3.50	22.25	22.25	5442	5408	594.86	449.93
3.5	39	341.55	51.23	30	0.110	35.50	1.75	22.25	19959	19617	2157.87	1656.83
39	39	0.00	0.00	30	0.110	0.00	1.75	1.75	0	0	0.00	0.00

OK 2106.76

Vertical Reinforcement Design

Number of Bars	Bar Size	Bar Length (in)	Bar Diameter (in)	Bar Weight (lb/ft)	Total Bar Weight (lb)	Bar Area (sq in)	Total Bar Area (sq in)	Minimum Bar Area Required (sq in)	Rebar Circle Diameter (in)	Ctr-Ctr Spacing (in)	Clear Spacing (in)	Equivalent Pipe				Induced Moment (ft-kips)*	Induced Stress (ksi)	Design Stress (ksi)
												Outer Diameter (in)	Inner Diameter (in)	Thickness (in)	Section Modulus (in ⁴)			
23	8	468	1.000	2.670	2395	0.79	18.17	6.93	34.000	4.6	3.6	34.17	33.83	0.340	153.7	404.43	49.27	54

OK TIA-222-H-9.4.1

OK 91.2%

Pier Axial Strength - Compression and Tension

Pier Gross Area (in ²)	Nominal Compressive Strength (kip)	Compressive Strength Reduction Factor	Design Compressive Strength (kip)	Mislocation Overload Factor	Check Compressive Strength Ratio	Nominal Tensile Strength (kip)	Tensile Strength Reduction Factor	Design Tensile Strength (kip)	Check Tensile Strength Ratio
1385.44	6320.02	0.65	3286.41	1.10	0.121	1090.20	0.90	981.18	0.328

ACI-318-14 22.4.2.2-318-14 Table 21C1-318-14 22.4.2.1

TIA-222-H-9.4.1

Development Length - Vertical Rebar

Bar Size	Reinf. Location Factor, α	Coating Factor, β	Reinf. Size Factor, γ	Lightwt. Aggregate Factor, λ	Spacing or Cover, c (in)	Transverse Reinf. Index, K _{tr}	Develop. Length f _d (in)
8	1.0	1.0	1.0	1.0	2.32	0.0	28.9

ACI-318-14 25.4.2.4-318-14 Table 25-318-14 Table 25-4318-14 Table 25.4.2.4

ACI-318-14 25.4-318-14 Table 25.4.2.2

Tie Reinforcement Design

Number of Bars	Bar Size	Bar Diameter (in)	Bar Weight (lb/ft)	Total Bar Weight (lb)	Bar Area (sq in)	Overlap Length (in)	Total Length (in)	Zone	Maximum Tie Spacing (in)	Zone Distance (in)	Number of Tie Spaces	Actual Tie Spacing (in)	Number of Ties per Zone	Standard Applied	Confinement Applied
----------------	----------	-------------------	--------------------	-----------------------	------------------	---------------------	-------------------	------	--------------------------	--------------------	----------------------	-------------------------	-------------------------	------------------	---------------------

54	4	0.500	0.668	391	0.20	18.0	130.0	End	5	5	1	5	2
								Top	6	72	12	6	12
								Middle	10	385.5	39	9 7/8	38
								End	5	5	1	5	2

ACI-318-14 2.3

Shear (Compression)

Distance to Max. Shear d_{max} (in)	Compressive Shear V (kip)	Factored Axial Force N_u (lb)	Distance to Tension Reinf. d (in)	Ratio of A_s to $b_w d$ ρ_w	Concrete Weight W_c (lb)	Pier Gross Area A_g (in ²)	Nom. Strength Concrete V_c (kip)	Minimum Bar Area A_{smin} (in ²)	Total Bar Area A_s (in ²)	Nom. Strength Reinforcement V_s (kip)	Des. Shear Strength ϕV_n (kip)	Factored Axial Force N_u (lb)	Nom. Shear Concrete V_c (kip)	Des. Shear Strength ϕV_n (kip)
	33.19	362315	33.600	0.013	0.000	1385.442	214.089	0.352	0.400	161.280	281.527	321417	101.484	197.073
								OK	OK		OK			OK
											11.8%			16.8%

ACI-318-14 22.5.1 ACI-318-14 2.2

ACI-318-14 22.5.6

ACI-318-14 18

ACI-318-14 22.5.10.6

ACI-318-14 22.5.1

ACI-318-14 22.9.3.1

ACI-318-14 22.9.3.1

Splice Length - Ties

Bar Size	Reinf. Location Factor, α	Coating Factor, β	Reinf. Size Factor, γ	Lightwt. Aggregate Factor, λ	Spacing or Cover, c (in)	Transverse Reinf. Index, K_T	Development Length l_d (in)	Splice Length Tolerance (in)	Splice Length $1.3 l_d$ (in)
4	1.0	1.0	0.8	1.0	3.25	0.0	12.0	1.0	18.0

ACI-318-14 25.4.2.4 ACI-318-14 Table 25.4.2.4

ACI-318-14 25.4.2.3 ACI-318-14 Table 25.4.2.2

ACI-318-14 Table 25.5.2.1

Anchor Bolts and Embedment Plate

Number of Bolts	Bolt Diameter (in)	Bolt Length (in)	Anchor Bolt P/N	Bolt Projection (in)	Projection Tolerance Above (in)	Projection Tolerance Below (in)	Plate P/N	Plate O.D. / Width	Plate I.D.	Bolt Circle Diameter (in)	Plate Thickness (in)
10	1.00	60	102970	5.75	0.1875	-0.25	139914	16.75	0	14.25	0.5

Std. Pattern

Anchor Bolt Design

Bolt Threads per Inch	Gross Area (in ²)	Bolt Net Area (in ²)	Bolt Yield Strength (ksi)	Ultimate Tensile Stress (ksi)	Bolt Resistance Factor	Bolt Nominal Tensile Strength (kip)	Bolt Design Tensile Strength (kip)	Nominal Shear Rupture Strength (kip)	Nominal Compression Yield Strength (kip)	Nominal Shear Yield Strength (kip)	Anchor Bolt Interaction Equation	Anchor Bolt Embedded Length (in)	Rebar Engaged by Bolts (in)	Length Required (in)	Gap Between Rebar & Plate (in)
8	0.785	0.606	105	125	0.75	75.718	56.788	49.087	63.603	19.081	0.600 OK 60.0%	54.06	38.19 OK	28.89	8.13 OK

TIA-222-H 4.9.9.1

TIA-222-H 4.9.9 TIA-222-H 4.9.9 TIA-222-H 4.9.9 TIA-222-H 4.9.9 TIA-222-H 4.9.9 TIA-222-H 4.9.9

TIA-222-H 4.9.9

Notes

- Foundation design is based on the Geotechnical Report dated 03/15/2023, by Environmental Corporation of America; Project No. 23-000518.
 - Groundwater may be encountered at 38.5 feet bgs at this site based on the geotechnical investigation. The need for dewatering should be anticipated below this depth.

 - Rock conditions were encountered about 28.5 feet bgs in the geotechnical investigation.

SST Drilled Pier Foundation Design Summary

Max. Foundation Capacity Rating:	94.0%
----------------------------------	-------

FOUNDATION DIMENSIONS	
Tower Width:	20 ft
Pier Extension:	0.5 ft
Pier Depth:	39 ft
Pier Diameter:	3.5 ft
Clear Cover:	3 in
Clear Cover (Top of Pier):	3 in
Volume per Pier:	14.1 yd ³
Total Volume:	42.2 yd ³

PIER REINFORCEMENT	
Bar Size:	8
Bar Length:	468 in
On Center Spacing:	4.6 in
Quantity per Pier:	23
Total Quantity:	69
Weight per Pier:	2395 lbs
Total Weight:	7185 lbs

TIE REINFORCEMENT	
Bar Size:	4
Bar Length:	130 in
Circular Tie Outer Diameter:	36 in
Overlap:	18 in
Tie Termination Type:	Overlap
Quantity per Pier:	54
Total Quantity:	162
Top Zone - Quantity:	2
Top Zone - Spacing:	5 in
Anchor Zone - Quantity:	12
Anchor Zone - Spacing:	6 in
Middle Zone - Quantity:	38
Middle Zone - Spacing:	9.875 in
Bottom Zone - Quantity:	2
Bottom Zone - Spacing:	5 in
Weight per Pier:	391 lbs
Total Weight:	1173 lbs

TOWER REACTIONS	
Leg Compression:	362.3 kip
Leg Uplift:	321.4 kip
Leg Shear:	33.2 kip
Tower Shear:	51.6 kip
Tower Moment:	5967.5 ft-kip
Tower Weight:	53.3 kip

MATERIAL SPECIFICATIONS	
Concrete Strength:	4500 psi
Concrete Weight:	150 pcf
Rebar Yield Strength:	60 ksi


ANCHORING DETAILS	
Anchor P/N:	102970
Anchor Diameter:	1 in
Anchor Length:	60 in
Anchor Quantity per Leg:	10
	Std. Pattern
Anchor Projection:	5.75 in
	+ 0.1875" -0.25"
Bolt Circle Diameter:	14.25 in
Template P/N	139914

BACKFILL CRITERIA (NON-STRUCTURAL)	
Loose Lift Thickness:	8 in
Percent Compaction:	95%
ASTM Standard:	D698
Optimum Moisture Content:	2%
	-2%

ECO #:	
--------	--

ADDITIONAL NOTES
<p>- Foundation design is based on the Geotechnical Report dated 03/15/2023, by Environmental Corporation of America; Project No. 23-000518.</p> <p>- Groundwater may be encountered at 38.5 feet bgs at this site based on the geotechnical investigation. The need for dewatering should be anticipated below this depth.</p> <p>- Rock conditions were encountered about 28.5 feet bgs in the geotechnical investigation.</p>

 This is a beta release of the new ATC Hazards by Location website. Please [contact us](#) with feedback.

 The ATC Hazards by Location website will not be updated to support ASCE 7-22. [Find out why.](#)

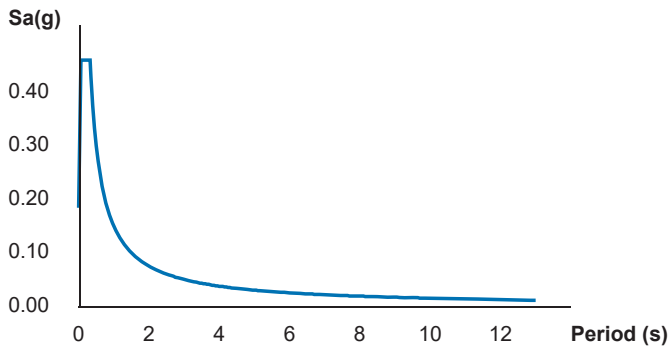
ATC Hazards by Location

Search Information

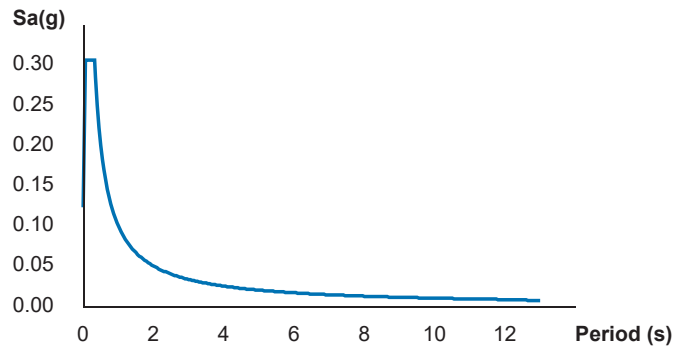
Coordinates: 36.835783, -83.327628
Elevation: 1184 ft
Timestamp: 2023-08-24T19:18:58.874Z
Hazard Type: Seismic
Reference Document: ASCE7-16
Risk Category: II
Site Class: C



MCER Horizontal Response Spectrum



Design Horizontal Response Spectrum



Basic Parameters

Name	Value	Description
S_S	0.353	MCE_R ground motion (period=0.2s)
S_1	0.1	MCE_R ground motion (period=1.0s)
S_{MS}	0.46	Site-modified spectral acceleration value
S_{M1}	0.15	Site-modified spectral acceleration value
S_{DS}	0.306	Numeric seismic design value at 0.2s SA
S_{D1}	0.1	Numeric seismic design value at 1.0s SA

Additional Information

Name	Value	Description
SDC	B	Seismic design category
F_a	1.3	Site amplification factor at 0.2s
F_v	1.5	Site amplification factor at 1.0s
CR_S	0.932	Coefficient of risk (0.2s)
CR_1	0.924	Coefficient of risk (1.0s)

PGA	0.218	MCE _G peak ground acceleration
F _{PGA}	1.2	Site amplification factor at PGA
PGA _M	0.262	Site modified peak ground acceleration
T _L	12	Long-period transition period (s)
SsRT	0.353	Probabilistic risk-targeted ground motion (0.2s)
SsUH	0.379	Factored uniform-hazard spectral acceleration (2% probability of exceedance in 50 years)
SsD	1.5	Factored deterministic acceleration value (0.2s)
S1RT	0.1	Probabilistic risk-targeted ground motion (1.0s)
S1UH	0.108	Factored uniform-hazard spectral acceleration (2% probability of exceedance in 50 years)
S1D	0.6	Factored deterministic acceleration value (1.0s)
PGAd	0.5	Factored deterministic acceleration value (PGA)

The results indicated here DO NOT reflect any state or local amendments to the values or any delineation lines made during the building code adoption process. Users should confirm any output obtained from this tool with the local Authority Having Jurisdiction before proceeding with design.

Please note that the ATC Hazards by Location website will not be updated to support ASCE 7-22. [Find out why.](#)

Disclaimer

Hazard loads are provided by the U.S. Geological Survey [Seismic Design Web Services](#).

While the information presented on this website is believed to be correct, ATC and its sponsors and contributors assume no responsibility or liability for its accuracy. The material presented in the report should not be used or relied upon for any specific application without competent examination and verification of its accuracy, suitability and applicability by engineers or other licensed professionals. ATC does not intend that the use of this information replace the sound judgment of such competent professionals, having experience and knowledge in the field of practice, nor to substitute for the standard of care required of such professionals in interpreting and applying the results of the report provided by this website. Users of the information from this website assume all liability arising from such use. Use of the output of this website does not imply approval by the governing building code bodies responsible for building code approval and interpretation for the building site described by latitude/longitude location in the report.

EXHIBIT D
COMPETING UTILITIES, CORPORATIONS, OR PERSONS LIST

KY Public Service Commission

Master Utility Search

- Search for the utility of interest by using any single or combination of criteria.

- Enter Partial names to return the closest match for Utility Name and Address/City/Contact entries.

Utility ID	Utility Name	Address/City/Contact	Utility Type	Status
<input type="text"/>	<input type="text"/>	<input type="text"/>	<input type="text"/>	Active <input type="text"/>

	Utility ID	Utility Name	Utility Type	Class	City	State
<input type="button" value="View"/>	4111300	2600Hz, Inc. dba ZSWITCH	Cellular	D	Henderson	NV
<input type="button" value="View"/>	4113600	AFNET, LLC	Cellular	C	Alpharetta	GA
<input type="button" value="View"/>	4108300	Air Voice Wireless, LLC d/b/a AirTalk Wireless	Cellular	A	Houston	TX
<input type="button" value="View"/>	4113150	ALLDATA COMMUNICATIONS CORP.	Cellular	D	Brooklyn	NY
<input type="button" value="View"/>	4111900	ALLNETAIR, INC.	Cellular	D	West Palm Beach	FL
<input type="button" value="View"/>	44451184	Alltel Corporation d/b/a Verizon Wireless	Cellular	A	Lisle	IL
<input type="button" value="View"/>	4110850	AltaWorx, LLC	Cellular	D	Fairhope	AL
<input type="button" value="View"/>	4107800	American Broadband and Telecommunications Company	Cellular	D	Toledo	OH
<input type="button" value="View"/>	4108650	AmeriMex Communications Corp.	Cellular	A	Safety Harbor	FL
<input type="button" value="View"/>	4105100	AmeriVision Communications, Inc. d/b/a Affinity 4	Cellular	D	Virginia Beach	VA
<input type="button" value="View"/>	4105700	Assurance Wireless USA, L.P.	Cellular	C	Atlanta	GA
<input type="button" value="View"/>	4113100	BARK TECHNOLOGIES, INC.	Cellular	D	Atlanta	GA
<input type="button" value="View"/>	4108600	BCN Telecom, Inc.	Cellular	D	Morristown	NJ
<input type="button" value="View"/>	4106000	Best Buy Health, Inc. d/b/a GreatCall d/b/a Jitterbug	Cellular	A	San Diego	CA
<input type="button" value="View"/>	4111050	BlueBird Communications, LLC	Cellular	D	New York	NY
<input type="button" value="View"/>	4107600	Boomerang Wireless, LLC	Cellular	B	Dallas	TX
<input type="button" value="View"/>	4105500	BullsEye Telecom, Inc.	Cellular	D	Southfield	MI
<input type="button" value="View"/>	4100700	Cellco Partnership dba Verizon Wireless	Cellular	A	Basking Ridge	NJ

View	4106600	Cintex Wireless, LLC	Cellular	D	Houston	TX
View	4112900	Clear Mobile, LLC	Cellular	D	Edmond	OK
View	4111150	Comcast OTR1, LLC	Cellular	B	Phoeniexville	PA
View	4113550	Comlink Total Solutions Corp	Cellular	C	Fort Myers	FL
View	4101900	Consumer Cellular, Incorporated	Cellular	A	Portland	OR
View	4112700	Cox Wireless, LLC	Cellular	D	Atlanta	GA
View	4108850	Cricket Wireless, LLC	Cellular	A	San Antonio	TX
View	4111500	CSC Wireless, LLC d/b/a Altice Wireless	Cellular	C	Long Island City	NY
View	4114000	Daywalker Mobile Inc.	Cellular		Bartlesville	OK
View	4112000	DISH Wireless L.L.C.	Cellular	A	Englewood	CO
View	4111200	Dynalink Communications, Inc.	Cellular	C	Brooklyn	NY
View	4111800	Earthlink, LLC	Cellular	B	Atlanta	GA
View	4101000	East Kentucky Network, LLC dba Appalachian Wireless	Cellular	A	Ivel	KY
View	4002300	Easy Telephone Service Company dba Easy Wireless	Cellular	D	Ocala	FL
View	4113250	Elevate Platforms, LLC	Cellular	D	Nashville	TN
View	4109500	Enhanced Communications Group, LLC	Cellular	D	Bartlesville	OK
View	4113800	EVOLVE WIRELESS LLC	Cellular	C	Maumee	OH
View	4110450	Excellus Communications, LLC	Cellular	D	Harrisburg	SD
View	4112400	Excess Telecom Inc.	Cellular	D	Beverly Hills	CA
View	4104800	France Telecom Corporate Solutions L.L.C.	Cellular	D	Herndon	VA
View	4111750	Gabb Wireless, Inc.	Cellular	B	Lehi	UT
View	4109350	Global Connection Inc. of America	Cellular	D	Newport	KY
View	4102200	Globalstar USA, LLC	Cellular	C	Covington	LA
View	4112850	GO TECHNOLOGY MANAGEMENT, LLC	Cellular	D	Atlanta	GA
View	4109600	Google North America Inc.	Cellular	A	Mountain View	CA
View	4113500	GR8 CONNECT Corp.	Cellular	C	Brooklyn	NY
View	33350363	Granite Telecommunications, LLC	Cellular	D	Quincy	MA
View	4114050	Helix Wireless Inc.	Cellular	C	Monmouth Junction	NJ
View	4111350	HELLO MOBILE TELECOM LLC	Cellular	D	Dania Beach	FL
View	4112950	Hoop Wireless, LLC	Cellular	D	Lakewood	NJ
View	4103100	i-Wireless, LLC	Cellular	B	Newport	KY
View	4112550	IDT Domestic Telecom, Inc.	Cellular	D	Newark	NJ
View	4109800	IM Telecom, LLC d/b/a Infiniti Mobile	Cellular	D	Plano	TX
View	4112650	Insight Mobile, Inc.	Cellular	D	Los Angeles	CA
View	4111950	J Rhodes Enterprises LLC	Cellular	D	Gulf Breeze	FL
View	22215360	KDDI America, Inc.	Cellular	D	Staten Island	NY
View	10872	Kentucky RSA #1 Partnership	Cellular	A	Basking Ridge	NJ
View	4112200	Lexvor Inc.	Cellular	D	Irvine	CA

View	4111250	Liberty Mobile Wireless, LLC	Cellular	A	Sunny Isles Beach	FL
View	4111400	Locus Telecommunications, LLC	Cellular	D	Fort Lee	NJ
View	4107300	Lycamobile USA, Inc.	Cellular	D	Newark	NJ
View	4112500	Marconi Wireless Holdings, LLC	Cellular	B	Westlake Village	CA
View	4113850	MAXSIP TELECOM CORPORATION	Cellular	C	Woodmere	NY
View	4108800	MetroPCS Michigan, LLC	Cellular	A	Bellevue	WA
View	4111700	Mint Mobile, LLC	Cellular	B	Costa Mesa	CA
View	4111850	Mobi, Inc.	Cellular	D	Honolulu	HI
View	4113350	NatWireless, LLC	Cellular	D	Houston	TX
View	4202400	New Cingular Wireless PCS, LLC dba AT&T Mobility, PCS	Cellular	A	San Antonio	TX
View	4112350	NewPhone Wireless, L.L.C.	Cellular	D	Houston	TX
View	4000800	Nextel West Corporation	Cellular	D	Overland Park	KS
View	4110700	Norcell, LLC	Cellular	D	Clayton	WA
View	4113700	Nova Labs, Inc. dba Helium Mobile	Cellular	C	Boulder	CO
View	4001300	NPCR, Inc. dba Nextel Partners	Cellular	D	Overland Park	KS
View	4110750	Onvoy Spectrum, LLC	Cellular	D	Chicago	IL
View	4109050	Patriot Mobile LLC	Cellular	C	Grapevine	TX
View	4110250	Plintron Technologies USA LLC	Cellular	D	Bellevue	WA
View	33351182	PNG Telecommunications, Inc. dba PowerNet Global Communications	Cellular	D	Cincinnati	OH
View	4112800	Prepaid Wireless Group, LLC dba Prepaid Wireless Wholesale	Cellular	D	Rockville	MD
View	4115000	Prosper Wireless LLC	Cellular	C	Sherman Oaks	CA
View	4107700	Puretalk Holdings, Inc.	Cellular	A	Covington	GA
View	4106700	Q Link Wireless, LLC	Cellular	A	Dania	FL
View	4108700	Ready Wireless, LLC	Cellular	D	Cedar Rapids	IA
View	4113200	Red Pocket Inc.	Cellular	D	Thousand Oaks	CA
View	4106200	Rural Cellular Corporation	Cellular	A	Basking Ridge	NJ
View	4108550	Sage Telecom Communications, LLC dba TruConnect	Cellular	A	Los Angeles	CA
View	4113050	Sarver Corporation	Cellular	D	Ontario	CA
View	4109150	SelecTel, Inc. d/b/a SelecTel Wireless	Cellular	A	Fremont	NE
View	4110150	Spectrotel of the South LLC dba Touch Base Communications	Cellular	D	Neptune	NJ
View	4111450	Spectrum Mobile, LLC	Cellular	A	St. Louis	MO
View	4200100	Sprint Spectrum, L.P.	Cellular	A	Atlanta	GA
View	4200500	SprintCom, LLC	Cellular	A	Atlanta	GA
View	4111600	STX Group LLC dba Twigby	Cellular	D	Murfreesboro	TN
View	4113450	Syntegra North America, LLC	Cellular	D	Denton	TX
View	4202200	T-Mobile Central, LLC dba T-Mobile	Cellular	A	Bellevue	WA

View	4002500	TAG Mobile Bankruptcy Sale Entity, LLC	Cellular	D	Plano	TX
View	4109700	Telecom Management, Inc. dba Pioneer Telephone	Cellular	D	Saco	ME
View	4107200	Telefonica Global Solutions USA, Inc.	Cellular	D	Miami	FL
View	4112100	Tello LLC	Cellular	B	Atlanta	GA
View	4108900	Telrite Corporation	Cellular	D	Covington	GA
View	4108450	Tempo Telecom, LLC	Cellular	D	Dallas	TX
View	4113900	TERRACOM Inc. d/b/a Maxsip Tel	Cellular	C	Chattanooga	TN
View	4113950	THE LIGHT PHONE INC.	Cellular	C	Brooklyn	NY
View	4110400	Torch Wireless Corp.	Cellular	D	Jacksonville	FL
View	4103300	Touchtone Communications, Inc.	Cellular	D	Cedar Knolls	NJ
View	4104200	TracFone Wireless, Inc.	Cellular	D	Miami	FL
View	4112250	TROOMI WIRELESS, Inc.	Cellular	D	Lehi	UT
View	4002000	Truphone, Inc.	Cellular	D	Durham	NC
View	4112600	Tube Incorporated dba Reach Mobile	Cellular	D	Atlanta	GA
View	4112750	Unity Wireless, Inc.	Cellular	D	Pembroke Pines	FL
View	4110300	UVNV, Inc. d/b/a Mint Mobile	Cellular	D	Costa Mesa	CA
View	10630	Verizon Americas LLC dba Verizon Wireless	Cellular	A	Basking Ridge	NJ
View	4113300	Via Wireless, LLC	Cellular	D	Houston	TX
View	4110800	Visible Service LLC	Cellular	D	Basking Ridge	NJ
View	4113750	VOLT MOBILE Inc	Cellular	C	Delray Beach	FL
View	4113000	Whoop Connect Inc.	Cellular	D	New York	NY
View	4106500	WiMacTel, Inc.	Cellular	D	Calgary, AB	CA
View	4110950	Wing Tel Inc.	Cellular	D	New York	NY
View	4113400	Wrizzle, Inc.	Cellular	D	New Milford	CT
View	4113650	XCHANGE TELECOM LLC	Cellular	C	Brooklyn	NY
View	4112150	Zefcom, LLC	Cellular	C	Wichita Falls	TX

EXHIBIT E
FAA



Archive Search Results Form 7460-1 for ASN 2022-ASO-35015-OE

Overview				
Study (ASN):	2022-ASO-35015-OE			
Prior Study:				
Status:	Determined			
Letters:	Determination			
Supplemental Form 7460-2:	Please login to add a Supplemental Form 7460-2.			
Received Date:	09/13/2022			
Entered Date:	09/13/2022			
Completion Date:	06/29/2023			
Expiration Date:	12/29/2024			
Map:	View Map			
Sponsor Information				
Sponsor:	Tillman Infrastructure, LLC			
Attention Of:	Donna-Marie Stipo			
Address:	152 West 57th Street			
Address2:	8th Floor			
City:	New York			
State:	NY			
Postal Code:	10019			
Country:	US			
Phone:	914-714-9065			
Fax:				
Sponsor's Representative Information				
Representative:	Tillman Infrastructure, LLC			
Attention Of:	Donna-Marie Stipo			
Address:	152 West 57th Street			
Address2:	8th floor			
City:	New York			
State:	NY			
Postal Code:	10019			
Country:	US			
Phone:	212-706-9580			
Fax:				
Construction Info				
Notice Of:	CONSTR			
Duration:	PERM (Months: 0 Days: 0)			
Work Schedule:				
Date Built:				
Structure Summary				
Structure Type:	Antenna Tower			
Structure Name:	Harlan KY - TI-22295			
FCC Number:				
Structure Details				
Latitude (NAD 83):	36° 50' 08.82" N			
Longitude (NAD 83):	83° 19' 39.46" W			
Horizontal Datum:	NAD 83			
Survey Accuracy:	1A			
Marking/Lighting:	None			
Other Description:				
Current Marking/Lighting:	N/A Proposed Structure			
Current Marking/Lighting Other Description:				
Name:				
City:	Harlan			
State:	KY			
Nearest County:	Harlan			
Nearest Airport:	I35			
Distance to Structure:	12449 feet			
On Airport:	No			
Direction to Structure:	133.52°			
Description of Location:	227 Industrial Park Rd., Harlan, KY 40831			
Description of Proposal:	Study request for a new self-support tower for communication services.			
Height and Elevation				
	Proposed	DNE	DET	
Site Elevation:	1182			
Structure Height:	190	0	190	
Total Height (AMSL):	1372	0	1372	
Frequencies				
Low Freq	High Freq	Unit	ERP	Unit
6	7	GHz	55	dBW
6	7	GHz	42	dBW
10	11.7	GHz	55	dBW
10	11.7	GHz	42	dBW
17.7	19.7	GHz	55	dBW
17.7	19.7	GHz	42	dBW
21.2	23.6	GHz	55	dBW
21.2	23.6	GHz	42	dBW
614	698	MHz	2000	W
614	698	MHz	1000	W
698	806	MHz	1000	W
806	901	MHz	500	W
806	824	MHz	500	W
824	849	MHz	500	W
851	866	MHz	500	W
869	894	MHz	500	W
896	901	MHz	500	W
901	902	MHz	7	W
929	932	MHz	3500	W
930	931	MHz	3500	W
931	932	MHz	3500	W
932	932.5	MHz	17	dBW
935	940	MHz	1000	W
940	941	MHz	3500	W
1670	1675	MHz	500	W
1710	1755	MHz	500	W
1850	1910	MHz	1640	W
1850	1990	MHz	1640	W

1930	1990	MHz	1640	W
1990	2025	MHz	500	W
2110	2200	MHz	500	W
2305	2360	MHz	2000	W
2305	2310	MHz	2000	W
2345	2360	MHz	2000	W
2496	2690	MHz	500	W
3700	3980	MHz	3280	W

Previous [Back to Search Result](#) Next



Mail Processing Center
 Federal Aviation Administration
 Southwest Regional Office
 Obstruction Evaluation Group
 10101 Hillwood Parkway
 Fort Worth, TX 76177

Aeronautical Study No.
 2022-ASO-35015-OE

Issued Date: 06/29/2023

Donna-Marie Stipo
 Tillman Infrastructure, LLC
 152 West 57th Street
 8th Floor
 New York, NY 10019

**** DETERMINATION OF NO HAZARD TO AIR NAVIGATION ****

The Federal Aviation Administration has conducted an aeronautical study under the provisions of 49 U.S.C., Section 44718 and if applicable Title 14 of the Code of Federal Regulations, part 77, concerning:

Structure: Antenna Tower Harlan KY - TI-22295
 Location: Harlan, KY
 Latitude: 36-50-08.82N NAD 83
 Longitude: 83-19-39.46W
 Heights: 1182 feet site elevation (SE)
 190 feet above ground level (AGL)
 1372 feet above mean sea level (AMSL)

This aeronautical study revealed that the structure does not exceed obstruction standards and would not be a hazard to air navigation provided the following condition(s), if any, is(are) met:

Emissions from this site must be in compliance with the parameters set by collaboration between the FAA and telecommunications companies and reflected in the FAA 5G C band compatibility evaluation process (such as power, frequencies, and tilt angle). Operational use of this frequency band is not objectionable provided the Wireless Providers (WP) obtain and adhere to the parameters established by the FAA 5G C band compatibility evaluation process. **Failure to comply with this condition will void this determination of no hazard.**

It is required that FAA Form 7460-2, Notice of Actual Construction or Alteration, be e-filed any time the project is abandoned or:

- At least 10 days prior to start of construction (7460-2, Part 1)
- Within 5 days after the construction reaches its greatest height (7460-2, Part 2)

See attachment for additional condition(s) or information.

Based on this evaluation, marking and lighting are not necessary for aviation safety. However, if marking/lighting are accomplished on a voluntary basis, we recommend it be installed in accordance with FAA Advisory circular 70/7460-1 M.

This determination expires on 12/29/2024 unless:

- (a) the construction is started (not necessarily completed) and FAA Form 7460-2, Notice of Actual Construction or Alteration, is received by this office.
- (b) extended, revised, or terminated by the issuing office.
- (c) the construction is subject to the licensing authority of the Federal Communications Commission (FCC) and an application for a construction permit has been filed, as required by the FCC, within 6 months of the date of this determination. In such case, the determination expires on the date prescribed by the FCC for completion of construction, or the date the FCC denies the application.

NOTE: REQUEST FOR EXTENSION OF THE EFFECTIVE PERIOD OF THIS DETERMINATION MUST BE E-FILED AT LEAST 15 DAYS PRIOR TO THE EXPIRATION DATE. AFTER RE-EVALUATION OF CURRENT OPERATIONS IN THE AREA OF THE STRUCTURE TO DETERMINE THAT NO SIGNIFICANT AERONAUTICAL CHANGES HAVE OCCURRED, YOUR DETERMINATION MAY BE ELIGIBLE FOR ONE EXTENSION OF THE EFFECTIVE PERIOD.

This determination is based, in part, on the foregoing description which includes specific coordinates, heights, frequency(ies) and power. Any changes in coordinates, heights, and frequencies or use of greater power, except those frequencies specified in the Colo Void Clause Coalition; Antenna System Co-Location; Voluntary Best Practices, will void this determination. Any future construction or alteration, including increase to heights, power, or the addition of other transmitters, requires separate notice to the FAA. This determination includes all previously filed frequencies and power for this structure.

If construction or alteration is dismantled or destroyed, you must submit notice to the FAA within 5 days after the construction or alteration is dismantled or destroyed.

This determination does include temporary construction equipment such as cranes, derricks, etc., which may be used during actual construction of the structure. However, this equipment shall not exceed the overall heights as indicated above. Equipment which has a height greater than the studied structure requires separate notice to the FAA.

This determination concerns the effect of this structure on the safe and efficient use of navigable airspace by aircraft and does not relieve the sponsor of compliance responsibilities relating to any law, ordinance, or regulation of any Federal, State, or local government body.

A copy of this determination will be forwarded to the Federal Communications Commission (FCC) because the structure is subject to their licensing authority.

If we can be of further assistance, please contact our office at (206) 231-2993, or lynette.farrell@faa.gov. On any future correspondence concerning this matter, please refer to Aeronautical Study Number 2022-ASO-35015-OE.

Signature Control No: 553072013-591897338

(DNE)

Lynnette Farrell
Technician

Attachment(s)
Additional Information
Frequency Data

Map(s)

cc: FCC

Additional information for ASN 2022-ASO-35015-OE

Part 77 authorizes the FAA to evaluate a structure or object's potential electromagnetic effects on air navigation, communication facilities, and other surveillance systems. It also authorizes study of impact on arrival, departure, and en route procedures for aircraft operating under visual or instrument flight rules, as well as the impact on airport traffic capacity at existing public use airports. Broadcast in the 3.7 to 3.98 GHz frequency (5G C band) currently causes errors in certain aircraft radio altimeters and the FAA has determined they cannot be relied upon to perform their intended function when experiencing interference from wireless broadband operations in the 5G C band. The FAA has adopted Airworthiness Directives for all transport and commuter category aircraft equipped with radio altimeters that prohibit certain operations when in the presence of 5G C band

This determination of no hazard is based upon those mitigations implemented by the FAA and operators of transport and commuter category aircraft, and helicopters operating in the vicinity of your proposed location. It is also based on telecommunication industry and FAA collaboration on acceptable power levels and other parameters as reflected in the FAA 5G C band evaluation process.

The FAA 5G C band compatibility evaluation is a data analytics system used by FAA to evaluate operational hazards related to aircraft design. The FAA 5G C band compatibility evaluation process refers to the process in which the telecommunication companies and the FAA have set parameters, such as power output, locations, frequencies, and tilt angles for antenna that mitigate the hazard to aviation. As the telecommunication companies and FAA refine the tools and methodology, the allowable frequencies and power levels may change in the FAA 5G C band compatibility evaluation process. Therefore, your proposal will not have a substantial adverse effect on the safe and efficient use of the navigable airspace by aircraft provided the equipment and emissions are in compliance with the parameters established through the FAA 5G C band compatibility evaluation process.

Any future changes that are not consistent with the parameters listed in the FAA 5G C band compatibility evaluation process will void this determination of no hazard.

Frequency Data for ASN 2022-ASO-35015-OE

LOW FREQUENCY	HIGH FREQUENCY	FREQUENCY UNIT	ERP	ERP UNIT
6	7	GHz	55	dBW
6	7	GHz	42	dBW
10	11.7	GHz	55	dBW
10	11.7	GHz	42	dBW
17.7	19.7	GHz	55	dBW
17.7	19.7	GHz	42	dBW
21.2	23.6	GHz	55	dBW
21.2	23.6	GHz	42	dBW
614	698	MHz	2000	W
614	698	MHz	1000	W
698	806	MHz	1000	W
806	901	MHz	500	W
806	824	MHz	500	W
824	849	MHz	500	W
851	866	MHz	500	W
869	894	MHz	500	W
896	901	MHz	500	W
901	902	MHz	7	W
929	932	MHz	3500	W
930	931	MHz	3500	W
931	932	MHz	3500	W
932	932.5	MHz	17	dBW
935	940	MHz	1000	W
940	941	MHz	3500	W
1670	1675	MHz	500	W
1710	1755	MHz	500	W
1850	1910	MHz	1640	W
1850	1990	MHz	1640	W
1930	1990	MHz	1640	W
1990	2025	MHz	500	W
2110	2200	MHz	500	W
2305	2360	MHz	2000	W
2305	2310	MHz	2000	W
2345	2360	MHz	2000	W
2496	2690	MHz	500	W
3700	3980	MHz	3280	W

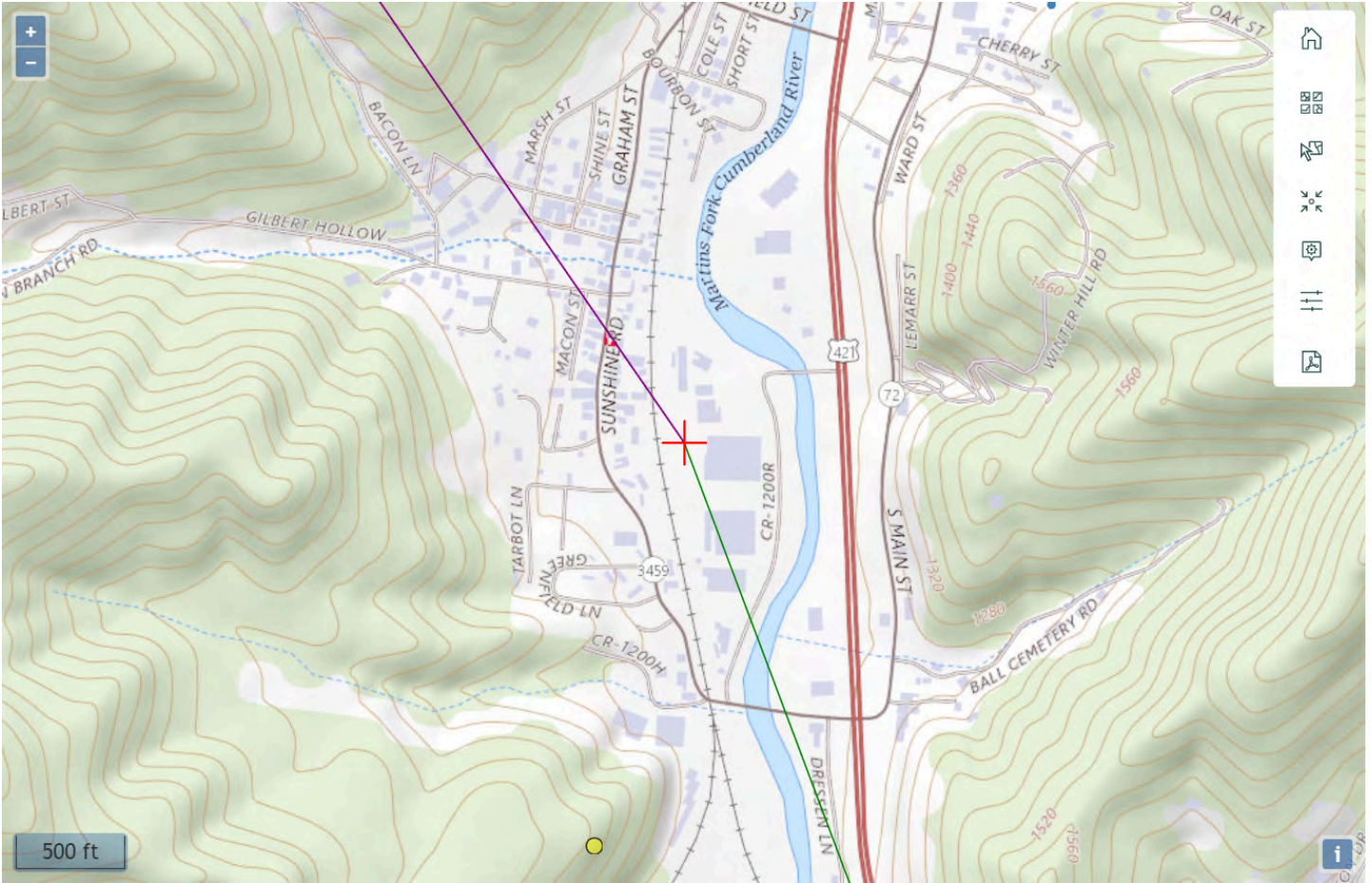


EXHIBIT F
KENTUCKY AIRPORT ZONING COMMISSION



KENTUCKY TRANSPORTATION CABINET
 KENTUCKY AIRPORT ZONING COMMISSION

TC 55-2
 Rev. 05/2017
 Page 2 of 2

APPLICATION FOR PERMIT TO CONSTRUCT OR ALTER A STRUCTURE

APPLICANT (name) Tillman Infrastructure, LLC		PHONE 212-706-1677	FAX	KY AERONAUTICAL STUDY #	
ADDRESS (street) 147 West 57 th Street, 27 th Floor		CITY New York		STATE NY	ZIP 10019
APPLICANT'S REPRESENTATIVE (name)		PHONE	FAX		
ADDRESS (street)		CITY		STATE	ZIP
APPLICATION FOR <input checked="" type="checkbox"/> New Construction <input type="checkbox"/> Alteration <input type="checkbox"/> Existing				WORK SCHEDULE	
DURATION <input checked="" type="checkbox"/> Permanent <input type="checkbox"/> Temporary (months days)				Start 9/30/23 End 1/17/24	
TYPE <input type="checkbox"/> Crane <input type="checkbox"/> Building <input checked="" type="checkbox"/> Antenna Tower <input type="checkbox"/> Power Line <input type="checkbox"/> Water Tank <input type="checkbox"/> Landfill <input type="checkbox"/> Other		MARKING/PAINTING/LIGHTING PREFERRED <input type="checkbox"/> Red Lights & Paint <input type="checkbox"/> White- medium intensity <input type="checkbox"/> White- high intensity <input type="checkbox"/> Dual- red & medium intensity white <input type="checkbox"/> Dual- red & high intensity white <input type="checkbox"/> Other			
LATITUDE 36°50'08.82"		LONGITUDE 83°19'39.46"		DATUM <input checked="" type="checkbox"/> NAD83 <input type="checkbox"/> NAD27 <input type="checkbox"/> Other	
NEAREST KENTUCKY City Harlan County Harlan		NEAREST KENTUCKY PUBLIC USE OR MILITARY AIRPORT Tucker-Guthrie Memorial Airport			
SITE ELEVATION (AMSL, feet) 1182		TOTAL STRUCTURE HEIGHT (AGL, feet) 190		CURRENT (FAA aeronautical study #) 2022-ASO-35015	
OVERALL HEIGHT (site elevation plus total structure height, feet) 1372				PREVIOUS (FAA aeronautical study #)	
DISTANCE (from nearest Kentucky public use or Military airport to structure) 2.3 miles from Tucker-Guthrie Memorial Airport				PREVIOUS (KY aeronautical study #)	
DIRECTION (from nearest Kentucky public use or Military airport to structure) Tower lies Southeast of Tucker-Guthrie Memorial Airport					
DESCRIPTION OF LOCATION (Attach USGS 7.5 minute quadrangle map or an airport layout drawing with the precise site marked and any certified survey.) Located on Industrial Park Rd, west of US Hwy 421.					
DESCRIPTION OF PROPOSAL Installation of a telecommunications tower for communication services.					
FAA Form 7460-1 (Has the "Notice of Construction or Alteration" been filed with the Federal Aviation Administration?) <input type="checkbox"/> No <input checked="" type="checkbox"/> Yes, when? See Attached					
CERTIFICATION (I hereby certify that all the above entries, made by me, are true, complete, and correct to the best of my knowledge and belief.)					
PENALTIES (Persons failing to comply with KRS 183.861 to 183.990 and 602 KAR 050 are liable for fines and/or imprisonment as set forth in KRS 183.990(3). Noncompliance with FAA regulations may result in further penalties.)					
NAME Donna-Marie Stipo	TITLE National Director Regulatory Compliance	SIGNATURE 		DATE 3-3-2023	
COMMISSION ACTION		<input type="checkbox"/> Chairperson, KAZC <input type="checkbox"/> Administrator, KAZC			
<input type="checkbox"/> Approved	SIGNATURE		DATE		
<input type="checkbox"/> Disapproved					

Annie Zocco

Subject: FW: P-006774 /AT&T / TI-OPP-22295 / 15724961 / Clover Fork -NO need for KAZC

From: Airport Zoning Commission <AirportZoning@ky.gov>
Sent: Monday, June 26, 2023 4:58 PM
To: Compliance <compliance@consultdms.com>
Subject: RE: TI-OPP-22295 / Harlan KY / 2022-ASO-35015-OE

Badon,

These coordinates and height are not in KAZC jurisdiction, and no Permit is required from the KAZC.

Aeronautical Study Result

The structure is not in KAZC's jurisdiction and does not require a permit.

Call if you have questions or require additional information.

Respectfully,



Anthony Adams
AIRPORT ZONING COMMISSION,
ADMINISTRATOR
Department of Aviation
90 Airport Road, Bldg 400
Frankfort, Kentucky 40601
(502) 564-0151
(502) 564-0570 Direct Line
(502) 330-4022 Mobile
[Airport Zoning Commission | KYTC](#)

From: Compliance <compliance@consultdms.com>
Sent: Friday, March 3, 2023 4:28 PM
To: Airport Zoning Commission <AirportZoning@ky.gov>
Cc: DonnaMarie Stipo <dmstipo@tillmaninfrastructure.com>
Subject: TI-OPP-22295 / Harlan KY / 2022-ASO-35015-OE

****CAUTION** PDF attachments may contain links to malicious sites. Please contact the COT Service Desk ServiceCorrespondence@ky.gov for any assistance.**

Dear KY Airport Zoning Commission,
Please find attached the Application and additional information for the Boards review.
Please send us confirmation as to whether or not this will make the Commission's April 2023 meeting.
Best Regards,
Badon Delmotte
Compliance Coordinator

EXHIBIT G
GEOTECHNICAL REPORT



ENVIRONMENTAL CORPORATION OF AMERICA

ENVIRONMENTAL | GEOTECHNICAL | WETLANDS | ECOLOGY | CULTURAL RESOURCES

Geotechnical Investigation

**Clover Fork
(TI-OPP-22295 / FA #15724961)**

**227 Industrial Park Road
Harlan, Harlan County, Kentucky**

ECA Project No. 23-000518



SUBMITTED TO:

Tillman Infrastructure
East Region
20 Mansell Court East, Suite 375
Roswell, GA 30076

PREPARED BY:

Environmental Corporation of America
1375 Union Hill Industrial Court, Suite A
Alpharetta, GA 30004



ENVIRONMENTAL CORPORATION OF AMERICA

ENVIRONMENTAL | GEOTECHNICAL | WETLANDS | ECOLOGY | CULTURAL RESOURCES

March 15, 2023

Tillman Infrastructure
East Region
20 Mansell Court East, Suite 375
Roswell, GA 30076

Attention: Ms. Annie Zocco, Project Manager

**Subject: Geotechnical Investigation Report
Clover Fork (TI-OPP-22295 / FA #15724961)
227 Industrial Park Road
Harlan, Harlan County, Kentucky
ECA Project No. 23-000518**

Dear Ms. Zocco:

Environmental Corporation of America (ECA) is pleased to submit this report of our geotechnical investigation for the proposed project. Our services were provided as authorized by TowerSource / Tillman Infrastructure, using an email approval dated February 8th, 2023.

This report presents a review of the information provided to us, a description of the site and subsurface conditions, and our recommendations. The appendices contain a Site Location Map, a Boring Location Plan, and a Boring Log.

We will be happy to discuss our recommendations with you and look forward to providing the additional studies or services necessary to complete this project. We appreciate the opportunity to be of service. Please call us with any questions at (770) 667-2040.

Sincerely,
Environmental Corporation of America

Mrs. Athulya Balakrishnan, P.E.
Project Engineer

Héctor A. Acosta, M.S.C.E., P.E.
Principal Geotechnical Engineer
State of Kentucky P.E. #31144



Geotechnical Investigation

Purpose and Scope of Work

The purpose of this investigation was to obtain specific subsurface data at the site and to provide geotechnical related parameters for the design and construction of the foundations for a self-supported lattice tower and prefabricated telecom equipment.

Our scope of work included the following:

- One (1) soil test boring was drilled to a depth of 40 feet below the ground surface (bgs).
- Figure 1 shows the Site Location Map. Figure 2 shows the Boring Location Plan.
- Standard penetration tests (SPTs) were conducted to obtain soil samples and SPT N-values, in accordance with ASTM D-1586.
- The depth to groundwater, if any, was measured in the boring after drilling was completed.
- Natural moisture content (WC_N) tests were performed on a selected number of soil samples in accordance with ASTM D-2216.
- Unconfined compressive strength (q_u) index tests were performed using the pocket penetrometer test or the spring tester test (whenever possible).
- The soil samples were visually classified in accordance with ASTM D-2488 and a boring log was prepared.
- The soil conditions were evaluated by a registered professional engineer and this geotechnical report was prepared with our recommendations.

We have recommended design parameters and settlements based on the SPT N-values, an examination of the soil samples, and our experience with similar soil conditions and structures.

Project Information

We were provided with a project site survey prepared by Point to Point Land Surveyors, Inc and dated May 10th, 2022. The proposed tower would be located at 227 Industrial Park Road, in Harlan, Harlan County, in Kentucky.

We understand that plans include constructing a 175-foot tall self-supported lattice tower, approximately as shown in Appendix A. We assume that the equipment building/cabinet will be a prefabricated structure supported on a perimeter grade beam, spread footing or turndown slab. The project also includes the construction of a 25-foot wide ingress/egress and utility easement.

Field Drilling Work

The field drilling work was conducted on February 28th and March 11th of 2023. Information obtained from the boring log was used to help us evaluate the subsurface conditions and to assist in formulating our recommendations. The site was not staked at the time of our field visit.

Subsurface Soil Conditions (Boring B-1)

In general, soils encountered at the site consisted of a clayey Fill material manually described as stiff to very stiff silty Clay (CL) to an approximate depth of 10 feet, underlain by soft to medium dense plastic silty Clay (CH) to an approximate depth of 23.5 feet, underlain by hard sandy Clay (CL) to an approximate depth of 28.5 feet, underlain by Weathered Shale manually described as very dense silty Gravel (Weathered Shale) to the full depth drilled of 40 feet bgs.

The following table presents a summary of the existing soil conditions.

Soil Profile Depth (ft)		Type of Soils (Soil Manual Classification)	*Soil Symbols	SPT N-Values bpf (blows per foot)
0	10	Stiff to very stiff sandy Clay	CL (Fill)	14 to 30
10	23.5	Soft to medium dense plastic silty Clay	CH	3 to 6
23.5	28.5	Hard sandy Clay	CL	50/2''
28.5	40	Weathered Shale manually described as very dense silty Gravel	Weathered Shale	50/2'' to 50/1''

*Soil symbols are based in the Unified Soil Classification System (USCS) and the Soil and Rock Logging, Classification, and Presentation Manual (Caltrans 210 ed).

The encountered upper clayey fill soil layers are considered stiff to very stiff in consistency with estimated unconfined compressive strength (q_u) measurements between 2,300 and 5,300 psf. The encountered middle plastic silty clay soil layer between 10 and 23.5 feet are considered soft to medium dense in consistency with estimated unconfined compressive strength (q_u) measurements between 500 and 1,000 psf. The encountered lower sandy clay soil layer between 23.5 and 28.5 feet was considered very dense in terms of relative density.

Natural moisture (WC_N) content measurements were conducted on selected soil samples and ranged between 2.0% and 36.0%. A final boring log is shown in Appendix B.

Groundwater Level Condition

A groundwater level was encountered at the site at a depth of 38.5 feet bgs. It should be noted that groundwater level observations made within mostly cohesive soils during drilling could be misleading. It should be anticipated that the groundwater level will fluctuate due to seasonal climatic changes during the year. To determine actual groundwater level measurements, groundwater levels should be measured using observation wells installed for prolonged periods.

Foundation Construction Recommendations

The subsurface conditions are suitable for the support of the proposed tower using a deep foundation system.

Based on our review of the subsurface soil conditions encountered in the boring, we offer the following average soil parameters for the design of a proposed drilled shaft.

Boring Depth (feet)		*Unit Weight γ_{wet} / γ_b (pcf)	Friction Angle ϕ (deg)	Soil Cohesion C_u (psf)	K_p	Allowable Skin Friction f_s (psf)	Allowable Bearing Pressure q_{ALL} (psf)	Soil Modulus K_H (pci)
0	3.5	120	0	1,700	1.00	383	-	125
3.5	8.5	120	0	2,500	1.00	539	-	125
8.5	13.5	120	0	1,200	1.00	270	-	125
13.5	18.5	105	0	500	1.00	113	-	60
18.5	23.5	105	0	250	1.00	56	-	20
23.5	28.5	125	0	3,500	1.00	580	6,000	250
28.5	40	140 / 75	41	0	4.81	937	12,000	500

Notes: A safety factor of 2 is used for allowable skin friction (f_s). A safety factor of 3 is used for allowable soil bearing pressure (q_{ALL}). *Below the groundwater level designer should consider the buoyant unit weight (γ_b) = $\gamma_{wet} - \gamma_{water}$.

Active earth pressure coefficient $K_A = \tan^2(45 - \phi/2) = 1/K_P$.

At rest earth pressure coefficient $K_0 = 1 - \sin(\phi)$.

The proposed drilled shaft should be designed using a combination of point bearing and friction forces. Total drilled shaft foundation settlement should not exceed 0.50 inches. Final drilled shaft diameter (D) and embedment length (L) will depend upon final tower loading conditions. For these foundations ECA recommends a minimum concrete strength (f'_c) of 4,000 psi (pounds per square inch).

To prevent further settlements, ECA strongly recommends placing the bottom of foundation between 30 and 35 feet bgs.

Building Foundations

The proposed equipment building can be supported on a perimeter grade beam, spread footing or turndown slab foundation. For the design of the building foundation the soils are capable of a maximum net allowable soil bearing pressure (q_{ALL}) of 2,000 psf. A minimum depth of foundation (D_f) of 1.5 feet below existing grades elevations should be considered. Total and differential settlements should be less than 1/2-inch and 1/4-inch, respectively.

For ground floor slabs may be designed as conventional slabs on grade over the existing soils or on engineered compacted fill using a Modulus of Subgrade Reaction (K_s) of 85 pci (pounds per cubic inch). The bearing pad should be prepared and compacted prior to placing any concrete. Contractors should verify the Fill Placement section of this report.

Soil Site Class

Based on our site evaluation and the information provided by the International Building Code (IBC 2012 / ASCE 7-10) to perform a dynamic analysis the project engineer should consider the information in the table below.

Soil Profile (feet)	*Soil Class Type
Ground level - 28.5	Soft Soil Profile and Site Class E
28.5 - 40	Very Dense Soil and Soft Rock and Site Class C

*Average properties in top 100 feet.

Foundation Excavations

A groundwater level was encountered during foundation drilling below the expected foundation depth; therefore prospective contractor *would not need to consider* excavation dewatering.

A very dense weathered shale formation was encountered at the site in Boring B-1 at a depth of 28.5 feet bgs. The prospective contractor should consider specialized equipment for hard soil excavation or caisson drilling. Further, though we were able to drill to a depth of 40 feet bgs using a small diameter auger, drilling with large diameter foundation augers may not be possible below 28.5 feet.

To avoid softening of the shallow soils exposed at the foundation bearing level, excavations should not be left open for extended periods prior to placing reinforcing steel and concrete. If rain or freezing weather is expected, excavations should not be completed. Leaving the excavations at least 1-foot above final grade should protect the bearing soils from deterioration.

If the excavation must remain open overnight or if rainfall becomes imminent while the bearing soils are exposed, we recommend that a 2 to 4-inch thick "mud-mat" of "lean" (2,000 psi) concrete be placed on the bearing soils before the placement of reinforcing steel. If the bearing soils are softened by surface water intrusion or exposure, the softened soils must be removed from the foundation excavation bottom immediately prior to placement of concrete.

Fill Placement

If required, borrow materials for fill, unless otherwise specified, should consist of essentially granular material (GW, GM, GP, GC, SW, SM or SP Unified Soil Classification System); A-2-4 or better, AASHTO Classification, as approved by the Project Geotechnical Engineer. These should be free from vegetation and should not contain rocks greater than 6 inches in size.

The amount of fill required for this project depends on the planned final grades. Any fill or backfill required to attain finished grade should be placed in layers not exceeding 8 to 10-inch thick lifts and compacted to not less than 95% of the Standard Proctor Maximum dry density, as determined by method (ASTM D-698). The soil moisture content should be close to the optimum moisture content. All required fills should meet the specified compaction criteria.

ECA does not know the capability of the surficial soil to support pavements. However, we suggest that the upper soils be replaced by granular fill in areas of heavy traffic to improve the subgrade support capabilities and moisture sensitivity.

Field density tests should be conducted at routine intervals as the fill is being placed to verify that adequate compaction is achieved. Prior to placing any new fill, any soft or loose near surface soils should be removed and the area Proof-Rolled with a heavy vehicle or a heavy compaction vibratory roller to confirm that any unsuitable soil conditions have been discovered.

Basis for Recommendations

The subsurface conditions encountered at the boring location is shown on the Boring Log in Appendix B. The Boring Log represents our interpretation of the subsurface conditions based on the field logs and visual examination of field samples by an engineer. The lines designating the interface between various strata on the Boring Log represents the approximate interface locations. In addition, the transition between strata may be gradual. The water level shown on the Boring Log, if any, represents the condition only at the time of our exploration.

The recommendations contained herein are based in part on project information provided to us and only apply to the specific project and site discussed in this report. If the project information section in this report contains incorrect information or if additional information is available, please let us know so that we may review the validity of our recommendations.

Regardless of the thoroughness of a geotechnical investigation, there is always a possibility that conditions between borings will be different from those at specific boring locations and that conditions will not be as anticipated by the designers or contractors. In addition, the construction process may itself alter soil conditions. Therefore, experienced geotechnical personnel should observe and document the construction procedures used and the conditions encountered. Unanticipated conditions and inadequate procedures should be reported to the design team along with timely recommendations to solve the problems created. ECA is best qualified to provide this service based on our familiarity with the project, the subsurface conditions, and the intent of the recommendations and design.

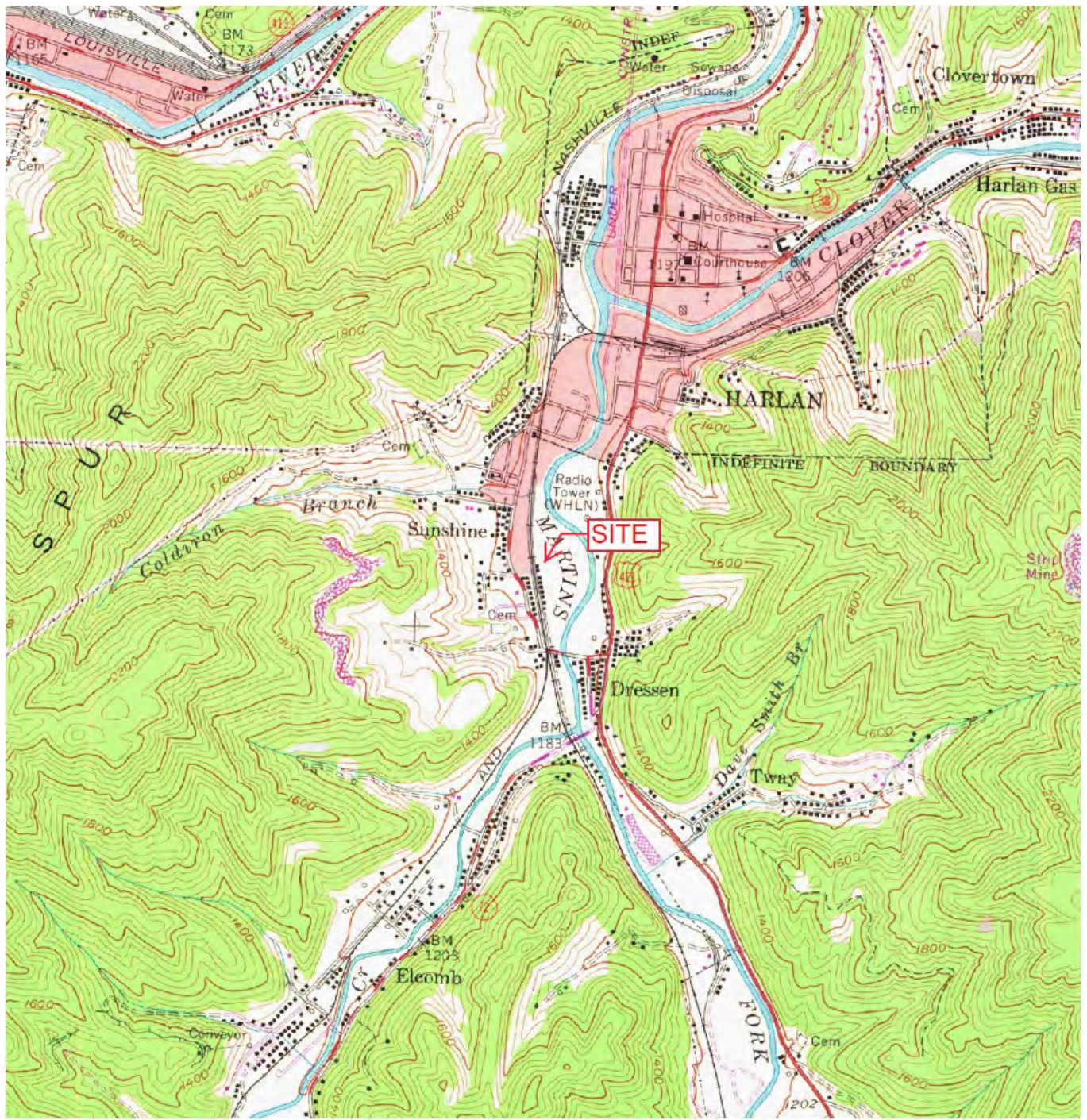
We wish to remind you that we will store the soil samples for 30 days. The samples will then be discarded unless you request otherwise.

APPENDICES

- Appendix A Figures
- Appendix B Boring Log

APPENDIX A

Figures



2,000 0 2,000 ft



Source: USGS Topographic Map 7.5 Minute Series, Vanceburg - KY (2022).



Clover Fork (TI-OPP-22295 / FA #15724961)

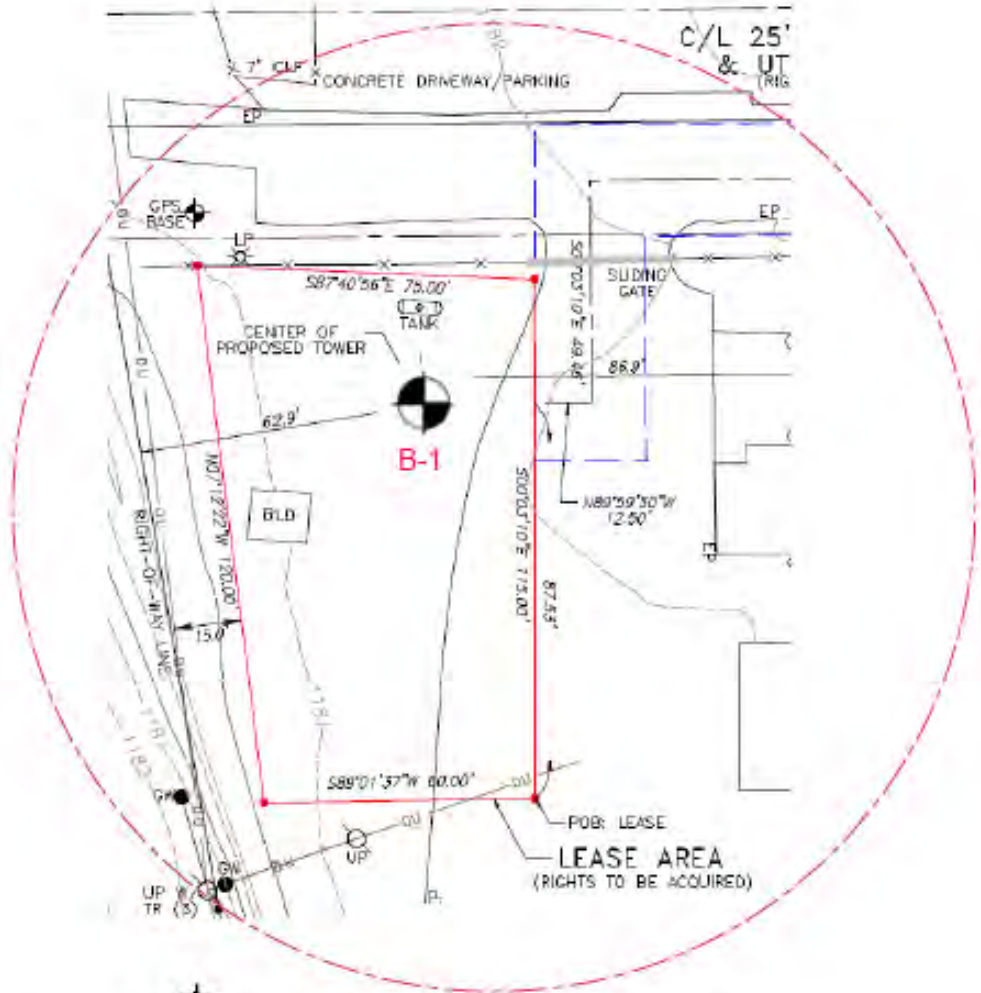
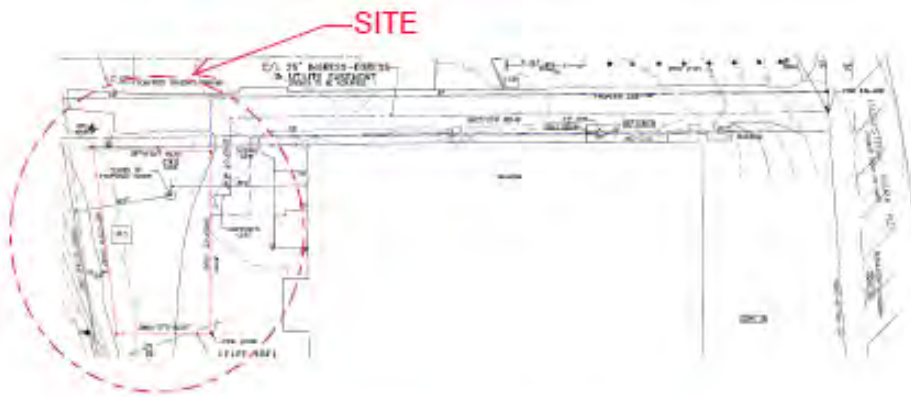
227 Industrial Park Road

Harlan, Harlan County, Kentucky

Figure 1: Site Location Map

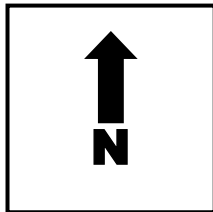


ECA Project #23-000518

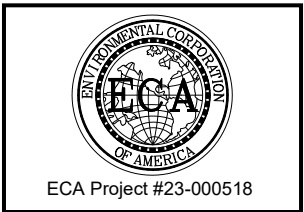


Legend: Soil Boring Location

Source: Project site survey was prepared by P2PLS and dated May 10, 2022.



Clover Fork (TI-OPP-22295 / FA #15724961)
 227 Industrial Park Road
 Harlan, Harlan County, Kentucky
 Figure 2: Boring Location Plan



APPENDIX B

Boring Log

Project: Clover Fork Project Location: Harlan, KY Project Number: 23-000518	Environmental Corp of America 1375 Union Hill Industrial Ct. Suite-A Alpharetta, GA 30004 (770) 667-2040	Log of Boring B-1 Sheet 1 of 2
--	--	---

Date(s) Drilled: 2/28/2023 and 3/11/2023	Logged By: A. Balakrishnan	Checked By: H. Acosta
Drilling Method: HSA/Mud Drilling	Drill Bit Size/Type: 2.25 inches	Total Depth of Borehole: 40 feet bgs
Drill Rig Type: Truck	Drilling Contractor: South Drilling	Approximate Surface Elevation: 1,182 feet AMSL
Groundwater Level and Date Measured: 38.5 feet ATD	Sampling Method(s): SPT	Hammer Data: 140 Lbs hammer, rope and cathead
Borehole Backfill: Cuttings	Location: Harlan, Harlan County, Kentucky	

Depth (feet)	Sample Number	Sample Type	Sampling Resistance, blows/ft	SPT N-Values	Rec (%) / RQD (%)	MATERIAL DESCRIPTION	Material Type	USCS Symbol	Water Content (%)	qu (tsf)	qu (tsf)- Spring Tester	LL (%)	PI (%)
0						6" Gravel layer							
1	1	Diagonal Hatching	6-8-12	20		Dark grey, very stiff sandy Clay, damp (Clayey Fill)	Fill	Diagonal Hatching	9.9	-			
5	2	Diagonal Hatching	9-14-16	30		Same as above, very stiff, damp	Fill	Diagonal Hatching	16.2	4.0			
3	3	Diagonal Hatching	8-12-14	26		Same as above, very stiff, damp	Fill	Diagonal Hatching	16.3	4.5			
10	4	Diagonal Hatching	6-6-8	14		Same as above, stiff, damp	Fill	Diagonal Hatching	11.1	-			
15	5	Diagonal Hatching	2-3-3	6		Grey, medium dense plastic silty Clay, wet	CH	Diagonal Hatching	36.0	-			
20	6	Diagonal Hatching	2-1-2	3		Same as above, soft, wet	CH	Diagonal Hatching	32.8	-			
25	7	Diagonal Hatching	2-50/2"	50/2"		Dark grey, hard sandy Clay, trace roots, wet	CL	Diagonal Hatching	2.0	-			
30	8	Diagonal Hatching	50/2"	50/2"		Weathered Shale manually described as grey/black, very dense silty gravel, dry		Stars	3.1	-			

F:\PROJECT\2023proj\23-000500 - 23-000524\Boring B1_Clover Fork_23-000518.bg4[ECA Temp.ipf]



Project: **Clover Fork**
 Project Location: **Harlan, KY**
 Project Number: **23-000518**

Environmental Corp of America
 1375 Union Hill Industrial Ct. Suite-A
 Alpharetta, GA 30004
 (770) 667-2040

Log of Boring B-1
Sheet 2 of 2

Depth (feet)	Sample Number	Sample Type	Sampling Resistance, blows/ft	SPT N-Values	Rec (%) / RQD (%)	MATERIAL DESCRIPTION	Material Type	USCS Symbol	Water Content (%)	qu (tsf)	qu (tsf)- Spring Tester	LL (%)	PI (%)
30						Weathered Shale manually described as grey/black, very dense silty gravel, dry		+					
33	9	Diagonal Hatching	50/1"	50/1"		Same as above, very dense, dry		+	3.0	-			
39	10	Diagonal Hatching	50/1"	50/1"		Same as above, very dense, dry	∇	+	5.3	-			
40						End of Boring at 40 feet.							
45													
50													
55													
60													

F:\PROJECT\2023proj\23-000500 - 23-000524\Boring B1_Clover Fork_23-000518.bg4[ECA Temp.ipj]



Project: **Clover Fork**

Project Location: **Harlan, KY**

Project Number: **23-000518**

Environmental Corp of America

1375 Union Hill Industrial Ct. Suite-A
 Alpharetta, GA 30004
 (770) 667-2040

Key to Log of Boring

Sheet 1 of 1

Depth (feet)	Sample Number	Sample Type	Sampling Resistance, blows/ft	SPT N-Values	Rec (%) / RQD (%)	MATERIAL DESCRIPTION	Material Type	USCS Symbol	Water Content (%)	qu (tsf)	qu (tsf)- Spring Tester	LL (%)	PI (%)
1	2	3	4	5	6	7	8	9	10	11	12	13	14


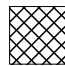
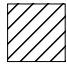

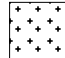
COLUMN DESCRIPTIONS

- 1** Depth (feet): Depth in feet below the ground surface.
- 2** Sample Number: Sample identification number.
- 3** Sample Type: Type of soil sample collected at the depth interval shown.
- 4** Sampling Resistance, blows/ft: Number of blows to advance driven sampler one foot (or distance shown) beyond seating interval using the hammer identified on the boring log.
- 5** SPT N-Values: SPT N-values
- 6** Rec (%) / RQD (%): Core Recovery (%) and RQD (%)
- 7** MATERIAL DESCRIPTION: Description of material encountered. May include consistency, moisture, color, and other descriptive text.
- 8** Material Type: Type of material encountered.
- 9** USCS Symbol: Graphic depiction of the subsurface material encountered.
- 10** Water Content (%): Water content of the soil sample, expressed as percentage of dry weight of sample.
- 11** qu (tsf): Unconfined compression test
- 12** qu (tsf)- Spring Tester: Unconfined Compression test value from a spring tester
- 13** LL (%): Liquid Limit, expressed as a water content.
- 14** PI (%): Plasticity Index, expressed as a water content.




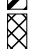







FIELD AND LABORATORY TEST ABBREVIATIONS

- CHEM: Chemical tests to assess corrosivity
- COMP: Compaction test
- CONS: One-dimensional consolidation test
- LL: Liquid Limit, percent
- PI: Plasticity Index, percent
- SA: Sieve analysis (percent passing No. 200 Sieve)
- UC: Unconfined compressive strength test, Qu, in ksf
- WA: Wash sieve (percent passing No. 200 Sieve)

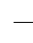
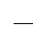
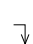

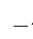
MATERIAL GRAPHIC SYMBOLS

	Fat CLAY, CLAY w/SAND, SANDY CLAY (CH)		AF
	Lean CLAY, CLAY w/SAND, SANDY CLAY (CL)		Gravel
			Shale

TYPICAL SAMPLER GRAPHIC SYMBOLS

	Auger sampler		Grab Sample		Pitcher Sample
	Bulk Sample		HQ Rock Core		2-inch-OD unlined split spoon (SPT)
	3-inch-OD California w/ brass rings		2.5-inch-OD Modified California w/ brass liners		Shelby Tube (Thin-walled, fixed head)
	CME Sampler		NQ Rock Core		

OTHER GRAPHIC SYMBOLS

-  Water level (at time of drilling, ATD)
-  Water level (after waiting)
-  Minor change in material properties within a stratum
-  Inferred/gradational contact between strata
-  Queried contact between strata

GENERAL NOTES

- 1: Soil classifications are based on the Unified Soil Classification System. Descriptions and stratum lines are interpretive, and actual lithologic changes may be gradual. Field descriptions may have been modified to reflect results of lab tests.
- 2: Descriptions on these logs apply only at the specific boring locations and at the time the borings were advanced. They are not warranted to be representative of subsurface conditions at other locations or times.

F:\PROJECT\2023proj\23-000518\Boring B1_Clover Fork_23-000518.bg4[ECA Temp.ipf]



**EXHIBIT H
DIRECTIONS TO WCF SITE**

Driving Directions to Proposed Tower Site

1. Beginning at 210 E Central St # 111, Harlan, KY 40831, head west on E Central Street toward N 1st Street and travel approximately 0.2 miles.
2. Turn left onto US-421 S and travel approximately 0.7 miles.
3. Turn right onto Industrial Park Road and travel approximately 367 feet.
4. Turn left to stay on Industrial Park Road and travel approximately 285 feet.
5. The site is located on the right. The site address is 227 Industrial Park Road, Harlan KY 40831.
6. The site coordinates are:
 - a. North 36 deg 50 min 08.82 sec
 - b. West 83 deg 19 min 39.46 sec



Prepared by:
Chris Shouse
Pike Legal Group
1578 Highway 44 East, Suite 6
P.O. Box 396
Shepherdsville, KY 40165-3069
Telephone: 502-955-4400 or 800-516-4293

EXHIBIT I
COPY OF REAL ESTATE AGREEMENT

Market: Southeast/TN-KY
Cell Site Number: T1-OPP-22295
Cell Site Name: Clover Fork
Search Ring Name:
Fixed Asset Number: 15724961

OPTION AND LEASE AGREEMENT

THIS OPTION AND LEASE AGREEMENT (“**Agreement**”), dated as of the latter of the signature dates below (the “**Effective Date**”), is entered into by Harlan Countians for Progress, LLC, a Kentucky limited liability company, having a mailing address of 200 Waldon Road, Suite 1, Harlan, Kentucky 40831 (“**Landlord**”) and Tillman Infrastructure LLC, a Delaware limited liability company, having an address at 152 West 57th Street, New York, New York 10019 (“**Tenant**”).

BACKGROUND

Landlord owns or controls that certain plot, parcel or tract of land, as described on **Exhibit 1**, together with all rights and privileges arising in connection therewith, located at 227 Industrial Park Road, Harlan, in the County of Harlan, State of Kentucky 40831 (collectively, the “**Property**”). Landlord desires to grant to Tenant the right to use a portion of the Property in accordance with this Agreement.

The parties agree as follows:

1. OPTION TO LEASE.

(a) Landlord grants to Tenant an exclusive option (the “**Option**”) to lease a certain portion of the Property consisting of a $\pm 66'$ x $\pm 120'$ parcel of property including the air space above such ground space as described on attached **Exhibit 1**, (the “**Premises**”), for the placement of a Communication Facility in accordance with the terms of this Agreement.

(b) During the Option Term, and during the Term, Tenant and its agents, engineers, surveyors and other representatives will have the right to enter upon the Property to inspect, examine, conduct soil borings, drainage testing, material sampling, radio frequency testing and other geological or engineering tests or studies of the Property (collectively, the “**Tests**”), to apply for and obtain licenses, permits, approvals, or other relief required of or deemed necessary or appropriate at Tenant’s sole discretion for its use of the Premises and include, without limitation, applications for zoning variances, zoning ordinances, amendments, special use permits, registrations with the Federal Communications Commissions and construction permits (collectively, the “**Government Approvals**”), initiate the ordering and/or scheduling of necessary utilities. Tenant will not be liable to Landlord or any third party on account of any pre-existing defect or condition on or with respect to the Property, whether or not such defect or condition is disclosed by Tenant’s inspection. Tenant will restore the Property to its condition as it existed at the commencement of the Option Term, reasonable wear and tear and loss by casualty or other causes beyond Tenant’s control excepted.

(c) In consideration of Landlord granting Tenant the Options contained in this Agreement, Tenant agrees to pay Landlord the sum of [REDACTED] within thirty (30) business days after the Effective Date. The Option may be exercised during an initial term of one (1) year commencing on the Effective Date (the “**Initial Option Term**”). If the Option is not exercised during the Initial Term, the term shall automatically renew for an additional one (1) year (the “**Renewal Option Term**”). Tenant shall pay Landlord an additional [REDACTED] within thirty (30) business days after the start date of the Renewal Option Term. The Initial Option Term and any Renewal Option Term are collectively referred to as the “**Option Term**.”

(d) The Option may be sold, assigned or transferred at any time by Tenant without the written consent of Landlord. Upon notification to Landlord of such sale, assignment or transfer, Tenant shall immediately be released from any and all liability under this Agreement, including the payment of any rental or other sums due, without any further action.

(e) During the Option Term, Tenant may exercise the Option by notifying Landlord in writing. If Tenant exercises the Option, then Landlord leases the Premises to Tenant subject to the terms and conditions of this Agreement. If Tenant does not exercise the Option during the Initial Option Term or any extension thereof, then this Agreement will terminate and the parties will have no further liability to each other.

(f) If during the Option Term, or during the Term if the Option is exercised, Landlord decides to subdivide, sell, or change the status of the zoning of the Premises, the Property, (the "**Surrounding Property**"), or in the event of a threatened foreclosure on any of the foregoing, Landlord shall immediately notify Tenant in writing. Landlord agrees that during the Option Term, or during the Term if the Option is exercised, Landlord shall not initiate or consent to any change in the zoning of the Surrounding Property or impose or consent to any other use or restriction that would prevent or limit Tenant from using the Premises for the Permitted Use.

2. **PERMITTED USE.** Tenant may use the Premises for the transmission and reception of communications signals and related activities, and the installation, construction, maintenance, operation, repair, replacement and upgrade of communications fixtures and related equipment, cables, accessories and improvements, which may include a suitable tower and support structure ("**Structure**"), associated antennas, equipment shelters or cabinets and fencing and any other items necessary to the successful and secure use of the Premises (collectively the "**Communication Facility**"), as well as the right to test, survey and review title on the Property; (collectively, the "**Permitted Use**"). If **Exhibit 1** includes drawings of the initial installation of the Communication Facility, Landlord's execution of this Agreement will signify Landlord's approval of **Exhibit 1**. For a period of one hundred twenty (120) days following the start of construction, Landlord grants Tenant, its subtenants, licensees and sublicensees, the right to use such portions of the Surrounding Property as may reasonably be required during construction and installation of the Communication Facility. Tenant has the right to install and operate transmission cables from the equipment shelters or cabinets to the antennas, electric lines from the main feed to the equipment shelters or cabinets and communication lines from the Property's main entry point to the equipment shelters or cabinets, install a generator(s) and to make other improvements, additions, alterations, upgrades or additions appropriate for Tenant's Permitted Use, including the right to construct a fence around the Premises or equipment, install warning signs to make individuals aware of risks, install protective barriers, install any other control measures reasonably required by Tenant's safety procedures or applicable law. Tenant has the right to modify, supplement, replace, upgrade, expand the Communication Facility (including, for example, increasing the number of antennas or adding microwave dishes to the Structure or relocate the Communication Facility or add additional cabinets within the Premises at any time during the Term. Tenant will be allowed to make such alterations to the Property in order to ensure that the Communication Facility complies with all applicable federal, state or local laws, rules or regulations.

3. **TERM.**

(a) The initial lease term will be five (5) years (the "**Initial Term**"), commencing on the effective date of written notification by Tenant to Landlord of Tenant's exercise of the Option (the "**Term Commencement Date**"). The Initial Term will terminate on the fifth (5th) anniversary of the Term Commencement Date.

(b) This Agreement will automatically renew for seventeen (17) additional five (5) year term(s) (each additional five (5) year term shall be defined as an "**Extension Term**"), upon the same terms and conditions set forth herein unless Tenant notifies Landlord in writing of Tenant's intention not to renew this Agreement at least sixty (60) days prior to the expiration of the Initial Term or the then-existing Extension Term.

(c) The Initial Term and any Extension Terms, are collectively referred to as the "**Term.**"

4. **RENT.**

(a) Commencing on the first day of the calendar month following the date that Tenant commences construction (the "**Rent Commencement Date**"), Tenant will pay Landlord on or before the tenth (10th) day of each calendar month in advance, [REDACTED] (the "**Rent**"), at the address set forth above. In any partial month occurring after the Rent Commencement Date, the Rent will be prorated. The initial Rent payment will be forwarded by Tenant to Landlord within forty-five (45) days after the Rent Commencement Date.

(b) Upon the commencement of each Extension Term, the monthly Rent will increase by [REDACTED] over the Rent paid during the previous term.

(c) All charges payable under this Agreement such as utilities and taxes shall be billed by Landlord within one (1) year from the end of the calendar year in which the charges were incurred; any charges beyond such period shall not be billed by Landlord, and shall not be payable by Tenant. The provisions of this subsection shall survive the termination or expiration of this Agreement.

5. APPROVALS.

(a) Landlord agrees that Tenant's ability to use the Premises is contingent upon the suitability of the Premises and Property for the Permitted Use and Tenant's ability to obtain and maintain all Government Approvals. Landlord authorizes Tenant to prepare, execute and file all required applications to obtain Government Approvals for the Permitted Use and agrees to reasonably assist Tenant with such applications and with obtaining and maintaining the Government Approvals.

(b) Tenant has the right to obtain a title report or commitment for a leasehold title policy from a title insurance company of its choice and to have the Property surveyed by a surveyor of its choice.

(c) Tenant may also perform and obtain, at Tenant's sole cost and expense, soil borings, percolation tests, engineering procedures, environmental investigation or other tests or reports on, over, and under the Property, necessary to determine if Tenant's use of the Premises will be compatible with Tenant's engineering specifications, system, design, operations or Government Approvals.

6. TERMINATION. This Agreement may be terminated, without penalty or further liability, as follows:

(a) by either party on thirty (30) days prior written notice, if the other party remains in default under Section 15 of this Agreement after the applicable cure periods;

(b) by Tenant upon written notice to Landlord, if Tenant is unable to obtain, or maintain, any required approval(s) or the issuance of a license or permit by any agency, board, court or other governmental authority necessary for the construction or operation of the Communication Facility as now or hereafter intended by Tenant; or if Tenant determines, in its sole discretion that the cost of or delay in obtaining or retaining the same is commercially unreasonable;

(c) by Tenant, upon written notice to Landlord, if Tenant determines, in its sole discretion, due to the title report results or survey results, that the condition of the Premises is unsatisfactory for its intended uses;

(d) by Tenant upon written notice to Landlord for any reason or no reason, at any time prior to commencement of construction by Tenant; or

(e) by Tenant upon sixty (60) days' prior written notice to Landlord for any reason or no reason, so long as Tenant pays Landlord a termination fee equal to three (3) months' Rent, at the then-current rate, provided, however, that no such termination fee will be payable on account of the termination of this Agreement by Tenant under any termination provision contained in any other Section of this Agreement, including the following: Section 5 Approvals, Section 6(a) Termination, Section 6(b) Termination, Section 6(c) Termination, Section 6(d) Termination, Section 11(d) Environmental, Section 18 Condemnation or Section 19 Casualty.

7. INSURANCE. During the Option Term and throughout the Term, Tenant will purchase and maintain in full force and effect such general liability policy as Tenant may deem necessary. Said policy of general liability insurance will at a minimum provide a combined single limit of [REDACTED]

[REDACTED] Notwithstanding the foregoing, Tenant shall have the right to self-insure such general liability coverage or by adding this site as an endorsement on a pre-existing master policy which contains the above limit.

8. INTERFERENCE.

(a) Prior to or concurrent with the execution of this Agreement, Landlord has provided or will provide Tenant with a list of radio frequency user(s) and frequencies used on the Property as of the Effective Date. Tenant warrants that its use of the Premises will not interfere with those existing radio frequency uses on the Property, as long as the existing radio frequency user(s) operate and continue to operate within their respective frequencies and in accordance with all applicable laws and regulations.

(b) Landlord will not grant, after the Effective Date, a lease, license or any other right to any third party, if the exercise of such grant may in any way adversely affect or interfere with the Communication Facility, the operations of Tenant or the rights of Tenant under this Agreement. Landlord will notify Tenant in writing prior to granting any third party the right to install and operate communications equipment on the Property.

(c) Landlord will not, nor will Landlord permit its employees, tenants, licensees, invitees, agents or independent contractors to interfere in any way with the Communication Facility, the operations of Tenant or the rights of Tenant under this Agreement. Landlord will cause such interference to cease within twenty-four (24) hours after receipt of notice of interference from Tenant. In the event any such interference does not cease within the aforementioned cure period, Landlord shall cease all operations which are suspected of causing interference (except for intermittent testing to determine the cause of such interference) until the interference has been corrected.

(d) For the purposes of this Agreement, "interference" may include, but is not limited to, any use on the Property or Surrounding Property that causes electronic or physical obstruction with, or degradation of, the communications signals from the Communication Facility or degradation or damage to the Communication Facility

9. INDEMNIFICATION.

(a) Tenant agrees to indemnify and save Landlord harmless from and against any and all liability, damage, expense, claims or judgments, including reasonable attorneys' fees, resulting from injury to person or damage to property resulting from or arising out of the use and occupancy of the Premises by Tenant if caused by the gross negligence or willful misconduct of Tenant, its agents, employees, invitees, guests or arising out of the breach of any provision of this Agreement during the term of this Agreement

(b) Landlord agrees to indemnify and save Tenant harmless from and against any and all liability, damage, expense, claims or judgments, including reasonable attorneys' fees, resulting from injury to person or damage to property resulting from or arising out of the use and occupancy of the Property by Landlord if caused by the gross negligence or willful misconduct of Landlord, its agents, employees, invitees, guests or arising out of the breach of any provision of this Agreement during the term of this Agreement

ross

10. WARRANTIES.

(a) Each of Tenant and Landlord (to the extent not a natural person) each acknowledge and represent that it is duly organized, validly existing and in good standing and has the right, power, and authority or capacity, as applicable, to enter into this Agreement and bind itself hereto through the party or individual set forth as signatory for the party below.

(b) Landlord represents, warrants and agrees that: (i) Landlord solely owns the Property as a legal lot in fee simple, or controls the Property by lease or license; (ii) the Property is not and will not be encumbered by any liens, restrictions, mortgages, covenants, easements, leases, or any other agreements of record or not of record, which would adversely affect Tenant's Permitted Use and enjoyment of the Premises under this Agreement; (iii) Landlord grants to Tenant sole, actual, quiet and peaceful use, enjoyment and possession of the Premises in accordance with the terms of this Agreement without any persons lawfully claiming under Landlord; (iv) Landlord's execution and performance of this Agreement will not violate any laws, ordinances, covenants or the provisions of any mortgage, lease or other agreement binding on Landlord; and (v) if the Property is or becomes encumbered by a deed to secure a debt, mortgage or other security interest, then Landlord will provide promptly to Tenant a mutually agreeable subordination, non-disturbance and attornment agreement executed by Landlord and the holder of such security interest in the form attached hereto as Exhibit 2.

11. ENVIRONMENTAL.

(a) Landlord represents and warrants, except as may be identified in **Exhibit 3** attached to this Agreement, (i) the Property, as of the Effective Date, is free of hazardous substances, including asbestos-containing materials and lead paint, and (ii) the Property has never been subject to any contamination or hazardous conditions resulting in any environmental investigation, inquiry or remediation. Landlord and Tenant agree that each will be responsible for compliance with any and all applicable governmental laws, rules, statutes,

regulations, codes, ordinances, or principles of common law regulating or imposing standards of liability or standards of conduct with regard to protection of the environment or worker health and safety, as may now or at any time hereafter be in effect, to the extent such apply to that party's activity conducted in or on the Property.

(b) Landlord and Tenant agree to hold harmless and indemnify the other from, and to assume all duties, responsibilities and liabilities at the sole cost and expense of the indemnifying party for, payment of penalties, sanctions, forfeitures, losses, costs or damages, and for responding to any action, notice, claim, order, summons, citation, directive, litigation, investigation or proceeding ("**Claims**"), to the extent arising from that party's breach of its obligations or representations under Section 11(a). Landlord agrees to hold harmless and indemnify Tenant from, and to assume all duties, responsibilities and liabilities at the sole cost and expense of Landlord for, payment of penalties, sanctions, forfeitures, losses, costs or damages, and for responding to any Claims, to the extent arising from subsurface or other contamination of the Property with hazardous substances prior to the Effective Date or from such contamination caused by the acts or omissions of Landlord during the Term. Tenant agrees to hold harmless and indemnify Landlord from, and to assume all duties, responsibilities and liabilities at the sole cost and expense of Tenant for, payment of penalties, sanctions, forfeitures, losses, costs or damages, and for responding to any Claims, to the extent arising from hazardous substances brought onto the Property by Tenant.

(c) The indemnification provisions contained in this Section 11 specifically include reasonable costs, expenses and fees incurred in connection with any investigation of Property conditions or any clean-up, remediation, removal or restoration work required by any governmental authority. The provisions of this Section 11 will survive the expiration or termination of this Agreement.

(d) In the event Tenant becomes aware of any hazardous materials on the Property, that, in Tenant's sole determination, renders the condition of the Premises or Property unsuitable for Tenant's use, then Tenant will have the right, in addition to any other rights it may have at law or in equity, to terminate this Agreement upon written notice to Landlord.

12. ACCESS. At all times throughout the Term of this Agreement, and at no additional charge to Tenant, Tenant and its employees, agents, and subcontractors, will have twenty-four (24) hour per day, seven (7) day per week pedestrian and vehicular access ("**Access**") to and over the Property, from an open and improved public road to the Premises, for the installation, maintenance and operation of the Communication Facility and any utilities serving the Premises. As may be described more fully in **Exhibit 1**, Landlord grants to Tenant, its subtenants, lessees assigns and licensees an easement for such Access and Landlord agrees to provide to Tenant such codes, keys and other instruments necessary for such Access at no additional cost to Tenant (the "**Access Easement**"). Upon Tenant's request, Landlord will execute a separate recordable easement evidencing this right. Landlord acknowledges that in the event Tenant cannot obtain Access to the Premises, Tenant shall incur significant damage. If Landlord fails to provide the Access granted by this Section 12, such failure shall be a default under this Agreement. If Tenant elects to utilize an Unmanned Aircraft System ("**UAS**") in connection with its installation, construction, monitoring, suite audits, inspections, maintenance, repair, modification, or alteration activities at the Property, Landlord hereby grants Tenant, as any UAS operator acting on Tenant's behalf, express permission to fly over the applicable Property and Premises, and consents to the use of audio and video navigation and recording in connection with the use of the UAS

13. REMOVAL/RESTORATION. All portions of the Communication Facility brought onto the Property by Tenant will be and remain Tenant's personal property and, at Tenant's option, may be removed by Tenant at any time during or after the Term. Landlord covenants and agrees that no part of the Communication Facility constructed, erected or placed on the Premises by Tenant will become, or be considered as being affixed to or a part of, the Property, it being the specific intention of Landlord that all improvements of every kind and nature constructed, erected or placed by Tenant on the Premises will be and remain the property of Tenant and may be removed by Tenant at any time during or after the Term. Tenant will repair any damage to the Property resulting from Tenant's removal activities. Any portions of the Communication Facility that Tenant does not remove within one hundred twenty (120) days after the later of the end of the Term and cessation of Tenant's operations at the Premises shall be deemed abandoned and owned by Landlord. Notwithstanding the foregoing, Tenant will not be responsible for the replacement of any trees, shrubs or other vegetation.

14. MAINTENANCE/UTILITIES.

(a) Tenant will keep and maintain the Premises in good condition, reasonable wear and tear and damage from the elements excepted. Landlord will maintain and repair the Property and access thereto and all areas of the Premises where Tenant does not have exclusive control, in good and tenantable condition, subject to reasonable wear and tear and damage from the elements.

(b) Tenant will be responsible for paying on a monthly or quarterly basis all utilities charges for electricity, telephone service or any other utility used or consumed by Tenant on the Premises. Landlord acknowledges that Tenant provides a communication service which requires electrical power to operate and must operate twenty-four (24) hours per day, seven (7) days per week. If the interruption is for an extended period of time, in Tenant's reasonable determination, Landlord agrees to allow Tenant the right to bring in a temporary source of power for the duration of the interruption.

(d) Tenant will have the right to install utilities, at Tenant's expense, and to improve present utilities on the Property and the Premises. Landlord hereby grants to Tenant and any service company providing utility or similar services, including electric power and telecommunications, to Tenant an easement, in, on under and over the Property, from an open and improved public road to the Premises, and upon the Premises, for the purpose of maintaining and operating the Communication Facility and constructing, operating, upgrading and maintaining such lines, wires, circuits, and conduits, associated equipment cabinets and such appurtenances thereto, as Tenant and such service companies may from time to time require in order to provide such services to the Premises (the "Utility Easement"). Upon Tenant's or service company's request, Landlord will execute a separate recordable Utility Easement evidencing this grant, at no cost to Tenant or the service company.

15. DEFAULT AND RIGHT TO CURE.

(a) The following will be deemed a default by Tenant and a breach of this Agreement: (i) non-payment of Rent if such Rent remains unpaid for more than thirty (30) days after written notice from Landlord of such failure to pay; or (ii) Tenant's failure to perform any other term or condition under this Agreement within forty-five (45) days after written notice from Landlord specifying the failure. No such failure, however, will be deemed to exist if Tenant has commenced to cure such default within such period and provided that such efforts are prosecuted to completion with reasonable diligence. Delay in curing a default will be excused if due to causes beyond the reasonable control of Tenant. If Tenant remains in default beyond any applicable cure period, then Landlord will have the right to exercise any and all rights and remedies available to it under law and equity.

(b) The following will be deemed a default by Landlord and a breach of this Agreement: (i) Landlord's failure to provide Access to the Premises as required by Section 12 within twenty-four (24) hours after written notice of such failure; (ii) Landlord's failure to cure an interference problem as required by Section 8 within twenty-four (24) hours after written notice of such failure; or (iii) Landlord's failure to perform any term, condition or breach of any warranty or covenant under this Agreement within forty-five (45) days after written notice from Tenant specifying the failure. No such failure, however, will be deemed to exist if Landlord has commenced to cure the default within such period and provided such efforts are prosecuted to completion with reasonable diligence. If Landlord remains in default beyond any applicable cure period, Tenant will have: (i) the right to cure Landlord's default and to deduct the costs of such cure from any monies due to Landlord from Tenant including Rent, and (ii) any and all other rights available to it under law and equity.

16. ASSIGNMENT/SUBLEASE.

(a) Tenant will have the right to assign, sell or transfer its interest under this Agreement, in whole or part, without Landlord's consent, to: (a) Tenant's Affiliate, subsidiary, subtenant, sublicensee (b) to any entity with a net worth of at least [REDACTED] or (c) any entity that acquires all or substantially all of the Tenant's assets in the market as defined by the Federal Communications Commission in which the Property is located. Upon notification to Landlord of such assignment, transfer or sale, Tenant will be relieved of all future performance, liabilities and obligations under this Agreement. Tenant shall have the right to sublease the Premises, in whole or in part, without Landlord's consent. Tenant may not otherwise assign this Agreement without Landlord's consent, Landlord's consent not to be unreasonably withheld, conditioned or delayed.

(b) Subject to the terms of this Agreement, Landlord shall have the right to assign and transfer this Agreement only to a successor owner of the Property. Only upon Tenant receipt of written verification of a sale, or transfer of the Property shall Landlord be relieved of all liabilities and obligations to and Tenant shall look solely to the new landlord for performance under this Agreement. Landlord shall not attempt to assign, or otherwise transfer this Agreement separate from a transfer of ownership of the Property (the "Severance Transaction"), without the prior written consent of Tenant, which consent may be withheld or conditioned in Tenant's sole discretion. If the Tenant consents to a Severance Transaction, Landlord and its successors and assigns shall remain jointly and severally responsible for the performance of all duties and obligations of the Landlord under this Agreement.

17. **NOTICES.** All notices, requests and demands hereunder will be given by first class certified or registered mail, return receipt requested, or by a nationally recognized overnight courier, postage prepaid, to be effective when properly sent and received, refused or returned undelivered. Notices will be addressed to the parties hereto as follows:

If to Tenant: Tillman Infrastructure LLC
152 West 57th Street 27th Floor
New York, New York 10019
Attn: Lease Administration

With a copy to: Tillman Infrastructure LLC
152 West 57th Street 27th Floor
New York, New York 10019
Attn: Suruchi Ahuja

If to Landlord: Harlan Countians for Progress, LLC
200 Waldon Road, Suite 1
Harlan, KY 40831

Either party hereto may change the place for the giving of notice to it by thirty (30) days' prior written notice to the other party hereto as provided herein.

18. **CONDEMNATION.** In the event Landlord receives notification of any condemnation proceedings affecting the Property, Landlord will provide notice of the proceeding to Tenant within twenty-four (24) hours. If a condemning authority takes all of the Property, or a portion sufficient, in Tenant's sole determination, to render the Premises unsuitable for Tenant, this Agreement will terminate as of the date the title vests in the condemning authority. The parties will each be entitled to pursue their own separate awards in the condemnation proceeds, which for Tenant will include, where applicable, the value of its Structure and Communication Facility, moving expenses, prepaid Rent, and business dislocation expenses.

19. **CASUALTY.** Landlord will provide notice to Tenant of any casualty or other harm affecting the Property within twenty-four (24) hours of the casualty or other harm. If any part of the Communication Facility or the Property is damaged by casualty or other harm as to render the Premises unsuitable, in Tenant's sole determination, then Tenant may terminate this Agreement by providing written notice to Landlord, which termination will be effective as of the date of such casualty or other harm. Upon such termination, Tenant will be entitled to collect all insurance proceeds payable to Tenant on account thereof and to be reimbursed for any prepaid Rent on a *pro rata* basis. Landlord agrees to permit Tenant to place temporary transmission and reception facilities on the Property, but only until such time as Tenant is able to activate a replacement transmission facility at another location; notwithstanding the termination of this Agreement, such temporary facilities will be governed by all of the terms and conditions of this Agreement, including Rent. If Tenant undertakes to rebuild or restore the Communication Facility, as applicable, Landlord agrees to permit Tenant to place temporary

transmission and reception facilities on the Property at no additional Rent until the reconstruction of the Communication Facility is completed.

20. WAIVER OF LANDLORD'S LIENS. Landlord waives any and all lien rights it may have, statutory or otherwise, concerning the Communication Facility including the Structure or any portion thereof. The Communication Facility shall be deemed personal property for purposes of this Agreement, regardless of whether any portion is deemed real or personal property under applicable law; Landlord consents to Tenant's right to remove all or any portion of the Communication Facility from time to time in Tenant's sole discretion and without Landlord's consent.

21. TAXES.

(a) Tenant shall have the responsibility to pay any personal property, real estate taxes, assessments, or charges owed on the Property which Landlord demonstrates is the result of Tenant's use of the Premises and/or the installation, maintenance, and operation of the Tenant's improvements, and any sales tax imposed on the rent (except to the extent that Tenant is or may become exempt from the payment of sales tax in the jurisdiction in which the Property is located), including any increase in real estate taxes at the Property which Landlord demonstrates arises from the Tenant's improvements and/or Tenant's use of the Premises. Landlord and Tenant shall each be responsible for the payment of any taxes, levies, assessments and other charges imposed including franchise and similar taxes imposed upon the business conducted by Landlord or Tenant at the Property. Notwithstanding the foregoing, tenant shall not have the obligation to pay any tax, assessment, or charge that Tenant is disputing in good faith in appropriate proceedings prior to a final determination that such tax is properly assessed provided that no lien attaches to the Property. Nothing in this Paragraph shall be construed as making Tenant liable for any portion of Landlord's income taxes in connection with any Property or otherwise. Except as set forth in this Paragraph, Landlord shall have the responsibility to pay any personal property, real estate taxes, assessments, or charges owed on the Property and shall do so prior to the imposition of any lien on the Property.

(b) Tenant shall have the right, at its sole option and at its sole cost and expense, to appeal, challenge or seek modification of any tax assessment or billing for which Tenant is wholly or partly responsible for payment. Landlord shall reasonably cooperate with Tenant at Tenant's expense in filing, prosecuting and perfecting any appeal or challenge to taxes as set forth in the preceding sentence, including but not limited to, executing any consent, appeal or other similar document. In the event that as a result of any appeal or challenge by Tenant, there is a reduction, credit or repayment received by the Landlord for any taxes previously paid by Tenant, Landlord agrees to promptly reimburse to Tenant the amount of said reduction, credit or repayment. In the event that Tenant does not have the standing rights to pursue a good faith and reasonable dispute of any taxes under this paragraph, Landlord will pursue such dispute at Tenant's sole cost and expense upon written request of Tenant.

22. SALE OF PROPERTY.

(a) Landlord may sell the Property or a portion thereof to a third party, provided: (i) the sale is made subject to the terms of this Agreement; and (ii) if the sale does not include the assignment of Landlord's full interest in this Agreement, the purchaser must agree to perform, without requiring compensation from Tenant or any subtenant, any obligation of Landlord under this Agreement, including Landlord's obligation to cooperate with Tenant as provided hereunder.

(b) If Landlord, at any time during the Term of this Agreement, decides to rezone or sell, subdivide or otherwise transfer all or any part of the Premises, or all or any part of the Surrounding Property, to a purchaser other than Tenant, Landlord shall promptly notify Tenant in writing, and such rezoning, sale, subdivision or transfer shall be subject to this Agreement and Tenant's rights hereunder. In the event of a change in ownership, transfer or sale of the Property, within ten (10) days of such transfer, Landlord or its successor shall send the documents listed below in this Section 22(b) to Tenant. Until Tenant receives all such documents, Tenant's failure to make payments under this Agreement shall not be an event of default and Tenant reserves the right to hold payments due under this Agreement.

- i. New deed to Property

- ii. New IRS Form W-9
- iii. Completed and Signed Tenant Payment Direction Form
- iv. Full contact information for new Landlord including phone number(s)

(c) Landlord agrees not to sell, lease or use any areas of the Property or the Surrounding Property for the installation, operation or maintenance of other wireless communication facilities if such installation, operation or maintenance would interfere with Tenant's Permitted Use or communications equipment as determined by radio propagation tests performed by Tenant in its sole discretion. . If the radio frequency propagation tests demonstrate levels of interference unacceptable to Tenant, Landlord shall be prohibited from selling, leasing or using any areas of the Property or the Surrounding Property for purposes of any installation, operation or maintenance of any other wireless communication facility or equipment.

23. RIGHT OF FIRST REFUSAL. Notwithstanding the provisions contained in Section 22, if at any time after the Effective Date, Landlord receives a bona fide written offer from a third party seeking any sale, conveyance, assignment or transfer, whether in whole or in part, of any property interest in or related to the Premises, including without limitation any offer seeking an assignment or transfer of the Rent payments associated with this Agreement or an offer to purchase an easement with respect to the Premises ("**Offer**"), Landlord shall immediately furnish Tenant with a copy of the Offer. Tenant shall have the right within ninety (90) days after it receives such copy to match the financial terms of the Offer and agree in writing to match such terms of the Offer and Tenant may assign its rights to a third party. If Tenant chooses not to exercise this right or fails to provide written notice to Landlord within the ninety (90) day period, Landlord may sell, convey, assign or transfer such property interest in or related to the Premises pursuant to the Offer, subject to the terms of this Agreement. If Landlord attempts to sell, convey, assign or transfer such property interest in or related to the Premises without complying with this Section 23, the sale, conveyance, assignment or transfer shall be void. Tenant shall not be responsible for any failure to make payments under this Agreement and reserves the right to hold payments due under this Agreement until Landlord complies with this Section 23. Tenant's failure to exercise the right of first refusal shall not be deemed a waiver of the rights contained in this Section 23 with respect to any future proposed conveyances as described.

24. ELECTRONIC SIGNATURE. The parties acknowledge and agree that this Agreement may be executed by electronic signature, which shall be considered as an original signature for all purposes and shall have the same force and effect as an original signature. Without limitation, "electronic signature" shall include faxed version of an original signature or electronically scanned and transmittal version (e.g. via pdf) of an original signature.

25. MISCELLANEOUS.

(a) **Amendment/Waiver.** This Agreement cannot be amended, modified or revised unless done in writing and signed by Landlord and Tenant. No provision may be waived except in a writing signed by both parties. The failure by a party to enforce any provision of this Agreement or to require performance by the other party will not be construed to be a waiver, or in any way affect the right of either party to enforce such provision thereafter.

(b) **Memorandum/Short Form Lease.** Contemporaneously with the execution of this Agreement, the parties will execute a recordable Memorandum of Lease substantially in the form attached as **Exhibit 4**. Either party may record this Memorandum of Lease at any time during the Term, in its absolute discretion.

(c) **Limitation of Liability.** Except for the indemnity obligations set forth in this Agreement, and otherwise notwithstanding anything to the contrary in this Agreement, Tenant and Landlord each waives any claims that each may have against the other with respect to consequential, incidental or special damages, however caused, based on any theory of liability.

(d) **Compliance with Law.** Tenant agrees to comply with all federal, state and local laws, orders, rules and regulations ("**Laws**") applicable to Tenant's use of the Communication Facility on the Property. Landlord agrees to comply with all Laws relating to Landlord's ownership and use of the Property and any improvements on the Property.

(e) **Bind and Benefit.** The terms and conditions contained in this Agreement will run with the Property and bind and inure to the benefit of the parties, their respective heirs, executors, administrators, successors and assigns.

(f) **Entire Agreement.** This Agreement and the exhibits attached hereto, all being a part hereof, constitute the entire agreement of the parties hereto and will supersede all prior offers, negotiations and agreements with respect to the subject matter of this Agreement. Except as otherwise stated in this Agreement, each party shall bear its own fees and expenses (including the fees and expenses of its agents, brokers, representatives, attorneys, and accountants) incurred in connection with the negotiation, drafting, execution and performance of this Agreement and the transactions it contemplates.

(g) **Governing Law.** This Agreement will be governed by the laws of the state in which the Premises are located, without regard to conflicts of law.

(h) **Interpretation.** Unless otherwise specified, the following rules of construction and interpretation apply: (i) captions are for convenience and reference only and in no way define or limit the construction of the terms and conditions hereof; (ii) use of the term "including" will be interpreted to mean "including but not limited to"; (iii) whenever a party's consent is required under this Agreement, except as otherwise stated in the Agreement or as same may be duplicative, such consent will not be unreasonably withheld, conditioned or delayed; (iv) exhibits are an integral part of this Agreement and are incorporated by reference into this Agreement; (v) use of the terms "termination" or "expiration" are interchangeable; (vi) reference to a default will take into consideration any applicable notice, grace and cure periods; (vii) to the extent there is any issue with respect to any alleged, perceived or actual ambiguity in this Agreement, the ambiguity shall not be resolved on the basis of who drafted the Agreement; (viii) the singular use of words includes the plural where appropriate; and (ix) if any provision of this Agreement is held invalid, illegal or unenforceable, the remaining provisions of this Agreement shall remain in full force if the overall purpose of the Agreement is not rendered impossible and the original purpose, intent or consideration is not materially impaired.

(i) **Affiliates.** All references to "Tenant" shall be deemed to include any Affiliate of Tillman Infrastructure LLC using the Premises for any Permitted Use or otherwise exercising the rights of Tenant pursuant to this Agreement. "Affiliate" means with respect to a party to this Agreement, any person or entity that (directly or indirectly) controls, is controlled by, or under common control with, that party. "Control" of a person or entity means the power (directly or indirectly) to direct the management or policies of that person or entity, whether through the ownership of voting securities, by contract, by agency or otherwise.

(j) **Survival.** Any provisions of this Agreement relating to indemnification shall survive the termination or expiration hereof. In addition, any terms and conditions contained in this Agreement that by their sense and context are intended to survive the termination or expiration of this Agreement shall so survive.

(k) **W-9.** As a condition precedent to payment, Landlord agrees to provide Tenant with a completed IRS Form W-9, or its equivalent, upon execution of this Agreement and at such other times as may be reasonably requested by Tenant, including any change in Landlord's name or address.

(l) **Execution/No Option.** The submission of this Agreement to any party for examination or consideration does not constitute an offer, reservation of or option for the Premises based on the terms set forth herein. This Agreement will become effective as a binding Agreement only upon the handwritten legal execution, acknowledgment and delivery hereof by Landlord and Tenant. This Agreement may be executed in two (2) or more counterparts, all of which shall be considered one and the same agreement and shall become effective when one or more counterparts have been signed by each of the parties. All parties need not sign the same counterpart.

(m) **Attorneys' Fees.** In the event that any dispute between the parties related to this Agreement should result in litigation, the prevailing party in such litigation shall be entitled to recover from the other party all reasonable fees and expenses of enforcing any right of the prevailing party, including reasonable attorneys' fees and expenses. Prevailing party means the party determined by the court to have most nearly prevailed even if such party did not prevail in all matters. This provision will not be construed to entitle any party other than Landlord, Tenant and their respective Affiliates to recover their fees and expenses.

(n) **WAIVER OF JURY TRIAL. EACH PARTY, TO THE EXTENT PERMITTED BY LAW, KNOWINGLY, VOLUNTARILY AND INTENTIONALLY WAIVES ITS RIGHT TO A TRIAL BY JURY IN ANY ACTION OR PROCEEDING UNDER ANY THEORY OF LIABILITY ARISING OUT**

OF OR IN ANY WAY CONNECTED WITH THIS AGREEMENT OR THE TRANSACTIONS IT CONTEMPLATES.

(o) **Incidental Fees.** Unless specified in this Agreement, no unilateral fees or additional costs or expenses are to be applied by either party to the other party, including review of plans, structural analyses, consents, provision of documents or other communications between the parties.

(p) **Further Acts.** Upon request, Landlord will cause to be promptly and duly taken, executed, acknowledged and delivered all such further acts, documents, and assurances as Tenant may request from time to time in order to effectuate, carry out and perform all of the terms, provisions and conditions of this Agreement and all transactions and permitted use contemplated by this Agreement, including any Subordination, Non-Disturbance and Attornment Agreement.

(q) **Confidentiality.** The terms and conditions of this Agreement are confidential between the parties and Landlord shall not disclose the same to anyone else, except to Landlord's accountant, attorney and as agreed to by the Parties (except as to sublessees), or as is necessary to effectuate the terms of this Agreement. Any Disclosure in violation of this Section shall be deemed a material breach of this Agreement.

(r) **Estoppel.** Either party will, at any time upon twenty (20) business days prior written notice from the other, execute, acknowledge and deliver to the other a statement in writing (i) certifying that this Agreement is unmodified and in full force and effect (or, if modified, stating the nature of such modification and certifying this Agreement, as so modified, is in full force and effect) and the date to which the Rent and other charges are paid in advance, if any, and (ii) acknowledging that there are not, to such party's knowledge, any uncured defaults on the part of the other party hereunder, or specifying such defaults if any are claimed.

(s) **Rules Against Perpetuities.** If this Agreement or any covenants or provisions herein would otherwise be unlawful, void or voidable for violation of the Rule against Perpetuities, then the same shall continue until 20 years and 6 months after the date of death of the last survivor of the members of Congress of the United States of America (including the House of Representatives and the Senate) representing the State in which the Premises is located who are serving on the date of this Agreement

(t) **Security Interest.** Tenant has the right to assign, mortgage or grant a security interest in all or a portion of Tenant's interest in and to this Agreement, Premises, the Structure, Communication Facility, equipment and Easements, and may assign such Tenant's interests to any such assignee, mortgagees, or holders of security interests, all without Landlord's consent ("Secured Party" or, collectively, "Secured Parties"). If requested, Lessor shall execute such consent to Tenant's financing as may reasonably be required by Secured Parties.

[SIGNATURE PAGES TO FOLLOW]

IN WITNESS WHEREOF, the parties have caused this Agreement to be effective as of the Effective Date.

“WITNESSES”

[Signature]
Name: Skylar Adams
[Signature]
Name: Danielle Holloway

“LANDLORD”

Harlan Countians for Progress, LLC
By: [Signature]
Print Name: Blanche H. Bennett
Its: OWNER
Date: May 26, 2023

LANDLORD CORPORATE ACKNOWLEDGMENT

STATE OF MS)
COUNTY OF Warren) ss:

I CERTIFY that on May 26, 2023, **Blanche H. Bennett** personally came before me and acknowledged under oath that he or she:

- (a) is the Owner [title] of Harlan Countians for Progress, LLC, the corporation named in the attached instrument,
- (b) was authorized to execute this instrument on behalf of the corporation and
- (c) executed the instrument as the act of the corporation.



[Signature]
Notary Public: Alexis Burton
My Commission Expires: 12-26-2025

Exhibit 1

Description of the Premises & Access and Utility Easements:

Page 1 of 4

to the Option and Lease Agreement dated July 31, 2023, by and between Harlan Countians for Progress, LLC, a Kentucky limited liability company, as Landlord, and Tillman Infrastructure LLC, a Delaware limited liability company, as Tenant.

The Property is legally described as follows:

Beginning at an iron pin the East right-of-way of the C.H.X. Railroad at the Northwest corner of the Daisy Cawood Heirs property; thence with said right-of-way N 07° 24' 19" W 77.91 feet to an iron pin; thence N 04° 42' 27" W 176.15 feet to an iron pin at the Southwest corner of tract 3 being that "Tract B" shown on the December 30, 1993, survey by Lee Miller & Associates, Inc., Harlan Kentucky; thence with the South line of said Tract 3, S 85° 32' 58" E 483.88 feet to an iron pin on the West side of the industrial park road; thence, with the West line of said road S 01° 03' 43" W 348.37 feet to an iron pin in the North line of the Daisy Cawood Heirs property, thence, with said line N 76° 19' 24" W 473.23 feet to the beginning, containing approximately 3.534 acres, more or less, as surveyed December 30, 1993, by Lee Miller & Associates, Inc., Harlan Kentucky, which is incorporated herein by reference.

The 50 foot wide permanent easement for roadway and utility construction and maintenance along the North line of this tract is common property for all IDA property and as excepted from this description.

Parcel ID #069-40-00-230.00

This being the same property conveyed to Harlan Countians for Progress LLC, a Kentucky limited liability company, from Harlan County Industrial Development Authority Inc., a Kentucky corporation, in a Deed of Conveyance, dated March 22, 2019 and recorded March 22, 2019 in Book 479 Page 151.

Exhibit 1

Description of the Premises & Access and Utility Easements:

Page 2 of 4

The Premises and Access and Fiber/Utility Easement are described and/or depicted as follows:

LEASE AREA

ALL THE TRACT OR PARCEL OF LAND LYING AND BEING IN HARLAN COUNTY, KENTUCKY, AND BEING A PORTION OF THE LANDS OF HARLAN COUNTIANS FOR PROGRESS, LLC, AS RECORDED IN DEED BOOK 479 PAGE 151, HARLAN COUNTY RECORDS, AND BEING MORE PARTICULARLY DESCRIBED AS FOLLOWS:

TO FIND THE POINT OF BEGINNING, COMMENCE AT A RIGHT-OF-WAY CONCRETE MONUMENT, SAID MONUMENT HAVING A KENTUCKY GRID NORTH, NAD 83, SINGLE ZONE VALUE OF N: 3473251.8074 E: 5630447.0884; THENCE RUNNING ALONG A TIE LINE, SOUTH 30°05'21" EAST, 238.56 FEET TO A POINT ON THE WESTERLY RIGHT-OF-WAY LINE OF INDUSTRIAL PARK ROAD; THENCE LEAVING SAID RIGHT-OF-WAY LINE AND RUNNING, SOUTH 89°27'33" WEST, 380.48 FEET TO A POINT; THENCE, SOUTH 00°03'10" EAST, 49.46 FEET TO A POINT; THENCE, NORTH 89°59'50" WEST, 12.50 FEET TO THE A POINT ON THE LEASE AREA; THENCE RUNNING ALONG SAID LEASE AREA, SOUTH 00°03'10" EAST, 87.53 FEET TO A POINT AND THE TRUE POINT OF BEGINNING; THENCE, SOUTH 89°01'37" WEST, 60.00 FEET TO A POINT; THENCE, NORTH 07°12'22" WEST, 120.00 FEET TO A POINT; THENCE, SOUTH 87°40'56" EAST, 75.00 FEET TO A POINT; THENCE, SOUTH 00°03'10" EAST, 115.00 FEET TO A POINT AND THE POINT OF BEGINNING.

BEARINGS BASED ON KENTUCKY GRID NORTH, NAD 83, SINGLE ZONE.

SAID TRACT CONTAINS 0.1811 ACRES (7,888 SQUARE FEET), MORE OR LESS.

25' INGRESS-EGRESS & UTILITY EASEMENT

TOGETHER WITH A 25-FOOT INGRESS-EGRESS AND UTILITY EASEMENT, MEASURING 12.5 FEET EACH SIDE OF CENTERLINE, LYING AND BEING IN HARLAN COUNTY, KENTUCKY, AND BEING A PORTION OF THE LANDS OF HARLAN COUNTIANS FOR PROGRESS, LLC, AS RECORDED IN DEED BOOK 479 PAGE 151, HARLAN COUNTY RECORDS, AND BEING MORE PARTICULARLY DESCRIBED BY THE FOLLOWING CENTERLINE DATA:

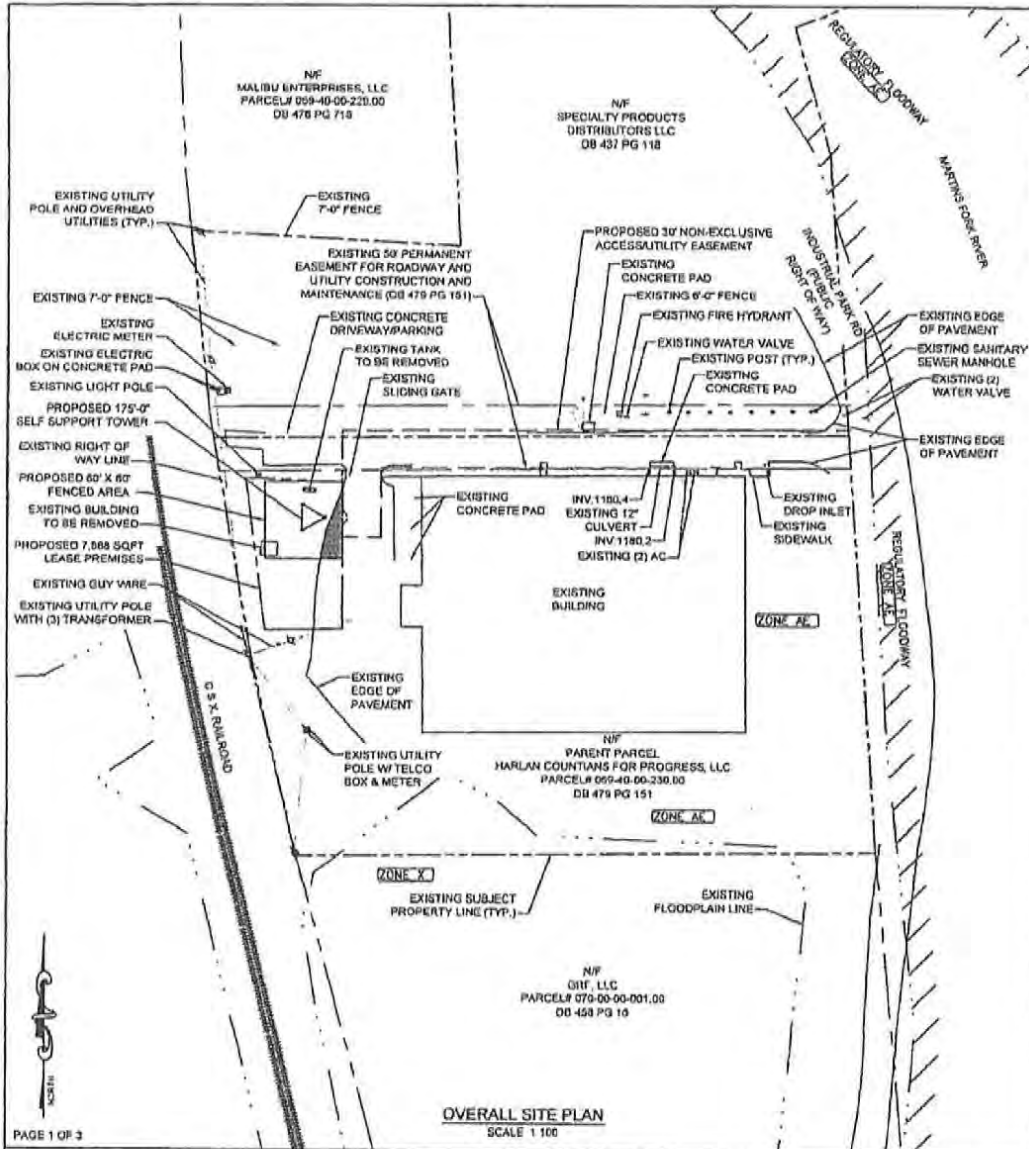
TO FIND THE POINT OF BEGINNING, COMMENCE AT A RIGHT-OF-WAY CONCRETE MONUMENT, SAID MONUMENT HAVING A KENTUCKY GRID NORTH, NAD 83, SINGLE ZONE VALUE OF N: 3473251.8074 E: 5630447.0884; THENCE RUNNING ALONG A TIE LINE, SOUTH 30°05'21" EAST, 238.56 FEET TO A POINT ON THE WESTERLY RIGHT-OF-WAY LINE OF INDUSTRIAL PARK ROAD, AND THE TRUE POINT OF BEGINNING; THENCE LEAVING SAID RIGHT-OF-WAY LINE AND RUNNING, SOUTH 89°27'33" WEST, 380.48 FEET TO A POINT; THENCE, SOUTH 00°03'10" EAST, 49.46 FEET TO A POINT; THENCE, NORTH 89°59'50" WEST, 12.50 FEET TO THE ENDING AT A POINT ON THE LEASE AREA.

BEARINGS BASED ON KENTUCKY GRID NORTH, NAD 83, SINGLE ZONE.

Exhibit 1

Description of the Premises & Access and Utility Easements:

Page 3 of 4



PROJECT INFORMATION		LAND OWNER	HARLAN COUNTAINS FOR PROGRESS LLC	REV	DATE	DESCRIPTION
TI-OPP-	32205			0	3/19/22	ISSUED AS PRELIM LE
FAR	15724061		PARCEL ID	1	3/23/2022	REVISED TOWER HEIGHT
SITE ADDRESS			LAT/LONG (DMS)	1	4/13/2022	ISSUED FOR EXHIBIT
			LAT/LONG (DEC)	1		
LANDLORD	<i>BHP</i>		APPLICANT	2		
			TILLMAN INFRASTRUCTURE 152 WEST 57TH STREET, 27TH FLOOR NY, NY 10019			

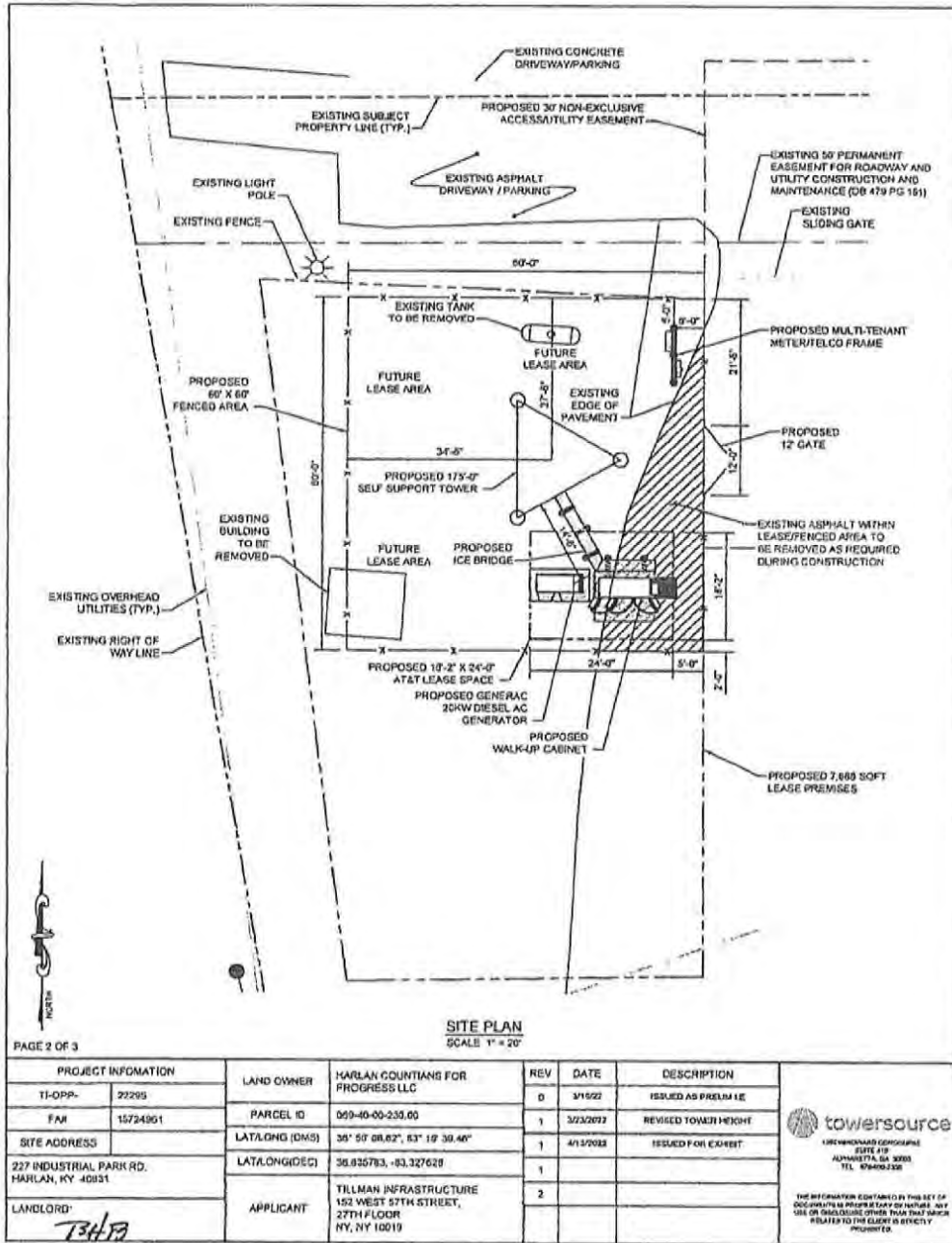
towersource
 1320 WOODWARD BOULEVARD
 SUITE 410
 ALPHARETTA, GA 30009
 TEL: 878-490-2326

THE INFORMATION CONTAINED IN THIS SET OF DOCUMENTS IS PROPRIETARY TO TOWER SOURCE. ANY USE OF THIS DOCUMENTATION WITHOUT THE WRITTEN CONSENT OF TOWER SOURCE IS STRICTLY PROHIBITED.

Exhibit 1

Description of the Premises & Access and Utility Easements:

Page 4 of 4



Notes:

1. THIS EXHIBIT MAY BE REPLACED BY A LAND SURVEY AND/OR CONSTRUCTION DRAWINGS OF THE PREMISES ONCE RECEIVED BY TENANT.
2. ANY SETBACK OF THE PREMISES FROM THE PROPERTY'S BOUNDARIES SHALL BE THE DISTANCE REQUIRED BY THE APPLICABLE GOVERNMENT AUTHORITIES.
3. WIDTH OF ACCESS ROAD SHALL BE THE WIDTH REQUIRED BY THE APPLICABLE GOVERNMENT AUTHORITIES, INCLUDING POLICE AND FIRE DEPARTMENTS.
4. THE TYPE, NUMBER AND MOUNTING POSITIONS AND LOCATIONS OF ANTENNAS AND TRANSMISSION LINES ARE ILLUSTRATIVE ONLY. ACTUAL TYPES, NUMBERS AND MOUNTING POSITIONS MAY VARY FROM WHAT IS SHOWN ABOVE.

**EXHIBIT J
NOTIFICATION LISTING
CERTIFIED GREEN CARD RECEIPTS**

Clover Fork – Notice List

HARLAN COUNTIANS FOR PROGRESS LLC
200 WALDON RD
HARLAN, KY 40831

SPECIALTY PRODUCTS DIST
P O BOX 128
HARLAN, KY 40831

GRF LLC
P O BOX 1546
CORBIN, KY 40702

REDBOW INC
1616 S HWY 421
HARLAN, KY 40831

SAVE-A-LOT OF HARLAN
P O BOX 130
MIDDLESBORO, KY 40965

PARSONS - KIMEL ASSOCIATES
2083 MANOR DRIVE
LEXINGTON, KY 40502

SPECIALTY PRODUCTS DISTRIBUTORS LLC
P O BOX 956
HARLAN, KY 40831

MALIBU ENTERPRISES LLC
6452 HWY 38
EVARTS, KY 40828

SUTTON LON & CLARA
P O BOX 647
HARLAN, KY 40831

PHILLIPS JERRY GARRETT
443 HWY 3459
HARLAN, KY 40831

PHILLIPS JERRY
443 HWY 3459
HARLAN, KY 40831

GILES HENRY MRS ESTATE
P O BOX 83
HARLAN, KY 40831

GILES HENRY MRS
P O BOX 83
HARLAN, KY 40831

HARLAN CHURCH OF GOD
H C 78 BOX 785
HARLAN, KY 40831

BURGAN VICKI LYNN
531 HWY 3459
HARLAN, KY 40831

DAY TERRY WAYNE
543 HWY 3459
HARLAN, KY 40831

DAY KENNETH H
% TERRY DAY
543 HWY 3459
HARLAN, KY 40831

GOINS GEORGE RUSSELL
P O BOX 191
GRAYS KNOB, KY 40829

GOINS JENNIFER G & PAYTON AIMEE
573 HWY 3459
HARLAN, KY 40831

KY REAL ESTATE ACQUISTION &
MANAGEMENT GROUP LLC
P O BOX 128
HARLAN, KY 40831

JOHNSON HOBERT & FRANKIE
P O BOX 475
HARLAN, KY 40831

JOHNSON DENNIS C
P O BOX 1274
HARLAN, KY 40831

BENNETT ALKA LEE
P O BOX 1240
HARLAN, KY 40831

FRAZIER CURTIS W
P O BOX 1003
HARLAN, KY 40831

LAWSON AMERICA OR BOBBY WITT
P O BOX 1237
HARLAN, KY 40831

FARMER TONI
PO BOX 576
HARLAN, KY 40831

VANWINKLE WILLARD & BESSIE
P O BOX 212
BAXTER, KY 40806

HOLMES FLOSSIE
PO BOX 81
GRAYS KNOB, KY 40829

BRUCE DAVID
652 HWY 3459 LOT 3
HARLAN, KY 40831

CODY PATRICIA
PO BOX 455
HARLAN, KY 40831

STEPHENS REGINALD
GENERAL DEL
HARLAN, KY 40831

ROBINSON MARTHA
P O BOX 244
HARLAN, KY 40831

GIBBONS LOUIS & LISA
P O BOX 370
GRAYS KNOB, KY 40829

ROWLETTE SHARON AND DAVID
P O BOX 1013
HARLAN, KY 40831

SMITH GILL JR
P O BOX 692
HARLAN, KY 40831

KENTUCKY UTILITIES
184 BANK DRIVE
HARLAN, KY 40831

TAYLOR KATRINA G & CHARLES M
44 TARBOT LANE
HARLAN, KY 40831

SMALLWOOD DANNY K & JENNIFER
1485 HWY 1084
BAXTER, KY 40806

SMALLWOOD DANNY
1485 HWY 1084
BAXTER, KY 40806
GILES CARL EDWARD & WILLA JEAN
P O BOX 83
HARLAN, KY 40831

REDBOW INC
P O BOX 130
MIDDLESBORO, KY 40965

MOUNTAIN RECOVERY REALTY LLC
149 SIMONTON DRIVE
HARLAN, KY 40831

CLOVERTOWN CHURCH OF GOD
P O BOX 1243
HARLAN, KY 40831

BURNS ROBERT & KATHY
2311 W HWY 72
HARLAN, KY 40831

GILES CARL EDWARD & WILLA JEAN
P O BOX 83
HARLAN, KY 40831

7022 3330 0000 3636 2240

**U.S. Postal Service™
CERTIFIED MAIL® RECEIPT**
Domestic Mail Only

For delivery information, visit our website at www.usps.com®.

OFFICIAL USE

Certified Mail Fee \$

Extra Services & Fees (check box, add fee as appropriate)

Return Receipt (hardcopy) \$

Return Receipt (electronic) \$

Certified Mail Restricted Delivery \$

Adult Signature Required \$

Adult Signature Restricted Delivery \$

Postmark Here

Pr
\$ Tr
\$ Sr
\$ Si
\$ St
\$ Ci

GILES CARL EDWARD & WILLA JEAN
P O BOX 83
HARLAN, KY 40831

PS Form 3800, April 2015 PSN 7530-02-000-9047 See Reverse for Instructions

7022 3330 0000 3636 2233

**U.S. Postal Service™
CERTIFIED MAIL® RECEIPT**
Domestic Mail Only

For delivery information, visit our website at www.usps.com®.

OFFICIAL USE

Certified Mail Fee \$

Extra Services & Fees (check box, add fee as appropriate)

Return Receipt (hardcopy) \$

Return Receipt (electronic) \$

Certified Mail Restricted Delivery \$

Adult Signature Required \$

Adult Signature Restricted Delivery \$

Postage

PHILLIPS JERRY
443 HWY 3459
HARLAN, KY 40831

PS Form 3800, April 2015 PSN 7530-02-000-9047 See Reverse for Instructions

7022 3330 0000 3636 2222

**U.S. Postal Service™
CERTIFIED MAIL® RECEIPT**
Domestic Mail Only

For delivery information, visit our website at www.usps.com®.

OFFICIAL USE

Certified Mail Fee \$

Extra Services & Fees (check box, add fee as appropriate)

Return Receipt (hardcopy) \$

Return Receipt (electronic) \$

Certified Mail Restricted Delivery \$

Adult Signature Required \$

Adult Signature Restricted Delivery \$

Postage

GILES HENRY MRS
P O BOX 83
HARLAN, KY 40831

PS Form 3800, April 2015 PSN 7530-02-000-9047 See Reverse for Instructions

7022 3330 0000 3636 2264

**U.S. Postal Service™
CERTIFIED MAIL® RECEIPT**
Domestic Mail Only

For delivery information, visit our website at www.usps.com®.

OFFICIAL USE

Certified Mail Fee \$

Extra Services & Fees (check box, add fee as appropriate)

Return Receipt (hardcopy) \$

Return Receipt (electronic) \$

Certified Mail Restricted Delivery \$

Adult Signature Required \$

Adult Signature Restricted Delivery \$

Postage

Joe Meadors
Mayor for the City of Harlan
218 South Main Street
Harlan, KY 40831

PS Form 3800, April 2015 PSN 7530-02-000-9047 See Reverse for Instructions

7022 3330 0000 3636 2486

**U.S. Postal Service™
CERTIFIED MAIL® RECEIPT**
Domestic Mail Only

For delivery information, visit our website at www.usps.com®.

OFFICIAL USE

Certified Mail Fee \$

Extra Services & Fees (check box, add fee as appropriate)

Return Receipt (hardcopy) \$

Return Receipt (electronic) \$

Certified Mail Restricted Delivery \$

Adult Signature Required \$

Adult Signature Restricted Delivery \$

Postage

Dan Mosley
Harlan County Judge Executive
P. O. Box 956
Harlan, KY 40831

PS Form 3800, April 2015 PSN 7530-02-000-9047 See Reverse for Instructions

7022 3330 0000 3636 2382

**U.S. Postal Service™
CERTIFIED MAIL® RECEIPT**
Domestic Mail Only

For delivery information, visit our website at www.usps.com®.

OFFICIAL USE

Certified Mail Fee \$

Extra Services & Fees (check box, add fee as appropriate)

Return Receipt (hardcopy) \$

Return Receipt (electronic) \$

Certified Mail Restricted Delivery \$

Adult Signature Required \$

Adult Signature Restricted Delivery \$

Postage

ROWLETTE SHARON AND DAVID
P O BOX 1013
HARLAN, KY 40831

PS Form 3800, April 2015 PSN 7530-02-000-9047 See Reverse for Instructions

7022 3330 0000 3636 2592

U.S. Postal Service™
CERTIFIED MAIL® RECEIPT
Domestic Mail Only

For delivery information, visit our website at www.usps.com®.

OFFICIAL USE

Certified Mail Fee
 \$

Extra Services & Fees (check box, add fee as appropriate)

<input type="checkbox"/> Return Receipt (hardcopy)	\$	
<input type="checkbox"/> Return Receipt (electronic)	\$	
<input type="checkbox"/> Certified Mail Restricted Delivery	\$	
<input type="checkbox"/> Adult Signature Required	\$	
<input type="checkbox"/> Adult Signature Restricted Delivery	\$	

Postage

DAY KENNETH H
% TERRY DAY
543 HWY 3459
HARLAN, KY 40831

PS Form 3800, April 2015 PSN 7530-02-000-9047 See Reverse for Instructions

7022 3330 0000 3636 2581

U.S. Postal Service™
CERTIFIED MAIL® RECEIPT
Domestic Mail Only

For delivery information, visit our website at www.usps.com®.

OFFICIAL USE

Certified Mail Fee
 \$

Extra Services & Fees (check box, add fee as appropriate)

<input type="checkbox"/> Return Receipt (hardcopy)	\$	
<input type="checkbox"/> Return Receipt (electronic)	\$	
<input type="checkbox"/> Certified Mail Restricted Delivery	\$	
<input type="checkbox"/> Adult Signature Required	\$	
<input type="checkbox"/> Adult Signature Restricted Delivery	\$	

Postage

DAY TERRY WAYNE
543 HWY 3459
HARLAN, KY 40831

PS Form 3800, April 2015 PSN 7530-02-000-9047 See Reverse for Instructions

7022 3330 0000 3636 2578

U.S. Postal Service™
CERTIFIED MAIL® RECEIPT
Domestic Mail Only

For delivery information, visit our website at www.usps.com®.

OFFICIAL USE

Certified Mail Fee
 \$

Extra Services & Fees (check box, add fee as appropriate)

<input type="checkbox"/> Return Receipt (hardcopy)	\$	
<input type="checkbox"/> Return Receipt (electronic)	\$	
<input type="checkbox"/> Certified Mail Restricted Delivery	\$	
<input type="checkbox"/> Adult Signature Required	\$	
<input type="checkbox"/> Adult Signature Restricted Delivery	\$	

Postage

BURGAN VICKI LYNN
531 HWY 3459
HARLAN, KY 40831

PS Form 3800, April 2015 PSN 7530-02-000-9047 See Reverse for Instructions

7022 3330 0000 3636 2571

U.S. Postal Service™
CERTIFIED MAIL® RECEIPT
Domestic Mail Only

For delivery information, visit our website at www.usps.com®.

OFFICIAL USE

Certified Mail Fee
 \$

Extra Services & Fees (check box, add fee as appropriate)

<input type="checkbox"/> Return Receipt (hardcopy)	\$	
<input type="checkbox"/> Return Receipt (electronic)	\$	
<input type="checkbox"/> Certified Mail Restricted Delivery	\$	
<input type="checkbox"/> Adult Signature Required	\$	
<input type="checkbox"/> Adult Signature Restricted Delivery	\$	

Postage

HARLAN CHURCH OF GOD
H C 78 BOX 785
HARLAN, KY 40831

PS Form 3800, April 2015 PSN 7530-02-000-9047 See Reverse for Instructions

7022 3330 0000 3636 2554

U.S. Postal Service™
CERTIFIED MAIL® RECEIPT
Domestic Mail Only

For delivery information, visit our website at www.usps.com®.

OFFICIAL USE

Certified Mail Fee
 \$

Extra Services & Fees (check box, add fee as appropriate)

<input type="checkbox"/> Return Receipt (hardcopy)	\$	
<input type="checkbox"/> Return Receipt (electronic)	\$	
<input type="checkbox"/> Certified Mail Restricted Delivery	\$	
<input type="checkbox"/> Adult Signature Required	\$	
<input type="checkbox"/> Adult Signature Restricted Delivery	\$	

Postage

GILES HENRY MRS ESTATE
P O BOX 83
HARLAN, KY 40831

PS Form 3800, April 2015 PSN 7530-02-000-9047 See Reverse for Instructions

7022 3330 0000 3636 2462

U.S. Postal Service™
CERTIFIED MAIL® RECEIPT
Domestic Mail Only

For delivery information, visit our website at www.usps.com®.

OFFICIAL USE

Certified Mail Fee
 \$

Extra Services & Fees (check box, add fee as appropriate)

<input type="checkbox"/> Return Receipt (hardcopy)	\$	
<input type="checkbox"/> Return Receipt (electronic)	\$	
<input type="checkbox"/> Certified Mail Restricted Delivery	\$	
<input type="checkbox"/> Adult Signature Required	\$	
<input type="checkbox"/> Adult Signature Restricted Delivery	\$	

Postage

MOUNTAIN RECOVERY REALTY LLC
149 SIMONTON DRIVE
HARLAN, KY 40831

PS Form 3800, April 2015 PSN 7530-02-000-9047 See Reverse for Instructions

**U.S. Postal Service™
CERTIFIED MAIL® RECEIPT**
Domestic Mail Only

For delivery information, visit our website at www.usps.com®.

7022 3330 0000 3636 2325

OFFICIAL USE

Certified Mail Fee \$

Extra Services & Fees (check box, add fee as appropriate)

Return Receipt (hardcopy) \$

Return Receipt (electronic) \$

Certified Mail Restricted Delivery \$

Adult Signature Required \$

Adult Signature Restricted Delivery \$

Postage

Postmark Here

AR 40185

GIBBONS LOUIS & LISA
P O BOX 370
GRAYS KNOB, KY 40829

PS Form 3800, April 2015 PSN 7530-02-000-9047 See Reverse for Instructions

**U.S. Postal Service™
CERTIFIED MAIL® RECEIPT**
Domestic Mail Only

For delivery information, visit our website at www.usps.com®.

7022 3330 0000 3636 2318

OFFICIAL USE

Certified Mail Fee \$

Extra Services & Fees (check box, add fee as appropriate)

Return Receipt (hardcopy) \$

Return Receipt (electronic) \$

Certified Mail Restricted Delivery \$

Adult Signature Required \$

Adult Signature Restricted Delivery \$

Postage

Postmark Here

AR 40185

JOHNSON DENNIS C
P O BOX 1274
HARLAN, KY 40831

PS Form 3800, April 2015 PSN 7530-02-000-9047 See Reverse for Instru

**U.S. Postal Service™
CERTIFIED MAIL® RECEIPT**
Domestic Mail Only

For delivery information, visit our website at www.usps.com®.

7022 3330 0000 3636 2660

OFFICIAL USE

Certified Mail Fee \$

Extra Services & Fees (check box, add fee as appropriate)

Return Receipt (hardcopy) \$

Return Receipt (electronic) \$

Certified Mail Restricted Delivery \$

Adult Signature Required \$

Adult Signature Restricted Delivery \$

Postage

Postmark Here

AR 40185

JOHNSON HOBERT & FRANKIE
P O BOX 475
HARLAN, KY 40831

PS Form 3800, April 2015 PSN 7530-02-000-9047 See Reverse for Instructions

**U.S. Postal Service™
CERTIFIED MAIL® RECEIPT**
Domestic Mail Only

For delivery information, visit our website at www.usps.com®.

7022 3330 0000 3636 2592

OFFICIAL USE

Certified Mail Fee \$

Extra Services & Fees (check box, add fee as appropriate)

Return Receipt (hardcopy) \$

Return Receipt (electronic) \$

Certified Mail Restricted Delivery \$

Adult Signature Required \$

Adult Signature Restricted Delivery \$

Postage

Postmark Here

AR 40185

KY REAL ESTATE ACQUISITION &
MANAGEMENT GROUP LLC
P O BOX 128
HARLAN, KY 40831

PS Form 3800, April 2015 PSN 7530-02-000-9047 See Reverse for Instruc

**U.S. Postal Service™
CERTIFIED MAIL® RECEIPT**
Domestic Mail Only

For delivery information, visit our website at www.usps.com®.

7022 3330 0000 3636 2639

OFFICIAL USE

Certified Mail Fee \$

Extra Services & Fees (check box, add fee as appropriate)

Return Receipt (hardcopy) \$

Return Receipt (electronic) \$

Certified Mail Restricted Delivery \$

Adult Signature Required \$

Adult Signature Restricted Delivery \$

Postage

Postmark Here

AR 40185

GOINS JENNIFER G & PAYTON AIMEE
573 HWY 3459
HARLAN, KY 40831

PS Form 3800, April 2015 PSN 7530-02-000-9047 See Reverse for Instructions

**U.S. Postal Service™
CERTIFIED MAIL® RECEIPT**
Domestic Mail Only

For delivery information, visit our website at www.usps.com®.

7022 3330 0000 3636 2608

OFFICIAL USE

Certified Mail Fee \$

Extra Services & Fees (check box, add fee as appropriate)

Return Receipt (hardcopy) \$

Return Receipt (electronic) \$

Certified Mail Restricted Delivery \$

Adult Signature Required \$

Adult Signature Restricted Delivery \$

Postage

Postmark Here

AR 40185

GOINS GEORGE RUSSELL
P O BOX 191
GRAYS KNOB, KY 40829

PS Form 3800, April 2015 PSN 7530-02-000-9047 See Reverse for Instructions

7022 3330 0000 3636 2622

U.S. Postal Service™
CERTIFIED MAIL® RECEIPT
Domestic Mail Only

For delivery information, visit our website at www.usps.com®.

Certified Mail Fee \$

Extra Services & Fees (check box, add fee as appropriate)

Return Receipt (hardcopy) \$

Return Receipt (electronic) \$

Certified Mail Restricted Delivery \$

Adult Signature Required \$

Adult Signature Restricted Delivery \$

Postage \$

Postmark Here

REDBOW INC
 1616 S HWY 421
 HARLAN, KY 40831

PS Form 3800, April 2015 PSN 7530-02-000-9047 See Reverse for Instructions

7022 3330 0000 3636 2301

U.S. Postal Service™
CERTIFIED MAIL® RECEIPT
Domestic Mail Only

For delivery information, visit our website at www.usps.com®.

Certified Mail Fee \$

Extra Services & Fees (check box, add fee as appropriate)

Return Receipt (hardcopy) \$

Return Receipt (electronic) \$

Certified Mail Restricted Delivery \$

Adult Signature Required \$

Adult Signature Restricted Delivery \$

Postage \$

Postmark Here

GRF LLC
 P O BOX 1546
 CORBIN, KY 40702

PS Form 3800, April 2015 PSN 7530-02-000-9047 See Reverse for Instructions

7022 3330 0000 3636 2295

U.S. Postal Service™
CERTIFIED MAIL® RECEIPT
Domestic Mail Only

For delivery information, visit our website at www.usps.com®.

Certified Mail Fee \$

Extra Services & Fees (check box, add fee as appropriate)

Return Receipt (hardcopy) \$

Return Receipt (electronic) \$

Certified Mail Restricted Delivery \$

Adult Signature Required \$

Adult Signature Restricted Delivery \$

Postage \$

Total \$

Specialty Products Dist
 P O BOX 128
 HARLAN, KY 40831

PS Form 3800, April 2015 PSN 7530-02-000-9047 See Reverse for Instructions

7022 3330 0000 3636 2286

U.S. Postal Service™
CERTIFIED MAIL® RECEIPT
Domestic Mail Only

For delivery information, visit our website at www.usps.com®.

Certified Mail Fee \$

Extra Services & Fees (check box, add fee as appropriate)

Return Receipt (hardcopy) \$

Return Receipt (electronic) \$

Certified Mail Restricted Delivery \$

Adult Signature Required \$

Adult Signature Restricted Delivery \$

Postage \$

Total \$

HARLAN COUNTIANS FOR PROGRESS LLC
 200 WALDON RD
 HARLAN, KY 40831

PS Form 3800, April 2015 PSN 7530-02-000-9047 See Reverse for Instructions

7022 3330 0000 3636 2271

U.S. Postal Service™
CERTIFIED MAIL® RECEIPT
Domestic Mail Only

For delivery information, visit our website at www.usps.com®.

Certified Mail Fee \$

Extra Services & Fees (check box, add fee as appropriate)

Return Receipt (hardcopy) \$

Return Receipt (electronic) \$

Certified Mail Restricted Delivery \$

Adult Signature Required \$

Adult Signature Restricted Delivery \$

Postage \$

Total \$

CLOVERTOWN CHURCH OF GOD
 P O BOX 1243
 HARLAN, KY 40831

PS Form 3800, April 2015 PSN 7530-02-000-9047 See Reverse for Instructions

7022 3330 0000 3636 2257

U.S. Postal Service™
CERTIFIED MAIL® RECEIPT
Domestic Mail Only

For delivery information, visit our website at www.usps.com®.

Certified Mail Fee \$

Extra Services & Fees (check box, add fee as appropriate)

Return Receipt (hardcopy) \$

Return Receipt (electronic) \$

Certified Mail Restricted Delivery \$

Adult Signature Required \$

Adult Signature Restricted Delivery \$

Postage \$

Total \$

BURNS ROBERT & KATHY
 2311 W HWY 72
 HARLAN, KY 40831

PS Form 3800, April 2015 PSN 7530-02-000-9047 See Reverse for Instructions

7022 3330 0000 3636 2172

U.S. Postal Service™ CERTIFIED MAIL® RECEIPT

Domestic Mail Only

For delivery information, visit our website at www.usps.com®.

Certified Mail Fee \$

Extra Services & Fees (check box, add fee as appropriate)

Return Receipt (hardcopy) \$

Return Receipt (electronic) \$

Certified Mail Restricted Delivery \$

Adult Signature Required \$

Adult Signature Restricted Delivery \$

Postage \$

Total \$

To: PHILLIPS JERRY GARRETT
443 HWY 3459
HARLAN, KY 40831

City: _____

PS Form 3800, April 2015 PSN 7530-02-000-9047 See Reverse for Instructions

U.S. Postal Service™ CERTIFIED MAIL® RECEIPT

Domestic Mail Only

For delivery information, visit our website at www.usps.com®.

Certified Mail Fee \$

Extra Services & Fees (check box, add fee as appropriate)

Return Receipt (hardcopy) \$

Return Receipt (electronic) \$

Certified Mail Restricted Delivery \$

Adult Signature Required \$

Adult Signature Restricted Delivery \$

Postage \$

Total \$

To: MALIBU ENTERPRISES LLC
6452 HWY 38
EVARTS, KY 40828

City: _____

PS Form 3800, April 2015 PSN 7530-02-000-9047 See Reverse for Instructions

7022 3330 0000 3636 2134

U.S. Postal Service™ CERTIFIED MAIL® RECEIPT

Domestic Mail Only

For delivery information, visit our website at www.usps.com®.

Certified Mail Fee \$

Extra Services & Fees (check box, add fee as appropriate)

Return Receipt (hardcopy) \$

Return Receipt (electronic) \$

Certified Mail Restricted Delivery \$

Adult Signature Required \$

Adult Signature Restricted Delivery \$

Postage \$

Total \$

To: PARSONS - KIMEL ASSOCIATES
2083 MANOR DRIVE
LEXINGTON, KY 40502

City: _____

PS Form 3800, April 2015 PSN 7530-02-000-9047 See Reverse for Instructions

7022 3330 0000 3636 2165

U.S. Postal Service™ CERTIFIED MAIL® RECEIPT

Domestic Mail Only

For delivery information, visit our website at www.usps.com®.

Certified Mail Fee \$

Extra Services & Fees (check box, add fee as appropriate)

Return Receipt (hardcopy) \$

Return Receipt (electronic) \$

Certified Mail Restricted Delivery \$

Adult Signature Required \$

Adult Signature Restricted Delivery \$

Postage \$

Total \$

To: SUTTON LON & CLARA
P O BOX 647
HARLAN, KY 40831

City: _____

PS Form 3800, April 2015 PSN 7530-02-000-9047 See Reverse for Instructions

7022 3330 0000 3636 2141

U.S. Postal Service™ CERTIFIED MAIL® RECEIPT

Domestic Mail Only

For delivery information, visit our website at www.usps.com®.

Certified Mail Fee \$

Extra Services & Fees (check box, add fee as appropriate)

Return Receipt (hardcopy) \$

Return Receipt (electronic) \$

Certified Mail Restricted Delivery \$

Adult Signature Required \$

Adult Signature Restricted Delivery \$

Postage \$

Total \$

To: SPECIALTY PRODUCTS DISTRIBUTORS LLC
P O BOX 956
HARLAN, KY 40831

City: _____

PS Form 3800, April 2015 PSN 7530-02-000-9047 See Reverse for Instructions

7022 3330 0000 3636 2646

U.S. Postal Service™ CERTIFIED MAIL® RECEIPT

Domestic Mail Only

For delivery information, visit our website at www.usps.com®.

Certified Mail Fee \$

Extra Services & Fees (check box, add fee as appropriate)

Return Receipt (hardcopy) \$

Return Receipt (electronic) \$

Certified Mail Restricted Delivery \$

Adult Signature Required \$

Adult Signature Restricted Delivery \$

Postage \$

Total \$

To: SAVE-A-LOT OF HARLAN
P O BOX 130
MIDDLESBORO, KY 40965

City: _____

PS Form 3800, April 2015 PSN 7530-02-000-9047 See Reverse for Instructions

7022 3330 0000 3636 2349

U.S. Postal Service™
CERTIFIED MAIL® RECEIPT
Domestic Mail Only

For delivery information, visit our website at www.usps.com®.

OFFICIAL RECEIPT

Certified Mail Fee \$

Extra Services & Fees (check box, add fee as appropriate)

Return Receipt (hardcopy) \$

Return Receipt (electronic) \$

Certified Mail Restricted Delivery \$

Adult Signature Required \$

Adult Signature Restricted Delivery \$

Postage \$

Postmark Here

SHEPHERDSVILLE KY 40135

HOLMES FLOSSIE
 PO BOX 81
 GRAYS KNOB, KY 40829

PS Form 3800, April 2015 PSN 7530-02-000-9047 See Reverse for Instructions

7022 3330 0000 3636 2615

U.S. Postal Service™
CERTIFIED MAIL® RECEIPT
Domestic Mail Only

For delivery information, visit our website at www.usps.com®.

OFFICIAL RECEIPT

Certified Mail Fee \$

Extra Services & Fees (check box, add fee as appropriate)

Return Receipt (hardcopy) \$

Return Receipt (electronic) \$

Certified Mail Restricted Delivery \$

Adult Signature Required \$

Adult Signature Restricted Delivery \$

Postage \$

Postmark Here

SHEPHERDSVILLE KY 40135

VANWINKLE WILLARD & BESSIE
 P O BOX 212
 BAXTER, KY 40806

PS Form 3800, April 2015 PSN 7530-02-000-9047 See Reverse for Instructions

7022 3330 0000 3636 2202

U.S. Postal Service™
CERTIFIED MAIL® RECEIPT
Domestic Mail Only

For delivery information, visit our website at www.usps.com®.

OFFICIAL RECEIPT

Certified Mail Fee \$

Extra Services & Fees (check box, add fee as appropriate)

Return Receipt (hardcopy) \$

Return Receipt (electronic) \$

Certified Mail Restricted Delivery \$

Adult Signature Required \$

Adult Signature Restricted Delivery \$

Postage \$

Postmark Here

SHEPHERDSVILLE KY 40135

LAWSON AMERICA OR BOBBY WITT
 P O BOX 1237
 HARLAN, KY 40831

PS Form 3800, April 2015 PSN 7530-02-000-9047 See Reverse for Instructions

7022 3330 0000 3636 2219

U.S. Postal Service™
CERTIFIED MAIL® RECEIPT
Domestic Mail Only

For delivery information, visit our website at www.usps.com®.

OFFICIAL RECEIPT

Certified Mail Fee \$

Extra Services & Fees (check box, add fee as appropriate)

Return Receipt (hardcopy) \$

Return Receipt (electronic) \$

Certified Mail Restricted Delivery \$

Adult Signature Required \$

Adult Signature Restricted Delivery \$

Postage \$

Postmark Here

SHEPHERDSVILLE KY 40135

FARMER TONI
 PO BOX 576
 HARLAN, KY 40831

PS Form 3800, April 2015 PSN 7530-02-000-9047 See Reverse for Instructions

7022 3330 0000 3636 2196

U.S. Postal Service™
CERTIFIED MAIL® RECEIPT
Domestic Mail Only

For delivery information, visit our website at www.usps.com®.

OFFICIAL RECEIPT

Certified Mail Fee \$

Extra Services & Fees (check box, add fee as appropriate)

Return Receipt (hardcopy) \$

Return Receipt (electronic) \$

Certified Mail Restricted Delivery \$

Adult Signature Required \$

Adult Signature Restricted Delivery \$

Postage \$

Postmark Here

SHEPHERDSVILLE KY 40135

FRAZIER CURTIS W
 P O BOX 1003
 HARLAN, KY 40831

PS Form 3800, April 2015 PSN 7530-02-000-9047 See Reverse for Instructions

7022 3330 0000 3636 2189

U.S. Postal Service™
CERTIFIED MAIL® RECEIPT
Domestic Mail Only

For delivery information, visit our website at www.usps.com®.

OFFICIAL RECEIPT

Certified Mail Fee \$

Extra Services & Fees (check box, add fee as appropriate)

Return Receipt (hardcopy) \$

Return Receipt (electronic) \$

Certified Mail Restricted Delivery \$

Adult Signature Required \$

Adult Signature Restricted Delivery \$

Postage \$

Postmark Here

SHEPHERDSVILLE KY 40135

BENNETT ALKA LEE
 P O BOX 1240
 HARLAN, KY 40831

PS Form 3800, April 2015 PSN 7530-02-000-9047 See Reverse for Instructions

**U.S. Postal Service™
CERTIFIED MAIL® RECEIPT**
Domestic Mail Only

For delivery information, visit our website at www.usps.com®.

7022 3330 0000 3636 2417

Certified Mail Fee \$

Extra Services & Fees (check box, add fee as appropriate)

Return Receipt (hardcopy) \$

Return Receipt (electronic) \$

Certified Mail Restricted Delivery \$

Adult Signature Required \$

Adult Signature Restricted Delivery \$

Postage

To \$

Se \$

Sir \$

City

KENTUCKY UTILITIES
184 BANK DRIVE
HARLAN, KY 40831

SEP 08 2023
SHEPHERDSVILLE
KY 40185

See Reverse for Instructions

**U.S. Postal Service™
CERTIFIED MAIL® RECEIPT**
Domestic Mail Only

For delivery information, visit our website at www.usps.com®.

7022 3330 0000 3636 2356

Certified Mail Fee \$

Extra Services & Fees (check box, add fee as appropriate)

Return Receipt (hardcopy) \$

Return Receipt (electronic) \$

Certified Mail Restricted Delivery \$

Adult Signature Required \$

Adult Signature Restricted Delivery \$

Postage

To \$

Se \$

Sir \$

City

BRUCE DAVID
652 HWY 3459 LOT 3
HARLAN, KY 40831

SEP 08 2023
SHEPHERDSVILLE
KY 40185

PS Form 3800, April 2015 PSN 7530-02-000-9047 See Reverse for Instructions

**U.S. Postal Service™
CERTIFIED MAIL® RECEIPT**
Domestic Mail Only

For delivery information, visit our website at www.usps.com®.

7022 3330 0000 3636 2366

Certified Mail Fee \$

Extra Services & Fees (check box, add fee as appropriate)

Return Receipt (hardcopy) \$

Return Receipt (electronic) \$

Certified Mail Restricted Delivery \$

Adult Signature Required \$

Adult Signature Restricted Delivery \$

Postage

To \$

Se \$

Sir \$

City

CODY PATRICIA
PO BOX 455
HARLAN, KY 40831

SEP 08 2023
SHEPHERDSVILLE
KY 40185

PS Form 3800, April 2015 PSN 7530-02-000-9047 See Reverse for Instructions

**U.S. Postal Service™
CERTIFIED MAIL® RECEIPT**
Domestic Mail Only

For delivery information, visit our website at www.usps.com®.

7022 3330 0000 3636 2370

Certified Mail Fee \$

Extra Services & Fees (check box, add fee as appropriate)

Return Receipt (hardcopy) \$

Return Receipt (electronic) \$

Certified Mail Restricted Delivery \$

Adult Signature Required \$

Adult Signature Restricted Delivery \$

Postage

To \$

Se \$

Sir \$

City

STEPHENS REGINALD
GENERAL DEL
HARLAN, KY 40831

SEP 08 2023
SHEPHERDSVILLE
KY 40185

PS Form 3800, April 2015 PSN 7530-02-000-9047 See Reverse for Instructions

**U.S. Postal Service™
CERTIFIED MAIL® RECEIPT**
Domestic Mail Only

For delivery information, visit our website at www.usps.com®.

7022 3330 0000 3636 2387

Certified Mail Fee \$

Extra Services & Fees (check box, add fee as appropriate)

Return Receipt (hardcopy) \$

Return Receipt (electronic) \$

Certified Mail Restricted Delivery \$

Adult Signature Required \$

Adult Signature Restricted Delivery \$

Postage

To \$

Se \$

Sir \$

City

ROBINSON MARTHA
P O BOX 244
HARLAN, KY 40831

SEP 08 2023
SHEPHERDSVILLE
KY 40185

PS Form 3800, April 2015 PSN 7530-02-000-9047 See Reverse for Instructions

**U.S. Postal Service™
CERTIFIED MAIL® RECEIPT**
Domestic Mail Only

For delivery information, visit our website at www.usps.com®.

7022 3330 0000 3636 2394

Certified Mail Fee \$

Extra Services & Fees (check box, add fee as appropriate)

Return Receipt (hardcopy) \$

Return Receipt (electronic) \$

Certified Mail Restricted Delivery \$

Adult Signature Required \$

Adult Signature Restricted Delivery \$

Postage

To \$

Se \$

Sir \$

City

SMITH GILL JR
P O BOX 692
HARLAN, KY 40831

SEP 08 2023
SHEPHERDSVILLE
KY 40185

PS Form 3800, April 2015 PSN 7530-02-000-9047 See Reverse for Instructions

7022 3330 0000 3636 2448

U.S. Postal Service™
CERTIFIED MAIL® RECEIPT
 Domestic Mail Only

For delivery information, visit our website at www.usps.com®.

Certified Mail Fee \$

Extra Services & Fees (check box, add fee as appropriate)

Return Receipt (hardcopy) \$

Return Receipt (electronic) \$

Certified Mail Restricted Delivery \$

Adult Signature Required \$

Adult Signature Restricted Delivery \$

Postage \$

Total \$

Postmark Here

SEP 08 2023
 KY 40165

SMALLWOOD DANNY
 1485 HWY 1084
 BAXTER, KY 40806

PS Form 3800, April 2015 PSN 7530-02-000-9047 See Reverse for Instructions

7022 3330 0000 3636 2455

U.S. Postal Service™
CERTIFIED MAIL® RECEIPT
 Domestic Mail Only

For delivery information, visit our website at www.usps.com®.

Certified Mail Fee \$

Extra Services & Fees (check box, add fee as appropriate)

Return Receipt (hardcopy) \$

Return Receipt (electronic) \$

Certified Mail Restricted Delivery \$

Adult Signature Required \$

Adult Signature Restricted Delivery \$

Postage \$

Total \$

Postmark Here

SEP 08 2023
 KY 40165

REDBOW INC
 P O BOX 130
 MIDDLESBORO, KY 40965

PS Form 3800, April 2015 PSN 7530-02-000-9047 See Reverse for Instructions

7022 3330 0000 3636 2431

U.S. Postal Service™
CERTIFIED MAIL® RECEIPT
 Domestic Mail Only

For delivery information, visit our website at www.usps.com®.

Certified Mail Fee \$

Extra Services & Fees (check box, add fee as appropriate)

Return Receipt (hardcopy) \$

Return Receipt (electronic) \$

Certified Mail Restricted Delivery \$

Adult Signature Required \$

Adult Signature Restricted Delivery \$

Postage \$

Total \$

Postmark Here

SEP 08 2023
 KY 40165

SMALLWOOD DANNY K & JENNIFER
 1485 HWY 1084
 BAXTER, KY 40806

PS Form 3800, April 2015 PSN 7530-02-000-9047 See Reverse for Instructions

7022 3330 0000 3636 2479

U.S. Postal Service™
CERTIFIED MAIL® RECEIPT
 Domestic Mail Only

For delivery information, visit our website at www.usps.com®.

Certified Mail Fee \$

Extra Services & Fees (check box, add fee as appropriate)

Return Receipt (hardcopy) \$

Return Receipt (electronic) \$

Certified Mail Restricted Delivery \$

Adult Signature Required \$

Adult Signature Restricted Delivery \$

Postage \$

Total \$

Postmark Here

SEP 08 2023
 KY 40165

GILES CARL EDWARD & WILLA JEAN
 P O BOX 83
 HARLAN, KY 40831

PS Form 3800, April 2015 PSN 7530-02-000-9047 See Reverse for Instructions

7022 3330 0000 3636 2424

U.S. Postal Service™
CERTIFIED MAIL® RECEIPT
 Domestic Mail Only

For delivery information, visit our website at www.usps.com®.

Certified Mail Fee \$

Extra Services & Fees (check box, add fee as appropriate)

Return Receipt (hardcopy) \$

Return Receipt (electronic) \$

Certified Mail Restricted Delivery \$

Adult Signature Required \$

Adult Signature Restricted Delivery \$

Postage \$

Total \$

Postmark Here

SEP 08 2023
 KY 40165

TAYLOR KATRINA G & CHARLES M
 44 TARBOT LANE
 HARLAN, KY 40831

PS Form 3800, April 2015 PSN 7530-02-000-9047 See Reverse for Instructions

EXHIBIT K
COPY OF PROPERTY OWNER NOTIFICATION



PIKE LEGAL GROUP PLLC
1578 Highway 44 East, Unit 6
PO Box 369
Shepherdsville, KY 40165-0369
Phone: 502-955-4400
Fax: 502-543-4410

**Notice of Proposed Construction of
Wireless Communications Facility
Site Name: Clover Fork**

Dear Landowner:

New Cingular Wireless PCS, LLC, a Delaware limited liability company, d/b/a AT&T Mobility and Tillman Infrastructure LLC, a Delaware limited liability company have filed an application with the Kentucky Public Service Commission ("PSC") to construct a new wireless communications facility on a site located at 227 Industrial Park Road, Harlan, KY 40831 (36° 50' 08.82" North latitude, 83° 19' 39.46" West longitude). The proposed facility will include a 175-foot tall tower, with an approximately 10-foot tall lightning arrestor attached at the top, for a total height of 185-feet, plus related ground facilities. This facility is needed to provide improved coverage for wireless communications in the area.

This notice is being sent to you because the County Property Valuation Administrator's records indicate that you may own property that is within a 500' radius of the proposed tower site or contiguous to the property on which the tower is to be constructed. You have a right to submit testimony to the Kentucky Public Service Commission ("PSC"), either in writing or to request intervention in the PSC's proceedings on the application. You may contact the PSC for additional information concerning this matter at: Kentucky Public Service Commission, Executive Director, 211 Sower Boulevard, P.O. Box 615, Frankfort, Kentucky 40602. Please refer to docket number 2023-00296 in any correspondence sent in connection with this matter.

We have attached a map showing the site location for the proposed tower. AT&T Mobility's radio frequency engineers assisted in selecting the proposed site for the facility, and they have determined it is the proper location and elevation needed to provide quality service to wireless customers in the area. Please feel free to contact us toll free at (800) 516-4293 if you have any comments or questions about this proposal.

Sincerely,
David A. Pike
Attorney for Applicants

enclosures

Driving Directions to Proposed Tower Site

1. Beginning at 210 E Central St # 111, Harlan, KY 40831, head west on E Central Street toward N 1st Street and travel approximately 0.2 miles.
2. Turn left onto US-421 S and travel approximately 0.7 miles.
3. Turn right onto Industrial Park Road and travel approximately 367 feet.
4. Turn left to stay on Industrial Park Road and travel approximately 285 feet.
5. The site is located on the right. The site address is 227 Industrial Park Road, Harlan KY 40831.
6. The site coordinates are:
 - a. North 36 deg 50 min 08.82 sec
 - b. West 83 deg 19 min 39.46 sec



Prepared by:
Chris Shouse
Pike Legal Group
1578 Highway 44 East, Suite 6
P.O. Box 396
Shepherdsville, KY 40165-3069
Telephone: 502-955-4400 or 800-516-4293

500' RADIUS AND ADJOINING DRAWING

A - HARLAN MOUNTAIN FIRE PROGRESS, LLC
 200 WALTON ROAD, HARLAN KY 40831
 PARCEL ID: 069-40-00-230.00

B - DRP, LLC
 PO BOX 1546 CORBIN, KY 40709
 PARCEL ID: 070-00-00-001.05

B(1) REDROW INC.
 1818 S HWY 421, HARLAN KY 40831
 PARCEL ID: 070-00-00-001.00.1

B(2) SAVE-A-Lot OF HARLAN
 PO BOX 130, MIDDLEBORO, KY 40860
 PARCEL ID: 070-00-00-001.00.2

B(3) PARSONS-KIMEL ASSOCIATES
 7053 MANOR DRIVE, LEAVENWORTH, KY 40302
 PARCEL ID: 070-00-00-001.00.3

C - SPECIALTY PRODUCTS DISTRIBUTORS LLC
 PO BOX 895 HARLAN KY 40831
 PARCEL ID: 069-40-00-230.00

D - MALIBU ENTERPRISES, LLC
 6252 HWY 36 EVARTS KY 40828
 PARCEL ID: 069-40-00-229.00

E - LOU SIMPSON & CLARE SIMPSON
 PO BOX 647 HARLAN, KY 40831
 PARCEL ID: 069-40-00-106.00

F - JERRY DARRELL PHILLIPS
 443 HWY 3459 HARLAN, KY 40831
 PARCEL ID: 069-40-00-089.00

G - JERRY PHILLIPS
 443 HWY 3459 HARLAN, KY 40831
 PARCEL ID: 069-40-00-088.00

H - MRS. HENRY GILES
 PO BOX 83 HARLAN, KY 40831
 PARCEL ID: 069-40-00-097.00

I - MRS. HENRY GILES
 PO BOX 83 HARLAN, KY 40831
 PARCEL ID: 069-40-00-098.00

J - HARLAN CHURCH OF GOD
 11 C 78 BOX 795 HARLAN, KY 40831
 PARCEL ID: 069-40-00-094.00

K - HARLAN CHURCH OF GOD
 H C 78 BOX 795 HARLAN, KY 40831
 PARCEL ID: 069-40-00-093.00

L - WOO LYON BURMAN
 531 HWY 3459 HARLAN, KY 40831
 PARCEL ID: 069-40-00-092.00

M - WAYNE TERRY JOY
 943 HWY 3459 HARLAN, KY 40831
 PARCEL ID: 069-40-00-091.00

M(1) - KENNETH H. JOY & TERRY DAY
 943 HWY 3459 HARLAN, KY 40831
 PARCEL ID: 069-40-00-091.00.1

N - RUSSELL GEORGE OWENS
 PO BOX 181 GRAYS KNIGHT, KY 40870
 PARCEL ID: 069-40-00-090.00

O - JENNIFER D. BOWEN & AMELI HAYTON
 535 HWY 3459 HARLAN, KY 40831
 PARCEL ID: 069-40-00-090.00

P - KY REAL ESTATE ACQUISITION
 & MANAGEMENT GROUP
 PO BOX 126 HARLAN, KY 40831
 PARCEL ID: 070-00-00-002.00

P (10) - ROBERT & FRANKIE JOHNSON
 PO BOX 475 HARLAN, KY 40831
 PARCEL ID: 070-00-00-009.00.10

P (11) - DENNIS C. JOHNSON
 PO BOX 1278 HARLAN, KY 40831
 PARCEL ID: 070-00-00-009.00.11

P (16) - ALMA LEE BONNETT
 PO BOX 1240 HARLAN, KY 40831
 PARCEL ID: 070-00-00-002.00.16

P (17) - CURTIS W. HAMILTON
 PO BOX 1003 HARLAN, KY 40831
 PARCEL ID: 070-00-00-002.00.17

P (2) - AMERICA LAWSON OR BOBBY WITT
 PO BOX 1237 HARLAN, KY 40831
 PARCEL ID: 070-00-00-009.00.2

P (20) - TONI LANGRISH
 PO BOX 176 HARLAN, KY 40831
 PARCEL ID: 070-00-00-002.00.20

P (22) - WILLARD & BESSIE WASHINGTON
 PO BOX 212 HARLAN, KY 40831
 PARCEL ID: 070-00-00-002.00.22

P (25) - FLORENCE HOLMES
 PO BOX 81 HARLAN, KY 40831
 PARCEL ID: 070-00-00-002.00.25

P (26) - DAVID BRUCE
 601 HWY 3459, LOT 3 HARLAN, KY 40831
 PARCEL ID: 070-00-00-009.00.26

P (27) - BARBARA CROOK
 PO BOX 455 HARLAN, KY 40831
 PARCEL ID: 070-00-00-002.00.27

P (31) - REGINALD STEPHENS
 GENERAL DEL. HARLAN, KY 40831
 PARCEL ID: 070-00-00-002.00.31

P (4) - MARTHA ROBINSON
 PO BOX 244 HARLAN, KY 40831
 PARCEL ID: 070-00-00-002.00.4

P (6) - LOUIS & LISA CIBRONS
 PO BOX 370 HARLAN, KY 40831
 PARCEL ID: 070-00-00-002.00.6

P (7) - SHARON & DAVID HOWELL
 PO BOX 1013 HARLAN, KY 40831
 PARCEL ID: 070-00-00-002.00.7

P (8) - GIL SMITH JR.
 PO BOX 692 HARLAN, KY 40831
 PARCEL ID: 070-00-00-002.00.8

Q - KENTUCKY UTILITIES
 THE BANK DRIVE, HARLAN KY 40831
 PARCEL ID: 070-00-00-003.00

R - KATRINA E. TAYLOR & CHARLES M. TAYLOR
 44 HARROD LANE HARLAN, KY 40831
 PARCEL ID: 069-40-00-089.00

S - MARISSA C. TAYLOR & CHARLES M. TAYLOR
 44 HARROD LANE HARLAN, KY 40831
 PARCEL ID: 069-40-00-089.00

T - DANNY SMALLWOOD & JENNIFER SMALLWOOD
 1485 HWY 1084 BAXTER, KY 40808
 PARCEL ID: 069-40-00-082.00

U - DANNY K & JENNIFER SMALLWOOD
 1485 HWY 1084 BAXTER, KY 40808
 PARCEL ID: 069-40-00-081.00

V - DANNY SMALLWOOD
 1485 HWY 1084 BAXTER, KY 40808
 PARCEL ID: 069-40-00-080.00

W - EDWARD C GILES & WILLA JERRY
 PO BOX 83 HARLAN, KY 40831
 PARCEL ID: 069-40-00-079.00

X - REDROW INC.
 PO BOX 130, MIDDLEBORO, KY 40860
 PARCEL ID: 069-40-00-228.00

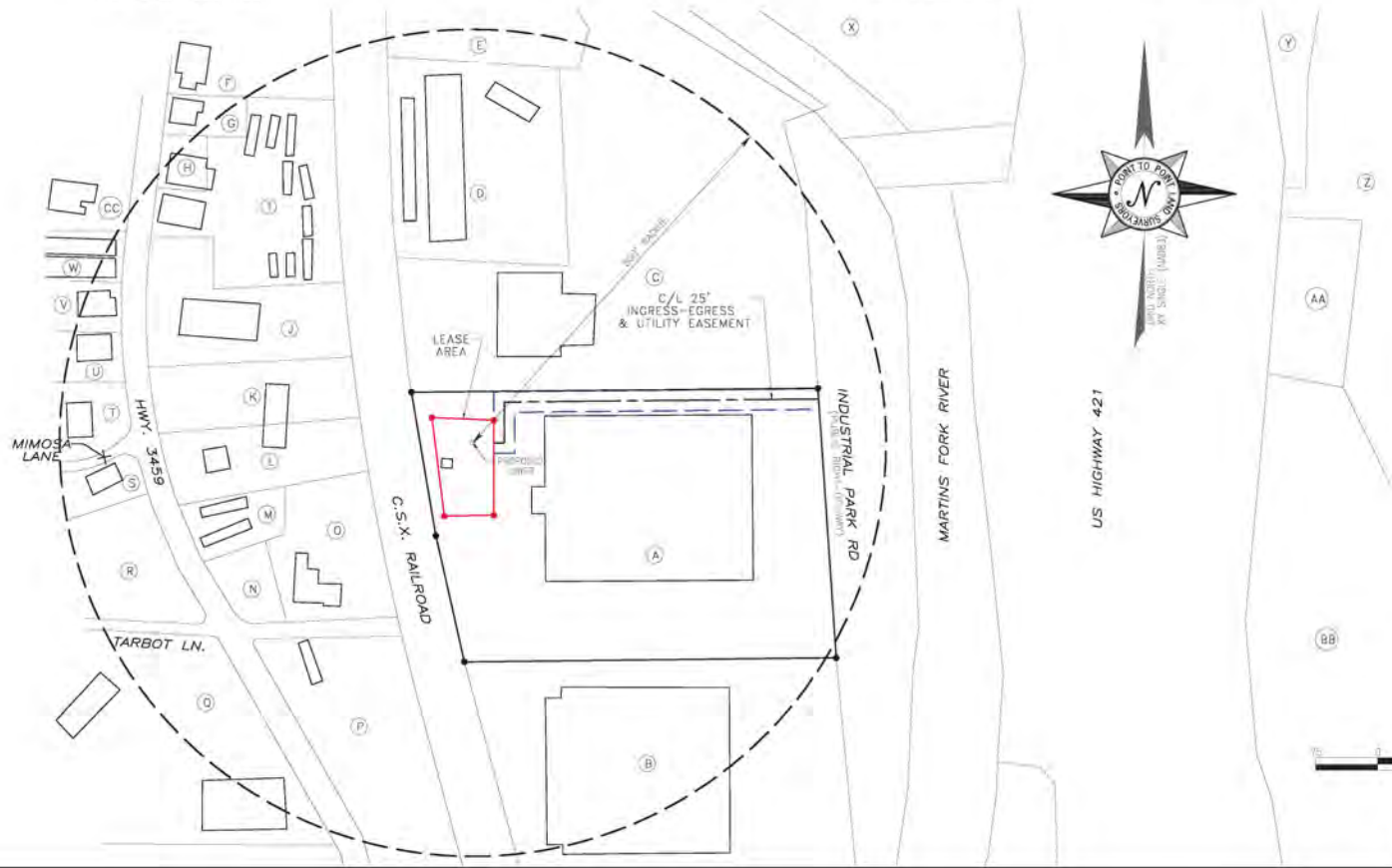
Y - MOUNTAIN RECOVERY REALTY
 149 SIMONTON DRIVE HARLAN, KY 40831
 PARCEL ID: 069-40-00-227.00

Z - CLOVERDOWN CHURCH OF GOD
 P O BOX 1243 HARLAN, KY 40831
 PARCEL ID: 069-40-00-078.00

AA - CLOVERDOWN CHURCH OF GOD
 P.O. BOX 1243 HARLAN, KY 40831
 PARCEL ID: 069-40-00-078.00

BB - ROBERT BURNS & MARY
 1311 W HWY 34 HARLAN KY 40831
 PARCEL ID: 069-40-00-077.00

CC - CARL EDWARD & WILLA JERRY
 PO BOX 83 HARLAN, KY 40831
 PARCEL ID: 069-40-00-076.00



STATE OF KENTUCKY
G. DARRELL TAYLOR
 4179
 LICENSED PROFESSIONAL LAND SURVEYOR

NO.	DATE	REVISION
1	3-15-22	ING/TGR/ESMT
2	3-1-23	EMA/BFL
3	8-4-23	500' RADIUS
4	8-29-23	TRIMMING

POINT TO POINT LAND SURVEYORS
 100 Governors Trace, Ste. 103
 Peachtree City, GA 30269
 (P) 678.365.4440 (F) 678.365.4497
 (W) pointtopointsurvey.com



SPECIFIC PARCEL SURVEY PREPARED FOR:
TILLMAN INFRASTRUCTURE
 15 ELIZABETH AVENUE, 15E
 152 W 57TH STREET, 15TH FLOOR
 NEW YORK, NY 10019

15724961
 HARLAN COUNTY, KENTUCKY

DRAWN BY: AM
 CHECKED BY: DMM
 APPROVED BY: MILLER
 DATE: APR 05, 2023
 P2P JOB #: 2023RAXX

3

EXHIBIT L
COPY OF COUNTY JUDGE/EXECUTIVE & CITY MAYOR NOTICE



PIKE LEGAL GROUP PLLC
1578 Highway 44 East, Unit 6
PO Box 369
Shepherdsville, KY 40165-0369
Phone: 502-955-4400
Fax: 502-543-4410

VIA CERTIFIED MAIL

Dan Mosley
Harlan County Judge Executive
P.O. Box 956
Harlan, KY 40831

RE: Notice of Proposal to Construct Wireless Communications Facility
Kentucky Public Service Commission Docket No. 2023-00296
Site Name: Clover Fork

Dear Judge/Executive:

New Cingular Wireless PCS, LLC, a Delaware limited liability company, d/b/a AT&T Mobility and Tillman Infrastructure LLC, a Delaware limited liability company have filed an application with the Kentucky Public Service Commission ("PSC") to construct a new wireless communications facility on a site located at 227 Industrial Park Road, Harlan, KY 40831 (36° 50' 08.82" North latitude, 83° 19' 39.46" West longitude). The proposed facility will include a 175-foot tall tower, with an approximately 10-foot tall lightning arrester attached at the top, for a total height of 185-feet, plus related ground facilities. This facility is needed to provide improved coverage for wireless communications in the area.

You have a right to submit comments to the PSC or to request intervention in the PSC's proceedings on the application. You may contact the PSC at: Executive Director, Public Service Commission, 211 Sower Boulevard, P.O. Box 615, Frankfort, Kentucky 40602. Please refer to docket number 2023-00296 in any correspondence sent in connection with this matter.

We have attached a map showing the site location for the proposed tower. AT&T Mobility's radio frequency engineers assisted in selecting the proposed site for the facility, and they have determined it is the proper location and elevation needed to provide quality service to wireless customers in the area. Please feel free to contact us with any comments or questions you may have.

Sincerely,
David A. Pike
Attorney for Applicants
enclosures

Driving Directions to Proposed Tower Site

1. Beginning at 210 E Central St # 111, Harlan, KY 40831, head west on E Central Street toward N 1st Street and travel approximately 0.2 miles.
2. Turn left onto US-421 S and travel approximately 0.7 miles.
3. Turn right onto Industrial Park Road and travel approximately 367 feet.
4. Turn left to stay on Industrial Park Road and travel approximately 285 feet.
5. The site is located on the right. The site address is 227 Industrial Park Road, Harlan KY 40831.
6. The site coordinates are:
 - a. North 36 deg 50 min 08.82 sec
 - b. West 83 deg 19 min 39.46 sec



Prepared by:
Chris Shouse
Pike Legal Group
1578 Highway 44 East, Suite 6
P.O. Box 396
Shepherdsville, KY 40165-3069
Telephone: 502-955-4400 or 800-516-4293

500' RADIUS AND ADJOINING DRAWING

A - HARLAN MOUNTAIN FIRE PROGRESS, LLC
 200 WALTON ROAD, HARLAN KY 40831
 PARCEL ID: 069-40-00-230.00

B - DRP, LLC
 PO BOX 1546 CORBIN, KY 40709
 PARCEL ID: 070-00-00-001.05

B(1) REDROW INC.
 1818 S HWY 421, HARLAN KY 40831
 PARCEL ID: 070-00-00-001.00.1

B(2) SAVE-A-LOT OF HARLAN
 PO BOX 130, MIDDLEBORO, KY 40960
 PARCEL ID: 070-00-00-001.00.2

B(3) PARSONS-KIMEL ASSOCIATES
 2953 MANOR DRIVE, LEANINGTON, KY 40302
 PARCEL ID: 070-00-00-001.00.3

C - SPECIALTY PRODUCTS DISTRIBUTORS LLC
 PO BOX 895 HARLAN KY 40831
 PARCEL ID: 069-40-00-230.00

D - MALIBU ENTERPRISES, LLC
 6252 HWY 36 EVARTS, KY 40828
 PARCEL ID: 069-40-00-229.00

E - LOU SIMPSON & CLARE SIMPSON
 PO BOX 647 HARLAN, KY 40831
 PARCEL ID: 069-40-00-106.00

F - JERRY DARRELL PHILLIPS
 443 HWY 3459 HARLAN, KY 40831
 PARCEL ID: 069-40-00-089.00

G - JERRY PHILLIPS
 443 HWY 3459 HARLAN, KY 40831
 PARCEL ID: 069-40-00-088.00

H - MRS. HENRY GILES
 PO BOX 83 HARLAN, KY 40831
 PARCEL ID: 069-40-00-097.00

I - MRS. HENRY GILES
 PO BOX 83 HARLAN, KY 40831
 PARCEL ID: 069-40-00-098.00

J - HARLAN CHURCH OF GOD
 11 C 78 BOX 795 HARLAN, KY 40831
 PARCEL ID: 069-40-00-094.00

K - HARLAN CHURCH OF GOD
 11 C 78 BOX 795 HARLAN, KY 40831
 PARCEL ID: 069-40-00-093.00

L - WOO LYON BURMAN
 531 HWY 3459 HARLAN, KY 40831
 PARCEL ID: 069-40-00-092.00

M - WAYNE TERRY JOY
 943 HWY 3459 HARLAN, KY 40831
 PARCEL ID: 069-40-00-091.00

M(1) - KENNETH H. JOY & TERRY DAY
 943 HWY 3459 HARLAN, KY 40831
 PARCEL ID: 069-40-00-091.00.1

N - RUSSELL GEORGE OWENS
 PO BOX 181 GRAYS KNIFE, KY 40828
 PARCEL ID: 069-40-00-090.00

O - JENNIFER D. BOWEN & AMELI HAYTON
 535 HWY 3459 HARLAN, KY 40831
 PARCEL ID: 069-40-00-090.00

P - KY REAL ESTATE ACQUISITION
 & MANAGEMENT GROUP
 PO BOX 126 HARLAN, KY 40831
 PARCEL ID: 070-00-00-002.00

P (10) - ROBERT & FRANKIE JOHNSON
 PO BOX 475 HARLAN, KY 40831
 PARCEL ID: 070-00-00-009.00.10

P (11) - DENNIS C. JOHNSON
 PO BOX 1278 HARLAN, KY 40831
 PARCEL ID: 070-00-00-009.00.11

P (16) - ALMA LEE BONNETT
 PO BOX 1240 HARLAN, KY 40831
 PARCEL ID: 070-00-00-002.00.16

P (17) - CURTIS W. HAMILTON
 PO BOX 1003 HARLAN, KY 40831
 PARCEL ID: 070-00-00-002.00.17

P (2) - AMERICA LAWSON OR BOBBY WITT
 PO BOX 1237 HARLAN, KY 40831
 PARCEL ID: 070-00-00-009.00.2

P (20) - TONI LANGRISH
 PO BOX 176 HARLAN, KY 40831
 PARCEL ID: 070-00-00-002.00.20

P (22) - WILLARD & BESSIE WASHINGTON
 PO BOX 212 HARLAN, KY 40831
 PARCEL ID: 070-00-00-002.00.22

P (25) - FLORENCE HOLMES
 PO BOX 81 HARLAN, KY 40831
 PARCEL ID: 070-00-00-002.00.25

P (26) - DAVID BRUCE
 601 HWY 3459, LOT 3 HARLAN, KY 40831
 PARCEL ID: 070-00-00-009.00.26

P (27) - BARBARA CROOK
 PO BOX 455 HARLAN, KY 40831
 PARCEL ID: 070-00-00-002.00.27

P (31) - REGINALD STEPHENS
 GENERAL DEL. HARLAN, KY 40831
 PARCEL ID: 070-00-00-002.00.31

P (4) - MARTHA ROBINSON
 PO BOX 244 HARLAN, KY 40831
 PARCEL ID: 070-00-00-002.00.4

P (6) - LOUIS & LISA CIBRONS
 PO BOX 370 HARLAN, KY 40831
 PARCEL ID: 070-00-00-002.00.6

P (7) - SHARON & DAVID HOWELL
 PO BOX 1013 HARLAN, KY 40831
 PARCEL ID: 070-00-00-002.00.7

P (8) - GIL SMITH JR.
 PO BOX 692 HARLAN, KY 40831
 PARCEL ID: 070-00-00-002.00.8

Q - KENTUCKY UTILITIES
 THE BANK DRIVE, HARLAN KY 40831
 PARCEL ID: 070-00-00-003.00

R - KATRINA E. TAYLOR & CHARLES M. TAYLOR
 44 HAROLD LANE HARLAN, KY 40831
 PARCEL ID: 069-40-00-089.00

S - MARISSA C. TAYLOR & CHARLES M. TAYLOR
 44 HAROLD LANE HARLAN, KY 40831
 PARCEL ID: 069-40-00-089.00

T - DANNY SMALLWOOD & JENNIFER SMALLWOOD
 1485 HWY 1084 BAXTER, KY 40808
 PARCEL ID: 069-40-00-082.00

U - DANNY K & JENNIFER SMALLWOOD
 1485 HWY 1084 BAXTER, KY 40808
 PARCEL ID: 069-40-00-081.00

V - DANNY SMALLWOOD
 1485 HWY 1084 BAXTER, KY 40808
 PARCEL ID: 069-40-00-079.00

W - EDWARD C GILES & WILLA JERRY
 PO BOX 83 HARLAN, KY 40831
 PARCEL ID: 069-40-00-079.00

X - REDROW INC.
 PO BOX 130, MIDDLEBORO, KY 40960
 PARCEL ID: 069-40-00-228.00

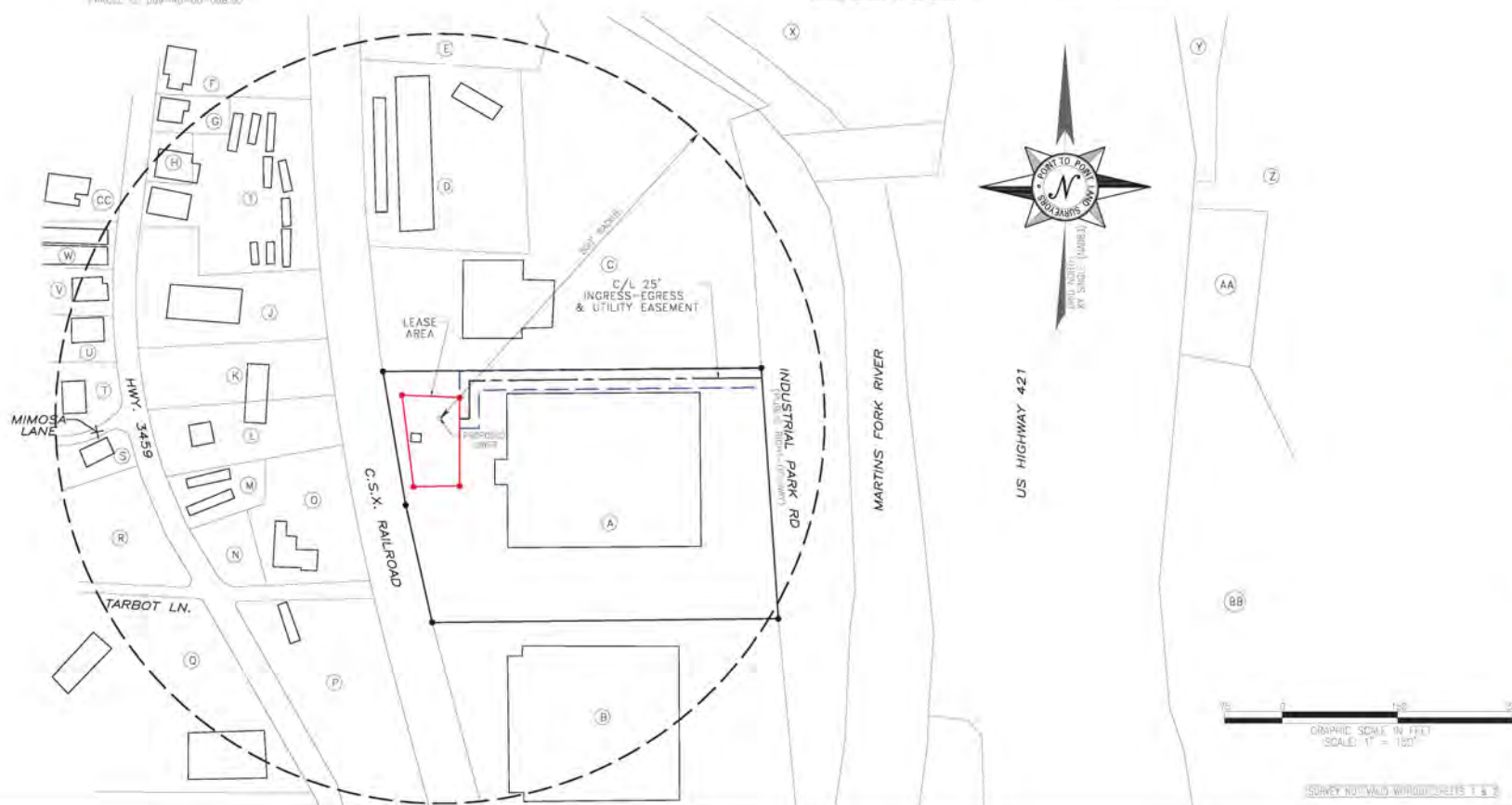
Y - MOUNTAIN RECOVERY REALTY
 149 SIMONTON DRIVE HARLAN, KY 40831
 PARCEL ID: 069-40-00-227.00

Z - CLOVERDOWN CHURCH OF GOD
 PO BOX 1243 HARLAN, KY 40831
 PARCEL ID: 069-40-00-078.00

AA - CLOVERDOWN CHURCH OF GOD
 P.O. BOX 1243 HARLAN, KY 40831
 PARCEL ID: 069-40-00-078.00

BB - ROBERT BURNS & MARY
 1311 W HWY 34 HARLAN KY 40831
 PARCEL ID: 069-40-00-077.00

CC - CARL EDWARD & WILLA JERRY
 PO BOX 83 HARLAN, KY 40831
 PARCEL ID: 069-40-00-076.00



STATE OF KENTUCKY
G. DARRELL TAYLOR
 4179
 LICENSED PROFESSIONAL LAND SURVEYOR

NO.	DATE	REVISION
1	3-18-22	ING/TGR/ESMT
2	3-1-22	EMA/BTL
3	8-4-21	500' RADIUS
4	8-28-21	TRIMMED

POINT TO POINT LAND SURVEYORS
 100 Governors Tract, Ste. 103
 Peachtree City, GA 30269
 (p) 678.365.4440 (f) 678.365.4497
 (w) pointtopointsurvey.com



SPECIFIC PARCEL SURVEY PREPARED FOR:
TILLMAN INFRASTRUCTURE
 15 ELIZABETH AVENUE, 15E
 152 W 57TH STREET, 15TH FLOOR
 NEW YORK, NY 10019

15724961
 HARLAN COUNTY, KENTUCKY

DRAWN BY: AM
 CHECKED BY: DMM
 APPROVED BY: MILLER
 DATE: APRIL 05, 2022
 P2P JOB #: 220184XK

3



PIKE LEGAL GROUP PLLC
1578 Highway 44 East, Unit 6
PO Box 369
Shepherdsville, KY 40165-0369
Phone: 502-955-4400
Fax: 502-543-4410

VIA CERTIFIED MAIL

CC: joed.meadors@ky.gov

Joe Meadors
Mayor for the City of Harlan
218 South Main Street
Harlan, KY 40831

RE: Notice of Proposal to Construct Wireless Communications Facility
Kentucky Public Service Commission Docket No. 2023-00296
Site Name: Clover Fork

Dear Mayor:

New Cingular Wireless PCS, LLC, a Delaware limited liability company, d/b/a AT&T Mobility and Tillman Infrastructure LLC, a Delaware limited liability company have filed an application with the Kentucky Public Service Commission ("PSC") to construct a new wireless communications facility on a site located at 227 Industrial Park Road, Harlan, KY 40831 (36° 50' 08.82" North latitude, 83° 19' 39.46" West longitude). The proposed facility will include a 175-foot tall tower, with an approximately 10-foot tall lightning arrestor attached at the top, for a total height of 185-feet, plus related ground facilities. This facility is needed to provide improved coverage for wireless communications in the area.

You have a right to submit comments to the PSC or to request intervention in the PSC's proceedings on the application. You may contact the PSC at: Executive Director, Public Service Commission, 211 Sower Boulevard, P.O. Box 615, Frankfort, Kentucky 40602. Please refer to docket number 2023-00296 in any correspondence sent in connection with this matter.

We have attached a map showing the site location for the proposed tower. AT&T Mobility's radio frequency engineers assisted in selecting the proposed site for the facility, and they have determined it is the proper location and elevation needed to provide quality service to wireless customers in the area. Please feel free to contact us with any comments or questions you may have.

Sincerely,
David A. Pike
Attorney for Applicants
enclosures

Driving Directions to Proposed Tower Site

1. Beginning at 210 E Central St # 111, Harlan, KY 40831, head west on E Central Street toward N 1st Street and travel approximately 0.2 miles.
2. Turn left onto US-421 S and travel approximately 0.7 miles.
3. Turn right onto Industrial Park Road and travel approximately 367 feet.
4. Turn left to stay on Industrial Park Road and travel approximately 285 feet.
5. The site is located on the right. The site address is 227 Industrial Park Road, Harlan KY 40831.
6. The site coordinates are:
 - a. North 36 deg 50 min 08.82 sec
 - b. West 83 deg 19 min 39.46 sec



Prepared by:
Chris Shouse
Pike Legal Group
1578 Highway 44 East, Suite 6
P.O. Box 396
Shepherdsville, KY 40165-3069
Telephone: 502-955-4400 or 800-516-4293

500' RADIUS AND ADJOINING DRAWING

A - HARLAN MOUNTAIN FIRE PROGRESS, LLC
 200 WALTON ROAD, HARLAN KY 40831
 PARCEL ID: 069-40-00-230.00

B - DRP, LLC
 PO BOX 1546 CORBIN, KY 40709
 PARCEL ID: 070-00-00-001.05

B(1) REDROW INC.
 1818 S HWY 421, HARLAN KY 40831
 PARCEL ID: 070-00-00-001.00.1

B(2) SAVE-A-Lot OF HARLAN
 PO BOX 130, MIDDLEBORO, KY 40860
 PARCEL ID: 070-00-00-001.00.2

B(3) PARSONS-KIMEL ASSOCIATES
 2953 MANOR DRIVE, LEANINGTON, KY 40302
 PARCEL ID: 070-00-00-001.00.3

C - SPECIALTY PRODUCTS DISTRIBUTORS LLC
 PO BOX 895 HARLAN KY 40831
 PARCEL ID: 069-40-00-230.00

D - MALIBU ENTERPRISES, LLC
 6252 HWY 36 EVARTS, KY 40828
 PARCEL ID: 069-40-00-229.00

E - LOU SIMPSON & CLARE SIMPSON
 PO BOX 647 HARLAN, KY 40831
 PARCEL ID: 069-40-00-106.00

F - JERRY DARRELL PHILLIPS
 443 HWY 3459 HARLAN, KY 40831
 PARCEL ID: 069-40-00-089.00

G - JERRY PHILLIPS
 443 HWY 3459 HARLAN, KY 40831
 PARCEL ID: 069-40-00-088.00

H - MRS. HENRY GILES
 PO BOX 83 HARLAN, KY 40831
 PARCEL ID: 069-40-00-097.00

I - MRS. HENRY GILES
 PO BOX 83 HARLAN, KY 40831
 PARCEL ID: 069-40-00-098.00

J - HARLAN CHURCH OF GOD
 11 C 78 BOX 795 HARLAN, KY 40831
 PARCEL ID: 069-40-00-094.00

K - HARLAN CHURCH OF GOD
 11 C 78 BOX 795 HARLAN, KY 40831
 PARCEL ID: 069-40-00-093.00

L - WIFE LYNN BURMAN
 531 HWY 3459 HARLAN, KY 40831
 PARCEL ID: 069-40-00-092.00

M - WAYNE TERRY JOY
 943 HWY 3459 HARLAN, KY 40831
 PARCEL ID: 069-40-00-091.00

M(1) - KENNETH H. JOY & TERRY DAY
 943 HWY 3459 HARLAN, KY 40831
 PARCEL ID: 069-40-00-091.00.1

N - RUSSELL GEORGE OWENS
 PO BOX 181 GRAYS KNIFE, KY 40828
 PARCEL ID: 069-40-00-090.00

O - JENNIFER D. OWENS & AMELI HAYTON
 943 HWY 3459 HARLAN, KY 40831
 PARCEL ID: 069-40-00-090.00

P - KY REAL ESTATE ACQUISITION
 & MANAGEMENT CO.
 PO BOX 126 HARLAN, KY 40831
 PARCEL ID: 070-00-00-002.00

P (10) - ROBERT & FRANKIE JOHNSON
 PO BOX 475 HARLAN, KY 40831
 PARCEL ID: 070-00-00-009.00.10

P (11) - DENNIS C. JOHNSON
 PO BOX 1278 HARLAN, KY 40831
 PARCEL ID: 070-00-00-009.00.11

P (16) - ALMA LEE BONNETT
 PO BOX 1240 HARLAN, KY 40831
 PARCEL ID: 070-00-00-002.00.16

P (17) - CURTIS W. HAMILTON
 PO BOX 1003 HARLAN, KY 40831
 PARCEL ID: 070-00-00-002.00.17

P (2) - AMERICA LAWSON OR BOBBY WITT
 PO BOX 123 HARLAN, KY 40831
 PARCEL ID: 070-00-00-009.00.2

P (20) - TONI LANGRISH
 PO BOX 176 HARLAN, KY 40831
 PARCEL ID: 070-00-00-002.00.20

P (22) - WILLARD & BESSIE WANNINKLE
 PO BOX 212 HARLAN, KY 40831
 PARCEL ID: 070-00-00-002.00.22

P (25) - FLORENCE HOLMES
 PO BOX 81 HARLAN, KY 40831
 PARCEL ID: 070-00-00-002.00.25

P (26) - DAVID BRUCE
 601 HWY 3459, LOT 3 HARLAN, KY 40831
 PARCEL ID: 070-00-00-009.00.26

P (27) - BARBARA CROOK
 PO BOX 455 HARLAN, KY 40831
 PARCEL ID: 070-00-00-002.00.27

P (31) - REGINALD STEPHENS
 GENERAL DEL. HARLAN, KY 40831
 PARCEL ID: 070-00-00-002.00.31

P (4) - MARTHA ROBINSON
 PO BOX 244 HARLAN, KY 40831
 PARCEL ID: 070-00-00-002.00.4

P (6) - LOUIS & LISA CIBRONS
 PO BOX 370 HARLAN, KY 40831
 PARCEL ID: 070-00-00-002.00.6

P (7) - SHARON & DAVID HOWLETT
 PO BOX 1013 HARLAN, KY 40831
 PARCEL ID: 070-00-00-002.00.7

P (8) - GIL SMITH JR.
 PO BOX 692 HARLAN, KY 40831
 PARCEL ID: 070-00-00-002.00.8

Q - KENTUCKY UTILITIES
 THE BANK DRIVE, HARLAN KY 40831
 PARCEL ID: 070-00-00-003.00

R - KATRINA E. TAYLOR & CHARLES M. TAYLOR
 44 HAROLD LANE HARLAN, KY 40831
 PARCEL ID: 069-40-00-089.00

S - MARISSA C. TAYLOR & CHARLES M. TAYLOR
 44 HAROLD LANE HARLAN, KY 40831
 PARCEL ID: 069-40-00-089.00

T - DANNY SMALLWOOD & JENNIFER SMALLWOOD
 1485 HWY 1084 BAXTER, KY 40808
 PARCEL ID: 069-40-00-082.00

U - DANNY K & JENNIFER SMALLWOOD
 1485 HWY 1084 BAXTER, KY 40808
 PARCEL ID: 069-40-00-081.00

V - DANNY SMALLWOOD
 1485 HWY 1084 BAXTER, KY 40808
 PARCEL ID: 069-40-00-080.00

W - EDWARD C GILES & WILLA JERRY GILFILLAN
 PO BOX 83 HARLAN, KY 40831
 PARCEL ID: 069-40-00-079.00

X - REDROW INC.
 PO BOX 130, MIDDLEBORO, KY 40860
 PARCEL ID: 069-40-00-228.00

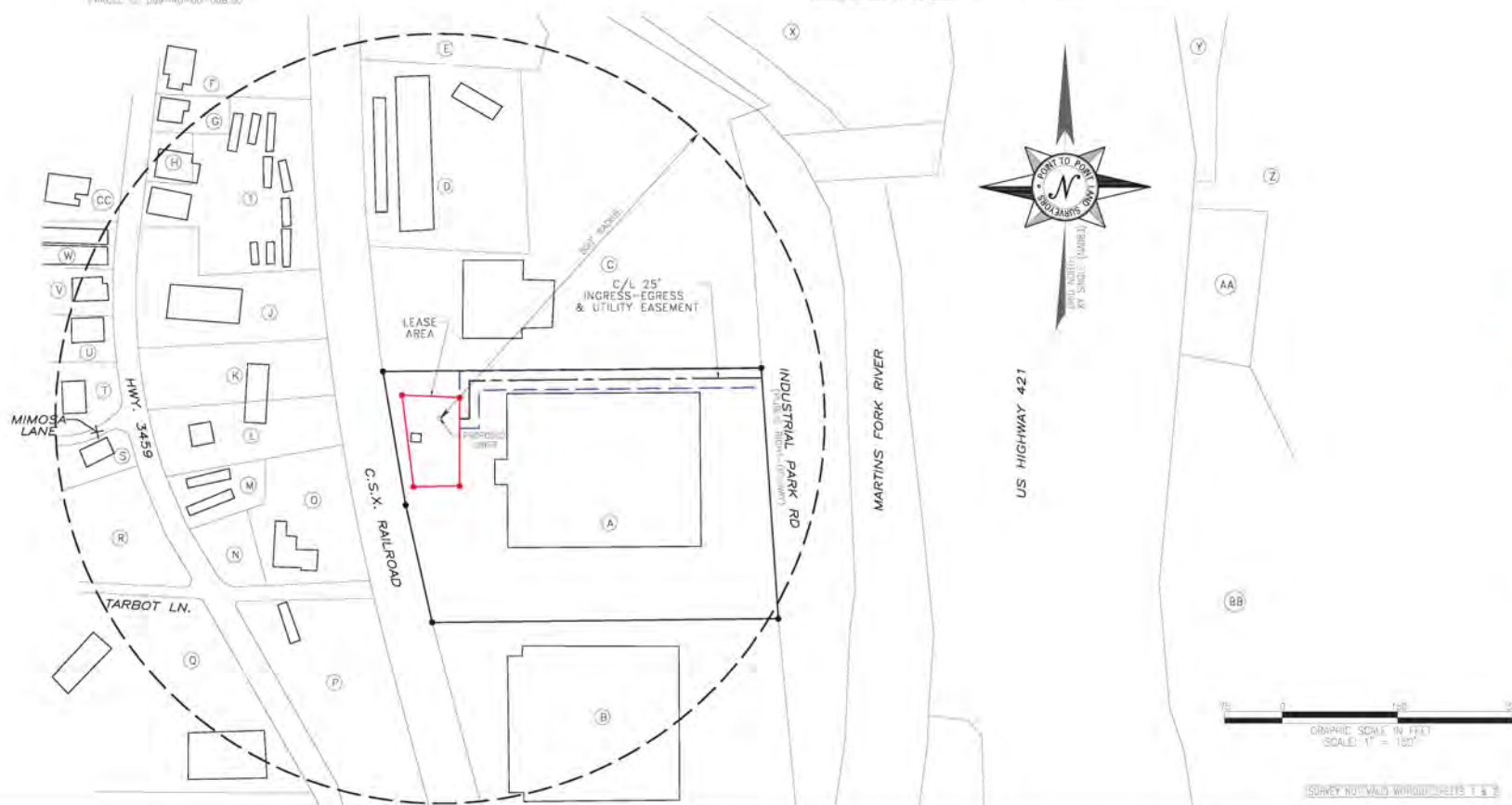
Y - MOUNTAIN RECOVERY REALTY
 149 SIMONTON DRIVE HARLAN, KY 40831
 PARCEL ID: 069-40-00-227.00

Z - CLOVERDOWN CHURCH OF GOD
 PO BOX 1243 HARLAN, KY 40831
 PARCEL ID: 069-40-00-078.00

AA - CLOVERDOWN CHURCH OF GOD
 P.O. BOX 1243 HARLAN, KY 40831
 PARCEL ID: 069-40-00-078.00

BB - ROBERT BURNS & MARY
 1311 W HWY 34 HARLAN KY 40831
 PARCEL ID: 069-40-00-077.00

CC - CARL EDWARD & WILLA JERRY GILFILLAN
 PO BOX 83 HARLAN, KY 40831
 PARCEL ID: 069-40-00-076.00



STATE OF KENTUCKY
G. DARRELL TAYLOR
 4179
 LICENSED PROFESSIONAL LAND SURVEYOR

NO.	DATE	REVISION
1	3-15-22	ING/TGR/ESMT
2	3-1-23	EMA/BTL
3	8-4-23	500' RADIUS
4	8-29-23	THOMAS/TG

POINT TO POINT LAND SURVEYORS
 100 Governors Trace, Ste. 103
 Peachtree City, GA 30269
 (p) 678.365.4440 (f) 678.365.4497
 (w) pointtopointsurvey.com



SPECIFIC PARCEL SURVEY PREPARED FOR:
TILLMAN INFRASTRUCTURE
 150 W 57TH STREET, 11TH FLOOR
 NEW YORK, NY 10019

15724961
 HARLAN COUNTY, KENTUCKY

DRAWN BY: AM
 CHECKED BY: DMW
 APPROVED BY: MILLER
 DATE: APRIL 05, 2023
 P2P JOB #: 2023RAXX

3

**EXHIBIT M
COPY OF POSTED NOTICES
AND NEWSPAPER NOTICE ADVERTISEMENT**

SITE NAME: CLOVER FORK
NOTICE SIGNS

The signs are at least (2) feet by four (4) feet in size, of durable material, with the text printed in black letters at least one (1) inch in height against a white background, except for the word “**tower**,” which is at least four (4) inches in height.

New Cingular Wireless PCS, LLC, a Delaware limited liability company, d/b/a AT&T Mobility and Tillman Infrastructure LLC, a Delaware limited liability company propose to construct a telecommunications **tower** on this site. If you have questions, please contact Pike Legal Group, PLLC, P.O. Box 369, Shepherdsville, KY 40165; telephone: (800) 516-4293, or the Executive Director, Public Service Commission, 211 Sower Boulevard, PO Box 615, Frankfort, Kentucky 40602. Please refer to docket number 2023-00296 in your correspondence.

New Cingular Wireless PCS, LLC, a Delaware limited liability company, d/b/a AT&T Mobility and Tillman Infrastructure LLC, a Delaware limited liability company propose to construct a telecommunications **tower** near this site. If you have questions, please contact Pike Legal Group, PLLC, P.O. Box 369, Shepherdsville, KY 40165; telephone: (800) 516-4293, or the Executive Director, Public Service Commission, 211 Sower Boulevard, PO Box 615, Frankfort, Kentucky 40602. Please refer to docket number 2023-00296 in your correspondence.



PIKE LEGAL GROUP PLLC
1578 Highway 44 East, Unit 6
PO Box 369
Shepherdsville, KY 40165-0369
Phone: 502-955-4400
Fax: 502-543-4410

VIA EMAIL: teresa.jackson@claibornprogress.net
TELEPHONE: 606-573-4510

Harlan Enterprise
211 E. Central Street
Suite 102
Harlan, KY 40831

RE: Legal Notice Advertisement
Site Name: Clover Fork

Dear Advertising Department:

Please publish the following legal notice advertisement in the next edition of *The Harlan Enterprise*:

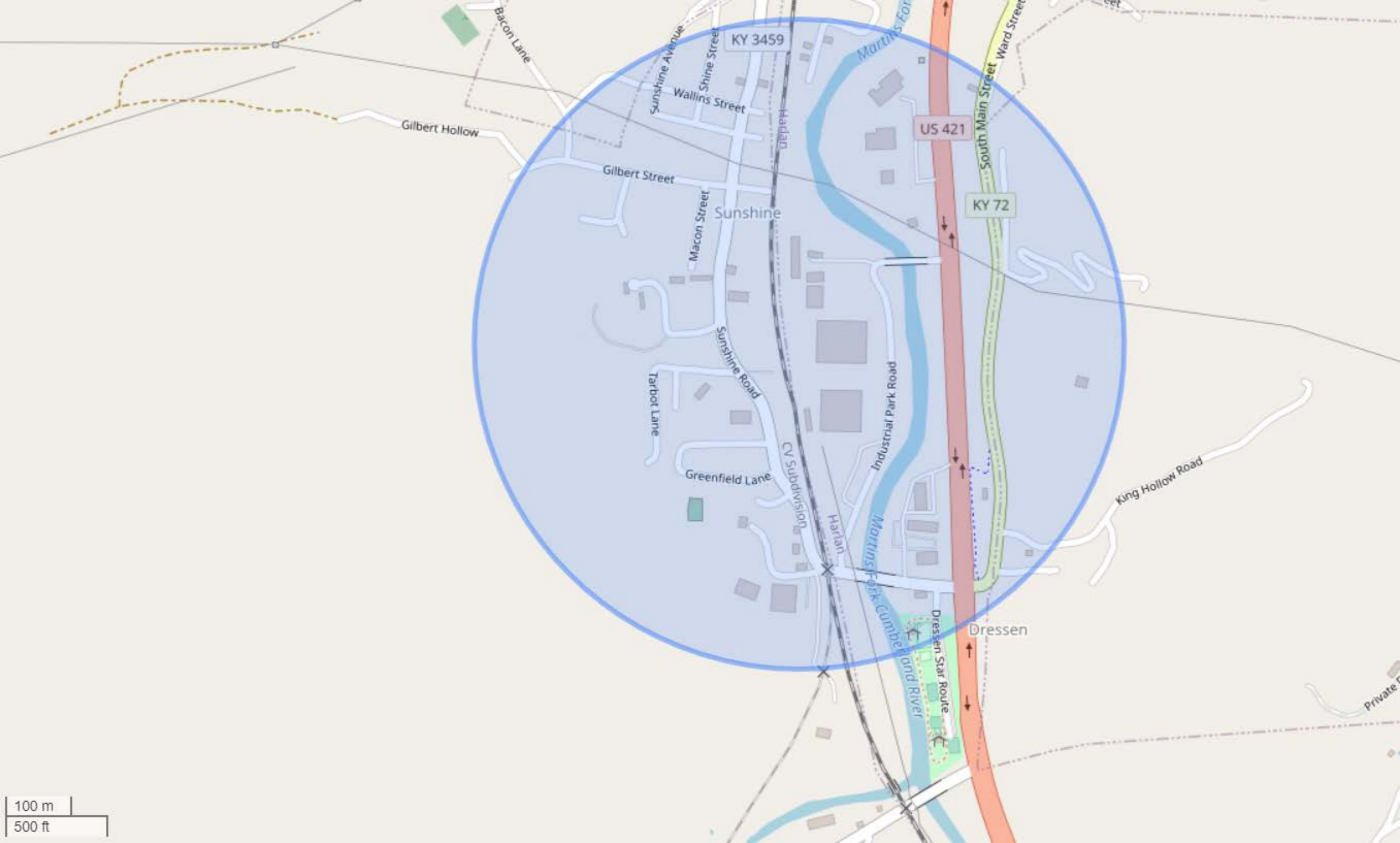
NOTICE

New Cingular Wireless PCS, LLC, a Delaware limited liability company, d/b/a AT&T Mobility and Tillman Infrastructure LLC, a Delaware limited liability company have filed an application with the Kentucky Public Service Commission ("PSC") to construct a new wireless communications facility on a site located at 227 Industrial Park Road, Harlan, KY 40831 (36° 50' 08.82" North latitude, 83° 19' 39.46" West longitude). You may contact the PSC for additional information concerning this matter at: Kentucky Public Service Commission, Executive Director, 211 Sower Boulevard, P.O. Box 615, Frankfort, Kentucky 40602. Please refer to docket number 2023-00296 in any correspondence sent in connection with this matter.

After this advertisement has been published, please forward a tearsheet copy, affidavit of publication, and invoice to Pike Legal Group, PLLC, P. O. Box 369, Shepherdsville, KY 40165. Please call me at (800) 516-4293 if you have any questions. Thank you for your assistance.

Sincerely,
Chris Shouse
Pike Legal Group, PLLC

EXHIBIT N
COPY OF RADIO FREQUENCY DESIGN SEARCH AREA



KY 3459

US 421

KY 72

Sunshine

Dressen

100 m

500 ft