

General Notes and Construction Specifications

- All water and sewer main construction shall be consistent with the local municipality requirements as well as all testing and disinfection requirements of Kentucky DEP.
- The contractor shall obtain, erect, maintain and remove all signs, barricades, flagmen and other control devices as may be necessary for the purpose of regulating, warning or guiding traffic. Placement and maintenance of all traffic control devices shall be in accordance with the latest revision of the Manual on Uniform Traffic Control Devices.
- Location of utilities shown on plans are approximate only, and are not necessarily complete. Contractor shall make his own investigations as to location of all existing underground structures, cables, utilities and pipe lines.
- If existing utility lines of any nature are encountered which conflict in location with new construction, the contractor shall notify the engineer and owner so that the conflict may be resolved.
- The contractor shall notify One Call at least 48 hours prior to construction so that each utility company can stake out any underground improvements that they may have which might interfere with the proposed construction.
- The contractor shall be required to make arrangements for the proper bracing, shoring and other required protection of all roadways, structures, poles, cables and pipe lines, before construction begins. He shall be responsible for any damage to the streets or roadways and associated structures and shall make repairs as necessary to the satisfaction of the engineer and owner at his own expense.
- The contractor shall be responsible for the protection of all private and public utilities even though they may not be shown on the plans. Any utility that is damaged during construction shall be repaired or replaced to the satisfaction of the engineer and owner by the contractor at his own expense.
- The contractor shall examine the plans and specifications, visit the site of the work and inform himself/herself fully with the work involved, general and local conditions, all federal, state and local laws, ordinances, rules and regulations and all other pertinent items which may affect the cost and time of completion of this project before submitting a proposal.
- All work and materials shall be in accordance with code requirements.
- Prior to submitting his bid, the contractor shall call the attention of the engineer to any material or equipment he deems inadequate and to any item of work omitted on the plans.
- Structures for valve vaults for water mains shall be in accordance with the improvement plans and the applicable municipality construction requirements. Where granular trench backfill is required around these structures, the cost shall be considered as incidental and shall be included in the contract unit price for the structure.
- Frame and cover or grates for water main structures shall be as indicated within these improvement plans.
- All final adjustments of casting will be accomplished by the use of precast concrete adjusting rings set in butyl rope joint sealant, mortar joints will not be allowed. Total height of adjusting rings used shall not exceed twelve (12") inches. cost for adjustment is considered incidental.
- The contractor shall be responsible to place on grade and coordinate with other contractors all underground structure frames such as catch basins, inlets, manholes, hydrants, buffalo boxes, valves, etc. No additional compensation shall be paid and said adjustments shall be considered incidental to other items of construction.
- The contractor shall restore any area disturbed to a condition equal to or better than its original use. This shall include finish grading, establishment of a vegetative cover (seeding or sod), general cleanup and pavement replacement.
- All trenches caused by the construction of all utilities and the excavation around catch basins, manholes, inlets and other appurtenances which occur within the limits of existing or proposed pavements, sidewalks and curb and gutters or where the edge of the trench shall be within two (2') feet horizontally of said improvements shall be backfilled with compacted granular trench backfill or with approved suitable select material and properly compacted to 100% of maximum density as determined by the standard proctor dry density (ASTM d 698) compaction test. When granular material is required, the cost shall be considered incidental and shall be included in the contractors bid.
- The depth of backfill shall be measured from the top of the pipe embedment to the finished subgrade or as noted on the plans.
- The contractor shall be responsible for providing safe and healthful working

conditions throughout the construction of the proposed improvements.

- The engineer will be given forty-eight (48) hours notice for any staking that is to be done. The cost of stakeout is the responsibility of the contractor.
- The contractor shall inform the engineer and owner before work commences on each category of construction, i.e. water main, grading, pavement and drainage improvement. A twenty-four (24) hour notice shall be given for any item that requires final testing and inspection such as water mains or sanitary sewers.
- The engineer will furnish the contractor with lines and grades necessary to the proper prosecution and control of the work. The contractor shall call the attention of the engineer to any errors or discrepancies which may be suspected in lines and grades which are established by the engineer, and shall not proceed with the work until any lines and grades which are believed to be in error have been verified or corrected by the engineer or his representative.
- All survey monuments damaged or removed during construction of this project shall be replaced by the surveyor and said cost of replacement shall be paid by the contractor.
- The contractor will have in his possession on the job site a copy of the plans and specifications during construction.
- If approval for any items is required, the contractor shall contact the engineer for approval prior to ordering.
- Any drain and/or field tile encountered by the contractor during the installation of the improvements shall be returned to original condition. This work to be considered incidental to the contract.
- All road signs, street signs and traffic signs which need to be relocated or moved due to construction shall be taken down and stored by the contractor at his own expense, except those which are necessary for proper traffic control which shall be temporarily reset until completion of construction operations. After completion of the work, the contractor shall reset, at his expense, all said signs.
- The contractor shall dispose of all excess excavation, unsuitable and unusable materials offsite and at an approved location in a manner that public or private property will not be damaged or endangered. This work is considered as incidental to the cost of the project. Contractor to follow any local, state, and federal guidelines for disposing of material off site.
- No trench excavations will be permitted to remain open over any weekend, night, or any time site is left unattended.
- Band-seal style couplings shall be used when joining sewer pipes of dissimilar materials.
- As-built drawings shall be prepared by the contractor and submitted to the engineer as soon as the site improvements are completed. Any change in length, location or alignment shall be shown in red. As-builts will be performed by a licensed surveyor. It will include the tops and flowlines of all storm and sanitary structures.
- The contractor is responsible for coordinating any required inspections with the engineer and city or state agency.
- Special attention is drawn to the fact that the standard specifications requires the contractor to have a competent superintendent on the project site at all times, irrespective of the amount of work sublet. The superintendent shall be capable of reading and understanding the plans and municipality construction specifications, shall have full authority to execute orders to expedite the project, shall be responsible for scheduling and have control of all work as the agent of the contractor. Failure to comply with this provision will result in a suspension of work as provided in the contract documents.
- The engineer and owner are not responsible for the construction means, methods, techniques, sequences or procedures, time of performance, programs or for any safety precautions used by the contractor. The contractor is solely responsible for execution of his work in accordance with the contract documents and specifications.
- The utilities shown hereon were plotted from available information and do not necessarily reflect the actual existence, non-existence, size, type, or location of these or other utilities. The contractor shall be responsible for verifying the actual location of all utilities. All utilities shall be located in the field prior to any construction of improvements. These provisions shall in no way absolve any party from complying with the underground facility safety and damage prevention act.
- All materials and methods of construction to meet the specifications submitted for the construction permit.
- Construction should not commence until all permits have been received from all

governing agencies.

- No land disturbance activities can be completed until all land disturbance permitting has been acquired. It is the responsibility of the contractor to verify permits are in place prior to activities. Contractor will be responsible for any fines that are incurred due activities completed prior to having necessary permitting in place.
- All fill material shall be made of selected earth materials, free from broken masonry, rock, frozen earth, rubbish, organic material and debris.
- Grading contractor shall keep existing roadways clean of mud and debris at all times. If the city or owner has to clean the roads it will be at the expense of the contractor.
- All graded areas shall be protected from erosion by erosion control devices and/or seeding and mulching as required by all local and state agencies and permits.
- No grade shall exceed a 3:1 slope except where noted.
- Interim stormwater drainage control in the form of siltation control measures are required.
- Adequate temporary off-street parking shall be provided for construction employees. Parking on non-surfaced areas shall be prohibited in order to eliminate the condition whereby mud from construction and employee vehicles is tracked onto the pavement causing hazardous roadway and driving conditions.
- The contractor shall, at all times, contain mud and other spoils on the site. No vehicle, trailer or construction equipment is to deposit mud or any other material on public streets. Project will be stopped if streets are not cleaned immediately.
- Public roadways shall be kept open to traffic during all phases of construction of improvements. No driving lanes shall be closed without prior written permission from the governing agency.
- The contractor shall furnish, maintain, and remove traffic control devices for the purpose of regulating, warning, and directing traffic during construction in the public roadways. All flagmen, barricades, warning signs, etc. shall conform to the manual for uniform traffic control devices.
- No investigation has been performed by the engineer regarding hazardous waste, underground conditions or utilities affecting the tract of land shown herein.
- This plan is not a survey in any sort and shall not constitute a boundary survey.
- Onsite utilities have been shown based on documents obtained from public entities.
- See MEP/Arch. plans for site lighting and electrical design/layout.
- Contractor shall comply with all OSHA requirements for safety and construction.
- All utility trenches in paved areas shall be compacted to the requirements of the specific paving specification. Only granular material shall be used in utility trenches under paved areas.
- All unsurfaced areas shall receive a minimum of 6" of topsoil. Contractor shall seed, fertilize, mulch, and maintain all disturbed areas until stabilization is provided meeting the technical specifications and/or direction of the Engineer.
- The contractor is responsible for maintenance of sediment control bmps throughout the entire project.
- All sewer laterals shall have a 2% minimum slope.
- All storm sewer covers shall have the words "Storm Drain" cast in the top in letters three inches high. All sanitary sewer covers shall have "Sanitary Sewer" meeting same specification.
- All frames, grates and covers shall be ductile iron, conforming to ASTM A48, Class 30 and shall be designed for heavy duty traffic.
- Manhole steps shall be constructed of polypropylene conforming to ASTM D 4101 and shall meet current state and federal safety standards. Steps shall be Neenah R-1981-N or approved equal.
- Pre-cast manholes shall be at least 48" diameter and conform with ASTM C478 and to design dimensions. All lift hole shall be thoroughly wetted and completed filled with mortar and smoothed. Structures shall be free of fractures or cracks.

All joints between pre-cast elements on manholes shall be made with an approved bitumastic material or an approved rubber gasket. Contractor shall submit shop drawings to engineer for approval prior to ordering.

- All storm sewer 12" to 30" in diameter shall be Corrugated Polyethylene Pipe (CPP) or High Density Polypropylene (HDPP).
 - CPP pipe and fittings shall conform to ASTM F405 and F667 and shall have a circular cross-section and have a smooth wall interior.
 - End sections shall be polyethylene flared type with toe plates.
 - Joints shall be provided with neoprene or manufacturer's standard gaskets and meet ASTM F2881. Pipes up to shall be water tight according to D3212.
 - Spigots shall have gaskets meeting the requirements of ASTM F477.
 - All CPP or HDPP shall be installed using embedment material meeting North Carolina Department of Transportation requirements.
 - Installation to conform to ASTM D2321 and pipe manufacturer's recommendations for backfill, bedding, installation, and minimum cover requirements.
 - Clean joints thoroughly, and coat bell, spigot and gasket with recommended lubricant before jointing.
- Dual wall and triple wall polypropylene pipe (HDPP) shall conform to the requirements of AASHTO M330 "Standard Specification for Polypropylene Pipe, ASTM F2736 (Dual wall) for sizes 12" to 30" and ASTM F2764 (Triple wall) for sizes 30" to 60". All polypropylene pipe shall be installed according with ASTM F2321 "Standard Practice for Underground Installation of Thermoplastic Pipe for Sewers and Other Gravity-Flow Applications."



1351 Jefferson, Suite 301
Washington, MO 63090
Phone: 636-452-2622
mail@designgroup.net

GENERAL NOTES

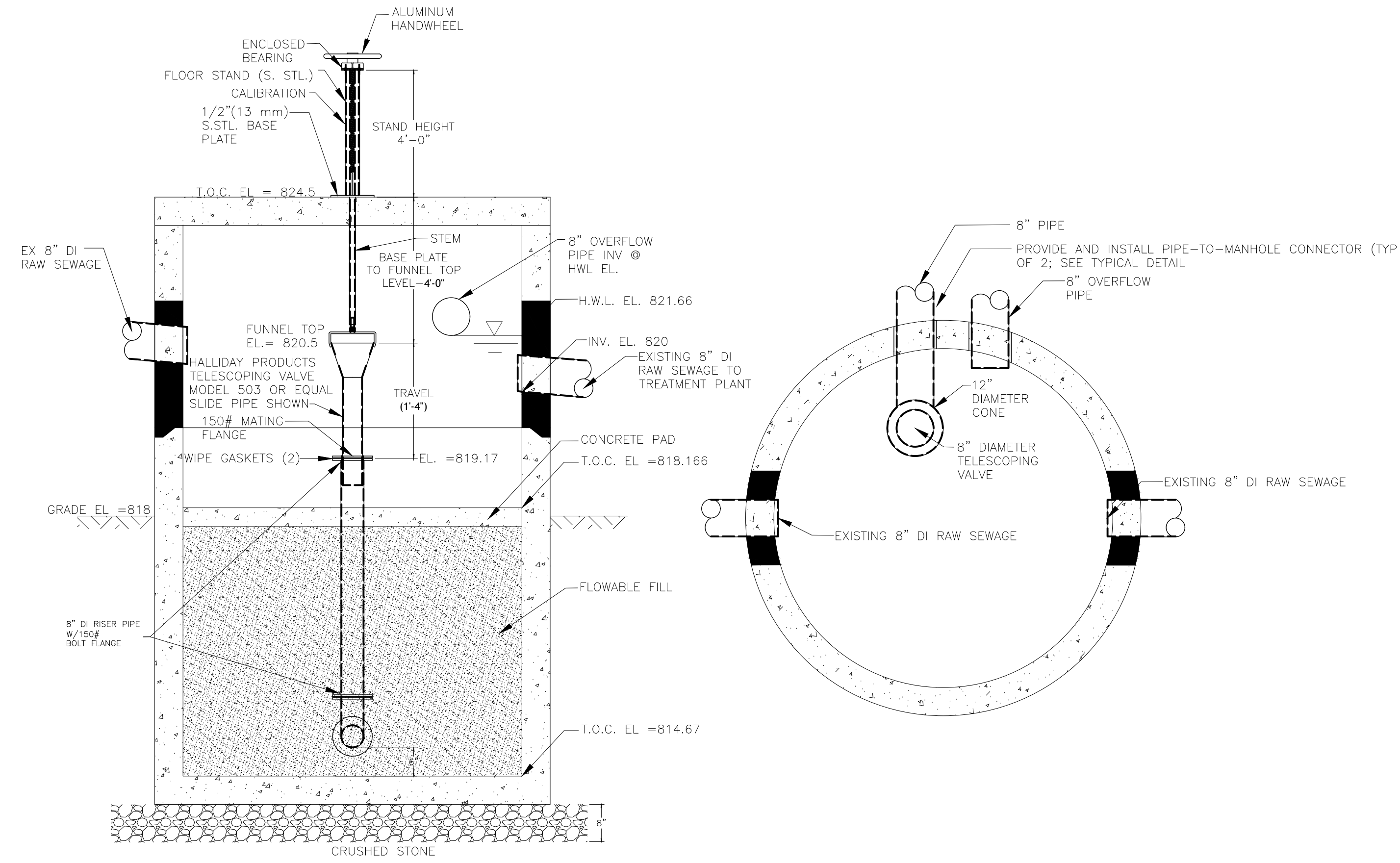
AIRVIEW WWTF
178 WEST AIRVIEW DRIVE
ELIZABETHTOWN, KY

ENGINEERING CERTIFICATE OF AUTHORITY NO. 4804
ENGINEERING LICENSE: BENJAMIN J. KUENZEL, PE33718

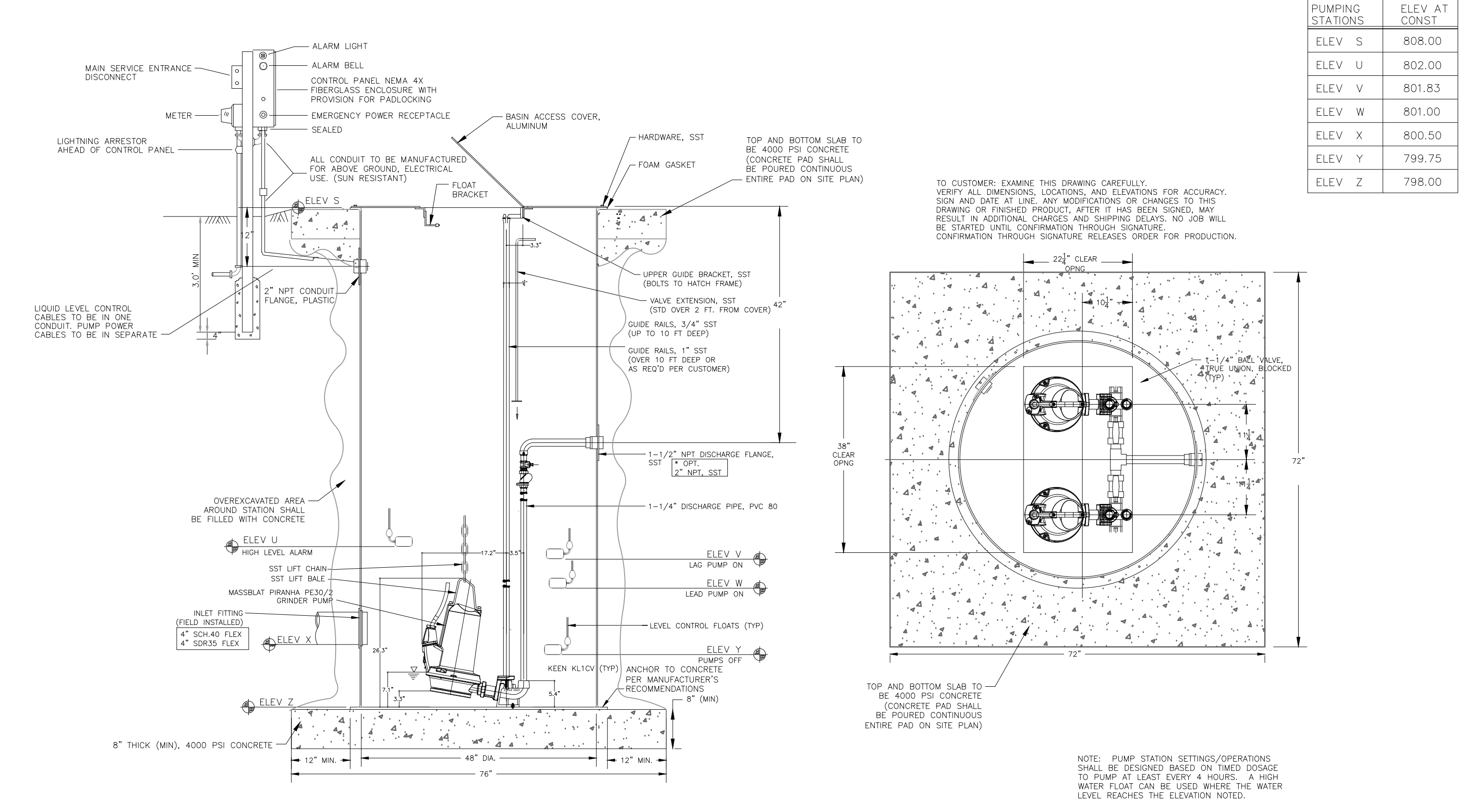


SEAL DATE	
DRAWN BY	BJK
PROJ NUMBER	542-19
DATE	09/25/2020
DRAWING NO	C02

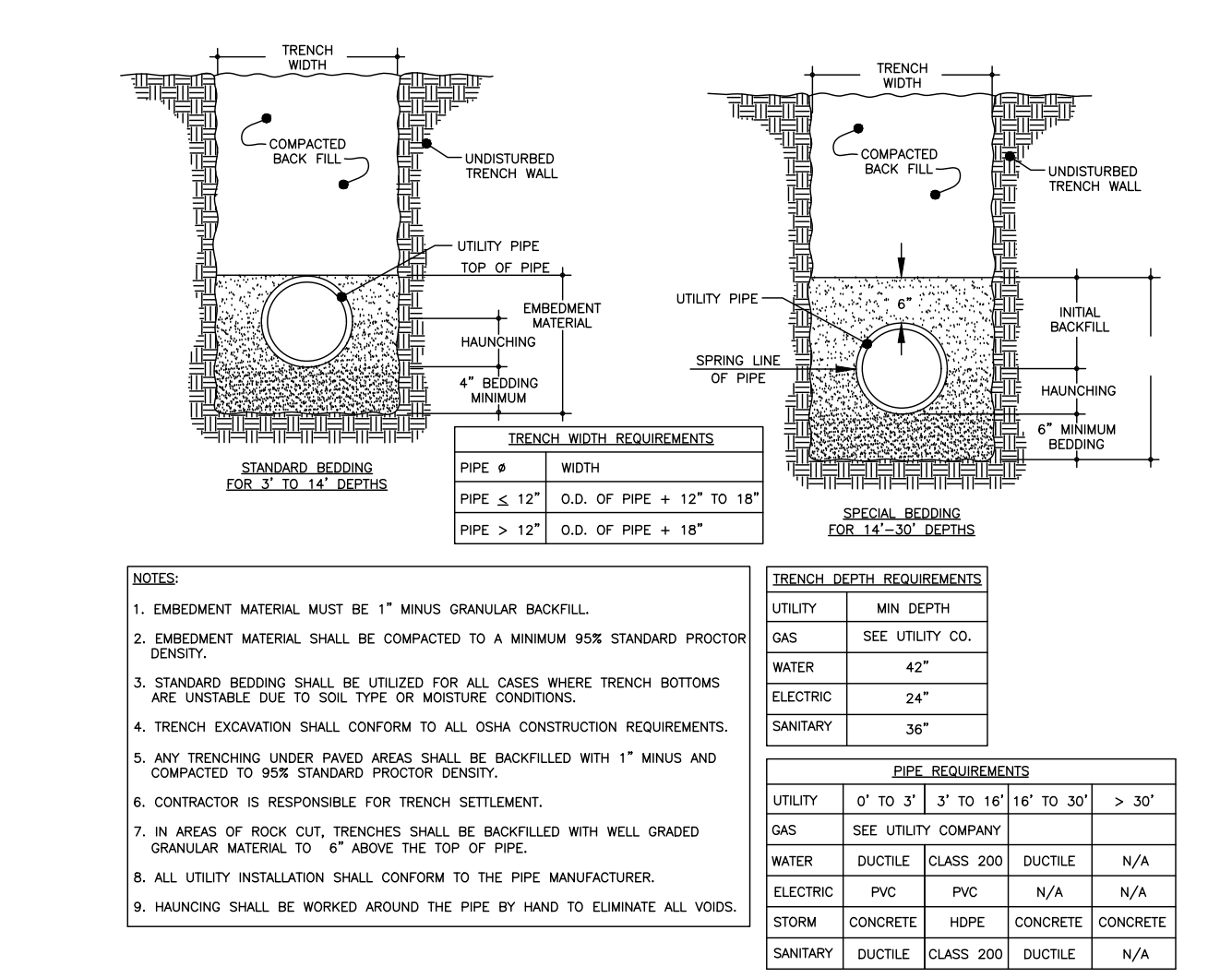
ALL RIGHTS RESERVED. All "21 Design Group, Inc." plans, specifications and drawings are protected under copyright law and no part may be copied, reproduced, displayed publicly, used to create derivatives, distributed, stored in a retrieval system or transmitted in any form by any means without prior written permission of "21 Design Group, Inc."



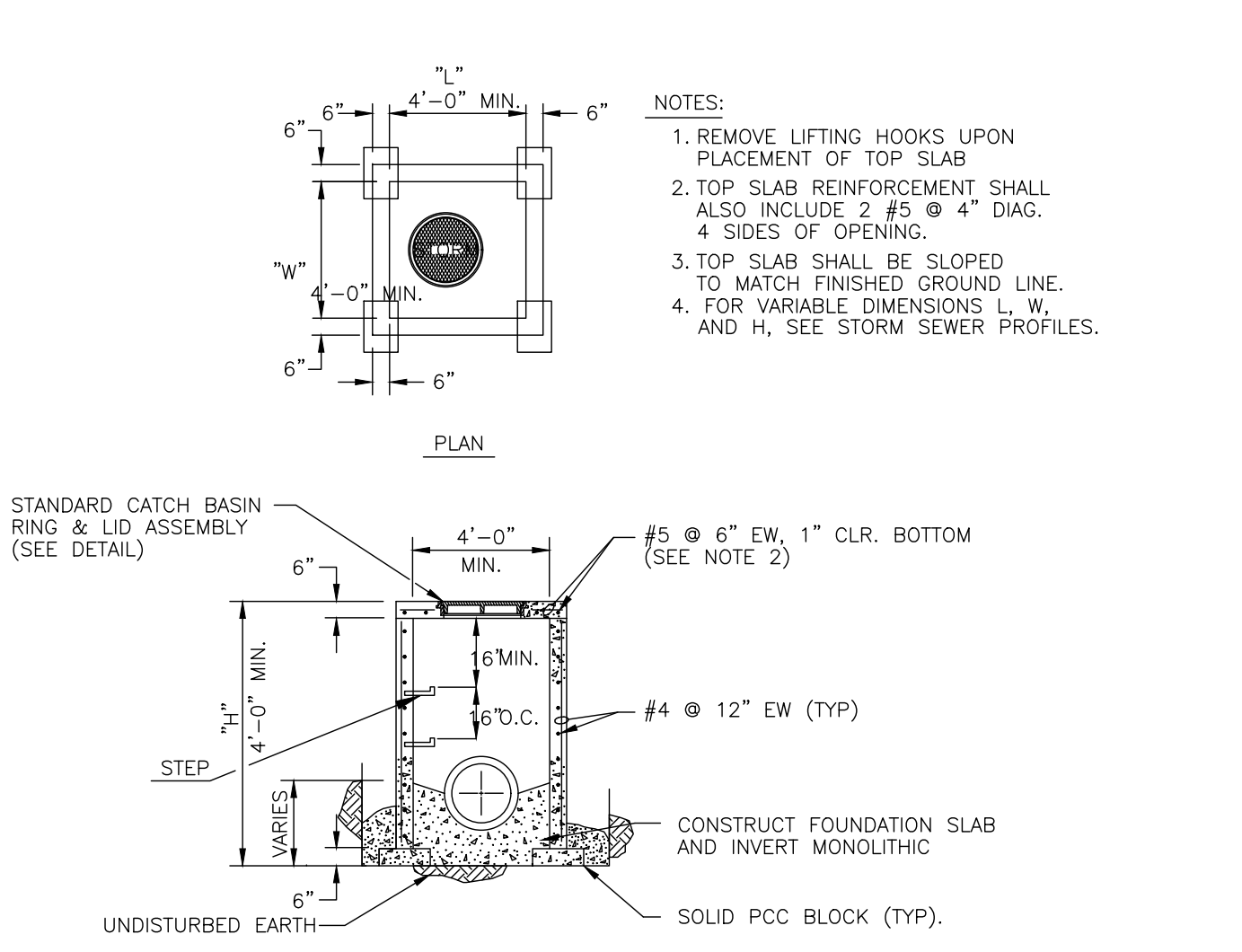
DOGHOUSE FLOW CONTROL STRUCTURE W/TELESCOPING VALVE
NOT TO SCALE



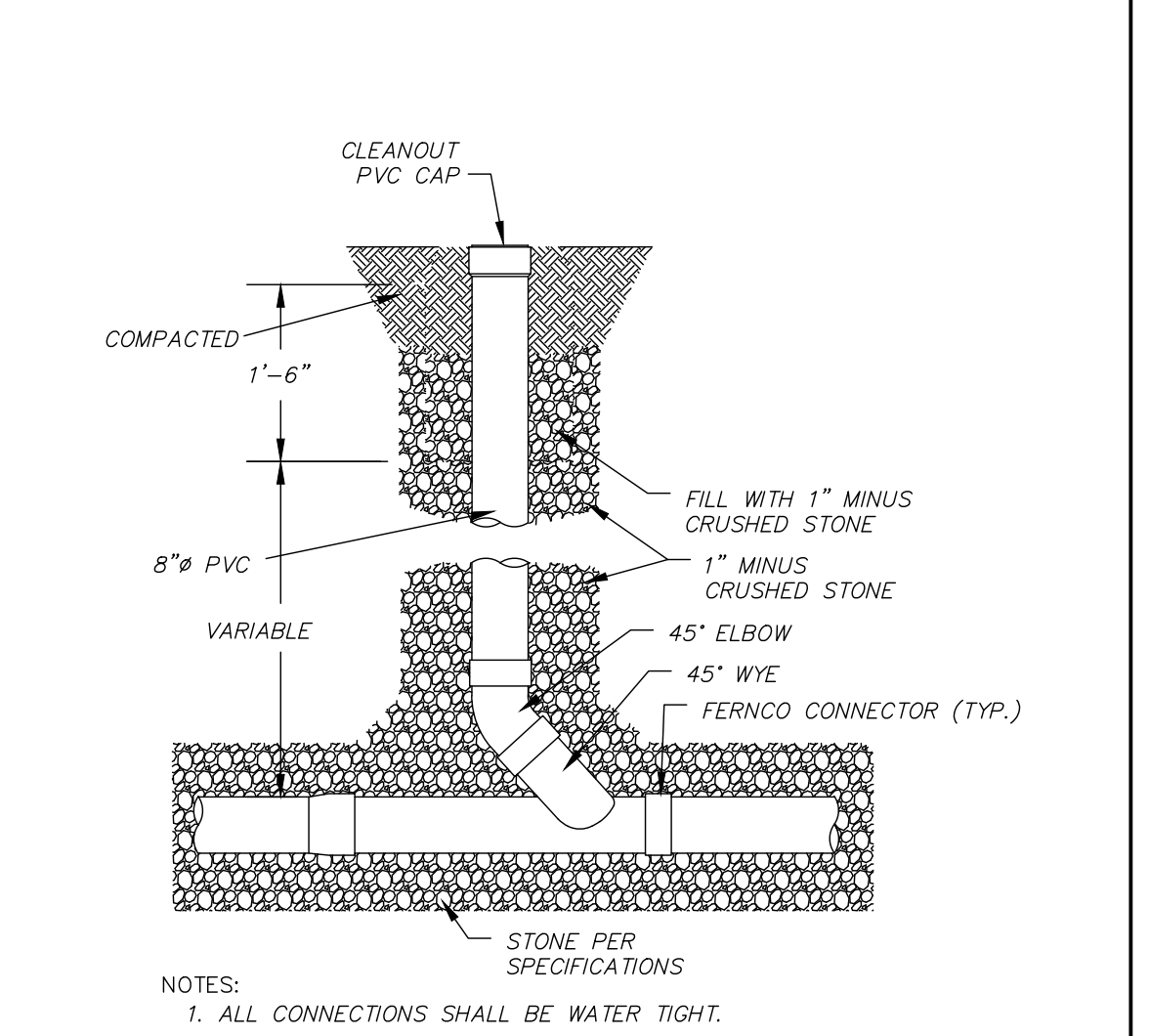
TYPICAL WET WELL DETAIL
NO SCALE



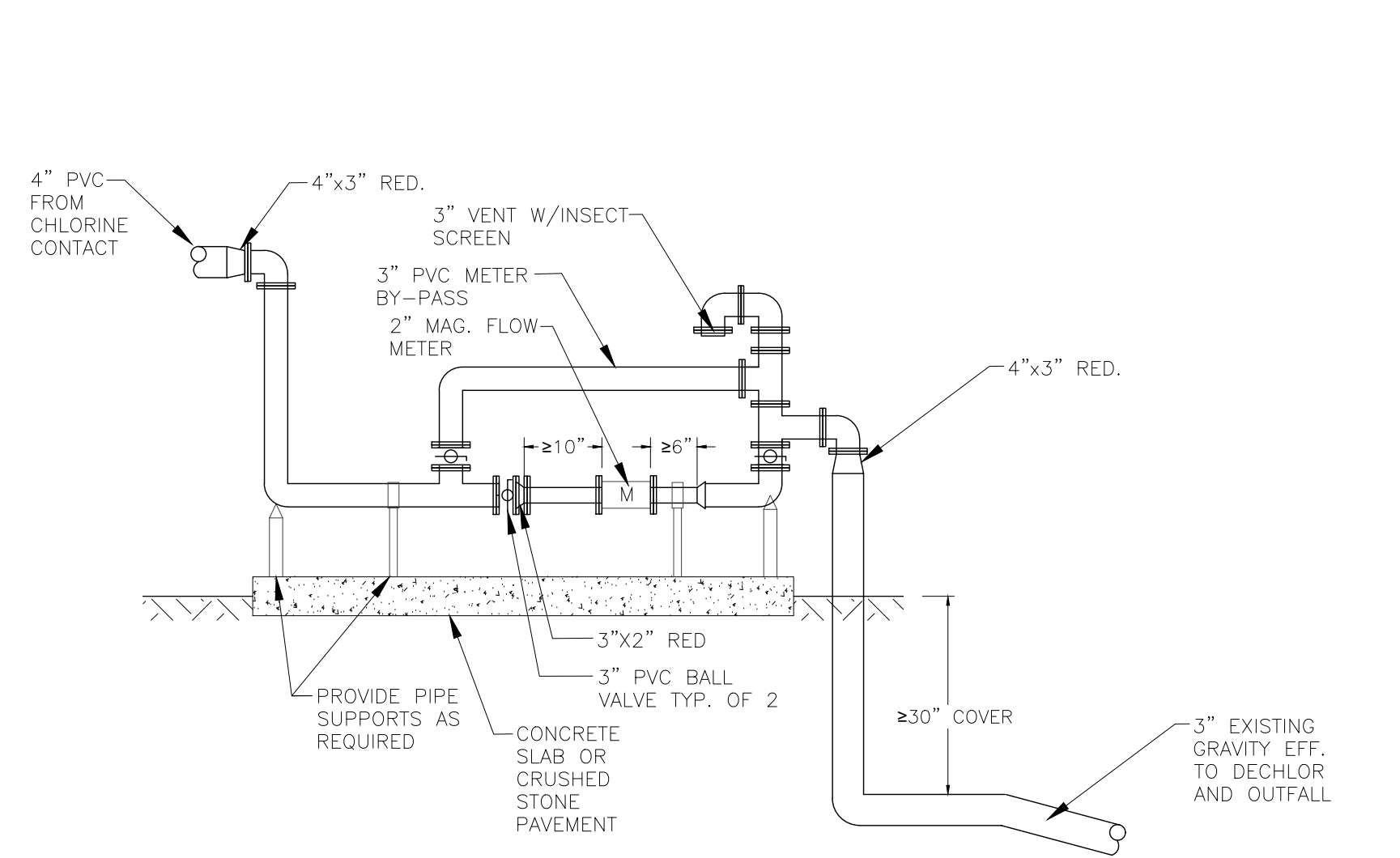
UTILITY TRENCHING AND BEDDING DETAIL
NOT TO SCALE



STORM MANHOLE DETAIL
NOT TO SCALE



DOWNSPOUT SEWER CLEANOUT
NOT TO SCALE



EXAMPLE PIPING ARRANGEMENT FOR AIRVIEW EFFLUENT MAG. METER
NOT TO SCALE

21 DESIGN GROUP INC.
ENGINEERING & SURVEYING
1351 Jefferson, Suite 301
Washington, MO 63090
P: 636-452-5227
M: 636-452-5227

DETAIL SHEET
AIRVIEW W/MP
WEST AIRVIEW DRIVE
ELIZABETHTOWN, KY 42701

ENGINEERING CERTIFICATE OF AUTHORITY NO. 4804
ENGINEERING LICENSE: BENJAMIN J. KUENZEL, PE33718



SEAL DATE:
DRAWN BY: B.J.K.
PROJ NUMBER: 542-9
DATE: 9/25/2020
DRAWING NO: C04

ALL RIGHTS RESERVED. All "21 Design Group, Inc." plans, specifications and drawings are protected under copyright law and no part may be copied, reproduced, displayed publicly, used to create derivatives, distributed, stored in a retrieval system or transmitted in any form by any means without prior written permission of "21 Design Group, Inc."

- MMP MISSION MONITORING WELL
- CP-111 INFLUENT PUMP STATION CONTROL PANEL
- DP DISTRIBUTION PANEL
- TS TRANSFER SWITCH
- MD MAIN DISCONNECT (200A)

ELECTRICAL RISER DIAGRAM NOTES:

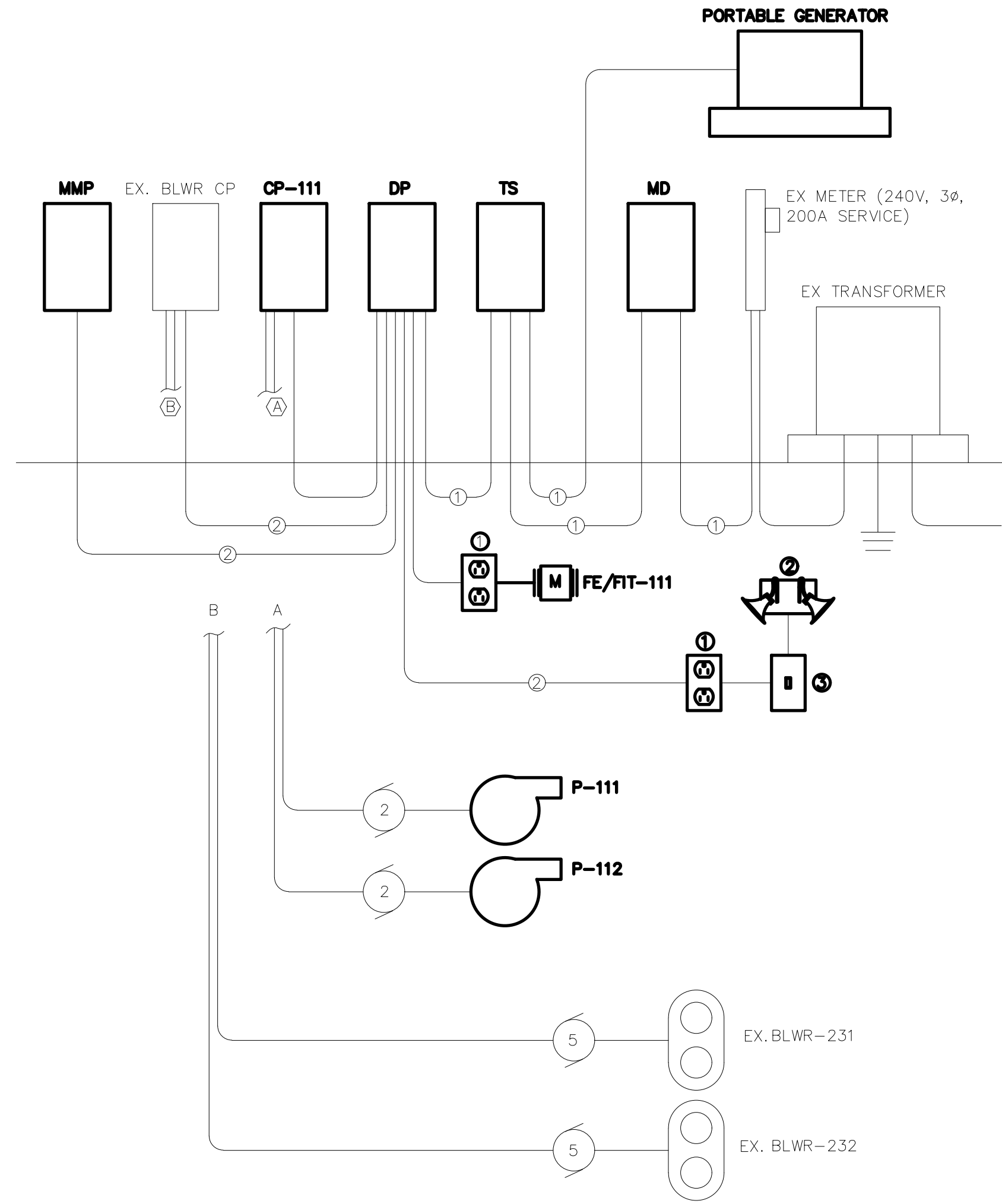
1. CONTRACTOR IS REQUIRED TO INSPECT EXISTING ELECTRICAL SYSTEM, VERIFY EXISTING METER SIZE, AND VERIFY WIRE, CONDUCTOR AND CONDUIT SIZING REQUIREMENTS PRIOR TO SUBMITTING BID.
2. CONTRACTOR TO SUBMIT ELECTRICAL LAYOUT AND DESIGN TO ENGINEER FOR APPROVAL PRIOR TO ORDERING MATERIALS.
3. IT IS THE CONTRACTOR'S RESPONSIBILITY TO INSTALL ALL ELECTRICAL EQUIPMENT NECESSARY FOR THE ENTIRE PROJECT INCLUDING ANY TRANSFORMER NEEDS.
4. IT IS THE CONTRACTOR'S RESPONSIBILITY TO INSTALL ALL INSTRUMENTATION AND CONTROL PANELS NECESSARY FOR THE ENTIRE PROJECT.
5. UNISTRUT TO BE PROVIDED AS NEEDED TO INSTALL ALL ELECTRICAL AND CONTROL PANEL EQUIPMENT.
6. ALL CONDUIT SHALL BE SIZED AND PROVIDED BY CONTRACTOR. CONDUIT AND CONDUIT SIZING SHALL MEET ALL NEC CODE REQUIREMENTS FOR ABOVE AND BELOW GRADE INSTALLATION.
7. ALL WIRE AND CONDUCTORS SHALL BE ENCLOSED IN CONDUIT.
8. ALL WIRE SHALL BE COPPER EXCEPT ALUMINUM WILL BE ALLOWED UP TO THE DISTRIBUTION PANEL.

REMOTE WIRELESS MONITORING AND CONTROL REQUIREMENTS:

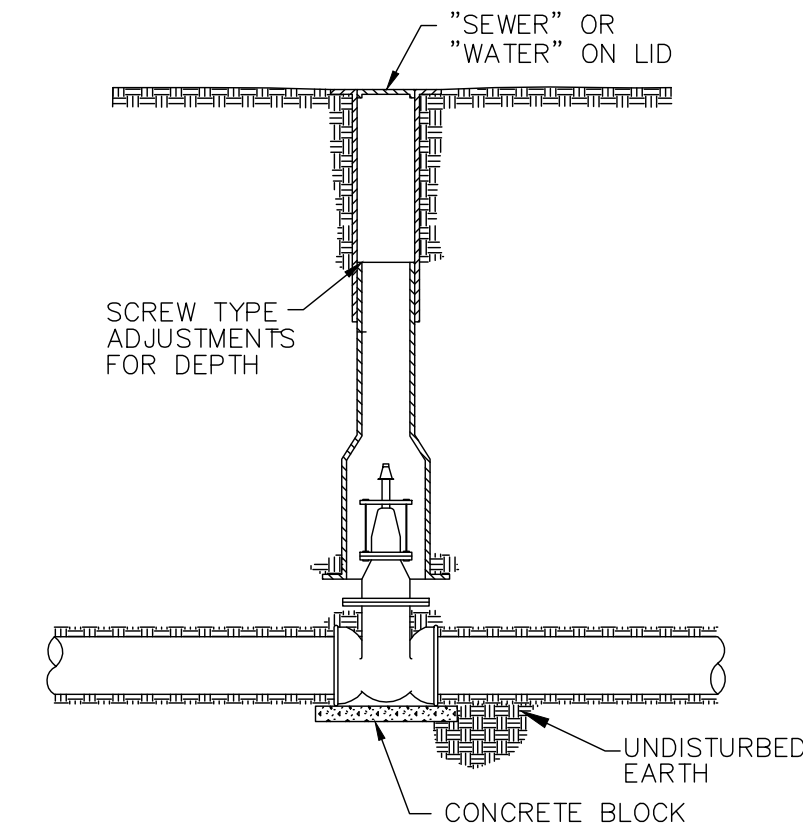
REMOTE WIRELESS MONITORING UNIT SHALL BE M850 SERIES UNIT PROVIDED BY MISSION COMMUNICATIONS (SALES REPRESENTATIVE IS JEFF CLARKE WITH HYDRO-KINETICS; 314-647-6104).

1. DIGITAL INPUTS
 - o P-111 RUN; P-111 FAIL
 - o P-112 RUN; P-112 FAIL
 - o BLWR-231 RUN; BLWR-231 FAIL
 - o BLWR-232 RUN; BLWR-232 FAIL
2. ANALOGUE INPUTS
 - o FE/FIT-111 FLOW (EFFLUENT METER)

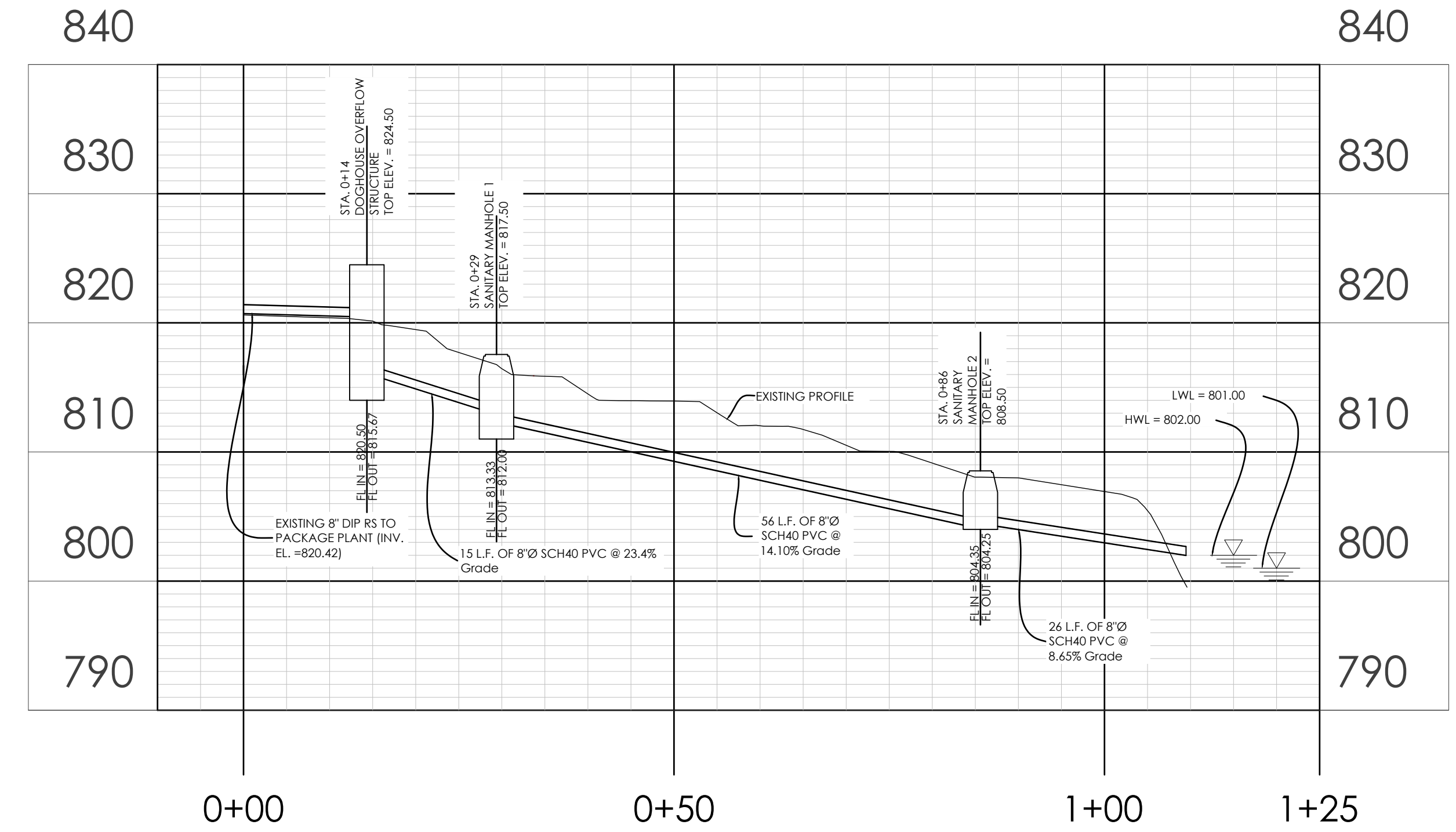
- ① 120V GFCI RECEPTACLE IN WEATHERPROOF BOX ON UNISTRUT.
- ② ONE SET OF LED DOUBLE ADJUSTABLE HEAD LIGHTS MOUNTED ON 6"x6" CCA TIMBER AT 8 FT. OFF GROUND. COORDINATE FIELD LOCATION FOR INSTALLATION W/ ENGINEER FOR ONE AT EQUALIZATION RETURN PUMP STATION.
- ③ 120V SINGLE POLE SWITCH IN WEATHERPROOF BOX.



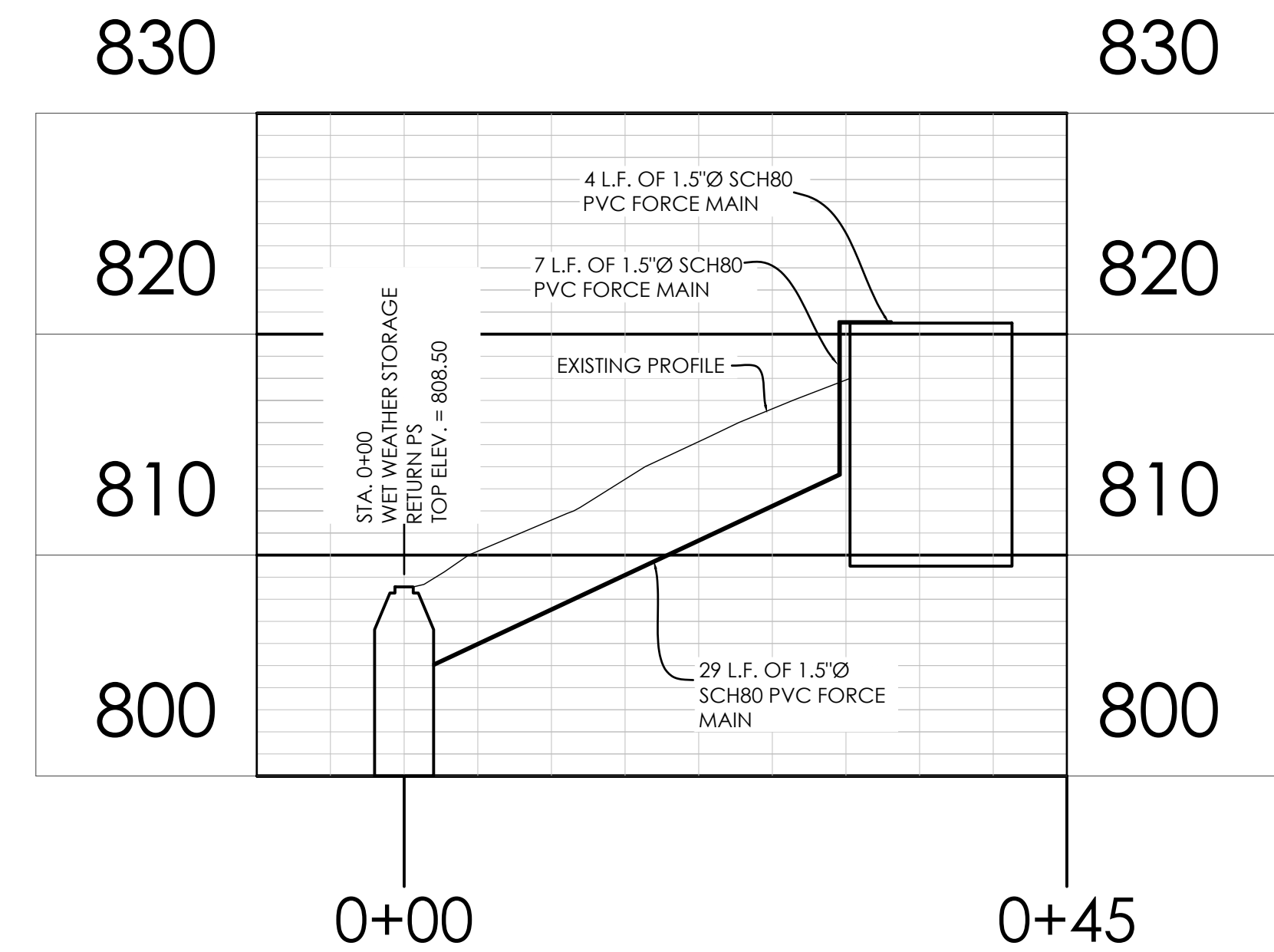
ELECTRICAL RISER DIAGRAM



PIPE TO MANHOLE CONNECTION
NOT TO SCALE



DOGHOUSE OVERFLOW
STRUCTURE SANITARY PROFILE



FORCE MAIN FROM LAGOON LIFT
STATION TO PACKAGE PLANT PROFILE

DESIGN GROUP INC.
ENGINEERING & SURVEYING
1351 Jefferson, Suite 300
Washington, DC 20004
Phone: 202-462-8222
Email: info@designgroup.net

DETAIL SHEET
AIRVIEW WWTP
WEST AIRVIEW DRIVE
ELIZABETHTOWN, KY 42701

ENGINEERING CERTIFICATE OF AUTHORITY NO. 4804
ENGINEERING LICENSE: BENJAMIN J. KUENZEL, PE33718



SEAL DATE: _____
DRAWN BY: B.J.K.
PROJ NUMBER: 542-19
DATE: 9/25/2020
DRAWING NO: C05

ALL RIGHTS RESERVED. All "21 Design Group, Inc." plans, specifications and drawings are protected under copyright law and no part may be copied, reproduced, displayed publicly, used to create derivatives, distributed, stored in a retrieval system or transmitted in any form by any means without prior written permission of "21 Design Group, Inc."

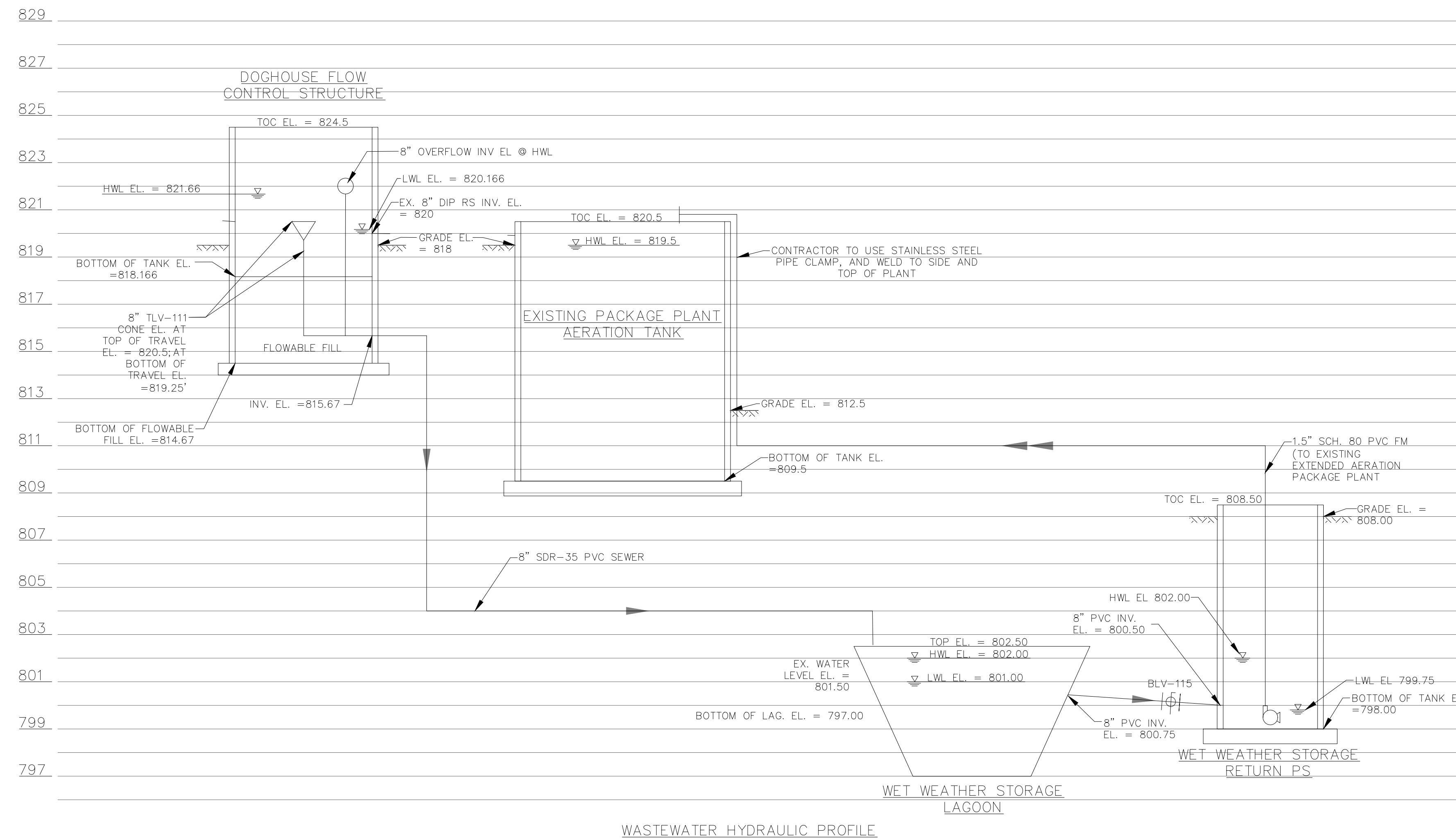
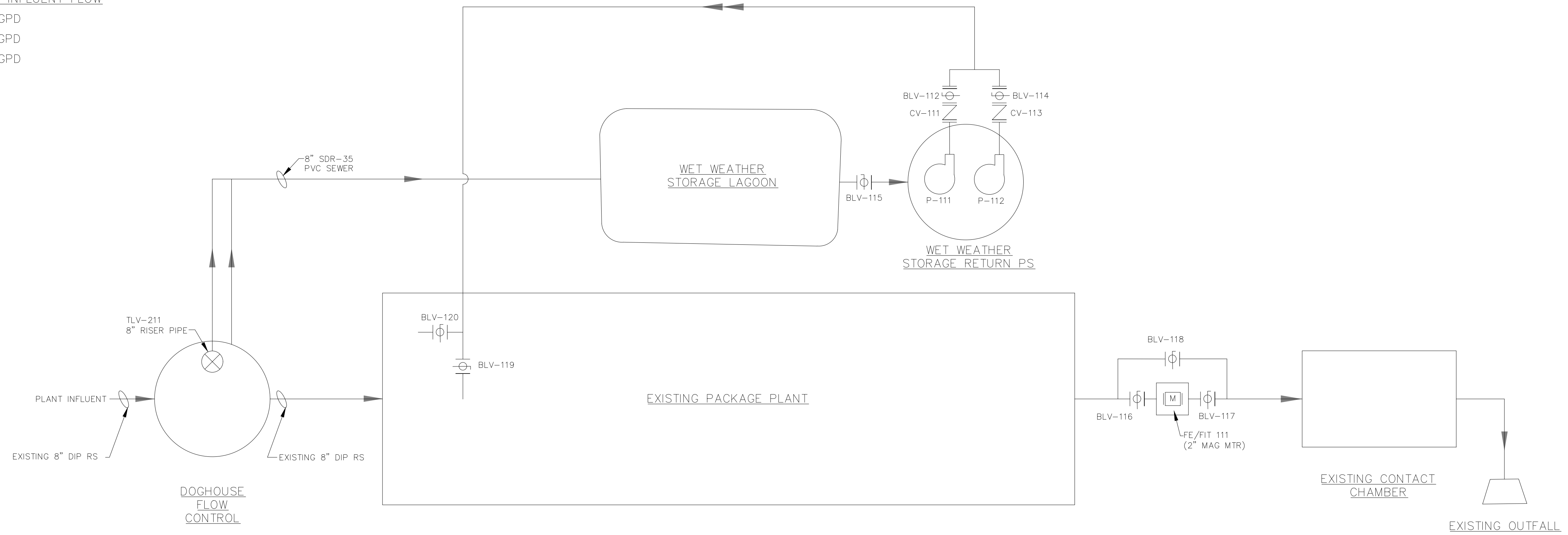
RAW SEWER INFLUENT
 $Q_{ADF} = 57,000$ GPD
 $Q_{PDF} = 142,500$ GPD
 $Q_{PHF} = 228,000$ GPD

PACKAGE PLANT INFLUENT FLOW
 $Q_{ADF} = 57,000$ GPD
 $Q_{PDF} = 85,500$ GPD
 $Q_{PHF} = 85,500$ GPD

WET WEATHER STORAGE LAAGOON
 SURFACE AREA: 17,040 SF.
 TOTAL VOLUME: GAL.
 LOW WATER LEVEL: 801.00
 HIGH WATER LEVEL: 802.00
 VOLUME @ LWL: 509,837 GAL.
 VOLUME @ HWL: 637,296 GAL.
 VARIABLE VOLUME: 127,459 GAL.
 HRT @ ADF: 268 HR.

WET WEATHER STORAGE RETURN PUMP STATION
 NO. OF OPERATING PUMPS: 1
 NO. OF STANDBY PUMPS: 1
 PUMPING RATE: 28,500 GPD (19.5 GPM)
 STATIC HEAD: 21 FT.
 TDH: 27.7 FT.
 HP: 2 HP.

CLARIFIER
 DIMENSIONS: 11'-2" I.D., 10'-0" DEEP
 SOR @ EXISTING CONDITIONS @ PHF: 2,328 GPD/SF
 SOR @ DESIGN CONDITIONS @ PHF: 873 GPD/SF



WASTEWATER HYDRAULIC PROFILE

21 DESIGN GROUP INC.
 ENGINEERING & SURVEYING
 135 Jefferson, Suite 301
 Washington, MO 63090
 P: 636-452-5222
 m: 636-452-5227

PROCESS FLOW DIAGRAM AND HYDRAULIC PROFILE
 AIRVIEW WWTP
 WEST AIRVIEW DRIVE
 ELIZABETHTOWN, KY 42701

ENGINEERING CERTIFICATE OF AUTHORITY NO. 4804
 ENGINEERING LICENSE: BENJAMIN J. KUENZEL, PE33718



SEAL DATE: _____
 DRAWN BY: BJK
 PROJ NUMBER: 542-19
 DATE: 9/25/2020
 DRAWING NO: P1

ALL RIGHTS RESERVED. All "21 Design Group, Inc." plans, specifications and drawings are protected under copyright law and no part may be copied, reproduced, displayed publicly, used to create derivatives, distributed, stored in a retrieval system or transmitted in any form by any means without prior written permission of "21 Design Group, Inc."