

**COMMONWEALTH OF KENTUCKY
BEFORE THE PUBLIC SERVICE COMMISSION**

In the Matter of:

THE APPLICATION OF)
CELLCO PARTNERSHIP D/B/A VERIZON WIRELESS)
FOR ISSUANCE OF A CERTIFICATE OF PUBLIC) CASE NO. 2022-00332
CONVENIENCE AND NECESSITY TO CONSTRUCT)
A WIRELESS COMMUNICATIONS FACILITY)
IN THE COMMONWEALTH OF KENTUCKY)
IN THE COUNTY OF EDMONSON)

SITE NAME: EDMONSON/WARREN

* * * * *

**APPLICATION FOR
CERTIFICATE OF PUBLIC CONVENIENCE AND NECESSITY
FOR CONSTRUCTION OF A WIRELESS COMMUNICATIONS FACILITY**

Cellco Partnership, d/b/a Verizon Wireless (“Applicant”), by counsel, pursuant to (i) KRS §§278.020, 278.040, 278.650, 278.665, and other statutory authority, and the rules and regulations applicable thereto, and (ii) the Telecommunications Act of 1996, respectfully submits this Application requesting issuance of a Certificate of Public Convenience and Necessity (“CPCN”) from the Kentucky Public Service Commission (“PSC”) to construct, maintain, and operate a Wireless Communications Facility (“WCF”) to serve the customers of the Applicant with wireless communications services.

In support of this Application, Applicant respectfully provides and states the following information:

1. The complete name and address of the Applicant: Cellco Partnership, d/b/a Verizon Wireless, having a local address of 2901 Ring Road, Elizabethtown, KY 42701.

2. Applicant is a Delaware general partnership and a copy of the Amended Certificate of Assumed Name is on file with the Secretary of State of Commonwealth of Kentucky is included as part of **Exhibit A**.

3. Applicant proposes construction of an antenna tower for communications services, which is to be located in an area outside the jurisdiction of a planning commission, and Applicant submits this application to the PSC for a certificate of public convenience and necessity pursuant to KRS §§ 278.020(1), 278.040, 278.650, 278.665, and other statutory authority.

4. The Applicant operates on frequencies licensed by the Federal Communications Commission ("FCC") pursuant to applicable FCC requirements. A copy of the Applicant's FCC licenses to provide wireless services are attached to this Application or described as part of **Exhibit B**, and the facility will be constructed and operated in accordance with applicable FCC regulations.

5. The public convenience and necessity require the construction of the proposed WCF. The construction of the WCF will bring or improve the Applicant's services to an area currently not served or not adequately served by the Applicant by increasing coverage or capacity and thereby enhancing the public's access to innovative and competitive wireless communications services. A statement from Applicant's RF Design Engineer outlining said need is attached as **Exhibit Q** along with Propagation Maps attached as **Exhibit Qa**. The WCF is an integral link in the Applicant's network design that must be in place to provide adequate coverage to the service area.

6. To address the above-described service needs, Applicant proposes to construct a WCF near 4229 Otter Gap Road, Bowling Green, KY 42101 (37° 05' 02.74"North latitude, 86° 16' 10.91" West longitude), on a parcel of land located entirely within the county referenced in the caption of this application. The property on which the WCF will be located is owned by Harold

and Patricia Watt pursuant to a Deed recorded at Deed Book 172, Page 502 in the office of the County Clerk. The proposed WCF will consist of a 195-foot tall tower, with an approximately 4-foot tall lightning arrestor attached at the top, for a total height of 199-feet. The WCF will also include concrete foundations and a shelter or cabinets to accommodate the placement of the Applicant's radio electronics equipment and appurtenant equipment. The Applicant's equipment cabinet or shelter will be approved for use in the Commonwealth of Kentucky by the relevant building inspector. The WCF compound will be fenced and all access gate(s) will be secured. A description of the manner in which the proposed WCF will be constructed is attached as **Exhibit C** and **Exhibit D**.

7. A list of utilities, corporations, or persons with whom the proposed WCF is likely to compete along with a map showing the proposed location as well as the identified like facilities is attached as **Exhibit E**.

8. The site development plan and a vertical profile sketch of the WCF signed and sealed by a professional engineer registered in Kentucky depicting the tower height, as well as a proposed configuration for the antennas of the Applicant has also been included as part of **Exhibit C**.

9. Foundation design plans signed and sealed by a professional engineer registered in Kentucky and a description of the standards according to which the tower was designed are included as part of **Exhibit D**.

10. Applicant has considered the likely effects of the installation of the proposed WCF on nearby land uses and values and has concluded that there is no more suitable location reasonably available from which adequate services can be provided, and that there are no reasonably available opportunities to co-locate Applicant's antennas on an existing structure. When suitable towers or

structures exist, Applicant attempts to co-locate on existing structures such as communications towers or other structures capable of supporting Applicant's facilities; however, no other suitable or available co-location site was found to be located in the vicinity of the site.

11. A copy of the Notice Criteria Tool indicating that filing for a Determination of No Hazard to Air Navigation is not required by the Federal Aviation Administration (“FAA”) is attached as **Exhibit F**.

12. A copy of the Kentucky Airport Zoning Commission (“KAZC”) Application to construct the tower is attached as Exhibit G.

13. A geotechnical engineering report was performed at the WCF site by Power of Design Group, LLC, Louisville, KY, dated July 8, 2022, and is attached as **Exhibit H**. The name and address of the geotechnical engineering firm and the professional engineer registered in Kentucky who prepared the report are included as part of **Exhibit R**.

14. Clear directions to the proposed WCF site from the County seat are attached as **Exhibit I**. The name and telephone number of the preparer of **Exhibit I** are included as part of this exhibit.

15. Applicant, pursuant to a written agreement, has acquired the right to use the WCF site and associated property rights. A copy of the agreement or an abbreviated agreement recorded with the County Clerk is attached as **Exhibit J**.

16. Personnel directly responsible for the design and construction of the proposed WCF are well qualified and experienced. The tower and foundation drawings for the proposed tower submitted as part of **Exhibit D** bear the signature and stamp of a professional engineer registered in the Commonwealth of Kentucky. All tower designs meet or exceed the minimum requirements of applicable laws and regulations.

17. The Construction Manager for the proposed facility is Vincent Caprino and the identity and qualifications of each person directly responsible for design and construction of the proposed tower are contained in **Exhibit R**.

18. As noted on the Survey attached as part of **Exhibit C**, the surveyor has determined that the tower site and access easement are not within any flood hazard area per Flood Hazard Boundary Map, Community Panel Number 21061C0210B, Dated October 19, 2010.

19. **Exhibit C** includes a map drawn to an appropriate scale that shows the location of the proposed tower and identifies every owner of real estate within 500 feet of the proposed tower (according to the records maintained by the County Property Valuation Administrator). Every structure and every easement within 500 feet of the proposed tower or within 200 feet of the access road including intersection with the public street system is illustrated in **Exhibit C**.

20. Applicant has notified every person who, according to the records of the County Property Valuation Administrator, owns property which is within 500 feet of the proposed tower or contiguous to the site property, by certified mail, return receipt requested, of the proposed construction. Each notified property owner has been provided with a map of the location of the proposed construction, the PSC docket number for this application, the address of the PSC, and will be informed of his or her right to request intervention. A list of the notified property owners and a copy of the form of the notice to be sent by certified mail to each landowner are attached as **Exhibit K** and **Exhibit L**, respectively.

21. Applicant has notified the applicable County Judge/Executive by certified mail, return receipt requested, of the proposed construction. This notice included the PSC docket number under which the application will be processed and informed the County Judge/Executive of his/her right to request intervention. A copy of this notice is attached as **Exhibit M**.

22. Notice signs meeting the requirements prescribed by 807 KAR 5:063, Section 1(2) that measure at least 2 feet in height and 4 feet in width and that contain all required language in letters of required height, have been posted, one in a visible location on the proposed site and one on the nearest public road. Such signs shall remain posted for at least two weeks after filing of the Application, and a copy of the posted text is attached as **Exhibit N**. A legal notice advertisement regarding the location of the proposed facility has been published in a newspaper of general circulation in the county in which the WCF is proposed to be located. A copy of the newspaper legal notice advertisement is attached as **Exhibit O**.

23. The general area where the proposed facility is to be located is undeveloped and removed a significant distance from any residential structures. The nearest residential structure is 299 feet from the proposed tower site.

24. The process that was used by the Applicant's radio frequency engineers in selecting the site for the proposed WCF was consistent with the general process used for selecting all other existing and proposed WCF facilities within the proposed network design area. Applicant's radio frequency engineers have conducted studies and tests in order to develop a highly efficient network that is designed to handle voice and data traffic in the service area. The engineers determined an optimum area for the placement of the proposed facility in terms of elevation and location to provide the best quality service to customers in the service area. A radio frequency design search area prepared in reference to these radio frequency studies was considered by the Applicant when searching for sites for its antennas that would provide the coverage deemed necessary by the Applicant. A map of the area in which the tower is proposed to be located which is drawn to scale and clearly depicts the necessary search area within which the site should be located pursuant to radio frequency requirements is attached as **Exhibit P**.

25. The tower must be located at the proposed location and proposed height to provide necessary service to wireless communications users in the subject area, as set out and documented in the RF Design Engineers' Statement of Need and Propagation Maps attached as **Exhibit Q**. The proposed tower will expand and improve voice and data service for Verizon Wireless customers.

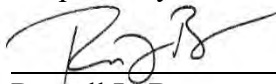
26. All Exhibits to this Application are hereby incorporated by reference as if fully set out as part of the Application.

27. All responses and requests associated with this Application may be directed to:

Russell L. Brown
Clark, Quinn, Moses, Scott & Grahn, LLP
320 North Meridian Street, Suite 1100
Indianapolis, IN 46204
Phone: (317) 637-1321
FAX: (317) 687-2344
Email: rbrown@clarkquinnlaw.com

WHEREFORE, Applicant respectfully request that the PSC accept the foregoing Application for filing, and having met the requirements of KRS §§278.020(1), 278.650, and 278.665 and all applicable rules and regulations of the PSC, grant a Certificate of Public Convenience and Necessity to construct and operate the WCF at the location set forth herein.

Respectfully submitted,



Russell L. Brown
Clark, Quinn, Moses, Scott & Grahn, LLP
320 North Meridian Street, Suite 1100
Indianapolis, IN 46204
Phone: (317) 637-1321 / FAX: (317) 687-2344
Email: rbrown@clarkquinnlaw.com
Attorney for Celco Partnership d/b/a Verizon Wireless

LIST OF EXHIBITS

- A Applicant Entity
- B FCC License Documentation
- C Site Development Plan:
 - 500' Vicinity Map Legal Descriptions
 - Flood Plain Certification Site Plan
 - Vertical Tower Profile
- D Tower and Foundation Design
- E Competing Utilities, Corporations, or Persons List
And Map of Like Facilities in Vicinity
- F FAA Notice Criteria Tool
- G KAZC Application
- H Geotechnical Report
- I Directions to WCF Site
- J Copy of Real Estate Agreement
- K Notification Listing
- L Copy of Property Owner Notification
- M Copy of County Judge/Executive notice
- N Copy of Posted Notices
- O Copy of Newspaper Legal Notice Advertisement
- P Copy of Radio Frequency Design Search Area
- Q Copy of RF Design Engineer State of Need
- Qa Propagation Maps
- R List of Qualified Professionals

EXHIBIT A

1139963.06

vmiller
ADD

Michael G. Adams
Kentucky Secretary of State
Received and Filed:
3/19/2021 4:03 PM
Fee Receipt: \$90.00



COMMONWEALTH OF KENTUCKY
MICHAEL G. ADAMS, SECRETARY OF STATE

Division of Business Filings
P.O. Box 718
Frankfort, KY 40607
(502) 564-3490
www.sos.ky.gov

Certificate of Authority
(Foreign Business Entity)

FBE

Pursuant to the provisions of KRS 14A - 030 the undersigned hereby applies for authority to transact business in Kentucky on behalf of the entity named below and, for that purpose, submits the following statements:

1. The entity is a:
- | | | | | | |
|-------------------------------------|---------------------|-------------------------------------|----------------------------------|--------------------------|--|
| <input checked="" type="checkbox"/> | profit corporation | <input type="checkbox"/> | nonprofit corporation | <input type="checkbox"/> | professional limited liability company |
| <input type="checkbox"/> | business trust | <input checked="" type="checkbox"/> | limited liability company | <input type="checkbox"/> | statutory trust |
| <input type="checkbox"/> | limited partnership | <input type="checkbox"/> | ltd cooperative association | <input type="checkbox"/> | other |
| <input type="checkbox"/> | non-profit tic | <input type="checkbox"/> | professional service corporation | | |

2. The name of the entity is Pro-Site, LLC
(The name must be identical to the name on record with the Secretary of State.)

3. The name of the entity to be used in Kentucky is (if applicable): _____
(Only provide if "real name" is unavailable for use; otherwise, leave blank.)

4. The state or country under whose law the entity is organized is Delaware

5. The date of organization is 11/01/2012 and the period of duration is perpetual
(If left blank, duration is considered perpetual.)

6. The mailing address of the entity's principal office is
750 Park of Commerce Drive, Ste. 200 Boca Raton FL 33487
Street Address City State Zip Code

7. The street address of the entity's registered office in Kentucky is
828 Lane Allen Road, Suite 219 Lexington KY 40504
Street Address (No P.O. Box Numbers) City State Zip Code

and the name of the registered agent at that office is COGENCY GLOBAL INC

8. The names and business addresses of the entity's representatives (secretary, officers and directors, managers, trustees or general partners):

Name	Street or P.O. Box	City	State	Zip Code
Alex Geeman	750 Park of Commerce Dr., Ste. 200	Boca Raton	FL	33487
Daniel Marinberg	750 Park of Commerce Dr., Ste. 200	Boca Raton	FL	33487
Michael Romanow	750 Park of Commerce Dr., Ste. 200	Boca Raton	FL	33487

9. If a professional service corporation, all the individual shareholders, not less than one half (1/2) of the directors, and all of the officers other than the secretary and treasurer are licensed in one or more states or territories of the United States or District of Columbia to render a professional service described in the statement of purposes of the corporation.

10. I certify that, as of the date of filing this application, the above-named entity validly exists under the laws of the jurisdiction of its formation.

11. If a limited partnership, I elect to be a limited liability limited partnership. Check the box if applicable:

12. If a limited liability company, check box if manager-managed:

13. This application will be effective upon filing.

Signature of Authorized Representative Daniel Marinberg 3/2/2021
Printed Name & Title Date

COGENCY GLOBAL INC consent to serve as the registered agent on behalf of the business entity.
Type/Print Name of Registered Agent

Eric L. Hood ERIC HOOD ASSISTANT SECRETARY 3/18/2021
Signature of Registered Agent Printed Name Title Date

Delaware

The First State

Page 1

I, JEFFREY W. BULLOCK, SECRETARY OF STATE OF THE STATE OF DELAWARE, DO HEREBY CERTIFY THAT THE ATTACHED IS A TRUE AND CORRECT COPY OF THE CERTIFICATE OF CONVERSION OF A DELAWARE CORPORATION UNDER THE NAME OF "ECO-SITE, INC." TO A DELAWARE LIMITED LIABILITY COMPANY, CHANGING ITS NAME FROM "ECO-SITE, INC." TO "ECO-SITE, LLC", FILED IN THIS OFFICE ON THE TWENTY-NINTH DAY OF MARCH, A.D. 2017, AT 1:37 O`CLOCK P.M.

AND I DO HEREBY FURTHER CERTIFY THAT THE EFFECTIVE DATE OF THE AFORESAID CERTIFICATE OF CONVERSION IS THE FIRST DAY OF APRIL, A.D. 2017.




Jeffrey W. Bullock, Secretary of State

5235566 8100V
SR# 20172106135

Authentication: 202300262
Date: 03-30-17

You may verify this certificate online at corp.delaware.gov/authver.shtml

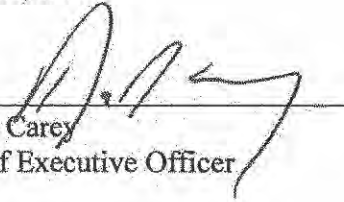
**STATE OF DELAWARE
CERTIFICATE OF CONVERSION
FROM A CORPORATION TO
A LIMITED LIABILITY COMPANY PURSUANT TO
SECTION 18-214 OF THE LIMITED LIABILITY ACT**

1. The jurisdiction where the corporation first formed is the State of Delaware.
2. The jurisdiction immediately prior to filing this Certificate is the State of Delaware.
3. The date the corporation was first formed is November 1, 2012.
4. The name of the corporation immediately prior to filing this Certificate is Eco-Site, Inc.
5. The name of the Limited Liability Company as set forth in the Certificate of Formation is Eco-Site, LLC.
6. This Certificate shall be effective as of April 1, 2017.

IN WITNESS WHEREOF, the undersigned has executed and delivered this Certificate as of March 29, 2017.

ECO-SITE, INC.

By: _____


Dale Carey
Chief Executive Officer

Delaware

The First State

Page 1

I, JEFFREY W. BULLOCK, SECRETARY OF STATE OF THE STATE OF DELAWARE DO HEREBY CERTIFY THAT THE ATTACHED IS A TRUE AND CORRECT COPY OF THE CERTIFICATE OF FORMATION OF "ECO-SITE, LLC" FILED IN THIS OFFICE ON THE TWENTY-NINTH DAY OF MARCH, A.D. 2017, AT 1:37 O`CLOCK P.M.

AND I DO HEREBY FURTHER CERTIFY THAT THE EFFECTIVE DATE OF THE AFORESAID CERTIFICATE OF FORMATION IS THE FIRST DAY OF APRIL, A.D. 2017.




Jeffrey W. Bullock, Secretary of State

5235566 8100V
SR# 20172106135

Authentication: 202300262
Date: 03-30-17

You may verify this certificate online at corp.delaware.gov/authver.shtml

CERTIFICATE OF FORMATION

OF

ECO-SITE, LLC

This Certificate of Formation of Eco-Site, LLC, dated as of March 29, 2017, is being duly executed and filed by Dale Carey, as an authorized person, to form a limited liability company under the Delaware Limited Liability Company Act (6 Del. C. Section 18-101, et seq.).

FIRST: The name of the limited liability company formed hereby is Eco-Site, LLC (the "Company").

SECOND: The address of its registered office in the State of Delaware is 2711 Centerville Road, Suite 400, Wilmington, New Castle County, Delaware 19808-1645. The name of its registered agent at such address is Corporation Service Company.

THIRD: This Certificate of Formation shall be effective as of April 1, 2017.

IN WITNESS WHEREOF, the undersigned has executed this Certificate of Formation as of the date first above written.



Dale Carey, Authorized Person

EXHIBIT B

REFERENCE COPY

This is not an official FCC license. It is a record of public information contained in the FCC's licensing database on the date that this reference copy was generated. In cases where FCC rules require the presentation, posting, or display of an FCC license, this document may not be used in place of an official FCC license.



Federal Communications Commission
Wireless Telecommunications Bureau

RADIO STATION AUTHORIZATION

LICENSEE: CELLCO PARTNERSHIP

ATTN: REGULATORY
 CELLCO PARTNERSHIP
 5055 NORTH POINT PKWY, NP2NE ENGINEERING
 ALPHARETTA, GA 30022

Call Sign KNKN867	File Number 0009262184
Radio Service CL - Cellular	
Market Numer CMA445	Channel Block B
Sub-Market Designator 0	

FCC Registration Number (FRN): 0003290673

Market Name Kentucky 3 - Meade
--

Grant Date 09-01-2020	Effective Date 01-13-2021	Expiration Date 10-01-2030	Five Yr Build-Out Date	Print Date
---------------------------------	-------------------------------------	--------------------------------------	-------------------------------	-------------------

Site Information:

Location	Latitude	Longitude	Ground Elevation (meters)	Structure Hgt to Tip (meters)	Antenna Structure Registration No.
1	36-50-41.0 N	086-51-27.0 W	243.8	82.3	1043225

Address: 1.3 KM EAST OF SR-100 & JEFF DAVIS HIGHWAY

City: RUSSELLVILLE County: LOGAN State: KY Construction Deadline:

Antenna: 1

Maximum Transmitting ERP in Watts:	140.820							
Azimuth(from true north)	0	45	90	135	180	225	270	315
Antenna Height AAT (meters)	133.200	104.800	100.900	107.400	123.200	117.300	105.900	123.700
Transmitting ERP (watts)	153.310	72.160	9.790	0.510	0.420	0.540	11.230	75.590

Antenna: 2

Maximum Transmitting ERP in Watts:	140.820							
Azimuth(from true north)	0	45	90	135	180	225	270	315
Antenna Height AAT (meters)	133.200	104.800	100.900	107.400	123.200	117.300	105.900	123.700
Transmitting ERP (watts)	0.870	21.280	113.650	147.250	38.070	3.570	0.330	0.410

Antenna: 3

Maximum Transmitting ERP in Watts:	140.820							
Azimuth(from true north)	0	45	90	135	180	225	270	315
Antenna Height AAT (meters)	133.200	104.800	100.900	107.400	123.200	117.300	105.900	123.700
Transmitting ERP (watts)	1.480	0.400	0.430	2.930	40.950	143.640	111.910	19.230

Conditions:

Pursuant to §309(h) of the Communications Act of 1934, as amended, 47 U.S.C. §309(h), this license is subject to the following conditions: This license shall not vest in the licensee any right to operate the station nor any right in the use of the frequencies designated in the license beyond the term thereof nor in any other manner than authorized herein. Neither the license nor the right granted thereunder shall be assigned or otherwise transferred in violation of the Communications Act of 1934, as amended. See 47 U.S.C. § 310(d). This license is subject in terms to the right of use or control conferred by §706 of the Communications Act of 1934, as amended. See 47 U.S.C. §606.

Licensee Name: CELLCO PARTNERSHIP

Call Sign: KNKN867

File Number: 0009262184

Print Date:

Location	Latitude	Longitude	Ground Elevation (meters)	Structure Hgt to Tip (meters)	Antenna Structure Registration No.
2	36-58-11.0 N	086-31-15.0 W	205.4	117.3	1043045

Address: Bowling Green Main, 3.4 KM southwest of

City: BOWLING GREEN County: WARREN State: KY Construction Deadline:

Antenna: 2

Maximum Transmitting ERP in Watts:	140.820							
Azimuth(from true north)	0	45	90	135	180	225	270	315
Antenna Height AAT (meters)	108.200	135.100	135.400	118.600	102.700	103.000	111.100	110.800
Transmitting ERP (watts)	186.450	83.280	10.010	0.510	0.420	0.490	10.730	87.210

Antenna: 3

Maximum Transmitting ERP in Watts:	140.820							
Azimuth(from true north)	0	45	90	135	180	225	270	315
Antenna Height AAT (meters)	47.300	74.100	74.500	57.600	41.800	42.100	50.200	49.900
Transmitting ERP (watts)	0.270	2.540	54.390	78.620	9.450	0.350	0.270	0.270

Antenna: 4

Maximum Transmitting ERP in Watts:	140.820							
Azimuth(from true north)	0	45	90	135	180	225	270	315
Antenna Height AAT (meters)	108.200	135.100	135.400	118.600	102.700	103.000	111.100	110.800
Transmitting ERP (watts)	1.020	0.240	0.310	2.130	24.000	70.020	56.310	11.460

Location	Latitude	Longitude	Ground Elevation (meters)	Structure Hgt to Tip (meters)	Antenna Structure Registration No.
3	37-08-47.0 N	086-39-02.0 W	189.0	128.0	1043044

Address: 9.7 KM SOUTH SOUTHEAST OF

City: MORGANTOWN County: BUTLER State: KY Construction Deadline:

Antenna: 1

Maximum Transmitting ERP in Watts:	140.820							
Azimuth(from true north)	0	45	90	135	180	225	270	315
Antenna Height AAT (meters)	126.200	118.800	110.000	116.600	100.700	122.200	119.800	131.300
Transmitting ERP (watts)	0.330	0.690	16.910	90.270	116.960	30.240	2.840	0.260

Antenna: 2

Maximum Transmitting ERP in Watts:	140.820							
Azimuth(from true north)	0	45	90	135	180	225	270	315
Antenna Height AAT (meters)	126.200	118.800	110.000	116.600	100.700	122.200	119.800	131.300
Transmitting ERP (watts)	2.100	0.260	0.330	1.050	21.320	101.470	108.950	23.430

Antenna: 3

Maximum Transmitting ERP in Watts:	140.820							
Azimuth(from true north)	0	45	90	135	180	225	270	315
Antenna Height AAT (meters)	126.200	118.800	110.000	116.600	100.700	122.200	119.800	131.300
Transmitting ERP (watts)	90.270	14.390	1.070	0.260	0.340	2.530	33.930	116.960

Licensee Name: CELLCO PARTNERSHIP

Call Sign: KNKN867

File Number: 0009262184

Print Date:

Location	Latitude	Longitude	Ground Elevation (meters)	Structure Hgt to Tip (meters)	Antenna Structure Registration No.
4	37-47-53.0 N	086-19-51.0 W	257.3	125.0	1043043

Address: WITHIN THE CITY LIMITS OF

City: GARFIELD County: BRECKINRIDGE State: KY Construction Deadline:

Antenna: 1

Maximum Transmitting ERP in Watts:	140.820							
Azimuth(from true north)	0	45	90	135	180	225	270	315
Antenna Height AAT (meters)	164.300	145.800	148.800	118.100	136.500	132.100	154.800	164.500
Transmitting ERP (watts)	104.850	46.830	5.630	0.290	0.240	0.280	6.030	49.040

Antenna: 2

Maximum Transmitting ERP in Watts:	140.820							
Azimuth(from true north)	0	45	90	135	180	225	270	315
Antenna Height AAT (meters)	164.300	145.800	148.800	118.100	136.500	132.100	154.800	164.500
Transmitting ERP (watts)	0.560	13.820	74.230	95.620	25.740	2.460	0.240	0.270

Antenna: 3

Maximum Transmitting ERP in Watts:	140.820							
Azimuth(from true north)	0	45	90	135	180	225	270	315
Antenna Height AAT (meters)	164.300	145.800	148.800	118.100	136.500	132.100	154.800	164.500
Transmitting ERP (watts)	0.930	0.240	0.280	2.040	27.580	95.620	74.230	12.320

Location	Latitude	Longitude	Ground Elevation (meters)	Structure Hgt to Tip (meters)	Antenna Structure Registration No.
6	36-46-32.1 N	086-33-56.0 W	206.3	91.1	1043041

Address: 2.4 KM NORTH OF

City: FRANKLIN County: SIMPSON State: KY Construction Deadline:

Antenna: 1

Maximum Transmitting ERP in Watts:	140.820							
Azimuth(from true north)	0	45	90	135	180	225	270	315
Antenna Height AAT (meters)	78.700	81.100	68.500	56.000	56.400	56.600	64.300	64.200
Transmitting ERP (watts)	144.730	63.540	7.340	0.360	0.300	0.380	8.420	66.540

Antenna: 2

Maximum Transmitting ERP in Watts:	140.820							
Azimuth(from true north)	0	45	90	135	180	225	270	315
Antenna Height AAT (meters)	78.700	81.100	68.500	56.000	56.400	56.600	64.300	64.200
Transmitting ERP (watts)	0.710	17.400	93.440	120.380	32.400	3.090	0.300	0.340

Antenna: 3

Maximum Transmitting ERP in Watts:	140.820							
Azimuth(from true north)	0	45	90	135	180	225	270	315
Antenna Height AAT (meters)	78.700	81.100	68.500	56.000	56.400	56.600	64.300	64.200
Transmitting ERP (watts)	1.280	0.300	0.390	2.690	30.220	88.150	70.900	14.430

Licensee Name: CELLCO PARTNERSHIP

Call Sign: KNKN867

File Number: 0009262184

Print Date:

Location	Latitude	Longitude	Ground Elevation (meters)	Structure Hgt to Tip (meters)	Antenna Structure Registration No.
7	37-03-33.7 N	087-01-50.4 W	200.0	77.7	1266950

Address: Lake Malone, 1038 Heltsley Road

City: Lewisburg County: LOGAN State: KY Construction Deadline:

Antenna: 1

Maximum Transmitting ERP in Watts:	140.820							
Azimuth(from true north)	0	45	90	135	180	225	270	315
Antenna Height AAT (meters)	120.200	116.000	119.100	120.900	103.100	89.400	78.300	104.000
Transmitting ERP (watts)	102.840	191.490	71.150	7.980	0.430	0.450	0.570	14.860

Antenna: 2

Maximum Transmitting ERP in Watts:	140.820							
Azimuth(from true north)	0	45	90	135	180	225	270	315
Antenna Height AAT (meters)	120.200	116.000	119.100	120.900	103.100	89.400	78.300	104.000
Transmitting ERP (watts)	0.570	14.860	102.840	191.490	71.150	7.980	0.430	0.450

Antenna: 3

Maximum Transmitting ERP in Watts:	140.820							
Azimuth(from true north)	0	45	90	135	180	225	270	315
Antenna Height AAT (meters)	120.200	116.000	119.100	120.900	103.100	89.400	78.300	104.000
Transmitting ERP (watts)	3.330	0.430	0.500	1.560	31.780	148.650	162.990	36.490

Location	Latitude	Longitude	Ground Elevation (meters)	Structure Hgt to Tip (meters)	Antenna Structure Registration No.
8	36-47-11.0 N	086-08-35.3 W	253.3	91.1	1043039

Address: 4.8 KM NORTHEAST OF

City: SCOTTSVILLE County: ALLEN State: KY Construction Deadline:

Antenna: 1

Maximum Transmitting ERP in Watts:	140.820							
Azimuth(from true north)	0	45	90	135	180	225	270	315
Antenna Height AAT (meters)	151.400	124.900	113.700	118.200	77.200	108.300	128.800	139.000
Transmitting ERP (watts)	117.640	52.550	6.320	0.320	0.260	0.310	6.770	55.020

Antenna: 2

Maximum Transmitting ERP in Watts:	140.820							
Azimuth(from true north)	0	45	90	135	180	225	270	315
Antenna Height AAT (meters)	151.400	124.900	113.700	118.200	77.200	108.300	128.800	139.000
Transmitting ERP (watts)	0.630	15.510	83.280	107.290	28.880	2.760	0.260	0.300

Antenna: 3

Maximum Transmitting ERP in Watts:	140.820							
Azimuth(from true north)	0	45	90	135	180	225	270	315
Antenna Height AAT (meters)	151.400	124.900	113.700	118.200	77.200	108.300	128.800	139.000
Transmitting ERP (watts)	1.050	0.260	0.310	2.290	30.940	107.290	83.280	13.820

Licensee Name: CELLCO PARTNERSHIP

Call Sign: KNKN867

File Number: 0009262184

Print Date:

Location	Latitude	Longitude	Ground Elevation (meters)	Structure Hgt to Tip (meters)	Antenna Structure Registration No.
9	37-53-45.0 N	086-49-51.0 W	164.5	65.6	1043711

Address: OLD LEWISPORT OWENSBORO RD, 7.6 KM WEST OF

City: HAWESVILLE County: HANCOCK State: KY Construction Deadline:

Antenna: 1

Maximum Transmitting ERP in Watts:	140.820							
Azimuth(from true north)	0	45	90	135	180	225	270	315
Antenna Height AAT (meters)	81.600	79.800	95.100	59.500	72.200	82.700	89.400	93.100
Transmitting ERP (watts)	7.600	61.740	131.990	58.960	7.090	0.360	0.300	0.350

Antenna: 2

Maximum Transmitting ERP in Watts:	140.820							
Azimuth(from true north)	0	45	90	135	180	225	270	315
Antenna Height AAT (meters)	81.600	79.800	95.100	59.500	72.200	82.700	89.400	93.100
Transmitting ERP (watts)	0.300	0.340	0.710	17.400	93.440	120.380	32.400	3.090

Antenna: 3

Maximum Transmitting ERP in Watts:	140.820							
Azimuth(from true north)	0	45	90	135	180	225	270	315
Antenna Height AAT (meters)	81.600	79.800	95.100	59.500	72.200	82.700	89.400	93.100
Transmitting ERP (watts)	93.440	15.510	1.180	0.300	0.350	2.570	34.720	120.380

Location	Latitude	Longitude	Ground Elevation (meters)	Structure Hgt to Tip (meters)	Antenna Structure Registration No.
10	37-16-52.0 N	087-06-06.0 W	150.0	128.0	1043038

Address: 0.4 MI. EAST OF INTERCHANGE OF 58 & W. KY PKWY; IMMED. ESE OF

City: CENTRAL CITY County: MUHLENBERG State: KY Construction Deadline:

Antenna: 1

Maximum Transmitting ERP in Watts:	140.820							
Azimuth(from true north)	0	45	90	135	180	225	270	315
Antenna Height AAT (meters)	126.500	101.500	105.400	104.300	100.200	87.900	94.300	112.900
Transmitting ERP (watts)	50.380	128.750	66.660	8.640	0.500	0.260	0.330	5.430

Antenna: 2

Maximum Transmitting ERP in Watts:	140.820							
Azimuth(from true north)	0	45	90	135	180	225	270	315
Antenna Height AAT (meters)	126.500	101.500	105.400	104.300	100.200	87.900	94.300	112.900
Transmitting ERP (watts)	0.300	0.480	13.100	80.300	122.700	38.140	3.840	0.260

Antenna: 3

Maximum Transmitting ERP in Watts:	140.820							
Azimuth(from true north)	0	45	90	135	180	225	270	315
Antenna Height AAT (meters)	126.500	101.500	105.400	104.300	100.200	87.900	94.300	112.900
Transmitting ERP (watts)	18.570	1.520	0.260	0.340	1.630	26.900	108.950	99.160

Licensee Name: CELLCO PARTNERSHIP

Call Sign: KNKN867

File Number: 0009262184

Print Date:

Location	Latitude	Longitude	Ground Elevation (meters)	Structure Hgt to Tip (meters)	Antenna Structure Registration No.
11	37-27-33.0 N	086-17-41.0 W	220.7	128.0	1043037

Address: 0.8 KM SSE OF INT OF W KY PKWY & SR-259

City: LEITCHFIELD County: GRAYSON State: KY Construction Deadline:

Antenna: 1

Maximum Transmitting ERP in Watts:	140.820							
Azimuth(from true north)	0	45	90	135	180	225	270	315
Antenna Height AAT (meters)	136.500	139.400	136.800	139.500	172.500	127.300	136.600	156.800
Transmitting ERP (watts)	92.370	12.750	0.300	0.450	0.200	0.420	3.510	48.480

Antenna: 2

Maximum Transmitting ERP in Watts:	140.820							
Azimuth(from true north)	0	45	90	135	180	225	270	315
Antenna Height AAT (meters)	136.500	139.400	136.800	139.500	172.500	127.300	136.600	156.800
Transmitting ERP (watts)	3.700	26.630	74.790	73.070	22.660	3.610	0.490	0.490

Antenna: 3

Maximum Transmitting ERP in Watts:	140.820							
Azimuth(from true north)	0	45	90	135	180	225	270	315
Antenna Height AAT (meters)	136.500	139.400	136.800	139.500	172.500	127.300	136.600	156.800
Transmitting ERP (watts)	2.080	0.820	0.770	7.520	42.060	84.790	55.750	12.610

Location	Latitude	Longitude	Ground Elevation (meters)	Structure Hgt to Tip (meters)	Antenna Structure Registration No.
12	37-59-17.0 N	086-08-53.0 W	202.4	61.0	1043036

Address: 1.6 km ESE of

City: BRANDENBURG County: MEADE State: KY Construction Deadline:

Antenna: 1

Maximum Transmitting ERP in Watts:	140.820							
Azimuth(from true north)	0	45	90	135	180	225	270	315
Antenna Height AAT (meters)	82.800	58.900	109.700	63.200	40.600	55.600	61.600	100.400
Transmitting ERP (watts)	0.480	12.480	87.870	162.090	56.190	6.380	0.330	0.360

Antenna: 2

Maximum Transmitting ERP in Watts:	140.820							
Azimuth(from true north)	0	45	90	135	180	225	270	315
Antenna Height AAT (meters)	82.800	58.900	109.700	63.200	40.600	55.600	61.600	100.400
Transmitting ERP (watts)	5.570	0.500	0.330	0.330	4.740	24.940	42.710	26.730

Location	Latitude	Longitude	Ground Elevation (meters)	Structure Hgt to Tip (meters)	Antenna Structure Registration No.
13	37-24-41.0 N	086-32-12.0 W	233.5	128.0	1043035

Address: 3.2 KM WEST SOUTHWEST OF

City: CANEYVILLE County: GRAYSON State: KY Construction Deadline:

Antenna: 1

Maximum Transmitting ERP in Watts:	140.820							
Azimuth(from true north)	0	45	90	135	180	225	270	315
Antenna Height AAT (meters)	136.900	135.600	147.900	125.100	152.900	161.200	146.000	164.600
Transmitting ERP (watts)	202.510	94.240	14.690	1.160	1.000	8.520	44.320	169.340

Licensee Name: CELLCO PARTNERSHIP

Call Sign: KNKN867

File Number: 0009262184

Print Date:

Location	Latitude	Longitude	Ground Elevation (meters)	Structure Hgt to Tip (meters)	Antenna Structure Registration No.
13	37-24-41.0 N	086-32-12.0 W	233.5	128.0	1043035

Address: 3.2 KM WEST SOUTHWEST OF

City: CANEYVILLE County: GRAYSON State: KY Construction Deadline:

Antenna: 2

Maximum Transmitting ERP in Watts:	140.820							
Azimuth(from true north)	0	45	90	135	180	225	270	315
Antenna Height AAT (meters)	136.900	135.600	147.900	125.100	152.900	161.200	146.000	164.600
Transmitting ERP (watts)	20.040	101.220	204.390	162.460	34.720	3.620	0.410	2.990

Antenna: 3

Maximum Transmitting ERP in Watts:	140.820							
Azimuth(from true north)	0	45	90	135	180	225	270	315
Antenna Height AAT (meters)	136.900	135.600	147.900	125.100	152.900	161.200	146.000	164.600
Transmitting ERP (watts)	4.910	0.410	2.960	14.520	88.120	204.810	176.590	43.820

Location	Latitude	Longitude	Ground Elevation (meters)	Structure Hgt to Tip (meters)	Antenna Structure Registration No.
14	36-55-48.0 N	086-56-27.0 W	207.9	60.7	

Address: 6.4 KM SOUTH OF

City: LEWISBURG County: LOGAN State: KY Construction Deadline:

Antenna: 1

Maximum Transmitting ERP in Watts:	140.820							
Azimuth(from true north)	0	45	90	135	180	225	270	315
Antenna Height AAT (meters)	116.400	93.400	82.400	74.500	68.800	70.800	79.200	98.300
Transmitting ERP (watts)	113.650	147.250	38.070	3.570	0.330	0.410	0.870	21.280

Antenna: 2

Maximum Transmitting ERP in Watts:	140.820							
Azimuth(from true north)	0	45	90	135	180	225	270	315
Antenna Height AAT (meters)	116.400	93.400	82.400	74.500	68.800	70.800	79.200	98.300
Transmitting ERP (watts)	0.430	3.180	42.710	147.250	113.650	18.120	1.350	0.330

Antenna: 3

Maximum Transmitting ERP in Watts:	140.820							
Azimuth(from true north)	0	45	90	135	180	225	270	315
Antenna Height AAT (meters)	116.400	93.400	82.400	74.500	68.800	70.800	79.200	98.300
Transmitting ERP (watts)	8.230	0.410	0.330	0.420	9.450	74.650	162.390	71.290

Location	Latitude	Longitude	Ground Elevation (meters)	Structure Hgt to Tip (meters)	Antenna Structure Registration No.
15	36-59-27.0 N	086-26-29.0 W	160.9	79.3	1201033

Address: 537 10th Street at Chestnut Street

City: BOWLING GREEN County: WARREN State: KY Construction Deadline:

Antenna: 1

Maximum Transmitting ERP in Watts:	140.820							
Azimuth(from true north)	0	45	90	135	180	225	270	315
Antenna Height AAT (meters)	60.100	54.500	67.300	54.300	51.400	51.700	45.400	61.600
Transmitting ERP (watts)	162.390	71.290	8.230	0.410	0.330	0.420	9.450	74.650

Licensee Name: CELLCO PARTNERSHIP

Call Sign: KNKN867

File Number: 0009262184

Print Date:

Location	Latitude	Longitude	Ground Elevation (meters)	Structure Hgt to Tip (meters)	Antenna Structure Registration No.
15	36-59-27.0 N	086-26-29.0 W	160.9	79.3	1201033

Address: 537 10th Street at Chestnut Street

City: BOWLING GREEN County: WARREN State: KY Construction Deadline:

Antenna: 2

Maximum Transmitting ERP in Watts:	140.820							
Azimuth(from true north)	0	45	90	135	180	225	270	315
Antenna Height AAT (meters)	60.100	54.500	67.300	54.300	51.400	51.700	45.400	61.600
Transmitting ERP (watts)	0.310	2.780	58.870	89.730	12.030	0.400	0.310	0.310

Antenna: 3

Maximum Transmitting ERP in Watts:	140.820							
Azimuth(from true north)	0	45	90	135	180	225	270	315
Antenna Height AAT (meters)	60.100	54.500	67.300	54.300	51.400	51.700	45.400	61.600
Transmitting ERP (watts)	0.310	0.310	0.310	0.460	21.160	106.060	35.940	1.760

Location	Latitude	Longitude	Ground Elevation (meters)	Structure Hgt to Tip (meters)	Antenna Structure Registration No.
16	36-50-40.2 N	087-12-42.0 W	256.6	60.7	

Address: 5.8 KM NW OF

City: ELKTON County: TODD State: KY Construction Deadline:

Antenna: 1

Maximum Transmitting ERP in Watts:	140.820							
Azimuth(from true north)	0	45	90	135	180	225	270	315
Antenna Height AAT (meters)	102.100	95.500	91.800	117.800	119.100	128.800	118.300	103.200
Transmitting ERP (watts)	112.350	104.850	19.980	1.660	0.300	0.350	1.660	27.580

Antenna: 2

Maximum Transmitting ERP in Watts:	140.820							
Azimuth(from true north)	0	45	90	135	180	225	270	315
Antenna Height AAT (meters)	102.100	95.500	91.800	117.800	119.100	128.800	118.300	103.200
Transmitting ERP (watts)	0.940	15.530	144.900	372.460	200.020	26.370	1.550	0.840

Antenna: 3

Maximum Transmitting ERP in Watts:	140.820							
Azimuth(from true north)	0	45	90	135	180	225	270	315
Antenna Height AAT (meters)	102.100	95.500	91.800	117.800	119.100	128.800	118.300	103.200
Transmitting ERP (watts)	4.170	0.300	0.320	0.500	13.510	83.280	126.050	39.860

Location	Latitude	Longitude	Ground Elevation (meters)	Structure Hgt to Tip (meters)	Antenna Structure Registration No.
17	37-32-55.4 N	087-16-05.4 W	140.2	93.0	1244911

Address: 235 WEST KY 136

City: CALHOUN County: MCLEAN State: KY Construction Deadline:

Antenna: 1

Maximum Transmitting ERP in Watts:	140.820							
Azimuth(from true north)	0	45	90	135	180	225	270	315
Antenna Height AAT (meters)	81.300	91.000	88.000	100.800	95.300	104.000	105.400	89.700
Transmitting ERP (watts)	30.940	106.670	82.330	13.120	0.980	0.240	0.310	2.310

Licensee Name: CELLCO PARTNERSHIP

Call Sign: KNKN867

File Number: 0009262184

Print Date:

Location	Latitude	Longitude	Ground Elevation (meters)	Structure Hgt to Tip (meters)	Antenna Structure Registration No.
17	37-32-55.4 N	087-16-05.4 W	140.2	93.0	1244911

Address: 235 WEST KY 136

City: CALHOUN County: MCLEAN State: KY Construction Deadline:

Antenna: 2

Maximum Transmitting ERP in Watts:	140.820							
Azimuth(from true north)	0	45	90	135	180	225	270	315
Antenna Height AAT (meters)	81.300	91.000	88.000	100.800	95.300	104.000	105.400	89.700
Transmitting ERP (watts)	0.240	0.310	6.850	54.080	117.640	51.650	5.960	0.290

Antenna: 3

Maximum Transmitting ERP in Watts:	140.820							
Azimuth(from true north)	0	45	90	135	180	225	270	315
Antenna Height AAT (meters)	81.300	91.000	88.000	100.800	95.300	104.000	105.400	89.700
Transmitting ERP (watts)	27.580	2.590	0.240	0.300	0.630	15.420	82.330	106.670

Location	Latitude	Longitude	Ground Elevation (meters)	Structure Hgt to Tip (meters)	Antenna Structure Registration No.
18	37-38-33.2 N	086-42-46.0 W	210.3	60.7	

Address: 6 KM EAST OF

City: FORDSVILLE County: OHIO State: KY Construction Deadline:

Antenna: 1

Maximum Transmitting ERP in Watts:	140.820							
Azimuth(from true north)	0	45	90	135	180	225	270	315
Antenna Height AAT (meters)	84.000	65.700	96.800	89.400	105.200	118.300	113.200	109.900
Transmitting ERP (watts)	144.730	63.540	7.340	0.360	0.300	0.380	8.420	66.540

Antenna: 2

Maximum Transmitting ERP in Watts:	140.820							
Azimuth(from true north)	0	45	90	135	180	225	270	315
Antenna Height AAT (meters)	84.000	65.700	96.800	89.400	105.200	118.300	113.200	109.900
Transmitting ERP (watts)	0.780	18.970	101.290	131.240	33.930	3.180	0.300	0.370

Antenna: 3

Maximum Transmitting ERP in Watts:	140.820							
Azimuth(from true north)	0	45	90	135	180	225	270	315
Antenna Height AAT (meters)	84.000	65.700	96.800	89.400	105.200	118.300	113.200	109.900
Transmitting ERP (watts)	1.200	0.300	0.390	2.840	38.070	131.240	101.290	16.150

Location	Latitude	Longitude	Ground Elevation (meters)	Structure Hgt to Tip (meters)	Antenna Structure Registration No.
19	38-00-08.4 N	086-19-20.3 W	237.4	103.9	1049227

Address: 1.2 km Northwest of

City: PAYNEVILLE County: MEADE State: KY Construction Deadline:

Antenna: 1

Maximum Transmitting ERP in Watts:	140.820							
Azimuth(from true north)	0	45	90	135	180	225	270	315
Antenna Height AAT (meters)	115.700	125.400	135.500	103.300	111.300	123.300	141.900	137.900
Transmitting ERP (watts)	172.880	116.290	19.640	1.990	0.530	4.460	28.140	120.910

Licensee Name: CELLCO PARTNERSHIP

Call Sign: KNKN867

File Number: 0009262184

Print Date:

Location	Latitude	Longitude	Ground Elevation (meters)	Structure Hgt to Tip (meters)	Antenna Structure Registration No.
19	38-00-08.4 N	086-19-20.3 W	237.4	103.9	1049227

Address: 1.2 km Northwest of

City: PAYNEVILLE County: MEADE State: KY Construction Deadline:

Antenna: 2

Maximum Transmitting ERP in Watts:	140.820							
Azimuth(from true north)	0	45	90	135	180	225	270	315
Antenna Height AAT (meters)	115.700	125.400	135.500	103.300	111.300	123.300	141.900	137.900
Transmitting ERP (watts)	8.740	48.710	165.560	182.540	70.320	9.950	0.770	1.160

Antenna: 3

Maximum Transmitting ERP in Watts:	140.820							
Azimuth(from true north)	0	45	90	135	180	225	270	315
Antenna Height AAT (meters)	115.700	125.400	135.500	103.300	111.300	123.300	141.900	137.900
Transmitting ERP (watts)	4.430	0.370	2.670	13.090	79.440	184.650	159.200	39.500

Location	Latitude	Longitude	Ground Elevation (meters)	Structure Hgt to Tip (meters)	Antenna Structure Registration No.
20	37-11-25.0 N	087-11-51.0 W	182.9	66.4	1065886

Address: 701 BASS LANE

City: GREENVILLE County: MUHLENBERG State: KY Construction Deadline:

Antenna: 1

Maximum Transmitting ERP in Watts:	140.820							
Azimuth(from true north)	0	45	90	135	180	225	270	315
Antenna Height AAT (meters)	103.800	96.500	95.100	84.500	77.800	98.000	117.300	91.200
Transmitting ERP (watts)	155.980	120.380	19.190	1.430	0.350	0.460	3.370	45.240

Antenna: 2

Maximum Transmitting ERP in Watts:	140.820							
Azimuth(from true north)	0	45	90	135	180	225	270	315
Antenna Height AAT (meters)	103.800	96.500	95.100	84.500	77.800	98.000	117.300	91.200
Transmitting ERP (watts)	0.510	13.220	93.080	171.700	62.700	6.760	0.350	0.380

Antenna: 3

Maximum Transmitting ERP in Watts:	140.820							
Azimuth(from true north)	0	45	90	135	180	225	270	315
Antenna Height AAT (meters)	103.800	96.500	95.100	84.500	77.800	98.000	117.300	91.200
Transmitting ERP (watts)	2.800	0.350	0.450	1.400	28.440	135.320	145.300	31.240

Location	Latitude	Longitude	Ground Elevation (meters)	Structure Hgt to Tip (meters)	Antenna Structure Registration No.
21	37-11-39.2 N	086-15-53.9 W	213.4	52.0	

Address: WATER TOWER ROAD

City: BROWNSVILLE County: EDMONSON State: KY Construction Deadline:

Antenna: 1

Maximum Transmitting ERP in Watts:	140.820							
Azimuth(from true north)	0	45	90	135	180	225	270	315
Antenna Height AAT (meters)	69.000	44.100	63.000	60.300	76.600	76.200	93.300	97.400
Transmitting ERP (watts)	331.960	148.280	17.830	0.910	0.740	0.870	19.100	155.270

Licensee Name: CELLCO PARTNERSHIP

Call Sign: KNKN867

File Number: 0009262184

Print Date:

Location	Latitude	Longitude	Ground Elevation (meters)	Structure Hgt to Tip (meters)	Antenna Structure Registration No.
21	37-11-39.2 N	086-15-53.9 W	213.4	52.0	

Address: WATER TOWER ROAD

City: BROWNSVILLE County: EDMONSON State: KY Construction Deadline:

Antenna: 2

Maximum Transmitting ERP in Watts:	140.820							
Azimuth(from true north)	0	45	90	135	180	225	270	315
Antenna Height AAT (meters)	69.000	44.100	63.000	60.300	76.600	76.200	93.300	97.400
Transmitting ERP (watts)	1.780	43.760	235.010	302.750	81.490	7.780	0.740	0.850

Antenna: 3

Maximum Transmitting ERP in Watts:	140.820							
Azimuth(from true north)	0	45	90	135	180	225	270	315
Antenna Height AAT (meters)	69.000	44.100	63.000	60.300	76.600	76.200	93.300	97.400
Transmitting ERP (watts)	2.960	0.740	0.870	6.470	87.310	302.750	235.010	39.000

Location	Latitude	Longitude	Ground Elevation (meters)	Structure Hgt to Tip (meters)	Antenna Structure Registration No.
22	36-40-28.0 N	086-51-30.0 W	192.9	38.1	

Address: WITHIN THE TOWN OF

City: ADAIRVILLE County: LOGAN State: KY Construction Deadline:

Antenna: 1

Maximum Transmitting ERP in Watts:	140.820							
Azimuth(from true north)	0	45	90	135	180	225	270	315
Antenna Height AAT (meters)	35.900	37.000	29.900	34.100	29.900	40.700	57.000	48.700
Transmitting ERP (watts)	148.100	65.400	7.600	0.390	0.300	0.430	8.720	70.070

Antenna: 2

Maximum Transmitting ERP in Watts:	140.820							
Azimuth(from true north)	0	45	90	135	180	225	270	315
Antenna Height AAT (meters)	35.900	37.000	29.900	34.100	29.900	40.700	57.000	48.700
Transmitting ERP (watts)	1.830	30.180	122.250	111.260	20.840	1.700	0.300	0.380

Antenna: 3

Maximum Transmitting ERP in Watts:	140.820							
Azimuth(from true north)	0	45	90	135	180	225	270	315
Antenna Height AAT (meters)	35.900	37.000	29.900	34.100	29.900	40.700	57.000	48.700
Transmitting ERP (watts)	2.360	0.300	0.370	1.180	23.930	113.860	122.250	26.290

Location	Latitude	Longitude	Ground Elevation (meters)	Structure Hgt to Tip (meters)	Antenna Structure Registration No.
23	37-13-17.0 N	086-42-02.0 W	190.8	57.9	

Address: Morgantown Downtown, Approx 1.5 KM (1.0 MI) ENE OF

City: MORGANTOWN County: BUTLER State: KY Construction Deadline:

Antenna: 1

Maximum Transmitting ERP in Watts:	140.820							
Azimuth(from true north)	0	45	90	135	180	225	270	315
Antenna Height AAT (meters)	102.300	72.100	81.900	88.300	85.600	94.300	111.800	102.700
Transmitting ERP (watts)	42.710	147.250	113.650	18.120	1.350	0.330	0.430	3.180

Licensee Name: CELLCO PARTNERSHIP

Call Sign: KNKN867

File Number: 0009262184

Print Date:

Location	Latitude	Longitude	Ground Elevation (meters)	Structure Hgt to Tip (meters)	Antenna Structure Registration No.
23	37-13-17.0 N	086-42-02.0 W	190.8	57.9	

Address: Morgantown Downtown, Approx 1.5 KM (1.0 MI) ENE OF

City: MORGANTOWN County: BUTLER State: KY Construction Deadline:

Antenna: 2

Maximum Transmitting ERP in Watts:	140.820							
Azimuth(from true north)	0	45	90	135	180	225	270	315
Antenna Height AAT (meters)	102.300	72.100	81.900	88.300	85.600	94.300	111.800	102.700
Transmitting ERP (watts)	0.330	0.420	9.450	74.650	162.390	71.290	8.230	0.410

Antenna: 3

Maximum Transmitting ERP in Watts:	140.820							
Azimuth(from true north)	0	45	90	135	180	225	270	315
Antenna Height AAT (meters)	102.300	72.100	81.900	88.300	85.600	94.300	111.800	102.700
Transmitting ERP (watts)	38.070	3.570	0.330	0.410	0.870	21.280	113.650	147.250

Location	Latitude	Longitude	Ground Elevation (meters)	Structure Hgt to Tip (meters)	Antenna Structure Registration No.
24	37-38-30.2 N	086-28-14.9 W	202.7	50.2	

Address: Rough River, 9.5KM (6.0 MI) SW OF

City: KINGSWOOD County: BRECKINRIDGE State: KY Construction Deadline:

Antenna: 1

Maximum Transmitting ERP in Watts:	140.820							
Azimuth(from true north)	0	45	90	135	180	225	270	315
Antenna Height AAT (meters)	43.600	58.600	57.500	57.700	60.100	89.000	70.700	65.400
Transmitting ERP (watts)	264.330	116.050	13.400	0.660	0.540	0.690	15.390	121.520

Antenna: 2

Maximum Transmitting ERP in Watts:	140.820							
Azimuth(from true north)	0	45	90	135	180	225	270	315
Antenna Height AAT (meters)	43.600	58.600	57.500	57.700	60.100	89.000	70.700	65.400
Transmitting ERP (watts)	1.420	34.650	184.990	239.690	61.970	5.820	0.540	0.670

Antenna: 3

Maximum Transmitting ERP in Watts:	140.820							
Azimuth(from true north)	0	45	90	135	180	225	270	315
Antenna Height AAT (meters)	43.600	58.600	57.500	57.700	60.100	89.000	70.700	65.400
Transmitting ERP (watts)	2.200	0.540	0.700	5.180	69.530	239.690	184.990	29.490

Location	Latitude	Longitude	Ground Elevation (meters)	Structure Hgt to Tip (meters)	Antenna Structure Registration No.
25	36-51-02.0 N	086-42-26.0 W	198.1	59.4	

Address: JCT. SR-103 & SR-603, APPROX. 3.2 KM SW OF

City: AUBURN County: LOGAN State: KY Construction Deadline:

Antenna: 1

Maximum Transmitting ERP in Watts:	140.820							
Azimuth(from true north)	0	45	90	135	180	225	270	315
Antenna Height AAT (meters)	61.200	65.800	54.700	38.200	54.400	60.300	51.100	56.100
Transmitting ERP (watts)	124.760	162.210	90.940	14.810	1.300	0.640	5.680	30.740

Licensee Name: CELLCO PARTNERSHIP

Call Sign: KNKN867

File Number: 0009262184

Print Date:

Location	Latitude	Longitude	Ground Elevation (meters)	Structure Hgt to Tip (meters)	Antenna Structure Registration No.
25	36-51-02.0 N	086-42-26.0 W	198.1	59.4	

Address: JCT. SR-103 & SR-603, APPROX. 3.2 KM SW OF

City: AUBURN County: LOGAN State: KY Construction Deadline:

Antenna: 2

Maximum Transmitting ERP in Watts:	140.820							
Azimuth(from true north)	0	45	90	135	180	225	270	315
Antenna Height AAT (meters)	61.200	65.800	54.700	38.200	54.400	60.300	51.100	56.100
Transmitting ERP (watts)	1.480	8.260	53.490	159.390	161.650	53.380	6.730	0.530

Antenna: 3

Maximum Transmitting ERP in Watts:	140.820							
Azimuth(from true north)	0	45	90	135	180	225	270	315
Antenna Height AAT (meters)	61.200	65.800	54.700	38.200	54.400	30.300	51.100	56.100
Transmitting ERP (watts)	41.260	4.310	0.490	3.550	23.820	120.300	242.920	193.090

Location	Latitude	Longitude	Ground Elevation (meters)	Structure Hgt to Tip (meters)	Antenna Structure Registration No.
26	37-23-00.0 N	086-52-28.0 W	163.4	125.3	1043042

Address: 1.6 KM SSE

City: BEAVER DAM County: OHIO State: KY Construction Deadline:

Antenna: 1

Maximum Transmitting ERP in Watts:	140.820							
Azimuth(from true north)	0	45	90	135	180	225	270	315
Antenna Height AAT (meters)	127.600	102.300	92.500	117.700	113.600	112.400	112.300	132.200
Transmitting ERP (watts)	3.020	33.930	100.130	64.650	9.650	0.650	0.240	0.270

Antenna: 2

Maximum Transmitting ERP in Watts:	140.820							
Azimuth(from true north)	0	45	90	135	180	225	270	315
Antenna Height AAT (meters)	127.600	102.300	92.500	117.700	113.600	112.400	112.300	132.200
Transmitting ERP (watts)	0.240	0.250	0.310	8.140	56.310	104.850	38.950	4.370

Antenna: 3

Maximum Transmitting ERP in Watts:	140.820							
Azimuth(from true north)	0	45	90	135	180	225	270	315
Antenna Height AAT (meters)	127.600	102.300	92.500	117.700	113.600	112.400	112.300	132.200
Transmitting ERP (watts)	100.130	31.660	3.320	0.240	0.260	0.400	10.730	66.150

Location	Latitude	Longitude	Ground Elevation (meters)	Structure Hgt to Tip (meters)	Antenna Structure Registration No.
27	37-02-39.4 N	086-10-59.9 W	212.8	106.4	1213318

Address: 470 Hayes Road

City: Smiths Grove County: WARREN State: KY Construction Deadline:

Antenna: 1

Maximum Transmitting ERP in Watts:	140.820							
Azimuth(from true north)	0	45	90	135	180	225	270	315
Antenna Height AAT (meters)	101.300	97.700	91.800	90.100	117.500	131.500	124.400	116.400
Transmitting ERP (watts)	96.880	58.040	4.690	0.270	0.190	0.360	4.280	56.720

Licensee Name: CELLCO PARTNERSHIP

Call Sign: KNKN867

File Number: 0009262184

Print Date:

Location	Latitude	Longitude	Ground Elevation (meters)	Structure Hgt to Tip (meters)	Antenna Structure Registration No.
27	37-02-39.4 N	086-10-59.9 W	212.8	106.4	1213318

Address: 470 Hayes Road

City: Smiths Grove County: WARREN State: KY Construction Deadline:

Antenna: 2

Maximum Transmitting ERP in Watts:	140.820							
Azimuth(from true north)	0	45	90	135	180	225	270	315
Antenna Height AAT (meters)	101.600	97.700	91.800	90.100	117.500	131.500	124.400	116.400
Transmitting ERP (watts)	0.970	16.520	117.640	131.230	43.210	2.250	0.300	0.270

Antenna: 3

Maximum Transmitting ERP in Watts:	140.820							
Azimuth(from true north)	0	45	90	135	180	225	270	315
Antenna Height AAT (meters)	101.600	97.700	91.800	90.100	117.500	131.500	124.400	116.400
Transmitting ERP (watts)	0.570	0.190	0.210	1.560	29.210	92.910	81.390	12.800

Location	Latitude	Longitude	Ground Elevation (meters)	Structure Hgt to Tip (meters)	Antenna Structure Registration No.
28	36-44-52.5 N	086-11-51.7 W	219.4	77.7	1219613

Address: Downtown

City: Scottsville County: ALLEN State: KY Construction Deadline:

Antenna: 1

Maximum Transmitting ERP in Watts:	140.820							
Azimuth(from true north)	0	45	90	135	180	225	270	315
Antenna Height AAT (meters)	85.000	66.900	61.300	43.400	61.400	63.100	73.600	85.500
Transmitting ERP (watts)	148.300	99.760	16.850	1.700	0.460	3.820	24.140	103.720

Antenna: 2

Maximum Transmitting ERP in Watts:	140.820							
Azimuth(from true north)	0	45	90	135	180	225	270	315
Antenna Height AAT (meters)	85.000	66.900	61.300	43.400	61.400	63.100	73.600	85.500
Transmitting ERP (watts)	7.500	41.790	142.020	156.580	60.320	8.540	0.660	0.990

Antenna: 3

Maximum Transmitting ERP in Watts:	140.820							
Azimuth(from true north)	0	45	90	135	180	225	270	315
Antenna Height AAT (meters)	85.000	66.900	61.300	43.400	61.400	63.100	73.600	85.500
Transmitting ERP (watts)	3.800	0.320	2.290	11.230	68.150	158.400	136.570	33.890

Location	Latitude	Longitude	Ground Elevation (meters)	Structure Hgt to Tip (meters)	Antenna Structure Registration No.
29	37-52-14.6 N	086-16-43.1 W	243.8	39.6	

Address: Irvington WT, 1.0 km ESE of

City: Irvington County: BRECKINRIDGE State: KY Construction Deadline:

Antenna: 1

Maximum Transmitting ERP in Watts:	140.820							
Azimuth(from true north)	0	45	90	135	180	225	270	315
Antenna Height AAT (meters)	72.800	71.900	56.800	59.600	69.700	80.000	110.200	67.900
Transmitting ERP (watts)	47.930	165.220	127.520	20.330	1.520	0.370	0.480	3.570

Licensee Name: CELLCO PARTNERSHIP

Call Sign: KNKN867

File Number: 0009262184

Print Date:

Location	Latitude	Longitude	Ground Elevation (meters)	Structure Hgt to Tip (meters)	Antenna Structure Registration No.
29	37-52-14.6 N	086-16-43.1 W	243.8	39.6	

Address: Irvington WT, 1.0 km ESE of

City: Irvington County: BRECKINRIDGE State: KY Construction Deadline:

Antenna: 2

Maximum Transmitting ERP in Watts:	140.820							
Azimuth(from true north)	0	45	90	135	180	225	270	315
Antenna Height AAT (meters)	72.800	71.900	56.800	59.600	69.700	80.000	110.200	67.900
Transmitting ERP (watts)	0.370	0.480	10.610	83.760	182.210	79.990	9.240	0.460

Antenna: 3

Maximum Transmitting ERP in Watts:	140.820							
Azimuth(from true north)	0	45	90	135	180	225	270	315
Antenna Height AAT (meters)	72.800	71.900	56.800	59.600	69.700	80.000	110.200	67.900
Transmitting ERP (watts)	42.710	4.010	0.370	0.460	0.980	23.880	127.520	165.220

Location	Latitude	Longitude	Ground Elevation (meters)	Structure Hgt to Tip (meters)	Antenna Structure Registration No.
30	37-56-31.2 N	086-03-37.8 W	193.5	77.7	1221515

Address: 0.8 km North Northwest of

City: Licksillet County: MEADE State: KY Construction Deadline:

Antenna: 1

Maximum Transmitting ERP in Watts:	140.820							
Azimuth(from true north)	0	45	90	135	180	225	270	315
Antenna Height AAT (meters)	63.900	127.200	65.800	54.400	36.100	30.500	59.300	102.600
Transmitting ERP (watts)	61.740	82.330	23.470	2.370	0.260	0.260	0.510	11.360

Antenna: 2

Maximum Transmitting ERP in Watts:	140.820							
Azimuth(from true north)	0	45	90	135	180	225	270	315
Antenna Height AAT (meters)	63.900	127.200	65.800	54.400	36.100	30.500	59.300	102.600
Transmitting ERP (watts)	0.380	3.220	20.310	87.270	124.780	83.940	14.180	1.430

Antenna: 3

Maximum Transmitting ERP in Watts:	140.820							
Azimuth(from true north)	0	45	90	135	180	225	270	315
Antenna Height AAT (meters)	63.900	127.200	65.800	54.400	36.100	30.500	59.300	102.600
Transmitting ERP (watts)	14.180	1.430	0.380	3.220	20.310	87.270	124.780	83.940

Location	Latitude	Longitude	Ground Elevation (meters)	Structure Hgt to Tip (meters)	Antenna Structure Registration No.
31	36-57-06.0 N	086-26-12.0 W	166.1	16.8	

Address: Downtown

City: Bowling Green County: WARREN State: KY Construction Deadline:

Antenna: 1

Maximum Transmitting ERP in Watts:	140.820							
Azimuth(from true north)	0	45	90	135	180	225	270	315
Antenna Height AAT (meters)	29.900	29.900	29.900	29.900	29.900	29.900	29.900	29.900
Transmitting ERP (watts)	124.780	83.940	14.180	1.430	0.380	3.220	20.310	87.270

Licensee Name: CELLCO PARTNERSHIP

Call Sign: KNKN867

File Number: 0009262184

Print Date:

Location	Latitude	Longitude	Ground Elevation (meters)	Structure Hgt to Tip (meters)	Antenna Structure Registration No.
31	36-57-06.0 N	086-26-12.0 W	166.1	16.8	

Address: Downtown

City: Bowling Green County: WARREN State: KY Construction Deadline:

Antenna: 2

Maximum Transmitting ERP in Watts:	140.820							
Azimuth(from true north)	0	45	90	135	180	225	270	315
Antenna Height AAT (meters)	29.900	29.900	29.900	29.900	29.900	29.900	29.900	29.900
Transmitting ERP (watts)	6.310	35.160	119.490	131.750	50.750	7.180	0.550	0.830

Antenna: 3

Maximum Transmitting ERP in Watts:	140.820							
Azimuth(from true north)	0	45	90	135	180	225	270	315
Antenna Height AAT (meters)	29.900	29.900	29.900	29.900	29.900	29.900	29.900	29.900
Transmitting ERP (watts)	3.200	0.270	1.930	9.450	57.340	133.270	114.910	28.510

Location	Latitude	Longitude	Ground Elevation (meters)	Structure Hgt to Tip (meters)	Antenna Structure Registration No.
32	37-59-31.1 N	086-11-44.3 W	187.7	77.7	1232593

Address: 1.6 km West of

City: Brandenburg County: MEADE State: KY Construction Deadline:

Antenna: 1

Maximum Transmitting ERP in Watts:	140.820							
Azimuth(from true north)	0	45	90	135	180	225	270	315
Antenna Height AAT (meters)	58.400	56.600	82.400	34.400	36.100	41.000	40.100	67.700
Transmitting ERP (watts)	9.710	60.570	96.350	32.270	3.500	0.300	0.300	0.420

Antenna: 2

Maximum Transmitting ERP in Watts:	140.820							
Azimuth(from true north)	0	45	90	135	180	225	270	315
Antenna Height AAT (meters)	58.400	56.600	82.400	34.400	36.100	41.000	40.100	67.700
Transmitting ERP (watts)	0.300	0.380	8.420	66.540	144.730	63.540	7.340	0.360

Antenna: 4

Maximum Transmitting ERP in Watts:	140.820							
Azimuth(from true north)	0	45	90	135	180	225	270	315
Antenna Height AAT (meters)	58.400	56.600	82.400	34.400	36.100	41.000	40.100	67.700
Transmitting ERP (watts)	28.390	3.310	0.300	0.380	0.830	17.510	70.860	87.550

Location	Latitude	Longitude	Ground Elevation (meters)	Structure Hgt to Tip (meters)	Antenna Structure Registration No.
33	37-56-46.1 N	085-59-38.4 W	222.8	57.3	1200354

Address: 115 Timber Ct.

City: Muldraugh County: MEADE State: KY Construction Deadline:

Antenna: 1

Maximum Transmitting ERP in Watts:	140.820							
Azimuth(from true north)	0	45	90	135	180	225	270	315
Antenna Height AAT (meters)	84.500	85.900	93.700	56.800	54.600	40.300	67.400	81.700
Transmitting ERP (watts)	57.050	54.960	17.180	1.960	0.330	0.430	1.840	21.320

Licensee Name: CELLCO PARTNERSHIP

Call Sign: KNKN867

File Number: 0009262184

Print Date:

Location	Latitude	Longitude	Ground Elevation (meters)	Structure Hgt to Tip (meters)	Antenna Structure Registration No.
33	37-56-46.1 N	085-59-38.4 W	222.8	57.3	1200354

Address: 115 Timber Ct.

City: Muldraugh County: MEADE State: KY Construction Deadline:

Antenna: 2

Maximum Transmitting ERP in Watts:	140.820							
Azimuth(from true north)	0	45	90	135	180	225	270	315
Antenna Height AAT (meters)	84.500	85.900	93.700	56.800	54.600	40.300	67.400	81.700
Transmitting ERP (watts)	0.380	0.800	19.520	104.850	135.070	36.350	3.470	0.330

Antenna: 3

Maximum Transmitting ERP in Watts:	140.820							
Azimuth(from true north)	0	45	90	135	180	225	270	315
Antenna Height AAT (meters)	84.500	85.900	93.700	56.800	54.600	40.300	67.400	81.700
Transmitting ERP (watts)	2.570	0.330	0.390	1.200	24.580	114.960	156.050	28.220

Location	Latitude	Longitude	Ground Elevation (meters)	Structure Hgt to Tip (meters)	Antenna Structure Registration No.
34	37-46-03.7 N	086-26-10.4 W	219.5	45.7	

Address: Hardinsburg Water Tank, 3.0 km SE of

City: Hardinsburg County: BRECKINRIDGE State: KY Construction Deadline:

Antenna: 1

Maximum Transmitting ERP in Watts:	140.820							
Azimuth(from true north)	0	45	90	135	180	225	270	315
Antenna Height AAT (meters)	77.900	54.500	36.600	52.000	74.200	60.600	78.300	83.900
Transmitting ERP (watts)	182.210	79.990	9.240	0.460	0.370	0.480	10.610	83.760

Antenna: 2

Maximum Transmitting ERP in Watts:	140.820							
Azimuth(from true north)	0	45	90	135	180	225	270	315
Antenna Height AAT (meters)	77.900	54.500	36.600	52.000	74.200	60.600	78.300	83.900
Transmitting ERP (watts)	0.980	23.880	127.520	165.220	42.710	4.010	0.370	0.460

Antenna: 3

Maximum Transmitting ERP in Watts:	140.820							
Azimuth(from true north)	0	45	90	135	180	225	270	315
Antenna Height AAT (meters)	77.900	54.500	36.600	52.000	74.200	60.600	78.300	83.900
Transmitting ERP (watts)	1.520	0.370	0.480	3.570	47.930	165.220	127.520	20.330

Location	Latitude	Longitude	Ground Elevation (meters)	Structure Hgt to Tip (meters)	Antenna Structure Registration No.
35	36-42-08.6 N	086-33-19.0 W	217.0	114.3	1200032

Address: Franklin South, Turners Ford Road

City: Franklin County: SIMPSON State: KY Construction Deadline:

Antenna: 1

Maximum Transmitting ERP in Watts:	140.820							
Azimuth(from true north)	0	45	90	135	180	225	270	315
Antenna Height AAT (meters)	75.500	67.800	58.900	47.700	34.900	56.000	62.700	57.000
Transmitting ERP (watts)	8.520	69.270	148.100	66.150	7.950	0.410	0.330	0.390

Licensee Name: CELLCO PARTNERSHIP

Call Sign: KNKN867

File Number: 0009262184

Print Date:

Location	Latitude	Longitude	Ground Elevation (meters)	Structure Hgt to Tip (meters)	Antenna Structure Registration No.
35	36-42-08.6 N	086-33-19.0 W	217.0	114.3	1200032

Address: Franklin South, Turners Ford Road

City: Franklin County: SIMPSON State: KY Construction Deadline:

Antenna: 2

Maximum Transmitting ERP in Watts:	140.820							
Azimuth(from true north)	0	45	90	135	180	225	270	315
Antenna Height AAT (meters)	75.500	67.800	58.900	47.700	34.900	56.000	62.700	57.000
Transmitting ERP (watts)	0.620	0.330	0.370	6.170	57.620	148.100	79.530	10.480

Antenna: 3

Maximum Transmitting ERP in Watts:	140.820							
Azimuth(from true north)	0	45	90	135	180	225	270	315
Antenna Height AAT (meters)	75.500	67.800	58.900	47.700	34.900	56.000	62.700	57.000
Transmitting ERP (watts)	126.050	28.220	2.570	0.330	0.390	1.200	24.580	114.960

Location	Latitude	Longitude	Ground Elevation (meters)	Structure Hgt to Tip (meters)	Antenna Structure Registration No.
36	36-44-58.7 N	087-01-10.9 W	179.8	37.5	

Address: Russellville Southwest, 0.8 km SW of

City: Olmstead County: LOGAN State: KY Construction Deadline:

Antenna: 1

Maximum Transmitting ERP in Watts:	140.820							
Azimuth(from true north)	0	45	90	135	180	225	270	315
Antenna Height AAT (meters)	29.900	29.900	31.500	45.900	38.200	39.100	29.900	29.900
Transmitting ERP (watts)	124.780	83.940	14.180	1.430	0.380	3.220	20.310	87.270

Antenna: 2

Maximum Transmitting ERP in Watts:	140.820							
Azimuth(from true north)	0	45	90	135	180	225	270	315
Antenna Height AAT (meters)	29.900	29.900	31.500	45.900	38.200	39.100	29.900	29.900
Transmitting ERP (watts)	6.310	35.160	119.490	131.750	50.750	7.180	0.550	0.830

Antenna: 3

Maximum Transmitting ERP in Watts:	140.820							
Azimuth(from true north)	0	45	90	135	180	225	270	315
Antenna Height AAT (meters)	29.900	29.900	31.500	45.900	38.200	39.100	29.900	29.900
Transmitting ERP (watts)	3.200	0.270	1.930	9.450	57.340	133.270	114.910	28.510

Location	Latitude	Longitude	Ground Elevation (meters)	Structure Hgt to Tip (meters)	Antenna Structure Registration No.
37	36-49-37.9 N	086-18-51.3 W	192.0	77.7	1232590

Address: Allen Northwest cell, 13.7 km Northwest of

City: Scottsville County: ALLEN State: KY Construction Deadline:

Antenna: 1

Maximum Transmitting ERP in Watts:	140.820							
Azimuth(from true north)	0	45	90	135	180	225	270	315
Antenna Height AAT (meters)	91.800	102.800	60.100	49.200	58.900	71.000	89.900	100.000
Transmitting ERP (watts)	0.540	4.010	53.770	185.380	143.070	22.810	1.700	0.420

Licensee Name: CELLCO PARTNERSHIP

Call Sign: KNKN867

File Number: 0009262184

Print Date:

Location	Latitude	Longitude	Ground Elevation (meters)	Structure Hgt to Tip (meters)	Antenna Structure Registration No.
37	36-49-37.9 N	086-18-51.3 W	192.0	77.7	1232590

Address: Allen Northwest cell, 13.7 km Northwest of

City: Scottsville County: ALLEN State: KY Construction Deadline:

Antenna: 2

Maximum Transmitting ERP in Watts:	140.820							
Azimuth(from true north)	0	45	90	135	180	225	270	315
Antenna Height AAT (meters)	91.800	102.800	60.100	49.200	58.900	71.000	89.900	100.000
Transmitting ERP (watts)	0.400	0.290	0.290	0.290	5.380	93.450	104.850	10.250

Antenna: 3

Maximum Transmitting ERP in Watts:	140.820							
Azimuth(from true north)	0	45	90	135	180	225	270	315
Antenna Height AAT (meters)	91.800	102.800	60.100	49.200	58.900	71.000	89.900	100.000
Transmitting ERP (watts)	211.380	60.790	7.140	0.540	2.800	11.880	85.700	226.550

Location	Latitude	Longitude	Ground Elevation (meters)	Structure Hgt to Tip (meters)	Antenna Structure Registration No.
38	36-55-15.1 N	086-25-38.5 W	171.0	62.5	1210120

Address: 1140 Three Springs Road

City: Bowling Green County: WARREN State: KY Construction Deadline:

Antenna: 1

Maximum Transmitting ERP in Watts:	140.820							
Azimuth(from true north)	0	45	90	135	180	225	270	315
Antenna Height AAT (meters)	62.400	67.900	45.500	40.600	40.900	36.000	40.900	56.100
Transmitting ERP (watts)	41.740	24.340	4.420	0.400	0.330	0.330	3.510	21.690

Antenna: 2

Maximum Transmitting ERP in Watts:	140.820							
Azimuth(from true north)	0	45	90	135	180	225	270	315
Antenna Height AAT (meters)	62.400	67.900	45.500	40.600	40.900	36.000	40.900	56.100
Transmitting ERP (watts)	0.870	21.280	113.650	147.250	38.070	3.570	0.330	0.410

Antenna: 3

Maximum Transmitting ERP in Watts:	140.820							
Azimuth(from true north)	0	45	90	135	180	225	270	315
Antenna Height AAT (meters)	62.400	67.900	45.500	40.600	40.900	36.000	40.900	56.100
Transmitting ERP (watts)	1.130	0.260	0.370	2.600	30.680	93.270	73.680	13.650

Location	Latitude	Longitude	Ground Elevation (meters)	Structure Hgt to Tip (meters)	Antenna Structure Registration No.
39	36-49-54.5 N	086-29-39.3 W	192.6	66.1	1202759

Address: Warren South, 3184 Woodburn-Allen Springs Road

City: Woodburn County: WARREN State: KY Construction Deadline:

Antenna: 1

Maximum Transmitting ERP in Watts:	140.820							
Azimuth(from true north)	0	45	90	135	180	225	270	315
Antenna Height AAT (meters)	58.500	58.500	57.100	39.300	32.800	33.900	35.000	49.400
Transmitting ERP (watts)	157.120	103.520	17.130	1.570	0.350	3.440	23.000	104.220

Licensee Name: CELLCO PARTNERSHIP

Call Sign: KNKN867

File Number: 0009262184

Print Date:

Location	Latitude	Longitude	Ground Elevation (meters)	Structure Hgt to Tip (meters)	Antenna Structure Registration No.
39	36-49-54.5 N	086-29-39.3 W	192.6	66.1	1202759

Address: Warren South, 3184 Woodburn-Allen Springs Road

City: Woodburn County: WARREN State: KY Construction Deadline:

Antenna: 2

Maximum Transmitting ERP in Watts:	140.820							
Azimuth(from true north)	0	45	90	135	180	225	270	315
Antenna Height AAT (meters)	58.500	58.500	57.100	39.300	32.800	33.900	35.000	49.400
Transmitting ERP (watts)	6.890	41.510	144.360	164.760	61.880	8.540	0.570	0.780

Antenna: 3

Maximum Transmitting ERP in Watts:	140.820							
Azimuth(from true north)	0	45	90	135	180	225	270	315
Antenna Height AAT (meters)	58.500	58.500	57.100	39.300	32.800	33.900	35.000	49.400
Transmitting ERP (watts)	0.610	0.310	0.310	0.310	2.120	58.290	121.780	19.300

Location	Latitude	Longitude	Ground Elevation (meters)	Structure Hgt to Tip (meters)	Antenna Structure Registration No.
40	37-03-19.5 N	086-35-24.6 W	184.4	67.1	1219414

Address: Warren Northwest cell, Old Morgantown Road

City: Bowling Green County: WARREN State: KY Construction Deadline:

Antenna: 1

Maximum Transmitting ERP in Watts:	140.820							
Azimuth(from true north)	0	45	90	135	180	225	270	315
Antenna Height AAT (meters)	91.800	71.100	64.500	67.200	57.900	67.700	67.900	70.300
Transmitting ERP (watts)	0.430	11.130	78.320	144.460	52.750	5.690	0.300	0.320

Antenna: 2

Maximum Transmitting ERP in Watts:	140.820							
Azimuth(from true north)	0	45	90	135	180	225	270	315
Antenna Height AAT (meters)	91.800	71.100	64.500	67.200	57.900	67.700	67.900	70.300
Transmitting ERP (watts)	0.560	0.300	0.370	6.090	56.530	144.460	74.790	9.690

Antenna: 3

Maximum Transmitting ERP in Watts:	140.820							
Azimuth(from true north)	0	45	90	135	180	225	270	315
Antenna Height AAT (meters)	91.800	71.100	64.500	67.200	57.900	67.700	67.900	70.300
Transmitting ERP (watts)	101.290	16.150	1.200	0.300	0.390	2.840	38.070	131.240

Location	Latitude	Longitude	Ground Elevation (meters)	Structure Hgt to Tip (meters)	Antenna Structure Registration No.
41	37-08-05.9 N	087-01-05.2 W	187.8	77.7	1278320

Address: Muhlenberg South, 21 Myers Chapel Road

City: Belton County: MUHLENBERG State: KY Construction Deadline:

Antenna: 1

Maximum Transmitting ERP in Watts:	140.820							
Azimuth(from true north)	0	45	90	135	180	225	270	315
Antenna Height AAT (meters)	110.500	126.100	111.400	114.500	86.400	73.900	100.200	112.200
Transmitting ERP (watts)	124.780	83.940	14.180	1.430	0.380	3.220	20.310	87.270

Licensee Name: CELLCO PARTNERSHIP

Call Sign: KNKN867

File Number: 0009262184

Print Date:

Location	Latitude	Longitude	Ground Elevation (meters)	Structure Hgt to Tip (meters)	Antenna Structure Registration No.
41	37-08-05.9 N	087-01-05.2 W	187.8	77.7	1278320

Address: Muhlenberg South, 21 Myers Chapel Road

City: Belton County: MUHLENBERG State: KY Construction Deadline:

Antenna: 2

Maximum Transmitting ERP in Watts:	140.820							
Azimuth(from true north)	0	45	90	135	180	225	270	315
Antenna Height AAT (meters)	110.500	126.100	111.400	114.500	86.400	73.900	100.200	112.200
Transmitting ERP (watts)	6.310	35.160	119.490	131.750	50.750	7.180	0.550	0.830

Antenna: 3

Maximum Transmitting ERP in Watts:	140.820							
Azimuth(from true north)	0	45	90	135	180	225	270	315
Antenna Height AAT (meters)	110.500	126.100	111.400	114.500	86.400	73.900	100.200	112.200
Transmitting ERP (watts)	3.200	0.270	1.930	9.450	57.340	133.270	114.910	28.510

Location	Latitude	Longitude	Ground Elevation (meters)	Structure Hgt to Tip (meters)	Antenna Structure Registration No.
42	37-00-06.1 N	086-19-52.5 W	161.2	77.4	1207196

Address: Bowling Green Corvette site, 1188 Red Pond Road

City: Bowling Green County: WARREN State: KY Construction Deadline:

Antenna: 1

Maximum Transmitting ERP in Watts:	140.820							
Azimuth(from true north)	0	45	90	135	180	225	270	315
Antenna Height AAT (meters)	48.300	48.300	47.300	66.500	54.700	68.100	79.200	59.700
Transmitting ERP (watts)	149.820	65.780	7.600	0.370	0.310	0.390	8.720	68.880

Antenna: 2

Maximum Transmitting ERP in Watts:	140.820							
Azimuth(from true north)	0	45	90	135	180	225	270	315
Antenna Height AAT (meters)	48.300	48.300	47.300	66.500	54.700	68.100	79.200	59.700
Transmitting ERP (watts)	0.850	18.620	85.580	108.340	31.760	3.380	0.310	0.410

Antenna: 3

Maximum Transmitting ERP in Watts:	140.820							
Azimuth(from true north)	0	45	90	135	180	225	270	315
Antenna Height AAT (meters)	48.300	48.300	47.300	66.500	54.700	68.100	79.200	59.700
Transmitting ERP (watts)	1.320	0.310	0.430	3.020	35.640	108.340	85.580	15.850

Location	Latitude	Longitude	Ground Elevation (meters)	Structure Hgt to Tip (meters)	Antenna Structure Registration No.
43	37-50-10.4 N	086-35-44.7 W	225.6	77.7	1242951

Address: Breckinridge West, 1.6 km ENE of

City: Cloverport County: BRECKINRIDGE State: KY Construction Deadline:

Antenna: 1

Maximum Transmitting ERP in Watts:	140.820							
Azimuth(from true north)	0	45	90	135	180	225	270	315
Antenna Height AAT (meters)	138.300	128.300	120.400	132.900	123.200	133.200	139.400	156.600
Transmitting ERP (watts)	63.170	117.640	43.710	4.900	0.260	0.280	0.350	9.130

Licensee Name: CELLCO PARTNERSHIP

Call Sign: KNKN867

File Number: 0009262184

Print Date:

Location	Latitude	Longitude	Ground Elevation (meters)	Structure Hgt to Tip (meters)	Antenna Structure Registration No.
43	37-50-10.4 N	086-35-44.7 W	225.6	77.7	1242951

Address: Breckinridge West, 1.6 km ENE of

City: Cloverport County: BRECKINRIDGE State: KY Construction Deadline:

Antenna: 2

Maximum Transmitting ERP in Watts:	140.820							
Azimuth(from true north)	0	45	90	135	180	225	270	315
Antenna Height AAT (meters)	138.300	128.300	120.400	132.900	123.200	133.200	139.400	156.600
Transmitting ERP (watts)	0.310	2.290	30.940	107.290	83.280	13.820	1.050	0.260

Antenna: 3

Maximum Transmitting ERP in Watts:	140.820							
Azimuth(from true north)	0	45	90	135	180	225	270	315
Antenna Height AAT (meters)	138.300	128.300	120.400	132.900	123.200	133.200	139.400	156.600
Transmitting ERP (watts)	4.400	0.370	0.370	0.530	12.230	76.250	121.300	40.630

Location	Latitude	Longitude	Ground Elevation (meters)	Structure Hgt to Tip (meters)	Antenna Structure Registration No.
44	37-51-15.4 N	086-06-03.2 W	303.9	67.4	1042711

Address: Garrett, State Road 44 (092010 / Fort Knox)

City: FORT KNOX County: MEADE State: KY Construction Deadline:

Antenna: 1

Maximum Transmitting ERP in Watts:	140.820							
Azimuth(from true north)	0	45	90	135	180	225	270	315
Antenna Height AAT (meters)	153.600	154.600	149.600	132.900	121.400	131.200	143.100	146.300
Transmitting ERP (watts)	79.530	54.370	13.580	1.630	0.410	3.580	18.240	54.730

Antenna: 2

Maximum Transmitting ERP in Watts:	140.820							
Azimuth(from true north)	0	45	90	135	180	225	270	315
Antenna Height AAT (meters)	153.600	154.600	149.600	132.900	121.400	131.200	143.100	146.300
Transmitting ERP (watts)	5.460	32.920	114.480	130.660	49.070	6.770	0.450	0.620

Antenna: 3

Maximum Transmitting ERP in Watts:	140.820							
Azimuth(from true north)	0	45	90	135	180	225	270	315
Antenna Height AAT (meters)	153.600	154.600	149.600	132.900	121.400	131.200	143.100	146.300
Transmitting ERP (watts)	2.950	0.270	1.500	8.200	53.810	130.660	112.910	27.380

Location	Latitude	Longitude	Ground Elevation (meters)	Structure Hgt to Tip (meters)	Antenna Structure Registration No.
45	37-52-54.4 N	086-12-42.9 W	274.3	29.0	

Address: Meade South, 1.4 km southeast of

City: Guston County: MEADE State: KY Construction Deadline:

Antenna: 1

Maximum Transmitting ERP in Watts:	140.820							
Azimuth(from true north)	0	45	90	135	180	225	270	315
Antenna Height AAT (meters)	109.800	103.800	82.400	63.100	79.200	105.900	114.800	76.100
Transmitting ERP (watts)	4.970	37.720	85.280	49.710	8.130	0.540	0.260	0.330

Licensee Name: CELLCO PARTNERSHIP

Call Sign: KNKN867

File Number: 0009262184

Print Date:

Location	Latitude	Longitude	Ground Elevation (meters)	Structure Hgt to Tip (meters)	Antenna Structure Registration No.
45	37-52-54.4 N	086-12-42.9 W	274.3	29.0	

Address: Meade South, 1.4 km southeast of

City: Guston County: MEADE State: KY Construction Deadline:

Antenna: 2

Maximum Transmitting ERP in Watts:	140.820							
Azimuth(from true north)	0	45	90	135	180	225	270	315
Antenna Height AAT (meters)	109.800	103.800	82.400	63.100	79.200	105.900	114.800	76.100
Transmitting ERP (watts)	1.870	0.260	0.280	0.860	17.310	81.910	91.780	21.270

Antenna: 3

Maximum Transmitting ERP in Watts:	140.820							
Azimuth(from true north)	0	45	90	135	180	225	270	315
Antenna Height AAT (meters)	109.800	103.800	82.400	63.100	79.200	105.900	114.800	76.100
Transmitting ERP (watts)	67.960	31.280	4.680	0.260	0.300	0.380	7.690	41.430

Location	Latitude	Longitude	Ground Elevation (meters)	Structure Hgt to Tip (meters)	Antenna Structure Registration No.
46	36-54-15.9 N	086-36-29.1 W	202.7	83.8	1200363

Address: Warren-Logan cell, 11372 Russellville Road

City: Rockfield County: WARREN State: KY Construction Deadline:

Antenna: 1

Maximum Transmitting ERP in Watts:	140.820							
Azimuth(from true north)	0	45	90	135	180	225	270	315
Antenna Height AAT (meters)	105.100	84.600	84.000	77.200	66.700	61.500	67.700	81.100
Transmitting ERP (watts)	19.380	98.240	108.110	44.550	2.720	0.270	0.230	1.010

Antenna: 2

Maximum Transmitting ERP in Watts:	140.820							
Azimuth(from true north)	0	45	90	135	180	225	270	315
Antenna Height AAT (meters)	105.100	84.600	84.000	77.200	66.700	61.500	67.700	81.100
Transmitting ERP (watts)	0.270	0.270	5.300	90.270	100.820	9.580	0.400	0.270

Antenna: 3

Maximum Transmitting ERP in Watts:	140.820							
Azimuth(from true north)	0	45	90	135	180	225	270	315
Antenna Height AAT (meters)	105.100	84.600	84.000	77.200	66.700	61.500	67.700	81.100
Transmitting ERP (watts)	0.880	0.230	0.310	2.530	42.550	110.630	96.000	20.290

Location	Latitude	Longitude	Ground Elevation (meters)	Structure Hgt to Tip (meters)	Antenna Structure Registration No.
47	37-24-19.0 N	086-42-17.0 W	199.9	94.5	1213965

Address: Ohio West, 3893 State Route 505 South

City: Horse Branch County: OHIO State: KY Construction Deadline:

Antenna: 1

Maximum Transmitting ERP in Watts:	140.820							
Azimuth(from true north)	0	45	90	135	180	225	270	315
Antenna Height AAT (meters)	112.900	104.700	91.700	117.300	127.400	134.600	135.400	100.900
Transmitting ERP (watts)	117.640	63.170	8.330	0.490	0.260	0.300	4.900	45.770

Licensee Name: CELLCO PARTNERSHIP

Call Sign: KNKN867

File Number: 0009262184

Print Date:

Location	Latitude	Longitude	Ground Elevation (meters)	Structure Hgt to Tip (meters)	Antenna Structure Registration No.
47	37-24-19.0 N	086-42-17.0 W	199.9	94.5	1213965

Address: Ohio West, 3893 State Route 505 South

City: Horse Branch County: OHIO State: KY Construction Deadline:

Antenna: 2

Maximum Transmitting ERP in Watts:	140.820							
Azimuth(from true north)	0	45	90	135	180	225	270	315
Antenna Height AAT (meters)	112.900	104.700	91.700	117.300	127.400	134.600	135.400	100.900
Transmitting ERP (watts)	1.260	33.960	209.410	316.960	100.230	10.500	0.740	0.810

Antenna: 3

Maximum Transmitting ERP in Watts:	140.820							
Azimuth(from true north)	0	45	90	135	180	225	270	315
Antenna Height AAT (meters)	112.900	104.700	91.700	117.300	127.400	134.600	135.400	100.900
Transmitting ERP (watts)	1.480	0.260	0.310	1.480	24.580	100.120	93.440	17.800

Location	Latitude	Longitude	Ground Elevation (meters)	Structure Hgt to Tip (meters)	Antenna Structure Registration No.
48	36-57-24.8 N	086-28-42.2 W	167.0	84.1	1056469

Address: 3090 Fitzgerald Industrial Drive

City: Bowling Green County: WARREN State: KY Construction Deadline:

Antenna: 1

Maximum Transmitting ERP in Watts:	140.820							
Azimuth(from true north)	0	45	90	135	180	225	270	315
Antenna Height AAT (meters)	71.400	63.700	65.900	62.600	44.100	41.900	36.500	59.500
Transmitting ERP (watts)	61.180	69.730	7.330	0.310	0.310	0.310	0.310	3.930

Antenna: 2

Maximum Transmitting ERP in Watts:	140.820							
Azimuth(from true north)	0	45	90	135	180	225	270	315
Antenna Height AAT (meters)	71.400	63.700	65.900	62.600	44.100	41.900	36.500	59.500
Transmitting ERP (watts)	0.310	2.460	45.980	65.510	8.220	0.390	0.310	0.310

Antenna: 3

Maximum Transmitting ERP in Watts:	140.820							
Azimuth(from true north)	0	45	90	135	180	225	270	315
Antenna Height AAT (meters)	71.400	63.700	65.900	62.600	44.100	41.900	36.500	59.500
Transmitting ERP (watts)	1.080	0.260	0.280	1.840	17.800	47.490	39.840	10.320

Location	Latitude	Longitude	Ground Elevation (meters)	Structure Hgt to Tip (meters)	Antenna Structure Registration No.
49	36-49-53.1 N	086-54-51.9 W	253.9	78.6	1043422

Address: RUSSELLVILLE WEST, 0.64 KM NORTH OF HWY 79, 0.16 KM WEST OF HWY 68 BYPASS

City: LEWISBURG County: LOGAN State: KY Construction Deadline:

Antenna: 1

Maximum Transmitting ERP in Watts:	140.820							
Azimuth(from true north)	0	45	90	135	180	225	270	315
Antenna Height AAT (meters)	107.500	100.000	79.700	100.100	113.000	110.200	90.700	106.900
Transmitting ERP (watts)	151.070	101.210	20.030	2.250	0.630	5.060	28.690	105.230

Licensee Name: CELLCO PARTNERSHIP

Call Sign: KNKN867

File Number: 0009262184

Print Date:

Location	Latitude	Longitude	Ground Elevation (meters)	Structure Hgt to Tip (meters)	Antenna Structure Registration No.
49	36-49-53.1 N	086-54-51.9 W	253.9	78.6	1043422

Address: RUSSELLVILLE WEST, 0.64 KM NORTH OF HWY 79, 0.16 KM WEST OF HWY 68 BYPASS

City: LEWISBURG County: LOGAN State: KY Construction Deadline:

Antenna: 2

Maximum Transmitting ERP in Watts:	140.820							
Azimuth(from true north)	0	45	90	135	180	225	270	315
Antenna Height AAT (meters)	107.500	100.000	79.700	100.100	113.000	110.200	90.700	106.900
Transmitting ERP (watts)	9.170	55.270	192.200	219.360	82.390	11.370	0.760	1.030

Antenna: 3

Maximum Transmitting ERP in Watts:	140.820							
Azimuth(from true north)	0	45	90	135	180	225	270	315
Antenna Height AAT (meters)	107.500	100.000	79.700	100.100	113.000	110.200	90.700	106.900
Transmitting ERP (watts)	4.520	0.380	2.720	13.340	81.000	188.260	162.320	40.280

Location	Latitude	Longitude	Ground Elevation (meters)	Structure Hgt to Tip (meters)	Antenna Structure Registration No.
50	37-05-38.9 N	086-25-49.5 W	217.6	103.6	1232131

Address: Richardsville, 604 Scroggins Road

City: Bowling Green County: WARREN State: KY Construction Deadline:

Antenna: 1

Maximum Transmitting ERP in Watts:	140.820							
Azimuth(from true north)	0	45	90	135	180	225	270	315
Antenna Height AAT (meters)	108.300	97.200	74.500	103.300	110.500	127.000	127.000	111.000
Transmitting ERP (watts)	144.730	63.540	7.340	0.360	0.300	0.380	8.420	66.540

Antenna: 2

Maximum Transmitting ERP in Watts:	140.820							
Azimuth(from true north)	0	45	90	135	180	225	270	315
Antenna Height AAT (meters)	108.300	97.200	74.500	103.300	110.500	100.500	127.000	111.000
Transmitting ERP (watts)	0.780	18.970	101.290	131.240	33.930	3.180	0.300	0.370

Antenna: 3

Maximum Transmitting ERP in Watts:	140.820							
Azimuth(from true north)	0	45	90	135	180	225	270	315
Antenna Height AAT (meters)	108.300	97.200	74.500	103.300	110.500	100.500	127.000	111.000
Transmitting ERP (watts)	1.200	0.300	0.390	2.840	38.070	131.240	101.290	16.150

Location	Latitude	Longitude	Ground Elevation (meters)	Structure Hgt to Tip (meters)	Antenna Structure Registration No.
51	37-31-30.4 N	086-55-04.2 W	195.7	97.8	1214609

Address: Beda, 729 Sherwood Drive

City: Hartford County: OHIO State: KY Construction Deadline:

Antenna: 1

Maximum Transmitting ERP in Watts:	140.820							
Azimuth(from true north)	0	45	90	135	180	225	270	315
Antenna Height AAT (meters)	107.800	100.300	110.100	108.400	122.200	117.000	103.100	107.200
Transmitting ERP (watts)	38.070	131.240	101.290	16.150	1.200	0.300	0.390	2.840

Licensee Name: CELLCO PARTNERSHIP

Call Sign: KNKN867

File Number: 0009262184

Print Date:

Location	Latitude	Longitude	Ground Elevation (meters)	Structure Hgt to Tip (meters)	Antenna Structure Registration No.
51	37-31-30.4 N	086-55-04.2 W	195.7	97.8	1214609

Address: Beda, 729 Sherwood Drive

City: Hartford County: OHIO State: KY Construction Deadline:

Antenna: 2

Maximum Transmitting ERP in Watts:	140.820							
Azimuth(from true north)	0	45	90	135	180	225	270	315
Antenna Height AAT (meters)	107.800	100.300	110.100	108.400	122.200	117.000	103.100	107.200
Transmitting ERP (watts)	0.340	0.540	14.700	90.110	137.670	42.790	4.300	0.300

Antenna: 3

Maximum Transmitting ERP in Watts:	140.820							
Azimuth(from true north)	0	45	90	135	180	225	270	315
Antenna Height AAT (meters)	107.800	100.300	110.100	108.400	122.200	117.000	103.100	107.200
Transmitting ERP (watts)	52.750	5.690	0.300	0.320	0.430	11.130	78.320	144.460

Location	Latitude	Longitude	Ground Elevation (meters)	Structure Hgt to Tip (meters)	Antenna Structure Registration No.
52	37-29-36.0 N	086-11-16.5 W	221.9	83.8	1217206

Address: Braton Road

City: Clarkson County: GRAYSON State: KY Construction Deadline:

Antenna: 1

Maximum Transmitting ERP in Watts:	140.820							
Azimuth(from true north)	0	45	90	135	180	225	270	315
Antenna Height AAT (meters)	80.100	57.600	68.100	71.000	82.900	101.700	77.300	93.100
Transmitting ERP (watts)	23.930	113.860	122.250	26.290	2.360	0.300	0.370	1.180

Antenna: 2

Maximum Transmitting ERP in Watts:	140.820							
Azimuth(from true north)	0	45	90	135	180	225	270	315
Antenna Height AAT (meters)	80.100	57.600	68.100	71.000	82.900	101.700	77.300	93.100
Transmitting ERP (watts)	2.360	0.300	0.370	1.180	23.930	113.860	122.250	26.290

Antenna: 3

Maximum Transmitting ERP in Watts:	140.820							
Azimuth(from true north)	0	45	90	135	180	225	270	315
Antenna Height AAT (meters)	80.100	57.600	68.100	71.000	82.900	101.700	77.300	93.100
Transmitting ERP (watts)	103.640	9.240	0.340	0.270	0.270	0.270	5.700	92.370

Location	Latitude	Longitude	Ground Elevation (meters)	Structure Hgt to Tip (meters)	Antenna Structure Registration No.
53	37-31-11.9 N	087-09-13.7 W	141.7	95.4	1018270

Address: 550 SCHNEIDER TANNER ROAD

City: LIVERMORE County: MCLEAN State: KY Construction Deadline:

Antenna: 1

Maximum Transmitting ERP in Watts:	140.820							
Azimuth(from true north)	0	45	90	135	180	225	270	315
Antenna Height AAT (meters)	86.400	69.100	70.300	81.600	92.100	93.900	102.600	85.400
Transmitting ERP (watts)	73.900	149.230	118.620	25.350	2.650	0.300	2.180	14.630

Licensee Name: CELLCO PARTNERSHIP

Call Sign: KNKN867

File Number: 0009262184

Print Date:

Location	Latitude	Longitude	Ground Elevation (meters)	Structure Hgt to Tip (meters)	Antenna Structure Registration No.
53	37-31-11.9 N	087-09-13.7 W	141.7	95.4	1018270

Address: 550 SCHNEIDER TANNER ROAD

City: LIVERMORE County: MCLEAN State: KY Construction Deadline:

Antenna: 2

Maximum Transmitting ERP in Watts:	140.820							
Azimuth(from true north)	0	45	90	135	180	225	270	315
Antenna Height AAT (meters)	86.400	69.100	70.300	81.600	92.100	93.900	102.600	85.400
Transmitting ERP (watts)	0.570	5.060	27.400	111.190	144.570	81.050	13.200	1.160

Antenna: 3

Maximum Transmitting ERP in Watts:	140.820							
Azimuth(from true north)	0	45	90	135	180	225	270	315
Antenna Height AAT (meters)	86.400	69.100	70.300	81.600	92.100	93.900	102.600	85.400
Transmitting ERP (watts)	47.570	6.000	0.480	1.320	7.360	47.670	142.060	144.070

Location	Latitude	Longitude	Ground Elevation (meters)	Structure Hgt to Tip (meters)	Antenna Structure Registration No.
54	37-19-05.4 N	086-12-12.3 W	231.6	83.8	1235514

Address: Nolin Lake North, 1900 Dickey's Mill Road

City: Mammoth Cave County: EDMONSON State: KY Construction Deadline:

Antenna: 1

Maximum Transmitting ERP in Watts:	140.820							
Azimuth(from true north)	0	45	90	135	180	225	270	315
Antenna Height AAT (meters)	93.200	91.500	87.800	91.400	103.800	115.800	129.600	104.400
Transmitting ERP (watts)	117.640	54.390	6.620	0.360	0.300	0.330	6.460	54.390

Antenna: 2

Maximum Transmitting ERP in Watts:	140.820							
Azimuth(from true north)	0	45	90	135	180	225	270	315
Antenna Height AAT (meters)	93.200	91.500	87.800	91.400	103.800	115.800	129.600	104.400
Transmitting ERP (watts)	3.300	11.570	54.260	67.250	19.880	3.340	0.340	0.490

Antenna: 3

Maximum Transmitting ERP in Watts:	140.820							
Azimuth(from true north)	0	45	90	135	180	225	270	315
Antenna Height AAT (meters)	93.200	91.500	87.800	91.400	103.800	115.800	129.600	104.400
Transmitting ERP (watts)	1.110	0.300	0.320	2.200	30.710	107.710	83.920	14.420

Location	Latitude	Longitude	Ground Elevation (meters)	Structure Hgt to Tip (meters)	Antenna Structure Registration No.
55	36-40-20.5 N	086-15-11.1 W	239.6	60.7	

Address: Allen South, 371 Andrew Jackson Highway

City: Adolphus County: ALLEN State: KY Construction Deadline:

Antenna: 1

Maximum Transmitting ERP in Watts:	140.820							
Azimuth(from true north)	0	45	90	135	180	225	270	315
Antenna Height AAT (meters)	87.000	70.200	64.700	57.200	44.500	66.500	82.700	88.700
Transmitting ERP (watts)	117.640	63.170	8.330	0.490	0.260	0.300	4.900	45.770

Licensee Name: CELLCO PARTNERSHIP

Call Sign: KNKN867

File Number: 0009262184

Print Date:

Location	Latitude	Longitude	Ground Elevation (meters)	Structure Hgt to Tip (meters)	Antenna Structure Registration No.
55	36-40-20.5 N	086-15-11.1 W	239.6	60.7	

Address: Allen South, 371 Andrew Jackson Highway

City: Adolphus County: ALLEN State: KY Construction Deadline:

Antenna: 2

Maximum Transmitting ERP in Watts:	140.820							
Azimuth(from true north)	0	45	90	135	180	225	270	315
Antenna Height AAT (meters)	87.000	70.200	64.700	57.200	44.500	66.500	82.700	88.700
Transmitting ERP (watts)	0.490	8.150	38.780	44.150	11.680	1.200	0.260	0.260

Antenna: 3

Maximum Transmitting ERP in Watts:	140.820							
Azimuth(from true north)	0	45	90	135	180	225	270	315
Antenna Height AAT (meters)	87.000	70.200	64.700	57.200	44.500	66.500	82.700	88.700
Transmitting ERP (watts)	4.900	0.260	0.280	0.350	9.130	63.170	117.640	43.710

Location	Latitude	Longitude	Ground Elevation (meters)	Structure Hgt to Tip (meters)	Antenna Structure Registration No.
56	36-42-03.8 N	086-23-15.8 W	226.2	77.7	1263047

Address: Alonzo, 4651 Perrytown Road

City: Franklin County: ALLEN State: KY Construction Deadline:

Antenna: 1

Maximum Transmitting ERP in Watts:	140.820							
Azimuth(from true north)	0	45	90	135	180	225	270	315
Antenna Height AAT (meters)	114.500	97.300	87.900	75.000	66.000	77.000	88.300	100.400
Transmitting ERP (watts)	111.060	68.480	3.430	0.250	0.370	0.250	1.220	16.430

Antenna: 2

Maximum Transmitting ERP in Watts:	140.820							
Azimuth(from true north)	0	45	90	135	180	225	270	315
Antenna Height AAT (meters)	114.500	97.300	87.900	75.000	66.000	77.000	88.300	100.400
Transmitting ERP (watts)	1.480	24.580	100.120	93.440	17.800	1.480	0.260	0.310

Antenna: 3

Maximum Transmitting ERP in Watts:	140.820							
Azimuth(from true north)	0	45	90	135	180	225	270	315
Antenna Height AAT (meters)	114.500	97.300	87.900	75.000	66.000	77.000	88.300	100.400
Transmitting ERP (watts)	10.730	0.730	0.260	0.300	3.390	38.070	112.340	72.530

Location	Latitude	Longitude	Ground Elevation (meters)	Structure Hgt to Tip (meters)	Antenna Structure Registration No.
57	36-53-20.1 N	086-12-48.7 W	203.9	77.7	1264536

Address: Allen North, 173 Ray Vernon Lane

City: Scottsville County: ALLEN State: KY Construction Deadline:

Antenna: 1

Maximum Transmitting ERP in Watts:	140.820							
Azimuth(from true north)	0	45	90	135	180	225	270	315
Antenna Height AAT (meters)	94.400	87.800	105.100	69.200	68.400	92.400	105.300	118.000
Transmitting ERP (watts)	12.040	74.220	112.340	35.530	3.720	0.260	0.290	0.450

Licensee Name: CELLCO PARTNERSHIP

Call Sign: KNKN867

File Number: 0009262184

Print Date:

Location	Latitude	Longitude	Ground Elevation (meters)	Structure Hgt to Tip (meters)	Antenna Structure Registration No.
57	36-53-20.1 N	086-12-48.7 W	203.9	77.7	1264536

Address: Allen North, 173 Ray Vernon Lane

City: Scottsville County: ALLEN State: KY Construction Deadline:

Antenna: 2

Maximum Transmitting ERP in Watts:	140.820							
Azimuth(from true north)	0	45	90	135	180	225	270	315
Antenna Height AAT (meters)	94.400	87.800	105.100	69.200	68.400	92.400	105.300	118.000
Transmitting ERP (watts)	0.260	0.310	1.480	24.580	100.120	93.440	17.800	1.480

Antenna: 3

Maximum Transmitting ERP in Watts:	140.820							
Azimuth(from true north)	0	45	90	135	180	225	270	315
Antenna Height AAT (meters)	94.400	87.800	105.100	69.200	68.400	92.400	105.300	118.000
Transmitting ERP (watts)	63.170	8.330	0.490	0.260	0.300	4.900	45.770	117.640

Location	Latitude	Longitude	Ground Elevation (meters)	Structure Hgt to Tip (meters)	Antenna Structure Registration No.
58	37-07-58.9 N	086-13-12.8 W	197.8	77.7	1263384

Address: Edmonson South, 466 Rhea Road

City: Smiths Grove County: EDMONSON State: KY Construction Deadline:

Antenna: 1

Maximum Transmitting ERP in Watts:	140.820							
Azimuth(from true north)	0	45	90	135	180	225	270	315
Antenna Height AAT (meters)	70.900	74.500	47.600	73.500	83.900	88.000	89.200	76.800
Transmitting ERP (watts)	128.990	56.630	6.540	0.320	0.260	0.340	7.510	59.300

Antenna: 2

Maximum Transmitting ERP in Watts:	140.820							
Azimuth(from true north)	0	45	90	135	180	225	270	315
Antenna Height AAT (meters)	70.900	74.500	47.600	73.500	83.900	88.000	89.200	76.800
Transmitting ERP (watts)	0.690	16.910	90.270	116.960	30.240	2.840	0.260	0.330

Antenna: 3

Maximum Transmitting ERP in Watts:	140.820							
Azimuth(from true north)	0	45	90	135	180	225	270	315
Antenna Height AAT (meters)	70.900	74.500	47.600	73.500	83.900	88.000	89.200	76.800
Transmitting ERP (watts)	1.070	0.260	0.340	2.530	33.930	116.960	90.270	14.390

Location	Latitude	Longitude	Ground Elevation (meters)	Structure Hgt to Tip (meters)	Antenna Structure Registration No.
59	37-13-31.0 N	086-07-40.6 W	262.1	58.0	

Address: Near entrance to Mammoth Cave Park

City: Mammoth Cave County: EDMONSON State: KY Construction Deadline:

Antenna: 1

Maximum Transmitting ERP in Watts:	140.820							
Azimuth(from true north)	0	45	90	135	180	225	270	315
Antenna Height AAT (meters)	122.200	91.300	119.200	86.600	117.300	116.700	135.200	124.600
Transmitting ERP (watts)	170.670	78.910	9.600	0.520	0.430	0.480	9.380	78.910

Licensee Name: CELLCO PARTNERSHIP

Call Sign: KNKN867

File Number: 0009262184

Print Date:

Location	Latitude	Longitude	Ground Elevation (meters)	Structure Hgt to Tip (meters)	Antenna Structure Registration No.
59	37-13-31.0 N	086-07-40.6 W	262.1	58.0	

Address: Near entrance to Mammoth Cave Park

City: Mammoth Cave County: EDMONSON State: KY Construction Deadline:

Antenna: 2

Maximum Transmitting ERP in Watts:	140.820							
Azimuth(from true north)	0	45	90	135	180	225	270	315
Antenna Height AAT (meters)	122.200	91.300	119.200	86.600	117.300	116.700	135.200	124.600
Transmitting ERP (watts)	0.920	21.900	118.970	156.260	43.540	4.210	0.430	0.450

Antenna: 3

Maximum Transmitting ERP in Watts:	140.820							
Azimuth(from true north)	0	45	90	135	180	225	270	315
Antenna Height AAT (meters)	122.200	91.300	119.200	86.600	117.300	116.700	135.200	124.600
Transmitting ERP (watts)	1.600	0.430	0.470	3.190	44.550	156.260	121.750	20.910

Location	Latitude	Longitude	Ground Elevation (meters)	Structure Hgt to Tip (meters)	Antenna Structure Registration No.
60	37-23-49.1 N	087-08-43.7 W	135.0	94.2	1244765

Address: Bremen, 12849 Kentucky Highway

City: CENTRAL CITY County: MUHLENBERG State: KY Construction Deadline:

Antenna: 1

Maximum Transmitting ERP in Watts:	140.820							
Azimuth(from true north)	0	45	90	135	180	225	270	315
Antenna Height AAT (meters)	90.200	93.400	74.900	83.100	73.300	66.600	87.200	92.000
Transmitting ERP (watts)	122.700	78.480	11.150	0.740	0.260	0.340	3.750	40.860

Antenna: 2

Maximum Transmitting ERP in Watts:	140.820							
Azimuth(from true north)	0	45	90	135	180	225	270	315
Antenna Height AAT (meters)	90.200	93.400	74.900	83.100	73.300	66.600	87.200	92.000
Transmitting ERP (watts)	0.330	5.430	50.380	128.750	66.660	8.640	0.500	0.260

Antenna: 3

Maximum Transmitting ERP in Watts:	140.820							
Azimuth(from true north)	0	45	90	135	180	225	270	315
Antenna Height AAT (meters)	90.200	93.400	74.900	83.100	73.300	66.600	87.200	92.000
Transmitting ERP (watts)	3.840	0.260	0.300	0.480	13.100	80.300	122.700	38.140

Location	Latitude	Longitude	Ground Elevation (meters)	Structure Hgt to Tip (meters)	Antenna Structure Registration No.
61	37-57-06.1 N	086-24-38.3 W	260.0	96.3	1043429

Address: HWY 144, 4.8 KM (3 MILES) EAST OF

City: UNION STAR County: BRECKINRIDGE State: KY Construction Deadline:

Antenna: 1

Maximum Transmitting ERP in Watts:	140.820							
Azimuth(from true north)	0	45	90	135	180	225	270	315
Antenna Height AAT (meters)	155.100	133.800	120.800	135.100	151.300	176.200	170.600	164.100
Transmitting ERP (watts)	100.130	64.650	9.560	0.650	0.240	0.270	3.020	33.930

Licensee Name: CELLCO PARTNERSHIP

Call Sign: KNKN867

File Number: 0009262184

Print Date:

Location	Latitude	Longitude	Ground Elevation (meters)	Structure Hgt to Tip (meters)	Antenna Structure Registration No.
61	37-57-06.1 N	086-24-38.3 W	260.0	96.3	1043429

Address: HWY 144, 4.8 KM (3 MILES) EAST OF

City: UNION STAR County: BRECKINRIDGE State: KY Construction Deadline:

Antenna: 2

Maximum Transmitting ERP in Watts:	140.820							
Azimuth(from true north)	0	45	90	135	180	225	270	315
Antenna Height AAT (meters)	155.100	133.800	120.800	135.100	151.300	176.200	170.600	164.100
Transmitting ERP (watts)	0.310	8.140	56.310	104.850	38.950	4.370	0.240	0.250

Antenna: 3

Maximum Transmitting ERP in Watts:	140.820							
Azimuth(from true north)	0	45	90	135	180	225	270	315
Antenna Height AAT (meters)	155.100	133.800	120.800	135.100	151.300	176.200	170.600	164.100
Transmitting ERP (watts)	1.820	0.240	0.280	0.850	17.400	81.390	89.240	19.980

Location	Latitude	Longitude	Ground Elevation (meters)	Structure Hgt to Tip (meters)	Antenna Structure Registration No.
62	37-32-44.1 N	086-18-58.4 W	200.9	77.7	1258451

Address: 2408 Hanging Rock Road

City: Leitchfield County: GRAYSON State: KY Construction Deadline:

Antenna: 1

Maximum Transmitting ERP in Watts:	140.820							
Azimuth(from true north)	0	45	90	135	180	225	270	315
Antenna Height AAT (meters)	75.500	84.400	70.100	67.400	67.900	86.700	82.300	95.400
Transmitting ERP (watts)	97.150	35.730	4.550	0.310	0.380	0.580	13.630	68.070

Antenna: 2

Maximum Transmitting ERP in Watts:	140.820							
Azimuth(from true north)	0	45	90	135	180	225	270	315
Antenna Height AAT (meters)	75.500	84.400	70.100	67.400	67.900	86.700	82.300	95.400
Transmitting ERP (watts)	0.630	15.510	83.280	107.290	28.880	2.760	0.260	0.300

Antenna: 3

Maximum Transmitting ERP in Watts:	140.820							
Azimuth(from true north)	0	45	90	135	180	225	270	315
Antenna Height AAT (meters)	75.500	84.400	70.100	67.400	67.900	86.700	82.300	95.400
Transmitting ERP (watts)	1.050	0.260	0.310	2.290	30.940	107.290	83.280	13.820

Location	Latitude	Longitude	Ground Elevation (meters)	Structure Hgt to Tip (meters)	Antenna Structure Registration No.
63	36-41-48.4 N	087-07-44.2 W	176.5	60.7	1274279

Address: 4799 Russellville Road

City: Allensville County: TODD State: KY Construction Deadline:

Antenna: 1

Maximum Transmitting ERP in Watts:	140.820							
Azimuth(from true north)	0	45	90	135	180	225	270	315
Antenna Height AAT (meters)	39.500	56.100	59.000	64.900	64.800	67.600	57.500	49.800
Transmitting ERP (watts)	19.520	91.310	100.120	22.420	2.040	0.260	0.310	0.960

Licensee Name: CELLCO PARTNERSHIP

Call Sign: KNKN867

File Number: 0009262184

Print Date:

Location	Latitude	Longitude	Ground Elevation (meters)	Structure Hgt to Tip (meters)	Antenna Structure Registration No.
63	36-41-48.4 N	087-07-44.2 W	176.5	60.7	1274279

Address: 4799 Russellville Road

City: Allensville County: TODD State: KY Construction Deadline:

Antenna: 2

Maximum Transmitting ERP in Watts:	140.820							
Azimuth(from true north)	0	45	90	135	180	225	270	315
Antenna Height AAT (meters)	39.500	56.100	59.000	64.900	64.800	67.600	57.500	49.800
Transmitting ERP (watts)	0.260	0.290	0.450	12.040	74.220	112.340	35.530	3.720

Antenna: 3

Maximum Transmitting ERP in Watts:	140.820							
Azimuth(from true north)	0	45	90	135	180	225	270	315
Antenna Height AAT (meters)	39.500	56.100	59.000	64.900	64.800	67.600	57.500	49.800
Transmitting ERP (watts)	72.530	10.730	0.730	0.260	0.300	3.390	38.070	112.340

Location	Latitude	Longitude	Ground Elevation (meters)	Structure Hgt to Tip (meters)	Antenna Structure Registration No.
64	37-14-00.7 N	086-28-02.1 W	183.2	103.6	1231934

Address: 109 Peach Road North

City: Roundhill County: BUTLER State: KY Construction Deadline:

Antenna: 1

Maximum Transmitting ERP in Watts:	140.820							
Azimuth(from true north)	0	45	90	135	180	225	270	315
Antenna Height AAT (meters)	64.400	90.500	87.200	101.000	93.800	118.600	91.600	91.500
Transmitting ERP (watts)	363.980	159.800	18.450	0.910	0.740	0.950	21.190	167.330

Antenna: 2

Maximum Transmitting ERP in Watts:	140.820							
Azimuth(from true north)	0	45	90	135	180	225	270	315
Antenna Height AAT (meters)	64.400	90.500	87.200	101.000	93.800	118.600	91.600	91.500
Transmitting ERP (watts)	1.950	47.700	254.680	329.990	85.310	8.010	0.740	0.920

Antenna: 3

Maximum Transmitting ERP in Watts:	140.820							
Azimuth(from true north)	0	45	90	135	180	225	270	315
Antenna Height AAT (meters)	64.400	90.500	87.200	101.000	93.800	118.600	91.600	91.500
Transmitting ERP (watts)	3.030	0.740	0.970	7.140	95.740	330.050	254.730	40.610

Location	Latitude	Longitude	Ground Elevation (meters)	Structure Hgt to Tip (meters)	Antenna Structure Registration No.
65	37-52-03.2 N	086-41-39.8 W	149.0	60.7	

Address: Hancock South, 4586 Midway Lane

City: Hawesville County: HANCOCK State: KY Construction Deadline:

Antenna: 1

Maximum Transmitting ERP in Watts:	140.820							
Azimuth(from true north)	0	45	90	135	180	225	270	315
Antenna Height AAT (meters)	42.800	44.700	66.200	57.400	29.900	51.200	52.700	89.200
Transmitting ERP (watts)	115.500	73.040	10.410	0.540	0.280	0.490	4.480	36.360

Licensee Name: CELLCO PARTNERSHIP

Call Sign: KNKN867

File Number: 0009262184

Print Date:

Location	Latitude	Longitude	Ground Elevation (meters)	Structure Hgt to Tip (meters)	Antenna Structure Registration No.
65	37-52-03.2 N	086-41-39.8 W	149.0	60.7	

Address: Hancock South, 4586 Midway Lane

City: Hawesville County: HANCOCK State: KY Construction Deadline:

Antenna: 2

Maximum Transmitting ERP in Watts:	140.820							
Azimuth(from true north)	0	45	90	135	180	225	270	315
Antenna Height AAT (meters)	42.800	44.700	66.200	57.400	29.900	51.200	52.700	89.200
Transmitting ERP (watts)	3.060	20.470	92.740	139.820	92.120	15.240	1.400	0.310

Antenna: 3

Maximum Transmitting ERP in Watts:	140.820							
Azimuth(from true north)	0	45	90	135	180	225	270	315
Antenna Height AAT (meters)	42.800	44.700	66.200	57.400	29.900	51.200	52.700	89.200
Transmitting ERP (watts)	14.390	1.320	0.300	2.890	19.320	87.550	132.000	86.970

Location	Latitude	Longitude	Ground Elevation (meters)	Structure Hgt to Tip (meters)	Antenna Structure Registration No.
66	37-48-20.2 N	086-28-22.4 W	213.7	98.8	1215268

Address: Hardinsburg North, West side of Finley/Dowell Road

City: Hardinsburg County: BRECKINRIDGE State: KY Construction Deadline:

Antenna: 1

Maximum Transmitting ERP in Watts:	140.820							
Azimuth(from true north)	0	45	90	135	180	225	270	315
Antenna Height AAT (meters)	117.700	128.800	92.100	83.000	91.500	112.900	146.900	129.700
Transmitting ERP (watts)	65.140	85.560	23.840	2.300	0.240	0.240	0.510	11.990

Antenna: 2

Maximum Transmitting ERP in Watts:	140.820							
Azimuth(from true north)	0	45	90	135	180	225	270	315
Antenna Height AAT (meters)	117.700	128.800	92.100	83.000	91.500	112.900	146.900	129.700
Transmitting ERP (watts)	0.260	1.750	24.390	85.560	66.660	11.450	0.880	0.240

Antenna: 3

Maximum Transmitting ERP in Watts:	140.820							
Azimuth(from true north)	0	45	90	135	180	225	270	315
Antenna Height AAT (meters)	117.700	128.800	92.100	83.000	91.500	112.900	146.900	129.700
Transmitting ERP (watts)	5.250	0.290	0.240	0.260	5.140	43.210	93.440	43.210

Location	Latitude	Longitude	Ground Elevation (meters)	Structure Hgt to Tip (meters)	Antenna Structure Registration No.
67	37-31-51.2 N	086-28-23.9 W	192.0	123.4	1244902

Address: 3690 FALLS OF ROUGH ROAD

City: SHORT CREEK County: GRAYSON State: KY Construction Deadline:

Antenna: 1

Maximum Transmitting ERP in Watts:	140.820							
Azimuth(from true north)	0	45	90	135	180	225	270	315
Antenna Height AAT (meters)	81.800	72.500	68.000	60.600	85.600	82.500	104.300	89.800
Transmitting ERP (watts)	30.940	107.290	83.280	13.820	1.050	0.260	0.310	2.290

Licensee Name: CELLCO PARTNERSHIP

Call Sign: KNKN867

File Number: 0009262184

Print Date:

Location	Latitude	Longitude	Ground Elevation (meters)	Structure Hgt to Tip (meters)	Antenna Structure Registration No.
67	37-31-51.2 N	086-28-23.9 W	192.0	123.4	1244902

Address: 3690 FALLS OF ROUGH ROAD

City: SHORT CREEK County: GRAYSON State: KY Construction Deadline:

Antenna: 2

Maximum Transmitting ERP in Watts:	140.820							
Azimuth(from true north)	0	45	90	135	180	225	270	315
Antenna Height AAT (meters)	81.800	72.500	68.000	60.600	85.600	82.500	104.300	89.800
Transmitting ERP (watts)	0.260	0.310	6.770	55.020	117.640	52.550	6.320	0.320

Antenna: 3

Maximum Transmitting ERP in Watts:	140.820							
Azimuth(from true north)	0	45	90	135	180	225	270	315
Antenna Height AAT (meters)	81.800	72.500	68.000	60.600	85.600	82.500	104.300	89.800
Transmitting ERP (watts)	28.880	2.760	0.260	0.300	0.630	15.510	83.280	107.290

Location	Latitude	Longitude	Ground Elevation (meters)	Structure Hgt to Tip (meters)	Antenna Structure Registration No.
68	37-19-34.6 N	086-57-44.7 W	167.0	83.8	1217201

Address: Western KY Parkway, 256 Pond Run Church Road

City: Beaver Dam County: OHIO State: KY Construction Deadline:

Antenna: 1

Maximum Transmitting ERP in Watts:	140.820							
Azimuth(from true north)	0	45	90	135	180	225	270	315
Antenna Height AAT (meters)	94.000	93.500	89.600	96.400	94.000	100.700	102.100	97.600
Transmitting ERP (watts)	33.930	116.960	90.270	14.390	1.070	0.260	0.340	2.530

Antenna: 2

Maximum Transmitting ERP in Watts:	140.820							
Azimuth(from true north)	0	45	90	135	180	225	270	315
Antenna Height AAT (meters)	94.000	93.500	89.600	96.400	94.000	100.700	102.100	97.600
Transmitting ERP (watts)	3.840	0.260	0.300	0.480	13.100	80.300	122.700	38.140

Antenna: 3

Maximum Transmitting ERP in Watts:	140.820							
Azimuth(from true north)	0	45	90	135	180	225	270	315
Antenna Height AAT (meters)	94.000	93.500	89.600	96.400	94.000	100.700	102.100	97.600
Transmitting ERP (watts)	88.210	8.620	0.340	0.240	0.240	0.240	4.520	78.620

Location	Latitude	Longitude	Ground Elevation (meters)	Structure Hgt to Tip (meters)	Antenna Structure Registration No.
69	37-16-08.2 N	086-40-27.4 W	175.0	77.7	1268018

Address: Welcome, 224 Cook Road

City: Morgantown County: BUTLER State: KY Construction Deadline:

Antenna: 1

Maximum Transmitting ERP in Watts:	140.820							
Azimuth(from true north)	0	45	90	135	180	225	270	315
Antenna Height AAT (meters)	94.800	67.500	90.400	96.600	102.900	98.300	116.100	103.600
Transmitting ERP (watts)	117.640	52.550	6.320	0.320	0.260	0.310	6.770	55.020

Licensee Name: CELLCO PARTNERSHIP

Call Sign: KNKN867

File Number: 0009262184

Print Date:

Location	Latitude	Longitude	Ground Elevation (meters)	Structure Hgt to Tip (meters)	Antenna Structure Registration No.
69	37-16-08.2 N	086-40-27.4 W	175.0	77.7	1268018

Address: Welcome, 224 Cook Road

City: Morgantown County: BUTLER State: KY Construction Deadline:

Antenna: 2

Maximum Transmitting ERP in Watts:	140.820							
Azimuth(from true north)	0	45	90	135	180	225	270	315
Antenna Height AAT (meters)	94.800	67.500	90.400	96.600	102.900	98.300	116.100	103.600
Transmitting ERP (watts)	0.630	15.510	83.280	107.290	28.880	2.760	0.260	0.300

Antenna: 3

Maximum Transmitting ERP in Watts:	140.820							
Azimuth(from true north)	0	45	90	135	180	225	270	315
Antenna Height AAT (meters)	94.800	67.500	90.400	96.600	102.900	98.300	116.100	103.600
Transmitting ERP (watts)	1.050	0.260	0.310	2.290	30.940	107.290	83.280	13.820

Location	Latitude	Longitude	Ground Elevation (meters)	Structure Hgt to Tip (meters)	Antenna Structure Registration No.
70	37-12-05.9 N	087-02-26.4 W	153.0	111.3	1231935

Address: 1317 US HWY 431

City: DRAKESBORO County: MUHLENBERG State: KY Construction Deadline:

Antenna: 1

Maximum Transmitting ERP in Watts:	140.820							
Azimuth(from true north)	0	45	90	135	180	225	270	315
Antenna Height AAT (meters)	106.300	109.400	98.200	89.900	81.000	80.100	89.600	94.400
Transmitting ERP (watts)	102.460	44.990	5.190	0.260	0.210	0.270	5.960	47.110

Antenna: 2

Maximum Transmitting ERP in Watts:	140.820							
Azimuth(from true north)	0	45	90	135	180	225	270	315
Antenna Height AAT (meters)	106.300	109.400	98.200	89.900	81.000	80.100	89.600	94.400
Transmitting ERP (watts)	0.550	13.430	71.710	92.910	24.020	2.250	0.210	0.260

Antenna: 3

Maximum Transmitting ERP in Watts:	140.820							
Azimuth(from true north)	0	45	90	135	180	225	270	315
Antenna Height AAT (meters)	106.300	109.400	98.200	89.900	81.000	80.100	89.600	94.400
Transmitting ERP (watts)	0.850	0.210	0.270	2.010	26.950	92.910	71.710	11.430

Location	Latitude	Longitude	Ground Elevation (meters)	Structure Hgt to Tip (meters)	Antenna Structure Registration No.
71	36-58-34.3 N	086-57-59.8 W	190.2	93.0	1246006

Address: Lewinsburg Downtown, Spa Road

City: LEWISBURG County: LOGAN State: KY Construction Deadline:

Antenna: 1

Maximum Transmitting ERP in Watts:	140.820							
Azimuth(from true north)	0	45	90	135	180	225	270	315
Antenna Height AAT (meters)	107.500	103.300	93.900	90.700	82.900	85.300	84.200	89.200
Transmitting ERP (watts)	100.120	93.440	17.800	1.480	0.260	0.310	1.480	24.580

Licensee Name: CELLCO PARTNERSHIP

Call Sign: KNKN867

File Number: 0009262184

Print Date:

Location	Latitude	Longitude	Ground Elevation (meters)	Structure Hgt to Tip (meters)	Antenna Structure Registration No.
71	36-58-34.3 N	086-57-59.8 W	190.2	93.0	1246006

Address: Lewinsburg Downtown, Spa Road

City: LEWISBURG County: LOGAN State: KY Construction Deadline:

Antenna: 2

Maximum Transmitting ERP in Watts:	140.820							
Azimuth(from true north)	0	45	90	135	180	225	270	315
Antenna Height AAT (meters)	107.500	103.300	93.900	90.700	82.900	85.300	84.200	89.200
Transmitting ERP (watts)	0.300	4.900	45.770	117.640	63.170	8.330	0.490	0.260

Antenna: 3

Maximum Transmitting ERP in Watts:	140.820							
Azimuth(from true north)	0	45	90	135	180	225	270	315
Antenna Height AAT (meters)	107.500	103.300	93.900	90.700	82.900	85.300	84.200	89.200
Transmitting ERP (watts)	2.040	0.260	0.310	0.960	19.520	91.310	100.120	22.420

Location	Latitude	Longitude	Ground Elevation (meters)	Structure Hgt to Tip (meters)	Antenna Structure Registration No.
72	37-02-45.0 N	086-21-53.0 W	167.6	102.7	1046177

Address: Bristow, KY Hwy 526, 5.9 MI (9.5 km) NE of

City: BOWLING GREEN County: WARREN State: KY Construction Deadline:

Antenna: 1

Maximum Transmitting ERP in Watts:	140.820							
Azimuth(from true north)	0	45	90	135	180	225	270	315
Antenna Height AAT (meters)	48.600	42.800	42.800	67.000	66.800	77.800	53.600	55.000
Transmitting ERP (watts)	144.730	63.540	7.340	0.360	0.300	0.380	8.420	66.540

Antenna: 2

Maximum Transmitting ERP in Watts:	140.820							
Azimuth(from true north)	0	45	90	135	180	225	270	315
Antenna Height AAT (meters)	48.600	42.800	42.800	67.000	66.800	77.800	53.600	55.000
Transmitting ERP (watts)	0.640	15.100	82.010	107.710	30.010	2.900	0.300	0.310

Antenna: 3

Maximum Transmitting ERP in Watts:	140.820							
Azimuth(from true north)	0	45	90	135	180	225	270	315
Antenna Height AAT (meters)	48.600	42.800	42.800	67.000	66.800	77.800	53.600	55.000
Transmitting ERP (watts)	1.180	0.300	0.350	2.570	34.720	120.380	93.440	15.510

Location	Latitude	Longitude	Ground Elevation (meters)	Structure Hgt to Tip (meters)	Antenna Structure Registration No.
73	36-48-17.7 N	087-09-29.0 W	195.1	37.0	

Address: Elkton Downtown, Water Tank within the Town of

City: Elkton County: TODD State: KY Construction Deadline:

Antenna: 2

Maximum Transmitting ERP in Watts:	140.820							
Azimuth(from true north)	0	45	90	135	180	225	270	315
Antenna Height AAT (meters)	29.900	29.900	36.400	49.400	47.700	51.300	46.600	29.900
Transmitting ERP (watts)	0.330	0.390	2.890	38.950	135.070	104.850	17.400	1.320

Licensee Name: CELLCO PARTNERSHIP

Call Sign: KNKN867

File Number: 0009262184

Print Date:

Location	Latitude	Longitude	Ground Elevation (meters)	Structure Hgt to Tip (meters)	Antenna Structure Registration No.
73	36-48-17.7 N	087-09-29.0 W	195.1	37.0	

Address: Elkton Downtown, Water Tank within the Town of

City: Elkton County: TODD State: KY Construction Deadline:

Antenna: 3

Maximum Transmitting ERP in Watts:	140.820							
Azimuth(from true north)	0	45	90	135	180	225	270	315
Antenna Height AAT (meters)	29.900	29.900	36.400	49.400	47.700	51.300	46.600	29.900
Transmitting ERP (watts)	186.670	22.440	1.150	0.940	1.100	24.050	195.470	417.910

Antenna: 4

Maximum Transmitting ERP in Watts:	140.820							
Azimuth(from true north)	0	45	90	135	180	225	270	315
Antenna Height AAT (meters)	29.900	29.900	36.400	49.400	47.700	51.300	46.600	29.900
Transmitting ERP (watts)	69.360	324.400	355.700	79.630	7.260	0.940	1.100	3.400

Location	Latitude	Longitude	Ground Elevation (meters)	Structure Hgt to Tip (meters)	Antenna Structure Registration No.
74	36-45-37.5 N	086-43-02.9 W	197.2	77.7	1268208

Address: Middleton, 2514 Neely Road

City: Franklin County: SIMPSON State: KY Construction Deadline:

Antenna: 1

Maximum Transmitting ERP in Watts:	140.820							
Azimuth(from true north)	0	45	90	135	180	225	270	315
Antenna Height AAT (meters)	65.100	67.700	65.900	61.000	73.500	89.900	84.400	76.100
Transmitting ERP (watts)	108.950	99.160	18.570	1.520	0.260	0.340	1.630	26.900

Antenna: 2

Maximum Transmitting ERP in Watts:	140.820							
Azimuth(from true north)	0	45	90	135	180	225	270	315
Antenna Height AAT (meters)	65.100	67.700	65.900	61.000	73.500	89.900	84.400	76.100
Transmitting ERP (watts)	0.340	7.510	59.300	128.990	56.630	6.540	0.320	0.260

Antenna: 3

Maximum Transmitting ERP in Watts:	140.820							
Azimuth(from true north)	0	45	90	135	180	225	270	315
Antenna Height AAT (meters)	65.100	67.700	65.900	61.000	73.500	89.900	84.400	76.100
Transmitting ERP (watts)	6.540	0.320	0.260	0.340	7.510	59.300	128.990	56.630

Location	Latitude	Longitude	Ground Elevation (meters)	Structure Hgt to Tip (meters)	Antenna Structure Registration No.
75	36-44-33.6 N	086-30-05.7 W	209.4	74.7	1057217

Address: Simpson I-65, 680 Phillips Lane

City: Franklin County: SIMPSON State: KY Construction Deadline:

Antenna: 1

Maximum Transmitting ERP in Watts:	140.820							
Azimuth(from true north)	0	45	90	135	180	225	270	315
Antenna Height AAT (meters)	74.500	60.400	58.100	45.300	43.900	54.700	56.900	65.000
Transmitting ERP (watts)	113.860	122.250	26.290	2.360	0.300	0.370	1.180	23.930

Licensee Name: CELLCO PARTNERSHIP

Call Sign: KNKN867

File Number: 0009262184

Print Date:

Location	Latitude	Longitude	Ground Elevation (meters)	Structure Hgt to Tip (meters)	Antenna Structure Registration No.
75	36-44-33.6 N	086-30-05.7 W	209.4	74.7	1057217

Address: Simpson I-65, 680 Phillips Lane

City: Franklin County: SIMPSON State: KY Construction Deadline:

Antenna: 2

Maximum Transmitting ERP in Watts:	140.820							
Azimuth(from true north)	0	45	90	135	180	225	270	315
Antenna Height AAT (meters)	74.500	60.400	58.100	45.300	43.900	54.700	56.900	65.000
Transmitting ERP (watts)	0.430	11.130	78.320	144.460	52.750	5.690	0.300	0.320

Antenna: 3

Maximum Transmitting ERP in Watts:	140.820							
Azimuth(from true north)	0	45	90	135	180	225	270	315
Antenna Height AAT (meters)	74.500	60.400	58.100	45.300	43.900	54.700	56.900	65.000
Transmitting ERP (watts)	0.830	0.300	0.380	4.210	45.850	137.670	88.060	12.510

Location	Latitude	Longitude	Ground Elevation (meters)	Structure Hgt to Tip (meters)	Antenna Structure Registration No.
76	36-41-45.2 N	086-08-55.9 W	299.9	42.7	

Address: Allen Southeast, 7.0 km southeast of

City: Scottsville County: ALLEN State: KY Construction Deadline:

Antenna: 1

Maximum Transmitting ERP in Watts:	140.820							
Azimuth(from true north)	0	45	90	135	180	225	270	315
Antenna Height AAT (meters)	108.900	124.900	127.700	96.400	75.800	97.900	122.100	116.000
Transmitting ERP (watts)	156.880	103.360	17.100	1.570	0.350	3.430	22.970	104.060

Antenna: 2

Maximum Transmitting ERP in Watts:	140.820							
Azimuth(from true north)	0	45	90	135	180	225	270	315
Antenna Height AAT (meters)	108.900	124.900	127.700	96.400	75.800	97.900	122.100	116.000
Transmitting ERP (watts)	6.870	41.440	144.130	164.500	61.780	8.520	0.570	0.770

Antenna: 3

Maximum Transmitting ERP in Watts:	140.820							
Azimuth(from true north)	0	45	90	135	180	225	270	315
Antenna Height AAT (meters)	108.900	124.900	127.700	96.400	75.800	97.900	122.100	116.000
Transmitting ERP (watts)	1.120	0.240	0.870	3.340	18.280	65.860	50.650	9.530

Location	Latitude	Longitude	Ground Elevation (meters)	Structure Hgt to Tip (meters)	Antenna Structure Registration No.
77	37-41-44.8 N	086-25-06.2 W	210.6	77.7	1262107

Address: Kingswood, 1065 Stinnett-Taul Lane

City: Harned County: BRECKINRIDGE State: KY Construction Deadline:

Antenna: 1

Maximum Transmitting ERP in Watts:	140.820							
Azimuth(from true north)	0	45	90	135	180	225	270	315
Antenna Height AAT (meters)	78.900	76.900	78.500	81.600	105.100	108.200	91.500	108.400
Transmitting ERP (watts)	6.770	55.020	117.640	52.550	6.320	0.320	0.260	0.310

Licensee Name: CELLCO PARTNERSHIP

Call Sign: KNKN867

File Number: 0009262184

Print Date:

Location	Latitude	Longitude	Ground Elevation (meters)	Structure Hgt to Tip (meters)	Antenna Structure Registration No.
77	37-41-44.8 N	086-25-06.2 W	210.6	77.7	1262107

Address: Kingswood, 1065 Stinnett-Taul Lane

City: Harned County: BRECKINRIDGE State: KY Construction Deadline:

Antenna: 2

Maximum Transmitting ERP in Watts:	140.820							
Azimuth(from true north)	0	45	90	135	180	225	270	315
Antenna Height AAT (meters)	78.900	76.900	78.500	81.600	105.100	108.200	91.500	108.400
Transmitting ERP (watts)	0.260	0.300	3.390	38.070	112.340	72.530	10.730	0.730

Antenna: 3

Maximum Transmitting ERP in Watts:	140.820							
Azimuth(from true north)	0	45	90	135	180	225	270	315
Antenna Height AAT (meters)	78.900	76.900	78.500	81.600	105.100	108.200	91.500	108.400
Transmitting ERP (watts)	112.340	35.530	3.720	0.260	0.290	0.450	12.040	74.220

Location	Latitude	Longitude	Ground Elevation (meters)	Structure Hgt to Tip (meters)	Antenna Structure Registration No.
78	36-54-24.5 N	086-19-35.4 W	172.8	77.7	1275463

Address: Claypool, 2818 Alvaton-Greenhill Road

City: Bowling Green County: WARREN State: KY Construction Deadline:

Antenna: 1

Maximum Transmitting ERP in Watts:	140.820							
Azimuth(from true north)	0	45	90	135	180	225	270	315
Antenna Height AAT (meters)	82.200	76.200	79.200	52.800	60.600	78.000	69.500	86.500
Transmitting ERP (watts)	18.240	82.650	124.610	82.100	13.580	1.250	0.280	2.730

Antenna: 2

Maximum Transmitting ERP in Watts:	140.820							
Azimuth(from true north)	0	45	90	135	180	225	270	315
Antenna Height AAT (meters)	82.200	76.200	79.200	52.800	60.600	78.000	69.500	86.500
Transmitting ERP (watts)	0.450	0.620	5.460	32.920	114.480	130.660	49.070	6.770

Antenna: 3

Maximum Transmitting ERP in Watts:	140.820							
Azimuth(from true north)	0	45	90	135	180	225	270	315
Antenna Height AAT (meters)	82.200	76.200	79.200	52.800	60.600	78.000	69.500	86.500
Transmitting ERP (watts)	112.910	27.380	2.950	0.270	1.500	8.200	53.810	130.660

Location	Latitude	Longitude	Ground Elevation (meters)	Structure Hgt to Tip (meters)	Antenna Structure Registration No.
79	37-54-07.2 N	086-31-56.1 W	185.9	30.3	

Address: 1.0 km SSW of

City: Stephensports County: BRECKINRIDGE State: KY Construction Deadline:

Antenna: 1

Maximum Transmitting ERP in Watts:	140.820							
Azimuth(from true north)	0	45	90	135	180	225	270	315
Antenna Height AAT (meters)	69.900	29.900	49.700	43.700	40.700	48.900	79.700	37.400
Transmitting ERP (watts)	20.210	136.640	63.910	3.510	0.310	0.310	0.310	0.340

Licensee Name: CELLCO PARTNERSHIP

Call Sign: KNKN867

File Number: 0009262184

Print Date:

Location	Latitude	Longitude	Ground Elevation (meters)	Structure Hgt to Tip (meters)	Antenna Structure Registration No.
79	37-54-07.2 N	086-31-56.1 W	185.9	30.3	

Address: 1.0 km SSW of

City: Stephensports County: BRECKINRIDGE State: KY Construction Deadline:

Antenna: 2

Maximum Transmitting ERP in Watts:	140.820							
Azimuth(from true north)	0	45	90	135	180	225	270	315
Antenna Height AAT (meters)	69.900	29.900	49.700	43.700	40.700	48.900	79.700	37.400
Transmitting ERP (watts)	0.310	0.310	3.510	82.330	124.620	15.330	0.570	0.310

Antenna: 3

Maximum Transmitting ERP in Watts:	140.820							
Azimuth(from true north)	0	45	90	135	180	225	270	315
Antenna Height AAT (meters)	69.900	29.900	49.700	43.700	40.700	48.900	79.700	37.400
Transmitting ERP (watts)	5.190	0.310	0.310	0.310	0.310	13.660	127.520	78.630

Location	Latitude	Longitude	Ground Elevation (meters)	Structure Hgt to Tip (meters)	Antenna Structure Registration No.
80	37-42-39.3 N	086-31-34.6 W	218.5	77.7	1272916

Address: 245 Dejarnette Lane

City: McQuady County: BRECKINRIDGE State: KY Construction Deadline:

Antenna: 1

Maximum Transmitting ERP in Watts:	140.820							
Azimuth(from true north)	0	45	90	135	180	225	270	315
Antenna Height AAT (meters)	122.000	93.600	90.700	109.100	120.100	106.500	93.000	113.900
Transmitting ERP (watts)	128.360	93.210	17.180	1.520	0.270	1.720	14.250	71.470

Antenna: 2

Maximum Transmitting ERP in Watts:	140.820							
Azimuth(from true north)	0	45	90	135	180	225	270	315
Antenna Height AAT (meters)	122.000	93.600	90.700	109.100	120.100	106.500	93.000	113.900
Transmitting ERP (watts)	4.860	26.750	105.570	130.690	59.850	9.030	0.640	0.460

Antenna: 3

Maximum Transmitting ERP in Watts:	140.820							
Azimuth(from true north)	0	45	90	135	180	225	270	315
Antenna Height AAT (meters)	122.000	93.600	90.700	109.100	120.100	106.500	93.000	113.900
Transmitting ERP (watts)	3.780	0.270	1.280	5.690	46.750	127.920	120.460	33.780

Location	Latitude	Longitude	Ground Elevation (meters)	Structure Hgt to Tip (meters)	Antenna Structure Registration No.
81	37-29-16.7 N	086-16-14.7 W	231.6	44.2	

Address: Leitchfield WT, 1.5 km East of

City: Leitchfield County: GRAYSON State: KY Construction Deadline:

Antenna: 1

Maximum Transmitting ERP in Watts:	140.820							
Azimuth(from true north)	0	45	90	135	180	225	270	315
Antenna Height AAT (meters)	84.200	71.900	49.000	65.200	69.200	59.900	55.400	68.100
Transmitting ERP (watts)	127.520	78.630	5.190	0.310	0.310	0.310	0.310	13.660

Licensee Name: CELLCO PARTNERSHIP

Call Sign: KNKN867

File Number: 0009262184

Print Date:

Location	Latitude	Longitude	Ground Elevation (meters)	Structure Hgt to Tip (meters)	Antenna Structure Registration No.
81	37-29-16.7 N	086-16-14.7 W	231.6	44.2	

Address: Leitchfield WT, 1.5 km East of

City: Leitchfield County: GRAYSON State: KY Construction Deadline:

Antenna: 2

Maximum Transmitting ERP in Watts:	140.820							
Azimuth(from true north)	0	45	90	135	180	225	270	315
Antenna Height AAT (meters)	84.200	71.900	49.000	65.200	69.200	59.900	55.400	68.100
Transmitting ERP (watts)	0.310	0.790	40.320	146.410	38.510	1.570	0.310	0.310

Antenna: 3

Maximum Transmitting ERP in Watts:	140.820							
Azimuth(from true north)	0	45	90	135	180	225	270	315
Antenna Height AAT (meters)	84.200	71.900	49.000	65.200	69.200	59.900	55.400	68.100
Transmitting ERP (watts)	0.570	0.310	0.310	0.310	3.510	82.330	124.620	15.330

Location	Latitude	Longitude	Ground Elevation (meters)	Structure Hgt to Tip (meters)	Antenna Structure Registration No.
82	37-12-13.0 N	086-52-35.7 W	161.2	77.7	1263383

Address: 354 New Cut Road North

City: Rochester County: BUTLER State: KY Construction Deadline:

Antenna: 1

Maximum Transmitting ERP in Watts:	140.820							
Azimuth(from true north)	0	45	90	135	180	225	270	315
Antenna Height AAT (meters)	92.200	104.300	79.800	74.100	80.300	95.900	89.700	112.900
Transmitting ERP (watts)	63.170	117.640	43.710	4.900	0.260	0.280	0.350	9.130

Antenna: 2

Maximum Transmitting ERP in Watts:	140.820							
Azimuth(from true north)	0	45	90	135	180	225	270	315
Antenna Height AAT (meters)	92.200	104.300	79.800	74.100	80.300	95.900	89.700	112.900
Transmitting ERP (watts)	0.310	0.960	19.520	91.310	100.120	22.420	2.040	0.260

Antenna: 3

Maximum Transmitting ERP in Watts:	140.820							
Azimuth(from true north)	0	45	90	135	180	225	270	315
Antenna Height AAT (meters)	92.200	104.300	79.800	74.100	80.300	95.900	89.700	112.900
Transmitting ERP (watts)	10.730	0.730	0.260	0.300	3.390	38.070	112.340	72.530

Location	Latitude	Longitude	Ground Elevation (meters)	Structure Hgt to Tip (meters)	Antenna Structure Registration No.
83	36-45-39.5 N	086-51-51.6 W	186.6	77.7	1256442

Address: Logan South, 75 Hall Store Road

City: Russellville County: LOGAN State: KY Construction Deadline:

Antenna: 1

Maximum Transmitting ERP in Watts:	140.820							
Azimuth(from true north)	0	45	90	135	180	225	270	315
Antenna Height AAT (meters)	70.500	51.300	69.000	75.700	80.000	87.100	81.800	59.200
Transmitting ERP (watts)	128.990	56.630	6.540	0.320	0.260	0.340	7.510	59.300

Licensee Name: CELLCO PARTNERSHIP

Call Sign: KNKN867

File Number: 0009262184

Print Date:

Location	Latitude	Longitude	Ground Elevation (meters)	Structure Hgt to Tip (meters)	Antenna Structure Registration No.
83	36-45-39.5 N	086-51-51.6 W	186.6	77.7	1256442

Address: Logan South, 75 Hall Store Road

City: Russellville County: LOGAN State: KY Construction Deadline:

Antenna: 2

Maximum Transmitting ERP in Watts:	140.820							
Azimuth(from true north)	0	45	90	135	180	225	270	315
Antenna Height AAT (meters)	70.500	51.300	69.000	75.700	80.000	87.100	81.800	59.200
Transmitting ERP (watts)	0.340	2.530	33.930	116.960	90.270	14.390	1.070	0.260

Antenna: 3

Maximum Transmitting ERP in Watts:	140.820							
Azimuth(from true north)	0	45	90	135	180	225	270	315
Antenna Height AAT (meters)	70.500	51.300	69.000	75.700	80.000	87.100	81.800	59.200
Transmitting ERP (watts)	3.840	0.260	0.300	0.480	13.100	80.300	122.700	38.140

Location	Latitude	Longitude	Ground Elevation (meters)	Structure Hgt to Tip (meters)	Antenna Structure Registration No.
84	36-58-47.9 N	086-23-20.0 W	155.1	56.4	1241356

Address: Bowling Green Cemetery Road, 3700 Cumberland Trace Cell

City: Bowling Green County: WARREN State: KY Construction Deadline:

Antenna: 1

Maximum Transmitting ERP in Watts:	140.820							
Azimuth(from true north)	0	45	90	135	180	225	270	315
Antenna Height AAT (meters)	29.900	35.000	33.800	29.900	39.200	29.900	29.900	54.700
Transmitting ERP (watts)	129.890	61.320	3.430	0.310	0.310	0.310	0.450	18.690

Antenna: 2

Maximum Transmitting ERP in Watts:	140.820							
Azimuth(from true north)	0	45	90	135	180	225	270	315
Antenna Height AAT (meters)	29.900	35.000	33.800	29.900	39.200	29.900	29.900	54.700
Transmitting ERP (watts)	0.310	3.260	77.190	119.560	14.880	0.420	0.310	0.310

Antenna: 3

Maximum Transmitting ERP in Watts:	140.820							
Azimuth(from true north)	0	45	90	135	180	225	270	315
Antenna Height AAT (meters)	29.900	35.000	33.800	29.900	39.200	29.900	29.900	54.700
Transmitting ERP (watts)	0.310	0.310	0.310	0.570	26.700	136.640	48.150	2.270

Location	Latitude	Longitude	Ground Elevation (meters)	Structure Hgt to Tip (meters)	Antenna Structure Registration No.
85	36-53-34.0 N	086-24-38.0 W	184.4	46.7	

Address: Plano Water Tank, 9.0 SSE of

City: Bowling Green County: WARREN State: KY Construction Deadline:

Antenna: 1

Maximum Transmitting ERP in Watts:	140.820							
Azimuth(from true north)	0	45	90	135	180	225	270	315
Antenna Height AAT (meters)	61.200	49.800	45.800	33.400	35.100	33.600	34.800	46.200
Transmitting ERP (watts)	1.340	39.400	76.830	11.900	0.480	0.240	0.240	0.240

Licensee Name: CELLCO PARTNERSHIP

Call Sign: KNKN867

File Number: 0009262184

Print Date:

Location	Latitude	Longitude	Ground Elevation (meters)	Structure Hgt to Tip (meters)	Antenna Structure Registration No.
85	36-53-34.0 N	086-24-38.0 W	184.4	46.7	

Address: Plano Water Tank, 9.0 SSE of

City: Bowling Green County: WARREN State: KY Construction Deadline:

Antenna: 2

Maximum Transmitting ERP in Watts:	140.820							
Azimuth(from true north)	0	45	90	135	180	225	270	315
Antenna Height AAT (meters)	61.200	49.800	45.800	33.400	35.100	33.600	34.800	46.200
Transmitting ERP (watts)	0.240	0.240	0.240	5.320	66.920	53.150	4.220	0.240

Antenna: 3

Maximum Transmitting ERP in Watts:	140.820							
Azimuth(from true north)	0	45	90	135	180	225	270	315
Antenna Height AAT (meters)	61.200	49.800	45.800	33.400	35.100	33.600	34.800	46.200
Transmitting ERP (watts)	28.550	1.400	0.240	0.240	0.240	0.370	16.810	84.240

Location	Latitude	Longitude	Ground Elevation (meters)	Structure Hgt to Tip (meters)	Antenna Structure Registration No.
86	36-53-16.1 N	086-30-48.3 W	183.8	60.6	

Address: Richpond, 608 Skeek Road

City: Bowling Green County: WARREN State: KY Construction Deadline:

Antenna: 1

Maximum Transmitting ERP in Watts:	140.820							
Azimuth(from true north)	0	45	90	135	180	225	270	315
Antenna Height AAT (meters)	69.900	78.100	67.600	58.700	47.300	43.600	56.900	73.400
Transmitting ERP (watts)	87.200	42.220	5.380	0.310	0.260	0.260	4.790	40.320

Antenna: 2

Maximum Transmitting ERP in Watts:	140.820							
Azimuth(from true north)	0	45	90	135	180	225	270	315
Antenna Height AAT (meters)	69.900	78.100	67.600	58.700	47.300	43.600	56.900	73.400
Transmitting ERP (watts)	1.480	24.580	100.120	93.440	17.800	1.480	0.260	0.310

Antenna: 3

Maximum Transmitting ERP in Watts:	140.820							
Azimuth(from true north)	0	45	90	135	180	225	270	315
Antenna Height AAT (meters)	69.900	78.100	67.600	58.700	47.300	43.600	56.900	73.400
Transmitting ERP (watts)	0.490	0.260	0.300	4.900	45.770	117.640	63.170	8.330

Location	Latitude	Longitude	Ground Elevation (meters)	Structure Hgt to Tip (meters)	Antenna Structure Registration No.
87	36-44-23.3 N	086-34-22.4 W	211.2	93.6	1007990

Address: Franklin Downtown, Ogles Road (Franklin #9142)

City: Franklin County: SIMPSON State: KY Construction Deadline:

Antenna: 1

Maximum Transmitting ERP in Watts:	140.820							
Azimuth(from true north)	0	45	90	135	180	225	270	315
Antenna Height AAT (meters)	82.400	91.500	77.000	60.200	57.000	65.400	75.500	64.400
Transmitting ERP (watts)	1.890	59.640	119.000	18.430	0.750	0.270	0.270	0.270

Licensee Name: CELLCO PARTNERSHIP

Call Sign: KNKN867

File Number: 0009262184

Print Date:

Location	Latitude	Longitude	Ground Elevation (meters)	Structure Hgt to Tip (meters)	Antenna Structure Registration No.
87	36-44-23.3 N	086-34-22.4 W	211.2	93.6	1007990

Address: Franklin Downtown, Ogles Road (Franklin #9142)

City: Franklin County: SIMPSON State: KY Construction Deadline:

Antenna: 2

Maximum Transmitting ERP in Watts:	140.820							
Azimuth(from true north)	0	45	90	135	180	225	270	315
Antenna Height AAT (meters)	82.400	91.500	77.000	60.200	57.000	65.400	75.500	64.400
Transmitting ERP (watts)	0.270	0.270	0.270	8.050	101.290	84.250	6.540	0.310

Antenna: 3

Maximum Transmitting ERP in Watts:	140.820							
Azimuth(from true north)	0	45	90	135	180	225	270	315
Antenna Height AAT (meters)	82.400	91.500	77.000	60.200	57.000	65.400	75.500	64.400
Transmitting ERP (watts)	44.210	2.120	0.270	0.270	0.270	0.400	25.440	127.510

Location	Latitude	Longitude	Ground Elevation (meters)	Structure Hgt to Tip (meters)	Antenna Structure Registration No.
88	36-50-51.7 N	086-46-11.1 W	198.4	82.3	1237175

Address: Rockcastle, 1365 Echo Valley Road

City: Auburn County: LOGAN State: KY Construction Deadline:

Antenna: 1

Maximum Transmitting ERP in Watts:	140.820							
Azimuth(from true north)	0	45	90	135	180	225	270	315
Antenna Height AAT (meters)	64.000	66.400	63.200	58.100	74.800	70.400	71.300	75.200
Transmitting ERP (watts)	122.700	78.480	11.150	0.740	0.260	0.340	3.750	40.860

Antenna: 2

Maximum Transmitting ERP in Watts:	140.820							
Azimuth(from true north)	0	45	90	135	180	225	270	315
Antenna Height AAT (meters)	64.000	66.400	63.200	58.100	74.800	70.400	71.300	75.200
Transmitting ERP (watts)	0.380	9.920	69.800	128.750	47.020	5.070	0.260	0.280

Antenna: 3

Maximum Transmitting ERP in Watts:	140.820							
Azimuth(from true north)	0	45	90	135	180	225	270	315
Antenna Height AAT (meters)	64.000	66.400	63.200	58.100	74.800	70.400	71.300	75.200
Transmitting ERP (watts)	2.100	0.260	0.330	1.050	21.320	101.470	108.950	23.430

Location	Latitude	Longitude	Ground Elevation (meters)	Structure Hgt to Tip (meters)	Antenna Structure Registration No.
89	37-25-24.5 N	086-24-14.9 W	197.8	83.8	1217214

Address: Millwood, 1006 Pleasant View Road

City: Millwood County: GRAYSON State: KY Construction Deadline:

Antenna: 1

Maximum Transmitting ERP in Watts:	140.820							
Azimuth(from true north)	0	45	90	135	180	225	270	315
Antenna Height AAT (meters)	62.400	41.800	60.100	71.500	58.400	67.600	87.100	76.500
Transmitting ERP (watts)	39.870	122.420	126.750	40.620	4.930	0.330	0.900	5.470

Licensee Name: CELLCO PARTNERSHIP

Call Sign: KNKN867

File Number: 0009262184

Print Date:

Location	Latitude	Longitude	Ground Elevation (meters)	Structure Hgt to Tip (meters)	Antenna Structure Registration No.
89	37-25-24.5 N	086-24-14.9 W	197.8	83.8	1217214

Address: Millwood, 1006 Pleasant View Road

City: Millwood County: GRAYSON State: KY Construction Deadline:

Antenna: 2

Maximum Transmitting ERP in Watts:	140.820							
Azimuth(from true north)	0	45	90	135	180	225	270	315
Antenna Height AAT (meters)	62.400	41.800	60.100	71.500	58.400	67.600	87.100	76.500
Transmitting ERP (watts)	0.890	0.350	3.940	22.290	94.500	128.360	70.660	11.140

Antenna: 3

Maximum Transmitting ERP in Watts:	140.820							
Azimuth(from true north)	0	45	90	135	180	225	270	315
Antenna Height AAT (meters)	62.400	41.800	60.100	71.500	58.400	67.600	87.100	76.500
Transmitting ERP (watts)	103.880	21.640	2.140	0.270	1.490	11.530	61.810	130.990

Location	Latitude	Longitude	Ground Elevation (meters)	Structure Hgt to Tip (meters)	Antenna Structure Registration No.
90	37-17-38.2 N	086-44-29.7 W	129.8	83.8	1217204

Address: Natcher Parkway, 1 C. Beck Rd.

City: Morgantown County: BUTLER State: KY Construction Deadline:

Antenna: 1

Maximum Transmitting ERP in Watts:	140.820							
Azimuth(from true north)	0	45	90	135	180	225	270	315
Antenna Height AAT (meters)	37.600	36.200	41.100	50.200	36.800	52.200	53.300	52.700
Transmitting ERP (watts)	7.510	59.300	128.990	56.630	6.540	0.320	0.260	0.340

Antenna: 2

Maximum Transmitting ERP in Watts:	140.820							
Azimuth(from true north)	0	45	90	135	180	225	270	315
Antenna Height AAT (meters)	37.600	36.200	41.100	50.200	36.800	52.200	53.300	52.700
Transmitting ERP (watts)	0.260	0.340	3.750	40.860	122.700	78.480	11.150	0.740

Antenna: 3

Maximum Transmitting ERP in Watts:	140.820							
Azimuth(from true north)	0	45	90	135	180	225	270	315
Antenna Height AAT (meters)	37.600	36.200	41.100	50.200	36.800	52.200	53.300	52.700
Transmitting ERP (watts)	122.700	38.140	3.840	0.260	0.300	0.480	13.100	30.300

Location	Latitude	Longitude	Ground Elevation (meters)	Structure Hgt to Tip (meters)	Antenna Structure Registration No.
91	37-10-17.8 N	086-46-48.7 W	157.3	90.0	1273826

Address: South Hill, 231 Freeman Staples Road

City: Morgantown County: BUTLER State: KY Construction Deadline:

Antenna: 1

Maximum Transmitting ERP in Watts:	140.820							
Azimuth(from true north)	0	45	90	135	180	225	270	315
Antenna Height AAT (meters)	114.500	84.600	81.200	73.600	93.700	70.900	96.300	102.200
Transmitting ERP (watts)	71.470	128.360	93.210	17.180	1.520	0.270	1.720	14.250

Licensee Name: CELLCO PARTNERSHIP

Call Sign: KNKN867

File Number: 0009262184

Print Date:

Location	Latitude	Longitude	Ground Elevation (meters)	Structure Hgt to Tip (meters)	Antenna Structure Registration No.
91	37-10-17.8 N	086-46-48.7 W	157.3	90.0	1273826

Address: South Hill, 231 Freeman Staples Road

City: Morgantown County: BUTLER State: KY Construction Deadline:

Antenna: 2

Maximum Transmitting ERP in Watts:	140.820							
Azimuth(from true north)	0	45	90	135	180	225	270	315
Antenna Height AAT (meters)	114.500	84.600	81.200	73.600	93.700	70.900	96.300	102.200
Transmitting ERP (watts)	0.620	5.460	32.920	114.480	130.660	49.070	6.770	0.450

Antenna: 3

Maximum Transmitting ERP in Watts:	140.820							
Azimuth(from true north)	0	45	90	135	180	225	270	315
Antenna Height AAT (meters)	114.500	84.600	81.200	73.600	93.700	70.900	96.300	102.200
Transmitting ERP (watts)	21.640	2.140	0.270	1.490	11.530	61.810	130.990	103.880

Location	Latitude	Longitude	Ground Elevation (meters)	Structure Hgt to Tip (meters)	Antenna Structure Registration No.
92	36-57-07.6 N	086-47-36.4 W	210.0	77.7	1261473

Address: Chandler, 8773 Morgantown Road

City: Russellville County: LOGAN State: KY Construction Deadline:

Antenna: 1

Maximum Transmitting ERP in Watts:	140.820							
Azimuth(from true north)	0	45	90	135	180	225	270	315
Antenna Height AAT (meters)	122.500	88.200	98.600	86.200	75.500	96.400	126.200	114.800
Transmitting ERP (watts)	122.700	78.480	11.150	0.740	0.260	0.340	3.750	40.860

Antenna: 2

Maximum Transmitting ERP in Watts:	140.820							
Azimuth(from true north)	0	45	90	135	180	225	270	315
Antenna Height AAT (meters)	122.500	88.200	98.600	86.200	75.500	96.400	126.200	114.800
Transmitting ERP (watts)	0.480	13.100	80.300	122.700	38.140	3.840	0.260	0.300

Antenna: 3

Maximum Transmitting ERP in Watts:	140.820							
Azimuth(from true north)	0	45	90	135	180	225	270	315
Antenna Height AAT (meters)	122.500	88.200	98.600	86.200	75.500	96.400	126.200	114.800
Transmitting ERP (watts)	0.500	0.260	0.330	5.430	50.380	128.750	66.660	8.640

Location	Latitude	Longitude	Ground Elevation (meters)	Structure Hgt to Tip (meters)	Antenna Structure Registration No.
93	37-03-12.4 N	086-44-45.3 W	184.4	77.7	1273825

Address: Davis Crossroads, 63 Fire Station Lane

City: Morgantown County: BUTLER State: KY Construction Deadline:

Antenna: 1

Maximum Transmitting ERP in Watts:	140.820							
Azimuth(from true north)	0	45	90	135	180	225	270	315
Antenna Height AAT (meters)	90.300	104.500	88.100	79.900	67.600	85.300	105.100	96.800
Transmitting ERP (watts)	94.500	128.360	70.660	11.140	0.890	0.350	3.940	22.290

Licensee Name: CELLCO PARTNERSHIP

Call Sign: KNKN867

File Number: 0009262184

Print Date:

Location	Latitude	Longitude	Ground Elevation (meters)	Structure Hgt to Tip (meters)	Antenna Structure Registration No.
93	37-03-12.4 N	086-44-45.3 W	184.4	77.7	1273825

Address: Davis Crossroads, 63 Fire Station Lane

City: Morgantown County: BUTLER State: KY Construction Deadline:

Antenna: 2

Maximum Transmitting ERP in Watts:	140.820							
Azimuth(from true north)	0	45	90	135	180	225	270	315
Antenna Height AAT (meters)	90.300	104.500	88.100	79.900	67.600	85.300	105.100	96.800
Transmitting ERP (watts)	0.350	3.940	22.290	94.500	128.360	70.660	11.140	0.890

Antenna: 3

Maximum Transmitting ERP in Watts:	140.820							
Azimuth(from true north)	0	45	90	135	180	225	270	315
Antenna Height AAT (meters)	90.300	104.500	88.100	79.900	67.600	85.300	105.100	96.800
Transmitting ERP (watts)	17.180	1.520	0.270	1.720	14.250	71.470	128.360	93.210

Location	Latitude	Longitude	Ground Elevation (meters)	Structure Hgt to Tip (meters)	Antenna Structure Registration No.
94	36-49-14.6 N	087-02-42.8 W	198.7	77.7	1261471

Address: Daysville, 1270 Daysville Road

City: Russellville County: LOGAN State: KY Construction Deadline:

Antenna: 1

Maximum Transmitting ERP in Watts:	140.820							
Azimuth(from true north)	0	45	90	135	180	225	270	315
Antenna Height AAT (meters)	80.600	79.200	75.600	95.700	90.500	86.800	61.000	55.000
Transmitting ERP (watts)	2.290	30.940	107.290	83.280	13.820	1.050	0.260	0.310

Antenna: 2

Maximum Transmitting ERP in Watts:	140.820							
Azimuth(from true north)	0	45	90	135	180	225	270	315
Antenna Height AAT (meters)	80.600	79.200	75.600	95.700	90.500	86.800	61.000	55.000
Transmitting ERP (watts)	0.490	0.260	0.300	4.900	45.770	117.640	63.170	8.330

Antenna: 3

Maximum Transmitting ERP in Watts:	140.820							
Azimuth(from true north)	0	45	90	135	180	225	270	315
Antenna Height AAT (meters)	80.600	79.200	75.600	95.700	90.500	86.800	61.000	55.000
Transmitting ERP (watts)	112.340	35.530	3.720	0.260	0.290	0.450	12.040	74.220

Location	Latitude	Longitude	Ground Elevation (meters)	Structure Hgt to Tip (meters)	Antenna Structure Registration No.
95	36-41-25.9 N	086-04-02.1 W	237.1	77.7	1278967

Address: Holland, 359 Lafayette Road

City: Scottsville County: ALLEN State: KY Construction Deadline:

Antenna: 1

Maximum Transmitting ERP in Watts:	140.820							
Azimuth(from true north)	0	45	90	135	180	225	270	315
Antenna Height AAT (meters)	114.100	88.200	100.700	73.600	49.300	69.400	81.800	87.800
Transmitting ERP (watts)	12.260	67.850	91.320	22.470	1.930	0.240	0.240	1.460

Licensee Name: CELLCO PARTNERSHIP

Call Sign: KNKN867

File Number: 0009262184

Print Date:

Location	Latitude	Longitude	Ground Elevation (meters)	Structure Hgt to Tip (meters)	Antenna Structure Registration No.
95	36-41-25.9 N	086-04-02.1 W	237.1	77.7	1278967

Address: Holland, 359 Lafayette Road

City: Scottsville County: ALLEN State: KY Construction Deadline:

Antenna: 2

Maximum Transmitting ERP in Watts:	140.820							
Azimuth(from true north)	0	45	90	135	180	225	270	315
Antenna Height AAT (meters)	114.100	88.200	100.700	73.600	49.300	69.400	81.800	87.800
Transmitting ERP (watts)	0.230	1.100	4.900	40.250	110.140	103.720	29.080	3.250

Antenna: 3

Maximum Transmitting ERP in Watts:	140.820							
Azimuth(from true north)	0	45	90	135	180	225	270	315
Antenna Height AAT (meters)	114.100	88.200	100.700	73.600	49.300	69.400	81.800	87.800
Transmitting ERP (watts)	93.210	17.180	1.520	0.270	1.720	14.250	71.470	128.360

Location	Latitude	Longitude	Ground Elevation (meters)	Structure Hgt to Tip (meters)	Antenna Structure Registration No.
96	36-59-23.5 N	086-28-21.6 W	146.6	76.2	1277050

Address: Lampkin Park, Behind Dept of Hwys Dist. Office on Old Morgantown Rd. off Hwy 231

City: Bowling Green County: WARREN State: KY Construction Deadline:

Antenna: 1

Maximum Transmitting ERP in Watts:	140.820							
Azimuth(from true north)	0	45	90	135	180	225	270	315
Antenna Height AAT (meters)	30.300	29.900	37.300	29.900	29.900	29.900	29.900	29.900
Transmitting ERP (watts)	111.310	29.890	1.180	0.240	0.240	0.240	0.710	29.750

Antenna: 2

Maximum Transmitting ERP in Watts:	140.820							
Azimuth(from true north)	0	45	90	135	180	225	270	315
Antenna Height AAT (meters)	30.300	29.900	37.300	29.900	29.900	29.900	29.900	29.900
Transmitting ERP (watts)	0.240	2.330	51.180	79.740	9.900	0.320	0.240	0.240

Antenna: 3

Maximum Transmitting ERP in Watts:	140.820							
Azimuth(from true north)	0	45	90	135	180	225	270	315
Antenna Height AAT (meters)	30.300	29.900	37.300	29.900	29.900	29.900	29.900	29.900
Transmitting ERP (watts)	0.240	0.240	0.240	0.280	10.010	96.730	60.750	3.910

Location	Latitude	Longitude	Ground Elevation (meters)	Structure Hgt to Tip (meters)	Antenna Structure Registration No.
97	37-25-27.1 N	086-13-46.7 W	252.1	41.1	1280487

Address: Johnson Crossroads, 2601 St. Augustine Road

City: Clarkson County: GRAYSON State: KY Construction Deadline:

Antenna: 1

Maximum Transmitting ERP in Watts:	140.820							
Azimuth(from true north)	0	45	90	135	180	225	270	315
Antenna Height AAT (meters)	97.900	73.900	78.500	96.700	106.000	108.500	99.600	95.600
Transmitting ERP (watts)	157.100	105.670	17.850	1.800	0.480	4.050	25.570	109.870

Licensee Name: CELLCO PARTNERSHIP

Call Sign: KNKN867

File Number: 0009262184

Print Date:

Location	Latitude	Longitude	Ground Elevation (meters)	Structure Hgt to Tip (meters)	Antenna Structure Registration No.
97	37-25-27.1 N	086-13-46.7 W	252.1	41.1	1280487

Address: Johnson Crossroads, 2601 St. Augustine Road

City: Clarkson County: GRAYSON State: KY Construction Deadline:

Antenna: 2

Maximum Transmitting ERP in Watts:	140.820							
Azimuth(from true north)	0	45	90	135	180	225	270	315
Antenna Height AAT (meters)	97.900	73.900	78.500	96.700	106.000	108.500	99.600	95.600
Transmitting ERP (watts)	7.940	44.270	150.440	165.870	63.900	9.040	0.700	1.050

Antenna: 3

Maximum Transmitting ERP in Watts:	140.820							
Azimuth(from true north)	0	45	90	135	180	225	270	315
Antenna Height AAT (meters)	97.900	73.900	78.500	96.700	106.000	108.500	99.600	95.600
Transmitting ERP (watts)	4.030	0.340	2.430	11.890	72.190	167.790	144.670	35.900

Location	Latitude	Longitude	Ground Elevation (meters)	Structure Hgt to Tip (meters)	Antenna Structure Registration No.
98	37-54-31.9 N	085-59-25.9 W	236.2	35.0	

Address: Fort Knox IV, 5800 Block of Adams Street

City: Fort Knox County: MEADE State: KY Construction Deadline:

Antenna: 1

Maximum Transmitting ERP in Watts:	140.820							
Azimuth(from true north)	0	45	90	135	180	225	270	315
Antenna Height AAT (meters)	94.000	74.300	90.800	60.900	57.100	53.800	55.700	114.300
Transmitting ERP (watts)	36.310	138.730	165.910	77.210	12.030	0.950	0.820	6.980

Antenna: 2

Maximum Transmitting ERP in Watts:	140.820							
Azimuth(from true north)	0	45	90	135	180	225	270	315
Antenna Height AAT (meters)	94.000	74.300	90.800	60.900	57.100	53.800	55.700	114.300
Transmitting ERP (watts)	1.300	0.640	5.680	30.740	124.760	162.210	90.940	14.810

Antenna: 3

Maximum Transmitting ERP in Watts:	140.820							
Azimuth(from true north)	0	45	90	135	180	225	270	315
Antenna Height AAT (meters)	94.000	74.300	90.800	60.900	57.100	53.800	55.700	114.300
Transmitting ERP (watts)	117.350	21.640	1.920	0.340	2.170	17.950	89.980	161.610

Control Points:

Control Pt. No. 1

Address: 216 W LINCOLN TRAIL

City: RADCLIFF County: State: KY Telephone Number:

Waivers/Conditions:

NONE

REFERENCE COPY

This is not an official FCC license. It is a record of public information contained in the FCC's licensing database on the date that this reference copy was generated. In cases where FCC rules require the presentation, posting, or display of an FCC license, this document may not be used in place of an official FCC license.



Federal Communications Commission
Wireless Telecommunications Bureau

RADIO STATION AUTHORIZATION

LICENSEE: CELLCO PARTNERSHIP

ATTN: REGULATORY
CELLCO PARTNERSHIP
5055 NORTH POINT PKWY, NP2NE ENGINEERING
ALPHARETTA, GA 30022

Table with 2 columns: Call Sign (WPZV473), File Number (0009262040), and Radio Service (CW - PCS Broadband)

FCC Registration Number (FRN): 0003290673

Table with 4 columns: Grant Date (06-23-2015), Effective Date (01-13-2021), Expiration Date (06-23-2025), Print Date (03-10-2021); Market Number (MTA026), Channel Block (A), Sub-Market Designator (23); Market Name (Louisville-Lexington-Evansville); 1st Build-out Date (06-23-2000), 2nd Build-out Date (06-23-2005), 3rd Build-out Date, 4th Build-out Date

Waivers/Conditions:

This authorization is subject to the condition that, in the event that systems using the same frequencies as granted herein are authorized in an adjacent foreign territory (Canada/United States), future coordination of any base station transmitters within 72 km (45 miles) of the United States/Canada border shall be required to eliminate any harmful interference to operations in the adjacent foreign territory and to ensure continuance of equal access to the frequencies by both countries.

Conditions:

Pursuant to §309(h) of the Communications Act of 1934, as amended, 47 U.S.C. §309(h), this license is subject to the following conditions: This license shall not vest in the licensee any right to operate the station nor any right in the use of the frequencies designated in the license beyond the term thereof nor in any other manner than authorized herein. Neither the license nor the right granted thereunder shall be assigned or otherwise transferred in violation of the Communications Act of 1934, as amended. See 47 U.S.C. § 310(d). This license is subject in terms to the right of use or control conferred by §706 of the Communications Act of 1934, as amended. See 47 U.S.C. §606.

This license may not authorize operation throughout the entire geographic area or spectrum identified on the hardcopy version. To view the specific geographic area and spectrum authorized by this license, refer to the Spectrum and Market Area information under the Market Tab of the license record in the Universal Licensing System (ULS). To view the license record, go to the ULS homepage at http://wireless.fcc.gov/uls/index.htm?job=home and select "License Search". Follow the instructions on how to search for license information.

Licensee Name: CELLCO PARTNERSHIP

Call Sign: WPZV473

File Number: 0009262040

Print Date: 03-10-2021

700 MHz Relicensed Area Information:

Market	Market Name	Buildout Deadline	Buildout Notification	Status
---------------	--------------------	--------------------------	------------------------------	---------------

Reference Copy

REFERENCE COPY

This is not an official FCC license. It is a record of public information contained in the FCC's licensing database on the date that this reference copy was generated. In cases where FCC rules require the presentation, posting, or display of an FCC license, this document may not be used in place of an official FCC license.



Federal Communications Commission
Wireless Telecommunications Bureau

RADIO STATION AUTHORIZATION

LICENSEE: CELLCO PARTNERSHIP

CELLCO PARTNERSHIP
5055 NORTH POINT PKWY, NP2NE NETWORK ENGINEERING
ALPHARETTA, GA 30022

Table with Call Sign (WQGA718), File Number (0009793647), and Radio Service (AW - AWS (1710-1755 MHz and 2110-2155 MHz))

FCC Registration Number (FRN): 0003290673

Table with columns: Grant Date, Effective Date, Expiration Date, Print Date, Market Number, Channel Block, Sub-Market Designator, Market Name, 1st Build-out Date, 2nd Build-out Date, 3rd Build-out Date, 4th Build-out Date

Waivers/Conditions:

This authorization is conditioned upon the licensee, prior to initiating operations from any base or fixed station, making reasonable efforts to coordinate frequency usage with known co-channel and adjacent channel incumbent federal users operating in the 1710-1755 MHz band whose facilities could be affected by the proposed operations.

Conditions:

Pursuant to §309(h) of the Communications Act of 1934, as amended, 47 U.S.C. §309(h), this license is subject to the following conditions: This license shall not vest in the licensee any right to operate the station nor any right in the use of the frequencies designated in the license beyond the term thereof nor in any other manner than authorized herein.

This license may not authorize operation throughout the entire geographic area or spectrum identified on the hardcopy version. To view the specific geographic area and spectrum authorized by this license, refer to the Spectrum and Market Area information under the Market Tab of the license record in the Universal Licensing System (ULS).

Licensee Name: CELLCO PARTNERSHIP

Call Sign: WQGA718

File Number: 0009793647

Print Date: 02-23-2022

700 MHz Relicensed Area Information:

Market	Market Name	Buildout Deadline	Buildout Notification	Status
---------------	--------------------	--------------------------	------------------------------	---------------

Reference Copy

REFERENCE COPY

This is not an official FCC license. It is a record of public information contained in the FCC's licensing database on the date that this reference copy was generated. In cases where FCC rules require the presentation, posting, or display of an FCC license, this document may not be used in place of an official FCC license.



Federal Communications Commission
Wireless Telecommunications Bureau

RADIO STATION AUTHORIZATION

LICENSEE: CELLCO PARTNERSHIP

CELLCO PARTNERSHIP
5055 NORTH POINT PKWY, NP2NE NETWORK ENGINEERING
ALPHARETTA, GA 30022

Table with Call Sign (WQGA959), File Number (0009775569), and Radio Service (AW - AWS (1710-1755 MHz and 2110-2155 MHz)).

FCC Registration Number (FRN): 0003290673

Table with columns: Grant Date, Effective Date, Expiration Date, Print Date, Market Number, Channel Block, Sub-Market Designator, Market Name, 1st Build-out Date, 2nd Build-out Date, 3rd Build-out Date, 4th Build-out Date.

Waivers/Conditions:

This authorization is conditioned upon the licensee, prior to initiating operations from any base or fixed station, making reasonable efforts to coordinate frequency usage with known co-channel and adjacent channel incumbent federal users operating in the 1710-1755 MHz band whose facilities could be affected by the proposed operations.

Conditions:

Pursuant to §309(h) of the Communications Act of 1934, as amended, 47 U.S.C. §309(h), this license is subject to the following conditions: This license shall not vest in the licensee any right to operate the station nor any right in the use of the frequencies designated in the license beyond the term thereof nor in any other manner than authorized herein.

This license may not authorize operation throughout the entire geographic area or spectrum identified on the hardcopy version. To view the specific geographic area and spectrum authorized by this license, refer to the Spectrum and Market Area information under the Market Tab of the license record in the Universal Licensing System (ULS).

Licensee Name: CELLCO PARTNERSHIP

Call Sign: WQGA959

File Number: 0009775569

Print Date: 01-05-2022

700 MHz Relicensed Area Information:

Market	Market Name	Buildout Deadline	Buildout Notification	Status
---------------	--------------------	--------------------------	------------------------------	---------------

Reference Copy

REFERENCE COPY

This is not an official FCC license. It is a record of public information contained in the FCC's licensing database on the date that this reference copy was generated. In cases where FCC rules require the presentation, posting, or display of an FCC license, this document may not be used in place of an official FCC license.



Federal Communications Commission
Wireless Telecommunications Bureau

RADIO STATION AUTHORIZATION

LICENSEE: CELLCO PARTNERSHIP

ATTN: REGULATORY
CELLCO PARTNERSHIP
5055 NORTH POINT PKWY, NP2NE NETWORK ENGINEERING
ALPHARETTA, GA 30022

Table with Call Sign (WQJQ692), File Number, and Radio Service (WU - 700 MHz Upper Band (Block C)).

FCC Registration Number (FRN): 0003290673

Table with columns: Grant Date, Effective Date, Expiration Date, Print Date, Market Number, Channel Block, Sub-Market Designator, Market Name, 1st Build-out Date, 2nd Build-out Date, 3rd Build-out Date, 4th Build-out Date.

Waivers/Conditions:

If the facilities authorized herein are used to provide broadcast operations, whether exclusively or in combination with other services, the licensee must seek renewal of the license either within eight years from the commencement of the broadcast service or within the term of the license had the broadcast service not been provided, whichever period is shorter in length. See 47 CFR §27.13(b).

This authorization is conditioned upon compliance with section 27.16 of the Commission's rules

Conditions:

Pursuant to §309(h) of the Communications Act of 1934, as amended, 47 U.S.C. §309(h), this license is subject to the following conditions: This license shall not vest in the licensee any right to operate the station nor any right in the use of the frequencies designated in the license beyond the term thereof nor in any other manner than authorized herein.

This license may not authorize operation throughout the entire geographic area or spectrum identified on the hardcopy version. To view the specific geographic area and spectrum authorized by this license, refer to the Spectrum and Market Area information under the Market Tab of the license record in the Universal Licensing System (ULS).

Licensee Name: CELLCO PARTNERSHIP

Call Sign: WQJQ692

File Number:

Print Date:

700 MHz Relicensed Area Information:

Market	Market Name	Buildout Deadline	Buildout Notification	Status
---------------	--------------------	--------------------------	------------------------------	---------------

Reference Copy

REFERENCE COPY

This is not an official FCC license. It is a record of public information contained in the FCC's licensing database on the date that this reference copy was generated. In cases where FCC rules require the presentation, posting, or display of an FCC license, this document may not be used in place of an official FCC license.



Federal Communications Commission
Wireless Telecommunications Bureau

RADIO STATION AUTHORIZATION

LICENSEE: CELLCO PARTNERSHIP

ATTN: REGULATORY
CELLCO PARTNERSHIP
5055 NORTH POINT PKWY, NP2NE NETWORK ENGINEERING
ALPHARETTA, GA 30022

Table with Call Sign (WQVN764), File Number, and Radio Service (AT - AWS-3) details.

FCC Registration Number (FRN): 0003290673

Table containing license details: Grant Date, Effective Date, Expiration Date, Print Date, Market Number, Channel Block, Sub-Market Designator, Market Name, and Build-out Dates.

Waivers/Conditions:

NONE

Conditions:

Pursuant to §309(h) of the Communications Act of 1934, as amended, 47 U.S.C. §309(h), this license is subject to the following conditions: This license shall not vest in the licensee any right to operate the station nor any right in the use of the frequencies designated in the license beyond the term thereof nor in any other manner than authorized herein.

This license may not authorize operation throughout the entire geographic area or spectrum identified on the hardcopy version. To view the specific geographic area and spectrum authorized by this license, refer to the Spectrum and Market Area information under the Market Tab of the license record in the Universal Licensing System (ULS).

Licensee Name: CELLCO PARTNERSHIP

Call Sign: WQVN764

File Number:

Print Date:

700 MHz Relicensed Area Information:

Market	Market Name	Buildout Deadline	Buildout Notification	Status
---------------	--------------------	--------------------------	------------------------------	---------------

Reference Copy

REFERENCE COPY

This is not an official FCC license. It is a record of public information contained in the FCC's licensing database on the date that this reference copy was generated. In cases where FCC rules require the presentation, posting, or display of an FCC license, this document may not be used in place of an official FCC license.



Federal Communications Commission
Wireless Telecommunications Bureau

RADIO STATION AUTHORIZATION

LICENSEE: CELLCO PARTNERSHIP

ATTN: REGULATORY
CELLCO PARTNERSHIP
5055 NORTH POINT PKWY, NP2NE NETWORK ENGINEERING
ALPHARETTA, GA 30022

Call Sign WQVN765	File Number
Radio Service AT - AWS-3 (1695-1710 MHz, 1755-1780 MHz, and 2155-2180 MHz)	

FCC Registration Number (FRN): 0003290673

Grant Date 04-08-2015	Effective Date 02-24-2017	Expiration Date 04-08-2027	Print Date
Market Number BEA071	Channel Block 1	Sub-Market Designator 0	
Market Name Nashville, TN-KY			
1st Build-out Date 04-08-2021	2nd Build-out Date 04-08-2027	3rd Build-out Date	4th Build-out Date

Waivers/Conditions:

NONE

Conditions:

Pursuant to §309(h) of the Communications Act of 1934, as amended, 47 U.S.C. §309(h), this license is subject to the following conditions: This license shall not vest in the licensee any right to operate the station nor any right in the use of the frequencies designated in the license beyond the term thereof nor in any other manner than authorized herein. Neither the license nor the right granted thereunder shall be assigned or otherwise transferred in violation of the Communications Act of 1934, as amended. See 47 U.S.C. § 310(d). This license is subject in terms to the right of use or control conferred by §706 of the Communications Act of 1934, as amended. See 47 U.S.C. §606.

This license may not authorize operation throughout the entire geographic area or spectrum identified on the hardcopy version. To view the specific geographic area and spectrum authorized by this license, refer to the Spectrum and Market Area information under the Market Tab of the license record in the Universal Licensing System (ULS). To view the license record, go to the ULS homepage at <http://wireless.fcc.gov/uls/index.htm?job=home> and select "License Search". Follow the instructions on how to search for license information.

Licensee Name: CELLCO PARTNERSHIP

Call Sign: WQVN765

File Number:

Print Date:

700 MHz Relicensed Area Information:

Market	Market Name	Buildout Deadline	Buildout Notification	Status
---------------	--------------------	--------------------------	------------------------------	---------------

Reference Copy

REFERENCE COPY

This is not an official FCC license. It is a record of public information contained in the FCC's licensing database on the date that this reference copy was generated. In cases where FCC rules require the presentation, posting, or display of an FCC license, this document may not be used in place of an official FCC license.



Federal Communications Commission
Wireless Telecommunications Bureau

RADIO STATION AUTHORIZATION

LICENSEE: CELLCO PARTNERSHIP

ATTN: REGULATORY
CELLCO PARTNERSHIP
5055 NORTH POINT PKWY, NP2NE ENGINEERING
ALPHARETTA, GA 30022

Call Sign WRAM746	File Number 0009262184
Radio Service WT - 600 MHz Band	

FCC Registration Number (FRN): 0003290673

Grant Date 01-09-2018	Effective Date 01-13-2021	Expiration Date 01-09-2030	Print Date 03-11-2021
Market Number PEA112	Channel Block A	Sub-Market Designator 0	
Market Name Bowling Green, KY			
1st Build-out Date 01-09-2024	2nd Build-out Date	3rd Build-out Date	4th Build-out Date

Waivers/Conditions:

NONE

Conditions:

Pursuant to §309(h) of the Communications Act of 1934, as amended, 47 U.S.C. §309(h), this license is subject to the following conditions: This license shall not vest in the licensee any right to operate the station nor any right in the use of the frequencies designated in the license beyond the term thereof nor in any other manner than authorized herein. Neither the license nor the right granted thereunder shall be assigned or otherwise transferred in violation of the Communications Act of 1934, as amended. See 47 U.S.C. § 310(d). This license is subject in terms to the right of use or control conferred by §706 of the Communications Act of 1934, as amended. See 47 U.S.C. §606.

This license may not authorize operation throughout the entire geographic area or spectrum identified on the hardcopy version. To view the specific geographic area and spectrum authorized by this license, refer to the Spectrum and Market Area information under the Market Tab of the license record in the Universal Licensing System (ULS). To view the license record, go to the ULS homepage at <http://wireless.fcc.gov/uls/index.htm?job=home> and select "License Search". Follow the instructions on how to search for license information.

Licensee Name: CELLCO PARTNERSHIP

Call Sign: WRAM746

File Number: 0009262184

Print Date: 03-11-2021

700 MHz Relicensed Area Information:

Market	Market Name	Buildout Deadline	Buildout Notification	Status
---------------	--------------------	--------------------------	------------------------------	---------------

Reference Copy

REFERENCE COPY

This is not an official FCC license. It is a record of public information contained in the FCC's licensing database on the date that this reference copy was generated. In cases where FCC rules require the presentation, posting, or display of an FCC license, this document may not be used in place of an official FCC license.



Federal Communications Commission
Wireless Telecommunications Bureau

RADIO STATION AUTHORIZATION

LICENSEE: CELLCO PARTNERSHIP

ATTN: REGULATORY
CELLCO PARTNERSHIP
5055 NORTH POINT PKWY, NP2NE ENGINEERING
ALPHARETTA, GA 30022

Call Sign WRBB964	File Number 0009262037
Radio Service UU - Upper Microwave Flexible Use Service	

FCC Registration Number (FRN): 0003290673

Grant Date 07-09-2019	Effective Date 01-13-2021	Expiration Date 08-09-2029	Print Date 03-10-2021
Market Number BTA052	Channel Block L1	Sub-Market Designator 0	
Market Name Bowling Green-Glasgow, KY			
1st Build-out Date 06-01-2024	2nd Build-out Date	3rd Build-out Date	4th Build-out Date

Waivers/Conditions:

NONE

Conditions:

Pursuant to §309(h) of the Communications Act of 1934, as amended, 47 U.S.C. §309(h), this license is subject to the following conditions: This license shall not vest in the licensee any right to operate the station nor any right in the use of the frequencies designated in the license beyond the term thereof nor in any other manner than authorized herein. Neither the license nor the right granted thereunder shall be assigned or otherwise transferred in violation of the Communications Act of 1934, as amended. See 47 U.S.C. § 310(d). This license is subject in terms to the right of use or control conferred by §706 of the Communications Act of 1934, as amended. See 47 U.S.C. §606.

This license may not authorize operation throughout the entire geographic area or spectrum identified on the hardcopy version. To view the specific geographic area and spectrum authorized by this license, refer to the Spectrum and Market Area information under the Market Tab of the license record in the Universal Licensing System (ULS). To view the license record, go to the ULS homepage at <http://wireless.fcc.gov/uls/index.htm?job=home> and select "License Search". Follow the instructions on how to search for license information.

Licensee Name: CELLCO PARTNERSHIP

Call Sign: WRBB964

File Number: 0009262037

Print Date: 03-10-2021

700 MHz Relicensed Area Information:

Market	Market Name	Buildout Deadline	Buildout Notification	Status
---------------	--------------------	--------------------------	------------------------------	---------------

Reference Copy

REFERENCE COPY

This is not an official FCC license. It is a record of public information contained in the FCC's licensing database on the date that this reference copy was generated. In cases where FCC rules require the presentation, posting, or display of an FCC license, this document may not be used in place of an official FCC license.



Federal Communications Commission
Wireless Telecommunications Bureau

RADIO STATION AUTHORIZATION

LICENSEE: CELLCO PARTNERSHIP

ATTN: REGULATORY
CELLCO PARTNERSHIP
5055 NORTH POINT PKWY, NP2NE ENGINEERING
ALPHARETTA, GA 30022

Call Sign WRBB965	File Number 0009262037
Radio Service UU - Upper Microwave Flexible Use Service	

FCC Registration Number (FRN): 0003290673

Grant Date 07-09-2019	Effective Date 01-13-2021	Expiration Date 08-09-2029	Print Date 03-10-2021
Market Number BTA052	Channel Block L2	Sub-Market Designator 0	
Market Name Bowling Green-Glasgow, KY			
1st Build-out Date 06-01-2024	2nd Build-out Date	3rd Build-out Date	4th Build-out Date

Waivers/Conditions:

NONE

Conditions:

Pursuant to §309(h) of the Communications Act of 1934, as amended, 47 U.S.C. §309(h), this license is subject to the following conditions: This license shall not vest in the licensee any right to operate the station nor any right in the use of the frequencies designated in the license beyond the term thereof nor in any other manner than authorized herein. Neither the license nor the right granted thereunder shall be assigned or otherwise transferred in violation of the Communications Act of 1934, as amended. See 47 U.S.C. § 310(d). This license is subject in terms to the right of use or control conferred by §706 of the Communications Act of 1934, as amended. See 47 U.S.C. §606.

This license may not authorize operation throughout the entire geographic area or spectrum identified on the hardcopy version. To view the specific geographic area and spectrum authorized by this license, refer to the Spectrum and Market Area information under the Market Tab of the license record in the Universal Licensing System (ULS). To view the license record, go to the ULS homepage at <http://wireless.fcc.gov/uls/index.htm?job=home> and select "License Search". Follow the instructions on how to search for license information.

Licensee Name: CELLCO PARTNERSHIP

Call Sign: WRBB965

File Number: 0009262037

Print Date: 03-10-2021

700 MHz Relicensed Area Information:

Market	Market Name	Buildout Deadline	Buildout Notification	Status
---------------	--------------------	--------------------------	------------------------------	---------------

Reference Copy

REFERENCE COPY

This is not an official FCC license. It is a record of public information contained in the FCC's licensing database on the date that this reference copy was generated. In cases where FCC rules require the presentation, posting, or display of an FCC license, this document may not be used in place of an official FCC license.



Federal Communications Commission
Wireless Telecommunications Bureau

RADIO STATION AUTHORIZATION

LICENSEE: CELLCO PARTNERSHIP

ATTN: REGULATORY
CELLCO PARTNERSHIP
5055 NORTH POINT PKWY, NP2NE ENGINEERING
ALPHARETTA, GA 30022

Table with Call Sign (WREV449), File Number (0009262184), and Radio Service (UU - Upper Microwave Flexible Use Service)

FCC Registration Number (FRN): 0003290673

Table with columns: Grant Date, Effective Date, Expiration Date, Print Date, Market Number, Channel Block, Sub-Market Designator, Market Name, 1st Build-out Date, 2nd Build-out Date, 3rd Build-out Date, 4th Build-out Date

Waivers/Conditions:

NONE

Conditions:

Pursuant to §309(h) of the Communications Act of 1934, as amended, 47 U.S.C. §309(h), this license is subject to the following conditions: This license shall not vest in the licensee any right to operate the station nor any right in the use of the frequencies designated in the license beyond the term thereof nor in any other manner than authorized herein.

This license may not authorize operation throughout the entire geographic area or spectrum identified on the hardcopy version. To view the specific geographic area and spectrum authorized by this license, refer to the Spectrum and Market Area information under the Market Tab of the license record in the Universal Licensing System (ULS).

Licensee Name: CELLCO PARTNERSHIP

Call Sign: WREV449

File Number: 0009262184

Print Date: 03-11-2021

700 MHz Relicensed Area Information:

Market	Market Name	Buildout Deadline	Buildout Notification	Status
---------------	--------------------	--------------------------	------------------------------	---------------

Reference Copy

REFERENCE COPY

This is not an official FCC license. It is a record of public information contained in the FCC's licensing database on the date that this reference copy was generated. In cases where FCC rules require the presentation, posting, or display of an FCC license, this document may not be used in place of an official FCC license.



Federal Communications Commission
Wireless Telecommunications Bureau

RADIO STATION AUTHORIZATION

LICENSEE: CELLCO PARTNERSHIP

ATTN: REGULATORY
CELLCO PARTNERSHIP
5055 NORTH POINT PKWY, NP2NE ENGINEERING
ALPHARETTA, GA 30022

Call Sign WREV451	File Number 0009262184
Radio Service UU - Upper Microwave Flexible Use Service	

FCC Registration Number (FRN): 0003290673

Grant Date 12-11-2019	Effective Date 01-13-2021	Expiration Date 12-11-2029	Print Date 03-11-2021
Market Number PEA112	Channel Block B	Sub-Market Designator 0	
Market Name Bowling Green, KY			
1st Build-out Date	2nd Build-out Date	3rd Build-out Date	4th Build-out Date

Waivers/Conditions:

NONE

Conditions:

Pursuant to §309(h) of the Communications Act of 1934, as amended, 47 U.S.C. §309(h), this license is subject to the following conditions: This license shall not vest in the licensee any right to operate the station nor any right in the use of the frequencies designated in the license beyond the term thereof nor in any other manner than authorized herein. Neither the license nor the right granted thereunder shall be assigned or otherwise transferred in violation of the Communications Act of 1934, as amended. See 47 U.S.C. § 310(d). This license is subject in terms to the right of use or control conferred by §706 of the Communications Act of 1934, as amended. See 47 U.S.C. §606.

This license may not authorize operation throughout the entire geographic area or spectrum identified on the hardcopy version. To view the specific geographic area and spectrum authorized by this license, refer to the Spectrum and Market Area information under the Market Tab of the license record in the Universal Licensing System (ULS). To view the license record, go to the ULS homepage at <http://wireless.fcc.gov/uls/index.htm?job=home> and select "License Search". Follow the instructions on how to search for license information.

Licensee Name: CELLCO PARTNERSHIP

Call Sign: WREV451

File Number: 0009262184

Print Date: 03-11-2021

700 MHz Relicensed Area Information:

Market	Market Name	Buildout Deadline	Buildout Notification	Status
---------------	--------------------	--------------------------	------------------------------	---------------

Reference Copy

REFERENCE COPY

This is not an official FCC license. It is a record of public information contained in the FCC's licensing database on the date that this reference copy was generated. In cases where FCC rules require the presentation, posting, or display of an FCC license, this document may not be used in place of an official FCC license.



Federal Communications Commission
Wireless Telecommunications Bureau

RADIO STATION AUTHORIZATION

LICENSEE: CELLCO PARTNERSHIP

ATTN: REGULATORY
CELLCO PARTNERSHIP
5055 NORTH POINT PKWY, NP2NE ENGINEERING
ALPHARETTA, GA 30022

Call Sign WREV453	File Number 0009262184
Radio Service UU - Upper Microwave Flexible Use Service	

FCC Registration Number (FRN): 0003290673

Grant Date 12-11-2019	Effective Date 01-13-2021	Expiration Date 12-11-2029	Print Date 03-11-2021
Market Number PEA112	Channel Block C	Sub-Market Designator 0	
Market Name Bowling Green, KY			
1st Build-out Date	2nd Build-out Date	3rd Build-out Date	4th Build-out Date

Waivers/Conditions:

NONE

Conditions:

Pursuant to §309(h) of the Communications Act of 1934, as amended, 47 U.S.C. §309(h), this license is subject to the following conditions: This license shall not vest in the licensee any right to operate the station nor any right in the use of the frequencies designated in the license beyond the term thereof nor in any other manner than authorized herein. Neither the license nor the right granted thereunder shall be assigned or otherwise transferred in violation of the Communications Act of 1934, as amended. See 47 U.S.C. § 310(d). This license is subject in terms to the right of use or control conferred by §706 of the Communications Act of 1934, as amended. See 47 U.S.C. §606.

This license may not authorize operation throughout the entire geographic area or spectrum identified on the hardcopy version. To view the specific geographic area and spectrum authorized by this license, refer to the Spectrum and Market Area information under the Market Tab of the license record in the Universal Licensing System (ULS). To view the license record, go to the ULS homepage at <http://wireless.fcc.gov/uls/index.htm?job=home> and select "License Search". Follow the instructions on how to search for license information.

Licensee Name: CELLCO PARTNERSHIP

Call Sign: WREV453

File Number: 0009262184

Print Date: 03-11-2021

700 MHz Relicensed Area Information:

Market	Market Name	Buildout Deadline	Buildout Notification	Status
---------------	--------------------	--------------------------	------------------------------	---------------

Reference Copy

REFERENCE COPY

This is not an official FCC license. It is a record of public information contained in the FCC's licensing database on the date that this reference copy was generated. In cases where FCC rules require the presentation, posting, or display of an FCC license, this document may not be used in place of an official FCC license.



Federal Communications Commission
Wireless Telecommunications Bureau

RADIO STATION AUTHORIZATION

LICENSEE: STRAIGHT PATH SPECTRUM, LLC

ATTN: REGULATORY
STRAIGHT PATH SPECTRUM, LLC
5055 NORTH POINT PKWY, NP2NE NETWORK ENGINEERING
ALPHARETTA, GA 30022

Table with Call Sign (WRHF210), File Number, and Radio Service (UU - Upper Microwave Flexible Use Service).

FCC Registration Number (FRN): 0012576435

Table with columns: Grant Date, Effective Date, Expiration Date, Print Date, Market Number, Channel Block, Sub-Market Designator, Market Name, 1st Build-out Date, 2nd Build-out Date, 3rd Build-out Date, 4th Build-out Date.

Waivers/Conditions:

NONE

Conditions:

Pursuant to §309(h) of the Communications Act of 1934, as amended, 47 U.S.C. §309(h), this license is subject to the following conditions: This license shall not vest in the licensee any right to operate the station nor any right in the use of the frequencies designated in the license beyond the term thereof nor in any other manner than authorized herein.

This license may not authorize operation throughout the entire geographic area or spectrum identified on the hardcopy version. To view the specific geographic area and spectrum authorized by this license, refer to the Spectrum and Market Area information under the Market Tab of the license record in the Universal Licensing System (ULS).

Licensee Name: STRAIGHT PATH SPECTRUM, LLC

Call Sign: WRHF210

File Number:

Print Date:

700 MHz Relicensed Area Information:

Market	Market Name	Buildout Deadline	Buildout Notification	Status
---------------	--------------------	--------------------------	------------------------------	---------------

Reference Copy

REFERENCE COPY

This is not an official FCC license. It is a record of public information contained in the FCC's licensing database on the date that this reference copy was generated. In cases where FCC rules require the presentation, posting, or display of an FCC license, this document may not be used in place of an official FCC license.



Federal Communications Commission
Wireless Telecommunications Bureau

RADIO STATION AUTHORIZATION

LICENSEE: STRAIGHT PATH SPECTRUM, LLC

ATTN: REGULATORY
STRAIGHT PATH SPECTRUM, LLC
5055 NORTH POINT PKWY, NP2NE NETWORK ENGINEERING
ALPHARETTA, GA 30022

Call Sign WRHF211	File Number
Radio Service UU - Upper Microwave Flexible Use Service	

FCC Registration Number (FRN): 0012576435

Grant Date 06-04-2020	Effective Date 06-04-2020	Expiration Date 06-04-2030	Print Date
Market Number PEA112	Channel Block M10	Sub-Market Designator 0	
Market Name Bowling Green, KY			
1st Build-out Date	2nd Build-out Date	3rd Build-out Date	4th Build-out Date

Waivers/Conditions:

NONE

Conditions:

Pursuant to §309(h) of the Communications Act of 1934, as amended, 47 U.S.C. §309(h), this license is subject to the following conditions: This license shall not vest in the licensee any right to operate the station nor any right in the use of the frequencies designated in the license beyond the term thereof nor in any other manner than authorized herein. Neither the license nor the right granted thereunder shall be assigned or otherwise transferred in violation of the Communications Act of 1934, as amended. See 47 U.S.C. § 310(d). This license is subject in terms to the right of use or control conferred by §706 of the Communications Act of 1934, as amended. See 47 U.S.C. §606.

This license may not authorize operation throughout the entire geographic area or spectrum identified on the hardcopy version. To view the specific geographic area and spectrum authorized by this license, refer to the Spectrum and Market Area information under the Market Tab of the license record in the Universal Licensing System (ULS). To view the license record, go to the ULS homepage at <http://wireless.fcc.gov/uls/index.htm?job=home> and select "License Search". Follow the instructions on how to search for license information.

Licensee Name: STRAIGHT PATH SPECTRUM, LLC

Call Sign: WRHF211

File Number:

Print Date:

700 MHz Relicensed Area Information:

Market	Market Name	Buildout Deadline	Buildout Notification	Status
---------------	--------------------	--------------------------	------------------------------	---------------

Reference Copy

REFERENCE COPY

This is not an official FCC license. It is a record of public information contained in the FCC's licensing database on the date that this reference copy was generated. In cases where FCC rules require the presentation, posting, or display of an FCC license, this document may not be used in place of an official FCC license.



Federal Communications Commission
Wireless Telecommunications Bureau

RADIO STATION AUTHORIZATION

LICENSEE: STRAIGHT PATH SPECTRUM, LLC

ATTN: REGULATORY
STRAIGHT PATH SPECTRUM, LLC
5055 NORTH POINT PKWY, NP2NE NETWORK ENGINEERING
ALPHARETTA, GA 30022

Table with Call Sign (WRHF212), File Number, and Radio Service (UU - Upper Microwave Flexible Use Service).

FCC Registration Number (FRN): 0012576435

Table with columns: Grant Date, Effective Date, Expiration Date, Print Date, Market Number, Channel Block, Sub-Market Designator, Market Name, 1st Build-out Date, 2nd Build-out Date, 3rd Build-out Date, 4th Build-out Date.

Waivers/Conditions:

NONE

Conditions:

Pursuant to §309(h) of the Communications Act of 1934, as amended, 47 U.S.C. §309(h), this license is subject to the following conditions: This license shall not vest in the licensee any right to operate the station nor any right in the use of the frequencies designated in the license beyond the term thereof nor in any other manner than authorized herein.

This license may not authorize operation throughout the entire geographic area or spectrum identified on the hardcopy version. To view the specific geographic area and spectrum authorized by this license, refer to the Spectrum and Market Area information under the Market Tab of the license record in the Universal Licensing System (ULS).

Licensee Name: STRAIGHT PATH SPECTRUM, LLC

Call Sign: WRHF212

File Number:

Print Date:

700 MHz Relicensed Area Information:

Market	Market Name	Buildout Deadline	Buildout Notification	Status
---------------	--------------------	--------------------------	------------------------------	---------------

Reference Copy

REFERENCE COPY

This is not an official FCC license. It is a record of public information contained in the FCC's licensing database on the date that this reference copy was generated. In cases where FCC rules require the presentation, posting, or display of an FCC license, this document may not be used in place of an official FCC license.



Federal Communications Commission
Wireless Telecommunications Bureau

RADIO STATION AUTHORIZATION

LICENSEE: STRAIGHT PATH SPECTRUM, LLC

ATTN: REGULATORY
STRAIGHT PATH SPECTRUM, LLC
5055 NORTH POINT PKWY, NP2NE NETWORK ENGINEERING
ALPHARETTA, GA 30022

Call Sign WRHF213	File Number
Radio Service UU - Upper Microwave Flexible Use Service	

FCC Registration Number (FRN): 0012576435

Grant Date 06-04-2020	Effective Date 06-04-2020	Expiration Date 06-04-2030	Print Date
Market Number PEA112	Channel Block M3	Sub-Market Designator 0	
Market Name Bowling Green, KY			
1st Build-out Date	2nd Build-out Date	3rd Build-out Date	4th Build-out Date

Waivers/Conditions:

NONE

Conditions:

Pursuant to §309(h) of the Communications Act of 1934, as amended, 47 U.S.C. §309(h), this license is subject to the following conditions: This license shall not vest in the licensee any right to operate the station nor any right in the use of the frequencies designated in the license beyond the term thereof nor in any other manner than authorized herein. Neither the license nor the right granted thereunder shall be assigned or otherwise transferred in violation of the Communications Act of 1934, as amended. See 47 U.S.C. § 310(d). This license is subject in terms to the right of use or control conferred by §706 of the Communications Act of 1934, as amended. See 47 U.S.C. §606.

This license may not authorize operation throughout the entire geographic area or spectrum identified on the hardcopy version. To view the specific geographic area and spectrum authorized by this license, refer to the Spectrum and Market Area information under the Market Tab of the license record in the Universal Licensing System (ULS). To view the license record, go to the ULS homepage at <http://wireless.fcc.gov/uls/index.htm?job=home> and select "License Search". Follow the instructions on how to search for license information.

Licensee Name: STRAIGHT PATH SPECTRUM, LLC

Call Sign: WRHF213

File Number:

Print Date:

700 MHz Relicensed Area Information:

Market	Market Name	Buildout Deadline	Buildout Notification	Status
---------------	--------------------	--------------------------	------------------------------	---------------

Reference Copy

REFERENCE COPY

This is not an official FCC license. It is a record of public information contained in the FCC's licensing database on the date that this reference copy was generated. In cases where FCC rules require the presentation, posting, or display of an FCC license, this document may not be used in place of an official FCC license.



Federal Communications Commission
Wireless Telecommunications Bureau

RADIO STATION AUTHORIZATION

LICENSEE: STRAIGHT PATH SPECTRUM, LLC

ATTN: REGULATORY
STRAIGHT PATH SPECTRUM, LLC
5055 NORTH POINT PKWY, NP2NE NETWORK ENGINEERING
ALPHARETTA, GA 30022

Table with 2 columns: Call Sign (WRHF214), File Number, and Radio Service (UU - Upper Microwave Flexible Use Service).

FCC Registration Number (FRN): 0012576435

Table with 4 columns: Grant Date (06-04-2020), Effective Date (06-04-2020), Expiration Date (06-04-2030), Print Date, Market Number (PEA112), Channel Block (M4), Sub-Market Designator (0), Market Name (Bowling Green, KY), 1st Build-out Date, 2nd Build-out Date, 3rd Build-out Date, 4th Build-out Date.

Waivers/Conditions:

NONE

Conditions:

Pursuant to §309(h) of the Communications Act of 1934, as amended, 47 U.S.C. §309(h), this license is subject to the following conditions: This license shall not vest in the licensee any right to operate the station nor any right in the use of the frequencies designated in the license beyond the term thereof nor in any other manner than authorized herein.

This license may not authorize operation throughout the entire geographic area or spectrum identified on the hardcopy version. To view the specific geographic area and spectrum authorized by this license, refer to the Spectrum and Market Area information under the Market Tab of the license record in the Universal Licensing System (ULS).

Licensee Name: STRAIGHT PATH SPECTRUM, LLC

Call Sign: WRHF214

File Number:

Print Date:

700 MHz Relicensed Area Information:

Market	Market Name	Buildout Deadline	Buildout Notification	Status
---------------	--------------------	--------------------------	------------------------------	---------------

Reference Copy

REFERENCE COPY

This is not an official FCC license. It is a record of public information contained in the FCC's licensing database on the date that this reference copy was generated. In cases where FCC rules require the presentation, posting, or display of an FCC license, this document may not be used in place of an official FCC license.



Federal Communications Commission
Wireless Telecommunications Bureau

RADIO STATION AUTHORIZATION

LICENSEE: STRAIGHT PATH SPECTRUM, LLC

ATTN: REGULATORY
STRAIGHT PATH SPECTRUM, LLC
5055 NORTH POINT PKWY, NP2NE NETWORK ENGINEERING
ALPHARETTA, GA 30022

Call Sign WRHF215	File Number
Radio Service UU - Upper Microwave Flexible Use Service	

FCC Registration Number (FRN): 0012576435

Grant Date 06-04-2020	Effective Date 06-04-2020	Expiration Date 06-04-2030	Print Date
Market Number PEA112	Channel Block M5	Sub-Market Designator 0	
Market Name Bowling Green, KY			
1st Build-out Date	2nd Build-out Date	3rd Build-out Date	4th Build-out Date

Waivers/Conditions:

NONE

Conditions:

Pursuant to §309(h) of the Communications Act of 1934, as amended, 47 U.S.C. §309(h), this license is subject to the following conditions: This license shall not vest in the licensee any right to operate the station nor any right in the use of the frequencies designated in the license beyond the term thereof nor in any other manner than authorized herein. Neither the license nor the right granted thereunder shall be assigned or otherwise transferred in violation of the Communications Act of 1934, as amended. See 47 U.S.C. § 310(d). This license is subject in terms to the right of use or control conferred by §706 of the Communications Act of 1934, as amended. See 47 U.S.C. §606.

This license may not authorize operation throughout the entire geographic area or spectrum identified on the hardcopy version. To view the specific geographic area and spectrum authorized by this license, refer to the Spectrum and Market Area information under the Market Tab of the license record in the Universal Licensing System (ULS). To view the license record, go to the ULS homepage at <http://wireless.fcc.gov/uls/index.htm?job=home> and select "License Search". Follow the instructions on how to search for license information.

Licensee Name: STRAIGHT PATH SPECTRUM, LLC

Call Sign: WRHF215

File Number:

Print Date:

700 MHz Relicensed Area Information:

Market	Market Name	Buildout Deadline	Buildout Notification	Status
---------------	--------------------	--------------------------	------------------------------	---------------

Reference Copy

REFERENCE COPY

This is not an official FCC license. It is a record of public information contained in the FCC's licensing database on the date that this reference copy was generated. In cases where FCC rules require the presentation, posting, or display of an FCC license, this document may not be used in place of an official FCC license.



Federal Communications Commission
Wireless Telecommunications Bureau

RADIO STATION AUTHORIZATION

LICENSEE: STRAIGHT PATH SPECTRUM, LLC

ATTN: REGULATORY
STRAIGHT PATH SPECTRUM, LLC
5055 NORTH POINT PKWY, NP2NE NETWORK ENGINEERING
ALPHARETTA, GA 30022

Call Sign WRHF216	File Number
Radio Service UU - Upper Microwave Flexible Use Service	

FCC Registration Number (FRN): 0012576435

Grant Date 06-04-2020	Effective Date 06-04-2020	Expiration Date 06-04-2030	Print Date
Market Number PEA112	Channel Block M6	Sub-Market Designator 0	
Market Name Bowling Green, KY			
1st Build-out Date	2nd Build-out Date	3rd Build-out Date	4th Build-out Date

Waivers/Conditions:

NONE

Conditions:

Pursuant to §309(h) of the Communications Act of 1934, as amended, 47 U.S.C. §309(h), this license is subject to the following conditions: This license shall not vest in the licensee any right to operate the station nor any right in the use of the frequencies designated in the license beyond the term thereof nor in any other manner than authorized herein. Neither the license nor the right granted thereunder shall be assigned or otherwise transferred in violation of the Communications Act of 1934, as amended. See 47 U.S.C. § 310(d). This license is subject in terms to the right of use or control conferred by §706 of the Communications Act of 1934, as amended. See 47 U.S.C. §606.

This license may not authorize operation throughout the entire geographic area or spectrum identified on the hardcopy version. To view the specific geographic area and spectrum authorized by this license, refer to the Spectrum and Market Area information under the Market Tab of the license record in the Universal Licensing System (ULS). To view the license record, go to the ULS homepage at <http://wireless.fcc.gov/uls/index.htm?job=home> and select "License Search". Follow the instructions on how to search for license information.

Licensee Name: STRAIGHT PATH SPECTRUM, LLC

Call Sign: WRHF216

File Number:

Print Date:

700 MHz Relicensed Area Information:

Market	Market Name	Buildout Deadline	Buildout Notification	Status
---------------	--------------------	--------------------------	------------------------------	---------------

Reference Copy

REFERENCE COPY

This is not an official FCC license. It is a record of public information contained in the FCC's licensing database on the date that this reference copy was generated. In cases where FCC rules require the presentation, posting, or display of an FCC license, this document may not be used in place of an official FCC license.



Federal Communications Commission
Wireless Telecommunications Bureau

RADIO STATION AUTHORIZATION

LICENSEE: STRAIGHT PATH SPECTRUM, LLC

ATTN: REGULATORY
STRAIGHT PATH SPECTRUM, LLC
5055 NORTH POINT PKWY, NP2NE NETWORK ENGINEERING
ALPHARETTA, GA 30022

Call Sign WRHF217	File Number
Radio Service UU - Upper Microwave Flexible Use Service	

FCC Registration Number (FRN): 0012576435

Grant Date 06-04-2020	Effective Date 06-04-2020	Expiration Date 06-04-2030	Print Date
Market Number PEA112	Channel Block M7	Sub-Market Designator 0	
Market Name Bowling Green, KY			
1st Build-out Date	2nd Build-out Date	3rd Build-out Date	4th Build-out Date

Waivers/Conditions:

NONE

Conditions:

Pursuant to §309(h) of the Communications Act of 1934, as amended, 47 U.S.C. §309(h), this license is subject to the following conditions: This license shall not vest in the licensee any right to operate the station nor any right in the use of the frequencies designated in the license beyond the term thereof nor in any other manner than authorized herein. Neither the license nor the right granted thereunder shall be assigned or otherwise transferred in violation of the Communications Act of 1934, as amended. See 47 U.S.C. § 310(d). This license is subject in terms to the right of use or control conferred by §706 of the Communications Act of 1934, as amended. See 47 U.S.C. §606.

This license may not authorize operation throughout the entire geographic area or spectrum identified on the hardcopy version. To view the specific geographic area and spectrum authorized by this license, refer to the Spectrum and Market Area information under the Market Tab of the license record in the Universal Licensing System (ULS). To view the license record, go to the ULS homepage at <http://wireless.fcc.gov/uls/index.htm?job=home> and select "License Search". Follow the instructions on how to search for license information.

Licensee Name: STRAIGHT PATH SPECTRUM, LLC

Call Sign: WRHF217

File Number:

Print Date:

700 MHz Relicensed Area Information:

Market	Market Name	Buildout Deadline	Buildout Notification	Status
---------------	--------------------	--------------------------	------------------------------	---------------

Reference Copy

REFERENCE COPY

This is not an official FCC license. It is a record of public information contained in the FCC's licensing database on the date that this reference copy was generated. In cases where FCC rules require the presentation, posting, or display of an FCC license, this document may not be used in place of an official FCC license.



Federal Communications Commission
Wireless Telecommunications Bureau

RADIO STATION AUTHORIZATION

LICENSEE: STRAIGHT PATH SPECTRUM, LLC

ATTN: REGULATORY
STRAIGHT PATH SPECTRUM, LLC
5055 NORTH POINT PKWY, NP2NE NETWORK ENGINEERING
ALPHARETTA, GA 30022

Call Sign WRHF218	File Number
Radio Service UU - Upper Microwave Flexible Use Service	

FCC Registration Number (FRN): 0012576435

Grant Date 06-04-2020	Effective Date 06-04-2020	Expiration Date 06-04-2030	Print Date
Market Number PEA112	Channel Block M8	Sub-Market Designator 0	
Market Name Bowling Green, KY			
1st Build-out Date	2nd Build-out Date	3rd Build-out Date	4th Build-out Date

Waivers/Conditions:

NONE

Conditions:

Pursuant to §309(h) of the Communications Act of 1934, as amended, 47 U.S.C. §309(h), this license is subject to the following conditions: This license shall not vest in the licensee any right to operate the station nor any right in the use of the frequencies designated in the license beyond the term thereof nor in any other manner than authorized herein. Neither the license nor the right granted thereunder shall be assigned or otherwise transferred in violation of the Communications Act of 1934, as amended. See 47 U.S.C. § 310(d). This license is subject in terms to the right of use or control conferred by §706 of the Communications Act of 1934, as amended. See 47 U.S.C. §606.

This license may not authorize operation throughout the entire geographic area or spectrum identified on the hardcopy version. To view the specific geographic area and spectrum authorized by this license, refer to the Spectrum and Market Area information under the Market Tab of the license record in the Universal Licensing System (ULS). To view the license record, go to the ULS homepage at <http://wireless.fcc.gov/uls/index.htm?job=home> and select "License Search". Follow the instructions on how to search for license information.

Licensee Name: STRAIGHT PATH SPECTRUM, LLC

Call Sign: WRHF218

File Number:

Print Date:

700 MHz Relicensed Area Information:

Market	Market Name	Buildout Deadline	Buildout Notification	Status
---------------	--------------------	--------------------------	------------------------------	---------------

Reference Copy

REFERENCE COPY

This is not an official FCC license. It is a record of public information contained in the FCC's licensing database on the date that this reference copy was generated. In cases where FCC rules require the presentation, posting, or display of an FCC license, this document may not be used in place of an official FCC license.



Federal Communications Commission
Wireless Telecommunications Bureau

RADIO STATION AUTHORIZATION

LICENSEE: STRAIGHT PATH SPECTRUM, LLC

ATTN: REGULATORY
STRAIGHT PATH SPECTRUM, LLC
5055 NORTH POINT PKWY, NP2NE NETWORK ENGINEERING
ALPHARETTA, GA 30022

Table with Call Sign (WRHF219), File Number, and Radio Service (UU - Upper Microwave Flexible Use Service).

FCC Registration Number (FRN): 0012576435

Table with columns: Grant Date, Effective Date, Expiration Date, Print Date, Market Number, Channel Block, Sub-Market Designator, Market Name, 1st Build-out Date, 2nd Build-out Date, 3rd Build-out Date, 4th Build-out Date.

Waivers/Conditions:

NONE

Conditions:

Pursuant to §309(h) of the Communications Act of 1934, as amended, 47 U.S.C. §309(h), this license is subject to the following conditions: This license shall not vest in the licensee any right to operate the station nor any right in the use of the frequencies designated in the license beyond the term thereof nor in any other manner than authorized herein.

This license may not authorize operation throughout the entire geographic area or spectrum identified on the hardcopy version. To view the specific geographic area and spectrum authorized by this license, refer to the Spectrum and Market Area information under the Market Tab of the license record in the Universal Licensing System (ULS).

Licensee Name: STRAIGHT PATH SPECTRUM, LLC

Call Sign: WRHF219

File Number:

Print Date:

700 MHz Relicensed Area Information:

Market	Market Name	Buildout Deadline	Buildout Notification	Status
---------------	--------------------	--------------------------	------------------------------	---------------

Reference Copy

REFERENCE COPY

This is not an official FCC license. It is a record of public information contained in the FCC's licensing database on the date that this reference copy was generated. In cases where FCC rules require the presentation, posting, or display of an FCC license, this document may not be used in place of an official FCC license.



Federal Communications Commission
Wireless Telecommunications Bureau

RADIO STATION AUTHORIZATION

LICENSEE: CELLCO PARTNERSHIP

ATTN: REGULATORY
CELLCO PARTNERSHIP
5055 NORTH POINT PKWY, NP2NE NETWORK ENGINEERING
ALPHARETTA, GA 30022

Table with 2 columns: Call Sign (WRNF682), File Number, and Radio Service (PM - 3.7 GHz Service).

FCC Registration Number (FRN): 0003290673

Table with 4 columns: Grant Date (07-23-2021), Effective Date (07-23-2021), Expiration Date (07-23-2036), Print Date, Market Number (PEA112), Channel Block (A1), Sub-Market Designator (0), Market Name (Bowling Green, KY), 1st Build-out Date (07-23-2029), 2nd Build-out Date (07-23-2033), 3rd Build-out Date, 4th Build-out Date.

Waivers/Conditions:

Operation for this combination license grants both interim and final rights for this PEA and is not impacted by the relocation process pursuant to 47 CFR ? 27.1412(g).

License is conditioned on compliance with all applicable FCC rules and regulations, including licensee making payments required by 47 C.F.R. §§ 27.1401- 27.1424 as described in FCC 20-22. See FCC 20-22, paras. 178-331.

Conditions:

Pursuant to §309(h) of the Communications Act of 1934, as amended, 47 U.S.C. §309(h), this license is subject to the following conditions: This license shall not vest in the licensee any right to operate the station nor any right in the use of the frequencies designated in the license beyond the term thereof nor in any other manner than authorized herein. Neither the license nor the right granted thereunder shall be assigned or otherwise transferred in violation of the Communications Act of 1934, as amended. See 47 U.S.C. § 310(d). This license is subject in terms to the right of use or control conferred by §706 of the Communications Act of 1934, as amended. See 47 U.S.C. §606.

This license may not authorize operation throughout the entire geographic area or spectrum identified on the hardcopy version. To view the specific geographic area and spectrum authorized by this license, refer to the Spectrum and Market Area information under the Market Tab of the license record in the Universal Licensing System (ULS). To view the license record, go to the ULS homepage at http://wireless.fcc.gov/uls/index.htm?job=home and select "License Search". Follow the instructions on how to search for license information.

Licensee Name: CELLCO PARTNERSHIP

Call Sign: WRNF682

File Number:

Print Date:

700 MHz Relicensed Area Information:

Market	Market Name	Buildout Deadline	Buildout Notification	Status
---------------	--------------------	--------------------------	------------------------------	---------------

Reference Copy

REFERENCE COPY

This is not an official FCC license. It is a record of public information contained in the FCC's licensing database on the date that this reference copy was generated. In cases where FCC rules require the presentation, posting, or display of an FCC license, this document may not be used in place of an official FCC license.



Federal Communications Commission
Wireless Telecommunications Bureau

RADIO STATION AUTHORIZATION

LICENSEE: CELLCO PARTNERSHIP

ATTN: REGULATORY
CELLCO PARTNERSHIP
5055 NORTH POINT PKWY, NP2NE NETWORK ENGINEERING
ALPHARETTA, GA 30022

Table with 2 columns: Call Sign (WRNF683), File Number, and Radio Service (PM - 3.7 GHz Service).

FCC Registration Number (FRN): 0003290673

Table with 4 columns: Grant Date, Effective Date, Expiration Date, Print Date, Market Number, Channel Block, Sub-Market Designator, Market Name, 1st Build-out Date, 2nd Build-out Date, 3rd Build-out Date, 4th Build-out Date.

Waivers/Conditions:

Operation for this combination license grants both interim and final rights for this PEA and is not impacted by the relocation process pursuant to 47 CFR ? 27.1412(g).

License is conditioned on compliance with all applicable FCC rules and regulations, including licensee making payments required by 47 C.F.R. §§ 27.1401- 27.1424 as described in FCC 20-22. See FCC 20-22, paras. 178-331.

Conditions:

Pursuant to §309(h) of the Communications Act of 1934, as amended, 47 U.S.C. §309(h), this license is subject to the following conditions: This license shall not vest in the licensee any right to operate the station nor any right in the use of the frequencies designated in the license beyond the term thereof nor in any other manner than authorized herein.

This license may not authorize operation throughout the entire geographic area or spectrum identified on the hardcopy version. To view the specific geographic area and spectrum authorized by this license, refer to the Spectrum and Market Area information under the Market Tab of the license record in the Universal Licensing System (ULS).

Licensee Name: CELLCO PARTNERSHIP

Call Sign: WRNF683

File Number:

Print Date:

700 MHz Relicensed Area Information:

Market	Market Name	Buildout Deadline	Buildout Notification	Status
---------------	--------------------	--------------------------	------------------------------	---------------

Reference Copy

REFERENCE COPY

This is not an official FCC license. It is a record of public information contained in the FCC's licensing database on the date that this reference copy was generated. In cases where FCC rules require the presentation, posting, or display of an FCC license, this document may not be used in place of an official FCC license.



Federal Communications Commission
Wireless Telecommunications Bureau

RADIO STATION AUTHORIZATION

LICENSEE: CELLCO PARTNERSHIP

ATTN: REGULATORY
CELLCO PARTNERSHIP
5055 NORTH POINT PKWY, NP2NE NETWORK ENGINEERING
ALPHARETTA, GA 30022

Table with Call Sign (WRNF684), File Number, and Radio Service (PM - 3.7 GHz Service).

FCC Registration Number (FRN): 0003290673

Table with columns: Grant Date, Effective Date, Expiration Date, Print Date, Market Number, Channel Block, Sub-Market Designator, Market Name, 1st Build-out Date, 2nd Build-out Date, 3rd Build-out Date, 4th Build-out Date.

Waivers/Conditions:

Operation for this combination license grants both interim and final rights for this PEA and is not impacted by the relocation process pursuant to 47 CFR ? 27.1412(g).

License is conditioned on compliance with all applicable FCC rules and regulations, including licensee making payments required by 47 C.F.R. §§ 27.1401- 27.1424 as described in FCC 20-22. See FCC 20-22, paras. 178-331.

Conditions:

Pursuant to §309(h) of the Communications Act of 1934, as amended, 47 U.S.C. §309(h), this license is subject to the following conditions: This license shall not vest in the licensee any right to operate the station nor any right in the use of the frequencies designated in the license beyond the term thereof nor in any other manner than authorized herein.

This license may not authorize operation throughout the entire geographic area or spectrum identified on the hardcopy version. To view the specific geographic area and spectrum authorized by this license, refer to the Spectrum and Market Area information under the Market Tab of the license record in the Universal Licensing System (ULS).

Licensee Name: CELLCO PARTNERSHIP

Call Sign: WRNF684

File Number:

Print Date:

700 MHz Relicensed Area Information:

Market	Market Name	Buildout Deadline	Buildout Notification	Status
---------------	--------------------	--------------------------	------------------------------	---------------

Reference Copy

REFERENCE COPY

This is not an official FCC license. It is a record of public information contained in the FCC's licensing database on the date that this reference copy was generated. In cases where FCC rules require the presentation, posting, or display of an FCC license, this document may not be used in place of an official FCC license.



Federal Communications Commission
Wireless Telecommunications Bureau

RADIO STATION AUTHORIZATION

LICENSEE: CELLCO PARTNERSHIP

ATTN: REGULATORY
CELLCO PARTNERSHIP
5055 NORTH POINT PKWY, NP2NE NETWORK ENGINEERING
ALPHARETTA, GA 30022

Table with Call Sign (WRNF685), File Number, and Radio Service (PM - 3.7 GHz Service).

FCC Registration Number (FRN): 0003290673

Table with columns: Grant Date, Effective Date, Expiration Date, Print Date, Market Number, Channel Block, Sub-Market Designator, Market Name, 1st Build-out Date, 2nd Build-out Date, 3rd Build-out Date, 4th Build-out Date.

Waivers/Conditions:

Operation for this combination license grants both interim and final rights for this PEA and is not impacted by the relocation process pursuant to 47 CFR ? 27.1412(g).

License is conditioned on compliance with all applicable FCC rules and regulations, including licensee making payments required by 47 C.F.R. §§ 27.1401- 27.1424 as described in FCC 20-22. See FCC 20-22, paras. 178-331.

Conditions:

Pursuant to §309(h) of the Communications Act of 1934, as amended, 47 U.S.C. §309(h), this license is subject to the following conditions: This license shall not vest in the licensee any right to operate the station nor any right in the use of the frequencies designated in the license beyond the term thereof nor in any other manner than authorized herein.

This license may not authorize operation throughout the entire geographic area or spectrum identified on the hardcopy version. To view the specific geographic area and spectrum authorized by this license, refer to the Spectrum and Market Area information under the Market Tab of the license record in the Universal Licensing System (ULS).

Licensee Name: CELLCO PARTNERSHIP

Call Sign: WRNF685

File Number:

Print Date:

700 MHz Relicensed Area Information:

Market	Market Name	Buildout Deadline	Buildout Notification	Status
---------------	--------------------	--------------------------	------------------------------	---------------

Reference Copy

REFERENCE COPY

This is not an official FCC license. It is a record of public information contained in the FCC's licensing database on the date that this reference copy was generated. In cases where FCC rules require the presentation, posting, or display of an FCC license, this document may not be used in place of an official FCC license.



Federal Communications Commission
Wireless Telecommunications Bureau

RADIO STATION AUTHORIZATION

LICENSEE: CELLCO PARTNERSHIP

ATTN: REGULATORY
CELLCO PARTNERSHIP
5055 NORTH POINT PKWY, NP2NE NETWORK ENGINEERING
ALPHARETTA, GA 30022

Table with Call Sign (WRNF686), File Number, and Radio Service (PM - 3.7 GHz Service).

FCC Registration Number (FRN): 0003290673

Table with columns: Grant Date, Effective Date, Expiration Date, Print Date, Market Number, Channel Block, Sub-Market Designator, Market Name, 1st Build-out Date, 2nd Build-out Date, 3rd Build-out Date, 4th Build-out Date.

Waivers/Conditions:

Operation for this combination license grants both interim and final rights for this PEA and is not impacted by the relocation process pursuant to 47 CFR ? 27.1412(g).

License is conditioned on compliance with all applicable FCC rules and regulations, including licensee making payments required by 47 C.F.R. §§ 27.1401- 27.1424 as described in FCC 20-22. See FCC 20-22, paras. 178-331.

Conditions:

Pursuant to §309(h) of the Communications Act of 1934, as amended, 47 U.S.C. §309(h), this license is subject to the following conditions: This license shall not vest in the licensee any right to operate the station nor any right in the use of the frequencies designated in the license beyond the term thereof nor in any other manner than authorized herein.

This license may not authorize operation throughout the entire geographic area or spectrum identified on the hardcopy version. To view the specific geographic area and spectrum authorized by this license, refer to the Spectrum and Market Area information under the Market Tab of the license record in the Universal Licensing System (ULS).

Licensee Name: CELLCO PARTNERSHIP

Call Sign: WRNF686

File Number:

Print Date:

700 MHz Relicensed Area Information:

Market	Market Name	Buildout Deadline	Buildout Notification	Status
---------------	--------------------	--------------------------	------------------------------	---------------

Reference Copy

REFERENCE COPY

This is not an official FCC license. It is a record of public information contained in the FCC's licensing database on the date that this reference copy was generated. In cases where FCC rules require the presentation, posting, or display of an FCC license, this document may not be used in place of an official FCC license.



Federal Communications Commission
Wireless Telecommunications Bureau

RADIO STATION AUTHORIZATION

LICENSEE: CELLCO PARTNERSHIP

ATTN: REGULATORY
CELLCO PARTNERSHIP
5055 NORTH POINT PKWY, NP2NE NETWORK ENGINEERING
ALPHARETTA, GA 30022

Table with 2 columns: Call Sign (WRNF687), File Number, and Radio Service (PM - 3.7 GHz Service)

FCC Registration Number (FRN): 0003290673

Table with 4 columns: Grant Date, Effective Date, Expiration Date, Print Date; Market Number, Channel Block, Sub-Market Designator; Market Name; 1st Build-out Date, 2nd Build-out Date, 3rd Build-out Date, 4th Build-out Date

Waivers/Conditions:

This interim license, in conjunction with one or more final licenses, collectively provides authorization during the full 15-year license term. Operation under this final license may begin on the earlier of (1) 12/5/2025 or (2) the date that the certification for accelerated relocation for this PEA is validated by the FCC pursuant to 47 CFR ? 27.1412(g). Assignment application(s) and transfers of control filed for this interim license must be done in conjunction with any linked final license.

License is conditioned on compliance with all applicable FCC rules and regulations, including licensee making payments required by 47 C.F.R. §§ 27.1401- 27.1424 as described in FCC 20-22. See FCC 20-22, paras. 178-331.

Conditions:

Pursuant to §309(h) of the Communications Act of 1934, as amended, 47 U.S.C. §309(h), this license is subject to the following conditions: This license shall not vest in the licensee any right to operate the station nor any right in the use of the frequencies designated in the license beyond the term thereof nor in any other manner than authorized herein. Neither the license nor the right granted thereunder shall be assigned or otherwise transferred in violation of the Communications Act of 1934, as amended. See 47 U.S.C. § 310(d). This license is subject in terms to the right of use or control conferred by §706 of the Communications Act of 1934, as amended. See 47 U.S.C. §606.

This license may not authorize operation throughout the entire geographic area or spectrum identified on the hardcopy version. To view the specific geographic area and spectrum authorized by this license, refer to the Spectrum and Market Area information under the Market Tab of the license record in the Universal Licensing System (ULS). To view the license record, go to the ULS homepage at http://wireless.fcc.gov/uls/index.htm?job=home and select "License Search". Follow the instructions on how to search for license information.

Licensee Name: CELLCO PARTNERSHIP

Call Sign: WRNF687

File Number:

Print Date:

700 MHz Relicensed Area Information:

Market	Market Name	Buildout Deadline	Buildout Notification	Status
---------------	--------------------	--------------------------	------------------------------	---------------

Reference Copy

REFERENCE COPY

This is not an official FCC license. It is a record of public information contained in the FCC's licensing database on the date that this reference copy was generated. In cases where FCC rules require the presentation, posting, or display of an FCC license, this document may not be used in place of an official FCC license.



Federal Communications Commission
Wireless Telecommunications Bureau

RADIO STATION AUTHORIZATION

LICENSEE: CELLCO PARTNERSHIP

ATTN: REGULATORY
CELLCO PARTNERSHIP
5055 NORTH POINT PKWY, NP2NE NETWORK ENGINEERING
ALPHARETTA, GA 30022

Table with Call Sign (WRNF688), File Number, and Radio Service (PM - 3.7 GHz Service).

FCC Registration Number (FRN): 0003290673

Table with columns: Grant Date, Effective Date, Expiration Date, Print Date, Market Number, Channel Block, Sub-Market Designator, Market Name, 1st Build-out Date, 2nd Build-out Date, 3rd Build-out Date, 4th Build-out Date.

Waivers/Conditions:

This interim license, in conjunction with one or more final licenses, collectively provides authorization during the full 15-year license term. Operation under this final license may begin on the earlier of (1) 12/5/2025 or (2) the date that the certification for accelerated relocation for this PEA is validated by the FCC pursuant to 47 CFR ? 27.1412(g). Assignment application(s) and transfers of control filed for this interim license must be done in conjunction with any linked final license.

License is conditioned on compliance with all applicable FCC rules and regulations, including licensee making payments required by 47 C.F.R. §§ 27.1401- 27.1424 as described in FCC 20-22. See FCC 20-22, paras. 178-331.

Conditions:

Pursuant to §309(h) of the Communications Act of 1934, as amended, 47 U.S.C. §309(h), this license is subject to the following conditions: This license shall not vest in the licensee any right to operate the station nor any right in the use of the frequencies designated in the license beyond the term thereof nor in any other manner than authorized herein. Neither the license nor the right granted thereunder shall be assigned or otherwise transferred in violation of the Communications Act of 1934, as amended. See 47 U.S.C. § 310(d). This license is subject in terms to the right of use or control conferred by §706 of the Communications Act of 1934, as amended. See 47 U.S.C. §606.

This license may not authorize operation throughout the entire geographic area or spectrum identified on the hardcopy version. To view the specific geographic area and spectrum authorized by this license, refer to the Spectrum and Market Area information under the Market Tab of the license record in the Universal Licensing System (ULS). To view the license record, go to the ULS homepage at http://wireless.fcc.gov/uls/index.htm?job=home and select "License Search". Follow the instructions on how to search for license information.

Licensee Name: CELLCO PARTNERSHIP

Call Sign: WRNF688

File Number:

Print Date:

700 MHz Relicensed Area Information:

Market	Market Name	Buildout Deadline	Buildout Notification	Status
---------------	--------------------	--------------------------	------------------------------	---------------

Reference Copy

REFERENCE COPY

This is not an official FCC license. It is a record of public information contained in the FCC's licensing database on the date that this reference copy was generated. In cases where FCC rules require the presentation, posting, or display of an FCC license, this document may not be used in place of an official FCC license.



Federal Communications Commission
Wireless Telecommunications Bureau

RADIO STATION AUTHORIZATION

LICENSEE: CELLCO PARTNERSHIP

ATTN: REGULATORY
CELLCO PARTNERSHIP
5055 NORTH POINT PKWY, NP2NE NETWORK ENGINEERING
ALPHARETTA, GA 30022

Table with 2 columns: Call Sign (WRNF689), File Number, and Radio Service (PM - 3.7 GHz Service)

FCC Registration Number (FRN): 0003290673

Table with 4 columns: Grant Date, Effective Date, Expiration Date, Print Date, Market Number, Channel Block, Sub-Market Designator, Market Name, 1st Build-out Date, 2nd Build-out Date, 3rd Build-out Date, 4th Build-out Date

Waivers/Conditions:

This interim license, in conjunction with one or more final licenses, collectively provides authorization during the full 15-year license term. Operation under this final license may begin on the earlier of (1) 12/5/2025 or (2) the date that the certification for accelerated relocation for this PEA is validated by the FCC pursuant to 47 CFR ? 27.1412(g). Assignment application(s) and transfers of control filed for this interim license must be done in conjunction with any linked final license.

License is conditioned on compliance with all applicable FCC rules and regulations, including licensee making payments required by 47 C.F.R. §§ 27.1401- 27.1424 as described in FCC 20-22. See FCC 20-22, paras. 178-331.

Conditions:

Pursuant to §309(h) of the Communications Act of 1934, as amended, 47 U.S.C. §309(h), this license is subject to the following conditions: This license shall not vest in the licensee any right to operate the station nor any right in the use of the frequencies designated in the license beyond the term thereof nor in any other manner than authorized herein. Neither the license nor the right granted thereunder shall be assigned or otherwise transferred in violation of the Communications Act of 1934, as amended. See 47 U.S.C. § 310(d). This license is subject in terms to the right of use or control conferred by §706 of the Communications Act of 1934, as amended. See 47 U.S.C. §606.

This license may not authorize operation throughout the entire geographic area or spectrum identified on the hardcopy version. To view the specific geographic area and spectrum authorized by this license, refer to the Spectrum and Market Area information under the Market Tab of the license record in the Universal Licensing System (ULS). To view the license record, go to the ULS homepage at http://wireless.fcc.gov/uls/index.htm?job=home and select "License Search". Follow the instructions on how to search for license information.

Licensee Name: CELLCO PARTNERSHIP

Call Sign: WRNF689

File Number:

Print Date:

700 MHz Relicensed Area Information:

Market	Market Name	Buildout Deadline	Buildout Notification	Status
---------------	--------------------	--------------------------	------------------------------	---------------

Reference Copy

EXHIBIT C

CELLCO PARTNERSHIP
D/B/A



CK EDMONSON/WARREN

OTTER GAP ROAD
BOWLING GREEN, KY 42101
EDMONSON COUNTY

FROM EDMONSON COUNTY CLERK'S OFFICE: 108 MAIN ST. BROWNSVILLE, KY 42210: HEAD SOUTH ON HOLLOWAY RD TOWARD PLANTSIDE DR (0.3 MI). TURN LEFT ONTO WATTERSON TRAIL (0.7 MI). TURN RIGHT TO STAY ON WATTERSON TRAIL (0.7 MI). TURN LEFT ONTO BILLOWM RD (3.7 MI). TAKE THE RAMP ONTO I-265 W/KY-841 W (0.5 MI). MERGE ONTO I-265 W/KY-841 W (8.2 MI). CONTINUE ONTO KY-841 W (0.5 MI). TAKE EXIT 108 TO MERGE ONTO I-65 S TOWARD NASHVILLE (78.0 MI). TAKE EXIT 48 FOR KY-255 TOWARD PARK CITY/BROWNSVILLE (0.3 MI). TURN LEFT ONTO KY-255/MAMMOTH CAVE PKWY (0.4 MI). TURN RIGHT ONTO US-31W S/2ND ST/LOUISVILLE RD & CONTINUE TO FOLLOW US-31W S/LOUISVILLE RD (12.5 MI). TURN RIGHT ONTO OTTER GAP RD (1.0 MI). SITE WILL BE LOCATED ON LEFT (NORTHWEST) SIDE OF ROAD.

FROM LOUISVILLE MTSO: 2421 HOLLOWAY ROAD LOUISVILLE, KY 40299: HEAD SOUTH ON HOLLOWAY RD TOWARD PLANTSIDE DR (0.1 MI). TURN RIGHT AT THE 1ST CROSS STREET ONTO PLANTSIDE DR (0.3 MI). TURN LEFT ONTO WATTERSON TRAIL (0.7 MI). TURN RIGHT TO STAY ON WATTERSON TRAIL (0.7 MI). TURN LEFT ONTO BILLOWM RD (3.7 MI). TAKE THE RAMP ONTO I-265 W/KY-841 W (0.5 MI). MERGE ONTO I-265 W/KY-841 W (8.2 MI). CONTINUE ONTO KY-841 W (0.5 MI). TAKE EXIT 108 TO MERGE ONTO I-65 S TOWARD NASHVILLE (78.0 MI). TAKE EXIT 48 FOR KY-255 TOWARD PARK CITY/BROWNSVILLE (0.3 MI). TURN LEFT ONTO KY-255/MAMMOTH CAVE PKWY (0.4 MI). TURN RIGHT ONTO US-31W S/2ND ST/LOUISVILLE RD & CONTINUE TO FOLLOW US-31W S/LOUISVILLE RD (12.5 MI). TURN RIGHT ONTO OTTER GAP RD (1.0 MI). SITE WILL BE LOCATED ON LEFT (NORTHWEST) SIDE OF ROAD.

PREPARED BY: POWER OF DESIGN GROUP, LLC - (502) 437-5252

NEW 195'-0" SELF SUPPORT TOWER w/4'-0" LIGHTNING
ARRESTOR - TOTAL TOWER HEIGHT 199'-0"

VERIZON SITE
CK EDMONSON/WARREN
FUZE ID: 16505538
LOCATION CODE: 689709
SITE ADDRESS
OTTER GAP ROAD
BOWLING GREEN, KY 42101
EDMONSON COUNTY
9111 ADDRESS: TBD

POLICE
EDMONSON COUNTY SHERIFF
110 JACKSON ST
BROWNSVILLE, KY 42210
PHONE: (270) 597-2157

FIRE
CHALYBEATE FIRE DEPT.
1846 CHALYBEATE RD
BROWNSVILLE, KY 42210
PHONE: (270) 597-3931

TOWER OWNER
VERIZON
2902 RING ROAD
ELIZABETHTOWN, KY 42701
CONTACT: JACQUE STRAIGHT
PHONE: (290) 750-0023
E-MAIL: JACQUE.STRAIGHT@VERIZONWIRELESS.COM

PROPERTY OWNER
HAROLD & PATRICIA WATT
278 AUBREY MILLS ROAD
BOWLING GREEN, KY 42101
CONTACT: PATRICIA WATT
PHONE: (270) 597-2005
E-MAIL: MAMAWATT@HOTMAIL.COM

PROJECT SUMMARY

PROJECT TOTAL DISTURBED AREA
COMPOUND: (10,000 SF) = (0.23 ACRE)
ACCESS DRIVE: (10,395 SF) = (0.24 ACRE)
GROSS AREA: (20,395 SF) = (0.47 ACRE)

PROJECT DESCRIPTION

NOTICE: ITEMS WITHIN THESE CONSTRUCTION DOCUMENTS ARE BY TOWER OWNERS GENERAL CONTRACTOR AND HIS SUB-CONTRACTORS UNLESS NOTED AS IZOW EQ WHICH SHALL INCLUDE VERIZON GENERAL CONTRACTOR AND HIS SUB-CONTRACTORS, GENERALLY DESCRIBED BELOW:

VERIZON SCORE IZOW EQ:

- INSTALL A NEW 195'-0" SELF-SUPPORT TOWER w/ 4'-0" LIGHTNING ROD (TOTAL 199'-0")
- INSTALL A NEW TOWER FOUNDATION SYSTEM
- INSTALL A NEW 98'-0"x98'-0" FENCED GRAVEL COMPOUND
- INSTALL A NEW SITE H-RFRAME
- INSTALL A NEW ELECTRICAL SERVICE RUN TO SITE H-RFRAME
- INSTALL A NEW SERVICE ACCESS DRIVE
- INSTALL NEW TOWER & SITE GROUNDING SYSTEM
- INSTALL NEW ZVW SUBSURFACE GROUNDING SYSTEM
- INSTALL A NEW 3'-0"x10'-0" CONCRETE IP PAD
- INSTALL A NEW 3'-0"x10'-0" CONCRETE IP PAD
- INSTALL ELECTRICAL SERVICE CONDUIT WITH PULL TAPES FROM ITC ENCLOSURE STUB-UP WITHIN ZVW EQUIPMENT PAD TO UTILITY H-RFRAME
- INSTALL NEW CONDUITS WITH PULL TAPES FROM ZVW ITC ENCLOSURE STUB-UPS TO EQUIPMENT ENCLOSURE STUB-UPS WITHIN ZVW EQUIPMENT PAD
- ENCLOSURE STUB-UPS WITHIN ZVW EQUIPMENT PAD
- INSTALL (1) NEW "VERIZON ONLY" FIBER OPTIC CONDUIT WITH PULL TAPES AND TRACER WIRE FROM ZVW EQUIPMENT TO NEW "VERIZON ONLY" 24" x 36" HAND HOLE OUTSIDE COMPOUND
- INSTALL (1) NEW "VERIZON ONLY" FIBER OPTIC CONDUIT WITH PULL TAPES AND TRACER WIRE FROM NEW "VERIZON ONLY" 24" x 36" HAND HOLE OUTSIDE COMPOUND TO NEW "VERIZON ONLY" 36" x 60" HAND HOLE AT ROW
- INSTALL (1) NEW "VERIZON ONLY" FIBER OPTIC CONDUIT WITH PULL TAPES FROM NEW "VERIZON ONLY" 24" x 36" HAND HOLE OUTSIDE COMPOUND AND STUB UP AT FUTURE FIBER RESTRIAL LOCATION
- INSTALL (2) 1'-1/4" & 1" INNERDUCTS WITH PULL TAPES AND TRACER WIRE WITHIN "VERIZON ONLY" 24" x 36" HAND HOLE OUTSIDE COMPOUND AND STUB UP AT FUTURE FIBER RESTRIAL LOCATION
- DIRECT FIBER OPTIC CONDUITS MUST BE AVAILABLE FOR VERIZON AT THE METER BASE PRIOR TO THE SITE BEING RELEASED AS TENANT READY.
- INSTALL A NEW 11'-6" x 24'-6" PREFABRICATED CANOPY ON EXISTING CONCRETE PAD FOUNDATION
- INSTALL NEW 500 GALLON LP TANK ON EXISTING CONCRETE IP PAD
- INSTALL ZVW ICE BRIDGE AND FOUNDATIONS
- INSTALL ZVW ANTENNAS, LINES, COAX, GPS ANTENNA AND RADIO EQUIPMENT
- INSTALL EXISTING SUBSURFACE GROUND LEADS TO ZVW EQUIPMENT FACILITIES
- INSTALL EXISTING SUBSURFACE GROUND LEADS TO ZVW EQUIPMENT FACILITIES
- INSTALL EXISTING SUBSURFACE GROUND LEADS TO ZVW ITC ENCLOSURE
- INSTALL CIRCUITS FROM ZVW ITC TO ZVW EQUIPMENT ENCLOSURES
- INSTALL NEW OUTDOOR OVP AND CABLING H-RFRAME SUPPORT

APPLICABLE CODES

ALL WORK AND MATERIALS SHALL BE PERFORMED AND INSTALLED IN ACCORDANCE WITH THE CURRENT EDITIONS OF THE FOLLOWING CODES AS ADOPTED BY THE LOCAL GOVERNING AUTHORITIES. NOTHING IN THESE PLANS IS TO BE CONSTRUCTED TO PREMAT WORK NOT CONFORMING TO THESE CODES.

BUILDING CODE: 2018 KENTUCKY BUILDING CODE
STRUCTURAL CODE: TIA/EIA-222 - REVISION G (INCLUDES ADDENDUM #2)
MECHANICAL CODE: 2012 INTERNATIONAL MECHANICAL CODE (IMC 2012)
PLUMBING CODE: KENTUCKY STATE PLUMBING CODE (KSPC 20)
ELECTRICAL CODE: 2017 NATIONAL ELECTRICAL CODE (NEC) - NFPA 70
FIRE/LIFE SAFETY CODE: 2012 INTERNATIONAL FIRE CODE (2012 IFC)
ENERGY CODE: 2012 INTERNATIONAL ENERGY CODE (COMMERCIAL)
GAS CODE: 2009 NATIONAL FUEL GAS CODE (NFPA 54)

ACCESSIBILITY REQUIREMENTS:
FACILITY IS UNMANNED AND NOT FOR HUMAN HABITATION. HANDICAPPED ACCESS REQUIREMENTS ARE NOT REQUIRED IN ACCORDANCE WITH THE 2009 IBC BUILDING CODE.

ARCHITECTURAL
POWER OF DESIGN GROUP, LLC
11490 BLUEGRASS PARKWAY
LOUISVILLE, KY 40299
PHONE: (502) 437-5252

ELECTRICAL
WARREN R.E.C.C.
ADDRESS: 113 S LEE ST
LEITCHFIELD, KY 42754
CONTACT: TBD
PHONE: (270) 842-6541
EMAIL: TBD

ELECTRICAL UTILITY COORDINATION
IS NOT FINALIZED. DO NOT PROCEED WITH CONSTRUCTION.

SHEET NUMBER	DESCRIPTION
T-1	PROJECT INFORMATION, SITE MAPS, SHEET INDEX
B-1 TO B-1.3	SITE SURVEY
B-2 TO B-2.1	500' RADIUS AND BUTTERS MAP
R-1	REVISION LOG
TOWER ELEVATION	
TE-1	TOWER ELEVATION
CIVIL	
C-1	OVERALL SITE PLAN W/ AERIAL OVERLAY
C-1A	OVERALL SITE PLAN W/ DISTANCE TO PROPERTY LINES
C-1B	DISTANCE TO RESIDENTIAL STRUCTURE
C-3	DETAILED SITE PLAN
C-4	DIMENSIONED SITE PLAN



CONSULTANT TEAM

SURVEYOR
POWER OF DESIGN GROUP, LLC
11490 BLUEGRASS PARKWAY
LOUISVILLE, KY 40299
PHONE: (502) 437-5252

ARCHITECTURAL
POWER OF DESIGN GROUP, LLC
11490 BLUEGRASS PARKWAY
LOUISVILLE, KY 40299
PHONE: (502) 437-5252

ELECTRICAL
WARREN R.E.C.C.
ADDRESS: 113 S LEE ST
LEITCHFIELD, KY 42754
CONTACT: TBD
PHONE: (270) 842-6541
EMAIL: TBD

03/03/2022

CELLCO PARTNERSHIP
D/B/A

verizon

11490 BLUEGRASS PARKWAY
LOUISVILLE, KY 40299
502-437-5252

POWER OF DESIGN
POD

CELLCO PARTNERSHIP
D/B/A

STATE OF KENTUCKY
MARK E. PATTERSON
PROFESSIONAL ENGINEER
LICENSE # 16300

EN PERMIT: 3594

ZONING
DRAWINGS

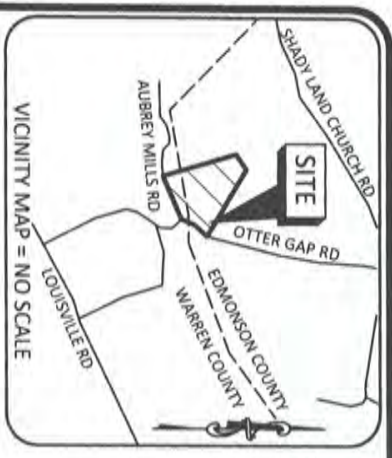
REV.	DATE	DESCRIPTION
A	2.28.22	ISSUED FOR REVIEW
0	3.3.22	ISSUED AS FINAL

SITE INFORMATION:
CK EDMONSON/
WARREN
OTTER GAP ROAD
BOWLING GREEN, KY 42101
EDMONSON COUNTY

POD NUMBER: 21-102896
DRAWN BY: POD
CHECKED BY: MEP
DATE: 02.28.22

SHEET TITLE:
PROJECT INFORMATION, SITE MAPS, SHEET INDEX

SHEET NUMBER:
T-1



FAA COORDINATE POINT
 NAD 83
 LATITUDE: 37°05'02.738610"
 LONGITUDE: -86°16'10.911009"
 NAVD 88
 ELEVATION: 724 ± AMSL
 NORTHING: 3,554,625.553
 EASTING: 4,769,649.573

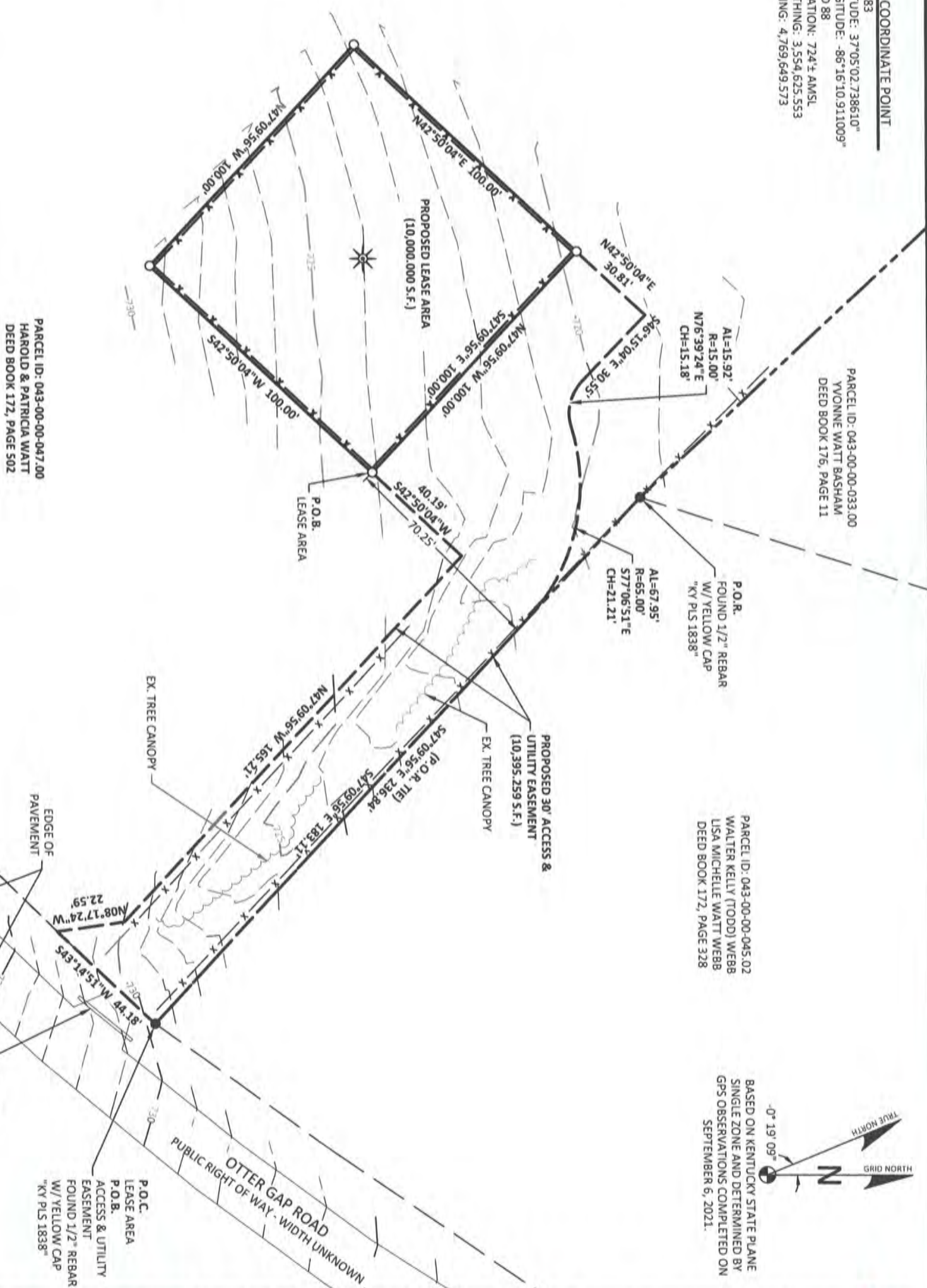
GENERAL NOTES
 NO SEARCH OF PUBLIC RECORDS HAS BEEN COMPLETED BY POD GROUP TO DETERMINE ANY DEFECTS AND/OR AMBIGUITIES IN THE TITLE OF THE SUBJECT PROPERTY.
 THIS DRAWING IS FOR THE PROPOSED LEASE AREA AND THE PROPOSED ACCESS & UTILITY EASEMENT, AND ONLY A PARTIAL BOUNDARY SURVEY OF THE PARENT PARCEL HAS BEEN PERFORMED.
 A PORTION OF THIS SURVEY WAS CONDUCTED BY METHOD OF RANDOM TRAVERSE WITH SIDE SHOTS. UNADJUSTED CLOSURE EQUALS 0.03'. FOR A PRECISION OF 1:52,166 AND HAS NOT BEEN ADJUSTED.
 THIS PROPERTY IS SUBJECT TO ANY RECORDED EASEMENTS AND/OR RIGHTS OF WAY SHOWN HEREON OR NOT.
 THIS PLAT IS NOT INTENDED FOR LAND TRANSFER.

THE PARENT PARCEL, THE PROPOSED LEASE AREA AND THE PROPOSED ACCESS & UTILITY EASEMENT SHOWN HEREON ARE NOT LOCATED IN A 100-YEAR FLOOD PLAIN (ZONE X) PER FLOOD HAZARD BOUNDARY MAP, COMMUNITY-PANEL NUMBER 21061C02108, DATED OCTOBER 19, 2010.

GLOBAL POSITIONING SYSTEMS NOTE
 1. RANDOM CONTROL POINTS AND A PORTION OF THE TOPOGRAPHY WAS LOCATED USING GPS.
 2. THE TYPE OF GPS UTILIZED WAS NETWORK ADJUSTED REAL TIME KINEMATIC (KDOT WAS NETWORK), NAD 83 KENTUCKY SINGLE ZONE WITH THE ORTHOMETRIC HEIGHT COMPUTED USING GEOID18. RELATIVE POSITIONAL ACCURACY VARIED FROM 0.04' TO 0.08' HORIZONTALLY. SPECTRA PRECISION EPOCH 50 DUAL FREQUENCY RECEIVERS WERE USED TO PERFORM THE SURVEY.

LEGEND

- P.O.B. POINT OF BEGINNING
- P.O.C. POINT OF COMMENCEMENT
- P.O.R. POINT OF REFERENCE
- ROW RIGHT OF WAY
- SET 1/2" REBAR 18" LONG
- CAPPED "PATTERSON PLS 3136"
- FOUND MONUMENT AS NOTED
- PROPERTY LINE
- ADJACENT PROPERTY LINE
- EX. FENCE LINE

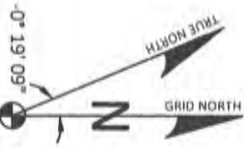


PARCEL ID: 043-00-00-043.00
 YVONNE WATT BASHAM
 DEED BOOK 176, PAGE 11

PARCEL ID: 043-00-00-045.02
 WALTER KELLY (TODD) WEBB
 LISA MICHELLE WATT WEBB
 DEED BOOK 172, PAGE 328

PARCEL ID: 043-00-00-045.02
 WALTER KELLY (TODD) WEBB
 LISA MICHELLE WATT WEBB
 DEED BOOK 172, PAGE 328

BASED ON KENTUCKY STATE PLANE SINGLE ZONE AND DETERMINED BY GPS OBSERVATIONS COMPLETED ON SEPTEMBER 6, 2021.



LAND SURVEYOR'S CERTIFICATE
 I, MARK E. PATTERSON, HEREBY CERTIFY THAT I AM A LICENSED PROFESSIONAL LAND SURVEYOR LICENSED IN COMPLIANCE WITH THE LAWS OF THE COMMONWEALTH OF KENTUCKY. I FURTHER CERTIFY THAT THIS PLAT AND THE SURVEY ON THE GROUND WERE PERFORMED BY PERSONS UNDER MY DIRECT SUPERVISION, AND THAT THE DIRECTIONAL AND LINEAR MEASUREMENTS BEING WITNESSED BY MONUMENTS SHOWN HEREON ARE TRUE AND CORRECT TO THE BEST OF MY KNOWLEDGE. THE "RURAL" SURVEY, AND THE PLAT ON WHICH IT IS BASED, MEETS ALL SPECIFICATIONS AS STATED IN KAR 201.18-150.

Call Monday thru Friday, 7 am to 6 pm
 1-800-752-6007
 Call before you dig.
 Kentucky Division of Transportation

STATE OF KENTUCKY
 LICENSED PROFESSIONAL LAND SURVEYOR
 MARK E. PATTERSON
 3136

MARK PATTERSON, PLS #3136
 03/02/2022
 DATE

<p>PREPARED BY: POD POWER OF DESIGN 11490 BLUEGRASS PARKWAY LOUISVILLE, KY 40299 502-437-5232</p>		<p>CELLCO PARTNERSHIP D/B/A verizon</p>										
<p>PREPARED FOR: EDMONSON-WARREN OTTER GAP ROAD BOWLING GREEN, KY 42101 EDMONSON COUNTY TAX PARCEL NUMBER: 043-00-00-047.00 PROPERTY OWNER: HAROLD & PATRICIA WATT 278 AUBREY MILLS ROAD BOWLING GREEN, KY 42101 SOURCE OF TITLE: DEED BOOK 172, PAGE 502 POD NUMBER: 21-102889</p>		<p>SITE SURVEY</p> <table border="1"> <thead> <tr> <th>REV.</th> <th>DATE</th> <th>DESCRIPTION</th> </tr> </thead> <tbody> <tr> <td>A</td> <td>10.20.21</td> <td>PRELIM ISSUE</td> </tr> <tr> <td>0</td> <td>3.2.22</td> <td>FINAL</td> </tr> </tbody> </table>		REV.	DATE	DESCRIPTION	A	10.20.21	PRELIM ISSUE	0	3.2.22	FINAL
REV.	DATE	DESCRIPTION										
A	10.20.21	PRELIM ISSUE										
0	3.2.22	FINAL										
<p>SITE INFORMATION: CK EDMONSON-WARREN OTTER GAP ROAD BOWLING GREEN, KY 42101 EDMONSON COUNTY TAX PARCEL NUMBER: 043-00-00-047.00 PROPERTY OWNER: HAROLD & PATRICIA WATT 278 AUBREY MILLS ROAD BOWLING GREEN, KY 42101 SOURCE OF TITLE: DEED BOOK 172, PAGE 502 POD NUMBER: 21-102889</p>		<p>SHEET TITLE: SITE SURVEY THIS DOES NOT REPRESENT A BOUNDARY SURVEY OF THE PARENT PARCEL SHEET NUMBER: (3 pages) B-1</p>										

LEGAL DESCRIPTIONS

PARENT PARCEL, LEGAL DESCRIPTION, DEED BOOK 172, PAGE 502 (NOT FIELD SURVEYED)
PROPERTY LOCATED IN WARREN COUNTY, KENTUCKY

THE FOLLOWING DESCRIBED PROPERTY LOCATED IN EDMONSON COUNTY, KENTUCKY, TO WIT:

DEED I: TRACT NO. 1: A TRACT OF LAND SITUATED IN EDMONSON COUNTY ON THE KNOB AND BOUNDED AS FOLLOWS: "BEGINNING AT A RED OAK STUMP AND SPOTED (SIC) OAK STANDING ON TOP OF THE KNOBS AT THE S. E. CORNER OF A FIELD, CORNER OF THE LANDS OF JOSEPH BROWN; THENCE WITH BROWN'S LINE N 9 W NOW N 5-1/2 W 84 POLES TO A STAKE, WITH A LARGE BLACKOAK AS POINTERS; THENCE WITH ANOTHER OF HIS LINES N 9 W NOW N 6 1/2 W 118 POLES TO A POST OAK STUMP WITH POINTERS, AN ORIGINAL CORNER; THENCE WITH ANOTHER ORIGINAL LINE S 81 W NOW S 86 W 49 POLES TO A STAKE WITH HICKORY AND WHITE OAK AS POINTERS NEAR A BRANCH; THENCE S 9 E 104 POLES, NOW S 5-3/4 E 107-3/5 POLES TO A STONE; THENCE N 82-1/2 W 4 POLES TO A STONE IN A ROAD; THENCE S 9 E NOW S 7 E 96-1/5 TO A STAKE, WITH POINTERS ON TOP OF THE KNOB N 86-1/2 E NOW N 85 E 52 POLES TO THE BEGINNING, CONTAINING 65 ACRES, MORE OR LESS."

TRACT NO. 2: "BOUNDED AS BEGINNING AT A STONE, CORNER OF SAID PENNINGTON (SIC) AND BRACK AMOS; THENCE S 21-1/3 E 76 POLES TO A STONE IN THE ORIGINAL LINE; THENCE N 59-1/2 E 22-1/5 POLES TO A STONE AT THE CORNER OF THE WOODS; THENCE N 6-1/4 E 21-3/5 POLES TO ARSTONE IN THE ORIGINAL LINE; THENCE WITH SAME N 52-1/2 W 62-1/5 POLES TO THE BEGINNING, CONTAINING EIGHT AND NINE-TENTHS ACRES BY SURVEY."

TRACT NO. 3: "BEGINNING AT A STAKE IN A GATEWAY; THENCE WITH A LINE OF FENCE S 9 E 18-1/2 POLES TO A STAKE; THENCE N 67 E 30-4/5 POLES TO A STAKE WITH CHESTNUT AND BLACKGUM MARKED AS POINTERS ON THE LOWER SIDE OF A ROAD; THENCE N 21-1/2 W 60-1/2 POLES TO A STAKE IN A LINE OF FENCE; THENCE S 83-1/2 W 28-4/5 POLES TO A STAKE AT THE CORNER OF A FIELD; THENCE S 5-3/4 E 74-4/5 POLES TO THE BEGINNING, CONTAINING 16 ACRES, MORE OR LESS."

TRACT NO. 4: BEGINNING AT A PLANTED STONE, THE ORIGINAL NORTH CORNER; THENCE WITH THE ORIGINAL WEST LINE S 5-3/4 E 35 POLES TO A STAKE; THENCE N 84-1/4 ABOUT 10 (9 3/4) POLES TO A STAKE IN THE EAST LINE; THENCE WITH SAME N 21-1/2 W ABOUT 37 POLES TO THE BEGINNING, CONTAINING ONE ACRE, MORE OR LESS.

EXCEPTED AND NOT INCLUDED HEREIN BEING PART OF TRACT 1 AND HAVING BEEN CONVEYED UNTO HAROLD WATT AND PATRICIA ELVA WATT BY DEED DATED APRIL 20, 1983 AND RECORDED AT DEED BOOK 115, PAGE 799, RECORDS OF THE EDMONSON COUNTY COURT CLERK AND MORE PARTICULARLY DESCRIBED AS FOLLOWS:

TWO TRACTS OF LAND ON THE AUBREY MILLS ROAD ABOUT 0.82 MILES OR 1.326 KILOMETERS NORTHWEST OF THE INTERSECTION OF KENTUCKY HIGHWAY 1659 AND U.S. HIGHWAY 31-W, DESCRIBED AS FOLLOWS FROM AN ACTUAL SURVEY THEREOF DATED APRIL 5, 1983, BY SMITH & ASSOCIATES, DENNIS D. SMITH, PLS 2062, KENNEY LEE AND BARRY HALL, SUBJECT TO EXISTING RIGHTS-OF-WAY AND OTHER EASEMENTS:

TRACT 1: BEGINNING AT A FENCE POST ON A CORNER COMMON TO THE SUBJECT TRACT AND THE LANDS OF AUBREY MILLS ON THE NORTHERN RIGHT-OF-WAY LINE OF THE AUBREY MILLS ROAD IN WARREN COUNTY, KENTUCKY, SAID POINT OF BEGINNING BEING 20.00 FEET NORTH OF THE CENTER LINE OF SAID AUBREY MILLS ROAD AND REFERENCED S 65 DEG. 53 MIN. 25 SEC. W. 1,863.00 FEET FROM THE INTERSECTION OF THE CENTER LINE OF SAID AUBREY MILLS ROAD WITH THE CENTER LINE OF KENTUCKY HIGHWAY 1659; THENCE WITH THE NORTHERN RIGHT-OF-WAY LINE OF SAID AUBREY MILLS ROAD, A FENCE, N 89 DEG. 44 MIN. 04 SEC. W. 107.57 FEET TO A FENCE POST; THENCE N 86 DEG. 51 MIN. 36 SEC. W. 103.60 FEET TO A FENCE POST; THENCE N 83 DEG. 36 MIN. 05 SEC. W. 101.67 FEET TO A FENCE POST; THENCE N 70 DEG. 22 MIN. 15 SEC. W. 100.38 FEET TO A FENCE POST; THENCE N 55 DEG. 22 MIN. 42 SEC. W. 103.31 FEET TO A FENCE POST; THENCE N 53 DEG. 29 MIN. 22 SEC. W. 107.70 FEET TO A FENCE CORNER POST ON A CORNER COMMON TO THE SUBJECT TRACT AND THE LANDS OF JAMES AND/OR BOBBY BUNCH ON THE NORTHERN RIGHT-OF-WAY LINE OF THE AUBREY MILLS ROAD, SAID POST BEING 20.00 FEET NORTH OF THE CENTER LINE OF SAID AUBREY MILLS ROAD AND ON THE EAST SIDE OF A PRIVATE LANE; THENCE ALONG THE EASTERN BOUNDARY LINE OF SAID JAMES AND/OR BOBBY BUNCH AND THE EASTERN SIDE OF SAID PRIVATE LANE, A FENCE, N 04 DEG. 04 MIN. 52 SEC. W. 1,378.30 FEET TO A FENCE CORNER POST; THENCE ALONG THE SOUTHERN AND EASTERN BOUNDARY LINE OF SAID JAMES AND/OR BOBBY BUNCH, A FENCE, N 89 DEG. 42 MIN. 45 SEC. E 46.55 FEET TO A CORNER POST; THENCE N 02 DEG. 18 MIN. 16 SEC. W. 1,765.62 FEET TO A FENCE CORNER POST ON A CORNER COMMON TO THE SUBJECT TRACT AND THE LANDS OF SAID JAMES AND/OR BOBBY BUNCH ON WILLIAM COWLES SOUTHERN BOUNDARY LINE, SAID POST BEING 80.00 FEET EAST OF THE CENTER LINE OF A SMALL BRANCH; THENCE ALONG THE SOUTHERN BOUNDARY LINE OF SAID COWLES, A FENCE, S 88 DEG. 54 MIN. 59 SEC. E 430.95 FEET TO A CUT STONE CORNER MONUMENT BY A LARGE ROUND CROSBIE FENCE POST ON A CORNER COMMON TO THE SUBJECT TRACT AND THE LANDS OF SAID WILLIAM COWLES AND CARL WATT; THENCE ALONG THE SOUTHERN BOUNDARY LINE OF SAID CARL WATT'S 50 DEG. 06 MIN. 32 SEC. E 565.56 FEET TO AN IRON PIN CORNER MONUMENT ON A CORNER COMMON TO THE SUBJECT TRACT AND THE LANDS OF AUBREY MILLS ON CARL WATT'S SOUTHERN BOUNDARY LINE; THENCE WITH SIX NEW LINES SEVERING THE LANDS OF SAID AUBREY MILLS S 09 DEG. 11 MIN. 29 SEC. W. 923.78 FEET TO A 30.00-INCH RED OAK AT THE NORTH EDGE OF A WOODS; THENCE CONTINUING S 09 DEG. 11 MIN. 29 SEC. W. 293.83 FEET TO AN 8-INCH POPLAR; THENCE S 06 DEG. 46 MIN. 12 SEC. W. 285.54 FEET TO A 6-INCH POPLAR; THENCE S 03 DEG. 40 MIN. 48 SEC. W. 150.58 FEET TO A FENCE POST; THENCE S 07 DEG. 43 MIN. 54 SEC. E 902.22 FEET TO THE POINT OF BEGINNING, CONTAINING 47.04 ACRES OR 19.035 HECTARES, MORE OR LESS, PREDOMINANTLY IN EDMONSON COUNTY, KENTUCKY.

TRACT 2: BEGINNING AT AN IRON PIN CORNER MONUMENT ON A CORNER COMMON TO THE SUBJECT TRACT AND THE LANDS OF JAMES AND/OR BOBBY BUNCH ON THE SOUTHERN RIGHT-OF-WAY LINE OF THE AUBREY MILLS ROAD IN WARREN COUNTY, KENTUCKY, SAID POINT OF BEGINNING BEING 20.00 FEET SOUTH OF THE CENTER LINE OF SAID AUBREY MILLS ROAD AND REFERENCED S 74 DEG. 35 MIN. 56 SEC. W. 2,361.00 FEET FROM THE INTERSECTION OF THE CENTER LINE OF SAID AUBREY MILLS ROAD WITH THE CENTER LINE OF KENTUCKY HIGHWAY 1659; THENCE WITH THE SOUTHERN RIGHT-OF-WAY LINE OF SAID AUBREY MILLS ROAD S 53 DEG. 29 MIN. 22 SEC. E 74.08 FEET TO A POINT; THENCE S 55 DEG. 22 MIN. 42 SEC. E 109.23 FEET TO A POINT; THENCE S 70 DEG. 22 MIN. 03 SEC. E 90.15 FEET TO AN IRON PIN CORNER MONUMENT ON A CORNER COMMON TO THE SUBJECT TRACT AND THE LANDS OF CHARLES MEISEL ON THE SOUTHERN RIGHT-OF-WAY LINE OF THE AUBREY MILLS ROAD; THENCE WITH THE NORTHERN BOUNDARY LINE OF SAID CHARLES MEISEL S 85 DEG. 23 MIN. 28 SEC. W. 224.05 FEET TO A PLANTED STONE CORNER MONUMENT ON A CORNER COMMON TO THE SUBJECT TRACT AND THE LANDS OF SAID CHARLES MEISEL ON JAMES AND/OR BOBBY BUNCH'S EASTERN BOUNDARY LINE; THENCE WITH THE EASTERN BOUNDARY LINE OF SAID BUNCH N 04 DEG. 04 MIN. 52 SEC. W. 154.82 FEET TO THE POINT OF BEGINNING, CONTAINING 0.34 ACRE OR 0.139 HECTARE, MORE OR LESS.

ALSO EXCEPTED AND NOT INCLUDED HEREIN BEING A PART OF TRACT NO. 3 AND HAVING BEEN CONVEYED UNTO HAROLD WATT AND HIS WIFE, PATRICIA WATT, BY DEED DATED MAY 26, 1966 AND RECORDED AT DEED BOOK, 67, PAGE 139, RECORDS OF EDMONSON COUNTY COURT CLERK AND MORE PARTICULARLY DESCRIBED AS FOLLOWS:

BEGINNING 15 FEET FROM A BLACK GUM AT THE CORNER OF THE MILLS-MEISEL LINE ON THE COUNTY ROAD, THENCE WEST FROM THE BEGINNING POINT 210 FEET; THENCE TO THE RIGHT AND AT A RIGHT ANGLE 420 FEET TO A CORNER; THENCE TO THE RIGHT AND AT A RIGHT ANGLE 210 FEET TO A CORNER; THENCE TO THE RIGHT AND AT A RIGHT ANGLE 420 FEET TO THE POINT OF BEGINNING, CONTAINING 2 ACRES.

DEED II: TRACT 1: A CERTAIN TRACT OF LAND IN EDMONSON COUNTY, KENTUCKY (AND REPUTED TO BE PART IN EDMONSON COUNTY AND PART IN WARREN COUNTY), AND BOUNDED AS FOLLOWS: BEGINNING AT A STONE CORNER TO T. D. DAVIS, SR.; THENCE N 62 E 46 POLES TO A STONE IN THE CENTER OF THE BOWLING GREEN AND BROWNSVILLE ROAD; THENCE WITH SAME, N 52-1/2 E 20 POLES TO A STONE IN SAID ROAD CORNER, TO LEVI EDWARDS; THENCE WITH HIS LINE S 53 W 31 POLES TO A STONE NEAR THE NEW HOUSE; THENCE N 41-1/2 W 39 POLES TO A STONE IN EDWARDS CORNER; THENCE N 30 E 46-2/5 POLES TO A STONE, HIS CORNER IN THE ORIGINAL LINE; THENCE WITH SAME N 52-1/2 W 38-3/4 POLES TO A STONE IN SAID LINE, CORNER TO S. W. PENNINGTON; THENCE WITH HIS LINE S 6-1/4 W 21-3/5 POLES TO A STONE AT CORNER OF WOODS; THENCE S 59-1/2 W 22-1/5 POLES TO A STONE IN THE ORIGINAL LINE; THENCE WITH SAME S 21-1/3 E 86-1/2 POLES TO THE BEGINNING, CONTAINING 19-1/3 ACRES, MORE OR LESS.

TRACT 2: LYING IN EDMONSON COUNTY MID BEGINNING AT A STONE IN M. N. CRAIN'S LINE, ALSO A CORNER TO SAID CRAIN; THENCE WITH SAID CRAIN'S LINE N 84-1/4 E 28.8 POLES TO A STONE, SAID CRAIN'S CORNER IN AUBREY MILLS' LINE; THENCE WITH THE LATTER N 21-1/4 W 72.4 POLES TO A STONE AT A BRANCH, A CORNER TO THE AFORESAID CRAIN; THENCE S 84-1/2 W 9.3 POLES TO A STONE IN AN OLD FENCE LINE, SAID CRAIN'S CORNER; THENCE WITH HIS LINE S 5-3/4 E 70 POLES TO THE BEGINNING, CONTAINING 9 ACRES, MORE OR LESS.

AND BEING THE SAME PROPERTY CONVEYED TO HAROLD WATT AND PATRICIA WATT FROM LAURA ZELDA MILLS, WIDOW BY DEED DATED AUGUST 11, 2001 AND RECORDED AUGUST 17, 2001 IN DEED BOOK 172, PAGE 502.

TAX PARCEL NO. 043-00-00-047-00



LAND SURVEYOR'S CERTIFICATE
I, MARK E. PATTERSON, HEREBY CERTIFY THAT I AM A LICENSED PROFESSIONAL LAND SURVEYOR LICENSED IN COMPLIANCE WITH THE LAWS OF THE COMMONWEALTH OF KENTUCKY. I FURTHER CERTIFY THAT THIS PLAT AND THE SURVEY ON THE GROUND WERE PERFORMED BY PERSONS UNDER MY DIRECT SUPERVISION, AND THAT THE DIRECTIONAL AND LINEAR MEASUREMENTS BEING WITNESSED BY MONUMENTS SHOWN HEREON ARE TRUE AND CORRECT TO THE BEST OF MY KNOWLEDGE. THE "RURAL" SURVEY, AND THE PLAT ON WHICH IT IS BASED, MEETS ALL SPECIFICATIONS AS STATED IN KAR 201 18-150.

Mark E. Patterson
MARK PATTERSON, PLS #3136

03/02/2022 DATE

PREPARED BY:
POD
POWER OF DESIGN
11490 BLUEGRASS PARKWAY
LOUISVILLE, KY 40299
502-957-5252

PREPARED FOR:

CELLCO PARTNERSHIP
D/B/A
verizon

REV.	DATE	DESCRIPTION
A	10.20.21	PRELIM ISSUE
0	3.2.22	FINAL

SITE INFORMATION:
CK

EDMONSON-WARREN
OTTER GAP ROAD
BOWLING GREEN, KY 42101
EDMONSON COUNTY
TAX PARCEL NUMBER:
043-00-00-047.00

PROPERTY OWNER:
HAROLD & PATRICIA WATT
278 AUBREY MILLS ROAD
BOWLING GREEN, KY 42101

SOURCE OF TITLE:
DEED BOOK 172, PAGE 502
POD NUMBER: 21-102889
DRAWN BY: AW
CHECKED BY: MEP
SURVEY DATE: 9.6.21
PLAT DATE: 10.20.21

SHEET TITLE:
SITE SURVEY
THIS DOES NOT REPRESENT A BOUNDARY SURVEY OF THE PARENT PARCEL

SHEET NUMBER: (3 pages)
B-1.1

PROPOSED LEASE AREA

THE FOLLOWING IS A DESCRIPTION OF THE PROPOSED LEASE AREA ON THE PROPERTY CONVEYED TO HAROLD AND PATRICIA WATT AS RECORDED IN THE OFFICE OF THE CLERK OF EDMONSON COUNTY, KENTUCKY IN DEED BOOK 172, PAGE 502, PARCEL ID: 043-00-00-047.00, WHICH IS MORE PARTICULARLY DESCRIBED AS FOLLOWS:

BEARING DATUM USED HEREIN IS BASED UPON KENTUCKY STATE PLANE COORDINATE SYSTEM, SINGLE ZONE, NAD 83, FROM A REAL TIME KINEMATIC GLOBAL POSITIONING SYSTEM OBSERVATION USING THE KENTUCKY TRANSPORTATION CABINET REAL TIME GPS NETWORK COMPLETED ON SEPTEMBER 6, 2021.

COMMENCING AT A FOUND 1/2" REBAR WITH A YELLOW PLASTIC CAP STAMPED "KY PLUS 1838" AT THE SOUTHEAST CORNER OF THE PARCEL CONVEYED TO HAROLD AND PATRICIA WATT AS RECORDED IN DEED BOOK 172, PAGE 502, SAID POINT ALSO BEING A COMMON CORNER TO THE PARCEL CONVEYED TO WALTER KELLY (TODD) WEBB AND USA MICHELLE WATT WEBB AS RECORDED IN DEED BOOK 172, PAGE 328, FOR REFERENCE, SAID COMMENCEMENT POINT IS S47°09'56" E 236.84' FROM A FOUND 1/2" REBAR WITH A YELLOW PLASTIC CAP STAMPED "KY PLUS 1838" IN THE EAST LINE OF WATT, DEED BOOK 172, PAGE 502, AND BEING THE NORTHWEST CORNER OF WATT, DEED BOOK 172, PAGE 328, SAID COMMENCEMENT POINT ALSO BEING IN THE NORTH RIGHT OF WAY LINE OF OTTER GAP ROAD, THENCE LEAVING SAID COMMON CORNER ALONG THE SOUTH LINE OF WATT, DEED BOOK 172, PAGE 502, AND THE NORTH RIGHT OF WAY LINE OF OTTER GAP ROAD, S43°14'51" W 44.18'; THENCE LEAVING THE SOUTH LINE OF WATT AND THE NORTH RIGHT OF WAY LINE OF OTTER GAP ROAD, TRAVERSING ACROSS THE LAND OF WATT, DEED BOOK 172, PAGE 502, N08°17'24" W 22.59'; THENCE N47°09'56" W 165.21'; THENCE ALONG THE ARC OF A CURVE TO THE LEFT HAVING A RADIUS OF 35.00', ARC LENGTH OF 27.95', THE CHORD OF WHICH BEARS N70°02'45" W 27.22'; THENCE S46°15'04" E 25.08'; THENCE S42°50'04" W 29.21' TO A SET 1/2" REBAR WITH A YELLOW PLASTIC CAP STAMPED PATTERSON PLUS 3136, HEREAFTER REFERRED TO AS A SET IPC, IN THE EASTERNMOST CORNER OF THE PROPOSED LEASE AREA AND BEING THE TRUE POINT OF BEGINNING; THENCE LEAVING SAID LEASE AREA, S42°50'04" W 100.00' TO A SET IPC; THENCE N47°09'56" W 100.00' TO A SET IPC; N42°50'04" E 100.00' TO A SET IPC; THENCE S47°09'56" E 100.00' TO THE POINT OF BEGINNING CONTAINING 10,000.000 SQUARE FEET AS PER SURVEY BY MARK E. PATTERSON, PLS 3136 DATED SEPTEMBER 6, 2021.

PROPOSED 30' ACCESS & UTILITY EASEMENT

THE FOLLOWING IS A DESCRIPTION OF THE PROPOSED 30' ACCESS & UTILITY EASEMENT TO BE GRANTED ON PROPERTY CONVEYED TO HAROLD AND PATRICIA WATT AS RECORDED IN THE OFFICE OF THE CLERK OF EDMONSON COUNTY, KENTUCKY IN DEED BOOK 172, PAGE 502, PARCEL ID: 043-00-00-047.00, WHICH IS MORE PARTICULARLY DESCRIBED AS FOLLOWS:

BEARING DATUM USED HEREIN IS BASED UPON KENTUCKY STATE PLANE COORDINATE SYSTEM, SINGLE ZONE, NAD 83, FROM A REAL TIME KINEMATIC GLOBAL POSITIONING SYSTEM OBSERVATION USING THE KENTUCKY TRANSPORTATION CABINET REAL TIME GPS NETWORK COMPLETED ON SEPTEMBER 6, 2021.

BEGINNING AT A FOUND 1/2" REBAR WITH A YELLOW PLASTIC CAP STAMPED "KY PLUS 1838" AT THE SOUTHEAST CORNER OF THE PARCEL CONVEYED TO HAROLD AND PATRICIA WATT AS RECORDED IN DEED BOOK 172, PAGE 502, SAID POINT ALSO BEING A COMMON CORNER TO THE PARCEL CONVEYED TO WALTER KELLY (TODD) WEBB AND USA MICHELLE WATT WEBB AS RECORDED IN DEED BOOK 172, PAGE 328, FOR REFERENCE, SAID COMMENCEMENT POINT IS S47°09'56" E 236.84' FROM A FOUND 1/2" REBAR WITH A YELLOW PLASTIC CAP STAMPED "KY PLUS 1838" IN THE EAST LINE OF WATT, DEED BOOK 172, PAGE 502, AND BEING THE NORTHWEST CORNER OF WATT, DEED BOOK 172, PAGE 328, SAID COMMENCEMENT POINT ALSO BEING IN THE NORTH RIGHT OF WAY LINE OF OTTER GAP ROAD, THENCE LEAVING SAID COMMON CORNER ALONG THE SOUTH LINE OF WATT, DEED BOOK 172, PAGE 502, AND THE NORTH RIGHT OF WAY LINE OF OTTER GAP ROAD, S43°14'51" W 44.18'; THENCE LEAVING THE SOUTH LINE OF WATT AND THE NORTH RIGHT OF WAY LINE OF OTTER GAP ROAD, TRAVERSING ACROSS THE LAND OF WATT, DEED BOOK 172, PAGE 502, N08°17'24" W 22.59'; THENCE N47°09'56" W 165.21'; THENCE S42°50'04" W 40.19' TO A SET 1/2" REBAR WITH A YELLOW PLASTIC CAP STAMPED PATTERSON PLUS 3136, HEREAFTER REFERRED TO AS A SET IPC, IN THE EASTERNMOST CORNER OF THE PROPOSED LEASE AREA; THENCE WITH SAID LEASE AREA, N47°09'56" W 100.00' TO A SET IPC; THENCE LEAVING SAID LEASE AREA, N42°50'04" E 30.81'; THENCE S46°15'04" E 30.55'; THENCE ALONG THE ARC OF A CURVE TO THE LEFT HAVING A RADIUS OF 15.00', ARC LENGTH OF 15.92', THE CHORD OF WHICH BEARS S76°39'24" E 15.18'; THENCE ALONG THE ARC OF A REVERSE CURVE TO THE RIGHT HAVING A RADIUS OF 65.00', ARC LENGTH OF 67.95', THE CHORD OF WHICH BEARS S77°06'51" E 64.90' TO A POINT IN THE COMMON LINE OF WATT PARCELS AFOREMENTIONED; THENCE ALONG SAID COMMON LINE, S47°09'56" E 183.11' TO THE POINT OF BEGINNING CONTAINING 10,395.259 SQUARE FEET AS PER SURVEY BY MARK E. PATTERSON, PLS 3136 DATED SEPTEMBER 6, 2021.

REPORT OF SEARCH

THIS SURVEY DOES NOT CONSTITUTE A TITLE SEARCH BY POD GROUP, LLC AND AS SUCH WE ARE NOT RESPONSIBLE FOR THE INVESTIGATION OR INDEPENDENT SEARCH FOR EASEMENTS OF RECORD, ENCUMBRANCES, RESTRICTIVE COVENANTS, OWNERSHIP TITLE EVIDENCE, UNRECORDED EASEMENTS, AUGMENTING EASEMENTS, IMPLIED OR PRESCRIPTIVE EASEMENTS, OR ANY OTHER FACTS THAT AN ACCURATE AND CURRENT TITLE SEARCH MAY DISCLOSE. INFORMATION REGARDING THESE MATTERS WERE GAINED FROM FIDELITY NATIONAL TITLE, ORDER NO. 35208102, PREPARED FOR VERIZON WIRELESS, PERIOD OF SEARCH: JANUARY 21, 1941 TO JULY 22, 2021 AT 8:00 AM, DATED: AUGUST 23, 2021, THE FOLLOWING COMMENTS ARE IN REGARD TO SAID SEARCH AND THE NUMBERS IN THE COMMENTS CORRESPOND TO THE NUMBERING SYSTEM IN SAID REPORT.

SEARCH DISCLOSED THE FOLLOWING:

1. TAXES
TYPE OF TAX: COUNTY
CALENDAR YEAR: 2020
AMOUNT: \$573.19 ANNUALLY
PARCEL ID #: 043-00-00-047.00
PAID THROUGH: 2020
ASSESSMENT: \$390,000.00 (TOTAL - LAND AND IMPROVEMENTS, IF ANY) (NOT A LAND SURVEYING MATTER, THEREFORE, POD GROUP, LLC DID NOT EXAMINE OR ADDRESS THIS ITEM.)
2. EASEMENT IN FAVOR OF J.B. AMOS SET FORTH IN INSTRUMENT RECORDED ON JANUARY 20, 1955 IN DEED BOOK 54, PAGE 510, (THE EASEMENT AS RECORDED IN BOOK 54, PAGE 510 DOES AFFECT THE PARENT PARCEL BUT DOES NOT AFFECT THE PROPOSED LEASE AREA OR THE PROPOSED ACCESS AND UTILITY EASEMENT.)

PREPARED BY:
POD
POWER OF DESIGN
11490 BLUEGRASS PARKWAY
LOUISVILLE, KY 40299
502-437-5232

PREPARED FOR:

CELLCO PARTNERSHIP
D/B/A
verizon

REV.	DATE	DESCRIPTION
A	10.20.21	PRELIM ISSUE
0	3.2.22	FINAL

SITE INFORMATION:
CK
EDMONSON-WARREN
OTTER GAP ROAD
BOWLING GREEN, KY 42101
EDMONSON COUNTY

TAX PARCEL NUMBER:
043-00-00-047.00

PROPERTY OWNER:
HAROLD & PATRICIA WATT
278 AUBREY MILLS ROAD
BOWLING GREEN, KY 42101

SOURCE OF TITLE:
DEED BOOK 172, PAGE 502

POD NUMBER: 21-102889

DRAWN BY: AJW
CHECKED BY: MEP
SURVEY DATE: 9.6.21
PLAT DATE: 10.20.21

SHEET TITLE:
SITE SURVEY
THIS DOES NOT REPRESENT A BOUNDARY SURVEY OF THE PARENT PARCEL

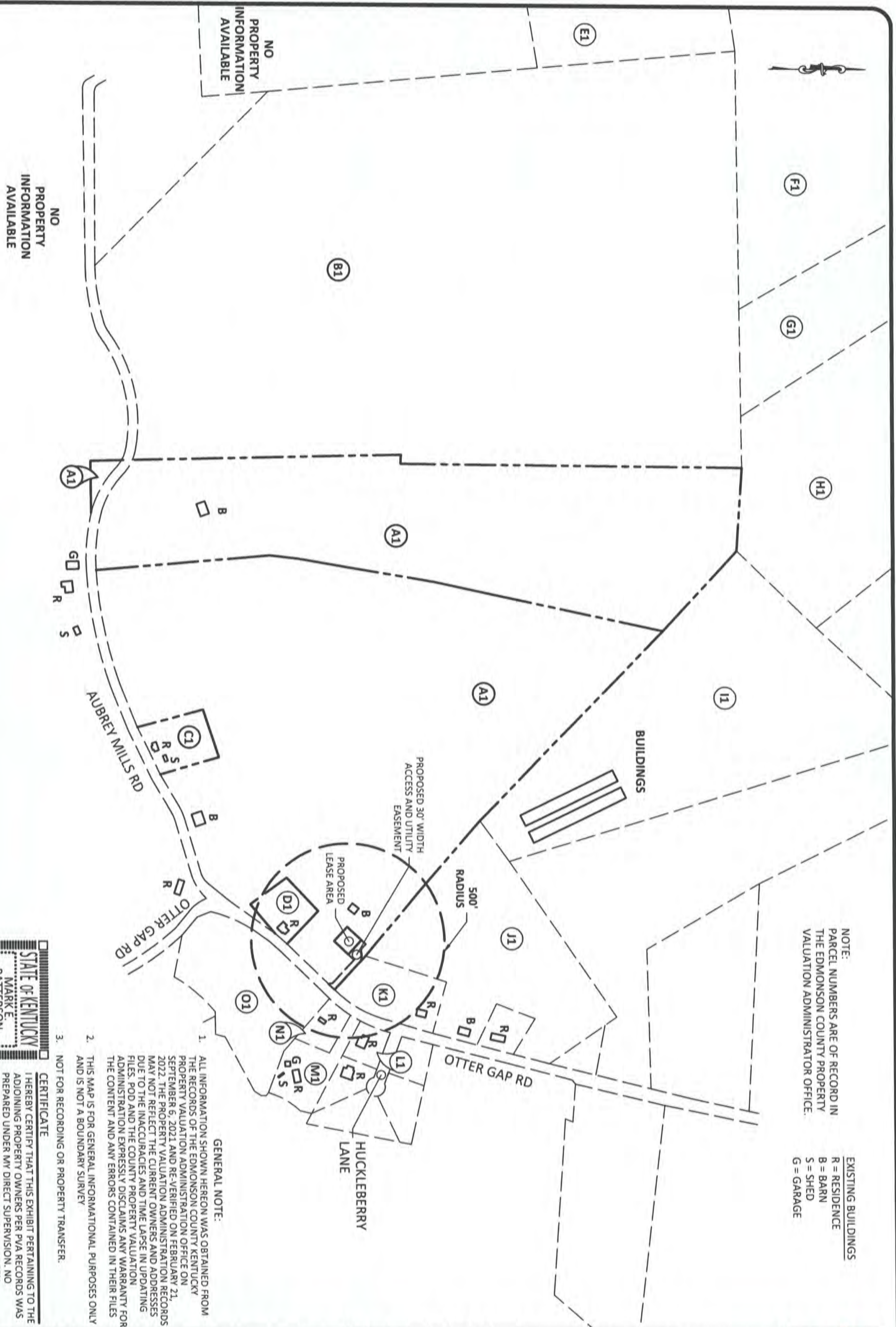
SHEET NUMBER: (3 pages)
B-1.2



LAND SURVEYOR'S CERTIFICATE
I, MARK E. PATTERSON, HEREBY CERTIFY THAT I AM A LICENSED PROFESSIONAL LAND SURVEYOR LICENSED IN COMPLIANCE WITH THE LAWS OF THE COMMONWEALTH OF KENTUCKY. I FURTHER CERTIFY THAT THIS PLAT AND THE SURVEY ON THE GROUND WERE PERFORMED BY PERSONS UNDER MY DIRECT SUPERVISION, AND THAT THE DIRECTIONAL AND LINEAR MEASUREMENTS BEING WITNESSED BY MONUMENTS SHOWN HEREON ARE TRUE AND CORRECT TO THE BEST OF MY KNOWLEDGE. THE "RURAL" SURVEY, AND THE PLAT ON WHICH IT IS BASED, MEETS ALL SPECIFICATIONS AS STATED IN KAR 201 18-150.

Mark E. Patterson
MARK PATTERSON, PLS #3136

03/02/2022
DATE



NOTE:
 PARCEL NUMBERS ARE OF RECORD IN
 THE EDMONSON COUNTY PROPERTY
 VALUATION ADMINISTRATOR OFFICE.

EXISTING BUILDINGS
 R = RESIDENCE
 B = BARN
 S = SHED
 G = GARAGE

GENERAL NOTE:

1. ALL INFORMATION SHOWN HEREON WAS OBTAINED FROM THE RECORDS OF THE EDMONSON COUNTY KENTUCKY PROPERTY VALUATION ADMINISTRATION OFFICE ON SEPTEMBER 6, 2021 AND RE-VERIFIED ON FEBRUARY 21, 2022. THE PROPERTY VALUATION ADMINISTRATION RECORDS MAY NOT REFLECT THE CURRENT OWNERS AND ADDRESSES DUE TO THE INACCURACIES AND TIME LAPSE IN UPDATING FILES. POD AND THE COUNTY PROPERTY VALUATION ADMINISTRATION EXPRESSLY DISCLAIMS ANY WARRANTY FOR THE CONTENT AND ANY ERRORS CONTAINED IN THEIR FILES.
2. THIS MAP IS FOR GENERAL INFORMATIONAL PURPOSES ONLY AND IS NOT A BOUNDARY SURVEY.
3. NOT FOR RECORDING OR PROPERTY TRANSFER.

CERTIFICATE

I HEREBY CERTIFY THAT THIS EXHIBIT PERTAINING TO THE ADJOINING PROPERTY OWNERS PER PVA RECORDS WAS PREPARED UNDER MY DIRECT SUPERVISION, NO BOUNDARY SURVEYING OF ANY KIND HAS BEEN PERFORMED FOR THIS EXHIBIT.



Mark E. Patterson
 03/02/2022
 DATE
 MARK PATTERSON, PLS #3136



PREPARED BY:
POD
 POWER OF DESIGN
 11499 BLUEGRASS PARKWAY
 LOUISVILLE, KY 40299
 502-437-5352

PREPARED FOR:

CELLCO PARTNERSHIP
 D/B/A
verizon

REV	DATE	DESCRIPTION
A	2.21.22	ISSUED FOR REVIEW
0	3.2.22	FINAL

SITE INFORMATION:
CK
EDMONSON-WARREN
 OTTER GAP ROAD
 BOWLING GREEN, KY 42101
 EDMONSON COUNTY
 TAX PARCEL NUMBER:
 043-00-00-047.00

PROPERTY OWNER:
 HAROLD & PATRICIA WATT
 278 AUBREY MILLS ROAD
 BOWLING GREEN, KY 42101

SOURCE OF TITLE:
 DEED BOOK 172, PAGE 502
 POD NUMBER: 21-102891

DRAWN BY: AIW
 CHECKED BY: MEP
 SURVEY DATE: 9.6.21
 PLAT DATE: 2.21.22

SHEET TITLE:
**500' RADIUS AND
 ABUTTERS MAP**

SHEET NUMBER: (2 pages)
B-2

ADJACENT PROPERTY OWNERS

- A1** PARCEL ID: 043-00-00-047.00
WATT HAROLD & PATRICIA ELLA
278 AUBREY MILLS RD
BOWLING GREEN KY 42101
- B1** PARCEL ID: 043-00-00-048.00
WATT HAROLD & PATRICIA ELLA
278 AUBREY MILLS RD
BOWLING GREEN KY 42101
- C1** PARCEL ID: 043-00-00-046.00
WATT PATRICIA E
278 AUBRY MILLS RD
BOWLING GREEN, KY 42101
- D1** PARCEL ID: 043-00-00-045.00
WATT LARRY JOE
4229 OTTER GAP RD
BOWLING GREEN KY 42101
- E1** PARCEL ID: 034-00-00-046.00
DUNCAN BOBBY JOE
1637 SHADYLAND CH RD
BOWLING GREEN KY 42101
- F1** PARCEL ID: 043-00-00-029.00
LUNDEY USA, K &
WILSON RANDY'S
101 WALNUT RIDGE WAY
BOWLING GREEN KY 42104
- G1** PARCEL ID: 043-00-00-031.00
DAVIS KEITH
1145 SHADY LAND CHURCH RD
BOWLING GREEN KY 42101
- H1** PARCEL ID: 043-00-00-032.00
COWLES WILLIAM B & DORA A
383 TUCKERTOWN RD
OAKLAND KY 42159
- I1** PARCEL ID: 043-00-00-033.01
MEREDITH JOHN W & LORI ANN
3975 OTTER GAP RD
BOWLING GREEN KY 42101
- J1** PARCEL ID: 043-00-00-033.00
BASHAM YVONNE WATT EST
PO BOX 192
BROWNSVILLE KY 42210
- K1** PARCEL ID: 043-00-00-045.02
WEBB TODD K & USA MICHELLE
3300 OTTER GAP RD
BOWLING GREEN KY 42101
- L1** PARCEL ID: 043-50-00-002.00
MURPHY TARA L
15 HUCKLEBERRY LN
BOWLING GREEN KY 42101
- M1** PARCEL ID: 043-00-00-040.02
BOWLES STEVEN & KIMBERLY
4060 OTTER GAP RD
BOWLING GREEN KY 42101
- N1** PARCEL ID: 043-00-00-040.01
WILLOUGHBY SEAN M & FALLON A
4130 OTTER GAP RD
BOWLING GREEN KY 42101
- O1** PARCEL ID: 043-00-00-044.00
MASSEY T J & ALEX
1099 DENHAM RD
SMITHS GROVE KY 42171

GENERAL NOTE:

1. ALL INFORMATION SHOWN HEREON WAS OBTAINED FROM THE RECORDS OF THE EDMONSON COUNTY KENTUCKY PROPERTY VALUATION ADMINISTRATION OFFICE ON SEPTEMBER 6, 2021 AND RE-VERIFIED ON FEBRUARY 21, 2022. THE PROPERTY VALUATION ADMINISTRATION RECORDS MAY NOT REFLECT THE CURRENT OWNERS AND ADDRESSES DUE TO THE INACCURACIES AND TIME LAPSE IN UPDATING FILES. POD AND THE COUNTY PROPERTY VALUATION ADMINISTRATION EXPRESSLY DISCLAIMS ANY WARRANTY FOR THE CONTENT AND ANY ERRORS CONTAINED IN THEIR FILES.
2. THIS MAP IS FOR GENERAL INFORMATIONAL PURPOSES ONLY AND IS NOT A BOUNDARY SURVEY.
3. NOT FOR RECORDING OR PROPERTY TRANSFER.

NOTE:
PARCEL NUMBERS ARE OF RECORD IN THE EDMONSON COUNTY PROPERTY VALUATION ADMINISTRATOR OFFICE.

PREPARED BY:
POD
POWER OF DESIGN
13490 BLUEGRASS PARKWAY
LOUISVILLE, KY 40299
502-437-5252

PREPARED FOR:

CELLCO PARTNERSHIP
D/B/A
verizon

EXHIBIT

REV.	DATE	DESCRIPTION
A	2.21.22	ISSUED FOR REVIEW
0	3.2.22	FINAL

SITE INFORMATION:

CK
EDMONSON-WARREN
OTTER GAP ROAD
BOWLING GREEN, KY 42101
EDMONSON COUNTY
TAX PARCEL NUMBER:
043-00-00-047.00

PROPERTY OWNER:
HAROLD & PATRICIA WATT
278 AUBREY MILLS ROAD
BOWLING GREEN, KY 42101

SOURCE OF TITLE:
DEED BOOK 172, PAGE 502
POD NUMBER: 21-102891

DRAWN BY: AIW
CHECKED BY: MEP
SURVEY DATE: 9.6.21
PLAT DATE: 2.21.22

SHEET TITLE:
500' RADIUS AND ABUTTERS MAP

SHEET NUMBER: (2 pages)
B-2.1

CERTIFICATE

I HEREBY CERTIFY THAT THIS EXHIBIT PERTAINING TO THE ADJOINING PROPERTY OWNERS PER PVA RECORDS WAS PREPARED UNDER MY DIRECT SUPERVISION. NO BOUNDARY SURVEYING OF ANY KIND HAS BEEN PERFORMED FOR THIS EXHIBIT.



MARK PATTERSON, PLS #3136
03/02/2022
DATE

REVISION LOG

REV	MM/DD/YY	SHEET NUMBER	DESCRIPTION OF REVISION
A	2/28/2022	ALL SHEETS	ISSUED FOR REVIEW
0	3/3/2022	ALL SHEETS	ISSUED AS FINAL



CELCO PARTNERSHIP
D/B/A



03/03/2022



EN PERMIT: 3594

ZONING DRAWINGS

REV.	DATE	DESCRIPTION
A	2.28.22	ISSUED FOR REVIEW
0	3.3.22	ISSUED AS FINAL

SITE INFORMATION:

**CK EDMONSON/
WARREN**

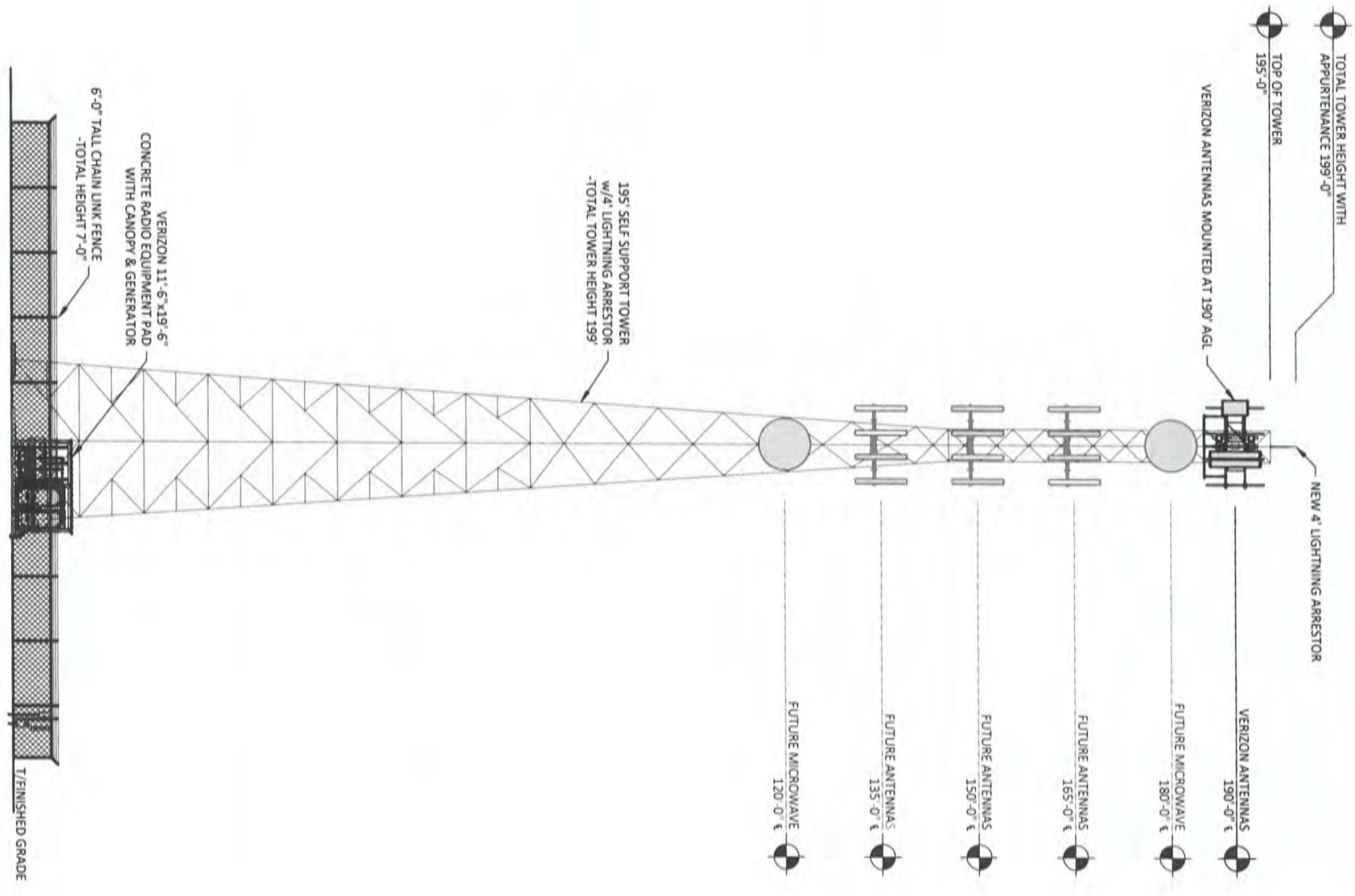
 OTTER GAP ROAD
 BOWLING GREEN, KY 42101
 EDMONSON COUNTY

POD NUMBER: 21-102896
 DRAWN BY: POD
 CHECKED BY: MEP
 DATE: 02.28.22

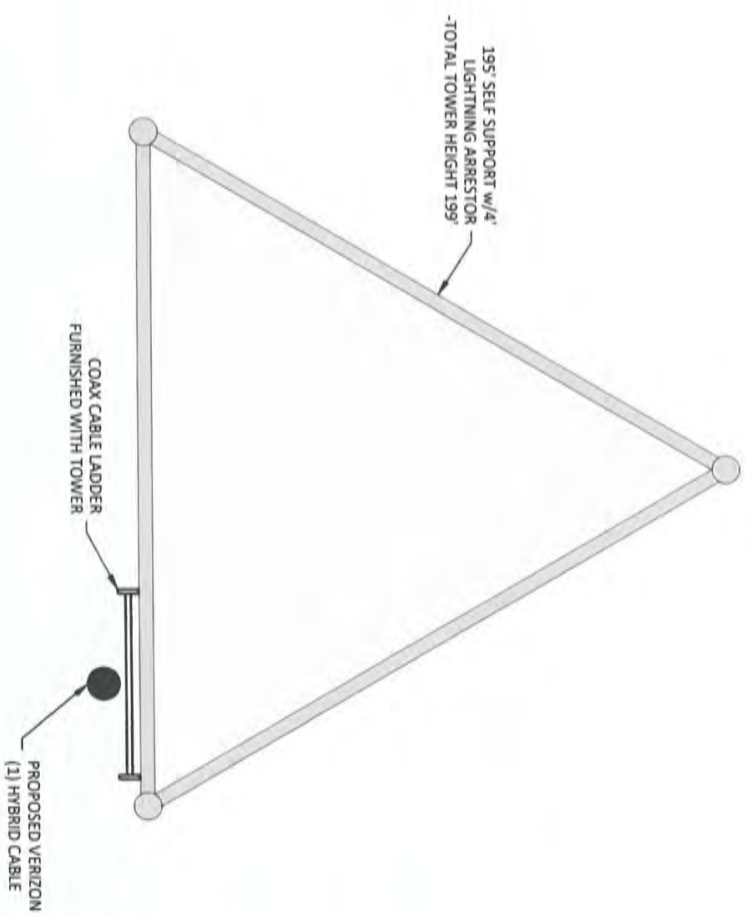
SHEET TITLE:

REVISION LOG

SHEET NUMBER:
R-1



NOTE:
 1. IT IS THE INSTALLING CONTRACTOR'S RESPONSIBILITY TO VERIFY ALL ANTENNA INFORMATION AGAINST FINAL RADIO ENGINEERING PLAN PROVIDED BY CELLO PARTNERSHIP d/b/a VERIZON (VZW GC)



TOWER ELEVATION
 SCALE: N.T.S.



COAX PLAN
 SCALE: N.T.S.



POD
 POWER OF DESIGN
 11490 BLUEGRASS PARKWAY
 LOUISVILLE, KY 40299
 502-437-5252

CELLCO PARTNERSHIP
 D/B/A
verizon

03/03/2022
 STATE OF KENTUCKY
 MARK E. PATTERSON
 16306
 PROFESSIONAL ENGINEER
 EN PERMIT: 3594

ZONING DRAWINGS

REV.	DATE	DESCRIPTION
A	2.28.22	ISSUED FOR REVIEW
0	3.3.22	ISSUED AS FINAL

SITE INFORMATION:

**CK EDMONSON/
 WARREN**
 OTTER GAP ROAD
 BOWLING GREEN, KY 42101
 EDMONSON COUNTY

POD NUMBER: 21-102896
 DRAWN BY: POD
 CHECKED BY: MEP
 DATE: 02.28.22

TOWER ELEVATION

SHEET NUMBER:
TE-1



Not to Scale
Call for more info
1-800-752-6007

FOR KENTUCKY STATE LAW, IT IS AGAINST THE LAW TO
LOCATION SERVICE INFO OR WORKING DATA BEFORE
COMMENCING WORK.

OVERALL SITE PLAN W/AERIAL OVERLAY

SCALE: 1" = 30'

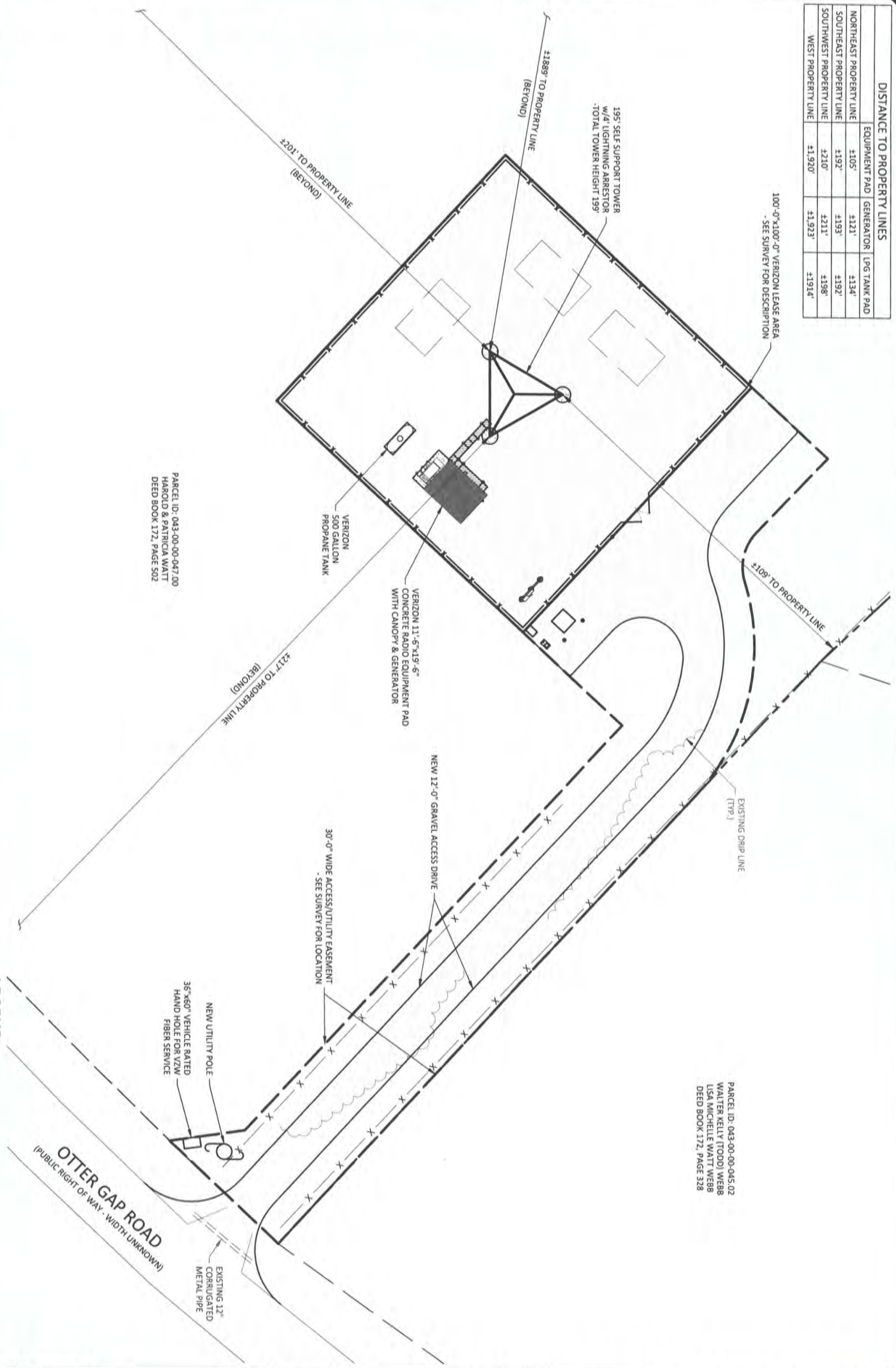


LEGEND

	UTILITY POLE
	PROPOSED LEASE LINE
	PROPOSED EASEMENT
	PROPOSED GRAVEL
	PROPOSED FENCE
	EXISTING FENCE
	EXISTING PAVEMENT
	ADJACENT PROPERTY LINE

 POWER OF DESIGN 11490 BLUEGRASS PARKWAY LOUISVILLE, KY 40299 502-437-5252	CELCO PARTNERSHIP D/B/A 	03/03/2022 	EN PERMIT: 3594 ZONING DRAWINGS	<table border="1"> <thead> <tr> <th>REV.</th> <th>DATE</th> <th>DESCRIPTION</th> </tr> </thead> <tbody> <tr> <td>A</td> <td>2.28.22</td> <td>ISSUED FOR REVIEW</td> </tr> <tr> <td>0</td> <td>3.3.22</td> <td>ISSUED AS FINAL</td> </tr> </tbody> </table>	REV.	DATE	DESCRIPTION	A	2.28.22	ISSUED FOR REVIEW	0	3.3.22	ISSUED AS FINAL	SITE INFORMATION: CK EDMONSON/ WARREN OTTER GAP ROAD BOWLING GREEN, KY 42101 EDMONSON COUNTY	POD NUMBER: 21-102896 DRAWN BY: POD CHECKED BY: MEP DATE: 02.28.22	SHEET TITLE: OVERALL SITE PLAN W/AERIAL OVERLAY SHEET NUMBER: C-1
REV.	DATE	DESCRIPTION														
A	2.28.22	ISSUED FOR REVIEW														
0	3.3.22	ISSUED AS FINAL														

DISTANCE TO PROPERTY LINES			
EQUIPMENT PAD	GENERATOR	LPG TANK PAD	
NORTHEAST PROPERTY LINE	±105'	±121'	±134'
SOUTHEAST PROPERTY LINE	±192'	±193'	±192'
SOUTHWEST PROPERTY LINE	±210'	±211'	±198'
WEST PROPERTY LINE	±1,920'	±1,923'	±1914'



OVERALL SITE PLAN W/DISTANCE TO PROPERTY LINES

SCALE: 1" = 30'

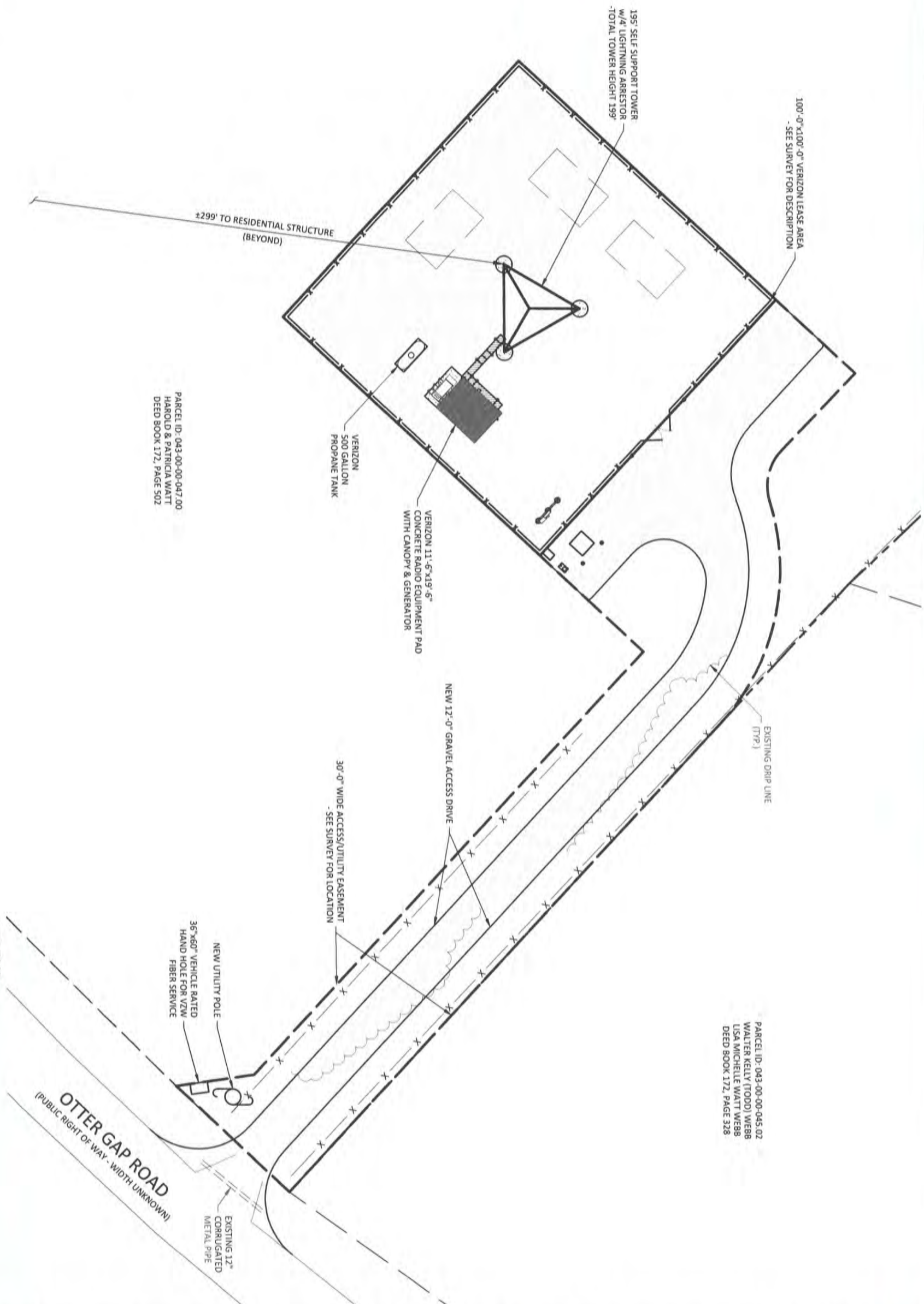


LEGEND

	UTILITY POLE
	PROPOSED LEASE LINE
	PROPOSED EASEMENT
	PROPOSED GRAVEL
	PROPOSED FENCE
	EXISTING FENCE
	EXISTING PAVEMENT
	ADJACENT PROPERTY LINE

<p>POWER OF DESIGN 11490 BLUEGRASS PARKWAY LOUISVILLE, KY 40299 502-437-5252</p>		<p>CELLCO PARTNERSHIP</p> <p>D/B/A</p>		<p>03/03/2022</p>	
<p>STATE OF KENTUCKY</p> <p>MARK E. PATTERSON</p> <p>16308</p> <p>PROFESSIONAL ENGINEER</p>		<p>EN PERMIT: 3594</p>		<p>ZONING DRAWINGS</p>	
REV.	DATE	DESCRIPTION			
A	2.28.22	ISSUED FOR REVIEW			
0	3.3.22	ISSUED AS FINAL			
<p>SITE INFORMATION:</p> <p>CK EDMONSON / WARREN</p> <p>OTTER GAP ROAD BOWLING GREEN, KY 42101 EDMONSON COUNTY</p>					
<p>POD NUMBER: 21-102896</p>		<p>DRAWN BY: POD</p> <p>CHECKED BY: MEP</p> <p>DATE: 02.28.22</p>			
<p>SHEET TITLE:</p> <p>OVERALL SITE PLAN W/DISTANCE TO PROPERTY LINES</p> <p>SHEET NUMBER: C-1A</p>					

FOR MORE INFORMATION, PLEASE CONTACT THE ENGINEER OR ARCHITECT AT THE LOCATION LISTED ABOVE. NO WARRANTIES ARE MADE BY THE ENGINEER OR ARCHITECT FOR ANY WORK NOT SHOWN ON THESE DRAWINGS.



PARCEL ID: 043-00-00-047.00
 HAROLD & PATRICIA WATT
 DEED BOOK 172, PAGE 502

PARCEL ID: 043-00-00-045.02
 WALTER KELLY (TODD) WEBB
 LISA MICHELLE WATT WEBB
 DEED BOOK 172, PAGE 328



DISTANCE TO RESIDENTIAL STRUCTURES
 SCALE: 1" = 30'



LEGEND

	UTILITY POLE
	PROPOSED LEASE LINE
	PROPOSED EASEMENT
	PROPOSED GRAVEL
	PROPOSED FENCE
	EXISTING FENCE
	EXISTING PAVEMENT
	ADJACENT PROPERTY LINE

 POWER OF DESIGN 11490 BLUEGRASS PARKWAY LOUISVILLE, KY 40299 502-437-5252	CELCO PARTNERSHIP D/B/A 	03/03/2022 EN PERMIT: 3594	 STATE OF KENTUCKY MARK E. PATTERSON 16307 PROFESSIONAL ENGINEER	ZONING DRAWINGS REV. DATE DESCRIPTION A 2.28.22 ISSUED FOR REVIEW 0 3.3.22 ISSUED AS FINAL
SITE INFORMATION: CK EDMONSON/ WARREN OTTER GAP ROAD BOWLING GREEN, KY 42101 EDMONSON COUNTY				
POD NUMBER: 21-102896 DRAWN BY: POD CHECKED BY: MEP DATE: 02.28.22 SHEET TITLE: DISTANCE TO RESIDENTIAL STRUCTURES SHEET NUMBER: C-1B				



POD
POWER OF DESIGN
11490 BLUEGRASS PARKWAY
LOUISVILLE, KY 40299
502-437-5252

CELLCO PARTNERSHIP
D/B/A



03/03/2022

STATE OF KENTUCKY
MARK E. PATTERSON
16307
PROFESSIONAL ENGINEER

EN PERMIT: 3594

ZONING DRAWINGS

REV.	DATE	DESCRIPTION
A	2.28.22	ISSUED FOR REVIEW
0	3.3.22	ISSUED AS FINAL

SITE INFORMATION:

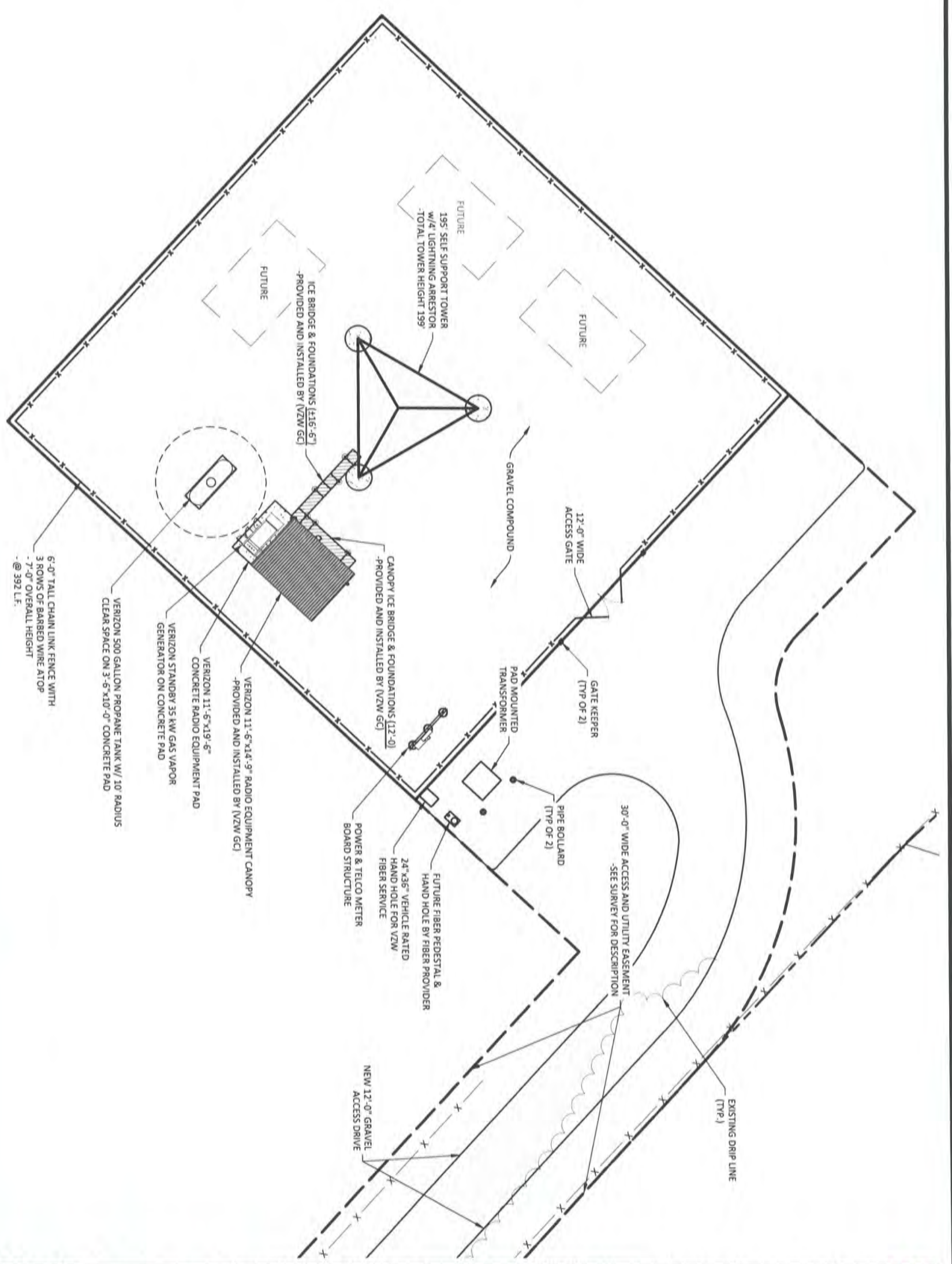
**CK EDMONSON/
WARREN**
OTTER GAP ROAD
BOWLING GREEN, KY 42101
EDMONSON COUNTY

POD NUMBER: 21-102896
DRAWN BY: POD
CHECKED BY: MEP
DATE: 02.28.22
SHEET TITLE:

DETAILED SITE PLAN

SHEET NUMBER:

C-3



***NOTE:**
GENERAL CONTRACTOR IS TO ENSURE THERE IS NO DISTURBANCE OF PROPERTY, SOIL, ETC. OUTSIDE OF THE STAKED LEASE AREA WITHOUT APPROVAL FROM VERIZON WIRELESS CONSTRUCTION MANAGER



DETAILED SITE PLAN

SCALE: 1" = 20'



LEGEND

	PROPOSED LEASE LINE
	PROPOSED EASEMENT
	PROPOSED GRAVEL
	PROPOSED FENCE
	EXISTING FENCE
	EXISTING PAVEMENT
	ADJACENT PROPERTY LINE

Power of Design
Call Robert for info
1-800-752-6007
CALL ROBERT FOR INFO
7 am to 5 pm
RE: KENTUCKY STATE LAW, IT IS AGAINST THE LAW TO EXECUTE WITHOUT NOTIFYING THE UNDERGROUND LOCATION OF CHANGING WORK.



CELLCO PARTNERSHIP
D/B/A



03/03/2022



EN PERMIT: 3594

ZONING DRAWINGS

REV.	DATE	DESCRIPTION
A	2.28.22	ISSUED FOR REVIEW
0	3.3.22	ISSUED AS FINAL

SITE INFORMATION:

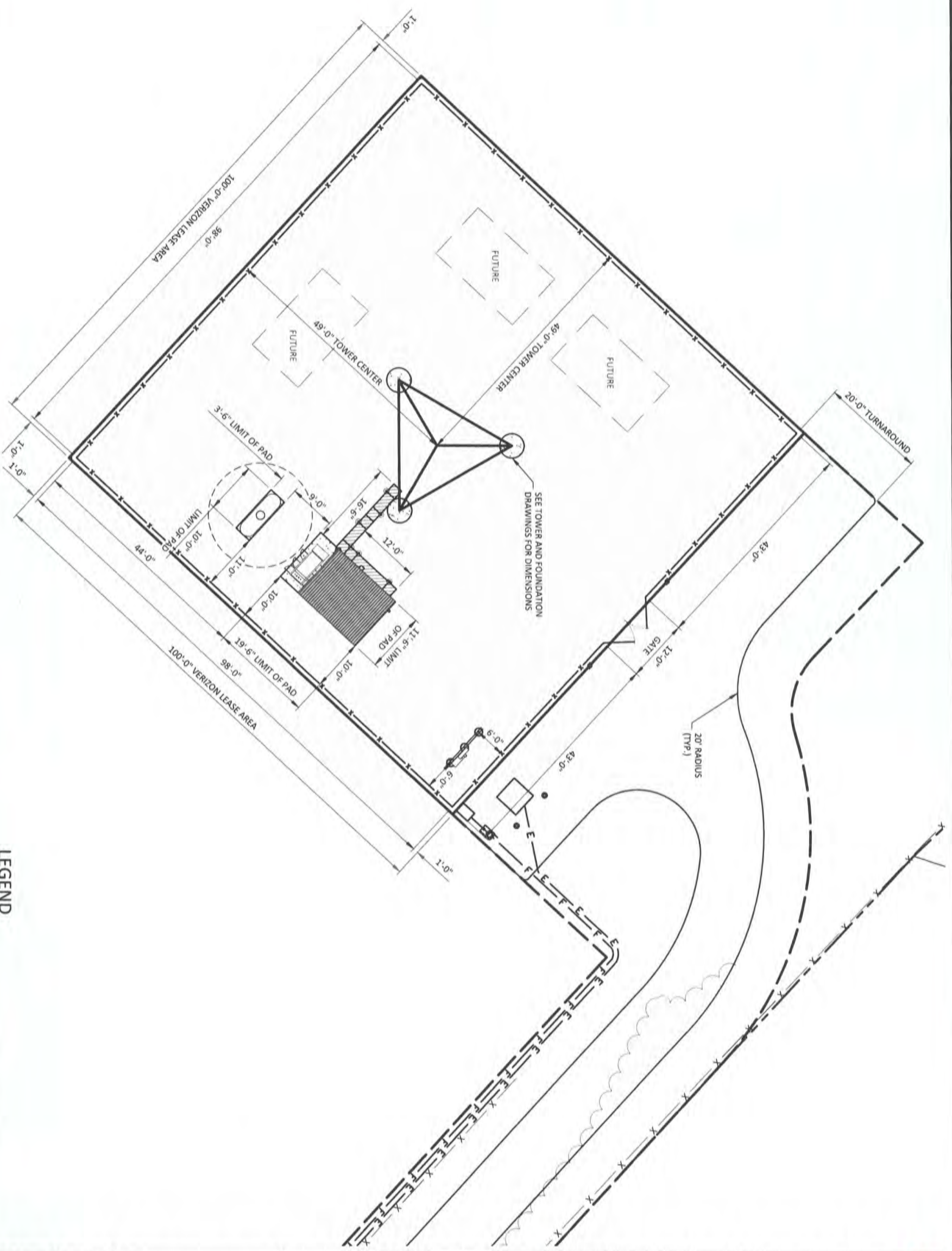
CK EDMONSON/ WARREN
OTTER GAP ROAD BOWLING GREEN, KY 42101 EDMONSON COUNTY

POD NUMBER:	21-102896
DRAWN BY:	POD
CHECKED BY:	MEP
DATE:	02.28.22

SHEET TITLE:

DIMENSIONED SITE PLAN

SHEET NUMBER:
C-4



*NOTE:
GENERAL CONTRACTOR IS TO ENSURE
THERE IS NO DISTURBANCE OF PROPERTY,
SOIL, ETC. OUTSIDE OF THE STAKED LEASE
AREA WITHOUT APPROVAL FROM
VERIZON WIRELESS CONSTRUCTION
MANAGER



DIMENSIONED SITE PLAN

SCALE: 1" = 20'



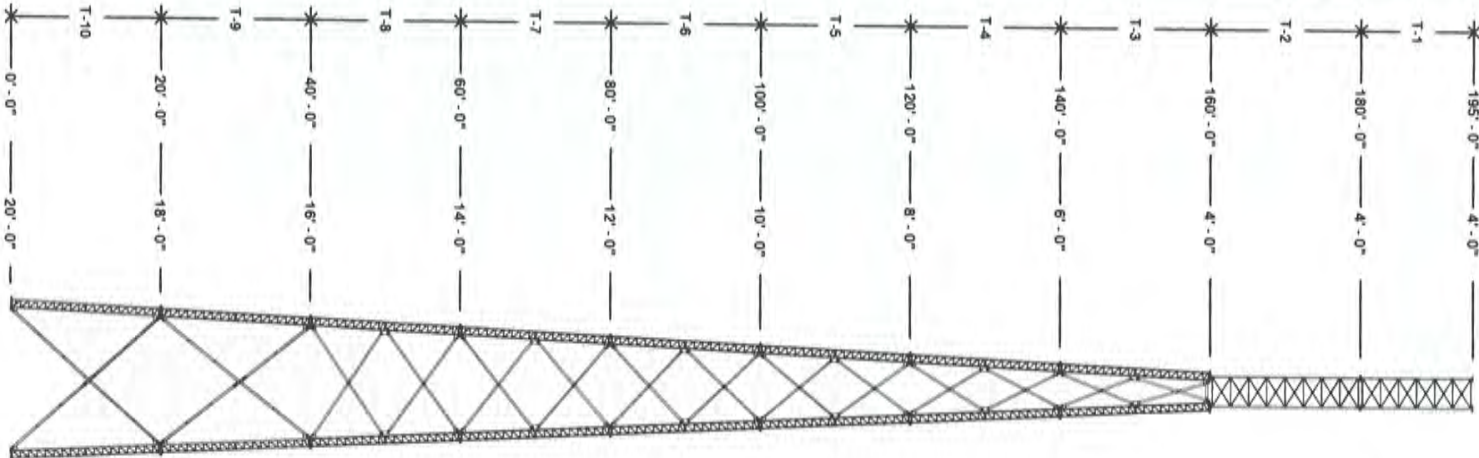
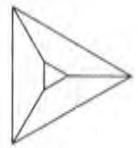
LEGEND

	PROPOSED LEASE LINE
	PROPOSED EASEMENT
	PROPOSED GRAVEL
	PROPOSED FENCE
	EXISTING FENCE
	EXISTING PAVEMENT
	ADJACENT PROPERTY LINE



EXHIBIT D

SEE PAGE 2 FOR APPURTENANCES



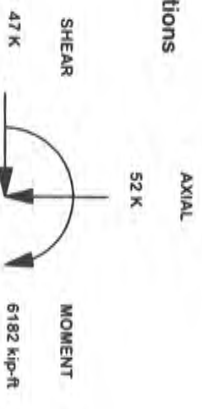
TOWER DESIGN CRITERIA
 Design Standard: TIA-222-G*
 Design Wind Speeds: 105 mph basic wind speed per ASCE 7-16
 Service Wind Speed: 30 mph (0.75" ice)
 Structure Class: II
 Exposure Category: C
 Topographic Category: 1
 Crest Height: 0 ft

MATERIAL STRENGTHS
 Solid Rod: A36 (rod dia. $\le 3/4''$)
 A572 Gr. 50 (3/4" thru 1" dia.)
 A572 Gr. 58 (P-1" dia.)
 A500 Gr. B (antenna pipes)
 A500 Gr. B/C (tower legs min. Fy 50 ksi)
 Angle: A572 Gr. 50
 Plate: A572 Gr. 50
 Bolts: A-325/A-449 (leg & angle)
 Anchor/Bolt: F-1554 Grade 105 or A687

Finish: Tower & Hardware are hot dip galvanized

1. ALL STRUCTURAL HARDWARE IS GALVANIZED IN ACCORDANCE WITH ASTM A-153 (HDG). TOWER SECTIONS & ASSOCIATED STRUCTURAL COMPONENTS ARE GALVANIZED IN ACCORDANCE WITH ASTM A-123 (HDG).
2. ALL BOLTS & NUTS MUST BE IN PLACE BEFORE ADJOINING SECTION(S) ARE INSTALLED.
3. ALL STRUCTURAL BOLTS ARE TO BE TIGHTENED TO A SNUG TIGHT CONDITION AS DEFINED BY AISC & RISC SPECIFICATION FOR STRUCTURAL JOINTS UNLESS NOTED OTHERWISE.
4. ALL WELDING TO CONFORM TO AWS D1.1 SPECIFICATION. 5/16" MINIMUM WELD SIZE UNLESS NOTED OTHERWISE.
5. MATERIAL LABELED AS ASTM A-572 GR. 58 OR 58 KSI YIELD STRENGTH ALSO CONFORMS TO ASTM A-572 GR. 50.
6. ANALYSIS PERFORMED USING STEEL GRADES LISTED UNDER MATERIALS STRENGTHS SHOWN ON THIS PAGE.
7. THIS DRAWING DOES NOT INDICATE THE METHOD OF CONSTRUCTION. THE CONTRACTOR SHALL SUPERVISE AND DIRECT THE WORK AND HE SHALL BE SOLELY RESPONSIBLE FOR ALL CONSTRUCTION MEANS, SEQUENCES AND PROCEDURES.
8. (VIBRATION DISCLAIMER) ALTHOUGH RARE VIBRATIONS SEVERE ENOUGH TO CAUSE DAMAGE CAN OCCASIONALLY OCCUR IN STRUCTURES OF ALL TYPES, BECAUSE THEY ARE INFLUENCED BY MANY INTERACTING VARIABLES. VIBRATIONS ARE GENERALLY UNPREDICTABLE. THE USER'S MAINTENANCE PROGRAM SHOULD INCLUDE OBSERVATION FOR EXCESSIVE VIBRATION AND EXAMINATION FOR ANY STRUCTURAL DAMAGE OR BOLT LOOSENING. THE VALMONT WARRANTY SPECIFICALLY EXCLUDES FATIGUE FAILURE OR SIMILAR PHENOMENA RESULTING FROM INDUCED VIBRATION, HARMONIC OSCILLATION OR RESONANCE ASSOCIATED WITH MOVEMENT OF AIR CURRENTS AROUND THE PRODUCT.

Maximum Base Reactions



MAX. LEG REACTIONS:
 DOWN: 374 K
 UPLIFT: -336 K
 SHEAR: 32 K

TORQUE 29 kip-ft
 REACTIONS 105 mph WIND (no ice)

*Factored Reactions provided per ANSII/TIA-222 Design Criteria & Load Combinations

SECTION	ELEVATION	FACE WIDTH	PANELS	LEG SIZE	LEG STYLE	LEG BOLT QTY & DIA	DIAGONAL BRACING SIZE	HORIZONTAL BRACING SIZE	BRACING BOLT QTY & DIA	SECTION WEIGHT
T1	180' - 195'	4.0'	6	1.75"	SHEAR	2 x 1 1/4"	3/4" ROUND	7/8" ROUND	1 x 1"	840.26
T2	160' - 180'	4.0'	8	2.25"	SHEAR	4 x 1"	7/8" ROUND	1" ROUND	1 x 1"	1848.44
T3	140' - 160'	6.0'	2	1.25"	12BDFH	6 x 1"	1/4" x 2-1/2" x 2-1/2"	3/16" x 3" x 3"	1 x 1"	2084.28
T4	120' - 140'	8.0'	2	1.50"	12BDFH	6 x 1"	3/16" x 2-1/2" x 2-1/2"	1" ROUND	1 x 1"	2306.97
T5	100' - 120'	10.0'	2	1.50"	12BDFH	6 x 1"	3/16" x 2-1/2" x 2-1/2"	1" ROUND	1 x 1"	2350.71
T6	80' - 100'	12.0'	2	1.75"	12BDFH	6 x 1 1/4"	3/16" x 2-1/2" x 2-1/2"	1" ROUND	1 x 1"	2841.27
T7	60' - 80'	14.0'	2	1.75"	12BDFH	6 x 1 1/4"	3/16" x 2-1/2" x 2-1/2"	1" ROUND	1 x 1"	2919.99
T8	40' - 60'	16.0'	2	1.75"	12BDFH	6 x 1 1/4"	1/4" x 2-1/2" x 2-1/2"	1" ROUND	1 x 1"	3183.09
T9	20' - 40'	18.0'	1	2.00"	12BDH2	12 x 1"	3/16" x 2-1/2" x 2-1/2"	1" ROUND	1 x 7/8"	3827.52
T10	0' - 20'	20.0'	1	2.00"	12BDH2	4 x 1 1/2"	3/16" x 3" x 3"	1" ROUND	1 x 7/8"	4325.58

TOWER COLUMN



Digitally signed by
 Joseph P Jacobs
 Date: 2022-07-22
 10:27:04:00

<p>REVISION HISTORY</p> <table border="1"> <tr> <th>REV</th> <th>DESCRIPTION OF REVISIONS</th> <th>CPD</th> <th>BY</th> <th>DATE</th> </tr> <tr> <td> </td> <td> </td> <td> </td> <td> </td> <td> </td> </tr> </table>	REV	DESCRIPTION OF REVISIONS	CPD	BY	DATE						<p>SITE</p> <p>US-KY-5139 CK EDMONSON WARREN, KY VB BTS II, LLC U 20 X 195'</p>	<p>DESCRIPTION</p> <p>Tower View Page 1</p>	<p>DWG. NO.</p> <p>293389T</p>	<p>PAGE</p> <p>1 OF 12</p>
REV	DESCRIPTION OF REVISIONS	CPD	BY	DATE										
<p>DRAWN BY</p> <p>SAN</p>	<p>APPROVED BY</p> <p>SAN</p>	<p>DESIGNED BY</p> <p>JS</p>	<p>APPROVED BY</p> <p>J_S</p>	<p>RELEASE DATE</p> <p>7/22/2022</p>										
<p>PROPRIETARY NOTE: THE DATA AND TECHNIQUES CONTAINED IN THIS DRAWING ARE PROPRIETARY INFORMATION OF VALMONT INDUSTRIES AND CONSIDERED A TRADE SECRET. ANY USE OR DISCLOSURE WITHOUT THE CONSENT OF VALMONT INDUSTRIES IS STRICTLY PROHIBITED.</p>														
<p>Valmont STRUCTURES</p> <p>1-877-467-4763 Plymouth, IN 1-800-547-2151 Salem, OR</p>														

DESIGNED APPURTENANCE LOADING	
TYPE	ELEVATION
(1) 5/8" X 10" LIGHTNING ROD	195.0000'
(1) BEACON	195.0000'
(1) 42,000 SQ. IN. (291.7 SQ. FT. EPA)	190.0000'
(1) 30,000 SQ. IN. (208.3 SQ. FT. EPA)	180.0000'
(1) 30,000 SQ. IN. (208.3 SQ. FT. EPA)	170.0000'
(2) 2-1/2" X 6" SCH. 40	145.0000'
(1) 6" MW (1240 DEG AZIMUTH)	145.0000'
(1) SP-1 R5 (INCLUDES 4.5" X7.2" PIPE)	145.0000'

REV	DESCRIPTION OF REVISIONS	CPD	BY	DATE
REVISION HISTORY				
DRAWN BY SAN	APPROVED BY SAN	DESIGNED BY JS	APPROVED BY JS	RELEASE DATE 7/22/2022

SITE
 US-KY-5139 CK EDMONSON WARREN, KY
 VB BTS II, LLC
 U 20 X 195'
 COPYRIGHT 2022

DESCRIPTION
 Tower View Page 2

ENG. FILE NO.
 558646

DWG. NO.
 293389T

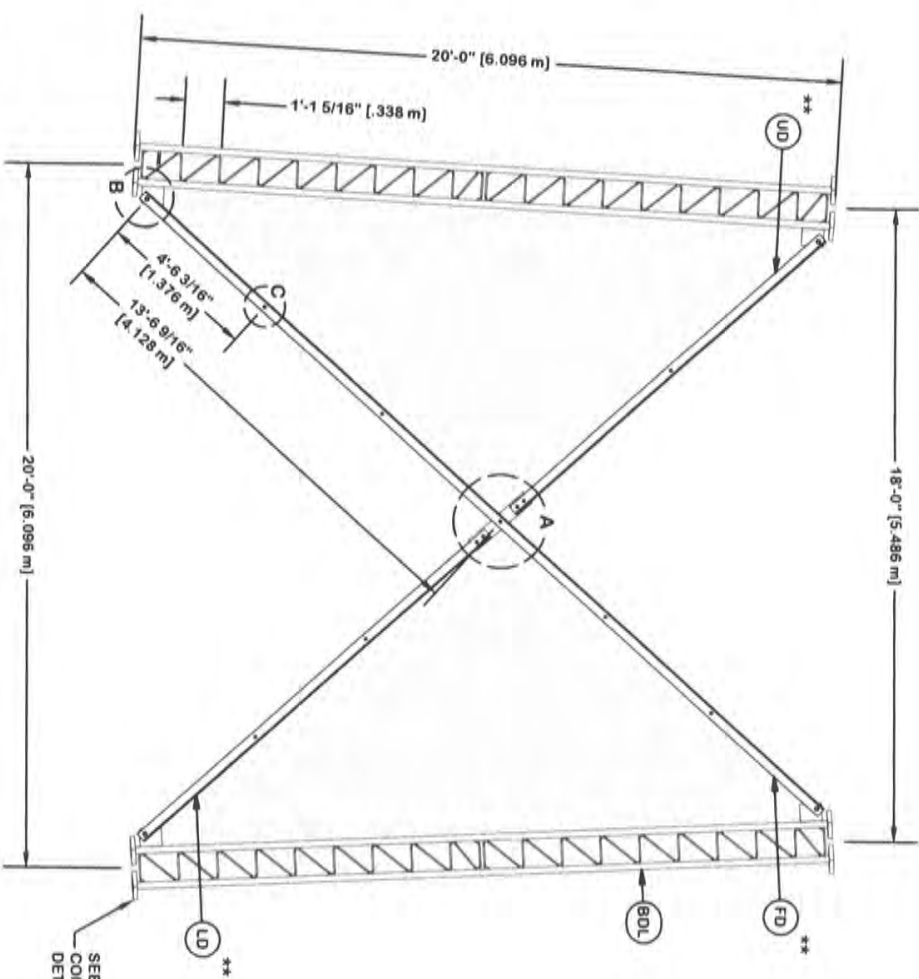
PAGE
 2 OF 12

valmont
 STRUCTURES

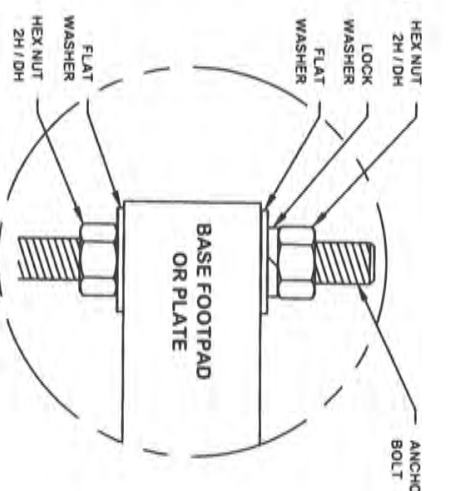
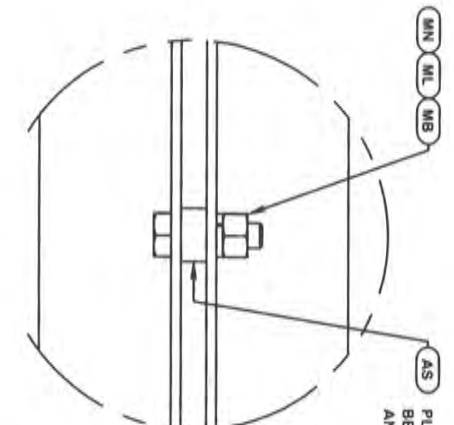
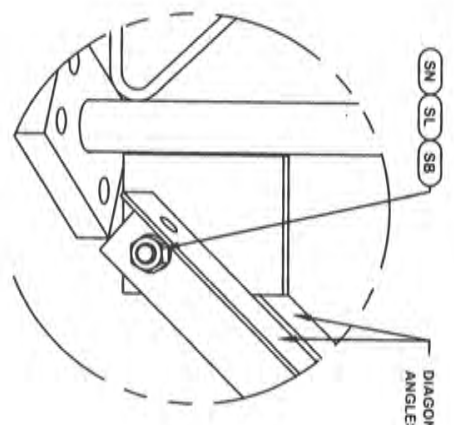
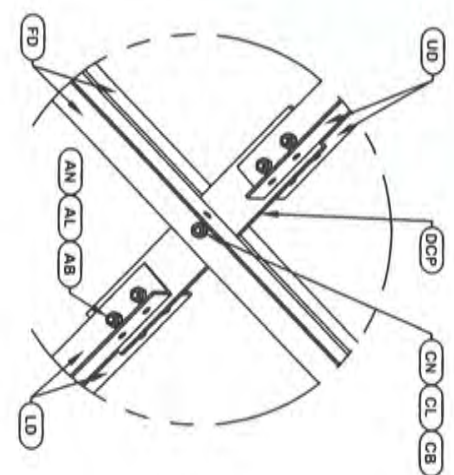
1-877-467-4763 Plymouth, IN
 1-800-547-2151 Salem, OR

PROPRIETARY NOTE:
 THE DATA AND TECHNIQUES CONTAINED IN THIS DRAWING ARE PROPRIETARY INFORMATION OF VALMONT INDUSTRIES AND CONSIDERED A TRADE SECRET. ANY USE OR DISCLOSURE WITHOUT THE CONSENT OF VALMONT INDUSTRIES IS STRICTLY PROHIBITED.

ORIENT LEGS WITH PIN STAMP
TOWARD BOTTOM OF SECTION
ORIENT ANGLES WITH STAMPED END TOWARD TOP OF SECTION
** DIAGONAL ANGLES MUST BE INSTALLED WITH THE NON-BOLTED FACE UP. ††
* STITCH BOLT SPACING SHOWN
IS MAX. FOR ALL ANGLES



NOTE: THE VIEWS SHOWN BELOW ARE FOR PART IDENTIFICATION ONLY. THE ACTUAL PART STYLE MAY VARY FROM WHAT IS DEPICTED BELOW.
PLEASE SEE ASSEMBLY INFORMATION IN THE UPPER LEFT CORNER FOR FURTHER INSTALLATION INSTRUCTIONS.



ITEM	QTY	PART NO.	PART DESCRIPTION	UNIT WT.	NET WT.
BDL	3	281174	#12 BASE SECTION - 2' LEG - 1/2" BRACE W/(1) 7/8"	1013.920	3041.760
UD	6	285697	U-20 UPPER ANGLE - SINGLE BOLT FOR 20'-0" LONG TA	45.630	273.780
LD	6	285696	U-20 LOWER ANGLE - SINGLE BOLT FOR 20'-0" LONG TA	51.240	307.440
FD	6	285695	U-20 LONG ANGLE - SINGLE BOLT FOR 20'-0" LONG TAP	100.930	605.580
ML	21	312123	5/8" GALVANIZED LOCKWASHER (S3-22230)	0.020	0.420
MN	21	312501	5/8"-11 HOT DIPPED GALVANIZED NUT	0.120	2.520
AS	21	237658	RING FILL SPACER 5/8" THICK 1.049" HOLE	0.090	1.890
MB	21	161895	5/8"-11 X 2 1/4" A-325 BOLT 1 1/4" THREAD	0.260	5.460
AB/CL	15	161895	5/8"-11 X 2 1/4" A-325 BOLT 1 1/4" THREAD	0.260	3.900
AL/CL	15	312123	5/8" GALVANIZED LOCKWASHER (S3-22230)	0.020	0.300
AN/CL	15	312501	5/8"-11 HOT DIPPED GALVANIZED NUT	0.120	1.800
DCP	3	211833	MID BRACE CONNECTION PLATE FOR #12 BID LEG ANGLES	20.590	61.770
SL	12	312193	7/8" GALVANIZED LOCKWASHER	0.050	0.600
SN	12	312215	7/8"-9 HOT DIPPED GALVANIZED NUT	0.300	3.600
SB	12	172275	7/8"-9 X 2-1/2" A-325 BOLT WITH 1-1/2" THREAD	1.230	14.760
Total Wt				4325.58 lb [1963.85 kg]	

DETAIL A
ANGLE INTERSECTION CONNECTION

DETAIL B
END SIDE PLATE ANGLE CONNECTION

DETAIL C
STITCH BOLT CONNECTION

ANCHOR BOLT ASSY. (TYP)
SEE FOUNDATION DRAWING FOR DETAILS

SITE
US-KY-5139 CK EDMONSON WARREN, KY
VB BTS II, LLC
U 20 X 195'

DESCRIPTION
SECTION U-20.0 (0' - 20' ELEVATION)

Valmont
STRUCTURES

1-877-467-4763 Plymouth, IN
1-800-547-2151 Salem, OR

REV	DESCRIPTION OF REVISIONS	CPD	BY	DATE

REVISION HISTORY

DESIGNED BY JS

APPROVED BY SAN

RELEASE DATE 7/22/2022

ENG. FILE NO. 558646

DWG. NO. 293389T

PAGE 3 OF 12

DRAWN BY SAN

APPROVED BY SAN

DESIGNED BY JS

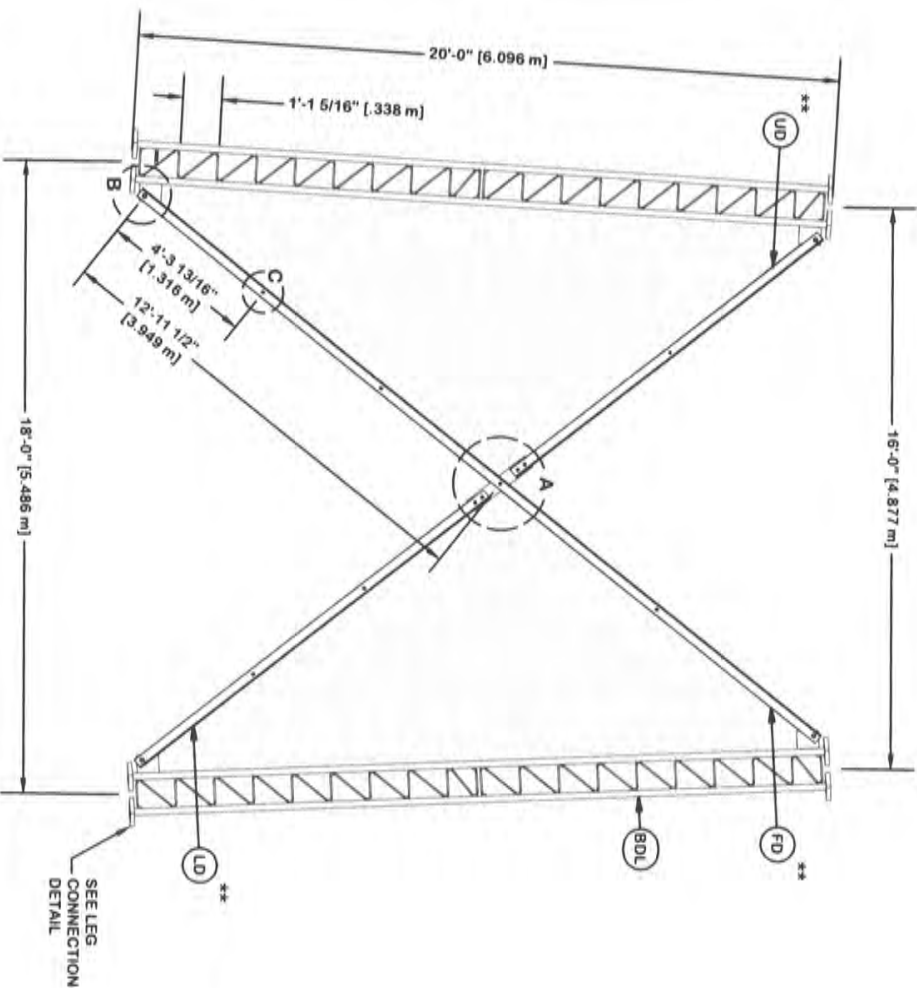
APPROVED BY JS

PROPRIETARY NOTE
THE DATA AND TECHNIQUES CONTAINED IN THIS DRAWING ARE PROPRIETARY INFORMATION OF VALMONT INDUSTRIES AND CONSIDERED A TRADE SECRET. ANY USE OR DISCLOSURE WITHOUT THE CONSENT OF VALMONT INDUSTRIES IS STRICTLY PROHIBITED.

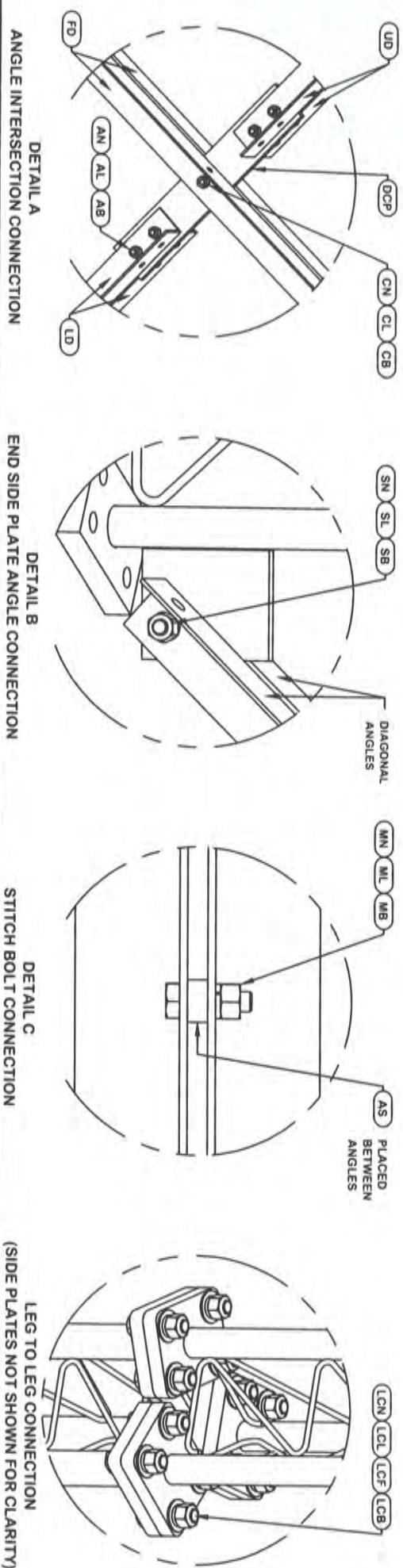
COPYRIGHT 2022

Valmont STRUCTURES

ORIENT LEGS WITH PIN STAMP TOWARD BOTTOM OF SECTION
 ** DIAGONAL ANGLES MUST BE INSTALLED WITH THE NON-BOLTED FACE UP. ††
 * STITCH BOLT SPACING SHOWN IS MAX. FOR ALL ANGLES



NOTE: THE VIEWS SHOWN BELOW ARE FOR PART IDENTIFICATION ONLY. THE ACTUAL PART STYLE MAY VARY FROM WHAT IS DEPICTED BELOW. PLEASE SEE ASSEMBLY INFORMATION IN THE UPPER LEFT CORNER FOR FURTHER INSTALLATION INSTRUCTIONS.



ITEM	QTY	PART NO.	PART DESCRIPTION	UNIT WT.	NET WT.
BOL	3	195637	#12 LEG SECT - 2" TO 1-3/4" TRANS LEG - 1/2" BRACE	906.870	2720.610
UD	6	265673	U-18 UPPER ANGLE - SINGLE BOLT FOR 20'-0" LONG TA	35.510	213.060
LD	6	265672	U-18 LOWER ANGLE - SINGLE BOLT FOR 20'-0" LONG TA	40.500	243.000
FD	6	265671	U-18 LONG ANGLE - SINGLE BOLT FOR 20'-0" LONG TAP	79.370	476.220
ML	18	312123	5/8" GALVANIZED LOCKWASHER (S3-22230)	0.020	0.360
MN	18	312501	5/8"-11 HOT DIPPED GALVANIZED NUT	0.120	2.160
AS	18	237658	RING FILL SPACER 5/8" THICK 1.049" HOLE	0.090	1.620
MB	18	161895	5/8"-11 X 2 1/4" A-325 BOLT 1 1/4" THREAD	0.260	4.680
ABCB	15	161895	5/8"-11 X 2 1/4" A-325 BOLT 1 1/4" THREAD	0.260	3.900
AL/CL	15	312123	5/8" GALVANIZED LOCKWASHER (S3-22230)	0.020	0.300
AN/CN	15	312501	5/8"-11 HOT DIPPED GALVANIZED NUT	0.120	1.800
DCP	3	211833	MID BRACE CONNECTION PLATE FOR #12 BID LEG ANGLES	20.590	61.770
SL	12	312193	7/8" GALVANIZED LOCKWASHER	0.050	0.600
SN	12	312215	7/8"-9 HOT DIPPED GALVANIZED NUT	0.300	3.600
SB	12	172275	7/8"-9 X 2-1/2" A-325 BOLT WITH 1-1/2" THREAD	1.230	14.760
LCB	36	222016	1"-9 X 4-3/4" A-325 BOLT WITH 1-3/4" THREAD	1.380	49.680
LCF	36	312222	1" GALVANIZED FLAT WASHER (F436)	0.140	5.040
LCL	36	312223	1" GALVANIZED LOCKWASHER	0.080	2.880
LCN	36	312504	1"-9 HOT DIPPED GALVANIZED NUT	0.430	15.480
Total Wt				3821.52 lb [1735.00 kg]	

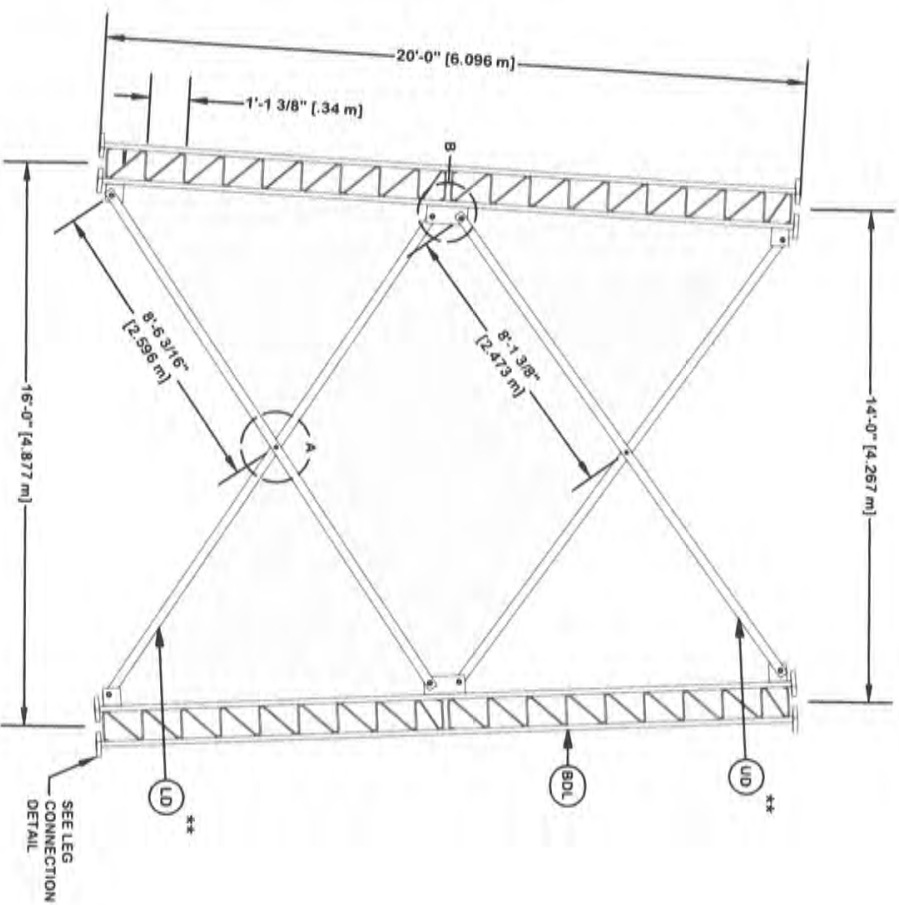
SITE
 US-KY-5139 CK EDMONSON WARREN, KY
 VB BTS II, LLC
 U 20 X 195'

DESCRIPTION
 SECTION U-18.0 (20' - 40' ELEVATION)

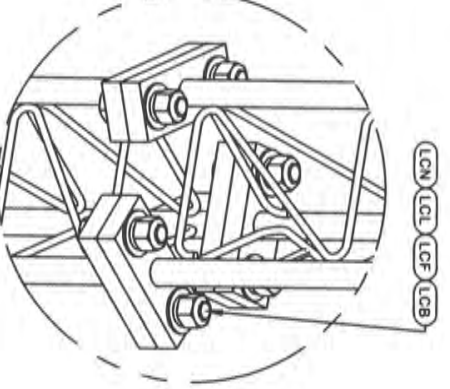
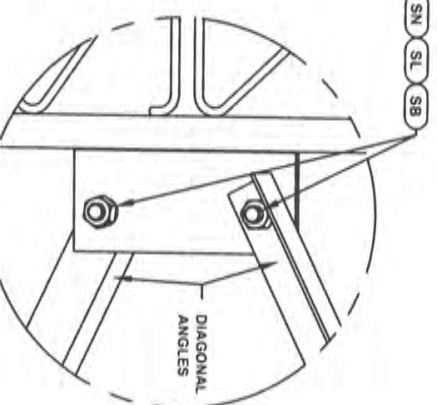
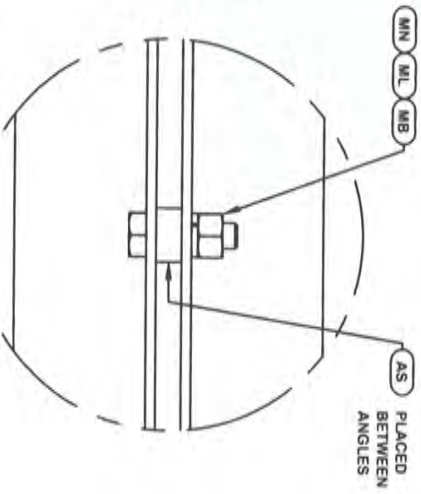
valmont STRUCTURES
 1-877-467-4763 Plymouth, IN
 1-800-547-2151 Salem, OR

REV	DESCRIPTION OF REVISIONS	REVISION HISTORY	CPD	BY	DATE
DRAWN BY	APPROVED BY	DESIGNED BY	APPROVED BY	RELEASE DATE	PROPRIETARY NOTE
SAN	SAN	JS	JS	7/22/2022	THE DATA AND TECHNIQUES CONTAINED IN THIS DRAWING ARE PROPRIETARY INFORMATION OF VALMONT INDUSTRIES AND CONSIDERED A TRADE SECRET. ANY USE OR DISCLOSURE WITHOUT THE CONSENT OF VALMONT INDUSTRIES IS STRICTLY PROHIBITED.
ENG. FILE NO.	558646		DWG. NO.	293389T	
PAGE	4 OF 12				

ORIENT LEGS WITH PIN STAMP
TOWARD BOTTOM OF SECTION
ORIENT ANGLES WITH STAMPED
END TOWARD TOP OF SECTION
** DIAGONAL ANGLES MUST BE INSTALLED
WITH THE NON-BOLTED FACE UP. **↑**
THIS MAY BE ON THE OPPOSITE SIDE OF THE
SIDE PLATE THAN WHAT IS SHOWN IN THE DETAIL.



NOTE: THE VIEWS SHOWN BELOW ARE FOR PART IDENTIFICATION ONLY. THE ACTUAL PART STYLE MAY VARY FROM WHAT IS DEPICTED BELOW.
PLEASE SEE ASSEMBLY INFORMATION IN THE UPPER LEFT CORNER FOR FURTHER INSTALLATION INSTRUCTIONS.



DETAIL A
ANGLE INTERSECTION CONNECTION

DETAIL B
MID SIDE PLATE ANGLE CONNECTION

LEG TO LEG CONNECTION
(SIDE PLATES NOT SHOWN FOR CLARITY)

ITEM	QTY	PART NO.	PART DESCRIPTION	UNIT WT.	NET WT.
BDL	3	195217	#12 LEG SECTION - 1-3/4" LEG - 1/2" BRACE - 1" BOL	746.710	2240.130
LD	6	279251	U-16 LOWER DIAGONAL - 2 1/2" x 2 1/2" x 1/4" ANGLE	71.950	431.700
AS	6	104291	RING FILL SPACER 1/2" THICK 1.049" HOLE	0.070	0.420
MN	6	312502	3/4" -10 HOT DIPPED GALVANIZED NUT	0.190	1.140
ML	6	312153	3/4" GALVANIZED LOCKWASHER	0.030	0.180
MB	6	160427	3/4" -10 X 3" A-325T BOLT WITH FULL THREAD	0.470	2.820
SL	24	312223	1" GALVANIZED LOCKWASHER	0.080	1.920
SN	24	312504	1"-9 HOT DIPPED GALVANIZED NUT	0.430	10.320
SB	24	172265	1"-8 X 2-1/4" A-325 BOLT WITH 1-3/4" THREAD	0.840	20.160
UD	6	279250	U-16 UPPER DIAGONAL - 2 1/2" x 2 1/2" x 1/4" ANGLE	68.430	410.580
LCB	18	222022	1-1/4" -7 X 5-1/2" A-325 BOLT WITH 2" THREAD	2.530	45.540
LCF	18	312282	1-1/4" GALVANIZED FLAT WASHER (F436)	0.130	2.340
LCL	18	312283	1-1/4" GALVANIZED LOCKWASHER	0.150	2.700
LCN	18	312507	1-1/4" -7 HOT DIPPED GALVANIZED NUT	0.730	13.140
Total Wt.				3183.09 lb [1445.15 kg]	

REV	DESCRIPTION OF REVISIONS	REVISION HISTORY	CPD	BY	DATE
DRAWN BY SAN	APPROVED BY SAN	DESIGNED BY JS	APPROVED BY J_S	RELEASE DATE 7/22/2022	

SITE
US-KY-5139 CK EDMONSON WARREN, KY
VB BTS II, LLC
U 20 X 195'

COPYRIGHT 2022

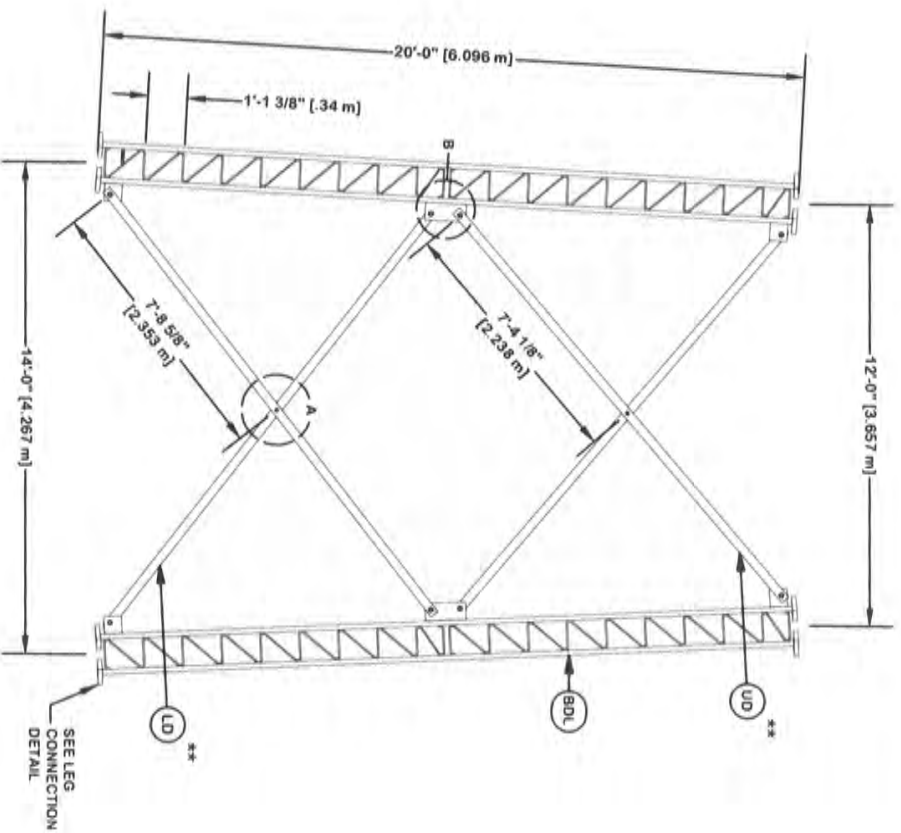
DESCRIPTION
SECTION U-16.0 (40' - 60' ELEVATION)

1-877-467-4763 Plymouth, IN
1-800-547-2151 Salem, OR

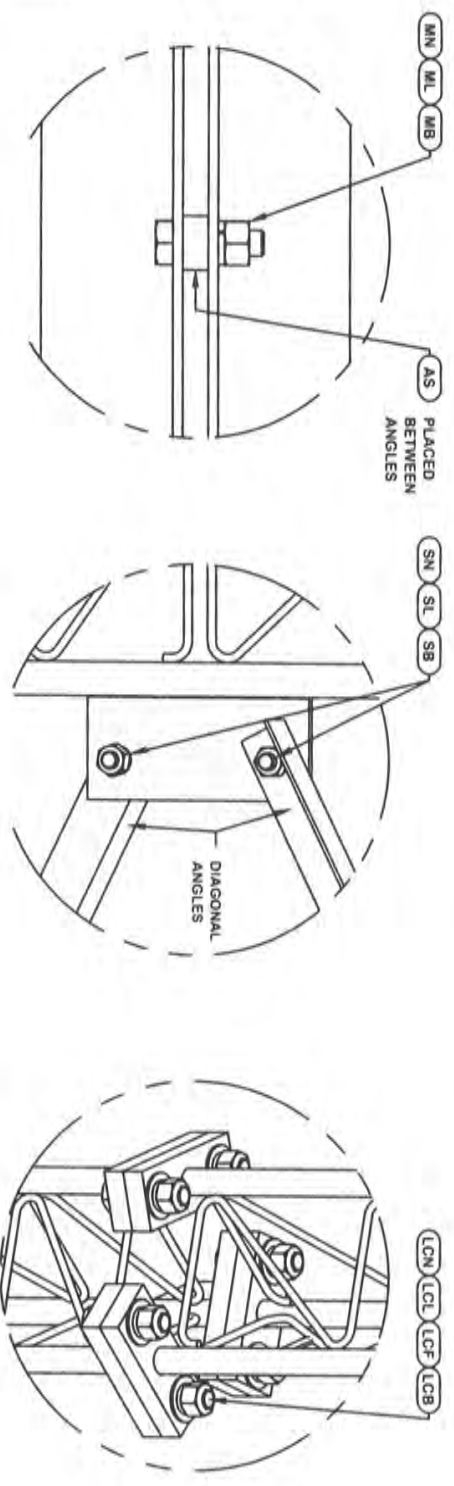
Valmont

STRUCTURES

ORIENT LEGS WITH PIN STAMP
TOWARD BOTTOM OF SECTION
ORIENT ANGLES WITH STAMPED
END TOWARD TOP OF SECTION
** DIAGONAL ANGLES MUST BE INSTALLED
WITH THE NON-BOLTED FACE UP.
THIS MAY BE ON THE OPPOSITE SIDE OF THE
SIDE PLATE THAN WHAT IS SHOWN IN THE DETAIL.



NOTE: THE VIEWS SHOWN BELOW ARE FOR PART IDENTIFICATION ONLY. THE ACTUAL PART STYLE MAY VARY FROM WHAT IS DEPICTED BELOW.
PLEASE SEE ASSEMBLY INFORMATION IN THE UPPER LEFT CORNER FOR FURTHER INSTALLATION INSTRUCTIONS.



ITEM	QTY	PART NO.	PART DESCRIPTION	UNIT WT.	NET WT.
BDL	3	195217	#12 LEG SECTION - 1-3/4" LEG - 1/2" BRACE - 1" BOL	746.710	2240.130
LD	6	279225	U-14 LOWER DIAGONAL - 2 1/2" x 2 1/2" x 3/16" ANGL	49.530	297.180
AS	6	104291	RING FILL SPACER 1/2" THICK 1.049" HOLE	0.070	0.420
MIN	6	312502	3/4" -10 HOT DIPPED GALVANIZED NUT	0.190	1.140
ML	6	312153	3/4" GALVANIZED LOCKWASHER	0.030	0.180
MB	6	160427	3/4" -10 X 3" A-325T BOLT WITH FULL THREAD	0.470	2.820
SL	24	312223	1" GALVANIZED LOCKWASHER	0.080	1.920
SN	24	312504	1"-8 HOT DIPPED GALVANIZED NUT	0.430	10.320
SB	24	172265	1"-8 X 2-1/4" A-325 BOLT WITH 1-3/4" THREAD	0.840	20.160
UD	6	279224	U-14 UPPER DIAGONAL - 2 1/2" x 2 1/2" x 3/16" ANGL	47.000	282.000
LCB	18	222022	1-1/4" - 7 X 5-1/2" A-325 BOLT WITH 2" THREAD	2.530	45.540
LCF	18	312282	1-1/4" GALVANIZED FLAT WASHER (F436)	0.130	2.340
LCL	18	312283	1-1/4" GALVANIZED LOCKWASHER	0.150	2.700
LCN	18	312507	1-1/4" - 7 HOT DIPPED GALVANIZED NUT	0.730	13.140
Total Wt				2919.99 lb	[1325.70 kg]

DETAIL A ANGLE INTERSECTION CONNECTION
DETAIL B MID SIDE PLATE ANGLE CONNECTION
LEG TO LEG CONNECTION (SIDE PLATES NOT SHOWN FOR CLARITY)

REV	DESCRIPTION OF REVISIONS	CPD	BY	DATE
REVISION HISTORY				
DRAWN BY SAN	APPROVED BY SAN	DESIGNED BY JS	APPROVED BY J_S	RELEASE DATE 7/22/2022
PROPRIETARY NOTE THE DATA AND TECHNIQUES CONTAINED IN THIS DRAWING ARE PROPRIETARY INFORMATION OF VALMONT INDUSTRIES AND CONSIDERED A TRADE SECRET. ANY USE OR DISCLOSURE WITHOUT THE CONSENT OF VALMONT INDUSTRIES IS STRICTLY PROHIBITED.				
SITE US-KY-5139 CK EDMONSON WARREN, KY VB BTS II, LLC U 20 X 195'				
COPYRIGHT 2022				

DESCRIPTION	ENG. FILE NO.
SECTION U-14.0 (60° - 80° ELEVATION)	558646

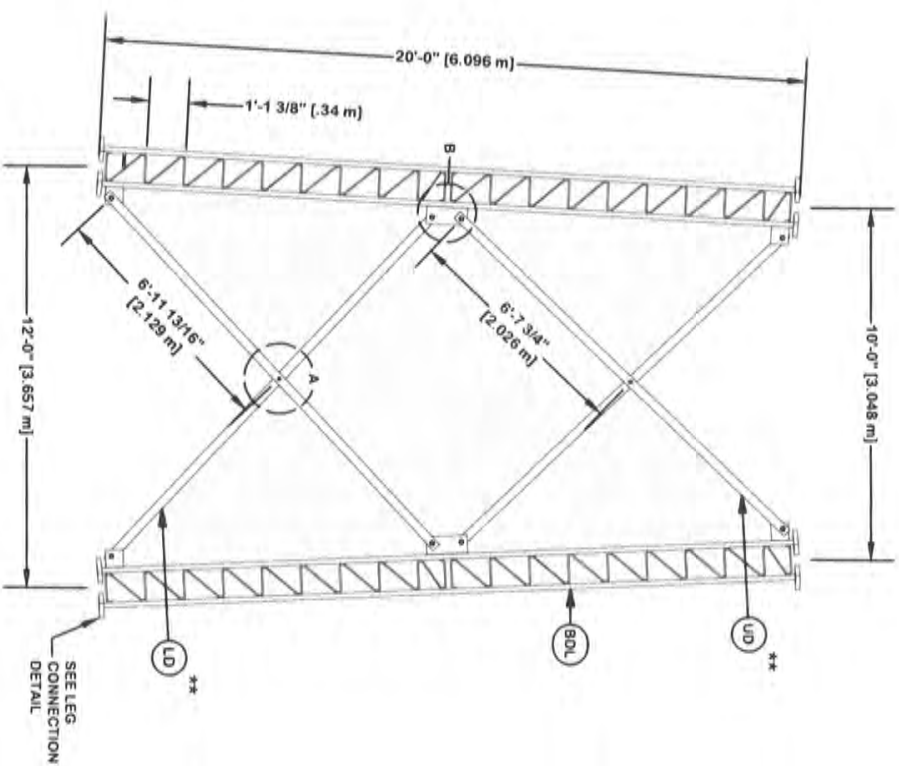
DWG. NO. 293389T

PAGE 6 OF 12

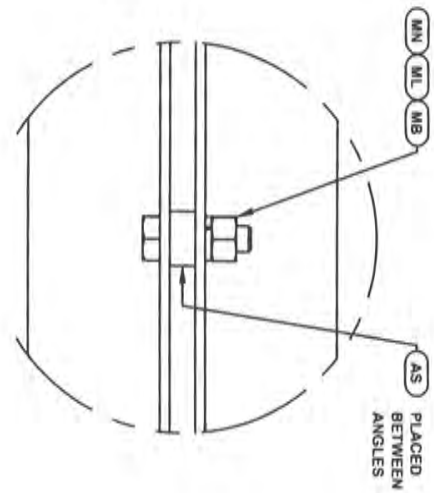
Valmont STRUCTURES

1-877-467-4763 Plymouth, IN
1-800-547-2151 Salem, OR

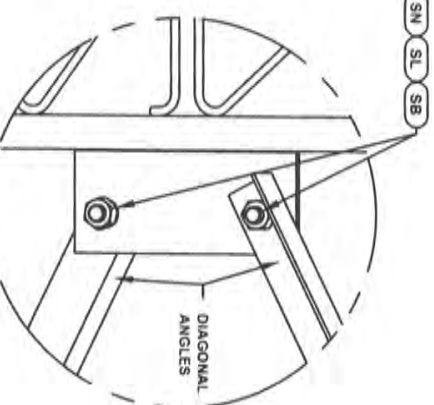
ORIENT LEGS WITH PIN STAMP
TOWARD BOTTOM OF SECTION
ORIENT ANGLES WITH STAMPED
END TOWARD TOP OF SECTION
** DIAGONAL ANGLES MUST BE INSTALLED
WITH THE NON-BOLTED FACE UP.
THIS MAY BE ON THE OPPOSITE SIDE OF THE
SIDE PLATE THAN WHAT IS SHOWN IN THE DETAIL.



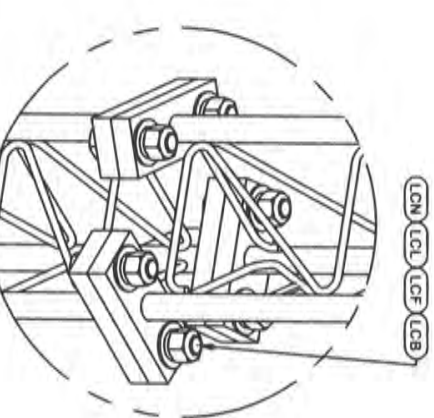
NOTE: THE VIEWS SHOWN BELOW ARE FOR PART IDENTIFICATION ONLY. THE ACTUAL PART STYLE MAY VARY FROM WHAT IS DEPICTED BELOW.
PLEASE SEE ASSEMBLY INFORMATION IN THE UPPER LEFT CORNER FOR FURTHER INSTALLATION INSTRUCTIONS.



DETAIL A
ANGLE INTERSECTION CONNECTION



DETAIL B
MID SIDE PLATE ANGLE CONNECTION



LEG TO LEG CONNECTION
(SIDE PLATES NOT SHOWN FOR CLARITY)

ITEM	QTY	PART NO.	PART DESCRIPTION	UNIT WT.	NET WT.
BDL	3	195213	#12 LEG SECT - 1-3/4" TO 1-1/2" TRANS LEG - 1/2" B	739.890	2219.670
LD	6	125805	U-12 LOWER DIAGONAL - 2 1/2" x 2 1/2" x 3/16" ANGL	44.570	267.420
AS	6	104291	RING FILL SPACER 1/2" THICK 1.049" HOLE	0.070	0.420
MIN	6	312502	3/4"-10 HOT DIPPED GALVANIZED NUT	0.190	1.140
ML	6	312153	3/4" GALVANIZED LOCKWASHER	0.030	0.180
MB	6	160427	3/4"-10 X 3 - A-325T BOLT WITH FULL THREAD	0.470	2.820
SL	24	312223	1" GALVANIZED LOCKWASHER	0.080	1.920
SN	24	312504	1"-8 HOT DIPPED GALVANIZED NUT	0.430	10.320
SB	24	172285	1"-8 X 2-1/4" A-325 BOLT WITH 1-3/4" THREAD	0.840	20.160
UD	6	125801	U-12 UPPER DIAGONAL - 2 1/2" x 2 1/2" x 3/16" ANGL	42.250	253.500
LCB	18	222022	1-1/4"-7 X 5-1/2" A-325 BOLT WITH 2" THREAD	2.530	45.540
LCF	18	312282	1-1/4" GALVANIZED FLAT WASHER (F436)	0.130	2.340
LCL	18	312283	1-1/4" GALVANIZED LOCKWASHER	0.150	2.700
LCN	18	312507	1-1/4" 7 HOT DIPPED GALVANIZED NUT	0.730	13.140
Total Wt.				2841.27 lb	[1289.96 kg]

PARTS LIST

REV	DESCRIPTION OF REVISIONS	CPD	BY	DATE

SITE
US-KY-5139 CK EDMONSON WARREN, KY
VB BTS II, LLC
U 20 X 195'

DESCRIPTION
SECTION U-12.0 (80' - 100' ELEVATION)

1-877-467-4763 Plymouth, IN
1-800-547-2151 Salem, OR

Valmont

STRUCTURES

REVISION HISTORY	APPROVED BY	DESIGNED BY	RELEASE DATE

PROPRIETARY NOTE:
THE DATA AND TECHNIQUES CONTAINED IN THIS DRAWING ARE PROPRIETARY INFORMATION OF VALMONT INDUSTRIES AND CONSIDERED A TRADE SECRET. ANY USE OR DISCLOSURE WITHOUT THE CONSENT OF VALMONT INDUSTRIES IS STRICTLY PROHIBITED.

COPYRIGHT 2022

ENG. FILE NO.
558646

DWG. NO.
293389T

PAGE
7 OF 12

DRAWN BY
SAN

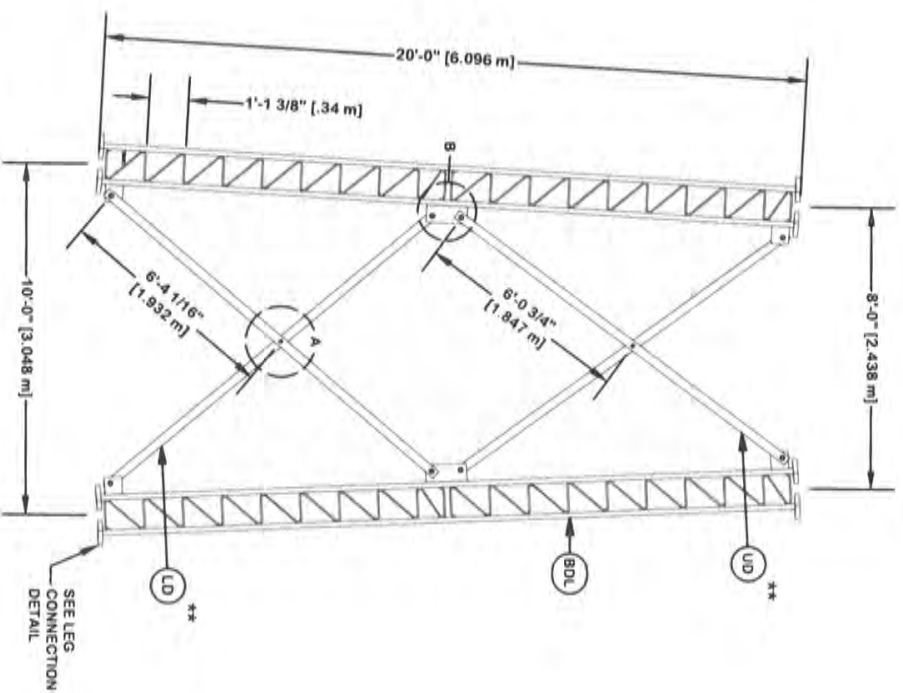
APPROVED BY
SAN

DESIGNED BY
JS

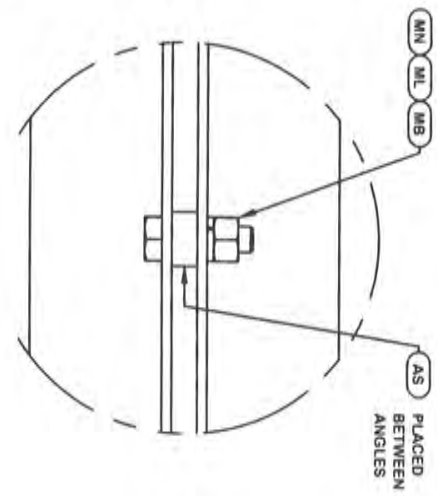
APPROVED BY
J_S

RELEASE DATE
7/22/2022

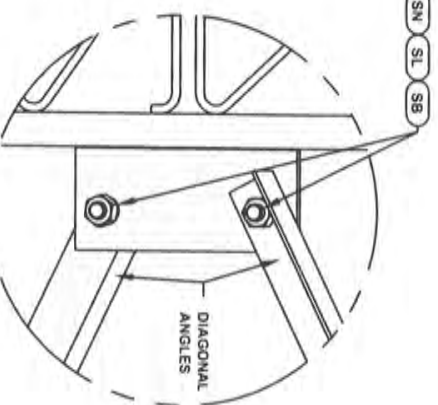
ORIENT LEGS WITH PIN STAMP
TOWARD BOTTOM OF SECTION
ORIENT ANGLES WITH STAMPED
END TOWARD TOP OF SECTION
** DIAGONAL ANGLES MUST BE INSTALLED
WITH THE NON-BOLTED FACE UP.
THIS MAY BE ON THE OPPOSITE SIDE OF THE
SIDE PLATE THAN WHAT IS SHOWN IN THE DETAIL.



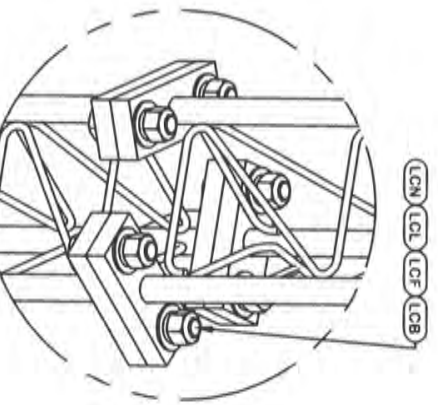
NOTE: THE VIEWS SHOWN BELOW ARE FOR PART IDENTIFICATION ONLY. THE ACTUAL PART STYLE MAY VARY FROM WHAT IS DEPICTED BELOW.
PLEASE SEE ASSEMBLY INFORMATION IN THE UPPER LEFT CORNER FOR FURTHER INSTALLATION INSTRUCTIONS.



DETAIL A
ANGLE INTERSECTION CONNECTION



DETAIL B
MID SIDE PLATE ANGLE CONNECTION



LEG TO LEG CONNECTION
(SIDE PLATES NOT SHOWN FOR CLARITY)

ITEM	QTY	PART NO.	PART DESCRIPTION	UNIT WT.	NET WT.
BDL	3	194651	#12 LEG SECTION - 1-1/2" LEG - 1/2" BRACE - 1" BOL	602.830	1808.490
LD	6	126797	U-10 LOWER DIAGONAL - 2-1/2" x 2-1/2" x 3/16" ANGL	40.070	240.420
AS	6	104291	RING FILL SPACER 1/2" THICK 1.049" HOLE	0.070	0.420
MN	6	312502	3/4" -10 HOT DIPPED GALVANIZED NUT	0.190	1.140
ML	6	312153	3/4" GALVANIZED LOCKWASHER	0.030	0.180
MB	6	160427	3/4" -10 X 3" A-325T BOLT WITH FULL THREAD	0.470	2.820
SL	24	312223	1" GALVANIZED LOCKWASHER	0.080	1.920
SN	24	312504	1" -8 HOT DIPPED GALVANIZED NUT	0.430	10.320
SB	24	172965	1" -8 X 2-1/4" A-325 BOLT WITH 1-3/4" THREAD	0.840	20.160
UD	6	126793	U-10 UPPER DIAGONAL - 2-1/2" x 2-1/2" x 3/16" ANGL	38.050	228.300
LCB	18	222016	1" -8 X 4-3/4" A-325 BOLT WITH 1-3/4" THREAD	1.380	24.840
LCF	18	312222	1" GALVANIZED FLAT WASHER (F436)	0.140	2.520
LCL	18	312223	1" GALVANIZED LOCKWASHER	0.080	1.440
LCN	18	312504	1" -8 HOT DIPPED GALVANIZED NUT	0.430	7.740
Total Wt					2350.71 lb [1067.24 kg]

PARTS LIST

SITE
US-KY-5139 CK EDMONSON WARREN, KY
VB BTS II, LLC
U 20 X 195'

DESCRIPTION
SECTION U-10.0 (100' - 120' ELEVATION)

1-877-467-4763 Plymouth, IN
1-800-547-2151 Salem, OR

Valmont

STRUCTURES

REV	DESCRIPTION OF REVISIONS	CPD	BY	DATE
REVISION HISTORY				
DRAWN BY SAN	APPROVED BY SAN	DESIGNED BY JS	APPROVED BY J_S	RELEASE DATE 7/22/2022

PROPRIETARY NOTE:
THE DATA AND TECHNIQUES CONTAINED IN THIS DRAWING ARE PROPRIETARY INFORMATION OF VALMONT INDUSTRIES AND CONSIDERED A TRADE SECRET. ANY USE OR DISCLOSURE WITHOUT THE CONSENT OF VALMONT INDUSTRIES IS STRICTLY PROHIBITED.

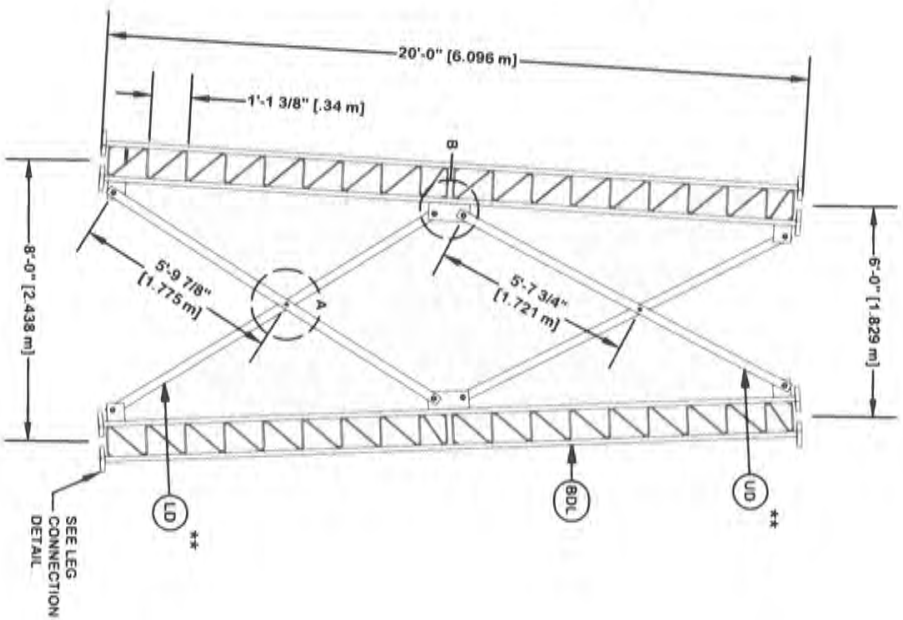
COPYRIGHT 2022

ENG. FILE NO.
5586646

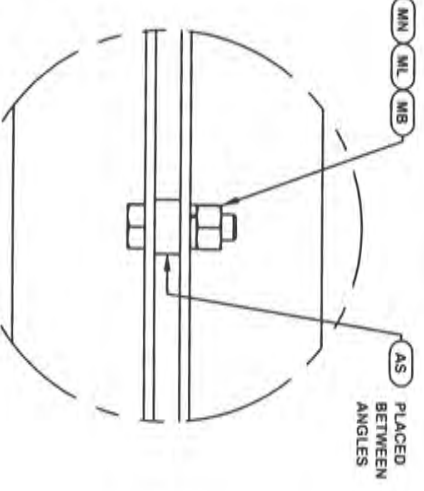
DWG. NO.
293389T

PAGE
8 OF 12

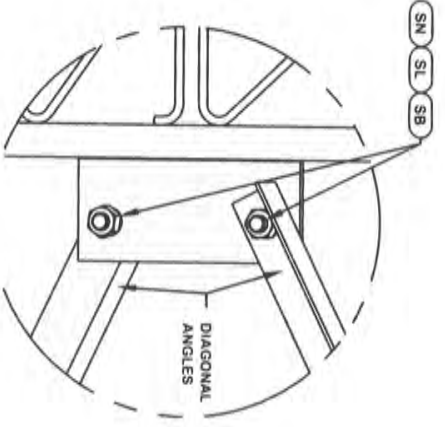
ORIENT LEGS WITH PIN STAMP
TOWARD BOTTOM OF SECTION
ORIENT ANGLES WITH STAMPED
END TOWARD TOP OF SECTION
** DIAGONAL ANGLES MUST BE INSTALLED
WITH THE NON-BOLTED FACE UP, ↑
THIS MAY BE ON THE OPPOSITE SIDE OF THE
SIDE PLATE THAN WHAT IS SHOWN IN THE DETAIL.



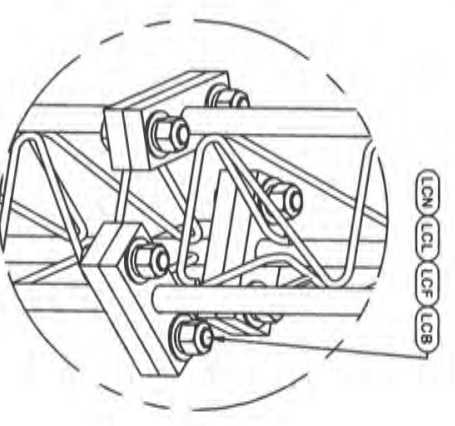
NOTE: THE VIEWS SHOWN BELOW ARE FOR PART IDENTIFICATION ONLY. THE ACTUAL PART STYLE MAY VARY FROM WHAT IS DEPICTED BELOW.
PLEASE SEE ASSEMBLY INFORMATION IN THE UPPER LEFT CORNER FOR FURTHER INSTALLATION INSTRUCTIONS.



DETAIL A
ANGLE INTERSECTION CONNECTION



DETAIL B
MID SIDE PLATE ANGLE CONNECTION



LEG TO LEG CONNECTION
(SIDE PLATES NOT SHOWN FOR CLARITY)

ITEM	QTY	PART NO.	PART DESCRIPTION	UNIT WT.	NET WT.
BDL	3	194651	#12 LEG SECTION - 1-1/2" LEG - 1/2" BRACE - 1" BOLT	602.830	1808.490
LD	6	126789	U-8 LOWER DIAGONAL - 2 1/2" x 2 1/2" x 3/16" ANGLE	36.220	217.320
AS	6	104291	RING FILL SPACER 1/2" THICK 1.049" HOLE	0.070	0.420
MN	6	312502	3/4"-10 HOT DIPPED GALVANIZED NUT	0.190	1.140
ML	6	312153	3/4" GALVANIZED LOCKWASHER	0.030	0.180
MB	6	160427	3/4"-10 X 3" A-325 BOLT WITH FULL THREAD	0.470	2.820
SL	24	312223	1" GALVANIZED LOCKWASHER	0.080	1.920
SN	24	312504	1"-8 HOT DIPPED GALVANIZED NUT	0.430	10.320
SB	24	172865	1"-8 X 2-1/4" A-325 BOLT WITH 1-3/4" THREAD	0.840	20.160
UD	6	126785	U-8 UPPER DIAGONAL - 2 1/2" x 2 1/2" x 3/16" ANGLE	34.610	207.660
LCB	18	222016	1"-8 X 4-3/4" A-325 BOLT WITH 1-3/4" THREAD	1.380	24.840
LCF	18	312222	1" GALVANIZED FLAT WASHER (F436)	0.140	2.520
LCL	18	312223	1" GALVANIZED LOCKWASHER	0.080	1.440
LCN	18	312504	1"-8 HOT DIPPED GALVANIZED NUT	0.430	7.740
Total Wt.				2306.97 lb [1047.38 kg]	

PARTS LIST

REV	DESCRIPTION OF REVISIONS	CPD	BY	DATE

DRAWN BY SAN	APPROVED BY SAN	DESIGNED BY JS	APPROVED BY JS	RELEASE DATE 7/22/2022
-----------------	--------------------	-------------------	-------------------	---------------------------

SITE
US-KY-5139 CK EDMONSON WARREN, KY
VB BTS II, LLC
U 20 X 195'

COPYRIGHT 2022

PROPRIETARY NOTE:
THE DATA AND TECHNIQUES CONTAINED IN THIS DRAWING ARE PROPRIETARY INFORMATION OF VALMONT INDUSTRIES AND CONSIDERED A TRADE SECRET. ANY USE OR DISCLOSURE WITHOUT THE CONSENT OF VALMONT INDUSTRIES IS STRICTLY PROHIBITED.

DESCRIPTION
SECTION U-8.0 (120' - 140' ELEVATION)

ENG. FILE NO.
558646

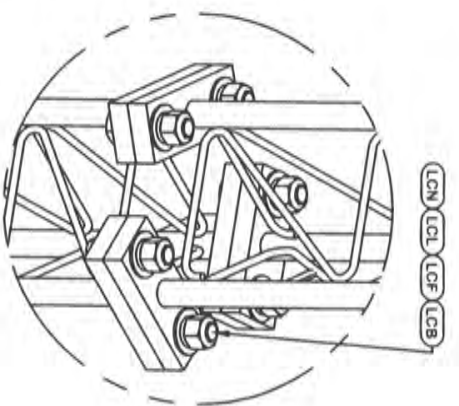
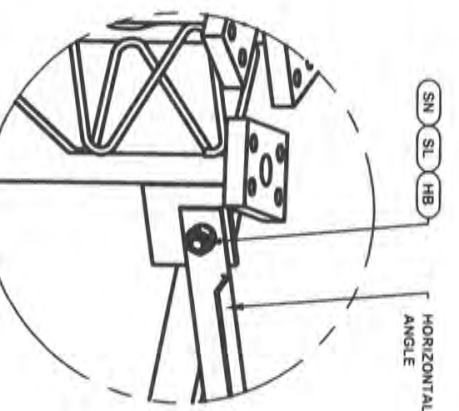
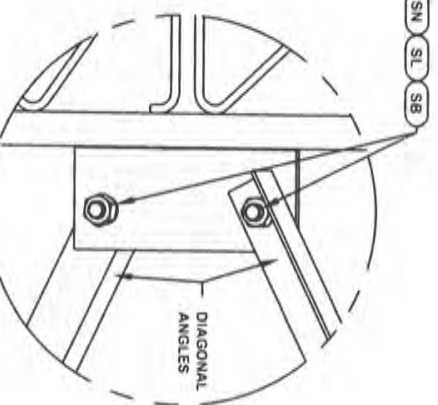
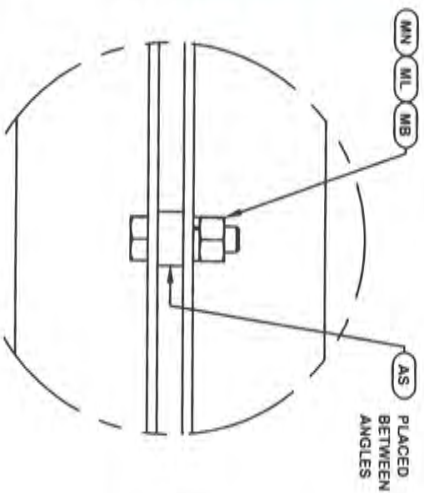
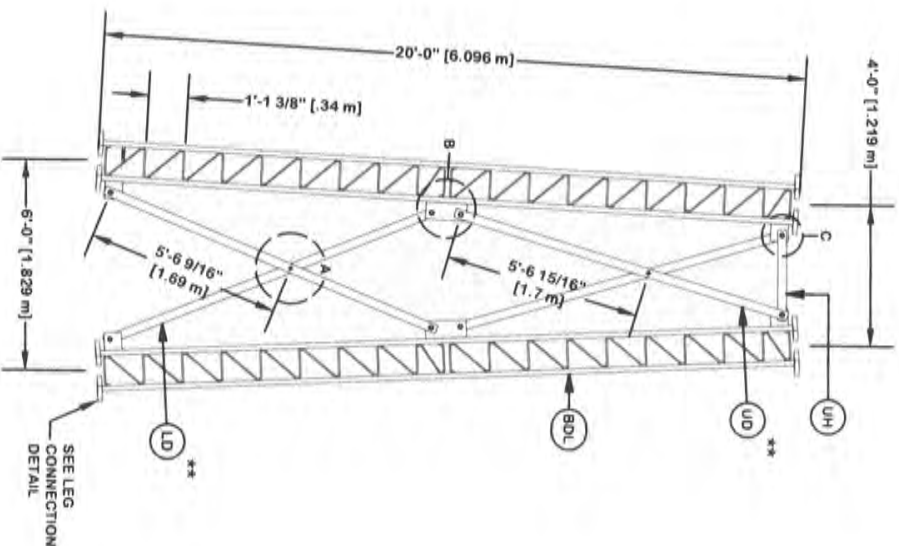
1-877-467-4763 Plymouth, IN
1-800-547-2151 Salem, OR

Valmont STRUCTURES

DWG. NO. 293389T

PAGE 9 OF 12

ORIENT LEGS WITH PIN STAMP
TOWARD BOTTOM OF SECTION
ORIENT ANGLES WITH STAMPED
END TOWARD TOP OF SECTION
** DIAGONAL ANGLES MUST BE INSTALLED
WITH THE NON-BOLTED FACE UP. THIS
MAY BE ON THE OPPOSITE SIDE OF THE
SIDE PLATE THAN WHAT IS SHOWN IN THE DETAIL.



ITEM	QTY	PART NO.	PART DESCRIPTION	UNIT WT.	NET WT.
BDL	3	194434	#12 LEG SECT - 1-1/4" LEG - 1/2" BRACE - 1" BOLT -	489.830	1469.490
LD	6	278572	U-6 LOWER DIAGONAL - 2 1/2" x 2 1/2" x 1/4" ANGLE	43.620	261.720
AS	6	104291	RING FILL SPACER 1/2" THICK 1.049" HOLE	0.070	0.420
MN	6	312502	3/4" -10 HOT DIPPED GALVANIZED NUT	0.190	1.140
ML	6	312153	3/4" GALVANIZED LOCKWASHER	0.030	0.180
MB	6	160427	3/4" -10 X 3" A-325T BOLT WITH FULL THREAD	0.470	2.820
SL	24	312223	1" GALVANIZED LOCKWASHER	0.080	1.920
SN	24	312504	1"-8 HOT DIPPED GALVANIZED NUT	0.430	10.320
SB	18	172865	1"-8 X 2-1/4" A-325 BOLT WITH 1-3/4" THREAD	0.840	15.120
UD	6	278571	U-6 UPPER DIAGONAL - 2 1/2" x 2 1/2" x 1/4" ANGLE	42.200	253.200
UH	3	268778	U-6 TAPERED UPPER HORIZONTAL ANGLE (TYPE 1) - 3" x	8.290	24.870
HB	6	225017	1"-8 X 3-1/2" A-325T BOLT WITH FULL THREAD	1.090	6.540
LCB	18	222016	1"-8 X 4-3/4" A-325 BOLT WITH 1-3/4" THREAD	1.380	24.840
LCF	18	312222	1" GALVANIZED FLAT WASHER (F-498)	0.140	2.520
LCL	18	312223	1" GALVANIZED LOCKWASHER	0.080	1.440
LCN	18	312504	1"-8 HOT DIPPED GALVANIZED NUT	0.430	7.740
Total Wt				2084.28 lb [946.28 kg]	

DETAIL A
ANGLE INTERSECTION CONNECTION

DETAIL B
MID SIDE PLATE ANGLE CONNECTION

DETAIL C
HORIZONTAL CONNECTION

LEG TO LEG CONNECTION
(SIDE PLATES NOT SHOWN FOR CLARITY)

SITE

US-KY-5139 CK EDMONSON WARREN, KY
VB BTS II, LLC
U 20 X 195'

DESCRIPTION

SECTION U-6.0 (140' - 160' ELEVATION)

Valmont
STRUCTURES

1-877-467-4763 Plymouth, IN
1-800-547-2151 Salem, OR

2933389T

DESCRIPTION OF REVISIONS

REVISION HISTORY

CPD BY DATE

DRAWN BY SAN APPROVED BY SAN DESIGNED BY JS APPROVED BY JS RELEASE DATE 7/22/2022

PROPRIETARY NOTE:
THE DATA AND TECHNIQUES CONTAINED IN THIS DRAWING ARE PROPRIETARY INFORMATION OF VALMONT INDUSTRIES AND CONSIDERED A TRADE SECRET. ANY USE OR DISCLOSURE WITHOUT THE CONSENT OF VALMONT INDUSTRIES IS STRICTLY PROHIBITED.

ENG. FILE NO.

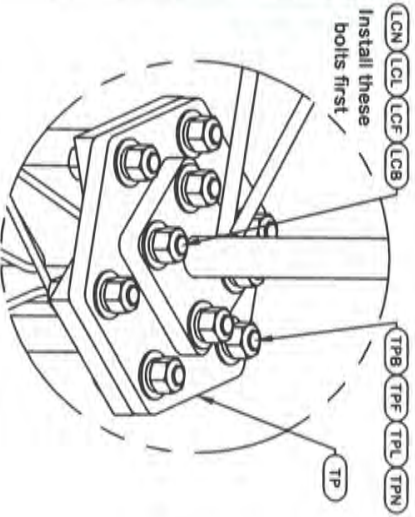
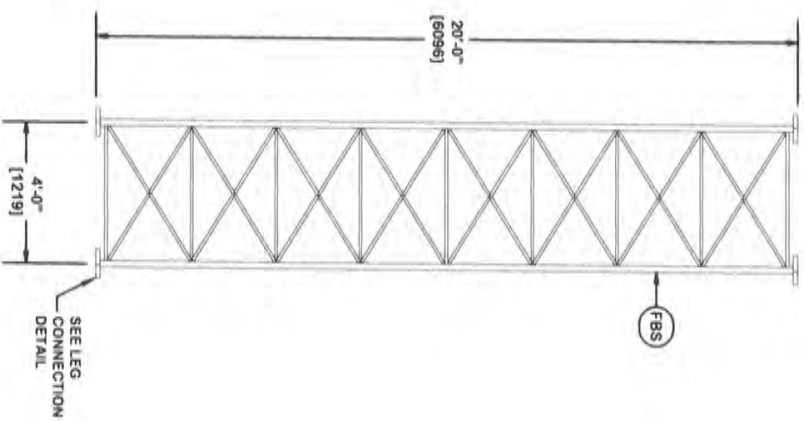
558646

DWG. NO.

2933389T

PAGE

10 OF 12



LEG TO LEG CONNECTION
The Transition Plate MUST be attached to the upper section before installing onto lower section

ITEM	QTY	PART NO.	PART DESCRIPTION	UNIT WT.	NET WT.
FBS	1	215044	#48 SECT W/FOOTPADS - 2-1/4" TO 1-3/4" TRANS - 20'	1536.200	1536.200
TP	3	209573	TRANSITION PLATE (6) 1" BOLTS TO (4) 1" BOLTS	83.780	251.340
TPB	18	222016	1"-8 X 4-3/4" A-325 BOLT WITH 1-3/4" THREAD	1.380	24.840
TPF	18	312222	1" GALVANIZED FLAT WASHER (F-436)	0.140	2.520
TPL	18	312223	1" GALVANIZED LOCKWASHER	0.080	1.440
TPN	18	312504	1"-8 HOT DIPPED GALVANIZED NUT	0.430	7.740
LCB	12	222016	1"-8 X 4-3/4" A-325 BOLT WITH 1-3/4" THREAD	1.380	16.560
LCF	12	312222	1" GALVANIZED FLAT WASHER (F-436)	0.140	1.680
LCL	12	312223	1" GALVANIZED LOCKWASHER	0.080	0.960
LCN	12	312504	1"-8 HOT DIPPED GALVANIZED NUT	0.430	5.160
Total Wt				1848.44 lb [839.21 kg]	

PARTS LIST

REV	DESCRIPTION OF REVISIONS	CPD	BY	DATE

REVISION HISTORY	APPROVED BY	DESIGNED BY	APPROVED BY	RELEASE DATE

SITE
US-KY-5139 CK EDMONSON WARREN, KY
VB BTS II, LLC
U 20 X 195'

PROPRIETARY NOTE:
THE DATA AND TECHNIQUES CONTAINED IN THIS DRAWING ARE PROPRIETARY INFORMATION OF VALMONT INDUSTRIES AND CONSIDERED A TRADE SECRET. ANY USE OR DISCLOSURE WITHOUT THE CONSENT OF VALMONT INDUSTRIES IS STRICTLY PROHIBITED.

COPYRIGHT 2022

DESCRIPTION
SECTION V-4.0 (160' - 180' ELEVATION)

ENG. FILE NO.
558646

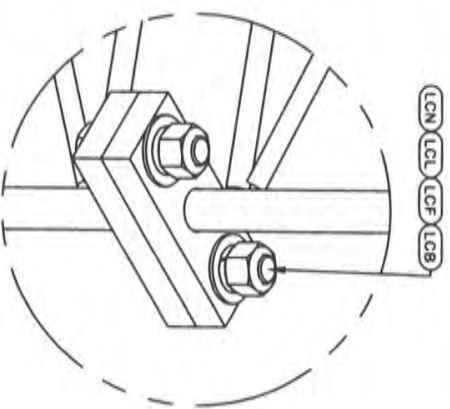
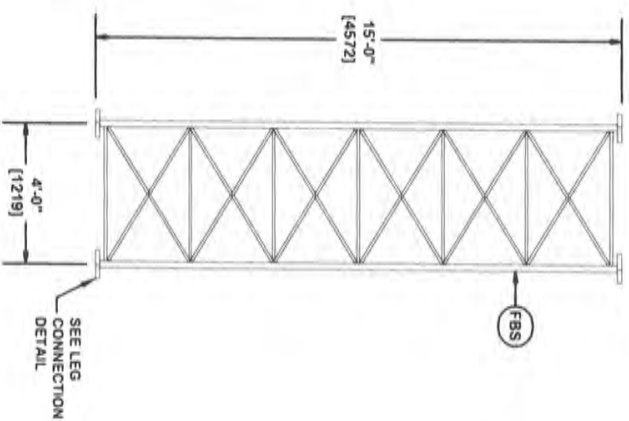
1-877-467-4763 Plymouth, IN
1-800-547-2151 Salem, OR

valmont STRUCTURES

DWG. NO. **293389T**

PAGE **11 OF 12**

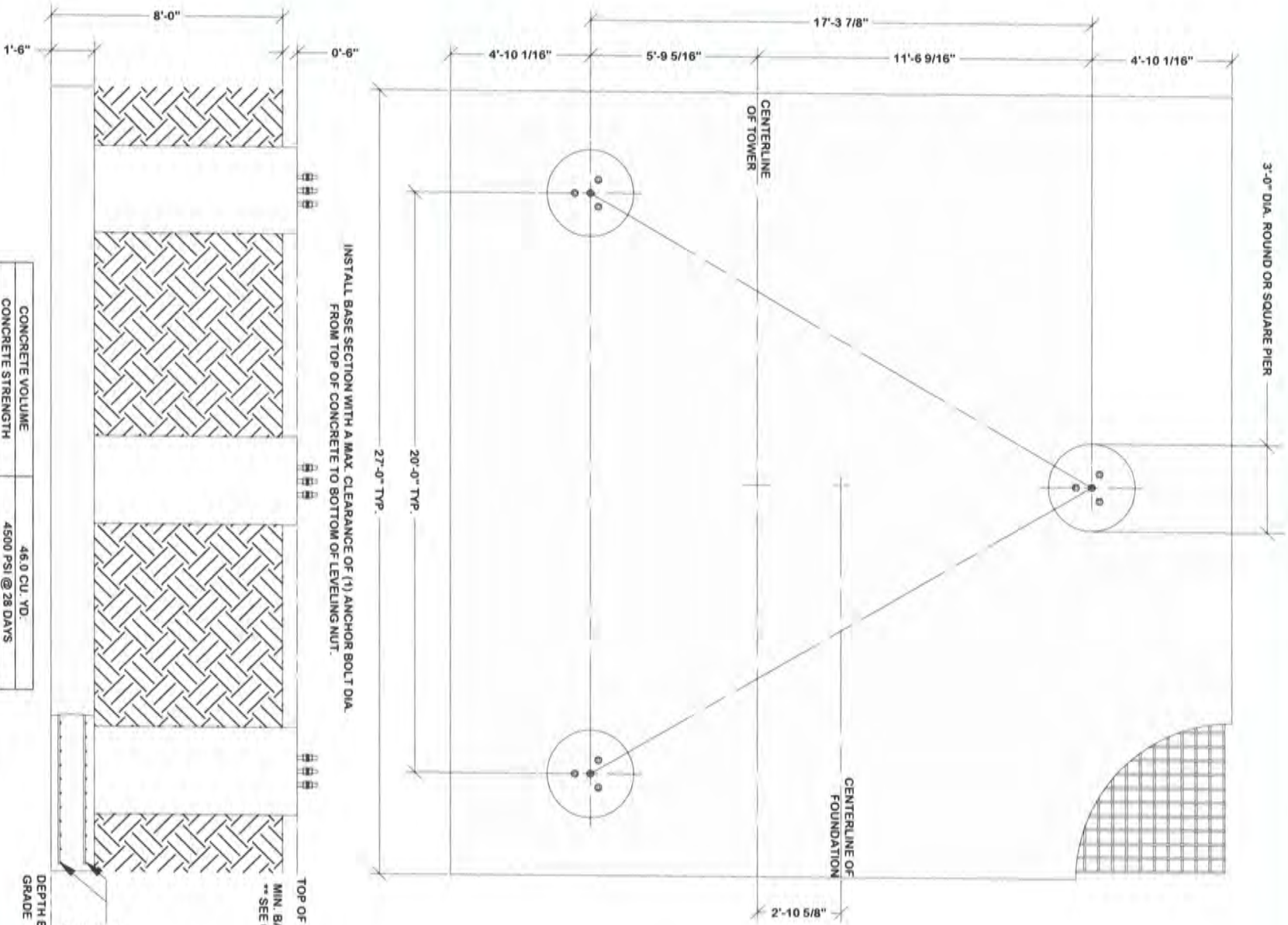
PARTS LIST					
ITEM	QTY	PART NO.	PART DESCRIPTION	UNIT WT.	NET WT.
FBS	1	214791	#48 SECT W/FOOTPADS - 1-3/4" LEG - 15'-0" LENGTH -	819.020	819.020
LCB	6	222022	1-1/4" - 7 X 5-1/2" A-325 BOLT WITH 2" THREAD	2.530	15.180
LCF	6	312282	1-1/4" GALVANIZED FLAT WASHER (F436)	0.130	0.780
LCL	6	312283	1-1/4" GALVANIZED LOCKWASHER	0.150	0.900
LCN	6	312507	1-1/4"-7 HOT DIPPED GALVANIZED NUT	0.730	4.380
Total Wt.				840.26 lb [381.49 kg]	



LEG TO LEG CONNECTION

REVISION HISTORY REVISION HISTORY CPD BY DATE		SITE US-KY-5139 CK EDMONSON WARREN, KY VB BTS II, LLC U 20 X 195' COPYRIGHT 2022	
DESCRIPTION OF REVISIONS DESCRIPTION OF REVISIONS		DESCRIPTION SECTION V-4.0 (180' - 195' ELEVATION)	
DRAWN BY SAN	APPROVED BY SAN	DESIGNED BY JS	APPROVED BY JS
RELEASE DATE 7/22/2022		PROPRIETARY NOTE: THE DATA AND TECHNIQUES CONTAINED IN THIS DRAWING ARE PROPRIETARY INFORMATION OF VALMONT INDUSTRIES AND CONSIDERED A TRADE SECRET. ANY USE OR DISCLOSURE WITHOUT THE CONSENT OF VALMONT INDUSTRIES IS STRICTLY PROHIBITED.	
ENG. FILE NO. 558646		DWG. NO. 293389T	
PAGE 12 OF 12			

3'-0" DIA. ROUND OR SQUARE PIER



CONCRETE VOLUME	46.0 CU. YD.
CONCRETE STRENGTH	4500 PSI @ 28 DAYS
CONCRETE DENSITY	150 PCF

ATTENTION CONTRACTOR INSTALLING ANCHOR BOLTS!
 USE 1 1/2" DIA. ANCHOR BOLTS SUPPLIED BY VALMONT.
 INSTALL ALL ANCHOR BOLTS WITH LONGER THREADED ENDS EXPOSED.
 VERIFY THE PART NUMBER AND SIZES FOR ALL COMPONENTS ON THIS PAGE.
 IF THERE ARE ANY DISCREPANCIES, PLEASE NOTIFY VALMONT/PROUD, INC.
 PRIOR TO INSTALLATION!

- TEMPLATE INSTALLATION NOTES:**
1. THE PROVIDED TEMPLATE ASSEMBLY MUST BE USED TO ENSURE ACCURATE ANCHOR BOLT LOCATION & INSTALLATION ANGLE (BASE LEG REFERENCE ANGLE 0.00°).
 2. USING THE TEMPLATE ASSEMBLY, THE CENTER OF EACH ANCHOR BOLT GROUP MUST BE LOCATED WITHIN (+/- .37) OF THE CENTER OF THE REBAR CAGE SHOWN ON THIS PLAN. FAILURE TO USE THE FULLY ASSEMBLED ANCHOR BOLT TEMPLATE WILL CAUSE MISS-LOCATION OF THE ANCHOR BOLT GROUPS, INCORRECTLY LOCATED ANCHOR BOLT GROUPS WILL CAUSE DIFFICULTY OR ALIGNMENT ISSUES DURING TOWER CONSTRUCTION. IN MORE SEVERE CASES, THIS CAN MAKE IT IMPOSSIBLE TO ERECT THE TOWER.
 3. THE ENTIRE TEMPLATE ASSEMBLY MUST BE LEVEL +/- .1".
 4. INSTALLED TEMPLATE CLEARANCE 2" MIN. - 4" MAX T.O.C. TO BOTTOM OF LEVELING NUT.
 5. MUST USE TEMPLATE ASSEMBLY #281401

- *CONCRETE NOTES**
1. BACKFILL MAY NOT BE SLOPED
 2. BACKFILL MUST NOT EXCEED THE TOP OF THE CONCRETE
 3. CONTRACTOR MUST VERIFY THAT THE MINIMUM FILL HEIGHT CAN BE ACHIEVED PRIOR TO INSTALLING REBAR OR CONCRETE.
 4. IF MINIMUM FILL HEIGHT CANNOT BE ACHIEVED THE CONTRACTOR MUST CONTACT VALMONT PRIOR TO REBAR OR CONCRETE PLACEMENT.

INSTALL BASE SECTION WITH A MAX. CLEARANCE OF 1" ANCHOR BOLT DIA. FROM TOP OF CONCRETE TO BOTTOM OF LEVELING NUT.

TOP OF CONCRETE
 MIN. BACKFILL HEIGHT
 ** SEE CONCRETE NOTES

CIRCULAR TIE NOTES:
 PLACE CIRCULAR TIES SO HOOKS ON ADJACENT TIES ARE APPROX. 180° APART. PLACE ONE TIE AT TOP OF REBAR GRID AND ONE TIE AT TOP OF PIER. EQUALLY SPACE TIES ALONG THE PIER, WITH ONE BAR PLACED 4" DOWN FROM THE TOP THE 8 TIES PER PIER (SEE DETAIL CT)

#6 HORIZONTAL REBAR
 56 BARS EACH WAY
 SPACED EQUALLY AT 5.34" ± TO ± (SEE DETAIL HR)

DEPTH BELOW GRADE

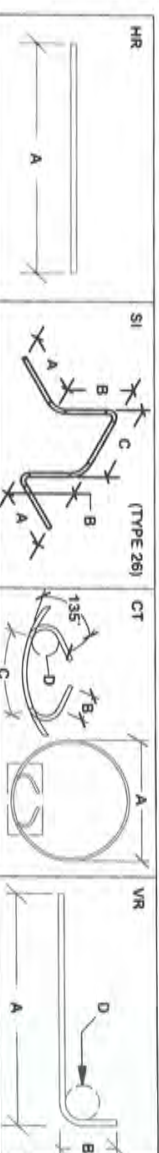
PARTS LIST

ITEM	QTY	PART DESCRIPTION	UNIT WT.	NET WT.
1	12	1 1/2" DIA. x 80" LONG ANCHOR BOLT - 113823	46.66	559.96
2	3	EMBEDMENT PLATE - 281280	19.88	59.63

FOUNDATION NOTES:

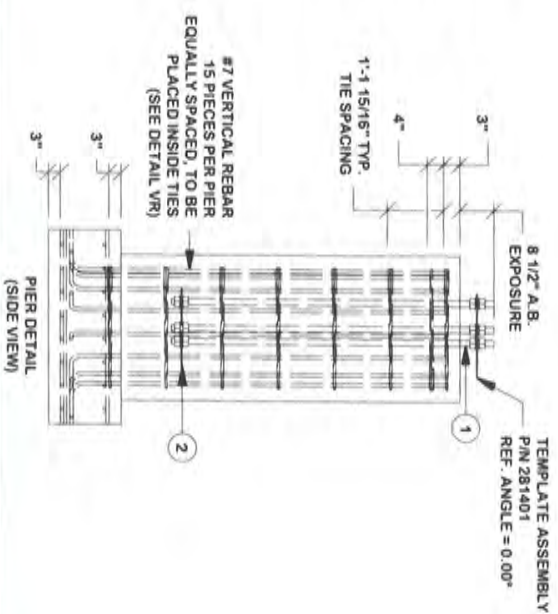
1. SOIL AS PER REPORT BY GEOTECHNICAL REPORT BY POD, JOB NUMBER 21-102894, DATED 07/08/2022
2. REINFORCING BAR TO CONFORM TO ASTM A615 GRADE 60 SPECIFICATIONS. CONCRETE INSTALLATION TO CONFORM TO ACI-318 BUILDING REQUIREMENTS FOR REINFORCED CONCRETE. ALL CONCRETE TO BE PLACED AGAINST UNDISTURBED EARTH FREE OF WATER AND ALL FOREIGN OBJECTS AND MATERIALS A MINIMUM OF THREE INCHES OF CONCRETE SHALL COVER ALL REINFORCEMENT. WELDING OF REBAR NOT PERMITTED.
3. A COLD JOINT IS PERMISSIBLE UPON CONSULTATION WITH VALMONT. ALL COLD JOINTS SHALL BE COATED WITH BONDING AGENTS PRIOR TO SECOND POUR.
4. ALL FILL SHOULD BE PLACED IN LOOSE LEVEL LIFTS OF NO MORE THAN 8" THICK. FILL MATERIALS SHOULD BE CLEAN AND FREE OF ORGANIC AND FROZEN SHALL COMPACTED IN ACCORDANCE WITH ASTM D698. MIN. BACKFILL DENSITY = 97% OF STANDARD PROCTOR MAXIMUM DRY DENSITY IN ACCORDANCE WITH ASTM D698. MIN. BACKFILL DENSITY = 110 PCF
5. BENDING, STRAIGHTENING OR REALIGNING (HOT OR COLD) OF THE ANCHOR BOLTS BY ANY METHOD IS PROHIBITED.
6. GROWN TOP OF FOUNDATION FOR PROPER DRAINAGE.
7. THE ON-SITE GEOTECHNICAL ENGINEER SHALL CONFIRM THAT THE INSITU SOIL STRENGTHS MEET OR EXCEED THOSE PARAMETERS GIVEN IN THE SOIL REPORT.
8. SEE GEOTECHNICAL REPORT FOR ADDITIONAL CONSTRUCTION RECOMMENDATIONS, BACKFILL COMPACTION DETAIL, SUBGRADE PREPARATION, ETC.
9. GRADE THE SITE TO DRAIN AWAY FROM FOUNDATION.
10. COMPACTION BY FLOODING IS NOT CONSIDERED ACCEPTABLE. THIS METHOD WILL GENERALLY NOT ACHIEVE THE DESIRED COMPACTION AND THE LARGE QUANTITIES OF WATER WILL TEND TO SOFTEN THE FOUNDATION SOILS.

BAR	QTY	SIZE	UNBENT LENGTH	A	B	C	D	DIAMETER	UNIT WT. (LBS)	NET WT. (LBS)
HR	224	#6	26'-5"	26'-5"					39.89	8936.05
SI	64	#4	4'-5 5/16"	1'-1 3/4"	9"	1'-3 3/4"			2.97	190.03
CT	24	#4	9'-11 7/16"	2'-5"	3"	12 9/16"	3"		6.65	159.55
VR	45	#7	8'-9 13/16"	7'-10 1/2"	1'-2"		5 1/4"		18.02	811.06



REBAR NOTES: ALL REINFORCING BARS MUST CONFORM TO ASTM A615 GRADE 60 SPECIFICATIONS. STANDARDS TO BE EQUALLY SPACED BETWEEN GRIDS - 3'-7 1/8" (TYP)

Bar Size (in)	Bar Length (in)	Bar Size (in)	Bar Length (in)
3	19	8	61
4	25	9	69
5	31	10	77
6	37	11	86
7	53		



#7 VERTICAL REBAR
 15 PIECES PER PIER
 EQUALLY SPACED, TO BE
 PLACED INSIDE TIES
 (SEE DETAIL VR)

PIER DETAIL
 (SIDE VIEW)



07-22-2022

SITE
 US-KY-5139 CK EDMONSON WARREN, KY
 VB BTS II, LLC
 U 20 X 195'

DESCRIPTION
 SHALLOW MAT WITH RAISED PIERS
 TOWER FOUNDATION #1



STRUCTURES

REV	DESCRIPTION OF REVISIONS	CPD	BY	DATE

REVISION HISTORY	DESIGNED BY	APPROVED BY	RELEASE DATE

ENG. FILE NO.	DWG. NO.
558646	293389F

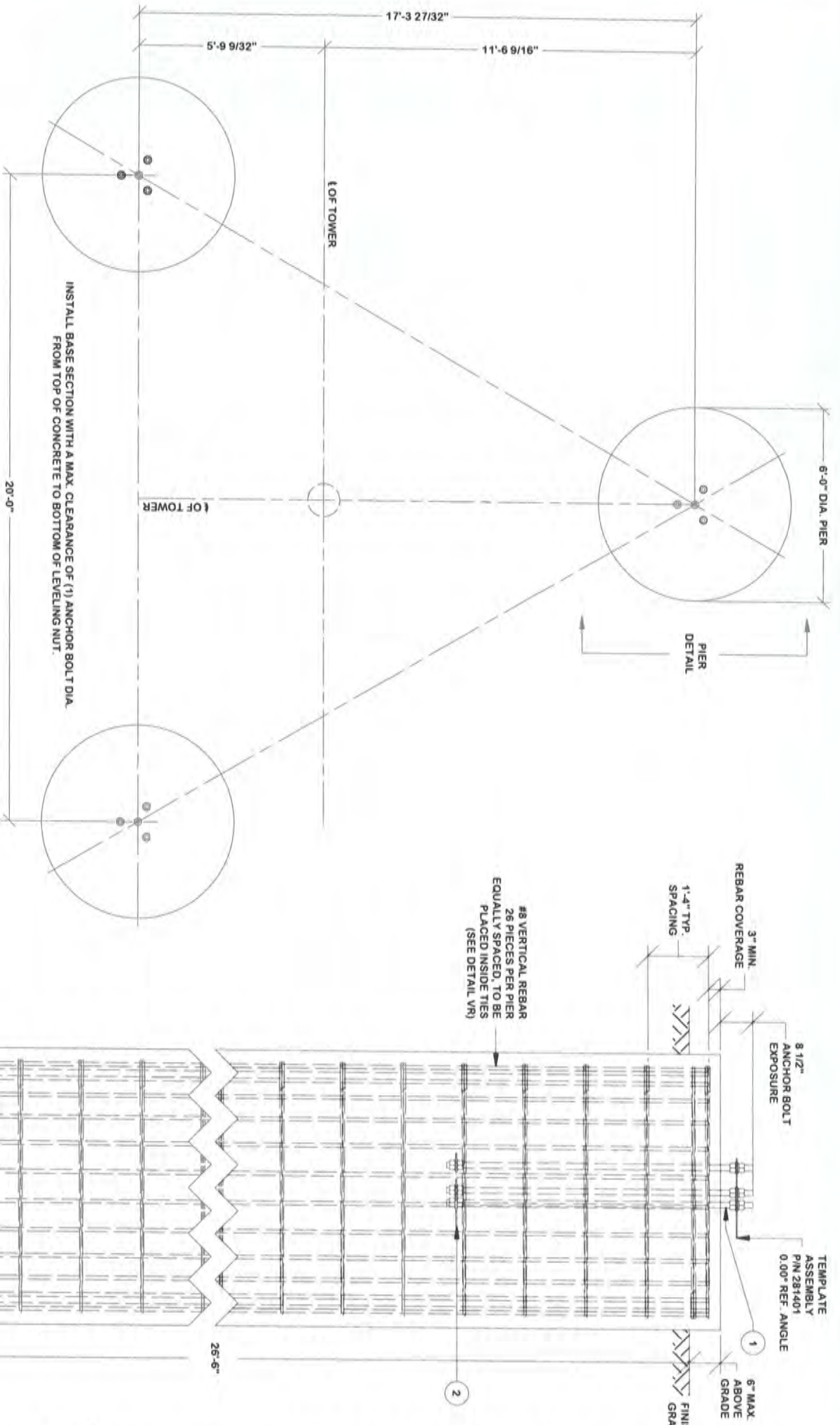
PROPRIETARY NOTE	PAGE
THE DATA AND TECHNIQUES CONTAINED IN THIS DRAWING ARE PROPRIETARY INFORMATION OF VALMONT INDUSTRIES AND CONSIDERED A TRADE SECRET. ANY USE OR DISCLOSURE WITHOUT THE CONSENT OF VALMONT INDUSTRIES IS STRICTLY PROHIBITED.	1 OF 2

ITEM	QTY	PART DESCRIPTION	UNIT WT.	NET WT.
1	12	1-1/2" DIA. x 80" LONG ANCHOR BOLT - 113823	46.66	559.96
2	3	EMBEDMENT PLATE - 281280	19.88	59.63

REBAR/ANCHOR STEEL TABLE

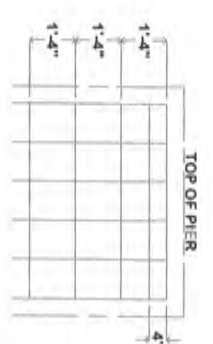
FOUNDATION NOTES:

- SOIL AS PER REPORT BY GEOTECHNICAL REPORT BY POD, JOB NUMBER 21-102894, DATED 07/09/2022
- REINFORCING BAR TO CONFORM TO ASTM A615 GRADE 60 SPECIFICATIONS. CONCRETE INSTALLATION TO CONFORM TO ACI-318 BUILDING REQUIREMENTS FOR REINFORCED CONCRETE. ALL CONCRETE TO BE PLACED AGAINST UNDISTURBED EARTH FREE OF WATER AND ALL FOREIGN OBJECTS AND MATERIALS. A MINIMUM OF THREE INCHES OF CONCRETE SHALL COVER ALL REINFORCEMENT. WELDING OF REBAR NOT PERMITTED.
- A COLD JOINT IS PERMISSIBLE UPON CONSULTATION WITH VALMONT. ALL COLD JOINTS SHALL BE COATED WITH BONDING AGENTS PRIOR TO SECOND POUR.
- ALL REINFORCING STEEL TO BE FORMED INTO A CAGE PRIOR TO SETTING INTO POSITION IN THE EXCAVATED PIER.
- PERMANENT STEEL CASING SHALL NOT BE USED WITHOUT CONSENT FROM FOUNDATION DESIGNERS.
- BENDING, STRAIGHTENING OR REALIGNING (HOT OR COLD) OF THE ANCHOR BOLTS BY ANY METHOD IS PROHIBITED.
- CROWN TOP OF FOUNDATION FOR PROPER DRAINAGE.
- THE ON-SITE GEOTECHNICAL ENGINEER SHALL CONFIRM THAT THE INSTU SOIL STRENGTHS MEET OR EXCEED THOSE PARAMETERS GIVEN IN THE SOIL REPORT.
- SEE GEOTECHNICAL REPORT FOR ADDITIONAL CONSTRUCTION RECOMMENDATIONS, BACKFILL COMPACTION DETAIL, SUBGRADE PREPARATION, ETC.
- DIFFICULT DRILLING AND/OR ROCK COORING IS TO BE EXPECTED BELOW A DEPTH OF 12.3 FT. THE DRILLING CONTRACTOR SHOULD BE PREPARED TO REMOVE ROCK AND/OR ROCK CORES FROM THE EXCAVATION.
- A TEMPORARY, FULL LENGTH STEEL CASING MAY BE REQUIRED DURING INSTALLATION.
- ALL PIERS MUST BE FOUNDED THE SAME DAY DRILLING IS COMPLETED SO THAT ANY SHALE IS NOT ALLOWED TO SWELL. CLEAN THE FOUNDATION BEARING AREA SO IT IS NEARLY LEVEL OR SUITABLE BENCHED AND IS FREE OF PONDED WATER OR LOOSE MATERIAL.
- MAKE PROVISIONS FOR FROUND WATER REMOVAL FROM THE DRILLED SHAFT EXCAVATION. WHILE THE BORINGS WERE DRY PRIOR TO ROCK CORING AND SIGNIFICANT SEEPAGE IS NOT ANTICIPATED, THE DRILLED PIER CONTRACTOR SHOULD HAVE PUMPS ON HAND TO REMOVE WATER IN THE EVEN SEEPAGE INTO THE DRILLED PIER IS ENCOUNTERED

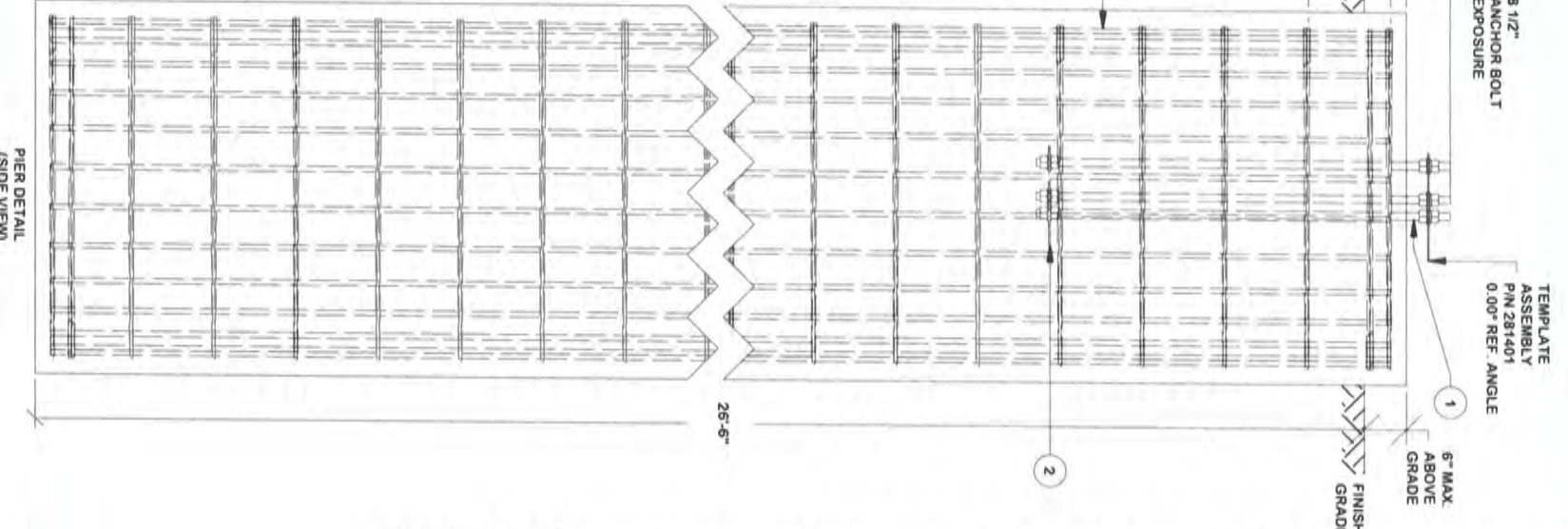


CONCRETE VOLUME	28.3 CU. YD. PER PIER (84.8 CU. YD. TOTAL)
CONCRETE STRENGTH	4500 PSI @ 28 DAYS
CONCRETE DENSITY	150 PCF

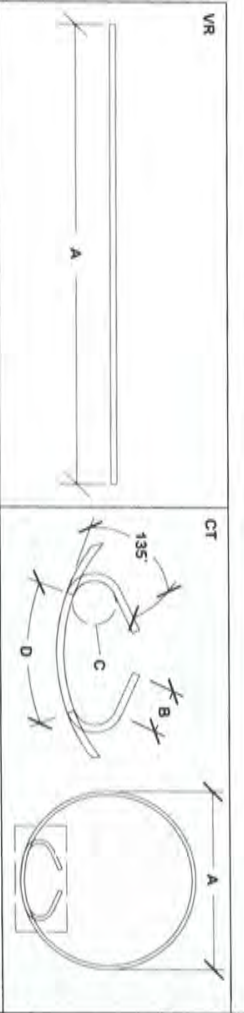
- ATTENTION CONTRACTOR INSTALLING ANCHOR BOLTS: USE 1 1/2" DIA. ANCHOR BOLTS SUPPLIED BY VALMONT. INSTALL ALL ANCHOR BOLTS WITH LONGER THREADED ENDS EXPOSED. VERIFY THE PART NUMBER AND SIZE FOR ALL COMPONENTS ON THIS PAGE. IF THERE ARE ANY DISCREPANCIES, PLEASE NOTIFY VALMONT/PROCD, INC. PRIOR TO INSTALLATION.
- TEMPLATE INSTALLATION NOTES:
- THE PROVIDED TEMPLATE ASSEMBLY MUST BE USED TO ENSURE ACCURATE ANCHOR BOLT LOCATION & INSTALLATION ANGLE. (BASE LEG REFERENCE ANGLE 0.00°)
 - USING THE TEMPLATE ASSEMBLY, THE CENTER OF EACH ANCHOR BOLT GROUP MUST BE LOCATED WITHIN (+/-) 3/16" OF THE CENTER OF THE REBAR CAGE SHOWN ON THIS PLAN. FAILURE TO USE THE FULLY ASSEMBLED ANCHOR BOLT TEMPLATE WILL CAUSE MISS-LOCATION OF THE ANCHOR BOLT GROUPS. INCORRECTLY LOCATED ANCHOR BOLT GROUPS WILL CAUSE DIFFICULTY OR ALIGNMENT ISSUES DURING TOWER CONSTRUCTION. IN MORE SEVERE CASES, THIS CAN MAKE IT IMPOSSIBLE TO ERECT THE TOWER.
 - THE ENTIRE TEMPLATE ASSEMBLY MUST BE LEVEL +/- 1".
 - INSTALLED TEMPLATE CLEARANCE 2" MIN - 4" MAX T.O.C. TO BOTTOM OF LEVELING NUT.
 - MUST USE TEMPLATE ASSEMBLY# 281401



CIRCULAR TIE LAYOUT (NOT TO SCALE)
PLACE ONE TIE 4" FROM THE END THE AT THE TOP AND BOTTOM OF PIER.
PLACE REMAINING TIES @ 1'-4" NOMINAL SPACING THROUGHOUT THE PIER.
PLACE CIRCULAR TIES SO LAPS ON ADJACENT TIES ARE APPROXIMATELY 180 DEGREES APART.
23 TIES PER PIER.
SEE REBAR DETAIL (CT)



BAR	QTY	SIZE	UNBENT LENGTH	A	B	C DIAMETER	D	UNIT WT.	NET WT.
CT	69	#5	19'-3.58"	5'-6"	3.34"	3.34"	8"	20.13	1389.12
VR	78	#8	26'-6"	26'-6"	26'-6"			70.92	5531.84



REBAR NOTES: ALL REINFORCING BARS MUST CONFORM TO ASTM A615 GRADE 60 SPECIFICATIONS

Bar Size	(in)	Bar Size	(in)	Rebar Class B Splice Length
3	16	8	47	
4	19	9	53	
5	24	10	60	
6	28	11	66	
7	41			



07-22-2022

Good design - great work

SITE
US-KY-5139 CK EDMONSON WARREN, KY
VB BTS II, LLC
U 20 X 195'

DESCRIPTION
DRILLED PIERS
TOWER FOUNDATION #2



1-877-467-4763 Plymouth, IN
1-800-547-2151 Salem, OR

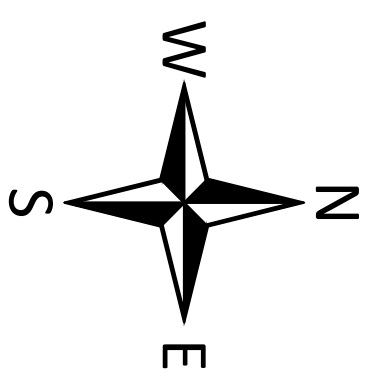
REV	DESCRIPTION OF REVISIONS	CPD	BY	DATE
REVISION HISTORY				
DRAWN BY	APPROVED BY	DESIGNED BY	APPROVED BY	RELEASE DATE
SAN	SAN	JS	JS	7/22/2022

COPYRIGHT 2022
PROPRIETARY NOTE
THE DATA AND TECHNIQUES CONTAINED IN THIS DRAWING ARE PROPRIETARY INFORMATION OF VALMONT INDUSTRIES AND CONSIDERED A TRADE SECRET. ANY USE OR DISCLOSURE WITHOUT THE CONSENT OF VALMONT INDUSTRIES IS STRICTLY PROHIBITED.

ENG. FILE NO.
558646

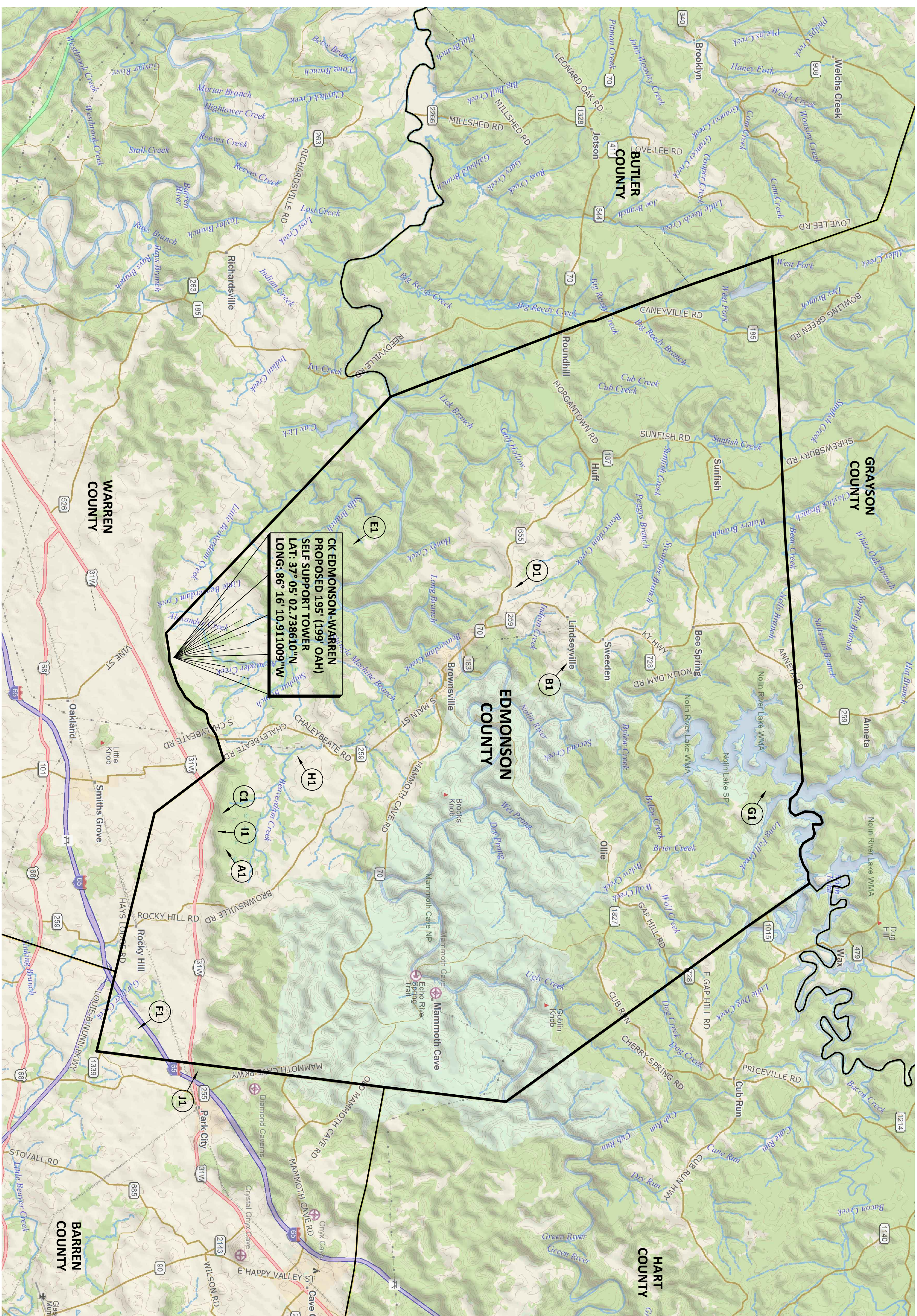
DWG. NO.
293389F
PAGE
2 OF 2

EXHIBIT E



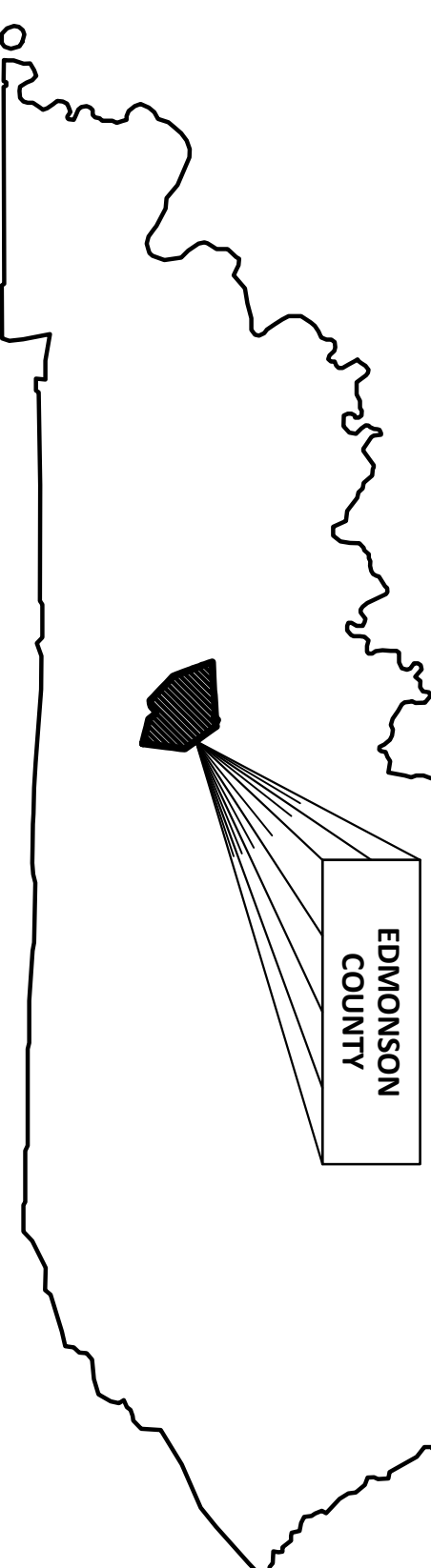
EDMONSON COUNTY, KENTUCKY

VERIZON WIRELESS SITE NAME: CK EDMONSON-WARREN



NOTE: TOWERS DEPICTED ARE ALL KNOWN TOWER SITES REGISTERED WITH THE FEDERAL COMMUNICATIONS COMMISSION IN EDMONSON COUNTY, KENTUCKY.

USGS 7.5 MINUTE QUADRANGLE: BRISTOW, KY



EXISTING TOWER LEGEND

- A1** FCC REGISTRATION #: 1003740
AMERICAN TOWERS LLC
LAT: 37° 06' 16.2" N
LONG: 86° 10' 26.5" W
- B1** FCC REGISTRATION #: 1025100
CROWN CASTLE SOUTH LLC
LAT: 37° 14' 22.1" N
LONG: 86° 15' 59.7" W
- C1** FCC REGISTRATION #: 1043426
CROWN CASTLE SOUTH LLC
LAT: 37° 06' 13.5" N
LONG: 86° 11' 31.9" W
- D1** FCC REGISTRATION #: 1043441
GLOBAL TOWER, LLC
through AMERICAN TOWERS, LLC
LAT: 37° 13' 10.3" N
LONG: 86° 18' 15.7" W
- E1** FCC REGISTRATION #: 1060660
ANDERSON COMMUNICATIONS, LLC
LAT: 37° 05' 18.3" N
LONG: 86° 19' 33.2" W
- F1** FCC REGISTRATION #: 1211505
CROWN COMMUNICATIONS LLC
LAT: 37° 04' 12.2" N
LONG: 86° 05' 07.1" W
- G1** FCC REGISTRATION #: 1235514
T-MOBILE WEST TOWER LLC
LAT: 37° 19' 05.4" N
LONG: 86° 12' 12.3" W
- H1** FCC REGISTRATION #: 1263984
CELLCO PARTNERSHIP
LAT: 37° 07' 58.9" N
LONG: 86° 13' 12.8" W
- I1** FCC REGISTRATION #: 1264772
GLOBAL TOWER, LLC
through AMERICAN TOWERS, LLC
LAT: 37° 05' 05.6" N
LONG: 86° 10' 53.1" W
- J1** FCC REGISTRATION #: 1275870
CELLCO PARTNERSHIP
LAT: 37° 05' 35.9" N
LONG: 86° 03' 49.8" W

PREPARED BY:
POD
POWER OF DESIGN
11490 BLUEGRASS PARKWAY
LOUISVILLE, KY 40299
502-437-5252

PREPARED FOR:



REVISIONS

REV.	DATE	DESCRIPTION
A	2.22.22	ISSUED FOR REVIEW

SITE INFORMATION:

CK
EDMONSON-WARREN
OTTER GAP ROAD
BOWLING GREEN, KY 42101
EDMONSON COUNTY
TAX PARCEL NUMBER:
043-00-00-047.00

PROPERTY OWNER:
HAROLD & PATRICIA WATT
278 AUBREY MILLS ROAD
BOWLING GREEN, KY 42101

SOURCE OF TITLE:
DEED BOOK 172, PAGE 502

POD NUMBER: 22-121711
DRAWN BY: DAP
CHECKED BY: MEP
SURVEY DATE: 9.6.21
PLAT DATE: 2.22.22

SHEET TITLE:

TOWER GRID MAP

SHEET NUMBER: (1 page)

C-1

EXHIBIT F



Notice Criteria Tool

Notice Criteria Tool - Desk Reference Guide V_2018.2.0

The requirements for filing with the Federal Aviation Administration for proposed structures vary based on a number of factors: height, proximity to an airport, location, and frequencies emitted from the structure, etc. For more details, please reference [CFR Title 14 Part 77.9](#).

You must file with the FAA at least 45 days prior to construction if:

- your structure will exceed 200ft above ground level
- your structure will be in proximity to an airport and will exceed the slope ratio
- your structure involves construction of a traverseway (i.e. highway, railroad, waterway etc...) and once adjusted upward with the appropriate vertical distance would exceed a standard of 77.9(a) or (b)
- your structure will emit frequencies, and does not meet the conditions of the [FAA Co-location Policy](#)
- your structure will be in an instrument approach area and might exceed part 77 Subpart C
- your proposed structure will be in proximity to a navigation facility and may impact the assurance of navigation signal reception
- your structure will be on an airport or heliport
- filing has been requested by the FAA

If you require additional information regarding the filing requirements for your structure, please identify and contact the appropriate FAA representative using the [Air Traffic Areas of Responsibility map](#) for Off Airport construction, or contact the [FAA Airports Region / District Office](#) for On Airport construction.

The tool below will assist in applying Part 77 Notice Criteria.

Latitude:	<input type="text" value="37"/> Deg <input type="text" value="05"/> M <input type="text" value="02.74"/> S <input type="button" value="N"/>
Longitude:	<input type="text" value="86"/> Deg <input type="text" value="16"/> M <input type="text" value="10.91"/> S <input type="button" value="W"/>
Horizontal Datum:	<input type="button" value="NAD83"/>
Site Elevation (SE):	<input type="text" value="724"/> (nearest foot)
Structure Height :	<input type="text" value="199"/> (nearest foot)
Traverseway:	<input type="button" value="No Traverseway"/> (Additional height is added to certain structures under 77.9(c)) User can increase the default height adjustment for Traverseway, Private Roadway and Waterway
Is structure on airport:	<input checked="" type="radio"/> No <input type="radio"/> Yes

Results

You do not exceed Notice Criteria.



EXHIBIT G



APPLICATION FOR PERMIT TO CONSTRUCT OR ALTER A STRUCTURE

JURISDICTION

602 KAR 50:030

Section 1. The commission has zoning jurisdiction over that airspace over and around the public use and military airports within the Commonwealth which lies above the imaginary surface that extends outward and upward at one (1) of the following slopes:

- (1) 100 to one (1) for a horizontal distance of 20,000 feet from the nearest point of the nearest runway of each public use airport and military airport with at least one (1) runway 3,200 feet or more in length; or
- (2) fifty (50) to one (1) for a horizontal distance of 10,000 feet from the nearest point of the nearest runway of each public use and military airport with its longest runway less than 3,200 feet in length.

Section 2. The commission has zoning jurisdiction over the use of land and structures within public use airports within the state.

Section 3. The commission has jurisdiction from the ground upward within the limits of the primary and approach surfaces of each public use airport and military airport as depicted on airport zoning maps approved by the Kentucky Airport Zoning Commission.

Section 4. The Commission has jurisdiction over the airspace of the Commonwealth that exceeds 200 feet in height above the ground.

Section 5. The owner or person who has control over a structure which penetrates or will penetrate the airspace over which the Commission has Jurisdiction shall apply for a permit from the Commission in accordance with 602 KAR 50:090.

INSTRUCTIONS

1. "Alteration" means to increase or decrease the height of a structure or change the obstruction marking and lighting.
2. "Applicant" means the person who will own or have control over the completed structure.
3. "Certification by Applicant" shall be made by the individual who will own or control the completed structure; or a partner in a partnership; or the president or authorized officer of a corporation company, or association; or the authorized official of a body politic; or the legally designated representative of a trustee, receiver, or assignee.
4. Prepare the application and forward to the Kentucky Dept. of Aviation, ATTN: Airport Zoning Commission, 90 Airport Drive, Frankfort KY 40601. For questions, telephone 502-782-4043.
5. The statutes applicable to the Kentucky Airport Commission are KRS 183.861 to 183.990 and the administrative regulations are 602 KAR Chapter 50.
6. When applicable, attach the following appendices to the application:

Appendix A. A 7.5 minute quadrangle topographical map prepared by the U.S. Geological Survey and the Kentucky Geological Survey with the exact location of the structure which is the subject of the application indicated thereon. (*The 7.5 minute quadrangle map may be obtained from the Kentucky Geological Survey, Department of Mines and Minerals, Lexington, KY 40506.*)

Appendix B. For structures on or very near to property of a public use airport, a copy of the airport layout drawing (ALP) with the exact location of the structure which is the subject of this application indicated thereon. (*The ALP may be obtained from the Chairperson of the local airport board or the Kentucky Airport Zoning Commission.*)

Appendix C. Copies of Federal Aviation Administration Applications (*FFA Form 7460-1*) or any orders issued by the manager, Air Traffic Division, FAA regional office.

Appendix D. If the applicant has indicated in item number 7 of the application that the structure will not be marked or lighted in accordance with the regulations of the Commission, the applicant shall attach a written request for a determination by the commission that the marking and lighting are not necessary. The applicant shall specifically state the reasons that the absence of marking and lighting will not impair the safety of air navigation.

Appendix E. The overall height in feet of the overhead transmission line or static wire above ground level or mean water level with span length 1,000 feet and over shall be depicted on a blueprint profile map.

PENALTIES

1. Persons failing to comply with the Airport Zoning Commission statutes and regulations are liable for a fine or imprisonment as set forth in KRS 183.990(3).
2. Applicants are cautioned: Noncompliance with Federal Aviation Administration Regulations may provide for further penalties.



KENTUCKY TRANSPORTATION CABINET
KENTUCKY AIRPORT ZONING COMMISSION

TC 55-2
Rev. 06/2020
Page 2 of 2

APPLICATION FOR PERMIT TO CONSTRUCT OR ALTER A STRUCTURE

APPLICANT (name) Vertical Bridge REIT, LLC		PHONE (561) 406-4015	FAX	KY AERONAUTICAL STUDY #	
ADDRESS (street) 750 Park of Commerce Drive, Suite 200		CITY Boca Raton		STATE FL	ZIP 33487
APPLICANT'S REPRESENTATIVE (name) Richard Hickey		PHONE (561) 406-4015	FAX		
ADDRESS (street) 750 Park of Commerce Drive, Suite 200		CITY Boca Raton		STATE FL	ZIP 33487
APPLICATION FOR <input checked="" type="checkbox"/> New Construction <input type="checkbox"/> Alteration <input type="checkbox"/> Existing			WORK SCHEDULE		
DURATION <input checked="" type="checkbox"/> Permanent <input type="checkbox"/> Temporary (months days)			Start End		
TYPE <input type="checkbox"/> Crane <input type="checkbox"/> Building <input checked="" type="checkbox"/> Antenna Tower <input type="checkbox"/> Power Line <input type="checkbox"/> Water Tank <input type="checkbox"/> Landfill <input type="checkbox"/> Other		MARKING/PAINTING/LIGHTING PREFERRED <input type="checkbox"/> Red Lights & Paint <input type="checkbox"/> White- medium intensity <input type="checkbox"/> White- high intensity <input type="checkbox"/> Dual- red & medium intensity white <input type="checkbox"/> Dual- red & high intensity white <input checked="" type="checkbox"/> Other None			
LATITUDE 37°05'02.74"		LONGITUDE -86°16'10.9"		DATUM <input checked="" type="checkbox"/> NAD83 <input type="checkbox"/> NAD27 <input type="checkbox"/> Other	
NEAREST KENTUCKY City Bowling Green County Edmonson		NEAREST KENTUCKY PUBLIC USE OR MILITARY AIRPORT BWG Boling Green-Warren County Regional			
SITE ELEVATION (AMSL, feet) 724		TOTAL STRUCTURE HEIGHT (AGL, feet) 199		CURRENT (FAA aeronautical study #) Not required	
OVERALL HEIGHT (site elevation plus total structure height, feet) 923'				PREVIOUS (FAA aeronautical study #) None	
DISTANCE (from nearest Kentucky public use or Military airport to structure) 10.16 Nautical Miles				PREVIOUS (KY aeronautical study #) None	
DIRECTION (from nearest Kentucky public use or Military airport to structure) NE					
DESCRIPTION OF LOCATION (Attach USGS 7.5 minute quadrangle map or an airport layout drawing with the precise site marked and any certified survey.) 37 05 02.74N, -86 16 10.91W, 4229 Otter Gap Road, Bowling Green, KY 42101					
DESCRIPTION OF PROPOSAL 199' AGL self-support antenna tower for wireless communications					
FAA Form 7460-1 (Has the "Notice of Construction or Alteration" been filed with the Federal Aviation Administration?) <input checked="" type="checkbox"/> No <input type="checkbox"/> Yes, when?					
CERTIFICATION (I hereby certify that all the above entries, made by me, are true, complete, and correct to the best of my knowledge and belief.)					
PENALTIES (Persons failing to comply with KRS 183.861 to 183.990 and 602 KAR 050 are liable for fines and/or imprisonment as set forth in KRS 183.990(3). Noncompliance with FAA regulations may result in further penalties.)					
NAME Richard Hickey	TITLE Director-	SIGNATURE 		DATE 9/15/2022	
COMMISSION ACTION		<input type="checkbox"/> Chairperson, KAZC <input type="checkbox"/> Administrator, KAZC			
<input type="checkbox"/> Approved	SIGNATURE			DATE	
<input type="checkbox"/> Disapproved					



September 16, 2021

POD Project #: 21-102889

VERIZON WIRELESS

1A Letter

Site Name: **CK Edmonson-Warren**
Site Number:
Site Address: **Otter Gap Road Bowling
Green, KY 42101**
County: **Edmonson**
USGS Quad Map: **Bristow, KY**

Site Coordinates:

NAD 83

Latitude: **37°05'02.738610" (37.084094°)**
Longitude: **-86°16'10.911009" (-86.269698°)**

Site Elevation (NAVD88): **724'± AMSL**

The horizontal coordinates are per the North American Datum of 1983 (2011) Kentucky State Plane Single Zone. Coordinates are shown as degrees, minutes and seconds which were derived from KDOT VRS RTK Network.

The vertical elevations are per the North American Vertical Datum of 1988, which were derived from KDOT VRS RTK Network.

I hereby certify that the horizontal and vertical locations are accurate to within 1A reporting requirements (20'± horizontally and 3'± feet vertically). The type of GPS survey utilized was network adjusted real time kinematic (KDOT VRS RTK Network) with the orthometric height computed using GEOID18.

The above-mentioned coordinates were established using "Spectra Precision Epoch 50 receivers" and are tied to the National Geodetic Reference System established by the National Geodetic Survey.

Consultant


Mark E. Patterson, PLS
Power of Design Group, LLC
11490 Bluegrass Parkway
Louisville, KY 40299





Notice Criteria Tool

Notice Criteria Tool - Desk Reference Guide V_2018.2.0

The requirements for filing with the Federal Aviation Administration for proposed structures vary based on a number of factors: height, proximity to an airport, location, and frequencies emitted from the structure, etc. For more details, please reference CFR [Title 14 Part 77.9](#).

You must file with the FAA at least 45 days prior to construction if

- your structure will exceed 200ft above ground level
- your structure will be in proximity to an airport and will exceed the slope ratio
- your structure involves construction of a traverseway (i.e. highway, railroad, waterway etc...) and once adjusted upward with the appropriate vertical distance would exceed a standard of 77.9(a) or (b)
- your structure will emit frequencies, and does not meet the conditions of the [FAA Co-location Policy](#)
- your structure will be in an instrument approach area and might exceed part 77 Subpart C
- your proposed structure will be in proximity to a navigation facility and may impact the assurance of navigation signal reception
- your structure will be on an airport or heliport
- filing has been requested by the FAA

If you require additional information regarding the filing requirements for your structure, please identify and contact the appropriate FAA representative using the [Air Traffic Areas of Responsibility map](#) for Off Airport construction, or contact the [FAA Airports Region / District Office](#) for On Airport construction.

The tool below will assist in applying Part 77 Notice Criteria.

Latitude: Deg M S

Longitude: Deg M S

Horizontal Datum:

Site Elevation (SE): (nearest foot)

Structure Height : (nearest foot)

Traverseway:
(Additional height is added to certain structures under 77.9(c))
 User can increase the default height adjustment for
 Traverseway, Private Roadway and Waterway

Is structure on airport: No Yes

Results

You do not exceed Notice Criteria.



EXHIBIT H

Date: July 8, 2022

POD Job Number: 21-102894

GEOTECHNICAL REPORT

CK EDMONSON-WARREN

37° 05' 02.738610" N
86° 16' 10.911009" W

Otter Gap Road,
Bowling Green, KY 42101

Prepared For:



Prepared By:





July 8, 2022

Ms. Jackie Straight
Verizon Wireless
2902 Ring Road
Elizabethtown, KY 42701

Re: Geotechnical Report – **PROPOSED 195' SELF-SUPPORT TOWER w/ 4' LIGHTNING ARRESTOR**
Site Name: **CK EDMONSON-WARREN**
Site Address: Otter Gap Road, Bowling Green, Edmonson County, Kentucky
Coordinates: N37° 05' 02.738610", W86° 16' 10.911009"
POD Project No. 21-102894

Dear Ms. Straight:

Attached is our geotechnical engineering report for the referenced project. This report contains our findings, an engineering interpretation of these findings with respect to the available project characteristics, and recommendations to aid design and construction of the tower and equipment support foundations.

We appreciate the opportunity to be of service to you on this project. If you have any questions regarding this report, please contact our office.

Cordially,


Mark Patterson, P.E.
Project Engineer
License No.: KY 16300



Copies submitted: (3) Ms. Jackie Straight

LETTER OF TRANSMITTAL

TABLE OF CONTENTS

Page

1. PURPOSE AND SCOPE.....1

2. PROJECT CHARACTERISTICS1

3. SUBSURFACE CONDITIONS1

4. FOUNDATION DESIGN RECOMMENDATIONS2

 4.1. PROPOSED TOWER3

 4.1.1. Drilled Piers.....3

 4.1.2. Mat Foundation4

 4.2. EQUIPMENT PLATFORM.....4

 4.3. EQUIPMENT SLAB.....4

 4.4. EQUIPMENT BUILDING4

 4.5. DRAINAGE AND GROUNDWATER CONSIDERATIONS5

5. GENERAL CONSTRUCTION PROCEDURES AND RECOMMENDATIONS5

 5.1 DRILLED PIERS5

 5.2 FILL COMPACTION6

 5.3 CONSTRUCTION DEWATERING6

6 FIELD INVESTIGATION7

7 WARRANTY AND LIMITATIONS OF STUDY7

APPENDIX

- BORING LOCATION PLAN
- BORING LOGS
- SOIL SAMPLE CLASSIFICATION

Geotechnical Report
PROPOSED 195' SELF-SUPPORT TOWER w/ 4' LIGHTNING ARRESTOR
Site Name: **CK EDMONSON-WARREN**
Otter Gap Road, Bowling Green, Edmonson County, Kentucky
N37° 05' 02.738610", W86° 16' 10.911009"

1. PURPOSE AND SCOPE

The purpose of this study was to determine the general subsurface conditions at the site of the proposed tower by drilling three borings and to evaluate this data with respect to foundation concept and design for the proposed tower and shelter. Also included is an evaluation of the site with respect to potential construction problems and recommendations dealing with quality control during construction.

2. PROJECT CHARACTERISTICS

Verizon is proposing to construct a self-support tower and either an equipment shelter, slab, or platform at N37° 05' 02.738610", W86° 16' 10.911009", Otter Gap Road, Bowling Green, Edmonson County, Kentucky. The site is located in an open farm field in a rural area northeast of Bowling Green. The proposed lease area will be 10,000 square feet and will be accessed along a short new access road running northwest from Otter Gap Road to the proposed lease area. The elevation at the proposed tower location is about EL 724 and there is about 9-feet of change in elevation across the proposed lease area. The development will also include a small equipment shelter near the base of the tower. The proposed tower location is shown on the Boring Location Plan in the Appendix.

3. SUBSURFACE CONDITIONS

The subsurface conditions were explored by drilling three test borings near the base of the proposed tower. The Geotechnical Soil Test Boring Logs, which are included in the Appendix, describes the materials and conditions encountered. A sheet defining the terms and symbols used on the boring logs is also included in the Appendix. The general subsurface conditions disclosed by the test borings are discussed in the following paragraphs.

According to the Kentucky Geological Survey, Kentucky Geologic Map Information Services, the site is underlain by the Upper Mississippian age Golconda Formation that includes the Big Clifty Sandstone and Haney Limestone members. This formation is prone to karst. There are a few sinkholes mapped within about one mile of the site and many sinkholes several miles south and east of the site. Most all of the Bowling Green area is karst, and it is an inherited risk in building in the area.

The borings encountered a thin veneer of topsoil at the existing ground surface. Below the topsoil, the borings encountered clayey silt (ML) of low plasticity. The SPT N-values in the silty soil were between 8 to 21 blows per foot

(bpf) generally indicating a medium to very stiff consistency. Boring B-1 encountered auger refusal in the clayey silt at 12.3 feet. Auger refusal is defined as the depth at which the boring can no longer be advanced using the current drilling method. Boring B-2 encountered highly plastic clay (CL-CH) at about 14 feet to auger refusal at 19.2 feet with a SPT N-value of 35 bpf generally indicating a hard consistency. Boring B-3 encountered highly weathered, sandstone at about 14 feet to the auger refusal depth of 18.5 feet.

The refusal material was cored in Boring B-1 from 12.3 to 27.3 feet below the ground surface. Sandstone that was hard with a few soft lenses, slightly weathered, light gray and orange-brown with trace chert was encountered. The recoveries of the rock cores were 97, 87, and 90 percent and the RQD values were 57, 63, and 57 percent. These values generally represent good quality rock from a foundation support viewpoint.

Observations made at the completion of soil drilling operations indicated the borings to be dry. It must be noted, however, that short-term water readings in test borings are not necessarily a reliable indication of the actual groundwater level. Furthermore, it must be emphasized that the groundwater level is not stationary but will fluctuate seasonally.

Based on the limited subsurface conditions encountered at the site and using Table 1615.1.1 of the 2018 Kentucky Building Code, the site class is considered "C". Seismic design requirements for telecommunication towers are given in section 1622 of the code. A detailed seismic study was beyond the scope of this report.

4. FOUNDATION DESIGN RECOMMENDATIONS

The following design recommendations are based on the previously described project information, the subsurface conditions encountered in our borings, the results of our laboratory testing, empirical correlations for the soil types encountered, our analyses, and our experience. If there is any change in the project criteria or structure location, you should retain us to review our recommendations so that we can determine if any modifications are required. The findings of such a review can then be presented in a supplemental report or addendum.

We recommend that the geotechnical engineer be retained to review the near-final project plans and specifications, pertaining to the geotechnical aspects of the project, prior to bidding and construction. We recommend this review to check that our assumptions and evaluations are appropriate based on the current project information provided to us, and to check that our foundation and earthwork recommendations were properly interpreted and implemented.

4.1. Proposed Tower

Our findings indicate that the proposed self-support can be supported on drilled piers or on a common mat foundation.

4.1.1. Drilled Piers

The following table summarizes the recommended values for use in analyzing lateral and frictional resistance for the various strata encountered at the test boring. It is important to note that these values are estimated based on the standard penetration test results and soil types and were not directly measured. The all values provided are ultimate values and appropriate factors of safety should be used in conjunction with these values. If the piers will bear deeper than about 27 feet, a deeper boring should be drilled to determine the nature of the deeper material.

Depth Below Ground Surface, feet	0 - 2	2 - 12	12 - 14	14 - 27
Ultimate Bearing Pressure (psf)		8,300	13,800	55,000
C Undrained Shear Strength, psf	500	1,500	2,500	10,000
∅ Angle of Internal Friction degrees	0	0	0	0
Total Unit Weight, pcf	110	120	120	135
Soil Modulus Parameter k, pci	30	500	750	2000
Passive Soil Pressure, psf/one foot of depth		1,000 + 40(D-2)	1,675 + 40(D-12)	6,700 + 45(D-14)
Side Friction, psf		300	500	1200

Note: D = Depth below ground surface (in feet) to point at which the passive pressure is calculated.

It is important that the drilled piers be installed by an experienced, competent drilled pier contractor who will be responsible for properly installing the piers in accordance with industry standards and generally accepted methods, without causing deterioration of the subgrade. The recommendations contained herein relate only to the soil-pier interaction and do not account for the structural design of the piers.

4.1.2. Mat Foundation

The tower could be supported on a common mat foundation bearing on the clay at a minimum of 4 feet can be designed using an allowable soil pressure of 4,000 pounds per square foot may be used. This value may be increased by 30 percent for the maximum edge pressure under transient loads. A friction value of 0.30 may be used between the concrete and the silty soil. The passive pressures given for the drilled pier foundation may be used to resist lateral forces.

It is important that the mat be designed with an adequate factor of safety with regard to overturning under the maximum design wind load.

4.2. Equipment Platform

An equipment platform may be supported on shallow piers bearing in the natural clay and designed for a net allowable soil pressure of 2,500 pounds per square foot. The piers should bear at a depth of at least 30 inches to minimize the effects of frost action. All existing topsoil or soft natural soil should be removed beneath footings.

4.3. Equipment Slab

A concrete slab supporting the equipment must be supported on at least 6-inch layer of relatively clean granular material such as gravel or crushed stone containing not more than 10 percent material that passes through a No. 4 sieve. This is to help distribute concentrated loads and equalize moisture conditions beneath the slab. Provided that a minimum of 6 in. of granular material is placed below the slab, a modulus of subgrade reaction (k30) of 110 lbs/cu.in. can be used for design of the slab. All existing topsoil or soft natural soil should be removed beneath crushed stone layer.

4.4. Equipment Building

If an equipment building support on a slab is chosen in place of the equipment platform, it may be supported on shallow spread footings bearing in the natural clay soil and designed for a net allowable soil pressure of 2,500 pounds per square foot.

The footings should be at least ten inches wide. If the footings bear on soil, they should bear at a depth of at least 30 inches to minimize the effects of frost action. All existing topsoil or soft natural soil should be removed beneath footings.

The floor slab for the new equipment building can be supported on firm natural soils or on new compacted structural fill. Floor slabs must be supported on at least 4-inch layer of relatively clean granular material such as gravel or crushed stone containing not more than 10 percent material that passes through a No. 4 sieve. This is to help distribute concentrated loads and equalize moisture conditions beneath the slab. Provided that a minimum of 4 in. of granular material is placed below the slab, a modulus of subgrade reaction (k_{30}) of 110 lbs/cu.in. can be used for design of the floor slabs.

4.5. Drainage and Groundwater Considerations

Good site drainage must be provided. Surface run-off water should be drained away from the tower and platform and not allowed to pond. It is recommended that all foundation concrete be placed the same day the excavation is made.

At the time of this investigation, groundwater was not encountered. Therefore, no special provisions regarding groundwater control are considered necessary for shallow foundations. Any seepage should be able to be pumped with sumps.

5. GENERAL CONSTRUCTION PROCEDURES AND RECOMMENDATIONS

It is possible that variations in subsurface conditions will be encountered during construction. Although only minor variations that can be readily evaluated and adjusted for during construction are anticipated, it is recommended the geotechnical engineer, or a qualified representative be retained to perform continuous inspection and review during construction of the soils-related phases of the work. This will permit correlation between the test boring data and the actual soil conditions encountered during construction.

5.1 Drilled Piers

The following recommendations are recommended for drilled pier construction:

- ✦ All piers must be poured the same day drilling is completed so that any shale is not allowed to swell. Clean the foundation bearing area so it is nearly level or suitably benched and is free of ponded water or loose material.
- ✦ Make provisions for ground water removal from the drilled shaft excavation. While the borings were dry prior to rock coring and significant seepage is not anticipated, the drilled pier contractor should have pumps on hand to remove water in the event seepage into the drilled pier is

encountered.

- ✦ Specify concrete slumps ranging from 4 to 7 inches for the drilled shaft construction. These slumps are recommended to fill irregularities along the sides and bottom of the drilled hole, displace water as it is placed, and permit placement of reinforcing cages into the fluid concrete.
- ✦ Retain the geotechnical engineer to observe foundation excavations after the bottom of the hole is leveled, cleaned of any mud or extraneous material, and dewatered.
- ✦ Install a temporary protective steel casing to prevent side wall collapse, prevent excessive mud and water intrusion in the drilled shaft.
- ✦ The protective steel casing may be extracted as the concrete is placed provided a sufficient head of concrete is maintained inside the steel casing to prevent soil or water intrusion into the newly placed concrete.
- ✦ Direct the concrete placement into the drilled hole through a centering chute to reduce side flow or segregation.

5.2 Fill Compaction

All engineered fill placed adjacent to and above the tower foundation should be compacted to a dry density of at least 95 percent of the standard Proctor maximum dry density (ASTM D-698). This minimum compaction requirement should be increased to 98 percent for any fill placed below the tower foundation bearing elevation. Any fill placed beneath the tower foundation should be limited to well-graded sand and gravel or crushed stone. The compaction should be accomplished by placing the fill in about 8 inch (or less) loose lifts and mechanically compacting each lift to at least the specified minimum dry density. Field density tests should be performed on each lift as necessary to ensure that adequate moisture conditioning and compaction is being achieved.

Compaction by flooding is not considered acceptable. This method will generally not achieve the desired compaction and the large quantities of water will tend to soften the foundation soils.

5.3 Construction Dewatering

If groundwater is encountered in the shallow foundations, it should be minor and can be handled by conventional dewatering methods such as pumping from sumps.

If groundwater is encountered in the drilled pier excavations, it may be more difficult since pumping directly from the excavations could cause a deterioration of the bottom of the excavation. If the pier excavations are not dewatered, concrete should be placed by the tremie method. If groundwater sits on the bottom of the foundation for longer than an hour, the bottom should be cleaned again before the pier is poured.

6 FIELD INVESTIGATION

Three soil test borings were drilled near the base of the proposed tower. Split-spoon samples were obtained by the Standard Penetration Test (SPT) procedure (ASTM D1586) in all test borings. The borings encountered auger refusal from about 12.3 to 19.2 feet. A rock core of the refusal material was taken in Boring B-1 from 12.3 to 27.3 feet. The split spoon samples were inspected and visually classified by a geotechnical engineer. Representative portions of the soil samples were sealed in plastic bags and returned to our laboratory.

The boring logs are included in the Appendix along with a sheet defining the terms and symbols used on the logs and an explanation of the Standard Penetration Test (SPT) procedure. The logs present visual descriptions of the soil strata encountered, Unified System soil classifications, groundwater observations, sampling information, laboratory test results, and other pertinent field data and observations.

7 WARRANTY AND LIMITATIONS OF STUDY

Our professional services have been performed, our findings obtained, and our recommendations prepared in accordance with generally accepted geotechnical engineering principles and practices. This warranty is in lieu of all other warranties, either express or implied. POD Group is not responsible for the independent conclusions, opinions or recommendations made by others based on the field exploration and laboratory test data presented in this report.

A geotechnical study is inherently limited since the engineering recommendations are developed from information obtained from test borings, which depict subsurface conditions only at the specific locations, times and depths shown on the logs. Soil conditions at other locations may differ from those encountered in the test borings, and the passage of time may cause the soil conditions to change from those described in this report.

The nature and extent of variation and change in the subsurface conditions at the site may not become evident until the course of construction. Construction monitoring by the geotechnical engineer or a representative is therefore considered necessary to verify the subsurface conditions and to check that the soils connected construction phases are properly completed. If significant variations or changes are in evidence, it may then be necessary to reevaluate the recommendations of this report. Furthermore, if the project characteristics are altered significantly from those

Geotechnical Report

CK EDMONSON-WARREN

July 8, 2022

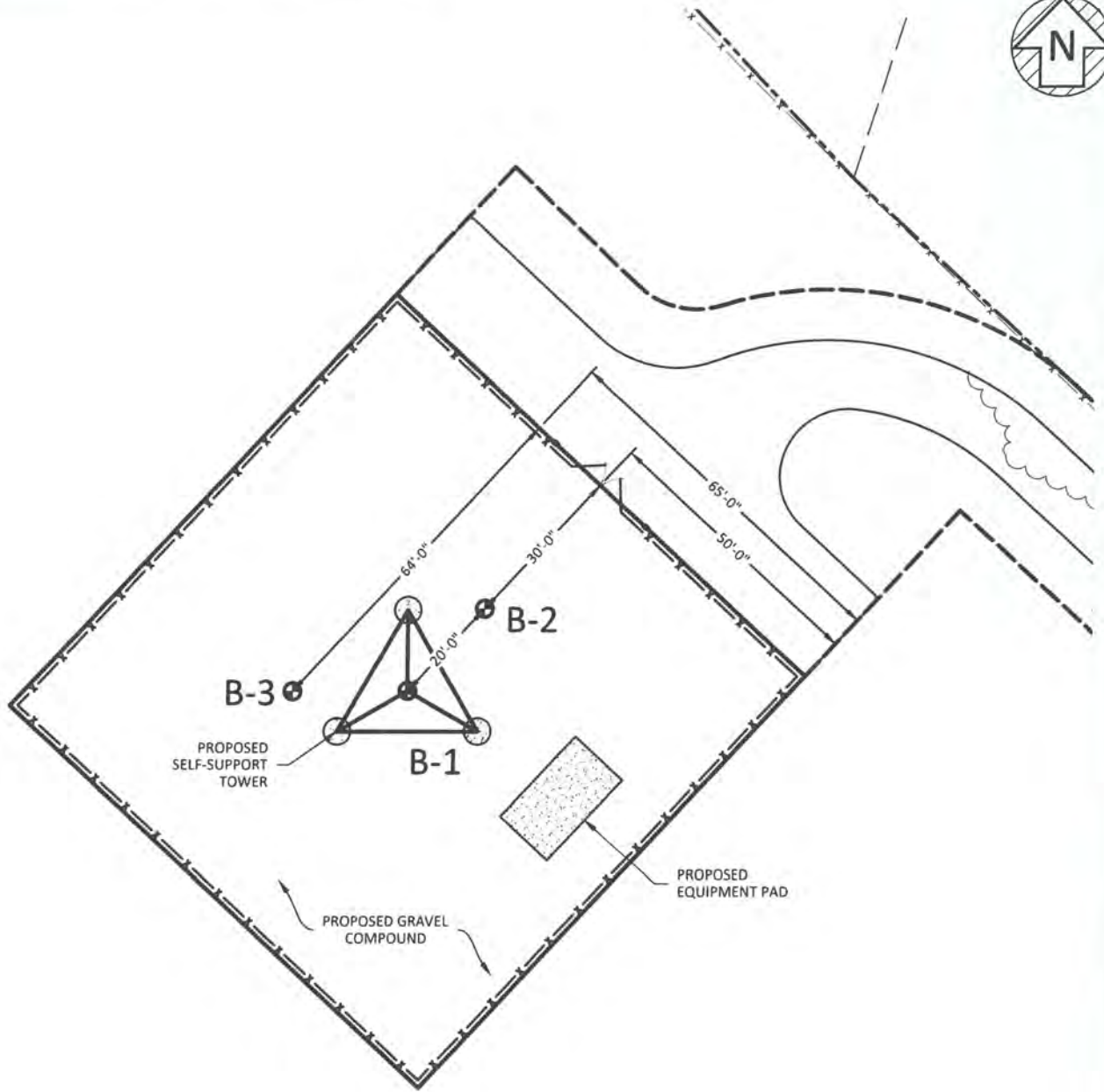
discussed in this report, if the project information contained in this report is incorrect, or if additional information becomes available, a review must be made by this office to determine if any modification in the recommendations will be required.

APPENDIX

BORING LOCATION PLAN

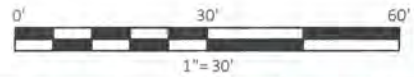
BORING LOGS

SOIL SAMPLE CLASSIFICATION



LEGEND

B-1 BORING LOCATION



SHEET TITLE: BORING LOCATION PLAN	LATITUDE: 37° 05' 2.738610" N LONGITUDE: 86° 16' 10.911009" W	SITE INFORMATION: CK EDMONSON-WARREN	 11490 BLUEGRASS PKWY LOUISVILLE, KY 40299 502-437-5252
	PARCEL #: 043-00-00-047.00 DB 172, PG 502	OTTER GAP ROAD BOWLING GREEN, KY 42101 EDMONSON COUNTY	
SHEET NUMBER: 1	POD NUMBER: 21-102894 DRAWN BY: POD CHECKED BY: MEP DATE: 6.30.2022	OWNER INFORMATION: HAROLD & PATRICIA WATT 278 AUBREY MILLS ROAD BOWLING GREEN, KY 42101	



Boring Log

Boring: B-1

Page 1 of 1

Project: CK Edmonson/Warren

City, State

Bowling Green, KY

Method: S.F.A.	Boring Date: 23-Jun-22	Location: Proposed Tower Center
Inside Diameter: 4"	Drill Rig Type: D-25 (ATV)	Hammer Type: Auto
Groundwater: DRY	Weather:	
Driller: Strata Group, LLC		Note: Topsoil was encountered at the ground surface

From (ft)	To (ft)	Material Description	Sample Depth (ft)	Sample Type	Blows per 6-inch increment	Recovery (in)	SPT-N value	Rock Quality (RQD, %)	Atterberg Limits	Moisture Content (%)	% Fines (clay & silt)	Unconfined Compressive Strength, (ksf)	
0.0	12.3	CLAYEY SILT (ML) - medium stiff, brown - very stiff, tan-brown mottled with trace sandstone	0 - 1.5	SS	3, 2, 3					19%		2.8	
	1.5		1.5 - 3	SS	5, 9, 12		21,			11%		5.0	
			4 - 5.5	SS	7, 8, 9		17,			19%		3.8	
	6.5		- stiff, orange brown-tan mottled	6.5 - 8	SS	5, 6, 9		15,			17%		3.2
	9.0		- very moist	9 - 11.5	SS	9, 6, 7		13,			21%		1.2
12.3	27.3	SANDSTONE- slightly weathered, hard with a few soft lenses, light gray and orange brown with trace chert	12.3-17.3	RC		58		57%					
			17.3-22.3	RC		52		63%					
			22.3-27.3	RC		54		57%					
		Boring Terminated at 27.3 feet											



Boring Log

Boring: B-2

Page 1 of 1

Project: CK Edmonson/Warren

City, State

Bowling Green, KY

Method: S.F.A.	Boring Date: 23-Jun-22	Location: 20' NE of Proposed Tower Center
Inside Diameter: 4"	Drill Rig Type: D-25 (ATV)	Hammer Type: Auto
Groundwater: DRY		Weather:
Driller: Strata Group, LLC		Note: Topsoil was encountered at the ground surface

From (ft)	To (ft)	Material Description	Sample Depth (ft)	Sample Type	Blows per 6-inch increment	Recovery (in)	SPT-N value	Rock Quality (RQD, %)	Atterberg Limits	Moisture Content (%)	% Fines (clay & silt)	Unconfined Compressive Strength, (ksf)
0.0	1.0	TOPSOIL	0 - 1.5	SS	2, 1, 2	6				18%		
1.0	14.0	CLAYEY SILT (ML) - medium stiff to stiff, slightly moist, brown - moist, orange brown-light gray mottled, trace sandstone	1.5 - 3	SS	3, 4, 4	8	8,			17%		2.0
			4 - 5.5	SS	4, 4, 8	7	12,			19%		3.5
			6.5 - 8	SS	5, 6, 8	9	14,			19%		1.8
			9 - 11.5	SS	4, 5, 6	8	11,			20%		1.5
			14 - 15.5	SS	8, 16, 19	8	35,			13%		4.8
14.0	19.2	CLAY (CL-CH) - hard, orange brown-light gray mottled	19	SS	50,	0						
		Auger Refusal at 19.2 feet										



Boring Log

Boring: B-3

Page 1 of 1

Project: CK Edmonson/Warren

City, State

Bowling Green, KY

Method: S.F.A.	Boring Date: 23-Jun-22	Location: 20' W of Proposed Tower Center
Inside Diameter: 4"	Drill Rig Type: D-25 (ATV)	Hammer Type: Auto
Groundwater: DRY		Weather:

Driller: Strata Group, LLC **Note:** Topsoil was encountered at the ground surface

From (ft)	To (ft)	Material Description	Sample Depth (ft)	Sample Type	Blows per 6-inch increment	Recovery (in)	SPT-N value	Rock Quality (RQD, %)	Atterberg Limits	Moisture Content (%)	% Fines (clay & silt)	Unconfined Compressive Strength, (ksf)
0.0	14.0	CLAYEY SILT (ML) - medium stiff, brown to light brown - stiff, slightly moist - orange brown-light gray mottled, trace sandstone - moist	0 - 1.5	SS	5, 3, 3	7	6,			19%		2.5
			1.5 - 3	SS	3, 4, 4	6	8,			17%		3.4
	4.0		4 - 5.5	SS	3, 5, 7	5	12,			21%		2.5
	6.5		6.5 - 8	SS	6, 7, 7	5	14,			17%		2.1
	9.0		9 - 11.5	SS	6, 7, 8	7	15,			20%		1.8
14.0	18.5	SANDSTONE - highly weathered, orange brown and light gray	14- 15.5	SS	10, 15, 15	8	30,			13%		
		Auger Refusal at 18.5 feet										

SOIL SAMPLE CLASSIFICATION

FINE AND COARSE GRAINED SOIL INFORMATION

COARSE GRAINED SOILS (SANDS & GRAVELS)		FINE GRAINED SOILS (SILTS & CLAYS)			PARTICLE SIZE	
N	Relative Density	N	Consistency	Qu, KSF Estimated		
0-4	Very Loose	0-1	Very Soft	0-0.5	Boulders	Greater than 300 mm (12 in)
5-10	Loose	2-4	Soft	0.5-1	Cobbles	75 mm to 300 mm (3 to 12 in)
11-20	Firm	5-8	Firm	1-2	Gravel	4.74 mm to 75 mm (3/16 to 3 in)
21-30	Very Firm	9-15	Stiff	2-4	Coarse Sand	2 mm to 4.75 mm
31-50	Dense	16-30	Very Stiff	4-8	Medium Sand	0.425 mm to 2 mm
Over 50	Very Dense	Over 31	Hard	8+	Fine Sand	0.075 mm to 0.425 mm
					Silts & Clays	Less than 0.075 mm

The **STANDARD PENETRATION TEST** as defined by ASTM D 1586 is a method to obtain a disturbed soil sample for examination and testing and to obtain relative density and consistency information. A standard 1.4-inch I.D./2-inch O.D. split-barrel sampler is driven three 6-inch increments with a 140 lb. hammer falling 30 inches. The hammer can either be of a trip, free-fall design, or actuated by a rope and cathead. The blow counts required to drive the sampler the final two increments are added together and designate the N-value defined in the above tables.

ROCK PROPERTIES

ROCK QUALITY DESIGNATION (RQD)		ROCK HARDNESS	
Percent RQD	Quality		
0-25	Very Poor	Very Hard:	Rock can be broken by heavy hammer blows.
25-50	Poor	Hard:	Rock cannot be broken by thumb pressure, but can be broken by moderate hammer blows.
50-75	Fair	Moderately Hard:	Small pieces can be broken off along sharp edges by considerable hard thumb pressure; can be broken with light hammer blows.
75-90	Good	Soft:	Rock is coherent but breaks very easily with thumb pressure at sharp edges and crumbles with firm hand pressure.
90-100	Excellent	Very Soft:	Rock disintegrates or easily compresses when touched; can be hard to very hard soil.

Recovery =	$\frac{\text{Length of Rock Core Recovered}}{\text{Length of Core Run}}$	X100	63 REC	Core Diameter	Inches
			NQ	BQ	1-7/16
			43 RQD	NQ	1-7/8
				HQ	2-1/2
RQD =	$\frac{\text{Sum of 4 in. and longer Rock Pieces Recovered}}{\text{Length of Core Run}}$	X100			

SYMBOLS

KEY TO MATERIAL TYPES

SOILS	
Group Symbols	Typical Names
GW	Well graded gravel - sand mixture, little or no fines
GP	Poorly graded gravels or gravel - sand mixture, little or no fines
GM	Silty gravels, gravel - sand silt mixtures
GC	Clayey gravels, gravel - sand - clay mixtures
SW	Well graded sands, gravelly sands, little or no fines
SP	Poorly graded sands or gravelly sands, little or no fines
SM	Silty sands, sand - silt mixtures
SC	Clayey sands, sand - clay mixtures
ML	Inorganic silts and very fine sands, rock flour, silty or clayey fine sands, or clayey silts
OL	Organic silts and organic silty clays of low plasticity
CL	Inorganic clays of low range plasticity, gravelly clays, sandy clays, silty clays, lean clays
MH	Inorganic silts, micaceous or diatomaceous fine sandy or silty soils, elastic silts
CH	Inorganic clays of high range plasticity, fat clays

ROCKS	
Symbols	Typical Names
	Limestone or Dolomite
	Shale
	Sandstone

SOIL PROPERTY SYMBOLS

- N: Standard Penetration, BPF
- M: Moisture Content, %
- LL: Liquid Limit, %
- PI: Plasticity Index, %
- Qp: Pocket Penetrometer Value, TSF
- Qu: Unconfined Compressive Strength Estimated Qu, TSF
- γ_d : Dry Unit Weight, PCF
- F: Fines Content

SAMPLING SYMBOLS

- SS Split Spoon Sample
- Relatively Undisturbed Sample
- Rock Core Sample

EXHIBIT I

DIRECTIONS TO THE SITE

FROM EDMONSON COUNTY CLERK'S OFFICE: 108 MAIN ST, BROWNSVILLE, KY 42210: HEAD SOUTHEAST ON MAIN ST TOWARD JACKSON ST (0.4 MI). SLIGHT RIGHT ONTO KY-259 S/S MAIN ST & CONTINUE TO FOLLOW KY-259 S (3.5 MI). CONTINUE ONTO KY-101 S (2.7 MI). TURN RIGHT ONTO STATE HWY 743 (1.4 MI). TURN LEFT ONTO OTTER GAP RD (2.5 MI). SITE WILL BE LOCATED ON LEFT (NORTHWEST) SIDE OF ROAD.

PREPARED BY: POWER OF DESIGN GROUP, LLC - (502) 437-5252

EXHIBIT J

LAND LEASE AGREEMENT

This Land Lease Agreement (the "Agreement") made this 31 day of January 2021, 2 between **Harold Watt and Patricia Watt**, Husband and Wife, and both Kentucky residents with a mailing address of 278 Aubrey Mills Road, Bowling Green, Kentucky 42101, hereinafter collectively designated LESSOR and **Cellco Partnership d/b/a Verizon Wireless** with its principal offices at One Verizon Way, Mail Stop 4AW100, Basking Ridge, New Jersey 07920 (telephone number 866-862-4404), hereinafter designated LESSEE. LESSOR and LESSEE are at times collectively referred to hereinafter as the "Parties" or individually as the "Party."

WITNESSETH

In consideration of the mutual covenants contained herein and intending to be legally bound hereby, the Parties hereto agree as follows:

1. **GRANT.** In accordance with this Agreement, LESSOR hereby grants to LESSEE the right to install, maintain and operate a telecommunications tower, facility, and equipment ("Use") upon the Premises (as hereinafter defined), which are a part of that real property owned, leased or controlled by LESSOR at approximately 4229 Otter Gap Rd., Bowling Green, Kentucky 42101 (the "Property"). The Property is legally described on Exhibit "A" attached hereto and made a part hereof. The Premises are a portion of the Property including a portion of the parcel of land space (the "Land Space") consisting of approximately 100' x 100', or 10,000 square feet of land, as shown in detail on Exhibit "B" attached hereto and made a part hereof. LESSOR hereby grants permission to LESSEE to install, maintain and operate the telecommunications tower, facility, equipment, antennas and appurtenances described in Exhibit "B" attached hereto. LESSEE reserves the right to replace the aforementioned equipment with similar and comparable equipment. In addition, LESSOR hereby grants to LESSEE a non-exclusive right (the "Easements") over the Property for access, ingress and egress, seven (7) days a week twenty-four (24) hours a day, on foot or motor vehicle, including trucks over or along a thirty foot (30') wide right-of-way extending from the nearest public right-of-way, Otter Gap Rd., to the Land Space, and for the installation and maintenance of utility wires, poles, cables, conduits, fiber, and pipes over, under, or along one or more rights of way from the Land Space, said Land Space and Rights of Way (hereinafter collectively referred to as the "Premises") being substantially as described herein in Exhibit "B" attached hereto and made a part hereof. The Property is also shown on the Tax Map of the City of Bowling Green, Edmonson County, as Tax Map ID Number 27315.

In the event any public utility is unable to use the Easements, the LESSOR hereby agrees to grant an additional right-of-way either to the LESSEE or to the public utility at no cost to the LESSEE.

LESSEE may survey the Premises and said survey shall then become Exhibit "C" which shall be attached hereto and made a part hereof, and shall control in the event of boundary and access discrepancies between it and Exhibit "B". Cost for such work shall be borne by the LESSEE.

2. **INITIAL TERM.** This Agreement shall be effective as of the date of execution by both Parties ("Effective Date"). The initial term of the Agreement shall be for five (5) years beginning on the first (1st) day of the month following the Commencement Date (as hereinafter defined). The "Commencement Date" shall be the first (1st) day of the month after LESSEE begins construction of the

VzW Site Name: CK Edmonson/Warren

Location Code: 689709

Atty: Coots Henke & Wheeler, P.C. Daniel E Coots

telecommunications facility. LESSOR and LESSEE agree that they shall acknowledge, in writing, the Commencement Date once construction of the telecommunications facility has commenced.

3. EXTENSIONS. This Agreement shall automatically be extended for 4 additional five (5) year terms unless LESSEE terminates it at the end of the then current term by giving LESSOR written notice of the intent to terminate at least three (3) months prior to the end of the then current term. The initial term and all extensions shall be collectively referred to herein as the "Term".

4. RENTAL.

(a). Rental payments shall begin on the Commencement Date and be due at a total annual rental of _____, to be paid in equal monthly installments of _____ on the first (1st) day of the month, in advance, to LESSOR at 278 Aubrey Mills Rd., Bowling Green, Kentucky 42101 or to such other person, firm, or place as LESSOR may, from time to time, designate in writing at least thirty (30) days in advance of any rental payment date by notice given in accordance with Paragraph 20 below. LESSOR and LESSEE acknowledge and agree that the initial rental payment shall not be delivered by LESSEE until sixty (60) days after the Commencement Date. Upon agreement of the Parties, LESSEE may pay rent by electronic funds transfer and in such event, LESSOR agrees to provide to LESSEE bank routing information for such purpose upon request of LESSEE.

(b). For any party to whom rental payments are to be made, LESSOR or any successor in interest of LESSOR hereby agrees to provide to LESSEE (i) a completed, current version of Internal Revenue Service Form W-9, or equivalent; (ii) complete and fully executed state and local withholding forms if required; and (iii) other documentation to verify LESSOR's or such other party's right to receive rental as is reasonably requested by LESSEE. Rental shall accrue in accordance with this Agreement, but LESSEE shall have no obligation to deliver rental payments until the requested documentation has been received by LESSEE. Upon receipt of the requested documentation, LESSEE shall deliver the accrued rental payments as directed by LESSOR.

(c). The rental amount shall increase by _____ at the beginning of each five (5) year renewal term from the Commencement Date, as defined herein.

(d). ADDITIONAL EXTENSIONS. If at the end of the fourth (4th) five (5) year extension term this Agreement has not been terminated by either Party by giving to the other written notice of an intention to terminate it at least three (3) months prior to the end of such term, this Agreement shall continue in force upon the same covenants, terms and conditions for a further term of five (5) years and for five (5) year terms thereafter until terminated by either Party by giving to the other written notice of its intention to so terminate at least three (3) months prior to the end of such term. Annual rental for each such additional five (5) year term shall be equal to the annual rental payable with respect to the immediately preceding five (5) year term. The initial term and all extensions shall be collectively referred to herein as the "Term".

5. ACCESS. LESSEE shall have the non-exclusive right of ingress and egress from a public right-of-way, 7 days a week, 24 hours a day, over the Property to and from the Premises for the purpose of installation, operation and maintenance of LESSEE's communications equipment over or along a thirty foot (30') right-of-way ("Easement"), which shall be depicted on Exhibit "B". LESSEE may use the Easement for the installation, operation and maintenance of wires, cables,

conduits and pipes for all necessary electrical, telephone, fiber and other similar support services. In the event it is necessary, LESSOR agrees to grant LESSEE or the provider the right to install such services on, through, over and/or under the Property, provided the location of such services shall be reasonably approved by LESSOR. Notwithstanding anything to the contrary, the Premises shall include such additional space sufficient for LESSEE's radio frequency signage and/or barricades as are necessary to ensure LESSEE's compliance with Laws (as defined in Paragraph 27).

6. CONDITION OF PROPERTY. LESSOR shall deliver the Premises to LESSEE in a condition ready for LESSEE's Use and clean and free of debris. Notwithstanding the foregoing, LESSEE shall be responsible for any tree clearing/site preparation associated with the Land Space and/or Easement areas. LESSOR represents and warrants to LESSEE that as of the Effective Date, the Premises is (a) in compliance with all Laws; and (b) in compliance with all EH&S Laws (as defined in Paragraph 24).

7. IMPROVEMENTS. The communications equipment including, without limitation, the tower, equipment shelters/platforms, antenna mounts, antennas, conduits, and other improvements shall be at LESSEE's expense and installation shall be at the discretion and option of LESSEE. LESSEE shall have the right to replace, repair, add or otherwise modify its communications equipment, antennas, conduits, fencing and other screening, or other improvements or any portion thereof and the frequencies over which the communications equipment operates, whether or not any of the communications equipment, antennas, conduits or other improvements are listed on any exhibit.

8. GOVERNMENT APPROVALS. LESSEE's Use is contingent upon LESSEE obtaining all of the certificates, permits and other approvals (collectively the "Government Approvals") that may be required by any Federal, State or Local authorities (collectively, the "Government Entities") as well as a satisfactory soil boring test, environmental studies, or any other due diligence LESSEE chooses that will permit LESSEE's Use. By signing this Agreement, LESSOR consents to LESSEE making all necessary applications with the appropriate zoning authority and shall cooperate with LESSEE in its effort to obtain such approvals. LESSOR shall take no action which would adversely affect the status of the Property with respect to LESSEE's Use.

9. TERMINATION. LESSEE may, unless otherwise stated, immediately terminate this Agreement upon written notice to LESSOR in the event that (i) any applications for such Government Approvals should be finally rejected; (ii) any Government Approval issued to LESSEE is canceled, expires, lapses or is otherwise withdrawn or terminated by any Government Entity; (iii) LESSEE determines that such Government Approvals may not be obtained in a timely manner; (iv) LESSEE determines any structural analysis is unsatisfactory; (v) LESSEE, in its sole discretion, determines the Use of the Premises is obsolete or unnecessary; (vi) with 3 months prior notice to LESSOR, upon the annual anniversary of the Commencement Date; or (vii) at any time before the Commencement Date for any reason or no reason in LESSEE's sole discretion.

10. INDEMNIFICATION. Subject to Paragraphs 11 and 12, each Party shall indemnify and hold the other harmless against any claim of liability or loss from personal injury or property damage resulting from or arising out of the negligence or willful misconduct of the indemnifying Party, its employees, contractors or agents, except to the extent such claims or damages may be due to or caused by the negligence or willful misconduct of the other Party, or its employees, contractors or agents. The indemnified Party will provide the indemnifying Party with prompt, written notice

of any claim covered by this indemnification; provided that any failure of the indemnified Party to provide any such notice, or to provide it promptly, shall not relieve the indemnifying Party from its indemnification obligation in respect of such claim, except to the extent the indemnifying Party can establish actual prejudice and direct damages as a result thereof. The indemnified Party will cooperate appropriately with the indemnifying Party in connection with the indemnifying Party's defense of such claim. The indemnifying Party shall defend any indemnified Party, at the indemnified Party's request, against any claim with counsel reasonably satisfactory to the indemnified Party. The indemnifying Party shall not settle or compromise any such claim or consent to the entry of any judgment without the prior written consent of each indemnified Party and without an unconditional release of all claims by each claimant or plaintiff in favor of each indemnified Party.

11. INSURANCE. The LESSOR agrees that at its own cost and expense, LESSOR will maintain commercial liability insurance with limits not less than \$1,000,000 for injury to or death of one or more persons in any one occurrence and \$1,000,000 for damage or destruction in any one occurrence. The LESSEE agrees that at its own cost and expense, it will maintain commercial general liability insurance with limits not less than \$2,000,000 for injury to or death of one or more persons in any one occurrence and \$2,000,000 for damage or destruction in any one occurrence. The Parties agree to include the other Party as an additional insured. The Parties hereby waive and release any and all rights of action for negligence against the other which may hereafter arise on account of damage to the Premises or the Property, resulting from any fire, or other casualty which is insurable under "Causes of Loss – Special Form" property damage insurance or for the kind covered by standard fire insurance policies with extended coverage, regardless of whether or not, or in what amounts, such insurance is now or hereafter carried by the Parties, even if any such fire or other casualty shall have been caused by the fault or negligence of the other Party. These waivers and releases shall apply between the Parties and they shall also apply to any claims under or through either Party as a result of any asserted right of subrogation. All such policies of insurance obtained by either Party concerning the Premises or the Property shall waive the insurer's right of subrogation against the other Party.

12. LIMITATION OF LIABILITY. Except for indemnification pursuant to Paragraphs 10 and 24, a violation of Paragraph 30, or a violation of law, neither Party shall be liable to the other, or any of their respective agents, representatives, or employees for any lost revenue, lost profits, loss of technology, rights or services, incidental, punitive, indirect, special or consequential damages, loss of data, or interruption or loss of use of service, even if advised of the possibility of such damages, whether under theory of contract, tort (including negligence), strict liability or otherwise.

13. INTERFERENCE.

(a). LESSOR agrees that LESSOR and other occupants of the Property will not cause interference to LESSEE's equipment (that is measurable in accordance with industry standards to the then existing equipment of LESSEE).

(b). Without limiting any other rights or remedies, if interference occurs and continues for a period in excess of 48 hours following notice to the interfering party via telephone to LESSEE'S Network Operations Center (at (800) 224-6620/(800) 621-2622) or to LESSOR at (270) 597-2005, the interfering party shall or shall require any other user to reduce power or cease operations of the interfering equipment until the interference is cured.

(c). The Parties acknowledge that there will not be an adequate remedy at law for noncompliance with the provisions of this Paragraph and therefore the Parties shall have the right to equitable remedies such as, without limitation, injunctive relief and specific performance.

14. REMOVAL AT END OF TERM. Upon expiration or within ninety (90) days of earlier termination, LESSEE shall remove LESSEE's Communications Equipment to Three Feet (3') below grade and restore the Premises to its original condition, reasonable wear and tear and casualty damage excepted. LESSOR agrees and acknowledges that the communications equipment shall remain the personal property of LESSEE and LESSEE shall have the right to remove the same at any time during the Term, whether or not said items are considered fixtures and attachments to real property under applicable laws. If such time for removal causes LESSEE to remain on the Premises after termination of the Agreement, LESSEE shall pay rent at the then existing monthly rate or on the existing monthly pro-rata basis if based upon a longer payment term, until the removal of the communications equipment is completed.

15. HOLDOVER. If upon expiration of the Term the Parties are negotiating a new lease or a lease extension, then this Agreement shall continue during such negotiations on a month to month basis at the rental in effect as of the date of the expiration of the Term. In the event that the Parties are not in the process of negotiating a new lease or lease extension and LESSEE holds over after the expiration or earlier termination of the Term, then LESSEE shall pay rent at the then existing monthly rate or on the existing monthly pro-rata basis if based upon a longer payment term, until the removal of the communications equipment is completed.

16. RIGHT OF FIRST REFUSAL. If at any time after the Effective Date, LESSOR receives an offer or letter of intent from any person or entity that is in the business of owning, managing or operating communications facilities or is in the business of acquiring landlord interests in agreements relating to communications facilities, to purchase fee title, an easement, a lease, a license, or any other interest in the Premises or any portion thereof or to acquire any interest in this Agreement, or an option for any of the foregoing, LESSOR shall provide written notice to LESSEE of said offer ("LESSOR's Notice"). LESSOR's Notice shall include the prospective buyer's name, the purchase price being offered, any other consideration being offered, the other terms and conditions of the offer, a description of the portion of and interest in the Premises and/or this Agreement which will be conveyed in the proposed transaction, and a copy of any letters of intent or form agreements presented to LESSOR by the third party offeror. LESSEE shall have the right of first refusal to meet any bona fide offer of sale or transfer on the terms and conditions of such offer or by effectuating a transaction with substantially equivalent financial terms. If LESSEE fails to provide written notice to LESSOR that LESSEE intends to meet such bona fide offer within thirty (30) days after receipt of LESSOR's Notice, LESSOR may proceed with the proposed transaction in accordance with the terms and conditions of such third party offer, in which event this Agreement shall continue in full force and effect and the right of first refusal described in this Paragraph shall survive any such conveyance to a third party. If LESSEE provides LESSOR with notice of LESSEE's intention to meet the third party offer within thirty (30) days after receipt of LESSOR's Notice, then if LESSOR's Notice describes a transaction involving greater space than the Premises, LESSEE may elect to proceed with a transaction covering only the Premises and the purchase price shall be pro-rated on a square footage basis. Further, LESSOR acknowledges and agrees that if LESSEE exercises this right of first refusal, LESSEE may require a reasonable period of time to conduct due diligence and effectuate the closing of a transaction on substantially equivalent financial terms of

the third party offer. For purposes of this Paragraph, any transfer, bequest or devise of LESSOR's interest in the Property as a result of the death of LESSOR, whether by will or intestate succession, or any conveyance to LESSOR's family members by direct conveyance or by conveyance to a trust for the benefit of family members shall not be considered a sale for which LESSEE has any right of first refusal.

17. RIGHTS UPON SALE. Should LESSOR, at any time during the Term, decide (i) to sell or otherwise transfer all or any part of the Property, or (ii) to grant to a third party by easement or other legal instrument an interest in and to any portion of the Premises, such sale, transfer, or grant of an easement or interest therein shall be under and subject to this Agreement and any such purchaser or transferee shall recognize LESSEE's rights hereunder. In the event that LESSOR completes any such sale, transfer, or grant described in this Paragraph without executing an assignment of the Agreement whereby the third party agrees in writing to assume all obligations of LESSOR under this Agreement, then LESSOR shall not be released from its obligations to LESSEE under this Agreement, and LESSEE shall have the right to look to LESSOR and the third party for the full performance of the Agreement.

18. LESSOR'S TITLE. LESSOR covenants that LESSEE, on paying the rent and performing the covenants herein, shall peaceably and quietly have, hold and enjoy the Premises. LESSOR represents and warrants to LESSEE as of the Effective Date and covenants during the Term that LESSOR has full authority to enter into and execute this Agreement and that there are no liens, judgments, covenants, easements, restrictions or other impediments of title that will adversely affect LESSEE's Use.

19. ASSIGNMENT. Without any approval or consent of the other Party, this Agreement may be sold, assigned or transferred by either Party to (i) any entity in which the Party directly or indirectly holds an equity or similar interest; (ii) any entity which directly or indirectly holds an equity or similar interest in the Party; or (iii) any entity directly or indirectly under common control with the Party. LESSEE may unilaterally assign this Agreement without the approval or consent of LESSOR to any third party tower company that agrees to construct and develop the Premises. LESSEE may also assign this Agreement to any entity which acquires all or substantially all of LESSEE's assets in the market defined by the FCC in which the Property is located by reason of a merger, acquisition or other business reorganization without approval or consent of LESSOR. As to other parties, this Agreement may not be sold, assigned or transferred without the written consent of the other Party, which such consent will not be unreasonably withheld, delayed or conditioned. No change of stock ownership, partnership interest or control of LESSEE or transfer upon partnership or corporate dissolution of either Party shall constitute an assignment hereunder. LESSEE may sublet the Premises in LESSEE's sole discretion.

20. NOTICES. Except for notices permitted via telephone in accordance with Paragraph 13, all notices hereunder must be in writing and shall be deemed validly given if sent by certified mail, return receipt requested or by commercial courier, provided the courier's regular business is delivery service and provided further that it guarantees delivery to the addressee by the end of the next business day following the courier's receipt from the sender, addressed as follows (or any other address that the Party to be notified may have designated to the sender by like notice):

VzW Site Name: CK Edmonson/Warren
Location Code: 689709
Atty: Coots Henke & Wheeler, P.C.: Daniel E. Coots

LESSOR: Harold and Patricia Watt
278 Aubrey Mills Rd.
Bowling Green, Kentucky 42101

LESSEE: Cellco Partnership
d/b/a Verizon Wireless
180 Washington Valley Road
Bedminster, New Jersey 07921
Attention: Network Real Estate

Notice shall be effective upon actual receipt or refusal as shown on the receipt obtained pursuant to the foregoing.

21. SUBORDINATION AND NON-DISTURBANCE. If applicable and within fifteen (15) days of the Effective Date, LESSOR shall obtain a Non-Disturbance Agreement, as defined below, from its existing mortgagee(s), ground lessors and master lessors, if any, of the Property. At LESSOR's option, this Agreement shall be subordinate to any future master lease, ground lease, mortgage, deed of trust or other security interest (a "Mortgage") by LESSOR which from time to time may encumber all or part of the Property; provided, however, as a condition precedent to LESSEE being required to subordinate its interest in this Agreement to any future Mortgage covering the Property, LESSOR shall obtain for LESSEE's benefit a non-disturbance and attornment agreement for LESSEE's benefit in the form reasonably satisfactory to LESSEE, and containing the terms described below (the "Non-Disturbance Agreement"), and shall recognize LESSEE's rights under this Agreement. The Non-Disturbance Agreement shall include the encumbering party's ("Lender's") agreement that, if Lender or its successor-in-interest or any purchaser of Lender's or its successor's interest (a "Purchaser") acquires an ownership interest in the Property, Lender or such successor-in-interest or Purchaser will honor all of the terms of the Agreement. Such Non-Disturbance Agreement must be binding on all of Lender's participants in the subject loan (if any) and on all successors and assigns of Lender and/or its participants and on all Purchasers. In return for such Non-Disturbance Agreement, LESSEE will execute an agreement for Lender's benefit in which LESSEE (1) confirms that the Agreement is subordinate to the Mortgage or other real property interest in favor of Lender, (2) agrees to attorn to Lender if Lender becomes the owner of the Property and (3) agrees to accept a cure by Lender of any of LESSOR's defaults, provided such cure is completed within the deadline applicable to LESSOR. In the event LESSOR defaults in the payment and/or other performance of any mortgage or other real property interest encumbering the Property, LESSEE, may, at its sole option and without obligation, cure or correct LESSOR's default and upon doing so, LESSEE shall be subrogated to any and all rights, titles, liens and equities of the holders of such mortgage or other real property interest and LESSEE shall be entitled to deduct and setoff against all rents that may otherwise become due under this Agreement the sums paid by LESSEE to cure or correct such defaults.

22. DEFAULT. It is a "Default" if (i) either Party fails to comply with this Agreement and does not remedy the failure within thirty (30) days after written notice by the other Party or, if the failure cannot reasonably be remedied in such time, if the failing Party does not commence a remedy within the allotted thirty (30) days and diligently pursue the cure to completion within ninety (90) days after the initial written notice, or (ii) LESSOR fails to comply with this Agreement

and the failure substantially interferes with LESSEE's Use, in LESSEE's reasonable discretion, and LESSOR does not remedy the failure within five (5) days after written notice from LESSEE or, if the failure cannot reasonably be remedied in such time, if LESSOR does not commence a remedy within the allotted five (5) days and diligently pursue the cure to completion within fifteen (15) days after the initial written notice. The cure periods set forth in this Paragraph 22 do not extend the period of time in which either Party has to cure interference pursuant to Paragraph 13 of this Agreement.

23. REMEDIES. In the event of a Default, without limiting the non-defaulting Party in the exercise of any right or remedy which the non-defaulting Party may have by reason of such default, the non-defaulting Party may terminate this Agreement and/or pursue any remedy now or hereafter available to the non-defaulting Party under the Laws or judicial decisions of the state in which the Property is located. Further, upon a Default, the non-defaulting Party may at its option (but without obligation to do so), perform the defaulting Party's duty or obligation. The costs and expenses of any such performance by the non-defaulting Party shall be due and payable by the defaulting Party upon invoice therefor. If LESSEE undertakes any such performance on LESSOR's behalf and LESSOR does not pay LESSEE the full undisputed amount within thirty (30) days of its receipt of an invoice setting forth the amount due, LESSEE may offset the full undisputed amount due against all fees due and owing to LESSOR under this Agreement until the full undisputed amount is fully reimbursed to LESSEE.

24. ENVIRONMENTAL. LESSEE shall conduct its business in compliance with all applicable laws governing the protection of the environment or employee health and safety ("EH&S Laws"). LESSEE shall indemnify and hold harmless the LESSOR from claims to the extent resulting from LESSEE's violation of any applicable EH&S Laws or to the extent that LESSEE causes a release of any regulated substance to the environment. LESSOR shall indemnify and hold harmless LESSEE from all claims resulting from the violation of any applicable EH&S Laws by LESSOR or its employees, contractors or agents, or a release of any regulated substance to the environment caused by LESSOR, its employees, contractors or agents, except to the extent resulting from the activities of LESSEE. The Parties recognize that LESSEE is only leasing a small portion of LESSOR's property and that LESSEE shall not be responsible for any environmental condition or issue except to the extent resulting from LESSEE's specific activities and responsibilities. In the event that LESSEE encounters any hazardous substances that do not result from its activities, LESSEE may relocate its facilities to avoid such hazardous substances to a mutually agreeable location or, if LESSEE desires to remove at its own cost all or some the hazardous substances or materials (such as soil) containing those hazardous substances, LESSOR agrees to sign any necessary waste manifest associated with the removal, transportation and/or disposal of such substances.

25. CASUALTY. If a fire or other casualty damages the Property or the Premises and substantially impairs LESSEE's Use, in LESSEE's reasonable discretion, rent shall abate until LESSEE'S Use is restored. If LESSEE's Use is not restored within forty-five (45) days, LESSEE may terminate this Agreement.

26. CONDEMNATION. If a condemnation of any portion of the Property or Premises substantially impairs LESSEE's Use, in LESSEE's reasonable discretion, LESSEE may terminate this Agreement. LESSEE may on its own behalf make a claim in any condemnation proceeding involving the Premises for losses related to LESSEE's communications equipment, relocation costs

VzW Site Name. CK Edmonson/Warren

Location Code. 689709

Atty: Coots Henke & Wheeler, P.C.: Daniel E. Coots

and, specifically excluding loss of LESSEE's leasehold interest, any other damages LESSEE may incur as a result of any such condemnation.

27. APPLICABLE LAWS. During the Term, LESSOR shall maintain the Property in compliance with all applicable laws, EH&S Laws, rules, regulations, ordinances, directives, covenants, easements, consent decrees, zoning and land use regulations, and restrictions of record, permits, building codes, and the requirements of any applicable fire insurance underwriter or rating bureau, now in effect or which may hereafter come into effect (including, without limitation, the Americans with Disabilities Act and laws regulating hazardous substances) (collectively "Laws"). LESSEE shall, in respect to the condition of the Premises and at LESSEE's sole cost and expense, comply with (i) all Laws relating solely to LESSEE's specific and unique nature of use of the Premises; and (ii) all building codes requiring modifications to the Premises due to the improvements being made by LESSEE in the Premises. It shall be LESSOR's obligation to comply with all Laws relating to the Property, without regard to specific use (including, without limitation, modifications required to enable LESSEE to obtain all necessary building permits).

28. TAXES.

(a). LESSOR shall invoice and LESSEE shall pay any applicable transaction tax (including sales, use, gross receipts, or excise tax) imposed on the LESSEE and required to be collected by the LESSOR based on any service, rental space, or equipment provided by the LESSOR to the LESSEE. LESSEE shall pay all personal property taxes, fees, assessments, or other taxes and charges imposed by any Government Entity that are imposed on the LESSEE and required to be paid by the LESSEE that are directly attributable to the LESSEE's equipment or LESSEE's use and occupancy of the Premises. Payment shall be made by LESSEE within sixty (60) days after presentation of a receipted bill and/or assessment notice which is the basis for such taxes or charges. LESSOR shall pay all ad valorem, personal property, real estate, sales and use taxes, fees, assessments or other taxes or charges that are attributable to LESSOR's Property or any portion thereof imposed by any Government Entity.

(b). LESSEE shall have the right, at its sole option and at its sole cost and expense, to appeal, challenge or seek modification of any tax assessment or billing for which LESSEE is wholly or partly responsible for payment. LESSOR shall reasonably cooperate with LESSEE at LESSEE's expense in filing, prosecuting and perfecting any appeal or challenge to taxes as set forth in the preceding sentence, including but not limited to, executing any consent, appeal or other similar document. In the event that as a result of any appeal or challenge by LESSEE, there is a reduction, credit or repayment received by the LESSOR for any taxes previously paid by LESSEE, LESSOR agrees to promptly reimburse to LESSEE the amount of said reduction, credit or repayment. In the event that LESSEE does not have the standing rights to pursue a good faith and reasonable dispute of any taxes under this paragraph, LESSOR will pursue such dispute at LESSEE's sole cost and expense upon written request of LESSEE.

29. ACCESS TO TOWER. LESSOR agrees the LESSEE shall have free access to the Tower at all times for the purpose of installing and maintaining the said equipment. LESSOR shall furnish LESSEE with necessary means of access for the purpose of ingress and egress to this site and Tower location. It is agreed, however, that only authorized engineers, employees or properly authorized contractors of LESSEE or persons under their direct supervision will be permitted to enter said premises.

30. NON-DISCLOSURE. The Parties agree this Agreement and any information exchanged between the Parties regarding the Agreement are confidential. The Parties agree not to provide copies of this Agreement or any other confidential information to any third party without the prior written consent of the other or as required by law. If a disclosure is required by law, prior to disclosure, the Party shall notify the other Party and cooperate to take lawful steps to resist, narrow, or eliminate the need for that disclosure.

31. MOST FAVORED LESSEE. LESSOR represents and warrants that the rent, benefits and terms and conditions granted to LESSEE by LESSOR hereunder are now and shall be, during the Term, no less favorable than the rent, benefits and terms and conditions for substantially the same or similar tenancies or licenses granted by LESSOR to other parties. If at any time during the Term LESSOR shall offer more favorable rent, benefits or terms and conditions for substantially the same or similar tenancies or licenses as those granted hereunder, then LESSOR shall, within thirty (30) days after the effective date of such offering, notify LESSEE of such fact and offer LESSEE the more favorable offering. If LESSEE chooses, the parties shall then enter into an amendment that shall be effective retroactively to the effective date of the more favorable offering, and shall provide the same rent, benefits or terms and conditions to LESSEE. LESSEE shall have the right to decline to accept the offering. LESSOR's compliance with this requirement shall be subject, at LESSEE's option, to independent verification.

32. MISCELLANEOUS. This Agreement contains all agreements, promises and understandings between the LESSOR and the LESSEE regarding this transaction, and no oral agreement, promises or understandings shall be binding upon either the LESSOR or the LESSEE in any dispute, controversy or proceeding. This Agreement may not be amended or varied except in a writing signed by all Parties. This Agreement shall extend to and bind the heirs, personal representatives, successors and assigns hereto. The failure of either party to insist upon strict performance of any of the terms or conditions of this Agreement or to exercise any of its rights hereunder shall not waive such rights and such party shall have the right to enforce such rights at any time. The performance of this Agreement shall be governed, interpreted, construed and regulated by the laws of the state in which the Premises is located without reference to its choice of law rules. Except as expressly set forth in this Agreement, nothing in this Agreement shall grant, suggest or imply any authority for one Party to use the name, trademarks, service marks or trade names of the other for any purpose whatsoever. LESSOR agrees to execute a Memorandum of this Agreement, which LESSEE may record with the appropriate recording officer. The provisions of the Agreement relating to indemnification from one Party to the other Party shall survive any termination or expiration of this Agreement.


[Signature page follows. The remainder of this page is intentionally blank.]

VzW Site Name: CK Edmonson/Warren
Location Code: 689709
Atty: Coots Henke & Wheeler, P.C.: Daniel E. Coots

IN WITNESS WHEREOF, the Parties hereto have set their hands and affixed their respective seals the day and year first above written.



WITNESS



WITNESS



WITNESS

LESSOR:



Harold Watt

Date: 11/29/21




Patricia Watt

Date: _____

LESSEE:

CELLCO PARTNERSHIP

d/b/a Verizon Wireless

By: 

Ed Maher

Printed: ~~Director - Network Field Engineering~~

Its: _____

Date: 1/31/22

EXHIBIT "A"

DESCRIPTION OF PROPERTY

Property located in Warren County, Kentucky

The following described property located in Edmonson County, Kentucky, to wit:

DEED I: TRACT NO. 1: A tract of land situated in Edmonson County on the Knob and bounded as follows: "Beginning at a red oak stump and spotted (sic) oak standing on top of the knobs at the S. E. corner of a field, corner of the lands of Joseph Brown; thence with Brown's line N 9 W now N 5-1/2 W 84 poles to a stake, with a large blackoak as pointers; thence with another of his lines N 9 W now N 6 1/2 W 118 poles to a post oak stump with pointers, an original corner; thence with another original line S 81 W now S 86 W 49 poles to a stake with hickory and white oak as pointers near a branch; thence S 9 E 104 poles, now S 5-3/4 E 107-3/5 poles to a stone; thence N 82-1/2 W 4 poles to a stone in a road; thence S 9 E now S 7 E 96-1/5 to a stake, with pointers on top of the knob; thence with another original line and the top of the knob N 86-1/2 E now N 85 E 52 poles to the beginning, containing 65 acres, more or less."

TRACT NO. 2: "Bounded as Beginning at a stone, corner of said Pennington (sic) and Brack Amos; thence S 21-1/3 E 76 poles to a stone in the original line; thence N 59-1/2.E 22-1/5 poles to a stone at the corner of the woods; thence N 6-1/4 E 21-3/5 poles to arstone in the original line; thence with same N 52-1/2 W 62-1/5 poles to the beginning, containing eight and nine-tenths acres by survey."

TRACT No.3: "Beginning at a stake in a gateway; thence with a line of fence 59 E 18-1/2 poles to a stake; thence N 67 E 30-4/5 poles to a stake with chestnut and blackgum marked as pointers on the lower side of a road; thence N 21-1/2 W. 60-1/2 poles to a stake in a line of fence; thence S 83-1/2 W 28-4/5 poles to a stake at the corner of a field; thence S 5-3/4 E 74-4/5 poles to the beginning, containing 16 acres, more or less."

TRACT NO. 4: Beginning at a planted stone, the original North corner; thence. with the original west line S 5-3/4 E 35 poles to a stake; thence N 84-1/4E about 10 (9.3) poles to a stake in the East line; thence with same N 21-1/2 W about 37 poles to the beginning, containing one acre, more or less.

EXCEPTED AND NOT INCLUDED herein being part of Tract 1 and having been conveyed unto Harold Watt and Patricia Ella Watt by deed dated April 20, 1983 and recorded at Deed Book 115, page 799, records of the Edrnson County Court Clerk and more particularly described as follows:

Two tracts of land on the Aubrey Mills Road about 0.82 miles or 1.326 kilometers northwest of the intersection of Kentucky Highway 1659 and U.S. Highway 31-W, described as follows from an actual survey thereof dated April 5, 1983, by Smith & Associates, Dennis D. Smith, PLS 2062, Kenney Lee and Barry Hall, subject to existing rights-of-way and other easements:

TRACT 1: Beginning at a fence post on a corner common to the subject tract and the lands of Aubrey Mills on the northern right-of-way line of the Aubrey Mills Road in Warren County, Kentucky, said point of beginning being 20.00 feet north of the center line of said Aubrey-Mills Road and referenced S 65 deg. 53 min 25 sec. W 1,863.00 feet from the intersection of the center line of said Aubrey Mills Road with the center line of Kentucky Highway 1659; thence with the northern right-of-way line of said Aubrey Mills Road, a fence, N 89 deg. 44 min. 04 sec. W 107.57 feet to a fence post; thence N 86 deg. 51 min. 36 sec. W 103.60 feet to a fence post; thence N 83 deg. 36 min. 05 sec. W 101.67 feet to a fence post; thence N 70 deg. 22 min. 15 sec. W 100.38 feet to a fence post; thence N 55 deg. 22 min. 42 sec. W 103.31 feet to a fence post; thence N 53 deg. 29 min. 22 sec. W 107.70 feet to a fence corner post on a corner common to the subject tract and the lands of James and/or Bobby Bunch on the northern right-of-way line of the Aubrey Mills Road, said post being 20.00 feet north of the center line of said Aubrey Mills Road and on the east side of a private lane; thence along the eastern boundary line of said James and/or Bobby Bunch and the eastern side of said private lane, a fence, N 04 deg. 04 min. 52 sec. W 1,378.30 feet to a fence corner post; thence along the southern and eastern boundary line of said James and/or Bobby Bunch, a fence, N 89 deg. 42 min. 45 sec. E 46.55 feet to a corner post; thence N 02 deg. 18 min. 16 sec. W 1,765.62 feet to a fence corner post on a corner common to the subject tract and the lands of said James. and/or Bobby Bunch on William Cowles southern boundary line, said post being 80.00 feet east of the center line of a small branch; thence along the southern boundary line of said Cowles, a fence, S 88 deg. 54 min. 59 sec. E 430.95 feet to a cut stone corner monument by a large round creosote fence post on a corner common to the subject tract and the lands of said William Cowles and Carl Watt; thence along the southern boundary line of said Carl Watt S 50 deg. 06 min. 32 sec. E 565.56 feet to an iron pin corner monument on a corner common to the subject tract and the lands of Aubrey Mills on Carl Watt's' southern boundary line; thence with six new lines severing the lands of said Aubrey Mills S 09 deg. 11 min. 29 sec. W 923.78 feet to a 30.00-inch red oak at the north edge of a woods; thence continuing S 09 deg. 11 min. 29 sec. W 293.83 feet to an 8-inch poplar; thence S 06 deg. 35 min. 21 sec. W 415.30 feet to a 12-inch cedar; thence S 06 deg. 46 min. 12 sec. W 285.54 feet to a 6-inch poplar; thence S 03 deg. 40 min. 48 sec. W 150.58 feet to a fence post; thence S 07 deg. 43 Min. 54 sec. E 902.22 feet to the point of beginning, containing 47.04 acres or 19.035 hectares, more or less, predominantly in Edmonson County, Kentucky.

TRACT 2: Beginning at an iron pin corner monument on a corner common to the subject tract and the lands of James and/or Bobby Bunch on the southern right-of-way line of the Aubrey Mills Road in Warren County, Kentucky, said point of beginning being 20.00 feet south of the center line of said Aubrey Mills, Road and referenced S 74 deg. 35 min. 56 sec. W 2,361.00 feet from the intersection of the center line of said Aubrey Mills Road with the center line of Kentucky Highway 1659; thence with the southern right-of-way line of said Aubrey Mills Road S 53 deg. 29 min. 22 sec. E 74.08 feet to a point; thence S 55 deg. 22 min. 42 sec. E 109.23 feet to a point; thence S 70 deg. 22 min. 03 sec. E 90.15 feet to an iron pin corner monument on a corner common to the subject tract and the lands of Charles Meisel on the southern right-of-way line of the Aubrey Mills Road; thence with the northern boundary line of said Charles Meisel S 85 deg. 23 min. 28 sec. W 224.05 feet to a planted stone corner monument on a corner common to the subject tract and the lands of said Charles Meisel on James and/or Bobby Bunch's eastern boundary line; thence with

VzW Site Name: CK Edmonson/Warren

Location Code: 689709

Atty: Coots Henke & Wheeler, P.C · Daniel E. Coots

the eastern boundary line of said Bunch N 04 deg. 04 min. 52 sec. W 154.82 feet to the point of beginning, containing 0.34 acre or 0.139 hectare, more or less.

ALSO EXCEPTED AND NOT INCLUDED herein being a part of Tract No. 3 and having been conveyed unto Harold Watt and his wife, Patricia Watt, by deed dated May 26, 1966 and recorded at Deed Book, 67, page 139, records of Edmonson County Court Clerk and more particularly described as follows:

Beginning 15 feet from a black gum at the corner of the Mills-Meisel line on the County Road, thence West from the beginning point 210 feet; thence to the right and at a right angle 420 feet to a corner; thence to the right and at a right angle 210 feet to a corner; thence to the right and at a right angle 420 feet to the point of beginning, containing 2 acres.

DEED II: Tract 1: A certain tract of land in Edmonson County, Kentucky (and reputed to be part in Edmonson County and part in Warren County), and bounded as follows: Beginning at a stone corner to T. D. Davis, Sr.; thence N 62 E 46 poles to a stone in the center of the Bowling Green and Brownsville Road; thence with same N 52-1/2 E 20 poles to a stone in said road corner, to Levi Edwards; thence with his line S 53 W 32 poles to a stone near the new house; thence N 41-1/2 W 39 poles to a stone in Edwards corner; thence N 30 E 46-2/5 poles to a stone, his corner in the original line; thence with same N 52-1/2 W 38-3/4 poles to a stone in said line, corner to S, W. Pennington; thence with his line S 6-1/4 W 21-3/5 poles to a stone at corner of woods; thence S 59-1/2 W 22-1/5 poles to a stone in the original line; thence with same S 21-1/3 E 86-1/2 poles to the beginning, containing 19-1/3 acres, more or less.

Tract 2: Lying in Edmonson County mid beginning at a stone in M. N. Crain's line, also a corner to said Crain; thence with said Crain's line N 84-1/4 E 28.8 poles to a stone, said Crain's corner in Aubrey Mills' line; thence with the latter N 21-1/4 W 72.4 poles to a stone at a branch, a corner to the aforesaid Crain; thence S 84-1/2 W 9.3 poles to a stone in an old fence line, said Crain's corner; thence with his line S 5-3/4 E 70 poles to the beginning, containing 9 acres, more or less.

AND BEING the same property conveyed to Harold Watt and Patricia Watt from Laura Zelda Mills, widow by Deed dated August 11, 2001 and recorded August 17, 2001 in Deed Book 172, Page 502.

Tax Parcel No. 043-00-00-047.00

VzW Site Name CK Edmonson/Warren
Location Code 689709
Atty. Coots Henke & Wheeler, P.C.: Daniel E. Coots

EXHIBIT "B"

SITE PLAN OF THE PREMISES AND DESCRIPTION OF TOWER EQUIPMENT

CELCO PARTNERSHIP
D/B/A



CK EDMONSON/WARREN

OTTER GAP ROAD
BOWLING GREEN, KY 42101
EDMONSON COUNTY
TOWER OWNER: VERIZON

NEW 199'-0" SELF SUPPORT TOWER w/4'-0" LIGHTNING ARRESTOR - TOTAL TOWER HEIGHT 199'-0"

FROM LOUISVILLE W/900-3623, HOLDWAY ROAD, LOUISVILLE, KY 40299, HEAD SOUTH ON HOLDWAY RD TOWARD PLANNING DR (0.3 MI), TURN LEFT ONTO WATTSBORO TRAIL (0.2 MI), TURN RIGHT TO STAY ON WATTSBORO TRAIL (0.2 MI), TURN LEFT ONTO BILDTOWN RD (0.2 MI), TAKE THE RAMP ONTO I-265 W/900-841 W (0.5 MI), MERGE ONTO I-265 W/R-841 W (8.2 MI), CONTINUE ONTO KY-643 W (0.2 MI), TAKE EXIT 108 TO VERNER ONTO I-525 TOWARD MASHVILLE (78.0 MI), TAKE EXIT 48 FOR KY-255 TOWARD PARK CITY/BOWLINGVILLE (0.3 MI), TURN LEFT ONTO KY-255/MAMMOTH CAVE HWY (0.4 MI), TURN RIGHT ONTO US-31W SEND ST/LOUISVILLE RD & CONTINUE TO FOLLOW US-31W S/LOUISVILLE RD (12.5 MI), TURN RIGHT ONTO OTTER GAP RD (1.0 MI), SITE WILL BE LOCATED ON LEFT (NORTH WEST) SIDE OF ROAD.

VERTON, SITE
LOT 10, HAWKINS
FLY 10, 4050338
LOCATION CODE: 689799
SITE ADDRESS:
OTTER GAP ROAD
BOWLING GREEN, KY 42101
EDMONSON COUNTY
E311 ADDRESS TBD
TOWER OWNER

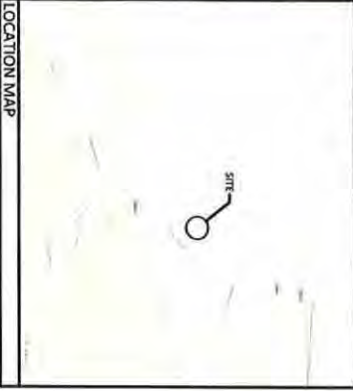
PROJECT
EDMONSON COUNTY SHERIFF
110 JACKSON ST
BOWLINGVILLE, KY 42101
PHONE: (270) 597-2157
SITE
CALVEYATE PRE-DETT
804 CALVEYATE RD
BOWLING GREEN, KY 42101
PHONE: (270) 597-3931
GENERAL INFORMATION
LATITUDE: 37° 07' 02.761617" N
LONGITUDE: 89° 15' 10.911095" W
2083 (NAD83)
ELEVATION: 726 ANSL
398 (NAD83)
VERTON (LOCAL AREA)
10,000 91'

PROPERTY OWNER
HAROLD & PATRICIA WATT
CONTACT: ANNA P. JUANIAN
MOBILE: (248) 914-3404
E-MAIL: ANNA.P.JUANIAN@VERDOWNSWILKS.COM
PROPERTY OWNER
HAROLD & PATRICIA WATT
CONTACT: PATRICIA WATT
PHONE: (270) 597-2005
E-MAIL: MAMAWATT@HOTMAIL.COM

PROJECT SUMMARY

PROJECT DESCRIPTION

APPLICABLE CODES



POD
POWER OF DESIGN
11490 BLUEGRASS PARKWAY
LOUISVILLE, KY 40299
502-481-2525

CELCO PARTNERSHIP
DATA

verizon

**PRELIMINARY
NOT FOR
CONSTRUCTION**

LEASE EXHIBIT

NO.	DATE	DESCRIPTION
A	10/25/21	ISSUED FOR REVIEW

SITE INFORMATION:
CK EDMONSON/
WARREN
OTTER GAP ROAD
BOWLING GREEN, KY 42101
EDMONSON COUNTY

POD NUMBER: 21-102896
DRAWN BY: POD
CHECKED BY: MRP
DATE: 10/18/21

**PROJECT
INFORMATION, SITE
MAPS, SHEET INDEX**

SHEET TITLE:
T-1

SHEET NUMBER:



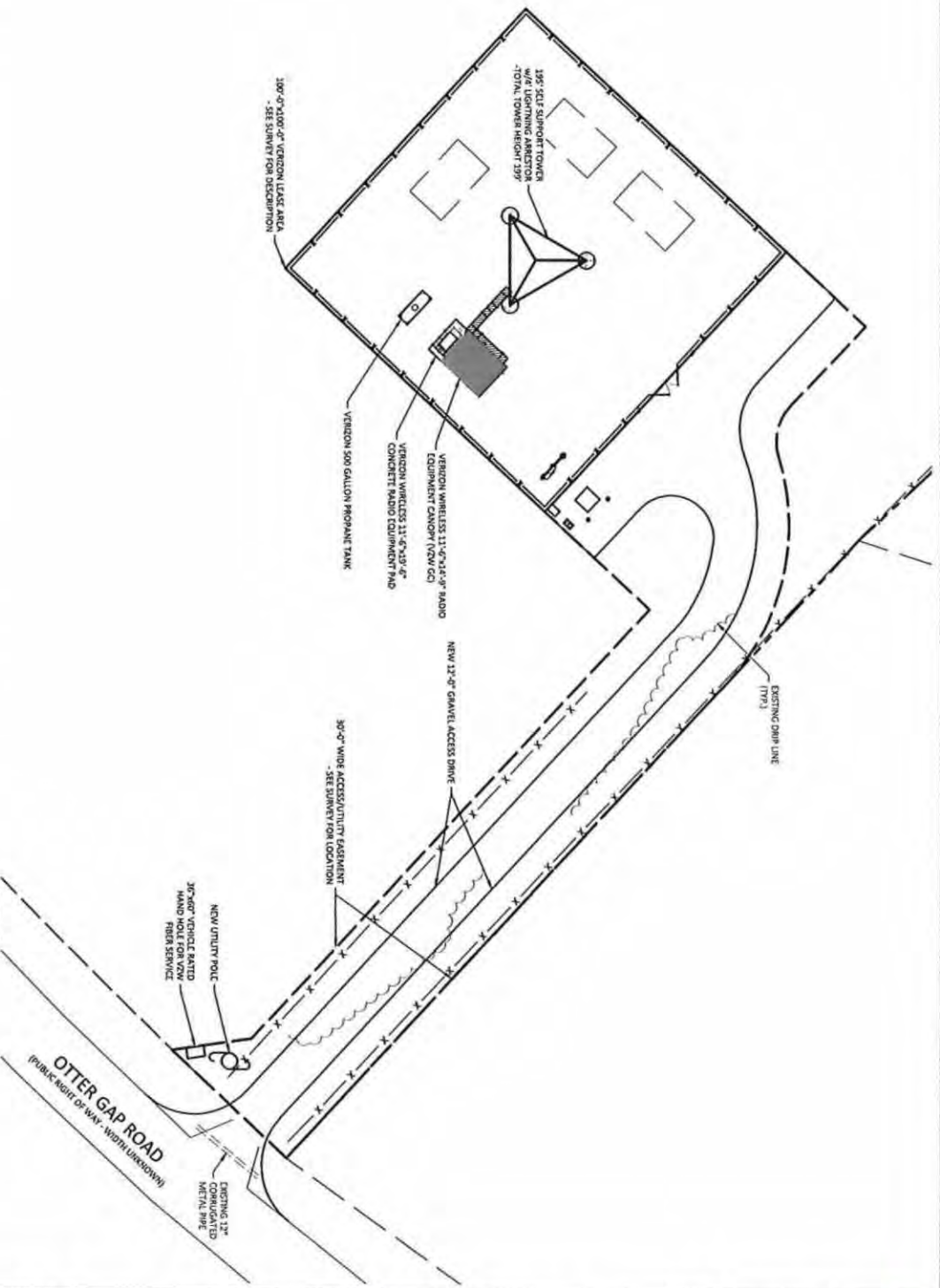
1-800-752-6007
 1-800-752-6007
 1-800-752-6007

OVERALL SITE PLAN
 SCALE 1" = 30'



LEGEND

	UTILITY POLE
	PROPOSED LEASE LINE
	PROPOSED EASEMENT
	PROPOSED GRAVEL
	PROPOSED FENCE
	EXISTING PAVEMENT
	ADJACENT PROPERTY LINE



PRELIMINARY
 NOT FOR
 CONSTRUCTION



POD
 POWER OF DESIGN
 14400 HUNTERS HILL RD SUITE 400
 HOUSTON, TX 77060
 282-437-5252

CELCO PARTNERSHIP
 P.M.A.

LEASE EXHIBIT

REV.	DATE	DESCRIPTION
1	10.25.21	ISSUED FOR REVIEW

SITE INFORMATION

**CK EDMONSON/
 WARREN**
 OTTER GAP ROAD
 BOWLING GREEN, TN 38801
 EDMONSON COUNTY

POD NUMBER: 21-102386
 DRAWN BY: POD
 CHECKED BY: 10.18.21
 DATE: 10.18.21
 SHEET TITLE:

OVERALL SITE PLAN

SHEET NUMBER:
C-1A

NOTE:
 GENERAL CONTRACTOR IS TO ENSURE
 THERE IS NO DISTURBANCE OF PROPERTY,
 SOIL, ETC. OUTSIDE OF THE STAKED LEASE
 AREA.
 VERIZON WIRELESS CONSTRUCTION
 MANAGER

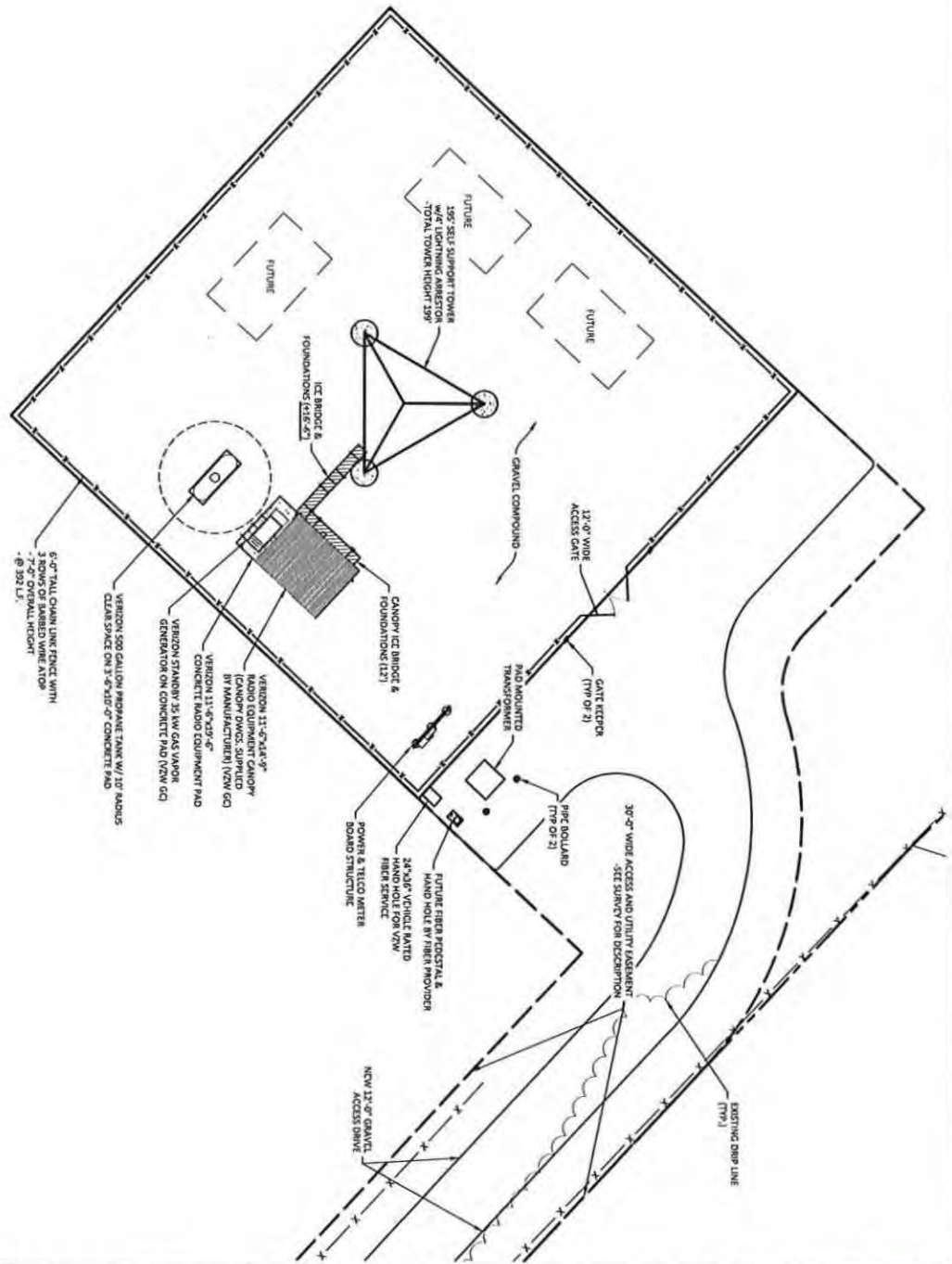


DETAILED SITE PLAN
 SCALE: 1" = 20'



LEGEND

	PROPOSED LEASE LINE
	PROPOSED EASEMENT
	PROPOSED FENCE
	EXISTING FENCE
	EXISTING PAYMENT
	ADJACENT PROPERTY LINE



DETAILED SITE PLAN

POD NUMBER:	23-02289
DRAWN BY:	POD
CHECKED BY:	MEP
DATE:	10.12.21
SHEET TITLE:	

**CK EDMONSON/
 WARREN**
 OTTER GAP ROAD
 BOWLING GREEN, KY 42101
 EDMONSON COUNTY

SITE INFORMATION:

NO.	DATE	DESCRIPTION
1	10.25.21	ISSUED FOR REVIEW

LEASE EXHIBIT

**PRELIMINARY
 NOT FOR
 CONSTRUCTION**

verizon
 CELCO PARTNERSHIP
 DATA

POD
 TOWER OF PERSON
 11400 BLUEGRASS PARKWAY
 LOUISVILLE, KY 40229
 502-437-2522



NOTE:
GENERAL CONTRACTOR TO INSURE
PROPERTY, SOIL, ETC. OUTSIDE OF THE STATED LEASE
AREA WITHOUT APPROVAL FROM
VERIZON WIRELESS CONSTRUCTION
MANAGER

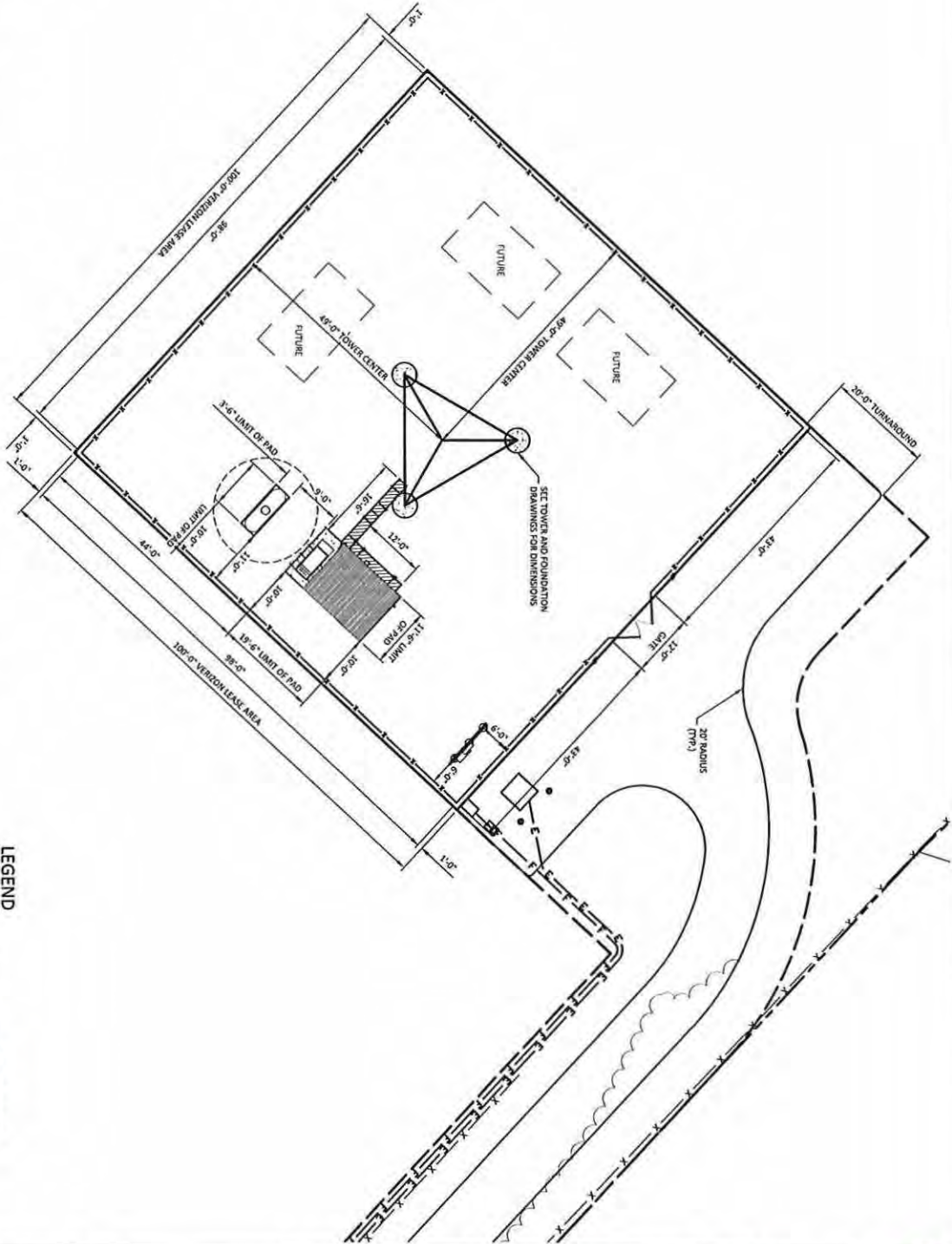


DETAILED SITE PLAN
SCALE: 1" = 20'



LEGEND

--- (dashed line)	PROPOSED LEASE LINE
--- (dashed line)	PROPOSED EXISTENT
--- (dashed line)	PROPOSED GRAVEL
--- (dashed line)	PROPOSED FENCE
--- (dashed line)	EXISTING FENCE
--- (dashed line)	EXISTING PAVEMENT
--- (dashed line)	ADJACENT PROPERTY LINE



DETAILED SITE PLAN

POD NUMBER: 21-1028396
DRAWN BY: POD
CHECKED BY: MFP
DATE: 10.18.21
SHEET TITLE:

**CK EDMONSON/
WARREN**
OTTER GAP ROAD
BOWLING GREEN, KY 42301
EDMONSON COUNTY

SITE INFORMATION:

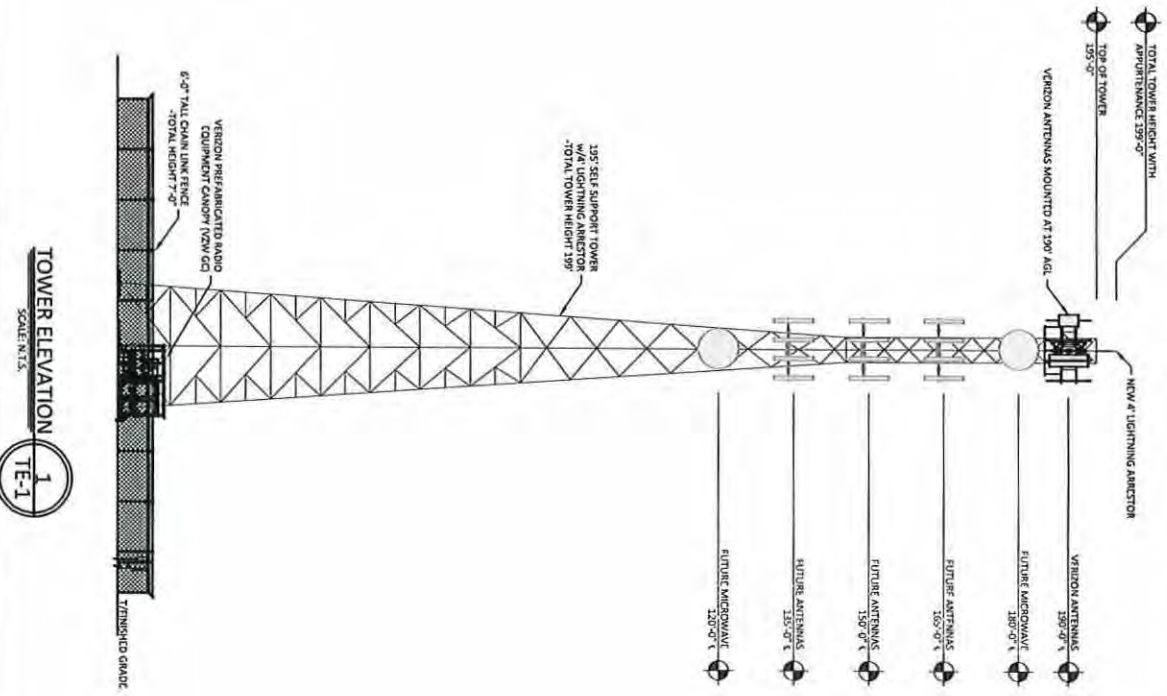
REV	DATE	DESCRIPTION
A	10.25.21	ISSUED FOR REVIEW

LEASE EXHIBIT

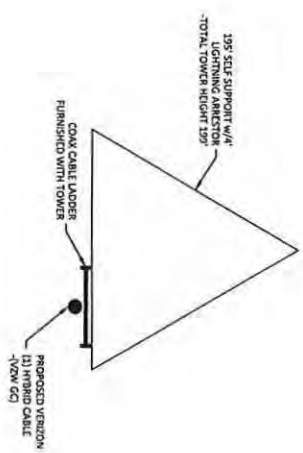
**PRELIMINARY
NOT FOR
CONSTRUCTION**

CELLCO PARTNERSHIP
DMA

POWER OF DESIGN
11498 N. UNIVERSITY
LOUISVILLE, KY 40299
502-437-5222



NOTE:
 1. IT IS THE INSTALLING CONTRACTOR'S RESPONSIBILITY TO VERIFY ALL ANTENNA INFORMATION AGAINST FINAL RADIO ENGINEERING PLAN PROVIDED BY CELLO PARTNERSHIP 4129 YONKON (N2W CQ)



COAX PLAN
 SCALE: N.T.S.

 13400 BLUEGRASS PARKWAY SUITE 200 CINCINNATI, OH 45244-2525		CELLCO PARTNERSHIP DRAWING			
PRELIMINARY NOT FOR CONSTRUCTION					
LEASE EXHIBIT					
REV.	DATE	DESCRIPTION			
A	10.25.21	ISSUED FOR REVIEW			
SITE INFORMATION:					
CK EDMONSON/ WARREN					
OTHER CAP ROAD BOWLING GREEN, KY 40301 EDMONSON COUNTY					
POD NUMBER:	21-102896				
DRAWN BY:	POD				
CHECKED BY:	10.13.21				
DATE:					
SHEET TITLE:					
TOWER ELEVATION					
SHEET NUMBER:					
TE-1					

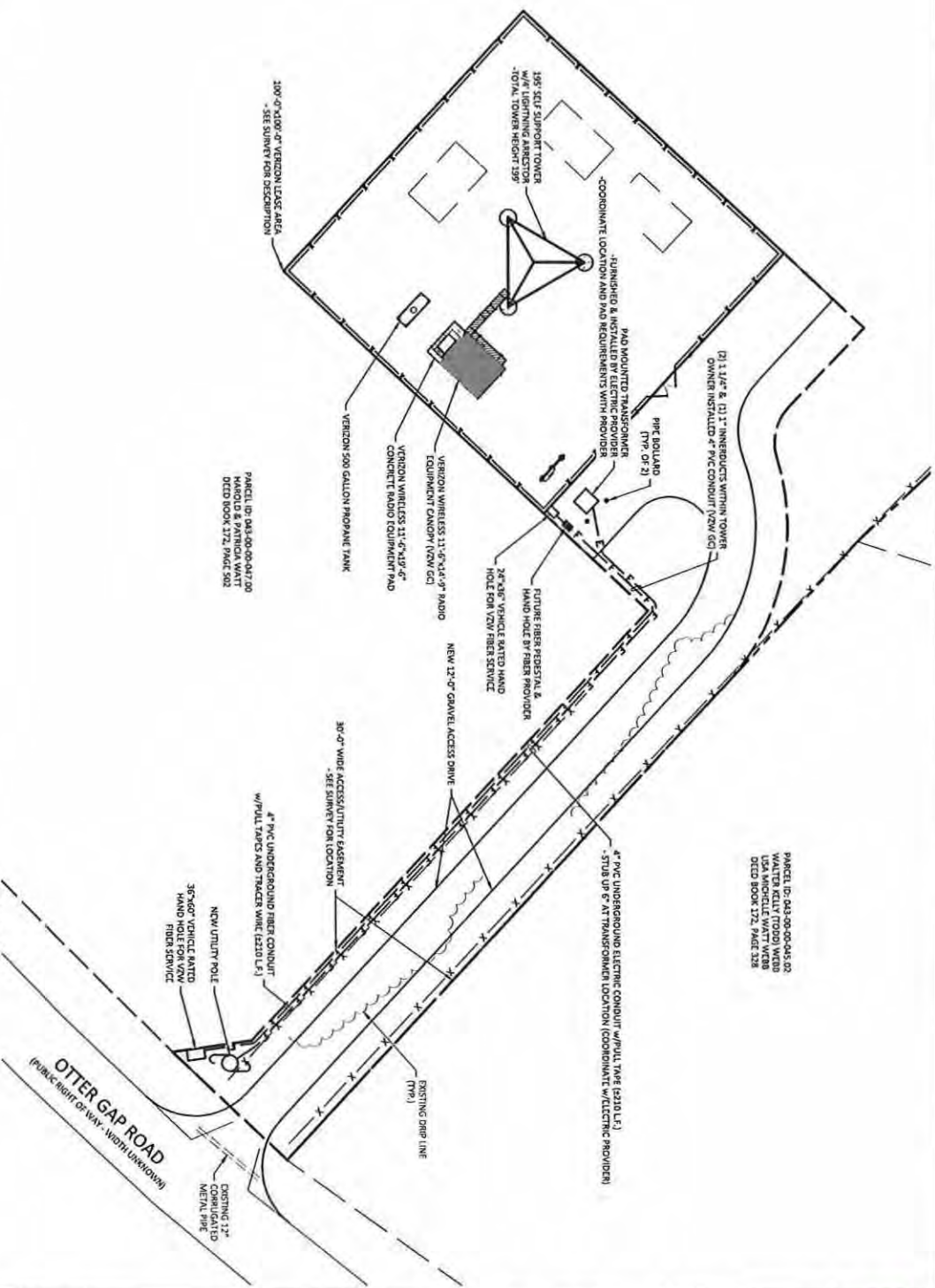


OVERALL SITE UTILITY PLAN
 SCALE: 1" = 30'



LEGEND

	UTILITY POLE
	PROPOSED LEASE LINE
	PROPOSED EASEMENT
	PROPOSED GRAVEL
	PROPOSED FENCE
	EXISTING FENCE
	EXISTING PAVEMENT
	ADJACENT PROPERTY LINE



OVERALL SITE UTILITY PLAN
 SHEET NUMBER: **E-0**

POD NUMBER: 23-102896
 DRAWN BY: POD
 CHECKED BY: MEF
 DATE: 10/24/21

**CK EDMONSON/
 WARREN**
 OTTER GAP ROAD
 BOWLING GREEN, KY 42304
 EDMONSON COUNTY

LEASE EXHIBIT

REV.	DATE	DESCRIPTION
A	10/25/21	ISSUED FOR REVIEW

**PRELIMINARY
 NOT FOR
 CONSTRUCTION**



CELCO PARTNERSHIP
 D.M.A.

POD
 POWER OF DESIGN
 13490 BLUEGRASS PARKWAY
 LOUISVILLE, KY 40299
 (502) 451-2500

VzW Site Name: CK Edmonson/Warren
Location Code. 689709
Atty Coots Henke & Wheeler, P.C.: Daniel E Coots

EXHIBIT "C"

SURVEY



FAA COORDINATE POINT
 NAUD 83
 LATITUDE: 37°09'02.286510"
 LONGITUDE: -86°18'10.311009"
 NAVD 88
 ELEVATION: 724.4 ANSL
 NORTHING: 3,554,625.533
 EASTING: 4,769,649.573

GENERAL NOTES
 NO SEARCH OF PUBLIC RECORDS HAS BEEN MADE TO DETERMINE IF THERE ARE ANY DEFECTS AND/OR ENCUMBRANCES IN THE TITLE OF THE SUBJECT PROPERTY.
 THIS DRAWING IS FOR THE PROPOSED LEASE AREA AND THE PROPOSED ACCESS AND UTILITY EASEMENT. THE PARENT PARCEL HAS BEEN SURVEYED BY THE SURVEYOR. A PORTION OF THIS SURVEY WAS CONDUCTED BY THE METHOD OF ADJACENT EQUALLY SIZED SHOTS. PRECISION OF 1:52,186 AND HAS NOT BEEN ADJUSTED.
 THIS PROPERTY IS SUBJECT TO ANY RECORDED EASEMENTS AND/OR RIGHTS OF WAY SHOWN HEREON OR NOT.
 THIS PLAT IS NOT INTENDED FOR LAND TRANSFER.

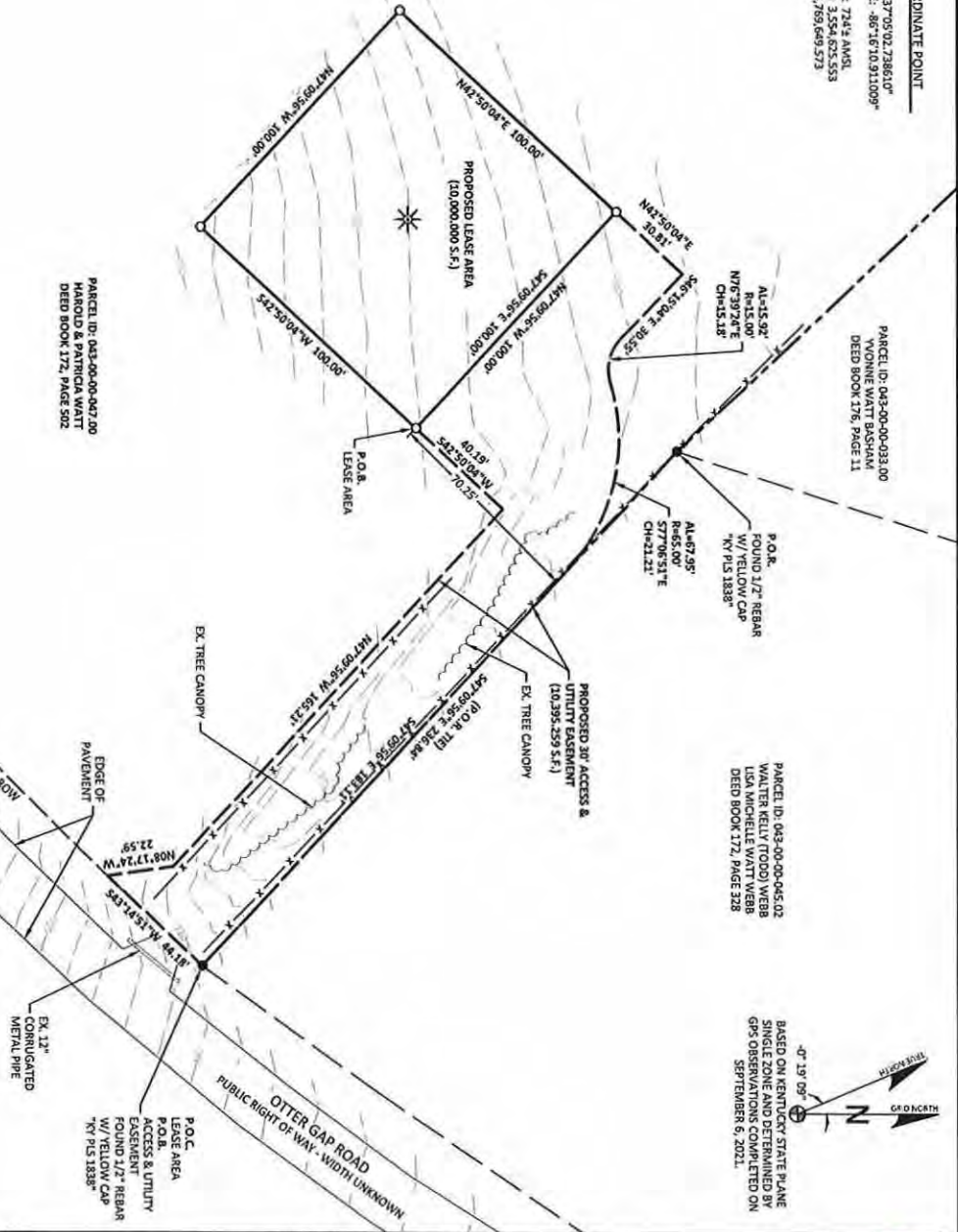
GLOBAL POSITIONING SYSTEMS NOTE
 1. RANDOM CONTROL POINTS AND A PORTION OF THE TOPOGRAPHY WAS LOCATED USING GPS.
 2. THE TYPE OF GPS UTILIZED WAS NETWORK ADJUSTED REAL TIME KINEMATIC (ROK) WITH THE ORTHOMETRIC HEIGHT COMPUTED USING GEOD18. RELATIVE POSITIONAL ACCURACY VARIED FROM 0.04" TO 0.08" HORIZONTALLY. SPECTRA PRECISION EPIC 50 DUAL FREQUENCY RECEIVERS WERE USED TO PERFORM THE SURVEY.

- LEGEND**
- P.O.B. POINT OF BEGINNING
 - P.O.C. POINT OF COMMENCEMENT
 - P.O.R. POINT OF REFERENCE
 - ROW RIGHT OF WAY
 - SET 1/2" REBAR 18" LONG
 - CAPPED "PATTERSON PLUS 3135"
 - FOUND MONUMENT AS NOTED
 - PROPERTY LINE
 - ADJACENT PROPERTY LINE
 - EX FENCE LINE



MARK PATTERSON, PLS 49336
 DATE

LAND SURVEYOR'S CERTIFICATE
 I, MARK E. PATTERSON, HEREBY CERTIFY THAT I AM A LICENSED PROFESSIONAL LAND SURVEYOR LICENSED IN COMPLIANCE WITH THE LAWS OF THE STATE OF KENTUCKY. I HAVE PERSONALLY CONDUCTED THE SURVEY AND THE SURVEY ON THE GROUND WERE PERFORMED BY PERSONS UNDER MY DIRECT SUPERVISION, AND THAT THE DIRECTIONAL AND LINEAR MEASUREMENTS BEING WITNESSED BY MONUMENTS SHOWN HEREON ARE TRUE AND CORRECT TO THE BEST OF MY KNOWLEDGE. THE "TRIAL" SURVEY, AND THE PLAT ON WHICH IT IS BASED, MEETS ALL SPECIFICATIONS AS STATED IN KAR 201.18150.



BASED ON KENTUCKY STATE PLANE SINGLE ZONE AND DETERMINED BY GPS OBSERVATIONS COMPLETED ON SEPTEMBER 6, 2021.
 -0° 19' 09" N
 0° 0' 0" E

CELLCO PARTNERSHIP
 D/B/A
verizon

PREPARED BY:
POD
 POWER OF DESIGN
 1740 BULLOCKS ROAD
 SUITE 200
 502-257-5242

SITE SURVEY

REV.	DATE	DESCRIPTION
1	10.20.21	PRELIM ISSUE

SITE INFORMATION:
 CK
EDMONDSON-WARREN
 OTTER GAP ROAD
 BOWLING GREEN, KY 42101
 EDMONDSON COUNTY
 TAX PARCEL NUMBER:
 043-00-00-047.00
 PROPERTY OWNER:
 HAROLD & PATRICIA WATT
 278 AUBREY MILLS ROAD
 BOWLING GREEN, KY 42101
 SOURCE OF TITLE:
 DEED BOOK 172, PAGE 502
 POD NUMBER: 21-102889
 DRAWN BY: MWP
 CHECKED BY: MWP
 SURVEY DATE: 9.6.21
 PLAT DATE: 10.20.21
 SHEET TITLE:
SITE SURVEY
 THIS DOES NOT REPRESENT A BOUNDARY SURVEY OF THE PARENT PARCEL.
 SHEET NUMBER: (3 PAGES)
B-1

LEGAL DESCRIPTIONS

PARENT PARCEL, LEGAL DESCRIPTION, DEED BOOK 172, PAGE 502, (NOT FIELD SURVEYED)
PROPERTY LOCATED IN WARREN COUNTY, KENTUCKY

DEED 1: TRACT NO. 1: A TRACT OF LAND SITUATED IN EDMONSON COUNTY, KENTUCKY, TO WIT: THE FOLLOWING DESCRIBED PROPERTY LOCATED IN EDMONSON COUNTY, KENTUCKY, TO WIT: CORNER OF THE LANDS OF JOSEPH BROWN, THENCE WITH BROWN'S LINE N 9 W NOW N 5-1/2 W 84 POLES TO A STAKE WITH A LARGE BLACKOAK AS POINTERS, THENCE WITH ANOTHER OF HIS LINES 9 W NOW N 8-1/2 W 148 POLES TO A POST OAK STUMP WITH POINTERS, AN ORIGINAL CORNER, THENCE WITH ANOTHER ORIGINAL LINE S 81 E 81 W NOW S 88 W 49 POLES TO A STAKE WITH HICKORY AND WHITE OAK AS POINTERS NEAR A BRANCH, THENCE S 9 E 104 POLES, NOW S 5-3/4 E 107-3/5 POLES TO A STONE, THENCE N 83-1/2 W 4 POLES TO A STONE IN A ROAD, THENCE S 9 E NOW S 7 E 86-1/5 TO A STAKE, WITH POINTERS ON TOP OF THE KNOB, THENCE WITH ANOTHER ORIGINAL LINE AND THE TOP OF THE KNOB N 86-1/2 E NOW N 85 E 52 POLES TO THE BEGINNING, CONTAINING 85 ACRES, MORE OR LESS.

TRACT NO. 2: "BEGINNING AT A STONE, CORNER OF SAID PENNINGTON ISIC AND BRACK AMOS, THENCE S 21-1/2 E 76 POLES TO A STONE IN THE ORIGINAL LINE, THENCE N 59-1/2 E 22-1/5 POLES TO A STONE AT THE CORNER OF THE WOODS, THENCE N 6-1/4 E 21-3/5 POLES TO A STAKE, THENCE WITH SAME N 52-1/2 E 85-1/5 POLES TO THE BEGINNING, CONTAINING EIGHT AND NINE-TENTHS ACRES BY SURVEY."
TRACT NO. 3: "BEGINNING AT A STAKE IN A GUTTER, THENCE WITH A LINE OF FENCE 59 E 19-1/2 POLES TO A STAKE, THENCE E 57 E 30-4/5 POLES TO A STAKE WITH CHRISTY AND BLACKOAK MARKED AS POINTERS ON THE LOWER SIDE OF A ROAD, THENCE N 22-1/2 W 60-1/2 POLES TO A STAKE, THENCE S 83-1/2 W 29-4/5 POLES TO A STAKE AT THE CORNER OF A FIELD, THENCE S 5-3/4 E 74-4/5 POLES TO THE BEGINNING, CONTAINING 16 ACRES, MORE OR LESS."

TRACT NO. 4: BEGINNING AT A PLANTED STONE, THE ORIGINAL NORTH CORNER, THENCE WITH THE ORIGINAL WEST LINE S 5-3/4 E 35 POLES TO A STAKE, THENCE N 84-1/4 E ABOUT 10 (9 3/4) POLES TO A STAKE IN THE EAST LINE, THENCE WITH SAME N 21-1/2 W ABOUT 37 POLES TO THE BEGINNING, CONTAINING ONE ACRE, MORE OR LESS.
EXCEPTED AND NOT INCLUDED HEREIN BEING PART OF TRACT 1 AND HAVING BEEN CONVEYED UNTO HAROLD WATT AND PATRICIA ELVA WATT BY DEED DATED APRIL 20, 1988 AND RECORDED AT DEED BOOK 115, PAGE 799, RECORDS OF THE EDMONSON COUNTY COURT CLERK AND MORE PARTICULARLY DESCRIBED AS FOLLOWS:

TWO TRACTS OF LAND ON THE ALBERRY MILLS ROAD ABOUT 0.82 ACRES OR 1.32 KILOMETERS NORTHWEST OF THE INTERSECTION OF KENTUCKY HIGHWAY 1559 AND U.S. HIGHWAY 31-W, DESCRIBED AS FOLLOWS FROM AN ACTUAL SURVEY THEREOF DATED APRIL 5, 1989, BY SMITH & ASSOCIATES, DENNIS D. SMITH, JLS 2062, KENNETH LEE AND BARRY HALL, SUBJECT TO EXISTING RIGHTS-OF-WAY AND OTHER EASEMENTS:

TRACT 1: BEGINNING AT A FENCE POST ON A CORNER COMMON TO THE SUBJECT TRACT AND THE LANDS OF ALBERRY MILLS ON THE NORTHERN RIGHT-OF-WAY LINE OF THE ALBERRY MILLS ROAD IN WARREN COUNTY, KENTUCKY, SAID POINT OF BEGINNING BEING 20.00 FEET NORTH OF THE CENTER LINE OF SAID ALBERRY MILLS ROAD AND REFERENCED S 65 DEG. 53 MIN. 25 SEC. W 1,483.00 FEET FROM THE INTERSECTION OF THE CENTER LINE OF SAID ALBERRY MILLS ROAD WITH THE CENTER LINE OF KENTUCKY HIGHWAY 1659, THENCE WITH THE NORTHERN RIGHT-OF-WAY LINE OF SAID ALBERRY MILLS ROAD, A FENCE, N 89 DEG. 44 MIN. 04 SEC. W 107.57 FEET TO A FENCE POST, THENCE N 83 DEG. 38 MIN. 05 SEC. W 101.67 FEET TO A FENCE POST, THENCE N 70 DEG. 22 MIN. 15 SEC. W 100.38 FEET TO A FENCE POST, THENCE N 55 DEG. 22 MIN. 42 SEC. W 103.31 FEET TO A FENCE POST, THENCE N 53 DEG. 29 MIN. 22 SEC. W 107.70 FEET TO A FENCE CORNER POST ON A CORNER COMMON TO THE SUBJECT TRACT AND THE LANDS OF EDWARDS AND/OR BOBBY BUNCH ON THE NORTHERN RIGHT-OF-WAY LINE OF THE ALBERRY MILLS ROAD, SAID POST BEING 20.00 FEET NORTH OF THE CENTER LINE OF SAID ALBERRY MILLS ROAD, THENCE ALONG THE SOUTHERN AND EASTERN BOUNDARY LINE OF SAID JAMES AND/OR BOBBY BUNCH ON WILLIAM COWLES SOUTHERN BOUNDARY LINE, SAID POST BEING 82.00 FEET EAST OF THE CENTER LINE OF A SMALL BRANCH; THENCE ALONG THE SOUTHERN BOUNDARY LINE OF SAID COWLES, A FENCE, S 88 DEG. 54 MIN. 55 SEC. E 430.95 FEET TO A CUT STONE CORNER MONUMENT BY A LARGE ROUND CRESTOPE FENCE POST ON A CORNER COMMON TO THE SUBJECT TRACT AND THE LANDS OF ALBERRY MILLS ON CARL WATT'S SOUTHERN BOUNDARY LINE, THENCE WITH SIX NEW LINES SERVING THE LANDS OF SAID ALBERRY MILLS S 09 DEG. 13 MIN. 29 SEC. W 923.78 FEET TO A 36.00-INCH RED OAK AT THE NORTH EDGE OF A WOODS, THENCE CONTINUING S 09 DEG. 11 MIN. 29 SEC. W 293.83 FEET TO AN 8-INCH POPLAR, THENCE S 06 DEG. 35 MIN. 21 SEC. W 415.30 FEET TO A 12-INCH CEDAR, THENCE S 05 DEG. 46 MIN. 12 SEC. W 285.54 FEET TO A 6-INCH POPLAR, THENCE S 03 DEG. 40 MIN. 48 SEC. W 150.58 FEET TO A FENCE POST, THENCE S 07 DEG. 43 MIN. 54 SEC. E 902.22 FEET TO THE POINT OF BEGINNING, CONTAINING 07.04 ACRES OR 19.035 HECTARES, MORE OR LESS, PREDOMINANTLY IN EDMONSON COUNTY, KENTUCKY.

TRACT 2: BEGINNING AT AN IRON PIN CORNER MONUMENT ON A CORNER COMMON TO THE SUBJECT TRACT AND THE LANDS OF JAMES AND/OR BOBBY BUNCH ON THE SOUTHERN RIGHT-OF-WAY LINE OF THE ALBERRY MILLS ROAD IN WARREN COUNTY, KENTUCKY, SAID POINT OF BEGINNING BEING 20.00 FEET SOUTH OF THE CENTER LINE OF SAID ALBERRY MILLS ROAD AND REFERENCED S 74 DEG. 35 MIN. 35 SEC. W 2,381.00 FEET FROM THE INTERSECTION OF THE CENTER LINE OF SAID ALBERRY MILLS ROAD WITH THE CENTER LINE OF KENTUCKY HIGHWAY 1659, THENCE WITH THE SOUTHERN RIGHT-OF-WAY LINE OF SAID ALBERRY MILLS ROAD S 53 DEG. 29 MIN. 22 SEC. E 774.08 FEET TO A POINT, THENCE S 55 DEG. 22 MIN. 42 SEC. E 109.23 FEET TO A FENCE CORNER POST ON A CORNER COMMON TO THE SUBJECT TRACT AND THE LANDS OF EDWARDS AND/OR BOBBY BUNCH ON THE SOUTHERN RIGHT-OF-WAY LINE OF SAID ALBERRY MILLS ROAD, SAID POST BEING 20.00 FEET SOUTH OF THE CENTER LINE OF SAID ALBERRY MILLS ROAD, THENCE WITH THE NORTHERN BOUNDARY LINE OF SAID CHARLES FERGUSON AND/OR BOBBY BUNCH ON THE SOUTHERN BOUNDARY LINE OF SAID JAMES AND/OR BOBBY BUNCH ON WILLIAM COWLES SOUTHERN BOUNDARY LINE, THENCE WITH SAME S 21-1/2 E 86-1/2 POLES TO A STONE IN THE ORIGINAL LINE, CONTAINING 5, 15-1/3 ACRES, MORE OR LESS.

TRACT 3: BEGINNING AT A STONE IN M. N. CHAIN'S LINE, ALSO A CORNER TO SAID GRANT, THENCE WITH SAID CHAIN'S LINE N 84-1/4 E 28.8 POLES TO A STONE, SAID GRANT'S CORNER IN ALBERRY MILLS' LINE, THENCE WITH THE LATTER N 21-1/4 W 72.4 POLES TO A STONE AT A BRANCH, A CORNER TO THE ABOVE SAID GRANT, THENCE S 84-1/2 W 9.3 POLES TO A STONE IN AN OLD FENCE LINE, SAID GRANT'S CORNER, THENCE WITH HIS LINE S 5-3/4 E 70 POLES TO THE BEGINNING, CONTAINING 3 ACRES, MORE OR LESS.

AND BEING THE SAME PROPERTY CONVEYED TO HAROLD WATT AND PATRICIA WATT FROM LAURIA ZELDA MILLS, WIDOW BY DEED DATED AUGUST 11, 2001 AND RECORDED AUGUST 17, 2001 IN DEED BOOK 172, PAGE 502.

TAX PARCEL NO. 043-00-0047.00

ALSO REFERRED AND NOT INCLUDED HEREIN BEING A PART OF TRACT NO. 3 AND HAVING BEEN CONVEYED UNTO HAROLD WATT AND HIS WIFE, PATRICIA WATT, BY DEED DATED MAY 26, 1966 AND RECORDED AT DEED BOOK 67, PAGE 139, RECORDS OF EDMONSON COUNTY COURT CLERK AND MORE PARTICULARLY DESCRIBED AS FOLLOWS:

BEGINNING 15 FEET FROM A BLACK OAK AT THE CORNER OF THE MILLS-MARBLE LN ON THE COUNTY ROAD, THENCE WEST FROM THE BEGINNING POINT 210 FEET, THENCE TO THE RIGHT AND AT A RIGHT ANGLE 420 FEET TO A CORNER, THENCE TO THE RIGHT AND AT A RIGHT ANGLE 210 FEET TO A CORNER, THENCE TO THE RIGHT AND IN A RIGHT ANGLE 420 FEET TO THE POINT OF BEGINNING, CONTAINING 2 ACRES.

DEED 11: CERTAIN TRACT OF LAND IN EDMONSON COUNTY, KENTUCKY (LAND REPORTED TO BE PART IN EDMONSON COUNTY AND PART IN WARREN COUNTY, AND BOUNDED AS FOLLOWS: BEGINNING AT A STONE CORNER TO T. D. DAVIS, SR., THENCE N 62 E 46 POLES TO A STONE IN THE CENTER OF THE BOWLING GREEN AND BROWNVILLE ROAD, THENCE N 52-1/2 E 20 POLES TO A STONE IN SAID ROAD CORNER, TO LEVI EDWARDS, THENCE WITH HIS LINE S 33 W 22 POLES TO A STONE NEAR THE NEW HOUSE, THENCE N 41-1/2 W 39 POLES TO A STONE IN EDWARDS CORNER, THENCE N 30 E 46-2/5 POLES TO A STONE, HIS CORNER IN THE ORIGINAL LINE, THENCE WITH SAME N 52-1/2 W 86-3/4 POLES TO A STONE IN SAID LINE, CONTAINING 5, 15-1/3 ACRES, MORE OR LESS.

TRACT 2: LIVING IN EDMONSON COUNTY AND BEGINNING AT A STONE IN M. N. CHAIN'S LINE, ALSO A CORNER TO SAID GRANT, THENCE WITH SAID CHAIN'S LINE N 84-1/4 E 28.8 POLES TO A STONE, SAID GRANT'S CORNER IN ALBERRY MILLS' LINE, THENCE WITH THE LATTER N 21-1/4 W 72.4 POLES TO A STONE AT A BRANCH, A CORNER TO THE ABOVE SAID GRANT, THENCE S 84-1/2 W 9.3 POLES TO A STONE IN AN OLD FENCE LINE, SAID GRANT'S CORNER, THENCE WITH HIS LINE S 5-3/4 E 70 POLES TO THE BEGINNING, CONTAINING 3 ACRES, MORE OR LESS.

TAX PARCEL NO. 043-00-0047.00

PREPARED BY:
POD
POWER OF DESIGN
11440 UNIVERSITY AVENUE
DUBLIN, KY 40018
(502) 261-2020

CELLCO
PARTNERSHIP
V/B/V
verizon

REV.	DATE	DESCRIPTION
1	10/26/21	PRELIM ISSUE

SITE INFORMATION:
CK
EDMONSON-WARREN
OTTER GAP ROAD
BOWLING GREEN, KY 42101
EDMONSON COUNTY
TAX PARCEL NUMBER:
043-00-0047.00
PROPERTY OWNER:
HAROLD & PATRICIA WATT
278 ALBERRY MILLS ROAD
BOWLING GREEN, KY 42101

SOURCE OF TITLE:
DEED BOOK 172, PAGE 502
DRAWN BY: 21-102889
CHECKED BY: A/W
SURVEY DATE: 9.8.21
PLAT DATE: 10.20.21
SHEET TITLE:
SITE SURVEY
THIS DOES NOT REPRESENT A BOUNDARY SURVEY OF THE PARENT PARCEL
SHEET NUMBER: (3 PAGES)
B-1.1

MARR PATTERSON, PLS #3136 DATE

PROPOSED LEASE AREA

THE FOLLOWING IS A DESCRIPTION OF THE PROPOSED LEASE AREA ON THE PROPERTY CONVEYED TO HAROLD AND PATRICIA WATT AS RECORDED IN THE OFFICE OF THE CLERK OF EDMONSON COUNTY, KENTUCKY IN DEED BOOK 172, PAGE 502, PARCEL ID: 043-00-00-047.00, WHICH IS MORE PARTICULARLY DESCRIBED AS FOLLOWS:

BEARING DATUM USED HEREIN IS BASED UPON KENTUCKY STATE PLANE COORDINATE SYSTEM, SINGLE ZONE, NAD 83, FROM A REAL TIME KINEMATIC GLOBAL POSITIONING SYSTEM OBSERVATION USING THE KENTUCKY TRANSPORTATION CABINET REAL TIME GPS NETWORK COMPLETED ON SEPTEMBER 6, 2021.

COMMENCING AT A FOUND 1/2" REBAR WITH A YELLOW PLASTIC CAP STAMPED "N PLS 1838" AT THE SOUTHEAST CORNER OF THE PARCEL CONVEYED TO HAROLD AND PATRICIA WATT AS RECORDED IN DEED BOOK 172, PAGE 502, SAID POINT ALSO BEING A COMMON CORNER TO THE PARCEL CONVEYED TO WALTER KELLY (TODD) WEBB AND USA MICHELLE WATT WEBB AS RECORDED IN DEED BOOK 172, PAGE 328, FOR REFERENCE, SAID COMMENCEMENT POINT IS S47°09'56"E 296.84' FROM A FOUND 1/2" REBAR WITH A YELLOW PLASTIC CAP STAMPED "N PLS 1838" IN THE EAST LINE OF WATT, DEED BOOK 172, PAGE 502, AND BEING THE NORTHWEST CORNER OF WATT, DEED BOOK 172, PAGE 328, SAID COMMENCEMENT POINT ALSO BEING IN THE NORTH RIGHT OF WAY LINE OF OTTER GAP ROAD, THENCE LEAVING SAID COMMON CORNER ALONG THE SOUTH LINE OF WATT, DEED BOOK 172, PAGE 502, AND THE NORTH RIGHT OF WAY LINE OF OTTER GAP ROAD, S47°09'56"E 140.19' TO A SET 1/2" REBAR WITH A YELLOW PLASTIC CAP STAMPED "N PLS 1838" IN THE EASTERNMOST CORNER OF THE PROPOSED LEASE AREA, S47°09'56"E 100.00' TO A SET IPC, THENCE N47°09'56"W 100.00' TO A SET IPC, THENCE S47°09'56"E 100.00' TO THE POINT OF BEGINNING CONTAINING 10,000.000 SQUARE FEET AS PER SURVEY BY MARK E. PATTERSON, PLS 3136 DATED SEPTEMBER 6, 2021.

PROPOSED 30' ACCESS & UTILITY EASEMENT
THE FOLLOWING IS A DESCRIPTION OF THE PROPOSED 30' ACCESS & UTILITY EASEMENT TO BE GRANTED ON PROPERTY CONVEYED TO HAROLD AND PATRICIA WATT AS RECORDED IN THE OFFICE OF THE CLERK OF EDMONSON COUNTY, KENTUCKY IN DEED BOOK 172, PAGE 502, PARCEL ID: 043-00-00-047.00, WHICH IS MORE PARTICULARLY DESCRIBED AS FOLLOWS:

BEARING DATUM USED HEREIN IS BASED UPON KENTUCKY STATE PLANE COORDINATE SYSTEM, SINGLE ZONE, NAD 83, FROM A REAL TIME KINEMATIC GLOBAL POSITIONING SYSTEM OBSERVATION USING THE KENTUCKY TRANSPORTATION CABINET REAL TIME GPS NETWORK COMPLETED ON SEPTEMBER 6, 2021.

BEGINNING AT A FOUND 1/2" REBAR WITH A YELLOW PLASTIC CAP STAMPED "N PLS 1838" AT THE SOUTHEAST CORNER OF THE PARCEL CONVEYED TO HAROLD AND PATRICIA WATT AS RECORDED IN DEED BOOK 172, PAGE 502, SAID POINT ALSO BEING A COMMON CORNER TO THE PARCEL CONVEYED TO WALTER KELLY (TODD) WEBB AND USA MICHELLE WATT WEBB AS RECORDED IN DEED BOOK 172, PAGE 328, FOR REFERENCE, SAID COMMENCEMENT POINT IS S47°09'56"E 296.84' FROM A FOUND 1/2" REBAR WITH A YELLOW PLASTIC CAP STAMPED "N PLS 1838" IN THE EAST LINE OF WATT, DEED BOOK 172, PAGE 502, AND BEING THE NORTHWEST CORNER OF WATT, DEED BOOK 172, PAGE 328, SAID COMMENCEMENT POINT ALSO BEING IN THE NORTH RIGHT OF WAY LINE OF OTTER GAP ROAD, LEAVING SAID COMMON CORNER ALONG THE SOUTH LINE OF WATT, DEED BOOK 172, PAGE 502, AND THE NORTH RIGHT OF WAY LINE OF OTTER GAP ROAD, S47°09'56"E 140.19' TO A SET 1/2" REBAR WITH A YELLOW PLASTIC CAP STAMPED "N PLS 1838" IN THE EASTERNMOST CORNER OF THE PROPOSED LEASE AREA, S47°09'56"E 100.00' TO A SET IPC, THENCE S47°09'56"E 100.00' TO THE POINT OF BEGINNING CONTAINING 10,000.000 SQUARE FEET AS PER SURVEY BY MARK E. PATTERSON, PLS 3136 DATED SEPTEMBER 6, 2021.

REPORT OF SEARCH

THIS SURVEY DOES NOT CONSTITUTE A TITLE SEARCH BY POD GROUP, LLC AND AS SUCH WE ARE NOT RESPONSIBLE FOR THE INVESTIGATION OR INDEPENDENT SEARCH FOR EASEMENTS, LIENS OR ENCUMBRANCES, RESTRICTIVE COVENANTS, GROUNDWATER TITLE EVIDENCE, UNRECORDED EASEMENTS, ADJOINING EASEMENTS, IMPROVED EASEMENTS, OR ANY OTHER FACTS THAT MAY AFFECT AND COMMENT TITLE EVIDENCE. THIS SEARCH WAS PREPARED FOR VERIZON WIRELESS. PERIOD OF SEARCH: JANUARY 21, 1941 TO JULY 22, 2021 AT 8:00 AM, DATED AUGUST 23, 2021. THE FOLLOWING COMMENTS ARE IN REGARD TO SAID SEARCH AND THE NUMBERS IN THE COMMENTS CORRESPOND TO THE NUMBERING SYSTEM IN SAID REPORT:

SEARCH DISCLOSED THE FOLLOWING:

1. TAXES
TYPE OF TAX: COUNTY
CALENDAR YEAR: 2020
PARCEL ID: 043-00-00-047.00
ASSESSMENT: \$290,000.00 (TOTAL = LAND AND IMPROVEMENTS, IF ANY) (NOT A LAND SWEETING MATTER, THEREFORE, POD GROUP, LLC DID NOT EXAMINE OR ADDRESS THIS ITEM)
2. EASEMENT IN FAVOR OF J.A. AMOS SET FORTH IN INSTRUMENT RECORDED ON JANUARY 20, 1955 IN DEED BOOK 04, PAGE 510, THE EASEMENT AS RECORDED IN BOOK 54, PAGE 510 DOES AFFECT THE PARENT PARCEL, BUT DOES NOT AFFECT THE PROPOSED LEASE AREA OR THE PROPOSED ACCESS AND UTILITY EASEMENT.

PREPARED BY:
POD
POWER OF DESIGN
1510 GLENVIEW AVENUE
COLUMBIANA, KY 40306
800.237.5492

CELLCO PARTNERSHIP
D/B/A
verizon

NO.	DATE	DESCRIPTION
A	10/20/21	PRELIM ISSUE

SITE INFORMATION:
CK
EDMONSON-WARREN
OTTER GAP ROAD
BOWLING GREEN, KY 42101
EDMONSON COUNTY
TAX PARCEL NUMBER:
043-00-00-047.00
PROPERTY OWNER:
HAROLD & PATRICIA WATT
278 AUBREY MILLS ROAD
BOWLING GREEN, KY 42101
SOURCE OF TITLE:
DEED BOOK 172, PAGE 502
POD NUMBER: 21-102885

LAND SURVEYOR'S CERTIFICATE
I, MARK E. PATTERSON, A LICENSED PROFESSIONAL LAND SURVEYOR IN COMPLIANCE WITH THE LAWS OF THE COMMONWEALTH OF KENTUCKY, I FURTHER CERTIFY THAT THIS PLAN AND THE SURVEY ON THE GROUND WERE PERFORMED BY PERSONS UNDER MY DIRECT SUPERVISION, AND THAT THE DIRECTIONAL AND LINEAR MEASUREMENTS BEING WITNESSED BY MONUMENTS SHOWN HEREON ARE TRUE AND CORRECT TO THE BEST OF MY KNOWLEDGE. THE "RURAL" SURVEY AND THE PLAN ON WHICH IT IS BASED, MEETS ALL SPECIFICATIONS AS STATED IN KAR 201.18-130.
MARK PATTERSON, PLS #3136
DATE

SHEET NUMBER: (3 PAGES)
B-1.2

EXHIBIT K

Notice List

WATT HAROLD & PATRICA ELLA
278 AUBREY MILLS RD
BOWLING GREEN KY 42101

WATT HAROLD & PATRICA ELLA
278 AUBREY MILLS RD
BOWLING GREEN KY 42101

WATT PATRICIA E
278 AUBRY MILLS RD
BOWLING GREEN, KY 42101

WATT LARRY JOE
4229 OTTER GAP RD
BOWLING GREEN KY 42101

DUNCAN BOBBY JOE
1637 SHADYLAND CH RD
BOWLING GREEN KY 42101

LINDSEY LISA K &
WILSON RANDY S
101 WALNUT RIDGE WAY
BOWLING GREEN KY 42104

DAVIS KEITH
1145 SHADY LAND CHURCH RD
BOWLING GREEN KY 42101

COWLES WILLIAM B & DORA A
383 TUCKERTOWN RD
OAKLAND KY 42159

MEREDITH JOHN W & LORI ANN
3975 OTTER GAP RD
BOWLING GREEN KY 42101

BASHAM YVONNE WATT EST
PO BOX 192
BROWNSVILLE KY 42210

WEBB TODD K & LISA MICHELLE
3300 OTTER GAP RD
BOWLING GREEN KY 42101

BOWLES STEVEN & KIMBERLY
4060 OTTER GAP RD
BOWLING GREEN KY 42101

WILLOUGHBY SEAN M & FALLON A
4130 OTTER GAP RD
BOWLING GREEN KY 42101

MURPHY TARA L
15 HUCKLEBERRY LN
BOWLING GREEN KY 42101

MASSEY T J & ALEX
1099 DENHAM RD
SMITHS GROVE KY 42171

EXHIBIT L



Russell L. Brown
Attorney at Law
rbrown@clarkquinnlaw.com

320 N. Meridian St., Ste. 1100
Indianapolis, IN 46204
(317) 637-1321 main
(317) 687-2344 fax

October 4, 2022

**Notice of Proposed Construction of
Wireless Communications Facility
Site Name: Edmonson/Warren**

Cellco Partnership, d/b/a Verizon Wireless has filed an application with the Kentucky Public Service Commission ("PSC") to construct a new wireless communications facility on a site located to the east of 4229 Otter Cap Road, Bowling Green, KY 42101 (North Latitude: (37° 05' 02.74", West Longitude 86° 16' 10.91"). The proposed facility will include a 195-foot tall antenna tower, plus a 4-foot lightning arrestor, for a total height of 199 feet with related ground facilities. This facility is needed to provide improved coverage for wireless communications in the area.

This notice is being sent to you because the County Property Valuation Administrator's records indicate that you may own property that is within a 500' radius of the proposed tower site or contiguous to the property on which the tower is to be constructed. You have a right to submit testimony to the Kentucky Public Service Commission ("PSC"), either in writing or to request intervention in the PSC's proceedings on the application. You may contact the PSC for additional information concerning this matter at: Kentucky Public Service Commission, Executive Director, 211 Sower Boulevard, P.O. Box 615, Frankfort, Kentucky 40602. Please refer to docket number 2022-00332 in any correspondence sent in connection with this matter.

We have attached a map showing the site location for the proposed tower. Applicant's radio frequency engineers assisted in selecting the proposed site for the facility, and they have determined it is the proper location and elevation needed to provide quality service to wireless customers in the area. Please feel free to contact us at 317-637-1321 if you have any comments or questions about this proposal.

Sincerely,
Russell L. Brown

Attorney for Applicant
RLB/jdj
enclosure

EXHIBIT M



ClarkQuinn

www.clarkquinnlaw.com

Russell L. Brown
Attorney at Law
rbrown@clarkquinnlaw.com

320 N. Meridian St., Ste. 1100
Indianapolis, IN 46204
(317) 637-1321 main
(317) 687-2344 fax

October 4, 2022

Via Certified Mail, Return Receipt Requested

Hon. Wil Cannon
P.O. Box 353
Brownsville, KY 42210

RE: Notice of Proposal to Construct Wireless Communications Facility
Kentucky Public Service Commission Docket No. 2022-00332
Site Name: Edmonson / Warren

Dear Judge Cannon:

Cellco Partnership, d/b/a Verizon Wireless has filed an application with the Kentucky Public Service Commission ("PSC") to construct a new wireless communications facility on a site located east of 4229 Otter Gap Road, Bowling Green, KY 42101 (North Latitude: (37° 05' 02.74", West Longitude 86° 16' 10.91"). The proposed facility will include a 195-foot tall antenna tower, plus a 4-foot lightning arrestor, for a total height of 199 feet with related ground facilities. This facility is needed to provide improved coverage for wireless communications in the area.

You have a right to submit comments to the PSC or to request intervention in the PSC's proceedings on the application. You may contact the PSC at: Executive Director, Public Service Commission, 211 Sower Boulevard, P.O. Box 615, Frankfort, Kentucky 40602. Please refer to docket number 2022-00332 in any correspondence sent in connection with this matter.

We have attached a map showing the site location for the proposed tower. Verizon Wireless' radio frequency engineers assisted in selecting the proposed site for the facility, and they have determined it is the proper location and elevation needed to provide quality service to wireless customers in the area. Please feel free to contact us with any comments or questions you may have.


Sincerely,
Russell L. Brown

Attorney for Applicant
RLB/mnw
enclosure

EXHIBIT N

SITE NAME: Edmonson/Warren NOTICE SIGNS

The signs are at least (2) feet by four (4) feet in size, of durable material, with the text printed in black letters at least one (1) inch in height against a white background, except for the word "**tower**," which is at least four (4) inches in height.

Cellco Partnership, d/b/a Verizon Wireless propose to construct a telecommunications **tower** on this site. If you have questions, please contact Clark, Quinn, Moses, Scott & Grahn, LLP, 320 N. Meridian Street, Indianapolis, IN 46204; 317-637-1321, or the Executive Director, Public Service Commission, 211 Sower Boulevard, PO Box 615, Frankfort, Kentucky 40602. Please refer to docket number 2022-00332 in your correspondence.

Cellco Partnership, d/b/a Verizon Wireless propose to construct a telecommunications **tower** on this site. If you have questions, please contact Clark, Quinn, Moses, Scott & Grahn, LLP, 320 N. Meridian Street, Indianapolis, IN 46204; 317-637-1321, or the Executive Director, Public Service Commission, 211 Sower Boulevard, PO Box 615, Frankfort, Kentucky 40602. Please refer to docket number 2022-00332 in your correspondence.

EXHIBIT O



Robert B. Scott
Charles R. Grahn
Frank D. Otte*
John "Bart" Herriman
William W. Gooden**
Michael P. Maxwell
Russell L. Brown**†
Jennifer F. Perry
Keith L. Beall
N. Davey Neal
Travis W. Cohron
Maggie L. Sadler
Kristin A. McIlwain
Olivia A. Hess

VIA EMAIL: tcreager@bgdailynews.com

Bowling Green Daily News
813 College St
Bowling Green, KY 42101

Land Use Consultant
Elizabeth Bentz Williams, AICP

*Also admitted in Montana
†Also admitted in Kentucky
**Registered Civil Mediator

RE: Legal Notice Advertisement
Site Name: Edmonson / Warren

Dear Tiffany,

Please publish the following legal notice advertisement in the next available edition of the Bowling Green Daily News:

NOTICE

Cellco Partnership, d/b/a Verizon Wireless has filed an application with the Kentucky Public Service Commission ("PSC") to construct a new wireless communications facility on a site located east of 4229 Otter Gap Road, Bowling Green, KY 42101 (North Latitude: (37° 05' 02.74", West Longitude 86° 16' 10.91")). The proposed facility will include a 195-foot tall antenna tower, plus a 4-foot lightning arrestor, for a total height of 199 feet with related ground facilities. You have a right to submit comments to the PSC or to request intervention in the PSC's proceedings on the application. You may contact the PSC at: Executive Director, Public Service Commission, 211 Sower Boulevard, P.O. Box 615, Frankfort, Kentucky 40602. Please refer to docket number 2022-00332 in any correspondence sent in connection with this matter.

After this advertisement has been published, please forward a tearsheet copy, affidavit of publication, and invoice to Clark, Quinn, Moses, Scott & Grahn, LLC, 320 N. Meridian Street, Indianapolis, IN 46204 or by email to ebw@clarkquinnlaw.com. Please call me on my cell with any questions at 317-902-2187 if you have any questions. Thank you for your assistance.

Sincerely,

Elizabeth Bentz Williams, AICP

EXHIBIT P

SEARCH AREA MAP



EXHIBIT Q



May 19, 2022

RE: Proposed Verizon Wireless Communications Facility
Site Name: CK Edmonson/Warren

To Whom It May Concern:

As a radio frequency engineer for Verizon Wireless, I am providing this letter to state the need for the Verizon Wireless site called Edmonson/Warren and its compliance to RF emission standards as set by FCC. The Edmonson/Warren cell site is necessary to achieve coverage and capacity needs in the Otter Gap area, along Otter Gap Rd, SR 31W and to the surrounding residential areas. This site is necessary to provide this coverage and capacity that cannot be established in any other manner. This new tower is required as there is no other means of providing this service in this area.

Whenever possible, Verizon Wireless seeks out colocation opportunities. Colocation allows Verizon Wireless to increase capacity, coverage and services in a targeted area in a more timely manner and at less cost than building a new raw land site.

The height for the Edmonson/Warren site was determined through in-depth terrain modeling as well as signal propagation modeling. Due to the rising and falling terrain combine with the dense wooded area, it was determined that a centerline height of 190 feet was necessary to provide adequate coverage in the area. A lower height would greatly reduce coverage and result in the inability of the Edmonson/Warren site to operate properly in the Verizon Network.

The site will provide the quality coverage our customers expect and rely on; Customers will experience access to mobile voice and wireless data services previously unavailable, and support Homeland Security through enhanced 911 services.

This cell site has been designed, and will be constructed and operated in a manner that satisfies regulations and requirements of all applicable governmental agencies that have been charged with regulating tower specifications, operation, construction, and placement, including the FAA and FCC.

RF emission readings at this site in the accessible areas would be well below the applicable limits for FCC Uncontrolled/General Population and FCC Controlled/Occupational environments as outlined in 47 CFR 1.1301 through 1.1319. The site would carry appropriate RF emission signage to the public entering the site area.

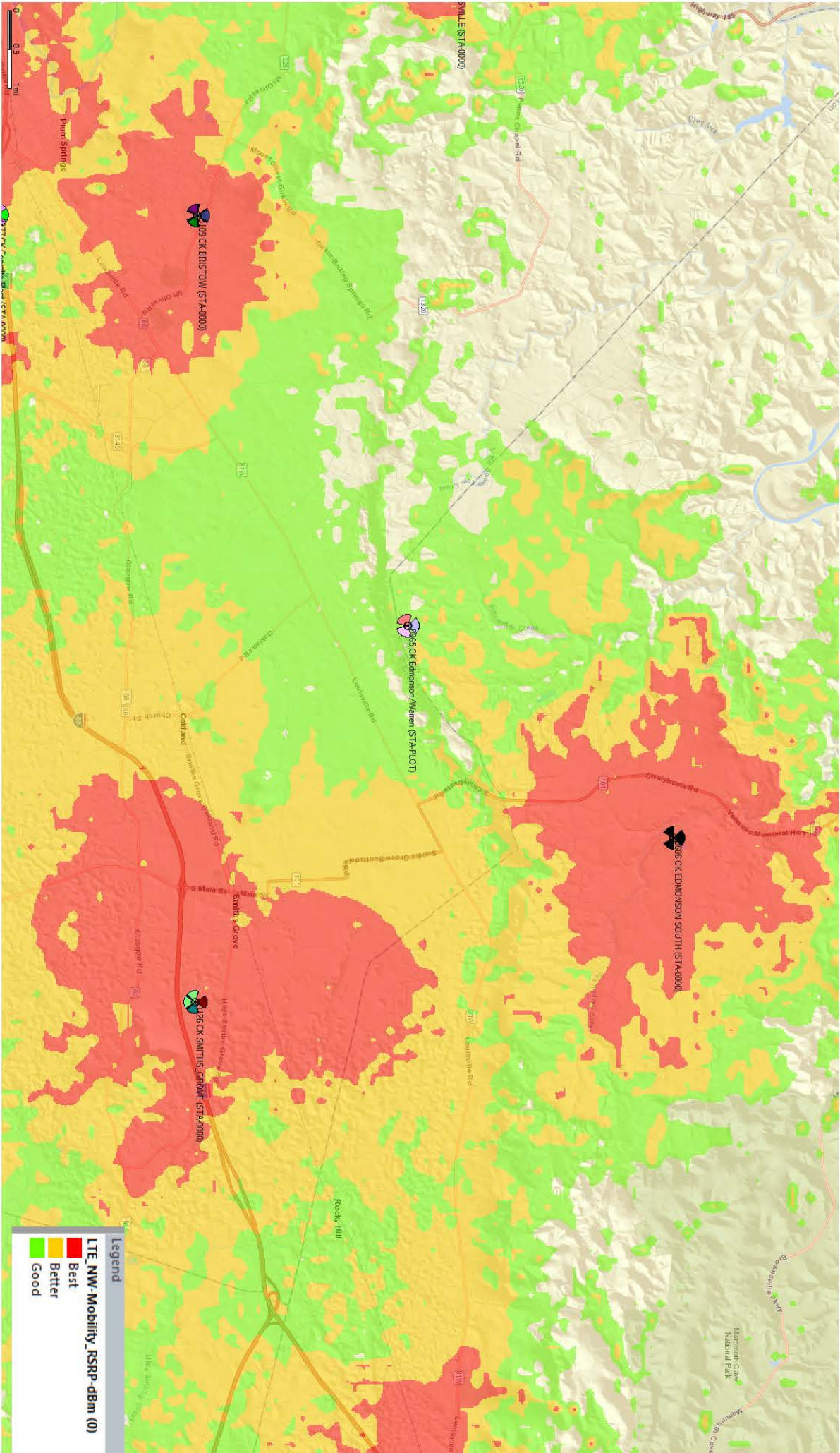
This site would transit frequencies within the licensed frequency bands and the power limitations set by FCC regulatory authority. The site would go through the complete rigorous regulatory process before it comes on-air to provide service to our customers.

Sincerely,

A handwritten signature in black ink, appearing to read "Gordon Snyder". The signature is written in a cursive style with a long horizontal tail extending to the right.

Gordon Snyder
RF Engineer, Verizon Wireless

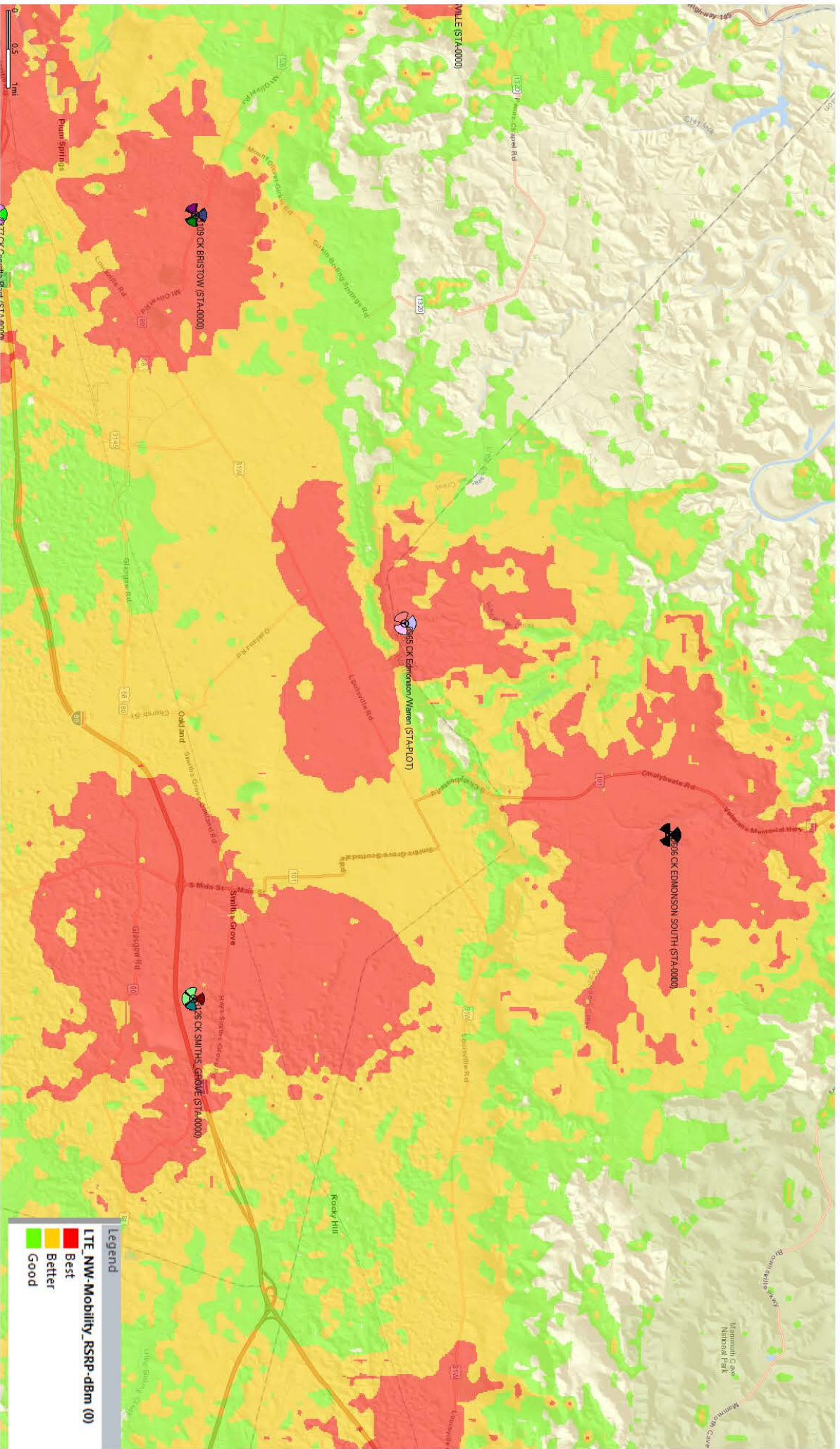
EXHIBIT Qa



Legend

LTE_NW-Mobility_KSRP-dBm (0)

- Best
- Better
- Good



Legend

LTE-NW-Mobility-RSRP-dBm (0)

Red	Best
Yellow	Better
Green	Good

EXHIBIT R

Exhibit R
List and Identity and Qualifications of Professionals

Mark E. Patterson
Professional Land Surveyor
Kentucky License 3136
Power of Design Group, LLC
11490 Bluegrass Parkway
Louisville, KY 40299

Mark E. Patterson
Professional Engineer
Kentucky License 16300
Power of Design Group, LLC
11490 Bluegrass Parkway
Louisville, KY 40299

Joseph Pachicarah
Professional Engineer
Kentucky License 22177
Valmont Structures
1545 Pidco Dr.
Plymouth, IN 46563

Vincent Caprino
Construction Manager
Verizon Wireless
2421 Holloway Road
Louisville, KY 40299

Gordan Snyder
RF Engineer
Verizon Wireless
2421 Holloway Road
Louisville, KY 40299