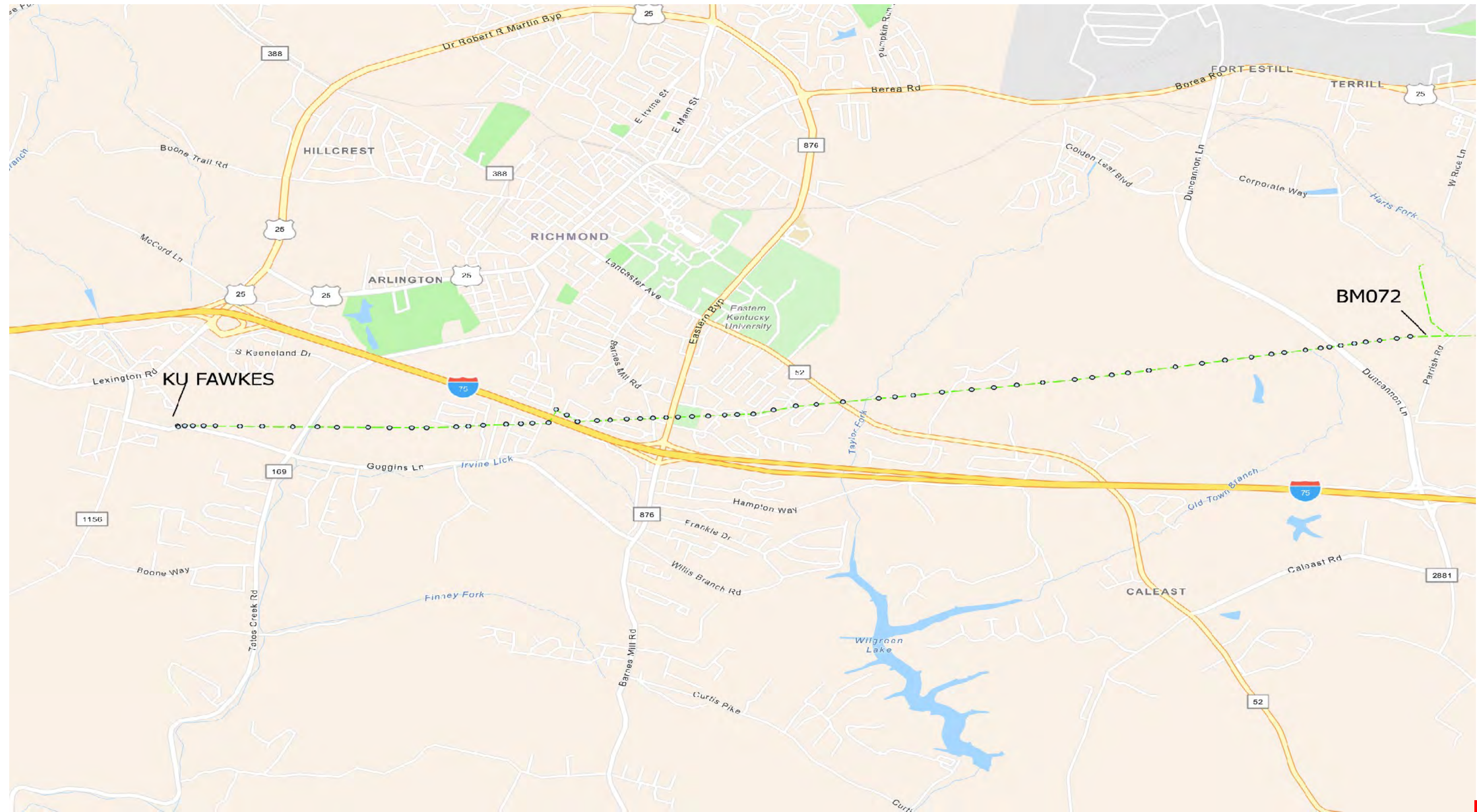


# FAWKES-DUNCANNON 69/138KV (BM/ZL) DBL CKT VICINITY MAP - 7.4 MILES



BM072

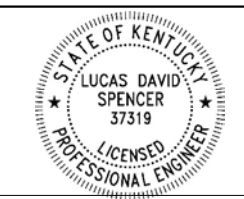
KU FAWKES

IFC

REVISIONS	DATE	DWN	APP	REVISIONS	DATE	DWN	APP

DESIGNED	APPROVALS	DATE
LUCAS SPENCER	LUCAS SPENCER	07/07/23
REVIEWED		
APPROVED	LUCAS SPENCER	



4775 LEXINGTON RD  
WINCHESTER, KY 40391  
PHONE: (859) 744-4812

FAWKES-DUNCANNON DBL CKT 69/138KV  
"BM"/"ZL"~7.4 MILES

DWG. NO.	REV.
BM-VI	0
SHEET	1 OF 18

# DESIGN NOTES

CONDUCTOR: 795 DRAKE ACSR 26/7 – NESC 250B HEAVY LOADING D.T. 9000# INITIAL RS, 6000# NESC MED CREEP RS FROM BM069 - BM072  
 STATIC: 7NO6 ALUMOWELD – NESC 250B HEAVY LOADING D.T 5200# INITIAL RS, 3300# NESC MED CREEP RS FROM BM069 - BM072  
 OPGW: AFL DNO-12326 (0.575" – 72CT FIBER) NESC 250B HEAVY LOADING D.T. 4800# INITIAL RS

PHASING HAS BEEN SEQUENCED ON DBL CKT TO REDUCE EMF

SAG CHARTS WILL BE MADE AVAILABLE WITHIN ONE WEEK OF REQUEST - IF ALL STRUCTURES LOCATED WITHIN THE RESPECTIVE WIRE PULL HAVE BEEN SET.

REFER TO THE 'STANDARD STRUCTURE DRAWING –REV0' AND 'STANDARD ASSEMBLY DRAWING – REV0' FOR ALL ASSEMBLY DRAWINGS NOT INCLUDED IN THE P&P APPENDICES.

# CONSTRUCTION NOTES

ANY ROCK ENCOUNTERED DURING STRUCTURE DRILLING SHALL BE CONFIRMED AND AGREED UPON BY THE EKPC REPRESENTATIVE PRIOR TO POLE ERECTION. CONTRACTOR SHALL BE RESPONSIBLE FOR AND DISPOSE OF ALL ROCK REMOVED WHILE EXCAVATING FOR POLE FOUNDATIONS OR ANCHORS.

CONTRACTOR SHALL BE RESPONSIBLE FOR CONTACTING ALL U/G UTILITIES PRIOR TO CROSSING THEIR EASEMENTS. CONTRACTOR SHALL NOT TAKE CONSTRUCTION EASEMENT INTO KINDER MORGAN EASEMENT WITHOUT PRE-AUTHORIZATION FROM KINDER MORGAN. U/G UTILITIES AND GAS LINES HAVE BEEN DISPLAYED ON THE PLAN VIEW PORTION OF THE PLAN & PROFILE DRAWINGS – CONTRACTOR IS RESPONSIBLE FOR CONFIRMATION OF ALL U/G UTILITIES PRIOR TO ANY EXCAVATION.

ALL PI'S WILL REQUIRE A TEMPORARY ALIGNMENT MODIFICATION TO FACILITATE THE INSTALLATION OF THE SELF-SUPPORTING STRUCTURES.

CONDUCTOR AND SHIELD WIRES SHALL BE CLIPPED WITHIN 48 HOURS OF SAGGING WIRE.

CONTRACTOR SHALL SAG ALL WIRE UTILIZING THE JERK-SAG METHOD. EKPC'S REPRESENTATIVE ON-SITE SHALL VERIFY ALL SAGGING ACTIVITIES; CONTRACTOR SHALL CORRECT ANY DISCREPANCIES IMMEDIATELY. CONTRACTOR SHALL EXERCISE CAUTION TO THE GREATEST EXTENT POSSIBLE IN ALL RESIDENTIAL LOCATIONS. MATTING WILL BE REQUIRED IN ALL RESIDENTIAL YARDS.

AT THE END OF THE WORKDAY, CONTRACTOR WILL LEAVE THE TRANSMISSION LINE IN A STATE THAT WILL ALLOW EMERGENCY RESTORATION UNLESS AUTHORIZED OTHERWISE BY EKPC PROJECT MANAGER.

CONTRACTOR SHALL UTILIZE SIGNAGE TO CONVEY THAT OVERHEAD TRANSMISSION WORK IS BEING CONDUCTED. SIGNAGE LOCATION AND FREQUENCY SHALL BE SUCH THAT ALL AREAS WHERE PEDESTRIAN ACCESS IS TO BE REASONABLY EXPECTED CAN BE OBSERVED BY ANY PEDESTRIANS IN THE AREA.

WHEN SUBMITTING WIRE PULL PLANS:

- THE CONTRACTOR SHALL SUBMIT THE PICTURES AND POLE NUMBERS (COORDINATES IF POLE NUMBER CANNOT BE FOUND) OF ALL DISTRIBUTION, TELECOMMUNICATION AND OTHER AERIAL OBSTRUCTIONS AS WELL AS REMEDIATION TAKEN TO REDUCE RISK WHILE PULLING WIRE.
- CONTRACTOR SHALL INSTALL GUARDS AT ALL RESIDENTIAL DRIVEWAYS AND INCLUDE IMAGES OF THE GUARD(S) AND METHODS UTILIZED.
- CONTRACTOR SHALL SUBMIT PICTURES OF PEDESTRIAN SIGNAGE WITH THE PULL PLAN.
- CONTRACTOR SHALL SUBMIT COMMUNICATION PLAN FOR ALL WIRE PULLS.

CONTRACTOR SHALL NOT USE EXISTING CONDUCTOR TO PULL IN NEW CONDUCTOR. EXISTING CONDUCTOR CAN BE UTILIZED TO PULL IN PULLING ROPES ONLY. EXISTING SHIELD WIRES SHALL BE USED ONLY TO PULL IN P-LINE.

CONTRACTOR SHALL INSPECT ALL WIRE PRIOR TO ANY WIRE-PULLING OPERATIONS TO CONFIRM SUFFICIENT INTEGRITY TO PERFORM ANY PULLING OPERATIONS. ANY DEFICIENCIES SHALL BE REMEDIED PRIOR TO ANY PULLING OPERATIONS BEING CONDUCTED.

NO EXCAVATIONS SHALL BE LEFT EXPOSED WHEN LEFT UNATTENDED.

CONTRACTOR IS REQUIRED TO CONTACT 811 BEFORE COMMENCING ANY EXCAVATION ACTIVITIES



REVISIONS				APPROVALS				DATE
				DESIGNED	LUCAS SPENCER		07/07/23	
				REVIEWED				
				APPROVED	LUCAS SPENCER			



4775 LEXINGTON RD  
 WINCHESTER, KY 40391  
 PHONE: (859) 744-4812

FAWKES-DUNCANNON DBL CKT 69/138KV  
 'BM' / 'ZL' ~7.4 MILES

DWG. NO.	
REV.	0
SHEET	2 OF 18



Construction Staking Report

Project Fawkes-Duncannon DBL CKT 138/69

Table with columns: Structure Number, Station (ft), C/L Elevation, Structure Type, Pole Class/Height, Details. Rows include KU FAWKES 69KV SWITCHING, BM001, BM002, BM003, BM004, BM005, BM006, BM007, BM008, BM009, BM010, BM011, BM012, BM013, BM014, BM015, BM016, BM017, BM018, BM019, BM020, BM021.

Print Date: 7/17/2023

Page 1 of 51



Construction Staking Report

Project Fawkes-Duncannon DBL CKT 138/69

Table with columns: Structure Number, Station (ft), C/L Elevation, Structure Type, Pole Class/Height, Details. Rows include BM022, BM023, BM024, BM025, BM026, BM027, BM028, BM029, BM030, BM031, BM032, BM033, BM034, BM035, BM036, BM037, BM038.

Print Date: 7/17/2023

Page 2 of 51



Construction Staking Report

Project Fawkes-Duncannon DBL CKT 138/69

Table with columns: Structure Number, Station (ft), C/L Elevation, Structure Type, Pole Class/Height, Details. Rows include BM039, BM040, BM041, BM042, BM043, BM044, BM045, BM046, BM047, BM048, BM049, BM050, BM051, BM052, BM053, BM054, BM055, BM056.

Print Date: 7/17/2023

Page 3 of 51



Construction Staking Report

Project Fawkes-Duncannon DBL CKT 138/69

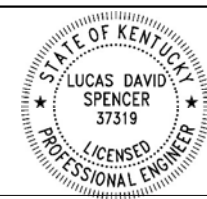
Table with columns: Structure Number, Station (ft), C/L Elevation, Structure Type, Pole Class/Height, Details. Rows include BM057, BM058, BM059, BM060, BM061, BM062, BM063, BM064, BM065, BM066, BM067, BM068, BM069, BM070, BM071, BM072.

Print Date: 7/17/2023

Page 4 of 51

Table with columns: REVISIONS, DATE, DWN, APP. Includes a grid for tracking changes.

Table with columns: APPROVALS, DATE. Includes signatures and dates for LUCAS SPENCER.



4775 LEXINGTON RD WINCHESTER, KY 40391 PHONE: (859) 744-4812

FAWKES-DUNCANNON DBL CKT 69/138KV 'BM' / 'ZL' ~7.4 MILES



Table with columns: DWG. NO., REV. Includes drawing number and revision 0.

SHEET 3 OF 18

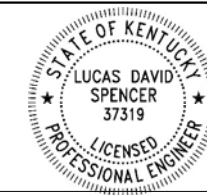
### EMBEDMENT DEPTH(S)

Structure Number	Pole	Offset from C/L (ft)	Embedment Depth (ft)
BM001	P	0	8
BM002	P	5.5	9.25
BM003	P	0	11
BM004	P	0	13
BM005	P	-6.25	8.45
	RP	6.25	7.54
BM007	P	-5.25	16
	PR	5.25	15.39
BM008	P	-5.25	17.27
	PR	5.25	16.58
BM009	P	-5.25	14.42
	PR	5.25	13
BM010	P	-5.25	13.87
	PR	5.25	15.43
BM011	P	-5.25	14.61
	PR	5.25	14.5
BM012	P	-5.25	14.23
	PR	5.25	14.63
BM013	P	-5.25	13.28
	PR	5.25	14.84
BM014	P	-5.25	12.43
	PR	5.25	12.39
BM015	Pole	0	0
BM016	P	-5.25	18.3
	PR	5.25	16.96
BM017	P	0	12.5
BM018	P	-5.25	11.59
	PR	5.25	11.13
BM019	P	-5.25	14.24
	PR	5.25	15.86
BM020	P	0	12.5
BM021	P	0	14.5
BM022	Pole	0	0
BM023	Pole	0	0
BM024	P	0	14
BM025	Pole	0	0
BM026	P	-5.25	14.15
	PR	5.25	17.1
BM027	P	0	13
BM028	P	0	14
BM029	P	0	16
BM030	P	0	15

BM031	P	0	14
BM032	P	0	14.5
BM033	P	-5.25	15.27
	PR	5.25	15.09
BM034	P	-5.25	15.29
	PR	5.25	11.22
BM035	P	-5.25	12.45
	PR	5.25	13.2
BM036	P	-5.25	11.64
	PR	5.25	13.45
BM037	Pole	0	0
BM038	P	-5.25	13.14
	PR	5.25	13.85
BM039	Pole	0	0
BM040	P	-5.25	16.7
	PR	5.25	15.94
BM041	P	-5.25	17.62
	PR	5.25	16.45
BM042	P	-5.25	13.12
	PR	5.25	13.04
BM043	P	-5.25	11.9
	PR	5.25	12.28
BM044	P	-5.25	14.68
	PR	5.25	17.32
BM045	P	-5.25	14.66
	PR	5.25	14.14
BM046	P	-5.25	12.5
	PR	5.25	12.43
BM047	P	-5.25	13
	PR	5.25	12.31
BM048	P	-5.25	14.5
	PR	5.25	14.95
BM049	P	-5.25	12.97
	PR	5.25	12.24
BM050	Pole	0	0
BM051	P	-5.25	13.32
	PR	5.25	13.85
BM052	P	-5.25	12.63
	PR	5.25	12.22
BM053	P	-5.25	11.84
	PR	5.25	12.65
BM054	P	-5.25	17.42
	PR	5.25	16.9
BM055	P	-5.25	17.76
	PR	5.25	16.61
BM056	P	-5.25	14.45
	PR	5.25	15.54

BM057	P	-5.25	13.42
	PR	5.25	13.5
BM058	P	-5.25	14.29
	PR	5.25	13.73
BM059	P	0	14.5
BM060	P	0	13.5
BM061	P	-5.25	15.24
BM061	PR	5.25	15.62
BM062	P	0	14
BM063	P	0	14
BM064	P	0	13.5
BM065	P	0	14
BM066	P	0	12.5
BM067	P	0	13
BM068	P	-5.25	14.07
	PR	5.25	13.98
BM069	Pole	0	0
BM070	P	0	12
BM071	P	0	11.5
BM072	P	0	10.5

DESIGNED		APPROVALS		DATE
DESIGNED	LUCAS SPENCER	APPROVED	LUCAS SPENCER	07/07/23
REVIEWED				
APPROVED				






4775 LEXINGTON RD  
WINCHESTER, KY 40391  
PHONE: (859) 744-4812

**FAWKES-DUNCANNON DBL CKT 69/138KV**  
**BM / ZL ~7.4 MILES**

**IFC**

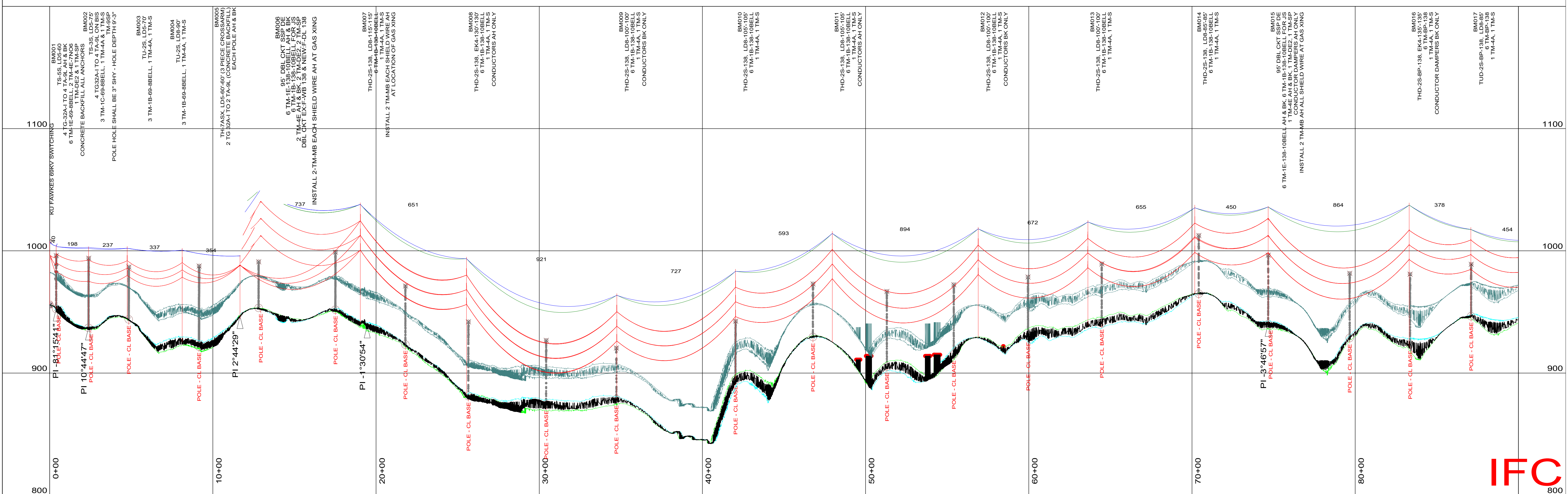
DWG. NO.	REV.
	0
SHEET	4 OF 18

**LEGEND**

-  EXISTING STRUCTURE TO BE REMOVED
-  NEW STRUCTURE
-  DISTRIBUTION



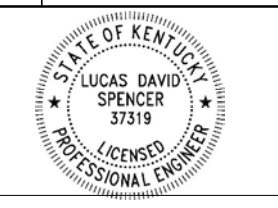
**KU FAWKES 69KV SWITCHING - BM001, 7NO\_6\_ALUMOWELD\_SLACK.WIR, DISPLAYED 0 DEG F CREEP 157 (LBS)**  
**KU FAWKES 69KV SWITCHING - BM001, DRAKE\_ACSR\_SLACK.WIR, DISPLAYED 212 DEG F CREEP FE**  
**BM001 - BM005, DRAKE\_ACSR\_450\_7163\_ML.WIR, DISPLAYED 212 DEG F CREEP FE**  
**BM001 - BM005, 7NO\_6\_ALUMOWELD.WIR, DISPLAYED 0 DEG F CREEP 3702 (LBS)**  
**BM005 - BM015, DRAKE\_ACSR\_450\_8765\_HL.WIR, DISPLAYED 212 DEG F CREEP FE**  
**BM015 - BM022, 7NO\_6\_ALUMOWELD.WIR, DISPLAYED 0 DEG F CREEP 2374 (LBS)**  
**BM015 - BM022, AFL\_575-72FIBER.WIR, DISPLAYED 0 DEG F CREEP 1646 (LBS)**  
**BM015 - BM022, DRAKE\_ACSR\_450\_8765\_HL.WIR, DISPLAYED 212 DEG F MAX SAG FE**  
**BM015 - BM022, DRAKE\_ACSR\_450\_8765\_HL.WIR, DISPLAYED 212 DEG F CREEP FE**  
**BM006 - BM015, DRAKE\_ACSR\_450\_8765\_HL.WIR, DISPLAYED 212 DEG F CREEP FE**  
**BM006 - BM015, AFL\_575-72FIBER.WIR, DISPLAYED 0 DEG F CREEP 1458 (LBS)**  
**BM006 - BM015, 7NO\_6\_ALUMOWELD.WIR, DISPLAYED 0 DEG F CREEP 2053 (LBS)**



REVISIONS	DATE	DWN	APP

DESIGNED	APPROVALS	DATE
LUCAS SPENCER	[Signature]	07/07/23
REVIEWED	[Signature]	
APPROVED	LUCAS SPENCER	




**4775 LEXINGTON RD**  
**WINCHESTER, KY 40391**  
**PHONE: (859) 744-4812**

**FAWKES-DUNCANNON DBL CKT 69/138KV**  
**BM / ZL ~7.4 MILES**

300.0 FT. HORIZ. SCALE  
 40.0 FT. VERT. SCALE




**IFC**

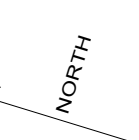
DWG. NO. **BM1**

REV. **0**

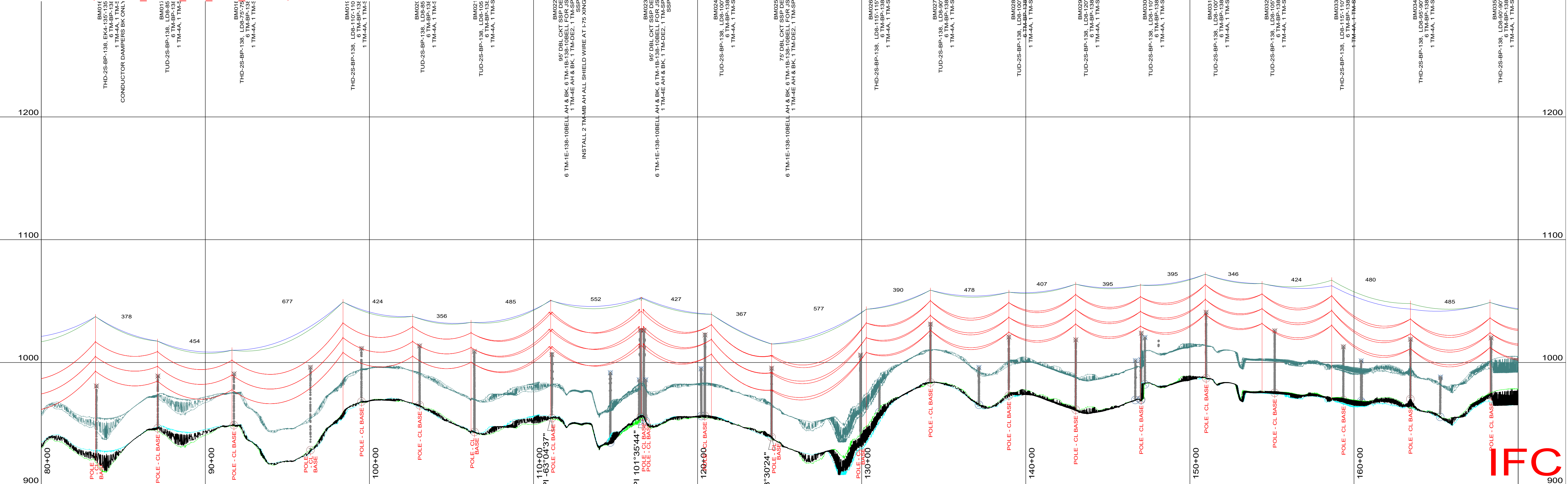
SHEET **5** OF **18**

**LEGEND**

-  EXISTING STRUCTURE TO BE REMOVED
-  NEW STRUCTURE
-  DISTRIBUTION



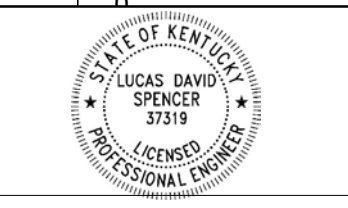
BM015 - BM022, 7NO\_6\_ALUMOWELD.WIR, DISPLAYED 0 DEG F CREEP 2374 (LBS)  
 BM015 - BM022, AFL\_575-72FIBER.WIR, DISPLAYED 0 DEG F CREEP 1646 (LBS)  
 BM015 - BM022, DRAKE\_ACSR\_450\_8765\_HL.WIR, DISPLAYED 212 DEG F MAX SAG FE  
 BM015 - BM022, DRAKE\_ACSR\_450\_8765\_HL.WIR, DISPLAYED 212 DEG F CREEP FE  
 BM022 - BM023, 7NO\_6\_ALUMOWELD.WIR, DISPLAYED 0 DEG F CREEP 2649 (LBS)  
 BM022 - BM023, AFL\_575-72FIBER.WIR, DISPLAYED 0 DEG F CREEP 1817 (LBS)  
 BM022 - BM023, DRAKE\_ACSR\_450\_8765\_HL.WIR, DISPLAYED 212 DEG F CREEP FE  
 BM023 - BM025, 7NO\_6\_ALUMOWELD.WIR, DISPLAYED 0 DEG F CREEP 3346 (LBS)  
 BM023 - BM025, AFL\_575-72FIBER.WIR, DISPLAYED 0 DEG F CREEP 2410 (LBS)  
 BM023 - BM025, DRAKE\_ACSR\_450\_8765\_HL.WIR, DISPLAYED 212 DEG F CREEP FE  
 BM025 - BM037, 7NO\_6\_ALUMOWELD.WIR, DISPLAYED 0 DEG F CREEP 3049 (LBS)  
 BM025 - BM037, AFL\_575-72FIBER.WIR, DISPLAYED 0 DEG F CREEP 2141 (LBS)  
 BM025 - BM037, DRAKE\_ACSR\_450\_8765\_HL.WIR, DISPLAYED 302 DEG F CREEP FE  
 BM025 - BM037, DRAKE\_ACSR\_450\_8765\_HL.WIR, DISPLAYED 212 DEG F CREEP FE



REVISIONS	DATE	DWN	APP

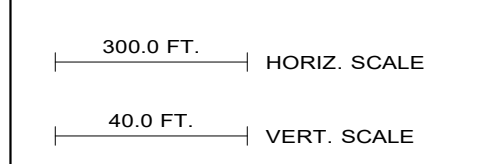
  

APPROVALS	DATE
DESIGNED: LUCAS SPENCER	07/07/23
REVIEWED: LUCAS SPENCER	
APPROVED: LUCAS SPENCER	



4775 LEXINGTON RD  
 WINCHESTER, KY 40391  
 PHONE: (859) 744-4812

**FAWKES-DUNCANNON DBL CKT 69/138KV  
 'BM' / 'ZL' ~7.4 MILES**

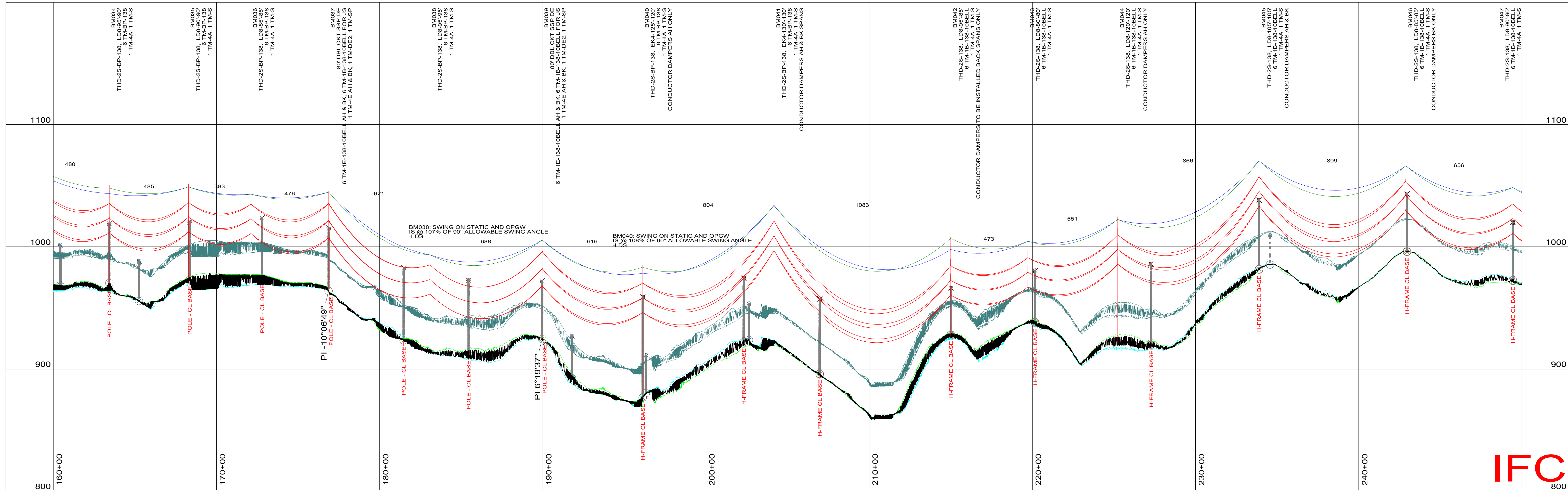


DWG. NO. **BM2**  
 REV. **0**  
 SHEET **6** OF **18**





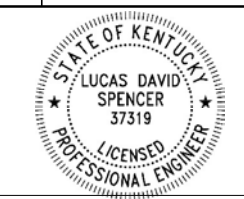
BM025 - BM037, 7NO\_6\_ALUMOWELD.WIR, DISPLAYED 0 DEG F CREEP 3049 (LBS)  
 BM025 - BM037, AFL\_575-72FIBER.WIR, DISPLAYED 0 DEG F CREEP 2141 (LBS)  
 BM025 - BM037, DRAKE\_ACSR\_450\_8765\_HL.WIR, DISPLAYED 302 DEG F CREEP FE  
 BM025 - BM037, DRAKE\_ACSR\_450\_8765\_HL.WIR, DISPLAYED 212 DEG F CREEP FE  
 BM037 - BM039, 7NO\_6\_ALUMOWELD.WIR, DISPLAYED 0 DEG F CREEP 2227 (LBS)  
 BM037 - BM039, AFL\_575-72FIBER.WIR, DISPLAYED 0 DEG F CREEP 1549 (LBS)  
 BM037 - BM039, DRAKE\_ACSR\_450\_8765\_HL.WIR, DISPLAYED 212 DEG F CREEP FE  
 BM039 - BM050, 7NO\_6\_ALUMOWELD.WIR, DISPLAYED 0 DEG F CREEP 1912 (LBS)  
 BM039 - BM050, AFL\_575-72FIBER.WIR, DISPLAYED 0 DEG F CREEP 1384 (LBS)  
 BM039 - BM050, DRAKE\_ACSR\_450\_8765\_HL.WIR, DISPLAYED 302 DEG F CREEP FE  
 BM039 - BM050, DRAKE\_ACSR\_450\_8765\_HL.WIR, DISPLAYED 212 DEG F CREEP FE



REVISIONS	DATE	DWN	APP

DESIGNED	REVIEWED	APPROVED	DATE
LUCAS SPENCER	LUCAS SPENCER	LUCAS SPENCER	07/07/23



4775 LEXINGTON RD  
 WINCHESTER, KY 40391  
 PHONE: (859) 744-4812

**FAWKES-DUNCANNON DBL CKT 69/138KV**  
 "BM" / "ZL" ~7.4 MILES

300.0 FT. HORIZ. SCALE  
 40.0 FT. VERT. SCALE

**IFC**

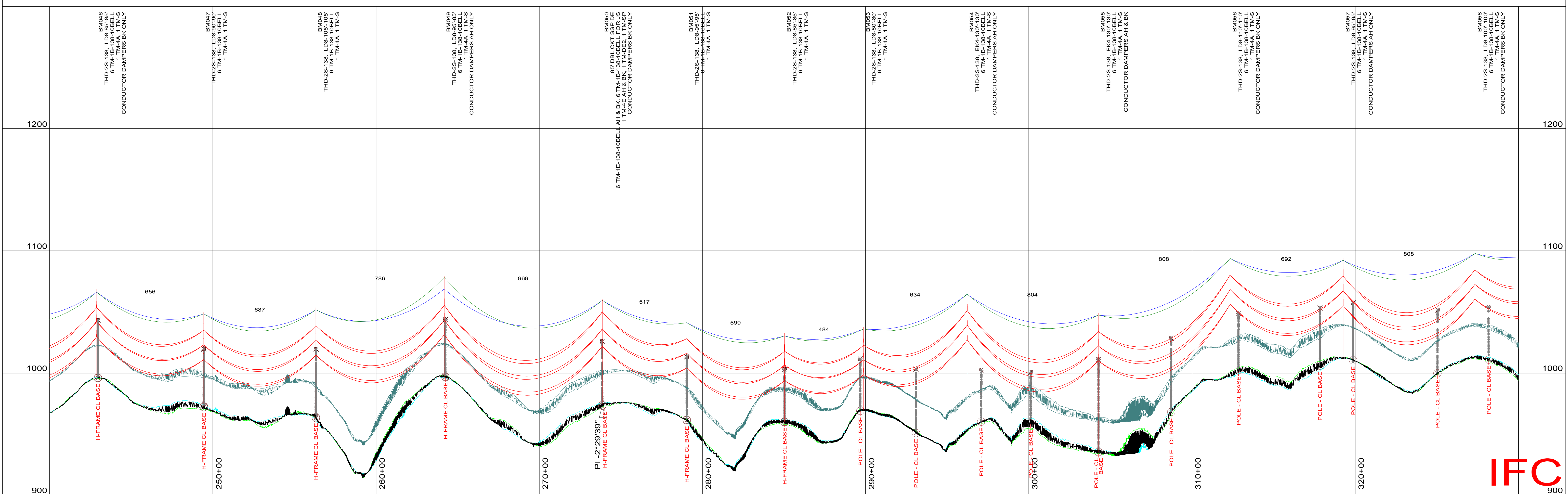
DWG. NO. **BM3**  
 REV. **0**  
 SHEET **7** OF **18**



**LEGEND**

- EXISTING STRUCTURE TO BE REMOVED
- NEW STRUCTURE
- DISTRIBUTION

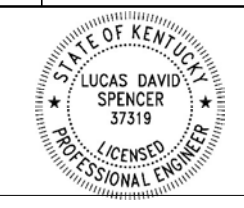
BM039 - BM050, 7NO\_6\_ALUMOWELD.WIR, DISPLAYED 0 DEG F CREEP 1912 (LBS)  
 BM039 - BM050, AFL\_575-72FIBER.WIR, DISPLAYED 0 DEG F CREEP 1384 (LBS)  
 BM039 - BM050, DRAKE\_ACSR\_450\_8765\_HL.WIR, DISPLAYED 302 DEG F CREEP FE  
 BM039 - BM050, DRAKE\_ACSR\_450\_8765\_HL.WIR, DISPLAYED 212 DEG F CREEP FE  
 BM050 - BM069, 7NO\_6\_ALUMOWELD.WIR, DISPLAYED 0 DEG F CREEP 2320 (LBS)  
 BM050 - BM069, AFL\_575-72FIBER.WIR, DISPLAYED 0 DEG F CREEP 1607 (LBS)  
 BM050 - BM069, DRAKE\_ACSR\_450\_8765\_HL.WIR, DISPLAYED 302 DEG F CREEP FE  
 BM050 - BM069, DRAKE\_ACSR\_450\_8765\_HL.WIR, DISPLAYED 212 DEG F CREEP FE



REVISIONS	DATE	DWN	APP

DESIGNED	REVIEWED	APPROVED	DATE
LUCAS SPENCER	LUCAS SPENCER	LUCAS SPENCER	07/07/23



4775 LEXINGTON RD  
 WINCHESTER, KY 40391  
 PHONE: (859) 744-4812

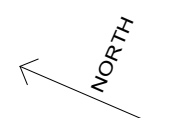
**FAWKES-DUNCANNON DBL CKT 69/138KV  
 "BM" / "ZL" ~7.4 MILES**

300.0 FT. HORIZ. SCALE  
 40.0 FT. VERT. SCALE

**IFC**

DWG. NO. **BM4**  
 REV. **0**  
 SHEET **8** OF **18**





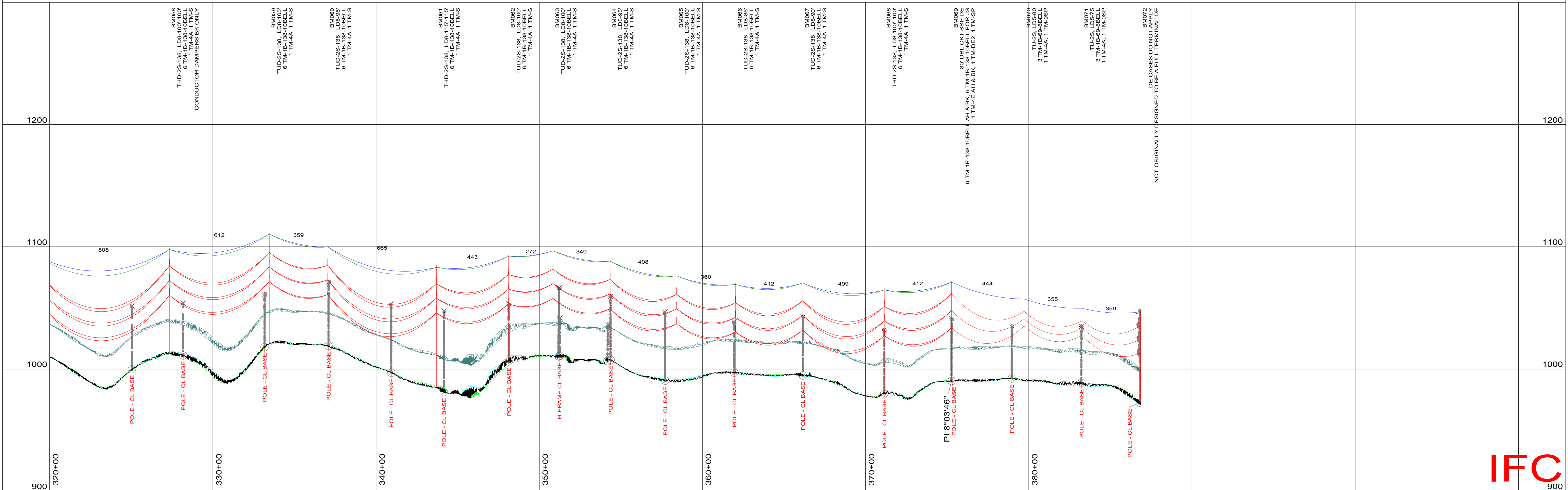
# DUNCANNON LANE



**LEGEND**

- EXISTING STRUCTURE TO BE REMOVED
- NEW STRUCTURE
- DISTRIBUTION

- BM050 - BM069, 7NO\_6\_ALUMOWELD.WIR, DISPLAYED 0 DEG F CREEP 2320 (LBS)
- BM050 - BM069, AFL\_575-72FIBER.WIR, DISPLAYED 0 DEG F CREEP 1607 (LBS)
- BM050 - BM069, DRAKE\_ACSR\_450\_8765\_HL.WIR, DISPLAYED 302 DEG F CREEP FE
- BM050 - BM069, DRAKE\_ACSR\_450\_8765\_HL.WIR, DISPLAYED 212 DEG F CREEP FE
- BM069 - BM072, 7NO\_6\_ALUMOWELD\_3631ML-MATCH 3-8HSS.WIR, DISPLAYED 0 DEG F CREEP 2999 (LBS)
- BM069 - BM072, DRAKE\_ACSR\_6083ML - MATCH 556.WIR, DISPLAYED 212 DEG F CREEP 2000 (LBS)
- BM072 - BM074, 3\_8-7\_STRAND\_HS\_STEEL\_3631ML-DUNC-CROOK.WIR, DISPLAYED 0 DEG F MAX SAG 2546 (LBS)
- BM072 - BM074, DOVE\_ACSR\_TW\_6083ML-DUNCANNON-CROOK.WIR, DISPLAYED 212 DEG F MAX SAG 1868 (LBS)
- BM072 - UNDEFINED (#122 IN LINE), 7NO\_6\_ALUMOWELD.WIR, DISPLAYED 0 DEG F CREEP 3477 (LBS)
- BM072 - UNDEFINED (#122 IN LINE), SFPOC\_470-48FIBER-44KA2\_800\_3540\_ML.WIR, DISPLAYED 0 DEG F CREEP 4631 (LBS)
- BM072 - UNDEFINED (#122 IN LINE), PARTRIDGE\_ACSR\_800\_3673\_ML.WIR, DISPLAYED 60 DEG F CREEP FE



REVISIONS	DATE	DWN	APP

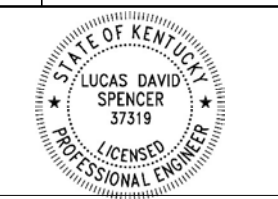
DESIGNED	DATE
LUCAS SPENCER	07/07/23

REVIEWED	DATE	DWN	APP

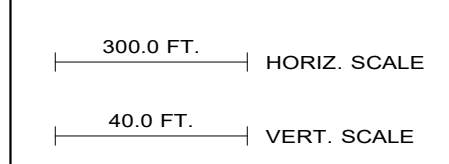
  

APPROVED
LUCAS SPENCER



4775 LEXINGTON RD  
WINCHESTER, KY 40391  
PHONE: (859) 744-4812

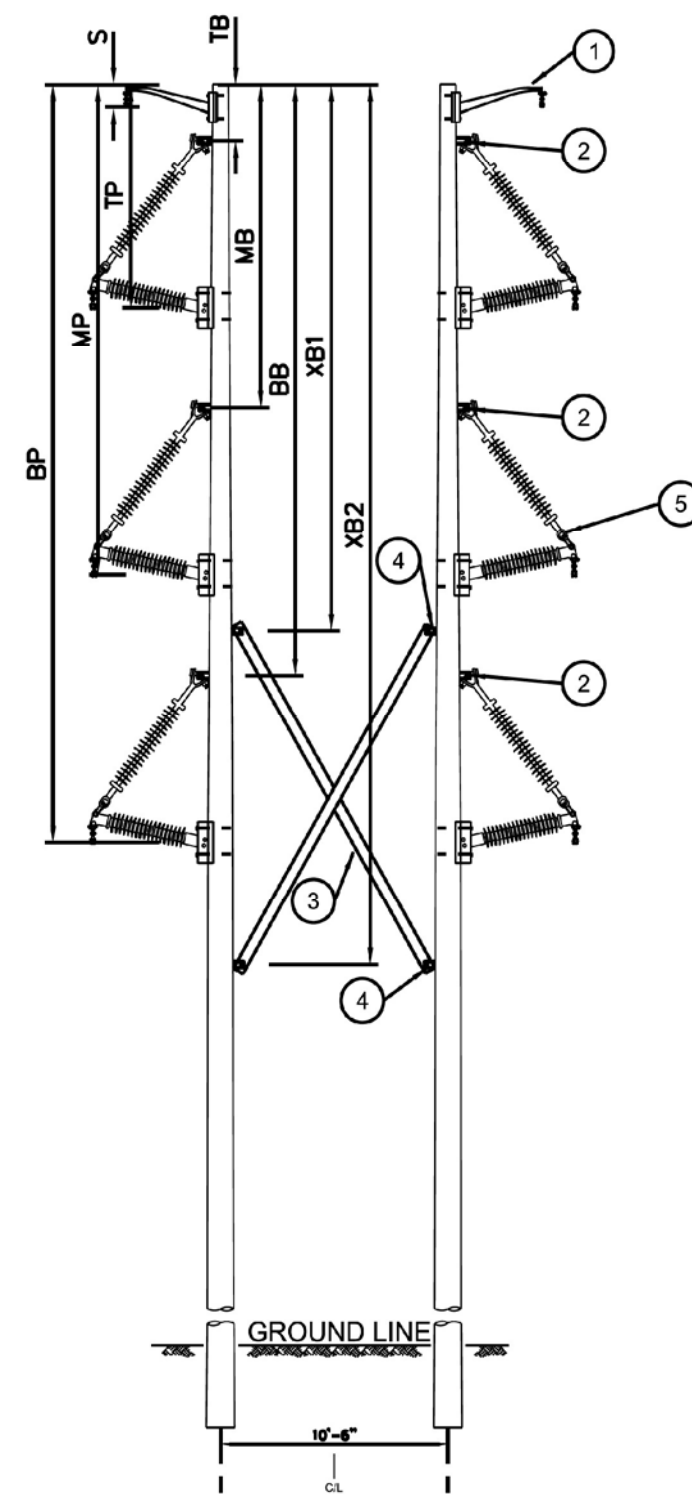
## FAWKES-DUNCANNON DBL CKT 69/138KV "BM" / "ZL" ~7.4 MILES



**IFC**

DWG. NO. **BM5**  
REV. **0**

SHEET **9** OF **18**



DWG REF	DESCRIPTION	QUANTITY
1	STANDARD MEYER H 40 DAVIT ARM	2
2	ONE-SIDED THROUGH VANG (LENGTH TBD)	4
3	6" X 3/8" ANGLE FOR X-BRACE	2
4	ONE-SIDED THROUGH VANG (LENGTH TBD)	2
5	HUBBELL PART NO. BLP051G12000	6

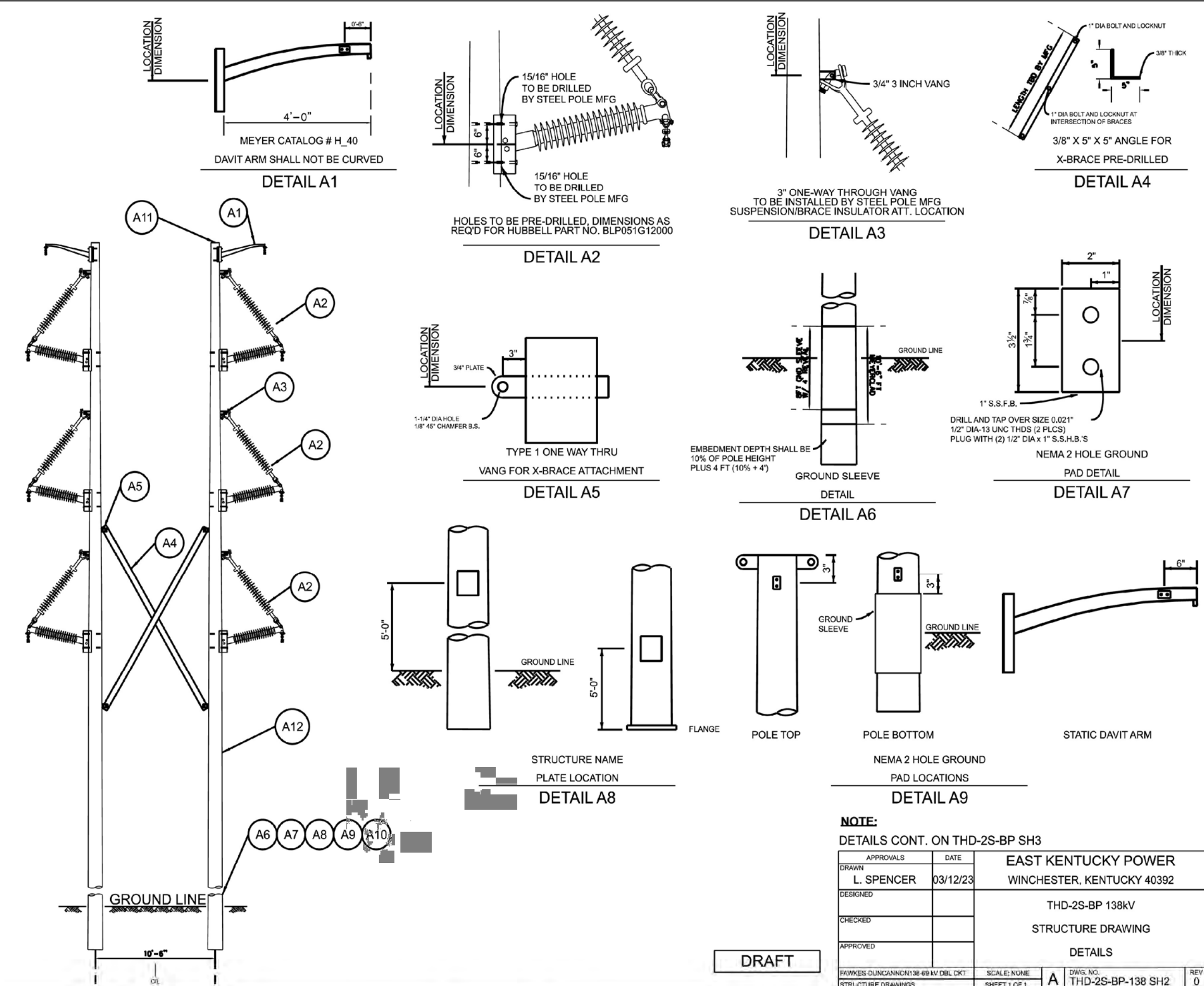
**NOTE:**  
GROUND SLEEVE ON ALL POLES SHALL BE 8'-0" CENTERED AT THE GROUND LINE  
ALL POLES SHALL HAVE BOLTED FLANGE CONNECTIONS  
POLE HEIGHTS VARY BASED ON DESIGN NEED  
ALL TYPICAL FOUNDATIONS ARE EMBEDDED AT 10% OF THE POLE HEIGHT PLUS 4' (10%+4') UNLESS OTHERWISE SPECIFIED  
REFER TO THD-2S-BP-138 SH2 & THD-2S-BP-138 SH3 FOR DETAILS AND SPECIFICATIONS  
ALL DAVIT ARMS AND X-BRACES TO BE PROVIDED BY STEEL POLE MANUFACTURER  
ALL CONNECTION HARDWARE AT FLANGE, DAVIT ARMS AND X-BRACES SHALL BE PROVIDED BY STEEL POLE MANUFACTURER  
DIMENSIONS REFERENCED FOR SPECIFIC POLES IN "EXHIBIT A - STRUCTURE SPACINGS AND DEFINITIONS"  
DEFINITIONS FOR ALL DIMENSION CALLOUTS REFERENCED IN "EXHIBIT A - STRUCTURE SPACINGS AND DEFINITIONS"  
POLES SHALL BE MANUFACTURED TO AVOID CONFLICTS WITH ANY OF THE ATTACHMENTS IN THE DRAWING WITH THE FLANGE CONNECTION OF THE STEEL POLE

APPROVALS	DATE	EAST KENTUCKY POWER
DESIGNED	03/12/23	L. SPENCER WINCHESTER, KENTUCKY 40392
DRAWN		
CHECKED		
APPROVED		

THD-2S-BP 138kV  
STRUCTURE DRAWING  
DIMENSIONS AND NOTES

SCALE: NONE  
DWG NO: THD-2S-BP-138 SH1  
SHEET 1 OF 1

DRAFT



**NOTE:**  
DETAILS CONT. ON THD-2S-BP SH3

APPROVALS	DATE	EAST KENTUCKY POWER
DESIGNED	03/12/23	L. SPENCER WINCHESTER, KENTUCKY 40392
DRAWN		
CHECKED		
APPROVED		

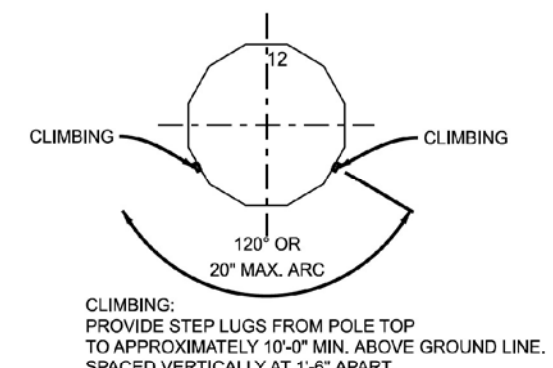
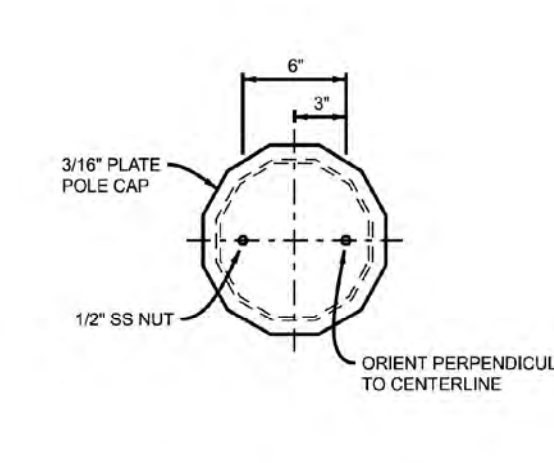
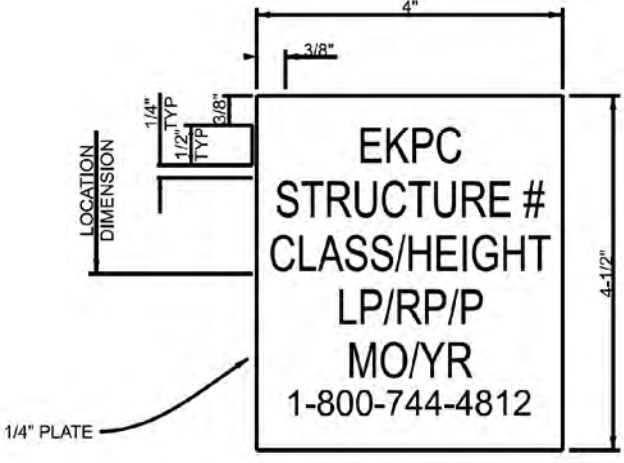
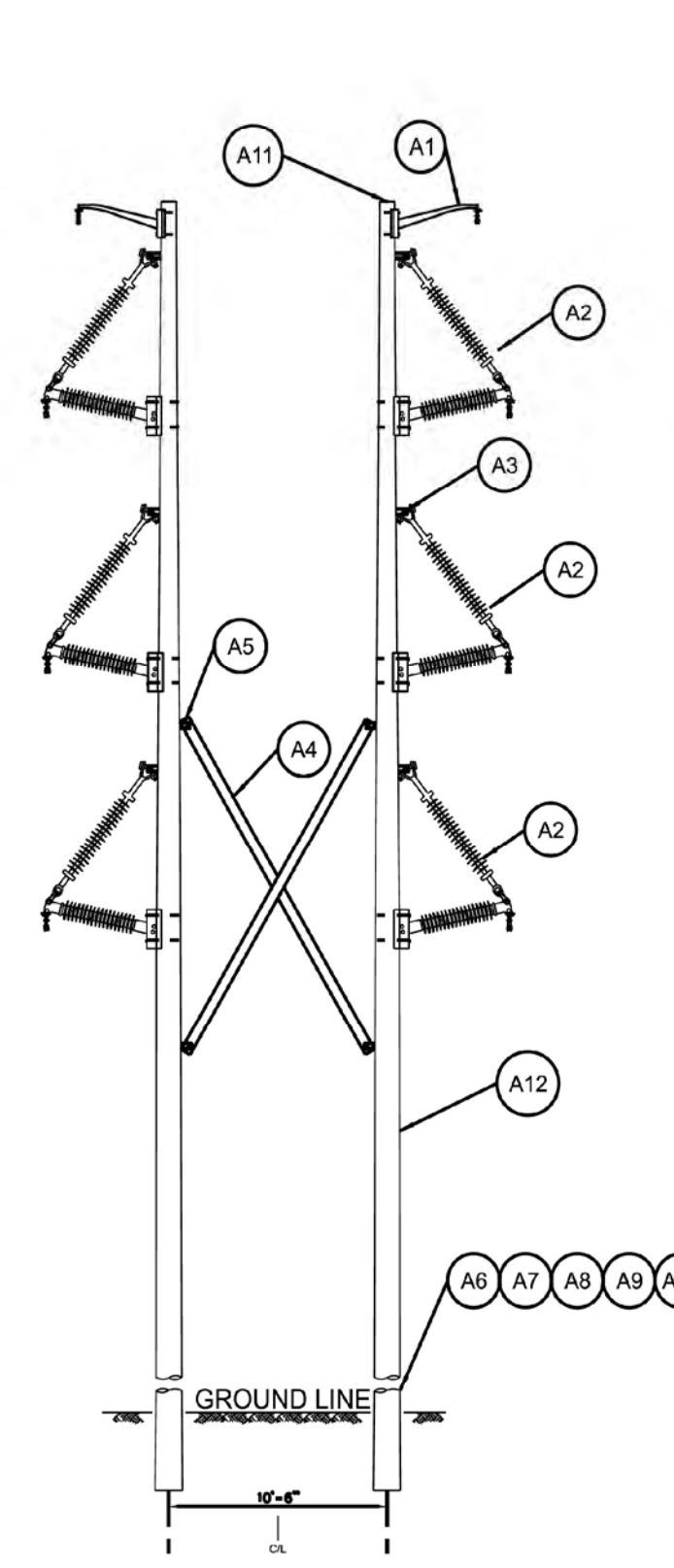
THD-2S-BP 138kV  
STRUCTURE DRAWING  
DETAILS

SCALE: NONE  
DWG NO: THD-2S-BP-138 SH2  
SHEET 1 OF 1

DRAFT

**EXHIBIT A - THD-2S-BP**

Structure #	Structure Type	Pole Class	LP Height	RP Height	LP-S	LP-TB	LP-TP	LP-MB	LP-MP	LP-BB	LP-BP	LP-XB1	LP-XB2	RP-S	RP-TB	RP-TP	RP-MB	RP-MP	RP-BB	RP-BP	RP-XB1	RP-XB2
BM016	THD-2S-BP-137	EK4	135	135	1'-6"	15'-6"	23'-0"	27'-6"	35'-0"	39'-6"	47'-0"	37'-6"	52'-6"	1'-6"	15'-6"	23'-0"	27'-6"	35'-0"	39'-6"	47'-0"	37'-6"	52'-6"
BM018	THD-2S-BP-138	LD8	75	75	1'-6"	3'-6"	11'-0"	15'-6"	23'-0"	27'-6"	35'-0"	25'-0"	40'-0"	1'-6"	3'-6"	11'-0"	15'-6"	23'-0"	27'-6"	35'-0"	25'-0"	40'-0"
BM019	THD-2S-BP-138	LD8	110	110	1'-6"	12'-6"	20'-0"	24'-6"	32'-0"	36'-6"	44'-0"	34'-0"	49'-0"	1'-6"	12'-6"	20'-0"	24'-6"	32'-0"	36'-6"	44'-0"	34'-0"	49'-0"
BM026	THD-2S-BP-138	LD8	115	115	1'-6"	6'-6"	14'-0"	18'-6"	26'-0"	30'-6"	38'-0"	28'-6"	43'-6"	1'-6"	6'-6"	14'-0"	18'-6"	26'-0"	30'-6"	38'-0"	28'-6"	43'-6"
BM033	THD-2S-BP-138	LD8	115	110	1'-6"	8'-0"	15'-6"	20'-0"	27'-6"	32'-0"	39'-6"	30'-0"	45'-0"	1'-6"	3'-6"	11'-0"	15'-6"	23'-0"	27'-6"	35'-0"	25'-6"	40'-6"
BM034	THD-2S-BP-138	LD8	95	90	1'-6"	8'-0"	15'-6"	20'-0"	27'-6"	32'-0"	39'-6"	30'-0"	45'-0"	1'-6"	3'-6"	11'-0"	15'-6"	23'-0"	27'-6"	35'-0"	25'-6"	40'-6"
BM035	THD-2S-BP-138	LD8	90	90	1'-6"	8'-0"	15'-6"	20'-0"	27'-6"	32'-0"	39'-6"	30'-0"	45'-0"	1'-6"	8'-0"	15'-6"	20'-0"	27'-6"	32'-0"	39'-6"	30'-0"	45'-0"
BM036	THD-2S-BP-138	LD8	85	85	1'-6"	3'-6"	11'-0"	15'-6"	23'-0"	27'-6"	35'-0"	25'-6"	40'-6"	1'-6"	3'-6"	11'-0"	15'-6"	23'-0"	27'-6"	35'-0"	25'-6"	40'-6"
BM038	THD-2S-BP-138	LD8	95	95	1'-6"	3'-6"	11'-0"	15'-6"	23'-0"	27'-6"	35'-0"	25'-6"	40'-6"	1'-6"	3'-6"	11'-0"	15'-6"	23'-0"	27'-6"	35'-0"	25'-6"	40'-6"
BM040	THD-2S-BP-138	EK4	125	120	1'-6"	8'-0"	15'-6"	20'-0"	27'-6"	32'-0"	39'-6"	30'-0"	45'-0"	1'-6"	3'-6"	11'-0"	15'-6"	23'-0"	27'-6"	35'-0"	25'-6"	40'-6"
BM041	THD-2S-BP-138	EK4	130	130	1'-6"	8'-0"	15'-6"	20'-0"	27'-6"	32'-0"	39'-6"	30'-0"	45'-0"	1'-6"	8'-0"	15'-6"	20'-0"	27'-6"	32'-0"	39'-6"	30'-0"	45'-0"



**CLIMBING:**  
PROVIDE STEP LUGS FROM POLE TOP TO APPROXIMATELY 10'-0" MIN. ABOVE GROUND LINE. SPACED VERTICALLY AT 1'-0" APART.

**WORKING:**  
PROVIDE DOUBLE STEP LUGS AT APPROXIMATELY 3'-0" BELOW THE TOP THRU VANG, AT APPROXIMATELY 30" BELOW ARM LOCATIONS, AND AT APPROXIMATELY 10'-0" ABOVE GROUND LINE.

STEP LUGS DETAIL  
DETAIL A12

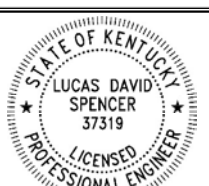
APPROVALS	DATE	EAST KENTUCKY POWER
DESIGNED	07/07/23	LUCAS SPENCER WINCHESTER, KENTUCKY 40392
DRAWN		
CHECKED		
APPROVED		

THD-2S-BP 138kV  
STRUCTURE DRAWING  
DETAILS (CONT.)

SCALE: NONE  
DWG NO: THD-2S-BP-138 SH3  
SHEET 1 OF 1

DRAFT

APPROVALS	DATE
DESIGNED	LUCAS SPENCER 07/07/23
REVIEWED	
APPROVED	LUCAS SPENCER



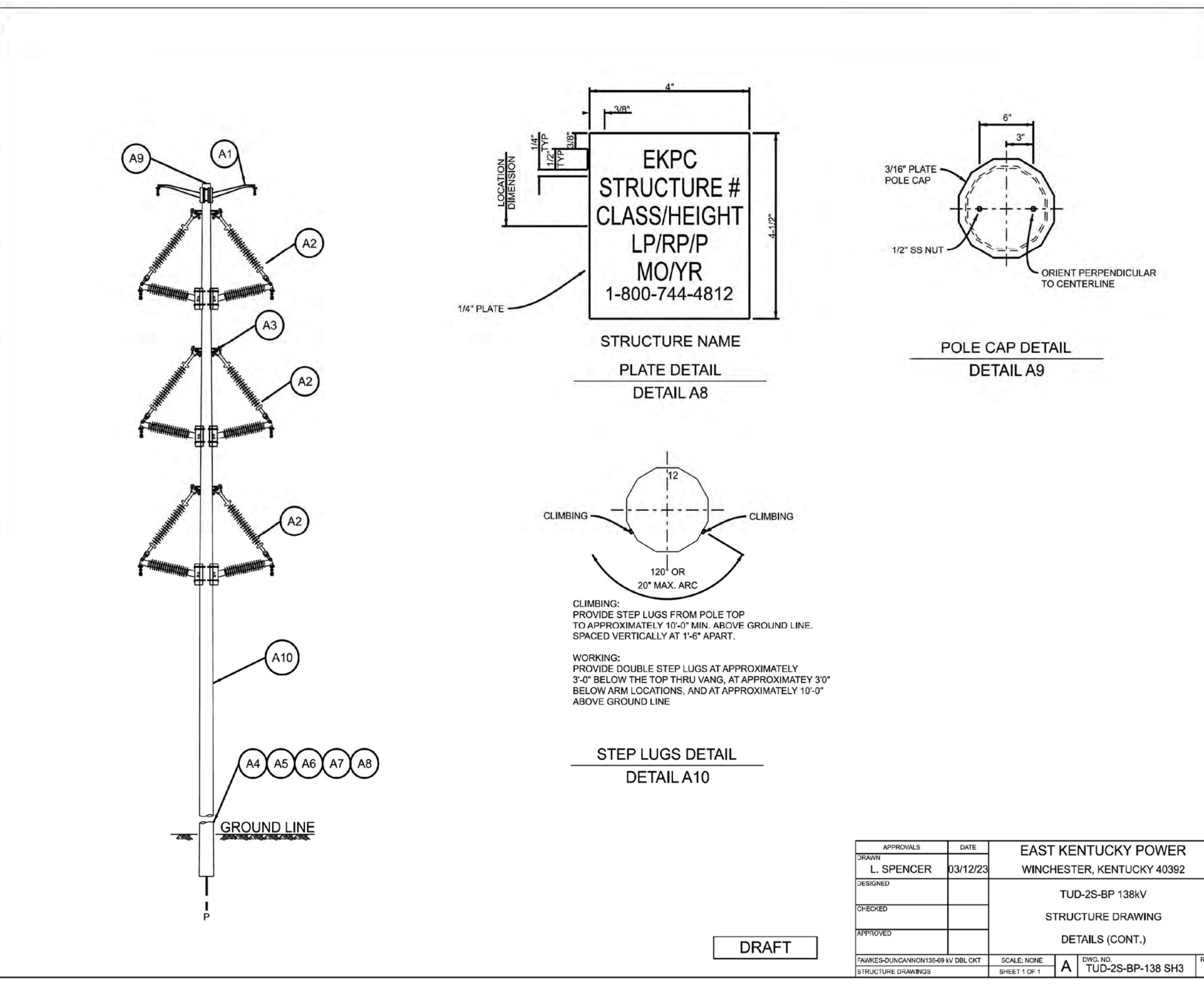
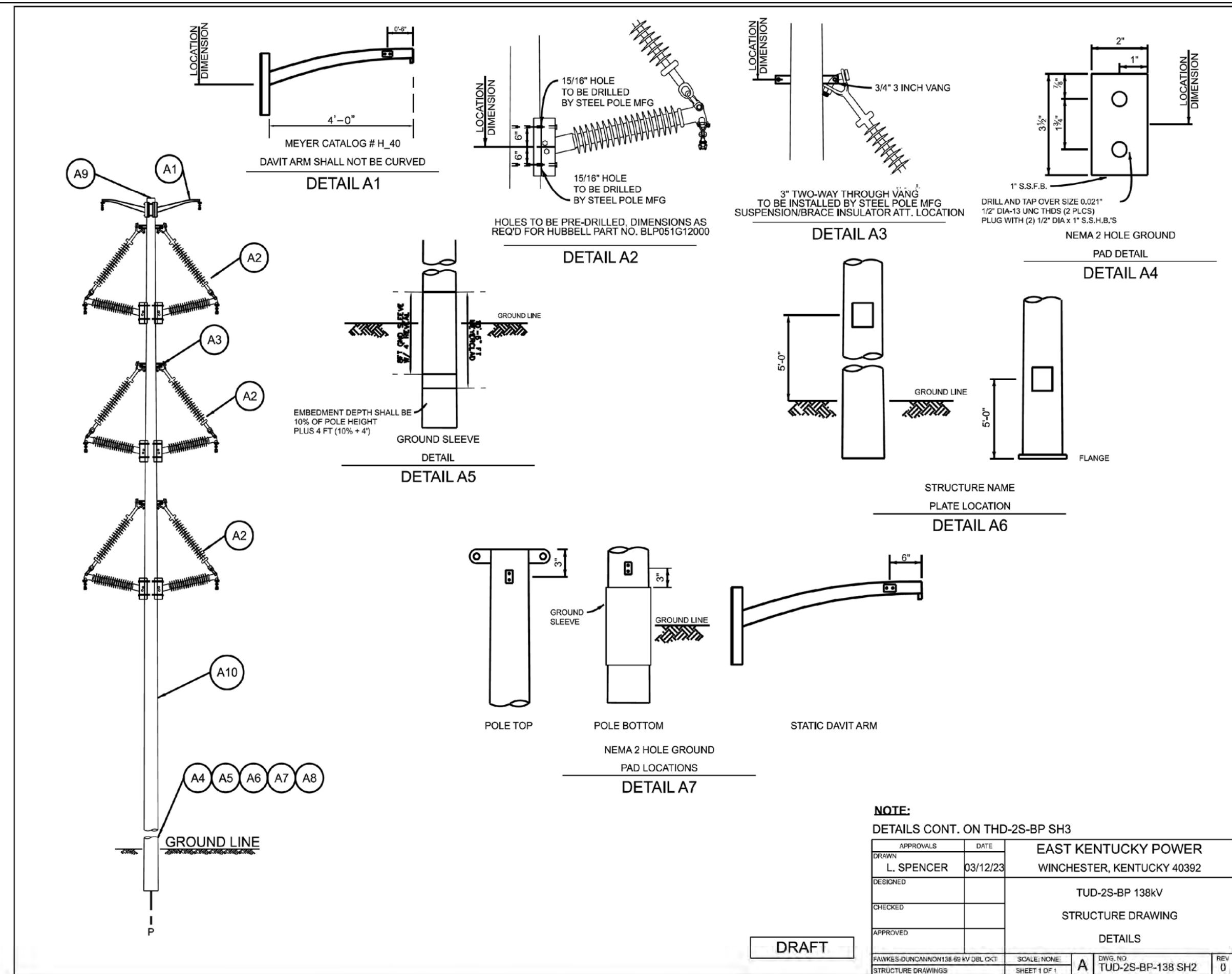
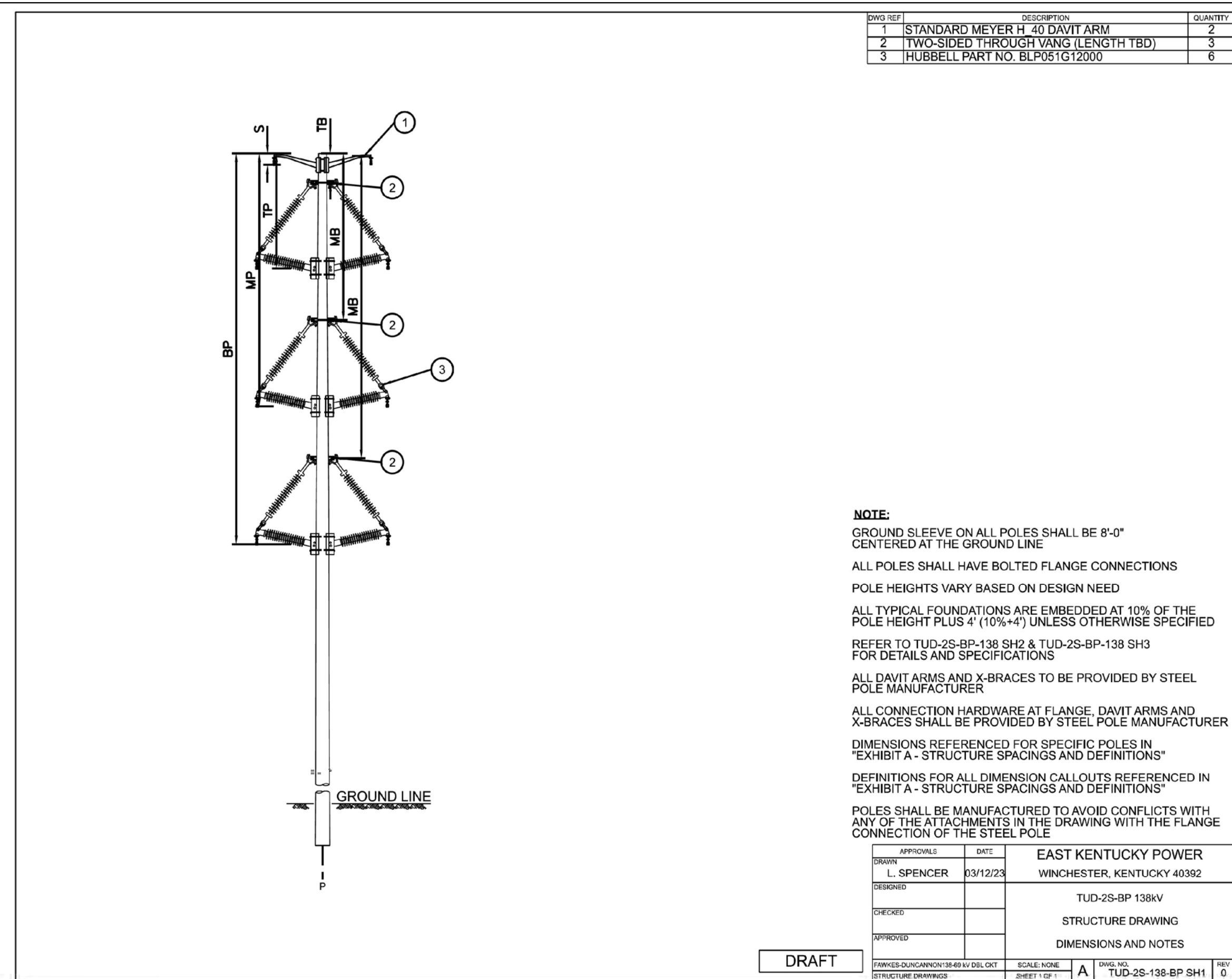
4775 LEXINGTON RD  
WINCHESTER, KY 40391  
PHONE: (859) 744-4812

**FAWKES-DUNCANNON DBL CKT 69/138KV**  
"BM" / "ZL" ~7.4 MILES

**THD-2S-BP**

DWG. NO.	REV.
THD-2S-BP	BM-A1
10	0



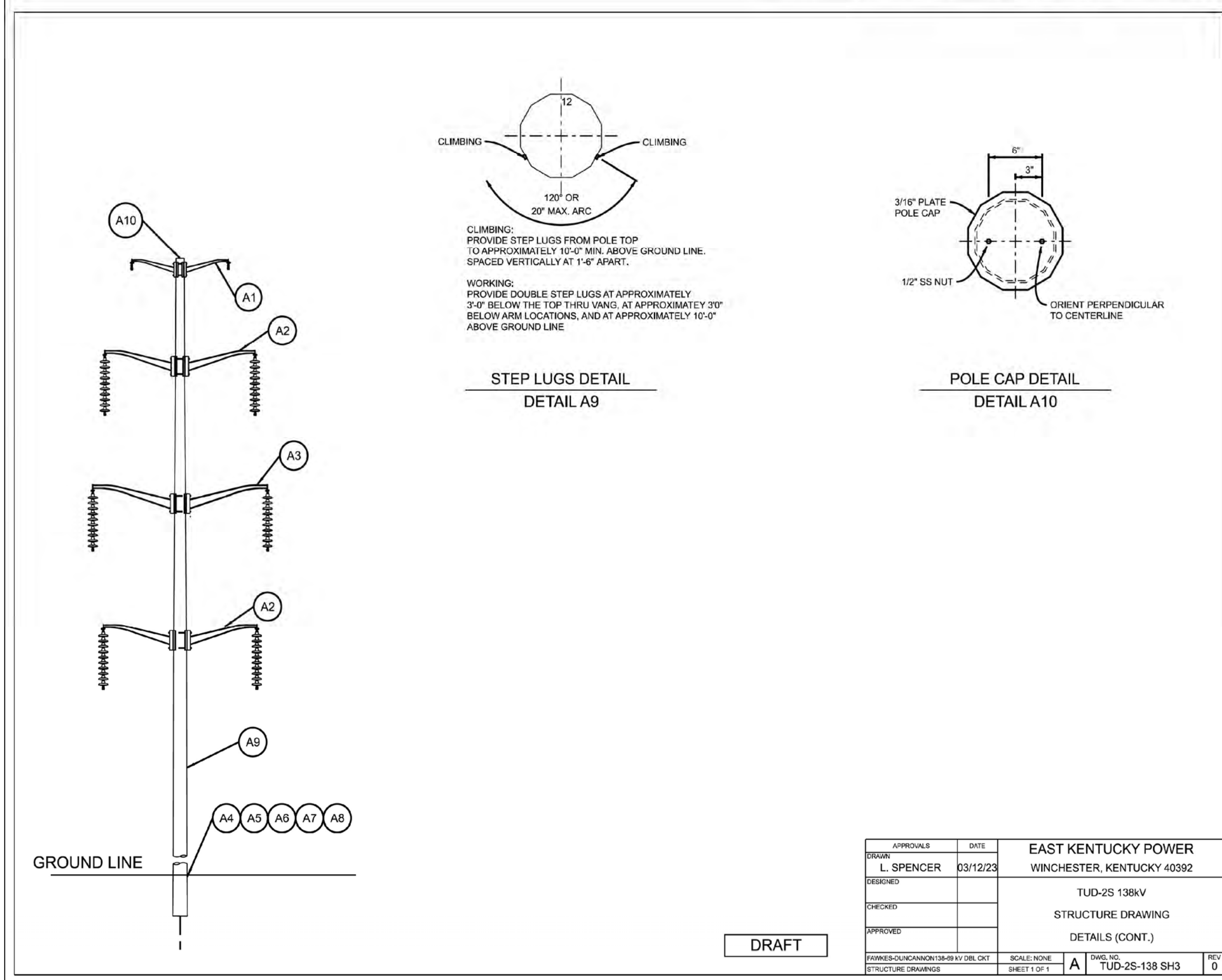
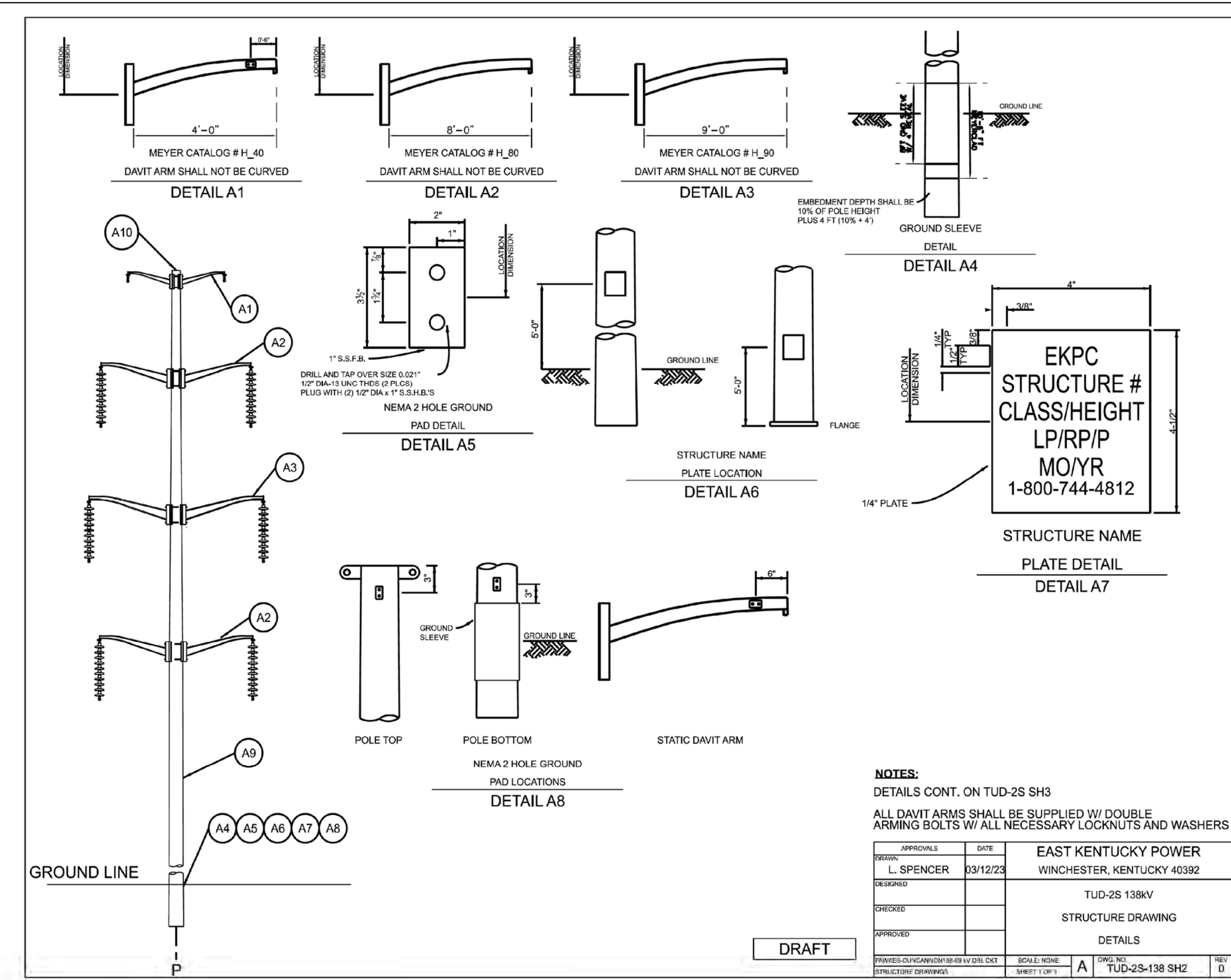
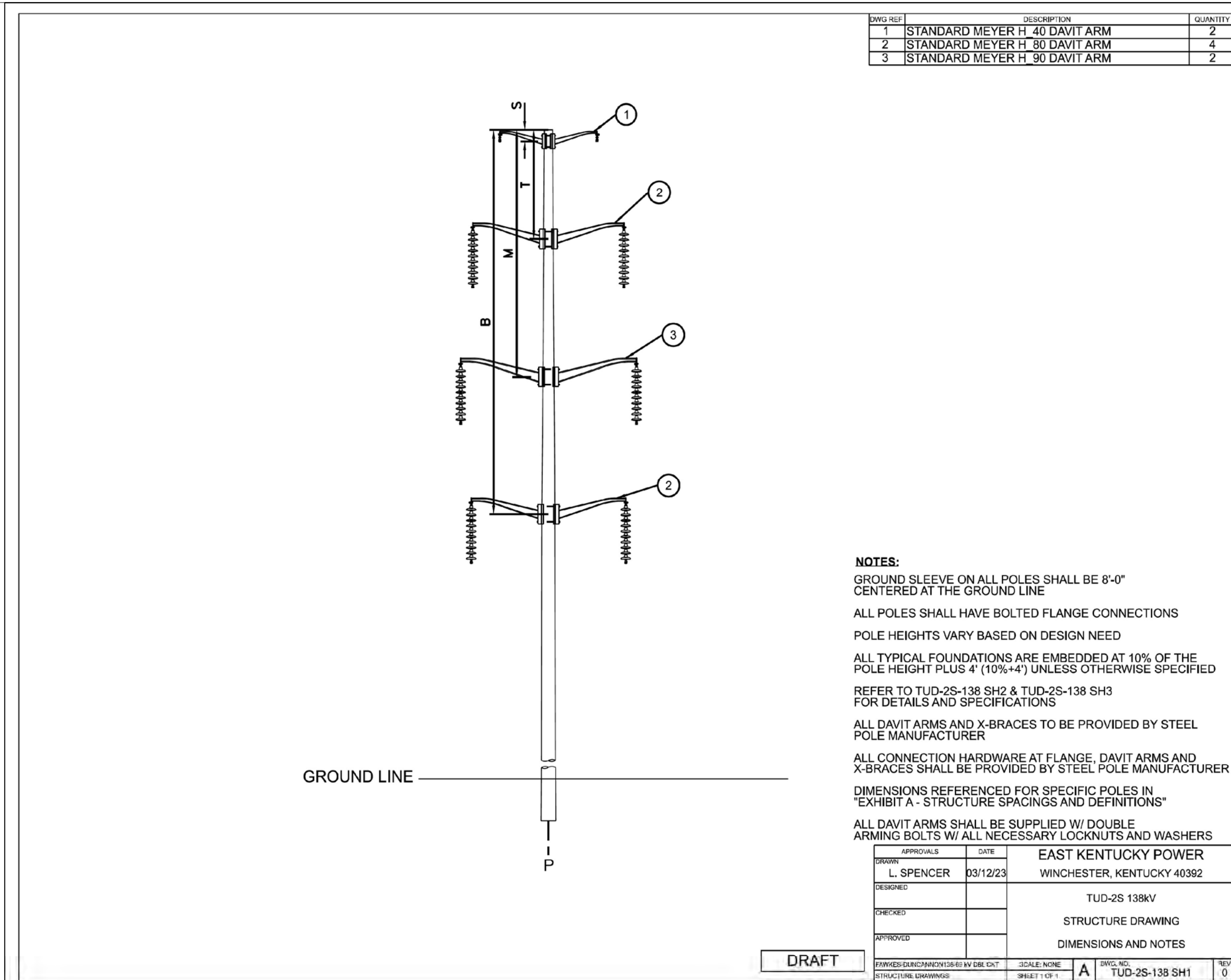


### EXHIBIT A - TUD-2S-BP

Structure #	Structure Type	Pole Class	Pole Height	P-S	P-TB	P-TP	P-MB	P-MP	P-BB	P-BP
BM017	TUD-2S-BP-138	LD8	85	1'-6"	3'-6"	11'-0"	15'-6"	23'-0"	27'-6"	35'-0"
BM020	TUD-2S-BP-138	LD8	85	1'-6"	3'-6"	11'-0"	15'-6"	23'-0"	27'-6"	35'-0"
BM021	TUD-2S-BP-138	LD8	105	1'-6"	3'-6"	11'-0"	15'-6"	23'-0"	27'-6"	35'-0"
BM024	TUD-2S-BP-138	LD8	100	1'-6"	3'-6"	11'-0"	15'-6"	23'-0"	27'-6"	35'-0"
BM027	TUD-2S-BP-138	LD8	90	1'-6"	3'-6"	11'-0"	15'-6"	23'-0"	27'-6"	35'-0"
BM028	TUD-2S-BP-138	LD8	100	1'-6"	3'-6"	11'-0"	15'-6"	23'-0"	27'-6"	35'-0"
BM029	TUD-2S-BP-138	LD8	120	1'-6"	3'-6"	11'-0"	15'-6"	23'-0"	27'-6"	35'-0"
BM030	TUD-2S-BP-138	LD8	110	1'-6"	3'-6"	11'-0"	15'-6"	23'-0"	27'-6"	35'-0"
BM031	TUD-2S-BP-138	LD8	100	1'-6"	3'-6"	11'-0"	15'-6"	23'-0"	27'-6"	35'-0"
BM032	TUD-2S-BP-138	LD8	105	1'-6"	3'-6"	11'-0"	15'-6"	23'-0"	27'-6"	35'-0"

	APPROVALS DESIGNED: LUCAS SPENCER 07/07/23 REVIEWED: APPROVED: LUCAS SPENCER		4775 LEXINGTON RD WINCHESTER, KY 40391 PHONE: (859) 744-4812	FAWKES-DUNCANNON DBL CKT 69/138KV 'BM' / 'ZL' ~7.4 MILES	TUD-2S-BP BM-A2 DWG. NO. REV. 0 SHEET 11 OF 18
--	---	--	--	---	---





## EXHIBIT A - TUD-2S

Structure Number	Structure Type	Pole Class	Pole Height	P-S	P-T	P-M	P-B
BM059	TUD-2S-138	LD8	105	1'-6"	11'-0"	23'-0"	35'-0"
BM060	TUD-2S-138	LD8	95	1'-6"	11'-0"	23'-0"	35'-0"
BM062	TUD-2S-138	LD8	100	1'-6"	11'-0"	23'-0"	35'-0"
BM063	TUD-2S-138	LD8	100	1'-6"	11'-0"	23'-0"	35'-0"
BM064	TUD-2S-138	LD8	95	1'-6"	11'-0"	23'-0"	35'-0"
BM065	TUD-2S-138	LD8	100	1'-6"	11'-0"	23'-0"	35'-0"
BM066	TUD-2S-138	LD8	85	1'-6"	11'-0"	23'-0"	35'-0"
BM067	TUD-2S-138	LD8	90	1'-6"	11'-0"	23'-0"	35'-0"

REVISIONS	DATE	DWN	APP	REVISIONS	DATE	DWN	APP

APPROVALS	DATE
DESIGNED: LUCAS SPENCER	07/07/23
REVIEWED:	
APPROVED: LUCAS SPENCER	

**DRAFT**

APPROVALS	DATE	EAST KENTUCKY POWER
DESIGNED: L. SPENCER	03/12/23	WINCHESTER, KENTUCKY 40392
DESIGNED:		TUD-2S 138KV
CHECKED:		STRUCTURE DRAWING
APPROVED:		DETAILS (CONT.)

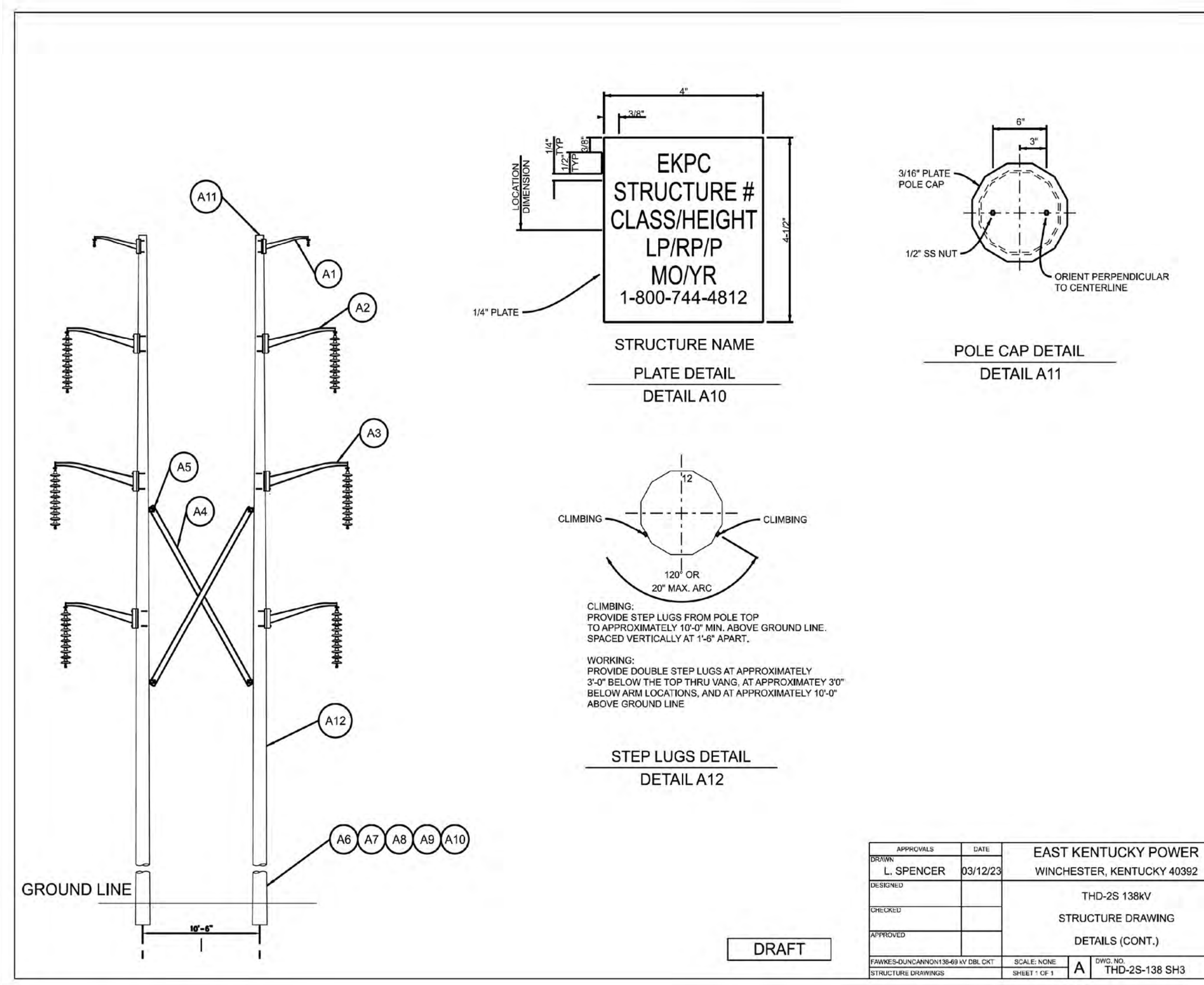
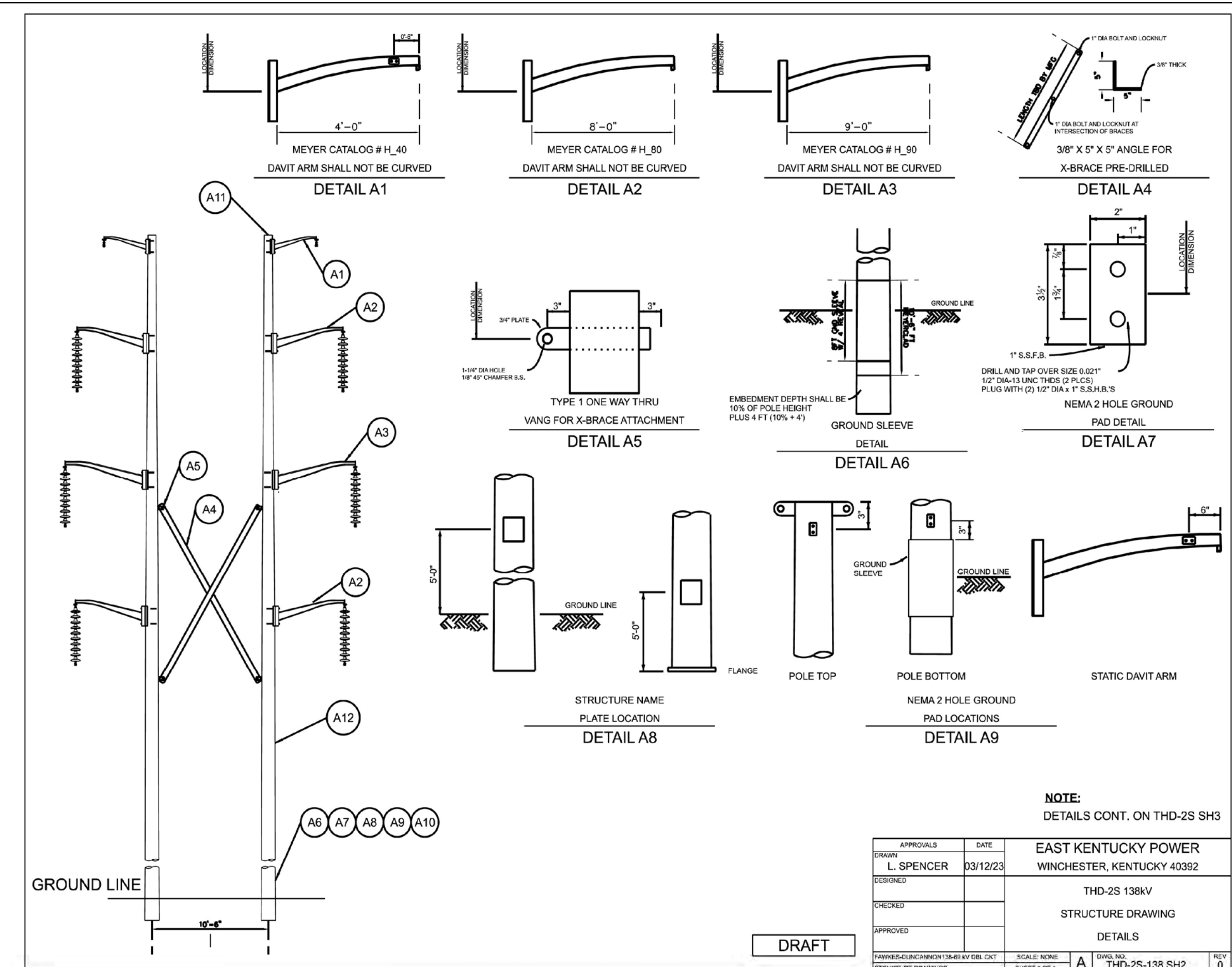
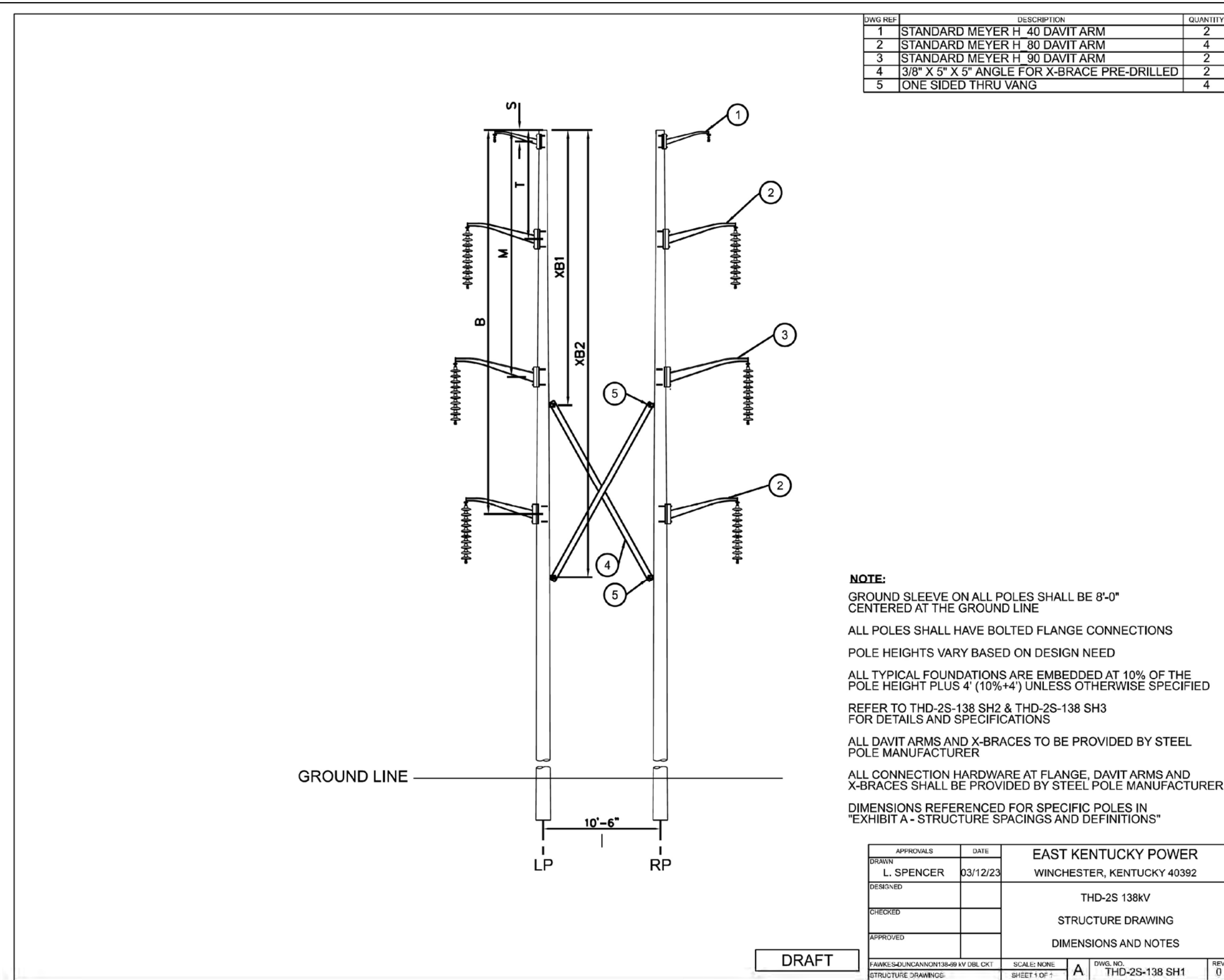
4775 LEXINGTON RD  
 WINCHESTER, KY 40391  
 PHONE: (859) 744-4812

**FAWKES-DUNCANNON DBL CKT 69/138KV**  
**BM / ZL ~7.4 MILES**

**TUD-2S**  
**BM-A3**

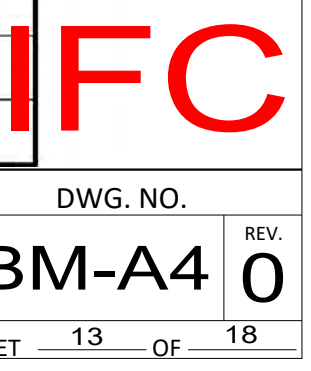
DWG. NO. **BM-A3** REV. **0**  
 SHEET **12** OF **18**





**EXHIBIT A - THD-2S**

Structure #	Structure Type	Pole Class	LP Height	RP Height	LP-S	LP-T	LP-M	LP-B	LP-XB1	LP-XB2	RP-S	RP-T	RP-M	RP-B	RP-XB1	RP-XB2
BM007	THD-2S-138	LD8	115	115	1'-6"	9'6"	21'-6"	33'-6"	24'-0"	39'-0"	1'-6"	9'6"	21'-6"	33'-6"	24'-0"	39'-0"
BM008	THD-2S-138	EK4	130	130	1'-6"	9'6"	21'-6"	33'-6"	24'-0"	39'-0"	1'-6"	9'6"	21'-6"	33'-6"	24'-0"	39'-0"
BM009	THD-2S-138	LD8	100	100	1'-6"	9'6"	21'-6"	33'-6"	24'-0"	39'-0"	1'-6"	9'6"	21'-6"	33'-6"	24'-0"	39'-0"
BM010	THD-2S-138	LD8	105	105	1'-6"	9'6"	21'-6"	33'-6"	24'-0"	39'-0"	1'-6"	9'6"	21'-6"	33'-6"	24'-0"	39'-0"
BM011	THD-2S-138	LD8	95	95	1'-6"	9'6"	21'-6"	33'-6"	24'-0"	39'-0"	1'-6"	9'6"	21'-6"	33'-6"	24'-0"	39'-0"
BM012	THD-2S-138	LD8	100	100	1'-6"	9'6"	21'-6"	33'-6"	24'-0"	39'-0"	1'-6"	9'6"	21'-6"	33'-6"	24'-0"	39'-0"
BM013	THD-2S-138	LD8	100	100	1'-6"	9'6"	21'-6"	33'-6"	24'-0"	39'-0"	1'-6"	9'6"	21'-6"	33'-6"	24'-0"	39'-0"
BM014	THD-2S-138	LD8	85	85	1'-6"	9'6"	21'-6"	33'-6"	24'-0"	39'-0"	1'-6"	9'6"	21'-6"	33'-6"	24'-0"	39'-0"
BM042	THD-2S-138	LD8	95	85	1'-6"	18'-6"	30'-6"	42'-6"	33'-0"	48'-0"	1'-6"	9'6"	21'-6"	33'-6"	24'-0"	39'-0"
BM043	THD-2S-138	LD8	80	80	1'-6"	9'6"	21'-6"	33'-6"	24'-0"	39'-0"	1'-6"	9'6"	21'-6"	33'-6"	24'-0"	39'-0"
BM044	THD-2S-138	LD8	120	120	1'-6"	9'6"	21'-6"	33'-6"	24'-0"	39'-0"	1'-6"	9'6"	21'-6"	33'-6"	24'-0"	39'-0"
BM045	THD-2S-138	LD8	105	105	1'-6"	9'6"	21'-6"	33'-6"	24'-0"	39'-0"	1'-6"	9'6"	21'-6"	33'-6"	24'-0"	39'-0"
BM046	THD-2S-138	LD8	85	85	1'-6"	9'6"	21'-6"	33'-6"	24'-0"	39'-0"	1'-6"	9'6"	21'-6"	33'-6"	24'-0"	39'-0"
BM047	THD-2S-138	LD8	90	90	1'-6"	9'6"	21'-6"	33'-6"	24'-0"	39'-0"	1'-6"	9'6"	21'-6"	33'-6"	24'-0"	39'-0"
BM048	THD-2S-138	LD8	105	105	1'-6"	9'6"	21'-6"	33'-6"	24'-0"	39'-0"	1'-6"	9'6"	21'-6"	33'-6"	24'-0"	39'-0"
BM049	THD-2S-138	LD8	95	85	1'-6"	18'-6"	30'-6"	42'-6"	33'-0"	48'-0"	1'-6"	9'6"	21'-6"	33'-6"	24'-0"	39'-0"
BM051	THD-2S-138	LD8	95	95	1'-6"	9'6"	21'-6"	33'-6"	24'-0"	39'-0"	1'-6"	9'6"	21'-6"	33'-6"	24'-0"	39'-0"
BM052	THD-2S-138	LD8	85	85	1'-6"	9'6"	21'-6"	33'-6"	24'-0"	39'-0"	1'-6"	9'6"	21'-6"	33'-6"	24'-0"	39'-0"
BM053	THD-2S-138	LD8	80	80	1'-6"	9'6"	21'-6"	33'-6"	24'-0"	39'-0"	1'-6"	9'6"	21'-6"	33'-6"	24'-0"	39'-0"
BM054	THD-2S-138	EK4	130	130	1'-6"	9'6"	21'-6"	33'-6"	24'-0"	39'-0"	1'-6"	9'6"	21'-6"	33'-6"	24'-0"	39'-0"
BM055	THD-2S-138	EK4	130	130	1'-6"	9'6"	21'-6"	33'-6"	24'-0"	39'-0"	1'-6"	9'6"	21'-6"	33'-6"	24'-0"	39'-0"
BM056	THD-2S-138	LD8	110	110	1'-6"	9'6"	21'-6"	33'-6"	24'-0"	39'-0"	1'-6"	9'6"	21'-6"	33'-6"	24'-0"	39'-0"
BM057	THD-2S-138	LD8	95	95	1'-6"	9'6"	21'-6"	33'-6"	24'-0"	39'-0"	1'-6"	9'6"	21'-6"	33'-6"	24'-0"	39'-0"
BM058	THD-2S-138	LD8	100	100	1'-6"	9'6"	21'-6"	33'-6"	24'-0"	39'-0"	1'-6"	9'6"	21'-6"	33'-6"	24'-0"	39'-0"
BM061	THD-2S-138	LD8	115	115	1'-6"	9'6"	21'-6"	33'-6"	24'-0"	39'-0"	1'-6"	9'6"	21'-6"	33'-6"	24'-0"	39'-0"
BM068	THD-2S-138	LD8	100	100	1'-6"	9'6"	21'-6"	33'-6"	24'-0"	39'-0"	1'-6"	9'6"	21'-6"	33'-6"	24'-0"	39'-0"



REVISIONS	DATE	DWN	APP	REVISIONS	DATE	DWN	APP

APPROVALS: LUCAS SPENCER 07/07/23  
DESIGNED: LUCAS SPENCER  
REVIEWED: LUCAS SPENCER  
APPROVED: LUCAS SPENCER

STATE OF KENTUCKY  
LUCAS SPENCER  
REGISTERED PROFESSIONAL ENGINEER

4775 LEXINGTON RD  
WINCHESTER, KY 40391  
PHONE: (859) 744-4812

FAWKES-DUNCANNON DBL CKT 69/138KV  
"BM" / "ZL" ~7.4 MILES

THD-2S

DWG. NO. BM-A4 REV. 0  
SHEET 13 OF 18







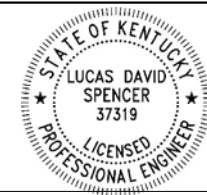




**IFC**

REVISIONS	DATE	DWN	APP

APPROVALS		DATE
DESIGNED	LUCAS SPENCER	07/07/23
REVIEWED		
APPROVED	LUCAS SPENCER	



4775 LEXINGTON RD  
 WINCHESTER, KY 40391  
 PHONE: (859) 744-4812

**FAWKES-DUNCANNON DBL CKT 69/138KV**  
**BM / ZL ~7.4 MILES**

DWG. NO.	REV.
	0
SHEET 18 OF 18	