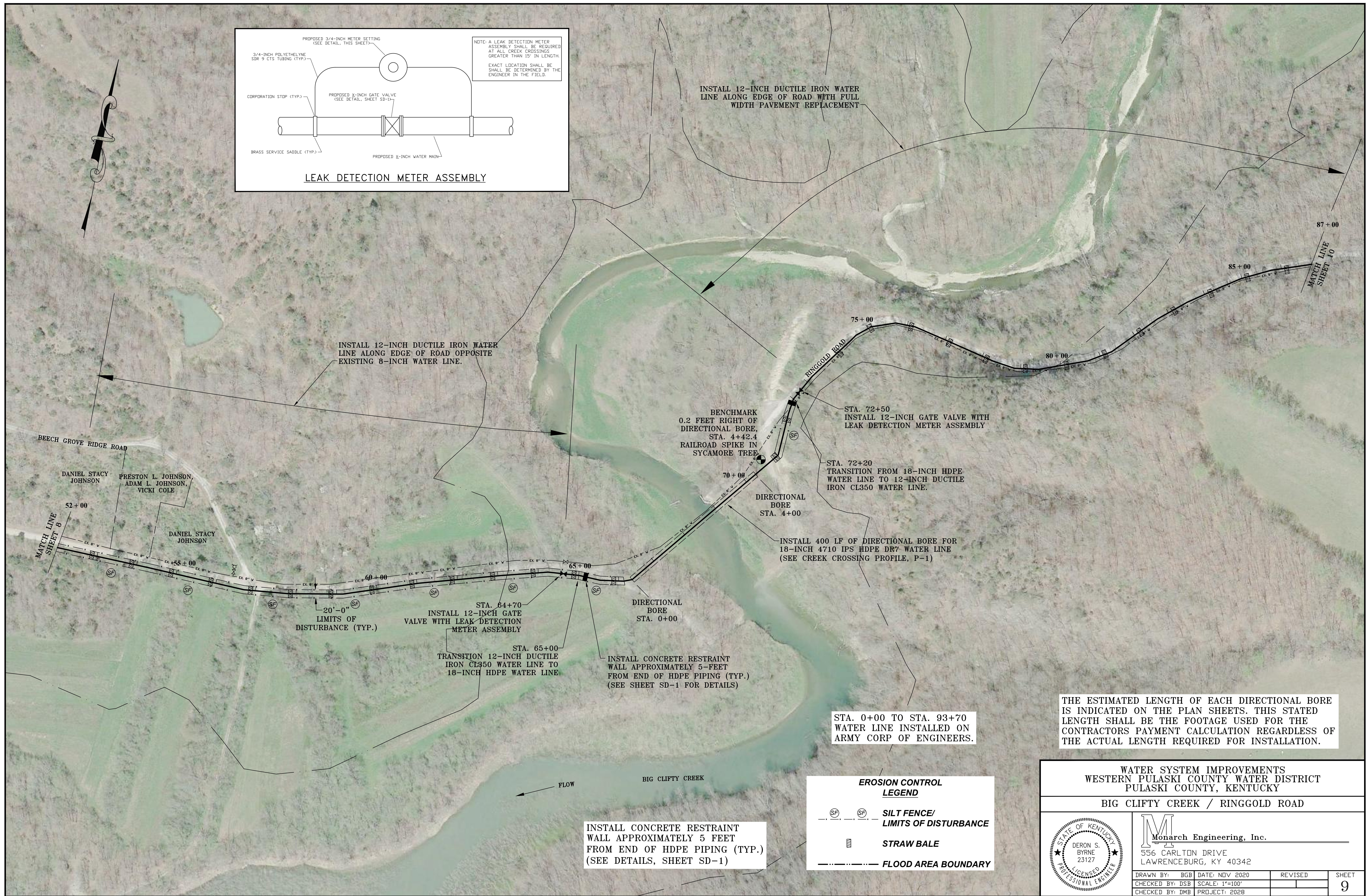
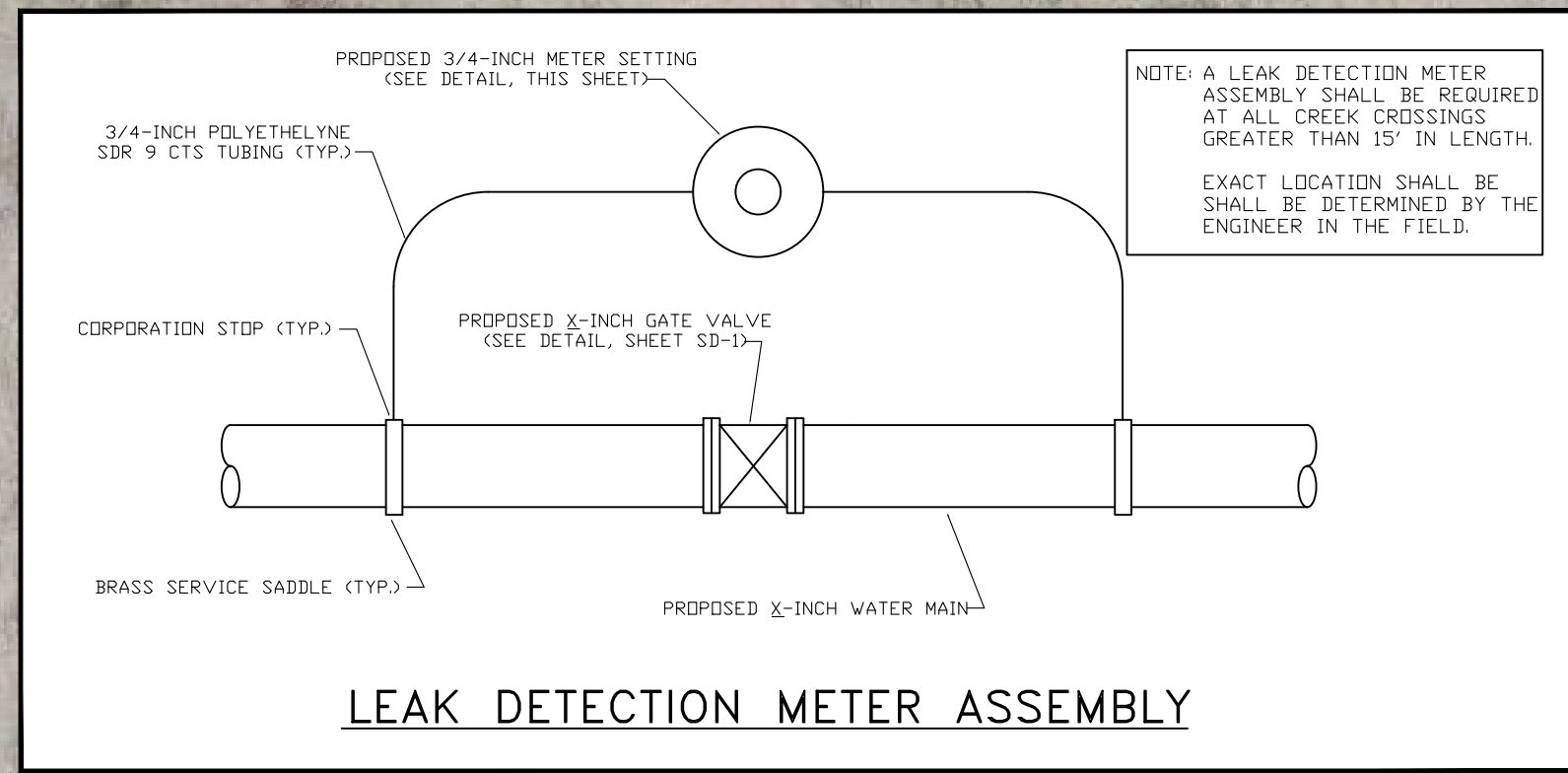




STA. 0+00 TO STA. 93+70
 WATER LINE INSTALLED ON
 ARMY CORP OF ENGINEERS.

EROSION CONTROL LEGEND	
	SILT FENCE/ LIMITS OF DISTURBANCE
	STRAW BALE
	FLOOD AREA BOUNDARY

WATER SYSTEM IMPROVEMENTS WESTERN PULASKI COUNTY WATER DISTRICT PULASKI COUNTY, KENTUCKY				
COLDWEATHER CREEK				
	Monarch Engineering, Inc. 556 CARLTON DRIVE LAWRENCEBURG, KY 40342			
	DRAWN BY: BGB	DATE: NOV 2020	REVISED:	SHEET
	CHECKED BY: DSB	SCALE: 1"=100'	PROJECT: 2028	8



INSTALL 12-INCH DUCTILE IRON WATER LINE ALONG EDGE OF ROAD WITH FULL WIDTH PAVEMENT REPLACEMENT

INSTALL 12-INCH DUCTILE IRON WATER LINE ALONG EDGE OF ROAD OPPOSITE EXISTING 8-INCH WATER LINE.

BENCHMARK 0.2 FEET RIGHT OF DIRECTIONAL BORE, STA. 4+42.4 RAILROAD SPIKE IN SYCAMORE TREE

STA. 72+50 INSTALL 12-INCH GATE VALVE WITH LEAK DETECTION METER ASSEMBLY

STA. 72+20 TRANSITION FROM 18-INCH HDPE WATER LINE TO 12-INCH DUCTILE IRON CL350 WATER LINE.

DIRECTIONAL BORE STA. 4+00

INSTALL 400 LF OF DIRECTIONAL BORE FOR 18-INCH 4710 IPS HDPE DR7 WATER LINE (SEE CREEK CROSSING PROFILE, P-1)

20'-0" LIMITS OF DISTURBANCE (TYP.)

STA. 64+70 INSTALL 12-INCH GATE VALVE WITH LEAK DETECTION METER ASSEMBLY

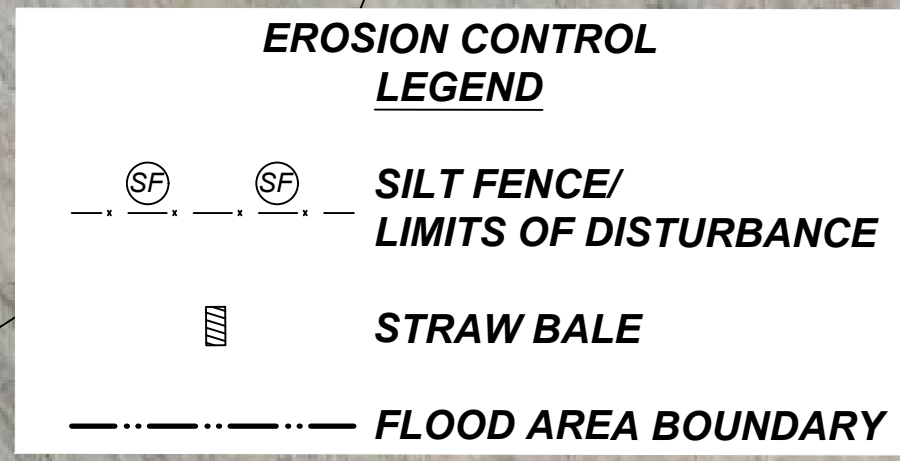
STA. 65+00 TRANSITION 12-INCH DUCTILE IRON CL350 WATER LINE TO 18-INCH HDPE WATER LINE

INSTALL CONCRETE RESTRAINT WALL APPROXIMATELY 5- FEET FROM END OF HDPE PIPING (TYP.) (SEE SHEET SD-1 FOR DETAILS)

STA. 0+00 TO STA. 93+70 WATER LINE INSTALLED ON ARMY CORP OF ENGINEERS.

THE ESTIMATED LENGTH OF EACH DIRECTIONAL BORE IS INDICATED ON THE PLAN SHEETS. THIS STATED LENGTH SHALL BE THE FOOTAGE USED FOR THE CONTRACTORS PAYMENT CALCULATION REGARDLESS OF THE ACTUAL LENGTH REQUIRED FOR INSTALLATION.

INSTALL CONCRETE RESTRAINT WALL APPROXIMATELY 5 FEET FROM END OF HDPE PIPING (TYP.) (SEE DETAILS, SHEET SD-1)



WATER SYSTEM IMPROVEMENTS
WESTERN PULASKI COUNTY WATER DISTRICT
PULASKI COUNTY, KENTUCKY

BIG CLIFTY CREEK / RINGGOLD ROAD

Monarch Engineering, Inc.
556 CARLTON DRIVE
LAWRENCEBURG, KY 40342

DERON S. BYRNE 23127
LICENSED PROFESSIONAL ENGINEER

DRAWN BY: BGB	DATE: NOV 2020	REVISED	SHEET
CHECKED BY: DSB	SCALE: 1"=100'		9
CHECKED BY: DMB	PROJECT: 2028		



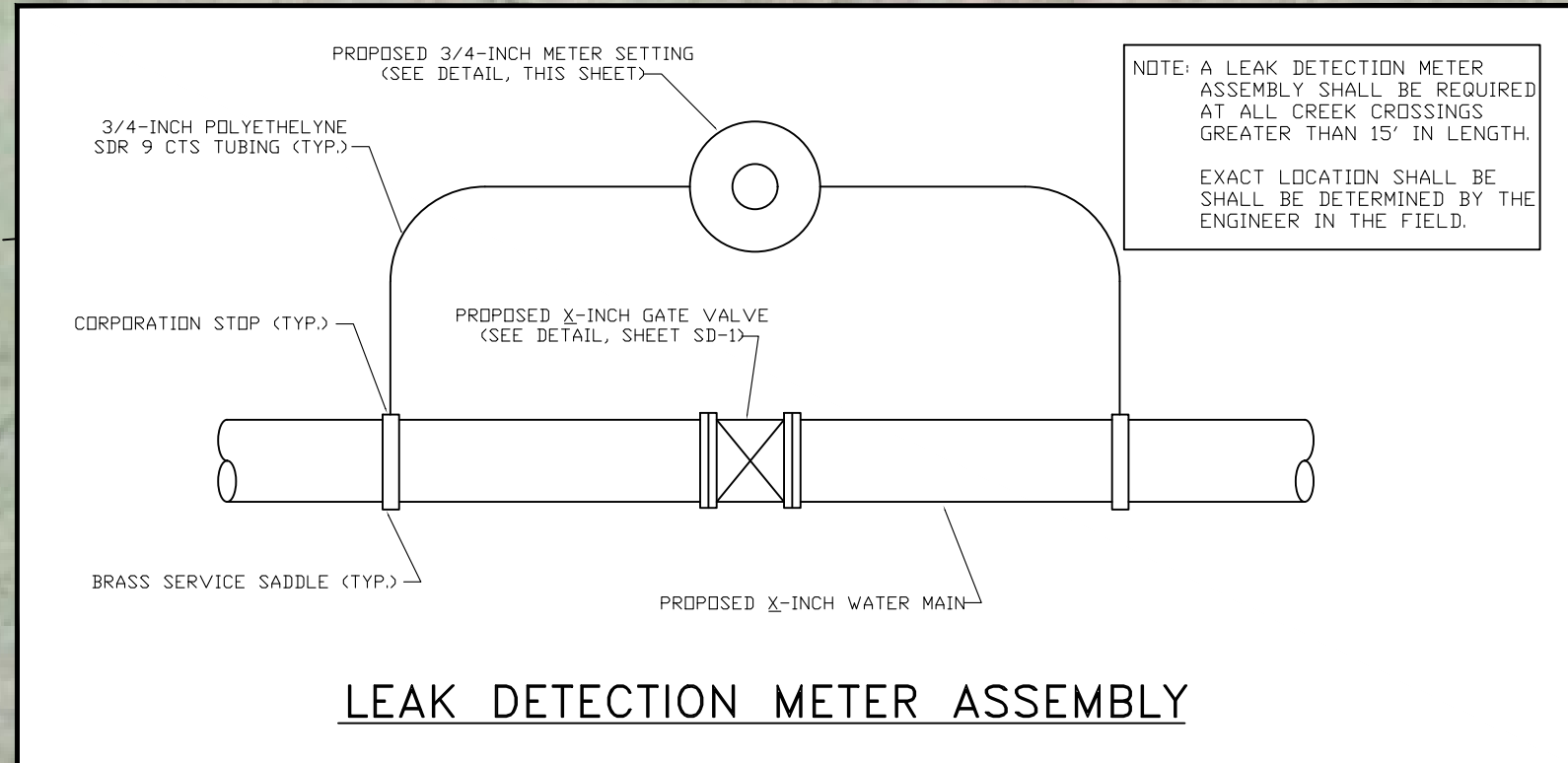
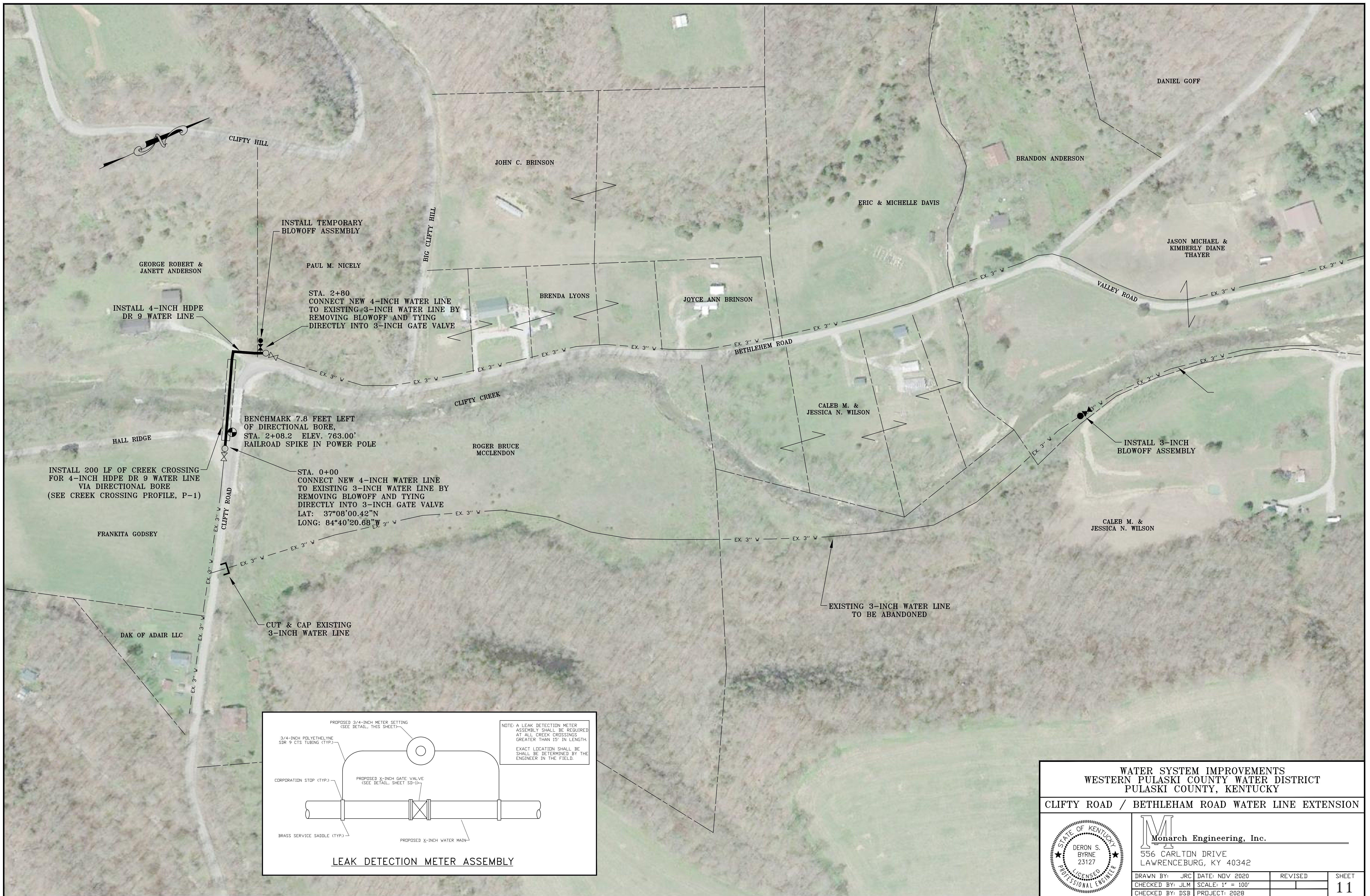
STA. 0+00 TO STA. 93+70
 WATER LINE INSTALLED ON
 ARMY CORP OF ENGINEERS.

BOBBY JOE &
 ANGELA J.
 RUNYON

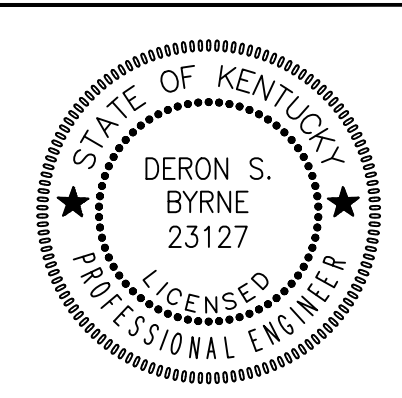
**EROSION CONTROL
 LEGEND**

		SILT FENCE/ LIMITS OF DISTURBANCE
		STRAW BALE
		FLOOD AREA BOUNDARY

WATER SYSTEM IMPROVEMENTS WESTERN PULASKI COUNTY WATER DISTRICT PULASKI COUNTY, KENTUCKY				
RINGGOLD ROAD				
	Monarch Engineering, Inc. 556 CARLTON DRIVE LAWRENCEBURG, KY 40342			
	DRAWN BY: BGB	DATE: NOV 2020	REVISED	SHEET
	CHECKED BY: DSB	SCALE: 1"=100'	PROJECT: 2028	10



WATER SYSTEM IMPROVEMENTS
WESTERN PULASKI COUNTY WATER DISTRICT
PULASKI COUNTY, KENTUCKY
CLIFTY ROAD / BETHLEHEM ROAD WATER LINE EXTENSION



Monarch Engineering, Inc.
 556 CARLTON DRIVE
 LAWRENCEBURG, KY 40342

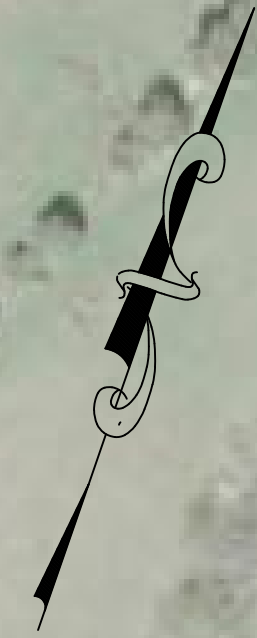
DRAWN BY: JRC	DATE: NOV 2020	REVISED	SHEET
CHECKED BY: JLM	SCALE: 1" = 100'		11
CHECKED BY: DSB	PROJECT: 2028		



WATER SYSTEM IMPROVEMENTS
WESTERN PULASKI COUNTY WATER DISTRICT
PULASKI COUNTY, KENTUCKY

TODD ROAD WATER LINE REPLACEMENT

	Monarch Engineering, Inc. 556 CARLTON DRIVE LAWRENCEBURG, KY 40342		DRAWN BY: JRC CHECKED BY: JLM CHECKED BY: DSB	DATE: NOV 2020 SCALE: 1" = 100' PROJECT: 2028	REVISED:	SHEET 12
--	---	--	---	---	----------	--------------------



STA. 0+00
CONNECT NEW 4-INCH WATER LINE TO EXISTING 8-INCH WATER LINE WITH 8-INCHx4-INCH TAPPING SLEEVE AND VALVE.
LAT: 37°04'16.73"N
LONG: 84°44'53.21"W

METER RECONNECTION WITH NEW 3/4-INCH SERVICE TUBING FROM NEW WATER LINE TO EXISTING METER YOKE (TYP.)

PROPOSED 4-INCH WATER LINE TO REPLACE EXISTING WATER LINE. PROPOSED WATER LINE TO BE INSTALLED IN SOUTHBOUND LANE OF ROAD.

STA. 15+80
CONNECT NEW 4-INCH WATER LINE TO EXISTING 3-INCH WATER LINE WITH 4-INCHx3-INCH REDUCER AND CONNECTING DIRECTLY INTO THE 3-INCH GATE VALVE.

STA. 24+60
CONNECT NEW 4-INCH WATER LINE TO EXISTING 3-INCH WATER LINE WITH 4-INCHx3-INCH REDUCER AND CONNECTING DIRECTLY INTO THE 3-INCH GATE VALVE.

STA. 30+60
CONNECT NEW 4-INCH WATER LINE TO EXISTING 3-INCH WATER LINE BY REMOVING EXISTING FLUSH HYDRANT AND INSTALLING A 4-INCHx3-INCH REDUCER AND CONNECTING DIRECTLY INTO EXISTING 3-INCH GATE VALVE.

FULL WIDTH PAVEMENT REQUIRED FOR FULL LENGTH OF CONSTRUCTION OF NEW WATER LINE.

WATER SYSTEM IMPROVEMENTS WESTERN PULASKI COUNTY WATER DISTRICT PULASKI COUNTY, KENTUCKY				
LANETOWN ROAD WATER LINE REPLACEMENT				
	556 CARLTON DRIVE LAWRENCEBURG, KY 40342			
	DRAWN BY: JRC	DATE: NOV 2020	REVISED:	SHEET
	CHECKED BY: JLM	SCALE: 1" = 100'	PROJECT: 2028	13



WATER SYSTEM IMPROVEMENTS
WESTERN PULASKI COUNTY WATER DISTRICT
PULASKI COUNTY, KENTUCKY

LEES FORD PUMP STATION

	Monarch Engineering, Inc. 556 CARLTON DRIVE LAWRENCEBURG, KY 40342	
	DRAWN BY: JRC	DATE: MAY 2021
	CHECKED BY: JLM	SCALE: 1" = 20'
CHECKED BY: DSB	PROJECT: 2028	SHEET 14