

**COMMONWEALTH OF KENTUCKY**

**BEFORE THE ELECTRIC GENERATION AND TRANSMISSION SITING BOARD**

In the Matter of:

ELECTRONIC APPLICATION OF )  
THOROUGHbred SOLAR, LLC FOR A )  
CERTIFICATE OF CONSTRUCTION FOR )  
AN APPROXIMATELY 50 MEGAWATT )  
MERCHANT ELECTRIC SOLAR )  
GENERATING FACILITY IN HART )  
COUNTY, KENTUCKY PURSUANT TO )  
KRS 278.700 AND 807 KAR 5:110. )

Case No. 2022-00115

**THOROUGHbred SOLAR, LLC'S RESPONSE TO  
SITING BOARD STAFF'S SECOND REQUEST FOR INFORMATION**

Applicant Thoroughbred Solar, LLC (Thoroughbred Solar) respectfully submits its responses to the Siting Board Staff's Second Request for Information as follows:

1. Identify the company that will employ the individuals that are, or will be, responsible for ensuring compliance with the statements in the application and any conditions imposed by the Siting Board during construction and operations of the project.

**RESPONSE:** Leeward Renewable Energy plans to hire an Engineering Procurement and Construction contractor (EPC). The EPC will be responsible for constructing the Project consistent with statements in the Application and any conditions imposed by the Siting Board during construction and operations of the Project, and the bidding process for EPC contractor selection will reflect the Project obligations and the requirement that they be met. In addition, in recognition that Thoroughbred Solar, LLC is ultimately responsible for compliance, oversight to the contractor will be provided by Project company representatives to further ensure compliance.

2. Provide documentation concerning the continuation or termination of the United States Department of Agriculture's (USDA) Conservation Reserve Enhancement Program (CREP).

**RESPONSE:** Official documentation concerning the continuation or termination of CREP was not able to be located. However, several available news articles indicate that the program has ended

and was only extended for a twelve-month period, which has since expired. Copies of this documentation are included as **Exhibit 1**.

3. Provide information about the contractual aspects of the CREP program in relation to the property where the project is to be located, and state whether the property where the project is to be located is exempt from membership in the program. If the property is exempt, provide documentation of this.

**RESPONSE:** A copy of the CREP program contract for the Isaac property (the only Project property for which this is relevant) is included as **Exhibit 2**. This contract includes the term dates and that participation expired on September 30, 2022.

4. Provide details regarding contact with the National Cave Museum and Library (Museum) about the proposed solar facility location. Include any information about discussions relating to karst, underground cave systems, and sinkholes. If no contact has been made with the Museum, please indicate when this contact will be made.

**RESPONSE:** Thoroughbred Solar made initial contact with David Foster, the President/CEO of the National Cave Museum and Library in Horse Cave to introduce the Project and solicit an in-person meeting to discuss the Project's potential impact to karst, underground cave systems, and sinkholes. Representatives of Thoroughbred Solar first met with Mr. Foster on November 17, 2022 and have continued to maintain an open dialogue with Mr. Foster. Representatives reviewed the AQQWA site plan with Mr. Foster and, due to Project mitigation measures taken to avoid sinkholes and to utilize groundcover, he expressed no concern for impact to underground cave systems and sinkholes.

5. Provide details regarding contact with Mammoth Cave National Park (Mammoth Cave) about the proposed solar facility location and its relation to karst features in the area. If no contact has been made with Mammoth Cave, please indicate when this contact will be made.

**RESPONSE:** Project representatives conferred with Mr. Foster of the National Cave Museum and Library regarding connectivity between the Project Area and Mammoth Cave, who stated that he was not aware of exploration or formal research indicating hydraulic connectivity between the two systems. As a result, representatives determined outreach to Mammoth Cave was not warranted. However, following this Data Request, Thoroughbred Solar has identified an

appropriate person for the referenced contact, which will be completed on or before the formal hearing on February 21, 2023.

6. Provide a design plan for the project that notes the different foundations and footings that will be used in construction. Include the foundation and footing designs for the proposed substation and O&M building.

**RESPONSE:** Design plans will not be specifically developed until further investigations are completed in conjunction with the final design. The substation/switchyard will be supported by drilled shaft/pier foundations or shallow spread footings, depending on the subsurface conditions and the structure loading. The individual structures within the substation would likely be further supported by slab foundations, with the specific design determined once the appropriate stage of agreement has been reached between EKPC and PJM and Thoroughbred Solar. Since the time of the Application filing, the Project has determined that there will not be an onsite O&M building. The panels will be supported by piles, and inverters will likely be on riser supports; again, final design and support details will be developed closer to construction. Schematics for typical inverter footing schematic drawings are attached as **Exhibit 3**, although actual design parameters will be determined in conjunction with final design.

7. Refer to the response to Siting Board Staff's First Request for Information (Staff's First Request), Item 37. For each of the construction phases listed in Updated Table 4, provide an estimated length of each phase. Include in the estimate the length of time each phase will overlap.

**RESPONSE:** Please see the updated table attached hereto as **Exhibit 4**, which provides the requested information.

8. Provide an estimate of when the peak of construction activity will occur.

**RESPONSE:** Peak construction activity is expected to occur approximately five to seven months before the Commercial Operation Date (COD).

9. Provide an estimate of how long the peak construction period will last.

**RESPONSE:** Peak construction activity is expected to last roughly three months, when the bulk of the modules and trackers are being installed.

10. Provide baseline traffic volume data for portions of US 31W to the north and to the south of the intersection of US 31W and State Highway 335. Include the peak AM and peak PM traffic volume.

**RESPONSE:** Specific traffic count data were not collected along US 31W in association with the Project (and, therefore, peak AM and peak PM traffic volumes are not specifically available). However, the KYTC Traffic Count Reporting System identifies a traffic count location along US 31W north of State Highway 335 (milepost 8.178 - 9.425) that indicates an Annual Average Daily Traffic (AADT) of 4,949 based on 2021 counts, and a traffic count location south of State Highway 335 (milepost 3.402 - 8.178) that indicate an AADT of 4,132 based on 2019 counts.

11. Provide a description of existing road conditions for US 31W near the project area.

**RESPONSE:** The existing US 31W has 11-foot lanes and 1-foot paved shoulders with narrow ditches. The pavement condition has minor cracking but no significant pavement failures.

12. Provide an estimate of what portion of construction traffic would access the local roads around the project site from US 31W and what portion of construction traffic would access local roads around the project site from the southern portion of State Highway 335.

**RESPONSE:** The detailed construction traffic logistics will be developed by the construction contractor in consultation with local authorities. While access is equally likely in either direction, heavy load requirements will be further assessed to consider factors such as selecting the delivery route for which fewer road enhancements would be necessary.

13. Refer to the Application, Exhibit 12, Attachment G, page 8, Table 2 and page 23, Table 8. Explain whether the sound pressure levels presented in these tables reflect both the project operations and existing ambient noise levels described in the response to Staff's First Request, Item 35.

**RESPONSE:** The referenced tables reflect project sound levels only, without reflecting ambient conditions.

14. Confirm that the majority of capital expenditures, including purchases of solar panels and other major materials, will occur outside of Kentucky.

**RESPONSE:** Thoroughbred Solar intends to purchase materials for the project within the Commonwealth of Kentucky when cost and availability permit doing so. Some introductory discussions with local vendors have already been conducted in conjunction with community involvement efforts. Panels and inverters will be purchased outside the Commonwealth of Kentucky.

15. Explain what types of material, supplies, or equipment would be purchased within Hart County for the construction of the project.

**RESPONSE:** Vegetation and landscaping are potential materials and services that Thoroughbred Solar will seek to procure locally. Aggregate base, concrete, as well as construction vehicle fuel and other consumables are potential supplies and equipment that could be purchased within Hart County. The construction phase will have significant labor requirements, which could provide for purchase of related supplies, lodging, and meals in Hart County.

16. Provide an estimate of the total property tax revenues generated for Hart County over the 35-year operational period of the project if an Industrial Revenue Bond (IRB) or a Payment in Lieu of Tax (PILOT) agreement is not made.

**RESPONSE:** The Project is expected to create in excess of \$3.1 million in Total Tax Revenue over the Project’s 35-year life (comprised of roughly \$1.4 million in State Taxes and \$1.7 million in Local Taxes).

17. Provide the distribution of Hart County property tax revenues to applicable local entities, including school districts.

**RESPONSE:** Thoroughbred Solar has been provided data indicating that the distribution of Hart County property tax revenues to local entities from applicable parcels is as follows:

*Estimated Weighted Average Tax Distribution for Parcels:  
055-00-00-063.00; 056-00-00-040.00; 045-00-00-050.00; 056-00-00-012.00*

COUNTY SCHOOL	58.6%
STATE	11.7%
COUNTY	10.2%
LIBRARY	9.6%
AMBULANCE	7.4%
MUNFORDVILLE FIRE	2.4%
FIRE ACRES	0.0%
<b>TOTAL</b>	<b>100.0%</b>

18. Refer to the Application, Exhibit 12, Attachment Q, page 11. Confirm that the decommissioning cost estimates provided encompass all project components and restoration work required on the entire 530-acre Project site.

**RESPONSE:** Yes, as reflected in the plan, all materials that are planned for removal are accounted for in the cost estimates. Additionally, the applicable land leases commit to removal of all planned improvements (as reflected in the Decommissioning Plan).

19. Refer to the response to Staff's First Request, Item 38. Provide details on how the complaint resolution process will work.

**RESPONSE:** Thoroughbred Solar will follow up on all other received complaints within two business days, excluding holidays. If a complaint is received during the construction phase, the construction manager or community liaison will be responsible for initiating review. If a complaint is filed during the operations phase, O&M staff or the community liaison will be responsible for initiating review. The first step to addressing a complaint will be determining whether there was violation of federal, state, local laws or permit conditions. Representatives also will determine whether outside resources are necessary for proper response. Thoroughbred Solar is committed to resolving complaints within 30 days of receipt, unless extenuating circumstances require a longer time, or it is determined that the complaint does not require a resolution or is unresolvable. If complaint resolution lasts longer than 30 days, Representatives will communicate with the complainant, providing an explanation for the extended time and a timeline for addressing the complaint.

20. Describe the improvements necessary for John's Lane so that construction delivery vehicles will be able to deliver the transformer to the proposed substation location.

**RESPONSE:** Typically, improvements to roadways would be determined during the bidding phase by the EPC. Improvements could include, but are not limited to, bituminous stabilization, chemical stabilization and mechanical stabilization methods. Additionally, the use of matting or other load-distribution methods may also be employed to further reduce impacts to roadways.

21. Explain whether any improvements are necessary to the bridge on Kentucky Route 335, west of US 31W to accommodate construction traffic.

**RESPONSE:** The bridge has a posted limit of 22 tons, and construction traffic would be restricted to less than this weight limit. Consequently, Thoroughbred Solar does not expect any improvements to be necessary.

22. Refer to the Application, Exhibit 12, Site Assessment Report (SAR), Section 6.1.1, page 16. Also refer to the response to Staff's First Request, Item 20. The SAR states that the weight of the transformer is approximately 120 tons. The response to Item 20 states the weight of the transformer is approximately 56 tons. Confirm the correct weight of the transformer.

**RESPONSE:** The weight of the transformer during transport will be approximately 56 tons.

Respectfully submitted,



---

Dylan F. Borchers  
Sommer L. Sheely  
BRICKER & ECKLER LLP  
100 South Third Street  
Columbus, OH 43215-4291  
Telephone: (614) 227-2300  
Facsimile: (614) 227-2390  
E-mail: [dborchers@bricker.com](mailto:dborchers@bricker.com)  
[ssheely@bricker.com](mailto:ssheely@bricker.com)

*Counsel for Thoroughbred Solar, LLC*



LOCAL NEWS

Read All

### GREEN RIVER CREP PROGRAM EXTENDED

Posted About Five Years Ago by LISA CLARK

WASHINGTON, D.C. – U.S. Senate Majority Leader Mitch McConnell (R-KY) announced today (Friday) the United States Department of Agriculture (USDA) has agreed to extend the Green River Conservation Reserve Enhancement Program (Green River CREP) for eligible contracts for an additional year.

Earlier this year, USDA announced the termination of the program at the end of the current program agreement. In response, Senator McConnell contacted USDA Secretary Sonny Perdue on behalf of Secretary Charles Snavely of the Energy and Environment Cabinet for the Commonwealth of Kentucky to request a one-year extension of the program. Today, USDA informed Senator McConnell that all eligible contracts that were set to expire on September 30, 2017, would be extended for an additional year, which will allow USDA to work with the state on a long-term agreement for financing the program moving forward.

The Green River CREP, established in 2001, covers the following counties in Kentucky: Adair, Allen, Barren, Butler, Edmonson, Grayson, Green, Hart, Logan, Metcalfe, Russell, Simpson, Taylor, and Warren. It currently includes over 97,000 acres dedicated towards the conservation and improvement of water quality and wildlife habitat in the Green River Watershed.

Read All

Share Tweet Pin Email



ON AIR NOW



Regular Programming  
12:00am - 5:00am  
Regular Programming  
[Request A Song](#)

Russell Springs, KY  
34°  
3:57 am CST  
Mostly cloudy

#### CNN NATIONAL NEWS

[The man shot himself in a van as police closed in, after officials say he killed 10 people at a dance hall. People who knew him say he was once a regular patron there.](#)

Posted Monday, January 23rd, 2023 3:50am

[They saved lives: Police chief praises heroes who disarmed suspect at a second location](#)

Posted Monday, January 23rd, 2023 3:50am

[Aftermath: Police investigating motive after massacre leaves a city reeling](#)

Posted Monday, January 23rd, 2023 2:26am

[Video: Sheriff identifies suspect, explains what happened](#)

Posted Sunday, January 22nd, 2023 8:01pm

[Analysis: Three weeks and 33 mass shootings. This is America in 2023](#)

Posted Sunday, January 22nd, 2023 11:27pm

#### ENTERTAINMENT NEWS

[Damar Hamlin Attends Buffalo Bills Playoff Game After Cardiac Arrest](#)

Posted Yesterday At 5:34pm

[Aubrey Plaza and Amy Poehler Have a Parks and Rec Reunion](#)

Posted Yesterday At 4:06pm

[Selena Gomez and Drew Taggart Hold Hands on NYC Outing](#)

Posted Yesterday At 3:31pm

#### WAVE WEATHER SPONSORS



POWER MAX DOPPLER &



**SEVERE WEATHER REPORTS  
SPONSORED BY:  
BARGER INSURANCE &  
JACK&JACK INSURANCE**

**LISTEN LIVE TO 92.7 THE WAVE  
FOR SEVERE WEATHER  
UPDATES...**



**WEATHER LINKS**

**WEATHER SERVICE  
FORECAST**

**STORM PREDICTION  
CENTER**



---

If you need help accessing the online public file due to a disability, please contact us  
[Home](#) | [Employment Opportunities](#) | [Advertising](#) | [Contest Rules](#) | [Contact](#)  
[WHVE Public File](#) | [EEO](#) | [FCC Applications](#)

© 2023 WHVE, Shoreline Communications

Built on Envisionwise Technology



[https://www.bgdailynews.com/opinion/commentary/contact-legislators-to-voice-support-for-green-river-crep/article\\_11f3abe1-d9c1-5e39-a819-46ab375a3923.html](https://www.bgdailynews.com/opinion/commentary/contact-legislators-to-voice-support-for-green-river-crep/article_11f3abe1-d9c1-5e39-a819-46ab375a3923.html)

SPOTLIGHT

## Contact legislators to voice support for Green River CREP

HARRY WILSON Commentary

Mar 10, 2018



Harry Wilson



This photo shows how erosion has created a lack of cover for wildlife during the summer along the Green River.

Submitted

[Privacy](#) - [Terms](#)

The federal government announced it is discontinuing the Green River CREP Program for our Green River. This voluntary program has helped save our farm land for future generations, allowed older farm owners to keep their farm and provided more than 20 percent of the net farm income each year since 2005. (As an example, more than \$3,500,000 net money supplied to Hart County farmers, annually.) The counties are Adair, Allen, Barren, Butler, Edmonson, Grayson, Green, Hart, Logan, Metcalfe, Russell, Simpson, Taylor and Warren.

Every possible measure should be taken to protect the Green and Barren river watershed. We especially need to retain the CREP program years beyond the September expiration date. Woodland and grass resources, supplied by CREP establishment since 2002, has added valuable protection for the weak riparian area of the Green River, water quantity-quality, karst aquifers that supply hundreds of ground water springs that eventually find Green River, and many of the CREP-enrolled acres have turned into excellent wildlife habitat. For example, the bobwhite quail has returned in numbers. Populations of nongame wildlife have also benefitted as well, including many species of grassland birds that have suffered dwindling populations as a whole.

On Sept. 4, 2001, the CREP program was introduced to the Green and Barren River Watershed. At that time, the Green River was in the top four rivers for biodiversity in the United States.

In February 2017, the U.S. Army Corp of Engineers released a bulletin on its website stating, “Green River Lake has significantly changed both the periodicity and volume of flows in Green River creating a situation where near vertical eroding stream bank occurs and threatens to remove additional riparian forest. Changes in land use and flow patterns have also adversely impacted terrestrial (earth, land, trees) and aquatic resources in the area. The area below Green River Dam to Dennison Ferry, Mammoth Cave National Park, is in an especially delicate ecosystem and is designated a State Outstanding Resource of biodiversity, especially within the aquatic ecosystem.”

Of the Hart County section of Green River, two-and-a-half miles is in the Mammoth Cave National Park and is part of the designated Kentucky Wild River Section. Kentucky is one of the most famous karst areas in the world. In Hart County, there are hundreds of karst aquifers that supply the karst ground water springs in this river watershed. They are under-laying in limestone in these CREP fields. Karst aquifers are highly vulnerable to pollution from a variety of waste sources. Every environmental practice to protect karst-related resources should be kept in place in this watershed. The best way to protect karst aquifers from pollution is to control the human activities in the groundwater basin of the aquifers.

There are several hundred acres of CREP fields beginning above MCNP. Combined, the species living in Mammoth Cave and the species living at ground level add up to more different species than any other place on earth. The CREP, without question, will help support the riparian area close to the river and the loss of hardwood trees in this area, reduce pollution to the groundwater springs, increase wildlife, grassland birds and the biodiversity in MCNP.

Failure to support and renew CREP would almost certainly reverse many of these gains. CREP benefits are greatest over a long uninterrupted period – it takes years to re-establish functional corridors after planting.

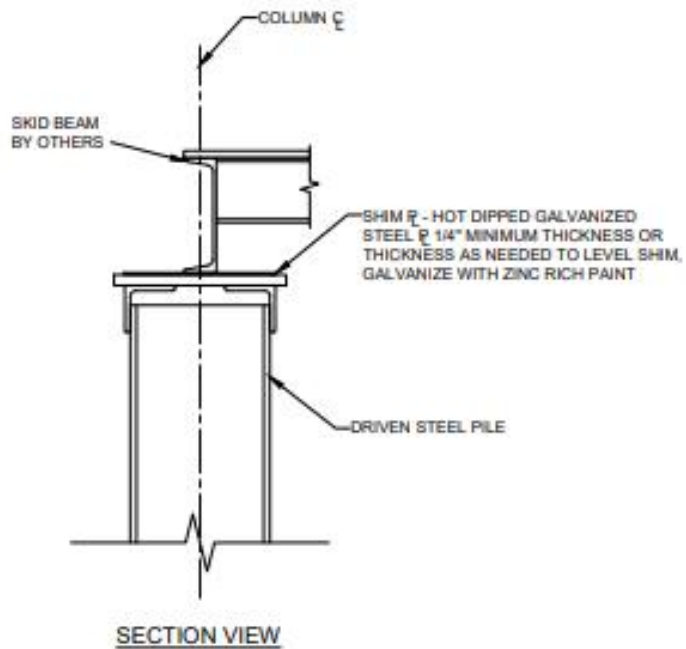
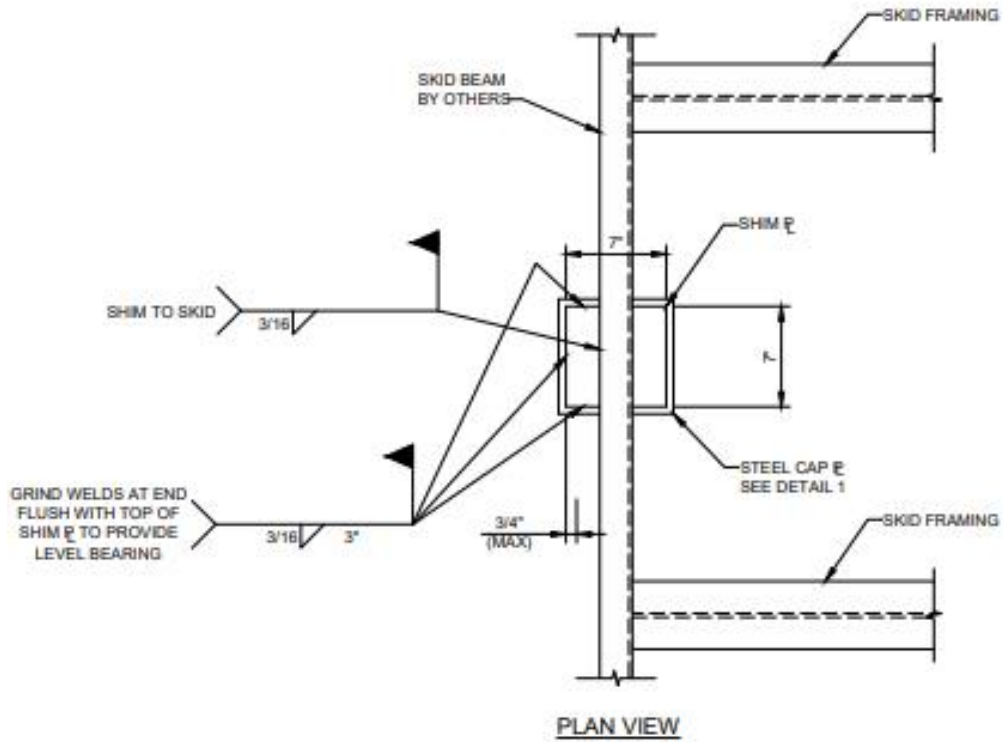
Everyone who knows what is at stake with the Green River should speak out for the CREP grass and woodland fields and the loss of forest resources that has significantly impacted the riparian area close to the river's natural flow. Many people never think about natural resources – they think that the Green and Barren rivers are just another flowing waterway between two banks. However, it is really the most fragile of life's necessities. We must, as landowners along this watershed, be responsible for and benefit from the sensible use of the Green and Barren rivers that flow through our property and make up the watershed.

The sustainable management of the CREP program, and having your thoughts heard concerning your land along this river, is vital for the future of the Green and Barren river ecosystem. Green and Barren river CREP participants were recently mailed a letter from the Green River CREP Alliance.

This letter requested that our state senators be contacted to voice support for the continuation of the CREP program. The decision to continue or discontinue this highly successful program is in the hands of our state legislature. In the next few days, they will either act to extend the program or fail to act and kill the most successful conservation program in the history of our commonwealth.

I urge you to reach out to your legislators and express your support for the Green River CREP.

– Harry Wilson, of Upton, is owner of CREP woodlands and Johnson Spring on the Green River in Hart County.



**NOTE:**  
 REMOVE GALVANIZING BEFORE WELDING. PROVIDE ZINC RICH TOUCH UP PAINT CONTAINING 95% METALLIC ZINC (Z.R.C. BRAND OR EQUIVALENT).

**INVERTER SKID SHIM DETAIL  
 (AS REQUIRED)**

NOT TO SCALE

**EXHIBIT 4**

<b>Construction Phase</b>	<b>Estimated Length</b>	<b>Estimated Overlap</b>
Road Construction	30-45 Days	
Substation Construction	60-90 Days	
Trenching	60-90 Days	
Inverter Construction	60-120 Days	Inverters installed before adjacent piling/racking. ~60 day overlap expected as construction works across the site.
Piling	90-150 Days	Piling will overlap with many other construction phases.
Racking	90-150 Days	Racking follows piling by about a month. Therefore, ~90 day overlap.
Laydown Area	30-60 Days	
Boring	15-45 Days	Minimal boring. May overlap with piling and racking.
Rock Drilling	90 Days	Rock drilling occurs throughout piling as necessary.