

## AERIAL CONSTRUCTION SPECIFICATIONS

### Overhead and Dead-End guys

- All guys shall be properly tensioned
- Maintain proper clearance
- Splicing of guys is not permitted
- All guys shall be bonded to the strand and MGN if present
- 3/8" Utility grade strand shall be used on all guys
- Guy guard to be placed on all down guys

### Pole Attachment – (raise-lower-transfer)

- All pole-piercing holes will be 11/16"
- Minimum of 40" below power attachment
- No less than 12" separation between attachments
- No more than 1-1/2" or less than (2) full threads of bolt extending beyond the square nut
- Strand in a suspension clamp will always be below the through bolt
- Strand will be bonded to any other Windstream strand and grounded to the MGN
- If riser cables are to be adjusted refer to picture #3 – no kinks or sharp bends. Maintain proper bend radius.
- If spacers-bands – lashing wire termination is to be adjusted refer to pictures 5.1, 5.3, 5.4, 5.5, 5.6.
- 18' clearance over roadways must be maintained. IF EXISTING CLEARANCE IS 18' OR LESS ATTACHMENT(S) CANNOT BE LOWERED. This includes any 2-6 pr. service drops.
- Attachments over railroad crossings CANNOT be lowered without case-by-case approval from Windstream Engineering.
- Where transferring to a new pole and the old pole is completely vacated, the old pole must be removed.
- New poles involving power attachments cannot be attached to until power transfers are complete.

- Existing hardware may be reused if not damaged or deteriorated. Preform wraps and/or strand vises must NOT be reused.
- Work must be performed according to industry standards, OSHA, LFUCG, and Windstream regulations and safety requirements.
- If trimming is required, debris must be disposed of properly.

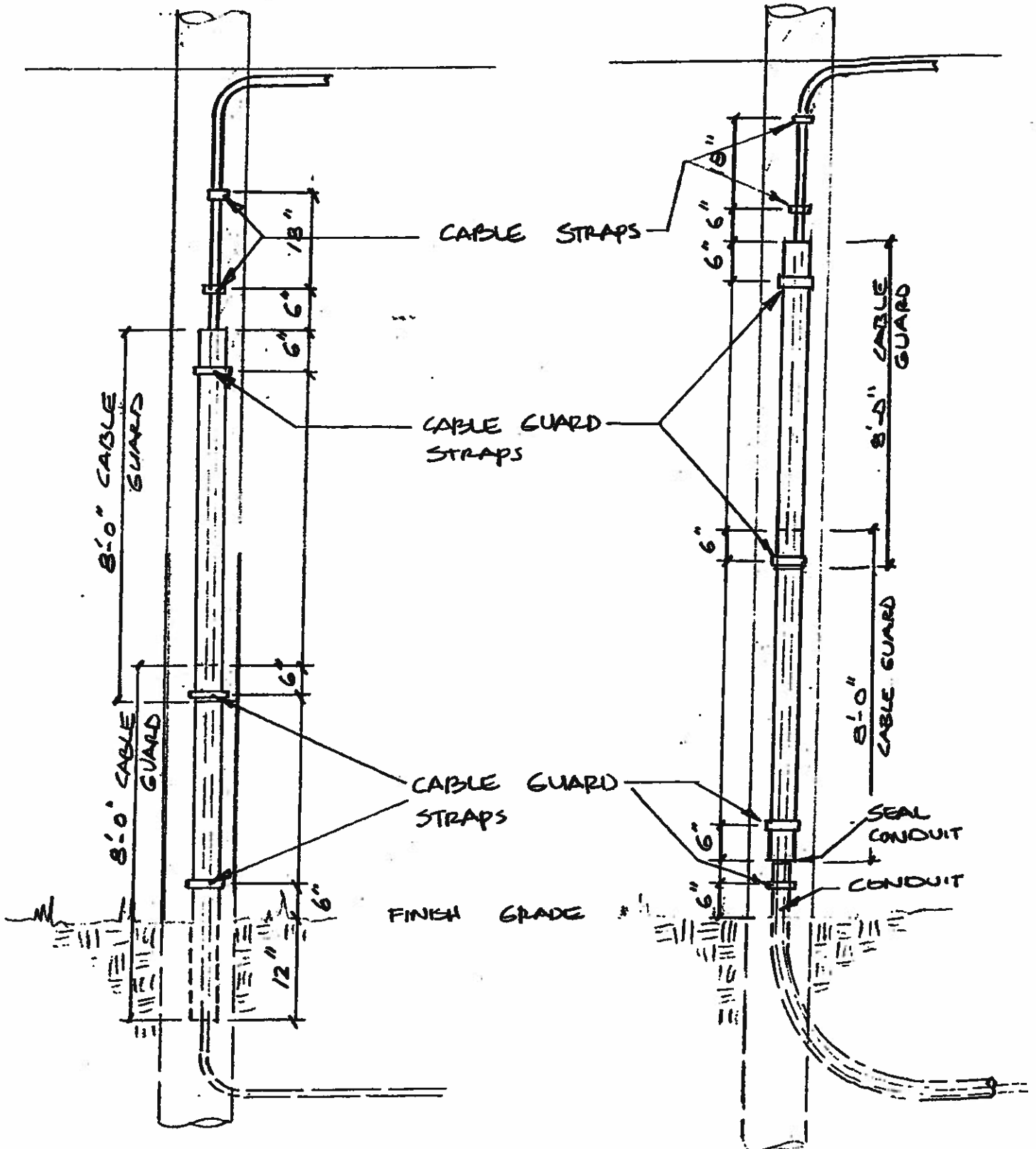
#### Materials to raise-lower -transfer

- |                               |                           |                  |
|-------------------------------|---------------------------|------------------|
| • 5/8" machine bolts          | Hubbell power systems     | 8812, 8814, etc. |
| • 2 1/2" curved square washer | Hubbell                   | 6822             |
| • 5/8" square nut             | Maclean senior industries | SI5365           |
| • 3 bolt suspension clamp     | Maclean                   | SI1740           |
| • 3 bolt curved susp. clamp   | Maclean                   | SI1755           |
| • 5/8" support strap          | Maclean                   | SI0088A          |
| • 1/2" X 4" lag screw         | Hubbell                   | 508754           |
| • 27" cable strap             | Thomas and Betts          | CSS270           |
| • Cable support spacer        | Thomas and Betts          | TCP360           |
| • D lashing wire clamp        | Maclean                   | SI2175           |
| • 5/8" guy hook               | Maclean                   | SI4425           |
| • 3/8" utility grade strand   | National Strand products  | U10M5000         |
| • 3/8" short bail strand vise | Maclean                   | 5102             |
| • 3/8" strand wraps           | Maclean                   | DES1107          |
| • #6 bare copper ground wire  | Superior Essex            | 1290504          |
| • Split bolt connector        | Maclean                   | SI2004           |
| • Kuhl clamp                  | Maclean                   | SI2174           |

**SUSPENSION STRAND AND COPPER CABLE CAN BE EXTREMELY HEAVY AND/OR UNDER EXTREME PRESSURE, ESPECIALLY IN CORNERS AND DEAD-ENDS. PROPER EQUIPMENT AND METHODS MUST BE USED TO PREVENT PERSONAL INJURY, PROPERTY DAMAGE AND SAFETY RISKS TO THE PUBLIC.**

DIRECT BURIED CABLE  
W/ CABLE GUARDS

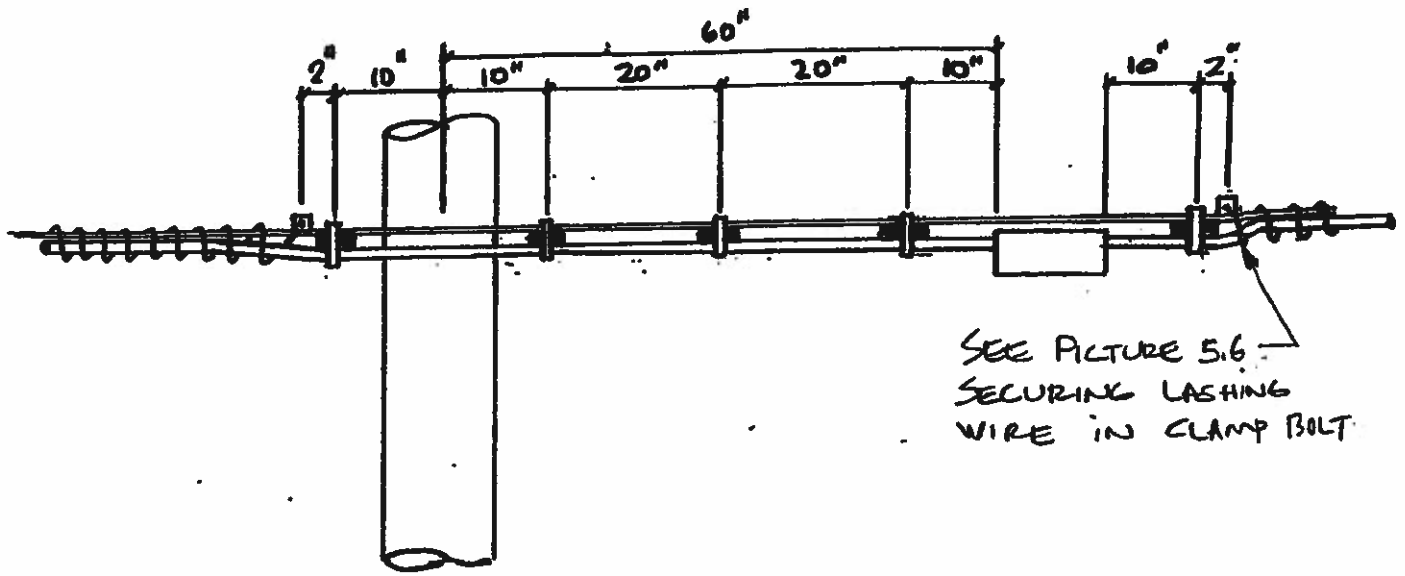
CABLE IN CONDUIT  
W/ CABLE GUARDS



Picture # 3

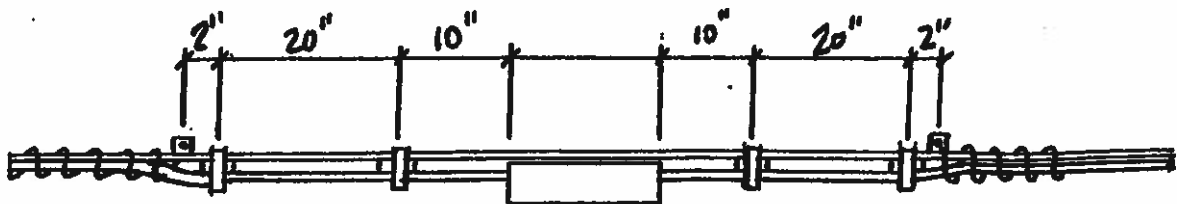
PICTURE # 5.1

SPLICE CLOSURE - NO F.C. TERMINAL



PICTURE # 5.2

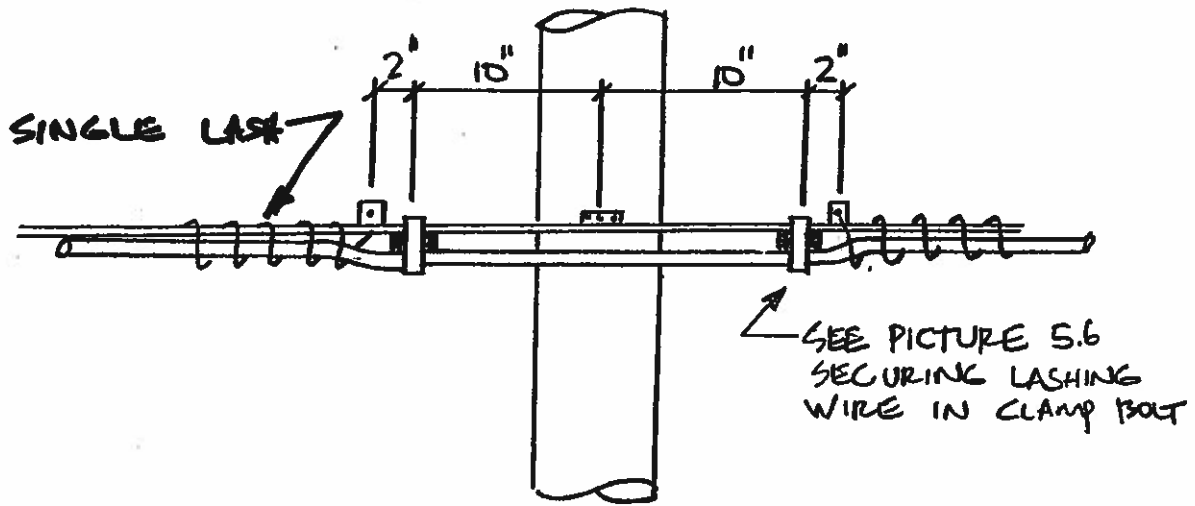
MIDSPAN SPLICE CLOSURE



SEE PICTURE 5.6  
SECURING LASHING  
WIRE IN CLAMP BOLT

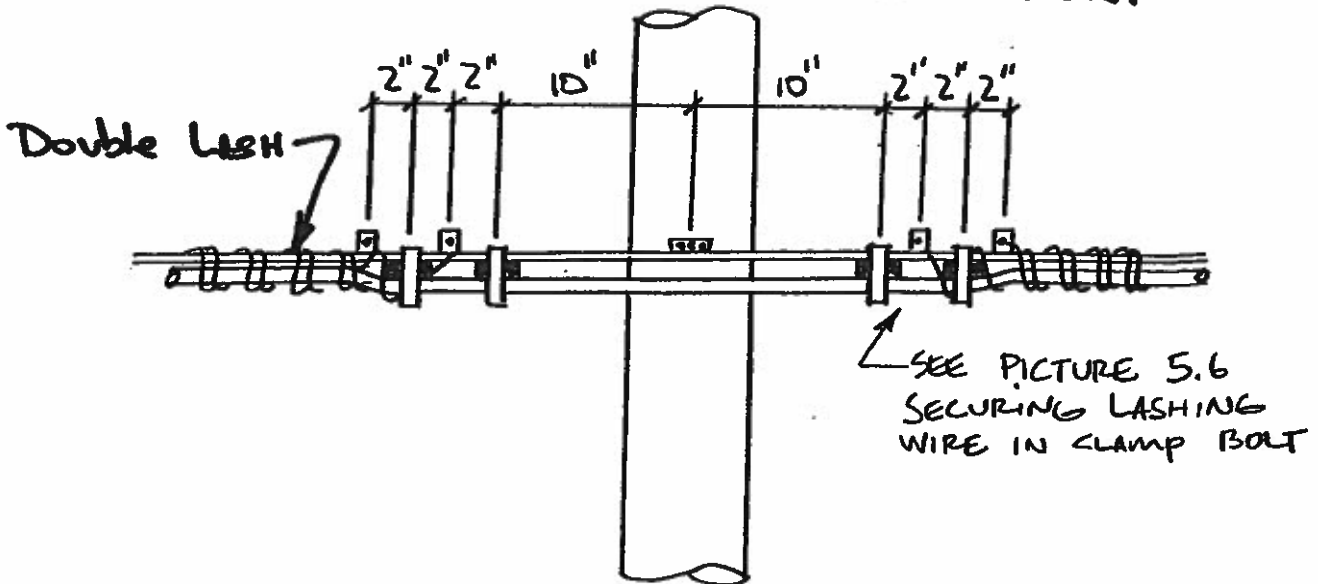
# PICTURE # 5.3

CABLE SUPPORTS AND SPACERS  
AT POLES - NO SPLICES



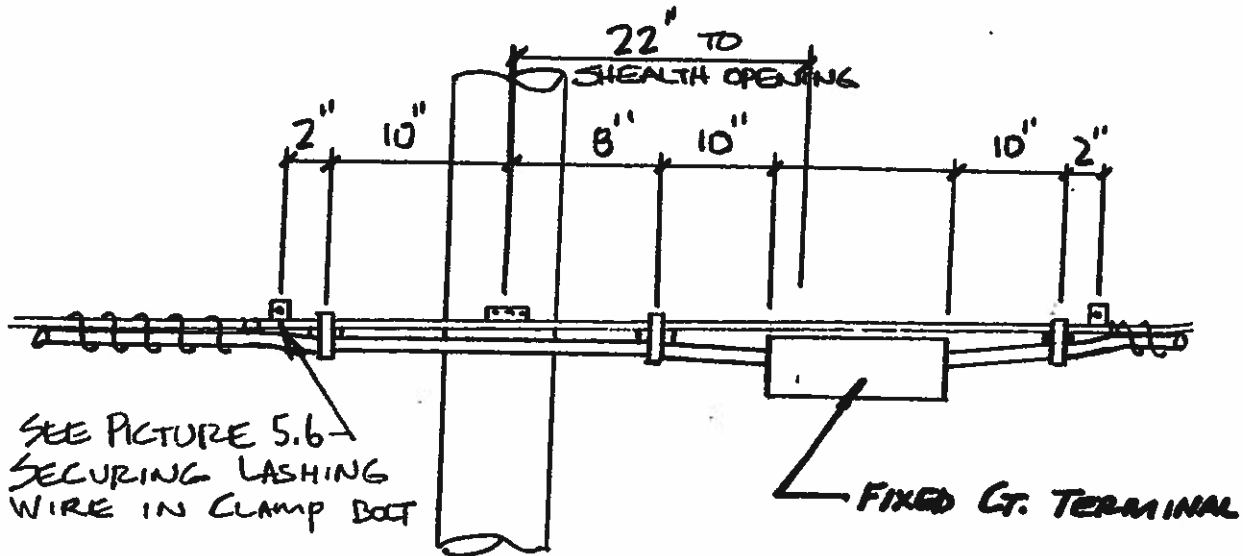
# PICTURE # 5.4

CABLE SUPPORTS AND SPACERS  
AT POLE - NO SPLICES - 1 OR 2  
BUG NUT CONFIGURATION.



## PICTURE 5.5

### FIXED COUNT TERMINAL / SPLICE THROUGH CABLE



## PICTURE 5.6

### SECURING LASHING WIRE IN CLAMP BOLT

