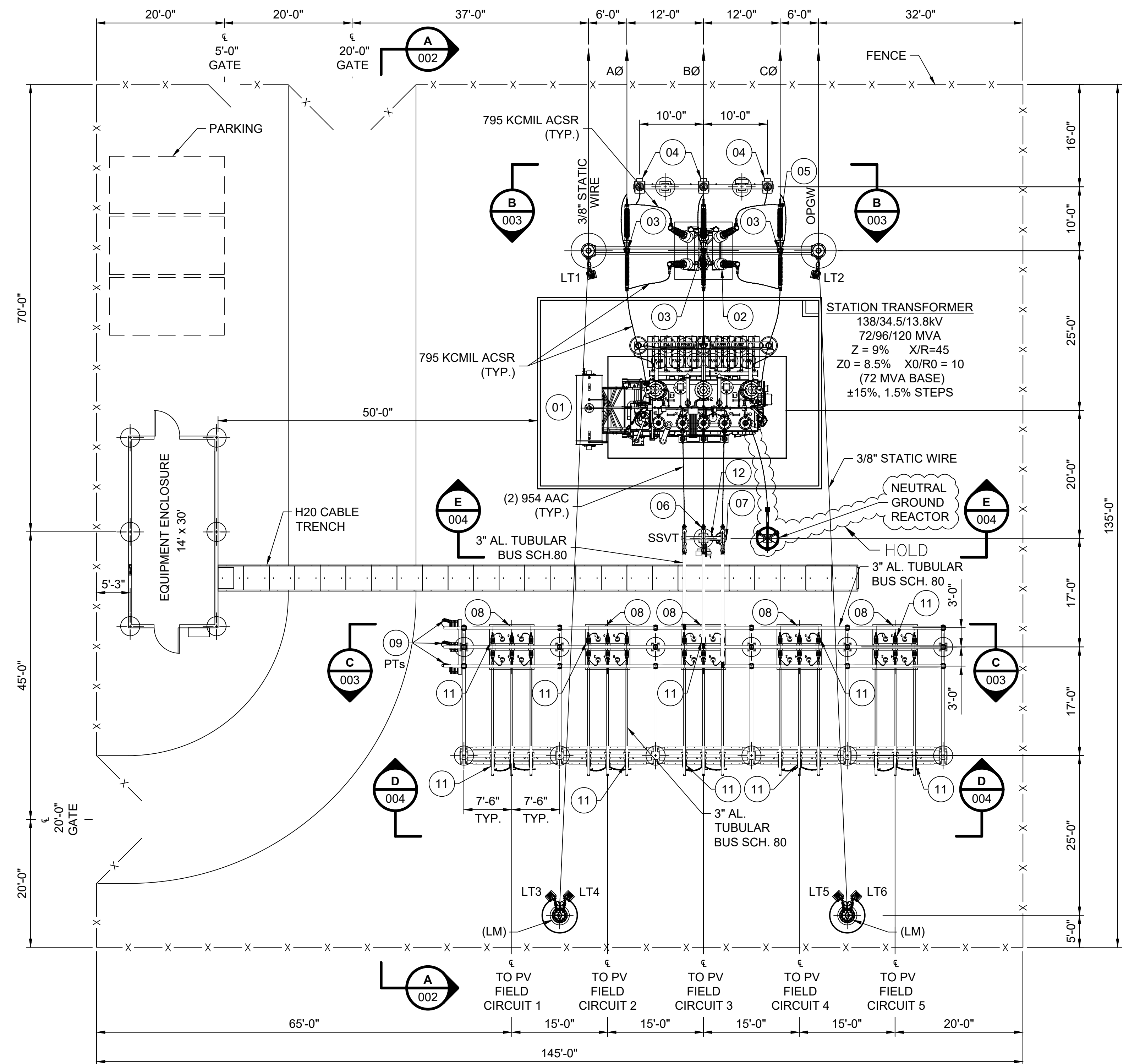
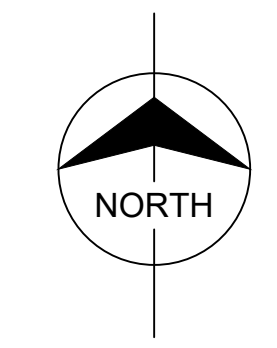


Attachment S

Project Substation General Arrangement



LEGEND

- SITE PARKING
- _____ ROAD
- X-X- FENCE
- [] H2O VEHICLE RATED TRENCH
- (LM) LIGHTNING MAST
- (XX) MAJOR EQUIPMENT BILL OF MATERIAL

Scale For Microfilming
 Millimeters
 Inches

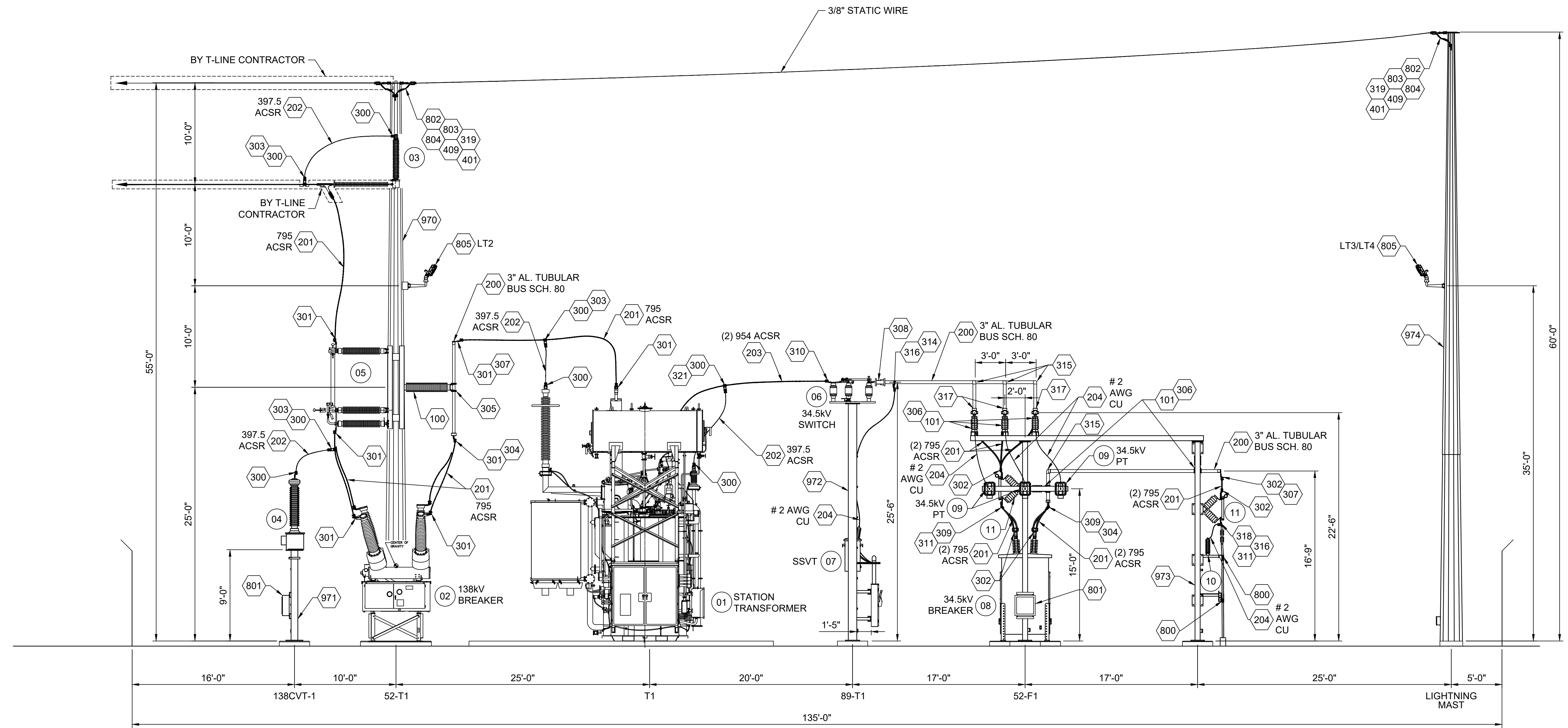
PRELIMINARY - NOT FOR CONSTRUCTION

no.	date	by	ckd	description
<p align="center"> </p> <p align="center"> 200 W ADAMS ST. SUITE 2700 CHICAGO, IL 60606 312-223-0920 Burns & McDonnell Engineering Co., Inc. </p>				
date	08/13/21	detailed	A.GALLEGOS	
designed	A.GALLEGOS	checked	J.HAY	
<p> ibV ENERGY PARTNERS 984.238.4284 JEFFREY CHANG jeffrey.chang@ibvenergy.com 777 BRICKELL AVE. SUITE 500, MIAMI, FL 33131 </p> <p> RHUDES CREEK SOLAR HARDIN COUNTY, KY UNITED STATES </p>				
<p align="center"> </p> <p align="center"> GENERAL ARRANGEMENT 138/34.5kV SOLAR COLLECTOR SUBSTATION </p>				
project	133582	contract	XXX	
drawing	RC-GA-001		rev.	A
sheet	1	of	1	sheets
file RC-GA-001.DWG				

1 2 3 4 5 6 7 8 9 10 11 12 13 14

no.	date	by	ckd	description
-----	------	----	-----	-------------

Scale For Microfilming
Millimeters
Inches



SECTION A-A

PRELIMINARY - NOT FOR CONSTRUCTION

BURNS MEDONNELL
 200 W ADAMS ST. SUITE 2700
 CHICAGO, IL 60606
 312-223-0920
 Burns & McDonnell Engineering Co., Inc.

date 08/13/21	detailed A.GALLEGOS
designed A.GALLEGOS	checked J.HAY

ibV ENERGY PARTNERS
 984.238.4284
 JEFFREY CHANG
 jeffrey.chang@ibvenergy.com
 777 BRICKELL AVE.
 SUITE 500, MIAMI, FL 33131

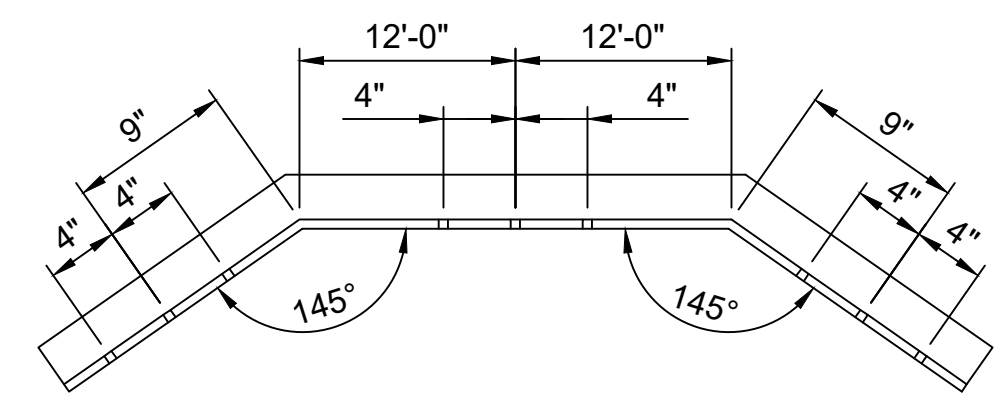
RHUDES CREEK SOLAR
 HARDIN COUNTY, KY
 UNITED STATES

ibV energy partners
 an ibv company

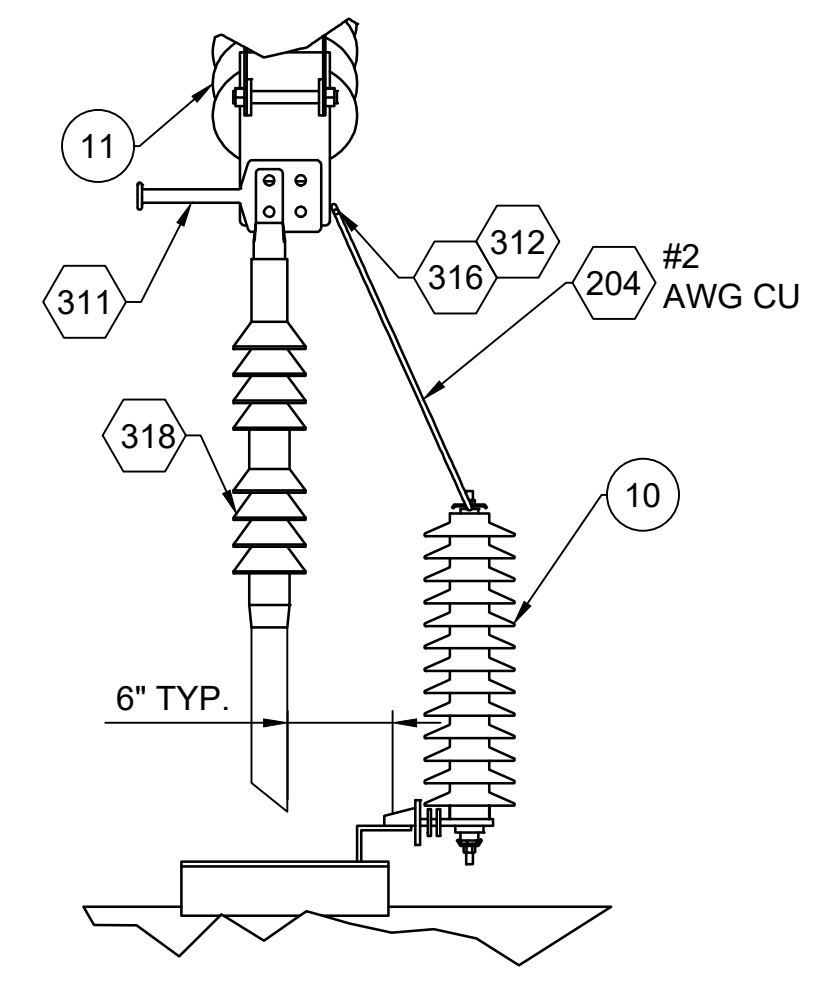
SECTION A-A
 138/34.5kV SOLAR COLLECTOR SUBSTATION

project 133582	contract XXX
drawing RC-GA-002	rev. A

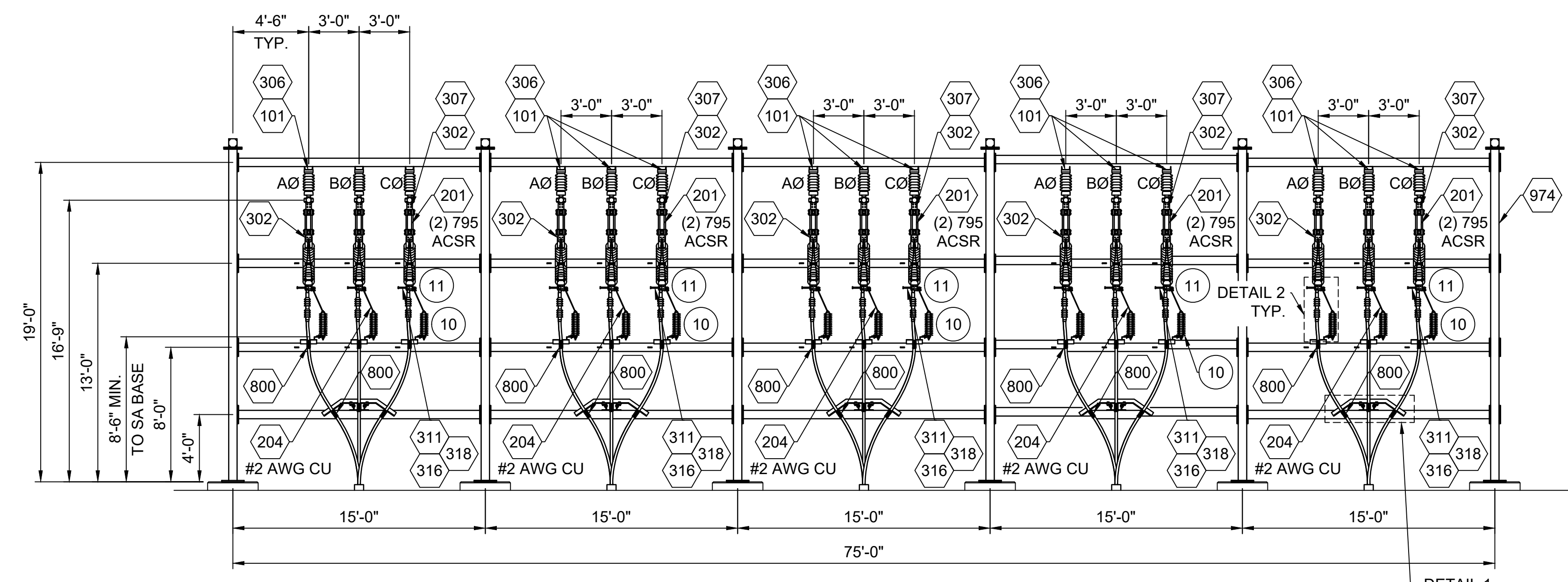
sheet 1 of 1 sheets
 file RC-GA-002.DWG



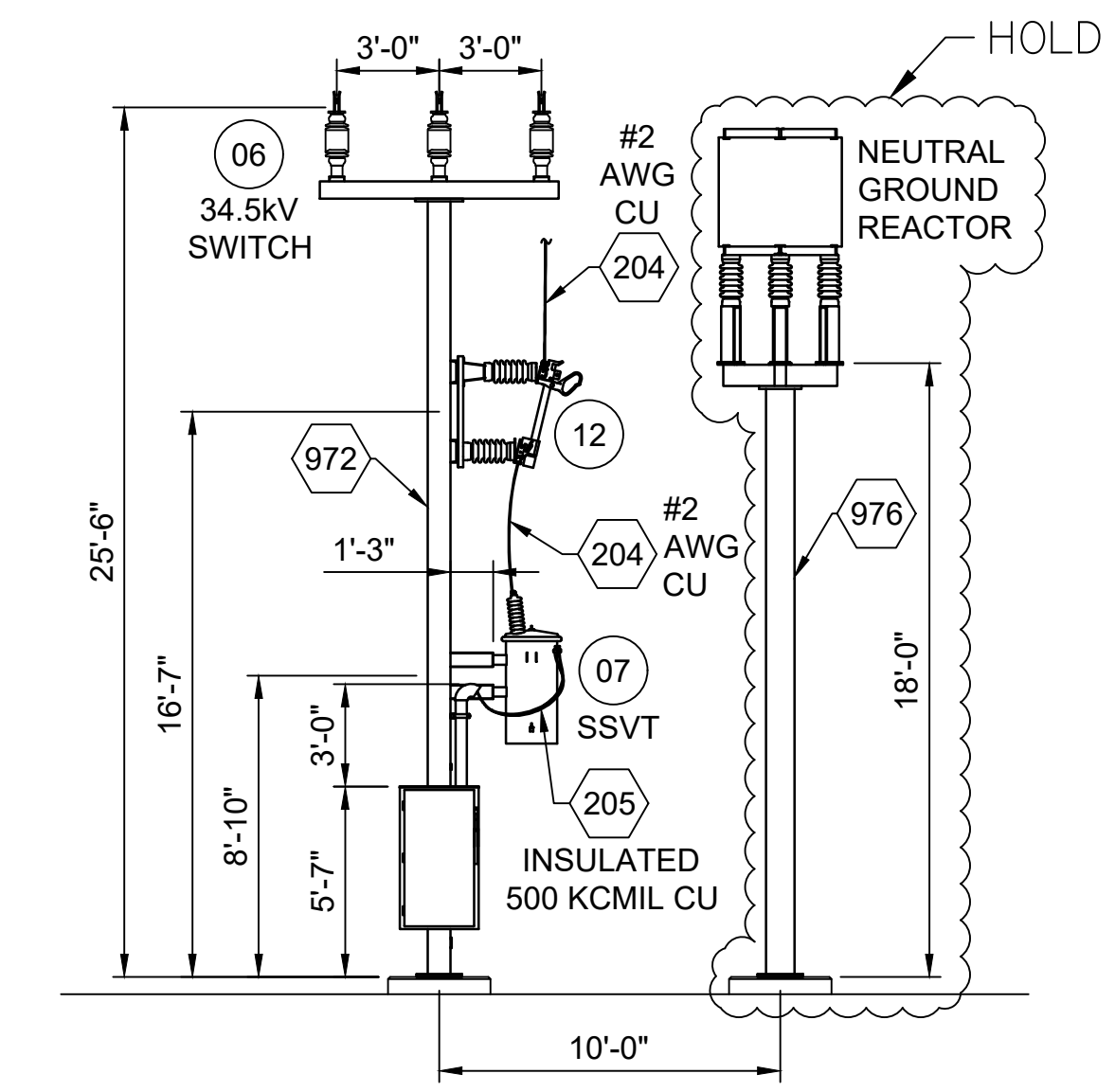
DETAIL 1
CABLE SUPPORT



DETAIL 2
TYPICAL ARRESTER &
SINGLE TERMINATION CONNECTION



SECTION D-D



SECTION E-E

**PRELIMINARY - NOT
FOR CONSTRUCTION**

Scale For Microfilming
Millimeters
Inches

no.	date	by	ckd	description
200 W ADAMS ST. SUITE 2700 CHICAGO, IL 60606 312-223-0920 Burns & McDonnell Engineering Co., Inc.				
date	08/13/21	detailed	A.GALLEGOS	
designed	A.GALLEGOS	checked	J.HAY	
ibV ENERGY PARTNERS 984.238.4284 JEFFREY CHANG jeffrey.chang@ibvenergy.com 777 BRICKELL AVE. SUITE 500, MIAMI, FL 33131				
RHUDES CREEK SOLAR HARDIN COUNTY, KY UNITED STATES				
ibV energy partners an ibv company				
SECTION D-D, E-E 138/34.5kV SOLAR COLLECTOR SUBSTATION				
project	133582	contract	XXX	
drawing	RC-GA-004		rev.	A
sheet	1	of	1	sheets
file RC-GA-004.DWG				