

See the INSTRUCTIONS for more information about selected portions of this application.
Questions on completing this application? Contact the Water Infrastructure Branch at 502/564-3410 or visit our
website at <http://water.ky.gov> for more information.

I. CONSTRUCTION PROJECT INFORMATION

Project Name: _____

Project City/County: _____

Name of WWTP: _____

KPDES Number of WWTP, if known (for modifications to an existing plant): KY _____

Estimated cost of WWTP improvements and sewer line extension: \$ _____

Project is: WWTP Only WWTP with sewer lines

Minor Modification to WWTP (Complete only Sections I, II, IV A, B, C, E3, H1, VII, VIII)

II. APPLICANT INFORMATION

Applicant (Entity paying for construction): _____ E-mail: _____

Street Address: _____

City, State, Zip: _____

Will ownership be transferred? Yes. Name of new owner: _____ No

III. PRELIMINARY SUBMITTAL

Has a Preliminary Submittal been made with all the information in this section? [See 401 KAR 5:005, Section 3]

Yes. Name of project: _____

County and Location of project, then skip to next section: _____

No. Provide the information below that has not been previously submitted (use additional pages, as necessary). Place a **check** (✓) by the items included in the application or an **N/A** if the item is not applicable to the project.

____ A. A copy of a 7½ minute USGS topographic map, with the WWTP, any proposed sewer lines, service area, and discharge location identified.

____ B. For a WWTP located within a planning area, a letter from the regional or facility planning agency stating the proposed WWTP is compatible with the regional facility plan or the water quality management plan.

____ C. For a WWTP located within a planning area, a demonstration that a connection to the regional facility is not available.

____ D. For a regional WWTP, a water quality management plan that is in compliance with **401 KAR 5:006**.

IV. DESIGN CONSIDERATIONS**A. PLANS AND SPECIFICATIONS.**

Design plans and specifications shall comply with 401 KAR 5:005 and "Recommended Standards for Wastewater Facilities" ("Ten States' Standards") 2014 edition. If engineering practices, other than those contained in "Ten States' Standards", were used in the design, indicate the source and the corresponding portion of the design. **[See 401 KAR 5:005, Section 7]**

Plans and specifications submittals shall meet on of the following options:

- Submit at least one paper printed set of detailed plans (no larger than 24" x 36") and a PDF copy of the plans and specifications on a data storage device such as a USB flash drive. Both copies shall be dated with a stamp, signature of a licensed professional engineer in Kentucky which complies with the requirements of 201 KAR 18:104. The digital plans shall consist of a single pdf file and be in a folder called "Engineering Plans" and the specifications manual shall be in a folder called "Specifications".
- Submit a PDF copy of the plans and specifications digitally via the electronic form on the KY One Stop Business Portal website. The PDF copy shall be dated with stamp and signature of a licensed engineer in Kentucky which complies with the requirements of 201 KAR 18:104 Section 3. The plans shall be submitted as a single pdf file.

B. DESIGN ENGINEER, if the WWTP design capacity is greater than 10,000 gpd or if the sewer lines associated with the WWTP will become part of a sewer system served by a regional facility. [Section 6]

P.E.'s Name: _____ Firm: _____

Street Address: _____

City, State, Zip: _____

Phone: _____ Fax: _____ E-mail: _____

C. CONFORMITY TO PLANS AND SPECIFICATIONS. Provide name of person who will inspect and certify that the constructed facility conforms to the approved plans and specifications. If the WWTP's design capacity is greater than 10,000 gpd, or if the sewer lines will become part of a sewer system served by a regional facility, this person must be a professional engineer (P.E.). [Section 3]

Name: _____ Firm: _____

Street Address: _____

City, State, Zip: _____

Phone: _____ Fax: _____ E-mail: _____

D. DESIGN CAPACITIES. Provide the following design capacities, in million gallons per day or pounds per day. [Section 3]

Average Daily Flow: _____ MGD Influent BOD: _____ lb/day

Peak Daily Flow: _____ MGD Influent SS: _____ lb/day

Peak Hourly Flow: _____ MGD Influent NH₃-N: _____ lb/day

E. Design Criteria. Provide the following information (use additional pages, as necessary). Place a check (✓) by the items included in the application or an N/A if the item is not applicable to the project.

____ 1. A schematic drawing of the facility layout and explanation of the proposed facility and method of operation. **[Section 3]**

____ 2. WWTP's Reliability Category, Grade A, B, or C: _____. Include a detailed description of the reliability measures that will be used for the WWTP. **[Sections 3 and 13]**

3. A discussion of the design criteria used to size the unit processes. **[Section 3]**

F. LABORATORY SERVICES. Give name of laboratory that will provide services for self-monitoring and process control. [Section 3]

Firm Name: _____

Street Address: _____

City, State, Zip: _____

G. SITE LOCATION. Place a **check (✓)** by the items that are included in this application or an **N/A** if the item is not applicable to the project.

- ___ 1. Include a plat or survey clearly indicating the site's boundaries, position of proposed facility in reference to the boundaries, and position of dwellings within 200 feet of the WWTP. **[Section 3]**
- ___ 2. If an open-top WWTP is closer than 200 feet to the closest dwelling, include what structure or other measures will be used for noise and odor control. **[Section 4]**
- ___ 3. For a WWTP with a spray irrigation system, if the distance from the spray field to the property boundary is less than 20 feet, include what protective measures will be used to inhibit spray from crossing property boundary. **[Section 21]**

H. OTHER INFORMATION TO BE SUBMITTED WITH APPLICATION. Place a **check (✓)** by the items that are included in this application or an **N/A** if the item is not applicable to the project.

1. If modifying or replacing an existing WWTP or sewer line, a closure plan indicating how the new facility will be constructed without a by-pass to a stream and the procedures that will be used for abandoning the existing facility. **[Section 3]**
- ___ 2. A Sludge Management Plan for WWTPs, including the sludge processing method and how sludge will be ultimately disposed. **[Section 3]**
- ___ 3. If the discharge point does not coincide with a blue line on a USGS map, a copy of a recorded deed, recorded other right of ownership, or recorded right of easement for a corridor to the nearest blue line stream. **[Section 3]**
- ___ 4. A description of and detailed specifications for the flow measuring device. **[Section 7]**
- ___ 5. If the WWTP discharges to a sinkhole or sinking stream, a plan for a groundwater tracer study (or a previously conducted groundwater tracer study). **[Section 4]**

V. SEWER LINES

Include the following items for projects that include sewer lines. If project is for only a WWTP, skip to next section. Place a **check (✓)** by the items that are included in this application or **N/A** if the item is not applicable to the project.

- ___ A. If the project includes a pump station, the pump performance curve. **[Section 8]**
- B. If the project includes gravity sewer lines or force mains, a plan view and profile view for each. **[Section 6]**
- ___ C. A demonstration that the sewer system has adequate capacity to treat the current and the anticipated flow to the WWTP and that the sewer system is not subject to excessive infiltration or excessive inflow. **[Section 8]**
- ___ D. A demonstration that the WWTP has adequate capacity to transport the anticipated flow to the WWTP and the WWTP is not subject to excessive infiltration or excessive inflow. **[Section 8]**

VI. OTHER REQUIRED APPLICATIONS

- ___ A. If the WWTP has a discharge, complete and file with this application: KPDES Application (KPDES Form 1); and Form A, B, C, or Short Form C, as applicable.
- ___ B. If the WWTP does not have a discharge, complete and file with this application the "No Discharge Operating Permit Application, Form ND."


VII. FEES

Fees. Check or money order must be made payable to "**Kentucky State Treasurer**" for the total amount. **Fees do not apply** for a municipality, sanitation district, or other publicly owned facility. **[Section 5]**

WWTP Category:	_____	Amount:	\$ _____
Sewer Line Category:	_____	Amount:	\$ _____
		Total Amount:	\$ _____

VIII. CERTIFICATION

I, the applicant, certify under penalty of law that this document and all attachments were prepared under my direction or supervision. The information submitted is, to the best of my knowledge and belief, true, accurate, and complete. I am aware that there are significant penalties for submitting false information, including the possibility of fine or imprisonment or both for known violations. **[Section 2]**

Applicant's Name and Official Title (Type or Print) Jacob Freeman		Phone Number (Include area code) (314)-550-1167
Signature		Date 09/28/2020

GOLDEN ACRES WASTEWATER SYSTEM IMPROVEMENTS

Technical Specifications (KY-0044164)



Prepared For

Owner:

Central States Water Resources
1650 Des Peres Road, Suite 303
St. Louis, Missouri 63131

Prepared by:

21 Design Group
1351 Jefferson, Suite 301
Washington, MO 63090
636-432-2144

THIS PAGE LEFT INTENTIONALLY BLANK

SECTION 000110
TABLE OF CONTENTS

SPECIFICATIONS

DIVISION 01 - GENERAL REQUIREMENTS -

- 01 10 00 - Summary
- 01 30 00 - Administrative Requirements
- 01 33 00 - Submittal Procedures
- 01 57 13 - Temporary Erosion and Sediment Control
- 01 64 00 - Owner Furnished Products
- 01 70 00 - Execution
- 01 78 00 - Closeout Submittals

DIVISION 03 - CONCRETE

- 03 05 10 - Leakage Testing of Hydraulic Structures

DIVISION 31 - EARTHWORK

- 31 23 33 - Trenching and Backfilling

DIVISION 33 - UTILITIES

- 33 05 16 - Precast Concrete Utility Structures
- 33 31 00 - Sanitary Sewer Systems

DIVISION 40 - PROCESS INTEGRATION

- 40 05 00 - General Piping Requirements
- 40 05 15 - Pressure Testing of Piping
- 40 07 11 - Miscellaneous Pipe Fittings and Accessories
- 40 07 62 - Wall Pipes, Seep Rings, and Penetrations
- 40 20 40 - Ductile Iron Process Pipe

END OF SECTION

THIS PAGE LEFT INTENTIONALLY BLANK

SECTION 011000
SUMMARY

PART 1 GENERAL

1.1 SUMMARY

- A. This section generally describes the project and includes work by others, work sequencing, Contractor's use of premises, Owner occupancy, maintenance and operation of existing facilities, special conditions, work restrictions, and utility connection fees.

1.2 LOCATION OF PROJECT SITE

- A. The project site is located off US Highway 68., Benton, KY where shown on the drawings.

1.3 GENERAL DESCRIPTION OF WORK

- A. The work involves the replacement of the effluent pipe and construction of sanitary manholes as shown and specified herein.
- B. The Owner will furnish equipment as described elsewhere. The Work will require coordination with manufacturers, suppliers, Engineer and the Owner on scheduling and delivery.

1.4 WORK SEQUENCE

- A. The outlined sequence of construction does not include all items necessary to complete the work but is intended to identify the sequence of critical events necessary to minimize disruption and to ensure compliance with regulatory requirements. It shall be understood by the Contractor that critical events identified are not all inclusive and that additional items of work not shown may be required. The sequence of construction is a precedence requirement and does not attempt to schedule the Contractor's work. It is intended only to indicate which activities must precede other activities in order to minimize interference and disruptions.
- B. The work sequence shall be determined by the Contractor and within ten (10) days after the "Notice to Proceed" is issued shall be submitted in writing to the Engineer for approval.

1.5 CONTRACTOR'S USE OF PREMISES

- A. The Contractor's use of the project site shall be limited to its construction operations, including on-site storage of materials, on-site fabrication facilities, and field offices, as noted in the Contract Drawings.
- B. Contractor shall note the location of all utilities, such as sanitary sewer manholes, water meters and fire hydrants along the route of the work. Contractor shall maintain access to public utilities at all times. Fire hydrants that are inadvertently damaged during construction shall be reported immediately to the utility owner and fire department.
- C. Contractor shall extend full cooperation to all landowners performing necessary private work including private use of land. The Contractor shall notify each owner and tenant of land or other property not less than five days prior to occupation of such land by the Contractor. Any agreement

between the Contractor and the landowner or tenant involving the expenditure of money, materials, or equipment, and such agreement is made to complete the work on this contract, shall be in writing and acknowledged by the landowner/tenant with a copy provided to the Owner.

1.6 OWNER OCCUPANCY

- A. The Owner may utilize all or part of the existing facilities during the entire period of construction for the conduct of the Owner's normal operations. The Contractor shall cooperate with the Owner to minimize interference with the Contractor's operations and to facilitate the Owner's operations.

1.7 MAINTENANCE AND OPERATION OF EXISTING FACILITIES

- A. Work shall be scheduled and performed in such a manner as to result in the least possible disruption to the operation of the existing facilities and to the public's use of roadways, driveways, and utilities.
- B. Contractor shall perform a location investigation of existing underground utilities and facilities and shall have obtained all required permits and permissions. Contractor shall also deliver written notice to property occupants (private and public) of all planned disruption to roadways, driveways, and utilities seventy-two hours in advance of disruption.
- C. At no time shall the Contractor undertake to close off any pipelines, or open valves, or take any other action which would affect the operation of the existing system or facilities, except as specifically required by the Drawings and specifications, until authorization is granted by the Owner or Engineer and after proper notification.
- D. The facilities will be maintained in continuous operation by the Owner during the entire construction period of this contract. Work shall be scheduled and coordinated by the Contractor that such work will not impede the collection system or pump station operation or cause odor or other nuisance. In performing the work shown and specified, the Contractor shall plan and schedule his work to meet the operating requirements and all additional restrictions.
- E. Only the Owner can authorize the shutdown of any portions of the facility or system. The Contractor shall, under no circumstances, interfere with any existing component without the Owner's authorization in writing. Contractor shall notify the Owner at least 5 days in advance in writing. The Owner shall be responsible for removing facilities from operation.
- F. A planned shutdown may be cancelled by the Owner upon a 24-hour notification by the Owner/Engineer to the Contractor. Such cancellation shall be expected due to wet weather conditions or other conditions beyond the control of the Owner, Engineer or Contractor. All efforts shall be taken to check weather forecasts and the like prior to scheduling facility shutdowns. However, if a cancellation must occur, the Owner shall not be responsible for any additional costs associated with mobilization and demobilization.

1.8 SPECIAL PERMIT CONDITIONS AND WORK RESTRICTIONS

- A. Contractor shall research and report to Owner on any local jurisdiction's ordinance restricting the hours of operation for heavy construction equipment and schedule work in accordance with such ordinance. Contractor shall assume normal working hours on site may be 7 AM to 6 PM, Monday through Friday, and seek approval from Engineer or Owner for work outside of the normal working hours.

1.9 UTILITY CONNECTION FEES

- A. Contractor shall pay for utility connection fees and assessment fees including electric, water, gas, storm drain, and telephone.
- B. Submit contact information for each utility for which utility connections are desired and report to Owner or Engineer on communications with such utilities.

PART 2 PRODUCTS (NOT USED)

PART 3 EXECUTION (NOT USED)

END OF SECTION

SECTION 013000
ADMINISTRATIVE REQUIREMENTS

PART 1 GENERAL

1.1 SUMMARY

- A. This section includes project management, project records, project meetings, photographic documentation, site safety, security, and environmental procedures.

1.2 PROJECT MANAGEMENT

- A. All work under the Contract shall be performed under the continuous supervision of competent personnel thoroughly experienced in the class of work specified. Prior to beginning the work, the Contractor shall give the Engineer, in writing, the name of the Contractor's official representative or superintendent for the project. The superintendent shall be capable of providing adequate supervision to the project and shall be responsible for receiving instructions, notices, and written orders from the Engineer. A change of the superintendent shall be reported to the Engineer in writing. Failure to provide adequate supervision to the project shall be grounds for the Engineer to require a change in supervision before allowing the work to proceed. The superintendent shall be responsible for reporting to the Engineer any inconsistencies, omissions, or lack of definite detail which is not covered on the plans or in the specification
- B. File with the Engineer the names, phone numbers and addresses of two or more responsible persons in the Contractor's organization who are to be on call at all times. Contractor shall update the list within 24 hours of a change.
- C. The Contractor shall employ a Project Superintendent who will be responsible for continuous coordination among all phases of work. He shall serve as the Contractor's liaison with the Owner's Representative.
- D. The Project Superintendent shall have a minimum of three years of experience in the field and be acceptable to the Owner. He shall be maintained by the Contractor throughout the project and not be replaced without concurrence of the Owner.
- E. The Project Superintendent's responsibilities shall include, but not be limited to:
 - 1. Consult the contract drawings and specifications of all trades to verify and coordinate the location of the various building components and items to be installed by all Contractors. Review the daily work schedules of all Contractors for a minimum of interferences to the work of other Contractors. This work includes (but is not limited to) installation of sleeves in walls and/or foundations for electrical and mechanical pipes and damper or louver openings.
 - 2. Consult and cooperate with all Contractors and their installers for all work to determine space requirements and adequate clearances with respect to other equipment in the building. The Owner's Representative reserves the right to determine space priority in the event of interference between piping, conduit equipment, furnishings, etc., of various trades.
 - 3. Inspect, report to the Owner's Representative, and coordinate the removal, relocation and reconnection of any installed work which interferes with the work of other trades. All work so directed shall be at the expense of the installing Contractor.

1.3 PROJECT RECORDS

- A. During the performance of this contract, the Contractor shall maintain a suitable office at or near the site of the work which shall be the headquarters of a representative authorized to receive drawings, instructions, or other communication or articles. If a job costs less than \$100,000 the Contractor may use a workman's vehicle for the office at the site of the work and shall designate which workman's vehicle it will be.
- B. Copies of the drawings, specifications, approved shop drawings, change orders, and other contract documents shall be kept at the Contractor's office at the site of the work, and be made available for use at all times by Engineer and Owner.
- C. "As constructed" information shall be recorded on a separate set of Plans for submittal upon completion of the project. See Section 017800 for specifics on recording this information.

1.4 PRECONSTRUCTION CONFERENCE

- A. Prior to the start of work the Engineer, in cooperation with the various agencies, will establish the time and date, distribute agenda, and administer the preconstruction conference. Owner, Engineer, Contractor, major Subcontractor(s) and Governmental Agencies will attend.

1.5 PROGRESS MEETINGS

- A. Progress meetings will generally occur at the end of the month. The general job status will be discussed including progress of work, field observations, problems & decisions, shop submittal schedules and reviews, revision of construction schedule, corrective measures and project payments.

1.6 ELECTRONIC PROTOCOL

- A. This project will use electronic media for communications, submittal of shop drawings, pay requests, and other project related correspondence:

1.7 PHOTOGRAPHIC DOCUMENTATION

- A. Contractor shall be responsible for the production of pre-construction and construction photographs as provided herein.
 - 1. Pre-Construction Photographs: Photographs taken, in sufficient numbers and detail prior to the start of Work to show original construction site conditions.
 - 2. Progress Photographs: Photographs shall be taken throughout the duration of construction at regular intervals to document progress of the Work.
- B. Digital images shall be electronically transferred monthly and at the end of the project on computer disks in JPEG format. Each image shall be labeled with the date taken.
- C. Contractor shall provide electronic copies of photographs at the completion of the project before final payment is made.

1.8 OWNER PURCHASED EQUIPMENT AND MATERIAL

- A. Owner will be purchasing equipment and materials for the project which may affect the Work Sequence and Work Schedule. The following delivery schedule will be described elsewhere.
- B. Owner will be purchasing equipment and materials for the project which may affect the Work Sequence and Work Schedule. Refer to Section 016400 for the details and dates of arrival of the Owner's purchased equipment and materials for the project. Double handling may be required when equipment must be moved from a common carrier and placed in a temporary storage area.

1.9 AVAILABLE LAND

- A. Owner is providing for all land and access required for constructing the Work. If it is necessary or desirable that the Contractor use land outside of the Owner's acquired land, the Contractor shall obtain a written agreement with the landowner. The agreement between Contractor and property owner shall describe in detail such items as removal of fences, installation of temporary fences, limits of land to be occupied, and any costs associated with crop damage.

1.10 CONSTRUCTION PROGRESS SCHEDULE

- A. Develop an overall schedule and submit two copies within seven days of Notice to Proceed for review and approval to Owner's Representative a schedule of the work to be completed on the Project.
- B. Revise the schedule as requested by the Owner's Representative when:
 - 1. Work progress falls 10 percent behind scheduled progress.
 - 2. When time extensions are approved for changes and causes beyond Contractor's control.
 - 3. When Contractor feels a significant reorganization of activities becomes necessary because of field and material supply conditions in order to meet the contract completion date of the Project.

- C. Coordinate Work of various sections, space requirements for installation, and accessibility for construction by others.
- D. Work that disrupts utility service shall be shown on the Construction Schedule and specifically scheduled with the Owner. Schedule notification shall consist of a written notice defining the work to be accomplished, the normal function that will be interrupted, the duration of the interruption, and the mitigating effort to be performed by the Contractor to maintain the capacity to operate continuously. The written notice shall be submitted to the Owner fourteen days in advance of the proposed work and the Owner will respond to the Contractor in writing within 7 days of receipt of the notice regarding the acceptability of the proposed plan.
- E. At no time shall the Contractor close off any pipelines, or open valves, or take any other action which would affect the operation of the existing system or facilities, except as specifically required by the Drawings and specifications, until authorization is granted by the Owner or Engineer and after proper notification.

PART 2 PRODUCTS (NOT USED)

PART 3 EXECUTION (NOT USED)

END OF SECTION

THIS PAGE INTENTIONALLY LEFT BLANK.

**SECTION 013300
SUBMITTAL PROCEDURES**

PART 1 GENERAL

1.1 SUMMARY

- A. This section specifies the general requirements for the submittals of shop drawings, product data, and samples. Refer to Section 01 78 00 for closeout submittal requirements.

1.2 GENERAL SUBMITTAL REQUIREMENTS

- A. All submittals shall be sent to Engineer at an email address to be provided to contractor during the pre-construction conference.
- B. All submittals, regardless of origin, shall be approved by Contractor before submitting to Engineer. The Contractor shall be responsible for timely submittals so that there will be no delay to the Work due to the absence of approved submittals.
- C. Upon receipt of a submittal, the Engineer will review and return the shop drawings within 14 calendar days. This review time will commence starting the next working day following receipt of the submittal.
- D. Contractor shall be solely responsible for the completeness of each submittal, including the identification of all deviations from the Contract Documents on each submittal and in the Contractor's letter of transmittal. Each submittal shall be complete in all aspects incorporating all information and data required to evaluate the products' compliance with the Contract Documents.
- E. Partial or incomplete submissions shall be returned to the Contractor without review. Time delays caused by rejection of submittals are not cause for extra charges to the Owner or time extensions.

1.3 ELECTRONIC SUBMITTALS

- A. Contractor may make electronic submittals which will be exchanged electronically through mutually agreeable software. Procore, ProjectWise, Submittal Exchange are acceptable, and others may be proposed by Contractor.
- B. Follow the submittal requirements below.
 - 1. Assemble complete submittal package into a single indexed file incorporating submittal requirements of a single specification section and transmittal form with links enabling navigation to each item.
 - 2. Use the same submittal and resubmittal numbering system.
 - 3. Identify the Project, Contractor, Subcontractor or supplier, pertinent Drawing sheet and detail number(s), and specification section number, as appropriate.
 - 4. Apply Contractor's standard certification stamp, signed or initialed certifying that review, approval, verification of Products required, field dimensions, adjacent construction Work, and coordination of information is in accordance with the requirements of the Work and Contract Documents. Submittals without this certification will be returned without review.

1.4 SHOP DRAWINGS

- A. Submit shop drawings in accordance with the Contract Documents and other technical sections in these Contract Documents requiring submittals.
- B. The use of contract drawing reproductions for shop drawings is subject to rejection.
- C. Shop drawings shall show applicable standards, such as ASTM number or Federal Specification, performance characteristics, the principal dimensions, weight, structural and operating features, space required, clearances, dimensions needed for installation and correlation with other equipment and materials, external connections, anchorages, supports required, type and/or brand of finish or shop coat, grease fittings, etc. depending on the subject of the Drawings.
- D. If the Contractor submits shop drawings of equipment by manufacturers other than those listed in the specifications, provide the following information with the submittal:
 - 1. The name and address of at least three companies or agencies that are currently using the equipment.
 - 2. The name and telephone number of at least one person at each of the above companies or agencies whom the Owner's Representative may contact.
 - 3. A description of the equipment that was installed at the above locations. The description shall be

in sufficient detail to allow the Owner's Representative to compare it with the equipment that is proposed to be installed in this project.

- E. For materials originating outside of the United States for which tests are required, provide recertification and retesting by an independent domestic testing laboratory.
- F. Provide a professional engineer's, architect, land surveyor, or landscape architect seal on appropriate drawings of items that are submitted for review where required by the Specifications. Each copy of a submittal requiring a Professional Seal shall bear an original seal with signature and date. Electronic seals are permitted provided they meet the State Board of Professional Licensing regulations.

1.5 PRODUCT DATA

- A. Product data may be in the form of manufacturer's catalog sheets, brochures, diagrams, schedules, performance charts, illustrations, and other standard descriptive data. Product data shall show applicable standards, such as ASTM number or Federal Specification.
- B. Where product data from a manufacturer is submitted, clearly mark each copy with indelible ink to identify pertinent materials, products or models proposed with all pertinent data, performance characteristics and capacities, dimensions, clearances, diagrams, controls, connections, anchorage, and supports. Present a sufficient level of detail for assessment of compliance with the contract documents.
- C. Manufacturer's standard schematic drawings may be used in the submittal, but shall be modified by deleting information which is not applicable to the project, and by providing additional information specific to the project.
- D. When warranties are required, a sample of the warranty for each product shall be submitted with the shop drawings or product data. The sample warranty shall be the same form that will be used for the actual warranty.
- E. When Buy American Provisions are required for the Project, Supplier/Manufacturer shall provide a Buy American Certification with submittals for materials and equipment covered by the Buy American Provisions. Contractor is responsible for confirming that any product purchased for the Project meets the Buy American Provisions.

1.6 SAMPLES

- A. Submit samples for review of the various materials, together with the finish, before purchasing, fabricating, applying, or installing such materials and finishes.
- B. Identify samples as to product, color, manufacturer, trade name, lot, style, model, etc., location of use, and contract document reference.
- C. Samples shall be of sufficient size or quantity to illustrate clearly the quality, type, range of color, finish or texture and shall be properly labeled to show complete project identification, the nature of the material, trade name of manufacturer and location of the Work where the material represented by the sample will be used.
- D. Acceptable samples will establish the standards by which the completed Work will be judged. Therefore, materials, finishes, and workmanship in the completed project shall be equal in every respect to that of the samples submitted and accepted.
- E. Samples of value may be returned to the Contractor for use in the project after review, analysis, comparison, and/or testing as may be required in the review process. One sample marked "resubmittal is not required" will be returned to the Contractor. Rejected samples will not be returned.
- F. Furnish one sample of the finally reviewed materials, colors, or textures to Engineer for final record. Such material samples shall carry on the back all identification as previously described. If the sample is paint, include manufacturer, mix and proportion, name of color, building, Contractor/Subcontractor, and surfaces to which it is to be applied.

1.7 CERTIFICATES OF COMPLIANCE

- A. Furnish a Certificate of Compliance for materials specified to a recognized standard or code prior to the use of any such materials in the work. The Engineer may permit the use of certain materials or assemblies prior to sampling and testing if accompanied by a Certificate of Compliance. The certificate shall be signed by the manufacturer of the material or the manufacturer of assembled materials and shall state that the materials involved comply in all respects with the requirements of the Specifications. A Certificate of Compliance shall be furnished with each lot of material delivered to the

work and the lot so certified shall be clearly identified in the certificate.

- B. All materials used on the basis of a Certificate of Compliance may be sampled and tested at any time. The fact that material is used on the basis of a Certificate of Compliance shall not relieve the Contractor of responsibility for incorporating material in the Work which conforms to the requirements of the Contract Documents and any such material not conforming to such requirements will be subject to rejection whether in place or not.
- C. The Engineer reserves the right to refuse permission for use of material on the basis of a Certificate of Compliance.

1.8 ENGINEER'S REVIEW

- A. Engineer's review is only for general conformance with the design concept of the project and the information given in the Construction Documents. Neither the review nor any corrections or comment made on submittals during review relieves the Contractor from full compliance with the Contract Documents, including, but not limited to, the plans and specifications. *Engineer's* review of a specific item does not, nor shall it be construed to, include review of an assembly of which the item is a component. The Contractor is solely responsible for: all measurements, dimensions, quantities, materials, and proper fit up and interfacing of all components; all aspects of any fabrication process; the means, methods, techniques, sequences and procedures of construction; coordination of the work with that of all other trades; and performing all work in a safe and satisfactory manner.
- B. The returned submittal will indicate one of the following actions:
 - 1. Resubmittal not required - The review indicates that the submittal is in general conformance with the design concept and complies with the drawings and specifications. The Contractor may begin to implement the work method or incorporate the material or equipment covered by the submittal.
 - 2. Make corrections noted - The review indicates limited corrections are required as marked on the submittal. The Contractor may begin implementing the work method or incorporating the material and equipment covered by the submittal in accordance with the noted corrections. Where submittal information will be incorporated in O&M data, a corrected copy shall be provided.
 - 3. Revise & resubmit - The review reveals that the submittal is insufficient or contains incorrect data, or indicates that the material, equipment or work method is not in general conformance with the design concept or in compliance with the Drawings and Specifications. The Contractor shall not undertake work covered by such submittals until a new submittal is submitted.
 - 4. Rejected - The submittal was not accepted or reviewed.
- C. Engineer's review of submittals shall not relieve Contractor from responsibility for errors, omissions, deviations, or responsibility for compliance with the Contract Documents.

1.9 RESUBMITTALS

- A. Resubmittals shall be made within 30 days of the date of the review letter returning the material to be modified or corrected, unless within 14 days Contractor submits a request for an extension of the resubmittal time, listing the reasons the resubmittal cannot be completed within that time, and are approved by the Engineer.
- B. Contractor shall request an amendment to the Contract Documents, if the Contractor considers any correction indicated on the shop drawings to constitute a change to the Contract Documents.
- C. Resubmittals will be reviewed and returned in the same 14 day review period. It is considered reasonable that the Contractor shall make a complete and acceptable submittal by the second submission of a submittal item. Contractor shall verify that all exceptions previously noted by Engineer have been taken into account.
- D. Resubmittals shall have the original submittal number for that item followed by an alphabetic suffix. For example, if Submittal 33000-2 requires a resubmittal, the first resubmittal number will bear the designation "33000-2A" and the second resubmittal number will bear the designation "33000-2B".
- E. Resubmittals shall identify what revisions were made.
- F. The need for more than one resubmittal, or any other delay in obtaining Engineer's review of submittals, will not entitle Contractor to extensions of Contract Times unless the delay of the Work is the direct result of failure of Engineer to review and return any submittal to Contractor within the specified review period. Additionally, Contractor shall reimburse Owner for the charges of Engineer for review of the additional resubmissions. Monies due to the Contractor may be withheld to cover additional costs of any review beyond the second submittal.

1.10 SUBMITTALS FOR PROJECT CLOSEOUT

- A. When the following are specified in individual sections, submit them at project closeout, and according to Section 017800.
1. Project record documents
 2. Operation and maintenance data
 3. Warranties
 4. Bonds

PART 2 PRODUCTS (NOT USED)

PART 3 EXECUTION (NOT USED)

END OF SECTION

SECTION 015713
TEMPORARY EROSION AND SEDIMENT CONTROL

PART 1 GENERAL

1.1 SUMMARY

- A. Stormwater Pollution Prevention Plan (SWPPP)
- B. Erosion Control Measures
- C. Velocity and Flow Control Measures
- D. Sediment Control Measures
- E. Application/Installation of Measures
- F. Removal/Replacement of Measures

1.2 DESCRIPTION OF WORK

- A. Furnish all materials; install, construct, maintain, and remove specified erosion control devices; at locations specified in the contract documents, or where specified by the Engineer.
- B. Complete the required construction work on this project, while minimizing soil erosion and controlling water pollution. Maintain these features as specified, from initial construction stages to final completion of the project.

1.3 SUBMITTALS

- A. Comply with Section 013300.
- B. Upon request, provide copies of all records and documentation related to compliance with the SWPPP.

1.4 SCHEDULING AND CONFLICTS

- A. Comply with the following:
 - 1. Implement erosion and sediment control measures at the appropriate time(s).
 - 2. Coordinate construction to minimize damage to erosion and sediment control devices.

1.5 SPECIAL REQUIREMENTS

- A. Protection of Property: Prevent accumulation of soil, sediment, or debris from project site onto adjoining public or private property. Remove any accumulation of soil or debris immediately and take remedial actions for prevention.
- B. Permit Compliance: When applicable, conduct all operations in compliance with the SWPPP. Labor, equipment, or materials not included as a bid item, but necessary to prevent stormwater contamination from construction related sources, are considered incidental. Incidental work related to compliance with the permit may include, but is not limited to: hazardous materials protection, fuel containment, waste disposal, and providing employee sanitary facilities.

- C. Project Staging: Replacing erosion and sediment control practices that are damaged or removed by the contractor in a manner that is inconsistent with the current project staging or SWPPP is the Contractor's responsibility and will be at the Contractor's expense.

PART 2 PRODUCTS – NOT USED

PART 3 EXECUTION

3.1 SWPPP PREPARATION

- A. Prepare a SWPPP according to the requirements of the State.
- B. Have the SWPPP prepared by an individual experienced in erosion and sediment control.
- C. Ensure that controls utilized in the SWPPP conform to the type and quantity of erosion and sediment controls required.
- D. Submit the completed SWPPP to the Engineer for review and approval prior to filing.
- E. Upon approval of the Engineer, submit and pay fee as appropriate.

3.2 SWPPP MANAGEMENT

- A. Update the SWPPP according to the requirements of the State.
- B. Revise the SWPPP and implement changes, as necessary, to prevent sediment or hazardous materials from being transported off the site.
- C. Submit all SWPPP revisions to the Engineer for review and approval.
- D. Perform and maintain records of erosion and sediment control site inspections, unless otherwise specified in the contract documents.
- E. Retain all records on-site.
- F. Provide all records and documentation to the Engineer upon completion of the project.

3.3 EROSION AND SEDIMENT CONTROL INSPECTION

- A. Perform inspections following rainfall events in excess of ½ inch.
- B. Notify the Engineer immediately of situations requiring attention beyond that provided for in the contract documents.
- C. Provide copies of the inspection reports to the Engineer.

END OF SECTION

SECTION 017000
EXECUTION

PART 1 GENERAL

1.1 SUMMARY

- A. This section includes lands and rights-of-way, underground utility locations, construction layout and staking, methods of operation, salvage of materials and equipment, and cutting and patching.

1.2 MOBILIZATION AND NOTIFICATIONS

- A. Contractor shall notify Engineer and Owner seven working days in advance of startup of construction operations, addition of work crews, or major increase in work force.

1.3 UNDERGROUND UTILITY LOCATIONS

- A. Utility locations are generally not shown on the Drawings. If shown, the locations of the utilities depicted on the Contract Drawings are not to be considered exact. The approximate utility locations, where shown, were derived from data obtained from generalized large-scale utility company supplied drawings or from prior facility construction drawings. The actual location of existing utilities is the sole responsibility of the Contractor. Those shown on the plans are given to call particular attention to areas of special concern.
- B. The Contractor shall make his own investigations including exploratory excavations as needed to determine the locations and type of existing utilities to be encountered. Any work associated with crossing or paralleling a particular utility shall be subsidiary to the work as stipulated in General Conditions.
- C. The utilities anticipated to be affected, if any, by this Project are indicated on the Contract drawings. The utilities shown are not intended to be a complete or an all-inclusive. Other utilities may exist in the Project area and may not be shown. The Contractor shall be responsible for contacting all affected utilities; municipalities, local, County, State, and Federal entities whether or not they are shown or listed.
- D. The Contractor shall coordinate all work which parallels, crosses, or is in the vicinity of a given utility with the Owner of that particular utility. The Contractor shall notify all utilities and underground service agencies in advance of work scheduled or envisioned and arrange to have their respective services located. Upon exposing a utility or underground service, the respective service agency shall be contacted by the Contractor, such that an inspection of the service can be made by the utility (if desired) prior to backfilling. The Contractor shall obtain acceptance, in writing, from the utility regarding the preservation of their respective service during construction.
- E. Should any facility, either underground or overhead, be unexpectedly encountered or damaged during construction, the Contractor shall immediately notify a representative of the company involved and take such steps as necessary for protection of the general public and his own personnel.

1.4 CONSTRUCTION LAYOUT AND STAKING

- A. All work under this Contract shall be constructed in accordance with the lines and grades shown on the Contract Drawings or as directed by the Engineer. Elevation of existing ground, structures and appurtenances are believed to be reasonably correct, but are not guaranteed to be absolute and therefore are presented only as an approximation. Any error or apparent discrepancy in the data shown or omissions of data required for accurately accomplishing the stakeout survey shall be referred immediately to the Engineer for interpretation or correction.

- B. The Owner will establish reference points for construction, which in the judgment of the Engineer are necessary to enable the Contractor to proceed with the Work. The reference points shall be basic horizontal and vertical control points in the project area. Preserve these points and transfer from them distances and elevations necessary for the execution of the structural and piping work. These points shall be used as datum for work under this contract.
- C. The Contractor will furnish construction staking to execute the work as described below. The Contractor shall provide an experienced instrument man, competent assistants, and such instruments, tools, stakes, and other materials required to complete the survey, layout, and measurement work.
- D. The Contractor shall be responsible to preserve benchmarks, reference points, stakes, property pins, and all other survey location items. In case of destruction by the Contractor or resulting from his negligence, he shall be held liable for any expense and damage and shall be responsible for any mistakes that may be caused by the unnecessary loss or disturbance of such benchmarks, reference points and stakes.

1.5 LAYOUT MODIFICATIONS

- A. Should the Contractor desire a revision in the designated alignment or location he shall make said request to the Owner's Representative. The decision of the Owner's Representative is final.
- B. Alignment changes may be proposed and staked by Contractor for review in field by the Owner's Representative and/or Owner. Contractor may propose differences or deviations of the work to avoid disturbances, surface obstructions, easement changes. Reroutes may be authorized by the Owner or Owner's Representative based on staked field conditions. Alignment changes agreed upon by Owner or Owner's representative shall be recorded by the Contractor on the Record Drawings. Field Orders will be issued by the Owner's Representative to document significant changes in alignment.
- C. Adjustment for actual quantities installed for the pipeline and appurtenances, if different from the drawings, will be paid for in accordance with Contract Documents.

1.6 OWNER'S CONSTRUCTION REPRESENTATIVE AT PROJECT SITE

- A. The Owner may appoint or employ a person(s) to work as the Construction Representative on the project. The Owner's Representative shall represent the Owner as specifically set forth in the Contract, and shall observe the work performed under this Contract to the end that such work is performed in substantial accordance with the drawings and specifications. Such observation shall in no way remove any obligations on the part of the Contractor to provide all required supervision and quality control necessary to perform the work in accordance with the Contract.
- B. If the Owner's Representative observes departures from the drawings and specifications, the Owner's Representative will call them to the attention of the Contractor, who shall promptly correct the unsatisfactory conditions. If the Contractor believes there has been no departure from the drawings and specifications, the Contractor may make written appeal.
- C. The presence or absence of the Owner's Representative, or the failure of the Owner's Representative to detect faulty work shall in no way relieve the Contractor from his obligation to perform the work strictly in accordance with the drawings and specifications.
- D. The Owner's Representative shall have no authority to permit any deviation from the drawings and specifications, except on written Change Order or Field Order as applicable. The Contractor will be liable for any deviation, except on such written order.

1.7 METHODS OF OPERATION

- A. The Contractor shall inform the Owner in advance concerning his plans for carrying on each part of the work, but the Contractor alone shall be responsible for the safety, adequacy, and efficiency of his plant, equipment, and methods.
- B. Any method of work suggested by the Owner or Engineer, but not specified, shall be used at the risk and responsibility of the Contractor; and the Engineer and Owner will assume no responsibility therefor.
- C. Review by the Owner or Engineer of any plan or method of work proposed by the Contractor shall not relieve the Contractor of any responsibility therefor, and such review shall not be considered as an assumption of any risk or liability by the Owner or Engineer, or any officer, agent, or employee thereof. The Contractor shall have no claim because of the failure or inefficiency of any plan or method so reviewed.

- D. The Owner and the Engineer will not be responsible for any act or omission of the Contractor, or any subcontractor, or any of their agents or employees, or any other persons performing any of the work. The Owner and Engineer will not be responsible for any failure of the Contractor or his subcontractors or any other persons to perform the work in accordance with the requirements of the Contract Documents.

1.8 UNFAVORABLE CONSTRUCTION CONDITIONS

- A. During unfavorable weather, wet ground, or other unsuitable construction conditions, Contractor shall confine his operations to work which will not be affected adversely by such conditions. No work shall be constructed under conditions that would adversely affect the quality unless the Contractor takes special precautions to perform the work in a proper and satisfactory manner.

1.9 OBSTRUCTIONS

- A. Any street signs, traffic signs, posts, mailboxes, guard fence, standards, yard lights or other similar obstructions shall be removed, properly stored and reset or salvaged to the Owner as directed by the Engineer.
- B. Trees and shrubs that are encountered in the vicinity of the proposed facilities shall be removed only if deemed necessary by the Engineer.
- C. Existing fences (including chain link fences) interfering with the construction operations shall be maintained by the Contractor until completion of the work affected thereby, unless written permission is obtained from the owner to leave an interfering fence dismantled for any agreed period of time. On completion of the work the Contractor shall restore all fences to their original or to a better condition and to their original location or as shown on the plans
- D. All property pins, section corners or other monuments moved and/or destroyed by the Contractor's operations shall be replaced and reset. Replacement and resetting shall be done by a professional Engineer or Surveyor paid by the Contractor at no additional cost to the Owner.

PART 2 PRODUCTS (NOT USED)

PART 3 EXECUTION (NOT USED)

END OF SECTION

This Page Intentionally Left Blank

SECTION 017800
CLOSEOUT SUBMITTALS

PART 1 GENERAL

1.1 SUMMARY

- A. This section includes closeout submittals, operation and maintenance data, warranties, spare parts and maintenance materials, and project records.

1.2 SUBMITTALS

- A. Submit written certification that Contract Documents have been reviewed, Work has been inspected, and that Work is complete in accordance with Contract Documents and ready for Engineer's review. A partial list of such items appears below, but it shall be the Contractor's responsibility to submit any other items which are required in the Contract Documents:
1. Written test results of project components, where required.
 2. Performance affidavits for equipment, where required.
 3. Certificates of inspection and acceptance by local governing agencies having jurisdiction.
 4. Keys, padlocks, and other items not considered spare parts or maintenance materials.
 5. Clearances of all property owners for work requiring site restoration caused by Contractor's operations.
- B. Provide final submittals to Engineer that are required by governing or other authorities.
- C. Submit final Application for Payment identifying total adjusted quantities, and final change order if required.

1.3 OPERATION AND MAINTENANCE DATA

- A. Submit data bound in 8-1/2 x 11-inch text pages, three ring binders with metal hinges.
- B. Prepare binder cover with printed title "OPERATION AND MAINTENANCE INSTRUCTIONS", title of project, and subject matter of binder when multiple binders are required.
- C. Internally subdivide the binder contents with permanent page dividers, logically organized as described below; with tab titling clearly printed under reinforced laminated plastic tabs.
- D. Contents: Prepare a Table of Contents for each volume, with each Product or system description identified, typed on white paper, in three parts as follows:
1. Section 1: Directory, listing names, addresses, and telephone numbers of Engineer, Contractor, Subcontractors, and major equipment suppliers.
 2. Section 2: Operation and maintenance instructions, arranged by specification section. For each category, identify names, addresses, and telephone numbers of Subcontractors, suppliers and manufacturers. Identify the following:
 - a. Significant design criteria.
 - b. List of equipment.
 - c. Parts list for each component.
 - d. Operating instructions.
 - e. Maintenance instructions for equipment and systems.
 - f. Maintenance instructions for finishes, including recommended cleaning methods and materials, and special precautions identifying detrimental agents.
 3. Section 3: Project documents and certificates, including the following:
 - a. Air and water balance reports.
 - b. Certificates.

- c. Photocopies of warranties and bonds.
- E. Submit 1 draft copy of completed volumes 30 days prior to final inspection. This copy will be reviewed and returned after final inspection, with Engineer comments. Revise content of all document sets as required prior to final submission.
- F. Submit the required number of sets of revised final volumes within 30 days after receipt of Engineer's comments.

1.4 SPARE PARTS AND MAINTENANCE MATERIALS

- A. Provide products, spare parts, maintenance, and extra materials in quantities specified in individual specification sections.
- B. Deliver to Project site and place in location as directed; obtain receipt prior to final payment.
- C. Contractor shall furnish an inventory listing of all spare parts for each piece of equipment using the form included at the end of this section, or similar form.

1.5 WARRANTIES

- A. Provide notarized copies of all warranties.
- B. Execute and assemble transferable warranty documents from Subcontractors, suppliers, and manufacturers.
- C. Provide Table of Contents and assemble in three ring binder similar to O&M manuals.
- D. Submit prior to final Application for Payment.
- E. For items of Work delayed beyond date of Substantial Completion, provide updated submittal within 10 days after acceptance, listing date of acceptance as start of warranty period.

1.6 PROJECT RECORDS

- A. Specifications: Contractor shall legibly mark and record at each Product section description of actual Products installed, including the following:
 - 1. Manufacturer's name and product model and number.
 - 2. Product substitutions or alternates utilized.
 - 3. Changes made by Addenda and modifications.
- B. Drawings: Contractor shall legibly mark each item to record actual construction including:
 - 1. Measured depths of foundations in relation to finish floor datum.
 - 2. Measured horizontal and vertical locations of underground utilities and appurtenances, referenced to permanent surface improvements.
 - 3. Measured locations of internal utilities and appurtenances concealed in construction, referenced to visible and accessible features of the Work.
 - 4. Field changes of dimension and detail.
 - 5. Details not on original Contract drawings

PART 2 PRODUCTS (NOT USED)

PART 3 EXECUTION (NOT USED)

END OF SECTION

SECTION 030510
LEAKAGE TESTING OF HYDRAULIC STRUCTURES

PART 1 GENERAL

1.1 SUMMARY

- A. This section describes the method of testing concrete and pre-cast concrete hydraulic structures for leakage.

1.2 RELATED WORK SPECIFIED ELSEWHERE

- A. Precast Concrete Utility Structures: 330516.

PART 2 PRODUCTS

2.1 PROVIDE WATER, PIPING, AND EQUIPMENT TO TEST CONCRETE STRUCTURES FOR LEAKAGE.

PART 3 EXECUTION

3.1 GENERAL

- A. Hydrostatically test any reinforced concrete basin which will contain water to determine that it is free of detectable leaks. Do not start leak testing or cleaning of surfaces until cast-in-place concrete has achieved its full 28-day compressive strength and joint sealants have set and cured a minimum of 14 days. Basins to be tested shall be in their final condition with all structural supporting members (slabs, beams, etc.) in place and at their full 28-day compressive strength.
- B. Prior to testing, thoroughly clean exposed surfaces, removing surface laitance and loose matter from walls and slabs. Remove wash water and debris from the structures by means other than washing through plant piping. Replace crystalline waterproofing if damaged by cleaning operations.
- C. Conduct testing before backfill is placed against walls and after concrete has attained the specified compressive strength, the concrete has cured, and joint sealants have set and cured a minimum of 14 days.

3.2 LEAKAGE TEST PROCEDURE

- A. Fill hydraulic structures to be subjected to leakage tests with water to the maximum operating liquid level line. Filling shall not exceed 3 feet of water depth per 24-hour period. Filling shall be at a uniform rate over a 24-hour period with continuous monitoring. For structures with adjacent bays, fill all bays simultaneously. Empty adjacent bays alternately. Repair any running leaks which appear during filling before continuing.
- B. Seed the floor slab of each hydraulic structure with one bag of cement per 1,000-square-foot surface area. Seeding shall take place after the test filling has reached 18 inches in depth. Detect leaks in construction and expansion joints with the aid of a diver. Stir cementitious deposits on the floor. Observe cement deposits flowing toward leaks and repair where the defect is located.
- C. After the structure has been kept full for 48 hours, it will be assumed for the purposes of the test that the absorption of moisture by the concrete in the structure is complete. Close all valves and gates to the structure and measure the change in water surface each day for a five-day period.
- D. During the test period, examine exposed portions of the structure, and mark visible leaks or damp spots. Repair visible leaks or damp spots after dewatering. If the drop in water surface in a 24-hour period exceeds 1/10 of 1% of the normal volume of liquid contained in the structure, the leakage shall be considered excessive. Crystalline waterproofing shall be assumed to be fully effective within three days after filling the structure. Repair leaks and damp spots that still exist three days after filling.
- E. If the leakage is excessive, drain the structure, repair leaks and damp spots, and refill the structure and again test for leakage. Continue this process until leaks have been repaired.
- F. Inspect the manholes of the underdrain system for evidence of leaks in floor slabs. If leaking is indicated, locate and repair.
- G. Repair visible leaks and damp spots whether leakage exceeds the allowable leakage or not. Repair leaks and damp spots with the same procedure that would otherwise be used to repair leakage in the event that the leakage test fails.
- H. Repairs and additional filling and testing (including the cost of water) shall be made by the Contractor at no additional cost to the Owner.

3.3 REPAIR METHODS

- A. Methods for repairing concrete not passing the leakage test and that for repairs of leaks and damp spots shall be as described in Section 033000.

END OF SECTION

**SECTION 312333
TRENCHING AND BACKFILLING**

PART 1 GENERAL

1.1 SUMMARY

- A. This section includes materials and installation for trench excavation, backfilling, and compacting.
- B. Sheeting, shoring, bracing, and protection of adjacent property, trees, and structures.
- C. Preparation of subgrades, bedding for pipe, backfilling, and disposal of excess excavation.

1.2 SUBMITTALS

- A. Submit shop drawings in accordance with the Section 013300.
- B. All specified bedding and backfill material, except earth excavated material.
- C. Moisture-Density test for each backfill material.
- D. Sheeting, shoring and bracing design calculations by a registered professional engineer licensed in the State.

1.3 DEFINITIONS

- A. Pipe Embedment Zone - The full width of trench from both below and above the bottom of the pipe or conduit to a horizontal level above the top of the pipe as defined by the embedment class or as shown on the details.
- B. Trench Zone - The portion of the trench from the pipe embedment zone to finished grade in unpaved areas, and to the bottom of the drive zone in drive areas.
- C. Pipe Cover - The distance from the top of the finished grade of the trench to the top of the waterline pipe.
- D. Aggregate Pipe Base - A layer of material below the pipe embedment zone to stabilize the bottom of the trench and provide uniform bearing of the pipe and pipe embedment.
- E. Class A Excavated Material
 - 1. Hard shale, sandstone, limestone, granite or similar materials which is encountered in monolithic ledges greater than 8" in thickness and which, in the opinion of the Owner's Representative, require jackhammering, use of a special headache ball or hydrohammer for removal. A toothed bucket is not considered as special "ripping" equipment.
 - 2. Two or more ledges with inter-lying strata of earth, clay, or gravel not more than eight (8) inches in thickness in each strata will be classified as a solid monolithic formation from the top of the top ledge to the bottom of the bottom ledge. Boulders that are encountered within glacial till or other soil and are not a portion of a continuous monolithic formation shall not be considered
- F. Unclassified Excavated Material - All earth or other materials that do not meet the requirements of Class A excavated material.

1.4 COMPACTION TESTING

- A. An independent geotechnical firm hired by General Contractor will test perform material testing and field compaction testing.
- B. Material testing for each backfill material shall be two moisture density tests or two relative density tests according to the appropriate ASTM specification.
- C. Minimum testing frequency for in-place field shall be:
 - 1. One test for every 200 cubic yard of backfill for site backfill with a minimum of one test for every full-shift of compaction operation on mass earthwork.
 - 2. One test at intervals of 500 feet along the trench.
 - 3. One in-place field density test whenever there is a suspicion of a change in backfill material, quality of moisture or effectiveness of compaction.
- D. Sample backfill materials for the density testing shall be taken according to ASTM D75.
- E. Determine the density of soil in place by the sand cone method ASTM D 1556, rubber-balloon method ASTM D2167; or nuclear method ASTM D 2922.
- F. Compaction is the calculated ratio of the in-place (dry) density to the laboratory maximum (dry) density expressed as a percentage.

- G. Determine laboratory moisture-density relations of soils according to the ASTM test method identified in the specific subsection.
- H. If the Owner is responsible for compaction testing, the Contractor shall pay the costs of any retesting of work not conforming to specifications.
- I. The following table identifies the compaction required based on the location of the trench.
 - 1. LOCATION/COMPACTION DENSITY
 - a. Under paved areas, sidewalks, and pipe crossings: 95% of ASTM D698
 - b. Under foundations and equipment support pads: 95% of ASTM D698
 - c. Unpaved areas: 85% of ASTM D698
 - d. Granular backfill: 75% relative density per ASTM D4253 and ASTM D4254

PART 2 PRODUCTS

2.1 PIPE EMBEDMENT MATERIAL

- A. Native earth material which is fine, loose material, free from stones 1-inch and larger, hard frozen clods, and other material that may cause damage to the pipe, organic matter and debris that will deteriorate and cause voids.
- B. Rigid Pipe - Bedding Classes A, B, C or crushed rock, as described in ASTM C12.
- C. Ductile Iron Pipe - Type 1 through Type 5 laying conditions, as described in ASTM A746.
- D. PVC and other Flexible Pipe - Classes I, II, III, as described in ASTM D2321.
- E. Composite Pipe - Same as Flexible Pipe except as described in ASTM D2680.

2.2 GRANULAR BACKFILL MATERIAL

- A. Granular material shall meet the following gradation:
 - 1. Sieve Size 1 inch, Percent Passing By Weight: 100%
 - 2. Sieve Size 3/4 inch, Percent Passing By Weight: 85-100%
 - 3. Sieve Size 3/8 inch, Percent Passing By Weight: 50-80%
 - 4. Sieve Size No. 4, Percent Passing By Weight: 35-60%
 - 5. Sieve Size No. 40, Percent Passing By Weight: 15-30%
 - 6. Sieve Size No. 200, Percent Passing By Weight: 5-10%
- B. The granular material shall not contain clay lumps or organic matter. The fraction passing the No. 4 sieve shall have liquid limits no greater than 25 and a plasticity index no greater than 5. The material shall meet the quality requirements of ASTM C33.

2.3 AGGREGATE PIPE BASE MATERIAL

- A. The aggregate base material shall consist of crushed rock or gravel; free from dust, clay and trash; be hard, durable, non-friable and meet the gradation as defined in ASTM C33 for No. 76 coarse aggregate or the following gradation:
 - 1. Sieve Size 3/4 inch; Percent Passing By Weight: 100%
 - 2. Sieve Size No. 4; Percent Passing By Weight: 0-35%
 - 3. Sieve Size No. 8; Percent Passing By Weight: 0-17%
 - 4. Sieve Size No. 200; Percent Passing By Weight: 0-10%
- B. Other gradations may be utilized provided all the material passes the 3/4 sieve and it can be demonstrated that they provide adequate base support for the pipe.
- C. The aggregate material shall meet the quality requirements of ASTM C33.

PART 3 EXECUTION

3.1 PREPARATION

- A. Verify that survey bench marks and intended elevations for the Work are as shown on drawings.
- B. Identify required lines, levels, contours, and datum.
- C. Identify by visible markings all plant life, trees, lawns, fences and other features that are to be protected.
- D. Protect bench marks from excavation equipment and vehicular traffic.
- E. Existing underground installations such as water mains, gas mains, sewers, telephone lines, power lines, and buried structures in the vicinity of the work to be done hereunder are indicated on the drawings only to the extent such information has been made available to or discovered by the Engineer in preparing the drawings. There is no guarantee as to the accuracy or completeness of such

information, and all responsibility for the accuracy and completeness thereof is expressly disclaimed. Generally, service connections are not indicated on the drawings.

- F. The Contractor shall be solely responsible for locating all existing underground installations, including service connections in advance of excavating or trenching by contacting the owners thereof and prospecting. The Contractor shall use his own information and shall not rely upon any information shown on the drawings concerning existing underground installations.
- G. Where utilities are parallel to or cross the construction but do not conflict with the permanent work to be constructed, follow the procedures given below or as indicated in the drawings. Notify the utility owner 48 hours in advance of the crossing construction and coordinate the construction schedule with the utility owner's requirements.
- H. Determine the true location and depth of utilities and service connections which may be affected by or affect the work. Determine the type, material, and condition of these utilities. In order to provide sufficient lead time to resolve unforeseen conflicts, order materials and take appropriate measures to ensure that there is no delay in

3.2 SHEETING, SHORING, AND BRACING OF TRENCHES

- A. Sheeting and bracing, or trench boxes shall be provided where necessary to conform to 29CFR1926 Subpart P-Excavations, OSHA requirements.
- B. Where it is necessary to drive sheeting below the centerline of the pipe, it shall be driven to a depth of at least 2 feet below the flow line of the pipe, or as directed by the geotechnical engineer.

3.3 TRENCH WIDTHS

- A. Trench widths shall be as shown in the drawings.
- B. The width of the trench shall be ample to allow the pipe to be laid and jointed properly and to allow the bedding and haunching to be placed and compacted to adequately support the pipe. The trench sides shall be kept as nearly vertical as possible. When wider trenches are specified, appropriate bedding class and pipe strength shall be used.
- C. In unsupported, unstable soil the size and stiffness of the pipe, stiffness of the embedment and in-situ soil and depth of cover shall be considered in determining the minimum trench width necessary to adequately support the pipe
- D. Ledge rock, boulders, and large stones shall be removed to provide a minimum clearance of 4-inches below and on each side of the pipe.
- E. Trench width at the top of the trench will not be limited except where width of excavation would undercut adjacent structures and footings. In such case, width of trench shall be a minimum clearance of the trench wall to outside pipe being a minimum of 4-inches, and that there is at least 24-inch clearance between the top edge of the trench and the structure or footing.

3.4 MINIMUM PIPE COVER

- A. Pipeline Location: Non-Paved Areas, Cover - 42 inches
- B. Pipeline Location: Paved Areas, Cover - 42 inches
- C. Pipeline Location: Under ditches and minor drainage courses, Cover - 4 feet
- D. Pipeline Location: Under rivers and streams, Cover - 4 feet
- E. Pipeline Location: State Highway, Cover - 6 feet

3.5 TRENCH EXCAVATION

- A. Perform all excavation regardless of type, nature or condition of the material encountered to accomplish the construction. Excavate the trench to the lines and grades shown on the drawings with allowance for pipe thickness and for pipe base or special bedding.
- B. Care shall be taken not to over-excavate. If the trench is excavated below the required grade, refill any part of the trench excavated below the grade with native material and compact to a density equal to the rest of the trench bottom.
- C. Length of open trench to be no more than amount of pipe installed in one working day. Backfilling of the open trench to grade to be no more than 40-feet behind the installed pipe.
- D. Blasting will not be permitted unless approved by Owner and appropriate jurisdictions.
- E. After the required excavation has been completed, the Owner's Representative will inspect the exposed subgrade to determine the need for any additional excavation. It is the intent that additional

excavation be conducted in all areas within the influence of the pipeline where unacceptable materials exist in the exposed subgrade. Over excavation shall include the removal of all such unacceptable material that exists directly beneath the pipeline to a width 24-inches greater than the pipe outside diameter and to the depth required. Refill the trench to subgrade of pipe base with native material. Place the foundation stabilization material over the full width of the trench and compact in layers not exceeding 6 inches deep compacted to 95 percent relative compaction and carried to the required grade.

3.6 LOCATION OF EXCAVATED MATERIAL

- A. During trench excavation, place the excavated material only within the working area. Do not obstruct any roadways or streets. Conform to federal, state, and local codes governing the safe loading of trenches with excavated material.
- B. Excavated material not used as backfill shall be disposed of off-site.

3.7 DEWATERING

- A. Provide and maintain means and devices to remove and dispose of all water entering the trench excavation during the time the trench is being prepared for the pipe laying, during the laying of the pipe, and until the backfill has been completed.
- B. Water entering the excavation or other parts of the work shall be removed until all the work has been completed. No sanitary sewer shall be used for the disposal of trench water, unless specifically approved by the engineer, and then only if the trench water does not ultimately arrive at existing pumping or wastewater treatment facilities
- C. Dispose of the water in a manner to prevent damage to adjacent property. Do not drain trench water through the pipeline under construction. Do not allow groundwater to rise around the pipe until jointing compound has set hard.

3.8 INSTALLING BURIED PIPING

- A. Grade the bottom of the trench to the line and grade to which the pipe is to be laid, with allowance for pipe thickness. Remove hard spots that would prevent a uniform thickness of bedding. Place the specified thickness of pipe base material over the full width of trench. Grade the top of the pipe base ahead of the pipe laying to provide firm, continuous, uniform support along the full length of pipe, and compact to the relative compaction specified herein. Before laying each section of the pipe, check the grade and correct any irregularities.
- B. Excavate bell holes at each joint to permit proper assembly and inspection of the entire joint. Fill the area excavated for the joints with the bedding material specified or indicated in the drawings for use in the pipe zone.
- C. Inspect each pipe and fitting before lowering the buried pipe or fitting into the trench. Inspect the interior and exterior protective coatings. Patch damaged areas in the field with material recommended by the protective coating manufacturer. Clean ends of pipe thoroughly. Remove foreign matter and dirt from inside of pipe and keep clean during and after installation.
- D. Handle pipe in such a manner as to avoid damage to the pipe. Do not drop or dump pipe into trenches under any circumstances.
- E. Lay the pipe at the proper elevation and grade and properly attach to the adjacent pipe according to the type of joint.
- F. When the pipe laying is not in progress, including the noon hours, close the open ends of pipe. Do not allow trench water, animals, or foreign material to enter the pipe.
- G. Keep the trench dry until the pipe has been installed and jointed to the other pipe.

3.9 TRENCH BACKFILLING

- A. Backfill according to the details for the particular type of pipe, and per the following:
 - 1. Place the specified thickness of pipe base material over the full width of trench. Grade the top of the pipe base ahead of the pipe laying to provide firm, uniform support along the full length of pipe. Organic matter or clay material which may fall in an open trench during construction shall be removed. The Contractor shall limit the amount of native material which may fall on top of the completed pipe base until the pipe is installed.
 - 2. Backfill shall be of a suitable material removed from excavation except where other material is specified. Debris, frozen material, large clods or stones, organic matter, or other unstable materials shall not be used for final backfill within 2 feet (0.6 m) of the top of the pipe. Do not bury waste material.

3. After pipe has been bedded, backfill simultaneously on both sides of the pipe, keeping the level of backfill the same on each side. Carefully place the material around the pipe so that the pipe barrel is completely supported and that no voids or uncompacted areas are left beneath the pipe. Do not permit free fall of the material until at least 2 feet of cover is provided over the top of the pipe. Use particular care in placing material on the underside of the pipe to prevent lateral movement during subsequent backfilling.
4. Compact material placed within 12 inches of the outer surface of the pipe by hand tamping only.
5. Continue to place the backfill material in the trench until it reaches the finished grad according to the following criteria:
 - a. Backfilling under Paved Areas: Plus or minus 1/2 inch from required elevations.
 - b. General Backfilling: Plus 3 inches from required elevations.

3.10 BACKFILL COMPACTION METHODS

- A. Compact by using mechanical compaction or hand tamping. Do not use high impact hammer-type equipment except where the pipe manufacturer warrants in writing that such use will not damage the pipe. Jetting will not be allowed.
- B. Do not use any axle-driven or tractor-drawn compaction equipment within 5 feet of walls and structures.
- C. When existing pipe is encountered during excavation, care shall be taken to support pipe sufficiently so pipe remains in service and to ensure safety of workers. During backfilling place bedding material in and around the existing pipe and compact to specifications above.

3.11 PLACEMENT OF SAND-CEMENT SLURRY BACKFILL

- A. Place sand-cement slurry backfill in a uniform manner that will prevent voids in or segregation of the material. Remove foreign material that falls into the excavation or trench. Do not commence backfilling over or place any material over the slurry cement backfill until at least four hours after placing the sand-cement slurry.

3.12 PLACEMENT OF CLSM (CONTROLLED LOW-STRENGTH MATERIAL)

- A. Provide batching equipment to obtain the proper weights of soil, cement, water, and admixtures. Measuring devices shall be sensitive to a 2% variation above or below the actual weights required. Volumetric batching may be used, provided the same accuracy required for weight batching is maintained.
- B. Design and operate the mixers used for mixing the CLSM so that the CLSM as discharged from the mixer is uniform in composition and consistency throughout each batch.
- C. Place the CLSM such that it flows easily into all openings between the pipe and the excavated trench. In some cases, such as trenches on a slope, a stiffer mix may be required to prevent it from flowing down the trench. In this case, use vibration to ensure that the CLSM completely fills all spaces.
- D. Lay the pipe on the soil pads and place the CLSM bedding as shown in the drawings. Place bedding under pipe from one side and vibrate so that it flows under the pipe until it appears on the other side. Then add CLSM to both sides of the pipe and vibrate until it completely fills the space between the pipe and the excavated trench bottom. This operation shall follow as closely behind pipelaying operations as possible. Place CLSM in such a way as to prevent uplift or buckling of the pipe. Deposit CLSM as nearly as practicable in its final position. Do not disturb the pipe trench or cause foreign material to become mixed with the cement slurry.
- E. Do not place backfill above the pipe until the CLSM has reached the initial set. Place and maintain a 6-inch cover of moist backfill cover until additional backfill is placed. If the ambient temperature is 50°F or less, place an additional 6-inch cover of backfill over the 6-inch moist backfill cover prior to the end of the working day.
- F. Whenever freezing temperatures are imminent, maintain the CLSM at a temperature of not less than 50°F for 24 hours after placement. The temperature of the mix shall be 50°F or greater at the time of placement. Monitor the temperature by placing a thermometer in the CLSM immediately after sampling at the placement site. When freezing weather appears imminent, make ready at the placement site materials that may be required for protection of the CLSM. Delay placement of CLSM until adequate provisions for protection against weather are made. Do not place CLSM bedding in pipe trenches when the trench bottom or walls are frozen or contain frozen material. Backfill placed as cover over the CLSM is prohibited from containing any frozen material.

3.13 INSTALLING IMPERVIOUS BARRIERS

- A. Construct impervious barriers in the pipe and trench zones at 300-foot intervals on slopes exceeding 30% and within 50-feet of vertical points of inflection on slopes exceeding 30%. Construct concrete barriers such that the bottom of the collar extends at least 3 inches into the pipe base, at least 3 inches into each side of the walls of the trench, and at least 3 inches above the top of the pipe zone.
- B. Install ABS dams by digging a slot approximately 3 inches deep into the pipe base, located approximately 3 feet from the nearest pipe bell. Key the dam into the groove such that the neck of the adapter connection pipe faces upstream. Center the dam into position and insert the edges into the side walls of the trench. Slide a Fernco adapter over the pipe to be installed. Move the pipe through the dam opening and assemble the pipe joint. Slip the Fernco adapter over the ABS barrier's neck and tighten the adapter's bands. Backfill both sides of the dam such that there are no voids around the pipe.

3.14 PROTECTING UNDERGROUND UTILITIES

- A. Underground utilities are to be protected in place and remain in service, unless otherwise specified on the Plans or in the specifications. Compact bedding material under and around the utility so that no voids are left. Flowable fill may be an acceptable method of bedding and backfill.
 - 1. Where indicated in the drawings or as determined by the Owner's Representative, support utilities by a reinforced concrete beam or support wall as shown on the utility support details in the drawings. The primary purpose of the beam is to prevent settlement of the existing utility line during and after construction. The Contractor is responsible for the protection of the utility during construction and shall incorporate the beam as part of the protection.
- B. Abandoned utility lines may be cut to facilitate installation of the new Works. All open ends are to be plugged. The cut utility line shall be removed from the site.
 - 1. Storm drains and sewers are to be plugged with an 8-inch wall of brick and mortar.
 - 2. Waterlines are to be capped with a cast-iron cap or a 3-foot-long concrete plug.
- C. Sewer services, water services, and other utility service lines are not shown on the Drawings. Interference with these services may occur. If such situations arise, the Contractor shall move the conflicting utilities (such as water service leads, sewer service lines, gas lines, etc.) or adjust the pipeline vertical and/or horizontal alignment to maintain required vertical and/or horizontal separations. All proposed modifications to the pipeline alignment shall be presented to the Owner's Representative for review and all changes made shall conform to the recommendations of the Owner's Representative.
- D. If the utility must be removed to facilitate construction of the new Works, the utility will be reconstructed with new materials and placed back into service. During this period, Contractor shall provide temporary service for the disconnected utility.
- E. Disruption of water service to residential and/or places of business as a result of the Contractor's operations shall be limited to a maximum of 8 (eight) hours. In the event that disruption of a particular service will be longer than 8 hours, the Contractor shall provide temporary potable water service which meets the Department of Health requirements for potable water to the affected residence or place of business for drinking purposes. In the event that disruption of a particular service will be longer than 24 hours, the Contractor shall provide temporary potable water service which meets the entire domestic water demands of the affected residence or place of business. The Contractor shall at all times maintain on site, the materials required for providing temporary water services.
- F. Waterlines whose thrust is in the direction of the new excavation, may be affected by the construction. Protect thrust blocks in place or shore to resist the thrust by a means approved by the water utility. If the thrust blocks are exposed or rendered to be ineffective in the opinion of the Owner's Representative, reconstruct them to bear against firm unexcavated soil.

END OF SECTION

SECTION 330516
PRECAST CONCRETE UTILITY STRUCTURES

PART 1 GENERAL

1.1 SUMMARY

- A. This section includes design, materials, testing, and installation of precast concrete tanks, manholes and vaults.

1.2 SUBMITTALS

- A. Submit shop drawings in accordance with Section 013300.
- B. Submit manufacturer's catalog data on precast concrete tanks, manholes, steps and ladders, frames and covers. Show dimensions and materials of construction by ASTM reference and grade. Show lettering on manhole covers.
- C. Provide structural design calculations sealed by a registered engineer in the State of Kentucky, as required for the project.
- D. Show on shop drawings for each structure all proposed pipe size openings at the proposed elevation and orientation of penetrations.
- E. Provide product data for waterproof material, steps, ladders, and all items identified in Part 2.
- F. The date of manufacture and name of manufacturer shall be marked inside each precast section.

1.3 LOADING

- A. All structures with top elevations near grade shall be designed for H-20 traffic loading. Access openings located in driving surfaces shall be designed for H-20 traffic loading. Access openings for vaults that are elevated above the surrounding surface and located in non-driving surfaces shall be designed for 300 pounds per square foot loading, unless otherwise indicated.
- B. Soil lateral loads shall be as determined by ASTM C857 or loadings specified in the project soils report, whichever is greater. Alternate design by the strength design method shall include a load factor of 1.7 times the lateral earth or hydrostatic pressures.
- C. Include the following load conditions in the design:
 - 1. Structure roof removed while structure is backfilled to grade and subject to live and dead loads.
 - 2. Structure roof in place and walls subject to simultaneous vertical and horizontal application of all live, impact, and dead loads. Include the case of an H-20 designated load placed directly above the wall.

PART 2 PRODUCTS

2.1 PRECAST CIRCULAR CONCRETE MANHOLES

- A. Precast manholes and circular wet wells shall conform to the requirements of ASTM Designation C 478 with reinforcement of Grade 60 bars and the following modifications thereto.
- B. The minimum shell thickness shall be 5-inches for 4 feet diameter manholes, 6-inches for 5 feet diameter manholes and 7-inches for 6 feet diameter manholes. All interior and exterior surfaces shall have smooth surfaces free of surface voids. Precast structures with textured or rough surfaces will not be accepted.
- C. Joints shall be a compression type, neoprene gasket joint meeting ASTM C923. The unfilled portion of the joint shall be filled with preformed plastic joint sealing compound that conforms to Federal Specification SS-S-0021 0.
- D. Concrete adjusting rings (4-inch maximum) shall be standard manufactured product of the precast manhole manufacturer and conform to the requirements of ASTM C 478. All grade rings shall have integral key.
- E. Minimum allowable steel shall be hoops of No. 4 wire cast into each unit.
- F. Precast top sections shall be eccentric cone; concentric cone; or flat slab, except where shown otherwise in the drawings.

2.2 PRECAST RECTANGULAR CONCRETE TANKS AND MANHOLES

- A. Precast rectangular concrete manholes shall comply with ASTM C858 except as modified herein. Minimum size shall be 60 inches square. Design manholes for the depths shown in the drawings, assuming a soil density of 130 pounds per cubic foot.
- B. Minimum wall thickness shall be 6 inches unless otherwise noted in plans. Design knockout wall panels to accommodate loading pressures.
- C. Precast top sections shall be flat slab, except where shown otherwise in the drawings.

2.3 PRECAST CONCRETE VAULTS

- A. Precast concrete vaults shall comply with ASTM C858 except as modified herein.
- B. Design shall comply with the following restrictions:
 - 1. The maximum reinforcement ratio allowed is one-half the reinforcement ratio that would produce a balanced strain condition.
 - 2. Earth pressure shall be converted to a horizontal pressure using a coefficient of earth pressure at rest of 0.5 and not a coefficient of active earth pressure.
 - 3. Include a live load surcharge of 3 feet of soil in the design of the walls.
- C. Precast vault construction shall be in the form of monolithic walls or horizontal wall sections; do not use panel walls.
- D. Minimum wall thickness shall be 6 inches. Design knockout wall panels to accommodate loading pressures defined above.
- E. Floor slab shall be cast-in-place concrete as shown in the drawings. Calculations for the floor slab design shall be included in the vault design submittal.
- F. Provide aluminum ladders as indicated.
- G. Vaults shall have concrete covers with lifting handles. Access openings shall be provided by 1) a minimum 30" diameter galvanized steel lids, which are bolted to galvanized steel frames with stainless steel bolts, 2) manhole ring and frames or 3) access hatches, as shown on the Plan details. The galvanized frames and lids shall be provided by the vault manufacturer.

Manhole covers and access hatches may be supplied by others provided the required clearances, dimensions and installation requirements are coordinated between both suppliers. When leveling bolts are used to set the vault top sections, the Contractor shall ensure that the load on the vault will be transferred through the mortar to the vault, and will not be carried by the leveling bolts.

2.4 INSERTS

- A. Handling eyes, lifting inserts, and threaded inserts shall be galvanized steel. Design load capacity shall be 2,000 pounds unless shown otherwise in the drawings.
- B. No more than 3 lift holes may be cast or drilled in each section.

2.5 STEPS AND RUNGS

- A. Cast structure with steps (ladder rungs). Steps shall be 1/2-inch minimum diameter steel reinforced bar with a copolymer polypropylene plastic covering (per ASTM D4101) resistant to 1,500 pounds pullout force, conform to ASTM C-478 and OSHA standards, and allow hand-driven installation into precast manholes. The tread shall be at least 3/4 inch wide.
- B. Minimum clear length of rungs shall be 14 inches. Space rungs vertically at 16 inches on center, set between 5 and 6 inches from the face of the concrete, and align with each other in a straight vertical line (both parallel and perpendicular to ladder rungs).

2.6 ALUMINUM LADDER

- A. General
 - 1. Aluminum Ladders shall comply with ANSI A14.3.

2. Design of the ladder and attachment to concrete to be provided during the manufacture. Do not connect any aluminum product directly to the concrete unless coated to prevent reaction.
 3. The distance between rungs shall not exceed 12 inches and shall be uniform throughout the length of the ladder. The minimum clear length of rungs shall be 14 inches. The rungs shall have a nonskid coating.
 4. Side rails: Continuous extruded-aluminum channels or tubes, not less than 2-1/2 inches deep, 3/4 inch wide, and 1/8 inch thick.
 5. Rungs: Extruded-aluminum tubes, not less than 3/4 inch deep and not less than 1/8 inch thick, with ribbed tread surfaces.
 6. Fit rungs in centerline of side rails; fasten by welding or with stainless-steel fasteners or brackets and aluminum rivets.
 7. ANSI A14.3 requires a minimum support spacing is 10 feet (3 m).
 8. Support ladder at top and bottom and not more than 60 inches o.c. with welded or bolted aluminum brackets.
- B. Approved manufacturers are ACL Industries, Inc., Alco-Lite Industrial Products, Halliday Products, Precision Ladders, LLC., or equal.

2.7 MANHOLE FRAMES AND COVERS

- A. Manhole frames and covers shall be made of cast iron conforming to ASTM A48, Class 35B. Castings shall be smooth, clean, and free from blisters, blowholes, and shrinkage. Frames and covers shall be designed for H20-44 traffic loads. The cover shall seat firmly into the frame without rocking.
- B. Manhole ring and cover shall be:
 1. Neenah No. R-1769-A, Deeter No. 1048, Clay & Bailey No. 2032M or approved equal (minimum wt. of cover 150 lbs., and ring 250 lbs.).
 2. Watertight manhole ring and cover shall be Neenah No. R1916-F with anchor bolt holes or approved equal, minimum total weight of 450 lbs.
 3. Manhole ring and cover for Type II manholes shall be slab type, Neenah No. R6065 for 6' deep and 6065A for 8" deep, Deeter No. 1180 for 6" deep or approved equal. Provide stainless steel bolts and fasteners.
- C. Grind or otherwise finish each cover so that it will fit in its frame without rocking. Frames and covers shall be match-marked in sets before shipping to the site.
- D. Manhole covers shall be designated as "Sanitary Sewer"; or "Storm Sewer" and shall be cast in 2-1/2" high block letters flush with the traffic surface on all manhole covers as appropriate for the individual manhole's use.
- E. Coat castings with an asphalt coating complying with ASTM A849, Class A, to a minimum thickness of 50 mils.
- F. Provide insulated cover, consisting of the materials stipulated on the drawings.

2.8 ACCESS HATCHES

- A. Provide single leaf access hatch with clear openings as indicated. Hatch to be W2R by Halliday or equal unless otherwise shown.
- B. The hatch shall be furnished with locking lugs to receive a padlock and recessed lifting handles.
- C. All aluminum in contact with concrete, mortar, steel, or stainless steel shall be protected from direct contact through the use of bituminous coating or some other Engineer approved means.
- D. The hatch shall be provided with 316 stainless steel hardware throughout.
- E. The hatch shall be cast into the top slab

2.9 CONCRETE

- A. Cement for manholes shall conform to ASTM C150, Type II, 4000 psi compressive strength.

2.10 NON-SHRINK GROUT

- A. Nonshrink grout shall be a prepackaged, inorganic, non-gas liberating, nonmetallic, nonstaining, cement based grout requiring only the addition of water. Manufacturer's instructions shall be printed on each bag or other container in which the materials are packaged. The specific formulation for each class of nonshrink grout specified herein shall be that recommended by the manufacturer for the particular application.
- B. Nonshrink grouts shall have a minimum 28 day compressive strength of 5000 psi, shall have no shrinkage (0.0 percent) and a maximum 4.0 percent expansion in the plastic state when tested in accordance with ASTM C 827, and shall have no shrinkage (0.0 percent) and a maximum of 0.2 percent expansion in the hardened state when tested in accordance with CRD C 621.
- C. Non-shrink grout shall be Cormix "Supreme", L&M "Crystex", Master Builders "Masterflow 713 Grout" or "Set Grout", Sauereisen Cements "F-100 Level Fill Grout", UPCO "Upcon Super Flow", or Five Star Products Inc. "Five Star Grout", without exception.
- D. The grout consistency shall be that necessary to completely fill the space to be grouted for the particular application. Dry pack consistency is such that the grout is plastic and moldable but will not flow. Where "dry pack" is called for in the Contract Documents, it shall mean a grout of the above described consistency; the type of grout to be used shall be as specified herein for the particular application.
- E. Prepackaged grouts shall have ingredients measured by means recommended by the manufacturer.

2.11 SEALING COMPOUND AND MORTAR

- A. Butyl rubber sealing compound shall comply with ASTM C990. Mortar shall comply with ASTM C387, Type S.
- B. All grout used for sealing around pipe openings shall be as specified and designed for use in water. All openings and joints shall be sealed watertight.
- C. Joint sealant shall be approved preformed mastic sealant. Sealant shall conform to the requirements of AASHTO M198 and shall be Kent seal or Ram Neck or pre-approved by the Engineer. Where specifically indicated, trowelable mastic sealant shall be a butyl rubber sealant, Trowelable EZ-Stik #3 as manufactured by Press-Seal Gasket Corporation or approved equal. Use Conseal CS 440 for fuel and oil resistant applications.

2.12 PIPE CONNECTORS

- A. Flexible resilient watertight manhole and pipe connector shall meet all material and performance requirements of ASTM C923 for pipe outside diameter 4" through 60". Gasket material shall be produced from a polyisoprene blend compound or chemically resistant neoprene EPDM flexible boot. Natural rubber gaskets will not be acceptable.
- B. Manhole to pipe connectors shall be cast into the manhole wall during the manufacturing process.
- C. Approved pipe connectors are:
 - 1. A-Lok X-CEL as manufactured by A-Lok Products, Inc.
 - 2. Z-Lok-XP (A-Lok Products, Inc.).
 - 3. Kor-N-Seal (Dukor Corporation),
 - 4. Storm sewer pipe connections shall be Quik-Lok or Z-Lok STM (A-Lok Products) or equal.
- D. Approved pipe connectors for existing concrete structures installed in the field shall be:
 - 1. G3 Boot System as manufactured by A-Lok Products, Inc.,
 - 2. LCT Manhole Adapter Gasket as manufactured by Romac Industries, Inc.
- E. Approved pipe connectors for existing brick structures and rigid connections installed in the field shall be CMA Concrete Manhole Adapter as manufactured by Fernco.
- F. New PVC pipe to existing VCP pipe connectors shall be a flexible coupling with stainless steel band clamps, as required and approved by the Engineer. Connectors shall be manufactured by Fernco Joint Sealer Co. or approved equal.

2.13 COATINGS

- A. Waterproofing. The interior and exterior walls of all sanitary manholes shall be given two coats, each 12-15 mils dry film thickness, of Uniseal 1600, as manufactured by Anchor Tite or approved equal.
- B. PVC Liner. Where indicated, the entire interior surface of all sanitary manholes shall be lined with a PVC sheet liner system equal to Ameron T-Lock liner as manufactured by Ameron Protective Linings Division, Brea, California, or approved equal. The liner shall be installed and tested in strict conformance with the manufacturers recommendations and field welded by Ameron certified technicians, no exceptions. The exterior of all manholes shall be painted with two 12-15 mils DFT coats of Uniseal 1600, as manufactured by Anchor Tite.

PART 3 EXECUTION

3.1 MANHOLE BASE

- A. Excavate for the manhole and install a base of 8 inches thick washed crushed rock (3/4" max.), or as shown on the Plan details. Crushed rock base material shall extend 1 foot beyond the outside edge of the concrete manhole base.
- B. Form and pour concrete bases as one monolithic pour. For sewer manholes, form the portion above the invert elevation of the sewer pipe to provide a smooth channel section. Channels shall vary uniformly in size and shape from inlet to outlet.

3.2 INSTALLATION

- A. Set each precast concrete manhole unit plumb on a bed of sealant or mortar to make a watertight joint at least 1/2 inch thick with the concrete base or with the preceding unit. Point the inside joint and wipe off the excess sealant or mortar. Secure the manhole frame to the grade ring with grout and cement mortar fillet. Backfill, compact, and replace pavement.
- B. When working inside manholes, Contractor shall exercise caution and comply with OSHA requirements when working in the presence of sewer gases, combustible oxygen-deficient atmospheres, and confined spaces.
- C. Handle with care to avoid damage to joint ends of each section. Damaged sections may be subject to rejection at the discretion of the Engineer. All manhole and vault construction shall be watertight. The invert, walls and steps shall be cleaned of excess grout and laitance.
- D. Floors of the manholes shall be shaped and smoothed so that flow channels will be formed such that the manhole will be self-cleaning and free of areas where solids may be deposited. The floors shall have a slope of one (1) inch per foot on areas outside of the flow channels.
- E. Connection to existing sewer mains shall be done in an approved manner. Cutting into existing sewer shall be done in such a manner as to prevent damage to sewer not being removed. New invert channel(s) shall be constructed as required and in accordance with the requirements herein and as shown on the Drawings.
- F. Connections to manufactured, precast items shall be made by casting sections of pipe into the items, using non-shrink grout as shown on the Drawings, and/or using an acceptable resilient connector.
- G. Precast Sections: Precast-reinforced concrete sections shall be set so as to be vertical and with sections in true alignment.
- H. All holes in sections, used for their handling, shall be thoroughly plugged with mortar. The mortar shall be 1 part cement to 1-1/2 parts sand; mixed slightly damp to the touch (just short of "balling"): hammered into the holes until it is dense and an excess of paste appears on the surface; and then finished smooth and flush with the adjoining surfaces.
- I. Upon installation the exterior of all structures shall be given an asphaltic waterproofing. The exterior surfaces of precast and poured-in-place manholes shall be coated with two heavy coats of a water-based asphaltic coating. Application and curing shall be in accordance with the manufacturer's specifications and instructions. Coating shall be fully dried before backfilling.
- J. Manhole Castings shall be set on a full mortar bed or sealed with a troweled-on butyl rubber mastic sealant, Press-Seal Gasket Corporation Trowelable EZ-Stik #3 or equal. Do not backfill around the

manhole casting for a minimum of 20 minutes to allow the grout to set.

- K. In situations where the exterior walls of the manhole will be exposed to weather or where bolt down covers are required, the manhole casting shall be bolted to the precast cone section or flat slab top using 3/4" diameter stainless steel threaded rod, nuts and washers epoxy anchored into the concrete.
- L. Castings and frames shall be set true to line and to correct elevations.
- M. Assemble units so that the cover conforms to the elevation determined by the manhole location as follows:
 - 1. In Paved Areas: Top of cover shall be flush with the paving surface.
 - 2. In Shoulder Areas: Top of cover shall be flush with existing surface where it is in traveled way of shoulder and 0.1 foot above existing surface where outside limits of traveled way but not in the existing roadside ditch.
 - 3. In Roadside Ditch or Unpaved Open Areas: Top of cover shall be 18 inches above the ground surface.
- N. MORTAR
 - 1. All mortar shall be used within 40 minutes after mixing. Mortar which has begun to take on initial set shall be discarded and shall not be mixed with additional cement or new mortar.

3.3 INVERTS

- A. Manhole inverts shall be constructed of concrete with Type II cement and shall have a minimum 28-day compressive strength of 4000 psi.
- B. In no case shall the invert section through a manhole be greater than that of the outgoing pipe. The shape of the invert shall conform exactly to the lower half of the pipe it connects. Side branches shall be connected with as large of a radius of curve as practicable. All inverts shall be troweled to a smooth clean surface. Slope bench 1-inch per foot minimum to avoid solids build-up.
- C. Where the difference in elevation between the incoming sewer line and the manhole invert is less than twenty-four inches (24"), the invert shall be filleted to prevent solids deposition.

3.4 CONNECTION TO MANHOLES

- A. Connections to new manholes shall utilize flexible connections. Flexible connections allow for limited differential settlement to occur between the pipe and manhole. The uniform compaction of the bedding material under the pipe and up to the spring line or top of the pipe as detailed is essential to the control of this differential settlement. Resilient connectors shall be used with all flexible connections. A flexible preformed mastic sealant shall be installed around the bottom half of the exterior pipe surface between the resilient connector and the invert. This flexible sealant shall be installed to separate the pipe from the invert to maintain the flexibility of the pipe/manhole connection. Pipes installed with flexible connections shall not have concrete encasement at the outside of the manhole.
- B. Connection to Existing Structures shall be done in such a manner as to prevent damage to existing structures. Hole for installation of pipe shall be approximately 4 inches larger in diameter than the outside diameter of the pipe to be installed. Annular space around the pipe or resilient connector, as required, shall be filled solid with non-shrink grout. New invert channels shall be constructed as required and shall conform to the requirements herein. For installing a new manhole on an existing pipe, a clamp-on resilient connector shall be installed on the pipe prior to grouting into the manhole wall.

3.5 STUB LINES

- A. Stub lines for future connections shall be provided in manholes at the locations indicated on the drawings and shall terminate in a bell and plug.

3.6 CLEANING AND TESTING

- A. After all installations are complete, including all backfill and compaction, all structures and appurtenances shall be cleaned of foreign materials. Flushing of foreign materials from a newly completed section of sewer into section already in service will not be allowed. If the lining or coating system is damaged during either installation or cleaning it shall be repaired in strict accordance with and approved by the coating system manufacturer's technical field service personnel.
- B. Contractor shall furnish all labor, tools, potable water (if a hydrostatic test is allowed) and equipment necessary to perform all tests as specified herein.

- C. If inspection or test shows defects, such defective work or material shall be replaced and inspection and tests repeated. Repairs to piping and appurtenances shall be made with new material at no additional cost to the Owner.
- D. Manholes structure shall be either vacuum or hydrostatically tested. Vacuum or hydrostatic testing is recommended prior to backfilling, where feasible, to assist in locating leaks. The final test and acceptance shall be based only on a test after the manhole is backfilled and the cast manhole ring is in place. Existing manholes where new connections are made will not be required to be vacuum or hydrostatically tested. These manholes shall be visually inspected for water tightness with any leakage noted and corrected prior to manhole acceptance.
- E. Testing Methods
 - 1. Vacuum Test - Plug all manhole entrances and exits other than the manhole top access using suitably sized and rated pneumatic or mechanical pipeline plugs. Follow manufacturer's recommendations and warnings for proper and safe installation of such plugs, taking care to securely brace the plugs and the pipe. Attach the vacuum test device to the cast manhole ring and draw a vacuum to 10" of mercury. With the valve at the vacuum line connection closed and the vacuum pump off, measure the time required for the vacuum to drop to 9" of mercury. The manhole passes the test if the time is greater than 60 seconds for a 48" diameter manhole, 75 seconds for a 60" diameter manhole, and 90 seconds for a 72" diameter manhole. If the manhole fails the test, the Contractor shall locate the leak and make proper repairs with non-shrink grout. The manhole shall be retested until acceptable test results are obtained.
 - 2. Hydrostatic Test - Manholes may be tested using internal or external hydrostatic pressure with prior approval by the Engineer. External hydrostatic testing shall only be used where the groundwater level is at least 4 feet above the invert of the manhole. In all other cases, the internal hydrostatic test procedures must be followed. Sewers connected to the manhole shall be adequately plugged. For the internal hydrostatic test, the manhole shall be filled with water to the top or to a maximum depth of 25-feet above the invert. Water gain or loss shall not exceed 1.14 gallons per day per vertical foot of manhole for either external or internal hydrostatic testing. Infiltration and exfiltration shall be determined after 24 hours of hydrostatic testing by determining the gain or loss of water in the manhole. Contractor shall be responsible for retrieving any plugs or material accidentally washed down a sewer.

END OF SECTION

THIS PAGE INTENTIONALLY LEFT BLANK

SECTION 333100
SANITARY SEWER SYSTEMS

PART 1 GENERAL

1.1 SUMMARY

- A. The Contractor shall furnish all material, tools, equipment and labor necessary for material handling, cutting, installation and jointing of various types and sizes of pipe at the locations shown on the Drawings, or as detailed and in conformance with the specifications.

1.2 COORDINATION OF WORK

- A. All work shall be fully coordinated with other work and shop drawings must be checked with each of the various trades. Conflicts in the sequence of the work shall be coordinated through consultation with the Engineer.

1.3 APPLICABLE STANDARDS

- A. Specifications of the following listed standards will be referred to hereinafter by standards abbreviation and specification number which shall include the latest revision thereof.
 1. ANSI, American National Standards Institute.
 2. ASTM, American Society for Testing and Materials.
 3. AWWA, American Water Works Association.
 4. AASHTO American Association of State Highway Transportation Officials.

1.4 QUALITY ASSURANCE

- A. Items submitted for approval in accordance with requirements shown on the Drawings and details shall be of the manufacturer indicated, or an approved equal, in compliance with materials, operations, physical assembly and performance as specified herein.
- B. In addition to the correction period set forth in General Conditions, the manufacturer's standard warranties shall be provided.

1.5 SUBMITTALS

- A. Pipe and Fittings: Certification of compliance, shop drawings.
- B. Precast Concrete Structures & Appurtenances: Shop drawings, certification of compliance.
- C. Coating and lining systems, non-shrink grout, polyethylene corrosion protection: Manufacturer's data and specification sheets and certification of compliance.
- D. Construction Sequence

1.6 PRODUCT DELIVERY, STORAGE AND HANDLING

- A. Store materials to prevent physical damage.
- B. Protect materials during transportation and installation to avoid physical damage.
- C. Pipe, fittings and accessories shall be handled in a manner to insure installation of the material in an undamaged and structurally sound condition.
- D. Particular care shall be taken to not harm pipe bell and spigot ends. Handling equipment and procedures shall be in accordance with the approved manufacturer's recommendation for proper handling of his products. Improper handling of pipe that results in damage to pipe will be grounds for rejection of the pipe for installation.

1.7 CONNECT TO EXISTING LINES

- A. Work shall be so scheduled and timed as to cause the least possible interference with the operation of the existing system.
- B. Adequate facilities for disposal of fluids which may be released during the connecting operations shall be available.
- C. Contractor shall provide the necessary pumps and temporary piping and associated accessories as required for pumping of wastewater around areas of construction so as to not impede the collection and treatment of the wastewater.
- D. Sewage and water contaminated with sewage shall be conveyed to sanitary sewers.

1.8 BYPASS PUMPING

- A. Where flow control is required to perform a specified repair, replacement, or connection to an existing sewer pipe or manhole, plugging or blocking shall be used wherever possible.
- B. If plugging or blocking is not feasible or at the Contractor's discretion, Contractor shall provide the necessary pumps and temporary piping and associated accessories as required for pumping of wastewater around areas of construction so as to not impede the collection and treatment of the wastewater. Backup pumping capability will be required.
- C. The design, installation, and operation of the temporary pumping system shall be the Contractor's responsibility. The temporary pumping system shall comply with the requirements of all codes and regulatory agencies having jurisdiction. Contractor shall be responsible for any spillage of raw sewage that results in civil or criminal charges from any local, state, or federal agency and will bear all costs for these charges and any restoration required.
- D. It is essential to the operation of the existing sewerage system that there be no interruption in the flow of sewage throughout the duration of the Project. Contractor shall provide, maintain, and operate all temporary facilities such as plugs, pumping equipment (both primary and backup units as required), conduits, all necessary power or fuel source, and all other labor and equipment necessary to handle the sewage by-pass flow.
- E. Contractor shall provide all necessary means to safely convey the sewage past the work area. Contractor shall not stop or impede the sewer flows under any circumstances.
- F. Contractor shall maintain sewage flow around the work area in a manner that will not cause surcharging of sewers, damage to sewers, and that will protect public and private property from damage and flooding.
- G. Contractor shall protect water resources, wetlands, and other natural resources.
- H. Contractor shall insure that the flow diversion pumping system is properly operated and maintained and shall provide responsible personnel to oversee the diversion pumping system at all times.
- I. Work shall be so scheduled and timed as to cause the least possible interference with the operation of the existing sewer collection and treatment system.
- J. Sewage and water contaminated with sewage shall be conveyed to sanitary sewers.
- K. Bypass pumping shall be considered subsidiary to all other bid items.

1.9 WRAP OF BEDDING MATERIAL WITH GEOTEXTILE FABRIC

- A. A layer of medium weight non-woven geotextile fabric shall be placed between the pipe zone backfill and the intermediate zone backfill to reduce fines migration into the pipe zone. Filter fabric shall be laid-out and overlapped according to the manufacturer's recommendations

1.10 WARRANTY

- A. Full warranty against defects in materials and workmanship for one year after FINAL ACCEPTANCE, including all parts, labor, and expenses.

PART 2 PRODUCTS

2.1 PVC (POLYVINYL CHLORIDE) SEWER PIPE

- A. SDR 35 PVC sewer pipe shall conform to ASTM D3034. SCH. 40 and SCH 80 PVC Pipe (Class 12454-B) shall conform to ASTM D1784 and D1785. All pipe joints shall be rubber gasketed bell and spigot. Pipe shall be made from PVC plastic having a cell classification of 12454-B, 12454-C, or 13343-C having a minimum tensile modulus of 500,000 psi, as defined in ASTM D1784. Nominal laying length shall be 13 feet for 8" through 18" and 19 1/2 feet for 21-inch through 27-inch sizes.
- B. PVC pipe joints shall be bell and spigot design conforming to the requirements of ASTM D3212.
- C. Gaskets shall meet the requirements of ASTM F477. Solvent weld or non-gasket friction joints are not acceptable.
- D. PVC fittings shall be manufactured from the same material as the pipe and meet the requirements of ASTM D3034 for 4" through 15" and ASTM F679 - PS46 for 18" through 27". Fittings shall be so designed so that deflection under load is equal to or less than that of the connecting PVC pipe.

2.2 DUCTILE IRON PIPE

- A. Ductile iron pipe, where indicated on the Drawings or required, shall be as specified herein.
- B. All ductile iron pipe shall be push on or mechanical joint and shall conform to the requirements of ANSI/AWWA C151/A21.51. The wall thickness and outside diameter of the pipe shall conform to Tables 51.4 and 51.5 of AWWA C151. All ductile iron pipe shall be Class 51, except as noted otherwise.
- C. Fittings for use with the ductile iron pipe specified herein, shall be ductile iron. Cast ductile iron fittings shall be pressure rated for at least 250 psi. All fittings with mechanical joints and push on joints shall conform to AWWA/ANSI C110/A21.10 and ANSI/AWWA C111/A21.11, except that Buna-N gaskets shall be used for the joint. The fitting manufacturer shall furnish the proper gaskets, nuts, bolts, glands, for each type of joint. Compact fittings are not acceptable. All fittings shall be American made with uniform flange/gland thickness.
- D. The interior of all ductile iron pipe and fittings shall be lined with polyethylene or coated with Protecto 401 Ceramic Epoxy or Coropipe II WasteLiner as manufactured by Madison Chemical Industries, Inc.
- E. All ductile iron pipe and fittings shall be checked for dry film thickness (DFT) in accordance with the SSPCA-PA2. Each pipe and fitting shall be marked with the date of application of the lining system and with its numerical sequence of application on that date. The pipe supplier shall furnish a certificate stating that the lining applicator has complied with all specification requirements relative to the material, its application and inspection.
- F. Surface preparation, number of coats, application of the lining material and field touch-up shall be in strict accordance with the lining material manufacturer's recommendations. During the installation of the pipe, the lining manufacturer shall provide the services of a field engineer to instruct and demonstrate to the Contractor's personnel the procedure for the field touch-up of the lining where field cuts and taps were required.
- G. Holiday inspection shall be conducted using test equipment described in AWWA C 210, Section 5.3.3.1. In accordance with the coating manufacturer's recommendation, holiday testing may be conducted any time after the coating has reached sufficient cure.
- H. Polyethylene: Inside coatings of all ductile iron pipe and fittings shall be of virgin polyethylene with nominal thickness of 40 mils (35 mils minimum) complying with ANSI/ASTM D 1248.
 - 1. The polyethylene shall be bonded to the interior of the pipe by heat. All surfaces to be lined shall be blast cleaned comparable to the requirements of SSPC-SP6 or NACE no. 3.
 - 2. All pipe and fittings shall be lined with a minimum dry film thickness of 40 mils, except for the gasket groove and spigot end up to 6-inches back from the end of the spigot which shall be lined with 10 mils of the material.
 - 3. The coating thickness on sealing areas in the bell socket interior and on the spigot end of the pipe exterior shall be 8 mils nominal with a maximum of 10 mils. Thicker coatings in these areas are acceptable if it is demonstrated that joint dimensions are within allowable tolerances after coating.
 - 4. Repairs and touchup shall be performed in accordance with the manufacturer's recommended repair and touchup procedures. All field cut ends shall be repaired, sealed and fully cured prior to installation.
 - 5. Polyethylene Lining Testing - Factory tests. All ductile iron pipe and fittings with polyethylene linings shall be subjected to a 10,000-volt spark test prior to shipment. This test shall be utilized to seek any pinholes in the lining after the lining has cooled. Any pipe section or fitting that fails the non-destructive test shall be rejected.
- I. Epoxy Coating: Inside coatings of all ductile iron pipe and fittings shall be an amine cured novalac epoxy containing at least 20% by volume of ceramic quartz pigment. The coating shall be Protecto 401 Ceramic Epoxy as manufactured by the Protecto Division of Vulcan Painters, Inc. The coating shall be a nominal 40 mils DFT thickness, with a minimum of 30 mils DFT thickness.
 - 1. The epoxy coating shall be installed and tested in strict accordance with AWWA C 116/ANSI A21.16 and as supplemented in these specifications.

- J. Polyurethane Coating: Inside coatings of all ductile iron pipe and fittings shall receive a two-component polyurethane coating system. The lining material shall consist of a ceramic modified polyisocyanate resin and polyol resin mixed in a 1:1 ratio at the time of application. The material shall be Corropipe II WasteLiner(CM) as manufactured by the Madison Chemical Industries, Inc. The lining material shall be an ASTM D 16 Type V system. The coating shall be a minimum of 40 mils DFT thickness.
1. All surfaces to be coated or lined shall be cleaned to a near white metal finish (SSPC-SP 10) as applied to ductile iron pipe and fittings. All surfaces shall be completely dry, free of moisture, dust, grease or any other deleterious substances at the time the coating or lining is applied.
 2. The coating thickness on the sealing areas in the bell socket interior and on the spigot end of the pipe exterior shall be 8 mils DFT nominal with a maximum of 10 mils DFT. Thicker coatings in these areas are acceptable if it is demonstrated that joint dimensions are within allowable tolerances after coating.
 3. Field joints, repair and touch up material shall be GP II (E) Touch-Up as manufactured by Madison Chemical Industries, Inc. This work shall be performed in strict accordance with the manufacturer's recommended procedures. All field cut ends and touch ups shall be repaired, sealed and properly cured prior to installation.
- K. Exterior Coating: An asphaltic coating shall be applied to the exterior of all ductile iron pipe and fittings intended for buried service and shall conform to ANSI/AWWA C151/A21.51. The exterior of all piping in the wet well shall be coated as specified in the Painting Section. All ductile iron pipe and fittings intended for interior use and for use above grade shall receive a prime coat of universal primer as specified in the Painting Section.
- L. An asphaltic coating shall be applied to the exterior of all ductile iron pipe and fittings intended for buried service and shall conform to ANSI/AWWA C151/A21.51.
- M. Corrosion Protection:
1. The exterior of all buried ductile iron piping shall be protected from corrosion by a seamless linear low-density polyethylene (LLDPE) tube conforming to ANSI/AWWA C105/A21.5 with a minimum thickness of 8 mils.
 2. The tube shall have markings placed at two-foot intervals and include the manufacturer's name and/or trade mark, the year of manufacture, the standard designation ANSI/AWWA C105/A21.5, the minimum film thickness and material type, the application range of pipe nominal diameters for the film, and a warning notice: "Warning - Corrosion Protection - Repair any Damage."
 3. Corrosion protection supplied in 48-inch wide flat sheets shall be used to cover irregular shaped valves, fittings and appurtenances not protected by the tube form of polyethylene wrap.
 4. Securing tape shall be 2-inch wide by ten (10) mil thickness and supplied by the pipe manufacturers.

2.3 GEOTEXTILE FABRIC

- A. Geotextile wrap of bedding material shall be with filter fabric US 205NW or equivalent and meet the following specifications:
1. Apparent Opening Size (AOS): #80 U.S. Standard Sieve Size per ASTM D4751.
 2. Grab Tensile/Elongation: 205 lbs/50% per ASTM D4632.
 3. Puncture Strength: 130 lb minimum, average roll value per ASTM D4833.

2.4 MANHOLES, CONCRETE ADDITIVES FOR MANHOLES, MANHOLE COATINGS AND NON-SHRINK GROUT FOR MANHOLES

- A. Precast reinforced concrete manholes, concrete additives for manholes, manhole coatings and non-shrink grout for Sanitary Sewer Systems shall be as specified in Section 330516.

2.5 EXPANSION PIPE PLUG

- A. Expansion pipe plugs 4" - 18" diameter shall be Hand-Tite Pipe Plug as manufactured by R.C. Graham Co.

2.6 TRACER WIRE

- A. All gravity sewer pipes and new sections of laterals shall be installed with tracer wire to facilitate future location of the pipe.

- B. Locator wire shall be #12 gauge solid copper wire with PE-45 insulation as manufactured by Kris-Tech Wire Company or an approved equal. Alternative manufacturer wire must be specified as locator or tracer wire and shall not be conductor wire for other purposes.
- C. Locator wire shall be installed in such a manner to keep slices to an absolute minimum.
- D. All connections or splices shall be made with a Splice Kit equal to 3M-DBR-Part Number – 054007-09964 or approved equal.
- E. Wire shall be taped as shown on the Construction Plan details.
- F. Wire shall be installed along all lines and outside manhole structures, lampholes, and cleanouts as shown on the Construction Plan details and shall have enough slack to extend to 48" above ground.
- G. Contractor must prove continuity of locator wire after installation is complete. Owner's Representative must be present during continuity testing.
- H. Locator wire installation, including signal loss, shall be warranted for one year.

PART 3 EXECUTION

3.1 TRENCHING, BACKFILLING AND COMPACTING

- A. Trenching and backfilling shall be in accordance with applicable requirements of Section 312333.

3.2 GENERAL PIPE INSTALLATION

- A. Pipe shall be protected during handling against impact shocks and free fall and the pipe interior shall be free of extraneous material.
- B. Pipe Handling: Pipe, manholes and appurtenances shall be handled in a manner to insure installation of the material in an undamaged and structurally sound condition. Particular care shall be taken to not harm pipe coatings. Handling equipment and procedures shall be in accordance with the approved manufacturer's recommendation for proper handling of its products. Improper handling of pipe that results in damage to pipe or coatings will be grounds for rejection of the pipe for installation. The Engineer will be the final judge as to the acceptability of any material on the project. Cutting of pipe is discouraged. The Contractor is urged to plan his job to minimize the necessity for cutting. Prior to installation each pipe shall be inspected for defects and cracks. All defective, unsound or damaged pipe shall be rejected. The interior of all pipes and fittings shall be thoroughly cleaned and kept clean thereafter. All joints surfaces shall be kept absolutely clean during the jointing process. Pipelines and runs intended to be straight shall be laid straight and to grade. Grade changes and alignment deflections shall be made as shown on the drawings.
- C. Laying Pipe: Pipe shall not be laid in wet trench. At times when the laying of the pipe is not in progress, the open ends of the pipe shall be closed in such a manner that water due to rainfall or infiltration cannot enter. All joints shall be completed. Except where necessary for making connections with other lines, closures, or as authorized by the Engineer, pipe shall be laid with the bells facing upstream.
- D. Aligning Pipe: Tangent runs intended to be straight shall be laid straight. Horizontal and vertical deflections shall be by angular divergence of the axis of adjacent pipe at the joint in accordance with manufacturer's recommendations. Shorter lengths of pipe may be used to increase the number of available joints.

3.3 PIPE INSTALLATION

- A. Bedding Pipe: Pipe shall be placed in bedding material as specified in Section 312333 TRENCHING AND BACKFILLING.
- B. Laying Pipe: Lay pipe upgrade starting at the low point and with spigot end of pipe pointing downstream with bell holes excavated as required. Inspect each length and reject damaged or defective lengths. All pipe shall be laid with ends abutting and true to line and grade and shall be fitted and matched so that when laid together they will form a smooth and uniform invert. As the work progresses, the interior of the pipe shall be cleared of all superfluous materials.

- C. Pipe jointing shall be accomplished as follows:
 - 1. All surfaces of the portions of the pipe to be joined shall be clean and dry. Lubricants and primers shall be used as recommended by the pipe manufacturer. The joints shall then be placed, fitted, joined and adjusted so as to obtain a water tight joint. Where possible the proper seating of the gasketed joints shall be visually inspected prior to placement of the next section of pipe. Pipe or piped joints found to be defective shall be removed from the trench, marked as defective and returned to the manufacturer.
- D. The downstream end of new line extensions shall be plugged in a positive manner by use of inflatable plugs or other means acceptable to the Engineer until construction, cleaning, and testing is completed and the new construction is accepted by the Engineer.
- E. Service (Wye) Connections. Install fittings for service connections in all types of pipe at locations and in the manner designated by the manufacturer and approved by the Engineer.
- F. Riser Pipes shall be constructed of approved sewer pipe and fittings as specified herein and as detailed on the Drawings. Each riser pipe shall be plugged with an Engineer approved plugging device.
- G. House service lines shall be constructed of approved sewer pipe and fittings as specified herein and as detailed on the Drawings. Connections between new and old work shall be made by means of suitable adapters approved by the Engineer.
- H. Sewer lines and stubs indicated on the Drawings to be plugged for future connection, shall be plugged with an Engineer approved plugging device. The plugging device shall be corrosion resistant, designed for long term burial and prevent infiltration for the duration of its use. It shall allow easy removal for future connection with no damage to the existing line or stub. The plug shall be as manufactured by Hand-Tite, Inc. or approved equal.

3.4 SEPARATION OF WATER MAINS AND SEWERS

- A. Gravity Sanitary Sewers. When potable water pipes and gravity sanitary sewers are laid parallel to each other, the horizontal distance between them shall be not less than 10 ft (3.0 m). The distance shall be measured from edge to edge. The laying of water pipes and sanitary sewers shall be in separate trenches with undisturbed earth between them. When a water pipe and a sanitary sewer cross and the sewer is 2 ft (0.6 m) or more (clear space) below the water pipe, no special requirements or limitations are provided herein. At all other crossings, the sanitary sewer is to be constructed of one of the following materials (or approved equal) and pressure tested to assure water tightness.
 - 1. Ductile iron pipe conforming to ASTM A536 or ANSI/AWWA C151/A21.51 with minimum thickness class 50, and gasketed, push-on, or mechanical joints in conformance with ANSI/AWWA C110/A21.10 or ANSI/AWWA C111/A21.11.
 - 2. PVC pipe conforming to ASTM D3034 with minimum wall thickness of SDR41, ASTM F679, ASTM F789, or ASTM F794, with gasketed push-on joints in conformance with ASTM D3212.
 - 3. Reinforced concrete pipe conforming to ASTM C76 with gasketed joints in conformance with ASTM C361 or ASTM C443.
- B. Joints in the sewer pipe shall be located as far as practical from the intersected water main.
- C. Where a water main is laid across or through an area where there is an existing sanitary sewer, which is not constructed of one of the above specified materials and is 2 ft (0.6m) or less below the water pipe, the existing sewer shall be encased in concrete with a minimum of 6 in (15 cm) thickness for a 10 ft (3.0 m) distance on each side of the crossing or the crossed section of sewer replaced to meet the above specified construction requirements.
- D. Pressure Sewer Lines. When force mains run parallel to water lines, the separation distance shall be as far as practical, but at least a 10 ft (3.0m) horizontal separation shall be maintained. There shall be at least a 2 ft (0.6 m) vertical separation at crossings with the water main crossing above the sewer force main.

3.5 MANHOLES - GENERAL

- A. Excavation and backfill around manholes shall be in accordance with the applicable paragraphs in Section 312333 TRENCHING AND BACKFILLING. Install manholes on an 8-inch layer of gravel bedding used for sewer pipe bedding. Bedding shall extend a minimum of 6-inches beyond the outer edge of the base

- B. Handle with care to avoid damage to joint ends of each section. Damaged sections may be subject to rejection at the discretion of the Engineer. All manhole construction shall be watertight. The invert, walls and steps shall be cleaned of excess grout and laitance.
- C. Floors of the manholes shall be shaped and smoothed so that flow channels will be formed such that the manhole will be self-cleaning and free of areas where solids may be deposited. The floors shall have a slope of one (1) inch per foot on areas outside of the flow channels.
- D. Connection to existing sewer mains shall be done in an approved manner. Cutting into existing sewer shall be done in such a manner as to prevent damage to sewer not being removed. New invert channel(s) shall be constructed as required and in accordance with the requirements herein and as shown on the Drawings.
- E. Precast manholes with T-lock liner shall be spark tested in strict accordance with the manufacturers recommended test procedures by a certified technician and witnessed by the Owner's representative.

3.6 MANHOLES - PRECAST CONCRETE

- A. Manholes, wetwell and valve vault shall be constructed of precast reinforced manhole sections, concentric or eccentric reducer cone section and flat tops as detailed.
- B. All precast structures shall be set plumb and level on a 8-inch thick (minimum) layer of compacted $\frac{3}{4}$ " gravel.
- C. All section joints shall be set and sealed with an approved joint sealant.

3.7 MANHOLE CASTINGS

- A. All castings and frames shall be placed in the positions indicated on the Drawings.
- B. Manhole Castings shall be set on a full mortar bed or sealed with a troweled-on butyl rubber mastic sealant, Press-Seal Gasket Corporation "Trowelable EZ-Stik #3". In situations where the exterior walls of the manhole will be exposed to weather or where bolt down covers are required, the manhole casting shall be bolted to the precast cone section or flat slab top using $\frac{3}{4}$ " diameter stainless steel threaded rod, nuts and washers epoxy anchored into the concrete.
- C. Castings and frames shall be set true to line and to correct elevations.

3.8 CONNECTION TO MANHOLES.

- A. Connections to new manholes shall utilize flexible connections. Flexible connections allow for limited differential settlement to occur between the pipe and manhole. The uniform compaction of the bedding material under the pipe and up to the spring line or top of the pipe as detailed is essential to the control of this differential settlement. Resilient connectors shall be used with all flexible connections. A flexible preformed mastic sealant shall be installed around the bottom half of the exterior pipe surface between the resilient connector and the invert. This flexible sealant shall be installed to separate the pipe from the invert to maintain the flexibility of the pipe/manhole connection. Pipes installed with flexible connections shall not have concrete encasement at the outside of the manhole.
- B. Connection to Existing Structures shall be done in such a manner as to prevent damage to existing structures. Hole for installation of pipe shall be approximately 4 inches larger in diameter than the outside diameter of the pipe to be installed. Annular space around the pipe or resilient connector, as required, shall be filled solid with non-shrink grout. New invert channels shall be constructed as required and shall conform with the requirements herein. For installing a new manhole on an existing pipe, a clamp-on resilient connector shall be installed on the pipe prior to grouting into the manhole wall.

3.9 NON-SHRINK GROUT

- A. All mixing, surface preparation, handling, placing, consolidation, curing and other means of execution for prepackaged grouts shall be done in strict accordance with the instructions and recommendations of the manufacturer.
- B. Grout shall be placed in such a manner, for the consistency necessary for each application, so as to assure that the space to be grouted is completely filled.

C. The finish of the grout surface shall match that of the adjacent concrete.

3.10 CLEANING AND TESTING

A. General:

1. After all installations are complete, including all backfill and compaction, all piping and appurtenances shall be cleaned of foreign materials. Flushing of foreign materials from a newly completed section of interceptor sewer into section already in service will not be allowed. If ductile iron pipe is utilized the Contractor shall take care not to damage the internal linings. If lining is damaged during either installation or cleaning it shall be repaired in strict accordance with and approved by the pipe manufacturer's technical field service personnel.
2. Contractor shall furnish all labor, tools, potable water, and equipment necessary to perform leakage and deflection tests as specified herein. The methods and equipment used to make the test shall be mutually determined by the Engineer and Contractor before any testing is started. For the purpose of testing, a section of the line shall be considered as the length of line between manholes. Any section that fails the test shall be repaired and retested by the Contractor until the leakage and/or deflection limits is within the allowable limits. Water used for exfiltration testing shall not be allowed to be disposed of through the completed sewer line. The Contractor shall provide the required pumps to dispose of test water to the nearest storm sewer or waterway.
3. If inspection or test shows defects, such defective work or material shall be replaced and inspection and tests repeated. Repairs to piping and appurtenances shall be made with new material at no additional cost to the Owner.
4. All visible leaks shall be repaired.

B. Gravity Lines:

1. Lines shall be checked for alignment by lamping and visual inspection and deflection by mandrel testing. The pipe between manholes shall not be more than 1/4 of the pipe diameter out of alignment.
2. Deflection limits for flexible sewer pipe shall not exceed five (5) percent of the nominal diameter of the pipe. Deflection limits shall be verified by passing a mandrel through the section of sewer line not less than 30 days after completion of the installation.
3. Perform deflection test using a properly sized mandrel without mechanical pulling devices.
4. Under no circumstances shall the mandrel test be performed prior to the completion of all compaction operations required for surface preparation, regardless of the time of completion of the pipe installation.
5. The sewer mandrel shall be fabricated with a diameter not less than 95 percent of base or average diameter of the pipe as determined by the ASTM standard to which the pipe is manufactured. The mandrel shall be certified by an independent testing laboratory. The current certification shall be submitted and approved by the Engineer prior to using the mandrel.
6. The Contractor shall provide video verification of the sewer main on all lines 30 days after substantial completion.
7. Air Test:
 - a. In addition to the visual inspection, the Contractor shall perform a low pressure air test on all pipe installed.
 - b. Testing methods for PVC pipe shall conform to the applicable requirements of ASTM F1417.
 - c. Testing methods for concrete pipe shall conform to the applicable requirements of ASTM C 924.
 - d. Testing methods for vitrified clay pipe shall conform to the applicable requirements of ASTM C828.
 - e. For making the low pressure air tests, the Contractor shall use equipment specifically designed and manufactured for the purpose of testing sewer pipelines using low pressure air. The equipment shall be provided with an air regulator valve or pressure relief valve set so that the internal air pressure in the pipeline cannot exceed 9 psig. All air used shall pass through a single control panel.

- f. Pneumatic plugs shall have a sealing length equal to or greater than the diameter of the pipe to be tested. Pneumatic plugs shall resist internal test pressures without requiring external bracing or blocking.
 - g. The Contractor shall be extremely cautious when testing with low pressure air. It is extremely important that the various plugs be installed in such a way as to prevent blowouts. Inasmuch as a force of 250 lbf (112N) is exerted on an 8-inch (230 mm) plug by an internal pipe pressure of 5 psi (34 kPa), it should be realized that sudden expulsion of a poorly installed plug or of a plug that is partially deflated before the pipe pressure is release can be dangerous.
 - h. NO ONE shall be allowed in the manholes during testing.
 - i. The section of pipe between successive manholes shall be sealed with suitable plugs. Do not overpressure the line. Do not exceed 9.0 psig. One of the plugs shall have an orifice through which to pass air into the section of pipe being tested. The air supply source (air compressor) shall have a 9 psig pressure relief valve. The air supply line shall have a positive on-off valve and suitable means for readily disconnecting it at the control panel. A second orifice in the plug shall be used for constantly reading the internal pressure of the pipe. This orifice shall be continuously connected to a pressure gauge having a range of from 0 to 10 psi. The gauge shall have minimum divisions of 0.10 psi and shall have an accuracy of ± 0.04 psi.
 - j. The line under test shall be slowly pressurized to approximately 4 psi. Regulate the air supply so that the pressure is maintained between 3.5 and 4.0 psig for at least 2 minutes. The air temperature should stabilize in equilibrium with the temperature of the pipe walls. Disconnect the air supply and decrease the pressure to exactly 3.5 psi before starting the test.
 - k. Determine the time required for the pressure to drop from 3.5 psi to 2.5 psi, and compare this interval to the required time to decide if the rate of air loss is within the allowable. Tables 1 and 2 show the minimum holding times for PVC pipe listed by diameter. If the pressure drops 1.0 psig before the appropriate time shown in Table 1 has elapsed, the air loss rate shall be considered excessive and the pipe section has failed the test. For testing of long sections or sections of larger diameter pipes, or both, a timed-pressure drop of 0.5 psig shall be used in lieu of the 1.0 psig drop as shown in Table 2.
 - l. Upon completion of the test, open the bleeder valve and allow all air to escape. Plugs should not be removed until air pressure in the test section has been reduced to atmospheric pressure.
8. An infiltration/exfiltration test may be performed with prior approval by the Engineer.
- a. Infiltration Test: An infiltration test shall be performed when the crown of the sewer line is below the ground water table. The amount of water leaking into the sewer shall be measured by the use of appropriately sized weirs designed specifically for this purpose and approved by the Engineer. The allowable leakage shall not be more than 50 gallons per day, per mile of pipe, per inch nominal diameter. The section of pipe to be tested shall be pumped dry before the start of the test.
 - b. Exfiltration Test: In areas where the crown of the pipe is above the ground water level, an exfiltration test shall be performed. The section of sewer to be tested shall be filled with water so that the water table in the upstream manhole is at least 4 feet above the flowline or 2 feet above the top of the pipe, whichever is greater. The amount of water added during the test period to maintain the water level shall be measured and it shall not exceed a rate of 50 gallons per day, per mile of pipe, per inch of nominal diameter. PVC joints shall be repaired by removal and replacement of the pipe section or pipe joint as directed by the Engineer. D.I.P. joints found to be defective shall be repaired by disassembly of the pipe joint, replacement of the joint and or pipe gasket and reassembly of pipe section utilizing a ductile iron mechanical joint long sleeve with internal pipe filler. Bell clamps will not be an acceptable method of joint repair.
- C. Manholes:
- 1. Manholes structure shall be either vacuum or hydrostatically tested. Vacuum or hydrostatic testing is recommended prior to backfilling, where feasible, to assist in locating leaks. The final test and acceptance shall be based only on a test after the manhole is backfilled and the cast manhole ring is in place. Existing manholes where new connections are made will not be required

- to be vacuum or hydrostatically tested. These manholes shall be visually inspected for water tightness with any leakage noted and corrected prior to manhole acceptance.
2. Vacuum Test - A vacuum test shall be performed on all new manholes. Plug all manhole entrances and exits other than the manhole top access using suitably sized and rated pneumatic or mechanical pipeline plugs. Follow manufacturer's recommendations and warnings for proper and safe installation of such plugs, taking care to securely brace the plugs and the pipe. Attach the vacuum test device to the cast manhole ring and draw a vacuum to 10" of mercury. With the valve at the vacuum line connection closed and the vacuum pump off, measure the time required for the vacuum to drop to 9" of mercury. The manhole passes the test if the time is greater than 60 seconds for a 48" diameter manhole, 75 seconds for a 60" diameter manhole, and 90 seconds for a 72" diameter manhole. If the manhole fails the test, the Contractor shall locate the leak and make proper repairs with non-shrink grout. The manhole shall be retested until acceptable test results are obtained.
 3. Hydrostatic Test - Manholes may be tested using internal or external hydrostatic pressure with prior approval by the Engineer. External hydrostatic testing shall only be used where the groundwater level is at least 4 feet above the invert of the manhole. In all other cases, the internal hydrostatic test procedures must be followed. Sewers connected to the manhole shall be adequately plugged. For the internal hydrostatic test, the manhole shall be filled with water to the top or to a maximum depth of 25-feet above the invert. Water gain or loss shall not exceed 1.14 gallons per day per vertical foot of manhole for either external or internal hydrostatic testing. Infiltration and exfiltration shall be determined after 24 hours of hydrostatic testing by determining the gain or loss of water in the manhole. Contractor shall be responsible for retrieving any plugs or material accidentally washed down a sewer.

3.11 CORROSION PROTECTION

- A. Protective coating for D.I. pipe shall be provided by the use of 8 mil polyethylene loose fitting tubing. The wrapping shall be bunched up at each end to provide for overlap to adjoining pipe by 1 foot. The wrapping on the adjacent pipe is pulled over the bell and secured with three circumferential turns of polyethylene adhesive tape. The resulting loose wrap on the barrel of the pipe shall be pulled snugly around the barrel and taped at 3 foot intervals. The Contractor shall use care in backfilling as to avoid tearing and shall repair all holes in the wrapping.
- B. Polyethylene encasement materials and installation shall be in accordance with ANSI/AWWA C105/A21.5.

3.12 BYPASS PUMPING

- A. Where plugging is used, the Contractor shall monitor upstream manholes for excessive surcharge conditions. The Contractor shall take immediate action and utilize all means necessary to quickly alleviate the surcharge conditions.
- B. Contractor is responsible for locating any existing utilities in the area Contractor selects to locate the diversion pipelines. The diversion pipelines shall be located to minimize any disturbance to existing utilities, traffic, and the Contractor shall obtain approval of the pipeline locations from the Owner and Engineer prior to installation.
- C. Plugging or blocking of sewage flows shall incorporate primary and secondary plugging devices. Plugging devices shall be braced and/or designed such that they are capable of retaining the maximum head that could be produced at the plug location during maximum surcharging of the sewer system. When plugging or blocking is no longer needed for performance and acceptance of work, the plugs or blocks shall be removed in a manner that permits the sewage flow to slowly return to normal, to prevent surcharging or causing other major disturbances downstream.
- D. When working inside manholes, Contractor shall exercise caution and comply with OSHA requirements when working in the presence of sewer gases, combustible oxygen-deficient atmospheres, and confined spaces.
- E. Contractor shall protect the discharge lines from damage in the areas of backhoe operations. Damaged, leaking or defective discharge lines shall be immediately replaced.
- F. Contractor shall confine the discharge pipelines to the limits of Work as defined by the contract documents during bypassing operations.

END OF SECTION

**SECTION 400500
GENERAL PIPING REQUIREMENTS**

PART 1 GENERAL

1.1 DESCRIPTION

- A. This section describes the general requirements for selecting piping materials; selecting the associated bolts, nuts, and gaskets for flanges for the various piping services in the project; and miscellaneous piping items.

1.2 SUBMITTALS

- A. Submit shop drawings in accordance with Section 013300.
- B. Provide data sheets for each type of piping and submit affidavits of compliance with referenced standards (e.g. AWWA, ANSI, ASTM, etc.).
- C. Submit verification of NSF 61 Certification for pipe and fittings.
- D. Submit affidavit of compliance with referenced standards (e.g., AWWA, ANSI, ASTM, etc.).
- E. Submit certified copies of mill test reports for bolts and nuts, including coatings if specified. Provide recertification by an independent domestic testing laboratory for materials originating outside of the United States.
- F. Submit manufacturer's data sheet for gaskets supplied showing dimensions and bolting recommendations.
- G. Submit manufacturer's data sheet for flange insulating kits.
- H. Submit manufacturer's data sheet for insulating unions, showing recommended installation procedures.

1.3 DEFINITIONS OF BURIED AND EXPOSED PIPING

- A. Buried piping is piping buried in the soil, commencing at the wall or beneath the slab of a structure. Where a coating is specified, provide the coating up to the structure wall. Piping encased in concrete is considered to be buried. Do not coat encased pipe.
- B. Exposed piping is piping in any of the following conditions or locations:
 - 1. Above ground.
 - 2. Inside buildings, vaults, or other structures.
 - 3. In underground concrete trenches or galleries.

1.4 INTENT OF DRAWINGS AND SPECIFICATIONS

- A. Except in details, piping is indicated diagrammatically. Sizes and locations are indicated on the Drawings. Not every offset and fitting, or structural difficulty that may be encountered has been indicated on the Drawings.
- B. Perform minor modifications to piping alignment where necessary to avoid structural, mechanical, or other type of obstructions that cannot be removed or changed.
 - 1. Modifications are intended to be of minor scope, not involving a change in the design concept or a change to the Contract Price or Contract Time.

PART 2 PRODUCTS

2.1 MATERIALS SELECTION AND ALTERNATIVE MATERIALS

- A. The drawings list the material and specification for each piping service in the project. The same pipe material shall be used for all pipe sizes in all locations for the given piping service. Do not intermix piping materials unless shown on the Drawings. Stainless steel pipe may be used as an alternate to ductile iron pipe in "exposed piping" locations.

2.2 THREAD FORMING FOR STAINLESS STEEL BOLTS

- A. Form threads by means of rolling, not cutting or grinding.

2.3 BOLTS AND NUTS FOR FLANGES FOR PVC, STAINLESS STEEL, STEEL, AND DUCTILE IRON PIPING

- A. Bolts and nuts for all buried flanges and all flanges located indoors; outdoors; above ground; and in vaults and structures shall be Type 304 stainless steel conforming to ASTM A193, Grade B8 Class 2, for bolts and ASTM A194, Grade 8, for nuts unless indicated otherwise. Fit shall be Class 2A and

2B per ASME B1.1 when connecting cast iron valves having body bolt holes.

- B. Bolts and nuts used in flange insulation kits shall conform to the same requirements as described in the paragraph contained herein; or ASTM A193 (Grade B7). Nuts shall conform to ASTM A194 (Grade 2H).
- C. Form threads for stainless steel bolts by means of rolling, not cutting or grinding.
- D. Provide washers for each nut and bolt head. Washers shall be of the same material as the nuts.

2.4 LUBRICANT FOR STAINLESS STEEL BOLTS AND NUTS

- A. Lubricant shall be chloride free and shall be RAMCO TG-50, Anti-Seize by RAMCO, Specialty Lubricants Corporation Huskyä Lube O'Seal, or equal.

2.5 GASKETS FOR FLANGES FOR DUCTILE IRON PIPING AND FITTINGS IN WATER SERVICE

- A. Gaskets shall be full face, 1/8-inch thick, cloth-inserted rubber, with a Shore "A" hardness of 75 to 85. Gaskets shall be suitable for a water pressure of 200 psi at a temperature of 180°F. Gaskets shall have "nominal" pipe size inside diameters not the inside diameters per ASME B16.21. Products: Garlock Style 19 or equal.

2.6 GASKETS FOR FLANGES FOR DUCTILE IRON AND STAINLESS STEEL PIPING AND FITTINGS IN AIR SERVICE

- A. Gaskets shall be full face, 1/8-inch thick, cloth-inserted rubber, with a Shore "A" hardness of 60. Gaskets shall be suitable for air pressure of 150 psi at a temperature of 300°F. Gaskets shall have "nominal" pipe size inside diameters not the inside diameters per ASME B16.21. Products: Garlock Style 8314 or equal.

2.7 GASKETS FOR FLANGES FOR STEEL AND DUCTILE-IRON PIPING AND FITTINGS IN RAW SEWAGE, SLUDGE, AND SCUM SERVICE

- A. Gaskets shall be full face, 1/8-inch thick, Buna-N having a hardness of 55 to 65 durometer. Gaskets shall be suitable for a water pressure of 200 psi at a temperature of 250°F. Gaskets shall have "nominal" pipe size inside diameters not the inside diameters per ASME B16.21. Provide Garlock Style 9122 or equal.

2.8 GASKETS FOR FLANGES FOR PVC AND CPVC PIPING

- A. Gaskets for flanged joints shall be full faced, 1/8-inch thick, having a hardness of 50 to 70 durometer. Gasket material for other than sodium hypochlorite service shall be EPR. Gasket material for sodium hypochlorite service shall be Viton ETP.

2.9 FLANGE INSULATION KITS

- A. Flange insulation kits shall consist of insulating gasket, an insulating stud sleeve for each bolt, insulating washers for each bolt, and a steel washer between each insulating washer and the nut. The sleeves shall be one piece, integral with the insulating washer. Gaskets shall be full face. Provide double sleeve and washer sets for each bolt.
- B. Gasket material shall be phenolic, 1/8-inch thick. The flange insulating gasket shall be full diameter of the flange with a nitrile O-ring on each side of the gasket. Dielectric strength shall not be less than 500 volts per mil and a compressive strength of not less than 24,000-psi.
- C. Insulating flange bolt sleeves shall be high-density polyethylene or spiral-wrapped mylar. Dielectric strength shall not be less than 1,200 volts per mil.
- D. Insulating flange bolt washers shall be high-strength phenolic a minimum thickness of 1/8-inch. Dielectric strength shall not be less than 500 volts per mil and a compressive strength of not less than 25,000-psi.
- E. Steel flange bolt washers for placement over the insulating washers shall be a minimum thickness of 1/8-inch and be cadmium plated.
- F. Flange insulation kits shall be as manufactured by Central Plastics Company, Advance Product Systems, or equal.

2.10 INSULATING UNIONS

- A. Insulating unions shall consist of a molded nylon sealing sleeve mounted in a three-piece malleable-iron (ASTM A47 or A197) body. Ends shall be threaded (ASME B1.20.1) when connecting to steel piping and copper solder joint when connecting to copper piping. Minimum working pressure shall be 150-psi. Unions shall be as manufactured by Central Plastics Company, Capital Insulation, or equal.

PART 3 EXECUTION

3.1 INSTALLING PIPE SPOOLS IN CONCRETE

- A. Install pipes in walls and slabs before placing concrete. See Section 400762.

3.2 RAISED FACE AND FLAT FACE FLANGES

- A. Use a flat-faced carbon steel, or alloy flange when mating with a flat-faced cast or ductile iron flanges.
- B. High pressure rated flanges as required to mate with equipment when equipment flange is of high pressure rating than required for piping.
- C. Where a raised face flange connects to a flat-faced flange, remove the raised face of the flange.

3.3 INSTALLING ABOVEGROUND OR EXPOSED PIPING

- A. Set piping plumb and at the horizontal and vertical location shown on the Drawings. Provide pipe hangers and supports to maintain alignment, as detailed in the drawings and as specified in Section 400764.
- B. Install pipe without springing, forcing, or stressing the pipe or any adjacent connecting valves or equipment.
- C. Pipe penetrations through walls, slabs, and floors shall be as detailed on the Drawings or as allowed for alternate configurations as specified herein.
- D. Install pipe spools in walls and slabs before placing concrete.
- E. Inspection for Defects: Before installation, inspect pipe and appurtenances for defects and, when applicable, tap the pipe with a light hammer to detect cracks. Reject defective, damaged, or unsound pipe and appurtenances.
- F. Cutting: Cut pipe, when necessary, in a neat and workmanlike manner without damage to the pipe, interior lining, and exterior coating. Perform cutting with an approved mechanical cutter, using a wheel cutter when applicable and practicable.
- G. Cut pipe ends square, ream pipe and tube ends to full pipe diameter, remove burrs.
- H. Beveling: Grind smooth and bevel cut ends and rough edges using methods recommended by the manufacturer and approved by Engineer.
- I. Bolt holes of flanges shall straddle the horizontal and vertical centerlines of the pipe. Clean flanges by wire brushing before installing flanged fittings. Lubricate bolts and tighten nuts uniformly and progressively. If flanges leak under pressure testing, loosen or remove the nuts and bolts, reset or replace the gasket, reinstall or retighten the bolts and nuts, and retest the joints. Joints shall be watertight.
- J. Provide a flange insulation kit at all flanges between dissimilar metals whether shown on the Drawings or not.
- K. Install access fittings to permit disinfection of water system.

3.4 INSTALLING FLANGED PIPING

- A. Set pipe with the flange bolt holes straddling the pipe horizontal and vertical centerline. Install pipe without springing, forcing, or stressing the pipe or any adjacent connecting valves or equipment. Before bolting up, align flange faces to the design plane within 1/16 inch per foot measured across any diameter. Align flange bolt holes within 1/8-inch maximum offset.
- B. Inspection for Defects: Before installation, inspect pipe and appurtenances for defects and, when applicable, tap the pipe with a light hammer to detect cracks. Reject defective, damaged, or unsound pipe and appurtenances.
- C. Inspect each gasket to verify that it is the correct size, material, and type for the specified service and that it is clean and undamaged. Examine bolts or studs, nuts, and washers for defects such as burrs or cracks and rust and replace as needed.
- D. Clean flanges by wire brushing before installing flanged fittings. Clean flange bolts and nuts by wire brushing, lubricate carbon steel bolts with oil and graphite, and tighten nuts uniformly and progressively.
- E. Bolt lengths shall extend completely through their nuts. Any that fail to do so shall be considered acceptably engaged if the lack of complete engagement is not more than one thread.
- F. Do not use more than one gasket between contact faces in assembling a flanged joint.
- G. Tighten the bolts to the manufacturer's specifications, using the recommended cross bolt pattern in

multiple steps of increasing torque, until the final torque requirements are achieved. Do not over torque.

- H. If flanges leak under pressure testing, loosen or remove the nuts and bolts, reset or replace the gasket, reinstall or retighten the bolts and nuts, and retest the joints. Joints shall be watertight.
- I. Install access fittings to permit disinfection of water system.

3.5 INSTALLING BLIND FLANGES

- A. At outlets not indicated to be connected to valves or to other pipes and to complete the installed pipeline hydrostatic test, provide blind flanges with bolts, nuts, and gaskets.
- B. Coat the inside face of blind flanges per Section 099000, System No. 12.

3.6 INSTALLING GROOVED-END PIPING

- A. Install grooved-end pipe and fittings in accordance with the coupling manufacturer's recommendations and the following.
- B. Clean loose scale, rust, oil, grease, and dirt from the pipe or fitting groove before installing coupling. Apply the coupling manufacturer's gasket lubricant to the gasket exterior including lips, pipe ends, and housing interiors.
- C. Fasten coupling alternately and evenly until coupling halves are seated. Use torques as recommended by the coupling manufacturer.
- D. Provide separate hangers and supports at both sides of flexible joints; see Section 400764.

3.7 INSTALLATION OF STAINLESS STEEL BOLTS AND NUTS

- A. Prior to assembly, coat threaded portions of stainless steel bolts and nuts with lubricant.

3.8 INSTALLATION OF SCHEDULE 80 PVC PIPING

- A. Cut pipe ends square and remove all burrs, chips, and filings before joining pipe or fittings. Bevel solvent welded pipe ends as recommended by the pipe manufacturer.
- B. Wipe away loose dirt and moisture from the ID and OD of the pipe end and the ID of the fitting before applying solvent cement. Do not apply solvent cement to wet surfaces.
- C. Make up solvent welded joints per ASTM D2855.
- D. Allow at least eight (8) hours of drying time before moving solvent welded joints or subjecting the joints to an internal or external loads or pressures.
- E. Tighten bolts on PVC flanges by tightening the nuts diametrically opposite each other using a torque wrench. Complete tightening shall be accomplished in stages.
- F. Cut threaded ends to the dimensions of ASME B1.20.1. Ends shall be square cut. Follow the pipe manufacturer's recommendations regarding pipe hold-down methods, saw cutting blade size, and saw cutting speed. Pipe or tubing cutters shall be specifically designed for use on PVC pipe.
- G. If a hold-down vise is used when the pipe is cut, insert a rubber sheet between the vise jaws and the pipe to protect from scratching the pipe.
- H. Thread cutting dies shall be clean and sharp and shall not be used to cut materials other than plastic.
- I. Apply Teflon thread compound or Teflon tape lubricant to threads before screwing on the fitting.
- J. Provide unions on exposed piping 3-inches and smaller as follows:
 - 1. Provide a union 6 to 12-inches downstream of valves.
 - 2. Upstream and downstream of equipment which may need to be removed for maintenance.
 - 3. Where shown in the Drawings.

END OF SECTION

SECTION 400515
PRESSURE TESTING OF PIPING

PART 1 GENERAL

1.1 DESCRIPTION

- A. This section specifies the cleaning and hydrostatic, pneumatic, and leakage testing of pressure piping for pumping stations, wastewater treatment plants; general water piping systems; and raw sewage force mains.

1.2 RELATED WORK SPECIFIED ELSEWHERE

- A. General Piping Requirements: 400500.
- B. Valve Schedule: 400521.

1.3 SUBMITTALS

- A. Submit shop drawings in accordance with Section 013300.
- B. Submit test bulkhead locations and design calculations, pipe attachment details, and methods to prevent excessive pipe wall stresses.
- C. Submit six copies of the test records to the Owner's Representative upon completion of the testing.

1.4 TEST PRESSURES

- A. Test pressures for the various services and types of piping are shown in:
 - 1. Subsection on "Test Pressure and Test Fluids" in Part 3.

1.5 TESTING RECORDS

- A. Provide records of each piping installation during the testing. These records shall include:
 - 1. Date and times of test.
 - 2. Identification of pipeline, or pipeline section tested or retested.
 - 3. Identification of pipeline material.
 - 4. Identification of pipe specification.
 - 5. Test fluid.
 - 6. Test pressure at low point in process, pipeline, or pipeline section.
 - 7. Remarks: Leaks identified (type and location), types of repairs, or corrections made.
 - 8. Certification by Contractor that the leakage rate measured conformed to the specifications.

PART 2 PRODUCTS

2.1 VENTS AND DRAINS FOR ABOVEGROUND PIPING

- A. Install vents on the high points of aboveground piping, whether shown in the drawings or not. Install drains on low points of aboveground piping, whether shown in the drawings or not. Provide a valve at each vent or drain point. Valves shall be 3/4 inch for piping 3 inches and larger and 1/2 inch for piping smaller than 3 inches.
 - 1. Valves shall be as specified in Section 400563 and suited for the application unless otherwise shown in the drawings.

2.2 MANUAL AIR-RELEASE VALVES FOR BURIED PIPING

- A. Provide temporary manual air-release valves at test bulkheads for pipeline test. Construct the pipe outlet in the same manner as for a permanent air valve and after use, seal with a blind flange, pipe cap, or plug and coat the same as the adjacent pipe.

2.3 TEST BULKHEADS

- A. Design and fabricate test bulkheads per Section VIII of the ASME Boiler and Pressure Vessel Code. Materials shall comply with Part UCS of said code. Design pressure shall be at least 2.0 times the specified test pressure for the section of pipe containing the bulkhead. Limit stresses to 70 percent of yield strength of the bulkhead material at the bulkhead design pressure. Include air-release and water drainage connections.

2.4 TESTING FLUID

- A. Testing fluid shall be water unless a pneumatic test is shown in the following subsections.
- B. For lubricating oil; hydraulic oil; fuel oil; and gasoline piping, use potable water for

hydrostatic testing and flushing.

- C. For potable water pipelines, obtain and use only potable water for hydrostatic testing.
- D. Submit request for use of water from waterlines of water utility 48 hours in advance.
- E. The Contractor may obtain the water from the water utility water utility's *rate of charges*.

2.5 TESTING EQUIPMENT

- A. Provide calibrated pressure gauges, pipes, bulkheads, pumps, compressors, and meters to perform the hydrostatic and pneumatic testing.

PART 3 EXECUTION

3.1 TESTING PREPARATION

- A. Pipes shall be in place, backfilled, and anchored before commencing pressure testing.
- B. Conduct pressure tests on exposed and aboveground piping after the piping has been installed and attached to the pipe supports, hangers, anchors, expansion joints, valves, and meters.
- C. For buried piping, the pipe may be partially backfilled and the joints left exposed for inspection during an initial leakage test. Perform the final pressure test, however, after completely backfilling and compacting the trench.
- D. Provide any temporary piping needed to carry the test fluid to the piping that is to be tested. After the test has been completed and demonstrated to comply with the specifications, disconnect and remove temporary piping. Do not remove exposed vent and drain valves at the high and low points in the tested piping; remove any temporary buried valves and cap the associated outlets. Plug taps or connections to the existing piping from which the test fluid was obtained.
- E. Provide temporary drain lines needed to carry testing fluid away from the pipe being tested. Remove such temporary drain lines after completing the pressure testing. Pipes may remain full after testing.
- F. Prior to starting the test, the Contractor shall notify the Owner's Representative.

3.2 CLEANING

- A. Before conducting hydrostatic tests, flush pipes with water to remove dirt and debris. For pneumatic tests, blow air through the pipes. Maintain a flushing velocity of at least 3 fps for water testing and at least 2,000 fpm for pneumatic testing. Flush pipes for time period as given by the formula: $T=(2L)/3$, in which "T" is flushing time (seconds) and "L" is pipe length (feet).
- B. For pipelines 24 inches or larger in diameter, acceptable alternatives to flushing are use of high-pressure water jet, sweeping, or scrubbing. Water, sediment, dirt, and foreign material accumulated during this cleaning operation shall be discharged, vacuumed, or otherwise removed from the pipe.

3.3 TESTING AND DISINFECTION SEQUENCE FOR POTABLE WATER PIPING

- A. Perform required disinfection after hydrostatic testing, except when pipeline being tested is connected to a potable waterline.
- B. Locate and install test bulkheads, valves, connections to existing pipelines, and other appurtenances in a manner to provide an air gap separation between existing potable water pipelines and the pipeline being tested. Disinfect water and pipeline being tested before hydrostatic testing when connected to a potable waterline.

3.4 LENGTH OF TEST SECTION FOR BURIED PIPING

- A. The maximum length of test section for buried pipe of 12 inches or smaller in diameter is 1 mile; for buried pipe larger than 12 inches, 1 mile. Provide intermediate test bulkheads where the pipeline length exceeds these limits.

3.5 INITIAL PIPELINE FILLING FOR HYDROSTATIC TESTING

- A. Maximum rate of filling shall not cause water velocity in pipeline to exceed 1 fps. Filling may be facilitated by removing automatic air valves and releasing air manually.

3.6 TESTING NEW PIPE WHICH CONNECTS TO EXISTING PIPE

- A. Prior to testing new pipelines which are to be connected to existing pipelines, isolate the new line from the existing line by means of test bulkheads, pipe caps, spectacle flanges, or blind flanges. After successfully testing the new line, remove test bulkheads, caps, or flanges and connect to the existing piping.

3.7 HYDROSTATIC TESTING OF ABOVEGROUND OR EXPOSED PIPING

- A. Open vents at high points of the piping system to purge air while filling the pipe with water. Venting during system filling may also be provided by temporarily loosening flanges.

- B. Subject the piping system to the test pressure indicated. Maintain the test pressure for a minimum of two hours. Examine joints, fittings, valves, and connections for leaks. The piping system shall show zero leakage or weeping. Correct leaks and retest until zero leakage is obtained.
- C. Where the test pressure is not indicated, test each pressure piping system at 150 percent of the operating pressure indicated, but not less than 25 psi test pressure. The required test period is two hours. Observe each test section for leakage at end of test period. Test fails if leakage observed or pressure drop exceeds 5 percent of test pressure.

- D. Test hot and cold water piping systems subject to the Uniform Plumbing Code per Section 609 latest edition of the code. Piping subject to this testing requirement is listed below.

3.8 HYDROSTATIC TESTING OF BURIED PIPING

- A. Where any section of the piping contains concrete thrust blocks or encasement, do not perform the pressure test until at least 10 days after placing the concrete. When testing mortar-lined or PVC piping, fill the pipe to be tested with water and allow it to soak for at least 48 hours to absorb water before conducting the pressure test.
- B. Apply and maintain the test pressure by means of a positive displacement hydraulic force pump.
- C. Maintain the test pressure for the following duration by restoring it whenever it falls an amount of 5 psi:
 - 1. Pipe Diameter 18 inches and Less: 2 hours.
 - 2. Pipe Diameter 20 to 36 inches: 8 hours.
 - 3. Pipe Diameter Greater than 36 inches: 24 hours.
- D. After the test pressure is reached, use a meter to measure the additional water added to maintain the pressure. This amount of water is the loss due to leakage in the piping system. The allowable leakage volume is defined by the formula: $L=(HND \times \text{Square Root}[P])/C$. Where L=Allowable leakage (gallons), H=Specified test period (hours), N=Number of rubber-gasketed joints in the pipe tested (use zero for welded or flanged pipe), D=Diameter of the pipe (inches), P=Specified test pressure (psig), and C=7,400.
- E. After the test pressure is reached, use a meter to measure the additional water added to maintain the pressure. This amount of water is the loss due to leakage in the piping system. The allowable leakage volume is defined by the formula: $L=(HSD \times \text{Square Root}[P])/C$. Where L=Allowable leakage (gallons), H=Specified test period (hours), S=length of pipe tested (feet), D=Diameter of the pipe (inches), P=Specified test pressure (psig), and C=148,000.
- F. Test piping subject to the Uniform Fire Code requirements per NFPA 24. Test such piping hydrostatically at not less than 200-psi pressure for two hours or at 50 psi in excess of the maximum static pressure when the maximum static pressure is in excess of 150 psi. The amount of leakage in piping shall be measured at the specified test pressure by pumping from a calibrated container. The amount of leakage at the joints shall not exceed 2 quarts per hour per 100 gaskets or joints irrespective of pipe diameter. The piping subject to this testing requirement is listed below shown in the drawings.
- G. The allowable leakage for buried piping having threaded, brazed, or welded (including solvent welded) joints shall be zero.
- H. Repair and retest any pipes showing leakage rates greater than that allowed in the above criteria.

3.9 PNEUMATIC TESTING

- A. Perform pneumatic testing using dry air or nitrogen. Perform tests only after the piping has been completely installed including supports, hangers, and anchors. Protect test personnel and Owner's operating personnel. Secure piping to be tested to prevent the pipe from moving and to prevent damage to adjacent piping and equipment. Remove or isolate from the piping any appurtenant instruments or devices that could be damaged by the test prior to applying the test.
- B. Apply an initial pneumatic leakage test of 25 psig to the piping system prior to final leak testing. Examine for leakage, detected by soap bubbles, at joints and connections. After correcting visible leaks, gradually increase the pressure in the system to not more than one-half of the test pressure. Then increase the pressure in steps of approximately one-tenth of the test pressure until the required test pressure has been reached. Continuously maintain the pneumatic test pressure for a minimum time of four hours and for such additional time as may be necessary to conduct a soap bubble examination for leakage. The piping system shall show no leakage. Correct any visible leakage and retest.
- C. Test piping systems subject to the Uniform Plumbing Code per Section 1214 of the *latest* edition of the code. Piping subject to this testing requirement is listed below.

3.10 REPETITION OF TEST

- A. If the actual leakage exceeds the allowable, locate and correct the faulty work and repeat the test. Restore the work and all damage resulting from the leak and its repair. Eliminate visible leakage.

3.11 BULKHEAD AND TEST FACILITY REMOVAL

- A. After a satisfactory test, remove the testing fluid, remove test bulkheads and other test facilities, and restore the pipe coatings.

3.12 TEST PRESSURE AND TEST FLUIDS

- A. Testing and design **pressures (psig)** shall be as **listed below.**
 - 1. Process Air:
 - a. 8 psig test pressure. (Design operating pressures 4 – 6.5 psig)
 - 2. Gravity Sewer, Gravity Process Lines:
 - a. Low Pressure Air (See Section 333100).
- B. Test pressure shall be the difference between the test HGL elevation and the invert elevation multiplied by 0.433 (psi).

END OF SECTION

SECTION 400711
MISCELLANEOUS PIPE FITTINGS AND ACCESSORIES

PART 1 GENERAL

1.1 DESCRIPTION

- A. This section includes materials and installation of miscellaneous piping specialties, such as chemical diffusers; chemical solution tubes; backflow preventers; and PVC calibration columns. Note that all materials referenced in this section are being supplied and installed under the separate sections referenced below.

1.2 RELATED WORK SPECIFIED ELSEWHERE

- A. General Piping Requirements: 400500.
- B. Pressure Testing of Piping: 400515.

1.3 SUBMITTALS

- A. Submit shop drawings in accordance with Section 013300. (Not applicable for this project)
- B. Submit manufacturer's catalog data and descriptive literature showing dimensions and materials of construction by ASTM reference and grade. Show coatings.
- C. Submit certification from manufacturer that fittings are NSF 61 listed.

1.4 WARRANTY

- A. Full warranty against defects in materials and workmanship for one year following FINAL ACCEPTANCE, including all parts, labor, and expenses.

PART 2 PRODUCTS

2.1 FLANGE INSULATION KITS (NOT USED)

- A. See Section 400500.

2.2 INSULATING UNIONS (NOT USED)

- A. See Section 400500.

2.3 CHEMICAL DIFFUSERS (NOT USED)

- A. Diffuser configuration shall provide multiple feed points along a cross section within the basin. Materials of construction shall be compatible with chemical solution and be capable of withstanding the working pressure of the system and the hydrostatic pressure of the basin. Manufacturer to design orifices in quantity and diameter to obtain optimum chemical transfer for the application.
- B. Connection to Diffuser: Connecting pipe shall be "hard" pipe compatible with chemical solution used and capable of withstanding the working pressure of the system. Connection of the connecting pipe to the chemical diffuser shall allow for disassembly.
- C. Provide means to support or anchor the diffuser in the basin for the diffuser orientations shown in the Drawings. Anchors and supports shall be compatible with the chemical solution used.
- D. Chemical diffuser shall be by SAF-T-Flow, Hydro Instruments, or equal.

2.4 LONG BODY BURIED PIPE COUPLINGS (NOT USED)

- A. Buried long body pipe couplers, as shown in the Contract Documents, shall be of the gasketed, sleeve-type design with a diameter to properly fit the pipe. Each coupling shall consist of one (1) steel middle ring, two (2) steel followers, two (2) rubber compound wedge section gaskets and sufficient track-head bolts to properly compress the gaskets. Buried long body couplers shall be Dresser- Model 40, or Engineer approved equivalent.
- B. The coupling gaskets shall be composed of a crude or synthetic rubber base compound with other products to produce a material that will not deteriorate from age, heat, or exposure to air under normal storage conditions. It shall also possess the quality of resilience and ability to resist cold flow of the material so that the joint will remain sealed and tight indefinitely when subjected to shock, vibration, pulsation, and temperature or other adjustments of the pipeline.

2.5 BACKFLOW PREVENTERS (NOT USED)

- A. Reduced Pressure Backflow Preventers, 2-Inch and Smaller

1. The reduced pressure backflow preventer shall consist of two independently operating, spring loaded, "Y" pattern check valves and one hydraulically dependent differential relief valve. The device shall automatically reduce the pressure in the "zone" between the check valves to at least 5-psi lower than the inlet pressure. Should the differential between the upstream and the zone of the unit drop to 2-psi, the differential relief valve shall open and maintain the proper differential.
 2. Reduced pressure backflow preventer assemblies shall be Febco Model 825YA, or Engineer approved equivalent.
- B. Vertical Reduced Pressure Type Backflow Preventer, 2 1/2-inch and Larger
1. The reduced pressure backflow preventer shall consist of two independently operating, spring loaded, "Y" pattern check valves and one hydraulically dependent differential relief valve. The device shall automatically reduce the pressure in the "zone" between the check valves to at least 5-psi lower than the inlet pressure. Should the differential between the upstream and the zone of the unit drop to 2-psi, the differential relief valve shall open and maintain the proper differential.
 2. Vertical backflow preventer shall be Febco Model 880V - N Shape, or Engineer approved equivalent.
- C. Reduced Pressure Backflow Preventer, 2 1/2-inch and Larger
1. Reduced pressure backflow preventer assemblies shall consist of two independent "Y" configured check valves and one differential relief valve. By design, the assembly shall automatically reduce the pressure in the zone between the check valves by 5-psi. Should the differential between the zone and upstream pressure drop to 2-psi, the differential relief valve will open, maintaining proper zone differential.
 2. All internal metal parts included in the check assemblies shall be of Series 300 stainless steel, and shall not contain any dissimilar metals, Elastomeric seat discs on the checks and relief valve must be reversible and seat rings shall be B-61 bronze. The check assembly shall be center stem guided at the seat ring and at the cover by replaceable non-corrosive bushings. Relief valve spring is to be Series 300 stainless steel.
 3. Valve bodies and cover shall be manufactured of ductile iron ASTM A536, Grade 65-45-2, Ductile Iron bodies shall be flanged, ASME B16.1, Class 125.
 4. Reduced pressure backflow preventer assemblies shall include flange, full port resilient wedge shut-off valves and four ball valve test cocks, considered integral to the assembly. Assemblies must be factory assembled and backflow tested.
 5. The assembly shall be constructed so all internal parts, including seat rings, can be serviced from the top or side or removed while assembly is in line. The assembly shall be rated 175-psi working pressure.
 6. Provide a bronze air gap drain to catch atmospheric discharge from the device. The drain must be of such design as to allow mounting directly to the reduced pressure backflow preventer.
 7. The assembly shall meet or exceed requirements of ASSE Standard 1013, AWWA Standard C511, and the USC Foundation for Cross Connection Control and Hydraulic Research.
 8. Reduced pressure backflow preventer assemblies shall be Febco Model 825YD, or Engineer approved equivalent.

2.6 METALLIC QUICK-CONNECT COUPLINGS (NOT USED)

- A. **Type 1:** Quick-connect couplings larger than 1 inch shall be female coupler, ASME B16.1, Class 125, flange type with locking handles. Provide dust plug and security chain with each coupling. Bodies and locking handles shall be **Type 316 stainless steel**. Gasket shall be **Buna-N**. Couplings shall be Ever-Tite Model FLB, Parker-Hannifin Model 400-DL, or equal.
- B. **Type 2:** Quick-connect couplings shall be male adapter/ASME B16.1 Class 125 flange. Bodies shall be **Type 316 stainless steel**. Provide quick-connect plug or cap for each coupling. Couplings shall be Ever-Tite Model FLA, CIVACON Model 633-LAS, or equal.
- C. **Type 3:** Quick-connectors 1 inch and smaller shall be Type 316 stainless steel, female body by male stem. Quick-connector shall have a ring of Type 316 stainless steel locking balls and Buna-N O-ring. Quick-connectors shall not have internal ball or poppet valve. Quick-connectors shall be Swagelok QF series, Aeroquip FD45 series, or equal.
- D. **Type 4:** Female couplers shall be 90-degree elbow type with internal spring check valve. Pressure of 0.75 psi shall open valve for full flow. Provide dust plug and security chain with each coupler. Bodies shall be Type 316 stainless steel. Gasket shall be Buna-N. Couplers shall be CIVACON 633-G, Evertite, Parker Fluid Connector, or equal.

2.7 "Y" STRAINERS (NOT USED)

- A. "Y" Strainers (2-Inch and Smaller Diameter)
 - 1. "Y" strainers shall be either bronze body or PVC body. Body type shall be bronze if adjacent pipe material is copper tube or galvanized steel. Body type shall be PVC if adjacent pipe material is PVC.
 - 2. Strainer size shall match size of adjacent piping or shall be as shown on the Drawings.
 - 3. The strainer shall contain a removable cap to allow the filter screen to be removed without removing the strainer from the pipeline. The filter screen shall be Type 316 stainless steel or PVC with 1/32-inch or 20 mesh openings.
 - 4. Minimum working pressure of strainers shall be 150-psi.
 - 5. Strainers shall have threaded end connections.
 - 6. Provide one spare screen with each "Y"-strainer. Pack screens in a box with manufacturer's name, address, and telephone number.
- B. "Y" Strainers (Greater than 2-Inch Diameter)
 - 1. "Y" strainers shall be stainless steel body.
 - 2. The strainer shall contain a removable cap to allow the filter screen to be removed without removing the strainer from the pipeline. The filter screen shall be Type 316 stainless steel with 80 mesh openings.
 - 3. Minimum working pressure of strainers shall be 150-psi.
 - 4. Strainers shall have flanged end connections, or as indicated on the Drawings.
 - 5. Provide one spare screen with each "Y" strainer. Pack screens in a box with manufacturer's name and local representative's name, address, and telephone number.
 - 6. Strainers shall be by Eaton Corporation, or Engineer approved equivalent.

2.8 CAST-IRON WYE STRAINERS 4 THROUGH 10 INCHES (NOT USED)

- A. Strainers 4 inches through 10 inches shall have cast-iron body and cover (ASTM A126, Class B), with minimum pressure rating of 175 psi, wye pattern. Screen shall be stainless steel (ASTM A240 or A666, Type 304), with a perforated screen area that is minimum three times the area of the pipe to which the strainer is attached.
- B. Provide a blowoff connection with isolation ball valve and plug or cap on strainer cover.
- C. Ends shall be flanged, conforming to ASME B16.1, Class 125; flanges shall be flatfaced.
- D. The strainer, except for stainless steel parts, shall be fusion-bonded epoxy lined and coated per Section 099761.
- E. Strainers shall be Watts Regulator 77F Series, Mueller Steam Specialty Model 758, Red-White Valve Corp., or equal.
- F. Calibration cylinder and fittings shall be made of inert clear PVC pipe conforming to ASTM D1785, Schedule 80 and equipped with flanged connection to pump manifold and end cap fitted with vacuum breaker and ball valve for air venting. Calibration cylinders shall have calibration marks with at least 12 inches (305 mm) of clear observable length permanently marked in gallons and liters and fractions thereof, to allow reading of the fluid contents with an accuracy of 1 percent. Provide at least 10 calibration lines, with a minimum of one line every 100-ml.

PART 3 EXECUTION

3.1 INSTALLATION OF SERVICE SADDLES (NOT USED)

- A. Install service saddles and long body couplings with the gasket seated on the pipe so that zero leakage is obtained. Tighten bolts to the torque requirements recommended by the manufacturer.

3.2 PAINTING AND COATING OF SERVICE SADDLES (NOT USED)

- A. Coat service saddles located above ground or in vaults and structures the same as the piping to which they are attached. Color of finish coat shall match the color of the pipe to which the service saddle is connected. Do not coat stainless steel strap.
- B. Coat buried saddles and corporation stops with three (3) wraps of AWWA C209 tape.

3.3 BACKFLOW INSTALLATION (NOT USED)

- A. Install backflow assemblies at the locations shown on the drawings, and per the manufacturer's recommendations.

- B. Provide Schedule 80 PVC piping from air gap drain outlet on RPBP devices to six (6) inches above floor.
- C. Coordinate location of RPBP devices with other trades so that water discharge will not damage nearby equipment.

3.4 LINING AND COATING BACKFLOW PREVENTERS (NOT USED)

- A. Coat backflow preventers located above ground or in vaults and structures per Section 099000, System 29. Apply the specified prime coat at the place of manufacture. Apply intermediate and finish coats at the place of manufacture or at the jobsite. Finish coat shall match the color of the adjacent piping. Coat handwheels the same as the valves. Do not coat bronze or brass valves. Line the interior metal parts of metal valves, excluding seating areas and bronze and stainless steel pieces, per Section 099000. Apply lining at the place of manufacture. Alternately, apply a fusion-bonded coating suitable for potable water in compliance with AWWA C550.
-

3.5 INSTALLING QUICK-CONNECT COUPLINGS (NOT USED)

- A. Attach to piping per the relevant piping specification.

3.6 INSTALLING CALIBRATION COLUMNS (NOT USED)

- A. Connect calibration columns to the piping by means of a tee connection.

END OF SECTION

SECTION 400762
WALL PIPES, SEEP RINGS, AND PENETRATIONS

PART 1 GENERAL

1.1 DESCRIPTION

- A. This section includes materials, installation, and testing of steel, cast-iron, and ductile-iron wall pipes and sleeves (including wall collars and seepage rings) and penetrations.

1.2 RELATED WORK SPECIFIED ELSEWHERE

- A. Painting and Coating: 099000.
- B. Precast Concrete Utility Structures: 330516.
- C. General Piping Requirements: 400500.

1.3 SUBMITTALS

- A. Submit shop drawings in accordance with Section 013300.
- B. Submit detail drawings for fabricated steel or cast-iron wall and floor pipes and sleeves, wall flanges, seep rings, and sealing materials. Show dimensions and wall thicknesses.
- C. Show flange sizes and the appropriate ANSI or AWWA flange dimensional standard where flanged end wall pipes or penetrations are used.
- D. Show grooved-end dimensions and AWWA grooved-end dimensional standard where grooved-end wall pipes or penetrations are used.
- E. List coating systems to be applied, manufacturer, and dry thickness of coatings. Call out coatings where coatings are to be applied.
- F. List materials of construction, with ASTM material reference and grade.
- G. Submit manufacturer's instructions for installing rubber annular hydrostatic sealing devices.
- H. Submit six copies of the results of the leakage test for cast-iron sleeves having shrink-fit steel collars or collar halves bottomed in a groove and steel sleeves having welded steel collars.

1.4 WARRANTY

- A. Full warranty against defects in materials and workmanship for one year after FINAL ACCEPTANCE; including all parts, labor, and expenses.

PART 2 PRODUCTS

2.1 GENERAL

- A. Use cast-iron, ductile-iron, or fabricated steel wall sleeves when containing rubber annular hydrostatic sealing devices through which piping passes.
- B. Use only cast-iron or ductile-iron wall pipes when connecting to cast-iron and ductile-iron pipe. Use only fabricated steel or stainless steel wall pipes when connecting to steel or stainless steel pipe, respectively.
- C. Cast-iron flanges shall conform to ASME B16.1, Class 125 or 250, to match the flange on the connecting pipe.
- D. Steel flanges shall conform to AWWA C207, Class D. Class 300 steel flanges 48 inches and smaller shall conform to AWWA C207, Class F. Class 300 flanges larger than 48 inches shall conform to the dimensions of ASME B16.1 Class 250 flanges. Flanges shall be flat face. Flanges shall match the flange on the connecting pipe.
- E. See Section 400500 for flange bolts and gaskets.

2.2 CAST-IRON OR DUCTILE-IRON WALL PIPES AND SLEEVES

- A. Provide cast- or ductile-iron wall pipes with ends as shown in the drawings for connection to adjacent cast-iron and ductile-iron pipe or for containing pipes where they pass through concrete walls, ceilings, and floor slabs. Provide seepage ring on wall pipes and sleeves passing through concrete walls and slabs that are to be watertight. Locate collars such that the collar is at the center of the wall or floor slab, unless otherwise shown in the drawings.
- B. Wall pipes and sleeves shall be of the following types:
 - 1. Pipe or sleeve with integrally cast seep ring.

2. Pipe or sleeve with shrink-fit steel collar attached.
 3. Pipe or sleeve with steel collar halves bottomed in a groove provided in the pipe or sleeve.
 4. Pipe or sleeve with ductile iron collar welded continuously around pipe (360 degrees) on both sides of collar. Welding shall be done in pipe manufacturer's shop by a qualified welder.
- C. Minimum wall thickness for pipes and sleeves having integrally cast seep rings shall be as follows:
1. Pipe or Sleeve Size 3 inches: Minimum Wall Thickness 0.48 inches.
 2. Pipe or Sleeve Size 4 inches: Minimum Wall Thickness 0.52 inches.
 3. Pipe or Sleeve Size 6 inches: Minimum Wall Thickness 0.55 inches.
 4. Pipe or Sleeve Size 8 inches: Minimum Wall Thickness 0.60 inches.
 5. Pipe or Sleeve Size 10 inches: Minimum Wall Thickness 0.68 inches.
 6. Pipe or Sleeve Size 12 inches: Minimum Wall Thickness 0.75 inches.
 7. Pipe or Sleeve Size 14 inches: Minimum Wall Thickness 0.66 inches.
 8. Pipe or Sleeve Size 16 inches: Minimum Wall Thickness 0.70 inches.
 9. Pipe or Sleeve Size 18 inches: Minimum Wall Thickness 0.75 inches.
 10. Pipe or Sleeve Size 20 inches: Minimum Wall Thickness 0.80 inches.
 11. Pipe or Sleeve Size 24 inches: Minimum Wall Thickness 0.89 inches.
- D. Minimum wall thickness of pipes or sleeves having shrink-fit collars shall be special Class 52. Cut shrink-fit collars from a 1/4-inch-thick steel ring. Attach the collar to a cast-iron or ductile-iron pipe or sleeve by heating the steel collar and allowing it to shrink over the pipe at the necessary location. Provide an epoxy bond (Keysite 740 or 742 or Scotchkote 302) between the pipe and collar. Sandblast the area of the pipe to be epoxy coated per SSPC SP-10.
- E. Wall pipes or sleeves having steel collar halves bottomed in a groove shall be ductile iron Special Class 54 minimum unless otherwise shown. Wall flanges shall consist of 1/4-inch-thick steel seep ring halves for pipes through 24-inch and 3/8-inch-thick halves for pipe 30 inches and larger, bottomed in a groove provided on the pipe. The pipe groove shall be machine cut to a depth of 1/16 to 5/64 inch to provide a press fit for the seep ring. Seep ring halves shall be welded together after fit into groove but shall not be welded to pipe. Seep rings shall be sealed completely around the pipe with silicon sealant manufactured by Dow-Corning No. 790, General Electric Silpruf, or equal.
- F. The material used in cast- or ductile-iron wall flanges, wall sleeves, and wall penetrations shall conform to ASTM A395, A436, A536, A48 (Class 35), or A126 (Class B).
- G. Pressure test at least one of each size of cast-iron pipes or sleeves having shrink-fit steel collars or collar halves installed in a groove in the pipe at the place of fabrication to demonstrate watertightness of the seal between the collar and the sleeve. The test shall be at a pressure of 20 psig for four hours' duration and shall show zero leakage.

2.3 FABRICATED STEEL WALL PIPES AND SLEEVES

- A. Provide fabricated steel wall pipes and sleeves with ends as shown in the drawings for connection to adjacent steel pipes, or for containing pipes, where they pass through concrete walls. Provide seepage ring or wall flange on wall pipes and sleeves passing through concrete walls and slabs that are to be watertight. Wall thickness shall be the same as the pipe wall thickness when connecting to steel pipe. Minimum wall thickness for sleeves containing pipes shall be standard weight per ASME B36.10 for sleeves 72 inches and smaller and 1/2 inch for sleeves greater than 72 inches through 96 inches.
- B. Wall flanges shall be in the form of a steel wall collar welded to the steel sleeve or penetration. Cut welded wall collars from a 1/4-inch steel ring. Attach the collar to a steel wall pipe or sleeve with full circle, 3/16-inch fillet welds. Welding procedures shall be in accordance with ASME B31.3, Chapter V.
- C. Steel pipe used in fabricating wall sleeves containing pipes shall comply with ASTM A53 (Type E or S), Grade B; ASTM A135, Grade B; ASTM A139, Grade B; or API 5L or 5LX. Wall pipes connecting to steel pipe shall be of the same material as the connecting pipe. Wall collar material shall comply with ASTM A36, A105, A181, or A182.
- D. Stainless steel pipe used in fabricating wall pipes shall be of the same material as the connecting pipe. Wall collar material shall comply with ASTM A240.
- E. Pressure test at least one of each size of fabricated steel wall sleeve or penetration and collar assemblies at the place of fabrication to demonstrate watertightness of the seal between the collar and the sleeve. The test shall be at a pressure of 20 psig for four hours' duration and shall show zero leakage.

2.4 RUBBER ANNULAR HYDROSTATIC SEALING DEVICES

- A. Rubber annular hydrostatic sealing devices shall be of the modular mechanical type, utilizing

interlocking synthetic rubber links shaped to continuously fill the annular space between the pipe sleeve and the passing pipe. Assemble links to form a continuous rubber belt around the pipe, with a pressure plate under each bolthead and nut.

- B. Materials of construction shall be as follows:
 - 1. Pressure plate: Delrin plastic; carbon steel; Type 304 stainless steel; Type 316 stainless steel; or Reinforced nylon polymer.
 - 2. Bolts and nuts for links: Type 303 or 316 stainless steel; or Zinc phosphated carbon steel.
 - 3. Sealing element: EPDM or Nitrile rubber.
- C. The size of the wall sleeve needed to accommodate the passing pipe shall be as recommended by the rubber annular seal manufacturer.
- D. Provide centering blocks in 25 percent of the sealing elements on pipelines larger than 12 inches in diameter.
- E. The rubber annular hydrostatic sealing devices shall be Link Seal as manufactured by Thunderline Corporation; Innerlynx as manufactured by Advance Products & Systems, Inc.; or equal.

2.5 BOLTS, NUTS, AND GASKETS FOR FLANGED-END WALL PIPES

- A. See Section 400500.

2.6 POLYETHYLENE FOAM FILLER FOR PIPE PENETRATIONS

- A. Packing foam shall be an extruded closed-cell polyethylene foam rod, such as Minicel backer rod, manufactured by Industrial Systems Department, Plastic Products Group of Hercules, Inc., Middletown, Delaware; Ethafoam, as manufactured by Dow Chemical Company, Midland, Michigan; or equal. The rod shall be 1/2 inch larger in diameter than the annular space.

2.7 POLYURETHANE SEALANT FOR PIPE PENETRATIONS

- A. Sealant shall be multipart, polyurethane sealant, to cure at ambient temperature, for continuous immersion in water. Install as recommended by the manufacturer. Products: SIKA Sikaflex 2C or equal.

2.8 PAINTING AND COATING

- A. Line and coat sleeves and pipes except stainless steel with fusion-bonded epoxy per Section 099000 or Engineer approved fusion bonded epoxy coating system.
- B. Coat penetrations and sleeves exposed, above ground, or in vaults and structures in accordance with Section 099000 or Engineer approved fusion-bonded epoxy coating system.
- C. Coat submerged sleeves and penetrations per Section 099000, System No. 12 or Engineer approved fusion bonded epoxy coating system.
- D. Coat buried sleeves and penetrations per Section 099000, System No. 10 or Engineer approved fusion bonded epoxy coating system.
- E. Do not coat stainless steel sleeves and penetrations.

PART 3 EXECUTION

3.1 LOCATION OF PIPES AND SLEEVES

- A. Provide a wall or floor pipe where shown in the drawings and wherever piping passes through walls or floors of tanks or channels in which the water surface is above the pipe penetration.
- B. Provide a floor sleeve where shown in the drawings and wherever plastic pipe, steel, or stainless steel pipe 3 inches and smaller or stainless steel or copper tubing passes through a floor or slab. Provide a rubber annular sealing device in the annular space between the sleeve and the passing pipe or tubing.
- C. Provide wall sleeves where shown in the drawings and wherever plastic, steel or stainless steel pipe 3 inches and smaller, or stainless steel or copper tubing passes through a wall. Provide a single rubber annular seal when the wall is 8 inches thick or less. Provide two rubber annular seals (one at each end of the sleeve) when the wall is more than 8 inches thick. Pack the annular space with polyethylene foam filler and fill the ends of the penetration with 2 inches of elastomeric sealant on both sides of the structure.
- D. Where wall sleeves are installed in which water or soil is on one or both sides of the channel or wall, provide two rubber annular seals (one at each end of the sleeve).
- E. Where pipes pass through walls or slabs and no sleeves or wall or floor pipe with seep ring is provided, pack the annular space with polyethylene foam filler and fill the ends of the penetration with

2 inches of elastomeric sealant on both sides of the structure.

3.2 INSTALLATION IN EXISTING CONCRETE WALLS AND SLABS

- A. Core drill holes 1 to 2 inches larger in diameter than the outside diameter of the wall flange or collar. Install wall pipe and collar assembly axially aligned with the piping to which it will be connected or will contain. Pack the void space between the sleeve and concrete with polyethylene foam filler and fill the ends of the penetration with 2 inches of elastomeric sealant on both sides of the structure.

3.3 INSTALLATION IN NEW CONCRETE WALLS AND SLABS

- A. Install wall pipes and sleeves in walls before placing concrete. Do not allow any portion of the pipe or sleeve to touch any of the reinforcing steel. Install wall pipe or sleeve and collar assembly axially aligned with the piping to which it will be attached or will contain. Provide supports to prevent the pipe or sleeve from displacing or deforming while the concrete is being poured and is curing.

3.4 INSTALLATION IN DRY FLOORS AND SLABS

- A. Install pipe sleeves and spools in concrete floors and slabs which do not have water over them such that the sleeve or pipe extends from the bottom of the floor or slab to an elevation sufficient to make pipe and fitting connections; unless shown otherwise in the drawings.

3.5 INSTALLATION OF WALL PIPES HAVING FLANGED END CONNECTIONS

- A. Check alignment before grouting in place or pouring concrete. Realign if the sleeve is not properly aligned.
- B. Install flanged end wall sleeves or penetrations with bolt holes of the end flanges straddling the horizontal and vertical centerlines of the sleeve.

3.6 QUALIFICATIONS OF WELDERS

- A. Welder qualifications shall be in accordance with AWS D1.1.

3.7 INSTALLATION OF RUBBER ANNULAR HYDROSTATIC SEALING DEVICES

- A. Install in accordance with the manufacturer's instructions.

3.8 FIELD TESTING

- A. Check each wall penetration for leakage at the time the hydraulic structure is tested for leakage; see Section 033000. Penetrations shall show zero leakage.

END OF SECTION

SECTION 402040 DUCTILE-IRON PROCESS PIPE

PART 1 GENERAL

1.1 DESCRIPTION

- A. This section describes materials, testing, and installation of ductile-iron process pipe and fittings 12-inches and smaller.

1.2 RELATED WORK SPECIFIED ELSEWHERE

- A. Painting and Coating: 099000.
- B. Trenching and Backfilling: 312333.
- C. General Piping Requirements: 400500.
- D. Pressure Testing of Piping: 400515.
- E. Wall Pipes, Seep Rings, and Penetrations: 400762.

1.3 SUBMITTALS

- A. Submit shop drawings in accordance with the General Conditions and Section 013300.
- B. Provide an affidavit of compliance with standards referenced in this specification, e.g., AWWA C151. Submit copy of report of pressure tests for qualifying the designs of all sizes and types of AWWA C153 fittings that are being used in the project. The pressure test shall demonstrate that the minimum safety factor described in AWWA C153, Section 5.5 is met.
- C. Submit piping layout profile drawings showing location and dimensions of pipe and fittings; submit after equipment and valve submittals have been reviewed and marked "Resubmittal not required." Include laying lengths of valves, meters, in-line pumps, and other equipment determining piping dimensions. Label or number each fitting or piece of pipe. Piping having identical design pressure class, laying lengths, and bell-and-spigot dimensions that is to be placed in long straight reaches of alignment may have the same identifying label or number.
- D. Provide the following information:
 - 1. Mortar lining thickness.
 - 2. Wall thickness.
 - 3. Outside coating.
 - 4. Material test data for this project.
 - 5. Show deflections at push-on and mechanical joints.
 - 6. Submit joint and fitting details and manufacturer's data sheets.
- E. Submit calculations and test data proving that the proposed restrained joint arrangement can transmit the required forces with a minimum safety factor of 1.5.
- F. Submit certificate that cement for mortar lining complies with ASTM C150, designating type.
- G. Submit test report on physical properties of rubber compound used in the gaskets.
- H. Submit drawing or manufacturer's data sheet showing flange facing, including design of facing serrations.
- I. Submit weld procedure specification, procedure qualification record, and welder's qualifications prior to any welding to ductile-iron pipe.

1.4 WARRANTY

- A. Full warranty against defects in materials and workmanship for one year following FINAL ACCEPTANCE; including all parts, labor, and expenses.

PART 2 PRODUCTS

2.1 PIPE

- A. Pipe shall be cast ductile iron, conforming to AWWA C151.
- B. All pipe shall be manufactured in the United States. The Material Supplier and/or Contractor shall furnish data certified by the Manufacturer that all pipe is of domestic manufacture.

2.2 PIPE MARKING

- A. Plainly mark each length of straight pipe and each fitting at the bell end to identify the design pressure class, the ductile-iron wall thickness, the date of manufacture, and the proper location of the pipe item by reference to the layout schedule. Mark the spigot end of restrained joint pipe to show clearly the

required depth of insertion into the bell.

2.3 PIPE WALL THICKNESS

- A. Minimum wall thicknesses for pipe having grooved-end joints shall be as follows:
 - 1. Pipe Size 4 to 16-Inch: Thickness Class 53
 - 2. Pipe Size 18-Inch: Thickness Class 54
 - 3. Pipe Size 20-Inch: Thickness Class 55
 - 4. Pipe Size 24 to 36-Inch: Thickness Class 56
 - 5. Pipe Size 42-Inch and Larger: Thickness Class 53.
- B. Minimum wall thickness for pipe having push-on or mechanical joints, restrained joints, plain ends, or cast flange ends shall be Thickness Class 50, unless otherwise shown in the drawings.
- C. Minimum wall thickness for pipe having threaded flanges shall be Special Class 53 or Pressure Class 350.
- D. Minimum pipe wall thickness required for corporation stops and tapped outlets shall be in accordance with Table A.1 of AWWA C151 for three full threads for design pressures up to 250 psi and four full threads for design pressures over 250 to 350 psi. Provide threaded weld-on boss for tapped outlets where indicated in the drawings.

2.4 FITTINGS

- A. Fittings 48 inches and smaller shall conform to AWWA C110 with a minimum pressure rating of 250 psi. Flanges shall be flat faced.
- B. Mechanical joint fittings conforming to AWWA C153 may be used in lieu of AWWA C110 fittings. Mechanical joint ductile-iron fittings 18 through 48 inches conforming to AWWA C110 (except for laying length) with a minimum pressure rating of 250 psi may also be used.
- C. Grooved-end fittings shall conform to AWWA C110 with grooved ends conforming to AWWA C606, radius cut rigid joints. Fitting material shall conform to ASTM A48, Class 30; ASTM A126, Class B; or ASTM A536, Grade 65-42-10. Wall thickness of ductile-iron (ASTM A536) fittings shall conform to AWWA C110 or C153; wall thickness of cast-iron fittings shall conform to AWWA C110. Fittings and couplings shall be furnished by the same manufacturer.
- D. Material for fittings with welded-on bosses shall have a Charpy notch impact value of minimum 10 ft-lbs under the conditions defined in AWWA C151. Test completed welds by the liquid penetrant method per ASTM E165.

2.5 FLANGES

- A. Flanges shall be solid back, Class 125 per AWWA C115, or Class 250, flat faced per ASME B16.1 with serrated facings. Flanges on pipe shall be either cast or threaded. Material shall be ductile iron.
- B. Flanged pipe and fittings shall be shop fabricated, not field fabricated. Assembly of flange on pipe outside of manufacturer's shop is unacceptable. Threaded flanges shall comply with AWWA C115. Flanges shall be individually fitted and machine tightened in the shop, then machined flat and perpendicular to the pipe barrel. Flanges shall be back-faced parallel to the face of flange. Prior to assembly of the flange onto the pipe, apply a thread compound to the threads to provide a leak-free connection. There shall be zero leakage through the threads at a hydrostatic test pressure of 250 psi without the use of the gasket.
- C. Flanged pipe for gas service shall be in accordance with AWWA C115 and ANSI A21.52. In addition to pipe marking specified in AWWA C115 and ANSI A21.52, conspicuously stamp each flanged pipe with words "AIR TESTED".
- D. Material for blind flanges shall be ductile iron or as indicated on the Drawings.

2.6 PIPE LINING

- A. Line pipe interior **and fittings with cement mortar** per AWWA C104/A21.4. except as otherwise described herein or as otherwise shown. Lining thickness shall be the double thickness listed in AWWA C104, Section 4.7. Cement for lining material shall conform to ASTM C150, Type **II**.
- B. Line fittings per Section 099000.
- C. The inside coating of ductile iron pipe and fittings shall be Protecto 401 ceramic epoxy lining to a minimum thickness of 40 mils in raw sewage, primary effluent, primary sludge, anaerobically digested sludge, and other corrosive environments. The epoxy coating shall be installed and tested in strict accordance with AWWA C 116/ANSI A21.16 and as supplemented in these specifications.

- D. Where specifically called for in these specifications or shown on the drawings, the inside coating of ductile iron pipe and fittings shall be VITCO SG-14 glass lining (porcelain enamel) to a minimum thickness of 10 mils.
 - 1. The glass lining applied to pipe and fittings shall be hard, smooth, continuous vitreous material which is formulated to prevent the adherence of grease in sludge and scum lines, and to resist the adherence of crystalline metal salt deposits (Struvite and Vivionite) to sludge and centrate lines.
 - 2. The glass portion of the lining, the frit(s) used in the formulation, as supplied from the manufacturer, shall have a density of 2.5 to 3.0 grams per cubic centimeter as measured by ASTM D-792.
 - 3. The finished lining shall be able to withstand a strain of 0.001 inch/inch of the base metal without visible damage to the glass and it shall have a minimum hardness of 5 on the Moh's hardness scale.
 - 4. The lining shall be capable of withstanding an instantaneous thermal shock from ambient + 350oF to ambient without visible crazing, blistering or spalling.
 - 5. The lining shall be resistant to corrosion by an HCl solution adjusted to a pH of 3 at 125 degrees F and a NaOH solution adjusted to a pH of 10 at 125 degrees F. Demonstration of this shall be by a weight loss of not more than 3 milligrams per square inch when exposed for 30 minutes.
 - 6. There shall be negligible visible loss of surface gloss to the lining after immersing a cut production sample in an 8 percent by weight sulfuric acid solution at 148 degrees F for a period of 10 minutes.
 - 7. The lining shall be of a light, bright color to allow visual detection of defects more easily.
- E. Line blind flanges per Section 099000.
- F. Pipe and fittings for process air service shall be unlined (and supplied with EPDM gaskets).
- G. Cement-mortar for pointing interior joints shall consist of one part cement to one and one-half parts of washed plaster sand conforming to ASTM C35, mixed with the minimum amount of water which will permit placing the mortar.
- H. Maintain a moist environment inside the lined pipe and fittings by sealing the ends with polyethylene sheet.
- I. Loose areas of cement-mortar lining are not acceptable. Remove and reconstruct lining in areas where quality is defective, such as sand pockets, voids over sanded areas, blisters, drummy areas, cracked areas, and thin spots. Longitudinal cracks in excess of 1/32 inch in width or where crack extends to metal shall be repaired with epoxy. Repair all cracks larger than 1/16 inch with epoxy.

2.7 GROOVED-END COUPLINGS

- A. Grooved-end pipe couplings shall be ductile iron, ASTM A536 (Grade 65-45-12). Gaskets shall be halogenated butyl rubber or EPDM or Buna-N and shall conform to ASTM D2000.
- B. Bolts in exposed service shall conform to ASTM A183, 110,000-psi tensile strength or ASTM A193, Grade B8, Class 2. Bolts in buried or submerged service shall be ASTM A193, Grade B8, Class 2.
- C. Couplings for pipe 24 inches and smaller shall conform to AWWA C606 for flexible radius ductile-iron pipe, except where rigid radius couplings are required to connect to fittings. Couplings for pipe sizes 30 and 36 inches shall be in accordance with the coupling manufacturer's published literature for tolerances and dimensions for flexible and rigid radius cut joints. Couplings shall be Victaulic Style 31, Gustin-Bacon No. 500, or equal.
- D. Grooved-end adapter flanges for piping 24 inches and smaller having an operating pressure of 150 psi and less shall be Victaulic Style 341 or 342 or equal. Flange dimensions shall conform to ASME B16.1, Class 125.
- E. Grooved-end transition couplings for connecting ductile-iron pipe 12 inches and smaller to steel pipe shall be Victaulic Style 307 or equal.

2.8 GASKETS FOR FLANGES

- A. See Section 400500.

2.9 GASKETS FOR MECHANICAL, PUSH-ON, AND RESTRAINED JOINTS

- A. Synthetic or natural rubber in accordance with AWWA C111.
- B. Gasket materials shall be selected by pipe manufacturer and shall be suitable for service and maximum operating temperature of piping system.

2.10 BOLTS AND NUTS FOR FLANGES

- A. See Section 400500.

2.11 BOLTS AND NUTS FOR MECHANICAL AND RESTRAINED JOINTS

- A. Bolts, nuts and washers for mechanical and restrained joints shall conform to ANSI/AWWA Standard C111/A21.11 and shall be cadmium plated meeting SAE AMS-QQ-P-416, Type 1, Class 2 (Cor-Ten, Cor-Blue, or approved equal) or Type 304 or 316 stainless steel tee head bolts and hex nuts with Teflon coated nuts.

2.12 OUTLETS AND NOZZLES

- A. Provide outlets 2-inches and using a tapping saddle, using a threaded weld-on boss; or as indicated in the Drawings.
- B. For outlets larger than 2 inches use a tee with a flanged outlet.
- C. For outlets larger than 2 inches in buried piping, use a tee with a restrained joint outlet.

2.13 JOINTS

- A. Joints in aboveground or submerged piping or piping located in vaults and structures shall be grooved end or flanged.
- B. Joints in buried piping shall be of the restrained; push-on; or mechanical-joint type per AWWA C111 except where flanged joints are required to connect to valves, meters, and other equipment. Provide unrestrained buried joints except where restrained joints are specifically shown in the drawings.
- C. Restrained joints for piping 6 inches and larger shall be American Cast Iron Pipe "Lok-Ring" or "Flex-Ring," U.S. Pipe "TR-Flex," or equal. Weldments for restrained joints shall be tested by the liquid penetrant method per ASTM E165. Restrained joints for field closures shall be "Megalug" by EBAA Iron.
- D. Restrained joints in 4-inch-diameter buried piping shall be American Cast Iron Pipe Company "Fast-Grip," U.S. Pipe Field-lok gasket within Tyton joint pipe and fittings, or equal. Joint restraint shall be certified to four times rated pressure of 200 psi by Factory Mutual.
- E. Where thrust restraint is called for in the drawings, provide pipe with restrained joints capable of transmitting 1.5 times the thrust, as calculated by the following equation:

2.14 MECHANICAL JOINT RESTRAINT SYSTEM USING FOLLOWER RING AND WEDGES

- A. The restraining mechanism shall consist of a follower gland having a seal gasket and individually actuated wedges that increase their resistance to pullout as pressure or external forces increase. The system manufacturer shall provide all the components (follower ring, wedges, and gaskets) for the restraining device. The device shall be capable of full mechanical joint deflection during assembly, and the flexibility of the joint shall be maintained after burial. The joint restraint ring and its wedging components shall be constructed of ductile iron conforming to ASTM A536, Grade 60-42-10. The wedges shall be ductile iron, heat-treated to a minimum hardness of 370 BHN. Dimensions of the gland shall be such that it can be used with mechanical joint bells conforming to AWWA C111 and AWWA C153. The design shall use torque limiting twist-off nuts to provide actuation of the restraining wedges. The mechanical joint restraint shall be available in the size range of 3 through 48 inches. Minimum rated pressure shall be 350 psi for sizes 16 inches and smaller and 250 psi in sizes 18 inches and larger. Products: Megalug Series 1100 as manufactured by EBAA Iron, Inc., or equal.

2.15 DUCTILE-IRON PIPE WELDMENTS

- A. All welding to ductile-iron pipe, such as for bosses, joint restraint, and joint bond cables, shall be done at the place of manufacture of the pipe. Perform welding by skilled welders experienced in the method and materials to be used. Welders shall be qualified under the standard qualification procedures of the ASME Boiler and Pressure Vessel Code, Section IX, Welding Qualifications.
- B. Welds shall be of uniform composition, neat, smooth, full strength, and ductile. Completely grind out porosity and cracks, trapped welding flux, and other defects in the welds in such a manner that will permit proper and complete repair by welding.
- C. Completed welds shall be inspected at the place of manufacture by the liquid penetrant method. Conform to the requirements specified in ASTM E165, Method A, Type I or Type II. The materials used shall be water washable and nonflammable.

PART 3 EXECUTION

3.1 DELIVERY, UNLOADING, AND TEMPORARY STORAGE OF PIPE AT SITE

- A. Limit onsite pipe storage to a maximum of one week.
- B. Use unloading and installation procedures that avoid cracking of the lining. If necessary, use plastic sheet bulkheads to close pipe ends and keep cement-mortar lining moist.
- C. Deliver the pipe alongside the pipelaying access road over which the pipe trailer-tractors can travel under their own power. Place the pipe in the order in which it is to be installed and secure it from rolling.
- D. Do not move pipe by inserting any devices or pieces of equipment into the pipe barrel. Field repair linings damaged by unloading or installation procedures.

3.2 SANITATION OF PIPE INTERIOR

- A. During laying operations, do not place tools, clothing, or other materials in the pipe.
- B. When pipelaying is not in progress, close the ends of the installed pipe by a child- and vermin-proof plug.

3.3 INSTALLING FLANGED PIPE AND FITTINGS

- A. Install in accordance with Sections 400500. Cut the bore of the gaskets such that the gaskets do not protrude into the pipe when the flange bolts are tightened.

3.4 INSTALLING GROOVED-END PIPE AND FITTINGS

- A. Install in strict accordance with manufacturer's recommendations.

3.5 INSTALLING BURIED PIPING

- A. Install in accordance with AWWA C600 and as specified herein.
- B. When installing piping in trenches, do not deviate more than 1-inch from line or $\frac{1}{4}$ -inch from grade. Measure for grade at the pipe invert.
- C. Provide thrust blocks at fittings where indicated and from Engineer approved submittals.
- D. Inspection for Defects: Before installation, inspect pipe and appurtenances for defects and, when applicable, tap the pipe with a light hammer to detect cracks. Reject defective, damaged, or unsound pipe and appurtenances.
- E. Push-On Joints: Bevel and lubricate spigot end of pipe to facilitate assembly without damage to gasket. Taper of bevel shall be approximately 30 degrees with centerline of pipe and approximately 1/4 IN back.
- F. Push-On Joints: Use lubricant that is non-toxic, does not support the growth of bacteria, has no deteriorating effects on the gasket material, and imparts no taste or odor to water in pipe. Assure the gasket groove is thoroughly clean. For cold weather installation, warm gasket prior to placement in bell.
- G. Cutting: Cut pipe, when necessary, in a neat and workmanlike manner without damage to the pipe, interior lining, and exterior coating. Perform cutting with an approved mechanical cutter, using a wheel cutter when applicable and practicable.
- H. Cut pipe ends square, ream pipe and tube ends to full pipe diameter, remove burrs.
- I. Depth of Cover: The depth of cover over water mains from the top of the pipe to the ground surface shall be sufficient to prevent freezing. The minimum depth shall be 42", or otherwise as shown on the Drawings.
- J. Install access fittings to permit disinfection of water system.
- K. If effective sealing is not obtained, disassemble, thoroughly clean, and reassemble the joint.
- L. Assemble restrained joints per manufacturer's instructions.
- M. Do not exceed the joint deflection angles recommended by the Manufacturer.

3.6 INSTALLING ABOVEGROUND OR EXPOSED PIPING

- A. See Sections 400500
- B. Support exposed pipe in accordance with Section 400764.

3.7 PAINTING AND COATING

- A. Coat pipe located above ground and in vaults and structures per Section 099000 or apply prime coat in the shop before transporting pipe to the jobsite. As an alternate to the specified prime coat, pipe, supplier/manufacturer may utilize Tnemec Series N140, or equal, as the prime coat and apply intermediate and finish coats in the field before installing the pipe, then touch up after installation.
- B. Provide asphaltic coating on buried pipe exterior per AWWA C151.
- C. Coat buried piping per Section 099000, System No. 10.
- D. Coat buried flanges and buried mechanical and restrained joint bolts, nuts, and glands per Section 099000, System No. 10.
- E. Coat submerged pipe per Section 099000, System No. 12 or with Engineer approved fusion-bonded epoxy coating system.
- F. Line and coat exposed grooved-end couplings the same as the pipe exterior coating or with an Engineer approved fusion-bonded epoxy.
- G. Line and coat submerged and buried grooved-end couplings per Section 099000, System No. 12; or with Engineer approved fusion-bonded epoxy system.

3.8 POLYETHYLENE ENCASUREMENT OF BURIED PIPE AND FITTINGS

- A. Wrap buried pipe, fittings, grooved-end couplings, and joints with a minimum of 8-mil low-density polyethylene wrap conforming to AWWA C105.
- B. Polyethylene encasement for ductile-iron pipe shall be supplied as a flat tube meeting the dimensions of Table 1 in AWWA C105 and shall be supplied by the ductile-iron pipe manufacturer.

3.9 CLEANING PIPE

- A. After interior joints have been pointed and mortar has hardened, sweep pipe clean of all dirt and debris. If hardened mud exists in the pipe, remove with the use of pressurized water hoses.

3.10 FIELD HYDROSTATIC TESTING

- A. Test pressures are shown in Section 400515. Test in accordance with Section 400515.

3.11 BURIED WARNING AND IDENTIFICATION TAPE

- A. Provide detectable warning tape. Warning and identification shall read "CAUTION BURIED WATER PIPING BELOW" or similar wording.

END OF SECTION

Civil Engineering

Surveying & Mapping

Potable Water

Wastewater Treatment



Construction Support

Transportation

Wastewater Collection

Golden Acres Wastewater Facility Effluent Sewer Improvements - KY0044164

Design Considerations – Construction Permit Application

Date: September 28, 2020

Introduction

The purpose of this document is to specifically address the criteria used for the design of the Golden Acres Wastewater Facility Effluent Sewer Improvements, and to describe pertinent information required in Section IV - "Design Considerations" of the Construction Permit Application for said improvements.

E. Design Criteria

The design improvements proposed for this project simply includes the replacement of the existing gravity sewer from the existing package plant effluent to the proposed effluent discharge location (roughly 42 feet from the existing discharge location).

The existing 4" gravity sewer has proven to be inadequate given the existing pipe slope conditions. The existing profile of the sewer has minimal slope overall, and it is believed that there may be a flat segment in the sewer profile. The inadequate effluent sewer has resulted in overflows of the existing plant, impacting performance and reliability in wet weather.

CSWR has considered the addition of either 8" or 10" PVC gravity sewer. The use of 8" at minimum slope would result in the sewer being in the flow line of the creek at high water levels; the use of a 10" at minimum slope (0.28%) allows the profile to stay above the creek flow line. For that reason, a 10" PVC SDR-35 effluent sewer is proposed.

The Golden Acres wastewater facility is rated for 25,000 gpd and it is believe that peak flows are in excess of 125,000 gpd during wet weather (or 87 gpm). A 10" sewer at minimum slope provides greater than 2 feet per second when flowing full, or greater than 489 gpm, so the use of a 10" sewer provides significantly greater capacity than what is required in this application.

According to the FEMA Firmette panel 21157C0055E, the discharge location is not in the vicinity of a flood zone.

GOLDEN ACRES WWTF IN MARSHALL COUNTY, KENTUCKY

PERMIT ISSUE: _____, 2020
CONSTRUCTION ISSUE: _____, 2020
RECORD ISSUE: _____, 2020



1351 Jefferson, Suite 301
Washington, MO 63090
mail@21designgroup.net
P: 636-432-5029



VICINITY MAP

DRAWING LIST

- C01 TITLE
- C02 NOTES
- C03 SITE / UTILITY PLAN
- C04 DETAIL SHEET



1351 Jefferson, Suite 301
Washington, MO 63090
mail@21designgroup.net
P: 636-432-5029

COVER SHEET
GOLDEN ACRES WWTF
GOLDEN ACRES LOOP
MARSHALL, KY

ENGINEERING CERTIFICATE OF
AUTHORITY NO. 4804
ENGINEERING LICENSE:
BENJAMIN J. KUENZEL, PE33718

SEAL DATE	
DRAWN BY:	BJK
PROJ NUMBER:	542-19
DATE:	09/25/2020
DRAWING NO:	C01

ALL RIGHTS RESERVED. All 21 Design Group, Inc., plans, specifications and drawings are protected under copyright law and no part may be copied, reproduced, displayed publicly, used to create derivatives, distributed, stored in a retrieval system or transmitted in any form by any means without prior written permission of "21 Design Group, Inc."

General Notes and Construction Specifications

- 1. All water and sewer main construction shall be consistent with the local municipality requirements as well as all testing and disinfection requirements of Kentucky DEP.
2. The contractor shall obtain, erect, maintain and remove all signs, barricades, flagmen and other control devices as may be necessary for the purpose of regulating, warning or guiding traffic.
3. Location of utilities shown on plans are approximate only, and are not necessarily complete.
4. If existing utility lines of any nature are encountered which conflict in location with new construction, the contractor shall notify the engineer and owner so that the conflict may be resolved.
5. The contractor shall notify One Call at least 48 hours prior to construction so that each utility company can stake out any underground improvements that they may have which might interfere with the proposed construction.
6. The contractor shall be required to make arrangements for the proper bracing, shoring and other required protection of all roadways, structures, poles, cables and pipe lines, before construction begins.
7. The contractor shall be responsible for the protection of all private and public utilities even though they may not be shown on the plans.
8. The contractor shall examine the plans and specifications, visit the site of the work and inform himself/herself fully with the work involved, general and local conditions, all federal, state and local laws, ordinances, rules and regulations and all other pertinent items which may affect the cost and time of completion of this project before submitting a proposal.
9. All work and materials shall be in accordance with code requirements.
10. Prior to submitting his bid, the contractor shall call the attention of the engineer to any material or equipment he deems inadequate and to any item of work omitted on the plans.
11. Structures for valve vaults for water mains shall be in accordance with the improvement plans and the applicable municipality construction requirements.
12. Frame and cover or grates for water main structures shall be as indicated within these improvement plans.
13. All final adjustments of casting will be accomplished by the use of precast concrete adjusting rings set in butyl rope joint sealant, mortar joints will not be allowed.
14. The contractor shall be responsible to place on grade and coordinate with other contractors all underground structure frames such as catch basins, inlets, manholes, hydrants, buffalo boxes, valves, etc.
15. The contractor shall restore any area disturbed to a condition equal to or better than its original use.
16. All trenches caused by the construction of all utilities and the excavation around catch basins, manholes, inlets and other appurtenances which occur within the limits of existing or proposed pavements, sidewalks and curb and gutters or where the edge of the trench shall be within two (2') feet horizontally of said improvements shall be backfilled with compacted granular trench backfill or with approved suitable select material and properly compacted to 100% of maximum density as determined by the standard proctor dry density (ASTM d 698) compaction test.
17. The depth of backfill shall be measured from the top of the pipe embedment to the finished subgrade or as noted on the plans.
18. The contractor shall be responsible for providing safe and healthful working

- conditions throughout the construction of the proposed improvements.
19. The engineer will be given forty-eight (48) hours notice for any staking that is to be done.
20. The contractor shall inform the engineer and owner before work commences on each category of construction, i.e. water main, grading, pavement and drainage improvement.
21. The engineer will furnish the contractor with lines and grades necessary to the proper prosecution and control of the work.
22. All survey monuments damaged or removed during construction of this project shall be replaced by the surveyor and said cost of replacement shall be paid by the contractor.
23. The contractor will have in his possession on the job site a copy of the plans and specifications during construction.
24. If approval for any items is required, the contractor shall contact the engineer for approval prior to ordering.
25. Any drain and/or field tile encountered by the contractor during the installation of the improvements shall be returned to original condition.
26. All road signs, street signs and traffic signs which need to be relocated or moved due to construction shall be taken down and stored by the contractor at his own expense.
27. The contractor shall dispose of all excess excavation, unsuitable and unusable materials offsite and at an approved location in a manner that public or private property will not be damaged or endangered.
28. No trench excavations will be permitted to remain open over any weekend, night, or any time site is left unattended.
29. Band-seal style couplings shall be used when joining sewer pipes of dissimilar materials.
30. As-built drawings shall be prepared by the contractor and submitted to the engineer as soon as the site improvements are completed.
31. The contractor is responsible for coordinating any required inspections with the engineer and city or state agency.
32. Special attention is drawn to the fact that the standard specifications requires the contractor to have a competent superintendent on the project site at all times.
33. The engineer and owner are not responsible for the construction means, methods, techniques, sequences or procedures, time of performance, programs or for any safety precautions used by the contractor.
34. The utilities shown hereon were plotted from available information and do not necessarily reflect the actual existence, non-existence, size, type, or location of these or other utilities.
35. All materials and methods of construction to meet the specifications submitted for the construction permit.
36. Construction should not commence until all permits have been received from all

- governing agencies.
37. No land disturbance activities can be completed until all land disturbance permitting has been acquired.
38. All fill material shall be made of selected earth materials, free from broken masonry, rock, frozen earth, rubbish, organic material and debris.
39. Grading contractor shall keep existing roadways clean of mud and debris at all times.
40. All graded areas shall be protected from erosion by erosion control devices and/or seeding and mulching as required by all local and state agencies and permits.
41. No grade shall exceed a 3:1 slope except where noted.
42. Interim stormwater drainage control in the form of siltation control measures are required.
43. Adequate temporary off-street parking shall be provided for construction employees.
44. The contractor shall, at all times, contain mud and other spoils on the site.
45. Public roadways shall be kept open to traffic during all phases of construction of improvements.
46. The contractor shall furnish, maintain, and remove traffic control devices for the purpose of regulating, warning, and directing traffic during construction.
47. No investigation has been performed by the engineer regarding hazardous waste, underground conditions or utilities affecting the tract of land shown herein.
48. This plan is not a survey in any sort and shall not constitute a boundary survey.
49. Onsite utilities have been shown based on documents obtained from public entities.
50. See MEP/Arch. plans for site lighting and electrical design/layout.
51. Contractor shall comply with all OSHA requirements for safety and construction.
52. All utility trenches in paved areas shall be compacted to the requirements of the specific paving specification.
53. All unsurfaced areas shall receive a minimum of 6" of topsoil.
54. The contractor is responsible for maintenance of sediment control bmps throughout the entire project.
55. All sewer laterals shall have a 2% minimum slope.
56. All storm sewer covers shall have the words "Storm Drain" cast in the top in letters three inches high.
57. All frames, grates and covers shall be ductile iron, conforming to ASTM A48, Class 30 and shall be designed for heavy duty traffic.
58. Manhole steps shall be constructed of polypropylene conforming to ASTM D 4101 and shall meet current state and federal safety standards.
59. Pre-cast manholes shall be at least 48" diameter and conform with ASTM C478 and to design dimensions.

- All joints between pre-cast elements on manholes shall be made with an approved bitumastic material or an approved rubber gasket.
60. All storm sewer 12" to 30" in diameter shall be Corrugated Polyethylene Pipe (CPP) or High Density Polypropylene (HDPP).
61. Dual wall and triple wall polypropylene pipe (HDPP) shall conform to the requirements of AASHTO M330 "Standard Specification for Polypropylene Pipe, ASTM F2736 (Dual wall) for sizes 12" to 30" and ASTM F2764 (Triple wall) for sizes 30" to 60".



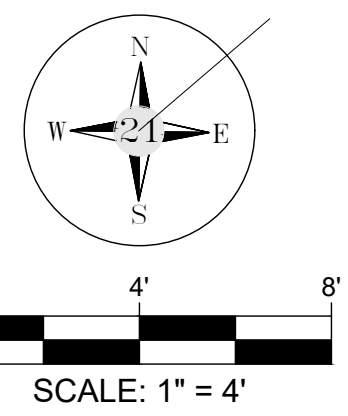
GENERAL NOTES
GOLDEN ACRES WWTF
GOLDEN ACRES LOOP
MARSHALL, KY

ENGINEERING CERTIFICATE OF AUTHORITY NO. 4804
ENGINEERING LICENSE: BENJAMIN J. KUENZEL, PE33718



SEAL DATE
DRAWN BY: BJK
PROJ NUMBER: 542-19
DATE: 09/25/2020
DRAWING NO: C02

ALL RIGHTS RESERVED. All "21 Design Group, Inc." plans, specifications and drawings are protected under copyright law and no part may be copied, reproduced, displayed publicly, used to create derivatives, distributed, stored in a retrieval system or transmitted in any form by any means without prior written permission of "21 Design Group, Inc."

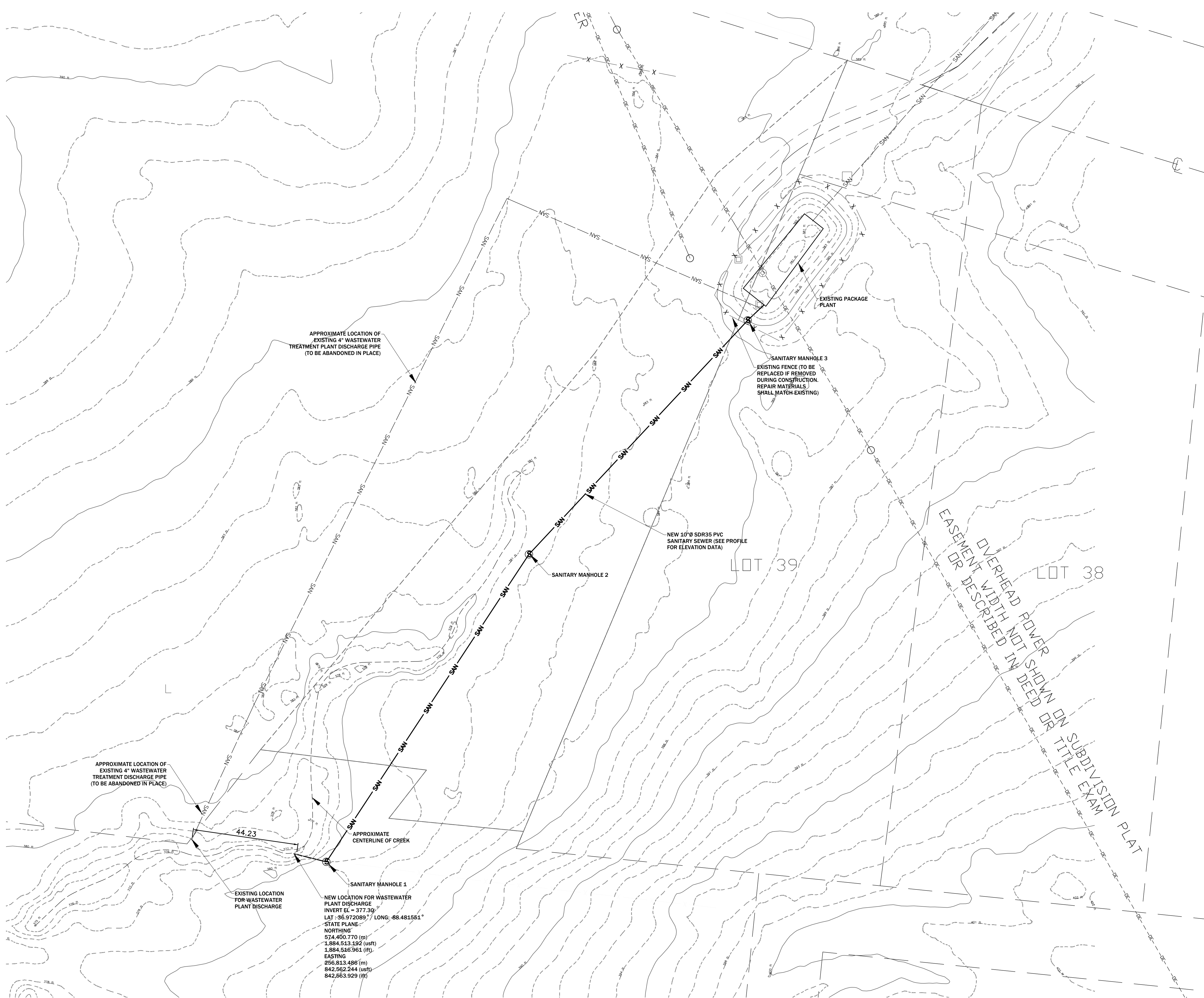


DRAWING LEGEND

DESCRIPTION	EXISTING	PROPOSED
Easement	---	---
Setbacks	---	---
Property Lines	---	---
Aerial Electric	AE	AE
Tree Line	---	---
Sanitary Manhole	⊙	⊙
Utility Pole	⊙	⊙
Fire Hydrant	⊙	⊙
Telephone Box	⊙	⊙
Water Valve	⊙	⊙
Gas Valve	⊙	⊙
Sign	⊙	⊙
Grated Inlet	⊙	⊙
Catch Basin	⊙	⊙
Grated Curb Inlet	⊙	⊙
Junction Box	⊙	⊙
Flared End Section	⊙	⊙

PAVEMENT LEGEND

Existing Asphalt	[Pattern]
Existing Concrete	[Pattern]
New Concrete	[Pattern]
New Standard Duty Asphalt	[Pattern]
New Heavy Duty Asphalt	[Pattern]
New Standard Duty Concrete	[Pattern]
New Heavy Duty Concrete	[Pattern]



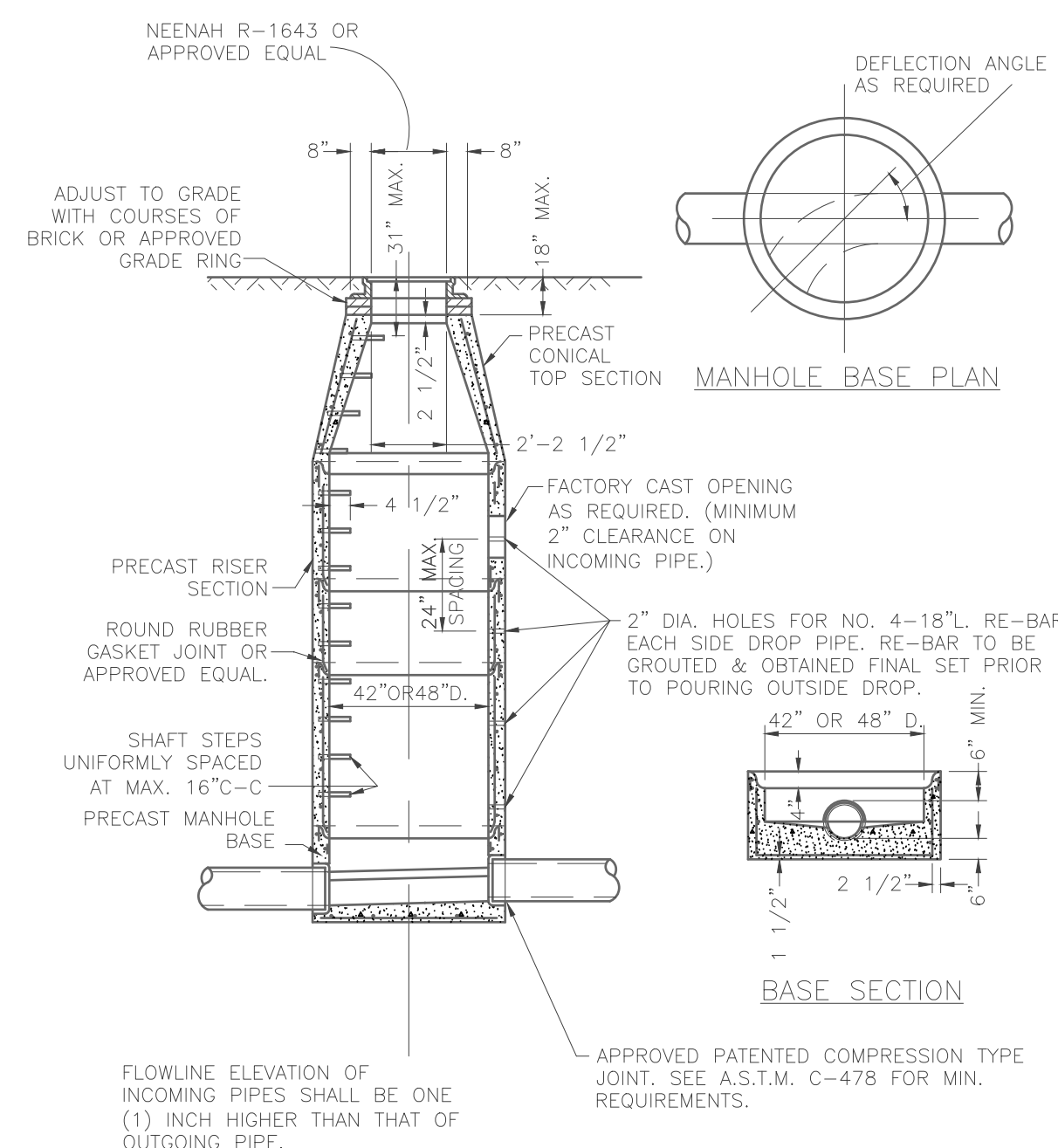
SITE/UTILITY PLAN
 GOLDEN ACRES WWTF
 GOLDEN ACRES LOOP
 MARSHALL, KY

ENGINEERING CERTIFICATE OF AUTHORITY NO. 4804
 ENGINEERING LICENSE: BENJAMIN J. KUENZEL, PE33718

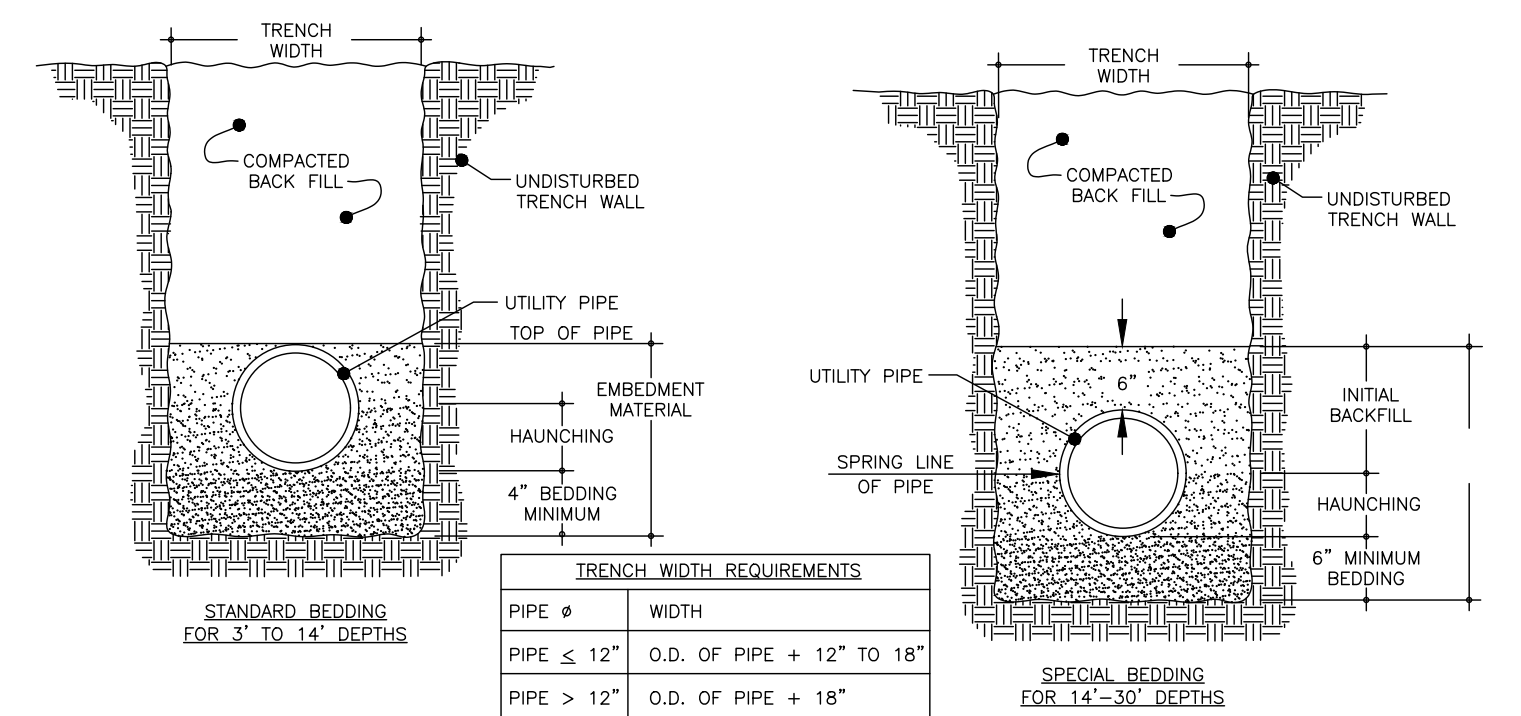


SEAL DATE	
DRAWN BY	BJK
PROJ NUMBER	542-9
DATE	09/25/2020
DRAWING NO.	C03

ALL RIGHTS RESERVED. All 21 Design Group, Inc., plans, specifications and drawings are protected under copyright law and no part may be copied, reproduced, displayed publicly, used to create derivatives, distributed, stored in a retrieval system or transmitted in any form by any means without prior written permission of "21 Design Group, Inc."



PRE-CAST CONCRETE MANHOLE FOR SEWERS 8" THROUGH 18"
Not To Scale



- NOTES:
1. EMBEDMENT MATERIAL MUST BE 1" MINUS GRANULAR BACKFILL.
 2. EMBEDMENT MATERIAL SHALL BE COMPACTED TO A MINIMUM 95% STANDARD PROCTOR DENSITY.
 3. STANDARD BEDDING SHALL BE UTILIZED FOR ALL CASES WHERE TRENCH BOTTOMS ARE UNSTABLE DUE TO SOIL TYPE OR MOISTURE CONDITIONS.
 4. TRENCH EXCAVATION SHALL CONFORM TO ALL OSHA CONSTRUCTION REQUIREMENTS.
 5. ANY TRENCHING UNDER PAVED AREAS SHALL BE BACKFILLED WITH 1" MINUS AND COMPACTED TO 95% STANDARD PROCTOR DENSITY.
 6. CONTRACTOR IS RESPONSIBLE FOR TRENCH SETTLEMENT.
 7. IN AREAS OF ROCK CUT, TRENCHES SHALL BE BACKFILLED WITH WELL GRADED GRANULAR MATERIAL TO 6" ABOVE THE TOP OF PIPE.
 8. ALL UTILITY INSTALLATION SHALL CONFORM TO THE PIPE MANUFACTURER.
 9. HAUNCHING SHALL BE WORKED AROUND THE PIPE BY HAND TO ELIMINATE ALL VOIDS.

TRENCH DEPTH REQUIREMENTS

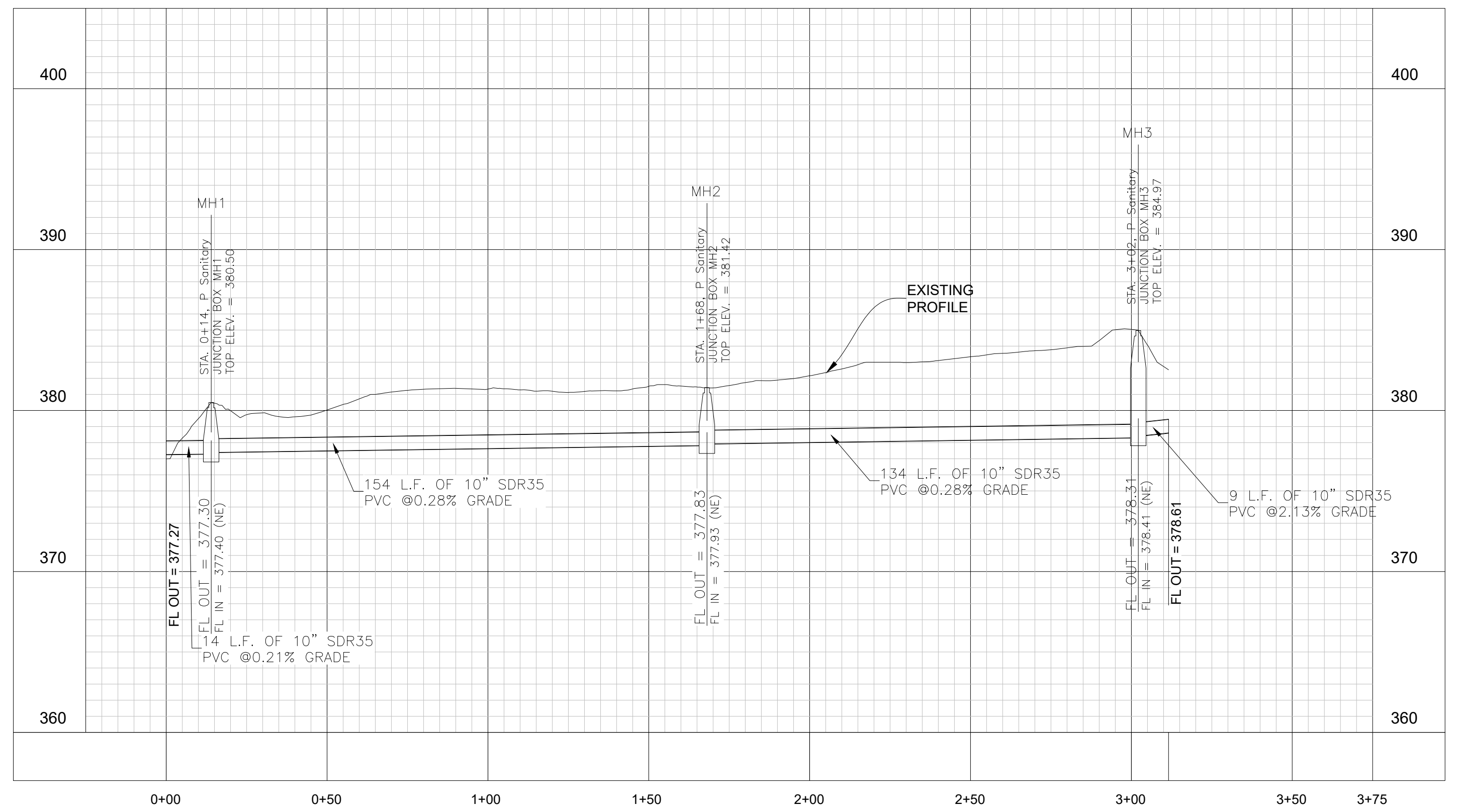
UTILITY	MIN DEPTH
GAS	SEE UTILITY CO.
WATER	42"
ELECTRIC	24"
SANITARY	36"

PIPE REQUIREMENTS

UTILITY	0' TO 3'	3' TO 16'	16' TO 30'	> 30'
GAS	SEE UTILITY COMPANY			
WATER	DUCTILE	CLASS 200	DUCTILE	N/A
ELECTRIC	PVC	PVC	N/A	N/A
STORM	CONCRETE	HDPE	CONCRETE	CONCRETE
SANITARY	DUCTILE	CLASS 200	DUCTILE	N/A

UTILITY TRENCHING & BEDDING DETAIL
Not To Scale

P Sanitary PROFILE



mail@designgroup.net
1-888-452-5829
1351 Jefferson Suite 301
Washington, MO 63090

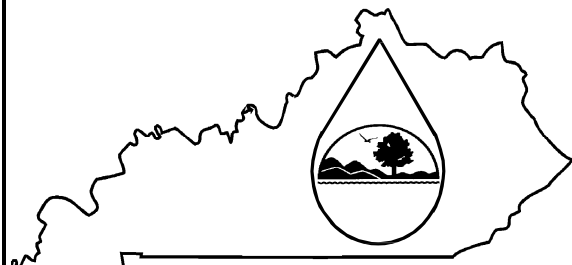
DETAIL SHEET
GOLDEN ACRES WWTF
GOLDEN ACRES LOOP
MARSHALL, KY

ENGINEERING CERTIFICATE OF AUTHORITY NO. 4804
ENGINEERING LICENSE: BENJAMIN J. KUENZEL, PE33718



SEAL DATE
DRAWN BY: BJK
PROJ NUMBER: 542-19
DATE: 09/25/2020
DRAWING NO: C04

ALL RIGHTS RESERVED. All 21 Design Group, Inc., plans, specifications and drawings are protected under copyright law and no part may be copied, reproduced, displayed publicly, used to create derivatives, distributed, stored in a retrieval system or transmitted in any form by any means without prior written permission of 21 Design Group, Inc.



Commonwealth of Kentucky
Energy and Environment Cabinet
Division of Water

**CONSTRUCTION PERMIT APPLICATION
for WASTEWATER TREATMENT PLANT**

See the INSTRUCTIONS for more information about selected portions of this application.
Questions on completing this application? Contact the Water Infrastructure Branch at 502/564-3410 or visit our
website at <http://water.ky.gov> for more information.

I. CONSTRUCTION PROJECT INFORMATION

Project Name: _____
Project City/County: _____
Name of WWTP: _____
KPDES Number of WWTP, if known (for modifications to an existing plant): KY _____
Estimated cost of WWTP improvements and sewer line extension: \$ _____
Project is: WWTP Only WWTP with sewer lines
 Minor Modification to WWTP (Complete only Sections I, II, IV A, B, C, E3, H1, VII, VIII)

II. APPLICANT INFORMATION

Applicant (Entity paying for construction): _____ E-mail: _____
Street Address: _____
City, State, Zip: _____
Will ownership be transferred? Yes. Name of new owner: _____ No

III. PRELIMINARY SUBMITTAL

Has a Preliminary Submittal been made with all the information in this section? [See 401 KAR 5:005, Section 3]

Yes. Name of project: _____
County and Location of project, then skip to next section: _____

No. Provide the information below that has not been previously submitted (use additional pages, as necessary). Place a **check** (✓) by the items included in the application or an **N/A** if the item is not applicable to the project.

A. A copy of a 7½ minute USGS topographic map, with the WWTP, any proposed sewer lines, service area, and discharge location identified.

____ B. For a WWTP located within a planning area, a letter from the regional or facility planning agency stating the proposed WWTP is compatible with the regional facility plan or the water quality management plan.

____ C. For a WWTP located within a planning area, a demonstration that a connection to the regional facility is not available.

____ D. For a regional WWTP, a water quality management plan that is in compliance with **401 KAR 5:006**.

IV. DESIGN CONSIDERATIONS**A. PLANS AND SPECIFICATIONS.**

Design plans and specifications shall comply with 401 KAR 5:005 and "Recommended Standards for Wastewater Facilities" ("Ten States' Standards") 2014 edition. If engineering practices, other than those contained in "Ten States' Standards", were used in the design, indicate the source and the corresponding portion of the design. **[See 401 KAR 5:005, Section 7]**

Plans and specifications submittals shall meet on of the following options:

Submit at least one paper printed set of detailed plans (no larger than 24" x 36") and a PDF copy of the plans and specifications on a data storage device such as a USB flash drive. Both copies shall be dated with a stamp, signature of a licensed professional engineer in Kentucky which complies with the requirements of 201 KAR 18:104. The digital plans shall consist of a single pdf file and be in a folder called "Engineering Plans" and the specifications manual shall be in a folder called "Specifications".

Submit a PDF copy of the plans and specifications digitally via the electronic form on the KY One Stop Business Portal website. The PDF copy shall be dated with stamp and signature of a licensed engineer in Kentucky which complies with the requirements of 201 KAR 18:104 Section 3. The plans shall be submitted as a single pdf file.

B. DESIGN ENGINEER, if the WWTP design capacity is greater than 10,000 gpd or if the sewer lines associated with the WWTP will become part of a sewer system served by a regional facility. **[Section 6]**

P.E.'s Name: _____ Firm: _____

Street Address: _____

City, State, Zip: _____

Phone: _____ Fax: _____ E-mail: _____

C. CONFORMITY TO PLANS AND SPECIFICATIONS. Provide name of person who will inspect and certify that the constructed facility conforms to the approved plans and specifications. If the WWTP's design capacity is greater than 10,000 gpd, or if the sewer lines will become part of a sewer system served by a regional facility, this person must be a professional engineer (P.E.). **[Section 3]**

Name: _____ Firm: _____

Street Address: _____

City, State, Zip: _____

Phone: _____ Fax: _____ E-mail: _____

D. DESIGN CAPACITIES. Provide the following design capacities, in million gallons per day or pounds per day. **[Section 3]**

Average Daily Flow: _____ MGD Influent BOD: _____ lb/day

Peak Daily Flow: _____ MGD Influent SS: _____ lb/day

Peak Hourly Flow: _____ MGD Influent NH₃-N: _____ lb/day

E. Design Criteria. Provide the following information (use additional pages, as necessary). Place a **check (✓)** by the items included in the application or an **N/A** if the item is not applicable to the project.

1. A schematic drawing of the facility layout and explanation of the proposed facility and method of operation. **[Section 3]**

2. WWTP's Reliability Category, Grade A, B, or C: _____. Include a detailed description of the reliability measures that will be used for the WWTP. **[Sections 3 and 13]**

3. A discussion of the design criteria used to size the unit processes. **[Section 3]**

F. LABORATORY SERVICES. Give name of laboratory that will provide services for self-monitoring and process control. **[Section 3]**

Firm Name: _____

Street Address: _____

City, State, Zip: _____

G. SITE LOCATION. Place a **check (✓)** by the items that are included in this application or an **N/A** if the item is not applicable to the project.

1. Include a plat or survey clearly indicating the site's boundaries, position of proposed facility in reference to the boundaries, and position of dwellings within 200 feet of the WWTP. **[Section 3]**
2. If an open-top WWTP is closer than 200 feet to the closest dwelling, include what structure or other measures will be used for noise and odor control. **[Section 4]**
3. For a WWTP with a spray irrigation system, if the distance from the spray field to the property boundary is less than 20 feet, include what protective measures will be used to inhibit spray from crossing property boundary. **[Section 21]**

H. OTHER INFORMATION TO BE SUBMITTED WITH APPLICATION. Place a **check (✓)** by the items that are included in this application or an **N/A** if the item is not applicable to the project.

1. If modifying or replacing an existing WWTP or sewer line, a closure plan indicating how the new facility will be constructed without a by-pass to a stream and the procedures that will be used for abandoning the existing facility. **[Section 3]**
2. A Sludge Management Plan for WWTPs, including the sludge processing method and how sludge will be ultimately disposed. **[Section 3]**
3. If the discharge point does not coincide with a blue line on a USGS map, a copy of a recorded deed, recorded other right of ownership, or recorded right of easement for a corridor to the nearest blue line stream. **[Section 3]**
4. A description of and detailed specifications for the flow measuring device. **[Section 7]**
5. If the WWTP discharges to a sinkhole or sinking stream, a plan for a groundwater tracer study (or a previously conducted groundwater tracer study). **[Section 4]**

V. SEWER LINES

Include the following items for projects that include sewer lines. If project is for only a WWTP, skip to next section. Place a **check (✓)** by the items that are included in this application or **N/A** if the item is not applicable to the project.

- A. If the project includes a pump station, the pump performance curve. **[Section 8]**
- B. If the project includes gravity sewer lines or force mains, a plan view and profile view for each. **[Section 6]**
- C. A demonstration that the sewer system has adequate capacity to treat the current and the anticipated flow to the WWTP and that the sewer system is not subject to excessive infiltration or excessive inflow. **[Section 8]**
- D. A demonstration that the WWTP has adequate capacity to transport the anticipated flow to the WWTP and the WWTP is not subject to excessive infiltration or excessive inflow. **[Section 8]**

VI. OTHER REQUIRED APPLICATIONS

- A. If the WWTP has a discharge, complete and file with this application: KPDES Application (KPDES Form 1); and Form A, B, C, or Short Form C, as applicable.
- B. If the WWTP does not have a discharge, complete and file with this application the "No Discharge Operating Permit Application, Form ND."


VII. FEES

Fees. Check or money order must be made payable to "**Kentucky State Treasurer**" for the total amount. **Fees do not apply** for a municipality, sanitation district, or other publicly owned facility. **[Section 5]**

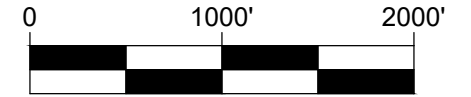
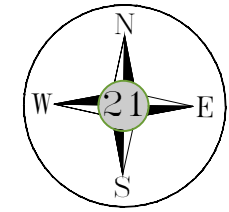
WWTP Category:	_____	Amount:	\$ _____
Sewer Line Category:	_____	Amount:	\$ _____
		Total Amount:	\$ _____

VIII. CERTIFICATION

I, the applicant, certify under penalty of law that this document and all attachments were prepared under my direction or supervision. The information submitted is, to the best of my knowledge and belief, true, accurate, and complete. I am aware that there are significant penalties for submitting false information, including the possibility of fine or imprisonment or both for known violations. **[Section 2]**

Applicant's Name and Official Title (Type or Print) Jacob Freeman		Phone Number (Include area code) (314)-550-1167
Signature		Date 09/28/2020

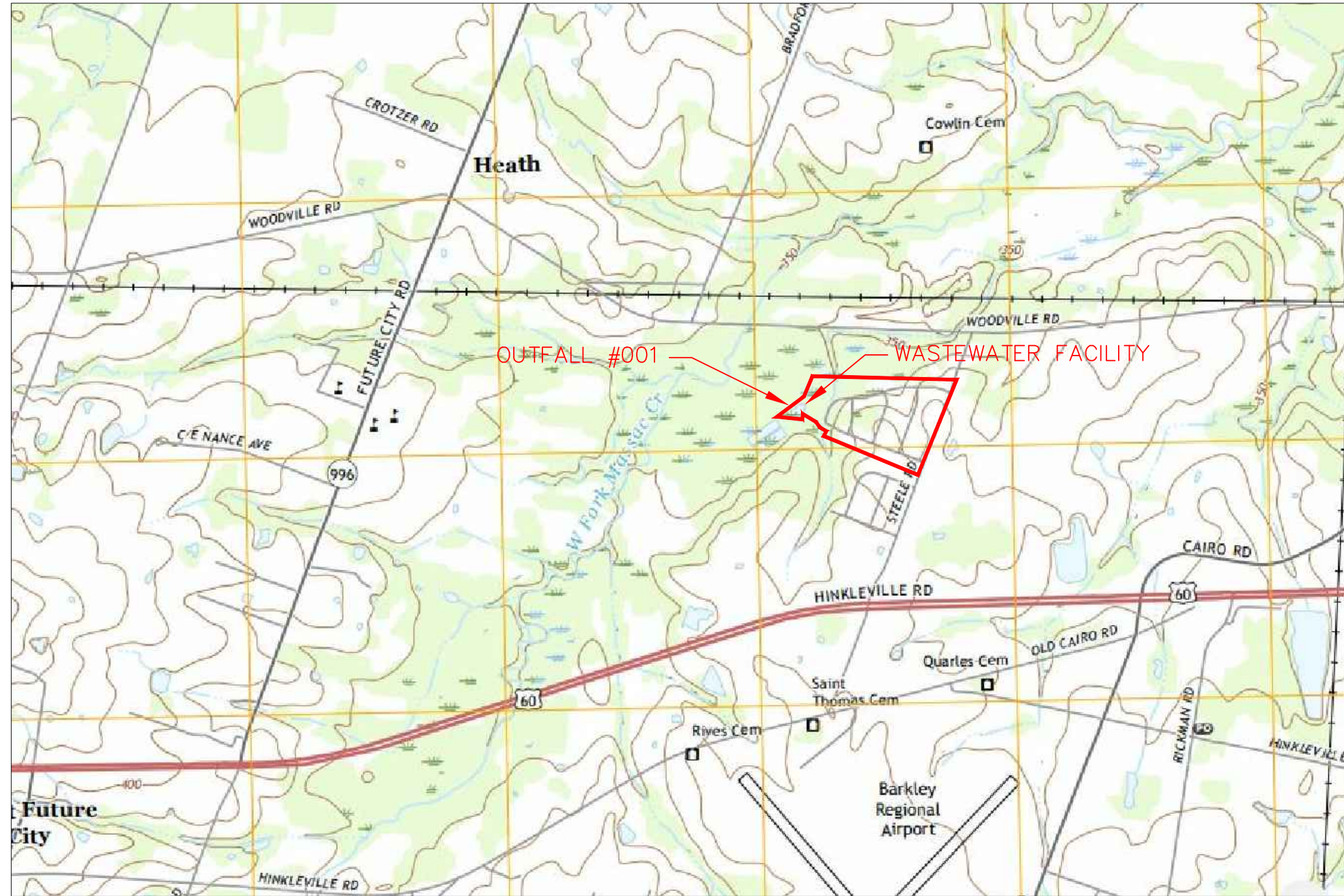
USGS QUAD MAP
FOR TIMBERLAND SUBDIVISION WWTF
PADUCAH, KY
(HEATH QUAD MAP)



SCALE: 1" = 1000'

PRELIMINARY

THIS DRAWING IS FOR REVIEW ONLY AND
SHALL NOT BE USED FOR CONSTRUCTION



21
DESIGN
GROUP INC.

1351 Jefferson, Suite 301 mail@21designgroup.net
Washington, MO 63090 P: 636-432-5029

TIMBERLAND WASTEWATER SYSTEM

Technical Specifications (KY-0083755)



Prepared For

Owner:

Central States Water Resources
1650 Des Peres Road, Suite 303
St. Louis, Missouri 63131

Prepared by:

21 Design Group
1351 Jefferson, Suite 301
Washington, MO 63090
636-432-2144

THIS PAGE LEFT INTENTIONALLY BLANK

SECTION 000110
TABLE OF CONTENTS

SPECIFICATIONS

DIVISION 01 - GENERAL REQUIREMENTS -

- 01 10 00 - Summary
- 01 30 00 - Administrative Requirements
- 01 33 00 - Submittal Procedures
- 01 50 00 - Temporary Facilities and Controls
- 01 57 13 - Temporary Erosion and Sediment Control
- 01 64 00 - Owner Furnished Products
- 01 70 00 - Execution
- 01 78 00 - Closeout Submittals

DIVISION 02 - EXISTING CONDITIONS

- 02 41 00 - Demolition

DIVISION 03 - CONCRETE

- 03 05 10 - Leakage Testing of Hydraulic Structures
- 03 30 00 - Cast-In-Place Concrete

DIVISION 05 - METALS

- 05 12 00 - Structural Steel Framing
- 05 50 00 - Metal Fabrications

DIVISION 09 - FINISHES

- 09 90 00 - Painting and Coating
- 09 90 10 - Painting Schedule

DIVISION 22 - PLUMBING (NOT USED)

DIVISION 26 - ELECTRICAL

- 26 05 10 - Common Motor Requirements
- 26 05 19 - Low-Voltage Electrical Power Conductors and Cables
- 26 05 33 - Raceway and Boxes for Electrical Systems
- 26 22 00 - Low-Voltage Transformers
- 26 24 16 - Panelboards
- 26 27 26 - Wiring Devices
- 26 28 16 - Enclosed Switches and Circuit Breakers
- 26 29 13 - Enclosed Controllers
- 26 29 23 - Variable-Frequency Motor Controllers
- 26 36 00 - Transfer Switches
- 26 56 19 - LED Exterior Lighting

DIVISION 31 - EARTHWORK

- 31 10 00 - Site Clearing
- 31 20 00 - Earth Moving
- 31 23 16 - Rock Removal
- 31 23 33 - Trenching and Backfilling
- 31 37 00 - Riprap

DIVISION 32 - EXTERIOR IMPROVEMENTS

- 32 15 40 - Crushed Stone Paving
- 32 31 13 - Steel Chain Link Fences and Gates
- 32 92 19 - Seeding

DIVISION 33 - UTILITIES

- 33 05 16 - Precast Concrete Utility Structures
- 33 31 00 - Sanitary Sewer Systems
- 33 32 16 - Wastewater Pumping System

DIVISION 40 - PROCESS INTEGRATION

- 40 05 00 - General Piping Requirements
- 40 05 15 - Pressure Testing of Piping
- 40 05 20 - Miscellaneous Process Valves
- 40 05 24 - Valves, General
- 40 05 25 - Moving Bed Biological Reactor
- 40 05 62 - Plug Valves
- 40 05 63 - Ball Valves
- 40 05 66 - Butterfly Valves for Process Air Applications
- 40 07 11 - Miscellaneous Pipe Fittings and Accessories
- 40 07 22 - Flexible Pipe Couplings and Expansion Joints
- 40 07 62 - Wall Pipes, Seep Rings, and Penetrations
- 40 07 64 - Pipe Hangers and Supports
- 40 20 40 - Ductile Iron Process Pipe
- 40 20 76 - Stainless Steel Pipe
- 40 20 90 - PVC & CPVC (3 Inches and Smaller)
- 40 20 91 - PVC Pipe (4 Inch and Larger)
- 40 97 15 - Pressure Gauges

DIVISION 43 - PROCESS GAS AND LIQUID HANDLING, PURIFICATION, AND STORAGE EQUIPMENT

- 43 33 00 - Chlorination and Dechlorination Tablet Feeders

DIVISION 46 - WATER AND WASTEWATER EQUIPMENT

- 46 02 01 - Mechanically Cleaned Screw Screen
- 46 05 29 - Blowers
- 46 51 03 - Air Diffusers

END OF SECTION

SECTION 011000
SUMMARY

PART 1 GENERAL

1.1 SUMMARY

- A. This section generally describes the project and includes work by others, work sequencing, Contractor's use of premises, Owner occupancy, maintenance and operation of existing facilities, special conditions, work restrictions, and utility connection fees.

1.2 LOCATION OF PROJECT SITE

- A. The project site is located on Timberland Dr., Paducah, KY where shown on the drawings.

1.3 GENERAL DESCRIPTION OF WORK

- A. The work involves the modification of an extended aeration packaged wastewater treatment plant into a three stage Moving Bed Biological Reactor as shown and specified herein. The project will include the sectioning off of the existing packaged plant into separate tanks, concrete (cast-in-place and precast) construction, metals, access hatches, minor mechanical piping improvements, electrical improvements, earthwork and exterior improvements, utility improvements, process integration, process improvements, equipment supply and installation, and miscellaneous improvements as shown and specified.
- B. The Owner will furnish equipment as described elsewhere. The Work will require coordination with manufacturers, suppliers, Engineer and the Owner on scheduling and delivery.

1.4 WORK SEQUENCE

- A. The outlined sequence of construction does not include all items necessary to complete the work but is intended to identify the sequence of critical events necessary to minimize disruption and to ensure compliance with regulatory requirements. It shall be understood by the Contractor that critical events identified are not all inclusive and that additional items of work not shown may be required. The sequence of construction is a precedence requirement and does not attempt to schedule the Contractor's work. It is intended only to indicate which activities must precede other activities in order to minimize interference and disruptions.
- B. The work sequence shall be determined by the Contractor and within ten (10) days after the "Notice to Proceed" is issued shall be:
 - 1. Submitted in writing to the Engineer for approval by the Engineer.
 - 2. The following suggested sequence of construction describes simplistically, the major events required to complete the work in the preferred order of completion. The order of events is designed to minimize disruption to the ongoing operation of the existing.
 - a. The stormwater piping improvements, grading in the vicinity of the stormwater piping improvement, sanitary sewer improvements, erosion control measures and electrical upgrades required shall be performed in first phase of improvements.
 - b. The demolition of the existing package plant and appurtenant piping, equipment, structures, etc. shall be performed after the new package plant is successfully started up; this is initially anticipated to require 6-weeks from the date when wastewater is introduced to the new facilities.

1.5 CONTRACTOR'S USE OF PREMISES

- A. The Contractor's use of the project site shall be limited to its construction operations, including on-site storage of materials, on-site fabrication facilities, and field offices, as noted in the Contract Drawings.
- B. Contractor shall note the location of all utilities, such as sanitary sewer manholes, water meters and fire hydrants along the route of the work. Contractor shall maintain access to public utilities at all times. Fire hydrants that are inadvertently damaged during construction shall be reported immediately to the utility owner and fire department.
- C. Contractor shall extend full cooperation to all landowners performing necessary private work including private use of land. The Contractor shall notify each owner and tenant of land or other property not less than five days prior to occupation of such land by the Contractor. Any agreement

between the Contractor and the landowner or tenant involving the expenditure of money, materials, or equipment, and such agreement is made to complete the work on this contract, shall be in writing and acknowledged by the landowner/tenant with a copy provided to the Owner.

1.6 OWNER OCCUPANCY

- A. The Owner may utilize all or part of the existing facilities during the entire period of construction for the conduct of the Owner's normal operations. The Contractor shall cooperate with the Owner to minimize interference with the Contractor's operations and to facilitate the Owner's operations.

1.7 MAINTENANCE AND OPERATION OF EXISTING FACILITIES

- A. Work shall be scheduled and performed in such a manner as to result in the least possible disruption to the operation of the existing facilities and to the public's use of roadways, driveways, and utilities.
- B. Contractor shall perform a location investigation of existing underground utilities and facilities and shall have obtained all required permits and permissions. Contractor shall also deliver written notice to property occupants (private and public) of all planned disruption to roadways, driveways, and utilities seventy-two hours in advance of disruption.
- C. At no time shall the Contractor undertake to close off any pipelines, or open valves, or take any other action which would affect the operation of the existing system or facilities, except as specifically required by the Drawings and specifications, until authorization is granted by the Owner or Engineer and after proper notification.
- D. The facilities will be maintained in continuous operation by the Owner during the entire construction period of this contract. Work shall be scheduled and coordinated by the Contractor that such work will not impede the collection system or pump station operation or cause odor or other nuisance. In performing the work shown and specified, the Contractor shall plan and schedule his work to meet the operating requirements and all additional restrictions.
- E. Only the Owner can authorize the shutdown of any portions of the facility or system. The Contractor shall, under no circumstances, interfere with any existing component without the Owner's authorization in writing. Contractor shall notify the Owner at least 5 days in advance in writing. The Owner shall be responsible for removing facilities from operation.
- F. A planned shutdown may be cancelled by the Owner upon a 24-hour notification by the Owner/Engineer to the Contractor. Such cancellation shall be expected due to wet weather conditions or other conditions beyond the control of the Owner, Engineer or Contractor. All efforts shall be taken to check weather forecasts and the like prior to scheduling facility shutdowns. However, if a cancellation must occur, the Owner shall not be responsible for any additional costs associated with mobilization and demobilization.

1.8 SPECIAL PERMIT CONDITIONS AND WORK RESTRICTIONS

- A. Contractor shall research and report to Owner on any local jurisdiction's ordinance restricting the hours of operation for heavy construction equipment and schedule work in accordance with such ordinance. Contractor shall assume normal working hours on site may be 7 AM to 6 PM, Monday through Friday, and seek approval from Engineer or Owner for work outside of the normal working hours.

1.9 UTILITY CONNECTION FEES

- A. Contractor shall pay for utility connection fees and assessment fees including electric, water, gas, storm drain, and telephone.
- B. Submit contact information for each utility for which utility connections are desired and report to Owner or Engineer on communications with such utilities.

PART 2 PRODUCTS (NOT USED)

PART 3 EXECUTION (NOT USED)

END OF SECTION

SECTION 013000
ADMINISTRATIVE REQUIREMENTS

PART 1 GENERAL

1.1 SUMMARY

- A. This section includes project management, project records, project meetings, photographic documentation, site safety, security, and environmental procedures.

1.2 PROJECT MANAGEMENT

- A. All work under the Contract shall be performed under the continuous supervision of competent personnel thoroughly experienced in the class of work specified. Prior to beginning the work, the Contractor shall give the Engineer, in writing, the name of the Contractor's official representative or superintendent for the project. The superintendent shall be capable of providing adequate supervision to the project and shall be responsible for receiving instructions, notices, and written orders from the Engineer. A change of the superintendent shall be reported to the Engineer in writing. Failure to provide adequate supervision to the project shall be grounds for the Engineer to require a change in supervision before allowing the work to proceed. The superintendent shall be responsible for reporting to the Engineer any inconsistencies, omissions, or lack of definite detail which is not covered on the plans or in the specification
- B. File with the Engineer the names, phone numbers and addresses of two or more responsible persons in the Contractor's organization who are to be on call at all times. Contractor shall update the list within 24 hours of a change.
- C. The Contractor shall employ a Project Superintendent who will be responsible for continuous coordination among all phases of work. He shall serve as the Contractor's liaison with the Owner's Representative.
- D. The Project Superintendent shall have a minimum of three years of experience in the field and be acceptable to the Owner. He shall be maintained by the Contractor throughout the project and not be replaced without concurrence of the Owner.
- E. The Project Superintendent's responsibilities shall include, but not be limited to:
 - 1. Consult the contract drawings and specifications of all trades to verify and coordinate the location of the various building components and items to be installed by all Contractors. Review the daily work schedules of all Contractors for a minimum of interferences to the work of other Contractors. This work includes (but is not limited to) installation of sleeves in walls and/or foundations for electrical and mechanical pipes and damper or louver openings.
 - 2. Consult and cooperate with all Contractors and their installers for all work to determine space requirements and adequate clearances with respect to other equipment in the building. The Owner's Representative reserves the right to determine space priority in the event of interference between piping, conduit equipment, furnishings, etc., of various trades.
 - 3. Inspect, report to the Owner's Representative and coordinate the removal, relocation and reconnection of any installed work which interferes with the work of other trades. All work so directed shall be at the expense of the installing Contractor.

1.3 PROJECT RECORDS

- A. During the performance of this contract, the Contractor shall maintain a suitable office at or near the site of the work which shall be the headquarters of a representative authorized to receive drawings, instructions, or other communication or articles. If a job costs less than \$100,000 the Contractor may use a workman's vehicle for the office at the site of the work and shall designate which workman's vehicle it will be.
- B. Copies of the drawings, specifications, approved shop drawings, change orders, and other contract documents shall be kept at the Contractor's office at the site of the work, and be made available for use at all times by Engineer and Owner.
- C. "As constructed" information shall be recorded on a separate set of Plans for submittal upon completion of the project. See Section 017800 for specifics on recording this information.

1.4 PRECONSTRUCTION CONFERENCE

- A. Prior to the start of work the Engineer, in cooperation with the various agencies, will establish the time and date, distribute agenda, and administer the preconstruction conference. Owner, Engineer, Contractor, major Subcontractor(s) and Governmental Agencies will attend.

1.5 PROGRESS MEETINGS

- A. Progress meetings will generally occur at the end of the month. The general job status will be discussed including progress of work, field observations, problems & decisions, shop submittal schedules and reviews, revision of construction schedule, corrective measures and project payments.

1.6 ELECTRONIC PROTOCOL

- A. This project will use electronic media for communications, submittal of shop drawings, pay requests, and other project related correspondence:

1.7 PHOTOGRAPHIC DOCUMENTATION

- A. Contractor shall be responsible for the production of pre-construction and construction photographs as provided herein.
 - 1. Pre-Construction Photographs: Photographs taken, in sufficient numbers and detail prior to the start of Work to show original construction site conditions.
 - 2. Progress Photographs: Photographs shall be taken throughout the duration of construction at regular intervals to document progress of the Work.
- B. Digital images shall be electronically transferred monthly and at the end of the project on computer disks in JPEG format. Each image shall be labeled with the date taken.
- C. Contractor shall provide electronic copies of photographs at the completion of the project before final payment is made.

1.8 OWNER PURCHASED EQUIPMENT AND MATERIAL

- A. Owner will be purchasing equipment and materials for the project which may affect the Work Sequence and Work Schedule. The following delivery schedule will be described elsewhere.
- B. Owner will be purchasing equipment and materials for the project which may affect the Work Sequence and Work Schedule. Refer to Section 016400 for the details and dates of arrival of the Owner's purchased equipment and materials for the project. Double handling may be required when equipment must be moved from a common carrier and placed in a temporary storage area.

1.9 AVAILABLE LAND

- A. Owner is providing for all land and access required for constructing the Work. If it is necessary or desirable that the Contractor use land outside of the Owner's acquired land, the Contractor shall obtain a written agreement with the landowner. The agreement between Contractor and property owner shall describe in detail such items as removal of fences, installation of temporary fences, limits of land to be occupied, and any costs associated with crop damage.

1.10 CONSTRUCTION PROGRESS SCHEDULE

- A. Develop an overall schedule and submit two copies within seven days of Notice to Proceed for review and approval to Owner's Representative a schedule of the work to be completed on the Project.
- B. Revise the schedule as requested by the Owner's Representative when:
 - 1. Work progress falls 10 percent behind scheduled progress.
 - 2. When time extensions are approved for changes and causes beyond Contractor's control.
 - 3. When Contractor feels a significant reorganization of activities becomes necessary because of field and material supply conditions in order to meet the contract completion date of the Project.
- C. Coordinate Work of various sections, space requirements for installation, and accessibility for construction by others.
- D. Work that disrupts utility service shall be shown on the Construction Schedule and specifically scheduled with the Owner. Schedule notification shall consist of a written notice defining the work to be accomplished, the normal function that will be interrupted, the duration of the interruption, and the mitigating effort to be performed by the Contractor to maintain the capacity to operate continuously. The written notice shall be submitted to the Owner fourteen days in advance of the proposed work and the Owner will respond to the Contractor in writing within 7 days of receipt of the notice regarding the acceptability of the proposed plan.

- E.** At no time shall the Contractor close off any pipelines, or open valves, or take any other action which would affect the operation of the existing system or facilities, except as specifically required by the Drawings and specifications, until authorization is granted by the Owner or Engineer and after proper notification.

PART 2 PRODUCTS (NOT USED)

PART 3 EXECUTION (NOT USED)

END OF SECTION

THIS PAGE INTENTIONALLY LEFT BLANK.

SECTION 013300
SUBMITTAL PROCEDURES

PART 1 GENERAL

1.1 SUMMARY

- A. This section specifies the general requirements for the submittals of shop drawings, product data, and samples. Refer to Section 017800 for closeout submittal requirements.

1.2 GENERAL SUBMITTAL REQUIREMENTS

- A. All submittals shall be sent to Engineer at an email address to be provided to contractor during the pre-construction conference.
- B. All submittals, regardless of origin, shall be approved by Contractor before submitting to Engineer. The Contractor shall be responsible for timely submittals so that there will be no delay to the Work due to the absence of approved submittals.
- C. Upon receipt of a submittal, the Engineer will review and return the shop drawings within 14 calendar days. This review time will commence starting the next working day following receipt of the submittal.
- D. Contractor shall be solely responsible for the completeness of each submittal, including the identification of all deviations from the Contract Documents on each submittal and in the Contractor's letter of transmittal. Each submittal shall be complete in all aspects incorporating all information and data required to evaluate the products' compliance with the Contract Documents.
- E. Partial or incomplete submissions shall be returned to the Contractor without review. Time delays caused by rejection of submittals are not cause for extra charges to the Owner or time extensions.

1.3 ELECTRONIC SUBMITTALS

- A. Contractor may make electronic submittals which will be exchanged electronically through mutually agreeable software. Procore, ProjectWise, Submittal Exchange are acceptable, and others may be proposed by Contractor.
- B. Follow the submittal requirements below.
 - 1. Assemble complete submittal package into a single indexed file incorporating submittal requirements of a single specification section and transmittal form with links enabling navigation to each item.
 - 2. Use the same submittal and resubmittal numbering system.
 - 3. Identify the Project, Contractor, Subcontractor or supplier, pertinent Drawing sheet and detail number(s), and specification section number, as appropriate.
 - 4. Apply Contractor's standard certification stamp, signed or initialed certifying that review, approval, verification of Products required, field dimensions, adjacent construction Work, and coordination of information is in accordance with the requirements of the Work and Contract Documents. Submittals without this certification will be returned without review.

1.4 SHOP DRAWINGS

- A. Submit shop drawings in accordance with the Contract Documents and other technical sections in these Contract Documents requiring submittals.
- B. The use of contract drawing reproductions for shop drawings is subject to rejection.
- C. Shop drawings shall show applicable standards, such as ASTM number or Federal Specification, performance characteristics, the principal dimensions, weight, structural and operating features, space required, clearances, dimensions needed for installation and correlation with other equipment and materials, external connections, anchorages, supports required, type and/or brand of finish or shop coat, grease fittings, etc. depending on the subject of the Drawings.
- D. If the Contractor submits shop drawings of equipment by manufacturers other than those listed in the specifications, provide the following information with the submittal:
 - 1. The name and address of at least three companies or agencies that are currently using the equipment.
 - 2. The name and telephone number of at least one person at each of the above companies or agencies whom the Owner's Representative may contact.
 - 3. A description of the equipment that was installed at the above locations. The description shall be

in sufficient detail to allow the Owner's Representative to compare it with the equipment that is proposed to be installed in this project.

- E. For materials originating outside of the United States for which tests are required, provide recertification and retesting by an independent domestic testing laboratory.
- F. Provide a professional engineer's, architect, land surveyor, or landscape architect seal on appropriate drawings of items that are submitted for review where required by the Specifications. Each copy of a submittal requiring a Professional Seal shall bear an original seal with signature and date. Electronic seals are permitted provided they meet the State Board of Professional Licensing regulations.

1.5 PRODUCT DATA

- A. Product data may be in the form of manufacturer's catalog sheets, brochures, diagrams, schedules, performance charts, illustrations, and other standard descriptive data. Product data shall show applicable standards, such as ASTM number or Federal Specification.
- B. Where product data from a manufacturer is submitted, clearly mark each copy with indelible ink to identify pertinent materials, products or models proposed with all pertinent data, performance characteristics and capacities, dimensions, clearances, diagrams, controls, connections, anchorage, and supports. Present a sufficient level of detail for assessment of compliance with the contract documents.
- C. Manufacturer's standard schematic drawings may be used in the submittal, but shall be modified by deleting information which is not applicable to the project, and by providing additional information specific to the project.
- D. When warranties are required, a sample of the warranty for each product shall be submitted with the shop drawings or product data. The sample warranty shall be the same form that will be used for the actual warranty.
- E. When Buy American Provisions are required for the Project, Supplier/Manufacturer shall provide a Buy American Certification with submittals for materials and equipment covered by the Buy American Provisions. Contractor is responsible for confirming that any product purchased for the Project meets the Buy American Provisions.

1.6 SAMPLES

- A. Submit samples for review of the various materials, together with the finish, before purchasing, fabricating, applying, or installing such materials and finishes.
- B. Identify samples as to product, color, manufacturer, trade name, lot, style, model, etc., location of use, and contract document reference.
- C. Samples shall be of sufficient size or quantity to illustrate clearly the quality, type, range of color, finish or texture and shall be properly labeled to show complete project identification, the nature of the material, trade name of manufacturer and location of the Work where the material represented by the sample will be used.
- D. Acceptable samples will establish the standards by which the completed Work will be judged. Therefore, materials, finishes, and workmanship in the completed project shall be equal in every respect to that of the samples submitted and accepted.
- E. Samples of value may be returned to the Contractor for use in the project after review, analysis, comparison, and/or testing as may be required in the review process. One sample marked "resubmittal is not required" will be returned to the Contractor. Rejected samples will not be returned.
- F. Furnish one sample of the finally reviewed materials, colors, or textures to Engineer for final record. Such material samples shall carry on the back all identification as previously described. If the sample is paint, include manufacturer, mix and proportion, name of color, building, Contractor/Subcontractor, and surfaces to which it is to be applied.

1.7 CERTIFICATES OF COMPLIANCE

- A. Furnish a Certificate of Compliance for materials specified to a recognized standard or code prior to the use of any such materials in the work. The Engineer may permit the use of certain materials or assemblies prior to sampling and testing if accompanied by a Certificate of Compliance. The certificate shall be signed by the manufacturer of the material or the manufacturer of assembled materials and shall state that the materials involved comply in all respects with the requirements of the Specifications. A Certificate of Compliance shall be furnished with each lot of material delivered to the work and the lot so certified shall be clearly identified in the certificate.

- B. All materials used on the basis of a Certificate of Compliance may be sampled and tested at any time. The fact that material is used on the basis of a Certificate of Compliance shall not relieve the Contractor of responsibility for incorporating material in the Work which conforms to the requirements of the Contract Documents and any such material not conforming to such requirements will be subject to rejection whether in place or not.
- C. The Engineer reserves the right to refuse permission for use of material on the basis of a Certificate of Compliance.

1.8 ENGINEER'S REVIEW

- A. Engineer's review is only for general conformance with the design concept of the project and the information given in the Construction Documents. Neither the review nor any corrections or comment made on submittals during review relieves the Contractor from full compliance with the Contract Documents, including, but not limited to, the plans and specifications. *Engineer's* review of a specific item does not, nor shall it be construed to, include review of an assembly of which the item is a component. The Contractor is solely responsible for: all measurements, dimensions, quantities, materials, and proper fit up and interfacing of all components; all aspects of any fabrication process; the means, methods, techniques, sequences and procedures of construction; coordination of the work with that of all other trades; and performing all work in a safe and satisfactory manner.
- B. The returned submittal will indicate one of the following actions:
 - 1. Resubmittal not required - The review indicates that the submittal is in general conformance with the design concept and complies with the drawings and specifications. The Contractor may begin to implement the work method or incorporate the material or equipment covered by the submittal.
 - 2. Make corrections noted - The review indicates limited corrections are required as marked on the submittal. The Contractor may begin implementing the work method or incorporating the material and equipment covered by the submittal in accordance with the noted corrections. Where submittal information will be incorporated in O&M data, a corrected copy shall be provided.
 - 3. Revise & resubmit - The review reveals that the submittal is insufficient or contains incorrect data, or indicates that the material, equipment or work method is not in general conformance with the design concept or in compliance with the Drawings and Specifications. The Contractor shall not undertake work covered by such submittals until a new submittal is submitted.
 - 4. Rejected - The submittal was not accepted or reviewed.
- C. Engineer's review of submittals shall not relieve Contractor from responsibility for errors, omissions, deviations, or responsibility for compliance with the Contract Documents.

1.9 RESUBMITTALS

- A. Resubmittals shall be made within 30 days of the date of the review letter returning the material to be modified or corrected, unless within 14 days Contractor submits a request for an extension of the resubmittal time, listing the reasons the resubmittal cannot be completed within that time, and are approved by the Engineer.
- B. Contractor shall request an amendment to the Contract Documents, if the Contractor considers any correction indicated on the shop drawings to constitute a change to the Contract Documents.
- C. Resubmittals will be reviewed and returned in the same 14 day review period. It is considered reasonable that the Contractor shall make a complete and acceptable submittal by the second submission of a submittal item. Contractor shall verify that all exceptions previously noted by Engineer have been taken into account.
- D. Resubmittals shall have the original submittal number for that item followed by an alphabetic suffix. For example, if Submittal 33000-2 requires a resubmittal, the first resubmittal number will bear the designation "33000-2A" and the second resubmittal number will bear the designation "33000-2B".
- E. Resubmittals shall identify what revisions were made.
- F. The need for more than one resubmittal, or any other delay in obtaining Engineer's review of submittals, will not entitle Contractor to extensions of Contract Times unless the delay of the Work is the direct result of failure of Engineer to review and return any submittal to Contractor within the specified review period. Additionally, Contractor shall reimburse Owner for the charges of Engineer for review of the additional resubmissions. Monies due to the Contractor may be withheld to cover additional costs of any review beyond the second submittal.

1.10 SUBMITTALS FOR PROJECT CLOSEOUT

- A. When the following are specified in individual sections, submit them at project closeout, and according to Section 017800.
1. Project record documents
 2. Operation and maintenance data
 3. Warranties
 4. Bonds

PART 2 PRODUCTS (NOT USED)

PART 3 EXECUTION (NOT USED)

END OF SECTION

SECTION 015000
TEMPORARY FACILITIES AND CONTROLS

PART 1 GENERAL

1.1 SUMMARY

- A. This section Includes:
 - 1. Temporary Utilities: Water, sanitary facilities, electrical power, heating, lighting, ventilation.
 - 2. Temporary Controls: Site security, material storage, dust control, water control, noise control, safety, and fire danger.
 - 3. Construction Controls: Traffic Regulation, access roads and parking areas.
 - 4. Construction Facilities: Temporary field office, inspection hoist, and project sign.

1.2 ELECTRICAL POWER

- A. Provide for the purchase of power or provide portable power for the construction of the project where existing outlets are not available. Provide main service disconnect and overcurrent protection. Provide for the extension of utility lines to the point of usage. The cost of power shall be included in the appropriate bid items to which it is appurtenant and shall include full compensation for furnishing all labor, materials, tools, and equipment required to obtain and distribute power for construction purposes.
- B. Provide power outlets for construction operations, with branch wiring and distribution boxes. Provide flexible power cords as required for construction operations.
- C. Existing receptacles may be utilized during construction.

1.3 TEMPORARY BUILDING ENVIRONMENTAL CONTROLS

- A. HEATING
 - 1. Provide heating devices and heat as needed to maintain specified conditions for construction operations.
 - 2. Prior to operation of permanent equipment for temporary heating purposes, verify that installation is approved for operation, equipment is lubricated, and filters are in place. Provide and pay for operation, maintenance, and regular replacement of filters and worn or consumed parts.
- B. LIGHTING
 - 1. Provide and maintain lighting for construction operations to achieve a minimum lighting level of 2 watt/sq. ft.
 - 2. Provide branch wiring from power source to distribution boxes with lighting conductors, pigtails, and lamps as required.
 - 3. Maintain lighting and provide routine repairs.
 - 4. Permanent building lighting may be utilized during construction.
- C. VENTILATION
 - 1. Ventilate enclosed areas to assist cure of materials, to dissipate humidity, and to prevent accumulation of dust, fumes, vapors, or gases.

1.4 CONSTRUCTION WATER

- A. The Contractor shall make his own arrangements for developing water sources and supply labor and equipment to collect, load, transport, and apply water as necessary for compaction of materials, concrete construction operations; testing; dust control; and other construction use.
- B. Obtain water from private sources. Payment for costs connected with utilization of the source shall be made by the Contractor. Water shall be clean and free from objectionable deleterious amounts of acids, alkalines, salts, or organic materials.
- C. Include the cost of construction water in the appropriate bid item to which it is appurtenant. The cost shall include full compensation for furnishing all labor, materials, tools, and equipment and doing all the work necessary to develop a sufficient water supply and furnishing the necessary equipment for applying the water as described in these specifications.
- D. Coordinate the use of water for any construction related purpose with the water utility and Engineer. Provide 24 hour notice prior to withdrawing water from any source.

1.5 SANITARY FACILITIES

- A. Contractor shall provide and maintain adequate fixed or portable chemical sanitary toilet facilities on the job site, and conform to local health codes which govern in the project area. Toilets at construction job sites shall conform to the requirements of Part 1926 of the OSHA Standards for Construction.
- B. The Contractor shall maintain the sanitary facilities in a satisfactory and sanitary condition at all times and shall enforce their use. He shall rigorously prohibit the committing of nuisances on the site of the Work, on the lands of the Owner, or an adjacent property.
- C. Contractor's use of Owner's facilities will not be allowed.

1.6 CONSTRUCTION SITE SECURITY

- A. Provide barriers to prevent unauthorized entry to construction areas, to protect adjacent properties from damage from construction operations, and to serve as warnings for dangerous areas and excavations.
- B. Provide security and facilities to protect Work, and Owner's operations from unauthorized entry, vandalism, or theft. The Owner is not responsible for the security of the site or structures.
- C. Protect non-owned vehicular traffic, stored materials, site, and structures from damage.
- D. Provide a security fence around construction site or storage area; equip with vehicular gates with locks. Provide keys to Owner and Engineer. If gates are chained, allow Contractor and Owner padlocks to be linked together so either party can unlock the gate.
- E. Provide security lighting.

1.7 MATERIAL STORAGE

- A. Storing and Protecting Materials
 - 1. Store and protect products in accordance with manufacturer's instructions, with seals and labels intact and legible. Store sensitive products in weather-tight, climate-controlled enclosures.
 - 2. For exterior storage of fabricated products, place on sloped supports, above ground.
 - 3. Cover products subject to deterioration with impervious sheet covering. Provide ventilation to avoid condensation.
 - 4. Store loose granular materials on solid surfaces in a well-drained area. Prevent mixing with foreign matter.
- B. Storage Areas
 - 1. Generally, storage areas shall be provided within the designated staging area. The staging area is general and does not indicate limits of construction. Responsibility for protection and safekeeping of equipment and materials at or near the sites will be solely that of the Contractor and no claim shall be made against the Owner by reasons of any act of an employee or trespasser. Should an occasion arise necessitating access to an area occupied by stored equipment and/or materials, the Contractor shall immediately move them. No equipment or materials shall be placed upon the Owner's property until it is acceptable to the Owner
 - 2. Provide off-site storage and protection when site does not permit on-site storage or protection.
 - 3. Arrange storage of products to permit access for inspection. Periodically inspect to assure products are undamaged and are maintained under specified conditions.
 - 4. Upon completion of the Contract, the Contractor shall remove from the storage areas all of their equipment, temporary fencing, surplus materials, rubbish, and restore the areas.

1.8 DUST CONTROL

- A. Perform dust control operations to prevent construction operations from producing dust in amounts harmful to persons or causing a nuisance to persons living nearby or occupying buildings in the vicinity of the work. Use water or dust preventative to control dust. May be tied to SWPPP requirements.

1.9 WATER CONTROL

- A. Work to be performed may require draining, pumping, dewatering, and certain cleaning operations necessary to complete the work as specified and as indicated on the drawings. It is the intent of these specifications that such draining, pumping, dewatering, and cleaning operations shall be the obligation of the Contractor
- B. Make provisions for maintaining proper drainage of the work area. Preserve and maintain natural drainage patterns. Remedy situations which could cause excessive erosion including the use of drainage checks or water bars on slopes subject to erosion.

1.10 NOISE CONTROL

- A. Maintain equipment, particularly muffling systems on internal combustion engines, so that acceptable noise levels are not exceeded. If on-site generators are used, locate it in area where the sound will be least offensive.
- B. Provide sound barriers as shown on the drawings.

1.11 SAFETY

- A. The Contractor shall alone be responsible for the safety, efficiency, and adequacy of the plant, appliances and methods, and for any damage which may result from their failure or their improper construction, maintenance or operation.
- B. Contractor shall have a man available 24 hours a day who can be contacted at any time in case of an emergency caused by the construction operations. Name, address, and telephone number of this person shall be filed with the Owner.
- C. All open trenches and other excavations shall be provided with suitable barriers, signs, and lights to the extent that adequate protection is provided to the public against accident by reason of such open construction. All open trenches shall be backfilled or must be barricaded, at the end of each working day.
- D. All barricades, signs, warning lights and other protective devices shall be installed and maintained in conformance with applicable statutory requirements, and, where within highway right-of-way, as required by the authority having jurisdiction.
- E. Materials or equipment in or alongside public streets, roads and highways shall be so placed that the work at all times shall be so conducted as to cause the minimum obstruction and inconvenience to the traveling public. These obstructions shall be provided with barricades, signs, warning lights and other protective devices.
- F. Safety Data Sheets (SDS) shall be provided to the Owner for all materials stored/used during construction of the project.

1.12 FIRE DANGER

- A. Minimize fire danger in the vicinity of and adjacent to the construction site. Provide labor and equipment to protect the surrounding private property from fire damage resulting from construction operations.
- B. All fire hydrants and water control valves shall be kept free from obstruction and available for use at all times.

1.13 INSPECTION AIDS

- A. Contractor shall provide power driven equipment for hoisting Owner's representative for inspection purposes.

1.14 TRAFFIC REGULATION

- A. Contractor shall maintain traffic and protect the public from all damage to persons and property within the contract limits, in accordance with all applicable state, local, and city regulations. The Contractor shall conduct its operations so as to maintain and protect access for vehicular and pedestrian traffic to and from all properties and business establishments adjoining or adjacent to those streets affected by its operations, and to subject the public to a minimum of delay and inconvenience. Suitable signs, barricades, railing, etc. shall be erected and the work outlined by adequate lighting at night. Danger lights shall be provided as required. Watchmen and flagmen shall be provided as may be necessary for the protection of traffic.
- B. The Contractor shall notify the owner or occupant (if not owner-occupied) of the closure of the driveways to be closed more than one eight-hour work day, at least three working days prior to the closure. The Contractor shall minimize the inconvenience and minimize the time period that the driveways will be closed. The Contractor shall fully explain to the owner/occupant how long the work will take and when closure is to start.

1.15 PROJECT SIGN

- A. A project sign is not required for this project.

PART 2 PRODUCTS (NOT USED)

PART 3 EXECUTION (NOT USED)

END OF SECTION

THIS PAGE INTENTIONALLY LEFT BLANK

SECTION 015713
TEMPORARY EROSION AND SEDIMENT CONTROL

PART 1 GENERAL

1.1 SUMMARY

- A. Stormwater Pollution Prevention Plan (SWPPP)
- B. Erosion Control Measures
- C. Velocity and Flow Control Measures
- D. Sediment Control Measures
- E. Application/Installation of Measures
- F. Removal/Replacement of Measures

1.2 DESCRIPTION OF WORK

- A. Furnish all materials; install, construct, maintain, and remove specified erosion control devices; at locations specified in the contract documents, or where specified by the Engineer.
- B. Complete the required construction work on this project, while minimizing soil erosion and controlling water pollution. Maintain these features as specified, from initial construction stages to final completion of the project.

1.3 SUBMITTALS

- A. Comply with Section 013300.
- B. Upon request, provide copies of all records and documentation related to compliance with the SWPPP.

1.4 SCHEDULING AND CONFLICTS

- A. Comply with the following:
 - 1. Implement erosion and sediment control measures at the appropriate time(s).
 - 2. Coordinate construction to minimize damage to erosion and sediment control devices.

1.5 SPECIAL REQUIREMENTS

- A. Protection of Property: Prevent accumulation of soil, sediment, or debris from project site onto adjoining public or private property. Remove any accumulation of soil or debris immediately and take remedial actions for prevention.
- B. Permit Compliance: When applicable, conduct all operations in compliance with the SWPPP. Labor, equipment, or materials not included as a bid item, but necessary to prevent stormwater contamination from construction related sources, are considered incidental. Incidental work related to compliance with the permit may include, but is not limited to: hazardous materials protection, fuel containment, waste disposal, and providing employee sanitary facilities.

- C. Project Staging: Replacing erosion and sediment control practices that are damaged or removed by the contractor in a manner that is inconsistent with the current project staging or SWPPP is the Contractor's responsibility and will be at the Contractor's expense.

PART 2 PRODUCTS – NOT USED

PART 3 EXECUTION

3.1 SWPPP PREPARATION

- A. Prepare a SWPPP according to the requirements of the State.
- B. Have the SWPPP prepared by an individual experienced in erosion and sediment control.
- C. Ensure that controls utilized in the SWPPP conform to the type and quantity of erosion and sediment controls required.
- D. Submit the completed SWPPP to the Engineer for review and approval prior to filing.
- E. Upon approval of the Engineer, submit and pay fee as appropriate.

3.2 SWPPP MANAGEMENT

- A. Update the SWPPP according to the requirements of the State.
- B. Revise the SWPPP and implement changes, as necessary, to prevent sediment or hazardous materials from being transported off the site.
- C. Submit all SWPPP revisions to the Engineer for review and approval.
- D. Perform and maintain records of erosion and sediment control site inspections, unless otherwise specified in the contract documents.
- E. Retain all records on-site.
- F. Provide all records and documentation to the Engineer upon completion of the project.

3.3 EROSION AND SEDIMENT CONTROL INSPECTION

- A. Perform inspections following rainfall events in excess of ½ inch.
- B. Notify the Engineer immediately of situations requiring attention beyond that provided for in the contract documents.
- C. Provide copies of the inspection reports to the Engineer.

END OF SECTION

**SECTION 016400
OWNER-FURNISHED PRODUCTS**

PART 1 GENERAL

1.1 SUMMARY

- A. This section generally describes the logistical aspects of equipment and materials that will be furnished by the Owner.

1.2 OWNER FURNISHED EQUIPMENT AND MATERIALS

- A. The Contractor shall include in his Contract price or prices all costs in connection with handling, storing, protecting, and installing materials, supplies, or equipment furnished by the Owner and shall make good all losses and breakage due to carelessness or negligence while same are in his possession. The obligations of the Contractor under this section shall not extend to defective materials or equipment supplied by the Owner, and the Owner will reimburse the Contractor for Contractor's cost, for work in relation to defective material supplied by the Owner.
- B. Equipment and material furnished by Owner and in current inventory will be:
 - 1. Blowers and Blower Control Panels (BLWR 231,232,631; CP-231; CP-631)
 - 2. Pumps (with Appurtenances) and Pump Control Panels (P-621; CP-621)
 - 3. Diffusers (MBBR/ Sludge Digester/Post-Aeration) (DIF-231,232,233; DIF-631,632; DIF-431)
 - 4. Refer to "Delivery of Equipment" subsection below for delivery method to site and location of materials.
- C. A copy of the approved shop drawings and installation requirements for the Owner furnished equipment will be made available to the Contractor during bidding process.
- D. A copy of the specifications, purchase order and manufacturer's information for Owner furnished equipment will be made available to the Contractor during the bidding process.

1.3 DELIVERY OF EQUIPMENT

- A. The Owner will provide furnished equipment to the project site. The Contractor shall provide a crane and labor to unload the Owner furnished equipment.

1.4 CONTRACTOR'S RESPONSIBILITIES

- A. Contractor shall review specifications, manufacturer's information, approved shop drawings and installation requirements for the Owner furnished equipment.
- B. Contractor shall carefully examine each shipment of Owner furnished equipment or material upon arrival. Defective items shall be brought to the attention of the Engineer. Upon inspection and acceptance by the Contractor, the Contractor shall assume custody, and provide insurance for and be responsible for the Owner furnished equipment and materials from the point of delivery on. The Owner furnished equipment and materials shall be properly handled to prevent damage. The Owner will not accept title to the equipment until the project is substantially complete.
- C. Damaged or misplaced Owner furnished items shall be replaced by the Contractor. Replacements shall conform to the original equipment specifications.
- D. Contractor to install all equipment and materials, Owner furnished and otherwise.

1.5 OWNER-FURNISHED TECHNICAL ASSISTANCE

- A. Field service representatives from manufacturers will be provided for Owner furnished equipment will be provided in accordance with the purchase orders, specifications, and agreements with the Owner furnished equipment suppliers. Contractor will be responsible for coordinating with manufacturer's representative for providing necessary services.
- B. The Owner-furnished equipment manufacturers will provide technical services at no cost to the Contractor, as detailed in the agreements between Owner and the manufacturers.

- C. If the Contractor requires additional time from manufacturer representatives for installation supervision or assistance, installation review, instrumentation calibration, or other field services beyond what is detailed in the agreements between the Owner and the manufacturers, the Contractor shall include these costs in their bid. No additional charges by manufacturers will be paid by Owner for manufacturer's services.

PART 2 PRODUCTS (NOT USED)

PART 3 EXECUTION (NOT USED)

END OF SECTION

SECTION 017000
EXECUTION

PART 1 GENERAL

1.1 SUMMARY

- A. This section includes lands and rights-of-way, underground utility locations, construction layout and staking, methods of operation, salvage of materials and equipment, and cutting and patching.

1.2 MOBILIZATION AND NOTIFICATIONS

- A. Contractor shall notify Engineer and Owner seven working days in advance of startup of construction operations, addition of work crews, or major increase in work force.

1.3 UNDERGROUND UTILITY LOCATIONS

- A. Utility locations are generally not shown on the Drawings. If shown, the locations of the utilities depicted on the Contract Drawings are not to be considered exact. The approximate utility locations, where shown, were derived from data obtained from generalized large-scale utility company supplied drawings or from prior facility construction drawings. The actual location of existing utilities is the sole responsibility of the Contractor. Those shown on the plans are given to call particular attention to areas of special concern.
- B. The Contractor shall make his own investigations including exploratory excavations as needed to determine the locations and type of existing utilities to be encountered. Any work associated with crossing or paralleling a particular utility shall be subsidiary to the work as stipulated in General Conditions.
- C. The utilities anticipated to be affected, if any, by this Project are indicated on the Contract drawings. The utilities shown are not intended to be a complete or an all-inclusive. Other utilities may exist in the Project area and may not be shown. The Contractor shall be responsible for contacting all affected utilities; municipalities, local, County, State, and Federal entities whether or not they are shown or listed.
- D. The Contractor shall coordinate all work which parallels, crosses, or is in the vicinity of a given utility with the Owner of that particular utility. The Contractor shall notify all utilities and underground service agencies in advance of work scheduled or envisioned and arrange to have their respective services located. Upon exposing a utility or underground service, the respective service agency shall be contacted by the Contractor, such that an inspection of the service can be made by the utility (if desired) prior to backfilling. The Contractor shall obtain acceptance, in writing, from the utility regarding the preservation of their respective service during construction.
- E. Should any facility, either underground or overhead, be unexpectedly encountered or damaged during construction, the Contractor shall immediately notify a representative of the company involved and take such steps as necessary for protection of the general public and his own personnel.

1.4 CONSTRUCTION LAYOUT AND STAKING

- A. All work under this Contract shall be constructed in accordance with the lines and grades shown on the Contract Drawings or as directed by the Engineer. Elevation of existing ground, structures and appurtenances are believed to be reasonably correct, but are not guaranteed to be absolute and therefore are presented only as an approximation. Any error or apparent discrepancy in the data shown or omissions of data required for accurately accomplishing the stakeout survey shall be referred immediately to the Engineer for interpretation or correction.

- B. The Owner will establish reference points for construction, which in the judgment of the Engineer are necessary to enable the Contractor to proceed with the Work. The reference points shall be basic horizontal and vertical control points in the project area. Preserve these points and transfer from them distances and elevations necessary for the execution of the structural and piping work. These points shall be used as datum for work under this contract.
- C. The Contractor will furnish construction staking to execute the work as described below. The Contractor shall provide an experienced instrument man, competent assistants, and such instruments, tools, stakes, and other materials required to complete the survey, layout, and measurement work.
- D. The Contractor shall be responsible to preserve benchmarks, reference points, stakes, property pins, and all other survey location items. In case of destruction by the Contractor or resulting from his negligence, he shall be held liable for any expense and damage and shall be responsible for any mistakes that may be caused by the unnecessary loss or disturbance of such benchmarks, reference points and stakes.

1.5 LAYOUT MODIFICATIONS

- A. Should the Contractor desire a revision in the designated alignment or location he shall make said request to the Owner's Representative. The decision of the Owner's Representative is final.
- B. Alignment changes may be proposed and staked by Contractor for review in field by the Owner's Representative and/or Owner. Contractor may propose differences or deviations of the work to avoid disturbances, surface obstructions, easement changes. Reroutes may be authorized by the Owner or Owner's Representative based on staked field conditions. Alignment changes agreed upon by Owner or Owner's representative shall be recorded by the Contractor on the Record Drawings. Field Orders will be issued by the Owner's Representative to document significant changes in alignment.
- C. Adjustment for actual quantities installed for the pipeline and appurtenances, if different from the drawings, will be paid for in accordance with Contract Documents.

1.6 OWNER'S CONSTRUCTION REPRESENTATIVE AT PROJECT SITE

- A. The Owner may appoint or employ a person(s) to work as the Construction Representative on the project. The Owner's Representative shall represent the Owner as specifically set forth in the Contract, and shall observe the work performed under this Contract to the end that such work is performed in substantial accordance with the drawings and specifications. Such observation shall in no way remove any obligations on the part of the Contractor to provide all required supervision and quality control necessary to perform the work in accordance with the Contract.
- B. If the Owner's Representative observes departures from the drawings and specifications, the Owner's Representative will call them to the attention of the Contractor, who shall promptly correct the unsatisfactory conditions. If the Contractor believes there has been no departure from the drawings and specifications, the Contractor may make written appeal.
- C. The presence or absence of the Owner's Representative, or the failure of the Owner's Representative to detect faulty work shall in no way relieve the Contractor from his obligation to perform the work strictly in accordance with the drawings and specifications.
- D. The Owner's Representative shall have no authority to permit any deviation from the drawings and specifications, except on written Change Order or Field Order as applicable. The Contractor will be liable for any deviation, except on such written order.

1.7 METHODS OF OPERATION

- A. The Contractor shall inform the Owner in advance concerning his plans for carrying on each part of the work, but the Contractor alone shall be responsible for the safety, adequacy, and efficiency of his plant, equipment, and methods.
- B. Any method of work suggested by the Owner or Engineer, but not specified, shall be used at the risk and responsibility of the Contractor; and the Engineer and Owner will assume no responsibility therefor.
- C. Review by the Owner or Engineer of any plan or method of work proposed by the Contractor shall not relieve the Contractor of any responsibility therefor, and such review shall not be considered as an assumption of any risk or liability by the Owner or Engineer, or any officer, agent, or employee thereof. The Contractor shall have no claim because of the failure or inefficiency of any plan or method so reviewed.

- D. The Owner and the Engineer will not be responsible for any act or omission of the Contractor, or any subcontractor, or any of their agents or employees, or any other persons performing any of the work. The Owner and Engineer will not be responsible for any failure of the Contractor or his subcontractors or any other persons to perform the work in accordance with the requirements of the Contract Documents.

1.8 UNFAVORABLE CONSTRUCTION CONDITIONS

- A. During unfavorable weather, wet ground, or other unsuitable construction conditions, Contractor shall confine his operations to work which will not be affected adversely by such conditions. No work shall be constructed under conditions that would adversely affect the quality, unless the Contractor takes special precautions to perform the work in a proper and satisfactory manner.

1.9 OBSTRUCTIONS

- A. Any street signs, traffic signs, posts, mailboxes, guard fence, standards, yard lights or other similar obstructions shall be removed, properly stored and reset or salvaged to the Owner as directed by the Engineer.
- B. Trees and shrubs that are encountered in the vicinity of the proposed facilities shall be removed only if deemed necessary by the Engineer.
- C. Existing fences (including chain link fences) interfering with the construction operations shall be maintained by the Contractor until completion of the work affected thereby, unless written permission is obtained from the owner to leave an interfering fence dismantled for any agreed period of time. On completion of the work the Contractor shall restore all fences to their original or to a better condition and to their original location or as shown on the plans
- D. All property pins, section corners or other monuments moved and/or destroyed by the Contractor's operations shall be replaced and reset. Replacement and resetting shall be done by a professional Engineer or Surveyor paid by the Contractor at no additional cost to the Owner.

PART 2 PRODUCTS (NOT USED)

PART 3 EXECUTION (NOT USED)

END OF SECTION

This Page Intentionally Left Blank

SECTION 017800
CLOSEOUT SUBMITTALS

PART 1 GENERAL

1.1 SUMMARY

- A. This section includes closeout submittals, operation and maintenance data, warranties, spare parts and maintenance materials, and project records.

1.2 SUBMITTALS

- A. Submit written certification that Contract Documents have been reviewed, Work has been inspected, and that Work is complete in accordance with Contract Documents and ready for Engineer's review. A partial list of such items appears below, but it shall be the Contractor's responsibility to submit any other items which are required in the Contract Documents:
1. Written test results of project components, where required.
 2. Performance affidavits for equipment, where required.
 3. Certificates of inspection and acceptance by local governing agencies having jurisdiction.
 4. Keys, padlocks, and other items not considered spare parts or maintenance materials.
 5. Clearances of all property owners for work requiring site restoration caused by Contractor's operations.
- B. Provide final submittals to Engineer that are required by governing or other authorities.
- C. Submit final Application for Payment identifying total adjusted quantities, and final change order if required.

1.3 OPERATION AND MAINTENANCE DATA

- A. Submit data bound in 8-1/2 x 11-inch text pages, three ring binders with metal hinges.
- B. Prepare binder cover with printed title "OPERATION AND MAINTENANCE INSTRUCTIONS", title of project, and subject matter of binder when multiple binders are required.
- C. Internally subdivide the binder contents with permanent page dividers, logically organized as described below; with tab titling clearly printed under reinforced laminated plastic tabs.
- D. Contents: Prepare a Table of Contents for each volume, with each Product or system description identified, typed on white paper, in three parts as follows:
1. Section 1: Directory, listing names, addresses, and telephone numbers of Engineer, Contractor, Subcontractors, and major equipment suppliers.
 2. Section 2: Operation and maintenance instructions, arranged by specification section. For each category, identify names, addresses, and telephone numbers of Subcontractors, suppliers and manufacturers. Identify the following:
 - a. Significant design criteria.
 - b. List of equipment.
 - c. Parts list for each component.
 - d. Operating instructions.
 - e. Maintenance instructions for equipment and systems.
 - f. Maintenance instructions for finishes, including recommended cleaning methods and materials, and special precautions identifying detrimental agents.
 3. Section 3: Project documents and certificates, including the following:
 - a. Air and water balance reports.
 - b. Certificates.

- c. Photocopies of warranties and bonds.
- E. Submit 1 draft copy of completed volumes 30 days prior to final inspection. This copy will be reviewed and returned after final inspection, with Engineer comments. Revise content of all document sets as required prior to final submission.
- F. Submit the required number of sets of revised final volumes within 30 days after receipt of Engineer's comments.

1.4 SPARE PARTS AND MAINTENANCE MATERIALS

- A. Provide products, spare parts, maintenance, and extra materials in quantities specified in individual specification sections.
- B. Deliver to Project site and place in location as directed; obtain receipt prior to final payment.
- C. Contractor shall furnish an inventory listing of all spare parts for each piece of equipment using the form included at the end of this section, or similar form.

1.5 WARRANTIES

- A. Provide notarized copies of all warranties.
- B. Execute and assemble transferable warranty documents from Subcontractors, suppliers, and manufacturers.
- C. Provide Table of Contents and assemble in three ring binder similar to O&M manuals.
- D. Submit prior to final Application for Payment.
- E. For items of Work delayed beyond date of Substantial Completion, provide updated submittal within 10 days after acceptance, listing date of acceptance as start of warranty period.

1.6 PROJECT RECORDS

- A. Specifications: Contractor shall legibly mark and record at each Product section description of actual Products installed, including the following:
 - 1. Manufacturer's name and product model and number.
 - 2. Product substitutions or alternates utilized.
 - 3. Changes made by Addenda and modifications.
- B. Drawings: Contractor shall legibly mark each item to record actual construction including:
 - 1. Measured depths of foundations in relation to finish floor datum.
 - 2. Measured horizontal and vertical locations of underground utilities and appurtenances, referenced to permanent surface improvements.
 - 3. Measured locations of internal utilities and appurtenances concealed in construction, referenced to visible and accessible features of the Work.
 - 4. Field changes of dimension and detail.
 - 5. Details not on original Contract drawings

PART 2 PRODUCTS (NOT USED)

PART 3 EXECUTION (NOT USED)

END OF SECTION

SECTION 024100
DEMOLITION

PART 1 GENERAL

1.1 SUMMARY

- A. The removal and or reuse, salvage and disposal of materials and equipment necessary for the work to be performed as shown on the Drawings and as specified herein.
- B. Existing buildings, structures, boxes, pipes, pavements, curbs, and other items are to be removed, altered, salvaged, and disposed of as specified herein or indicated in the drawings.
- C. Equipment, material, and piping, except as specified to be salvaged for the Owner, or removed by others, within the limits of the demolition, excavations, and backfills, will become the property of the Contractor and shall be removed from the project site. The salvage value of this equipment, materials, and piping shall be reflected in the contract price.

1.2 PROCEDURES

- A. Procedures to be used for the removal of all types of materials shall provide for careful removal and disposition of materials specified to be salvaged, protection of property which is to remain undisturbed, coordination with other work in progress, and timely disconnection of utility services. Existing property which is damaged by the Contractor's operations shall be repaired or replaced in kind by the Contractor at no additional cost to the Owner.
- B. Existing Utilities: The Contractor shall notify the Owner and other proper authorities concerned not less than seven days before starting work in any area. He shall furnish all necessary information as to the nature and extent of the work and shall obtain their cooperation and instructions in locating and protecting all underground pipes, cables, and other utilities. All utility line locations shown on the Drawings are approximate.
- C. Perform the work in a manner that will not damage parts of the structure not intended to be removed or to be salvaged for the Owner. If, in the opinion of the Owner's Representative, the method of demolition used may endanger or damage parts of the structure or affect the satisfactory operation of the facilities, promptly change the method when so notified by the Owner's Representative.
- D. Explosives: The use of explosives will not be permitted.

1.3 SUBMITTALS

- A. Submit shop drawings in accordance with the Section 013300.
- B. Shop Drawings: Indicate demolition and removal sequence and location of salvageable items. Include proposed method of demolition and provisions for erosion, dust, and noise control.
- C. Project Record Documents: Accurately record actual locations of capped utilities and subsurface obstructions. Indicate what fill materials were used in backfilling. Information is to be recorded in drawing form.
- D. Salvaged Material Data: Submit description of all salvaged materials, inspection data, and parts lists.

PART 2 PRODUCTS

2.1 MATERIALS

- A. Materials noted to be removed and not relocated, salvaged, or reused in the project shall be removed from the construction site and disposed of by the Contractor. Salvaged materials shall be delivered to an area designated by the Engineer or Owner.
- B. Do not reuse material salvaged from demolition work on this project, except as specifically shown or specified.

PART 3 EXECUTION

3.1 GENERAL

- A. During removal operations all persons and property shall be protected from injury or damage. The work shall proceed in a manner that will minimize the generation and spread of dust, flying particles and objectionable odors.

3.2 PROTECTION

- A. Before beginning any cutting or demolition work, the Contractor shall carefully survey the existing structures and examine the Drawings and specifications to determine the extent of the proposed construction activities. The Contractor shall take all necessary precautions to insure against damage to existing work to remain in place, to be reused, or to remain the property of the Owner, and any damage to such work shall be repaired or replaced as approved by the Engineer at no additional cost to the Owner. Repairing shall mean the restoration of a surface or item to a condition as near as practicable to match the existing adjoining surfaces unless otherwise noted, detailed, or specified. When repairing involves painting, special coatings, vinyl fabric, or other applied finish, refinish the entire surface plane (i.e., wall or ceiling), unless complete refinishing of the entire space is scheduled or specified. Repairing includes cleaning of soiled surfaces.
- B. Erect, and maintain temporary barriers and security devices, including warning signs and lights, and similar measures, for protection of the public, Owner, Contractor's employees, and existing improvements to remain. Method and materials of the partitions including adequate bracing shall be submitted to the Engineer for review.
- C. Provide temporary weather protection, where required.
- D. Mark location of utilities.

3.3 DISPOSITION BY CLASSIFICATION

- A. Disposition of materials and equipment shall be indicated on the plans by the following designations:
 - 1. Reinstall: Material or equipment to be reinstalled into the work shall be carefully removed from the existing location, shall be cleaned, and otherwise readied for reuse, and shall be protected from damage. Such items shall be reinstalled in accordance with applicable sections of these specifications covering new items of similar categories.
 - 2. Salvage: Materials and equipment to be salvaged shall be carefully removed, cleaned and delivered to a location on Owner's premises as designated by the Engineer or Owner. Final list of items to be salvaged is subject to the Owner's review.
 - 3. Remove: Materials and equipment to be removed shall be considered scrap and shall be disposed of by the Contractor. Removed concrete shall be disposed of off-site unless otherwise directed by the Owner or his representative. Final list of items to be scrapped is subject to the Owner's review.
 - 4. Abandon: Materials and equipment to be abandoned in place shall be properly taken out of service according to the methods identified in the project specifications.

3.4 CLEAN-UP

- A. Debris and rubbish: Remove debris and rubbish from the site daily.

- B. Debris Control: Remove and transport debris in a manner as to prevent spillage on streets or adjacent areas.
- C. Regulations: Local regulations regarding hauling and disposal apply.

3.5 REMOVALS - GENERAL

- A. All mechanical and electrical materials indicated to be salvaged shall be removed prior to initiating the scrapping/removal of the existing structure or facility.
- B. All removed structural steel, supports, grating, etc. shall be scrapped unless otherwise noted on the Drawings.
- C. Structures, Walls, and Partitions: Structure and finish shall be removed to the minimum required to remove and install piping. The Contractor shall limit the size of openings for removal. At locations where pipes are removed and not reinstalled, the openings or holes shall be completely filled in to match the surrounding area. At locations where pipes are removed and reinstalled, the openings or holes shall be filled in as shown on the Drawings or specified.
- D. Remove all reinforcement, anchor bolts, and other protruding elements that can cause a safety hazard.
- E. All sanitary sewer lines to be abandoned in place shall be pressure filled with flowable concrete fill as specified in the section entitled "Cast in Place Concrete" unless otherwise shown.
- F. Exposed pipes to be abandoned may be plugged at the ends in lieu of being completely removed.
- G. Underground structures to be abandoned in place shall be filled with concrete or flowable concrete fill to a depth not less than the crown elevation of the uppermost connecting sewer line. The remaining volume of the structures shall be filled with flowable concrete fill or granular fill compacted 90% standard Proctor density.

3.6 REMOVALS - ASBESTOS PIPE

- A. Removal procedures shall be in accordance with current federal and state regulations. Testing of material may be required unless the material has been classified.

END OF SECTION

THIS PAGE INTENTIONALLY LEFT BLANK.

SECTION 030510
LEAKAGE TESTING OF HYDRAULIC STRUCTURES

PART 1 GENERAL

1.1 SUMMARY

- A. This section describes the method of testing concrete and pre-cast concrete hydraulic structures for leakage.

1.2 RELATED WORK SPECIFIED ELSEWHERE

- A. Precast Concrete Utility Structures: 330516.

PART 2 PRODUCTS

2.1 PROVIDE WATER, PIPING, AND EQUIPMENT TO TEST CONCRETE STRUCTURES FOR LEAKAGE.

PART 3 EXECUTION

3.1 GENERAL

- A. Hydrostatically test any reinforced concrete basin which will contain water to determine that it is free of detectable leaks. Do not start leak testing or cleaning of surfaces until cast-in-place concrete has achieved its full 28-day compressive strength and joint sealants have set and cured a minimum of 14 days. Basins to be tested shall be in their final condition with all structural supporting members (slabs, beams, etc.) in place and at their full 28-day compressive strength.
- B. Prior to testing, thoroughly clean exposed surfaces, removing surface laitance and loose matter from walls and slabs. Remove wash water and debris from the structures by means other than washing through plant piping. Replace crystalline waterproofing if damaged by cleaning operations.
- C. Conduct testing before backfill is placed against walls and after concrete has attained the specified compressive strength, the concrete has cured, and joint sealants have set and cured a minimum of 14 days.

3.2 LEAKAGE TEST PROCEDURE

- A. Fill hydraulic structures to be subjected to leakage tests with water to the maximum operating liquid level line. Filling shall not exceed 3 feet of water depth per 24-hour period. Filling shall be at a uniform rate over a 24-hour period with continuous monitoring. For structures with adjacent bays, fill all bays simultaneously. Empty adjacent bays alternately. Repair any running leaks which appear during filling before continuing.
- B. Seed the floor slab of each hydraulic structure with one bag of cement per 1,000-square-foot surface area. Seeding shall take place after the test filling has reached 18 inches in depth. Detect leaks in construction and expansion joints with the aid of a diver. Stir cementitious deposits on the floor. Observe cement deposits flowing toward leaks and repair where the defect is located.
- C. After the structure has been kept full for 48 hours, it will be assumed for the purposes of the test that the absorption of moisture by the concrete in the structure is complete. Close all valves and gates to the structure and measure the change in water surface each day for a five-day period.
- D. During the test period, examine exposed portions of the structure, and mark visible leaks or damp spots. Repair visible leaks or damp spots after dewatering. If the drop in water surface in a 24-hour period exceeds 1/10 of 1% of the normal volume of liquid contained in the structure, the leakage shall be considered excessive. Crystalline waterproofing shall be assumed to be fully effective within three days after filling the structure. Repair leaks and damp spots that still exist three days after filling.
- E. If the leakage is excessive, drain the structure, repair leaks and damp spots, and refill the structure and again test for leakage. Continue this process until leaks have been repaired.
- F. Inspect the manholes of the underdrain system for evidence of leaks in floor slabs. If leaking is indicated, locate and repair.
- G. Repair visible leaks and damp spots whether leakage exceeds the allowable leakage or not. Repair leaks and damp spots with the same procedure that would otherwise be used to repair leakage in the event that the leakage test fails.
- H. Repairs and additional filling and testing (including the cost of water) shall be made by the Contractor at no additional cost to the Owner.

3.3 REPAIR METHODS

- A. Methods for repairing concrete not passing the leakage test and that for repairs of leaks and damp spots shall be as described in Section 033000.

END OF SECTION

SECTION 033000
CAST-IN-PLACE CONCRETE

PART 1 GENERAL

1.1 RELATED DOCUMENTS

- A. Drawings and general provisions of the Contract Documents, including Division 01 Specification Sections, apply to this Section.

1.2 SUMMARY

- A. Section includes cast-in-place concrete, including formwork, reinforcement, concrete materials, mixture design, placement procedures, and finishes, for the following:
 - 1. Footings.
 - 2. Foundation walls.
 - 3. Slabs-on-grade.
 - 4. Suspended slabs.
 - 5. Concrete toppings.
 - 6. Building frame members.
 - 7. Building and basin walls.

1.3 DEFINITIONS

- A. Cementitious Materials: Portland cement alone or in combination with one or more of the following: blended hydraulic cement, fly ash and other pozzolans, ground granulated blast-furnace slag, and silica fume; subject to compliance with requirements.

1.4 ACTION SUBMITTALS

- A. Product Data: For each type of product indicated.
- B. Design Mixtures: For each concrete mixture. The proposed mix designs shall be submitted by the contractor for review to the engineer of record. Mix design is the responsibility of the Contractor subject to the limitations of the Specifications. Review processing of this submission will be required only as evidence that the mix has been designed by qualified persons and that the minimum requirements of the Specifications have been met. Such review will in no way alter the responsibility of the Contractor to furnish concrete meeting the requirements of the Specifications relative to all criteria listed in the specification. Concrete mix design quantities and test results shall be submitted for review and shall be accepted before concrete work is started. Reports covering the source, quality, and proportions of the concrete materials used in the design mix should include the following information:
- C. Submit alternate design mixtures when characteristics of materials, Project conditions, weather, test results, or other circumstances warrant adjustments.
- D. Steel Reinforcement Shop Drawings: Placing drawings that detail fabrication, bending, and placement. Include bar sizes, lengths, material, grade, bar schedules, stirrup spacing, bent bar diagrams, bar arrangement, splices and laps, mechanical connections, tie spacing, hoop spacing, and supports for concrete reinforcement.
- E. Formwork Shop Drawings: Prepared by or under the supervision of a qualified professional engineer detailing fabrication, assembly, and support of formwork.
 - 1. Shoring and Reshoring: Indicate proposed schedule and sequence of stripping formwork, shoring removal, and reshoring installation and removal.
- F. Construction Joint Layout: Indicate proposed construction joints required to construct the structure.
 - 1. Location of construction joints is subject to approval of the Engineer.

1.5 INFORMATIONAL SUBMITTALS

- A. Submit shop drawings and samples in accordance with Section 013300.
- B. Material Certificates: For each of the following, signed by manufacturers:
 - 1. Cementitious materials.
 - 2. Admixtures.
 - 3. Form materials and form-release agents.
 - 4. Steel reinforcement and accessories.
 - 5. Fiber reinforcement.

6. Waterstops.
 7. Curing compounds.
 8. Floor and slab treatments.
 9. Bonding agents.
 10. Adhesives.
 11. Vapor retarders.
 12. Semirigid joint filler.
 13. Joint-filler strips.
 14. Repair materials.
- C. Material Test Reports: For the following, from a qualified testing agency, indicating compliance with requirements:
1. Aggregates. Provide certificates that aggregate comply with ASTM C 33. State weathering region limits of coarse aggregates: severe, moderate, or negligible. State basis of determining that alkali reactivity potential is negligible. Identify certifications and tests to actual materials to be used in the work. Provide additional tests and certifications for each change in material source. Provide an alternate materials source of aggregate if tests indicate that aggregates are reactive or possess severe weathering potential. Submit gradation analysis for fine and course aggregate with concrete mix designs. If deleterious substances are present, state the amount.
- D. Floor surface flatness and levelness measurements indicating compliance with specified tolerances.
- E. Field quality-control reports.
- F. Minutes of preinstallation conference.

1.6 QUALITY ASSURANCE

- A. Installer Qualifications: A qualified installer who employs on Project personnel qualified as ACI-certified Flatwork Technician and Finisher and a supervisor who is an ACI-certified Concrete Flatwork Technician.
- B. Manufacturer Qualifications: A firm experienced in manufacturing ready-mixed concrete products and that complies with ASTM C 1602 requirements for production facilities and equipment.
1. Manufacturer certified according to NRMCA's "Certification of Ready Mixed Concrete Production Facilities."
- C. Testing Agency Qualifications: An independent agency, qualified according to ASTM C 1077 and ASTM E 329 for testing indicated.
1. Personnel conducting field tests shall be qualified as ACI Concrete Field Testing Technician, Grade 1, according to ACI CP-1 or an equivalent certification program.
 2. Personnel performing laboratory tests shall be ACI-certified Concrete Strength Testing Technician and Concrete Laboratory Testing Technician - Grade I. Testing Agency laboratory supervisor shall be an ACI-certified Concrete Laboratory Testing Technician - Grade II.
- D. Source Limitations: Obtain each type or class of cementitious material of the same brand from the same manufacturer's plant, obtain aggregate from single source, and obtain admixtures from single source from single manufacturer.
- E. Welding Qualifications: Qualify procedures and personnel according to AWS D1.4, "Structural Welding Code - Reinforcing Steel."
- F. ACI Publications: Comply with the following unless modified by requirements in the Contract Documents:
1. ACI 301, "Specifications for Structural Concrete," Sections 1 through 5 and Section 7, "Lightweight Concrete."
 2. ACI 117, "Specifications for Tolerances for Concrete Construction and Materials."
 3. ACI 318, "Building Code requirements for Structural Concrete"
 4. ACI 350, "Code Requirements for Environmental Engineering Concrete Structures"
- G. Concrete Testing Service: Engage a qualified independent testing agency to perform material evaluation tests and to design concrete mixtures.
- H. Evaluation and Acceptance of Concrete
1. Evaluation and acceptance of the compressive strength of concrete shall be according to the requirements of ACI 318, Chapter 5 "Concrete Quality, Mixing, and Placing", and as specified herein.
 2. If any concrete fails to meet these requirements, immediate corrective action shall be taken to increase the compressive strength for all subsequent batches of the type of concrete affected.

3. All concrete which fails to meet ACI requirements and these specifications, is subject to removal and replacement at the cost of the Contractor.
- I. In the event tests on control specimens of concrete fall below the specified requirements, the Engineer may permit check tests for strengths to be made by means of typical cores drilled from the related part of the structure in accordance with ASTM C 42 and C 39. All costs associated with the failure to meet the specification requirements, including this type of testing and removal and replacement shall be borne by the Contractor.

1.7 DELIVERY, STORAGE, AND HANDLING

- A. Steel Reinforcement: Deliver, store, and handle steel reinforcement to prevent bending and damage.
- B. Waterstops: Store waterstops under cover to protect from moisture, sunlight, dirt, oil, and other contaminants.

PART 2 PRODUCTS

2.1 FORM-FACING MATERIALS

- A. Smooth-Formed Finished Concrete: Form-facing panels that will provide continuous, true, and smooth concrete surfaces. Furnish in largest practicable sizes to minimize number of joints.
 1. Plywood, metal, or other approved panel materials.
 2. Exterior-grade plywood panels, suitable for concrete forms, complying with DOC PS 1, and as follows:
 - a. High-density overlay, Class 1 or better.
 - b. Medium-density overlay, Class 1 or better; mill-release agent treated and edge sealed.
 - c. Structural 1, B-B or better; mill oiled and edge sealed.
 - d. B-B (Concrete Form), Class 1 or better; mill oiled and edge sealed.
- B. Rough-Formed Finished Concrete: Plywood, lumber, metal, or another approved material. Provide lumber dressed on at least two edges and one side for tight fit.
- C. Forms for Cylindrical Columns, Pedestals, and Supports: Metal, glass-fiber-reinforced plastic, paper, or fiber tubes that will produce surfaces with gradual or abrupt irregularities not exceeding specified formwork surface class. Provide units with sufficient wall thickness to resist plastic concrete loads without detrimental deformation.
- D. Pan-Type Forms: Glass-fiber-reinforced plastic or formed steel, stiffened to resist plastic concrete loads without detrimental deformation.
- E. Void Forms: Biodegradable paper surface, treated for moisture resistance, structurally sufficient to support weight of plastic concrete and other superimposed loads.
- F. Chamfer Strips: Wood, metal, PVC, or rubber strips, 3/4 by 3/4 inch, minimum.
- G. Rustication Strips: Wood, metal, PVC, or rubber strips, kerfed for ease of form removal.
- H. Form-Release Agent: Commercially formulated form-release agent that will not bond with, stain, or adversely affect concrete surfaces and will not impair subsequent treatments of concrete surfaces.
 1. Formulate form-release agent with rust inhibitor for steel form-facing materials.
- I. Form Ties: Factory-fabricated, removable or snap-off metal or glass-fiber-reinforced plastic form ties designed to resist lateral pressure of fresh concrete on forms and to prevent spalling of concrete on removal.
 1. Furnish units that will leave no corrodible metal closer than 1 inch to the plane of exposed concrete surface.
 2. Furnish ties that, when removed, will leave holes no larger than 1 inch in diameter in concrete surface.
 3. Furnish ties with integral water-barrier plates to walls indicated to receive dampproofing or waterproofing.
 4. Form ties for liquid retaining walls and walls below grade shall be provided with water stop washers located on the permanently embedded portions of the ties at the approximate center of the wall.
 5. Bolts and rods that are to be completely withdrawn shall be coated with a nonstaining bond breaker.
 6. The Contractor shall be responsible for the water tightness of the form ties and any repairs needed.

2.2 STEEL REINFORCEMENT

- A. Recycled Content of Steel Product may be utilized at proportions approved by Engineer.
- B. Reinforcing Bars: ASTM A 615, Grade 60, deformed.
- C. Low-Alloy-Steel Reinforcing Bars: ASTM A 706, deformed.
- D. Steel Bar Mats: ASTM A 184, fabricated from ASTM A 615, Grade 60, deformed bars, assembled with clips.
- E. Plain-Steel Wire: ASTM A 82.
- F. Deformed-Steel Wire: ASTM A 496.
- G. Plain-Steel Welded Wire Reinforcement: ASTM A 185, plain, fabricated from as-drawn steel wire into flat sheets.
- H. Deformed-Steel Welded Wire Reinforcement: ASTM A 497, flat sheet.

2.3 REINFORCEMENT ACCESSORIES

- A. Joint Dowel Bars: ASTM A 615, Grade 60, plain-steel bars, cut true to length with ends square and free of burrs.
- B. Epoxy-Coated Joint Dowel Bars: ASTM A 615, Grade 60, plain-steel bars, ASTM A 775 epoxy coated.
- C. Epoxy Repair Coating: Liquid, two-part, epoxy repair coating; compatible with epoxy coating on reinforcement and complying with ASTM A 775.
- D. Zinc Repair Material: ASTM A 780, zinc-based solder, paint containing zinc dust, or sprayed zinc.
- E. Bar Supports: Bolsters, chairs, spacers, and other devices for spacing, supporting, and fastening reinforcing bars and welded wire reinforcement in place. Manufacture bar supports from steel wire, plastic, or precast concrete according to CRSI's "Manual of Standard Practice," of greater compressive strength than concrete and as follows:
 - 1. For concrete surfaces exposed to view where legs of wire bar supports contact forms, use CRSI Class 1 plastic-protected steel wire or CRSI Class 2 stainless-steel bar supports.
- F. Bar Couplers: Reinforcing steel bar splicing couplers shall be a mechanical type as manufactured by Dayton Barsplice Inc., or equal. Use couplers which develop 125% of the specified yield strength of the reinforcing bars. Make field demonstrations and sample splicing prior to splicing bars being included into the work.

2.4 CONCRETE MATERIALS

- A. Cementitious Material: Use the following cementitious materials, of the same type, brand, and source, throughout Project:
 - 1. Portland Cement: ASTM C 150, Type I; gray.
 - a. Fly Ash: ASTM C 618, Class F.
 - b. Ground Granulated Blast-Furnace Slag: ASTM C 989, Grade 100 or 120.
 - c. The Portland cement shall contain not more than 0.60% alkalis. The term "alkalis" referred to herein is defined as the sum of the percentage of sodium oxide and 0.658 times the percentage of potassium oxide ($\text{Na}_2\text{O} + 0.658 \text{K}_2\text{O}$). These oxides shall be determined in accordance with ASTM C 114.
 - d. The Portland cement shall contain not more than 8% tricalcium aluminate.
 - e. A single brand of cement shall be used throughout the Work, and prior to its use, the brand shall be acceptable to the Engineer.
 - f. The cement shall be suitably protected from exposure to moisture until used. Cement that has become lumpy shall not be used. Sacked cement shall be stored in such a manner so as to permit access for inspection and sampling.
 - g. Certified mill test reports for each shipment of cement to be used shall be submitted to the Engineer if requested regarding compliance with these Specifications.
 - h. Fly ash shall have a carbon content of less than 4% as measured by the loss on ignition. 75% of the fly ash shall have a fineness of 45 microns or less.

- B. Silica Fume: ASTM C 1240, amorphous silica.
- C. Normal-Weight Aggregates: ASTM C 33, Class 3S; coarse aggregate or better, graded. Provide aggregates from a single source.
 - 1. Maximum Coarse-Aggregate Size: 1 inch nominal.
 - 2. Fine Aggregate: Free of materials with deleterious reactivity to alkali in cement.
 - 3. Coarse aggregates shall consist of well-graded, clean, hard, durable gravel, crushed gravel, crushed rock or a combination thereof. Coarse aggregates shall not contain any materials that are reactive with the alkalis in the cement when exposed to moisture. Where aggregate reactivity has not been established or tested, low-alkali cement shall be used.
 - 4. Fine aggregates shall be natural sand or a combination of natural and manufactured sand that are hard and durable.
 - 5. Combined aggregates shall be well graded from coarse to fine sizes, and shall be uniformly graded between screen sizes to produce a concrete that has optimum workability and consolidation characteristics. Where a trial batch is required for a mix design, the final combined aggregate gradations will be established during the trial batch process
 - 6. When tested in accordance with "Potential Reactivity of Aggregates (Chemical Method)" (ASTM C 289), the ratio of silica released to reduction in alkalinity shall not exceed 1.0.
 - 7. When tested in accordance with "Organic Impurities in Sands for Concrete" (ASTM C 40), the fine aggregate shall produce a color in the supernatant liquid no darker than the reference standard color solution.
 - 8. When tested in accordance with "Resistance to Abrasion of Small size Coarse Aggregate by Use of the Los Angeles Machine (ASTM C 131), the coarse aggregate shall show a loss not exceeding 42% after 500 revolutions, or 10.5% after 100 revolutions.
 - 9. When tested in accordance with "Soundness of Aggregates by Use of Sodium Sulfate or Magnesium Sulfate" (ASTM C 88), the loss resulting after five cycles shall not exceed 15% for fine or coarse aggregate when using sodium sulfate.
- D. Lightweight Aggregate: ASTM C 330, 1-inch; nominal maximum aggregate size.
- E. Water: ASTM C 1602.

2.5 ADMIXTURES

- A. Air-Entraining Admixture: ASTM C 260.
- B. Concrete used for liquid containing or retaining structures such as tanks, basins or other liquid retaining or holding structures shall include a crystalline waterproofing admixture such as that manufactured by Xypex Chemical Corp. Such admixture is to be provided for all elements of such liquid containing or retaining structures including top slabs and beams for closed tanks or basins. Equal admixtures from any other manufacturer are acceptable. Mix designs containing flyash shall use Xypex Admix C-500 or equal. Mix design without fly ash shall use Xypex Admix C-1000 or equal. Follow all manufacturer recommendations including dosage rates.
- C. Chemical Admixtures: Provide admixtures certified by manufacturer to be compatible with other admixtures and that will not contribute water-soluble chloride ions exceeding those permitted in hardened concrete. Do not use calcium chloride or admixtures containing calcium chloride.
 - 1. Water-Reducing Admixture: ASTM C 494, Type A.
 - 2. Retarding Admixture: Use where the air temperature at the time of placement is expected to be consistently over 80° F. ASTM C 494, Type B.
 - 3. Water-Reducing and Retarding Admixture: ASTM C 494, Type D.
 - 4. High-Range, Water-Reducing Admixture: ASTM C 494, Type F. High-Range, Water-Reducing and Retarding Admixture: ASTM C 494, Type G.
 - a. If the high range water reducing agent is added to the concrete at the batch plant, it shall be second generation type, W.R. Grace & Co. Daracem 100; BASF Pozzolith 430R, or equal. High range water reducer shall be added to the concrete after all other ingredients have been mixed and initial slump has been verified.
 - b. If the high range water reducer is added to the concrete at the job site, it shall be used in conjunction with a low range water reducer and shall be BASF Pozzolith 400N and Pozzolith MBL82, W.R. Grace & Co. WRDA 19 and WRDA 79, or equal. Concrete shall have a slump of 3 inches \pm 1/2 inch prior to adding the high range water reducing admixture at the job site. The high range water reducing admixture shall be accurately measured and pressure injected into the mixer as a single dose by an experienced

- technician. A standby system shall be provided and tested prior to each day's operation of the job site system.
- c. Concrete shall be mixed at mixing speed for a minimum of 30 mixer revolutions after the addition of the high range water reducer.
5. Plasticizing and Retarding Admixture: ASTM C 1017, Type II.
- D. Set-Accelerating Corrosion-Inhibiting Admixture: Use where the air temperature at the time of placement is expected to be consistently under 40° F. Commercially formulated, anodic inhibitor or mixed cathodic and anodic inhibitor; capable of forming a protective barrier and minimizing chloride reactions with steel reinforcement in concrete and complying with ASTM C 494, Type C.
1. Products: Subject to compliance with requirements, available products that may be incorporated into the Work include, but are not limited to, the following:
 - a. Axim Italcementi Group, Inc.; CATEXOL CN-CI.
 - b. BASF Construction Chemicals - Building Systems; Rheocrete CNI.
 - c. Euclid Chemical Company (The), an RPM company; ARRMATECT.
 - d. Grace Construction Products, W. R. Grace & Co.; DCI.
 - e. Sika Corporation; Sika CNI.
- E. Non-Set-Accelerating Corrosion-Inhibiting Admixture: Commercially formulated, non-set-accelerating, anodic inhibitor or mixed cathodic and anodic inhibitor; capable of forming a protective barrier and minimizing chloride reactions with steel reinforcement in concrete.
1. Products: Subject to compliance with requirements, available products that may be incorporated into the Work include, but are not limited to, the following:
 - a. BASF Construction Chemicals - Building Systems; Rheocrete 222+.
 - b. Cortec Corporation; MCI-2000.
 - c. Grace Construction Products, W. R. Grace & Co.; DCI-S.
 - d. Sika Corporation; FerroGard 901.
- G. Color Pigment: ASTM C 979, synthetic mineral-oxide pigments or colored water-reducing admixtures; color stable, nonfading, and resistant to lime and other alkalis.
1. Manufacturers: Subject to compliance with requirements, available manufacturers offering products that may be incorporated into the Work include, but are not limited to, the following:
 - a. ChemMasters.
 - b. Davis Colors.
 - c. Dayton Superior Corporation.
 - d. Hoover Color Corporation.
 - e. Lambert Corporation.
 - f. QC Construction Products.
 - g. Rockwood Pigments NA, Inc.
 - h. Scofield, L. M. Company.
 - i. Solomon Colors, Inc.
 2. Color: As indicated by manufacturer's designation.

2.6 FIBER REINFORCEMENT

- A. Carbon-Steel Fiber: ASTM A 820, deformed, minimum of *1.5 inches* long, and aspect ratio of *35 to 40*.
1. Products: Subject to compliance with requirements, available products that may be incorporated into the Work include, but are not limited to, the following:
 - a. Fiber: Type 1, Cold-Drawn Wire:
 - 1) Bekaert; Dramix.
 - 2) Fibercon International, Inc.; Fibercon Drawn Wire.
 - 3) Nycon, Inc.; Nycon SF Type I.
 - 4) Propex Concrete Systems Corp.; Novocon 1050.
 - 5) Sika Corporation; Sika Fiber SH.
 - b. Fiber: Type 2, Cut Sheet:
 - 1) Bekaert; Wiremix.
 - 2) Fibercon International, Inc.; Fibercon Cut Sheet.
 - 3) Nycon, Inc.; Nycon SF Type II.
- B. Synthetic Micro-Fiber: Monofilament polypropylene micro-fibers engineered and designed for use in concrete, complying with ASTM C 1116, Type III, 1/2 to 1-1/2 inches long.
1. Products: Subject to compliance with requirements, available products that may be incorporated into the Work include, but are not limited to, the following:

- a. Monofilament Micro-Fibers:
 - 1) Axim Italcementi Group, Inc.; Fibrasol II P.
 - 2) Euclid Chemical Company (The), an RPM company; Fiberstrand 100.
 - 3) FORTA Corporation; FORTA Econo-Mono.
 - 4) Grace Construction Products, W. R. Grace & Co.; Grace MicroFiber.
 - 5) Metalcrete Industries; Polystrand 1000.
 - 6) Nycon, Inc.; ProConM.
 - 7) Propex Concrete Systems Corp.; Fibermesh 150.
 - 8) Sika Corporation; Sika Fiber PPM.
- b. Fibrillated Micro-Fibers:
 - 1) Axim Italcementi Group, Inc.; Fibrasol F.
 - 2) Euclid Chemical Company (The), an RPM company; Fiberstrand F.
 - 3) FORTA Corporation; FORTA Econo-Net.
 - 4) Grace Construction Products, W. R. Grace & Co.; Grace Fibers.
 - 5) Nycon, Inc.; ProConF.
 - 6) Propex Concrete Systems Corp.; Fibermesh 300.
 - 7) Sika Corporation; Sika Fiber PPF.
- C. Synthetic Macro-Fiber: Polyolefin macro-fibers engineered and designed for use in concrete, complying with ASTM C 1116, Type III, 1 to 2-1/4 inches long.
 1. Products: Subject to compliance with requirements, available products that may be incorporated into the Work include, but are not limited to, the following:
 - a. 3M; Scotchcast Polyolefin Fibers 1".
 - b. Euclid Chemical Company (The), an RPM company; Tuf-Strand SF.
 - c. FORTA Corporation; FORTA FERRO.
 - d. Grace Construction Products, W. R. Grace & Co.; Strux 90/40.
 - e. Nycon, Inc.; XL.
 - f. Propex Concrete Systems Corp.; Fibermesh 650.
 - g. Sika Corporation; Sika Fiber MS.

2.7 WATERSTOPS

- A. Flexible Rubber Waterstops: CE CRD-C 513, with factory-installed metal eyelets, for embedding in concrete to prevent passage of fluids through joints. Factory fabricate corners, intersections, and directional changes.
 1. Manufacturers: Subject to compliance with requirements, available manufacturers offering products that may be incorporated into the Work include, but are not limited to, the following:
 - a. Greenstreak.
 - b. Williams Products, Inc.
 2. Profile: Flat, dumbbell with center bulb.
 3. Dimensions: 4 inches by 3/16 inch thick, nontapered.
- B. Flexible PVC Waterstops: CE CRD-C 572, [with factory-installed metal eyelets,] for embedding in concrete to prevent passage of fluids through joints. Factory fabricate corners, intersections, and directional changes.
 1. Manufacturers: Subject to compliance with requirements, available manufacturers offering products that may be incorporated into the Work include, but are not limited to, the following:
 - a. BoMetals, Inc.
 - b. Greenstreak.
 - c. Paul Murphy Plastics Company.
 - d. Vinylex Corp.
 2. Profile: Flat, dumbbell with center bulb.
 3. Dimensions: 4 inches by 3/16 inch thick; nontapered.
- C. Self-Expanding Butyl Strip Waterstops: Manufactured rectangular or trapezoidal strip, butyl rubber with sodium bentonite or other hydrophilic polymers, for adhesive bonding to concrete, 3/4 by 1 inch.
 1. Products: Subject to compliance with requirements, available products that may be incorporated into the Work include, but are not limited to, the following:
 - a. Carlisle Coatings & Waterproofing, Inc.; MiraSTOP.
 - b. CETCO; Volclay Waterstop-RX.
 - c. Concrete Sealants Inc.; Conseal CS-231.
 - d. Greenstreak; Swellstop.

- e. Henry Company, Sealants Division; Hydro-Flex.
 - f. JP Specialties, Inc.; Earth Shield Type 20.
- D. Self-Expanding Rubber Strip Waterstops: Manufactured rectangular or trapezoidal strip, bentonite-free hydrophilic polymer modified chloroprene rubber, for adhesive bonding to concrete, 3/8 by 3/4 inch.
- 1. Products: Subject to compliance with requirements, available products that may be incorporated into the Work include, but are not limited to, the following:
 - a. Adeka Ultra Seal/OCM, Inc.; Adeka Ultra Seal.
 - b. Greenstreak; Hydrotite.
 - c. Vinylex Corp.; Swellseal.

2.9 CURING MATERIALS

- A. Evaporation Retarder: Waterborne, monomolecular film forming, manufactured for application to fresh concrete.
- 1. Products: Subject to compliance with requirements, available products that may be incorporated into the Work include, but are not limited to, the following:
 - a. Axim Italcementi Group, Inc.; CATEXOL CimFilm.
 - b. BASF Construction Chemicals - Building Systems; Confilm.
 - c. ChemMasters; SprayFilm.
 - d. Conspec by Dayton Superior; Aquafilm.
 - e. Dayton Superior Corporation; Sure Film (J-74).
 - f. Edoco by Dayton Superior; BurkeFilm.
 - g. Euclid Chemical Company (The), an RPM company; Eucobar.
 - h. Kaufman Products, Inc.; Vapor-Aid.
 - i. Lambert Corporation; LAMBCO Skin.
 - j. L&M Construction Chemicals, Inc.; E-CON.
 - k. Meadows, W. R., Inc.; EVAPRE.
 - l. Metalcrete Industries; Waterhold.
 - m. Nox-Crete Products Group; MONOFILM.
 - n. Sika Corporation; SikaFilm.
 - o. SpecChem, LLC; Spec Film.
 - p. Symons by Dayton Superior; Finishing Aid.
 - q. TK Products, Division of Sierra Corporation; TK-2120 TRI-FILM.
 - r. Unitex; PRO-FILM.
 - s. Vexcon Chemicals, Inc.; Certi-Vex Envio Set.
- B. Absorptive Cover: AASHTO M 182, Class 2, burlap cloth made from jute or kenaf, weighing approximately 9 oz. / sq. yd. when dry.
- C. Moisture-Retaining Cover: ASTM C 171, polyethylene film or white burlap-polyethylene sheet.
- D. Water: Potable.
- E. Clear, Waterborne, Membrane-Forming Curing Compound: ASTM C 309, Type 1, Class B, nondissipating
- 1. Products: Subject to compliance with requirements, available products that may be incorporated into the Work include, but are not limited to, the following:
 - a. Anti-Hydro International, Inc.; AH Clear Cure WB.
 - b. BASF Construction Chemicals - Building Systems; Kure-N-Seal WB.
 - c. ChemMasters; Safe-Cure & Seal 20.
 - d. Conspec by Dayton Superior; Cure and Seal WB.
 - e. Cresset Chemical Company; Crete-Trete 309-VOC Cure & Seal.
 - f. Dayton Superior Corporation; Safe Cure and Seal (J-18).
 - g. Edoco by Dayton Superior; Spartan Cote WB II.
 - h. Euclid Chemical Company (The), an RPM company; Aqua Cure VOX; Clearseal WB 150.
 - i. Kaufman Products, Inc.; Cure & Seal 309 Emulsion.
 - j. Lambert Corporation; Glazecote Sealer-20.
 - k. L&M Construction Chemicals, Inc.; Dress & Seal WB.
 - l. Meadows, W. R., Inc.; Vocomp-20.
 - m. Metalcrete Industries; Metcure.
 - n. Nox-Crete Products Group; Cure & Seal 150E.
 - o. Symons by Dayton Superior; Cure & Seal 18 Percent E.
 - p. TK Products, Division of Sierra Corporation; TK-2519 WB.

- q. Vexcon Chemicals, Inc.; Starseal 309.
- F. Clear, Solvent-Borne, Membrane-Forming Curing and Sealing Compound: ASTM C 1315, Type 1, Class A.
 - 1. Products: Subject to compliance with requirements, available products that may be incorporated into the Work include, but are not limited to, the following:
 - a. BASF Construction Chemicals - Building Systems; Kure-N-Seal 25 LV.
 - b. ChemMasters; Spray-Cure & Seal Plus.
 - c. Conspec by Dayton Superior; Sealcure 1315.
 - d. Dayton Superior Corporation; Day-Chem Cure and Seal (J-22UV).
 - e. Edoco by Dayton Superior; Cureseal 1315.
 - f. Euclid Chemical Company (The), an RPM company; Super Diamond Clear; LusterSeal 300.
 - g. Kaufman Products, Inc.; Sure Cure 25.
 - h. Lambert Corporation; UV Super Seal.
 - i. L&M Construction Chemicals, Inc.; Lumiseal Plus.
 - j. Meadows, W. R., Inc.; CS-309/30.
 - k. Metalcrete Industries; Seal N Kure 30.
 - l. Right Pointe; Right Sheen 30.
 - m. Vexcon Chemicals, Inc.; Certi-Vex AC 1315.
 - 2. VOC Content: Curing and sealing compounds shall have a VOC content of 200 g/L or less when calculated according to 40 CFR 59, Subpart D (EPA Method 24).

2.10 SEALANT

- A. The joint sealant shall be a two-part, gray, nonstaining, nonsagging, polyurethane sealant, which cures at ambient temperature to a firm, flexible, resilient, tear-resistant rubber.
- B. Technical Requirements:

1. Consistency	Gun grade
2. Tack free time	72 hours maximum
3. Pot life	1 to 3 hours
4. Hardness	30 Shore A, +/-5
5. Elongation	50%
6. Tensile strength, ASTM D 412	200 psi
7. Peel strength on concrete	No loss of bond with 50% +/- movement
8. Temperature service range	-40 F to +150 F

- C. Backing Rod: Backing rod shall be an extruded closed-cell polyethulene foam road. The rod shall be 1/4 inch larger in diameter than the joint wideth. Where possible, provide full-length sections for the joint; minimize splices. Apply backup rod and bond breaker tape in expansion joints.
- D. Bond breaker tape shall be an adhesive-backed glazed butyl or polyethylene tape, which will adhere to the premolded joint material or concrete surface The tape shall be the same width as teh joint. The tape shall be compatible with the sealant.
- E. Expansion Joint Filler: Extruded closed-cell polyethalene foam equal in thickness to joint. Provide foam with tear off strip where joint to receive sealant.
- F. Pre-molded joint Filler: Joint filler shall be preformed, non-extruded type constructed of closed-cell neoprene conforming to ASTM D 1752. Type 1, as manufactured by W.R. Grace Company of Cambridge, Massachusetts; W. R. Meadows, Inc., Elgin, Illinois; or equal.

2.11 RELATED MATERIALS

- A. Expansion and Isolation-Joint-Filler Strips: ASTM D 1751, asphalt-saturated cellulosic fiber.
- B. Semirigid Joint Filler: Two-component, semirigid, 100 percent solids, epoxy resin with a Type A shore durometer hardness of 80 per ASTM D 2240.
- C. Bonding Agent: ASTM C 1059, Type II, non-redispersible, acrylic emulsion or styrene butadiene.
- D. Epoxy Bonding Adhesive: ASTM C 881, two-component epoxy resin, capable of humid curing and bonding to damp surfaces, of class suitable for application temperature and of grade to suit requirements, and as follows:

1. Types I and II, non-load bearing, for bonding hardened or freshly mixed concrete to hardened concrete.
- E. Reglets: Fabricate reglets of not less than 0.022 inch thick, galvanized-steel sheet. Temporarily fill or cover face opening of reglet to prevent intrusion of concrete or debris.
- F. Dovetail Anchor Slots: Hot-dip galvanized-steel sheet, not less than 0.034 inch thick, with bent tab anchors. Temporarily fill or cover face opening of slots to prevent intrusion of concrete or debris.
- G. Nonepoxy bonding agent shall be Larsen Weldcrete, Euclid Euco Weld, or equal.
- H. Nonshrink grout shall conform to ASTM C 1107 and shall be BASF Masterflow 713, Sika SikaGrout 212, or equal.

2.12 REPAIR MATERIALS

- A. Repair Underlayment: Cement-based, polymer-modified, self-leveling product that can be applied in thicknesses from 1/8 inch and that can be feathered at edges to match adjacent floor elevations.
 1. Cement Binder: ASTM C 150, portland cement or hydraulic or blended hydraulic cement as defined in ASTM C 219.
 2. Primer: Product of underlayment manufacturer recommended for substrate, conditions, and application.
 3. Aggregate: Well-graded, washed gravel, 1/8 to 1/4 inch or coarse sand as recommended by underlayment manufacturer.
 4. Compressive Strength: Not less than 4100 psi at 28 days when tested according to ASTM C 109.
- B. Repair Overlayment: Cement-based, polymer-modified, self-leveling product that can be applied in thicknesses from 1/4 inch (and that can be filled in over a scarified surface to match adjacent floor elevations).
 1. Cement Binder: ASTM C 150, portland cement or hydraulic or blended hydraulic cement as defined in ASTM C 219.
 2. Primer: Product of topping manufacturer recommended for substrate, conditions, and application.
 3. Aggregate: Well-graded, washed gravel, 1/8 to 1/4 inch or coarse sand as recommended by topping manufacturer.
 4. Compressive Strength: Not less than 5000 psi at 28 days when tested according to ASTM C 109.

2.13 CONCRETE MIXTURES, GENERAL

- A. Prepare design mixtures for each type and strength of concrete, proportioned on the basis of laboratory trial mixture or field test data, or both, according to ACI 301.
 1. Use a qualified independent testing agency for preparing and reporting proposed mixture designs based on laboratory trial mixtures.
- B. Cementitious Materials: Use fly ash, pozzolan, ground granulated blast-furnace slag, and silica fume as needed to reduce the total amount of portland cement, which would otherwise be used, by not less than 40 percent:
 1. Fly Ash: 25 percent.
 2. Combined Fly Ash and Pozzolan: 25 percent.
 3. Ground Granulated Blast-Furnace Slag: 50 percent.
 4. Combined Fly Ash or Pozzolan and Ground Granulated Blast-Furnace Slag: 50 percent portland cement minimum, with fly ash or pozzolan not exceeding 25 percent.
 5. Silica Fume: 10 percent.
 6. Combined Fly Ash, Pozzolans, and Silica Fume: 35 percent with fly ash or pozzolans not exceeding 25 percent and silica fume not exceeding 10 percent.
 7. Combined Fly Ash or Pozzolans, Ground Granulated Blast-Furnace Slag, and Silica Fume: 50 percent with fly ash or pozzolans not exceeding 25 percent and silica fume not exceeding 10 percent.
- C. Limit water-soluble, chloride-ion content in hardened concrete to 0.06 percent by weight of cement.
- D. Admixtures: Use admixtures according to manufacturer's written instructions.
 1. Use water-reducing admixture in concrete, as required, for placement and workability.
 2. Use water-reducing and retarding admixture when required by high temperatures, low humidity, or other adverse placement conditions.

3. Use water-reducing admixture in pumped concrete, concrete for heavy-use industrial slabs and parking structure slabs, concrete required to be watertight, and concrete with a water-cementitious materials ratio below 0.50.
 4. Use corrosion-inhibiting admixture in concrete mixtures where indicated.
- E. Color Pigment: Add color pigment to concrete mixture according to manufacturer's written instructions and to result in hardened concrete color consistent with approved mockup.
- F. Controlled Low Strength Material (Flowable Fill): Flowable fill shall be manufactured at plants that have qualified as an approved source in accordance with the Standard Operating Procedure for Ready-Mix Concrete
1. The Contractor shall submit mix design for flowable fill to the Engineer for approval. The following table lists the suggested mix design for flowable fill:

COMPONENT	QUANTITY
CEMENT TYPE 1	75-150 LB/YD3
FLY ASH	150-600 LB/YD3
WATER	MIX DESIGN SHALL PRODUCE A CONSISTENCY THAT WILL RESULT IN A FLOWABLE, SELF-LEVELING PRODUCT AT THE TIME OF PLACEMENT.
AIR	5%-15%
UNIT WEIGHT	100-125 LB/FT3

2.14 CONCRETE MIXTURES FOR BUILDING ELEMENTS

- A. Footings, Foundation Walls: Proportion normal-weight concrete mixture as follows:
1. Minimum Compressive Strength: 4500 psi at 28 days.
 2. Maximum Water-Cementitious Materials Ratio: 0.5
 3. Slump Limit: 5 inches for concrete with verified slump of 2 to 4 inches before adding high-range water-reducing admixture or plasticizing admixture.
 4. Air Content: 6 percent, plus or minus 1.5 percent at point of delivery for 1-inch nominal maximum aggregate size.
- B. Slabs-on-Grade: Proportion normal-weight concrete mixture as follows:
1. Minimum Compressive Strength: 4500 psi at 28 days.
 2. Minimum Cementitious Materials Content: 470 lb/cu. yd.
 3. Slump Limit: 5 inches, plus or minus 1 inch.
 4. Air Content: 6 percent, plus or minus 1.5 percent at point of delivery for 1-inch nominal maximum aggregate size.
 5. Air Content: Do not allow air content of trowel-finished floors to exceed 3 percent.
 6. Steel-Fiber Reinforcement: Add to concrete mixture, according to manufacturer's written instructions, at a rate of 50 lb/cu. yd.
- C. Suspended Slabs: Proportion normal-weight concrete mixture as follows:
1. Minimum Compressive Strength: 5000 psi at 28 days.
 2. Minimum Cementitious Materials Content: 470 lb/cu. yd.
 3. Slump Limit: 4 inches, plus or minus 1 inch.
 4. Air Content: 6 percent, plus or minus 1.5 percent at point of delivery for 1-inch nominal maximum aggregate size.
 5. Air Content: Do not allow air content of trowel-finished floors to exceed 3 percent.
 6. Steel-Fiber Reinforcement: Add to concrete mixture, according to manufacturer's written instructions, at a rate of 50 lb/cu. yd.
 7. Synthetic Micro-Fiber: Uniformly disperse in concrete mixture at manufacturer's recommended rate, but not less than 1.0 lb/cu. yd.
 8. Synthetic Macro-Fiber: Uniformly disperse in concrete mixture at manufacturer's recommended rate, but not less than 4.0 lb/cu. yd.

2.15 FABRICATING REINFORCEMENT

- A. Fabricate steel reinforcement according to CRSI's "Manual of Standard Practice."

2.16 CONCRETE MIXING

- A. Ready-Mixed Concrete: Measure, batch, mix, and deliver concrete according to ASTM C 94/C 94M and furnish batch ticket information.
 - 1. When air temperature is between 85 and 90 deg F, reduce mixing and delivery time from 1-1/2 hours to 75 minutes; when air temperature is above 90 deg F, reduce mixing and delivery time to 60 minutes.
- B. Project-Site Mixing: Measure, batch, and mix concrete materials and concrete according to ASTM C 1602. Mix concrete materials in appropriate drum-type batch machine mixer.
 - 1. For mixer capacity of 1 cu. yd. or smaller, continue mixing at least 1-1/2 minutes, but not more than 5 minutes after ingredients are in mixer, before any part of batch is released.
 - 2. For mixer capacity larger than 1 cu. yd., increase mixing time by 15 seconds for each additional 1 cu. yd.
 - 3. Provide batch ticket for each batch discharged and used in the Work, indicating Project identification name and number, date, mixture type, mixture time, quantity, and amount of water added. Record approximate location of final deposit in structure.

PART 3 EXECUTION

3.1 FORMWORK

- A. Design, erect, shore, brace, and maintain formwork, according to ACI 301, to support vertical, lateral, static, and dynamic loads, and construction loads that might be applied, until structure can support such loads.
- B. Construct formwork so concrete members and structures are of size, shape, alignment, elevation, and position indicated, within tolerance limits of ACI 117.
- C. Limit concrete surface irregularities, designated by ACI 347 as abrupt or gradual, as follows:
 - 1. Class A, 1/8 inch for smooth-formed finished surfaces.
 - 2. Class B, 1/4 inch for rough-formed finished surfaces.
- D. Construct forms tight enough to prevent loss of concrete mortar.
- E. Fabricate forms for easy removal without hammering or prying against concrete surfaces. Provide crush or wrecking plates where stripping may damage cast concrete surfaces. Provide top forms for inclined surfaces steeper than 1.5 horizontal to 1 vertical.
 - 1. Install keyways, reglets, recesses, and the like, for easy removal.
 - 2. Do not use rust-stained steel form-facing material.
- F. Set edge forms, bulkheads, and intermediate screed strips for slabs to achieve required elevations and slopes in finished concrete surfaces. Provide and secure units to support screed strips; use strike-off templates or compacting-type screeds.
- G. Provide temporary openings for cleanouts and inspection ports where interior area of formwork is inaccessible. Close openings with panels tightly fitted to forms and securely braced to prevent loss of concrete mortar. Locate temporary openings in forms at inconspicuous locations.
- H. Chamfer exterior corners and edges of permanently exposed concrete.
- I. Form openings, chases, offsets, sinkages, keyways, reglets, blocking, screeds, and bulkheads required in the Work. Determine sizes and locations from trades providing such items.
- J. Clean forms and adjacent surfaces to receive concrete. Remove chips, wood, sawdust, dirt, and other debris just before placing concrete.
- K. Retighten forms and bracing before placing concrete, as required, to prevent mortar leaks and maintain proper alignment.
- L. Coat contact surfaces of forms with form-release agent, according to manufacturer's written instructions, before placing reinforcement.

3.2 EMBEDDED ITEMS

- A. Place and secure anchorage devices and other embedded items required for adjoining work that is attached to or supported by cast-in-place concrete. Use setting drawings, templates, diagrams, instructions, and directions furnished with items to be embedded.
 - 1. Install anchor rods, accurately located, to elevations required and complying with tolerances in Section 7.5 of AISC's "Code of Standard Practice for Steel Buildings and Bridges."
 - 2. Install reglets to receive waterproofing and to receive through-wall flashings in outer face of

- concrete frame at exterior walls, where flashing is shown at lintels, shelf angles, and other conditions.
3. Install dovetail anchor slots in concrete structures as indicated.

3.3 REMOVING AND REUSING FORMS

- A. General: Formwork for sides of beams, walls, columns, and similar parts of the Work that does not support weight of concrete may be removed after cumulatively curing at not less than 50 deg F for 24 hours after placing concrete. Concrete has to be hard enough to not be damaged by form-removal operations and curing and protection operations need to be maintained.
 1. Leave formwork for beam soffits, joists, slabs, and other structural elements that supports weight of concrete in place until concrete has achieved its 28-day design compressive strength.
 2. Remove forms only if shores have been arranged to permit removal of forms without loosening or disturbing shores.
- B. Clean and repair surfaces of forms to be reused in the Work. Split, frayed, delaminated, or otherwise damaged form-facing material will not be acceptable for exposed surfaces. Apply new form-release agent.
- C. When forms are reused, clean surfaces, remove fins and laitance, and tighten to close joints. Align and secure joints to avoid offsets. Do not use patched forms for exposed concrete surfaces unless approved by Engineer.

3.4 SHORES AND RESHORES

- A. Comply with ACI 318 and ACI 301 for design, installation, and removal of shoring and reshoring.
 1. Do not remove shoring or reshoring until measurement of slab tolerances is complete.
- B. Plan sequence of removal of shores and reshore to avoid damage to concrete. Locate and provide adequate reshoring to support construction without excessive stress or deflection.

3.5 STEEL REINFORCEMENT

- A. General: Bar bending details and placing drawings shall conform to the "Manual of Standard Practice for Detailing Reinforced Concrete Structures" ACI 315 and with CRSI's "Manual of Standard Practice" for placing reinforcement.
- B. Clean reinforcement of loose rust and mill scale, earth, ice, and other foreign materials that would reduce bond to concrete.
- C. Accurately position, support, and secure reinforcement against displacement. Locate and support reinforcement with bar supports to maintain minimum concrete cover. Do not tack weld crossing reinforcing bars.
- D. Set wire ties with ends directed into concrete, not toward exposed concrete surfaces.
- E. Install welded wire reinforcement in longest practicable lengths on bar supports spaced to minimize sagging. Lap edges and ends of adjoining sheets at least one mesh spacing. Offset laps of adjoining sheet widths to prevent continuous laps in either direction. Lace overlaps with wire.
- F. Steel in walls, unless otherwise shown, shall be continuous through the length of the various members.
- G. Wire mesh reinforcements in slabs shall be continuous, shall have joints lapped at least one full square + 2", and shall be supported as specified.
- H. Welding of reinforcing bars is prohibited unless noted otherwise. When welding is approved, welding shall be in accordance with AWS D1.4 "Welding Reinforcing Steel".
- I. Provide corner bars of the same size and spacing as adjacent reinforcing.
- J. Openings in walls or structural slabs shall be reinforced with minimum 2-#5 bars on all sides or as indicated in details. Extend reinforcing minimum 24" beyond the opening or as indicated.
- K. All reinforcing bars are to be made continuous or lapped minimum 48 bar diameters or as indicated on drawings.
- L. Dowel Bar Substitution: Contractor has the option to replace any or all dowels indicated on the drawings with a dowel bar substitution. Dowel bar substitution shall be of a size to match size of dowels indicated for strength. Inserts shall be secured to the forms in a manner recommended by the manufacturer. Bolts shall be provided with wire fabricated type to provide bolt clearance.
- M. Epoxy Adhesive Set Dowel Bars:
 1. Install in accordance with adhesive manufacture recommendations.

2. Drill hole 1/8" larger than the bar outer diameter to a depth 1/2" deeper than the minimum design embedment.
3. Clean the hole completely with brush and air blast removing all debris.
4. Fill hole half full with properly mixed adhesive.
5. Insert the bar while rotating it two full revolutions to completely distribute epoxy throughout the annular space.
6. Agitate the bars to remove all air voids to full depth embedment penetration.

3.6 JOINTS

- A. General: Construct joints true to line with faces perpendicular to surface plane of concrete.
- B. Construction Joints: Install so strength and appearance of concrete are not impaired, at locations indicated or as approved by Engineer.
 1. Place joints perpendicular to main reinforcement. Continue reinforcement across construction joints unless otherwise indicated. Do not continue reinforcement through sides of strip placements of floors and slabs.
 2. Form keyed joints as indicated. Embed keys at least 1 1/2 inches into concrete.
 3. Locate joints for beams, slabs, joists, and girders in the middle third of spans. Offset joints in girders a minimum distance of twice the beam width from a beam-girder intersection.
 4. Locate horizontal joints in walls and columns at underside of floors, slabs, beams, and girders and at the top of footings or floor slabs.
 5. Space vertical joints in walls as indicated. Locate joints beside piers integral with walls, near corners, and in concealed locations where possible.
 6. Use a bonding agent at locations where fresh concrete is placed against hardened or partially hardened concrete surfaces.
 7. Use epoxy-bonding adhesive at locations where fresh concrete is placed against hardened or partially hardened concrete surfaces.
- C. Contraction Joints in Slabs-on-Grade: Form weakened-plane contraction joints, sectioning concrete into areas as indicated. Construct contraction joints for a depth equal to at least one-fourth of concrete thickness as follows:
 1. Grooved Joints: Form contraction joints after initial floating by grooving and finishing each edge of joint to a radius of 1/8 inch. Repeat grooving of contraction joints after applying surface finishes. Eliminate groover tool marks on concrete surfaces.
 2. Sawed Joints: Form contraction joints with power saws equipped with shatterproof abrasive or diamond-rimmed blades. Cut 1/8 inch wide joints into concrete when cutting action will not tear, abrade, or otherwise damage surface and before concrete develops random contraction cracks.
- D. Isolation Joints in Slabs-on-Grade: After removing formwork, install joint-filler strips at slab junctions with vertical surfaces, such as column pedestals, foundation walls, grade beams, and other locations, as indicated.

1. Extend joint-filler strips full width and depth of joint, terminating flush with finished concrete surface unless otherwise indicated.
 2. Terminate full-width joint-filler strips not less than 1/2 inch or more than 1 inch below finished concrete surface where joint sealants, specified in Division 07 Section "Joint Sealants," are indicated.
 3. Install joint-filler strips in lengths as long as practicable. Where more than one length is required, lace or clip sections together.
- E. Doweled Joints: Install dowel bars and support assemblies at joints where indicated. Lubricate or asphalt coat one-half of dowel length to prevent concrete bonding to one side of joint.

3.7 WATERSTOPS

- A. Flexible Waterstops: Install in construction joints and at other joints indicated to form a continuous diaphragm. Install in longest lengths practicable. Support and protect exposed waterstops during progress of the Work. Field fabricate joints in waterstops according to manufacturer's written instructions.
- B. To properly secure waterstops in wall joints before concrete is placed, drill holes in waterstops approximately 1 inch from each edge or between the outermost ribs at each edge and center the waterstop in the joint. Tie both edges of the waterstop and fasten to reinforcing steel with black annealed steel tie wire as specified for tying reinforcing steel and secure in place so that the waterstop will be perpendicular to the joint and remain in the required position during concrete placement. The spacing of the waterstop ties shall match the spacing of the adjacent reinforcing, but need not be spaced closer than 12 inches on center.
- C. Self-Expanding Strip Waterstops: Install in construction joints and at other locations indicated, according to manufacturer's written instructions, adhesive bonding, mechanically fastening, and firmly pressing into place. Install in longest lengths practicable.
- D. Horizontal PVC waterstops in slabs shall have the edge of the waterstop lifted while placing concrete below the waterstop. Then the waterstop shall be manually forced against and into the placed concrete and covered with fresh concrete, to ensure adequate encasement of the waterstop in concrete.
- E. Waterstops shall be installed so that half of the width will be embedded on each side of the joint. Care shall be exercised to ensure that the waterstop is completely embedded in void-free concrete.

3.8 INSTALLATION OF JOINT SEALANTS

- A. Immediately before installing the joint sealant, clean the joint cavity by sandblasting or power wire brushing. Install bond breaker tape per manufacturer's instructions.
- B. After the joints have been prepared as described above, apply the joint sealant. Apply the primer, if required, and joint sealant only with the equipment and methods recommended by the joint sealant manufacturer.
- C. Application criteria for the sealant materials, such as temperature and moisture requirements and primer cure time, shall be in accordance with the recommendations of the sealant manufacturer.
- D. Apply masking tape along the edges of the exposed surface of the exposed joints. Trowel the joints smooth with a tuck pointing tool wiped with a solvent recommended by the sealant manufacturer.
- E. After the sealant has been applied, remove the masking tape and any sealant spillage.
- F. Installation of Premolded Joint Filler: Install in joint accurately as shown. Attach to concrete with a bonding agent recommended by the joint sealant and joint filler manufacturer for compatibility.

3.9 CONCRETE PLACEMENT

- A. Before placing concrete, verify that installation of formwork, reinforcement, and embedded items is complete and that required inspections have been performed.
- B. Do not add water to concrete during delivery, at Project site, or during placement unless such quantity of water is intentionally withheld for later addition at project site. Such addition, in no case should result in altering of the specified water to cementitious material ratio. Indicate the amount of mixing water that is withheld for later addition at the project site on the batch tickets. Provide such batch tickets to the concrete inspector for review and record.
- C. Before test sampling and placing concrete, water may be added at Project site, subject to limitations of ACI 301.

1. Do not add water to concrete after adding high-range water-reducing admixtures to mixture.
- D. Deposit concrete continuously in one layer or in horizontal layers of such thickness that no new concrete will be placed on concrete that has hardened enough to cause seams or planes of weakness. If a section cannot be placed continuously, provide construction joints as indicated. Deposit concrete to avoid segregation.
1. Deposit concrete in horizontal layers of depth to not exceed formwork design pressures and in a manner to avoid inclined construction joints.
 2. Consolidate placed concrete with mechanical vibrating equipment according to ACI 301.
 3. Do not use vibrators to transport concrete inside forms. Insert and withdraw vibrators vertically at uniformly spaced locations to rapidly penetrate placed layer and at least 6 inches into preceding layer. Do not insert vibrators into lower layers of concrete that have begun to lose plasticity. At each insertion, limit duration of vibration to time necessary to consolidate concrete and complete embedment of reinforcement and other embedded items without causing mixture constituents to segregate.
- E. Deposit and consolidate concrete for floors and slabs in a continuous operation, within limits of construction joints, until placement of a panel or section is complete.
1. Consolidate concrete during placement operations so concrete is thoroughly worked around reinforcement and other embedded items and into corners.
 2. Maintain reinforcement in position on chairs during concrete placement.
 3. Screed slab surfaces with a straightedge and strike off to correct elevations.
 4. Slope surfaces uniformly to drains where required.
 5. Begin initial floating using bull floats or darbies to form a uniform and open-textured surface plane, before excess bleedwater appears on the surface. Do not further disturb slab surfaces before starting finishing operations.
- F. Placement in Wall Forms: Concrete shall not be dropped through reinforcement steel or into any deep form, whether reinforcement is present or not, causing separation of the coarse aggregate from the mortar on account of repeatedly hitting rods or the sides of the form as it falls, nor shall concrete be placed in any form in such a manner as to leave accumulation of mortar on the form surfaces above the placed concrete. In such cases, some means such as the use of hoppers and, if necessary, vertical ducts of canvas, rubber, or metal shall be used for placing concrete in the forms in a manner that it may reach the place of final deposit without separation. In no case shall the free fall of concrete exceed 4 feet before the ends of ducts, chutes, or buggies. Concrete shall be uniformly distributed during the process of depositing and in no case after depositing shall any portion be displaced in the forms more than 6 feet in horizontal direction. Concrete in forms shall be deposited in uniform horizontal layers not deeper than 2 feet; and care shall be taken to avoid inclined layers or inclined construction joints except where such are required for sloping members. Each layer shall be placed while the previous layer is still soft. The rate of placing concrete in forms shall not exceed 5 feet of vertical rise per hour.
- G. Conveyor Belts and Chutes: All ends of chutes, hopper gates, and all other points of concrete discharge throughout the Contractor's conveying, hoisting and placing system shall be so designed and arranged that concrete passing from them will not fall separated into whatever receptacle immediately receives it. Conveyor belts, if used, shall be of a type acceptable to the Engineer. Chutes longer than 50 feet will not be permitted. Minimum slopes of chutes shall be such that concrete of the specified consistency will readily flow in them. If a conveyor belt is used, it shall be wiped clean by a device operated in such a manner that none of the mortar adhering to the belt will be wasted. All conveyor belts and chutes shall be covered. Sufficient illumination shall be provided in the interior of all forms so that the concrete at the places of deposit is visible from the deck or runway.
- H. Placement in Slabs: Concrete placed in sloping slabs shall proceed uniformly from the bottom of the slab to the top, for the full width of the pour. As the work progresses, the concrete shall be vibrated and carefully worked around the slab reinforcement, and the surface of the slab shall be screeded in an upslope direction
- I. Temperature of Concrete: Concrete temperature shall conform to the applicable requirements of ACI 305R - Hot Weather Concreting, and ACI 306R - Cold Weather Concreting, unless otherwise modified herein. The temperature of concrete when it is being placed shall be not more than 90° F. Concrete ingredients shall not be heated to a temperature higher than that necessary to keep the temperature of the mixed concrete, as placed, from falling below the specified minimum temperature. If concrete is placed when the weather is such that the temperature of the concrete would exceed 90° F, the Contractor shall employ effective means, such as precooling of aggregates and mixing water using ice

or placing at night, as necessary to maintain the temperature of the concrete, as it is placed, below 90° F. The Contractor shall be entitled to no additional compensation on the account of the foregoing requirements. See subsections 3.4 and 3.5 for additional requirements.

- J. Concrete shall be handled from the mixer to the place of final deposit as rapidly as practicable by methods, which will prevent segregation or loss of ingredients and in a manner that the required quality of the concrete is maintained. No concrete shall be placed more than 1½ hours after mixing of that particular batch has commenced.
- K. Pumping Equipment: Pumping equipment and procedures, if used, shall conform to the recommendations contained in the report of ACI Committee 304 on Placing Concrete by Pumping Methods, ACI 304.2R. The specified slump shall be measured at the point of discharge. The loss of slump in pumping shall not exceed 1 inch with or without a superplastizer. The slump loss shall be determined by tests made at each end of the pumping system. If tests indicate a loss greater than 1 inch, the contractor shall modify the pumping system as required to reduce the slump loss.
- L. The order of placing concrete in all parts of the work shall be acceptable to the Engineer. In order to minimize the effects of shrinkage, placement shall be scheduled so that one end of each unit is free, except at corner closures. The placing of units shall be done by placing alternate units in a manner such that each unit placed shall have cured at least 7 days before the contiguous unit or units are placed, except that the corner sections of vertical walls shall not be placed until the 2 adjacent wall panels have cured at least 14 days.
- M. The surface of the concrete shall be level whenever a run of concrete is stopped. To insure a level, straight joint on the exposed surface of walls, a wood strip at least ¾ inch thick shall be tacked to the forms on these surfaces. The concrete shall be carried about 1/2 of an inch above the underside of the strip. About one hour after the concrete is placed, the strip shall be removed and any irregularities in the edge formed by the strip shall be leveled with a trowel and all laitance shall be removed.
- N. As concrete is placed in the forms or in excavations, it shall be thoroughly settled and compacted, throughout the entire depth of the layer which is being consolidated, into a dense, homogeneous mass, filling all corners and angles, thoroughly embedding the reinforcement, eliminating rock pockets, and bringing only a slight excess of water to the exposed surface of concrete during placement. Vibrators shall be high-speed power vibrators (8,000 to 10,000 rpm) of an immersion type in sufficient number and with (at least one) standby units as required.
- O. Care shall be used in placing concrete around waterstops. The concrete shall be carefully worked by rodding and vibrating to make sure that all air and rock pockets have been eliminated. Where waterstops are placed horizontally, the concrete shall be worked under the waterstops by hand, making sure that all air and rock pockets have been eliminated. Concrete surrounding the waterstops shall be given additional vibration, over and above that used for adjacent concrete placement to assure complete embedment of the waterstops in the concrete.
- P. Concrete in walls shall be internally vibrated and at the same time stirred, or worked with suitable appliances, tamping bars, shovels, or forked tools until it completely fills the forms or excavations and closes snugly against all surfaces, eliminating all air or stone pockets which may cause honeycombing, pitting or planes of weakness. Subsequent layers of concrete shall not be placed until the layers previously placed have been worked thoroughly as specified. Vibrators shall be provided in sufficient numbers, with standby units as required, to accomplish the results herein specified within 15 minutes after concrete of the prescribed consistence is placed in the forms. The vibrating head shall be kept from contact with the surfaces of the forms. Overvibrating and use of vibrators to transport concrete within forms shall not be allowed. Vibrators shall be inserted and withdrawn at many points, approximately 18 inches apart. At each insertion, the duration shall be sufficient to consolidate the concrete, but not sufficient to cause segregation, generally from 5 to 15 sec. duration.
- Q. Backfill placed against walls and grade beams shall be done evenly on both sides. Do not place backfill against walls until the concrete has attained a compressive strength equal to the specified 28-day compressive strength. Backfill against basement foundation walls shall not be placed until ground level floor and lower level slabs that brace this wall are in place and cured unless the wall is properly braced with temporary bracing. All bracing, if used, shall be responsibility of the contractor. Submit all calculations and details to the structural engineer for record. Backfill placed directly adjacent to basement and retaining walls shall be compacted clean free draining granular material. For a minimum of 2'-6" from face of wall. Provide a 1'-6" deep cap of compacted approved impervious cohesive material at top of granular backfill. All backfill shall be compacted using hand operated equipment; no heavy equipment shall be allowed within 5'-0" of any wall.
- R. No aluminum of any type shall be allowed in concrete work unless coated to prevent

aluminum-concrete reaction.

- S. Cross reference structural and Engineerural drawings for inserts, anchor bolts, notches, ledges, lugs, etc. required on beams. Width and depth of beams given are overall out-to-out dimensions of concrete.
- T. All field bending of reinforcing shall be done cold. Heating of bars will not be permitted.
- U. Maximum O.D. of embedded conduit shall be no larger than 1/3 slab thickness. No conduit shall be placed above the welded wire fabric in slabs- on-grade or concrete fill placed onto composite metal deck. Do not place pipes, ducts, reglets or chases in structural concrete or composite floor systems without approval of the structural engineer through the Engineer.
- V. Provide vertical construction joints in concrete walls that have their outside surface exposed to view at a maximum uniform spacing not to exceed 30'-0". Coordinate joint locations with Engineerural drawings. Do not cast unexposed walls or grade beams in lengths over 60'-0". Wait 48 hours between adjacent pours. Provide waterstops at all vertical construction joints in walls.
- W. Construction joints in floors shall be located within the middle third of spans of slabs, beams, and girders. Joints in girders shall be offset a minimum distance of two times the width of intersecting beams. Provide waterstops at all construction joints in basin top and bottom concrete slab and beam framing.
- X. No footing shall be placed onto or against sub-grades containing free water, frost, or ice.
- Y. Cold-Weather Placement: Comply with ACI 306.1 and as follows. Protect concrete work from physical damage or reduced strength that could be caused by frost, freezing actions, or low temperatures.
 - 1. When average high and low temperature is expected to fall below 40 deg F for three successive days, maintain delivered concrete mixture temperature within the temperature range required by ACI 301.
 - 2. Do not use frozen materials or materials containing ice or snow. Do not place concrete on frozen subgrade or on subgrade containing frozen materials.
 - 3. Do not use calcium chloride, salt, or other materials containing antifreeze agents or chemical accelerators unless otherwise specified and approved in mixture designs.
- Z. Hot-Weather Placement: Comply with ACI 301 and as follows:
 - 1. Maintain concrete temperature below 90 deg F at time of placement. Chilled mixing water or chopped ice may be used to control temperature, provided water equivalent of ice is calculated to total amount of mixing water. Using liquid nitrogen to cool concrete is Contractor's option.
 - 2. Fog-spray forms, steel reinforcement, and subgrade just before placing concrete. Keep subgrade uniformly moist without standing water, soft spots, or dry areas.

3.10 CONCRETE SLAB ON GRADE CONSTRUCTION

- A. All unacceptable fill and top soil shall be removed from below all proposed slabs-on-grade and the exposed natural soil shall be proof rolled and the compaction verified by a qualified independent soils testing firm prior to placing fill. Areas exhibiting weakness shall be removed and replaced by acceptable compacted fill.
- B. A minimum 4" of compacted granular fill shall be placed under all slabs-on-grade. All fill required to attain final sub-grade for slabs and walls shall be an acceptable material placed and compacted as directed by the project soils consultant report recommendations.
- C. A vapor barrier with minimum 10 mil thickness shall be placed under all interior slab-on-grade or below granular fill for floors to receive floor covering as indicated on Engineerural drawings. Lap and seal all edges. No vapor barrier required for slab on grades without floor coverings unless noted otherwise.
- D. Pitch slabs to drains and provide depressions, where shown on the process or structural or Engineerural drawings, without reducing the thickness of slab indicated. See details for additional reinforcing for slabs on grade depressions greater than 1".
- E. Provide slab-on-grade construction joints around each column, against grade beams, interior walls, and between columns and walls. Provide slab joints to form areas not to exceed 15' in length in each direction. See typical details. Submit detailed drawings showing locations of all construction joints.

3.11 FINISHING FORMED SURFACES

- A. Rough-Formed Finish: As-cast concrete texture imparted by form-facing material with tie holes and defects repaired and patched. Remove fins and other projections that exceed specified limits on formed-surface irregularities.
 - 1. Apply to concrete surfaces not exposed to public view

- B. Smooth-Formed Finish: As-cast concrete texture imparted by form-facing material, arranged in an orderly and symmetrical manner with a minimum of seams. Repair and patch tie holes and defects. Remove fins and other projections that exceed specified limits on formed-surface irregularities.
 - 1. Apply to concrete surfaces exposed to public view.
- C. Rubbed Finish: Apply the following to smooth-formed finished as-cast concrete for basin and tank walls that are exposed to view and where indicated:
 - 1. Smooth-Rubbed Finish: Not later than one day after form removal, moisten concrete surfaces and rub with carborundum brick or another abrasive until producing a uniform color and texture. Do not apply cement grout other than that created by the rubbing process.
 - 2. Grout-Cleaned Finish: Wet concrete surfaces and apply grout of a consistency of thick paint to coat surfaces and fill small holes. Mix one part portland cement to one and one-half parts fine sand with a 1:1 mixture of bonding admixture and water. Add white portland cement in amounts determined by trial patches so color of dry grout will match adjacent surfaces. Scrub grout into voids and remove excess grout. When grout whitens, rub surface with clean burlap and keep surface damp by fog spray for at least 36 hours.
 - 3. Cork-Floated Finish: Wet concrete surfaces and apply a stiff grout. Mix one part portland cement and one part fine sand with a 1:1 mixture of bonding agent and water. Add white portland cement in amounts determined by trial patches so color of dry grout will match adjacent surfaces. Compress grout into voids by grinding surface. In a swirling motion, finish surface with a cork float.
- D. Related Unformed Surfaces: At tops of walls, horizontal offsets, and similar unformed surfaces adjacent to formed surfaces, strike off smooth and finish with a texture matching adjacent formed surfaces. Continue final surface treatment of formed surfaces uniformly across adjacent unformed surfaces unless otherwise indicated.

3.12 FINISHING FLOORS AND SLABS

- A. General: Comply with ACI 302.1R recommendations for screeding, restraightening, and finishing operations for concrete surfaces. Do not wet concrete surfaces.
- B. Scratch Finish: While still plastic, texture concrete surface that has been screeded and bull-floated or darbied. Use stiff brushes, brooms, or rakes to produce a profile amplitude of 1/4 inch in one direction.
 - 1. Apply scratch finish to surfaces indicated.
- C. Float Finish: Consolidate surface with power-driven floats or by hand floating if area is small or inaccessible to power driven floats. Restraighten, cut down high spots, and fill low spots. Repeat float passes and restraightening until surface is left with a uniform, smooth, granular texture.
 - 1. Apply float finish to surfaces indicated.
- D. Trowel Finish: After applying float finish, apply first troweling and consolidate concrete by hand or power-driven trowel. Continue troweling passes and restraighten until surface is free of trowel marks and uniform in texture and appearance. Grind smooth any surface defects that would telegraph through applied coatings or floor coverings.
 - 1. Apply a trowel finish to surfaces indicated.
 - 2. Finish surfaces to the following tolerances, according to ASTM E 1155, for a randomly trafficked floor surface:
 - a. Specified overall values of flatness, F(F) 25; and of levelness, F(L) 20; with minimum local values of flatness, F(F) 17; and of levelness, F(L) 15.
 - b. Specified overall values of flatness, F(F) 35; and of levelness, F(L) 25; with minimum local values of flatness, F(F) 24; and of levelness, F(L) 17; for slabs-on-grade.
 - c. Specified overall values of flatness, F(F) 30; and of levelness, F(L) 20; with minimum local values of flatness, F(F) 24; and of levelness, F(L) 15; for suspended slabs.
 - d. Specified overall values of flatness, F(F) 45; and of levelness, F(L) 35; with minimum local values of flatness, F(F) 30; and of levelness, F(L) 24.
 - 3. Finish and measure surface so gap at any point between concrete surface and an unleveled, freestanding, 10 ft. long straightedge resting on two high spots and placed anywhere on the surface does not exceed 1/4 inch.
- E. Broom Finish: Apply a broom finish to exterior concrete platforms, steps, ramps, and elsewhere as indicated.
 - 1. Immediately after float finishing, slightly roughen trafficked surface by brooming with fiber-bristle broom perpendicular to main traffic route. Coordinate required final finish with Engineer before application.

3.13 MISCELLANEOUS CONCRETE ITEMS

- A. Filling In: Fill in holes and openings left in concrete structures after work of other trades is in place unless otherwise indicated. Mix, place, and cure concrete, as specified, to blend with in-place construction. Provide other miscellaneous concrete filling indicated or required to complete the Work.
- B. Curbs: Provide monolithic finish to interior curbs by stripping forms while concrete is still green and by steel-troweling surfaces to a hard, dense finish with corners, intersections, and terminations slightly rounded.
- C. Equipment Bases and Foundations: Provide machine and equipment bases and foundations as shown on Drawings. Set anchor bolts for machines and equipment at correct elevations, complying with diagrams or templates from manufacturer furnishing machines and equipment.
- D. Steel Pan Stairs: Provide concrete fill for steel pan stair treads, landings, and associated items. Cast-in inserts and accessories as shown on Drawings. Screed, tamp, and trowel finish concrete surfaces.

3.14 CONCRETE PROTECTING AND CURING

- A. General: Protect freshly placed concrete from premature drying and excessive cold or hot temperatures. Comply with ACI 306.1 for cold-weather protection and ACI 301 for hot-weather protection during curing.
- B. Evaporation Retarder: Apply evaporation retarder to unformed concrete surfaces if hot, dry, or windy conditions cause moisture loss approaching 0.2 lb/sq. ft. x h before and during finishing operations. Apply according to manufacturer's written instructions after placing, screeding, and bull floating or darbying concrete, but before float finishing.
- C. Formed Surfaces: Cure formed concrete surfaces, including underside of beams, supported slabs, and other similar surfaces. If forms remain during curing period, moist cure after loosening forms. If removing forms before end of curing period, continue curing for the remainder of the curing period.
- D. Unformed Surfaces: Begin curing immediately after finishing concrete. Cure unformed surfaces, including floors and slabs, concrete floor toppings, and other surfaces.
- E. All concrete in liquid containing structures shall be water cured.
- F. Cure concrete according to ACI 308.1, by one or a combination of the following methods:
 - 1. Moisture Curing: Keep surfaces continuously moist for not less than seven days with the following materials:
 - a. Water.
 - b. Continuous water-fog spray.
 - c. Absorptive cover, water saturated, and kept continuously wet. Cover concrete surfaces and edges with 12-inch lap over adjacent absorptive covers.
 - 2. Moisture-Retaining-Cover Curing: Cover concrete surfaces with moisture-retaining cover for curing concrete, placed in widest practicable width, with sides and ends lapped at least 12 inches, and sealed by waterproof tape or adhesive. Cure for not less than seven days. Immediately repair any holes or tears during curing period using cover material and waterproof tape.
 - a. Moisture cure or use moisture-retaining covers to cure concrete surfaces to receive floor coverings.
 - b. Moisture cure or use moisture-retaining covers to cure concrete surfaces to receive penetrating liquid floor treatments.
 - c. Cure concrete surfaces to receive floor coverings with either a moisture-retaining cover or a curing compound that the manufacturer certifies will not interfere with bonding of floor covering used on Project.

3. Curing Compound: Apply uniformly in continuous operation by power spray or roller according to manufacturer's written instructions. Recoat areas subjected to heavy rainfall within three hours after initial application. Maintain continuity of coating and repair damage during curing period.
 - a. Removal: After curing period has elapsed, remove curing compound without damaging concrete surfaces by method recommended by curing compound manufacturer **<<None - N/A; or unless manufacturer certifies curing compound will not interfere with bonding of floor covering used on Project>>**.
4. Curing and Sealing Compound: Apply uniformly to floors and slabs indicated in a continuous operation by power spray or roller according to manufacturer's written instructions. Recoat areas subjected to heavy rainfall within three hours after initial application. Repeat process 24 hours later and apply a second coat. Maintain continuity of coating and repair damage during curing period.

3.15 LIQUID FLOOR TREATMENTS

- A. Penetrating Liquid Floor Treatment: Prepare, apply, and finish penetrating liquid floor treatment according to manufacturer's written instructions.
 1. Remove curing compounds, sealers, oil, dirt, laitance, and other contaminants and complete surface repairs.
 2. Do not apply to concrete that is less than **<<three; seven; 14; or 28>>** days' old.
 3. Apply liquid until surface is saturated, scrubbing into surface until a gel forms; rewet; and repeat brooming or scrubbing. Rinse with water; remove excess material until surface is dry. Apply a second coat in a similar manner if surface is rough or porous.
- B. Polished Concrete Floor Treatment: Apply polished concrete finish system to cured and prepared slabs to match accepted mockup.
 1. Machine grind floor surfaces to receive polished finishes level and smooth **<<None - N/A; or and to depth required to reveal aggregate to match approved mockup>>**.
 2. Apply penetrating liquid floor treatment for polished concrete in polishing sequence and according to manufacturer's written instructions, allowing recommended drying time between successive coats.
 3. Continue polishing with progressively finer grit diamond polishing pads to gloss level to match approved mockup.
 4. Control and dispose of waste products produced by grinding and polishing operations.
 5. Neutralize and clean polished floor surfaces.
- C. Sealing Coat: Uniformly apply a continuous sealing coat of curing and sealing compound to hardened concrete by power spray or roller according to manufacturer's written instructions.
- D. When called for in Finish Schedule or on plans, apply first coat of clear concrete floor sealer after final troweling. Surface is damp, but not wet, and can no longer be marred by workman spray sealer at rate of 300 sq. ft. per gallon. After all trades have completed work, mop-clean floor with TSP solution to remove oil, grease, and dirt, rinse, allow to dry, then cover with second spray coat of sealer at rate of 400 sq. ft. per gallon. Do not allow puddles to occur in either coat.

3.16 JOINT FILLING

- A. Prepare, clean, and install joint filler according to manufacturer's written instructions.
 1. Defer joint filling until concrete has aged at least **<<one; or six>>** month(s). Do not fill joints until construction traffic has permanently ceased.
- B. Remove dirt, debris, saw cuttings, curing compounds, and sealers from joints; leave contact faces of joint clean and dry.
- C. Install semirigid joint filler full depth in saw-cut joints and at least 2 inches deep in formed joints. Overfill joint and trim joint filler flush with top of joint after hardening.

3.17 CONCRETE SURFACE REPAIRS

- A. Defective Concrete: Repair and patch defective areas when approved by Engineer. Remove and replace concrete that cannot be repaired and patched to Engineer's approval.
- B. Patching Mortar: Mix dry-pack patching mortar, consisting of one part portland cement to two and one-half parts fine aggregate passing a No. 16 sieve, using only enough water for handling and placing.
- C. Repairing Formed Surfaces: Surface defects include color and texture irregularities, cracks, spalls, air

bubbles, honeycombs, rock pockets, fins and other projections on the surface, and stains and other discolorations that cannot be removed by cleaning.

1. Immediately after form removal, cut out honeycombs, rock pockets, and voids more than 1/2 inch in any dimension to solid concrete. Limit cut depth to 3/4 inch. Make edges of cuts perpendicular to concrete surface. Clean, dampen with water, and brush-coat holes and voids with bonding agent. Fill and compact with patching mortar before bonding agent has dried. Fill form-tie voids with patching mortar or cone plugs secured in place with bonding agent.
 2. Repair defects on surfaces exposed to view by blending white portland cement and standard portland cement so that, when dry, patching mortar will match surrounding color. Patch a test area at inconspicuous locations to verify mixture and color match before proceeding with patching. Compact mortar in place and strike off slightly higher than surrounding surface.
 3. Repair defects on concealed formed surfaces that affect concrete's durability and structural performance as determined by Engineer.
- D. Repairing Unformed Surfaces: Test unformed surfaces, such as floors and slabs, for finish and verify surface tolerances specified for each surface. Correct low and high areas. Test surfaces sloped to drain for trueness of slope and smoothness; use a sloped template.
1. Repair finished surfaces containing defects. Surface defects include spalls, popouts, honeycombs, rock pockets, crazing and cracks in excess of 0.01 inch wide or that penetrate to reinforcement or completely through unreinforced sections regardless of width, and other objectionable conditions.
 2. After concrete has cured at least 14 days, correct high areas by grinding.
 3. Correct localized low areas during or immediately after completing surface finishing operations by cutting out low areas and replacing with patching mortar. Finish repaired areas to blend into adjacent concrete.
 4. Correct other low areas scheduled to receive floor coverings with a repair underlayment. Prepare, mix, and apply repair underlayment and primer according to manufacturer's written instructions to produce a smooth, uniform, plane, and level surface. Feather edges to match adjacent floor elevations.
 5. Correct other low areas scheduled to remain exposed with a repair topping. Cut out low areas to ensure a minimum repair topping depth of 1/4 inch to match adjacent floor elevations. Prepare, mix, and apply repair topping and primer according to manufacturer's written instructions to produce a smooth, uniform, plane, and level surface.
 6. Repair defective areas, except random cracks and single holes 1 inch or less in diameter, by cutting out and replacing with fresh concrete. Remove defective areas with clean, square cuts and expose steel reinforcement with at least a 3/4-inch clearance all around. Dampen concrete surfaces in contact with patching concrete and apply bonding agent. Mix patching concrete of same materials and mixture as original concrete except without coarse aggregate. Place, compact, and finish to blend with adjacent finished concrete. Cure in same manner as adjacent concrete.
 7. Repair random cracks and single holes 1 inch or less in diameter with patching mortar. Groove top of cracks and cut out holes to sound concrete and clean off dust, dirt, and loose particles. Dampen cleaned concrete surfaces and apply bonding agent. Place patching mortar before bonding agent has dried. Compact patching mortar and finish to match adjacent concrete. Keep patched area continuously moist for at least 72 hours.
- E. Perform structural repairs of concrete, subject to Engineer's approval, using epoxy adhesive and patching mortar.
- F. Repair materials and installation not specified above may be used, subject to Engineer's approval.
- G. Repair of concrete not passing leakage test: After the structure has been tested for leaks, repair leaking concrete cracks by cutting out a square edged and uniformly aligned joint 3/8 inch wide by 3/4 inch deep, preparing exposed surfaces of the joint, priming the joint, and apply low viscosity polyurethane joint sealant in accordance with Manufacturer. The Contractor may submit alternate methods of crack repair for review by the Engineer.

3.18 FIELD QUALITY CONTROL

- A. Testing and Inspecting: Owner will engage a special inspector and qualified testing and inspecting agency to perform field tests and inspections and prepare test reports.
- B. Testing and Inspecting: Engage a qualified testing and inspecting agency to perform tests and inspections and to submit reports.

- C. Inspections:
1. Steel reinforcement placement.
 2. Steel reinforcement welding.
 3. Headed bolts and studs.
 4. Verification of use of required design mixture.
 5. Concrete placement, including conveying and depositing.
 6. Curing procedures and maintenance of curing temperature.
 7. Verification of concrete strength before removal of shores and forms from beams and slabs.
- D. Concrete Tests: Testing of composite samples of fresh concrete obtained according to ASTM C 172 shall be performed according to the following requirements:
1. Testing Frequency: Obtain one composite sample for each day's pour of each concrete mixture exceeding 5 cu. yd., but less than 25 cu. yd., plus one set for each additional 50 cu. yd. or fraction thereof.
 2. Testing Frequency: Obtain at least one composite sample for each 100 cu. yd. or fraction thereof of each concrete mixture placed each day.
 - a. When frequency of testing will provide fewer than five compressive-strength tests for each concrete mixture, testing shall be conducted from at least five randomly selected batches or from each batch if fewer than five are used.
 3. Slump: ASTM C 143; one test at point of placement for each composite sample, but not less than one test for each day's pour of each concrete mixture. Perform additional tests when concrete consistency appears to change.
 4. Air Content: ASTM C 231, pressure method, for normal-weight concrete; one test for each composite sample, but not less than one test for each day's pour of each concrete mixture.
 5. Concrete Temperature: ASTM C 1064; one test hourly when air temperature is 40 deg F and below and when 80 deg F and above, and one test for each composite sample.
 6. Unit Weight: ASTM C 138, fresh unit weight of structural lightweight concrete; one test for each composite sample, but not less than one test for each day's pour of each concrete mixture.
 7. Compression Test Specimens: ASTM C 31.
 - a. Cast and laboratory cure two sets of two and one set of one standard cylinder specimens for each composite sample.
 - b. Cast and field cure two sets of two standard cylinder specimens for each composite sample.
 8. Compressive-Strength Tests: ASTM C 39; test one set of two laboratory-cured specimens at 7 days and one set of two specimens at 28 days. Hold one set of one specimen for future testing if the two tests mentioned above do not meet strength requirements.
 - a. Test one set of two field-cured specimens at 7 days and one set of two specimens at 28 days.
 - b. A compressive-strength test shall be the average compressive strength from a set of two specimens obtained from same composite sample and tested at age indicated.
 9. When strength of field-cured cylinders is less than 85 percent of companion laboratory-cured cylinders, Contractor shall evaluate operations and provide corrective procedures for protecting and curing in-place concrete.
 10. Strength of each concrete mixture will be satisfactory if every average of any three consecutive compressive-strength tests equals or exceeds specified compressive strength and no compressive-strength test value falls below specified compressive strength by more than 500 psi.
 11. Test results shall be reported in writing to Engineer, concrete manufacturer, and Contractor within 48 hours of testing. Reports of compressive-strength tests shall contain Project identification name and number, date of concrete placement, name of concrete testing and inspecting agency, location of concrete batch in Work, design compressive strength at 28 days, concrete mixture proportions and materials, compressive breaking strength, and type of break for both 7- and 28-day tests.
 12. Nondestructive Testing: Impact hammer, sonoscope, or other nondestructive device may be permitted by Engineer but will not be used as sole basis for approval or rejection of concrete.
 13. Additional Tests: Testing and inspecting agency shall make additional tests of concrete when test results indicate that slump, air entrainment, compressive strengths, or other requirements have not been met, as directed by Engineer. Testing and inspecting agency may conduct tests to

- determine adequacy of concrete by cored cylinders complying with ASTM C 42 or by other methods as directed by Engineer.
14. Additional testing and inspecting, at Contractor's expense, will be performed to determine compliance of replaced or additional work with specified requirements.
 15. Correct deficiencies in the Work that test reports and inspections indicate do not comply with the Contract Documents.
- E. Measure floor and slab flatness and levelness according to ASTM E 1155 within 24 hours of finishing.
 - F. Water-Soluble Chloride Ion: Water-soluble chloride ion testing shall be performed in accordance with ASTM C 1218.
 - G. Drying Shrinkage Test
 - H. Concrete shrinkage tests shall be performed once for each 1,000 cubic yards of concrete with controlled shrinkage that is placed and shall be made on concrete from a batch of concrete from which concrete compression test cylinders are made. Shrinkage testing shall be in accordance with ASTM C 157.
 - I. A drying shrinkage test shall be conducted on the preliminary trial batch with the maximum water-cementitious materials ratio used to qualify each proposed concrete mix design using the concrete materials, including admixtures, which are proposed for the project. Three test specimens shall be prepared for each test. Specimens shall be fabricated, cured, dried, and measured in accordance with ASTM C 157.
 - J. Drying shrinkage for each specimen shall be computed as the difference between the base length at (0) zero days drying age and the length after drying at each test age. Results of the shrinkage test shall be reported to the nearest 0.001%. If drying shrinkage of any specimen deviates from the average for that test age by more than 0.004%, the results for that specimen shall be disregarded.
 - K. The average drying shrinkage of each set of test specimens cast in the laboratory from a trial batch as measured at the 21 days drying age shall not exceed 0.035% for concrete to be used in liquid-containing structures and 0.045% for concrete to be used in other structures. Drying shrinkage tests will not be required for isolated footings, pipe blocking, pipe encasement, and duct banks.
 - L. At the Contractor's option, a shrinkage-reducing admixture may be used to comply with the maximum shrinkage requirements. Shrinkage reducing admixture shall be Grace Construction Products Eclipse; or Degussa Tetraguard AS20, or equal, at a rate of 1 gallon per cubic yard. All concrete admixtures shall be from one manufacturer and shall be compatible. Admixture content, batching method, and time of introduction to mix shall comply with these specifications and with manufacturer's recommendations.

3.19 PROTECTION OF LIQUID FLOOR TREATMENTS

- A. Protect liquid floor treatment from damage and wear during the remainder of construction period. Use protective methods and materials, including temporary covering, recommended in writing by liquid floor treatments installer.

END OF SECTION

SECTION 051200
STRUCTURAL STEEL FRAMING

PART 1 GENERAL

1.1 RELATED DOCUMENTS

- A. Drawings and general provisions of the Contract, including General and Supplementary Conditions and Division 01 Specification Sections, apply to this Section.

1.2 SUMMARY

- A. Section Includes:
 - 1. Structural steel.
 - 2. Prefabricated building columns.
 - 3. Grout.
- B. Related Sections:
 - 1. Section 055000 "Metal Fabrications".
 - 2. Section 099000. "Painting and Coating".

1.3 DEFINITIONS

- A. Structural Steel: Elements of structural-steel frame, as classified by AISC 303, "Code of Standard Practice for Steel Buildings and Bridges." Seismic-Load-Resisting System: Elements of structural-steel frame designated as "SLRS" or along grid lines designated as "SLRS" on Drawings, including columns, beams, and braces and their connections.
- C. Heavy Sections: Rolled and built-up sections as follows:
 - 1. Shapes included in ASTM A 6/A 6M with flanges thicker than 1 1/2 inches.
 - 2. Welded built-up members with plates thicker than 2 inches.
 - 3. Column base plates thicker than 2 inches.
- D. Protected Zone: Structural members or portions of structural members indicated as "Protected Zone" on Drawings. Connections of structural and nonstructural elements to protected zones are limited.
- E. Demand Critical Welds: Those welds, the failure of which would result in significant degradation of the strength and stiffness of the Seismic-Load-Resisting System and which are indicated as "Demand Critical" or "Seismic Critical" on Drawings.

1.4 PERFORMANCE REQUIREMENTS

- A. Connections: Provide details of simple shear connections required by the Contract Documents to be selected or completed by structural-steel fabricator to withstand loads indicated and comply with other information and restrictions indicated.
 - 1. Select and complete connections using AISC 360
 - 2. Use LRFD; data are given at factored-load level.
- B. Moment Connections: Type FR restrained.

1.5 ACTION SUBMITTALS

- A. Product Data: For each type of product indicated.
- B. LEED Submittals:
 - 1. Product Data for Credit MR 4: For products having recycled content, documentation indicating percentages by weight of postconsumer and preconsumer recycled content. Include statement indicating cost for each product having recycled content.
 - 2. Laboratory Test Reports for Credit IEQ 4: For primers, documentation indicating that products comply with the testing and product requirements of the California Department of Health Services' "Standard Practice for the Testing of Volatile Organic Emissions from Various Sources Using Small-Scale Environmental Chambers."
- C. Shop Drawings: Show fabrication of structural-steel components.
 - 1. Include details of cuts, connections, splices, camber, holes, and other pertinent data.
 - 2. Include embedment drawings.
 - 3. Indicate welds by standard AWS symbols, distinguishing between shop and field welds, and show size, length, and type of each weld. Show backing bars that are to be removed and supplemental fillet welds where backing bars are to remain.

4. Indicate type, size, and length of bolts, distinguishing between shop and field bolts. Identify pretensioned and slip-critical high-strength bolted connections.
5. Identify members and connections of the seismic-load-resisting system.
6. Indicate locations and dimensions of protected zones.
7. Identify demand critical welds.
8. For structural-steel connections indicated to comply with design loads, include structural analysis data.

- D. Welding Procedure Specifications (WPSs) and Procedure Qualification Records (PQRs): Provide according to AWS D1.1/D1.1M, "Structural Welding Code - Steel," for each welded joint, including the following:
1. Power source (constant current or constant voltage).
 2. Electrode manufacturer and trade name, for demand critical welds.

1.6 INFORMATIONAL SUBMITTALS

- A. Welding certificates.
- B. Paint Compatibility Certificates: From manufacturers of topcoats applied over shop primers, certifying that shop primers are compatible with topcoats.
- C. Mill test reports for structural steel, including chemical and physical properties.
- D. Product Test Reports: For the following:
1. Bolts, nuts, and washers including mechanical properties and chemical analysis.
 2. Direct-tension indicators.
 3. Tension-control, high-strength bolt-nut-washer assemblies.
 4. Shear stud connectors.
 5. Shop primers.
 6. Nonshrink grout.
- E. Source quality-control reports.

1.7 QUALITY ASSURANCE

- A. Fabricator Qualifications: A qualified fabricator that participates in the AISC Quality Certification Program and is designated an AISC-Certified Plant, Category STD.
- B. Installer Qualifications: A qualified installer who participates in the AISC Quality Certification Program and is designated an AISC-Certified Erector, Category ACSE.
- C. Shop-Painting Applicators: Qualified according to AISC's Sophisticated Paint Endorsement P1 or SSPC-QP 3, "Standard Procedure for Evaluating Qualifications of Shop Painting Applicators." Welding Qualifications: Qualify procedures and personnel according to AWS D1.1/D1.1M, "Structural Welding Code - Steel."
1. Welders and welding operators performing work on bottom-flange, demand-critical welds shall pass the supplemental welder qualification testing, as required by AWS D1.8. FCAW-S and FCAW-G shall be considered separate processes for welding personnel qualification.
- E. Comply with applicable provisions of the following specifications and documents:
1. AISC 303.
 2. AISC 341 and AISC 341s1.
 3. AISC 360.
 4. RCSC's "Specification for Structural Joints Using ASTM A 325 or A 490 Bolts."

1.8 DELIVERY, STORAGE, AND HANDLING

- A. Store materials to permit easy access for inspection and identification. Keep steel members off ground and spaced by using pallets, dunnage, or other supports and spacers. Protect steel members and packaged materials from corrosion and deterioration.
1. Do not store materials on structure in a manner that might cause distortion, damage, or overload to members or supporting structures. Repair or replace damaged materials or structures as directed.
- B. Store fasteners in a protected place in sealed containers with manufacturer's labels intact.
1. Fasteners may be repackaged provided Owner's testing and inspecting agency observes repackaging and seals containers.
 2. Clean and relubricate bolts and nuts that become dry or rusty before use.
 3. Comply with manufacturers' written recommendations for cleaning and lubricating ASTM F 1852

fasteners and for retesting fasteners after lubrication.

1.9 COORDINATION

- A. Coordinate selection of shop primers with topcoats to be applied over them. Comply with paint and coating manufacturers' recommendations to ensure that shop primers and topcoats are compatible with one another.
- B. Coordinate installation of anchorage items to be embedded in or attached to other construction without delaying the Work. Provide setting diagrams, sheet metal templates, instructions, and directions for installation.

PART 2 PRODUCTS

2.1 STRUCTURAL-STEEL MATERIALS

- A. Recycled Content of Steel Products: Postconsumer recycled content plus one-half of preconsumer recycled content not less than 25 percent.
- B. Recycled Content of Steel Products: Provide products with an average recycled content of steel products so postconsumer recycled content plus one-half of preconsumer recycled content is not less than the following:
 - 1. W-Shapes: 60 percent.
 - 2. Channels, Angles: M or S-Shapes: 60 percent.
 - 3. Plate and Bar: 25 percent.
 - 4. Cold-Formed Hollow Structural Sections: 25 percent.
 - 5. Steel Pipe: 25 percent.
 - 6. All Other Steel Materials: 25 percent.
- C. W-Shapes: ASTM A992.
- D. Channels, Angles, M, and S-Shapes, Plate and bars: ASTM A 36.
- E. Corrosion-Resisting Structural-Steel Shapes, Plates, and Bars: ASTM A 588, Grade 50.
- F. Cold-Formed Hollow Structural Sections: ASTM A 500, Grade B, structural tubing.
- G. Corrosion-Resisting Cold-Formed Hollow Structural Sections: ASTM A 847, structural tubing.
- H. Steel Pipe: ASTM A 53, Type E or S, Grade B.
 - 1. Weight Class: Standard.
 - 2. Finish: Black except where indicated to be galvanized.
- I. Steel Castings: ASTM A 216, Grade WCB with supplementary requirement S11.
- J. Steel Forgings: ASTM A 668.
- K. Welding Electrodes: Comply with AWS requirements.

2.2 BOLTS, CONNECTORS, AND ANCHORS

- A. High-Strength Bolts, Nuts, and Washers: ASTM A 325, Type 1, heavy-hex steel structural bolts; ASTM A 563, Grade C, heavy-hex carbon-steel nuts; and ASTM F 436, Type 1, hardened carbon-steel washers; all with plain finish.
 - 1. Direct-Tension Indicators: ASTM F 959, Type 325, compressible-washer type with plain finish.
- B. High-Strength Bolts, Nuts, and Washers: ASTM A 490, Type 1, heavy-hex steel structural bolts; ASTM A 563, Grade DH, heavy-hex carbon-steel nuts; and ASTM F 436, Type 1, hardened carbon-steel washers with plain finish.
 - 1. Direct-Tension Indicators: ASTM F 959, Type 490, compressible-washer type with plain finish.
- C. Zinc-Coated High-Strength Bolts, Nuts, and Washers: ASTM A 325, Type 1, heavy-hex steel structural bolts; ASTM A 563, Grade DH heavy-hex carbon-steel nuts; and ASTM F 436, Type 1, hardened carbon-steel washers.
 - 1. Finish: Hot-dip zinc coating.
 - 2. Direct-Tension Indicators: ASTM F 959, Type 325, compressible-washer type with mechanically deposited zinc coating finish.
- D. Stainless Steel Bolts, Nuts and Washers: Stainless steel bolts shall be ASTM A193, Grade B8 or ASTM F593, Type 304. Nuts shall be ASTM A194, Grade 8 or ASTM F594, Type 304. Use ASTM A194 nuts with ASTM A193 bolts; use ASTM F594 nuts with ASTM F593 bolts. Provide washer for each nut and bolthead. Washers shall be of the same material as the nuts.
- E. Tension-Control, High-Strength Bolt-Nut-Washer Assemblies: ASTM F 1852, Type 1, heavy-hex head assemblies consisting of steel structural bolts with splined ends, heavy-hex carbon-steel nuts, and hardened carbon-steel washers.
 - 1. Finish: Plain.
- F. Shear Connectors: ASTM A 108, Grades 1015 through 1020, headed-stud type, cold-finished carbon steel; AWS D1.1/D1.1M, Type B.
- G. Unheaded Anchor Rods: ASTM F 1554, Grade 36.
 - 1. Configuration: Straight
 - 2. Nuts: ASTM A 563 hex carbon steel.
 - 3. Plate Washers: ASTM A 36 carbon steel.
 - 4. Washers: ASTM F 436, Type 1, hardened carbon steel.
 - 5. Finish: Plain.
- H. Headed Anchor Rods: ASTM F 1554, Grade 36, straight.
 - 1. Nuts: ASTM A 563 hex carbon steel.
 - 2. Plate Washers: ASTM A 36 carbon steel.
 - 3. Washers: ASTM F 436, Type 1, hardened carbon steel.
 - 4. Finish: Plain.
- I. Threaded Rods: ASTM A 36.
 - 1. Nuts: ASTM A 563 (ASTM A 563M) hex carbon steel.
 - 2. Washers: ASTM F 436, Type 1, hardened carbon steel.
 - 3. Finish: Plain
- J. Clevises and Turnbuckles: Made from cold-finished carbon steel bars, ASTM A 108, Grade 1035.
- K. Eye Bolts and Nuts: Made from cold-finished carbon steel bars, ASTM A 108, Grade 1030.
- L. Sleeve Nuts: Made from cold-finished carbon steel bars, ASTM A 108, Grade 1018.
- M. Structural Slide Bearings: Low-friction assemblies, of configuration indicated, that provide vertical transfer of loads and allow horizontal movement perpendicular to plane of expansion joint while resisting movement within plane of expansion joint.
 - 1. Manufacturers: Subject to compliance with requirements, provide products by one of the following:
 - 2. Basis-of-Design Product:
 - a. Subject to compliance with requirements, provide product indicated on Drawings or comparable product by one of the following:
 - b. Amscot Structural Products Corp.
 - c. Fluorocarbon Company Limited.

- d. R.J. Watson Bridge & Structural Engineered Systems.
 - e. Seismic Energy Products, L.P.
- 3. Mating Surfaces: PTFE and PTFE.
- 4. Coefficient of Friction: Not more than 0.03.
- 5. Design Load: Not less than 2,000 psi.
- N. Post-installed Anchors: Unless otherwise indicated in the drawings, drilled anchors shall be Type 304 stainless steel wedge anchors as manufactured by ITW Ramset/Redhead, Kwik Bolt TZ by Hilti, or equal. Where indicated in drawings, drilled anchors shall be Type 304 stainless steel heavy-duty wedge anchors suitable for dynamic loading. Anchors shall be HSL-3 heavy-duty wedge anchor by Hilti, Power-Bolt by Rawlplug Company, or equal. For metric anchors, use the size that is closest to, but no smaller than, the required English size.
 - 1. Unless otherwise indicated in the drawings, drilled anchors shall be Type 303 stainless steel wedge anchors as manufactured by ITW Ramset/Redhead, Kwik Bolt TZ by Hilti, or equal.
 - 2. Unless otherwise indicated in the drawings, drilled anchors shall be zinc-plated steel wedge anchors as manufactured by ITW Ramset/Redhead, Kwik Bolt TZ by Hilti, or equal.
 - 3. Unless otherwise indicated in the drawings, drilled anchors shall be hot dipped galvanized steel wedge anchors as manufactured by ITW Ramset/Redhead, Kwik Bolt TZ by Hilti, or equal.
- O. Screw Anchors: Screw anchors shall be Titen HD Screw anchors by Simpson, HUS-H by Hilti, or equal.
- P. Threaded Alloy Steel Eyebolts: Threaded alloy steel eye bolts shall comply with ASTM F541 and ASME B18.5, Type 1, long length.
- Q. Threaded Carbon Steel Lifting Eyes: Threaded carbon steel lifting eyes shall comply with ASTM A489, Type 1, Style B.
- R. Embedded Eyebolts: Eyebolts shall be the welded-eye or forged type, carbon steel.

2.3 PRIMER

- A. Low-Emitting Materials: Paints and coatings shall comply with the testing and product requirements of the California Department of Health Services' "Standard Practice for the Testing of Volatile Organic Emissions from Various Sources Using Small-Scale Environmental Chambers." Primer: Comply with Section 099000 "Painting and Coatings". Galvanizing Repair Paint: MPI No.18, MPI No.19, or SSPC-Paint 20.

2.4 GROUT

- A. Metallic, Shrinkage-Resistant Grout: ASTM C 1107, factory-packaged, metallic aggregate grout, mixed with water to consistency suitable for application and a 30-minute working time.
- B. Nonmetallic, Shrinkage-Resistant Grout: ASTM C 1107, factory-packaged, nonmetallic aggregate grout, noncorrosive and nonstaining, mixed with water to consistency suitable for application and a 30-minute working time.

2.5 FABRICATION

- A. Structural Steel: Fabricate and assemble in shop to greatest extent possible. Fabricate according to AISC's "Code of Standard Practice for Steel Buildings and Bridges" and AISC 360.
 - 1. Camber structural-steel members where indicated.
 - 2. Fabricate beams with rolling camber up.
 - 3. Identify high-strength structural steel according to ASTM A 6 and maintain markings until structural steel has been erected.
 - 4. Mark and match-mark materials for field assembly.
 - 5. Complete structural-steel assemblies, including welding of units, before starting shop-priming operations.
- B. Thermal Cutting: Perform thermal cutting by machine to greatest extent possible.
 - 1. Plane thermally cut edges to be welded to comply with requirements in AWS D1.1/D1.1M.
- C. Bolt Holes: Cut, drill, mechanically thermal cut or punch standard bolt holes perpendicular to metal surfaces.
- D. Finishing: Accurately finish ends of columns and other members transmitting bearing loads.
- E. Cleaning: Clean and prepare steel surfaces that are to remain unpainted according to SSPC-SP 1, "Solvent Cleaning"; SSPC-SP 2, "Hand Tool Cleaning"; or SSPC-SP 3, "Power Tool Cleaning".

- F. Shear Connectors: Prepare steel surfaces as recommended by manufacturer of shear connectors. Use automatic end welding of headed-stud shear connectors according to AWS D1.1/D1.1M and manufacturer's written instructions.
- G. Steel Wall-Opening Framing: Select true and straight members for fabricating steel wall-opening framing to be attached to structural steel. Straighten as required to provide uniform, square, and true members in completed wall framing.
- H. Welded Door Frames: Build up welded door frames attached to structural steel. Weld exposed joints continuously and grind smooth. Plug-weld fixed steel bar stops to frames. Secure removable stops to frames with countersunk machine screws, uniformly spaced not more than 10 inches o.c. unless otherwise indicated.
- I. Holes: Provide holes required for securing other work to structural steel and for other work to pass through steel framing members.
 - 1. Cut, drill, or punch holes perpendicular to steel surfaces.
 - 2. Baseplate Holes: Cut, drill, mechanically thermal cut, or punch holes perpendicular to steel surfaces.
 - 3. Weld threaded nuts to framing and other specialty items indicated to receive other work.

2.6 SHOP CONNECTIONS

- A. High-Strength Bolts: Shop install high-strength bolts according to RCSC's "Specification for Structural Joints Using ASTM A 325 or A 490 Bolts" for type of bolt and type of joint specified.
 - 1. Joint Type: Snug tightened.
- B. Weld Connections: Comply with AWS D1.1/D1.1M for tolerances, appearances, welding procedure specifications, weld quality, and methods used in correcting welding work.
 - 1. Assemble and weld built-up sections by methods that will maintain true alignment of axes without exceeding tolerances in AISC 303 for mill material.

2.7 SHOP PRIMING

- A. Shop prime steel surfaces except the following:
 - 1. Surfaces embedded in concrete or mortar. Extend priming of partially embedded members to a depth of 2 inches.
 - 2. Surfaces to be field welded.
 - 3. Surfaces to be high-strength bolted with slip-critical connections.
 - 4. Surfaces to receive sprayed fire-resistive materials (applied fireproofing).
 - 5. Galvanized surfaces.
- B. Surface Preparation: Clean surfaces to be painted. Remove loose rust and mill scale and spatter, slag, or flux deposits. Prepare surfaces according to the following specifications and standards:
 - 1. SSPC-SP 2, "Hand Tool Cleaning."
 - 2. SSPC-SP 3, "Power Tool Cleaning."
 - 3. SSPC-SP 7/NACE No. 4, "Brush-Off Blast Cleaning."
 - 4. SSPC-SP 11, "Power Tool Cleaning to Bare Metal."
 - 5. SSPC-SP 14/NACE No. 8, "Industrial Blast Cleaning."
 - 6. SSPC-SP 6/NACE No. 3, "Commercial Blast Cleaning."
 - 7. SSPC-SP 10/NACE No. 2, "Near-White Blast Cleaning."
 - 8. SSPC-SP 5/NACE No. 1, "White Metal Blast Cleaning."
 - 9. SSPC-SP 8, "Pickling."
- C. Priming: Immediately after surface preparation, apply primer according to manufacturer's written instructions and at rate recommended by SSPC to provide a minimum dry film thickness of 1.5 mils. Use priming methods that result in full coverage of joints, corners, edges, and exposed surfaces.
 - 1. Stripe paint corners, crevices, bolts, welds, and sharp edges.
 - 2. Apply two coats of shop paint to surfaces that are inaccessible after assembly or erection. Change color of second coat to distinguish it from first.
- D. Painting: Prepare steel and apply a one-coat, non-asphaltic primer complying with SSPC-PS Guide 7.00, "Painting System Guide 7.00: Guide for Selecting One-Coat Shop Painting Systems," to provide a dry film thickness of not less than 1.5 mils.

2.8 GALVANIZING

- A. Hot-Dip Galvanized Finish: Apply zinc coating by the hot-dip process to structural steel according to ASTM A 123. Provide minimum G60. Galvanizing fasteners, connectors and anchors shall be hot-

dipped galvanizing in accordance with ASTM A 153.

1. Fill vent and drain holes that will be exposed in the finished Work unless they will function as weep holes, by plugging with zinc solder and filing off smooth.
2. Galvanize shelf angles and welded door frames attached to structural-steel frame and located in exterior walls.

2.9 SOURCE QUALITY CONTROL

- A. Testing Agency: Owner will engage an independent testing and inspecting agency to perform shop tests and inspections and prepare test reports.
 1. Provide testing agency with access to places where structural-steel work is being fabricated or produced to perform tests and inspections.
- B. Correct deficiencies in Work that test reports and inspections indicate does not comply with the Contract Documents.
- C. Bolted Connections: Shop-bolted connections will be inspected according to RCSC's "Specification for Structural Joints Using ASTM A 325 or A 490 Bolts."
- D. Welded Connections: In addition to visual inspection, shop-welded connections will be tested and inspected according to AWS D1.1 and the following inspection procedures, at testing agency's option:
 1. Liquid Penetrant Inspection: ASTM E 165.
 2. Magnetic Particle Inspection: ASTM E 709; performed on root pass and on finished weld. Cracks or zones of incomplete fusion or penetration will not be accepted.
 3. Ultrasonic Inspection: ASTM E 164.
 4. Radiographic Inspection: ASTM E 94.
- E. In addition to visual inspection, shop-welded shear connectors will be tested and inspected according to requirements in AWS D1.1 for stud welding and as follows:
 1. Bend tests will be performed if visual inspections reveal either a less-than-continuous 360-degree flash or welding repairs to any shear connector
 2. Tests will be conducted on additional shear connectors if weld fracture occurs on shear connectors already tested, according to requirements in AWS D1.1.

PART 3 EXECUTION

3.1 EXAMINATION

- A. Verify, with steel Erector present, elevations of concrete and masonry-bearing surfaces and locations of anchor rods, bearing plates, and other embedments for compliance with requirements.
 1. Prepare a certified survey of bearing surfaces, anchor rods, bearing plates, and other embedments showing dimensions, locations, angles, and elevations.
- B. Proceed with installation only after unsatisfactory conditions have been corrected.

3.2 PREPARATION

- A. Provide temporary shores, guys, braces, and other supports during erection to keep structural steel secure, plumb, and in alignment against temporary construction loads and loads equal in intensity to design loads. Remove temporary supports when permanent structural steel, connections, and bracing are in place unless otherwise indicated.
 1. Do not remove temporary shoring supporting composite deck construction until cast-in-place concrete has attained its design compressive strength.

3.3 ERECTION

- A. Set structural steel accurately in locations and to elevations indicated and according to AISC 303 and AISC 360.
- B. Base Bearing and Leveling Plates: Clean concrete and masonry bearing surfaces of bond-reducing materials and roughen surfaces prior to setting plates. Clean bottom surface of plates.
 1. Set plates for structural members on wedges, shims, or setting nuts as required.
 2. Weld plate washers to top of baseplate.
 3. Snug-tighten or Pretension anchor rods after supported members have been positioned and plumbed. Do not remove wedges or shims but, if protruding, cut off flush with edge of plate before packing with grout.
 4. Promptly pack grout solidly between bearing surfaces and plates so no voids remain. Neatly finish exposed surfaces; protect grout and allow to cure. Comply with manufacturer's written installation instructions for shrinkage-resistant grouts.

- C. Maintain erection tolerances of structural steel within AISC's "Code of Standard Practice for Steel Buildings and Bridges."
- D. Align and adjust various members that form part of complete frame or structure before permanently fastening. Before assembly, clean bearing surfaces and other surfaces that will be in permanent contact with members. Perform necessary adjustments to compensate for discrepancies in elevations and alignment.
 - 1. Level and plumb individual members of structure.
 - 2. Make allowances for difference between temperature at time of erection and mean temperature when structure is completed and in service.
- E. Splice members only where indicated.
- F. Do not use thermal cutting during erection unless approved by Engineer. Finish thermally cut sections within smoothness limits in AWS D1.1.
- G. Do not enlarge unfair holes in members by burning or using drift pins. Ream holes that must be enlarged to admit bolts.
- H. Shear Connectors: Prepare steel surfaces as recommended by manufacturer of shear connectors. Use automatic end welding of headed-stud shear connectors according to AWS D1.1 and manufacturer's written instructions.

3.4 INSTALLING ANCHOR BOLTS

- A. Preset bolts and anchors by the use of templates. For mechanical equipment (pumps, compressors, and blowers), do not use concrete anchors set in holes drilled in the concrete after the concrete is placed.
- B. For static items (storage tanks and heat exchangers), use preset anchor bolts or drilled anchors with ICC report data.
- C. After anchor bolts have been embedded, protect projecting threads by applying grease and having the nuts installed until the time of installation of the equipment or metalwork.
- D. Minimum depth of embedment of drilled mechanical anchors and screw anchors shall be as recommended by the manufacturer, but no less than that shown in the drawings.
- E. Minimum depth of embedment of epoxy anchors shall be as calculated from Appendix D in ACI 318, but no less than that shown in the drawings.
- F. Prepare holes for drilled and epoxy anchors in accordance with the anchor manufacturer's recommendations prior to installation.

3.5 FIELD CONNECTIONS

- A. High-Strength Bolts: Install high-strength bolts according to RCSC's "Specification for Structural Joints Using ASTM A 325 or A 490 Bolts" for type of bolt and type of joint specified. Joint Type: Snug tightened; Pretensioned; or Slip critical.
- B. Weld Connections: Comply with AWS D1.1/D1.1M for tolerances, appearances, welding procedure specifications, weld quality, and methods used in correcting welding work.
 - 1. Comply with AISC 303 and AISC 360 for bearing, alignment, adequacy of temporary connections, and removal of paint on surfaces adjacent to field welds.
 - 2. Remove backing bars or runoff tabs, back gouge, and grind steel smooth.
 - 3. Assemble and weld built-up sections by methods that will maintain true alignment of axes without exceeding tolerances in AISC's "Code of Standard Practice for Steel Buildings and Bridges" for mill material.

3.6 PREFABRICATED BUILDING COLUMNS

- A. Install prefabricated building columns to comply with AISC 360, manufacturer's written recommendations, and requirements of testing and inspecting agency that apply to the fire-resistance rating indicated.

3.7 FIELD QUALITY CONTROL

- A. Testing Agency: Contractor shall engage a qualified independent testing and inspecting agency to inspect field welds and high-strength bolted connections.
- B. Furnish qualified inspectors as the duly designated persons who act on behalf of the Owner on all quality assurance matters within the scope of the AWS Code and AISC Code of Standard Practice to ascertain that all fabrication and erection by welding is performed in accordance with the requirements

of the specifications.

- C. Qualification of testing personal:
 - 1. Personnel performing nondestructive weld testing shall be qualified in accordance with the current edition of American Society for Nondestructive Testing Recommended Practice No. SNT-TC 1A. Only individuals qualified for NDT Level 1 and working under the NDT Level 11 or individuals qualified for NDT Level 11 may perform the nondestructive testing specified.
 - 2. Personnel performing inspections of welding work shall be currently registered with the AWS as having successfully complied with the requirements of the AWS Standards for Qualification and Certification of Welding Inspectors QCI.
- D. Bolted Connections: Bolted connections will be inspected according to RCSC's "Specification for Structural Joints Using ASTM A 325 or A 490 Bolts."
- E. Welded Connections: Field welds will be visually inspected according to AWS D1.1.
 - 1. In addition to visual inspection, field welds will be tested and inspected according to AWS D1.1 and the following inspection procedures, at testing agency's option:
 - a. Liquid Penetrant Inspection: ASTM E 165.
 - b. Magnetic Particle Inspection: ASTM E 709; performed on root pass and on finished weld. Cracks or zones of incomplete fusion or penetration will not be accepted.
 - c. Ultrasonic Inspection: ASTM E 164.
 - d. Radiographic Inspection: ASTM E 94.
- F. In addition to visual inspection, test and inspect field-welded shear connectors according to requirements in AWS D1.1 for stud welding and as follows:
 - 1. Perform bend tests if visual inspections reveal either a less-than-continuous 360-degree flash or welding repairs to any shear connector.
 - 2. Conduct tests on additional shear connectors if weld fracture occurs on shear connectors already tested, according to requirements in AWS D1.1.
- G. Correct deficiencies in Work that test reports and inspections indicate does not comply with the Contract Documents.

3.8 REPAIRS AND PROTECTION

- A. Galvanized Surfaces: Clean areas where galvanizing is damaged or missing and repair galvanizing to comply with ASTM A 780.
- B. Touchup Painting: Immediately after erection, clean exposed areas where primer is damaged or missing and paint with the same material as used for shop painting to comply with SSPC-PA 1 for touching up shop-painted surfaces.
 - 1. Clean and prepare surfaces by SSPC-SP 2 hand-tool cleaning or SSPC-SP 3 power-tool cleaning. Touchup Painting: Cleaning and touchup painting are specified in Section 099000.

END OF SECTION

PAGE LEFT INTENTIONALLY BLANK

SECTION 055000
METAL FABRICATIONS

PART 1 GENERAL

1.1 RELATED DOCUMENTS

- A. Drawings and general provisions of the Contract, including General and Supplementary Conditions and Division 01 Specification Sections, apply to this Section.

1.2 SUMMARY

- A. Section Includes:
1. Steel framing and supports for mechanical and electrical equipment.
 2. Steel framing and supports for applications where framing and supports are not specified in other Sections.
 3. Steel girders for supporting wood frame construction.
 4. Steel pipe columns for supporting wood frame construction.
 5. Prefabricated building columns.
 6. Shelf angles.
 7. Metal ladders.
 8. Ladder safety cages.
 9. Alternating tread devices.
 10. Metal ships' ladders and pipe crossovers.
 11. Metal floor plate and supports.
 12. Miscellaneous steel trim including steel angle corner guards and steel edgings.
 13. Metal bollards.
 14. Pipe guards.
 15. Abrasive metal nosings.
 16. Cast-iron wheel guards.
 17. Metal downspout boots.
 18. Loose bearing and leveling plates for applications where they are not specified in other Sections.
- B. Products furnished, but not installed, under this Section:
1. Loose steel lintels.
 2. Anchor bolts, steel pipe sleeves, slotted-channel inserts, and wedge-type inserts indicated to be cast into concrete or built into unit masonry.
 3. Steel weld plates and angles for casting into concrete for applications where they are not specified in other Sections.
- C. Related Sections:
1. Section 033000 "Cast-in-Place Concrete" for installing anchor bolts, steel pipe sleeves, slotted-channel inserts, wedge-type inserts, and other items cast into concrete.
 2. Section 051200 "Structural Steel Framing."
 3. Section 055100 "Metal Stairs, Handrails and Railings."
 4. Section 055300 "Metal Gratings, Cover Plates and Access Hatches."

1.3 PERFORMANCE REQUIREMENTS

- A. Delegated Design: Design steel members including comprehensive engineering analysis by a qualified professional engineer licensed in the state where the project is located, using performance requirements and design criteria indicated on the drawings and in accordance with the building code.
- B. Structural Performance of Aluminum Ladders: Aluminum ladders including landings shall withstand the effects of loads and stresses within limits and under conditions specified in ANSI A14.3.
- C. Structural Performance of Alternating Tread Devices: Alternating tread devices shall withstand the effects of loads and stresses within limits and under conditions specified in ICC's International Building Code.
- D. Thermal Movements: Allow for thermal movements from ambient and surface temperature changes acting on exterior metal fabrications by preventing buckling, opening of joints, overstressing of components, failure of connections, and other detrimental effects.

1. Temperature Change: 120 deg F, ambient; 180 deg F, material surfaces.

1.4 ACTION SUBMITTALS

- A. Product Data: For the following:
 1. Nonslip aggregates and nonslip-aggregate surface finishes.
 2. Prefabricated building columns.
 3. Metal nosings and treads.
 4. Paint products.
 5. Grout.
- B. Shop Drawings: Show fabrication and installation details for metal fabrications.
 1. Include plans, elevations, sections, and details of metal fabrications and their connections. Show anchorage and accessory items.
- C. Delegated-Design Submittal: For installed products indicated to comply with performance requirements and design criteria, including analysis data signed and sealed by the qualified professional engineer responsible for their preparation.

1.5 INFORMATIONAL SUBMITTALS

- A. Qualification Data: For qualified professional engineer.
- B. Mill Certificates: Signed by manufacturers of stainless-steel certifying that products furnished comply with requirements.
- C. Welding certificates.
- D. Paint Compatibility Certificates: From manufacturers of topcoats applied over shop primers certifying that shop primers are compatible with topcoats.

1.6 QUALITY ASSURANCE

- A. Welding Qualifications: Qualify procedures and personnel according to AWS D1.1/D1.1M, "Structural Welding Code - Steel."
- B. Welding Qualifications: Qualify procedures and personnel according to the following:
 1. AWS D1.1/D1.1M, "Structural Welding Code - Steel."
 2. AWS D1.2/D1.2M, "Structural Welding Code - Aluminum."
 3. AWS D1.6, "Structural Welding Code - Stainless Steel."

1.7 PROJECT CONDITIONS

- A. Field Measurements: Verify actual locations of walls and other construction contiguous with metal fabrications by field measurements before fabrication.

1.8 COORDINATION

- A. Coordinate selection of shop primers with topcoats to be applied over them. Comply with paint and coating manufacturers' written recommendations to ensure that shop primers and topcoats are compatible with one another.
- B. Coordinate installation of anchorages and steel weld plates and angles for casting into concrete. Furnish setting drawings, templates, and directions for installing anchorages, including sleeves, concrete inserts, anchor bolts, and items with integral anchors, that are to be embedded in concrete or masonry. Deliver such items to Project site in time for installation.

PART 2 PRODUCTS

2.1 METALS, GENERAL

- A. Metal Surfaces, General: Provide materials with smooth, flat surfaces unless otherwise indicated. For metal fabrications exposed to view in the completed Work, provide materials without seam marks, roller marks, rolled trade names, or blemishes.

2.2 FERROUS METALS

- A. Recycled Content of Steel Products: Postconsumer recycled content plus one-half of preconsumer recycled content not less than 25 percent.
- B. Steel Plates, Shapes, and Bars: ASTM A 36.
- C. Stainless-Steel Sheet, Strip, and Plate: ASTM A 240 or ASTM A 666, Type 304.
- D. Stainless-Steel Bars and Shapes: ASTM A 276, Type 304.
- E. Rolled-Steel Floor Plate: ASTM A 786, rolled from plate complying with ASTM A 36 or ASTM A 283,

Grade C or D.

- F. Rolled-Stainless-Steel Floor Plate: ASTM A 793.
- G. Abrasive-Surface Floor Plate: Steel plate with abrasive granules rolled into surface.
 - 1. Products: Subject to compliance with requirements, available products that may be incorporated into the Work include, but are not limited to, the following:
 - a. IKG Industries, a division of Harsco Corporation; Mebac.
 - b. SlipNOT Metal Safety Flooring, a W. S. Molnar company; SlipNOT.
- H. Steel Tubing: ASTM A 500, cold-formed steel tubing.
- I. Steel Pipe: ASTM A 53, standard weight (Schedule 40) unless otherwise indicated.
- J. Slotted Channel Framing: Cold-formed metal box channels (struts) complying with MFMA-4.
 - 1. Size of Channels: 1-5/8 by 1-5/8 inches unless indicated otherwise.
 - 2. Material: Galvanized steel, ASTM A 653, commercial steel, Type B with G90 coating; 0.108-inch nominal thickness.
 - 3. Material: Cold-rolled steel, ASTM A 1008, commercial steel, Type B; 0.0966-inch minimum thickness; unfinished.
- K. Cast Iron: Either gray iron, ASTM A 48, or malleable iron, ASTM A 47, unless otherwise indicated.

2.3 NONFERROUS METALS

- A. Aluminum Plate and Sheet: ASTM B 209, Alloy 6061-T6.
- B. Aluminum Extrusions: ASTM B 221, Alloy 6063-T6.
- C. Aluminum-Alloy Rolled Tread Plate: ASTM B 632, Alloy 6061-T6.
- D. Aluminum Castings: ASTM B 26/B 26M, Alloy 443.0-F.
- E. Bronze Plate, Sheet, Strip, and Bars: ASTM B 36, Alloy UNS No. C28000 (muntz metal, 60 percent copper).
- F. Bronze Extrusions: ASTM B 455, Alloy UNS No. C38500 (extruded architectural bronze).
- G. Bronze Castings: ASTM B 584, Alloy UNS No. C83600 (lead red brass) or No. C84400 (lead semired brass).
- H. Nickel Silver Extrusions: ASTM B 151, Alloy UNS No. C74500.
- I. Nickel Silver Castings: ASTM B 584, Alloy UNS No. C97600 (20 percent lead nickel bronze).

2.4 FASTENERS

- A. General: Unless otherwise indicated, provide Type 304 stainless-steel fasteners for exterior use and zinc-plated fasteners with coating complying with ASTM B 633 or ASTM F 1941, Class Fe/Zn 5, at exterior walls. Select fasteners for type, grade, and class required.
 - 1. Provide stainless-steel fasteners for fastening aluminum.
 - 2. Provide stainless-steel fasteners for fastening stainless steel.
 - 3. Provide stainless-steel fasteners for fastening nickel silver.
 - 4. Provide bronze fasteners for fastening bronze.
- B. Steel Bolts and Nuts: Regular hexagon-head bolts, ASTM A 307, Grade A; with hex nuts, ASTM A 563; and, where indicated, flat washers.
- C. Steel Bolts and Nuts: Regular hexagon-head bolts, ASTM A 325, Type 3; with hex nuts, ASTM A 563, Grade C3; and, where indicated, flat washers.
- D. Stainless-Steel Bolts and Nuts: Regular hexagon-head annealed stainless-steel bolts, ASTM F 593; with hex nuts, ASTM F 594; and, where indicated, flat washers; Alloy Group 1.
- E. Anchor Bolts: ASTM F 1554, Grade 36, of dimensions indicated; with nuts, ASTM A 563; and, where indicated, flat washers.
 - 1. Hot-dip galvanize or provide mechanically deposited, zinc coating where item being fastened is indicated to be galvanized.
- F. Eyebolts: ASTM A 489.
- G. Machine Screws: ASME B18.6.3.
- H. Lag Screws: ASME B18.2.1.
- I. Wood Screws: Flat head, ASME B18.6.1.

- J. Plain Washers: Round, ASME B18.22.1.
- K. Lock Washers: Helical, spring type, ASME B18.21.1.
- L. Anchors, General: Anchors capable of sustaining, without failure, a load equal to six times the load imposed when installed in unit masonry and four times the load imposed when installed in concrete, as determined by testing according to ASTM E 488, conducted by a qualified independent testing agency.
- M. Cast-in-Place Anchors in Concrete: Either threaded type or wedge type unless otherwise indicated; galvanized ferrous castings, either ASTM A 47 malleable iron or ASTM A 27 cast steel. Provide bolts, washers, and shims as needed, all hot-dip galvanized per ASTM F 2329.
- N. Post-Installed Anchors: Torque-controlled expansion anchors or chemical anchors.
 - 1. Material for Interior Locations: Carbon-steel components zinc plated to comply with ASTM B 633 or ASTM F 1941, Class Fe/Zn 5, unless otherwise indicated.
 - 2. Material for Exterior Locations and Where Stainless Steel is Indicated: Alloy Group 1 stainless-steel bolts, ASTM F 593, and nuts, ASTM F 594.
- O. Slotted-Channel Inserts: Cold-formed, hot-dip galvanized-steel box channels (struts) complying with MFMA-4, 1-5/8 by 7/8 inches by length indicated with anchor straps or studs not less than 3 inches long at not more than 8 inches o.c. Provide with temporary filler and tee-head bolts, complete with washers and nuts, all zinc-plated to comply with ASTM B 633, Class Fe/Zn 5, as needed for fastening to inserts.

2.5 MISCELLANEOUS MATERIALS

- A. Welding Rods and Bare Electrodes: Select according to AWS specifications for metal alloy welded.
- B. Low-Emitting Materials: Paints and coatings shall comply with the testing and product requirements of the California Department of Health Services' "Standard Practice for the Testing of Volatile Organic Emissions from Various Sources Using Small-Scale Environmental Chambers."
- C. Shop Primers: Provide primers that comply with Section 099000.
- D. Universal Shop Primer: Fast-curing, lead- and chromate-free, universal modified-alkyd primer complying with MPI#79 and compatible with topcoat.
 - 1. Use primer containing pigments that make it easily distinguishable from zinc-rich primer.
- E. Epoxy Zinc-Rich Primer: Complying with MPI#20 and compatible with topcoat.
- F. Galvanizing Repair Paint: High-zinc-dust-content paint complying with SSPC-Paint 20 and compatible with paints specified to be used over it.
- G. Bituminous Paint: Cold-applied asphalt emulsion complying with ASTM D 1187.
- H. Nonshrink, Metallic Grout: Factory-packaged, ferrous-aggregate grout complying with ASTM C 1107, specifically recommended by manufacturer for heavy-duty loading applications.
- I. Nonshrink, Nonmetallic Grout: Factory-packaged, nonstaining, noncorrosive, nongaseous grout complying with ASTM C 1107. Provide grout specifically recommended by manufacturer for interior and exterior applications.
- J. Concrete: Comply with requirements in Section 033000 "Cast-in-Place Concrete" for normal-weight, air-entrained, concrete with a minimum 28-day compressive strength of 3000 psi.

2.6 FABRICATION, GENERAL

- A. Shop Assembly: Preassemble items in the shop to greatest extent possible. Disassemble units only as necessary for shipping and handling limitations. Use connections that maintain structural value of joined pieces. Clearly mark units for reassembly and coordinated installation.
- B. Cut, drill, and punch metals cleanly and accurately. Remove burrs and ease edges to a radius of approximately 1/32 inch unless otherwise indicated. Remove sharp or rough areas on exposed surfaces.
- C. Form bent-metal corners to smallest radius possible without causing grain separation or otherwise impairing work.
- D. Form exposed work with accurate angles and surfaces and straight edges.
- E. Weld corners and seams continuously to comply with the following:
 - 1. Use materials and methods that minimize distortion and develop strength and corrosion resistance of base metals.
 - 2. Obtain fusion without undercut or overlap.
 - 3. Remove welding flux immediately.

4. At exposed connections, finish exposed welds and surfaces smooth and blended so no roughness shows after finishing.
- F. Form exposed connections with hairline joints, flush and smooth, using concealed fasteners or welds where possible. Where exposed fasteners are required, use Phillips flat-head (countersunk) fasteners unless otherwise indicated. Locate joints where least conspicuous.
- G. Fabricate seams and other connections that will be exposed to weather in a manner to exclude water. Provide weep holes where water may accumulate.
- H. Cut, reinforce, drill, and tap metal fabrications as indicated to receive finish hardware, screws, and similar items.
- I. Provide for anchorage of type indicated; coordinate with supporting structure. Space anchoring devices to secure metal fabrications rigidly in place and to support indicated loads.
 1. Where units are indicated to be cast into concrete or built into masonry, equip with integrally welded steel strap anchors, 1/8 by 1-1/2 inches, with a minimum 6 inch embedment and 2 inch hook, not less than 8 inches from ends and corners of units and 24 inches o.c., unless otherwise indicated.

2.7 MISCELLANEOUS FRAMING AND SUPPORTS

- A. General: Provide steel framing and supports not specified in other Sections as needed to complete the Work.
- B. Fabricate units from steel shapes, plates, and bars of welded construction unless otherwise indicated. Fabricate to sizes, shapes, and profiles indicated and as necessary to receive adjacent construction.
 1. Fabricate units from slotted channel framing where indicated.
 2. Furnish inserts for units installed after concrete is placed. Fabricate steel pipe columns for supports from steel pipe with steel baseplates and top plates as required. Drill or punch baseplates and top plates for anchor and connection bolts and weld to pipe with fillet welds all around. Make welds the same size as pipe wall thickness unless otherwise indicated.
 1. Unless otherwise indicated, fabricate from Schedule 40 steel pipe.
 2. Unless otherwise indicated, provide 1/2 inch baseplates with four 5/8 inch anchor bolts and 1/4 inch top plates.
- D. Galvanize miscellaneous framing and supports where indicated.
- E. Prime miscellaneous framing and supports as indicated in Section 099000.

2.8 SHELF ANGLES

- A. Fabricate shelf angles from steel angles of sizes indicated and for attachment to concrete framing. Provide horizontally slotted holes to receive 3/4 inch bolts, spaced not more than 6 inches from ends and 24 inches o.c., unless otherwise indicated.
 1. Provide mitered and welded units at corners.
 2. Provide open joints in shelf angles at expansion and control joints. Make open joint approximately 2 inches larger than expansion or control joint.
- B. For cavity walls, provide vertical channel brackets to support angles from backup masonry and concrete.
- C. Galvanize shelf angles located in exterior walls.
- D. Prime shelf angles located in exterior walls as specified in Section 099000.
- E. Furnish wedge-type concrete inserts, complete with fasteners, to attach shelf angles to cast-in-place concrete.

2.9 METAL LADDERS

- A. General:
 1. Comply with ANSI A14.3 unless otherwise indicated.
 2. For elevator pit ladders, comply with ASME A17.1.
- B. Vertical Ladders: Fabricate ladders as shown in the drawings. Ladders shall be aluminum unless indicated otherwise in the drawings. The distance between rungs, cleats, and steps shall not exceed 12 inches and shall be uniform throughout the length of the ladder. The minimum clear length of rungs or cleats shall be 16 inches.
- C. Inclined Aluminum Ladders with built in handrail: Ladders shall be aluminum construction: Alloy 6063-T5, mill finish. Clear width of stair treads shall be 16-inches unless otherwise indicated. Provide 1-1/2-inch diameter handrails. Provide 6-inch by 2-inch by 1/8-inch minimum channel

stringers. Provide minimum 4-1/8-inch by 1/4-inch minimum rung able to withstand a 1,000-pound load. Provide minimum 3/16-inch thick aluminum wall and floor brackets. Provide 1-1/2-inch aluminum handrails. Manufacturer: O'Keefe's, Inc., Model 523-10 or equal.

D. Steel Ladders:

1. Space siderails 16 inches apart unless otherwise indicated.
2. Space siderails of elevator pit ladders 12 inches apart.
3. Siderails: Continuous, 3/8-by-2-1/2-inch steel flat bars, with eased edges.
4. Rungs: 1-inch diameter steel bars.
5. Fit rungs in centerline of siderails; plug-weld and grind smooth on outer rail faces.
6. Provide nonslip surfaces on top of each rung, either by coating rung with aluminum-oxide granules set in epoxy-resin adhesive or by using a type of manufactured rung filled with aluminum-oxide grout.
7. Provide nonslip surfaces on top of each rung by coating with abrasive material metallurgically bonded to rung. Products: Subject to compliance with requirements, available products that may be incorporated into the Work include, but are not limited to, the following:
 - 1) IKG Industries, a division of Harsco Corporation; Mebac.
 - 2) SlipNOT Metal Safety Flooring, a W. S. Molnar company; SlipNOT.
8. Provide platforms as indicated fabricated from welded or pressure-locked steel bar grating, supported by steel angles. Limit openings in gratings to no more than 1/2 inch in least dimension.
9. Support each ladder at top and bottom and not more than 60 inches o.c. with welded or bolted steel brackets.
10. Galvanize exterior ladders, including brackets and fasteners.
11. Prime exterior ladders, including brackets and fasteners, with zinc-rich primer.; or primer specified in Section 099000.

E. Aluminum Ladders:

1. Manufacturers: Subject to compliance with requirements, available manufacturers offering products that may be incorporated into the Work include, but are not limited to, the following:
 - a. ACL Industries, Inc.
 - b. Alco-Lite Industrial Products.
 - c. Halliday Products.
 - d. O'Keefe's Inc.
 - e. Precision Ladders, LLC.
 - f. Royalite Manufacturing, Inc.
 - g. Thompson Fabricating, LLC.
2. Space siderails 16 inches apart unless otherwise indicated.
3. Siderails: Continuous extruded-aluminum channels or tubes, not less than 2 1/2 inches deep, 3/4 inch-wide, and 1/8 inch thick.
4. Rungs: Extruded-aluminum tubes, not less than 3/4 inch deep and not less than 1/8 inch thick, with ribbed surfaces.
5. Fit rungs in centerline of siderails; fasten by welding or with stainless-steel fasteners or brackets and aluminum rivets.
6. Provide platforms as indicated fabricated from pressure-locked aluminum bar grating or extruded-aluminum plank grating, supported by extruded-aluminum framing. Limit openings in gratings to no more than 1/2 inch in least dimension.
7. Support each ladder at top and bottom and not more than 60 inches o.c. with welded or bolted aluminum brackets.
8. Provide minimum 72 inch high, hinged security door with padlock hasp at foot of ladder to prevent unauthorized ladder use.

2.10 ALTERNATING TREAD DEVICES

- A. Alternating Tread Devices: Fabricate alternating tread devices to comply with ICC's International Building Code. Fabricate of open-type construction with channel or plate stringers and pipe and tube railings unless otherwise indicated. Provide brackets and fittings for installation.
1. Manufacturers: Subject to compliance with requirements, available manufacturers offering products that may be incorporated into the Work include, but are not limited to, the following:
 2. Basis-of-Design Product: Subject to compliance with requirements, provide product by one of the following:
 - a. Lapeyre Stair Inc.

- b. Schmidt Structural Products; a subsidiary of Penco Products, Inc.
- 3. Fabricate from aluminum and assemble by welding or with stainless-steel fasteners.

2.11 METAL SHIPS' LADDERS AND PIPE CROSSOVERS

- A. Provide metal ships' ladders and pipe crossovers where indicated. Fabricate of open-type construction with channel or plate stringers and pipe and tube railings unless otherwise indicated. Provide brackets and fittings for installation.
 - 1. Fabricate ships' ladders and pipe crossovers, including railings from aluminum.
 - 2. Fabricate treads and platforms from pressure-locked aluminum bar grating, extruded-aluminum plank grating, rolled-aluminum-alloy tread plate or abrasive-surface floor plate. Limit openings in gratings to no more than 1/2 inch in least dimension.
 - 3. Comply with applicable railing requirements in Section 055100 "Metal Stairs, Handrails and Railings."

2.12 METAL FLOOR PLATE

- A. Fabricate from rolled-steel floor or rolled-aluminum-alloy tread, as indicated:
 - 1. Thickness: 1/8 inch or as indicated.
- B. Provide grating sections where indicated fabricated from <<welded or pressure-locked steel bar grating or pressure-locked aluminum bar grating as indicated. Limit openings in gratings to no more than 1/2 inch in least dimension.
- C. Provide steel or aluminum angle supports as indicated.
- D. Include steel or aluminum angle stiffeners, and fixed and removable sections as indicated.
- E. Provide flush steel or aluminum bar drop handles for lifting removable sections, one at each end of each section.

2.13 MISCELLANEOUS STEEL TRIM

- A. Unless otherwise indicated, fabricate units from steel shapes, plates, and bars of profiles shown with continuously welded joints and smooth exposed edges. Miter corners and use concealed field splices where possible.
- B. Provide cutouts, fittings, and anchorages as needed to coordinate assembly and installation with other work.
 - 1. Provide with integrally welded steel strap anchors for embedding in concrete or masonry construction.
- C. Galvanize exterior miscellaneous steel trim.
- D. Prime exterior miscellaneous steel trim with zinc-rich primer as specified in Section 099000.

2.14 METAL BOLLARDS

- A. Fabricate metal bollards from Schedule 40 steel pipe.
 - 1. Cap bollards with 1/4 inch thick steel plate.
 - 2. Where bollards are indicated to receive controls for door operators, provide necessary cutouts for controls and holes for wire.
 - 3. Where bollards are indicated to receive light fixtures, provide necessary cutouts for fixtures and holes for wire.
- B. Fabricate bollards with 3/8 inch thick steel baseplates for bolting to concrete slab. Drill baseplates at all four corners for 3/4 inch anchor bolts.
 - 1. Where bollards are to be anchored to sloping concrete slabs, angle baseplates for plumb alignment of bollards.
- C. Fabricate sleeves for bollard anchorage from steel pipe with 1/4 inch thick steel plate welded to bottom of sleeve. Make sleeves not less than 8 inches deep and 3/4 inch larger than OD of bollard.

- D. Fabricate internal sleeves for removable bollards from Schedule 40 steel pipe or 1/4 inch wall-thickness steel tubing with an OD approximately 1/16 inch less than ID of bollards. Match drill sleeve and bollard for 3/4 inch steel machine bolt.
- E. Prime bollards with zinc-rich primer as specified in Section 099000.

2.15 LOOSE BEARING AND LEVELING PLATES

- A. Provide loose bearing and leveling plates for steel items bearing on masonry or concrete construction. Drill plates to receive anchor bolts and for grouting.
- B. Galvanize plates.
- C. Prime plates with zinc-rich primer as specified in Section 099000.

2.16 STEEL WELD PLATES AND ANGLES

- A. Provide steel weld plates and angles not specified in other Sections, for items supported from concrete construction as needed to complete the Work. Provide each unit with no fewer than two integrally welded steel strap anchors for embedding in concrete.

2.17 FINISHES, GENERAL

- A. Comply with NAAMM's "Metal Finishes Manual for Architectural and Metal Products" for recommendations for applying and designating finishes.
- B. Finish metal fabrications after assembly.
- C. Finish exposed surfaces to remove tool and die marks and stretch lines, and to blend into surrounding surface.

2.18 STEEL AND IRON FINISHES

- A. Galvanizing: Hot-dip galvanize items as indicated to comply with ASTM A 153 for steel and iron hardware and with ASTM A 123 for other steel and iron products. Do not quench or apply post galvanizing treatments that might interfere with paint adhesion.
- B. Shop prime iron and steel items not indicated to be galvanized unless they are to be embedded in concrete, sprayed-on fireproofing, or masonry, or unless otherwise indicated.
 - 1. Shop prime with primers specified in Section 099000 unless zinc-rich primer is indicated.
- C. Preparation for Shop Priming: Prepare surfaces to comply with SSPC-SP 6/NACE No. 3, "Commercial Blast Cleaning" or SSPC-SP 3, "Power Tool Cleaning".
- D. Shop Priming: Apply shop primer to comply with SSPC-PA 1, "Paint Application Specification No. 1: Shop, Field, and Maintenance Painting of Steel," for shop painting.
 - 1. Stripe paint corners, crevices, bolts, welds, and sharp edges.

2.19 ALUMINUM FINISHES

- A. Finish designations prefixed by AA comply with the system established by the Aluminum Association for designating aluminum finishes.
- B. As-Fabricated Finish: AA-M10 (Mechanical Finish: as fabricated, unspecified).
- C. Class I, Clear Anodic Finish: AA-M12C22A41 (Mechanical Finish: non-specular as fabricated; Chemical Finish: etched, medium matte; Anodic Coating: Architectural Class I, clear coating 0.018 mm or thicker) complying with AAMA 611.

PART 3 EXECUTION

3.1 INSTALLATION, GENERAL

- A. Cutting, Fitting, and Placement: Perform cutting, drilling, and fitting required for installing metal fabrications. Set metal fabrications accurately in location, alignment, and elevation; with edges and surfaces level, plumb, true, and free of rack; and measured from established lines and levels.
- B. Fit exposed connections accurately together to form hairline joints. Weld connections that are not to be left as exposed joints but cannot be shop welded because of shipping size limitations. Do not weld, cut, or abrade surfaces of exterior units that have been hot-dip galvanized after fabrication and are for bolted or screwed field connections.
- C. Field Welding: Comply with the following requirements:
 - 1. Use materials and methods that minimize distortion and develop strength and corrosion

- resistance of base metals.
 - 2. Obtain fusion without undercut or overlap.
 - 3. Remove welding flux immediately.
 - 4. At exposed connections, finish exposed welds and surfaces smooth and blended so no roughness shows after finishing and contour of welded surface matches that of adjacent surface.
- D. Fastening to In-Place Construction: Provide anchorage devices and fasteners where metal fabrications are required to be fastened to in-place construction. Provide threaded fasteners for use with concrete and masonry inserts, toggle bolts, through bolts, lag screws, wood screws, and other connectors.
- E. Provide temporary bracing or anchors in formwork for items that are to be built into concrete, masonry, or similar construction.
- F. Corrosion Protection: Coat concealed surfaces of aluminum that will come into contact with grout, concrete, masonry, wood, or dissimilar metals with the following:
- 1. Cast Aluminum: Heavy coat of bituminous paint.
 - 2. Extruded Aluminum: Two coats of clear lacquer.

3.2 INSTALLING MISCELLANEOUS FRAMING AND SUPPORTS

- A. General: Install framing and supports to comply with requirements of items being supported, including manufacturers' written instructions and requirements indicated on Shop Drawings.
- B. Anchor supports for operable partitions securely to and rigidly brace from building structure.
- C. Support steel girders on solid grouted masonry, concrete, or steel pipe columns. Secure girders with anchor bolts embedded in grouted masonry or concrete or with bolts through top plates of pipe columns.
- 1. Where grout space under bearing plates is indicated for girders supported on concrete or masonry, install as specified in "Installing Bearing and Leveling Plates" Article.
- D. Install pipe columns on concrete footings with grouted baseplates. Position and grout column baseplates as specified in "Installing Bearing and Leveling Plates" Article.
- 1. Grout baseplates of columns supporting steel girders after girders are installed and leveled.

3.3 INSTALLING METAL BOLLARDS

- A. Fill metal-capped bollards solidly with concrete and allow concrete to cure seven days before installing.
- 1. Do not fill removable bollards with concrete.
- B. Anchor bollards to existing construction with expansion anchors; anchor bolts; or through bolts. Provide four 3/4 inch bolts at each bollard unless otherwise indicated.
- 1. Embed anchor bolts at least 4 inches in concrete.
- C. Anchor bollards in concrete as indicated.

3.4 INSTALLING BEARING AND LEVELING PLATES

- A. Clean concrete and masonry bearing surfaces of bond-reducing materials, and roughen to improve bond to surfaces. Clean bottom surface of plates.
- B. Set bearing and leveling plates on wedges, shims, or leveling nuts. After bearing members have been positioned and plumbed, tighten anchor bolts. Do not remove wedges or shims but, if protruding, cut off flush with edge of bearing plate before packing with grout.
- 1. Use nonshrink grout, either metallic or nonmetallic, in concealed locations where not exposed to moisture; use nonshrink, nonmetallic grout in exposed locations unless otherwise indicated.
 - 2. Pack grout solidly between bearing surfaces and plates to ensure that no voids remain.

3.5 INSTALLING LADDERS

- A. Mount ladders so that no permanent obstruction is within 7 inches of the ladder's centerline.

3.6 ADJUSTING AND CLEANING

- A. Touchup Painting: Immediately after erection, clean field welds, bolted connections, and abraded areas. Paint uncoated and abraded areas with the same material as used for shop painting to comply with SSPC-PA 1 for touching up shop-painted surfaces.
- 1. Apply by brush or spray to provide a minimum 2.0 mil dry film thickness.
- B. Touchup Painting: Cleaning and touchup painting of field welds, bolted connections, and abraded areas of shop paint are specified in Section 099000.
- C. Galvanized Surfaces: Clean field welds, bolted connections, and abraded areas and repair galvanizing

to comply with ASTM A 780.

END OF SECTION

SECTION 099000
PAINTING AND COATING

PART 1 - GENERAL

1.1 DESCRIPTION

- A. This section includes materials and application of painting and coating systems for the following surfaces:
- B. Exposed, submerged, and buried metal.
- C. PVC
- D. ~~Masonry~~
- E. Concrete (in contact with aluminum)
- F. Wood
- G. ~~Drywall~~
- H. ~~It does not include coating steel water tanks and reservoirs.~~

1.2 REFERENCES

- A. ASTM D 16 - Terminology Relating to Paint, Varnish, Lacquer, and Related Products.
- B. ASTM D 4263 - Indicating Moisture in Concrete by the Plastic Sheet Method.
- C. ASTM F 1869 - Measuring Moisture Vapor Emission Rate of Concrete Subfloor Using Anhydrous Calcium Chloride.
- D. AWWA D 102 - Painting Steel Water Storage Tanks
- E. International Concrete Repair Institute (ICRI) Guideline No. 310.2-1997 (formerly 03732) - Selecting and Specifying Concrete Surface Preparation for Sealers, Coatings, and Polymer Overlays.
- F. NACE SP0188 - Standard Recommended Practice, Discontinuity (Holiday) Testing of Protective Coatings.
- G. NAF 500-03-04 Abrasive Blast Cleaning.
- H. SSPC-SP 1 - Solvent Cleaning.
- I. SSPC-SP 3 - Powertool Cleaning
- J. SSPC-SP 5/NACE 1 - White Metal Blast Cleaning.
- K. SSPC-SP 6/NACE 3 - Commercial Blast Cleaning.
- L. SSPC-SP 10/NACE 2 - Near-White Metal Blast Cleaning.
- M. SSPC-SP 13/NACE 6 - Surface Preparation of Concrete.
- N. SSPC-SP 16 - Brush-Off Blast Cleaning of Coated and Uncoated Galvanized Steel, Stainless Steels, and Non-Ferrous Metals
- O. SSPC-TU 11 - Inspection of Fluorescent Coating Systems

1.3 SUBMITTALS

- A. Submit shop drawings in accordance with the Contract Documents and Section 013300.
- B. Submit manufacturer's data sheets showing the following information, including surface preparation products such as block fillers and galvanized metal primers:
 - 1. Percent solids by volume.
 - 2. Minimum and maximum recommended dry-film thickness per coat for prime, intermediate, and finish coats.
 - 3. Recommended surface preparation.
 - 4. Recommended thinners.
 - 5. Statement verifying that the specified prime coat is recommended by the manufacturer for use with the specified intermediate and finish coats.
 - 6. Application instructions including recommended equipment and temperature limitations.
 - 7. Curing requirements and instructions.
- C. Submit color swatches or charts.

- D. Submit certifications from the manufacturer of field coatings that shop prime coat materials to be applied by others is compatible with field coats.
- E. Submit manufacturer's certification that coatings comply with specified requirements and are suitable for intended application.
- F. Submit material safety data sheets for each coating.
- G. Submit certificate identifying the type and gradation of abrasives used for surface preparation.
- H. Warranty: Submit manufacturer's standard warranty, or special warranty if set forth in the contract documents.

1.4 QUALITY ASSURANCE

- A. Manufacturer's Qualifications:
 - 1. Specialize in manufacture of coatings with a proven successful experience.
 - 2. Able to demonstrate successful performance on comparable projects.
 - 3. Single Source Responsibility: Coatings and coating application reducers and additives shall be products of a single manufacturer.
- B. Applicator's Qualifications:
 - 1. Experienced in application of specified coatings on projects of similar size and complexity to this Work.
 - 2. Applicator's Personnel: Employ persons trained for application of specified coatings.
 - 3. Applicator's Quality Assurance: Upon request, submit list of a minimum of 5 completed projects of similar size and complexity to this Work. Include for each project:
 - a. Project name and location.
 - b. Name of owner.
 - c. Name of contractor.
 - d. Name of engineer.
 - e. Name of coating manufacturer.
 - f. Approximate area of coatings applied.
 - g. Date of completion.
- C. Provide field primers and undercoat paint produced by the same manufacturer as the intermediate and finish coats. All field coatings shall be by the same manufacturer.

1.5 DELIVERY, STORAGE, AND HANDLING

- A. Delivery: Deliver materials to site in manufacturer's original, unopened containers and packaging, with labels clearly identifying:
 - 1. Coating or material name.
 - 2. Manufacturer.
 - 3. Color name and number.
 - 4. Batch or lot number.
 - 5. Date of manufacture.
 - 6. Mixing and thinning instructions.
- B. Storage:
 - 1. Store materials in a clean dry area and within temperature range in accordance with manufacturer's instructions in the area designated by owners representative.
 - 2. Keep containers sealed until ready for use.
 - 3. Do not use materials beyond manufacturer's shelf life limits.
- C. Handling: Protect materials during handling and application to prevent damage or contamination
 - 1. Avoid danger of fire: Deposit cleaning rags and waste materials in metal containers having tight covers or remove from building each night. Provide fire extinguishers of type recommended by coating manufacturer in areas of storage and where finishing is occurring. Allow no smoking or open containers of solvents. Store solvents in safety cans.
 - 2. Upon project completion, remaining material will become property of Owner. Seal material as required for storage, marked as to contents and shelf life, and store where required by Owner.
 - 3. Protect floor and walls of storage area from splatter and disfiguration.
 - 4. Prepare multiple-component coatings using all of the contents of the container for each component as packaged by the paint manufacturer. Do not use partial batches. Do not use

multiple-component coatings that have been mixed beyond their pot life. Provide small quantity kits for touch-up painting and for painting other small areas. Mix only the components specified and furnished by the paint manufacturer. Do not intermix additional components for reasons of color or otherwise, even within the same generic type of coating.

1.6 WORK SCHEDULE

Two weeks prior to the beginning of any coating work, establish with the Owner and Engineer a mutually agreeable schedule for the work. The schedule shall allow for all inspections required.

1.7 REGULATORY REQUIREMENTS

Conform to applicable code for flame and smoke rating requirements for products and finishes.

PART 2 - MATERIALS

2.1 MANUFACTURERS

- A. Tnemec Company Inc.
- B. The Sherwin Williams Company
- C. Induron
- D. Diamond Vogel
- E. ENGINEER Approved Equal

2.2 PAINT SYSTEMS SCHEDULE

Paint Systems Schedule is located at the end of this section. Painting products are listed on the System Schedule.

2.3 PAINT FINISH SCHEDULE

The Paint Finish Schedule at the end of this section or located on the drawings indicates which surfaces are to be painted. If there is a doubt as to whether a surface is to be painted, assume it is until instructed otherwise by the Engineer.

2.4 COLORS

Paint colors will be selected from the manufacturer's standard color charts by the Owner and Engineer.

2.5 TOUCH-UP PAINT

Furnish a minimum of one gallon of each coating, in each color used, for the Owners use in future touch-up and minor repair work. Furnish the coatings in unbroken containers clearly labeled with the manufacturer's name, product number, product number, color, date of manufacture and coating system identification.

2.6 GALVANIZED METAL TOUCH-UP

Touch-up galvanized metals with Sherwin Williams Zinc Clad "Cold Galvanizing Compound", or equal, 3 mils DFT minimum, unless shown otherwise in another specification section. Provide SSPC-SP1 surface preparation.

2.7 ABRASIVES AND SURFACE PROFILE

Abrasives and surface profile shall be as recommended by the paint manufacturer for the paint material being coated and the application. Provide information for Engineer review.

PART 3 - EXECUTION

3.1 ENVIRONMENTAL REQUIREMENTS

- A. Weather:
 - 1. Air and Surface Temperatures: Prepare surfaces and apply and cure coatings within air and surface temperature range in accordance with manufacturer's instructions.
 - 2. Surface Temperature: Minimum of 5 degrees F (3 degrees C) above dew point.
 - 3. Relative Humidity: Prepare surfaces and apply and cure coatings within relative humidity range in accordance with manufacturer's instructions.
 - 4. Precipitation: Do not prepare surfaces or apply coatings in rain, snow, fog, or mist.
 - 5. Wind: Do not spray coatings if wind velocity is above manufacturer's limit.

- B. Ventilation: Provide ventilation during coating evaporation stage in confined or enclosed areas in accordance with AWWA D 102.
- C. Dust and Contaminants:
 - 1. Schedule coating work to avoid excessive dust and airborne contaminants.
 - 2. Protect work areas from excessive dust and airborne contaminants during coating application and curing
 - 3. Protect working parts of mechanical and electrical equipment from damage during surface preparation and painting process. Mask openings in motors to prevent paint and other materials from entering the motors.
- D. Maintain interior temperature and relative humidity of space, as recommended by coating manufacturer, 24 hours before applying and until coating is cured.
- E. Do not paint when temperature of metal to be painted is above 120°F.
- F. Do not apply alkyd, inorganic zinc, silicone aluminum, or silicone acrylic paints if air or surface temperature is below 40°F or expected to be below 40°F within 24 hours.

3.2 PROTECTION OF SURFACES NOT SCHEDULED TO BE COATED

- A. Protect surrounding areas and surfaces not scheduled to be coated from damage during surface preparation and application of coatings.
- B. Immediately remove coatings that fall on surrounding areas and surfaces not scheduled to be coated

3.3 SURFACE PREPARATION OF STEEL

- A. Prepare steel surfaces in accordance with paint manufacturer's instructions.
- B. Fabrication Defects:
 - 1. Correct steel and fabrication defects revealed by surface preparation.
 - 2. Remove weld spatter and slag.
 - 3. Round sharp edges and corners of welds to a smooth contour.
 - 4. Smooth weld undercuts and recesses.
 - 5. Grind down porous welds to pinhole-free metal.
 - 6. Remove weld flux from surface.
- C. Ensure surfaces are dry.
- D. Immersion or Below Grade Surfaces: Remove visible oil, grease, dirt, dust, mill scale, rust, paint, oxides, corrosion products, and other foreign matter in accordance with SSPC-SP 10/NACE 2. Create a surface profile as required by the coating manufacturer.
- E. Exterior Exposed or Interior Exposed Surfaces: Remove visible oil, grease, dirt, dust, mill scale, rust, paint, oxides, corrosion products, and other foreign matter in accordance with SSPC-SP 6/NACE 3. Create a surface profile as required by the coating manufacturer.
- F. Abrasive Blast-Cleaned Surfaces: Coat abrasive blast-cleaned surfaces with primer before visible rust forms on surface. Do not leave blast-cleaned surfaces uncoated for more than 8 hours. Do not touch blasted surface with bare hands. Do not abrasive blast or prepare more surface area in one day than can be coated in one day; prepare surfaces and apply coatings the same day.
- G. For carbon steel surfaces, after abrasive blast cleaning, verify the surface profile by measuring with an impresser tape acceptable to the Owner's Representative. Perform a minimum of one test per 100 square feet of surface area. Testing shall be witnessed by the Owner's Representative. The impresser tape used in the test shall be permanently marked with the date, time, and locations where the test was made. Test results shall be promptly presented to the Owner's Representative.
- H. Shop Primer: Shop primed steel shall receive a field sweep blast prior to the application of subsequent coats. Prepare shop primer to receive field coat in accordance with manufacturer's instructions. Removal all unknown shop primers and re-prime in accordance with this specification.

3.4 SURFACE PREPARATION OF GALVANIZED STEEL AND NONFERROUS METAL

- A. Prepare galvanized steel and nonferrous metal surfaces in accordance with SSPC-SP 16 and the coating manufacturer's instructions.
- B. Test galvanized surfaces for chromate treatments and remove as required by SSPC-SP 16, or other Engineer approved method.

- C. Ensure surfaces are dry.

3.5 SURFACE PREPARATION OF DUCTILE OR CAST IRON

- A. Prepare ductile or cast iron surfaces in accordance with NAPF 500-03-04 Abrasive Blast Cleaning with the exception that ALL rust and mold coating be removed. Only tightly adhered annealing oxide may remain.
- B. Bituminous coated pipe shall NOT be allowed if field painting is required.
- C. Ensure surfaces are clean, dry, and free of oil, grease, dirt, dust, and other contaminants.
- D. Painting contractor shall install a 360 degree bead of caulk. Prior to painting, in the void between mating flange faces and in the void between any pipe and the thread-on flange. The bead caulk shall prevent exterior water from penetrating into the described void and leaving rust streaks.
- E. Caulk shall be a paintable, high grade flexible polysulfide joint sealant as manufactured by Polyspec or equal

3.6 SURFACE PREPARATION OF PVC

- A. Prepare PVC surfaces in accordance with manufacturer's instructions.
- B. Ensure surfaces are clean, dry, and free of oil, grease, dirt, dust, and other contaminants.
- C. Scarify PVC surfaces.

3.7 SURFACE PREPARATION OF CONCRETE

- A. Interior, Wet Substrate:
 - 1. Prepare concrete surfaces in accordance with manufacturer's instructions, SSPC-SP 13/NACE 6, and ICRI 310.2.
 - 2. Allow concrete to cure for a minimum of 28 days.
 - 3. Test concrete for moisture in accordance with ASTM D 4263 and, if necessary, F 1869.
 - 4. Abrasive blast surface to remove laitance and solid contaminants and to provide clean, sound substrate with uniform anchor profile.
 - 5. Verify that the pH of the cleaned concrete surfaces to be coated is within the range of to 8 to 11. Application of coating materials outside this range will not be permitted without written approval from the Engineer.
 - 6. Fill holes, pits, voids, and cracks with manufacturer approved surfacer.
 - 7. Ensure surfaces are clean, dry, and free of oil, grease, chalk, form release agents, and other contaminants.
- B. Exterior and Interior Dry:
 - 1. Prepare concrete surfaces in accordance with manufacturer's instructions, SSPC-SP 13/NACE 6, and ICRI 310.2.
 - 2. Allow concrete to cure for a minimum of 28 days.
 - 3. Test concrete for moisture in accordance with ASTM D 4263 and, if necessary, F 1869.
 - 4. Level concrete protrusions and mortar spatter.
 - 5. Verify that the pH of the cleaned concrete surfaces to be coated is within the range of to 8 to 11. Application of coating materials outside this range will not be permitted without written approval from the Engineer.
 - 6. Fill hairline cracks less than 1/64 inch (0.4 mm) in accordance with manufacturer's instructions.
 - 7. Prepare cracks wider than 1/64 inch (0.4 mm), moving cracks, gaps, and expansion joints in accordance with manufacturer's instructions.
 - 8. Ensure surfaces are clean, dry, and free of oil, grease, chalk, form release agents, and other contaminants.

3.8 SURFACE PREPARATION OF CONCRETE FLOORS

- A. Prepare concrete surfaces in accordance with manufacturer's instructions, SSPC-SP 13/NACE 6, and ICRI 310.2.
- B. Ensure surfaces are clean, dry, and free of oil, grease, dirt, dust, and other contaminants.
- C. Allow concrete to cure for a minimum of 28 days before coating.
- D. Test concrete for moisture in accordance with ASTM D 4263 and, if necessary, F 1869.

- E. Verify that the pH of the cleaned concrete surfaces to be coated is within the range of 8 to 11. Application of coating materials outside this range will not be permitted without written approval from the Engineer.

3.9 SURFACE PREPARATION OF POROUS CONCRETE MASONRY UNITS

- A. Prepare porous concrete masonry unit surfaces in accordance with manufacturer's instructions and SSPC-SP 13/NACE 6.
- B. Ensure surfaces are clean, dry, and free of oil, grease, dirt, dust, and other contaminants.
- C. Allow mortar to cure for a minimum of 28 days before coating.
- D. Level protrusions and mortar spatter.

3.10 SURFACE PREPARATION OF GYPSUM BOARD

- A. Prepare gypsum board surfaces in accordance with manufacturer's instructions.
- B. Ensure surfaces are clean, dry, and free of oil, grease, dirt, dust, and other contaminants.
- C. Sand joint compound smooth and feather edge.
- D. Avoid heavy sanding of adjacent gypsum board surfaces, which will raise nap of paper covering.
- E. Do not apply putty, patching pencils, caulking, or masking tape to drywall surfaces to be painted.
- F. Lightly scuff-sand tape joints after priming to remove raised paper nap. Do not sand through primer.

3.11 SURFACE PREPARATION OF WOOD

- A. Prepare wood surfaces in accordance with manufacturer's instructions.
- B. Ensure surfaces are clean, dry, and free of oil, grease, dirt, dust, surface deposits of sap or pitch, and other contaminants.
- C. Seal knots and pitch pockets.
- D. Sand rough spots with the grain.
- E. Fill cracks and holes with approved materials after primer is dry. Sand flush with surface when filler is hard.
- F. Lightly sand between coats.

3.12 PROCEDURES FOR ITEMS HAVING SHOP-APPLIED PRIME COATS

- A. After application of primer to surfaces, allow coating to cure for a minimum of two hours before handling to minimize damage.
- B. When loading for shipment to the project site, use spacers and other protective devices to separate items to prevent damaging the shop-primed surfaces during transit and unloading. If wood spacers are used, remove wood splinters and particles from the shop-primed surfaces after separation. Use padded chains or ribbon binders to secure the loaded items and minimize damage to the shop-primed surfaces.
- C. Cover shop-primed items 100% with protective coverings or tarpaulins to prevent deposition of road salts, fuel residue, and other contaminants in transit.
- D. Handle shop-primed items with care during unloading, installation, and erection operations to minimize damage. Do not place or store shop-primed items on the ground or on top of other work unless ground or work is covered with a protective covering or tarpaulin. Place shop-primed items above the ground upon platforms, skids, or other supports.

3.13 FIELD TOUCH-UP OF SHOP-APPLIED PRIME COATS

- A. Remove oil and grease surface contaminants on metal surfaces in accordance with SSPC SP-1. Use clean rags wetted with a degreasing solution, rinse with clean water, and wipe dry.
- B. Remove dust, dirt, salts, moisture, chalking primers, or other surface contaminants that will affect the adhesion or durability of the coating system. Use a high-pressure water blaster or scrub surfaces with a broom or brush wetted with a solution of trisodium phosphate, detergent, and water. Rinse scrubbed surfaces with clean water.
- C. Remove loose or peeling primer and other surface contaminants not easily removed by the previous cleaning methods in accordance with SSPC SP-7. Take care that remaining primers are not damaged

by the blast cleaning operation. Remaining primers shall be firmly bonded to the steel surfaces with blast cleaned edges feathered.

- D. Remove rust, scaling, or primer damaged by welding or during shipment, storage, and erection in accordance with SSPC SP-10. Take care that remaining primers are not damaged by the blast cleaning operation. Areas smaller than 1 square inch may be prepared per SSPC SP-11. Remaining primers shall be firmly bonded to the steel surfaces with cleaned edges feathered.
- E. Use repair procedures on damaged primer that protects adjacent primer. Blast cleaning may require the use of lower air pressure, smaller nozzles, and abrasive particle sizes, short blast nozzle distance from surface, shielding, and/or masking.
- F. After abrasive blast cleaning of damaged and defective areas, remove dust, blast particles, and other debris by dusting, sweeping, and vacuuming; then apply the specified touch-up coating.
- G. Surfaces that are shop primed shall receive a field touch-up of the same primer used in the original prime coat.
- H. Review other Specification Sections in which primers are shop applied to assure compatibility of the total coating system. On request, furnish information on characteristics of intermediate and finish coating materials to assure compatibility with primers. Notify the Owners Representative of anticipated problems using the materials specified over substrates primed by others.

3.14 PROCEDURES FOR THE APPLICATION OF COATINGS

- A. Apply coatings in accordance with manufacturer's instructions.
- B. Mix and thin coatings, including multi-component materials, in accordance with manufacturer's instructions. Only full kits shall be mixed, unless properly measured using graduated measuring devices. Only mix coatings in areas designated for that purpose by the Owner's Representative.
- C. Keep containers closed when not in use to avoid contamination.
- D. Do not use mixed coatings beyond pot life limits.
- E. Use application equipment, tools, pressure settings, and techniques in accordance with manufacturer's instructions.
- F. Uniformly apply coatings at spreading rate required to achieve specified DFT.
- G. Apply coatings to be free of film characteristics or defects that would adversely affect performance or appearance of coating systems.
- H. Stripe paint with brush critical locations on steel such as welds, corners, and edges using specified primer. Apply an additional stripe coat of the intermediate coating material in immersion areas.
- I. Roll or backroll the first coat of epoxy or block filler applied to concrete or interior block substrates to work the material into the substrate

3.15 SURFACES NOT TO BE COATED

- A. Do not paint the following surfaces unless otherwise noted in the drawings or in other specification sections. Protect during the painting of adjacent areas:
- B. Prefinished items not to be painted include, but are not limited to, the following factory-finished components, unless noted otherwise:
 - 1. Toilet enclosures
 - 2. Acoustic materials
 - 3. Architectural woodwork and casework
 - 4. Shop finished water treatment process, mechanical, and electrical equipment
 - 5. Light fixtures
 - 6. Switchgear
 - 7. Distribution cabinets
 - 8. Metal Building Wall and Roof Panels
 - 9. FRP Pipe Supports, Hangers, and grating
 - 10. Laboratory Cabinets
- C. Finished metal surfaces not to be painted include, but are not limited to, the following, unless noted otherwise:
 - 1. Aluminum

2. Stainless steel and stainless steel piping, except for color coding
 3. Chromium plated
 4. Copper pipe, except for color coding
 5. Submerged brass and copper.
- D. Interior and exterior galvanized metal surfaces shall not be painted, unless noted otherwise in the paint schedule or on the plans.
- E. Operating parts not to be painted include moving parts of operating equipment, such as the following:
1. Valve and damper operators
 2. Linkage
 3. Sensing devices
 4. Motor and fan shafts
- F. Labels
1. Do not paint over Underwriters Laboratories, Factory Mutual or other code-required labels or equipment name, identification, performance rating, or nomenclature plates.
- G. Concrete and masonry surfaces unless noted to be painted on Paint Finish Schedule.
- H. Shop primed steel joists if not exposed to view upon completion of construction.
- I. Miscellaneous Items
1. Fencing
 2. Concrete reinforcement steel
 3. Buried piping unless specifically noted otherwise
 4. Exposed electrical conduit.
 5. Glass
 6. Roofing
 7. Metal letters
 8. Grease fittings
- J. Remove, mask, or otherwise protect hardware, lighting fixtures, switchplates, aluminum surfaces, machined surfaces, couplings, shafts, bearings, nameplates on machinery, and other surfaces not intended to be painted. Provide drop cloths to prevent paint materials from falling on or marring adjacent surfaces. Protect working parts of mechanical and electrical equipment from damage during surface preparation and painting process. Mask openings in motors to prevent paint and other materials from entering the motors.

3.16 SURFACES TO BE COATED

- A. Coat surfaces with the specific coating systems as described below:
1. Coat mechanical equipment, such as pumps, as described in the various mechanical equipment specifications. Color of finish coat shall match the color of the connecting piping.
 2. Coat aboveground and exposed piping or piping in vaults and structures as described in the various piping specifications.
 3. Coat valves as described in the various valve specifications. Aboveground valves, or valves in vaults and structures, shall match the color of the connecting piping.
 4. Coat aluminum surfaces in contact with concrete per System No. 11.
 5. Coat aboveground structural steel or structural steel located in vaults and structures as described in Section 05120.
 6. Field applied epoxy coatings for patching and touch-up of fusion-bonded epoxy lining and coatings shall meet the requirements of Specification Section 09961.

3.17 FIELD QUALITY CONTROL

- A. Required Inspections and Documentation:
1. Verify coatings and other materials are as specified.
 2. Verify environmental conditions are as specified.
 3. Verify surface preparation and application are as specified.
 4. Verify DFT of each coat and total DFT of each coating system are as specified using wet film and dry film gauges. DFT's shall be measured in accordance with SSPC-PA2.
 5. Coating Defects: Check coatings for film characteristics or defects that would adversely affect performance or appearance of coating systems.

- a. Check for holidays on interior steel immersion surfaces using holiday detector in accordance with NACE SP0188 or SSPC TU-11 using a safe blue light inspection lamps if OAP technology is used.
6. Report:
 - a. Prepare inspection reports daily.
 - b. Submit written reports describing inspections made and actions taken to correct nonconforming work.
 - c. Report nonconforming work not corrected.
 - d. Submit copies of report to Engineer and Contractor.
7. Perform tests in the presence of the Owner's Representative when available. The Owner's Representative may perform independent testing of coating systems, including wet film, dry film, holiday, surface profile, or testing of paint products as deemed necessary.
8. Manufacturer's Field Services: Manufacturer's representative shall provide technical assistance and guidance for surface preparation and application of coating systems

3.18 REPAIR OF IMPROPERLY COATED SURFACES

If the item has an improper finish color or insufficient film thickness, clean and topcoat the surface with the specified paint material to obtain the specified color and coverage. Sandblast or mechanically abrade visible areas of chipped, peeled, or abraded paint, feathering the edges. Then prime and finish coat in accordance with the specifications. Work shall be free of runs, bridges, shiners, laps, or other imperfections.

3.19 CLEANING

- A. During the progress of the work, remove discarded materials, rubbish, cans, and rags at the end of each day's work.
- B. Thoroughly clean brushes and other application equipment at the end of each period of use and when changing to another paint or color.
- C. Upon completion of painting work, remove masking tape, tarps, and other protective materials. Clean glass and paint spattered surfaces. Remove spattered paint by washing and scaping. Use care not to scratch or damage finished surfaces.
- D. All glass that is scratched or damaged by the painter's work or while cleaning off the paint from the glass shall be replaced.
- E. Collect waste material which may constitute a fire hazard, place in closed metal containers, and remove daily from site.

**THIS PAGE INTENTIONALLY LEFT BLANK.
END OF SECTION**

**SECTION 099000.10
 PAINT SYSTEM SCHEDULE**

**PART 1 SCHEDULE 1
 TNEMEC PAINTS**

No	Description	Surface preparation	Prime Coat		Intermediate Coat		Final Coat		NOTES
			Series	Min. DFT	Series	Min. DFT	Series	Min. DFT	
4	Exterior Metal - Architectural	SSPC SP3	10	2.0 to 4.0	1029	2.0 to 3.0	1029	2.0 to 3.0	
2	Exterior Metal - Corrosive	SSPC SP6, SEE NOTE 3	90-97	2.0 to 4.0	N69	3.5 to 4.5	73	2.0 to 3.0	Applies to all exterior metal in vicinity of wastewater plant unless indicated as galvanized. Painting existing package plant is not required on this project unless coating is damaged
3	Exterior Galv. Metal	SSPC SP1 & brush blast	27	3.5 to 4.5	N69	3.5 to 4.5	73	2.0 to 3.0	Where indicated
4	Exterior Concrete	14 day cure & clean and dry	156	4.0 to 8.0	---	---	156	4.0 to 8.0	
5	Exterior Buried Concrete	14 day cure & clean and dry	46-413	8.0 to 12.0	---	---	46-413	8.0 to 12.0	
6	Exterior Masonry	28 day cure & clean and dry	156	60 to 80 ft²/gal	---	---	156	80 to 100 ft²/gal	
7	Exterior Wood	Sand & no residues	10	2.5 to 3.5	1029	2.0 to 3.0	1029	2.0 to 3.0	
8	Exterior Pipe and Equipment	SSPC SP6, See Note 2 for DIP	N69	3.0 to 5.0	N69	4.0 to 6.0	73	4.0 to 6.0	Applies to all non-stainless, non-galvanized exterior pipe and equipment

9	Exterior PVC and FRP	Lightly Abrade	27	2.0 to 3.0	---	---	73	2.0 to 3.0	Applies where PVC or FRP exposed to sun
10	Buried Metal	SSPC SP6, See Note 3	46H-413	16.0 to 20.0	---	---	---	---	
11	Aluminum in Contact with Concrete	SSPC SP6	46H-413	16.0 to 20.0	---	---	---	---	
12	Submerged-Metal - Potable	SSPC-SP10	N140	3.0 to 5.0	N140	4.0 to 6.0	N140	4.0 to 6.0	
13	Submerged Metal - Nonpotable	SSPC SP10	N69	3.0 to 5.0	N69	4.0 to 6.0	N69	4.0 to 6.0	
14	Submerged-Concrete - Potable	28-day-cure & brush blast	N140	4.0 to 6.0	N140	4.0 to 6.0	N140	4.0 to 6.0	
15	Submerged-Concrete - Nonpotable	28-day-cure & brush blast	N69	4.0 to 6.0	N69	4.0 to 6.0	N69	4.0 to 6.0	
16	Metal High Temp	SSPC SP10	39	0.7 to 1.5	39	0.7 to 1.5	39	0.7 to 1.5	Applies to all non-stainless pipe and equipment within 50' of blower discharge
17	Interior-Metal - Architectural	SSPC-SP3	10	2.0 to 4.0	1029	2.0 to 3.0	1029	2.0 to 3.0	
18	Interior-Metal - Corrosive	SSPC-SP6	N69	2.0 to 3.0	N69	3.0 to 5.0	N69	3.0 to 5.0	
19	Interior-Galv. - Metal	SSPC-SP6	27	4.0 to 6.0	---	---	73	2.0 to 3.0	
20	Interior-Concrete - Architectural	28-day-cure & clean and dry	104	60 to 80 ft²/gal	---	---	104	80 to 100 ft²/gal	
21	Interior-Concrete - Corrosive	28-day-cure & brush blast	104	60 to 80 ft²/gal	---	---	104	80 to 100 ft²/gal	
22	Concrete-Floor - Painted	28-day-cure & brush blast	201	6.0 to 8.0	280	8.0 to 10.0	280	8.0 to 10.0	
23	Concrete-Floor - Clear-Sealer	28-day-cure & brush blast	201	10.0 to 12.0	---	---	---	---	

24	Interior Masonry - Archi	28-day-cure	130	60 to 80 ft ² /gal	1029	2.0 to 3.0	1029	2.0 to 3.0	
25	Interior Masonry - Corrosive	28-day-cure	104	60 to 80 ft ² /gal	---	---	104	80 to 100 ft ² /gal	
26	Interior Wood	sand & no-residues	36	2.0 to 3.0	1029	2.0 to 3.0	1029	2.0 to 3.0	
27	Interior Gypsum Drywall	See Spec. 09260	151	1.0 to 2.0	113	2.0 to 3.0	113	2.0 to 3.0	
28	Bound Absorption Panels	No-residues	23	1.5 to 3.0	23	1.5 to 3.0	---	---	
29	Interior Pipe and Equipment, See note 4	SSPC SP6, See Note 2 for DIP	27	3.0 to 5.0	N69	4.0 to 6.0	N69	4.0 to 6.0	
30	Interior PVC and FRP	Lightly Abrade	27	2.0 to 3.0	---	---	N69	2.0 to 3.0	
31	Electrical Conduit Runs, Metallic Tubing	SSPC SP6	37H	2.0 to 3.5	Match	Wall	Match	Wall	
32	Cotton/Canvas on Pipe Insulation	---	1029	1.5 to 2.0	---	---	1029	1.5 to 2.0	
33	Submerged Metal - Zinc Primer	SSPC SP10	91-H2O	2.5 to 3.5	N140	4.0 to 6.0	N140	4.0 to 6.0	
34	Metal Corrosive - Zinc Primer	SSPC SP6	91-H2O	2.5 to 3.5	N69	3.0 to 5.0	N69	3.0 to 5.0	
35	Interior Gypsum Drywall - Epoxy	See Spec. 09255	151-1051	.07 to 1.5	113	4.0 to 5.0	113	4.0 to 5.0	
36	Exterior Metal - Architectural, Epoxy	SSPC SP6	27	4.0 to 6.0	---	---	73	2.0 to 3.0	
37	Interior Metal - Architectural, Epoxy	SSPC SP6	27	4.0 to 6.0	---	---	73	2.0 to 3.0	

Notes: All paint systems shown with crosshatching are not anticipated to be required on this project.

1. Unless otherwise specified.
2. Surface prep shall be in compliance with Tnemec Technical Bulletin No. 07-52. If surface profile is less than 1.5 mils then brush-off blast clean, if surface profile is more than 1.5 mils then hand or power tool clean.
3. SSPC SP10 for immersion service.

4. Coating systems from other suppliers, including Sherwin Williams and other suppliers approved in Section 099000 will be accepted. This schedule outlines specific systems acceptable if Tnemec is selected.

END OF SECTION

SECTION 260510

COMMON MOTOR REQUIREMENTS

PART 1 GENERAL

1.1 SUMMARY

- A. Drawings and general provisions of the Contract, including General and Supplementary Conditions and Division 01 Specification Sections, apply to this Section.

1.2 COORDINATION

- A. Coordinate features of motors, installed units, and accessory devices to be compatible with the following:
 - 1. Motor controllers.
 - 2. Torque, speed, and horsepower requirements of the load.
 - 3. Ratings and characteristics of supply circuit and required control sequence.
 - 4. Ambient and environmental conditions of installation location.

1.3 WARRANTY

- A. Special Warranty: Manufacturer's standard form in which manufacturer agrees to repair or replace components of motors that fail in materials or workmanship within specified warranty period.
 - 1. Failures include, but are not limited to, the following:
 - a. Motor winding failure.
 - 2. Warranty Period: Five years from date of Substantial Completion.

PART 2 PRODUCTS

2.1 GENERAL MOTOR REQUIREMENTS

- A. Comply with requirements in this Section except when stricter requirements are specified in plumbing equipment schedules or Sections.
- B. Comply with NEMA MG 1 unless otherwise indicated.
- C. Comply with IEEE 841 for severe-duty motors.

2.2 MOTOR CHARACTERISTICS

- A. Duty: Continuous duty at ambient temperature of 40 deg C and at altitude of 3300 feet above sea level.
- B. Capacity and Torque Characteristics: Sufficient to start, accelerate, and operate connected loads at designated speeds, at installed altitude and environment, with indicated operating sequence, and without exceeding nameplate ratings or considering service factor.

2.3 POLYPHASE MOTORS

- A. Description: NEMA MG 1, Design B, medium induction motor.
- B. Manufacturers:
 - 1. US Motor
 - 2. General Electric Company
 - 3. Westinghouse

- 4. Approved Equal.
- C. Efficiency: Premium efficient, as defined in NEMA MG 1.
- D. Service Factor: 1.15.
- E. Windings: Copper magnet wire with moisture-resistant insulation varnish, designed and tested to resist transient spikes, high frequencies, and short time rise pulses produced by pulse-width modulated inverters.
- F. Multispeed Motors: Separate winding for each speed.
- G. Rotor: Random-wound, squirrel cage.
- H. Bearings: Regreasable, shielded, antifriction ball bearings suitable for radial and thrust loading.
- I. Temperature Rise: Class B.
- J. Insulation: Class F.
- K. Peak Voltage Rating of stator wiring to be a minimum of 2,200 volts.
- L. Code Letter Designation:
 - 1. Motors 15 HP and Larger: NEMA starting Code F or Code G.
 - 2. Motors Smaller than 15 HP: Manufacturer's standard starting characteristic.
- M. Enclosure Material: Cast iron frame and end bells.
- N. Thermal Protection: Comply with NEMA MG 1.
- O. Severe-Duty Motors: Comply with IEEE 841, with 1.15 minimum service factor.
- P. Provide shaft grounding (diverter) ring on drive end of all vertical motors.
- Q. Provide shaft grounding (diverter) ring on drive end and insulated bearing on the non-drive end of all motors 25 hp and larger controlled by variable-frequency motor controllers.

2.4 SINGLE-PHASE MOTORS

- A. Motors larger than 1/20 hp shall be one of the following, to suit starting torque and requirements of specific motor application:
 - 1. Permanent-split capacitor.
 - 2. Split phase.
 - 3. Capacitor start, inductor run.
 - 4. Capacitor start, capacitor run.
- B. Multispeed Motors: Variable-torque, permanent-split-capacitor type.
- C. Bearings: Prelubricated, antifriction ball bearings or sleeve bearings suitable for radial and thrust loading.
- D. Motors 1/20 HP and Smaller: Shaded-pole type.
- E. Thermal Protection: Internal protection to automatically open power supply circuit to motor when winding temperature exceeds a safe value calibrated to temperature rating of motor insulation. Thermal-protection device shall automatically reset when motor temperature returns to normal range.

PART 3 EXECUTION (NOT APPLICABLE)

END OF SECTION

SECTION 260519

LOW-VOLTAGE ELECTRICAL POWER CONDUCTORS AND CABLES

PART 1 GENERAL

1.1 RELATED DOCUMENTS

- A. Drawings and general provisions of the Contract and Division 01 Specification Sections apply to this Section.

1.2 DEFINITIONS

- A. VFC: Variable frequency controller.

1.3 ACTION SUBMITTALS

- A. Product Data: For each type of product.

1.4 INFORMATIONAL SUBMITTALS

- A. Qualification Data: For testing agency.
- B. Field quality-control reports.

1.5 QUALITY ASSURANCE

- A. Testing Agency Qualifications: Member company of NETA or an NRTL.
 - 1. Testing Agency's Field Supervisor: Certified by NETA to supervise on-site testing.

PART 2 PRODUCTS

2.1 CONDUCTORS AND CABLES

- A. Manufacturers: Subject to compliance with requirements, provide products by one of the following:
 - 1. Alcan Products Corporation; Alcan Cable Division.
 - 2. Alpha Wire.
 - 3. Belden Inc.
 - 4. Encore Wire Corporation.
 - 5. General Cable Technologies Corporation.
 - 6. Southwire Incorporated.
- B. Aluminum and Copper Conductors: Comply with NEMA WC 70/ICEA S-95-658.
- C. Conductor Insulation: Comply with NEMA WC 70/ICEA S-95-658 for Type THHN-2-THWN-2 and Type XHHW-2.
- D. Multiconductor Cable: Comply with NEMA WC 70/ICEA S-95-658 for metal-clad cable, Type MC with ground wire.

2.2 CONNECTORS AND SPLICES

- A. Manufacturers: Subject to compliance with requirements, provide products by one of the following:
 - 1. AFC Cable Systems, Inc.
 - 2. Hubbell Power Systems, Inc.
 - 3. O-Z/Gedney; a brand of the EGS Electrical Group.
 - 4. 3M; Electrical Markets Division.
 - 5. Tyco Electronics.
- B. Description: Factory-fabricated connectors and splices of size, ampacity rating, material, type, and class for application and service indicated.

2.3 SYSTEM DESCRIPTION

- A. Electrical Components, Devices, and Accessories: Listed and labeled as defined in NFPA 70, by a qualified testing agency, and marked for intended location and application.
- B. Comply with NFPA 70.

PART 3 EXECUTION

3.1 CONDUCTOR MATERIAL APPLICATIONS

- A. Feeders: Copper for feeders smaller than No. 4 AWG; copper or aluminum for feeders No. 4 AWG and larger. Solid for No. 10 AWG and smaller; stranded for No. 8 AWG and larger.
- B. Branch Circuits: Copper. Solid for No. 10 AWG and smaller; stranded for No. 8 AWG and larger.

3.2 CONDUCTOR INSULATION AND MULTICONDUCTOR CABLE APPLICATIONS AND WIRING METHODS

- A. Service Entrance: Type THHN-2-THWN-2, single conductors in raceway Type SE or Type USE multiconductor cable.
- B. Exposed Feeders: Type THHN-2-THWN-2, single conductors in raceway Metal-clad cable, Type MC.
- C. Feeders Concealed in Ceilings, Walls, Partitions, and Crawlspace: Type THHN-2-THWN-2, single conductors in raceway Metal-clad cable, Type MC.
- D. Feeders Concealed in Concrete, below Slabs-on-Grade, and Underground: Type THHN-2-THWN-2, single conductors in raceway.
- E. Feeders Installed below Raised Flooring: Type THHN-2-THWN-2, single conductors in raceway Metal-clad cable, Type MC.
- F. Feeders in Cable Tray: Type THHN-2-THWN-2, single conductors in raceway Type XHHW-2, single conductors larger than No. 1/0 AWG Metal-clad cable, Type MC.
- G. Exposed Branch Circuits, Including in Crawlspace: Type THHN-2-THWN-2, single conductors in raceway Metal-clad cable, Type MC.
- H. Branch Circuits Concealed in Ceilings, Walls, and Partitions: Type THHN-2-THWN-2, single conductors in raceway Metal-clad cable, Type MC.
- I. Branch Circuits Concealed in Concrete, below Slabs-on-Grade, and Underground: Type THHN-2-THWN-2, single conductors in raceway.
- J. Branch Circuits Installed below Raised Flooring: Type THHN-2-THWN-2, single conductors in raceway Metal-clad cable, Type MC.
- K. Branch Circuits in Cable Tray: Type THHN-2-THWN-2, single conductors in raceway Metal-clad cable, Type MC.
- L. Cord Drops and Portable Appliance Connections: Type SO, hard service cord with stainless-steel, wire-mesh, strain relief device at terminations to suit application.

3.3 INSTALLATION OF CONDUCTORS AND CABLES

- A. Conceal cables in finished walls, ceilings, and floors unless otherwise indicated.
- B. Complete raceway installation between conductor and cable termination points according to Division 26 Section "Raceways and Boxes for Electrical Systems" prior to pulling conductors and cables.
- C. Use manufacturer-approved pulling compound or lubricant where necessary; compound used must not deteriorate conductor or insulation. Do not exceed manufacturer's recommended maximum pulling tensions and sidewall pressure values.
- D. Use pulling means, including fish tape, cable, rope, and basket-weave wire/cable grips, that will not damage cables or raceway.

- E. Install exposed cables parallel and perpendicular to surfaces of exposed structural members and follow surface contours where possible.
- F. Support cables according to Division 26 Section "Hangers and Supports for Electrical Systems."
- G. Complete cable tray systems installation according to Division 26 Section "Cable Trays for Electrical Systems" prior to installing conductors and cables.

3.4 CONNECTIONS

- A. Tighten electrical connectors and terminals according to manufacturer's published torque-tightening values. If manufacturer's torque values are not indicated, use those specified in UL 486A-486B.
- B. Make splices, terminations, and taps that are compatible with conductor material and that possess equivalent or better mechanical strength and insulation ratings than unspliced conductors.
 - 1. Use oxide inhibitor in each splice, termination, and tap for aluminum conductors.
- C. Wiring at Outlets: Install conductor at each outlet, with at least 12 inches of slack.

3.5 IDENTIFICATION

- A. Identify and color-code conductors and cables according to Division 26 Section "Identification for Electrical Systems."
- B. Identify each spare conductor at each end with identity number and location of other end of conductor, and identify as spare conductor.

3.6 SLEEVE AND SLEEVE-SEAL INSTALLATION FOR ELECTRICAL PENETRATIONS

- A. Install sleeves and sleeve seals at penetrations of exterior floor and wall assemblies. Comply with requirements in Division 26 Section "Sleeves and Sleeve Seals for Electrical Raceways and Cabling."

3.7 FIRESTOPPING

- A. Apply firestopping to electrical penetrations of fire-rated floor and wall assemblies to restore original fire-resistance rating of assembly according to Division 07 Section "Penetration Firestopping."
 - a. Record of Infrared Scanning: Prepare a certified report that identifies splices checked and that describes scanning results. Include notation of deficiencies detected, remedial action taken, and observations after remedial action.
- B. Test and Inspection Reports: Prepare a written report to record the following:
 - 1. Procedures used.
 - 2. Results that comply with requirements.
 - 3. Results that do not comply with requirements and corrective action taken to achieve compliance with requirements.
- C. Cables will be considered defective if they do not pass tests and inspections.

END OF SECTION

PAGE LEFT INTENTIONALLY BLANK

SECTION 260533
RACEWAY AND BOXES FOR ELECTRICAL SYSTEMS

PART 1 GENERAL

1.1 SUMMARY

- A. Drawings and general provisions of the Contract, including General and Supplementary Conditions and Division 01 Specification Sections, apply to this Section.

1.2 DEFINITIONS

- A. ARC: Aluminum rigid conduit.
- B. GRC: Galvanized rigid steel conduit.
- C. IMC: Intermediate metal conduit.

1.3 ACTION SUBMITTALS

- A. Product Data: For surface raceways, wireways and fittings, floor boxes, hinged-cover enclosures, and cabinets.
- B. LEED Submittals:
 - 1. Product Data for Credit IEQ 4.1: For solvent cements and adhesive primers, documentation including printed statement of VOC content.
- C. Shop Drawings: For custom enclosures and cabinets. Include plans, elevations, sections, and attachment details.
- D. Samples: For and wireways, nonmetallic wireways, surface raceways and for each color and texture specified.

1.4 INFORMATIONAL SUBMITTALS

- A. Coordination Drawings: Conduit routing plans, drawn to scale, on which the following items are shown and coordinated with each other, based on input from installers of the items involved:
 - 1. Structural members in the paths of conduit groups with common supports.
 - 2. HVAC and plumbing items and architectural features in the paths of conduit groups with common supports.
- B. Qualification Data: For professional engineer.
- C. Seismic Qualification Certificates: For enclosures, cabinets, and conduit racks and their mounting provisions, including those for internal components, from manufacturer.
 - 1. Basis for Certification: Indicate whether withstand certification is based on actual test of assembled components or on calculation.
 - 2. Dimensioned Outline Drawings of Equipment Unit: Identify center of gravity and locate and describe mounting and anchorage provisions.
 - 3. Detailed description of equipment anchorage devices on which the certification is based and their installation requirements.
 - 4. Detailed description of conduit support devices and interconnections on which the certification is based and their installation requirements.
- D. Source quality-control test reports.

PART 2 PRODUCTS

2.1 METAL CONDUITS, TUBING, AND FITTINGS

- A. Manufacturers: Subject to compliance with requirements, provide products by one of the following:
 - 1. AFC Cable Systems, Inc.

2. Allied Tube & Conduit.
 3. Anamet Electrical, Inc.
 4. Electri-Flex Company.
 5. O-Z/Gedney.
 6. Wheatland Tube Company.
- B. Listing and Labeling: Metal conduits, tubing, and fittings shall be listed and labeled as defined in NFPA 70, by a qualified testing agency, and marked for intended location and application.
- C. GRC: Comply with ANSI C80.1 and UL 6.
- D. ARC: Comply with ANSI C80.5 and UL 6A.
- E. IMC: Comply with ANSI C80.6 and UL 1242.
- F. PVC-Coated Steel Conduit: PVC-coated rigid steel conduit.
1. Comply with NEMA RN 1.
 2. Coating Thickness: 0.040 inch, minimum.
- G. EMT: Comply with ANSI C80.3 and UL 797.
- H. FMC: Comply with UL 1; zinc-coated steel.
- I. LFMC: Flexible steel conduit with PVC jacket and complying with UL 360.
- J. Fittings for Metal Conduit: Comply with NEMA FB 1 and UL 514B.
1. Conduit Fittings for Hazardous (Classified) Locations: Comply with UL 886 and NFPA 70.
 2. Fittings for EMT:
 - a. Material: Steel.
 - b. Type: Setscrew or compression.
 3. Expansion Fittings: PVC or steel to match conduit type, complying with UL 651, rated for environmental conditions where installed, and including flexible external bonding jumper.
 4. Coating for Fittings for PVC-Coated Conduit: Minimum thickness of 0.040 inch, with overlapping sleeves protecting threaded joints
- K. Joint Compound for IMC, GRC, or ARC: Approved, as defined in NFPA 70, by authorities having jurisdiction for use in conduit assemblies, and compounded for use to lubricate and protect threaded conduit joints from corrosion and to enhance their conductivity.

2.2 NONMETALLIC CONDUITS, TUBING, AND FITTINGS

- A. Manufacturers: Subject to compliance with requirements, provide products by one of the following:
1. AFC Cable Systems, Inc.
 2. Anamet Electrical, Inc.
 3. Arnco Corporation.
 4. CANTEX Inc.
 5. CertainTeed Corporation.
 6. Condux International, Inc.
 7. Electri-Flex Company.
 8. Lamson & Sessions; Carlon Electrical Products.
 9. RACO; Hubbell.
 10. Thomas & Betts Corporation.

- B. Listing and Labeling: Nonmetallic conduits, tubing, and fittings shall be listed and labeled as defined in NFPA 70, by a qualified testing agency, and marked for intended location and application
- C. ENT: Comply with NEMA TC 13 and UL 1653.
- D. RNC: Type EPC-40-PVC, complying with NEMA TC 2 and UL 651 unless otherwise indicated.
- E. LFNC: Comply with UL 1660.
- F. Rigid HDPE: Comply with UL 651A.
- G. Continuous HDPE: Comply with UL 651B.
- H. Coilable HDPE: Preassembled with conductors or cables, and complying with ASTM D 3485.
- I. RTRC: Comply with UL 1684A and NEMA TC 14.
- J. Fittings for ENT and RNC: Comply with NEMA TC 3; match to conduit or tubing type and material.
- K. Fittings for LFNC: Comply with UL 514B.
- L. Solvent cements and adhesive primers shall have a VOC content of 510 and 550 g/L or less, respectively, when calculated according to 40 CFR 59, Subpart D (EPA Method 24).

2.3 METAL WIREWAYS AND AUXILIARY GUTTERS

- A. Manufacturers: Subject to compliance with requirements, provide products by one of the following:
 - 1. Cooper B-Line, Inc.
 - 2. Hoffman.
 - 3. Square D.
- B. Description: Sheet metal, complying with UL 870 and NEMA 250 unless otherwise indicated, and sized according to NFPA 70.
 - 1. Metal wireways installed outdoors shall be listed and labeled as defined in NFPA 70, by a qualified testing agency, and marked for intended location and application.
- C. Fittings and Accessories: Include covers, couplings, offsets, elbows, expansion joints, adapters, hold-down straps, end caps, and other fittings to match and mate with wireways as required for complete system.
- D. Wireway Covers: As indicated.
- E. Finish: Manufacturer's standard enamel finish.

2.4 NONMETALLIC WIREWAYS AND AUXILIARY GUTTERS

- A. Manufacturers: Subject to compliance with requirements, provide products by one of the following:
 - 1. Hoffman.
 - 2. Lamson & Sessions; Carlon Electrical Products.
- B. Listing and Labeling: Nonmetallic wireways and auxiliary gutters shall be listed and labeled as defined in NFPA 70, by a qualified testing agency, and marked for intended location and application.
- C. Description: Fiberglass polyester, extruded and fabricated to size and shape indicated, with no holes or knockouts. Cover is gasketed with oil-resistant gasket material and fastened with captive screws treated for corrosion resistance. Connections are flanged, with stainless-steel screws and oil-resistant gaskets.
- D. Description: PVC plastic, extruded and fabricated to size and shape indicated, with snap-on cover and mechanically coupled connections with plastic fasteners.

- E. Fittings and Accessories: Couplings, offsets, elbows, expansion joints, adapters, hold-down straps, end caps, and other fittings shall match and mate with wireways as required for complete system.
- F. Solvent cements and adhesive primers shall have a VOC content of 510 and 550 g/L or less, respectively, when calculated according to 40 CFR 59, Subpart D (EPA Method 24).

2.5 SURFACE RACEWAYS

- A. Listing and Labeling: Surface raceways and tele-power poles shall be listed and labeled as defined in NFPA 70, by a qualified testing agency, and marked for intended location and application.
- B. Surface Metal Raceways: Galvanized steel with snap-on covers complying with UL 5. Manufacturer's standard enamel finish in color selected by Architect.
 - 1. Manufacturers: Subject to compliance with requirements, provide products by one of the following:
 - a. Wiremold / Legrand.
- C. Surface Nonmetallic Raceways: Two- or three-piece construction, complying with UL 5A, and manufactured of rigid PVC with texture and color selected by Architect from manufacturer's standard colors. Product shall comply with UL 94 V-0 requirements for self-extinguishing characteristics.
 - 1. Manufacturers: Subject to compliance with requirements, provide products by one of the following:
 - a. Hubbell Incorporated.
 - b. Panduit Corp.
 - c. Wiremold / Legrand.
- D. Tele-Power Poles:
 - 1. Manufacturers: Subject to compliance with requirements, provide products by one of the following:
 - a. Mono-Systems, Inc.
 - b. Panduit Corp.
 - c. Wiremold / Legrand.
 - 2. Material: Galvanized steel with ivory baked-enamel finish Aluminum with clear anodized finish]].
 - 3. Fittings and Accessories: Dividers, end caps, covers, cutouts, wiring harnesses, devices, mounting materials, and other fittings shall match and mate with tele-power pole as required for complete system.

2.6 BOXES, ENCLOSURES, AND CABINETS

- A. Manufacturers: Subject to compliance with requirements, provide products by one of the following:
 - 1. Cooper Technologies Company; Cooper Crouse-Hinds.
 - 2. EGS/Appleton Electric.
 - 3. Erickson Electrical Equipment Company.
 - 4. Hoffman.
 - 5. Hubbell Incorporated.
 - 6. O-Z/Gedney.
 - 7. RACO; Hubbell.

8. Robroy Industries.
 9. Spring City Electrical Manufacturing Company.
 10. Thomas & Betts Corporation.
 11. Wiremold / Legrand.
- B. General Requirements for Boxes, Enclosures, and Cabinets: Boxes, enclosures, and cabinets installed in wet locations shall be listed for use in wet locations.
- C. Sheet Metal Outlet and Device Boxes: Comply with NEMA OS 1 and UL 514A.
- D. Cast-Metal Outlet and Device Boxes: Comply with NEMA FB 1, ferrous alloy, Type FD, with gasketed cover.
- E. Nonmetallic Outlet and Device Boxes: Comply with NEMA OS 2 and UL 514C.
- F. Metal Floor Boxes:
1. Material: Cast metal or sheet metal.
 2. Type: Fully adjustable.
 3. Shape: Rectangular.
 4. Listing and Labeling: Metal floor boxes shall be listed and labeled as defined in NFPA 70, by a qualified testing agency, and marked for intended location and application.
- G. Nonmetallic Floor Boxes: Nonadjustable, round.
1. Listing and Labeling: Nonmetallic floor boxes shall be listed and labeled as defined in NFPA 70, by a qualified testing agency, and marked for intended location and application.
- H. Luminaire Outlet Boxes: Nonadjustable, designed for attachment of luminaire weighing 50 lb. Outlet boxes designed for attachment of luminaires weighing more than 50 lb shall be listed and marked for the maximum allowable weight.
- I. Paddle Fan Outlet Boxes: Nonadjustable, designed for attachment of paddle fan weighing 70 lb.
1. Listing and Labeling: Paddle fan outlet boxes shall be listed and labeled as defined in NFPA 70, by a qualified testing agency, and marked for intended location and application.
- J. Small Sheet Metal Pull and Junction Boxes: NEMA OS 1.
- K. Cast-Metal Access, Pull, and Junction Boxes: Comply with NEMA FB 1, cast aluminum with gasketed cover.
- L. Box extensions used to accommodate new building finishes shall be of same material as recessed box.
- M. Device Box Dimensions: 4 inches square by 2-1/8 inches deep.
- N. Gangable boxes [[are allowed] [are prohibited]].
- O. Hinged-Cover Enclosures: Comply with UL 50 and NEMA 250, Type 1 with continuous-hinge cover with flush latch unless otherwise indicated.
1. Metal Enclosures: Steel, finished inside and out with manufacturer's standard enamel.
 2. Nonmetallic Enclosures: Plastic.
 3. Interior Panels: Steel; all sides finished with manufacturer's standard enamel.
- P. Cabinets:
1. NEMA 250, Type 1 galvanized-steel box with removable interior panel and removable front, finished inside and out with manufacturer's standard enamel.
 2. Hinged door in front cover with flush latch and concealed hinge.
 3. Key latch to match panelboards.
 4. Metal barriers to separate wiring of different systems and voltage.

5. Accessory feet where required for freestanding equipment.
6. Nonmetallic cabinets shall be listed and labeled as defined in NFPA 70, by a qualified testing agency, and marked for intended location and application.

2.7 HANDHOLES AND BOXES FOR EXTERIOR UNDERGROUND WIRING

- A. General Requirements for Handholes and Boxes:
 1. Boxes and handholes for use in underground systems shall be designed and identified as defined in NFPA 70, for intended location and application.
 2. Boxes installed in wet areas shall be listed and labeled as defined in NFPA 70, by a qualified testing agency, and marked for intended location and application.
- B. Polymer-Concrete Handholes and Boxes with Polymer-Concrete Cover: Molded of sand and aggregate, bound together with polymer resin, and reinforced with steel or fiberglass or a combination of the two.
 1. Manufacturers: Subject to compliance with requirements, provide products by one of the following:
 - a. Armorcast Products Company.
 - b. Carson Industries LLC.
 2. Standard: Comply with SCTE 77.
 3. Configuration: Designed for flush burial with [[open] [closed] [integral closed]] bottom unless otherwise indicated.
 4. Cover: Weatherproof, secured by tamper-resistant locking devices and having structural load rating consistent with enclosure and handhole location.
 5. Cover Finish: Nonskid finish shall have a minimum coefficient of friction of 0.50.
 6. Cover Legend: Molded lettering, "ELECTRIC."
 7. Conduit Entrance Provisions: Conduit-terminating fittings shall mate with entering ducts for secure, fixed installation in enclosure wall.
 8. Handholes 12 Inches Wide by 24 Inches Long and Larger: Have inserts for cable racks and pulling-in irons installed before concrete is poured.
- C. Fiberglass Handholes and Boxes: Molded of fiberglass-reinforced polyester resin, with frame and covers of polymer concrete.
 1. Manufacturers: Subject to compliance with requirements, provide products by one of the following:
 - a. Armorcast Products Company.
 - b. Carson Industries LLC.
 - c. Nordic Fiberglass, Inc.
 - d. Oldcastle Precast, Inc; Christy Concrete Products
 - e. Synertech Moulded Products, Inc.
 2. Standard: Comply with SCTE 77.
 3. Color of Frame and Cover: Gray.
 4. Configuration: Designed for flush burial unless otherwise indicated.
 5. Cover: Weatherproof, secured by tamper-resistant locking devices and having structural load rating consistent with enclosure and handhole location.
 6. Cover Finish: Nonskid finish shall have a minimum coefficient of friction of 0.50.
 7. Cover Legend: Molded lettering, "ELECTRIC."

8. Conduit Entrance Provisions: Conduit-terminating fittings shall mate with entering ducts for secure, fixed installation in enclosure wall.
9. Handholes 12 Inches Wide by 24 Inches Long and Larger: Have inserts for cable racks and pulling-in irons installed before concrete is poured.

2.8 SOURCE QUALITY CONTROL FOR UNDERGROUND ENCLOSURES

- A. Handhole and Pull-Box Prototype Test: Test prototypes of handholes and boxes for compliance with SCTE 77. Strength tests shall be for specified tier ratings of products supplied.
 1. Tests of materials shall be performed by an independent testing agency.
 2. Strength tests of complete boxes and covers shall be by either an independent testing agency or manufacturer. A qualified registered professional engineer shall certify tests by manufacturer.
 3. Testing machine pressure gages shall have current calibration certification complying with ISO 9000 and ISO 10012, and traceable to NIST standards.

PART 3 EXECUTION

3.1 RACEWAY APPLICATION

- A. Outdoors: Apply raceway products as specified below, unless otherwise indicated:
 1. Exposed Conduit: Rigid steel conduit.
 2. Concealed Conduit, Aboveground: EMT.
 3. Underground Conduit: RNC, Type EPC-40-PVC, direct buried.
 4. Connection to Vibrating Equipment (Including Transformers and Hydraulic, Pneumatic, Electric Solenoid, or Motor-Driven Equipment): LFMC.
 5. Boxes and Enclosures, Aboveground: NEMA 250, Type 3R.
- B. Indoors: Apply raceway products as specified below unless otherwise indicated:
 1. Exposed, Not Subject to Physical Damage: EMT.
 2. Exposed, Not Subject to Severe Physical Damage: EMT.
 3. Exposed and Subject to Severe Physical Damage: Rigid steel conduit. Raceway locations include the following:
 - a. Loading dock.
 - b. Corridors used for traffic of mechanized carts, forklifts, and pallet-handling units.
 - c. Mechanical rooms.
 - d. Gymnasiums.
 4. Concealed in Ceilings and Interior Walls and Partitions: EMT.
 5. Connection to Vibrating Equipment (Including Transformers and Hydraulic, Pneumatic, Electric Solenoid, or Motor-Driven Equipment): FMC, except use LFMC in damp or wet locations.
 6. Damp or Wet Locations: Rigid steel conduit.
 7. Boxes and Enclosures: NEMA 250, Type 1, except use NEMA 250, Type 4, nonmetallic in damp or wet locations.
- C. Minimum Raceway Size: [[1/2-inch] [3/4-inch]] trade size.
- D. Raceway Fittings: Compatible with raceways and suitable for use and location.
 1. Rigid and Intermediate Steel Conduit: Use threaded rigid steel conduit fittings, unless otherwise indicated.

2. PVC Externally Coated, Rigid Steel Conduits: Use only fittings listed for use with this type of conduit. Patch and seal all joints, nicks, and scrapes in PVC coating after installing conduits and fittings. Use sealant recommended by fitting manufacturer and apply in thickness and number of coats recommended by manufacturer.
 3. EMT: Comply with NEMA FB 2.10.
 4. Flexible Conduit: Use only fittings listed for use with flexible conduit. Comply with NEMA FB 2.20.
- E. Install nonferrous conduit or tubing for circuits operating above 60 Hz. Where aluminum raceways are installed for such circuits and pass through concrete, install in nonmetallic sleeve.
- F. Do not install aluminum conduits, boxes, or fittings in contact with concrete or earth.
- G. Install surface raceways only where indicated on Drawings.
- H. Do not install nonmetallic conduit where ambient temperature exceeds 120 deg F.

3.2 INSTALLATION

- A. Comply with NECA 1 and NECA 101 for installation requirements except where requirements on Drawings or in this article are stricter. Comply with NECA 102 for aluminum conduits. Comply with NFPA 70 limitations for types of raceways allowed in specific occupancies and number of floors.
- B. Keep raceways at least 6 inches away from parallel runs of flues and steam or hot-water pipes. Install horizontal raceway runs above water and steam piping.
- C. Complete raceway installation before starting conductor installation.
- D. Complete with requirements in Division 26 Section "Hangers and Supports for Electrical Systems" for hangers and supports.
- E. Arrange stub-ups so curved portions of bends are not visible above the finished slab.
- F. Install no more than the equivalent of three 90-degree bends in any conduit run except for control wiring conduits, for which fewer bends are allowed. Support within 12 inches of changes in direction.
- G. Conceal conduit and EMT within finished walls, ceilings, and floors unless otherwise indicated. Install conduits parallel or perpendicular to building lines.
- H. Support conduit within 12 inches of enclosures to which attached.
- I. Raceways Embedded in Slabs:
1. Run conduit larger than 1-inch trade size, parallel or at right angles to main reinforcement. Where at right angles to reinforcement, place conduit close to slab support. Secure raceways to reinforcement at maximum 10-foot intervals
 2. Arrange raceways to cross building expansion joints at right angles with expansion fittings.
 3. Arrange raceways to keep a minimum of concrete cover in all directions.
 4. Do not embed threadless fittings in concrete unless specifically approved by Architect for each specific location.
 5. Change from ENT to RNC, Type EPC-40-PVC, rigid steel conduit, or IMC before rising above the floor.
- J. Stub-ups to Above Recessed Ceilings:
1. Use EMT, IMC, or RMC for raceways.
 2. Use a conduit bushing or insulated fitting to terminate stub-ups not terminated in hubs or in an enclosure.
- K. Threaded Conduit Joints, Exposed to Wet, Damp, Corrosive, or Outdoor Conditions: Apply listed compound to threads of raceway and fittings before making up joints. Follow compound manufacturer's written instructions.

- L. Coat field-cut threads on PVC-coated raceway with a corrosion-preventing conductive compound prior to assembly.
- M. Raceway Terminations at Locations Subject to Moisture or Vibration: Use insulating bushings to protect conductors, including conductors smaller than No. 4 AWG.
- N. Terminate threaded conduits into threaded hubs or with locknuts on inside and outside of boxes or cabinets. Install bushings on conduits up to 1-1/4-inch trade size and insulated throat metal bushings on 1-1/2-inch trade size and larger conduits terminated with locknuts. Install insulated throat metal grounding bushings on service conduits.
- O. Install raceways square to the enclosure and terminate at enclosures with locknuts. Install locknuts hand tight plus 1/4 turn more.
- P. Do not rely on locknuts to penetrate nonconductive coatings on enclosures. Remove coatings in the locknut area prior to assembling conduit to enclosure to assure a continuous ground path.
- Q. Cut conduit perpendicular to the length. For conduits 2-inch trade size and larger, use roll cutter or a guide to make cut straight and perpendicular to the length.
- R. Install pull wires in empty raceways. Use polypropylene or monofilament plastic line with not less than 200-lb tensile strength. Leave at least 12 inches of slack at each end of pull wire. Cap underground raceways designated as spare above grade alongside raceways in use.
- S. Surface Raceways:
 - 1. Install surface raceway with a minimum 2-inch radius control at bend points.
 - 2. Secure surface raceway with screws or other anchor-type devices at intervals not exceeding 48 inches and with no less than two supports per straight raceway section. Support surface raceway according to manufacturer's written instructions. Tape and glue are not acceptable support methods.
- T. Install raceway sealing fittings at accessible locations according to NFPA 70 and fill them with listed sealing compound. For concealed raceways, install each fitting in a flush steel box with a blank cover plate having a finish similar to that of adjacent plates or surfaces. Install raceway sealing fittings according to NFPA 70.
- U. Install devices to seal raceway interiors at accessible locations. Locate seals so no fittings or boxes are between the seal and the following changes of environments. Seal the interior of all raceways at the following points:
 - 1. Where conduits pass from warm to cold locations, such as boundaries of refrigerated spaces.
 - 2. Where an underground service raceway enters a building or structure.
 - 3. Where otherwise required by NFPA 70.
- V. Comply with manufacturer's written instructions for solvent welding RNC and fittings.
- W. Expansion-Joint Fittings:
 - 1. Install in each run of aboveground RNC that is located where environmental temperature change may exceed 30 deg F and that has straight-run length that exceeds 25 feet. Install in each run of aboveground RMC[[and EMT]] conduit that is located where environmental temperature change may exceed 100 deg F and that has straight-run length that exceeds 100 feet.
 - 2. Install type and quantity of fittings that accommodate temperature change listed for each of the following locations:
 - a. Outdoor Locations Not Exposed to Direct Sunlight: 125 deg F temperature change.
 - b. Outdoor Locations Exposed to Direct Sunlight: 155 deg F temperature change.
 - c. Indoor Spaces: Connected with the Outdoors without Physical Separation: 125 deg F temperature change.
 - d. Attics: 135 deg F temperature change.

3. Install fitting(s) that provide expansion and contraction for at least 0.00041 inch per foot of length of straight run per deg F of temperature change for PVC conduits. Install fitting(s) that provide expansion and contraction for at least 0.000078 inch per foot of length of straight run per deg F of temperature change for metal conduits.
 4. Install expansion fittings at all locations where conduits cross building or structure expansion joints.
 5. Install each expansion-joint fitting with position, mounting, and piston setting selected according to manufacturer's written instructions for conditions at specific location at time of installation. Install conduit supports to allow for expansion movement.
- X. Flexible Conduit Connections: Use maximum of 72 inches of flexible conduit for lighting fixtures, equipment subject to vibration, noise transmission, or movement; and for transformers and motors.
1. Use LFMC in damp or wet locations subject to severe physical damage.
 2. Use LFMC or LFNC in damp or wet locations not subject to severe physical damage.
- Y. Mount boxes at heights indicated on Drawings. If mounting heights of boxes are not individually indicated, give priority to ADA requirements. Install boxes with height measured to [[center] [top] [bottom]] of box unless otherwise indicated.
- Z. Recessed Boxes in Masonry Walls: Saw-cut opening for box in center of cell of masonry block, and install box flush with surface of wall. Prepare block surfaces to provide a flat surface for a raintight connection between box and cover plate or supported equipment and box.
- AA. Horizontally separate boxes mounted on opposite sides of walls so they are not in the same vertical channel.
- BB. Locate boxes so that cover or plate will not span different building finishes.
- CC. Support boxes of three gangs or more from more than one side by spanning two framing members or mounting on brackets specifically designed for the purpose.
- DD. Fasten junction and pull boxes to or support from building structure. Do not support boxes by conduits.
- EE. Set metal floor boxes level and flush with finished floor surface.
- FF. Set nonmetallic floor boxes level. Trim after installation to fit flush with finished floor surface.

3.3 INSTALLATION OF UNDERGROUND CONDUIT

- A. Direct-Buried Conduit:
1. Excavate trench bottom to provide firm and uniform support for conduit. Prepare trench bottom as specified in Division 31 Section "Earth Moving" for pipe less than 6 inches in nominal diameter.
 2. Install backfill as specified in Division 31 Section "Earth Moving."
 3. After installing conduit, backfill and compact. Start at tie-in point, and work toward end of conduit run, leaving conduit at end of run free to move with expansion and contraction as temperature changes during this process. Firmly hand tamp backfill around conduit to provide maximum supporting strength. After placing controlled backfill to within 12 inches of finished grade, make final conduit connection at end of run and complete backfilling with normal compaction as specified in Division 31 Section "Earth Moving."
 4. Install manufactured duct elbows for stub-ups at poles and equipment and at building entrances through the floor, unless otherwise indicated. Encase elbows for stub-up ducts throughout the length of the elbow.
 5. Install manufactured rigid steel conduit elbows for stub-ups at poles and equipment and at building entrances through the floor.

- a. Couple steel conduits to ducts with adapters designed for this purpose, and encase coupling with 3 inches of concrete for a minimum of 12 inches on each side of the coupling.
 - b. For stub-ups at equipment mounted on outdoor concrete bases and where conduits penetrate building foundations, extend steel conduit horizontally a minimum of 60 inches from edge of foundation or equipment base. Install insulated grounding bushings on terminations at equipment.
6. Warning Planks: Bury warning planks approximately 12 inches above direct-buried conduits but a minimum of 6 inches below grade. Align planks along centerline of conduit.
 7. Underground Warning Tape: Comply with requirements in Division 26 Section "Identification for Electrical Systems."

3.4 INSTALLATION OF UNDERGROUND HANDHOLES AND BOXES

- A. Install handholes and boxes level and plumb and with orientation and depth coordinated with connecting conduits to minimize bends and deflections required for proper entrances.
- B. Unless otherwise indicated, support units on a level bed of crushed stone or gravel, graded from 1/2-inch sieve to No. 4 sieve and compacted to same density as adjacent undisturbed earth.
- C. Elevation: In paved areas, set so cover surface will be flush with finished grade. Set covers of other enclosures 1 inch above finished grade.
- D. Install hand holes and boxes with bottom below the frost line.
- E. Install removable hardware, including pulling eyes, cable stanchions, cable arms, and insulators, as required for installation and support of cables and conductors and as indicated. Select arm lengths to be long enough to provide spare space for future cables, but short enough to preserve adequate working clearances in the enclosure.
- F. Field-cut openings for conduits according to enclosure manufacturer's written instructions. Cut wall of enclosure with a tool designed for material to be cut. Size holes for terminating fittings to be used, and seal around penetrations after fittings are installed.

3.5 SLEEVE AND SLEEVE-SEAL INSTALLATION FOR ELECTRICAL PENETRATIONS

- A. Install sleeves and sleeve seals at penetrations of exterior floor and wall assemblies. Comply with requirements in Division 26 Section "Sleeves and Sleeve Seals for Electrical Raceways and Cabling."

3.6 FIRESTOPPING

- A. Install firestopping at penetrations of fire-rated floor and wall assemblies. Comply with requirements in Division 07 Section "Penetration Firestopping."

3.7 PROTECTION

- A. Protect coatings, finishes, and cabinets from damage and deterioration.
 1. Repair damage to galvanized finishes with zinc-rich paint recommended by manufacturer.
 2. Repair damage to PVC or paint finishes with matching touchup coating recommended by manufacturer.

END OF SECTION

THIS PAGE LEFT INTENTIONALLY BLANK

SECTION 262200
LOW-VOLTAGE TRANSFORMERS

PART 1 GENERAL

1.1 SUMMARY

- A. Drawings and general provisions of the Contract and Division 1 Specification Sections apply to this Section.

1.2 ACTION SUBMITTALS

- A. Product Data: Include rated nameplate data, capacities, weights, dimensions, minimum clearances, installed devices and features, and performance for each type and size of transformer indicated.
- B. Shop Drawings: Detail equipment assemblies and indicate dimensions, weights, loads, required clearances, method of field assembly, components, and location and size of each field connection.
 - 1. Wiring Diagrams: Power, signal, and control wiring.

1.3 INFORMATIONAL SUBMITTALS

- A. Manufacturer Seismic Qualification Certification: Submit certification that transformers, accessories, and components will withstand seismic forces defined in Division 26 Section "Vibration and Seismic Controls for Electrical Systems." Include the following:
 - 1. Basis for Certification: Indicate whether withstand certification is based on actual test of assembled components or on calculation.
 - a. The term "withstand" means "the unit will remain in place without separation of any parts from the device when subjected to the seismic forces specified."
 - b. The term "withstand" means "the unit will remain in place without separation of any parts from the device when subjected to the seismic forces specified and the unit will be fully operational after the seismic event."
 - 2. Dimensioned Outline Drawings of Equipment Unit: identify center of gravity, locate, and describe mounting and anchorage provisions.
 - 3. Detailed description of equipment anchorage devices on which the certification is based and their installation requirements.
- B. Qualification Data: For testing agency.
- C. Source quality-control test reports.
- D. Field quality-control test reports.

1.4 CLOSEOUT SUBMITTALS

- A. Operation and Maintenance Data: For transformers to include in emergency, operation, and maintenance manuals.

1.5 QUALITY ASSURANCE

- A. Testing Agency Qualifications: An agency, with the experience and capability to conduct the testing indicated, that is a member company of the InterNational Electrical Testing Association or is a nationally recognized testing laboratory (NRTL) as defined by OSHA in 29 CFR 1910.7, and that is acceptable to authorities having jurisdiction.
 - 1. Testing Agency's Field Supervisor: Person currently certified by the InterNational Electrical Testing Association or the National Institute for Certification in Engineering Technologies to supervise on-site testing specified in Part 3.
- B. Testing Agency Qualifications: An independent agency, with the experience and capability to conduct the testing indicated, that is a nationally recognized testing laboratory (NRTL) as defined by OSHA in 29 CFR 1910.7.

- C. Source Limitations: Obtain each transformer type through one source from a single manufacturer.
- D. Electrical Components, Devices, and Accessories: Listed and labeled as defined in NFPA 70, Article 100, by a testing agency acceptable to authorities having jurisdiction, and marked for intended use.
- E. Comply with IEEE C57.12.91, "Test Code for Dry-Type Distribution and Power Transformers."

1.6 DELIVERY, STORAGE, AND HANDLING

- A. Temporary Heating: Apply temporary heat according to manufacturer's written instructions within the enclosure of each ventilated-type unit, throughout periods during which equipment is not energized and when transformer is not in a space that is continuously under normal control of temperature and humidity.

1.7 COORDINATION

- A. Coordinate size and location of concrete bases with actual transformer provided. Cast anchor-bolt inserts into bases. Concrete, reinforcement, and formwork requirements are specified in Division 03.
- B. Coordinate installation of wall-mounting and structure-hanging supports with actual transformer provided.

PART 2 PRODUCTS

2.1 MANUFACTURERS

- A. Manufacturers: Subject to compliance with requirements, provide products by one of the following:
 - 1. Acme Electric Corporation.
 - 2. Eaton Electrical Sector; Eaton Corporation; Cutler-Hammer Products.
 - 3. Siemens Energy & Automation, Inc.
 - 4. Sola/Hevi-Duty.
 - 5. Square D Co./Groupe Schneider NA; Schneider Electric.

2.2 GENERAL TRANSFORMER REQUIREMENTS

- A. Description: Factory-assembled and -tested, air-cooled units for 60-Hz service.
- B. Cores: Grain-oriented, non-aging silicon steel.
- C. Coils: Continuous windings without splices except for taps.
 - 1. Internal Coil Connections: Brazed or pressure type.
 - 2. Coil Material: Aluminum.

2.3 DISTRIBUTION TRANSFORMERS

- A. Comply with NEMA ST 20, and list and label as complying with UL 1561.
- B. Provide transformers that are constructed to withstand seismic forces specified in Division 26 Section "Vibration and Seismic Controls for Electrical Systems."
- C. Cores: One leg per phase.
- D. Enclosure: Ventilated, NEMA 250, Type 2.
 - 1. Core and coil shall be encapsulated within resin compound, sealing out moisture and air.
- E. Enclosure: Ventilated, NEMA 250, Type 3R.
 - 1. Core and coil shall be encapsulated within resin compound, sealing out moisture and air.
- F. Transformer Enclosure Finish: Comply with NEMA 250.
 - 1. Finish Color: Gray.

- G. Taps for Transformers Smaller Than 3 kVA: One 5 percent tap above normal full capacity.
- H. Taps for Transformers 7.5 to 24 kVA: One 5 percent tap above and one 5 percent tap below normal full capacity.
- I. Taps for Transformers 25 kVA and Larger: Two 2.5 percent taps above and two 2.5 percent taps below normal full capacity.
- J. Insulation Class: 220 deg C, UL-component-recognized insulation system with a maximum of 150 deg C rise above 40 deg C ambient temperature.
- K. Energy Efficiency for Transformers Rated 15 kVA and Larger:
 - 1. Complying with NEMA TP 1, Class 1 efficiency levels.
 - 2. Tested according to NEMA TP 2.
- L. K-Factor Rating: Transformers indicated to be K-factor rated shall comply with UL 1561 requirements for nonsinusoidal load current-handling capability to the degree defined by designated K-factor.
 - 1. Unit shall not overheat when carrying full-load current with harmonic distortion corresponding to designated K-factor.
 - 2. Indicate value of K-factor on transformer nameplate.
- M. Electrostatic Shielding: Each winding shall have an independent, single, full-width copper electrostatic shield arranged to minimize interwinding capacitance.
 - 1. Arrange coil leads and terminal strips to minimize capacitive coupling between input and output terminals.
 - 2. Include special terminal for grounding the shield.
 - 3. Shield Effectiveness:
 - a. Capacitance between Primary and Secondary Windings: Not to exceed 33 picofarads over a frequency range of 20 Hz to 1 MHz.
 - b. Common-Mode Noise Attenuation: Minimum of minus 120 dBA at 0.5 to 1.5 kHz; minimum of minus 65 dBA at 1.5 to 100 kHz.
 - c. Normal-Mode Noise Attenuation: Minimum of minus 52 dBA at 1.5 to 10 kHz.
- N. Wall Brackets: Manufacturer's standard brackets.
- O. Fungus Proofing: Permanent fungicidal treatment for coil and core.
- P. Low-Sound-Level Requirements: Minimum of 3 dBA less than NEMA ST 20 standard sound levels when factory tested according to IEEE C57.12.91.
- Q. Low-Sound-Level Requirements: Maximum sound levels, when factory tested according to IEEE C57.12.91, as follows:
 - 1. 9 kVA and Less: 40 dBA.
 - 2. 30 to 50 kVA: 45 dBA.
 - 3. 51 to 150 kVA: 50 dBA.
 - 4. 151 to 300 kVA: 55 dBA.
 - 5. 301 to 500 kVA: 60 dBA.
 - 6. 501 to 750 kVA: 62 dBA.
 - 7. 751 to 1000 kVA: 64 dBA.

2.4 BUCK-BOOST TRANSFORMERS

- A. Description: Self-cooled, two-winding dry type, rated for continuous duty and with wiring terminals suitable for connection as autotransformer. Transformers shall comply with NEMA ST 1 and shall be listed and labeled as complying with UL 506 or UL 1561.
- B. Enclosure: Ventilated, NEMA 250, Type 2.

1. Finish Color: Gray.

2.5 IDENTIFICATION DEVICES

- A. Nameplates: Engraved, laminated-plastic or metal nameplate for each [[distribution] [buck-boost]] transformer, mounted with corrosion-resistant screws. Nameplates and label products are specified in Division 26 Section "Identification for Electrical Systems."

2.6 SOURCE QUALITY CONTROL

- A. Test and inspect transformers according to IEEE C57.12.91.
- B. Factory Sound-Level Tests: Conduct sound-level tests on equipment for this Project.

PART 3 EXECUTION

3.1 EXAMINATION

- A. Examine conditions for compliance with enclosure- and ambient-temperature requirements for each transformer.
- B. Verify that field measurements are as needed to maintain working clearances required by NFPA 70 and manufacturer's written instructions.
- C. Examine walls, floors, roofs, and concrete bases for suitable mounting conditions where transformers will be installed.
- D. Verify that ground connections are in place and requirements in Division 26 Section "Grounding and Bonding for Electrical Systems" have been met. Maximum ground resistance shall be 5 ohms at location of transformer.
- E. Proceed with installation only after unsatisfactory conditions have been corrected.

3.2 INSTALLATION

- A. Install wall-mounting transformers level and plumb with wall brackets fabricated by transformer manufacturer.
 1. Brace wall-mounting transformers as specified in Division 26 Section "Vibration and Seismic Controls for Electrical Systems."
- B. Construct concrete bases and anchor floor-mounting transformers according to manufacturer's written instructions and requirements in Division 26 Section "Vibration and Seismic Controls for Electrical Systems."

3.3 CONNECTIONS

- A. Ground equipment according to Division 26 Section "Grounding and Bonding for Electrical Systems."
- B. Connect wiring according to Division 26 Section "Low-Voltage Electrical Power Conductors and Cables."

3.4 ADJUSTING

- A. Record transformer secondary voltage at each unit for at least 48 hours of typical occupancy period. Adjust transformer taps to provide optimum voltage conditions at secondary terminals. Optimum is defined as not exceeding nameplate voltage plus 10 percent and not being lower than nameplate voltage minus 3 percent at maximum load conditions. Submit recording and tap settings as test results.
- B. Connect buck-boost transformers to provide nameplate voltage of equipment being served, plus or minus 5 percent, at secondary terminals.
- C. Output Settings Report: Prepare a written report recording output voltages and tap settings.

3.5 CLEANING

- A. Vacuum dirt and debris; do not use compressed air to assist in cleaning.

END OF SECTION

SECTION 262416
PANELBOARDS

PART 1 GENERAL

1.1 RELATED DOCUMENTS

- A. Drawings and general provisions of the Contract and Division 01 Specification Sections apply to this Section.

1.2 DEFINITIONS

- A. SPD: Surge Protective Device.
- B. SVR: Suppressed voltage rating.

1.3 ACTION SUBMITTALS

- A. Product Data: For each type of panelboard, switching and overcurrent protective device, transient voltage suppression device, accessory, and component indicated. Include dimensions and manufacturers' technical data on features, performance, electrical characteristics, ratings, and finishes.
- B. Shop Drawings: For each panelboard and related equipment.
 - 1. Include dimensioned plans, elevations, sections, and details. Show tabulations of installed devices, equipment features, and ratings.
 - 2. Detail enclosure types and details for types other than NEMA 250, Type 1.
 - 3. Detail bus configuration, current, and voltage ratings.
 - 4. Short-circuit current rating of panelboards and overcurrent protective devices.
 - 5. Include evidence of NRTL listing for series rating of installed devices.
 - 6. Detail features, characteristics, ratings, and factory settings of individual overcurrent protective devices and auxiliary components.
 - 7. Include wiring diagrams for power, signal, and control wiring.
 - 8. Include time-current coordination curves for each type and rating of overcurrent protective device included in panelboards. Submit on translucent log-log graft paper; include selectable ranges for each type of overcurrent protective device.

1.4 INFORMATIONAL SUBMITTALS

- A. Qualification Data: For qualified testing agency.
- B. Seismic Qualification Certificates: Submit certification that panelboards, overcurrent protective devices, accessories, and components will withstand seismic forces defined in Section 260548.16 "Seismic Controls for Electrical Systems." Include the following:
 - 1. Basis for Certification: Indicate whether withstand certification is based on actual test of assembled components or on calculation.
 - 2. Dimensioned Outline Drawings of Equipment Unit: Identify center of gravity and locate and describe mounting and anchorage provisions.
 - 3. Detailed description of equipment anchorage devices on which the certification is based and their installation requirements.
- C. Field Quality-Control Reports:
 - 1. Test procedures used.
 - 2. Test results that comply with requirements.
 - 3. Results of failed tests and corrective action taken to achieve test results that comply with requirements.

- D. Panelboard Schedules: For installation in panelboards. Submit final versions after load balancing.

1.5 CLOSEOUT SUBMITTALS

- A. Operation and Maintenance Data: For panelboards and components to include in emergency, operation, and maintenance manuals. In addition to items specified in Section 017823 "Operation and Maintenance Data," include the following:
 - 1. Manufacturer's written instructions for testing and adjusting overcurrent protective devices.
 - 2. Time-current curves, including selectable ranges for each type of overcurrent protective device that allows adjustments.

1.6 MAINTENANCE MATERIAL SUBMITTALS

- 1. Furnish extra materials that match products installed and that are packaged with protective covering for storage and identified with labels describing contents.
 - a. Keys: Two spares for each type of panelboard cabinet lock.
 - b. Circuit Breakers Including GFCI and Ground Fault Equipment Protection (GFEP) Types: Two spares for each panelboard.
 - c. Fuses for Fused Switches: Equal to 10 percent of quantity installed for each size and type, but no fewer than three of each size and type.
 - d. Fuses for Fused Power-Circuit Devices: Equal to 10 percent of quantity installed for each size and type, but no fewer than three of each size and type.

1.7 QUALITY ASSURANCE

- A. Source Limitations: Obtain panelboards, overcurrent protective devices, components, and accessories from single source from single manufacturer.
- B. Comply with NEMA PB 1.
- C. Comply with NFPA 70.

1.8 DELIVERY, STORAGE, AND HANDLING

- A. Remove loose packing and flammable materials from inside panelboards; install temporary electric heating (250 W per panelboard) to prevent condensation.
- B. Handle and prepare panelboards for installation according to NEMA PB 1.

1.9 PROJECT CONDITIONS

- A. Environmental Limitations:
 - 1. Do not deliver or install panelboards until spaces are enclosed and weathertight, wet work in spaces is complete and dry, work above panelboards is complete, and temporary HVAC system is operating and maintaining ambient temperature and humidity conditions at occupancy levels during the remainder of the construction period.
 - 2. Rate equipment for continuous operation under the following conditions unless otherwise indicated:
 - a. Ambient Temperature: Not exceeding minus 22 deg F to plus 104 deg F.
 - b. Altitude: Not exceeding 6600 feet.
- B. Service Conditions: NEMA PB 1, usual service conditions, as follows:
 - 1. Ambient temperatures within limits specified.
 - 2. Altitude not exceeding 6600 feet.
- C. Interruption of Existing Electric Service: Do not interrupt electric service to facilities occupied by Owner or others unless permitted under the following conditions and then only after arranging to provide temporary electric service according to requirements indicated:

1. Notify Engineer no fewer than two days in advance of proposed interruption of electric service.
2. Do not proceed with interruption of electric service without Owner's written permission.
3. Comply with NFPA 70E.

1.10 COORDINATION

- A. Coordinate layout and installation of panelboards and components with other construction that penetrates walls or is supported by them, including electrical and other types of equipment, raceways, piping, encumbrances to workspace clearance requirements, and adjacent surfaces. Maintain required workspace clearances and required clearances for equipment access doors and panels.
- B. Coordinate sizes and locations of concrete bases with actual equipment provided. Cast anchor-bolt inserts into bases. Concrete, reinforcement, and formwork requirements are specified in Division 03.

1.11 WARRANTY

- A. Special Warranty: Manufacturer's standard form in which manufacturer agrees to repair or replace transient voltage suppression devices that fail in materials or workmanship within specified warranty period.
 1. Warranty Period: Five years from date of Substantial Completion.

PART 2 PRODUCTS

2.1 GENERAL REQUIREMENTS FOR PANELBOARDS

- A. Fabricate and test panelboards according to IEEE 344 to withstand seismic forces defined in Section 260548.16 "Seismic Controls for Electrical Systems."
- B. Enclosures: Flush- and surface-mounted cabinets.
 1. Rated for environmental conditions at installed location.
 - a. Indoor Dry and Clean Locations: NEMA 250, Type 1.
 - b. Outdoor Locations: NEMA 250, Type 3R.
 - c. Wash-Down Areas: NEMA 250, Type 4X, stainless steel.
 - d. Other Wet or Damp Indoor Locations: NEMA 250, Type 4.
 - e. Indoor Locations Subject to Dust, Falling Dirt, and Dripping Noncorrosive Liquids: NEMA 250, Type 5 or Type 12.
 2. Front: Secured to box with concealed trim clamps. For surface-mounted fronts, match box dimensions; for flush-mounted fronts, overlap box.
 3. Hinged Front Cover: Entire front trim hinged to box and with standard door within hinged trim cover.
 4. Skirt for Surface-Mounted Panelboards: Same gage and finish as panelboard front with flanges for attachment to panelboard, wall, and ceiling or floor.
 5. Gutter Extension and Barrier: Same gage and finish as panelboard enclosure; integral with enclosure body. Arrange to isolate individual panel sections.
 6. Finishes:
 - a. Panels and Trim: Steel, factory finished immediately after cleaning and pretreating with manufacturer's standard two-coat, baked-on finish consisting of prime coat and thermosetting topcoat.
 - b. Back Boxes: Same finish as panels and trim.
 - c. Fungus Proofing: Permanent fungicidal treatment for overcurrent protective devices and other components.

7. Directory Card: Inside panelboard door, mounted in metal frame with transparent protective cover.
- C. Incoming Mains Location: Top and bottom.
- D. Phase, Neutral, and Ground Buses:
 1. Material: Tin-plated aluminum or Hard-drawn copper, 98 percent conductivity.
 2. Equipment Ground Bus: Adequate for feeder and branch-circuit equipment grounding conductors; bonded to box.
 3. Isolated Ground Bus: Adequate for branch-circuit isolated ground conductors; insulated from box.
 4. Extra-Capacity Neutral Bus: Neutral bus rated 200 percent of phase bus and UL listed as suitable for nonlinear loads.
 5. Split Bus: Vertical buses divided into individual vertical sections.
- E. Conductor Connectors: Suitable for use with conductor material and sizes.
 1. Material: Tin-plated aluminum or Hard-drawn copper, 98 percent conductivity.
 2. Main and Neutral Lugs: Mechanical type.
 3. Ground Lugs and Bus-Configured Terminators: Mechanical type.
 4. Feed-Through Lugs: Mechanical type, suitable for use with conductor material. Locate at opposite end of bus from incoming lugs or main device.
 5. Subfeed (Double) Lugs: Mechanical type suitable for use with conductor material. Locate at same end of bus as incoming lugs or main device.
 6. Gutter-Tap Lugs: Mechanical type suitable for use with conductor material. Locate at same end of bus as incoming lugs or main device.
 7. Extra-Capacity Neutral Lugs: Rated 200 percent of phase lugs mounted on extra-capacity neutral bus.
- F. Service Equipment Label: NRTL labeled for use as service equipment for panelboards or load centers with one or more main service disconnecting and overcurrent protective devices.
- G. Future Devices: Mounting brackets, bus connections, filler plates, and necessary appurtenances required for future installation of devices.
- H. Panelboard Short-Circuit Current Rating: Rated for series-connected system with integral or remote upstream overcurrent protective devices and labeled by an NRTL. Include size and type of allowable upstream and branch devices, listed and labeled for series-connected short-circuit rating by an NRTL.
- I. Panelboard Short-Circuit Current Rating: Fully rated to interrupt symmetrical short-circuit current available at terminals.

2.2 PERFORMANCE REQUIREMENTS

- A. Seismic Performance: Panelboards shall withstand the effects of earthquake motions determined according to SEI/ASCE 7.
 1. The term "withstand" means "the unit will remain in place without separation of any parts from the device when subjected to the seismic forces specified[[and the unit will be fully operational after the seismic event]]."
- B. Surge Suppression: Factory installed as an integral part of indicated panelboards, complying with UL 1449 SPD Type 1.

2.3 DISTRIBUTION PANELBOARDS

- A. Manufacturers: Subject to compliance with requirements, provide products by one of the following:

1. Eaton Electrical Inc.; Cutler-Hammer Business Unit.
 2. Siemens Energy & Automation, Inc.
 3. Square D; a brand of Schneider Electric.
- B. Panelboards: NEMA PB 1, power and feeder distribution type.
- C. Doors: Secured with vault-type latch with tumbler lock; keyed alike.
1. For doors more than 36 inches high, provide two latches, keyed alike.
- D. Mains: As Indicated
- E. Branch Overcurrent Protective Devices for Circuit-Breaker Frame Sizes 125 A and Smaller: Bolt-on circuit breakers.
- F. Branch Overcurrent Protective Devices for Circuit-Breaker Frame Sizes Larger Than 125 A: Bolt-on circuit breakers; plug-in circuit breakers where individual positive-locking device requires mechanical release for removal.
- G. Branch Overcurrent Protective Devices: Fused switches.
- H. Contactors in Main Bus: NEMA ICS 2, Class A, electrically or mechanically held, general-purpose controller, with same short-circuit interrupting rating as panelboard.
1. Internal Control-Power Source: Control-power transformer, with fused primary and secondary terminals, connected to main bus ahead of contactor connection.
 2. External Control-Power Source: 120-V branch circuit.

2.4 LIGHTING AND APPLIANCE BRANCH-CIRCUIT PANELBOARDS

- A. Manufacturers: Subject to compliance with requirements, provide products by one of the following:
1. Eaton Electrical Inc.; Cutler-Hammer Business Unit.
 2. Siemens Energy & Automation, Inc.
 3. Square D; a brand of Schneider Electric.
- B. Panelboards: NEMA PB 1, lighting and appliance branch-circuit type.
- C. Mains: As indicated.
- D. Branch Overcurrent Protective Devices: Bolt-on circuit breakers, replaceable without disturbing adjacent units.
- E. Contactors in Main Bus: NEMA ICS 2, Class A, electrically or mechanically held, general-purpose controller, with same short-circuit interrupting rating as panelboard.
1. Internal Control-Power Source: Control-power transformer, with fused primary and secondary terminals, connected to main bus ahead of contactor connection.
 2. External Control-Power Source: 120-V branch circuit.
- F. Doors: Concealed hinges; secured with flush latch with tumbler lock; keyed alike.
- G. Column-Type Panelboards: Narrow gutter extension, with cover, to overhead junction box equipped with ground and neutral terminal buses.

2.5 ELECTRONIC-GRADE PANELBOARDS

- A. Manufacturers: Subject to compliance with requirements, provide products by one of the following:
1. Current Technology; a subsidiary of Danahar Corporation.
 2. Eaton Electrical Inc.; Cutler-Hammer Business Unit.
 3. Liebert Corporation.
 4. Siemens Energy & Automation, Inc.

5. Square D; a brand of Schneider Electric.
- B. Panelboards: NEMA PB 1; with factory-installed, integral SPD; labeled by an NRTL for compliance with UL 67 after installing SPD.
- C. Doors: Secured with vault-type latch with tumbler lock; keyed alike.
- D. Main Overcurrent Protective Devices: Bolt-on thermal-magnetic circuit breakers.
- E. Branch Overcurrent Protective Devices: Bolt-on thermal-magnetic circuit breakers.
- F. Buses:
 1. Copper phase and neutral buses; 200 percent capacity neutral bus and lugs.
 2. Copper equipment and isolated ground buses.

2.6 DISCONNECTING AND OVERCURRENT PROTECTIVE DEVICES

- A. Manufacturers: Subject to compliance with requirements, provide products by one of the following:
 1. Eaton Electrical Inc.; Cutler-Hammer Business Unit.
 2. Siemens Energy & Automation, Inc.
 3. Square D; a brand of Schneider Electric.
- B. Molded-Case Circuit Breaker (MCCB): Comply with UL 489, with interrupting capacity to meet available fault currents.
 1. Thermal-Magnetic Circuit Breakers: Inverse time-current element for low-level overloads, and instantaneous magnetic trip element for short circuits. Adjustable magnetic trip setting for circuit-breaker frame sizes 250 A and larger.
 2. Adjustable Instantaneous-Trip Circuit Breakers: Magnetic trip element with front-mounted, field-adjustable trip setting.
 3. Electronic trip circuit breakers with rms sensing; field-replaceable rating plug or field-replaceable electronic trip; and the following field-adjustable settings:
 - a. Instantaneous trip.
 - b. Long- and short-time pickup levels.
 - c. Long- and short-time time adjustments.
 - d. Ground-fault pickup level, time delay, and I²t response.
 4. Current-Limiting Circuit Breakers: Frame sizes 400 A and smaller; let-through ratings less than NEMA FU 1, RK-5.
 5. GFCI Circuit Breakers: Single- and two-pole configurations with Class A ground-fault protection (6-mA trip).
 6. Ground-Fault Equipment Protection (GFEP) Circuit Breakers: Class B ground-fault protection (30-mA trip).
 7. Arc-Fault Circuit Interrupter (AFCI) Circuit Breakers: Comply with UL 1699; 120/240-V, single-pole configuration.
 8. Molded-Case Circuit-Breaker (MCCB) Features and Accessories:
 - a. Standard frame sizes, trip ratings, and number of poles.
 - b. Lugs: Mechanical style, suitable for number, size, trip ratings, and conductor materials.
 - c. Application Listing: Appropriate for application; Type SWD for switching fluorescent lighting loads; Type HID for feeding fluorescent and high-intensity discharge (HID) lighting circuits.
 - d. Ground-Fault Protection: Integrally mounted relay and trip unit with adjustable pickup and time-delay settings, push-to-test feature, and ground-fault indicator.

- e. Communication Capability: Circuit-breaker-mounted communication module with functions and features compatible with power monitoring and control system specified in Division 26 Section "Electrical Power Monitoring and Control."
 - f. Shunt Trip: 120-V trip coil energized from separate circuit, set to trip at 55 percent of rated voltage.
 - g. Undervoltage Trip: Set to operate at 35 to 75 percent of rated voltage with field-adjustable 0.1- to 0.6-second time delay.
 - h. Auxiliary Contacts: One SPDT switch with "a" and "b" contacts; "a" contacts mimic circuit-breaker contacts and "b" contacts operate in reverse of circuit-breaker contacts.
 - i. Alarm Switch: Single-pole, normally open contact that actuates only when circuit breaker trips.
 - j. Key Interlock Kit: Externally mounted to prohibit circuit-breaker operation; key shall be removable only when circuit breaker is in off position.
 - k. Zone-Selective Interlocking: Integral with electronic trip unit; for interlocking ground-fault protection function with other upstream or downstream devices.
 - l. Multipole units enclosed in a single housing or factory assembled to operate as a single unit.
 - m. Handle Padlocking Device: Fixed attachment for locking circuit breaker handle in off position.
 - n. Handle Clamp: Loose attachment for holding circuit breaker handle in on position.
- C. Fused Switch: NEMA KS 1, Type HD; clips to accommodate specified fuses; lockable handle.
- 1. Fuses, and Spare-Fuse Cabinet: Comply with requirements specified in Division 26 Section "Fuses."
 - 2. Fused Switch Features and Accessories: Standard ampere ratings and number of poles.
 - 3. Auxiliary Contacts: One normally open and normally closed contact(s) that operate with switch handle operation.

2.7 PANELBOARD SUPPRESSORS

- A. Manufacturers: Subject to compliance with requirements, provide products by one of the following:
- 1. Current Technology; a subsidiary of Danahar Corporation.
 - 2. Eaton Electrical Inc.; Cutler-Hammer Business Unit.
 - 3. Liebert Corporation.
 - 4. Siemens Energy & Automation, Inc.
 - 5. Square D; a brand of Schneider Electric.
 - 6. Or approved equal.
- B. Surge Protection Device: IEEE C62.41-compliant, integrally mounted, solid-state, parallel-connected, non-modular type, with sine-wave tracking suppression and filtering modules, UL 1449, second edition, short-circuit current rating matching or exceeding the panelboard short-circuit rating, and with the following features and accessories:
- 1. Accessories:
 - a. LED indicator lights for power and protection status.
 - b. Audible alarm, with silencing switch, to indicate when protection has failed.
 - c. One set of dry contacts rated at 5 A and 250-V ac, for remote monitoring of protection status.

2.8 ACCESSORY COMPONENTS AND FEATURES

- A. Accessory Set: Include tools and miscellaneous items required for overcurrent protective device test, inspection, maintenance, and operation.
- B. Portable Test Set: For testing functions of solid-state trip devices without removing from panelboard. Include relay and meter test plugs suitable for testing panelboard meters and switchboard class relays.

PART 3 EXECUTION

3.1 EXAMINATION

- A. Receive, inspect, handle, and store panelboards according to NEMA PB 1.1.
- B. Examine panelboards before installation. Reject panelboards that are damaged or rusted or have been subjected to water saturation.
- C. Examine elements and surfaces to receive panelboards for compliance with installation tolerances and other conditions affecting performance of the Work.
- D. Proceed with installation only after unsatisfactory conditions have been corrected.

3.2 INSTALLATION

- A. Install panelboards and accessories according to NEMA PB 1.1.
- B. Equipment Mounting: Install panelboards on concrete bases, 4-inch nominal thickness. Comply with requirements for concrete base specified in Division 03 Section "Cast-in-Place Concrete."
 - 1. Install dowel rods to connect concrete base to concrete floor. Unless otherwise indicated, install dowel rods on 18-inch centers around full perimeter of base.
 - 2. For panelboards, install epoxy-coated anchor bolts that extend through concrete base and anchor into structural concrete floor.
 - 3. Place and secure anchorage devices. Use setting drawings, templates, diagrams, instructions, and directions furnished with items to be embedded.
 - 4. Install anchor bolts to elevations required for proper attachment to panelboards.
 - 5. Attach panelboard to the vertical finished or structural surface behind the panelboard.
- C. Temporary Lifting Provisions: Remove temporary lifting eyes, channels, and brackets and temporary blocking of moving parts from panelboards.
- D. Comply with mounting and anchoring requirements specified in Division 26 Section "Vibration and Seismic Controls for Electrical Systems."
- E. Mount top of trim 72 inches above finished floor unless otherwise indicated.
- F. Mount panelboard cabinet plumb and rigid without distortion of box. Mount recessed panelboards with fronts uniformly flush with wall finish and mating with back box.
- G. Install overcurrent protective devices and controllers not already factory installed.
 - 1. Set field-adjustable, circuit-breaker trip ranges.
- H. Install filler plates in unused spaces.
- I. Stub four 1-inch empty conduits from panelboard into accessible ceiling space or space designated to be ceiling space in the future. Stub four 1-inch empty conduits into raised floor space or below slab not on grade.
- J. Arrange conductors in gutters into groups and bundle and wrap with wire ties after completing load balancing.
- K. Comply with NECA 1.

3.3 IDENTIFICATION

- A. Identify field-installed conductors, interconnecting wiring, and components; provide warning signs complying with Section 260553 "Identification for Electrical Systems."
- B. Create a directory to indicate installed circuit loads after balancing panelboard loads; incorporate Owner's final room designations. Obtain approval before installing. Use a computer or typewriter to create directory; handwritten directories are not acceptable.
- C. Panelboard Nameplates: Label each panelboard with a nameplate complying with requirements for identification specified in Section 260553 "Identification for Electrical Systems."
- D. Device Nameplates: Label each branch circuit device in distribution panelboards with a nameplate complying with requirements for identification specified in Section 260553 "Identification for Electrical Systems."

3.4 FIELD QUALITY CONTROL

- A. Testing Agency: Engage a qualified testing agency to perform tests and inspections.
- B. Manufacturer's Field Service: Engage a factory-authorized service representative to inspect, test, and adjust components, assemblies, and equipment installations, including connections.
- C. Perform tests and inspections.
 - 1. Manufacturer's Field Service: Engage a factory-authorized service representative to inspect components, assemblies, and equipment installations, including connections, and to assist in testing.
- D. Acceptance Testing Preparation:
 - 1. Test insulation resistance for each panelboard bus, component, connecting supply, feeder, and control circuit.
 - 2. Test continuity of each circuit.
- E. Tests and Inspections:
 - 1. Perform each visual and mechanical inspection and electrical test stated in NETA Acceptance Testing Specification. Certify compliance with test parameters.
 - 2. Correct malfunctioning units on-site, where possible, and retest to demonstrate compliance; otherwise, replace with new units and retest.
 - 3. Perform the following infrared scan tests and inspections and prepare reports:
 - a. Initial Infrared Scanning: After Substantial Completion, but not more than 60 days after Final Acceptance, perform an infrared scan of each panelboard. Remove front panels so joints and connections are accessible to portable scanner.
 - b. Follow-up Infrared Scanning: Perform an additional follow-up infrared scan of each panelboard 11 months after date of Substantial Completion.
 - c. Instruments and Equipment:
 - (1) Use an infrared scanning device designed to measure temperature or to detect significant deviations from normal values. Provide calibration record for device.
- F. Panelboards will be considered defective if they do not pass tests and inspections.
- G. Prepare test and inspection reports, including a certified report that identifies panelboards included and that describes scanning results. Include notation of deficiencies detected, remedial action taken, and observations after remedial action.

3.5 ADJUSTING

- A. Adjust moving parts and operable component to function smoothly and lubricate as recommended by manufacturer.
- B. Set field-adjustable circuit-breaker trip ranges as indicated or as specified in Section 260573 "Overcurrent Protective Device Coordination Study."

- C. Load Balancing: After Substantial Completion, but not more than 60 days after Final Acceptance, measure load balancing and make circuit changes.
 - 1. Measure as directed during period of normal system loading.
 - 2. Perform load-balancing circuit changes outside normal occupancy/working schedule of the facility and at time directed. Avoid disrupting critical 24-hour services such as fax machines and on-line data processing, computing, transmitting, and receiving equipment.
 - 3. After circuit changes, recheck loads during normal load period. Record all load readings before and after changes and submit test records.
 - 4. Tolerance: Difference exceeding 20 percent between phase loads, within a panelboard, is not acceptable. Rebalance and recheck as necessary to meet this minimum requirement.

3.6 PROTECTION

- A. Temporary Heating: Apply temporary heat to maintain temperature according to manufacturer's written instructions.

END OF SECTION

SECTION 262726
WIRING DEVICES

PART 1 GENERAL

1.1 RELATED DOCUMENTS

- A. Drawings and general provisions of the Contract, including General and Supplementary Conditions and Division 01 Specification Sections, apply to this Section.

1.2 DEFINITIONS

- A. EMI: Electromagnetic interference.
- B. GFCI: Ground-fault circuit interrupter.
- C. Pigtail: Short lead used to connect a device to a branch-circuit conductor.
- D. RFI: Radio-frequency interference.
- E. TVSS: Transient voltage surge suppressor.
- F. UTP: Unshielded twisted pair.

1.3 ADMINISTRATIVE REQUIREMENTS

- A. Coordination:
 - 1. Receptacles for Owner-Furnished Equipment: Match plug configurations.
 - 2. Cord and Plug Sets: Match equipment requirements.

1.4 ACTION SUBMITTALS

- A. Product Data: For each type of product indicated.
- B. Shop Drawings: List of legends and description of materials and process used for pre-marking wall plates.

1.5 INFORMATIONAL SUBMITTALS

- A. Field quality-control test reports.

1.6 CLOSEOUT SUBMITTALS

- A. Operation and Maintenance Data: For wiring devices to include in all manufacturers' packing label warnings and instruction manuals that include labeling conditions.

1.7 MAINTENANCE MATERIAL SUBMITTALS

- A. Furnish extra materials described in subparagraphs below that match products installed and that are packaged with protective covering for storage and identified with labels describing contents.
 - 1. Service/Power Poles: One for every 10, but no less than one.
 - 2. Floor Service Outlet Assemblies: One for every 10, but no less than one.
 - 3. Poke-Through, Fire-Rated Closure Plugs: One for every five floor service outlets installed, but no fewer than two.
 - 4. TVSS Receptacles: One for every 10 of each type installed, but no fewer than two of each type.

PART 2 PRODUCTS

2.1 MANUFACTURERS

- A. Manufacturers' Names: Shortened versions (shown in parentheses) of the following manufacturers' names are used in other Part 2 articles:

- 1. Cooper Wiring Devices; a division of Cooper Industries, Inc. (Cooper).
- 2. Hubbell Incorporated; Wiring Device-Kellems (Hubbell).
- 3. Leviton Mfg. Company Inc. (Leviton).
- 4. Pass & Seymour/Legrand (Pass & Seymour).

- B. Source Limitations: Obtain each type of wiring device and associated wall plate from single source from single manufacturer.

2.2 GENERAL WIRING-DEVICE REQUIREMENTS

- A. Wiring Devices, Components, and Accessories: Listed and labeled as defined in NFPA 70, by a qualified testing agency, and marked for intended location and application.
- B. Comply with NFPA 70.
- C. Devices that are manufactured for use with modular plug-in connectors may be substituted under the following conditions:
 - 1. Connectors shall comply with UL 2459 and shall be made with stranding building wire.
 - 2. Devices shall comply with the requirements in this Section.

2.3 STRAIGHT BLADE RECEPTACLES

- A. Convenience Receptacles, 125 V, 20 A: Comply with NEMA WD 1, NEMA WD 6 Configuration 5-20R, UL 498, and FS W-C-596.
 - 1. Products: Subject to compliance with requirements, provide one of the following:
 - a. Cooper; 5351 (single), CR5352 (duplex).
 - b. Hubbell; HBL5351 (single), HBL5352 (duplex).
 - c. Leviton; 5891 (single), 5352 (duplex).
 - d. Pass & Seymour; 5361 (single), 5362 (duplex).
- B. Hospital-Grade, Duplex Convenience Receptacles, 125 V, 20 A: Comply with NEMA WD 1, NEMA WD 6 Configuration 5-20R, UL 498 Supplement sd, and FS W-C-596.
 - 1. Products: Subject to compliance with requirements, provide one of the following:
 - a. Cooper; 8310 (single), 8300 (duplex).
 - b. Hubbell; HBL8310 (single), HBL8300 (duplex).
 - c. Leviton; 8310 (single), 8300 (duplex).
 - d. Pass & Seymour; 8301 (single), 8300H (duplex).
 - 2. Description: Single-piece, rivetless, nickel-plated, all-brass grounding system. Nickel-plated, brass mounting strap.
- C. Isolated-Ground, Duplex Convenience Receptacles, 125 V, 20 A: Comply with NEMA WD 1, NEMA WD 6 Configuration 5-20R, UL 498, and FS W-C-596.
 - 1. Products: Subject to compliance with requirements, provide one of the following:
 - a. Hubbell; IG5362.
 - b. Leviton; 5362-IG.
 - c. Pass & Seymour; IG5362.
 - 2. Description: Straight blade; equipment grounding contacts shall be connected only to the green grounding screw terminal of the device and with inherent electrical isolation from mounting strap. Isolation shall be integral to receptacle construction and not dependent on removable parts.
- D. Tamper-Resistant Convenience Receptacles, 125 V, 20 A: Comply with NEMA WD 1, NEMA WD 6 Configuration 5-20R, UL 498 Supplement sd, and FS W-C-596.
 - 1. Products: Subject to compliance with requirements, provide one of the following:
 - a. Cooper; TR8300.
 - b. Hubbell; HBL8300SGA.
 - c. Leviton; 8300-SGG.
 - d. Pass & Seymour; TR63H.

2. Description: Labeled to comply with NFPA 70, "Health Care Facilities" Article, "Pediatric Locations" Section.

2.4 GFCI RECEPTACLES

- A. General Description:
 1. Straight blade, feed-through type.
 2. Comply with NEMA WD 1, NEMA WD 6, UL 498, UL 943 Class A, and FS W-C-596.
 3. Include indicator light that shows when the GFCI has malfunctioned and no longer provides proper GFCI protection.
- B. Duplex GFCI Convenience Receptacles, 125 V, 20 A:
 1. Products: Subject to compliance with requirements, provide one of the following:
 - a. Cooper; VGF20.
 - b. Pass & Seymour; 2095.
- C. Hospital-Grade, Duplex GFCI Convenience Receptacles, 125 V, 20 A: Comply with NEMA WD 1, NEMA WD 6 Configuration 5-20R, UL 498 Supplement sd, and FS W-C-596.
 1. Products: Subject to compliance with requirements, provide one of the following:
 - a. Cooper; VGFH20.
 - b. Hubbell; HFR8300HL.
 - c. Leviton; 7899-HG.
 - d. Pass & Seymour; 2095HG.

2.5 TVSS RECEPTACLES

- A. General Description: Comply with NEMA WD 1, NEMA WD 6, UL 498, and UL 1449, with integral TVSS in line to ground, line to neutral, and neutral to ground.
 1. TVSS Components: Multiple metal-oxide varistors; with a nominal clamp-level rating of 400 volts and minimum single transient pulse energy dissipation of 240 J, according to IEEE C62.41.2 and IEEE C62.45.
 2. Active TVSS Indication: Visual and audible, with light visible in face of device to indicate device is "active" or "no longer in service."
- B. Duplex TVSS Convenience Receptacles:
 1. Products: Subject to compliance with requirements, provide one of the following:
 - a. Cooper; 5362BLS.
 - b. Hubbell; HBL5362SA.
 - c. Leviton; 5380.
 2. Description: Straight blade, 125 V, 20 A; NEMA WD 6 Configuration 5-20R.
- C. Isolated-Ground, Duplex Convenience Receptacles:
 1. Products: Subject to compliance with requirements, provide one of the following:
 - a. Cooper; IG5362BLS.
 - b. Hubbell; IG5362SA.
 - c. Leviton; 5380-IG.
 2. Description:
 - a. Straight blade, 125 V, 20 A; NEMA WD 6 Configuration 5-20R.

- b. Equipment grounding contacts shall be connected only to the green grounding screw terminal of the device and with inherent electrical isolation from mounting strap. Isolation shall be integral to receptacle construction and not dependent on removable parts.
- D. Hospital-Grade, Duplex Convenience Receptacles: Comply with UL 498 Supplement sd.
- 1. Products: Subject to compliance with requirements, provide one of the following:
 - a. Cooper; 8300BLS.
 - b. Hubbell; HBL8362SA.
 - c. Leviton; 8380.
 - 2. Description:
 - a. Straight blade, 125 V, 20 A; NEMA WD 6 Configuration 5-20R.
 - b. Electrical Components, Devices, and Accessories: Listed and labeled as defined in NFPA 70, by a qualified testing agency, and marked for intended location and application.
 - c. Comply with NFPA 70.
- E. Isolated-Ground, Hospital-Grade, Duplex Convenience Receptacles:
- 1. Products: Subject to compliance with requirements, provide one of the following:
 - a. Cooper; IG8300HGBLS.
 - b. Hubbell; IG8362SA.
 - c. Leviton; 8380-IG.
 - 2. Description:
 - a. Straight blade, 125 V, 20 A; NEMA WD 6 Configuration 5-20R.
 - b. Comply with UL 498 Supplement sd.
 - c. Equipment grounding contacts shall be connected only to the green grounding screw terminal of the device and with inherent electrical isolation from mounting strap. Isolation shall be integral to receptacle construction and not dependent on removable parts.

2.6 HAZARDOUS (CLASSIFIED) LOCATION RECEPTACLES

- A. Wiring Devices for Hazardous (Classified) Locations: Comply with NEMA FB 11 and UL 1010.
- 1. Manufacturers: Subject to compliance with requirements, provide products by one of the following:
 - a. Cooper Crouse-Hinds.
 - b. EGS/Appleton Electric.
 - c. Killark; a division of Hubbell Inc.

2.7 TWIST-LOCKING RECEPTACLES

- A. Single Convenience Receptacles, 125 V, 20 A: Comply with NEMA WD 1, NEMA WD 6 Configuration L5-20R, and UL 498.
- 1. Products: Subject to compliance with requirements, provide one of the following:
 - a. Cooper; CWL520R.
 - b. Hubbell; HBL2310.
 - c. Leviton; 2310.
 - d. Pass & Seymour; L520-R.
- B. Isolated-Ground, Single Convenience Receptacles, 125 V, 20 A:
- 1. Products: Subject to compliance with requirements, provide one of the following:

- a. Hubbell; IG2310.
- b. Leviton; 2310-IG.
2. Description:
 - a. Comply with NEMA WD 1, NEMA WD 6 Configuration L5-20R, and UL 498.
 - b. Equipment grounding contacts shall be connected only to the green grounding screw terminal of the device and with inherent electrical isolation from mounting strap. Isolation shall be integral to receptacle construction and not dependent on removable parts.

2.8 PENDANT CORD-CONNECTOR DEVICES

- A. Description:
 1. Matching, locking-type plug and receptacle body connector.
 2. NEMA WD 6 Configurations L5-20P and L5-20R, heavy-duty grade, and FS W-C-596.
 3. Body: Nylon, with screw-open, cable-gripping jaws and provision for attaching external cable grip.
 4. External Cable Grip: Woven wire-mesh type made of high-strength galvanized-steel wire strand, matched to cable diameter, and with attachment provision designed for corresponding connector.

2.9 CORD AND PLUG SETS

- A. Description:
 1. Match voltage and current ratings and number of conductors to requirements of equipment being connected.
 2. Cord: Rubber-insulated, stranded-copper conductors, with Type SOW-A jacket; with green-insulated grounding conductor and ampacity of at least 130 percent of the equipment rating.
 3. Plug: Nylon body and integral cable-clamping jaws. Match cord and receptacle type for connection.

2.10 TOGGLE SWITCHES

- A. Comply with NEMA WD 1, UL 20, and FS W-S-896.
- B. Switches, 120/277 V, 20 A:
 1. Products: Subject to compliance with requirements, provide one of the following:
 - a. Single Pole:
 - (1) Cooper; AH1221.
 - (2) Hubbell; HBL1221.
 - (3) Leviton; 1221-2.
 - (4) Pass & Seymour; CSB20AC1.
 - b. Two Pole:
 - (1) Cooper; AH1222.
 - (2) Hubbell; HBL1222.
 - (3) Leviton; 1222-2.
 - (4) Pass & Seymour; CSB20AC2.
 - c. Three Way:
 - (1) Cooper; AH1223.
 - (2) Hubbell; HBL1223.
 - (3) Leviton; 1223-2.

- (4) Pass & Seymour; CSB20AC3.
- d. Four Way:
 - (1) Cooper; AH1224.
 - (2) Hubbell; HBL1224.
 - (3) Leviton; 1224-2.
 - (4) Pass & Seymour; CSB20AC4.
- C. Pilot-Light Switches, 20 A:
 - 1. Products: Subject to compliance with requirements, provide one of the following:
 - a. Cooper; AH1221PL for 120 and 277 V.
 - b. Hubbell; HBL1201PL for 120 and 277 V.
 - c. Leviton; 1221-LH1.
 - d. Pass & Seymour; PS20AC1RPL for 120 V, PS20AC1RPL7 for 277 V.
 - 2. Description: Single pole, with neon-lighted handle, illuminated when switch is "off."
- D. Key-Operated Switches, 120/277 V, 20 A:
 - 1. Products: Subject to compliance with requirements, provide one of the following:
 - a. Cooper; AH1221L.
 - b. Hubbell; HBL1221L.
 - c. Leviton; 1221-2L.
 - d. Pass & Seymour; PS20AC1-L.
 - 2. Description: Single pole, with factory-supplied key in lieu of switch handle.
- E. Single-Pole, Double-Throw, Momentary-Contact, Center-off Switches: 120/277 V, 20 A; for use with mechanically held lighting contactors.
 - 1. Products: Subject to compliance with requirements, provide one of the following:
 - a. Cooper; 1995.
 - b. Hubbell; HBL1557.
 - c. Leviton; 1257.
 - d. Pass & Seymour; 1251.
- F. Key-Operated, Single-Pole, Double-Throw, Momentary-Contact, Center-off Switches: 120/277 V, 20 A; for use with mechanically held lighting contactors, with factory-supplied key in lieu of switch handle.
 - 1. Products: Subject to compliance with requirements, provide one of the following:
 - a. Cooper; 1995L.
 - b. Hubbell; HBL1557L.
 - c. Leviton; 1257L.
 - d. Pass & Seymour; 1251L.

2.11 WALL-BOX DIMMERS

- A. Dimmer Switches: Modular, full-wave, solid-state units with integral, quiet on-off switches, with audible frequency and EMI/RFI suppression filters.
- B. Control: Continuously adjustable slider; with single-pole or three-way switching. Comply with UL 1472.

- C. Incandescent Lamp Dimmers: 120 V; control shall follow square-law dimming curve. On-off switch positions shall bypass dimmer module.
 - 1. 600 W; dimmers shall require no derating when ganged with other devices.
- D. Fluorescent Lamp Dimmer Switches: Modular; compatible with dimmer ballasts; trim potentiometer to adjust low-end dimming; dimmer-ballast combination capable of consistent dimming with low end not greater than 20 percent of full brightness.

2.12 WALL PLATES

- A. Single and combination types to match corresponding wiring devices.
 - 1. Plate-Securing Screws: Metal with head color to match plate finish.
 - 2. Material for Finished Spaces: 0.035-inch- thick, satin-finished stainless steel.
 - 3. Material for Unfinished Spaces: Galvanized steel.
 - 4. Material for Damp Locations: Cast aluminum with spring-loaded lift cover, and listed and labeled for use in "wet locations."
- B. Wet-Location, Weatherproof Cover Plates: NEMA 250, complying with type 3R weather-resistant, die-cast aluminum or thermoplastic with lockable cover.

2.13 FLOOR SERVICE FITTINGS

- A. Type: Modular, flush-type, dual-service units suitable for wiring method used.
- B. Compartments: Barrier separates power from voice and data communication cabling.
- C. Service Plate: Round, solid brass with satin finish.
- D. Power Receptacle: NEMA WD 6 configuration 5-20R, gray finish, unless otherwise indicated.
- E. Voice and Data Communication Outlet: Blank cover with bushed cable opening with two modular, keyed, color-coded, RJ-45 Category 5e jacks for UTP cable.

2.14 POKE-THROUGH ASSEMBLIES

- A. Manufacturers: Subject to compliance with requirements, provide products by one of the following:
 - 1. Hubbell Incorporated; Wiring Device-Kellems.
 - 2. Pass & Seymour/Legrand.
 - 3. Square D/Schneider Electric.
 - 4. Thomas & Betts Corporation.
 - 5. Wiremold/Legrand.
- B. Description:
 - 1. Factory-fabricated and -wired assembly of below-floor junction box with multichanneled, through-floor raceway/firestop unit and detachable matching floor service outlet assembly.
 - 2. Comply with UL 514 scrub water exclusion requirements.
 - 3. Service Outlet Assembly: Pedestal type with services indicated or Flush type with two simplex receptacles and space for two RJ-45 jacks.
 - 4. Size: Selected to fit nominal 3-inch cored holes in floor and matched to floor thickness.
 - 5. Fire Rating: Unit is listed and labeled for fire rating of floor-ceiling assembly.
 - 6. Closure Plug: Arranged to close unused 3-inch cored openings and reestablish fire rating of floor.
 - 7. Wiring Raceways and Compartments: For a minimum of four No. 12 AWG conductors and a minimum of two, 4-pair, Category 5e voice and data communication cables.

2.15 PREFABRICATED MULTIOUTLET ASSEMBLIES

- A. Manufacturers: Subject to compliance with requirements, provide products by one of the following:
 - 1. Hubbell Incorporated; Wiring Device-Kellems.
 - 2. Wiremold/Legrand.
- B. Description:
 - 1. Two-piece surface metal raceway, with factory-wired multioutlet harness.
 - 2. Components shall be products from single manufacturer designed for use as a complete, matching assembly of raceways and receptacles.
- C. Raceway Material: Metal, with manufacturer's standard finish or PVC.
- D. Multioutlet Harness:
 - 1. Receptacles: 15-A, 125-V, NEMA WD 6 Configuration 5-15R receptacles complying with NEMA WD 1, UL 498, and FS W-C-596.
 - 2. Receptacle Spacing: 6 inches, 9 inches, or 12 inches.
 - 3. Wiring: No. 12 AWG solid, Type THHN copper, single circuit or two circuit, connecting alternating receptacles.

2.16 SERVICE POLES

- A. Description:
 - 1. Factory-assembled and -wired units to extend power and voice and data communication from distribution wiring concealed in ceiling to devices or outlets in pole near floor.
 - 2. Poles: Nominal 2.5-inch square cross section, with height adequate to extend from floor to at least 6 inches above ceiling, and with separate channels for power wiring and voice and data communication cabling.
 - 3. Mounting: Ceiling trim flange with concealed bracing arranged for positive connection to ceiling supports; with pole foot and carpet pad attachment.
 - 4. Finishes: Manufacturer's standard painted finish and trim combination.
 - 5. Wiring: Sized for minimum of five No. 12 AWG power and ground conductors and a minimum of four, 4-pair, Category 3 or 5 voice and data communication cables.
 - 6. Power Receptacles: Two duplex, 20-A, heavy-duty, NEMA WD 6 configuration 5-20R units.
 - 7. Voice and Data Communication Outlets: Blank insert with bushed cable opening with two RJ-45 Category 5e jacks.

2.17 FINISHES

- A. Device Color:
 - 1. Wiring Devices Connected to Normal Power System: Gray or White, unless otherwise indicated or required by NFPA 70 or device listing.
 - 2. Wiring Devices Connected to Emergency Power System: Red.
 - 3. TVSS Devices: Blue.
 - 4. Isolated-Ground Receptacles: As specified above, with orange triangle on face.
- B. Wall Plate Color: For plastic covers, match device color.

PART 3 EXECUTION

3.1 INSTALLATION

- A. Comply with NECA 1, including the mounting heights listed in that standard, unless otherwise noted.

- B. Coordination with Other Trades:
1. Take steps to insure that devices and their boxes are protected. Do not place wall finish materials over device boxes and do not cut holes for boxes with routers that are guided by riding against outside of the boxes.
 2. Keep outlet boxes free of plaster, drywall joint compound, mortar, cement, concrete, dust, paint, and other material that may contaminate the raceway system, conductors, and cables.
 3. Install device boxes in brick or block walls so that the cover plate does not cross a joint unless the joint is troweled flush with the face of the wall.
 4. Install wiring devices after all wall preparation, including painting, is complete.
- C. Conductors:
1. Do not strip insulation from conductors until just before they are spliced or terminated on devices.
 2. Strip insulation evenly around the conductor using tools designed for the purpose. Avoid scoring or nicking of solid wire or cutting strands from stranded wire.
 3. The length of free conductors at outlets for devices shall meet provisions of NFPA 70, Article 300, without pigtails.
 4. Existing Conductors:
 - a. Cut back and pigtail or replace all damaged conductors.
 - b. Straighten conductors that remain and remove corrosion and foreign matter.
 - c. Pigtailing existing conductors is permitted provided the outlet box is large enough.
- D. Device Installation:
1. Replace all devices that have been in temporary use during construction or that show signs that they were installed before building finishing operations were complete.
 2. Keep each wiring device in its package or otherwise protected until it is time to connect conductors.
 3. Do not remove surface protection, such as plastic film and smudge covers, until the last possible moment.
 4. Connect devices to branch circuits using pigtails that are not less than 6 inches in length.
 5. When there is a choice, use side wiring with binding-head screw terminals. Wrap solid conductor tightly clockwise, 2/3 to 3/4 of the way around terminal screw.
 6. Use a torque screwdriver when a torque is recommended or required by the manufacturer.
 7. When conductors larger than No. 12 AWG are installed on 15- or 20-A circuits, splice No. 12 AWG pigtails for device connections.
 8. Tighten unused terminal screws on the device.
 9. When mounting into metal boxes, remove the fiber or plastic washers used to hold device mounting screws in yokes, allowing metal-to-metal contact.
- E. Receptacle Orientation:
1. Install ground pin of vertically mounted receptacles up, and on horizontally mounted receptacles to the right.
 2. Install hospital-grade receptacles in patient-care areas with the ground pin or neutral blade at the top.
 3. Mount bottom of receptacles at 16" in commercial/office environment. Mount bottom of receptacles at 24" in industrial (water plant, wastewater plant, pump stations, etc.). Mount counter top receptacles at 4" above counter top.

- F. Device Plates: Do not use oversized or extra-deep plates. Repair wall finishes and remount outlet boxes when standard device plates do not fit flush or do not cover rough wall opening.
- G. Dimmers:
 - 1. Install dimmers within terms of their listing.
 - 2. Verify that dimmers used for fan speed control are listed for that application.
 - 3. Install unshared neutral conductors on line and load side of dimmers according to manufacturers' device listing conditions in the written instructions.
- H. Lighting Switch Height: Mount top of switch at 48" above finished floor.
- I. Arrangement of Devices: Unless otherwise indicated, mount flush, with long dimension vertical and with grounding terminal of receptacles on top. Group adjacent switches under single, multigang wall plates.
- J. Adjust locations of floor service outlets and service poles to suit arrangement of partitions and furnishings.

3.2 IDENTIFICATION

- A. Comply with Division 26 Section "Identification for Electrical Systems."
- B. Identify each receptacle with panelboard identification and circuit number. Use hot, stamped or engraved machine printing with black-filled lettering on face of plate, and durable wire markers or tags inside outlet boxes.

END OF SECTION

SECTION 262816
ENCLOSED SWITCHES AND CIRCUIT BREAKERS

PART 1 GENERAL

1.1 RELATED DOCUMENTS

- A. Drawings and general provisions of the Contract and Division 01 Specification Sections apply to this Section.

1.2 DEFINITIONS

- A. NC: Normally closed.
- B. NO: Normally open.
- C. SPDT: Single pole, double throw.

1.3 PERFORMANCE REQUIREMENTS

- A. Seismic Performance: Enclosed switches and circuit breakers shall withstand the effects of earthquake motions determined according to ASCE/SEI 7.
 - 1. The term "withstand" means "the unit will remain in place without separation of any parts from the device when subjected to the seismic forces specified."

1.4 ACTION SUBMITTALS

- A. Product Data: For each type of enclosed switch, circuit breaker, accessory, and component indicated. Include dimensioned elevations, sections, weights, and manufacturers' technical data on features, performance, electrical characteristics, ratings, accessories, and finishes.
 - 1. Enclosure types and details for types other than NEMA 250, Type 1.
 - 2. Current and voltage ratings.
 - 3. Short-circuit current ratings (interrupting and withstand, as appropriate).
 - 4. Include evidence of NRTL listing for series rating of installed devices.
 - 5. Detail features, characteristics, ratings, and factory settings of individual overcurrent protective devices, accessories, and auxiliary components.
 - 6. Include time-current coordination curves (average melt) for each type and rating of overcurrent protective device; include selectable ranges for each type of overcurrent protective device.
- B. Shop Drawings: For enclosed switches and circuit breakers. Include plans, elevations, sections, details, and attachments to other work.
 - 1. Wiring Diagrams: For power, signal, and control wiring.

1.5 INFORMATIONAL SUBMITTALS

- A. Qualification Data: For qualified testing agency.
- B. Seismic Qualification Certificates: For enclosed switches and circuit breakers, accessories, and components, from manufacturer.
 - 1. Basis for Certification: Indicate whether withstand certification is based on actual test of assembled components or on calculation.
 - 2. Dimensioned Outline Drawings of Equipment Unit: Identify center of gravity and locate and describe mounting and anchorage provisions.
 - 3. Detailed description of equipment anchorage devices on which the certification is based and their installation requirements.
- C. Field quality-control reports.
 - 1. Test procedures used.

2. Test results that comply with requirements.
3. Results of failed tests and corrective action taken to achieve test results that comply with requirements.

D. Manufacturer's field service report.

1.6 CLOSEOUT SUBMITTALS

- A. Operation and Maintenance Data: For enclosed switches and circuit breakers to include in emergency, operation, and maintenance manuals. In addition to items specified in Division 01 Section "Operation and Maintenance Data," include the following:
1. Manufacturer's written instructions for testing and adjusting enclosed switches and circuit breakers.
 2. Time-current coordination curves (average melt) for each type and rating of overcurrent protective device; include selectable ranges for each type of overcurrent protective device.

1.7 MAINTENANCE MATERIAL SUBMITTALS

- A. Furnish extra materials that match products installed and that are packaged with protective covering for storage and identified with labels describing contents.
1. Fuses: Equal to 10 percent of quantity installed for each size and type, but no fewer than three of each size and type.
 2. Fuse Pullers: Two for each size and type.

1.8 QUALITY ASSURANCE

- A. Source Limitations: Obtain enclosed switches and circuit breakers, overcurrent protective devices, components, and accessories, within same product category, from single source from single manufacturer.
- B. Comply with NFPA 70.

1.9 PROJECT CONDITIONS

- A. Environmental Limitations: Rate equipment for continuous operation under the following conditions unless otherwise indicated:
1. Ambient Temperature: Not less than minus 22 deg F and not exceeding 104 deg F.
 2. Altitude: Not exceeding 6600 feet.
- B. Interruption of Existing Electric Service: Do not interrupt electric service to facilities occupied by Owner or others unless permitted under the following conditions and then only after arranging to provide temporary electric service according to requirements indicated:
1. Notify Engineer no fewer than seven days in advance of proposed interruption of electric service.
 2. Indicate method of providing temporary electric service.
 3. Do not proceed with interruption of electric service without Owner's written permission.
 4. Comply with NFPA 70E.

1.10 COORDINATION

- A. Coordinate layout and installation of switches, circuit breakers, and components with equipment served and adjacent surfaces. Maintain required workspace clearances and required clearances for equipment access doors and panels.

PART 2 PRODUCTS

2.1 FUSIBLE SWITCHES

- A. Manufacturers: Subject to compliance with requirements, provide products by one of the following:

1. Eaton Electrical Inc.; Cutler-Hammer Business Unit.
 2. Siemens Energy & Automation, Inc.
 3. Square D; a brand of Schneider Electric.
- B. Type HD, Heavy Duty, Single Throw, 240 or 600-V ac, 1200 A and Smaller: UL 98 and NEMA KS 1, horsepower rated, with clips or bolt pads to accommodate indicated fuses, lockable handle with capability to accept three padlocks, and interlocked with cover in closed position.
- C. Type HD, Heavy Duty, Six Pole, Single Throw, 240 or 600-V ac, 200 A and Smaller: UL 98 and NEMA KS 1, horsepower rated, with clips or bolt pads to accommodate indicated fuses, lockable handle with capability to accept three padlocks, and interlocked with cover in closed position.
- D. Type HD, Heavy Duty, Double Throw, 240 or 600-V ac, 1200 A and Smaller: UL 98 and NEMA KS 1, horsepower rated, with clips or bolt pads to accommodate indicated fuses, lockable handle with capability to accept three padlocks, and interlocked with cover in closed position.
- E. Accessories:
1. Equipment Ground Kit: Internally mounted and labeled for copper and aluminum ground conductors.
 2. Neutral Kit: Internally mounted; insulated, capable of being grounded and bonded; labeled for copper and aluminum neutral conductors.
 3. Isolated Ground Kit: Internally mounted; insulated, capable of being grounded and bonded; labeled for copper and aluminum neutral conductors.
 4. Class R Fuse Kit: Provides rejection of other fuse types when Class R fuses are specified.
 5. Auxiliary Contact Kit: Two NO/NC (Form "C") auxiliary contact(s), arranged to activate before switchblades open.
 6. Hookstick Handle: Allows use of a hookstick to operate the handle.
 7. Lugs: Mechanical type, suitable for number, size, and conductor material.
 8. Service-Rated Switches: Labeled for use as service equipment.
 9. Accessory Control Power Voltage: Remote mounted and powered; As indicated.

2.2 NONFUSIBLE SWITCHES

- A. Manufacturers: Subject to compliance with requirements, provide products by one of the following:
1. Eaton Electrical Inc.; Cutler-Hammer Business Unit.
 2. Siemens Energy & Automation, Inc.
 3. Square D; a brand of Schneider Electric.
- B. Type HD, Heavy Duty, Single Throw, 240 or 600-V ac, 1200 A and Smaller: UL 98 and NEMA KS 1, horsepower rated, lockable handle with capability to accept three padlocks, and interlocked with cover in closed position.
- C. Type HD, Heavy Duty, Six Pole, Single Throw, 240 or 600-V ac, 200 A and Smaller: UL 98 and NEMA KS 1, horsepower rated, lockable handle with capability to accept three padlocks, and interlocked with cover in closed position.
- D. Type HD, Heavy Duty, Double Throw, 240 or 600-V ac, 1200 A and Smaller: UL 98 and NEMA KS 1, horsepower rated, lockable handle with capability to accept three padlocks, and interlocked with cover in closed position.
- E. Accessories:
1. Equipment Ground Kit: Internally mounted and labeled for copper and aluminum ground conductors.

2. Neutral Kit: Internally mounted; insulated, capable of being grounded and bonded; labeled for copper and aluminum neutral conductors.
3. Isolated Ground Kit: Internally mounted; insulated, capable of being grounded and bonded; labeled for copper and aluminum neutral conductors.
4. Auxiliary Contact Kit: Two NO/NC (Form "C") auxiliary contact(s), arranged to activate before switchblades open.
5. Hookstick Handle: Allows use of a hookstick to operate the handle.
6. Lugs: Mechanical type, suitable for number, size, and conductor material.
7. Accessory Control Power Voltage: Remote mounted and powered; As indicated.

2.3 RECEPTACLE SWITCHES

- A. Manufacturers: Subject to compliance with requirements, provide products by one of the following:
 1. Eaton Electrical Inc.; Cutler-Hammer Business Unit.
 2. Siemens Energy & Automation, Inc.
 3. Square D; a brand of Schneider Electric.
- B. Type HD, Heavy-Duty, Single-Throw Fusible Switch: 240 or 600-V ac, ampacity as indicated; UL 98 and NEMA KS 1; horsepower rated, with clips or bolt pads to accommodate indicated fuses; lockable handle with capability to accept three padlocks; interlocked with cover in closed position.
- C. Type HD, Heavy-Duty, Single-Throw Nonfusible Switch: 240 or 600-V ac, ampacity as indicated; UL 98 and NEMA KS 1; horsepower rated, lockable handle with capability to accept three padlocks; interlocked with cover in closed position.
- D. Interlocking Linkage: Provided between the receptacle and switch mechanism to prevent inserting or removing plug while switch is in the on position, inserting any plug other than specified, and turning switch on if an incorrect plug is inserted or correct plug has not been fully inserted into the receptacle.
- E. Receptacle: Polarized, three-phase, four-wire receptacle (fourth wire connected to enclosure ground lug).

2.4 SHUNT TRIP SWITCHES

- A. Manufacturers: Subject to compliance with requirements, provide products by one of the following:
 1. Cooper Bussmann, Inc.
 2. Ferraz Shawmut, Inc.
 3. Littelfuse, Inc.
- B. General Requirements: Comply with ASME A17.1, UL 50, and UL 98, with 200-kA interrupting and short-circuit current rating when fitted with Class J fuses.
- C. Switches: Three-pole, horsepower rated, with integral shunt trip mechanism and Class J fuse block; lockable handle with capability to accept three padlocks; interlocked with cover in closed position.
- D. Control Circuit: 120-V ac; obtained from integral control power transformer, with primary and secondary fuses, with a control power transformer of enough capacity to operate shunt trip, connected pilot, and indicating and control devices.
- E. Accessories:
 1. Oiltight key switch for key-to-test function.
 2. Oiltight red ON pilot light.

3. Isolated neutral lug; 100 percent rating.
4. Mechanically interlocked auxiliary contacts that change state when switch is opened and closed.
5. Form C alarm contacts that change state when switch is tripped.
6. Three-pole, double-throw, fire-safety and alarm relay; [[120-V ac] [24-V dc]] coil voltage.
7. Three-pole, double-throw, fire-alarm voltage monitoring relay complying with NFPA 72.

2.5 MOLDED-CASE CIRCUIT BREAKERS

- A. Manufacturers: Subject to compliance with requirements, provide products by one of the following:
 1. Eaton Electrical Inc.; Cutler-Hammer Business Unit.
 2. Siemens Energy & Automation, Inc.
 3. Square D; a brand of Schneider Electric.
- B. General Requirements: Comply with UL 489, NEMA AB 1, and NEMA AB 3, with interrupting capacity to comply with available fault currents.
- C. Thermal-Magnetic Circuit Breakers: Inverse time-current element for low-level overloads and instantaneous magnetic trip element for short circuits. Adjustable magnetic trip setting for circuit-breaker frame sizes 250 A and larger.
- D. Adjustable, Instantaneous-Trip Circuit Breakers: Magnetic trip element with front-mounted, field-adjustable trip setting.
- E. Electronic Trip Circuit Breakers: Field-replaceable rating plug, rms sensing, with the following field-adjustable settings:
 1. Instantaneous trip.
 2. Long- and short-time pickup levels.
 3. Long- and short-time time adjustments.
 4. Ground-fault pickup level, time delay, and I²t response.
- F. Current-Limiting Circuit Breakers: Frame sizes 400 A and smaller, and let-through ratings less than NEMA FU 1, RK-5.
- G. Integrally Fused Circuit Breakers: Thermal-magnetic trip element with integral limiter-style fuse listed for use with circuit breaker and trip activation on fuse opening or on opening of fuse compartment door.
- H. Ground-Fault, Circuit-Interrupter (GFCI) Circuit Breakers: Single- and two-pole configurations with Class A ground-fault protection (6-mA trip).
- I. Ground-Fault, Equipment-Protection (GFEP) Circuit Breakers: With Class B ground-fault protection (30-mA trip).
- J. Features and Accessories:
 1. Standard frame sizes, trip ratings, and number of poles.
 2. Lugs: Mechanical type, suitable for number, size, trip ratings, and conductor material.
 3. Application Listing: Appropriate for application; Type SWD for switching fluorescent lighting loads; Type HID for feeding fluorescent and high-intensity discharge lighting circuits.
 4. Ground-Fault Protection: Comply with UL 1053; integrally mounted, self-powered type with mechanical ground-fault indicator; relay with adjustable pickup and time-delay settings, push-to-test feature, internal memory, and shunt trip unit; and three-phase, zero-sequence current transformer/sensor.

5. Communication Capability: Circuit-breaker-mounted communication module with functions and features compatible with power monitoring and control system, specified in Division 26 Section "Electrical Power Monitoring and Control."
6. Shunt Trip: Trip coil energized from separate circuit, with coil-clearing contact.
7. Undervoltage Trip: Set to operate at 35 to 75 percent of rated voltage without intentional time delay.
8. Auxiliary Contacts: Two SPDT switches with "a" and "b" contacts; "a" contacts mimic circuit-breaker contacts, "b" contacts operate in reverse of circuit-breaker contacts.
9. Alarm Switch: One [[NO] [NC]] contact that operates only when circuit breaker has tripped.
10. Key Interlock Kit: Externally mounted to prohibit circuit-breaker operation; key shall be removable only when circuit breaker is in off position.
11. Zone-Selective Interlocking: Integral with [[electronic] [ground-fault]] trip unit; for interlocking ground-fault protection function.
12. Electrical Operator: Provide remote control for on, off, and reset operations.
13. Accessory Control Power Voltage: Integrally mounted, self-powered.

2.6 MOLDED-CASE SWITCHES

- A. Manufacturers: Subject to compliance with requirements, provide products by one of the following:
 1. Eaton Electrical Inc.; Cutler-Hammer Business Unit.
 2. Siemens Energy & Automation, Inc.
 3. Square D; a brand of Schneider Electric.
- B. General Requirements: MCCB with fixed, high-set instantaneous trip only, and short-circuit withstand rating equal to equivalent breaker frame size interrupting rating.
- C. Features and Accessories:
 1. Standard frame sizes and number of poles.
 2. Lugs: Mechanical type, suitable for number, size, trip ratings, and conductor material.
 3. Ground-Fault Protection: Comply with UL 1053; remote-mounted and powered type with mechanical ground-fault indicator; relay with adjustable pickup and time-delay settings, push-to-test feature, internal memory, and shunt trip unit; and three-phase, zero-sequence current transformer/sensor.
 4. Shunt Trip: Trip coil energized from separate circuit, with coil-clearing contact.
 5. Undervoltage Trip: Set to operate at 35 to 75 percent of rated voltage without intentional time delay.
 6. Auxiliary Contacts: Two SPDT switches with "a" and "b" contacts; "a" contacts mimic switch contacts, "b" contacts operate in reverse of switch contacts.
 7. Alarm Switch: One NC contact that operates only when switch has tripped.
 8. Key Interlock Kit: Externally mounted to prohibit switch operation; key shall be removable only when switch is in off position.
 9. Zone-Selective Interlocking: Integral with ground-fault shunt trip unit; for interlocking ground-fault protection function.
 10. Electrical Operator: Provide remote control for on, off, and reset operations.
 11. Accessory Control Power Voltage: Integrally mounted, self-powered.

2.7 ENCLOSURES

- A. Enclosed Switches and Circuit Breakers: NEMA AB 1, NEMA KS 1, NEMA 250, and UL 50, to comply with environmental conditions at installed location.
 - 1. Indoor, Dry and Clean Locations: NEMA 250, Type 1.
 - 2. Outdoor Locations: NEMA 250, Type 3R.
 - 3. Wash-Down Areas: NEMA 250, Type 4X, stainless steel.
 - 4. Other Wet or Damp, Indoor Locations: NEMA 250, Type 4.
 - 5. Indoor Locations Subject to Dust, Falling Dirt, and Dripping Noncorrosive Liquids: NEMA 250, Type 12.
 - 6. Hazardous Areas Indicated on Drawings: NEMA 250, Type 7 or Type 9.

PART 3 EXECUTION

3.1 EXAMINATION

- A. Examine elements and surfaces to receive enclosed switches and circuit breakers for compliance with installation tolerances and other conditions affecting performance of the Work.
- B. Proceed with installation only after unsatisfactory conditions have been corrected.

3.2 INSTALLATION

- A. Install individual wall-mounted switches and circuit breakers with tops at uniform height unless otherwise indicated.
- B. Comply with mounting and anchoring requirements specified in Division 26 Section "Vibration and Seismic Controls for Electrical Systems."
- C. Temporary Lifting Provisions: Remove temporary lifting eyes, channels, and brackets and temporary blocking of moving parts from enclosures and components.
- D. Install fuses in fusible devices.
- E. Comply with NECA 1.

3.3 IDENTIFICATION

- A. Comply with requirements in Division 26 Section "Identification for Electrical Systems."
 - 1. Identify field-installed conductors, interconnecting wiring, and components; provide warning signs.
 - 2. Label each enclosure with engraved metal or laminated-plastic nameplate.

3.4 ADJUSTING

- A. Adjust moving parts and operable components to function smoothly and lubricate as recommended by manufacturer.
- B. Set field-adjustable circuit-breaker trip ranges.

END OF SECTION

THIS PAGE LEFT INTENTIONALLY BLANK

SECTION 262913
ENCLOSED CONTROLLERS

PART 1 GENERAL

1.1 SUMMARY

- A. Drawings and general provisions of the Contract, including General and Supplementary Conditions and Division 01 Specification Sections, apply to this Section.

1.2 DEFINITIONS

- A. CPT: Control power transformer.
- B. MCCB: Molded-case circuit breaker.
- C. MCP: Motor circuit protector.
- D. N.C.: Normally closed.
- E. N.O.: Normally open.
- F. OCPD: Overcurrent protective device.
- G. SCR: Silicon-controlled rectifier.

1.3 PERFORMANCE REQUIREMENTS

- A. Seismic Performance: Enclosed controllers shall withstand the effects of earthquake motions determined according to ASCE/SEI 7.
 - 1. The term "withstand" means "the unit will remain in place without separation of any parts from the device when subjected to the seismic forces specified."

1.4 ACTION SUBMITTALS

- A. Product Data: For each type of enclosed controller. Include manufacturer's technical data on features, performance, electrical characteristics, ratings, and enclosure types and finishes.
- B. Shop Drawings: For each enclosed controller. Include dimensioned plans, elevations, sections, details, and required clearances and service spaces around controller enclosures.
 - 1. Show tabulations of the following:
 - a. Each installed unit's type and details.
 - b. Factory-installed devices.
 - c. Nameplate legends.
 - d. Short-circuit current rating of integrated unit.
 - e. Listed and labeled for integrated short-circuit current (withstand) rating of OCPDs in combination controllers by an NRTL acceptable to authorities having jurisdiction.
 - f. Features, characteristics, ratings, and factory settings of individual OCPDs in combination controllers.
 - 2. Wiring Diagrams: For power, signal, and control wiring.

1.5 INFORMATIONAL SUBMITTALS

- A. Qualification Data: For qualified testing agency.
- B. Seismic Qualification Certificates: For enclosed controllers, accessories, and components, from manufacturer.
 - 1. Basis for Certification: Indicate whether withstand certification is based on actual test of assembled components or on calculation.
 - 2. Dimensioned Outline Drawings of Equipment Unit: Identify center of gravity and locate and describe mounting and anchorage provisions.
 - 3. Detailed description of equipment anchorage devices on which the certification is based and their installation requirements.
- C. Field quality-control reports.

- D. Load-Current and Overload-Relay Heater List: Compile after motors have been installed and arrange to demonstrate that selection of heaters suits actual motor nameplate full-load currents.
- E. Load-Current and List of Settings of Adjustable Overload Relays: Compile after motors have been installed and arrange to demonstrate that switch settings for motor running overload protection suit actual motors to be protected.

1.6 CLOSEOUT SUBMITTALS

- A. Operation and Maintenance Data: For enclosed controllers to include in emergency, operation, and maintenance manuals. In addition to items specified in Division 01 Section "Operation and Maintenance Data," include the following:
 - 1. Routine maintenance requirements for enclosed controllers and installed components.
 - 2. Manufacturer's written instructions for testing and adjusting circuit breaker and MCP trip settings.
 - 3. Manufacturer's written instructions for setting field-adjustable overload relays.
 - 4. Manufacturer's written instructions for testing, adjusting, and reprogramming reduced-voltage solid-state controllers.

1.7 MATERIALS MAINTENANCE SUBMITTALS

- A. Furnish extra materials that match products installed and that are packaged with protective covering for storage and identified with labels describing contents.
 - 1. Fuses for Fused Switches: Equal to 10 percent of quantity installed for each size and type, but no fewer than three of each size and type.
 - 2. Control Power Fuses: Equal to 10 percent of quantity installed for each size and type, but no fewer than two of each size and type.
 - 3. Indicating Lights: Two of each type and color installed.
 - 4. Auxiliary Contacts: Furnish one spare for each size and type of magnetic controller installed.
 - 5. Power Contacts: Furnish three spares for each size and type of magnetic contactor installed.

1.8 QUALITY ASSURANCE.

- A. Electrical Components, Devices, and Accessories: Listed and labeled as defined in NFPA 70, by a qualified testing agency, and marked for intended location and application.
- B. Comply with NFPA 70.

1.9 DELIVERY, STORAGE, AND HANDLING

- A. Store enclosed controllers indoors in clean, dry space with uniform temperature to prevent condensation. Protect enclosed controllers from exposure to dirt, fumes, water, corrosive substances, and physical damage.
- B. If stored in areas subject to weather, cover enclosed controllers to protect them from weather, dirt, dust, corrosive substances, and physical damage. Remove loose packing and flammable materials from inside controllers; install temporary electric heating, with at least 250 W per controller.

1.10 PROJECT CONDITIONS

- A. Environmental Limitations: Rate equipment for continuous operation under the following conditions unless otherwise indicated:
 - 1. Ambient Temperature: Not less than minus 22 deg F and not exceeding 104 deg F.
 - 2. Altitude: Not exceeding 6600 feet.
- B. Interruption of Existing Electrical Systems: Do not interrupt electrical systems in facilities occupied by Owner or others unless permitted under the following conditions and then only after arranging to provide temporary electrical service according to requirements indicated:

1. Notify Engineer no fewer than two days in advance of proposed interruption of electrical systems.
2. Indicate method of providing temporary utilities.
3. Do not proceed with interruption of electrical systems without Owner's written permission.
4. Comply with NFPA 70E.

1.11 COORDINATION

- A. Coordinate layout and installation of enclosed controllers with other construction including conduit, piping, equipment, and adjacent surfaces. Maintain required workspace clearances and required clearances for equipment access doors and panels.
- B. Coordinate sizes and locations of concrete bases with actual equipment provided. Cast anchor-bolt inserts into bases. Concrete, reinforcement, and formwork requirements are specified in Division 03.
- C. Coordinate installation of roof curbs, equipment supports, and roof penetrations.

PART 2 PRODUCTS

2.1 FULL-VOLTAGE CONTROLLERS

- A. General Requirements for Full-Voltage Controllers: Comply with NEMA ICS 2, general purpose, Class A.
- B. Motor-Starting Switches: "Quick-make, quick-break" toggle or push-button action; marked to show whether unit is off or on.
 1. Manufacturers: Subject to compliance with requirements, provide products by one of the following:
 - a. Eaton Electrical Inc.; Cutler-Hammer Business Unit.
 - b. Rockwell Automation, Inc.; Allen-Bradley brand.
 - c. Siemens Energy & Automation, Inc.
 - d. Square D; a brand of Schneider Electric.
 2. Configuration: As indicated.
 3. Surface mounting.
 4. Red pilot light.
- C. Fractional Horsepower Manual Controllers: "Quick-make, quick-break" toggle or push-button action; marked to show whether unit is off, on, or tripped.
 1. Manufacturers: Subject to compliance with requirements, provide products by one of the following:
 - a. Eaton Electrical Inc.; Cutler-Hammer Business Unit.
 - b. Rockwell Automation, Inc.; Allen-Bradley brand.
 - c. Siemens Energy & Automation, Inc.
 - d. Square D; a brand of Schneider Electric.
 2. Configuration: As indicated.
 3. Overload Relays: Inverse-time-current characteristics; NEMA ICS 2, Class 10 tripping characteristics; heaters matched to nameplate full-load current of actual protected motor; external reset push button; bimetallic type.
 4. Surface mounting.
 5. Red pilot light.

- D. Integral Horsepower Manual Controllers: "Quick-make, quick-break" toggle or push-button action; marked to show whether unit is off, on, or tripped.
1. Manufacturers: Subject to compliance with requirements, provide products by one of the following:
 - a. Eaton Electrical Inc.; Cutler-Hammer Business Unit.
 - b. Rockwell Automation, Inc.; Allen-Bradley brand.
 - c. Siemens Energy & Automation, Inc.
 - d. Square D; a brand of Schneider Electric.
 2. Configuration: As indicated.
 3. Overload Relays: Inverse-time-current characteristics; NEMA ICS 2, Class 10 tripping characteristics; heaters and sensors in each phase, matched to nameplate full-load current of actual protected motor and having appropriate adjustment for duty cycle; external reset push button; bimetallic type.
 4. Surface mounting.
 5. Red pilot light.
 6. N.O. and N.C. auxiliary contact.
- E. Magnetic Controllers: Full voltage, across the line, electrically held.
1. Manufacturers: Subject to compliance with requirements, provide products by one of the following:
 - a. Eaton Electrical Inc.; Cutler-Hammer Business Unit.
 - b. Rockwell Automation, Inc.; Allen-Bradley brand.
 - c. Siemens Energy & Automation, Inc.
 - d. Square D; a brand of Schneider Electric.
 2. Configuration: As indicated.
 3. Contactor Coils: Pressure-encapsulated type with coil transient suppressors.
 - a. Operating Voltage: Depending on contactor NEMA size and line-voltage rating, manufacturer's standard matching control power or line voltage.
 4. Power Contacts: Totally enclosed, double-break, silver-cadmium oxide; assembled to allow inspection and replacement without disturbing line or load wiring.
 5. Control Circuits: 120-V ac; obtained from integral CPT, with primary and secondary fuses, with CPT of sufficient capacity to operate integral devices and remotely located pilot, indicating, and control devices.
 - a. CPT Spare Capacity: 100 VA.
 6. Bimetallic Overload Relays:
 - a. Inverse-time-current characteristic.
 - b. Class 10, Class 20 or Class 30 tripping characteristic.
 - c. Heaters in each phase matched to nameplate full-load current of actual protected motor and with appropriate adjustment for duty cycle.
 - d. Ambient compensated.
 - e. Automatic resetting.
 7. Solid-State Overload Relay:
 - a. Switch or dial selectable for motor running overload protection.
 - b. Sensors in each phase.

- c. Class 10, Class 20, Class 10/20 tripping characteristic selected to protect motor against voltage and current unbalance and single phasing.
 - d. Class II ground-fault protection, with start and run delays to prevent nuisance trip on starting.
 - e. Analog communication module.
8. N.C. and N.O., isolated overload alarm contact.
9. External overload reset push button.
- F. Combination Magnetic Controller: Factory-assembled combination of magnetic controller, OCPD, and disconnecting means.
- 1. Manufacturers: Subject to compliance with requirements, provide products by one of the following:
 - a. Eaton Electrical Inc.; Cutler-Hammer Business Unit.
 - b. Rockwell Automation, Inc.; Allen-Bradley brand.
 - c. Siemens Energy & Automation, Inc.
 - d. Square D; a brand of Schneider Electric.
 - 2. Fusible Disconnecting Means:
 - a. NEMA KS 1, heavy-duty, horsepower-rated, fusible switch with clips or bolt pads to accommodate indicated fuses.
 - b. Lockable Handle: Accepts three padlocks and interlocks with cover in closed position.
 - 3. Auxiliary Contacts: N.O./N.C., arranged to activate before switch blades open.
 - 4. Nonfusible Disconnecting Means:
 - a. NEMA KS 1, heavy-duty, horsepower-rated, nonfusible switch.
 - b. Lockable Handle: Accepts three padlocks and interlocks with cover in closed position.
 - c. Auxiliary Contacts: N.O./N.C., arranged to activate before switch blades open.
 - 5. MCP Disconnecting Means:
 - a. UL 489, NEMA AB 1, and NEMA AB 3, with interrupting capacity to comply with available fault currents, instantaneous-only circuit breaker with front-mounted, field-adjustable, short-circuit trip coordinated with motor locked-rotor amperes.
 - b. Lockable Handle: Accepts three padlocks and interlocks with cover in closed position.
 - c. Auxiliary contacts "a" and "b" arranged to activate with MCP handle.
 - d. N.C. and N.O. alarm contact that operates only when MCP has tripped.
 - e. Current-limiting+ module to increase controller short-circuit current (withstand) rating to 100 kA.
 - 6. MCCB Disconnecting Means:
 - a. UL 489, NEMA AB 1, and NEMA AB 3, with interrupting capacity to comply with available fault currents; thermal-magnetic MCCB, with inverse time-current element for low-level overloads and instantaneous magnetic trip element for short circuits.
 - b. Front-mounted, adjustable magnetic trip setting for circuit-breaker frame sizes 250 A and larger.
 - c. Lockable Handle: Accepts three padlocks and interlocks with cover in closed position.
 - d. Auxiliary contacts "a" and "b" arranged to activate with MCCB handle.
 - e. N.C. and N.O. alarm contact that operates only when MCCB has tripped.

2.2 REDUCED-VOLTAGE MAGNETIC CONTROLLERS

- A. General Requirements for Reduced-Voltage Magnetic Controllers: Comply with NEMA ICS 2, general purpose, Class A; closed-transition; adjustable time delay on transition.
- B. Reduced-Voltage Magnetic Controllers: Reduced voltage, electrically held.
 - 1. Manufacturers: Subject to compliance with requirements, provide products by one of the following:
 - a. Eaton Electrical Inc.; Cutler-Hammer Business Unit.
 - b. Rockwell Automation, Inc.; Allen-Bradley brand.
 - c. Siemens Energy & Automation, Inc.
 - d. Square D; a brand of Schneider Electric.
 - 2. Configuration:
 - a. Wye-Delta Controller: Four contactors, with a three-phase starting resistor/reactor bank.
 - b. Part-Winding Controller: Separate START and RUN contactors, field-selectable for 1/2- or 2/3-winding start mode, with either six- or nine-lead motors; with separate overload relays for starting and running sequences.
 - c. Autotransformer Reduced-Voltage Controller: Medium-duty service, with integral overtemperature protection; taps for starting at 50, 65, and 80 percent of line voltage; two START and one RUN contactors.
 - 3. Contactor Coils: Pressure-encapsulated type with coil transient suppressors.
 - a. Operating Voltage: Depending on contactor NEMA size and line-voltage rating, manufacturer's standard matching control power or line voltage.
 - 4. Power Contacts: Totally enclosed, double-break, silver-cadmium oxide; assembled to allow inspection and replacement without disturbing line or load wiring.
 - 5. Control Circuits: 120-V ac; obtained from integral CPT, with primary and secondary fuses, with CPT of sufficient capacity to operate integral devices and remotely located pilot, indicating, and control devices.
 - a. CPT Spare Capacity: 100 VA.
 - 6. Melting Alloy Overload Relays:
 - a. Inverse-time-current characteristic.
 - b. Class 10, Class 20, or Class 30 tripping characteristic.
 - c. Heaters in each phase matched to nameplate full-load current of actual protected motor and with appropriate adjustment for duty cycle.
 - 7. Bimetallic Overload Relays:
 - a. Inverse-time-current characteristic.
 - b. Class 10, Class 20, or Class 30 tripping characteristic.
 - c. Heaters in each phase matched to nameplate full-load current of actual protected motor and with appropriate adjustment for duty cycle.
 - d. Ambient compensated.
 - e. Automatic resetting.
 - 8. Solid-State Overload Relay:
 - a. Switch or dial selectable for motor running overload protection.
 - b. Sensors in each phase.

- c. Class 10, Class 20, or Class 10/20 selectable tripping characteristic selected to protect motor against voltage and current unbalance and single phasing.
 - d. Class II ground-fault protection, with start and run delays to prevent nuisance trip on starting.
 - e. Analog communication module.
9. N.C. and N.O., isolated overload alarm contact.
10. External overload reset push button.
- C. Combination Reduced-Voltage Magnetic Controller: Factory-assembled combination of reduced-voltage magnetic controller, OCPD, and disconnecting means.
- 1. Manufacturers: Subject to compliance with requirements, provide products by one of the following:
 - a. Eaton Electrical Inc.; Cutler-Hammer Business Unit.
 - b. Rockwell Automation, Inc.; Allen-Bradley brand.
 - c. Siemens Energy & Automation, Inc.
 - d. Square D; a brand of Schneider Electric.
 - 2. Fusible Disconnecting Means:
 - a. NEMA KS 1, heavy-duty, horsepower-rated, fusible switch with clips or bolt pads to accommodate indicated fuses.
 - b. Lockable Handle: Accepts three padlocks and interlocks with cover in closed position.
 - c. Auxiliary Contacts: N.O./N.C., arranged to activate before switch blades open.
 - 3. Nonfusible Disconnecting Means:
 - a. NEMA KS 1, heavy-duty, horsepower-rated, nonfusible switch.
 - b. Lockable Handle: Accepts three padlocks and interlocks with cover in closed position.
 - c. Auxiliary Contacts: N.O./N.C., arranged to activate before switch blades open.
 - 4. MCP Disconnecting Means:
 - a. UL 489, NEMA AB 1, and NEMA AB 3, with interrupting capacity to comply with available fault currents, instantaneous-only circuit breaker with front-mounted, field-adjustable, short-circuit trip coordinated with motor locked-rotor amperes.
 - b. Lockable Handle: Accepts three padlocks and interlocks with cover in closed position.
 - c. Auxiliary contacts "a" and "b" arranged to activate with MCP handle.
 - d. N.C. and N.O. alarm contact that operates only when MCP has tripped.
 - e. Current-limiting module to increase controller short-circuit current (withstand) rating to 100 kA.
 - 5. MCCB Disconnecting Means:
 - a. UL 489, NEMA AB 1, and NEMA AB 3, with interrupting capacity to comply with available fault currents; thermal-magnetic MCCB, with inverse time-current element for low-level overloads and instantaneous magnetic trip element for short circuits.
 - b. Front-mounted, adjustable magnetic trip setting for circuit-breaker frame sizes 250 A and larger.
 - c. Lockable Handle: Accepts three padlocks and interlocks with cover in closed position.
 - d. Auxiliary contacts "a" and "b" arranged to activate with MCCB handle.
 - e. N.C. and N.O. alarm contact that operates only when MCCB has tripped.

2.3 REDUCED-VOLTAGE SOLID-STATE CONTROLLERS

- A. General Requirements for Reduced-Voltage Solid-State Controllers: Comply with UL 508.
- B. Reduced-Voltage Solid-State Controllers: An integrated unit with power SCRs, heat sink, microprocessor logic board, door-mounted digital display and keypad, bypass contactor, and overload relay; suitable for use with NEMA MG 1, Design B, polyphase, medium induction motors.
 - 1. Manufacturers: Subject to compliance with requirements, provide products by one of the following:
 - a. Eaton Electrical Inc.; Cutler-Hammer Business Unit.
 - b. Rockwell Automation, Inc.; Allen-Bradley brand.
 - c. Siemens Energy & Automation, Inc.
 - d. Square D; a brand of Schneider Electric.
 - 2. Configuration: Standard duty; nonreversible or reversible.
 - 3. Starting Mode: Voltage ramping, Current limit, Torque control, or Torque control with voltage boost, as indicated, and starting mode shall be field selectable.
 - 4. Stopping Mode: Coast to stop, Adjustable torque deceleration, or Adjustable braking, and stopping mode shall be field selectable.
 - 5. Shorting (Bypass) Contactor: Operates automatically when full voltage is applied to motor, and bypasses the SCRs. Solid-state controller protective features shall remain active when the shorting contactor is in the bypass mode.
 - 6. Shorting and Input Isolation Contactor Coils: Pressure-encapsulated type; manufacturer's standard operating voltage, matching control power or line voltage, depending on contactor size and line-voltage rating. Provide coil transient suppressors.
 - 7. Logic Board: Identical for all ampere ratings and voltage classes, with environmental protective coating.
 - 8. Control Circuits: 120-V ac; obtained from integral CPT, with primary and secondary fuses, with CPT of sufficient capacity to operate integral devices and remotely located pilot, indicating, and control devices.
 - a. CPT Spare Capacity: 100 VA.
 - 9. Adjustable acceleration-rate control using voltage or current ramp, and adjustable starting torque control with up to 400 percent current limitation for 20 seconds.
 - 10. SCR bridge shall consist of at least two SCRs per phase, providing stable and smooth acceleration with external feedback from the motor or driven equipment.
 - 11. Keypad, front accessible; for programming the controller parameters, functions, and features; shall be manufacturer's standard and include not less than the following functions:
 - a. Adjusting motor full-load amperes, as a percentage of the controller's rating.
 - b. Adjusting current limitation on starting, as a percentage of the motor full-load current rating.
 - c. Adjusting linear acceleration and deceleration ramps, in seconds.
 - d. Initial torque, as a percentage of the nominal motor torque.
 - e. Adjusting torque limit, as a percentage of the nominal motor torque.
 - f. Adjusting maximum start time, in seconds.
 - g. Adjusting voltage boost, as a percentage of the nominal supply voltage.
 - h. Selecting stopping mode and adjusting parameters.
 - i. Selecting motor thermal overload protection class between 5 and 30.

- j. Activating and de-activating protection modes.
 - k. Selecting or activating communication modes.
12. Digital display, front accessible; for showing motor, controller, and fault status; shall be manufacturer's standard and include not less than the following:
- a. Controller Condition: Ready, starting, running, stopping.
 - b. Motor Condition: Amperes, voltage, power factor, power, and thermal state.
 - c. Fault Conditions: Controller thermal fault, motor overload alarm and trip, motor underload, overcurrent, shorted SCRs, line or phase loss, phase reversal, and line frequency over or under normal.
13. Controller Diagnostics and Protection:
- a. Microprocessor-based thermal protection system for monitoring SCR and motor thermal characteristics and providing controller overtemperature and motor-overload alarm and trip; settings selectable via the keypad.
 - b. Protection from line-side reverse phasing; line-side and motor-side phase loss; motor jam, stall, and underload conditions; and line frequency over or under normal.
 - c. Input isolation contactor that opens when the controller diagnostics detect a faulted solid-state component or when the motor is stopped.
 - d. Shunt trip that opens the disconnecting means when the controller diagnostics detect a faulted solid-state component.
14. Remote Output Features:
- a. All outputs prewired to terminal blocks.
 - b. Form C status contacts that change state when controller is running.
 - c. Form C alarm contacts that change state when a fault condition occurs.
15. Optional Features:
- a. Analog output for field-selectable assignment of motor operating characteristics; 0 to 10-V dc or 4 to 20-mA dc, as indicated.
 - b. Additional field-assignable Form C contacts, as indicated, for alarm outputs.
 - c. Surge suppressors in solid-state power circuits providing three-phase protection against damage from supply voltage surges 10 percent or more above nominal line voltage.
 - d. Full-voltage bypass contactor operating manually, with NORMAL/BYPASS selector switch. Power contacts shall be totally enclosed, double break, and silver-cadmium oxide; and Melting Alloy Overload Relays:
 - (1) Inverse-time-current characteristic.
 - (2) Class 10, Class 20, or Class 30 tripping characteristic.
 - (3) Heaters in each phase matched to nameplate full-load current of actual protected motor and with appropriate adjustment for duty cycle.
 - f. Bimetallic Overload Relays:
 - (1) Inverse-time-current characteristic.
 - (2) Class 10, Class 20, or Class 30 tripping characteristic.
 - (3) Heaters in each phase matched to nameplate full-load current of actual protected motor and with appropriate adjustment for duty cycle.
 - (4) Ambient compensated.
 - (5) Automatic resetting.
 - g. Solid-State Overload Relay:

- (1) Switch or dial selectable for motor running overload protection.
 - (2) Sensors in each phase.
 - (3) Class 10, Class 20, or Class 10/20 selectable tripping characteristic selected to Class II ground-fault protection, with start and run delays to prevent nuisance trip on starting.
 - (5) Analog communication module.
 - h. N.C. and N.O., isolated overload alarm contact.
 - i. External overload reset push button.
- C. Combination Reduced-Voltage Solid-State Controller: Factory-assembled combination of reduced-voltage solid-state controller, OCPD, and disconnecting means.
1. Manufacturers: Subject to compliance with requirements, provide products by one of the following:
 - a. Eaton Electrical Inc.; Cutler-Hammer Business Unit.
 - b. Rockwell Automation, Inc.; Allen-Bradley brand.
 - c. Siemens Energy & Automation, Inc.
 - d. Square D; a brand of Schneider Electric.
 2. Fusible Disconnecting Means:
 - a. NEMA KS 1, heavy-duty, horsepower-rated, fusible switch with clips or bolt pads to accommodate indicated fuses.
 - b. Lockable Handle: Accepts three padlocks and interlocks with cover in closed position.
 - c. Auxiliary Contacts: N.O./N.C., arranged to activate before switch blades open.
 3. MCP Disconnecting Means:
 - a. UL 489, NEMA AB 1, and NEMA AB 3, with interrupting capacity to comply with available fault currents, instantaneous-only circuit breaker with front-mounted, field-adjustable, short-circuit trip coordinated with motor locked-rotor amperes.
 - b. Lockable Handle: Accepts three padlocks and interlocks with cover in closed position.
 - c. Auxiliary contacts "a" and "b" arranged to activate with MCP handle.
 - d. N.C. and N.O. alarm contact that operates only when MCP has tripped.
 - e. Current-limiting module to increase controller short-circuit current (withstand) rating to 100 kA.
 4. MCCB Disconnecting Means:
 - a. UL 489, NEMA AB 1, and NEMA AB 3, with interrupting capacity to comply with available fault currents; thermal-magnetic MCCB, with inverse time-current element for low-level overloads and instantaneous magnetic trip element for short circuits.
 - b. Front-mounted, adjustable magnetic trip setting for circuit-breaker frame sizes 250 A and larger.
 - c. Lockable Handle: Accepts three padlocks and interlocks with cover in closed position.
 - d. Auxiliary contacts "a" and "b" arranged to activate with MCCB handle.
 - e. N.C. and N.O. alarm contact that operates only when MCCB has tripped.
 5. Molded-Case Switch Disconnecting Means:

- a. UL 489, NEMA AB 1, and NEMA AB 3, with in-line fuse block for Class J or L power fuses (depending on ampere rating), providing an interrupting capacity to comply with available fault currents; MCCB with fixed, high-set instantaneous trip only.
- b. Lockable Handle: Accepts three padlocks and interlocks with cover in closed position.
- c. Auxiliary contacts "a" and "b" arranged to activate with molded-case switch handle.
- d. N.C. and N.O. alarm contact that operates only when molded-case switch has tripped.

2.4 MULTISPEED MAGNETIC CONTROLLERS

- A. General Requirements for Multispeed Magnetic Controllers: Comply with NEMA ICS 2, general purpose, Class A.
- B. Multispeed Magnetic Controllers: Two speed, full voltage, across the line, electrically held.
 1. Manufacturers: Subject to compliance with requirements, provide products by one of the following:
 - a. Eaton Electrical Inc.; Cutler-Hammer Business Unit.
 - b. Rockwell Automation, Inc.; Allen-Bradley brand.
 - c. Siemens Energy & Automation, Inc.
 - d. Square D; a brand of Schneider Electric.
 2. Configuration: Nonreversing; consequent pole.
 3. Contactor Coils: Pressure-encapsulated type with coil transient suppressors.
 - a. Operating Voltage: Depending on contactor NEMA size and line-voltage rating, manufacturer's standard matching control power or line voltage.
 4. Power Contacts: Totally enclosed, double break, silver-cadmium oxide; assembled to allow inspection and replacement without disturbing line or load wiring.
 5. Control Circuits: 120-V ac; obtained from integral CPT, with primary and secondary fuses, with CPT of sufficient capacity to operate integral devices and remotely located pilot, indicating, and control devices.
 - a. CPT Spare Capacity: 100 VA.
 6. Compelling relays shall ensure that motor will start only at low speed.
 7. Accelerating timer relays shall ensure properly timed acceleration through speeds lower than that selected.
 8. Decelerating timer relays shall ensure automatically timed deceleration through each speed.
 9. Antiplugging timer relays shall ensure a time delay when transferring from FORWARD to REVERSE and back.
 10. Melting Alloy Overload Relays:
 - a. Inverse-time-current characteristic.
 - b. Class 10, Class 20 or Class 30 tripping characteristic.
 - c. Heaters in each phase matched to nameplate full-load current of actual protected motor and with appropriate adjustment for duty cycle.
 11. Bimetallic Overload Relays:
 - a. Inverse-time-current characteristic.
 - b. Class 10, Class 20 or Class 30 tripping characteristic.
 - c. Heaters in each phase matched to nameplate full-load current of actual protected motor and with appropriate adjustment for duty cycle.
 - d. Ambient compensated.

- e. Automatic resetting.
- 12. Solid-State Overload Relay:
 - a. Switch or dial selectable for motor running overload protection.
 - b. Sensors in each phase.
 - c. Class 10, Class 20, Class 10/20 selectable tripping characteristic selected to protect motor against voltage and current unbalance and single phasing.
 - d. Class II ground-fault protection, with start and run delays to prevent nuisance trip on starting.
 - e. Analog communication module.
- 13. N.C. and N.O., isolated overload alarm contact.
- 14. External overload reset push button.
- C. Combination Multispeed Magnetic Controller: Factory-assembled combination of reduced-voltage magnetic controller, OCPD, and disconnecting means.
 - 1. Manufacturers: Subject to compliance with requirements, provide products by one of the following:
 - a. Eaton Electrical Inc.; Cutler-Hammer Business Unit.
 - b. General Electric Company; GE Consumer & Industrial - Electrical Distribution.
 - c. Rockwell Automation, Inc.; Allen-Bradley brand.
 - d. Siemens Energy & Automation, Inc.
 - e. Square D; a brand of Schneider Electric.
 - 2. Fusible Disconnecting Means:
 - a. NEMA KS 1, heavy-duty, horsepower-rated, fusible switch with clips or bolt pads to accommodate indicated fuses.
 - b. Lockable Handle: Accepts three padlocks and interlocks with cover in closed position.
 - c. Auxiliary Contacts: N.O./N.C., arranged to activate before switch blades open.
 - 3. Nonfusible Disconnecting Means:
 - a. NEMA KS 1, heavy-duty, horsepower-rated, nonfusible switch.
 - b. Auxiliary Contacts: N.O./N.C., arranged to activate before switch blades open.
 - 4. MCP Disconnecting Means:
 - a. UL 489, NEMA AB 1, and NEMA AB 3, with interrupting capacity to comply with available fault currents, instantaneous-only circuit breaker with front-mounted, field-adjustable, short-circuit trip coordinated with motor locked-rotor amperes.
 - b. Lockable Handle: Accepts three padlocks and interlocks with cover in closed position.
 - c. Auxiliary contacts "a" and "b" arranged to activate with MCP handle.
 - d. N.C. and N.O. alarm contact that operates only when MCP has tripped.
 - e. Current-limiting module to increase controller short-circuit current (withstand) rating to 100 kA.
 - 5. MCCB Disconnecting Means:
 - a. UL 489, NEMA AB 1, and NEMA AB 3, with interrupting capacity to comply with available fault currents; thermal-magnetic MCCB, with inverse time-current element for low-level overloads and instantaneous magnetic trip element for short circuits.
 - b. Front-mounted, adjustable magnetic trip setting for circuit-breaker frame sizes 250 A and larger.

- c. Lockable Handle: Accepts three padlocks and interlocks with cover in closed position.
- d. Auxiliary contacts "a" and "b" arranged to activate with MCCB handle.
- e. N.C. and N.O. alarm contact that operates only when MCCB has tripped.

2.5 ENCLOSURES

- A. Enclosed Controllers: NEMA ICS 6, to comply with environmental conditions at installed location.
 - 1. Dry and Clean Indoor Locations: Type 1.
 - 2. Outdoor Locations: Type 3R.
 - 3. Wash-Down Areas: Type 4X, stainless steel.
 - 4. Other Wet or Damp Indoor Locations: Type 4.
 - 5. Indoor Locations Subject to Dust, Falling Dirt, and Dripping Noncorrosive Liquids: Type 12.
 - 6. Hazardous Areas Indicated on Drawings: Type 7 or Type 9.

2.6 ACCESSORIES

- A. General Requirements for Control Circuit and Pilot Devices: NEMA ICS 5; factory installed in controller enclosure cover unless otherwise indicated.
 - 1. Push Buttons, Pilot Lights, and Selector Switches: Heavy-duty, oil tight type.
 - a. Push Buttons: Shielded types; momentary as indicated.
 - b. Pilot Lights: LED types; colors as indicated.
 - c. Selector Switches: Rotary type.
 - 2. Elapsed Time Meters: Heavy duty with digital readout in hours; resettable.
 - 3. Meters: Panel type, 2-1/2-inch minimum size with 90- or 120-degree scale and plus or minus two percent accuracy. Where indicated, provide selector switches with an off position.
- B. Reversible N.C./N.O. auxiliary contact(s).
- C. Control Relays: Auxiliary and adjustable solid-state time-delay relays.
- D. Phase-Failure, Phase-Reversal, and Undervoltage and Overvoltage Relays: Solid-state sensing circuit with isolated output contacts for hard-wired connections. Provide adjustable undervoltage, overvoltage, and time-delay settings.
- E. Breather and drain assemblies, to maintain interior pressure and release condensation in Type 4 or Type 4X enclosures (as indicated) installed outdoors or in unconditioned interior spaces subject to humidity and temperature swings.
- F. Space heaters, with N.C. auxiliary contacts, to mitigate condensation in Type 3R, Type 4X, or Type 12 enclosures (as indicated) installed outdoors or in unconditioned interior spaces subject to humidity and temperature swings.
- G. Sun shields installed on fronts, sides, and tops of enclosures installed outdoors and subject to direct and extended sun exposure.
- H. Cover gaskets for Type 1 enclosures.
- I. Terminals for connecting power factor correction capacitors to the load side of overload relays.
- J. Spare control wiring terminal blocks, quantity as indicated; wired.

PART 3 EXECUTION

3.1 EXAMINATION

- A. Examine areas and surfaces to receive enclosed controllers, for compliance with requirements and other conditions affecting performance of the Work.
- B. Examine enclosed controllers before installation. Reject enclosed controllers that are wet, moisture damaged, or mold damaged.

- C. Proceed with installation only after unsatisfactory conditions have been corrected.

3.2 **INSTALLATION**

- A. **Wall-Mounted Controllers:** Install enclosed controllers on walls with tops at uniform height unless otherwise indicated, and by bolting units to wall or mounting on lightweight structural-steel channels bolted to wall. For controllers not at walls, provide freestanding racks complying with Division 26 Section "Hangers and Supports for Electrical Systems."
- B. **Floor-Mounted Controllers:** Install enclosed controllers on 4-inch nominal-thickness concrete base. Comply with requirements for concrete base specified in Division 03 Section "Cast-in-Place Concrete."
 - 1. Install dowel rods to connect concrete base to concrete floor. Unless otherwise indicated, install dowel rods on 18-inch centers around the full perimeter of concrete base.
 - 2. For supported equipment, install epoxy-coated anchor bolts that extend through concrete base and anchor into structural concrete floor.
 - 3. Place and secure anchorage devices. Use setting drawings, templates, diagrams, instructions, and directions furnished with items to be embedded.
 - 4. Install anchor bolts to elevations required for proper attachment to supported equipment.
- C. **Seismic Bracing:** Comply with requirements specified in Division 26 Section "Vibration and Seismic Controls for Electrical Systems."
- D. **Temporary Lifting Provisions:** Remove temporary lifting eyes, channels, and brackets and temporary blocking of moving parts from enclosures and components.
- E. Install fuses in each fusible-switch enclosed controller.
- F. Install fuses in control circuits if not factory installed. Comply with requirements in Division 26 Section "Fuses."
- G. Install heaters in thermal overload relays. Select heaters based on actual nameplate full-load amperes after motors have been installed.
- H. Install, connect, and fuse thermal-protector monitoring relays furnished with motor-driven equipment.
- I. Install power factor correction capacitors. Connect to the load side of overload relays. If connected to the load side of overload relays, adjust overload heater sizes to accommodate the reduced motor full-load currents.
- J. Comply with NECA 1.

3.3 **IDENTIFICATION**

- A. **Identify enclosed controllers, components, and control wiring.** Comply with requirements for identification specified in Division 26 Section "Identification for Electrical Systems."
 - 1. Identify field-installed conductors, interconnecting wiring, and components; provide warning signs.
 - 2. Label each enclosure with engraved nameplate.
 - 3. Label each enclosure-mounted control and pilot device.

3.4 **CONTROL WIRING INSTALLATION**

- A. Install wiring between enclosed controllers, remote devices and facility's central control system. Comply with requirements in Division 26 Section "Control-Voltage Electrical Power Cables."
- B. Bundle, train, and support wiring in enclosures.
- C. Connect selector switches and other automatic-control selection devices where applicable.
 - 1. Connect selector switches to bypass only those manual- and automatic-control devices that have no safety functions when switch is in manual-control position.

2. Connect selector switches with enclosed-controller circuit in both manual and automatic positions for safety-type control devices such as low- and high-pressure cutouts, high-temperature cutouts, and motor overload protectors.

3.5 ADJUSTING

- A. Set field-adjustable switches, auxiliary relays, time-delay relays, timers, and overload-relay pickup and trip ranges.
- B. Adjust overload-relay heaters or settings if power factor correction capacitors are connected to the load side of the overload relays.
- C. Adjust the trip settings of MCPs and thermal-magnetic circuit breakers with adjustable instantaneous trip elements. Initially adjust to six times the motor nameplate full-load ampere ratings and attempt to start motors several times, allowing for motor cooldown between starts. If tripping occurs on motor inrush, adjust settings in increments until motors start without tripping. Do not exceed eight times the motor full-load amperes (or 11 times for NEMA Premium Efficient motors). Where these maximum settings do not allow starting of a motor, notify Engineer before increasing settings.
- D. Set the taps on reduced-voltage autotransformer controllers at 50, 65 or 80 percent.
- E. Set field-adjustable switches and program microprocessors for required start and stop sequences in reduced-voltage solid-state controllers.
- F. Set field-adjustable circuit-breaker trip ranges.

3.6 PROTECTION

- A. Temporary Heating: Apply temporary heat to maintain temperature according to manufacturer's written instructions until enclosed controllers are ready to be energized and placed into service.
- B. Replace controllers whose interiors have been exposed to water or other liquids prior to Substantial Completion.

END OF SECTION

THIS PAGE LEFT INTENTIONALLY BLANK

SECTION 262923
VARIABLE-FREQUENCY MOTOR CONTROLLERS

PART 1 GENERAL

1.1 SUMMARY

- A. Drawings and general provisions of the Contract, including General and Supplementary Conditions and Division 01 Specification Sections, apply to this Section.

1.2 DEFINITIONS

- A. BAS: Building automation system.
- B. CE: Conformance Europeene (European Compliance).
- C. CPT: Control power transformer.
- D. EMI: Electromagnetic interference.
- E. LED: Light-emitting diode.
- F. NC: Normally closed.
- G. NO: Normally open.
- H. OCPD: Overcurrent protective device.
- I. PID: Control action, proportional plus integral plus derivative.
- J. RFI: Radio-frequency interference.
- K. VFC: Variable-frequency motor controller.

1.3 ACTION SUBMITTALS

- A. Product Data: For each type and rating of VFC indicated.
 - 1. Include dimensions and finishes for VFCs.
 - 2. Include rated capacities, operating characteristics, electrical characteristics, and furnished specialties and accessories.
- B. Shop Drawings: For each VFC indicated.
 - 1. Include mounting and attachment details.
 - 2. Include details of equipment assemblies. Indicate dimensions, weights, loads, required clearances, method of field assembly, components, and location and size of each field connection.
 - 3. Include diagrams for power, signal, and control wiring.
 - 4. Include Harmonic analysis for IEEE519 Compliance: Harmonic analysis for specific project including total harmonic voltage distortion and total harmonic current distortion (TDD). VFC manufacturer shall provide calculations, specific to this installation, showing total harmonic voltage distortion is less than 5%. Analysis shall indicate any requirement for any input or output line filtering in addition to the required 5% line reactors specified. VFC manufacturer shall provide any additional filtering and/or devices to meet IEEE519 requirements.

1.4 INFORMATIONAL SUBMITTALS

- A. Coordination Drawings: Floor plans, drawn to scale, showing dimensioned layout on which the following items are shown and coordinated with each other, using input from installers of the items involved:
 - 1. Required working clearances and required area above and around VFCs.
 - 2. Show VFC layout and relationships between electrical components and adjacent structural and mechanical elements.
 - 3. Show support locations, type of support, and weight on each support.
 - 4. Indicate field measurements.
- B. Qualification Data: For manufacturer and testing agency.
- C. Seismic Qualification Certificates: For each VFC, accessories, and components, from manufacturer.

1. Certificate of compliance.
 2. Dimensioned Outline Drawings of Equipment Unit: Identify center of gravity and locate and describe mounting and anchorage provisions.
 3. Detailed description of equipment anchorage devices on which the certification is based, and their installation requirements.
- D. Product Certificates: For each VFC from manufacturer.
- E. Harmonic Analysis Report: Provide Project-specific calculations and manufacturer's statement of compliance with IEEE 519.
- F. Source quality-control reports.
- G. Field quality-control reports.
- H. Sample Warranty: For special warranty.

1.5 CLOSEOUT SUBMITTALS

- A. Operation and Maintenance Data: For VFCs to include in emergency, operation, and maintenance manuals.
1. In addition to items specified in Division 01 Section "Operation and Maintenance Data," include the following:
 - a. Manufacturer's written instructions for testing and adjusting thermal-magnetic circuit breaker and MCP trip settings.
 - b. Manufacturer's written instructions for setting field-adjustable overload relays.
 - c. Manufacturer's written instructions for testing, adjusting, and reprogramming microprocessor control modules.
 - d. Manufacturer's written instructions for setting field-adjustable timers, controls, and status and alarm points.
 - e. Load-Current and Overload-Relay Heater List: Compile after motors have been installed, and arrange to demonstrate that selection of heaters suits actual motor nameplate, full-load currents.
 - f. Load-Current and List of Settings of Adjustable Overload Relays: Compile after motors have been installed, and arrange to demonstrate that switch settings for motor-running overload protection suit actual motors to be protected.

1.6 MAINTENANCE MATERIAL SUBMITTALS

- A. Furnish extra materials described below that match products installed and that are packaged with protective covering for storage and identified with labels describing contents.
1. Power Fuses: Equal to 10 percent of quantity installed for each size and type, but no fewer than three of each size and type.
 2. Control Power Fuses: Equal to 10 percent of quantity installed for each size and type, but no fewer than two of each size and type.
 3. Indicating Lights: Two of each type and color installed.
 4. Auxiliary Contacts: Furnish one spare(s) for each size and type of magnetic controller installed.
 5. Power Contacts: Furnish three spares for each size and type of magnetic contactor installed.

1.7 QUALITY ASSURANCE

- A. Source Limitations: Obtain VFCs of a single type through one source from a single manufacturer.

1.8 DELIVERY, STORAGE, AND HANDLING

- A. If stored in space that is not permanently enclosed and air conditioned, remove loose packing and flammable materials from inside controllers and install temporary electric heating, with at least 250 W per controller.
- B. Product Selection for Restricted Space: Drawings indicate maximum dimensions for VFCs, including clearances between VFCs, and adjacent surfaces and other items.

1.9 WARRANTY

- A. Special Warranty: Manufacturer agrees to repair or replace VFCs that fail in materials or workmanship within specified warranty period.
 - 1. Warranty Period: Two years from date of Substantial Completion.

1.10 COORDINATION

- A. Coordinate layout and installation of VFCs with other construction including conduit, piping, equipment, and adjacent surfaces. Maintain required workspace clearances and required clearances for equipment access doors and panels.
- B. Coordinate size and location of concrete bases. Cast anchor-bolt inserts into bases.
- C. Coordinate features of VFCs, installed units, and accessory devices with pilot devices and control circuits to which they connect.

PART 2 PRODUCTS

2.1 MANUFACTURERS

- A. Manufacturers: Subject to compliance with requirements, provide products by one of the following:
 - 1. ABB Power Distribution, Inc.; ABB Control, Inc., Subsidiary (Model ACH 550).
 - 2. Eaton Electrical Sector; Eaton Corporation; Cutler-Hammer Business Unit (smaller than 100 HP - Model DG1, 100 HP and larger – Model CPX9000).
 - 3. Rockwell Automation, Inc; Allen-Bradley Brand (Model 700).

2.2 SYSTEM DESCRIPTION

- A. General Requirements for VFCs:
 - 1. VFCs and Accessories: Listed and labeled as defined in NFPA 70, by a qualified testing agency, and marked for intended location and application.
 - 2. Comply with NEMA ICS 7, NEMA ICS 61800-2, and [[UL 508A] [UL 508C]].
- B. VFC Description: Variable-frequency motor controller, consisting of power converter that employs pulse-width-modulated inverter, factory built and tested in an enclosure, with integral disconnecting means and overcurrent and overload protection; listed and labeled by an NRTL as a complete unit; arranged to provide self-protection, protection, and variable-speed control of one or more three-phase induction motors by adjusting output voltage and frequency.
 - 1. Units suitable for operation of NEMA MG 1, Design A and Design B motors, as defined by NEMA MG 1, Section IV, Part 30, "Application Considerations for Constant Speed Motors Used on a Sinusoidal Bus with Harmonic Content and General Purpose Motors Used with Adjustable-Voltage or Adjustable-Frequency Controls or Both."
 - 2. Units suitable for operation of inverter-duty motors as defined by NEMA MG 1, Section IV, Part 31, "Definite-Purpose Inverter-Fed Polyphase Motors."
 - 3. Listed and labeled for integrated short-circuit current (withstand) rating by an NRTL acceptable to authorities having jurisdiction.
- C. Design and Rating: Match load type, such as fans, blowers, and pumps; and type of connection used between motor and load such as direct or through a power-transmission connection.
 - 1. Units serving motors smaller than 100 HP shall be 6-pulse or 18-pulse type VFC.

2. Units serving motors 100 HP and larger shall be 18-pulse VFC.
- D. Output Rating: Three phase; 10 to 60 Hz, with voltage proportional to frequency throughout voltage range.
- E. Unit Operating Requirements:
1. Input AC Voltage Tolerance: Plus 10 and minus 15 percent of VFC input voltage rating.
 2. Input AC Voltage Unbalance: Not exceeding 5 percent.
 3. Input Frequency Tolerance: Plus or minus 3 percent of VFC frequency rating.
 4. Minimum Efficiency: 96 percent at 60 Hz, full load.
 5. Minimum Displacement Primary-Side Power Factor: 96 percent under any load or speed condition.
 6. Minimum Short-Circuit Current (Withstand) Rating: 10 kA.
 7. Ambient Temperature Rating: Not less than 32 deg F and not exceeding 104 deg F.
 8. Humidity Rating: Less than 95 percent (noncondensing).
 9. Altitude Rating: Not exceeding 3300 feet.
 10. Vibration Withstand: Comply with NEMA ICS 61800-2.
 11. Overload Capability: 1.1 times the base load current for 60 seconds; minimum of 1.8 times the base load current for three seconds.
 12. Starting Torque: Minimum 100 percent of rated torque from 3 to 60 Hz.
 13. Speed Regulation: Plus or minus 10 percent.
 14. Output Carrier Frequency: Selectable; 0.5 to 15 kHz.
 15. Stop Modes: Programmable; includes fast, free-wheel, and dc injection braking.
- F. Inverter Logic: Microprocessor based, 16 or 32 bit, isolated from all power circuits.
- G. Isolated Control Interface: Allows VFCs to follow remote-control signal over a minimum 40:1 speed range.
1. Signal: Pneumatic.
- H. Internal Adjustability Capabilities:
1. Minimum Speed: 5 to 25 percent of maximum rpm.
 2. Maximum Speed: 80 to 100 percent of maximum rpm.
 3. Acceleration: 0.1 to 999.9 seconds.
 4. Deceleration: 0.1 to 999.9 seconds.
 5. Current Limit: 30 to minimum of 150 percent of maximum rating.
- I. Self-Protection and Reliability Features:
1. Surge Suppression: Factory installed as an integral part of the VFC, complying with UL 1449 SPD, Type 1 or Type 2.
 2. Surge Suppression: Field-mounted surge suppressors complying with Division 26 Section "Surge Protection for Low-Voltage Electrical Power Circuits," UL 1449 SPD, Type 2.
 3. Loss of Input Signal Protection: Selectable response strategy, including speed default to a percent of the most recent speed, a preset speed, or stop; with alarm.
 4. Under- and overvoltage trips.
 5. Inverter overcurrent trips.

6. VFC and Motor-Overload/Overtemperature Protection: Microprocessor-based thermal protection system for monitoring VFCs and motor thermal characteristics, and for providing VFC overtemperature and motor-overload alarm and trip; settings selectable via the keypad.
 7. Critical frequency rejection, with three selectable, adjustable deadbands.
 8. Instantaneous line-to-line and line-to-ground overcurrent trips.
 9. Loss-of-phase protection.
 10. Reverse-phase protection.
 11. Short-circuit protection.
 12. Motor overtemperature fault.
- J. Automatic Reset/Restart: Attempt three restarts after drive fault or on return of power after an interruption and before shutting down for manual reset or fault correction. Bidirectional autospeed search shall be capable of starting into rotating loads spinning in either direction and returning motor to set speed in proper direction, without damage to controller, motor, or load.
- K. Power-Interruption Protection: To prevent motor from re-energizing after a power interruption until motor has stopped, unless "Bidirectional Autospeed Search" feature is available and engaged.
- L. Bidirectional Autospeed Search: Capable of starting VFC into rotating loads spinning in either direction and returning motor to set speed in proper direction, without causing damage to drive, motor, or load
- M. Torque Boost: Automatically varies starting and continuous torque to at least 1.5 times the minimum torque to ensure high-starting torque and increased torque at slow speeds.
- N. Motor Temperature Compensation at Slow Speeds: Adjustable current fall-back based on output frequency for temperature protection of self-cooled, fan-ventilated motors at slow speeds.
- O. Input Line Conditioning: Integral 5 percent impedance line reactors to reduce the harmonics to the power line and protection from AC line transients. Impedance may be accomplished with dual (positive and negative DC bus) reactors or AC line reactors. AC line reactors are required if only one DC reactor utilized. Additional conditioning or filtering as determined by THD/TDD analysis performed by VFC manufacturer.
- P. VFC Output Filtering: As determined by THD/TDD analysis performed by VFC manufacturer. dV/dt output filter comprised of three-phase load reactor and resistor/capacitor clipping circuit shall be provide for all VFCs serving submersible motors.
- Q. Integral Disconnecting Means: NEMA KS 1, fusible switch with pad-lockable, door-mounted handle mechanism.
1. Disconnect Rating: Not less than 115 percent of VFC input current rating.
 2. Disconnect Rating: Not less than 115 percent of NFPA 70 motor full-load current rating or VFC input current rating, whichever is larger.
 3. Auxiliary Contacts: NO or NC, arranged to activate before switch blades open.
 4. Auxiliary contacts "a" and "b" arranged to activate with circuit-breaker handle.
 5. NC alarm contact that operates only when circuit breaker has tripped.

2.3 PERFORMANCE REQUIREMENTS

- A. Seismic Performance: VFCs shall withstand the effects of earthquake motions determined according to ASCE/SEI 7. The designated VFCs shall be tested and certified by an NRTL as meeting the ICC-ES AC 156 test procedure requirements
1. The term "withstand" means "the unit will remain in place without separation of any parts when subjected to the seismic forces specified[[and the unit will be fully operational after the seismic event]]."

2.4 CONTROLS AND INDICATION

- A. Status Lights: Door-mounted LED indicators displaying the following conditions:
 - 1. Power on.
 - 2. Run.
 - 3. Overvoltage.
 - 4. Line fault.
 - 5. Overcurrent.
 - 6. External fault.
- B. Panel-Mounted Operator Station: Manufacturer's standard front-accessible, sealed keypad and plain-English-language digital display; allows complete programming, program copying, operating, monitoring, and diagnostic capability.
 - 1. Keypad: In addition to required programming and control keys, include keys for HAND, OFF, and AUTO modes.
 - 2. Security Access: Provide electronic security access to controls through identification and password with at least three levels of access: View only; view and operate; and view, operate, and service.
 - a. Control Authority: Supports at least four conditions: Off, local manual control at VFC, local automatic control at VFC, and automatic control through a remote source.
- C. Historical Logging Information and Displays:
 - 1. Real-time clock with current time and date.
 - 2. Running log of total power versus time.
 - 3. Total run time.
 - 4. Fault log, maintaining last four faults with time and date stamp for each.
- D. Indicating Devices: Digital display mounted flush in VFC door and connected to display VFC parameters including, but not limited to:
 - 1. Output frequency (Hz).
 - 2. Motor speed (rpm).
 - 3. Motor status (running, stop, fault).
 - 4. Motor current (amperes).
 - 5. Motor torque (percent).
 - 6. Fault or alarming status (code).
 - 7. PID feedback signal (percent).
 - 8. DC-link voltage (V dc).
 - 9. Set point frequency (Hz).
 - 10. Motor output voltage (V ac).
- E. Control Signal Interfaces:
 - 1. Electric Input Signal Interface:
 - a. A minimum of two programmable analog inputs: Operator-selectable "x"- to "y"-mA dc.
 - b. A minimum of six multifunction programmable digital inputs.
 - 2. Pneumatic Input Signal Interface: 3 to 15 psig.
 - 3. Remote Signal Inputs: Capability to accept any of the following speed-setting input signals from the BAS or other control systems:
 - a. 0- to 10-V dc.
 - b. 4- to 20-mA dc.
 - c. Potentiometer using up/down digital inputs.
 - d. Fixed frequencies using digital inputs.
 - 4. Output Signal Interface: A minimum of one programmable analog output signal (operator-selectable "x"- to "y"-mA dc), which can be configured for any of the following:

- a. Output frequency (Hz).
 - b. Output current (load).
 - c. DC-link voltage (V dc).
 - d. Motor torque (percent).
 - e. Motor speed (rpm).
 - f. Set point frequency (Hz).
5. Remote Indication Interface: A minimum of two programmable dry-circuit relay outputs (120-V ac, 1 A) for remote indication of the following:
- a. Motor running.
 - b. Set point speed reached.
 - c. Fault and warning indication (overtemperature or overcurrent).
 - d. PID high- or low-speed limits reached.
- F. PID Control Interface: Provides closed-loop set point, differential feedback control in response to dual feedback signals. Allows for closed-loop control of fans and pumps for pressure, flow, or temperature regulation.
1. Number of Loops: One.
- G. BAS Interface: Factory-installed hardware and software shall interface with BAS to monitor, control, display, and record data for use in processing reports. VFC settings shall be retained within VFC's nonvolatile memory.
1. Hardwired Points:
 - a. Monitoring: On-off status.
 - b. Control: On-off operation.
 2. Communication Interface: Comply with ASHRAE 135. Communication shall interface with BAS to remotely control and monitor lighting from a BAS operator workstation. Control features and monitoring points displayed locally at lighting panel shall be available through the BAS.

2.5 LINE CONDITIONING AND FILTERING

- A. Input Line Conditioning: Based on the manufacturer's harmonic analysis study and report, provide input filtering, as required, to limit total demand (harmonic current) distortion and total harmonic voltage demand at the defined point of common coupling to meet IEEE 519 recommendations.
- B. Output Line Conditioning: Provide dV/dt output filter comprised of three-phase load reactor and resistor/capacitor clipping circuit for VFC's with lead lengths of longer than 60 feet.
- C. Provide factory installed RFI filters for electrical noise reduction to prevent interference with sensitive electrical equipment or wireless devices.

2.6 FEATURES

- A. Communication Port: RS-232 port, USB 2.0 port, or equivalent connection capable of connecting a printer and a notebook computer to be used with an external system within a multidrop LAN configuration. Interface shall allow all parameter settings of VFC to be programmed via BMX control. Provide and install communications equipment for VFC to retain these settings within the nonvolatile memory. Coordinate with controls contractor but must provide communications for Ethernet IP and ModBus or other to match SCADA system.

2.7 ENCLOSURES

- A. VFC Enclosures: NEMA 250, to comply with environmental conditions at installed location.
 1. Dry and Clean Indoor Locations: Type 1.
 2. Outdoor Locations: Type 3R.
 3. [[Kitchen] [Wash-Down]] Areas: Type 4X, stainless steel.
 4. Other Wet or Damp Indoor Locations: Type 4.

5. Indoor Locations Subject to Dust, Falling Dirt, and Dripping Noncorrosive Liquids: Type 12.
- B. Plenum Rating: UL 1995; NRTL certification label on enclosure, clearly identifying VFC as "Plenum Rated."

2.8 ACCESSORIES

- A. General Requirements for Control-Circuit and Pilot Devices: NEMA ICS 5; factory installed in VFC enclosure cover unless otherwise indicated.
 1. Push Buttons: Covered.
 2. Pilot Lights: Push to test.
 3. Selector Switches: **Rotary** type.
 4. Stop and Lockout Push-Button Station: Momentary-break, push-button station with a factory-applied hasp arranged so padlock can be used to lock push button in depressed position with control circuit open.
- B. Control Relays: Auxiliary and adjustable solid-state time-delay relays.
- C. Phase-Failure, Phase-Reversal, and Undervoltage and Overvoltage Relays: Solid-state sensing circuit with isolated output contacts for hard-wired connections. Provide adjustable undervoltage, overvoltage, and time-delay settings.
- D. Supplemental Digital Meters:
- E. Breather and drain assemblies, to maintain interior pressure and release condensation in NEMA 250, Type 4, Type 4X or Type 12 enclosures (as indicated) installed outdoors or in unconditioned interior spaces subject to humidity and temperature swings.
- F. Space heaters, with NC auxiliary contacts, to mitigate condensation in NEMA 250, Type 3R, Type 4X, or Type 12 enclosures (as indicated) installed outdoors or in unconditioned interior spaces subject to humidity and temperature swings.
- G. Cooling Fan and Exhaust System: For NEMA 250, Type 1 or Type 12; UL 508 component recognized: Supply fan, with composite or stainless-steel intake and exhaust grills and filters; 120-V ac; obtained from integral CPT.
- H. Sun shields installed on fronts, sides, and tops of enclosures installed outdoors and subject to direct and extended sun exposure.
- I. Spare control-wiring terminal blocks; unwired.

2.9 SOURCE QUALITY CONTROL

- A. Testing: Test and inspect VFCs according to requirements in NEMA ICS 61800-2.
 1. Test each VFC while connected to its specified motor or a motor that is comparable to that for which the VFC is rated.
 2. Verification of Performance: Rate VFCs according to operation of functions and features specified.
- B. VFCs will be considered defective if they do not pass tests and inspections.
- C. Prepare test and inspection reports.

PART 3 EXECUTION

3.1 EXAMINATION

- A. Examine areas, surfaces, and substrates to receive VFCs, with Installer present, for compliance with requirements for installation tolerances, and other conditions affecting performance of the Work.
- B. Examine VFC before installation. Reject VFCs that are wet, moisture damaged, or mold damaged.

- C. Examine roughing-in for conduit systems to verify actual locations of conduit connections before VFC installation.
- D. Prepare written report, endorsed by Installer, listing conditions detrimental to performance of the Work.
- E. Proceed with installation only after unsatisfactory conditions have been corrected.

3.2 INSTALLATION

- A. Wall-Mounting Controllers: Install with tops at uniform height and with disconnect operating handles not higher than 79 inches above finished floor, unless otherwise indicated, and by bolting units to wall or mounting on lightweight structural-steel channels bolted to wall. For controllers not on walls, provide freestanding racks complying with Division 26 Section "Hangers and Supports for Electrical Systems."
- B. Floor-Mounting Controllers: Install VFCs on 4-inch nominal thickness concrete base. Comply with requirements for concrete base specified in Division 03.
 - 1. Install dowel rods to connect concrete base to concrete floor. Unless otherwise indicated, install dowel rods on 18-inch centers around the full perimeter of concrete base.
 - 2. For supported equipment, install epoxy-coated anchor bolts that extend through concrete base and anchor into structural concrete floor.
 - 3. Place and secure anchorage devices. Use setting drawings, templates, diagrams, instructions, and directions furnished with items to be embedded.
 - 4. Install anchor bolts to elevations required for proper attachment to supported equipment.
- C. Seismic Bracing: Comply with requirements specified in Division 26 Section "Seismic Controls for Electrical Systems."
- D. Temporary Lifting Provisions: Remove temporary lifting eyes, channels, and brackets and temporary blocking of moving parts from enclosures and components.
- E. Install fuses in each fusible-switch VFC.
- F. Install fuses in control circuits if not factory installed. Comply with requirements in Division 26 Section "Fuses."
- G. Install heaters in thermal-overload relays. Select heaters based on actual nameplate full-load amperes after motors are installed.
- H. Install, connect, and fuse thermal-protector monitoring relays furnished with motor-driven equipment.
- I. Comply with NECA 1.

3.3 CONTROL WIRING INSTALLATION

- A. Install wiring between VFCs and remote devices and facility's central-control system. Comply with requirements in Division 26 Section "Control-Voltage Electrical Power Cables."
- B. Bundle, train, and support wiring in enclosures.
- C. Connect hand-off-automatic switch and other automatic-control devices where applicable.
 - 1. Connect selector switches with control circuit in both hand and automatic positions for safety-type control devices such as low- and high-pressure cutouts, high-temperature cutouts, and motor overload protectors.

3.4 IDENTIFICATION

- A. Identify VFCs, components, and control wiring. Comply with requirements for identification specified in Section 260553 "Identification for Electrical Systems."
 - 1. Identify field-installed conductors, interconnecting wiring, and components; provide warning signs.
 - 2. Label each VFC with engraved nameplate.

3. Label each enclosure-mounted control and pilot device.
- B. Operating Instructions: Frame printed operating instructions for VFCs, including control sequences and emergency procedures. Fabricate frame of finished metal, and cover instructions with clear acrylic plastic. Mount on front of VFC units.

3.5 ADJUSTING

- A. Program microprocessors for required operational sequences, status indications, alarms, event recording, and display features. Clear events memory after final acceptance testing and prior to Substantial Completion.
- B. Set field-adjustable switches, auxiliary relays, time-delay relays, timers, and overload-relay pickup and trip ranges.
- C. Adjust the trip settings of instantaneous-only circuit breakers and thermal-magnetic circuit breakers with adjustable, instantaneous trip elements. Initially adjust to 6 times the motor nameplate full-load amperes and attempt to start motors several times, allowing for motor cool-down between starts. If tripping occurs on motor inrush, adjust settings in increments until motors start without tripping. Do not exceed 8 times the motor full-load amperes (or 11 times for NEMA Premium Efficient motors if required). Where these maximum settings do not allow starting of a motor, notify Engineer or Owner before increasing settings.
- D. Set the taps on reduced-voltage autotransformer controllers, if applicable.
- E. Set field-adjustable circuit-breaker trip ranges.
- F. Set field-adjustable pressure switches.

3.6 PROTECTION

- A. Temporary Heating: Apply temporary heat to maintain temperature according to manufacturer's written instructions until controllers are ready to be energized and placed into service.
- B. Replace VFCs whose interiors have been exposed to water or other liquids prior to Substantial Completion.

END OF SECTION

SECTION 263600
TRANSFER SWITCHES

PART 1 GENERAL

1.1 RELATED DOCUMENTS

- A. Drawings and general provisions of the Contract and Division 01 Specification Sections apply to this Section.

1.2 ACTION SUBMITTALS

- A. Product Data: For each type of product indicated. Include rated capacities, weights, operating characteristics, furnished specialties, and accessories.
- B. Shop Drawings: Dimensioned plans, elevations, sections, and details showing minimum clearances, conductor entry provisions, gutter space, installed features and devices, and material lists for each switch specified.
 - 1. Single-Line Diagram: Show connections between transfer switch, bypass/isolation switch, power sources, and load; and show interlocking provisions for each combined transfer switch and bypass/isolation switch.

1.3 INFORMATIONAL SUBMITTALS

- A. Qualification Data: For manufacturer.
- B. Manufacturer Seismic Qualification Certification: Submit certification that transfer switches accessories, and components will withstand seismic forces defined in Division 26 Section "Vibration and Seismic Controls for Electrical Systems." Include the following:
 - 1. Basis for Certification: Indicate whether withstand certification is based on actual test of assembled components or on calculation.
 - a. The term "withstand" means "the unit will remain in place without separation of any parts from the device when subjected to the seismic forces specified."
 - b. The term "withstand" means "the unit will remain in place without separation of any parts from the device when subjected to the seismic forces specified and the unit will be fully operational after the seismic event."
 - 2. Dimensioned Outline Drawings of Equipment Unit: Identify center of gravity and locate and describe mounting and anchorage provisions.
 - 3. Detailed description of equipment anchorage devices on which the certification is based and their installation requirements.
- C. Field quality-control test reports.

1.4 CLOSEOUT SUBMITTALS

- A. Operation and Maintenance Data: For each type of product to include in emergency, operation, and maintenance manuals. In addition to items specified in Division 01 Section "Operation and Maintenance Data," include the following:
 - 1. Features and operating sequences, both automatic and manual.
 - 2. List of all factory settings of relays; provide relay-setting and calibration instructions, including software, where applicable.

1.5 QUALITY ASSURANCE

- A. Source Limitations: Obtain all transfer switches through one source from a single manufacturer.
- B. Electrical Components, Devices, and Accessories: Listed and labeled as defined in NFPA 70, Article 100, by a testing agency acceptable to authorities having jurisdiction, and marked for intended use.
- C. Comply with NEMA ICS 1.

- D. Comply with NFPA 70.
- E. Comply with NFPA 99.
- F. Comply with NFPA 110.
- G. Comply with UL 1008 unless requirements of these Specifications are stricter.

1.6 FIELD CONDITIONS

- A. Interruption of Existing Electrical Service: Do not interrupt electrical service to facilities occupied by Owner or others unless permitted under the following conditions and then only after arranging to provide temporary electrical service:
 - 1. Notify Engineer no fewer than two days in advance of proposed interruption of electrical service.
 - 2. Do not proceed with interruption of electrical service without Owner's written permission.

1.7 COORDINATION

- A. Coordinate size and location of concrete bases. Cast anchor-bolt inserts into bases. Concrete, reinforcement, and formwork requirements are specified in Division 03 Section "Cast-in-Place Concrete."

PART 2 PRODUCTS

2.1 MANUFACTURED UNITS

- A. Manufacturers: Subject to compliance with requirements, provide products by one of the following:
 - 1. Contactor Transfer Switches:
 - a. Emerson; ASCO Power Technologies, LP.
 - b. GE Zenith Controls.
 - c. Kohler Power Systems; Generator Division.
 - d. Onan/Cummins Power Generation; Industrial Business Group.
 - e. Russelectric, Inc.

2.2 GENERAL TRANSFER-SWITCH PRODUCT REQUIREMENTS

- A. Indicated Current Ratings: Apply as defined in UL 1008 for continuous loading and total system transfer, including tungsten filament lamp loads not exceeding 30 percent of switch ampere rating, unless otherwise indicated.
 - 1. Where transfer switch includes internal fault-current protection, rating of switch and trip unit combination shall exceed indicated fault-current value at installation location.
- B. Solid-State Controls: Repetitive accuracy of all settings shall be plus or minus 2 percent or better over an operating temperature range of minus 20 to plus 70 deg C.
- C. Resistance to Damage by Voltage Transients: Components shall meet or exceed voltage-surge withstand capability requirements when tested according to IEEE C62.41. Components shall meet or exceed voltage-impulse withstand test of NEMA ICS 1.
- D. Electrical Operation: Accomplish by a nonfused, momentarily energized solenoid or electric-motor-operated mechanism, mechanically and electrically interlocked in both directions.
- E. Switch Characteristics: Designed for continuous-duty repetitive transfer of full-rated current between active power sources.
 - 1. Limitation: Switches using molded-case switches or circuit breakers or insulated-case circuit-breaker components are not acceptable.
 - 2. Switch Action: Double throw; mechanically held in both directions.
 - 3. Contacts: Silver composition or silver alloy for load-current switching. Conventional automatic transfer-switch units, rated 225 A and higher, shall have separate arcing contacts.
- F. Neutral Switching. Where four-pole switches are indicated, provide neutral pole switched simultaneously with phase poles.

- G. Neutral Terminal: Solid and fully rated, unless otherwise indicated.
- H. Oversize Neutral: Ampacity and switch rating of neutral path through units indicated for oversize neutral shall be double the nominal rating of circuit in which switch is installed.
- I. Heater: Equip switches exposed to outdoor temperatures and humidity, and other units indicated, with an internal heater. Provide thermostat within enclosure to control heater.
- J. Battery Charger: For generator starting batteries.
 - 1. Float type rated 2 A.
 - 2. Ammeter to display charging current.
 - 3. Fused ac inputs and dc outputs.
- K. Annunciation, Control, and Programming Interface Components: Devices at transfer switches for communicating with remote programming devices, annunciators, or annunciator and control panels shall have communication capability matched with remote device.
- L. Factory Wiring: Train and bundle factory wiring and label, consistent with Shop Drawings, either by color-code or by numbered or lettered wire and cable tape markers at terminations. Color-coding and wire and cable tape markers are specified in Division 26 Section "Identification for Electrical Systems."
 - 1. Designated Terminals: Pressure type, suitable for types and sizes of field wiring indicated.
 - 2. Power-Terminal Arrangement and Field-Wiring Space: Suitable for top, side, or bottom entrance of feeder conductors as indicated.
 - 3. Control Wiring: Equipped with lugs suitable for connection to terminal strips.
- M. Enclosures: General-purpose NEMA 250, Type 1, Type 3R or Type 12 (as indicated), complying with NEMA ICS 6 and UL 508, unless otherwise indicated.

2.3 AUTOMATIC TRANSFER SWITCHES

- A. Comply with Level 1 equipment according to NFPA 110.
- B. Switching Arrangement: Double-throw type, incapable of pauses or intermediate position stops during normal functioning, unless otherwise indicated.
- C. Manual Switch Operation: Under load, with door closed and with either or both sources energized. Transfer time is same as for electrical operation. Control circuit automatically disconnects from electrical operator during manual operation.
- D. Manual Switch Operation: Unloaded. Control circuit automatically disconnects from electrical operator during manual operation.
- E. Signal-Before-Transfer Contacts: A set of normally open/normally closed dry contacts operates in advance of retransfer to normal source. Interval is adjustable from 1 to 30 seconds.
- F. Digital Communication Interface: Matched to capability of remote annunciator or annunciator and control panel.
- G. Transfer Switches Based on Molded-Case-Switch Components: Comply with NEMA AB 1, UL 489, and UL 869A.
- H. Automatic Closed-Transition Transfer Switches: Include the following functions and characteristics:
 - 1. Fully automatic make-before-break operation.
 - 2. Load transfer without interruption, through momentary interconnection of both power sources not exceeding 100 ms.
 - 3. Initiation of No-Interruption Transfer: Controlled by in-phase monitor and sensors confirming both sources are present and acceptable.
 - a. Initiation occurs without active control of generator.

- b. Controls ensure that closed-transition load transfer closure occurs only when the 2 sources are within plus or minus 5 electrical degrees maximum, and plus or minus 5 percent maximum voltage difference.
4. Failure of power source serving load initiates automatic break-before-make transfer.
- I. In-Phase Monitor: Factory-wired, internal relay controls transfer so it occurs only when the two sources are synchronized in phase. Relay compares phase relationship and frequency difference between normal and emergency sources and initiates transfer when both sources are within 15 electrical degrees, and only if transfer can be completed within 60 electrical degrees. Transfer is initiated only if both sources are within 2 Hz of nominal frequency and 70 percent or more of nominal voltage.
- J. Motor Disconnect and Timing Relay: Controls designate starters so they disconnect motors before transfer and reconnect them selectively at an adjustable time interval after transfer. Control connection to motor starters is through wiring external to automatic transfer switch. Time delay for reconnecting individual motor loads is adjustable between 1 and 60 seconds, and settings are as indicated. Relay contacts handling motor-control circuit inrush and seal currents are rated for actual currents to be encountered.
- K. Programmed Neutral Switch Position: Switch operator has a programmed neutral position arranged to provide a midpoint between the two working switch positions, with an intentional, time-controlled pause at midpoint during transfer. Pause is adjustable from 0.5 to 30 seconds minimum and factory set for 0.5 second, unless otherwise indicated. Time delay occurs for both transfer directions. Pause is disabled unless both sources are live.
- L. Automatic Transfer-Switch Features:
 1. Undervoltage Sensing for Each Phase of Normal Source: Sense low phase-to-ground voltage on each phase. Pickup voltage shall be adjustable from 85 to 100 percent of nominal, and dropout voltage is adjustable from 75 to 98 percent of pickup value. Factory set for pickup at 90 percent and dropout at 85 percent.
 2. Adjustable Time Delay: For override of normal-source voltage sensing to delay transfer and engine start signals. Adjustable from zero to six seconds, and factory set for one second.
 3. Voltage/Frequency Lockout Relay: Prevent premature transfer to generator. Pickup voltage shall be adjustable from 85 to 100 percent of nominal. Factory set for pickup at 90 percent. Pickup frequency shall be adjustable from 90 to 100 percent of nominal. Factory set for pickup at 95 percent.
 4. Time Delay for Retransfer to Normal Source: Adjustable from 0 to 30 minutes, and factory set for 10 minutes to automatically defeat delay on loss of voltage or sustained undervoltage of emergency source, provided normal supply has been restored.
 5. Test Switch: Simulate normal-source failure.
 6. Switch-Position Pilot Lights: Indicate source to which load is connected.
 7. Source-Available Indicating Lights: Supervise sources via transfer-switch normal- and emergency-source sensing circuits.
 - a. Normal Power Supervision: Green light with nameplate engraved "Normal Source Available."
 - b. Emergency Power Supervision: Red light with nameplate engraved "Emergency Source Available."
 8. Unassigned Auxiliary Contacts: Two normally open, single-pole, double-throw contacts for each switch position, rated 10 A at 240-V ac.
 9. Transfer Override Switch: Overrides automatic retransfer control so automatic transfer switch will remain connected to emergency power source regardless of condition of normal source. Pilot light indicates override status.
 10. Engine Starting Contacts: One isolated and normally closed, and one isolated and normally open; rated 10 A at 32-V dc minimum.

11. Engine Shutdown Contacts: Instantaneous; shall initiate shutdown sequence at remote engine-generator controls after retransfer of load to normal source.
12. Engine Shutdown Contacts: Time delay adjustable from zero to five minutes, and factory set for five minutes. Contacts shall initiate shutdown at remote engine-generator controls after retransfer of load to normal source.
13. Engine-Generator Exerciser: Solid-state, programmable-time switch starts engine generator and transfers load to it from normal source for a preset time, then retransfers and shuts down engine after a preset cool-down period. Initiates exercise cycle at preset intervals adjustable from 7 to 30 days. Running periods are adjustable from 10 to 30 minutes. Factory settings are for 7-day exercise cycle, 20-minute running period, and 5-minute cool-down period. Exerciser features include the following:
 - a. Exerciser Transfer Selector Switch: Permits selection of exercise with and without load transfer.
 - b. Push-button programming control with digital display of settings.
 - c. Integral battery operation of time switch when normal control power is not available.

2.4 BYPASS/ISOLATION SWITCHES

- A. Comply with requirements for Level 1 equipment according to NFPA 110.
- B. Description: Manual type, arranged to select and connect either source of power directly to load, isolating transfer switch from load and from both power sources. Include the following features for each combined automatic transfer switch and bypass/isolation switch:
 1. Means to lock bypass/isolation switch in the position that isolates transfer switch with an arrangement that permits complete electrical testing of transfer switch while isolated. While isolated, interlocks prevent transfer-switch operation, except for testing or maintenance.
 2. Drawout Arrangement for Transfer Switch: Provide physical separation from live parts and accessibility for testing and maintenance operations.
 3. Bypass/Isolation Switch Current, Voltage, Closing, and Short-Circuit Withstand Ratings: Equal to or greater than those of associated automatic transfer switch, and with same phase arrangement and number of poles.
 4. Contact temperatures of bypass/isolation switches shall not exceed those of automatic transfer-switch contacts when they are carrying rated load.
 5. Operability: Constructed so load bypass and transfer-switch isolation can be performed by 1 person in no more than 2 operations in 15 seconds or less.
 6. Legend: Manufacturer's standard legend for control labels and instruction signs shall describe operating instructions.
 7. Maintainability: Fabricate to allow convenient removal of major components from front without removing other parts or main power conductors.
- C. Interconnection of Bypass/Isolation Switches with Automatic Transfer Switches: Factory-installed copper bus bars; plated at connection points and braced for the indicated available short-circuit current.

2.5 NONAUTOMATIC TRANSFER SWITCHES

- A. Operation: Electrically actuated by push buttons designated "Normal Source" and "Alternate Source." Switch shall be capable of transferring load in either direction with either or both sources energized.
- B. Operation: Electrically actuated by push buttons designated "Normal Source" and "Alternate Source." In addition, removable manual handle provides quick-make, quick-break manual-switching action. Switch shall be capable of electrically or manually transferring load in either direction with either or both sources energized. Control circuit disconnects from electrical operator during manual operation.

- C. Double-Throw Switching Arrangement: Incapable of pauses or intermediate position stops during switching sequence.
- D. Nonautomatic Transfer-Switch Accessories:
 - 1. Pilot Lights: Indicate source to which load is connected.
 - 2. Source-Available Indicating Lights: Supervise sources via transfer-switch normal- and alternate-source sensing circuits.
 - a. Normal Power Supervision: Green light with nameplate engraved "Normal Source Available."
 - b. Emergency Power Supervision: Red light with nameplate engraved "Alternate Source Available."
 - 3. Unassigned Auxiliary Contacts: One set of normally closed contacts for each switch position, rated 10 A at 240-V ac.

2.6 REMOTE ANNUNCIATOR SYSTEM

- A. Functional Description: Remote annunciator panel shall annunciate conditions for indicated transfer switches. Annunciation shall include the following:
 - 1. Sources available, as defined by actual pickup and dropout settings of transfer-switch controls.
 - 2. Switch position.
 - 3. Switch in test mode.
 - 4. Failure of communication link.
- B. Annunciator Panel: LED-lamp type with audible signal and silencing switch.
 - 1. Indicating Lights: Grouped for each transfer switch monitored.
 - 2. Label each group, indicating transfer switch it monitors, location of switch, and identity of load it serves.
 - 3. Mounting: Flush, modular, steel cabinet, unless otherwise indicated.
 - 4. Lamp Test: Push-to-test or lamp-test switch on front panel.

2.7 REMOTE ANNUNCIATOR AND CONTROL SYSTEM

- A. Functional Description: Include the following functions for indicated transfer switches:
 - 1. Indication of sources available, as defined by actual pickup and dropout settings of transfer-switch controls.
 - 2. Indication of switch position.
 - 3. Indication of switch in test mode.
 - 4. Indication of failure of digital communication link.
 - 5. Key-switch or user-code access to control functions of panel.
 - 6. Control of switch-test initiation.
 - 7. Control of switch operation in either direction.
 - 8. Control of time-delay bypass for transfer to normal source.
- B. Malfunction of annunciator, annunciation and control panel, or communication link shall not affect functions of automatic transfer switch. In the event of failure of communication link, automatic transfer switch automatically reverts to stand-alone, self-contained operation. Automatic transfer-switch sensing, controlling, or operating function shall not depend on remote panel for proper operation.
- C. Remote Annunciation and Control Panel: Solid-state components. Include the following features:
 - 1. Controls and indicating lights grouped together for each transfer switch.
 - 2. Label each indicating light control group. Indicate transfer switch it controls, location of switch, and load it serves.
 - 3. Digital Communication Capability: Matched to that of transfer switches supervised.
 - 4. Mounting: Flush, modular, steel cabinet, unless otherwise indicated.

2.8 SOURCE QUALITY CONTROL

- A. Factory test and inspect components, assembled switches, and associated equipment. Ensure proper operation. Check transfer time and voltage, frequency, and time-delay settings for compliance with specified requirements. Perform dielectric strength test complying with NEMA ICS 1.

PART 3 EXECUTION

3.1 INSTALLATION

- A. Design each fastener and support to carry load indicated by seismic requirements and according to seismic-restraint details. See Division 26 Section "Seismic Controls for Electrical Systems."
- B. Floor-Mounting Switch: Anchor to floor by bolting.
 - 1. Concrete Bases: 4 inches high, reinforced, with chamfered edges. Extend base no more than 4 inches in all directions beyond the maximum dimensions of switch, unless otherwise indicated or unless required for seismic support. Construct concrete bases according to Division 26 Section "Hangers and Supports for Electrical Systems."
- C. Annunciator and Control Panel Mounting: Flush in wall, unless otherwise indicated.
- D. Identify components according to Division 26 Section "Identification for Electrical Systems."
- E. Set field-adjustable intervals and delays, relays, and engine exerciser clock.

3.2 CONNECTIONS

- A. Wiring to Remote Components: Match type and number of cables and conductors to control and communication requirements of transfer switches as recommended by manufacturer. Increase raceway sizes at no additional cost to Owner if necessary to accommodate required wiring.
- B. Ground equipment according to Division 26 Section "Grounding and Bonding for Electrical Systems."
- C. Connect wiring according to Division 26 Section "Low-Voltage Electrical Power Conductors and Cables."

END OF SECTION

THIS PAGE INTENTIONALLY LEFT BLANK

SECTION 265619
LED EXTERIOR LIGHTING

PART 1 GENERAL

1.1 RELATED DOCUMENTS

- A. Drawings and general provisions of the Contract and Division 01 Specification Sections apply to this Section.

1.2 DEFINITIONS

- A. CCT: Correlated color temperature.
- B. CRI: Color rendering index.
- C. Fixture: See "Luminaire."
- D. IP: International Protection or Ingress Protection Rating.
- E. Lumen: Measured output of lamp and luminaire, or both.
- F. Luminaire: Complete lighting unit, including lamp, reflector, and housing.

1.3 ACTION SUBMITTALS

- A. Product Data: For each type of luminaire.

1.4 INFORMATIONAL SUBMITTALS

- A. Coordination Drawings: Plans, drawn to scale, on which the following items are shown and coordinated with each other, using input from installers of the items involved:
- B. Product Certificates: For each type of the following:
 - 1. Luminaire.
 - 2. Photoelectric relay.
- C. Sample warranty.

1.5 CLOSEOUT SUBMITTALS

- A. Operation and Maintenance Data:
 - 1. Provide a list of all lamp types used on Project. Use ANSI and manufacturers' codes.
 - 2. Provide a list of all photoelectric relay types used on Project; use manufacturers' codes.

1.6 FIELD CONDITIONS

- A. Verify existing and proposed utility structures prior to the start of work associated with luminaire installation.
- B. Mark locations of exterior luminaires for approval by Architect prior to the start of luminaire installation.

1.7 DELIVERY, STORAGE, AND HANDLING

- A. Package aluminum poles for shipping according to ASTM B 660.
- B. Store poles on decay-resistant-treated skids at least 12 inches above grade and vegetation. Support poles to prevent distortion and arrange to provide free air circulation.
- C. Retain factory-applied pole wrappings on metal poles until right before pole installation. For poles with nonmetallic finishes, handle with web fabric straps.

1.8 WARRANTY

- A. Special Warranty: Manufacturer's standard form in which manufacturer agrees to repair or replace products that fail in materials or workmanship; that corrode; or that fade, stain, perforate, erode, or chalk due to effects of weather or solar radiation within specified warranty period. Manufacturer may exclude lightning damage, hail damage, vandalism, abuse, or unauthorized repairs or alterations from special warranty coverage.
 - 1. Warranty Period for Luminaires: Five years from date of Substantial Completion.
 - 2. Warranty Period for Metal Corrosion: Five years from date of Substantial Completion.

3. Warranty Period for Color Retention: Five years from date of Substantial Completion.
4. Warranty Period for Poles: Repair or replace lighting poles and standards that fail in finish, materials, and workmanship within manufacturer's standard warranty period, but not less than three years from date of Substantial Completion.

PART 2 PRODUCTS

2.1 LUMINAIRE REQUIREMENTS

- A. Electrical Components, Devices, and Accessories: Listed and labeled as defined in NFPA 70, by a qualified testing agency, and marked for intended location and application.
- B. NRTL Compliance: Luminaires shall be listed and labeled for indicated class and division of hazard by an NRTL.
- C. FM Global Compliance: Luminaires for hazardous locations shall be listed and labeled for indicated class and division of hazard by FM Global.
- D. UL Compliance: Comply with UL 1598 and listed for wet location.
- E. Lamp base complying with ANSI C81.61.
- F. CRI of 80. CCT of 4100 K.
- G. L70 minimum lamp life of 35,000 hours.
- H. Nominal Operating Voltage: 120 V ac.
- I. Lamp Rating: Lamp marked for outdoor use and in enclosed locations.
- J. Source Limitations: Obtain luminaires from single source from a single manufacturer.
- K. Source Limitations: For luminaires, obtain each color, grade, finish, type, and variety of luminaire from single source with resources to provide products of consistent quality in appearance and physical properties.

2.2 LUMINAIRE TYPES

- A. Refer to Drawings.

2.3 MATERIALS

- A. Metal Parts: Free of burrs and sharp corners and edges.
- B. Sheet Metal Components: Corrosion-resistant aluminum or Stainless steel. Form and support to prevent warping and sagging.
- C. Doors, Frames, and Other Internal Access: Smooth operating, free of light leakage under operating conditions, and designed to permit relamping without use of tools. Designed to prevent doors, frames, lenses, diffusers, and other components from falling accidentally during relamping and when secured in operating position. Doors shall be removable for cleaning or replacing lenses.
- D. Diffusers and Globes:
 1. Acrylic Diffusers: 100 percent virgin acrylic plastic, with high resistance to yellowing and other changes due to aging, exposure to heat, and UV radiation.
 2. Glass: Annealed crystal glass unless otherwise indicated.
 3. Lens Thickness: At least 0.125 inch minimum unless otherwise indicated.
- E. Lens and Refractor Gaskets: Use heat- and aging-resistant resilient gaskets to seal and cushion lenses and refractors in luminaire doors.
- F. Reflecting surfaces shall have minimum reflectance as follows unless otherwise indicated:
 1. White Surfaces: 85 percent.
 2. Specular Surfaces: 83 percent.
 3. Diffusing Specular Surfaces: 75 percent.
- G. Housings:

1. Rigidly formed, weather- and light-tight enclosure that will not warp, sag, or deform in use.
2. Provide filter/breather for enclosed luminaires.

2.4 FINISHES

- A. Variations in Finishes: Noticeable variations in same piece are unacceptable. Variations in appearance of adjoining components are acceptable if they are within the range of approved Samples and are assembled or installed to minimize contrast.
- B. Luminaire Finish: Manufacturer's standard paint applied to factory-assembled and -tested luminaire before shipping. Where indicated, match finish process and color of pole or support materials.
- C. Factory-Applied Finish for Aluminum Luminaires: Comply with NAAMM's "Metal Finishes Manual for Architectural and Metal Products" for recommendations for applying and designating finishes.
 1. Finish designations prefixed by AA comply with the system established by the Aluminum Association for designating aluminum finishes.
 2. Natural Satin Finish: Provide fine, directional, medium satin polish (AA-M32); buff complying with AA-M20 requirements; and seal aluminum surfaces with clear, hard-coat wax.
 3. Class I, Clear-Anodic Finish: AA-M32C22A41 (Mechanical Finish: Medium satin; Chemical Finish: Etched, medium matte; Anodic Coating: Architectural Class I, clear coating 0.018 mm or thicker) complying with AAMA 611.
 4. Class I, Color-Anodic Finish: AA-M32C22A42/A44 (Mechanical Finish: Medium satin; Chemical Finish: Etched, medium matte; Anodic Coating: Architectural Class I, integrally colored or electrolytically deposited color coating 0.018 mm or thicker), complying with AAMA 611.
 - a. Color: Bronze.

2.5 GENERAL REQUIREMENTS FOR POLES AND SUPPORT COMPONENTS

- A. Structural Characteristics: Comply with AASHTO LTS-4-M.
 1. Wind-Load Strength of Poles: Adequate at indicated heights above grade without failure, permanent deflection, or whipping in steady winds of speed indicated in "Structural Analysis Criteria for Pole Selection" Article.
 2. Strength Analysis: For each pole, multiply the actual equivalent projected area of luminaires and brackets by a factor of 1.1 to obtain the equivalent projected area to be used in pole selection strength analysis.
- B. Luminaire Attachment Provisions: Comply with luminaire manufacturers' mounting requirements. Use stainless-steel fasteners and mounting bolts unless otherwise indicated.
- C. Mountings, Fasteners, and Appurtenances: Corrosion-resistant items compatible with support components.
 1. Materials: Shall not cause galvanic action at contact points.
 2. Anchor Bolts, Leveling Nuts, Bolt Caps, and Washers: Hot-dip galvanized after fabrication unless otherwise indicated.
 3. Anchor-Bolt Template: Plywood or steel.
- D. Handhole: Oval-shaped, with minimum clear opening of 2-1/2 by 5 inches, with cover secured by stainless-steel captive screws. Provide on all, except wood poles.
- E. Concrete Pole Foundations: Cast in place, with anchor bolts to match pole-base flange. Concrete, reinforcement, and formwork are specified in Division 03 Section "Cast-in-Place Concrete."

2.6 STEEL POLES

- A. Poles: Comply with ASTM A 500, Grade B, carbon steel with a minimum yield of 46,000 psig; one-piece construction up to 40 feet in height with access handhole in pole wall.
 1. Shape: As scheduled.

2. Mounting Provisions: Butt flange for bolted mounting on foundation or breakaway support.
- B. Steel Mast Arms: Single-arm, Truss or Davit type, continuously welded to pole attachment plate. Material and finish same as pole.
- C. Brackets for Luminaires: Detachable, cantilever, without underbrace.
 1. Adapter fitting welded to pole, allowing the bracket to be bolted to the pole mounted adapter, then bolted together with stainless-steel bolts.
 2. Cross Section: Tapered oval, with straight tubular end section to accommodate luminaire.
 3. Match pole material and finish.
- D. Pole-Top Tenons: Fabricated to support luminaire or luminaires and brackets indicated, and securely fastened to pole top.
- E. Steps: Fixed steel, with nonslip treads, positioned for 15-inch vertical spacing, alternating on opposite sides of pole; first step at elevation 10 feet above finished grade.
- F. Intermediate Handhole and Cable Support: Weathertight, 3-by-5-inch handhole located at midpoint of pole with cover for access to internal welded attachment lug for electric cable support grip.
- G. Grounding and Bonding Lugs: Welded 1/2-inch threaded lug, complying with requirements in Division 26 Section "Grounding and Bonding for Electrical Systems," listed for attaching grounding and bonding conductors of type and size listed in that Section, and accessible through handhole.
- H. Cable Support Grip: Wire-mesh type with rotating attachment eye, sized for diameter of cable and rated for a minimum load equal to weight of supported cable times a 5.0 safety factor.
- I. Platform for Lamp and Ballast Servicing: Factory fabricated of steel with finish matching that of pole.
- J. Prime-Coat Finish: Manufacturer's standard prime-coat finish ready for field painting.
- K. Galvanized Finish: After fabrication, hot-dip galvanize complying with ASTM A 123/A 123M.
- L. Factory-Painted Finish: Comply with NAAMM's "Metal Finishes Manual for Architectural and Metal Products" for recommendations for applying and designating finishes.
 1. Surface Preparation: Clean surfaces to comply with SSPC-SP 1, "Solvent Cleaning," to remove dirt, oil, grease, and other contaminants that could impair paint bond. Grind welds and polish surfaces to a smooth, even finish. Remove mill scale and rust, if present, from uncoated steel, complying with SSPC-SP 5/NACE No. 1, "White Metal Blast Cleaning," or with SSPC-SP 8, "Pickling."
 2. Interior Surfaces of Pole: One coat of bituminous paint, or otherwise treat for equal corrosion protection.
 3. Exterior Surfaces: Manufacturer's standard finish consisting of one or more coats of primer and two finish coats of high-gloss, high-build polyurethane enamel.

2.7 ALUMINUM POLES

- A. Poles: Seamless, extruded structural tube complying with ASTM B 429/B 429M, Alloy 6063-T6 with access handhole in pole wall.
- B. Poles: ASTM B 209 (ASTM B 209M), 5052-H34 marine sheet alloy with access handhole in pole wall.
 1. Shape: As Scheduled.
 2. Mounting Provisions: Butt flange for bolted mounting on foundation or breakaway support.
- C. Pole-Top Tenons: Fabricated to support luminaire or luminaires and brackets indicated, and securely fastened to pole top.

- D. Grounding and Bonding Lugs: Welded 1/2-inch threaded lug, complying with requirements in Division 26 Section "Grounding and Bonding for Electrical Systems," listed for attaching grounding and bonding conductors of type and size listed in that Section, and accessible through handhole.
- E. Brackets for Luminaires: Detachable, with pole and adapter fittings of cast aluminum. Adapter fitting welded to pole and bracket, then bolted together with stainless-steel bolts.
 - 1. Tapered oval cross section, with straight tubular end section to accommodate luminaire.
 - 2. Finish: Same as luminaire.
- F. Prime-Coat Finish: Manufacturer's standard prime-coat finish ready for field painting.
- G. Aluminum Finish: Comply with NAAMM's "Metal Finishes Manual for Architectural and Metal Products" for recommendations for applying and designating finishes.
 - 1. Finish designations prefixed by AA comply with the system established by the Aluminum Association for designating aluminum finishes.
 - 2. Natural Satin Finish: Provide fine, directional, medium satin polish (AA-M32); buff complying with AA-M20; and seal aluminum surfaces with clear, hard-coat wax.
 - 3. Class I, Clear Anodic Finish: AA-M32C22A41 (Mechanical Finish: medium satin; Chemical Finish: etched, medium matte; Anodic Coating: Architectural Class I, clear coating 0.018 mm or thicker) complying with AAMA 611.
 - 4. Class I, Color Anodic Finish: AA-M32C22A42/A44 (Mechanical Finish: medium satin; Chemical Finish: etched, medium matte; Anodic Coating: Architectural Class I, integrally colored or electrolytically deposited color coating 0.018 mm or thicker) complying with AAMA 611.

PART 3 EXECUTION

3.1 GENERAL INSTALLATION REQUIREMENTS

- A. Comply with NECA 1.
- B. Use fastening methods and materials selected to resist seismic forces defined for the application and approved by manufacturer.
- C. Install lamps in each luminaire.
- D. Fasten luminaire to structural support.
- E. Supports:
 - 1. Sized and rated for luminaire weight.
 - 2. Able to maintain luminaire position after cleaning and re-lamping.
 - 3. Support luminaires without causing deflection of finished surface.
 - 4. Luminaire-mounting devices shall be capable of supporting a horizontal force of 100 percent of luminaire weight and a vertical force of 400 percent of luminaire weight.
- F. Wall-Mounted Luminaire Support:
 - 1. Attached to a minimum 1/8 inch backing plate attached to wall structural members.
- G. Wiring Method: Install cables in raceways. Conceal raceways and cables.
- H. Install luminaires level, plumb, and square with finished grade unless otherwise indicated.
- I. Coordinate layout and installation of luminaires with other construction.
- J. Adjust luminaires that require field adjustment or aiming. Include adjustment of photoelectric device to prevent false operation of relay by artificial light sources, favoring a north orientation.
- K. Comply with requirements in Section 260519 "Low-Voltage Electrical Power Conductors and Cables" and 260533 "Raceways and Boxes for Electrical Systems" for wiring connections and wiring methods.

3.2 POLE INSTALLATION

- A. Alignment: Align pole foundations and poles for optimum directional alignment of luminaires and their mounting provisions on the pole.
- B. Concrete Pole Foundations: Set anchor bolts according to anchor-bolt templates furnished by pole manufacturer. Concrete materials, installation, and finishing requirements are specified in Division 03.
- C. Foundation-Mounted Poles: Mount pole with leveling nuts, and tighten top nuts to torque level recommended by pole manufacturer.
 - 1. Use anchor bolts and nuts selected to resist seismic forces defined for the application and approved by manufacturer.
 - 2. Grout void between pole base and foundation. Use nonshrink or expanding concrete grout firmly packed to fill space.
 - 3. Install base covers unless otherwise indicated.
 - 4. Use a short piece of 1/2-inch- diameter pipe to make a drain hole through grout. Arrange to drain condensation from interior of pole.
- D. Raise and set poles using web fabric slings (not chain or cable).

3.3 CORROSION PREVENTION

- A. Aluminum: Do not use in contact with earth or concrete. When in direct contact with a dissimilar metal, protect aluminum by insulating fittings or treatment.
- B. Steel Conduits: Comply with Section 260533 "Raceways and Boxes for Electrical Systems." In concrete foundations, wrap conduit with 0.010-inch-thick, pipe-wrapping plastic tape applied with a 50 percent overlap.

3.4 FIELD QUALITY CONTROL

- A. Inspect each installed luminaire for damage. Replace damaged luminaires and components.
- B. Perform the following tests and inspections:
 - 1. Operational Test: After installing luminaires, switches, and accessories, and after electrical circuitry has been energized, test units to confirm proper operation.
 - 2. Verify operation of photoelectric controls.
- C. Luminaire will be considered defective if it does not pass tests and inspections.
- D. Prepare a written report of tests, inspections, observations, and verifications indicating and interpreting results. If adjustments are made to lighting system, retest to demonstrate compliance with standards.

END OF SECTION

SECTION 311000
SITE CLEARING

PART 1 GENERAL

1.1 SUMMARY

- A. This section describes the work included in site clearing to prepare the project site for construction operations.

1.2 CLEARING

- A. Remove and dispose of trees, snags, stumps, shrubs, brush, limbs, sticks, branches, and other vegetative growth. Remove rocks, tiles, and lumps of concrete. Remove all evidence of their presence from the surface. Remove and dispose of trash piles; rubbish; and fencing (where indicated). Protect structures and piping above and below ground, trees, shrubs, and vegetative growth and fencing which are not designated for removal.

1.3 STRIPPING

- A. Remove and dispose of topsoil to a depth of 3 inches, grass and grass roots, and other objectionable material remaining after clearing from the areas designated to be stripped.
- B. Retain topsoil material onsite for dressing backfill areas before planting.

1.4 GRUBBING

- A. After clearing and stripping, remove and dispose of wood or root matter, including stumps, logs, trunks, roots, or root systems greater than 1 inch in diameter or thickness to a depth of 12 inches below the ground surface.

PART 2 PRODUCTS

2.1 TREES AND SHRUBBERY

- A. Existing trees, shrubbery, and other vegetative material may not be shown in the drawings. Inspect the site as to the nature, location, size, and extent of vegetative material to be removed or preserved, as specified herein. Preserve in place trees unless specifically called out to be removed or unless tree removal is approved by Engineer.

2.2 PRESERVATION OF TREES, SHRUBS, AND OTHER PLANT MATERIAL

- A. Save and protect plant materials (trees, shrubbery, and plants) beyond the limits of clearing and grubbing from damage resulting from the work. No filling, excavating, trenching, or stockpiling of materials will be permitted within the drip line of these plant materials. The drip line is defined as a circle drawn by extending a line vertically to the ground from the outermost branches of a plant or group of plants. To prevent soil compaction within the drip line area, no equipment will be permitted within this area.

- B. When trees are close together, restrict entry to area within drip line by fencing. In areas where no fence is erected, protect the trunks of trees 2 inches or greater in diameter by encircling the trunk entirely with boards held securely by 12-gauge wire and staples. This protection shall extend from ground level to a height of 6 feet.
- C. Cut and remove tree branches where necessary for construction. Remove branches other than those required for a balanced appearance of any tree. Treat cuts with a tree sealant.

PART 3 EXECUTION

3.1 SITE CLEARING LIMITS

- A. Clear, strip, and grub excavation and embankment areas associated with new structures, slabs, walks, and roadways, and as shown on the Plans.
- B. Limits of clearing, stripping, and grubbing:
 - 1. Excavation, Excluding Trenches: 5 feet beyond tops of cut slopes.
 - 2. Trench excavation for piping and electrical conduits: 3 feet from edge of trench.
 - 3. Earth Fill: 5 feet beyond toe of permanent fill as indicated in the drawings.
 - 4. Structures: 15 feet beyond footings.
 - 5. Streets, Roadways, and Parking Areas: 10 feet from toe of fill or top of cut.
 - 6. Sidewalks: 2 feet beyond edges.
 - 7. Landscaped Areas: 2 feet beyond areas designated to receive landscaping.

3.2 DISPOSAL OF CLEARING AND GRUBBING DEBRIS

- A. Do not burn combustible materials. Remove cleared and grubbed material from the worksite and dispose.

3.3 DISPOSAL OF STRIPPINGS

- A. Remove stripped material and dispose offsite, except topsoil.
- B. Install substantial, highly visible fences at least 4 feet high to prevent inadvertent damage to vegetation to remain. Fence supports to be 8 feet o.c. maximum.
 - 1. At vegetation removal limits.
 - 2. Around trees to remain within vegetation removal limits; locate no closer to tree than a 12 inch radius per caliper inch of tree to remain, taken at +12 inches from finished grade.
 - 3. Around other vegetation to remain within vegetation removal limits.
 - 4. Do not allow any construction activities, storage of materials, or the accumulation of debris or garbage to occur within protective fences around vegetation to remain.
- C. Restoration: If vegetation outside removal limits or within specified protective fences is damaged or destroyed due to subsequent construction operations, replace trees as selected by Landscape Architect on an inch per inch basis at no cost to Owner.

END OF SECTION

**SECTION 312000
EARTH MOVING**

PART 1 GENERAL

1.1 SUMMARY

- A. Provide all operations necessary to complete site clearing; stockpiling; dewatering; excavations; embankments and backfilling; subgrade preparation; aggregate base; placement of topsoil; and finish grading.
- B. Construct and maintain all temporary drainage swales, berms and diversions; furnish, operate, and maintain all necessary pumping and other equipment for dewatering. After above items serve their purpose, remove them and restore site.
- C. Excavation will be unclassified, and the term "excavation" shall include all material encountered without regard to its physical properties, characteristics or composition.

1.2 LIMITS OF THE WORK

- A. Earthwork shall not extend beyond the areas of excavation, embankment or other construction shown on the drawings.
- B. Contractor shall install construction fencing or other visible barrier around trees and other areas that need to be protected from the earthwork prior moving equipment into that area.
- C. Excavations for new construction shall not undercut existing footings, foundations, or surfacing.
- D. Blasting with any type of explosive will not be permitted, unless shown otherwise in these Specifications.

1.3 SAFETY AND PROTECTION

- A. Shoring, sheeting, and bracing shall be provided as required to protect the work and workmen from damage or injury by caving or sloughing.
- B. Laws and ordinances regulating health and safety measures shall be practiced.

- A. Submit shop drawings in accordance with Section 013300.
- B. None required unless material gradations are requested by Owner's Representative.
- C. Material Gradations.
- D. Standard Proctor Curves for Site and Borrow Materials.
- E. Test results for all proposed imported materials. Test results shall include the Unified Soil Classification System designation, the Liquid Limit (LL), and the Plasticity Index (PI) for each material.
- F. The Contractor shall provide a minimum three gallon sample of each proposed material.

1.4 COMPACTION TESTING

- A. Sample backfill materials for the density testing shall be taken according to ASTM D75.
- B. Determine the density of soil in place by the sand cone method ASTM D 1556; rubber-balloon method ASTM D2167; or nuclear method ASTM D 2922.
- C. Compaction is the calculated ratio of the in-place (dry) density to the laboratory maximum (dry) density expressed as a percentage.
- D. Determine laboratory moisture-density relations of soils according to the ASTM test method identified in the specific subsection.
- E. If the Owner is responsible for compaction testing, the Contractor shall pay the costs of any retesting of work not conforming to specifications.
- F. The following table identifies the compaction required based on the location of the soil.

LOCATION	COMPACTION DENSITY
Under paved areas, sidewalks and piping	90% of ASTM D 1557 or 95% of ASTM D698
Unpaved areas	85% of ASTM D698
Inside of structures under foundations, under equipment support pads, under slabs-on-grade and scarified existing subgrade under fill material	90% of ASTM D1557 or 95% of ASTM D698
Outside structures next to walls, piers, columns and any other structure exterior members	90% of ASTM D1557 or 85% of ASTM D698
Outside structures under equipment support foundations *	95% of ASTM D1557 or 100% of ASTM D698
Granular fill under base slabs and building floor slabs on grade	75% relative density per ASTM D4253 and ASTM D4254
Structural fill for over excavations	90% of ASTM D1557 or 95% of ASTM D698
*Granular fill or flowable fill may be substituted	

1.5 FREQUENCY OF TESTING

- A. Tests of the fill materials and embankments will be made at the following approximate rates or as deemed necessary by the Owner's Representative.
 - 1. One field density test for each 300 square yards of subgrade prior to placing fill.
 - 2. One field density test for each 100 cubic yards of fill placed or each layer of fill for each work area, whichever is greater.
 - 3. One moisture-density curve for each type material used, as indicated by sieve analysis and plasticity index.
 - 4. Field density and moisture test may be determined by current ASTM sand cone, or nuclear methods.

1.6 COMPACTION METHODS

- A. Obtain compaction of backfill and embankment by mechanical means. Jetting or flooding is not permitted. Compact each layer with mechanical tampers. Do not place backfill at hydraulic structures until hydraulic testing has been completed. Do not place backfill against cantilevered walls until design strength of concrete has been reached. Do not place backfill against walls supported at the top by floor

slabs until design strength has been reached.

- B. Use light vibratory or hand tamping equipment adjacent to the wall. Take particular care compacting around pipe spools. Do not use heavy compaction equipment within a horizontal distance from the wall equal to the height of the wall.

PART 2 PRODUCTS

2.1 EXCAVATED MATERIALS

- A. Topsoil obtained by stripping and suitable for finish grading where arable soil is required shall be stockpiled for future use.
- B. Material from the excavation is considered to be an acceptable backfill material provided it is free of vegetal matter, roots, debris, frozen matter, and stones larger than 3 inches in the greatest dimension.
- C. Moisture content is to be maintained at a level sufficient to obtain the specified compaction.

2.2 IMPERMEABLE MATERIAL FOR BACKFILL AND EMBANKMENTS

- A. Impermeable material for backfill and embankments shall be materials classified as CL, CL/CH, CH, or MH as defined by the Unified Soil Classification System. This material shall be free of organic matter, roots, debris, and particles larger than 1 inch in greatest dimension. Submit documentation that material meets this criteria.

2.3 STRUCTURAL FILL

- A. Material for Low Volume Change Structural Fill below structures shall be materials classified as CL, CL/CH, or CH, as defined by the United Soil Classification System. Material shall have a Liquid Limit of less than 45 and a Plasticity Index of less than 20. This material shall be free of organic matter, roots, debris, and particles larger than 1 inch in greatest dimension. Submit documentation that material meets this criteria. Most on-site material can be used as low volume change structural fill.
- B. Material for other Structural Fill below structures shall be materials classified as CL, CL/CH, or CH, as defined by the United Soil Classification System. Material shall have a Liquid Limit of less than 60, and a Plasticity Limit of less than 30. Submit documentation that material meets this criteria. Most on-site material can be used as low volume change structural fill.

2.4 AGGREGATE BASE MATERIAL

- A. Aggregates for granular bases shall be meet Kentucky DOT specifications.
- B. Aggregates for granular base shall meet the following gradation:

Sieve Size	Percent Passing by Weight
1 1/2 inch	100
1 inch	95-100
1/2 inch	25-65
3/8 inch	5-55
No. 4	0-10

2.5 WATER FOR COMPACTION

- A. Water shall be clean and free of acid, alkali, or organic materials and shall have a pH of 7.0 to 9.0, a maximum chloride concentration of 500 mg/l. Provide temporary tanker trucks, equipment and materials to convey water from the source to the point of use.

PART 3 EXECUTION

3.1 SITE CLEARING

- A. See Section 311000.

3.2 STOCKPILING OF TOPSOIL

- A. Topsoil shall be removed to a depth of one foot. The depth of topsoil may vary throughout the project. Topsoil shall be stockpiled for use in finishing operations.
- B. Protect the stockpile with erosion and sediment controls to prevent loss of material leaving the site.

3.3 OPEN EXCAVATIONS AND STOCKPILES

- A. Provide diversion ditches and dams upstream of disturbed areas to minimize water from entering excavated areas. Construct and maintain all temporary drainage swales, berms and diversions until permanent erosion and sediment controls are established.
- B. Provide erosion and sediment BMPs to controls for non-vegetated surfaces.
- C. When storing excess excavated material, do not obstruct surface drainage or existing waterways with the stockpiles.
- D. See Section 015713 and comply with the SWPPP.

3.4 DEWATERING

- A. Furnish, operate, and maintain all necessary pumping and other equipment for dewatering at all times during construction to remove and dispose of all water from any source from all excavations.
- B. Use methods which will ensure dry excavations and preserve the final lines and grades of the excavation. Methods used may include well points, sump pumps, suitable rock or gravel drains, temporary pipelines, or other acceptable means. Dewater so that floor or footing concrete will not be placed in water. Do not allow water to rise against walls or above footings and slabs.
- C. Dispose of water in a manner that will not damage adjacent property or be a menace to public health. Provide a copy of written permission from the owner of property over which water will pass, become a nuisance, or become impounded. Water may be discharged into the public road ditches located adjacent to the project site.
- D. Excavations that may entrap snow and subject the subgrade soils to a change in the moisture content shall not be left open during winter construction shut-down periods. Any snow that does become entrapped in excavations shall be removed within twenty-four hours.

3.5 GENERAL EXCAVATION

- A. Perform all material conditioning and excavations required. Excavation includes the removal and selected disposal of all excess or unsuitable materials of whatever nature.
- B. Excavate to full depth and width required to accommodate the lines and grades shown on the Drawings. Remove all materials which become blown or washed into excavations.
- C. Contractor shall select sloping or near-vertical trench and structure excavation slopes as he finds compatible with the soil conditions. The Contractor shall select any shoring which he deems appropriate and compatible with the soil conditions. These selections shall be exercised as a portion of the Contractor's responsibility for safety of site operations. The Contractor is responsible for conforming to OSHA requirements as may be applicable during structural excavating, trench excavations, site work, and in other areas of the work.
- D. Excavated material which meets required specifications may be used in embankments or backfill when approved and accepted.
- E. Remove from the site unsuitable materials such as large rocks, excessive organic materials and excess excavation material.

3.6 ROCK EXCAVATION

- A. All rock excavation shall be under one classification, which shall include solid ledge rock in its natural location that requires systematic quarrying, drilling and/or blasting for its removal and also boulders that exceed 1/2 cubic yard in volume.
- B. When rock is encountered, strip free of earth.
- C. The use of explosives shall be limited to the magnitude and location of the charge that will not cause damage to adjacent existing construction and utilities through shock vibrations or other stress loadings.
 - 1. Provide adequate blanket protection to ensure that there will not be fragments of rock or other debris flying through the air when discharging explosives.
 - 2. Contractor to employ personnel certified by appropriate regulatory authority to execute blasting operations if the Owner or local jurisdiction requires such certification.
 - 3. Explosive permits shall be obtained from appropriate local and state authorities.
 - 4. Where explosives and blasting are used, comply with all laws and ordinances of municipal, state and Federal agencies relating to the use of explosives.
 - a. Use qualified personnel for blasting and take proper precautions to protect persons, property

or the work from damage or injury from blast or explosion.

- b. Conduct preblast survey in the company of the Owner's Representative to aid in determining any damage caused by blasting.
- c. Any damage to existing construction or other features caused by blasting operations to be repaired and paid for by Contractor.

3.7 EMBANKMENTS

- A. Place all embankments to lines and grades shown. Areas to be covered with topsoil shall be underfilled so the finished lines conform after topsoil placement. Protect and maintain embankments during the course of construction. Replace all materials lost due to storm damage until permanent stabilization. Use materials obtained during excavation or imported materials. Do not use brush, sod, or other unsuitable materials in embankments.
- B. No embankment shall be constructed on frozen material, nor shall organic material be used for embankment.
- C. When an embankment is to be placed against a hillside or existing embankment whose slopes are steeper than 4:1; the existing slope shall be continuously benched in approximately 24 inches rises as the new fill is brought up on lifts as specified below. The material bladed out, the bottom of the area cut into, and the embankment material being placed shall be compacted to the required density.
- D. In fill sections, place material in loose lifts not exceeding 8 inches; brought to within 2% to +4% of optimum moisture content. Bring up each lift uniformly over the entire area being filled and compact each lift to its required density.
- E. Maintain the proper moisture content in the uppermost layer. If placing of materials is interrupted and the material dries, bring to proper moisture content before resuming by sprinkling, cultivating, and rolling to the required compaction. Do not place or roll material during rainfall of sufficient intensity to materially increase the moisture content. If any material placed in embankment acquires a greater moisture content than is suitable for compaction, allow to dry or remove. If removed, recondition the new surface before placing new material. Repair any irregularities caused by erosion by excavating, cultivating, filling, and compacting.

3.8 STRUCTURAL EXCAVATION

- A. Structural excavation is the removal of all materials of whatever nature to approved structural subgrade and as necessary for construction of structures and foundations. Approved structural subgrade is that material which has been observed by the Engineer and upon which structural foundations or other materials may be placed. Locate limits of excavation for structures with formed vertical surfaces at least 5 feet from the extreme outside of the structure to the toe of the cut slope or at a 1:1 slope as detailed on the drawings, whichever is greater.
- B. Design excavations in the proximity of adjacent structures so as to protect the structures from damage or undermining. Design and install shoring if necessary. Side slopes of excavation shall be only as steep as is safe for material to stand. Avoid unnecessary disturbance of adjacent ground.
- C. Subgrade Preparation
 1. Remove all existing "fill", loose natural clays, sand, and compressible materials under proposed structures. Provide a relatively smooth subgrade.
 2. The exposed bottoms of excavations shall consist of undisturbed native material.
 3. Where excavation is inadvertently carried beyond the design elevation or approved structural subgrade, adjust the construction as directed to meet the structural requirements. Over excavations shall be backfilled with graded structural fill compacted to the required density, or adjust the construction as required to meet the structural requirements as approved by the Owner's Representative.

3.9 BACKFILL AROUND STRUCTURES

- A. Place backfill in 6-inch uniform loose lifts and compact to the required density. Larger lifts may be utilized if it is demonstrated to the Owner's Representative that satisfactory results can be obtained.
- B. Use a minimum of 1 foot impermeable backfill for the top layer to prevent surface water from infiltrating next to walls.

3.10 SUBGRADE PREPARATION FOR DRIVE AREAS

- A. Roads, drives and pads shall be graded to grades designated in Drawings.
- B. Soil shall be free of organic material, trash and debris, and rocks larger than three inches in any dimension, and shall not be frozen while construction is in progress.

- C. The subgrade shall be plowed or diced to a depth of 8 inches and the loosened material compacted to the required cross-section elevation.
- D. Subgrade shall be compacted to minimum of 95% of ASTM D698.
- E. Compacted subgrade must support the weight of vehicles and equipment without producing ruts in the surface. Owner's Representative may require Contractor to demonstrate subgrade adequacy by requiring Contractor to move fully loaded equipment across compacted subgrade.
- F. Should rock be encountered, it shall be removed to a depth of one foot below the top of the subgrade and fill material placed and compacted as provided above.

3.11 PROTECTION

- A. Subgrade shall be repaired from action of the elements or others. Any settlement or erosion that occurs prior to placing the aggregate base shall be repaired to the specific line, grade and cross-section. Any subgrade that has become unacceptable shall be reworked as necessary to restore the subgrade to shape, tolerance, density, and moisture content range for such density, immediately prior to the placing of the aggregate base.
- B. The Contractor shall protect all existing improvements from damage resulting from his subgrade operation. Any improvement damaged shall be repaired or replaced by the Contractor at his own expense.

3.12 PLACEMENT OF TOPSOIL

- A. All areas where topsoil is to be placed shall be scarified to a depth of 6" minimum by means of discing, harrowing or culti-packing.
- B. Topsoil shall be spread evenly to a depth of at least 6-inches, smooth and true to the lines and grades as indicated on the Plans, and ready to receive seed and fertilizer. Seedbed areas shall be free of trash, debris and rocks over 2" in size.

3.13 DISPOSAL OF MATERIAL

- A. Excess earth material shall be transported to onsite storage area by Contractor. The Contractor shall not dispose of any excavated material until there is sufficient material to complete all necessary project embankments and fill areas.
- B. Material not suitable for embankment, fill or backfill shall be disposed of off-site at a location determined by the Owner's Representative. Transportation of such material and any disposal fees shall be provided by the Contractor.
- C. Material in excess of requirements for embankment, fill or backfill shall be disposed of on-site or at locations determined by Owner's Representative. Transportation of such material and any disposal fees shall be provided by the Contractor.

3.14 FINISH GRADING

- A. Upon completion of the work, clean the entire site area affected of trash and debris, and grade the surface smooth to drain so that no depressions, vehicle tracks, or ridges are left which could accumulate rainwater.

END OF SECTION

SECTION 312316
ROCK REMOVAL

PART 1 GENERAL

1.1 SUMMARY

- A. This section describes blasting procedures for excavation. When the use of explosives is necessary for the execution of the work, the Contractor shall not endanger life, property, or the new work. The Contractor shall be responsible for all damage resulting from the use of explosives.

1.2 PERMITS AND SAFETY ORDERS

- A. Prior to any blasting, obtain the blasting permits required by all applicable agencies having jurisdiction. Notify the fire district, local fire department, and utilities in the general blast area. Submit a copy of permits required to the Owner's Representative prior to drilling for blasting.
- B. Store, handle, and use explosives as provided in the Federal OSHA of 1970 and the Construction Safety Act of 1969, as amended; Safe Explosives Act, Title XI, Subtitle C of Public Law 107-296, Interim Final Rule; and Organized Crime Control Act of 1970, Title XI, Public Law 91-452, Approved October 15, 1970, as amended.
- C. Ensure that deliveries of explosives to worksites comply with rules and regulations issued by the Department of Transportation (DOT) and the Transportation Security Administration (TSA) for commercial transportation of explosives pursuant to the mandates of the USA Patriot Act of 2001. Under TSA rules, commercial drivers with hazardous materials endorsement shall undergo a personal background records check, training, and testing.
- D. Comply with applicable provisions of OSHA of 1970, 29 U.S.C., Section 651 et seq., including safety and health regulations for construction.
- E. Blasting and Explosives:
1. U.S. Code of Federal Regulations (CFR):
 - a. CFR 27, U.S. Department of Justice, Alcohol, Tobacco, and Firearms (ATF), Explosives Division, 27 CFR Part 555, Implementation of the Safe Explosives Act, Title XI, Subtitle C of Public Law 107-296, Interim Final Rule.
 - b. Organized Crime Control Act of 1970, Title XI, Public Law 91-452, Approved October 15, 1970, as amended.
 - c. CFR 49, Parts 100-177 (DOT RSPA), 301-399 (DOT FHA).
 - d. Federal OSHA of 1970, as amended.
 - e. Construction Safety Act of 1969, as amended.
 2. Appropriate State Agencies:
 3. Nonregulating Industry Support Organizations:
 - a. Vibration Subcommittee of the International Society of Explosive Engineers (ISEE), blast monitoring equipment operation standards (1999).
 - b. Institute of Makers of Explosives (IME) Safety Library Publications (SLPs).

1.3 SUBMITTALS

- A. Submit shop drawings in accordance with Section 013300.
- B. Copy of blaster's license for each blasting supervisor.
- C. Layout and design of onsite explosive storage magazines, permanent and/or mobile.
- D. Do not perform any drilling or blasting work until the following items have been submitted and reviewed by the Owner's Representative:
1. Blasting Control Plan
 2. Blasting Safety Plan
 3. Seismic monitoring procedures
 4. Seismic Consultant's qualifications.
 5. "Pre-Blast Survey"
 6. "Post Blast Condition Survey"

1.4 DEFINITIONS

- A. Peak Particle Velocity (PPV): The maximum of the three ground vibration velocities measured in the vertical, longitudinal, and transverse directions. Velocity units are expressed in inches per second.

- B. Air Overpressure: Temporary changes in ambient air pressure caused by blasting. Air overpressure is expressed in units of psi or dB. Measurements for blasting are made with microphones having a flat frequency response for overpressure in the 2- to 200-hertz range. Do not use A-weight or C-weight microphones for these measurements.
- C. Occupied Building: Structure on or off construction limits that is occupied by humans or livestock.
- D. Residential Building: Includes single and multiple family dwellings, hotels, motels, and any other structure containing sleeping quarters.
- E. Scaled Distance (Ds): A factor describing relative vibration energy based on distance and charge-per-delay. For ground vibration control and prediction purposes, Ds is obtained by dividing the distance of concern (D) by the square root of the charge-per-delay (W), $D_s = \frac{D}{\sqrt{W}}$. Minimum scaled distance limits are used to establish charge weights and the units of Ds are.
- F. Charge-per-Delay: For vibration control, any charges firing within any 8-millisecond time period are considered to have a cumulative effect on vibration and air overpressure effects. Therefore, the maximum charge-per-delay (W) is the sum of the weight of all charges firing within any 8-millisecond time period. For example, if two 10-pound charges fire at 100 milliseconds and one 15-pound charge fires at 105 milliseconds, the maximum charge per delay would be 35 pounds.
- G. Production Holes: Blast holes in the main body of the rock mass being removed by drilling and blasting.
- H. Stemming: Crushed stone, tamped clay, or other inert earth material placed in the unloaded collar area of blast holes for the purpose of confining explosive charges and limiting rock movement and air overpressure (air blast).
- I. Primary Initiation: The method whereby the blaster initiates the blast(s) from a remote and safe location. Primary initiation systems use pneumatic tubing or shock-tubes to convey firing energy from blasters to blast locations.
- J. Subdrilling: The portion of the blast hole that is drilled below or beyond the desired excavation depth or limit. Subdrilling is generally required to prevent the occurrence of high or tight areas of unfractured rock between blast holes.
- K. Prohibited Persons: Persons prohibited from handling or possessing explosive materials as defined by the seven categories described in Section 555.11 of 27 CFR (ATF Rules).
- L. Delay: A distinct pause of predetermined time between detonations of single charges or groups of charges.
- M. Blaster-in-Charge or Blasting Supervisor: The single designated and licensed person with complete responsibility and total authority over decisions involving safe handling, use, and site storage of explosives.

1.5 BLASTING CONTROL PLAN

- A. The blasting control plan shall contain sufficient information to describe the proposed blast and the material and equipment to be utilized. The blasting plan shall include the following information:
 - 1. Graphical and written descriptions of general location, orientation, number, diameter, depth of blast holes, and calculated powder factor. Show details of controlled blasting techniques. Include plan and vertical section drawings showing hole locations, spacing, diameter, and loading details for typical blast holes charges. Indicate explosive types, amounts, priming method, initiator types, delay periods and locations, charge firing times, stemming type and quantities, and typical charge weights.
 - 2. Manufacturer's data on material and equipment including type of explosive, cartridge size, detonator, blasting monitors (both air and vibration), and other equipment required to perform the blast.
 - 3. Total weight of explosive in the blast and maximum weight per hole and charge weight per delay period.
 - 4. The sequencing, type, and manufacturer of the delays used.
 - 5. Provisions to ensure that fly rock does not result from the blasting operations.
 - 6. Methods to prevent overblasting and loosening of blocks of rock not indicated to be removed or disturbed.
 - 7. Description of the methods of monitoring for blast-induced ground vibration and air-blast overpressure.
 - 8. Description of the preblast inspection procedure.
 - 9. Plans for preventing overbreak or ground shifting that could threaten adjacent buried utilities.

- Plan shall include calculations showing predicted levels of vibration not exceeding the specified values.
10. Methods of drilling, including equipment descriptions, and hole placement and alignment techniques.
 11. Hole Charging Methods: Primer makeup, placement of charges and inert stemming, and method of securing detonators until tie-in.
 12. Initiation system hook-up methods and method of primary initiation.
 13. Methods for preventing spills or losses of explosives, drilling fluids, oil, or any other pollutants to ground during handling and hole charging operations. Include details of containment and contingency plans for quickly and effectively cleaning up any spilled materials.
 14. Method of disposal of explosives packaging materials.
 15. Copies of blasting permits, blasters' licenses, and explosives transporters' commercial driver's licenses with Hazmat endorsements.
 16. The blasting control plan shall indicate the type and method of instrumentation proposed to determine the ground motion particle velocity and air blast overpressure. The description shall include the manufacturer and model of the instrumentation and the source of the instrumentation (rented or owned and by whom). Include copies of calibration certificates issued by the equipment maker that confirm the instruments and transducers have been calibrated within the last 12 months.

1.6 BLASTING SAFETY PLAN

- A. A blasting safety plan simply stating, "all regulations will be followed" will not be acceptable. Blasting safety plan shall include:
 1. A complete list of authorities having jurisdiction over operations involving the transportation, storage, handling, and use of explosives.
 2. A printed copy of applicable federal, state, and local regulations governing the use and storage of explosives for this work.
 3. Copies of required blasting permits regarding explosive use and storage.
 4. Copies of blasting licenses, including proper initiation system and construction blasting endorsements, for all blasters overseeing blasting operations.
 5. A list of at least three previous projects of similar character, successfully completed. List shall include contact names and phone numbers of the Owner's responsible project manager or engineer.
 6. A complete description of the clearing and guarding procedures that will be used to ensure personnel, staff, visitors, and other persons are at safe locations during blasting. This information shall include details regarding visible warning signs or flags, audible warning signals, method of determining blast areas (areas affected by any potentially harmful blast effects), access blocking methods, guard placement and guard release procedures, primary initiation method, and the system by which the blaster-in-charge will communicate with site security guards.
 7. A detailed description of how explosives will be kept in day storage boxes when onsite and transported and used at the various project work areas. Plans shall explain how day storage magazines and explosive transport vehicles will satisfy applicable ATF, OSHA, federal, CAL/OSHA, and county regulations. This plan shall also indicate how explosives will be inventoried, secured, and guarded to prevent theft or unauthorized use of explosives.
 8. Include material safety data sheets (MSDS) and specific details about hazard communication programs for employees.
 9. Equipment that will be used to monitor the approach of lightning storms and, in the event of such, evacuation and site security plans.
 10. Detailed contingency plans for handling of misfires caused by cutoffs or other causes.

1.7 NOTIFICATIONS

- A. Notify Owner at least two week before any blasting in order for Owner to notify the community.
- B. Notify the Owner at least one week before blasting within 500 feet of a residence or commercial building.
- C. The following agencies shall be notified of any blasting work with the date, location, and approximate time of blasting operations at least 14 days in advance:
 1. Fire Department
 2. Police Department
 3. Local City Hall
 4. Appropriate State and Federal agencies

1.8 SUPERVISION AND OVERSIGHT

- A. A blasting supervisor licensed by the appropriate governmental agency, and acceptable to the Owner's Representative shall be on the site and in immediate charge of the blasting operations.
- B. Assign licensed blasting supervisors with experience in the use of explosives for underground excavation to the blasting operations and maintain on a full-time basis during the period of blasting. The supervisors who hold blasting licenses shall be physically present to perform or direct and supervise blasting operations.
- C. Only properly trained workers under the direct supervision of a state-licensed blaster shall do blasting. Blasting shall be done only when proper precautions are taken for the protection of persons, the work, and existing structures.
- D. The license of the supervising blaster(s) shall contain endorsements for construction blasting and use of nonelectric initiation systems. Such supervisor shall have no less than three years of continuous experience in controlled blasting on projects of similar character. Submit a written description of the education and experience of this supervisor to the Owner's Representative. The description shall be specific and include references who are able to verify the details.
- E. The Seismic Consultant shall provide services regarding the prediction and control of ground vibration and air overpressure. Such consultant shall not be in the employ of the Contractor and shall be subject to the approval of the Owner. See "Submittals" subsection.

1.9 PRE-BLAST SURVEY

- A. The pre-blast survey shall document the conditions of all existing structures and/or buildings within at least 500' of the blasting work. Surveys shall be performed by a third party entity qualified to perform such surveys.
- B. The pre-blast survey shall consist of documentation and digital color photographs of all observable external and internal surfaces of all structures and/or building(s). It shall detail the existing structural, cosmetic, plumbing, and electrical condition, and shall include all walls, ceilings, floors, roof, and not be limited to areas in buildings or structures showing existing damage. The photographs shall be compiled on a CD or DVD and indexed, describing the location of each photograph to facilitate easy comparison of a given structures and/or buildings condition. Existing defects shall be photographed and appropriately documented. A good quality digital video survey with appropriate audio description of locations, conditions, and defects can be used. Notes and sketches may be made to highlight or enhance the photographic documentation. The condition report shall also summarize the condition of each structure and/or building and define areas of concern, including deteriorated structures, buildings, utilities, structures housing sensitive equipment, and/or manufacturing processes that are sensitive to vibrations.
- C. If a nearby property owner submits a complaint regarding alleged blasting related damages during construction, the contractor shall conduct a Post Blast Condition Survey of the property within 48 hours of receiving the complaint to identify any changes in property conditions. This survey shall be conducted with the same level of detail, care, and diligence as the pre-blast survey.

1.10 REPORTS AND RECORDS

- A. Prepare and maintain on site reports and records necessary for prosecution of the work, which shall be accessible to the Owner's Representative during normal working hours. Include the blast reports for any blasting work. Keep accurate records of each blast. Blasting records shall be available to the Owner's Representative at all times and shall contain the following data as a minimum:
 - 1. Blast identification by numerical and chronological sequence.
 - 2. Locations, dates, and times of blasts.
 - 3. Type of material blasted.
 - 4. Number of holes, burden, and spacing.
 - 5. Diameter and depth of holes.
 - 6. Height or length of stemming.
 - 7. Types of explosives used.
 - 8. Types of caps and delay periods used.
 - 9. Total amount of explosives used.
 - 10. Maximum amount of explosives per delay period of 9 milliseconds or greater.
 - 11. Powder factor (pounds of explosive per cubic yard of material blasted).
 - 12. Method of firing and type of circuit.
 - 13. Weather conditions (including wind direction).

14. Direction and distance to nearest structure or position of concern.
15. Type and method of instrumentation.
16. Location and placement of instruments.
17. Instrumentation records and calculations for determination of ground motion particle velocity or for charge size based on scaled distance.
18. An ongoing log-log plot of both vibration and air blast data. The Contractor or his consultant shall maintain an ongoing log-log plot of both ground vibration and air blast overpressures and shall submit an updated plot to the Owner's Representative after each blast, highlighting the newest data.
19. Measures taken to limit air overpressure and fly rock.
20. Any unusual circumstances or occurrences during blast.
21. Name of Contractor.
22. Name, license number, and signature of responsible blaster-in-charge.
23. Summary report of complaints including complaints regarding blasting-related damage.
24. Method of notifying other Contractor's personnel onsite of a scheduled blast.
25. Within 24 hours after each blast, submit to the Owner's Representative a summary report addressing the above items for compilation in a three-ring binder and have the Contractor's current blast reports so compiled and available for immediate review by authorities having jurisdiction, including the Owner and the Owner's Representative.

PART 2 MATERIALS

2.1 MATERIALS AND EQUIPMENT

- A. Provide materials and equipment for blasting operations. Materials usage, including transportation and storage, shall conform to applicable regulatory agency requirements.

2.2 SEISMOGRAPHS

- A. Provide a minimum of two portable seismographs for use on the project at all times. The seismographs shall produce a permanent record and shall meet the following technical standards:
- B. Equipment for onsite and offsite particle velocity and air overpressure monitoring shall be four-channel units (one overpressure and three seismic channels) capable of digitally storing collected data.
- C. Equipment shall be capable of printing ground motion time histories and summaries of peak motion intensities and frequencies. Printed report records shall also include date, time of recording, operator name, instrument number, and date of last calibration.
- D. Instruments shall have a flat frequency response between 2 and 250 hertz for particle velocity and from 2 to 200 hertz for air overpressure.
- E. The digitizing sampling rate for PPV and air overpressure measurements shall be at least 1,024 samples per second.
- F. Seismographs used for offsite compliance monitoring shall be capable of recording overpressure from 88 to 148 dBL and particle velocity from 0.05 to 5.0 inches per second.
- G. Systems shall be capable of providing printed event reports that include all peak measurements, frequencies, and complete waveform plots.
- H. Seismographs shall have adequate memory to digitally record events of the blast-induced motion lasting up to five seconds.
- I. Seismograph software systems shall be capable of saving backup copies of all event files on removable disks in file formats supported by software that can open and interpret stored data. Upon request of the Owner's Representative, provide a licensed copy of the appropriate software and monitoring data files to the Owner.

2.3 VIBRATION AND AIR OVERPRESSURE MONITORING EQUIPMENT

- A. Vibration and air overpressure measuring equipment shall be used in accordance with the standards established by the Vibration Section of ISEE.

PART 3 EXECUTION

3.1 BLASTING HOURS

- A. Blast only between the hours of 9 a.m. and 4 p.m. during any weekday, Monday through Friday;; unless special circumstances warrant another time or day and special approval is granted in writing by the Owner and the agency having jurisdiction.

3.2 BLASTING OPERATIONS

- A. Design of drilling and blasting patterns, explosive types, and quantities shall be the Contractor's choice. Use nonelectric initiation devices. Ensure the specified ground motion limitations are met with respect to explosives detonated per delay period. Use non-nitroglycerin explosive types in wet ground conditions, unless the dynamite is phlegmatized, i.e., PowerDitch 1000.
- B. As production blasting operations progress, the drilling and blasting procedures shall be determined only by satisfactory results achieved. If a drilling and blasting program results in unacceptable results, devise and employ methods that will improve results. The revision may include special methods such as zone blasting, shorter holes, different delay patterns, reduction in size of individual blasts, smaller diameter blast holes, closer spacing of blast holes, or reduction of explosives as necessary to improve results.
- C. Do not perform blasting closer than 10 feet to existing water, gas, sewer, or other buried utilities.

3.3 BLASTING PROCEDURES

- A. Control fly rock and debris to prevent damage to persons or structures. Use blasting mats in developed areas. Equipment used for drilling of holes shall have a positive means of dust control. Contain fly rock within the project rights-of-way so that it shall not represent a hazard to people, vehicles, existing improvements, or vegetation. Clean the blasting site of debris associated with the blasting operation at the end of each working day.
- B. Use controlled blasting techniques to keep the air blast overpressure, vibrations, and noise within the specified limits. Minimize overbreak or fracturing of rock beyond the designated excavation boundaries. Excessive blasting will not be permitted. Material outside the authorized cross-section, which may be shattered or loosened because of blasting, shall be removed at the Contractor's expense and the area repaired. Discontinue any method of blasting that leads to overshooting, is hazardous in any way to persons, or destructive to property or habitat.
- C. Regardless of the ground motion and air overpressure limits specified, conduct controlled blasting such that it will produce relatively smooth and sound rock faces at the final excavation lines. The type, distribution, and quantity of explosive detonated per delay period shall be such that existing rock fractures will neither be opened nor new fractures created outside of the minimum excavation limits. Whenever, in the opinion of the Owner's Representative, further blasting is liable to reduce rock stability or damage pipelines or other structures, cease blasting and continue to excavate the rock by approved mechanical means.
- D. Fifteen minutes prior to each blast, sound an audible siren or horn capable of being heard within 1/2 mile of the blasting site.
- E. Suspend blasting operations for any of the following reasons:
 - 1. Ground motion vibration levels exceed specified limits of particle velocity or frequency.
 - 2. Existing structural conditions are aggravated or adjacent improvements are damaged as a result of blasting.
 - 3. Blasting methods endanger the stability of intact rock outside the prescribed limits of excavation.
 - 4. Skilled operators and/or licensed foreman is not present.
- F. Blasting operations shall not resume until modifications have been made to correct the conditions that resulted in the suspension. Repair or replace any damage caused by blasting. Repair or replace any damage resulting from possession or use of explosives for the work.

3.4 BLASTING LIMITATIONS

- A. Do not use explosives as a means of transporting material outside the excavation prism.
- B. Holes for blasting shall be 3 inches or less in diameter and shall not be sprung or chambered.
- C. Design blast patterns such that the explosive energy is not directed into the sidewalls of the excavation but, instead, towards the developed free face.
- D. The quantity, quality, and use of explosives shall not open seams or otherwise damage rock outside

the prescribed limits of excavation. Control the firing systems of general blast holes by the use of delay detonators. Explosives used for a single period of delay shall be the minimum required.

- E. Illumination levels for safe working conditions at the site shall be in accordance with the levels set forth in CFR, Title 29.
- F. When water is present in blast drill holes, use a non-nitroglycerin explosive product to prevent drill-hole-to-drill-hole propagation and to ensure that delay patterns are effective.

3.5 MAXIMUM PARTICLE VELOCITIES

- A. The maximum particle velocity at the nearest point to pipelines shall be 5.0 inches per second at a minimum frequency of 10 hertz. In the event neither of these limitations is met, perform excavations, repair as necessary, and backfill the excavations whether damage is discovered, or it is determined no damage has been incurred.

3.6 AIR BLAST OVERPRESSURE

- A. Blast-induced air overpressure at the property or right-of-way lines shall not exceed 0.03 psi (40 dBL). Air overpressure at residential or other occupied structures shall not exceed 0.012 psi (133 dBL).

3.7 NOISE LEVELS

- A. Impact or impulsive noise from blasting operations shall not exceed 140 dB measured at the nearest structure or property line.

3.8 FIELD MEASUREMENT

- A. Measure PPV with a seismograph capable of producing a permanent record and capable of internal dynamic calibration. Record air blast overpressure with a peak impact-recording instrument having linear frequency response. Place a seismograph at the nearest structure to the blast area to monitor the ground motion particle velocity and frequency during each blast.

3.9 DISPOSAL AND REMOVAL

- A. Remove from the Project Area all material (stones, broken rock, boulders) which cannot be reintroduced into the Project. or is in surplus of the required backfill material must be disposed of at no expense to the Owner.
- B. Locate disposal sites outside of the Project Area, and comply with all regulations relating to the disposal of the material. While disposing operations are being performed, do not create or cause pollution or siltation of natural watercourses, streams, lakes, wetlands, or reservoirs.
- C. Written permits or agreements of disposal on private property must be furnished to the Owner's Representative prior to the start of disposal operations.

END OF SECTION

THIS PAGE INTENTIONALLY LEFT BLANK.

**SECTION 312333
TRENCHING AND BACKFILLING**

PART 1 GENERAL

1.1 SUMMARY

- A. This section includes materials and installation for trench excavation, backfilling, and compacting.
- B. Sheeting, shoring, bracing, and protection of adjacent property, trees, and structures.
- C. Preparation of subgrades, bedding for pipe, backfilling, and disposal of excess excavation.

1.2 SUBMITTALS

- A. Submit shop drawings in accordance with the Section 013300.
- B. All specified bedding and backfill material, except earth excavated material.
- C. Moisture-Density test for each backfill material.
- D. Sheeting, shoring and bracing design calculations by a registered professional engineer licensed in the State.

1.3 DEFINITIONS

- A. Pipe Embedment Zone - The full width of trench from both below and above the bottom of the pipe or conduit to a horizontal level above the top of the pipe as defined by the embedment class or as shown on the details.
- B. Trench Zone - The portion of the trench from the pipe embedment zone to finished grade in unpaved areas, and to the bottom of the drive zone in drive areas.
- C. Pipe Cover - The distance from the top of the finished grade of the trench to the top of the waterline pipe.
- D. Aggregate Pipe Base - A layer of material below the pipe embedment zone to stabilize the bottom of the trench and provide uniform bearing of the pipe and pipe embedment.
- E. Class A Excavated Material
 - 1. Hard shale, sandstone, limestone, granite or similar materials which is encountered in monolithic ledges greater than 8" in thickness and which, in the opinion of the Owner's Representative, require jackhammering, use of a special headache ball or hydrohammer for removal. A toothed bucket is not considered as special "ripping" equipment.
 - 2. Two or more ledges with inter-lying strata of earth, clay, or gravel not more than eight (8) inches in thickness in each strata will be classified as a solid monolithic formation from the top of the top ledge to the bottom of the bottom ledge. Boulders that are encountered within glacial till or other soil and are not a portion of a continuous monolithic formation shall not be considered
- F. Unclassified Excavated Material - All earth or other materials that do not meet the requirements of Class A excavated material.

1.4 COMPACTION TESTING

- A. An independent geotechnical firm hired by General Contractor will test perform material testing and field compaction testing.
- B. Material testing for each backfill material shall be two moisture density tests or two relative density tests according to the appropriate ASTM specification.
- C. Minimum testing frequency for in-place field shall be:
 - 1. One test for every 200 cubic yard of backfill for site backfill with a minimum of one test for every full-shift of compaction operation on mass earthwork.
 - 2. One test at intervals of 500 feet along the trench.
 - 3. One in-place field density test whenever there is a suspicion of a change in backfill material, quality of moisture or effectiveness of compaction.
- D. Sample backfill materials for the density testing shall be taken according to ASTM D75.
- E. Determine the density of soil in place by the sand cone method ASTM D 1556, rubber-balloon method ASTM D2167; or nuclear method ASTM D 2922.
- F. Compaction is the calculated ratio of the in-place (dry) density to the laboratory maximum (dry) density expressed as a percentage.

- G. Determine laboratory moisture-density relations of soils according to the ASTM test method identified in the specific subsection.
- H. If the Owner is responsible for compaction testing, the Contractor shall pay the costs of any retesting of work not conforming to specifications.
- I. The following table identifies the compaction required based on the location of the trench.
 - 1. LOCATION/COMPACTION DENSITY
 - a. Under paved areas, sidewalks, and pipe crossings: 95% of ASTM D698
 - b. Under foundations and equipment support pads: 95% of ASTM D698
 - c. Unpaved areas: 85% of ASTM D698
 - d. Granular backfill: 75% relative density per ASTM D4253 and ASTM D4254

PART 2 PRODUCTS

2.1 PIPE EMBEDMENT MATERIAL

- A. Native earth material which is fine, loose material, free from stones 1-inch and larger, hard frozen clods, and other material that may cause damage to the pipe, organic matter and debris that will deteriorate and cause voids.
- B. Rigid Pipe - Bedding Classes A, B, C or crushed rock, as described in ASTM C12.
- C. Ductile Iron Pipe - Type 1 through Type 5 laying conditions, as described in ASTM A746.
- D. PVC and other Flexible Pipe - Classes I, II, III, as described in ASTM D2321.
- E. Composite Pipe - Same as Flexible Pipe except as described in ASTM D2680.

2.2 GRANULAR BACKFILL MATERIAL

- A. Granular material shall meet the following gradation:
 - 1. Sieve Size 1 inch, Percent Passing By Weight: 100%
 - 2. Sieve Size 3/4 inch, Percent Passing By Weight: 85-100%
 - 3. Sieve Size 3/8 inch, Percent Passing By Weight: 50-80%
 - 4. Sieve Size No. 4, Percent Passing By Weight: 35-60%
 - 5. Sieve Size No. 40, Percent Passing By Weight: 15-30%
 - 6. Sieve Size No. 200, Percent Passing By Weight: 5-10%
- B. The granular material shall not contain clay lumps or organic matter. The fraction passing the No. 4 sieve shall have liquid limits no greater than 25 and a plasticity index no greater than 5. The material shall meet the quality requirements of ASTM C33.

2.3 AGGREGATE PIPE BASE MATERIAL

- A. The aggregate base material shall consist of crushed rock or gravel; free from dust, clay and trash; be hard, durable, non-friable and meet the gradation as defined in ASTM C33 for No. 76 coarse aggregate or the following gradation:
 - 1. Sieve Size 3/4 inch; Percent Passing By Weight: 100%
 - 2. Sieve Size No. 4; Percent Passing By Weight: 0-35%
 - 3. Sieve Size No. 8; Percent Passing By Weight: 0-17%
 - 4. Sieve Size No. 200; Percent Passing By Weight: 0-10%
- B. Other gradations may be utilized provided all the material passes the 3/4 sieve and it can be demonstrated that they provide adequate base support for the pipe.
- C. The aggregate material shall meet the quality requirements of ASTM C33.

PART 3 EXECUTION

3.1 PREPARATION

- A. Verify that survey bench marks and intended elevations for the Work are as shown on drawings.
- B. Identify required lines, levels, contours, and datum.
- C. Identify by visible markings all plant life, trees, lawns, fences and other features that are to be protected.
- D. Protect bench marks from excavation equipment and vehicular traffic.
- E. Existing underground installations such as water mains, gas mains, sewers, telephone lines, power lines, and buried structures in the vicinity of the work to be done hereunder are indicated on the

drawings only to the extent such information has been made available to or discovered by the Engineer in preparing the drawings. There is no guarantee as to the accuracy or completeness of such information, and all responsibility for the accuracy and completeness thereof is expressly disclaimed. Generally, service connections are not indicated on the drawings.

- F. The Contractor shall be solely responsible for locating all existing underground installations, including service connections in advance of excavating or trenching by contacting the owners thereof and prospecting. The Contractor shall use his own information and shall not rely upon any information shown on the drawings concerning existing underground installations.
- G. Where utilities are parallel to or cross the construction but do not conflict with the permanent work to be constructed, follow the procedures given below or as indicated in the drawings. Notify the utility owner 48 hours in advance of the crossing construction and coordinate the construction schedule with the utility owner's requirements.
- H. Determine the true location and depth of utilities and service connections which may be affected by or affect the work. Determine the type, material, and condition of these utilities. In order to provide sufficient lead time to resolve unforeseen conflicts, order materials and take appropriate measures to ensure that there is no delay in

3.2 SHEETING, SHORING, AND BRACING OF TRENCHES

- A. Sheeting and bracing, or trench boxes shall be provided where necessary to conform to 29CFR1926 Subpart P-Excavations, OSHA requirements.
- B. Where it is necessary to drive sheeting below the centerline of the pipe, it shall be driven to a depth of at least 2 feet below the flow line of the pipe, or as directed by the geotechnical engineer.

3.3 TRENCH WIDTHS

- A. Trench widths shall be as shown in the drawings.
- B. The width of the trench shall be ample to allow the pipe to be laid and jointed properly and to allow the bedding and haunching to be placed and compacted to adequately support the pipe. The trench sides shall be kept as nearly vertical as possible. When wider trenches are specified, appropriate bedding class and pipe strength shall be used.
- C. In unsupported, unstable soil the size and stiffness of the pipe, stiffness of the embedment and in-situ soil and depth of cover shall be considered in determining the minimum trench width necessary to adequately support the pipe
- D. Ledge rock, boulders, and large stones shall be removed to provide a minimum clearance of 4-inches below and on each side of the pipe.
- E. Trench width at the top of the trench will not be limited except where width of excavation would undercut adjacent structures and footings. In such case, width of trench shall be a minimum clearance of the trench wall to outside pipe being a minimum of 4-inches, and that there is at least 24-inch clearance between the top edge of the trench and the structure or footing.

3.4 MINIMUM PIPE COVER

- A. Pipeline Location: Non-Paved Areas, Cover - 42 inches
- B. Pipeline Location: Paved Areas, Cover - 42 inches
- C. Pipeline Location: Under ditches and minor drainage courses, Cover - 4 feet
- D. Pipeline Location: Under rivers and streams, Cover - 4 feet
- E. Pipeline Location: State Highway, Cover - 6 feet

3.5 TRENCH EXCAVATION

- A. Perform all excavation regardless of type, nature or condition of the material encountered to accomplish the construction. Excavate the trench to the lines and grades shown on the drawings with allowance for pipe thickness and for pipe base or special bedding.
- B. Care shall be taken not to over-excavate. If the trench is excavated below the required grade, refill any part of the trench excavated below the grade with native material and compact to a density equal to the rest of the trench bottom.
- C. Length of open trench to be no more than amount of pipe installed in one working day. Backfilling of the open trench to grade to be no more than 40-feet behind the installed pipe.
- D. Blasting will not be permitted unless approved by Owner and appropriate jurisdictions.

- E. After the required excavation has been completed, the Owner's Representative will inspect the exposed subgrade to determine the need for any additional excavation. It is the intent that additional excavation be conducted in all areas within the influence of the pipeline where unacceptable materials exist in the exposed subgrade. Over excavation shall include the removal of all such unacceptable material that exists directly beneath the pipeline to a width 24-inches greater than the pipe outside diameter and to the depth required. Refill the trench to subgrade of pipe base with native material. Place the foundation stabilization material over the full width of the trench and compact in layers not exceeding 6 inches deep compacted to 95 percent relative compaction and carried to the required grade.

3.6 LOCATION OF EXCAVATED MATERIAL

- A. During trench excavation, place the excavated material only within the working area. Do not obstruct any roadways or streets. Conform to federal, state, and local codes governing the safe loading of trenches with excavated material.
- B. Excavated material not used as backfill shall be disposed of off-site.

3.7 DEWATERING

- A. Provide and maintain means and devices to remove and dispose of all water entering the trench excavation during the time the trench is being prepared for the pipe laying, during the laying of the pipe, and until the backfill has been completed.
- B. Water entering the excavation or other parts of the work shall be removed until all the work has been completed. No sanitary sewer shall be used for the disposal of trench water, unless specifically approved by the engineer, and then only if the trench water does not ultimately arrive at existing pumping or wastewater treatment facilities
- C. Dispose of the water in a manner to prevent damage to adjacent property. Do not drain trench water through the pipeline under construction. Do not allow groundwater to rise around the pipe until jointing compound has set hard.

3.8 INSTALLING BURIED PIPING

- A. Grade the bottom of the trench to the line and grade to which the pipe is to be laid, with allowance for pipe thickness. Remove hard spots that would prevent a uniform thickness of bedding. Place the specified thickness of pipe base material over the full width of trench. Grade the top of the pipe base ahead of the pipe laying to provide firm, continuous, uniform support along the full length of pipe, and compact to the relative compaction specified herein. Before laying each section of the pipe, check the grade and correct any irregularities.
- B. Excavate bell holes at each joint to permit proper assembly and inspection of the entire joint. Fill the area excavated for the joints with the bedding material specified or indicated in the drawings for use in the pipe zone.
- C. Inspect each pipe and fitting before lowering the buried pipe or fitting into the trench. Inspect the interior and exterior protective coatings. Patch damaged areas in the field with material recommended by the protective coating manufacturer. Clean ends of pipe thoroughly. Remove foreign matter and dirt from inside of pipe and keep clean during and after installation.
- D. Handle pipe in such a manner as to avoid damage to the pipe. Do not drop or dump pipe into trenches under any circumstances.
- E. Lay the pipe at the proper elevation and grade and properly attach to the adjacent pipe according to the type of joint.
- F. When the pipe laying is not in progress, including the noon hours, close the open ends of pipe. Do not allow trench water, animals, or foreign material to enter the pipe.
- G. Keep the trench dry until the pipe has been installed and jointed to the other pipe.

3.9 TRENCH BACKFILLING

- A. Backfill according to the details for the particular type of pipe, and per the following:
 - 1. Place the specified thickness of pipe base material over the full width of trench. Grade the top of the pipe base ahead of the pipe laying to provide firm, uniform support along the full length of pipe. Organic matter or clay material which may fall in an open trench during construction shall be removed. The Contractor shall limit the amount of native material which may fall on top of the completed pipe base until the pipe is installed.
 - 2. Backfill shall be of a suitable material removed from excavation except where other material is specified. Debris, frozen material, large clods or stones, organic matter, or other unstable

- materials shall not be used for final backfill within 2 feet (0.6 m) of the top of the pipe. Do not bury waste material.
3. After pipe has been bedded, backfill simultaneously on both sides of the pipe, keeping the level of backfill the same on each side. Carefully place the material around the pipe so that the pipe barrel is completely supported and that no voids or uncompacted areas are left beneath the pipe. Do not permit free fall of the material until at least 2 feet of cover is provided over the top of the pipe. Use particular care in placing material on the underside of the pipe to prevent lateral movement during subsequent backfilling.
 4. Compact material placed within 12 inches of the outer surface of the pipe by hand tamping only.
 5. Continue to place the backfill material in the trench until it reaches the finished grad according to the following criteria:
 - a. Backfilling under Paved Areas: Plus or minus 1/2 inch from required elevations.
 - b. General Backfilling: Plus 3 inches from required elevations.

3.10 BACKFILL COMPACTION METHODS

- A. Compact by using mechanical compaction or hand tamping. Do not use high impact hammer-type equipment except where the pipe manufacturer warrants in writing that such use will not damage the pipe. Jetting will not be allowed.
- B. Do not use any axle-driven or tractor-drawn compaction equipment within 5 feet of walls and structures.
- C. When existing pipe is encountered during excavation, care shall be taken to support pipe sufficiently so pipe remains in service and to ensure safety of workers. During backfilling place bedding material in and around the existing pipe and compact to specifications above.

3.11 PLACEMENT OF SAND-CEMENT SLURRY BACKFILL

- A. Place sand-cement slurry backfill in a uniform manner that will prevent voids in or segregation of the material. Remove foreign material that falls into the excavation or trench. Do not commence backfilling over or place any material over the slurry cement backfill until at least four hours after placing the sand-cement slurry.

3.12 PLACEMENT OF CLSM (CONTROLLED LOW-STRENGTH MATERIAL)

- A. Provide batching equipment to obtain the proper weights of soil, cement, water, and admixtures. Measuring devices shall be sensitive to a 2% variation above or below the actual weights required. Volumetric batching may be used, provided the same accuracy required for weight batching is maintained.
- B. Design and operate the mixers used for mixing the CLSM so that the CLSM as discharged from the mixer is uniform in composition and consistency throughout each batch.
- C. Place the CLSM such that it flows easily into all openings between the pipe and the excavated trench. In some cases, such as trenches on a slope, a stiffer mix may be required to prevent it from flowing down the trench. In this case, use vibration to ensure that the CLSM completely fills all spaces.
- D. Lay the pipe on the soil pads and place the CLSM bedding as shown in the drawings. Place bedding under pipe from one side and vibrate so that it flows under the pipe until it appears on the other side. Then add CLSM to both sides of the pipe and vibrate until it completely fills the space between the pipe and the excavated trench bottom. This operation shall follow as closely behind pipelaying operations as possible. Place CLSM in such a way as to prevent uplift or buckling of the pipe. Deposit CLSM as nearly as practicable in its final position. Do not disturb the pipe trench or cause foreign material to become mixed with the cement slurry.
- E. Do not place backfill above the pipe until the CLSM has reached the initial set. Place and maintain a 6-inch cover of moist backfill cover until additional backfill is placed. If the ambient temperature is 50°F or less, place an additional 6-inch cover of backfill over the 6-inch moist backfill cover prior to the end of the working day.
- F. Whenever freezing temperatures are imminent, maintain the CLSM at a temperature of not less than 50°F for 24 hours after placement. The temperature of the mix shall be 50°F or greater at the time of placement. Monitor the temperature by placing a thermometer in the CLSM immediately after sampling at the placement site. When freezing weather appears imminent, make ready at the placement site materials that may be required for protection of the CLSM. Delay placement of CLSM until adequate provisions for protection against weather are made. Do not place CLSM bedding in pipe trenches when the trench bottom or walls are frozen or contain frozen material. Backfill placed as cover over the CLSM is prohibited from containing any frozen material.

3.13 INSTALLING IMPERVIOUS BARRIERS

- A. Construct impervious barriers in the pipe and trench zones at 300-foot intervals on slopes exceeding 30% and within 50-feet of vertical points of inflection on slopes exceeding 30%. Construct concrete barriers such that the bottom of the collar extends at least 3 inches into the pipe base, at least 3 inches into each side of the walls of the trench, and at least 3 inches above the top of the pipe zone.
- B. Install ABS dams by digging a slot approximately 3 inches deep into the pipe base, located approximately 3 feet from the nearest pipe bell. Key the dam into the groove such that the neck of the adapter connection pipe faces upstream. Center the dam into position and insert the edges into the side walls of the trench. Slide a Fernco adapter over the pipe to be installed. Move the pipe through the dam opening and assemble the pipe joint. Slip the Fernco adapter over the ABS barrier's neck and tighten the adapter's bands. Backfill both sides of the dam such that there are no voids around the pipe.

3.14 PROTECTING UNDERGROUND UTILITIES

- A. Underground utilities are to be protected in place and remain in service, unless otherwise specified on the Plans or in the specifications. Compact bedding material under and around the utility so that no voids are left. Flowable fill may be an acceptable method of bedding and backfill.
 - 1. Where indicated in the drawings or as determined by the Owner's Representative, support utilities by a reinforced concrete beam or support wall as shown on the utility support details in the drawings. The primary purpose of the beam is to prevent settlement of the existing utility line during and after construction. The Contractor is responsible for the protection of the utility during construction and shall incorporate the beam as part of the protection.
- B. Abandoned utility lines may be cut to facilitate installation of the new Works. All open ends are to be plugged. The cut utility line shall be removed from the site.
 - 1. Storm drains and sewers are to be plugged with an 8-inch wall of brick and mortar.
 - 2. Waterlines are to be capped with a cast-iron cap or a 3-foot-long concrete plug.
- C. Sewer services, water services, and other utility service lines are not shown on the Drawings. Interference with these services may occur. If such situations arise, the Contractor shall move the conflicting utilities (such as water service leads, sewer service lines, gas lines, etc.) or adjust the pipeline vertical and/or horizontal alignment to maintain required vertical and/or horizontal separations. All proposed modifications to the pipeline alignment shall be presented to the Owner's Representative for review and all changes made shall conform to the recommendations of the Owner's Representative.
- D. If the utility must be removed to facilitate construction of the new Works, the utility will be reconstructed with new materials and placed back into service. During this period, Contractor shall provide temporary service for the disconnected utility.
- E. Disruption of water service to residential and/or places of business as a result of the Contractor's operations shall be limited to a maximum of 8 (eight) hours. In the event that disruption of a particular service will be longer than 8 hours, the Contractor shall provide temporary potable water service which meets the Department of Health requirements for potable water to the affected residence or place of business for drinking purposes. In the event that disruption of a particular service will be longer than 24 hours, the Contractor shall provide temporary potable water service which meets the entire domestic water demands of the affected residence or place of business. The Contractor shall at all times maintain on site, the materials required for providing temporary water services.
- F. Waterlines whose thrust is in the direction of the new excavation, may be affected by the construction. Protect thrust blocks in place or shore to resist the thrust by a means approved by the water utility. If the thrust blocks are exposed or rendered to be ineffective in the opinion of the Owner's Representative, reconstruct them to bear against firm unexcavated soil.

END OF SECTION

**SECTION 313700
 RIPRAP**

PART 1 GENERAL

1.1 SUMMARY

- A. This section includes materials and installation of riprap for the protection of embankments, ditches, channels, stream banks, and at pipe discharges.

1.2 SUBMITTALS

- A. Submit shop drawings in accordance with Section 013300.
- B. Submit gradation of the material to be used and soundness test (not older than 2 years).
- C. Aggregate tickets showing type of material and amount delivered.
- D. Submit analysis from independent laboratory showing specific gravity, absorption, and durability.

1.3 QUALITY CONTROL

- A. Visual evaluation of the quarry, including examination of blast samples and diamond drill core samples and suitable tests and service records, may be used to determine the acceptability of the stone.
- B. Acceptance of quality and size of material will be made by visual inspection at the job site.
- C. The following tests may be required to determine the required quality, provide specific gravity, absorption, and durability tests of stone.

TEST	TEST METHOD	REQUIREMENT
Apparent Specific Gravity	AASHTO T85	2.50 minimum
Absorption	AASHTO T85	4.2% maximum
Durability	ASTM D3744	52 minimum

- D. Based on the formula below, absorption may exceed 4.2% if the durability absorption ratio (DAR) is greater than 10. Durability may be less than 52 if DAR is greater than 24, where:
 1. $DAR = \text{Coarse Durability Index} / \% \text{Absorption} + 1$

PART 2 PRODUCTS

2.1 NATURAL STONE

- A. Stone for riprap shall be quarry stone, well graded and angular. Stone shall be of such shape as to form a stable protection for the required section. Do not use flat or elongated shapes unless the thickness of the individual pieces is at least one-third the length. Material shall be clean and free from deleterious impurities including alkali, earth, clay, refuse, and adherent coatings with no more than 10 percent of soil, sand, shale or non-durable rock.
- B. The material shall contain a large percentage of pieces as large as the thickness of the blanket will permit, with enough smaller pieces of various sizes to fill the larger voids. The rock shall be:
 1. crushed limestone riprap six to eight inches in the longest direction.
 2. shall be clean rock with no fines, six to eight inches in the longest direction.

ROCK SIZES	PERCENTAGE LARGER THAN				
	8 TONS	4 TONS	2 TONS	1 TON	1/2 TON
16 TONS	0-5	X	X	X	X
8 TONS	50-100	0-5	X	X	X
4 TONS	95-100	50-100	0-5	X	X
2 TONS	X	95-100	50-100	0-5	X
1 TON	X	X	95-100	50-100	0-5
1/2 TON	X	X	X	95-100	50-100
1/4 TON	X	X	X	X	95-100
200 LB	X	X	X	X	X

PERCENT LARGER THAN	BACKING					
	1/4 TON	LIGHT	FACING	NO. 1	NO. 2	NO. 3
1/2 TON	0-5	X	X	X	X	X
1/4 TON	50-100	0-5	X	X	X	X
200 LB	X	50-100	0-5	0-5	X	X
75 LB	95-100	X	50-100	50-100	0-5	X
25 LB	X	95-100	90-100	90-100	25-75	0-5
5 LB	X	X	X	X	90-100	25-75
1 LB	X	X	X	X	X	90-100

- A. The amount of material smaller than the smallest size listed for any class of rock slope protection shall not exceed the percentage limits listed determined on a weight basis. Compliance with the percentage limit shown for all other sizes of the individual pieces of any class of rock slope protection shall be determined by the ratio of the number of individual pieces larger than the specified size compared to the total number of individual pieces larger than the smallest size listed for that class.

2.2 RUBBLE FOR RIPRAP

- A. Rubble shall consist of broken concrete. Rebar protruding from the concrete shall not interfere with the placement of adjacent material to maintain a reasonably tight and uniform placement of the material.
- B. Rubble shall be of a graded mixture, with individual pieces weighing, in general, from 20 to 300 pounds each. Not over 25 % of the total volume shall be composed of pieces weighing less than 50 pounds each, and at least 50% of the total volume shall be composed of pieces weighing 100 pounds or more.

PART 3 INSTALLATION

3.1 PLACEMENT

- A. Grade areas to a smooth surface. Place riprap on a filter blanket on the prepared slope in such a manner as to produce a well-graded mass with the minimum practical percentage of voids. Do not puncture or penetrate the geotextile liner if installed.
- B. Place the riprap to its full course thickness as shown on the Plans in one operation and in such a manner as to avoid displacing the underlying material and manipulated to eliminate large voids.
- C. Do not place rip rap over frozen or spongy subgrade surfaces.
- D. The finished surface of the blanket shall present an appearance free from segregation and with a proportionate quantity of the larger pieces showing. The rock shall be placed to the specified thickness, elevation and manipulated to eliminate large voids. The finished surface shall present a uniform appearance true to line, grade and section.

END OF SECTION

SECTION 321540
CRUSHED STONE PAVING

PART 1 - GENERAL

1.1 SUMMARY

- A. Section Includes: Provision of aggregate base course material consisting as a mixture of coarse and fine graded aggregate that is free of vegetation and other deleterious matter. Work consists of placing one or more lifts of aggregates, and specified additives, on prepared subgrade, and geogrid, or geotextile, as specified, using conventional equipment and methods for mixing, placement, and compaction of aggregates onto subgrade.

1.2 RELATED DOCUMENTS

- A. Drawings and general provisions of the Contract, including General and Supplementary Conditions and Division 01 Specification Sections, apply to this Section.
 - 1. Section 013300 "Submittal Procedures".
 - 2. Section 311000 "Site Clearing" for site stripping, grubbing, stripping and stockpiling topsoil, and removal of above- and below-grade improvements and utilities.
 - 3. Section 312000 "Earth Moving" for subgrade preparation and subgrade testing.

1.3 UNIT PRICES

- A. Rock Measurement: Volume of rock actually removed, measured in original position, but not to exceed the following. Unit prices for rock excavation include replacement with approved materials.
 - 1. 6 inches outside of minimum required dimensions of Crushed Stone Paving against grade.

1.4 DEFINITIONS

- A. Backfill: Soil material or controlled low-strength material used to fill an excavation.
- B. Borrow Soil: Satisfactory soil imported from off-site for use as fill or backfill.
- C. Drainage Course: Aggregate layer supporting the slab-on-grade that also minimizes upward capillary flow of pore water.
- D. Engineered Fill: Fill material allowing the required compaction density. Can be same material used for crushed stone paving.
- E. Excavation: Removal of material encountered above subgrade elevations and to lines and dimensions indicated.
 - 1. Authorized Additional Excavation: Excavation below subgrade elevations or beyond indicated lines and dimensions as directed by Engineer. Authorized additional excavation and replacement material will be paid for according to Contract provisions for changes in the Work.
 - 2. Bulk Excavation: Excavation more than 10 feet in width and more than 30 feet in length.
 - 3. Unauthorized Excavation: Excavation below subgrade elevations or beyond indicated lines and dimensions without direction by Engineer. Unauthorized excavation, as well as remedial work directed by Engineer, shall be without additional compensation.
- F. Fill: Soil materials used to raise existing grades.
- G. Rock: Rock material in beds, ledges, unstratified masses, conglomerate deposits, and boulders of rock material that exceed 1 cu. yd. for bulk excavation that cannot be removed by rock excavating equipment equivalent to the following in size and performance ratings, without systematic drilling, ram hammering, ripping, or blasting, when permitted:
 - 1. Bulk Excavation: Late-model, track-mounted loader; rated at not less than 230-hp flywheel power and developing a minimum of 47,992-lbf breakout force with a general-purpose bare bucket; measured according to SAE J-732. Rock: Rock material in beds, ledges, unstratified masses, conglomerate deposits, and boulders of rock material 3/4 cu. yd. or more in volume that exceed a standard penetration resistance of 100 blows/2 inches or when tested by a geotechnical testing agency, according to ASTM D 1586.
- I. Subbase Course: Aggregate layer placed between the subgrade and base course for pavement.
- J. Subgrade: Uppermost surface of an excavation or the top surface of a fill or backfill immediately below subbase, drainage fill, drainage course, or topsoil materials.

1.5 SUBMITTALS

- A. Submit shop drawings in accordance with the Section 013300.
- B. Product Data: For each type of the following manufactured products required:
 - 1. Geotextiles.
- C. Samples for Verification: For the following products, in sizes indicated below:
 - 1. Geotextile: 12 by 12 inches.

1.6 INFORMATIONAL SUBMITTALS

- A. Material Test Reports: For each aggregate material proposed for paving as follows
 - 1. Classification according to ASTM C 33.
 - 2. Sieve gradation according to KYTC.
- B. Geotechnical Testing Agency Qualifications: Qualified according to ASTM E 329 and ASTM D 3740 for testing indicated.

1.7 PROJECT CONDITIONS

- A. Traffic: Minimize interference with adjoining roads, streets, walks, and other adjacent occupied or used facilities during paving operations.
 - 1. Do not close or obstruct streets, walks, or other adjacent occupied or used facilities without permission from Owner and authorities having jurisdiction.
 - 2. Provide alternate routes around closed or obstructed traffic ways if required by Owner or authorities having jurisdiction.
- B. Utility Locator Service: Notify utility locator service for area where Project is located before beginning paving operations.

PART 2 - PRODUCTS

2.1 STONE MATERIALS

- A. General: Provide crushed stone materials.
 - 1. Provide aggregate material for the gradation shown on Drawings (Type A, Type B, or Type C) per Table 703:1 Aggregate Base Gradation of the KYTC.
 - a. Coarse aggregate is material retained on a No.10 sieve. Provide coarse aggregate consisting of the following durable particles: Gravel, Stone, Disintegrated granite, or Crushed Concrete with fine aggregate made of sand, stone dust, or other inert finely-divided mineral. Ensure a minimum of 40 percent of a Type A or B mixture, retained on a No.4 sieve contains uniformly sized particles with at least one fractured face.
 - b. 100 percent of the Type C or D mixture retained on a No.4 sieve contains uniformly sized particles with at least two fractured faces.
 - c. Completed Type C mixture to contain no more than 15 percent natural sand.
 - d. Coarse aggregate retained on the 3/8 inch sieve of the completed mixture to have no more than 50 percent wear per Los Angeles Abrasion Test in accordance with AASHTO T 96 with an aggregate durability index of 40 (minimum) in accordance with AASHTO T 210.
 - 2. Provide aggregate material of the type and grade as shown on Drawings and conforming to the requirements of the KYTC.
 - a. Type A: Crushed stone produced and graded from oversized quarry aggregate that originates from a single, naturally occurring source.
 - b. Type B: Crushed or uncrushed gravel. Blending more than one source is allowed.
 - c. Type C: Crushed gravel with a minimum of 60 percent of the particles retained on a No.4 sieve with two or more crushed faces. Blending two or more sources is allowed.
 - d. Type D: Type A material or crushed concrete. Crushed concrete containing gravel will be considered Type D material. Crushed concrete must meet requirements of Section 247.2.A.3.b "Recycled Material (Including Crushed Concrete) Requirements", and be managed to provide uniform quality.
 - 3. Aggregate for paving shall meet requirements of KYTC.
 - a. Contractor shall submit certified test results to Engineer for the gradation of base aggregates. Certification shall show the appropriate AASHTO test for the material, results, and a statement whether material has passed or failed.
 - b. Sampling aggregates per AASHTO T 2.
 - c. Sieve analysis of fine and coarse aggregate per AASHTO T 27 and meet gradation in table

at end of this section.

- d. Material passing No.200 sieve shall be tested per AASHTO T 11 and meet requirements in table at end of this section.
- e. Engineer may request test results for material prior to and during paving construction to ensure quality control of materials.

2.2 GEOTEXTILES

- A. Subsurface Drainage Geotextile: Refer to Section 310519 "Geotextiles":
 1. Survivability: Class 1; AASHTO M 288.
 2. Grab Tensile Strength: 157 lbf; ASTM D 4632.
 3. Sewn Seam Strength: 142 lbf; ASTM D 4632.
 4. Tear Strength: 56 lbf; ASTM D 4533.
 5. Puncture Strength: 56 lbf; ASTM D 4833.
 6. Apparent Opening Size: No. 40 sieve, maximum; ASTM D 4751.
 7. Permittivity: 0.5 per second, minimum; ASTM D 4491.
 8. UV Stability: 50 percent after 500 hours' exposure; ASTM D 4355.
- B. Separation Geotextile: Refer to Section 310519 "Geotextiles":
 1. Survivability: Class 2; AASHTO M 288.
 2. Grab Tensile Strength: 247 lbf; ASTM D 4632.
 3. Sewn Seam Strength: 222 lbf; ASTM D 4632.
 4. Tear Strength: 90 lbf; ASTM D 4533.
 5. Puncture Strength: 90 lbf; ASTM D 4833.
 6. Apparent Opening Size: No. 60 sieve, maximum; ASTM D 4751.
 7. Permittivity: 0.02 per second, minimum; ASTM D 4491.
 8. UV Stability: 50 percent after 500 hours' exposure; ASTM D 4355.

PART 3 - EXECUTION

3.1 PREPARATION

- A. Protect structures, utilities, sidewalks, pavements, and other facilities from damage caused by settlement, lateral movement, undermining, washout, and other hazards created by Crushed Stone Paving operations.
- B. Protect and maintain erosion and sedimentation controls during paving operations.
- C. Protect subgrades and foundation soils from freezing temperatures and frost. Remove temporary protection before placing subsequent materials.
- D. Subgrade to be excavated and compacted per Section 312000 "Earth Moving".
- E. Place Geotextile as required under crushed stone paving per manufacturers recommendations.
- F. Do not place crushed aggregate or geotextiles on excessively wet, frozen, rutted subgrade or any surface not in compliance with compaction density requirements in Section 312000 "Earth Moving".
- G. Aggregate to be uniformly mixed to form a homogeneous mixture of particles.

3.2 EXCAVATION, GENERAL

- A. Unclassified Excavation: Excavate to subgrade elevations regardless of the character of surface and subsurface conditions encountered. Unclassified excavated materials may include rock, soil materials, and obstructions. No changes in the Contract Sum or the Contract Time will be authorized for rock excavation or removal of obstructions.
 1. If excavated materials intended for fill and backfill include unsatisfactory soil materials and rock, replace with satisfactory soil materials.
 2. Remove rock to lines and grades indicated to permit installation of permanent construction without exceeding the following dimensions:
 - a. 24 inches outside of edge of paving.
- B. Classified Excavation: Excavate to subgrade elevations. Material to be excavated will be classified as earth and rock. Do not excavate rock until it has been classified and cross sectioned by Engineer. The Contract Sum will be adjusted for rock excavation according to unit prices included in the Contract Documents. Changes in the Contract Time may be authorized for rock excavation.
 1. Rock excavation includes removal and disposal of rock. Remove rock to lines and subgrade elevations indicated to permit installation of permanent construction without exceeding the

following dimensions:

- a. 24 inches or outside of edge of paving.

3.3 SUBGRADE INSPECTION

- A. Notify Engineer when excavations have reached required subgrade.
- B. If Engineer determines that unsatisfactory soil is present, continue excavation and replace with compacted backfill or engineered fill material as directed.
- C. Proof-roll subgrade below pavements with a pneumatic-tire and loaded 10-wheel, tandem-axle dump truck weighing not less than 15 tons to identify soft pockets and areas of excess yielding. Do not proof-roll wet or saturated subgrades.
 1. Completely proof-roll subgrade in one direction, repeating proof-rolling in direction perpendicular to first direction>>. Limit vehicle speed to 3 mph.
 2. Excavate soft spots, unsatisfactory soils, and areas of excessive pumping or rutting, as determined by Engineer, and replace with compacted backfill or engineered fill as directed.
- D. Authorized additional excavation and replacement material will be paid for according to Contract provisions for changes in the Work.
- E. Reconstruct subgrades damaged by freezing temperatures, frost, rain, accumulated water, or construction activities, as directed by Engineer, without additional compensation.

3.4 SOIL MOISTURE CONTROL

- A. Uniformly moisten subgrade and each subsequent fill or backfill layer before compaction to within 2 percent of optimum moisture content.

3.5 COMPACTION OF SOIL BACKFILLS AND FILLS

- A. Layers of Crushed Stone Aggregate is to be placed in uniform layer thickness via a mechanical spreader such that no compacted layer exceeds 6 inches.
- B. Maximum thickness of one compacted layer is 6 inches. Minimum layer thickness of one compacted layer is 3 inches.
- C. Compacted aggregate surfacing is to be at 98 percent standard proctor at +/- 2 percent optimum moisture per ASTM D 698; or density as determined by MT 230 and per MDT 301>>.

3.6 FIELD QUALITY CONTROL

- A. Special Inspections: Contractor shall engage a qualified special inspector to perform the following special inspections:
 1. Determine prior to placement of fill that site has been prepared in compliance with requirements.
 2. Determine that fill material and maximum lift thickness comply with requirements.
 3. Determine, at the required frequency, that in-place density of compacted fill complies with requirements.
- B. Testing Agency: Contractor shall engage a qualified geotechnical engineering testing agency to perform tests and inspections.
- C. Allow testing agency to inspect and test subgrades and each fill or backfill layer. Proceed with subsequent earth moving only after test results for previously completed work comply with requirements.
- D. Testing agency will test compaction of soils in place according to ASTM D 1556, ASTM D 2167, ASTM D 2922, and ASTM D 2937, as applicable. Tests will be performed at the following locations and frequencies:
 1. Paved Areas: At subgrade and at each compacted fill and backfill layer, at least one test for every 1000 sq. ft. or less of paved area but in no case fewer than three tests.
- E. When testing agency reports that subgrades, fills, or backfills have not achieved degree of compaction specified, scarify and moisten or aerate, or remove and replace soil materials to depth required; re-compact and retest until specified compaction is obtained.
- F. Final compacted surface is to be constructed to elevations on Drawings within 0.04 feet (1/2 inch). Ensure surface smoothness is within 0.04 feet (1/2 inch) in 10 feet. Test for smoothness with 10 foot long straightedge.
- G. Ensure an average compacted thickness within 0.02 feet (1/4 inch) of that detailed on drawing. Engineer will confirm average Project thickness at 1000 sq. ft. intervals. Contractor to correct any

thickness deficiencies by removing material, scarifying to a depth of 3 inches and adding material resulting in a minimum 3 inch compacted lift.

- H. Contractor to ensure uniform compaction of all crushed stone surfacing.

END OF SECTION

THIS PAGE INTENTIONALLY LEFT BLANK

SECTION 323113
STEEL CHAIN LINK FENCES AND GATES

PART 1 GENERAL

1.1 SUMMARY

- A. This section includes materials and installation of galvanized or PVC-coated steel chain link fence and gates top and bottom tension wires and anticlimb extension arms with barbed wire.

1.2 PERFORMANCE REQUIREMENTS

- A. Delegated Design: Design chain-link fences and gates, including comprehensive engineering analysis by a qualified professional engineer, using performance requirements and design criteria indicated.
- B. Structural Performance: Chain-link fence and gate framework shall withstand the effects of gravity loads and the following loads and stresses.
1. Minimum Post Size: Determine according to ASTM F 1043 for framework up to 12 feet high, and post spacing not to exceed 10 feet.
 2. Minimum Post Size and Maximum Spacing: Determine according to CLFMI WLG 2445, based on mesh size and pattern specified and on the following:
 - a. Wind Speed, V3s: 90 mph
 - b. Exposure Category: B
- C. Lightning Protection System: Maximum grounding-resistance value of 25 ohms under normal dry conditions.

1.3 SUBMITTALS

- A. Submit shop drawings in accordance with Section 013300.
- B. Submit product data for each type of product indicated. Include construction details, material descriptions, dimensions and profiles, and finishes.
- C. Shop Drawings: Include plans, elevations, sections, details, and attachments to other work. Show accessories, hardware, gate operation, and operational clearances.
- D. For chain-link fences and gate framework indicated to comply with performance requirements and design criteria, including analysis data signed and sealed by the qualified professional engineer responsible for their preparation licensed in the state where the project is located.

1.4 PROJECT CONDITIONS

- A. Field Measurements: Verify layout information for chain-link fences and gates shown on Drawings in relation to property survey and existing structures. Verify dimensions by field measurements.

1.5 WARRANTY

- A. Special Warranty: Manufacturer's standard form in which manufacturer or Installer agrees to repair or replace components of chain-link fences and gates that fail in materials or workmanship within specified warranty period.
1. Failures include, but are not limited to, the following:
 - a. Faulty operation of gate.
 - b. Deterioration of metals, metal finishes, and other materials beyond normal weathering.
 2. Warranty Period: Five years from date of Substantial Completion.

PART 2 PRODUCTS

2.1 CHAIN LINK FABRIC

- A. General: Provide fabric in one-piece heights measured between top and bottom of outer edge of selvage knuckle or twist. Comply with CLFMI Product Manual and with requirements indicated below:
1. Fabric Height: As indicated on Drawings
 2. Steel Wire Fabric: Wire diameter of 0.192 inch.
 - a. Mesh Size: 2 inches.
 - b. Zinc-Coated Fabric: ASTM A 392, Type II, Class 1, 1.2 oz./sq. ft. with zinc coating applied before weaving.
 - c. Polymer-Coated Fabric: ASTM F 668, Class <1; over zinc coated steel wire.
 - 1) Color: As selected by Owner from manufacturer's full range>>.
 - d. Coat selvage ends of fabric that is metallic coated before the weaving process with manufacturer's standard clear protective coating.

2.2 FENCE FRAMING

- A. Post and Rails: Comply with ASTM F 1043 for framing, including rails, braces, and line; terminal; and corner posts. Provide members with minimum dimensions and wall thickness according to ASTM F 1043 or ASTM F 1083 based on the following:
 - 1. Fence Height: As indicated on Drawings
 - 2. Horizontal Framework Members: Intermediate rails complying with ASTM F 1043.
 - 3. Metallic coating for steel framing: Type A, consisting of not less than minimum 2.0-oz./sq. ft. average zinc coating per ASTM A 123/A 123M or 4.0-oz./sq. ft. zinc coating per ASTM A 653/A 653M.
 - 4. Polymer coating over metallic coating: Match chain-link fabric, complying with ASTM F 934.

2.3 TENSION WIRE

- A. Metallic-Coated Steel Wire: 0.177 inch diameter, marcelled tension wire complying with ASTM A 817 and ASTM A 824, with the following metallic coating:
 - 1. Type II, zinc coated (galvanized) by hot-dip or electrolytic process, with the coating weight matching the chain-link fabric coating weight.
- B. Polymer-Coated Steel Wire: 0.177 inch diameter, tension wire complying with ASTM F 1664 to match the coating of the chain-link fabric. Color of wire to match chain-link fabric unless otherwise noted.

2.4 SWING GATES

- A. General: Comply with ASTM F 900 for gate posts and single swing gate types. Gate leaf width as noted on the plans.
- B. Pipe and Tubing:
 - 1. Zinc-Coated Steel: Comply with ASTM F 1043 and ASTM F 1083; protective coating and finish to match fence framing.
- C. Frame Corner Construction: Welded or assembled with corner fittings.
- D. Extended Gate Posts and Frame Members: Extend gate posts and frame end members above top of chain-link fabric at both ends of gate frame as indicated to attach barbed wire or tape assemblies.
- E. Hardware:
 - 1. Hinges: 180 degree inward swing.
 - 2. Latches permitting operation from both sides of gate with provision for padlocking accessible from both sides of gate.
 - 3. Padlock and Chain: Owner furnished.
 - 4. Lock: Owner furnished.
- F. Pipe and Tubing:
 - 1. Zinc-Coated Steel: Comply with ASTM F 1043 and ASTM F 1083; protective coating and finish to match fence framing.
- G. Frame Corner Construction: Welded or assembled with corner fittings.
- H. Extended Gate Posts and Frame Members: Extend gate posts and frame end members above top of chain-link fabric at both ends of gate frame as indicated to attach barbed wire or tape assemblies.
- I. Overhead Track Assembly: Manufacturer's standard track, with overhead framing supports, bracing, and accessories, engineered to support size, weight, width, operation, and design of gate and roller assemblies.
- J. Hardware:
 - 1. Latches permitting operation from both sides of gate with provision for padlocking accessible from both sides of gate.
 - 2. Padlock and Chain: Owner furnished.
 - 3. Lock: Owner furnished.
 - 4. Hangers, roller assemblies, and stops fabricated from galvanized steel.

2.5 FITTINGS

- A. General: Comply with ASTM F 626.
- B. Post Caps: Provide for each post.
 - 1. Provide line post caps with loop to receive tension wire or top rail.
- C. Rail and Brace Ends: For each gate, corner, pull, and end post.
- D. Rail Fittings: Provide the following:

1. Top Rail Sleeves: Pressed-steel or round-steel tubing not less than 6 inches long.
 2. Rail Clamps: Line and corner boulevard clamps for connecting intermediate and bottom rails in the fence line-to-line posts.
- E. Tension and Brace Bands: As required by the manufacturer.
- F. Tension Bars: Steel, length not less than 2 inches shorter than full height of chain-link fabric. Provide one bar for each gate and end post, and two for each corner and pull post, unless fabric is integrally woven into post.
- G. Truss Rod Assemblies: Steel, hot-dip galvanized after threading rod and turnbuckle or other means of adjustment.
- H. Barbed Wire Arms: Pressed steel or cast iron, with clips, slots, or other means for attaching strands of barbed wire, and means for attaching to posts; for each post unless otherwise indicated, and as follows:
1. Provide line posts with arms that accommodate top rail or tension wire.
 2. Provide corner arms at fence corner posts, unless extended posts are indicated.
 3. Type I, single slanted arm.
- I. Tie Wires, Clips, and Fasteners: According to ASTM F 626.
1. Standard Round Wire Ties: For attaching chain-link fabric to posts, rails, and frames. Hot-Dip Galvanized Steel: 0.106 inch diameter wire; galvanized coating thickness matching coating thickness of chain-link fence fabric.
- J. Finish: Metallic Coating for Pressed Steel or Cast Iron: Not less than 1.2 oz. /sq. ft. zinc.

2.6 PRIVACY SLATS

- A. Material: PVC, UV-light stabilized, not less than 0.006 inch thick; attached to not less than 0.0475 inch diameter, twisted galvanized wire; hedge-type lattice; sized to fit mesh specified for direction indicated.
- B. Material: Polyethylene tubular slats, not less than 0.023 inch thick, manufactured for chain-link fences from virgin polyethylene containing UV inhibitor, sized to fit mesh specified for direction indicated; with vandal-resistant fasteners and locks strips.
- C. Material: Fiber-glass-reinforced plastic, UV-light stabilized, not less than 0.06 inch thick, sized to fit mesh specified for direction indicated; with vandal-resistant fasteners and lock strips.
- D. Material: Aluminum, not less than 0.01 inch thick, sized to fit mesh specified for direction indicated.
- E. Material: Redwood, 5/16 inch thick, sized to fit mesh specified for direction indicated.
- F. Color: As selected by Owner from manufacturer's full range.

2.7 BARBED WIRE

- A. Steel Barbed Wire: Comply with ASTM A 121, for two-strand barbed wire, 0.099 inch diameter line wire with 0.080 inch diameter, four-point round barbs spaced not more than 5 inches o.c.
1. Zinc Coating: Type Z, Class 3.

2.8 BARBED TAPE

- A. Wire-Reinforced Tape: ASTM F 1910; with four-point, needle-sharp barbs permanently cold clenched around a core wire.
1. Core Wire: High-tensile-strength, zinc-coated steel or stainless steel.
- B. Tie Wires: Stainless steel, 0.065 inch in diameter.
- C. Fabrication: Continuous coils of barbed tape as defined in ASTM F 1379 for the following characteristics:
1. Configuration: Single coil.
 2. Style: Helical pattern.
 3. Coil Diameter(s): 18 inches.
 4. Coil Loop Spacing(s): 12 inches or Manufacturer's standard.
 5. Barb Length Classification: Long, 1.2 inch barb.
 6. Barb Spacing: 4 inches o.c.
 7. Barb Set: Manufacturer's standard.

2.9 GROUT AND ANCHORING CEMENT

- A. Nonshrink, Nonmetallic Grout: Premixed, factory-packaged, nonstaining, noncorrosive, nongaseous grout complying with ASTM C 1107. Provide grout, recommended in writing by manufacturer, for exterior applications.
- B. Erosion-Resistant Anchoring Cement: Factory-packaged, nonshrink, nonstaining, hydraulic-controlled expansion cement formulation for mixing with potable water at Project site to create pourable anchoring, patching, and grouting compound. Provide formulation that is resistant to erosion from water exposure without needing protection by a sealer or waterproof coating and that is recommended in writing by manufacturer, for exterior applications.

2.10 FENCE GROUNDING

- A. Conductors: Bare, solid wire for No. 6 AWG and smaller; stranded wire for No. 4 AWG and larger.
 - 1. Material above Finished Grade: Copper
 - 2. Material on or below Finished Grade: Copper
 - 3. Bonding Jumpers: Braided copper tape, 1 inch wide, woven of No. 30 AWG bare copper wire, terminated with copper ferrules.
- B. Connectors and Grounding Rods: Comply with UL 467.
 - 1. Grounding Rods: Copper-clad steel, 5/8 by 96 inches.

PART 3 EXECUTION

3.1 EXAMINATION

- A. Examine areas and conditions, with Installer present, for compliance with requirements for site clearing, earthwork, pavement work, and other conditions affecting performance of the Work.
 - 1. Do not begin installation before final grading is completed unless otherwise permitted by Engineer.
- B. Proceed with installation only after unsatisfactory conditions have been corrected.

3.2 PREPARATION

- A. Stake locations of fence lines, gates, and terminal posts. Do not exceed intervals of 500 feet or line of sight between stakes. Indicate locations of utilities, lawn sprinkler system, underground structures, benchmarks, and property monuments.

3.3 INSTALLATION, GENERAL

- A. Install chain-link fencing to comply with ASTM F 567 and more stringent requirements indicated and as indicated in the Drawings.

3.4 CHAIN LINK FENCE INSTALLATION

- A. Post Excavation: Drill or hand-excavate holes for posts to diameters and spacings indicated, in firm, undisturbed soil.
- B. Post Setting: Set posts in concrete at indicated spacing into firm, undisturbed soil.
 - 1. Verify that posts are set plumb, aligned, and at correct height and spacing, and hold in position during setting with concrete or mechanical devices.
 - 2. Concrete Fill: Place concrete around posts to dimensions indicated and vibrate or tamp for consolidation. Protect aboveground portion of posts from concrete splatter.
 - a. Exposed Concrete: Extend 2 inches above grade; shape and smooth to shed water.
 - b. Concealed Concrete: Top 2 inches below grade as indicated on Drawings to allow covering with surface material.
 - c. Posts Set into Concrete in Sleeves: Use steel pipe sleeves preset and anchored into concrete for installing posts. After posts have been inserted into sleeves, fill annular space between post and sleeve with non-shrink, nonmetallic grout or anchoring cement, mixed and placed to comply with anchoring material manufacturer's written instructions, and finished sloped to drain water away from post.
 - d. Posts Set into Voids in Concrete: Form or core drill holes not less than 5 inches deep and 3/4 inch between post and concrete with non-shrink, nonmetallic grout or anchoring cement, mixed and placed to comply with anchoring material manufacturer's written instructions, and finished sloped to drain water away from post.
- 3. Mechanically Driven Posts: Drive into soil to depth of 30 inches.
Protect post top to prevent distortion.

- C. Terminal Posts: Locate terminal end, corner, and gate posts per ASTM F 567 and terminal pull posts at changes in horizontal or vertical alignment of 15 degrees or more unless indicated otherwise on Drawings.
- D. Line Posts: Space line posts uniformly at 8 feet o.c.
- E. Post Bracing and Intermediate Rails: Install according to ASTM F 567, maintaining plumb position and alignment of fencing. Diagonally brace terminal posts to adjacent line posts with truss rods and turnbuckles. Install braces at end and gate posts and at both sides of corner and pull posts.
 - 1. Locate horizontal braces at mid-height of fabric 72 inches or higher, on fences with top rail and at two-third fabric height on fences without top rail. Install so posts are plumb when diagonal rod is under proper tension.
- F. Tension Wire: Install according to ASTM F 567, maintaining plumb position and alignment of fencing. Pull wire taut, without sags. Fasten fabric to tension wire with 0.120 inch diameter hog rings of same material and finish as fabric wire, spaced a maximum of 24 inches o.c. Install tension wire in locations indicated before stretching fabric. Provide horizontal tension wire at the following locations:
 - 1. Extended along top and bottom of fence fabric. Install top tension wire through post cap loops. Install bottom tension wire within 6 inches of bottom of fabric and tie to each post with not less than same diameter and type of wire.
 - 2. Extended along top of barbed wire arms; or extended posts and top of fence fabric for supporting barbed tape.
 - 3. As indicated on Drawings.
- G. Top Rail: Install according to ASTM F 567, maintaining plumb position and alignment of fencing. Run rail continuously through line post caps, bending to radius for curved runs and terminating into rail end attached to posts or post caps fabricated to receive rail at terminal posts. Provide expansion couplings as recommended in writing by fencing manufacturer.
- H. Intermediate and Bottom Rails: Install and secure to posts with fittings.
- I. Chain-Link Fabric: Apply fabric to outside of enclosing framework. Leave 1 inch between finish grade or surface and bottom selvage unless otherwise indicated. Pull fabric taut and tie to posts, rails, and tension wires. Anchor to framework so fabric remains under tension after pulling force is released.
- J. Tension or Stretcher Bars: Thread through fabric and secure to end, corner, pull, and gate posts with tension bands spaced not more than 15 inches o.c.
- K. Tie Wires: Use wire of proper length to firmly secure fabric to line posts and rails. Attach wire at one end to chain-link fabric, wrap wire around post a minimum of 180 degrees, and attach other end to chain-link fabric per ASTM F 626. Bend ends of wire to minimize hazard to individuals and clothing.
 - 1. Maximum Spacing: Tie fabric to line posts at 12 inches o.c. and to braces at 24 inches o.c.
- L. Fasteners: Install nuts for tension bands and carriage bolts on the side of the fence opposite the fabric side.
- M. Privacy Slats: Install slats in direction indicated, securely locked in place. Install slats vertically.
- N. Barbed Wire: Install barbed wire uniformly spaced angled toward security side of fence as indicated on Drawings. Pull wire taut, install securely to extension arms, and secure to end post or terminal arms.
- O. Barbed Tape: Comply with ASTM F 1911. Install barbed tape uniformly in configurations indicated and fasten securely to prevent movement or displacement.

3.5 GATE INSTALLATION

- A. Install gates according to manufacturer's written instructions, level, plumb, and secure for full opening without interference. Attach fabric as for fencing. Attach hardware using tamper-resistant or concealed means. Install ground-set items in concrete for anchorage. Adjust hardware for smooth operation and lubricate where necessary.

3.6 GROUNDING AND BONDING

- A. Fence Grounding: Install at maximum intervals of 1500 feet except as follows:
 - 1. Fences within 100 Feet of Buildings, Structures, Walkways, and Roadways: Ground at maximum intervals of 750 feet.
 - a. Gates and Other Fence Openings: Ground fence on each side of opening.
 - 1) Bond metal gates to gate posts.
 - 2) Bond across openings, with and without gates, except openings indicated as intentional

fence discontinuities. Use No. 2 AWG wire and bury it at least 18 inches below finished grade.

- B. Protection at Crossings of Overhead Electrical Power Lines: Ground fence at location of crossing and at a maximum distance of 150 feet on each side of crossing.
- C. Fences Enclosing Electrical Power Distribution Equipment: Ground as required by IEEE C2 unless otherwise indicated.
- D. Grounding Method: At each grounding location, drive a grounding rod vertically until the top is 6 inches below finished grade. Connect rod to fence with No. 6 AWG conductor. Connect conductor to each fence component at the grounding location, including the following:
 - 1. Make grounding connections to each barbed wire strand with wire-to-wire connectors designed for this purpose.
 - 2. Make grounding connections to each barbed tape coil with connectors designed for this purpose.
- E. Bonding Method for Gates: Connect bonding jumper between gate post and gate frame.
- F. Connections: Make connections to minimize possibility of galvanic action or electrolysis. Select connectors, connection hardware, conductors, and connection methods so metals in direct contact will be galvanically compatible.
 - 1. Use electroplated or hot-tin-coated materials to ensure high conductivity and to make contact points closer in order of galvanic series.
 - 2. Make connections with clean, bare metal at points of contact.
 - 3. Make aluminum-to-steel connections with stainless-steel separators and mechanical clamps.
 - 4. Make aluminum-to-galvanized-steel connections with tin-plated copper jumpers and mechanical clamps.
 - 5. Coat and seal connections having dissimilar metals with inert material to prevent future penetration of moisture to contact surfaces.
- G. Bonding to Lightning Protection System: If fence terminates at lightning-protected building or structure, ground the fence and bond the fence grounding conductor to lightning protection down conductor or lightning protection grounding conductor complying with NFPA 780.

3.7 ADJUSTING

- A. Gates: Adjust gates to operate smoothly, easily, and quietly, free of binding, warp, excessive deflection, distortion, nonalignment, misplacement, disruption, or malfunction, throughout entire operational range. Confirm that latches and locks engage accurately and securely without forcing or binding.
- B. Automatic Gate Operator: Energize circuits to electrical equipment and devices. Adjust operators, controls, safety devices, alarms and limit switches.
 - 1. Hydraulic Operator: Purge operating system, adjust pressure and fluid levels, and check for leaks.
 - 2. Operational Test: After electrical circuitry has been energized, start units to confirm proper motor rotation and unit operation.
 - 3. Test and adjust controls, alarms and safeties. Replace damaged and malfunctioning controls and equipment.
- C. Lubricate hardware, gate operators and other moving parts.

END OF SECTION

SECTION 329219
SEEDING

PART 1 GENERAL

1.1 SUMMARY

- A. This section governs the furnishing of all labor, equipment, tools and materials, and the performance of all work for final seeding of lawns and non-maintained vegetation areas, disturbed by construction operations, and removal of rocks, debris and other foreign matter not suitable for a seed bed.
- B. Refer to SWPPP and Land Disturbance permit for temporary seeding and other erosion control products usage in conjunction with seeding and mulching.
- C. Alternative forms of seeding and mulching, such as hydro seeding and hydro mulching, may be submitted for review.

1.2 SUBMITTALS

- A. Submit shop drawings in accordance with Section 013300.
- B. Provide a mechanically printed seed mixture tag showing percentage of seed mix, year of production, net weight, germination rate, purity, date of packaging, and location of origin.
- C. Hydro mulch material, rolled erosion control product (RECP), and other manufactured products.
- D. Fertilizer: certification of analysis from a certified fertilizer dealer, and straw to be inspected in the field prior to application.
- E. Topsoil analysis by a qualified soil-testing laboratory stating percentages of organic matter; gradation of sand, silt, and clay content; cation exchange capacity; deleterious material; pH; and mineral and plant-nutrient content.
- F. Certified soil fertility report providing nutrient and mineral analysis as a basis for fertilizer requirement.
- G. Certification of composted organics analysis with U.S. Compost Council's Seal of Testing Assurance and recommended rates of application.

PART 2 PRODUCTS

2.1 MULCH

- A. Oat, rye or wheat straw, that are reasonably free from weeds, foreign matter detrimental to plant life, and in dry condition. Supply straw mulch per SUDAS.
- B. Hydromulch shall consist of fiber mulch. Fiber mulch shall be derived from wood chips or recycled paper products. The mulch shall be free of chemicals and growth inhibitors. Mulch shall contain a green dye to assist in metering a uniform application. Supply mulch for hydraulic seeding per SUDAS.
- C. Tackifier (soil binder) shall be a physllium based, organic compound derived from natural plant sources. Binder shall consist of an active hydrophilic colloid, which will hydrate with water and, upon drying after application, will tack hydrospray mix to soil surface. Binder shall be nontoxic and contain no growth or germination inhibitors. Supply tackifier per SUDAS.
- D. Sticking Agent and Inoculant for Legumes per SUDAS.

2.2 MANUFACTURED BMP PRODUCTS

- A. Rolled Erosion Control Product (RECP) may be used for temporary erosion control to hold seed until the newly seeded area is stabilized. The RECP shall be 100% agricultural straw stitched with degradable thread to a single UV accelerated photodegradable polypropylene netting, similar to North American Green S-75 on embankments and DS-75 in lawn areas.
- B. Other forms of RECP may be proposed, such as Bonded Fiber Matrix (BFM) and Turf Reinforcement Mat (TRM).

2.3 FERTILIZER

- A. A commercial granular fertilizer, grade13-13-13 total nitrogen (N), available phosphoric acid (P205), and soluble potash (K20), delivered in sealed bags and bearing the manufacturer's "Guaranteed Statement of Analysis." Apply at rate determined by soil fertility analysis submittal.

2.4 GRASS SEED

- A. Deliver to site in original containers showing analysis of seed mixture, percentage of pure live seed (% germination and % purity), year of production, net weight, date of packaging, and location of origin.
- B. Seed mix per SUDAS Seed Mixtures.

2.5 TOPSOIL

- A. Topsoil furnished by the CONTRACTOR shall consist of a natural friable surface soil without admixtures of undesirable subsoil, refuse, or foreign materials. It shall be reasonably free from roots, hard clay, and coarse gravel, stones larger than one inch in any dimension, noxious weeds, grass, brush, sticks, stubble or other material which would be detrimental to the proper development of vegetative growth.
- B. Topsoil shall contain not less than 3%, or more than 15% organic matter, by weight as determined by loss-on-ignition of oven-dried samples in accordance with ASTM T-6. Organic material shall be decomposed and free of wood.
- C. Topsoil consists of loam, sandy loam, silt loam, silty clay loam, or clay loam humus-bearing soils adapted to sustain plant life, and ensure this topsoil is in a pH range of 6.0 to 8.0.

Soil Classification	Minimum	Maximum
Clay	5%	30%
Silt	10%	70%
Sand & Gravel	10%	70%
Organic Matter	3%	20%
pH	6.1	7.8

- 1. Topsoil shall conform to the following gradation.

Sieve Size	Percentage Passing
1 inch	100%
1/2 inch	95%-97%
No. 4	40%-60%
No. 10	40%-60%
No. 200	10%-30%

PART 3 EXECUTION

3.1 TEMPORARY SEEDING

- A. Provide temporary seeding in areas prone to erosion and sediment transport.
- B. Install RECP in areas that are steeper than 6 (horiz): 1 (vert) according to manufacturer's recommended method.
- C. Temporary Seed Mix: Apply the following temporary grass seed mix at the specified rate per acre.
 - 1.

- a. Spring Planting

Location	Species	Pounds per Acre
Established Lawns	Oat or Rye	60
Non-Lawn Areas	Oat, Rye or Red Clover	60

- b. Fall Planting

Location	Species	Pounds per Acre
Established Lawns	Winter Wheat/Rye	60
Non-Lawn Areas	Winter Wheat/Winter Rye	60

- 2. Fertilizing
 - a. Apply fertilizer at a rate of 150 pounds per acre.

3. Reseeding
 - a. Reseed areas within 30 days of initial seeding where no stand of grass has occurred.

3.2 FINAL SEEDING

A. GENERAL

1. Planting Season: August 15 - November 1 and April 1 - June 1.
2. Mulched on the same day.
3. Proceed with planting only when existing and forecasted weather conditions permit. Do not sow immediately following rain, when ground is too dry, or during windy periods.
4. Areas to be seeded as a dormant seeding must be protected from erosion over winter by mulching.

B. SURFACE PREPARATION

1. Scarify subsoil to a depth of 6 inches by means of blading, chisel plowing, discing, rock picking, harrowing or any other operation necessary to return the ground surface as nearly as practical to its original condition. Remove foreign materials, plants, roots, stones one inch and larger, and debris from the disturbed area. Add suitable material to areas that settled excessively. Spread six inches of topsoil over the area. Rake until the surface is smooth and level with the surrounding ground.
2. Topsoil: see 2.05.
3. Seedbed preparation, seed preparation, seed application, and seed mulching per SUDAS.

3.3 FERTILIZING

- A. Apply fertilizer at a rate of 300 pounds per acre. Work the fertilizer into the topsoil.
- B. Apply after smooth raking of topsoil and prior to roller compaction.
- C. Mix thoroughly into topsoil.
- D. lightly water to aid the dissipation of fertilizer.
- E. If seeding with the drilling method, include a fertilizer attachment on the drill which allows the placement of fertilizer in a band on or near the drill row.
- F. If seeding by means of a hydraulic seeder, include the required amount of fertilizer to be mixed with the seed, cellulose fiber mulch and water and applied in the seeding operation.

3.4 PERMANENT SEEDING

- A. Apply seed evenly in two intersecting directions using mechanical power drills or seeders.
- B. Roll seeded area with cultipacker type roller at right angle to slopes not exceeding 112 lbs.
- C. Apply the following permanent grass seed mix at the specified rate.

Species	PLS Pounds/Acre
Western Wheatgrass (Rodan or Rosana)	2
Slender Wheatgrass (Revenue or Primar)	1
Green Needlegrass (Lodorm)	2
Blue Grama (northern seed source)	2
Sideoats Grama (Killdeer)	8
Switchgrass (Dakota)	3
Little Bluestem (Blaze or Camper)	5
Total	23

*PLS-Pure Live Seed (% germination times % purity)

1. For sandier sites, add 2 lb PLS per acre Prane Sandreed, and 3 lb PLS per acre Sand Bluestem.
 2. For low wet areas and drainage ways, add 4 lb PLS per acre Big Bluestem.
 3. Apply the selected seed mix per SUDAS.
- D. Grass Seed Mix:

Species	% of Mix	PLS per Acre
K31 Fescue	80	340

Perennial Rye	20	60
Total	100	300

3.5 SEEDING BY DRILLING

- A. The specified seed or seed mixture shall be drilled in uniformly using a grass drill equipped with individually mounted adjustable spring loaded, double-disk furrow openers fitted with depth control bands and packer wheels.
- B. The depth of control bands shall be of a size to provide final planting of not more than the optimum depth.
- C. Packer wheels shall have adjustable spring tension and be mounted individually on each furrow opener or be mounted independently with a press wheel situated to follow directly behind each opener

3.6 MULCHING

- A. Immediately following seeding and compacting, apply mulch to a thickness of not less than 1/8 inches (approximately 2 tons per acre). Approximately ten (10) percent of the soil surface shall be visible through the mulch blanket prior to mulch tiller (punching) operation. Maintain clearance from shrubs and trees.
- B. The mulching material shall be punched into the soil so that it is partially covered. The punching operation shall be performed longitudinally with a mulch tiller consisting of a series of dull, flat disks with notched or cutout edges. The disks shall be approximately 20 inches in diameter and 1/4-inch thick, shall be spaced approximately 8-inches apart, and shall be fitted with scrapers. The working width of the tiller shall not exceed six (6) feet per member, but may be operated in gangs of not over 3 members each (18 feet total width).
- C. Care shall be exercised to obtain a reasonably even distribution of mulch partially incorporated into the soil. It may be necessary to use weights or hydraulic pressure to insure that the mulch is punched into the soil adequately.
- D. On slopes too steep for disking, the mulching shall be "patted" with forks as it is placed on the slopes. Soil from the top of slope areas shall be placed by hand methods on the mulching material to reduce loss due to wind. Non-friable soil should be placed over the upper 1/3 of slopes and should average approximately one cubic foot of soil to each 25 square feet of area.
- E. When mulch is applied with a straw blower, it may be necessary to remove cutting knives to prevent cutting mulch too short.
- F. The Contractor shall arrange his work so that the mulch can be placed and punched immediately after each slope area is seeded. Mulching operations shall not lag behind seeding operations more than 24 hours during clear weather. When rain is threatening, the Contractor shall make every effort to mulch areas the same day as seeded. Mulch shall be replaced before seeds germinate when re-mulching wind or rain damaged areas.
- G. Apply potable water with a fine spray immediately after each area has been mulched

3.7 HYDROSEEDING

- A. Contractor may propose hydroseeding upon approval of the Engineer and Owner. Contractor shall submit a hydroseeding plan and product data.
- B. The hydrospray shall be applied in the form of a slurry consisting of cellulose fiber, seed, stabilizer additives, tackifier, commercial fertilizer, and water. When hydraulically sprayed on the soil surface, the mix shall form a blotter-like ground cover impregnated uniformly with seed and fertilizer and shall allow moisture to percolate to the underlying soil.
- C. Prior to hydroseeding, the site shall be measured and staked to identify the areas to be sprayed by each truckload of mix.
- D. Hydraulic equipment used for the application of the slurry shall be a 1500-gallon capacity agitator-mixer. This equipment shall have a built-in agitation system and operating capacity sufficient to agitate, suspend and homogeneously mix a slurry containing not less than 40 pounds of fiber mulch, plus a combined total of 15 pounds of fertilizer solids for each 100 gallons of water or per the submitted soil fertility analysis, whichever is less.

- E. The slurry distribution hose lines shall be large enough to prevent stoppage and shall be equipped with a set of hydraulic spray nozzles which will provide a continuous non-fluctuating discharge. Slurry tank shall be mounted on a traveling unit.
- F. Seeding rate to be hydroseeded shall be increased by 50 percent,
- G. Hydroseed Slurry Mix

PRODUCT	APPLICATION RATE (pound per acre)
Seed Mix	150% of grass seeding rate
Fiber Mulch	2000
Slow-Release Fertilizer: Up to this amount per soil fertility test.	
20-10-5	200
0-18-0 Single Super-Phosphate	150
Agricultural Gypsum	500
Soil Sulfur	100
Soil Binder	100

3.8 HYDROMULCHING

- A. Hydromulching application shall be similar to hydroseeding as far as equipment and procedures.
- B. Hydromulch slurry mix shall be as follows:
 - 1. Fiber Mulch: 200 lbs/acre.
 - 2. Soil Binder: 50 lbs/acre. Mix soil binder at the rate of 30 pounds of concentrate mixed with 1,500 gallons of water.

3.9 MAINTENANCE

- A. Reseed damaged grass areas showing root growth failure, deterioration, bare or thin spots and eroded areas.
- B. Contractor shall be responsible for controlling the growth of weeds in areas disturbed during construction until all seeding work has been completed.
- C. The Contractor shall re-landscape and properly reseed all areas damaged by their operations. Trenches which have settled within the warranty period, and which were previously seeded, shall be reshaped and reseeded by the Contractor at the Contractor's expense.

END OF SECTION

THIS PAGE INTENTIONALLY LEFT BLANK.

SECTION 330516
PRECAST CONCRETE UTILITY STRUCTURES

PART 1 GENERAL

1.1 SUMMARY

- A. This section includes design, materials, testing, and installation of precast concrete tanks, manholes and vaults.

1.2 SUBMITTALS

- A. Submit shop drawings in accordance with Section 013300.
- B. Submit manufacturer's catalog data on precast concrete tanks, manholes, steps and ladders, frames and covers. Show dimensions and materials of construction by ASTM reference and grade. Show lettering on manhole covers.
- C. Provide structural design calculations sealed by a registered engineer in the State of Kentucky, as required for the project.
- D. Show on shop drawings for each structure all proposed pipe size openings at the proposed elevation and orientation of penetrations.
- E. Provide product data for waterproof material, steps, ladders, and all items identified in Part 2.
- F. The date of manufacture and name of manufacturer shall be marked inside each precast section.

1.3 LOADING

- A. All structures with top elevations near grade shall be designed for H-20 traffic loading. Access openings located in driving surfaces shall be designed for H-20 traffic loading. Access openings for vaults that are elevated above the surrounding surface and located in non-driving surfaces shall be designed for 300 pounds per square foot loading, unless otherwise indicated.
- B. Soil lateral loads shall be as determined by ASTM C857 or loadings specified in the project soils report, whichever is greater. Alternate design by the strength design method shall include a load factor of 1.7 times the lateral earth or hydrostatic pressures.
- C. Include the following load conditions in the design:
 - 1. Structure roof removed while structure is backfilled to grade and subject to live and dead loads.
 - 2. Structure roof in place and walls subject to simultaneous vertical and horizontal application of all live, impact, and dead loads. Include the case of an H-20 designated load placed directly above the wall.

PART 2 PRODUCTS

2.1 PRECAST CIRCULAR CONCRETE MANHOLES

- A. Precast manholes and circular wet wells shall conform to the requirements of ASTM Designation C 478 with reinforcement of Grade 60 bars and the following modifications thereto.
- B. The minimum shell thickness shall be 5-inches for 4 feet diameter manholes, 6-inches for 5 feet diameter manholes and 7-inches for 6 feet diameter manholes. All interior and exterior surfaces shall have smooth surfaces free of surface voids. Precast structures with textured or rough surfaces will not be accepted.
- C. Joints shall be a compression type, neoprene gasket joint meeting ASTM C923. The unfilled portion of the joint shall be filled with preformed plastic joint sealing compound that conforms to Federal Specification SS-S-0021 0.
- D. Concrete adjusting rings (4-inch maximum) shall be standard manufactured product of the precast manhole manufacturer and conform to the requirements of ASTM C 478. All grade rings shall have integral key.
- E. Minimum allowable steel shall be hoops of No. 4 wire cast into each unit.
- F. Precast top sections shall be eccentric cone; concentric cone; or flat slab, except where shown otherwise in the drawings.

2.2 PRECAST RECTANGULAR CONCRETE TANKS AND MANHOLES

- A. Precast rectangular concrete manholes shall comply with ASTM C858 except as modified herein. Minimum size shall be 60 inches square. Design manholes for the depths shown in the drawings, assuming a soil density of 130 pounds per cubic foot.
- B. Minimum wall thickness shall be 6 inches unless otherwise noted in plans. Design knockout wall panels to accommodate loading pressures.
- C. Precast top sections shall be flat slab, except where shown otherwise in the drawings.

2.3 PRECAST CONCRETE VAULTS

- A. Precast concrete vaults shall comply with ASTM C858 except as modified herein.
- B. Design shall comply with the following restrictions:
 - 1. The maximum reinforcement ratio allowed is one-half the reinforcement ratio that would produce a balanced strain condition.
 - 2. Earth pressure shall be converted to a horizontal pressure using a coefficient of earth pressure at rest of 0.5 and not a coefficient of active earth pressure.
 - 3. Include a live load surcharge of 3 feet of soil in the design of the walls.
- C. Precast vault construction shall be in the form of monolithic walls or horizontal wall sections; do not use panel walls.
- D. Minimum wall thickness shall be 6 inches. Design knockout wall panels to accommodate loading pressures defined above.
- E. Floor slab shall be cast-in-place concrete as shown in the drawings. Calculations for the floor slab design shall be included in the vault design submittal.
- F. Provide aluminum ladders as indicated.
- G. Vaults shall have concrete covers with lifting handles. Access openings shall be provided by 1) a minimum 30" diameter galvanized steel lids, which are bolted to galvanized steel frames with stainless steel bolts, 2) manhole ring and frames or 3) access hatches, as shown on the Plan details. The galvanized frames and lids shall be provided by the vault manufacturer.

Manhole covers and access hatches may be supplied by others provided the required clearances, dimensions and installation requirements are coordinated between both suppliers. When leveling bolts are used to set the vault top sections, the Contractor shall ensure that the load on the vault will be transferred through the mortar to the vault, and will not be carried by the leveling bolts.

2.4 INSERTS

- A. Handling eyes, lifting inserts, and threaded inserts shall be galvanized steel. Design load capacity shall be 2,000 pounds unless shown otherwise in the drawings.
- B. No more than 3 lift holes may be cast or drilled in each section.

2.5 STEPS AND RUNGS

- A. Cast structure with steps (ladder rungs). Steps shall be 1/2-inch minimum diameter steel reinforced bar with a copolymer polypropylene plastic covering (per ASTM D4101) resistant to 1,500 pounds pullout force, conform to ASTM C-478 and OSHA standards, and allow hand-driven installation into precast manholes. The tread shall be at least 3/4 inch wide.
- B. Minimum clear length of rungs shall be 14 inches. Space rungs vertically at 16 inches on center, set between 5 and 6 inches from the face of the concrete, and align with each other in a straight vertical line (both parallel and perpendicular to ladder rungs).

2.6 ALUMINUM LADDER

- A. General
 - 1. Aluminum Ladders shall comply with ANSI A14.3.

2. Design of the ladder and attachment to concrete to be provided during the manufacture. Do not connect any aluminum product directly to the concrete unless coated to prevent reaction.
 3. The distance between rungs shall not exceed 12 inches and shall be uniform throughout the length of the ladder. The minimum clear length of rungs shall be 14 inches. The rungs shall have a nonskid coating.
 4. Side rails: Continuous extruded-aluminum channels or tubes, not less than 2-1/2 inches deep, 3/4 inch wide, and 1/8 inch thick.
 5. Rungs: Extruded-aluminum tubes, not less than 3/4 inch deep and not less than 1/8 inch thick, with ribbed tread surfaces.
 6. Fit rungs in centerline of side rails; fasten by welding or with stainless-steel fasteners or brackets and aluminum rivets.
 7. ANSI A14.3 requires a minimum support spacing is 10 feet (3 m).
 8. Support ladder at top and bottom and not more than 60 inches o.c. with welded or bolted aluminum brackets.
- B. Approved manufacturers are ACL Industries, Inc., Alco-Lite Industrial Products, Halliday Products, Precision Ladders, LLC., or equal.

2.7 MANHOLE FRAMES AND COVERS

- A. Manhole frames and covers shall be made of cast iron conforming to ASTM A48, Class 35B. Castings shall be smooth, clean, and free from blisters, blowholes, and shrinkage. Frames and covers shall be designed for H20-44 traffic loads. The cover shall seat firmly into the frame without rocking.
- B. Manhole ring and cover shall be:
 1. Neenah No. R-1769-A, Deeter No. 1048, Clay & Bailey No. 2032M or approved equal (minimum wt. of cover 150 lbs., and ring 250 lbs.).
 2. Watertight manhole ring and cover shall be Neenah No. R1916-F with anchor bolt holes or approved equal, minimum total weight of 450 lbs.
 3. Manhole ring and cover for Type II manholes shall be slab type, Neenah No. R6065 for 6' deep and 6065A for 8" deep, Deeter No. 1180 for 6" deep or approved equal. Provide stainless steel bolts and fasteners.
- C. Grind or otherwise finish each cover so that it will fit in its frame without rocking. Frames and covers shall be match-marked in sets before shipping to the site.
- D. Manhole covers shall be designated as "Sanitary Sewer"; or "Storm Sewer" and shall be cast in 2-1/2" high block letters flush with the traffic surface on all manhole covers as appropriate for the individual manhole's use.
- E. Coat castings with an asphalt coating complying with ASTM A849, Class A, to a minimum thickness of 50 mils.
- F. Provide insulated cover, consisting of the materials stipulated on the drawings.

2.8 ACCESS HATCHES

- A. Provide single leaf access hatch with clear openings as indicated. Hatch to be W2R by Halliday or equal unless otherwise shown.
- B. The hatch shall be furnished with locking lugs to receive a padlock and recessed lifting handles.
- C. All aluminum in contact with concrete, mortar, steel, or stainless steel shall be protected from direct contact through the use of bituminous coating or some other Engineer approved means.
- D. The hatch shall be provided with 316 stainless steel hardware throughout.
- E. The hatch shall be cast into the top slab

2.9 CONCRETE

- A. Cement for manholes shall conform to ASTM C150, Type II, 4000 psi compressive strength.

2.10 NON-SHRINK GROUT

- A. Nonshrink grout shall be a prepackaged, inorganic, non-gas liberating, nonmetallic, nonstaining, cement based grout requiring only the addition of water. Manufacturer's instructions shall be printed on each bag or other container in which the materials are packaged. The specific formulation for each class of nonshrink grout specified herein shall be that recommended by the manufacturer for the particular application.
- B. Nonshrink grouts shall have a minimum 28 day compressive strength of 5000 psi, shall have no shrinkage (0.0 percent) and a maximum 4.0 percent expansion in the plastic state when tested in accordance with ASTM C 827, and shall have no shrinkage (0.0 percent) and a maximum of 0.2 percent expansion in the hardened state when tested in accordance with CRD C 621.
- C. Non-shrink grout shall be Cormix "Supreme", L&M "Crystex", Master Builders "Masterflow 713 Grout" or "Set Grout", Sauereisen Cements "F-100 Level Fill Grout", UPCO "Upcon Super Flow", or Five Star Products Inc. "Five Star Grout", without exception.
- D. The grout consistency shall be that necessary to completely fill the space to be grouted for the particular application. Dry pack consistency is such that the grout is plastic and moldable but will not flow. Where "dry pack" is called for in the Contract Documents, it shall mean a grout of the above described consistency; the type of grout to be used shall be as specified herein for the particular application.
- E. Prepackaged grouts shall have ingredients measured by means recommended by the manufacturer.

2.11 SEALING COMPOUND AND MORTAR

- A. Butyl rubber sealing compound shall comply with ASTM C990. Mortar shall comply with ASTM C387, Type S.
- B. All grout used for sealing around pipe openings shall be as specified and designed for use in water. All openings and joints shall be sealed watertight.
- C. Joint sealant shall be approved preformed mastic sealant. Sealant shall conform to the requirements of AASHTO M198 and shall be Kent seal or Ram Neck or pre-approved by the Engineer. Where specifically indicated, trowelable mastic sealant shall be a butyl rubber sealant, Trowelable EZ-Stik #3 as manufactured by Press-Seal Gasket Corporation or approved equal. Use Conseal CS 440 for fuel and oil resistant applications.

2.12 PIPE CONNECTORS

- A. Flexible resilient watertight manhole and pipe connector shall meet all material and performance requirements of ASTM C923 for pipe outside diameter 4" through 60". Gasket material shall be produced from a polyisoprene blend compound or chemically resistant neoprene EPDM flexible boot. Natural rubber gaskets will not be acceptable.
- B. Manhole to pipe connectors shall be cast into the manhole wall during the manufacturing process.
- C. Approved pipe connectors are:
 - 1. A-Lok X-CEL as manufactured by A-Lok Products, Inc.
 - 2. Z-Lok-XP (A-Lok Products, Inc.).
 - 3. Kor-N-Seal (Dukor Corporation),
 - 4. Storm sewer pipe connections shall be Quik-Lok or Z-Lok STM (A-Lok Products) or equal.
- D. Approved pipe connectors for existing concrete structures installed in the field shall be:
 - 1. G3 Boot System as manufactured by A-Lok Products, Inc.,
 - 2. LCT Manhole Adapter Gasket as manufactured by Romac Industries, Inc.
- E. Approved pipe connectors for existing brick structures and rigid connections installed in the field shall be CMA Concrete Manhole Adapter as manufactured by Fernco.
- F. New PVC pipe to existing VCP pipe connectors shall be a flexible coupling with stainless steel band clamps, as required and approved by the Engineer. Connectors shall be manufactured by Fernco Joint Sealer Co. or approved equal.

2.13 COATINGS

- A. Waterproofing. The interior and exterior walls of all sanitary manholes shall be given two coats, each 12-15 mils dry film thickness, of Uniseal 1600, as manufactured by Anchor Tite or approved equal.
- B. PVC Liner. Where indicated, the entire interior surface of all sanitary manholes shall be lined with a PVC sheet liner system equal to Ameron T-Lock liner as manufactured by Ameron Protective Linings Division, Brea, California, or approved equal. The liner shall be installed and tested in strict conformance with the manufacturers recommendations and field welded by Ameron certified technicians, no exceptions. The exterior of all manholes shall be painted with two 12-15 mils DFT coats of Uniseal 1600, as manufactured by Anchor Tite.

PART 3 EXECUTION

3.1 MANHOLE BASE

- A. Excavate for the manhole and install a base of 8 inches thick washed crushed rock (3/4" max.), or as shown on the Plan details. Crushed rock base material shall extend 1 foot beyond the outside edge of the concrete manhole base.
- B. Form and pour concrete bases as one monolithic pour. For sewer manholes, form the portion above the invert elevation of the sewer pipe to provide a smooth channel section. Channels shall vary uniformly in size and shape from inlet to outlet.

3.2 INSTALLATION

- A. Set each precast concrete manhole unit plumb on a bed of sealant or mortar to make a watertight joint at least 1/2 inch thick with the concrete base or with the preceding unit. Point the inside joint and wipe off the excess sealant or mortar. Secure the manhole frame to the grade ring with grout and cement mortar fillet. Backfill, compact, and replace pavement.
- B. When working inside manholes, Contractor shall exercise caution and comply with OSHA requirements when working in the presence of sewer gases, combustible oxygen-deficient atmospheres, and confined spaces.
- C. Handle with care to avoid damage to joint ends of each section. Damaged sections may be subject to rejection at the discretion of the Engineer. All manhole and vault construction shall be watertight. The invert, walls and steps shall be cleaned of excess grout and laitance.
- D. Floors of the manholes shall be shaped and smoothed so that flow channels will be formed such that the manhole will be self-cleaning and free of areas where solids may be deposited. The floors shall have a slope of one (1) inch per foot on areas outside of the flow channels.
- E. Connection to existing sewer mains shall be done in an approved manner. Cutting into existing sewer shall be done in such a manner as to prevent damage to sewer not being removed. New invert channel(s) shall be constructed as required and in accordance with the requirements herein and as shown on the Drawings.
- F. Connections to manufactured, precast items shall be made by casting sections of pipe into the items, using non-shrink grout as shown on the Drawings, and/or using an acceptable resilient connector.
- G. Precast Sections: Precast-reinforced concrete sections shall be set so as to be vertical and with sections in true alignment.
- H. All holes in sections, used for their handling, shall be thoroughly plugged with mortar. The mortar shall be 1 part cement to 1-1/2 parts sand; mixed slightly damp to the touch (just short of "balling"): hammered into the holes until it is dense and an excess of paste appears on the surface; and then finished smooth and flush with the adjoining surfaces.
- I. Upon installation the exterior of all structures shall be given an asphaltic waterproofing. The exterior surfaces of precast and poured-in-place manholes shall be coated with two heavy coats of a water-based asphaltic coating. Application and curing shall be in accordance with the manufacturer's specifications and instructions. Coating shall be fully dried before backfilling.
- J. Manhole Castings shall be set on a full mortar bed or sealed with a troweled-on butyl rubber mastic sealant, Press-Seal Gasket Corporation Trowelable EZ-Stik #3 or equal. Do not backfill around the

manhole casting for a minimum of 20 minutes to allow the grout to set.

- K. In situations where the exterior walls of the manhole will be exposed to weather or where bolt down covers are required, the manhole casting shall be bolted to the precast cone section or flat slab top using 3/4" diameter stainless steel threaded rod, nuts and washers epoxy anchored into the concrete.
- L. Castings and frames shall be set true to line and to correct elevations.
- M. Assemble units so that the cover conforms to the elevation determined by the manhole location as follows:
 - 1. In Paved Areas: Top of cover shall be flush with the paving surface.
 - 2. In Shoulder Areas: Top of cover shall be flush with existing surface where it is in traveled way of shoulder and 0.1 foot above existing surface where outside limits of traveled way but not in the existing roadside ditch.
 - 3. In Roadside Ditch or Unpaved Open Areas: Top of cover shall be 18 inches above the ground surface.
- N. MORTAR
 - 1. All mortar shall be used within 40 minutes after mixing. Mortar which has begun to take on initial set shall be discarded and shall not be mixed with additional cement or new mortar.

3.3 INVERTS

- A. Manhole inverts shall be constructed of concrete with Type II cement and shall have a minimum 28-day compressive strength of 4000 psi.
- B. In no case shall the invert section through a manhole be greater than that of the outgoing pipe. The shape of the invert shall conform exactly to the lower half of the pipe it connects. Side branches shall be connected with as large of a radius of curve as practicable. All inverts shall be troweled to a smooth clean surface. Slope bench 1-inch per foot minimum to avoid solids build-up.
- C. Where the difference in elevation between the incoming sewer line and the manhole invert is less than twenty-four inches (24"), the invert shall be filleted to prevent solids deposition.

3.4 CONNECTION TO MANHOLES

- A. Connections to new manholes shall utilize flexible connections. Flexible connections allow for limited differential settlement to occur between the pipe and manhole. The uniform compaction of the bedding material under the pipe and up to the spring line or top of the pipe as detailed is essential to the control of this differential settlement. Resilient connectors shall be used with all flexible connections. A flexible preformed mastic sealant shall be installed around the bottom half of the exterior pipe surface between the resilient connector and the invert. This flexible sealant shall be installed to separate the pipe from the invert to maintain the flexibility of the pipe/manhole connection. Pipes installed with flexible connections shall not have concrete encasement at the outside of the manhole.
- B. Connection to Existing Structures shall be done in such a manner as to prevent damage to existing structures. Hole for installation of pipe shall be approximately 4 inches larger in diameter than the outside diameter of the pipe to be installed. Annular space around the pipe or resilient connector, as required, shall be filled solid with non-shrink grout. New invert channels shall be constructed as required and shall conform to the requirements herein. For installing a new manhole on an existing pipe, a clamp-on resilient connector shall be installed on the pipe prior to grouting into the manhole wall.

3.5 STUB LINES

- A. Stub lines for future connections shall be provided in manholes at the locations indicated on the drawings and shall terminate in a bell and plug.

3.6 CLEANING AND TESTING

- A. After all installations are complete, including all backfill and compaction, all structures and appurtenances shall be cleaned of foreign materials. Flushing of foreign materials from a newly completed section of sewer into section already in service will not be allowed. If the lining or coating system is damaged during either installation or cleaning it shall be repaired in strict accordance with and approved by the coating system manufacturer's technical field service personnel.
- B. Contractor shall furnish all labor, tools, potable water (if a hydrostatic test is allowed) and equipment necessary to perform all tests as specified herein.

- C. If inspection or test shows defects, such defective work or material shall be replaced and inspection and tests repeated. Repairs to piping and appurtenances shall be made with new material at no additional cost to the Owner.
- D. Manholes structure shall be either vacuum or hydrostatically tested. Vacuum or hydrostatic testing is recommended prior to backfilling, where feasible, to assist in locating leaks. The final test and acceptance shall be based only on a test after the manhole is backfilled and the cast manhole ring is in place. Existing manholes where new connections are made will not be required to be vacuum or hydrostatically tested. These manholes shall be visually inspected for water tightness with any leakage noted and corrected prior to manhole acceptance.
- E. Testing Methods
 - 1. Vacuum Test - Plug all manhole entrances and exits other than the manhole top access using suitably sized and rated pneumatic or mechanical pipeline plugs. Follow manufacturer's recommendations and warnings for proper and safe installation of such plugs, taking care to securely brace the plugs and the pipe. Attach the vacuum test device to the cast manhole ring and draw a vacuum to 10" of mercury. With the valve at the vacuum line connection closed and the vacuum pump off, measure the time required for the vacuum to drop to 9" of mercury. The manhole passes the test if the time is greater than 60 seconds for a 48" diameter manhole, 75 seconds for a 60" diameter manhole, and 90 seconds for a 72" diameter manhole. If the manhole fails the test, the Contractor shall locate the leak and make proper repairs with non-shrink grout. The manhole shall be retested until acceptable test results are obtained.
 - 2. Hydrostatic Test - Manholes may be tested using internal or external hydrostatic pressure with prior approval by the Engineer. External hydrostatic testing shall only be used where the groundwater level is at least 4 feet above the invert of the manhole. In all other cases, the internal hydrostatic test procedures must be followed. Sewers connected to the manhole shall be adequately plugged. For the internal hydrostatic test, the manhole shall be filled with water to the top or to a maximum depth of 25-feet above the invert. Water gain or loss shall not exceed 1.14 gallons per day per vertical foot of manhole for either external or internal hydrostatic testing. Infiltration and exfiltration shall be determined after 24 hours of hydrostatic testing by determining the gain or loss of water in the manhole. Contractor shall be responsible for retrieving any plugs or material accidentally washed down a sewer.

END OF SECTION

THIS PAGE INTENTIONALLY LEFT BLANK

SECTION 333100
SANITARY SEWER SYSTEMS

PART 1 GENERAL

1.1 SUMMARY

- A. The Contractor shall furnish all material, tools, equipment and labor necessary for material handling, cutting, installation and jointing of various types and sizes of pipe at the locations shown on the Drawings, or as detailed and in conformance with the specifications.

1.2 COORDINATION OF WORK

- A. All work shall be fully coordinated with other work and shop drawings must be checked with each of the various trades. Conflicts in the sequence of the work shall be coordinated through consultation with the Engineer.

1.3 APPLICABLE STANDARDS

- A. Specifications of the following listed standards will be referred to hereinafter by standards abbreviation and specification number which shall include the latest revision thereof.
 1. ANSI, American National Standards Institute.
 2. ASTM, American Society for Testing and Materials.
 3. AWWA, American Water Works Association.
 4. AASHTO American Association of State Highway Transportation Officials.

1.4 QUALITY ASSURANCE

- A. Items submitted for approval in accordance with requirements shown on the Drawings and details shall be of the manufacturer indicated, or an approved equal, in compliance with materials, operations, physical assembly and performance as specified herein.
- B. In addition to the correction period set forth in General Conditions, the manufacturer's standard warranties shall be provided.

1.5 SUBMITTALS

- A. Pipe and Fittings: Certification of compliance, shop drawings.
- B. Precast Concrete Structures & Appurtenances: Shop drawings, certification of compliance.
- C. Coating and lining systems, non-shrink grout, polyethylene corrosion protection: Manufacturer's data and specification sheets and certification of compliance.
- D. Construction Sequence

1.6 PRODUCT DELIVERY, STORAGE AND HANDLING

- A. Store materials to prevent physical damage.
- B. Protect materials during transportation and installation to avoid physical damage.
- C. Pipe, fittings and accessories shall be handled in a manner to insure installation of the material in an undamaged and structurally sound condition.
- D. Particular care shall be taken to not harm pipe bell and spigot ends. Handling equipment and procedures shall be in accordance with the approved manufacturer's recommendation for proper handling of his products. Improper handling of pipe that results in damage to pipe will be grounds for rejection of the pipe for installation.

1.7 CONNECT TO EXISTING LINES

- A. Work shall be so scheduled and timed as to cause the least possible interference with the operation of the existing system.
- B. Adequate facilities for disposal of fluids which may be released during the connecting operations shall be available.
- C. Contractor shall provide the necessary pumps and temporary piping and associated accessories as required for pumping of wastewater around areas of construction so as to not impede the collection and treatment of the wastewater.
- D. Sewage and water contaminated with sewage shall be conveyed to sanitary sewers.

1.8 BYPASS PUMPING

- A. Where flow control is required to perform a specified repair, replacement, or connection to an existing sewer pipe or manhole, plugging or blocking shall be used wherever possible.
- B. If plugging or blocking is not feasible or at the Contractor's discretion, Contractor shall provide the necessary pumps and temporary piping and associated accessories as required for pumping of wastewater around areas of construction so as to not impede the collection and treatment of the wastewater. Backup pumping capability will be required.
- C. The design, installation, and operation of the temporary pumping system shall be the Contractor's responsibility. The temporary pumping system shall comply with the requirements of all codes and regulatory agencies having jurisdiction. Contractor shall be responsible for any spillage of raw sewage that results in civil or criminal charges from any local, state, or federal agency and will bear all costs for these charges and any restoration required.
- D. It is essential to the operation of the existing sewerage system that there be no interruption in the flow of sewage throughout the duration of the Project. Contractor shall provide, maintain, and operate all temporary facilities such as plugs, pumping equipment (both primary and backup units as required), conduits, all necessary power or fuel source, and all other labor and equipment necessary to handle the sewage by-pass flow.
- E. Contractor shall provide all necessary means to safely convey the sewage past the work area. Contractor shall not stop or impede the sewer flows under any circumstances.
- F. Contractor shall maintain sewage flow around the work area in a manner that will not cause surcharging of sewers, damage to sewers, and that will protect public and private property from damage and flooding.
- G. Contractor shall protect water resources, wetlands, and other natural resources.
- H. Contractor shall insure that the flow diversion pumping system is properly operated and maintained and shall provide responsible personnel to oversee the diversion pumping system at all times.
- I. Work shall be so scheduled and timed as to cause the least possible interference with the operation of the existing sewer collection and treatment system.
- J. Sewage and water contaminated with sewage shall be conveyed to sanitary sewers.
- K. Bypass pumping shall be considered subsidiary to all other bid items.

1.9 WRAP OF BEDDING MATERIAL WITH GEOTEXTILE FABRIC

- A. A layer of medium weight non-woven geotextile fabric shall be placed between the pipe zone backfill and the intermediate zone backfill to reduce fines migration into the pipe zone. Filter fabric shall be laid-out and overlapped according to the manufacturer's recommendations

1.10 WARRANTY

- A. Full warranty against defects in materials and workmanship for one year after FINAL ACCEPTANCE, including all parts, labor, and expenses.

PART 2 PRODUCTS

2.1 PVC (POLYVINYL CHLORIDE) SEWER PIPE

- A. SDR 35 PVC sewer pipe shall conform to ASTM D3034. SCH. 40 and SCH 80 PVC Pipe (Class 12454-B) shall conform to ASTM D1784 and D1785. All pipe joints shall be rubber gasketed bell and spigot. Pipe shall be made from PVC plastic having a cell classification of 12454-B, 12454-C, or 13343-C having a minimum tensile modulus of 500,000 psi, as defined in ASTM D1784. Nominal laying length shall be 13 feet for 8" through 18" and 19 1/2 feet for 21-inch through 27-inch sizes.
- B. PVC pipe joints shall be bell and spigot design conforming to the requirements of ASTM D3212.
- C. Gaskets shall meet the requirements of ASTM F477. Solvent weld or non-gasket friction joints are not acceptable.
- D. PVC fittings shall be manufactured from the same material as the pipe and meet the requirements of ASTM D3034 for 4" through 15" and ASTM F679 - PS46 for 18" through 27". Fittings shall be so designed so that deflection under load is equal to or less than that of the connecting PVC pipe.

2.2 DUCTILE IRON PIPE

- A. Ductile iron pipe, where indicated on the Drawings or required, shall be as specified herein.
- B. All ductile iron pipe shall be push on or mechanical joint and shall conform to the requirements of ANSI/AWWA C151/A21.51. The wall thickness and outside diameter of the pipe shall conform to Tables 51.4 and 51.5 of AWWA C151. All ductile iron pipe shall be Class 51, except as noted otherwise.
- C. Fittings for use with the ductile iron pipe specified herein, shall be ductile iron. Cast ductile iron fittings shall be pressure rated for at least 250 psi. All fittings with mechanical joints and push on joints shall conform to AWWA/ANSI C110/A21.10 and ANSI/AWWA C111/A21.11, except that Buna-N gaskets shall be used for the joint. The fitting manufacturer shall furnish the proper gaskets, nuts, bolts, glands, for each type of joint. Compact fittings are not acceptable. All fittings shall be American made with uniform flange/gland thickness.
- D. The interior of all ductile iron pipe and fittings shall be lined with polyethylene or coated with Protecto 401 Ceramic Epoxy or Coropipe II WasteLiner as manufactured by Madison Chemical Industries, Inc.
- E. All ductile iron pipe and fittings shall be checked for dry film thickness (DFT) in accordance with the SSPCA-PA2. Each pipe and fitting shall be marked with the date of application of the lining system and with its numerical sequence of application on that date. The pipe supplier shall furnish a certificate stating that the lining applicator has complied with all specification requirements relative to the material, its application and inspection.
- F. Surface preparation, number of coats, application of the lining material and field touch-up shall be in strict accordance with the lining material manufacturer's recommendations. During the installation of the pipe, the lining manufacturer shall provide the services of a field engineer to instruct and demonstrate to the Contractor's personnel the procedure for the field touch-up of the lining where field cuts and taps were required.
- G. Holiday inspection shall be conducted using test equipment described in AWWA C 210, Section 5.3.3.1. In accordance with the coating manufacturer's recommendation, holiday testing may be conducted any time after the coating has reached sufficient cure.
- H. Polyethylene: Inside coatings of all ductile iron pipe and fittings shall be of virgin polyethylene with nominal thickness of 40 mils (35 mils minimum) complying with ANSI/ASTM D 1248.
 - 1. The polyethylene shall be bonded to the interior of the pipe by heat. All surfaces to be lined shall be blast cleaned comparable to the requirements of SSPC-SP6 or NACE no. 3.
 - 2. All pipe and fittings shall be lined with a minimum dry film thickness of 40 mils, except for the gasket groove and spigot end up to 6-inches back from the end of the spigot which shall be lined with 10 mils of the material.
 - 3. The coating thickness on sealing areas in the bell socket interior and on the spigot end of the pipe exterior shall be 8 mils nominal with a maximum of 10 mils. Thicker coatings in these areas are acceptable if it is demonstrated that joint dimensions are within allowable tolerances after coating.
 - 4. Repairs and touchup shall be performed in accordance with the manufacturer's recommended repair and touchup procedures. All field cut ends shall be repaired, sealed and fully cured prior to installation.
 - 5. Polyethylene Lining Testing - Factory tests. All ductile iron pipe and fittings with polyethylene linings shall be subjected to a 10,000-volt spark test prior to shipment. This test shall be utilized to seek any pinholes in the lining after the lining has cooled. Any pipe section or fitting that fails the non-destructive test shall be rejected.
- I. Epoxy Coating: Inside coatings of all ductile iron pipe and fittings shall be an amine cured novalac epoxy containing at least 20% by volume of ceramic quartz pigment. The coating shall be Protecto 401 Ceramic Epoxy as manufactured by the Protecto Division of Vulcan Painters, Inc. The coating shall be a nominal 40 mils DFT thickness, with a minimum of 30 mils DFT thickness.
 - 1. The epoxy coating shall be installed and tested in strict accordance with AWWA C 116/ANSI A21.16 and as supplemented in these specifications.

- J. Polyurethane Coating: Inside coatings of all ductile iron pipe and fittings shall receive a two-component polyurethane coating system. The lining material shall consist of a ceramic modified polyisocyanate resin and polyol resin mixed in a 1:1 ratio at the time of application. The material shall be Corropipe II WasteLiner(CM) as manufactured by the Madison Chemical Industries, Inc. The lining material shall be an ASTM D 16 Type V system. The coating shall be a minimum of 40 mils DFT thickness.
1. All surfaces to be coated or lined shall be cleaned to a near white metal finish (SSPC-SP 10) as applied to ductile iron pipe and fittings. All surfaces shall be completely dry, free of moisture, dust, grease or any other deleterious substances at the time the coating or lining is applied.
 2. The coating thickness on the sealing areas in the bell socket interior and on the spigot end of the pipe exterior shall be 8 mils DFT nominal with a maximum of 10 mils DFT. Thicker coatings in these areas are acceptable if it is demonstrated that joint dimensions are within allowable tolerances after coating.
 3. Field joints, repair and touch up material shall be GP II (E) Touch-Up as manufactured by Madison Chemical Industries, Inc. This work shall be performed in strict accordance with the manufacturer's recommended procedures. All field cut ends and touch ups shall be repaired, sealed and properly cured prior to installation.
- K. Exterior Coating: An asphaltic coating shall be applied to the exterior of all ductile iron pipe and fittings intended for buried service and shall conform to ANSI/AWWA C151/A21.51. The exterior of all piping in the wet well shall be coated as specified in the Painting Section. All ductile iron pipe and fittings intended for interior use and for use above grade shall receive a prime coat of universal primer as specified in the Painting Section.
- L. An asphaltic coating shall be applied to the exterior of all ductile iron pipe and fittings intended for buried service and shall conform to ANSI/AWWA C151/A21.51.
- M. Corrosion Protection:
1. The exterior of all buried ductile iron piping shall be protected from corrosion by a seamless linear low-density polyethylene (LLDPE) tube conforming to ANSI/AWWA C105/A21.5 with a minimum thickness of 8 mils.
 2. The tube shall have markings placed at two-foot intervals and include the manufacturer's name and/or trade mark, the year of manufacture, the standard designation ANSI/AWWA C105/A21.5, the minimum film thickness and material type, the application range of pipe nominal diameters for the film, and a warning notice: "Warning - Corrosion Protection - Repair any Damage."
 3. Corrosion protection supplied in 48-inch wide flat sheets shall be used to cover irregular shaped valves, fittings and appurtenances not protected by the tube form of polyethylene wrap.
 4. Securing tape shall be 2-inch wide by ten (10) mil thickness and supplied by the pipe manufacturers.

2.3 GEOTEXTILE FABRIC

- A. Geotextile wrap of bedding material shall be with filter fabric US 205NW or equivalent and meet the following specifications:
1. Apparent Opening Size (AOS): #80 U.S. Standard Sieve Size per ASTM D4751.
 2. Grab Tensile/Elongation: 205 lbs/50% per ASTM D4632.
 3. Puncture Strength: 130 lb minimum, average roll value per ASTM D4833.

2.4 MANHOLES, CONCRETE ADDITIVES FOR MANHOLES, MANHOLE COATINGS AND NON-SHRINK GROUT FOR MANHOLES

- A. Precast reinforced concrete manholes, concrete additives for manholes, manhole coatings and non-shrink grout for Sanitary Sewer Systems shall be as specified in Section 330516.

2.5 EXPANSION PIPE PLUG

- A. Expansion pipe plugs 4" - 18" diameter shall be Hand-Tite Pipe Plug as manufactured by R.C. Graham Co.

2.6 TRACER WIRE

- A. All gravity sewer pipes and new sections of laterals shall be installed with tracer wire to facilitate future location of the pipe.

- B. Locator wire shall be #12 gauge solid copper wire with PE-45 insulation as manufactured by Kris-Tech Wire Company or an approved equal. Alternative manufacturer wire must be specified as locator or tracer wire and shall not be conductor wire for other purposes.
- C. Locator wire shall be installed in such a manner to keep slices to an absolute minimum.
- D. All connections or splices shall be made with a Splice Kit equal to 3M-DBR-Part Number – 054007-09964 or approved equal.
- E. Wire shall be taped as shown on the Construction Plan details.
- F. Wire shall be installed along all lines and outside manhole structures, lampholes, and cleanouts as shown on the Construction Plan details and shall have enough slack to extend to 48" above ground.
- G. Contractor must prove continuity of locator wire after installation is complete. Owner's Representative must be present during continuity testing.
- H. Locator wire installation, including signal loss, shall be warranted for one year.

PART 3 EXECUTION

3.1 TRENCHING, BACKFILLING AND COMPACTING

- A. Trenching and backfilling shall be in accordance with applicable requirements of Section 312333.

3.2 GENERAL PIPE INSTALLATION

- A. Pipe shall be protected during handling against impact shocks and free fall and the pipe interior shall be free of extraneous material.
- B. Pipe Handling: Pipe, manholes and appurtenances shall be handled in a manner to insure installation of the material in an undamaged and structurally sound condition. Particular care shall be taken to not harm pipe coatings. Handling equipment and procedures shall be in accordance with the approved manufacturer's recommendation for proper handling of its products. Improper handling of pipe that results in damage to pipe or coatings will be grounds for rejection of the pipe for installation. The Engineer will be the final judge as to the acceptability of any material on the project. Cutting of pipe is discouraged. The Contractor is urged to plan his job to minimize the necessity for cutting. Prior to installation each pipe shall be inspected for defects and cracks. All defective, unsound or damaged pipe shall be rejected. The interior of all pipes and fittings shall be thoroughly cleaned and kept clean thereafter. All joints surfaces shall be kept absolutely clean during the jointing process. Pipelines and runs intended to be straight shall be laid straight and to grade. Grade changes and alignment deflections shall be made as shown on the drawings.
- C. Laying Pipe: Pipe shall not be laid in wet trench. At times when the laying of the pipe is not in progress, the open ends of the pipe shall be closed in such a manner that water due to rainfall or infiltration cannot enter. All joints shall be completed. Except where necessary for making connections with other lines, closures, or as authorized by the Engineer, pipe shall be laid with the bells facing upstream.
- D. Aligning Pipe: Tangent runs intended to be straight shall be laid straight. Horizontal and vertical deflections shall be by angular divergence of the axis of adjacent pipe at the joint in accordance with manufacturer's recommendations. Shorter lengths of pipe may be used to increase the number of available joints.

3.3 PIPE INSTALLATION

- A. Bedding Pipe: Pipe shall be placed in bedding material as specified in Section 312333 TRENCHING AND BACKFILLING.
- B. Laying Pipe: Lay pipe upgrade starting at the low point and with spigot end of pipe pointing downstream with bell holes excavated as required. Inspect each length and reject damaged or defective lengths. All pipe shall be laid with ends abutting and true to line and grade and shall be fitted and matched so that when laid together they will form a smooth and uniform invert. As the work progresses, the interior of the pipe shall be cleared of all superfluous materials.

- C. Pipe jointing shall be accomplished as follows:
 - 1. All surfaces of the portions of the pipe to be joined shall be clean and dry. Lubricants and primers shall be used as recommended by the pipe manufacturer. The joints shall then be placed, fitted, joined and adjusted so as to obtain a water tight joint. Where possible the proper seating of the gasketed joints shall be visually inspected prior to placement of the next section of pipe. Pipe or piped joints found to be defective shall be removed from the trench, marked as defective and returned to the manufacturer.
- D. The downstream end of new line extensions shall be plugged in a positive manner by use of inflatable plugs or other means acceptable to the Engineer until construction, cleaning, and testing is completed and the new construction is accepted by the Engineer.
- E. Service (Wye) Connections. Install fittings for service connections in all types of pipe at locations and in the manner designated by the manufacturer and approved by the Engineer.
- F. Riser Pipes shall be constructed of approved sewer pipe and fittings as specified herein and as detailed on the Drawings. Each riser pipe shall be plugged with an Engineer approved plugging device.
- G. House service lines shall be constructed of approved sewer pipe and fittings as specified herein and as detailed on the Drawings. Connections between new and old work shall be made by means of suitable adapters approved by the Engineer.
- H. Sewer lines and stubs indicated on the Drawings to be plugged for future connection, shall be plugged with an Engineer approved plugging device. The plugging device shall be corrosion resistant, designed for long term burial and prevent infiltration for the duration of its use. It shall allow easy removal for future connection with no damage to the existing line or stub. The plug shall be as manufactured by Hand-Tite, Inc. or approved equal.

3.4 SEPARATION OF WATER MAINS AND SEWERS

- A. Gravity Sanitary Sewers. When potable water pipes and gravity sanitary sewers are laid parallel to each other, the horizontal distance between them shall be not less than 10 ft (3.0 m). The distance shall be measured from edge to edge. The laying of water pipes and sanitary sewers shall be in separate trenches with undisturbed earth between them. When a water pipe and a sanitary sewer cross and the sewer is 2 ft (0.6 m) or more (clear space) below the water pipe, no special requirements or limitations are provided herein. At all other crossings, the sanitary sewer is to be constructed of one of the following materials (or approved equal) and pressure tested to assure water tightness.
 - 1. Ductile iron pipe conforming to ASTM A536 or ANSI/AWWA C151/A21.51 with minimum thickness class 50, and gasketed, push-on, or mechanical joints in conformance with ANSI/AWWA C110/A21.10 or ANSI/AWWA C111/A21.11.
 - 2. PVC pipe conforming to ASTM D3034 with minimum wall thickness of SDR41, ASTM F679, ASTM F789, or ASTM F794, with gasketed push-on joints in conformance with ASTM D3212.
 - 3. Reinforced concrete pipe conforming to ASTM C76 with gasketed joints in conformance with ASTM C361 or ASTM C443.
- B. Joints in the sewer pipe shall be located as far as practical from the intersected water main.
- C. Where a water main is laid across or through an area where there is an existing sanitary sewer, which is not constructed of one of the above specified materials and is 2 ft (0.6m) or less below the water pipe, the existing sewer shall be encased in concrete with a minimum of 6 in (15 cm) thickness for a 10 ft (3.0 m) distance on each side of the crossing or the crossed section of sewer replaced to meet the above specified construction requirements.
- D. Pressure Sewer Lines. When force mains run parallel to water lines, the separation distance shall be as far as practical, but at least a 10 ft (3.0m) horizontal separation shall be maintained. There shall be at least a 2 ft (0.6 m) vertical separation at crossings with the water main crossing above the sewer force main.

3.5 MANHOLES - GENERAL

- A. Excavation and backfill around manholes shall be in accordance with the applicable paragraphs in Section 312333 TRENCHING AND BACKFILLING. Install manholes on an 8-inch layer of gravel bedding used for sewer pipe bedding. Bedding shall extend a minimum of 6-inches beyond the outer edge of the base

- B. Handle with care to avoid damage to joint ends of each section. Damaged sections may be subject to rejection at the discretion of the Engineer. All manhole construction shall be watertight. The invert, walls and steps shall be cleaned of excess grout and laitance.
- C. Floors of the manholes shall be shaped and smoothed so that flow channels will be formed such that the manhole will be self-cleaning and free of areas where solids may be deposited. The floors shall have a slope of one (1) inch per foot on areas outside of the flow channels.
- D. Connection to existing sewer mains shall be done in an approved manner. Cutting into existing sewer shall be done in such a manner as to prevent damage to sewer not being removed. New invert channel(s) shall be constructed as required and in accordance with the requirements herein and as shown on the Drawings.
- E. Precast manholes with T-lock liner shall be spark tested in strict accordance with the manufacturers recommended test procedures by a certified technician and witnessed by the Owner's representative.

3.6 MANHOLES - PRECAST CONCRETE

- A. Manholes, wetwell and valve vault shall be constructed of precast reinforced manhole sections, concentric or eccentric reducer cone section and flat tops as detailed.
- B. All precast structures shall be set plumb and level on a 8-inch thick (minimum) layer of compacted $\frac{3}{4}$ " gravel.
- C. All section joints shall be set and sealed with an approved joint sealant.

3.7 MANHOLE CASTINGS

- A. All castings and frames shall be placed in the positions indicated on the Drawings.
- B. Manhole Castings shall be set on a full mortar bed or sealed with a troweled-on butyl rubber mastic sealant, Press-Seal Gasket Corporation "Trowelable EZ-Stik #3". In situations where the exterior walls of the manhole will be exposed to weather or where bolt down covers are required, the manhole casting shall be bolted to the precast cone section or flat slab top using $\frac{3}{4}$ " diameter stainless steel threaded rod, nuts and washers epoxy anchored into the concrete.
- C. Castings and frames shall be set true to line and to correct elevations.

3.8 CONNECTION TO MANHOLES.

- A. Connections to new manholes shall utilize flexible connections. Flexible connections allow for limited differential settlement to occur between the pipe and manhole. The uniform compaction of the bedding material under the pipe and up to the spring line or top of the pipe as detailed is essential to the control of this differential settlement. Resilient connectors shall be used with all flexible connections. A flexible preformed mastic sealant shall be installed around the bottom half of the exterior pipe surface between the resilient connector and the invert. This flexible sealant shall be installed to separate the pipe from the invert to maintain the flexibility of the pipe/manhole connection. Pipes installed with flexible connections shall not have concrete encasement at the outside of the manhole.
- B. Connection to Existing Structures shall be done in such a manner as to prevent damage to existing structures. Hole for installation of pipe shall be approximately 4 inches larger in diameter than the outside diameter of the pipe to be installed. Annular space around the pipe or resilient connector, as required, shall be filled solid with non-shrink grout. New invert channels shall be constructed as required and shall conform with the requirements herein. For installing a new manhole on an existing pipe, a clamp-on resilient connector shall be installed on the pipe prior to grouting into the manhole wall.

3.9 NON-SHRINK GROUT

- A. All mixing, surface preparation, handling, placing, consolidation, curing and other means of execution for prepackaged grouts shall be done in strict accordance with the instructions and recommendations of the manufacturer.
- B. Grout shall be placed in such a manner, for the consistency necessary for each application, so as to assure that the space to be grouted is completely filled.

C. The finish of the grout surface shall match that of the adjacent concrete.

3.10 CLEANING AND TESTING

A. General:

1. After all installations are complete, including all backfill and compaction, all piping and appurtenances shall be cleaned of foreign materials. Flushing of foreign materials from a newly completed section of interceptor sewer into section already in service will not be allowed. If ductile iron pipe is utilized the Contractor shall take care not to damage the internal linings. If lining is damaged during either installation or cleaning it shall be repaired in strict accordance with and approved by the pipe manufacturer's technical field service personnel.
2. Contractor shall furnish all labor, tools, potable water, and equipment necessary to perform leakage and deflection tests as specified herein. The methods and equipment used to make the test shall be mutually determined by the Engineer and Contractor before any testing is started. For the purpose of testing, a section of the line shall be considered as the length of line between manholes. Any section that fails the test shall be repaired and retested by the Contractor until the leakage and/or deflection limits is within the allowable limits. Water used for exfiltration testing shall not be allowed to be disposed of through the completed sewer line. The Contractor shall provide the required pumps to dispose of test water to the nearest storm sewer or waterway.
3. If inspection or test shows defects, such defective work or material shall be replaced and inspection and tests repeated. Repairs to piping and appurtenances shall be made with new material at no additional cost to the Owner.
4. All visible leaks shall be repaired.

B. Gravity Lines:

1. Lines shall be checked for alignment by lamping and visual inspection and deflection by mandrel testing. The pipe between manholes shall not be more than 1/4 of the pipe diameter out of alignment.
2. Deflection limits for flexible sewer pipe shall not exceed five (5) percent of the nominal diameter of the pipe. Deflection limits shall be verified by passing a mandrel through the section of sewer line not less than 30 days after completion of the installation.
3. Perform deflection test using a properly sized mandrel without mechanical pulling devices.
4. Under no circumstances shall the mandrel test be performed prior to the completion of all compaction operations required for surface preparation, regardless of the time of completion of the pipe installation.
5. The sewer mandrel shall be fabricated with a diameter not less than 95 percent of base or average diameter of the pipe as determined by the ASTM standard to which the pipe is manufactured. The mandrel shall be certified by an independent testing laboratory. The current certification shall be submitted and approved by the Engineer prior to using the mandrel.
6. The Contractor shall provide video verification of the sewer main on all lines 30 days after substantial completion.
7. Air Test:
 - a. In addition to the visual inspection, the Contractor shall perform a low pressure air test on all pipe installed.
 - b. Testing methods for PVC pipe shall conform to the applicable requirements of ASTM F1417.
 - c. Testing methods for concrete pipe shall conform to the applicable requirements of ASTM C 924.
 - d. Testing methods for vitrified clay pipe shall conform to the applicable requirements of ASTM C828.
 - e. For making the low pressure air tests, the Contractor shall use equipment specifically designed and manufactured for the purpose of testing sewer pipelines using low pressure air. The equipment shall be provided with an air regulator valve or pressure relief valve set so that the internal air pressure in the pipeline cannot exceed 9 psig. All air used shall pass through a single control panel.

- f. Pneumatic plugs shall have a sealing length equal to or greater than the diameter of the pipe to be tested. Pneumatic plugs shall resist internal test pressures without requiring external bracing or blocking.
 - g. The Contractor shall be extremely cautious when testing with low pressure air. It is extremely important that the various plugs be installed in such a way as to prevent blowouts. Inasmuch as a force of 250 lbf (112N) is exerted on an 8-inch (230 mm) plug by an internal pipe pressure of 5 psi (34 kPa), it should be realized that sudden expulsion of a poorly installed plug or of a plug that is partially deflated before the pipe pressure is release can be dangerous.
 - h. NO ONE shall be allowed in the manholes during testing.
 - i. The section of pipe between successive manholes shall be sealed with suitable plugs. Do not overpressure the line. Do not exceed 9.0 psig. One of the plugs shall have an orifice through which to pass air into the section of pipe being tested. The air supply source (air compressor) shall have a 9 psig pressure relief valve. The air supply line shall have a positive on-off valve and suitable means for readily disconnecting it at the control panel. A second orifice in the plug shall be used for constantly reading the internal pressure of the pipe. This orifice shall be continuously connected to a pressure gauge having a range of from 0 to 10 psi. The gauge shall have minimum divisions of 0.10 psi and shall have an accuracy of ± 0.04 psi.
 - j. The line under test shall be slowly pressurized to approximately 4 psi. Regulate the air supply so that the pressure is maintained between 3.5 and 4.0 psig for at least 2 minutes. The air temperature should stabilize in equilibrium with the temperature of the pipe walls. Disconnect the air supply and decrease the pressure to exactly 3.5 psi before starting the test.
 - k. Determine the time required for the pressure to drop from 3.5 psi to 2.5 psi, and compare this interval to the required time to decide if the rate of air loss is within the allowable. Tables 1 and 2 show the minimum holding times for PVC pipe listed by diameter. If the pressure drops 1.0 psig before the appropriate time shown in Table 1 has elapsed, the air loss rate shall be considered excessive and the pipe section has failed the test. For testing of long sections or sections of larger diameter pipes, or both, a timed-pressure drop of 0.5 psig shall be used in lieu of the 1.0 psig drop as shown in Table 2.
 - l. Upon completion of the test, open the bleeder valve and allow all air to escape. Plugs should not be removed until air pressure in the test section has been reduced to atmospheric pressure.
8. An infiltration/exfiltration test may be performed with prior approval by the Engineer.
- a. Infiltration Test: An infiltration test shall be performed when the crown of the sewer line is below the ground water table. The amount of water leaking into the sewer shall be measured by the use of appropriately sized weirs designed specifically for this purpose and approved by the Engineer. The allowable leakage shall not be more than 50 gallons per day, per mile of pipe, per inch nominal diameter. The section of pipe to be tested shall be pumped dry before the start of the test.
 - b. Exfiltration Test: In areas where the crown of the pipe is above the ground water level, an exfiltration test shall be performed. The section of sewer to be tested shall be filled with water so that the water table in the upstream manhole is at least 4 feet above the flowline or 2 feet above the top of the pipe, whichever is greater. The amount of water added during the test period to maintain the water level shall be measured and it shall not exceed a rate of 50 gallons per day, per mile of pipe, per inch of nominal diameter. PVC joints shall be repaired by removal and replacement of the pipe section or pipe joint as directed by the Engineer. D.I.P. joints found to be defective shall be repaired by disassembly of the pipe joint, replacement of the joint and or pipe gasket and reassembly of pipe section utilizing a ductile iron mechanical joint long sleeve with internal pipe filler. Bell clamps will not be an acceptable method of joint repair.
- C. Manholes:
- 1. Manholes structure shall be either vacuum or hydrostatically tested. Vacuum or hydrostatic testing is recommended prior to backfilling, where feasible, to assist in locating leaks. The final test and acceptance shall be based only on a test after the manhole is backfilled and the cast manhole ring is in place. Existing manholes where new connections are made will not be required

- to be vacuum or hydrostatically tested. These manholes shall be visually inspected for water tightness with any leakage noted and corrected prior to manhole acceptance.
2. Vacuum Test - A vacuum test shall be performed on all new manholes. Plug all manhole entrances and exits other than the manhole top access using suitably sized and rated pneumatic or mechanical pipeline plugs. Follow manufacturer's recommendations and warnings for proper and safe installation of such plugs, taking care to securely brace the plugs and the pipe. Attach the vacuum test device to the cast manhole ring and draw a vacuum to 10" of mercury. With the valve at the vacuum line connection closed and the vacuum pump off, measure the time required for the vacuum to drop to 9" of mercury. The manhole passes the test if the time is greater than 60 seconds for a 48" diameter manhole, 75 seconds for a 60" diameter manhole, and 90 seconds for a 72" diameter manhole. If the manhole fails the test, the Contractor shall locate the leak and make proper repairs with non-shrink grout. The manhole shall be retested until acceptable test results are obtained.
 3. Hydrostatic Test - Manholes may be tested using internal or external hydrostatic pressure with prior approval by the Engineer. External hydrostatic testing shall only be used where the groundwater level is at least 4 feet above the invert of the manhole. In all other cases, the internal hydrostatic test procedures must be followed. Sewers connected to the manhole shall be adequately plugged. For the internal hydrostatic test, the manhole shall be filled with water to the top or to a maximum depth of 25-feet above the invert. Water gain or loss shall not exceed 1.14 gallons per day per vertical foot of manhole for either external or internal hydrostatic testing. Infiltration and exfiltration shall be determined after 24 hours of hydrostatic testing by determining the gain or loss of water in the manhole. Contractor shall be responsible for retrieving any plugs or material accidentally washed down a sewer.

3.11 CORROSION PROTECTION

- A. Protective coating for D.I. pipe shall be provided by the use of 8 mil polyethylene loose fitting tubing. The wrapping shall be bunched up at each end to provide for overlap to adjoining pipe by 1 foot. The wrapping on the adjacent pipe is pulled over the bell and secured with three circumferential turns of polyethylene adhesive tape. The resulting loose wrap on the barrel of the pipe shall be pulled snugly around the barrel and taped at 3 foot intervals. The Contractor shall use care in backfilling as to avoid tearing and shall repair all holes in the wrapping.
- B. Polyethylene encasement materials and installation shall be in accordance with ANSI/AWWA C105/A21.5.

3.12 BYPASS PUMPING

- A. Where plugging is used, the Contractor shall monitor upstream manholes for excessive surcharge conditions. The Contractor shall take immediate action and utilize all means necessary to quickly alleviate the surcharge conditions.
- B. Contractor is responsible for locating any existing utilities in the area Contractor selects to locate the diversion pipelines. The diversion pipelines shall be located to minimize any disturbance to existing utilities, traffic, and the Contractor shall obtain approval of the pipeline locations from the Owner and Engineer prior to installation.
- C. Plugging or blocking of sewage flows shall incorporate primary and secondary plugging devices. Plugging devices shall be braced and/or designed such that they are capable of retaining the maximum head that could be produced at the plug location during maximum surcharging of the sewer system. When plugging or blocking is no longer needed for performance and acceptance of work, the plugs or blocks shall be removed in a manner that permits the sewage flow to slowly return to normal, to prevent surcharging or causing other major disturbances downstream.
- D. When working inside manholes, Contractor shall exercise caution and comply with OSHA requirements when working in the presence of sewer gases, combustible oxygen-deficient atmospheres, and confined spaces.
- E. Contractor shall protect the discharge lines from damage in the areas of backhoe operations. Damaged, leaking or defective discharge lines shall be immediately replaced.
- F. Contractor shall confine the discharge pipelines to the limits of Work as defined by the contract documents during bypassing operations.

END OF SECTION

SECTION 333216
WASTEWATER PUMPING SYSTEM

PART 1 GENERAL

1.1 WORK INCLUDED

- A. The work will include the installation and field services for P-621 (used in sludge transfer from Aerobic Digester No. 1 to Aerobic Digester No. 2), guide rails, lift chain kit, discharge fittings as required for guide rail system, upper guide rail brackets (see drawings), electrical/control panel (non-metallic NEMA 4X), anchor bolts, and appurtenances described herein. The pump to be installed and all supplementary equipment as listed previously will be Owner furnished, as described in Section 016400, and installed by Contractor.
- B. The Contractor will be directly responsible for providing and installing all items not listed above for a complete pumping system, including but not limited to valves, piping, piping appurtenances, site work, electrical distribution, communications conduit and cables routed to Mission Monitoring controls etc. Installation shall include the Contractor directly procuring startup and commissioning assistance from the pump supplier.
- C. In order to assure the proper performance and compatibility of interacting components within the intent of the specifications, the pumps, accessories, and control system shall be supplied by the same vendor. All electrical equipment to be of the same supplier, i.e. starters, disconnects, etc.

1.2 COORDINATION OF WORK

- A. All work shall be fully coordinated with other work by Contractor and shop drawings must be checked with each of the various trades by Contractor.

PART 2 PRODUCTS

2.1 GENERAL

- A. Products relevant to this section will be Owner furnished for installation by Contractor.

PART 3 EXECUTION

3.1 INSTALLATION

- A. General: All equipment shall be installed in accordance with acceptable procedures submitted with the shop drawings, manufacturer's instructions and installation manual and as indicated on the Drawings and specified herein, unless otherwise accepted by the Engineer.

3.2 PUMP INSTALLATIONS

- A. The Contractor shall perform the following work to install the pumps and accessories.
 - 1. Provide electrical service in accordance with the attached drawings and in Division 26 of these specifications.
 - 2. The discharge base elbow and the submersible sewage pumps shall be installed in accordance with the manufacturer's detailed instructions and aligned with discharge piping and guide rails.
 - 3. The interior piping shall be installed. The discharge piping shall be connected in a manner to prevent strain on the equipment.
 - 4. All piping and valves shall be installed in accordance with the applicable sections of Division 40.
 - 5. Anti-seize compound shall be liberally applied to the threaded portion of all stainless steel bolts during assembly to prevent galling. Anti-seize compound shall be Jet-Lube "Nikal", John Crane "Thred Gard Nickel", Never-Seez "Pure Nickel Special", or Permatex "Nickel Anti-Seize".

3.3 ELECTRICAL/CONTROL SYSTEMS.

- A. Electrical equipment shall be of the type and quality set forth herein and in accordance with Division 26. Items of equipment installed inside the control panel shall be arranged as shown on the drawings and as specified.
- B. All work shall be performed, and all materials shall be in accordance with the National Electrical Code, the National Electrical Safety Code, and applicable local regulations and ordinances. Where required by applicable codes, materials and equipment shall be listed by Underwriters' Laboratories or other testing organization acceptable to the governing authority.
- C. Sealing of Conduits. Conduit extending from the wet well to the valve vault shall be sealed as set forth herein. After cable has been installed and connected, conduit ends shall be sealed by an approved

sealing compound forced into conduits to a minimum depth equal to twice the conduit diameter but not more than 4 diameters.

3.4 START UP SERVICE

- A. The Contractor shall provide the services of a factory-trained representative to perform initial start-up of the pump station and to instruct the Owner's operating personnel in the operation and maintenance of the equipment provided by them. A written report of the results of the start-up process shall be submitted to the Engineer. The report shall state that the pumps and controls have been installed and are operating correctly in accordance with the manufacturer's recommendations and Contract Documents. It shall also indicate any problems or corrections made during the start-up.

END OF SECTION

SECTION 400500
GENERAL PIPING REQUIREMENTS

PART 1 GENERAL

1.1 DESCRIPTION

- A. This section describes the general requirements for selecting piping materials; selecting the associated bolts, nuts, and gaskets for flanges for the various piping services in the project; and miscellaneous piping items.

1.2 SUBMITTALS

- A. Submit shop drawings in accordance with Section 013300.
- B. Provide data sheets for each type of piping and submit affidavits of compliance with referenced standards (e.g. AWWA, ANSI, ASTM, etc.).
- C. Submit verification of NSF 61 Certification for pipe and fittings.
- D. Submit affidavit of compliance with referenced standards (e.g., AWWA, ANSI, ASTM, etc.).
- E. Submit certified copies of mill test reports for bolts and nuts, including coatings if specified. Provide recertification by an independent domestic testing laboratory for materials originating outside of the United States.
- F. Submit manufacturer's data sheet for gaskets supplied showing dimensions and bolting recommendations.
- G. Submit manufacturer's data sheet for flange insulating kits.
- H. Submit manufacturer's data sheet for insulating unions, showing recommended installation procedures.

1.3 DEFINITIONS OF BURIED AND EXPOSED PIPING

- A. Buried piping is piping buried in the soil, commencing at the wall or beneath the slab of a structure. Where a coating is specified, provide the coating up to the structure wall. Piping encased in concrete is considered to be buried. Do not coat encased pipe.
- B. Exposed piping is piping in any of the following conditions or locations:
 - 1. Above ground.
 - 2. Inside buildings, vaults, or other structures.
 - 3. In underground concrete trenches or galleries.

1.4 INTENT OF DRAWINGS AND SPECIFICATIONS

- A. Except in details, piping is indicated diagrammatically. Sizes and locations are indicated on the Drawings. Not every offset and fitting, or structural difficulty that may be encountered has been indicated on the Drawings.
- B. Perform minor modifications to piping alignment where necessary to avoid structural, mechanical, or other type of obstructions that cannot be removed or changed.
 - 1. Modifications are intended to be of minor scope, not involving a change in the design concept or a change to the Contract Price or Contract Time.

PART 2 PRODUCTS

2.1 MATERIALS SELECTION AND ALTERNATIVE MATERIALS

- A. The drawings list the material and specification for each piping service in the project. The same pipe material shall be used for all pipe sizes in all locations for the given piping service. Do not intermix piping materials unless shown on the Drawings. Stainless steel pipe may be used as an alternate to ductile iron pipe in "exposed piping" locations.

2.2 THREAD FORMING FOR STAINLESS STEEL BOLTS

- A. Form threads by means of rolling, not cutting or grinding.

2.3 BOLTS AND NUTS FOR FLANGES FOR PVC, STAINLESS STEEL, STEEL, AND DUCTILE IRON PIPING

- A. Bolts and nuts for all buried flanges and all flanges located indoors; outdoors; above ground; and in vaults and structures shall be Type 304 stainless steel conforming to ASTM A193, Grade B8 Class 2, for bolts and ASTM A194, Grade 8, for nuts unless indicated otherwise. Fit shall be Class 2A and

2B per ASME B1.1 when connecting cast iron valves having body bolt holes.

- B. Bolts and nuts used in flange insulation kits shall conform to the same requirements as described in the paragraph contained herein; or ASTM A193 (Grade B7). Nuts shall conform to ASTM A194 (Grade 2H).
- C. Form threads for stainless steel bolts by means of rolling, not cutting or grinding.
- D. Provide washers for each nut and bolt head. Washers shall be of the same material as the nuts.

2.4 LUBRICANT FOR STAINLESS STEEL BOLTS AND NUTS

- A. Lubricant shall be chloride free and shall be RAMCO TG-50, Anti-Seize by RAMCO, Specialty Lubricants Corporation Huskyä Lube O'Seal, or equal.

2.5 GASKETS FOR FLANGES FOR DUCTILE IRON PIPING AND FITTINGS IN WATER SERVICE

- A. Gaskets shall be full face, 1/8-inch thick, cloth-inserted rubber, with a Shore "A" hardness of 75 to 85. Gaskets shall be suitable for a water pressure of 200 psi at a temperature of 180°F. Gaskets shall have "nominal" pipe size inside diameters not the inside diameters per ASME B16.21. Products: Garlock Style 19 or equal.

2.6 GASKETS FOR FLANGES FOR DUCTILE IRON AND STAINLESS STEEL PIPING AND FITTINGS IN AIR SERVICE

- A. Gaskets shall be full face, 1/8-inch thick, cloth-inserted rubber, with a Shore "A" hardness of 60. Gaskets shall be suitable for air pressure of 150 psi at a temperature of 300°F. Gaskets shall have "nominal" pipe size inside diameters not the inside diameters per ASME B16.21. Products: Garlock Style 8314 or equal.

2.7 GASKETS FOR FLANGES FOR STEEL AND DUCTILE-IRON PIPING AND FITTINGS IN RAW SEWAGE, SLUDGE, AND SCUM SERVICE

- A. Gaskets shall be full face, 1/8-inch thick, Buna-N having a hardness of 55 to 65 durometer. Gaskets shall be suitable for a water pressure of 200 psi at a temperature of 250°F. Gaskets shall have "nominal" pipe size inside diameters not the inside diameters per ASME B16.21. Provide Garlock Style 9122 or equal.

2.8 GASKETS FOR FLANGES FOR PVC AND CPVC PIPING

- A. Gaskets for flanged joints shall be full faced, 1/8-inch thick, having a hardness of 50 to 70 durometer. Gasket material for other than sodium hypochlorite service shall be EPR. Gasket material for sodium hypochlorite service shall be Viton ETP.

2.9 FLANGE INSULATION KITS

- A. Flange insulation kits shall consist of insulating gasket, an insulating stud sleeve for each bolt, insulating washers for each bolt, and a steel washer between each insulating washer and the nut. The sleeves shall be one piece, integral with the insulating washer. Gaskets shall be full face. Provide double sleeve and washer sets for each bolt.
- B. Gasket material shall be phenolic, 1/8-inch thick. The flange insulating gasket shall be full diameter of the flange with a nitrile O-ring on each side of the gasket. Dielectric strength shall not be less than 500 volts per mil and a compressive strength of not less than 24,000-psi.
- C. Insulating flange bolt sleeves shall be high-density polyethylene or spiral-wrapped mylar. Dielectric strength shall not be less than 1,200 volts per mil.
- D. Insulating flange bolt washers shall be high-strength phenolic a minimum thickness of 1/8-inch. Dielectric strength shall not be less than 500 volts per mil and a compressive strength of not less than 25,000-psi.
- E. Steel flange bolt washers for placement over the insulating washers shall be a minimum thickness of 1/8-inch and be cadmium plated.
- F. Flange insulation kits shall be as manufactured by Central Plastics Company, Advance Product Systems, or equal.

2.10 INSULATING UNIONS

- A. Insulating unions shall consist of a molded nylon sealing sleeve mounted in a three-piece malleable-iron (ASTM A47 or A197) body. Ends shall be threaded (ASME B1.20.1) when connecting to steel piping and copper solder joint when connecting to copper piping. Minimum working pressure shall be 150-psi. Unions shall be as manufactured by Central Plastics Company, Capital Insulation, or equal.

PART 3 EXECUTION

3.1 INSTALLING PIPE SPOOLS IN CONCRETE

- A. Install pipes in walls and slabs before placing concrete. See Section 400762.

3.2 RAISED FACE AND FLAT FACE FLANGES

- A. Use a flat-faced carbon steel, or alloy flange when mating with a flat-faced cast or ductile iron flanges.
- B. High pressure rated flanges as required to mate with equipment when equipment flange is of high pressure rating than required for piping.
- C. Where a raised face flange connects to a flat-faced flange, remove the raised face of the flange.

3.3 INSTALLING ABOVEGROUND OR EXPOSED PIPING

- A. Set piping plumb and at the horizontal and vertical location shown on the Drawings. Provide pipe hangers and supports to maintain alignment, as detailed in the drawings and as specified in Section 400764.
- B. Install pipe without springing, forcing, or stressing the pipe or any adjacent connecting valves or equipment.
- C. Pipe penetrations through walls, slabs, and floors shall be as detailed on the Drawings or as allowed for alternate configurations as specified herein.
- D. Install pipe spools in walls and slabs before placing concrete.
- E. Inspection for Defects: Before installation, inspect pipe and appurtenances for defects and, when applicable, tap the pipe with a light hammer to detect cracks. Reject defective, damaged, or unsound pipe and appurtenances.
- F. Cutting: Cut pipe, when necessary, in a neat and workmanlike manner without damage to the pipe, interior lining, and exterior coating. Perform cutting with an approved mechanical cutter, using a wheel cutter when applicable and practicable.
- G. Cut pipe ends square, ream pipe and tube ends to full pipe diameter, remove burrs.
- H. Beveling: Grind smooth and bevel cut ends and rough edges using methods recommended by the manufacturer and approved by Engineer.
- I. Bolt holes of flanges shall straddle the horizontal and vertical centerlines of the pipe. Clean flanges by wire brushing before installing flanged fittings. Lubricate bolts and tighten nuts uniformly and progressively. If flanges leak under pressure testing, loosen or remove the nuts and bolts, reset or replace the gasket, reinstall or retighten the bolts and nuts, and retest the joints. Joints shall be watertight.
- J. Provide a flange insulation kit at all flanges between dissimilar metals whether shown on the Drawings or not.
- K. Install access fittings to permit disinfection of water system.

3.4 INSTALLING FLANGED PIPING

- A. Set pipe with the flange bolt holes straddling the pipe horizontal and vertical centerline. Install pipe without springing, forcing, or stressing the pipe or any adjacent connecting valves or equipment. Before bolting up, align flange faces to the design plane within 1/16 inch per foot measured across any diameter. Align flange bolt holes within 1/8-inch maximum offset.
- B. Inspection for Defects: Before installation, inspect pipe and appurtenances for defects and, when applicable, tap the pipe with a light hammer to detect cracks. Reject defective, damaged, or unsound pipe and appurtenances.
- C. Inspect each gasket to verify that it is the correct size, material, and type for the specified service and that it is clean and undamaged. Examine bolts or studs, nuts, and washers for defects such as burrs or cracks and rust and replace as needed.
- D. Clean flanges by wire brushing before installing flanged fittings. Clean flange bolts and nuts by wire brushing, lubricate carbon steel bolts with oil and graphite, and tighten nuts uniformly and progressively.
- E. Bolt lengths shall extend completely through their nuts. Any that fail to do so shall be considered acceptably engaged if the lack of complete engagement is not more than one thread.
- F. Do not use more than one gasket between contact faces in assembling a flanged joint.
- G. Tighten the bolts to the manufacturer's specifications, using the recommended cross bolt pattern in

multiple steps of increasing torque, until the final torque requirements are achieved. Do not over torque.

- H. If flanges leak under pressure testing, loosen or remove the nuts and bolts, reset or replace the gasket, reinstall or retighten the bolts and nuts, and retest the joints. Joints shall be watertight.
- I. Install access fittings to permit disinfection of water system.

3.5 INSTALLING BLIND FLANGES

- A. At outlets not indicated to be connected to valves or to other pipes and to complete the installed pipeline hydrostatic test, provide blind flanges with bolts, nuts, and gaskets.
- B. Coat the inside face of blind flanges per Section 099000, System No. 12.

3.6 INSTALLING GROOVED-END PIPING

- A. Install grooved-end pipe and fittings in accordance with the coupling manufacturer's recommendations and the following.
- B. Clean loose scale, rust, oil, grease, and dirt from the pipe or fitting groove before installing coupling. Apply the coupling manufacturer's gasket lubricant to the gasket exterior including lips, pipe ends, and housing interiors.
- C. Fasten coupling alternately and evenly until coupling halves are seated. Use torques as recommended by the coupling manufacturer.
- D. Provide separate hangers and supports at both sides of flexible joints; see Section 400764.

3.7 INSTALLATION OF STAINLESS STEEL BOLTS AND NUTS

- A. Prior to assembly, coat threaded portions of stainless steel bolts and nuts with lubricant.

3.8 INSTALLATION OF SCHEDULE 80 PVC PIPING

- A. Cut pipe ends square and remove all burrs, chips, and filings before joining pipe or fittings. Bevel solvent welded pipe ends as recommended by the pipe manufacturer.
- B. Wipe away loose dirt and moisture from the ID and OD of the pipe end and the ID of the fitting before applying solvent cement. Do not apply solvent cement to wet surfaces.
- C. Make up solvent welded joints per ASTM D2855.
- D. Allow at least eight (8) hours of drying time before moving solvent welded joints or subjecting the joints to an internal or external loads or pressures.
- E. Tighten bolts on PVC flanges by tightening the nuts diametrically opposite each other using a torque wrench. Complete tightening shall be accomplished in stages.
- F. Cut threaded ends to the dimensions of ASME B1.20.1. Ends shall be square cut. Follow the pipe manufacturer's recommendations regarding pipe hold-down methods, saw cutting blade size, and saw cutting speed. Pipe or tubing cutters shall be specifically designed for use on PVC pipe.
- G. If a hold-down vise is used when the pipe is cut, insert a rubber sheet between the vise jaws and the pipe to protect from scratching the pipe.
- H. Thread cutting dies shall be clean and sharp and shall not be used to cut materials other than plastic.
- I. Apply Teflon thread compound or Teflon tape lubricant to threads before screwing on the fitting.
- J. Provide unions on exposed piping 3-inches and smaller as follows:
 - 1. Provide a union 6 to 12-inches downstream of valves.
 - 2. Upstream and downstream of equipment which may need to be removed for maintenance.
 - 3. Where shown in the Drawings.

END OF SECTION

SECTION 400515
PRESSURE TESTING OF PIPING

PART 1 GENERAL

1.1 DESCRIPTION

- A. This section specifies the cleaning and hydrostatic, pneumatic, and leakage testing of pressure piping for pumping stations, wastewater treatment plants; general water piping systems; and raw sewage force mains.

1.2 RELATED WORK SPECIFIED ELSEWHERE

- A. General Piping Requirements: 400500.
B. Valves, General: 400524.

1.3 SUBMITTALS

- A. Submit shop drawings in accordance with Section 013300.
B. Submit test bulkhead locations and design calculations, pipe attachment details, and methods to prevent excessive pipe wall stresses.
C. Submit six copies of the test records to the Owner's Representative upon completion of the testing.

1.4 TEST PRESSURES

- A. Test pressures for the various services and types of piping are shown in:
1. Subsection on "Test Pressure and Test Fluids" in Part 3.

1.5 TESTING RECORDS

- A. Provide records of each piping installation during the testing. These records shall include:
1. Date and times of test.
 2. Identification of pipeline, or pipeline section tested or retested.
 3. Identification of pipeline material.
 4. Identification of pipe specification.
 5. Test fluid.
 6. Test pressure at low point in process, pipeline, or pipeline section.
 7. Remarks: Leaks identified (type and location), types of repairs, or corrections made.
 8. Certification by Contractor that the leakage rate measured conformed to the specifications.

PART 2 PRODUCTS

2.1 VENTS AND DRAINS FOR ABOVEGROUND PIPING

- A. Install vents on the high points of aboveground piping, whether shown in the drawings or not. Install drains on low points of aboveground piping, whether shown in the drawings or not. Provide a valve at each vent or drain point. Valves shall be 3/4 inch for piping 3 inches and larger and 1/2 inch for piping smaller than 3 inches.
1. Valves shall be as specified in Section 400563 and suited for the application unless otherwise shown in the drawings.

2.2 MANUAL AIR-RELEASE VALVES FOR BURIED PIPING

- A. Provide temporary manual air-release valves at test bulkheads for pipeline test. Construct the pipe outlet in the same manner as for a permanent air valve and after use, seal with a blind flange, pipe cap, or plug and coat the same as the adjacent pipe.

2.3 TEST BULKHEADS

- A. Design and fabricate test bulkheads per Section VIII of the ASME Boiler and Pressure Vessel Code. Materials shall comply with Part UCS of said code. Design pressure shall be at least 2.0 times the specified test pressure for the section of pipe containing the bulkhead. Limit stresses to 70 percent of yield strength of the bulkhead material at the bulkhead design pressure. Include air-release and water drainage connections.

2.4 TESTING FLUID

- A. Testing fluid shall be water unless a pneumatic test is shown in the following subsections.
B. For lubricating oil; hydraulic oil; fuel oil; and gasoline piping, use potable water for

hydrostatic testing and flushing.

- C. For potable water pipelines, obtain and use only potable water for hydrostatic testing.
- D. Submit request for use of water from waterlines of water utility 48 hours in advance.
- E. The Contractor may obtain the water from the water utility water utility's *rate of charges*.

2.5 TESTING EQUIPMENT

- A. Provide calibrated pressure gauges, pipes, bulkheads, pumps, compressors, and meters to perform the hydrostatic and pneumatic testing.

PART 3 EXECUTION

3.1 TESTING PREPARATION

- A. Pipes shall be in place, backfilled, and anchored before commencing pressure testing.
- B. Conduct pressure tests on exposed and aboveground piping after the piping has been installed and attached to the pipe supports, hangers, anchors, expansion joints, valves, and meters.
- C. For buried piping, the pipe may be partially backfilled, and the joints left exposed for inspection during an initial leakage test. Perform the final pressure test, however, after completely backfilling and compacting the trench.
- D. Provide any temporary piping needed to carry the test fluid to the piping that is to be tested. After the test has been completed and demonstrated to comply with the specifications, disconnect and remove temporary piping. Do not remove exposed vent and drain valves at the high and low points in the tested piping; remove any temporary buried valves and cap the associated outlets. Plug taps or connections to the existing piping from which the test fluid was obtained.
- E. Provide temporary drain lines needed to carry testing fluid away from the pipe being tested. Remove such temporary drain lines after completing the pressure testing. Pipes may remain full after testing.
- F. Prior to starting the test, the Contractor shall notify the Owner's Representative.

3.2 CLEANING

- A. Before conducting hydrostatic tests, flush pipes with water to remove dirt and debris. For pneumatic tests, blow air through the pipes. Maintain a flushing velocity of at least 3 fps for water testing and at least 2,000 fpm for pneumatic testing. Flush pipes for time period as given by the formula: $T=(2L)/3$, in which "T" is flushing time (seconds) and "L" is pipe length (feet).
- B. For pipelines 24 inches or larger in diameter, acceptable alternatives to flushing are use of high-pressure water jet, sweeping, or scrubbing. Water, sediment, dirt, and foreign material accumulated during this cleaning operation shall be discharged, vacuumed, or otherwise removed from the pipe.

3.3 TESTING AND DISINFECTION SEQUENCE FOR POTABLE WATER PIPING

- A. Perform required disinfection after hydrostatic testing, except when pipeline being tested is connected to a potable waterline.
- B. Locate and install test bulkheads, valves, connections to existing pipelines, and other appurtenances in a manner to provide an air gap separation between existing potable water pipelines and the pipeline being tested. Disinfect water and pipeline being tested before hydrostatic testing when connected to a potable waterline.

3.4 LENGTH OF TEST SECTION FOR BURIED PIPING

- A. The maximum length of test section for buried pipe of 12 inches or smaller in diameter is 1 mile; for buried pipe larger than 12 inches, 1 mile. Provide intermediate test bulkheads where the pipeline length exceeds these limits.

3.5 INITIAL PIPELINE FILLING FOR HYDROSTATIC TESTING

- A. Maximum rate of filling shall not cause water velocity in pipeline to exceed 1 fps. Filling may be facilitated by removing automatic air valves and releasing air manually.

3.6 TESTING NEW PIPE WHICH CONNECTS TO EXISTING PIPE

- A. Prior to testing new pipelines which are to be connected to existing pipelines, isolate the new line from the existing line by means of test bulkheads, pipe caps, spectacle flanges, or blind flanges. After successfully testing the new line, remove test bulkheads, caps, or flanges and connect to the existing piping.

3.7 HYDROSTATIC TESTING OF ABOVEGROUND OR EXPOSED PIPING

- A. Open vents at high points of the piping system to purge air while filling the pipe with water. Venting during system filling may also be provided by temporarily loosening flanges.
- B. Subject the piping system to the test pressure indicated. Maintain the test pressure for a minimum of two hours. Examine joints, fittings, valves, and connections for leaks. The piping system shall show zero leakage or weeping. Correct leaks and retest until zero leakage is obtained.
- C. Where the test pressure is not indicated, test each pressure piping system at 150 percent of the operating pressure indicated, but not less than 25 psi test pressure. The required test period is two hours. Observe each test section for leakage at end of test period. Test fails if leakage observed or pressure drop exceeds 5 percent of test pressure.
- D. Test hot and cold water piping systems subject to the Uniform Plumbing Code per Section 609 latest edition of the code. Piping subject to this testing requirement is listed below.

3.8 HYDROSTATIC TESTING OF BURIED PIPING

- A. Where any section of the piping contains concrete thrust blocks or encasement, do not perform the pressure test until at least 10 days after placing the concrete. When testing mortar-lined or PVC piping, fill the pipe to be tested with water and allow it to soak for at least 48 hours to absorb water before conducting the pressure test.
- B. Apply and maintain the test pressure by means of a positive displacement hydraulic force pump.
- C. Maintain the test pressure for the following duration by restoring it whenever it falls an amount of 5 psi:
 - 1. Pipe Diameter 18 inches and Less: 2 hours.
 - 2. Pipe Diameter 20 to 36 inches: 8 hours.
 - 3. Pipe Diameter Greater than 36 inches: 24 hours.
- D. After the test pressure is reached, use a meter to measure the additional water added to maintain the pressure. This amount of water is the loss due to leakage in the piping system. The allowable leakage volume is defined by the formula: $L=(HND \times \text{Square Root}[P])/C$. Where L=Allowable leakage (gallons), H=Specified test period (hours), N=Number of rubber-gasketed joints in the pipe tested (use zero for welded or flanged pipe), D=Diameter of the pipe (inches), P=Specified test pressure (psig), and C=7,400.
- E. After the test pressure is reached, use a meter to measure the additional water added to maintain the pressure. This amount of water is the loss due to leakage in the piping system. The allowable leakage volume is defined by the formula: $L=(HSD \times \text{Square Root}[P])/C$. Where L=Allowable leakage (gallons), H=Specified test period (hours), S=length of pipe tested (feet), D=Diameter of the pipe (inches), P=Specified test pressure (psig), and C=148,000.
- F. Test piping subject to the Uniform Fire Code requirements per NFPA 24. Test such piping hydrostatically at not less than 200-psi pressure for two hours or at 50 psi in excess of the maximum static pressure when the maximum static pressure is in excess of 150 psi. The amount of leakage in piping shall be measured at the specified test pressure by pumping from a calibrated container. The amount of leakage at the joints shall not exceed 2 quarts per hour per 100 gaskets or joints irrespective of pipe diameter. The piping subject to this testing requirement is listed below shown in the drawings.
- G. The allowable leakage for buried piping having threaded, brazed, or welded (including solvent welded) joints shall be zero.
- H. Repair and retest any pipes showing leakage rates greater than that allowed in the above criteria.

3.9 PNEUMATIC TESTING

- A. Perform pneumatic testing using dry air or nitrogen. Perform tests only after the piping has been completely installed including supports, hangers, and anchors. Protect test personnel and Owner's operating personnel. Secure piping to be tested to prevent the pipe from moving and to prevent damage to adjacent piping and equipment. Remove or isolate from the piping any appurtenant instruments or devices that could be damaged by the test prior to applying the test.
- B. Apply an initial pneumatic leakage test of 25 psig to the piping system prior to final leak testing. Examine for leakage, detected by soap bubbles, at joints and connections. After correcting visible leaks, gradually increase the pressure in the system to not more than one-half of the test pressure. Then increase the pressure in steps of approximately one-tenth of the test pressure until the required test pressure has been reached. Continuously maintain the pneumatic test pressure for a minimum time of four hours and for such additional time as may be necessary to conduct a soap bubble

examination for leakage. The piping system shall show no leakage. Correct any visible leakage and retest.

- C. Test piping systems subject to the Uniform Plumbing Code per Section **1214** of the **latest** edition of the code. Piping subject to this testing requirement is **listed below**.

3.10 REPETITION OF TEST

- A. If the actual leakage exceeds the allowable, locate and correct the faulty work and repeat the test. Restore the work and all damage resulting from the leak and its repair. Eliminate visible leakage.

3.11 BULKHEAD AND TEST FACILITY REMOVAL

- A. After a satisfactory test, remove the testing fluid, remove test bulkheads and other test facilities, and restore the pipe coatings.

3.12 TEST PRESSURE AND TEST FLUIDS

- A. Testing and design **pressures (psig)** shall be as **listed below**.
 - 1. Influent Pump Station Force Main:
 - a. 25 psig test pressure. (Design operating pressure <10-11 psig w/out surge)
 - 2. Sludge Transfer Pump (P-621) Force Main:
 - a. 25 psig test pressure (Design operating pressure <5-6 psig w/out surge)
 - 3. Process Air:
 - a. 8 psig test pressure. (Design operating pressures 4 – 6.5 psig)
 - 4. Gravity Sewer, Gravity Process Lines:
 - a. Low Pressure Air (See Section 333100).
- B. Test pressure shall be the difference between the test HGL elevation and the invert elevation multiplied by 0.433 (psi).

END OF SECTION

SECTION 400520
MISCELLANEOUS PROCESS VALVES

PART 1 - GENERAL

1.1 DESCRIPTION

- A. This section includes materials, testing, and installation of process valves including hose bibbs; globe; angle; needle; diaphragm; pinch; solenoid; pet cocks; mud valves; vacuum breakers; deluge valves; flap valves; balancing valves; gauge valves; instrument valve manifolds; and telescoping valves.

1.2 RELATED WORK SPECIFIED ELSEWHERE

- A. Painting and Coating: 099000.
- B. General Piping Requirements: 400500.
- C. Pressure Testing of Piping: 400515.
- D. Valves, General: 400524.
- E. Plug Valves: 400562.
- F. Ball Valves: 400563.
- G. Butterfly Valves: 400564.
- H. Check Valves for Specific Applications: 400567.

1.3 SUBMITTALS

- A. Submit shop drawings in accordance with Section 013300.
- B. Submit manufacturer's catalog data and detailed construction sheets showing all valve parts. Describe each part by material of construction, specification (such as AISI, ASTM, SAE, or CDA), and grade or type. Identify each valve by tag number to which the catalog data and detail sheets pertain.
- C. Show valve dimensions including laying lengths. Show port sizes. Show dimensions and orientation of valve actuators, as installed on the valves.
- D. Show location of internal stops for gear actuators. State differential pressure and fluid velocity used to size actuators. For worm-gear actuators, state the radius of the gear sector in contact with the worm and state the handwheel diameter.
- E. Show valve linings and coatings. Submit manufacturer's catalog data and descriptive literature.
- F. Submit certification from manufacturer that valves are NSF 61 listed.
- G. Provide additional O&M data per Section 017823.

1.4 WARRANTY

- A. Full warranty against defects in materials and workmanship for one year after final acceptance, including all parts, labor, and expenses.

PART 2 - PRODUCTS

2.1 GENERAL

- A. Valves and the required actuators are identified by tag numbers on the drawings and in the Valve Schedule. See the Valve Schedule Section 400521.
- B. Valves shall be installed complete with flange gaskets, nuts and bolts, operating handwheels or levers, chainwheels, extension stems, floor stands, gear actuators, operating nuts, chains, and wrenches required for operation.
- C. Valves shall have the name of the manufacturer and the size of the valve cast or molded onto the valve body or bonnet or shown on a permanently attached plate.
- D. Bronze or brass material requirements:
 - 1. Any bronze or brass components in contact with water throughout the treatment process shall be made "Lead-Free" as defined in the "Reduction of Lead in Drinking Water Act." Lead-Free shall contain no more than twenty-five hundredth of one percent (0.25 percent or less) total lead contained by weight. The manufacturer shall certify that the bronze meets the "Lead-Free" requirements.
 - 2. For buried locations, valves with mechanical joint ends may be substituted for the flanged ends

specified provided the mechanical joint ends are compatible with the pipe ends.

2.2 VALVE ACTUATORS/OPERATORS

- A. Provide operator types in accordance with the Valve Schedule.
- B. Valves shall open by turning counterclockwise
- C. Valve Boxes: Furnish valve boxes for all buried valves.

2.3 BOLTS AND NUTS FOR FLANGED AND MECHANICAL JOINT VALVES

- A. Bolts and nuts for flanged valves shall be as described in Section 400500.
- B. Buried Service Bolts (for valve installation) shall be fluorocarbon coated cor-ten steel t-bolts and nuts equal to NSS cor-blue or approved equal low allow corrosion-resistant high-strength steel in accordance with ANSI/AWWA C111/A21.11.

2.4 GASKETS FOR FLANGES

- A. Gaskets for flanged end valves shall be as described in Section 400500.

2.5 LINING AND COATING

- A. Coat the exterior of metal valves located above ground or in vaults and structures the same as the adjacent piping. If the adjacent piping is not coated, then coat valves per Section 099000. Apply the specified prime coat at the place of manufacture. Apply intermediate and finish coats at the place of manufacturer or in the field. Finish coat shall match the color of the adjacent piping. Coat handwheels the same as the valves. Do not coat bronze, brass, or stainless steel valves.
- B. Coat the exterior of buried metal valves at the place of manufacture per Section 099000, System No. 10.
- C. Coat the exterior of submerged metal valves, stem guides, extension stems, and bonnets at the place of manufacture per Section 099000, System No. 12. Do not coat bronze, brass, or stainless steel valves.
- D. Line the interior metal parts of metal valves 4 inches and larger, excluding seating areas and bronze and stainless steel pieces, per Section 099000, System No. 12. Apply lining at the place of manufacture. Alternatively, line and coat valves with fusion-bonded epoxy per Section 099761.
- F. Alternatively, apply a fusion-bonded lining suitable for potable water in compliance with AWWA C550.
- G. Coat floor stands per Section 099000.
- H. Measure the thickness of the valve interior linings per Section 099000. Repair areas having insufficient film thickness per Section 099000.

2.6 PACKING, O-RINGS, AND GASKETS

- A. Unless otherwise stated in the detailed valve specifications, packing, O-rings, and gaskets shall be one of the following non-asbestos materials:
 - 1. Teflon.
 - 2. Kevlar aramid fiber.
 - 3. Acrylic or aramid fiber bound by nitrile. Products: Garlock "Bluegard," Klinger "Klingersil C4400," or equal.
 - 4. Buna-N (nitrile).
 - 5. EPDM.

2.7 RUBBER SEATS

- A. Rubber seats shall be made of a rubber compound that is resistant to free chlorine and monochloramine concentrations up to 10 mg/l in the fluid conveyed.

2.8 VALVE END CONNECTIONS

- A. Valve end connections for exposed valves shall be flanged unless shown otherwise. The Contractor shall verify the compatibility of valve ends, including class and drilling of flanges with the connecting pipe.
- B. Buried valve end connections shall be mechanical joint or a push-on unless shown otherwise in the Drawings or in the Valve Schedule.

2.9 VALVES

- A. Globe Valves, Angle Valves, Hose Valves, Hose Bibbs, and Fire Hydrants:
 - 1. Bronze Globe Valves 2 Inches and Smaller:

- a. Globe valves, 2 inches and smaller, shall be all bronze (ASTM B62 or ASTM B584, Alloy C83600) with screwed ends, union bonnet, inside screw, rising stem, and composition or PTFE disc.
- b. Valves shall have a pressure rating of at least 300 psi at a temperature of 150 degrees F.
- c. Stem shall be bronze: ASTM B371 (Alloy C69400), ASTM B99 (Alloy C65100), or ASTM B584 (Alloy C87600).
- d. Valves shall be Crane No. 7TF, Walworth Figure 3095, Stockham B-22T, or equal.
 - 1) Bronze Angle Hose Valves:
 - (a) Angle-type hose valves of sizes 1-1/2 inches and 2-1/2 inches shall be brass or bronze (ASTM B62 or ASTM B584, Alloy C83600) body with rising or nonrising stem, composition disc, and bronze or malleable iron handwheel. Stem shall be bronze, ASTM B62, ASTM B584 (Alloy C83600), or ASTM B198 (Alloy C87600).
 - (b) Valves shall have a cold-water service pressure rating of at least 150 psi.
 - (c) Provide cap and chain with valve.
 - (d) Threads on the valve outlet shall be American National Standard fire hose coupling screw thread.
 - (e) Valves shall be Nibco T-301-HC, Powell Figure 151 with Figure 527 nipple adapter, Crane 17TF with hose nipple adapter, or equal.
 - 2) Bronze Angle Hose Valves (1-1/2-inch and 2-1/2-inch) with Quick Connect Coupling Adapters (for Nonpotable Water Service):
 - (a) Angle-type hose valves of sizes 1-1/2 and 2-1/2 inches shall have brass or bronze (ASTM B62 or B584, Alloy C83600) body with rising or nonrising stem, composition disc, and bronze or malleable iron hand wheel. Stem shall be bronze, ASTM B62, ASTM B585 (Alloy C83600), or ASTM B198 (Alloy C87600).
 - (b) Valve shall have cold-water service pressure rating of at least 150 psi.
 - (c) Threads on valve outlet shall be American National Standard fire hose coupling screw thread (ASME B1.20.7).
 - (d) Provide atmospheric vacuum breaker conforming to ASSE Standard 1011 and IAPMO code and approved by the local health department.
 - (e) Provide with quick connect female adapter to fit the quick connect male adapter on rubber water hose per specification section 221118.
 - (f) Products: Nibco T-301-HC, Powell Figure 151, Crane 17TF, or equal.
 - 3) Bronze Hose Bibbs:
 - (a) Hose bibbs of size 1/2 inch, 3/4 inch, and 1 inch shall be all bronze (ASTM B62 or ASTM B584, Alloy C83600) with rising or nonrising stem, composition disc, bronze or malleable iron handwheel, and bronze stem (ASTM B99, Alloy C65100; ASTM B371, Alloy C69400; or ASTM B584, Alloy C87600). Packing shall be Teflon or graphite.
 - (b) Valves shall have a pressure rating of at least 125 psi for cold-water service.
 - (c) Threads on valve outlet shall be American National Standard fire hose coupling screw thread (ASME B1.20.7).
 - (d) Provide atmospheric vacuum breaker conforming to ASSE Standard 1011 and IAPMO code and approved by the local health department.
 - (e) Valves shall be Jenkins Figure 112, 113, or 372, Nibco Figure T-113-HC, Powell Figure 503H, or equal.
 - 4) Bronze Hose Bibbs 1-inch with Quick Connect Coupling Adapters (for Nonpotable Water Service):
 - (a) Hose bibbs of sizes 1-inch shall be all bronze (ASTM B62 or ASTM B584, Alloy C83600) with rising or non-rising stem, composition disc, bronze or malleable iron hand wheel, and bronze stem (ASTM B99, Alloy C65100; ASTM B371, Alloy C69400; or ASTM B584, Alloy C87600). Packing shall be Teflon or graphite.
 - (b) Valve shall have a pressure rating of at least 125 psi for cold-water service.
 - (c) Threads on valve outlet shall be American National Standard fire hose coupling screw thread (ASME B1.20.7).
 - (d) Provide atmospheric vacuum breaker conforming to ASSE Standard 1011 and IAPMO code and approved by the local health department.
 - (e) Provide with quick connect female coupling to fit the quick connect male adapter

- on the rubber water hose per specification section 221118.
- (f) Products: Jenkins Figure 112, 113, or 372; Nibco Figure T-113-HC; Powell Figure 503H; or equal.
- 5) Hose Valves (3/4 Inch) with Quick Connect Coupling Adapters (for Nonpotable Water Service):
 - (a) Brass body, pressure rating of at least 125 psi cold water, 3/4-inch NPT female inlet, 3/4-inch male hose thread outlet, lock shield bonnet, and removable handle.
 - (b) Provide atmospheric vacuum breaker conforming to ASSE Standard 1011 and IAPMO code and approved by the local health department.
 - (c) Provide with quick connect female adapter to fit the quick connect male adapter on the rubber water hose per Section 221118.
 - (d) Products: Acorn 8126 surface pipe mounted valve with bent nose without flange; Acorn 8121 mount through wall valve with bent nose with flange; Acorn 8131 pipe and pedestal mounted valve located above 6 inches, straight nose; Acorn 8136 pedestal mounted valve located lower than 6 inches, inverted nose; or equal.
 - 6) Bronze Needle Valves 3/4 Inch and Smaller:
 - (a) Needle valves shall be all bronze (ASTM B61, ASTM B62, or ASTM B584, Alloy C83600) with screwed ends, screwed bonnet, and rising stem.
 - (b) Valves shall have a pressure rating of at least 400 psi at a temperature of 150 degrees F.
 - (c) Stem shall be bronze: ASTM B98 (Alloy C65100), ASTM B150 (Alloy C64200), ASTM B584 (Alloy C87600), or ASTM B371 (Alloy C69400).
 - (d) Valves shall be Stockham B-64, Crane No. 88, or equal.
 - 7) Stainless Steel Globe Valves 2 Inches and Smaller:
 - (a) Globe valves 2 inches and smaller shall have bodies, stems, packing nuts, glands, bonnets, union bonnet rings, discs, and disc nuts made of Type 316 stainless steel (ASTM A351, Grade CF8M; or ASTM A276). Packing shall be Teflon.
 - (b) Provide screwed ends (ASME B1.20.1), rising stem, and malleable iron or aluminum handwheel.
 - (c) Valves shall have a pressure rating of at least 150 psig at a temperature of 200 degrees F.
 - (d) Valves shall be Jenkins Figure 1308, Crane/Alloyco Figure 40, or equal.
 - 8) Brass Angle Valves for Use in Fire Protection Service:
 - (a) Valves for use at fire hose racks shall be nominal 1-1/2-inch size, with female NPT inlet and outlet. Valves shall be UL listed and FM rated for fire protection service.
 - (b) Valve shall be constructed of brass with an iron handwheel, painted red.
 - (c) Valve shall be rated for at least 300-psi working pressure.
 - (d) Valves shall be Potter-Roemer Fig. 4070, Allenco Fig. 171, or equal.
 - 9) Bronze Angle Valves 2 Inches and Smaller:
 - (a) Angle valves, 2 inches and smaller, shall be all bronze (ASTM B62 or ASTM B584, Alloy C83600) with screwed ends, union or screwed bonnet, inside screw, rising stem, and bronze disc.
 - (b) Valves shall have a pressure rating of at least 200 psi.
 - (c) Stem shall be bronze: ASTM B371 (Alloy C69400 or C69700).
 - (d) Valves shall be Stockham B-222T, Lunkenheimer Figure 2141, or equal.
 - 10) Wet Barrel Fire Hydrants (AWWA C503):
 - (a) See Section 331219.
 - 11) Dry Barrel Fire Hydrants (AWWA C502):
 - (a) See Section 331219.
 - 12) Angle Fire Hydrants (Wharf Head Valves--AWWA C503):
 - (a) See Section 331219.
2. Diaphragm Valves:
- a. Cast-Iron Diaphragm Valves 3/4 Inch Through 8 Inches:
 - 1) Diaphragm valves, sizes 3/4 inch through 8 inches, shall be of the weir type complying with MSS SP-83, Category B, with cast-iron (ASTM A48, Class 30, or ASTM A126, Class B) body bonnet and lining suited for application. Diaphragm shall be suited for the application.
 - 2) O-rings shall be Teflon. Body-bonnet joint bolting stem, bushing, and travel stop shall be Type 304 stainless steel (ASTM A193, Grade B8).

- 3) Valve shall be manual handwheel operated with rising indicator stem or rising handwheel.
- 4) Valves shall have a minimum pressure rating of 100 psi at a temperature of 120 degrees F.
- 5) Ends shall be flanged, Class 125, ASME B16.1.
- 6) Valves shall be ITT Dia-Flo, Saunders Weir Type, or equal.
- 7) Cast-Iron Diaphragm Valves With Extension Stems:
 - (a) Diaphragm valves, sizes 3/4 inch through 8 inches, shall be of the weir type complying with MSS SP-83, Category B, with cast-iron (ASTM A48, Class 30, or ASTM A126, Class B) body bonnet, and lining suited for application. Diaphragm shall be suited for the application.
 - (b) O-rings shall be Teflon. Body-bonnet joint bolting stem, bushing, and travel stop shall be Type 304 stainless steel (ASTM A193, Grade B8).
 - (c) Valves shall have 2-inch-square operating nut with extension stem actuator.
 - (d) Valves shall have a minimum pressure rating of 100 psi at a temperature of 120 degrees F.
 - (e) Ends shall be flanged, Class 125, ASME B16.1.
 - (f) Valves shall be ITT Dia-Flo, Saunders Weir Type, or equal.
- 8) PVC Diaphragm Valves 1/2 Inch Through 4 Inches:
 - (a) Diaphragm valves, sizes 1/2 inch through 4 inches, shall be of the weir type with PVC bodies and PVC or polypropylene bonnets. PVC shall comply with ASTM D1784, Cell Classification 12454. Polypropylene shall comply with ASTM D4101. Body wall thickness shall conform to Schedule 80 per ASTM D1785.
 - (b) Valve diaphragms shall be EPDM; Viton; or PTFE. Provide elastomer backing for PTFE diaphragms.
 - (c) O-rings shall be EPDM or Viton. Body-bonnet bolting shall be Type 304 stainless steel (ASTM B193, Grade B8) or Hastelloy C (ASTM F468, Grade N10276).
 - (d) Provide polypropylene manual handwheel actuator with rising indicator stem.
 - (e) Minimum pressure rating shall be 150 psi at a temperature of 73 degrees F and 135 psi at a temperature of 110 degrees F.
 - (f) Ends for valves 2 inches and smaller shall be true union with socket weld connections. Ends for valves larger than 2 inches shall be flanged, Class 125, ASME B16.1.
 - (g) Products: Spears Manufacturing Company, ITT Dia-Flo, or equal.
- 9) PVC Diaphragm Valves 1/2 Inch Through 4 Inches in Sodium Hypochlorite Service:
 - (a) Diaphragm valves, sizes 1/2 inch through 4 inches, shall be of the weir type with PVC bodies and PVC or polypropylene bonnets. PVC shall comply with ASTM D1784, Cell Classification 12454. Polypropylene shall comply with ASTM D4101. Body wall thickness shall conform to Schedule 80 per ASTM D1785.
 - (b) Valve diaphragms shall be PTFE coated. Provide Buna-N elastomer backing for diaphragms.
 - (c) O-rings shall be Viton. Body-bonnet bolting shall be Hastelloy C (ASTM F468, Grade N10276).
 - (d) Provide polypropylene manual handwheel actuator with rising indicator stem.
 - (e) Minimum pressure rating shall be 150 psi at a temperature of 73 degrees F and 135 psi at a temperature of 110 degrees F.
 - (f) Ends for valves 2 inches and smaller shall be true union with socket weld connections. Ends for valves larger than 2 inches shall be flanged, Class 125, ASME B16.1.
 - (g) Products: Spears Manufacturing Company or ITT Dia-Flo or equal.
- 10) CPVC Diaphragm Valves 1/2 Inch Through 4 Inches:
 - (a) Diaphragm valves, sizes 1/2 inch through 4 inches, shall be of the weir type with CPVC bodies and CPVC or polypropylene bonnets. CPVC shall comply with ASTM D1784, Cell Classification 23447 or 23547B. Polypropylene shall comply with ASTM D4101. Body wall thickness shall conform to Schedule 80 per ASTM F441.
 - (b) Valve diaphragms shall be EPDM; Viton; or PTFE. Provide elastomer backing for PTFE diaphragms.
 - (c) O-rings shall be EPDM or Viton.

- (d) Body-bonnet bolting shall be Type 304 stainless steel (ASTM B193, Grade B8) or Hastelloy C (ASTM F468, Grade N10276).
 - (e) Provide polypropylene manual handwheel actuator with rising indicator stem. Minimum pressure rating shall be 150 psi at a temperature of 73 degrees F and 110 psi at a temperature of 140 degrees F.
 - (f) Ends for valves 2 inches and smaller shall be true union with socket weld connections. Ends for valves larger than 2 inches shall be flanged, Class 125, ASME B16.1.
 - (g) Products: Spears Manufacturing Company, ITT Dia-Flo, or equal.
- 11) CPVC Diaphragm Valves 1/2 Inch Through 4 Inches in Sodium Hypochlorite Service:
- (a) Diaphragm valves, sizes 1/2 inch through 4 inches, shall be of the weir type with PVC bodies and PVC or polypropylene bonnets. PVC shall comply with ASTM D1784, Cell Classification 12454. Polypropylene shall comply with ASTM D4101. Body wall thickness shall conform to Schedule 80 per ASTM D1785.
 - (b) Valve diaphragms shall be PTFE coated. Provide Buna-N elastomer backing for PTFE diaphragms.
 - (c) O-rings shall be Viton.
 - (d) Body-bonnet bolting shall be Hastelloy C (ASTM F468, Grade N10276).
 - (e) Provide polypropylene manual handwheel actuator with rising indicator stem.
 - (f) Minimum pressure rating shall be 150 psi at a temperature of 73 degrees F and 135 psi at a temperature of 110 degrees F.
 - (g) Ends for valves 2 inches and smaller shall be true union with socket weld connections. Ends for valves larger than 2 inches shall be flanged, Class 125, ASME B16.1.
 - (h) Products: Spears Manufacturing Company, ITT Dia-Flo, or equal.
3. Pinch Valves:
- a. Pinch Valves 1 Inch Through 8 Inches:
 - 1) Pinch valves of sizes 1 inch through 8 inches shall have cast-iron (ASTM A48, Class 30) bodies with totally enclosed actuators and full port design. Sleeves shall be neoprene, Buna-N, or Hypalon. Stems shall be stainless steel or galvanized steel.
 - 2) Ends shall be flanged, ASME B16.1, Class 125.
 - 3) Valves shall be handwheel operated with upper and lower pinch bars.
 - 4) Valves installed on the end of a pipe shall be provided with a Type 304 stainless steel retaining ring to hold the sleeve end in place.
 - 5) Positive Opening Tabs:
 - (a) Ensure that sleeve will not collapse under less than 2 psig internal pressure.
 - (b) Stainless steel with stainless steel fasteners attached to top and bottom pinch bars.
 - (c) Attached to nylon reinforced external band around full circumference of sleeve.
 - (d) Band width: Full width of pinch bars.
 - (1) Valves shall be Red Valve Series 75, Flexible Valve Corporation Series 2100, Galligher "SIGMA," or equal.
 - 6) Pinch Valves 1 Inch Through 8 Inches With Extension Stems:
 - (a) Pinch valves of sizes 1 inch through 8 inches shall have cast-iron (ASTM A48, Class 30) bodies with totally enclosed actuators and full port design. Sleeves shall be neoprene, Buna-N, or Hypalon. Stems shall be stainless steel or galvanized steel.
 - (b) Ends shall be flanged, ASME B16.1, Class 125.
 - (c) Valves shall have 2-inch-square AWWA operating nuts with extension stem actuators. Valves shall have upper and lower pinch bars.
 - (d) Valves installed on the end of a pipe shall be provided with a Type 304 stainless steel retaining ring to hold the sleeve end in place.
 - (e) Positive Opening Tabs:
 - (1) Ensure that sleeve will not collapse under less than 2 psig internal pressure.
 - (2) Stainless steel with stainless steel fasteners attached to top and bottom pinch bars.
 - (3) Attached to nylon reinforced external band around full circumference of sleeve.
 - (4) Band width: Full width of pinch bars.

- (5) Valves shall be Red Valve Series 75, Galligher "SIGMA," or equal.
4. Solenoid Valves:
- a. Design and construct solenoid valves such that they can be used in both horizontal and vertical piping. Provide strainers on solenoid valve supply.
- 1) Metallic Solenoid Valves 1-1/2 Inches and Smaller:
- (a) Solenoid valves of sizes 1/4 inch through 1-1/2 inches for water and air service shall have forged brass (Alloy C23000) or bronze (ASTM B62) bodies with Teflon main seats. Internal plunger, core tube, plunger spring, and cage assembly shall be stainless steel (Types 302, 304, or 305).
 - (b) Solenoid enclosures shall be NEMA 1 or NEMA 4; except where explosion-proof is noted in the drawings.
 - (c) Valve actuators shall be 120-volt a-c.
 - (d) Seals shall be Teflon.
 - (e) Valves shall have a maximum operating pressure and a maximum differential pressure of 125 psi.
 - (f) Solenoid valves shall be energized to *open*.
 - (g) Valves shall be ASCO "Redhat" 8210 Series or Parker Hannifin "Skinner" Model equal.
- 2) Plastic Solenoid Valves 1/4 Inch Through 1 Inch:
- (a) Solenoid valves of sizes 1/4 inch through 1 inch for water and chemical services shall have CPVC bodies with EPDM seals. Valve bodies shall be of the true union design with threaded end connections with the coil assembly contained in a molded polyester housing. Plunger or core tube shall be Teflon or polypropylene.
 - (b) Solenoid enclosures shall be NEMA 4X.
 - (c) Valve actuators shall be 120 volts a-c.
 - (d) Valves shall have a minimum operating pressure of 120 psi and a maximum differential pressure of 25 psi on either side of the valve, with the valve in the closed position.
 - (e) Solenoid valves shall be energized to open.
 - (f) Products: Hayward or equal.
- 3) Pilot-Operated Solenoid Valves 1/2 Inch Through 2 Inches:
- (a) Pilot-operated solenoid valves of sizes 1/2 inch through 2 inches for water and chemical services shall have PVC; CPVC; PVDF (Kynar); or polypropylene bodies with Viton or EPDM seals.
 - (b) Valve bodies shall be of a design in which threaded NPT connections are molded into the valve body. The coil assembly shall be contained in a molded housing of the same material as the valve body or of molded polyester. Plunger or core tube shall be Teflon or polypropylene.
 - (c) When the valve is pressurized and the coil is energized, the coil shall create an electromagnetic field in the top section of the core tube. The resulting electromagnetic force shall pull the core and pilot seat upward, opening the pilot valve. The liquid above the diaphragm shall then vent through the open orifice of the pilot valve to the downstream piping. The inlet pressure under the diaphragm shall lift the diaphragm and open the main valve orifice. When the coil is de-energized, the pilot solenoid spring shall push the core and pilot seat downward, closing the pilot valve. Pressure above the diaphragm shall rise to the inlet pressure level, forcing the diaphragm downward against the main valve seat, sealing the valve.
 - (d) Solenoid enclosures shall be NEMA 4X.
 - (e) Actuators shall be 120 volts a-c.
 - (f) Valve shall sustain a minimum backpressure of 70 psi on the downstream side of the valve, with the valve in the closed position. Minimum inlet pressure rating shall be 140 psi at a temperature of 75 degrees F.
 - (g) Solenoid valves shall be energized to open.
 - (h) Products: Plast-O-Matic Series PS or equal.
- 4) Three-Way Metallic Solenoid Valves 1/2 Inch and Smaller:
- (a) Solenoid valves of sizes 1/8 inch through 1/2 inch for water service shall have forged brass (Alloy C23000) or bronze (ASTM B62) bodies with Buna-N main seats.

- (b) Normally closed, Port 1-3 connected. Energized, Port 2-1 connected. Internal plunger, core tube, plunger spring, and cage assembly shall be stainless steel (Types 302, 304, or 305).
 - (c) Solenoid enclosures shall be NEMA 1; 3R; 7C and D>>.
 - (d) Valve actuators shall be 120-volt a-c.
 - (e) Seals shall be Buna-N
 - (f) Valves shall have an operating pressure of 120 psi.
 - (g) Valves shall be "Red-Hat" Model 8300 or equal.
- 5) Four-Way Metallic Solenoid Valves 1 Inch and Smaller:
- (a) Solenoid valves of sizes 1/4 inch through 1 inch for water, air, and hydraulic oil shall have forged brass (Alloy C23000) or bronze (ASTM B62) bodies with Buna-N main seats. Internal plunger, core tube, plunger spring, and cage assembly shall be stainless steel (Type 302, 304, or 305).
 - (b) Solenoid enclosures shall be NEMA 1; 4; 7C and D.
 - (c) Valve actuators shall be 120-volt a-c.
 - (d) Seals shall be Buna-N.
 - (e) Valves shall have a maximum operating pressure and a maximum differential pressure of 125 psi.
 - (f) Solenoid valve shall change position when energized; the valve shall return to its original position when deenergized.
 - (g) Valves shall be ASCO "Red-Hat" Model 8344 or equal.
5. Pet Cocks and Drain Cocks:
- a. Pet Cocks 1/2 Inch and Smaller:
 - 1) Pet cocks shall be all bronze (ASTM B62) or brass (ASTM B16), rated at 125 psi.
 - 2) Provide lever or tee handle operator.
 - 3) Pet cocks shall be Crane Figure 724, Lunkenheimer Figure 478 or 479, or equal.
 - 4) Drain Cocks 1/2 Inch and Smaller:
 - (a) Drain cocks shall be all bronze (ASTM B62) or brass (ASTM B16), rated at 125 psi.
 - (b) Provide lever or tee handle operator.
 - (c) Drain cocks shall be Crane Figure 702, Lunkenheimer Figure 476 or 980, or equal.
6. Mud Valves:
- a. Mud valves shall be rising stem with flanged end, unless otherwise shown in the drawings. Materials of construction shall be as follows:
 - 1) Body: Cast iron; ASTM A48 or A126.
 - 2) Stem, nut, disc ring, and seat ring: Bronze; ASTM B62 or B584, Alloy C83600.
 - 3) Extension stem: Stainless steel; AISI Type 316.
 - (a) Provide extension stem, stem guides, and AWWA operating nut.
 - (1) Mud valves shall be Clow Figure F-3088, Waterman Industries, or equal.
7. Vacuum Breakers:
- a. PVC Vacuum Breaker Valves, 1 Inch and Smaller:
 - 1) Vacuum breaker valves shall have PVC body and Buna-N; EPDM; or Viton diaphragm and seals.
 - 2) The diaphragm shall unseat at 2-inch Hg vacuum and allow air to enter the system at 80 scfm.
 - 3) End shall be threaded or true union.
 - 4) Vacuum breaker valve shall be Plast-O-Matic Series VBM, Ryan Herco, Harrington Industrial Plastics, or equal.
 - 5) Atmospheric Vacuum Breakers:
 - (a) Vacuum breaker valves shall allow air to enter the line in the event pressure loss causes vacuum conditions. The air inlet shall close without spillage upon initial application of line pressure.
 - (b) The body shall be brass UNS C46400. Poppet or ball shall be plastic or AISI Type 440 stainless steel. Seat shall be Buna-N.
 - (c) Valves shall be Febco Model 710, Johnson Corporation Series VBB, Wilkins Division of Zurn Industries, or equal.
8. Deluge Valves:
- a. Deluge Valves, 2 Inches:

- 1) Deluge valves shall be nominal 2-inch size, with a 2-inch NPT inlet connection, at least a 1-1/2-inch NPT discharge connection, and NPT trim connections.
 - 2) Valves shall be rated for at least 175-psi working pressure, and be UL listed and FM approved for fire protection service.
 - 3) The valve body and cover shall be constructed of ductile iron. The valve clapper, seat, and clamp ring shall be constructed of bronze.
 - 4) Provide valves with all trim necessary for electric actuation as indicated in the drawings.
 - 5) Valves shall be Viking Model E-1, Gem Model B Flooding, or equal.
9. Flap Valves:
- a. Flap Valves (Cast-Iron):
 - 1) Flap valves shall have cast-iron body (ASTM A48 or A126) with bronze (ASTM B62) hinge pin, flap ring, and seat.
 - 2) Ends shall be flanged, spigot end, or hub to match the connecting pipe.
 - 3) Products: Clow F-3012, F-3014, F-3016; Waterous Flap Valves; Waterman Industries; or equal.
 - b. Flap Valves (Non-Metallic):
 - 1) Flap valves or gates shall have a reinforced copolymer or stainless steel body with a flap made of non-metallic material resistant to ultraviolet light.
 - 2) Body of the valve shall not be less than 1/4 inch thick for valve sizes 12-inch diameter and smaller, and 1/2 inch thick for larger valve sizes.
 - 3) Cover (flap) shall be held in place with a clamp bar and Type 316 stainless steel threaded fastener no smaller than 5/16 inch diameter.
 - 4) Hinge shall be suitably reinforced with encapsulated fabric to prevent any water from contacting the fabric.
 - 5) Weight shall be molded into the non-metallic flap material to aid in proper quick closure and to prevent material distortion.
 - 6) Hinge and flap assembly shall be readily replaceable while the gate is in service.
 - 7) Flap gates shall open when there is a differential pressure across the flap of 0.2-feet or less and be designed to meet seating pressures listed in the Valve Schedule.
 - 8) With the flap gate submerged, the head loss shall not exceed 0.3-feet at all exit velocities for gates 60-inches or smaller.
 - 9) Allowable leakage through the flap gate, due to seating load, shall not exceed 0.2 gallons per minute per foot of wetted perimeter.
 - 10) Ends shall be flanged and capable of mounting to a Class 125/150 bolt pattern flanged pipe. Provide gasket between flap gate and connecting pipe.
 - (a) Flap valve materials shall be compatible with a pH range of 7.0 to 9.0 or and a maximum chlorine concentration of 4.0 mg/L and a maximum fluoride concentration of 1.0 mg/L.
 - (b) Products: Plasti-Fab, Hydro Gate, Whipps, Inc, or equal.
10. Balancing Valves, Gauge Valves, and Valve Manifolds:
- a. Balancing Valve:
 - 1) Construct valves of bronze.
 - 2) Valves shall have a machined orifice flow restriction, internal O-rings, a rated working pressure of at least 300 psi, flow setting indicating pointer and calibrated nameplate, and a pressure readout valve port on each side of the orifice.
 - 3) Equip pressure ports with integral check valves.
 - 4) Connections shall be NPT.
 - 5) Valves shall be Bell & Gosset Circuit Setter, Illinois Series 6000, or equal.
 - 6) Gauge Valve:
 - (a) Gauge valves shall be a combination isolation and vent valve with a minimum pressure rating of 3,000 psi at 200 degrees F.
 - (b) Isolation valve shall have interchangeable hard or soft seat.
 - (c) Body, bonnet, and stem shall be Type 316 stainless steel. Packing shall be Teflon or Buna-N.
 - (d) Valves shall have screwed ends and nonblowout stems.
 - (e) Valves shall be AGCO M9 gauge valve or equal.
 - 7) 1/2-Inch Stainless Steel Two-Valve Manifolds:

- (a) Provide manifold body block with separate block valve and calibration or bleed valve.
 - (b) Provide three ports: inlet (process), outlet (instrument), and calibration or bleed port.
 - (c) Minimum pressure rating shall be 6,000 psi at a temperature of 100 degrees F.
 - (d) Valve body, stem, side rings, disc rings, bonnet, valve handles, and packing nut shall be Type 316 stainless steel (ASTM A276, A351, or A479). Upper and lower packing shall be Teflon or UHMWPE.
 - (e) Provide hardened Type 316 stainless steel ball tips on manifold stems.
 - (f) Provide vee stem with replaceable Teflon, PFA; or Delrin seat on manifold stems.
 - (g) End connections shall be 1/2-inch female NPT per ASME B1.20.1.
 - (h) Provide Type 316 stainless steel pipe mounting bracket assembly consisting of bracket, U-bolts, cap screws, nuts, and lock washers.
 - (i) Product: Whitey Series M2 or equal.
- 8) 1/2-Inch Stainless Steel Three-Valve Manifolds:
- (a) Provide manifold body block with separate block valves and equalizer valve.
 - (b) Provide four main ports: two valve-size inlet (process) and two valve-size outlet (instrument) ports. Provide two 1/4-inch body connections with hex key pipe plugs for bleed service.
 - (c) Minimum pressure rating shall be 750 psi at a temperature of 100 degrees F.
 - (d) Valve body, stem, side rings, disc rings, bonnet, valve handles, and packing nut shall be Type 316 stainless steel (ASTM A276, A351, or A479). Upper and lower packing shall be Teflon or UHMWPE.
 - (e) Provide hardened Type 316 stainless steel ball tips on manifold stems.
 - (f) Provide vee stem with replaceable Teflon PFA or Delrin seat on manifold stems.
 - (g) Provide two 1/4-inch purge connections with hex key plugs.
 - (h) End connections shall be **1/2-inch female NPT per ASME B1.20.1; or of the nut-and-ferrule type for connection to tubing**.
 - (i) Provide Type 316 stainless steel pipe mounting bracket assembly consisting of bracket, U-bolts, cap screws, nuts, and lock washers.
 - (j) Product: Whitey Series M3 or equal.
- 9) 1/2-Inch Stainless Steel Five-Valve Manifolds:
11. Telescoping Valves 12 Inches and Smaller:
- a. Fabricate plain; flared; V-notch; or U-notch telescoping valve tube from Type 304 stainless steel with a minimum wall thickness of 1/8 inch.
 - b. Provide Type 304 stainless steel lifting strap, companion flange, stem, fasteners, and hardware.
 - c. Provide Buna-N or neoprene gasket for watertight seal around the sliding tube.
 - d. Valve travel shall be as shown in the drawings.
 - e. Provide nonrising stem with offset handwheel actuator
 - f. Provide Type 304 stainless steel anchor bolts for actuator pedestal.
 - g. Manufacturers: Waterman Industries, Inc., Coldwell-Wilcox Company, or equal.

PART 3 - EXECUTION

3.1 JOINTS

- A. Bolt holes of flanged valves shall straddle the horizontal and vertical centerlines of the pipe run to which the valves are attached. Clean flanges by wire brushing before installing flanged valves. Clean flange bolts and nuts by wire brushing, lubricate threads with oil and graphite, and tighten nuts uniformly and progressively. If flanges leak under pressure testing, loosen or remove the nuts and bolts, reseal or replace the gasket, reinstall or retighten the bolts and nuts, and retest the joints. Joints shall be watertight.
- B. Clean threaded joints by wire brushing or swabbing. Apply Teflon joint compound or Teflon tape to pipe threads before installing threaded valves. Joints shall be watertight.
- C. Install lug-type valves with separate hex head machine bolts at each bolt hole and each flange (two bolts per valve bolt hole).
- D. Install grooved-end couplings for valves in accordance with Section 400500.

3.2 INSTALLING EXPOSED VALVES

- A. Install in accordance with manufacturer's instructions.
- B. Unless otherwise indicated in the drawings, install valves in horizontal runs of pipe having centerline elevations 4 feet 6 inches or less above the floor with their operating stems vertical. Install valves in horizontal runs of pipe having centerline elevations between 4 feet 6 inches and 6 feet 9 inches above the floor with their operating stems horizontal.
- C. Install valves on vertical runs of pipe that are next to walls with their stems horizontal, away from the wall. Valves on vertical runs of pipe that are not located next to walls shall be installed with their stems horizontal, oriented to facilitate valve operation.

3.3 INSTALLING BURIED VALVES

- A. Connect the valve, coat the flanges, or apply tape wrapping or polyethylene encasement, and place and compact the backfill to the height of the valve stem.
- B. Place block pads under the extension pipe to maintain the valve box vertical during backfilling and repaving and to prevent the extension pipe from contacting the valve bonnet.
- C. Mount the upper slip pipe of the extension in midposition and secure with backfill around the extension pipe. Pour the concrete ring allowing a depression so the valve box cap will be flush with the pavement surface.
- D. Install debris cap as close as possible under the cast-iron cover without interfering with the cover operation. Trim flexible skirt to provide a smooth contact with the interior or the extension pipe.

3.4 FIELD COATING BURIED VALVES

- A. Coat flanges of buried valves and the flanges of the adjacent piping, and the bolts and nuts of flanges and mechanical joints, per Section 099000, System No. 10.
- B. Wrap buried metal valves 6 inches and larger with polyethylene sheet.
- C. Wrap buried metal valves 6 inches and larger in two layers of polyethylene conforming to AWWA C105, 8 mils in thickness each. Pass the two sheets of polyethylene under the valve and the coated flanges or joints with the connecting pipe and draw the sheets around the valve body, the valve bonnet, and the connecting pipe. Secure the sheets with plastic adhesive tape about the valve stem below the operating nut and about the barrel of the connecting pipe to prevent the entrance of soil. Fold overlaps twice and tape. Backfill the valve with care to avoid damaging the polyethylene.

3.5 MOUNTING GEAR ACTUATORS

- A. The valve manufacturer shall select and mount the gear actuator and accessories on each valve and stroke the valve from fully open to fully closed prior to shipment.

3.6 VALVE FIELD TESTING

- A. Operate manual valves through three full cycles of opening and closing. Valves shall operate from full open to full close without sticking or binding. Do not backfill buried valves until after verifying that valves operate from full open to full closed. If valves stick or bind, or do not operate from full open to full closed, repair or replace the valve and repeat the tests.
- B. Gear actuators shall operate valves from full open to full close through three cycles without binding or sticking. The pull required to operate handwheel- or chainwheel-operated valves shall not exceed 80

pounds. The torque required to operate valves having 2-inch AWWA nuts shall not exceed 150 ft-lbs. If actuators stick or bind or if pulling forces and torques exceed the values stated previously, repair or replace the actuators and repeat the tests. Operators shall be fully lubricated in accordance with the manufacturer's recommendations prior to operating.

- C. After flap valve/gate installation, exercise each valve from the closed position to fully open position and back to the closed position at least twice and verify if valve is properly seated.

END OF SECTION

**SECTION 400524
VALVES, GENERAL**

PART 1 GENERAL

1.1 WORK INCLUDED

- A. The Contractor shall provide all tools, supplies, materials, equipment, and labor necessary for furnishing, epoxy coating, installing, adjusting, and testing of all valves and appurtenant work, complete and operable, in accordance with the requirements of the Contract Documents. Where buried valves are shown, the Contractor shall furnish and install valve boxes to grade, with covers, extensions, and position indicators.
- B. The provisions of this Section shall apply to all valves and valve operators specified in the various Sections of these Specifications except where otherwise specified in the Contract Documents. Valves and operators in particular locations may require a combination of units, sensors, limit switches, and controls specified in other sections of these Specifications.

1.2 CONTRACTOR SUBMITTALS

- A. Shop Drawing. Shop drawings of all valves and operators including associated wiring diagrams and electrical data, shall be furnished as specified in Section entitled "Shop Drawings, Project Data and Samples".
- B. Valve Labeling. The Contractor shall submit a schedule of valves to be labeled indicating in each case the valve location and the proposed wording for the label.

1.3 QUALITY ASSURANCE

- A. Valve Testing. Unless otherwise specified, each valve body shall be tested under a test pressure equal to twice its design water-working pressure.
- B. Bronze Parts. Unless otherwise specified, all interior bronze parts of valves shall conform to the requirements of ASTM B 62, or, where not subject to dezincification, to ASTM B 584.

PART 2 PRODUCTS

2.1 VALVES

- A. General: The Contractor shall furnish all valves, gates, valve-operating units, stem extensions, and other accessories as shown or specified. All valves and gates shall be new and of current manufacture.
- B. Shut-off valves mounted higher than 6-feet above working level shall be provided with chain operators. All valves shall have a minimum design pressure rating of 150 psi and capable of a test pressure of 300 psi. For service applications with pressures in excess of 150 psi, valves shall have a minimum pressure rating in excess of the service application working pressure.
- C. Cast iron parts of valves shall meet the requirements of ASTM A 126. Flanged ends shall be flat-faced and have bolt circle and bolt patterns conforming to ANSI/ASME B16.1, Class 125, unless otherwise specified hereinafter.
- D. All castings shall be clean and sound, without defects of any kind and no plugging, welding or repairing of defects will be permitted. All bolt heads and nuts shall be hexagonal conforming to ANSI B18.2. Gaskets shall be full face and made of natural or synthetic elastomers in conformance with ANSI B16.21 suitable for the service characteristics, especially chemical compatibility, and temperature. Nonferrous alloys of various types shall be used for parts of valves as specified. Where no definite specification is given, the material shall be the recognized acceptable standard for that particular application.
- E. All buried valves shall be provided with cast-iron valve boxes unless otherwise indicated. The boxes shall be asphalt varnished, or enameled cast iron, adjustable to grade, and installed perpendicularly, centered around, and covering the upper portions of the valve or valve operator, or the pipe. The top of each valve box shall be placed flush with finish grade unless otherwise indicated on the Drawings. Valve boxes shall be as specified elsewhere in this section.
- F. All buried valves and other valves located below the concrete operating deck or level, specified or noted to be key operated, shall have an operator to finish grade or deck level, a 2-inch square AWWA operating nut, and cover or box and cover, as may be required.
- G. Protective Coating: Except where otherwise specified, ferrous surface except stainless steel in the interior passages of all valves 4-inch and larger, as well as the exterior surfaces of all submerged valves, shall receive a fusion-bonded epoxy coating in accordance with AWWA C550. Flange faces of valves shall not be epoxy coated. The Contractor, through the valve manufacturer, shall certify in writing that such coating has been applied and tested in the

- manufacturing plant prior to shipment, in accordance with these Specifications.
- H. Valve Operators: Where shown, certain valves shall be furnished with operators, provided by the valve or gate manufacturer. All operators of a given type shall be furnished by the same manufacturer. All valve operators, regardless of type, shall be installed, adjusted, and tested by the valve manufacturer at the manufacturing plant.
 - I. All operators, unless otherwise specified, shall turn counterclockwise to open. Operators shall have the open direction clearly and permanently marked. All valve operators, manual, motor and pneumatic, shall be provided with the valve by the valve manufacturer. The Contractor, through the valve manufacturer, shall be solely responsible for the selection of the proper operator to meet the operating conditions specified herein. Field calibration and testing of the operators and valves to ensure a proper installation and an operating system shall be the responsibility of the Contractor.
 - J. Unless otherwise specified, all manual operators shall have levers or handwheels. Where buried, the valves shall have extensions with square nuts or floor stands. Tee wrenches for buried valves and hydrants shall be provided at a rate of one (1) per five (5) valves/hydrants. Valves mounted higher than 7'6" above floor or operating level shall have chain operators. Unless otherwise shown or specified, valves of sizes 4-inch and larger shall have gear-assisted operators.
 - K. Operation of valves shall be designed so that the effort required to operate the handwheel, lever or chain shall not exceed 40 pounds applied at the extremity of the wheel or lever. The handwheels on valves 14 inches and smaller shall not be less than 8 inches in diameter, and on valves larger than 14 inches, the handwheel shall not be less than 12 inches in diameter.
 - L. Chainwheel operator shall be fabricated of malleable iron and pocketed type chainwheels with chain guards and guides. Chainwheel operators shall be marked with an arrow and the word "open" indicating direction to open. The operators shall have galvanized smooth welded link type chain. Chain that is crimped or has links with exposed ends shall not be acceptable.
 - M. Floor Stands: Floor stands shall be cast iron, non-rising stem type with lockable hand wheel operator, valve position indicator and steel extension stem. Hand wheel shall be lockable in the full closed position. The floor stand shall be furnished with an armored padlock and six keys. Lock shall be as manufactured by Master, Schlage or equal. Floor stand shall be standard pattern type as manufactured by Clow Corporation, or equal.
 - N. Valve Labeling: A label shall be provided on all shut-off valves. The label shall be of 1/16-inch plastic or stainless steel, minimum 2 inches by 4 inches in size, and shall be permanently attached to the valve or on the wall adjacent to the valve or as indicated by the Engineer.
 - O. Position Indicators: All shut-off valves, 6-inch and larger, shall have operators with position indicators. Where buried, these valves shall be provided with valve boxes and covers containing position indicators, and valve extensions, as required. The valve indicator shall be hermetically sealed for installation inside a cast iron valve box and shall show valve disc position, direction of rotation and number of turns from fully opened to full closed. Position indicator, complete, shall be Diviner Ground Level Position Indicator as manufactured by Henry Pratt Company, GPI-S Series as manufactured by DynaTorque, Inc, or Valve Position Indicator as manufactured by Trumbull Industries, Inc.
 - P. Extension Stems: Extension stems and stem guides shall be furnished and installed where specified, indicated on the drawings, or otherwise required for proper valve operation. Extension stems shall be of solid steel and shall be not smaller in diameter than the stem of the valve actuator shaft. Extension stems shall be connected to the valve actuator by means of a Lovejoy "Type D" single universal joint with grease-filled protective rubber boot and S.S. fasteners. All stem connections shall be pinned.
 - Q. At least two stem guides shall be furnished with each valve requiring stem guides. Stem guides shall be of cast iron construction, bronze bushed and adjustable in two directions. Stem guide spacing shall not exceed 100 times the stem diameter or 10 feet, whichever is smaller. The top stem guide shall be designed to carry the weight of the extension stem. The extension stem shall have a collar; the collar shall be pinned to the stem and shall bear against the stem thrust guide.
 - R. Extension stems shall be provided for all buried valves when the valve actuator is greater than 4 feet below finished grade and/or as required for position indicators. Each extension stem for a buried valve shall extend to within 6 inches of the ground surface, shall be provided with spacers which will center the stem in the valve box, and shall be equipped with a wrench nut.

2.2 VALVE SCHEDULE

VALVE SCHEDULE					
<u>Valve Number</u>	<u>Valve Type</u>	<u>Size (in)</u>	<u>Location</u>	<u>Operator</u>	<u>JOINT TYPE</u>
PV-116	DI Metal Plug	4"	Equalization Return	Vlv. Box, Ext. Stem	MJ
BFV-231	304SS Butterfly, Wafer	4"	BLWR-231 Iso	LO	WAFER
BFV-232	304SS Butterfly, Wafer	4"	BLWR-232 Iso	LO	WAFER
BFV-233	304SS Butterfly, Wafer	4"	BLWR-231, BLWR-232 Standby Share Iso	LO	WAFER
BFV-234	304SS Butterfly, Wafer	4"	BLWR-231, BLWR-232 Standby Share Iso	LO	WAFER
BLV-235	304SS Ball, Full Port	3"	DIF-231 Iso (MBBR Stage 1)	LO	NPT
BLV-236	304SS Ball, Full Port	2"	DIF-232 Iso (MBBR Stage 2)	LO	NPT
BLV-237	304SS Ball, Full Port	1.5"	DIF-233 Iso (MBBR Stage 3)	LO	NPT
BLV-238	304SS Ball, Full Port	1"	PG-231 Iso (MBBR Header)	LO	NPT
BLV-321	304SS Ball, True Union	3"	RAS	LO	SOC x SOC, True Union
BLV-322	304SS Ball, True Union	3"	RAS	LO	SOC x SOC, True Union
BLV-323	304SS Ball, True Union	3"	WAS	LO	SOC x SOC, True Union
BLV-324	304SS Ball, True Union	3"	WAS	LO	SOC x SOC, True Union
PV-411	DI Metal Plug	6"	Between Existing CCT and Lagoon	Vlv. Box, Ext. Stem	MJ
PV-412	DI Metal Plug	6"	New CCT/Post-Aeration Influent	Vlv. Box, Ext. Stem	MJ
BLV-431	304SS Ball, Full Port	1"	New CCT/Post-Aeration	LO	NPT

VALVE SCHEDULE					
BLV-432	304SS Ball, Full Port	1"	New CCT/Post-Aeration	LO	NPT
BLV-433	304SS Ball, Full Port	1"	New CCT/Post-Aeration	LO	NPT
BLV-434	304SS Ball, Full Port	1"	New CCT/Post-Aeration	LO	NPT
BLV-621	304SS Ball Full Port	1.25"	Pump P-621 Discharge Throttling Valve	LO	NPT
BFV-631	304SS Butterfly, Wafer	2.5"	BLWR-631 Iso	LO	WAFER
BLV-632	304SS Ball, Full Port	2"	DIF-631 Iso (Aerobic Digester No. 1)	LO	NPT
BLV-633	304SS Ball, Full Port	2"	DIF-631 Iso (Aerobic Digester No. 1)	LO	NPT
BLV-634	304SS Ball, Full Port	2"	DIF-632 Iso (Aerobic Digester No. 2)	LO	NPT
TLV-681	Telescoping Valve	4"	Aerobic Digester decant / thickening valve	Handwheel	FL
TLV-682	Telescoping Valve	4"	Aerobic Digester decant / thickening valve	Handwheel	FL

2.3 VALVE BOXES

- A. Each valve buried to a depth of 4 feet or less shall be provided with a slide type valve box. Valve boxes shall be cast iron, extension sleeve type, suitable for the depth of cover required by the drawings. Not more than one extension will be allowed with each slide type valve box. Valve boxes shall be not less than 5 inches in inside diameter, shall have a minimum thickness at any point of 3/16 inch, and shall be provided with suitable cast iron bases and covers.
- B. Each valve buried to a depth greater than 4 feet shall be provided with a valve box consisting of a cast iron cover and a 6 inch cast iron pipe section. The cover shall be a Clay & Bailey "No. 2193" or Tyler "Series 6890-A". The pipe shaft shall be sized to extend from the valve to 5 inches inside the valve box cover. Covers shall have cast thereon designation of the service for which the valve is used.
- C. All parts of valve boxes, bases, and covers shall be shop coated by dipping in asphalt varnish.
- D. Top sections and covers for valve boxes which are to be provided with position indicators shall be designed for proper installation of the position indicator and accessories.
- E. Valves and valve boxes shall be set plumb. Each valve box shall be placed directly over the valve it serves, with the top of the box brought flush with the finished grade. After being placed in proper position, earth shall be filled in around each valve box and thoroughly tamped on each side of the box.
- F. The covers shall be marked "WATER", "SEWER", "GAS", depending on service.

PART 3 EXECUTION

3.1 VALVE INSTALLATION

- A. General: All valves, operating units, stem extensions, valve boxes, and accessories shall be installed in accordance with the manufacturer's written instructions and as shown and specified. All gates shall be adequately braced to prevent warpage and bending under the intended use. Valves shall be firmly supported to avoid undue stresses on the pipe.
- B. Access: All valves shall be installed to provide easy access for operation, removal, and maintenance and to avoid conflicts between valve operators and structural members or handrails.
- C. Valve Accessories: Where combinations of valves, sensors, switches, and controls are specified, it shall be the responsibility of the Contractor to properly assemble and install these various items so that all systems are compatible and operating properly. The relationship between interrelated items shall be clearly noted on shop drawing submittals.

END OF SECTION

THIS PAGE INTENTIONALLY LEFT BLANK.

SECTION 400526

MOVING BED BIOLOGICAL REACTOR

PART 1 GENERAL

1.1 RELATED DOCUMENTS

- A. Drawings and general provisions of the Contract, including General and Supplementary Conditions and technical specification sections, apply to this section.

1.2 SUMMARY

- A. The contractor shall furnish all labor and tools, to perform all work and services necessary for the installation of a Moving Bed Biological Reactor, complete and ready for operation in accordance with the provisions of the contract documents.
- B. The owner shall furnish all materials necessary for the installation
- C. Related Sections include the following:
 - a. Blowers – 460529
 - b. Air Diffusers – 465103

1.3 QUALITY ASSURANCE

- A. The Drawings and Specifications are based on a moving bed biological reactor.
- B. All necessary equipment, controls, and engineering within the scope of supply stated in section 2.1 that are needed to achieve the performance standards stated in section 1.5 below, shall be supplied by the owner. The ENGINEER has pre-designed the MBBR Process.

PART 2 PRODUCTS

2.1 SCOPE OF SUPPLY

- A. The Owner shall supply all process equipment and design necessary to achieve the performance standards stated in section 1.5 this includes:
 - i. Air supply blowers
 - ii. High surface area media
 - iii. Coarse bubble aeration grid
 - iv. Media retention sieves
 - v. Blower control panel (CP-231)
 - vi. Shop drawings and process engineering design
- B. Other non-process related equipment will NOT be provided by the Owner, items include but are not limited to:
 - i. Steel baffle walls / partitions
 - ii. Electrical infrastructure and equipment wiring
 - iii. Piping, valves, pipe supports, piping appurtenances

2.2 STAINLESS STEEL AERATION GRID

- A. Included in the scope of supply for the aeration grid are the following: Midwest Water Operations will fabricate and supply the aeration grid which includes all submerged diffuser piping, diffusers, and drop pipes.

- B. Midwest Water Operations shall provide the services of a field representative to advise on field installation. The services of the field representative shall include at least one (1) day, exclusive of travel time, and one (1) travel trip during the time that the equipment is being installed. The Contractor shall notify the Midwest Water Operations a minimum of ten (10) working days prior to the time that the field services are desired.

2.3 HIGH SURFACE AREA MEDIA

- A. High surface area media shall be manufactured by Raschig and furnished by the Owner for installation by Contractor.

2.4 MEDIA RETENTION SIEVES

- A. The media retention sieves shall be furnished by Owner for installation by Contractor.

2.5 AIR SUPPLY BLOWERS

- A. The air supply blowers and blower control panel CP-231 shall be manufactured by Republic Blowers, furnished by the Owner and installed by Contractor.
- B. The control panel will be mounted outside, and it shall be enclosed in an outdoor rated NEMA weatherproof enclosure
- C. The panel shall be delivered completely assembled, pre-wired, tested, and ready for installation.
- D. The control panel shall have sufficiently sized variable frequency drives for the blowers along with starters for the blower enclosure fans. The enclosure fans shall have a 15 min off delay after the blower is switched off to allow for enclosure cooling.
- E. The control panel shall include a 7-day timer switch that will automatically switch the duty and standby blowers.
- F. The integrated temperature controllers shall be able to accept a type-K thermocouple input and have a digital readout with buttons necessary to adjust the minimum temperature setting.

PART 3 EXECUTION

3.1 INSTALLATION

- A. The MBBR system shall be constructed to the lines and grades as shown on the Drawings.
- B. Installation of the MBBR reactor components shall be in accordance with the Engineer's specifications.
- C. Connect all electrical components in accordance with the requirements provided by manufacturer in submittals.
- D. Owner shall provide the services of a field representative to advise on field installation. The services of the field representative shall include at least one (1) day, exclusive of travel time, and one (1) travel trip during the time that the equipment is being installed. The Contractor shall notify the manufacturer a minimum of ten (10) working days prior to the time that the field services are desired.

3.2 CONTRACTOR RESPONSIBILITIES

- A. The contractor shall furnish all labor and tools, to perform all work and services

necessary for and incidental to the installation of a complete Moving Bed Biological Reactor, complete and ready for operation in accordance with the provisions of the contract documents.

- B. Products relevant to this section will be Owner furnished for installation by Contractor unless otherwise stated previously.
- C. The contractor is responsible for the rehabilitation of the existing tanks, installation of new baffle walls where shown, and installation of all internals.
- D. Contractor is responsible for any hardware that is not explicitly stated as provided in this spec, including but not limited to bolts, gaskets, seals, anchors etc.
- E. Contractor is responsible ensuring baffle wall connections are completely sealed so that no media will bypass screen openings.
- F. Contractor shall provide single phase, 480V, 3-phase power necessary to operate the MBBR system.

3.3 START-UP AND TRAINING SERVICES mission 8 hours for startup

- A. Upon receipt of a letter from the Contractor certifying that the wastewater treatment plant installation is ready for start-up, the Engineer shall provide the services of a field person for a total of 1 eight (8) hour day. Time of trip shall be coordinated with Owner. The field person shall do a functional check of each item furnished by the manufacturer, and start-up of the process. During this time, the field representative will provide not less than 3 hours of operation training for Owner's personnel, which shall include familiarization with the wastewater treatment plant process, its requirements, and review of the operational requirements.

3.3 WARRANTY

- A. The Contractor shall provide a one (1) year warranty to warranty the labor and installation of the MBBR equipment.

3.4 OPERATION AND MAINTENANCE MANUAL

- A. Contractor shall provide Owner with three (3) copies of an Operation and Maintenance Manual for proper operation and maintenance of the wastewater treatment plant. The manual shall include description of treatment process and equipment operation; shop drawings, field reports, operation and maintenance procedures, process control guidelines, equipment specifications, schedules, and spare parts information. A recommended list of spare parts shall be provided.

END OF SECTION

SECTION 400562
PLUG VALVES

PART 1 - GENERAL

1.1 DESCRIPTION

- A. This section includes materials, testing, and installation of plug valves and accessories.

1.2 RELATED WORK SPECIFIED ELSEWHERE

- A. Painting and Coating: 099000.
- B. General Piping Requirements: 400500.
- C. Pressure Testing of Piping: 400515.
- D. Valves, General: 400524.

1.3 SUBMITTALS

- A. Submit shop drawings in accordance with Section 013300.
- B. Submit manufacturer's catalog data and detailed construction sheets showing all valve parts. Describe each part by material of construction, specification (such as AISI, ASTM, SAE, or CDA), and grade or type. Identify each valve by tag number to which the catalog data and detail sheets pertain.
- C. Show valve dimensions including laying lengths. Show port sizes. Show dimensions and orientation of valve actuators, as installed on the valves.
- D. Show location of internal stops for gear actuators. State differential pressure and fluid velocity used to size actuators. For worm-gear actuators, state the radius of the gear sector in contact with the worm and state the handwheel diameter.
- E. Show valve linings and coatings. Submit manufacturer's catalog data and descriptive literature.
- F. For eccentric plug valves, show the clear diameter or size of the port. Show the actual area of the port as a percentage of the area as calculated for the nominal valve size.
- G. Submit certification from manufacturer that valves are NSF 61 listed.
- H. Provide additional O&M data per Section 017823.

1.4 PROOF OF DESIGN TEST FOR ECCENTRIC PLUG VALVES

- A. The Contractor shall require the valve manufacturer to furnish six certified copies of reports covering the design tests for the eccentric plug valves as described in AWWA C517 and the following. One prototype valve of each size and class of a manufacturer's design shall be tested for leakage at the specified design pressure and hydrostatically tested with twice the specified design pressure. The hydrostatic test shall be performed with the plug in the open position. The leakage test shall be performed with the plug in the closed position. The duration of each test shall be 10 minutes minimum. During the leakage test, there shall be no indication of leakage past the valve plug. Valves specified to have bi-directional seats shall be leak tight in both directions. In the case of flanged valves, the valve body shall be bolted to a flanged test head.
- B. No part of the valve or plug shall be permanently deformed by the hydrostatic test. During the hydrostatic test, there shall be no leakage through the metal, the end joints, or the shaft seal.
- C. It is the intent that the valve manufacturer provides evidence of the adequacy of each type offered to perform under design pressures within the applicable rating for a sufficient number of test cycles simulating a full service life. The adequacy is to be proven by tests, made on one or more valves selected to represent each basic type of seat design of a size within each applicable group, in a pressure class or classes equal to or greater than that specified. The test cycle requirements are as follows:
 - 1. Size Group 3 to 20 inches: 10,000 cycles with a minimum differential pressure of 150 psig.
 - 2. Size Group 24 to 42 inches: 5,000 cycles with a minimum differential pressure of 150 psig.
 - 3. Every test cycle shall consist of applying the specified differential pressure to the plug in the closed position, then opening the plug (which will relieve the pressure) to the wide-open position and then closing the plug.

4. The valve shall be leak tight under the specified pressure differential upon completion of the cycle test without having to stop during the test to repair the valve, modify or reinforce the seat, or install shims or wedges around the seat.
5. The plug shall not be rotated past the center position to jam the plug onto the seat during the hydrostatic test, the leakage test, or the cycle test.

1.5 WARRANTY

- A. Full warranty against defects in materials and workmanship for one year after FINAL ACCEPTANCE, including all parts, labor, and expenses.

PART 2 - PRODUCTS

2.1 GENERAL

- A. Valves and the required actuators are identified by tag numbers and in the Valve Schedule. See the Valve Schedule Section 400521.
- B. Valves shall be installed complete with flange gaskets, nuts and bolts, operating handwheels or levers, chainwheels, extension stems, floor stands, gear actuators, operating nuts, chains, and wrenches required for operation.
- C. Valves shall have the name of the manufacturer and the size of the valve cast or molded onto the valve body or bonnet or shown on a permanently attached plate.
- D. Bronze or brass material requirements:
- E. Any bronze or brass components in contact with water throughout the treatment process shall be made "Lead-Free" as defined in the "Reduction of Lead in Drinking Water Act." Lead-Free shall contain no more than twenty-five hundredth of one percent (0.25 percent or less) total lead contained by weight. The manufacturer shall certify that the bronze meets the "Lead-Free" requirements.
- F. For buried locations, valves with mechanical joint ends may be substituted for the flanged ends specified provided the mechanical joint ends are compatible with the pipe ends.

2.2 VALVE ACTUATORS/OPERATORS

- A. Provide operator types in accordance with the Valve Schedule.
- B. Valves shall open by turning counterclockwise.
- C. Valve Boxes: Furnish valve boxes for all buried valves.

2.3 BOLTS AND NUTS FOR FLANGED AND MECHANICAL JOINT VALVES

- A. Bolts and nuts for flanged valves shall be as described in Section 400500.
- B. Buried Service Bolts (for valve installation) shall be fluorocarbon coated cor-ten steel t-bolts and nuts equal to NSS cor-blue or approved equal low allow corrosion-resistant high-strength steel in accordance with ANSI/AWWA C111/A21.11.

2.4 GASKETS FOR FLANGES

- A. Gaskets for flanged end valves shall be as described in Section 400500.

2.5 LINING AND COATING

- A. Coat the exterior of metal valves located above ground or in vaults and structures the same as the adjacent piping. If the adjacent piping is not coated, then coat valves per Section 099000. Apply the specified prime coat at the place of manufacture. Apply intermediate and finish coats at the place of manufacturer or in the field. Finish coat shall match the color of the adjacent piping. Coat handwheels the same as the valves. Do not coat bronze, brass, or stainless steel valves.
- B. Coat the exterior of buried metal valves at the place of manufacture per Section 099000, System No. 10.
- C. Coat the exterior of submerged metal valves, stem guides, extension stems, and bonnets at the place of manufacture per Section 099000, System No. 12.
- D. Line the interior metal parts of metal valves 4 inches and larger, excluding seating areas and bronze and stainless steel pieces, per Section 099000, System No. 12. Apply lining at the place of manufacture.
- E. Coat floor stands per Section 099000, System No. 10.
- F. Measure the thickness of the valve interior linings per Section 099000. Repair areas having insufficient

film thickness per Section 099000.

2.6 PACKING, O-RINGS, AND GASKETS

- A. Unless otherwise stated in the detailed valve specifications, packing, O-rings, and gaskets shall be one of the following nonasbestos materials:
1. Teflon.
 2. Kevlar aramid fiber.
 3. Acrylic or aramid fiber bound by nitrile. Products: Garlock "Bluegard," Klinger "Klingersil C4400," or equal.
 4. Buna-N (nitrile).
 5. EPDM

2.7 RUBBER SEATS

- A. Rubber seats shall be made of a rubber compound that is resistant to free chlorine and monochloramine concentrations up to 10 mg/l in the fluid conveyed.

2.8 VALVE END CONNECTIONS

- A. Valve end connections for exposed valves shall be flanged unless shown otherwise. The Contractor shall verify the compatibility of valve ends, including class and drilling of flanges with the connecting pipe.
- B. Buried valve end connections shall be mechanical joint or a push-on unless shown otherwise in the Drawings or in the Valve Schedule.

2.9 VALVES

- A. Plug Valves:
- B. Plug and Seating Design for Eccentric Plug Valves
1. Eccentric plug valves shall comply with AWWA C517 and the following.
 2. Provide a rectangular or circular plug design, with an associated rectangular or round seat. Provide bidirectional seating design. The valve shall seat with the rated pressure both upstream and downstream of the closed plug. Provide geared actuators sized for bidirectional operation.
 - a. For eccentric plug valves, the metallic portion of the plug shall be one-piece design and shall be without external reinforcing ribs which result in there being a space between the rib and the main body of the plug through which water can pass.
 - b. Valves shall be repackable without any disassembly of valve or actuator. The valve shall be capable of being repacked while under the design pressure in the open position.
 - c. Nowhere in the valve or actuators shall the valve shaft be exposed to iron on iron contact.
 - d. Sleeve bearings shall be stainless steel in valve sizes 20 inches and smaller and bronze or stainless steel in valve sizes 24 inches and larger.
 - e. Provide enclosed worm-gear actuators for valves 6 inches and larger.
 - f. Rubber compounds shall have less than 2 percent volume increase when tested in accordance with ASTM D471 after being immersed in distilled water at a temperature of 71.4 to 75.4 degrees F for 70 hours.
 - g. Lubricated Plug Valves:
 - 1) Plug coating shall be Teflon or nylon, permanently bonded to the plug. Body, gland, and cover capscrews and bolts and nuts shall be Type 316 stainless steel or high-strength alloy steel (ASTM A193, Grade B7). Provide operating and sealant extensions for buried valves.
 - h. Eccentric Plug Valves 3 Inches and Smaller (to be used in wastewater / sewer applications in lieu of cast iron unless shown or specified otherwise):
 - 1) Eccentric plug valves, 1/2 inch through 3 inches, shall be nonlubricated type.
 - 2) Minimum pressure rating shall be 175 psi.
 - 3) Bodies shall be made of cast iron per ASTM A126, Class B.
 - 4) Ends shall be threaded or flanged (ASME B16.1, Class 125).
 - 5) Plug shall be cast iron (ASTM A126, Class B) with Buna-N or neoprene facing.
 - 6) Design plugs to seat over a pressure range of 25 psi to the valve design pressure rating.
 - 7) Body capscrews and bolts and nuts shall be Type 316 stainless steel.
 - 8) Packing shall be nitrile butadiene-filled Teflon. Provide 100 percent port area.
 - 9) Valves shall be DeZurik PEF, Val-Matic "Cam-Centric," or equal.

- i. Eccentric Plug Valves 4 Inches Through 12 Inches (to be used in wastewater / sewer applications in lieu of cast iron unless shown or specified otherwise):
 - 1) Eccentric plug valves, 4 inches through 12 inches, shall be non-lubricated type.
 - 2) Minimum pressure rating shall be 175 psi.
 - 3) Bodies shall be cast iron per ASTM A126, Class B.
 - 4) Ends shall be flanged, Class 125 per ASME B16.1 for exposed valves.
 - 5) Ends shall be mechanical joint per ANSI A21.11 and AWWA C111 for buried valves.
 - 6) Plugs shall be cast iron (ASTM A126, Class B), or ductile iron (ASTM A536, Grade 65-45-12) with Buna-N or neoprene facing, 70 Type A durometer hardness per ASTM D2240.
 - 7) Design plugs to seat over a pressure range of 25 psi to the valve design pressure rating.
 - 8) Valve body seats shall be Type 304 or 316 stainless steel or have a raised welded-in overlay at least 1/8-inch thick of not less than 90 percent nickel, minimum Brinell hardness of 200.
 - 9) Body capscrews and bolts and nuts shall be Type 316 stainless steel.
 - 10) Shaft bearing bushings shall be permanently lubricated TFE or Delrin sleeve type stainless steel or bronze. Top and bottom thrust bearing shall be provided.
 - 11) The shaft seal shall be per AWWA specification C504-80, Section 3.7 and be of either bronze cartridge type double O-rings with lower grit seal O-ring, V-type packing, or pull down packing.
 - 12) Provide 100 percent port area.
 - 13) Valves shall be DeZurik PEF, Val-Matic Series 5800 or equal.
- j. Cast-Iron Lubricated Plug Valves 2-Inch Through 6 Inches, Class 125:
 - 1) Lubricated plug valves of sizes 2-inch through 6 inches shall have cast iron (ASTM A126, Class B) bodies and plugs.
 - 2) Valves shall be of the short pattern with bolted cover (two-bolt type) and resilient packing. Plugs shall be of the tapered design.
 - 3) Valve ends shall be flanged, Class 125, ASME B16.1. Face-to-face dimensions shall conform to ASME B16.10, Class 125, gate valves.
 - 4) Valve shall have a minimum pressure rating of 175-psi CWP.
 - 5) Valves shall be lubricated with the manufacturer's recommended lubricant for the service.
 - 6) Valve shall be Nordstrom Figure 143, Christensens 9AS40114, Kerotest Figure 2201 or P33 or equal.

PART 3 - EXECUTION

3.1 JOINTS

- A. Bolt holes of flanged valves shall straddle the horizontal and vertical centerlines of the pipe run to which the valves are attached. Clean flanges by wire brushing before installing flanged valves. Clean flange bolts and nuts by wire brushing, lubricate threads with oil and graphite, and tighten nuts uniformly and progressively. If flanges leak under pressure testing, loosen or remove the nuts and bolts, reseal or replace the gasket, reinstall or retighten the bolts and nuts, and retest the joints. Joints shall be watertight.
- B. Clean threaded joints by wire brushing or swabbing. Apply Teflon joint compound or Teflon tape to pipe threads before installing threaded valves. Joints shall be watertight.
- C. Install lug-type valves with separate hex head machine bolts at each bolt hole and each flange (two bolts per valve bolt hole).
- D. Install grooved-end couplings for valves in accordance with Section 400500.

3.2 INSTALLING EXPOSED VALVES

- A. Unless otherwise indicated in the drawings, install valves in horizontal runs of pipe having centerline elevations 4 feet 6 inches or less above the floor with their operating stems vertical. Install valves in horizontal runs of pipe having centerline elevations between 4 feet 6 inches and 6 feet 9 inches above the floor with their operating stems horizontal.
- B. Install valves on vertical runs of pipe that are next to walls with their stems horizontal, away from the wall. Valves on vertical runs of pipe that are not located next to walls shall be installed with their stems

horizontal, oriented to facilitate valve operation.

3.3 INSTALLING BURIED VALVES

- A. Connect the valve, coat the flanges, or apply tape wrapping or polyethylene encasement, and place and compact the backfill to the height of the valve stem.
- B. Place block pads under the extension pipe to maintain the valve box vertical during backfilling and repaving and to prevent the extension pipe from contacting the valve bonnet.
- C. Mount the upper slip pipe of the extension in midposition and secure with backfill around the extension pipe. Pour the concrete ring allowing a depression so the valve box cap will be flush with the pavement surface.

3.4 FIELD COATING BURIED VALVES

- A. Coat flanges of buried valves and the flanges of the adjacent piping, and the bolts and nuts of flanges and mechanical joints, per Section 099000, System No. 10.
- B. Wrap buried metal valves 6 inches and larger with polyethylene sheet per Section 400713.
- C. Wrap buried metal valves 6 inches and larger in two layers of polyethylene conforming to AWWA C105, 8 mils in thickness each. Pass the two sheets of polyethylene under the valve and the coated flanges or joints with the connecting pipe and draw the sheets around the valve body, the valve bonnet, and the connecting pipe. Secure the sheets with plastic adhesive tape about the valve stem below the operating nut and about the barrel of the connecting pipe to prevent the entrance of soil. Fold overlaps twice and tape. Backfill the valve with care to avoid damaging the polyethylene.

3.5 INSTALLING ECCENTRIC PLUG VALVES

- A. Install such that the rotation of the plug is about a horizontal axis.
- B. Install such that the plug stores in the top when the valve is open.
- C. Orient the valve such that the seat is opposite the high-pressure side.

3.6 MOUNTING GEAR ACTUATORS

- A. The valve manufacturer shall select and mount the gear actuator and accessories on each valve and stroke the valve from fully open to fully closed prior to shipment.

3.7 VALVE LEAKAGE TESTING

- A. Test valves for leakage at the same time that the connecting pipelines are tested. See Section 400515 for pressure testing requirements. Protect or isolate any parts of valves, actuators, or control and instrumentation systems whose pressure rating is less than the pressure test. Valves shall show zero leakage. Repair or replace any leaking valves and retest.

3.8 VALVE FIELD TESTING

- A. Operate manual valves through three full cycles of opening and closing. Valves shall operate from full open to full close without sticking or binding. Do not backfill buried valves until after verifying that valves operate from full open to full closed. If valves stick or bind, or do not operate from full open to full closed, repair or replace the valve and repeat the tests.
- B. Gear actuators shall operate valves from full open to full close through three cycles without binding or sticking. The pull required to operate handwheel- or chainwheel-operated valves shall not exceed 80 pounds. The torque required to operate valves having 2-inch AWWA nuts shall not exceed 150 ft-lbs. If actuators stick or bind or if pulling forces and torques exceed the values stated previously, repair or replace the actuators and repeat the tests. Operators shall be fully lubricated in accordance with the manufacturer's recommendations prior to operating.

END OF SECTION

THIS PAGE INTENTIONALLY LEFT BLANK.

SECTION 400563
BALL VALVES

PART 1 - GENERAL

1.1 DESCRIPTION

- A. This section includes:
 - 1. Materials, testing, and installation of general ball valves and accessories.
 - 2. Materials, testing, and installation of AWWA C507 rubber-seated and metal-seated ball valves size range 6 through 48 inches.

1.2 RELATED WORK SPECIFIED ELSEWHERE

- A. Painting and Coating: 099000.
- B. General Piping Requirements: 400500.
- C. Pressure Testing of Piping: 400515.
- D. Valves, General: 400524.

1.3 SUBMITTALS

- A. Submit shop drawings in accordance with Section 013300.
- B. Submit manufacturer's catalog data and detailed construction sheets showing all valve parts. Describe each part by material of construction, specification (such as AISI, ASTM, SAE, or CDA), and grade or type. Identify each valve by tag number to which the catalog data and detail sheets pertain.
- C. Show valve dimensions including laying lengths. Show port sizes. Show dimensions and orientation of valve actuators, as installed on the valves.
- D. Show location of internal stops for gear actuators. State differential pressure and fluid velocity used to size actuators. For worm-gear actuators, state the radius of the gear sector in contact with the worm and state the handwheel diameter.
- E. Show valve linings and coatings. Submit manufacturer's catalog data and descriptive literature.
- F. Submit certification from manufacturer that valves are NSF 61 listed.

1.4 MANUFACTURER'S SERVICES

- A. Provide equipment manufacturer's services at the job site for the minimum man-days listed below, travel time excluded.
 - 1. Two eight hour days to check the installation, supervise startup, supervise testing and adjustments of air operated valves, and instruct the Owner's personnel in the operation and maintenance of the equipment.
 - 2. Any additional trips required by the Contractor before or after final startup and training shall not be charged to the Owner.

1.5 WARRANTY

- A. Full warranty against defects in materials and workmanship for one year after FINAL ACCEPTANCE, including all parts, labor, and expenses.

PART 2 - PRODUCTS

2.1 GENERAL

- A. Valves and the required actuators are identified by tag numbers on the drawings and in the Valve Schedule. See the Valve Schedule Section 400521.
- B. Valves shall be installed complete with flange gaskets, nuts and bolts, operating handwheels or levers, chainwheels, extension stems, floor stands, gear actuators, operating nuts, chains, and wrenches required for operation.
- C. Valves shall have the name of the manufacturer and the size of the valve cast or molded onto the valve body or bonnet or shown on a permanently attached plate.
- D. Bronze or brass material requirements:

1. Any bronze or brass components in contact with potable water shall be made "Lead-Free" as defined in the "Reduction of Lead in Drinking Water Act." Lead-Free shall contain no more than twenty-five hundredth of one percent (0.25 percent or less) total lead contained by weight. The manufacturer shall certify that the bronze meets the "Lead-Free" requirements.
2. For buried locations, valves with mechanical joint ends may be substituted for the flanged ends specified provided the mechanical joint ends are compatible with the pipe ends.

2.2 VALVE ACTUATORS/OPERATORS

- A. Provide operator types in accordance with the Valve Schedule.
- B. Provide a ball shaft support bearing on the cover for AWWA C507 ball valves.
- C. For AWWA C507 ball valves, design the link and lever torque unit such that during the first 50 percent of the closing stroke, the flow area is reduced by approximately 80 percent to 93 percent. The remaining flow area shall be gradually reduced to a complete shutoff throughout the last 50 percent of the closing stroke.
- D. Materials of the valve actuating mechanism subject to rubbing shall be of different hardness. The valve actuating mechanism shall be capable of being inspected, lubricated, removed, and repaired without removing the valve from the connecting piping.
- E. Valves shall open by turning counterclockwise.
- F. Valve Boxes: Furnish valve boxes for all buried valves.

2.3 BOLTS AND NUTS FOR FLANGED AND MECHANICAL JOINT VALVES

- A. Bolts and nuts for flanged valves shall be as described in the detailed piping specifications in Section 400500.
- B. Buried Service Bolts (for valve installation) shall be fluorocarbon coated cor-ten steel t-bolts and nuts equal to NSS cor-blue or approved equal low allow corrosion-resistant high-strength steel in accordance with ANSI/AWWA C111/A21.11.

2.4 GASKETS FOR FLANGES

- A. Gaskets for flanged end valves shall be as described in the detailed piping specifications in Section 400500.

2.5 LINING AND COATING

- A. Coat the exterior of metal valves located above ground or in vaults and structures the same as the adjacent piping. If the adjacent piping is not coated, then coat valves per Section 099000, System No. 10. Apply the specified prime, intermediate, and finish coat at the place of manufacture. Apply intermediate and finish coats at the place of manufacturer or in the field. Finish coat shall match the color of the adjacent piping. Coat handwheels the same as the valves. Do not coat bronze, brass, or stainless steel valves.
- B. Coat the exterior of buried metal valves at the place of manufacture per Section 099000, System No. 10.
- C. Coat the exterior of submerged metal valves, stem guides, extension stems, and bonnets at the place of manufacture per Section 099000, System No. 12.
- D. Line the interior metal parts of metal valves 4 inches and larger, excluding seating areas and bronze and stainless steel pieces, per Section 099000, System No. 12. Apply lining at the place of manufacture. Interior lining shall meet the requirements of NSF 61.
- E. Coat floor stands per Section 099000, System No. 10.
- F. Measure the thickness of the valve interior linings per Section 099000. Repair areas having insufficient film thickness per Section 099000.

2.6 PACKING, O-RINGS, AND GASKETS

- A. Unless otherwise stated in the detailed valve specifications, packing, O-rings, and gaskets shall be one of the following nonasbestos materials:
 1. Teflon.
 2. Kevlar aramid fiber.
 3. Acrylic or aramid fiber bound by nitrile. Products: Garlock "Bluegard," Klinger "Klingersil C4400," or equal.
 4. Buna-N (nitrile).

5. EPDM.

2.7 RUBBER SEATS

- A. Rubber seats shall be made of a rubber compound that is resistant to free chlorine and monochloramine concentrations up to 10 mg/l in the fluid conveyed.

2.8 VALVE END CONNECTIONS

- A. Valve end connections for exposed valves shall be flanged unless shown otherwise or noted otherwise. The Contractor shall verify the compatibility of valve ends, including class and drilling of flanges with the connecting pipe.
- B. Buried valve end connections shall be mechanical joint or a push-on unless shown otherwise in the Drawings or in the Valve Schedule.

2.9 VALVES

- A. Ball Valves (Air and Water Service):
1. Full Port Threaded Bronze Ball Valves 2 Inches and Smaller for Water, etc. Service:
 - a. Ball valves, 2 inches and smaller, for air or water service shall have a pressure rating of at least 600 psi WOG at a temperature of 100 degrees F.
 - b. Provide full port ball and body design.
 - c. Valves shall comply with MSS SP-110.
 - d. Provide bronze (ASTM B62 or ASTM B584, Alloy C83600 or C84400) body and plug ball retainer. Ball and stem shall be Type 316 stainless steel.
 - e. Valves shall have threaded ends (ASME B1.20.1), nonblowout stems, reinforced Teflon seats, and have plastic-coated lever actuators.
 - f. Provide locking lever handle.
 - g. Provide stem extensions when valves are installed in insulated piping. Stem extensions shall be of a length sufficient to bring the bottom of the operating handle above the outside of the insulation.
 - h. Valves shall be Stockham T-285 Series, Apollo 77C-140 Series, or equal.
 2. Flanged Bronze Ball Valves, Class 150, 4 Inches and Smaller for Water, etc. service:
 - a. Ball valves 4 inches and smaller shall have a minimum pressure rating of 200 psi at a temperature of 150 degrees F.
 - b. Valve body shall be aluminum bronze (ASTM B148, Alloy C95400) or bronze (ASTM B62 or ASTM B584, Alloy C83600).
 - c. Ball and stem shall be Type 316 stainless steel or bronze (ASTM B21, Alloy C48500).
 - d. Seat and seals shall be Teflon.
 - e. Ends shall be flanged, flat faced ASME B16.5, Class 150.
 - f. Valves shall be Neles-Jamesbury Style 5150, McCanna Series S151-BR, or equal.
 3. Bronze Ball Valve Curb Stops, 2 Inches and Smaller, for Water, etc. Service:
 - a. Ball valve curb stops shall be bronze (ASTM B62 or ASTM B584, Alloy C83600) with male inlet iron pipe threads and female outlet iron pipe threads and shall conform to AWWA C800.
 - b. Minimum pressure rating shall be 300 psi.
 - c. Stops shall be Ford Ball Valve Curb Stop B81-777 with straight lever handle or equal.
 4. Bronze Ball/Corporation Stops, 2 Inches and Smaller, for Water, etc. Service:
 - a. Corporation stops shall be bronze (ASTM B62 or ASTM B584, Alloy C83600) with male inlet iron pipe threads and female outlet iron pipe threads and shall conform to AWWA C800.
 - b. Minimum pressure rating shall be 300 psi.
 - c. Stops shall be Ford Ballcorp Type FB 1700, James Jones J-1931, or equal. Stops shall have an outlet fitting to adapt from iron pipe thread to copper tubing.
 5. True Union PVC Ball Valves 4 Inches and Smaller for Wastewater, etc. Service:
 - a. Thermoplastic ball valves, 4 inches and smaller, for wastewater, water and chemical service shall be rated at a pressure of 150 psi at a temperature of 105 degrees F.
 - b. Body, ball, and stem shall be PVC conforming to ASTM D1784, Type 1, Grade 1. Seats shall be Teflon.
 - c. O-ring seals shall be Viton. O-rings used in chemical service shall be verified for chemical compatibility by manufacturer.
 - d. Valve ends shall be of the true union design. Ends shall be socket welded except

- where threaded or flanged-end valves are specifically shown in the drawings.
- e. Valves shall have handle for manual operation unless otherwise shown.
 - f. Provide stem extensions when valves are installed in insulated piping. Stem extensions shall be of a length sufficient to bring the bottom of the operating handle above the outside of the insulation.
 - g. Valves shall be as manufactured by Spears Manufacturing 2000 Series, Plast-O-Matic, Hayward or equal.
6. True Union CPVC Ball Valves 4 Inches and Smaller for Wastewater, etc. Service:
- a. CPVC ball valves, 4 inches and smaller, for wastewater, water and chemical service shall be rated at a pressure of 150 psi at a temperature of 105 degrees F and rated at a pressure of 100 psi at a temperature of 150 degrees F.
 - b. Body, ball, and stem shall be CPVC conforming to ASTM D1784, Type 4, Grade 1. Seats shall be Teflon.
 - c. O-ring seals shall be Viton.
 - d. Valve ends shall be of the true-union design. Ends shall be socket welded except where threaded or flanged-end valves are specifically shown in the drawings.
 - e. Valves shall have handle for manual operation unless otherwise shown.
 - f. Provide stem extensions when valves are installed in insulated piping. Stem extensions shall be of a length sufficient to bring the bottom of the operating handle above the outside of the insulation.
 - g. Valves shall be as manufactured by Spears Manufacturing 2000 Series, Plast-O-Matic, Hayward, or equal.
7. True Union CPVC Ball Valves 4 Inches and Smaller with Vented Ball for Sodium Hypochlorite, etc. Service:
- a. Vented CPVC ball valves, 4 inches and smaller, for chemical service shall be rated at a pressure of 150 psi at a temperature of 105 degrees F and rated at a pressure of 85 psi at a temperature of 140 degrees F.
 - b. Provide machined vent hole, deburred, in the ball to allow gases to vent.
 - c. Body, ball, and stem shall be CPVC conforming to ASTM D1784, Type 4, Grade 1. Seats shall be Teflon.
 - d. O-ring seals shall be Viton.
 - e. Valve ends shall be of the true-union design. Ends shall be socket welded except where threaded or flanged-end valves are specifically shown in the drawings.
 - f. Valves shall have handle for manual operation.
 - g. Provide stem extensions when valves are installed in insulated piping. Stem extensions shall be of a length sufficient to bring the bottom of the operating handle above the outside of the insulation.
 - h. Valves shall be by Spears Manufacturing, Plast-O-Matic, Hayward or Equal.
8. Full Port Threaded Stainless Steel Ball Valves 3 Inches and Smaller for Process Air Service
- a. Stainless steel ball valves, 3 inches and smaller, for air and water service shall be rated at a minimum pressure of 1,000 psi WOG at a temperature of 100 degrees F.
 - b. Valve body, ball, and stem shall be Type 304 stainless steel, ASTM A276 or A351. Seat and seals shall be reinforced RPTFE.
 - c. Valves shall have lever actuators, plastic coated. Provide locking lever handle.
 - d. Provide stem extensions when valves are installed in insulated piping. Stem extensions shall be of a length sufficient to bring the bottom of the operating handle above the outside of the insulation.
 - e. Valves shall have threaded ends (ASME B1.20.1) and nonblowout stems.
 - f. Valves shall be Apollo 76F-100-A Series, or equal.
9. Full Port Flanged Stainless Steel Ball Valves ½ inch to 12 inches, Class 150 for Process Air Service:
- a. Stainless steel ball valves 1/2 inch through 12 inches shall have flanged ends, ASME B16.5, Class 150.
 - b. Pressure rating shall be at least 250 psi at a temperature of 100 degrees F.
 - c. Bodies shall be Type 304 stainless steel (ASTM A351, Type CF8M). Ball, stem, and compression ring shall be Type 304 or 316 stainless steel. Bonnet bolting shall be ASTM A193, Grade B8M.
 - d. Seats and seals shall be RPTFE.
 - e. Valves shall be Apollo Series 87A-200-Series, or equal.

10. Regular or Full Port, Threaded End, Carbon Steel Ball Valves 2 Inches and Smaller for LPG, Natural Gas, and Fuel Oil Service (UL Listed):
 - a. Carbon steel ball valves 2 inches and smaller shall be rated at a minimum pressure of 2,000-psi WOG for sizes 1 inch and smaller; 1,500-psi WOG for sizes 1-1/4 inches through 2 inches; 1,000-psi WOG for sizes 2-1/2 inches through 3 inches; and 250 psi UL listed for LPG, natural gas, and fuel oil service in all sizes.
 - b. Provide regular or full port design.
 - c. Valve body and retainer shall be carbon steel, ASTM A216, Grade WCB; ASTM A105; or ASTM A108. Ball, gland nut, and stem shall be carbon steel (ASTM A108) or stainless steel (ASTM A479), with chrome-plated ball. Seat, packing, and seals shall be PTFE or reinforced PTFE.
 - d. Valves shall have lever handle, plastic coated.
 - e. Valve shall have threaded ends (ASME B1.20.1). Provide nonblowout stems.
 - f. Provide adjustable packing gland. Provide double union end connections.
 - g. Products: Apollo 489-100 Series, or equal.
11. Forged, Flanged, Carbon Steel Ball Valves 2 Inches Through 24 Inches, Class 150, for High Temperature Hot Water Service:
 - a. Valves shall be of the trunnion-mounted ball design, with three-piece body, full bore, double block and bleed, and with anti-static device.
 - b. Design and construction shall comply with API-6D and NACE MR-01-75. The seal design shall utilize the differential between the sealing diameter of the seat insert or ball contact and the outer diameter of the seat. When the fluid differential pressure is insufficient to cause the valve to seal, seat springs shall cause it to seal.
 - c. Provide a secondary metal-to-metal seal after a fire. When the primary soft seals are destroyed by fire, the fire-safe seals shall energize the seat assembly to seal. The fire-safe seal design shall comply with API 607 and API 6FA.
 - d. Provide a stem sealant injection fitting. Provide seat sealant injection fittings on valves 6 inches and larger.
 - e. Provide integral enclosed worm-gear actuator with handwheel for valves 6 inches and larger. Provide lever actuator for valves smaller than 6 inches.
 - f. Valves shall be Class 150 per ASME B16.5, with raised face flanges.
 - g. Design conditions shall be:
 - (1) Fluid: Water.
 - (2) Fluid Temperature Range: 60 degrees F to 400 degrees F.
 - (3) Pressure: 100 psi (maximum).
 - (4) Materials of construction shall be as follows:
 - (5) Body: Carbon steel; ASTM A105.
 - (6) Ball: Carbon steel with 0.003-inch electroless nickel plating; ASTM A105.
 - (7) Stem: Stainless steel; ASTM A182, Grade F316.
 - (8) Seats and inserts: Stainless steel plus nylon; ASTM A182, Grade F316.
 - (9) Seals: Viton/graphite.
 - (10) Body stud bolts and nuts: Alloy steel; ASTM A193, Grade B7M and A194, Grade 2HM.
 - (11) Worm-gear housing: Ductile iron; ASTM A395 or A536.
 - (12) Valves shall be GWC Valve International, Inc., Model FF or equal.
12. Flanged Carbon Steel Ball Valves 4 Inches and Smaller, Class 150 for Miscellaneous Applications:
 - a. Carbon steel ball valves 1/2 inch through 4 inches shall have flanged ends, ASME B16.5, Class 150.
 - b. Valve shall have a pressure rating of at least 285 psi at a temperature of 100 degrees F.
 - c. Bodies shall be steel, ASTM A216, Grade WCB. Ball, stem, and compression ring shall be Type 316 stainless steel. Body studs and nuts shall comply with ASTM A193, Grade B7, and ASTM A194, Grade 2H, respectively. Seat and seals shall be Teflon.
 - d. Valves shall be Jamesbury Type 5150, McCanna Series 51F1-CS, or equal.
13. Flanged Ductile-Iron Ball Valves 4 Inches and Smaller, Class 125 for Miscellaneous Applications:
 - a. Ball valves 4 inches and smaller shall be rated at a pressure of 200 psi at a temperature of 300 degrees F.
 - b. Valve body shall be ductile iron (ASTM A395 or A536). Ball, stem, and compression ring shall be Type 316 stainless steel. Seat and seals shall be Teflon.

- c. Provide seats both upstream and downstream of the ball.
 - d. Ends shall be flanged, ASME B16.1, Class 125.
 - e. Valves shall be Neles-Jamesbury Style 5150, McCanna Series S151, Worcester Series 51, or equal.
14. Flanged Ball Valves for Chlorine Gas Service:
- a. Ball valves for chlorine gas service shall have carbon steel (ASTM A216, Grade WCB) bodies with Hastelloy (ASTM A494, Alloy CW-12MW) ball and stem. Stem seals and body seals shall be Teflon.
 - b. Minimum operating pressure shall be 200 psi.
 - c. Valve seats shall incorporate a relief system per Chlorine Institute Pamphlet No. 6 such that in the event of pressure buildup in the valve body, chlorine will vent toward the upstream side of the valve.
 - d. Prepare valves for chlorine service as recommended by the Chlorine Institute Pamphlet No. 6.
 - e. Valve ends shall be flanged, Class 150, per ASME B16.5.
 - f. Valves shall have a plastic-coated lever operator.
 - g. Valves shall be Neles-Jamesbury Type 530SC (1/2 inch through 1 inch), 5300C (1-1/2 inches and larger); McCanna Model F; ITT Cam-Tite CLV; or equal.
15. Regular Port, Threaded End, Carbon Steel Ball Valves 2 Inches and Smaller for Anhydrous Ammonia Service (UL Listed):
- a. Carbon steel ball valves 2 inches and smaller shall be rated at a minimum pressure of 800-psi WOG and be UL listed for anhydrous ammonia service.
 - b. Valve body and retainer shall be carbon steel, ASTM A181; ASTM A216, Grade WCB; ASTM A105; or ASTM A108. Ball, stem nut, and stem shall be carbon steel (ASTM A108) or stainless steel (ASTM A479), with chrome-plated ball. Seat, packing, and seals shall be PTFE or reinforced PTFE. Body bolts shall conform to ASTM A449 or ASTM A193, Grade B7. Nuts for body bolts shall conform to ASTM A194, Grade 2H.
 - c. Provide nonblowout stems.
 - d. Valves shall have lever handle, plastic coated.
 - e. Valve shall have threaded ends (ASME B1.20.1).
 - f. Products: Neles-Jamesbury Type 2000 or equal.
16. Class 150 Flanged Carbon Steel Ball Valves 8 Inches and Smaller for Anhydrous Ammonia Service (UL Listed):
- a. Ball valves 1/2 inch through 8 inches shall have carbon steel (ASTM A216, Grade WCB) bodies, carbon steel ball and stem, and be UL listed for anhydrous ammonia service. Provide chrome or electroless nickel plating on ball. Stem seals and body seals shall be PTFE.
 - b. Body pressure rating and valve end flanges shall be Class 150 per ASME B16.5.
 - c. Provide plastic-coated lever actuator for valves smaller than 6 inches; provide geared actuator for valves 6 inches and larger.
 - d. Products: Neles-Jamesbury Type 5150 or equal.
17. Polyethylene Ball Valves for Natural Gas Service:
- a. Polyethylene ball valve used for gas service shall be made from medium density polyethylene resin conforming to ASTM D1248, Type II, Class B, Category 5, Grade P24.
 - b. Valve shall comply with ASME B16.40.
 - c. The valve shall have standard stub ends suitable for heat fusion welding.
 - d. The valve shall have seals and seats molded from Nitrile (Buna-N) material and shall be compatible with gas service.
 - e. Valve shall be Nordstrom Polyvalve, Kerotest Polyball, or equal.
18. Ball Valves (AWWA C507) for Water service:
- a. Valves shall be flanged, conforming to AWWA C507 and the following.
 - b. Valves shall be operable and hydrodynamically stable for fluid velocities up to 35 fps, fluid temperatures of 33 degrees F to 125 degrees F, and environmental temperature range of 35 degrees F to 125 degrees F.
 - c. The ball position shall be partially to fully open under the above criteria. Valve shaft, key, actuator, and complete assembly shall not fail at the specified maximum fluid velocity. Valve ball shall not change position under any line velocity scenario, including maximum velocity.
 - d. Flanged ends shall be flat-faced Class 125, ASME B16.1 or ASME B16.42 for Class 150 or Class 250, ASME B16.1 or ASME B16.42 for Classes 250 and 300 valves.

e. Metal-Seated Ball Valves:

- (1) Body: The valve body shall consist of two end pieces and two center body half pieces. Each end piece shall be bolted to the two adjoining center pieces. The two center pieces shall be longitudinally split and shall have machined surfaces for mating with each other. The center body pieces shall contain the ball assembly with the associated shaft stuffing box and packing. The body shall have integrally cast, bronze bushed trunnions. It shall provide rigid means for supporting the torque unit without the necessity of additional supports. Provide two pipe connections, one for an air vent and the other for drain. The end pieces shall contain the flanges for connecting to the adjacent piping. The port openings on the end pieces shall be a true 100 percent full circular opening equal to the nominal size of the valve.
- (2) Ball: The ball shall have integrally cast, bronze bushed trunnions. An extension of one trunnion (the operating shaft) shall pass through a sealing device (O-ring retainer) and connect to the valve operating mechanism. The operating shaft shall be chrome plated where it passes through the sealing device. The sealing device shall be capable of being removed and having its seals replaced with the line under full pressure, without removing the valve from the line. Design the ball shaft so that the factor of safety for all combined stresses shall be at least five to one. Maximum torsional deflection shall not exceed 1/6 degree per foot of unsupported length using a seat coefficient of friction of 0.5 and a bearing coefficient of friction of 0.3.
- (3) Bearings: Provide sleeve-type bearings fitted within both the ball and body trunnions. Bearing loading shall not exceed 900 psi at 150-psi differential pressure, 1,500 psi at 250-psi differential pressure, or 1,900 psi at 300-psi differential pressure. Bearings shall be Teflon-lined with fiberglass backing or bronze and of dissimilar hardnesses to prevent galling.
- (4) Seats: Provide valves with a fixed body seat and a rotating ball seat. The ball seat shall be connected to the ball by means of a stainless steel mounting ring which is securely attached and pinned into position. Do not use seat designs in which the seat is threaded directly onto the ball. Seats shall be metal; no resilient seating surfaces are acceptable. Install metal seating surfaces on a two-degree offset axis to prevent wedging of the seats. Maximum seat bearing pressure shall be 1,000 psi. Seats shall be rigidly attached to the body and ball. Ball seats shall be adjustable to allow sealing in one direction without removing the valve from the adjacent piping.
- (5) Manufacturers: Apco/Willamette Valve Inc., List 26; Pratt MSBV; or equal.

f. Rubber-Seated Ball Valves:

- (1) Body: The valve body shall have integral support legs or pads and shall consist of two body end pieces and a center body piece through-bolted and O-ring sealed against leakage.
- (2) Ball: The valve ball shall be taper-pinned to an upper and lower fitted shaft that is turned, ground, and polished to a 32-microinch or smoother finish per ASME B46.1.
- (3) Bearings and Seals: The center section shall be fitted with sleeve-type bearings contained in the body hubs. Bearings shall be self-lubricating, with minimum wall thickness of 1/4 inch. Material shall be Teflon-lined with fiberglass backing. Bearing surfaces shall be isolated from flow by O-ring seals. The ball assembly shall be supported by a two-way thrust bearing assembly consisting of a Type 304 stainless steel stud and a bronze thrust collar (ASTM B505, Alloy C93200) in a grease-packed cavity.
- (4) Seats: Valve seats shall be of a synthetic rubber compound that is resistant to free chlorine and monochloramine concentrations up to 10 mg/l in the fluid conveyed. Seats shall be retained in the valve body by mechanical means without retaining rings, segments, screws, or hardware of any kind in the flow stream. Seats shall seal a full 360 degrees without interruption and shall mate with a spherical Type 316 stainless steel seating surface on the ball. Valve seats shall be field adjustable around the full 360-degree circumference and replaceable without dismantling the operator, ball, or shaft. Where line size permits, seats shall also be capable of being replaced or adjusted without removing the valve from the line.
- (5) Valves shall be single-seated to allow closure in one direction.
- (6) Manufacturer: Henry Pratt Co. or equal.
- (7) Leakage: The allowable leakage through the seat shall be as described in AWWA C507.

- (8) Materials of Construction.
- a. Materials of construction for Class 150 valves shall be as follows:
- Valve body: Cast iron (ASTM A126, Class B or ASTM A48, Class 35) or Ductile iron (ASTM A536, Grade 65 45-12).
 - Ball or rotor: Cast iron (ASTM A48, Class 35-minimum) or Ductile iron (ASTM A536, Grade 65 45-12).
 - Ball shaft: Alloy steel (ASTM A564, UNS S17400, Condition H1150).
 - Shaft and taper pins: Stainless steel (ASTM A276, Type 304 or 316) or Monel (ASTM B164, Alloy N04400).
 - Body bolts, studs, and nuts: Stainless steel (Type 304 per ASTM B193, Grade B8 and ASTM A194, Grade 8).
 - Capscrews (internal and external) and lockwashers: Stainless steel (AISI Type 316).
 - Seats (rubber): Buna-N.
 - Ball seats (metal): Stainless steel (ASTM A276, Type 304).
 - Body seats (metal): Monel (UNS N04400).
- b. Materials for construction for Classes 250 and 300 valves shall be as follows:
- Valve body, ball or rotor: Steel (ASTM A216, Grade WCB) or Ductile iron (ASTM A536, Grade 65 45-12).
 - Ball shaft: Alloy steel (ASTM A564, UNS S17400, Condition H1150).
 - Shaft and taper pins: Stainless steel (ASTM A276, Type 304 or 316) or Monel (ASTM B164, Alloy N04400).
 - Body bolts, studs, and nuts: Stainless steel (Type 304 per ASTM A193, Grade B8 and A194, Grade 8).
 - Capscrews (internal and external) and lockwashers: Stainless steel (AISI Type 316).
 - Seats (rubber): Buna-N.
 - Ball seats (metal): Stainless steel (ASTM A276, Type 304).
 - Body seats (metal): Monel (UNS N04400).

PART 3 - EXECUTION

3.1 SHIPMENT AND STORAGE

- A. Provide flanged openings with metal closures at least 3/16-inch thick, with elastomer gaskets and at least four full-diameter bolts. Install closures at the place of valve manufacture prior to shipping. For studded openings, use all the nuts needed for the intended service to secure closures.
- B. Provide threaded openings with steel caps or solid-shank steel plugs. Do not use nonmetallic (such as plastic) plugs or caps. Install caps or plugs at the place of valve manufacture prior to shipping.
- C. Inspect valves on receipt for damage in shipment and conformance with quantity and description on the shipping notice and order. Unload valves carefully to the ground without dropping. Use forklifts or slings under skids. Do not lift valves with slings or chain around operating shaft, actuator, or through waterway. Lift valves with eyebolts or rods through flange holes or chain hooks at ends of valve parts.
- D. Protect the valve and actuators from weather and the accumulation of dirt, rocks, and debris. Do not expose rubber seats to sunlight or ozone for more than 30 days. Also, see the manufacturer's specific storage instructions.
- E. Make sure flange faces, joint sealing surfaces, body seats, and disc seats are clean. Check the bolting attaching the actuator to the valve for loosening in transit and handling. If loose, tighten firmly. Open and close the valve to make sure it operates properly and that stops or limit switches are correctly set so that the valve seats fully. Close valve before installing.
- F. If the valves and associated power actuators are stored or installed outside or in areas subject to temperatures below 40 degrees F or are exposed to the weather prior to permanent installation, provide the manufacturer's recommended procedures for extended storage. Provide temporary covers over actuator electrical components. Provide temporary conduits, wiring, and electrical supply to space heaters. Exercise each actuator from its fully open to fully closed position at least once every seven days. Inspect electrical contacts before start-up.

3.2 JOINTS

- A. Bolt holes of flanged valves shall straddle the horizontal and vertical centerlines of the pipe run to

which the valves are attached. Clean flanges by wire brushing before installing flanged valves. Clean flange bolts and nuts by wire brushing, lubricate threads with oil and graphite, and tighten nuts uniformly and progressively. If flanges leak under pressure testing, loosen or remove the nuts and bolts, reseal or replace the gasket, reinstall or retighten the bolts and nuts, and retest the joints. Joints shall be watertight.

- B. Clean threaded joints by wire brushing or swabbing. Apply Teflon joint compound or Teflon tape to pipe threads before installing threaded valves. Joints shall be watertight.
- C. Install lug-type valves with separate hex head machine bolts at each bolt hole and each flange (two bolts per valve bolt hole).

3.3 INSTALLING EXPOSED VALVES

- A. Unless otherwise indicated in the drawings, install valves in horizontal runs of pipe having centerline elevations 4 feet 6 inches or less above the floor with their operating stems vertical. Install valves in horizontal runs of pipe having centerline elevations between 4 feet 6 inches and 6 feet 9 inches above the floor with their operating stems horizontal.
- B. Install valves on vertical runs of pipe that are next to walls with their stems horizontal, away from the wall. Valves on vertical runs of pipe that are not located next to walls shall be installed with their stems horizontal, oriented to facilitate valve operation.
- C. Install valves such that the balls rotate about a horizontal axis.
- D. Handle valves carefully when positioning, avoiding contact or impact with other equipment, vault walls, or trench walls.
- E. Clean valve interiors and adjacent piping of foreign material prior to making up valve to pipe joint connection. Prepare pipe ends and install valves in accordance with the pipe manufacturer's instructions for the joint used. Do not deflect pipe-valve joint. Do not use a valve as a jack to pull pipe into alignment. The installation procedure shall not result in bending of the valve/pipe connection with pipe loading.
- F. Support body support legs or pads on a concrete pad without being anchored to such support. Install such that the valve is not subject to any loads due to thermal expansion of the pipe or support any piping loads on the body.
- G. Provide a separate support beneath the actuator extending beyond the valve body, so that no eccentric loads are imposed on the connecting piping.
- H. Prior to assembly, coat threaded portions of stainless steel bolts and nuts with lubricant.

3.4 INSTALLING BURIED VALVES

- A. Connect the valve, coat the flanges, apply tape wrapping or polyethylene encasement, and place and compact the backfill to the height of the valve stem.
- B. Place block pads under the extension pipe to maintain the valve box vertical during backfilling and repaving and to prevent the extension pipe from contacting the valve bonnet.
- C. Mount the upper slip pipe of the extension in midposition and secure with backfill around the extension pipe. Pour the concrete ring allowing a depression so the valve box cap will be flush with the pavement surface.
- D. In streets without concrete curbs and in open areas, install the valve box as for a paved area with concrete curb except include a marker post. Cut the marker post from 4-inch by 4-inch dense structural grade Douglas fir No. 2 or Southern Pine No. 2 surfaced on four sides to a length of 5 feet. Chamfer the top. Set the post in concrete, 2 feet into the ground, away from traffic, and to the side of the pipeline. Coat with a seal and finish coat of white alkyd exterior paint. On the side facing the valve, letter in black the word "VALVE" and the distance in feet from the marker post to the valve box cap.
- E. Install debris cap as close as possible under the cast-iron cover without interfering with the cover operation. Trim flexible skirt to provide a smooth contact with the interior or the extension pipe. Install Owner-furnished locks.

3.5 FIELD COATING BURIED VALVES

- A. Coat flanges of buried valves and the flanges of the adjacent piping, and the bolts and nuts of flanges and mechanical joints, per Section 099000, System No. 10.
- B. Wrap buried metal valves 6 inches and larger with polyethylene sheet per Section 400713.
- C. Wrap buried metal valves 6 inches and larger in two layers of polyethylene conforming to AWWA C105, 8 mils in thickness each. Pass the two sheets of polyethylene under the valve and the coated

flanges or joints with the connecting pipe and draw the sheets around the valve body, the valve bonnet, and the connecting pipe. Secure the sheets with plastic adhesive tape about the valve stem below the operating nut and about the barrel of the connecting pipe to prevent the entrance of soil. Fold overlaps twice and tape. Backfill the valve with care to avoid damaging the polyethylene.

3.6 MOUNTING GEAR ACTUATORS

- A. The valve manufacturer shall select and mount the gear actuator and accessories on each valve and stroke the valve from fully open to fully closed prior to shipment.

3.7 VALVE LEAKAGE TESTING

- A. Test valves for leakage at the same time that the connecting pipelines are tested. See Section 400515 for pressure testing requirements. Protect or isolate any parts of valves, actuators, or control and instrumentation systems whose pressure rating is less than the pressure test. Valves shall show zero leakage. Repair or replace any leaking valves and retest.

3.8 VALVE FIELD TESTING

- A. Actuators shall be fully lubricated in accordance with the manufacturer's recommendations prior to operating.
- B. Operate manual valves through three full cycles of opening and closing. Valves shall operate from full open to full close without sticking or binding. Do not backfill buried valves until after verifying that valves operate from full open to full closed. If valves stick or bind, or do not operate from full open to full closed, repair or replace the valve and repeat the tests.
- C. Gear actuators shall operate valves from full open to full close through three cycles without binding or sticking. The pull required to operate handwheel- or chainwheel-operated valves shall not exceed 80 pounds. The torque required to operate valves having 2-inch AWWA nuts shall not exceed 150 ft-lbs. If actuators stick or bind or if pulling forces and torques exceed the values stated previously, repair or replace the actuators and repeat the tests. Operators shall be fully lubricated in accordance with the manufacturer's recommendations prior to operating.

END OF SECTION

SECTION 400566
BUTTERFLY VALVES FOR PROCESS AIR APPLICATIONS

PART 1 - GENERAL

1.1 SUMMARY

- A. This section includes materials, testing, and installation of butterfly valves and accessories in process air applications.

1.2 RELATED WORK SPECIFIED ELSEWHERE

- A. Painting and Coating: 099000.
- B. General Piping Requirements: 400500.
- C. Pressure Testing of Piping: 400515.
- D. Valves, General: 400524.

1.3 SUBMITTALS

- A. Submit shop drawings in accordance with Section 013300.
- B. Submit manufacturer's catalog data and detailed construction sheets showing all valve parts. Describe each part by material of construction, specification (such as AISI, ASTM, SAE, or CDA), and grade or type. Identify each valve by tag number to which the catalog data and detail sheets pertain.
- C. Show valve dimensions including laying lengths. Show port sizes. Show dimensions and orientation of valve actuators, as installed on the valves.
- D. Show location of internal stops for gear actuators. State differential pressure and fluid velocity used to size actuators. For worm-gear actuators, state the radius of the gear sector in contact with the worm and state the handwheel diameter.
- E. Show valve linings and coatings. Submit manufacturer's catalog data and descriptive literature.
- F. Show the clear diameter or size of the port. Show the actual area of the port as a percentage of the area as calculated for the nominal valve size.

1.4 WARRANTY

- A. Full warranty against defects in materials and workmanship for one year after FINAL ACCEPTANCE including all parts, labor, and expenses.

PART 2 - PRODUCTS

2.1 GENERAL

- A. Valves and the required actuators are identified by tag numbers on the drawings and in the Valve Schedule. See the Valve Schedule in Valves, General Section 400524.
- B. Valves shall be installed complete with flange gaskets, nuts and bolts, operating handwheels or levers, chainwheels, extension stems, floor stands, gear actuators, operating nuts, chains, and wrenches required for operation.
- C. Valves shall have the name of the manufacturer and the size of the valve cast or molded onto the valve body or bonnet or shown on a permanently attached plate. Valves shall open by turning counterclockwise.
- D. Bolts, nuts and gaskets for flanged valves shall be as described in Section 400500.
- E. Lining and coating shall be as described in Section 099000.
- F. Packing, O-Rings and gaskets shall be Teflon, Kevlar aramid fiber, acrylic or aramid fiber, Buna-N or EPDM.
- G. Valve end connections for exposed valves shall be flanged unless shown otherwise. Contractor shall verify compatibility of valve ends, including class and drilling flanges with the connecting pipe.
- H. Buried valve end connections shall be mechanical joint of push on joint unless otherwise shown in the drawings or in the Valve Schedule.

2.2 VALVES

A. BUTTERFLY VALVES FOR PROCESS AIR SERVICE (MSS SP-67).

1. Comply with MSS SP-67.
2. Materials:
 - a. Valve Bodies:
 - i. Wafer body: Cast iron ASTM A126, Class B.
 - ii. Lug Body: Ductile iron, ASTM A395.
 - b. Valve Shaft or Stem:
 - i. Stainless steel, ASTM A276, Type 316
 - c. Valve Disc:
 - i. Ductile iron, ASTM A395, nickel plated, or
 - ii. Aluminum Bronze, ASTM B148 Alloy 954
 - d. Valve Seat:
 - i. Water and air below 180 Deg F
 1. Buna-N
 - ii. Water and air 180 to 250 Deg F
 1. EPDM
 - iii. Valve seat shall be a full body seat isolating stem and body from flow.
3. Design Requirements:
 - a. Exposed and submerged valves 3 IN through 20 IN.
 - i. Body type: Wafer
 - ii. Working pressure: Rated for 150 psi.
 - iii. Equip with fully taped anchor lugs drilled per ASME B16.5.
 - b. Exposed and submerged valves 24 IN and larger.
 - i. Body type: Short body flange.
 - ii. Working pressure: Rated for 150 psi.

2.3 ACCESSORIES

- A. Refer to Valve Schedule for type of actuators. Furnish actuator integral with valve.

PART 3 EXECUTION

3.1 JOINTS

- A. Bolt holes of flanged valves shall straddle the horizontal and vertical centerlines of the pipe run to which the valves are attached. Clean flanges by wire brushing before installing flanged valves. Clean bolts and nuts by wire brushing, lubricate threads with oil and graphite, and tighten bolts uniformly and progressively. If flanges leak under pressure testing, loosen or remove the nuts and bolts, reseal or replace the gasket, reinstall or retighten the bolts and nuts, and retest the joints. Joints shall be watertight.
- B. Clean threaded joints with wire brush and by swabbing. Apply Teflon joint compound or Teflon tape to the pipe threads before installing threaded valves. Joints shall be watertight.
- C. Install lug type valves with separate hex head machine bolts at each bolt hole and each flange (two bolts per valve bolt hole).
- D. Install grooved end couplings for valves in accordance with grooved coupling supplier recommendations.

3.2 INSTALLING EXPOSED VALVES

- A. Unless otherwise indicated in the drawings, install valves in horizontal runs of pipe having centerline elevations 4 feet 6 inches or less above the floor with their operating stems vertical. Install valves in horizontal runs of pipe having centerline elevations between 4 feet 6 inches and 6 feet 9 inches above the floor with their operating stems horizontal.

- B. Install valves on vertical runs of pipe that are next to walls with their stems horizontal, away from the wall. Valves on vertical runs of pipe that are not located next to walls shall be installed with their stems horizontal, oriented to facilitate valve operation.
- C. Valve operator locations have been shown arbitrarily on the Drawings. Contractor shall verify the location of the operator to comply with above requirements, and to allow access for installation, operation, and maintenance.

3.3 INSTALLING BURIED VALVES

- A. Connect the valve, coat the retainer glands, install the tape wrapping or polyethylene encasement, and place and compact the backfill to the height of the valve stem.
- B. Place block pads under the extension pipe to maintain the valve box vertical during backfilling and repaving and to prevent the extension pipe from contacting the valve bonnet.
- C. Mount the upper slip pipe of the extension in midposition and secure with backfill around the extension pipe. Pour the concrete ring allowing a depression so the valve box cap will be flush with the pavement surface.

3.4 FIELD COATING BURIED VALVES

- A. Coat flanges of buried valves and the retaining hardware of the adjacent piping, and the bolts and nuts of retaining hardware and mechanical joints, per Section 099000.
- B. Wrap buried metal valves 6 inches and larger with polyethylene sheet.
- C. Wrap buried metal valves 6 inches and larger in two layers of polyethylene conforming to AWWA C105, 8 mils in thickness each. Pass the two sheets of polyethylene under the valve and the coated flanges or joints with the connecting pipe and draw the sheets around the valve body, the valve bonnet, and the connecting pipe. Secure the sheets with plastic adhesive tape about the valve stem below the operating nut and about the barrel of the connecting pipe to prevent the entrance of soil. Fold overlaps twice and tape. Backfill the valve with care to avoid damaging the polyethylene.

3.5 MOUNTING GEAR ACTUATORS

- A. The valve manufacturer shall select and mount the gear actuator and accessories on each valve and stroke the valve from fully open to fully closed prior to shipment.

3.6 VALVE FIELD TESTING

- A. Operate manual valves through three full cycles of opening and closing. Valves shall operate from full open to full close without sticking or binding. Do not backfill buried valves until after verifying that valves operate from full open to full closed. If valves stick or bind, or do not operate from full open to full closed, repair or replace the valve and repeat the tests.
- B. Gear actuators shall operate valves from full open to full close through three cycles without binding or sticking. The pull required to operate handwheel- or chainwheel-operated valves shall not exceed 80 pounds. The torque required to operate valves having 2-inch AWWA nuts shall not exceed 150 ft-lbs. If actuators stick or bind or if pulling forces and torques exceed the values stated previously, repair or replace the actuators and repeat the tests. Operators shall be fully lubricated in accordance with the manufacturer's recommendations prior to operating.

END OF SECTION

THIS PAGE INTENTIONALLY LEFT BLANK.

SECTION 400711
MISCELLANEOUS PIPE FITTINGS AND ACCESSORIES

PART 1 GENERAL

1.1 DESCRIPTION

- A. This section includes materials and installation of miscellaneous piping specialties, such as chemical diffusers; chemical solution tubes; backflow preventers; and PVC calibration columns. Note that all materials referenced in this section are being supplied and installed under the separate sections referenced below.

1.2 RELATED WORK SPECIFIED ELSEWHERE

- A. Painting and Coating: 099000.
- B. Domestic Water Piping Specialties: 221119 (includes RPZ Backflow preventer)
- C. General Piping Requirements: 400500.
- D. Piping Schedule: 400501.
- E. Corporation Stops and Service Saddles: 402713.
- F. Pressure Testing of Piping: 400515.
- G. Liquid Chemical Feed Systems: 433300. (Includes chemical solution tubes; PVC calibration column; no chemical diffuser is required for this project)

1.3 SUBMITTALS

- A. Submit shop drawings in accordance with Section 013300. (Not applicable for this project)
- B. Submit manufacturer's catalog data and descriptive literature showing dimensions and materials of construction by ASTM reference and grade. Show coatings.
- C. Submit certification from manufacturer that fittings are NSF 61 listed.
- D. Provide additional O&M data per Section 017823.

1.4 WARRANTY

- A. Full warranty against defects in materials and workmanship for one year following FINAL ACCEPTANCE, including all parts, labor, and expenses.

PART 2 PRODUCTS

2.1 FLANGE INSULATION KITS (NOT USED)

- A. See Section 400500.

2.2 INSULATING UNIONS (NOT USED)

- A. See Section 400500.

2.3 CHEMICAL DIFFUSERS (NOT USED)

- A. Diffuser configuration shall provide multiple feed points along a cross section within the basin. Materials of construction shall be compatible with chemical solution and be capable of withstanding the working pressure of the system and the hydrostatic pressure of the basin. Manufacturer to design orifices in quantity and diameter to obtain optimum chemical transfer for the application.
- B. Connection to Diffuser: Connecting pipe shall be "hard" pipe compatible with chemical solution used and capable of withstanding the working pressure of the system. Connection of the connecting pipe to the chemical diffuser shall allow for disassembly.
- C. Provide means to support or anchor the diffuser in the basin for the diffuser orientations shown in the Drawings. Anchors and supports shall be compatible with the chemical solution used.
- D. Chemical diffuser shall be by SAF-T-Flow, Hydro Instruments, or equal.

2.4 LONG BODY BURIED PIPE COUPLINGS (NOT USED)

- A. Buried long body pipe couplers, as shown in the Contract Documents, shall be of the gasketed, sleeve-type design with a diameter to properly fit the pipe. Each coupling shall consist of one (1) steel middle ring, two (2) steel followers, two (2) rubber compound wedge section gaskets and sufficient track-head bolts to properly compress the gaskets. Buried long body couplers shall be Dresser- Model

40, or Engineer approved equivalent.

- B. The coupling gaskets shall be composed of a crude or synthetic rubber base compound with other products to produce a material that will not deteriorate from age, heat, or exposure to air under normal storage conditions. It shall also possess the quality of resilience and ability to resist cold flow of the material so that the joint will remain sealed and tight indefinitely when subjected to shock, vibration, pulsation, and temperature or other adjustments of the pipeline.

2.5 BACKFLOW PREVENTERS (SUPPLY RPZ BACKFLOW PREVENTER UNDER REQUIREMENTS OF SECTION 221119)

- A. Reduced Pressure Backflow Preventers, 2-Inch and Smaller
 1. The reduced pressure backflow preventer shall consist of two independently operating, spring loaded, "Y" pattern check valves and one hydraulically dependent differential relief valve. The device shall automatically reduce the pressure in the "zone" between the check valves to at least 5-psi lower than the inlet pressure. Should the differential between the upstream and the zone of the unit drop to 2-psi, the differential relief valve shall open and maintain the proper differential.
 2. Reduced pressure backflow preventer assemblies shall be Febco Model 825YA, or Engineer approved equivalent.
- B. Vertical Reduced Pressure Type Backflow Preventer, 2 1/2-inch and Larger
 1. The reduced pressure backflow preventer shall consist of two independently operating, spring loaded, "Y" pattern check valves and one hydraulically dependent differential relief valve. The device shall automatically reduce the pressure in the "zone" between the check valves to at least 5-psi lower than the inlet pressure. Should the differential between the upstream and the zone of the unit drop to 2-psi, the differential relief valve shall open and maintain the proper differential.
 2. Vertical backflow preventer shall be Febco Model 880V - N Shape, or Engineer approved equivalent.
- C. Reduced Pressure Backflow Preventer, 2 1/2-inch and Larger
 1. Reduced pressure backflow preventer assemblies shall consist of two independent "Y" configured check valves and one differential relief valve. By design, the assembly shall automatically reduce the pressure in the zone between the check valves by 5-psi. Should the differential between the zone and upstream pressure drop to 2-psi, the differential relief valve will open, maintaining proper zone differential.
 2. All internal metal parts included in the check assemblies shall be of Series 300 stainless steel, and shall not contain any dissimilar metals, Elastomeric seat discs on the checks and relief valve must be reversible and seat rings shall be B-61 bronze. The check assembly shall be center stem guided at the seat ring and at the cover by replaceable non-corrosive bushings. Relief valve spring is to be Series 300 stainless steel.
 3. Valve bodies and cover shall be manufactured of ductile iron ASTM A536, Grade 65-45-2, Ductile Iron bodies shall be flanged, ASME B16.1, Class 125.
 4. Reduced pressure backflow preventer assemblies shall include flange, full port resilient wedge shut-off valves and four ball valve test cocks, considered integral to the assembly. Assemblies must be factory assembled and backflow tested.
 5. The assembly shall be constructed so all internal parts, including seat rings, can be serviced from the top or side or removed while assembly is in line. The assembly shall be rated 175-psi working pressure.
 6. Provide a bronze air gap drain to catch atmospheric discharge from the device. The drain must be of such design as to allow mounting directly to the reduced pressure backflow preventer.
 7. The assembly shall meet or exceed requirements of ASSE Standard 1013, AWWA Standard C511, and the USC Foundation for Cross Connection Control and Hydraulic Research.
 8. Reduced pressure backflow preventer assemblies shall be Febco Model 825YD, or Engineer approved equivalent.

2.6 METALLIC QUICK-CONNECT COUPLINGS (NOT USED)

- A. **Type 1:** Quick-connect couplings larger than 1 inch shall be female coupler, ASME B16.1, Class 125, flange type with locking handles. Provide dust plug and security chain with each coupling. Bodies and locking handles shall be **Type 316 stainless steel**. Gasket shall be **Buna-N**. Couplings shall be Ever-Tite Model FLB, Parker-Hannifin Model 400-DL, or equal.
- B. **Type 2:** Quick-connect couplings shall be male adapter/ASME B16.1 Class 125 flange. Bodies shall be **Type 316 stainless steel**. Provide quick-connect plug or cap for each coupling. Couplings shall

be Ever-Tite Model FLA, CIVACON Model 633-LAS, or equal.

- C. **Type 3:** Quick-connectors 1 inch and smaller shall be Type 316 stainless steel, female body by male stem. Quick-connector shall have a ring of Type 316 stainless steel locking balls and Buna-N O-ring. Quick-connectors shall not have internal ball or poppet valve. Quick-connectors shall be Swagelok QF series, Aeroquip FD45 series, or equal.
- D. **Type 4:** Female couplers shall be 90-degree elbow type with internal spring check valve. Pressure of 0.75 psi shall open valve for full flow. Provide dust plug and security chain with each coupler. Bodies shall be Type 316 stainless steel. Gasket shall be Buna-N. Couplers shall be CIVACON 633-G, Evertite, Parker Fluid Connector, or equal.

2.7 "Y" STRAINERS (NOT USED)

- A. "Y" Strainers (2-Inch and Smaller Diameter)
 - 1. "Y" strainers shall be either bronze body or PVC body. Body type shall be bronze if adjacent pipe material is copper tube or galvanized steel. Body type shall be PVC if adjacent pipe material is PVC.
 - 2. Strainer size shall match size of adjacent piping or shall be as shown on the Drawings.
 - 3. The strainer shall contain a removable cap to allow the filter screen to be removed without removing the strainer from the pipeline. The filter screen shall be Type 316 stainless steel or PVC with 1/32-inch or 20 mesh openings.
 - 4. Minimum working pressure of strainers shall be 150-psi.
 - 5. Strainers shall have threaded end connections.
 - 6. Provide one spare screen with each "Y"-strainer. Pack screens in a box with manufacturer's name, address, and telephone number.
- B. "Y" Strainers (Greater than 2-Inch Diameter)
 - 1. "Y" strainers shall be stainless steel body.
 - 2. The strainer shall contain a removable cap to allow the filter screen to be removed without removing the strainer from the pipeline. The filter screen shall be Type 316 stainless steel with 80 mesh openings.
 - 3. Minimum working pressure of strainers shall be 150-psi.
 - 4. Strainers shall have flanged end connections, or as indicated on the Drawings.
 - 5. Provide one spare screen with each "Y" strainer. Pack screens in a box with manufacturer's name and local representative's name, address, and telephone number.
 - 6. Strainers shall be by Eaton Corporation, or Engineer approved equivalent.

2.8 CAST-IRON WYE STRAINERS 4 THROUGH 10 INCHES (NOT USED)

- A. Strainers 4 inches through 10 inches shall have cast-iron body and cover (ASTM A126, Class B), with minimum pressure rating of 175 psi, wye pattern. Screen shall be stainless steel (ASTM A240 or A666, Type 304), with a perforated screen area that is minimum three times the area of the pipe to which the strainer is attached.
- B. Provide a blowoff connection with isolation ball valve and plug or cap on strainer cover.
- C. Ends shall be flanged, conforming to ASME B16.1, Class 125; flanges shall be flatfaced.
- D. The strainer, except for stainless steel parts, shall be fusion-bonded epoxy lined and coated per Section 099761.
- E. Strainers shall be Watts Regulator 77F Series, Mueller Steam Specialty Model 758, Red-White Valve Corp., or equal.
- F. Calibration cylinder and fittings shall be made of inert clear PVC pipe conforming to ASTM D1785, Schedule 80 and equipped with flanged connection to pump manifold and end cap fitted with vacuum breaker and ball valve for air venting. Calibration cylinders shall have calibration marks with at least 12 inches (305 mm) of clear observable length permanently marked in gallons and liters and fractions thereof, to allow reading of the fluid contents with an accuracy of 1 percent. Provide at least 10 calibration lines, with a minimum of one line every 100-ml.

PART 3 EXECUTION

3.1 INSTALLATION OF SERVICE SADDLES (NOT USED)

- A. Install service saddles and long body couplings with the gasket seated on the pipe so that zero leakage is obtained. Tighten bolts to the torque requirements recommended by the manufacturer.

3.2 PAINTING AND COATING OF SERVICE SADDLES (NOT USED)

- A. Coat service saddles located above ground or in vaults and structures the same as the piping to which they are attached. Color of finish coat shall match the color of the pipe to which the service saddle is connected. Do not coat stainless steel strap.
- B. Coat buried saddles and corporation stops with three (3) wraps of AWWA C209 tape.

3.3 BACKFLOW INSTALLATION (SEE REQUIREMENTS OF 221119)

- A. Install backflow assemblies at the locations shown on the drawings, and per the manufacturer's recommendations.
- B. Provide Schedule 80 PVC piping from air gap drain outlet on RPBP devices to six (6) inches above floor.
- C. Coordinate location of RPBP devices with other trades so that water discharge will not damage nearby equipment.

3.4 LINING AND COATING BACKFLOW PREVENTERS (SEE REQUIREMENTS OF 221119)

- A. Coat backflow preventers located above ground or in vaults and structures per Section 099000, System 29. Apply the specified prime coat at the place of manufacture. Apply intermediate and finish coats at the place of manufacture or at the jobsite. Finish coat shall match the color of the adjacent piping. Coat handwheels the same as the valves. Do not coat bronze or brass valves. Line the interior metal parts of metal valves, excluding seating areas and bronze and stainless steel pieces, per Section 099000. Apply lining at the place of manufacture. Alternately, apply a fusion-bonded coating suitable for potable water in compliance with AWWA C550.
-

3.5 INSTALLING QUICK-CONNECT COUPLINGS (NOT USED)

- A. Attach to piping per the relevant piping specification.

3.6 INSTALLING CALIBRATION COLUMNS (SEE REQUIREMENTS OF 433300)

- A. Connect calibration columns to the piping by means of a tee connection.

END OF SECTION

SECTION 400722
FLEXIBLE PIPE COUPLINGS AND EXPANSION JOINTS

PART 1 GENERAL

1.1 DESCRIPTION

- A. This section includes materials and installation of:
 - 1. flexible gasketed sleeve-type compression pipe couplings for steel; and ductile-iron pipe
 - 2. thermal expansion compensators and expansion joints 4 inches in diameter and smaller for steel, PVC; CPVC; and copper pipe.
 - 3. flexible expansion joints; expansion loops; or restrained flange adapters and couplings for connecting different pipe materials.

1.2 RELATED WORK SPECIFIED ELSEWHERE

- A. Painting and Coating: 099000.
- B. General Piping Requirements: 400500.
- C. Piping Schedule: 400501.
- D. Pressure Testing of Piping: 400515.
- E. Wall Pipes, Seep Rings, and Penetrations: 400762.
- F. Pipe Hangers and Supports: 400764.

1.3 SUBMITTALS

- A. Submit shop drawings in accordance with Section 013300
- B. Submit manufacturer's catalog data on flexible pipe couplings, thermal expansion compensators; restrained flange adapters; expansion loops; and expansion joints. Show manufacturer's model or figure number for each type of coupling or joint for each type of pipe material for which couplings and joints are used. Show coatings.
- C. Submit manufacturer's recommended torques to which the coupling bolts shall be tightened for the flexible gasketed sleeve-type compression pipe couplings.
- D. Show materials of construction by ASTM reference and grade. Show dimensions.
- E. Show number, size, and material of construction of tie rods and lugs for each thrust harness on the project.

1.4 WARRANTY

- A. Full warranty against defects in materials and workmanship for one year after FINAL ACCEPTANCE, including all parts, labor, and expenses.

PART 2 PRODUCTS

2.1 COUPLING SYSTEM DESIGN AND COMPONENT UNIT RESPONSIBILITY

- A. The coupling manufacturer shall furnish the gaskets, bolts, nuts, glands, end rings, and hardware for pipe couplings of all types and shall design these components as an integral system. Design the gaskets for the coupling and appropriately size to provide a watertight seal at the design pressure and temperature. Ship gaskets, bolts, nuts, glands, end rings, and hardware for pipe couplings with the pipe coupling and clearly label indicating the origin of the material, including place and date of manufacture. Package the manufacturer's printed installation instructions with each pipe coupling.

2.2 STEEL FLEXIBLE PIPE COUPLINGS

- A. Steel couplings shall have center sleeves and end rings made of carbon; Steel couplings shall have center sleeves and end rings made of Type 304 stainless; or Steel couplings shall have center sleeves and end rings made of Type 316 stainless steel conforming to AWWA C219, Section 4. Minimum center sleeve length shall be 5 inches for pipe sizes 3/4 inch through 4-1/2 inches, 7 inches for pipe sizes 5 inches through 24 inches, and 10 inches for pipe sizes larger than 24 inches.
- B. Sleeve bolts in exposed service shall be carbon, Type 304 stainless; or Type 316 stainless steel per AWWA C219, Section 4. Sleeve bolts in buried or submerged service shall be Type 304 stainless; or Type 316 stainless steel per AWWA C219, Section 4.
- C. Steel end rings shall be cast, forged, or hot rolled in one piece. Do not use rings fabricated from two or

more shapes.

- D. Wall thickness of sleeve shall be at least that specified for the size of pipe in which the coupling is to be used.

2.3 DUCTILE-IRON FLEXIBLE PIPE COUPLINGS

- A. Couplings shall have center sleeves and end rings made of ductile iron conforming to AWWA C219, Section 4.
- B. Sleeve bolts in exposed service shall be carbon; Type 304 stainless; or Type 316 stainless steel per AWWA C219, Section 4. Sleeve bolts in buried or submerged service shall be Type 304 stainless or Type 316 stainless steel per AWWA C219, Section 4.

2.4 JOINT HARNESESSES

- A. Tie bolts or studs shall be as shown in the following table. Bolt or stud material shall conform to ASTM A193, Grade B7. Nuts shall conform to ASTM A194, Grade 2H. Lug material shall conform to ASTM A36, ASTM A283, Grade B, C, or D, or ASTM A285, Grade C. Lug dimensions for steel pipe shall be as shown in AWWA Manual M11 (2004 edition), Figure 13-20, using the number and size of lugs as tabulated below.
- B. Lugs for steel pipe shall be Type P for pipes 6 through 10 inches and Type RR for pipes 12 inches and larger.; or Lug or ear dimensions for ductile-iron pipe shall be as shown in the drawings.
- C. Manufactured lugs shall incorporate a three-hole design that utilizes two flange bolts to hold each lug in place for each tie-rod. Lug shall be A36 steel or 316 stainless steel. Manufactured lugs shall be Romac Series 490, or equal.
- D. Select number and size of bolts based on the test pressure shown in Section 4005010. Stagger bolts equally around pipe circumference. Where odd number is tabulated, place odd bolt at top. For test pressures less than or equal to 150 psi, use the 150-psi design in the table above. For test pressures between 150 and 300 psi, use the 300-psi design in the table above.
- E. Provide washer for each nut. Washer material shall be the same as the nuts. Minimum washer thickness shall be 1/8 inch.

2.5 FLEXIBLE PIPE COUPLINGS FOR PLAIN-END STEEL PIPE

- A. Couplings shall be steel, Dresser Style 38, Smith-Blair Type 411, Baker Series 200, or equal.

2.6 FLEXIBLE PIPE COUPLINGS FOR PLAIN-END DUCTILE-IRON PIPE

- A. Couplings for pipe 12 inches and smaller shall be cast iron, Dresser Style 253 or 253 long sleeve, Smith-Blair Type 441, Baker Series 228, or equal.
- B. Couplings for pipe larger than 12 inches shall be cast iron or steel, Dresser Style 38 or 153, Smith-Blair Style 411, Baker Series 228, or equal.

2.7 TRANSITION COUPLINGS

- A. Couplings for connecting different pipes having different outside diameters shall be steel: Dresser Style 62 or 162, Smith-Blair Series 413, Baker Series 212 or 220, or equal.
- B. Couplings shall have an internal full circumference ring pipe stop at the midpoint of the coupling. Inside diameter of coupling pipe stop shall equal inside diameter of smaller diameter pipe.

2.8 FLANGED COUPLING ADAPTERS FOR STEEL PIPE

- A. Adapters for steel pipe shall be steel: Dresser Style 128, Smith-Blair Type 913, or equal. Flange ends shall match the flange of the connecting pipe; see detail piping specifications.

2.9 FLANGED COUPLING ADAPTERS FOR CAST- AND DUCTILE-IRON PIPE

- A. Adapters for cast- and ductile-iron pipe 12 inches and smaller shall be cast iron: Dresser Style 127, Smith-Blair Series 912, or equal.
- B. Adapters for cast- and ductile-iron pipe larger than 12 inches shall be steel: Dresser Style 128, Smith-Blair Type 913, or equal.
- C. Flange ends shall match the flange of the connecting pipe.

2.10 RESTRAINED FLANGE ADAPTER FOR DUCTILE IRON PIPE

- A. Restrained flange adapter shall be made of ductile iron conforming to ASTM A536.
- B. Flange bolt circle of the adapter shall be compatible with Class 125 flanges per AWWA C115.

- C. Restraint for the flange adapter shall consist of a plurality of individually actuated gripping wedges.
- D. Restrained flange adapter shall be Series 2100 Megaflange as produced by EBAA Iron, Inc., or approved equal.
- E. Restrained flange adapters shall only be used specifically where shown on the Contract Documents or with written approval from the Engineer for additional locations.

2.11 DISMANTLING JOINTS

- A. The dismantling joint shall consist of a flanged steel spigot piece, a flanged sleeve, a center ring welded onto the sleeve, and a follower ring containing a gasket through which the spigot piece slides into the sleeve. The joint shall accommodate up to 2 inches of longitudinal movement. The longitudinal adjustability shall be provided by a telescopic action of a flanged spigot and associated sleeve, which inserts into the spigot. A system of tie bolts or rods shall connect the center ring of the sleeve or the end flange on the sleeve to the end flange on the spigot piece. Provide washers and nuts on the tie bolts on both sides of the center ring or sleeve and flange and the spigot end flange to allow for adjustment of the extension length for the sleeve.
- B. The minimum design pressure shall be the same as the adjacent piping. Design stresses shall not exceed 40% of the yield strength of the materials. Minimum factory test pressure shall be 150% of the design pressure.
- C. The gasket shall be compressed by a separate bolting and gland system, independent of the tie bolts. Gasket shall be isoprene, Buna-N or EPDM.
- D. Fabrication, assembly, and erection shall comply with Section 400513.
- E. Dismantling joints shall have a spigot piece made of steel conforming to ASTM A36, A53 (Type E or S), or A283, Grade C having a minimum yield strength of 30,000 psi and a flange adapter and follower ring made of ductile iron conforming to ASTM A536, Grade 65-45-12.
- F. Sleeve and follower ring bolts shall have a minimum yield strength of 105,000 psi, a minimum tensile strength of 125,000 psi, and shall conform to ASTM A193, Grade B7.
- G. Steel flanges [, center ring,] and gasket follower rings shall be cast, forged, or hot rolled in one piece. Do not use flanges or rings fabricated from two or more shapes. Flanges shall conform to ANSI Classes 125 and 150.
- H. Wall thickness of spigot piece and sleeve shall be at least that specified for the size of pipe in which the coupling is to be used.
- I. Flanges: See Section 40051300.
- J. Manufacturers: Romac Industries Style DJ400 or equal.

2.12 SEGMENTED RESTRAINED SLEEVE COUPLINGS AND FLANGED ADAPTER COUPLINGS FOR CARBON AND STAINLESS STEEL PIPE

- A. The coupling shall be of the split or segmented sleeve type with a double arch cross-section, which closes around plain steel pipe ends. The design pressure and wall thickness of the body shall be at least that specified for the size of pipe on which the coupling is to be used. Provide welded steel restraint rings on the pipe ends for end restraint. As the coupling closes, it shall confine an elastomeric

gasket on each pipe end to create a radial seal. The axial seal shall be affected at the closure plates as bolts pull the coupling snug round the pipe. Provide shoulders on each end of the couplings. Flanged adapter couplings shall incorporate a flange on one end (instead of an end ring and shoulder) to match the flange on the connecting pipe or valve. Products: Victaulic "Depend-O-Lok" Model F x F Type 2 for sleeve couplings or Victaulic "Depend-O-Lok" Model F x F flanged adapter coupling for flanged adapter couplings.

- B. Carbon steel piping includes steel pipe lined with cement mortar, polyurethane or epoxy.
- C. Body, flange, and closure plates for couplings used with carbon steel pipe in exposed service shall be carbon steel per ASTM A36, Type 304 or 304L stainless steel per ASTM A240 or A 666; or Type 316 or 316L stainless steel per ASTM A240 or A666.
- D. Body, flange, and closure plates for couplings used with carbon steel pipe in buried service shall be Type 304 or 304L stainless steel per ASTM A240 or A666; or Type 316 or 316L stainless steel per ASTM A240 or A666.
- E. End restraint rings for couplings used with carbon steel pipe shall be carbon steel per ASTM A108, Grade 1020; Type 304 or 304L stainless steel per ASTM A276; or Type 316 or 316L stainless steel per ASTM A276. Provide end restraint rings on each of the connecting pipes. The end rings shall be welded to the pipe ends using a welding procedure complying with the ASME Pressure Vessel Code, Section IX. Weld the end restraint rings to the pipe before applying the lining and coating (if any is specified) to the pipe. The welded end restraint rings shall have at least the pressure rating of the pipe to which the coupling is attached.
- F. Fasteners for couplings used with carbon steel pipe in exposed service shall be Type 304 stainless steel per ASTM A276, F593, or F738 with stainless steel nuts per ASTM F594 or F836; carbon steel per ASTM A325, with carbon steel nuts and washers per ASTM A563; or Type 316 stainless steel per ASTM A276, F593, or F738 with stainless steel nuts per ASTM F594 or F836
- G. Fasteners for couplings used with carbon steel pipe in buried service shall be Type 304 stainless steel per ASTM A276, F593, or F738 with stainless steel nuts per ASTM F594 or F836; or Type 316 stainless steel per ASTM A276, F593, or F738 with stainless steel nuts per ASTM F594 or F836.
- H. Coupling body, flange, and closure plates for couplings used with stainless steel pipe shall be Type 304 or 304L stainless steel per ASTM A240 or A666; or Type 316 or 316L stainless steel per ASTM A240 or A666.
- I. End restraint rings for couplings used with stainless steel pipe shall be Type 304 or 304L stainless steel per ASTM A276; or Type 316 or 316L stainless steel per ASTM A276. Provide end restraint rings on each of the connecting pipes. The end rings shall be welded to the pipe ends using a welding procedure complying with the ASME Pressure Vessel Code, Section IX. The welded end restraint rings shall have at least the pressure rating of the pipe to which the coupling is attached.
- J. Fasteners for couplings used with stainless steel pipe shall be Type 304 stainless steel per ASTM A276, F593, or F738 with stainless steel nuts per ASTM F594 or F836; or Type 316 stainless steel per ASTM A276, F593, or F738 with stainless steel nuts per ASTM F594 or F836.
- K. Gaskets shall be isoprene, Buna-N; or EPDM conforming to ASTM D2000 for water and sewage service and having a temperature range of -20°F to +180°F.
- L. Provide joint sealant between the pipe ends for piping 24 inches and larger after the sleeve coupling is installed: Sikaflex 2C with Sikaflex 429 primer.

2.13 TYPE 1 EXPANSION JOINTS: FOR COPPER PIPE

- A. Expansion joints for copper pipe shall be all bronze: Metraflex Model HPMF expansion compensator, Hispan Model 8509 or 8510 expansion compensator, or equal. Expansion compensators shall have antitorque devices to protect the bellows. Minimum working pressure shall be 175 psig.

2.14 TYPE 2 EXPANSION JOINTS: FOR STEEL PIPE 4 INCHES AND SMALLER

- A. Expansion joints for steel pipe 4 inches and smaller shall be carbon steel: Hispan Model 8503 or 8504 expansion compensators, Metraflex Model HP expansion compensator, or equal. Expansion compensators shall have antitorque devices to protect the bellows. Minimum working pressure shall be 150 psi.

2.15 TYPE 3 EXPANSION JOINTS: TEFLON BELLOWS TYPE

- A. Expansion joints shall be Teflon bellows type having three convolutions, ductile-iron flanges, Monel reinforcing ring, and a Teflon facing on the flanges. Minimum working pressure shall be 110 psi. Provide thrust harnesses. Flanges shall be Class 125, ASME B16.1. Products: Peabody-Dore Style E-1608-B, Resistoflex No. R6905, or equal.

2.16 TYPE 4 EXPANSION JOINTS: SPHERICAL EXPANSION JOINTS

- A. Spherical design expansion joints shall be chlorobutyl with polyester fiber reinforcing and be provided with steel retaining rings and Type 304 stainless steel gusset plates and control rods. Expansion joints shall have flat-face flanges integral with the body to match 125/150-pound flanges. Expansion joints for hot water service shall be rated at a minimum of 150 psig at 212°F.

Joint Size	Flange to Flange Length (inches)	Minimum Pressure Rating (150°) (psi)
4-8	6	225
10-12	8	225
14-20	10-12	125

- B. Expansion joints shall be manufactured by Metraflex Metrasphere, Proco Series 240, or equal.

2.17 TYPE 5 EXPANSION JOINTS: SINGLE; DOUBLE; OR TRIPLE ARCH RUBBER TYPE (24 INCHES AND SMALLER)

- A. Expansion joints shall be rubber, single; double; or triple arch type, with integral flat-face ANSI Class 125/150 flanges.
 1. Cover Elastomer: Butyl; Neoprene; or Chlorobutyl.
 2. Tube Elastomer: Butyl; Neoprene; Chlorobutyl; Teflon®; Hypalon®; or Nitrile.
 3. Arch Type: Open or Filled.
 4. Fluid: Potable water; Raw water; Raw sewage; or sludge.
 5. Fluid Temperature Range: 40°F to 105°F.
 6. Ambient Temperature Range: 30° F to 120°F.
- B. Minimum working pressure shall be 150 psi for joints 12 inches and smaller, 120 psi for 14- and 16-inch joints, 110 psi for 18- and 20-inch joints, and 100 psi for 24-inch joints. Provide steel thrust plates, retaining rings, and control rods. Products: Proco Style 220, General Rubber Style 1075, or equal.

2.18 TYPE 6 EXPANSION JOINTS: FLEXIBLE EXPANSION JOINTS

- A. Each flexible expansion joint shall consist of two ball joints and two or three expansion sleeves. Each expansion sleeve shall allow an expansion capability of at least 4 inches. Material of construction shall be ductile iron conforming to the material requirements of AWWA C153. Minimum deflection shall be 15 degrees in both vertical and horizontal planes. Minimum pressure rating of the flexible coupling joint assembly shall be 350 psi. Provide stop collars on the sleeves to restrain the lateral travel. Provide synthetic rubber gaskets in sleeves and balls. Ends of assembly shall be flanged or mechanical joint to match the connecting piping.
- B. Coat exposed, buried and submerged assemblies per Section 099000. Color of finish coat shall match the connecting piping or be the same as the connecting piping.
- C. Flexible expansion joints shall be EBAA Iron, Inc., "Flex-Tend"; Romac Industries "FlexiJoint"; or equal.

2.19 TYPE 7: ELASTOMERIC COUPLING

- A. Provide elastomeric couplings suitable for the pipe types and sizes to be connected. Elastomeric coupling shall consist of an elastomeric plastic sleeve and Type 304 or 305 stainless steel pipe clamps. Provide a minimum of two clamps for pipes up to 15 inches in outer diameter. Provide a minimum of four clamps on a sleeve 10 inches long for pipes larger in diameter than 15 inches.

2.20 TYPE 8 COUPLINGS: FOR CONNECTING VITRIFIED CLAY PIPE TO PLASTIC OR DUCTILE-IRON PIPE

- A. Couplings shall consist of a styrene butadiene (SBR) or neoprene rubber body with stainless steel bands, housings, and clamps. The clamping device for couplings 10 inches and larger shall be cold-rolled steel or stainless steel. Products: Calder Couplings for pipes 3 through 8 inches and

Ceramicweld Coupling for pipes 10 through 42 inches.

2.21 TYPE 9: EXPANSION LOOPS FOR COMPRESSED AIR PIPING

- A. Expansion loops shall consist of two flexible sections of Type 300 stainless steel hose and braid, two 90-degree elbows, and one 180-degree return with drain valve. Fittings shall be Schedule 40 carbon steel with male NPT connections. Expansion loops shall provide a minimum of 1-1/2 inches of axial movement in all directions and shall have a minimum pressure rating of 455 psi at 70°F. Install pipe guides within four pipe diameters of each side of the loop, as recommended by the expansion loop supplier. Manufacturers: Flexicraft, Metraflex, or equal.

2.22 TYPE 10: FLEXIBLE HOSE CONNECTORS 3 INCHES AND SMALLER

- A. Flexible hose connectors 3 inches and smaller shall be of the corrugated metal hose type with an external braid. Connectors shall have a minimum pressure rating of 300 psi at a temperature of 150°F. Corrugation tubing material shall be Type 316 stainless steel with Type 316 or 321 stainless steel braid material. End connections shall be ground joint female union with ANSI/ASME B1.20.1 NPT threads; Class 150 flat-faced flanges. Length shall be 12-24 inches unless otherwise indicated. Flexible connectors shall be American BOA, Flexonics, Metraflex, or equal.

2.23 TYPE 11: FLEXIBLE ELASTOMERIC INTERNAL JOINT

- A. Rubber Joint Liner: EPDM.
- B. Bands, Shims, and Setscrews:
 - 1. Stainless steel bands, spacers, shims, and setscrews for securing rubber membrane across piping joints shall be Type 316 per ASTM A240.
 - 2. Welding: Perform welding with coated electrode 316L, AWS Class A5.4, AC-DC-16, with tensile strength of 70,000 psi.
- C. Liquid Joint Lubrication:
 - 1. Liquid joint lubricant to assist in installation of the rubber joint seal and bands shall be a nontoxic vegetable-based lubricating gel.
 - 2. Required Properties:
 - a. Shall not deteriorate or decompose while in storage for a minimum of two years.
 - b. Shall have a soft pasty consistency suitable for use intended from 0°F to 120°F.
 - c. Shall not have any deteriorating effect on natural or synthetic rubber gaskets.
 - d. Shall not impart taste or odor to water.
 - e. Shall have no objectionable odor.
 - f. Shall be nontoxic and does not support the growth of bacteria.
 - g. pH: 9.6 minimum and 11 maximum (pH meter).
 - h. Method of Test: ASTM D562.
 - i. Shall not contain any petroleum-based oils or grease.
 - j. Shall not contain any materials considered toxic.
- D. Filling Materials for Gaps Between Joints: The filling material shall be an injected elastomeric joint filler.
- E. Epoxy:
 - 1. Coating Appearance: Smooth, white, thixotropic liquid.
 - 2. Gel Appearance: Smooth, white mastic of stiff consistency.
 - 3. Service Temperature Range: 50°F to 200°F.
- F. Thread Sealing Compound:
 - 1. Thread sealing compound shall be a nontoxic paste type with Teflon.
 - 2. Teflon Components Required Properties--Physical Data:
 - a. Flash Point: 410°F closed cup.
 - b. Specific Gravity: 1.4 to 1.42.
 - c. Viscosity: 200,000 to 275,000 centipoises.
 - d. Temperature Range: -50°F to 500°F.
 - e. Pressure Application: Maximum 10,000 psi.
- G. Products: EPDM rubber material shall be AMEX-10/WEKO-SEAL from Miller Pipeline Corporation, telephone 317-293-0278; HY-FLEX from Lineal Industries, telephone 1-877-787-9461; or equal.

Description	Method	Result
Flexural strength	ASTM D790	6,000 psi
Flexural modulus	ASTM D790	550,000 psi
Compressive strength, yield	ASTM D695	4,275 psi
Tensile strength	ASTM D638	3,700 psi
Tensile ultimate elongation	ASTM D638	1.4%
Hardness, Shore D	ASTM D2583	85
Hardness, Pencil	ASTM D3363	6H
Impact, IZOD	ASTM D256	0.19 ft-lb/inch of notch
Temperature resistance	Steel, unprimed	250°F
Temperature resistance	Concrete	250°F
Solids content	-----	100%
Solvents present	-----	None

2.24 TYPE 12 EXPANSION JOINTS: METAL BELLOWS PUMP CONNECTION JOINTS 1-1/2 THROUGH 24 INCHES

- A. Provide multiple bellows, annular, flanged expansion joint constructed from single or multiple metal laminations. Provide flow liner. Provide thrust restraining rod system. Minimum pressure rating shall be 275 psi at a temperature of 200°F. Flanges shall be Class 150 per ASME B16.5. Provide fixed, flat-face flanges. Materials of construction shall be as follows:

Item	Material	Specification
Bellows or flow liner>>	Stainless steel	ASTM A240 or A666, Type 304 or 321
Flanges	Steel	ASTM A285, Grade C

- B. Products: Hyspan Model 5501 R or Keflex Type 151-TR or equal.

2.25 PIPE ALIGNMENT GUIDES FOR EXPANSION JOINTS AND EXPANSION COMPENSATORS (TYPES 1, 2, AND 3)

- A. For copper pipes, use Hyspan Series 9500 Copper Tube Alignment Guides, Metraflex Style I, B-Line, Anvil International, or equal.
- B. For bellows-type expansion joints and expansion loops in steel, PVC, and CPVC pipe, use Hyspan Series 9500 Pipe Alignment Guide, Metraflex Style I, B-Line, Anvil International, or equal.

2.26 BOLTS AND NUTS FOR FLANGES

- A. See Section 400500.

2.27 THREADED CAPS FOR PROTECTION OF NUTS AND BOLT THREADS

- A. See Section 400500.

PART 3 EXECUTION

3.1 INSTALLATION OF FLEXIBLE PIPE COUPLINGS, SEGMENTED SLEEVE COUPLINGS, AND EXPANSION JOINTS

- A. Clean oil, scale, rust, and dirt from pipe ends. Clean gaskets in flexible pipe couplings before installing.
- B. Install expansion joints per manufacturer's recommendations, so that 50% of total travel is available for expansion and 50% is available for contraction.
- C. Lubricate bolt threads with graphite and oil prior to installation.
- D. Install threaded nut and bolt thread protection caps after completing the bolt, nut, and gasket installation. Install on exposed; buried; and submerged flexible pipe couplings, transition couplings, flanged coupling adapters, dismantling joints, and segmented restrained sleeve couplings.

3.2 INSTALLATION OF TYPE 11 FLEXIBLE ELASTOMERIC INTERNAL JOINT

- A. Store the membranes in a cool, dry environment away from direct sunlight. Do not remove the rubber joint seals from the plastic bags prior to use. Store seals in a cool, dry environment and do not remove from their plastic bags until required for use. Do not allow them to remain in direct sunlight.
- B. Surface Preparation of Joint Area: Prepare the area of pipe either side of the joint where the actual lip seals make contact with the pipe to a finish that will allow the lip seals to bed consistently and so provide a permanent seal.
- C. Surface Lubrication: Immediately prior to fitting the seal, clean the area with a dry brush and coat with lubricant that is a nontoxic vegetable soap compatible with the composition of the flexible joint seal. Apply the lubricant using a paintbrush over the ground area. Do not pick up dust deposits from the unground surface into the lubricant and therefore onto the ground surface.
- D. Positioning the Seal: Prior to placing the seal, coat the area of pipe which will be covered with the seal with an epoxy coating and allow to partially set up prior to seal installation. Check the seal for damage. Check that the test unit is tight before fitting the seal in place. Place the flexible joint seal in position bridging the joint gap, guided by the marks. Position the seal accurately on the ground areas. The test unit in the seal should be located at either 9 o'clock or 3 o'clock position. Position the seal parallel to the joint gap.
- E. Positioning Retaining Bands: Place two stainless steel radiused shims, 6 inches long and 3/64-inch-thick, underneath the wedge area in the grooves, to provide a bridge that will transmit the radial load evenly to the flexible joint seal, as the bands are expanded. Then place the stainless steel bands in the grooves provided in the seal. Temporarily lock both bands in position.
- F. Expanding the Seal into Position: Use the hydraulic expanding device to apply a set pressure to the retaining bands of the flexible joint seal.
 1. When positioning the expander in line with the retaining band, ensure that the band remains in the groove of the flexible joint seal and does not become moved or dislodged. Ensure the expander is positioned correctly on the band.
 2. The expander is expanded which radially transmits a load against the retaining band and flexible joint seal. Hold this pressure for at least two minutes. The range of pressure registered on the expander shall be 4,000 psi minimum and 5,000 psi maximum.
 3. A space is provided at bottom dead center position of the expander that exposes the grooved-end cleats of the retaining band. Fit a radiused locking wedge piece between the exposed gap of the expanded band ends. Select a size of wedge having a slight interference fit between the band ends, and tap the wedge (leading edge first) into position, locking in the compression of the flexible joint seal. The radius of the wedge shall equal the radius of the pipe.
 4. Release the hydraulic pressure from the expander and repeat the procedure on the second retaining band of the seal.
 5. Repeat this entire operation (i.e., re-expanded) not before 30 minutes have elapsed after the first expansion. This allows for any seal relaxation that may take place and usually a slightly larger wedge can be fitted. The load forces transmitted by the expander have been determined from test data and should not be altered by changing the pressure used to activate the expander.
- G. Testing the Seal, Test 1: Apply two individual pressure tests to the seal before closing the pipeline. Apply the first test after each section has been completed and not before 30 minutes have elapsed after the final fitting of the seal. Apply a pressure of 10 psig. Because of the excessive ballooning to the center membrane of the seal (that will occur at this higher pressure), lock a restraining device called a "test band" in its expanding position during testing. If the pressure test indicates leakage, determine the cause and repeat from Step E.
- H. Testing the Seal, Test 2: In the second test, introduce 5 psig through the valve in the flexible joint seal. Sustain this pressure while applying a soap and water test to the outer edge and entire body of the seal. Inspect for leakage. If pressure test indicates leakage, determine the cause and repeat from Step E.
- I. Testing Valve Assembly: After the final test of 5 psig, seal the test valve of the flexible joint seal with a countersunk hex head completion plug using a nontoxic thread-sealing compound on the threads. Remove installation hardware, test band, and pressure gauges from the pipe.

3.3 PAINTING AND COATING

- A. Coat buried flexible pipe couplings (including joint harness assemblies), transition couplings,

segmented sleeve couplings, and flanged coupling adapters per Section 099000. Coat buried bolt threads, tie bolt threads, and nuts per Section 099000. Then wrap the buried couplings with polyethylene wrap.

- B. Coat flexible pipe couplings (including joint harness assemblies), transition couplings, segmented sleeve couplings, and flanged coupling adapters located indoors, in vaults and structures, and above ground with the same coating system as specified for the adjacent pipe. If the adjacent pipe is not coated, coat couplings per Section 099000. Apply prime coat at factory.
- C. Line carbon steel and iron flexible pipe couplings and segmented sleeve couplings per Section 099000.
- D. Alternatively, line and coat carbon steel and iron flexible pipe couplings and segmented sleeve couplings with fusion-bonded epoxy.
- E. Wrap Types 7 and 8 couplings with polyethylene.
- F. Coat couplings, expansion joints; expansion compensators; and alignment guides located above ground or in vaults and structures [with the same coating system as specified for the adjacent pipe. If the adjacent pipe is not coated, coat couplings per Section 099000. Color shall match the color of the connecting pipe.

3.4 HYDROSTATIC TESTING

- A. Hydrostatically test flexible pipe couplings, expansion joints, segmented sleeve couplings, and expansion compensators in place with the pipe being tested. Test in accordance with Section 400515.

3.5 PIPE HANGERS AND SUPPORTS FOR EXPANSION JOINTS AND EXPANSION COMPENSATORS (TYPES 1, 2, AND 3)

- A. At each expansion compensator or bellows-type expansion joint located on horizontal piping runs, provide a pipe alignment guide within four pipe diameters of each end of the expansion joint or compensator. Provide a second pipe alignment guide within 14 pipe diameters of each end of the expansion joint or compensator.
- B. Mount pipe alignment guides on wall brackets or steel channels as manufactured by Anvil International, B-Line, or equal.

END OF SECTION

THIS PAGE INTENTIONALLY LEFT BLANK.

SECTION 400762
WALL PIPES, SEEP RINGS, AND PENETRATIONS

PART 1 GENERAL

1.1 DESCRIPTION

- A. This section includes materials, installation, and testing of steel, cast-iron, and ductile-iron wall pipes and sleeves (including wall collars and seepage rings) and penetrations.

1.2 RELATED WORK SPECIFIED ELSEWHERE

- A. Painting and Coating: 099000.
- B. Precast Concrete Utility Structures: 330516.
- C. General Piping Requirements: 400500.

1.3 SUBMITTALS

- A. Submit shop drawings in accordance with Section 013300.
- B. Submit detail drawings for fabricated steel or cast-iron wall and floor pipes and sleeves, wall flanges, seep rings, and sealing materials. Show dimensions and wall thicknesses.
- C. Show flange sizes and the appropriate ANSI or AWWA flange dimensional standard where flanged end wall pipes or penetrations are used.
- D. Show grooved-end dimensions and AWWA grooved-end dimensional standard where grooved-end wall pipes or penetrations are used.
- E. List coating systems to be applied, manufacturer, and dry thickness of coatings. Call out coatings where coatings are to be applied.
- F. List materials of construction, with ASTM material reference and grade.
- G. Submit manufacturer's instructions for installing rubber annular hydrostatic sealing devices.
- H. Submit six copies of the results of the leakage test for cast-iron sleeves having shrink-fit steel collars or collar halves bottomed in a groove and steel sleeves having welded steel collars.

1.4 WARRANTY

- A. Full warranty against defects in materials and workmanship for one year after FINAL ACCEPTANCE; including all parts, labor, and expenses.

PART 2 PRODUCTS

2.1 GENERAL

- A. Use cast-iron, ductile-iron, or fabricated steel wall sleeves when containing rubber annular hydrostatic sealing devices through which piping passes.
- B. Use only cast-iron or ductile-iron wall pipes when connecting to cast-iron and ductile-iron pipe. Use only fabricated steel or stainless steel wall pipes when connecting to steel or stainless steel pipe, respectively.
- C. Cast-iron flanges shall conform to ASME B16.1, Class 125 or 250, to match the flange on the connecting pipe.
- D. Steel flanges shall conform to AWWA C207, Class D. Class 300 steel flanges 48 inches and smaller shall conform to AWWA C207, Class F. Class 300 flanges larger than 48 inches shall conform to the dimensions of ASME B16.1 Class 250 flanges. Flanges shall be flat face. Flanges shall match the flange on the connecting pipe.
- E. See Section 400500 for flange bolts and gaskets.

2.2 CAST-IRON OR DUCTILE-IRON WALL PIPES AND SLEEVES

- A. Provide cast- or ductile-iron wall pipes with ends as shown in the drawings for connection to adjacent cast-iron and ductile-iron pipe or for containing pipes where they pass through concrete walls, ceilings, and floor slabs. Provide seepage ring on wall pipes and sleeves passing through concrete walls and slabs that are to be watertight. Locate collars such that the collar is at the center of the wall or floor slab, unless otherwise shown in the drawings.
- B. Wall pipes and sleeves shall be of the following types:
 - 1. Pipe or sleeve with integrally cast seep ring.

2. Pipe or sleeve with shrink-fit steel collar attached.
 3. Pipe or sleeve with steel collar halves bottomed in a groove provided in the pipe or sleeve.
 4. Pipe or sleeve with ductile iron collar welded continuously around pipe (360 degrees) on both sides of collar. Welding shall be done in pipe manufacturer's shop by a qualified welder.
- C. Minimum wall thickness for pipes and sleeves having integrally cast seep rings shall be as follows:
1. Pipe or Sleeve Size 3 inches: Minimum Wall Thickness 0.48 inches.
 2. Pipe or Sleeve Size 4 inches: Minimum Wall Thickness 0.52 inches.
 3. Pipe or Sleeve Size 6 inches: Minimum Wall Thickness 0.55 inches.
 4. Pipe or Sleeve Size 8 inches: Minimum Wall Thickness 0.60 inches.
 5. Pipe or Sleeve Size 10 inches: Minimum Wall Thickness 0.68 inches.
 6. Pipe or Sleeve Size 12 inches: Minimum Wall Thickness 0.75 inches.
 7. Pipe or Sleeve Size 14 inches: Minimum Wall Thickness 0.66 inches.
 8. Pipe or Sleeve Size 16 inches: Minimum Wall Thickness 0.70 inches.
 9. Pipe or Sleeve Size 18 inches: Minimum Wall Thickness 0.75 inches.
 10. Pipe or Sleeve Size 20 inches: Minimum Wall Thickness 0.80 inches.
 11. Pipe or Sleeve Size 24 inches: Minimum Wall Thickness 0.89 inches.
- D. Minimum wall thickness of pipes or sleeves having shrink-fit collars shall be special Class 52. Cut shrink-fit collars from a 1/4-inch-thick steel ring. Attach the collar to a cast-iron or ductile-iron pipe or sleeve by heating the steel collar and allowing it to shrink over the pipe at the necessary location. Provide an epoxy bond (Keysite 740 or 742 or Scotchkote 302) between the pipe and collar. Sandblast the area of the pipe to be epoxy coated per SSPC SP-10.
- E. Wall pipes or sleeves having steel collar halves bottomed in a groove shall be ductile iron Special Class 54 minimum unless otherwise shown. Wall flanges shall consist of 1/4-inch-thick steel seep ring halves for pipes through 24-inch and 3/8-inch-thick halves for pipe 30 inches and larger, bottomed in a groove provided on the pipe. The pipe groove shall be machine cut to a depth of 1/16 to 5/64 inch to provide a press fit for the seep ring. Seep ring halves shall be welded together after fit into groove but shall not be welded to pipe. Seep rings shall be sealed completely around the pipe with silicon sealant manufactured by Dow-Corning No. 790, General Electric Silpruf, or equal.
- F. The material used in cast- or ductile-iron wall flanges, wall sleeves, and wall penetrations shall conform to ASTM A395, A436, A536, A48 (Class 35), or A126 (Class B).
- G. Pressure test at least one of each size of cast-iron pipes or sleeves having shrink-fit steel collars or collar halves installed in a groove in the pipe at the place of fabrication to demonstrate watertightness of the seal between the collar and the sleeve. The test shall be at a pressure of 20 psig for four hours' duration and shall show zero leakage.

2.3 FABRICATED STEEL WALL PIPES AND SLEEVES

- A. Provide fabricated steel wall pipes and sleeves with ends as shown in the drawings for connection to adjacent steel pipes, or for containing pipes, where they pass through concrete walls. Provide seepage ring or wall flange on wall pipes and sleeves passing through concrete walls and slabs that are to be watertight. Wall thickness shall be the same as the pipe wall thickness when connecting to steel pipe. Minimum wall thickness for sleeves containing pipes shall be standard weight per ASME B36.10 for sleeves 72 inches and smaller and 1/2 inch for sleeves greater than 72 inches through 96 inches.
- B. Wall flanges shall be in the form of a steel wall collar welded to the steel sleeve or penetration. Cut welded wall collars from a 1/4-inch steel ring. Attach the collar to a steel wall pipe or sleeve with full circle, 3/16-inch fillet welds. Welding procedures shall be in accordance with ASME B31.3, Chapter V.
- C. Steel pipe used in fabricating wall sleeves containing pipes shall comply with ASTM A53 (Type E or S), Grade B; ASTM A135, Grade B; ASTM A139, Grade B; or API 5L or 5LX. Wall pipes connecting to steel pipe shall be of the same material as the connecting pipe. Wall collar material shall comply with ASTM A36, A105, A181, or A182.
- D. Stainless steel pipe used in fabricating wall pipes shall be of the same material as the connecting pipe. Wall collar material shall comply with ASTM A240.
- E. Pressure test at least one of each size of fabricated steel wall sleeve or penetration and collar assemblies at the place of fabrication to demonstrate watertightness of the seal between the collar and the sleeve. The test shall be at a pressure of 20 psig for four hours' duration and shall show zero leakage.

2.4 RUBBER ANNULAR HYDROSTATIC SEALING DEVICES

- A. Rubber annular hydrostatic sealing devices shall be of the modular mechanical type, utilizing

interlocking synthetic rubber links shaped to continuously fill the annular space between the pipe sleeve and the passing pipe. Assemble links to form a continuous rubber belt around the pipe, with a pressure plate under each bolthead and nut.

- B. Materials of construction shall be as follows:
 - 1. Pressure plate: Delrin plastic; carbon steel; Type 304 stainless steel; Type 316 stainless steel; or Reinforced nylon polymer.
 - 2. Bolts and nuts for links: Type 303 or 316 stainless steel; or Zinc phosphated carbon steel.
 - 3. Sealing element: EPDM or Nitrile rubber.
- C. The size of the wall sleeve needed to accommodate the passing pipe shall be as recommended by the rubber annular seal manufacturer.
- D. Provide centering blocks in 25 percent of the sealing elements on pipelines larger than 12 inches in diameter.
- E. The rubber annular hydrostatic sealing devices shall be Link Seal as manufactured by Thunderline Corporation; Innerlynx as manufactured by Advance Products & Systems, Inc.; or equal.

2.5 BOLTS, NUTS, AND GASKETS FOR FLANGED-END WALL PIPES

- A. See Section 400500.

2.6 POLYETHYLENE FOAM FILLER FOR PIPE PENETRATIONS

- A. Packing foam shall be an extruded closed-cell polyethylene foam rod, such as Minicel backer rod, manufactured by Industrial Systems Department, Plastic Products Group of Hercules, Inc., Middletown, Delaware; Ethafoam, as manufactured by Dow Chemical Company, Midland, Michigan; or equal. The rod shall be 1/2 inch larger in diameter than the annular space.

2.7 POLYURETHANE SEALANT FOR PIPE PENETRATIONS

- A. Sealant shall be multipart, polyurethane sealant, to cure at ambient temperature, for continuous immersion in water. Install as recommended by the manufacturer. Products: SIKA Sikaflex 2C or equal.

2.8 PAINTING AND COATING

- A. Line and coat sleeves and pipes except stainless steel with fusion-bonded epoxy per Section 099000 or Engineer approved fusion bonded epoxy coating system.
- B. Coat penetrations and sleeves exposed, above ground, or in vaults and structures in accordance with Section 099000 or Engineer approved fusion-bonded epoxy coating system.
- C. Coat submerged sleeves and penetrations per Section 099000, System No. 12 or Engineer approved fusion bonded epoxy coating system.
- D. Coat buried sleeves and penetrations per Section 099000, System No. 10 or Engineer approved fusion bonded epoxy coating system.
- E. Do not coat stainless steel sleeves and penetrations.

PART 3 EXECUTION

3.1 LOCATION OF PIPES AND SLEEVES

- A. Provide a wall or floor pipe where shown in the drawings and wherever piping passes through walls or floors of tanks or channels in which the water surface is above the pipe penetration.
- B. Provide a floor sleeve where shown in the drawings and wherever plastic pipe, steel, or stainless steel pipe 3 inches and smaller or stainless steel or copper tubing passes through a floor or slab. Provide a rubber annular sealing device in the annular space between the sleeve and the passing pipe or tubing.
- C. Provide wall sleeves where shown in the drawings and wherever plastic, steel or stainless steel pipe 3 inches and smaller, or stainless steel or copper tubing passes through a wall. Provide a single rubber annular seal when the wall is 8 inches thick or less. Provide two rubber annular seals (one at each end of the sleeve) when the wall is more than 8 inches thick. Pack the annular space with polyethylene foam filler and fill the ends of the penetration with 2 inches of elastomeric sealant on both sides of the structure.
- D. Where wall sleeves are installed in which water or soil is on one or both sides of the channel or wall, provide two rubber annular seals (one at each end of the sleeve).
- E. Where pipes pass through walls or slabs and no sleeves or wall or floor pipe with seep ring is provided, pack the annular space with polyethylene foam filler and fill the ends of the penetration with

2 inches of elastomeric sealant on both sides of the structure.

3.2 INSTALLATION IN EXISTING CONCRETE WALLS AND SLABS

- A. Core drill holes 1 to 2 inches larger in diameter than the outside diameter of the wall flange or collar. Install wall pipe and collar assembly axially aligned with the piping to which it will be connected or will contain. Pack the void space between the sleeve and concrete with polyethylene foam filler and fill the ends of the penetration with 2 inches of elastomeric sealant on both sides of the structure.

3.3 INSTALLATION IN NEW CONCRETE WALLS AND SLABS

- A. Install wall pipes and sleeves in walls before placing concrete. Do not allow any portion of the pipe or sleeve to touch any of the reinforcing steel. Install wall pipe or sleeve and collar assembly axially aligned with the piping to which it will be attached or will contain. Provide supports to prevent the pipe or sleeve from displacing or deforming while the concrete is being poured and is curing.

3.4 INSTALLATION IN DRY FLOORS AND SLABS

- A. Install pipe sleeves and spools in concrete floors and slabs which do not have water over them such that the sleeve or pipe extends from the bottom of the floor or slab to an elevation sufficient to make pipe and fitting connections; unless shown otherwise in the drawings.

3.5 INSTALLATION OF WALL PIPES HAVING FLANGED END CONNECTIONS

- A. Check alignment before grouting in place or pouring concrete. Realign if the sleeve is not properly aligned.
- B. Install flanged end wall sleeves or penetrations with bolt holes of the end flanges straddling the horizontal and vertical centerlines of the sleeve.

3.6 QUALIFICATIONS OF WELDERS

- A. Welder qualifications shall be in accordance with AWS D1.1.

3.7 INSTALLATION OF RUBBER ANNULAR HYDROSTATIC SEALING DEVICES

- A. Install in accordance with the manufacturer's instructions.

3.8 FIELD TESTING

- A. Check each wall penetration for leakage at the time the hydraulic structure is tested for leakage; see Section 033000. Penetrations shall show zero leakage.

END OF SECTION

SECTION 400764
PIPE HANGERS AND SUPPORTS

PART 1 GENERAL

1.1 DESCRIPTION

- A. This section includes materials and installation of pipe hangers and supports including accessory items, such as anchor bolts and screws; pipe spiders; neoprene isolation pads; cable trays for hoses; and drip guards.

1.2 RELATED WORK SPECIFIED ELSEWHERE

- A. Painting and Coating: 099000.
- B. Flexible Pipe Couplings and Expansion Joints: 400722.
- C. Wall Pipes, Seep Rings, and Penetrations: 400762.

1.3 SUBMITTALS

- A. Submit shop drawings in accordance with the Section 013300.
- B. Provide line drawings of each piping system to the scale shown in the drawings, locating each support or hanger. Identify each type of hanger or support by the manufacturer's catalog number or figure.
- C. Provide installation drawings and manufacturer's catalog information on each type of hanger and support used. Clearly indicate the actual pipe outside diameter (not just nominal pipe size) that is used for the hangers and supports.
- D. Submit layout drawings for the drip guards, showing dimensions and thicknesses. Show design of seam or joint where field connections will be made between sections and pieces of drip guards. Submit a certificate listing the type of resin to be used, describing the manufacturer's brand name or designation, composition, and characteristics.

1.4 WARRANTY

- A. Full warranty against defects in materials and workmanship for one year after FINAL ACCEPTANCE, including all parts, labor, and expenses.

PART 2 - PRODUCTS

2.1 DESIGN CRITERIA.

- A. Pipe supports, anchors, and expansion joints have been indicated on the Drawings in certain locations, but no attempt has been made to indicate every pipe support, anchor, and expansion joint. The Contractor shall design anchors, pipe supports, expansion joints, and flexible couplings not already shown on the Drawings, in accordance with the requirements specified herein. Additional pipe supports may be required adjacent to expansion joints, couplings, valves, meters, and equipment. Contractor shall not delete or relocate supports, expansion joints, or couplings shown in the Drawings without the Engineer's approval.
- B. Absence of pipe supports and details on the Drawings shall not relieve the Contractor of responsibility of providing them throughout the plant.
- C. The Contractor's design shall include pipe supports, bracing, and anchorage adjacent to expansion joints, couplings, valves, in-line devices, equipment, wyes and tees, or changes in direction as required for dismantling piping, removing valves or other in-line devices, disconnecting piping from equipment, and pipe support, in addition to supports in accordance with the maximum spacing specified herein.
- D. Pipe support and hanger components shall withstand hydrostatic loads, up-lift forces, dead loads imposed by the weight of the pipes, fittings, and valves (all filled with water), plus valve actuators and any insulation, and internal test pressures, and shall have a minimum safety factor of five based on material ultimate strength.
- E. All piping shall be rigidly supported so there is no visible movement or visible sagging between supports. The system shall comply with specified code requirements.
- F. Provide anchors to resist thrust due to temperature changes, changes in diameter or direction, or dead-ends. Anchors shall be located as specified to force expansion and contraction to occur at expansion joints, loops, or elbows, and as needed to prevent excessive bending stresses and opening of mechanical couplings. Anchorage for temperature changes shall be centered between elbows and mechanical joints used as expansion joints. Anchorage for bellow type expansion joints may be

located adjacent to the joint.

- G. When expansion joints are required, pipe guides shall be provided adjacent to bellows type expansion joints. Guides will not be required where mechanical couplings are permitted as expansion joints. Guides shall be located on both sides of expansion joints, except where anchors are adjacent to the joint. Unless otherwise indicated on the Drawings, one guide shall be within four pipe diameters from the joint and a second guide within 14 pipe diameters from the first joint. Pipe supports shall allow adequate movement; pipe guides shall not be used for support. Pipe guides shall be provided at locations as recommended by the manufacturer.
- H. Pipe supports for insulated cold piping systems shall be sized for the outside diameter of the insulated pipe, and an insulation protection shield shall be installed between the support and the insulation. Rigid insulation inserts shall be installed between the pipe and the insulation shields for piping larger than 2-inches or when needed to prevent crushing of the insulation. Inserts shall be of the same thickness as the adjacent insulation and shall be vapor sealed.
- I. When supports for the FRP piping systems are in contact with less than 180-degrees of the pipe surface or when the width of the support is less than one-third the nominal pipe diameter (4-inches minimum), and FRP saddle, shaped to the outside diameter of the pipe, shall be bonded to at least the bottom 120-degrees of the pipe.
- J. Supply design criteria to the precast concrete manufacturer for any piping supported from the precast members.
- K. Hanger and Support Systems.
 - 1. Pipe hangers and supports shall be as manufactured by Anvil, Unistrut, B-Line, Superstrut, or equal.
 - 2. Pipe hangers and supports shall comply with MSS SP-58 for the standard types referenced in the drawings. Construct special hangers and supports if detailed in the drawings. Type numbers for standard hangers and supports shall be in accordance with MSS SP-58 as listed below:
 - a. Type 1: Adjustable steel clevis.
 - 1) Manufacturer and Model: Anvil Fig. 590 or 260 or approved equal.
 - b. Type 3: Steel double-bolt pipe clamp.
 - 1) Manufacturer and Model: Anvil Fig. 295A or 295H or approved equal.
 - c. Type 4: Steel pipe clamp (pipes smaller than 3 inches).
 - 1) Manufacturer and Model: Anvil Fig. 212 or approved equal.
 - d. Type 4: Steel pipe clamp (pipes 3 inches and larger).
 - 1) Manufacturer and Model: Anvil Fig. 216 or approved equal.
 - e. Type 5: Pipe hanger support plate.
 - 1) Manufacturer and Model: Anvil Fig. 49 or approved equal.
 - f. Type 6: Adjustable swivel pipe ring.
 - 1) Manufacturer and Model: Anvil Superstrut 714, Anvil Fig. 104, or approved equal.
 - g. Type 7: Adjustable steel band hanger.
 - 1) Manufacturer and Model: Anvil Fig. 69 or approved equal.
 - h. Type 8: Trapeze Beam.
 - 1) Manufacturer and Model: Anvil Fig. 45 or approved equal.
 - i. Type 9: Adjustable band hanger.
 - 1) Manufacturer and Model: Anvil Fig. 97 or approved equal.
 - j. Type 10: Adjustable swivel ring band hanger.
 - 1) Manufacturer and Model: Anvil Fig. 70 or approved equal.
 - k. Type 11: Split pipe ring with adjustable turnbuckle.
 - 1) Manufacturer and Model: Anvil Fig. 108 or approved equal.
 - l. Type 13: Steel turnbuckle.
 - 1) Manufacturer and Model: Anvil Fig. 230 or approved equal.
 - m. Type 14: Steel clevis.
 - 1) Manufacturer and Model: Anvil Fig. 299 or approved equal.
 - n. Type 15: Swivel turnbuckle.
 - 1) Manufacturer and Model: Anvil Fig. 114 or approved equal.
 - o. Type 16: Malleable iron socket.
 - 1) Manufacturer and Model: Anvil Fig. 110R or approved equal.
 - p. Type 17: Steel weldless eye nut.
 - 1) Manufacturer and Model: Anvil Fig. 290 or approved equal.
 - q. Type 18: Steel or malleable iron concrete insert.

- 1) Manufacturer and Model: Anvil Fig. 281, Superstrut 452 or approved equal.
- r. Type 19: Top beam C-clamp.
 - 1) Manufacturer and Model: Anvil Fig. 92 or approved equal.
- s. Type 20: Side I-beam or channel clamp.
 - 1) Manufacturer and Model: Anvil Fig. 14 or 217 or approved equal.
- t. Type 21: Center I-beam clamp.
 - 1) Manufacturer and Model: Anvil Figure 134 or approved equal.
- u. Type 22: Welded attachment type.
 - 1) Manufacturer and Model: Anvil Fig. 66 or approved equal.
- v. Type 23: C-clamp.
 - 1) Manufacturer and Model: Anvil Fig. 86 or approved equal.
- w. Type 24: U-bolt.
 - 1) Manufacturer and Model: Anvil Fig. 137 or approved equal.
- x. Type 26: Clip.
 - 1) Manufacturer and Model: Anvil Fig. 262 or approved equal.
- y. Type 28: Steel I-beam clamp with eye nut.
 - 1) Manufacturer and Model: Anvil Fig. 228 or approved equal.
- z. Type 29: Steel wide flange.
 - 1) Manufacturer and Model: Anvil Fig. 228 clamp with eye nut
- aa. Type 30: Malleable iron beam clamp with extension piece.
 - 1) Manufacturer and Model: Superstrut CM-754 or approved equal.
- ab. Type 31: Light welded steel bracket.
 - 1) Manufacturer and Model: Anvil Fig. 194 or approved equal.
- ac. Type 32: Medium welded steel bracket.
 - 1) Manufacturer and Model: Anvil Fig. 195 or approved equal.
- ad. Type 33: Heavy welded steel bracket.
 - 1) Manufacturer and Model: Anvil Fig. 199 or approved equal.
- ae. Type 34: Side beam bracket.
 - 1) Manufacturer and Model: Anvil Fig. 202 or approved equal.
- af. Type 36: Pipe saddle support.
 - 1) Manufacturer and Model: Anvil Fig. 258 or approved equal.
- ag. Type 37: Pipe stanchion saddle.
 - 1) Manufacturer and Model: Anvil Fig. 259 or approved equal.
- ah. Type 38: Adjustable pipe saddle support.
 - 1) Manufacturer and Model: Anvil Fig. 265 or approved equal.
- ai. Type 39: Steel pipe covering.
 - 1) Manufacturer and Model: Anvil Fig. 160, 161, 162, 163, 164, or 165; Superstrut A 789; or approved equal.
- aj. Type 40: Insulation protection shield.
 - 1) Manufacturer and Model: Anvil Fig. 167 or approved equal.
- ak. Type 41: Single pipe roll.
 - 1) Manufacturer and Model: Anvil Fig. 171 or approved equal.
- al. Type 43: Adjustable roller hanger with swivel.
 - 1) Manufacturer and Model: Anvil Fig. 181 or approved equal.
- am. Type 44: Pipe roll, complete.
 - 1) Manufacturer and Model: Anvil Fig. 271 or approved equal.
- an. Type 45: Lateral Brace Clamp.
 - 1) Manufacturer and Model: Anvil Fig. 775 or approved equal.
- 3. Hangers, rods, clamps, protective shields, metal framing, support components, and hanger accessories shall be hot-dipped galvanized per ASTM A153; or plain carbon steel (ASTM A36, A575, or A576) unless noted otherwise.
- 4. Hangers, rods, clamps, protective shields, metal framing, support components, and hanger accessories in treatment process, pumping, and chemical storage/feed areas and rooms shall be stainless steel or FRP.
- 5. Submerged hangers, rods, clamps, protective shields, metal framing, support components, and hanger accessories in wet wells, tanks, channels or tank covers shall be Type 316 stainless steel.

- L. Offset Pipe Clamp.
1. Anvil Figure 103 or equal. Material shall be ~~carbon steel~~; **Type 304 stainless steel; or Type 316 stainless steel.**
- M. Miscellaneous Pipe Supports and Hangers.
1. Pipe Anchor Chair: Anvil Figure 198 or equal.
 2. One Hole Clamp: Anvil Figure 126 or equal.
 3. Roller Chair: Anvil Figure 175 or equal.
- N. Steel Channel Framing System.
1. Steel channel frames shall be 1-5/8 inches wide by 1-5/8 or 3-1/4 inches high by 12-gauge metal thickness, unless otherwise shown in the drawings. Material shall conform to ASTM A36, A570 (Grade 33 minimum), or A653 unless stainless steel is indicated in the drawings. Stainless steel shall be Type 304. One side of the channel shall have a continuous open slot with inturned clamping ridges. Maximum allowable stress under any combination of applied uniformly distributed loads and concentrated loads shall not exceed those recommended in the AISC or AISI. Deflection shall not exceed 1/240 of span. Use multiple back-to-back channels to achieve these criteria if single channels are not sufficient. Products: Unistrut P1000 or P5000 Series, B-Line B11 or B22 Series, or equal.
 2. Steel channels shall be hot-dipped galvanized per ASTM A153; plain; coated with 20 mils of white PVC per ASTM D1784; or coated with Engineer approved fusion-bonded epoxy system.
 3. Nuts shall be machined and case hardened. Provide rectangular nuts with the ends shaped to permit a quarter turn crosswise in the framing channel. Provide two serrated grooves in the nut to engage the inturned edges of the channel.
 4. Pipe clamps (including attachment screws and nuts) shall be Unistrut P1100 or P2000 Series, B-Line B2000 Series, or equal. Material shall be Type 304 stainless steel.
 5. Hanger rods for trapezes shall be hot dipped galvanized carbon steel (ASTM A36, A575, or A576) unless stainless steel is indicated in the drawings. Stainless steel hanger rod material shall comply with ASTM A276, Type 304.
 6. Accessory fittings and brackets shall be the same material as the channel or trapeze. Provide coating on carbon steel fittings and brackets as specified for the channels and frames.
 - a. Flat Plate Fittings: Unistrut P1065, P1066, P1925; Superstrut AB-206, AB-207; or equal.
 - b. Post Bases: Unistrut P2072A, Superstrut AP-232, or equal.
 - c. 90-Degree Brackets: Unistrut P1326, P1346; Superstrut AB-203; or equal.
 - d. Rounded-End Flat Plate Fittings: Unistrut P2325, Superstrut X-240, or equal.
 7. Parallel pipe clamps shall be Unistrut P1563 through P1573, Superstrut AB-719, or equal. Material shall be hot-dipped galvanized carbon steel, coated as specified for channels and frames unless stainless steel is indicated in the drawings. Stainless steel clamp material shall comply with ASTM A276, Type 304.
- O. FRP Channel Framing System.
1. FRP pipe hangers and supports shall be Aickinstrut, Inc., or equal.
 2. Material properties shall be as follows:
 - a. Longitudinal Direction:
 - 1) Ultimate Tensile (psi): 35,000 minimum.
 - 2) Ultimate Compressive (psi): 35,000 minimum.
 - 3) Ultimate Flexural (psi): 35,000 minimum.
 - 4) Tensile Modulus (psi): 3.0×10^6 minimum.
 - 5) Flexural Modulus (psi): 2.0×10^6 minimum.
 - 6) Ultimate Shear Strength (psi): 6,000 minimum.
 - 7) Izod Impact (ASTM D256) Ft-lb/inch notch: 30 minimum.
 - b. Transverse Direction:
 - 1) Ultimate Tensile (psi): 10,000 minimum.
 - 2) Ultimate Compressive (psi): 20,000 minimum.
 - 3) Ultimate Flexural (psi): 14,000 minimum.
 - 4) Tensile Modulus (psi): 1.0×10^6 minimum.
 - 5) Compressive Modulus (psi): 1.4×10^6 minimum.
 - 6) Flexural Modulus (psi): 1.0×10^6 minimum.
 - 7) Ultimate Shear Strength (psi): 5,500 minimum.
 - 8) Ultimate Bearing Stress (psi): 35,000 minimum.
 - 9) Izod Impact (ASTM D256) Ft-lb notch: 5 minimum.

- c. Hardness:
 - 1) Barcol Test: 50 minimum.
 - 3. Glass fiber reinforced composites and plastic products shall have a flame spread rating of 25 or less when tested per ASTM E84.
 - 4. Channel framing shall be 1-5/8 inches deep by 1-5/8 inches wide and shall be made using vinylester resin equal to Derakane 411, Ashland Hetron 922, or Reichhold Dion 9800. It shall have a nexus polyester surfacing veil over 100% of the surface which, along with a filler system, will protect against degradation from ultraviolet light. Channel shall be supplied with integral notches 1 inch on center. Notches shall be located on the interior flange to prevent slippage of pipe clamps and fittings after installation. In place of notched channel, unnotched channel may be used if the vertical channel sections supporting the horizontal piping are provided with stop lock hardware at each pipe clamp to prevent slippage. Channel framing shall be Aickinstrut G.R.P. Type V 200 series or equal.
 - 5. Channel framing connections shall be made with vinylester glass fiber composite nuts, bolts, all threaded rods, channel fittings, bases, and hanger assemblies. Nuts, bolts, and rods shall be Aickinstrut 4200 series, Strut Tech PVCG, or equal. Channel fittings shall be Aickinstrut 2800 style or equal.
 - 6. Load-bearing pipe clamps and nonload-bearing pipe straps shall be nonmetallic and nonconductive and shall be made by the injection molding process using polyurethane base resin. Pipe clamps and straps shall be Aickinstrut 3100 series or equal.
 - 7. Clevis hangers shall be made with vinylester glass fiber and be Aickinstrut 1500 series or equal.
 - 8. Hanger rods for trapezes shall be hot dipped galvanized carbon steel (ASTM A36, A575, or A576) unless stainless steel is indicated in the drawings. Stainless steel hanger rod material shall comply with ASTM A276, Type 304.
- P. Pipe Spiders.
- 1. Superstrut S-794 or equal.
- Q. Waffle Isolation Pads.
- 1. Mason Type "W"; Machinery Installation Systems "Unisorb" Type S, SB, F, or FB; or equal. Provide minimum 1/4-inch thickness.
- R. Neoprene Isolating Sleeves for Metal Pipe 6 Inches and Smaller.
- 1. Unistrut P2600, B-Line "Vibrocushion," or equal.
- S. Cable Trays for Support of Chemical Hoses.
- 1. Provide PVC-coated aluminum, 3-inch loading depth ladder-type cable trays with 6-inch rung spacing. Width shall be 12 inches unless otherwise shown in the drawings. Cable tray shall have a capacity of 56 pounds per foot at 12-foot spacing with a 1.73-inch-capacity deflection. Side members shall have outward flanges. Design loading with a safety factor of 1.5 per NEMA VE-1. Conform to NEMA Class 12A.
 - 2. Cable tray shall be P-W Western, Inc., No. 06-4D03-0012-12; T. J. Cope, Inc., No. 3338-12-SL-12-06; or equal.
 - 3. Provide aluminum support brackets, hold-down clamps (P-W Western, Inc., No. 9988-1B23-01; T. J. Cope, Inc., No. 9018; or equal), and cable clamps (P-W Western, Inc., No. 9996-1911-21; T. J. Cope, Inc., No. SCC-400; or equal) for support of cable trays.
- T. Drip Guards.
- 1. Drip guards shall be minimum 1/4 inch thick, PVC or FRP. Color shall be white.
 - 2. PVC shall conform to ASTM D1784, Cell Classification 12454-B and ASTM D1927, Type I.
 - 3. Seams or joints between sections and pieces shall be leak free. Design joints so that liquid can flow across the joint and not form ponds.
 - 4. FRP drip guards shall include a corrosion-resistant layer on the side of the drip guard exposed to piping. The exposed corrosion-resistant layer shall be resin rich, shall consist of Type C glass monofilament surfacing mat or Nexus organic fiber, and shall be a minimum of 20 mils thick. Glass content in the corrosion-resistant layer shall not exceed 23% by weight. The structural layer shall be composed of chopped strand mat having a minimum glass content of 30% by weight. The overall glass content of the finished laminate shall be at least 30% by weight. Provide resin throughout the laminate. Determine glass content per ASTM D2584. Resin shall be Derakane 411, Reichhold Dion 9800, Ashland Hetron 922, or equal. Construction shall comply with ASTM D2563, Level II. Hardness shall be at least 90% of the resin manufacturer's recommended Barcol hardness, with a minimum Barcol hardness of 30, with the resin fully cured. Maximum strain in the laminate shall be 0.001 inch/inch. Maximum

air bubble size in the laminate shall be 1/16 inch. Maximum frequency of air bubbles shall be 10 per square inch of laminate. Construction shall comply with NBS Voluntary Product Standard PS 15-69.

5. Provide nylon washers (minimum 1/8 inch thick) on both sides of holes where pipe hangers penetrate the drip guard. Provide Type 316 stainless steel nuts to connect the drip guards to pipe hangers and supports.
- U. Anchor Bolts, Screws, and inserts.
1. Anchor bolts and screws for attaching pipe supports and hangers to walls, floors, ceilings, and roof beams shall be hot-dipped galvanized steel, ASTM A307 or Type 316 stainless steel, ASTM A276 or F593. Nuts shall be galvanized steel, ASTM A563 or Type 316 stainless steel, ASTM A194, Grade 8M or ASTM F594, Type 316 stainless steel.
 2. Concrete inserts or anchor bolts shall be used to support piping from new cast-in-place concrete. Adhesive anchors shall be used to fasten supports to existing concrete and masonry.
 3. Inserts:
 - a. Reference building structural concrete drawings for concrete inserts. When not provided as part of the building concrete structure, provide inserts for suspending hangers from reinforced concrete slabs and side of reinforced concrete beams. It shall be the Contractor's responsibility to accurately locate and attach inserts to concrete forms.
 - b. Where inserts are omitted, drill through concrete slab from below and provide thru-bolt with recessed square steel plate and nut recessed into and grouted flush with slab. X-ray locate existing reinforcement before drilling.

PART 3 - EXECUTION

3.1 PIPE HANGER AND WALL SUPPORT SPACING

- A. Install pipe hangers and wall supports on horizontal and vertical runs at the spacing shown or detailed in the drawings. Provide hanger rods (for horizontal runs) and wall supports of the sizes shown or detailed in the drawings. If no spacing or rod sizes are given in the drawings or in the specifications for a particular piping system, use the following:
- B. Pipe Hanger and Wall Support Spacing for Steel and Ductile-Iron Pipe:
1. Pipe Size (inches): 3/8 and smaller.
 - a. Support/Hanger Max Spacing (feet): 4
 - b. Minimum Rod Size (inches): 3/8
 - c. Pipe Size (inches): 1/2 through 1.
 - 1) Support/Hanger Max Spacing (feet): 6
 - 2) Minimum Rod Size (inches): 3/8
 - d. Pipe Size (inches): 1-1/4 through 2.
 - 1) Support/Hanger Max Spacing (feet): 8
 - 2) Minimum Rod Size (inches): 3/8
 - e. Pipe Size (inches): 2-1/2 and 3.
 - 1) Support/Hanger Max Spacing (feet): 10.
 - 2) Minimum Rod Size (inches): 1/2
 - f. Pipe Size (inches): 3-1/2 and 4.
 - 1) Support/Hanger Max Spacing (feet): 10
 - 2) Minimum Rod Size (inches): 5/8
 - g. Pipe Size (inches): 6.
 - 1) Support/Hanger Max Spacing (feet): 12
 - 2) Minimum Rod Size (inches): 3/4
 - h. Pipe Size (inches): 8.
 - 1) Support/Hanger Max Spacing (feet): 12
 - 2) Minimum Rod Size (inches): 7/8
 - i. Pipe Size (inches): 10 and 12.
 - 1) Support/Hanger Max Spacing (feet): 14
 - 2) Minimum Rod Size (inches): 7/8
 - j. Pipe Size (inches): 14 and 16.
 - 1) Support/Hanger Max Spacing (feet): 16
 - 2) Minimum Rod Size (inches): 1
 - k. Pipe Size (inches): 18.
 - 1) Support/Hanger Max Spacing (feet): 15

- 2) Minimum Rod Size (inches): 1
- l. Pipe Size (inches): 20 through 24.
 - 1) Support/Hanger Max Spacing (feet): 9
 - 2) Minimum Rod Size (inches): 1-1/4
- m. Pipe Size (inches): 30.
 - 1) Support/Hanger Max Spacing (feet): 7
 - 2) Minimum Rod Size (inches): 1-1/4
2. Pipe Hanger or Wall Support Spacing for PVC and CPVC Pipe:
 - a. Pipe Size (inches): 3/4.
 - 1) Support/Hanger Max Spacing (feet): 4
 - 2) Minimum Rod Size (inches): 3/8
 - b. Pipe Size (inches): 1.
 - 1) Support/Hanger Max Spacing (feet): 4
 - 2) Minimum Rod Size (inches): 3/8
 - c. Pipe Size (inches): 1-1/4.
 - 1) Support/Hanger Max Spacing (feet): 4-1/2
 - 2) Minimum Rod Size (inches): 3/8
 - d. Pipe Size (inches): 1-1/2.
 - 1) Support/Hanger Max Spacing (feet): 5
 - 2) Minimum Rod Size (inches): 3/8
 - e. Pipe Size (inches): 2.
 - 1) Support/Hanger Max Spacing (feet): 5
 - 2) Minimum Rod Size (inches): 3/8
 - f. Pipe Size (inches): 2-1/2.
 - 1) Support/Hanger Max Spacing (feet): 5
 - 2) Minimum Rod Size (inches): 1/2
 - g. Pipe Size (inches): 3.
 - 1) Support/Hanger Max Spacing (feet): 6
 - 2) Minimum Rod Size (inches): 1/2
 - h. Pipe Size (inches): 4.
 - 1) Support/Hanger Max Spacing (feet): 6
 - 2) Minimum Rod Size (inches): 5/8
 - i. Pipe Size (inches): 6.
 - 1) Support/Hanger Max Spacing (feet): 7
 - 2) Minimum Rod Size (inches): 3/4
 - j. Pipe Size (inches): 8.
 - 1) Support/Hanger Max Spacing (feet): 7
 - 2) Minimum Rod Size (inches): 7/8
 - k. Pipe Size (inches): 10.
 - 1) Support/Hanger Max Spacing (feet): 8
 - 2) Minimum Rod Size (inches): 7/8
 - l. Pipe Size (inches): 12.
 - 1) Support/Hanger Max Spacing (feet): 8
 - 2) Minimum Rod Size (inches): 7/8
3. Pipe Hanger or Wall Support Spacing for Copper Tubing and Pipe:
 - a. Pipe Size (inches): 1 and smaller.
 - 1) Support/Hanger Max Spacing (feet): 4
 - 2) Minimum Rod Size (inches): 3/8
 - b. Pipe Size (inches): 1-1/4 through 2.
 - 1) Support/Hanger Max Spacing (feet): 6
 - 2) Minimum Rod Size (inches): 3/8
 - c. Pipe Size (inches): 2-1/2 through 3.
 - 1) Support/Hanger Max Spacing (feet): 8
 - 2) Minimum Rod Size (inches): 1/2
4. For piping services not described, provide hangers and supports per MSS SP-58 and SP-69.
5. Provide bracing for piping 8 inches and smaller that is installed on hangers or trapezes per MSS SP-127, except provide lateral bracing at maximum 10-foot center-to-center spacings. Provide sway bracing for hangers for piping larger than 8 inches as detailed in the drawings.

- C. Pipe Support Spacing for Supports on Top of Slabs or Grade
1. Install pipe supports on horizontal runs at the spacing shown or detailed in the drawings. Provide supports of the type shown or detailed in the drawings. If no spacings are given in the drawings or in the specifications for a particular piping system, use the following:
 2. Pipe Support Spacing for Steel and Ductile-Iron Pipe:
 - a. Pipe Size (inches): 3/8 and smaller.
 - 1) Support/Hanger Max Spacing (feet): 4.
 - b. Pipe Size (inches): 1/2 through 1.
 - 1) Support/Hanger Max Spacing (feet): 6.
 - c. Pipe Size (inches): 1-1/4 through 2.
 - 1) Support/Hanger Max Spacing (feet): 8.
 - d. Pipe Size (inches): 2-1/2 and 3.
 - 1) Support/Hanger Max Spacing (feet): 10.
 - e. Pipe Size (inches): 3-1/2 and 4.
 - 1) Support/Hanger Max Spacing (feet): 10.
 - f. Pipe Size (inches): 6.
 - 1) Support/Hanger Max Spacing (feet): 12.
 - g. Pipe Size (inches): 8.
 - 1) Support/Hanger Max Spacing (feet): 12.
 - h. Pipe Size (inches): 10 and 12.
 - 1) Support/Hanger Max Spacing (feet): 14.
 - i. Pipe Size (inches): 14 and 16.
 - 1) Support/Hanger Max Spacing (feet): 16.
 - j. Pipe Size (inches): 18.
 - 1) Support/Hanger Max Spacing (feet): 16.
 - k. Pipe Size (inches): 20 through 24.
 - 1) Support/Hanger Max Spacing (feet): 18.
 - l. Pipe Size (inches): 30.
 - 1) Support/Hanger Max Spacing (feet): 18.
 - m. Pipe Size (inches): 36.
 - 1) Support/Hanger Max Spacing (feet): 12.
 3. Pipe support spacing for other pipe materials shall be the same as described above in paragraph entitled "Pipe Hanger and Wall Support Spacing."
- D. Installing Pipe Hangers and Supports
1. Pipe hangers, brackets, and supports shall be furnished complete with all necessary inserts, anchor bolts, bolts, nuts, washers, and other accessories.
 2. All piping shall be supported in a manner which will prevent undue stress on any valve, meter, fitting, or piece of equipment. In addition, pipe supports shall be provided at changes in direction or elevation, adjacent to flexible couplings, and where otherwise shown in the Drawings. Pipe supports and hangers shall not be installed in equipment access areas.
 3. Provide separate hangers or supports at each valve. Provide one hanger or support around each end of the valve body or on the adjacent connecting pipe within one pipe diameter of the valve end. Provide additional hangers or supports to relieve eccentric loadings imposed by offset valve actuators.
 4. Provide separate hangers or supports at each pipe elbow, tee, or fitting. Provide separate hangers or supports on both sides of each non-rigid joint or flexible pipe coupling.
 5. Where horizontal piping is arranged with two or more parallel pipe runs, trapeze hangers may be used in lieu of individual hangers. Trapeze assembly shall consist of structure attachments as previously specified with rod size dependent upon total weight supported. Spacing of assemblies shall be determined by the minimum pipe size included in the group supported. Trapeze horizontal assemblies shall be structural angle or channel section of sufficient size to prevent measurable sag between rods. All pipe runs shall be attached to the horizontal with intermediate pipe guides and U-bolts or one-hole clamps. Pre-engineered support equipment may be used when selected and installed in accordance with the manufacturer's recommendations.
 6. Adjust pipe hangers per MSS SP-89, paragraph 10.6.
 7. Install leveling bolts beneath support baseplates. Provide 3/4 to 1-inch thick non-shrink, non-staining grout pad beneath each base.
 8. Install piping without springing, forcing, or stressing the pipe or any connecting valves, pumps, and other equipment to which the pipe is connected.

9. Do not support piping from other piping.
- E. Installing Steel and FRP Channel Frames
1. Use 1-5/8-inch-high channel frames unless 3-1/4-inch is needed to provide clearance from walls. Use multiple back-to-back channels if additional clearance is needed.
 2. Seal the ends of cut FRP channel frames with the channel manufacturer's sealant or resin.
- F. Installing Neoprene Isolating Pads or Sleeves
1. Install a sleeve around each metal pipe 6 inches and smaller at the point of bearing or contact with the pipe hanger or support.
 2. Install isolating pad between each metal pipe larger than 6" at the point of bearing or contact with the pipe hanger or support.
- G. Installing Cable Trays for Chemical Hoses
1. Provide cable tray supports at 8-foot centers, maximum. Locate a support within 2 feet of each fitting extremity. Provide one support under each of the three side rails for horizontal tees. Allow for thermal expansion based on 50 degrees F temperature variation.
 2. Attach chemical hoses to rungs of cable tray at 6-foot intervals using cable clamps.
- H. Painting and Coating
1. Grind welds of fabricated steel pipe supports smooth, prepare surface by sandblasting, and apply coating system.
 2. Exposed pipe hangers and supports are to be provide with hot dip galvanized coating. For areas where the pipe supports are cut, welded, or any other case where the integrity of the galvanized coating is affected due to erection on site, touch up and repair the affected area per Section 099000.
 3. Paint exposed pipe hangers and supports to match the color of the adjacent wall using System per Section 099000. If the adjacent wall is not painted, paint the hangers and supports to match color code of the largest pipe on the support.
 4. Submerged pipe hangers are to be provided as 316 Stainless Steel. No coating required.
 5. Coat submerged pipe hangers and supports per Section 099000.
 6. If the ferrous metal pipe hangers and supports are not galvanized or Stainless Steel, the pipe supports shall be coated per Section 099000.

END OF SECTION

THIS PAGE INTENTIONALLY LEFT BLANK.

SECTION 402040 DUCTILE-IRON PROCESS PIPE

PART 1 GENERAL

1.1 DESCRIPTION

- A. This section describes materials, testing, and installation of ductile-iron process pipe and fittings 12-inches and smaller.

1.2 RELATED WORK SPECIFIED ELSEWHERE

- A. Painting and Coating: 099000.
- B. Trenching and Backfilling: 312333.
- C. General Piping Requirements: 400500.
- D. Pressure Testing of Piping: 400515.
- E. Wall Pipes, Seep Rings, and Penetrations: 400762.

1.3 SUBMITTALS

- A. Submit shop drawings in accordance with the General Conditions and Section 013300.
- B. Provide an affidavit of compliance with standards referenced in this specification, e.g., AWWA C151. Submit copy of report of pressure tests for qualifying the designs of all sizes and types of AWWA C153 fittings that are being used in the project. The pressure test shall demonstrate that the minimum safety factor described in AWWA C153, Section 5.5 is met.
- C. Submit piping layout profile drawings showing location and dimensions of pipe and fittings; submit after equipment and valve submittals have been reviewed and marked "Resubmittal not required." Include laying lengths of valves, meters, in-line pumps, and other equipment determining piping dimensions. Label or number each fitting or piece of pipe. Piping having identical design pressure class, laying lengths, and bell-and-spigot dimensions that is to be placed in long straight reaches of alignment may have the same identifying label or number.
- D. Provide the following information:
 - 1. Mortar lining thickness.
 - 2. Wall thickness.
 - 3. Outside coating.
 - 4. Material test data for this project.
 - 5. Show deflections at push-on and mechanical joints.
 - 6. Submit joint and fitting details and manufacturer's data sheets.
- E. Submit calculations and test data proving that the proposed restrained joint arrangement can transmit the required forces with a minimum safety factor of 1.5.
- F. Submit certificate that cement for mortar lining complies with ASTM C150, designating type.
- G. Submit test report on physical properties of rubber compound used in the gaskets.
- H. Submit drawing or manufacturer's data sheet showing flange facing, including design of facing serrations.
- I. Submit weld procedure specification, procedure qualification record, and welder's qualifications prior to any welding to ductile-iron pipe.

1.4 WARRANTY

- A. Full warranty against defects in materials and workmanship for one year following FINAL ACCEPTANCE; including all parts, labor, and expenses.

PART 2 PRODUCTS

2.1 PIPE

- A. Pipe shall be cast ductile iron, conforming to AWWA C151.
- B. All pipe shall be manufactured in the United States. The Material Supplier and/or Contractor shall furnish data certified by the Manufacturer that all pipe is of domestic manufacture.

2.2 PIPE MARKING

- A. Plainly mark each length of straight pipe and each fitting at the bell end to identify the design pressure class, the ductile-iron wall thickness, the date of manufacture, and the proper location of the pipe item by reference to the layout schedule. Mark the spigot end of restrained joint pipe to show clearly the

required depth of insertion into the bell.

2.3 PIPE WALL THICKNESS

- A. Minimum wall thicknesses for pipe having grooved-end joints shall be as follows:
 - 1. Pipe Size 4 to 16-Inch: Thickness Class 53
 - 2. Pipe Size 18-Inch: Thickness Class 54
 - 3. Pipe Size 20-Inch: Thickness Class 55
 - 4. Pipe Size 24 to 36-Inch: Thickness Class 56
 - 5. Pipe Size 42-Inch and Larger: Thickness Class 53.
- B. Minimum wall thickness for pipe having push-on or mechanical joints, restrained joints, plain ends, or cast flange ends shall be Thickness Class 50, unless otherwise shown in the drawings.
- C. Minimum wall thickness for pipe having threaded flanges shall be Special Class 53 or Pressure Class 350.
- D. Minimum pipe wall thickness required for corporation stops and tapped outlets shall be in accordance with Table A.1 of AWWA C151 for three full threads for design pressures up to 250 psi and four full threads for design pressures over 250 to 350 psi. Provide threaded weld-on boss for tapped outlets where indicated in the drawings.

2.4 FITTINGS

- A. Fittings 48 inches and smaller shall conform to AWWA C110 with a minimum pressure rating of 250 psi. Flanges shall be flat faced.
- B. Mechanical joint fittings conforming to AWWA C153 may be used in lieu of AWWA C110 fittings. Mechanical joint ductile-iron fittings 18 through 48 inches conforming to AWWA C110 (except for laying length) with a minimum pressure rating of 250 psi may also be used.
- C. Grooved-end fittings shall conform to AWWA C110 with grooved ends conforming to AWWA C606, radius cut rigid joints. Fitting material shall conform to ASTM A48, Class 30; ASTM A126, Class B; or ASTM A536, Grade 65-42-10. Wall thickness of ductile-iron (ASTM A536) fittings shall conform to AWWA C110 or C153; wall thickness of cast-iron fittings shall conform to AWWA C110. Fittings and couplings shall be furnished by the same manufacturer.
- D. Material for fittings with welded-on bosses shall have a Charpy notch impact value of minimum 10 ft-lbs under the conditions defined in AWWA C151. Test completed welds by the liquid penetrant method per ASTM E165.

2.5 FLANGES

- A. Flanges shall be solid back, Class 125 per AWWA C115, or Class 250, flat faced per ASME B16.1 with serrated facings. Flanges on pipe shall be either cast or threaded. Material shall be ductile iron.
- B. Flanged pipe and fittings shall be shop fabricated, not field fabricated. Assembly of flange on pipe outside of manufacturer's shop is unacceptable. Threaded flanges shall comply with AWWA C115. Flanges shall be individually fitted and machine tightened in the shop, then machined flat and perpendicular to the pipe barrel. Flanges shall be back-faced parallel to the face of flange. Prior to assembly of the flange onto the pipe, apply a thread compound to the threads to provide a leak-free connection. There shall be zero leakage through the threads at a hydrostatic test pressure of 250 psi without the use of the gasket.
- C. Flanged pipe for gas service shall be in accordance with AWWA C115 and ANSI A21.52. In addition to pipe marking specified in AWWA C115 and ANSI A21.52, conspicuously stamp each flanged pipe with words "AIR TESTED".
- D. Material for blind flanges shall be ductile iron or as indicated on the Drawings.

2.6 PIPE LINING

- A. Line pipe interior **and fittings with cement mortar** per AWWA C104/A21.4. except as otherwise described herein or as otherwise shown. Lining thickness shall be the double thickness listed in AWWA C104, Section 4.7. Cement for lining material shall conform to ASTM C150, Type **II**.
- B. Line fittings per Section 099000.
- C. The inside coating of ductile iron pipe and fittings shall be Protecto 401 ceramic epoxy lining to a minimum thickness of 40 mils in raw sewage, primary effluent, primary sludge, anaerobically digested sludge, and other corrosive environments. The epoxy coating shall be installed and tested in strict accordance with AWWA C 116/ANSI A21.16 and as supplemented in these specifications.

- D. Where specifically called for in these specifications or shown on the drawings, the inside coating of ductile iron pipe and fittings shall be VITCO SG-14 glass lining (porcelain enamel) to a minimum thickness of 10 mils.
 - 1. The glass lining applied to pipe and fittings shall be hard, smooth, continuous vitreous material which is formulated to prevent the adherence of grease in sludge and scum lines, and to resist the adherence of crystalline metal salt deposits (Struvite and Vivionite) to sludge and centrate lines.
 - 2. The glass portion of the lining, the frit(s) used in the formulation, as supplied from the manufacturer, shall have a density of 2.5 to 3.0 grams per cubic centimeter as measured by ASTM D-792.
 - 3. The finished lining shall be able to withstand a strain of 0.001 inch/inch of the base metal without visible damage to the glass and it shall have a minimum hardness of 5 on the Moh's hardness scale.
 - 4. The lining shall be capable of withstanding an instantaneous thermal shock from ambient + 350oF to ambient without visible crazing, blistering or spalling.
 - 5. The lining shall be resistant to corrosion by an HCl solution adjusted to a pH of 3 at 125 degrees F and a NaOH solution adjusted to a pH of 10 at 125 degrees F. Demonstration of this shall be by a weight loss of not more than 3 milligrams per square inch when exposed for 30 minutes.
 - 6. There shall be negligible visible loss of surface gloss to the lining after immersing a cut production sample in an 8 percent by weight sulfuric acid solution at 148 degrees F for a period of 10 minutes.
 - 7. The lining shall be of a light, bright color to allow visual detection of defects more easily.
- E. Line blind flanges per Section 099000.
- F. Pipe and fittings for process air service shall be unlined (and supplied with EPDM gaskets).
- G. Cement-mortar for pointing interior joints shall consist of one part cement to one and one-half parts of washed plaster sand conforming to ASTM C35, mixed with the minimum amount of water which will permit placing the mortar.
- H. Maintain a moist environment inside the lined pipe and fittings by sealing the ends with polyethylene sheet.
- I. Loose areas of cement-mortar lining are not acceptable. Remove and reconstruct lining in areas where quality is defective, such as sand pockets, voids over sanded areas, blisters, drummy areas, cracked areas, and thin spots. Longitudinal cracks in excess of 1/32 inch in width or where crack extends to metal shall be repaired with epoxy. Repair all cracks larger than 1/16 inch with epoxy.

2.7 GROOVED-END COUPLINGS

- A. Grooved-end pipe couplings shall be ductile iron, ASTM A536 (Grade 65-45-12). Gaskets shall be halogenated butyl rubber or EPDM or Buna-N and shall conform to ASTM D2000.
- B. Bolts in exposed service shall conform to ASTM A183, 110,000-psi tensile strength or ASTM A193, Grade B8, Class 2. Bolts in buried or submerged service shall be ASTM A193, Grade B8, Class 2.
- C. Couplings for pipe 24 inches and smaller shall conform to AWWA C606 for flexible radius ductile-iron pipe, except where rigid radius couplings are required to connect to fittings. Couplings for pipe sizes 30 and 36 inches shall be in accordance with the coupling manufacturer's published literature for tolerances and dimensions for flexible and rigid radius cut joints. Couplings shall be Victaulic Style 31, Gustin-Bacon No. 500, or equal.
- D. Grooved-end adapter flanges for piping 24 inches and smaller having an operating pressure of 150 psi and less shall be Victaulic Style 341 or 342 or equal. Flange dimensions shall conform to ASME B16.1, Class 125.
- E. Grooved-end transition couplings for connecting ductile-iron pipe 12 inches and smaller to steel pipe shall be Victaulic Style 307 or equal.

2.8 GASKETS FOR FLANGES

- A. See Section 400500.

2.9 GASKETS FOR MECHANICAL, PUSH-ON, AND RESTRAINED JOINTS

- A. Synthetic or natural rubber in accordance with AWWA C111.
- B. Gasket materials shall be selected by pipe manufacturer and shall be suitable for service and maximum operating temperature of piping system.

2.10 BOLTS AND NUTS FOR FLANGES

- A. See Section 400500.

2.11 BOLTS AND NUTS FOR MECHANICAL AND RESTRAINED JOINTS

- A. Bolts, nuts and washers for mechanical and restrained joints shall conform to ANSI/AWWA Standard C111/A21.11 and shall be cadmium plated meeting SAE AMS-QQ-P-416, Type 1, Class 2 (Cor-Ten, Cor-Blue, or approved equal) or Type 304 or 316 stainless steel tee head bolts and hex nuts with Teflon coated nuts.

2.12 OUTLETS AND NOZZLES

- A. Provide outlets 2-inches and using a tapping saddle, using a threaded weld-on boss; or as indicated in the Drawings.
- B. For outlets larger than 2 inches use a tee with a flanged outlet.
- C. For outlets larger than 2 inches in buried piping, use a tee with a restrained joint outlet.

2.13 JOINTS

- A. Joints in aboveground or submerged piping or piping located in vaults and structures shall be grooved end or flanged.
- B. Joints in buried piping shall be of the restrained; push-on; or mechanical-joint type per AWWA C111 except where flanged joints are required to connect to valves, meters, and other equipment. Provide unrestrained buried joints except where restrained joints are specifically shown in the drawings.
- C. Restrained joints for piping 6 inches and larger shall be American Cast Iron Pipe "Lok-Ring" or "Flex-Ring," U.S. Pipe "TR-Flex," or equal. Weldments for restrained joints shall be tested by the liquid penetrant method per ASTM E165. Restrained joints for field closures shall be "Megalug" by EBAA Iron.
- D. Restrained joints in 4-inch-diameter buried piping shall be American Cast Iron Pipe Company "Fast-Grip," U.S. Pipe Field-lok gasket within Tyton joint pipe and fittings, or equal. Joint restraint shall be certified to four times rated pressure of 200 psi by Factory Mutual.
- E. Where thrust restraint is called for in the drawings, provide pipe with restrained joints capable of transmitting 1.5 times the thrust, as calculated by the following equation:

2.14 MECHANICAL JOINT RESTRAINT SYSTEM USING FOLLOWER RING AND WEDGES

- A. The restraining mechanism shall consist of a follower gland having a seal gasket and individually actuated wedges that increase their resistance to pullout as pressure or external forces increase. The system manufacturer shall provide all the components (follower ring, wedges, and gaskets) for the restraining device. The device shall be capable of full mechanical joint deflection during assembly, and the flexibility of the joint shall be maintained after burial. The joint restraint ring and its wedging components shall be constructed of ductile iron conforming to ASTM A536, Grade 60-42-10. The wedges shall be ductile iron, heat-treated to a minimum hardness of 370 BHN. Dimensions of the gland shall be such that it can be used with mechanical joint bells conforming to AWWA C111 and AWWA C153. The design shall use torque limiting twist-off nuts to provide actuation of the restraining wedges. The mechanical joint restraint shall be available in the size range of 3 through 48 inches. Minimum rated pressure shall be 350 psi for sizes 16 inches and smaller and 250 psi in sizes 18 inches and larger. Products: Megalug Series 1100 as manufactured by EBAA Iron, Inc., or equal.

2.15 DUCTILE-IRON PIPE WELDMENTS

- A. All welding to ductile-iron pipe, such as for bosses, joint restraint, and joint bond cables, shall be done at the place of manufacture of the pipe. Perform welding by skilled welders experienced in the method and materials to be used. Welders shall be qualified under the standard qualification procedures of the ASME Boiler and Pressure Vessel Code, Section IX, Welding Qualifications.
- B. Welds shall be of uniform composition, neat, smooth, full strength, and ductile. Completely grind out porosity and cracks, trapped welding flux, and other defects in the welds in such a manner that will permit proper and complete repair by welding.
- C. Completed welds shall be inspected at the place of manufacture by the liquid penetrant method. Conform to the requirements specified in ASTM E165, Method A, Type I or Type II. The materials used shall be water washable and nonflammable.

PART 3 EXECUTION

3.1 DELIVERY, UNLOADING, AND TEMPORARY STORAGE OF PIPE AT SITE

- A. Limit onsite pipe storage to a maximum of one week.
- B. Use unloading and installation procedures that avoid cracking of the lining. If necessary, use plastic sheet bulkheads to close pipe ends and keep cement-mortar lining moist.
- C. Deliver the pipe alongside the pipelaying access road over which the pipe trailer-tractors can travel under their own power. Place the pipe in the order in which it is to be installed and secure it from rolling.
- D. Do not move pipe by inserting any devices or pieces of equipment into the pipe barrel. Field repair linings damaged by unloading or installation procedures.

3.2 SANITATION OF PIPE INTERIOR

- A. During laying operations, do not place tools, clothing, or other materials in the pipe.
- B. When pipelaying is not in progress, close the ends of the installed pipe by a child- and vermin-proof plug.

3.3 INSTALLING FLANGED PIPE AND FITTINGS

- A. Install in accordance with Sections 400500. Cut the bore of the gaskets such that the gaskets do not protrude into the pipe when the flange bolts are tightened.

3.4 INSTALLING GROOVED-END PIPE AND FITTINGS

- A. Install in strict accordance with manufacturer's recommendations.

3.5 INSTALLING BURIED PIPING

- A. Install in accordance with AWWA C600 and as specified herein.
- B. When installing piping in trenches, do not deviate more than 1-inch from line or $\frac{1}{4}$ -inch from grade. Measure for grade at the pipe invert.
- C. Provide thrust blocks at fittings where indicated and from Engineer approved submittals.
- D. Inspection for Defects: Before installation, inspect pipe and appurtenances for defects and, when applicable, tap the pipe with a light hammer to detect cracks. Reject defective, damaged, or unsound pipe and appurtenances.
- E. Push-On Joints: Bevel and lubricate spigot end of pipe to facilitate assembly without damage to gasket. Taper of bevel shall be approximately 30 degrees with centerline of pipe and approximately 1/4 IN back.
- F. Push-On Joints: Use lubricant that is non-toxic, does not support the growth of bacteria, has no deteriorating effects on the gasket material, and imparts no taste or odor to water in pipe. Assure the gasket groove is thoroughly clean. For cold weather installation, warm gasket prior to placement in bell.
- G. Cutting: Cut pipe, when necessary, in a neat and workmanlike manner without damage to the pipe, interior lining, and exterior coating. Perform cutting with an approved mechanical cutter, using a wheel cutter when applicable and practicable.
- H. Cut pipe ends square, ream pipe and tube ends to full pipe diameter, remove burrs.
- I. Depth of Cover: The depth of cover over water mains from the top of the pipe to the ground surface shall be sufficient to prevent freezing. The minimum depth shall be 42", or otherwise as shown on the Drawings.
- J. Install access fittings to permit disinfection of water system.
- K. If effective sealing is not obtained, disassemble, thoroughly clean, and reassemble the joint.
- L. Assemble restrained joints per manufacturer's instructions.
- M. Do not exceed the joint deflection angles recommended by the Manufacturer.

3.6 INSTALLING ABOVEGROUND OR EXPOSED PIPING

- A. See Sections 400500
- B. Support exposed pipe in accordance with Section 400764.

3.7 PAINTING AND COATING

- A. Coat pipe located above ground and in vaults and structures per Section 099000 or apply prime coat in the shop before transporting pipe to the jobsite. As an alternate to the specified prime coat, pipe, supplier/manufacturer may utilize Tnemec Series N140, or equal, as the prime coat and apply intermediate and finish coats in the field before installing the pipe, then touch up after installation.
- B. Provide asphaltic coating on buried pipe exterior per AWWA C151.
- C. Coat buried piping per Section 099000, System No. 10.
- D. Coat buried flanges and buried mechanical and restrained joint bolts, nuts, and glands per Section 099000, System No. 10.
- E. Coat submerged pipe per Section 099000, System No. 12 or with Engineer approved fusion-bonded epoxy coating system.
- F. Line and coat exposed grooved-end couplings the same as the pipe exterior coating or with an Engineer approved fusion-bonded epoxy.
- G. Line and coat submerged and buried grooved-end couplings per Section 099000, System No. 12; or with Engineer approved fusion-bonded epoxy system.

3.8 POLYETHYLENE ENCASUREMENT OF BURIED PIPE AND FITTINGS

- A. Wrap buried pipe, fittings, grooved-end couplings, and joints with a minimum of 8-mil low-density polyethylene wrap conforming to AWWA C105.
- B. Polyethylene encasement for ductile-iron pipe shall be supplied as a flat tube meeting the dimensions of Table 1 in AWWA C105 and shall be supplied by the ductile-iron pipe manufacturer.

3.9 CLEANING PIPE

- A. After interior joints have been pointed and mortar has hardened, sweep pipe clean of all dirt and debris. If hardened mud exists in the pipe, remove with the use of pressurized water hoses.

3.10 FIELD HYDROSTATIC TESTING

- A. Test pressures are shown in Section 400515. Test in accordance with Section 400515.

3.11 BURIED WARNING AND IDENTIFICATION TAPE

- A. Provide detectable warning tape. Warning and identification shall read "CAUTION BURIED WATER PIPING BELOW" or similar wording.

END OF SECTION

SECTION 402076
STAINLESS STEEL PIPE

PART 1 GENERAL

1.1 DESCRIPTION

- A. This section includes materials and installation of stainless steel pipe and fittings **24**-inches in diameter and smaller conforming to ASTM **A312 or A778** and having a maximum design pressure of 150 psi.**RELATED WORK SPECIFIED ELSEWHERE**
- A. Painting and Coating: 099000.
- B. Trenching and Backfilling: 312333.
- C. General Piping Requirements: 400500.
- D. Pressure Testing of Piping: 400515.
- E. Miscellaneous Process Valves: 400520.
- F. Flexible Pipe Couplings and Expansion Joints: 400722.
- G. Wall Pipes, Seep Rings, and Penetrations: 400762.
- H. Pipe Hangers and Supports: 400764.
- I. Equipment, Piping, and Valve Identification: 400775.

1.3 SUBMITTALS

- A. Submit shop drawings in accordance with Section 013300.
- B. Submit materials list showing material of pipe and fittings with ASTM reference and grade. Submit manufacturer's certificate of compliance with referenced standards. Show piping service (fuel, oil, gasoline, water, air, etc.).
- C. Manufacturer's catalog data marked to indicate materials being furnished.
- D. Weight and support requirements.
- E. Certificate of compliance, signed by the Manufacturer, stating that the equipment offered is in full compliance with the specifications.
- F. Pickling and passivating procedure.
- G. For piping 6-inches and larger, submit detailed piping layout drawings showing location and dimensions of pipe, fittings, taps, and outlets in full detail, location of pipe hangers and supports, large-scale details of all special castings, and locations and types of restraint to prevent joints from pulling apart. Include laying lengths of flanges, gaskets, valves, meters, inline pumps, and other equipment determining piping dimensions. **FIELD VERIFY DIMENSIONS PRIOR TO PREPARATION OF LAYOUT DRAWINGS. DO NOT FABRICATE PIPE UNTIL SUBMITTAL HAS BEEN RETURNED STAMPED "RESUBMITTAL IS NOT REQUIRED" OR "MAKE CORRECTIONS NOTED."** Label or number each fitting or piece of pipe and provide the following information for each item:
 - 1. Material of construction, with ASTM reference and grade.
 - 2. Wall thickness of stainless steel cylinder.
 - 3. Manufacturer's certificate of compliance with referenced pipe standards.
 - 4. Show weld sizes and dimensions of grooved-end collars, flanges, reinforcing collars, wrapper plates, and crotch plates.
- H. Submit NSF 61 Certification.

1.4 QUALITY ASSURANCE

- A. Welder Qualifications
 - 1. Stainless steel piping systems welding shall be by welders qualified and certified under provisions of AWS to weld austenitic chromium-nickel stainless steel pipe and tubing.
 - 2. Welders shall be certified by an independent, acceptable testing agency not more than 12 months prior to commencing work.
 - 3. Perform certification with machines and electrodes similar to those used in the work.
 - 4. Certify welders at no additional cost to the Owner.

1.5 WARRANTY

- A. Full warranty against defects in materials and workmanship for two (2) years after final acceptance by the Owner, including all parts, labor, and expenses.
- B. Owner, Owner's Representative, and Contractor shall conduct a 23-month warranty inspection of the stainless steel pipe to ensure that it is free from defects, pitting, and corrosion. All defective areas shall be repaired according to manufacturer's recommendations or replaced.

PART 2 PRODUCTS

2.1 PIPE

- A. If 316 stainless pipe materials are required for a specific application it is called out on drawings or specifically in the specifications and required; otherwise 304 stainless pipe materials are acceptable.
- B. Pipe smaller than 3 inches shall conform to ASTM A312, Grade TP 304L. Pipe 3 inches and larger shall conform to ASTM A778, Grade TP 304L or as indicated on the drawings.
- C. Pipe sizes and wall thicknesses shall conform to ASME B36.19 as follows:
 - 1. Pipe size 1 inch and smaller: Schedule 80S.
 - 2. Pipe size 1-1/4 inches through 3 inches: Schedule 40S or (or 80S if indicated on the drawings).
 - 3. Pipe size 3-1/2 inches through 8 inches: Schedule 10S (or 40S if indicated on the drawings).
 - 4. Pipe size larger than 8 inches, through 30 inches (other than digester gas service), use Schedule 10S (unless indicated otherwise on the drawings, which shall prevail whether more or less stringent).
 - 5. Pipe size larger than 8 inches, through 30 inches (digester gas service): Schedule 10Sunless indicated otherwise on the drawings, which shall prevail whether more or less stringent).

2.2 FITTINGS

- A. Fittings 3 inches and smaller shall be threaded or socket welded, conforming to ASME B16.11, 3,000-pound CWP.
 - 1. Material for threaded fittings shall conform to ASTM A403, Class WP304 (or as indicated on the drawings) or ASTM A182, Grade F304; or F316 (or as indicated on the drawings).
 - 2. Material for socket welded fittings shall conform to ASTM A403, Class WP304L or F304L (or as indicated on the drawings).
- B. Fittings for buried or submerged pipe larger than 3 inches through 24 inches shall be butt-welded, conforming to ASTM A403, Class WP or ASTM A774, same material and wall thickness as the pipe, conforming to ASME B16.9. Elbows shall be long radius unless indicated otherwise on the Drawings.
- C. Fittings for aboveground or exposed pipe larger than 3 inches through 24 inches shall be flanged where called for or butt-welded where not specifically noted. conforming to ASTM A403, Class WP; or ASTM A774, same material and wall thickness as the pipe, conforming to ASME B16.9. Elbows shall be long radius unless indicated otherwise on the Drawings.
- D. Fittings for pipe larger than 24 inches shall conform to ASME B16.9. Material shall be the same as the pipe.

2.3 PICKLING, PASSIVATING, AND FINAL CLEANING

- A. After fabrication, mechanically clean/descale the welded surface, to remove all thick visible oxide scale with wire brushes and/or non-metallic devices. Brushes shall be stainless steel and used only on stainless steel.
- B. After descaling is completed, all pipe and fittings shall be immersed in a pickling solution to remove all weld heat tinted layers from the surface of the stainless steel, ensure removal of all free iron, weld scale, and other impurities and to insure the establishment of a passive surface prior to passivation. Pickling solution shall be a nitric-hydrofluoric bath at the proper temperature and length of time per ASTM A380. Perform a complete neutralizing operation by immersion in a trisodium phosphate rinse followed by a clean water rinse.
 - 1. Chemical clean shall completely remove the surface contamination but will not significantly affect the stainless steel itself.
 - 2. After final cleaning, wet surfaces with water and inspect for rust spots after 24-hours. Reclean if there is any evidence of rusting.
 - 3. Contractor may submit alternate pickling and passivating procedure other than the full immersion bath for review by the Engineer. Alternate pickling and passivating procedure shall be in accordance with ASTM A380. Submittal of alternate procedure does not ensure approval.

- C. After descaling and pickling, the stainless steel piping/fabrication shall be fully passivated to enhance the corrosion resistance of the stainless steel, through forming a chemically inactive surface when exposed to air or oxidizing agent. Passivation shall be completed per ASTM A380, and A967.

2.4 QUALITY CONTROL

- A. Include the "Hydrostatic Test" and "Flattening Test" requirements described in ASTM A999. A nondestructive electric test per ASTM A999 may be substituted for the hydrostatic test.

2.5 UNIONS

- A. Unions shall be 3,000-pound WOG forged stainless steel, with dimensions conforming to MSS SP-83. Ends shall be threaded per ASME B1.20.1 or socket-welded type>>.
 - 1. Material shall conform to ASTM A182, Grade F304 (or as shown on the Drawings) for threaded end unions.
 - 2. Material shall conform to ASTM A182, Grade F304L (or as shown on the Drawings) for socket-welded type unions.

2.6 JOINTS

- A. Joints for pipes 3 inches and smaller shall be threaded or socket welded, same material as specified for fittings, 3,000-pound WOG, conforming to ASME B16.11.
- B. Joints for buried or submerged pipe larger than 3 inches shall be butt-welded.
- C. Joints for aboveground or exposed pipe larger than 3 inches shall be grooved end; flanged; or butt-welded. Grooved-end joints for piping 24 inches and smaller shall be of the roll-grooved or cut-grooved type. Grooved-end joints for piping larger than 24 inches shall have AWWA C606 Type "D" collars. Material for collars shall be the same as the pipe.
- D. Joints for aboveground or exposed pipe larger than 3 inches in digester gas service shall be flanged or butt-welded.
- E. Provide plain-end pipe where flexible pipe couplings are to be provided. Provide lugs for thrust harnesses where shown in the drawings, per Section 400722.
- F. Where piping connects to wall pipes, meters, valves, or other equipment, the pipe ends shall match the ends of the wall pipes, meters, valves, or equipment, unless indicated otherwise.

2.7 OUTLETS AND NOZZLES

- A. Outlets of size 3 inches and smaller in piping 4 inches and larger shall be of the Thredolet type, per MSS SP-97 and AWWA Manual M11 (1989 edition), Figure 13-23. Outlets shall be 3,000-pound WOG stainless steel per ASTM A182, Grade F304L (or as indicated on the Drawings) or ASTM A403, Grade WP304L (or as indicated on the Drawings). Threads shall comply with ASME B1.20.1. Outlets shall be Bonney Forge Co. "Thredolet," Allied Piping Products Co. "Branchlet," or equal.
- B. For outlets 3-inches and smaller in piping smaller than 4-inches, use a tee with threaded outlet.
- C. For outlets larger than 3-inches, use a tee with a flanged outlet (unless indicated otherwise on the Drawings). Side outlets are not considered equivalent to fabricated tees and shall not be used without written permission.

2.8 GROOVED-END COUPLINGS

- A. Grooved-end couplings for piping 24 inches and smaller shall be ductile iron, ASTM A536, Grade 60-40-18; Type 304 stainless steel; Type 316 stainless steel; or Type 304 or 316 stainless steel (as indicated on the Drawings). Couplings shall be flexible type, square-cut grooved, per AWWA C606. Couplings shall be Victaulic Style 77 or 77-S, Gustin-Bacon Figure 100, or equal.
- B. Grooved-end couplings for piping larger than 24 inches shall be ductile iron, ASTM A536, Grade 60-40-18. Couplings shall be flexible type, square-cut grooved, per AWWA C606. Couplings shall be Victaulic Style 44 or equal.
- C. Gaskets shall be suitable for service and maximum operating temperatures of the piping systems as specified in Section 400500. Gaskets shall be *nitrile*; *Buna-N*; or *Viton*; (unless indicated otherwise) and shall conform to ASTM D2000.
- D. Gaskets shall be suitable for service and maximum operating temperatures of the piping systems as specified in Section 400500 "General Piping Requirements," and conform to ASTM D2000. Gasket material shall be selected by the pipe, fitting, and coupling manufacturer and submitted to the Engineer for review.
- E. Bolts in exposed service shall conform to ASTM A183, 110,000-psi tensile strength; ASTM A193,

Grade B8, Class 2; or ASTM A193, Grade B8M, Class 2. Bolts in buried or submerged service shall be ASTM A193, Grade B8; or B8M, Class 2.

2.9 THREAD LUBRICANT

- A. Use Teflon thread lubricating compound or Teflon tape.

2.10 FLANGES

- A. Provide weld-neck flanges (conforming to ASME B16.5) for piping 3 inches and smaller to connect to flanged valves, fittings, or equipment. Provide weld-neck or Van Stone flanges (per ASTM F2015) for piping larger than 3 inches. Flanges shall be Class 150 per ASME B16.5. Flanges shall match the connecting flanges on the adjacent fitting, valve, or piece of equipment. Flanges shall be flat face.
- B. Material for weld-neck flanges shall conform to ASTM A182, Grade F304L; F316L; or F304L or F316L (as indicated on the Drawings).
- C. Material for Van Stone flanges shall be as follows (unless indicated otherwise on the Drawings):
 - 1. Exposed Applications: Ductile iron; ASTM A536, Grade 60-42-10 or Grade 65-45-12; Carbon steel; ASTM A216, Grade WGA or WGB; Stainless steel; ASTM A351, Grade CF8; or Stainless steel; ASTM A351, Grade CF8M.
 - 2. Submerged or Buried Applications: Stainless steel; ASTM A351, Grade CF8 or CF8M (or as indicated on the Drawings).
 - 3. In Wet Well Applications or where indicated in the Drawings): Stainless steel; ASTM A351, Grade CF8 or CF8M (or as indicated on the Drawings)

2.11 BOLTS AND NUTS FOR FLANGES

- A. See Section 400500.

2.12 LUBRICANT FOR STAINLESS STEEL BOLTS AND NUTS

- A. See Section 400500.

2.13 GASKETS FOR FLANGES

- A. See Section 400500.

2.14 WYE STRAINERS

- A. Strainers 2 inches and smaller shall be stainless steel, wye pattern, with minimum pressure rating of 300-psi WOG. Material shall conform to ASTM A351 or A743, Grade CF8M. Screen shall be 20 mesh and same material as the strainer. Provide pet cock of the same material as the strainer body in the blowoff connection. Ends shall be threaded conforming to ASME B1.20.1. Provide one spare screen for each strainer. Strainers shall be Sarco Type 316, Muessco No. 861, or equal.

2.15 PROTECTIVE END CAPS

- A. Provide protective end caps on each piece of pipe or fabricated section, completely sealing the piece from contamination during shipment and storage. Provide the same type of seals on each fitting, or ship and store fittings in sealed boxes or containers.

2.16 SHOP FABRICATION

- A. General
 - 1. Shop fabricate 4-inch and larger stainless steel pipe and fittings in sections as large as practical.
 - 2. Pipe and fitting joints in shop fabrication shall be weld joints. Ends of shop fabrications shall have flanges or plain ends. Plain ends shall be prepared for field installed couplings.
- B. Shop Welding
 - 1. Shop welding procedures for stainless steel pipe shall meet requirements of ANSI/AWS D10.4.
 - 2. Prepare edges by machine shaping or cutting. Bevel ends of pipe and fittings with wall thickness of 3/16-inch and larger. Bevel ends of stainless steel pipe to meet requirements of ANSI/AWS D10.4. Separate abutting pipe ends before welding, and completely fuse inside walls of pipe without overlapping. Welding shall be continuous around the joint and shall be completed without interruption. Welds shall be single "V" butt type, of sound weld metal thoroughly fused into the ends of pipe and into bottom of "V". Welds shall be free from cold spots, pin holes, oxide inclusions, burrs, snags, rough projections or other defects.
 - 3. Use an inert shielding gas welding method. Do not use oxygen fuel welding. Purge the interior of the pipe with inert gas prior to root pass.
 - 4. Welded butt joints (both longitudinal and circumferential) shall comply with AWWA C220 and AWWA C226, Section 4. Do not use backing rings. Provide full penetration and smooth internal

- diameters for the root bead of welds. Grind the inside weld of socket welds flush with pipe internal diameter. Welds shall be of smooth finish. Use anti-spatter compounds specifically formulated or designed for use with stainless steel. Do not allow heat tint to form in the heat-affected zone or remove heat tint completely from the heat-affected zone of the finished weld. The maximum depth of grinding or abrasive blasting to remove defects shall not exceed 10-percent of the wall thickness. Do not perform abrasive blasting with steel shot, grit, or sand.
5. No iron or steel surfaces shall come into contact with the stainless steel. This includes placing on steel tables, racks, pipe supports, etc. Do not use carbon steel wire brushes or grinders.
 6. Welding electrodes shall comply with AWS A5.4. Bare wire shall comply with AWS A5.9. Use electrodes as follows:
 - a. Type 304 Pipe Material: E 308 Welding Electrode Material.
 - b. Type 304L Pipe Material: E 347 Welding Electrode Material.
 - c. Type 316 Pipe Material: E 316 Welding Electrode Material.
 - d. Type 316L Pipe Material: E 318 Welding Electrode Material.

PART 3 EXECUTION

3.1 SHIPPING, STORAGE, AND HANDLING

- A. Ship, store, and handle piping (including both pipe and fittings) per AWWA C220, Section 6.2 and AWWA C226, Section 6.3 and the following.
- B. When loading piping for shipment to the project site, use spacers and other protective devices to separate pipes to prevent damaging the surfaces during transit and unloading. If wood spacers are used, remove wood splinters and particles from the pipe surfaces after separation. Use padded chains or ribbon binders to secure the loaded pipe and minimize damage.
- C. Cover piping 100% with protective coverings or tarpaulins to prevent deposition of road salts, fuel residue, and other contaminants in transit.
- D. Provide stulls, braces, and supports during shipping and storage such that out-of-roundness or deflection does not exceed 0.5% of the pipe diameter.
- E. Handle piping with care during unloading, installation, and erection operations to minimize damage. Do not place or store pipe on the ground or on top of other work unless ground or work is covered with a protective covering or tarpaulin. Place pipe above the ground upon platforms, skids, or other supports.
- F. Store piping at the site on pallets to prevent direct contact with ground or floor. Cover pipe during storage with protective coverings or tarpaulins to prevent deposition of rainwater, salt air, dirt, dust, and other contaminants.
- G. Do not allow piping to contact carbon steel surfaces during storage, handling, or installation and erection at the site.
- H. Piping supplier during manufacturing, fabrication and handling stages, and the Contractor during handling and installation steps, shall use extreme care to avoid contact of any ferrous materials with the stainless steel piping. Pipe storage and fabrication racks shall be non-ferrous, stainless steel, or rubber lined. Nylon slings or straps shall be used for handling stainless steel piping. Slings or straps used for stainless steel piping shall not be used with any other materials. Contact with ferrous items may cause rusting or iron particles embedded in the piping walls. After installation, the Contractor shall wash and rinse all foreign matter from the piping surface. If rusting of embedded iron occurs, the Contractor shall pickle the affected surface with Oakite Deoxidizer SS, or equal, scrub with stainless steel brushes and rinse clean.

3.2 SHOP TESTING OF FABRICATED OR WELDED COMPONENTS

- A. After completion of fabrication and welding in the shop, test each component according to the referenced standards. Test fabricated fittings per AWWA C220. Test the same in fittings which have not been previously shop hydrostatically tested by the dye penetrant method as described in ASME Boiler and Pressure Vessel Code Section VIII, Appendix B. In lieu of the dye penetrant method of testing, completed fittings may be hydrostatically tested. Use a hydrostatic pressure of 150-percent of the design pressure.
 1. Perform tests of production welds in fabricated stainless steel piping in accordance with AWWA C220 and C226, Section 4.

3.3 FIELD WELD JOINTS FOR STAINLESS STEEL PIPE AND FITTINGS

- A. General
 1. Do not field weld stainless steel pipe or fittings, unless field welding is approved in writing by the

Engineer.

- a. Welding in field shall be performed only when requested on shop drawings and accepted by Owner and Owner's Representative in writing as specified in this Section.
 - b. Field welding of stainless steel pipe or fittings will only be considered by the Engineer if:
 - c. Contractor submits documentation of welder's certification to perform welding and documentation of welder's experience in welding stainless steel pipe; and Contractor can demonstrate that pipe can be welded to meet requirements of reference standards.
 - d. If field welding is not approved by the Engineer, provide clamp type coupling joints or flange joints, as specified in this Section and the appropriate piping material Section, at no additional cost to the Owner.
- B. Field Weld Joints for Stainless Steel Pipe and Fittings, if Field Weld Joints are Allowed:
1. Welding procedures for stainless steel pipe and fittings shall meet requirements of ANSI/AWS 10.4.
 2. Separate abutting pipe ends before welding, and completely fuse inside walls of pipe without overlapping. Welding shall be continuous around the joint and shall be completed without interruption. Welds shall be single "V" butt type, of sound weld metal thoroughly fused into the ends of pipe and into bottom of "V". Welds shall be free from cold spots, pin-holes, oxide inclusions, burrs, snags, rough projections, or other defects.
 3. Protect and finish stainless steel weld joints as follows:
 - a. Wire brush outside weld area. Remove weld splatter. Brushes shall be stainless steel and used only on stainless steel.
 - b. Remove surface oxidation by brushing, or grinding and brushing.
 - c. Pickle the weld and heat-affected zone with field applied paste. Follow manufacturer's recommendations.

3.4 INSTALLING THREADED PIPING

- A. Ream, clean, and remove burrs from threaded piping before making up joints. Apply thread lubricant to threaded ends before installing fittings, couplings, unions, or joints.

3.5 INSTALLING FLANGED PIPING

- A. See Section 400500.

3.6 INSTALLATION OF STAINLESS STEEL BOLTS AND NUTS

- A. See Section 400500.

3.7 INSTALLING GROOVED-END PIPING

- A. See Section 400500.

3.8 INSTALLING UNIONS

- A. Provide unions on exposed piping 3 inches and smaller as follows:
- B. At every change in direction (horizontal and vertical).
- C. 6 to 12 inches downstream of valves.
- D. Every 50 feet in straight piping runs.
- E. Where shown in the drawings.

3.9 INSTALLING SUBMERGED, ABOVEGROUND, OR EXPOSED PIPING

- A. See Section 400500.

3.10 INSTALLING BURIED PIPING

- A. Install in accordance with Sections 312333.

3.11 FIELD HYDROSTATIC TESTING

- A. Hydrostatically test pipe and fittings in the field in accordance with Section 400515.
- B. Do not allow test water to remain in the pipe for more than five days. Drain and dry the piping after completing the testing.

3.12 PAINTING AND COATING

- A. Coat exposed grooved-end couplings and Van Stone flanges per Section 099000 or with Engineer approved fusion-bonded epoxy system.
- B. Coat submerged or buried grooved-end couplings and Van Stone flanges with Engineer approved fusion-bonded epoxy system.

- C. See Section 099000 for requirements.
- D. Do not coat stainless steel grooved-end couplings and Van Stone flanges.
- E. Coat buried piping per Section 099000.
- F. Do not coat stainless steel pipe.

3.13 INSTALLING WRAPPED OR COATED PIPE

- A. Install buried pipes having wrapped coatings by extending the wrapping to the first joint after entering a building, penetrating a slab, or 6 inches above finished grade. Wrap joints spirally with a minimum overlap of 50 percent of the tape width.

3.14 COATING BURIED AND SUBMERGED BOLTS, NUTS, AND TIE RODS

- A. Coat buried bolts, nuts and tie rods per Section 099000; or with a corrosion resistant grease.
- B. Coat submerged bolts, nuts, and tie rods per Section 099000

END OF SECTION

THIS PAGE INTENTIONALLY LEFT BLANK.

SECTION 402090
PVC & CPVC PIPE (3 INCHES AND SMALLER)

PART 1 GENERAL

1.1 DESCRIPTION

- A. This section includes:
 - 1. Materials, installation, and testing of PVC pipe and fittings of size 3 inches and smaller for use in process piping having a maximum design pressure of 150 psi and having a maximum design temperature of 105 degrees F.
 - 2. Materials, installation, and testing of chlorinated polyvinyl chloride (CPVC) pipe and fittings of size 3 inches and smaller for use in process piping having a maximum design pressure of 150 psi at a maximum operating temperature of 105 degrees F and a maximum design pressure of 100 psi at a temperature of 140 degrees F.

1.2 RELATED WORK SPECIFIED ELSEWHERE

- A. Painting and Coating: 099000.
- B. Trenching and Backfilling: 312333.
- C. General Piping Requirements: 400500.
- D. Pressure Testing of Piping: 400515.
- E. Wall Pipes, Seep Rings, and Penetrations: 400762.
- F. PVC Pipe (4 Inches and Larger): 402091.

1.3 SUBMITTALS

- A. Submit shop drawings in accordance with Section 013300.
- B. Submit materials list showing materials of pipe and fittings with ASTM reference and grade. Submit manufacturer's certification of compliance with referenced standards, e.g., ASTM D1784, D1785 (PVC), F441 (CPVC), F439 (CPVC), and D2467 (PVC). Show wall thickness of pipe and fittings. Show fitting dimensions.
- C. Submit data sheets for solvent cement and demonstrating compliance with ASTM D2564, F493 (CPVC), and F656.
- D. Submit certification from manufacturer that all pipes and fittings are NSF approved for conveying potable water.

1.4 WARRANTY

- A. Full warranty against defects in materials and workmanship for one year after FINAL ACCEPTANCE, including all parts, labor, and expenses.

PART 2 PRODUCTS

2.1 PIPE

- A. PVC Pipe shall be Schedule 40 or 80, as shown, Type I, Grade 1 (Class 12454-B), conforming to ASTM D1784 and D1785.
- B. CPVC Pipe shall be Schedule 40 or 80, as shown, Type IV, Grade 1 (Class 23477-B), conforming to ASTM D1784 and F441.

2.2 PVC PIPE COLORING AND MARKING FOR RECLAIMED WATER; OR IRRIGATION SERVICE

- A. PVC pipe shall be purple (Pantone 522) and shall be marked on both sides of the pipe with the wording "CAUTION: RECLAIMED or IRRIGATION WATER--DO NOT DRINK." The lettering shall be minimum 1-inch-high black letters and shall be repeated at intervals not exceeding 36-inches. The purple coloring shall be achieved by adding pigment to the PVC material as the pipe is being manufactured.

2.3 FITTINGS

- A. PVC Fittings shall be Schedule 40 or 80, as shown, and shall conform to ASTM D2464 for threaded fittings and ASTM D2467 for socket-type fittings.
- B. CPVC Fittings shall be Schedule 40 or 80, as shown, and shall conform to ASTM F437 for threaded fittings and ASTM F439 for socket-type fittings.

2.4 FLANGES

- A. PVC and CPVC flanges shall be of the one-piece solid socket design and shall be made of the same material as the pipe. Pressure rating shall be at least 150 psi at a temperature of 73 degrees F. Minimum burst pressure shall be 500 psi. Flanges shall match the dimensions of ASME B16.5, Class 150, steel flanges for outside diameter, bolt circle, and bolt holes. Do not use Van Stone flanges.

2.5 UNIONS

- A. PVC Unions shall have socket-type ends, Viton O-rings, and shall be Schedule 40 or 80, as shown. Material shall be Type I, Grade 1 PVC, per ASTM D1784.
- B. CPVC Unions shall have socket-type ends, Viton O-rings, and shall be Schedule 40 or 80, as shown. Material shall be Type IV, Grade 1 CPVC, per ASTM D1784.
- C. Union connections to other metal piping materials shall comply with MSS SP-107. The fitting end for connection to CPVC pipe shall be a female socket. Provide wrought or cast copper tailpieces for connection to copper piping and tubing. Provide Type 316 stainless steel tailpieces for connection to steel piping.

2.6 JOINTS

- A. Pipe and fitting joints shall be socket welded except where threaded and flanged joints are required to connect to valves and equipment.

2.7 SOLVENT CEMENT

- A. PVC Solvent cement for socket joints shall comply with ASTM D2564 and F656.
- B. CPVC Solvent cement for socket joints shall comply with ASTM F493. Use the type of solvent cement as recommended in ASTM F493, Appendix X2.

2.8 SOLVENT CEMENT IN SODIUM HYPOCHLORITE SERVICE

- A. Solvent cement shall be free of silica. Products: IPS "Weld-On" PVC or CPVC 724 or Oatey "Lo V.O.C. PVC or CPVC Heavy Duty Gray."

2.9 GASKETS FOR FLANGES

- A. See Section 400500.

2.10 BOLTS AND NUTS FOR FLANGES

- A. See Section 400500.

2.11 LUBRICANT FOR STAINLESS STEEL BOLTS AND NUTS

- A. See Section 400500.

2.12 WYE STRAINERS

- A. PVC and CPVC wye strainers shall be manufactured of the same material as the pipe, with 30-mesh screens and Viton seals. Connecting ends shall be the socket type, solvent welded. Provide one spare screen for each strainer.

PART 3 EXECUTION

3.1 GENERAL

- A. Do not install PVC or CPVC pipe when the temperature is below 40°F or above 90°F. Store loose pipes on racks with a maximum support spacing of 3 feet. Provide shades for pipe stored outdoors or installed outdoors until the pipe is filled with water.
- B. Store fittings indoors in their original cartons.
- C. Store solvent cement indoors or, if outdoors, shade from direct sunlight exposure. Do not use solvent cements that have exceeded the shelf life marked on the storage container.
- D. Before installation, check pipe and fittings for cuts, scratches, gouges, buckling, kinking, or splitting on pipe ends. Remove any pipe section containing defects by cutting out the damaged section of pipe.
- E. Do not drag PVC or CPVC pipe over the ground, drop it onto the ground, or drop objects on it.

3.2 SOLVENT-WELDED JOINTS

- A. Prior to solvent welding, remove fittings and couplings from their cartons and expose them to the air at the same temperature conditions as the pipe for at least one hour.
- B. Cut pipe ends square and remove all burrs, chips, and filings before joining pipe or fittings. Bevel solvent-welded pipe ends as recommended by the pipe manufacturer.

- C. Wipe away loose dirt and moisture from the inside and outside of the pipe end and the inside of the fitting before applying solvent cement. Clean the surfaces of both pipes and fittings that are to be solvent welded with a clean cloth moistened with acetone or methylethyl ketone. Do not apply solvent cement to wet surfaces.
- D. The pipe and fitting socket shall have an interference fit. Perform a dry fit test at each joint before applying solvent cement. The pipe shall enter the fitting socket between one-third and two-thirds of the full socket depth when assembled by hand.
- E. Make up solvent-welded joints per ASTM D2855 (PVC) or F493 Appendix X1 (CPVC). Application of cement to both surfaces to be joined and assembly of these surfaces shall produce a continuous bond between them with visual evidence of cement at least flush with the outer end of the fitting bore around the entire joint perimeter.
- F. Allow at least eight hours of drying time before moving solvent-welded joints or subjecting the joints to any internal or external loads or pressures.
- G. Acceptance criteria for solvent-welded joints shall be as follows:
 - 1. Unfilled Areas in Joint: None permitted.
 - 2. Unbonded Areas in Joint: None permitted.
 - 3. Protrusion of Material into Pipe Bore, Percent of Pipe Wall Thickness: Cement, 50 Percent.

3.3 FLANGED JOINTS

- A. Lubricate carbon steel bolt threads with graphite and oil before installation.
- B. Tighten bolts on PVC and CPVC flanges by tightening the nuts diametrically opposite each other using a torque wrench. Complete tightening shall be accomplished in stages and the final torque values shall be as follows:
 - 1. Pipe Size of 1/2 to 1-1/2 Inches: 10 to 15 foot-pounds Final Torque.
 - 2. Pipe Size of 2 to 3 Inches: 20 to 30 foot-pounds Final Torque.

3.4 INSTALLATION OF STAINLESS STEEL BOLTS AND NUTS

- A. See Section 400500.

3.5 THREADED JOINTS

- A. Cut threaded ends on PVC or CPVC to the dimensions of ASME B1.20.1. Ends shall be square cut. Follow the pipe manufacturer's recommendations regarding pipe hold-down methods, saw cutting blade size, and saw cutting speed.
- B. Pipe or tubing cutters shall be specifically designed for use on PVC or CPVC pipe. Use cutters manufactured by Reed Manufacturing Company, Ridge Tool Company, or equal.
- C. If a hold-down vise is used when the pipe is cut, insert a rubber sheet between the vise jaws and the pipe to avoid scratching the pipe.
- D. Thread cutting dies shall be clean and sharp and shall not be used to cut materials other than plastic.
- E. Apply Teflon® thread compound or Teflon® tape lubricant to threads before screwing on the fitting.

3.6 INSTALLING UNIONS

- A. Provide unions on exposed piping 3 inches and smaller as follows:
- B. At every change in direction (horizontal and vertical).
- C. Six to twelve inches downstream of valves.
- D. Every 40 feet in straight pipe runs.
- E. Where shown in the drawings.

3.7 INSTALLING BURIED PIPE

- A. Install in accordance with Section 312333 and as follows.
- B. Trench bottom shall be continuous, smooth, and free of rocks. See the details in the drawings for trench dimensions, pipe bedding, and backfill.
- C. After the pipe has been solvent-welded and the joints have set, snake the pipe in the trench per the pipe manufacturer's recommendations in order to allow for thermal expansion and contraction of the pipe.
- D. Do not backfill the pipe trench until the solvent-welded joints have set. Support the pipe uniformly and continuously over its entire length on firm, stable soil. Do not use blocking to change pipe grade or to support pipe in the trench.

- E. Install buried PVC and CPVC pipe in accordance with ASTM D2774 and the pipe manufacturer's recommendations. Backfill materials in the pipe zone shall be imported sand per Section 312333.

3.8 INSTALLING ABOVEGROUND OR EXPOSED PIPING

- A. See Section 400500.
- B. Fill empty piping with water and provide temporary shading or other means to keep the surface temperature of the pipe below 100 degrees F.

3.9 PAINTING AND COATING

- A. Coat interior piping per Section 099000, System No. **30**.
- B. Coat exterior piping per Section 099000, System No. **9**.

3.10 HYDROSTATIC TESTING

- A. Perform hydrostatic testing for leakage in accordance with Section 400515.

END OF SECTION

SECTION 402091
PVC PIPE (4 INCHES AND LARGER)

PART 1 GENERAL

1.1 DESCRIPTION

- A. This section includes materials, installation, and testing of PVC pipe and fittings of size 4 inches and larger for use in aboveground or otherwise exposed process piping having a maximum design pressure of 50 psi and a maximum design temperature of 105 degrees F.

1.2 RELATED WORK SPECIFIED ELSEWHERE

- A. Painting and Coating: 099000.
- B. Trenching and Backfilling: 312333.
- C. General Piping Requirements: 400500.
- D. Pressure Testing of Piping: 400515.
- E. Wall Pipes, Seep Rings, and Penetrations: 400762.
- F. PVC & CPVC Pipe and Fittings, 3 Inches and Smaller: 402090.

1.3 SUBMITTALS

- A. Submit shop drawings in accordance with Section 013300.
- B. Submit materials list showing materials of pipe and fittings with ASTM reference and grade. Submit manufacturer's certification of compliance with referenced standards, e.g., ASTM D1784, D1785, D2467, and ASME B31.3. Show wall thickness of pipe and fittings. Show fitting dimensions.
- C. Submit data sheets for solvent cement and demonstrating compliance with ASTM D2564 and F656.
- D. Submit piping layout drawings showing location and dimensions of pipe and fittings. Include laying lengths of valves, meters, in-line pumps, and other equipment determining piping dimensions. Label or number each fitting or piece of pipe. Show location and detail of every pipe hanger and pipe support.
- E. Submit manufacturer's recommended torques for tightening bolts on flanged connections.
- F. Submit manufacturer's recommended method of installing solvent welded and hot gas welded joints. Submit bonding procedure specification (BPS) developed in accordance with ASME B31.3 (2006 edition), Chapter VII, Part 9, paragraph A328.2.
- G. Submit the names of employees to be utilized on the project who have been qualified per the BPS to make solvent-welded joints and hot gas welded joints. Submit the results of the BPS qualification tests per ASME B31.3, Chapter VII, Part 9, paragraphs A328.2.4 and A328.2.5 for each such employee.
- H. If any fabricated branch connections or tees are used, submit design calculations, service experience records, and performance test records per ASME B31.3, Chapter VII, Part 2, paragraph A304.7.2.
- I. Submit certification from manufacturer that all pipes and fittings are NSF approved for conveying potable water.

1.4 MANUFACTURER'S SERVICE

- A. Provide pipe manufacturer's services at the jobsite for the following minimum labor days, travel time excluded:
- B. One labor day to instruct the Contractor's personnel in the preparation and execution of solvent-welded and hot gas welded joints for the sizes of pipes to be installed in the project.
- C. One person to observe and advise during the assembly and installation of every pipe joint assembly in the project, including hot gas welding for repairing joints. The manufacturer's representative shall be qualified to make both solvent-welded joints and hot gas welded joints per the BPS.

1.5 WARRANTY

- A. Full warranty against defects in materials and workmanship for one year after FINAL ACCEPTANCE, including all parts, labor, and expenses.

PART 2 PRODUCTS

2.1 PIPE

- A. Pipe shall be Schedule 40 or 80, as shown, Type I, Grade 1 (Class 12454-B), conforming to ASTM D1784 and D1785.

- B. Diffuser piping supplied by others will utilize other piping standards.

2.2 FITTINGS

- A. Fittings shall be socket type, Schedule 40 or 80, as shown, and shall conform to ASTM D2467.
- B. Fabricated branch connections or tees may be used only where the type or size of fitting is not described in ASTM D2467. Joints and seams in fabricated fittings shall be in accordance with ASME B31.3 (2006 edition), Chapter VII, Part 9, paragraph A328.5.4. The design and fabrication of such branch connection and tees shall be in accordance with ASME B31.3, Chapter VII, paragraphs A304.3 and A328.5.2. Minimum wall thickness shall be equivalent to that of Schedule 80 pipe.

2.3 FLANGES

- A. PVC flanges shall be of the one-piece solid socket design and shall be made of the same material as the pipe. Pressure rating shall be at least 150 psi at a temperature of 73 degrees F. Minimum burst pressure shall be 500 psi. Flanges shall match the dimensions of ASME B16.5, Class 150 steel flanges for outside diameter, bolt circle, and bolt holes.

2.4 JOINTS

- A. Pipe and fitting joints shall be socket welded except where flanged joints are required to connect to valves and equipment.

2.5 SOLVENT CEMENT

- A. Solvent cement for socket joints shall comply with ASTM D2564 and F656.

2.6 GASKETS FOR FLANGES

- A. See Section 400500.

2.7 BOLTS AND NUTS FOR FLANGES

- A. See Section 400500.

2.8 LUBRICANT FOR STAINLESS STEEL BOLTS AND NUTS

- A. See Section 400500.

PART 3 EXECUTION

3.1 GENERAL

- A. Do not install PVC pipe when the temperature is below 40 degrees F or above 90 degrees F. Store loose pipes on racks with a maximum support spacing of 3 feet. Provide shades for pipe stored outdoors or installed outdoors until the pipe is filled with water.
- B. Store fittings indoors in their original cartons.
- C. Store solvent cement indoors or, if outdoors, shade from direct sunlight exposure. Do not use solvent cements that have exceeded the shelf life marked on the storage container.
- D. Before installation, check pipe and fittings for cuts, scratches, gouges, buckling, kinking, or splitting on pipe ends. Remove any pipe section containing defects by cutting out the damaged section of pipe.
- E. Do not drag PVC pipe over the ground, drop it onto the ground, or drop objects on it.

3.2 SOLVENT-WELDED AND HOT GAS WELDED JOINTS

- A. Bonding requirements shall be in accordance with ASME B31.3 (2006 edition), Chapter VII, Part 9. Bonding shall include both solvent welding or cementing and hot gas welding.
- B. Prior to solvent welding, remove fittings and couplings from their cartons and expose them to the air at the same temperature conditions as the pipe for at least one hour.
- C. Cut pipe ends square and remove burrs, chips, and filings before joining pipe or fittings. Bevel pipe ends as recommended by the pipe manufacturer in the BPS.
- D. Wipe away loose dirt and moisture from the inside and outside diameters of the pipe end and the inside diameter of the fitting before applying solvent cement. Clean the surfaces of both pipes and fittings that are to be solvent welded with a clean cloth moistened with acetone or methyl ethyl ketone. Do not apply solvent cement to wet surfaces.
- E. The pipe and fitting socket shall have an interference fit. Perform a dry fit test at each joint before applying solvent cement. The pipe shall enter the fitting socket between one-third and two-thirds of the full socket depth when assembled by hand.
- F. Make field solvent-welded and hot gas welded joints only in the presence of the pipe manufacturer's

representative who shall instruct and advise the Contractor's personnel in the assembly of the joints. Joint bonding shall be done in accordance with a BPS established by the pipe manufacturer. Qualification of the BPS shall be in accordance with ASME B31.3, Chapter VII, Part 9, paragraphs A328.2 through A328.5. Each person who will perform bonding shall be qualified in executing the BPS per paragraph A328.2.5.

- G. Make up solvent-welded joints per ASTM D2855 and the BPS. Application of cement to both surfaces to be joined and assembly of these surfaces shall produce a continuous bond between them with visual evidence of cement at least flush with the outer end of the fitting bore around the entire joint perimeter.
- H. Allow at least eight hours of drying time before moving solvent welded joints or subjecting the joints to any internal or external loads or pressures.
- I. After completion of the solvent-welded joints, subject the piping system to a hydrostatic test pressure of 75 psi per Section 400515. Solvent-welded joints that show minor weeping at isolated points around the circumference of the joint may be repaired by the hot gas welding method. There shall be no more than one point of weeping for every 12 inches of circumference of the pipe. Remove solvent-welded joints that show excessive leakage and assemble new joints.
- J. The hot gas welding method shall produce a continuous seal at the fillet formed by the junction of the fitting socket entrance and the pipe. Use a hot gas welding procedure per the BPS and the following to melt a plastic filler rod and the surfaces of the pipe in the fillet area. Force the softened rod into the softened fillet. Provide the hot gas weld around the entire circumference of the solvent-welded joint.
- K. Terminate a hot gas weld by lapping the bead on top of itself for a distance of 3/8 inch to 1/2 inch. Do not terminate a hot gas weld by overlapping the bead side by side.
- L. Provide three weld passes on each hot gas welded joint. Deposit the first bead at the bottom of the fillet. Deposit the second and third beads on each side of the first bead. Stagger the starting point for each bead and allow each weld pass to cool before proceeding with the next pass.
- M. Upon completion of each hot gas welded bead, check that the filler rod has completely fused into the base pipe. If the filler rod can be removed or pulled back from the base material, then reject the entire hot gas weld. Reject any hot gas welds showing brown or black discoloration.
- N. Upon completion of the hot gas welded joints, subject the piping system to a test pressure of 75 psi per Section 400515. Cut out, remove, and replace any joints that are leaking. No rework of leaking hot gas welded joints will be permitted.
- O. Acceptance criteria for solvent-welded and hot gas welded joints shall be as follows:
 - 1. Kind of Imperfection: Cracks.
 - a. Hot Gas Welded Joints: None permitted.
 - b. Solvent Cemented Joints: Not applicable.
 - 2. Kind of Imperfection: Unfilled areas in joint.
 - a. Hot Gas Welded Joints: None permitted.
 - b. Solvent Cemented Joints: None permitted.
 - 3. Kind of Imperfection: Unbonded areas in joint.
 - a. Hot Gas Welded Joints: Not applicable.
 - b. Solvent Cemented Joints: None permitted.
 - 4. Kind of Imperfection: Inclusions of charred material.
 - a. Hot Gas Welded Joints: None permitted.
 - b. Solvent Cemented Joints: Not applicable.
 - 5. Kind of Imperfection: Unfused filler material inclusions.
 - a. Hot Gas Welded Joints: None permitted.
 - b. Solvent Cemented Joints: Not applicable.
 - 6. Kind of Imperfection: Protrusion of material into pipe bore, percent of pipe wall thickness.
 - a. Hot Gas Welded Joints: Not applicable.
 - b. Solvent Cemented Joints: Cement, 50 percent.

3.3 FLANGED JOINTS

- A. Lubricate bolt threads with graphite and oil before installation.
- B. Tighten bolts on PVC flanges by tightening the nuts diametrically opposite each other using a torque wrench. Complete tightening shall be accomplished in stages and the final torque values shall be as follows:
 - 1. Pipe Size of 4 inches: 20 to 30 foot-pounds Final Torque.

2. Pipe Size of 6 to 8 inches: 33 to 50 foot-pounds Final Torque.

3.4 INSTALLATION OF STAINLESS STEEL BOLTS AND NUTS

- A. See Section 400500.

3.5 INSTALLING ABOVEGROUND AND EXPOSED PIPING

- A. See Section 400500.
- B. Fill empty piping with water, provide temporary shading, or other means to keep the surface temperature of the pipe below 100 degrees F.

3.6 PAINTING AND COATING

- A. Coat interior piping per Section 099000, System No. 30
- B. Coat exterior piping per Section 099000, System No. 9

3.7 FINAL HYDROSTATIC TESTING

- A. Perform final hydrostatic testing for leakage in accordance with Section 400515 after all joints have been tested and defective joints have been repaired or replaced.

END OF SECTION

SECTION 409715
PRESSURE GAUGES

PART 1 GENERAL

1.1 DESCRIPTION

- A. This section includes materials and installation of pressure gauges and accessories.

1.2 SUBMITTALS

- A. Submit shop drawings in accordance with Section 013300.
- B. Submit manufacturer's catalog data and descriptive literature. Call out materials of construction by ASTM reference and grade. Submit manufacturer's certificate of compliance with the referenced ANSI standards. Identify each gauge by tag number to which the catalog data and descriptive literature pertain.

1.3 WARRANTY

- A. Full warranty against defects in materials and workmanship for one year after FINAL ACCEPTANCE, including all parts, labor, and expenses.

PART 2 PRODUCTS

2.1 MANUFACTURERS

- A. Gauges, diaphragm seals, dampeners, and tools shall be as manufactured by Ashcroft, Crosby, Marshalltown, Marsh, or equivalent.

2.2 GAUGE DESIGN

- A. Gauges 4-1/2 inches in size shall comply with ANSI B40.1, Grade 1A (+/- 1.0% accuracy). Gages 2-1/2 inches in size shall comply with ANSI B40.1, Grade A (+/- 2-1/2% accuracy). Gages shall incorporate the following features:
1. Solid or open front with side or rear blowout relief.
 2. Pressure tight.
 3. 270-degree arc with adjustable pointer.
 4. Stem mounted, 1/2 inch size.
 5. Hermetically sealed.
 6. Liquid filled.
 7. The dial size shall be 2-1/2 inches, except for gauges located on process pump discharge lines which shall be 4-1/2 inches.
 8. Dial shall have white background and black markings.
 9. The units of measurement shall be indicated on the dial face.
- B. Pressure ranges and locations shall be as indicated on the pressure gauge schedule.

2.3 MATERIALS OF CONSTRUCTION

- A. Materials of construction shall be as shown below:
1. Case shall be phenolic plastic.
 2. Bourdon tube shall be stainless steel, AISI 316.
 3. Windows shall be acrylic plastic.
 4. Ring shall be stainless steel.
 5. Stem shall be stainless steel.
 6. Dial face shall be aluminum with clear baked on acrylic coating, 6061-T6, ASTM B 209.

2.4 DIAPHRAGM SEAL

- A. Diaphragm seal shall isolate pressure gauge from corrosive liquids. Bottom housing shall be PVC, diaphragm material shall be Teflon. Diaphragm seal shall be rated as continuous duty. Unit shall be capsule type which will allow the diaphragm to be replaced. Filling fluid shall be Halocarbon.

PART 3 EXECUTION

3.1 INSTALLATION

- A. Gauges and pulsation dampeners shall be installed at the locations indicated on the drawings. Install per details on drawings.
- B. Install diaphragm seals on all chemical feed line applications.
- C. Unless otherwise specified herein, direct tapping of pipe walls for installation of gauge connections will

not be permitted.

- D. All gauges and diaphragm seals shall be installed in the vertical upright position. Teflon thread tape or Teflon thread sealer, as specified in the miscellaneous piping section, shall be used in the assembly of threaded connections. All connections shall be free from leaks.

3.2 PRESSURE GAUGE SCHEDULE

- A. PG-231: Pressure Gauge P-231 shall be installed in the air header downstream of BLWR-231 used to supply air to the MBBR basins. A 4-1/2" gauge is required in this application. The temperature in this line is expected to vary between ambient temperatures up to 220-degrees F. The operating pressure is expected in the 5 – 6.7 psig range.
- B. PG-621: Pressure Gauge P-621 shall be installed in the 1.25"-Schedule 80 PVC sludge transfer pump discharge force main. This application pumps sludge from Aerobic Digester No. 1 to Aerobic Digester No. 2, and the diaphragm isolator shall be selected for this application. The gauge shall be 4-1/2" diameter, Ashcroft 1279 Plus! Series or Equal. The pressure in this line is expected to range from 0-10 psig with 4-6 psig the typical operating range and it will face ambient temperature conditions.
- C. PG-631: Pressure Gauge P-631 shall be installed in the air header downstream of BLWR-631 used to supply air to the Aerobic Digesters. A 4-1/2" gauge is required in this application. The temperature in this line is expected to vary between ambient temperatures up to 220-degrees F. The operating pressure is expected in the 5 – 6.7 psig range.

END OF SECTION

SECTION 433300
CHLORINE/DECHLORINATION TABLET FEEDER

PART 1 – GENERAL

1.1 SUMMARY

- A. This section covers the installation of an Owner Furnished Chlorine Tablet Feeder and a Dechlorination Tablet Feeder. The Contractor shall install the Owner Furnished systems.

PART 2 MATERIALS

2.1 GENERAL

- A. Products relevant to this section will be Owner furnished for installation by Contractor.

PART 3 EXECUTION

3.1 EQUIPMENT INSTALLATION

- A. Tablet feeders and related equipment shall be installed as indicated on the drawings and in accordance with the manufacturer's recommendations.
- B. Each tablet feeder must be installed properly such that it can handle the range of flows expected as seen in the plans, is easily accessible by the operator as to allow the proper addition of chlorine and dechlorination tablets (respectively), is level, and will allow the design contact time to be fully realized.

END OF SECTION

THIS PAGE LEFT INTENTIONALLY BLANK

SECTION 460201
MECHANICALLY CLEANED SCREW SCREEN

1.01 SUMMARY

- A. This Section includes: Requirements for constructing one (1) OWNER FURNISHED Mini Screw Screen with perforated screen basket and associated controls. Equipment shall be installed as shown on the as indicated on the contract drawings and as specified herein, as recommended by the supplier and in compliance with all local, state and federal codes and regulations.
- B. Each mini screen shall be furnished with perforated filter panels, shafted conveying screw, drive motors, gear reducers, anchor bolts, controls and all accessories and appurtenances specified or otherwise required for a complete and properly operating installation.

1.02 MANUFACTURER

- A. The screening equipment specified in this section shall be the Enviro-Care Co., Inc., Gurnee, IL Speco WasteMaster® Model CT 150.
- B. No alternative manufacturers shall be accepted.

1.03 REFERENCES

- A. Screening units and motor controllers shall, as applicable, meet the requirements of the following industry standards:
 - AISI (American Iron and Steel Institute)
 - ANSI (American National Standards Institute)
 - ABMA (American Bearing Manufacturers Association)
 - AGMA (American Gear Manufacturers Association)
 - NEMA (National Electrical Manufacturer's Association)
 - NFPA (National Fire Protection Association)
 - ASTM (American Society for Testing and Materials)
 - WSC (American Welding Society Code)
 - ASME (American Society of Mechanical Engineers)
 - NEC (National Electrical Code)
 - UL (Underwriters Laboratory Standards)

1.04 EXPERIENCE

- A. The manufacturer shall be experienced in the design, fabrication and servicing of vertical raw influent screens and conveyor systems for a minimum of five years.

1.05 SUBMITTALS

- A. The Manufacturer shall furnish the required number of submittals (and an electronic version if required) within 4 – 6 weeks of receipt of the order to verify compliance with the specification. The submittals shall include:
- B. Technical information:
 - 1. Shop drawings, manufacturer's installation drawing and wiring and schematic drawings.
 - 2. Motor performance data and features.
 - 3. Gear reducer data including service, efficiency, torque rating and materials of construction.
- C. Operation & Maintenance Manuals
 - 1. Equipment Operating instructions

2. Equipment weights and lifting instructions.
3. Installation instructions
4. Maintenance schedules
5. Recommended lubricants
6. Recommended spare parts
7. Long-term and short-term storage instructions.

- D. Equipment information:
1. Brochures and other descriptive literature.
 2. Manufacturer's Warranty

1.06 WARRANTY

- A. All Enviro-Care equipment is covered against manufacturing defects in materials and workmanship during normal use and service for a period of one (1) year from date of start up as long as periodic maintenance procedures are followed and performed. Items specifically not covered by the one-year warranty are consumable wear parts as identified in the O&M manual.

PART 2-PRODUCTS

2.01 QUALITY ASSURANCE

- A. Equipment manufacturer shall be ISO 9001 certified.
- B. Manufacturer shall provide screen, screw, motor, gear reducer, controls and control panels as a complete integrated package screen to ensure proper coordination, compatibility and operation of the system. The manufacture shall test run the fully assembled machine in his factory before shipment to confirm fit and function. A certificate of the shop run test shall be supplied with the shipping documents.
- C. The screen will be shipped to the site fully assembled; some ancillary components may be removed in order to prevent damage during shipment.

2.02 PERFORMANCE REQUIREMENTS

- A. Screen Design Summary

Conditions	Unit
Number of screens	One (1)
Perforation Diameter (mm)	5
Nominal screen basket diameter (in)	6"
Auger tube diameter (in)	6-5/8"
Maximum flow per screen (GPM)	160
Influent pipe connection (in)	4"
Screenings discharge height from pipe centerline(in)	32"

- B. Utility Requirements/Environmental Conditions

Conditions	Unit
Power Supply (V/P/Hz)	480V/3-ph/60 hz
NFPA Classification Requirement	Non-hazardous
Control Panel Location (indoor/outdoor)	TBD
NFPA Classification Requirement	Non-hazardous

2.03 EQUIPMENT DESIGN FEATURES

- A. General

1. Equipment provided shall be a fully automatic, self-cleaning screening unit(s) with a perforated plate media screen basket. Screening unit(s) will be provided with an angle-of-inclination of 70° from horizontal.
2. Each screening unit shall be provided with a fixed, cylindrical screen basket, concentric shafted spiral screw conveyor, with single motor drive system.
3. Equipment shall be capable of presenting a clean filtration surface to the oncoming liquid stream at all times during operation.

B. Screen Basket

1. The screen basket shall be fabricated of 304 stainless steel perforated plate with a minimum thickness of 2mm and designed and built to withstand the maximum possible static hydraulic forces exerted on the screen basket by the liquid flow. Structural and functional parts shall be sized to prevent deflections or vibrations that may impair the screening, conveying and compacting operations.
2. The screen shall have a circular body, a 19.7 in (500 mm) tall circular screen basket.
3. The screen basket shall be of a cylindrical shape constructed with perforated plate of the specified openings around the entire basket. The screen basket shall be attached to the screen body via a flange with 6 bolts and nuts, permitting easy removal of the screen basket.

C. Inlet Connection

1. Flow enters the screen through a break-away flanged inlet which is connected to the supply pipe at the pump station.

D. Mounting System

1. No height adjustable feet or other supports are needed underneath the unit. Manufactures that need support underneath the unit are not allowed to bid.

E. Spiral Screw Assembly

1. The screw assembly consists of a shafted screw. The screw assembly shall be designed to clean the screening basket and transport material up the conveyor tube to the discharge of the unit.
2. No lower bearing or support.
3. The spiral screw assembly shall be fabricated of engineered polymer SINT™ with the following minimum dimensions: the spiral is 14 mm thick in both basket zone and conveying zone.
4. In the screening basket zone, the shafted spiral screw touches the inner surface of the screen and cleans without the need of brushes. Any unit incorporating brushes for cleaning the screen basket will not be acceptable.

F. Screenings Transport Zone

1. The transport tube shall be fabricated of 304L SS with a minimum thickness of 2 mm.
2. The screenings transport tube shall be provided with two (2) anti-rotation bars fabricated of 304L SS with a minimum thickness of 6mm bolted to the inside along the longitudinal axis.

3. The screen basket shall be attached via a support flange to the screenings transport tube. The support flange shall have a minimum thickness of 3 mm.

G. Drive Unit

1. The screw shall be driven by a shaft mounted geared motor.
2. The gear reducer shall be bolted to the upper compaction/dewatering zone housing end plate.
3. Gear reducer shall be a helical gear type provided in a cast iron frame; design in accordance with AGMA recommendations for Class I rating.
4. Gear reducer shall be driven by a 0.33 HP TEFC motor.
5. Motor/reducer assembly shall be directly connected to the stub shaft via the reducer's hollow drive shaft.
6. The stub shaft shall extend from the gear reducer into the end of the transport tube. Stub shaft shall be constructed of high strength alloy steel and shall have a protective epoxy coating.
7. The spiral screw assembly shall be bolted to the stub shaft via a flanged connection.

2.04 ELECTRICAL CONTROLS AND DEVICES

- A. Control Panel: NEMA 4X polycarbonate Control Panel for 480V/3-ph/60 hz service including:
 1. Motor circuit protector
 2. Motor Starter IEC.
 3. Transformer.
 4. HOA
 5. Run Light.
 6. Overload alarm light.
 7. Repeat cycle timer.
 8. Aux call to run contact
- B. Local Emergency Stop: Provide a local emergency stop push button in a NEMA 4X polycarbonate enclosure.
- C. Send common alarm output to Mission Monitoring Panel.
- D. All controls shall be housed in the main plant control panel.

2.05 OPERATION, MONITORING AND CONTROL

- A. Screen Hand Operation: Screen to run continuously.
- B. Screen Automatic Operation: Screen to cycle based on the remote call to run signal or repeat cycle timer. Provide provisions to prevent excessive starting and stopping of the unit. Cycle timer shall be reset after each run initiated by the remote call to run signal.
- C. Fault Conditions: Excessive motor current shall trip the starter overload relays, stop the drive motor, and illuminate the alarm indicating light. Overload relays shall be reset manually on the inside of the control panel.

2.06 ANCHORAGE AND FASTENERS

- A. Anchor Bolts: All anchor bolts shall be a minimum of 1/2 inch diameter and made of type 304 stainless steel. The equipment supplier shall furnish all anchor bolts, nuts, and washers required for the equipment.
- B. Fasteners: All fasteners shall be type 304 stainless steel. The equipment supplier shall furnish all fasteners required for the assembly of the equipment.

2.07 SPARE PARTS

- A. The following spare parts shall be included and supplied together with the equipment:
 - 1. None.
- B. Manufacturer shall recommend any additional spare parts deemed necessary based on experience with the screen in similar applications.

PART 3 - EXECUTION

3.01 PREPARATION

- A. Contractor shall verify all dimension in the field to ensure compliance of equipment dimensions with the drawings.

3.02 LIFTING AND MOVING EQUIPMENT

- A. Lifting points shall be identified on all Enviro-Care equipment. A crane of sufficient capacity must be on site for unloading the equipment from the truck and placing in the channel for installation.

3.03 INSTALLATION

- A. The installation is the responsibility of the [Contractor](#). Complete installation procedures are included in the O&M manual shipped with the unit.

END OF SECTION 460201

PAGE LEFT INTENTIONALLY BLANK

SECTION 460529
BLOWERS

PART 1 GENERAL

1.1 SECTION INCLUDES

- A. Installation of Owner Furnished Blowers for aeration air supply and Blower Controls.
- B. The Blower and Blower Control systems shall include Blowers BLWR-231, BLWR-232, BLWR-631, and separate control panels for MBBR/Post-Aeration (in the control of BLWR-231, BLWR-232 and their associated VFDs), and Aerobic Digester aeration (in the control of BLWR-631 and its associated VFD).
- C. The Contractor will be directly responsible for providing and installing all items not listed above for complete blower and blower control systems, including but not limited to the blower equipment pads, downstream process air isolation valves, piping and appurtenances, , communications conduit and cables routed to Mission Monitoring controls, appurtenant valves, piping, piping appurtenances, site work, electrical distribution, etc. Installation shall include the Contractor directly procuring startup and commissioning assistance from the blower and blower controls supplier.

1.2 REFERENCE STANDARDS

- A. ABMA STD 9 - Load Ratings and Fatigue Life for Ball Bearings; 1990 (Reapproved 2008).
- B. ABMA STD 11 - Load Ratings and Fatigue Life for Roller Bearings; 1990 (Reapproved 2008).
- C. ANSI/AGMA 6011 - Specifications for High Speed Helical Gear Units; 2014.
- D. ASHRAE Std 52.2 - Method of Testing General Ventilation Air-Cleaning Devices for Removal Efficiency by Particle Size; 2012.
- E. ASME B16.1 - Gray Iron Pipe Flanges and Flanged Fittings; 2010.
- F. ASME B40.100 - Pressure Gauges and Gauge Attachments; 2013.
- G. NEMA ICS 1 - Industrial Control and Systems: General Requirements; 2005 (R2008).
- H. NEMA MG 1 - Motors and Generators; 2011.

PART 2 PRODUCTS

2.1 GENERAL

- A. Products relevant to this section will be Owner furnished for installation by Contractor.

PART 3 EXECUTION

3.1 INSTALLATION

- A. All equipment shall be installed in accordance with acceptable procedures submitted with the shop drawings, manufacturer's instructions and installation manual and as indicated on the Drawings and specified herein, unless otherwise accepted by the Engineer.
- B. Install equipment in accordance with manufacturer's instructions.
- C. Provide the services of manufacturer's technical representative to supervise installation, adjustment, demonstration, testing, and startup.
- D. Grout blower/motor bases to foundations.

3.2 FIELD QUALITY CONTROL - PRIOR TO STARTUP

- A. After air distribution and diffusion systems have been installed, Contractor shall demonstrate of proper operation of each blower at specified operating conditions

3.3 ELECTRICAL/CONTROL SYSTEMS.

- A. Electrical equipment shall be of the type and quality set forth herein and in accordance with Division 26. Items of equipment installed inside the control panel shall be arranged as shown

on the drawings and as specified.

- B. All work shall be performed and all materials shall be in accordance with the National Electrical Code, the National Electrical Safety Code, and applicable local regulations and ordinances. Where required by applicable codes, materials and equipment shall be listed by Underwriters' Laboratories or other testing organization acceptable to the governing authority.

3.4 START UP SERVICE

- A. The Contractor shall provide the services of a factory-trained representative to perform initial start-up of the blowers and blower controls and to instruct the Owner's operating personnel in the operation and maintenance of the equipment provided by them. A written report of the results of the start-up process shall be submitted to the Engineer. The report shall state that the pumps and controls have been properly installed and are operating correctly in accordance with the manufacturer's recommendations and Contract Documents. It shall also indicate any problems or corrections made during the start-up.

END OF SECTION

SECTION 465103
AIR DIFFUSERS

PART 1 GENERAL

1.1 SECTION INCLUDES

- A. Installation of Owner Furnished air diffuser air distribution and diffusion system for:
 - 1. Pre-Aeration. (NOT USED)
 - 2. MBBR biological treatment tanks. (DIF-231, 232, 233)
 - 3. Post-aeration tank (DIF-431, 432, 433, 434)
 - 4. Aerobic digester tanks. (DIF-631, 632)
 - 5. Lagoon diffusers (NOT USED)
- B. Air diffusers, in basin drop pipe, in basin air header, and in basin laterals.
- C. Air distribution piping and diffuser supports and accessories.
- D. The Contractor will be directly responsible for providing and installing all items not listed above for air diffuser systems, including but not limited to the piping between the blowers and drop pipes, the isolation valves upstream of the drop pipes, the tank improvements and accessories, earthwork, etc. Installation shall include the Contractor directly procuring startup and commissioning assistance from the blower and blower controls supplier.

PART 2 PRODUCTS

2.1 GENERAL

- A. Products relevant to this section will be Owner furnished for installation by Contractor. Information on the products being Owner Furnished will be provided in Appendices.

PART 3 EXECUTION

3.1 INSTALLATION

- A. Install in accordance with Engineer approved procedures, approved shop drawings, diffuser supplier's written instructions, and as indicated on the Drawings.

3.2 FIELD QUALITY CONTROL - PRIOR TO STARTUP

- A. Piping System: Test with air at minimum of two times normal design pressure; apply pressure and hold for at least 60 minutes without leakage.
- B. In-Tank Diffusers: Test by filling tank with water to depth of approximately two feet (600 mm) above top of diffusers, and:
 - 1. Apply air at design pressure.
 - 2. Inspect diffusers for proper operation and uniformity of diffusion.
 - 3. Adjust diffusers as required for uniform diffusion.
- D. Replace diffusers that cannot be sufficiently adjusted.

END OF SECTION

THIS SECTION INTENTIONALLY LEFT BLANK

Civil Engineering

Surveying & Mapping

Potable Water

Wastewater Treatment



Construction Support

Transportation

Wastewater Collection

Timberland Wastewater Facility Improvements - KY0083755

Design Considerations – Construction Permit Application

Date: September 28, 2020

Introduction

The purpose of this document is to specifically address the criteria used for the design of various improvements to the Timberland Wastewater Treatment Facility, and to describe pertinent information required in Section IV - "Design Considerations" of the Construction Permit Application for said improvements.

E. Design Criteria

The process flow diagram for the proposed improvements is included in Section A of the appendix to this specific document. Raw sewage will continue to enter the facility through the existing lift station and will be conveyed to a hydraulic overflow structure. Flows in excess of 50,000 gpd received in the overflow structure will be diverted to the existing lagoon for equalization. When excess flow conditions subside at the plant, wastewater can be returned to the existing lift station via a 4" PVC gravity line with a plug valve. The dry weather flow discharge from the overflow structure (up to 50,000 gpd) will be received in a three stage Moving Bed Biological Reactor, and two hopper bottomed clarifier sections for secondary treatment. Following secondary treatment if polishing is necessary, clarified effluent can be diverted to the existing lagoon. If no extra polishing is necessary, wastewater will continue to flow downstream to the new chlorine tablet feeder, and will proceed to the newly constructed contact/post-aeration tank. This will be used to elevate the dissolved oxygen levels and to meet the disinfection and DO residual limits prior to effluent discharge. A dechlorination tablet feeder will be installed downstream of the contact chamber to lower residual chlorine levels to meet the limit specified on the discharge permit. Sludge can be conveyed from the clarifiers into either the First Stage MBBR as Return Activated Sludge, or to a pair of aerobic digesters where it will be stabilized to a Class B sludge and thickened using telescoping valves. More details on the sludge management plan can be found in Section H located further within this document. The system has been designed to be operated as a pure MBBR, fixed film system, and the use of a return activated sludge is not required to meet effluent objectives. However, the system will be equipped with a return to allow the system to be operated as an integrated fixed film activated sludge system if desired by the operational team.

Based on the level of redundancy in the design, we believe the plant qualifies for classification as Grade A Reliability. A transfer switch will be installed that allows the use of a backup generator which will provide sufficient power for the entire facility including the blowers and influent pumps, allowing continuous use of all treatment processes. The use of multiple MBBR stages allows certain tanks to be bypassed while performing maintenance within the system while simultaneously treating wastewater to a level that will meet the effluent parameters required by the KDEP.

Civil Engineering

Surveying & Mapping

Potable Water

Wastewater Treatment



Construction Support

Transportation

Wastewater Collection

A summary of the design criteria used for unit process sizing is included in Section B of the Appendix including:

- Plant & MBBR Influent Characteristics
- Tank Sizing Summary
- BOD/Nitrification MBBR Aeration Requirement Summary
- Blower Requirement Summary
- Clarifier Summary
- Aerobic Digestion Tank No. 1 & 2 Summary
- Aerobic Digestion Mixing and Aeration
- Chlorine Contact Time
- Post Aeration

Each process was designed in accordance with the 2014 version of Ten State Standards for Wastewater Facilities and 401 KAR 5:005.

G. Site Location

A site plan can be found in the plan document which clearly shows the site boundaries and the position of the site in reference to those boundaries. The most recently available subdivision plat available is attached in the appendix, as well as an Alta Survey of the existing site. There are no dwellings within 200 feet of the treatment plant.

H. Other Information

During construction, the existing package plant will be shut down, while the existing lagoon and chlorine contact chamber will be used for treatment and disinfection.

Sludge will be generated within the MBBR Process and conveyed via air lifts from the clarifier hoppers to a series of two aerobic digesters. The aerobic process will serve as a sludge thickening vessel with the use of a telescoping valve in each tank. After sludge is sufficiently thickened in the primary tank, it will be conveyed to the second tank using a 2.5 hp single centrifugal pump. Using telescoping valves to decant/thicken the sludge in the digester, it has been estimated that the digested sludge solids concentration in the first aerobic digester may range from 10,000-15,000 ppm, which would result in a Solids Retention Time (SRT) between 70 and 105 days, and in the second digester from 20,000-25,000 ppm which would result in an SRT between 41 and 51 days. The thickened and stabilized sludge would be considered Class B and will be hauled away by contractors and may be used for land application.

A new effluent pipe will be constructed around the northern section of the existing lagoon, ending at the same location of the existing outfall. The facility discharges into West Fork Massac Creek, who's nearest downstream intake is the Ohio River about 45 miles downstream. The outfall can be seen on the ALTA Survey attached.

Civil Engineering

Surveying & Mapping

Potable Water

Wastewater Treatment



Construction Support

Transportation

Wastewater Collection

Appendix

Section A - Process Flow Diagram

Section B - Summary of Design Criteria

Section C - Subdivision Plat

Section D - ALTA Survey

Civil Engineering

Surveying & Mapping

Potable Water

Wastewater Treatment



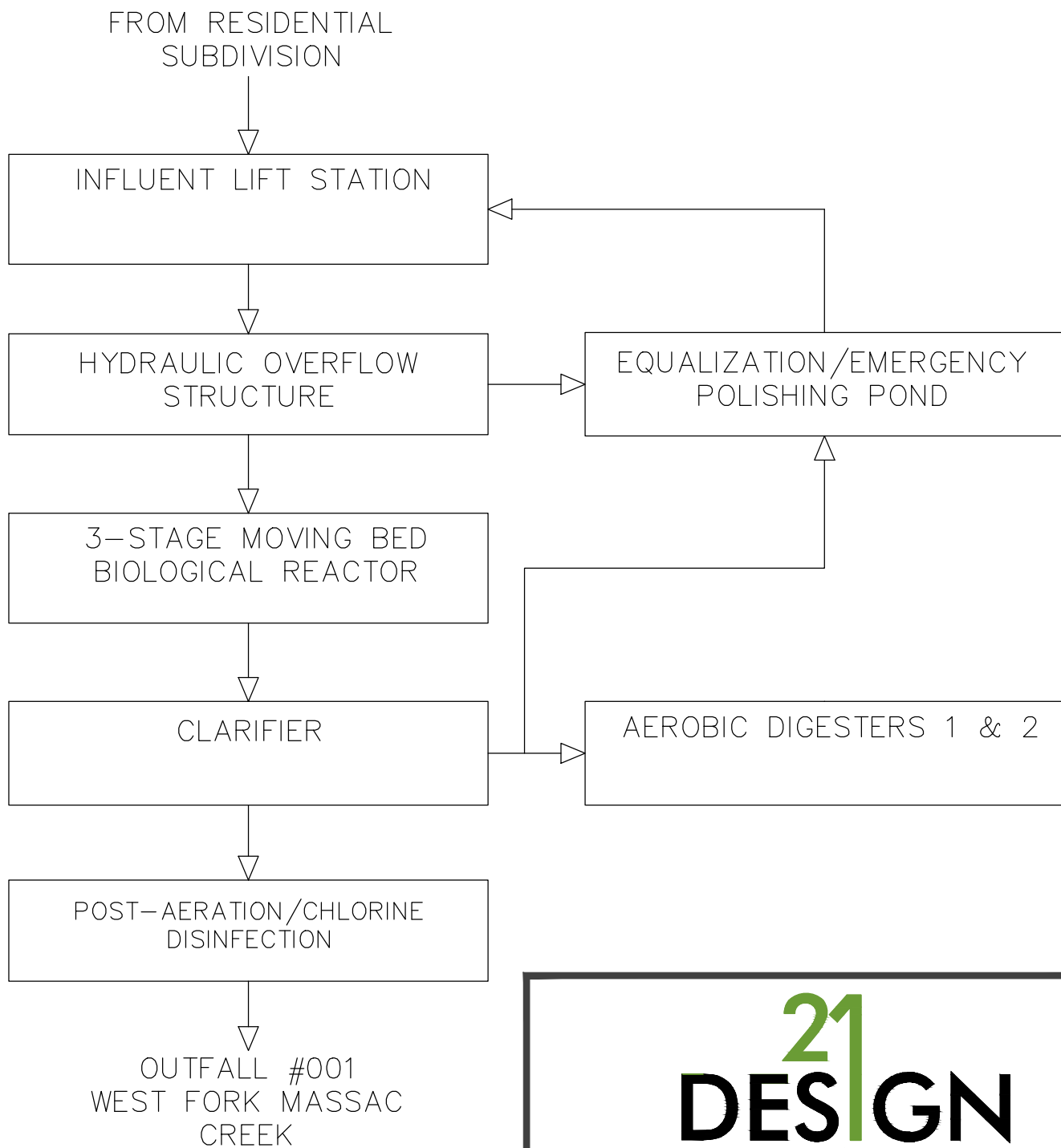
Construction Support

Transportation

Wastewater Collection

Section A – Process Flow Diagram

WASTEWATER FACILITY PROCESS FLOW DIAGRAM FOR TIMBERLAND WWTF PADUCAH, KENTUCKY



Civil Engineering

Surveying & Mapping

Potable Water

Wastewater Treatment



Construction Support

Transportation

Wastewater Collection

Section B – Summary of Design Criteria

Summary of Plant Design Criteria & Calculations
 Timberland MBBR Retrofit
 September 28, 2020

Plant Influent Characteristics

1	No. of Customers	70	
2	Population Equivalent	210	PE
3	Annual Average Daily Flow	25,000	gpd
4	Maximum Monthly Average Daily Flow	25,000	gpd
5	Peak Daily Flow	75,000	gpd
6	Peak Hourly Flow (w/out Equalization)	100,000	gpd
7	Influent BOD	225	mg/L
8	Influent BOD	46.9	lbs/day
9	Influent TSS	225	mg/L
10	Influent TSS	46.9	lbs/day
11	Influent NH3-N	35	mg/L
12	Influent NH3-N	7.3	lbs/day
13	Influent TKN	40	mg/L
14	Influent TKN	8.3	lbs/day
15	Influent pH	7	
16	Water Temperature	13	deg-C

MBBR Influent Characteristics

17	Annual Average Daily Flow	25,000	gpd
18	Maximum Monthly Average Daily Flow	25,000	gpd
19	Peak Daily Flow (w/Equalization)	50,000	gpd
20	Peak Hourly Flow (w/Equalization)	50,000	gpd
21	Influent BOD	225	mg/L
22	Influent TSS	225	mg/L
23	Influent NH3-N	35	mg/L
24	Influent TKN	40	mg/L
25	Design Influent TKN	40	mg/L
26	Influent pH	7	
27	MBBR Water Temperature	10	deg-C

MBBR Tank Sizing Summary

17	No. of Tanks Proposed	3	
18	Length of Each	6.0	ft
19	Width of Each	11.25	ft
20	Side Water Depth of Each (Average)	10.17	ft
21	Tank Height of Each	11.8	ft
22	Volume of Each	5,133	gallons
23	Volume Total	15,400	gallons
24	Hydraulic Retention Time at Average Flow	14.8	hours
25	Hydraulic Retention Time at Peak Daily Flow	7.4	hours
26	Total Media Surface Area Requirement	6,483	m ²
27	Total Media Surface Area Proposed	8,745	m ²

Summary of Plant Design Criteria & Calculations
 Timberland MBBR Retrofit
 September 28, 2020

<u>BOD/Nitrification MBBR Aeration Requirement Summary</u>		<u>Stage 1</u>	<u>Stage 2 & 3</u>
28	AOR (lbs/day)	62	38
29	Assumed Diffuser Subm. at AWL (ft.)	9.5	9.5
30	Elevation (ft.)	358	358
31	Alpha	0.70	0.70
32	Beta	0.9	0.9
33	Target DO Residual (MBBR Process) (mg/L)	3.0	5.0
34	SOR (lbs/day)	146	132
35	Target Diffuser Efficiency/ft. Submergence	1.1	1.1
36	Airflow (scfm)	56	50
<u>Blower Requirement Summary</u>			
37	No. of Blowers (for MBBRs, Airlifts and Post-Aeration)	2	1 Op., 1-standby
38	Airflow Required for O2 Demands in MBBR	106	
39	Airflow Required for Airlifts	12	
40	Airflow Required for Post-Aeration	4	
41	Airflow Requirement per Blower	122	scfm
42	Airflow per 1,000 scfm in MBBRs	52	scfm/1,000 cf
43	Discharge Pressure	5.47	psig
44	Assumed Overall Efficiency	0.62	
45	Approximate BHP Requirement/Blower	4.6	bhp
46	Approximate BHP Requirement Total	4.6	bhp
47	Estimated Nameplate HP / Blower	5	hp
48	Blower Type	<i>Bi-Lobe PD</i>	
<u>Clarifier Summary</u>			
49	No. of Hopper Bottom Clarifiers	2	
50	Clarifier Nos 1 and 2 - Existing		
51	Length	5.5	
52	Width	7.70	
53	Depth	10	
54	Total Surface Area	85	ft ²
55	Surface Overflow Rate at Peak Flow	590	gpd/ft ²
56	Allowable Surface Overflow Rate for Fixed Film	1,500	gpd/ft ²

Summary of Plant Design Criteria & Calculations
 Timberland MBBR Retrofit
 September 28, 2020

Aerobic Digestion Tank No. 1

57	WAS Sludge Production Rate	0.4	lbs WAS/lb. BODr
58	WAS Sludge Production	18.8	lbs. WAS/day
59	Volatile Solids Concentration	75%	
60	% Volatile Solids Destroyed	45%	
61	Digested Sludge Production	12.4	lbs. DS/day
62	Digested Sludge Concentration	10,000	mg/L
63	Digested Sludge Production	149.0	gpd
64	No. of Sludge Holding Tanks	1	
65	Length	12	ft
66	Width	11.25	
67	Height	10.33	ft
68	Volume	10,431	gallons
69	Volume per Population Equivalent	6.6	cf/PE
70	SRT	70	days

Aerobic Digestion Tank No. 2

71	Digestate from Digester No. 1	12.4	lbs. DS/day
72	Volatile Solids Concentration	65%	
73	% Volatile Solids Destroyed	10%	
74	Digested Sludge Production	11.6	lbs. DS/day
75	Digested Sludge Concentration	20,000	mg/L
76	Digested Sludge Production	69.6	gpd
77	Length	3.25	ft
78	Width	11.25	
79	Height	10.33	ft
80	Volume	2,825	gallons
81	Volume per Population Equivalent	1.8	cf/PE
82	SRT	41	days

Aerobic Digestion Mixing and Aeration

83	SCFM / 1,000 cf	30	scfm/1,000 cf
84	Airflow Required to Mix and Aerate Both Tanks	53	scfm
85	Airflow Required to Mix and Aerate Aer Dig No. 1	42	scfm
86	No. of Diffuser Laterals in Aer Dig No. 1 (6' width)	1	lateral
87	No. of Diffusers Total in Aer Dig No. 1	8	diffusers
88	Airflow Required to Mix and Aerate Aer Dig No. 2	11	scfm
89	No. of Diffuser Laterals in Aer Dig No. 2 (3.25' width)	1	lateral
90	No. of Diffusers Total in Aer Dig No. 2	4	diffusers
91	Discharge Pressure Required	5.47	psig
92	No. of Aerobic Digester Blowers	2.0	(1 op., 1 standby)

Summary of Plant Design Criteria & Calculations
 Timberland MBBR Retrofit
 September 28, 2020

<u>Chlorine Contact Time</u>			
93	No. of Contact Tanks	2	
94	Contact Tank No. 1 - Existing (Not fed with		
95	Length	11.25	ft
96	Width	3	ft
97	Depth	3.17	ft
98	Contact Tank No. 1 Volume	800	gallons
99	Contact Tank No. 1 Hydraulic Retention Time	23	minutes
100	Contact Tank No. 2 - New (Serves as Post Aeration as well)		
101	Length	6	ft
102	Width	6	ft
103	Depth	5	ft
104	Contact Tank No. 2 Volume	1,346	gallons
105	Contact Tank No. 1 Hydraulic Retention Time	38.8	minutes
106	Total Volume	2,147	gallons
107	Total Hydraulic Retention Time	62	minutes
<u>Post Aeration</u>			
108	No. of Post Aeration Tanks	1	
109	Length	6	ft
110	Width	6	ft
111	Depth	5.0	ft
112	Volume	1,346	gallons
113	HRT	38.8	minutes
114	scfm/1,000 cf	20	scfm/1KCF
	scfm Required (provided with blowers common for MBBRs,		
115	Airlifts and Post-Aeration)	3.6	scfm
116	Discharge Pressure	3.2	psig

Civil Engineering

Surveying & Mapping

Potable Water

Wastewater Treatment



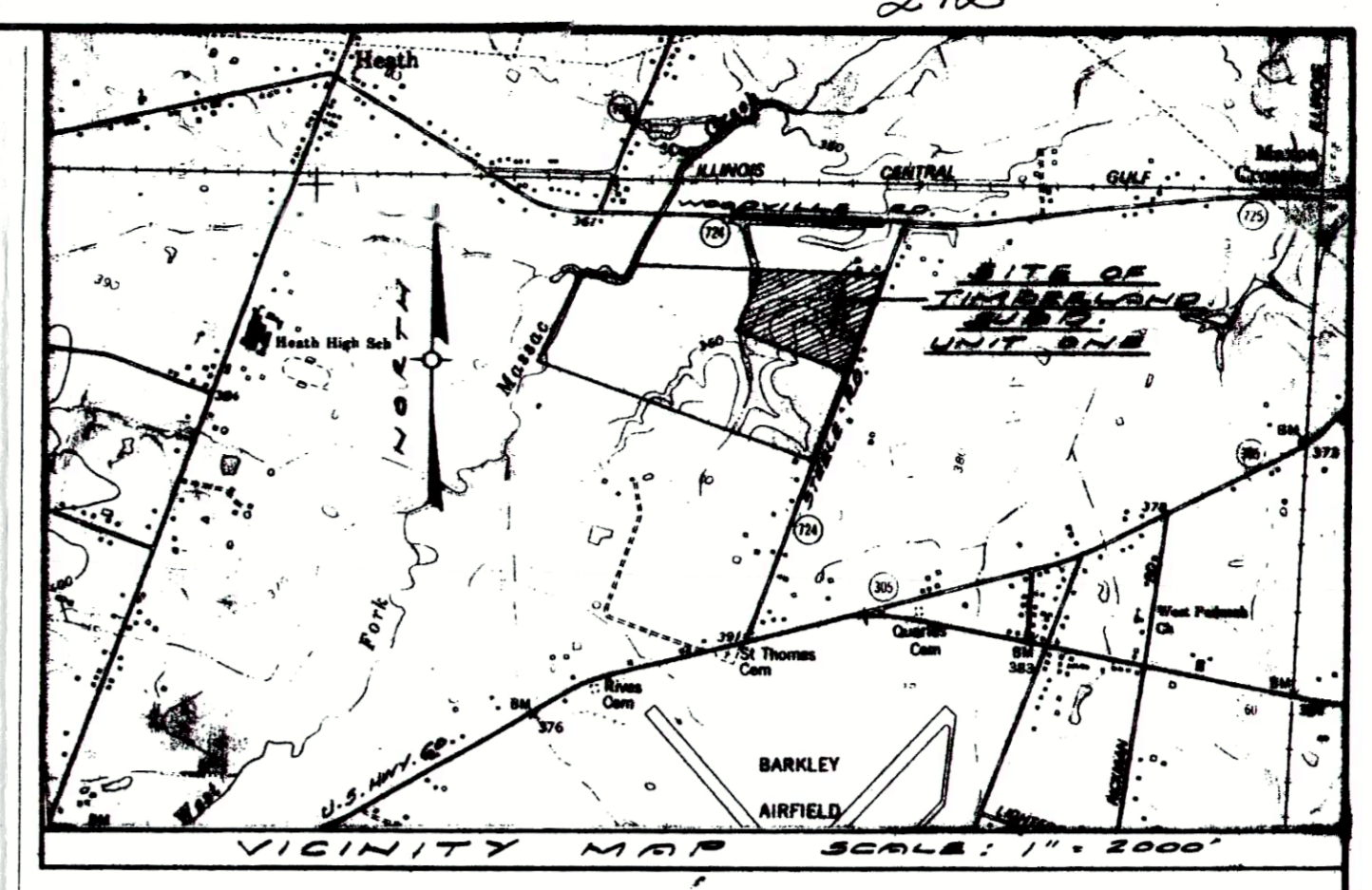
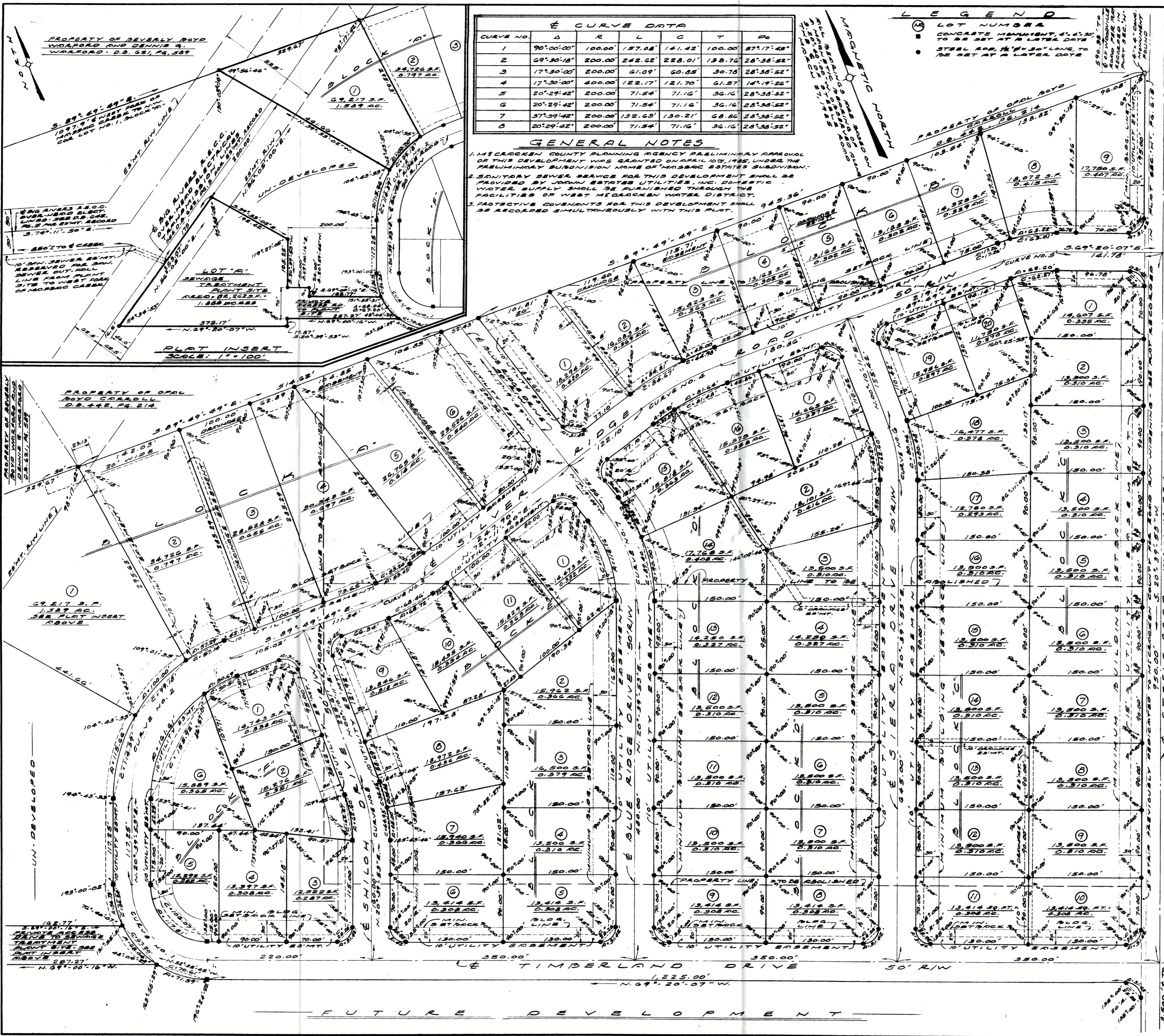
Construction Support

Transportation

Wastewater Collection

Section C – Subdivision Plat

272



NOTIFICATION OF ESTATE DISPOSAL APPROVAL

THE APPROVAL OF THIS PLAT SHALL NOT BE DEEMED TO CONSTITUTE AN ACCEPTANCE BY THE RECORDER FISCAL COURT THAT THE LOTS IN THIS SUBDIVISION ARE SUITABLE FOR A PRIVATE SEWER DISPOSAL SYSTEM (SEPTIC TANK AND LATERAL FIELD). THE OWNER OR DEVELOPER OF ANY LOT, OR LOTS, MUST MEET THE MINIMUM REQUIREMENTS AND OBTAIN THE NECESSARY APPROVALS FROM THE DEPARTMENT OF HOUSING, BUILDING AND CONSTRUCTION, DIVISION OF PLANNING, COMMUNITY AND KENTUCKY, OR ANY SUCCESSOR GOVERNMENTAL AGENCY.

I HEREBY CERTIFY THAT I HAVE READ AND UNDERSTAND THE FOREGOING NOTICE.

DATE: March 12, 1986

B. G. Hatcher

CERTIFICATE OF RECORDING

I HEREBY CERTIFY THAT THE SUBDIVISION PLAT SHOWN HEREON HAS BEEN FOUND TO COMPLY WITH THE REQUIREMENTS OF THE RECORDER FISCAL COURT, KENTUCKY, WITH THE EXCEPTION OF SUCH VARIANCES AS ARE SET FORTH IN THE REPORT OF THE PLANNING COMMISSION MEETING AND THAT, IT IS THE APPROVAL OF THE COMMISSION THAT FINAL APPROVAL IS GIVEN.

PLANNING COM. MEETING: MAR 12 1986

John H. Gray

PLANNING COMMISSION

CERTIFICATE OF APPROVAL OF STREETS

I HEREBY CERTIFY: (1) THAT THE STREETS OR ROADS SHOWN HEREON HAVE BEEN GIVEN APPROVAL BY THE RECORDER FISCAL COURT FOR RECORDING IN THE OFFICE OF THE COUNTY CLERK.

DATE: 3-12-86

Bobby J. Smith

COUNTY CLERK

CERTIFICATE OF RECORDING

I, MARSHA BELL, CLERK OF THE COUNTY FOR THE STATE OF KENTUCKY, DO HEREBY CERTIFY THAT THIS PLAT OF SUBDIVISION HAS BEEN RECORDED IN MY OFFICE FOR RECORD AND I HAVE RECORDED SAME WITH APPROVAL OF THE COUNTY CLERK.

GIVEN UNDER MY HAND AND SEAL THIS 12 DAY OF MARCH 1986, RECORDED IN PLAT SECTION 17 PAGE 375

Marsha Bell

CLERK

SEE PROTECTIVE COVENANTS RECORDED IN DEED BOOK 633 AT PAGE 22.

CURRENT SOURCE OF TITLE: DEED BOOK 670, PG. 674

FINAL PLAT OF TIMBERLAND SUBDIVISION UNIT NO. ONE

LOCATED ON THE WEST SIDE OF STEEL ROAD BETWEEN 412' AND 412' 00" OF THE NORTH COURSE OF VILLAGE ROAD & MICHIGAN COUNTY, KENTUCKY DEVELOPED BY FARRIS, HATCHER, TREMPER & ASSOCIATES, INC.

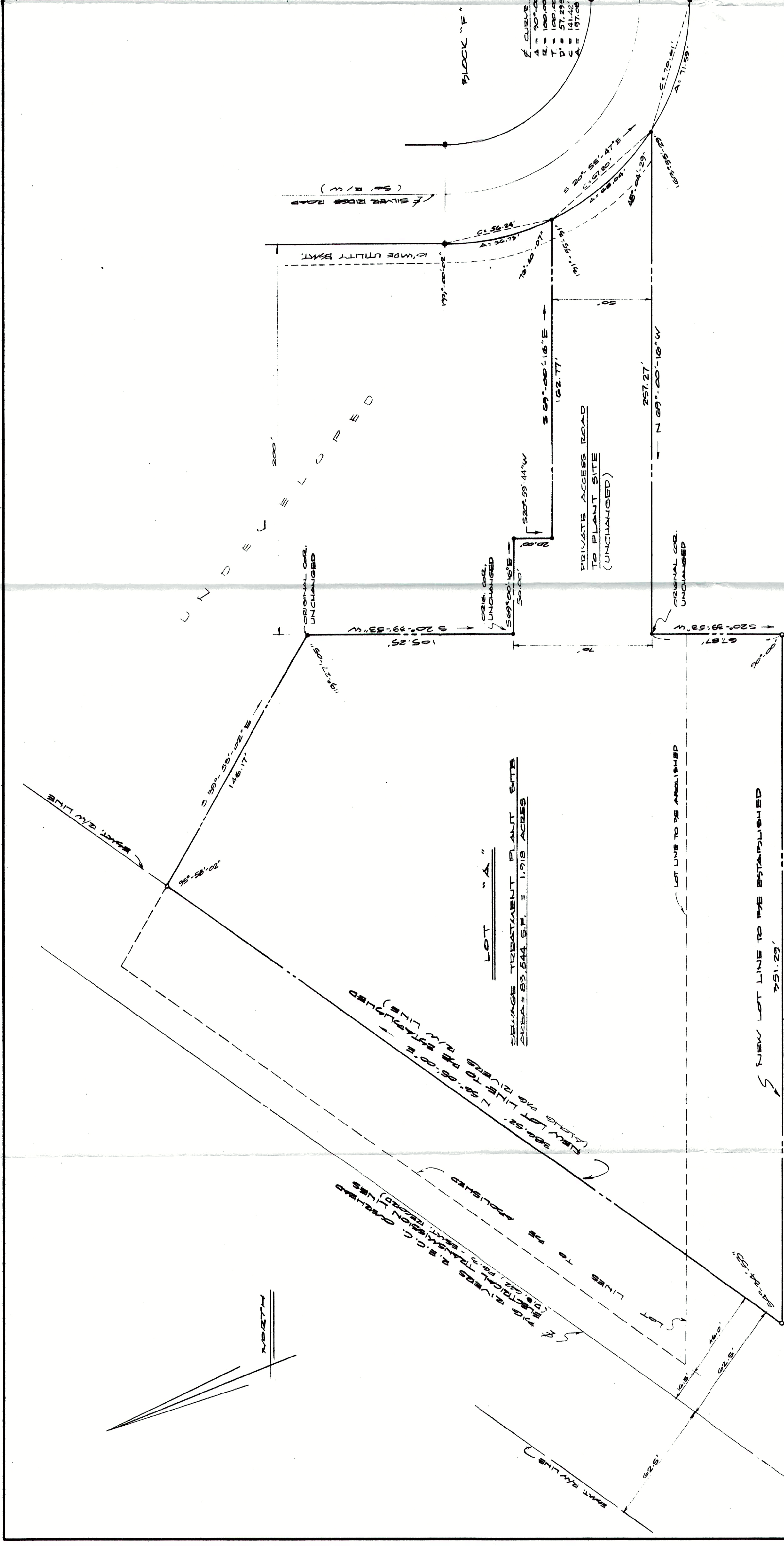
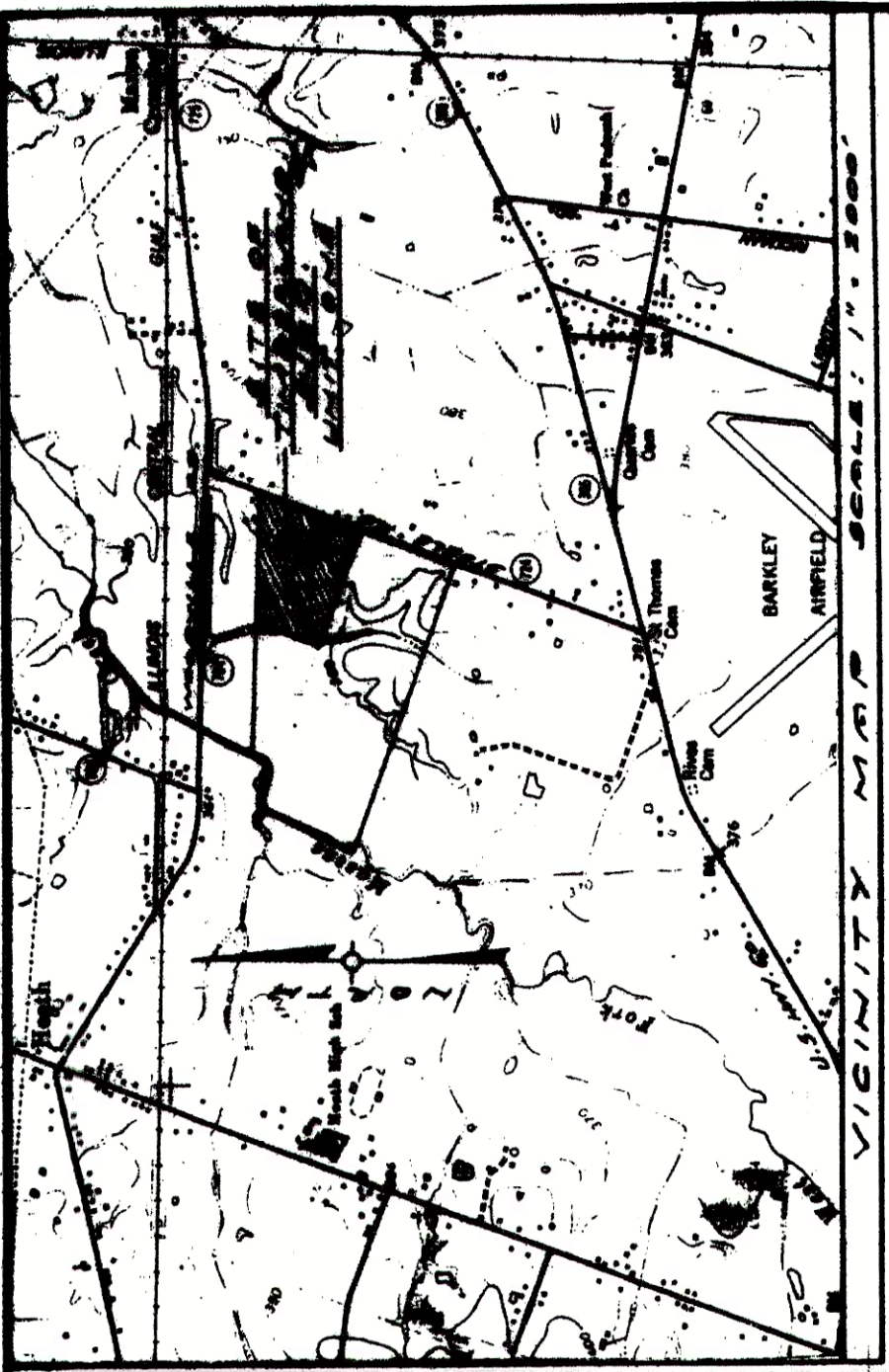
Farris, Hatcher, Tremper & Associates, Inc.
 CONSULTING ENGINEERS

134 SOUTH 31ST STREET, PADUCAH, KENTUCKY PHONE 502/443-8491

COMMISSION NO. 1842 DRAWN BY C. G. S. C. CHECKED BY R. G. S. C. DATE MAR 1986 OF 1

09D1 198603

365



NOTIFICATION OF SEWAGE DISPOSAL APPROVAL
THE APPROVAL OF THIS PLAT SHALL NOT BE DEEMED TO CONSTITUTE AN ACCEPTANCE BY THE MCCRACKEN FISCAL COURT THAT THE LOTS IN THIS SUBDIVISION ARE SUITABLE FOR A PRIVATE SEWAGE DISPOSAL SYSTEM (SEPTIC TANK AND LATERAL FIELD) OR OTHER SEWAGE DISPOSAL SYSTEM. THE OWNER OF THE LOTS SHALL OBTAIN THE NECESSARY MINIMUM REQUIREMENTS AND OBTAIN THE NECESSARY APPROVALS FOR THE USE OF A PRIVATE SEWAGE DISPOSAL SYSTEM FROM THE DEPARTMENT OF HOUSING, BUILDINGS AND CONSTRUCTION, DIVISION OF PLUMBING, COMMUNALITY OF KENTUCKY, OR ANY SUCCESSOR GOVERNMENTAL AGENCIES.
I HEREBY CERTIFY THAT I HAVE READ AND UNDERSTAND THE FOREGOING NOTICE.
DATE July 11, 1986
E. G. W. D. Construction Co., Inc.
PRESIDENT

DRAWING INTENT
THE PURPOSE OF THIS PLAT IS TO ADJUST THE SUBDIVISION AND WETTERLY LINES OF THE ORIGINAL LOT 'A' SEWAGE TREATMENT PLANT SITE AS ESTABLISHED BY PLAT SECTION 'J', PAGE 272 AND TO RE-ESTABLISH THOSE LINES AS SHOWN HEREON. ALL RE-ESTABLISHED LINES SHALL BE IN ACCORDANCE WITH THE REQUIREMENTS OF CHAPTER 100 OF THE KENTUCKY REVISED STATUTES.

- LEGEND**
- CONCRETE MONUMENTS 4" x 4" x 20"
 - STEEL ROD 1/2" x 20" LONG
 - REINFORCED CONCRETE 12" x 12" x 20" LONG
 - PROPERTY LINE
 - LOT LINES TO BE ADJUSTED

TRIMPERLAND SUBD. UNIT ONE - P. 19, 2, P. 6, 272.
SOURCE OF TITLE: D.P. 670, P. 6, 474

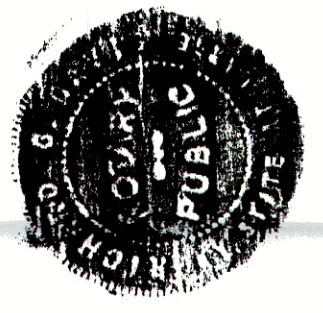
SCALE 1" = 20'
DIVISION
SEWAGE TREATMENT PLANT SITE
LOT 'A' TREATMENT PLANT SITE
TRIMPERLAND SUBDIVISION UNIT NO. ONE
P. 19, 2, P. 6, 272
FARRIS, HATCHER, TREMPER & ASSOCIATES, INC.
CONSULTING ENGINEERS
124 SOUTH 3RD STREET PADUCAH, KENTUCKY PHONE 502/432-8491
COMMISSION NO. 1842 REGISTERED LAND SURVEYOR
DRAWN BY DATE
CHECKED BY DATE
JULY, 1986

CERTIFICATE OF RECORDING
STATE OF KENTUCKY
COUNTY OF MCCRACKEN
I, MARTHA WELLS BRADFORD, CLERK OF THE COUNTY FOR MCCRACKEN COUNTY, DO HEREBY CERTIFY THAT THIS PLAT OF SUBDIVISION WAS FILED IN MY OFFICE FOR RECORD AND I HAVE RECORDED SAME WITH THIS AND FOREGOING CERTIFICATE IN MY OFFICE.
GIVEN UNDER MY HAND AND SEAL THIS 14 DAY OF August, 1986. RECORDED IN PLAT SECTION 17, PAGE 272.

Martha Wells Bradford
CLERK
William C. Kelly
DEPUTY CLERK

SURVEYOR'S CERTIFICATE

I, RICHARD G. DAVIS, DO HEREBY CERTIFY THAT I AM A LICENSED LAND SURVEYOR LICENSED IN ACCORD WITH THE LAWS OF THE STATE OF KENTUCKY AND THAT THIS PLAT REPRESENTS A SURVEY COMPLETED UNDER MY SUPERVISION ON JULY 9, 1986, AND THAT THE INFORMATION AS HEREON HEREBY IS TRUE AND CORRECT TO THE BEST OF MY KNOWLEDGE AND BELIEF.
DATE July 19, 1986
R. G. DAVIS
1842 REGISTERED LAND SURVEYOR
KY. REG. LAND SURVEYOR 11943



CERTIFICATE OF OWNERSHIP
THIS IS TO CERTIFY THAT I AM THE OWNER OF THE PLAT HEREON SHOWN AND THAT I HAVE READ AND UNDERSTOOD THE FOREGOING PLAT AND SUBDIVISION SAID PROPERTY IN ACCORDANCE WITH THIS PLAT AND ACKNOWLEDGE THIS TO BE MY FREE ACT AND DEED FOR THE PURPOSE HEREIN EXPRESSED.
E. G. W. D. Construction Co., Inc.
E. G. W. D.
PRESIDENT

CERTIFICATE OF ACKNOWLEDGEMENT
STATE OF KENTUCKY) SS
COUNTY OF MCCRACKEN)
I, E. G. W. D. CONSTRUCTION CO., INC., A NOTARY PUBLIC IN AND FOR THE STATE OF KENTUCKY, DO HEREBY CERTIFY THAT THE FOREGOING PLAT WAS THIS DAY PRESENTED TO ME BY E. G. W. D. CONSTRUCTION CO., INC., KNOWN TO ME TOGETHER WITH THE CERTIFICATES OF OWNERSHIP SHOWN THEREON, WHICH E. G. W. D. CONSTRUCTION CO., INC. REQUESTED THAT I RECORD AND ACKNOWLEDGE TO BE THEIR FREE ACT AND DEED.

WITNES MY HAND AND SEAL THIS 11TH DAY OF July, 1986. MY COMMISSION EXPIRES ON July 11, 1988.
DATE July 11, 1986
E. G. W. D.
NOTARY PUBLIC

CERTIFICATE OF RECOMMENDATION FOR FINAL PLAT APPROVAL
I HEREBY CERTIFY THAT THE SUBDIVISION PLAT SHOWN HEREON HAS BEEN FOUND TO COMPLY WITH THE SUBDIVISION REGULATIONS FOR MCCRACKEN COUNTY, KENTUCKY, WITH THE EXCEPTION OF THE EXCEPTIONS, IF ANY, AS ARE NOTED HEREIN AND THAT, IT IS THE PLANNING COMMISSION'S RECOMMENDATION THAT FINAL APPROVAL BE GIVEN.
PLANNING COM. MEETING HELD APRIL 13, 1986
E. G. W. D.
PRESIDENT
PLANNING COMMISSION

CERTIFICATE OF APPROVAL OF ROADWAYS AND EASEMENTS
I HEREBY CERTIFY THAT THE ROADWAYS AND UTILITY EASEMENTS SHOWN HEREON HAVE BEEN FOUND TO COMPLY WITH THE MCCRACKEN COUNTY SUBDIVISION REGULATIONS OR AS OTHERWISE NOTED IN THE MINUTES OF THE PLANNING COMMISSION MEETING.
DATE 8/19/86
COUNTY ENGINEER

CERTIFICATE OF FINAL PLAT APPROVAL FOR RECORDING
I HEREBY CERTIFY THAT THE SUBDIVISION PLAT AS SHOWN HEREON WAS GIVEN APPROVAL BY THE MCCRACKEN COUNTY FISCAL COURT FOR RECORDING IN THE OFFICE OF THE COUNTY COURT CLERK.
DATE 8/19/86
E. G. W. D.
JUDGE EXECUTIVE, MCCRACKEN COUNTY, KENTUCKY

09A4 198608

Civil Engineering

Surveying & Mapping

Potable Water

Wastewater Treatment

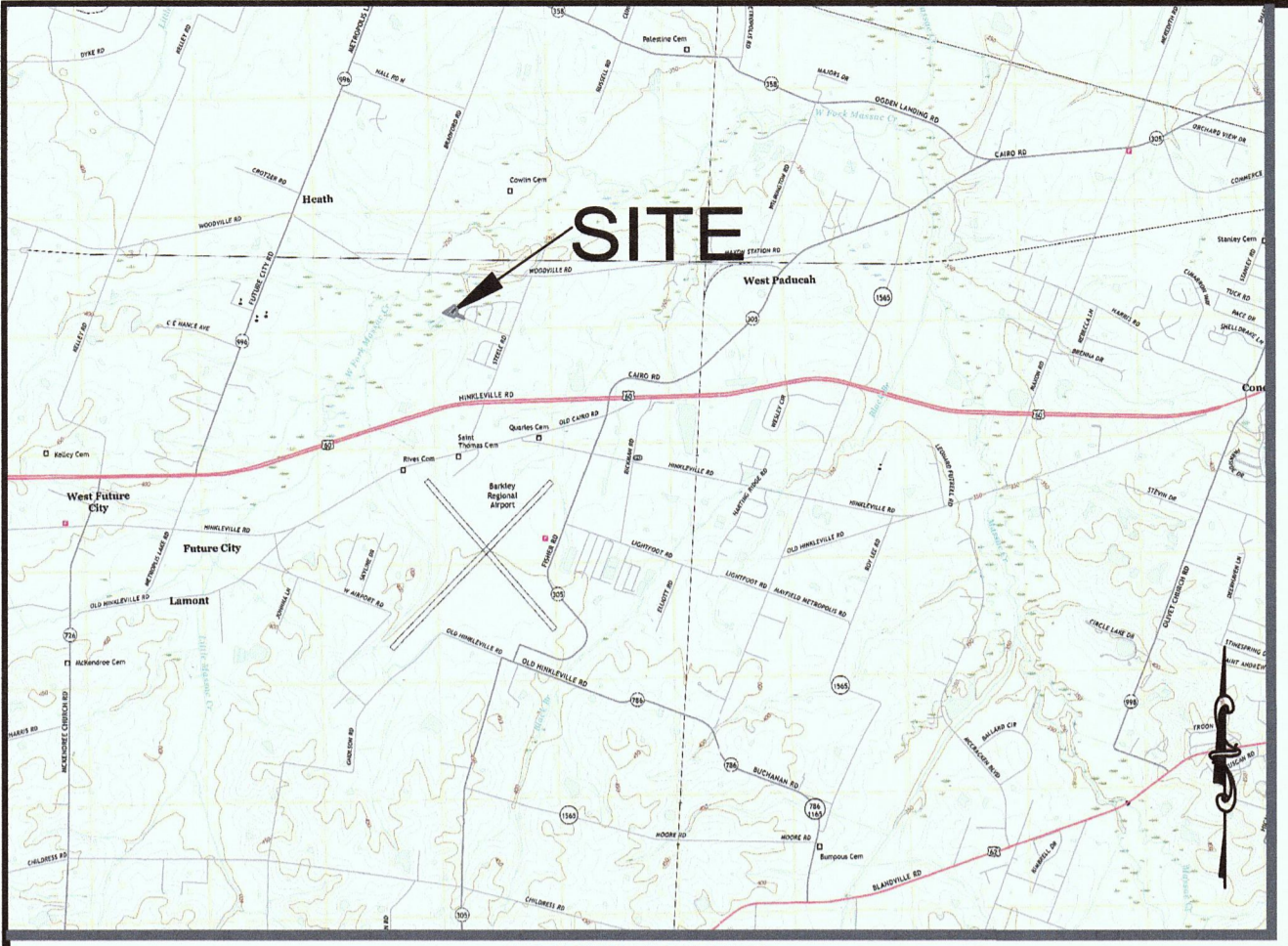


Construction Support

Transportation

Wastewater Collection

Section D – ALTA Survey



LEGAL DESCRIPTION OF THE LAND:
 Being Lot A, consisting of 1.918 acres, as shown on the Waiver of Subdivision Plat "Lot A Treatment Plat Site, Timberland Subdivision Unit No. One" of record in Plat Section "J", page 365, McCracken County Court Clerk's Office.
 See also Deeds of Correction dated February 3, 1994, of record in Deed Book 805, Page 138; dated April 26, 1994, of record in Deed Book 810, Page 99; and dated July 2005, of record in Deed Book 1071, Page 118, all of record in the McCracken County Clerk's Office.

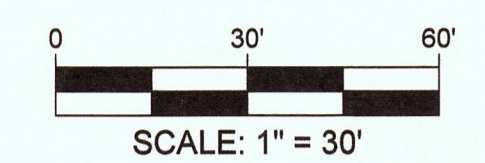
ALTA/NSPS LAND TITLE SURVEY

THE PLAT OF SURVEY SHOWN HEREON REPRESENTS A
 BOUNDARY SURVEY AND COMPLIES WITH 201 KAR 18:150
 PROPERTY OF: **TIMBERLAND DEVELOPMENT CORPORATION**
 (A/K/A **TIMBERLAND SUBDIVISION, INC.**)
 LOT "A", **TIMBERLAND SUBDIVISION**
 SILVER RIDGE ROAD, **MCCRACKEN COUNTY, KENTUCKY**

- LEGEND**
- 1/2" X 24" STEEL ROD WITH PLASTIC CAP NO. 3732 SET AT TIME OF SURVEY UNLESS NOTED
 - EXISTING AS SHOWN
 - NO CORNER FOUND OR SET
 - PROPERTY LINE
 - CENTERLINE
 - R.O.W RIGHT-OF-WAY
 - ELECTRIC BOX
 - ⊙ SANITARY SEWER MANHOLE
 - POWER POLE
 - GUY WIRE
 - X — FENCE
 - LINE CONTINUES
 - TIE REFERENCE POINTS
 - 710 — CONTOUR W/ELEVATION LABEL
 - ⊙ WATER METER
 - BFE 359 — BASE FLOOD ELEVATION
 - — — OVERHEAD POWER

TIMBERLAND DEVELOPMENT CORPORATION
 (A/K/A **TIMBERLAND SUBDIVISION, INC.**)

LOT "A"
 TIMBERLAND DRIVE
 WEST PADUCAH, KENTUCKY 42086



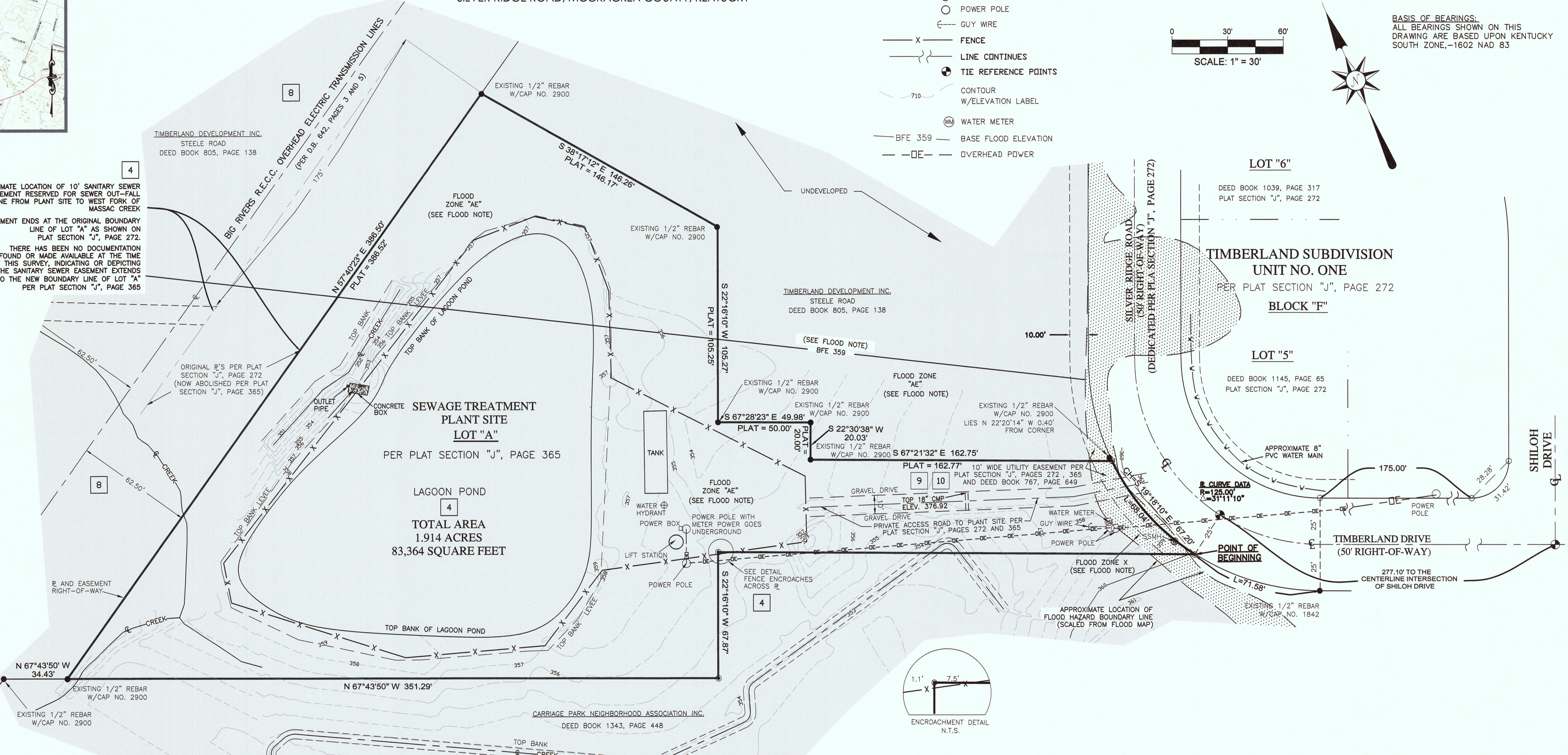
BASIS OF BEARINGS:
 ALL BEARINGS SHOWN ON THIS DRAWING ARE BASED UPON KENTUCKY SOUTH ZONE, -1602 NAD 83

- FIRST AMERICAN TITLE INSURANCE COMPANY**
 COMMITMENT NUMBER 22425-10
 COMMITMENT DATE:
 JULY 10, 2019
- SCHEDULE B, PART II (EXCEPTIONS) TERMS RELATIVE TO SURVEYING**
- 4 ANY ENCROACHMENT, ENCUMBRANCE, VIOLATION, VARIATION, OR ADVERSE CIRCUMSTANCES AFFECTING THE TITLE THAT WOULD BE DISCLOSED BY ACCURATE AND COMPLETE LAND SURVEY OF THE LAND AND NOT SHOWN BY THE PUBLIC RECORDS, AFFECTS PROPERTY AS SHOWN.
 - 8 THERE ARE OF RECORD TWO RIGHT OF WAY EASEMENTS FROM KATHRYN L. STEELE TO BIG RIVERS ELECTRIC CORPORATION DATED NOVEMBER 20, 1981 IN DEED BOOK 642, PAGE 3; AND DEED BOOK 642, PAGE 5. SAID RIGHT OF WAY EASEMENTS ARE 125, 200 AND 100 FEET IN WIDTH AND ARE FOR PURPOSES OF CONSTRUCTING, OPERATING, AND MAINTAINING LINES FOR THE TRANSMISSION OF ELECTRICAL ENERGY. THESE EASEMENTS AFFECT THE LARGER TRACT FROM WHICH THE ABOVE DESCRIBED PROPERTY IS A PART. HOWEVER, THE EXACT LOCATION OF SAID EASEMENTS ARE UNASCERTAINABLE. ADJOINS BUT DOES NOT AFFECT SUBJECT PARCEL (SHOWN PER PLAT SECTION J, PAGE 272 AND PLAT SECTION J, PAGE 368)
 - 9 THE ABOVE DESCRIBED PROPERTY IS SUBJECT TO COVENANTS, CONDITIONS, EASEMENTS, RESTRICTIONS AND NOTES AS SET FORTH IN: PLAT BOOK J, PAGE 272, PLAT BOOK J, PAGE 365; AND SUBJECT PARCEL IS EXEMPT PER DEED BOOK 685, PAGE 22, IN THE MCCRACKEN COUNTY CLERK'S OFFICE. AFFECTS PROPERTY AS SHOWN AND NOTED.
 - 10 THE LARGER TRACT OF WHICH THE ABOVE DESCRIBED PROPERTY IS A PART IS SUBJECT TO THE TERMS AND PROVISIONS OF RIGHT OF WAY PERMIT OF RECORD IN DEED BOOK 767, PAGE 649, MCCRACKEN COUNTY CLERK'S OFFICE, GRANTED TO WESTERN KENTUCKY GAS COMPANY, A DIVISION OF ATMOS ENERGY CORPORATION, A TEXAS CORPORATION, ON MARCH 6, 1992; SAID RIGHT OF EASEMENT WAS GRANTED THEREIN FOR THE PURPOSE OF LAYING, CONSTRUCTING, MAINTAINING, ETC. A NATURAL GAS PIPELINE AND APPURTENANCES ALONG A ROUTE 10' WIDE AND DESCRIBED THEREIN TO BE INSTALLED WITHIN 10' OF FRONT PROPERTY LINE. AFFECTS PROPERTY AS SHOWN.

APPROXIMATE LOCATION OF 10' SANITARY SEWER EASEMENT RESERVED FOR SEWER OUT-FALL LINE FROM PLANT SITE TO WEST FORK OF MASSAC CREEK

EASEMENT ENDS AT THE ORIGINAL BOUNDARY LINE OF LOT "A" AS SHOWN ON PLAT SECTION "J", PAGE 272.

THERE HAS BEEN NO DOCUMENTATION FOUND OR MADE AVAILABLE AT THE TIME OF THIS SURVEY, INDICATING OR DEPICTING THE SANITARY SEWER EASEMENT EXTENDS TO THE NEW BOUNDARY LINE OF LOT "A" PER PLAT SECTION "J", PAGE 365



GENERAL NOTES

SOURCE OF TITLE:
 DEED BOOK 801, PAGE 92. DEED OF CORRECTION - DEED BOOK 805, PAGE 138

TIMBERLAND SUBDIVISION
 PLAT SECTION J, PAGE 365 (LOT A)

OWNERS:
 TIMBERLAND DEVELOPMENT CORPORATION (A/K/A TIMBERLAND SUBDIVISION, INC.) A KENTUCKY CORPORATION
 6500 HIGHWAY 60 WEST PADUCAH, KENTUCKY 42001

CLIENT:
 21 DESIGN GROUP
 1351 JEFFERSON STREET SUITE 301
 WASHINGTON, MISSOURI 63090

CEMETERY NOTE:
 THERE WERE NO CEMETERIES OR GRAVE SITES FOUND DURING INSPECTION OF THIS PROPERTY DURING THIS SURVEY.

PROPERTY ZONE:
 THE PROPERTY SHOWN HEREON IS ZONED "UR", URBANIZING RESIDENTIAL DISTRICT BY THE MCCRACKEN COUNTY ZONING ORDINANCE. MINIMUM YARD REQUIREMENTS ARE AS FOLLOWS:

NON-RESIDENTIAL USES:
 FRONT YARD: 75 FEET
 SIDE YARD: 25 FEET
 REAR YARD: 25 FEET

RESIDENTIAL USES:
 FRONT YARD: 30 FEET
 SIDE YARD: 8 FEET
 REAR YARD: 4 FEET (ACCESSORY BUILDINGS)
 25 FEET (ACCESSORY BUILDINGS)
 8 FEET (ACCESSORY BUILDINGS)

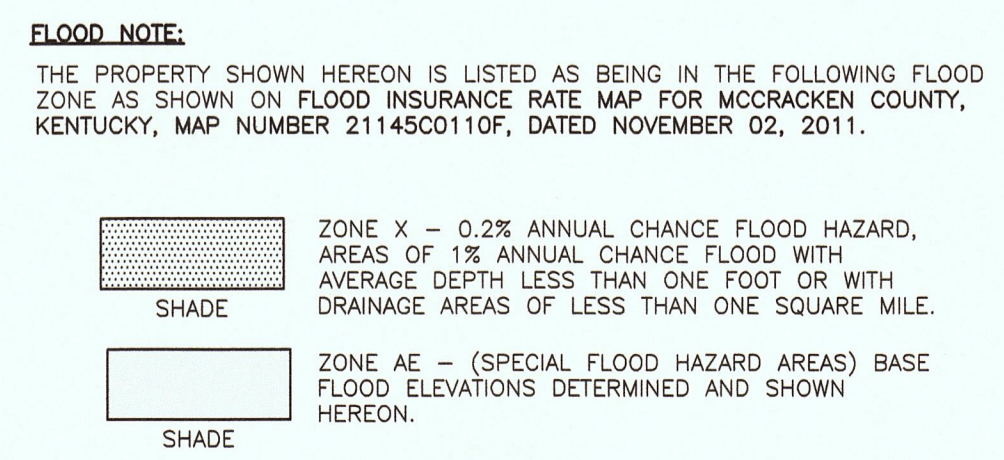
VERTICAL DATUM NOTE:
 ELEVATIONS ARE BASED ON NAVD 88 DATUM USING GEOID 12B UTILIZING THE KENTUCKY VRS NETWORK

NO BUILDINGS OBSERVED ON SUBJECT PROPERTY.
 NO EVIDENCE OF A PARKING LOT OR PARKING SPACES CONSTRUCTED AT TIME OF SURVEY.
 THERE IS NO EVIDENCE OF RECENT EARTH MOVING WORK, BUILDING CONSTRUCTION OR BUILDING ADDITIONS OBSERVED IN THE PROCESS OF CONDUCTING THE FIELD WORK.
 THE SURVEYOR HAS NOT BEEN ADVISED OF ANY DESIGNATED WETLAND AREAS ON THE SUBJECT PROPERTY.

UTILITY NOTES:
 ALL UTILITIES SERVING THE SUBJECT PROPERTY HAVE BEEN LOCATED EITHER BY OBSERVED EVIDENCE OR EVIDENCE FROM PLANS REQUESTED AND OBTAINED FROM THE UTILITY COMPANIES. AN 811 UTILITY LOCATE REQUEST WAS MADE AND MARKINGS FOUND AT THE SITE HAVE BEEN NOTED. ALL UNDERGROUND UTILITIES MAY NOT BE SHOWN AND MARKINGS FOUND AT THE SITE MAY NOT DEPICT UNDERGROUND FEATURES ACCURATELY. LACKING EXCAVATION, THE EXACT LOCATIONS OF UNDERGROUND FEATURES CANNOT BE ACCURATELY, COMPLETELY AND RELIABLY DEPICTED. IN SOME JURISDICTIONS, 811 OR OTHERWISE SIMILAR UTILITY LOCATE REQUESTS FROM SURVEYORS MAY BE IGNORED OR RESULT IN AN INCOMPLETE RESPONSE."

COMPANY	NUMBER	ADDRESS
ELECTRIC:	1-800-633-4044	2900 IRVIN COBB DRIVE PADUCAH, KY 42001
JACKSON PURCHASE ENERGY CORPORATION	1-270-557-4015	
TELEPHONE:	ALAN SHELBY	810 KENTUCKY AVENUE PADUCAH, KY 42001
AT&T	1-270-444-5048	
CABLE:	DENNIS GRAHAM	800 BROADWAY STREET PADUCAH, KY 42001
COMCAST	1-270-442-6382	
WATER:	8020 OGDEN LANDING ROAD	8020 OGDEN LANDING ROAD WEST PADUCAH, KY 42086
WEST MCCRACKEN WATER DISTRICT	1-270-442-3337	
GAS:	EDDIE TUCKER	3510 COLEMAN ROAD PADUCAH, KY 42001
ATMOS ENERGY	1-270-201-2136	

- 4 **POTENTIAL ENCROACHMENTS:**
 FENCE ENCROACHES ACROSS PROPERTY AS SHOWN.
- 9 **PROTECTIVE COVENANT NOTE:**
 FOR PROTECTIVE COVENANTS TO TIMBERLAND SUBDIVISION DATED MARCH, 1986, SEE DEED BOOK 685, PAGE 22.



SURVEYOR'S CERTIFICATION:

THE SURVEY SHOWN HEREON WAS MADE UNDER MY SUPERVISION AND THE MEASUREMENTS AND NOTES SHOWN HEREON ARE A TRUE REPRESENTATION OF SAID SURVEY AND ARE CORRECT TO THE BEST OF MY KNOWLEDGE AND BELIEF.

DATE OF SURVEY: 12-3-19

DATE: 1-3-20

SIGNED: Mark L. Smith
 BEING A REGISTERED PROFESSIONAL LAND SURVEYOR IN THE COMMONWEALTH OF KENTUCKY LAND SURVEYOR NO. 3732

SURVEYOR'S CERTIFICATION:

TO: BLUEGRASS WATER UTILITY OPERATING COMPANY, LLC; FIRST AMERICAN TITLE INSURANCE COMPANY AND McBRAYER PLLC

THIS IS TO CERTIFY THAT THIS MAP OR PLAT AND THE SURVEY ON WHICH IT IS BASED WERE MADE IN ACCORDANCE WITH THE "MINIMUM STANDARD DETAIL REQUIREMENTS FOR ALTA/ACSM LAND TITLE SURVEYS," JOINTLY ESTABLISHED AND ADOPTED BY ALTA AND NSPS IN 2016, AND INCLUDES ITEMS 1, 3, 4, 5, 8 AND 11 OF TABLE A THEREOF. PURSUANT TO THE ACCURACY STANDARDS AS ADOPTED BY ALTA AND NSPS AND IN EFFECT ON THE DATE OF THIS CERTIFICATION, THE UNDERSIGNED FURTHER CERTIFIES THAT IN MY PROFESSIONAL OPINION, AS A LAND SURVEYOR REGISTERED IN THE COMMONWEALTH OF KENTUCKY, THE RELATIVE POSITIONAL ACCURACY OF THIS SURVEY DOES NOT EXCEED 0.07 FEET / PLUS 50 PARTS PER MILLION THAT WHICH IS SPECIFIED HEREIN. BEARINGS AND DISTANCES ARE BASED ON AN ADJUSTED TRAVERSE BY METHODS OF LEAST SQUARES.

SIGNED: Mark L. Smith DATE 1-3-20
 BEING A REGISTERED PROFESSIONAL LAND SURVEYOR IN THE COMMONWEALTH OF KENTUCKY LAND SURVEYOR NO. 3732

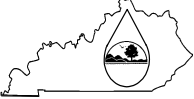


UTILITY CALL NOTE
 TICKET NO. 1911150939
 COMPANIES NOTIFIED:

BURIED UTILITIES NOTE
 BURIED UTILITIES ARE SHOWN AT THEIR APPROXIMATE LOCATION BASED UPON INFORMATION OBTAINED FROM LOCAL UTILITY COMPANIES AND FIELD EVIDENCE. OTHER BURIED UTILITIES MIGHT EXIST ON THE SUBJECT SITE THAT ARE NOT SHOWN ON THIS DRAWING.


DATE:	01/03/2020
PROJECT NO.:	19211
DRAWN BY:	AB/DG
SCALE:	1"=30'
SHEET NAME:	ALTA/NSPS LAND TITLE SURVEY



Form 1	KENTUCKY POLLUTION DISCHARGE ELIMINATION SYSTEM Permit Application				 Division of Water	
	NAME OF FACILITY: Timberland Wastewater Facility			AGENCY USE ONLY		
PERMIT NO.: KY0083755			COUNTY: McCracken			
<p>This is an application to: (check one)</p> <p><input type="checkbox"/> Apply for a new permit.</p> <p><input type="checkbox"/> Apply for reissuance of expiring permit.</p> <p><input checked="" type="checkbox"/> Modify an existing permit.* (Give reason for modification under Section III)</p> <p>A complete application consists of this form (Form 1), and one or more of the following: Form A, Form B, Form C, Form F, or Form SC.</p>						
I. FACILITY AND CONTACT INFORMATION						
Name of business, municipality, company, etc. requesting permit: Bluegrass Water Utility Operating Company						
Owner Name (and Title if applicable): Josiah Cox - President						
Owner Mailing Address (Street, etc.): 1650 Des Peres Road, Suite 303						
Owner City, State, Zip: St. Louis, MO 63131						
Owner Telephone Number: (314) 736-4672						
Owner Email Address: jcox@cswrgroup.com						
Type of Ownership:	<input type="checkbox"/> Publicly Owned	<input checked="" type="checkbox"/> Privately Owned	<input type="checkbox"/> State Owned	<input type="checkbox"/> Both Publicly and Privately Owned	<input type="checkbox"/> Federally Owned	
Contact Name and Title (if different):						
Contact Mailing Address (if different):						
Contact City, State, Zip (if different):						
Contact Telephone Number (if different):						
Contact Email Address (if different):						
NetDMR Official Contact for Facility: Kaleb Stephens						
NetDMR Official Contact Telephone Number: (715) 790-2559						
NetDMR Official Contact Email Address: kstephens@cswrgroup.com						
II. FACILITY LOCATION						
Facility Location (street, road, highway, etc.): Timberland Drive						
Facility City, State, Zip: Paducah, KY 42086						
Facility Latitude (Decimal Degrees): 27.07938						
Facility Longitude (Decimal Degrees): -88.77579						
<p><input checked="" type="checkbox"/> Attach a site location map with the facility and outfalls clearly marked. Provide either an aerial map, topographic map, or other map that identifies the site location and significant features.</p>						

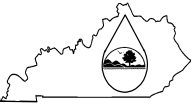
III. FACILITY DESCRIPTION	
Provide a brief description of activities, products, etc.: Sanitary waste treatment facility for Timberland Subdivision	
* Reason for modifying existing permit, if applicable: We are currently in the process of upgrading the plant.	
Principal SIC Code and description: 4952 - Sewerage Systems	
Other SIC Codes: N/A	
IV. OPERATOR INFORMATION	
Treatment Plant Operator Name: Stephen Roach	
Operator Mailing Address (Street, etc.): 5625 Warrendale Drive	
Operator City, State, Zip: Paducah, KY 42003	
Operator Telephone Number: 502-744-1856	
Operator Email Address: sroach@midwestwaterop.com	
Operator Certification Class: IV	Operator Certification Number: 63051
V. ENVIRONMENTAL PERMITS/REGISTRATIONS FOR THIS FACILITY	
KPDES Permit Number: KY0083755	Issue Date of Current Permit: February 1, 2020
Expiration Date of Current Permit: January 31, 2025	Date of Original Permit Issuance: Unknown
<input type="checkbox"/> Other DOW Permits (list):	
<input type="checkbox"/> Sludge Disposal Permit Number:	
<input type="checkbox"/> Air Emission Source Control Permit Number:	
<input type="checkbox"/> Solid Waste or Special Waste Permit Number:	
<input type="checkbox"/> Hazardous Waste Registration or Permit Number:	
<input type="checkbox"/> Surface Mine or Underground Mine Permit Number:	
<input type="checkbox"/> Other (specify):	
VI. PERMIT FEE (See instructions)	
Select the type of permit being requested. See instructions for applicable fees and methods of payment. Additional information can be found in "General Instructions" at Water.Ky.Gov/Permitting/WastewaterDischarge	
<input type="checkbox"/> Major Industry	<input type="checkbox"/> Large Non-POTW
<input type="checkbox"/> Minor Industry	<input type="checkbox"/> Intermediate Non-POTW
<input type="checkbox"/> Non-Process Industry	<input type="checkbox"/> Small Non-POTW
<input type="checkbox"/> Surface Mining Operation	<input type="checkbox"/> 501(c)(3)

<input type="checkbox"/> Total Amount Enclosed \$	
---	--

IX. CERTIFICATION	
I certify under penalty of law that this document and all attachments were prepared under my direction or supervision in accordance with a system designed to assure that qualified personnel properly gather and evaluate the information submitted. Based on my inquiry of the person or persons who manage the system, or those persons directly responsible for gathering the information, the information submitted is, to the best of my knowledge and belief, true, accurate, and complete. I am aware that there are significant penalties for submitting false information, including the possibility of fine and imprisonment for knowing violations.	
PRINTED NAME AND TITLE: Josiah Cox - President	
SIGNATURE: 	DATE: 09/28/2020
TELEPHONE NO. (314) 736-4672	EMAIL: jcox@cswrgroup.com

Return completed application form and attachments to:
Division of Water
Surface Water Permits Branch
300 Sower Boulevard, 3rd Floor
Frankfort, KY 40601

Direct questions to: Surface Water Permits Branch at (502) 564-3410.

Form SC	KENTUCKY POLLUTION DISCHARGE ELIMINATION SYSTEM Permit Application	 Division of Water	
NAME OF FACILITY: Timberland Wastewater Facility		AGENCY USE ONLY	
PERMIT NO.: KY0083755		COUNTY: McCracken	
I. OUTFALL LOCATION			
<input type="checkbox"/> For each outfall, list the latitude and longitude of its location to five decimal points.			
OUTFALL NUMBER	LATITUDE In Decimal Degrees	LONGITUDE In Decimal Degrees	RECEIVING WATER (name)
001	37.07917	-88.78111	West Fork Massac Creek
II. FLOWS, SOURCES OF POLLUTION, AND TREATMENT TECHNOLOGIES			
A. Attach a line drawing showing the water flow through the facility. Indicate sources of intake water, operations contributing wastewater to the effluent, and treatment units labeled to correspond to the more detailed descriptions in Item B.			
For each outfall, provide a description of:			
B. (1) operations contributing wastewater to the effluent;			
(2) the average and/or design flow contributed by each operation; and			
(3) the treatment received by the wastewater.			
OUTFALL NUMBER	SOURCES OF WASTEWATER		TREATMENT DESCRIPTION (refer to Table SC-1 for description)
	Operations Contributing to Flow	Average / Design Flow (include units)	
001	100%	.0071/.0025 MGD	1-Y, 3-I (MBBR), 1-U, 2-F, 2-E, 3-L, 5-A, 4-A, 3-P
III. FACILITY DISCHARGE			
A. Check the appropriate boxes indicating the types of wastewater discharged.			
<input checked="" type="checkbox"/> Domestic wastewater (60% or more sanitary sewage)			
<input type="checkbox"/> Non-contact cooling water			
<input type="checkbox"/> Filter backwash			
<input type="checkbox"/> Other non-process wastewaters. Provide description:			

B. Does discharge occur all year?

Yes.

How many days per week does discharge occur? 7

What is the average duration of discharge? Specify hours or days. 24

No.

C. Except for stormwater runoff, leaks, or spills, are any of the discharges intermittent or seasonal?

Yes. If yes, provide description of approximate number, duration, and volume of seasonal or intermittent flows.

No.

D. Provide the basis for design and sizing of the wastewater facility.
 The documents attached to the construction permit application address this question in detail.

E. If the facility is a new discharger, what is the anticipated discharge date?

Treatment Plants Only to complete Section F & G.

F. Does all water used at facility (except for human consumption) flow to a treatment plant?

Yes.

No. If no, please describe.

G. What is the design capacity of the treatment system .025 MGD

IV. AREA SERVED BY WASTEWATER TREATMENT PLANT

NAME OF AREA OR COMMUNITY	ACTUAL POPULATION SERVED
Timberland Subdivision	210
Total Population Served	210

V. COOLING WATER ADDITIVES


Are cooling water additives used?

Yes. In the table below, list each additive, its composition, concentration, and feed rate. Attach Safety Data Sheets for each.

No

NAME OF ADDITIVE	COMPOSITION	CONCENTRATION	FEED RATE

VI. EFFLUENT CHARACTERISTICS		OUTFALL NO: <u>001</u>		
Complete Sections A, B, and C for each outfall.				
A. What is the frequency and duration of flow? Continuous				
B. In the first part of the table below, provide results of effluent analysis for each pollutant / parameter listed.				
C. Samples below are from the Summer of 2020				
POLLUTANT/PARAMETER	UNITS	MAX DAILY VALUE	AVG DAILY VALUE	NUMBER OF SAMPLES
<input type="checkbox"/> BOD ₅ or <input checked="" type="checkbox"/> CBOD ₅	mg/l	11	8.33	4
Total Suspended Solids	mg/l	29	20.2	5
E.Coli	colonies/ 100 ml	2419.6 with outliers 7.5 without	969.94 with outliers 3.5 without	5 with outliers 3 without
Total Residual Chlorine	mg/l	2.2	.91	5
Oil and Grease	mg/l	N/A	N/A	N/A
Chemical Oxygen Demand	mg/l	N/A	N/A	N/A
Total Organic Carbon	mg/l	N/A	N/A	N/A
Ammonia	mg/l	18	16.5	4
Discharge of Flow	MGD	N/A	N/A	N/A
pH	s.u.	7.79	7.44	5
Temperature (winter)	°C	N/A	N/A	N/A
Temperature (summer)	°C	28.6	26.44	5
METALS	UNITS	AVG CONCENTRATION		
<input type="checkbox"/> Antimony	µg/l			
<input type="checkbox"/> Arsenic	µg/l			
<input type="checkbox"/> Beryllium	µg/l			
<input type="checkbox"/> Cadmium	µg/l			
<input type="checkbox"/> Chromium	µg/l			
<input type="checkbox"/> Copper	µg/l			
<input type="checkbox"/> Lead	µg/l			
<input type="checkbox"/> Mercury	µg/l			
<input type="checkbox"/> Nickel	µg/l			
<input type="checkbox"/> Selenium	µg/l			
<input type="checkbox"/> Silver	µg/l			
<input type="checkbox"/> Thallium	µg/l			
<input type="checkbox"/> Zinc	µg/l			

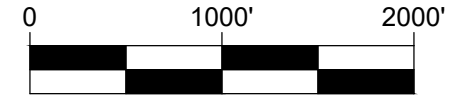
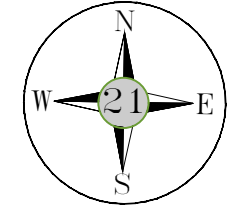
VII. CERTIFICATION	
I certify under penalty of law that this document and all attachments were prepared under my direction or supervision in accordance with a system designed to assure that qualified personnel properly gather and evaluate the information submitted. Based on my inquiry of the person or persons who manage the system, or those persons directly responsible for gathering the information, the information submitted is, to the best of my knowledge and belief, true, accurate, and complete. I am aware that there are significant penalties for submitting false information, including the possibility of fine and imprisonment for knowing violations.	
PRINTED NAME AND TITLE: Josiah Cox - President	
SIGNATURE: 	DATE: 09/28/2020
TELEPHONE NO. (314) 736-4672	EMAIL: jcox@cswrgroup.com

Return completed application form and attachments to:

Division of Water
Surface Water Permits Branch
300 Sower Boulevard, 3rd Floor
Frankfort, KY 40601

Direct questions to: Surface Water Permits Branch at (502) 564-3410.

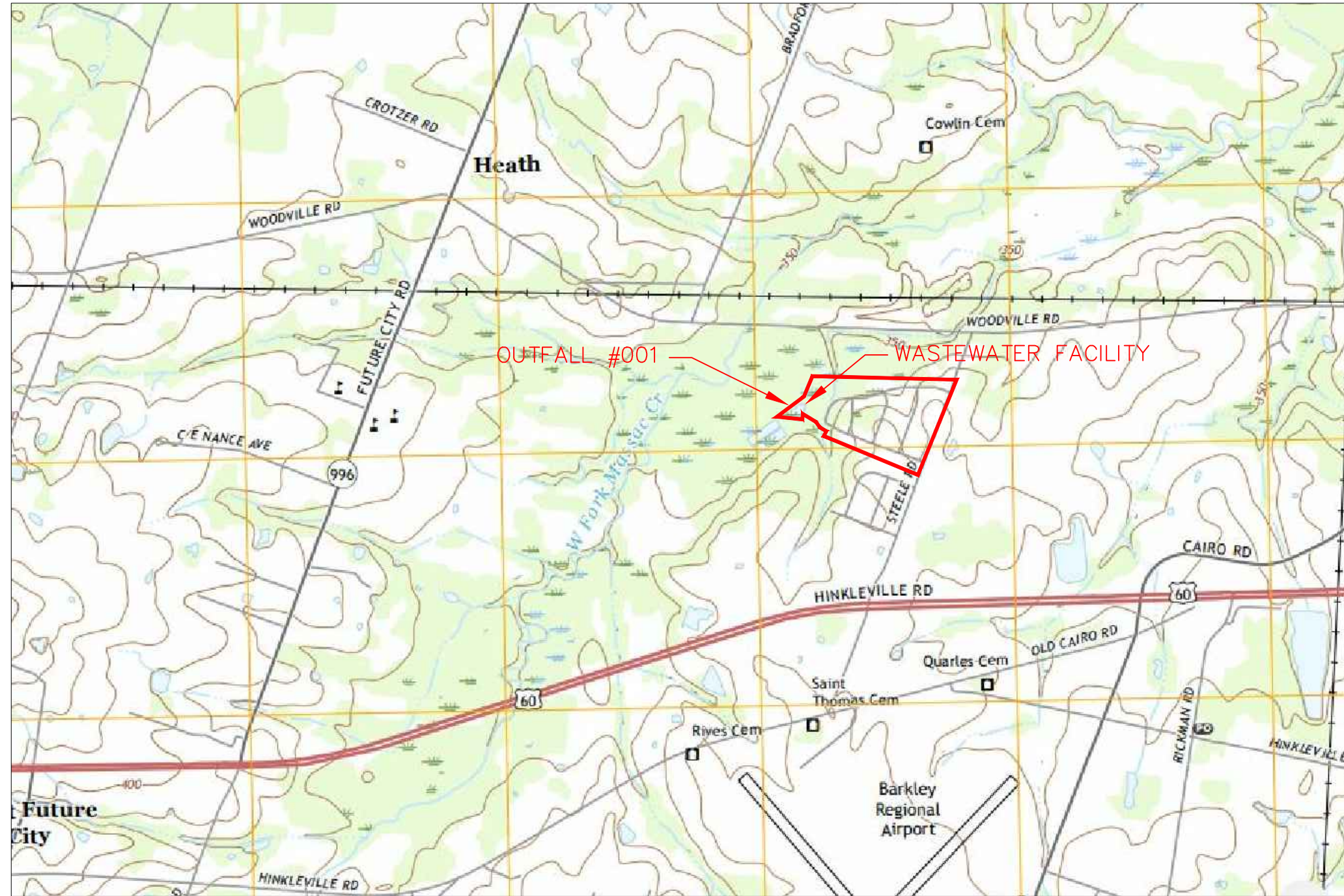
USGS QUAD MAP
FOR TIMBERLAND SUBDIVISION WWTF
PADUCAH, KY
(HEATH QUAD MAP)



SCALE: 1" = 1000'

PRELIMINARY

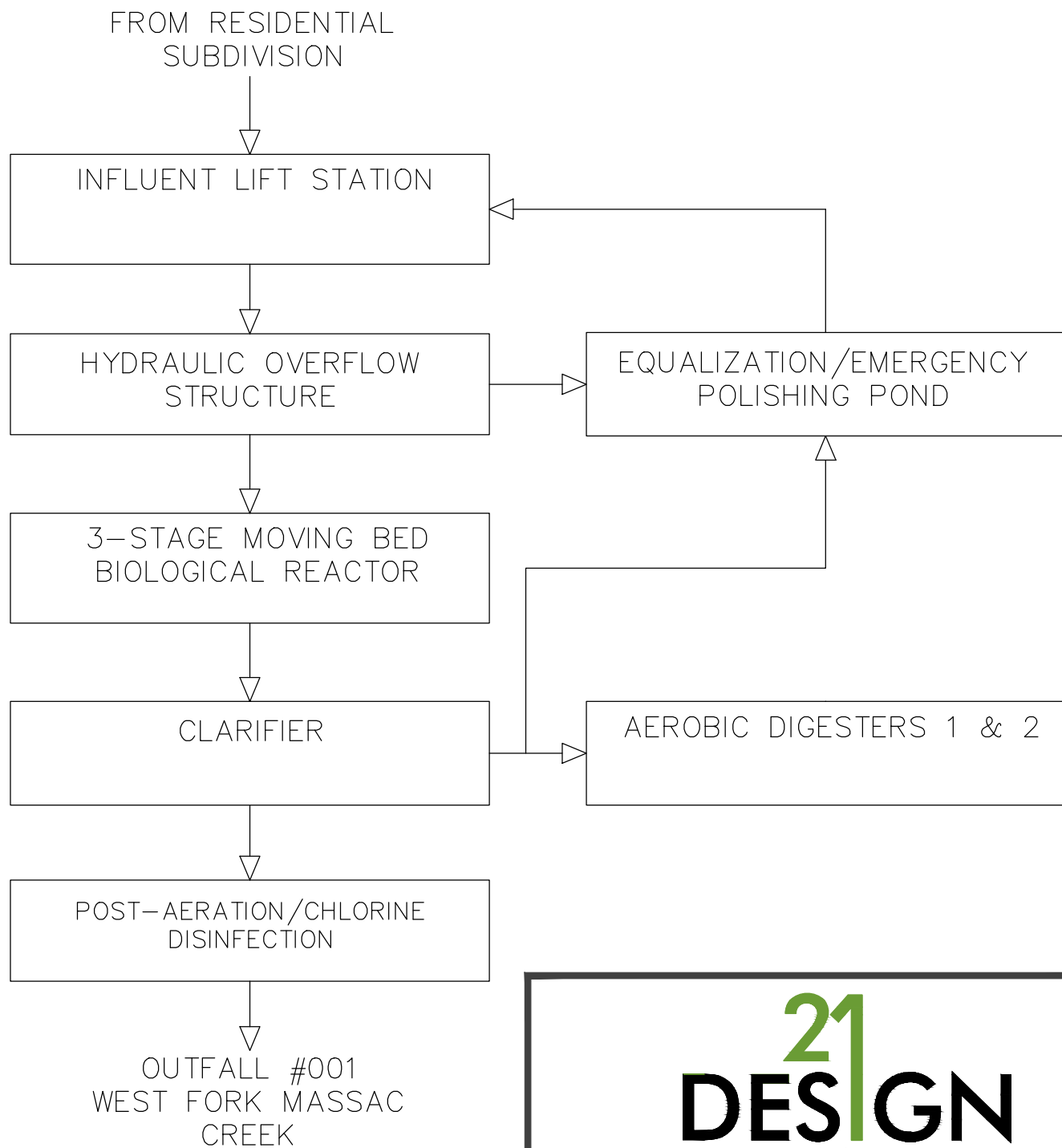
THIS DRAWING IS FOR REVIEW ONLY AND
SHALL NOT BE USED FOR CONSTRUCTION



21
DESIGN
GROUP INC.

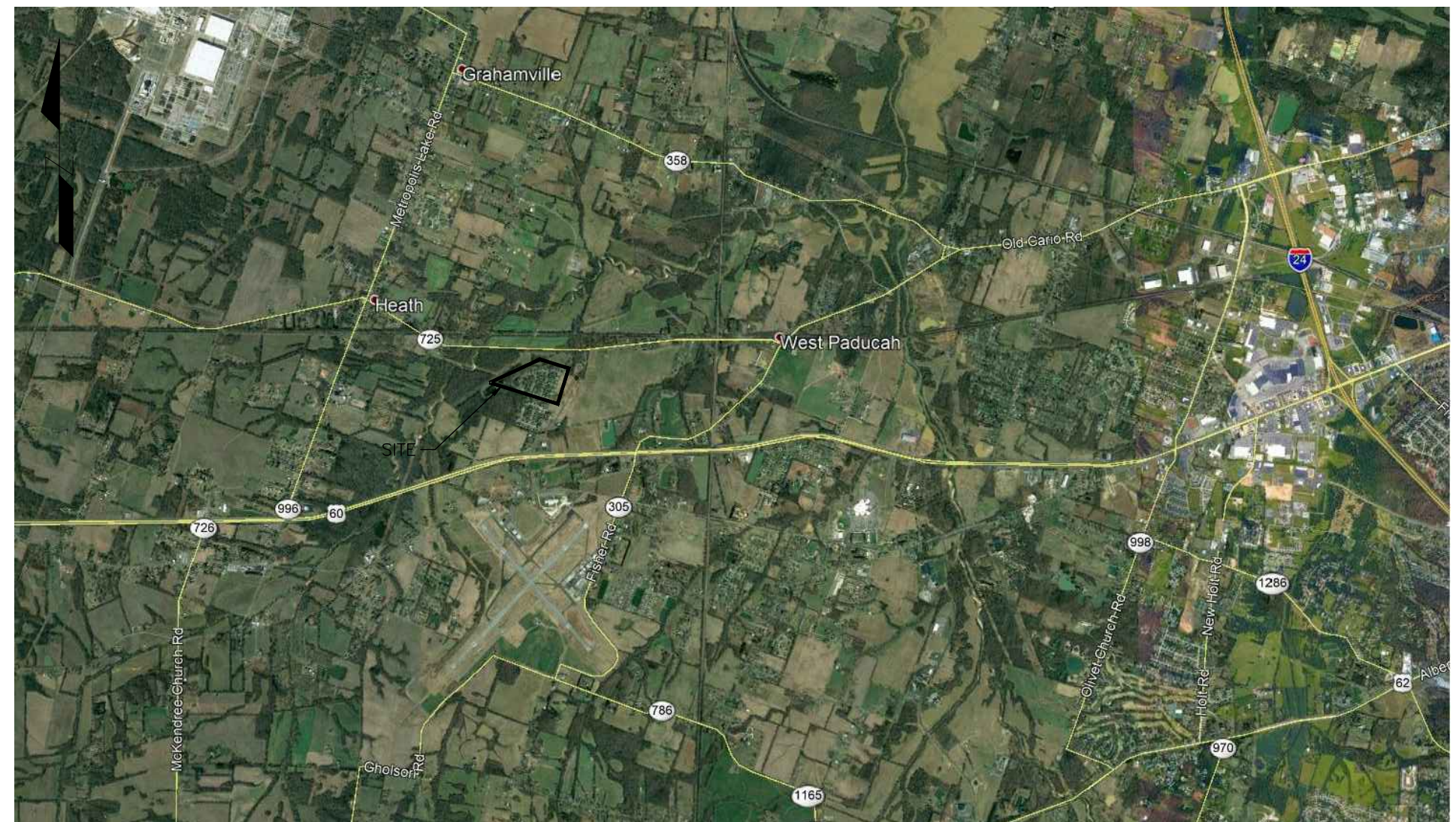
1351 Jefferson, Suite 301 mail@21designgroup.net
Washington, MO 63090 P: 636-432-5029

WASTEWATER FACILITY PROCESS FLOW DIAGRAM FOR TIMBERLAND WWTF PADUCAH, KENTUCKY



TIMBERLAND WWTF IN MCCRACKEN COUNTY, KENTUCKY

PERMIT ISSUE: _____, 2020
CONSTRUCTION ISSUE: _____, 2020
RECORD ISSUE: _____, 2020



VICINITY MAP

DRAWING LIST

- C01 TITLE
- C02 NOTES
- C03 EXISTING CONDITIONS / DEMOLITION PLAN
- C04 SITE / UTILITY PLAN
- C05 DETAILS
- P1 HYDRAULIC PROFILE
- P2 PROCESS FLOW DIAGRAM
- P3 PROCESS NOTES, ABBREVIATIONS AND LEGEND
- P4 PROCESS PLAN VIEW
- P5 CHLORINE CONTACT TANK NO. 2 AND OVERFLOW STRUCTURE PLANS, SECTIONS AND DETAILS
- P6 AEROBIC DIGESTER 1 AND 2 AND MBBR STAGE 1, 2, AND 3 PLANS, SECTIONS AND DETAILS
- P7 CHLORINE CONTACT TANK NO. 1 CLARIFIER PLAN AND BLOWER PLAN, SECTIONS AND DETAILS
- P8 PROCESS SECTIONS
- P9 PROCESS DETAILS AND ELECTRICAL RISER DIAGRAM



COVER SHEET
TIMBERLAND WWTF
TIMBERLAND DRIVE
PADUCAH, KY

ENGINEERING CERTIFICATE OF AUTHORITY NO. 4804
ENGINEERING LICENSE: BENJAMIN J. KUENZEL, PE33718

SEAL DATE:	09/29/2020
DRAWN BY:	BJK
PROJ NUMBER:	542-B
DATE:	09/21/2020
DRAWING NO:	C01

ALL RIGHTS RESERVED. All 21 Design Group, Inc., plans, specifications and drawings are protected under copyright law and no part may be copied, reproduced, displayed publicly, used to create derivatives, distributed, stored in a retrieval system or transmitted in any form by any means without prior written permission of 21 Design Group, Inc.

General Notes and Construction Specifications

- 1. All water and sewer main construction shall be consistent with the local municipality requirements as well as all testing and disinfection requirements of Kentucky DEP.
2. The contractor shall obtain, erect, maintain and remove all signs, barricades, flagmen and other control devices as may be necessary for the purpose of regulating, warning or guiding traffic.
3. Location of utilities shown on plans are approximate only, and are not necessarily complete.
4. If existing utility lines of any nature are encountered which conflict in location with new construction, the contractor shall notify the engineer and owner so that the conflict may be resolved.
5. The contractor shall notify One Call at least 48 hours prior to construction so that each utility company can stake out any underground improvements that they may have which might interfere with the proposed construction.
6. The contractor shall be required to make arrangements for the proper bracing, shoring and other required protection of all roadways, structures, poles, cables and pipe lines, before construction begins.
7. The contractor shall be responsible for the protection of all private and public utilities even though they may not be shown on the plans.
8. The contractor shall examine the plans and specifications, visit the site of the work and inform himself/herself fully with the work involved, general and local conditions, all federal, state and local laws, ordinances, rules and regulations and all other pertinent items which may affect the cost and time of completion of this project before submitting a proposal.
9. All work and materials shall be in accordance with code requirements.
10. Prior to submitting his bid, the contractor shall call the attention of the engineer to any material or equipment he deems inadequate and to any item of work omitted on the plans.
11. Structures for valve vaults for water mains shall be in accordance with the improvement plans and the applicable municipality construction requirements.
12. Frame and cover or grates for water main structures shall be as indicated within these improvement plans.
13. All final adjustments of casting will be accomplished by the use of precast concrete adjusting rings set in butyl rope joint sealant, mortar joints will not be allowed.
14. The contractor shall be responsible to place on grade and coordinate with other contractors all underground structure frames such as catch basins, inlets, manholes, hydrants, buffalo boxes, valves, etc.
15. The contractor shall restore any area disturbed to a condition equal to or better than its original use.
16. All trenches caused by the construction of all utilities and the excavation around catch basins, manholes, inlets and other appurtenances which occur within the limits of existing or proposed pavements, sidewalks and curb and gutters or where the edge of the trench shall be within two (2') feet horizontally of said improvements shall be backfilled with compacted granular trench backfill or with approved suitable select material and properly compacted to 100% of maximum density as determined by the standard proctor dry density (ASTM d 698) compaction test.
17. The depth of backfill shall be measured from the top of the pipe embedment to the finished subgrade or as noted on the plans.
18. The contractor shall be responsible for providing safe and healthful working

- conditions throughout the construction of the proposed improvements.
19. The engineer will be given forty-eight (48) hours notice for any staking that is to be done.
20. The contractor shall inform the engineer and owner before work commences on each category of construction, i.e. water main, grading, pavement and drainage improvement.
21. The engineer will furnish the contractor with lines and grades necessary to the proper prosecution and control of the work.
22. All survey monuments damaged or removed during construction of this project shall be replaced by the surveyor and said cost of replacement shall be paid by the contractor.
23. The contractor will have in his possession on the job site a copy of the plans and specifications during construction.
24. If approval for any items is required, the contractor shall contact the engineer for approval prior to ordering.
25. Any drain and/or field tile encountered by the contractor during the installation of the improvements shall be returned to original condition.
26. All road signs, street signs and traffic signs which need to be relocated or moved due to construction shall be taken down and stored by the contractor at his own expense.
27. The contractor shall dispose of all excess excavation, unsuitable and unusable materials offsite and at an approved location in a manner that public or private property will not be damaged or endangered.
28. No trench excavations will be permitted to remain open over any weekend, night, or any time site is left unattended.
29. Band-seal style couplings shall be used when joining sewer pipes of dissimilar materials.
30. As-built drawings shall be prepared by the contractor and submitted to the engineer as soon as the site improvements are completed.
31. The contractor is responsible for coordinating any required inspections with the engineer and city or state agency.
32. Special attention is drawn to the fact that the standard specifications requires the contractor to have a competent superintendent on the project site at all times.
33. The engineer and owner are not responsible for the construction means, methods, techniques, sequences or procedures, time of performance, programs or for any safety precautions used by the contractor.
34. The utilities shown hereon were plotted from available information and do not necessarily reflect the actual existence, non-existence, size, type, or location of these or other utilities.
35. All materials and methods of construction to meet the specifications submitted for the construction permit.
36. Construction should not commence until all permits have been received from all

- governing agencies.
37. No land disturbance activities can be completed until all land disturbance permitting has been acquired.
38. All fill material shall be made of selected earth materials, free from broken masonry, rock, frozen earth, rubbish, organic material and debris.
39. Grading contractor shall keep existing roadways clean of mud and debris at all times.
40. All graded areas shall be protected from erosion by erosion control devices and/or seeding and mulching as required by all local and state agencies and permits.
41. No grade shall exceed a 3:1 slope except where noted.
42. Interim stormwater drainage control in the form of siltation control measures are required.
43. Adequate temporary off-street parking shall be provided for construction employees.
44. The contractor shall, at all times, contain mud and other spoils on the site.
45. Public roadways shall be kept open to traffic during all phases of construction of improvements.
46. The contractor shall furnish, maintain, and remove traffic control devices for the purpose of regulating, warning, and directing traffic during construction.
47. No investigation has been performed by the engineer regarding hazardous waste, underground conditions or utilities affecting the tract of land shown herein.
48. This plan is not a survey in any sort and shall not constitute a boundary survey.
49. Onsite utilities have been shown based on documents obtained from public entities.
50. See MEP/Arch. plans for site lighting and electrical design/layout.
51. Contractor shall comply with all OSHA requirements for safety and construction.
52. All utility trenches in paved areas shall be compacted to the requirements of the specific paving specification.
53. All unsurfaced areas shall receive a minimum of 6" of topsoil.
54. The contractor is responsible for maintenance of sediment control bmps throughout the entire project.
55. All sewer laterals shall have a 2% minimum slope.
56. All storm sewer covers shall have the words "Storm Drain" cast in the top in letters three inches high.
57. All frames, grates and covers shall be ductile iron, conforming to ASTM A48, Class 30 and shall be designed for heavy duty traffic.
58. Manhole steps shall be constructed of polypropylene conforming to ASTM D 4101 and shall meet current state and federal safety standards.
59. Pre-cast manholes shall be at least 48" diameter and conform with ASTM C478 and to design dimensions.

- All joints between pre-cast elements on manholes shall be made with an approved bitumastic material or an approved rubber gasket.
60. All storm sewer 12" to 30" in diameter shall be Corrugated Polyethylene Pipe (CPP) or High Density Polypropylene (HDPP).
61. Dual wall and triple wall polypropylene pipe (HDPP) shall conform to the requirements of AASHTO M330 "Standard Specification for Polypropylene Pipe, ASTM F2736 (Dual wall) for sizes 12" to 30" and ASTM F2764 (Triple wall) for sizes 30" to 60".



1351 Jefferson, Suite 301
Washington, MO 63090
Phone: 636-452-8227
mail@designgroup.net

GENERAL NOTES
TIMBERLAND WHITE
TIMBERLAND DRIVE
PADUCAH, KY

ENGINEERING CERTIFICATE OF AUTHORITY NO. 4804
ENGINEERING LICENSE: BENJAMIN J. KUENZEL, PE33718



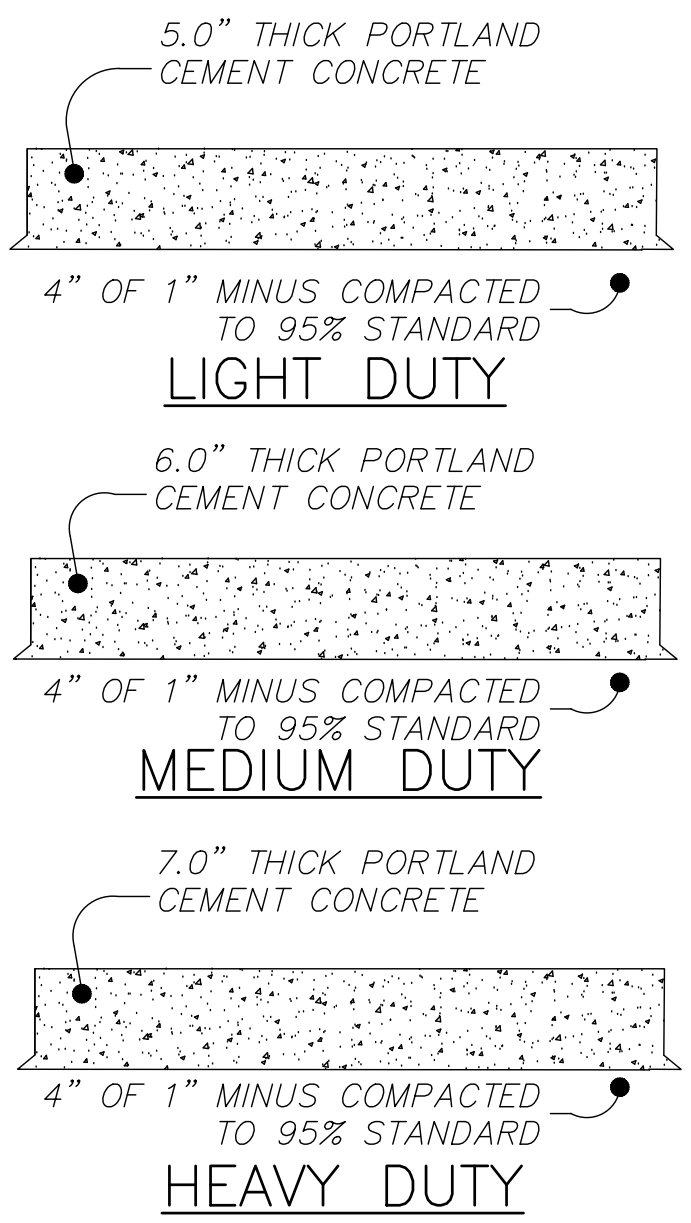
SEAL DATE: 09/29/2020
DRAWN BY: BJK
PROJ NUMBER: 542-B
DATE: 09/21/2020

DRAWING NO: C02

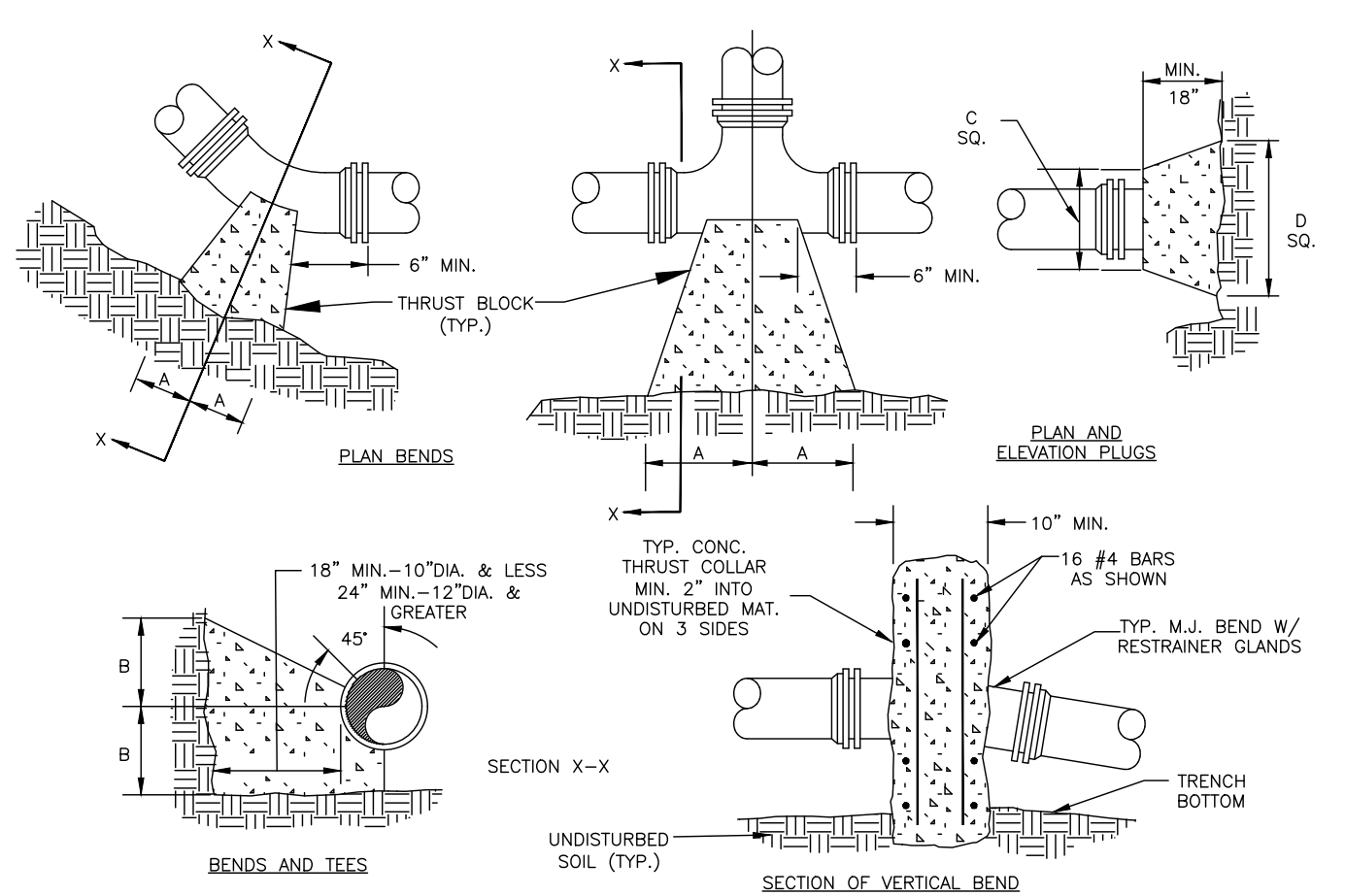
ALL RIGHTS RESERVED. All "21 Design Group, Inc." plans, specifications and drawings are protected under copyright law and no part may be copied, reproduced, displayed publicly, used to create derivatives, distributed, stored in a retrieval system or transmitted in any form by any means without prior written permission of "21 Design Group, Inc."

BAR IS ONE INCH ON OFFICIAL DRAWINGS. 0 1" IF NOT ONE INCH, ADJUST SCALE ACCORDINGLY.

- NOTES:
1. PORTLAND CEMENT CONCRETE SHALL COMPLY WITH CURRENT DOT STANDARD SPECIFICATIONS FOR ROAD AND BRIDGE CONSTRUCTION. CONCRETE SHALL HAVE A 28-DAY COMPRESSIVE STRENGTH OF 4,000 PSI, AIR ENTRAINMENT OF 5 TO 7 PERCENT, AND SLUMP BETWEEN 1 TO 3 INCHES.
 2. SUBGRADE SHALL BE COMPACTED TO A DENSITY OF NO LESS THAN 95% OF STANDARD PROCTOR (PER ASTM D-698)
 3. SEE GEOTECHNICAL REPORT FOR PAVEMENT SPECIFICATION REQUIREMENTS.
 4. MAXIMUM JOINT SPACING SHALL BE 24 TIMES THE CONCRETE THICKNESS WITH SLABS BE NO GREATER THAN 2:1 LENGTH TO WIDTH.
 5. NON-REINFORCED CONCRETE PAVING, CONTRACTOR TO USE SMOOTH DOWELS AT CONSTRUCTION JOINTS.
 6. SEE GEOTECHNICAL REPORT FOR ALL COMPACTION, POURING, AND MATERIAL REQUIREMENTS. IF A CONFLICT EXISTS, THE GEOTECHNICAL REPORT GOVERNS.
 7. PROOF ROLL SUBGRADE DOUBLE TANDOM AXLE TRUCK PRIOR TO PLACING ROCK BASE MATERIAL.
 8. CONCRETE CURING SHALL BE PROVIDED PER ASTM C-309 OR MODOT SPECIFICATIONS, WHICHEVER IS GREATER.
 9. JOINT SEALER PER MODOT SPECIFICATIONS.
 10. WEATHER PROVISIONS SHALL COMPLY TO MODOT STANDARD CONSTRUCTION REQUIREMENTS.



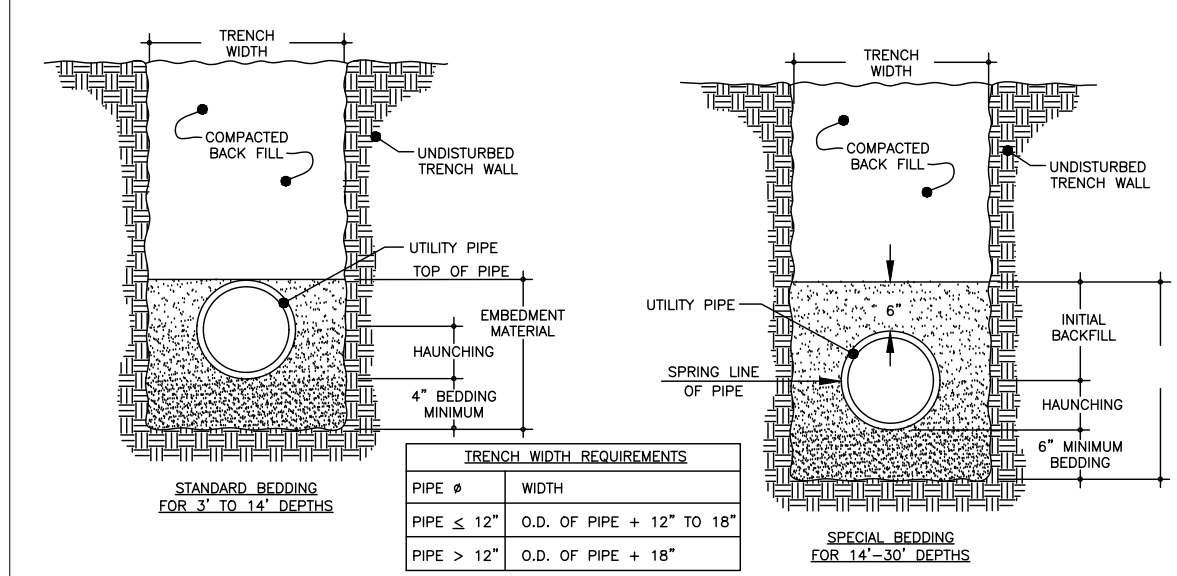
CONCRETE SECTION DETAILS
Not To Scale



- NOTES:
1. FOR VERT. BEND DOWN IN EXCESS OF 11 1/4" BEND, ANCHORAGE SHALL BE DESIGNED BY ENGINEER.
 2. FOR VERT. BEND UPWARD, BLOCKING TO BE SIMILAR TO THAT FOR HORIZ. BEND.
 3. GLANDS & BOLTS SHALL BE PROTECTED FROM CONC. BY PLASTIC SHEETING WHEN POURING THRUST BLOCKS.
 4. ALL THRUST BLOCK & SUPPORT CONC. SHALL BE 3000 PSI READY MIX CONC.
 5. THRUST BLOCKS WITH "8" DIMENSION GREATER THAN 30" SHALL HAVE THE RESTRAINED PIPE INSTALLED WITH A MINIMUM OF 4" OF COVER.

PIPE SIZE	90° BEND		45° BEND		22 1/2° BEND			11 1/4° BEND				TEE		PLUG	
	A	B	A	B	A	B	C	A	B	C	D	A	B	C	D
4"	8"	12"	8"	8"	6"	6"	6"	6"	11"	9"	10"	6"	6"	6"	6"
6"	18"	12"	8"	10"	8"	8"	8"	8"	11"	10"	12"	18"	18"	18"	18"
8"	18"	13"	10"	10"	8"	8"	8"	8"	11"	12"	12"	24"	24"	24"	24"
10"	20"	16"	12"	14"	8"	12"	8"	12"	14"	16"	16"	30"	30"	30"	30"
12"	20"	16"	12"	14"	8"	12"	8"	12"	14"	16"	16"	30"	30"	30"	30"
16"	26"	20"	16"	18"	11"	13"	11"	13"	18"	20"	20"	36"	36"	36"	36"
24"	82"	42"	62"	30"	44"	22"	22"	16"	82"	42"	82"	82"	82"	82"	82"
30"	185"	42"	100"	42"	52"	42"	40"	30"	185"	42"	185"	42"	185"	42"	42"

THRUST BLOCK CONSTRUCTION
Not To Scale



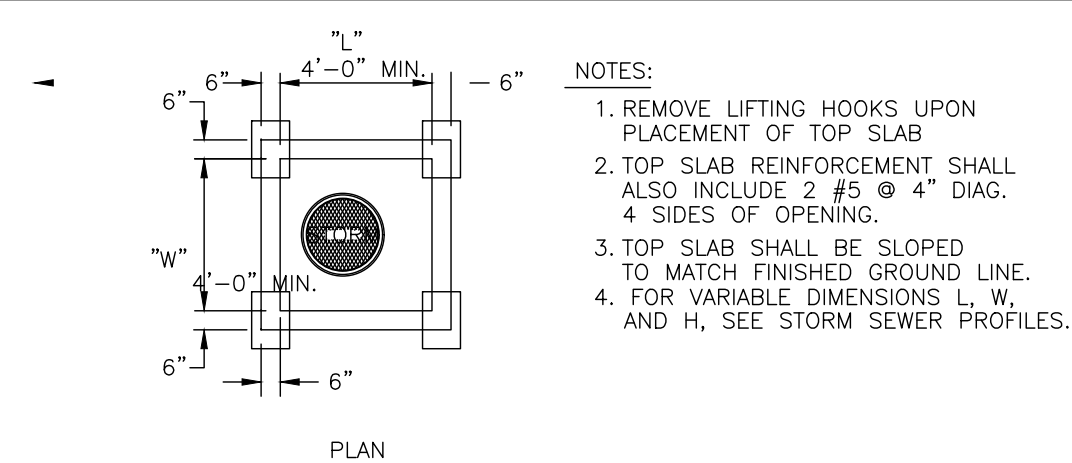
NOTES:

1. EMBEDMENT MATERIAL MUST BE 1" MINUS GRANULAR BACKFILL.
2. EMBEDMENT MATERIAL SHALL BE COMPACTED TO A MINIMUM 95% STANDARD PROCTOR DENSITY.
3. STANDARD BEDDING SHALL BE UTILIZED FOR ALL CASES WHERE TRENCH BOTTOMS ARE UNSTABLE DUE TO SOIL TYPE OR MOISTURE CONDITIONS.
4. TRENCH EXCAVATION SHALL CONFORM TO ALL OSHA CONSTRUCTION REQUIREMENTS.
5. ANY TRENCHING UNDER PAVED AREAS SHALL BE BACKFILLED WITH 1" MINUS AND COMPACTED TO 95% STANDARD PROCTOR DENSITY.
6. CONTRACTOR IS RESPONSIBLE FOR TRENCH SETTLEMENT.
7. IN AREAS OF ROCK CUT, TRENCHES SHALL BE BACKFILLED WITH WELL GRADED GRANULAR MATERIAL TO 6" ABOVE THE TOP OF PIPE.
8. ALL UTILITY INSTALLATION SHALL CONFORM TO THE PIPE MANUFACTURER.
9. HANGING SHALL BE WORKED AROUND THE PIPE BY HAND TO ELIMINATE ALL VOIDS.

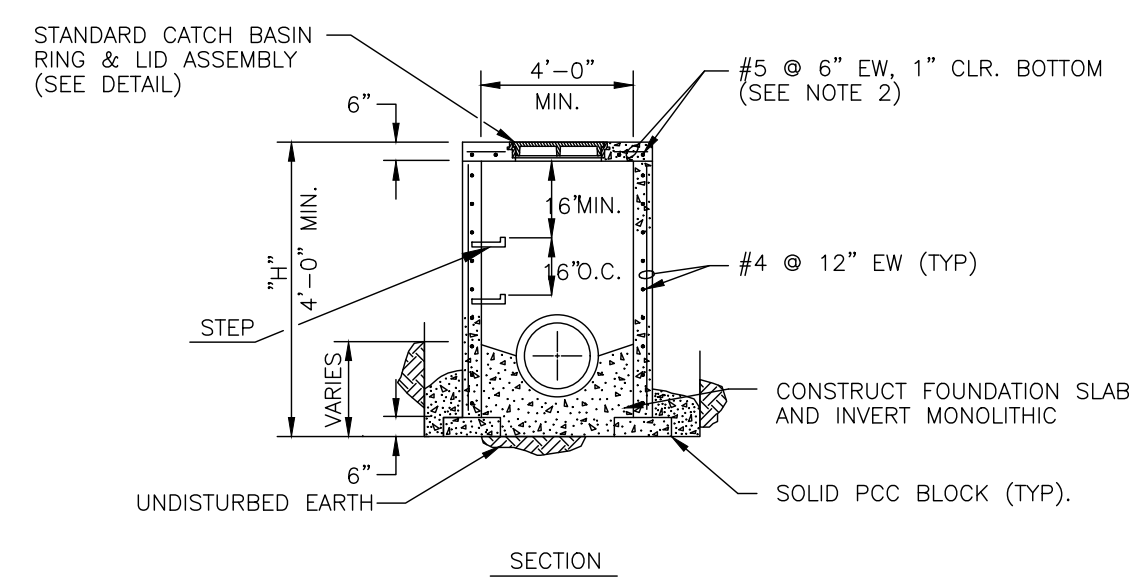
TRENCH WIDTH REQUIREMENTS		TRENCH DEPTH REQUIREMENTS	
PIPE Ø	WIDTH	UTILITY	MIN. DEPTH
PIPE ≤ 12"	O.D. OF PIPE + 12" TO 18"	WATER	SEE UTILITY CO.
PIPE > 12"	O.D. OF PIPE + 18"	ELECTRIC	42"
		SANITARY	36"

PIPE REQUIREMENTS			
UTILITY	Ø	1" TO 3"	3" TO 16"
GAS	SEE UTILITY COMPANY		
WATER	DUCTILE	CLASS 200	DUCTILE
ELECTRIC	PVC	PVC	N/A
STORM	CONCRETE	HDPE	CONCRETE
SANITARY	DUCTILE	CLASS 200	DUCTILE

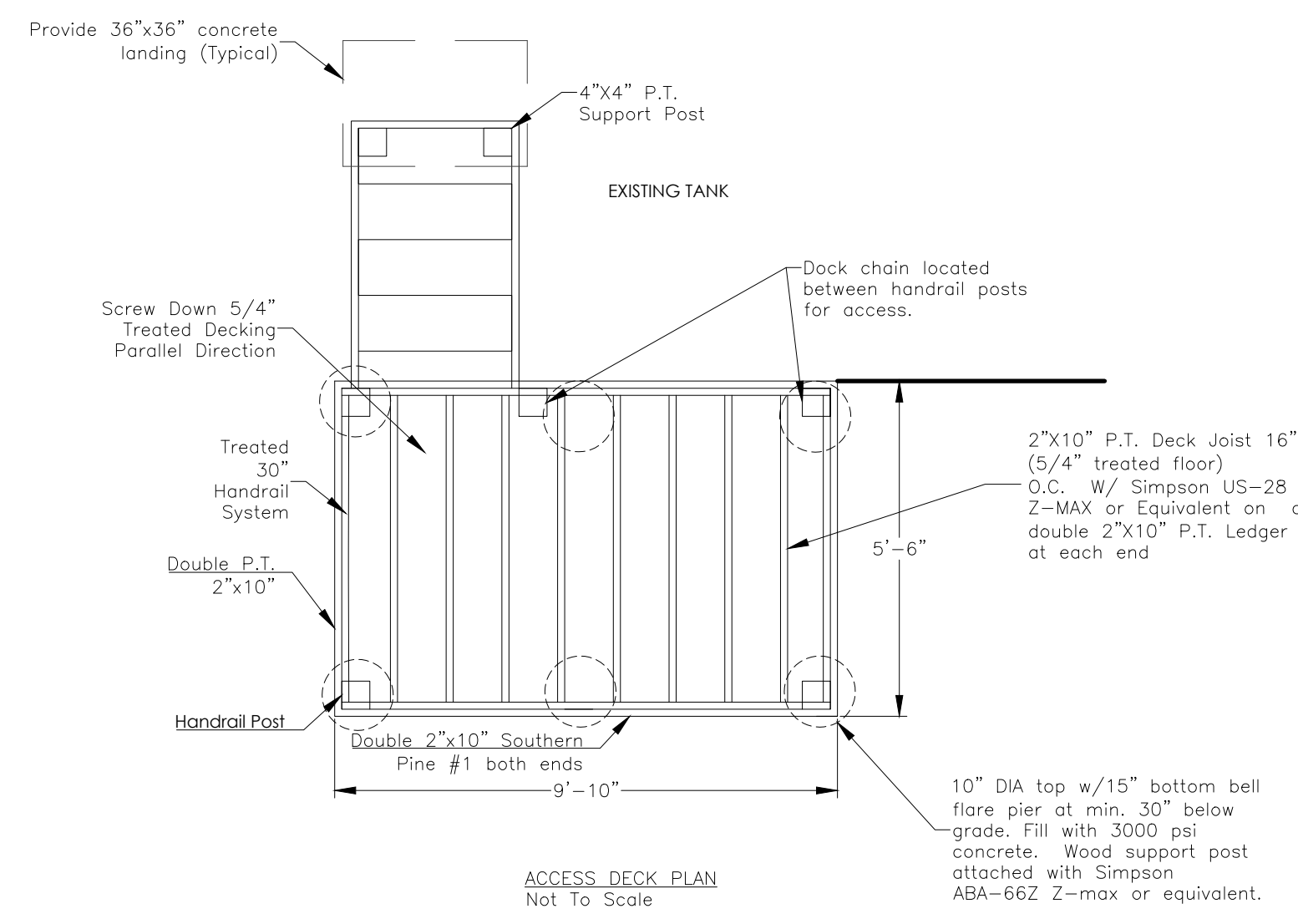
UTILITY TRENCHING & BEDDING DETAIL
Not To Scale



- NOTES:
1. REMOVE LIFTING HOOKS UPON PLACEMENT OF TOP SLAB
 2. TOP SLAB REINFORCEMENT SHALL ALSO INCLUDE 2 #5 @ 4" DIAG. 4 SIDES OF OPENING.
 3. TOP SLAB SHALL BE SLOPED TO MATCH FINISHED GROUND LINE.
 4. FOR VARIABLE DIMENSIONS L, W, AND H, SEE STORM SEWER PROFILES.

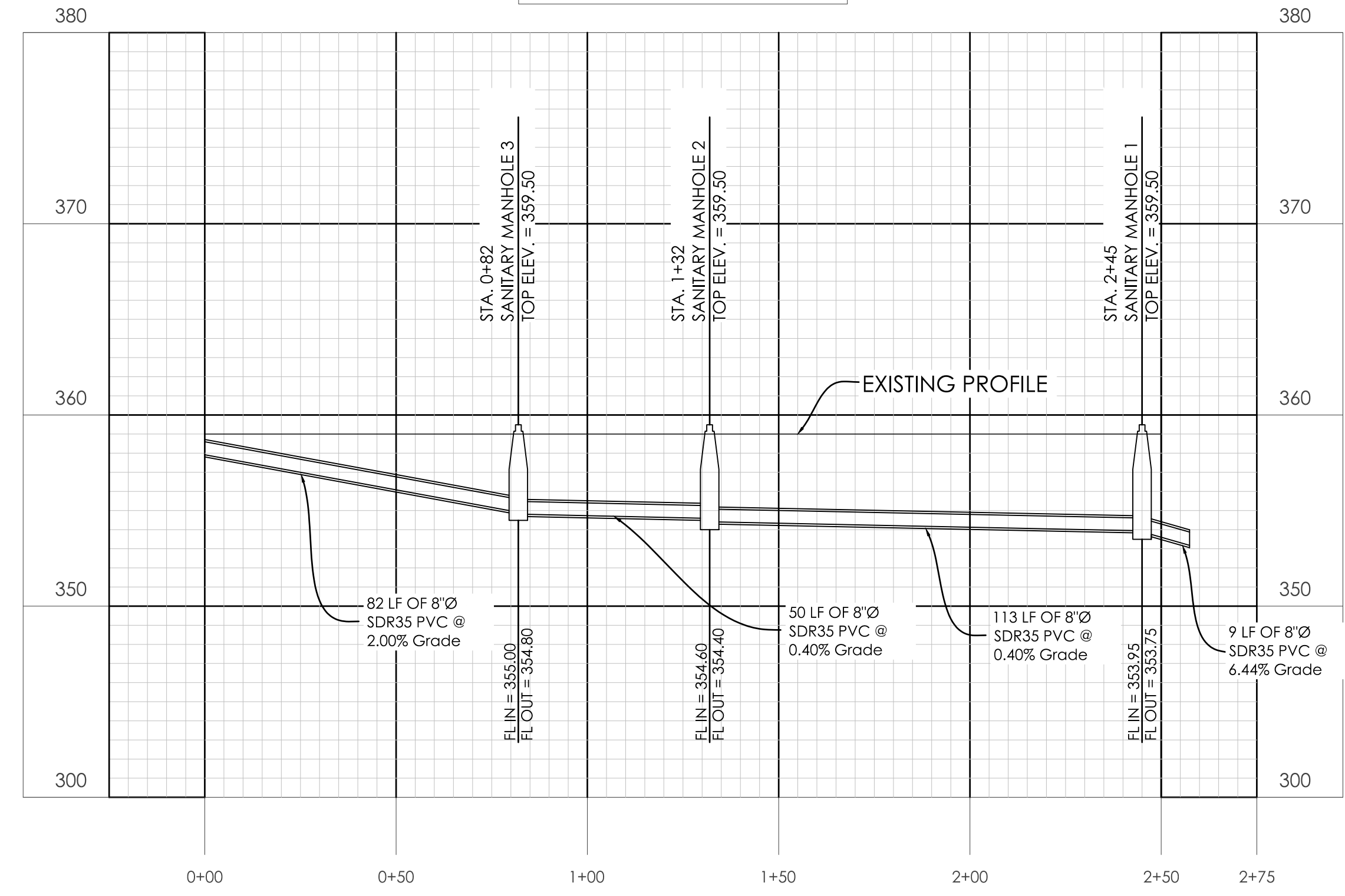


STORM MANHOLE DETAIL
Not To Scale

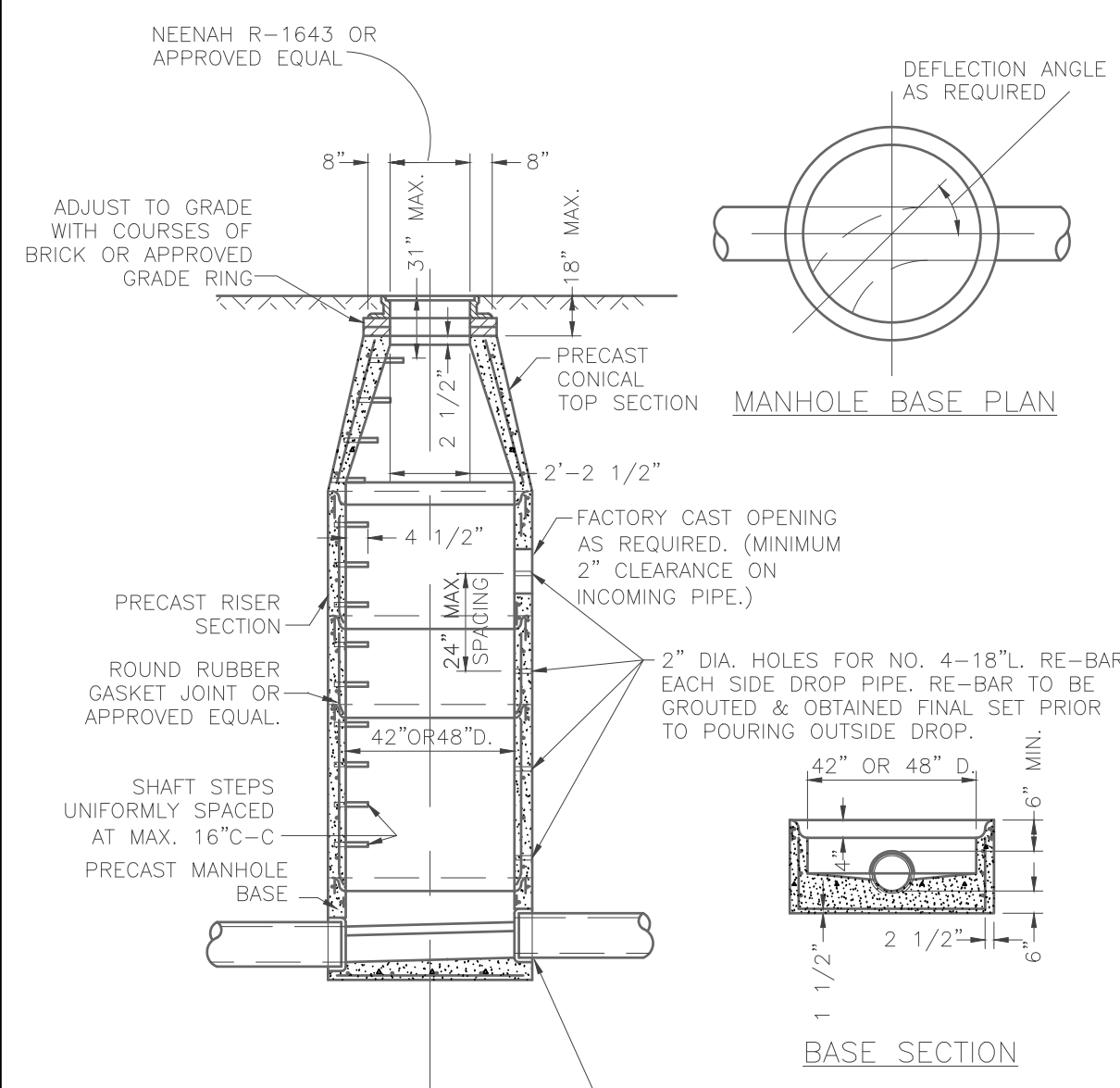


ACCESS DECK PLAN
Not To Scale

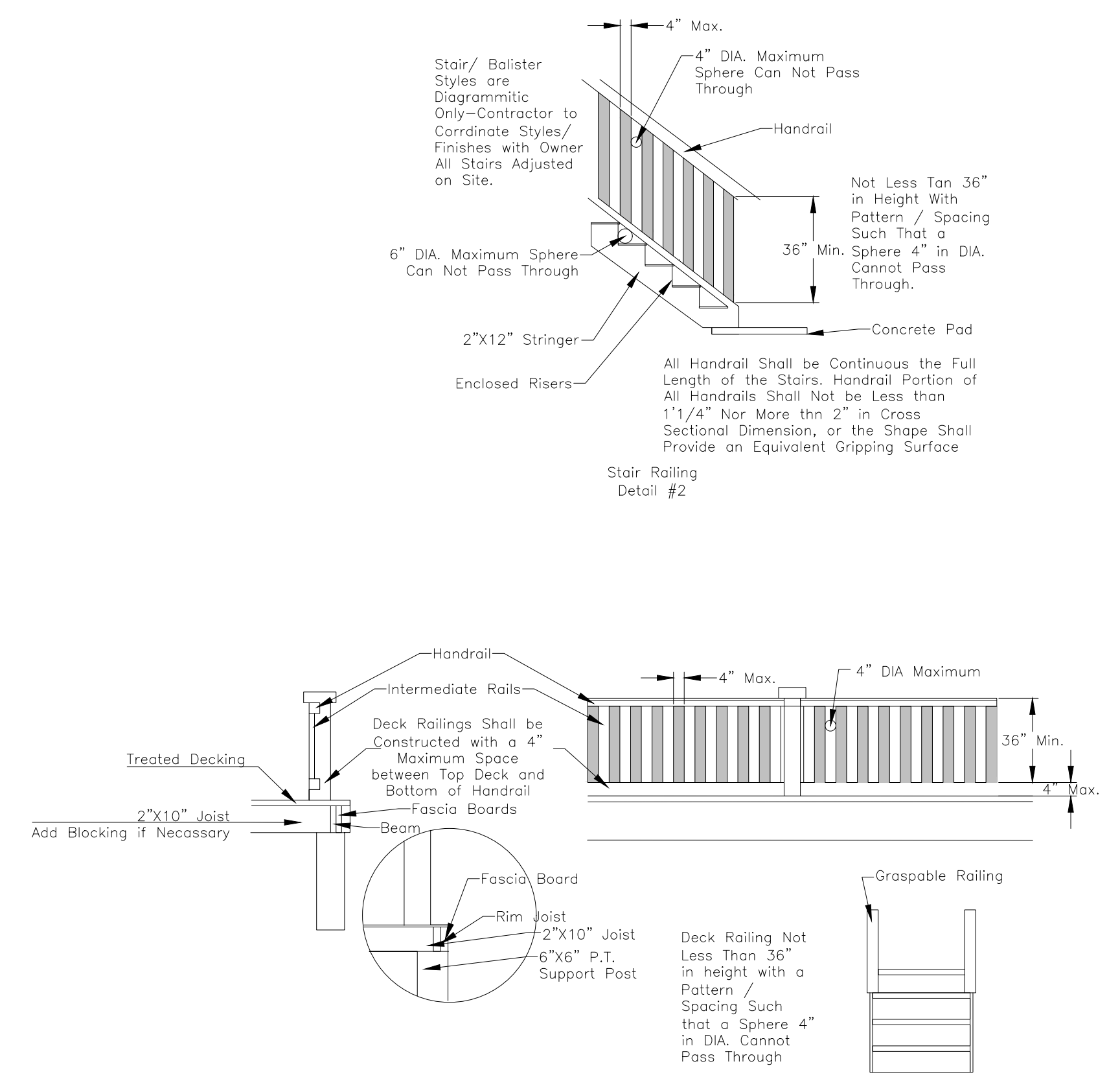
Sanitary PROFILE



EFFLUENT SANITARY SEWER PROFILE



PRE-CAST CONCRETE MANHOLE FOR SEWERS 8" THROUGH 18"
Not To Scale



WOOD DECK AND STAIR DETAIL (TVL-681,682 AND P-621 ACCESS PLATFORM)
Deck and Railing Detail Handrail Support Post Detail #1

DESIGN GROUP INC.

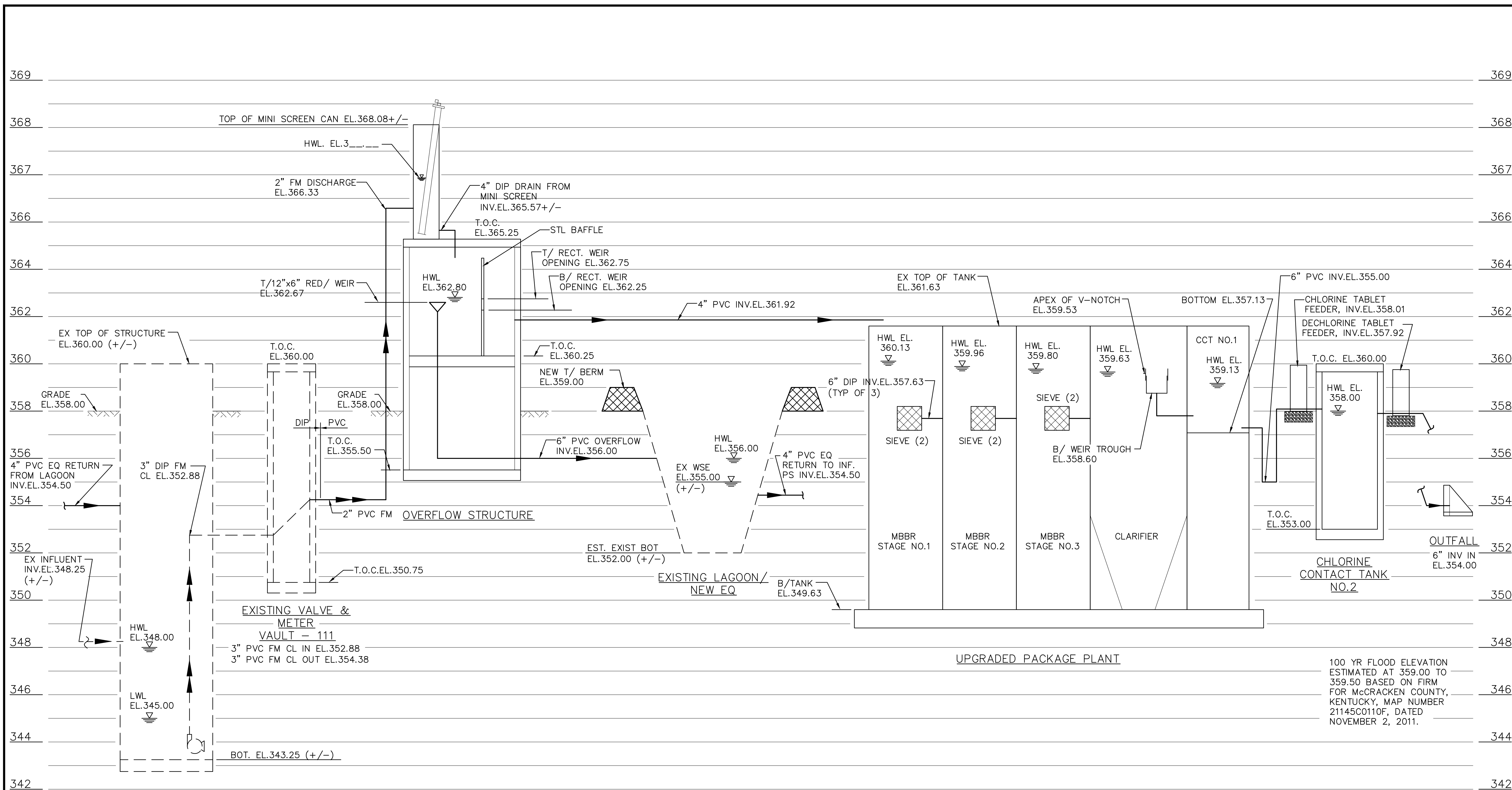
DETAIL SHEET

ENGINEERING CERTIFICATE OF AUTHORITY NO. 4804
ENGINEERING LICENSE: BENJAMIN J. KUENZEL, PE33718

STATE OF KENTUCKY
BENJAMIN J. KUENZEL
33718
REGISTERED PROFESSIONAL ENGINEER

SEAL DATE: 09/29/2020
DRAWN BY: BJK
PROJ NUMBER: 542-9
DATE: 09/21/2020
DRAWING NO: C05

1351 Jefferson, Suite 301
 Washington, MO 63090
 P: 636-452-8297
 mail@designgroup.net
 P: 636-452-8297
 ALL RIGHTS RESERVED. All 21 Design Group, Inc., plans, specifications and drawings are protected under copyright law and no part may be copied, reproduced, displayed publicly, used to create derivatives, distributed, stored in a retrieval system or transmitted in any form by any means without prior written permission of 21 Design Group, Inc.



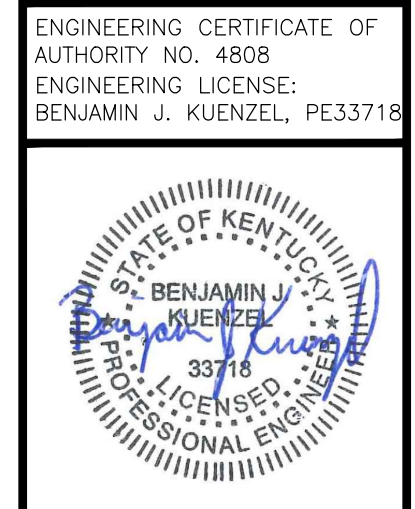
REV	DATE	DESCRIPTION
A	09/29/2020	PERMIT SET

DESIGN GROUP INC.
 1351 Jefferson, Suite 301
 Washington, MO 63090
 mail@designgroup.net
 P: 636-492-2622

HYDRAULIC PROFILE

TIMBERLAND WWTF
 6500 US 60 WEST
 PADUCAH, KY

ENGINEERING CERTIFICATE OF AUTHORITY NO. 4808
 ENGINEERING LICENSE: BENJAMIN J. KUENZEL, PE33718



SEAL DATE	09/29/2020
DRAWN BY	DDG
PROJ NUMBER	0542-19
DATE	09/10/2020
DRAWING NO.	P1

ALL RIGHTS RESERVED. All "21 Design Group, Inc." plans, specifications and drawings are protected under copyright law and no part may be copied, reproduced, displayed publicly, used to create derivatives, distributed, stored in a retrieval system or transmitted in any form by any means without prior written permission of "21 Design Group, Inc."

DESIGN CRITERIA:

RAW INFLUENT FLOW AND INFLUENT PUMP STATION

ADF Q = 25,000 GPD
 POF Q = 75,000 GPD
 PHF Q = 100,000 GPD

MBBR INFLUENT FLOW (DOWNSTREAM EQUALIZATION)

25,000 GPD
 50,000 GPD
 50,000 GPD

EXISTING INFLUENT PUMP STATION

DIMENSIONS: 4' DIA x 3' OPERATING RANGE
 P-111 - 69.4 GPM @ 17 FT TDH
 P-112 - 69.4 GPM @ 17 FT TDH

MBBRs

DIMENSIONS: (3) EA OF 6'x11.25'x10.17' (AVG WATER DEPTH)
 TOTAL VOLUME: 15,400 GAL.
 HRT @ ADF: 14.8 HRS.
 HRT @ PDF: 7.4 HRS
 MEDIA FILL: 30%
 TOTAL SURF AREA: 8,745 M²

AEROBIC DIGESTER NO.1

DIMENSIONS: 12'x11.25'x10.33' (HWL)
 TOTAL VOLUME: 10,431 GAL.
 VOL/POP. EQ.: 6.6 CF/PE
 EST. SRT.: 70 DAYS
 SCFM: 42 SCFM (AT 30 SCFM/1,000 CF)

AEROBIC DIGESTER NO.2

DIMENSIONS: 3.25'x11.25'x10.17' (HWL)
 TOTAL VOLUME: 2,825 GAL.
 VOL/POP. EQ.: 1.8 CF/PE
 EST. SRT.: 41 DAYS
 SCFM: 11 SCFM (AT 30 SCFM/1,000 CF)

CLARIFIERS:

DIMENSIONS: (2) EA OF 5.5'x7.7'x10' WATER DEPTH
 SURFACE AREA: 85 SQ SF
 SOR @ PDF: 590 GPD/SF
 SOR @ PHF: 590 GPD/SF
 WEIR LENGTH: 22.3 FT.
 WEIR OVERFLOW RATE: @ PHF: 2,239 GPD/FT.

EXISTING CHLORINE CONTACT TANK NO.1

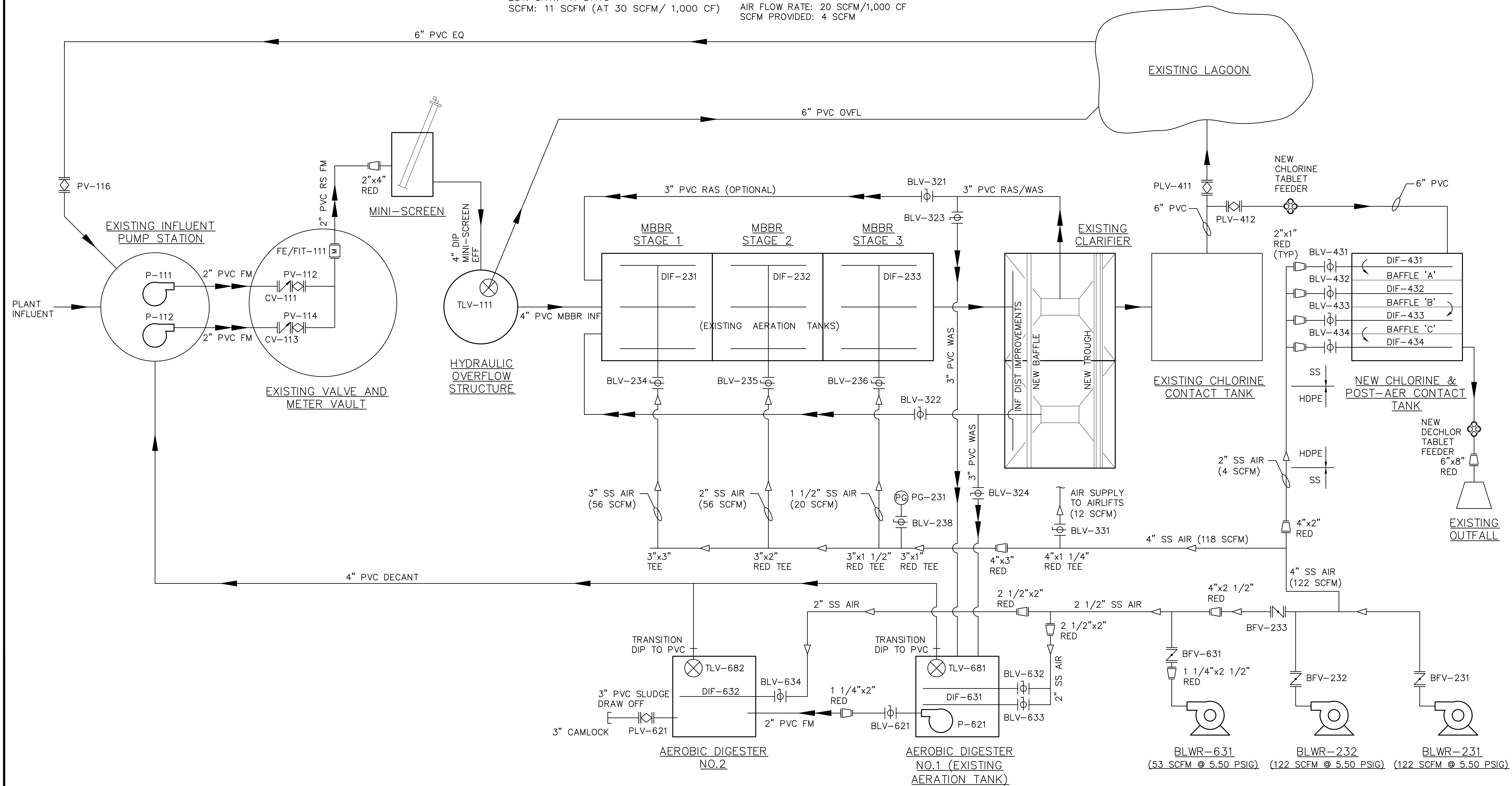
DIMENSIONS: 3'x11.25'x3.17' (HWL)
 TOTAL VOLUME: 800 GAL.
 HRT: 23 MINUTES
 TABLET FEEDER RELOCATED DOWNSTREAM; CCT NO.1 TO BE USED AS BACKUP.

NEW CHLORINE CONTACT TANK NO.2/ POST-AERATION

DIMENSIONS: 6'x6'x5' (HWL)
 TOTAL VOLUME: 1,346 GAL.
 HRT: 39 MINUTES
 CCT NO.2 USED FOR POST-AERATION
 AIR FLOW RATE: 20 SCFM/1,000 CF
 SCFM PROVIDED: 4 SCFM

OVERFLOW STRUCTURE

DIMENSIONS: 6'x6'x7'
 MBBR INFLUENT RECTANGULAR WEIR
 3" WIDE, INV. EL.362.75, TOP OF OPENING EL.363.25.
 OVERFLOW WEIR (TO LAAGOON) AT EL.363.17



PROCESS FLOW DIAGRAM
 TIMBERLAND WWTF
 6500 US 60 WEST
 PADUCAH, KY

ENGINEERING CERTIFICATE OF AUTHORITY NO. 4808
 ENGINEERING LICENSE: BENJAMIN J. KUENZEL, PE33718



SEAL DATE: 09/29/2020
 DRAWN BY: DDG
 PROJ NUMBER: 0542-19
 DATE: 09/05/2020
 DRAWING NO: P2

ALL RIGHTS RESERVED. All 21 Design Group, Inc., plans, specifications and drawings are protected under copyright law and no part may be copied, reproduced, displayed publicly, used to create derivatives, distributed, stored in a retrieval system or transmitted in any form by any means without prior written permission of 21 Design Group, Inc.

FOUNDATION NOTES:

- 1. THE FOUNDATION DESIGN IS BASED ON THE GEOTECHNICAL REPORT. CONTRACTOR WILL BE FURNISHED WITH GEOTECHNICAL REPORT FOLLOWING WRITTEN REQUEST.
2. ALL SOIL SUPPORTED FOOTINGS SHALL BE FOUNDED UPON UNDISTURBED NATURAL SUBGRADE WITH A MINIMUM ALLOWABLE BEARING CAPACITY OF 3,000 PSF AS FIELD VERIFIED AND APPROVED BY THE CONTRACTOR'S SOIL TESTING LABORATORY. FINAL, EXACT ELEVATIONS AND SOIL BEARING CAPACITIES SHALL BE FIELD DETERMINED AND VERIFIED BY THE CONTRACTOR'S SOIL TESTING LABORATORY AND REVIEWED BY THE ENGINEER DURING CONSTRUCTION.
3. SHOULD UNACCEPTABLE SOIL BE FOUND AT THE BEARING ELEVATION, THE SOIL SHOULD BE REMOVED TO A LEVEL OF ACCEPTABLE MATERIAL. THE OVER EXCAVATION WIDTH SHALL EXTEND Laterally AT LEAST 12" BEYOND THE FOUNDATION EDGE FOR EACH 12" OF OVER EXCAVATION DEPTH. THE OVER EXCAVATION SHALL BE BACKFILLED WITH COMPACTED GRANULAR FILL AND TESTED BY THE CONTRACTOR'S TESTING AGENCY.
4. SOIL SUBGRADE FOR ALL FOOTINGS AND SLABS SHALL BE INSPECTED AND APPROVED BY THE CONTRACTOR'S SOIL TESTING LABORATORY PRIOR TO PLACING FOUNDATION CONCRETE OR CONCRETE MUD SUBS.
5. ALL FOOTING SUBGRADES AS REQUIRED AND ALL SLAB SUBGRADES INCLUDING PIT SLABS SHALL BE COMPACTED TO 95 PERCENT OF MAXIMUM DENSITY AT OPTIMUM MOISTURE CONTENT BASED ON LABORATORY DESIGNED ASTM D1557. ALL BACKFILL AROUND AND ABOVE ALL FOUNDATION ELEMENTS, FOOTINGS, CAPS, MATS AND PITS SHALL BE COMPACTED TO 90 PERCENT OF MAXIMUM DENSITY AT OPTIMUM MOISTURE CONTENT BASED ON LABORATORY DESIGNATION ASTM D1557.
6. ALL ORGANIC AND/OR OTHER UNSUITABLE MATERIALS SHALL BE REMOVED FROM SUBGRADE AND BACKFILL AREAS AND BACKFILLED WITH ACCEPTABLE GRANULAR FILL, COMPACTED TO 95 PERCENT OF MAXIMUM DENSITY. FILL SHALL BE PLACED IN LIFTS NOT TO EXCEED 12 INCHES IN LOOSE THICKNESS.
7. DO NOT BACKFILL AGAINST BASEMENT WALLS UNTIL GROUND FLOOR AND LOWER LEVEL SLABS AVE BEEN PLACED AND THE CONCRETE HAS ATTAINED FULL DESIGN STRENGTH.
8. NO MUD SLABS, FOOTINGS OR SLABS SHALL BE PLACED INTO OR AGAINST SUBGRADE CONTAINING FREE WATER, FROST OR ICE. SHOULD WATER OR FROST ENTER A FOOTING EXCAVATION AFTER SUBGRADE APPROVAL THE SUBGRADE SHALL BE RE-INSPECTED BY THE CONTRACTOR'S SOIL TESTING LABORATORY AFTER REMOVAL OF WATER OR FROST.
9. THE CONTRACTOR SHALL PROVIDE ALL NECESSARY MEASURES TO PREVENT ANY FROST OR ICE FROM PENETRATING ANY FOOTING OR SLAB SUBGRADE BEFORE AND AFTER PLACING OF CONCRETE AND UNTIL SUCH SUBGRADES ARE FULLY PROTECTED BY THE PERMANENT BUILDING STRUCTURE.
10. THE CONCRETE FOR EACH ISOLATED FOOTING SHALL BE PLACED IN ONE (1) CONTINUOUS PLACEMENT.
11. ALL SLAB AND FOOTING MUD SLABS SHALL BE THOROUGHLY CLEANED IMMEDIATELY PRIOR TO THE FOUNDATION CONCRETE PLACEMENT.
12. ALL SLABS-ON-GRADE SHALL BE PLACED OVER A MINIMUM OF 6 INCH COMPACTED GRANULAR FILL MATERIAL OVER COMPACTED SOIL SUBGRADE.
13. THE ANTICIPATED GROUND WATER ELEVATION IS APPROXIMATELY 896.50. THE CONTRACTOR IS RESPONSIBLE FOR ALL DEWATERING. THE VERY LOOSE TO LOOSE GRANULAR SOILS SHOULD BE DENSIFIED AFTER DEWATERING, AS PER THE DIRECTIVE OF THE SOILS TESTING AGENCY.

CONCRETE NOTES:

- 1. ALL CONCRETE SHALL CONFORM TO THE REQUIREMENTS OF ACI 318, ACI 301 AND ACI 350. THESE DOCUMENTS SHALL BE AVAILABLE IN THE FIELD OFFICE.
2. EXCEPT WHERE OTHERWISE INDICATED, CONCRETE TYPES AND MINIMUM 28-DAY COMPRESSIVE STRENGTHS SHALL BE 4000 PSI.
3. CEMENT SHALL CONFORM TO ASTM C150 TYPE 1. USE ONLY ONE BRAND OF CEMENT PER ALL EXPOSED TO VIEW CONCRETE. NO CALCIUM CHLORIDE SHALL BE USED IN ANY CONCRETE.
4. ALL CONCRETE SHALL BE AIR ENTRAINED (4 - 6%) WITH A WATER CEMENT RATIO OF 0.4 (MAX) AND MAY CONTAIN A SUPER PLAST AGENT.
5. REINFORCING BARS SHALL CONFORM TO ASTM A515, GRADE 60.
6. ALL CONCRETE REINFORCEMENT SHALL BE DETAILED, FABRICATED, LABELED, SUPPORTED AND SPACED IN FORMS AND SECURED IN ACCORDANCE WITH THE PROCEDURES AND REQUIREMENTS OUTLINED IN THE LATEST EDITION OF THE 'MANUAL OF STANDARD PRACTICE FROM DETAILING REINFORCED CONCRETE STRUCTURES', ACI 315. BAR SUPPORTS IN CONTACT WITH EXPOSED SURFACES SHALL BE PLASTIC TIPPED.
7. CHECKED SHOP DRAWINGS SHOWING REINFORCING DETAILS, INCLUDING STEEL SIZES, SPACING AND PLACEMENT SHALL BE SUBMITTED TO THE ENGINEER FOR REVIEW PRIOR TO FABRICATION.
8. THE CONTRACTOR SHALL SUBMIT DETAILED DRAWINGS SHOWING THE LOCATIONS OF ALL CONSTRUCTION JOINTS, REVEALS, CURBS, SLAB DEPRESSIONS, SLEEVES, OPENINGS, ETC. ALONG WITH THE CONCRETE POUR SEQUENCE SCHEDULES. THE MAXIMUM DISTANCE BETWEEN JOINTS SHALL BE 40 FT.
9. ALL REINFORCING SPLICES SHALL CONFORM TO THE REQUIREMENTS OF ACI 318, LATEST EDITION, BUT IN NO CASE SHALL BE LESS THAN 36 BAR DIAMETERS, UNLESS NOTED OTHERWISE. ALL WELDED WIRE FABRIC SHALL BE LAPPED TWO (2) FULL MESH PANELS AND TIED SECURELY. WHERE REQUIRED, DOWELS SHALL MATCH SIZE AND NUMBER OF MAIN REINFORCING, UNLESS NOTED OTHERWISE. THE LOCATION OF SPLICES FOR HORIZ. BARS SHALL BE STAGGERED BY A MIN. OF 3 FT. WITHIN THE SECTION. SPLICES SHALL NOT LINE UP WITHIN ANY 4 ADJACENT ROWS.
10. CONCRETE TESTING WILL BE PERFORMED BY THE CONTRACTOR'S TESTING LABORATORY IN ACCORDANCE WITH ACI 301 EXCEPT AS FOLLOWS: FOR COMPRESSIVE STRENGTH TEST, TAKE ONE SET OF THREE (3) SPECIMENS FOR EACH 50 CUBIC YARDS OR FRACTION THEREOF OF EACH CONCRETE CLASS PLACED IN ANY ONE DAY. TEST ONE (1) SPECIMEN AT 7 DAYS, ONE (1) SPECIMEN AT 28 DAYS, AND KEEP ONE (1) IN RESERVE.
11. PROVIDE SHEAR KEY AND WATERSTOP AT ALL CONSTRUCTION & CONSTRUCTION JOINTS.
12. PROVIDE CONTROL/CONSTRUCTION JOINTS IN SLABS ON GRADE NO FURTHER THAN 15 FEET APART
13. FOLLOW ACI GUIDELINES FOR BOTH HOT & COLD WEATHER CONCRETING.

MISCELLANEOUS NOTES:

- 1. NO CHANGE IN SIZE OR DIMENSION OF STRUCTURAL MEMBERS SHALL BE MADE WITHOUT THE WRITTEN APPROVAL OF THE ENGINEER.
2. REFER TO ARCHITECTURAL, MECHANICAL, PROCESSING OR MANUFACT. DRAWINGS FOR LOCATIONS AND DIMENSIONS OF OPENINGS. PROVIDE REINFORCING AROUND OPENINGS PER TYPICAL DETAILS.
3. THE CONTRACTOR IS RESPONSIBLE FOR LIMITING THE AMOUNT OF CONSTRUCTION LOAD IMPOSED UPON STRUCTURAL FRAMING. CONSTRUCTION LOADS SHALL NOT EXCEED THE CAPACITY OF THE FRAMING AT THE TIME THE LOADS ARE IMPOSED. BACKFILLING SHALL NOT BE ALLOWED UNTIL WALLS REACH DESIGN STRENGTH.
4. BACKFILL SHALL NOT BE PLACED AGAINST WALLS UNTIL FLOOR SLABS ARE INSTALLED AND HAVE REACHED 75% STRENGTH (MIN.).
5. THE STRUCTURE IS DESIGNED TO FUNCTION AS A UNIT UPON COMPLETION. THE CONTRACTOR SHALL FURNISH ALL TEMPORARY BRACING AND/OR SUPPORTS REQUIRED AS THE RESULT OF THE CONTRACTOR'S CONSTRUCTION METHODS AND/OR SEQUENCES.
6. DO NOT SCALE THESE DRAWINGS, USE DIMENSIONS.
7. THE CONTRACTOR SHALL INFORM THE ENGINEER IN WRITING OF ANY DEVIATION FROM THE CONTRACT DOCUMENTS. THE CONTRACTOR SHALL NOT BE RELIEVED OF THE RESPONSIBILITY FOR SUCH DEVIATION BY THE ENGINEER'S APPROVAL OF SHOP DRAWINGS, PRODUCT DATA, ETC. UNLESS THE CONTRACTOR HAS SPECIFICALLY INFORMED THE ENGINEER OF SUCH DEVIATION AT THE TIME OF SUBMISSION, AND THE ENGINEER HAS GIVEN WRITTEN APPROVAL TO THE SPECIFIC DEVIATION.
8. ALL THINGS WHICH, IN THE OPINION OF THE CONTRACTOR, APPEAR TO BE DEFICIENCIES, OMISSIONS, CONTRADICTIONS AND AMBIGUITIES IN THE PLANS AND SPECIFICATIONS, SHALL BE BROUGHT TO THE ATTENTION OF THE ENGINEER. PLANS AND/OR SPECIFICATIONS WILL BE CORRECTED, OR A WRITTEN INTERPRETATION OF THE ALLEGED DEFICIENCY, OMISSION, CONTRADICTION OR AMBIGUITY WILL BE MADE BY THE ENGINEER BEFORE THE AFFECTED WORK PROCEEDS.
9. THESE DRAWINGS AND GENERAL NOTES ARE TO BE USED IN CONJUNCTION WITH WRITTEN SPECIFICATIONS PROVIDED. SEE SPECIFICATIONS FOR FURTHER REQUIREMENTS.
10. REMOVE ALL LOOSE AND UNSTABLE MATERIAL BELOW STRUCTURES. ALL AREAS TO BE REVIEWED BY OWNERS TESTING AGENCY PRIOR TO COMMENCEMENT OF WORK. PROVIDE A MINIMUM OF 12" COMPACTED GRANULAR FILL BELOW ALL STRUCTURES.
11. PROVIDE GUARDRAILS AT ALL PITS, WALKWAYS AND SLAB EDGES SEE C & P DRAWINGS FOR FURTHER INFORMATION.
12. PROVIDE HYDROPHILIC RUBBER WATERSTOP AT ALL NEW TO EXISTING CONDITIONS.
13. ALL FILL SHALL BE PLACED IN APPROPRIATE LIFTS AND COMPACTED PER GEOTECHNICAL REPORT IN ORDER TO OBTAIN A BEARING CAPACITY OF 300 PSF. ALL FILL SHALL BE TESTED BY THE CONTRACTOR'S TESTING AGENCY.

PRECAST NOTES:

- 1. THE PRECAST MANUFACTURER SHALL BE RESPONSIBLE FOR THE DESIGN OF ALL PRECAST CONCRETE ELEMENTS AND CONNECTIONS. THIS DESIGN SHALL MEET THE LOAD AND MATERIAL CRITERIA PRESENTED IN THE PLANS AND SPECIFICATIONS. DETAILS SHOWN ARE SCHEMATIC ONLY. FINAL DESIGN OF ELEMENTS AND CONNECTIONS SHALL BE MADE BY THE PRECAST MANUFACTURER. IN ADDITION, THE DESIGN SHALL BE PERFORMED BY A STRUCTURAL ENGINEER LICENSED IN THE STATE OF KENTUCKY, SIGNED & SEALED DRAWINGS AND CALCULATIONS SHALL BE SUBMITTED TO THE ENGINEER FOR REVIEW.
2. THE PRECAST ERECTOR SHALL BE RESPONSIBLE TO ADEQUATELY BRACE THE STRUCTURE DURING CONSTRUCTION.
3. THE PRECAST ERECTOR SHALL BE RESPONSIBLE FOR THE PROPER HANDLING OF PRECAST ELEMENTS SO THAT THESE MEMBERS ARE NOT DAMAGED DUE TO HANDLING, BRACING, ALIGNING OR OTHER FORCES.
4. MINIMUM CONCRETE REQUIREMENTS:
MIN 28 DAY COMPRESSIVE STRENGTH: 5,000 PSI
ENTRAINED AIR: 6 ± 1%
W/C (MAX) 0.40
5. PRECAST SUPPLIER SHALL PROVIDE ADDITIONAL REINFORCING AROUND EMBEDDED CONNECTION ITEMS TO SUPPORT ANY VERTICAL OR HORIZONTAL LOADINGS WHICH MAY DEVELOP INCLUDING THOSE FROM ERECTION.
6. PRECAST SHOP DRAWINGS SHALL BE REVIEWED AND APPROVED BY ELECTRICAL, HEATING AND PLUMBING SUBCONTRACTORS TO COORDINATE LOCATION OF SUPPORT INSERTS, BLOCKOUTS, CONDUITS, ETC.
7. ALL INSERTS IN PRECAST ELEMENTS SHALL BE PROVIDED BY PRECAST SUPPLIER.
8. PRECAST BEAMS SUPPORTING MASONRY SHALL HAVE A DEFLECTION LIMITATION OF L/600 AND 0.3 INCHES FOR LIVE LOAD PLUS SUPERIMPOSED DEADLOAD.
9. PROVIDE 1 LAYER WIRE MESH IN CONCRETE TOPPING.
10. PRECAST CONCRETE CEILINGS SHALL BE AIR TIGHT AT LOCATIONS NOTED.

STRUCTURAL STEEL NOTES:

- 1. ALL STRUCTURAL STEEL PLATES, SHAPES AND BARS SHALL CONFORM TO ASTM A572 GR 50, UNLESS NOTED OTHERWISE. COLD FORMED TUBING SHALL CONFORM TO ASTM A500 GRADE B. PIPES SHALL CONFORM TO ASTM A53 TYPE E OR S. ANCHOR BOLTS SHALL CONFORM TO ASTM A307 OR ASTM A36.
2. ALL BOLTS (OTHER THAN ANCHOR BOLTS), NUTS AND WASHERS SHALL CONFORM TO THE REQUIREMENTS OF ASTM A325. BOLTS USED IN LATERAL LOAD RESISTING CONNECTIONS SHALL BE SLIP CRITICAL TYPE, DESIGNED FOR INDICATED FORCES WITHOUT STRESS INCREASES.
3. ALL WELDING SHALL BE DONE BY QUALIFIED WELDERS AND SHALL CONFORM TO AWS D1.1 'STRUCTURAL WELDING CODE', LATEST EDITION. ALL WELDING ELECTRODES SHALL BE E70XX.
4. ALL CONNECTIONS SHALL BE DESIGNED AND DETAILED BY THE FABRICATOR. THE CONNECTIONS SHALL BE DESIGNED BY, OR UNDER THE SUPERVISION OF, A LICENSED STRUCTURAL ENGINEER IN THE STATE OF KENTUCKY. DETAILING SHALL BE PERFORMED USING RATIONAL ENGINEERING DESIGN AND STANDARD PRACTICE IN ACCORDANCE WITH THE CONTRACT DOCUMENTS. THE GENERAL DETAILS SHOWN ON THE DRAWINGS ARE CONCEPTUAL ONLY AND DO NOT INDICATE THE REQUIRED NUMBER OF BOLTS OR WELD SIZES, UNLESS SPECIFICALLY NOTED. ADVISE THE ENGINEER IMMEDIATELY IF THE INFORMATION ON THE DRAWINGS IS NOT SUFFICIENT FOR COMPLETE DESIGN OF CONNECTIONS.
5. THE FABRICATOR / ERECTOR SHALL SUBMIT TO THE ENGINEER FOR REVIEW, ENGINEERED AND CHECKED DRAWINGS SHOWING SHOP FABRICATION DETAILS, FIELD ASSEMBLY DETAILS AND ERECTION DIAGRAMS FOR ALL STRUCTURAL STEEL. WITH EACH SUBMITTAL OF SHOP DRAWINGS, THE FABRICATOR'S ENGINEER SHALL CERTIFY THAT THE CONNECTIONS HAVE BEEN DESIGNED IN ACCORDANCE WITH THE REQUIREMENTS OF THE AISC SPECIFICATIONS AND THE CONTRACT DOCUMENTS. CERTIFIED MILL TEST REPORTS SHALL ALSO BE SUBMITTED.
6. MINIMUM SHEAR CAPACITIES: CONNECTIONS SHALL BE DESIGNED FOR THE BEAM REACTIONS INDICATED. IN CASES WHERE REACTIONS ARE NOT INDICATED, PROVIDE AT LEAST ONE HALF OF THE UNIFORM LOAD CARRYING CAPACITY OF THE BEAM WITH THE ASSUMPTION OF FULLY BRACED COMPRESSION FLANGE.
7. THE DEPTH OF A SIMPLE SHEAR CONNECTION SHALL NOT BE LESS THAN ONE HALF OF THE NOMINAL DEPTH OF THE BEAM. THE MINIMUM NUMBER OF BOLTS PER CONNECTION SHALL BE TWO (2).
8. ALL BEAMS SHALL BE FABRICATED WITH THE NATURAL CAMBER UP. PROVIDE CAMBER, OR SHORING AS INDICATED ON THE DRAWINGS.
9. AFTER FABRICATION, ALL STEEL SHALL BE CLEANED OF ALL RUST, LOOSE MILL SCALE AND OTHER FOREIGN MATERIALS. STRUCTURAL STEEL SHALL BE HOT DIPPED GALVANIZED PER ASTM SPECIFICATIONS.
10. THERE SHALL BE NO FIELD CUTTING OF STRUCTURAL STEEL MEMBERS FOR THE WORK OF OTHER TRADES WITHOUT THE PRIOR APPROVAL OF THE ENGINEER.

DESIGN LOADS:

Table with 2 columns: Load Type and Value. Includes FLOOR LIVE LOADS (150 PSF), ROOF LIVE LOAD (30 PSF), WIND DESIGN DATA (MIN 28 DAY COMPRESSIVE STRENGTH: 5,000 PSI), and EARTH QUAKE DESIGN DATA (OCCUPANCY CATEGORY = II).

ABBREVIATIONS:

Table with 3 columns: Abbreviation, Description, and Unit/Notes. Includes A ARCHITECTURAL, GAL GALLON, PSI POUNDS PER SQUARE INCH, and many others.

PROCESS AND SHEET LEGEND:

Legend defining symbols for SECTION (X, Y, 1), DETAIL (X, Y, Z), PROCESS LINE, AIR LINE, WATER LINE, POLYMER LINE, BUILDING OR AREA LIMITS, DIRECTIONAL FLOW ARROW, FLANGED GATE VALVE, FLANGED PLUG VALVE, FLANGED BUTTERFLY VALVE, FLANGED GLOBE VALVE, FLANGED CHECK VALVE, FLANGED KNIFE GATE VALVE, BALL VALVE, REDUCER AND SIZE, MAGNETIC FLOW METER, PRESSURE GAUGE, BLOWER, and PUMP.

Revision table with columns: No., Description, Date, and By.

DESIGN GROUP INC. logo and contact information: 1351 Jefferson, Suite 301, Washington, MO 63090, Phone: 636-496-2622, Email: mail@designgroup.net.

PROCESS NOTES, ABBREVIATIONS AND LEGENDS table listing various terms and their meanings.

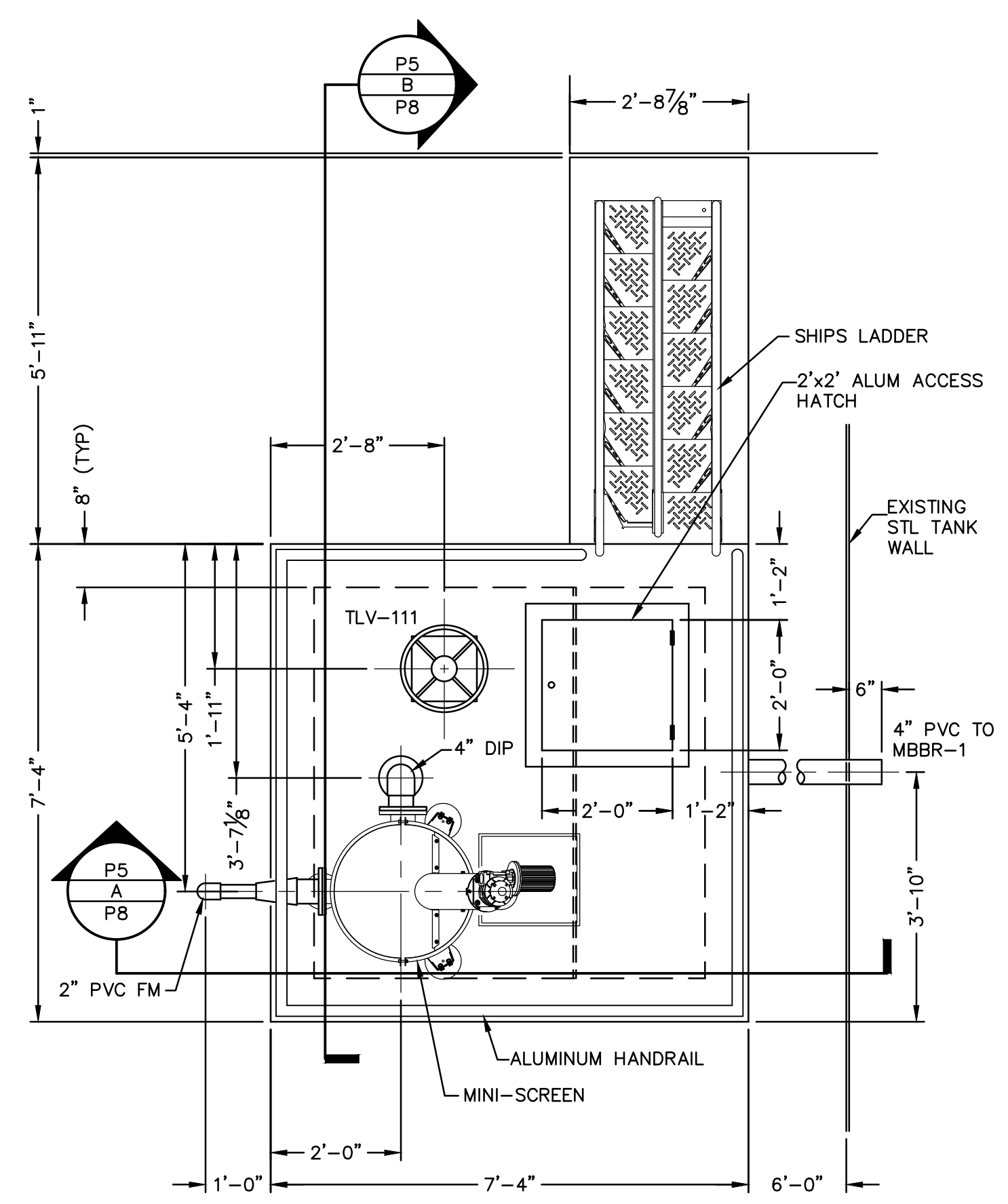
ENGINEERING CERTIFICATE OF AUTHORITY NO. 4808, ENGINEERING LICENSE: BENJAMIN J. KUENZEL, PE33718



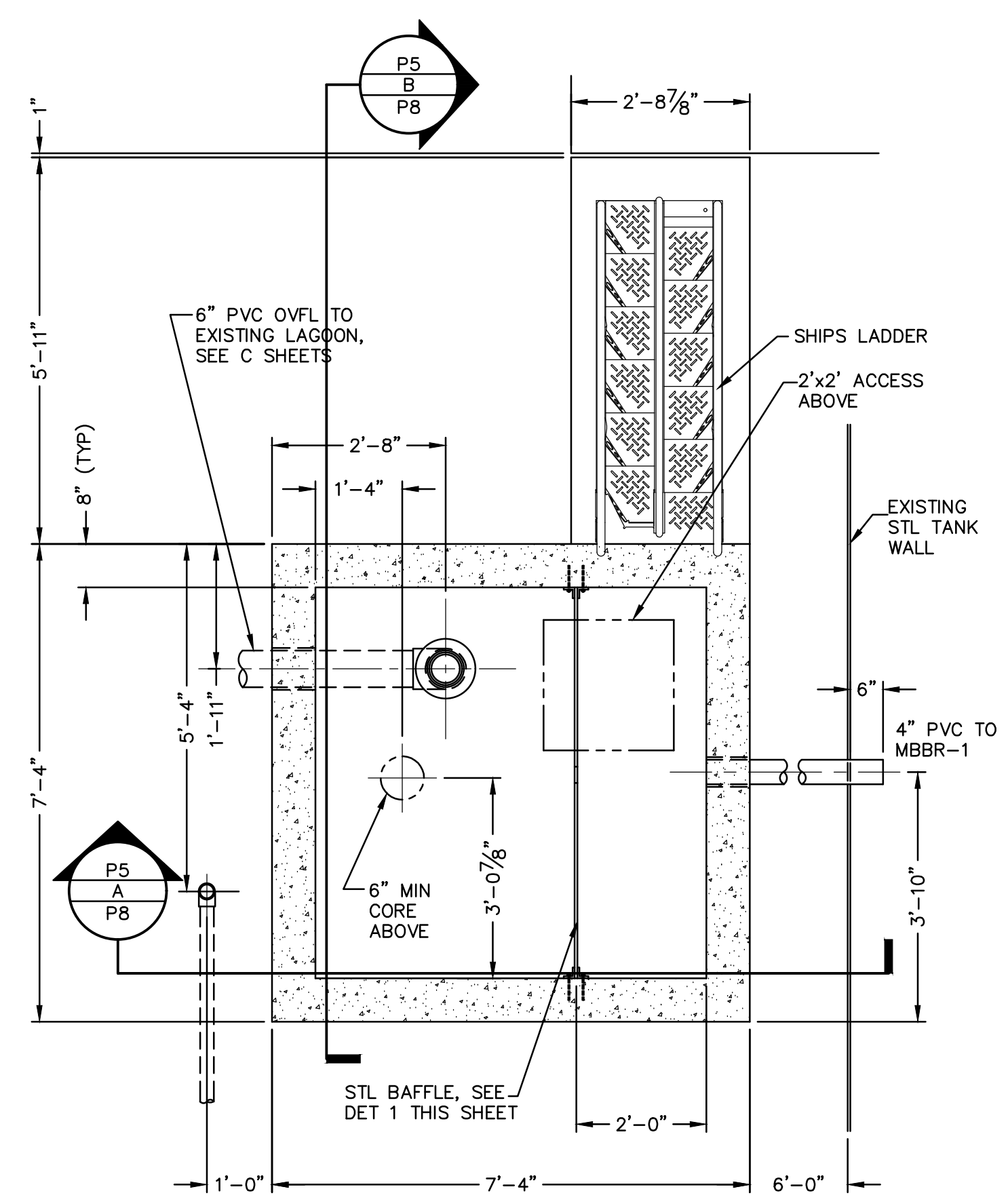
Project information table: SEAL DATE (09/29/2020), DRAWN BY (DDG), PROJ NUMBER (0543-9), DATE (09/11/2020), DRAWING NO (P3).

ALL RIGHTS RESERVED. All '21 Design Group, Inc.' plans, specifications and drawings are protected under copyright law and no part may be copied, reproduced, displayed publicly, used to create derivatives, distributed, stored in a retrieval system or transmitted in any form by any means without prior written permission of '21 Design Group, Inc.'

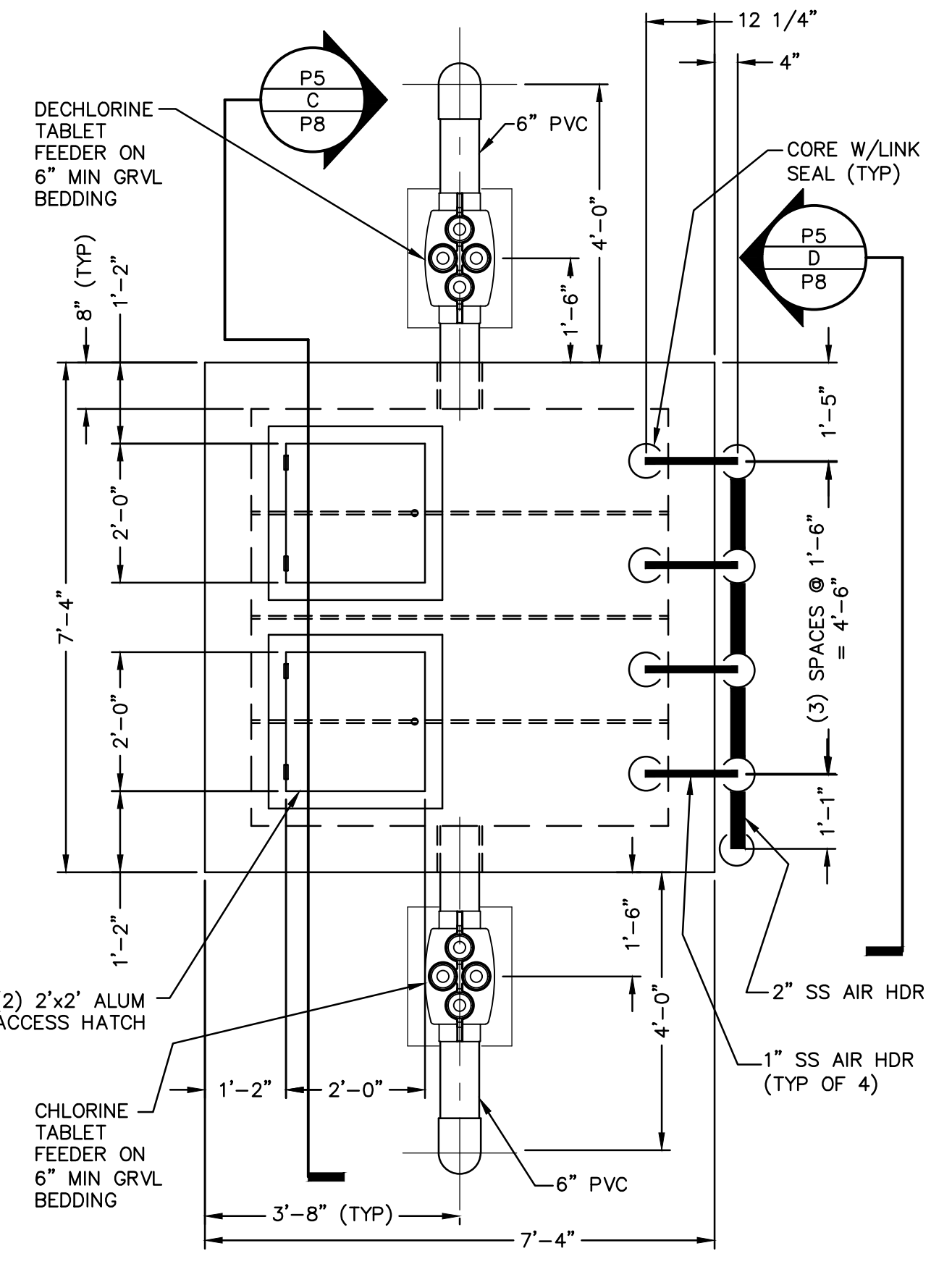
BAR IS ONE INCH ON OFFICIAL DRAWINGS. 0 1" IF NOT ONE INCH, ADJUST SCALE ACCORDINGLY.



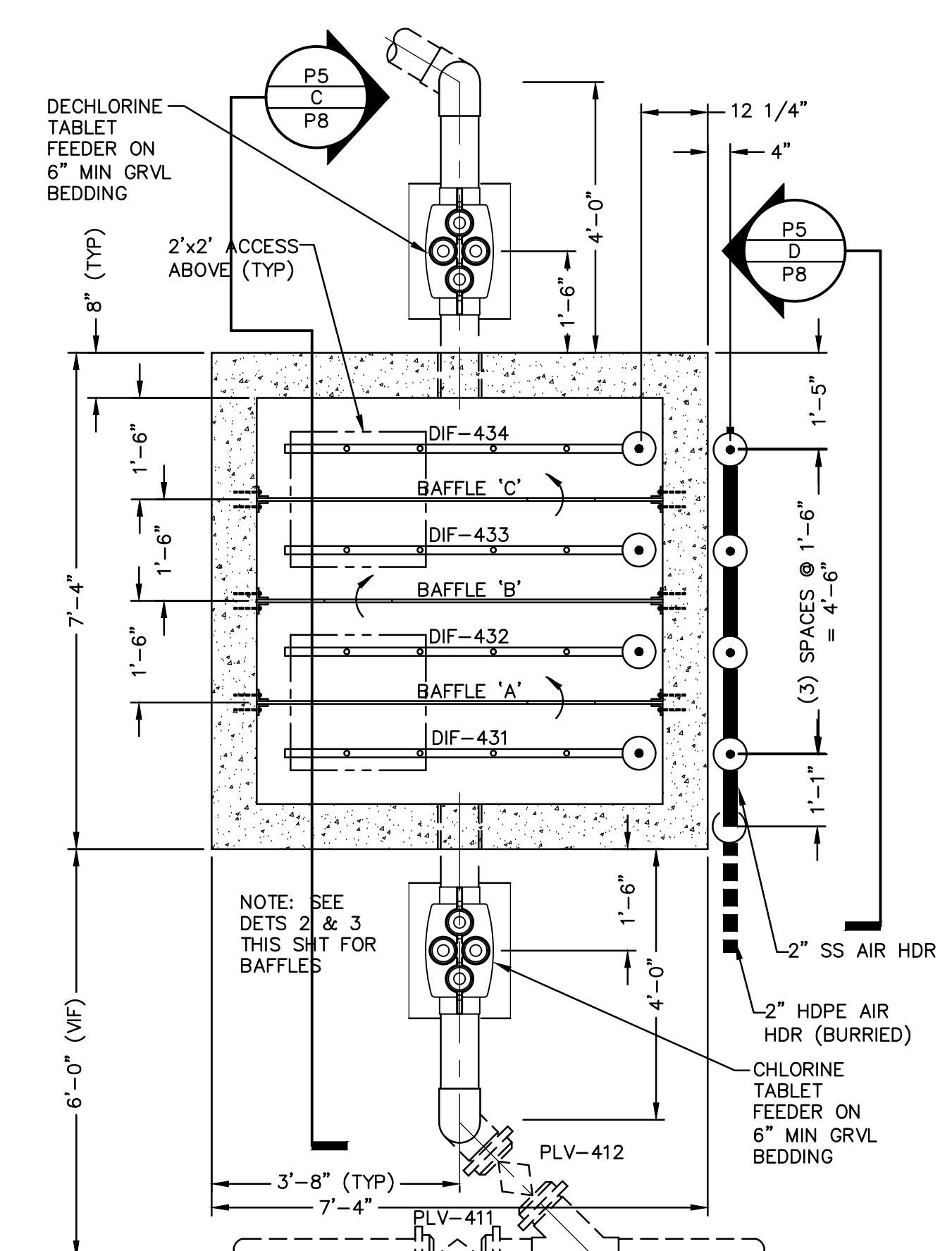
OVERFLOW STRUCTURE UPPER PLAN
SCALE: 1/2" = 1'-0"



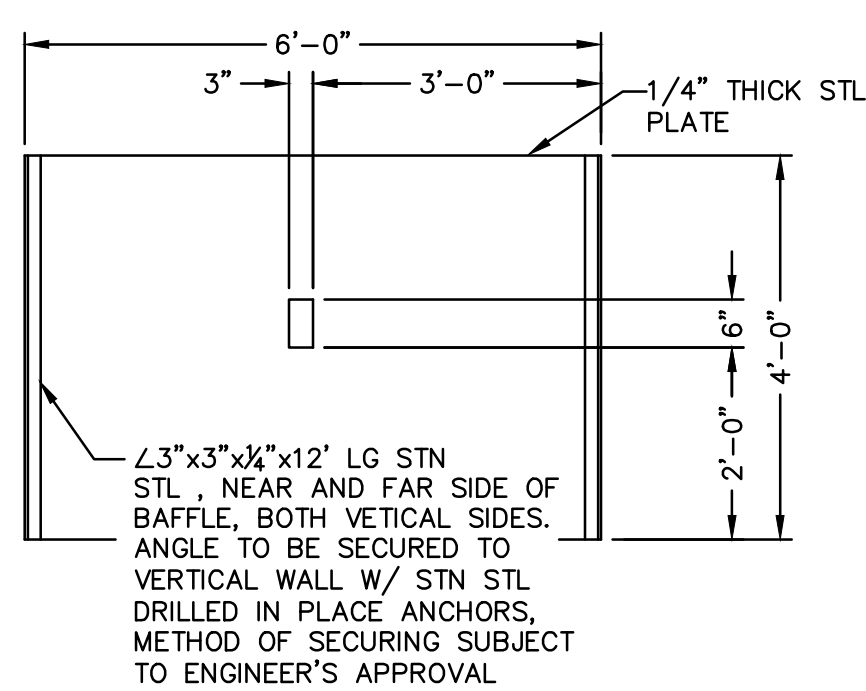
OVERFLOW STRUCTURE LOWER PLAN
SCALE: 1/2" = 1'-0"



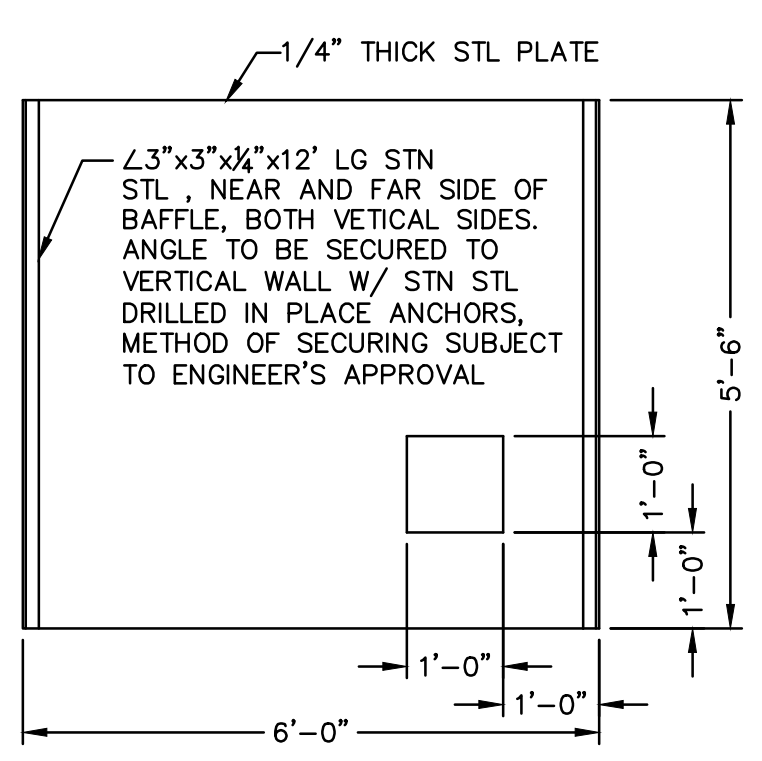
CHLORINE CONTACT TANK NO.2
UPPER PLAN
SCALE: 1/2" = 1'-0"



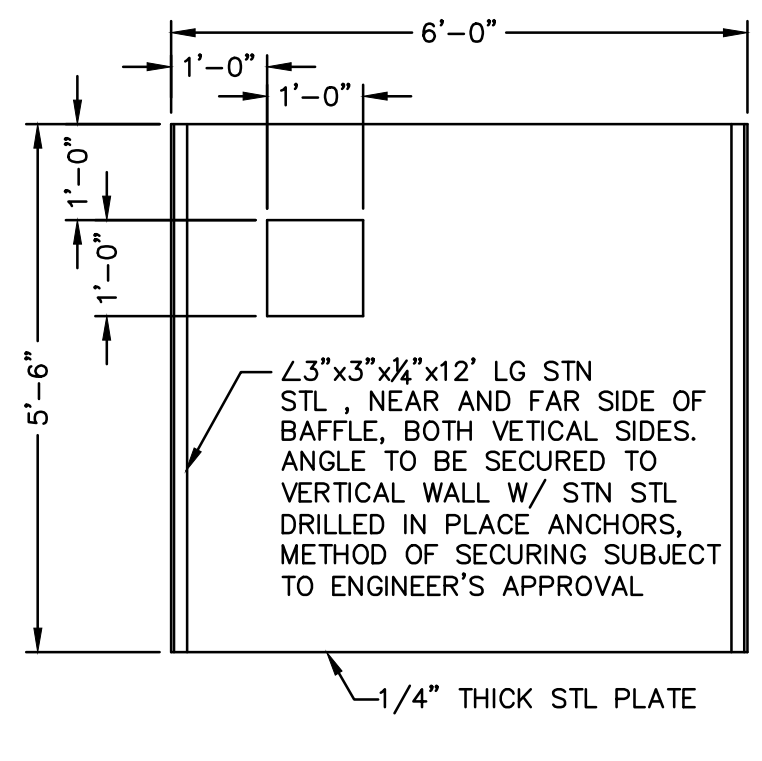
CHLORINE CONTACT TANK NO.2
LOWER PLAN
SCALE: 1/2" = 1'-0"



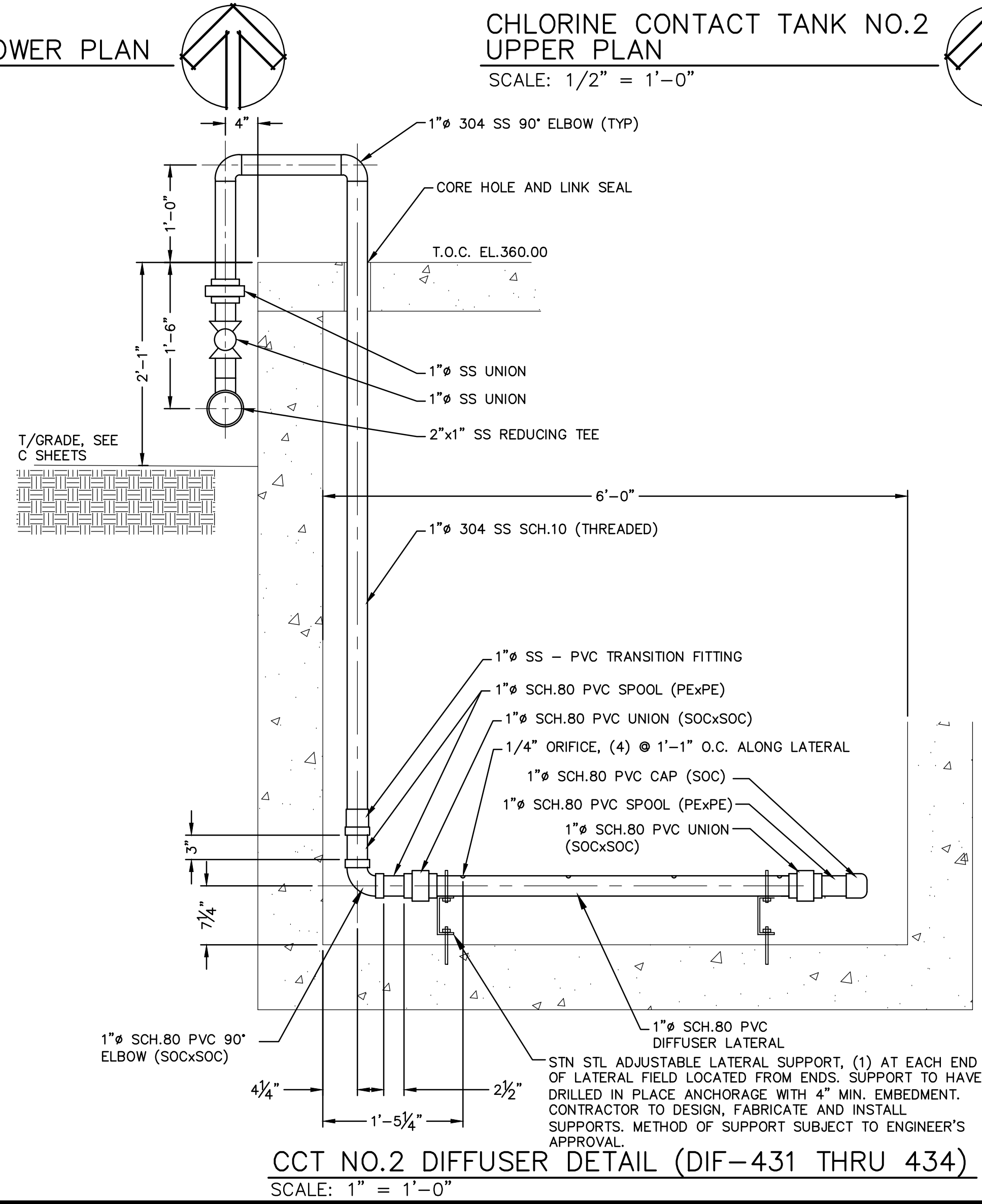
OVFL STRUCTURE BAFFLE
SCALE: 1/2" = 1'-0"



CCT NO.2 BAFFLE A & C
SCALE: 1/2" = 1'-0"



CCT NO.2 BAFFLE B
SCALE: 1/2" = 1'-0"



CCT NO.2 DIFFUSER DETAIL (DIF-431 THRU 434)
SCALE: 1" = 1'-0"

- DIFFUSER DESCRIPTIONS:**
- DIF-431 1" CPVC AIR LATERAL (4'-4" MIN LENGTH); (4) 1/4" ORIFICES ON 13" CENTERS.
 - DIF-432 1" CPVC AIR LATERAL (4'-4" MIN LENGTH); (4) 1/4" ORIFICES ON 13" CENTERS.
 - DIF-433 1" CPVC AIR LATERAL (4'-4" MIN LENGTH); (4) 1/4" ORIFICES ON 13" CENTERS.
 - DIF-434 1" CPVC AIR LATERAL (4'-4" MIN LENGTH); (4) 1/4" ORIFICES ON 13" CENTERS.

- NOTES:**
- DIMENSIONS ARE BASED ON PRECAST UNITS HAVING 8" WALLS AND 6" TOP SLABS, WHERE APPLICABLE. CONTRACTOR TO ADJUST DIMENSIONS ACCORDINGLY.
 - CONTRACTOR TO PROVIDE PIPE SUPPORTS AS REQUIRED. SUPPORT LOCATIONS AND TYPES ARE SUBJECT TO ENGINEER'S APPROVAL.
 - CONTRACTOR TO DESIGN AND FABRICATE STN STL BAFFLE W/ STN STL ANGLE SUPPORTS. PROVIDE NEOPRENE GASKETS WHERE ANGLE IS IN CONTACT W/ CONCRETE AND SUPPLY STN STL DRILLED IN PLACE ANCHORS W/ 3" MIN EMBEDMENT. BAFFLE ANCHORING SYSTEM SUBJECT TO ENGINEER'S APPROVAL.
 - SEE DRAWING P9 FOR PIPE PENETRATION DETAILS AND REQUIREMENTS.
 - SEE HYDRAULIC PROFILE SHEET P1 FOR PIPE INV. ELEVATIONS.

DATE	09/29/2020
REVISION	
PERMIT SET	

DESIGN GROUP INC.
1351 Jefferson, Suite 301
Washington, MO 63090
mail@designgroup.net
P: 636-492-2629

**CHLORINE CONTACT TANK NO. 2 AND
OVERFLOW STRUCTURE PLANS, SECTIONS AND DETAILS**
TIMBERLAND WWTF
6500 US 60 WEST
PADUCAH, KY

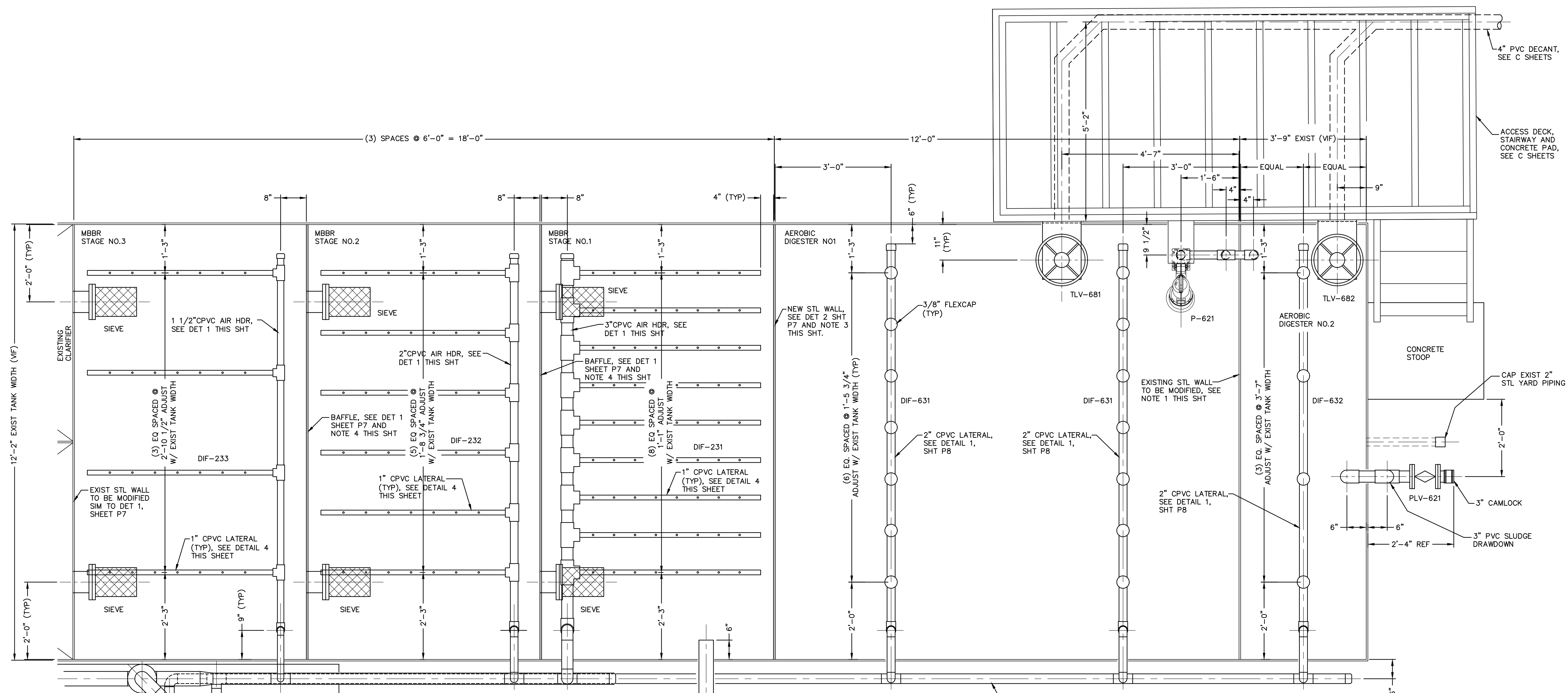
ENGINEERING CERTIFICATE OF AUTHORITY NO. 4808
ENGINEERING LICENSE: BENJAMIN J. KUENZEL, PE33718



SEAL DATE	09/29/2020
DRAWN BY	DDG
PROJ NUMBER	0542-99
DATE	09/11/2020
DRAWING NO	P5

ALL RIGHTS RESERVED. All 21 Design Group, Inc., plans, specifications and drawings are protected under copyright law and no part may be copied, reproduced, displayed publicly, used to create derivatives, distributed, stored in a retrieval system or transmitted in any form by any means without prior written permission of 21 Design Group, Inc.

BAR IS ONE INCH ON OFFICIAL DRAWINGS. 0 1" IF NOT ONE INCH, ADJUST SCALE ACCORDINGLY.

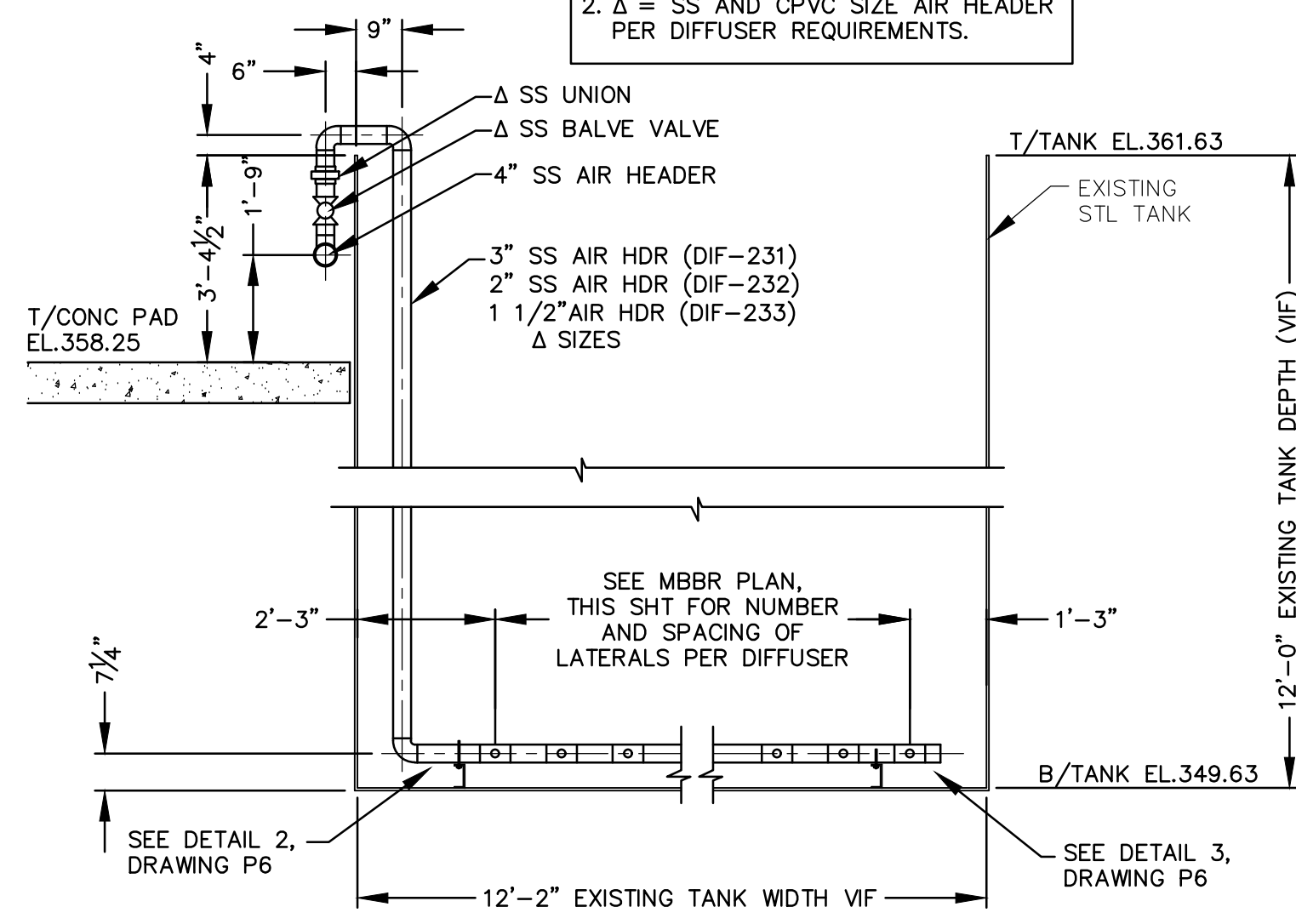


AEROBIC DIGESTER 1 AND 2, MBBR STAGE 1, 2 AND 3 PLAN
 SCALE: 3/4" = 1'-0"

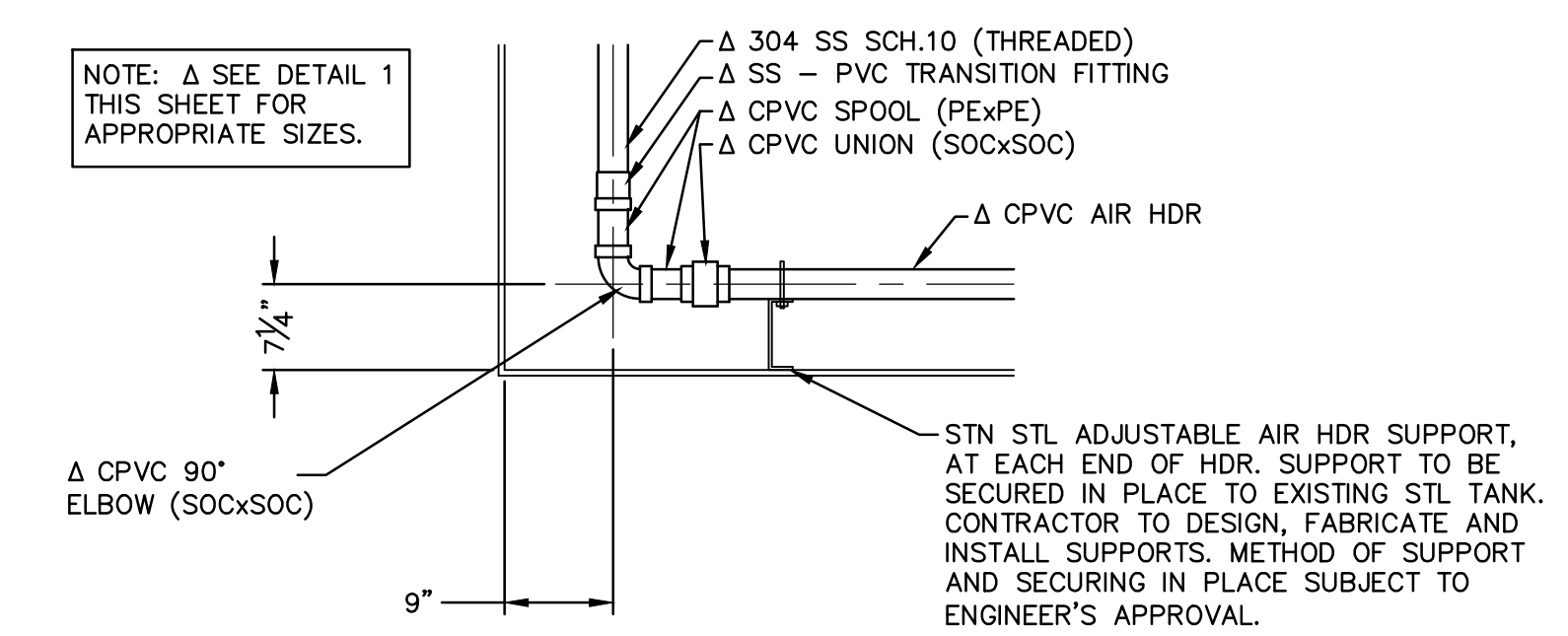
NOTE:
 1. TREATMENT BAFFLE NOT SHOWN FOR CLARITY.
 2. Δ = SS AND CPVC SIZE AIR HEADER PER DIFFUSER REQUIREMENTS.

NOTE: Δ SEE DETAIL 1 THIS SHEET FOR APPROPRIATE SIZES.

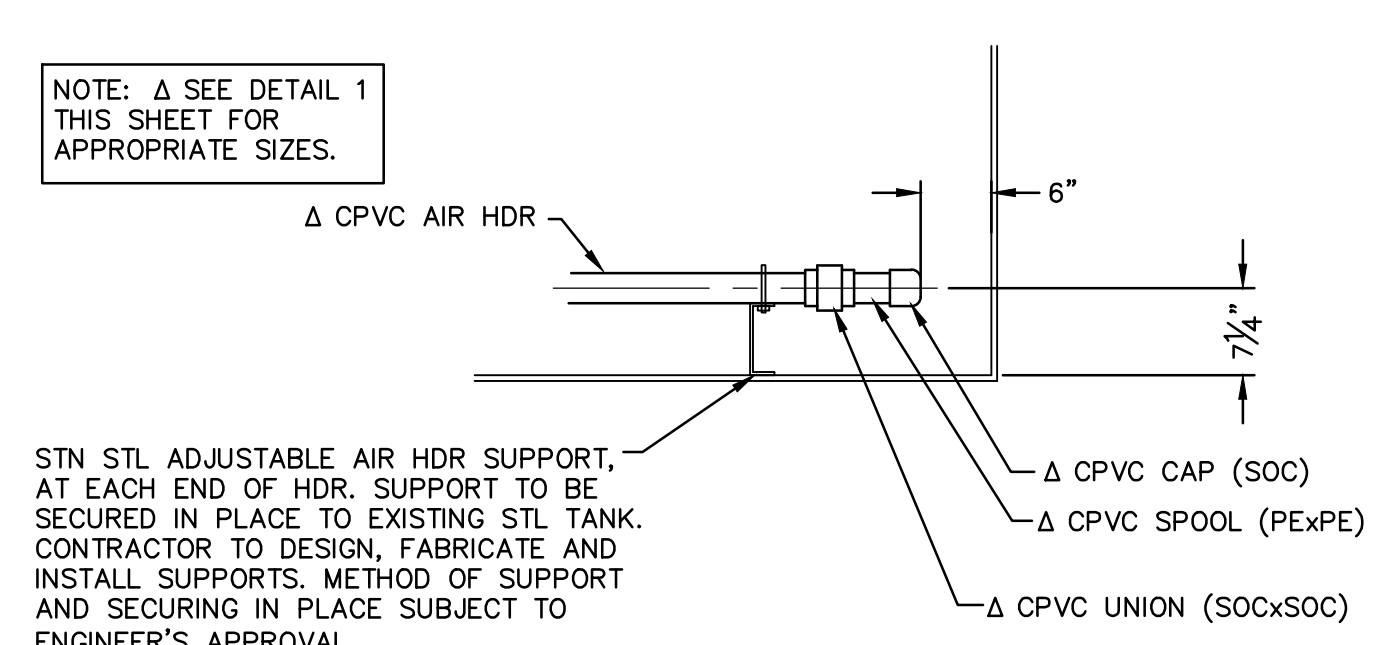
NOTE: Δ SEE DETAIL 1 THIS SHEET FOR APPROPRIATE SIZES.



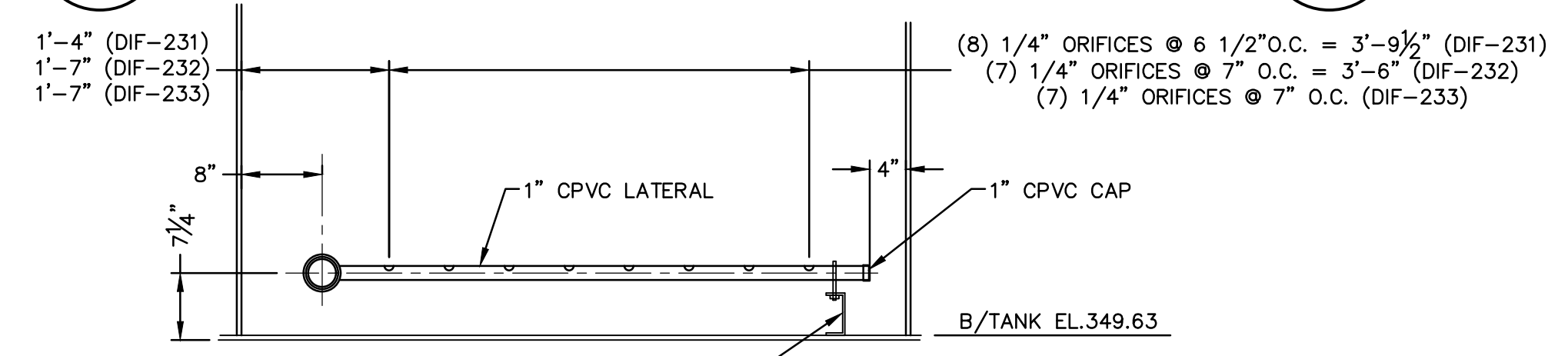
MBBR DIFFUSER HDR
 SCALE: NTS



MBBR DIFFUSER HDR
 SCALE: NTS



MBBR DIFFUSER HDR
 SCALE: NTS



MBBR LATERAL
 SCALE: NTS

- DIFFUSER DESCRIPTIONS:**
- DIF-231 3" CPVC HEADER, (9) 1" CPVC AIR LATERALS (4'-4" MIN LENGTH); (8) 1/4" ORIFICES ON 6 1/2" CENTERS EACH LATERAL.
 - DIF-232 2" CPVC HEADER, (6) 1" CPVC AIR LATERALS (4'-4" MIN LENGTH); (7) 1/4" ORIFICES ON 7" CENTERS EACH LATERAL.
 - DIF-233 1 1/2" CPVC HEADER, (4) 1" CPVC AIR LATERAL (4'-4" MIN LENGTH); (7) 1/4" ORIFICES ON 7" CENTERS EACH LATERAL.
 - DIF-631 (2) 2" CPVC AIR LATERAL (LENGTH AS SHOWN); (7) 3/8" FLEX CAP ON 1'-4" CENTERS.
 - DIF-632 (1) 2" CPVC AIR LATERAL (LENGTH AS SHOWN); (4) 3/8" FLEX CAP ON 2'-8" CENTERS.

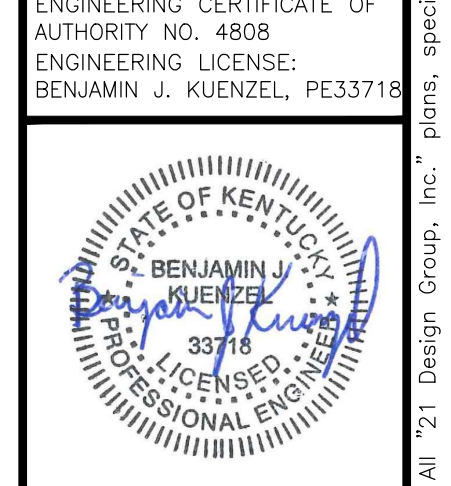
- NOTES:**
- CONTRACTOR TO LOCATE AND SEAL LEAK BETWEEN EXISTING PACKAGE PLANT TANK AND EXISTING AEROBIC DIGESTER TANK NO.2 PRIOR TO DRAINING DOWN EXISTING PACKAGE PLANT FOR MODIFICATIONS.
 - CONTRACTOR TO PROVIDE PIPE SUPPORTS AS REQUIRED. SUPPORT LOCATIONS AND TYPES ARE SUBJECT TO ENGINEER'S APPROVAL.
 - CONTRACTOR TO DESIGN, FABRICATE AND INSTALL NEW STL WALL BETWEEN MBBR STAGE 1 AND AEROBIC DIGESTER NO.1. WALL TO BE STIFFENED AS NEEDED AND ATTACHED AT ENDS AS SHOWN IN DETAIL. STIFFENING AND INSTALLATION METHOD SUBJECT TO ENGINEER'S APPROVAL PRIOR TO FABRICATION.
 - CONTRACTOR TO DESIGN, FABRICATE AND INSTALL MBBR STL BAFFLES. BAFFLES TO BE STIFFENED AS NEEDED AND ATTACHED AT ENDS AS SHOWN IN DETAIL. STIFFENING AND INSTALLATION METHOD SUBJECT TO ENGINEER'S APPROVAL PRIOR TO FABRICATION.
 - SEE HYDRAULIC PROFILE SHEET P1 FOR PIPE INV. ELEV.

DATE	09/29/2020
PERSON	PERMIT SET
BY	

DESIGN GROUP INC.
 1351 Jefferson, Suite 301
 Washington, MO 63090
 mail@designgroup.net
 P: 636-492-2627

AEROBIC DIGESTER 1 AND 2 AND MBBR STAGE 1, 2 AND 3
PLAN, SECTIONS AND DETAILS
 TIMBERLAND WWTF
 6500 US 60 WEST
 PADUCAH, KY

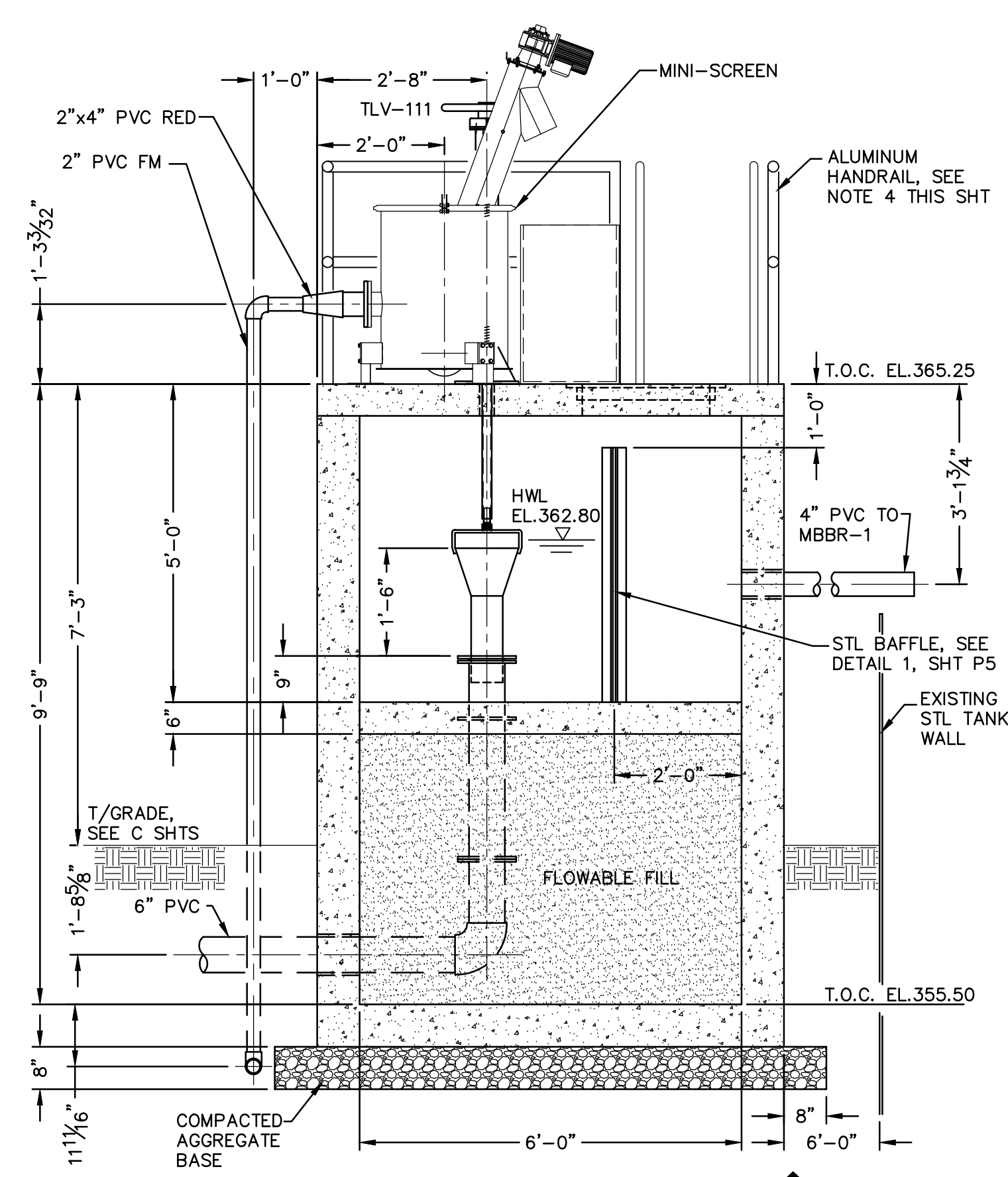
ENGINEERING CERTIFICATE OF AUTHORITY NO. 4808
 ENGINEERING LICENSE: BENJAMIN J. KUENZEL, PE33718



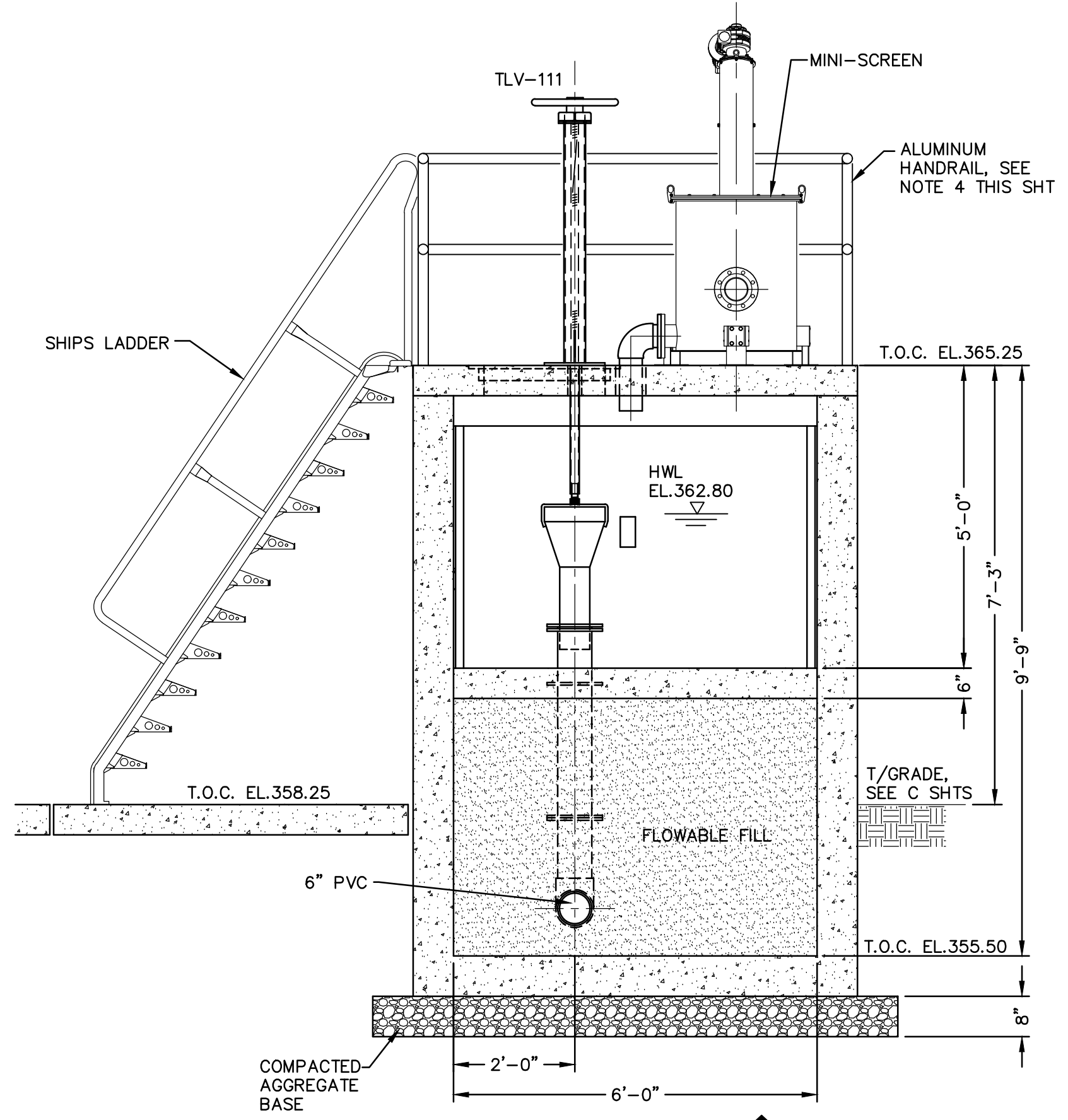
SEAL DATE	09/29/2020
DRAWN BY	DDG
PROJ NUMBER	0542-9
DATE	09/13/2020
DRAWING NO	P6

ALL RIGHTS RESERVED. All 21 Design Group, Inc., plans, specifications and drawings are protected under copyright law and no part may be copied, reproduced, displayed publicly, used to create derivatives, distributed, stored in a retrieval system or transmitted in any form by any means without prior written permission of 21 Design Group, Inc.

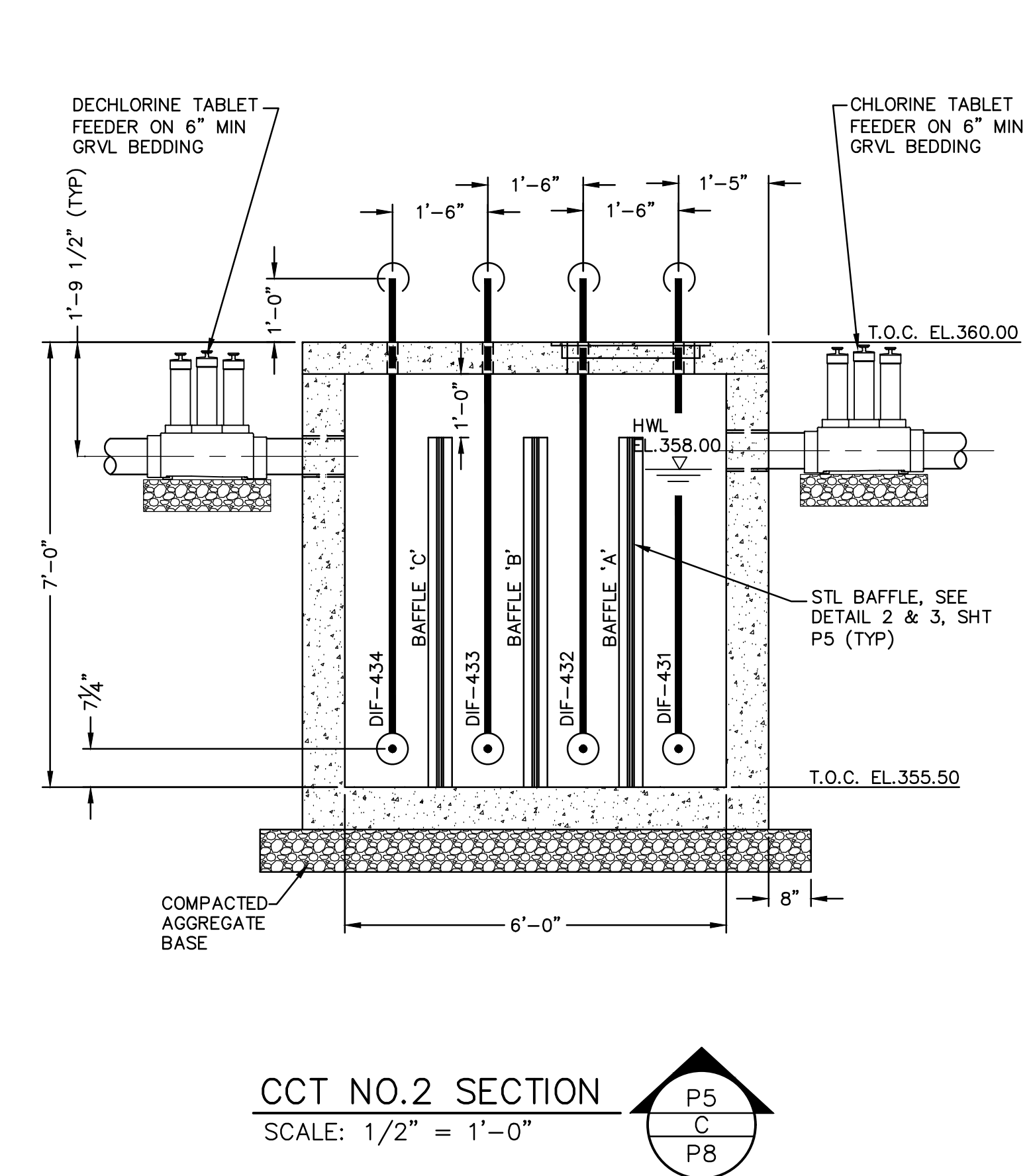
BAR IS ONE INCH ON OFFICIAL DRAWINGS. 0 1" IF NOT ONE INCH, ADJUST SCALE ACCORDINGLY.



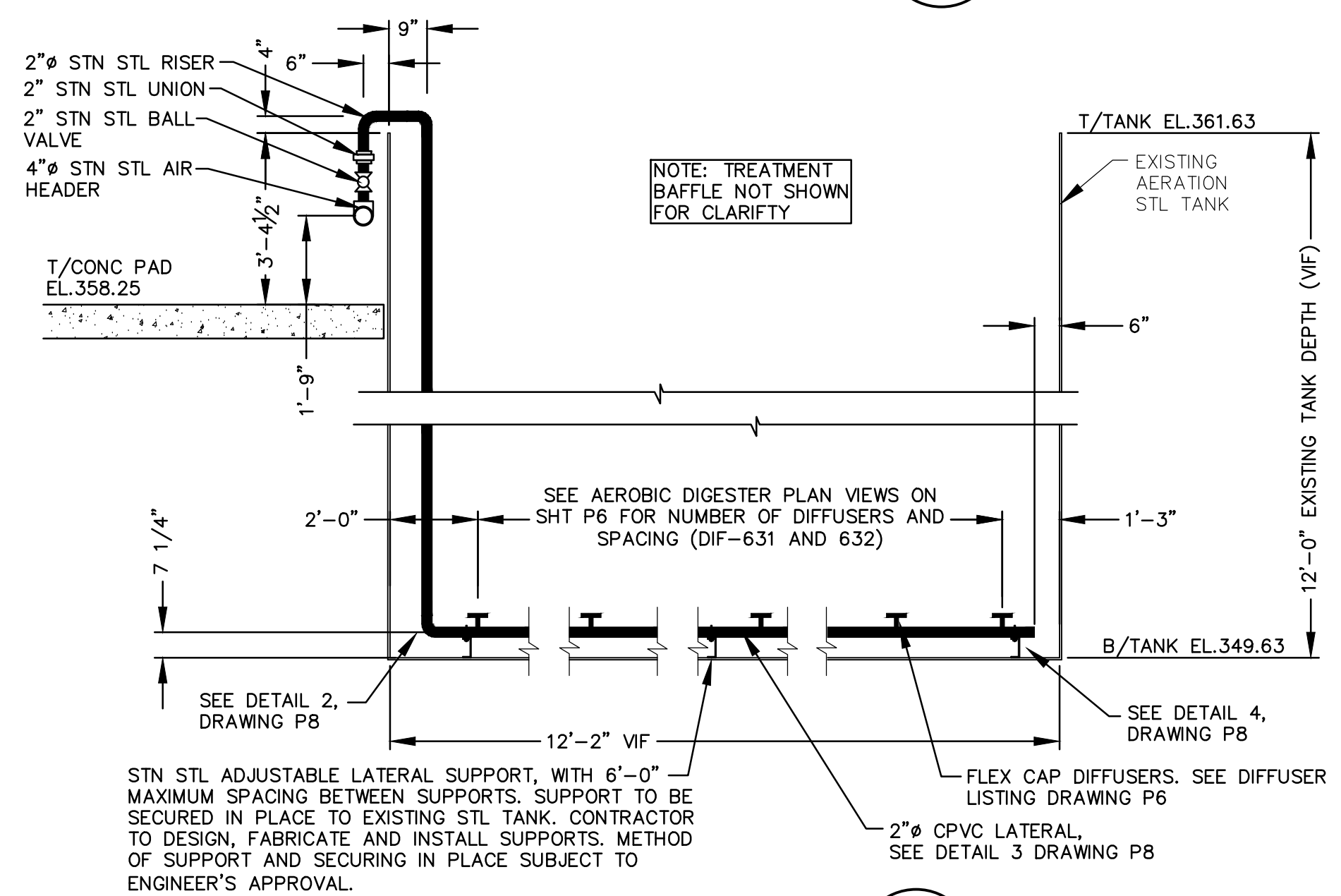
OVERFLOW STRUCTURE SECTION
SCALE: 1/2" = 1'-0"
P5
A
P8



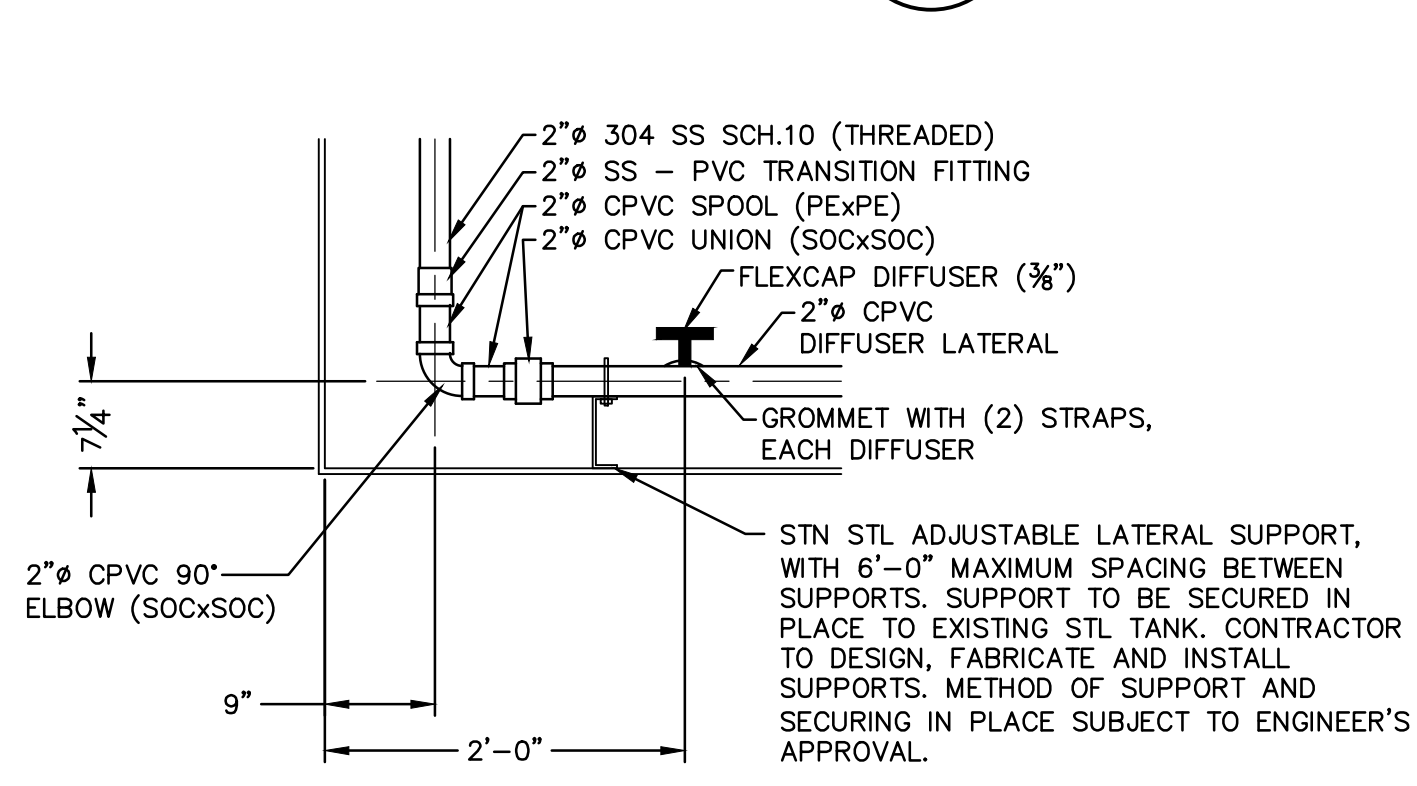
OVERFLOW STRUCTURE SECTION
SCALE: 1/2" = 1'-0"
P5
B
P8



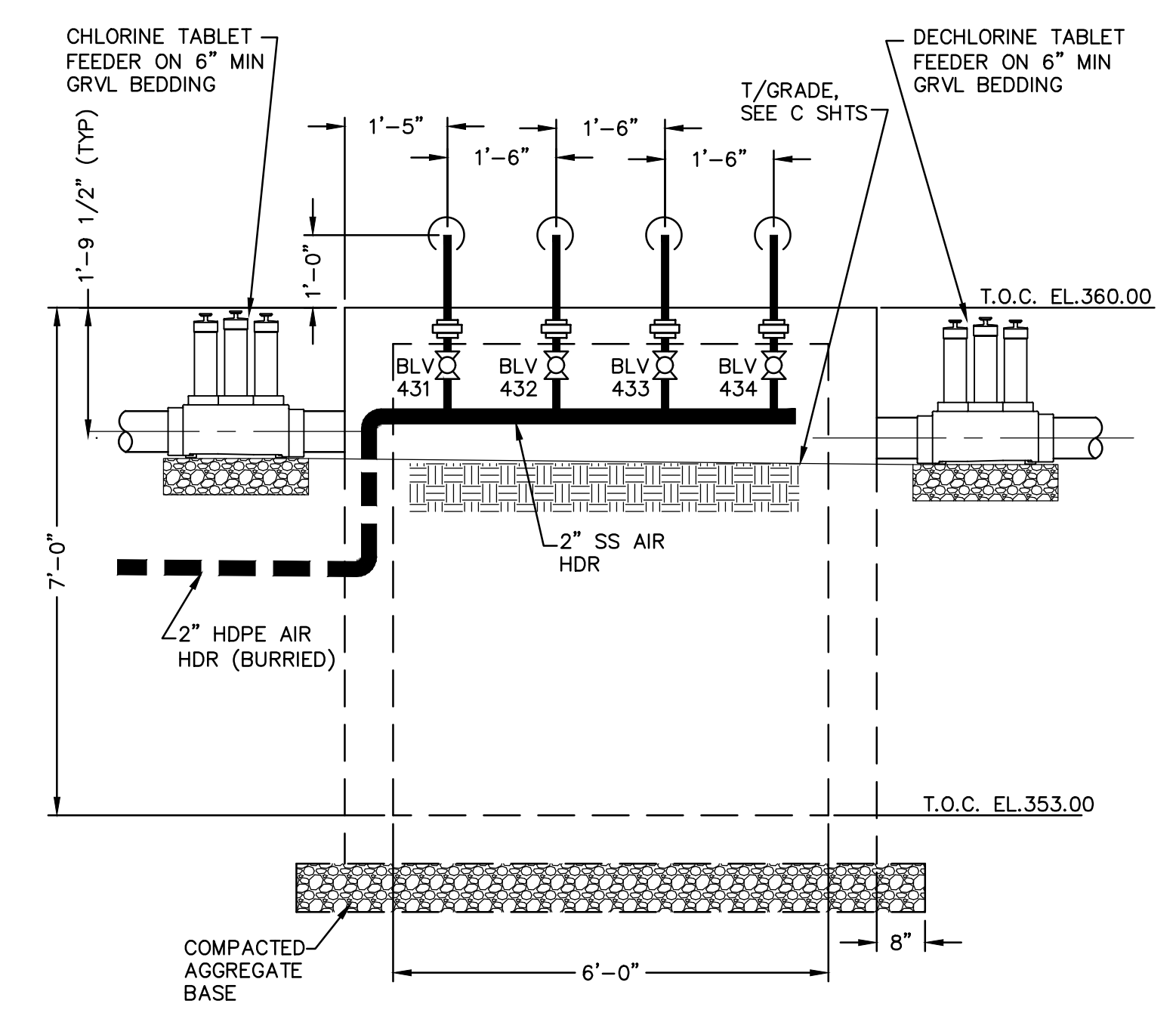
CCT NO.2 SECTION
SCALE: 1/2" = 1'-0"
P5
C
P8



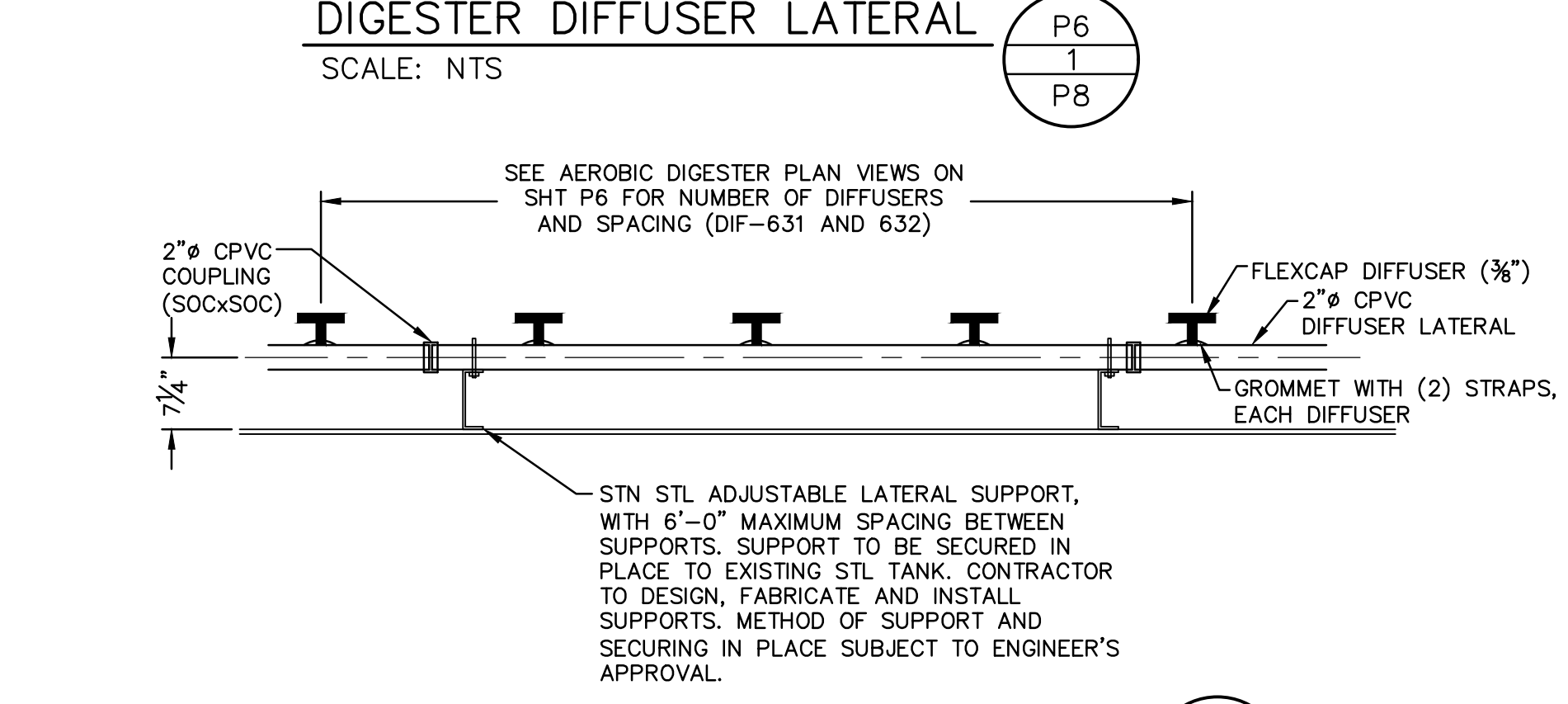
DIGESTER DIFFUSER LATERAL
SCALE: NTS
P6
1
P8



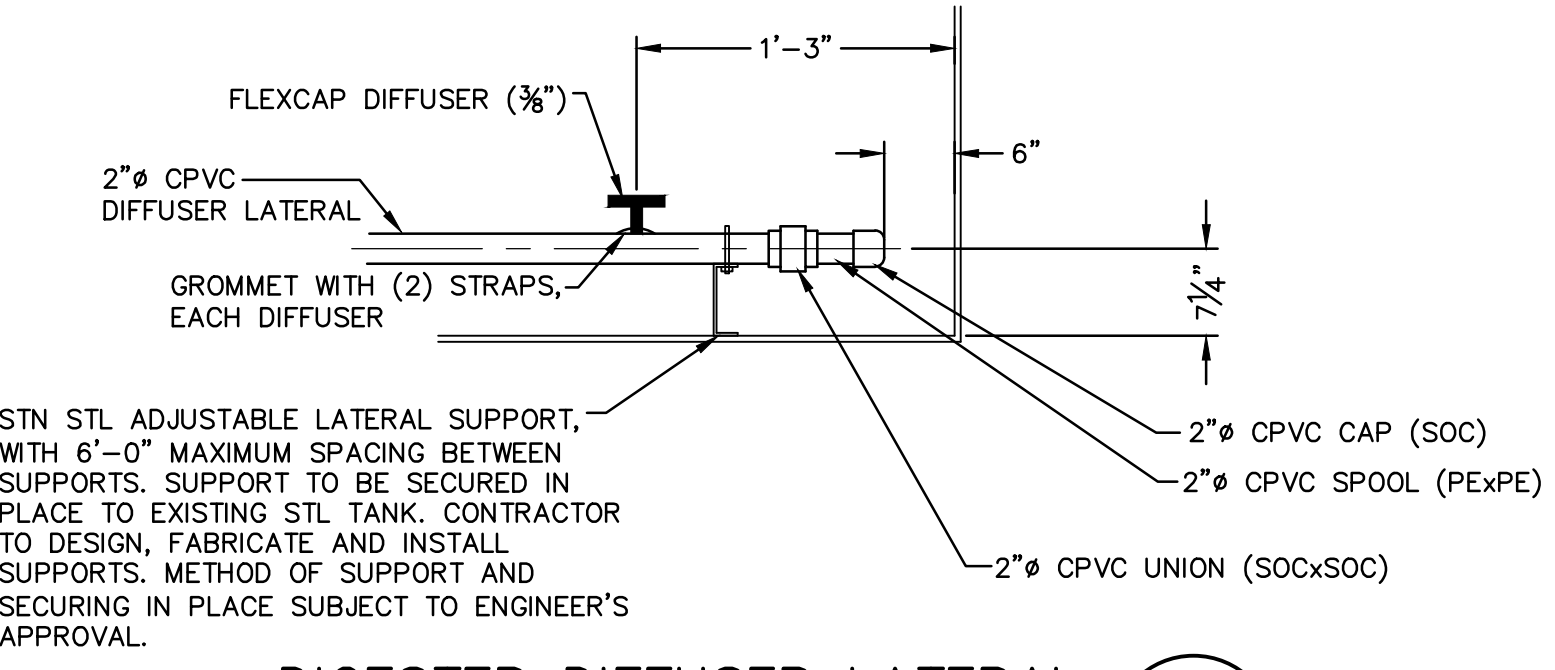
DIGESTER DIFFUSER LATERAL
SCALE: NTS
P6
2
P8



CCT NO.2 SECTION
SCALE: 1/2" = 1'-0"
P5
D
P8



DIGESTER DIFFUSER LATERAL
SCALE: NTS
P6
3
P8



DIGESTER DIFFUSER LATERAL
SCALE: NTS
P6
4
P8

- NOTES:**
- DIMENSIONS ARE BASED ON PRECAST UNITS HAVING 8" WALLS AND 6" TOP SLABS, WHERE APPLICABLE. CONTRACTOR TO ADJUST DIMENSIONS ACCORDINGLY.
 - CONTRACTOR TO PROVIDE PIPE SUPPORTS AS REQUIRED. SUPPORT LOCATIONS AND TYPES ARE SUBJECT TO ENGINEER'S APPROVAL.
 - CONTRACTOR TO DESIGN AND FABRICATE STN STL BAFFLE W/ STN STL ANGLE SUPPORTS. PROVIDE NEOPRENE GASKETS WHERE ANGLE IS IN CONTACT W/ CONCRETE AND SUPPLY STN STL DRILLED IN PLACE ANCHORS W/ 3" MIN EMBEDMENT. BAFFLE ANCHORING SYSTEM SUBJECT TO ENGINEER'S APPROVAL.
 - CONTRACTOR TO PROVIDE AND INSTALL A DOUBLE SAFETY CHAIN AT HANDRAIL ATOP SHIPS LADDER ACCESS POINT COMPLETE WITH HARDWARE AND DISCONNECT CLAMPS..
 - SEE DRAWING P9 FOR PIPE PENETRATION DETAILS AND REQUIREMENTS.
 - SEE HYDRAULIC PROFILE SHEET P1 FOR PIPE INV. ELEV.

DESIGN GROUP INC.
mail@designgroup.net
1351 Jeffersonville, Suite 301
Washington, KY 40393
731-425-2622

PROCESS SECTIONS

TIMBERLAND WWTF
6500 US 60 WEST
PADUCAH, KY

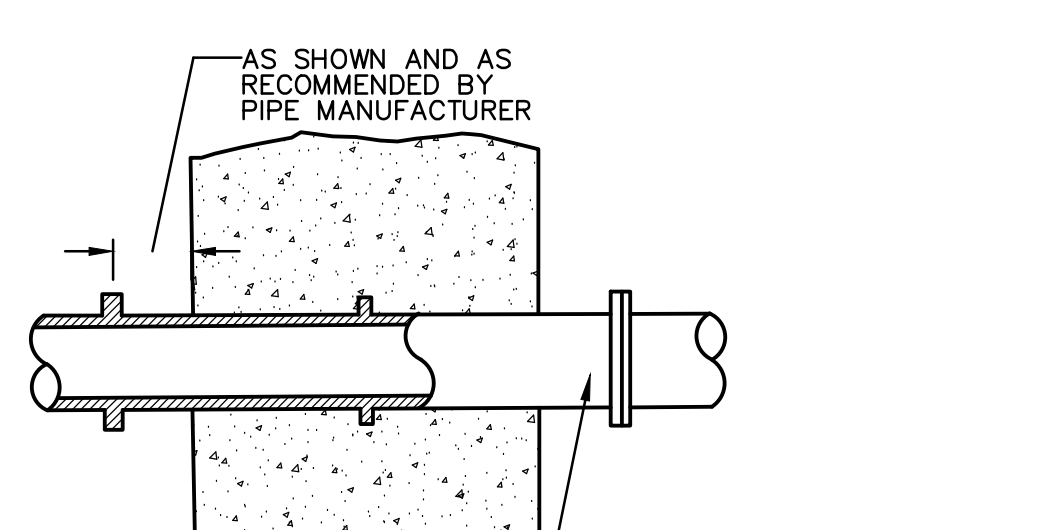
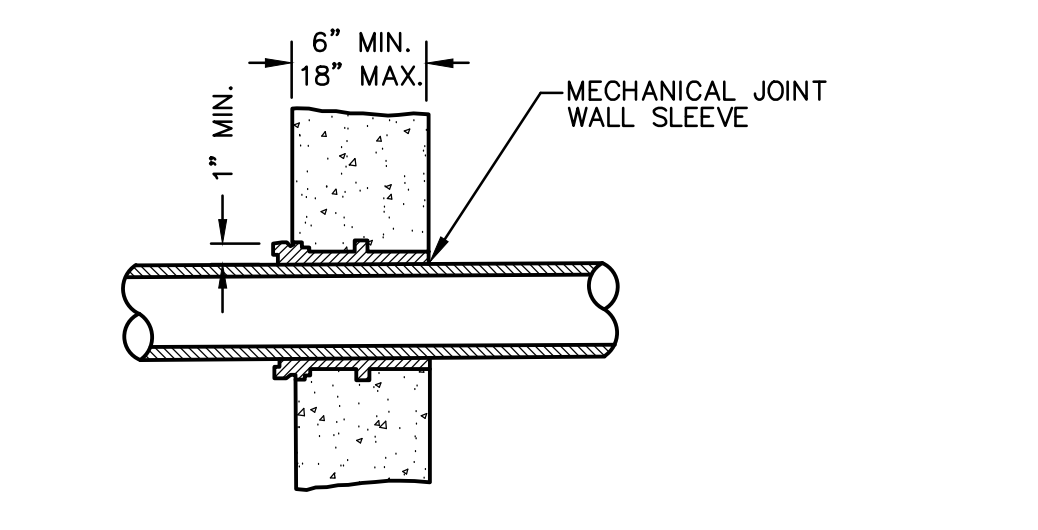
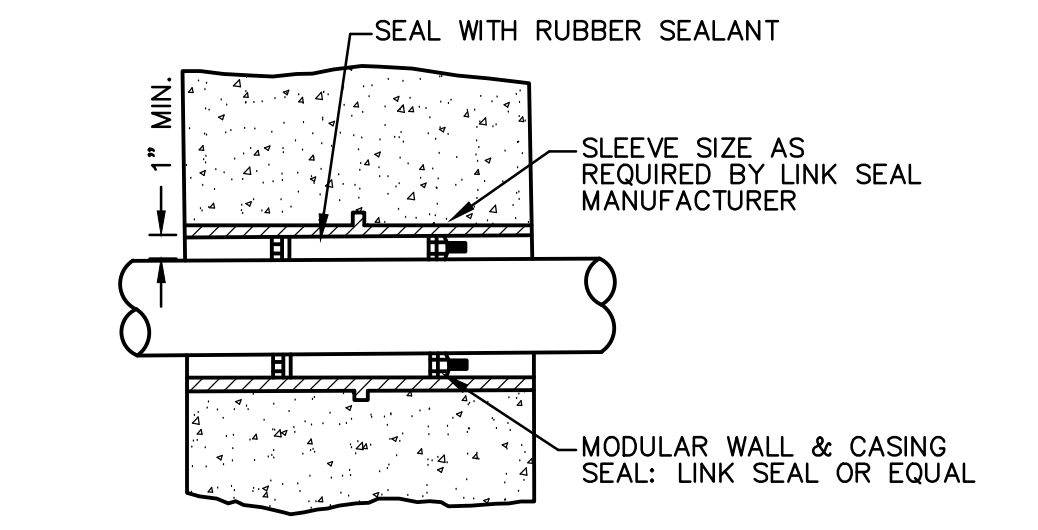
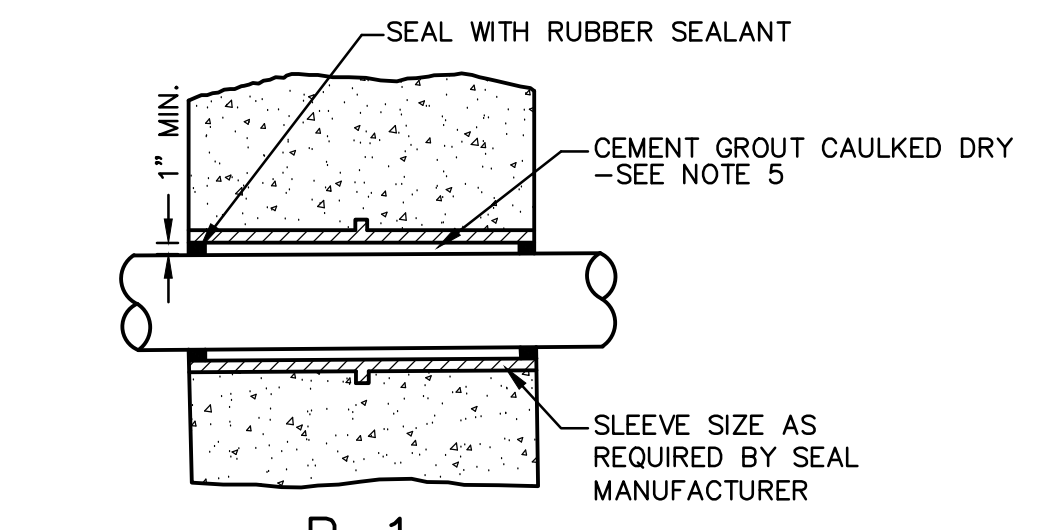
ENGINEERING CERTIFICATE OF AUTHORITY NO. 4808
ENGINEERING LICENSE: BENJAMIN J. KUENZEL, PE33718



SEAL DATE: 09/29/2020
DRAWN BY: DDG
PROJ NUMBER: 0542-19
DATE: 09/21/2020
DRAWING NO: P8

ALL RIGHTS RESERVED. All 21 Design Group, Inc., plans, specifications and drawings are protected under copyright law and no part may be copied, reproduced, displayed publicly, used to create derivatives, distributed, stored in a retrieval system or transmitted in any form by any means without prior written permission of 21 Design Group, Inc.

BAR IS ONE INCH ON OFFICIAL DRAWINGS. 0 1" IF NOT ONE INCH, ADJUST SCALE ACCORDINGLY.

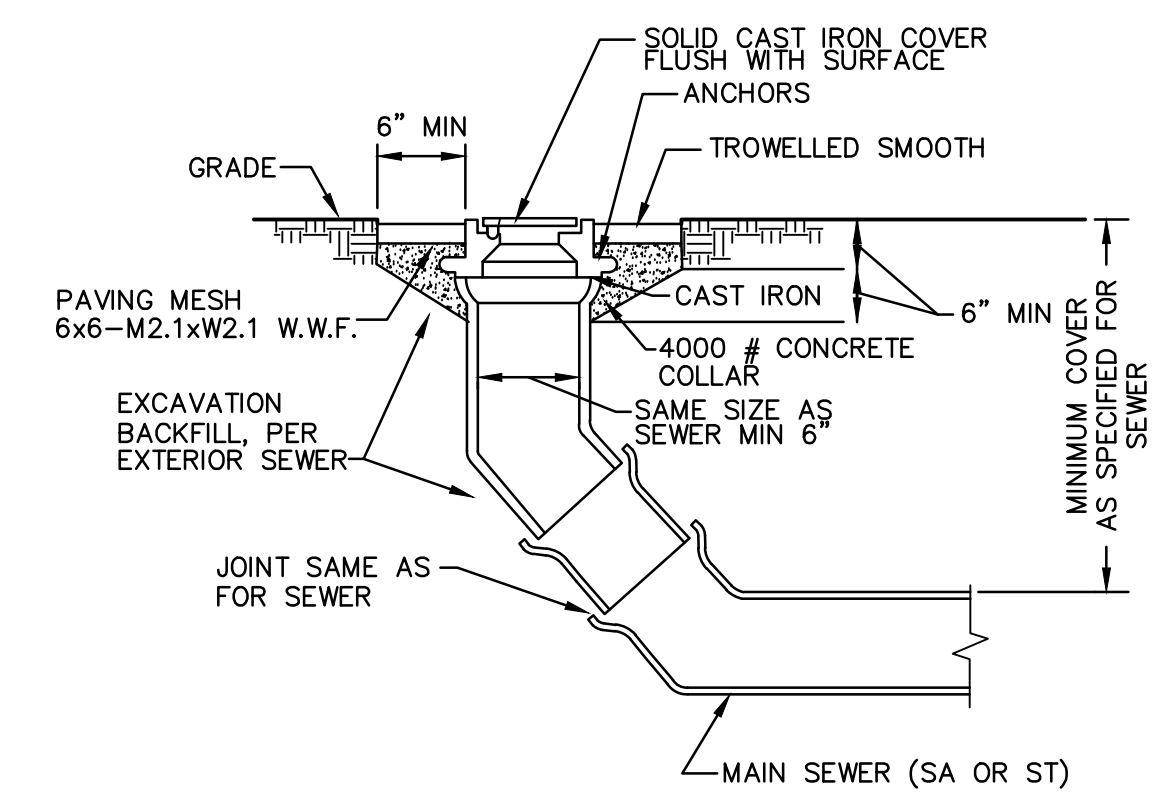


CONDITION	PIPE MATERIAL			
	STEEL	COPPER	PVC	IRON
EARTH TO PASSAGE	N/A	P-1	P-2	P-3
LIQUID TO PASSAGE	P-2	N/A	P-2	P-4
LIQUID TO EARTH	P-2	N/A	P-2	P-4
PASSAGE TO PASSAGE	P-1	P-1	P-1	P-1
LIQUID TO LIQUID	P-2	N/A	P-2	P-4

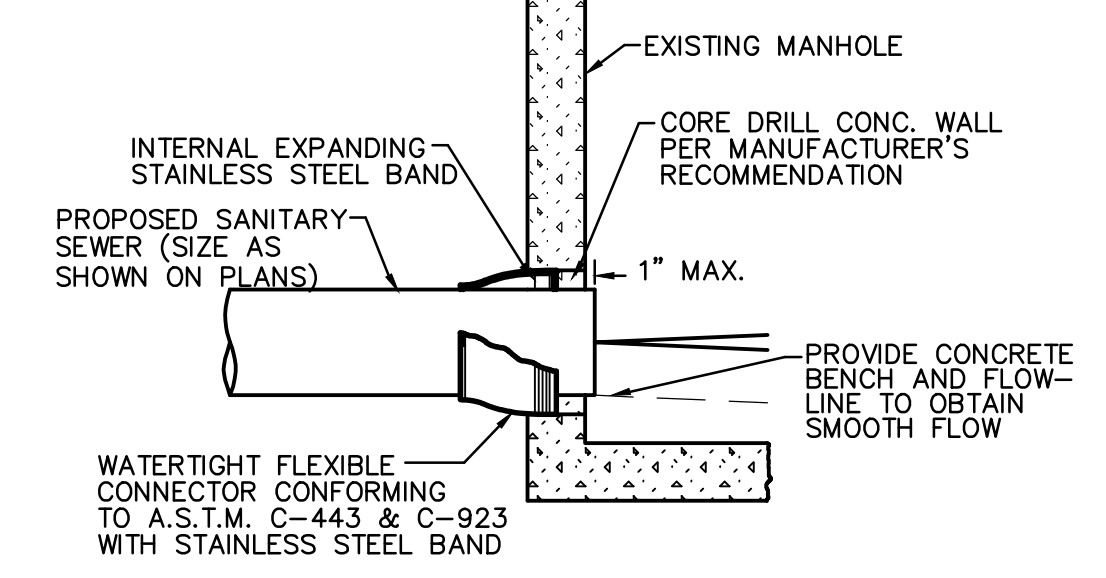
P-2 MAY BE USED IN LIEU OF P-1 AND P-3.
P-4 MAY BE USED IN LIEU OF P-3 AND IF CALLED FOR ON THE DRAWINGS P-4 SHALL BE USED IN LIEU OF P-3.

- NOTES:
- WHERE PIPES PASS THROUGH WALLS, FLOORS, OR CEILINGS, THE METHOD USED SHALL CONFORM TO THE STANDARD DETAILS AS SHOWN ON THIS DRAWING, EXCEPT WHERE SPECIAL DETAILS ARE SHOWN.
 - PASSAGE SHALL MEAN ANY ROOM, GALLERY, TUNNEL OR SIMILAR ENCLOSED SPACE IN WHICH PIPES RUN.
 - ALL SLEEVES SHALL BE CAST IRON UNLESS OTHERWISE NOTED.
 - FLANGES MAY BE INSTALLED FLUSH WITH WALL AND TAPPED FOR STUDS.
 - CEMENT GROUT CAULKING MAY BE ELIMINATED FOR PASSAGE TO PASSAGE PENETRATIONS.
 - LIQUID SHALL MEAN AN ELEVATION 1'-6" ABOVE MAXIMUM WATER ELEVATION.

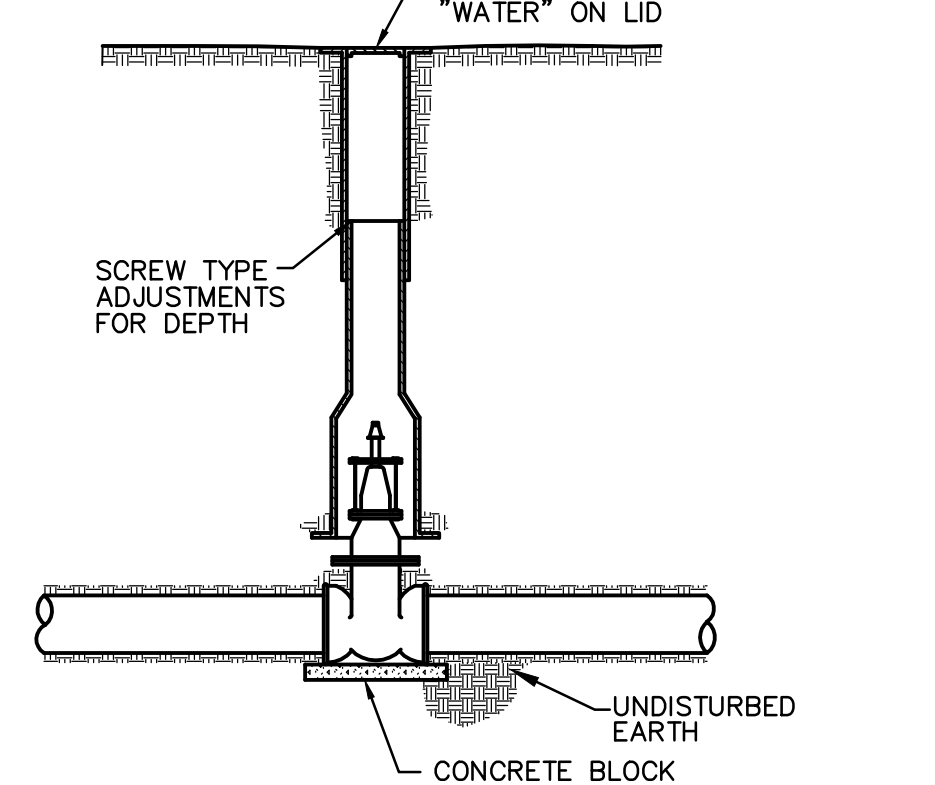
PIPE THROUGH WALLS DETAILS
SCALE: N.T.S.



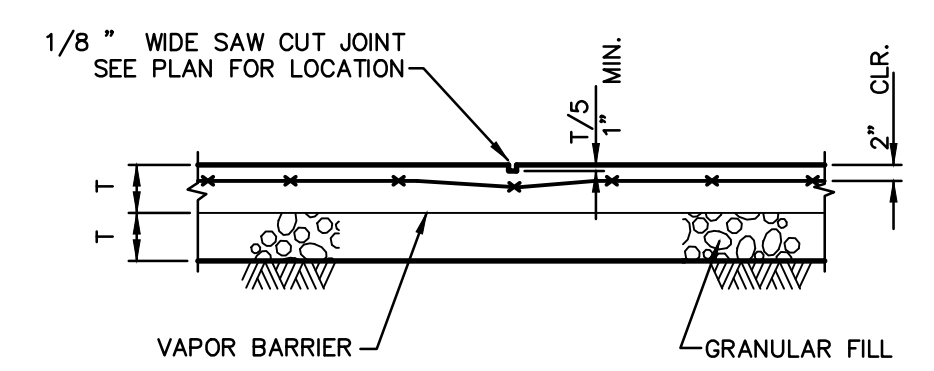
TYPICAL YARD CLEANOUT
SCALE: N.T.S.



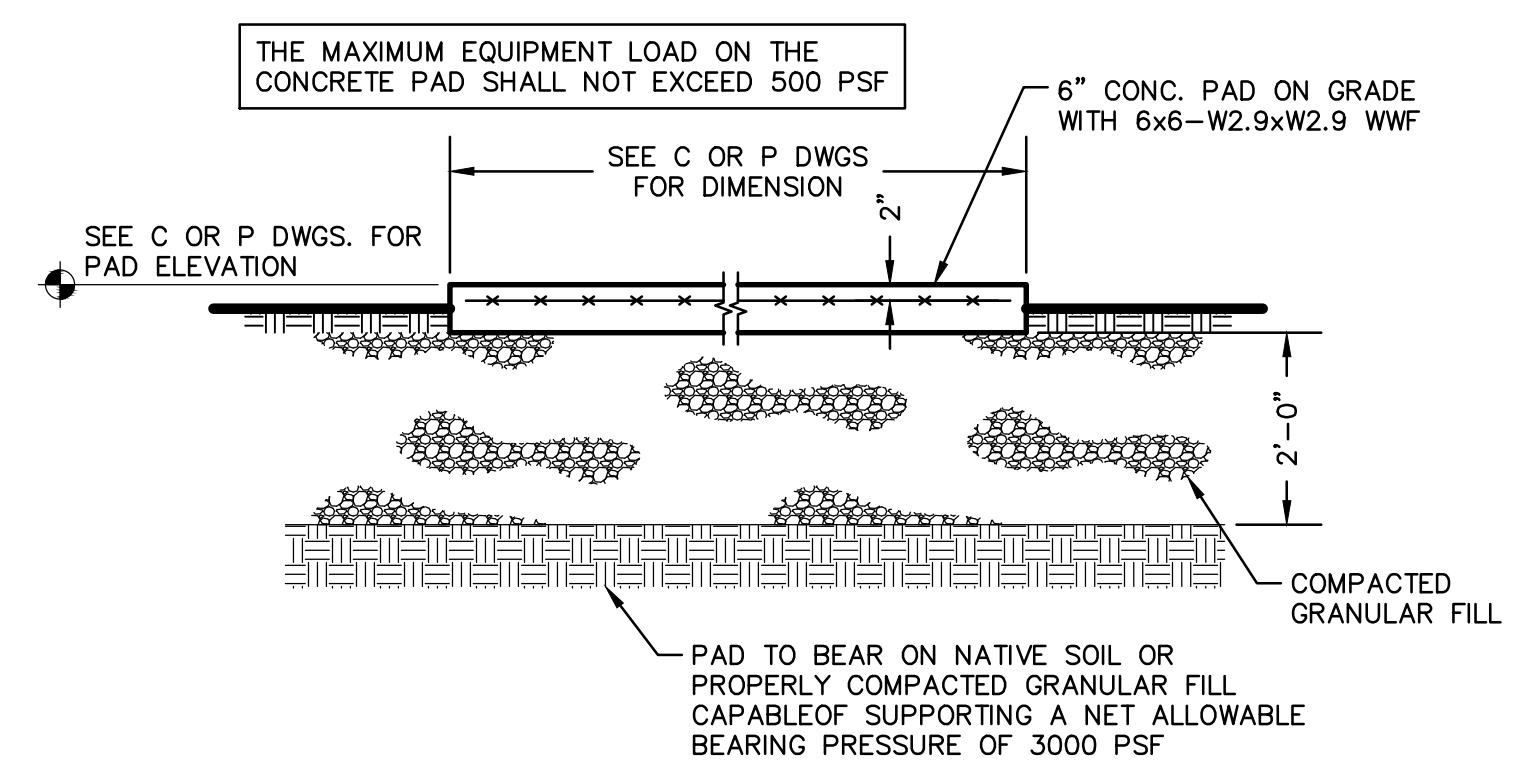
PIPE TO MANHOLE CONNECTION
SCALE: N.T.S.



TYPICAL VALVE BOX INSTALLATION
SCALE: N.T.S.



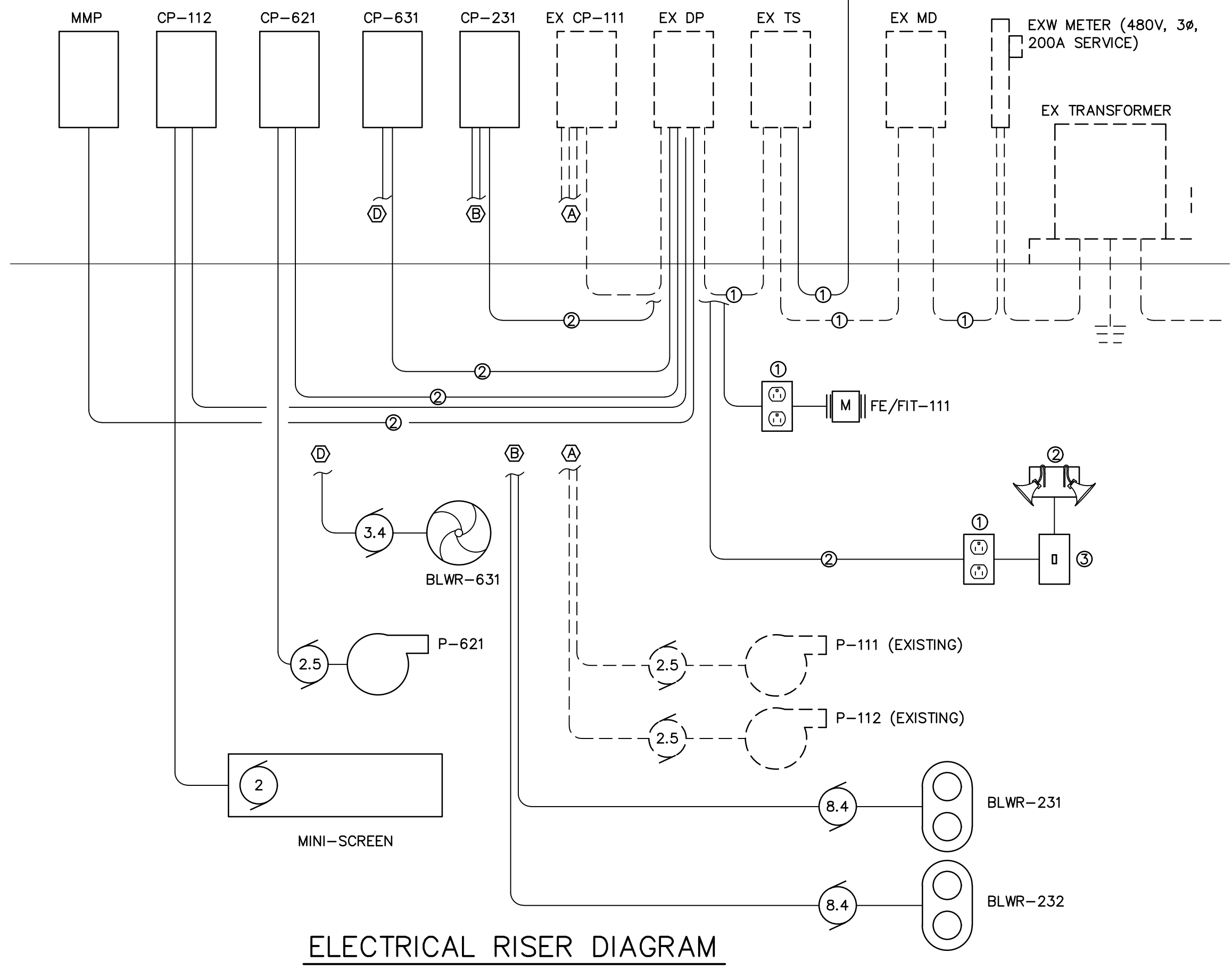
TYPICAL SLAB ON GRADE CONTROL JOINT
SCALE: N.T.S.



TYPICAL EXTERIOR EQUIPMENT PAD ON GRADE
SCALE: N.T.S.

- MMP MISSION MONITORING PANEL
- CP-111 INFLUENT PUMP STATION CONTROL PANEL
- CP-621 DIGESTED SLUDGE TRANSFER PUMP STATION
- CP-231 MBBR BLOWER PANEL
- DP DISTRIBUTION PANEL
- TS TRANSFER SWITCH
- MD MAIN DISCONNECT (200A)

- 120V GFCI RECEPTACLE IN WEATHERPROOF BOX ON UNISTRUT.
- TWO SETS OF LED DOUBLE ADJUSTABLE HEAD LIGHTS MOUNTED ON 6"x6" CCA TIMBER AT 8 FT. OFF GROUND. COORDINATE FIELD LOCATION FOR INSTALLATION W/ENGINEER FOR ONE AT CONTROL CENTER & ONE AT INFLUENT PUMP STATION.
- 120V SINGLE POLE SWITCH IN WEATHERPROOF BOX.



ELECTRICAL RISER DIAGRAM

- ELECTRICAL RISER DIAGRAM NOTES:**
- CONTRACTOR IS REQUIRED TO INSPECT EXISTING ELECTRICAL SYSTEM, VERIFY EXISTING METER SIZE, AND VERIFY WIRE, CONDUCTOR AND CONDUIT SIZING REQUIREMENTS PRIOR TO SUBMITTING BID.
 - CONTRACTOR TO SUBMIT ELECTRICAL LAYOUT AND DESIGN TO ENGINEER FOR APPROVAL PRIOR TO ORDERING MATERIALS.
 - IT IS THE CONTRACTOR'S RESPONSIBILITY TO INSTALL ALL ELECTRICAL EQUIPMENT NECESSARY FOR THE ENTIRE PROJECT INCLUDING ANY TRANSFORMER NEEDS.
 - IT IS THE CONTRACTOR'S RESPONSIBILITY TO INSTALL ALL INSTRUMENTATION AND CONTROL PANELS NECESSARY FOR THE ENTIRE PROJECT.
 - UNISTRUT TO BE PROVIDED AS NEEDED TO INSTALL ALL ELECTRICAL AND CONTROL PANEL EQUIPMENT.
 - ALL CONDUIT SHALL BE SIZED AND PROVIDED BY CONTRACTOR. CONDUIT AND CONDUIT SIZING SHALL MEET ALL NEC CODE REQUIREMENTS FOR ABOVE AND BELOW GRADE INSTALLATION.
 - ALL WIRE AND CONDUCTORS SHALL BE ENCLOSED IN CONDUIT.
 - ALL WIRE SHALL BE COPPER EXCEPT ALUMINUM WILL BE ALLOWED UP TO THE DISTRIBUTION PANEL.

REMOTE WIRELESS MONITORING AND CONTROL REQUIREMENTS:

REMOTE WIRELESS MONITORING UNIT SHALL BE M850 SERIES UNIT PROVIDED BY MISSION COMMUNICATIONS (SALES REPRESENTATIVE IS JEFF CLARKE WITH HYDRO-KINETICS; 314-647-6104).

- DIGITAL INPUTS
 - P-111 RUN; P-111 FAIL
 - P-112 RUN; P-112 FAIL
 - P-621 RUN; P-621 FAIL
 - P-461 RUN; P-461 FAIL
 - BLWR-631 RUN; BLWR-631 FAIL
 - BLWR-232 RUN; BLWR-232 FAIL
- ANALOGUE INPUTS
 - FE/FIT-111 FLOW (INFLUENT METER)
 - BLWR-631 SPEED
 - BLWR-231 SPEED
 - BLWR-232 SPEED

DESIGN GROUP INC.
1351 Jefferson, Suite 301
Washington, MO 63090
mail@designgroup.net
P: 636-492-2627

PROCESS DETAILS AND ELECTRICAL RISER DIAGRAM
TIMBERLAND WWTF
6500 US 60 WEST
PADUCAH, KY

ENGINEERING CERTIFICATE OF AUTHORITY NO. 4808
ENGINEERING LICENSE: BENJAMIN J. KUENZEL, PE33718



SEAL DATE: 09/29/2020
DRAWN BY: DDG
PROJ NUMBER: 0542-19
DATE: 09/11/2020
DRAWING NO: P9

ALL RIGHTS RESERVED. All 21 Design Group, Inc., plans, specifications and drawings are protected under copyright law and no part may be copied, reproduced, displayed publicly, used to create derivatives, distributed, stored in a retrieval system or transmitted in any form by any means without prior written permission of 21 Design Group, Inc.

Bluegrass Water Utility Operating Company, Inc

Ky PSC Case No. 2020-00290

All figures US\$ except where noted

App. Exh. 11

	Budget 2021 May	Budget 2021 Jun	Budget 2021 Jul	Budget 2021 Aug	Budget 2021 Sep	Budget 2021 Oct	Budget 2021 Nov	Budget 2021 Dec	Budget 2022 Jan	Budget 2022 Feb	Budget 2022 Mar	Budget 2022 Apr
Revenue												
Sale of Water	\$7,500	\$7,500	\$7,500	\$7,500	\$7,500	\$7,500	\$7,500	\$7,500	\$7,500	\$7,500	\$7,500	\$7,500
Other Water Operating Revenue	\$0	\$0	\$0	\$0	\$0	\$0	\$0	\$0	\$0	\$0	\$0	\$0
Total Water Revenue	\$7,500	\$7,500	\$7,500	\$7,500	\$7,500	\$7,500	\$7,500	\$7,500	\$7,500	\$7,500	\$7,500	\$7,500
Sewer Revenues	\$62,991	\$62,991	\$62,991	\$62,991	\$62,991	\$62,991	\$62,991	\$62,991	\$62,991	\$62,991	\$62,991	\$62,991
Other Sewage Operating Revenue	\$0	\$0	\$0	\$0	\$0	\$0	\$0	\$0	\$0	\$0	\$0	\$0
Total Sewer Revenue	\$62,991	\$62,991	\$62,991	\$62,991	\$62,991	\$62,991	\$62,991	\$62,991	\$62,991	\$62,991	\$62,991	\$62,991
Total Revenue	\$70,491	\$70,491	\$70,491	\$70,491	\$70,491	\$70,491	\$70,491	\$70,491	\$70,491	\$70,491	\$70,491	\$70,491
Expenses												
Operations Expense												
Source of Supply Expense	\$0	\$0	\$0	\$0	\$0	\$0	\$0	\$0	\$0	\$0	\$0	\$0
Water Pumping Expense	(\$2,250)	(\$2,250)	(\$2,250)	(\$2,250)	(\$2,250)	(\$2,250)	(\$2,250)	(\$2,250)	(\$2,250)	(\$2,250)	(\$2,250)	(\$2,250)
Sewer Pumping Expense	(\$8,184)	(\$8,184)	(\$8,184)	(\$8,184)	(\$8,184)	(\$8,184)	(\$8,184)	(\$8,184)	(\$8,184)	(\$8,184)	(\$8,184)	(\$8,184)
Water Treatment Expense	(\$12,254)	(\$12,254)	(\$12,254)	(\$12,254)	(\$12,254)	(\$12,254)	(\$12,254)	(\$12,254)	(\$12,254)	(\$12,254)	(\$12,254)	(\$12,254)
Trans & Distribution Expense	(\$156)	(\$156)	(\$156)	(\$156)	(\$156)	(\$156)	(\$156)	(\$156)	(\$156)	(\$156)	(\$156)	(\$156)
Sewer Treatment & Disposal Expense	(\$71,376)	(\$71,376)	(\$71,376)	(\$71,376)	(\$71,376)	(\$71,376)	(\$71,376)	(\$71,376)	(\$71,376)	(\$71,376)	(\$71,376)	(\$71,376)
Customer Accounts Expense	\$0	\$0	\$0	\$0	\$0	\$0	\$0	\$0	\$0	\$0	\$0	\$0
Customer Service Expense	(\$8,390)	(\$8,390)	(\$8,390)	(\$8,390)	(\$8,390)	(\$8,390)	(\$8,390)	(\$8,390)	(\$8,390)	(\$8,390)	(\$8,390)	(\$8,390)
Administration & General Expense	(\$17,372)	(\$17,372)	(\$18,213)	(\$17,372)	(\$17,372)	(\$17,372)	(\$17,372)	(\$23,860)	(\$17,372)	(\$17,745)	(\$17,372)	(\$17,372)
Total Operations Expense	(\$119,982)	(\$119,982)	(\$120,823)	(\$119,982)	(\$119,982)	(\$119,982)	(\$119,982)	(\$126,470)	(\$119,982)	(\$120,356)	(\$119,982)	(\$119,982)
Maintenance Expense												
Maint Source of Supply Exp	\$0	\$0	\$0	\$0	\$0	\$0	\$0	\$0	\$0	\$0	\$0	\$0
Water Maint Pumping Exp	(\$156)	(\$156)	(\$156)	(\$156)	(\$156)	(\$156)	(\$156)	(\$156)	(\$156)	(\$156)	(\$156)	(\$156)
Water Maint Trans & Distr Exp	(\$312)	(\$312)	(\$312)	(\$312)	(\$312)	(\$312)	(\$312)	(\$312)	(\$312)	(\$312)	(\$312)	(\$312)
Sewer Maint Collection Exp	(\$358)	(\$358)	(\$358)	(\$358)	(\$358)	(\$358)	(\$358)	(\$358)	(\$358)	(\$358)	(\$358)	(\$358)
Sewer Pumping Maint Exp	(\$903)	(\$903)	(\$903)	(\$903)	(\$903)	(\$903)	(\$903)	(\$903)	(\$903)	(\$903)	(\$903)	(\$903)
Maint Treatm & Disposal Exp	(\$1,947)	(\$1,947)	(\$1,947)	(\$1,947)	(\$1,947)	(\$1,947)	(\$1,947)	(\$1,947)	(\$1,947)	(\$1,947)	(\$1,947)	(\$1,947)
Total Maintenance Expense	(\$3,676)	(\$3,676)	(\$3,676)	(\$3,676)	(\$3,676)	(\$3,676)	(\$3,676)	(\$3,676)	(\$3,676)	(\$3,676)	(\$3,676)	(\$3,676)
Total Operations & Maintenance Expense	(\$123,659)	(\$123,659)	(\$124,499)	(\$123,659)	(\$123,659)	(\$123,659)	(\$123,659)	(\$130,147)	(\$123,659)	(\$124,032)	(\$123,659)	(\$123,659)
Overhead Allocation	(\$18,448)	(\$18,448)	(\$18,448)	(\$18,448)	(\$18,448)	(\$18,448)	(\$18,448)	(\$18,448)	(\$18,448)	(\$18,448)	(\$18,448)	(\$18,448)
Total Expenses	(\$142,107)	(\$142,107)	(\$142,947)	(\$142,107)	(\$142,107)	(\$142,107)	(\$142,107)	(\$148,595)	(\$142,107)	(\$142,480)	(\$142,107)	(\$142,107)
EBITDA	(\$71,616)	(\$71,616)	(\$72,456)	(\$71,616)	(\$71,616)	(\$71,616)	(\$71,616)	(\$78,104)	(\$71,616)	(\$71,989)	(\$71,616)	(\$71,616)
Interest Expense												
Depreciation Expense	(\$18,927)	(\$20,916)	(\$21,024)	(\$21,024)	(\$21,024)	(\$21,024)	(\$21,024)	(\$22,044)	(\$24,524)	(\$24,524)	(\$24,524)	(\$28,316)
Amortization Expense	\$0	\$0	\$0	\$0	\$0	\$0	\$0	\$0	\$0	\$0	\$0	\$0
Net Income / Loss	(\$90,543)	(\$92,532)	(\$93,480)	(\$92,640)	(\$92,640)	(\$92,640)	(\$92,640)	(\$100,147)	(\$96,140)	(\$96,513)	(\$96,140)	(\$99,931)

Bluegrass Water Utility Operating Company, Inc

All figures US\$ except where noted

	September-2019		October-2019		November-2019		December-2019		January-2020		February-2020		March-2020		April-2020		May-2020		June-2020		July-2020		August-2020		TTM			
	Actual	Budget	Actual	Budget	Actual	Budget	Actual	Budget	Actual	Budget	Actual	Budget	Actual	Budget	Actual	Budget	Actual	Budget	Actual	Budget	Actual	Reforecast	Actual	Reforecast	Actual	Bud/Fcst	Var	
Revenue																												
Sale of Water	0	0	0	0	0	0	0	0	0	0	0	0	0	0	0	7,668	0	7,668	6,860	8,065	7,588	8,065	7,602	8,065	22,050	39,531	(17,480)	
Other Water Operating Revenue	0	0	0	0	0	0	0	0	0	0	0	0	0	0	0	0	0	0	0	0	(638)	0	(1,635)	0	(2,273)	0	(2,273)	
Water Revenue	0	0	0	0	0	0	0	0	0	0	0	0	0	0	0	7,668	0	7,668	6,860	8,065	6,950	8,065	5,967	8,065	19,777	39,531	(19,754)	
Sewer Revenues	0	0	46,957	57,935	58,528	57,935	50,260	57,935	50,374	57,935	50,398	57,935	50,212	57,935	51,911	69,294	62,664	69,294	62,991	61,142	62,991	61,142	62,183	64,440	609,469	672,921	(63,452)	
Other Sewage Operating Revenue	0	0	0	0	0	0	1,204	0	(1,217)	0	898	0	(19)	0	(12)	0	(24)	0	(12)	0	0	0	0	0	817	0	817	
Sewer Revenue	0	0	46,957	57,935	58,528	57,935	51,465	57,935	49,157	57,935	51,295	57,935	50,193	57,935	51,899	69,294	62,639	69,294	62,979	61,142	62,991	61,142	62,183	64,440	610,286	672,921	(62,635)	
Total Revenue	0	0	46,957	57,935	58,528	57,935	51,465	57,935	49,157	57,935	51,295	57,935	50,193	57,935	51,899	76,962	62,639	76,962	69,839	69,207	69,941	69,207	68,150	72,505	630,063	712,452	(82,389)	
Expenses																												
Operations Expense																												
Source of Supply Expense	0	0	0	0	0	0	0	0	0	0	0	0	0	0	0	0	0	0	0	0	0	0	0	0	0	0	0	0
Water Pumping Expense	0	0	0	0	0	0	0	0	0	0	0	0	0	0	0	1,167	0	1,167	0	400	2,250	400	868	400	3,118	3,534	416	
Sewer Pumping Expense	0	3,624	4,732	3,624	3,450	3,624	0	3,624	0	3,600	800	3,600	0	3,600	0	4,433	0	4,433	13,236	4,750	7,225	4,750	9,082	6,000	38,525	49,662	11,137	
Water Treatment Expense	0	0	0	0	0	0	0	0	0	0	0	0	0	0	0	583	6,062	583	12,074	2,887	12,317	2,887	14,018	2,887	44,471	9,827	(34,644)	
Trans & Distribution Expense	462	0	0	0	0	0	0	0	0	0	0	0	0	0	4,000	0	4,000	0	0	0	0	0	0	0	462	8,000	7,538	
Sewer Treatment & Disposal Expense	2,095	28,678	49,718	28,678	55,519	28,678	60,049	28,678	56,308	35,000	51,681	35,000	55,610	35,000	57,239	39,667	60,241	39,667	64,542	65,600	55,260	65,600	73,322	76,660	641,583	506,906	(134,677)	
Customer Accounts Expense	0	3,119	2,579	3,119	3,100	3,119	6,136	3,119	3,157	3,200	3,134	3,200	3,055	3,200	7,536	3,200	3,766	3,200	5,455	3,200	5,160	3,200	6,757	3,600	49,835	38,474	(11,361)	
Customer Service Expense	0	0	0	0	0	0	0	0	0	0	0	0	0	0	0	0	0	0	0	0	0	0	0	0	0	0	0	0
Administration & General Expense	397	717	2,781	717	29,372	717	10,720	717	22,971	16,500	17,920	16,500	16,564	16,500	20,356	17,500	20,782	17,500	10,168	17,000	19,450	17,000	21,223	18,200	192,705	139,568	(53,137)	
Total Operations Expense	2,954	36,138	59,810	36,138	91,441	36,138	76,905	36,138	82,436	58,300	73,535	58,300	75,229	58,300	85,132	70,550	90,850	70,550	105,475	93,837	101,662	93,837	125,271	107,747	970,699	755,971	(214,728)	
Maintenance Expense																												
Maint Source of Supply Exp	0	0	0	0	0	0	0	0	0	0	0	0	0	0	0	208	0	208	0	0	0	0	0	0	0	0	416	416
Water Maint Pumping Exp	0	0	0	0	0	0	0	0	0	0	0	0	0	0	0	208	0	208	0	63	0	63	0	63	0	605	605	
Water Maint Trans & Distr Exp	0	0	0	0	0	0	0	0	0	0	0	0	0	0	0	208	0	208	0	60	0	60	0	60	0	596	596	
Sewer Maint Collection Exp	0	1,000	0	1,000	550	1,000	527	1,000	0	1,000	665	1,000	1,170	1,000	0	1,416	0	1,416	70	1,000	0	1,000	1,435	1,200	4,417	13,032	8,615	
Sewer Pumping Maint Exp	0	1,000	0	1,000	960	1,000	0	1,000	0	1,000	169	1,000	875	1,000	0	1,416	0	1,416	4,685	1,000	0	1,000	3,657	1,200	10,347	13,032	2,685	
Maint Treatm & Disposal Exp	0	3,000	2,434	3,000	345	3,000	160	3,000	570	3,000	1,010	3,000	3,180	3,000	289	3,416	2,315	3,416	0	1,000	0	1,000	10,585	1,200	20,889	31,032	10,143	
Total Maintenance Expense	0	5,000	2,434	5,000	1,855	5,000	687	5,000	570	5,000	1,844	5,000	5,225	5,000	289	6,872	2,315	6,872	4,755	3,123	0	3,123	15,677	3,723	35,653	58,713	23,060	
Total Operations & Maintenance Expense	2,954	41,138	62,244	41,138	93,296	41,138	77,592	41,138	83,006	63,300	75,379	63,300	80,455	63,300	85,421	77,422	93,166	77,422	110,230	96,960	101,662	96,960	140,948	111,470	1,006,351	814,684	(191,667)	
Overhead Allocation	0	0	0	0	0	0	205,388	0	18,289	18,289	18,289	18,289	18,289	18,289	18,289	18,289	18,289	18,289	18,289	18,289	18,448	18,448	18,448	18,448	352,019	146,631	(205,388)	
Total Expenses	2,954	41,138	62,244	41,138	93,296	41,138	282,980	41,138	101,295	81,589	93,668	81,589	98,744	81,589	103,710	95,711	111,455	95,711	128,519	115,249	120,110	115,408	159,396	129,918	1,358,370	961,315	(397,055)	
EBITDA	(2,954)	(41,138)	(15,287)	16,797	(34,768)	16,797	(231,515)	16,797	(52,138)	(23,654)	(42,373)	(23,654)	(48,551)	(23,654)	(51,811)	(18,749)	(48,816)	(18,749)	(58,680)	(46,042)	(50,169)	(46,201)	(91,246)	(57,413)	(728,307)	(248,862)	(479,444)	
Interest Expense	0	0	0	0	0	0	0	0	0	0	0	0	0	0	0	0	0	0	0	0	0	0	0	0	0	0	0	0
Depreciation Expense	0	0	0	0	0	0	5,420	5,420	1,763	1,807	1,763	1,807	1,763	1,807	1,807	3,043	1,807	3,043	1,807	3,043	1,807	3,043	1,807	3,043	19,743	26,055	6,312	
CIAC Amortization	0	0	0	0	0	0	0	0	0	0	0	0	0	0	0	0	0	0	0	0	0	0	0	0	0	0	0	0
Amortization Expense	0	0	0	0	0	0	0	0	0	0	0	0	0	0	0	0	0	0	0	0	0	0	0	0	0	0	0	0
Net Income / Loss	(2,954)	(41,138)	(15,287)	16,797	(34,768)	16,797	(236,935)	16,797	(53,902)	(25,461)	(44,136)	(25,461)	(50,314)	(25,461)	(53,618)	(21,792)	(50,622)	(21,792)	(60,487)	(49,085)	(51,975)	(49,244)	(93,053)	(60,456)	(748,050)	(269,497)	(478,552)	

Bluegrass Water Utility Operating Company
Projected Annual Income Statement
Case No. 2020-00290
Forecasted Test Period Filing Requirement

Ky PSC Case No. 2020-00290
App. Exh. 13

	<u>2020</u>	<u>2021</u>	<u>2022</u>
Operating Revenue	757,419	1,211,730	1,244,988
Operating Expenses			
Operations & Maintenance	1,441,562	2,515,707	2,581,288
Depreciation & Amortization	60,007	219,105	326,611
Total Operating Expenses	<u>1,501,568</u>	<u>2,734,812</u>	<u>2,907,898</u>
Utility Operating Income	<u>(744,149)</u>	<u>(1,523,082)</u>	<u>(1,662,911)</u>
Other Income	0	0	0
Total/Net Income	<u>(744,149)</u>	<u>(1,523,082)</u>	<u>(1,662,911)</u>

Note: Forecast does not include projections from current rate case

Bluegrass Water Utility Operating Company

Projected End of Year Balance Sheet

Case No. 2020-00290

Forecasted Test Period Filing Requirement

Ky PSC Case No. 2020-00290

App. Exh. 13

	2020	2021	2022
Fixed Assets	4,359,991	8,316,924	8,138,080
Non-Utility Property	-	-	-
Current Assets	(200,974)	(1,724,056)	(3,386,967)
Other Assets	4,593	4,593	4,593
TOTAL ASSETS	4,163,610	6,597,461	4,755,706
Total Capital	3,871,063	6,239,411	4,431,989
Current Liabilities	153,383	153,383	153,383
CIAC, Net	139,163	204,667	170,334
TOTAL LIABILITIES & CAPITAL	4,163,609	6,597,461	4,755,706

Bluegrass Water Utility Operating Company
 Projected Statement of Cash Flows
 Case No. 2020-00290
 Forecasted Test Period Filing Requirement

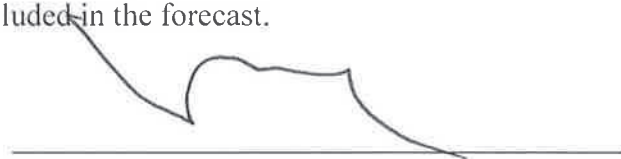
Ky PSC Case No. 2020-00290
App. Exh. 13

	2020	2021	2022
Net Income	(744,149)	(1,523,082)	(1,662,911)
Depreciation & Amortization	60,007	219,105	326,611
Net Cash from Operations	(684,143)	(1,303,977)	(1,336,300)
Cash Flow from Investing Activities			
Capital Expenditures	(2,724,188)	(4,110,534)	(182,100)
Net Cash from Investing	(2,724,188)	(4,110,534)	(182,100)
Cash Flow from Financing Activities			
Proceeds from Long-Term Debt			
Capital Contribution	3,029,235	4,110,534	182,099
Net Cash from Financing	3,029,235	4,110,534	182,099
Cash Generated During the Year	(379,095)	(1,303,977)	(1,336,301)
Beginning Cash Balance	55,505	(323,590)	(1,627,567)
Ending Cash Balance	(323,590)	(1,627,567)	(2,963,868)

	2020	2021	2022
<u>Sewer Customers</u>			
Single Residential			
Airview	198	198	198
Brocklyn	72	72	72
Fox Run	35	35	35
Golden Acres	29	29	29
Great Oaks	158	158	158
Kingswood	131	131	131
Lake Columbia	33	33	33
Longview/Homestead	328	328	328
Persimmon Ridge	351	351	351
River Bluffs	180	180	180
Timberland	69	69	69
Arcadia Pines	25	0	0
Carriage Park	40	0	0
Marshall Ridge	38	0	0
Randview	52	0	0
Delaplain		296	296
Herrington Haven		20	20
Springcrest		42	42
Woodland Acres		104	104
Total Single Residential Units	1,739	2,046	2,046
Multi Residential			
Brocklyn	82	82	82
Total Multi Residential Units	82	82	82
Commercial (Flat)			
Persimmon Ridge	2	2	2
Randview		2	2
Total Multi Residential Units	2	4	4
Commercial/Industrial (Metered)			
Delaplain		34	34
Total Multi Residential Units	0	34	34
<u>Water Customers</u>			
Residential (Flat)			
Center Ridge	336	336	336
Total Residential (Flat) Units	336	336	336

**Statement of Attestation signed by the Utility's
Chief Officer in Charge of Kentucky Operations**
(807 KAR 5:001 §16(7)(e))

1. The forecast presented in this rate application is reasonable, reliable, made in good faith, and all basic assumptions used in the forecast have been identified and justified.
2. The forecast contains the same assumptions and methodologies as used in the forecast prepared for use by management.
3. Productivity and efficiency gains are included in the forecast.



JOSIAH COX, President of Central States
Water Resources, Inc., the manager of
BLUEGRASS WATER UTILITY
OPERATING COMPANY, LLC

STATE OF MISSOURI)
COUNTY OF ST. LOUIS)

Subscribed, sworn to, and acknowledged this 28th day of September, 2020, before me,
a Notary Public in and before said County and State.




NOTARY PUBLIC

{seal}

A list of all commercially available or in-house developed computer software, programs and models used in the development of the schedules and workpapers associated with the filing of the utility's application are listed below.

SOFTWARE	DESCRIPTION
MS Excel	MS Excel was used by the Company to formulate their budget information and was used to complete the various schedules for the financial requirements of the filing. MS Excel is an electronic spreadsheet application manufactured by Microsoft Corporation.
MS Word	MS Word was used to prepare testimony and other miscellaneous schedules. MS Word is an electronic word processing application manufactured by Microsoft Corporation.
MS SharePoint	SharePoint was used for cloud file storage and collaboration. SharePoint is a document library cloud-based application manufactured by Microsoft Corporation.
Adobe Acrobat DC	Acrobat was used by the Company to create and manage Portable Document Format (PDF) files. Acrobat is a universal document exchange application and is manufactured by Adobe Systems Incorporated.
SAP Business One	SAP is used by the Company as an enterprise financial application including general ledger, accounts payable, and asset management. SAP is manufactured by SAP SE which is a German-based European multinational software corporation.
Computer Hardware	Microsoft Surface Pro 7 (Various Specifications) Windows 10 Professional & Microsoft 365

**AGREEMENT REGARDING OPERATION OF
UTILITY TREATMENT FACILITIES
WASTEWATER**

This Agreement Regarding Operation of Utility Treatment Facilities (“Agreement”) is entered into and shall be effective as of the ___ day of _____, 2019 (“Effective Date”), by and between BLUEGRASS WATER UTILITY OPERATING COMPANY, LLC, a Kentucky corporation (“Owner”) and MIDWEST WATER OPERATIONS, LLC, a Missouri limited liability company (“Operator”), collectively the “Parties”.

RECITALS

WHEREAS, BLUEGRASS WATER UTILITY OPERATION COMPANY, LLC, or its affiliate, is the Owner for the operation, maintenance, and modernization of the wastewater treatment facilities located in Kentucky and more particularly identified under Permit No.’s KY0090956, KY0081591, KY0044164, KY0045390, KY0081299, KY0086976, KY0077674, KY0101419, KY0080845 (“Facilities”); and

WHEREAS, MIDWEST WATER OPERATION, LLC, provides the services of an Operator, certified by the appropriate regulatory authority, as required, for utility treatment facilities;

WHEREAS, this Agreement amends and restates in its entirety the agreement regarding operation of utility treatment facilities between the Parties dated [] (the “Existing Agreement”) which amended and restated in its entirety the agreement regarding operation of utility treatment facilities between the Parties dated [] (the “Prior Agreement”); and

WHEREAS, the Owner, wishes to retain Operator, and Operator desires to provide services to the Owner related to the operation of the Facilities.

NOW, THEREFORE, in consideration of the mutual promises and covenants set forth herein and other good and valuable consideration, the Parties agree as follows:

ENGAGEMENT; TERM; TERMINATION

1. **Engagement.** The Owner hereby engages Operator to provide services to the Owner related to the operation of the Facilities, as more particularly described herein, subject to the terms and conditions of this Agreement. Operator hereby accepts such engagement and agrees (i) to perform all services, including, without being limited to, those services specifically set forth in this Agreement and any attachment hereto; and (ii) to use reasonable and diligent efforts and to exercise the highest degree of professional competence in the performance of such services, in all cases, subject to the terms of this Agreement and any requirements of the Owner with regard to the operation of the Facilities.

2. **Term.** The term of this Agreement shall be effective as of the Effective Date and shall continue in full force and effect, unless sooner terminated as provided for herein, for a period of One(1) year.

3. Termination of Agreement Without Cause. The Owner or Operator may terminate this Agreement for any reason upon thirty (30) day prior written notice to the other Party of their desire to terminate the relationship and this Agreement.

4. Termination of Agreement With Cause. The Owner or Operator may terminate this Agreement upon written notice in the event of the failure by the other Party to perform in accordance with the terms of this Agreement. The nonperforming Party shall have ten (10) days from the date of the termination notice to cure or submit a plan for cure acceptable to the other Party.

5. Delay in Performance. Neither Owner nor Operator shall be considered in default of this Agreement for delays in performance caused by circumstances beyond the reasonable control of the nonperforming Party. For purposes of this Agreement, such circumstances include, but are not limited to, abnormal weather conditions, floods, earthquakes, fire, epidemics, war, riot, and other civil disturbances, strikes, lockouts, work slowdowns, and other labor disturbances, sabotage, judicial restraint, and inability to procure permits, licenses, or authorizations from any local, state or federal agency for any of the permissions, supplies, materials, accesses, or services required to be provided by either Owner or Operator under this Agreement. Should such circumstances occur, the nonperforming Party shall, within a reasonable time of being prevented from performing, give written notice to the other Party describing the circumstances preventing continued performance of this Agreement.

6. Termination Duties. Upon the termination of this Agreement, Operator shall render to the Owner a final accounting which shall cover the period from the date of the last statement rendered to the Owner. The Operator shall also forthwith (i) deliver copies of all records and reporting documents not already provided to the Owner, as well as, all materials, supplies, contracts, documents, accountings, papers and any and all other reports pertaining to the operation of the Facilities or this Agreement in the possession or under the control of Operator, and (ii) assign to the Owner, or its designee, existing contracts (previously approved by the Owner) in Operator's name, if any, relating to the operation of the Facilities. Within ten (10) days of the effective date of termination of this Agreement, the Owner shall forthwith pay to Operator all compensation then due Operator.

COMPENSATION TO OPERATOR

7. Operator Fee for Basic Services. In connection with Operator providing those services to the Owner related to the operation of the Facilities, and as more particularly described hereinbelow, and incorporated herein by this reference, the Owner shall pay to Operator a monthly fee of **Thirty-Seven Thousand One Hundred and Ninety-Seven Dollars (\$37,197.00)**.

8. Additional Fee Charged for Services Outside of Basic Scope of Services. In the event the Owner requests Operator to provide additional services not included under the Scope of Services as described herein below, Operator shall be compensated for such additional services in accordance with Operator's Prevailing Fee Schedule as follows:

Engineer Fee \$100.00/Hour
Technician Fee \$70.00/Hour

9. Reimbursement of Out-of-Pocket Expenses. Operator shall be eligible for reimbursement for any and all documented costs paid by Operator associated with the testing services, electrical, mechanical and/or other parts purchased to repair and/or maintain the Facilities, chemicals required to operate the Facilities, and other out-of-pocket expenses required for the operation of the Facilities that are outside of the scope of the services for which the Operator is being paid the Fee for Basic Services. Prior approval by the Owner is required for all reimbursable expenses. Operator agrees there will be no mark-up, handling charge or other such service fee(s), related to out-of-pocket expenditures and that a copy of the original receipt(s) or other proof of purchase acceptable to Owner will be furnished with the reimbursement invoice. Reimbursement requests that were not approved in advance or are not accompanied by suitable proof of purchase may not be honored by Owner.

10. Payment of Fee and Reimbursable Costs. Operator shall submit to the Owner invoices for all Operator fees and claimed reimbursable costs on a monthly basis. All such invoices shall be due and payable to Operator by the Owner within thirty (30) days of the date of the invoice. Operator agrees that payment for claims for reimbursable expenses not received by Owner within sixty (60) days of the date incurred are at the discretion of the Owner. Invoices will be delivered to: ap@cswrgroup.com, or as provided in Section 20.

11. Collection Costs. If the Owner fails to make payments when due, Operator shall provide written notice to the Owner allowing the Owner fifteen (15) days to cure the default in payment. However, if after the fifteen (15) day cure period the Owner continues to fail to make payment to Operator, and Operator incurs any costs in order to collect the overdue sums from the Owner, the Owner agrees that all such documented collection costs incurred by Operator shall immediately become due and payable to Operator.

RESPONSIBILITIES - OWNER

12. Maintaining Permits. Owner shall keep all required permits up to date for the Facilities. Operator shall provide assistance to owner with permit renewal and documentation upon request.

13. Payment of Fees Required by Government Authorities. Owner shall pay the annual operating fees, permit renewal fees, construction fees, testing fees, and any and all other fees as required by the governmental authorities for the operation of the Facilities.

14. Damages Caused by Bypass. Owner shall be responsible for and shall hold Operator harmless from liability for damages caused by a bypass of the Facilities or failure of the Facilities to meet the required effluent limits, except to the extent damages are caused by negligence of the Operator.

15. Maintenance of Records. Owner shall maintain all records on the operation and maintenance of the Facilities for a period of five (5) years or such additional period of time required by Kentucky State law.

RESPONSIBILITIES - OPERATOR

16. Basic Services. Operator shall provide to Owner the services set forth on the attached **EXHIBIT A**, which by this reference is incorporated herein.

17. Additional or Emergency Services. Any services not listed above shall be considered additional or emergency services. Additional Services are not included as part of the Basic Services and shall be paid for by Owner in accordance with the Operator's fee schedule set forth hereinabove.

18. Standard of Care. The standard of care of all services performed or furnished by Operator under this Agreement will be the care and skill ordinarily used by operators practicing under similar conditions at the same time and in the same locality. Contractor at all times shall maintain the necessary number of employees, staff, and third party contractors to efficiently operate the facilities in accordance with CSWR standards, to adequately maintain facilities in good repair, to provide good service to the customers of CSWR, and contractor shall take all steps reasonably necessary so as to prevent harm to the health, welfare, and safety of such customers. Contractor shall be responsible for assigning or dividing the services among its employees as necessary to accomplish the proper EHS best management practices and standard operating procedures.

19. Safety. Contractor shall administer a site-specific safety program to include training, record keeping, and safety meetings, all in compliance with OSHA and state safety standards. Contractor shall provide annually a list of all safety training provided to each individual that provides work to CSWR. CSWR employees and personnel shall be allowed to participate in all necessary safety or record keeping.

20. Insurance and Indemnification. Operator shall procure and maintain in effect throughout the duration of the term of this Agreement insurance coverage not less than the types and amounts specified below. The Operator also agrees to furnish the Owner, from time to time and on demand, with suitable evidence that such insurance is in force. In the event that additional insurance, not specified herein, is required by Owner during the course of the services covered by this Agreement, Operator shall supply such insurance and all additional costs shall be borne by Owner. Policies containing a self-insured retention will not be acceptable to Owner. A company with an A- or better rating must issue all insurance policies. All coverage required herein shall list Owner as an additional insured including ongoing operations and completed operations on a primary and non-contributory basis using form CG 20 10 11 85 or its equivalent, and Operator shall maintain all coverage in force continuously without interruption for a period of three (3) years after the term of this Agreement. In addition, each coverage required herein shall include a waiver of subrogation (where allowable by law).

(a) Comprehensive General liability insurance on an "occurrence basis," in the amount

of at least \$1,000,000.00 per occurrence, with at least a \$2,000,000.00 annual aggregate limit, including broad form property damage, blanket contractual and personal injuries (including death resulting therefrom) coverage.

- (b) Automobile Liability insurance in the amount of \$500,000.00 per person and \$1,000,000.00 per occurrence for bodily injury and \$500,000.00 per occurrence for property damage or \$1,000,000.00 combined single limit. Coverage should extend to any auto or owned, hired or non-owned autos.
- (c) Worker's Compensation and Employers Liability in the amount required by law.
- (d) Commercial Umbrella Coverage on all of the foregoing coverage in the amount of \$5,000,000.00 per occurrence and \$5,000,000.00 aggregate.
- (e) Operator shall maintain in force Pollution Legal Liability policy with limits of \$1,000,000.00 per occurrence and \$2,000,000.00 aggregate. In the event that Pollution Liability Coverage is discontinued for any reason by Operator after the termination of this Agreement, Operator agrees to procure tail coverage in force continuously without interruption for a period of three (3) years.
- (f) Professional Liability Error and Omissions coverage of not less than \$1,000,000.00 per occurrence and \$2,000,000.00 aggregate. In the event that Professional Liability Errors and Omissions coverage is discontinued for any reason after the termination of this Agreement, Operator agrees to procure tail coverage in force continuously without interruption for a period of three (3) years.

In addition, Operator is required and shall require any contractors, subcontractors, vendors or any other party performing work or providing services at or for the operation of the facilities to carry the above insurance.

The policies listed above shall include within their certificate an endorsement that the policy may not be canceled until sixty (60) days prior written notice of cancellation has been served upon Owner by registered or certified mail.

Indemnification: Operator shall to the fullest extent of the law defend, indemnify and hold harmless Owner and all of its parent companies, subsidiaries, affiliates and subcontractors, including their respective officers, directors, employees, principals, partners, agents, successors and assigns, (collectively "Indemnitees") from and against any and all actions, suits, arbitrations, administrative proceedings, demands and claims for any and all damages, injunctive or any other relief based on any cause of action whatsoever (sometimes individually "Claim" and sometimes collectively "Claims"), that may be brought or made against, or incurred by, Indemnitees on account of liabilities, damages, losses, cost, expenses, settlements, judgments, awards, and governmental penalties and sanctions, including reasonable attorneys' fees and experts' fees, including those attributable to bodily injury (including death), personal injury and property damage (sometimes individually "Liability" and sometimes collectively "Liabilities"), caused

by, arising out of, or contributed to by any negligence, acts, errors, omissions or conduct of Operator, its employees, subcontractors, or agents, related in any way to the performance of any and all services described herein, except to the extent the Claims or Liabilities are determined to have been caused solely by the gross negligence or willful misconduct of the Owner. Such obligation shall not be construed to negate, abridge, or reduce other rights or obligations of indemnity that would otherwise exist as to a party or person described in this Agreement.

Operator shall provide to Owner at execution of this Agreement a certificate of insurance showing all required endorsements and additional insureds.

It is further mutually agreed between the parties hereto, that no payment made under this Agreement shall be deemed as conclusive evidence of the performance of this Agreement, either in whole or in part, and that no payment shall be construed to be an acceptance of defective work or improper performance or materials. The Operator is to insure its own risk in and about the property, unless special agreement is made to the contrary, said risk to be considered as the unpaid balance due at any time.

NOTICES

22. Notices. Any notice, demand, consent, approval, request or other communication, required or permitted to be given hereunder, shall be in writing and shall be deemed to have been delivered (i) on the day personally delivered, (ii) upon receipt if sent by overnight courier, (iii) on the third business day following its mailing by registered or certified mail (return receipt requested), postage prepaid, by deposit in the United States mail, or (iv) on the day received (if received by 5:00 p.m. local time on a business day at the location of the recipient [i.e., any day other than a Saturday or Sunday or Missouri state (depending on the recipient's location) or federal holiday] and if not so received then on the next business day) if sent by facsimile or electronic transmission with proof of successful transmission.

Owner:
BLUEGRASS WATER UTILITY OPERATING COMPANY, LLC
500 Northwest Plaza Dr., Suite 500
St. Ann, MO 63074
Attn: Josiah Cox, President
Phone: (314) 736-4672
Facsimile: (314) 736-4743
Email: jcox@cswrgroup.com

Operator:
MIDWEST WATER OPERATIONS, LLC
1351 Jefferson St, Suite 301
Washington, MO 63090
Phone: 636-432-2144
Email: management@midwestwaterop.com

Either party may, by notice given as aforesaid, designate a different address or addresses for notices to be given to it.

GENERAL PROVISIONS

21. Information Provided by Others. Owner shall furnish, at Owner's expense, all information, requirements, reports, data, surveys and instructions required by this Agreement. Operator may use such information, requirements, reports, data, surveys and instructions in performing its services and is entitled to rely upon the accuracy and completeness thereof.

22. Relationship of Parties. The Operator is and will remain for the term of this Agreement an independent contractor completely responsible for its own acts and for the manner in which, and the form by which, it performs this Agreement, and as such shall set its own hours and means and methods and shall not be subject to the supervision and control of the Owner except as to the results obtained. In no event shall the relationship created by this Agreement constitute a joint venture or partnership between the Owner and the Operator. Neither Party is authorized to assume or create any obligation or responsibility on behalf of, or in the name of, the other or bind the other in any manner whatsoever whether as agent, legal representative or otherwise.

23. Third Party Rights. Nothing contained in this Agreement shall be construed to give any rights or benefits to anyone other than Owner and Operator.

24. Waiver. A waiver by either Owner or Operator of any breach of this Agreement shall be in writing. Such a waiver shall not affect the waiving party's rights with respect to any other or further breach.

25. Severability. The invalidity, illegality, or unenforceability of any provision of this Agreement or the occurrence of any event rendering any portion or provision of this Agreement void shall in no way affect the validity or enforceability of any other portion or provision of this Agreement. Any void provision shall be deemed severed from this Agreement, and the balance of this agreement shall be construed and enforced as if this Agreement did not contain the particular portion or provision held to be void. The parties further agree to amend this Agreement to replace any stricken provision with a valid provision that comes as close as possible to the intent of the stricken provision. The provisions of this Section shall not prevent this entire Agreement from being void should a provision, which is of the essence of this Agreement, be determined void.

26. Survival. Notwithstanding completion or termination of this Agreement for any reason, all rights, duties and obligations of the parties to this Agreement shall survive such completion or termination and remain in full force and effect until fulfilled.

27. Successors and Assigns. Owner and Operator each binds itself and its successors, assigns, and legal representatives to the other party to this Agreement and to the successors, assigns, and legal representatives of such other party in respect to all provisions of this Agreement.

28. Assignment. The Operator shall not assign any rights or duties under this Agreement without the prior written consent of the Owner. However, the Owner shall be free to assign the rights and/or duties under this Agreement to any successor in interest by providing written notice

to the Operator setting forth the name and contact information for the assignee and the date that the assignment will become effective. Nothing contained in this Section shall prevent Operator from employing independent Operators, associates, and subcontractors to assist in the performance of the Services in accordance with the terms of this Agreement.

29. Controlling Law. The laws of the State of Kentucky shall govern this Agreement.

30. Anti-bribery, Anti-corruption and OFAC Compliance. The Owner takes a zero-tolerance approach to bribery and corruption. By executing this Agreement the Operator expressly acknowledges that all employees, agents, contractors and sub-contractors of the Company must at all times comply with all applicable anti-bribery and anti-corruption laws and Company policies and related procedures in relation to anti bribery and anti-corruption as set out herein or as may be implemented or amended from time to time and which will be made available for review upon request. Operator agrees to comply with the following policies:

- Operator may not provide or receive anything of value to obtain or retain business or favored treatment from public officials; candidates for office; employees of state-owned enterprises; employees or officers of counterparties, clients/customers, or suppliers; any agent of the aforementioned parties; or any other person with whom the Company or Operator does or anticipates doing business.
- The prohibition against providing “anything of value” to obtain or retain business or favored treatment includes improper payments, such as cash bribes or kickbacks, but also may include other direct or indirect benefits and advantages, such as inappropriate gifts, meals, entertainment, charitable contributions, and offers of employment or internships.

In addition, the Company is committed to combating money laundering, terrorist financing, securities fraud and other financial crimes (collectively “money laundering”) and complying fully with all applicable laws and regulations relating to combating money laundering. The Company is also committed to complying with economic and trade sanctions administered and enforced by governments and supranational bodies, including, among others, the sanctions programs and designated sanctions lists administered by the U.S. Department of the Treasury’s Office of Foreign Assets Control (“OFAC”), the United Nations Security Council, the European Union and Her Majesty’s Treasury. Compliance by employees, agents, contractors and sub-contractors of the Company with all applicable anti-money laundering laws and regulations and sanctions programs and lists (collectively, “AML”) is strictly required as a condition of this Agreement. Operator’s participation with any employee, agent, contractor and/or sub-contractor of the Company to engage in money laundering, or to fail to comply with all applicable AML laws, regulations, and Company’s AML policies, will be a breach of this Agreement, and will be cause for immediate termination of this Agreement by the Company.

31. Executed Counterparts/Facsimile Signatures. This Agreement may be executed in any number of counterparts, each of which when so executed and delivered shall be deemed to be an original and all of which counterparts taken together shall constitute but one and the same instrument. Signature pages may be detached from the counterparts and attached to a single

copy of this Agreement to physically form one document. This Agreement may be executed by a Party's signature transmitted by facsimile or electronic transmission, and copies of this Agreement executed and delivered with facsimile signatures shall have the same force and effect as copies hereof executed and delivered with original signatures. The Parties hereto may rely upon facsimile signatures as if such signatures were originals. The Parties hereto agree that a facsimile signature page may be introduced into evidence in any proceeding arising out of or related to this Agreement as if it were an original signature page.

32. Further Assurances. From time to time, each Party shall execute and deliver such further documents and shall take such other action as the other Party reasonably may request in order to discharge and perform their obligations and agreements hereunder.

33. Time. Time is of the essence of each provision of this Agreement in which time is an element. Time in which any act provided by this Agreement is to be done shall be computed by excluding the first day and including the last, unless the last day is a Saturday, Sunday or legal holiday under the laws of the States of Missouri or the United States of America, and then it is also excluded. Unless the context otherwise requires, all periods terminating on a given day, period of days, or date shall terminate at 5:00 p.m. Central Time on that day or date and references to "days" shall refer to calendar days.

34. Attorneys' Fees. In the event of any legal proceeding between the Parties arising out of the subject matter of this Agreement, in addition to any other award to which it shall be entitled, the prevailing party shall be entitled to an award for the reasonable attorneys' fees and costs incurred by its in connection with such proceedings.

35. Entire Agreement. This Agreement, and all attachments hereto, is the entire Agreement between Owner and Operator. It supersedes all prior communications, understandings and agreements, whether oral or written. The paragraph titles used in this Agreement are for general reference only and are not part of the Agreement. Amendments to this Agreement must be in writing and signed by both the Owner and the Operator.

36. Acknowledgment and Restatement.

(a) Amendment and Restatement. The terms, conditions, agreements, covenants, representations and warranties set forth in the Existing Agreement are hereby amended and restated in their entirety as set forth in this Agreement, and as so amended and restated, are replaced and superseded by the terms, conditions agreements, covenants, representations and warranties set forth in this Agreement. The Parties further agree that the terms, conditions, agreements, covenants, representations and warranties set forth in the Prior Agreement were amended and restated in their entirety as set forth in the Existing Agreement, and as so amended and restated, were replaced and superseded by the terms, conditions agreements, covenants, representations and warranties set forth in the Existing Agreement

(b) Acknowledgment. The amendment and restatement contained herein and in the Existing Agreement shall not, in any manner, be construed to constitute payment of,

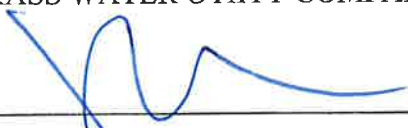
or impair, limit, terminate, cancel or extinguish, waiver or release, or constitute a novation in respect of, any obligations and liabilities of any Party evidenced by or arising under the Existing Agreement or the Prior Agreement.

IN WITNESS WHEREOF, Owner and Operator have executed this Agreement, effective on the date first above written.

OWNER:

OPERATOR:

BLUEGRASS WATER UTILITY COMPANY, LLC MIDWEST WATER OPERATIONS, LLC

By  _____

By  _____

Title:  _____

Title:  _____

EXHIBIT A
Operator Services – Wastewater

1. Maintain all required certificates, licenses and approvals required by the governing authorities to operate the Facilities;
2. A minimum of 5 days a week or more frequent visits to the treatment facility to monitor the operation of the Facilities in order to assure the Facilities are in compliance with all required standards of the governing authorities and those set forth in this Agreement or any attachments hereto;
3. Perform weekly inspections of the Facilities' components as described in the CMMS (computerized maintenance management system) or as needed to meet manufacturers' specifications and recommendations. Samples of work orders and responsibilities generated by the CMMS are available upon request;
4. Perform monthly, quarterly, semiannual, annual duties of the Facilities' components as described in the CMMS (computerized maintenance management system) or as needed to meet manufacturers' specifications and recommendations. Samples of work orders and responsibilities generated by the CMMS are available upon request;
5. Maintain all facility records included in CMMS;
6. Perform all work orders generated through CMMS;
7. Prepare and file the necessary reports to government regulators to maintain regulatory compliance and provide copy of same to Owner;
8. Obtain the sampling requirements for testing by the government regulators and/or the Owner;
9. Contact appropriate laboratories to provide adequate testing and reporting services for Owner;
 - a. Provide all test results to the Owner as early as possible, but no later than five (5) business days after such results are received.
 - b. Notify the Owner immediately via email and phone of any test results that are outside of regulatory or permit limits, represent a potential for a Notice of Violation, could result in a fine from a Regulatory agency, or could cause a negative impact on the public.
 - c. Provide the Owner immediate notification via email and phone of any situation or activity that would require a precautionary boil order or other interruption to normal service to customers.
10. Contact and direct appropriate contractors to make repairs to the system as needed for operation;
11. Meter reading;
12. Monitor all of the Facilities' system alarms and remote controls and contact Owner in the event of an alarm;
13. Maintain a 24-Hour 7 day per week maintenance and emergency service phone line for customer utility service disruption events;
14. Must respond to all customer calls and notifications within a 2-hr period of receiving call or notification;
15. Provide a 24-Hour on-call emergency utility service response for operations including 2-Hour emergency service per month;

16. Operation and Maintenance Tasks (tracked via work orders in the CMMS system), which may include but are not limited to:
- a. Sewer main, or manhole repair and maintenance
 - b. Service and utility construction inspections
 - c. Utility locates
 - d. Sewer main flushing, rodding, or jetting
 - e. Lift station maintenance and repair
 - f. Cleaning and maintenance of manholes
 - g. Lagoon repair/maintenance requiring excavating equipment (e.g. backhoe, loader, etc.)
 - h. Mowing and trimming of plant, lagoon and right of way areas
 - i. Chemical application to lagoon cells
 - j. Fence repair & upkeep
 - k. Sewer main video inspection and recording
 - l. Sewer main repair and/or replacement
 - m. Customer service issues requiring action on behalf of the utility
 - n. Pavement repairs

**AGREEMENT REGARDING OPERATION OF
UTILITY TREATMENT FACILITIES
WATER/WASTEWATER**

This Agreement Regarding Operation of Utility Treatment Facilities (“Agreement”) is entered into and shall be effective as of the 31st day of March, 2020 (“Effective Date”), by and between **BLUE GRASS UTILITY OPERATING COMPANY, LLC.**, a Kentucky limited liability company (“Owner”) and **Midwest Water Operations**, a Missouri LLC (“Operator”), collectively the “Parties”.

RECITALS

WHEREAS, Owner, or its affiliate, is the owner for the operation, maintenance, and modernization of the water and wastewater treatment facilities, located in Kentucky known as: Central Ridge Water System – KY0180549 – Calloway County, Central Ridge Water District No. 2 – KY0180509 - Calloway County, Central Ridge Water District No. 3 – KY0180502 - Calloway County, Central Ridge Water District No. 4 – KY0183106 - Calloway County, JE – Timberland Subdivision WWTP – KY0083755 – McCracken County, and River Bluffs WWTP – KY0043150 – Oldham County

WHEREAS, Operator provides the services of an operator, certified by the appropriate regulatory authority, as required, for wastewater utility treatment facilities, along with staff and equipment, to operate and maintain wastewater utility treatment facilities in Kentucky; and

WHEREAS, the Owner, wishes to retain Operator, and Operator desires to provide services to the Owner related to the operation of the Facilities.

NOW, THEREFORE, in consideration of the mutual promises and covenants set forth herein and other good and valuable consideration, the Parties agree as follows:

ENGAGEMENT; TERM; TERMINATION

1. **Engagement**. The Owner hereby engages Operator to provide services to the Owner related to the operation of the Facilities, as more particularly described herein, subject to the terms and conditions of this Agreement. Operator hereby accepts such engagement and agrees (i) to perform all services necessary to operate and maintain the Facilities, including, without being limited to, those services specifically set forth in this Agreement and any attachment hereto; and (ii) to use reasonable and diligent efforts and to exercise the highest degree of professional competence in the performance of such services, in all cases, subject to the terms of this Agreement and any requirements of the Owner with regard to the operation of the Facilities.

2. **Term**. The term of this Agreement shall be effective as of the Effective Date and shall continue in full force and effect, unless sooner terminated as provided for herein, for a period of two (2) years.

3. **Termination of Agreement Without Cause**. Neither the Owner nor the Operator may terminate this Agreement without cause.

4. Termination of Agreement With Cause. The Owner or Operator may terminate this Agreement upon written notice in the event of the failure by the other Party to perform in accordance with the terms of this Agreement. The nonperforming Party shall have ten (10) days from the date of the termination notice to cure or submit a plan for cure acceptable to the other Party.

5. Delay in Performance. Neither Owner nor Operator shall be considered in default of this Agreement for delays in performance caused by circumstances beyond the reasonable control of the nonperforming Party. For purposes of this Agreement, such circumstances include, but are not limited to, abnormal weather conditions, floods, earthquakes, fire, epidemics, war, riot, and other civil disturbances, strikes, lockouts, work slowdowns, and other labor disturbances, sabotage, judicial restraint, and inability to procure permits, licenses, or authorizations from any local, state or federal agency for any of the permissions, supplies, materials, accesses, or services required to be provided by either Owner or Operator under this Agreement. Should such circumstances occur, the nonperforming Party shall, within a reasonable time of being prevented from performing, give written notice to the other Party describing the circumstances preventing continued performance of this Agreement.

6. Termination Duties. Upon the termination of this Agreement, Operator shall render to the Owner a final accounting which shall cover the period from the date of the last statement rendered to the Owner. The Operator shall also forthwith (i) deliver copies of all records and reporting documents not already provided to the Owner, as well as, all materials, supplies, contracts, documents, accountings, papers and any and all other reports pertaining to the operation of the Facilities or this Agreement in the possession or under the control of Operator, and (ii) assign to the Owner, or its designee, existing contracts (previously approved by the Owner) in Operator's name, if any, relating to the operation of the Facilities. Within ten (10) days of the effective date of termination of this Agreement, the Owner shall forthwith pay to Operator all compensation then due Operator.

COMPENSATION TO OPERATOR

7. Operator Fee for Basic Services. In connection with Operator providing those services to the Owner related to the operation of the Facilities, and as more particularly described hereinbelow, and incorporated herein by this reference, the Owner shall pay to Operator a monthly fee of **\$18,006.00 (eighteen-thousand and six dollars)**

8. Additional Fee Charged for Services Outside of Basic Scope of Services. In the event the Owner requests Operator to provide additional services not included under the Scope of Services as described herein below, Operator shall be compensated for such additional services in accordance with Operator's Prevailing Fee Schedule as follows:

Operator Fee	\$70.00/Hour
Operator OT Fee	\$105.00/Hour

9. Reimbursement of Out-of-Pocket Expenses. Operator shall be eligible for reimbursement for any and all documented costs paid by Operator associated with the testing services, electrical, mechanical and/or other parts purchased to repair and/or maintain the Facilities, chemicals required to operate the Facilities, and other out-of-pocket expenses required for the operation of the Facilities that are outside of the scope of the services for which the Operator is being paid the Fee for Basic Services. Prior approval by the Owner is required for all reimbursable expenses. Unless otherwise agreed by Owner, there will be no mark-up, handling charge or other such service fee(s), related to out-of-pocket expenditures and a copy of the original receipt(s) or other proof of purchase acceptable to Owner will be furnished with the reimbursement invoice. Reimbursement requests that were not approved in advance or are not accompanied by suitable proof of purchase may not be honored by Owner.

10. Payment of Fee and Reimbursable Costs. Operator shall submit to the Owner invoices for all Operator fees and claimed reimbursable costs on a monthly basis. All such invoices shall be due and payable to Operator by the Owner within thirty (30) days of the date of the invoice. Operator agrees that payment for claims for reimbursable expenses not received by Owner within sixty (60) days of the date incurred are at the discretion of the Owner. Invoices will be delivered to: ap@cswrgroup.com, or as provided in Section 20.

11. Collection Costs. If the Owner fails to make payments when due, Operator shall provide written notice to the Owner allowing the Owner fifteen (15) days to cure the default in payment. However, if after the fifteen (15) day cure period the Owner continues to fail to make payment to Operator, and Operator incurs any costs in order to collect the overdue sums from the Owner, the Owner agrees that all such documented collection costs incurred by Operator shall immediately become due and payable to Operator.

RESPONSIBILITIES - OWNER

12. Maintaining Permits. Owner shall keep all required permits up to date for the Facilities.

13. Payment of Fees Required by Government Authorities. Owner shall pay the annual operating fees, permit renewal fees, construction fees, testing fees, and any and all other fees as required by the governmental authorities for the operation of the Facilities.

14. Damages Caused by Bypass. Owner shall be responsible for and shall hold Operator harmless from liability for damages caused by a bypass of the Facilities or failure of the Facilities to meet the required effluent limits.

15. Maintenance of Records. Owner shall maintain all records on the operation and maintenance of the Facilities for a period of five (5) years or such additional period of time required by Kentucky State law.

RESPONSIBILITIES - OPERATOR

16. Basic Services. Operator shall provide to Owner the services set forth on the attached **EXHIBIT A**, which by this reference is incorporated herein.

17. Additional or Emergency Services. Any services not listed above shall be considered additional or emergency services. Additional Services are not included as part of the Basic Services and shall be paid for by Owner in accordance with the Operator's fee schedule set forth hereinabove.

18. Standard of Care. The standard of care of all services performed or furnished by Operator under this Agreement will be the care and skill ordinarily used by operators practicing under similar conditions at the same time and in the same locality.

19. Insurance. Operator shall procure and maintain in effect throughout the duration of the term of this Agreement insurance coverage not less than the types and amounts specified below. The Operator also agrees to furnish the Owner, from time to time and on demand, with suitable evidence that such insurance is in force. In the event that additional insurance, not specified herein, is required by Owner during the course of the services covered by this Agreement, Operator shall supply such insurance and all additional costs shall be borne by Owner. Policies containing a self-insured retention will not be acceptable to Owner. A company with an A- or better rating must issue all insurance policies. All coverage required herein shall list Owner as an additional insured including ongoing operations and completed operations on a primary and non-contributory basis using form CG 20 10 11 85 or its equivalent, and Operator shall maintain all coverage in force continuously without interruption during the term of this Agreement, except as set forth below with respect to tail coverage. In addition, each coverage required herein shall include a waiver of subrogation (where allowable by law).

- (a) Comprehensive General liability insurance on an "occurrence basis," in the amount of at least \$1,000,000.00 per occurrence, with at least a \$2,000,000.00 annual aggregate limit, including broad form property damage, blanket contractual and personal injuries (including death resulting therefrom) coverage.
- (b) Automobile Liability insurance in the amount of \$500,000.00 per person and \$1,000,000.00 per occurrence for bodily injury and \$500,000.00 per occurrence for property damage or \$1,000,000.00 combined single limit. Coverage should extend to any auto or owned, hired or non-owned autos.
- (c) Worker's Compensation and Employers Liability in the amount required by law.
- (d) Commercial Umbrella Coverage on all of the foregoing coverage in the amount of \$5,000,000.00 per occurrence and \$5,000,000.00 aggregate.
- (e) Operator shall maintain in force Pollution Legal Liability policy with limits of \$1,000,000.00 per occurrence and \$2,000,000.00 aggregate. In the event that Pollution Liability Coverage is discontinued for any reason by Operator after the termination of this Agreement, Operator agrees to procure tail coverage in force continuously without interruption for a period of three (3) years from the date of the termination of this Agreement.

- (f) Professional Liability Error and Omissions coverage of not less than \$1,000,000.00 per occurrence and \$2,000,000.00 aggregate. In the event that Professional Liability Errors and Omissions coverage is discontinued for any reason after the termination of this Agreement, Operator agrees to procure tail coverage in force continuously without interruption for a period of three (3) years from the date of the termination of this Agreement.

The policies listed above shall include within their certificate an endorsement that the policy may not be canceled until sixty (60) days prior written notice of cancellation has been served upon Owner by registered or certified mail.

Indemnification: Operator shall to the fullest extent of the law defend, indemnify and hold harmless Owner and all of its parent companies, subsidiaries, affiliates and subcontractors, including their respective officers, directors, employees, principals, partners, agents, successors and assigns, (collectively "Indemnitees") from and against any and all actions, suits, arbitrations, administrative proceedings, demands and claims for any and all damages, injunctive or any other relief based on any cause of action whatsoever (sometimes individually "Claim" and sometimes collectively "Claims"), that may be brought or made against, or incurred by, Indemnitees on account of liabilities, damages, losses, cost, expenses, settlements, judgments, awards, and governmental penalties and sanctions, including reasonable attorneys' fees and experts' fees, including those attributable to bodily injury (including death), personal injury and property damage (sometimes individually "Liability" and sometimes collectively "Liabilities"), caused by, arising out of, or contributed to by any negligence, acts, errors, omissions or conduct of Operator, its employees, subcontractors, or agents, related in any way to the performance of any and all services described herein, except to the extent the Claims or Liabilities are determined to have been caused by the negligent or the willful misconduct of the Owner. Such obligation shall not be construed to negate, abridge, or reduce other rights or obligations of indemnity that would otherwise exist as to a party or person described in this Agreement.

Operator shall provide to Owner at execution of this Agreement a certificate of insurance showing all required endorsements and additional insureds.

NOTICES

20. Notices. Any notice, demand, consent, approval, request or other communication, required or permitted to be given hereunder, shall be in writing and shall be deemed to have been delivered (i) on the day personally delivered, (ii) upon receipt if sent by overnight courier, (iii) on the third business day following its mailing by registered or certified mail (return receipt requested), postage prepaid, by deposit in the United States mail, or (iv) on the day received (if received by 5:00 p.m. local time on a business day at the location of the recipient [i.e., any day other than a Saturday or Sunday or Kentucky state (depending on the recipient's location) or federal holiday] and if not so received then on the next business day) if sent by facsimile or electronic transmission with proof of successful transmission.

Owner: BLUE GRASS UTILITY
OPERATING COMPANY, LLC.

500 Northwest Plaza Dr., Suite 500
St. Ann, MO 63074
Attn: Josiah Cox, President
Phone: (314) 736-4672
Facsimile: (314) 736-4743
Email: jcox@cswrgroup.com

Operator: Midwest Water Operations, LLC
1351 Jefferson Street
Washington, MO 63090
Phone: 636-432-2144
Email: management@midwestwaterop.com

Either party may, by notice given as aforesaid, designate a different address or addresses for notices to be given to it.

GENERAL PROVISIONS

21. Information Provided by Others. Owner shall furnish, at Owner's expense, all information, requirements, reports, data, surveys and instructions required by this Agreement. Operator may use such information, requirements, reports, data, surveys and instructions in performing its services and is entitled to rely upon the accuracy and completeness thereof.

22. Relationship of Parties. The Operator is and will remain for the term of this Agreement an independent contractor completely responsible for its own acts and for the manner in which, and the form by which, it performs this Agreement, and as such shall set its own hours and means and methods and shall not be subject to the supervision and control of the Owner except as to the results obtained. In no event shall the relationship created by this Agreement constitute a joint venture or partnership between the Owner and the Operator. Neither Party is authorized to assume or create any obligation or responsibility on behalf of, or in the name of, the other or bind the other in any manner whatsoever whether as agent, legal representative or otherwise.

23. Third Party Rights. Nothing contained in this Agreement shall be construed to give any rights or benefits to anyone other than Owner and Operator.

24. Waiver. A waiver by either Owner or Operator of any breach of this Agreement shall be in writing. Such a waiver shall not affect the waiving party's rights with respect to any other or further breach.

25. Severability. The invalidity, illegality, or unenforceability of any provision of this Agreement or the occurrence of any event rendering any portion or provision of this Agreement void shall in no way affect the validity or enforceability of any other portion or provision of this Agreement. Any void provision shall be deemed severed from this Agreement, and the balance of this agreement shall be construed and enforced as if this Agreement did not contain the particular portion or provision held to be void. The parties further agree to amend this Agreement to replace any stricken provision with a valid provision that comes as close as possible to the intent of the

stricken provision. The provisions of this Section shall not prevent this entire Agreement from being void should a provision, which is of the essence of this Agreement, be determined void.

26. Survival. Notwithstanding completion or termination of this Agreement for any reason, all rights, duties and obligations of the parties to this Agreement shall survive such completion or termination and remain in full force and effect until fulfilled.

27. Successors and Assigns. Owner and Operator each binds itself and its successors, assigns, and legal representatives to the other party to this Agreement and to the successors, assigns, and legal representatives of such other party in respect to all provisions of this Agreement.

28. Assignment. The Operator shall not assign any rights or duties under this Agreement without the prior written consent of the Owner, which shall not be unreasonably withheld. However, the Owner shall be free to assign the rights and/or duties under this Agreement to any successor in interest by providing written notice to the Operator setting forth the name and contact information for the assignee and the date that the assignment will become effective. Nothing contained in this Section shall prevent Operator from employing independent Operators, associates, and subcontractors to assist in the performance of the Services.

29. Controlling Law. The laws of the State of Kentucky shall govern this Agreement.

30. Anti-bribery, Anti-corruption and OFAC Compliance. The Owner takes a zero-tolerance approach to bribery and corruption. By executing this Agreement the Operator expressly acknowledges that all employees, agents, contractors and sub-contractors of the Operator must at all times comply with all applicable anti-bribery and anti-corruption laws and Operator policies and related procedures in relation to anti bribery and anti-corruption as set out herein or as may be implemented or amended from time to time and which will be made available for review upon request. Operator agrees to comply with the following policies:

- Operator may not provide or receive anything of value to obtain or retain business or favored treatment from public officials; candidates for office; employees of state-owned enterprises; employees or officers of counterparties, clients/customers, or suppliers; any agent of the aforementioned parties; or any other person with whom the Operator does or anticipates doing business.
- The prohibition against providing “anything of value” to obtain or retain business or favored treatment includes improper payments, such as cash bribes or kickbacks, but also may include other direct or indirect benefits and advantages, such as inappropriate gifts, meals, entertainment, charitable contributions, and offers of employment or internships.

In addition, the Owner is committed to combating money laundering, terrorist financing, securities fraud and other financial crimes (collectively “money laundering”) and complying fully with all applicable laws and regulations relating to combating money laundering. The Owner is also committed to complying with economic and trade sanctions administered and enforced by governments and supranational bodies, including, among others, the sanctions programs and

designated sanctions lists administered by the U.S. Department of the Treasury's Office of Foreign Assets Control ("OFAC"), the United Nations Security Council, the European Union and Her Majesty's Treasury. Compliance by employees, agents, contractors and sub-contractors of the Operator with all applicable anti-money laundering laws and regulations and sanctions programs and lists (collectively, "AML") is strictly required as a condition of this Agreement. Operator's participation with any employee, agent, contractor and/or sub-contractor of the Owner to engage in money laundering, or to fail to comply with all applicable AML laws, regulations, and Owner's AML policies, will be a breach of this Agreement, and will be cause for immediate termination of this Agreement by the Owner.

31. Executed Counterparts/Facsimile Signatures. This Agreement may be executed in any number of counterparts, each of which when so executed and delivered shall be deemed to be an original and all of which counterparts taken together shall constitute but one and the same instrument. Signature pages may be detached from the counterparts and attached to a single copy of this Agreement to physically form one document. This Agreement may be executed by a Party's signature transmitted by facsimile or electronic transmission, and copies of this Agreement executed and delivered with facsimile signatures shall have the same force and effect as copies hereof executed and delivered with original signatures. The Parties hereto may rely upon facsimile signatures as if such signatures were originals. The Parties hereto agree that a facsimile signature page may be introduced into evidence in any proceeding arising out of or related to this Agreement as if it were an original signature page.

32. Further Assurances. From time to time, each Party shall execute and deliver such further documents and shall take such other action as the other Party reasonably may request in order to discharge and perform their obligations and agreements hereunder.

33. Time. Time is of the essence of each provision of this Agreement in which time is an element. Time in which any act provided by this Agreement is to be done shall be computed by excluding the first day and including the last, unless the last day is a Saturday, Sunday or legal holiday under the laws of the States of Kentucky or the United States of America, and then it is also excluded. Unless the context otherwise requires, all periods terminating on a given day, period of days, or date shall terminate at 5:00 p.m. Central Time on that day or date and references to "days" shall refer to calendar days.

34. Attorneys' Fees. In the event of any legal proceeding between the Parties arising out of the subject matter of this Agreement, in addition to any other award to which it shall be entitled, the prevailing party shall be entitled to an award for the reasonable attorneys' fees and costs incurred by its in connection with such proceedings.

35. Entire Agreement. This Agreement, and all attachments hereto, is the entire Agreement between Owner and Operator. It supersedes all prior communications, understandings and agreements, whether oral or written. The paragraph titles used in this Agreement are for general reference only and are not part of the Agreement. Amendments to this Agreement must be in writing and signed by both the Owner and the Operator.

36. Payments. It is further mutually agreed between the parties hereto, that no payment made under this Agreement shall be deemed as conclusive evidence of the performance of this Agreement, either in whole or in part, and that no payment shall be construed to be an acceptance of defective work or improper performance or materials.

IN WITNESS WHEREOF, Owner and Operator have executed this Agreement, effective on the date first above written.

OWNER:


BLUE GRASS WATER UTILITY
OPERATING COMPANY, LLC

By 

Title: President

OPERATOR:

MIDWEST WATER OPS, LLC

By 

Title: Vice President

EXHIBIT A
Operator Services – Wastewater

1. Maintain all required certificates, licenses and approvals required by the governing authorities to operate the Facilities.
2. Make minimum of 3 (for mechanical plants) or 1 (for lagoons) weekly visits to the treatment facility to monitor the operation of the Facilities in order to assure the Facilities are in compliance with all required standards of the governing authorities and those set forth in this Agreement or any attachments hereto.
3. Perform weekly inspections of the Facilities' components as described in the CMMS (computerized maintenance management system) or as needed to meet manufacturers' specifications and recommendations.
4. Perform monthly, quarterly, semiannual, annual duties of the Facilities' components as described in the CMMS (computerized maintenance management system) or as needed to meet manufacturers' specifications and recommendations.
5. Maintain all facility records included in CMMS.
6. Perform all routine scheduled work orders generated through CMMS.
7. Prepare and file the necessary reports to government regulators to maintain regulatory compliance and provide copy of same to Owner.
8. Obtain the sampling requirements for testing by the government regulators and/or the Owner.
9. Contact appropriate laboratories to provide adequate testing and reporting services for Owner;
 - a. Provide all test results to the Owner as early as possible.
 - b. Notify the Owner immediately via Email and Phone of any test results that are outside of regulatory or permit limits, represent a potential for a Notice of Violation, could result in a fine from a Regulatory agency, or could cause a negative impact on the public.
10. Contact and direct appropriate contractors to make repairs to the system as needed for operation.
11. Monitor all of the Facilities' system alarms and remote controls and contact Owner in the event of an alarm.
12. Maintain a 24-Hour 7 day per week maintenance and emergency service phone line for customer utility service disruption events.
13. Must respond to all customer calls and notifications within a 2-hr period of receiving call or notification.
14. Provide a 24-Hour on-call emergency utility service response for operations.
15. Perform Utility Locates.
16. Perform Operation and Maintenance Tasks (tracked via work orders in the CMMS system), for time and material, which may include but are not limited to:
 - a. Sewer main, or manhole repair and maintenance.
 - b. Service and utility construction inspections.
 - c. Sewer main flushing, rodding, or jetting.
 - d. Lift station maintenance and repair.
 - e. Cleaning and vacuuming of manholes.

- f. Lagoon repair/maintenance requiring excavating equipment (e.g. backhoe, loader, etc.)
- g. Mowing and trimming of plant, lagoon and right of way areas.
- h. Chemical application to lagoon cells.
- i. Fence repair & upkeep.
- j. Sewer main video inspection and recording.
- k. Sewer main repair and/or replacement.
- l. Customer service issues requiring action on behalf of the utility.
- m. Pavement repairs.
- n. Items identified during start-up by Operator as inoperable or concerning conditions of the facility that would affect treatment performance. Owner to review items and grant approval prior to repair work beginning.

Operator Services – Water

1. Maintain all required certificates, licenses and approvals required by the governing authorities to operate the Facilities.
2. Make weekly or more frequent visits to the treatment facility to monitor the operation of the Facilities in order to assure the Facilities are in compliance with all required standards of the governing authorities and those set forth in this Agreement or any attachments hereto.
3. Perform weekly inspections of the Facilities' components as described in the CMMS (computerized maintenance management system) or as needed to meet manufacturers' specifications and recommendations.
4. Perform monthly, quarterly, semiannual, annual duties of the Facilities' components as described in the CMMS (computerized maintenance management system) or as needed to meet manufacturers' specifications and recommendations.
5. Maintain all facility records included in CMMS.
6. Perform all routine scheduled work orders generated through CMMS.
7. Prepare and file the necessary reports to government regulators to maintain regulatory compliance and provide copy of same to Owner.
8. Obtain the sampling requirements for testing by the government regulators and/or the Owner.
9. Contact appropriate laboratories to provide adequate testing and reporting services for Owner;
 - a. Provide all test results to the Owner as early as possible.
 - b. Notify the Owner immediately via Email and Phone of any test results that are outside of regulatory or permit limits, represent a potential for a Notice of Violation, could result in a fine from a Regulatory agency, or could cause a negative impact on the public.
 - c. Additionally, provide the Owner immediate notification of any situation or activity that would require a precautionary boil order or other interruption to normal service to customers.
10. Contact and direct appropriate contractors to make repairs to the system as needed for operation.

11. Provide monthly water bac-T results;
 - a. Provide all test results to the Owner as early as possible.
 - b. Notify the Owner immediately via Email and Phone of any test results that are outside of regulatory or permit limits, represent a potential for a Notice of Violation, could result in a fine from a Regulatory agency, or could cause a negative impact on the public.
 - c. Additionally, provide the Owner immediate notification of any situation or activity that would require a precautionary boil order or other interruption to normal service to customers.
12. Meter readings.
13. Monitor all of the Facilities' system alarms and remote controls and contact Owner in the event of an alarm.
14. Maintain a 24-Hour 7 day per week maintenance and emergency service phone line for customer utility service disruption events.
15. Must respond to all customer calls and notifications within a 2-hr period of receiving call or notification.
16. Provide a 24-Hour on-call emergency utility service response for operations including 2-Hour emergency service per month.
17. Perform Utility Locates.
18. Perform Operation and Maintenance Tasks (tracked via work orders in the CMMS system), for time and material which may include but are not limited to:
 - a. Water main repair and maintenance.
 - b. Service and utility construction inspections.
 - c. Water main flushing.
 - d. Booster station maintenance and repair.
 - e. Mowing and trimming of plant and right of way areas.
 - f. Fence repair & upkeep.
 - g. Customer service issues requiring action on behalf of the utility.
 - h. Pavement repairs.

Service Agreement
For
Billing, Payment Receipting, Customer Service, and Coordination Services

This Agreement is made and entered into this 6th day of September 2019, by and between Bluegrass Water Utility Operating Company, a Kentucky Limited Liability Company (hereinafter called "Client"), and Nitor Billing Services, LLC (hereinafter called "Nitor") a Missouri Limited Liability Company.

Client and Nitor agree:

1. General Provisions

- 1.1. The relationship of Nitor and Client is that of independent contractor.
- 1.2. This Agreement shall be binding upon the respective successors and assignees of each of the parties hereto. Neither party will assign this Agreement without the prior written consent of the other party.
- 1.3. This Agreement, including Appendixes A and B between Client and Nitor supersedes all previous or contemporaneous representations and agreements (whether written or oral), and may be modified only in writing and signed by the parties. Client agrees that its remedies against Nitor and its affiliates shall be limited to those expressly provided in this Agreement. All releases, indemnities, and limitations on liability and remedies stated herein shall apply, regardless of whether the liability or remedies arise in contract, warranty, negligence, strict liability, or otherwise.
- 1.4. If any of the provisions contained in this Agreement are held for any reason to be invalid, illegal, or unenforceable, the enforceability of the remaining provisions shall not be impaired thereby.
- 1.5. This Agreement gives no rights or benefits to anyone other than Client and Nitor and has no third party beneficiaries.
- 1.6. A Customer is defined as a person or entity receiving water utility service or wastewater utility service. Therefore, a person or entity receiving both water and wastewater services would be considered two (2) Customers.
- 1.7. All words and phrases in this Agreement shall be defined in accordance with their common usage unless given special definition in this Agreement.

2. Statement of Work

2.1. The statement of work for this Agreement is defined in Appendix B.

3. Client Responsibilities

3.1. Pay for all expenditures as described in Appendix B.

3.2. Provide utility billing and cash receipting software for Nitor's use that is mutually acceptable to Nitor and Client.

3.3. Perform all functions and retain all responsibilities and obligations related to the operation and service of the utility not expressly assumed herein by Nitor.

4. Compensation and Payment

4.1. Nitor's compensation under this Agreement shall consist of a Setup Fee and a Monthly Fee.

4.1.1. Nitor's Setup Fee is \$750 plus \$1.25 per Customer (not to exceed this amount per Customer unless agreed by Nitor and Client) to be added to the system during the Setup Period. For systems that will be added subsequent to the date of this Agreement with a Customer count that exceeds 5,000 Customers, Nitor will analyze incremental customer service representative and billing service capacity and present to Client to arrive at a mutually agreeable Setup Fee.

4.1.1.1. The Setup Period may last up to 60 days. Nitor shall invoice Client for the Setup Fee upon approval of the Agreement and such invoice shall be due and payable immediately. If the system does not launch as contemplated Nitor shall have the option to reduce customer service representative staffing unless Client agrees to an alternative funding plan.

4.1.1.2. The Setup Fee covers Setup Services described in Appendix B, Section 2, and includes a single Billing Rate Structure configuration. An additional fee of \$750 will apply for each additional Billing Rate Structure configuration as described in Appendix B, Section 2.5.

4.1.2. The Monthly Fee will begin when Nitor issues bills to the Customers.

4.1.2.1. Nitor's Monthly Fee is \$450 for up to 225 Customers.

4.1.2.2. Nitor's Monthly Fee is \$2.00 per Customer per month when the Customer count is greater than 225.

4.2. In the event that a change in the scope of services provided by Nitor is necessary, Client and Nitor will negotiate an adjustment in fee through a written amendment to this agreement.

4.3. Requests by Client that are outside of the scope of services of this Agreement shall be invoiced to Client at Nitor's prevailing rates as outlined in a supplemental Statement of Work approved by Client.

- 4.4. Client will pay Nitor the monthly fee for the current month and payment shall be due upon receipt of Nitor's invoice and payable within thirty (30) days.
- 4.5. Client shall pay interest at a rate of 1.5 percent per month (or the maximum legal rate, whichever is greater) from date due until date paid for late payments.
- 4.6. Nitor's requests for payment, and any statements of account that Nitor deems necessary to submit may be sent to Client either by United States Mail, Courier Delivery Service, or electronic mail. The form of submittal shall be at Nitor's discretion and shall be considered a valid submittal unless Client specifically directs Nitor otherwise in writing.

5. Term And Termination

- 5.1. The initial term of this Agreement shall be one (1) year from the date of this Agreement. This agreement shall automatically renew annually for a one-year term upon the anniversary date of this Agreement unless otherwise agreed upon in writing by the parties.
- 5.2. Either party may terminate this Agreement for any reason upon ninety (90) day prior written notice to the other party.
- 5.3. In the event of termination or non-renewal of this Agreement, Nitor shall cooperate with the Client to effect a smooth transition to a new operator over a thirty (30) day period for which Nitor shall be compensated according to this agreement. Should the transition require more than thirty (30) days, Nitor and Client shall agree in writing upon the fee for transition services beyond thirty (30) days. If no agreement on the fee for transition services, Nitor shall operate at the default billing rates under this Agreement.

6. Indemnity And Liability

- 6.1. Nitor agrees to defend, indemnify, and hold Client harmless from any liability to the extent arising from the negligence of Nitor, its officers, agents, employees, or subcontractors.
- 6.2. Client agrees to defend, indemnify, and hold Nitor harmless from any liability to the extent arising from the negligence or willful misconduct, of the Client, or its officers, agents, employees, or subcontractors.
- 6.3. In no event shall Nitor, its subcontractors or their officers or employees be liable for Client's special, indirect or consequential damages, whether such liability arises in breach of contract or warranty, tort including negligence, strict or statutory liability, or any other cause of action.
- 6.4. Client agrees to indemnify Nitor against claims for injury, property damage, or economic loss arising from failures in the sanitary collection systems unless such claims are caused by Nitor's negligence. This article takes precedence over any conflicting article of this Agreement, and extends to Nitor, its officers, employees and subcontractors.

6.5. In no event shall the cumulative liability of Nitor or its affiliates relating in any way to this Agreement exceed an amount equal to the total of the last twelve (12) months of compensation paid to Nitor under this Agreement.

7. Labor Disputes

7.1. In the event activities by third party employee groups or unions causes disruption in Nitor's ability to perform the services described in the Statement of Work, Client, with Nitor's assistance, or Nitor at its own option, may seek appropriate injunctive court orders during any such disruption. Nitor shall perform on a best efforts basis until any such disruptions cease, but Nitor cannot assure compliance with all contract conditions.

8. Arbitration

8.1. If any difference or dispute shall arise between the parties to this Agreement concerning the construction or enforcement of any of its terms, then upon a written request of either party, such difference or dispute shall be resolved through mediation, with each party agreeing to a single mediator who shall be a practicing lawyer or retired judge with knowledge and experience in matters involving Missouri law. Should the dispute not be resolved through mediation, then the dispute shall be submitted to final and binding arbitration through the American Arbitration Association with an arbitrator who shall be a practicing lawyer or retired judge with knowledge and experience in matters involving Missouri law. The decision of the arbitrator shall be final and conclusive on all parties and may be entered as a final judgment in any court of competent jurisdiction and enforced according to the rules and procedures of said court.

9. Force Majeure

9.1. Neither party shall be liable for damages, delays, or failure to perform its obligations under this Agreement if performance is made impractical, abnormally difficult, or abnormally costly, as a result of any unforeseen occurrence, including but not limited to fire, flood, strike, acts of God, or other occurrences, beyond its reasonable control. The party invoking this Force Majeure clause shall notify the other party immediately by verbal communication and in writing of the nature and extent of the occurrence within ten (10) working days after such occurrence, and shall take reasonable measures to mitigate any impact of Force Majeure.

10. Changes

10.1. Client and Nitor may mutually make changes within the general scope of services of this Agreement. The contract price and schedule will be equitably adjusted pursuant to a written Change Order, Modification or Amendment to the Agreement executed by both parties.

11. Applicable Law / Jurisdiction & Venue

11.1. This Agreement shall be governed by the laws of the State of Missouri. Claims brought under or in connection with this Agreement or the relationship or transaction contemplated hereunder shall be brought only in the Circuit Court of St. Louis County, State of Missouri, or the United States District Court for the Eastern District of Missouri, and the parties to this Agreement agree and consent to the personal and exclusive jurisdiction of said courts and shall not object to the personal jurisdiction of any such court nor raise any defense to the jurisdiction of any such court based on forum non conveniens or any other theory.

12. Signatures

Both parties indicate their approval of this Agreement by their signatures below.

**Bluegrass Water Utility Operating
Company**

Nitor Billing Services, LLC

Stacy Culleton
Signed

Mark S Peterman
Signed

Stacy Culleton
Name

Mark Peterman
Name

Project Portfolio Mgr
Title

President
Title

9/11/19
Date

9/11/2019
Date

Appendix A

SERVING NOTICE TO A PARTY

All notices shall be in writing and transmitted may be sent either by United States Mail, Courier Delivery Service, or electronic mail to the following addresses:

Nitor Billing Services, LLC

15290 Lochcrest Ct

Chesterfield, MO 63017

Email: mpeterman@nitorstrategy.com

Attention: Mark Peterman, President

Bluegrass Water Utility Operating Company

500 Northwest Plaza Drive, Suite 500

St. Ann, MO 63074

Email: jcox@cswrgroup.com

Attention: Mr. Josiah Cox, President

Notice shall be deemed to have been delivered when it is received by the party upon whom notice is being served.

Appendix B

Statement of Work

1. Service Location:

- 1.1. Nitor agrees to provide the billing, payment receipting, and coordination services described in this Agreement for the Customers (homeowners, renters, landlords, businesses etc.) serviced by the Client's system known as Bluegrass Water Utility Operating Company.
- 1.2. As of the date of this Agreement, the following Customers are to be added to the system as follows:
 - 1.2.1. Airview Utilities, LLC – 0 water Customers and 203 sewer Customers
 - 1.2.2. Brocklyn Utilities, LLC – 0 water Customers and 168 sewer Customers
 - 1.2.3. Fox Run Utilities, LLC – 0 water Customers and 34 sewer Customers
 - 1.2.4. Kingswood Development, Inc. – 0 water Customers and 124 sewer Customers
 - 1.2.5. Lake Columbia Utilities, Inc. – 0 water Customers and 33 sewer Customers
 - 1.2.6. LH Treatment Company, LLC – 0 water Customers and 277 sewer Customers
 - 1.2.7. Marshall County Environmental Services, LLC – 0 water Customers and 192 sewer Customers
 - 1.2.8. Persimmon Ridge – 0 water Customers and 355 sewer Customers

2. Setup Services:

- 2.1. Client shall provide a complete list of Customer names, service addresses, billing addresses and contact information to Nitor in an Excel or CSV file based on a template which Nitor shall provide to Client.
 - 2.1.1. If meters are in use and if Client wishes to associate meter ID's with the Customer service address, Client will provide the meter ID associated with each service address. If meter IDs are not available or being used, Nitor shall configure the billing software to use account numbers as meter IDs.
- 2.2. If Client is unable to provide the Customer information in an Excel or CSV file of Customer information, Client may request Nitor manually enter the information available into an Excel file to load into the billing software.
- 2.3. Nitor shall load Customer information into the billing software to set up the Customer accounts.
- 2.4. Nitor shall coordinate the setup of the billing software.

- 2.5. Client shall provide the applicable Billing Rate Structure, shut off letter template text, and initial meter readings (if applicable) for Nitor to configure the billing software.
 - 2.5.1. The Billing Rate Structure is information from the approved water and/or wastewater tariff sheet most recently approved by the state within which the utility operates or as provided by Client (e.g. flat water or sewer fee, metered fees, shut off fee, turn on fee, late fees).
 - 2.5.2. Client shall approve such Billing Rate Structure configuration.
- 2.6. Nitor shall configure the Virtual Contact Center (VCC) software with the customer service phone number for Client's Customers to call. This includes programming the IVR (interactive voice response) menu, recording messages, setting up voicemail, and enabling Customers to select an option to be passed directly to the emergency service line during non-business hours.
 - 2.6.1. Nitor can provide a toll-free customer service number upon request for an additional one-time setup fee of \$50.
- 2.7. Client shall establish a Customer service email account and provide Nitor personnel with access to that email account.
- 2.8. Nitor shall configure the Virtual Contact Center (VCC) software so that the Customer service email routes into the VCC to be dispositioned by Nitor personnel and tracked within the VCC.

3. Services:

- 3.1. Nitor shall generate and mail utility bills using a postcard format each month for the Customers of the utility identified in the Service Location. Postage is not included under this Agreement and will be paid by Client directly to the mailing service. The monthly Customer count may vary as Customers move in or out of the service area under this Agreement.
 - 3.1.1. Full page bills can be generated periodically on request for an additional cost to cover paper, envelopes, printing, and handling of the full-page mailing.
- 3.2. Client shall provide Nitor with access to Client's billing and customer information system.
- 3.3. Nitor shall provide one customer service phone number for Client's Customers to call.
 - 3.3.1. All calls during business hours for customer service or emergency requests will route to the customer serviced phone number.
 - 3.3.2. The customer service phone number will be staffed by Nitor customer service representatives during business hours (8am to 5pm local time for Client).

- 3.3.3. If no customer service representative is available to address the Customer's issue, the Customer will have the option to leave a voicemail or to get a call back.
- 3.3.4. Nitor's customer service representatives will endeavor to respond to voicemails the same day but no later than the next business day.
- 3.3.5. Outside of business hours, Customers will be able to select the option to leave a voicemail or select the option to connect to the emergency service call center.
- 3.3.6. Nitor shall log the call time, date, and brief summary of each Customer service call or email in the customer information system account for that Customer. Nitor shall endeavor to resolve billing questions with the Customer. Requests outside the scope of billing shall be escalated to the Client's designated contact for Customer issues.
- 3.4. Nitor will enter a Work Order into the Client's work order system (currently "Utility Cloud") when a customer requests a physical shut off or turn on of service, reports a leak, makes a complaint that needs to be addressed by an operator or reports any other situation that needs to be addressed by an operator. Nitor will escalate any complaints or service issues as needed to the personnel the Client designates.
- 3.5. Nitor shall receive and process all Start and Stop Service Forms. This includes requesting meter readings when needed via Work Orders and issuing final bills to customers ending service,
- 3.6. Nitor shall receive and respond to all Contact Forms submitted for individual companies and for CSWR and will forward to appropriate CSWR personnel when needed
- 3.7. Client shall provide Nitor with an Excel or CSV file each month for customer's receiving water or sewer service that is billed based on a meter reading from Client. The file shall include the customer account number, meter ID (if available), service address, and the current water meter reading for each account.
- 3.8. Client has a lock box established with Client's bank and all Customer payments for utilities are to be deposited into said lock box. Nitor shall be responsible for posting each payment into the respective Customer's billing account. Client shall be responsible for providing Nitor with access to the web-based reporting interface for the lockbox to download an Excel or CSV file with the Customer payment data for upload and entry into the billing system. Nitor will apply payment data to the Customer billing accounts each business day. Nitor will review notes, letters, and other non-financial information in the lock box each business day.
- 3.9. Nitor shall export a file from the billing system with the summary of the bills generated and mailed each month for Client upon request.
- 3.10. Nitor shall manage the shut off process for non-payment of fees and the turn-on process after the Customer makes payment. Nitor will

- 3.10.1. Generate the initial shut off letter list based on the Client-approved criteria. Send the initial shut off letters on the date specified by Client for Customers who are past due as of that date. Record the letters in the customer information system.
- 3.10.2. Generate the final shut off letter list based on the Client-approved criteria. Send the final shut off letters on the date specified by Client for Customers who are past due as of that date. Record the letters in the customer information system.
- 3.10.3. Generate the door hanger list (for Service Locations using this process) based on the Client-approved criteria. Send the door hanger list to Client designated operators on the date specified by Client for Customers who are past due as of that date. Record the door hangers in the customer information system.
- 3.10.4. Generate the final shut off list based on the Client-approved criteria. Send the final shut off list to Client designated operators or the designated water company on the date specified by Client for Customers who are past due as of that date. Nitor shall record the notes from operators or water companies in the customer information system. Nitor shall add shut off fees to applicable Customer accounts.
- 3.10.5. Notify operator or water company when turn on of water is needed after payment by Customer. Add turn on fees to Customer accounts when water is turned on.
- 3.10.6. Nitor shall invoice Client for the costs of printing the letters. Postage for mailing letters shall be paid by Client to mailing service.
- 3.11. Nitor shall process new service requests from contractors
 - 3.11.1. Nitor will receive calls from builders and provide information on costs to tap on to water or sewer systems as well as any other relevant Client-provided information such as inspection fees
 - 3.11.2. Nitor will provide builders with the application and process the completed application
 - 3.11.3. Nitor will request the Client-designated operator perform the inspection once the installation (tap on) is complete.
 - 3.11.4. Nitor will invoice the builder for appropriate charges upon notification by the operator that the inspection passed.
- 3.12. Nitor shall provide a monthly reporting package to Client which shall include:
 - 3.12.1. Customer call data including: total number of calls, average wait time, average handle time, abandoned calls
 - 3.12.2. Customer shut offs
 - 3.12.3. Customer new service connection requests

Financial Exhibit

(807 KAR 5:001 §12; 807 KAR 5:071 §§ 3(1)(e), 3(2))

This Exhibit covers the 12-month period ended July 31, 2020, which is not more than 90 days prior to the date the Application is filed.

- a) *The amount and kinds of stock authorized:* None. Bluegrass is a limited-liability company, which is a non-stock entity.
- b) *The amount and kinds of stock issued and outstanding:* None. Bluegrass is a limited-liability company, which is a non-stock entity.
- c) *Terms of preference of preferred stock, cumulative or participating, or on dividends or assets or otherwise:* Not Applicable. Bluegrass has no stock (preferred or otherwise) authorized, issued, or outstanding.
- d) *A brief description of each mortgage on property of applicant, giving date of execution, name of mortgagor, name of mortgagee or trustee, amount of indebtedness authorized to be secured, and the amount of indebtedness actually secured, together with sinking fund provisions, if applicable:* There is no mortgage on any Bluegrass property.
- e) *The amount of bonds authorized and amount issued, giving the name of the public utility that issued the same, describing each class separately and giving the date of issue, face value, rate of interest, date of maturity, and how secured, together with amount of interest paid during the last fiscal year:* None. Bluegrass has not been authorized to issue any bonds and no bonds have issued.

- f) *Each note outstanding, giving date of issue, amount, date of maturity, rate of interest, in whose favor, together with amount of interest paid during the last fiscal year:* Not Applicable. Bluegrass has not issued any notes and has no notes outstanding.
- g) *Other indebtedness, giving same by classes and describing security, if any, with a brief statement of the devolution or assumption of a portion of the indebtedness upon or by person or corporation if the original liability has been transferred, together with amount of interest paid during the last fiscal year:* Not Applicable. Bluegrass has no indebtedness, no indebtedness has been assumed by or devolved upon Bluegrass, and Bluegrass has not paid interest during its last fiscal year (ended December 31, 2019).
- h) *The rate and amount of dividends paid during the five (5) previous fiscal years, and the amount of capital stock on which dividends were paid each year:* None. Bluegrass is a non-stock entity, has not paid any dividend(s), and was organized on March 21, 2019.
- i) *A detailed income statement and balance sheet:* An Income Statement for Bluegrass for the 12-month period ended July 31, 2020, and a Balance Sheet for Bluegrass as of July 31, 2020 are provided on the following page(s).

Income Statement

Bluegrass Water Utility Operating Company, LLC			
Twelve Months ended July 31, 2020			
	Revenues		
	Operating Revenues	561,913	
	Total Revenues	561,913	
	Expenses		
	Operations & Maintenance	650,844	
	General & Administrative	548,129	
	Depreciation & Amortization	17,936	
	Total Expenses	1,216,910	
	Net Operating Income	(654,997)	
	Net Income	(654,997)	

Balance Sheet

Current Assets	
Cash	55,505
Accounts Receivable	112,137
Other Current Assets	10,479
Total Current Assets	178,121
Property, Plant & Equipment	2,916,715
Preliminary Survey & Investigation Charge	4,593
Total Assets	<u>3,099,429</u>
Liabilities & Equity	
Current Liabilities	
Accounts Payable	110,185
Other Current Liabilities	43,198
Total Current Liabilities	153,383
Long-Term Liabilities	
Payable to Associated Companies	1,773,264
CIAC	154,712
Other Long-Term Liabilities	-
Total Long-Term Liabilities	1,927,976
Paid-In Capital	1,673,067
Retained Earnings	(654,997)
Total Liabilities & Equity	<u>3,099,429</u>

Form **8879-C**

IRS e-file Signature Authorization for Form 1120

OMB No. 1545-0123

For calendar year 2019, or tax year beginning MAR 21, 2019, ending DEC 31, 2019

2019

Department of the Treasury
Internal Revenue Service

▶ **Do not send to the IRS. Keep for your records.**

▶ **Go to www.irs.gov/Form8879C for the latest information.**

Name of corporation **BLUEGRASS WATER UTILITY HOLDING COMPANY
LLC**

Employer identification number
[REDACTED]

Part I Tax Return Information (Whole dollars only)

1 Total income (Form 1120, line 11)	1
2 Taxable income (Form 1120, line 30)	2
3 Total tax (Form 1120, line 31)	3
4 Amount owed (Form 1120, line 35)	4
5 Overpayment (Form 1120, line 36)	5



Part II Declaration and Signature Authorization of Officer. Be sure to get a copy of the corporation's return.

Under penalties of perjury, I declare that I am an officer of the above corporation and that I have examined a copy of the corporation's 2019 electronic income tax return and accompanying schedules and statements and to the best of my knowledge and belief, it is true, correct, and complete. I further declare that the amounts in Part I above are the amounts shown on the copy of the corporation's electronic income tax return. I consent to allow my electronic return originator (ERO), transmitter, or intermediate service provider to send the corporation's return to the IRS and to receive from the IRS (a) an acknowledgement of receipt or reason for rejection of the transmission, (b) the reason for any delay in processing the return or refund, and (c) the date of any refund. If applicable, I authorize the U.S. Treasury and its designated Financial Agent to initiate an electronic funds withdrawal (direct debit) entry to the financial institution account indicated in the tax preparation software for payment of the corporation's federal taxes owed on this return, and the financial institution to debit the entry to this account. To revoke a payment, I must contact the U.S. Treasury Financial Agent at 1-888-353-4537 no later than 2 business days prior to the payment (settlement) date. I also authorize the financial institutions involved in the processing of the electronic payment of taxes to receive confidential information necessary to answer inquiries and resolve issues related to the payment. I have selected a personal identification number (PIN) as my signature for the corporation's electronic income tax return and, if applicable, the corporation's consent to electronic funds withdrawal.

Officer's PIN: check one box only

I authorize MUELLER PROST, LC to enter my PIN [REDACTED]
ERO firm name do not enter all zeros

as my signature on the corporation's 2019 electronically filed income tax return.

As an officer of the corporation, I will enter my PIN as my signature on the corporation's 2019 electronically filed income tax return.

Officer's signature ▶ _____ Date ▶ _____ Title ▶ PRESIDENT

Part III Certification and Authentication

ERO's EFIN/PIN. Enter your six-digit EFIN followed by your five-digit self-selected PIN. [REDACTED]
do not enter all zeros

I certify that the above numeric entry is my PIN, which is my signature on the 2019 electronically filed income tax return for the corporation indicated above. I confirm that I am submitting this return in accordance with the requirements of **Pub. 3112**, IRS e-file Application and Participation, and **Pub. 4163**, Modernized e-File (MeF) Information for Authorized IRS e-file Providers for Business Returns.

ERO's signature ▶ [Signature] Date ▶ 09/25/20

**ERO Must Retain This Form - See Instructions
Do Not Submit This Form to the IRS Unless Requested To Do So**

For Paperwork Reduction Act Notice, see instructions.

Form **8879-C** (2019)

LHA

U.S. Corporation Income Tax Return

Form 1120

For calendar year 2019 or tax year beginning MARCH 21, 2019, ending DECEMBER 31, 2019

Department of the Treasury Internal Revenue Service

Go to www.irs.gov/Form1120 for instructions and the latest information.

2019

- A Check if: 1a Consolidated return (attach Form 851) [X] 1b Life/nonlife consolidated return [] 2 Personal holding co. (attach Sch. PH) [] 3 Personal service corp. (see instructions) [] 4 Schedule M-3 attached []

Name BLUEGRASS WATER UTILITY HOLDING COMPANY LLC Number, street, and room or suite no. If a P.O. box, see instructions. 1650 DES PERES RD., STE. 303 City or town, state or province, country, and ZIP or foreign postal code DES PERES, MO 63131

B Employer identification number C Date incorporated 03/21/2019 D Total assets (see instructions) \$

E Check if: (1) [X] Initial return (2) [] Final return (3) [] Name change (4) [] Address change

Income section table with rows 1a-11. Includes 1a Gross receipts or sales, 2 Cost of goods sold, 3 Gross profit, 4 Dividends and inclusions, 5 Interest, 6 Gross rents, 7 Gross royalties, 8 Capital gain net income, 9 Net gain or (loss) from Form 4797, 10 Other income, 11 Total income.

Deductions section table with rows 12-29c. Includes 12 Compensation of officers, 13 Salaries and wages, 14-26 Other deductions, 27 Total deductions, 28 Taxable income before net operating loss deduction, 29a Net operating loss deduction, 29b Special deductions, 29c Add lines 29a and 29b.

Tax, Refundable Credits, and Payments section table with rows 30-37. Includes 30 Taxable income, 31 Total tax, 32 2019 net 965 tax liability paid, 33 Total payments, credits, and section 965 net tax liability, 34 Estimated tax penalty, 35 Amount owed, 36 Overpayment, 37 Enter amount from line 36 you want.

Sign Here Under penalties of perjury, I declare that I have examined this return, including accompanying schedules and statements, and to the best of my knowledge and belief, it is true, correct, and complete. Declaration of preparer (other than taxpayer) is based on all information of which preparer has any knowledge. Signature of officer: [Signature] Date: [Date] Title: PRESIDENT

Paid Preparer Use Only Print/Type preparer's name: RALPH E. CRANCER III Preparer's signature: RALPH E. CRANCER I Date: 09/25/20 Firm's name: MUELLER PROST, LC Firm's EIN: Firm's address: 7733 FORSYTH BLVD., SUITE 1200 ST. LOUIS, MO 63105 Phone no.: (314) 862-2070

Schedule C Dividends, Inclusions, and Special Deductions (see instructions)	(a) Dividends and inclusions	(b) %	(c) Special deductions (a) x (b)
1 Dividends from less-than-20%-owned domestic corporations (other than debt-financed stock)			
2 Dividends from 20%-or-more-owned domestic corporations (other than debt-financed stock)			
3 Dividends on certain debt-financed stock of domestic and foreign corporations			
4 Dividends on certain preferred stock of less-than-20%-owned public utilities			
5 Dividends on certain preferred stock of 20%-or-more-owned public utilities			
6 Dividends from less-than-20%-owned foreign corporations and certain FSCs			
7 Dividends from 20%-or-more-owned foreign corporations and certain FSCs			
8 Dividends from wholly owned foreign subsidiaries			
9 Subtotal. Add lines 1 through 8			
10 Dividends from domestic corporations received by a small business investment company operating under the Small Business Investment Act of 1958			
11 Dividends from affiliated group members			
12 Dividends from certain FSCs			
13 Foreign-source portion of dividends received from a specified 10%-owned foreign corporation (excluding hybrid dividends) (see instructions)			
14 Dividends from foreign corporations not included on line 3, 6, 7, 8, 11, 12, or 13 (including any hybrid dividends)			
15 Section 965(a) inclusion			
16a Subpart F inclusions derived from the sale by a controlled foreign corporation (CFC) of the stock of a lower-tier foreign corporation treated as a dividend (attach Form(s) 5471) (see instructions)			
16b Subpart F inclusions derived from hybrid dividends of tiered corporations (attach Form(s) 5471) (see instructions)			
16c Other inclusions from CFCs under subpart F not included on line 15, 16a, 16b, or 17 (attach Form(s) 5471) (see instructions)			
17 Global intangible Low-Taxed income (GILTI) (attach Form(s) 5471 and Form 8992)			
18 Gross-up for foreign taxes deemed paid			
19 IC-DISC and former DISC dividends not included on line 1, 2, or 3			
20 Other dividends			
21 Deduction for dividends paid on certain preferred stock of public utilities			
22 Section 250 deduction (attach Form 8993)			
23 Total dividends and inclusions. Add column (a), lines 9 through 20. Enter here and on page 1, line 4			
24 Total special deductions. Add column (c), lines 9 through 22. Enter here and on page 1, line 29b			

Schedule J Tax Computation and Payment (see instructions)

Part I - Tax Computation

1	Check if the corporation is a member of a controlled group (attach Schedule O (Form 1120))	<input type="checkbox"/>	
2	Income tax. See instructions		2
3	Base erosion minimum tax amount (attach Form 8991)		3
4	Add lines 2 and 3		4
5a	Foreign tax credit (attach Form 1118)	5a	
b	Credit from Form 8834 (see instructions)	5b	
c	General business credit (attach Form 3800)	5c	
d	Credit for prior year minimum tax (attach Form 8827)	5d	
e	Bond credits from Form 8912	5e	
6	Total credits. Add lines 5a through 5e		6
7	Subtract line 6 from line 4		7
8	Personal holding company tax (attach Schedule PH (Form 1120))		8
9a	Recapture of investment credit (attach Form 4255)	9a	
b	Recapture of low-income housing credit (attach Form 8611)	9b	
c	Interest due under the look-back method-completed long-term contracts (attach Form 8697)	9c	
d	Interest due under the look-back method-income forecast method (attach Form 8866)	9d	
e	Alternative tax on qualifying shipping activities (attach Form 8902)	9e	
f	Other (see instructions - attach statement)	9f	
10	Total. Add lines 9a through 9f		10
11	Total tax. Add lines 7, 8, and 10. Enter here and on page 1, line 31		11

Part II - Section 965 Payments (see instructions)

12	2019 net 965 tax liability paid from Form 965-B, Part II, column (k), line 3. Enter here and on page 1, line 32	12
----	---	----

Part III - Payments, Refundable Credits, and Section 965 Net Tax Liability

13	2018 overpayment credited to 2019	13
14	2019 estimated tax payments	14
15	2019 refund applied for on Form 4466	15
16	Combine lines 13, 14, and 15	16
17	Tax deposited with Form 7004	17
18	Withholding (see instructions)	18
19	Total payments. Add lines 16, 17, and 18	19
20	Refundable credits from:	
a	Form 2439	20a
b	Form 4136	20b
c	Form 8827, line 5c	20c
d	Other (attach statement - see instructions)	20d
21	Total credits. Add lines 20a through 20d	21
22	2019 net 965 tax liability from Form 965-B, Part I, column (d), line 3. See instructions	22
23	Total payments, credits, and section 965 net tax liability. Add lines 19, 21, and 22. Enter here and on page 1, line 33	23

Schedule K Other Information (see instructions)

1 Check accounting method: a Cash b Accrual c Other (specify)

2 See the instructions and enter the:

a Business activity code no.

b Business activity **WATER TREATMENT PLAN**

c Product or service **WATER TREATMENT PLAN**

3 Is the corporation a subsidiary in an affiliated group or a parent-subsidiary controlled group?
If "Yes," enter name and EIN of the parent corporation

4 At the end of the tax year:

a Did any foreign or domestic corporation, partnership (including any entity treated as a partnership), trust, or tax-exempt organization own directly 20% or more, or own, directly or indirectly, 50% or more of the total voting power of all classes of the corporation's stock entitled to vote? If "Yes," complete Part I of Schedule G (Form 1120) (attach Schedule G)

b Did any individual or estate own directly 20% or more, or own, directly or indirectly, 50% or more of the total voting power of all classes of the corporation's stock entitled to vote? If "Yes," complete Part II of Schedule G (Form 1120) (attach Schedule G)

5 At the end of the tax year, did the corporation:

a Own directly 20% or more, or own, directly or indirectly, 50% or more of the total voting power of all classes of stock entitled to vote of any foreign or domestic corporation not included on **Form 851**, Affiliations Schedule? For rules of constructive ownership, see instructions
If "Yes," complete (i) through (iv) below.

(i) Name of Corporation	(ii) Employer Identification Number (if any)	(iii) Country of Incorporation	(iv) Percentage Owned in Voting Stock

b Own directly an interest of 20% or more, or own, directly or indirectly, an interest of 50% or more in any foreign or domestic partnership (including an entity treated as a partnership) or in the beneficial interest of a trust? For rules of constructive ownership, see instructions
If "Yes," complete (i) through (iv) below.

(i) Name of Entity	(ii) Employer Identification Number (if any)	(iii) Country of Organization	(iv) Maximum Percentage Owned in Profit, Loss, or Capital

6 During this tax year, did the corporation pay dividends (other than stock dividends and distributions in exchange for stock) in excess of the corporation's current and accumulated earnings and profits? See sections 301 and 316
If "Yes," file **Form 5452**, Corporate Report of Nondividend Distributions. See the instructions for Form 5452.
If this is a consolidated return, answer here for the parent corporation and on Form 851 for each subsidiary.

7 At any time during the tax year, did one foreign person own, directly or indirectly, at least 25% of the total voting power of all classes of the corporation's stock entitled to vote or at least 25% of the total value of all classes of the corporation's stock?
For rules of attribution, see section 318. If "Yes," enter:
(a) Percentage owned and (b) Owner's country
(c) The corporation may have to file **Form 5472**, Information Return of a 25% Foreign-Owned U.S. Corporation or a Foreign Corporation Engaged in a U.S. Trade or Business. Enter the number of Forms 5472 attached

8 Check this box if the corporation issued publicly offered debt instruments with original issue discount
If checked, the corporation may have to file **Form 8281**, Information Return for Publicly Offered Original Issue Discount Instruments.

9 Enter the amount of tax-exempt interest received or accrued during the tax year \$ _____

10 Enter the number of shareholders at the end of the tax year (if 100 or fewer) **1**

11 If the corporation has an NOL for the tax year and is electing to forego the carryback period, check here
If the corporation is filing a consolidated return, the statement required by Regulations section 1.1502-21(b)(3) must be attached or the election will not be valid.

12 Enter the available NOL carryover from prior tax years (do not reduce it by any deduction reported on page 1, line 29a.) \$ _____

Schedule K Other Information (continued from page 4)

	Yes	No
13 Are the corporation's total receipts (page 1, line 1a, plus lines 4 through 10) for the tax year and its total assets at the end of the tax year less than \$250,000? If "Yes," the corporation is not required to complete Schedules L, M-1, and M-2. Instead, enter the total amount of cash distributions and the book value of property distributions (other than cash) made during the tax year ► \$ _____		
14 Is the corporation required to file Schedule UTP (Form 1120), Uncertain Tax Position Statement? See instructions If "Yes," complete and attach Schedule UTP.		
15a Did the corporation make any payments in 2019 that would require it to file Form(s) 1099?		
b If "Yes," did or will the corporation file required Form(s) 1099?		
16 During this tax year, did the corporation have an 80%-or-more change in ownership, including a change due to redemption of its own stock?		
17 During or subsequent to this tax year, but before the filing of this return, did the corporation dispose of more than 65% (by value) of its assets in a taxable, non-taxable, or tax deferred transaction?		
18 Did the corporation receive assets in a section 351 transfer in which any of the transferred assets had a fair market basis or fair market value of more than \$1 million?		
19 During the corporation's tax year, did the corporation make any payments that would require it to file Forms 1042 and 1042-S under chapter 3 (sections 1441 through 1464) or chapter 4 (sections 1471 through 1474) of the Code?		
20 Is the corporation operating on a cooperative basis?		
21 During the tax year, did the corporation pay or accrue any interest or royalty for which the deduction is not allowed under section 267A? See instructions If "Yes," enter the total amount of the disallowed deductions ► \$ _____		
22 Does the corporation have gross receipts of at least \$500 million in any of the 3 preceding tax years? (See sections 59A(e)(2) and (3)) If "Yes," complete and attach Form 8991.		
23 Did the corporation have an election under section 163(j) for any real property trade or business or any farming business in effect during the tax year? See instructions		
24 Does the corporation satisfy one or more of the following? See instructions		
a The corporation owns a pass-through entity with current, or prior year carryover, excess business interest expense.		
b The corporation's aggregate average annual gross receipts (determined under section 448(c)) for the 3 tax years preceding the current tax year are more than \$26 million and the corporation has business interest expense.		
c The corporation is a tax shelter and the corporation has business interest expense. If "Yes," to any, complete and attach Form 8990.		
25 Is the corporation attaching Form 8996 to certify as a Qualified Opportunity Fund?		
If "Yes," enter amount from Form 8996, line 14 ► \$ _____		

Schedule L Balance Sheets per Books	Beginning of tax year		End of tax year	
	(a)	(b)	(c)	(d)
Assets				
1 Cash				
2a Trade notes and accounts receivable				
b Less allowance for bad debts				
3 Inventories				
4 U.S. government obligations				
5 Tax-exempt securities				
6 Other current assets (att. stmt.)				
7 Loans to shareholders				
8 Mortgage and real estate loans				
9 Other investments (att. stmt.)				
10a Buildings and other depreciable assets				
b Less accumulated depreciation				
11a Depletable assets				
b Less accumulated depletion				
12 Land (net of any amortization)				
13a Intangible assets (amortizable only)				
b Less accumulated amortization				
14 Other assets (att. stmt.)				
15 Total assets				
Liabilities and Shareholders' Equity				
16 Accounts payable				
17 Mortgages, notes, bonds payable in less than 1 year				
18 Other current liabilities (att. stmt.)				
19 Loans from shareholders				
20 Mortgages, notes, bonds payable in 1 year or more				
21 Other liabilities (att. stmt.)				
22 Capital stock: a Preferred stock				
b Common stock				
23 Additional paid-in capital				
24 Retained earnings - Appropriated (attach statement)				
25 Retained earnings - Unappropriated				
26 Adjustments to shareholders' equity (attach statement)				
27 Less cost of treasury stock				
28 Total liabilities and shareholders' equity				

Schedule M-1 Reconciliation of Income (Loss) per Books With Income per Return

Note: The corporation may be required to file Schedule M-3. See instructions.

1 Net income (loss) per books	
2 Federal income tax per books	
3 Excess of capital losses over capital gains	
4 Income subject to tax not recorded on books this year (itemize): _____	
5 Expenses recorded on books this year not deducted on this return (itemize):	
a Depreciation \$ _____	
Charitable contributions	
b Travel and entertainment	
c \$ _____	
6 Add lines 1 through 5	

Schedule M-2 Analysis of Unapp

1 Balance at beginning of year	
2 Net income (loss) per books	
3 Other increases (itemize): _____	
4 Add lines 1, 2, and 3	

**SCHEDULE G
(Form 1120)**

(Rev. December 2011)
Department of the Treasury
Internal Revenue Service

**Information on Certain Persons Owning the
Corporation's Voting Stock**

OMB No. 1545-0123

▶ Attach to Form 1120.

Name BLUEGRASS WATER UTILITY HOLDING COMPANY LLC	Employer identification number (EIN) <div style="background-color: black; width: 100px; height: 20px;"></div>
--	--

Part I Certain Entities Owning the Corporation's Voting Stock. (Form 1120, Schedule K, Question 4a). Complete columns (i) through (v) below for any foreign or domestic corporation, partnership (including any entity treated as a partnership), trust, or tax-exempt organization that owns directly 20% or more, or owns, directly or indirectly, 50% or more of the total voting power of all classes of the corporation's stock entitled to vote (see instructions).

(i) Name of Entity	(ii) Employer Identification Number (if any)	(iii) Type of Entity	(iv) Country of Organization	(v) Percentage Owned in Voting Stock

Part II Certain Individuals and Estates Owning the Corporation's Voting Stock. (Form 1120, Schedule K, Question 4b). Complete columns (i) through (iv) below for any individual or estate that owns directly 20% or more, or owns, directly or indirectly, 50% or more of the total voting power of all classes of the corporation's stock entitled to vote (see instructions).

(i) Name of Individual or Estate	(ii) Identifying Number (if any)	(iii) Country of Citizenship (see instructions)	(iv) Percentage Owned in Voting Stock

Form **851**
 (Rev. October 2016)
 Department of the Treasury
 Internal Revenue Service

Affiliations Schedule
 For tax year ending DECEMBER 31, 2019

OMB No. 1545-0123

▶ **File with each consolidated income tax return.**

▶ **Information about Form 851 and its instructions is at www.irs.gov/form851.**

Name of common parent corporation **BLUEGRASS WATER UTILITY HOLDING COMPANY LLC** Employer identification number [REDACTED]

Number, street, and room or suite no. If a P.O. box, see instructions.
1650 DES PERES RD. STE 303
 City or town, state, and ZIP code **DES PERES, MO 63131**

Part I Overpayment Credits, Estimated Tax Payments, and Tax Deposits (see instructions)

Corp. No.	Name and address of corporation	Employer identification number	Portion of overpayment credits and estimated tax payments	Portion of tax deposited with Form 7004
1	Common parent corporation			
2	Subsidiary corporations: BLUEGRASS WATER UTILITY OPERATING 1650 DES PERES RD. STE 303 DES PERES, MO 63131	[REDACTED]	[REDACTED]	[REDACTED]
3				
4				
5				
6				
7				
8				
9				
10				
Totals (Must equal amounts shown on the consolidated tax return)				

Part II Principal Business Activity, Voting Stock Information, Etc. (see instructions)

Corp. No.	Principal business activity (PBA)	PBA Code No.	Did the subsidiary make any nondividend distributions?		Stock holdings at beginning of year			Owned by corporation no.
			Yes	No	Number of shares	Percent of voting power	Percent of value	
1	Common parent corporation WATER TREATMENT	[REDACTED]						
2	Subsidiary corporations: WATER TREATMENT PLAN	[REDACTED]				%	%	
3						%	%	
4						%	%	
5						%	%	
6						%	%	
7						%	%	
8						%	%	
9						%	%	
10						%	%	

Part IV Additional Stock Information (see instructions)

1 During the tax year, did the corporation have more than one class of stock outstanding? [redacted]
If "Yes," enter the name of the corporation and list and describe each class of stock.

Corp. No.	Name of corporation	Class of stock

2 During the tax year, was there any member of the consolidated group that reaffiliated within 60 months of disaffiliation? [redacted]
If "Yes," enter the name of the corporation(s) and explain circumstances.

Corp. No.	Name of corporation	Explanation

3 During the tax year, was there any arrangement in existence by which one or more persons that were not members of the affiliated group could acquire any stock, or acquire any voting power without acquiring stock, in the corporation, other than a de minimis amount, from the corporation or another member of the affiliated group? [redacted]
If "Yes," enter the name of the corporation and see the instructions for the percentages to enter in columns (a), (b), and (c).

Corp. No.	Name of corporation	(a) Percent of value	(b) Percent of outstanding voting stock	(c) Percent of voting power

Corp. No.	(d) Provide a description of any arrangement.

Form **4562**

Depreciation and Amortization
(Including Information on Listed Property) OTHER

OMB No. 1545-0172

2019
Attachment
Sequence No. **179**

Department of the Treasury
Internal Revenue Service (99)

▶ Attach to your tax return.
▶ Go to www.irs.gov/Form4562 for instructions and the latest information.

Name(s) shown on return

Business or activity to which this form relates

Identifying number

**BLUEGRASS WATER UTILITY HOLDING COMPANY
LLC**

OTHER DEPRECIATION

Part I Election To Expense Certain Property Under Section 179 Note: If you have any listed property, complete Part V before you complete Part I.

1	Maximum amount (see instructions)	1	
2	Total cost of section 179 property placed in service (see instructions)	2	
3	Threshold cost of section 179 property before reduction in limitation	3	
4	Reduction in limitation. Subtract line 3 from line 2. If zero or less, enter -0-	4	
5	Dollar limitation for tax year. Subtract line 4 from line 1. If zero or less, enter -0-. If married filing separately, see instructions	5	
6	(a) Description of property	(b) Cost (business use only)	(c) Elected cost
7	Listed property. Enter the amount from line 29	7	
8	Total elected cost of section 179 property. Add amounts in column (c), lines 6 and 7	8	
9	Tentative deduction. Enter the smaller of line 5 or line 8	9	
10	Carryover of disallowed deduction from line 13 of your 2018 Form 4562	10	
11	Business income limitation. Enter the smaller of business income (not less than zero) or line 5	11	
12	Section 179 expense deduction. Add lines 9 and 10, but don't enter more than line 11	12	
13	Carryover of disallowed deduction to 2020. Add lines 9 and 10, less line 12	13	

Note: Don't use Part II or Part III below for listed property. Instead, use Part V.

Part II Special Depreciation Allowance and Other Depreciation (Don't include listed property.)

14	Special depreciation allowance for qualified property (other than listed property) placed in service during the tax year	14	
15	Property subject to section 168(f)(1) election	15	
16	Other depreciation (including ACRS)	16	

Part III MACRS Depreciation (Don't include listed property. See instructions.)

Section A

17	MACRS deductions for assets placed in service in tax years beginning before 2019	17	
18	If you are electing to group any assets placed in service during the tax year into one or more general asset accounts, check here		<input type="checkbox"/>

Section B - Assets Placed in Service During 2019 Tax Year Using the General Depreciation System

	(a) Classification of property	(b) Month and year placed in service	(c) Basis for depreciation (business/investment use only - see instructions)	(d) Recovery period	(e) Convention	(f) Method	(g) Depreciation deduction
19a	3-year property						
b	5-year property						
c	7-year property						
d	10-year property						
e	15-year property						
f	20-year property						
g	25-year property			25 yrs.		S/L	
h	Residential rental property	/		27.5 yrs.	MM	S/L	
		/		27.5 yrs.	MM	S/L	
i	Nonresidential real property	/		39 yrs.	MM	S/L	
		/			MM	S/L	

Section C - Assets Placed in Service During 2019 Tax Year Using the Alternative Depreciation System

20a	Class life					S/L	
b	12-year			12 yrs.		S/L	
c	30-year	/		30 yrs.	MM	S/L	
d	40-year	/		40 yrs.	MM	S/L	

Part IV Summary (See instructions.)

21	Listed property. Enter amount from line 28	21	
22	Total. Add amounts from line 12, lines 14 through 17, lines 19 and 20 in column (g), and line 21. Enter here and on the appropriate lines of your return. Partnerships and S corporations - see instr.	22	
23	For assets shown above and placed in service during the current year, enter the portion of the basis attributable to section 263A costs	23	

BLUEGRASS WATER UTILITY HOLDING COMPANY

Part V Listed Property (Include automobiles, certain other vehicles, certain aircraft, and property used for entertainment, recreation, or amusement.)

Note: For any vehicle for which you are using the standard mileage rate or deducting lease expense, complete only 24a, 24b, columns (a) through (c) of Section A, all of Section B, and Section C if applicable.

Section A - Depreciation and Other Information (Caution: See the instructions for limits for passenger automobiles.)

24a Do you have evidence to support the business/investment use claimed? Yes No **24b** If "Yes," is the evidence written? Yes No

(a) Type of property (list vehicles first)	(b) Date placed in service	(c) Business/ investment use percentage	(d) Cost or other basis	(e) Basis for depreciation (business/investment use only)	(f) Recovery period	(g) Method/ Convention	(h) Depreciation deduction	(i) Elected section 179 cost
25 Special depreciation allowance for qualified listed property placed in service during the tax year and used more than 50% in a qualified business use							25	
26 Property used more than 50% in a qualified business use:								
		%						
		%						
		%						
27 Property used 50% or less in a qualified business use:								
		%				S/L -		
		%				S/L -		
		%				S/L -		
28 Add amounts in column (h), lines 25 through 27. Enter here and on line 21, page 1							28	
29 Add amounts in column (i), line 26. Enter here and on line 7, page 1								29

Section B - Information on Use of Vehicles

Complete this section for vehicles used by a sole proprietor, partner, or other "more than 5% owner," or related person. If you provided vehicles to your employees, first answer the questions in Section C to see if you meet an exception to completing this section for those vehicles.

	(a) Vehicle		(b) Vehicle		(c) Vehicle		(d) Vehicle		(e) Vehicle		(f) Vehicle	
	Yes	No	Yes	No	Yes	No	Yes	No	Yes	No	Yes	No
30 Total business/investment miles driven during the year (don't include commuting miles)												
31 Total commuting miles driven during the year												
32 Total other personal (noncommuting) miles driven												
33 Total miles driven during the year. Add lines 30 through 32												
34 Was the vehicle available for personal use during off-duty hours?												
35 Was the vehicle used primarily by a more than 5% owner or related person?												
36 Is another vehicle available for personal use?												

Section C - Questions for Employers Who Provide Vehicles for Use by Their Employees

Answer these questions to determine if you meet an exception to completing Section B for vehicles used by employees who aren't more than 5% owners or related persons.

	Yes	No
37 Do you maintain a written policy statement that prohibits all personal use of vehicles, including commuting, by your employees?		
38 Do you maintain a written policy statement that prohibits personal use of vehicles, except commuting, by your employees? See the instructions for vehicles used by corporate officers, directors, or 1% or more owners		
39 Do you treat all use of vehicles by employees as personal use?		
40 Do you provide more than five vehicles to your employees, obtain information from your employees about the use of the vehicles, and retain the information received?		
41 Do you meet the requirements concerning qualified automobile demonstration use?		

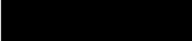
Note: If your answer to 37, 38, 39, 40, or 41 is "Yes," don't complete Section B for the covered vehicles.

Part VI Amortization

(a) Description of costs	(b) Date amortization begins	(c) Amortizable amount	(d) Code section	(e) Amortization period or percentage	(f) Amortization for this year
42 Amortization of costs that begins during your 2019 tax year:					
43 Amortization of costs that began before your 2019 tax year					43
44 Total. Add amounts in column (f). See the instructions for where to report					44

Section 1.263(a)-1(f) De Minimis Safe Harbor Election

Bluegrass Water Utility Holding Company
LLC
1650 Des Peres Rd., Ste. 303
Des Peres, MO 63131

Employer Identification Number: 

For the Year Ending December 31, 2019

Bluegrass Water Utility Holding Company LLC is making the de
minimis safe harbor election under Reg. Sec. 1.263(a)-1(f).

INCOME AND DEDUCTIONS

	CONSOLIDATED AMOUNTS	ADJUSTMENTS	ELIMINATIONS	COMBINED AMOUNTS	BLUEGRASS WATER UTILITY HOLDING	BLUEGRASS WATER UTILITY OPERATING
Gross receipts or sales						
Less returns and allowances						
Net Sales						
Cost of goods sold:						
Inventory at beginning of year						
Purchases						
Cost of labor						
Additional section 263A costs						
Other costs						
Inventory end of year						
Cost of goods sold						
Gross profit						
Dividends						
Interest						
Gross rents						
Gross royalties						
Capital gain net income						
Net gain or (loss) Form 4797						
Other income						
Total Income						
Deductions						
Compensation of officers						
Salaries and wages						
Repairs						
Bad debts						
Rents						
Taxes		STMT 3				
Interest						
Charitable Contributions						
Depreciation not claimed elsewhere						
Depletion						
Advertising						
Pension, profit-sharing, etc., plans						
Employee benefit programs						
Other deductions		STMT 4				
Total Deductions						
Taxable income before NOL and special deductions						
Net operating loss deduction						
Special deductions						
Taxable Income						

BLUEGRASS WATER UTILITY HOLDING COMPANY

ALLOCATION OF CURRENT CONSOLIDATED NET
OPERATING LOSS TO MEMBER CORPORATIONS

STATEMENT 2

<u>CURRENT CONSOLIDATED NOL</u>	X	<u>MEMBER'S CURRENT NOL</u>	/	<u>TOTAL OF ALL MEMBERS WITH NOL</u>	=	<u>NOL ALLOCATED TO THIS COMPANY</u>
12/31/19		BLUEGRASS WATER UTILITY OPERATING				



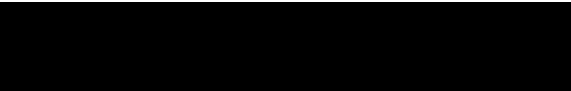
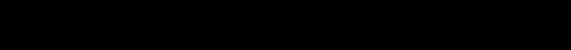


BLUEGRASS WATER UTILITY HOLDING COMPANY



TAXES

STATEMENT 3

CONSOLIDATED AMOUNTS	BLUEGRASS WATER UTILITY HOLDING	BLUEGRASS WATER UTILITY OPERATING
		
PROPERTY TAX		
TOTAL TAXES		

OTHER DEDUCTIONS

STATEMENT 4

CONSOLIDATED AMOUNTS	BLUEGRASS WATER UTILITY HOLDING	BLUEGRASS WATER UTILITY OPERATING
CUSTOMER ACCOUNT EXPENSES		
INSURANCE		
MISCELLANEOUS EXPENSES		
OUTSIDE SERVICES		
REGULATORY EXPENSES		
SEWER TREATMENT & DISPOSAL EXPENSE		
WATER PUMP EXPENSE		
TOTAL OTHER DEDUCTIONS		

BEGINNING BALANCE SHEET

	CONSOLIDATED AMOUNTS	ADJUSTMENTS	ELIMINATIONS	COMBINED AMOUNTS	BLUEGRASS WATER UTILITY HOLDING	BLUEGRASS WATER UTILITY OPERATING
Assets						
Cash						
Trade notes and accounts receivable						
Less allowance for bad debts						
Inventories						
U.S. government obligations						
Tax-exempt securities						
Other current assets						
Loans to stockholders						
Mortgage and real estate loans						
Other investments						
Buildings and other depreciable assets						
Less accumulated depreciation						
Depletable assets						
Less accumulated depletion						
Land (net of any amortization)						
Intangible assets (amortizable only)						
Less accumulated amortization						
Other assets						
Total Assets						
Liabilities and Stockholders' Equity						
Accounts payable						
Mortgages, notes, bonds payable in less than 1 year						
Other current liabilities						
Loans from stockholders						
Mortgages, notes, bonds payable in 1 year or more						
Other liabilities						
Capital stock: a Preferred stock						
b Common stock						
Additional paid-in capital						
Retained earnings - Appropriated						
Retained earnings - Unappropriated						
Adjustments to shareholders' equity						
Less cost of treasury stock						
Total Liabilities and Stockholders' Equity						

ENDING BALANCE SHEET AND SCHEDULE M-2

	CONSOLIDATED AMOUNTS	ADJUSTMENTS	ELIMINATIONS	COMBINED AMOUNTS	BLUEGRASS WATER UTILITY HOLDING	BLUEGRASS WATER UTILITY OPERATING
Assets						
Cash						
Trade notes and accounts receivable						
Less allowance for bad debts						
Inventories						
U.S. government obligations						
Tax-exempt securities						
Other current assets STATEMENT 5						
Loans to stockholders						
Mortgage and real estate loans						
Other investments						
Buildings and other depreciable assets						
Less accumulated depreciation						
Depletable assets						
Less accumulated depletion						
Land (net of any amortization)						
Intangible assets (amortizable only)						
Less accumulated amortization						
Other assets						
Total Assets						
Liabilities and Stockholders' Equity						
Accounts payable						
Short term mortgages, notes, and bonds						
Other current liabilities STATEMENT 6						
Loans from stockholders						
Long term mortgages, notes, and bonds						
Other liabilities						
Capital stock: a Preferred stock						
b Common stock						
Additional paid-in capital						
Retained earnings - Appropriated						
Retained earnings - Unappropriated						
Adjustments to shareholders' equity						
Less cost of treasury stock						
Total Liabilities and Stockholders' Equity						
Schedule M-2						
Balance at beginning of year						
Net income per books						
Other increases						
Total Increases						
Distributions: Cash						
Stock						
Property						
Other decreases						
Total Decreases						
Balance at End of Year						

SCHEDULE L OTHER CURRENT ASSETS STATEMENT 5

	CONSOLIDATED AMOUNTS	BLUEGRASS WATER UTILITY HOLDING	BLUEGRASS WATER UTILITY OPERATING
DEPOSITS		[REDACTED]	[REDACTED]
TOTAL OTHER CURRENT ASSETS		[REDACTED]	

SCHEDULE L CURRENT LIABILITIES STATEMENT 6

	CONSOLIDATED AMOUNTS	BLUEGRASS WATER UTILITY HOLDING	BLUEGRASS WATER UTILITY OPERATING
ACCRUED EXPENSES DUE TO AFFILIATE		[REDACTED]	[REDACTED]
TOTAL OTHER CURRENT LIABILITIES		[REDACTED]	

SCHEDULE M-1

	CONSOLIDATED AMOUNTS	ADJUSTMENTS	ELIMINATIONS	COMBINED AMOUNTS	BLUEGRASS WATER UTILITY HOLDING	BLUEGRASS WATER UTILITY OPERATING
Schedule M-1						
Net income per books						
Federal income tax						
Excess of capital losses over capital gains						
Income subject to tax not recorded on books this year (itemize):						
Expenses recorded on books this year not deducted in this return (itemize):						
Depreciation						
Contribution carryover						
Travel and entertainment						
Other						
Total Increases						
Income recorded on books this year not included in this return (itemize):						
Tax-exempt interest						
Other						
Deductions in this tax return not charged against book income this year (itemize):						
Depreciation						
Contribution carryover						
Other						
Total Decreases						
Taxable Income						

PAYMENT VOUCHER

953981 10-07-19

★ Please cut along the dotted line. ★

23
TRAN CODE

720V ELECTRONIC FILING

2019
Cents

KY Corporation / LLET Account No.

Taxable Year Ending (MMYY)

Dollars

██████████

1219

FEIN

██████████████████

Form Type: 720 720S 720U 725EZ 725 765

- 1. Corporation Income Tax
- 2. Income Interest and Penalty
- 3. LLET
- 4. LLET Interest and Penalty
- 5. Total



BLUEGRASS WATER UTILITY HOLDING COMPANY
1650 DES PERES RD., STE. 303
DES PERES, MO 63131

41A720S120002

Contact Name and Telephone Number
JOSIAH COX 3147364743



**Kentucky Corporation or Pass-through Entity Tax Return
Declaration For Electronic Filing**

2019

RETAIN FOR YOUR RECORDS DO NOT MAIL THIS FORM

► See instructions.

Submission ID#

Name of Entity BLUEGRASS WATER UTILITY HOLDING COMPANY LLC	Federal Identification Number [REDACTED]	Kentucky Corporation/LLET Account Number [REDACTED]
Address (Number, Street, and Room or Suite No.) 1650 DES PERES RD., STE. 303	City, State, and ZIP Code DES PERES, MO 63131	

PART I - Check the box for the tax return being electronically filed: 720 720S 720U 725 725-EZ 765 765-GP

Section A - Tax return information for form 720

LLET Corporate Income

1 Kentucky taxable net income	Part III, line 20	1
2 Total tax due	Part I, line 16 and Part II, line 15	2
3 Interest	Total of Interest in Tax Payment Summary	3
4 Penalty	Total of Penalty in Tax Payment Summary	4
5 Subtotal	Add lines 2 through 4	5
6 Tax due	Total Payment in Tax Payment Summary	

Section B - Tax return information for form 720S

1 Kentucky ordinary income (loss)	Part III, line 10	1
2 Total tax due	Part I, line 15 and Part II, line 11	2
3 Interest	Total of Interest in Tax Payment Summary	3
4 Penalty	Total of Penalty in Tax Payment Summary	4
5 Subtotal	Add lines 2 through 4	5
6 Tax due	Total Payment in Tax Payment Summary	

Section C - Tax return information for form 720U

1 Kentucky taxable net income	Schedule U5, Section D, line 7	1
2 Total tax due	Page 1, Part I, line 2 and Part II, line 2	2
3 Interest	Total of Interest in Tax Payment Summary	3
4 Penalty	Total of Penalty in Tax Payment Summary	4
5 Subtotal	Add lines 2 through 4	5
6 Tax due	Total Payment in Tax Payment Summary	

Section D - Tax return information for form 725 or 725-EZ (See instructions)

1 Total net distributable income	725, Part I, line 11	1
2 Total tax due	725, Part II, line 14 or 725-EZ, Part II, line 1	2
3 Interest	Total of Interest in Tax Payment Summary	3
4 Penalty	Total of Penalty in Tax Payment Summary	4
5 Subtotal	Add lines 2 through 4	5
6 Tax due	Total Payment in Tax Payment Summary	

Section E - Tax return information for form 765

1 Kentucky ordinary income (loss)	Part I, line 10	1
2 Total tax due	Part II, line 14	2
3 Interest	Total of Interest in Tax Payment Summary	3
4 Penalty	Total of Penalty in Tax Payment Summary	4
5 Subtotal	Add lines 2 through 4	5
6 Tax due	Total Payment in Tax Payment Summary	

Section F - Tax return information for form 765-GP

1 Federal ordinary income (loss)	Part I, line 1	1
2 Kentucky ordinary income (loss)	Part I, line 11	2

PART II - Direct Debit of Tax Amount Due (See Instructions)

Not available for form 765-GP

The first two numbers of the RTN must be
01 through 12 or 21 through 32.

- 1 Routing transit number (RTN) _____
- 2 Depositor account number (DAN) _____
- 3 Type of account: Savings Checking
- 4 Debit amount _____
- 5 In order to comply with electronic banking regulations, please answer the following question.

(a) Direct Debit - Will these funds come from an account located outside of the United States? Yes No

PART III - Declaration of Authorized Representative of Entity (Sign only after Parts I and II are completed.)

I authorize the Kentucky Department of Revenue and its designated Financial Agent to initiate an ACH electronic funds withdrawal entry to the financial institution account indicated in Part II for payment of the state taxes owed on this return. I also authorize the financial institutions involved in the processing of the electronic payment of taxes to receive confidential information necessary to answer inquiries and resolve issues related to the payment.

If this is a balance due return, I understand that if the Department of Revenue does not receive the full and timely payment of the tax liability, the entity will remain liable for the tax liability and all applicable interest and penalties.

I, the undersigned, declare under the penalties of perjury, that I am an officer of the corporation, partner or member of the limited liability pass-through entity, or partner of the general partnership and that I have examined a copy of the corporation's, limited liability pass-through entity's, or general partnership's electronic tax return, including accompanying schedules and statements, and to the best of my knowledge and belief, it is true, correct, and complete. I further declare that the amounts in Part I are the amounts shown on the copy of the Form 720, 720S, 720U, 725, 725-EZ, 765, or 765-GP electronic tax return.

Signature of Authorized Representative _____ Date _____

Type or Print the Name and Title
of the Authorized Representative Signing this Document JOSIAH COX PRESIDENT

PART IV - Declaration and Signature of Electronic Return Originator (ERO) and Paid Preparer

I, the undersigned, declare that I have reviewed the tax return and that the entries on Part I are true, correct, and complete. If I am only the ERO, I am not responsible for reviewing the tax return and only declare that this tax return accurately reflects the data on the tax return. The corporate officer of the corporation, partner or member of the limited liability pass-through entity, or partner of the general partnership will have signed this form before I submit the tax return. I will give the corporate officer of the corporation, partner or member of the limited liability pass-through entity, or partner of the general partnership all forms, including accompanying schedules and statements, filed with the Kentucky Department of Revenue. If I am also the paid preparer, I declare under the penalties of perjury that I have examined this tax return, including all accompanying schedules and statements, and to the best of my knowledge and belief, it is true, correct, and complete.

Check if also a paid preparer.

ERO's signature *Ralph Cronaw III* Date 09/25/20 I.D. Number of ERO ██████████

Firm's name (or your name if self-employed) MUELLER PROST, LC FEIN ██████████
7733 FORSYTH BLVD., SUITE 1200
Address ST. LOUIS, MO ZIP Code ██████████

I, the undersigned, declare under the penalties of perjury that I have examined this tax return, including all accompanying schedules and statements, and to the best of my knowledge and belief, it is true, correct, and complete.

Preparer's signature *Ralph Cronaw III* Date 09/25/20 I.D. Number of Preparer _____

Firm's name (or your name if self-employed) _____ FEIN _____
Address _____ ZIP Code _____

FORM **720**

Commonwealth of Kentucky
Department of Revenue



**KENTUCKY CORPORATION
INCOME TAX AND LLET RETURN**

2019

▶ See instructions. Taxable period beginning **MAR 21**, 2019, and ending **DEC 31** 2019

A LLET Exemption Code Enter Code _____	D Federal Identification Number [REDACTED]	E Kentucky Corporation/LLET Account Number (Required) [REDACTED]	
	Name of Corporation <input type="checkbox"/> Change of Name BLUEGRASS WATER UTILITY HOLDING COMPANY		Taxable Year Ending 12 / 19
B Income Tax Exemption Code Enter Code _____ <input type="checkbox"/> Elective consolidated Attach Form 722	Number and Street 1650 DES PERES RD., STE. 303		State and Date of Incorporation KY 03/21/2019
	City DES PERES	State MO	ZIP Code 63131
C Check if applicable: <input type="checkbox"/> Amended return <input type="checkbox"/> Amended return-RAR Provide explanation of changes in Part V-Explanation of Amended Return Changes.	Telephone Number 3147364743	Principal Business Activity in KY WATER TREATMENT	
	F Name of Common Parent BLUEGRASS WATER UTILITY HOLDING C		Kentucky Corporation/LLET Account Number 841949
G Check if applicable: <input checked="" type="checkbox"/> Initial return <input type="checkbox"/> Change of accounting period		<input checked="" type="checkbox"/> Short-period return (Complete Part IV) <input type="checkbox"/> Final return (Complete Part IV)	H Provider 3-Factor Apportionment Code [REDACTED]

PART I - LLET COMPUTATION			PART II - INCOME TAX COMPUTATION		
1 Schedule L, Section D, line 1 (Page 4) ...	1	[REDACTED]	1 Income tax (see instructions)	1	[REDACTED]
2 Tax credit recapture	2	[REDACTED]	2 Tax credit recapture	2	[REDACTED]
3 Total (add lines 1 and 2)	3	[REDACTED]	3 Tax installment on LIFO recapture	3	[REDACTED]
4 Nonrefundable LLET credit from Kentucky Schedule(s) K-1	4	[REDACTED]	4 Total (add lines 1 through 3)	4	[REDACTED]
5 Nonrefundable tax credits (attach Schedule TCS)	5	[REDACTED]	5 Nonrefundable LLET credit from the Corporation LLET Credit Worksheet(s) (see instructions)	5	[REDACTED]
6 LLET liability (greater of line 3 less lines 4 and 5 or \$175 minimum)	6	[REDACTED]	6 Nonrefundable LLET credit (Part I, line 6 less \$175)	6	[REDACTED]
7 Withholding tax (Form PTE-WH)	7	[REDACTED]	7 Nonrefundable tax credits (attach Schedule TCS)	7	[REDACTED]
8 Estimated tax payments	8	[REDACTED]	8 Net income tax liability (line 4 less lines 5 through 7, but not less than zero) ...	8	[REDACTED]
9 Certified rehabilitation tax credit	9	[REDACTED]	9 Estimated tax payments	9	[REDACTED]
10 Film industry tax credit	10	[REDACTED]	10 Extension payment	10	[REDACTED]
11 Extension payment	11	[REDACTED]	11 Prior year's tax credit	11	[REDACTED]
12 Prior year's tax credit	12	[REDACTED]	12 LLET overpayment from Part I, line 18	12	[REDACTED]
13 Income tax overpayment from Part II, line 17	13	[REDACTED]	13 Corporation income tax paid on original return ...	13	[REDACTED]
14 LLET paid on original return	14	[REDACTED]	14 Corporation income tax overpayment on original return	14	[REDACTED]
15 LLET overpayment on original return	15	[REDACTED]	15 Income tax due (lines 8 and 14 less lines 9 through 13)	15	[REDACTED]
16 LLET due (lines 6 and 15 less lines 7 through 14)	16	[REDACTED]	16 Income tax overpayment (lines 9 through 13 less lines 8 and 14)	16	[REDACTED]
17 LLET overpayment (lines 7 through 14 less lines 6 and 15)	17	[REDACTED]	17 Credited to 2019 LLET	17	[REDACTED]
18 Credited to 2019 income tax	18	[REDACTED]	18 Credited to 2019 interest	18	[REDACTED]
19 Credited to 2019 interest	19	[REDACTED]	19 Credited to 2019 penalty	19	[REDACTED]
20 Credited to 2019 penalty	20	[REDACTED]	20 Credited to 2020 corporation income tax ...	20	[REDACTED]
21 Credited to 2020 LLET	21	[REDACTED]	21 Amount to be refunded	21	[REDACTED]
22 Amount to be refunded	22	[REDACTED]			

TAX PAYMENT SUMMARY		OFFICIAL USE ONLY	
LLET	INCOME	P	
1 LLET due (Part I, Line 16) \$ [REDACTED]	1 Income tax due (Part II, Line 15) \$ [REDACTED]	W	
2 Interest \$ [REDACTED]	2 Interest \$ [REDACTED]	2	
3 Penalty \$ [REDACTED]	3 Penalty \$ [REDACTED]	0	
4 Subtotal \$ [REDACTED]	4 Subtotal \$ [REDACTED]	4	
TOTAL PAYMENT (Add Subtotals) ▶ \$ [REDACTED]		V	
		A	
		L	
		#	



PART III - TAXABLE INCOME COMPUTATION

1 Federal taxable income (Form 1120, line 28)	1		12 Dividend income (See line 5)	12	
ADDITIONS:			13 Federal work opportunity credit	13	
2 Interest income (state and local obligations)	2		14 Depreciation adjustment	14	
3 State taxes based on net/gross income	3		15 Other (attach Schedule O-720)	15	
4 Depreciation adjustment	4		16 Revenue Agent Report (RAR)	16	
5 Deductions attributable to nontaxable income	5		17 Net income (line 10 less lines 11 through 16)	17	
6 Related party expenses (attach Schedule RPC)	6		18 Taxable net income (see instructions)	18	
7 Dividend paid deduction (REIT)	7		19 Net operating loss deduction (NOLD)	19	
8 Other (attach Schedule O-720)	8		20 Taxable net income after NOLD (line 18 less line 19)	20	
9 Revenue Agent Report (RAR)	9				
10 Total (add lines 1 through 9)	10				
SUBTRACTIONS:					
11 Interest income (U.S. obligations)	11				

PART IV - EXPLANATION OF FINAL RETURN AND/OR SHORT-PERIOD RETURN

- | | |
|---|--|
| <input type="checkbox"/> Ceased operations in Kentucky | <input type="checkbox"/> Change in filing status |
| <input type="checkbox"/> Change of ownership | <input type="checkbox"/> Merger |
| <input type="checkbox"/> Successor to previous business | <input type="checkbox"/> Other _____ |

PART V - EXPLANATION OF AMENDED RETURN CHANGES

OFFICER INFORMATION

Attach a schedule listing the name, home address, and Social Security number of the vice president, secretary, and treasurer.

Has the attached officer information changed from the last return filed? Yes No

President's Name JOSIAH COX President's Home Address 1650 DES PERES RD., STE. 303
 President's Social Security Number [REDACTED] DES PERES, MO 63131
 Date Became President 03/21/2019

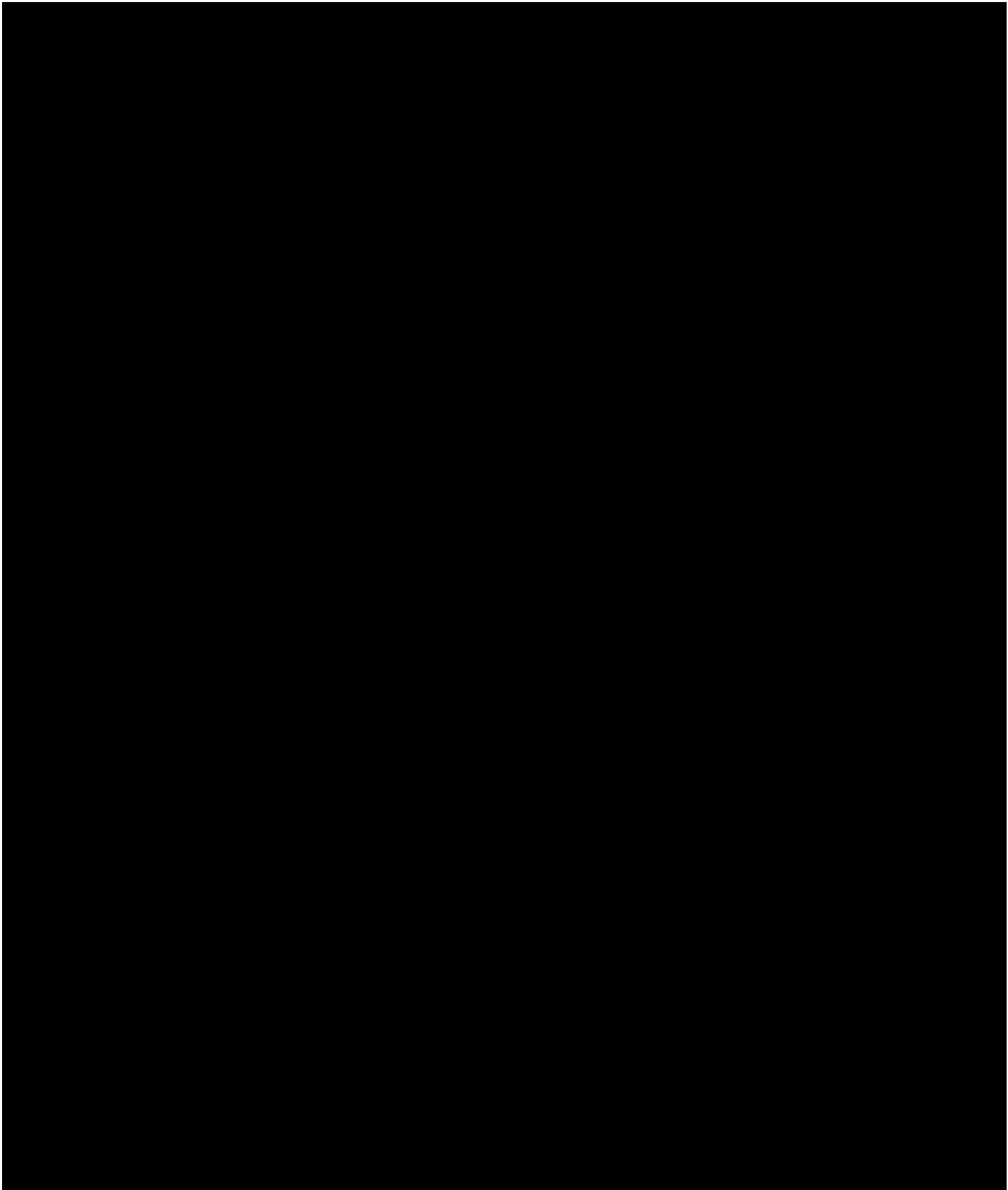
Under penalties of perjury, I declare that I have examined this return, including accompanying schedules and statements, and to the best of my knowledge and belief, it is true, correct, and complete. Declaration of preparer (other than taxpayer) is based on all information of which preparer has any knowledge.

Sign Here	Signature of Officer	Date
	Name of Officer JOSIAH COX	Title PRESIDENT
Paid Preparer Use	Signature of Preparer RALPH E. CRANCER III	Date 09/25/2020
	Name of Preparer or Firm MUELLER PROST, LC	ID Number [REDACTED]
	Email and/or Telephone No. (314) 862-2070	May the DOR discuss this return with this preparer? <input checked="" type="checkbox"/> Yes <input type="checkbox"/> No

Enclose	Include federal Form 1120 with all supporting schedules and statements.	Refund or No Payment	Kentucky Department of Revenue P. O. Box 856905 Louisville, KY 40285-6905
Payment	Check Payable: Kentucky State Treasurer E-Pay Options: www.revenue.ky.gov	With Payment	Kentucky Department of Revenue P. O. Box 856910 Louisville, KY 40285-6910



SCHEDULE Q - KENTUCKY CORPORATION/LLET QUESTIONNAIRE





SCHEDULE L - LIMITED LIABILITY ENTITY TAX COMPUTATION

Check this box and complete Schedule L-C, Limited Liability Entity Tax-Continuation Sheet, if the corporation or limited liability pass-through entity filing this tax return is a partner or member of a limited liability pass-through entity or general partnership doing business in Kentucky. Enter the total amounts from Schedule L-C in Section A of this schedule.

SECTION A - Computation of Gross Receipts and Gross Profits

		Column A Kentucky	Column B Total
1 (a) Gross receipts less returns and allowances	1(a)		
(b) Kentucky statutory gross receipts reductions (see instructions)	(b)		
2 Adjusted gross receipts (line 1(a) less line 1(b))	2		
3 (a) Cost of goods sold (attach Schedule COGS)	3(a)		
(b) Kentucky statutory cost of goods sold reductions (see instructions)	(b)		
4 Adjusted cost of goods sold (line 3(a) less line 3(b))	4		
5 Gross profits (line 2 less line 4)	5		

STOP If Section A, Column B, Line 2 or 5 is \$3,000,000 or less,
STOP and enter \$175 in Section D, line 1 below.

SECTION B - Computation of Gross Receipts LLET

1 If gross receipts from all sources (Column B, line 2) are greater than \$3,000,000, but less than \$6,000,000, enter the following: (Column A, line 2 x 0.00095) - $\left[\frac{\$2,850 \times (\$6,000,000 - \text{Column A, line 2})}{\$3,000,000} \right]$ but in no case shall the result be less than zero	1		
2 If gross receipts from all sources (Column B, line 2) are \$6,000,000 or greater, enter the following: Column A, line 2 x 0.00095	2		
3 Enter the amount from line 1 or line 2	3		

SECTION C - Computation of Gross Profits LLET

1 If gross profits from all sources (Column B, line 5) are greater than \$3,000,000, but less than \$6,000,000, enter the following: (Column A, line 5 x 0.0075) - $\left[\frac{\$22,500 \times (\$6,000,000 - \text{Column A, line 5})}{\$3,000,000} \right]$ but in no case shall the result be less than zero	1		
2 If gross profits from all sources (Column B, line 5) are \$6,000,000 or greater, enter the following: Column A, line 5 x 0.0075	2		
3 Enter the amount from line 1 or line 2	3		

SECTION D - Computation of LLET

1 Enter the lesser of Section B, line 3 or Section C, line 3 here and on Page 1, Part I, line 1. If less than \$175, enter the minimum of \$175 here and on Page 1, Part I, line 1	1		
--	---	--	--

FORM 722
Commonwealth of Kentucky
Department of Revenue



**ELECTION TO FILE CONSOLIDATED
KENTUCKY CORPORATION INCOME AND
LIMITED LIABILITY ENTITY TAX RETURN**

2019

Name of Affiliated Group (Common Parent Corporation and Subsidiaries - e.g., ABC, Inc. and Subsidiaries) BLUEGRASS WATER UTILITY HOLDING COMPANY			Common Parent's Corporation/LLET Acct. No. _____
Number and Street 1650 DES PERES RD. STE 303			Federal Identification Number _____
City DES PERES	State MO	ZIP Code 63131	Telephone Number 3147364743

This election is effective for taxable years beginning **03/19** and ending **03/23**

The above named affiliated group hereby elects to file a consolidated Kentucky corporation income and limited liability entity tax (LLET) return. All members of the affiliated group understand and consent to the following as conditions of this election:

- This election is binding and irrevocable for a period beginning with the first month of the first taxable year for which the election is made and ending with the conclusion of the taxable year in which the 48th consecutive month expires.
- The affiliated group will be treated for all purposes as a single corporation.
- Each member of the affiliated group is jointly and severally liable for the income tax liability computed on the consolidated return.
- For each taxable year for which this election is in effect, the consolidated return must include all corporations which are members of the affiliated group as defined by Section 1504(a) of the Internal Revenue Code and related regulations for that year, except any corporation which is exempt from Kentucky corporate income tax in accordance with KRS 141.040.

Under the penalties of perjury, I declare that the common parent corporation named above has authorized me to sign this form on behalf of all members of the affiliated group, that I have examined this form and the information contained herein, and to the best of my knowledge and belief, it is true, correct, and complete. This Form must be executed by one of the following officers of the common parent corporation: the president, vice president, secretary, treasurer, assistant secretary, assistant treasurer, or chief accounting officer.

Sign Here	Signature of Officer	Date
	Name of Officer	Title

Instructions Regarding This Election

- Effective for taxable years beginning on or after January 1, 2019, KRS 141.201 provides that an affiliated group may elect to file a consolidated return which includes all members of the federal affiliated group. This election may be executed whether or not a federal consolidated return is actually filed.
- The election must be made by the common parent corporation on behalf of all members of the affiliated group.
- The initial election must be made on this form and submitted to the Department of Revenue attached to the return on or before the due date of the return, including extensions, for the first taxable year for which the election is made.

NOTE: Attachment of this form to an *untimely-filed* return will not constitute a valid election.

- This form must be attached to the return for each year for which the election is effective.
- This form is required to be submitted for each new 48-month election period.
- Form 722 is not required to be submitted before timely filing the return; however, the form may be submitted early to the following address: Kentucky Department of Revenue, Corporate Section, P. O. Box 1074, Station 68, Frankfort, Kentucky 40602-1074.



**KENTUCKY AFFILIATIONS
AND PAYMENT SCHEDULE**

2019

List the parent corporation and all subsidiaries.

- ▶ See instructions.
- ▶ Attach to the elective consolidated income tax return (Form 720).

Corp. No.	Name of Parent Corporation	Federal Identification Number	Kentucky Corporation/LLET Account Number	Parent Corporation Tax Payments			Subsidiary(ies) Tax Payments			Stock Ownership Information	
				Prior Year Credit	Estimated Payment(s)	Extension Payment	Prior Year Credit	Estimated Payment(s)	Extension Payment	Percent of Value	Percent of Voting Power
1	BLUEGRASS WATER UTILITY H	[REDACTED]	[REDACTED]								
2	BLUEGRASS WATER UTI	38-4117502	[REDACTED]						%	%	
3									%	%	
4									%	%	
5									%	%	
6									%	%	
7									%	%	
8									%	%	
9									%	%	
10									%	%	

Kentucky Consolidated Adjusted Federal Income			
Name BLUEGRASS WATER UTILITY HOLDING COMPANY		Federal Employer Identification Number [REDACTED]	
	Combined Amounts	Consolidated Adjustments/ Eliminations	Consolidated Amounts
1. Federal taxable income (Schedule CR or Schedule CR-C, line 28) ...			
(a) Intercompany eliminations			
Additions			
2. Interest income (state and local obligations)			
3. State taxes based on net/gross income			
4. Depreciation adjustment			
5. Deductions attributable to nontaxable income			
6. Related party expenses			
7. Dividend paid deduction (REIT)			
8. DPA deduction			
9. Other additions, excluding contribution adjustment			
Federal contributions allowed			
10. Total (lines 1 through 9)			
Subtractions			
11. Interest from U.S. obligations			
12. Dividend income			
13. Federal work opportunity credit			
14. Depreciation adjustment			
15. Other subtractions, excluding contribution adjustment			
Kentucky contributions Allowed			
16. Net income (line 10 less lines 11 through 15)			
17. Less nonbusiness income net of related expenses			
Business income sub total			
Income apportioned to Kentucky			
18. Add Kentucky nonbusiness income net related expenses			
19. Kentucky net income			

Computation of Kentucky Adjustments and Carryover Amounts

1. Net operating loss deduction			
2. Net operating loss carryover			
3. Contribution carryover			
4. Capital loss carryover			



**KENTUCKY
CONSOLIDATED RETURN SCHEDULE
(Attach All Applicable Schedules)**

2019

Name of Corporation **BLUEGRASS WATER UTILITY HOLDING COMPANY LLC** Federal Identification Number [REDACTED] Kentucky Corporation/LLET Account Number [REDACTED]

	Consolidated Totals	Intercompany Eliminations	Parent	Name	Name
				BLUEGRASS WATER UTILITY OPERATING	
				FEIN [REDACTED]	FEIN _____
				KY Corp./LLET Acct. No. [REDACTED]	KY Corp./LLET Acct. No. _____

1 Federal taxable income (Schedule CR, line 27)	1				
Additions					
2 Interest income (state and local obligations)	2				
3 State taxes based on net/gross income	3				
4 Depreciation adjustment	4				
5 Deductions attributable to nontaxable income	5				
6 Related party expenses	6				
7 Dividend paid deduction (REIT)	7				
8 Other (attach schedule)	8				
9 Revenue Agent Report (RAR)	9				
10 Total (add lines 1 through 9)	10				
Subtractions					
11 Interest income (U.S. obligations)	11				
12 Dividend income	12				
13 Federal work opportunity credit	13				
14 Depreciation adjustment	14				
15 Other (attach schedule)	15				
16 Revenue Agent Report (RAR)	16				
17 Net income (line 10 less lines 11 through 16)	17				
18 Net non-apportionable income	18				
19 Kentucky net non-apportionable income	19				



**PRO FORMA FEDERAL
CONSOLIDATED RETURN SCHEDULE
(Attach All Applicable Schedules)**

2019

Name of Corporation **BLUEGRASS WATER UTILITY HOLDING COMPANY LLC** Federal Identification Number [REDACTED] Kentucky Corporation/LLET Account Number [REDACTED]

	Consolidated Totals	Intercompany Eliminations	Parent	Name	Name
				BLUEGRASS WATER UTILITY OPERATING	
				FEIN [REDACTED]	FEIN [REDACTED]
				KY Corp./LLET Acct. No. [REDACTED]	KY Corp./LLET Acct. No. [REDACTED]

1 (a) Gross receipts or sales	1(a)				
(b) Less returns and allowances	1(b)				
(c) Balance	1(c)				
2 Cost of goods sold	2				
3 Gross profit	3				
4 Dividends	4				
5 Interest	5				
6 Gross rents	6				
7 Gross royalties	7				
8 Capital gain net income	8				
9 Net gain or (loss) from Form 4797	9				
10 Other income	10				
11 Total income	11				
12 Compensation of officers	12				
13 Salaries and wages	13				
14 Repairs and maintenance	14				
15 Bad debts	15				
16 Rents	16				
17 Taxes and licenses	17				
18 Interest	18				
19 Charitable contributions	19				
20 Depreciation from Form 4562 not claimed on Schedule A or elsewhere on return	20				
21 Depletion	21				
22 Advertising	22				
23 Pension, profit-sharing, etc., plans	23				
24 Employee benefit programs	24				
25 Other deductions	25				
26 Total deductions	26				
27 Taxable income before NOL deduction and special deductions	27				



NET OPERATING LOSS SCHEDULE

2019

- ▶ See instructions.
- ▶ Attach to Form 720.

Name of Corporation BLUEGRASS WATER UTILITY HOLDING C	Federal Identification Number [REDACTED]	Kentucky Corporation/LLET Account Number [REDACTED]
--	---	--

Section A - Net Operating Loss Deduction	Prior Year NOL	
	A	B

Name	Kentucky Corporation/LLET Account Number	Pre-2018 NOL Carryforward	Post-2017 NOL Carryforward
1 Corporation Filing Return			
BLUEGRASS WATER UTILIT	[REDACTED]	[REDACTED]	[REDACTED]
2 Subsidiaries (if applicable)			
a BLUEGRASS WATER UTILIT	[REDACTED]	[REDACTED]	[REDACTED]
b	[REDACTED]	[REDACTED]	[REDACTED]
c	[REDACTED]	[REDACTED]	[REDACTED]
d	[REDACTED]	[REDACTED]	[REDACTED]
e	[REDACTED]	[REDACTED]	[REDACTED]
f	[REDACTED]	[REDACTED]	[REDACTED]
g	[REDACTED]	[REDACTED]	[REDACTED]
h	[REDACTED]	[REDACTED]	[REDACTED]
i	[REDACTED]	[REDACTED]	[REDACTED]
3 Adjustments (Intercompany eliminations and others)	[REDACTED]	[REDACTED]	[REDACTED]
4 Totals (sum each respective column)	[REDACTED]	[REDACTED]	[REDACTED]
5 Enter the taxable net income from Form 720, Part III, line 18		5	
6 Enter the lesser of line 5 or Column A, line 4. This is the pre-2018 NOLD		6	
7 Line 5 less line 6. This is the taxable income remaining after pre-2018 NOLD		7	
8 Multiply line 5 by 80%. This is the maximum allowable post-2017 NOLD		8	
9 If line 8 is greater than line 7, enter the lesser of line 7 or Column B, line 4. If line 7 is greater than line 8, enter the lesser of line 8 or Column B, line 4. This is the post-2017 NOLD		9	
10 Add lines 6 and 9. This is the total NOLD . Enter here and on Form 720, Part III, line 19		10	

Section B - NOL Carryforward

1 Enter the amount from Section A, Column A, line 4 (enter as a positive)	1
2 Enter the amount from Section A, line 6 (enter as a positive)	2
3 Subtract line 2 from line 1. This is the pre-2018 NOL carryforward to 2020	3
4 Enter the amount from Section A, Column B, line 4 (enter as a positive)	4
5 Enter the amount from Section A, line 9 (enter as a positive)	5
6 Subtract line 5 from line 4. This is the post-2017 NOL carryforward to 2020	6