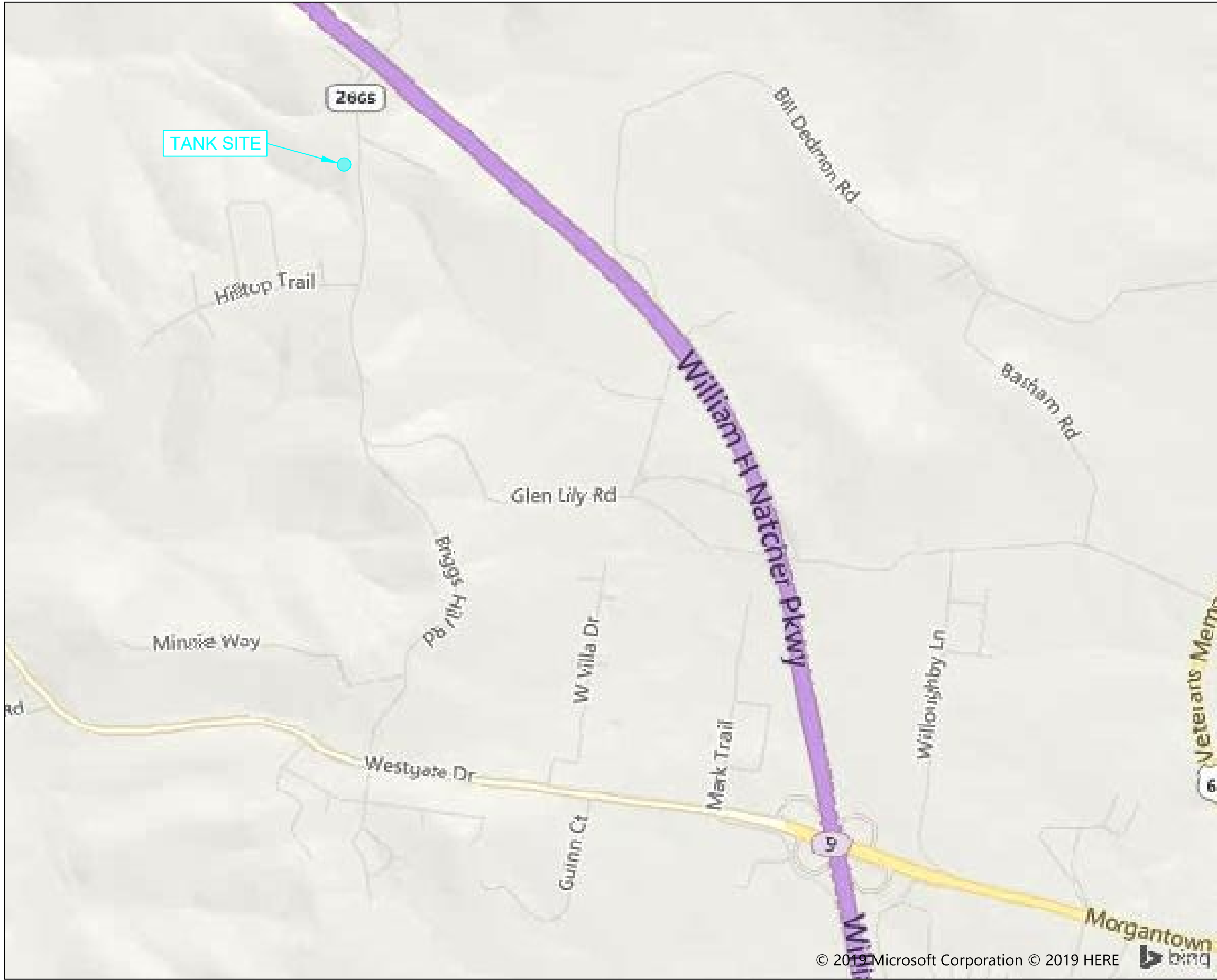


MORGANTOWN ROAD AREA IMPROVEMENTS - CONTRACT 2



PROJECT VICINITY MAP
(N.T.S.)



**Warren County
Water District**

INDEX OF DRAWINGS

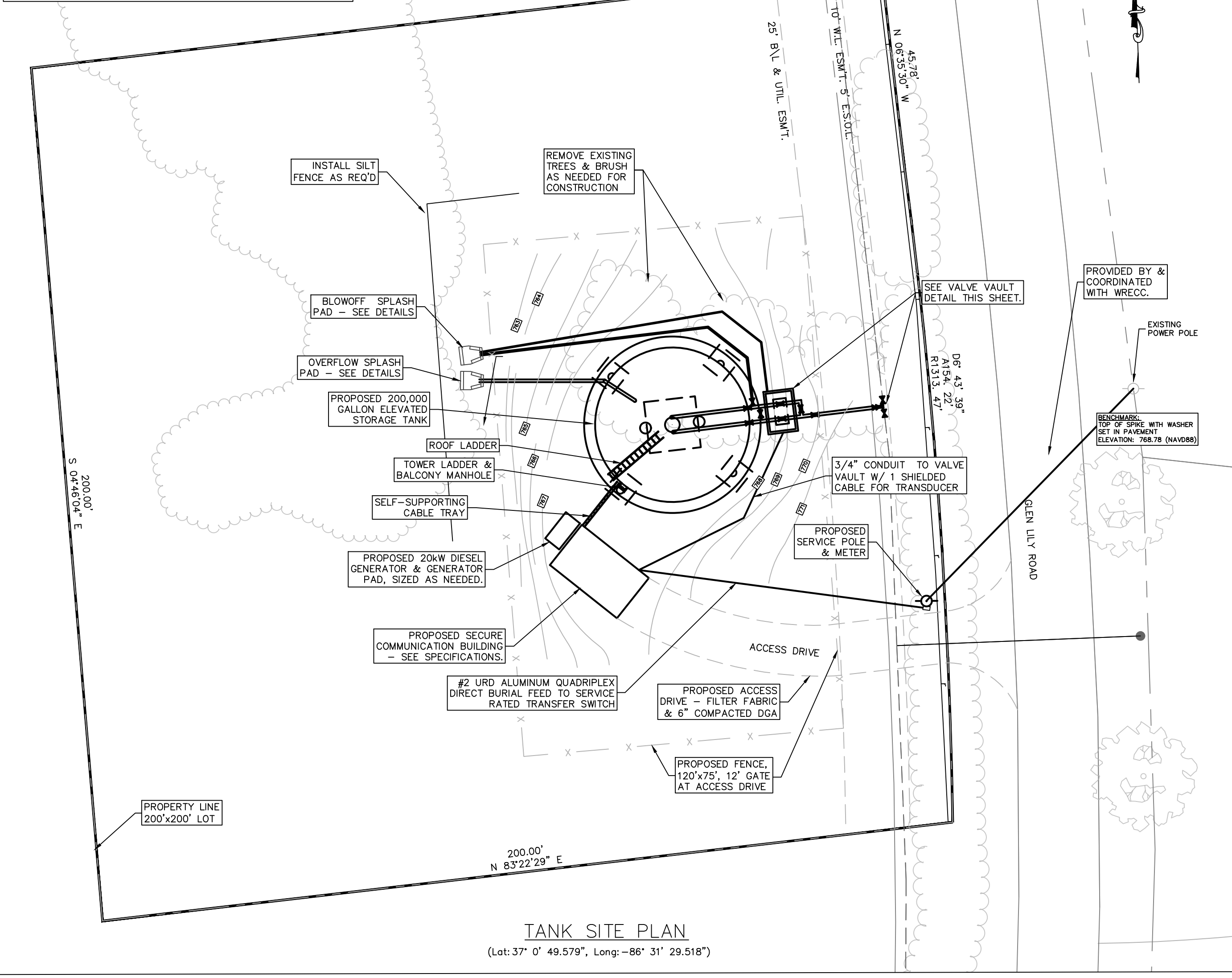
<u>SHEET #</u>	<u>DESCRIPTION</u>
1	WATER STORAGE TANK SITE PLAN
2	WATER STORAGE TANK DETAILS



523 US Hwy 31-W Bypass / P.O. Box 10180
Bowling Green, KY 42102-4780
TEL 270.842.0052
FAX 270.842.8360
www.warrenwater.com

SET # _____

EROSION CONTROL LEGEND:
 SILT FENCE (INSTALL AS NEEDED)
 RIP RAP CHECK DAM (INSTALL AS NEEDED)



TANK SITE PLAN
 (Lot: 37° 0' 49.579" N, Long: -86° 31' 29.518" W)

SITE PLAN NOTES:

- ALL PIPING WHERE NOTED, VALVE VAULT, FENCE, COMMUNICATIONS BUILDING, SPLASH PADS, FINISH GRADING, SEEDING & SOWING, AND ELECTRICAL WORK SHOWN ON THIS SHEET SHALL BE PERFORMED UNDER CONTRACT 1.
- ALL OTHER WORK SHOWN ON THIS SHEET SHALL BE PERFORMED UNDER CONTRACT 2, INCLUDING ROUGH GRADING, CLEARING SITE AND TEMPORARY ACCESS ROAD.
- ALL CONTOURS SHOWN ON THIS SITE PLAN ARE PROPOSED CONTOURS. GRADING SHALL PROVIDE A FLAT, STABLE SURFACE FOR TANK AND COMMUNICATIONS BUILDING.
- CONSTRUCTION SHALL ALLOW FOR DELIVERY AND INSTALLATION OF ALL WATER STORAGE TANK AND COMMUNICATION BUILDING PARTS. SEE SPECIFICATIONS FOR MORE INFORMATION.
- CONTRACTOR SHALL TRIM AND REMOVE TREES AND BRUSH AT TANK SITE AND ALONG FRONT OF PROPERTY AS DIRECTED FOR ACCESS TO SITE AND CONSTRUCTION OF PROPOSED FACILITIES.
- ALL TREES AND BRUSH CLEARED FROM SITE SHALL BE DISPOSED OF LEGALLY AND AT CONTRACTORS EXPENSE.
- FENCE SHALL BE 10 FEET TALL, 9 GAUGE X 2" MESH CHAIN LINK FABRIC, 4" CORNER POSTS WITH 48" DEEP (12"x12") FOOTERS, DOME STYLE POST CAPS. THERE SHOULD BE A TOP, BOTTOM AND MIDDLE RAIL ALL WITH 1 1/2" DIA. CONTRACTOR SHALL CONFINE ALL OPERATIONS TO THE OWNERS PROPERTY.
- NEW WATER STORAGE TANK & PRESSURE REGULATING VALVES (SEE SHEET 5) SHALL BE COMPLETED BEFORE NEW BOOSTER PUMP STATION & PROPOSED LINES ARE PUT INTO SERVICE.
- A TEMPORARY CONSTRUCTION ENTRANCE SHALL BE WIDE ENOUGH TO ALLOW FOR ALL NECESSARY PARTS AND EQUIPMENT TO BE DELIVERED AND INSTALLED. SEE COMMUNICATION BUILDING SPECIFICATIONS FOR FURTHER DETAILS.

VALVE VAULT NOTES:

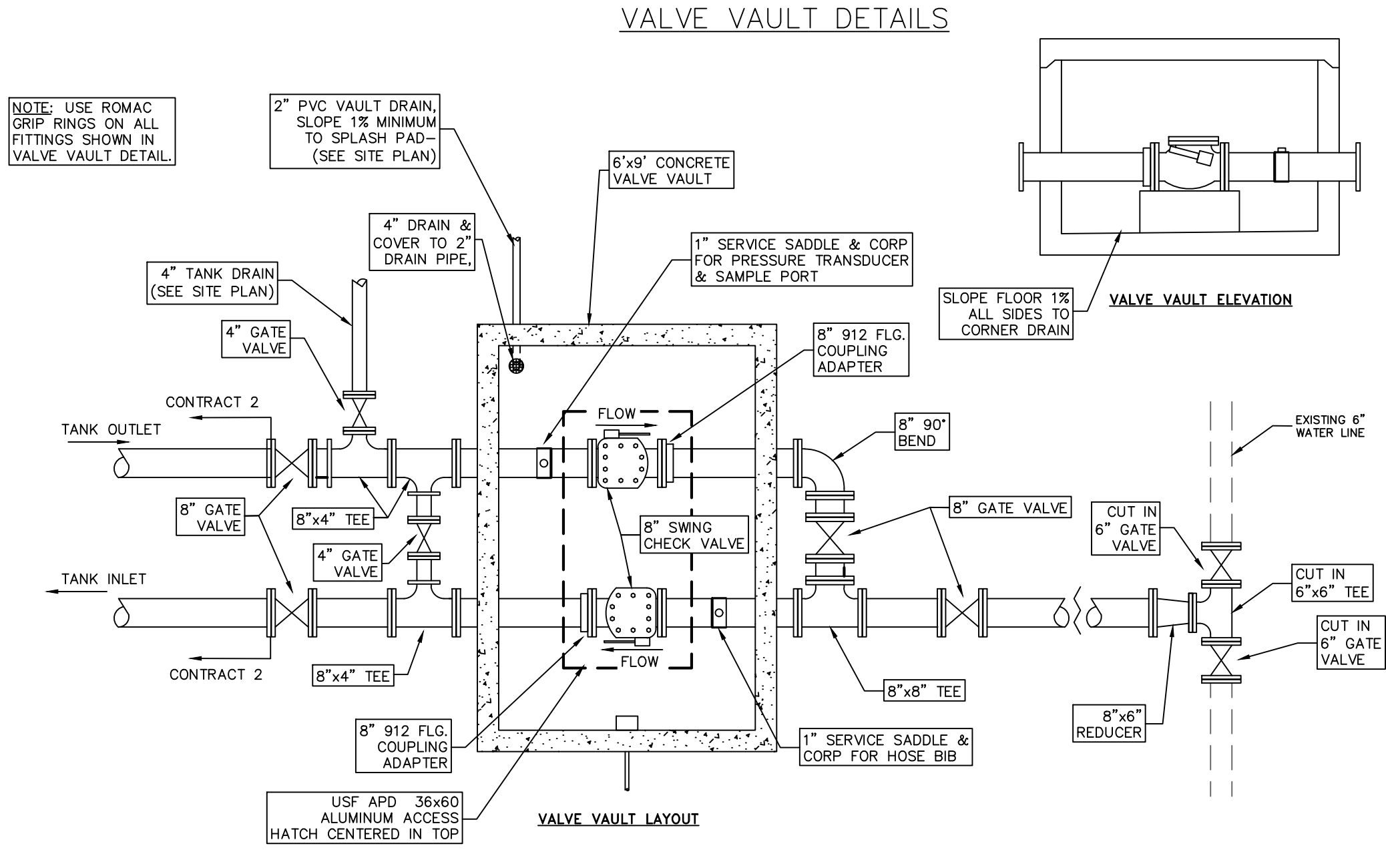
- DEPTH OF VAULT SHALL BE DETERMINED BY TANK SHOP DRAWINGS WITH RESPECT TO PIPE CL ELEVATION.
- SADDLE & CORP: MUELLER "BR180899075 CC" & "H-10045N".
- ALL WORK SHOWN IN VALVE VAULT DETAIL SHALL BE INCLUDED IN LUMP SUM PAY ITEM FOR VALVE VAULT, INCLUDING CONNECTION TO WATER MAIN.
- ALL FITTINGS SHALL BE RIGID TO VALVE VAULT.
- CONTRACT 1 SHALL INCLUDE BLOCKING REQUIRED TO FACILITATE PRESSURE TESTING, SAMPLING AND PLACING LINE IN SERVICE.

UTILITY NOTES

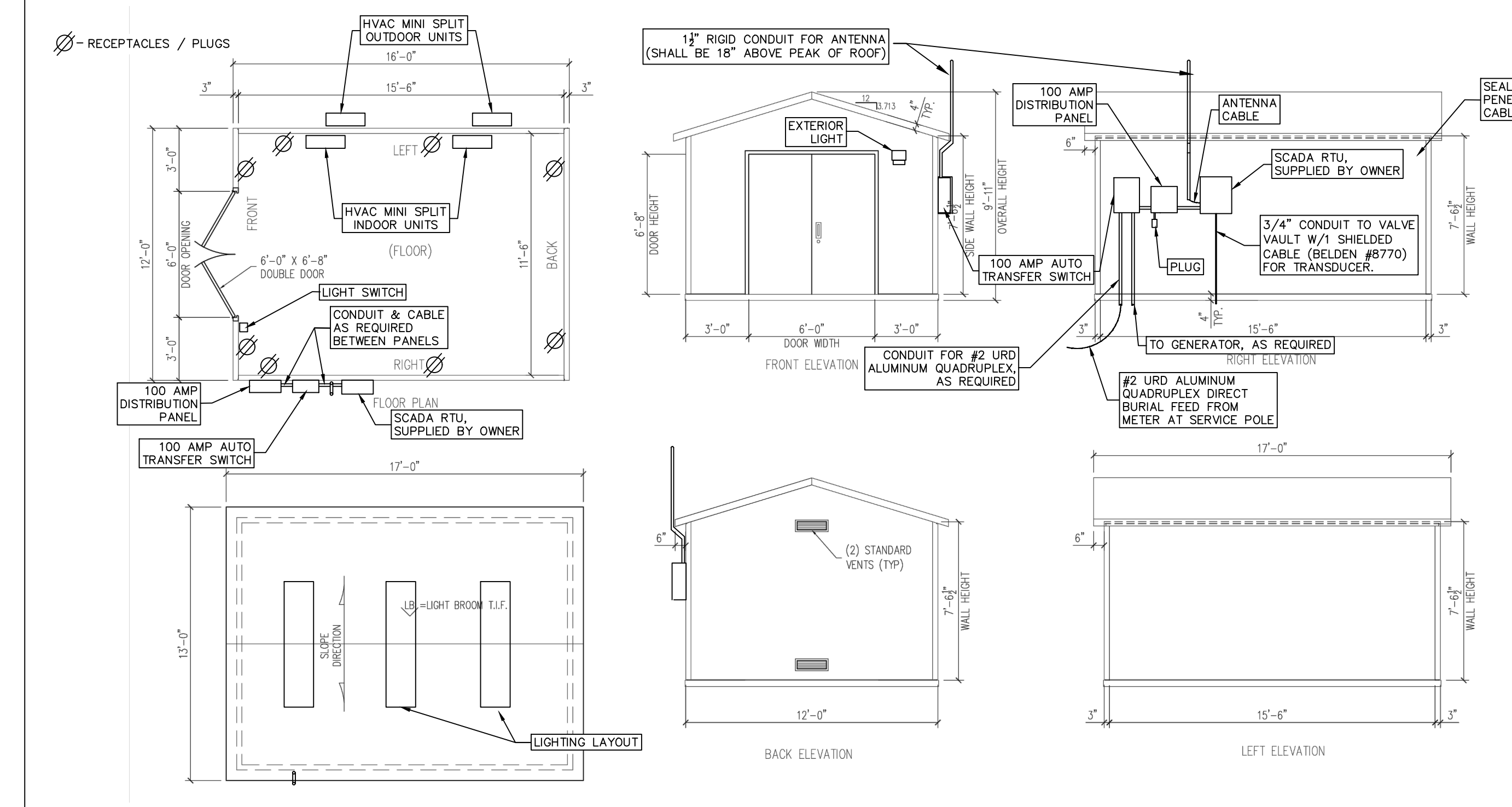
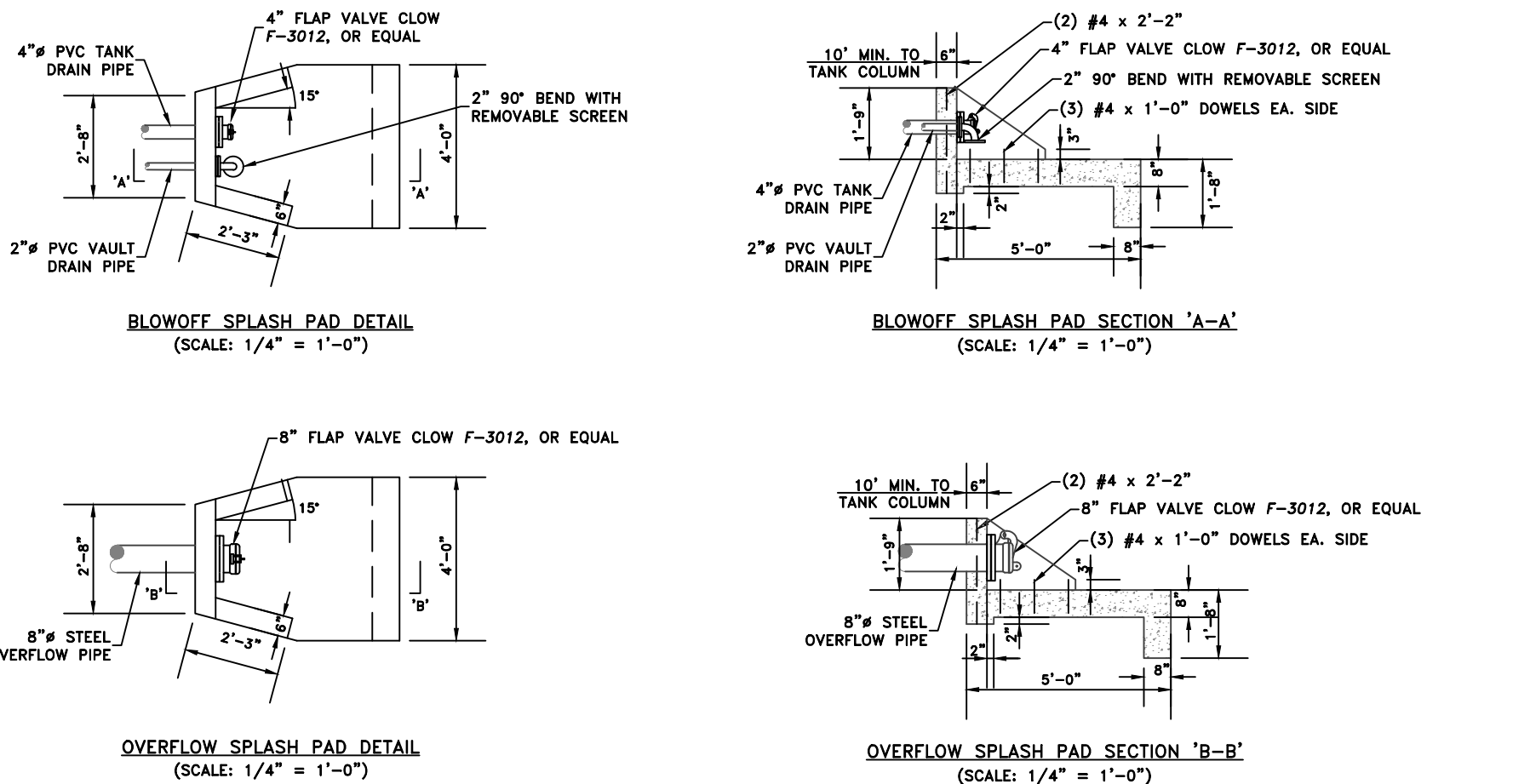
1) UTILITIES SHOWN HEREON WERE LOCATED FROM ACTUAL FIELD EVIDENCE EXISTING UTILITY AGENCIES RECORDS AND ANY OTHER AVAILABLE EVIDENCE. OTHER UTILITIES MAY EXIST AND NOT BE SHOWN OR VARY FROM WHERE SHOWN. NO GUARANTEE IS EXPRESSED OR IMPLIED AS TO THE ACTUAL LOCATION OF UTILITIES SHOWN HEREON BUT NOT VISIBLE FROM THE SURFACE.

LEGEND

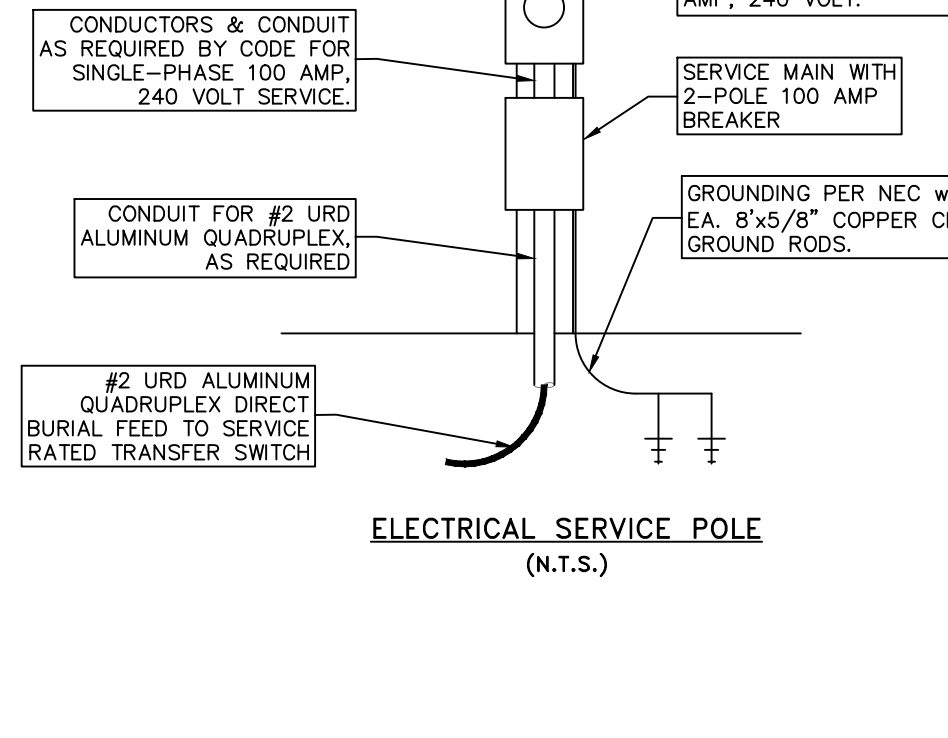
- ⊙ FIRE HYDRANT
- ⊕ POWERPOLE
- ⊙ WATER METER
- ⊕ BUSH / SHRUB / TREE
- ⊙ FENCE
- ⊕ TREE LINE
- ⊕ OVERHEAD ELEC
- ⊕ UNDERGROUND ELEC
- ⊕ TELEPHONE / FIBER
- ⊕ GAS LINE



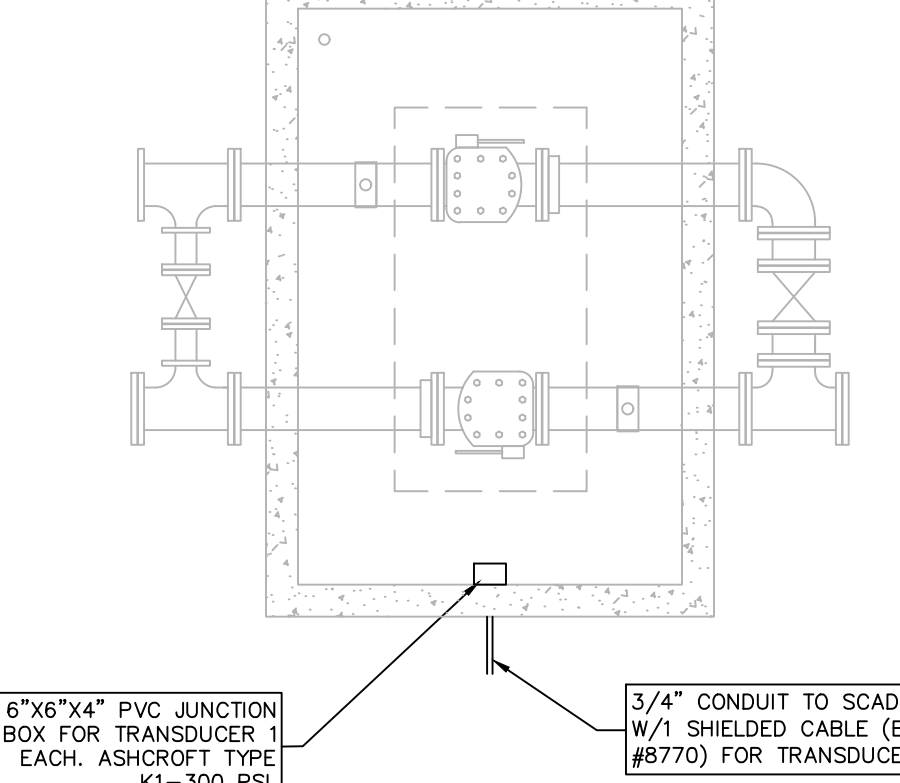
SPLASH PAD DETAILS



COMMUNICATIONS BUILDING & ELECTRICAL (N.T.S.)



ELECTRICAL DETAILS



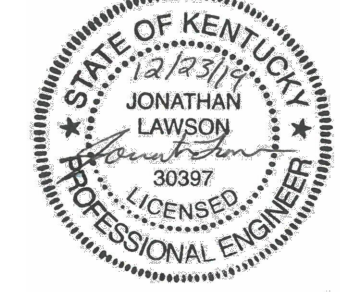
VALVE VAULT ELECTRICAL (N.T.S.)

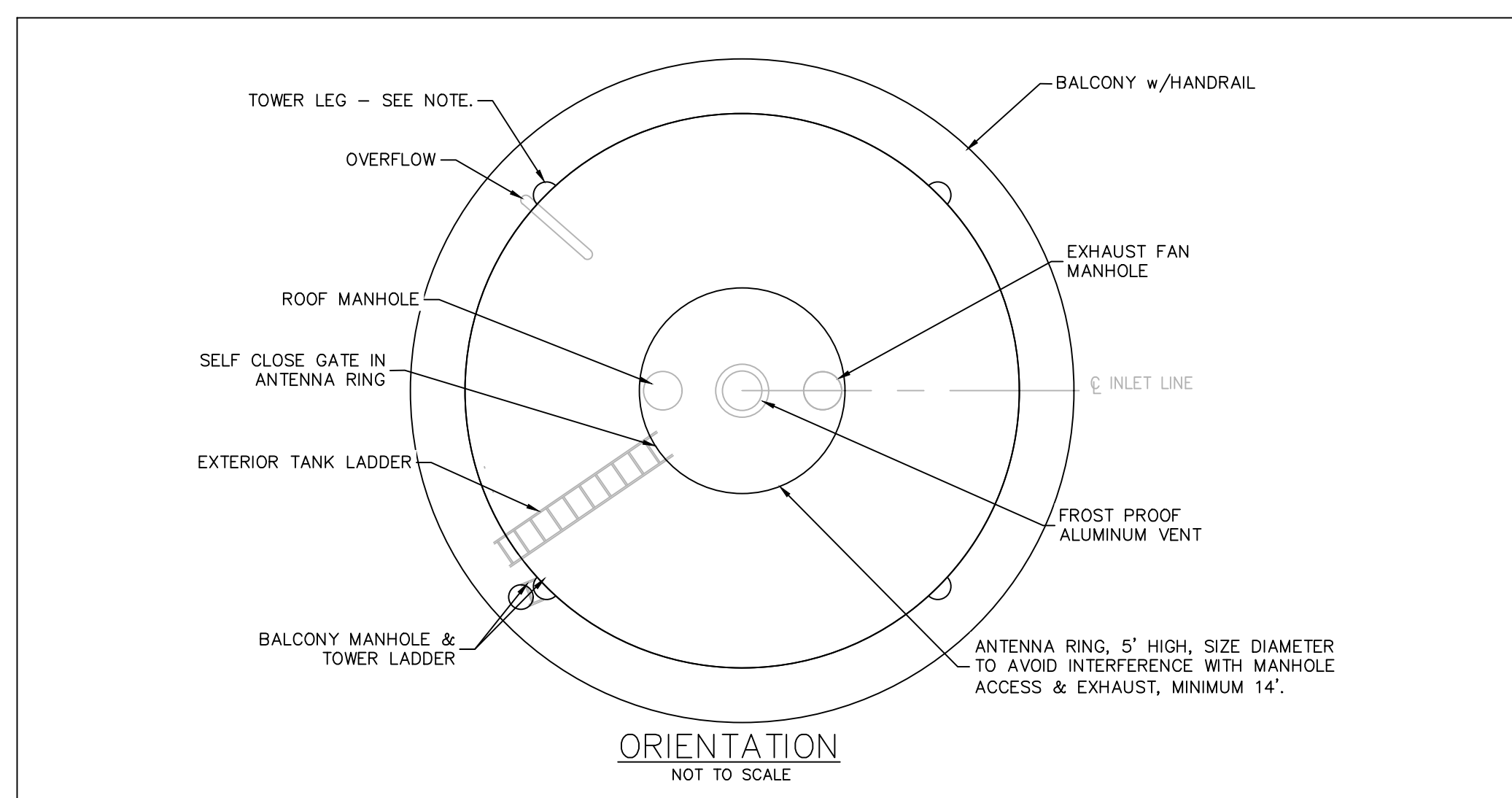
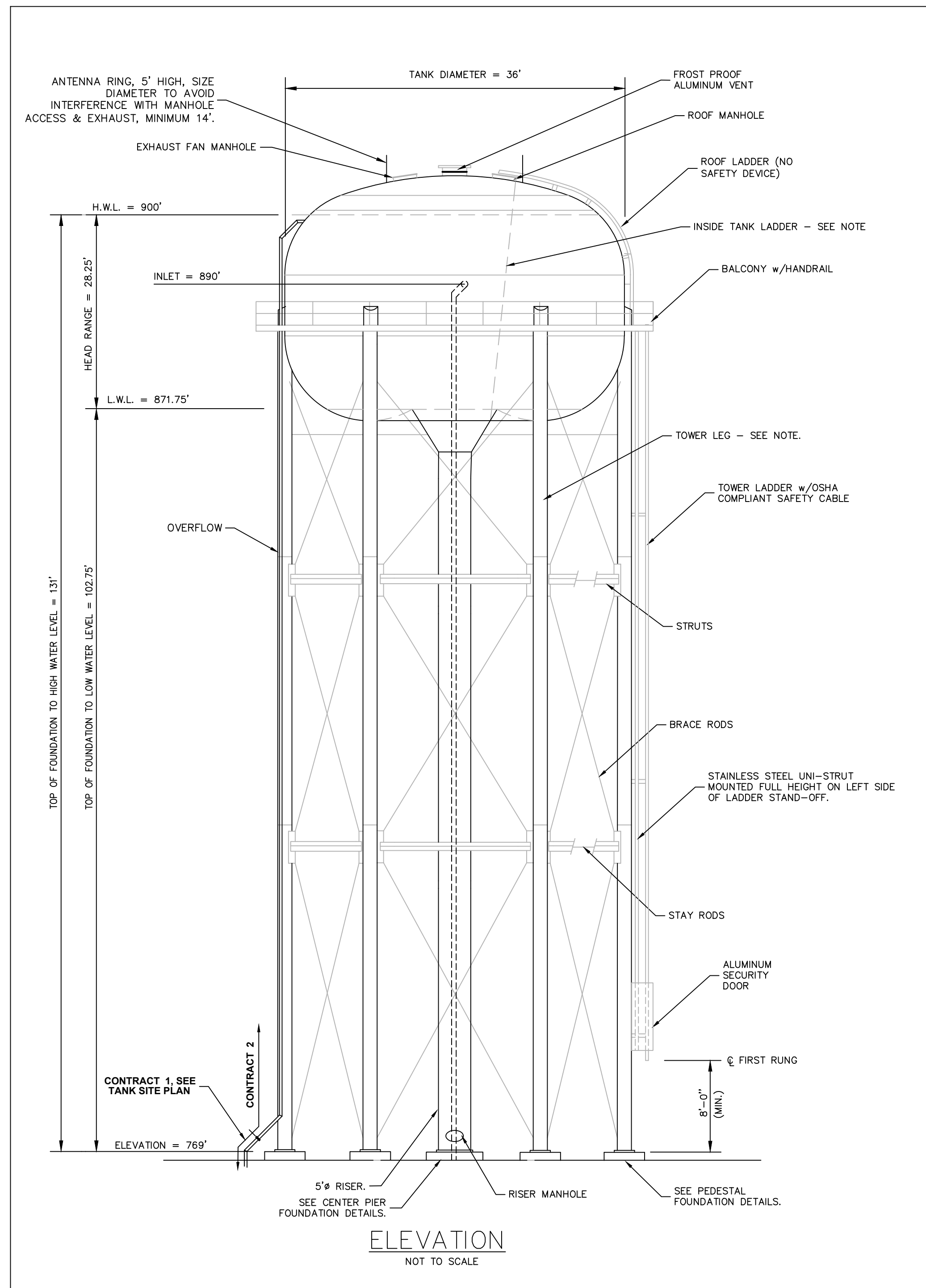
ELECTRICAL NOTES:

- METER PEDESTAL / SERVICE POLE SHALL BE SINGLE-PHASE 100 AMP, 240 VOLT INSTALLATION PER NEC W/100 AMP, 2 POLE BREAKER FOR TANK SERVICE. COORDINATE LOCATION WITH WRECC.
- INSTALL #2 URD ALUMINUM QUAD DIRECT BURIAL CABLE FROM METER PEDESTAL / SERVICE POLE TO SERVICE RATED TRANSFER SWITCH AT COMMUNICATIONS BUILDING.
- INSTALL CAUTION TAPE "BURIED ELECTRICAL LINE" 12" ABOVE WIRE IN DITCH WALL & SUPPORT.
- INSTALL 100-AMP SERVICE RATED AUTOMATIC GENERATOR TRANSFER SWITCH, RTU AND ANTENNA RISER ON OUTSIDE WALL OF COMMUNICATIONS BUILDING WITH DISTRIBUTION PANEL MOUNTED INSIDE OF BUILDING AS SHOWN. SEE SPECIFICATIONS FOR FURTHER DETAILS.
- INSTALL GROUNDING AND TWO (2) 8" GROUND RODS AS REQUIRED PER CODE.
- INSTALL ONE GFCI RECEPTACLE WITH IN-USE COVER ON OUTSIDE OF COMMUNICATIONS BUILDING AS SHOWN.
- ALL ELECTRICAL WORK AT THE TANK SITE IS INCLUDED IN THE LUMP SUM PAY ITEM FOR THE VALVE VAULT.

COMM. BUILDING NOTES:

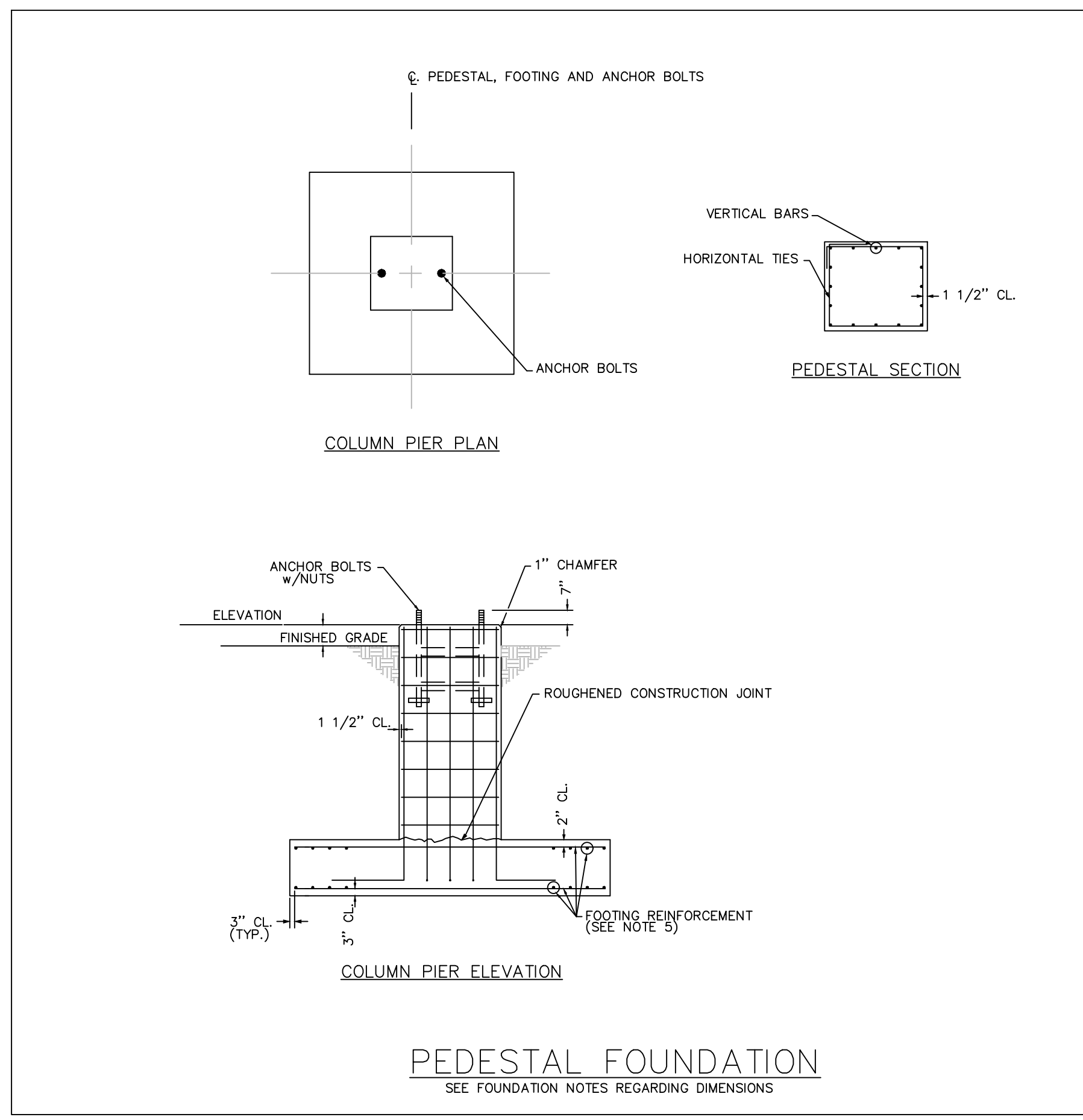
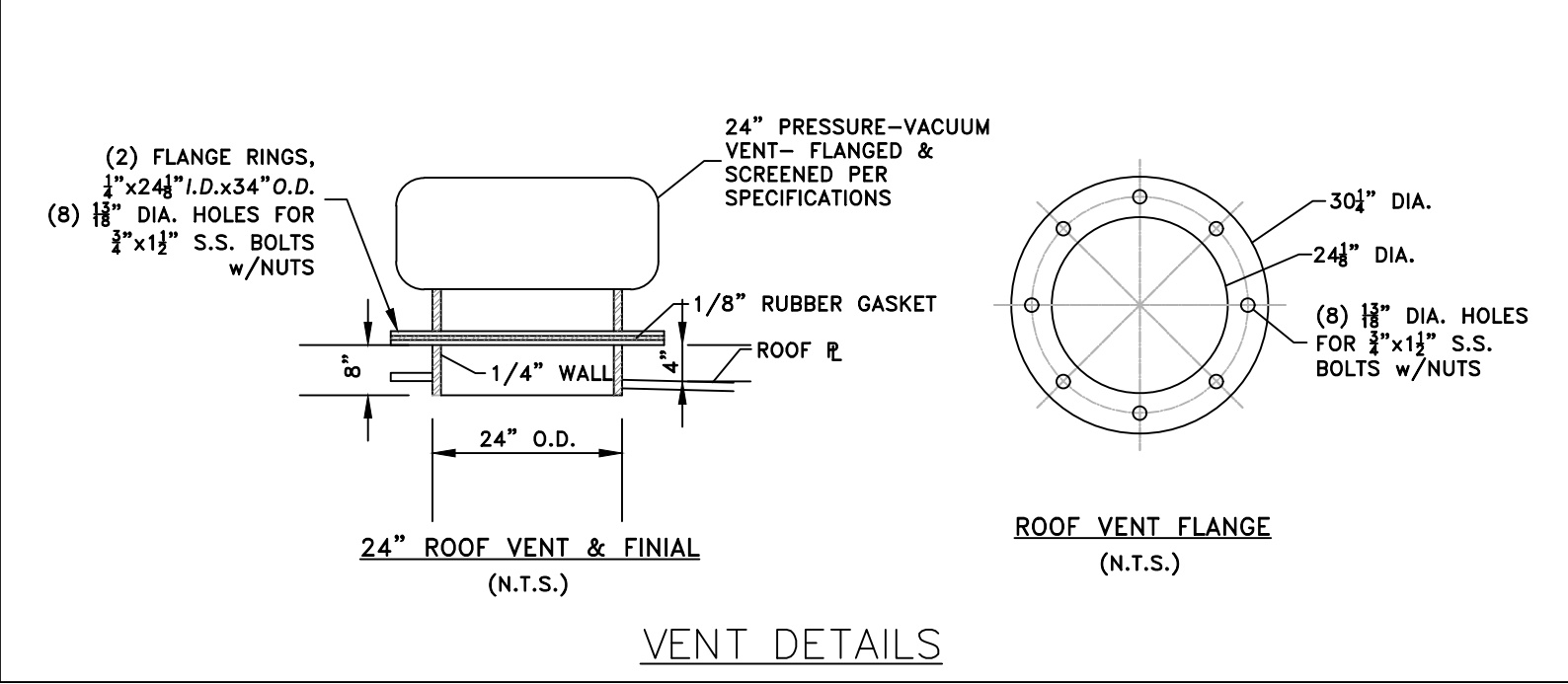
- COMMUNICATION BUILDING TO BE A PRECAST CONCRETE TRANSPORTABLE BUILDING MEETING REQUIREMENTS OUTLINED IN THE SPECIFICATIONS MANUAL.
- CONTRACTOR SHALL PREPARE A CRUSHED STONE FOUNDATION IN ACCORDANCE WITH MANUFACTURER SPECIFICATIONS.
- SELECTED BUILDING STYLE IS AN EASI-SET MODEL 1216, AS MANUFACTURED BY A LICENSED PRODUCER OF EASI-SET BUILDINGS. OTHER BUILDING OPTIONS MUST MEET OR EXCEED SPECIFICATIONS SET FORTH AND BE PRE-APPROVED BY OWNER.
- MCCANN CONCRETE PRODUCTS IN DORSEY, IL HAS BEEN CONTACTED DURING THE PLANNING PHASE OF THIS PROJECT AS A LICENSED PROVIDER OF EASI-SET BUILDINGS.
- COORDINATE ACCESS & EQUIPMENT REQUIREMENTS FOR INSTALLATION OF BUILDING WITH LICENSED BUILDING PRODUCER.
- ELECTRICAL AND TELEMETRY ITEMS TO BE INSTALLED BY CONTRACTOR ON-SITE. BUILDING PRODUCER IS NOT REQUIRED TO PROVIDE THESE ITEMS. RTU TO BE PROVIDED BY OWNER.



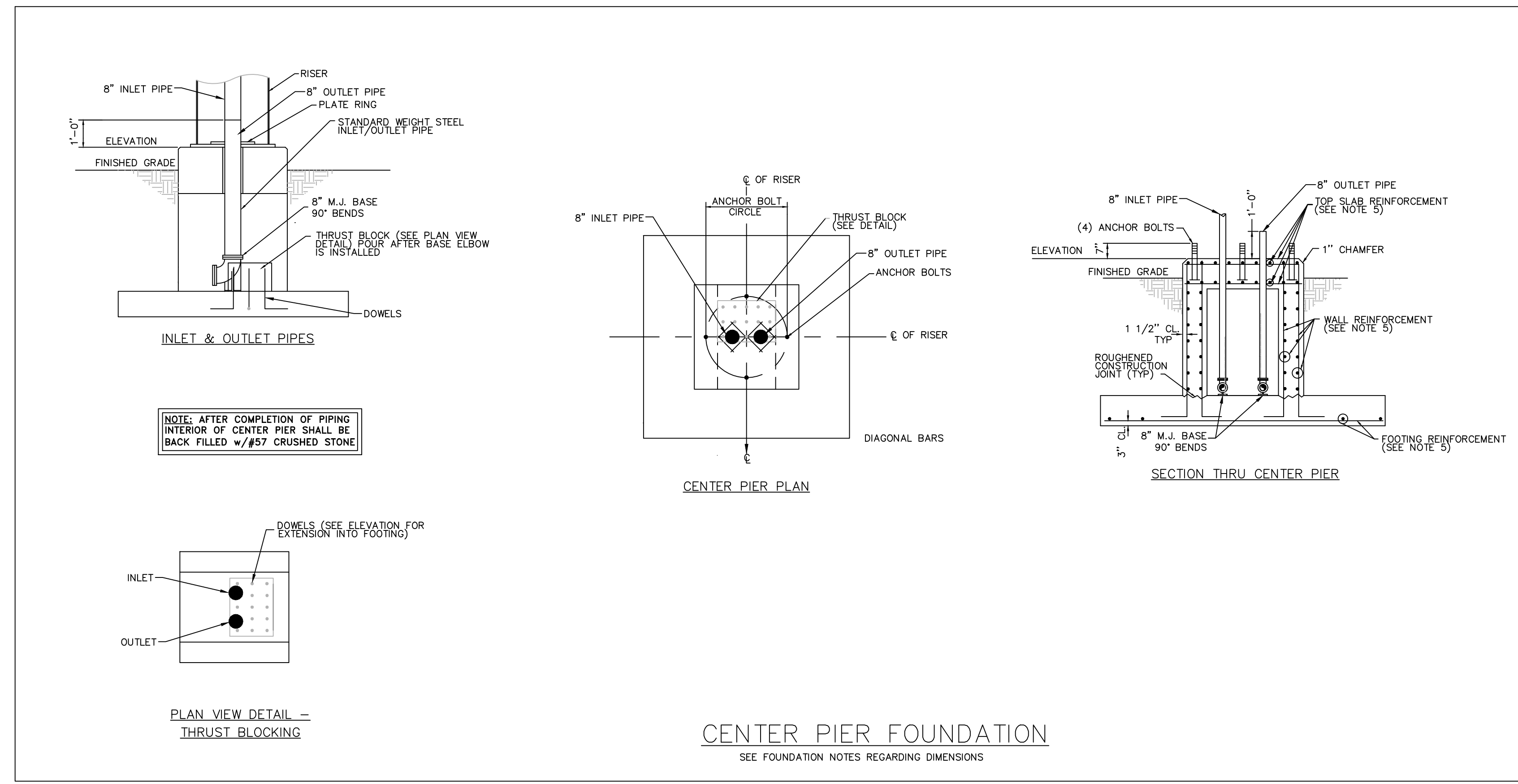


- GENERAL NOTES:**
- 1) ACCESSORIES SHOWN ON ELEVATION DRAWING ARE ROTATED FOR CLARITY AND MAY NOT MATCH ACTUAL PROPOSED LAYOUT.
 - 2) ALL HANDRAILS, PLATFORM LANDINGS, WALKWAYS, LADDERS, AND SAFETY CLIMB DEVICES SHALL CONFORM WITH CURRENT OSHA STANDARDS.
 - 3) SEE PROJECT SPECIFICATIONS FOR SHOP AND FIELD PAINT REQUIREMENTS.
 - 4) STERILIZE TANK IN ACCORDANCE WITH AWWA C652-92 AND PROJECT SPECIFICATIONS.
 - 5) NUMBER OF TOWER LEGS PER MANUFACTURER'S STANDARD DESIGN.
 - 6) ALL ITEMS ON THIS SHEET ARE PART OF CONTRACT 2, EXCEPT OVERFLOW PIPING SECTION AS NOTED ON PLANS.

- TANK NOTES:**
- DESIGN:**
TANK AND TOWER SHALL BE DESIGNED, FABRICATED AND ERECTED IN ACCORDANCE WITH AWWA D100-96 AND PROJECT SPECIFICATIONS.
- WIND LOAD:** 120 MPH (Ultimate)
SNOW LOAD: SEE SPECIFICATIONS
SEISMIC ZONE: SEE SPECIFICATIONS
- MATERIALS:**
STEEL PLATE: ASTM A283 GR. C / A36
STRUCTURAL STEEL SHAPES: ASTM A36
BRACE RODS AND STAY RODS: ASTM A36
LADDER RUNGS: ASTM A706



- FOUNDATION NOTES:**
- 1) FOUNDATION DESIGN WILL BE THE RESPONSIBILITY OF THE TANK CONTRACTOR.
 - 2) PEDESTAL AND FOOTING DIMENSIONS AND CONCRETE REINFORCEMENT SHALL BE DETERMINED BY THE TANK CONTRACTOR.
 - 3) FOUNDATION CONSTRUCTION SHALL COMPLY WITH AWWA D100-96, A.C.I. 318-99, A.C.I. 301-96 AND APPLICABLE SECTIONS OF THE PROJECT SPECIFICATIONS AND THE PROJECT SOILS REPORT.
 - 4) CONCRETE COMPRESSIVE STRENGTH SHALL BE 4,000 PSI @ 28 DAYS.
 - 5) REINFORCEMENT SHALL CONFORM TO A.S.T.M. A615 GR. 60.
 - 6) CONSTRUCTION JOINTS SHALL BE ROUGHENED ACROSS ENTIRE FACE WITH 1/4" MINIMUM DEPTH INDENTATIONS.
 - 7) THE TOP OF CONCRETE FOR ALL PIERS INCLUDING THE CENTER PIER SHALL BE LEVEL AND SHALL BE THE SAME ELEVATION (UNLESS OTHERWISE NOTED BY A SPECIFIED ELEV.) WITH A MAXIMUM DIFFERENTIAL OF (+-) 1/4".
 - 8) ANCHOR BOLTS SHALL BE PLACED WITHIN (+-) 1/8" OF THE PLAN DIMENSIONS AT THE TOP OF THE CONCRETE, PLUMB WITHIN 1/4" IN 12" AND EXTEND WITHIN 1/2" OF THE SPECIFIED PROJECTION ABOVE THE TOP OF THE FOUNDATION.
 - 9) CENTER PIER FOUNDATION DIMENSIONS AND CONCRETE REINFORCEMENT REQUIREMENTS SHALL BE DETERMINED BY TANK CONTRACTOR.



SCALE: N.T.S.
DATE: 12/19/19
PROJECT #: 346992
DESIGNED: JNL
DRAWN: JNL
CHECKED: R.JL

REVISIONS:

NO.:	DATE:

