



2371 Irvine Road, Richmond, KY 40475
(TEL.) 859-623-0112 (FAX.) 859-626-0822
A MEASURE OF EXCELLENCE IN UTILITY PROFESSIONAL SERVICES

Mike Jones – Mayor
Drakesboro, Kentucky

RE: Drakesboro Leak Order Repair: September 8,9, 2021

Leak order 0555 repaired 9-8-2021

Shut off the above ground valve at the intersection of Hwy 70 and US – 431, also closed down the above ground valve on 431 before entering Drakesboro. Replaced a section of 4” steel 72” long and welded in new service tap and reconnected service. Wrapped pipe and backfilled, re-checked on 9-9-21.

Leak order 0556 Temporary Repaired needs replaced 9-9-2021

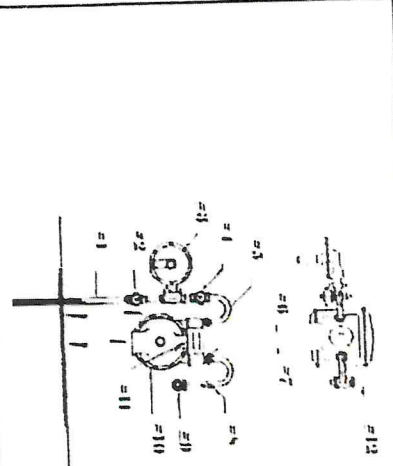
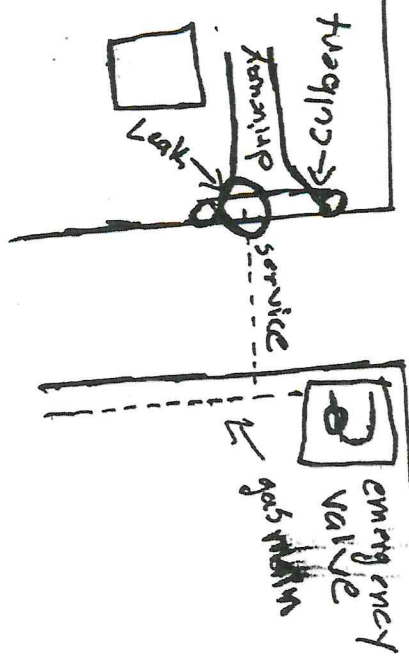
Dug up tap at the main and shut tap down using Mueller stopper tool. Removed an existing 6” all seal that was leaking. Cleaned pipe and installed a new 12” all seal. This was meant as a temporary fix, new service needs to be ran due to condition of pipe.

Sincerely,

Robert Barrett
RussMar Utility Management, LLC

Customer Name: _____ Phone #: _____
 Installer Name: _____ Date Received: _____ Customer Account #: _____ Date Installed: _____ No. 0556
 Address: 45 Beech Creek Boulder Rd City/County: Dukesboro / Wmhamburg State KY
 Date: 7-2001

Merle Francis Hury



#1 Riser	#2 HP Cook	#3 Regulator
#4 LP Cook	#5 Inlet Loop	#6 Inlet Cap/Swivel
#7 Out Cap/Swivel	#8 Outlet Loop	#9 Fuel Line Fitting
#10 Gas Meter	#11 Index	#12 Fuel Line

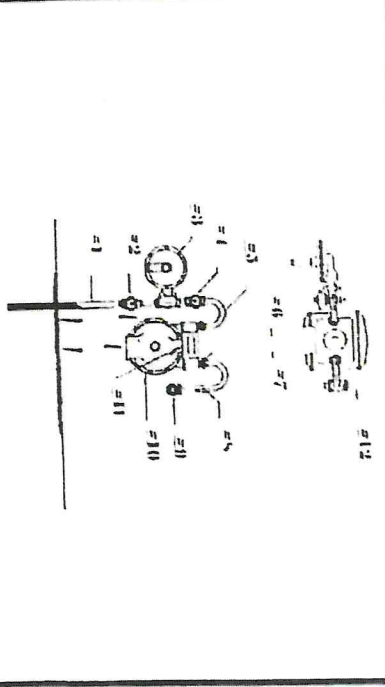
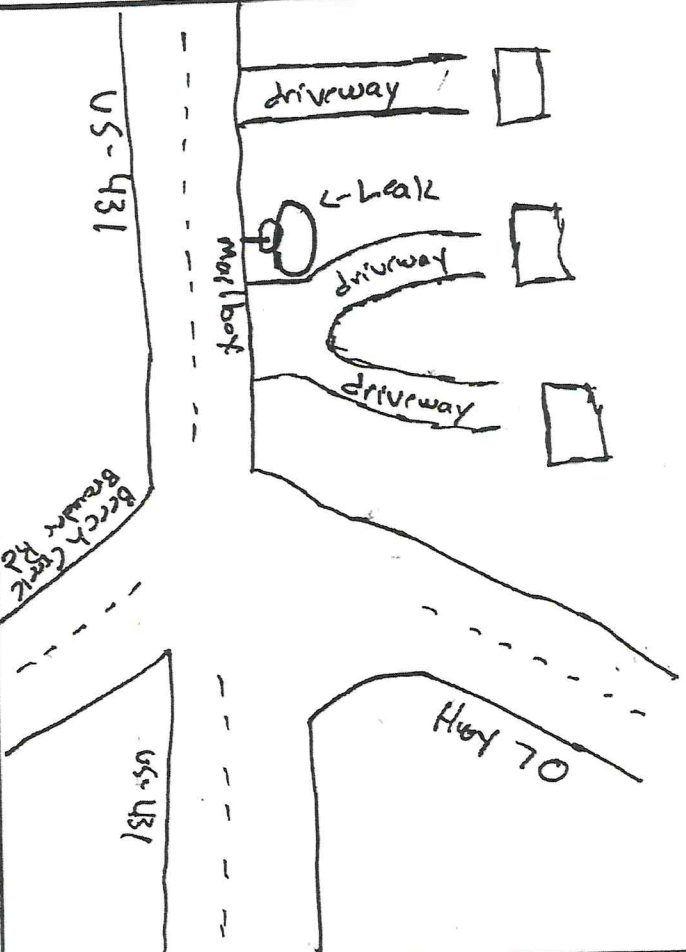
DETECTION	LOCATION		SOIL SUB	CG/IEGD	%Gas	CG/IEGD	SERVICE	PIPE	SIZE	WEATHER
	Mobile Fl	Inside Bldg								
Flame Pack	<input checked="" type="checkbox"/>	Outside Bldg	Cinder		(1-30)		Dirt	PE	2.0-3.0	Wet
Visual		Manhole	Clay		(31-60)		Asphalt	Cast Iron	3.0-4.0	Hot (85-100)
CCG/IEGD		Undergrnd	Loam		(61-99%)		Concrete	CSST	6.0-8.0	Cold (0-40)
Smell		Atmosphere	Sand		(100-399)		Sidewalk	PVCB	10.2-12.0	

LEAK CAUSE	COMPONENT / EXPLANATION	PART OF SYSTEM	LOCATION AREA	REPAIR DATA
Corrosion	Pipe	Transmission	Residential	1-5
Outside Force	Valve	Main	Rural	5-Greater
Const/Defect	Fitting	Service	Commercial	Date Repaired: 9/9/2001
Material Defect	Regulator	Meter Set	Industrial	Repaired By: G.H.R. + Roberts
Other	Tap Connection	Customer Pipe		Date Rechecked:

Signature: Zach White Date: _____

Customer Name	Installer Name	Address	1554 US-431	Phone #	Date Received	City/County	Customer Account #	Date Installed	No.	0555	State	KY	Date	7-22-21
---------------	----------------	---------	-------------	---------	---------------	-------------	--------------------	----------------	-----	------	-------	----	------	---------

Case #	Grade 1	Grade 2	Grade 3
Classification	X		
Meter #	Inside	Outside	
Manufacture #			



#1 Riser	#2 HP Cock	#3 Regulator
#4 LP Cock	#5 Inlet Loop	#6 Inlet Cap/Swivel
#7 Out Cap/Swivel	#8 Outlet Loop	#9 Fuel Line Fitting
#10 Gas Meter	#11 Index	#12 Fuel Line

DETECTION	LOCATION	Soil Type	CGI/EGD	Pressure	SURFACE	Pipe	SIZE	WEATHER
Mobile FI	Inside Bldg	Rock	%Gas	(0-1)	Grass	Steel	.5-2.0	Clear
Flame Pack	Outside Bldg	Cinder	LEL	(1-30)	Dirt	PE	2.0-3.0	Wet
Visual	Manhole	Clay	UEL	(31-60)	Asphalt	Cast Iron	3.0-4.0	Hot (85-100)
CCGI/EGD	Undergrnd	Loam	PPM	(61-99.9)	Concrete	CSSST	6.0-8.0	Cold (0-40)
Smell	Atmosphere	Sand		(100-399)	Sidewalk	PVCB	10.2-12.0	

LEAK CAUSE	COMPONENT/EXPLANATION	PART OF SYSTEM	TYPE MATERIAL	LOCATION AREA	REPAIR DATA
Corrosion	Pipe	Transmission	Steel	Residential	1-5 Bare
Outside Force	Valve	Main	Cast Iron	Rural	5-Greater Coated
Const/Defect	Fitting	Service	Ductile Iron	Commercial	Date Repaired: 9/10/2021
Material Defect	Regulator	Meter Set	Copper	Industrial	Repaired By: [Signature] + [Signature]
Other	Tap Connection	Customer Pipe	Plastic		Date Rechecked: 9/10/2021

Signature: [Signature] Date: [Date]