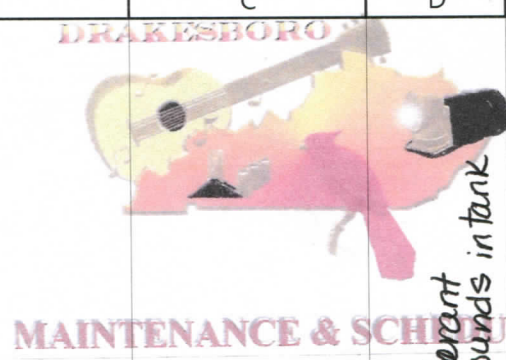


	A	B	C	D	E	F	G
	 DRAKESBORO MAINTENANCE & SCHEDULES						
	Natural Gas Usage		March	↓ odorant Pounds in tank	↓ odorant drips per Second		
		Input Pressure	Output Pressure				
1	03/13/19	400	110	6lbs	4		
2	03/14/19	390	120	6lbs	4		
3	03/15/19	395	105	6lbs	6		
4	03/16/19	400	110	6lbs	4		
5	03/17/19	—————	—————	6lbs	4		
6	03/18/19	395	100	6lbs	4		
7	03/19/19	395	100	5 3/4	6		
8	03/20/19	400	100	5 3/4	4		
9	03/21/19	400	105	5 3/4	5		
10	03/22/19	375	102	5 1/2	3		
11	03/23/19	395	100	5 1/2	4		
12	03/24/19	400	105	5 1/2	3		
13	03/25/19	400	115	5 1/2	5		
14	03/26/19	395	105	5 1/4	6		
15	03/27/19	—————	—————				
16	03/28/19	395	110	5 1/4	22/sec.		
17	03/29/19	395	120	5 1/4	25/sec		
18	03/30/19	395	115	5 1/4	24/sec		
19	03/31/19	395	110	5 1/4	22/sec		

CM Jones

DRAKESBORO WORK ORDER

Work Order #: _____

DATE: 4-17-19

Time: _____

Gas

Water

WW Acct #: _____

NAME: K-Ron Farms

Meter Number: _____

ADDRESS: 7111 US 431 S. Dunmor

WORK TO BE DONE:

NEW METER # <u>19KGS4082</u>	NEW READING _____
TURN ON & READ _____	OLD READING _____
READ and LOCK _____	SET METER and LOCK _____
READING ONLY _____	LOCATE LINE _____ (SEE BELOW)
READ and LOCK (NON PAYMENT) _____	GET METER NUMBER _____
CHECK PRESSURE _____	FLUSH LINE _____ CHECK f. LEAK _____
UNLOCK ONLY and READ (DO NOT TURN ON) _____	

SPECIAL INSTRUCTIONS: Changed Dresser 800 Meter out to a new AC-630 - Maop - 25 PSI, with regulators gauged and set to 5 lbs.

WORK DONE:

FLUSHED: Yes No GPM: _____ How Long: _____ Water Loss: _____

WATER LEAK: Yes No GPM: _____ How Long: _____ Water Loss: _____

PARTS USED TO COMPLETE JOB:

1/4 x 5" nipple - 1/4 x 3in nipple 1- 1/4 non insulated spud/nut

1/4 T. 1/4 to 1/4 bushing - 15 PSI gauge. 1/4 x 5" nipple. 1/4 x 2" nipple.

3x 1/4 90's - 1- 1/4 insulated spud/nut

COMMENTS: Changed analog dial to dial hands for 5 lbs readings.

WORK COMPLETED BY: [Signature] DATE COMPLETED: 4-17-19

TIME STARTED: _____ TIME FINISHED: _____

DRAKESBORO WORK ORDER

Work Order #: _____

DATE: 4-15-19

Time: _____

Gas

Water

WW Acct #: _____

NAME: Jeremy Smith

Meter Number: _____

ADDRESS: _____

Chicken House #

WORK TO BE DONE:

NEW METER # 19K6S 4084

NEW READING _____

TURN ON & READ _____

OLD READING _____

READ and LOCK _____

SET METER and LOCK _____

READING ONLY _____

LOCATE LINE (SEE BELOW) _____

READ and LOCK (NON PAYMENT) _____

GET METER NUMBER _____

CHECK PRESSURE _____

FLUSH LINE _____

CHECK f. LEAK _____

UNLOCK ONLY and READ (DO NOT TURN ON) _____

SPECIAL INSTRUCTIONS: Changed Dresser 800 meter out and replaced with AC-630 MAOP 25PSI. Regulator gauged and set to 5lbs.

WORK DONE:

FLUSHED: Yes No

GPM: _____

How Long: _____

Water Loss: _____

WATER LEAK: Yes No

GPM: _____

How Long: _____

Water Loss: _____

PARTS USED TO COMPLETE JOB:

1x 1/4-1/4 Bushing
1x 1/4x 10" nipple.
1x 1/4 90°

1x 1/4x 2" nipple

1x 1/4 union.

1x insulated spud/nut

1x non insulated spud/nut

COMMENTS:

WORK COMPLETED BY: _____

Bill [Signature]

DATE COMPLETED: 4-15-19

TIME STARTED: _____

TIME FINISHED: _____

DRAKESBORO WORK ORDER

Work Order #: _____

DATE: 4-15-19

Time: _____

Gas

Water

WW Acct #: _____

NAME: Jeremy Smith

Meter Number: _____

ADDRESS: _____ Chicken House #3

WORK TO BE DONE:

NEW METER # 19K654085 NEW READING _____

TURN ON & READ _____ OLD READING _____

READ and LOCK _____ SET METER and LOCK _____

READING ONLY _____ LOCATE LINE _____ (SEE BELOW)

READ and LOCK (NON PAYMENT) _____ GET METER NUMBER _____

CHECK PRESSURE _____ FLUSH LINE _____ CHECK f. LEAK _____

UNLOCK ONLY and READ (DO NOT TURN ON) _____

SPECIAL INSTRUCTIONS: Changed Dresser 800 Meter out and replaced with AC-630 MAOP 29 psi. Regulator gauged and set to 5/bs.

WORK DONE:

FLUSHED: Yes No GPM: _____ How Long: _____ Water Loss: _____

WATER LEAK: Yes No GPM: _____ How Long: _____ Water Loss: _____

PARTS USED TO COMPLETE JOB:

1x 1/4 90°
1x 1/4 T - 1x 1/4-1/4 bushing
1x 1/4 x 8" Nipple.

1x 1/4 x 6" Nipple.
1 insulated spud
1 non insulated spud.

COMMENTS: _____

WORK COMPLETED BY: Dale Sw

DATE COMPLETED: 4-15-19

TIME STARTED: _____

TIME FINISHED: _____

DRAKESBORO WORK ORDER

Work Order #: _____

DATE: 4-15-19

Time: _____

Gas Water

WW Acct #: _____

NAME: Jeremy Smith

Meter Number: _____

ADDRESS: _____

Chicken House

WORK TO BE DONE:

NEW METER # 19K664087

NEW READING _____

TURN ON & READ _____

OLD READING _____

READ and LOCK _____

SET METER and LOCK _____

READING ONLY _____

LOCATE LINE (SEE BELOW)

READ and LOCK (NON PAYMENT) _____

GET METER NUMBER _____

CHECK PRESSURE _____

FLUSH LINE _____

CHECK f. LEAK _____

UNLOCK ONLY and READ (DO NOT TURN ON) _____

SPECIAL INSTRUCTIONS: Changed Dresser 800 Meter out and replaced with AC-G30 - MAOP 25psi. Regulator gauged and set to 5lbs.

WORK DONE:

FLUSHED: Yes No

GPM: _____

How Long: _____

Water Loss: _____

WATER LEAK: Yes No

GPM: _____

How Long: _____

Water Loss: _____

PARTS USED TO COMPLETE JOB:

2x 1/4 90°

1x 1/4 T / 1x 1/4 x 1/4 bushing

1x 1/4 x 2" nipple.

1x 1/2 x 6" nipple.

1x 1/2 x 4" nipple.

1x Insolated spud/nut

1x non insolated spud/nut.

COMMENTS:

WORK COMPLETED BY: _____

[Signature]

DATE COMPLETED: 4-15-19

TIME STARTED: _____

TIME FINISHED: _____

DRAKESBORO WORK ORDER

Work Order #: _____

DATE: 4-15-19

Time: _____

Gas

Water

WW Acct #: _____

NAME: Jeremy Smith

Meter Number: _____

ADDRESS: _____ Chicken House #1

WORK TO BE DONE:

NEW METER # 19K654086 NEW READING _____

TURN ON & READ _____ OLD READING _____

READ and LOCK _____ SET METER and LOCK _____

READING ONLY _____ LOCATE LINE (SEE BELOW) _____

READ and LOCK (NON PAYMENT) _____ GET METER NUMBER _____

CHECK PRESSURE _____ FLUSH LINE _____ CHECK f. LEAK _____

UNLOCK ONLY and READ (DO NOT TURN ON) _____

SPECIAL INSTRUCTIONS: Changed Dresser 800 meter out and replaced with AC-630-Maop-25 psi. Regulators gauged and set to 6lbs.

WORK DONE:

FLUSHED: Yes No GPM: _____ How Long: _____ Water Loss: _____

WATER LEAK: Yes No GPM: _____ How Long: _____ Water Loss: _____

PARTS USED TO COMPLETE JOB:

1- 1/2 x 10" Nipple

1- 1/4 90°

1- 1/4 insulated spud/nut.

1- 1/4 non-insulated spud/nut

COMMENTS:

WORK COMPLETED BY: _____

[Signature]

DATE COMPLETED: 4-15-19

TIME STARTED: _____

TIME FINISHED: _____

DRAKESBORO WORK ORDER

Work Order #: _____

DATE: 4-10-19 Time: _____ Gas Water WW Acct #: _____

NAME: CARUOSO Meter Number: _____

ADDRESS: 140 Green Meadows

WORK TO BE DONE:

NEW METER # 23036892 NEW READING 0000
TURN ON & READ _____ OLD READING _____
READ and LOCK _____ SET METER and LOCK _____
READING ONLY _____ LOCATE LINE (SEE BELOW) _____
READ and LOCK (NON PAYMENT) _____ GET METER NUMBER _____
CHECK PRESSURE _____ FLUSH LINE _____ CHECK f. LEAK _____
UNLOCK ONLY and READ (DO NOT TURN ON) _____

SPECIAL INSTRUCTIONS: New service instal.
Came off of existing riser, added new service

WORK DONE:

FLUSHED: Yes No GPM: _____ How Long: _____ Water Loss: _____
WATER LEAK: Yes No GPM: _____ How Long: _____ Water Loss: _____

PARTS USED TO COMPLETE JOB:

Meter, 2 risers, 2 3/4 x 1/2 stab coupling
2 shut off valves, 1 1/2 EFV.
75' 1/2 in poly pipe. Meter Bar

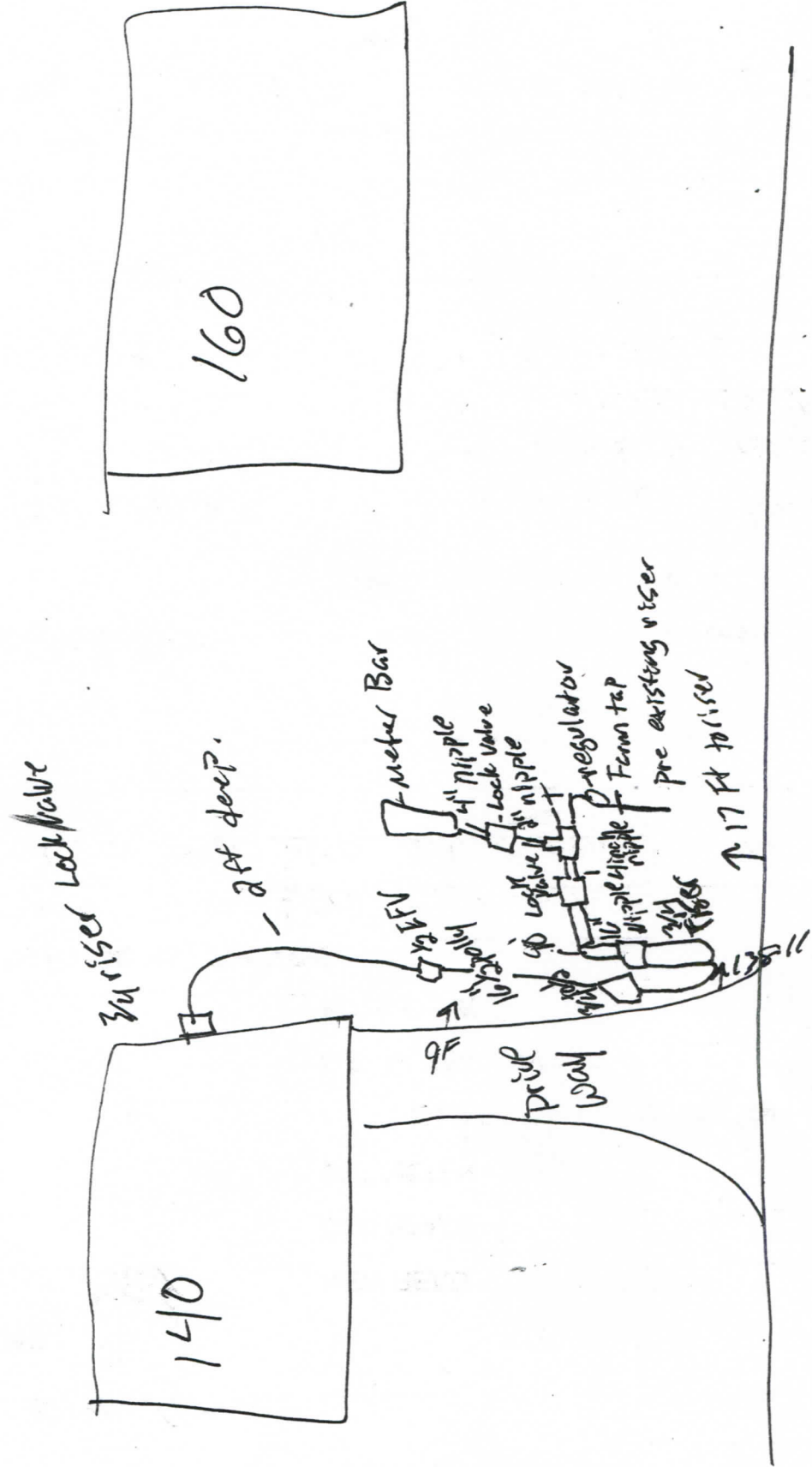
After instal of 75' feet of
pipe, capped the riser
and air tested to 90psi
for 30 min.

COMMENTS:

WORK COMPLETED BY: [Signature] DATE COMPLETED: 4-10-19
TIME STARTED: _____ TIME FINISHED: _____

See attachment "A"

Attachment "A"



Green Meadows

DRAKESBORO WORK ORDER

Work Order #: _____

DATE: 4-10-18 Time: 8:20 Gas Water WW Acct #: _____

NAME: _____ Meter Number: _____

ADDRESS: 3515 Merle Travis Hwy, Beechmont, Ky

WORK TO BE DONE:

- NEW METER # _____ NEW READING _____
- TURN ON & READ _____ OLD READING _____
- READ and LOCK _____ SET METER and LOCK _____
- READING ONLY _____ LOCATE LINE (SEE BELOW) _____
- READ and LOCK (NON PAYMENT) _____ GET METER NUMBER _____
- CHECK PRESSURE _____ FLUSH LINE _____ CHECK f. LEAK _____
- UNLOCK ONLY and READ (DO NOT TURN ON) _____

SPECIAL INSTRUCTIONS: 911 dispatch called and said that the home owner was smelling gas. So I responded to the residence with a cgi - small leak at stove. 0.05% Lel I found a shut off valve in the basement, told her to call a plumber.

WORK DONE:

FLUSHED: Yes No GPM: _____ How Long: _____ Water Loss: _____
WATER LEAK: Yes No GPM: _____ How Long: _____ Water Loss: _____

PARTS USED TO COMPLETE JOB:

Crescent wrench.

COMMENTS: _____

WORK COMPLETED BY: Du do DATE COMPLETED: 4-10-18
TIME STARTED: 8:20 pm TIME FINISHED: 8:48 pm

Run Date: 4/17/2019 10:02:50

Page 1

Incident Number: 2019087496 Incident Type: NORMAL Priority:
IC Number: 19-0000010524

Details

Received By Received Date Dispatched Complaint:
TLINDSEY 4/2/2019 10:17:18 4/2/2019 10:18:16 GAS LEAK GAS LEAK
Comment 2 IN MAIN LINE HIT BY GAS COMPANY

Disposition

EVERYTHING 10-4 GOT THE GAS SHUTOFF UNITS SIG 8

Location

ALI ESN: Call ESN: 235
ALI Address: ALI Phone:
Location Address: 8014 STATE ROUTE 1163, BEECH CREEK Location Phone: 270-543-6425
GIS Address: Latitude: 37.175247376475
Landmark:: Longitude: -87.0591070747111

Caller

ALI Caller:
Location Caller: MIKE JONES

Raw ALI Feed

Dispatched Units

BEECHMONT *BEECHMONT Case Number:
FD FD*
Status Set Date/Time Odometer Comments Set By
DISPATCH 4/2/2019 10:18:16 0.00 CWESTERFIE
CLEARED 4/2/2019 10:22:56 0.00 TLINDSEY

BEECHMONT S55 Case Number:
FD
Status Set Date/Time Odometer Comments Set By
EN ROUTE 4/2/2019 10:22:56 0.00 TLINDSEY
SIGNAL 8 4/2/2019 10:23:26 0.00 TLINDSEY

Incident Narrative

TLINDSEY 4/2/2019 10:19:48 ADVISED THAT THE GAS COMPANY IS ON SITE, THEY HIT THE LINE.
CWESTERFIE 4/2/2019 10:23:31 SPOKE WITH DRAKESBORO MAYOR WHO ADVISED LINE SHUT OFF AND TO CANCEL FIRE UNITS

Complainants

Vehicles

Make: Model: Style: Color: Year:
Tag Number: Tag State: Model:
Comments:
Wreckers

Run Date: 4/17/2019 10:02:50

Page 2

Wrecker Company	Service Area	Caller Requested	Responded	Call Date/Time
Radio Communications				
BEECHMONT FD-*BEECHMONT FD*	4/2/2019 10:18:16	DISPATCH		CWESTERFIE
BEECHMONT FD-S55	4/2/2019 10:22:56	EN ROUTE		TLINDSEY
BEECHMONT FD-*BEECHMONT FD*	4/2/2019 10:22:56	CLEARED		TLINDSEY
BEECHMONT FD-S55	4/2/2019 10:23:26	SIGNAL 8		TLINDSEY

Incident Status Log				
ACTIVE	TLINDSEY	4/2/2019 10:17:18	35	
CLOSED	CWESTERFIE	4/2/2019 10:53:14	0	EVERYTHING 10-4 - GOT THE GAS SHUTOFF UNITS SIG 8

Complaint Code Change Log				
GAS LEAK		04/02/2019 10:17:52		TLINDSEY

Attached ALI Feeds

Emergency Dispatch Data

NCIC Response Data

Run Date: 4/17/2019 10:03:23

Page 1

Incident Number: 2019088813 Incident Type: NORMAL Priority:
IC Number: 19-0000011841

Details

Received By Received Date Dispatched Complaint:
CWESTERFIE 4/12/2019 13:26:01 4/12/2019 13:27:09 GAS LEAK GAS LEAK
Comment SMELLING GAS IN THE AREA/

Disposition

CALL COMPLETED

Location

ALI ESN: Call ESN: 235
ALI Address: ALI Phone:
Location Address: 3901 U S HIGHWAY 431 S, BEECHMONT Location Phone: 270-476-8394
GIS Address: Latitude:
Landmark:: Longitude:

Caller

ALI Caller:
Location Caller: FOOD GIANT (BEECHMONT)/KRISTY LEVELL

Raw ALI Feed

Dispatched Units

BEECHMONT *BEECHMONT Case Number:
FD FD*

Status Set Date/Time Odometer Comments Set By
DISPATCH 4/12/2019 13:27:09 0.00 CWESTERFIE
CLEARED 4/12/2019 13:29:36 0.00 DMOORE

BEECHMONT 505 Case Number:
FD

Status Set Date/Time Odometer Comments Set By
ON SCENE 4/12/2019 13:29:36 0.00 DMOORE
CLEARED 4/12/2019 14:03:25 0.00 KSMITH

DRAKESBORO *DRAKESBORO Case Number:
FD FD*

Status Set Date/Time Odometer Comments Set By
DISPATCH 4/12/2019 13:29:15 0.00 DMOORE
CLEARED 4/12/2019 13:31:45 0.00 DMOORE

DRAKESBORO 309 Case Number:
FD

Status Set Date/Time Odometer Comments Set By
EN ROUTE 4/12/2019 13:31:45 0.00 DMOORE
CLEARED 4/12/2019 14:06:30 0.00 KSMITH

DRAKESBORO E32 Case Number:
FD

Status Set Date/Time Odometer Comments Set By
DISPATCH 4/12/2019 13:45:48 0.00 CWESTERFIE

Run Date: 4/17/2019 10:03:23

Page 2

ON SCENE 4/12/2019 13:45:51 0.00
 CLEARED 4/12/2019 14:06:33 0.00

CWESTERFIE
 KSMITH

DRAKESBORO E33 Case Number:
 FD

Status	Set Date/Time	Odometer	Comments	Set By
DISPATCH	4/12/2019 13:36:06	0.00		CWESTERFIE
EN ROUTE	4/12/2019 13:36:09	0.00		CWESTERFIE
CLEARED	4/12/2019 14:06:27	0.00		KSMITH

Incident Narrative

DMOORE 4/12/2019 13:31:01 BEECHMONT ADVISED TO PAGE DRAKESBORO - THEY WERE 10-6 ON ANOTHER CALL
 CWESTERFIE 4/12/2019 13:35:59 NOTIFIED DRAKESBORO GAS COMPANY HE IS 10-76
 CWESTERFIE 4/12/2019 13:36:28 505 ADVISED NON SIGNAL 9 AT THIS TIME
 DMOORE 4/12/2019 13:42:00 DBORO GAS 10-97

Complainants

Vehicles

Make:	Model:	Style:	Color:	Year:
Tag Number:	Tag State:	Model:		
Comments:				

Wreckers

Wrecker Company	Service Area	Caller Requested	Responded	Call Date/Time
-----------------	--------------	------------------	-----------	----------------

Radio Communications

BEECHMONT FD-*BEECHMONT FD*	4/12/2019 13:27:09	DISPATCH		CWESTERFIE
DRAKESBORO FD-*DRAKESBORO FD*	4/12/2019 13:29:15	DISPATCH		DMOORE
BEECHMONT FD-505	4/12/2019 13:29:36	ON SCENE		DMOORE
BEECHMONT FD-*BEECHMONT FD*	4/12/2019 13:29:36	CLEARED		DMOORE
DRAKESBORO FD-309	4/12/2019 13:31:45	EN ROUTE		DMOORE
DRAKESBORO FD-*DRAKESBORO FD*	4/12/2019 13:31:45	CLEARED		DMOORE
DRAKESBORO FD-E33	4/12/2019 13:36:06	DISPATCH		CWESTERFIE
DRAKESBORO FD-E33	4/12/2019 13:36:09	EN ROUTE		CWESTERFIE
DRAKESBORO FD-E32	4/12/2019 13:45:48	DISPATCH		CWESTERFIE
DRAKESBORO FD-E32	4/12/2019 13:45:51	ON SCENE		CWESTERFIE
BEECHMONT	4/12/2019 13:52:27	ACK TIMER	Unit Timer Acknowledged By: ravery	RAVERY

Run Date: 4/17/2019 10:03:23**Page 3**

FD-505				
BEECHMONT	4/12/2019 14:03:25	CLEARED		KSMITH
FD-505				
DRAKESBORO	4/12/2019 14:06:27	CLEARED		KSMITH
FD-E33				
DRAKESBORO	4/12/2019 14:06:30	CLEARED		KSMITH
FD-309				
DRAKESBORO	4/12/2019 14:06:33	CLEARED		KSMITH
FD-E32				

Incident Status Log

ACTIVE	CWESTERFIE	4/12/2019 13:26:01	41	
CLOSED	CWESTERFIE	4/12/2019 14:07:40	0	CALL COMPLETED -

Complaint Code Change Log

GAS LEAK	04/12/2019 13:26:17	CWESTERFIE
----------	---------------------	------------

Attached ALI Feeds

Run Date: 4/17/2019 10:04:54

Page 1

Incident Number: 2019088609

Incident Type: NORMAL

Priority:

IC Number: 19-0000011637

Details

Received By	Received Date	Dispatched	Complaint:
SKNIGHT	4/10/2019 20:12:04		SUSPICIOUS ODOR SUSPICIOUS ODOR
Comment	STRONG ODOR OF GAS IN HER HOME AND THEY HAVE NO GAS ON AT ALL		

Disposition

CALL COMPLETED

Location

ALI ESN: Call ESN: 235

ALI Address:

ALI Phone:

Location Address: 3515 MERLE TRAVIS HWY, BEECHMONT

Location Phone: 270-931-0407

GIS Address:

Latitude: 37.1723026379569

Landmark::

Longitude: -87.0382331154945

Caller

ALI Caller:

Location Caller: DANA SHUTT

Raw ALI Feed

Dispatched Units

Case Number:

<u>Status</u>	<u>Set Date/Time</u>	<u>Odometer</u>	<u>Comments</u>	<u>Set By</u>
---------------	----------------------	-----------------	-----------------	---------------

Incident Narrative

SKNIGHT	4/10/2019 20:14:59	DEE SIMMS NOTIFIED
SKNIGHT	4/10/2019 20:36:34	DEE SIMMS ON SCENE
BLANDRUM	4/10/2019 20:43:46	DEE SIMS 10-98

Complainants

Vehicles

Make:	Model:	Style:	Color:	Year:
Tag Number:	Tag State:	Model:		
Comments:				

Wreckers

Wrecker Company	Service Area	Caller Requested	Responded	Call Date/Time
-----------------	--------------	------------------	-----------	----------------

Radio Communications

Incident Status Log

ACTIVE	SKNIGHT	4/10/2019 20:12:04	22
--------	---------	--------------------	----

Run Date: 4/17/2019 10:04:54

Page 2

CLOSED	SKNIGHT	4/10/2019 20:34:35	0	MESSAGE DELIVERED -
REACTIVATED	SKNIGHT	4/10/2019 20:36:27	8	
CLOSED	BLANDRUM	4/10/2019 20:44:30	0	CALL COMPLETED -

Complaint Code Change Log

GAS LEAK	04/10/2019 20:12:11	SKNIGHT
SUSPICIOUS ODOR	04/10/2019 20:13:10	SKNIGHT

Attached ALI Feeds

DRAKESBORO GAS ODOROMETER TEST

Year

2019

Percent of Gas in Air (1% Scale)

Month	Location	Number of Tests	Test Average	Employee ID
APRIL 17 th	5499 St. Rt. 176 E.		.80 / .75 actual reading	
APRIL 17 th	3388 Merle Travis Hwy, Bechtel		.60 / .50 actual reading	
APRIL 17 th	7158 Hwy 70, Drakesboro		.60 / .50 actual reading	
APRIL 17 th	925 UNION Ridge Rd. Belton Ky		.70 / .62 actual reading	
APRIL 8 th	St. Rt 176 E Ebenezer, Ky		0.60 / 0.50 actual reading	
APRIL 8 th	3388 Merle Travis Hwy Bechtel		.50 / .40 actual reading	
APRIL 8 th	7158 Hwy 70, Drakesboro, Ky		.50 / .40 actual reading	
APRIL 8 th	925 UNION Ridge Rd. Belton, Ky		.40 / .33 actual reading	
APRIL				
APRIL				
APRIL				
APRIL				
Administrator	[Signature]		Date Filed	

[Signature]
M. Cholen

DRAKESBORO WORK ORDER

Work Order #: _____

DATE: 3-19-19

Time: _____

Gas

Water

WW Acct #: _____

NAME: _____

Meter Number: _____

ADDRESS: North Mine Street

WORK TO BE DONE:

NEW METER # _____ NEW READING _____
TURN ON & READ _____ OLD READING _____
READ and LOCK _____ SET METER and LOCK _____
READING ONLY _____ LOCATE LINE (SEE BELOW) _____
READ and LOCK (NON PAYMENT) _____ GET METER NUMBER _____
CHECK PRESSURE _____ FLUSH LINE _____ CHECK f. LEAK _____
UNLOCK ONLY and READ (DO NOT TURN ON) _____

SPECIAL INSTRUCTIONS: Citizen Reported Smelling gas While Walking past
Said dig site. Went out and used flamed pack, found gas, so used
CGI and found 13% Natural Gas. So called in a locate to fix

WORK DONE:

FLUSHED: Yes No GPM: _____ How Long: _____ Water Loss: _____
WATER LEAK: Yes No GPM: _____ How Long: _____ Water Loss: _____

PARTS USED TO COMPLETE JOB:

2" Couple - Steel
8" Nipple - Steel
2 1/2" Cap - Steel

COMMENTS: Old line used to supply city with gas from
oil well. Old contract. No longer active. Line broken in two.
Very minute amount found. Must be back feeding through
old system. Used couple and cap and stopped the leak

WORK COMPLETED BY: Dell St

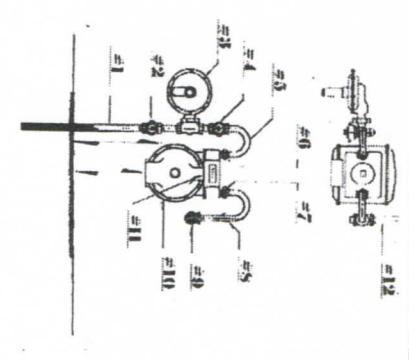
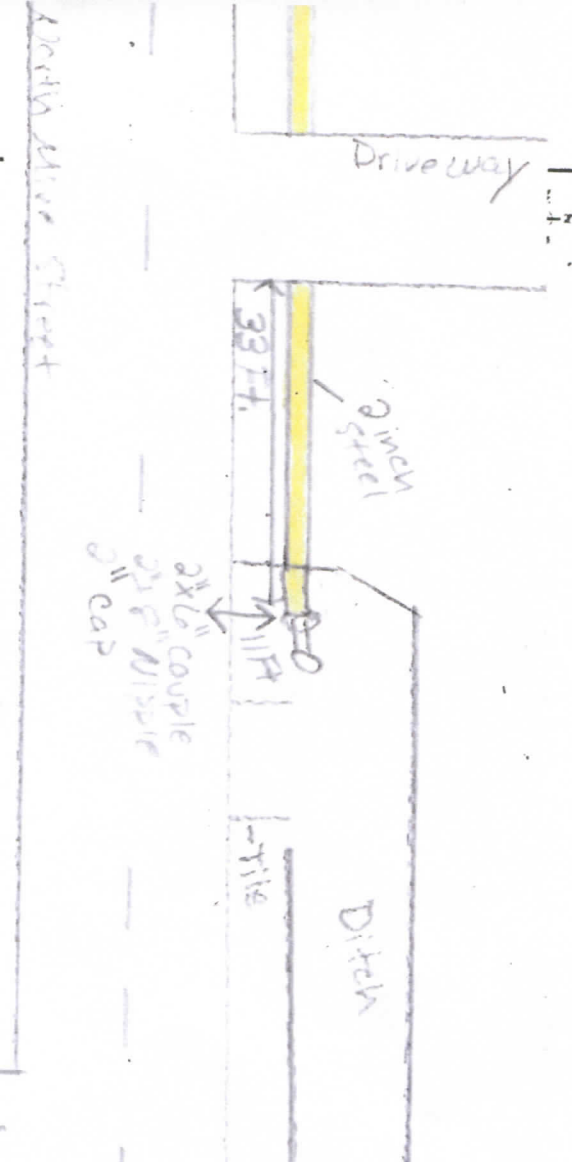
DATE COMPLETED: 3-19-19

TIME STARTED: 8:30 am

TIME FINISHED: 11:30 am

Address: North Mine Street City/Town: Drakesboro, Md State: Ky

Case #	Grade 1	Grade 2	Grade 3	Date
			<input checked="" type="checkbox"/>	
Classification				
Meter #				
Manufacturer #				
	Inside			
	Outside			



#1 Riser	#2 HP Cock	#3 Regulator
#4 LP Cock	#5 Inlet Loop	#6 Inlet Cap/Swivel
#7 Out Cap/Swivel	#8 Outlet Loop	#9 Fuel Line Fitting
#10 Gas Meter	#11 Index	#12 Fuel Line

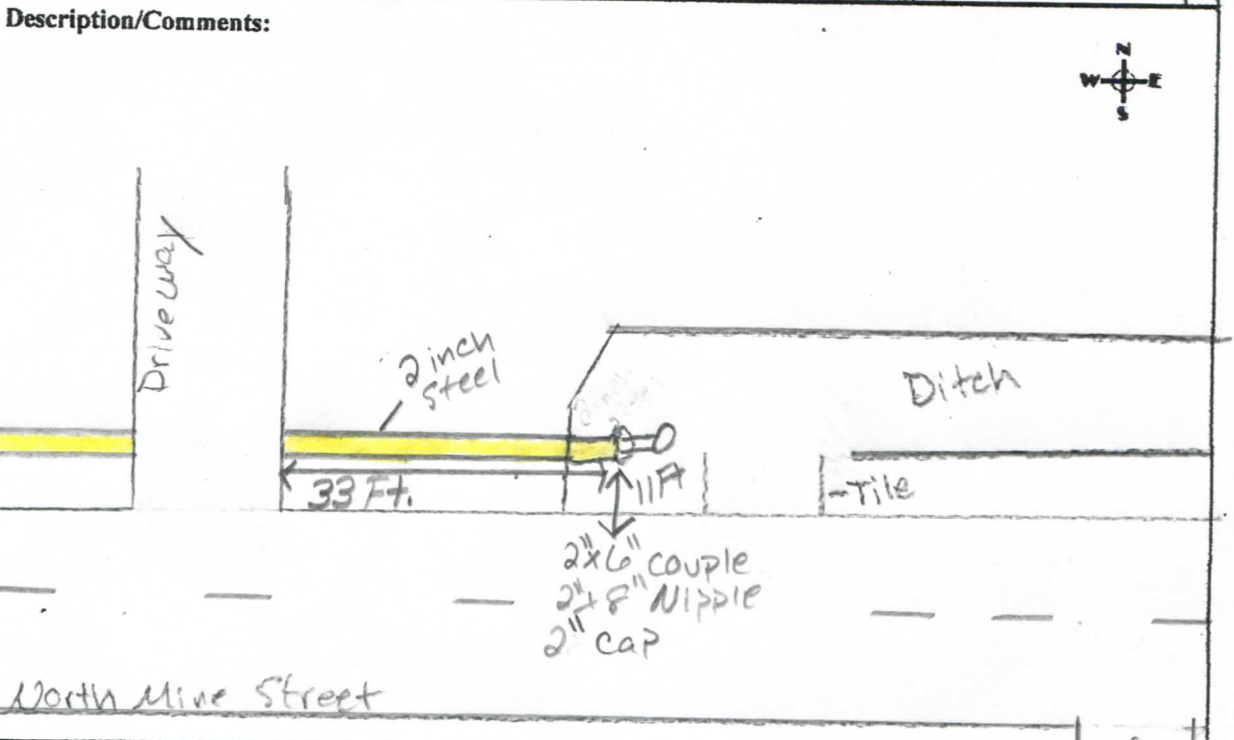
Detection	Location	Soil Sub	CGI/EGD	Pressure	Surface	Pipe	Size	Weather			
Mobile FI	Inside Bldg	Rock	% Gas	(0-1)	Grass	Steel	.5-2.0	Clear			
Flame Pack	Outside Bldg	Cinder	LEL	(1-30)	Dirt	PE	2.0-3.0	Wet			
Visual	Manhole	Clay	UEL	(31-60)	Asphalt	Cast Iron	3.0-4.0	Hot (85-100)			
CGI/EGD	Underground	Loam	PPM	(61-99.9)	Concrete	CSST	6.0-8.0	Cold (0-40)			
Snell	Atmosphere	Sand		(100-399)	Sidewalk	PVCB	10.0-12.0				
Leak Cause		Component/Explanation		Part of System		Type of Material		Location/Area		Repair Date	
Corrosion	Pipe	Transmission	Steel		Residential		1-5	Bare			
Outside Force	Valve	Main	Cast Iron		Rural		5-Greater	Coated			
Cond/Detect	Fitting	Service	Ductile Iron		Commercial						
Material Detect	Regulator	Meter Set	Copper		Industrial						
Other	Tap Connection	Customer Pipe	Plastic								

Date Rechecked: 3-20-19

VISUAL INSPECTION OF MAINS AND SERVICE PIPELINES

Address:	North Mine Street		Location:	Side of Road/Ditch	
TYPE	CONDITION	CORROSION	COATING TYPE		
Steel	✓ Excellent	Localized	✓ Millwrap	✓	
PE	Good	✓ General	Enamel		
Cast Iron	Slight Pitting	Other	Roskote		
CSST	Extreme Pitting	Pitting Depth	Oxidemp		
Main	Hole/Voids		Xtrucoat		
Service	Graphitization		Mastic		
Other	Bent		Cold Roll		
	Broken		Hot Wrap		
	Other		Heat Shrink		

COATING CONDITION	SOIL TYPE	SOIL COMPOSITION	EXTAVATION		
Good	✓ Rock	Dry	Main Extension		
Poor	Cinder	Wet/Swampy	✓ Service Tap		
Damaged	Clay	✓ Normal	Leak Repair	✓	
Other	Loam	Moister Range (3-5)	Re-routing		
	Sand	Moister Range (5-8)	Third Party		
	Alluvion		Abandonment		
	Other		Deactivation		
			Utility Theft		
			Other		



Name	Date
------	------

Crossing Street

DRAKESBORO WORK ORDER

Work Order #: _____

DATE: 4-3-19

Time: _____

Gas

Water

WW Acct #: _____

NAME: _____

Meter Number: _____

ADDRESS: 208 Mill Rd. Beechmont, Ky.

WORK TO BE DONE:

NEW METER # _____ NEW READING _____

TURN ON & READ _____ OLD READING _____

READ and LOCK _____ SET METER and LOCK _____

READING ONLY _____ LOCATE LINE (SEE BELOW)

READ and LOCK (NON PAYMENT) _____ GET METER NUMBER _____

CHECK PRESSURE _____ FLUSH LINE _____ CHECK f. LEAK _____

UNLOCK ONLY and READ (DO NOT TURN ON) _____

SPECIAL INSTRUCTIONS: Leak survey found a leak across the street from 208 Mill road. S/I was called in for repairs to be made.

WORK DONE:

FLUSHED: Yes No GPM: _____ How Long: _____ Water Loss: _____

WATER LEAK: Yes No GPM: _____ How Long: _____ Water Loss: _____

PARTS USED TO COMPLETE JOB:

1 bolt for clamp.

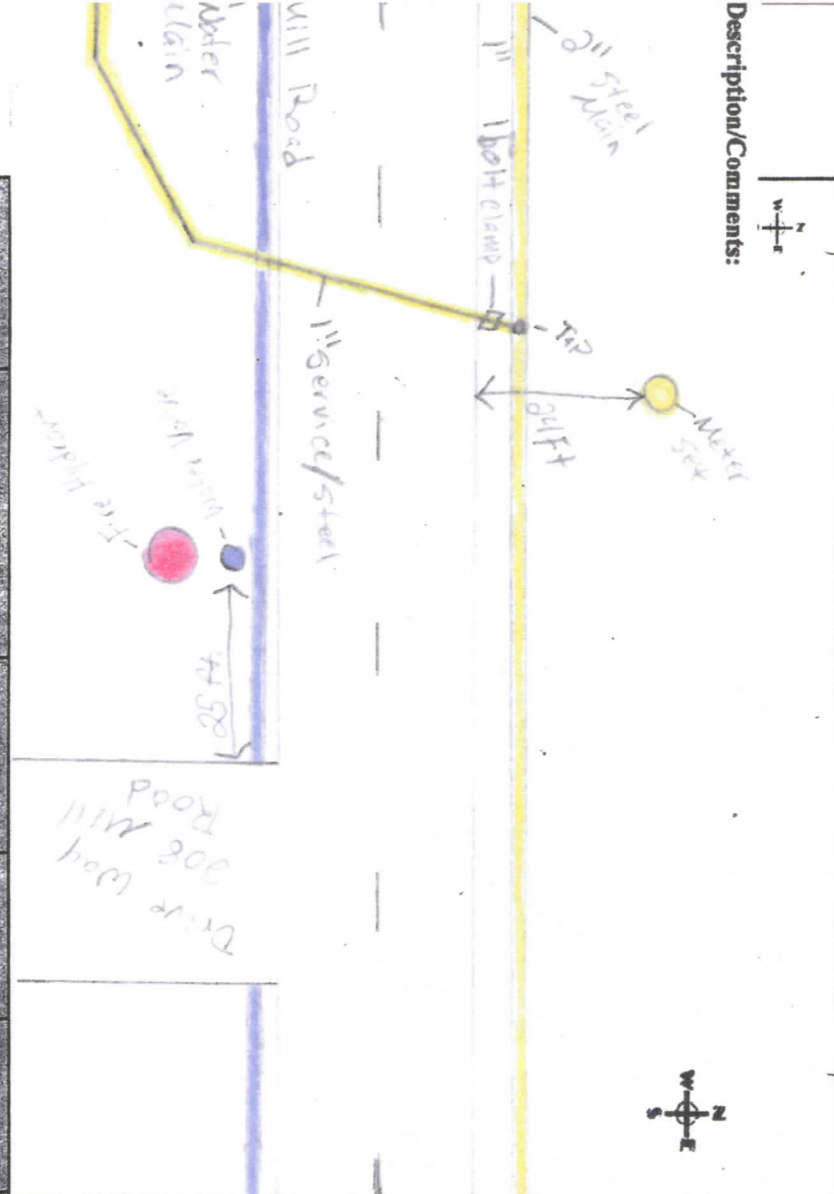
COMMENTS: Used CGI, found 13% Natural gas. Dug down and found 2" Main and a tap. No leaks found at tap. Started digging the service up and found a 1 bolt clamp on the 1" service line. BDH was Corroded, so replaced the bolt.

WORK COMPLETED BY: [Signature] DATE COMPLETED: 4-3-19

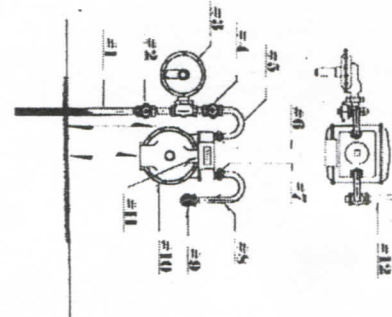
TIME STARTED: 1:30 pm TIME FINISHED: 3:30 pm

Address: 208 Mill Road, City: Behwont, State: KY

Description/Comments:



Case #	Grade 1	Grade 2	Grade 3	Date	State
					KY



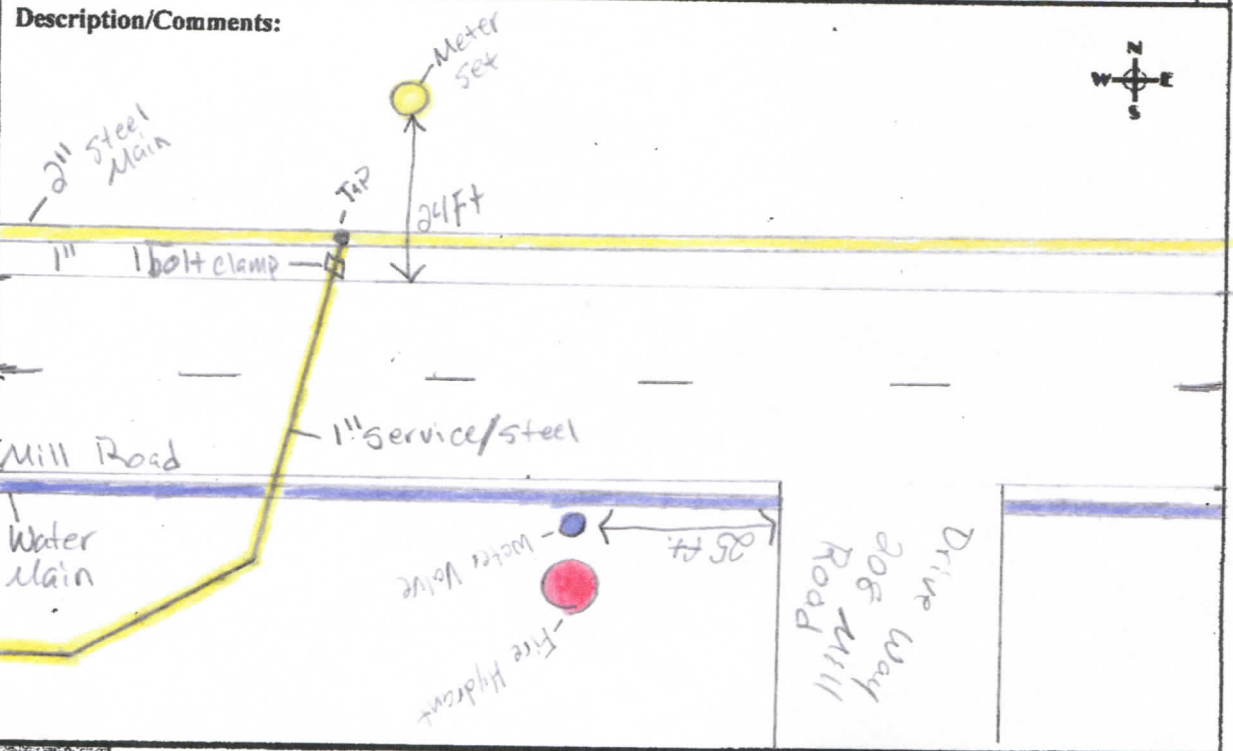
Classification	Grade 1	Grade 2	Grade 3
Meter #			
Manufacturer #			

Detection	Location	Soil Sub	CGI/EGD	Pressure	Surface	Pipe	Size	Weather
Mobile FI	Inside Bldg	Rock	% Gas	(0-1)	Grass	Steel	.5-2.0	Clear
Flame Pack	Outside Bldg	Cinder	LEL	(1-30)	Dirt	PE	2.0-3.0	Wet
Visual	Manhole	Clay	UEL	(31-60)	Asphalt	Cast Iron	3.0-4.0	Hot (85-100)
CGI/EGD	Underground	Loam	PPM	(61-99.9)	Concrete	CSSST	6.0-8.0	Cold (0-40)
Small	Atmosphere	Sand		(100-399)	Slidewalk	PVCB	10.0-12.0	

Leak Cause	Component/Examination	Part of System	Type Material	Location Area	Repair Date
Corrosion	Pipe	Transmission	Steel	Residential	1-5
Outside Force	Valve	Main	Cast Iron	Rural	5-Greater
Const/Defect	Fitting	Service	Ductile Iron	Commercial	Date Repaired: 4-3-19
Material Defect	Regulator	Meter Set	Copper	Industrial	Date Rechecked: 4-5-19
Other	Tap Connection	Customer Pipe	Plastic		

VISUAL INSPECTION OF MAINS AND SERVICE PIPELINES

Address	208 Mill Rd		Location	Side of road across street	
TYPE	CONDITION	CORROSION		COATING TYPE	
Steel	✓ Excellent	✓ Localized	✓	Millwrap	✓
PE	Good	General		Enamel	
Cast Iron	Slight Pitting	Other		Roskote	
CSST	Extreme Pitting	Pitting Depth		Oxidemp	
Main	Hole/Voids			Xtrucoat	
Service	Graphitization			Mastic	
Other	Bent			Cold Roll	
	Broken			Hot Wrap	
	Other			Heat Shrink	
COATING CONDITION	SOIL TYPE	SOIL COMPOSITION		REPAIR TYPE	
Good	✓ Rock	✓ Dry	✓	Main Extension	
Poor	Cinder	Wet/Swampy		Service Tap	
Damaged	Clay	✓ Normal	✓	Leak Repair	✓
Other	Loam	Moister Range (3-5)		Re-routing	
	Sand	Moister Range (5-8)		Third Party	
	Alluvion			Abandonment	
	Other			Deactivation	
				Utility Theft	
				Other	



Name: Donald Sims Date: 4-3-19

DRAKESBORO WORK ORDER

Work Order #: _____

DATE: 4-3-19

Time: _____

Gas Water WW .. Acct #: _____

NAME: _____

Meter Number: _____

ADDRESS: Intersection of 1163 & Beech Creek Rd.

WORK TO BE DONE:

NEW METER # _____ NEW READING _____

TURN ON & READ _____ OLD READING _____

READ and LOCK _____ SET METER and LOCK _____

READING ONLY _____ LOCATE LINE _____ (SEE BELOW)

READ and LOCK (NON PAYMENT) _____ GET METER NUMBER _____

CHECK PRESSURE _____ FLUSH LINE _____ CHECK f. LEAK _____

UNLOCK ONLY and READ (DO NOT TURN ON) _____

SPECIAL INSTRUCTIONS: Leak survey found a leak at the intersection. 811 locate was called in to make repairs.

WORK DONE:

FLUSHED: Yes No GPM: _____ How Long: _____ Water Loss: _____

WATER LEAK: Yes No GPM: _____ How Long: _____ Water Loss: _____

PARTS USED TO COMPLETE JOB:

2" x 1/2 Tap. Bolt on.
2' pc. 1/2 polly 1/2" x 1" mechanical.
1' pc 1" polly 1" x 1/4 mechanical

COMMENTS: Dug down to service tap on 2" main and found a crack in the weld of the tap. Replaced tap and restored service.

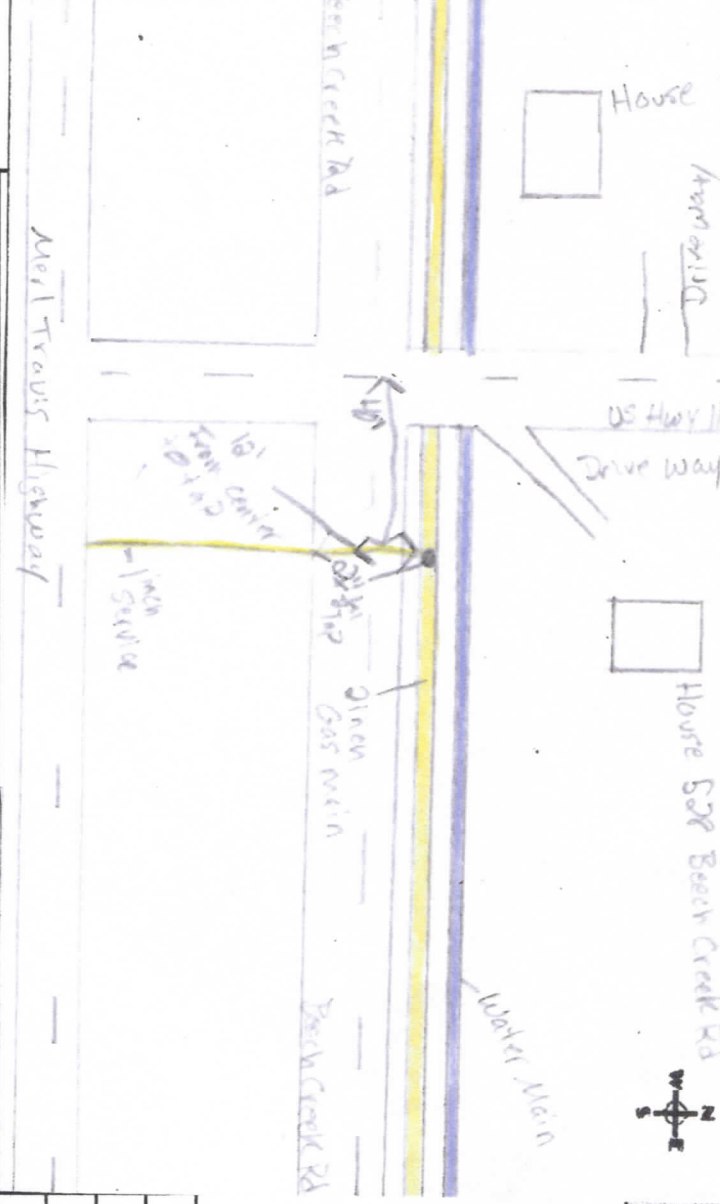
WORK COMPLETED BY: W. S. [Signature]

DATE COMPLETED: 4-3-19

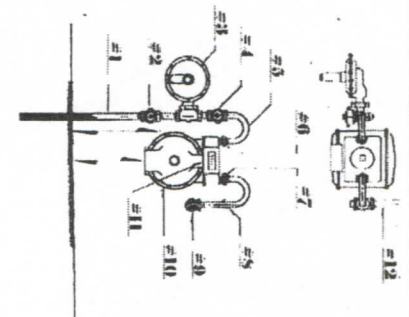
TIME STARTED: _____

TIME FINISHED: _____

Description/Comments:



Case #	Grade 1	Grade 2	Grade 3	Date
Classification				
Meter #	Inside	Outside		
Manufacturer #				



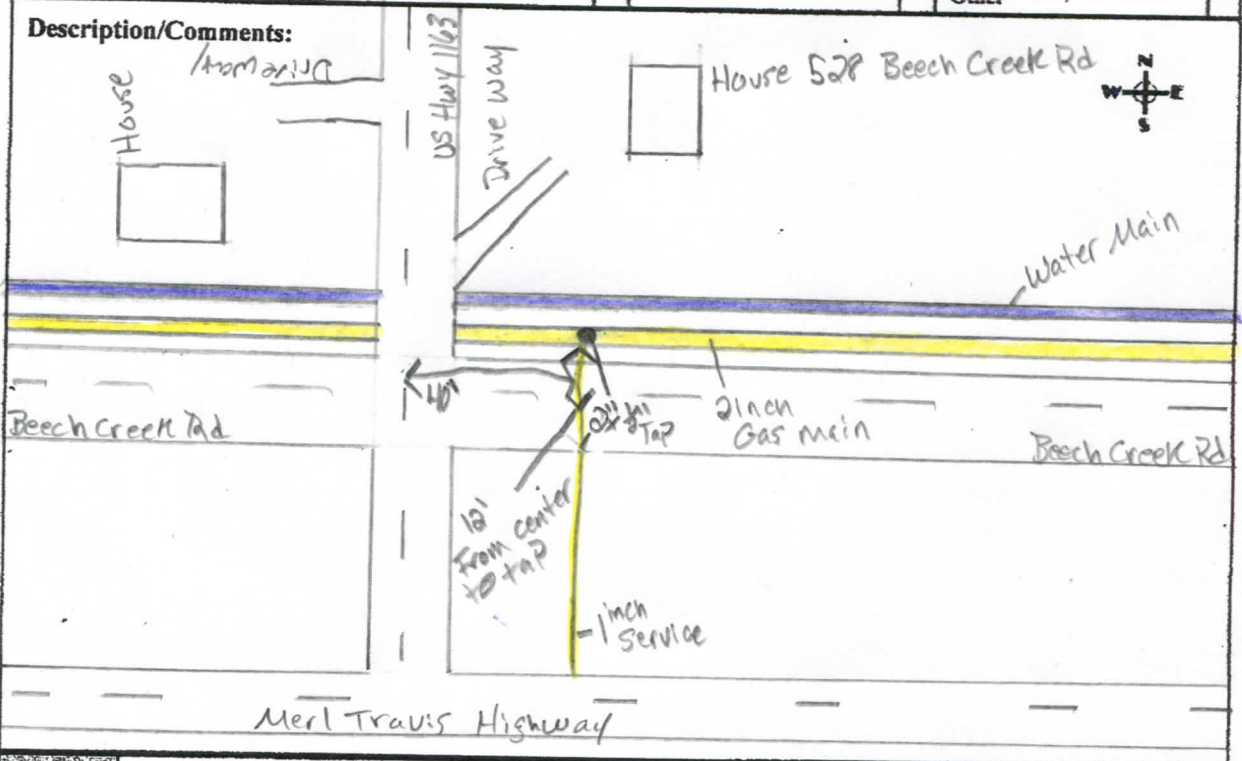
#1 Riser	#2 HP Cock	#3 Regulator
#4 LP Cock	#5 Inlet Loop	#6 Inlet Cap/Switch
#7 Out Cap/Switch	#8 Outlet Loop	#9 Fuel Line Fitting
#10 Gas Meter	#11 Index	#12 Fuel Line

Detection	Location	Soil Sub	CGI/EGD	Pressure	Surface	Pipe	Size	Weather
Mobile FI	Inside Bldg	Rock	% Gas	(0-1)	Grass	Steel	.5-2.0	Clear
Flame Pack	Outside Bldg	Clender	LEL	(1-30)	Dirt	PE	2.0-3.0	Wet
Visual	Manhole	Clay	UEL	(31-60)	Asphalt	Cast Iron	3.0-4.0	Hot (85-100)
CGI/EGD	Undergrid	Loam	PPM	(61-99.9)	Concrete	CSST	6.0-8.0	Cold (0-40)
Smell	Atmosphere	Sand		(100-399)	Sidewalk	PVCB	10.0-12.0	

Leak Cause	Component/Explanation	Part of System	Type Material	Location Area	Repair Data	
Corrosion	Pipe	Transmission	Steel	Residential	1-5	Bare
Outside Force	Valve	Main	Cast Iron	Rural	5-Creater	Coated
Cons/Defect	Fitting	Service	Ductile Iron	Commercial	Date Repaired: 4-3-19	
Material Defect	Regulator	Meter Set	Copper	Industrial	Date Rechecked: 4-5-19	
Other	Tap Connection	Customer Pipe	Plastic			

VISUAL INSPECTION OF MAINS AND SERVICE PIPELINES

Address: 528 Beech Creek Rd		Location: Intersection of 1163	
TYPE	CONDITION	CORROSION	COATING TYPE
Steel	✓ Excellent	Localized	✓ Millwrap
PE	Good	✓ General	Enamel
Cast Iron	Slight Pitting	Other	Roskote
CSST	Extreme Pitting	Pitting Depth	Oxidemp
Main	Hole/Voids		Xtrucoat
Service	Graphitization		Mastic
Other	Bent		Cold Roll
	Broken		Hot Wrap
	Other		Heat Shrink
COATING CONDITION	SOIL TYPE	SOIL COMPOSITION	EXCAVATION
Good	✓ Rock	✓ Dry	✓ Main Extension
Poor	Cinder	Wet/Swampy	Service Tap
Damaged	Clay	Normal	Leak Repair
Other	Loam	✓ Moisture Range (3-5)	Re-routing
	Sand	Moisture Range (5-8)	Third Party
	Alluvion		Abandonment
	Other		Deactivation
			Utility Theft
			Other



Name: **Donald Sims** Date: **4-3-19**