

COMMONWEALTH OF KENTUCKY
BEFORE THE PUBLIC SERVICE COMMISSION

In the Matter of:

ELECTRONIC INVESTIGATION INTO)
EXCESSIVE WATER LOSS BY KENTUCKY'S) CASE NO. 2019-00041
JURISDICTIONAL WATER UTILITIES)

RESPONSE OF BIG SANDY WATER DISTRICT
TO COMMISSION STAFF'S REQUEST FOR INFORMATION DATED MAY 3, 2019

Big Sandy Water District submits its Response to Commission Staff's Request for Information dated May 3, 2019.

Dated: May 31, 2019

Respectfully submitted,



Gerald E. Wuetcher
Stoll Keenon Ogden PLLC
300 West Vine Street, Suite 2100
Lexington, Kentucky 40507-1801
Telephone: (859) 231-3017
Fax: (859) 259-3517
gerald.wuetcher@skofirm.com

Katelyn L. Brown
Stoll Keenon Ogden PLLC
500 West Jefferson Street, Suite 2000
Louisville, Kentucky 40202-2828
Telephone: (502) 568-5711
Fax: (502) 333-6099
katelyn.brown@skofirm.com

Counsel for Big Sandy Water District

CERTIFICATE OF SERVICE

In accordance with 807 KAR 5:001, Section 8, I certify that Big Sandy Water District's electronic filing of this Response is a true and accurate copy of the same document being filed in paper medium; that the electronic filing was transmitted to the Public Service Commission on May 31, 2019; that there are currently no parties that the Public Service Commission has excused from participation by electronic means in this proceeding; and that on or before June 4, 2019 this Response in paper medium will be delivered to the Public Service Commission.



Gerald E. Wretcher

COMMONWEALTH OF KENTUCKY
BEFORE THE PUBLIC SERVICE COMMISSION

In the Matter of:

ELECTRONIC INVESTIGATION INTO)
EXCESSIVE WATER LOSS BY KENTUCKY'S) CASE NO. 2019-00041
JURISDICTIONAL WATER UTILITIES)

RESPONSE OF
BIG SANDY WATER DISTRICT
TO
COMMISSION STAFF'S REQUEST FOR INFORMATION DATED MAY 3, 2019

FILED: May 31, 2019

BIG SANDY WATER DISTRICT

**Response to Commission Staff's Request for Information Dated May 3, 2019
Case No. 2019-00041**

Question No. 1

Responding Witness: Teresa Brown

Q-1. State the effective date of the water utility's last rate increase, either through the alternative rate filing procedure, through a general adjustment of rates, or through a purchased water adjustment, and provide the Board Resolution approving the rate increase.

A-1. Big Sandy Water District's last rate adjustment took effect on January 1, 2017.¹ The adjustment placed into effect pursuant to KRS 278.015 and 807 KAR 5:068. A copy of the minutes of the Board of Commissioners' meeting in which the adjustment was approved is attached to this Response.

¹ *Purchased Water Adjustment of Big Sandy Water District*, Case No. 2016-00423 (Ky. PSC Jan. 4, 2017).

Big Sandy Water District
18200 State Route 3
Catlettsburg KY 41129
606-928-2075
1-800-354-2933
bdistrict@windstream.net

RECEIVED

JAN 3 2017

Public Service
Commission

December 28, 2016


Talina R. Mathews, Executive Director
Public Service Commission
211 Sower Blvd
PO Box 615
Frankfort, KY 40602

RE: Case No. 2016-00423

Dear Ms. Mathews:

Enclosed you will find a copy of our signed minutes authorizing BSWD to do a pass-thru rate increase due to increases from two of our suppliers. If you have any questions please let us know.

Sincerely,



Teresa Brown
Office Manager

BIG SANDY WATER DISTRICT
COMMISSIONERS' MEETING

MINUTES OF NOVEMBER 21, 2016

REGULAR MEETING

A regular meeting of the Board of Commissioners of the Big Sandy Water District was held on Monday, November 21, 2016. The meeting was called to order by Paul Thomas, Chairman, at 9:05 a.m. in the District Office at 18200 State Route 3, Catlettsburg, Ky.

PRESENT COMMISSIONERS:

Paul Thomas
Charles Shockey
Bill Hardin
Larry Shockey
David Salisbury

OTHERS:

James Blanton-BSWD
Teresa Brown-BSWD
Roger Hall-Attorney
Joe Sisler-Sisler-Maggard Engineering

PUBLIC PARTICIPATION

George Phillip Smith said he was not satisfied with motion made at last meeting and BSWD owes him 3 taps.

Tim Webb with Cannonsburg Water stated he would like BSWD to start using Cannonsburg Water again, they now have their chlorine levels up. They would also like us to evaluate the cost of pumping, treating water and water quality verses buying water from City of Ashland to see which is cheaper.

MINUTES APPROVED

The minutes of the October 17, 2016 regular meeting were approved as mailed. The motion was made by Charlie Shockey, seconded by Larry Shockey. Motion carried.

BILLS

Motion made by David Salisbury, seconded by Larry Shockey to approve and pay the monthly bills. Motion carried.

REPORTS

Motion made by Bill Hardin, seconded by David Salisbury to approve treasurer's report. Motion carried.

Commissioners discussed water loss. Motion made by Larry Shockey, seconded by Charlie Shockey to acknowledge water loss report. Motion carried.

Motion made by Bill Hardin, seconded by Larry Shockey to approve monthly billing, collections on accounts and adjustments on accounts. Motion carried.

OLD BUSINESS

Jimmy reported that Liquid Engineering had cleaned and inspected all tanks except Donithon, Buchannan (couldn't get to) and Arland Delong Tank (has a leak and they cannot go into a confined space without water in tank). Currens Construction will be here today to give estimate on repairing Arland Delong Tank.

Teresa informed commissioners that insurance company will be assuming responsibility for slip at P & A Engineering. The insurance company will be getting a quote to repair and they will let us know.

Motion made by Bill Hardin, seconded by Charlie Shockey to go into executive session for pending litigation. Motion carried.

Motion made by Bill Hardin, seconded by Larry Shockey to come out of executive session with no action taken. Motion carried.

Motion made by Charlie Shockey, seconded by Larry Shockey for the District to pay to the R & J Development Company, LLC the sum of Thirty Thousand Dollars (\$30,000.00) for a release of any and all present and future claims that could be made by R & J as a result of conditions set out in item number (4) in that certain deed between the parties dated March 18, 2013, of record in Deed Book 752, Page 727 in the Boyd County Clerk's Office of Kentucky. The sum is also in consideration of any costs that may have been incurred as a result of the District having to exercise its right of condemnation under the eminent domain laws of Kentucky and giving Paul Thomas authority to sign any necessary documents. Motion carried. David Salisbury opposed.

NEW BUSINESS

Motion made by Bill Hardin, seconded by Larry Shockey to approve 2017 Budget. Motion carried.

Jimmy informed commissioners Cody Archer would like a raise since him and Bryan are the only two employees with CDL License. Commissioners stated they needed more information and would address raises for employees at December meeting.

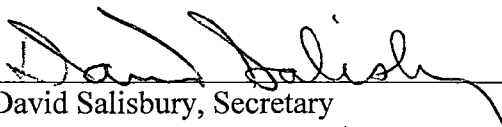
Commissioners told Jimmy to get information and costs on mini-excavator and UTV.

City of Ashland is raising our rate from \$2.08 to \$2.19 per thousand gallon and Cannonsburg Water is raising our rate from \$4.25 to \$4.42 per thousand gallon. Motion made by Charlie Shockey, seconded by Larry Shockey to do pass-thru increase. Motion carried.

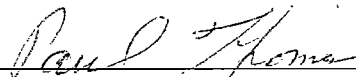
Motion made by Larry Shockey, seconded by Charlie Shockey to put dash-cams and flashing light on all trucks. Motion carried.

Motion made by Charlie Shockey, seconded by Larry Shockey to give all employees a \$300.00 incentive pay. Motion carried.

Motion made by Charlie Shockey, seconded by Larry Shockey to recess meeting at 10:50 a.m. Motion carried.

BY: 
David Salisbury, Secretary
Big Sandy Water District

Date Approved: 12-18-2016

BY: 
Paul Thomas, Chairman
Big Sandy Water District

BIG SANDY WATER DISTRICT

**Response to Commission Staff's Request for Information Dated May 3, 2019
Case No. 2019-00041**

Question No. 2

Responding Witness: Teresa Brown

- Q-2. State whether the water utility's board of commissioners or directors has discussed applying for a rate increase since January 1, 2018, utilizing either the alternative rate filing procedure or through a general adjustment of rates. If the utility can state this affirmatively, provide the board minutes where this was discussed.**
- A-2. Big Sandy Water District's Board of Commissioners has discussed an adjustment in its rates for water service as part of water construction project that will be financed with a loan from Rural Development. Rural Development has agreed to finance Big Sandy Water District's Phase V – Water System Improvements Project, which includes the replacement of 43,000 linear feet of service line. As part of the financing agreement, Rural Development has required Big Sandy Water District to adjust its rates for water service. Big Sandy Water District expects to apply for an adjustment of rates pursuant to KRS 278.023 in late 2019. A copy of the letter of conditions is attached to this Response.

#56



United States Department of Agriculture

November 20, 2018

Mr. Paul Thomas, Chairman
Big Sandy Water District
18200 State Route 3
Catlettsburg, KY 41129

SUBJECT: Recipient Name: Big Sandy Water DistrictProject Name: Water Loss Improvements Project Phase V

Dear Chairman Thomas:

This letter establishes conditions that must be understood and agreed to by you before further consideration may be given to the application. The loan and grant will be administered on behalf of the Rural Utilities Service (RUS) by the State and Area office staff of USDA Rural Development. Any changes in project cost, source of funds, scope of services or any other significant changes in the project or applicant must be reported to and approved by USDA Rural Development, by written amendment to this letter. Any changes not approved by Rural Development shall be cause for discontinuing processing of the application. It should also be understood that Rural Development is under no obligation to provide additional funds to meet an overrun in construction costs.

This letter is not to be considered as loan or grant approval or as a representation as to the availability of funds. The docket may be completed on the basis of a RUS loan not to exceed \$1,670,000; a RUS grant not to exceed \$700,000; and an applicant cash contribution in the amount of \$88,000.

If Rural Development makes the loan, the interest rate will be the lower of the rate in effect at the time of loan approval or the rate in effect at the time of loan closing, unless the applicant otherwise chooses. The loan will be considered approved on the date a signed copy of Form RD 1940-1, "Request for Obligation of Funds," is mailed to you.

Please complete and return the attached Form RD 1942-46, "Letter of Intent to Meet Conditions," if you desire that further consideration be given to your application.

The "Letter of Intent to Meet Conditions" must be executed within three weeks from the date of this letter or it becomes invalid unless a time extension is granted by Rural Development.

If the conditions set forth in this letter are not met within 240 days from the date hereof, Rural Development reserves the right to discontinue the processing of the application. In signing Form RD 1942-46, "Letter of Intent to Meet Conditions," you are agreeing to complete the following as expeditiously as possible:

Rural Development • Kentucky State Office
771 Corporate Drive, Suite 200, Lexington, Kentucky 40502
Voice (859) 224-7300 • Fax (855) 661-8335 • TTY (859) 224-7422

USDA is an equal opportunity provider, employer and lender.

If you wish to file a Civil Rights program complaint of discrimination, complete the USDA Program Discrimination Complaint Form (PDF), found online at http://www.ascr.usda.gov/complaint_filing_cust.html, or at any USDA office, or call (866) 632-9992 to request the form. You may also write a letter containing all of the information requested in the form. Send your completed complaint form or letter to us by mail at U.S. Department of Agriculture, Director, Office of Adjudication, 1400 Independence Avenue, S.W., Washington, D.C. 20250-9410, by fax (202) 690-7442 or email at program.intake@usda.gov.

Big Sandy Water District

2

1. Number of Users and Their Contribution:

There shall be 4,756 water users, of which all are existing users. The Area Director will review and authenticate the number of users prior to advertising for construction bids.

2. Grant Agreement:

Attached is a copy of RUS Bulletin 1780-12, "Water and Waste System Grant Agreement," for your review. You will be required to execute a completed form at the time of grant closing.

3. Drug-Free Work Place:

Prior to grant closing, the District will be required to execute Form AD-1049, "Certification Regarding Drug-Free Workplace Requirements (Grants) Alternative I - For Grantees Other Than Individuals."

4. Repayment Period:

The loan will be scheduled for repayment over a period not to exceed 40 years from the date of the Bond. Principal payment will not be deferred. Payments will be in accordance with applicable KRS, which requires interest to be paid semi-annually (January and July) and principal will be due on or before the first of January. Rural Development may require the District to adopt a supplemental payment agreement providing for monthly payments of principal and interest so long as the bond is held or insured by RUS. Monthly payments will be approximate amortized installments.

5. Recommended Repayment Method:

Payments on this loan shall be made using the Preauthorized Debit (PAD) payment method. This procedure eliminates the need for paper checks and ensures timely receipt of RD loan payments. To initiate PAD payments, Form RD 3550-28, "Authorization Agreement for Preauthorized Payments," should be signed by the District to authorize the electronic withdrawal of funds from your designated bank account on the exact installment payment due date. The Area Director will furnish the necessary forms and further guidance on the PAD procedure.

6. Reserve Accounts:

Reserves must be properly budgeted to maintain the financial viability of any operation. Reserves are important to fund unanticipated emergency maintenance, pay for repairs, and assist with debt service should the need arise.

The District will be required to deposit \$630 per month into a "Funded Debt Reserve Account" until the account reaches \$75,600. The deposits are to be resumed any time the account falls below the \$75,600.

The required monthly deposits to the Reserve Account and required Reserve Account levels are in addition to the requirements of the District's prior bond ordinances.

The monthly deposits to the Reserve Account are required to commence with the first month of the first full fiscal year after the facility becomes operational.

The District also needs to fund an account for short-lived assets by depositing a sum of \$6,275 monthly into the account. The funds in the short-lived asset account may be used by the District as needed to replace or add short-lived assets in the District's utility systems.

7. Security Requirements:

A pledge of gross water revenue(s) will be provided in the Bond Ordinance. Bonds shall rank on a parity with existing bonds, if possible.

If this is not possible, the bond will be subordinate and junior to the existing bonds, in which case the District will be required to abrogate its right to issue additional bonds ranking on a parity with the existing bonds, so long as any unpaid indebtedness remains on this bond issue. Additional security requirements are contained in [RUS Bulletin 1780-12, "Water and Waste System Grant Agreement," and RUS Bulletin 1780-27, "Loan Resolution Public Body." A draft of all security instruments, including, draft bond resolution, must be reviewed and concurred in by the Agency prior to advertising for bids. The Bond Resolution and Loan Resolution must be duly adopted and executed prior to loan closing. The Grant Agreement must be fully executed prior to the first disbursement of grant funds.

8. Land Rights and Real Property:

The District will be required to furnish satisfactory title, easements, etc., necessary to install, maintain and operate the facility to serve the intended users.

The pipelines will be on private rights-of-way where feasible. Easements and options are to be secured prior to advertising for construction bids.

9. Organization:

The District will be legally organized under applicable KRS, which will permit them to perform this service, borrow, or repay money.

The District must maintain a current registration of their Dun and Bradstreet Data Universal Numbering System (DUNS) number in SAM.gov (System for Award Management) in order to receive federal loan and/or grant financial assistance. This registration must be updated/renewed at least annually.

10. Business Operations:

The District will be required to operate the system under a well-established set of resolutions, rules and regulations. A budget must be established annually and adopted by the District after review by Rural Development. At no later than loan pre-closing, the District will be required to furnish a prior approved management plan to include, as a minimum, provisions for management, maintenance, meter reading, miscellaneous services, billing, collecting, delayed payment penalties, disconnect/reconnect fees, bookkeeping, making and delivering required reports and audits.

11. Conflict of Interest Policy:

Prior to obligation of funds, you will certify in writing that your organization has in place an up-to-date written policy on conflict of interest. The policy will include, at a minimum: (1) a requirement for those with a conflict/potential conflict to disclose the conflict/potential conflict, (2) a prohibition of interested members of the applicant's governing body from voting on any matter in which there is a conflict, and (3) a description of the specific process by which the governing body will manage identified or potential conflicts.

You must also submit a disclosure of planned or potential transactions related to the use of Federal funds that may constitute or present the appearance of personal or organizational conflict of interest. Sample conflict of interest policies may be found at the National Council of Nonprofits website,

<https://www.councilofnonprofits.org/tools-resources/conflict-of-interest>, or in Internal Revenue Service Form 1023, Appendix A, "Sample Conflict of Interest Policy," at <http://www.irs.gov/pub/irs-pdf/i1023.pdf>. Though these examples reference non-profit corporations, the requirement applies to all types of Agency borrowers.

Disclosure must be in the form of a written letter signed and dated by the applicant's official. A negative disclosure of the same format is required if no conflicts are anticipated. Assistance in developing a conflict of interest policy is available through Agency-contracted technical assistance providers if desired.

12. Accounts, Records and Audits:

The District will be required to maintain adequate records and accounts and submit annual budgets and year-end reports (annual audits)/statistical and financial reports, quarterly and annually, in accordance with subsection 1780.47 of RUS Instruction 1780.

The District shall be required to submit a copy of its audit agreement for review and concurrence by Rural Development prior to pre-closing the loan.

The District shall obtain the assistance of its accountant to establish the District's accounting system. Rural Development review of the accounting system is required.

13. Accomplish Audits for Years in Which Federal Financial Assistance is Received:

The type of financial information that must be submitted is specified below:

Audits – An annual audit under the Single Audit Act is required if you expend \$750,000 or more in Federal financial assistance per fiscal year. The total Federal funds expended from all sources shall be used to determine Federal financial assistance expended. Expenditures of interim financing are considered Federal expenditures.

All audits are to be performed in accordance with 2 CFR Part 200, as adopted by USDA through 2 CFR Part 400. Further guidance on preparing an acceptable audit can be obtained from the Agency. It is not intended that audits required by this part be separate and apart from audits performed in accordance with State and local laws. To the extent feasible, the audit work should be done in conjunction with those audits. The audit must be prepared by an independent licensed Certified Public Accountant, or a State or Federal auditor if allowed by State law, and must be submitted within 9 months of your fiscal year end.

14. Insurance and Bonding:

The following insurance and bonding will be required:

- A. Adequate Liability and Property Damage Insurance including vehicular coverage, if applicable, must be obtained and maintained by the District. The District should obtain amounts of coverage as recommended by its attorney, consulting engineer and/or insurance provider.
- B. Worker's Compensation - The District will carry worker's compensation insurance for employees in accordance with applicable state laws.
- C. Fidelity Bond - The District will provide Fidelity Bond Coverage for all persons who have access to funds. Coverage may be provided either for all individual positions or persons, or through "blanket" coverage providing protection for all appropriate employees and/or officials. The amount of coverage required for all RUS loans is \$245,000.
- D. Real Property Insurance - The District will obtain and maintain adequate fire and extended coverage on all structures including major items of equipment or machinery located in the structures. The amounts of coverage should be based on recommendations obtained by the District from its attorney, consulting engineer and/or insurance provider. Subsurface lift stations do not have to be covered except for the value of electrical and pumping equipment therein.
- E. Flood Insurance - The District will obtain and maintain adequate coverage on any facilities located in special flood and mudslide prone areas.

15. Planning and Performing Development:

- A. The engineer should not be authorized to commence work on final plans and specifications until a determination has been made that the project can be planned and constructed within the estimated cost shown in paragraph "28" of this letter. The engineer may then proceed to develop final plans and specifications to be completed no later than 210 days from this date, and prepare bid documents. The Area Director is prepared to furnish the necessary guide to follow so as to keep the project plans and documents within our guidelines and requirements. The project must be constructed by the design/bid/build method of construction. The project should not be advertised for construction bids until all easements and enforceable options have been obtained, and total funds are committed or available for the project.
- B. The following documents will be submitted to Rural Development for review and must be concurred in by Rural Development prior to advertisement for construction bids:
 - 1. Final plans, specifications and bid documents.
 - 2. Applicant's letter on efforts to encourage small business and minority-owned business participation.
 - 3. Legal Service Agreements.
 - 4. Engineering Agreements.

Revision in these documents will be subject to Rural Development concurrence. Any agreements, contracts, etc. not reviewed and approved by Rural Development will not be eligible for payment from project funds or revenues from facilities financed by this Agency.

Prior to receipt of an authorization to advertise for construction bids, the District will obtain advance clearance from Bond Counsel and/or Local Counsel regarding compliance with KRS 424 pertaining to publishing of the advertisement for construction bids in local newspapers and the period of time the notice is required to be published.

16. Bid Tabulation:

Immediately after bid opening, you must provide the Agency with the bid tabulation and your engineer's evaluation of bids and recommendations for contract awards. If the Agency agrees that the construction bids received are acceptable, adequate funds are available to cover the total project costs, and all the requirements of this letter have been satisfied, the Agency will authorize you to issue the Notice of Award.

- A. Cost Overruns – If bids are higher than expected, or if unexpected construction problems are encountered, you must utilize all options to reduce cost overruns. Negotiations, redesign, use of bidding alternatives, rebidding or other means will be considered prior to commitment of subsequent funding by the Agency. Any requests for subsequent funding to cover cost overruns will be contingent on the availability of funds.

Cost overruns exceeding 20% of the development cost at time of loan or grant approval or where the scope of the original purpose has changed will compete for funds with all other applications on hand as of that date.

- B. Excess Funds – If bids are lower than anticipated at time of obligation, excess funds must be de-obligated prior to start of construction except in the cases addressed in this paragraph. In cases where the original PER for the project included items that were not bid, or were bid as an alternate, the State Office official may modify the project to fully utilize obligated funds for those items. Amendments to the PER, ER, and letter of conditions may be needed for any work not included in the original project scope. In all cases, prior to start of construction, excess funds will be de-obligated, with grant funds being de-obligated first. Excess funds do not include contingency funds as described in this letter.

17. Contract Documents, Final Plans, and Specifications:

- A. The contract documents must consist of the EJCDC construction contract documents as indicated in RUS Bulletin 1780-26 or other Agency-approved forms of agreement.
- B. The contract documents, final plans, and specifications must comply with RUS Instruction 1780, Subpart C – Planning, Designing, Bidding, Contracting, Constructing and Inspections, and must be submitted to the Agency for concurrence prior to advertising for bids along with an updated cost estimate. The Agency may require another updated cost estimate if a significant amount of time elapses between the original submission and advertising for bids.

Big Sandy Water District

7

C. The use of any procurement method other than competitive sealed bids must be requested in writing and approved by the Agency.

18. Contract Review:

Your attorney will certify that the executed contract documents, including performance and payment, if required, are adequate and that the persons executing these documents have been properly authorized to do so in accordance with RUS Instruction 1780.61 (b).

19. Civil Rights & Equal Opportunity:

You should be aware of and will be required to comply with other federal statute requirements including but not limited to:

A. Section 504 of the Rehabilitation Act of 1973:

Under Section 504 of the Rehabilitation Act of 1973, as amended (29 U.S.C. 794), no handicapped individual in the United States shall, solely by reason of their handicap, be excluded from participation in, be denied the benefits of, or be subjected to discrimination under any program or activity receiving Rural Development financial assistance.

B. Civil Rights Act of 1964:

All borrowers are subject to, and facilities must be operated in accordance with, Title VI of the Civil Rights Act of 1964 (42 U.S.C. 2000d et seq.) and Subpart E of Part 1901 of this Title, particularly as it relates to conducting and reporting of compliance reviews.

Instruments of conveyance for loans and/or grants subject to the Act must contain the covenant required by paragraph 1901.202(e) of this Title.

C. The Americans with Disabilities Act (ADA) of 1990:

This Act (42 U.S.C. 12101 et seq.) prohibits discrimination on the basis of disability in employment, state and local government services, public transportation, public accommodations, facilities, and telecommunications. Title II of the Act applies to facilities operated by state and local public entities that provide services, programs, and activities. Title III of the Act applies to facilities owned, leased, or operated by private entities that accommodate the public.

D. Age Discrimination Act of 1975:

This Act (42 U.S.C. 6101 et seq.) provides that no person in the United States shall, on the basis of age, be excluded from participation in, be denied the benefits of, or be subjected to discrimination under any program or activity receiving federal financial assistance.

E. Limited English Proficiency (LEP) under Executive Order 13166:

LEP statutes and authorities prohibit exclusion from participation in, denial of benefits of, and discrimination under Federally-assisted and/or conducted programs on the ground of race, color, or national origin. Title VI of the Civil Rights Act of 1964 covers program access for LEP persons.

LEP persons are individuals who do not speak English as their primary language and who have a limited ability to read, speak, write, or understand English. These individuals may be entitled to language assistance, free of charge. You must take reasonable steps to ensure that LEP persons receive the language assistance necessary to have meaningful access to USDA programs, services, and information your organization provides. These protections are pursuant to Executive Order 13166 entitled, "Improving Access to Services by Persons with Limited English Proficiency" and further affirmed in the USDA Departmental Regulation 4330-005, "Prohibition Against National Origin Discrimination Affecting Persons with Limited English Proficiency in Programs and Activities Conducted by USDA."

Agency financial programs must be extended without regard to race, color, religion, sex, national origin, marital status, age, or physical or mental handicap. You must display posters (provided by the Agency) informing users of these requirements, and the Agency will monitor your compliance with these requirements during compliance reviews.

20. Closing Instructions:

The Office of General Counsel, our Regional Attorney, will be required to write closing instructions in connection with this loan. Conditions listed therein must be met by the District.

21. Compliance with Special Laws and Regulations:

The District will be required to conform to any and all state and local laws and regulations affecting this type project.

22. Treatment Plant and System Operator:

The District is reminded that the water system operator must have an Operator's Certificate issued by the State.

23. Prior to Pre-Closing the Loan, the District Will Be Required to Adopt:

- A. Form RUS Bulletin 1780-27, "Loan Resolution (Public Bodies)."
- B. Form RD 400-1, "Equal Opportunity Agreement."
- C. Form RD 400-4, "Assurance Agreement."
- D. Form AD-1047, "Certification Regarding Debarment, Suspension, and Other Responsibility Matters - Primary Covered Transaction."

- E. Form RD 1910-11, "Applicant Certification Federal Collection Policies for Consumer or Commercial Debts."
- F. RD Instruction 1940-Q, Exhibit A-1, "Certification for Contracts, Grants and Loans."
- G. RUS Bulletin 1780-22, "Eligibility Certification."

24. Refinancing and Graduation Requirements:

The District is reminded that if at any time it shall appear to the Government that the District is able to refinance the amount of the RUS indebtedness then outstanding, in whole or in part, by obtaining a loan from commercial sources at reasonable rates and terms, upon the request of the Government, the District will apply for and accept such loan in sufficient amount to repay the Government.

25. Commercial Interim Financing:

The District will be required to use commercial interim financing for the project during construction for the RUS loan portion of the financing, if available at reasonable rates and terms.

Before the loan is closed, the District will be required to provide Rural Development with statements from the contractor, engineer and attorneys that they have been paid to date in accordance with their contract or other agreements and, in the case of the contractor, that he has paid his suppliers and sub-contractors.

26. Disbursement of Project Funds:

A construction account for the purpose of disbursement of project funds (RUS) will be established by the District prior to start of construction. The position of officials entrusted with the receipt and disbursement of RUS project funds will be covered by a "Fidelity Bond," with USDA Rural Development as Co-Obligee, in the amount of construction funds on hand at any one time during the construction phase.

For each "construction account" as established, if the amount of RUS loan and grant funds plus any applicant contributions or funds from other sources to be deposited into the account are expected to exceed \$250,000 at any time, the financial institution will secure the amount in excess of \$250,000 by pledging collateral with the Federal Reserve Bank in an amount not less than the excess in accordance with 7 CFR, 1902.7(a).

Agency funds will be disbursed into the construction account through an electronic transfer system. The borrower should complete Form SF-3881, "Electronic Funds Transfer Payment Enrollment Form," for each account where funds will be electronically received. The completed form(s) must be received by Rural Development at least thirty (30) days prior to the first advance of funds.

Monthly audits of the District's construction account records shall be made by Rural Development.

Borrowers receiving federal loan and/or grant funds by EFT will have funds directly deposited to a specified account at a financial institution with funds being available to the recipient on the date of payment.

Any applicant contribution will be the first funds expended, followed by other funding sources. Interim financing or Agency loan funds will be expended after all other funding sources unless an agreement is reached with all other funding sources on how funds are to be disbursed prior to start of construction or loan closing, whichever occurs first. Interim financing funds or Agency loan funds must be used prior to the use of Agency grant funds. The Grant funds must not be disbursed prior to loan funds except as specified in RUS Instruction 1780.45 (d). In the unlikely event the Agency mistakenly disburses funds, the funds will be remitted back to the Agency electronically.

During construction, the District shall disburse project funds in a manner consistent with subsection 1780.76 (e) of RUS Instruction 1780. Form RD 1924-18, "Partial Payment Estimate," or similar form approved by Rural Development, shall be used for the purpose of documenting periodic construction estimates, and shall be submitted to Rural Development for review and acceptance. Prior to disbursement of funds by the District, the District Council shall review and approve each payment estimate. All bills and vouchers must be approved by Rural Development prior to payment by the District. Form RD 440-11, "Estimate of Funds Needed for 30-Day Period Commencing _____," will be prepared by the District and submitted to Rural Development in order that a periodic advance of federal cash may be requested.

27. Disbursement of Grant Funds:

The RUS funds will be advanced as they are needed in the amount(s) necessary to cover the RUS proportionate share of obligations due and payable by the District.

Grant funds are to be deposited in an interest bearing account in accordance with 2 CFR part 200 and interest in excess of \$500 per year remitted to the Agency.

The funds should be disbursed by the recipient immediately upon receipt and there should be little interest accrual on the Federal funds. Recipients shall maintain advances of Federal funds in interest-bearing account, unless:

- a. The recipient receives less than \$120,000 in Federal awards per year.
- b. The best reasonably available interest-bearing account would not be expected to earn interest in excess of \$500 per year on Federal cash balances.
- c. The depository would require an average or minimum balance so high that it would not be feasible within the expected Federal and non-Federal cash resources.
- d. A foreign government or banking system prohibits or precludes interest-bearing accounts.

Big Sandy Water District

11

28. Project Budget:

Estimated expenditures are as follows:

Project Costs:

Development	\$1,850,000
Land and Rights	45,000
Legal and Administrative	30,000
Engineering Fees	298,000
Interest	35,000
Grant Administration	20,000
Contingencies	<u>180,000</u>
TOTAL PROJECT COST	\$2,458,000

Project Funding:

RUS Loan	\$1,670,000
RUS Grant	700,000
Applicant Contribution	<u>88,000</u>
TOTAL FUNDING	\$2,458,000

Any changes in funding sources following obligation of Agency funds must be reported to the processing official. Project feasibility and funding will be reassessed if there is a significant change in project costs after bids are received. If actual project costs exceed the project cost estimates, an additional contribution by the Owner may be necessary. Prior to advertisement for construction bids, you must provide evidence of applicant contributions and approval of other funding sources. This evidence should include a copy of the commitment letter. Agency funds will not be used to pre-finance funds committed to the project from other sources.

Obligated loan or grant funds not needed to complete the proposed project will be de-obligated prior to start of construction. Any reduction will be applied to grant funds first. An amended letter of conditions will be issued for any changes to the total project budget.

29. Construction Completion Timeframe:

All projects are required to be completed and all funds disbursed within five years of obligation. If funds are not disbursed within five years of obligation, you must submit a written waiver request with adequate justification of extenuating circumstances beyond your control for an extension of time. Any additional requests for waivers beyond the initial extension will be submitted through the State Office to the Assistant Administrator for concurrence decision.

30. Use of Remaining Project Funds:

The applicant contribution shall be considered as the first funds expended. After providing for all authorized costs, any remaining project funds will be considered to be RUS grant funds and refunded in proportion to participation in the project. If the amount of unused project funds exceeds the grants, that part would be RUS loan funds.

31. Proposed Operating Budget:

You will be required to submit to Rural Development a copy of your proposed annual operating budget that supports the proposed loan repayment prior to this agency giving you written authorization to proceed with the bidding phase. The operating budget should be based on a typical year cash flow, subject to completion of this project in the first full year of operation. Form RD 442-7, "Operating Budget," or similar form may be utilized for this purpose.

32. Rates and Charges:

Rates and charges for facilities and services rendered by the District must be at least adequate to meet cost of maintaining, repairing and operating the water system and meeting required principal and interest payments and the required deposits to debt service and/or depreciation reserve.

Water rates will be at least:

Meter size 5/8":

First	1,000	gallons @ \$18.00 - Minimum Bill.
Next	9,000	gallons @ \$ 9.10 – per 1,000 gallons.
Next	10,000	gallons @ \$ 6.37 – per 1,000 gallons.
Next	20,000	gallons @ \$ 5.93 – per 1,000 gallons.
All Over	40,000	gallons @ \$ 5.69 – per 1,000 gallons.

Meter size 1":

First	10,000	gallons @ \$99.90 - Minimum Bill.
Next	10,000	gallons @ \$ 6.37 – per 1,000 gallons.
Next	20,000	gallons @ \$ 5.93 – per 1,000 gallons.
All Over	40,000	gallons @ \$ 5.69 – per 1,000 gallons.

Meter size 1 ½":

First	20,000	gallons @ \$166.27 - Minimum Bill.
Next	20,000	gallons @ \$ 5.93 – per 1,000 gallons.
All Over	40,000	gallons @ \$ 5.69 – per 1,000 gallons.

Meter size 2":

First	40,000	gallons @ \$284.87 - Minimum Bill.
All Over	40,000	gallons @ \$ 5.69 – per 1,000 gallons.

Meter size 3":

First	100,000	gallons @ \$626.27 - Minimum Bill.
All Over	100,000	gallons @ \$ 5.69 – per 1,000 gallons.

Meter size 4”:

First 200,000 gallons @ \$1,195.27 - Minimum Bill.
All Over 200,000 gallons @ \$ 5.69 – per 1,000 gallons.

Overland Development – Same as above

Cannonsburg Water District – Bulk Rate @ \$5.69 per 1,000 gallons.

33. Water Purchase Contract:

The District will submit all Water Purchase Contracts for approval by Rural Development before advertising for construction bids. If the contract is not on Form RD 442-30, "Water Purchase Contract," the contract will require approval by our Regional Attorney. The contract must meet the requirements of subsection 1780.62 of RUS Instruction 1780.

34. Vulnerability Assessment/Emergency Response Plan (VA/ERP):

The Agency requires all financed water and wastewater systems to have a VA/ERP in place. Borrowers with existing systems must provide a certification that a VA/ERP has been completed prior to advertising for bids. The documents are not submitted to the Agency for VA/ERP requirements throughout the life of the loan.

35. Floodplain Construction:

The District will be required to pass and adopt a Resolution or amend its By-Laws whereby the District will deny any water service to any future customer wishing to build on or develop property located within a designated floodplain.

If a customer or developer requests service for construction in a designated floodplain, the customer or developer must provide evidence and a justification for approval by the District and Rural Development officials that there are no other alternatives to construction or development within the designated floodplain. The community must be a participant in the National Flood Insurance Program (NFIP) and the customer or developer must obtain the required permits prior to the tap on restrictions being waived.

36. Mitigation Measures:

- A. The project shall be in compliance with all requirements noted in the Governor's Office for Local Development letter dated May 10, 2018, from Ms. Lee Nalley.
- B. The design and construction shall be in compliance with the requirements of the U.S. Fish and Wildlife Service by letter dated October 29, 2018, and signed by Virgil Lee Andrews, Jr., Field Supervisor.
- C. The line design and construction shall be accomplished in a way that will leave flood plains and farmland without effect after construction is complete. The Army Corps of Engineers Nationwide Permit No. 12 applies to all floodplain and wetland utility line construction.

- D. Any excavation by Contractor that uncovers a historical or archaeological artifact shall be immediately reported to Owner and a representative of Agency. Construction shall be temporarily halted until RD can consult with the State Historical Preservation Officer and issue further directions.
- E. The design and construction shall be in compliance with all local, state and federal environmental statutes, regulations and executive orders applicable to the project.
- F. Best Management Practices shall be incorporated into the project design, construction, and maintenance.
- G. Since all corridor construction will occur in the existing highway right-of-way, if a stream is encountered it will necessarily be directional bored. Notify the RD if any relocation of the line is anticipated for stream crossings.
- H. All requirements stated in the USFWS letter dated October 29, 2018 shall be made a part of the project design, construction and maintenance.

37. System for Award Management:

You will be required to maintain a Dun and Bradstreet Data Universal Numbering System (DUNS) number and maintain an active registration in the System for Award Management (SAM) database. Renewal can be done on-line at: <http://sam.gov>.

This registration must be renewed and revalidated every twelve (12) months for as long as there are Agency funds to be expended.

To ensure the information is current, accurate and complete, and to prevent the SAM account expiration, the review and updates must be performed within 365 days of the activation date, commonly referred to as the expiration date. The registration process may take up to 10 business days. (See 2 CFR Part 25 and the "Help" section at <http://sam.gov>).

38. Prepayment and Extra Payments:

Prepayments of scheduled installments, or any portion thereof, may be made at any time at the option of borrower, with no penalty.

Security instruments, including bonding documents, must contain the following language regarding extra payments, unless prohibited by State statute:

Prepayments of scheduled installments, or any portion thereof, may be made at any time at the option of the borrower. Refunds, extra payments and loan proceeds obtained from outside sources for the purpose of paying down the Agency debt, shall, after payment of interest, be applied to the installments last to become due under this note and shall not affect the obligation of borrower to pay the remaining installments as scheduled in your security instruments.

39. Security/Operational Inspections:

The Agency will inspect the facility and conduct a review of your operations and records management system and conflict of interest policy every three years for the life of the loan. You must participate in these inspections and provide the required information.

40. American Iron & Steel:

Section 746 of Title VII of the Consolidated Appropriations Act of 2017 (Division A - Agriculture, Rural Development, Food and Drug Administration, and Related Agencies Appropriations Act, 2017) applies a new American Iron and Steel requirement:

- (1) No Federal funds made available for this fiscal year for the rural water, waste water, waste disposal, and solid waste management programs authorized by the Consolidated Farm and Rural Development Act (7 U.S.C. 1926 et seq.) shall be used for a project for the construction, alteration, maintenance, or repair of a public water or wastewater system unless all of the iron and steel products used in the project are produced in the United States.
- (2) The term "iron and steel products" means the following products made primarily of iron or steel: lined or unlined pipes and fittings, manhole covers and other municipal castings, hydrants, tanks, flanges, pipe clamps and restraints, valves, structural steel, reinforced precast concrete, and construction materials.
- (3) The requirement shall not apply in any case or category of cases in which the Secretary of Agriculture (in this section referred to as the "Secretary") or the designee of the Secretary finds that— a. applying the requirement would be inconsistent with the public interest; b. iron and steel products are not produced in the United States in sufficient and reasonably available quantities or of a satisfactory quality; or c. inclusion of iron and steel products produced in the United States will increase the cost of the overall project by more than 25 percent.

41. Final Approval Conditions:

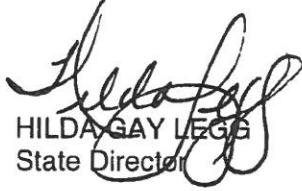
Final approval of this assistance will depend on your willingness, with the assistance of all your co-workers, to meet the conditions of this letter in an orderly and systematic manner. Then too, final approval will depend on funds being available.

Big Sandy Water District

16

If you desire to proceed with your application, the Area Director will allot a reasonable portion of time to provide guidance in application processing.

Sincerely,



HILDA GAY LEGG
State Director

Enclosures

cc: Area Director – Morehead, Kentucky
FIVCO ADD – Grayson, Kentucky
Roger Hall – Ashland, Kentucky
Randy Jones – Louisville, Kentucky
Sisler Maggard Engineering – Lexington, Kentucky
PSC - ATTN: Talina Mathews - Frankfort, Kentucky

BIG SANDY WATER DISTRICT

**Response to Commission Staff's Request for Information Dated May 3, 2019
Case No. 2019-00041**

Question No. 3

Responding Witnesses: James Blanton, Sherman McDaniels

Q-3. Provide a list of the top three obstacles the water utility believes are preventing or slowing the progress of the water utility in reducing line loss.

A-3. The three most significant obstacles preventing Big Sandy Water District from reducing its water loss are (1) aging infrastructure; (2) lack of valves within the distribution system to enable the isolation of leaks; and (3) lack of training in the most current leak detection techniques.

BIG SANDY WATER DISTRICT

**Response to Commission Staff's Request for Information Dated May 3, 2019
Case No. 2019-00041**

Question No. 4

Responding Witness: Teresa Brown

Q-4. Provide the water utility's most recent monthly water loss report.

A-4. Big Sandy Water District's water loss report for March 2019 is attached to this Response.

PUBLIC SERVICE COMMISSION

Monthly Water Loss Report

Water Utility:

For the Month of: Year:

LINE #	ITEM	GALLONS (Omit 000's)	
1	WATER PRODUCED, PURCHASED & DISTRIBUTED		
2	Water Produced		
3	Water Purchased	33,639,800	
4	TOTAL PRODUCED AND PURCHASED		
5			
6	WATER SALES		
7	Residential	14,492,900	
8	Commercial	311,200	
9	Industrial	2,769,600	
10	Bulk Loading Stations		
11	Wholesale		
12	Other Sales <u>schools, churches, fire departments</u>	325,300	
13	TOTAL WATER SALES	17,899,000	53.2%
14			
15	OTHER WATER USED		
16	Utility and/or Water Treatment Plant		
17	Wastewater Plant		
18	System Flushing	35,550	
19	Fire Department	8,500	
20	Other <u>Meter Testing</u>	50,000	
21	TOTAL OTHER WATER USED	94,050	0.3%
22			
23	WATER LOSS		
24	Tank Overflows		
25	Line Breaks	1,645,000	
26	Line Leaks	14,001,750	
27	Other _____		
28	TOTAL LINE LOSS	15,646,750	46.5%
29			
30	Note: Line 13 + Line 21 + Line 28 Must Equal Line 4		
31			
32	WATER LOSS PERCENTAGE		
33	Unaccounted-For Water (Line 28 divided by Line 4)		46.5%

BIG SANDY WATER LOSS REPORT						
FOR MARCH 2019						
	# OF CUSTOMERS	DOLLAR AMOUNT	LAST MONTH	LAST YEAR		
OKENOVA	1143	\$26,686.26	\$31,723.28	\$36,032.52		
RATTLESNAKE	103	\$1,516.92	\$1,561.23	\$2,277.10		
ASHLAND	1259	\$19,000.44	\$19,953.09	\$20,456.79		
CANNONSBURG	641	\$18,204.21	\$18,417.26	\$19,958.95		
TOTAL	3146	\$65,407.83	\$71,654.86	\$78,725.36		
A. Water Purchased		23,656,900	26,127,000	28,583,100		
Sold		12,700,300	13,054,300	15,934,500		
B. Difference - Loss	\$30,087.39	10,956,600	13,072,700	12,648,600		
% Difference		47%	50%	45%		
Water Sales (Dead Meters)		1,305,000	1,797,300	1,200,400		
Breaks		35,550	28,515	7,500		
Hydrant Flushing						
Storage Tank Overflow						
Pump House Use						
Fire Department Use Fire Estimates		3,500	12,000	9,400		
Other Meter Testing		50,000		54,010		
C. Total Gallons Accounted For Loss		1,394,050	1,837,815	1,271,300		
Unaccounted For		9,562,550	11,234,885	11,377,300		
(B - C)						
% Loss Unaccounted for		40%	43%	40%		
= B - C						
A						
Gallons / Day Loss		308,469	401,245	367,010		
Gallons Loss (G.P.M.)		214	278	255		

BIG SANDY WATER LOSS REPORT			
FOR MARCH 2019			
	# OF CUSTOMERS	DOLLAR AMOUNT	LAST MONTH YEAR
Louisa Water District	1580	\$30,478.82	\$24,088.63 \$28,145.27
A. Water Purchased		9,960,400	7,872,100 9,197,800
Sold		5,198,700	4,637,400 5,245,300
B. Difference - Loss	\$14,570.80	4,761,700	3,234,700 3,952,500
% Difference		48%	41% 44%
Water Sales			
Breaks		340,000	335,200 809,600
Hydrant Flushing			14,500 14,000
Storage Tank Overflow			
Pump House Use			
Fire Department Use Fire Estimates		5,000	1,400 3,700
Other			52,720
C. Total Gallons Accounted For Loss		345,000	351,100 880,020
Unaccounted For		4,416,700	2,883,600 3,072,480
(B - C)			
% Loss Unaccounted for		44%	37% 34%
= B - C			
A			
Gallons / Day Loss		142,474	102,985 99,112
Gallons Loss (G.P.M.)		99	72 69

BIG SANDY WATER DISTRICT

**Response to Commission Staff's Request for Information Dated May 3, 2019
Case No. 2019-00041**

Question No. 5

Responding Witness: Teresa Brown

Q-5. Provide the name and occupation, if any, of each of the water utility's current commissioners including the highest level of education attained by each.

A-5. See table below.

Commissioner	Position	Occupation	Education
Paul Thomas	Chairman	Retired	College (1 yr.)
William Hardin	Vice-Chairman	Retired	College (33 hours)
James Salisbury	Secretary	Retired	Master of Arts
Charles Shockey	Treasurer	Retired	12th Grade
Larry Schockey	Asst. Secretary/Asst. Treasurer	Retired	12th Grade

BIG SANDY WATER DISTRICT

**Response to Commission Staff's Request for Information Dated May 3, 2019
Case No. 2019-00041**

Question No. 6

Responding Witnesses: Teresa Brown, James Blanton

Q-6. Provide the following training information:

- a. State whether the water utility allocates funds in its annual operating budget to provide training to its water personnel.**
- b. If so, state the amount allocated in the last three calendar years.**
- c. Identify any training programs, free of charge or otherwise, that water personnel have taken and individuals, agencies, or suppliers providing the training program.**

- A-6. a. Big Sandy Water District does not specifically allocate funds in its annual budget for water personnel training.
- b. Big Sandy Water District does not specifically allocated funds in its annual budget for water personnel training. A review of Big Sandy Water District's records indicates that the following amounts were expended on training for its personnel for the following years:

Year	Amount
2016	\$1,933.69
2017	\$1,806.96
2018	\$2,224.04

- c. Big Sandy Water District employees and commissioners have attended the following training programs:

Program	Sponsor
KRWA Annual Conference	Kentucky Rural Water Association
PSC Water Training	Public Service Commission
Various Technical Programs	City of Ashland

BIG SANDY WATER DISTRICT

**Response to Commission Staff's Request for Information Dated May 3, 2019
Case No. 2019-00041**

Question No. 7

Responding Witnesses: Joseph F. Sisler, Teresa Brown, Bobbi Burton

Q-7. Provide the following system information in a formatted and tabulated Excel spreadsheet for each applicable asset:

- a. For transmission and distribution lines, provide the diameter size, length in miles, type of material, and average age of the lines. When PVC is used, provide the specific type of PVC used.**
- b. For service connection lines, provide the service connection size, number, type of material, and average age of the lines. When PVC is used, provide the specific type of PVC used.**
- c. For customer meters, provide the customer meter size, number, manufacturer/model, and the average age of the customer meters.**

- A-7.
- a. Big Sandy Water District is unable to provide the requested information at this time but will provide the information in a supplemental response prior to the scheduled hearing in this proceeding.
 - b. Big Sandy Water District is unable to provide the requested information at this time but will provide the information in a supplemental response prior to the scheduled hearing in this proceeding.
 - c. The computer software that Big Sandy Water District uses to maintain its meter records will not allow for the requested summary. Attached to this Response is a listing of Big Sandy Water District's complete meter inventory. Big Sandy Water District cannot attest to the accuracy of this inventory. It is currently reviewing its meter records in an effort to verify its meter inventory and improve the accuracy of its meter inventory records. As these efforts proceed, it will supplement its Response.

Meter #	Size	Service	Meter	Purchase	Warranty	Last	# Of	# Of	Units of	Tamper
Internal Id #	Manufacturer	Type	Constant	Date	Date	Tested	Test Cycle	Fixed	Measure	Status
								0's		Visually
		Rating					Dials			Readable
12035354	Hersey	WT 20	0.0000	09/15/13		02/10/17	10	0	Gallons	
13291983	Hersey	WT 20	0.0000	09/01/14		02/10/17	10	0	Gallons	
13291986	Hersey	WT 20	0.0000	09/01/14		02/10/17	10	0	Gallons	
13407237	Hersey	WT 20	0.0000	04/15/04		02/16/17	10	0	Gallons	
14169246	ABB	WT 20	0.0000	09/01/14		01/10/17	10	0	Gallons	
20050141	Hersey	WT 2000	0.0000	04/08/05	4/8/2005	04/08/05	1	0	Gallons	
20204078	ULTRA MAG	WT 20	0.0000	12/01/95		02/28/17	10	0	Gallons	
22872321	Rockwell	WT 20	0.0000	04/01/73		02/27/17	10	0	Gallons	
22913499	Rockwell	WT 20	0.0000	04/01/78		02/27/17	10	0	Gallons	
22913929	Rockwell	WT 20	0.0000	06/01/73		02/28/17	10	0	Gallons	
23400357	Rockwell	WT 20	0.0000	12/01/95		02/28/17	10	0	Gallons	
23400422	Rockwell	WT 20	0.0000	06/01/74		01/13/17	10	0	Gallons	
23811488	Rockwell	WT 20	0.0000	04/01/74		02/28/17	10	0	Gallons	
24147470	Rockwell	WT 20	0.0000	12/01/95		02/28/17	10	0	Gallons	
24831745	Rockwell	WT 20	0.0000	04/01/76		02/28/17	10	0	Gallons	
24831746	Rockwell	WT 20	0.0000	06/01/95		01/10/17	10	0	Gallons	
24831747	Rockwell	WT 20	0.0000	06/01/76		11/01/92	10	0	Gallons	
24976318	Rockwell	WT 20	0.0000	06/01/76		02/28/17	10	0	Gallons	
24976320	Rockwell	WT 20	0.0000	06/01/76		02/28/17	10	0	Gallons	
25210465	Rockwell	WT 20	0.0000	04/01/78		01/10/17	10	0	Gallons	
25829494	Sensus	WT 20	0.0000	04/01/77		02/28/17	10	0	Gallons	
25829495	Rockwell	WT 20	0.0000	09/05/08		02/28/17	10	0	Gallons	
25879330	Neptune	WT 20	0.0000	04/01/77		02/28/17	10	0	Gallons	

Meter #	Size	Service	Meter	Purchase	Warranty	Last	# Of	# Of	Units of	Tamper	
Internal Id #	Manufacturer	Type	Constant	Date	Date	Tested	Test Cycle	Fixed	Measure	Status	
								0's		Visually	
										Readable	
26250498	Rockwell	WT	20	0.0000	06/01/77	02/28/17	10	0	0	Gallons	
27189249	Rockwell	WT	20	0.0000	06/01/78	02/27/17	10	0	0	Gallons	
27189251	Rockwell	WT	20	0.0000	11/01/78	01/13/17	10	0	0	Gallons	
27519590	Rockwell	WT	20	0.0000	06/01/78	01/13/17	10	0	0	Gallons	
27519591	Rockwell	WT	20	0.0000		01/11/17	10	0	0	Gallons	
27835497	Rockwell	WT	20	0.0000	04/01/78	02/27/17	10	0	0	Gallons	
27835498	Rockwell	WT	20	0.0000	06/01/78	02/27/17	10	0	0	Gallons	
28258397	Rockwell	WT	20	0.0000	11/01/97	02/28/17	10	0	0	Gallons	
28817473	ROCKWELL	WT	20	0.0000	08/07/95	08/07/95	10	0	0	Gallons	
28817474	NEPTUNE RADIO	WT	20	0.0000	08/07/95	05/26/17	10	5	0	Gallons	
1471472660	NEPTUNE RADIO	WT	20	0.0000		02/08/13	10	0	0	Gallons	
28838272	Neptune	WT	20	0.0000		04/18/16	10	5	0	Gallons	
28989546	NEPTUNE	WT	20	0.0000		06/09/11	10	5	0	Gallons	
1471512536	NEPTUNE	WT	20	0.0000		03/13/06	10	5	0	Gallons	
29295088	Neptune	WT	20	0.0000		04/07/04	10	5	0	Gallons	
1490168149	NEPTUNE	WT	20	0.0000			10	5	0	Gallons	
29295090	NEPTUNE RADIO	WT	20	0.0000							
1490154724	NEPTUNE RADIO	WT	20	0.0000							
29321343	NEPTUNE RADIO	WT	20	0.0000							
1471510054	NEPTUNE RADIO	WT	20	0.0000							
29434166	NEPTUNE	WT	20	0.0000							
1490168144	NEPTUNE	WT	20	0.0000							
29458510	NEPTUNE	WT	20	0.0000							
29667031	NEPTUNE	WT	20	0.0000							
1547955802	NEPTUNE	WT	20	0.0000							
29667032	NEPTUNE	WT	20	0.0000							
1487399720	Neptune	WT	20	0.0000							
29715833	Neptune	WT	20	0.0000							
1485333328	NEPTUNE	WT	20	0.0000							
29793381	NEPTUNE	WT	20	0.0000							
1551689440	NEPTUNE	WT	20	0.0000							
29889269	NEPTUNE	WT	20	0.0000							
1490144994	NEPTUNE	WT	20	0.0000							
29907670	NEPTUNE	WT	20	0.0000							

Meter #	Size	Service	Meter	Purchase	Warranty	Last	# Of	# Of Fixed	Units of	Tamper	Visually
Internal Id #	Manufacturer	Type	Constant	Date	Date	Tested	Test Cycle	0's	Measure	Status	Readable
30075997	NEPTUNE	WT	0.0000			10/17/08	10	5	0	Gallons	
1490147752	NEPTUNE	WT	0.0000			09/16/09	10	0	0	Gallons	
30127063	NEPTUNE	WT	0.0000								
30174714	NEPTUNE	WT	0.0000	10/21/92	10/21/1992	10/27/03	10	5	0	Gallons	
1471526932	NEPTUNE	WT	0.0000	10/21/92	10/21/1992	06/03/09	10	0	0	Gallons	
30174796	NEPTUNE	WT	0.0000			10/05/15	10	5	0	Gallons	
30235194	NEPTUNE	WT	0.0000								
1545275054	NEPTUNE	WT	0.0000	06/02/92	6/2/1992	10/28/03	10	0	0	Gallons	
30280172	NEPTUNE	WT	0.0000	04/07/92	4/7/1992	07/24/13	10	5	0	Gallons	
30507007	Neptune	WT	0.0000								
1486727224	Neptune	WT	0.0000			03/26/08	10	0	0	Gallons	
30511584	Neptune	WT	0.0000	06/02/92	6/2/1992	04/17/00	10	0	0	Gallons	
30511622	Neptune	WT	0.0000								
30982793	NEPTUNE	WT	0.0000			01/21/05	10	5	0	Gallons	
1471522264	NEPTUNE	WT	0.0000			11/14/14	10	5	0	Gallons	
31191060	NEPTUNE	WT	0.0000								
1487764522	NEPTUNE	WT	0.0000	10/21/92	10/21/1992	10/16/13	10	5	0	Gallons	
31193073	Neptune	WT	0.0000			06/11/09	1	5	0	Gallons	
1481554376	Neptune	WT	0.0000			09/08/08	10	5	0	Gallons	
31286772	Neptune	WT	0.0000								
1490177502	NEPTUNE	WT	0.0000								
31286775	NEPTUNE	WT	0.0000	08/07/95	8/7/1995	10/25/02	10	0	0	Gallons	
1490194514	NEPTUNE	WT	0.0000								
31328382	NEPTUNE	WT	0.0000								
31328437	NEPTUNE	WT	0.0000	08/07/95	8/7/1995	04/30/04	10	0	0	Gallons	
31652071	NEPTUNE	WT	0.0000								
1481259348	Neptune	WT	0.0000	03/04/09	3/4/2009	03/03/09	10	6	0	Gallons	
31773067	NEPTUNE	WT	0.0000			02/24/04	10	5	0	Gallons	
1490146666	NEPTUNE	WT	0.0000								
31933589	NEPTUNE	WT	0.0000	05/20/92	5/20/1992	05/15/90	4	6	0	Gallons	
1490174002	NEPTUNE	WT	0.0000	08/01/98	8/1/1998	08/21/08	10	5	0	Gallons	
32316392	Neptune Proread	WT	0.0000								
1490163220	NEPTUNE	WT	0.0000	04/07/92	4/7/1992	10/27/03	10	5	0	Gallons	
32402393	NEPTUNE	WT	0.0000			06/13/18	10	5	0	Gallons	
1547966648	NEPTUNE	WT	0.0000								
32403722	NEPTUNE	WT	0.0000								
1490145758	NEPTUNE	WT	0.0000			05/27/09	10	5	0	Gallons	
32519194	Neptune	WT	0.0000								
1487417404	NEPTUNE	WT	0.0000			03/13/07	10	5	0	Gallons	
32519316	NEPTUNE	WT	0.0000								
1490184760	NEPTUNE	WT	0.0000								

Meter #	Size	Service	Meter	Purchase	Warranty	Last	# Of	# Of	Units of	Tamper
Internal Id #	Manufacturer	Type	Constant	Date	Date	Tested	Test Cycle	Fixed	Measure	Status
							Dials	0's		Visually
										Readable
32528947	NEPTUNE	WT	0.0000	08/07/95	8/7/1995	06/05/09	10	0	0	0
32789132	NEPTUNE	WT	0.0000	10/29/91	10/29/1991	05/25/10	10	0	0	0
32873695	NEPTUNE	WT	0.0000				10	0	0	0
32893246	NEPTUNE	WT	0.0000	08/07/95	8/7/1995	04/07/17	10	5	0	0
1490148374	NEPTUNE	WT	0.0000				10	5	0	0
32893265	NEPTUNE	WT	0.0000				10	5	0	0
1490187300	NEPTUNE	WT	0.0000	08/07/95	8/7/1995	12/09/15	10	5	0	0
32893678	NEPTUNE	WT	0.0000	08/07/95	8/7/1995	11/10/08	10	5	0	0
1543619650	NEPTUNE	WT	0.0000	08/07/95	8/7/1995	05/27/04	10	0	0	0
32893695	NEPTUNE	WT	0.0000	08/10/95	8/10/1995	02/20/04	10	5	0	0
1490091318	NEPTUNE	WT	0.0000				10	5	0	0
32893963	NEPTUNE	WT	0.0000				10	5	0	0
32893965	NEPTUNE RADIO	WT	0.0000				10	5	0	0
1471513524	NEPTUNE	WT	0.0000	08/07/95	8/7/1995	10/13/08	10	5	0	0
32969761	NEPTUNE	WT	0.0000	08/07/95	8/7/1995	10/21/14	10	5	0	0
1490187117	NEPTUNE	WT	0.0000				10	5	0	0
33110382	NEPTUNE	WT	0.0000				10	5	0	0
1471512540	NEPTUNE	WT	0.0000				10	5	0	0
33110403	Neptune Proread	WT	0.0000				10	5	0	0
1487945320	Neptune	WT	0.0000				10	5	0	0
33110425	Neptune	WT	0.0000				10	5	0	0
1486679588	NEPTUNE	WT	0.0000				10	5	0	0
33110469	NEPTUNE	WT	0.0000				10	5	0	0
33111189	NEPTUNE	WT	0.0000	08/07/95	8/7/1995	02/07/06	10	5	0	0
1490155054	NEPTUNE	WT	0.0000				10	5	0	0
33111195	NEPTUNE	WT	0.0000				10	5	0	0
1490144154	NEPTUNE	WT	0.0000				10	5	0	0
33111222	NEPTUNE	WT	0.0000				10	5	0	0
1481601390	NEPTUNE	WT	0.0000	08/07/95	8/7/1995	10/26/15	10	5	0	0
33200144	NEPTUNE	WT	0.0000	08/07/95	8/7/1995	06/01/09	10	5	0	0
1490154750	NEPTUNE	WT	0.0000	08/07/95	8/7/1995	07/12/11	10	5	0	0
33200186	NEPTUNE	WT	0.0000	08/07/95	8/7/1995	03/01/05	10	5	0	0
1481257524	NEPTUNE	WT	0.0000				10	5	0	0
33200188	NEPTUNE	WT	0.0000				10	5	0	0
1483715346	NEPTUNE	WT	0.0000				10	5	0	0
33200190	NEPTUNE	WT	0.0000				10	5	0	0
1486136568	Neptune	WT	0.0000				10	5	0	0
33202738	Neptune	WT	0.0000				10	5	0	0
1490148000	Neptune	WT	0.0000				10	5	0	0
33286484	NEPTUNE	WT	0.0000	06/19/96	6/19/1996	11/19/08	10	0	0	0

Meter #	Size	Service	Meter	Purchase	Warranty	Last	# Of	# Of	Units of	Tamper	
Internal Id #	Manufacturer	Type	Constant	Date	Date	Tested	Diags	Fixed	Measure	Status	
								0's		Visually	
		Rating				Test Cycle				Readable	
33336363	NEPTUNE	WT	0.0000			07/04/16	10	5	0	Gallons	
1490155064	NEPTUNE	WT	0.0000	08/07/95	8/7/1995	09/06/01	10	5	0	Gallons	
33336378	NEPTUNE	WT	0.0000	05/21/85	5/21/1985	04/12/04	10	0	0	Gallons	
1490189618	NEPTUNE	WT	0.0000	05/10/85	5/10/1985	11/16/11	10	0	0	Gallons	
33383549	NEPTUNE	WT	0.0000	08/30/85	8/30/1985	05/10/95	10	0	0	Gallons	
33383563	NEPTUNE	WT	0.0000	08/07/95	8/7/1995	01/14/08	10	0	0	Gallons	
33439663	NEPTUNE	WT	0.0000			11/09/15	10	0	0	Gallons	
33457527	NEPTUNE	WT	0.0000	04/21/85	4/21/1985	11/17/11	10	0	0	Gallons	
33460835	NEPTUNE	WT	0.0000	08/07/95	8/7/1995	11/25/13	10	0	0	Gallons	
33558915	NEPTUNE	WT	0.0000	08/07/95	8/7/1995	11/20/08	10	0	0	Gallons	
33558964	NEPTUNE	WT	0.0000	08/07/95	8/7/1995	11/20/08	10	0	0	Gallons	
33598090	Neptune	WT	0.0000	08/07/95	8/7/1995	02/03/11	10	5	0	Gallons	
1477536408	Neptune	WT	0.0000	08/07/95	8/7/1995	05/27/08	10	5	0	Gallons	
33603388	Neptune	WT	0.0000	08/07/95	8/7/1995	04/05/06	10	5	0	Gallons	
1490144232	NEPTUNE	WT	0.0000	08/07/95	8/7/1995	07/24/13	10	0	0	Gallons	
33603448	ROCKWELL	WT	0.0000			01/14/05	10	5	0	Gallons	
1490174134	NEPTUNE	WT	0.0000								
33850542	NEPTUNE	WT	0.0000								
33912955	NEPTUNE	WT	0.0000								
1477215630	NEPTUNE	WT	0.0000								
33913258	Neptune	WT	0.0000	08/07/95	8/7/1995		10	0	0	Gallons	
33913259	Neptune	WT	0.0000	08/07/95	8/7/1995	06/23/15	10	5	0	Gallons	
1487150592	Neptune	WT	0.0000			04/10/17	10	5	0	Gallons	
33913595	Neptune	WT	0.0000	01/01/93	1/1/1993	05/23/08	10	5	0	Gallons	
1545529948	Neptune	WT	0.0000	10/30/89	10/30/1989	04/21/16	10	5	0	Gallons	
33914180	Neptune	WT	0.0000	09/22/90	9/22/1990	11/14/14	10	5	0	Gallons	
1550426360	NEPTUNE RADIO	WT	0.0000	10/20/89	10/20/1989	10/01/13	10	0	0	Gallons	
33914181	Neptune Radio	WT	0.0000			08/28/12	10	5	0	Gallons	
1410249798	Neptune	WT	0.0000								
33914182	Neptune	WT	0.0000								
1487747338	Neptune	WT	0.0000								
33914183	Neptune	WT	0.0000								
33914184	Neptune	WT	0.0000								
14771630962	Neptune	WT	0.0000								

Meter #	Size	Service	Meter	Purchase	Warranty	Last	# Of	# Of Fixed	Units of	Tamper
Internal Id #	Manufacturer	Type	Constant	Date	Date	Tested	Test Cycle	0's	Measure	Status
							Dials			Visually
										Readable
33914185	Neptune	WT	0.0000	10/20/89	10/20/1989	08/29/12	10	5	0	Gallons
1486137244	Neptune	WT	0.0000	10/24/89	10/24/1989	10/30/12	10	5	0	Gallons
33914186	Neptune	WT	0.0000	10/25/89	10/25/1989	11/25/03	10	5	0	Gallons
1486459128	NEPTUNE RADIO	WT	0.0000	11/01/89	11/11/1989	07/31/13	10	5	0	Gallons
33914187	Neptune	WT	0.0000	04/15/88	4/15/1988	07/07/15	10	5	0	Gallons
1477119720	NEPTUNE RADIO	WT	0.0000	12/24/89	12/24/1989	10/19/04	10	5	0	Gallons
33914188	NEPTUNE RADIO	WT	0.0000	12/23/89	12/23/1989	01/27/04	10	5	0	Gallons
1486137524	NEPTUNE	WT	0.0000	12/24/89	12/24/1989	07/13/12	10	5	0	Gallons
33914189	NEPTUNE	WT	0.0000	12/27/89	12/27/1989	08/12/10	10	5	0	Gallons
1487940768	NEPTUNE	WT	0.0000	12/24/89	12/24/1989	02/22/18	10	5	0	Gallons
33914190	NEPTUNE	WT	0.0000	12/28/89	12/28/1989	10/28/08	10	5	0	Gallons
1471510056	NEPTUNE	WT	0.0000	08/29/12			10	5	0	Gallons
33914191	NEPTUNE	WT	0.0000	12/29/89	12/29/1989	04/11/06	10	5	0	Gallons
1490175398	NEPTUNE	WT	0.0000	12/24/89	12/24/1989	10/12/12	10	5	0	Gallons
33914192	NEPTUNE	WT	0.0000	10/31/89	10/31/1989	06/24/05	10	5	0	Gallons
1485326076	NEPTUNE	WT	0.0000	12/24/89	12/24/1989	09/03/08	10	5	0	Gallons
33914193	NEPTUNE	WT	0.0000	12/17/89	12/17/1989	10/23/08	10	5	0	Gallons
1486825224	NEPTUNE	WT	0.0000	11/01/89	11/11/1989	10/21/14	10	5	0	Gallons
33914194	NEPTUNE	WT	0.0000	10/30/89	10/30/1989	05/03/11	10	5	0	Gallons
1546647922	NEPTUNE	WT	0.0000	10/03/89	10/31/989	04/08/19	10	5	0	Gallons
33914195	NEPTUNE	WT	0.0000	12/01/89	12/11/1989	05/21/08	10	5	0	Gallons
1490173930	NEPTUNE	WT	0.0000	11/14/89	11/14/1989	08/28/12	10	5	0	Gallons
33914196	NEPTUNE	WT	0.0000	11/14/89	11/14/1989	02/18/15	10	5	0	Gallons
1490155522	NEPTUNE	WT	0.0000							
33914197	NEPTUNE	WT	0.0000							
1490156097	NEPTUNE	WT	0.0000							
33914199	NEPTUNE	WT	0.0000							
1490175746	NEPTUNE	WT	0.0000							
33914220	NEPTUNE	WT	0.0000							
1490145066	NEPTUNE	WT	0.0000							
33914221	NEPTUNE	WT	0.0000							
1490145380	NEPTUNE	WT	0.0000							
33914222	NEPTUNE	WT	0.0000							
1490168092	NEPTUNE	WT	0.0000							
33914224	ROCKWELL	WT	0.0000							
1490177504	NEPTUNE	WT	0.0000							
33914225	NEPTUNE	WT	0.0000							
1483974962	NEPTUNE	WT	0.0000							
33914226	NEPTUNE	WT	0.0000							
1562509092	NEPTUNE	WT	0.0000							
33914227	NEPTUNE	WT	0.0000							
1490146357	NEPTUNE	WT	0.0000							
33914228	NEPTUNE	WT	0.0000							
1471642992	NEPTUNE	WT	0.0000							
33914229	NEPTUNE	WT	0.0000							
1487964796	NEPTUNE	WT	0.0000							

Meter #	Size	Service	Meter	Purchase	Warranty	Last	# Of	# Of Fixed	Units of	Tamper	Visually
Internal Id #	Manufacturer	Type	Constant	Date	Date	Tested	Diags	0's	Measure	Status	Readable
33914232	Neptune	WT	0.0000	11/01/89	11/1/1989	09/12/12	10	5	0	Gallons	
1486135380	Neptune	WT	0.0000	11/01/89	11/1/1989	12/02/09	10	5	0	Gallons	
33914233	Neptune	WT	0.0000	11/01/89	11/1/1989	01/11/08	10	5	0	Gallons	
1487739674	Neptune	WT	0.0000	10/16/89	10/16/1989	11/18/08	10	5	0	Gallons	
33914234	Neptune	WT	0.0000	11/01/89	11/1/1989	04/21/16	10	5	0	Gallons	
1490168994	Neptune	WT	0.0000	11/01/89	11/1/1989	07/21/09	10	5	0	Gallons	
33914235	Neptune	WT	0.0000	08/07/95	8/7/1995	08/05/11	10	5	0	Gallons	
1490145798	Neptune	WT	0.0000	02/15/90	2/15/1990	10/01/15	10	5	0	Gallons	
33914236	Neptune	WT	0.0000	04/17/91	4/17/1991	08/20/07	10	0	0	Gallons	
1542527332	Neptune	WT	0.0000	07/03/96	7/3/1996	09/04/07	10	0	0	Gallons	
33914238	NEPTUNE	WT	0.0000	04/11/90	4/11/1990	11/02/18	10	5	0	Gallons	
1490149210	NEPTUNE	WT	0.0000	05/07/90	5/7/1990	06/13/18	10	5	0	Gallons	
34080833	Neptune	WT	0.0000	04/30/90	4/30/1990	04/12/19	10	5	0	Gallons	
1490177521	Neptune	WT	0.0000	05/22/90	5/22/1990	11/03/14	10	5	0	Gallons	
34230120	NEPTUNE	WT	0.0000	02/07/90	2/7/1990	01/23/08	10	5	0	Gallons	
1490177606	NEPTUNE	WT	0.0000	02/08/90	2/8/1990	08/08/05	10	5	0	Gallons	
34230182	NEPTUNE	WT	0.0000	02/07/90	2/7/1990	09/28/15	10	5	0	Gallons	
1540774746	NEPTUNE	WT	0.0000	02/07/90	2/7/1990	09/28/15	10	5	0	Gallons	
34230183	NEPTUNE	WT	0.0000	02/07/90	2/7/1990	09/28/15	10	5	0	Gallons	
34230184	NEPTUNE	WT	0.0000	02/07/90	2/7/1990	09/28/15	10	5	0	Gallons	
34230185	NEPTUNE RADIO	WT	0.0000	02/07/90	2/7/1990	09/28/15	10	5	0	Gallons	
1551825906	NEPTUNE RADIO	WT	0.0000	02/07/90	2/7/1990	09/28/15	10	5	0	Gallons	
34230186	NEPTUNE	WT	0.0000	02/07/90	2/7/1990	09/28/15	10	5	0	Gallons	
1483719354	NEPTUNE	WT	0.0000	02/07/90	2/7/1990	09/28/15	10	5	0	Gallons	
34230187	NEPTUNE	WT	0.0000	02/07/90	2/7/1990	09/28/15	10	5	0	Gallons	
1551874278	NEPTUNE	WT	0.0000	02/07/90	2/7/1990	09/28/15	10	5	0	Gallons	
34230188	NEPTUNE RADIO	WT	0.0000	02/07/90	2/7/1990	09/28/15	10	5	0	Gallons	
1487939632	NEPTUNE RADIO	WT	0.0000	02/07/90	2/7/1990	09/28/15	10	5	0	Gallons	
34230189	NEPTUNE	WT	0.0000	02/07/90	2/7/1990	09/28/15	10	5	0	Gallons	
1490142421	NEPTUNE	WT	0.0000	02/07/90	2/7/1990	09/28/15	10	5	0	Gallons	
34230190	NEPTUNE	WT	0.0000	02/07/90	2/7/1990	09/28/15	10	5	0	Gallons	
1490143976	NEPTUNE	WT	0.0000	02/07/90	2/7/1990	09/28/15	10	5	0	Gallons	
34230191	NEPTUNE	WT	0.0000	02/07/90	2/7/1990	09/28/15	10	5	0	Gallons	
1471512798	NEPTUNE	WT	0.0000	02/07/90	2/7/1990	09/28/15	10	5	0	Gallons	
34230226	NEPTUNE	WT	0.0000	02/07/90	2/7/1990	09/28/15	10	5	0	Gallons	
1482383830	NEPTUNE	WT	0.0000	02/07/90	2/7/1990	09/28/15	10	5	0	Gallons	
34230253	NEPTUNE	WT	0.0000	02/07/90	2/7/1990	09/28/15	10	5	0	Gallons	
34230254	NEPTUNE	WT	0.0000	02/07/90	2/7/1990	09/28/15	10	5	0	Gallons	
1490187492	NEPTUNE	WT	0.0000	02/07/90	2/7/1990	09/28/15	10	5	0	Gallons	
34408678	NEPTUNE	WT	0.0000	02/07/90	2/7/1990	09/28/15	10	5	0	Gallons	
34510933	NEPTUNE	WT	0.0000	02/07/90	2/7/1990	09/28/15	10	5	0	Gallons	

Meter #	Size	Service	Meter	Purchase	Warranty	Last	# Of	# Of Fixed	Units of	Tamper	
Internal Id #	Manufacturer	Type	Constant	Date	Date	Tested	Test Cycle	0's	Measure	Status	
		Rating					Dials			Visually	
										Readable	
34510961	NEPTUNE	WT 20	0.0000	08/07/95	8/7/1995	08/07/95	10	0	0	Gallons	
34510966	NEPTUNE	WT 20	0.0000	08/07/95	8/7/1995	08/07/95	10	0	0	Gallons	
34510969	NEPTUNE	WT 20	0.0000	08/07/95	8/7/1995	12/03/08	10	0	0	Gallons	
34510976	NEPTUNE	WT 20	0.0000	08/07/95	8/7/1995	03/10/98	10	0	0	Gallons	
34521200	NEPTUNE	WT 20	0.0000	08/07/95	8/7/1995	02/01/06	10	5	0	Gallons	
1490151166	NEPTUNE	WT 20	0.0000	08/23/90	8/23/1990	02/23/17	10	5	0	Gallons	
34722846	NEPTUNE	WT 20	0.0000	08/23/90	8/23/1990	02/23/17	10	5	0	Gallons	
1471570960	NEPTUNE	WT 20	0.0000	08/23/90	8/23/1990	10/29/10	10	0	0	Gallons	
34722847	NEPTUNE	WT 20	0.0000	08/23/90	8/23/1990	02/10/12	10	5	0	Gallons	
34722848	NEPTUNE	WT 20	0.0000	08/23/90	8/23/1990	12/04/08	10	5	0	Gallons	
1485369726	NEPTUNE	WT 20	0.0000	08/23/90	8/23/1990	09/10/15	10	0	0	Gallons	
34722849	NEPTUNE	WT 20	0.0000	09/30/90	9/30/1990	09/10/15	10	0	0	Gallons	
1490187802	NEPTUNE	WT 20	0.0000	08/23/90	8/23/1990	11/26/08	10	5	0	Gallons	
34722850	NEPTUNE	WT 20	0.0000	08/23/90	8/23/1990	03/04/09	10	5	0	Gallons	
34722851	NEPTUNE	WT 20	0.0000	08/21/90	8/21/1990	07/11/06	10	5	0	Gallons	
1490145640	NEPTUNE	WT 20	0.0000	09/05/90	9/5/1990	11/05/12	10	5	0	Gallons	
34722852	NEPTUNE	WT 20	0.0000	09/19/90	9/19/1990	10/26/15	10	5	0	Gallons	
1490146454	Neptune	WT 20	0.0000	07/01/90	7/1/1990	08/18/05	10	5	0	Gallons	
34722853	Neptune	WT 20	0.0000	09/24/90	9/24/1990	10/30/12	10	5	0	Gallons	
1471534170	NEPTUNE	WT 20	0.0000	07/21/90	7/21/1990	07/10/15	10	5	0	Gallons	
34722854	NEPTUNE	WT 20	0.0000	07/11/90	7/11/1990	10/21/14	10	5	0	Gallons	
1490187974	NEPTUNE	WT 20	0.0000	07/11/90	7/11/1990	03/20/09	10	5	0	Gallons	
34722855	NEPTUNE	WT 20	0.0000	07/26/90	7/26/1990	11/18/14	10	5	0	Gallons	
1471648812	NEPTUNE	WT 20	0.0000	07/11/90	7/11/1990	03/20/09	10	5	0	Gallons	
34722856	NEPTUNE	WT 20	0.0000	07/11/90	7/11/1990	03/20/09	10	5	0	Gallons	
1481546064	NEPTUNE	WT 20	0.0000	07/11/90	7/11/1990	03/20/09	10	5	0	Gallons	
34722857	NEPTUNE	WT 20	0.0000	07/11/90	7/11/1990	03/20/09	10	5	0	Gallons	
1545535804	NEPTUNE	WT 20	0.0000	07/11/90	7/11/1990	03/20/09	10	5	0	Gallons	
34722858	NEPTUNE	WT 20	0.0000	07/11/90	7/11/1990	03/20/09	10	5	0	Gallons	
1471541774	NEPTUNE	WT 20	0.0000	07/11/90	7/11/1990	03/20/09	10	5	0	Gallons	
34722859	NEPTUNE	WT 20	0.0000	07/11/90	7/11/1990	03/20/09	10	5	0	Gallons	
1450116318	NEPTUNE	WT 20	0.0000	07/11/90	7/11/1990	03/20/09	10	5	0	Gallons	
34722860	NEPTUNE	WT 20	0.0000	07/11/90	7/11/1990	03/20/09	10	5	0	Gallons	
1490146700	NEPTUNE	WT 20	0.0000	07/11/90	7/11/1990	03/20/09	10	5	0	Gallons	
34722861	NEPTUNE	WT 20	0.0000	07/11/90	7/11/1990	03/20/09	10	5	0	Gallons	
1481257474	NEPTUNE	WT 20	0.0000	07/11/90	7/11/1990	03/20/09	10	5	0	Gallons	
34722862	NEPTUNE	WT 20	0.0000	07/11/90	7/11/1990	03/20/09	10	5	0	Gallons	
1490186970	NEPTUNE	WT 20	0.0000	07/11/90	7/11/1990	03/20/09	10	5	0	Gallons	
34722863	NEPTUNE	WT 20	0.0000	07/11/90	7/11/1990	03/20/09	10	5	0	Gallons	
1487754476	NEPTUNE	WT 20	0.0000	07/11/90	7/11/1990	03/20/09	10	5	0	Gallons	

Meter #	Size	Service	Meter	Purchase	Warranty	Last	# Of	# Of Fixed	Units of	Tamper	
Internal Id #	Manufacturer	Type	Constant	Date	Date	Tested	Test Cycle	0's	Measure	Status	
		Rating					Dials			Visually	
										Readable	
34722864	NEPTUNE	WT 20	0.0000	07/27/90	7/27/1990	07/06/17	10	5	0	Gallons	
1490184764	NEPTUNE	WT 20	0.0000	07/24/90	7/24/1990	10/06/08	10	5	0	Gallons	
34722865	NEPTUNE	WT 20	0.0000	07/11/90	7/11/1990	09/23/16	10	0	0	Gallons	
1490194523	NEPTUNE	WT 20	0.0000	06/23/90	6/23/1990	11/06/18	10	0	0	Gallons	
34722866	NEPTUNE	WT 20	0.0000	06/25/90	6/25/1990	06/06/18	10	5	0	Gallons	
34722867	NEPTUNE	WT 20	0.0000	06/26/90	6/26/1990	03/13/06	10	5	0	Gallons	
34722868	NEPTUNE	WT 20	0.0000	06/26/90	6/26/1990	04/07/17	10	5	0	Gallons	
1547955710	NEPTUNE	WT 20	0.0000	07/03/90	7/3/1990	11/30/09	10	5	0	Gallons	
34722869	NEPTUNE	WT 20	0.0000	07/01/90	7/1/1990	11/05/12	10	5	0	Gallons	
1490148890	NEPTUNE	WT 20	0.0000	06/19/90	6/19/1990	02/09/12	10	5	0	Gallons	
34722870	NEPTUNE	WT 20	0.0000	03/24/90	3/24/1990	01/30/13	10	0	0	Gallons	
1490156372	NEPTUNE	WT 20	0.0000	07/01/90	7/1/1990	06/25/15	10	5	0	Gallons	
34722871	NEPTUNE	WT 20	0.0000	06/21/90	6/21/1990	07/09/14	10	5	0	Gallons	
1490148536	NEPTUNE	WT 20	0.0000	07/01/90	7/1/1990	04/29/96	10	5	0	Gallons	
34722872	NEPTUNE	WT 20	0.0000	10/09/90	10/9/1990	07/15/11	10	5	0	Gallons	
1490132090	NEPTUNE	WT 20	0.0000	06/15/90	6/15/1990	07/14/10	10	5	0	Gallons	
34722873	NEPTUNE	WT 20	0.0000	06/15/90	6/15/1990	07/14/10	10	5	0	Gallons	
1485359000	NEPTUNE	WT 20	0.0000	07/17/90	7/17/1990	09/12/12	10	5	0	Gallons	
34722874	NEPTUNE	WT 20	0.0000	07/01/90	7/1/1990	11/19/15	10	5	0	Gallons	
1490167438	NEPTUNE	WT 20	0.0000	10/02/91	10/2/1991	03/03/05	10	5	0	Gallons	
34722875	NEPTUNE	WT 20	0.0000	11/20/90	11/20/1990	07/23/13	10	5	0	Gallons	
34722876	NEPTUNE	WT 20	0.0000					5	0	Gallons	
34722877	NEPTUNE	WT 20	0.0000					5	0	Gallons	
1487928106	NEPTUNE	WT 20	0.0000					5	0	Gallons	
34722878	NEPTUNE	WT 20	0.0000					5	0	Gallons	
1487438456	NEPTUNE	WT 20	0.0000					5	0	Gallons	
34722879	NEPTUNE	WT 20	0.0000					5	0	Gallons	
1490132090	NEPTUNE	WT 20	0.0000					5	0	Gallons	
34722880	NEPTUNE	WT 20	0.0000					5	0	Gallons	
1483704222	NEPTUNE	WT 20	0.0000					5	0	Gallons	
34722881	NEPTUNE	WT 20	0.0000					5	0	Gallons	
1482908818	NEPTUNE	WT 20	0.0000					5	0	Gallons	
34722882	NEPTUNE	WT 20	0.0000					5	0	Gallons	
1490147954	NEPTUNE	WT 20	0.0000					5	0	Gallons	
34722883	NEPTUNE	WT 20	0.0000					5	0	Gallons	
1487945942	NEPTUNE	WT 20	0.0000					5	0	Gallons	
34722884	NEPTUNE	WT 20	0.0000					5	0	Gallons	
1490167484	NEPTUNE	WT 20	0.0000					5	0	Gallons	
34722885	NEPTUNE	WT 20	0.0000					5	0	Gallons	
1490148474	NEPTUNE	WT 20	0.0000					5	0	Gallons	
34722886	NEPTUNE	WT 20	0.0000					5	0	Gallons	
1471491714	NEPTUNE	WT 20	0.0000					5	0	Gallons	

Meter #	Size	Service	Meter	Purchase	Warranty	Last	# Of	# Of	Units of	Tamper	Visually
Internal Id #	Manufacturer	Type	Constant	Date	Date	Tested	Test Cycle	Fixed	Measure	Status	Readable
34722887	NEPTUNE	WT	20	0.0000	11/01/90	11/11/1990	11/24/08	10	5	0	Gallons
1490148252	5/8"	WT	20	0.0000	11/02/90	11/21/1990	08/18/05	10	5	0	Gallons
34722888	NEPTUNE RADIO	WT	20	0.0000	11/21/90	11/21/1990	05/16/08	10	5	0	Gallons
1483405682	5/8"	WT	20	0.0000	11/02/90	11/21/1990	07/29/08	10	5	0	Gallons
34722889	NEPTUNE	WT	20	0.0000	11/02/90	11/21/1990	07/29/08	10	5	0	Gallons
1477629183	5/8"	WT	20	0.0000	12/05/91	12/5/1991	11/19/04	10	5	0	Gallons
34722890	NEPTUNE	WT	20	0.0000	10/25/90	10/25/1990	01/06/17	10	5	0	Gallons
1487414096	5/8"	WT	20	0.0000	11/16/90	11/16/1990	08/30/12	10	5	0	Gallons
34722891	NEPTUNE	WT	20	0.0000	10/29/90	10/29/1990	11/19/08	10	0	0	Gallons
1490195736	5/8"	WT	20	0.0000	03/24/90	3/24/1990	09/04/08	10	5	0	Gallons
34722892	NEPTUNE	WT	20	0.0000	09/20/90	9/20/1990	07/18/14	10	5	0	Gallons
1545047712	5/8"	WT	20	0.0000	09/25/90	9/25/1990	09/11/12	10	5	0	Gallons
34722893	NEPTUNE	WT	20	0.0000	09/12/90	9/12/1990	03/04/10	10	0	0	Gallons
1486132234	5/8"	WT	20	0.0000	09/21/94	9/21/1994	01/23/12	10	5	0	Gallons
34722894	NEPTUNE	WT	20	0.0000	09/12/90	9/12/1990	03/04/10	10	0	0	Gallons
34722895	NEPTUNE	WT	20	0.0000	09/21/90	9/21/1990	11/30/09	10	5	0	Gallons
1490144158	5/8"	WT	20	0.0000	09/25/90	9/25/1990	09/17/18	10	5	0	Gallons
34722896	NEPTUNE	WT	20	0.0000	09/25/90	9/25/1990	09/17/18	10	5	0	Gallons
1487447576	5/8"	WT	20	0.0000	09/12/90	9/12/1990	03/04/10	10	0	0	Gallons
34722897	NEPTUNE	WT	20	0.0000	09/21/90	9/21/1990	11/30/09	10	5	0	Gallons
1486135416	5/8"	WT	20	0.0000	09/25/90	9/25/1990	09/17/18	10	5	0	Gallons
34722898	NEPTUNE	WT	20	0.0000	09/12/90	9/12/1990	03/04/10	10	0	0	Gallons
1484696276	5/8"	WT	20	0.0000	09/21/90	9/21/1990	11/30/09	10	5	0	Gallons
34722899	NEPTUNE	WT	20	0.0000	09/25/90	9/25/1990	09/17/18	10	5	0	Gallons
34722900	NEPTUNE	WT	20	0.0000	09/21/90	9/21/1990	11/30/09	10	5	0	Gallons
1481978058	5/8"	WT	20	0.0000	09/25/90	9/25/1990	09/17/18	10	5	0	Gallons
34722901	NEPTUNE	WT	20	0.0000	09/24/90	9/24/1990	04/10/17	10	5	0	Gallons
1550399786	5/8"	WT	20	0.0000	09/11/90	9/11/1990	11/24/09	10	5	0	Gallons
34722902	NEPTUNE	WT	20	0.0000	09/12/90	9/12/1990	04/03/14	10	5	0	Gallons
1490177892	5/8"	WT	20	0.0000	09/19/90	9/19/1990	10/15/03	10	5	0	Gallons
34722903	NEPTUNE	WT	20	0.0000	07/11/90	7/11/1990	05/29/09	10	5	0	Gallons
1490131832	5/8"	WT	20	0.0000	07/11/90	7/11/1990	04/20/06	10	5	0	Gallons
34722904	NEPTUNE	WT	20	0.0000	07/11/90	7/11/1990	08/01/18	10	5	0	Gallons
1487416780	5/8"	WT	20	0.0000	07/11/90	7/11/1990	08/01/18	10	5	0	Gallons
34722905	NEPTUNE	WT	20	0.0000	07/11/90	7/11/1990	08/01/18	10	5	0	Gallons
1490149958	5/8"	WT	20	0.0000	07/11/90	7/11/1990	08/01/18	10	5	0	Gallons
34722906	NEPTUNE	WT	20	0.0000	07/11/90	7/11/1990	08/01/18	10	5	0	Gallons
1490168404	5/8"	WT	20	0.0000	07/11/90	7/11/1990	08/01/18	10	5	0	Gallons
34722907	NEPTUNE	WT	20	0.0000	07/11/90	7/11/1990	08/01/18	10	5	0	Gallons
1490133110	5/8"	WT	20	0.0000	07/11/90	7/11/1990	08/01/18	10	5	0	Gallons
34722908	NEPTUNE	WT	20	0.0000	07/11/90	7/11/1990	08/01/18	10	5	0	Gallons
1550413968	5/8"	WT	20	0.0000	07/11/90	7/11/1990	08/01/18	10	5	0	Gallons
34722909	NEPTUNE	WT	20	0.0000	07/11/90	7/11/1990	08/01/18	10	5	0	Gallons
1490144246	5/8"	WT	20	0.0000	07/11/90	7/11/1990	08/01/18	10	5	0	Gallons

Meter #	Size	Service	Meter	Purchase	Warranty	Last	# Of	# Of Fixed	Units of	Tamper	
Internal Id #	Manufacturer	Type	Constant	Date	Date	Tested	Diags	0's	Measure	Status	
		Rating				Cycle				Visually	
										Readable	
34722910	NEPTUNE	WT 20	0.0000	07/11/90	7/11/1990	09/23/16	10	5	0	Gallons	
1490160536	NEPTUNE	WT 20	0.0000	07/09/90	7/9/1990	05/21/09	10	5	0	Gallons	
34722911	NEPTUNE	WT 20	0.0000	07/19/90	7/19/1990	06/18/13	10	5	0	Gallons	
1490154746	NEPTUNE	WT 20	0.0000	07/06/90	7/6/1990	10/21/14	10	5	0	Gallons	
34722912	NEPTUNE	WT 20	0.0000	07/10/91	7/10/1991	08/29/05	10	5	0	Gallons	
1490139044	NEPTUNE	WT 20	0.0000	07/09/90	7/9/1990	07/18/14	10	5	0	Gallons	
34722913	NEPTUNE	WT 20	0.0000	12/12/90	12/12/1990	09/11/12	10	5	0	Gallons	
1487942168	NEPTUNE	WT 20	0.0000	11/30/90	11/30/1990	06/09/11	10	5	0	Gallons	
34722914	NEPTUNE	WT 20	0.0000	01/03/91	1/3/1991	10/21/16	10	5	0	Gallons	
1471254386	NEPTUNE	WT 20	0.0000	12/04/90	12/4/1990	11/30/15	10	5	0	Gallons	
34722915	NEPTUNE	WT 20	0.0000	12/10/90	12/10/1990	01/05/17	10	5	0	Gallons	
1487201266	NEPTUNE	WT 20	0.0000	08/26/91	8/26/1991	09/26/07	10	0	0	Gallons	
34722916	NEPTUNE	WT 20	0.0000	12/04/90	12/4/1990	11/30/15	10	5	0	Gallons	
1490156126	NEPTUNE	WT 20	0.0000	12/10/90	12/10/1990	11/20/14	10	5	0	Gallons	
34722917	NEPTUNE	WT 20	0.0000	12/12/90	12/12/1990	09/11/12	10	5	0	Gallons	
1490152288	NEPTUNE	WT 20	0.0000	07/09/90	7/9/1990	07/18/14	10	5	0	Gallons	
34722918	NEPTUNE	WT 20	0.0000	11/30/90	11/30/1990	06/09/11	10	5	0	Gallons	
1490154840	NEPTUNE	WT 20	0.0000	01/03/91	1/3/1991	10/21/16	10	5	0	Gallons	
34722919	NEPTUNE	WT 20	0.0000	12/04/90	12/4/1990	11/30/15	10	5	0	Gallons	
1490140738	NEPTUNE	WT 20	0.0000	12/10/90	12/10/1990	01/05/17	10	5	0	Gallons	
34722920	NEPTUNE	WT 20	0.0000	08/26/91	8/26/1991	09/26/07	10	0	0	Gallons	
1487412320	NEPTUNE	WT 20	0.0000	12/04/90	12/4/1990	11/30/15	10	5	0	Gallons	
34722921	NEPTUNE	WT 20	0.0000	12/10/90	12/10/1990	01/05/17	10	5	0	Gallons	
1545043756	NEPTUNE	WT 20	0.0000	07/06/90	7/6/1990	04/02/04	10	5	0	Gallons	
34722922	NEPTUNE	WT 20	0.0000	07/06/90	7/6/1990	12/02/15	10	5	0	Gallons	
34722923	NEPTUNE	WT 20	0.0000	12/04/90	12/4/1990	11/30/15	10	5	0	Gallons	
1486131900	NEPTUNE	WT 20	0.0000	12/10/90	12/10/1990	11/20/14	10	5	0	Gallons	
34722924	NEPTUNE	WT 20	0.0000	12/12/90	12/12/1990	01/26/12	10	5	0	Gallons	
1487934320	NEPTUNE	WT 20	0.0000	07/06/90	7/6/1990	04/02/04	10	5	0	Gallons	
34722925	NEPTUNE	WT 20	0.0000	07/06/90	7/6/1990	12/02/15	10	5	0	Gallons	
1485369666	NEPTUNE	WT 20	0.0000	12/04/90	12/4/1990	11/30/15	10	5	0	Gallons	
34722926	NEPTUNE	WT 20	0.0000	12/10/90	12/10/1990	01/05/17	10	5	0	Gallons	
1484695746	NEPTUNE	WT 20	0.0000	07/06/90	7/6/1990	04/02/04	10	5	0	Gallons	
34722927	NEPTUNE	WT 20	0.0000	07/06/90	7/6/1990	12/02/15	10	5	0	Gallons	
1471534088	NEPTUNE	WT 20	0.0000	12/04/90	12/4/1990	11/30/15	10	5	0	Gallons	
34722928	NEPTUNE	WT 20	0.0000	12/10/90	12/10/1990	11/20/14	10	5	0	Gallons	
1490155854	NEPTUNE	WT 20	0.0000	12/12/90	12/12/1990	01/26/12	10	5	0	Gallons	
34722929	NEPTUNE	WT 20	0.0000	07/06/90	7/6/1990	04/02/04	10	5	0	Gallons	
1483711908	NEPTUNE	WT 20	0.0000	07/06/90	7/6/1990	12/02/15	10	5	0	Gallons	
34722930	NEPTUNE	WT 20	0.0000	12/04/90	12/4/1990	11/30/15	10	5	0	Gallons	
1490176800	NEPTUNE	WT 20	0.0000	12/10/90	12/10/1990	01/05/17	10	5	0	Gallons	
34722931	NEPTUNE	WT 20	0.0000	07/06/90	7/6/1990	04/02/04	10	5	0	Gallons	
1550399728	NEPTUNE	WT 20	0.0000	07/06/90	7/6/1990	12/02/15	10	5	0	Gallons	
34722932	NEPTUNE	WT 20	0.0000	12/04/90	12/4/1990	11/30/15	10	5	0	Gallons	
1490139424	NEPTUNE	WT 20	0.0000	12/10/90	12/10/1990	01/05/17	10	5	0	Gallons	

Meter #	Size	Service	Meter	Purchase	Warranty	Last	# Of	# Of	Units of	Tamper		
Internal Id #	Manufacturer	Type	Constant	Date	Date	Tested	Test Cycle	Fixed	Measure	Status		
		Rating					Dials	0's		Visually		
										Readable		
34722933	NEPTUNE	WT	20	0.0000	03/24/90	3/24/1990	02/22/08	10	5	0	Gallons	
1490131976	NEPTUNE	WT	20	0.0000	07/11/90	7/11/1990	02/20/08	10	5	0	Gallons	
34722934	NEPTUNE	WT	20	0.0000	07/11/90	7/11/1990	01/26/12	10	0	0	Gallons	
1490144844	NEPTUNE	WT	20	0.0000	07/11/90	7/11/1990	07/25/13	10	5	0	Gallons	
34722935	NEPTUNE	WT	20	0.0000	04/23/91	4/23/1991	10/30/12	10	5	0	Gallons	
34722936	NEPTUNE	WT	20	0.0000	07/09/90	7/9/1990	06/11/09	10	5	0	Gallons	
1487959878	NEPTUNE	WT	20	0.0000	07/09/90	7/9/1990	05/19/15	10	5	0	Gallons	
34722937	NEPTUNE	WT	20	0.0000	07/09/90	7/9/1990	03/07/08	10	0	0	Gallons	
1486453084	NEPTUNE	WT	20	0.0000	07/09/90	7/9/1990	02/06/12	10	5	0	Gallons	
34722938	NEPTUNE	WT	20	0.0000	07/11/90	7/11/1990	09/10/07	10	5	0	Gallons	
1481555300	NEPTUNE	WT	20	0.0000	07/09/90	7/9/1990	08/31/11	10	5	0	Gallons	
34722939	NEPTUNE	WT	20	0.0000	07/09/90	7/9/1990	02/06/12	10	5	0	Gallons	
1487950088	NEPTUNE	WT	20	0.0000	07/11/90	7/11/1990	12/10/08	10	0	0	Gallons	
34722940	NEPTUNE	WT	20	0.0000	07/09/90	7/9/1990	09/03/08	10	5	0	Gallons	
14771533256	NEPTUNE	WT	20	0.0000	07/09/90	7/9/1990	07/22/13	10	5	0	Gallons	
34722941	NEPTUNE	WT	20	0.0000	07/09/90	7/9/1990	06/09/92	10	5	0	Gallons	
1485536636	NEPTUNE	WT	20	0.0000	04/18/91	4/18/1991	10/31/12	10	5	0	Gallons	
34722942	NEPTUNE	WT	20	0.0000	05/19/91	5/19/1991	10/31/12	10	5	0	Gallons	
1490122098	NEPTUNE	WT	20	0.0000	05/10/91	5/10/1991	04/26/19	10	5	0	Gallons	
34722943	NEPTUNE	WT	20	0.0000	05/10/91	5/10/1991	12/09/16	10	5	0	Gallons	
1471514162	NEPTUNE	WT	20	0.0000	05/01/91	5/1/1991	10/31/12	10	5	0	Gallons	
34722944	NEPTUNE	WT	20	0.0000	04/18/91	4/18/1991	09/03/08	10	5	0	Gallons	
1471514162	NEPTUNE	WT	20	0.0000	04/18/91	4/18/1991	09/03/08	10	5	0	Gallons	
34722945	NEPTUNE	WT	20	0.0000	05/19/91	5/19/1991	10/31/12	10	5	0	Gallons	
1490187216	NEPTUNE	WT	20	0.0000	05/10/91	5/10/1991	06/09/92	10	5	0	Gallons	
34722946	NEPTUNE	WT	20	0.0000	05/10/91	5/10/1991	06/09/92	10	5	0	Gallons	
1486134838	NEPTUNE	WT	20	0.0000	05/10/91	5/10/1991	06/09/92	10	5	0	Gallons	
34722947	NEPTUNE	WT	20	0.0000	05/10/91	5/10/1991	06/09/92	10	5	0	Gallons	
1486134838	NEPTUNE	WT	20	0.0000	05/10/91	5/10/1991	06/09/92	10	5	0	Gallons	
34722948	NEPTUNE	WT	20	0.0000	05/10/91	5/10/1991	06/09/92	10	5	0	Gallons	
1484465830	NEPTUNE	WT	20	0.0000	05/10/91	5/10/1991	06/09/92	10	5	0	Gallons	
34722949	NEPTUNE	WT	20	0.0000	05/10/91	5/10/1991	06/09/92	10	5	0	Gallons	
1487940464	NEPTUNE	WT	20	0.0000	05/10/91	5/10/1991	06/09/92	10	5	0	Gallons	
34722950	NEPTUNE	WT	20	0.0000	05/10/91	5/10/1991	06/09/92	10	5	0	Gallons	
1552116388	NEPTUNE	WT	20	0.0000	05/10/91	5/10/1991	06/09/92	10	5	0	Gallons	
34722951	NEPTUNE	WT	20	0.0000	03/16/91	3/16/1991	10/31/12	10	5	0	Gallons	
1490155620	NEPTUNE	WT	20	0.0000	03/16/91	3/16/1991	10/31/12	10	5	0	Gallons	
34722952	NEPTUNE	WT	20	0.0000	02/11/91	2/11/1991	10/22/14	10	5	0	Gallons	
1490187332	NEPTUNE	WT	20	0.0000	02/11/91	2/11/1991	10/22/14	10	5	0	Gallons	
34722953	NEPTUNE	WT	20	0.0000	02/20/91	2/20/1991	09/11/12	10	5	0	Gallons	
1490167802	NEPTUNE	WT	20	0.0000	02/20/91	2/20/1991	09/11/12	10	5	0	Gallons	
34722954	NEPTUNE	WT	20	0.0000	04/08/91	4/8/1991	03/01/05	10	5	0	Gallons	
1471482972	NEPTUNE	WT	20	0.0000	04/08/91	4/8/1991	03/01/05	10	5	0	Gallons	
34722955	NEPTUNE	WT	20	0.0000	02/25/91	2/25/1991	11/20/13	10	5	0	Gallons	
1471636654	NEPTUNE	WT	20	0.0000	02/25/91	2/25/1991	11/20/13	10	5	0	Gallons	

Meter #	Size	Service	Meter	Purchase	Warranty	Last	# Of	# Of Fixed	Units of	Tamper	Visually
Internal Id #	Manufacturer	Type	Constant	Date	Date	Tested	Test Cycle	0's	Measure	Status	Readable
34722956	NEPTUNE	WT	0.0000	10/19/90	10/19/1990	10/01/13	10	5	0	Gallons	
1484696952	NEPTUNE	WT	0.0000	11/14/90	11/14/1990	06/12/18	10	5	0	Gallons	
34722957	NEPTUNE	WT	0.0000	11/28/90	11/28/1990	02/15/10	10	5	0	Gallons	
1547960902	NEPTUNE	WT	0.0000	11/29/90	11/29/1990	01/26/12	10	0	0	Gallons	
34722958	NEPTUNE	WT	0.0000	11/30/90	11/30/1990	12/02/15	10	5	0	Gallons	
1486134826	NEPTUNE	WT	0.0000	11/26/90	11/26/1990	03/18/10	10	5	0	Gallons	
34722959	NEPTUNE	WT	0.0000	11/20/90	11/20/1990	12/03/08	10	0	0	Gallons	
34722960	NEPTUNE	WT	0.0000	11/15/90	11/15/1990	07/24/13	10	5	0	Gallons	
1471243138	NEPTUNE	WT	0.0000	11/28/90	11/28/1990	06/13/18	10	5	0	Gallons	
34722961	NEPTUNE	WT	0.0000	11/29/90	11/29/1990	03/24/90	10	0	0	Gallons	
1490140050	NEPTUNE	WT	0.0000	08/21/90	8/21/1990	01/05/17	10	5	0	Gallons	
34722962	NEPTUNE	WT	0.0000	08/21/90	8/21/1990	12/05/18	10	5	0	Gallons	
1486823014	NEPTUNE	WT	0.0000	08/21/90	8/21/1990	10/26/18	10	5	0	Gallons	
34722963	NEPTUNE	WT	0.0000	08/21/90	8/21/1990	11/13/08	10	5	0	Gallons	
1545023436	NEPTUNE	WT	0.0000	08/21/90	8/21/1990	08/22/16	10	5	0	Gallons	
34722964	NEPTUNE	WT	0.0000	08/21/90	8/21/1990	03/24/90	10	0	0	Gallons	
1540774614	NEPTUNE	WT	0.0000	08/21/90	8/21/1990	03/24/90	10	0	0	Gallons	
34722965	NEPTUNE	WT	0.0000	08/21/90	8/21/1990	07/03/08	10	0	0	Gallons	
34722966	NEPTUNE	WT	0.0000	08/21/90	8/21/1990	03/04/09	10	5	0	Gallons	
1545023436	NEPTUNE	WT	0.0000	08/22/90	8/22/1990	09/12/12	10	5	0	Gallons	
34722967	NEPTUNE	WT	0.0000	08/22/90	8/22/1990	11/20/15	10	5	0	Gallons	
1551830390	NEPTUNE	WT	0.0000	08/22/90	8/22/1990	04/07/17	10	5	0	Gallons	
34722968	NEPTUNE	WT	0.0000	03/05/91	3/5/1991	09/06/06	10	5	0	Gallons	
1550412184	NEPTUNE	WT	0.0000	08/12/91	8/12/1991	04/05/12	10	0	0	Gallons	
34722969	NEPTUNE	WT	0.0000								
1490148326	NEPTUNE	WT	0.0000								
34722970	NEPTUNE	WT	0.0000								
1487773490	NEPTUNE	WT	0.0000								
34722971	NEPTUNE	WT	0.0000								
34722972	NEPTUNE	WT	0.0000								
34722973	NEPTUNE	WT	0.0000								
1490159980	NEPTUNE	WT	0.0000								
34722974	NEPTUNE	WT	0.0000								
1490177470	NEPTUNE	WT	0.0000								
34722975	NEPTUNE	WT	0.0000								
1483401798	NEPTUNE	WT	0.0000								
34722976	NEPTUNE	WT	0.0000								
1490136632	NEPTUNE	WT	0.0000								
34722977	NEPTUNE	WT	0.0000								
1490155060	NEPTUNE	WT	0.0000								
34722978	NEPTUNE	WT	0.0000								

Meter #	Size	Service	Meter	Purchase	Warranty	Last	# Of	# Of Fixed	Units of	Tamper	
Internal Id #	Manufacturer	Type	Constant	Date	Date	Tested	Test Cycle	0's	Measure	Status	
							Dials			Visually	
										Readable	
34722979	NEPTUNE	WT	0.0000	01/01/91	1/1/1991	06/25/08	10	5	0	Gallons	
1490132300	NEPTUNE	WT	0.0000	02/04/91	2/4/1991	04/01/04	10	5	0	Gallons	
34722980	NEPTUNE RADIO	WT	0.0000	01/04/91	1/4/1991	09/13/05	10	5	0	Gallons	
1483790048	NEPTUNE	WT	0.0000	01/04/91	1/4/1991	09/14/12	10	5	0	Gallons	
34722981	NEPTUNE	WT	0.0000	12/17/90	12/17/1990	05/29/09	10	5	0	Gallons	
1481554008	NEPTUNE	WT	0.0000	04/04/91	4/4/1991	11/14/08	10	5	0	Gallons	
34722982	NEPTUNE	WT	0.0000	07/11/90	7/11/1990	04/03/06	10	5	0	Gallons	
1490124380	NEPTUNE	WT	0.0000	07/11/90	7/11/1990	09/11/14	10	5	0	Gallons	
34722983	NEPTUNE	WT	0.0000	07/11/90	7/11/1990	04/25/19	10	5	0	Gallons	
1490178808	NEPTUNE	WT	0.0000	07/11/90	7/11/1990	03/31/04	10	5	0	Gallons	
34722984	NEPTUNE	WT	0.0000	07/11/90	7/11/1990	03/06/06	10	5	0	Gallons	
1490148250	NEPTUNE	WT	0.0000	07/11/90	7/11/1990	07/20/18	10	5	0	Gallons	
34722985	NEPTUNE	WT	0.0000	07/11/90	7/11/1990	09/26/14	10	5	0	Gallons	
1471244402	NEPTUNE	WT	0.0000	07/11/90	7/11/1990	02/21/08	10	5	0	Gallons	
34722986	NEPTUNE	WT	0.0000	07/11/90	7/11/1990	03/06/06	10	5	0	Gallons	
1562489460	NEPTUNE	WT	0.0000	07/11/90	7/11/1990	03/06/06	10	5	0	Gallons	
34722987	NEPTUNE	WT	0.0000	07/11/90	7/11/1990	07/20/18	10	5	0	Gallons	
1490142000	NEPTUNE	WT	0.0000	07/11/90	7/11/1990	03/04/09	10	5	0	Gallons	
34722988	NEPTUNE	WT	0.0000	07/11/90	7/11/1990	04/12/06	10	5	0	Gallons	
1490188280	NEPTUNE	WT	0.0000	07/11/90	7/11/1990	03/04/09	10	5	0	Gallons	
34722989	NEPTUNE	WT	0.0000	07/11/90	7/11/1990	03/06/06	10	5	0	Gallons	
1483703470	NEPTUNE	WT	0.0000	07/11/90	7/11/1990	02/21/08	10	5	0	Gallons	
34722990	NEPTUNE	WT	0.0000	07/11/90	7/11/1990	03/06/06	10	5	0	Gallons	
1563040458	NEPTUNE	WT	0.0000	07/11/90	7/11/1990	03/06/06	10	5	0	Gallons	
34722991	NEPTUNE	WT	0.0000	07/11/90	7/11/1990	03/06/06	10	5	0	Gallons	
1547227488	NEPTUNE	WT	0.0000	07/11/90	7/11/1990	03/06/06	10	5	0	Gallons	
34722992	NEPTUNE RADIO	WT	0.0000	07/11/90	7/11/1990	03/06/06	10	5	0	Gallons	
1471162842	NEPTUNE	WT	0.0000	07/11/90	7/11/1990	02/21/08	10	5	0	Gallons	
34722993	NEPTUNE	WT	0.0000	07/11/90	7/11/1990	03/06/06	10	5	0	Gallons	
1482383828	NEPTUNE	WT	0.0000	07/11/90	7/11/1990	03/06/06	10	5	0	Gallons	
34722994	NEPTUNE	WT	0.0000	07/11/90	7/11/1990	03/06/06	10	5	0	Gallons	
1490187334	NEPTUNE	WT	0.0000	07/11/90	7/11/1990	03/06/06	10	5	0	Gallons	
34722995	NEPTUNE	WT	0.0000	07/11/90	7/11/1990	03/06/06	10	5	0	Gallons	
1490122102	NEPTUNE	WT	0.0000	07/11/90	7/11/1990	03/06/06	10	5	0	Gallons	
34722996	NEPTUNE	WT	0.0000	07/11/90	7/11/1990	03/06/06	10	5	0	Gallons	
1490168382	NEPTUNE	WT	0.0000	07/11/90	7/11/1990	03/06/06	10	5	0	Gallons	
34722997	NEPTUNE	WT	0.0000	07/11/90	7/11/1990	03/06/06	10	5	0	Gallons	
1542530782	NEPTUNE	WT	0.0000	07/11/90	7/11/1990	03/06/06	10	5	0	Gallons	
34722998	NEPTUNE	WT	0.0000	07/11/90	7/11/1990	03/06/06	10	5	0	Gallons	
1490156202	NEPTUNE	WT	0.0000	07/11/90	7/11/1990	03/06/06	10	5	0	Gallons	
34722999	NEPTUNE	WT	0.0000	07/11/90	7/11/1990	03/06/06	10	5	0	Gallons	
34723000	NEPTUNE	WT	0.0000	07/11/90	7/11/1990	03/06/06	10	5	0	Gallons	
1490148341	NEPTUNE	WT	0.0000	07/11/90	7/11/1990	03/06/06	10	5	0	Gallons	
34723001	NEPTUNE	WT	0.0000	07/11/90	7/11/1990	03/06/06	10	5	0	Gallons	
1490141768	NEPTUNE	WT	0.0000	07/11/90	7/11/1990	03/06/06	10	5	0	Gallons	

Meter #	Size	Service	Meter	Purchase	Warranty	Last	# Of	# Of Fixed	Units of	Tamper	Visually
Internal Id #	Manufacturer	Type	Constant	Date	Date	Tested	Test Cycle	0's	Measure	Status	Readable
34723002	NEPTUNE	WT	0.0000	08/06/90	8/6/1990	02/11/09	10	5	0	Gallons	
1490150108	NEPTUNE	WT	0.0000	07/19/90	7/19/1990	09/25/08	10	5	0	Gallons	
34723003	NEPTUNE	WT	0.0000	07/11/90	7/11/1990	04/24/17	10	5	0	Gallons	
1471643195	NEPTUNE	WT	0.0000	07/19/90	7/19/1990	12/01/15	10	5	0	Gallons	
34723004	NEPTUNE	WT	0.0000	08/21/90	8/21/1990	01/26/12	10	5	0	Gallons	
1490146696	NEPTUNE	WT	0.0000	08/21/90	8/21/1990	03/06/06	10	5	0	Gallons	
34723005	NEPTUNE	WT	0.0000	08/21/90	8/21/1990	03/06/06	10	5	0	Gallons	
1481055106	NEPTUNE	WT	0.0000	08/21/90	8/21/1990	03/06/06	10	5	0	Gallons	
34723006	NEPTUNE	WT	0.0000	08/21/90	8/21/1990	03/06/06	10	5	0	Gallons	
1485495470	NEPTUNE	WT	0.0000	08/21/90	8/21/1990	03/06/06	10	5	0	Gallons	
34723007	NEPTUNE	WT	0.0000	08/21/90	8/21/1990	03/06/06	10	5	0	Gallons	
1490181090	NEPTUNE	WT	0.0000	08/21/90	8/21/1990	03/06/06	10	5	0	Gallons	
34723008	NEPTUNE	WT	0.0000	06/07/90	6/7/1990	12/04/08	10	5	0	Gallons	
34723009	NEPTUNE	WT	0.0000	08/23/90	8/23/1990	03/04/05	10	5	0	Gallons	
1471254392	NEPTUNE	WT	0.0000	03/24/90	3/24/1990	11/30/15	10	5	0	Gallons	
34723010	NEPTUNE	WT	0.0000	08/27/90	8/27/1990	03/13/13	10	5	0	Gallons	
1430219824	NEPTUNE	WT	0.0000	08/27/90	8/27/1990	03/13/13	10	5	0	Gallons	
34723011	NEPTUNE	WT	0.0000	08/30/90	8/30/1990	04/11/06	10	5	0	Gallons	
1481057444	NEPTUNE	WT	0.0000	08/23/90	8/23/1990	08/08/11	10	5	0	Gallons	
34723012	NEPTUNE	WT	0.0000	08/17/90	8/17/1990	07/25/13	10	5	0	Gallons	
1490186712	NEPTUNE	WT	0.0000	08/17/90	8/17/1990	10/31/12	10	5	0	Gallons	
34723013	NEPTUNE	WT	0.0000	08/17/90	8/17/1990	03/13/07	10	5	0	Gallons	
1490194648	NEPTUNE	WT	0.0000	08/17/90	8/17/1990	03/13/07	10	5	0	Gallons	
34723014	NEPTUNE	WT	0.0000	08/17/90	8/17/1990	03/13/07	10	5	0	Gallons	
1490173804	NEPTUNE	WT	0.0000	08/17/90	8/17/1990	03/13/07	10	5	0	Gallons	
34723015	NEPTUNE	WT	0.0000	08/17/90	8/17/1990	03/13/07	10	5	0	Gallons	
1490178626	NEPTUNE	WT	0.0000	08/17/90	8/17/1990	03/13/07	10	5	0	Gallons	
34723016	NEPTUNE	WT	0.0000	08/17/90	8/17/1990	03/13/07	10	5	0	Gallons	
1490123224	NEPTUNE	WT	0.0000	08/17/90	8/17/1990	03/13/07	10	5	0	Gallons	
34723017	NEPTUNE	WT	0.0000	08/17/90	8/17/1990	03/13/07	10	5	0	Gallons	
1483378668	NEPTUNE	WT	0.0000	08/17/90	8/17/1990	03/13/07	10	5	0	Gallons	
34723018	NEPTUNE	WT	0.0000	08/20/90	8/20/1990	11/19/08	10	5	0	Gallons	
1490131834	NEPTUNE	WT	0.0000	08/20/90	8/20/1990	11/19/08	10	5	0	Gallons	
34723019	NEPTUNE	WT	0.0000	08/20/90	8/20/1990	04/07/14	10	5	0	Gallons	
1490150008	NEPTUNE	WT	0.0000	08/14/90	8/14/1990	03/24/90	10	0	0	Gallons	
34723020	NEPTUNE	WT	0.0000	08/14/90	8/14/1990	03/24/90	10	0	0	Gallons	
1487415632	NEPTUNE	WT	0.0000	08/13/90	8/13/1990	09/26/14	10	5	0	Gallons	
34723022	NEPTUNE	WT	0.0000	08/09/90	8/9/1990	05/27/09	10	5	0	Gallons	
1487438426	NEPTUNE	WT	0.0000	08/17/90	8/17/1990	11/24/08	10	5	0	Gallons	
34723023	NEPTUNE	WT	0.0000								
1471190596	NEPTUNE	WT	0.0000								
34723024	NEPTUNE	WT	0.0000								
1490178384	NEPTUNE	WT	0.0000								

Meter #	Size	Service	Meter	Purchase	Warranty	Last	# Of	# Of Fixed	Units of	Tamper	Visually
Internal Id #	Manufacturer	Type	Constant	Date	Date	Tested	Test Cycle	0's	Measure	Status	Readable
34723025	NEPTUNE	WT	20	0.0000	08/20/90	8/20/1990	08/08/11	10	5	0	Gallons
1490152180	NEPTUNE	WT	20	0.0000	08/17/90	8/17/1990	05/23/08	10	5	0	Gallons
34723026	NEPTUNE	WT	20	0.0000	08/17/90	8/17/1990	12/01/09	10	5	0	Gallons
1490140018	NEPTUNE	WT	20	0.0000	08/20/90	8/20/1990	01/02/09	10	5	0	Gallons
34723027	NEPTUNE	WT	20	0.0000	08/17/90	8/17/1990	05/21/09	10	5	0	Gallons
1490173754	NEPTUNE	WT	20	0.0000	08/17/90	8/17/1990	11/16/15	10	5	0	Gallons
34723028	NEPTUNE	WT	20	0.0000	08/12/90	8/12/1990	02/16/10	10	5	0	Gallons
1490139804	NEPTUNE	WT	20	0.0000	08/17/90	8/17/1990	11/21/08	10	5	0	Gallons
34723029	NEPTUNE	WT	20	0.0000	08/17/90	8/17/1990	09/26/13	10	5	0	Gallons
1490155026	NEPTUNE	WT	20	0.0000	08/17/90	8/17/1990	06/11/09	10	5	0	Gallons
34723030	NEPTUNE	WT	20	0.0000	08/17/90	8/17/1990	11/30/10	10	5	0	Gallons
1490176696	NEPTUNE	WT	20	0.0000	08/23/90	8/23/1990	03/04/10	10	5	0	Gallons
34723031	NEPTUNE	WT	20	0.0000	08/17/90	8/17/1990	06/09/11	10	5	0	Gallons
1486456498	NEPTUNE	WT	20	0.0000	08/20/90	8/20/1990	08/18/14	10	5	0	Gallons
34723032	NEPTUNE	WT	20	0.0000	03/24/90	3/24/1990	08/01/18	10	5	0	Gallons
1490144972	NEPTUNE	WT	20	0.0000	08/20/90	8/20/1990	09/13/11	10	5	0	Gallons
34723033	NEPTUNE	WT	20	0.0000	08/17/90	8/17/1990	02/28/17	10	5	0	Gallons
1481554184	NEPTUNE	WT	20	0.0000	03/24/90	3/24/1990	07/14/11	10	5	0	Gallons
34723034	NEPTUNE	WT	20	0.0000	08/20/90	8/20/1990	05/31/18	10	5	0	Gallons
1490160436	NEPTUNE	WT	20	0.0000	08/20/90	8/20/1990	06/22/11	10	5	0	Gallons
34723035	NEPTUNE	WT	20	0.0000	08/20/90	8/20/1990	10/15/03	10	5	0	Gallons
1483407086	NEPTUNE	WT	20	0.0000	08/20/90	8/20/1990					
34723036	NEPTUNE	WT	20	0.0000	08/23/90	8/23/1990					
1490144996	NEPTUNE	WT	20	0.0000	08/17/90	8/17/1990					
34723037	NEPTUNE	WT	20	0.0000	08/17/90	8/17/1990					
1483974948	NEPTUNE	WT	20	0.0000	08/20/90	8/20/1990					
34723038	NEPTUNE	WT	20	0.0000	08/20/90	8/20/1990					
1487444386	NEPTUNE	WT	20	0.0000	03/24/90	3/24/1990					
34723040	NEPTUNE	WT	20	0.0000	08/20/90	8/20/1990					
1550384824	NEPTUNE	WT	20	0.0000	08/20/90	8/20/1990					
34723041	NEPTUNE	WT	20	0.0000	08/16/90	8/16/1990					
1484301646	NEPTUNE	WT	20	0.0000	03/24/90	3/24/1990					
34723042	NEPTUNE	WT	20	0.0000	08/20/90	8/20/1990					
1490118832	NEPTUNE	WT	20	0.0000	08/20/90	8/20/1990					
34723043	NEPTUNE	WT	20	0.0000	08/20/90	8/20/1990					
1545524230	NEPTUNE	WT	20	0.0000	08/20/90	8/20/1990					
34723044	NEPTUNE	WT	20	0.0000	08/20/90	8/20/1990					
1490177136	NEPTUNE	WT	20	0.0000	08/20/90	8/20/1990					
34723045	NEPTUNE	WT	20	0.0000	08/20/90	8/20/1990					
1547961774	NEPTUNE	WT	20	0.0000	08/20/90	8/20/1990					
34723046	NEPTUNE	WT	20	0.0000	08/20/90	8/20/1990					
1490145310	NEPTUNE	WT	20	0.0000	08/20/90	8/20/1990					
34723047	NEPTUNE	WT	20	0.0000	08/20/90	8/20/1990					
1490138520	NEPTUNE	WT	20	0.0000	08/20/90	8/20/1990					

Meter #	Size	Service	Meter	Purchase	Warranty	Last	# Of	# Of	Units of	Tamper	
Internal Id #	Manufacturer	Type	Constant	Date	Date	Tested	Test Cycle	Fixed	Measure	Status	
							Diags	0's		Visually	
										Readable	
34723048	NEPTUNE	WT	0.0000	08/20/90	8/20/1990	10/19/04	10	5	0	Gallons	
1471518116	NEPTUNE	WT	0.0000	08/20/90	8/20/1990	01/05/10	10	5	0	Gallons	
34723049	NEPTUNE	WT	0.0000	08/20/90	8/20/1990	01/23/12	10	5	0	Gallons	
1490167964	NEPTUNE	WT	0.0000	08/21/90	8/21/1990	06/13/17	10	5	0	Gallons	
34723050	NEPTUNE	WT	0.0000	08/20/90	8/20/1990	04/05/12	10	5	0	Gallons	
1484694778	NEPTUNE	WT	0.0000	08/20/90	8/20/1990	08/11/16	10	5	0	Gallons	
34723051	NEPTUNE	WT	0.0000	08/20/90	8/20/1990	05/11/10	10	5	0	Gallons	
1545272782	NEPTUNE	WT	0.0000	08/21/90	8/21/1990	06/29/15	10	5	0	Gallons	
34723052	NEPTUNE RADIO	WT	0.0000	08/20/90	8/20/1990	02/02/15	10	5	0	Gallons	
1485369668	NEPTUNE	WT	0.0000	08/20/90	8/20/1990	08/04/10	10	5	0	Gallons	
34723053	NEPTUNE	WT	0.0000	08/21/90	8/21/1990	08/30/12	10	5	0	Gallons	
1487781668	NEPTUNE	WT	0.0000	08/21/90	8/21/1990	11/03/08	10	5	0	Gallons	
34723054	NEPTUNE	WT	0.0000	08/21/90	8/21/1990	08/22/16	10	5	0	Gallons	
1490169112	NEPTUNE	WT	0.0000	08/21/90	8/21/1990	12/04/08	10	5	0	Gallons	
34723055	NEPTUNE	WT	0.0000	08/21/90	8/21/1990	08/30/12	10	5	0	Gallons	
1490146010	NEPTUNE	WT	0.0000	08/21/90	8/21/1990	08/30/12	10	5	0	Gallons	
34723056	NEPTUNE	WT	0.0000	08/21/90	8/21/1990	08/30/12	10	5	0	Gallons	
1486688630	NEPTUNE	WT	0.0000	08/21/90	8/21/1990	08/30/12	10	5	0	Gallons	
34723057	NEPTUNE	WT	0.0000	08/20/90	8/20/1990	02/02/15	10	5	0	Gallons	
1490178214	NEPTUNE	WT	0.0000	08/20/90	8/20/1990	03/26/09	10	0	0	Gallons	
34723058	NEPTUNE	WT	0.0000	08/20/90	8/20/1990	05/15/19	10	0	0	Gallons	
34723059	NEPTUNE	WT	0.0000	08/21/90	8/21/1990	08/22/16	10	5	0	Gallons	
34723060	NEPTUNE	WT	0.0000	08/21/90	8/21/1990	08/30/12	10	5	0	Gallons	
1487942400	NEPTUNE	WT	0.0000	08/21/90	8/21/1990	12/04/08	10	5	0	Gallons	
34723061	NEPTUNE	WT	0.0000	08/21/90	8/21/1990	08/30/12	10	5	0	Gallons	
1481056342	NEPTUNE	WT	0.0000	08/21/90	8/21/1990	11/03/08	10	5	0	Gallons	
34723062	NEPTUNE	WT	0.0000	08/21/90	8/21/1990	08/30/12	10	5	0	Gallons	
1471535104	NEPTUNE	WT	0.0000	08/21/90	8/21/1990	06/13/17	10	5	0	Gallons	
34723063	NEPTUNE	WT	0.0000	08/21/90	8/21/1990	11/03/08	10	5	0	Gallons	
1490147946	NEPTUNE	WT	0.0000	08/21/90	8/21/1990	06/13/17	10	5	0	Gallons	
34723064	NEPTUNE	WT	0.0000	08/21/90	8/21/1990	11/03/08	10	5	0	Gallons	
1546209806	NEPTUNE	WT	0.0000	08/21/90	8/21/1990	11/03/08	10	5	0	Gallons	
34723065	NEPTUNE	WT	0.0000	08/21/90	8/21/1990	11/03/08	10	5	0	Gallons	
1487754213	NEPTUNE	WT	0.0000	08/21/90	8/21/1990	11/03/08	10	5	0	Gallons	
34723066	NEPTUNE	WT	0.0000	08/29/90	8/29/1990	05/22/13	10	5	0	Gallons	
1490150414	NEPTUNE	WT	0.0000	08/29/90	8/29/1990	05/22/13	10	5	0	Gallons	
34723067	NEPTUNE	WT	0.0000	08/31/90	8/31/1990	10/10/02	10	0	0	Gallons	
34723068	NEPTUNE	WT	0.0000	09/18/90	9/18/1990	04/07/17	10	5	0	Gallons	
1545537352	NEPTUNE	WT	0.0000	09/04/91	9/4/1991	12/10/08	10	0	0	Gallons	
34723069	NEPTUNE	WT	0.0000	08/31/90	8/31/1990	02/05/10	10	5	0	Gallons	
34723070	NEPTUNE	WT	0.0000	08/31/90	8/31/1990	02/05/10	10	5	0	Gallons	
1482348668	NEPTUNE	WT	0.0000	08/31/90	8/31/1990	02/05/10	10	5	0	Gallons	

Meter #	Size	Service	Meter	Purchase	Warranty	Last	# Of	# Of	Units of	Tamper	Visually
Internal Id #	Manufacturer	Type	Constant	Date	Date	Tested	Test Cycle	Fixed	Measure	Status	Readable
34723071	NEPTUNE	WT	20	0.0000	08/28/90	8/28/1990	11/21/08	10	5	0	Gallons
1490148488	NEPTUNE	WT	20	0.0000	08/28/90	8/28/1990	07/24/13	10	5	0	Gallons
34723072	NEPTUNE	WT	20	0.0000	08/21/90	8/21/1990	09/12/12	10	5	0	Gallons
1487840862	NEPTUNE	WT	20	0.0000	08/29/90	8/29/1990	10/01/15	10	5	0	Gallons
34723073	NEPTUNE	WT	20	0.0000	09/04/90	9/4/1990	07/24/13	10	5	0	Gallons
1490145976	NEPTUNE	WT	20	0.0000	09/25/90	9/25/1990	12/02/15	10	5	0	Gallons
34723074	NEPTUNE	WT	20	0.0000	09/25/90	9/25/1990	10/16/08	10	5	0	Gallons
1490165358	NEPTUNE	WT	20	0.0000	05/15/91	5/15/1991	11/19/15	10	5	0	Gallons
34723075	NEPTUNE	WT	20	0.0000	09/30/90	9/30/1990	10/22/14	10	5	0	Gallons
1471534086	NEPTUNE	WT	20	0.0000	01/31/91	1/31/1991	12/09/08	10	5	0	Gallons
34723076	NEPTUNE	WT	20	0.0000	10/01/90	10/1/1990	06/06/18	10	5	0	Gallons
1483788412	NEPTUNE	WT	20	0.0000	10/02/90	10/2/1990	04/04/14	10	5	0	Gallons
34723077	NEPTUNE	WT	20	0.0000	05/21/91	5/21/1991	06/13/18	10	5	0	Gallons
1490151488	NEPTUNE	WT	20	0.0000	10/09/90	10/9/1990	06/19/18	10	5	0	Gallons
34723078	NEPTUNE	WT	20	0.0000	06/12/90	6/12/1990	08/08/11	10	5	0	Gallons
1490169894	NEPTUNE	WT	20	0.0000	06/15/90	6/15/1990	02/27/09	10	5	0	Gallons
34723079	NEPTUNE	WT	20	0.0000	06/12/90	6/12/1990	01/05/17	10	5	0	Gallons
1490156102	NEPTUNE	WT	20	0.0000	05/30/90	5/30/1990	06/09/11	10	5	0	Gallons
34723080	NEPTUNE	WT	20	0.0000	08/17/90	8/17/1990	11/20/15	10	5	0	Gallons
1490148292	NEPTUNE	WT	20	0.0000	08/17/90	8/17/1990	09/11/12	10	5	0	Gallons
34723081	NEPTUNE	WT	20	0.0000							
1546835242	NEPTUNE	WT	20	0.0000							
34723082	NEPTUNE	WT	20	0.0000							
1487412556	NEPTUNE	WT	20	0.0000							
34723083	NEPTUNE	WT	20	0.0000							
1483716894	NEPTUNE	WT	20	0.0000							
34723084	NEPTUNE	WT	20	0.0000							
1487737852	NEPTUNE	WT	20	0.0000							
34723085	NEPTUNE	WT	20	0.0000							
1490150110	NEPTUNE	WT	20	0.0000							
34723086	NEPTUNE	WT	20	0.0000							
1490194590	NEPTUNE	WT	20	0.0000							
34723087	NEPTUNE	WT	20	0.0000							
1490155760	NEPTUNE	WT	20	0.0000							
34723088	NEPTUNE	WT	20	0.0000							
1545047608	NEPTUNE	WT	20	0.0000							
34723089	NEPTUNE	WT	20	0.0000							
1490177170	NEPTUNE	WT	20	0.0000							
34723090	NEPTUNE	WT	20	0.0000							
1471242038	NEPTUNE	WT	20	0.0000							
34723096	NEPTUNE	WT	20	0.0000							
1490146702	NEPTUNE	WT	20	0.0000							
34723097	NEPTUNE	WT	20	0.0000							
1430219480	NEPTUNE	WT	20	0.0000							
34723098	NEPTUNE	WT	20	0.0000							
1486135276	NEPTUNE	WT	20	0.0000							

Meter #	Size	Service	Meter	Purchase	Warranty	Last	# Of	# Of	Units of	Tamper	Visually	
Internal Id #	Manufacturer	Type	Constant	Date	Date	Tested	Diags	Fixed	Measure	Status	Readable	
34723099	NEPTUNE	WT	20	0.0000	12/01/90	12/11/990	03/24/90	10	0	0	Gallons	
34723100	NEPTUNE	WT	20	0.0000	08/20/90	8/20/1990	03/24/90	10	0	0	Gallons	
34723101	NEPTUNE	WT	20	0.0000	08/20/90	8/20/1990	11/18/14	10	5	0	Gallons	
1487732252	NEPTUNE	WT	20	0.0000	08/20/90	8/20/1990	08/20/08	10	5	0	Gallons	
34723102	NEPTUNE	WT	20	0.0000	09/04/90	9/4/1990	08/29/12	10	5	0	Gallons	
1490146262	NEPTUNE	WT	20	0.0000	08/20/90	8/20/1990	12/08/08	10	5	0	Gallons	
34723103	NEPTUNE	WT	20	0.0000	08/20/90	8/20/1990	05/27/09	10	5	0	Gallons	
1490163760	NEPTUNE	WT	20	0.0000	10/17/90	10/17/1990	09/19/07	10	5	0	Gallons	
34723104	NEPTUNE	WT	20	0.0000	11/06/90	11/6/1990	08/18/05	10	5	0	Gallons	
1490174118	NEPTUNE	WT	20	0.0000	10/05/90	10/5/1990	02/15/10	10	5	0	Gallons	
34723105	NEPTUNE	WT	20	0.0000	10/18/90	10/18/1990	11/26/08	10	5	0	Gallons	
1490132250	NEPTUNE	WT	20	0.0000	10/16/90	10/16/1990	06/01/09	10	5	0	Gallons	
34723106	NEPTUNE	WT	20	0.0000	03/24/90	3/24/1990	02/16/10	10	5	0	Gallons	
1490145800	NEPTUNE	WT	20	0.0000	10/09/90	10/9/1990	11/26/08	10	5	0	Gallons	
34723107	NEPTUNE	WT	20	0.0000	10/16/90	10/16/1990	06/01/09	10	5	0	Gallons	
1490116558	NEPTUNE	WT	20	0.0000	03/24/90	3/24/1990	02/16/10	10	5	0	Gallons	
34723108	NEPTUNE	WT	20	0.0000	10/09/90	10/9/1990	11/26/08	10	5	0	Gallons	
1545531536	NEPTUNE	WT	20	0.0000	10/16/90	10/16/1990	06/01/09	10	5	0	Gallons	
34723109	NEPTUNE	WT	20	0.0000	10/09/90	10/9/1990	11/26/08	10	5	0	Gallons	
1490147512	NEPTUNE	WT	20	0.0000	10/16/90	10/16/1990	06/01/09	10	5	0	Gallons	
34723110	NEPTUNE	WT	20	0.0000	03/24/90	3/24/1990	02/16/10	10	5	0	Gallons	
1486137296	NEPTUNE	WT	20	0.0000	10/09/90	10/9/1990	11/26/08	10	5	0	Gallons	
34723111	NEPTUNE	WT	20	0.0000	10/16/90	10/16/1990	06/01/09	10	5	0	Gallons	
1490173696	NEPTUNE	WT	20	0.0000	03/24/90	3/24/1990	02/16/10	10	5	0	Gallons	
34723112	NEPTUNE	WT	20	0.0000	10/09/90	10/9/1990	11/26/08	10	5	0	Gallons	
34723113	NEPTUNE	WT	20	0.0000	10/16/90	10/16/1990	06/01/09	10	5	0	Gallons	
1487757410	NEPTUNE	WT	20	0.0000	03/24/90	3/24/1990	02/16/10	10	5	0	Gallons	
34723114	NEPTUNE	WT	20	0.0000	10/09/90	10/9/1990	11/26/08	10	5	0	Gallons	
1547954926	NEPTUNE	WT	20	0.0000	10/16/90	10/16/1990	06/01/09	10	5	0	Gallons	
34723115	NEPTUNE	WT	20	0.0000	10/09/90	10/9/1990	11/26/08	10	5	0	Gallons	
1485505554	NEPTUNE	WT	20	0.0000	10/16/90	10/16/1990	06/01/09	10	5	0	Gallons	
34723126	NEPTUNE	WT	20	0.0000	03/24/90	3/24/1990	02/16/10	10	5	0	Gallons	
1551858442	NEPTUNE	WT	20	0.0000	10/09/90	10/9/1990	11/26/08	10	5	0	Gallons	
34723127	NEPTUNE	WT	20	0.0000	10/16/90	10/16/1990	06/01/09	10	5	0	Gallons	
1490154906	NEPTUNE	WT	20	0.0000	03/24/90	3/24/1990	02/16/10	10	5	0	Gallons	
34723128	NEPTUNE	WT	20	0.0000	10/09/90	10/9/1990	11/26/08	10	5	0	Gallons	
1490145656	NEPTUNE	WT	20	0.0000	10/16/90	10/16/1990	06/01/09	10	5	0	Gallons	
34723129	NEPTUNE	WT	20	0.0000	03/24/90	3/24/1990	02/16/10	10	5	0	Gallons	
1486708478	NEPTUNE	WT	20	0.0000	10/09/90	10/9/1990	11/26/08	10	5	0	Gallons	
34723130	NEPTUNE	WT	20	0.0000	10/16/90	10/16/1990	06/01/09	10	5	0	Gallons	
1486136574	NEPTUNE	WT	20	0.0000	03/24/90	3/24/1990	02/16/10	10	5	0	Gallons	
34723131	NEPTUNE	WT	20	0.0000	10/09/90	10/9/1990	11/26/08	10	5	0	Gallons	
1490178400	NEPTUNE	WT	20	0.0000	10/16/90	10/16/1990	06/01/09	10	5	0	Gallons	

Meter #	Size	Service	Meter	Purchase	Warranty	Last	# Of	# Of	Units of	Tamper		
Internal Id #	Manufacturer	Type	Constant	Date	Date	Tested	Test Cycle	Fixed	Measure	Status		
							Dials	0's		Visually		
										Readable		
34723132	NEPTUNE	WT	20	0.0000	06/14/90	6/14/1990	05/21/09	10	5	0	Gallons	
1490139844	NEPTUNE	WT	20	0.0000	06/13/90	6/13/1990	01/28/04	10	5	0	Gallons	
34723133	NEPTUNE	WT	20	0.0000	06/14/90	6/14/1990	02/18/08	10	0	0	Gallons	
1471533016	NEPTUNE	WT	20	0.0000	06/13/90	6/13/1990	09/10/15	10	5	0	Gallons	
34723134	NEPTUNE	WT	20	0.0000	10/21/92	10/21/1992	06/03/09	10	5	0	Gallons	
34723135	NEPTUNE	WT	20	0.0000	06/13/90	6/13/1990	09/10/15	10	5	0	Gallons	
1487782288	Neptune	WT	20	0.0000	12/01/15			10	5	0	Gallons	
34755159	Neptune	WT	20	0.0000	08/07/95	8/7/1995	06/03/11	10	5	0	Gallons	
1490146429	Neptune	WT	20	0.0000	01/20/92	1/20/1992	01/06/17	10	5	0	Gallons	
34916156	Neptune	WT	20	0.0000	01/20/92	1/20/1992	03/01/07	10	0	0	Gallons	
1486687388	Rockwell	WT	20	0.0000	01/11/17			10	0	0	Gallons	
34920533	NEPTUNE	WT	20	0.0000	01/20/92	1/20/1992	03/01/07	10	0	0	Gallons	
1483704226	NEPTUNE	WT	20	0.0000	01/20/92	1/20/1992	03/01/07	10	0	0	Gallons	
34985165	NEPTUNE	WT	20	0.0000	01/31/92	1/31/1992	08/20/07	10	0	0	Gallons	
35079315	NEPTUNE	WT	20	0.0000	02/12/92	2/12/1992	02/02/10	10	5	0	Gallons	
1545506250	NEPTUNE	WT	20	0.0000	02/12/92	2/12/1992	03/26/08	10	5	0	Gallons	
35079316	NEPTUNE	WT	20	0.0000	02/13/92	2/13/1992	11/19/04	10	5	0	Gallons	
35079317	NEPTUNE	WT	20	0.0000	02/04/92	2/4/1992	08/19/08	10	5	0	Gallons	
35079318	NEPTUNE	WT	20	0.0000	02/10/92	2/10/1992	10/25/10	10	5	0	Gallons	
1481978331	NEPTUNE	WT	20	0.0000	01/31/92	1/31/1992	11/18/08	10	5	0	Gallons	
35079319	NEPTUNE	WT	20	0.0000	02/12/92	2/12/1992	03/26/08	10	5	0	Gallons	
1490148676	NEPTUNE	WT	20	0.0000	02/13/92	2/13/1992	11/19/04	10	5	0	Gallons	
35079320	NEPTUNE	WT	20	0.0000	02/04/92	2/4/1992	08/19/08	10	5	0	Gallons	
1486823196	NEPTUNE	WT	20	0.0000	02/10/92	2/10/1992	10/25/10	10	5	0	Gallons	
35079321	NEPTUNE	WT	20	0.0000	01/31/92	1/31/1992	11/18/08	10	5	0	Gallons	
1490133076	NEPTUNE	WT	20	0.0000	01/31/92	1/31/1992	11/18/08	10	5	0	Gallons	
35079322	NEPTUNE	WT	20	0.0000	02/10/92	2/10/1992	10/25/10	10	5	0	Gallons	
1483405306	NEPTUNE	WT	20	0.0000	01/31/92	1/31/1992	11/18/08	10	5	0	Gallons	
35079323	NEPTUNE	WT	20	0.0000	01/01/90	1/1/1990	08/31/05	10	5	0	Gallons	
1490165922	NEPTUNE	WT	20	0.0000	04/13/92	4/13/1992	02/22/08	10	5	0	Gallons	
35079324	NEPTUNE	WT	20	0.0000	02/17/92	2/17/1992	07/19/13	10	5	0	Gallons	
1490148390	NEPTUNE	WT	20	0.0000	04/10/92	4/10/1992	02/11/09	10	5	0	Gallons	
35079327	NEPTUNE	WT	20	0.0000	02/10/92	2/10/1992	07/25/13	10	5	0	Gallons	
1490141846	NEPTUNE	WT	20	0.0000	03/20/92	3/20/1992	02/26/10	10	0	0	Gallons	
35079329	NEPTUNE	WT	20	0.0000								
1486716152	NEPTUNE	WT	20	0.0000								
35079330	NEPTUNE	WT	20	0.0000								
1481256432	NEPTUNE	WT	20	0.0000								
35079333	NEPTUNE	WT	20	0.0000								
1471516028	NEPTUNE	WT	20	0.0000								
35079334	NEPTUNE	WT	20	0.0000								

Meter #	Size	Service	Meter	Purchase	Warranty	Last	# Of	# Of Fixed	Units of	Tamper	Visually
Internal Id #	Manufacturer	Type	Constant	Date	Date	Tested	Test Cycle	0's	Measure	Status	Readable
35127749	NEPTUNE 5/8"	WT 20	0.0000	08/07/95	8/7/1995	08/07/95	10	0	0	Gallons	
35341059	NEPTUNE 5/8"	WT 20	0.0000	01/04/85	1/4/1985	08/07/95	10	0	0	Gallons	
35387618	NEPTUNE 5/8"	WT 20	0.0000	04/01/85	4/1/1985	07/03/96	10	0	0	Gallons	
35387750	NEPTUNE 5/8"	WT 20	0.0000	01/21/86	1/21/1986	03/27/90	10	0	0	Gallons	
35387761	NEPTUNE 5/8"	WT 20	0.0000	05/10/86	5/10/1986	04/13/04	10	0	0	Gallons	
35395152	NEPTUNE 5/8"	WT 20	0.0000	03/13/90	3/13/1990	11/01/93	10	0	0	Gallons	
35397667	NEPTUNE 5/8"	WT 20	0.0000	03/13/90	3/13/1990	11/01/93	10	0	0	Gallons	
35604234	NEPTUNE 5/8"	WT 20	0.0000	07/01/85	7/1/1985	02/07/95	10	0	0	Gallons	
36131460	NEPTUNE 5/8"	WT 20	0.0000	09/11/85	9/11/1985	10/26/10	10	5	0	Gallons	
1490159880	NEPTUNE 5/8"	WT 20	0.0000	10/15/91	10/15/1991	10/28/03	10	5	0	Gallons	
36131461	NEPTUNE 5/8"	WT 20	0.0000	11/01/91	11/1/1991	02/26/02	10	0	0	Gallons	
1471483812	NEPTUNE 5/8"	WT 20	0.0000	08/19/91	8/19/1991	02/02/06	10	0	0	Gallons	
36131463	NEPTUNE 5/8"	WT 20	0.0000	08/06/91	8/6/1991	04/04/17	10	5	0	Gallons	
36131464	NEPTUNE 5/8"	WT 20	0.0000	06/18/91	6/18/1991	07/27/18	10	5	0	Gallons	
1490194544	NEPTUNE 5/8"	WT 20	0.0000	08/30/91	8/30/1991	08/18/14	10	5	0	Gallons	
36131465	NEPTUNE 5/8"	WT 20	0.0000	07/12/91	7/12/1991	02/27/09	10	5	0	Gallons	
1550396410	NEPTUNE 5/8"	WT 20	0.0000	08/16/91	8/16/1991	08/29/13	10	5	0	Gallons	
36131466	NEPTUNE 5/8"	WT 20	0.0000	08/21/91	8/21/1991	04/22/09	10	5	0	Gallons	
1487421538	NEPTUNE 5/8"	WT 20	0.0000	08/15/91	8/15/1991	07/18/12	10	5	0	Gallons	
36131467	NEPTUNE 5/8"	WT 20	0.0000	09/06/91	9/6/1991	09/11/12	10	5	0	Gallons	
1490152172	NEPTUNE 5/8"	WT 20	0.0000	09/12/91	9/12/1991	09/09/11	10	5	0	Gallons	
36131468	NEPTUNE 5/8"	WT 20	0.0000								
1487946794	NEPTUNE 5/8"	WT 20	0.0000								
36131469	NEPTUNE 5/8"	WT 20	0.0000								
1490118806	NEPTUNE 5/8"	WT 20	0.0000								
36131470	NEPTUNE 5/8"	WT 20	0.0000								
1549676642	NEPTUNE 5/8"	WT 20	0.0000								
36131471	NEPTUNE 5/8"	WT 20	0.0000								
1490177352	NEPTUNE 5/8"	WT 20	0.0000								
36131472	NEPTUNE 5/8"	WT 20	0.0000								
1485538080	NEPTUNE 5/8"	WT 20	0.0000								
36131473	NEPTUNE 5/8"	WT 20	0.0000								
1486133900	NEPTUNE 5/8"	WT 20	0.0000								
36131474	NEPTUNE 5/8"	WT 20	0.0000								
1484465928	NEPTUNE 5/8"	WT 20	0.0000								

Meter #	Size	Service	Meter	Purchase	Warranty	Last	# Of	# Of	Units of	Tamper	
Internal Id #	Manufacturer	Type	Constant	Date	Date	Tested	Test Cycle	Fixed	Measure	Status	
							Dials	0's		Visually	
										Readable	
36131475	NEPTUNE	WT	0.0000	08/27/91	8/27/1991	11/05/12	10	5	0	Gallons	
1490155996	NEPTUNE	WT	0.0000	08/28/91	8/28/1991	02/23/09	10	5	0	Gallons	
36131476	NEPTUNE	WT	0.0000	09/03/91	9/3/1991	01/30/13	10	5	0	Gallons	
1490135944	NEPTUNE	WT	0.0000	08/26/91	8/26/1991	05/15/19	10	0	0	Gallons	
36131477	NEPTUNE	WT	0.0000	09/15/91	9/15/1991	11/13/08	10	5	0	Gallons	
1486321750	NEPTUNE	WT	0.0000	08/13/91	8/13/1991	03/01/13	10	5	0	Gallons	
36131478	NEPTUNE	WT	0.0000	09/01/91	9/1/1991	08/29/08	10	5	0	Gallons	
36131479	NEPTUNE	WT	0.0000	08/29/91	8/29/1991	12/05/06	10	0	0	Gallons	
1490177211	NEPTUNE	WT	0.0000	09/11/91	9/11/1991	03/28/08	10	5	0	Gallons	
36131480	NEPTUNE	WT	0.0000	09/11/91	9/11/1991	03/28/08	10	5	0	Gallons	
1490155390	NEPTUNE	WT	0.0000	09/11/91	9/11/1991	03/28/08	10	5	0	Gallons	
36131481	NEPTUNE	WT	0.0000	09/11/91	9/11/1991	03/28/08	10	5	0	Gallons	
1490163466	NEPTUNE	WT	0.0000	09/11/91	9/11/1991	03/28/08	10	5	0	Gallons	
36131482	NEPTUNE	WT	0.0000	09/11/91	9/11/1991	03/28/08	10	5	0	Gallons	
36131483	NEPTUNE	WT	0.0000	09/11/91	9/11/1991	03/28/08	10	5	0	Gallons	
1487941252	NEPTUNE	WT	0.0000	09/11/91	9/11/1991	03/28/08	10	5	0	Gallons	
36131484	NEPTUNE	WT	0.0000	10/01/91	10/1/1991	12/03/14	10	0	0	Gallons	
36131485	NEPTUNE	WT	0.0000	08/19/91	8/19/1991	10/15/08	10	5	0	Gallons	
1490156100	NEPTUNE	WT	0.0000	02/24/92	2/24/1992	04/12/19	10	5	0	Gallons	
36131486	NEPTUNE	WT	0.0000	09/13/91	9/13/1991	02/17/10	10	0	0	Gallons	
1490156100	NEPTUNE	WT	0.0000	09/13/91	9/13/1991	02/17/10	10	0	0	Gallons	
36131487	NEPTUNE	WT	0.0000	02/24/92	2/24/1992	04/12/19	10	5	0	Gallons	
1551873944	NEPTUNE	WT	0.0000	09/13/91	9/13/1991	11/18/14	10	0	0	Gallons	
36131488	NEPTUNE	WT	0.0000	09/13/91	9/13/1991	11/18/14	10	0	0	Gallons	
36131489	NEPTUNE	WT	0.0000	02/24/92	2/24/1992	06/02/08	10	5	0	Gallons	
1490140740	NEPTUNE	WT	0.0000	09/10/91	9/10/1991	04/08/19	10	5	0	Gallons	
36131490	NEPTUNE	WT	0.0000	09/10/91	9/10/1991	04/08/19	10	5	0	Gallons	
1490140740	NEPTUNE	WT	0.0000	09/10/91	9/10/1991	04/08/19	10	5	0	Gallons	
36131491	NEPTUNE	WT	0.0000	09/12/91	9/12/1991	03/01/07	10	0	0	Gallons	
1562470764	NEPTUNE	WT	0.0000	08/02/91	8/2/1991	08/08/13	10	0	0	Gallons	
36131492	NEPTUNE	WT	0.0000	09/16/91	9/16/1991	10/27/06	10	0	0	Gallons	
36131493	NEPTUNE	WT	0.0000	09/16/91	9/16/1991	10/27/06	10	0	0	Gallons	
1490195710	NEPTUNE	WT	0.0000	09/18/91	9/18/1991	11/26/08	10	5	0	Gallons	
36131494	NEPTUNE	WT	0.0000	09/18/91	9/18/1991	11/26/08	10	5	0	Gallons	
1490195710	NEPTUNE	WT	0.0000	10/05/92	10/5/1992	02/14/12	10	5	0	Gallons	
36131495	NEPTUNE	WT	0.0000	10/05/92	10/5/1992	02/14/12	10	5	0	Gallons	
36131496	NEPTUNE	WT	0.0000								
1490164882	NEPTUNE	WT	0.0000								
36131497	NEPTUNE	WT	0.0000								
1490178756	NEPTUNE	WT	0.0000								

Meter #	Size	Service	Meter	Purchase	Warranty	Last	# Of	# Of	Units of	Tamper		
Internal Id #	Manufacturer	Type	Constant	Date	Date	Tested	Test Cycle	Fixed	Measure	Status		
							Dials	0's		Visually		
										Readable		
36131498	NEPTUNE	WT	20	0.0000	09/12/91	9/12/1991	06/15/09	10	5	0	Gallons	
1481256961	NEPTUNE	WT	20	0.0000	09/20/91	9/20/1991	11/10/15	10	5	0	Gallons	
36131499	NEPTUNE	WT	20	0.0000	10/01/91	10/1/1991	10/21/14	10	5	0	Gallons	
1470257964	NEPTUNE	WT	20	0.0000	08/15/91	8/15/1991	11/20/14	10	5	0	Gallons	
36131500	NEPTUNE	WT	20	0.0000	10/01/91	10/1/1991	04/25/19	10	0	0	Gallons	
1490145064	NEPTUNE	WT	20	0.0000	09/30/91	9/30/1991	06/23/16	10	5	0	Gallons	
36131501	NEPTUNE	WT	20	0.0000	10/04/91	10/4/1991	09/05/08	10	5	0	Gallons	
1490143092	NEPTUNE	WT	20	0.0000	02/17/88	2/17/1988	08/29/12	10	5	0	Gallons	
36131502	NEPTUNE	WT	20	0.0000	02/18/92	2/18/1992	09/24/08	10	5	0	Gallons	
36131503	NEPTUNE	WT	20	0.0000	11/01/91	11/1/1991	12/04/08	10	5	0	Gallons	
1487954396	NEPTUNE	WT	20	0.0000	03/03/92	3/3/1992	10/29/03	10	5	0	Gallons	
36131504	NEPTUNE	WT	20	0.0000	10/21/91	10/21/1991	11/24/08	10	5	0	Gallons	
1490176570	NEPTUNE	WT	20	0.0000	01/21/86	1/21/1986	11/16/11	10	0	0	Gallons	
36131505	NEPTUNE	WT	20	0.0000	02/19/86	2/19/1986	06/18/91	10	0	0	Gallons	
1486134586	NEPTUNE	WT	20	0.0000	11/02/82	11/2/1982	06/18/91	10	0	0	Gallons	
36131506	NEPTUNE	WT	20	0.0000	04/22/92	4/22/1992	07/03/96	10	0	0	Gallons	
1490177804	NEPTUNE	WT	20	0.0000	07/19/17	7/19/2017	06/08/18	10	5	0	Gallons	
36131507	NEPTUNE	WT	20	0.0000	07/19/17	7/19/2017	06/08/18	10	5	0	Gallons	
1481055554	NEPTUNE	WT	20	0.0000	07/19/17	7/19/2017	06/08/18	10	5	0	Gallons	
36131508	NEPTUNE	WT	20	0.0000	07/19/17	7/19/2017	06/08/18	10	5	0	Gallons	
1490141534	NEPTUNE	WT	20	0.0000	07/19/17	7/19/2017	06/08/18	10	5	0	Gallons	
36131509	NEPTUNE	WT	20	0.0000	07/19/17	7/19/2017	06/08/18	10	5	0	Gallons	
1490186338	NEPTUNE	WT	20	0.0000	07/19/17	7/19/2017	06/08/18	10	5	0	Gallons	
36163757	NEPTUNE	WT	20	0.0000	07/19/17	7/19/2017	06/08/18	10	5	0	Gallons	
36163772	NEPTUNE	WT	20	0.0000	07/19/17	7/19/2017	06/08/18	10	5	0	Gallons	
36183728	NEPTUNE	WT	20	0.0000	07/19/17	7/19/2017	06/08/18	10	5	0	Gallons	
36245564	NEPTUNE	WT	20	0.0000	07/19/17	7/19/2017	06/08/18	10	5	0	Gallons	
1551701598	NEPTUNE	WT	20	0.0000	07/19/17	7/19/2017	06/08/18	10	5	0	Gallons	
36335095	NEPTUNE	WT	20	0.0000	07/19/17	7/19/2017	06/08/18	10	5	0	Gallons	
36386940	NEPTUNE	WT	20	0.0000	07/19/17	7/19/2017	06/08/18	10	5	0	Gallons	
1547972792	NEPTUNE	WT	20	0.0000	07/19/17	7/19/2017	06/08/18	10	5	0	Gallons	
36386941	NEPTUNE	WT	20	0.0000	07/19/17	7/19/2017	06/08/18	10	5	0	Gallons	
1547956714	NEPTUNE	WT	20	0.0000	07/19/17	7/19/2017	06/08/18	10	5	0	Gallons	
36386942	NEPTUNE	WT	20	0.0000	07/19/17	7/19/2017	06/08/18	10	5	0	Gallons	
1547960152	NEPTUNE	WT	20	0.0000	07/19/17	7/19/2017	06/08/18	10	5	0	Gallons	
36386943	NEPTUNE	WT	20	0.0000	07/19/17	7/19/2017	06/08/18	10	5	0	Gallons	
1545047896	NEPTUNE	WT	20	0.0000	07/19/17	7/19/2017	06/08/18	10	5	0	Gallons	
36386944	NEPTUNE	WT	20	0.0000	07/19/17	7/19/2017	06/08/18	10	5	0	Gallons	
1545047118	NEPTUNE	WT	20	0.0000	07/19/17	7/19/2017	06/08/18	10	5	0	Gallons	
36386945	NEPTUNE	WT	20	0.0000	07/19/17	7/19/2017	06/08/18	10	5	0	Gallons	
1547960562	NEPTUNE	WT	20	0.0000	07/19/17	7/19/2017	06/08/18	10	5	0	Gallons	

Meter #	Size	Service	Meter	Purchase	Warranty	Last	# Of	# Of Fixed	Units of	Tamper		
Internal Id #	Manufacturer	Type	Constant	Date	Date	Tested	Test Cycle	0's	Measure	Status		
							Dials			Visually		
										Readable		
36386946	Neptune	WT	20	0.0000	07/19/17	7/19/2017	06/08/18	10	5	0	Gallons	
1547960502	Neptune	WT	20	0.0000	07/19/17	7/19/2017	06/19/18	10	5	0	Gallons	
36386947	Neptune	WT	20	0.0000	07/19/17	7/19/2017	05/30/18	10	5	0	Gallons	
1547963350	Neptune	WT	20	0.0000	07/19/17	7/19/2017	05/30/18	10	5	0	Gallons	
36386948	Neptune	WT	20	0.0000	07/19/17	7/19/2017	05/30/18	10	5	0	Gallons	
1547960886	Neptune	WT	20	0.0000	07/19/17	7/19/2017	05/30/18	10	5	0	Gallons	
36386949	Neptune	WT	20	0.0000	07/19/17	7/19/2017	05/30/18	10	5	0	Gallons	
1547961504	Neptune	WT	20	0.0000	07/19/17	7/19/2017	05/30/18	10	5	0	Gallons	
36386950	Neptune	WT	20	0.0000	07/19/17	7/19/2017	05/30/18	10	5	0	Gallons	
1471125486	Neptune	WT	20	0.0000	07/19/17	7/19/2017	05/30/18	10	5	0	Gallons	
36386951	Neptune	WT	20	0.0000	07/19/17	7/19/2017	05/30/18	10	5	0	Gallons	
1471383628	Neptune	WT	20	0.0000	07/19/17	7/19/2017	05/30/18	10	5	0	Gallons	
36386952	Neptune	WT	20	0.0000	07/19/17	7/19/2017	05/30/18	10	5	0	Gallons	
1551750198	Neptune	WT	20	0.0000	07/19/17	7/19/2017	05/30/18	10	5	0	Gallons	
36386953	Neptune	WT	20	0.0000	07/19/17	7/19/2017	05/30/18	10	5	0	Gallons	
1486458756	Neptune	WT	20	0.0000	07/19/17	7/19/2017	05/30/18	10	5	0	Gallons	
36386954	Neptune	WT	20	0.0000	07/19/17	7/19/2017	05/30/18	10	5	0	Gallons	
1551863756	Neptune	WT	20	0.0000	07/19/17	7/19/2017	05/30/18	10	5	0	Gallons	
36386955	Neptune	WT	20	0.0000	07/19/17	7/19/2017	05/30/18	10	5	0	Gallons	
1487741582	Neptune	WT	20	0.0000	07/19/17	7/19/2017	05/30/18	10	5	0	Gallons	
36386956	Neptune	WT	20	0.0000	07/19/17	7/19/2017	05/30/18	10	5	0	Gallons	
1551858206	Neptune	WT	20	0.0000	07/19/17	7/19/2017	05/30/18	10	5	0	Gallons	
36386957	Neptune	WT	20	0.0000	07/19/17	7/19/2017	05/30/18	10	5	0	Gallons	
1551748660	Neptune	WT	20	0.0000	07/19/17	7/19/2017	05/30/18	10	5	0	Gallons	
36386958	Neptune	WT	20	0.0000	07/19/17	7/19/2017	05/30/18	10	5	0	Gallons	
36386959	Neptune	WT	20	0.0000	07/19/17	7/19/2017	05/30/18	10	5	0	Gallons	
36386960	Neptune	WT	20	0.0000	07/19/17	7/19/2017	05/30/18	10	5	0	Gallons	
1547236730	Neptune	WT	20	0.0000	07/19/17	7/19/2017	05/30/18	10	5	0	Gallons	
36386961	Neptune	WT	20	0.0000	07/19/17	7/19/2017	05/30/18	10	5	0	Gallons	
1547246024	Neptune	WT	20	0.0000	07/19/17	7/19/2017	05/30/18	10	5	0	Gallons	
36386962	Neptune	WT	20	0.0000	07/19/17	7/19/2017	05/30/18	10	5	0	Gallons	
1546681222	Neptune	WT	20	0.0000	07/19/17	7/19/2017	05/30/18	10	5	0	Gallons	
36386963	Neptune	WT	20	0.0000	07/19/17	7/19/2017	05/30/18	10	5	0	Gallons	
1546680940	Neptune	WT	20	0.0000	07/19/17	7/19/2017	05/30/18	10	5	0	Gallons	
36386964	Neptune	WT	20	0.0000	07/19/17	7/19/2017	05/30/18	10	5	0	Gallons	
1547959726	Neptune	WT	20	0.0000	07/19/17	7/19/2017	05/30/18	10	5	0	Gallons	
36386965	Neptune	WT	20	0.0000	07/19/17	7/19/2017	05/30/18	10	5	0	Gallons	
1546681754	Neptune	WT	20	0.0000	07/19/17	7/19/2017	05/30/18	10	5	0	Gallons	
36386966	Neptune	WT	20	0.0000	07/19/17	7/19/2017	05/30/18	10	5	0	Gallons	
1546683322	Neptune	WT	20	0.0000	07/19/17	7/19/2017	05/30/18	10	5	0	Gallons	
36386967	Neptune	WT	20	0.0000	07/19/17	7/19/2017	05/30/18	10	5	0	Gallons	
1546681120	Neptune	WT	20	0.0000	07/19/17	7/19/2017	05/30/18	10	5	0	Gallons	
36386968	Neptune	WT	20	0.0000	07/19/17	7/19/2017	05/30/18	10	5	0	Gallons	
1547960732	Neptune	WT	20	0.0000	07/19/17	7/19/2017	05/30/18	10	5	0	Gallons	

Meter #	Size	Service	Meter	Purchase	Warranty	Last	# Of	# Of	Units of	Tamper			
Internal Id #	Manufacturer	Type	Constant	Date	Date	Tested	Test Cycle	Fixed	Measure	Status			
							Diags	0's		Visually			
										Readable			
36386969	Neptune	WT	20	0.0000	07/19/17	7/19/2017	05/29/18	10	5	0	0	Gallons	
1547953396	Neptune	WT	20	0.0000	07/19/17	7/19/2017		10	0	0	0	Gallons	
36386970	Neptune	WT	20	0.0000	07/19/17	7/19/2017		10	0	0	0	Gallons	
36386971	Neptune	WT	20	0.0000	07/19/17	7/19/2017	07/16/18	10	5	0	0	Gallons	
1490149942	Neptune	WT	20	0.0000	07/19/17	7/19/2017	07/16/18	10	5	0	0	Gallons	
36386972	Neptune	WT	20	0.0000	07/19/17	7/19/2017	06/14/18	10	5	0	0	Gallons	
1490155598	Neptune	WT	20	0.0000	07/19/17	7/19/2017		10	0	0	0	Gallons	
36386973	Neptune	WT	20	0.0000	07/19/17	7/19/2017		10	0	0	0	Gallons	
1547967950	Neptune	WT	20	0.0000	07/19/17	7/19/2017		10	0	0	0	Gallons	
36386974	Neptune	WT	20	0.0000	07/19/17	7/19/2017		10	0	0	0	Gallons	
36386975	Neptune	WT	20	0.0000	07/19/17	7/19/2017		10	0	0	0	Gallons	
36386976	Neptune	WT	20	0.0000	07/19/17	7/19/2017		10	0	0	0	Gallons	
36386977	Neptune	WT	20	0.0000	07/19/17	7/19/2017		10	0	0	0	Gallons	
36386978	Neptune	WT	20	0.0000	07/19/17	7/19/2017		10	0	0	0	Gallons	
36386979	Neptune	WT	20	0.0000	07/19/17	7/19/2017		10	0	0	0	Gallons	
36386980	Neptune	WT	20	0.0000	07/19/17	7/19/2017	05/30/18	10	5	0	0	Gallons	
1547972540	Neptune	WT	20	0.0000	07/19/17	7/19/2017	05/30/18	10	5	0	0	Gallons	
36386981	Neptune	WT	20	0.0000	07/19/17	7/19/2017	06/14/18	10	5	0	0	Gallons	
1547956104	Neptune	WT	20	0.0000	07/19/17	7/19/2017		10	5	0	0	Gallons	
36386982	Neptune	WT	20	0.0000	07/19/17	7/19/2017		10	5	0	0	Gallons	
1545046594	Neptune	WT	20	0.0000	07/19/17	7/19/2017	06/01/18	10	5	0	0	Gallons	
36386983	Neptune	WT	20	0.0000	07/19/17	7/19/2017		10	5	0	0	Gallons	
1547966318	Neptune	WT	20	0.0000	07/19/17	7/19/2017		10	5	0	0	Gallons	
36386984	Neptune	WT	20	0.0000	07/19/17	7/19/2017	06/18/18	10	5	0	0	Gallons	
1543652342	Neptune	WT	20	0.0000	07/19/17	7/19/2017		10	5	0	0	Gallons	
36386985	Neptune	WT	20	0.0000	07/19/17	7/19/2017	05/25/18	10	5	0	0	Gallons	
1547959904	Neptune	WT	20	0.0000	07/19/17	7/19/2017	05/25/18	10	5	0	0	Gallons	
36386986	Neptune	WT	20	0.0000	07/19/17	7/19/2017		10	5	0	0	Gallons	
1547961386	Neptune	WT	20	0.0000	07/19/17	7/19/2017	05/25/18	10	5	0	0	Gallons	
36386987	Neptune	WT	20	0.0000	07/19/17	7/19/2017		10	5	0	0	Gallons	
1547955940	Neptune	WT	20	0.0000	07/19/17	7/19/2017	05/25/18	10	5	0	0	Gallons	
36386988	Neptune	WT	20	0.0000	07/19/17	7/19/2017		10	5	0	0	Gallons	
1490146426	Neptune	WT	20	0.0000	07/19/17	7/19/2017		10	5	0	0	Gallons	
36386989	Neptune	WT	20	0.0000	07/19/17	7/19/2017	05/25/18	10	5	0	0	Gallons	
1490145086	Neptune	WT	20	0.0000	07/19/17	7/19/2017		10	0	0	0	Gallons	
36386990	Neptune	WT	20	0.0000	07/19/17	7/19/2017		10	0	0	0	Gallons	
36386991	Neptune	WT	20	0.0000	07/19/17	7/19/2017		10	0	0	0	Gallons	

Meter #	Size	Service	Meter	Purchase	Warranty	Last	# Of	# Of Fixed	Units of	Tamper				
Internal Id #	Manufacturer	Type	Constant	Date	Date	Tested	Test Cycle	0's	Measure	Status				
							Dials			Visually				
										Readable				
36386992	Neptune	WT	20	0.0000	07/19/17	7/19/2017	10	0	0	Gallons				
36386993	Neptune	WT	20	0.0000	07/19/17	7/19/2017	10	0	0	Gallons				
36386994	Neptune	WT	20	0.0000	07/19/17	7/19/2017	10	0	0	Gallons				
36386995	Neptune	WT	20	0.0000	07/19/17	7/19/2017	10	0	0	Gallons				
36386996	Neptune	WT	20	0.0000	07/19/17	7/19/2017	10	0	0	Gallons				
36386997	Neptune	WT	20	0.0000	07/19/17	7/19/2017	10	0	0	Gallons				
36386998	Neptune	WT	20	0.0000	07/19/17	7/19/2017	10	0	0	Gallons				
36386999	Neptune	WT	20	0.0000	07/19/17	7/19/2017	10	0	0	Gallons				
36387000	Neptune	WT	20	0.0000	07/19/17	7/19/2017	10	5	0	Gallons				
1546355372	Neptune	WT	20	0.0000	07/19/17	7/19/2017	10	25	17	10	5	0	Gallons	
36387001	Neptune	WT	20	0.0000	07/19/17	7/19/2017	10	25	17	10	5	0	Gallons	
1546274556	Neptune	WT	20	0.0000	07/19/17	7/19/2017	10	27	17	10	5	0	Gallons	
36387002	Neptune	WT	20	0.0000	07/19/17	7/19/2017	10	20	17	10	5	0	Gallons	
1546356936	Neptune	WT	20	0.0000	07/19/17	7/19/2017	10	20	17	10	5	0	Gallons	
36387003	Neptune	WT	20	0.0000	07/19/17	7/19/2017	10	22	17	10	5	0	Gallons	
36387004	Neptune	WT	20	0.0000	07/19/17	7/19/2017	10	28	17	10	5	0	Gallons	
1547236572	Neptune	WT	20	0.0000	07/19/17	7/19/2017	10	28	17	10	5	0	Gallons	
36387005	Neptune	WT	20	0.0000	07/19/17	7/19/2017	10	28	17	10	5	0	Gallons	
1547246022	Neptune	WT	20	0.0000	07/19/17	7/19/2017	10	28	17	10	5	0	Gallons	
36387006	Neptune	WT	20	0.0000	07/19/17	7/19/2017	10	28	17	10	5	0	Gallons	
1546641448	Neptune	WT	20	0.0000	07/19/17	7/19/2017	10	28	17	10	5	0	Gallons	
36387007	Neptune	WT	20	0.0000	07/19/17	7/19/2017	10	28	17	10	5	0	Gallons	
1546644092	Neptune	WT	20	0.0000	07/19/17	7/19/2017	10	28	17	10	5	0	Gallons	
36387008	Neptune	WT	20	0.0000	07/19/17	7/19/2017	10	28	17	10	5	0	Gallons	
1550396398	Neptune	WT	20	0.0000	07/19/17	7/19/2017	10	28	17	10	5	0	Gallons	
36387009	Neptune	WT	20	0.0000	07/19/17	7/19/2017	10	28	17	10	5	0	Gallons	
1547236838	Neptune	WT	20	0.0000	07/19/17	7/19/2017	10	28	17	10	5	0	Gallons	
36387010	Neptune	WT	20	0.0000	07/19/17	7/19/2017	10	28	17	10	5	0	Gallons	
36387011	Neptune	WT	20	0.0000	07/19/17	7/19/2017	10	28	17	10	5	0	Gallons	
36387012	Neptune	WT	20	0.0000	07/19/17	7/19/2017	10	28	17	10	5	0	Gallons	
36387013	Neptune	WT	20	0.0000	07/19/17	7/19/2017	10	28	17	10	5	0	Gallons	
36387014	Neptune	WT	20	0.0000	07/19/17	7/19/2017	10	28	17	10	5	0	Gallons	

Meter #	Size	Service	Meter	Purchase	Warranty	Last	# Of	# Of Fixed	Units of	Tamper	Visually
Internal Id #	Manufacturer	Type	Constant	Date	Date	Tested	Test Cycle	0's	Measure	Status	Readable
36387015	Neptune	WT	20	0.0000	07/19/17	7/19/2017	10	0	0	Gallons	
36387016	Neptune	WT	20	0.0000	07/19/17	7/19/2017	10	0	0	Gallons	
36387017	Neptune	WT	20	0.0000	07/19/17	7/19/2017	10	0	0	Gallons	
36387018	Neptune	WT	20	0.0000	07/19/17	7/19/2017	10	0	0	Gallons	
36387019	Neptune	WT	20	0.0000	07/19/17	7/19/2017	10	0	0	Gallons	
36387020	Neptune	WT	20	0.0000	07/19/17	7/19/2017	10/04/17	10	5	0	Gallons
1546641432	Neptune	WT	20	0.0000	07/19/17	7/19/2017	09/25/17	10	5	0	Gallons
36387021	Neptune	WT	20	0.0000	07/19/17	7/19/2017		10	5	0	Gallons
1545221168	Neptune	WT	20	0.0000	07/19/17	7/19/2017		10	5	0	Gallons
36387022	Neptune	WT	20	0.0000	07/19/17	7/19/2017		10	5	0	Gallons
1545249034	Neptune	WT	20	0.0000	07/19/17	7/19/2017		10	5	0	Gallons
36387023	Neptune	WT	20	0.0000	07/19/17	7/19/2017	08/29/17	10	5	0	Gallons
1545227084	Neptune	WT	20	0.0000	07/19/17	7/19/2017		10	5	0	Gallons
36387024	Neptune	WT	20	0.0000	07/19/17	7/19/2017		10	5	0	Gallons
1545258394	Neptune	WT	20	0.0000	07/19/17	7/19/2017		10	5	0	Gallons
36387025	Neptune	WT	20	0.0000	07/19/17	7/19/2017	10/05/17	10	5	0	Gallons
1546170020	Neptune	WT	20	0.0000	07/19/17	7/19/2017		10	5	0	Gallons
36387026	Neptune	WT	20	0.0000	07/19/17	7/19/2017	10/05/17	10	5	0	Gallons
1546644724	Neptune	WT	20	0.0000	07/19/17	7/19/2017		10	5	0	Gallons
36387027	Neptune	WT	20	0.0000	07/19/17	7/19/2017	09/27/17	10	5	0	Gallons
1546680936	Neptune	WT	20	0.0000	07/19/17	7/19/2017	09/26/17	10	5	0	Gallons
36387028	Neptune	WT	20	0.0000	07/19/17	7/19/2017		10	5	0	Gallons
1545271068	Neptune	WT	20	0.0000	07/19/17	7/19/2017		10	5	0	Gallons
36387029	Neptune	WT	20	0.0000	07/19/17	7/19/2017		10	5	0	Gallons
1545222998	Neptune	WT	20	0.0000	07/19/17	7/19/2017		10	5	0	Gallons
36387030	Neptune	WT	20	0.0000	07/19/17	7/19/2017	12/04/17	10	5	0	Gallons
1471255136	Neptune	WT	20	0.0000	07/19/17	7/19/2017	12/04/17	10	5	0	Gallons
36387031	Neptune	WT	20	0.0000	07/19/17	7/19/2017	12/04/17	10	5	0	Gallons
1546681334	Neptune	WT	20	0.0000	07/19/17	7/19/2017	12/04/17	10	5	0	Gallons
36387032	Neptune	WT	20	0.0000	07/19/17	7/19/2017	12/04/17	10	5	0	Gallons
1471645662	Neptune	WT	20	0.0000	07/19/17	7/19/2017	12/04/17	10	5	0	Gallons
36387033	Neptune	WT	20	0.0000	07/19/17	7/19/2017	12/04/17	10	5	0	Gallons
1490189616	Neptune	WT	20	0.0000	07/19/17	7/19/2017	12/04/17	10	5	0	Gallons
36387034	Neptune	WT	20	0.0000	07/19/17	7/19/2017	12/04/17	10	5	0	Gallons
1490143954	Neptune	WT	20	0.0000	07/19/17	7/19/2017	04/04/18	10	5	0	Gallons
36387035	Neptune	WT	20	0.0000	07/19/17	7/19/2017	05/03/18	10	5	0	Gallons
1546646276	Neptune	WT	10	0.0000	07/17/17	7/17/2017		5	0	Gallons	
36387036	Neptune	WT	10	0.0000	07/17/17	7/17/2017		5	0	Gallons	
1546319274	Neptune	WT	10	0.0000	07/17/17	7/17/2017		5	0	Gallons	
36387037	Neptune	WT	10	0.0000	07/17/17	7/17/2017	05/03/18	1	5	0	Gallons
1546355688	Neptune	WT	10	0.0000	07/17/17	7/17/2017		1	5	0	Gallons

Meter #	Size	Service	Meter	Purchase	Warranty	Last	# Of	# Of	Units of	Tamper	
Internal Id #	Manufacturer	Type	Constant	Date	Date	Tested	Of Fixed	Of Fixed	Measure	Status	
							0's	0's		Visually	
		Rating								Readable	
36387038	Neptune	WT 20	0.0000	07/17/17	7/17/2017	05/04/18	10	5	0	Gallons	
1546356706	Neptune	WT 20	0.0000	07/17/17	7/17/2017	05/04/18	10	5	0	Gallons	
36387039	Neptune	WT 20	0.0000	10/28/87	10/28/1987	04/13/04	10	0	0	Gallons	
1547220318	NEPTUNE	WT 20	0.0000	08/15/91	8/15/1991	06/09/92	10	0	0	Gallons	
36396192	NEPTUNE	WT 20	0.0000	01/21/86	1/21/1986	06/09/98	10	0	0	Gallons	
36396194	NEPTUNE	WT 20	0.0000	05/28/91	5/28/1991	02/10/98	10	0	0	Gallons	
36396201	NEPTUNE	WT 20	0.0000	01/21/86	1/21/1986	02/07/95	10	7	0	Gallons	
36396203	NEPTUNE	WT 20	0.0000	01/21/86	1/21/1986	02/07/95	10	0	0	Gallons	
36396820	NEPTUNE	WT 20	0.0000	11/20/85	11/20/1985	03/27/90	10	0	0	Gallons	
36396820	NEPTUNE	WT 20	0.0000	12/07/82	12/7/1982	11/01/93	10	0	0	Gallons	
36430987	NEPTUNE	WT 20	0.0000	06/13/86	6/13/1986	03/29/90	10	0	0	Gallons	
36431270	NEPTUNE	WT 20	0.0000	04/24/86	4/24/1986	02/07/95	10	0	0	Gallons	
36431275	NEPTUNE	WT 20	0.0000	07/29/86	7/29/1986	02/10/98	10	0	0	Gallons	
36431277	NEPTUNE	WT 20	0.0000	05/01/86	5/1/1986	06/13/95	10	0	0	Gallons	
36431281	Neptune	WT 20	0.0000	05/15/86	5/15/1986	11/16/11	10	0	0	Gallons	
36431318	NEPTUNE	WT 20	0.0000	05/15/86	5/15/1986	11/16/11	10	0	0	Gallons	
36431338	Neptune	WT 20	0.0000	05/15/86	5/15/1986	11/16/11	10	0	0	Gallons	
36431339	NEPTUNE	WT 20	0.0000	05/15/86	5/15/1986	11/16/11	10	0	0	Gallons	
36431341	NEPTUNE	WT 20	0.0000	11/05/82	11/5/1982	02/07/95	10	0	0	Gallons	
36431347	NEPTUNE	WT 20	0.0000	07/15/87	7/15/1987	01/30/98	10	0	0	Gallons	
36431350	NEPTUNE	WT 20	0.0000	08/10/86	8/10/1986	04/13/04	10	0	0	Gallons	
36431354	NEPTUNE	WT 20	0.0000	04/25/86	4/25/1986	11/01/93	10	0	0	Gallons	
36431358	NEPTUNE	WT 20	0.0000	04/15/86	4/15/1986	06/09/92	10	0	0	Gallons	
36431369	NEPTUNE	WT 20	0.0000	10/27/87	10/27/1987	03/04/96	10	7	0	Gallons	
36431369	NEPTUNE	WT 20	0.0000	08/15/86	8/15/1986	02/13/91	10	0	0	Gallons	
36431375	NEPTUNE	WT 20	0.0000	12/18/85	12/18/1985	05/10/95	10	0	0	Gallons	
36431378	NEPTUNE	WT 20	0.0000								

Meter #	Size	Service	Meter	Purchase	Warranty	Last	# Of	# Of Fixed	Units of	Tamper
Internal Id #	Manufacturer	Type	Constant	Date	Date	Tested	Test Cycle	0's	Measure	Status
		Rating					Dials			Visually
										Readable
36551989	5/8"	WT	0.0000				1	0	0	Gallons
36969176	5/8"	WT	0.0000	09/30/83	9/30/1983	11/01/93	10	0	0	Gallons
36969181	5/8"	WT	0.0000	09/03/86	9/3/1986	05/25/10	10	0	0	Gallons
36969225	5/8"	WT	0.0000			01/22/02	10	0	0	Gallons
37030513	5/8"	WT	0.0000	12/30/87	12/30/1987	02/13/91	10	0	0	Gallons
37030516	5/8"	WT	0.0000	12/03/87	12/3/1987	02/13/91	10	0	0	Gallons
37262103	5/8"	WT	0.0000	01/22/93	1/22/1993	09/22/16	10	5	0	Gallons
1542520362	NEPTUNE RADIO	WT	0.0000							
37262104	5/8"	WT	0.0000	01/22/93	1/22/1993	12/10/08	10	5	0	Gallons
1481037454	NEPTUNE	WT	0.0000	07/23/92	7/23/1992	10/23/07	10	5	0	Gallons
37262105	5/8"	WT	0.0000							
1490148290	NEPTUNE	WT	0.0000							
37262106	5/8"	WT	0.0000	01/22/93	1/22/1993	02/22/08	10	5	0	Gallons
1490140674	NEPTUNE	WT	0.0000							
37262107	5/8"	WT	0.0000	01/22/93	1/22/1993	09/12/12	10	5	0	Gallons
1490194472	NEPTUNE	WT	0.0000							
37262108	5/8"	WT	0.0000	01/02/93	1/2/1993	10/15/08	10	5	0	Gallons
1490146716	NEPTUNE	WT	0.0000							
37262109	5/8"	WT	0.0000	01/22/93	1/22/1993	11/19/04	10	5	0	Gallons
1471237422	NEPTUNE	WT	0.0000							
37262110	5/8"	WT	0.0000	01/22/93	1/22/1993	04/09/19	10	5	0	Gallons
1562512930	NEPTUNE RADIO	WT	0.0000							
37262111	5/8"	WT	0.0000	01/22/93	1/22/1993	03/01/07	10	0	0	Gallons
	NEPTUNE	WT	0.0000							
37262112	5/8"	WT	0.0000	01/22/93	1/22/1993	07/24/12	10	5	0	Gallons
1485503670	NEPTUNE	WT	0.0000							
37262133	5/8"	WT	0.0000	01/22/93	1/22/1993	11/24/08	10	5	0	Gallons
1490148376	NEPTUNE	WT	0.0000							
37262134	5/8"	WT	0.0000	01/22/93	1/22/1993	08/08/11	10	5	0	Gallons
1490147612	NEPTUNE	WT	0.0000							
37262135	5/8"	WT	0.0000	01/22/93	1/22/1993	02/16/10	10	0	0	Gallons
	NEPTUNE	WT	0.0000							
37262136	5/8"	WT	0.0000	01/22/93	1/22/1993	04/10/17	10	5	0	Gallons
1490115402	NEPTUNE	WT	0.0000							
37262137	5/8"	WT	0.0000	01/22/93	1/22/1993	09/11/12	10	5	0	Gallons
1490177370	NEPTUNE	WT	0.0000							
37262138	5/8"	WT	0.0000	01/22/93	1/22/1993	09/30/08	10	5	0	Gallons
1490176556	NEPTUNE	WT	0.0000							
37262139	5/8"	WT	0.0000	01/22/93	1/22/1993	02/20/08	10	5	0	Gallons
1490150656	NEPTUNE	WT	0.0000							
37262140	5/8"	WT	0.0000	01/22/93	1/22/1993	09/12/12	10	5	0	Gallons
1545538422	NEPTUNE	WT	0.0000							

Meter #	Size	Service	Meter	Purchase	Warranty	Last	# Of	# Of	Units of	Tamper	
Internal Id #	Manufacturer	Type	Constant	Date	Date	Tested	Test Cycle	Fixed	Measure	Status	
							Dials	0's		Visually	
										Readable	
37262141	NEPTUNE	WT	0.0000	01/22/93	1/22/1993	05/29/09	10	5	0	Gallons	
1490154728	NEPTUNE	WT	0.0000	01/22/93	1/22/1993	12/04/08	10	5	0	Gallons	
37262142	NEPTUNE	WT	0.0000	04/10/87	4/10/1987	01/27/98	10	0	0	Gallons	
1490180168	NEPTUNE	WT	0.0000	03/31/87	3/31/1987	11/01/93	10	0	0	Gallons	
37403184	NEPTUNE	WT	0.0000	10/25/86	10/25/1986	07/10/94	10	0	0	Gallons	
37403186	NEPTUNE	WT	0.0000	02/05/87	2/5/1987	01/23/98	10	0	0	Gallons	
37403265	NEPTUNE	WT	0.0000	01/14/87	1/14/1987	11/01/93	10	0	0	Gallons	
37403280	NEPTUNE	WT	0.0000	01/15/87	1/15/1987	06/04/09	10	0	0	Gallons	
37403282	NEPTUNE	WT	0.0000	11/26/86	11/26/1986	11/16/11	10	0	0	Gallons	
37403283	NEPTUNE	WT	0.0000	11/26/86	11/26/1986	11/16/11	10	0	0	Gallons	
37403284	NEPTUNE	WT	0.0000	05/10/95	5/10/1995	05/10/95	10	0	0	Gallons	
37403287	NEPTUNE	WT	0.0000	01/02/86	1/2/1986	02/07/95	10	0	0	Gallons	
37403721	NEPTUNE	WT	0.0000	08/05/86	8/5/1986	12/09/13	4	0	0	Gallons	
37422874	NEPTUNE	WT	0.0000	12/11/92	12/11/1992	11/01/18	10	5	0	Gallons	
37422934	NEPTUNE	WT	0.0000	12/11/92	12/11/1992	07/18/12	10	5	0	Gallons	
37422964	NEPTUNE	WT	0.0000	12/11/92	12/11/1992	02/21/08	10	5	0	Gallons	
37580877	NEPTUNE	WT	0.0000	12/11/92	12/11/1992	02/16/17	10	5	0	Gallons	
37618487	ROCKWELL	WT	0.0000	12/11/92	12/11/1992	05/21/09	10	5	0	Gallons	
37736293	NEPTUNE	WT	0.0000	12/11/92	12/11/1992	07/31/08	10	5	0	Gallons	
1562995780	NEPTUNE	WT	0.0000	12/11/92	12/11/1992	08/28/12	10	5	0	Gallons	
37736294	NEPTUNE	WT	0.0000	12/11/92	12/11/1992	02/16/17	10	5	0	Gallons	
1490144845	NEPTUNE	WT	0.0000	12/11/92	12/11/1992	02/16/17	10	5	0	Gallons	
37736295	NEPTUNE	WT	0.0000	12/11/92	12/11/1992	03/28/08	10	0	0	Gallons	
1485537816	NEPTUNE	WT	0.0000	12/11/92	12/11/1992	05/21/09	10	5	0	Gallons	
37736296	NEPTUNE	WT	0.0000	12/11/92	12/11/1992	07/31/08	10	5	0	Gallons	
1545532268	NEPTUNE	WT	0.0000	12/11/92	12/11/1992	08/28/12	10	5	0	Gallons	
37736297	NEPTUNE	WT	0.0000	12/11/92	12/11/1992	08/28/12	10	5	0	Gallons	
37736298	NEPTUNE	WT	0.0000	12/11/92	12/11/1992	05/21/09	10	5	0	Gallons	
1490121736	NEPTUNE	WT	0.0000	12/11/92	12/11/1992	07/31/08	10	5	0	Gallons	
37736299	NEPTUNE	WT	0.0000	12/11/92	12/11/1992	07/31/08	10	5	0	Gallons	
1490146358	NEPTUNE	WT	0.0000	12/11/92	12/11/1992	08/28/12	10	5	0	Gallons	
37736300	NEPTUNE	WT	0.0000	12/11/92	12/11/1992	08/28/12	10	5	0	Gallons	

Meter #	Size	Service	Meter	Purchase	Warranty	Last	# Of	# Of Fixed	Units of	Tamper	
Internal Id #	Manufacturer	Type	Constant	Date	Date	Tested	Cycle	0's	Measure	Status	
							Dials			Visually	
										Readable	
1486134124	NEPTUNE	WT	0.0000	12/11/92	12/11/1992	04/16/07	10	5	0	Gallons	
37736301	NEPTUNE	WT	0.0000	12/11/92	12/11/1992	04/16/07	10	5	0	Gallons	
1490146258	NEPTUNE	WT	0.0000	12/11/92	12/11/1992	11/20/15	10	5	0	Gallons	
37736302	NEPTUNE RADIO	WT	0.0000	12/11/92	12/11/1992	10/27/15	10	5	0	Gallons	
1540771262	NEPTUNE	WT	0.0000	12/11/92	12/11/1992	10/27/15	10	5	0	Gallons	
37736303	NEPTUNE	WT	0.0000	12/11/92	12/11/1992	07/27/18	10	5	0	Gallons	
1471244376	NEPTUNE	WT	0.0000	12/11/92	12/11/1992	04/12/19	10	5	0	Gallons	
37736304	NEPTUNE	WT	0.0000	12/11/92	12/11/1992	04/12/19	10	5	0	Gallons	
1551692350	NEPTUNE	WT	0.0000	12/11/92	12/11/1992	05/22/19	10	0	0	Gallons	
37736305	NEPTUNE	WT	0.0000	12/11/92	12/11/1992	05/22/19	10	0	0	Gallons	
1487420792	NEPTUNE	WT	0.0000	12/11/92	12/11/1992	05/22/19	10	0	0	Gallons	
37736306	NEPTUNE	WT	0.0000	12/11/92	12/11/1992	05/22/19	10	0	0	Gallons	
37736307	NEPTUNE	WT	0.0000	12/11/92	12/11/1992	11/18/08	10	5	0	Gallons	
1490149972	NEPTUNE	WT	0.0000	12/11/92	12/11/1992	09/17/10	10	5	0	Gallons	
37736308	NEPTUNE	WT	0.0000	12/11/92	12/11/1992	11/14/14	10	5	0	Gallons	
1486825312	NEPTUNE RADIO	WT	0.0000	12/11/92	12/11/1992	09/26/07	10	0	0	Gallons	
37736309	NEPTUNE	WT	0.0000	12/11/92	12/11/1992	09/26/07	10	0	0	Gallons	
1487933096	NEPTUNE	WT	0.0000	12/11/92	12/11/1992	04/12/06	10	5	0	Gallons	
37736310	NEPTUNE	WT	0.0000	12/11/92	12/11/1992	12/02/15	10	5	0	Gallons	
37736311	NEPTUNE	WT	0.0000	12/11/92	12/11/1992	02/14/12	10	5	0	Gallons	
1490141278	NEPTUNE	WT	0.0000	12/11/92	12/11/1992	08/22/16	10	5	0	Gallons	
37736312	NEPTUNE	WT	0.0000	12/11/92	12/11/1992	10/31/14	10	5	0	Gallons	
1486131596	NEPTUNE	WT	0.0000	12/11/92	12/11/1992	12/16/92	10	0	0	Gallons	
37736313	NEPTUNE	WT	0.0000	12/11/92	12/11/1992	12/16/92	10	0	0	Gallons	
1471549714	NEPTUNE	WT	0.0000	12/11/92	12/11/1992	11/18/14	10	5	0	Gallons	
37736314	NEPTUNE	WT	0.0000	12/11/92	12/11/1992	11/18/14	10	5	0	Gallons	
1471534168	NEPTUNE	WT	0.0000	12/11/92	12/11/1992	09/13/05	10	5	0	Gallons	
37736315	NEPTUNE	WT	0.0000	12/11/92	12/11/1992	09/13/05	10	5	0	Gallons	
1471017900	NEPTUNE	WT	0.0000	12/11/92	12/11/1992	07/02/18	10	5	0	Gallons	
37736316	NEPTUNE	WT	0.0000	12/11/92	12/11/1992	07/02/18	10	5	0	Gallons	
37736317	NEPTUNE	WT	0.0000	12/11/92	12/11/1992	05/29/09	10	5	0	Gallons	
1487955256	NEPTUNE	WT	0.0000	12/11/92	12/11/1992	05/29/09	10	5	0	Gallons	
37736318	NEPTUNE	WT	0.0000	12/11/92	12/11/1992	12/04/08	10	5	0	Gallons	
1481545880	NEPTUNE	WT	0.0000	12/11/92	12/11/1992	12/04/08	10	5	0	Gallons	
37736319	NEPTUNE	WT	0.0000	12/11/92	12/11/1992	09/14/12	10	5	0	Gallons	
1490177776	NEPTUNE	WT	0.0000	12/11/92	12/11/1992	09/14/12	10	5	0	Gallons	
37736320	NEPTUNE	WT	0.0000	12/11/92	12/11/1992	09/14/12	10	5	0	Gallons	
1483707538	NEPTUNE	WT	0.0000	12/11/92	12/11/1992	09/14/12	10	5	0	Gallons	
37736321	NEPTUNE	WT	0.0000	12/11/92	12/11/1992	09/14/12	10	5	0	Gallons	
1490145258	NEPTUNE	WT	0.0000	12/11/92	12/11/1992	09/14/12	10	5	0	Gallons	
37736322	Neptune	WT	0.0000	12/11/92	12/11/1992	09/14/12	10	5	0	Gallons	
1490194448	Neptune	WT	0.0000	12/11/92	12/11/1992	09/14/12	10	5	0	Gallons	
37736344	NEPTUNE	WT	0.0000	12/11/92	12/11/1992	09/14/12	10	5	0	Gallons	

Meter #	Size	Service	Meter	Purchase	Warranty	Last	# Of	# Of	Units of	Tamper	
Internal Id #	Manufacturer	Type	Constant	Date	Date	Tested	Test Cycle	Fixed	Measure	Status	
							Dials	0's		Visually	
										Readable	
37752937	NEPTUNE 5/8"	WT 20	0.0000	09/25/91	9/25/1991	11/01/93	10	0	0	Gallons	
37752948	NEPTUNE 5/8"	WT 20	0.0000	03/03/87	3/3/1987	04/13/04	10	0	0	Gallons	
37819805	NEPTUNE 5/8"	WT 20	0.0000	05/11/81	5/11/1981	11/01/93	10	0	0	Gallons	
37819806	NEPTUNE 5/8"	WT 20	0.0000	05/01/87	5/1/1987	06/09/92	10	0	0	Gallons	
37819846	NEPTUNE 5/8"	WT 20	0.0000	06/29/87	6/29/1987	06/09/92	10	0	0	Gallons	
37819871	NEPTUNE 5/8"	WT 20	0.0000	09/11/87	9/11/1987	02/10/98	10	0	0	Gallons	
37968622	NEPTUNE 5/8"	WT 20	0.0000	08/07/95	8/7/1995	05/27/09	10	5	0	Gallons	
1490150616	NEPTUNE 5/8"	WT 20	0.0000	12/14/92	12/14/1992	05/25/05	10	5	0	Gallons	
38245560	NEPTUNE 5/8"	WT 20	0.0000	05/26/93	5/26/1993	03/08/19	10	5	0	Gallons	
1471243140	NEPTUNE 5/8"	WT 20	0.0000	05/26/93	5/26/1993	02/14/17	10	5	0	Gallons	
38245561	NEPTUNE 5/8"	WT 20	0.0000	05/26/93	5/26/1993	03/26/09	10	0	0	Gallons	
1562519736	NEPTUNE 5/8"	WT 20	0.0000	05/26/93	5/26/1993	11/16/15	10	0	0	Gallons	
38245562	NEPTUNE 5/8"	WT 20	0.0000	05/26/93	5/26/1993	06/22/11	10	5	0	Gallons	
1543644646	NEPTUNE 5/8"	WT 20	0.0000	05/26/93	5/26/1993	10/12/10	10	5	0	Gallons	
38245563	NEPTUNE 5/8"	WT 20	0.0000	05/26/93	5/26/1993	05/28/09	10	5	0	Gallons	
38245564	NEPTUNE 5/8"	WT 20	0.0000	05/26/93	5/26/1993	09/12/11	10	5	0	Gallons	
38245565	NEPTUNE 5/8"	WT 20	0.0000	05/26/93	5/26/1993	03/31/04	10	5	0	Gallons	
1490139262	NEPTUNE 5/8"	WT 20	0.0000	05/26/93	5/26/1993	03/31/04	10	5	0	Gallons	
38245566	NEPTUNE 5/8"	WT 20	0.0000	05/26/93	5/26/1993	05/28/09	10	5	0	Gallons	
1483991510	NEPTUNE 5/8"	WT 20	0.0000	05/26/93	5/26/1993	01/06/17	10	5	0	Gallons	
38245567	NEPTUNE 5/8"	WT 20	0.0000	05/26/93	5/26/1993	08/29/05	10	5	0	Gallons	
1481553890	NEPTUNE 5/8"	WT 20	0.0000	05/26/93	5/26/1993	04/01/04	10	5	0	Gallons	
38245568	NEPTUNE 5/8"	WT 20	0.0000	05/26/93	5/26/1993	03/31/04	10	5	0	Gallons	
1471512226	NEPTUNE 5/8"	WT 20	0.0000	05/26/93	5/26/1993	05/10/06	10	5	0	Gallons	
38245569	NEPTUNE 5/8"	WT 20	0.0000	05/26/93	5/26/1993	08/29/05	10	5	0	Gallons	
1545038436	NEPTUNE 5/8"	WT 20	0.0000	05/26/93	5/26/1993	04/01/04	10	5	0	Gallons	
38245570	NEPTUNE 5/8"	WT 20	0.0000	05/26/93	5/26/1993	05/10/06	10	5	0	Gallons	
1490148608	NEPTUNE 5/8"	WT 20	0.0000	05/26/93	5/26/1993	03/31/04	10	5	0	Gallons	
38245571	NEPTUNE 5/8"	WT 20	0.0000	05/26/93	5/26/1993	05/10/06	10	5	0	Gallons	
1490138774	NEPTUNE 5/8"	WT 20	0.0000	05/26/93	5/26/1993	08/29/05	10	5	0	Gallons	
38245572	NEPTUNE 5/8"	WT 20	0.0000	05/26/93	5/26/1993	04/01/04	10	5	0	Gallons	
1471468546	NEPTUNE 5/8"	WT 20	0.0000	05/26/93	5/26/1993	03/31/04	10	5	0	Gallons	
38245573	NEPTUNE RADIO 5/8"	WT 20	0.0000	05/26/93	5/26/1993	03/31/04	10	5	0	Gallons	
1471541776	NEPTUNE RADIO 5/8"	WT 20	0.0000	05/26/93	5/26/1993	03/31/04	10	5	0	Gallons	
38245574	NEPTUNE RADIO 5/8"	WT 20	0.0000	05/26/93	5/26/1993	12/11/08	10	5	0	Gallons	
1471450348	NEPTUNE 5/8"	WT 20	0.0000	05/26/93	5/26/1993	12/11/08	10	5	0	Gallons	
38245575	NEPTUNE 5/8"	WT 20	0.0000	05/26/93	5/26/1993	12/11/08	10	5	0	Gallons	
1471514258	NEPTUNE 5/8"	WT 20	0.0000	05/26/93	5/26/1993	12/11/08	10	5	0	Gallons	

Meter #	Size	Service	Meter	Purchase	Warranty	Last	# Of	# Of Fixed	Units of	Tamper
Internal Id #	Manufacturer	Type	Constant	Date	Date	Tested	Test Cycle	0's	Measure	Status
							Dials			Visually
										Readable
3824576	NEPTUNE	WT	0.0000	05/26/93	5/26/1993	11/19/04	10	5	0	Gallons
1471531194	NEPTUNE	WT	0.0000	05/26/93	5/26/1993	07/14/11	10	5	0	Gallons
38245577	NEPTUNE	WT	0.0000	05/26/93	5/26/1993	06/15/09	10	5	0	Gallons
1483710882	NEPTUNE	WT	0.0000	05/26/93	5/26/1993	06/17/08	10	5	0	Gallons
38245578	NEPTUNE	WT	0.0000	05/26/93	5/26/1993	06/24/93	10	0	0	Gallons
1481553908	NEPTUNE	WT	0.0000	06/24/93	6/24/1993	01/12/12	10	5	0	Gallons
38245579	NEPTUNE	WT	0.0000	06/24/93	6/24/1993	10/27/14	10	5	0	Gallons
1545223048	NEPTUNE	WT	0.0000	06/24/93	6/24/1993	03/25/04	10	5	0	Gallons
38332212	NEPTUNE	WT	0.0000	06/24/93	6/24/1993	08/31/05	10	5	0	Gallons
38335085	NEPTUNE	WT	0.0000	06/24/93	6/24/1993	05/15/08	10	5	0	Gallons
1485370156	NEPTUNE	WT	0.0000	06/24/93	6/24/1993	03/02/12	10	5	0	Gallons
38335086	NEPTUNE	WT	0.0000	06/24/93	6/24/1993	12/14/16	10	5	0	Gallons
1487951016	NEPTUNE	WT	0.0000	06/24/93	6/24/1993	04/17/19	10	5	0	Gallons
38335087	NEPTUNE RADIO	WT	0.0000	06/24/93	6/24/1993	08/31/05	10	5	0	Gallons
1546684910	NEPTUNE	WT	0.0000	06/24/93	6/24/1993	05/10/17	10	5	0	Gallons
38335088	NEPTUNE	WT	0.0000	06/24/93	6/24/1993	10/27/06	10	0	0	Gallons
38335089	NEPTUNE	WT	0.0000	06/24/93	6/24/1993	05/10/17	10	5	0	Gallons
1545275500	NEPTUNE	WT	0.0000	06/24/93	6/24/1993	10/17/13	10	5	0	Gallons
38335090	NEPTUNE	WT	0.0000	06/24/93	6/24/1993	11/24/08	10	5	0	Gallons
1471255332	NEPTUNE	WT	0.0000	06/24/93	6/24/1993	03/02/12	10	5	0	Gallons
38335091	NEPTUNE	WT	0.0000	06/24/93	6/24/1993	08/31/05	10	5	0	Gallons
1490145178	NEPTUNE	WT	0.0000	06/24/93	6/24/1993	05/15/08	10	5	0	Gallons
38335092	NEPTUNE	WT	0.0000	06/24/93	6/24/1993	03/02/12	10	5	0	Gallons
1490131846	NEPTUNE	WT	0.0000	06/24/93	6/24/1993	12/14/16	10	5	0	Gallons
38335093	NEPTUNE	WT	0.0000	06/24/93	6/24/1993	04/17/19	10	5	0	Gallons
1490149150	NEPTUNE RADIO	WT	0.0000	06/24/93	6/24/1993	08/31/05	10	5	0	Gallons
38335094	NEPTUNE	WT	0.0000	06/24/93	6/24/1993	05/10/17	10	5	0	Gallons
1485370236	NEPTUNE	WT	0.0000	06/24/93	6/24/1993	10/27/06	10	0	0	Gallons
38335095	NEPTUNE	WT	0.0000	06/24/93	6/24/1993	05/10/17	10	5	0	Gallons
1546046324	NEPTUNE	WT	0.0000	06/24/93	6/24/1993	10/27/06	10	0	0	Gallons
38335096	NEPTUNE	WT	0.0000	06/24/93	6/24/1993	05/10/17	10	5	0	Gallons
1551873956	NEPTUNE	WT	0.0000	06/24/93	6/24/1993	04/17/19	10	5	0	Gallons
38335097	NEPTUNE	WT	0.0000	06/24/93	6/24/1993	08/31/05	10	5	0	Gallons
1471527008	NEPTUNE	WT	0.0000	06/24/93	6/24/1993	05/10/17	10	5	0	Gallons
38335098	NEPTUNE	WT	0.0000	06/24/93	6/24/1993	03/02/12	10	5	0	Gallons
1490148258	NEPTUNE	WT	0.0000	06/24/93	6/24/1993	10/27/06	10	0	0	Gallons
38335099	NEPTUNE	WT	0.0000	06/24/93	6/24/1993	05/10/17	10	5	0	Gallons
38335100	NEPTUNE	WT	0.0000	06/24/93	6/24/1993	03/02/12	10	5	0	Gallons
1490156352	NEPTUNE	WT	0.0000	06/24/93	6/24/1993	10/27/06	10	0	0	Gallons
38335101	NEPTUNE	WT	0.0000	06/24/93	6/24/1993	05/10/17	10	5	0	Gallons
1490189288	NEPTUNE	WT	0.0000	06/24/93	6/24/1993	08/31/05	10	5	0	Gallons
38335102	NEPTUNE	WT	0.0000	06/24/93	6/24/1993	05/10/17	10	0	0	Gallons

Meter #	Size	Service	Meter	Purchase	Warranty	Last	# Of	# Of Fixed	Units of	Tamper		
Internal Id #	Manufacturer	Type	Constant	Date	Date	Tested	Test Cycle	0's	Measure	Status		
							Dials			Visually		
										Readable		
38335103	NEPTUNE	WT	20	0.0000	06/24/93	6/24/1993	08/19/05	10	5	0	Gallons	
1481557746	NEPTUNE	WT	20	0.0000	06/24/93	6/24/1993	01/05/12	10	5	0	Gallons	
38335104	NEPTUNE	WT	20	0.0000	06/24/93	6/24/1993	04/11/06	10	5	0	Gallons	
1485377244	NEPTUNE	WT	20	0.0000	06/24/93	6/24/1993	08/29/05	10	5	0	Gallons	
38335105	NEPTUNE	WT	20	0.0000	06/24/93	6/24/1993	11/20/14	10	0	0	Gallons	
1490150308	NEPTUNE	WT	20	0.0000	06/24/93	6/24/1993	05/10/19	10	5	0	Gallons	
38335106	NEPTUNE	WT	20	0.0000	06/24/93	6/24/1993	12/06/07	10	5	0	Gallons	
1481554004	NEPTUNE	WT	20	0.0000	06/24/93	6/24/1993	02/10/12	10	5	0	Gallons	
38335107	NEPTUNE	WT	20	0.0000	06/24/93	6/24/1993	09/17/12	10	5	0	Gallons	
38335108	NEPTUNE	WT	20	0.0000	06/24/93	6/24/1993	06/24/93	10	0	0	Gallons	
1552109140	NEPTUNE	WT	20	0.0000	06/24/93	6/24/1993	07/18/12	10	5	0	Gallons	
38335209	NEPTUNE	WT	20	0.0000	06/24/93	6/24/1993	05/21/09	10	5	0	Gallons	
1547967720	NEPTUNE	WT	20	0.0000	06/24/93	6/24/1993	12/05/08	10	5	0	Gallons	
38335210	NEPTUNE	WT	20	0.0000	06/24/93	6/24/1993	09/10/07	10	5	0	Gallons	
1490195742	NEPTUNE	WT	20	0.0000	06/24/93	6/24/1993	01/11/12	10	5	0	Gallons	
38335211	NEPTUNE	WT	20	0.0000	06/24/93	6/24/1993	01/17/12	10	5	0	Gallons	
1486135382	NEPTUNE	WT	20	0.0000	06/24/93	6/24/1993	09/17/12	10	5	0	Gallons	
38335212	NEPTUNE	WT	20	0.0000	06/24/93	6/24/1993	05/21/09	10	5	0	Gallons	
1490176116	NEPTUNE	WT	20	0.0000	06/24/93	6/24/1993	06/24/93	10	0	0	Gallons	
38335213	NEPTUNE	WT	20	0.0000	06/24/93	6/24/1993	11/11/15	10	5	0	Gallons	
38335214	NEPTUNE	WT	20	0.0000	06/24/93	6/24/1993	07/18/12	10	5	0	Gallons	
1490149731	NEPTUNE	WT	20	0.0000	06/24/93	6/24/1993	12/05/08	10	5	0	Gallons	
38335215	NEPTUNE	WT	20	0.0000	06/24/93	6/24/1993	09/10/07	10	5	0	Gallons	
1485536598	NEPTUNE	WT	20	0.0000	06/24/93	6/24/1993	01/17/12	10	5	0	Gallons	
38335216	NEPTUNE	WT	20	0.0000	06/24/93	6/24/1993	05/21/09	10	5	0	Gallons	
1490163710	NEPTUNE	WT	20	0.0000	06/24/93	6/24/1993	06/24/93	10	0	0	Gallons	
38335217	NEPTUNE	WT	20	0.0000	06/24/93	6/24/1993	01/11/12	10	5	0	Gallons	
1490168168	NEPTUNE	WT	20	0.0000	06/24/93	6/24/1993	09/10/07	10	5	0	Gallons	
38335218	NEPTUNE	WT	20	0.0000	06/24/93	6/24/1993	01/17/12	10	5	0	Gallons	
1471527720	NEPTUNE	WT	20	0.0000	06/24/93	6/24/1993	05/21/09	10	5	0	Gallons	
38335219	NEPTUNE	WT	20	0.0000	06/24/93	6/24/1993	06/24/93	10	0	0	Gallons	
1481545862	NEPTUNE	WT	20	0.0000	06/24/93	6/24/1993	01/11/12	10	5	0	Gallons	
38335220	NEPTUNE	WT	20	0.0000	06/24/93	6/24/1993	01/17/12	10	5	0	Gallons	
1484593258	NEPTUNE	WT	20	0.0000	06/24/93	6/24/1993	05/21/09	10	5	0	Gallons	
38335221	NEPTUNE	WT	20	0.0000	06/24/93	6/24/1993	01/17/12	10	5	0	Gallons	
1484696734	NEPTUNE	WT	20	0.0000	06/24/93	6/24/1993	09/17/12	10	5	0	Gallons	
38335222	NEPTUNE	WT	20	0.0000	06/24/93	6/24/1993	10/21/08	10	5	0	Gallons	
1490146242	NEPTUNE	WT	20	0.0000	06/24/93	6/24/1993	06/24/93	10	0	0	Gallons	
38335223	NEPTUNE	WT	20	0.0000	06/24/93	6/24/1993	06/18/13	10	5	0	Gallons	
1490176618	NEPTUNE	WT	20	0.0000	06/24/93	6/24/1993	12/11/13	10	5	0	Gallons	
38335224	NEPTUNE	WT	20	0.0000	06/24/93	6/24/1993	06/24/93	10	0	0	Gallons	
1470901400	NEPTUNE	WT	20	0.0000	06/24/93	6/24/1993	06/24/93	10	0	0	Gallons	
38335225	NEPTUNE	WT	20	0.0000	06/24/93	6/24/1993	06/24/93	10	0	0	Gallons	
1490133818	NEPTUNE	WT	20	0.0000	06/24/93	6/24/1993	06/24/93	10	0	0	Gallons	

Meter #	Size	Service	Meter	Purchase	Warranty	Last	# Of	# Of Fixed	Units of	Tamper	
Internal Id #	Manufacturer	Type	Constant	Date	Date	Tested	Test Cycle	0's	Measure	Status	
		Rating					Dials			Visually	
										Readable	
38335226	NEPTUNE	WT	0.0000	06/24/93	6/24/1993	11/20/15	10	5	0	Gallons	
1487737384	NEPTUNE	WT	0.0000	06/24/93	6/24/1993	08/29/05	10	5	0	Gallons	
38335227	NEPTUNE	WT	0.0000	06/24/93	6/24/1993	12/03/03	10	5	0	Gallons	
1490142402	NEPTUNE	WT	0.0000	06/24/93	6/24/1993	09/14/12	10	5	0	Gallons	
38335228	NEPTUNE	WT	0.0000	06/24/93	6/24/1993	05/02/19	10	5	0	Gallons	
1490148211	NEPTUNE	WT	0.0000	06/24/93	6/24/1993	04/27/17	10	5	0	Gallons	
38335229	NEPTUNE	WT	0.0000	06/24/93	6/24/1993	06/12/18	10	5	0	Gallons	
1486134934	NEPTUNE	WT	0.0000	06/24/93	6/24/1993	02/28/05	10	5	0	Gallons	
38335230	NEPTUNE	WT	0.0000	06/24/93	6/24/1993	07/23/13	10	5	0	Gallons	
1552106130	NEPTUNE	WT	0.0000	06/24/93	6/24/1993	06/24/93	10	0	0	Gallons	
38335231	NEPTUNE	WT	0.0000	06/24/93	6/24/1993	01/10/17	10	0	0	Gallons	
1546170360	NEPTUNE	WT	0.0000	06/24/93	6/24/1993	10/21/93	10	0	0	Gallons	
38335232	NEPTUNE	WT	0.0000	06/24/93	6/24/1993	06/22/98	10	0	0	Gallons	
1547967618	NEPTUNE	WT	0.0000	10/21/93	10/21/1993	07/18/14	10	5	0	Gallons	
38335233	NEPTUNE	WT	0.0000	10/21/93	10/21/1993	04/07/17	10	5	0	Gallons	
1490155644	NEPTUNE	WT	0.0000	10/21/93	10/21/1993	05/28/09	10	5	0	Gallons	
38335234	NEPTUNE	WT	0.0000	10/21/93	10/21/1993	11/24/08	10	0	0	Gallons	
1471533622	NEPTUNE	WT	0.0000	10/21/93	10/21/1993	10/21/93	10	0	0	Gallons	
38335315	NEPTUNE	WT	0.0000	10/21/93	10/21/1993	06/24/05	10	0	0	Gallons	
38507029	Rockwell	WT	0.0000	06/24/93	6/24/1993	06/22/98	10	0	0	Gallons	
38685779	NEPTUNE	WT	0.0000	10/21/93	10/21/1993	07/18/14	10	5	0	Gallons	
38693082	NEPTUNE	WT	0.0000	10/21/93	10/21/1993	04/07/17	10	5	0	Gallons	
38693667	NEPTUNE	WT	0.0000	10/21/93	10/21/1993	05/28/09	10	5	0	Gallons	
38695546	NEPTUNE	WT	0.0000	10/21/93	10/21/1993	11/24/08	10	0	0	Gallons	
1487200076	NEPTUNE	WT	0.0000	10/21/93	10/21/1993	10/21/93	10	0	0	Gallons	
38695547	NEPTUNE	WT	0.0000	10/21/93	10/21/1993	06/22/98	10	0	0	Gallons	
1545750936	NEPTUNE	WT	0.0000	10/21/93	10/21/1993	07/18/14	10	5	0	Gallons	
38695548	NEPTUNE	WT	0.0000	10/21/93	10/21/1993	04/07/17	10	5	0	Gallons	
1481554056	NEPTUNE	WT	0.0000	10/21/93	10/21/1993	05/28/09	10	5	0	Gallons	
38695549	NEPTUNE	WT	0.0000	10/21/93	10/21/1993	11/24/08	10	0	0	Gallons	
38695550	NEPTUNE	WT	0.0000	10/21/93	10/21/1993	10/21/93	10	0	0	Gallons	
38695551	NEPTUNE	WT	0.0000	10/21/93	10/21/1993	06/22/98	10	0	0	Gallons	
1486460354	NEPTUNE	WT	0.0000	10/21/93	10/21/1993	07/18/14	10	5	0	Gallons	
38695552	NEPTUNE	WT	0.0000	10/21/93	10/21/1993	04/07/17	10	5	0	Gallons	
1471509382	NEPTUNE	WT	0.0000	10/21/93	10/21/1993	05/28/09	10	5	0	Gallons	
38695553	NEPTUNE	WT	0.0000	10/21/93	10/21/1993	11/24/08	10	0	0	Gallons	
1551874544	NEPTUNE	WT	0.0000	10/21/93	10/21/1993	10/21/93	10	0	0	Gallons	
38695554	NEPTUNE	WT	0.0000	10/21/93	10/21/1993	06/22/98	10	0	0	Gallons	
1471483814	NEPTUNE	WT	0.0000	10/21/93	10/21/1993	07/18/14	10	5	0	Gallons	
38695555	NEPTUNE	WT	0.0000	10/21/93	10/21/1993	04/07/17	10	5	0	Gallons	
1490173808	NEPTUNE	WT	0.0000	10/21/93	10/21/1993	05/28/09	10	5	0	Gallons	

Meter #	Size	Service	Meter	Purchase	Warranty	Last	# Of	# Of Fixed	Units of	Tamper
Internal Id #	Manufacturer	Type	Constant	Date	Date	Tested	Diags	0's	Measure	Status
		Rating								Visually
										Readable
38695556	NEPTUNE	WT 20	0.0000	10/21/93	10/21/1993	10/28/03 10	5	0	Gallons	
1471480190	NEPTUNE	WT 20	0.0000	10/21/93	10/21/1993	10/25/10 10	0	0	Gallons	
38695557	NEPTUNE	WT 20	0.0000	06/25/93	6/25/1993	11/21/08 10	5	0	Gallons	
38695558	NEPTUNE	WT 20	0.0000	06/25/93	6/25/1993	11/24/08 10	5	0	Gallons	
1490144790	NEPTUNE	WT 20	0.0000	06/25/93	6/25/1993	05/06/10 10	5	0	Gallons	
38695559	NEPTUNE	WT 20	0.0000	06/25/93	6/25/1993	11/24/08 10	5	0	Gallons	
1490177520	NEPTUNE	WT 20	0.0000	06/25/93	6/25/1993	02/07/06 10	5	0	Gallons	
38695560	NEPTUNE	WT 20	0.0000	06/25/93	6/25/1993	11/20/08 10	5	0	Gallons	
1490187908	NEPTUNE	WT 20	0.0000	06/25/93	6/25/1993	11/20/08 10	5	0	Gallons	
38695561	NEPTUNE	WT 20	0.0000	06/25/93	6/25/1993	11/20/08 10	5	0	Gallons	
1487773468	NEPTUNE	WT 20	0.0000	06/25/93	6/25/1993	11/20/08 10	5	0	Gallons	
38695562	NEPTUNE RADIO	WT 20	0.0000	06/25/93	6/25/1993	11/26/08 10	5	0	Gallons	
1471142410	NEPTUNE	WT 20	0.0000	06/25/93	6/25/1993	11/20/08 10	5	0	Gallons	
38695563	NEPTUNE	WT 20	0.0000	06/25/93	6/25/1993	11/20/08 10	5	0	Gallons	
1490140398	NEPTUNE	WT 20	0.0000	06/25/93	6/25/1993	11/20/08 10	5	0	Gallons	
38695564	NEPTUNE	WT 20	0.0000	06/25/93	6/25/1993	11/20/08 10	5	0	Gallons	
1490147748	NEPTUNE	WT 20	0.0000	06/25/93	6/25/1993	10/21/93 10	0	0	Gallons	
38695565	NEPTUNE	WT 20	0.0000	10/21/93	10/21/1993	01/30/13 10	5	0	Gallons	
38695586	NEPTUNE	WT 20	0.0000	10/21/93	10/21/1993	11/23/09 10	5	0	Gallons	
1490187842	NEPTUNE	WT 20	0.0000	10/21/93	10/21/1993	04/14/06 10	5	0	Gallons	
38695587	NEPTUNE	WT 20	0.0000	10/21/93	10/21/1993	09/23/16 10	5	0	Gallons	
1482384902	NEPTUNE	WT 20	0.0000	10/21/93	10/21/1993	04/14/06 10	5	0	Gallons	
38695588	NEPTUNE	WT 20	0.0000	10/21/93	10/21/1993	04/14/06 10	5	0	Gallons	
1471514256	NEPTUNE	WT 20	0.0000	10/21/93	10/21/1993	04/08/19 10	5	0	Gallons	
38695589	NEPTUNE	WT 20	0.0000	10/21/93	10/21/1993	10/12/12 10	5	0	Gallons	
1545259066	NEPTUNE	WT 20	0.0000	10/21/93	10/21/1993	11/10/15 10	5	0	Gallons	
38695590	NEPTUNE	WT 20	0.0000	10/21/93	10/21/1993	11/10/15 10	5	0	Gallons	
1562469388	NEPTUNE	WT 20	0.0000	10/21/93	10/21/1993	01/12/11 10	5	0	Gallons	
38695591	NEPTUNE	WT 20	0.0000	10/21/93	10/21/1993	06/10/11 10	5	0	Gallons	
1490113054	NEPTUNE	WT 20	0.0000	07/28/94	7/28/1994	11/12/14 10	5	0	Gallons	
38695592	NEPTUNE	WT 20	0.0000	10/21/93	10/21/1993	03/07/05 10	5	0	Gallons	
1540773950	NEPTUNE	WT 20	0.0000	07/28/94	7/28/1994	11/12/14 10	5	0	Gallons	
38695593	NEPTUNE	WT 20	0.0000	10/21/93	10/21/1993	01/12/11 10	5	0	Gallons	
1483709308	NEPTUNE	WT 20	0.0000	10/21/93	10/21/1993	03/07/05 10	5	0	Gallons	
38695594	NEPTUNE	WT 20	0.0000	10/21/93	10/21/1993	03/07/05 10	5	0	Gallons	
1490151832	NEPTUNE	WT 20	0.0000	07/28/94	7/28/1994	11/12/14 10	5	0	Gallons	
38695595	NEPTUNE	WT 20	0.0000	10/21/93	10/21/1993	03/07/05 10	5	0	Gallons	
1487425110	NEPTUNE	WT 20	0.0000	10/21/93	10/21/1993	09/22/16 10	5	0	Gallons	
38695596	NEPTUNE	WT 20	0.0000	10/21/93	10/21/1993	09/22/16 10	5	0	Gallons	
1490138768	NEPTUNE	WT 20	0.0000	10/21/93	10/21/1993	11/26/03 10	5	0	Gallons	
38695597	NEPTUNE	WT 20	0.0000	10/21/93	10/21/1993	11/26/03 10	5	0	Gallons	
1542523286	NEPTUNE	WT 20	0.0000	10/21/93	10/21/1993	11/26/03 10	5	0	Gallons	
38695598	NEPTUNE	WT 20	0.0000	10/21/93	10/21/1993	11/26/03 10	5	0	Gallons	
1490143200	NEPTUNE	WT 20	0.0000	10/21/93	10/21/1993	11/26/03 10	5	0	Gallons	

Meter #	Size	Service	Meter	Purchase	Warranty	Last	# Of	# Of Fixed	Units of	Tamper	Visually
Internal Id #	Manufacturer	Type	Constant	Date	Date	Tested	Diags	0's	Measure	Status	Readable
38695599	5/8"	WT	0.0000	10/21/93	10/21/1993	06/06/13	10	5	0	Gallons	
1490194370	NEPTUNE RADIO										
38695600	5/8"	WT	0.0000	10/21/93	10/21/1993	11/19/04	10	5	0	Gallons	
1471516600	NEPTUNE										
38695601	5/8"	WT	0.0000	10/21/94	10/21/1994	08/29/05	10	5	0	Gallons	
1490169116	NEPTUNE										
38695602	5/8"	WT	0.0000	10/21/94	10/21/1994	04/02/04	10	5	0	Gallons	
1471518766	NEPTUNE RADIO										
38695603	5/8"	WT	0.0000	10/21/94	10/21/1994	05/14/19	10	5	0	Gallons	
1552117988	NEPTUNE										
38695604	5/8"	WT	0.0000	10/21/94	10/21/1994	12/01/15	10	5	0	Gallons	
1485504238	NEPTUNE										
38695605	5/8"	WT	0.0000	10/21/93	10/21/1993	11/18/14	10	5	0	Gallons	
1490163608	NEPTUNE										
38695606	5/8"	WT	0.0000	07/28/94	7/28/1994	04/01/04	10	5	0	Gallons	
1471541778	NEPTUNE RADIO										
38695607	5/8"	WT	0.0000	07/28/94	7/28/1994	09/04/08	10	5	0	Gallons	
1490139986	NEPTUNE										
38695608	5/8"	WT	0.0000	07/28/94	7/28/1994	08/29/05	10	5	0	Gallons	
1490187820	NEPTUNE										
38695609	5/8"	WT	0.0000	07/28/94	7/28/1994	03/06/13	10	5	0	Gallons	
1486321880	NEPTUNE										
38695610	5/8"	WT	0.0000	07/28/94	7/28/1994	06/10/11	10	5	0	Gallons	
1490177382	NEPTUNE										
38695611	5/8"	WT	0.0000	07/28/94	7/28/1994	10/01/15	10	5	0	Gallons	
1540837376	NEPTUNE										
38695612	5/8"	WT	0.0000	07/28/94	7/28/1994	04/14/06	10	5	0	Gallons	
1471484884	NEPTUNE										
38695613	5/8"	WT	0.0000	07/28/94	7/28/1994	08/07/13	10	5	0	Gallons	
1487418592	NEPTUNE										
38695614	5/8"	WT	0.0000	07/28/94	7/28/1994	09/09/11	10	5	0	Gallons	
1484464828	NEPTUNE										
38695615	5/8"	WT	0.0000	07/28/94	7/28/1994	10/21/93	10	0	0	Gallons	
	NEPTUNE										
38695616	5/8"	WT	0.0000	06/25/93	6/25/1993	01/24/06	10	5	0	Gallons	
1490174102	NEPTUNE										
38695617	5/8"	WT	0.0000	06/25/93	6/25/1993	05/13/19	10	0	0	Gallons	
	NEPTUNE										
38695618	5/8"	WT	0.0000	06/25/93	6/25/1993	03/06/13	10	5	0	Gallons	
1486461082	NEPTUNE										
38695619	5/8"	WT	0.0000	06/25/93	6/25/1993	12/01/15	10	5	0	Gallons	
1542574422	NEPTUNE										
38695620	5/8"	WT	0.0000	06/25/93	6/25/1993	10/15/12	10	5	0	Gallons	
1486456208	NEPTUNE										
38695621	5/8"	WT	0.0000	06/25/93	6/25/1993	08/08/11	10	0	0	Gallons	
	NEPTUNE										

Meter #	Size	Service	Meter	Purchase	Warranty	Last	# Of	# Of	Units of	Tamper	
Internal Id #	Manufacturer	Type	Constant	Date	Date	Tested	Test Cycle	Fixed	Measure	Status	
							Dials	0's		Visually	
										Readable	
38695622	NEPTUNE	WT	0.0000	06/25/93	6/25/1993	03/01/05	10	5	0	Gallons	
1490133112	NEPTUNE	WT	0.0000	06/25/93	6/25/1993	03/26/09	10	5	0	Gallons	
38695623	NEPTUNE	WT	0.0000	06/25/93	6/25/1993	01/17/12	10	5	0	Gallons	
1481254150	NEPTUNE	WT	0.0000	07/28/94	7/28/1994	12/03/08	10	5	0	Gallons	
38695624	NEPTUNE	WT	0.0000	06/25/93	6/25/1993	08/29/13	10	5	0	Gallons	
1477483186	NEPTUNE	WT	0.0000	06/25/93	6/25/1993	09/24/08	10	0	0	Gallons	
38695625	NEPTUNE	WT	0.0000	07/23/93	7/23/1993	01/03/17	10	5	0	Gallons	
14901774166	NEPTUNE	WT	0.0000	07/23/93	7/23/1993	08/29/13	10	5	0	Gallons	
38695626	NEPTUNE	WT	0.0000	07/23/93	7/23/1993	11/17/15	10	5	0	Gallons	
1490178422	NEPTUNE	WT	0.0000	07/23/93	7/23/1993	11/14/14	10	5	0	Gallons	
38695627	NEPTUNE	WT	0.0000	07/23/93	7/23/1993	02/20/09	10	5	0	Gallons	
38695628	NEPTUNE	WT	0.0000	07/23/93	7/23/1993	03/07/08	10	5	0	Gallons	
1545089664	NEPTUNE	WT	0.0000	07/23/93	7/23/1993	06/19/13	10	5	0	Gallons	
38695629	NEPTUNE	WT	0.0000	07/23/93	7/23/1993	10/09/09	10	5	0	Gallons	
1486717050	NEPTUNE	WT	0.0000	07/23/95	7/23/1995	11/03/08	10	5	0	Gallons	
38695630	NEPTUNE	WT	0.0000	07/23/93	7/23/1993	06/12/18	10	5	0	Gallons	
1490148274	NEPTUNE	WT	0.0000	07/23/93	7/23/1993	12/04/03	10	5	0	Gallons	
38695631	NEPTUNE	WT	0.0000	07/23/93	7/23/1993	11/17/15	10	5	0	Gallons	
1547962106	NEPTUNE	WT	0.0000	07/23/93	7/23/1993	10/09/09	10	5	0	Gallons	
38695632	NEPTUNE	WT	0.0000	07/23/93	7/23/1993	11/14/14	10	5	0	Gallons	
1471189858	NEPTUNE	WT	0.0000	07/23/93	7/23/1993	02/20/09	10	5	0	Gallons	
38695633	NEPTUNE	WT	0.0000	07/23/93	7/23/1993	03/07/08	10	5	0	Gallons	
1471489818	NEPTUNE	WT	0.0000	07/23/93	7/23/1993	06/19/13	10	5	0	Gallons	
38695634	NEPTUNE	WT	0.0000	07/23/93	7/23/1993	11/17/15	10	5	0	Gallons	
1487896654	NEPTUNE	WT	0.0000	07/23/93	7/23/1993	10/09/09	10	5	0	Gallons	
38695635	NEPTUNE	WT	0.0000	07/23/93	7/23/1993	11/14/14	10	5	0	Gallons	
1490159890	NEPTUNE	WT	0.0000	07/23/93	7/23/1993	02/20/09	10	5	0	Gallons	
38695636	NEPTUNE	WT	0.0000	07/23/93	7/23/1993	03/07/08	10	5	0	Gallons	
1490139490	NEPTUNE	WT	0.0000	07/23/93	7/23/1993	06/19/13	10	5	0	Gallons	
38695637	NEPTUNE	WT	0.0000	07/23/93	7/23/1993	11/03/08	10	5	0	Gallons	
1490142002	NEPTUNE	WT	0.0000	07/23/93	7/23/1993	12/04/03	10	5	0	Gallons	
38695638	NEPTUNE	WT	0.0000	07/23/93	7/23/1993	11/17/15	10	5	0	Gallons	
1490145666	NEPTUNE	WT	0.0000	07/23/93	7/23/1993	10/09/09	10	5	0	Gallons	
38695639	NEPTUNE	WT	0.0000	07/23/93	7/23/1993	11/14/14	10	5	0	Gallons	
38695640	NEPTUNE	WT	0.0000	07/23/93	7/23/1993	02/20/09	10	5	0	Gallons	
1490155524	NEPTUNE	WT	0.0000	07/23/93	7/23/1993	03/07/08	10	5	0	Gallons	
38695641	NEPTUNE	WT	0.0000	07/23/93	7/23/1993	06/19/13	10	5	0	Gallons	
1547229862	NEPTUNE	WT	0.0000	07/23/93	7/23/1993	11/17/15	10	5	0	Gallons	
38695642	NEPTUNE	WT	0.0000	07/23/93	7/23/1993	10/09/09	10	5	0	Gallons	
1490147972	NEPTUNE	WT	0.0000	07/23/93	7/23/1993	11/14/14	10	5	0	Gallons	
38695643	NEPTUNE	WT	0.0000	07/23/93	7/23/1993	02/20/09	10	5	0	Gallons	
1490177890	NEPTUNE	WT	0.0000	07/23/93	7/23/1993	03/07/08	10	5	0	Gallons	
38695644	NEPTUNE	WT	0.0000	07/23/93	7/23/1993	06/19/13	10	5	0	Gallons	
1490159944	NEPTUNE	WT	0.0000	07/23/93	7/23/1993	11/03/08	10	5	0	Gallons	

Meter #	Size	Service	Meter	Purchase	Warranty	Last	# Of	# Of	Units of	Tamper	
Internal Id #	Manufacturer	Type	Constant	Date	Date	Tested	Test Cycle	Fixed	Measure	Status	
		Rating					Dials	0's		Visually	
										Readable	
38695645	NEPTUNE	WT 20	0.0000	07/23/93	7/23/1993	11/18/08	10	5	0	Gallons	
1490148346	NEPTUNE	WT 20	0.0000	07/23/93	7/23/1993	11/19/04	10	5	0	Gallons	
38695646	NEPTUNE	WT 20	0.0000	07/23/93	7/23/1993	01/19/05	10	5	0	Gallons	
1490187384	NEPTUNE	WT 20	0.0000	07/23/93	7/23/1993	02/17/10	10	0	0	Gallons	
38695647	NEPTUNE	WT 20	0.0000	07/23/93	7/23/1993	12/01/15	10	5	0	Gallons	
1490148630	NEPTUNE	WT 20	0.0000	07/23/93	7/23/1993	03/07/05	10	5	0	Gallons	
38695648	NEPTUNE	WT 20	0.0000	07/23/93	7/23/1993	05/06/08	10	5	0	Gallons	
38695649	NEPTUNE	WT 20	0.0000	07/23/93	7/23/1993	01/05/03	10	5	0	Gallons	
1490194376	NEPTUNE	WT 20	0.0000	07/23/93	7/23/1993	11/19/04	10	5	0	Gallons	
38695650	NEPTUNE	WT 20	0.0000	07/23/93	7/23/1993	05/12/10	10	5	0	Gallons	
1490195730	NEPTUNE	WT 20	0.0000	07/23/93	7/23/1993	06/10/11	10	5	0	Gallons	
38695651	NEPTUNE	WT 20	0.0000	07/23/93	7/23/1993	09/26/14	10	5	0	Gallons	
1490149704	NEPTUNE	WT 20	0.0000	07/23/93	7/23/1993	01/03/12	10	5	0	Gallons	
38695652	NEPTUNE	WT 20	0.0000	07/23/93	7/23/1993	02/06/04	10	5	0	Gallons	
1490177346	NEPTUNE	WT 20	0.0000	07/23/93	7/23/1993	03/07/06	10	5	0	Gallons	
38695653	NEPTUNE	WT 20	0.0000	07/23/93	7/23/1993	05/13/19	10	0	0	Gallons	
1471521812	NEPTUNE	WT 20	0.0000	07/23/93	7/23/1993	06/10/11	10	5	0	Gallons	
38695654	NEPTUNE	WT 20	0.0000	07/23/93	7/23/1993	06/10/11	10	5	0	Gallons	
38695655	NEPTUNE	WT 20	0.0000	07/23/93	7/23/1993	06/10/11	10	5	0	Gallons	
1490173642	NEPTUNE	WT 20	0.0000	07/23/93	7/23/1993	06/10/11	10	5	0	Gallons	
38695656	NEPTUNE	WT 20	0.0000	07/23/93	7/23/1993	06/10/11	10	5	0	Gallons	
1483974960	NEPTUNE	WT 20	0.0000	07/23/93	7/23/1993	09/26/14	10	5	0	Gallons	
38695657	NEPTUNE	WT 20	0.0000	07/23/93	7/23/1993	01/03/12	10	5	0	Gallons	
1490152094	NEPTUNE	WT 20	0.0000	07/23/93	7/23/1993	02/06/04	10	5	0	Gallons	
38695658	NEPTUNE	WT 20	0.0000	07/23/93	7/23/1993	03/07/06	10	5	0	Gallons	
1487421988	NEPTUNE	WT 20	0.0000	07/23/93	7/23/1993	05/12/10	10	5	0	Gallons	
38695659	NEPTUNE	WT 20	0.0000	07/23/93	7/23/1993	06/10/11	10	5	0	Gallons	
1542531288	NEPTUNE	WT 20	0.0000	07/23/93	7/23/1993	06/10/11	10	5	0	Gallons	
38695660	NEPTUNE	WT 20	0.0000	07/23/93	7/23/1993	06/10/11	10	5	0	Gallons	
1471535102	NEPTUNE	WT 20	0.0000	07/23/93	7/23/1993	06/10/11	10	5	0	Gallons	
38695661	NEPTUNE RADIO	WT 20	0.0000	07/23/93	7/23/1993	06/10/11	10	5	0	Gallons	
1471450346	NEPTUNE	WT 20	0.0000	07/23/93	7/23/1993	06/10/11	10	5	0	Gallons	
38695662	NEPTUNE	WT 20	0.0000	07/23/93	7/23/1993	06/10/11	10	5	0	Gallons	
38695663	NEPTUNE	WT 20	0.0000	07/23/93	7/23/1993	06/10/11	10	5	0	Gallons	
1471517838	NEPTUNE	WT 20	0.0000	07/23/93	7/23/1993	06/10/11	10	5	0	Gallons	
38695664	NEPTUNE	WT 20	0.0000	07/23/93	7/23/1993	06/10/11	10	5	0	Gallons	
38695665	NEPTUNE	WT 20	0.0000	07/23/93	7/23/1993	06/10/11	10	5	0	Gallons	
1471515438	NEPTUNE	WT 20	0.0000	07/23/93	7/23/1993	06/10/11	10	5	0	Gallons	
38695666	NEPTUNE	WT 20	0.0000	07/23/93	7/23/1993	06/10/11	10	5	0	Gallons	
1471470048	NEPTUNE	WT 20	0.0000	07/23/93	7/23/1993	06/10/11	10	5	0	Gallons	
38695667	NEPTUNE	WT 20	0.0000	07/23/93	7/23/1993	06/10/11	10	5	0	Gallons	

Meter #	Size	Service	Meter	Purchase	Warranty	Last	# Of	# Of Fixed	Units of	Tamper	
Internal Id #	Manufacturer	Type	Constant	Date	Date	Tested	Diags	0's	Measure	Status	Visually Readable
38695668	NEPTUNE	WT	0.0000	10/21/93	10/21/1993	09/27/07	10	5	0	Gallons	
1490170970	NEPTUNE	WT	0.0000	10/21/93	10/21/1993	05/05/17	10	5	0	Gallons	
38695669	NEPTUNE	WT	0.0000	10/21/93	10/21/1993	01/04/10	10	5	0	Gallons	
1490163618	NEPTUNE	WT	0.0000	10/21/93	10/21/1993	02/06/12	10	5	0	Gallons	
38695670	NEPTUNE	WT	0.0000	10/21/93	10/21/1993	11/18/14	10	0	0	Gallons	
1542522390	NEPTUNE	WT	0.0000	10/21/93	10/21/1993	02/25/05	10	5	0	Gallons	
38695671	NEPTUNE	WT	0.0000	10/21/93	10/21/1993	08/10/05	10	5	0	Gallons	
1484697332	NEPTUNE	WT	0.0000	10/21/93	10/21/1993	04/10/19	10	5	0	Gallons	
38695672	NEPTUNE	WT	0.0000	10/21/93	10/21/1993	06/06/08	10	5	0	Gallons	
38695673	NEPTUNE	WT	0.0000	10/21/93	10/21/1993	07/24/12	10	5	0	Gallons	
1490151576	NEPTUNE	WT	0.0000	10/21/93	10/21/1993	07/10/14	10	5	0	Gallons	
38695674	NEPTUNE	WT	0.0000	10/21/93	10/21/1993	07/10/14	10	5	0	Gallons	
1490176416	NEPTUNE	WT	0.0000	10/21/93	10/21/1993	07/10/14	10	5	0	Gallons	
38695675	NEPTUNE	WT	0.0000	10/21/93	10/21/1993	07/10/14	10	5	0	Gallons	
1562516180	NEPTUNE	WT	0.0000	10/21/93	10/21/1993	07/10/14	10	5	0	Gallons	
38695676	NEPTUNE	WT	0.0000	10/21/93	10/21/1993	07/10/14	10	5	0	Gallons	
1490161730	NEPTUNE	WT	0.0000	10/21/93	10/21/1993	07/10/14	10	5	0	Gallons	
38695677	NEPTUNE	WT	0.0000	10/21/93	10/21/1993	07/10/14	10	5	0	Gallons	
1487763354	NEPTUNE	WT	0.0000	10/21/93	10/21/1993	07/10/14	10	5	0	Gallons	
38695678	NEPTUNE	WT	0.0000	10/21/93	10/21/1993	07/10/14	10	5	0	Gallons	
1490155198	NEPTUNE	WT	0.0000	10/21/93	10/21/1993	07/10/14	10	5	0	Gallons	
38695679	NEPTUNE	WT	0.0000	10/21/93	10/21/1993	07/10/14	10	5	0	Gallons	
1484591054	NEPTUNE	WT	0.0000	10/21/93	10/21/1993	07/10/14	10	5	0	Gallons	
38695680	NEPTUNE	WT	0.0000	10/21/93	10/21/1993	07/10/14	10	5	0	Gallons	
1490173434	NEPTUNE	WT	0.0000	10/21/93	10/21/1993	07/10/14	10	5	0	Gallons	
38695681	NEPTUNE	WT	0.0000	10/21/93	10/21/1993	07/10/14	10	5	0	Gallons	
1545530004	NEPTUNE	WT	0.0000	10/21/93	10/21/1993	07/10/14	10	5	0	Gallons	
38695682	NEPTUNE	WT	0.0000	10/21/93	10/21/1993	07/10/14	10	5	0	Gallons	
1490141774	NEPTUNE	WT	0.0000	10/21/93	10/21/1993	07/10/14	10	5	0	Gallons	
38695683	NEPTUNE	WT	0.0000	10/21/93	10/21/1993	07/10/14	10	5	0	Gallons	
1490138804	NEPTUNE	WT	0.0000	10/21/93	10/21/1993	07/10/14	10	5	0	Gallons	
38695684	NEPTUNE	WT	0.0000	10/21/93	10/21/1993	07/10/14	10	5	0	Gallons	
1545530074	NEPTUNE	WT	0.0000	10/21/93	10/21/1993	07/10/14	10	5	0	Gallons	
38695685	NEPTUNE	WT	0.0000	10/21/93	10/21/1993	07/10/14	10	5	0	Gallons	
1551869138	NEPTUNE	WT	0.0000	10/21/93	10/21/1993	07/10/14	10	5	0	Gallons	
38695686	NEPTUNE	WT	0.0000	10/21/93	10/21/1993	07/10/14	10	5	0	Gallons	
1490163940	NEPTUNE	WT	0.0000	10/21/93	10/21/1993	07/10/14	10	5	0	Gallons	
38695687	NEPTUNE	WT	0.0000	10/21/93	10/21/1993	07/10/14	10	5	0	Gallons	
1545047730	NEPTUNE	WT	0.0000	10/21/93	10/21/1993	07/10/14	10	5	0	Gallons	
38695688	NEPTUNE	WT	0.0000	10/21/93	10/21/1993	07/10/14	10	5	0	Gallons	
1487439288	NEPTUNE	WT	0.0000	10/21/93	10/21/1993	07/10/14	10	5	0	Gallons	
38695689	NEPTUNE	WT	0.0000	10/21/93	10/21/1993	07/10/14	10	5	0	Gallons	
1490145432	NEPTUNE	WT	0.0000	10/21/93	10/21/1993	07/10/14	10	5	0	Gallons	
38695690	NEPTUNE	WT	0.0000	10/21/93	10/21/1993	07/10/14	10	5	0	Gallons	
1542558938	NEPTUNE	WT	0.0000	10/21/93	10/21/1993	07/10/14	10	5	0	Gallons	

Meter #	Size	Service	Meter	Purchase	Warranty	Last	# Of	# Of	Units of	Tamper	
Internal Id #	Manufacturer	Type	Constant	Date	Date	Tested	Diags	Fixed	Measure	Status	
								0's		Visually	
										Readable	
38695691	NEPTUNE	WT	0.0000	10/21/93	10/21/1993	11/23/11	10	5	0	Gallons	
1545535104	NEPTUNE	WT	0.0000	10/21/93	10/21/1993	07/31/08	10	5	0	Gallons	
38695692	NEPTUNE	WT	0.0000	10/21/93	10/21/1993	06/12/09	10	0	0	Gallons	
1490140912	NEPTUNE	WT	0.0000	10/21/93	10/21/1993	11/18/04	10	5	0	Gallons	
38695693	NEPTUNE	WT	0.0000	10/21/93	10/21/1993	03/24/04	10	5	0	Gallons	
38695694	NEPTUNE	WT	0.0000	10/21/93	10/21/1993	12/03/14	10	5	0	Gallons	
1471516034	NEPTUNE	WT	0.0000	10/21/93	10/21/1993	05/21/09	10	5	0	Gallons	
38695695	NEPTUNE	WT	0.0000	10/21/93	10/21/1993	09/09/11	10	5	0	Gallons	
1490145424	NEPTUNE	WT	0.0000	10/21/93	10/21/1993	12/01/15	10	5	0	Gallons	
38695696	NEPTUNE	WT	0.0000	10/21/93	10/21/1993	02/04/04	10	5	0	Gallons	
1481553450	NEPTUNE	WT	0.0000	10/21/93	10/21/1993	08/19/16	10	5	0	Gallons	
38695697	NEPTUNE	WT	0.0000	10/21/93	10/21/1993	02/04/04	10	5	0	Gallons	
1490142686	NEPTUNE	WT	0.0000	10/21/93	10/21/1993	03/02/05	10	5	0	Gallons	
38695698	NEPTUNE	WT	0.0000	10/21/93	10/21/1993	04/14/14	10	5	0	Gallons	
1484423714	NEPTUNE	WT	0.0000	10/21/93	10/21/1993	02/09/08	10	5	0	Gallons	
38695699	NEPTUNE	WT	0.0000	10/21/93	10/21/1993	04/03/14	10	5	0	Gallons	
1471242082	NEPTUNE	WT	0.0000	10/21/93	10/21/1993	02/04/04	10	5	0	Gallons	
38695700	NEPTUNE	WT	0.0000	10/21/93	10/21/1993	03/02/05	10	5	0	Gallons	
1486135282	NEPTUNE	WT	0.0000	10/21/93	10/21/1993	04/14/14	10	5	0	Gallons	
38695701	NEPTUNE	WT	0.0000	10/21/93	10/21/1993	02/09/08	10	5	0	Gallons	
1471513258	NEPTUNE	WT	0.0000	10/21/93	10/21/1993	02/04/04	10	5	0	Gallons	
38695702	NEPTUNE	WT	0.0000	10/21/93	10/21/1993	03/02/05	10	5	0	Gallons	
1490145266	NEPTUNE	WT	0.0000	10/21/93	10/21/1993	02/04/04	10	5	0	Gallons	
38695703	NEPTUNE	WT	0.0000	10/21/93	10/21/1993	04/14/14	10	5	0	Gallons	
1490172090	NEPTUNE	WT	0.0000	10/21/93	10/21/1993	02/04/04	10	5	0	Gallons	
38695704	NEPTUNE	WT	0.0000	10/21/93	10/21/1993	02/04/04	10	5	0	Gallons	
1490180072	NEPTUNE	WT	0.0000	10/21/93	10/21/1993	02/04/04	10	5	0	Gallons	
38695705	NEPTUNE	WT	0.0000	10/21/93	10/21/1993	02/28/05	10	5	0	Gallons	
1487417660	NEPTUNE	WT	0.0000	10/21/93	10/21/1993	11/18/04	10	5	0	Gallons	
38695706	NEPTUNE	WT	0.0000	10/21/93	10/21/1993	04/01/16	10	5	0	Gallons	
1490194446	NEPTUNE	WT	0.0000	10/21/93	10/21/1993	12/16/08	10	5	0	Gallons	
38695707	NEPTUNE	WT	0.0000	10/21/93	10/21/1993	02/02/15	10	5	0	Gallons	
1471254486	NEPTUNE	WT	0.0000	10/21/93	10/21/1993	10/21/93	10	0	0	Gallons	
38695708	NEPTUNE	WT	0.0000	10/21/93	10/21/1993	04/07/14	10	5	0	Gallons	
1470916302	NEPTUNE	WT	0.0000	10/21/93	10/21/1993	02/02/15	10	5	0	Gallons	
38695709	NEPTUNE	WT	0.0000	10/21/93	10/21/1993	10/21/93	10	0	0	Gallons	
1490174094	NEPTUNE	WT	0.0000	10/21/93	10/21/1993	04/07/14	10	5	0	Gallons	
38695710	NEPTUNE	WT	0.0000	10/21/93	10/21/1993	11/18/14	10	5	0	Gallons	
1486136100	NEPTUNE	WT	0.0000	10/21/93	10/21/1993	11/18/14	10	5	0	Gallons	
38695711	NEPTUNE	WT	0.0000	10/21/93	10/21/1993	11/18/14	10	5	0	Gallons	
38695712	NEPTUNE	WT	0.0000	10/21/93	10/21/1993	04/07/14	10	5	0	Gallons	
1487416108	NEPTUNE	WT	0.0000	10/21/93	10/21/1993	11/18/14	10	5	0	Gallons	
38695713	NEPTUNE	WT	0.0000	10/21/93	10/21/1993	11/18/14	10	5	0	Gallons	
1487765366	NEPTUNE	WT	0.0000	10/21/93	10/21/1993	11/18/14	10	5	0	Gallons	

Meter #	Size	Service	Meter	Purchase	Warranty	Last	# Of	# Of Fixed	Units of	Tamper
Internal Id #	Manufacturer	Type	Constant	Date	Date	Tested	Test Cycle	0's	Measure	Status
		Rating					Dials			Visually
										Readable
38695714	NEPTUNE	WT 20	0.0000	10/21/93	10/21/1993	10/20/93	10	0	Gallons	
38695715	NEPTUNE	WT 20	0.0000	10/21/93	10/21/1993	09/10/09	10	5	Gallons	
1481601422	NEPTUNE	WT 20	0.0000	10/21/93	10/21/1993	07/24/13	10	5	Gallons	
38695716	NEPTUNE	WT 20	0.0000	10/21/93	10/21/1993	07/01/15	10	5	Gallons	
1483975658	NEPTUNE	WT 20	0.0000	10/21/93	10/21/1993	08/19/16	10	5	Gallons	
38695717	NEPTUNE	WT 20	0.0000	10/21/93	10/21/1993	08/22/16	10	5	Gallons	
1487940422	NEPTUNE	WT 20	0.0000	10/21/93	10/21/1993	11/24/15	10	5	Gallons	
38695718	NEPTUNE	WT 20	0.0000	10/21/93	10/21/1993	01/27/04	10	5	Gallons	
1490150742	NEPTUNE	WT 20	0.0000	10/21/93	10/21/1993	02/25/05	10	5	Gallons	
38695719	NEPTUNE	WT 20	0.0000	10/21/93	10/21/1993	03/04/05	10	5	Gallons	
1471512680	NEPTUNE	WT 20	0.0000	10/21/93	10/21/1993	07/02/18	10	5	Gallons	
38695720	NEPTUNE	WT 20	0.0000	10/21/93	10/21/1993	09/18/18	10	5	Gallons	
1490189578	NEPTUNE	WT 20	0.0000	10/21/93	10/21/1993	03/10/05	10	5	Gallons	
38695721	NEPTUNE RADIO	WT 20	0.0000	10/21/93	10/21/1993	08/01/18	10	5	Gallons	
1471533014	NEPTUNE	WT 20	0.0000	10/21/93	10/21/1993	04/02/04	10	5	Gallons	
38695722	NEPTUNE	WT 20	0.0000	10/21/93	10/21/1993	11/04/14	10	5	Gallons	
1487950089	NEPTUNE	WT 20	0.0000	10/21/93	10/21/1993	12/02/15	10	5	Gallons	
38695723	NEPTUNE	WT 20	0.0000	10/21/93	10/21/1993	05/10/19	10	0	Gallons	
1486732928	NEPTUNE	WT 20	0.0000	10/21/93	10/21/1993	05/26/05	10	0	Gallons	
38695724	NEPTUNE	WT 20	0.0000	10/21/93	10/21/1993	02/25/05	10	5	Gallons	
38695725	NEPTUNE	WT 20	0.0000	10/21/93	10/21/1993	07/02/18	10	5	Gallons	
1471517840	NEPTUNE	WT 20	0.0000	10/21/93	10/21/1993	03/10/05	10	5	Gallons	
38695726	NEPTUNE	WT 20	0.0000	10/21/93	10/21/1993	02/25/05	10	5	Gallons	
1490145908	NEPTUNE	WT 20	0.0000	10/21/93	10/21/1993	03/04/05	10	5	Gallons	
38695727	NEPTUNE	WT 20	0.0000	10/21/93	10/21/1993	07/02/18	10	5	Gallons	
1490187390	NEPTUNE	WT 20	0.0000	10/21/93	10/21/1993	09/18/18	10	5	Gallons	
38695728	NEPTUNE	WT 20	0.0000	10/21/93	10/21/1993	03/10/05	10	5	Gallons	
1547969636	NEPTUNE	WT 20	0.0000	10/21/93	10/21/1993	08/01/18	10	5	Gallons	
38695729	NEPTUNE	WT 20	0.0000	10/21/93	10/21/1993	04/02/04	10	5	Gallons	
1549663740	NEPTUNE	WT 20	0.0000	10/21/93	10/21/1993	07/05/07	10	5	Gallons	
38695730	NEPTUNE	WT 20	0.0000	10/21/93	10/21/1993	11/01/18	10	5	Gallons	
1471530754	NEPTUNE	WT 20	0.0000	10/21/93	10/21/1993	08/05/11	10	5	Gallons	
38695731	NEPTUNE RADIO	WT 20	0.0000	10/21/93	10/21/1993	08/05/11	10	5	Gallons	
1550396648	NEPTUNE	WT 20	0.0000	10/21/93	10/21/1993	04/26/19	10	5	Gallons	
38695732	NEPTUNE	WT 20	0.0000	10/21/93	10/21/1993	07/05/07	10	5	Gallons	
1490189972	NEPTUNE	WT 20	0.0000	10/21/93	10/21/1993	07/05/07	10	5	Gallons	
38695733	NEPTUNE	WT 20	0.0000	10/21/93	10/21/1993	11/01/18	10	5	Gallons	
1490194404	NEPTUNE	WT 20	0.0000	10/21/93	10/21/1993	08/05/11	10	5	Gallons	
38695734	NEPTUNE RADIO	WT 20	0.0000	10/21/93	10/21/1993	08/05/11	10	5	Gallons	
1551826798	NEPTUNE	WT 20	0.0000	10/21/93	10/21/1993	04/26/19	10	5	Gallons	
38695735	NEPTUNE	WT 20	0.0000	10/21/93	10/21/1993	04/26/19	10	5	Gallons	
1483704220	NEPTUNE	WT 20	0.0000	10/21/93	10/21/1993	04/26/19	10	5	Gallons	
38695736	NEPTUNE	WT 20	0.0000	10/21/93	10/21/1993	04/26/19	10	5	Gallons	
1563025106	NEPTUNE	WT 20	0.0000	10/21/93	10/21/1993	04/26/19	10	5	Gallons	

Meter #	Size	Service	Meter	Purchase	Warranty	Last	# Of	# Of	Units of	Tamper	
Internal Id #	Manufacturer	Type	Constant	Date	Date	Tested	Diags	Fixed	Measure	Status	
								0's		Visually	
										Readable	
38695737	NEPTUNE	WT	0.0000	10/21/93	10/21/1993	05/05/17	10	5	0	Gallons	
1471596136	NEPTUNE	WT	0.0000	10/21/93	10/21/1993	10/28/15	10	5	0	Gallons	
38695738	NEPTUNE	WT	0.0000	10/21/93	10/21/1993	01/25/06	10	5	0	Gallons	
1490149154	NEPTUNE	WT	0.0000	10/21/93	10/21/1993	01/27/04	10	5	0	Gallons	
38695739	NEPTUNE	WT	0.0000	10/21/93	10/21/1993	03/01/13	10	5	0	Gallons	
1490141560	NEPTUNE	WT	0.0000	10/21/93	10/21/1993	07/22/13	10	5	0	Gallons	
38695740	NEPTUNE	WT	0.0000	10/21/93	10/21/1993	02/25/05	10	5	0	Gallons	
1471534074	NEPTUNE	WT	0.0000	10/21/93	10/21/1993	12/03/15	10	5	0	Gallons	
38695741	NEPTUNE	WT	0.0000	10/21/93	10/21/1993	09/06/07	10	5	0	Gallons	
1490143110	NEPTUNE	WT	0.0000	10/21/93	10/21/1993	02/04/10	10	5	0	Gallons	
38695742	NEPTUNE	WT	0.0000	10/21/93	10/21/1993	08/09/05	10	5	0	Gallons	
1486672064	NEPTUNE	WT	0.0000	10/21/93	10/21/1993	06/12/18	10	5	0	Gallons	
38695743	NEPTUNE	WT	0.0000	10/21/93	10/21/1993	01/27/04	10	5	0	Gallons	
1471577934	NEPTUNE	WT	0.0000	10/21/93	10/21/1993	09/23/08	10	5	0	Gallons	
38695744	NEPTUNE	WT	0.0000	10/21/93	10/21/1993	11/18/14	10	5	0	Gallons	
1490155734	NEPTUNE	WT	0.0000	10/21/93	10/21/1993	09/06/07	10	5	0	Gallons	
38695745	NEPTUNE	WT	0.0000	10/21/93	10/21/1993	03/04/05	10	5	0	Gallons	
38695746	NEPTUNE	WT	0.0000	10/21/93	10/21/1993	08/12/11	10	5	0	Gallons	
1547960354	NEPTUNE	WT	0.0000	10/21/93	10/21/1993	11/20/14	10	5	0	Gallons	
38695747	NEPTUNE	WT	0.0000	10/21/93	10/21/1993	03/25/04	10	5	0	Gallons	
1490139840	NEPTUNE	WT	0.0000	10/21/93	10/21/1993	11/14/14	10	5	0	Gallons	
38695748	NEPTUNE	WT	0.0000	10/21/93	10/21/1993						
1471234624	NEPTUNE	WT	0.0000	10/21/93	10/21/1993						
38695749	NEPTUNE	WT	0.0000	10/21/93	10/21/1993						
1490156228	NEPTUNE	WT	0.0000	10/21/93	10/21/1993						
38695750	NEPTUNE	WT	0.0000	10/21/93	10/21/1993						
1490189604	NEPTUNE	WT	0.0000	10/21/93	10/21/1993						
38695751	NEPTUNE	WT	0.0000	10/21/93	10/21/1993						
1490133056	NEPTUNE	WT	0.0000	10/21/93	10/21/1993						
38695752	NEPTUNE	WT	0.0000	10/21/93	10/21/1993						
1490148262	NEPTUNE	WT	0.0000	10/21/93	10/21/1993						
38695753	NEPTUNE	WT	0.0000	10/21/93	10/21/1993						
1471142412	NEPTUNE	WT	0.0000	10/21/93	10/21/1993						
38695754	NEPTUNE	WT	0.0000	10/21/93	10/21/1993						
1490194476	NEPTUNE	WT	0.0000	10/21/93	10/21/1993						
38695755	NEPTUNE	WT	0.0000	10/21/93	10/21/1993						
1490155520	NEPTUNE	WT	0.0000	10/21/93	10/21/1993						
38695756	NEPTUNE RADIO	WT	0.0000	10/21/93	10/21/1993						
1483799054	NEPTUNE	WT	0.0000	10/21/93	10/21/1993						
38695757	NEPTUNE	WT	0.0000	10/21/93	10/21/1993						
1490140084	NEPTUNE	WT	0.0000	10/21/93	10/21/1993						
38695758	NEPTUNE	WT	0.0000	10/21/93	10/21/1993						
1490187734	NEPTUNE	WT	0.0000	10/21/93	10/21/1993						
38695759	NEPTUNE RADIO	WT	0.0000	10/21/93	10/21/1993						
1487752246	NEPTUNE RADIO	WT	0.0000	10/21/93	10/21/1993						

Meter #	Size	Service	Meter	Purchase	Warranty	Last	# Of	# Of Fixed	Units of	Tamper	
Internal Id #	Manufacturer	Type	Constant	Date	Date	Tested	Diags	0's	Measure	Status	Visually Readable
38695760	5/8" NEPTUNE RADIO	WT 20	0.0000	10/21/93	10/21/1993	04/02/04	10	5	0	Gallons	
1477514160	5/8" NEPTUNE RADIO	WT 20	0.0000	10/21/93	10/21/1993	11/03/14	10	5	0	Gallons	
38695761	5/8" NEPTUNE RADIO	WT 20	0.0000	10/21/93	10/21/1993	11/07/18	10	5	0	Gallons	
1490136606	5/8" NEPTUNE	WT 20	0.0000	10/21/93	10/21/1993	03/24/04	10	5	0	Gallons	
38695762	5/8" NEPTUNE	WT 20	0.0000	10/21/93	10/21/1993	03/03/05	10	5	0	Gallons	
1551830092	5/8" NEPTUNE	WT 20	0.0000	10/21/93	10/21/1993	07/19/12	10	5	0	Gallons	
38695763	5/8" NEPTUNE	WT 20	0.0000	10/21/93	10/21/1993	08/20/13	10	5	0	Gallons	
1490143090	5/8" NEPTUNE	WT 20	0.0000	10/21/93	10/21/1993	04/14/06	10	5	0	Gallons	
38695764	5/8" NEPTUNE	WT 20	0.0000	10/21/93	10/21/1993	07/30/18	10	5	0	Gallons	
1490139778	5/8" NEPTUNE	WT 20	0.0000	10/21/93	10/21/1993	11/14/14	10	5	0	Gallons	
38695765	5/8" NEPTUNE	WT 20	0.0000	10/21/93	10/21/1993	09/18/08	10	5	0	Gallons	
1490139838	5/8" NEPTUNE	WT 20	0.0000	10/21/93	10/21/1993	10/21/93	10	5	0	Gallons	
38695766	5/8" NEPTUNE	WT 20	0.0000	10/21/93	10/21/1993	01/31/06	10	5	0	Gallons	
1485480284	5/8" NEPTUNE	WT 20	0.0000	10/21/93	10/21/1993	11/19/08	10	5	0	Gallons	
38695767	5/8" NEPTUNE	WT 20	0.0000	10/21/93	10/21/1993	12/01/15	10	5	0	Gallons	
1490145876	5/8" NEPTUNE	WT 20	0.0000	10/21/93	10/21/1993	07/18/14	10	5	0	Gallons	
38695768	5/8" NEPTUNE	WT 20	0.0000	10/21/93	10/21/1993	11/20/08	10	5	0	Gallons	
1477510958	5/8" NEPTUNE	WT 20	0.0000	10/21/93	10/21/1993	09/12/11	10	5	0	Gallons	
38695769	5/8" NEPTUNE	WT 20	0.0000	10/21/93	10/21/1993	03/24/04	10	5	0	Gallons	
1545460818	5/8" NEPTUNE	WT 20	0.0000	10/21/93	10/21/1993	03/24/04	10	5	0	Gallons	
38695770	5/8" NEPTUNE	WT 20	0.0000	10/21/93	10/21/1993	03/03/05	10	5	0	Gallons	
1490140958	5/8" NEPTUNE	WT 20	0.0000	10/21/93	10/21/1993	03/01/13	10	5	0	Gallons	
38695771	5/8" NEPTUNE	WT 20	0.0000	10/21/93	10/21/1993	11/14/14	10	5	0	Gallons	
1486460886	5/8" NEPTUNE	WT 20	0.0000	10/21/93	10/21/1993	10/21/93	10	5	0	Gallons	
38695772	5/8" NEPTUNE	WT 20	0.0000	10/21/93	10/21/1993	09/18/08	10	5	0	Gallons	
38695773	5/8" NEPTUNE	WT 20	0.0000	10/21/93	10/21/1993	10/21/93	10	5	0	Gallons	
1490187922	5/8" NEPTUNE	WT 20	0.0000	10/21/93	10/21/1993	10/21/93	10	5	0	Gallons	
38695774	5/8" NEPTUNE	WT 20	0.0000	10/21/93	10/21/1993	11/19/08	10	5	0	Gallons	
38695775	5/8" NEPTUNE	WT 20	0.0000	10/21/93	10/21/1993	12/01/15	10	5	0	Gallons	
1490167072	5/8" NEPTUNE	WT 20	0.0000	10/21/93	10/21/1993	07/18/14	10	5	0	Gallons	
38695776	5/8" NEPTUNE	WT 20	0.0000	10/21/93	10/21/1993	11/20/08	10	5	0	Gallons	
38695777	5/8" NEPTUNE	WT 20	0.0000	10/21/93	10/21/1993	03/01/05	10	5	0	Gallons	
1486724368	5/8" NEPTUNE	WT 20	0.0000	10/21/93	10/21/1993	09/12/11	10	5	0	Gallons	
38695778	5/8" NEPTUNE	WT 20	0.0000	10/21/93	10/21/1993	03/24/04	10	5	0	Gallons	
1487752926	5/8" NEPTUNE	WT 20	0.0000	10/21/93	10/21/1993	03/24/04	10	5	0	Gallons	
38695779	5/8" NEPTUNE	WT 20	0.0000	10/21/93	10/21/1993	03/24/04	10	5	0	Gallons	
38695780	5/8" NEPTUNE	WT 20	0.0000	10/21/93	10/21/1993	03/24/04	10	5	0	Gallons	
1490163256	5/8" NEPTUNE	WT 20	0.0000	10/21/93	10/21/1993	03/24/04	10	5	0	Gallons	
38695781	5/8" NEPTUNE	WT 20	0.0000	10/21/93	10/21/1993	03/24/04	10	5	0	Gallons	
1471528252	5/8" NEPTUNE	WT 20	0.0000	10/21/93	10/21/1993	03/24/04	10	5	0	Gallons	
38695782	5/8" NEPTUNE	WT 20	0.0000	10/21/93	10/21/1993	03/24/04	10	5	0	Gallons	
1490194593	5/8" NEPTUNE	WT 20	0.0000	10/21/93	10/21/1993	03/24/04	10	5	0	Gallons	

Meter #	Size	Service	Meter	Purchase	Warranty	Last	# Of	# Of Fixed	Units of	Tamper	Visually
Internal Id #	Manufacturer	Type	Constant	Date	Date	Tested	Diags	0's	Measure	Status	Readable
38695783	NEPTUNE	WT	0.0000	10/21/93	10/21/1993	01/27/04	10	5	0	0	Gallons
1540773356	NEPTUNE	WT	0.0000	10/21/93	10/21/1993	05/31/18	10	5	0	0	Gallons
38695784	NEPTUNE RADIO	WT	0.0000	10/21/93	10/21/1993	04/20/06	10	5	0	0	Gallons
1547964246	NEPTUNE	WT	0.0000	10/21/93	10/21/1993	03/04/05	10	5	0	0	Gallons
38695785	NEPTUNE	WT	0.0000	10/21/93	10/21/1993	11/30/10	10	5	0	0	Gallons
1490156380	NEPTUNE	WT	0.0000	10/21/93	10/21/1993	01/31/06	10	5	0	0	Gallons
38695786	NEPTUNE	WT	0.0000	10/21/93	10/21/1993	08/08/11	10	5	0	0	Gallons
1490141986	NEPTUNE	WT	0.0000	10/21/93	10/21/1993	10/04/12	10	5	0	0	Gallons
38695787	NEPTUNE	WT	0.0000	10/21/93	10/21/1993	02/28/05	10	5	0	0	Gallons
1483413266	NEPTUNE	WT	0.0000	10/21/93	10/21/1993	01/05/17	10	5	0	0	Gallons
38695788	NEPTUNE	WT	0.0000	10/21/93	10/21/1993	03/03/05	10	5	0	0	Gallons
1490081128	NEPTUNE	WT	0.0000	10/21/93	10/21/1993	01/27/04	10	5	0	0	Gallons
38695789	NEPTUNE	WT	0.0000	10/21/93	10/21/1993	05/26/05	10	5	0	0	Gallons
1487926800	NEPTUNE	WT	0.0000	10/21/93	10/21/1993	06/16/14	10	5	0	0	Gallons
38695790	NEPTUNE	WT	0.0000	10/21/93	10/21/1993	02/06/04	10	5	0	0	Gallons
1486687514	NEPTUNE	WT	0.0000	10/21/93	10/21/1993	11/27/07	10	5	0	0	Gallons
38695791	NEPTUNE	WT	0.0000	10/21/93	10/21/1993	04/04/19	10	5	0	0	Gallons
1490155942	NEPTUNE	WT	0.0000	10/21/93	10/21/1993						
38695792	NEPTUNE	WT	0.0000	10/21/93	10/21/1993						
1490155712	NEPTUNE	WT	0.0000	10/21/93	10/21/1993						
38695793	NEPTUNE	WT	0.0000	10/21/93	10/21/1993						
1471190548	NEPTUNE	WT	0.0000	10/21/93	10/21/1993						
38695794	NEPTUNE	WT	0.0000	10/21/93	10/21/1993						
1481558134	NEPTUNE	WT	0.0000	10/21/93	10/21/1993						
38695795	NEPTUNE	WT	0.0000	10/21/93	10/21/1993						
1487738678	NEPTUNE	WT	0.0000	10/21/93	10/21/1993						
38695796	NEPTUNE	WT	0.0000	10/21/93	10/21/1993						
1562484576	NEPTUNE	WT	0.0000	10/21/93	10/21/1993						
38695797	NEPTUNE	WT	0.0000	10/21/93	10/21/1993						
1477243144	NEPTUNE	WT	0.0000	10/21/93	10/21/1993						
38695798	NEPTUNE	WT	0.0000	10/21/93	10/21/1993						
1490146668	NEPTUNE	WT	0.0000	10/21/93	10/21/1993						
38695799	NEPTUNE	WT	0.0000	10/21/93	10/21/1993						
1490148674	NEPTUNE	WT	0.0000	10/21/93	10/21/1993						
38695800	NEPTUNE	WT	0.0000	10/21/93	10/21/1993						
1490148748	NEPTUNE	WT	0.0000	10/21/93	10/21/1993						
38695801	NEPTUNE	WT	0.0000	10/21/93	10/21/1993						
1483680742	NEPTUNE	WT	0.0000	10/21/93	10/21/1993						
38695802	NEPTUNE	WT	0.0000	10/21/93	10/21/1993						
1482896670	NEPTUNE	WT	0.0000	10/21/93	10/21/1993						
38695803	NEPTUNE	WT	0.0000	10/21/93	10/21/1993						
1484697562	NEPTUNE	WT	0.0000	10/21/93	10/21/1993						
38695804	NEPTUNE	WT	0.0000	10/21/93	10/21/1993						
1490172520	NEPTUNE	WT	0.0000	10/21/93	10/21/1993						
38695805	NEPTUNE	WT	0.0000	10/21/93	10/21/1993						
1562462314	NEPTUNE	WT	0.0000	10/21/93	10/21/1993						

Meter #	Size	Service	Meter	Purchase	Warranty	Last	# Of	# Of Fixed	Units of	Tamper	
Internal Id #	Manufacturer	Type	Constant	Date	Date	Tested	Diags	0's	Measure	Status	Visually Readable
38695806	NEPTUNE	WT	0.0000	10/21/93	10/21/1993	11/19/04	10	5	0	Gallons	
1490139980	NEPTUNE	WT	0.0000	10/21/93	10/21/1993	09/11/08	10	5	0	Gallons	
38695807	NEPTUNE	WT	0.0000	10/21/93	10/21/1993	04/10/17	10	5	0	Gallons	
1490177008	NEPTUNE	WT	0.0000	10/21/93	10/21/1993	11/19/04	10	5	0	Gallons	
38695808	NEPTUNE	WT	0.0000	10/21/93	10/21/1993	08/04/11	10	5	0	Gallons	
1490149936	NEPTUNE	WT	0.0000	10/21/93	10/21/1993	01/04/10	10	5	0	Gallons	
38695809	NEPTUNE	WT	0.0000	10/21/93	10/21/1993	01/23/12	10	5	0	Gallons	
1490144798	NEPTUNE	WT	0.0000	10/21/93	10/21/1993	02/17/05	10	5	0	Gallons	
38695810	NEPTUNE	WT	0.0000	10/21/93	10/21/1993	02/15/18	10	5	0	Gallons	
1487411520	NEPTUNE	WT	0.0000	10/21/93	10/21/1993	02/02/06	10	5	0	Gallons	
38695811	NEPTUNE	WT	0.0000	10/21/93	10/21/1993	07/18/14	10	5	0	Gallons	
1485503760	NEPTUNE	WT	0.0000	10/21/93	10/21/1993	11/18/08	10	5	0	Gallons	
38695812	NEPTUNE	WT	0.0000	10/21/93	10/21/1993						
1490151422	NEPTUNE	WT	0.0000	10/21/93	10/21/1993						
38695813	NEPTUNE	WT	0.0000	10/21/93	10/21/1993						
1490154730	NEPTUNE	WT	0.0000	10/21/93	10/21/1993						
38695814	NEPTUNE	WT	0.0000	10/21/93	10/21/1993						
38695815	NEPTUNE	WT	0.0000	10/21/93	10/21/1993						
1546641842	NEPTUNE	WT	0.0000	10/21/93	10/21/1993						
38695816	NEPTUNE	WT	0.0000	10/21/93	10/21/1993						
38695817	NEPTUNE	WT	0.0000	10/21/93	10/21/1993						
1550402904	NEPTUNE	WT	0.0000	10/21/93	10/21/1993						
38695818	NEPTUNE	WT	0.0000	10/21/93	10/21/1993						
1490174052	NEPTUNE	WT	0.0000	10/21/93	10/21/1993						
38695819	NEPTUNE	WT	0.0000	10/21/93	10/21/1993						
1490194366	NEPTUNE	WT	0.0000	10/21/93	10/21/1993						
38695820	NEPTUNE	WT	0.0000	10/21/93	10/21/1993						
38695821	NEPTUNE	WT	0.0000	10/21/93	10/21/1993						
1490184756	NEPTUNE	WT	0.0000	10/21/93	10/21/1993						
38695822	NEPTUNE	WT	0.0000	10/21/93	10/21/1993						
1490155994	NEPTUNE	WT	0.0000	10/21/93	10/21/1993						
38695823	NEPTUNE	WT	0.0000	10/21/93	10/21/1993						
1490164028	NEPTUNE	WT	0.0000	10/21/93	10/21/1993						
38695824	NEPTUNE	WT	0.0000	10/21/93	10/21/1993						
1471256274	NEPTUNE	WT	0.0000	10/21/93	10/21/1993						
38695825	NEPTUNE RADIO	WT	0.0000	10/21/93	10/21/1993						
1471518768	NEPTUNE	WT	0.0000	10/21/93	10/21/1993						
38695826	NEPTUNE	WT	0.0000	10/21/93	10/21/1993						
38695827	NEPTUNE	WT	0.0000	10/21/93	10/21/1993						
1487439286	NEPTUNE	WT	0.0000	10/21/93	10/21/1993						
38695828	NEPTUNE	WT	0.0000	10/21/93	10/21/1993						
1471509780	NEPTUNE	WT	0.0000	10/21/93	10/21/1993						

Meter #	Size	Service	Meter	Purchase	Warranty	Last	# Of	# Of	Units of	Tamper	
Internal Id #	Manufacturer	Type	Constant	Date	Date	Tested	Diags	Fixed	Measure	Status	
								0's		Visually	
										Readable	
38695829	NEPTUNE	WT	0.0000	10/21/93	10/21/1993	11/19/15	10	5	0	Gallons	
1490155998	NEPTUNE	WT	0.0000	10/21/93	10/21/1993	09/25/08	10	5	0	Gallons	
38695830	NEPTUNE	WT	0.0000	10/21/93	10/21/1993	11/20/08	10	5	0	Gallons	
1490176838	NEPTUNE	WT	0.0000	10/21/93	10/21/1993	06/15/09	10	5	0	Gallons	
38695831	NEPTUNE	WT	0.0000	10/21/93	10/21/1993	09/09/15	10	5	0	Gallons	
1490146348	NEPTUNE	WT	0.0000	10/21/93	10/21/1993	08/08/11	10	5	0	Gallons	
38695832	NEPTUNE	WT	0.0000	10/21/93	10/21/1993	08/08/11	10	5	0	Gallons	
1481554148	NEPTUNE	WT	0.0000	10/21/93	10/21/1993	08/08/11	10	5	0	Gallons	
38695833	NEPTUNE	WT	0.0000	10/21/93	10/21/1993	08/08/11	10	5	0	Gallons	
1486132242	NEPTUNE	WT	0.0000	10/21/93	10/21/1993	08/08/11	10	5	0	Gallons	
38695834	NEPTUNE	WT	0.0000	10/21/93	10/21/1993	08/08/11	10	5	0	Gallons	
1490140029	NEPTUNE	WT	0.0000	10/21/93	10/21/1993	08/08/11	10	5	0	Gallons	
38695835	NEPTUNE	WT	0.0000	10/21/93	10/21/1993	04/13/10	10	5	0	Gallons	
1471505076	NEPTUNE	WT	0.0000	10/21/93	10/21/1993	01/28/13	10	5	0	Gallons	
38695836	NEPTUNE	WT	0.0000	10/21/93	10/21/1993	11/19/15	10	5	0	Gallons	
1490176706	NEPTUNE	WT	0.0000	10/21/93	10/21/1993	01/28/16	10	5	0	Gallons	
38695837	NEPTUNE	WT	0.0000	10/21/93	10/21/1993	08/29/10	10	5	0	Gallons	
1490138654	NEPTUNE	WT	0.0000	10/21/93	10/21/1993	11/24/08	10	5	0	Gallons	
38695838	NEPTUNE	WT	0.0000	10/21/93	10/21/1993	11/19/04	10	5	0	Gallons	
1430217956	NEPTUNE	WT	0.0000	10/21/93	10/21/1993	03/26/09	10	5	0	Gallons	
38695839	NEPTUNE	WT	0.0000	10/21/93	10/21/1993	06/06/18	10	5	0	Gallons	
1490144992	NEPTUNE	WT	0.0000	10/21/93	10/21/1993	11/21/08	10	5	0	Gallons	
38695840	NEPTUNE	WT	0.0000	10/21/93	10/21/1993	08/29/10	10	5	0	Gallons	
1490187754	NEPTUNE	WT	0.0000	10/21/93	10/21/1993	08/29/10	10	5	0	Gallons	
38695841	NEPTUNE	WT	0.0000	10/21/93	10/21/1993	08/29/10	10	5	0	Gallons	
1471509384	NEPTUNE	WT	0.0000	10/21/93	10/21/1993	11/19/04	10	5	0	Gallons	
38695842	NEPTUNE	WT	0.0000	10/21/93	10/21/1993	08/01/18	10	5	0	Gallons	
1482981316	NEPTUNE	WT	0.0000	10/21/93	10/21/1993	12/03/08	10	5	0	Gallons	
38695843	NEPTUNE	WT	0.0000	10/21/93	10/21/1993	06/06/18	10	5	0	Gallons	
1471510060	NEPTUNE	WT	0.0000	10/21/93	10/21/1993	08/01/08	10	5	0	Gallons	
38695844	NEPTUNE	WT	0.0000	10/21/93	10/21/1993	08/01/08	10	5	0	Gallons	
1490173178	NEPTUNE	WT	0.0000	10/21/93	10/21/1993	08/29/12	10	5	0	Gallons	
38695845	NEPTUNE RADIO	WT	0.0000	10/21/93	10/21/1993	02/02/17	10	5	0	Gallons	
1550415908	NEPTUNE	WT	0.0000	10/21/93	10/21/1993	02/02/17	10	5	0	Gallons	
38695846	NEPTUNE	WT	0.0000	10/21/93	10/21/1993	02/02/17	10	5	0	Gallons	
1490145392	NEPTUNE	WT	0.0000	10/21/93	10/21/1993	02/02/17	10	5	0	Gallons	
38695847	NEPTUNE	WT	0.0000	10/21/93	10/21/1993	02/02/17	10	5	0	Gallons	
1545047918	NEPTUNE	WT	0.0000	10/21/93	10/21/1993	02/02/17	10	5	0	Gallons	
38695848	NEPTUNE	WT	0.0000	10/21/93	10/21/1993	02/02/17	10	5	0	Gallons	
1480063288	NEPTUNE	WT	0.0000	10/21/93	10/21/1993	02/02/17	10	5	0	Gallons	
38695849	NEPTUNE	WT	0.0000	10/21/93	10/21/1993	02/02/17	10	5	0	Gallons	
1490147230	NEPTUNE	WT	0.0000	10/21/93	10/21/1993	02/02/17	10	5	0	Gallons	
38695850	NEPTUNE	WT	0.0000	10/21/93	10/21/1993	02/02/17	10	5	0	Gallons	
1471248748	NEPTUNE	WT	0.0000	10/21/93	10/21/1993	02/02/17	10	5	0	Gallons	
38695851	NEPTUNE	WT	0.0000	10/21/93	10/21/1993	02/02/17	10	5	0	Gallons	
1545036776	NEPTUNE	WT	0.0000	10/21/93	10/21/1993	02/02/17	10	5	0	Gallons	

Meter #	Size	Service	Meter	Purchase	Warranty	Last	# Of	# Of	Units of	Tamper	
Internal Id #	Manufacturer	Type	Constant	Date	Date	Tested	Fixed	Fixed	Measure	Status	
		Rating					0's	0's		Visually	
										Readable	
38695852	NEPTUNE	WT 20	0.0000	10/21/93	10/21/1993	02/28/05	10	5	0	Gallons	
1490180968	NEPTUNE	WT 20	0.0000	10/21/93	10/21/1993	07/13/05	10	5	0	Gallons	
38695853	NEPTUNE	WT 20	0.0000	10/21/93	10/21/1993	11/21/16	10	0	0	Gallons	
1487950094	NEPTUNE RADIO	WT 20	0.0000	10/21/93	10/21/1993	08/08/11	10	5	0	Gallons	
38695854	NEPTUNE	WT 20	0.0000	10/21/93	10/21/1993	08/09/13	10	0	0	Gallons	
38695855	NEPTUNE	WT 20	0.0000	10/21/93	10/21/1993	02/28/05	10	5	0	Gallons	
1490151484	NEPTUNE	WT 20	0.0000	10/21/93	10/21/1993	01/30/13	10	5	0	Gallons	
38695856	NEPTUNE	WT 20	0.0000	10/21/93	10/21/1993	11/18/08	10	5	0	Gallons	
38695857	NEPTUNE	WT 20	0.0000	10/21/93	10/21/1993	11/20/08	10	5	0	Gallons	
1490194482	NEPTUNE	WT 20	0.0000	10/21/93	10/21/1993	08/08/11	10	5	0	Gallons	
38695858	NEPTUNE	WT 20	0.0000	10/21/93	10/21/1993	11/14/08	10	5	0	Gallons	
1486687468	NEPTUNE	WT 20	0.0000	10/21/93	10/21/1993	11/14/08	10	5	0	Gallons	
38695859	NEPTUNE	WT 20	0.0000	10/21/93	10/21/1993	11/14/08	10	5	0	Gallons	
1490151416	NEPTUNE	WT 20	0.0000	10/21/93	10/21/1993	11/14/08	10	5	0	Gallons	
38695860	NEPTUNE	WT 20	0.0000	10/21/93	10/21/1993	11/14/08	10	5	0	Gallons	
1490146428	NEPTUNE	WT 20	0.0000	10/21/93	10/21/1993	11/14/08	10	5	0	Gallons	
38695861	NEPTUNE	WT 20	0.0000	10/21/93	10/21/1993	11/14/08	10	5	0	Gallons	
38695862	NEPTUNE	WT 20	0.0000	10/21/93	10/21/1993	08/08/11	10	5	0	Gallons	
1490152096	NEPTUNE	WT 20	0.0000	10/21/93	10/21/1993	11/26/08	10	5	0	Gallons	
38695863	NEPTUNE	WT 20	0.0000	10/21/93	10/21/1993	11/14/08	10	5	0	Gallons	
1490173697	NEPTUNE	WT 20	0.0000	10/21/93	10/21/1993	11/14/08	10	5	0	Gallons	
38695864	NEPTUNE	WT 20	0.0000	10/21/93	10/21/1993	11/14/08	10	5	0	Gallons	
1490144796	NEPTUNE	WT 20	0.0000	10/21/93	10/21/1993	11/14/08	10	5	0	Gallons	
38695865	NEPTUNE	WT 20	0.0000	10/21/93	10/21/1993	11/14/08	10	5	0	Gallons	
1490177210	NEPTUNE	WT 20	0.0000	10/21/93	10/21/1993	10/21/93	10	0	0	Gallons	
38695867	NEPTUNE	WT 20	0.0000	10/21/93	10/21/1993	02/24/04	10	5	0	Gallons	
38695876	NEPTUNE RADIO	WT 20	0.0000	10/21/93	10/21/1993	02/16/15	10	5	0	Gallons	
1470916304	NEPTUNE	WT 20	0.0000	10/21/93	10/21/1993	07/15/11	10	5	0	Gallons	
38695877	NEPTUNE	WT 20	0.0000	10/21/93	10/21/1993	07/24/12	10	0	0	Gallons	
1490177384	NEPTUNE	WT 20	0.0000	10/21/93	10/21/1993	01/25/06	10	5	0	Gallons	
38695878	NEPTUNE	WT 20	0.0000	10/21/93	10/21/1993	09/23/09	10	5	0	Gallons	
1483704026	NEPTUNE	WT 20	0.0000	10/21/93	10/21/1993	11/21/08	10	5	0	Gallons	
38695879	NEPTUNE	WT 20	0.0000	10/21/93	10/21/1993	01/26/12	10	0	0	Gallons	
38695880	NEPTUNE	WT 20	0.0000	10/21/93	10/21/1993	09/23/09	10	5	0	Gallons	
1490148868	NEPTUNE	WT 20	0.0000	10/21/93	10/21/1993	11/21/08	10	5	0	Gallons	
38695881	NEPTUNE	WT 20	0.0000	10/21/93	10/21/1993	11/21/08	10	5	0	Gallons	
1481978066	NEPTUNE	WT 20	0.0000	10/21/93	10/21/1993	01/26/12	10	0	0	Gallons	
38695882	NEPTUNE	WT 20	0.0000	10/21/93	10/21/1993	01/26/12	10	0	0	Gallons	
1490144968	NEPTUNE	WT 20	0.0000	10/21/93	10/21/1993	01/26/12	10	0	0	Gallons	
38695883	NEPTUNE	WT 20	0.0000	10/21/93	10/21/1993	01/26/12	10	0	0	Gallons	

Meter #	Size	Service	Meter	Purchase	Warranty	Last	# Of	# Of Fixed	Units of	Tamper	Visually
Internal Id #	Manufacturer	Type	Constant	Date	Date	Tested	Diags	0's	Measure	Status	Readable
38695894	NEPTUNE	WT	0.0000	10/21/93	10/21/1993	04/12/06	10	5	0	0	Gallons
1490152010	NEPTUNE	WT	0.0000	10/21/93	10/21/1993	01/29/15	10	5	0	0	Gallons
38695885	NEPTUNE	WT	0.0000	10/21/93	10/21/1993	08/07/13	10	5	0	0	Gallons
1487931954	NEPTUNE	WT	0.0000	07/28/94	7/28/1994	07/29/10	10	5	0	0	Gallons
38695886	NEPTUNE	WT	0.0000	10/21/93	10/21/1993	11/21/08	10	5	0	0	Gallons
1486713836	NEPTUNE	WT	0.0000	10/21/93	10/21/1993	11/26/08	10	5	0	0	Gallons
38695887	NEPTUNE	WT	0.0000	10/21/93	10/21/1993	06/04/14	10	5	0	0	Gallons
1482981260	NEPTUNE	WT	0.0000	10/21/93	10/21/1993	04/07/17	10	5	0	0	Gallons
38695888	NEPTUNE	WT	0.0000	10/21/93	10/21/1993	10/21/93	10	0	0	0	Gallons
1490140742	NEPTUNE	WT	0.0000	10/21/93	10/21/1993	03/31/04	10	5	0	0	Gallons
38695889	NEPTUNE	WT	0.0000	10/21/93	10/21/1993	10/21/93	10	0	0	0	Gallons
1490147910	NEPTUNE	WT	0.0000	10/21/93	10/21/1993	02/01/17	10	5	0	0	Gallons
38695890	NEPTUNE	WT	0.0000	10/21/93	10/21/1993	10/06/08	10	5	0	0	Gallons
1490194488	NEPTUNE	WT	0.0000	10/21/93	10/21/1993	12/03/08	10	5	0	0	Gallons
38695891	NEPTUNE RADIO	WT	0.0000	10/21/93	10/21/1993	10/21/93	10	0	0	0	Gallons
1482981106	NEPTUNE	WT	0.0000	10/21/93	10/21/1993	03/16/07	10	5	0	0	Gallons
38695892	NEPTUNE	WT	0.0000	10/21/93	10/21/1993	10/06/08	10	5	0	0	Gallons
38695893	NEPTUNE	WT	0.0000	10/21/93	10/21/1993	06/04/14	10	5	0	0	Gallons
1471523568	NEPTUNE	WT	0.0000	10/21/93	10/21/1993	03/16/07	10	5	0	0	Gallons
38695894	NEPTUNE	WT	0.0000	10/21/93	10/21/1993	12/03/08	10	5	0	0	Gallons
1490146066	NEPTUNE	WT	0.0000	10/21/93	10/21/1993	10/06/08	10	5	0	0	Gallons
38695895	NEPTUNE	WT	0.0000	10/21/93	10/21/1993	02/01/17	10	5	0	0	Gallons
1481056476	NEPTUNE	WT	0.0000	10/21/93	10/21/1993	10/21/93	10	0	0	0	Gallons
38695916	NEPTUNE	WT	0.0000	10/21/93	10/21/1993	10/21/93	10	0	0	0	Gallons
1471245444	NEPTUNE	WT	0.0000	10/21/93	10/21/1993	02/01/17	10	5	0	0	Gallons
38695917	NEPTUNE	WT	0.0000	10/21/93	10/21/1993	10/22/14	10	5	0	0	Gallons
1490194450	NEPTUNE	WT	0.0000	10/21/93	10/21/1993	11/20/15	10	5	0	0	Gallons
38695918	NEPTUNE	WT	0.0000	10/21/93	10/21/1993	05/10/19	10	0	0	0	Gallons
1545066188	NEPTUNE	WT	0.0000	10/21/93	10/21/1993	11/30/09	10	5	0	0	Gallons
38695919	NEPTUNE	WT	0.0000	10/21/93	10/21/1993	09/14/12	10	5	0	0	Gallons
1484696942	NEPTUNE	WT	0.0000	10/21/93	10/21/1993	08/05/97	10	0	0	0	Gallons
38695920	NEPTUNE	WT	0.0000	10/21/93	10/21/1993	08/05/97	10	0	0	0	Gallons
1486713818	NEPTUNE	WT	0.0000	10/21/93	10/21/1993	08/05/97	10	0	0	0	Gallons
38695921	NEPTUNE	WT	0.0000	10/21/93	10/21/1993	08/05/97	10	0	0	0	Gallons
1486297410	NEPTUNE	WT	0.0000	10/21/93	10/21/1993	08/05/97	10	0	0	0	Gallons
38695922	NEPTUNE	WT	0.0000	10/21/93	10/21/1993	08/05/97	10	0	0	0	Gallons
38695923	NEPTUNE	WT	0.0000	10/21/93	10/21/1993	08/05/97	10	0	0	0	Gallons
1490176904	NEPTUNE	WT	0.0000	10/21/93	10/21/1993	08/05/97	10	0	0	0	Gallons
38695924	NEPTUNE	WT	0.0000	10/21/93	10/21/1993	08/05/97	10	0	0	0	Gallons
1490149862	NEPTUNE	WT	0.0000	10/21/93	10/21/1993	08/05/97	10	0	0	0	Gallons
38695925	NEPTUNE	WT	0.0000	10/21/93	10/21/1993	08/05/97	10	0	0	0	Gallons
38695942	NEPTUNE	WT	0.0000	07/28/94	7/28/1994	08/05/97	10	0	0	0	Gallons

Meter #	Size	Service	Meter	Purchase	Warranty	Last	# Of	# Of Fixed	Units of	Tamper
Internal Id #	Manufacturer	Type	Constant	Date	Date	Tested	Of Cycle	0's	Measure	Status
		Rating					Dials			Visually
										Readable
38696026	NEPTUNE	WT 20	0.0000	10/21/93	10/21/1993	10/21/93	10	0	Gallons	
38696027	NEPTUNE	WT 20	0.0000	10/21/93	10/21/1993	04/14/06	10	5	Gallons	
1490176801	NEPTUNE	WT 20	0.0000	10/21/93	10/21/1993	02/13/12	10	5	Gallons	
38696028	NEPTUNE	WT 20	0.0000	10/21/93	10/21/1993	12/05/08	10	5	Gallons	
1484585730	NEPTUNE	WT 20	0.0000	10/21/93	10/21/1993	08/19/05	10	5	Gallons	
38696029	NEPTUNE	WT 20	0.0000	10/21/93	10/21/1993	10/29/18	10	5	Gallons	
1490146217	NEPTUNE	WT 20	0.0000	10/21/93	10/21/1993	12/04/08	10	5	Gallons	
38696030	NEPTUNE	WT 20	0.0000	10/21/93	10/21/1993	03/30/05	10	5	Gallons	
1490150806	NEPTUNE	WT 20	0.0000	10/21/93	10/21/1993	06/03/11	10	5	Gallons	
38696031	NEPTUNE	WT 20	0.0000	10/21/93	10/21/1993	11/19/08	10	5	Gallons	
1490140010	NEPTUNE	WT 20	0.0000	10/21/93	10/21/1993	08/29/12	10	5	Gallons	
38696032	NEPTUNE	WT 20	0.0000	10/21/93	10/21/1993	05/21/09	10	5	Gallons	
1551685552	NEPTUNE	WT 20	0.0000	10/21/93	10/21/1993	09/11/07	10	5	Gallons	
38696033	NEPTUNE	WT 20	0.0000	10/21/93	10/21/1993	05/10/06	10	5	Gallons	
1490147726	NEPTUNE	WT 20	0.0000	10/21/93	10/21/1993	05/21/06	10	5	Gallons	
38696034	NEPTUNE	WT 20	0.0000	10/21/93	10/21/1993	07/28/94	08/29/12	10	5	Gallons
1490138508	NEPTUNE	WT 20	0.0000	10/21/93	10/21/1993	03/30/05	10	5	Gallons	
38696035	NEPTUNE	WT 20	0.0000	10/21/93	10/21/1993	06/22/18	10	5	Gallons	
1486125486	NEPTUNE	WT 20	0.0000	10/21/93	10/21/1993	09/11/07	10	5	Gallons	
38696036	NEPTUNE	WT 20	0.0000	10/21/93	10/21/1993	05/10/06	10	5	Gallons	
1471451406	NEPTUNE	WT 20	0.0000	10/21/93	10/21/1993	05/21/09	10	5	Gallons	
38696037	NEPTUNE	WT 20	0.0000	10/21/93	10/21/1993	05/21/09	10	5	Gallons	
1547221524	NEPTUNE	WT 20	0.0000	10/21/93	10/21/1993	05/10/06	10	5	Gallons	
38696038	NEPTUNE	WT 20	0.0000	10/21/93	10/21/1993	05/10/06	10	5	Gallons	
1490145068	NEPTUNE	WT 20	0.0000	10/21/93	10/21/1993	01/31/06	10	5	Gallons	
38696039	NEPTUNE	WT 20	0.0000	10/21/93	10/21/1993	05/10/06	10	5	Gallons	
1490148875	NEPTUNE	WT 20	0.0000	10/21/93	10/21/1993	05/20/19	10	5	Gallons	
38696040	NEPTUNE	WT 20	0.0000	10/21/93	10/21/1993	12/05/08	10	5	Gallons	
1481555312	NEPTUNE	WT 20	0.0000	10/21/93	10/21/1993	03/03/10	10	0	Gallons	
38696041	NEPTUNE	WT 20	0.0000	10/21/93	10/21/1993	03/27/90	10	0	Gallons	
1490148678	NEPTUNE	WT 20	0.0000	10/21/93	10/21/1993	03/27/90	10	0	Gallons	
38696042	NEPTUNE	WT 20	0.0000	10/21/93	10/21/1993	07/30/87	7/30/1987	12/06/01	10	0
38696043	NEPTUNE	WT 20	0.0000	10/21/93	10/21/1993	07/24/87	7/24/1987	11/01/93	10	0
38696044	NEPTUNE	WT 20	0.0000	10/21/93	10/21/1993	07/24/87	7/24/1987	11/01/93	10	0
1490174098	NEPTUNE	WT 20	0.0000	10/21/93	10/21/1993	07/24/87	7/24/1987	11/01/93	10	0
38696045	NEPTUNE	WT 20	0.0000	10/21/93	10/21/1993	07/24/87	7/24/1987	11/01/93	10	0
38814351	NEPTUNE	WT 20	0.0000	10/21/93	10/21/1993	07/24/87	7/24/1987	11/01/93	10	0
38814632	NEPTUNE	WT 20	0.0000	10/21/93	10/21/1993	07/24/87	7/24/1987	11/01/93	10	0
38814651	NEPTUNE	WT 20	0.0000	10/21/93	10/21/1993	07/24/87	7/24/1987	11/01/93	10	0

Meter #	Size	Service	Meter	Purchase	Warranty	Last	# Of	# Of	Units of	Tamper	
Internal Id #	Manufacturer	Type	Constant	Date	Date	Tested	Test Cycle	Fixed	Measure	Status	
							Dials	0's		Visually	
										Readable	
39081831	NEPTUNE 5/8"	WT 20	0.0000	07/30/87	7/30/1987	11/01/93	10	0	0	Gallons	
39081856	NEPTUNE 5/8"	WT 20	0.0000	09/09/87	9/9/1987	04/13/04	10	0	0	Gallons	
39081858	NEPTUNE 5/8"	WT 20	0.0000	09/09/87	9/9/1987	04/13/04	10	0	0	Gallons	
39081859	NEPTUNE 5/8"	WT 20	0.0000	09/09/87	9/9/1987	04/13/04	10	0	0	Gallons	
39081860	NEPTUNE 5/8"	WT 20	0.0000	09/23/91	9/23/1991	04/12/04	10	0	0	Gallons	
39081861	NEPTUNE 5/8"	WT 20	0.0000	09/09/87	9/9/1987	04/13/04	10	0	0	Gallons	
39082156	NEPTUNE 5/8"	WT 20	0.0000	12/10/87	12/10/1987	01/16/09	10	0	0	Gallons	
39082159	NEPTUNE 5/8"	WT 20	0.0000	12/10/87	12/10/1987	02/21/94	10	0	0	Gallons	
39196727 1471514164	NEPTUNE 5/8"	WT 20	0.0000	07/22/88	7/22/1988	12/03/14	10	5	0	Gallons	
39205624	NEPTUNE 5/8"	WT 20	0.0000	07/07/88	7/7/1988	11/12/93	10	0	0	Gallons	
39205626	NEPTUNE 5/8"	WT 20	0.0000	07/31/88	7/31/1988	10/24/91	10	0	0	Gallons	
39205627	NEPTUNE 5/8"	WT 20	0.0000	12/01/88	12/1/1988	11/12/93	10	0	0	Gallons	
39205630	NEPTUNE 5/8"	WT 20	0.0000	01/29/88	1/29/1988	11/12/93	10	0	0	Gallons	
39205659	NEPTUNE 5/8"	WT 20	0.0000	07/01/88	7/1/1988	11/12/93	10	0	0	Gallons	
39206896	NEPTUNE 5/8"	WT 20	0.0000	03/01/88	3/1/1988	11/12/93	10	0	0	Gallons	
39206898	NEPTUNE 5/8"	WT 20	0.0000	02/21/88	2/21/1988	11/12/93	10	0	0	Gallons	
39281345	NEPTUNE 5/8"	WT 20	0.0000	05/10/88	5/10/1988	04/22/04	10	0	0	Gallons	
39281364	NEPTUNE 5/8"	WT 20	0.0000	12/10/87	12/10/1987	11/01/93	10	0	0	Gallons	
39281375	NEPTUNE 5/8"	WT 20	0.0000	12/10/87	12/10/1987	04/13/04	10	0	0	Gallons	
39281376	NEPTUNE 5/8"	WT 20	0.0000	10/15/87	10/15/1987	04/12/04	10	0	0	Gallons	
39281381	NEPTUNE 5/8"	WT 20	0.0000	12/08/87	12/8/1987	11/01/93	10	0	0	Gallons	
39281382	NEPTUNE 5/8"	WT 20	0.0000	12/08/87	12/8/1987	11/01/93	10	0	0	Gallons	
39281384	NEPTUNE 5/8"	WT 20	0.0000	12/08/87	12/8/1987	11/01/93	10	0	0	Gallons	

Meter #	Size	Service	Meter	Purchase	Warranty	Last	# Of	# Of	Units of	Tamper	
Internal Id #	Manufacturer	Type	Constant	Date	Date	Tested	Test Cycle	Fixed	Measure	Status	
							Dials	0's		Visually	
										Readable	
39281385	NEPTUNE 5/8"	WT 20	0.0000	12/08/87	12/8/1987	04/13/04	10	0	0	Gallons	
39287379	NEPTUNE 5/8"	WT 20	0.0000	12/08/87	12/8/1987	12/10/88	10	0	0	Gallons	
39291375	NEPTUNE 5/8"	WT 20	0.0000	10/15/87	10/15/1987	12/10/88	10	0	0	Gallons	
39293963	NEPTUNE 5/8"	WT 20	0.0000	10/15/87	10/15/1987	05/10/95	10	0	0	Gallons	
1490194564	NEPTUNE 5/8"	WT 20	0.0000	07/28/94	7/28/1994	12/10/88	10	0	0	Gallons	
39295564	NEPTUNE 5/8"	WT 20	0.0000	10/14/87	10/14/1987	06/09/92	10	0	0	Gallons	
39295591	NEPTUNE 5/8"	WT 20	0.0000	10/14/87	10/14/1987	11/01/93	10	0	0	Gallons	
39295595	NEPTUNE 5/8"	WT 20	0.0000	10/14/87	10/14/1987	04/22/04	10	0	0	Gallons	
39295610	NEPTUNE 5/8"	WT 20	0.0000	10/14/87	10/14/1987	04/13/04	10	0	0	Gallons	
39295612	NEPTUNE 5/8"	WT 20	0.0000	10/14/87	10/14/1987	04/22/04	10	0	0	Gallons	
39295613	NEPTUNE 5/8"	WT 20	0.0000	10/14/87	10/14/1987	04/22/04	10	0	0	Gallons	
39295650	NEPTUNE 5/8"	WT 20	0.0000	09/16/87	9/16/1987	11/01/93	10	0	0	Gallons	
39295657	NEPTUNE 5/8"	WT 20	0.0000	09/16/87	9/16/1987	11/01/93	10	0	0	Gallons	
39295658	NEPTUNE 5/8"	WT 20	0.0000	09/16/87	9/16/1987	11/01/93	10	0	0	Gallons	
39295659	NEPTUNE 5/8"	WT 20	0.0000	09/16/87	9/16/1987	11/01/93	10	0	0	Gallons	
39295661	NEPTUNE 5/8"	WT 20	0.0000	09/16/87	9/16/1987	11/01/93	10	0	0	Gallons	
39295662	NEPTUNE 5/8"	WT 20	0.0000	09/16/87	9/16/1987	11/01/93	10	0	0	Gallons	
39295687	NEPTUNE 5/8"	WT 20	0.0000	09/17/87	9/17/1987	11/01/93	10	0	0	Gallons	
39295702	NEPTUNE 5/8"	WT 20	0.0000	09/16/87	9/16/1987	12/22/08	10	0	0	Gallons	
39295886	NEPTUNE 5/8"	WT 20	0.0000	10/15/87	10/15/1987	11/01/93	10	0	0	Gallons	
39295887	NEPTUNE 5/8"	WT 20	0.0000	10/15/87	10/15/1987	05/10/95	10	0	0	Gallons	
39340983	NEPTUNE 5/8"	WT 20	0.0000	12/28/87	12/28/1987	02/13/91	10	0	0	Gallons	
39340988	NEPTUNE 5/8"	WT 20	0.0000	02/09/88	2/9/1988	02/13/91	10	0	0	Gallons	
39340992	NEPTUNE 5/8"	WT 20	0.0000	02/21/88	2/21/1988	06/09/92	10	0	0	Gallons	

Meter #	Size	Service	Meter	Purchase	Warranty	Last	# Of	# Of	Units of	Tamper	
Internal Id #	Manufacturer	Type	Constant	Date	Date	Tested	Test Cycle	Fixed	Measure	Status	
							Dials	0's		Visually	
										Readable	
39341002	NEPTUNE 5/8"	WT 20	0.0000	02/03/88	2/3/1988	06/09/92	10	0	0	Gallons	
39341052	NEPTUNE 5/8"	WT 20	0.0000	03/24/88	3/24/1988	02/13/91	10	0	0	Gallons	
39341057	NEPTUNE 5/8"	WT 20	0.0000	02/10/88	2/10/1988	11/01/93	10	0	0	Gallons	
39341059	NEPTUNE 5/8"	WT 20	0.0000	02/03/88	2/3/1988	11/17/11	10	0	0	Gallons	
39341061	NEPTUNE 5/8"	WT 20	0.0000	03/08/88	3/8/1988	02/13/91	10	0	0	Gallons	
39341133	NEPTUNE 5/8"	WT 20	0.0000	03/01/88	3/1/1988	02/24/17	10	0	0	Gallons	
39354834	Rockwell 5/8"	WT 20	0.0000	02/18/88	2/18/1988	02/13/91	10	0	0	Gallons	
39471361	NEPTUNE 1"	WT 50	0.0000			09/23/08	10	5	0	Gallons	
1490178420	NEPTUNE 1"	WT 50	0.0000			06/04/09	10	5	0	Gallons	
39471362	NEPTUNE 1"	WT 50	0.0000			04/03/09	10	5	0	Gallons	
1486135384	Rockwell 5/8"	WT 20	0.0000	03/08/88	3/8/1988	02/10/98	10	0	0	Gallons	
39471364	NEPTUNE 5/8"	WT 20	0.0000	11/16/88	11/16/1988	04/13/04	10	0	0	Gallons	
1490173166	NEPTUNE 5/8"	WT 20	0.0000	03/09/88	3/9/1988	02/13/91	10	0	0	Gallons	
39650926	NEPTUNE 5/8"	WT 20	0.0000	06/23/92	6/23/1992	02/13/91	10	0	0	Gallons	
39650928	NEPTUNE 5/8"	WT 20	0.0000	05/10/88	5/10/1988	02/13/91	10	0	0	Gallons	
39650964	NEPTUNE 5/8"	WT 20	0.0000	04/19/88	4/19/1988	03/27/90	10	0	0	Gallons	
39656852	NEPTUNE 5/8"	WT 20	0.0000	06/24/88	6/24/1988	02/13/91	10	0	0	Gallons	
39694249	NEPTUNE 5/8"	WT 20	0.0000	08/01/88	8/1/1988	06/09/92	10	0	0	Gallons	
39696221	NEPTUNE 5/8"	WT 20	0.0000	05/10/88	5/10/1988	01/15/91	10	0	0	Gallons	
39698228	NEPTUNE 5/8"	WT 20	0.0000	03/09/88	3/9/1988	01/15/91	10	0	0	Gallons	
39698234	NEPTUNE 5/8"	WT 20	0.0000	05/10/88	5/10/1988	06/13/95	10	0	0	Gallons	
39698244	NEPTUNE 5/8"	WT 20	0.0000	06/06/88	6/6/1988	01/15/91	10	0	0	Gallons	
39698250	NEPTUNE 5/8"	WT 20	0.0000	05/13/88	5/13/1988	06/13/07	10	0	0	Gallons	
39698258	NEPTUNE 5/8"	WT 20	0.0000								
39698259	NEPTUNE 5/8"	WT 20	0.0000								
39698261	NEPTUNE 5/8"	WT 20	0.0000								

Meter #	Size	Service	Meter	Purchase	Warranty	Last	# Of	# Of	Units of	Tamper	
Internal Id #	Manufacturer	Type	Constant	Date	Date	Tested	Test Cycle	Fixed	Measure	Status	
							Dials	0's		Visually	
		Rating								Readable	
39698273	NEPTUNE 5/8"	WT 20	0.0000	05/12/88	5/12/1988	02/13/91	10	0	0	Gallons	
39698277	NEPTUNE 5/8"	WT 20	0.0000	04/18/88	4/18/1988	01/15/09	10	0	0	Gallons	
39698280	NEPTUNE 5/8"	WT 20	0.0000			12/29/98	10	0	0	Gallons	
39698282	NEPTUNE 5/8"	WT 20	0.0000	05/17/88	5/17/1988	01/07/09	10	0	0	Gallons	
39698284	NEPTUNE 5/8"	WT 20	0.0000	05/03/88	5/3/1988	01/07/09	10	0	0	Gallons	
39698285	NEPTUNE 5/8"	WT 20	0.0000	06/16/88	6/16/1988	08/17/07	10	0	0	Gallons	
39698289	NEPTUNE 5/8"	WT 20	0.0000	03/08/88	3/8/1988	11/17/11	10	0	0	Gallons	
39698301	NEPTUNE 5/8"	WT 20	0.0000	04/15/88	4/15/1988	08/31/88	10	0	0	Gallons	
39698302	NEPTUNE 5/8"	WT 20	0.0000	04/12/88	4/12/1988	08/31/88	10	0	0	Gallons	
39698303	NEPTUNE 5/8"	WT 20	0.0000	04/13/88	4/13/1988	01/16/09	10	5	0	Gallons	
1551693098	NEPTUNE 5/8"	WT 20	0.0000	03/09/88	3/9/1988	08/31/88	10	0	0	Gallons	
39698309	NEPTUNE 5/8"	WT 20	0.0000	03/17/88	3/17/1988	12/12/08	10	0	0	Gallons	
39698315	NEPTUNE 5/8"	WT 20	0.0000	06/27/88	6/27/1988	02/08/98	10	0	0	Gallons	
39698326	NEPTUNE 5/8"	WT 20	0.0000	09/15/94	9/15/1994	02/13/91	10	0	0	Gallons	
39699178	NEPTUNE 5/8"	WT 20	0.0000	03/12/90	3/12/1990	02/13/91	10	0	0	Gallons	
39699217	NEPTUNE 5/8"	WT 20	0.0000	06/01/88	6/1/1988	02/13/91	10	0	0	Gallons	
40030623	NEPTUNE 5/8"	WT 20	0.0000	03/09/88	3/9/1988	11/01/93	10	0	0	Gallons	
40050617	NEPTUNE 5/8"	WT 20	0.0000	03/08/88	3/8/1988	11/18/11	10	0	0	Gallons	
40050636	NEPTUNE 5/8"	WT 20	0.0000	04/18/81	4/18/1981	04/13/04	10	0	0	Gallons	
40050643	NEPTUNE 5/8"	WT 20	0.0000	12/20/94	12/20/1994	12/09/94	10	5	0	Gallons	
40060989	NEPTUNE 5/8"	WT 20	0.0000	12/20/94	12/20/1994	12/09/94	10	0	0	Gallons	
1545527448	NEPTUNE 5/8"	WT 20	0.0000	12/20/94	12/20/1994	12/09/94	10	0	0	Gallons	
40060990	NEPTUNE 5/8"	WT 20	0.0000	12/20/94	12/20/1994	12/09/94	10	0	0	Gallons	
40060991	NEPTUNE 5/8"	WT 20	0.0000	12/20/94	12/20/1994	06/10/11	10	5	0	Gallons	
40060992	NEPTUNE 5/8"	WT 20	0.0000								
1483974950	NEPTUNE 5/8"	WT 20	0.0000								

Meter #	Size	Service	Meter	Purchase	Warranty	Last	# Of	# Of	Units of	Tamper
Internal Id #	Manufacturer	Type	Constant	Date	Date	Tested	Test Cycle	Fixed	Measure	Status
							Dials	0's		Visually
										Readable
40060993	NEPTUNE	WT	0.0000	12/20/94	12/20/1994	08/08/11	10	5	0	Gallons
1483704232	5/8"									
40060994	NEPTUNE	WT	0.0000	12/20/94	12/20/1994	11/05/12	10	5	0	Gallons
1551705594	5/8"									
40060995	NEPTUNE	WT	0.0000	12/20/94	12/20/1994	08/24/16	10	5	0	Gallons
1471516598	5/8"									
40060996	NEPTUNE	WT	0.0000	12/20/94	12/20/1994	07/14/11	10	0	0	Gallons
40060997	NEPTUNE	WT	0.0000	12/20/94	12/20/1994	11/19/04	10	5	0	Gallons
1471514260	5/8"									
40060998	NEPTUNE	WT	0.0000	12/20/94	12/20/1994	10/01/15	10	5	0	Gallons
1471521834	5/8"									
40060999	NEPTUNE	WT	0.0000	12/20/94	12/20/1994	06/16/17	10	5	0	Gallons
1546354550	5/8"									
40061000	NEPTUNE	WT	0.0000	12/20/94	12/20/1994	06/11/18	10	5	0	Gallons
1549652454	5/8"									
40061001	NEPTUNE	WT	0.0000	12/20/94	12/20/1994	11/25/13	10	0	0	Gallons
40061002	NEPTUNE	WT	0.0000	12/20/94	12/20/1994	01/26/12	10	5	0	Gallons
1484697134	5/8"									
40061003	NEPTUNE	WT	0.0000	12/20/94	12/20/1994	09/07/11	10	5	0	Gallons
1484465280	5/8"									
40061004	NEPTUNE	WT	0.0000	12/20/94	12/20/1994	01/26/12	10	5	0	Gallons
1484588770	5/8"									
40061005	NEPTUNE	WT	0.0000	12/20/94	12/20/1994	02/09/05	10	5	0	Gallons
1481553658	5/8"									
40061006	NEPTUNE	WT	0.0000	12/20/94	12/20/1994	10/17/08	10	5	0	Gallons
1490176037	5/8"									
40061007	NEPTUNE	WT	0.0000	12/20/94	12/20/1994	01/11/12	10	5	0	Gallons
1490173634	5/8"									
40061008	NEPTUNE	WT	0.0000	12/20/94	12/20/1994	09/11/14	10	5	0	Gallons
1490154356	5/8"									
40061009	NEPTUNE	WT	0.0000	12/20/94	12/20/1994	06/02/08	10	5	0	Gallons
1490141532	5/8"									
40061010	NEPTUNE	WT	0.0000	12/20/94	12/20/1994	01/11/12	10	5	0	Gallons
1484590782	5/8"									
40061011	NEPTUNE	WT	0.0000	12/20/94	12/20/1994	12/01/15	10	5	0	Gallons
1486462212	5/8"									
40061012	NEPTUNE	WT	0.0000	12/20/94	12/20/1994	06/13/18	10	5	0	Gallons
1484465284	5/8"									
40061013	NEPTUNE	WT	0.0000	12/20/94	12/20/1994	01/03/17	10	5	0	Gallons
1545020626	5/8"									
40061014	NEPTUNE	WT	0.0000	12/20/94	12/20/1994	06/02/08	10	5	0	Gallons
1490116556	5/8"									
40061015	NEPTUNE	WT	0.0000	12/20/94	12/20/1994	12/09/94	10	0	0	Gallons
	5/8"									

Meter #	Size	Service	Meter	Purchase	Warranty	Last	# Of	# Of Fixed	Units of	Tamper
Internal Id #	Manufacturer	Type	Constant	Date	Date	Tested	Test Cycle	0's	Measure	Status
							Dials			Visually
										Readable
40061016	NEPTUNE	WT	0.0000	12/20/94	12/20/1994	10/01/15	10	5	0	Gallons
1487927942	NEPTUNE	WT	0.0000	12/20/94	12/20/1994	12/09/13	10	5	0	Gallons
40061017	NEPTUNE	WT	0.0000	12/20/94	12/20/1994	01/12/11	10	5	0	Gallons
1487198930	NEPTUNE	WT	0.0000	12/20/94	12/20/1994	01/17/12	10	5	0	Gallons
40061018	NEPTUNE	WT	0.0000	12/20/94	12/20/1994	12/02/08	10	5	0	Gallons
1490145704	NEPTUNE	WT	0.0000	12/20/94	12/20/1994	10/30/18	10	5	0	Gallons
40061019	NEPTUNE	WT	0.0000	12/20/94	12/20/1994	01/06/17	10	5	0	Gallons
1490145912	NEPTUNE	WT	0.0000	12/20/94	12/20/1994	06/05/08	10	5	0	Gallons
40061020	NEPTUNE	WT	0.0000	12/20/94	12/20/1994	02/15/19	10	5	0	Gallons
1490187776	NEPTUNE	WT	0.0000	12/20/94	12/20/1994	06/02/08	10	5	0	Gallons
40061021	NEPTUNE	WT	0.0000	12/20/94	12/20/1994	07/14/11	10	5	0	Gallons
1550396400	NEPTUNE	WT	0.0000	12/20/94	12/20/1994	06/13/18	10	5	0	Gallons
40061022	NEPTUNE	WT	0.0000	12/20/94	12/20/1994	06/06/08	10	5	0	Gallons
1490194896	NEPTUNE	WT	0.0000	12/20/94	12/20/1994	06/02/08	10	5	0	Gallons
40061023	NEPTUNE	WT	0.0000	12/20/94	12/20/1994	06/02/08	10	5	0	Gallons
1487950256	NEPTUNE	WT	0.0000	12/20/94	12/20/1994	06/02/08	10	5	0	Gallons
40061024	NEPTUNE	WT	0.0000	12/20/94	12/20/1994	06/02/08	10	5	0	Gallons
1545074750	NEPTUNE	WT	0.0000	12/20/94	12/20/1994	06/02/08	10	5	0	Gallons
40061025	NEPTUNE	WT	0.0000	12/20/94	12/20/1994	06/02/08	10	5	0	Gallons
1562479552	NEPTUNE	WT	0.0000	12/20/94	12/20/1994	06/02/08	10	5	0	Gallons
40061026	NEPTUNE	WT	0.0000	12/20/94	12/20/1994	06/02/08	10	5	0	Gallons
1471510762	NEPTUNE	WT	0.0000	12/20/94	12/20/1994	06/02/08	10	5	0	Gallons
40061027	NEPTUNE	WT	0.0000	12/20/94	12/20/1994	06/02/08	10	5	0	Gallons
1490142393	NEPTUNE	WT	0.0000	12/20/94	12/20/1994	06/02/08	10	5	0	Gallons
40061028	NEPTUNE	WT	0.0000	12/20/94	12/20/1994	06/02/08	10	5	0	Gallons
1490172720	NEPTUNE RADIO	WT	0.0000	12/20/94	12/20/1994	06/02/08	10	5	0	Gallons
40061029	NEPTUNE	WT	0.0000	12/20/94	12/20/1994	06/02/08	10	5	0	Gallons
1483704213	NEPTUNE	WT	0.0000	12/20/94	12/20/1994	06/02/08	10	5	0	Gallons
40061030	NEPTUNE	WT	0.0000	12/20/94	12/20/1994	06/02/08	10	5	0	Gallons
1490147109	NEPTUNE	WT	0.0000	12/20/94	12/20/1994	06/13/18	10	5	0	Gallons
40061031	NEPTUNE	WT	0.0000	12/20/94	12/20/1994	06/06/08	10	5	0	Gallons
1550404404	NEPTUNE	WT	0.0000	12/20/94	12/20/1994	07/14/11	10	5	0	Gallons
40061032	NEPTUNE	WT	0.0000	12/20/94	12/20/1994	06/06/08	10	5	0	Gallons
1487966958	NEPTUNE	WT	0.0000	12/20/94	12/20/1994	10/27/14	10	5	0	Gallons
40061033	NEPTUNE	WT	0.0000	12/20/94	12/20/1994	06/06/13	10	5	0	Gallons
1490145932	NEPTUNE	WT	0.0000	12/20/94	12/20/1994	09/07/11	10	5	0	Gallons
40061034	NEPTUNE	WT	0.0000	12/20/94	12/20/1994	09/12/12	10	5	0	Gallons
1471142414	NEPTUNE	WT	0.0000	12/20/94	12/20/1994	12/10/94	10	0	0	Gallons
40061035	NEPTUNE	WT	0.0000	12/20/94	12/20/1994	12/10/94	10	0	0	Gallons
1484465838	NEPTUNE	WT	0.0000	12/20/94	12/20/1994	12/10/94	10	0	0	Gallons
40061036	NEPTUNE	WT	0.0000	12/20/94	12/20/1994	12/10/94	10	0	0	Gallons
1484465820	NEPTUNE	WT	0.0000	12/20/94	12/20/1994	12/10/94	10	0	0	Gallons
40061037	NEPTUNE	WT	0.0000	12/20/94	12/20/1994	12/10/94	10	0	0	Gallons
1490085110	NEPTUNE	WT	0.0000	12/20/94	12/20/1994	12/10/94	10	0	0	Gallons
40061038	NEPTUNE	WT	0.0000	12/20/94	12/20/1994	12/10/94	10	0	0	Gallons

Meter #	Size	Service	Meter	Purchase	Warranty	Last	# Of	# Of Fixed	Units of	Tamper	Visually
Internal Id #	Manufacturer	Type	Constant	Date	Date	Tested	Test Cycle	0's	Measure	Status	Readable
40061039	NEPTUNE	WT	0.0000	12/20/94	12/20/1994	09/07/11	10	5	0	Gallons	
1484464830	NEPTUNE	WT	0.0000	12/20/94	12/20/1994	11/18/04	10	5	0	Gallons	
40061040	NEPTUNE	WT	0.0000	12/20/94	12/20/1994	06/13/18	10	5	0	Gallons	
1471595508	NEPTUNE	WT	0.0000	03/23/88	3/23/1988	08/03/88	10	0	0	Gallons	
40061041	NEPTUNE	WT	0.0000	03/23/88	3/23/1988	08/03/88	10	0	0	Gallons	
1484697238	NEPTUNE	WT	0.0000	03/23/88	3/23/1988	08/03/88	10	0	0	Gallons	
40067893	NEPTUNE	WT	0.0000	03/23/88	3/23/1988	04/14/98	10	0	0	Gallons	
40067896	NEPTUNE	WT	0.0000	03/21/88	3/21/1988	10/24/91	10	0	0	Gallons	
40067904	NEPTUNE	WT	0.0000	03/22/88	3/22/1988	03/20/89	10	0	0	Gallons	
40067909	NEPTUNE	WT	0.0000	03/23/88	3/23/1988	02/11/08	10	0	0	Gallons	
40067922	NEPTUNE	WT	0.0000	03/23/88	3/23/1988	04/12/04	10	0	0	Gallons	
40067933	NEPTUNE	WT	0.0000	05/23/88	5/23/1988	04/13/04	10	0	0	Gallons	
40067943	NEPTUNE	WT	0.0000	06/01/91	6/1/1991	04/03/09	10	0	0	Gallons	
40067944	NEPTUNE	WT	0.0000	01/08/90	1/8/1990	05/22/95	10	0	0	Gallons	
40188506	NEPTUNE	WT	0.0000	06/02/95	6/2/1995	11/13/08	10	5	0	Gallons	
40429002	NEPTUNE	WT	0.0000	06/02/95	6/2/1995	12/05/08	10	5	0	Gallons	
40617161	NEPTUNE	WT	0.0000	06/02/95	6/2/1995	04/01/11	10	5	0	Gallons	
40617657	NEPTUNE	WT	0.0000	06/02/95	6/2/1995	10/31/12	10	5	0	Gallons	
1483401910	NEPTUNE	WT	0.0000	06/02/95	6/2/1995	12/05/08	10	5	0	Gallons	
40617658	NEPTUNE	WT	0.0000	06/02/95	6/2/1995	11/13/08	10	5	0	Gallons	
1490155732	NEPTUNE	WT	0.0000	06/02/95	6/2/1995	04/01/11	10	5	0	Gallons	
40617659	NEPTUNE	WT	0.0000	06/02/95	6/2/1995	06/28/07	10	5	0	Gallons	
1481565598	NEPTUNE	WT	0.0000	06/02/95	6/2/1995	11/25/09	10	5	0	Gallons	
40617660	NEPTUNE	WT	0.0000	06/02/95	6/2/1995	10/02/09	10	5	0	Gallons	
1490156382	NEPTUNE	WT	0.0000	06/02/95	6/2/1995	11/10/15	10	5	0	Gallons	
40617661	NEPTUNE	WT	0.0000	06/02/95	6/2/1995	12/02/15	10	5	0	Gallons	
1482384510	NEPTUNE	WT	0.0000	06/02/95	6/2/1995						
40617662	NEPTUNE	WT	0.0000	06/02/95	6/2/1995						
1490150018	NEPTUNE	WT	0.0000	06/02/95	6/2/1995						
40617663	NEPTUNE	WT	0.0000	06/02/95	6/2/1995						
1545884156	NEPTUNE	WT	0.0000	06/02/95	6/2/1995						
40617664	NEPTUNE	WT	0.0000	06/02/95	6/2/1995						
1490185104	NEPTUNE	WT	0.0000	06/02/95	6/2/1995						
40617665	NEPTUNE	WT	0.0000	06/02/95	6/2/1995						
1490194510	NEPTUNE	WT	0.0000	06/02/95	6/2/1995						

Meter #	Size	Service	Meter	Purchase	Warranty	Last	# Of	# Of	Units of	Tamper
Internal Id #	Manufacturer	Type	Constant	Date	Date	Tested	Fixed	Fixed	Measure	Status
							0's	0's		Visually
		Rating								Readable
40617666	NEPTUNE	WT 20	0.0000	06/02/95	6/2/1995	01/26/12 10	5	0	Gallons	
1490189634	NEPTUNE	WT 20	0.0000	06/02/95	6/2/1995	05/22/95 10	0	0	Gallons	
40617667	NEPTUNE	WT 20	0.0000	06/02/95	6/2/1995	01/24/12 10	5	0	Gallons	
40617668	NEPTUNE	WT 20	0.0000	06/02/95	6/2/1995	01/27/11 10	5	0	Gallons	
1484593014	NEPTUNE	WT 20	0.0000	06/02/95	6/2/1995	10/20/10 10	5	0	Gallons	
40617669	NEPTUNE	WT 20	0.0000	06/02/95	6/2/1995	11/14/08 10	5	0	Gallons	
1483709714	NEPTUNE	WT 20	0.0000	06/02/95	6/2/1995	02/13/12 10	5	0	Gallons	
40617670	NEPTUNE	WT 20	0.0000	06/02/95	6/2/1995	02/13/12 10	5	0	Gallons	
1490167970	NEPTUNE	WT 20	0.0000	06/02/95	6/2/1995	02/07/11 10	5	0	Gallons	
40617671	NEPTUNE	WT 20	0.0000	06/02/95	6/2/1995	10/21/14 10	5	0	Gallons	
1471254482	NEPTUNE	WT 20	0.0000	06/02/95	6/2/1995	05/22/95 10	0	0	Gallons	
40617672	NEPTUNE	WT 20	0.0000	06/02/95	6/2/1995	12/03/08 10	5	0	Gallons	
1484696930	NEPTUNE	WT 20	0.0000	06/02/95	6/2/1995	10/23/14 10	0	0	Gallons	
40617673	NEPTUNE	WT 20	0.0000	06/02/95	6/2/1995	06/02/95 10	0	0	Gallons	
1490122104	NEPTUNE	WT 20	0.0000	06/02/95	6/2/1995	06/02/95 10	0	0	Gallons	
40617674	NEPTUNE	WT 20	0.0000	06/02/95	6/2/1995	06/02/95 10	0	0	Gallons	
40617675	NEPTUNE	WT 20	0.0000	06/02/95	6/2/1995	06/02/95 10	0	0	Gallons	
1490172708	NEPTUNE	WT 20	0.0000	06/02/95	6/2/1995	10/23/14 10	0	0	Gallons	
40617676	NEPTUNE	WT 20	0.0000	06/02/95	6/2/1995	11/03/08 10	5	0	Gallons	
40617677	NEPTUNE	WT 20	0.0000	06/02/95	6/2/1995	02/07/11 10	5	0	Gallons	
1490189334	NEPTUNE	WT 20	0.0000	06/02/95	6/2/1995	10/15/10 10	5	0	Gallons	
40617678	NEPTUNE	WT 20	0.0000	06/02/95	6/2/1995	02/10/12 10	5	0	Gallons	
1490195986	NEPTUNE	WT 20	0.0000	06/02/95	6/2/1995	02/10/12 10	5	0	Gallons	
40617679	NEPTUNE	WT 20	0.0000	06/02/95	6/2/1995	02/10/12 10	5	0	Gallons	
1484695396	NEPTUNE	WT 20	0.0000	06/02/95	6/2/1995	06/02/95 10	0	0	Gallons	
40617680	NEPTUNE	WT 20	0.0000	06/02/95	6/2/1995	06/02/95 10	0	0	Gallons	
1483415134	NEPTUNE	WT 20	0.0000	06/02/95	6/2/1995	01/21/13 10	5	0	Gallons	
40617681	NEPTUNE	WT 20	0.0000	06/02/95	6/2/1995	10/22/14 10	5	0	Gallons	
1490189572	NEPTUNE	WT 20	0.0000	06/02/95	6/2/1995	10/22/14 10	5	0	Gallons	
40617682	NEPTUNE	WT 20	0.0000	06/02/95	6/2/1995	08/02/18 10	5	0	Gallons	
1470916298	NEPTUNE	WT 20	0.0000	06/02/95	6/2/1995	08/02/18 10	5	0	Gallons	
40617683	NEPTUNE	WT 20	0.0000	06/02/95	6/2/1995	02/27/13 10	5	0	Gallons	
1490142828	NEPTUNE	WT 20	0.0000	06/02/95	6/2/1995	08/29/05 10	5	0	Gallons	
40617684	NEPTUNE	WT 20	0.0000	06/02/95	6/2/1995	09/14/11 10	5	0	Gallons	
1550399804	NEPTUNE	WT 20	0.0000	06/02/95	6/2/1995	06/02/95 10	0	0	Gallons	
40617685	NEPTUNE	WT 20	0.0000	06/02/95	6/2/1995	06/02/95 10	0	0	Gallons	
1490178632	NEPTUNE	WT 20	0.0000	06/02/95	6/2/1995	06/02/95 10	0	0	Gallons	
40617686	NEPTUNE RADIO	WT 20	0.0000	06/02/95	6/2/1995	06/02/95 10	0	0	Gallons	
1471124834	NEPTUNE	WT 20	0.0000	06/02/95	6/2/1995	06/02/95 10	0	0	Gallons	
40617687	NEPTUNE	WT 20	0.0000	06/02/95	6/2/1995	06/02/95 10	0	0	Gallons	
1484465834	NEPTUNE	WT 20	0.0000	06/02/95	6/2/1995	06/02/95 10	0	0	Gallons	
40617688	NEPTUNE	WT 20	0.0000	06/02/95	6/2/1995	03/27/09 10	5	0	Gallons	
1490174114	NEPTUNE	WT 20	0.0000	06/02/95	6/2/1995	03/27/09 10	5	0	Gallons	

Meter #	Size	Service	Meter	Purchase	Warranty	Last	# Of	# Of	Units of	Tamper	Visually
Internal Id #	Manufacturer	Type	Constant	Date	Date	Tested	Test Cycle	Fixed	Measure	Status	Readable
40617689	NEPTUNE	WT	0.0000	06/02/95	6/2/1995	07/18/12	10	5	0	Gallons	
1485549902	NEPTUNE	WT	0.0000	06/02/95	6/2/1995	08/19/05	10	5	0	Gallons	
40617690	NEPTUNE	WT	0.0000	06/02/95	6/2/1995	01/26/11	10	5	0	Gallons	
1483394930	NEPTUNE	WT	0.0000	06/02/95	6/2/1995	06/22/11	10	5	0	Gallons	
40617691	NEPTUNE	WT	0.0000	06/02/95	6/2/1995	01/26/11	10	5	0	Gallons	
1490149988	NEPTUNE	WT	0.0000	06/02/95	6/2/1995	01/26/11	10	5	0	Gallons	
40617692	NEPTUNE	WT	0.0000	06/02/95	6/2/1995	01/25/06	10	5	0	Gallons	
1483715614	NEPTUNE	WT	0.0000	06/02/95	6/2/1995	10/23/14	10	5	0	Gallons	
40617693	NEPTUNE	WT	0.0000	06/02/95	6/2/1995	11/19/08	10	5	0	Gallons	
1490142420	NEPTUNE	WT	0.0000	06/02/95	6/2/1995	10/21/14	10	5	0	Gallons	
40617694	NEPTUNE	WT	0.0000	06/02/95	6/2/1995	11/13/14	10	5	0	Gallons	
1542562026	NEPTUNE	WT	0.0000	06/02/95	6/2/1995	02/04/04	10	5	0	Gallons	
40617695	NEPTUNE	WT	0.0000	06/02/95	6/2/1995	10/21/14	10	5	0	Gallons	
1490144792	NEPTUNE	WT	0.0000	06/02/95	6/2/1995	11/13/14	10	5	0	Gallons	
40617696	NEPTUNE	WT	0.0000	06/02/95	6/2/1995	10/21/14	10	5	0	Gallons	
1490145638	NEPTUNE	WT	0.0000	06/02/95	6/2/1995	11/13/14	10	5	0	Gallons	
40617697	NEPTUNE	WT	0.0000	06/02/95	6/2/1995	10/21/14	10	5	0	Gallons	
1486134076	NEPTUNE	WT	0.0000	06/02/95	6/2/1995	10/21/14	10	5	0	Gallons	
40617698	NEPTUNE	WT	0.0000	06/02/95	6/2/1995	11/13/14	10	5	0	Gallons	
1487780670	NEPTUNE	WT	0.0000	06/02/95	6/2/1995	02/04/04	10	5	0	Gallons	
40617699	NEPTUNE	WT	0.0000	06/02/95	6/2/1995	10/22/14	10	5	0	Gallons	
1477484886	NEPTUNE	WT	0.0000	06/02/95	6/2/1995	10/21/15	10	5	0	Gallons	
40617700	NEPTUNE	WT	0.0000	06/02/95	6/2/1995	04/24/18	10	5	0	Gallons	
1471137142	NEPTUNE	WT	0.0000	06/02/95	6/2/1995	12/13/11	10	5	0	Gallons	
40617701	NEPTUNE	WT	0.0000	06/02/95	6/2/1995	05/22/95	10	0	0	Gallons	
1490149430	NEPTUNE	WT	0.0000	06/02/95	6/2/1995	12/13/11	10	5	0	Gallons	
40617702	NEPTUNE	WT	0.0000	06/02/95	6/2/1995	11/19/04	10	5	0	Gallons	
1540713642	NEPTUNE	WT	0.0000	06/02/95	6/2/1995	02/13/91	10	0	0	Gallons	
40617703	NEPTUNE	WT	0.0000	06/02/95	6/2/1995	11/19/04	10	5	0	Gallons	
1481755360	NEPTUNE	WT	0.0000	06/02/95	6/2/1995	02/13/91	10	0	0	Gallons	
40617704	NEPTUNE	WT	0.0000	06/02/95	6/2/1995	02/13/91	10	0	0	Gallons	
40617705	NEPTUNE	WT	0.0000	06/02/95	6/2/1995	02/13/11	10	5	0	Gallons	
1490187446	NEPTUNE	WT	0.0000	06/02/95	6/2/1995	11/19/04	10	5	0	Gallons	
40617706	NEPTUNE	WT	0.0000	06/02/95	6/2/1995	02/13/91	10	0	0	Gallons	
1471255330	NEPTUNE	WT	0.0000	06/02/95	6/2/1995	02/13/91	10	0	0	Gallons	
40928998	NEPTUNE	WT	0.0000	06/02/95	6/2/1995	02/13/91	10	0	0	Gallons	
40929002	NEPTUNE	WT	0.0000	06/02/95	6/2/1995	02/13/91	10	0	0	Gallons	
40929007	NEPTUNE	WT	0.0000	06/02/95	6/2/1995	02/13/91	10	0	0	Gallons	
40929040	NEPTUNE	WT	0.0000	06/02/95	6/2/1995	02/13/91	10	0	0	Gallons	
40929063	NEPTUNE	WT	0.0000	06/02/95	6/2/1995	02/13/91	10	0	0	Gallons	

Meter #	Size	Service	Meter	Purchase	Warranty	Last	# Of	# Of Fixed	Units of	Tamper
Internal Id #	Manufacturer	Type	Constant	Date	Date	Tested	Test Cycle	0's	Measure	Status
							Dials			Visually
		Rating								Readable
40960896	Neptune	WT 20	0.0000			04/10/17	10	0	0	Gallons
41079405	NEPTUNE	WT 20	0.0000	10/23/95	10/23/1995	02/02/17	10	0	0	Gallons
41079406	NEPTUNE	WT 20	0.0000	10/23/95	10/23/1995	10/30/13	10	5	0	Gallons
1487131136	NEPTUNE	WT 20	0.0000	10/23/95	10/23/1995	06/09/11	10	5	0	Gallons
41079407	NEPTUNE	WT 20	0.0000	10/23/95	10/23/1995	08/01/18	10	5	0	Gallons
1490132342	NEPTUNE	WT 20	0.0000	10/23/95	10/23/1995	01/16/12	10	5	0	Gallons
41079408	NEPTUNE	WT 20	0.0000	10/23/95	10/23/1995	12/08/08	10	5	0	Gallons
1546680934	NEPTUNE	WT 20	0.0000	10/23/95	10/23/1995	02/13/12	10	5	0	Gallons
41079409	NEPTUNE	WT 20	0.0000	10/23/95	10/23/1995	08/05/11	10	5	0	Gallons
1485382950	NEPTUNE	WT 20	0.0000	10/23/95	10/23/1995	06/09/17	10	5	0	Gallons
41079410	NEPTUNE	WT 20	0.0000	10/23/95	10/23/1995	04/21/16	10	5	0	Gallons
1490174132	NEPTUNE	WT 20	0.0000	10/23/95	10/23/1995	11/07/08	10	5	0	Gallons
41079411	NEPTUNE	WT 20	0.0000	10/23/95	10/23/1995	01/12/12	10	5	0	Gallons
1471526798	NEPTUNE	WT 20	0.0000	10/23/95	10/23/1995	08/29/05	10	5	0	Gallons
41079412	NEPTUNE	WT 20	0.0000	10/23/95	10/23/1995	12/05/08	10	5	0	Gallons
1483711340	NEPTUNE	WT 20	0.0000	10/23/95	10/23/1995	12/09/15	10	5	0	Gallons
41079413	NEPTUNE	WT 20	0.0000	10/23/95	10/23/1995	01/30/17	10	5	0	Gallons
1545273936	NEPTUNE	WT 20	0.0000	10/23/95	10/23/1995	01/03/12	10	5	0	Gallons
41079414	NEPTUNE	WT 20	0.0000	10/23/95	10/23/1995	11/01/95	10	5	0	Gallons
1547963362	NEPTUNE	WT 20	0.0000	10/23/95	10/23/1995	12/12/11	10	5	0	Gallons
41079415	NEPTUNE	WT 20	0.0000	10/23/95	10/23/1995					
1490163816	NEPTUNE	WT 20	0.0000	10/23/95	10/23/1995					
41079416	NEPTUNE	WT 20	0.0000	10/23/95	10/23/1995					
1490148174	NEPTUNE	WT 20	0.0000	10/23/95	10/23/1995					
41079417	NEPTUNE	WT 20	0.0000	10/23/95	10/23/1995					
1490189528	NEPTUNE	WT 20	0.0000	10/23/95	10/23/1995					
41079418	NEPTUNE	WT 20	0.0000	10/23/95	10/23/1995					
1490145330	NEPTUNE	WT 20	0.0000	10/23/95	10/23/1995					
41079419	NEPTUNE	WT 20	0.0000	10/23/95	10/23/1995					
1471560602	NEPTUNE	WT 20	0.0000	10/23/95	10/23/1995					
41079420	NEPTUNE	WT 20	0.0000	10/23/95	10/23/1995					
1471247878	NEPTUNE	WT 20	0.0000	10/23/95	10/23/1995					
41079421	NEPTUNE	WT 20	0.0000	10/23/95	10/23/1995					
1486685378	NEPTUNE	WT 20	0.0000	10/23/95	10/23/1995					
41079422	NEPTUNE	WT 20	0.0000	10/23/95	10/23/1995					
41079423	NEPTUNE	WT 20	0.0000	10/23/95	10/23/1995					
1542544788	NEPTUNE	WT 20	0.0000	10/23/95	10/23/1995					
41079424	NEPTUNE	WT 20	0.0000	10/23/95	10/23/1995					
1484588662	NEPTUNE	WT 20	0.0000	10/23/95	10/23/1995					
41079425	NEPTUNE	WT 20	0.0000	10/23/95	10/23/1995					
1486135418	NEPTUNE	WT 20	0.0000	10/23/95	10/23/1995					
41079426	NEPTUNE	WT 20	0.0000	10/23/95	10/23/1995					
1485374608	NEPTUNE	WT 20	0.0000	10/23/95	10/23/1995					

Meter #	Size	Service	Meter	Purchase	Warranty	Last	# Of	# Of	Units of	Tamper
Internal Id #	Manufacturer	Type	Constant	Date	Date	Tested	Diags	Fixed	Measure	Status
								0's		Visually
										Readable
41079427	NEPTUNE 5/8"	WT 20	0.0000	10/23/95	10/23/1995	10/13/95 10	0	0	Gallons	
41079428	NEPTUNE 5/8"	WT 20	0.0000	10/23/95	10/23/1995	10/13/95 10	0	0	Gallons	
41079429	NEPTUNE 5/8"	WT 20	0.0000	10/23/95	10/23/1995	02/09/17 10	5	0	Gallons	
1471567154	NEPTUNE 5/8"	WT 20	0.0000	10/23/95	10/23/1995	01/25/06 10	5	0	Gallons	
41079430	NEPTUNE 5/8"	WT 20	0.0000	10/23/95	10/23/1995	06/09/06 10	0	0	Gallons	
1471214564	NEPTUNE 5/8"	WT 20	0.0000	10/23/95	10/23/1995	09/29/08 10	5	0	Gallons	
41079431	NEPTUNE 5/8"	WT 20	0.0000	10/23/95	10/23/1995	01/12/12 10	5	0	Gallons	
41079432	NEPTUNE 5/8"	WT 20	0.0000	10/23/95	10/23/1995	06/17/13 10	5	0	Gallons	
1490187796	NEPTUNE 5/8"	WT 20	0.0000	10/23/95	10/23/1995	06/18/13 10	5	0	Gallons	
41079433	NEPTUNE 5/8"	WT 20	0.0000	10/23/95	10/23/1995	10/22/14 10	5	0	Gallons	
1485314738	NEPTUNE 5/8"	WT 20	0.0000	10/23/95	10/23/1995	09/26/13 10	5	0	Gallons	
41079434	NEPTUNE 5/8"	WT 20	0.0000	10/23/95	10/23/1995	11/24/08 10	5	0	Gallons	
1486730634	NEPTUNE 5/8"	WT 20	0.0000	10/23/95	10/23/1995	05/15/19 10	0	0	Gallons	
41079435	NEPTUNE 5/8"	WT 20	0.0000	10/23/95	10/23/1995	06/25/15 10	5	0	Gallons	
1490144290	NEPTUNE 5/8"	WT 20	0.0000	10/23/95	10/23/1995	09/24/08 10	5	0	Gallons	
41079436	NEPTUNE 5/8"	WT 20	0.0000	10/23/95	10/23/1995	11/24/08 10	5	0	Gallons	
1490155660	NEPTUNE 5/8"	WT 20	0.0000	10/23/95	10/23/1995	06/17/13 10	5	0	Gallons	
41079437	NEPTUNE 5/8"	WT 20	0.0000	10/23/95	10/23/1995	06/17/13 10	5	0	Gallons	
1490178470	NEPTUNE 5/8"	WT 20	0.0000	10/23/95	10/23/1995	05/15/19 10	0	0	Gallons	
41079438	NEPTUNE 5/8"	WT 20	0.0000	10/23/95	10/23/1995	11/25/13 10	0	0	Gallons	
41079439	NEPTUNE 5/8"	WT 20	0.0000	10/23/95	10/23/1995	06/25/15 10	5	0	Gallons	
41079440	NEPTUNE 5/8"	WT 20	0.0000	10/23/95	10/23/1995	09/24/08 10	5	0	Gallons	
1487945836	NEPTUNE 5/8"	WT 20	0.0000	10/23/95	10/23/1995	06/17/13 10	5	0	Gallons	
41079441	NEPTUNE 5/8"	WT 20	0.0000	10/23/95	10/23/1995	06/27/07 10	5	0	Gallons	
1490178164	NEPTUNE 5/8"	WT 20	0.0000	10/23/95	10/23/1995	02/14/08 10	5	0	Gallons	
41079442	NEPTUNE 5/8"	WT 20	0.0000	10/23/95	10/23/1995	07/13/12 10	5	0	Gallons	
1484595102	NEPTUNE 5/8"	WT 20	0.0000	10/23/95	10/23/1995	06/12/18 10	5	0	Gallons	
41079443	NEPTUNE 5/8"	WT 20	0.0000	10/23/95	10/23/1995	06/27/07 10	5	0	Gallons	
1490147714	NEPTUNE 5/8"	WT 20	0.0000	10/23/95	10/23/1995	02/14/08 10	5	0	Gallons	
41079444	NEPTUNE 5/8"	WT 20	0.0000	10/23/95	10/23/1995	07/13/12 10	5	0	Gallons	
1545046636	NEPTUNE 5/8"	WT 20	0.0000	10/23/95	10/23/1995	06/27/07 10	5	0	Gallons	
41079445	NEPTUNE 5/8"	WT 20	0.0000	10/23/95	10/23/1995	06/27/07 10	5	0	Gallons	
1485538816	NEPTUNE 5/8"	WT 20	0.0000	10/23/95	10/23/1995	02/14/08 10	5	0	Gallons	
41079446	NEPTUNE RADIO 5/8"	WT 20	0.0000	10/23/95	10/23/1995	06/27/07 10	5	0	Gallons	
1490145490	NEPTUNE 5/8"	WT 20	0.0000	10/23/95	10/23/1995	02/14/08 10	5	0	Gallons	
41079447	NEPTUNE 5/8"	WT 20	0.0000	10/23/95	10/23/1995	06/27/07 10	5	0	Gallons	
1490133820	NEPTUNE 5/8"	WT 20	0.0000	10/23/95	10/23/1995	06/27/07 10	5	0	Gallons	
41079448	NEPTUNE 5/8"	WT 20	0.0000	10/23/95	10/23/1995	06/27/07 10	5	0	Gallons	
1486724380	NEPTUNE 5/8"	WT 20	0.0000	10/23/95	10/23/1995	06/27/07 10	5	0	Gallons	
41079449	NEPTUNE 5/8"	WT 20	0.0000	10/23/95	10/23/1995	06/27/07 10	5	0	Gallons	
1487733650	NEPTUNE 5/8"	WT 20	0.0000	10/23/95	10/23/1995	06/27/07 10	5	0	Gallons	

Meter #	Size	Service	Meter	Purchase	Warranty	Last	# Of	# Of Fixed	Units of	Tamper	
Internal Id #	Manufacturer	Type	Constant	Date	Date	Tested	Of	0's	Measure	Status	
		Rating				Cycle	Diags			Visually	
										Readable	
41079450	NEPTUNE	WT 20	0.0000	10/23/95	10/23/1995	01/25/06	10	5	0	Gallons	
1490174062	NEPTUNE	WT 20	0.0000	10/23/95	10/23/1995	10/13/95	10	0	0	Gallons	
41079451	NEPTUNE	WT 20	0.0000	10/24/95	10/24/1995	04/01/11	10	5	0	Gallons	
41079452	NEPTUNE	WT 20	0.0000	10/24/95	10/24/1995	04/15/16	10	5	0	Gallons	
1483719352	NEPTUNE	WT 20	0.0000	10/24/95	10/24/1995	01/26/11	10	5	0	Gallons	
41079453	NEPTUNE	WT 20	0.0000	10/24/95	10/24/1995	02/11/08	10	0	0	Gallons	
1483402076	NEPTUNE	WT 20	0.0000	08/30/88	8/30/1988	02/11/08	10	0	0	Gallons	
41079454	NEPTUNE	WT 20	0.0000	10/01/88	10/1/1988	03/27/90	10	0	0	Gallons	
1490189340	NEPTUNE	WT 20	0.0000	10/06/88		02/03/17	10	0	0	Gallons	
41151068	NEPTUNE	WT 20	0.0000	11/29/95	11/29/1995	02/27/13	10	5	0	Gallons	
41251876	NEPTUNE	WT 20	0.0000	11/29/95	11/29/1995	09/17/09	10	5	0	Gallons	
1490117462	NEPTUNE	WT 20	0.0000	11/29/95	11/29/1995	04/08/16	10	5	0	Gallons	
41251877	NEPTUNE	WT 20	0.0000	11/29/95	11/29/1995	10/02/08	10	5	0	Gallons	
1490185106	NEPTUNE	WT 20	0.0000	11/29/95	11/29/1995	06/20/07	10	0	0	Gallons	
41251878	NEPTUNE	WT 20	0.0000	11/29/95	11/29/1995	07/23/10	10	5	0	Gallons	
1482905144	NEPTUNE	WT 20	0.0000	11/29/95	11/29/1995	09/17/09	10	5	0	Gallons	
41251879	NEPTUNE	WT 20	0.0000	11/29/95	11/29/1995	05/25/17	10	5	0	Gallons	
41251880	NEPTUNE	WT 20	0.0000	11/29/95	11/29/1995	12/09/16	10	5	0	Gallons	
1487447258	NEPTUNE	WT 20	0.0000	11/29/95	11/29/1995	02/09/10	10	5	0	Gallons	
41251881	NEPTUNE	WT 20	0.0000	11/29/95	11/29/1995	04/08/16	10	5	0	Gallons	
1471364534	NEPTUNE	WT 20	0.0000	11/29/95	11/29/1995	10/02/08	10	5	0	Gallons	
41251882	NEPTUNE	WT 20	0.0000	11/29/95	11/29/1995	05/10/17	10	5	0	Gallons	
1490178968	NEPTUNE	WT 20	0.0000	11/29/95	11/29/1995	09/01/09	10	5	0	Gallons	
41251883	NEPTUNE	WT 20	0.0000	11/29/95	11/29/1995	08/18/11	10	5	0	Gallons	
1490154006	NEPTUNE	WT 20	0.0000	11/29/95	11/29/1995	10/21/16	10	5	0	Gallons	
41251884	NEPTUNE	WT 20	0.0000	11/29/95	11/29/1995	10/09/09	10	5	0	Gallons	
1483413968	NEPTUNE	WT 20	0.0000	11/29/95	11/29/1995	10/09/09	10	5	0	Gallons	
41251885	NEPTUNE	WT 20	0.0000	11/29/95	11/29/1995	05/10/17	10	5	0	Gallons	
1549660194	NEPTUNE	WT 20	0.0000	11/29/95	11/29/1995	09/01/09	10	5	0	Gallons	
41251886	NEPTUNE	WT 20	0.0000	11/29/95	11/29/1995	08/18/11	10	5	0	Gallons	
1545271862	NEPTUNE	WT 20	0.0000	11/29/95	11/29/1995	10/21/16	10	5	0	Gallons	
41251887	NEPTUNE	WT 20	0.0000	11/29/95	11/29/1995	10/09/09	10	5	0	Gallons	
1481601402	NEPTUNE	WT 20	0.0000	11/29/95	11/29/1995	10/09/09	10	5	0	Gallons	
41251888	NEPTUNE	WT 20	0.0000	11/29/95	11/29/1995	10/09/09	10	5	0	Gallons	
1490155020	NEPTUNE	WT 20	0.0000	11/29/95	11/29/1995	10/09/09	10	5	0	Gallons	
41251889	NEPTUNE	WT 20	0.0000	11/29/95	11/29/1995	10/09/09	10	5	0	Gallons	
1481601814	NEPTUNE	WT 20	0.0000	11/29/95	11/29/1995	10/09/09	10	5	0	Gallons	
41251890	NEPTUNE	WT 20	0.0000	11/29/95	11/29/1995	10/09/09	10	5	0	Gallons	
1481601324	NEPTUNE	WT 20	0.0000	11/29/95	11/29/1995	10/09/09	10	5	0	Gallons	

Meter #	Size	Service	Meter	Purchase	Warranty	Last	# Of	# Of Fixed	Units of	Tamper	Visually
Internal Id #	Manufacturer	Type	Constant	Date	Date	Tested	Diags	0's	Measure	Status	Readable
41251891	NEPTUNE	WT	0.0000	11/29/95	11/29/1995	07/18/16	10	5	0	Gallons	
1543646498	NEPTUNE	WT	0.0000	11/29/95	11/29/1995	10/02/15	10	5	0	Gallons	
41251892	NEPTUNE	WT	0.0000	11/29/95	11/29/1995	05/12/10	10	5	0	Gallons	
1487938618	NEPTUNE	WT	0.0000	11/29/95	11/29/1995	03/02/09	10	5	0	Gallons	
41251893	NEPTUNE	WT	0.0000	11/29/95	11/29/1995	02/27/13	10	5	0	Gallons	
1490147920	NEPTUNE	WT	0.0000	11/29/95	11/29/1995	01/06/05	10	5	0	Gallons	
41251894	NEPTUNE	WT	0.0000	11/29/95	11/29/1995	10/19/10	10	5	0	Gallons	
1486715292	NEPTUNE	WT	0.0000	11/29/95	11/29/1995	03/22/11	10	5	0	Gallons	
41251895	NEPTUNE	WT	0.0000	11/29/95	11/29/1995	05/03/11	10	5	0	Gallons	
1486317794	NEPTUNE	WT	0.0000	11/29/95	11/29/1995	10/08/08	10	5	0	Gallons	
41251896	NEPTUNE	WT	0.0000	11/29/95	11/29/1995	08/01/08	10	5	0	Gallons	
1490154892	NEPTUNE	WT	0.0000	11/29/95	11/29/1995	10/31/08	10	5	0	Gallons	
41251897	NEPTUNE	WT	0.0000	11/29/95	11/29/1995	09/10/07	10	5	0	Gallons	
1490144886	NEPTUNE	WT	0.0000	11/29/95	11/29/1995	11/07/08	10	5	0	Gallons	
41251898	NEPTUNE	WT	0.0000	11/29/95	11/29/1995	03/03/09	10	5	0	Gallons	
1483718038	NEPTUNE	WT	0.0000	11/29/95	11/29/1995	04/16/09	10	5	0	Gallons	
41251899	NEPTUNE	WT	0.0000	11/29/95	11/29/1995	01/06/05	10	5	0	Gallons	
1483714042	NEPTUNE	WT	0.0000	11/29/95	11/29/1995	10/23/14	10	5	0	Gallons	
41251900	NEPTUNE	WT	0.0000	11/29/95	11/29/1995	10/23/14	10	5	0	Gallons	
1490163756	NEPTUNE	WT	0.0000	11/29/95	11/29/1995	04/29/08	10	5	0	Gallons	
41251901	NEPTUNE	WT	0.0000	11/29/95	11/29/1995	10/03/08	10	5	0	Gallons	
1490146680	NEPTUNE	WT	0.0000	11/29/95	11/29/1995	09/10/07	10	5	0	Gallons	
41251902	NEPTUNE	WT	0.0000	11/29/95	11/29/1995	11/03/08	10	5	0	Gallons	
1490187258	NEPTUNE	WT	0.0000	11/29/95	11/29/1995	11/07/08	10	5	0	Gallons	
41251903	NEPTUNE	WT	0.0000	11/29/95	11/29/1995	03/03/09	10	5	0	Gallons	
1490148287	NEPTUNE	WT	0.0000	11/29/95	11/29/1995	03/03/09	10	5	0	Gallons	
41251904	NEPTUNE	WT	0.0000	11/29/95	11/29/1995	04/16/09	10	5	0	Gallons	
1471531103	NEPTUNE	WT	0.0000	11/29/95	11/29/1995	01/06/05	10	5	0	Gallons	
41251905	NEPTUNE	WT	0.0000	11/29/95	11/29/1995	10/23/14	10	5	0	Gallons	
1490148216	NEPTUNE	WT	0.0000	11/29/95	11/29/1995	10/23/14	10	5	0	Gallons	
41251906	NEPTUNE	WT	0.0000	11/29/95	11/29/1995	04/29/08	10	5	0	Gallons	
1490156391	NEPTUNE	WT	0.0000	11/29/95	11/29/1995	10/03/08	10	5	0	Gallons	
41251907	NEPTUNE	WT	0.0000	11/29/95	11/29/1995	10/03/08	10	5	0	Gallons	
1490148340	NEPTUNE	WT	0.0000	11/29/95	11/29/1995	10/03/08	10	5	0	Gallons	
41251908	NEPTUNE	WT	0.0000	11/29/95	11/29/1995	10/03/08	10	5	0	Gallons	
1490154764	NEPTUNE	WT	0.0000	11/29/95	11/29/1995	10/03/08	10	5	0	Gallons	
41251909	NEPTUNE	WT	0.0000	11/29/95	11/29/1995	10/03/08	10	5	0	Gallons	
1546209800	NEPTUNE	WT	0.0000	11/29/95	11/29/1995	10/03/08	10	5	0	Gallons	
41251910	NEPTUNE	WT	0.0000	11/29/95	11/29/1995	10/03/08	10	5	0	Gallons	
1490154300	NEPTUNE	WT	0.0000	11/29/95	11/29/1995	10/03/08	10	5	0	Gallons	
41251911	NEPTUNE	WT	0.0000	11/29/95	11/29/1995	10/03/08	10	5	0	Gallons	
41251912	NEPTUNE	WT	0.0000	11/29/95	11/29/1995	10/03/08	10	5	0	Gallons	
1490141857	NEPTUNE	WT	0.0000	11/29/95	11/29/1995	10/03/08	10	5	0	Gallons	
41251913	NEPTUNE	WT	0.0000	11/29/95	11/29/1995	10/03/08	10	5	0	Gallons	
1490194440	NEPTUNE	WT	0.0000	11/29/95	11/29/1995	10/03/08	10	5	0	Gallons	

Meter #	Size	Service	Meter	Purchase	Warranty	Last	# Of	# Of Fixed	Units of	Tamper	Visually
Internal Id #	Manufacturer	Type	Constant	Date	Date	Tested	Diags	0's	Measure	Status	Readable
41251914	NEPTUNE	WT	20	0.0000	11/29/95	11/29/1995	04/14/15	10	5	0	Gallons
1487964797	NEPTUNE	WT	20	0.0000	11/29/95	11/29/1995	10/12/10	10	5	0	Gallons
41251915	NEPTUNE	WT	20	0.0000	11/29/95	11/29/1995	02/02/10	10	5	0	Gallons
1483409276	NEPTUNE	WT	20	0.0000	11/29/95	11/29/1995	10/14/08	10	5	0	Gallons
41251916	NEPTUNE	WT	20	0.0000	11/29/95	11/29/1995	04/25/18	10	5	0	Gallons
1482350632	NEPTUNE	WT	20	0.0000	11/29/95	11/29/1995	07/24/09	10	5	0	Gallons
41251917	NEPTUNE	WT	20	0.0000	11/29/95	11/29/1995	11/03/08	10	5	0	Gallons
1490149109	NEPTUNE	WT	20	0.0000	11/29/95	11/29/1995	09/04/18	10	5	0	Gallons
41251918	NEPTUNE	WT	20	0.0000	11/29/95	11/29/1995	01/21/05	10	5	0	Gallons
1484696270	NEPTUNE	WT	20	0.0000	11/29/95	11/29/1995	11/18/08	10	5	0	Gallons
41251919	NEPTUNE	WT	20	0.0000	11/29/95	11/29/1995	05/27/08	10	5	0	Gallons
1481602370	NEPTUNE	WT	20	0.0000	11/29/95	11/29/1995	10/24/07	10	5	0	Gallons
41251920	NEPTUNE	WT	20	0.0000	11/29/95	11/29/1995	01/21/05	10	5	0	Gallons
1490148286	NEPTUNE	WT	20	0.0000	11/29/95	11/29/1995	08/26/05	10	5	0	Gallons
41251921	NEPTUNE	WT	20	0.0000	11/29/95	11/29/1995	02/02/15	10	5	0	Gallons
1490141590	NEPTUNE	WT	20	0.0000	11/29/95	11/29/1995	10/27/06	10	5	0	Gallons
41251922	NEPTUNE	WT	20	0.0000	11/29/95	11/29/1995	09/26/13	10	5	0	Gallons
1550403854	NEPTUNE	WT	20	0.0000	11/29/95	11/29/1995	08/18/09	10	5	0	Gallons
41251923	NEPTUNE	WT	20	0.0000	11/29/95	11/29/1995	02/09/05	10	5	0	Gallons
1471514449	NEPTUNE	WT	20	0.0000	11/29/95	11/29/1995	10/17/08	10	5	0	Gallons
41251924	NEPTUNE	WT	20	0.0000	11/29/95	11/29/1995	02/28/11	10	5	0	Gallons
1490163016	NEPTUNE	WT	20	0.0000	11/29/95	11/29/1995					
41251925	NEPTUNE	WT	20	0.0000	11/29/95	11/29/1995					
1547963728	NEPTUNE	WT	20	0.0000	11/29/95	11/29/1995					
41251926	NEPTUNE	WT	20	0.0000	11/29/95	11/29/1995					
1490145228	NEPTUNE	WT	20	0.0000	11/29/95	11/29/1995					
41251927	NEPTUNE	WT	20	0.0000	11/29/95	11/29/1995					
1490140648	NEPTUNE	WT	20	0.0000	11/29/95	11/29/1995					
41251928	NEPTUNE	WT	20	0.0000	11/29/95	11/29/1995					
1490155224	NEPTUNE	WT	20	0.0000	11/29/95	11/29/1995					
41251929	NEPTUNE RADIO	WT	20	0.0000	11/29/95	11/29/1995					
1471468550	NEPTUNE	WT	20	0.0000	11/29/95	11/29/1995					
41251930	NEPTUNE	WT	20	0.0000	11/29/95	11/29/1995					
1490163434	NEPTUNE	WT	20	0.0000	11/29/95	11/29/1995					
41251931	NEPTUNE	WT	20	0.0000	11/29/95	11/29/1995					
1490148370	NEPTUNE	WT	20	0.0000	11/29/95	11/29/1995					
41251932	NEPTUNE	WT	20	0.0000	11/29/95	11/29/1995					
1410249810	NEPTUNE	WT	20	0.0000	11/29/95	11/29/1995					
41251933	NEPTUNE	WT	20	0.0000	11/29/95	11/29/1995					
1481601692	NEPTUNE	WT	20	0.0000	11/29/95	11/29/1995					
41251934	NEPTUNE	WT	20	0.0000	11/29/95	11/29/1995					
1471530404	NEPTUNE	WT	20	0.0000	11/29/95	11/29/1995					
41251935	NEPTUNE	WT	20	0.0000	11/29/95	11/29/1995					
1490194192	NEPTUNE RADIO	WT	20	0.0000	11/29/95	11/29/1995					

Meter #	Size	Service	Meter	Purchase	Warranty	Last	# Of	# Of	Units of	Tamper		
Internal Id #	Manufacturer	Type	Constant	Date	Date	Tested	Test Cycle	Fixed	Measure	Status		
							Dials	0's		Visually		
										Readable		
41251937	NEPTUNE	WT	20	0.0000	11/29/95	11/29/1995	11/17/04	10	0	0	Gallons	
41251938	NEPTUNE	WT	20	0.0000	11/29/95	11/29/1995	04/07/14	10	5	0	Gallons	
1487201260	NEPTUNE	WT	20	0.0000	11/29/95	11/29/1995	04/20/15	10	5	0	Gallons	
41251939	NEPTUNE	WT	20	0.0000	11/29/95	11/29/1995	12/03/15	10	5	0	Gallons	
1490163218	NEPTUNE	WT	20	0.0000	11/29/95	11/29/1995	07/31/09	10	5	0	Gallons	
41251940	NEPTUNE	WT	20	0.0000	11/29/95	11/29/1995	01/25/13	10	5	0	Gallons	
1490114768	NEPTUNE	WT	20	0.0000	11/29/95	11/29/1995	10/09/09	10	5	0	Gallons	
41251941	NEPTUNE	WT	20	0.0000	11/29/95	11/29/1995	07/16/09	10	5	0	Gallons	
1490187114	NEPTUNE	WT	20	0.0000	11/29/95	11/29/1995	03/15/19	10	5	0	Gallons	
41251942	NEPTUNE	WT	20	0.0000	11/29/95	11/29/1995	05/21/09	10	5	0	Gallons	
1545273958	NEPTUNE	WT	20	0.0000	11/29/95	11/29/1995	06/20/14	10	5	0	Gallons	
41251943	NEPTUNE	WT	20	0.0000	11/29/95	11/29/1995	03/25/04	10	5	0	Gallons	
1490153763	NEPTUNE	WT	20	0.0000	11/29/95	11/29/1995	12/21/15	10	5	0	Gallons	
41251944	NEPTUNE	WT	20	0.0000	11/29/95	11/29/1995	08/01/08	10	5	0	Gallons	
1490146342	NEPTUNE	WT	20	0.0000	11/29/95	11/29/1995	12/06/95	10	0	0	Gallons	
41251945	NEPTUNE	WT	20	0.0000	11/29/95	11/29/1995	05/11/10	10	5	0	Gallons	
1562512924	NEPTUNE	WT	20	0.0000	11/29/95	11/29/1995	06/16/06	10	5	0	Gallons	
41251946	NEPTUNE	WT	20	0.0000	11/29/95	11/29/1995	08/27/08	10	5	0	Gallons	
1490176572	NEPTUNE	WT	20	0.0000	11/29/95	11/29/1995			5	0	Gallons	
41251947	NEPTUNE	WT	20	0.0000	11/29/95	11/29/1995			5	0	Gallons	
1490144840	NEPTUNE	WT	20	0.0000	11/29/95	11/29/1995			5	0	Gallons	
41251948	NEPTUNE	WT	20	0.0000	11/29/95	11/29/1995			5	0	Gallons	
41251949	NEPTUNE	WT	20	0.0000	11/29/95	11/29/1995			5	0	Gallons	
1487437996	NEPTUNE	WT	20	0.0000	11/29/95	11/29/1995			5	0	Gallons	
41251950	NEPTUNE	WT	20	0.0000	11/29/95	11/29/1995			5	0	Gallons	
1471489816	NEPTUNE	WT	20	0.0000	11/29/95	11/29/1995			5	0	Gallons	
41251951	NEPTUNE	WT	20	0.0000	11/29/95	11/29/1995			5	0	Gallons	
1487943362	NEPTUNE	WT	20	0.0000	11/29/95	11/29/1995			5	0	Gallons	
41251952	NEPTUNE	WT	20	0.0000	11/29/95	11/29/1995			5	0	Gallons	
1546646662	NEPTUNE	WT	20	0.0000	11/29/95	11/29/1995			5	0	Gallons	
41251953	NEPTUNE	WT	20	0.0000	11/29/95	11/29/1995			5	0	Gallons	
41251954	NEPTUNE	WT	20	0.0000	11/29/95	11/29/1995			5	0	Gallons	
1490187822	NEPTUNE	WT	20	0.0000	11/29/95	11/29/1995			5	0	Gallons	
41251955	NEPTUNE	WT	20	0.0000	11/29/95	11/29/1995			5	0	Gallons	
1471480188	NEPTUNE	WT	20	0.0000	11/29/95	11/29/1995			5	0	Gallons	
41251956	NEPTUNE	WT	20	0.0000	11/29/95	11/29/1995			5	0	Gallons	
1481978330	NEPTUNE	WT	20	0.0000	11/29/95	11/29/1995			5	0	Gallons	
41251957	NEPTUNE	WT	20	0.0000	11/29/95	11/29/1995			5	0	Gallons	
1490145422	NEPTUNE	WT	20	0.0000	11/29/95	11/29/1995			5	0	Gallons	
41251958	NEPTUNE	WT	20	0.0000	11/29/95	11/29/1995			5	0	Gallons	
1490144856	NEPTUNE	WT	20	0.0000	11/29/95	11/29/1995			5	0	Gallons	
41251959	NEPTUNE	WT	20	0.0000	11/29/95	11/29/1995			5	0	Gallons	
1490137284	NEPTUNE	WT	20	0.0000	11/29/95	11/29/1995			5	0	Gallons	

Meter #	Size	Service	Meter	Purchase	Warranty	Last	# Of	# Of Fixed	Units of	Tamper	
Internal Id #	Manufacturer	Type	Constant	Date	Date	Tested	Diags	0's	Measure	Status	Visually Readable
41251960	NEPTUNE	WT	0.0000	11/29/95	11/29/1995	08/29/08	10	5	0	Gallons	
1490187428	NEPTUNE	WT	0.0000	11/29/95	11/29/1995	05/18/16	10	5	0	Gallons	
41251961	NEPTUNE	WT	0.0000	11/29/95	11/29/1995	11/16/15	10	5	0	Gallons	
1542511072	NEPTUNE	WT	0.0000	11/29/95	11/29/1995	02/23/17	10	0	0	Gallons	
41251962	NEPTUNE	WT	0.0000	11/29/95	11/29/1995	05/18/16	10	5	0	Gallons	
1490150882	NEPTUNE	WT	0.0000	11/29/95	11/29/1995	02/13/10	10	0	0	Gallons	
41251963	NEPTUNE	WT	0.0000	11/29/95	11/29/1995	06/17/08	10	5	0	Gallons	
41251964	NEPTUNE	WT	0.0000	11/29/95	11/29/1995	10/28/04	10	5	0	Gallons	
1471488912	NEPTUNE	WT	0.0000	11/29/95	11/29/1995	12/03/15	10	5	0	Gallons	
41251965	NEPTUNE	WT	0.0000	11/29/95	11/29/1995	07/05/07	10	5	0	Gallons	
1486321736	NEPTUNE	WT	0.0000	11/29/95	11/29/1995	08/07/08	10	5	0	Gallons	
41251966	NEPTUNE	WT	0.0000	11/29/95	11/29/1995	02/13/91	10	0	0	Gallons	
1471244406	NEPTUNE	WT	0.0000	11/29/95	11/29/1995	06/11/09	10	5	0	Gallons	
41251967	NEPTUNE	WT	0.0000	11/29/95	11/29/1995	08/08/08	10	5	0	Gallons	
1490189512	NEPTUNE	WT	0.0000	11/29/95	11/29/1995	11/24/15	10	5	0	Gallons	
41251968	NEPTUNE	WT	0.0000	11/29/95	11/29/1995	08/17/11	10	5	0	Gallons	
1471530401	NEPTUNE	WT	0.0000	11/29/95	11/29/1995	06/17/08	10	5	0	Gallons	
41251969	NEPTUNE	WT	0.0000	11/29/95	11/29/1995	04/15/09	10	5	0	Gallons	
1490150148	NEPTUNE	WT	0.0000	11/29/95	11/29/1995	11/24/15	10	5	0	Gallons	
41251970	NEPTUNE	WT	0.0000	11/29/95	11/29/1995	08/08/08	10	5	0	Gallons	
1486714956	NEPTUNE	WT	0.0000	11/29/95	11/29/1995	02/13/91	10	0	0	Gallons	
41251971	NEPTUNE	WT	0.0000	11/29/95	11/29/1995	06/11/09	10	5	0	Gallons	
1490132134	NEPTUNE	WT	0.0000	11/29/95	11/29/1995	08/07/08	10	5	0	Gallons	
41251972	NEPTUNE	WT	0.0000	11/29/95	11/29/1995	02/13/91	10	0	0	Gallons	
1490172782	NEPTUNE	WT	0.0000	11/29/95	11/29/1995	06/11/09	10	5	0	Gallons	
41251973	NEPTUNE	WT	0.0000	11/29/95	11/29/1995	08/08/08	10	5	0	Gallons	
1487943314	NEPTUNE	WT	0.0000	11/29/95	11/29/1995	02/13/91	10	0	0	Gallons	
41251974	NEPTUNE	WT	0.0000	11/29/95	11/29/1995	08/07/08	10	5	0	Gallons	
1490140052	NEPTUNE	WT	0.0000	11/29/95	11/29/1995	06/11/09	10	5	0	Gallons	
41251975	NEPTUNE	WT	0.0000	10/14/89	10/14/1989	02/13/91	10	0	0	Gallons	
1490148328	NEPTUNE	WT	0.0000	07/18/89	7/18/1989	02/13/91	10	0	0	Gallons	
41288243	NEPTUNE	WT	0.0000	06/29/90	6/29/1990	02/13/91	10	0	0	Gallons	
41288957	NEPTUNE	WT	0.0000	07/20/89	7/20/1989	04/22/04	10	0	0	Gallons	
41390264	NEPTUNE	WT	0.0000	01/10/97	1/10/1997	11/17/08	10	5	0	Gallons	
1490140128	NEPTUNE	WT	0.0000	01/10/97	1/10/1997	05/27/08	10	5	0	Gallons	
42482253	NEPTUNE	WT	0.0000	01/10/97	1/10/1997	09/09/08	10	5	0	Gallons	
42482254	NEPTUNE	WT	0.0000	01/10/97	1/10/1997	09/09/08	10	5	0	Gallons	
1490113050	NEPTUNE	WT	0.0000	01/10/97	1/10/1997	09/09/08	10	5	0	Gallons	
42482255	NEPTUNE	WT	0.0000	01/10/97	1/10/1997	09/09/08	10	5	0	Gallons	
1490177198	NEPTUNE	WT	0.0000	01/10/97	1/10/1997	09/09/08	10	5	0	Gallons	

Meter #	Size	Service	Meter	Purchase	Warranty	Last	# Of	# Of	Units of	Tamper	
Internal Id #	Manufacturer	Type	Constant	Date	Date	Tested	Test Cycle	Fixed	Measure	Status	
							Dials	0's		Visually	
										Readable	
42482256	NEPTUNE	WT	0.0000	01/10/97	1/10/1997	10/09/08	10	5	0	Gallons	
1552150174	NEPTUNE	WT	0.0000	01/10/97	1/10/1997	06/03/10	10	0	0	Gallons	
42482257	NEPTUNE	WT	0.0000	01/10/97	1/10/1997	10/25/05	10	5	0	Gallons	
42482258	NEPTUNE	WT	0.0000	01/10/97	1/10/1997	12/13/16	10	5	0	Gallons	
1490174178	NEPTUNE	WT	0.0000	01/10/97	1/10/1997	07/09/14	10	5	0	Gallons	
42482259	NEPTUNE	WT	0.0000	01/10/97	1/10/1997	04/26/19	10	5	0	Gallons	
1545048014	NEPTUNE	WT	0.0000	01/10/97	1/10/1997	12/27/07	10	5	0	Gallons	
42482260	NEPTUNE	WT	0.0000	01/10/97	1/10/1997	06/13/07	10	5	0	Gallons	
1487437814	NEPTUNE	WT	0.0000	01/10/97	1/10/1997	07/01/15	10	5	0	Gallons	
42482261	NEPTUNE	WT	0.0000	01/10/97	1/10/1997	05/13/19	10	0	0	Gallons	
1552116202	NEPTUNE	WT	0.0000	01/10/97	1/10/1997	06/11/13	10	5	0	Gallons	
42482262	NEPTUNE	WT	0.0000	01/10/97	1/10/1997	07/31/09	10	5	0	Gallons	
1490150310	NEPTUNE	WT	0.0000	01/10/97	1/10/1997	03/15/12	10	5	0	Gallons	
42482263	NEPTUNE	WT	0.0000	01/10/97	1/10/1997	09/24/08	10	5	0	Gallons	
1490148020	NEPTUNE	WT	0.0000	01/10/97	1/10/1997	07/01/15	10	5	0	Gallons	
42482264	NEPTUNE	WT	0.0000	01/10/97	1/10/1997	06/13/07	10	5	0	Gallons	
1546646700	NEPTUNE	WT	0.0000	01/10/97	1/10/1997	07/31/09	10	5	0	Gallons	
42482265	NEPTUNE	WT	0.0000	01/10/97	1/10/1997	05/13/19	10	0	0	Gallons	
1481601494	NEPTUNE	WT	0.0000	01/10/97	1/10/1997	06/11/13	10	5	0	Gallons	
42482266	NEPTUNE	WT	0.0000	01/10/97	1/10/1997	07/01/15	10	5	0	Gallons	
1486720344	NEPTUNE	WT	0.0000	01/10/97	1/10/1997	05/13/19	10	0	0	Gallons	
42482267	NEPTUNE	WT	0.0000	01/10/97	1/10/1997	06/11/13	10	5	0	Gallons	
1487940096	NEPTUNE	WT	0.0000	01/10/97	1/10/1997	07/01/15	10	5	0	Gallons	
42482268	NEPTUNE	WT	0.0000	01/10/97	1/10/1997	05/13/19	10	0	0	Gallons	
42482269	NEPTUNE	WT	0.0000	01/10/97	1/10/1997	06/11/13	10	5	0	Gallons	
1490187294	NEPTUNE	WT	0.0000	01/10/97	1/10/1997	07/01/15	10	5	0	Gallons	
42482270	NEPTUNE	WT	0.0000	01/10/97	1/10/1997	05/13/19	10	0	0	Gallons	
1484593180	NEPTUNE	WT	0.0000	01/10/97	1/10/1997	06/11/13	10	5	0	Gallons	
42482271	NEPTUNE	WT	0.0000	01/10/97	1/10/1997	07/01/15	10	5	0	Gallons	
1490167880	NEPTUNE	WT	0.0000	01/10/97	1/10/1997	05/13/19	10	0	0	Gallons	
42482272	NEPTUNE	WT	0.0000	01/10/97	1/10/1997	06/11/13	10	5	0	Gallons	
1490176910	NEPTUNE	WT	0.0000	01/10/97	1/10/1997	07/01/15	10	5	0	Gallons	
42482273	NEPTUNE	WT	0.0000	01/10/97	1/10/1997	05/13/19	10	0	0	Gallons	
1490156354	NEPTUNE	WT	0.0000	01/10/97	1/10/1997	06/11/13	10	5	0	Gallons	
42482274	NEPTUNE	WT	0.0000	01/10/97	1/10/1997	07/01/15	10	5	0	Gallons	
1549651924	NEPTUNE	WT	0.0000	01/10/97	1/10/1997	05/13/19	10	0	0	Gallons	
42482275	NEPTUNE	WT	0.0000	01/10/97	1/10/1997	06/11/13	10	5	0	Gallons	
1471255280	NEPTUNE	WT	0.0000	01/10/97	1/10/1997	07/01/15	10	5	0	Gallons	
42482276	NEPTUNE	WT	0.0000	01/10/97	1/10/1997	05/13/19	10	0	0	Gallons	
1481258814	NEPTUNE	WT	0.0000	01/10/97	1/10/1997	06/11/13	10	5	0	Gallons	
42482277	NEPTUNE	WT	0.0000	01/10/97	1/10/1997	07/01/15	10	5	0	Gallons	
1563008704	NEPTUNE	WT	0.0000	01/10/97	1/10/1997	05/13/19	10	0	0	Gallons	
42578508	NEPTUNE	WT	0.0000	01/10/97	1/10/1997	06/11/13	10	0	0	Gallons	
	Rockwell										

Meter #	Size	Service	Meter	Purchase	Warranty	Last	# Of	# Of Fixed	Units of	Tamper
Internal Id #	Manufacturer	Type	Constant	Date	Date	Tested	Test Cycle	0's	Measure	Status
		Rating					Dials			Visually
										Readable
42593292	NEPTUNE	WT 20	0.0000	02/03/97	2/3/1997	03/24/11	10	5	0	Gallons
1547962230	NEPTUNE	WT 20	0.0000	02/03/97	2/3/1997	05/03/11	10	5	0	Gallons
42593293	NEPTUNE	WT 20	0.0000	02/03/97	2/3/1997	07/03/08	10	5	0	Gallons
1483714036	NEPTUNE	WT 20	0.0000	02/03/97	2/3/1997	10/17/08	10	5	0	Gallons
42593294	NEPTUNE	WT 20	0.0000	02/03/97	2/3/1997	03/28/11	10	5	0	Gallons
1490121793	NEPTUNE	WT 20	0.0000	02/03/97	2/3/1997	10/17/08	10	5	0	Gallons
42593295	NEPTUNE	WT 20	0.0000	02/03/97	2/3/1997	10/17/08	10	5	0	Gallons
1490145360	NEPTUNE	WT 20	0.0000	02/03/97	2/3/1997	10/17/08	10	5	0	Gallons
42593296	NEPTUNE	WT 20	0.0000	02/03/97	2/3/1997	10/31/08	10	5	0	Gallons
14839668214	NEPTUNE	WT 20	0.0000	02/03/97	2/3/1997	10/31/08	10	5	0	Gallons
42593297	NEPTUNE	WT 20	0.0000	02/03/97	2/3/1997	03/15/19	10	5	0	Gallons
1490189778	NEPTUNE	WT 20	0.0000	02/03/97	2/3/1997	10/01/08	10	5	0	Gallons
42593298	NEPTUNE	WT 20	0.0000	02/03/97	2/3/1997	10/01/08	10	5	0	Gallons
1490187058	NEPTUNE	WT 20	0.0000	02/03/97	2/3/1997	10/01/08	10	5	0	Gallons
42593299	NEPTUNE	WT 20	0.0000	02/03/97	2/3/1997	10/01/08	10	5	0	Gallons
1471530402	NEPTUNE	WT 20	0.0000	02/03/97	2/3/1997	10/01/08	10	5	0	Gallons
42593300	NEPTUNE	WT 20	0.0000	02/03/97	2/3/1997	10/01/08	10	5	0	Gallons
1562486360	NEPTUNE	WT 20	0.0000	02/03/97	2/3/1997	10/01/08	10	5	0	Gallons
42593301	NEPTUNE	WT 20	0.0000	02/03/97	2/3/1997	02/24/04	10	5	0	Gallons
1487754212	NEPTUNE	WT 20	0.0000	02/03/97	2/3/1997	11/22/13	10	5	0	Gallons
42593302	NEPTUNE	WT 20	0.0000	02/03/97	2/3/1997	11/21/13	10	5	0	Gallons
1471511090	NEPTUNE	WT 20	0.0000	02/03/97	2/3/1997	11/11/15	10	5	0	Gallons
42593303	NEPTUNE	WT 20	0.0000	02/03/97	2/3/1997	11/11/15	10	5	0	Gallons
1487145700	NEPTUNE	WT 20	0.0000	02/03/97	2/3/1997	04/11/07	10	0	0	Gallons
42593304	NEPTUNE	WT 20	0.0000	02/03/97	2/3/1997	12/09/15	10	5	0	Gallons
1490189780	NEPTUNE	WT 20	0.0000	02/03/97	2/3/1997	11/22/13	10	5	0	Gallons
42593306	NEPTUNE	WT 20	0.0000	02/03/97	2/3/1997	10/14/08	10	5	0	Gallons
1490146352	NEPTUNE	WT 20	0.0000	02/03/97	2/3/1997	09/09/08	10	5	0	Gallons
42593307	NEPTUNE	WT 20	0.0000	02/03/97	2/3/1997	09/05/07	10	5	0	Gallons
1471498388	NEPTUNE	WT 20	0.0000	02/03/97	2/3/1997	10/08/08	10	5	0	Gallons
42593308	NEPTUNE	WT 20	0.0000	02/03/97	2/3/1997	05/30/12	10	5	0	Gallons
1490149108	NEPTUNE	WT 20	0.0000	02/03/97	2/3/1997	09/09/08	10	5	0	Gallons
42593309	NEPTUNE	WT 20	0.0000	02/03/97	2/3/1997	09/09/08	10	5	0	Gallons
1485373108	NEPTUNE	WT 20	0.0000	02/03/97	2/3/1997	09/05/07	10	5	0	Gallons
42593310	NEPTUNE	WT 20	0.0000	02/03/97	2/3/1997	10/08/08	10	5	0	Gallons
1490187790	NEPTUNE	WT 20	0.0000	02/03/97	2/3/1997	10/08/08	10	5	0	Gallons
42593311	NEPTUNE	WT 20	0.0000	02/03/97	2/3/1997	10/22/08	10	5	0	Gallons
1471142714	NEPTUNE	WT 20	0.0000	02/03/97	2/3/1997	10/08/08	10	5	0	Gallons
42593312	NEPTUNE	WT 20	0.0000	02/03/97	2/3/1997	10/08/08	10	5	0	Gallons
1490180074	NEPTUNE	WT 20	0.0000	02/03/97	2/3/1997	10/08/08	10	5	0	Gallons
42593313	NEPTUNE	WT 20	0.0000	02/03/97	2/3/1997	10/08/08	10	5	0	Gallons
1490189556	NEPTUNE	WT 20	0.0000	02/03/97	2/3/1997	10/08/08	10	5	0	Gallons
42593314	NEPTUNE	WT 20	0.0000	02/03/97	2/3/1997	11/16/15	10	5	0	Gallons
1490178216	NEPTUNE	WT 20	0.0000	02/03/97	2/3/1997	11/16/15	10	5	0	Gallons

Meter #	Size	Service	Meter	Purchase	Warranty	Last	# Of	# Of Fixed	Units of	Tamper	Visually
Internal Id #	Manufacturer	Type	Constant	Date	Date	Tested	Test Cycle	0's	Measure	Status	Readable
42593315	NEPTUNE	WT	0.0000	02/03/97	2/3/1997	11/03/08	10	5	0	Gallons	
1490148284	NEPTUNE	WT	0.0000	02/03/97	2/3/1997	10/16/08	10	5	0	Gallons	
42593316	NEPTUNE	WT	0.0000	02/03/97	2/3/1997	08/20/08	10	5	0	Gallons	
1490146876	NEPTUNE	WT	0.0000	02/03/97	2/3/1997	01/06/17	10	5	0	Gallons	
42593317	NEPTUNE	WT	0.0000	02/03/97	2/3/1997	06/12/12	10	5	0	Gallons	
1490187834	NEPTUNE	WT	0.0000	02/03/97	2/3/1997	04/01/16	10	5	0	Gallons	
42593318	NEPTUNE	WT	0.0000	02/03/97	2/3/1997	11/04/08	10	5	0	Gallons	
1545045874	NEPTUNE	WT	0.0000	02/03/97	2/3/1997	10/02/15	10	5	0	Gallons	
42593319	NEPTUNE	WT	0.0000	02/03/97	2/3/1997	09/17/08	10	5	0	Gallons	
1485370676	NEPTUNE	WT	0.0000	02/03/97	2/3/1997	06/19/13	10	5	0	Gallons	
42593320	NEPTUNE	WT	0.0000	02/03/97	2/3/1997	12/11/08	10	5	0	Gallons	
1547266190	NEPTUNE	WT	0.0000	02/03/97	2/3/1997	11/10/15	10	5	0	Gallons	
42593321	NEPTUNE	WT	0.0000	02/03/97	2/3/1997	08/25/08	10	5	0	Gallons	
1490148306	NEPTUNE	WT	0.0000	02/03/97	2/3/1997	02/10/10	10	5	0	Gallons	
42593322	NEPTUNE	WT	0.0000	02/03/97	2/3/1997	04/07/14	10	5	0	Gallons	
1487943308	NEPTUNE	WT	0.0000	02/03/97	2/3/1997	08/02/07	10	5	0	Gallons	
42593323	NEPTUNE	WT	0.0000	02/03/97	2/3/1997	12/02/15	10	5	0	Gallons	
1490178396	NEPTUNE	WT	0.0000	02/03/97	2/3/1997	11/04/16	10	5	0	Gallons	
42593324	NEPTUNE	WT	0.0000	02/03/97	2/3/1997	10/09/08	10	5	0	Gallons	
1471189860	NEPTUNE	WT	0.0000	02/03/97	2/3/1997	01/26/11	10	5	0	Gallons	
42593325	NEPTUNE	WT	0.0000	02/03/97	2/3/1997	11/21/13	10	5	0	Gallons	
1490140898	NEPTUNE	WT	0.0000	02/03/97	2/3/1997	09/17/08	10	5	0	Gallons	
42593326	NEPTUNE	WT	0.0000	02/03/97	2/3/1997	06/19/13	10	5	0	Gallons	
1490187250	NEPTUNE	WT	0.0000	02/03/97	2/3/1997	11/10/15	10	5	0	Gallons	
42593327	NEPTUNE	WT	0.0000	02/03/97	2/3/1997	08/25/08	10	5	0	Gallons	
1486731890	NEPTUNE	WT	0.0000	02/03/97	2/3/1997	02/10/10	10	5	0	Gallons	
42593328	NEPTUNE	WT	0.0000	02/03/97	2/3/1997	04/07/14	10	5	0	Gallons	
1486821280	NEPTUNE	WT	0.0000	02/03/97	2/3/1997	12/02/15	10	5	0	Gallons	
42593329	NEPTUNE	WT	0.0000	02/03/97	2/3/1997	11/04/16	10	5	0	Gallons	
149017394	NEPTUNE	WT	0.0000	02/03/97	2/3/1997	10/09/08	10	5	0	Gallons	
42593330	NEPTUNE	WT	0.0000	02/03/97	2/3/1997	01/26/11	10	5	0	Gallons	
1490173208	NEPTUNE	WT	0.0000	02/03/97	2/3/1997	11/21/13	10	5	0	Gallons	
42593331	NEPTUNE	WT	0.0000	02/03/97	2/3/1997	09/17/08	10	5	0	Gallons	
1471624408	NEPTUNE	WT	0.0000	02/03/97	2/3/1997	06/19/13	10	5	0	Gallons	
42593332	NEPTUNE	WT	0.0000	02/03/97	2/3/1997	11/10/15	10	5	0	Gallons	
1490176908	NEPTUNE	WT	0.0000	02/03/97	2/3/1997	08/25/08	10	5	0	Gallons	
42593333	NEPTUNE	WT	0.0000	02/03/97	2/3/1997	02/10/10	10	5	0	Gallons	
1482278602	NEPTUNE	WT	0.0000	02/03/97	2/3/1997	04/07/14	10	5	0	Gallons	
42593334	NEPTUNE	WT	0.0000	02/03/97	2/3/1997	12/02/15	10	5	0	Gallons	
1471533626	NEPTUNE	WT	0.0000	02/03/97	2/3/1997	11/04/16	10	5	0	Gallons	
42593335	NEPTUNE	WT	0.0000	02/03/97	2/3/1997	10/09/08	10	5	0	Gallons	
1430214162	NEPTUNE	WT	0.0000	02/03/97	2/3/1997	01/26/11	10	5	0	Gallons	
42593336	NEPTUNE	WT	0.0000	02/03/97	2/3/1997	11/21/13	10	5	0	Gallons	
1490145346	NEPTUNE	WT	0.0000	02/03/97	2/3/1997	09/17/08	10	5	0	Gallons	
42593337	NEPTUNE	WT	0.0000	02/03/97	2/3/1997	06/19/13	10	5	0	Gallons	
1490091322	NEPTUNE	WT	0.0000	02/03/97	2/3/1997	11/10/15	10	5	0	Gallons	

Meter #	Size	Service	Meter	Purchase	Warranty	Last	# Of	# Of Fixed	Units of	Tamper		
Internal Id #	Manufacturer	Type	Constant	Date	Date	Tested	Test Cycle	0's	Measure	Status		
		Rating					Dials			Visually		
										Readable		
42593338	NEPTUNE	WT	20	0.0000	02/03/97	2/3/1997	10/23/08	10	5	0	Gallons	
1490154768	NEPTUNE	WT	20	0.0000	02/03/97	2/3/1997	01/05/17	10	5	0	Gallons	
42593339	NEPTUNE	WT	20	0.0000	02/03/97	2/3/1997	01/06/17	10	5	0	Gallons	
1547279950	NEPTUNE	WT	20	0.0000	02/03/97	2/3/1997	05/05/17	10	5	0	Gallons	
42593340	NEPTUNE	WT	20	0.0000	02/03/97	2/3/1997	11/05/08	10	5	0	Gallons	
1545021086	NEPTUNE	WT	20	0.0000	02/03/97	2/3/1997	11/07/03	10	5	0	Gallons	
42593341	NEPTUNE	WT	20	0.0000	02/03/97	2/3/1997	09/04/08	10	5	0	Gallons	
1471482968	NEPTUNE	WT	20	0.0000	02/03/97	2/3/1997	10/02/08	10	5	0	Gallons	
42593342	NEPTUNE	WT	20	0.0000	02/03/97	2/3/1997	06/16/17	10	5	0	Gallons	
1490155412	NEPTUNE	WT	20	0.0000	02/03/97	2/3/1997	07/08/09	10	5	0	Gallons	
42593343	NEPTUNE	WT	20	0.0000	02/03/97	2/3/1997	11/04/08	10	5	0	Gallons	
1490187212	NEPTUNE	WT	20	0.0000	02/03/97	2/3/1997	05/27/05	10	5	0	Gallons	
42593344	NEPTUNE	WT	20	0.0000	02/03/97	2/3/1997	10/11/10	10	5	0	Gallons	
1490187424	NEPTUNE	WT	20	0.0000	02/03/97	2/3/1997	02/16/17	10	5	0	Gallons	
42593345	NEPTUNE	WT	20	0.0000	02/03/97	2/3/1997	10/30/18	10	5	0	Gallons	
1546346466	NEPTUNE	WT	20	0.0000	02/03/97	2/3/1997	08/04/10	10	5	0	Gallons	
42593346	NEPTUNE	WT	20	0.0000	02/03/97	2/3/1997						
1490148874	NEPTUNE	WT	20	0.0000	02/03/97	2/3/1997						
42593347	NEPTUNE	WT	20	0.0000	02/03/97	2/3/1997						
1490179082	NEPTUNE	WT	20	0.0000	02/03/97	2/3/1997						
42593348	NEPTUNE	WT	20	0.0000	02/03/97	2/3/1997						
1483704630	NEPTUNE	WT	20	0.0000	02/03/97	2/3/1997						
42593349	NEPTUNE	WT	20	0.0000	02/03/97	2/3/1997						
1471236326	NEPTUNE	WT	20	0.0000	02/03/97	2/3/1997						
42593350	NEPTUNE	WT	20	0.0000	02/03/97	2/3/1997						
1490133937	NEPTUNE	WT	20	0.0000	02/03/97	2/3/1997						
42593351	NEPTUNE	WT	20	0.0000	02/03/97	2/3/1997						
1490177130	NEPTUNE	WT	20	0.0000	02/03/97	2/3/1997						
42593352	NEPTUNE	WT	20	0.0000	02/03/97	2/3/1997						
1490148270	NEPTUNE	WT	20	0.0000	02/03/97	2/3/1997						
42593353	NEPTUNE	WT	20	0.0000	02/03/97	2/3/1997						
1486134836	NEPTUNE	WT	20	0.0000	02/03/97	2/3/1997						
42593354	NEPTUNE	WT	20	0.0000	02/03/97	2/3/1997						
1490196098	NEPTUNE	WT	20	0.0000	02/03/97	2/3/1997						
42593355	NEPTUNE	WT	20	0.0000	02/03/97	2/3/1997						
1490145256	NEPTUNE	WT	20	0.0000	02/03/97	2/3/1997						
42593356	NEPTUNE	WT	20	0.0000	02/03/97	2/3/1997						
1551807768	NEPTUNE	WT	20	0.0000	02/03/97	2/3/1997						
42593357	NEPTUNE	WT	20	0.0000	02/03/97	2/3/1997						
1490195636	NEPTUNE	WT	20	0.0000	02/03/97	2/3/1997						
42593358	NEPTUNE	WT	20	0.0000	02/03/97	2/3/1997						
1490145642	NEPTUNE	WT	20	0.0000	02/03/97	2/3/1997						
42593359	NEPTUNE	WT	20	0.0000	02/03/97	2/3/1997						
1551521128	NEPTUNE	WT	20	0.0000	02/03/97	2/3/1997						
42593360	NEPTUNE	WT	20	0.0000	02/03/97	2/3/1997						
1490146942	NEPTUNE	WT	20	0.0000	02/03/97	2/3/1997						

Meter #	Size	Service	Meter	Purchase	Warranty	Last	# Of	# Of Fixed	Units of	Tamper	
Internal Id #	Manufacturer	Type	Constant	Date	Date	Tested	Test Cycle	0's	Measure	Status	
		Rating					Dials			Visually	
										Readable	
42593361	NEPTUNE	WT	0.0000	02/03/97	2/3/1997	09/18/08	10	5	0	Gallons	
1490177598	NEPTUNE	WT	0.0000	02/03/97	2/3/1997	08/01/18	10	5	0	Gallons	
42593362	NEPTUNE	WT	0.0000	02/03/97	2/3/1997	01/04/08	10	0	0	Gallons	
1490145270	NEPTUNE	WT	0.0000	02/03/97	2/3/1997	01/31/05	10	5	0	Gallons	
42593363	NEPTUNE	WT	0.0000	02/03/97	2/3/1997	12/01/15	10	5	0	Gallons	
42593364	NEPTUNE	WT	0.0000	02/03/97	2/3/1997	09/28/16	10	5	0	Gallons	
1490173900	NEPTUNE	WT	0.0000	06/04/92	6/4/1992	01/08/09	10	0	0	Gallons	
42593365	NEPTUNE	WT	0.0000	07/23/97	7/23/1997	11/18/08	10	5	0	Gallons	
1486687400	NEPTUNE	WT	0.0000	07/23/97	7/23/1997	12/13/11	10	5	0	Gallons	
42593366	NEPTUNE	WT	0.0000	07/23/97	7/23/1997	11/10/15	10	5	0	Gallons	
1542506244	NEPTUNE	WT	0.0000	07/23/97	7/23/1997	10/10/08	10	5	0	Gallons	
42699975	NEPTUNE	WT	0.0000	07/23/97	7/23/1997	10/21/08	10	5	0	Gallons	
43384282	NEPTUNE	WT	0.0000	07/23/97	7/23/1997	05/02/16	10	5	0	Gallons	
1490149994	NEPTUNE	WT	0.0000	07/23/97	7/23/1997	08/20/97	10	5	0	Gallons	
43384283	NEPTUNE	WT	0.0000	07/23/97	7/23/1997	10/10/08	10	5	0	Gallons	
1484695966	NEPTUNE	WT	0.0000	07/23/97	7/23/1997	10/10/08	10	5	0	Gallons	
43384284	NEPTUNE	WT	0.0000	07/23/97	7/23/1997	10/10/08	10	5	0	Gallons	
1542530408	NEPTUNE	WT	0.0000	07/23/97	7/23/1997	10/10/08	10	5	0	Gallons	
43384285	NEPTUNE	WT	0.0000	07/23/97	7/23/1997	10/10/08	10	5	0	Gallons	
1490165234	NEPTUNE	WT	0.0000	07/23/97	7/23/1997	10/10/08	10	5	0	Gallons	
43384286	NEPTUNE	WT	0.0000	07/23/97	7/23/1997	10/10/08	10	5	0	Gallons	
1490148114	NEPTUNE	WT	0.0000	07/23/97	7/23/1997	10/10/08	10	5	0	Gallons	
43384287	NEPTUNE	WT	0.0000	07/23/97	7/23/1997	10/10/08	10	5	0	Gallons	
1490187972	NEPTUNE	WT	0.0000	07/23/97	7/23/1997	10/10/08	10	5	0	Gallons	
43384288	NEPTUNE	WT	0.0000	07/23/97	7/23/1997	10/10/08	10	5	0	Gallons	
1470250130	NEPTUNE	WT	0.0000	07/23/97	7/23/1997	10/10/08	10	5	0	Gallons	
43384289	NEPTUNE	WT	0.0000	07/23/97	7/23/1997	10/10/08	10	5	0	Gallons	
1490154752	NEPTUNE	WT	0.0000	07/23/97	7/23/1997	10/10/08	10	5	0	Gallons	
43384290	NEPTUNE	WT	0.0000	07/23/97	7/23/1997	10/10/08	10	5	0	Gallons	
1490147724	NEPTUNE	WT	0.0000	07/23/97	7/23/1997	10/10/08	10	5	0	Gallons	
43384291	NEPTUNE	WT	0.0000	07/23/97	7/23/1997	10/10/08	10	5	0	Gallons	
1490179318	NEPTUNE	WT	0.0000	07/23/97	7/23/1997	10/10/08	10	5	0	Gallons	
43384292	NEPTUNE	WT	0.0000	07/23/97	7/23/1997	10/10/08	10	5	0	Gallons	
1483393526	NEPTUNE	WT	0.0000	07/23/97	7/23/1997	10/10/08	10	5	0	Gallons	
43384293	NEPTUNE	WT	0.0000	07/23/97	7/23/1997	10/10/08	10	5	0	Gallons	
1490148234	NEPTUNE	WT	0.0000	07/23/97	7/23/1997	10/10/08	10	5	0	Gallons	
43384294	NEPTUNE	WT	0.0000	07/23/97	7/23/1997	10/10/08	10	5	0	Gallons	
1490147912	NEPTUNE	WT	0.0000	07/23/97	7/23/1997	10/10/08	10	5	0	Gallons	
43384295	NEPTUNE	WT	0.0000	07/23/97	7/23/1997	10/10/08	10	5	0	Gallons	
1490124378	NEPTUNE	WT	0.0000	07/23/97	7/23/1997	10/10/08	10	5	0	Gallons	
43384296	NEPTUNE	WT	0.0000	07/23/97	7/23/1997	10/10/08	10	5	0	Gallons	
1487938640	NEPTUNE	WT	0.0000	07/23/97	7/23/1997	10/10/08	10	5	0	Gallons	
43384297	NEPTUNE	WT	0.0000	07/23/97	7/23/1997	10/10/08	10	5	0	Gallons	
1490148822	NEPTUNE	WT	0.0000	07/23/97	7/23/1997	10/10/08	10	5	0	Gallons	

Meter #	Size	Service	Meter	Purchase	Warranty	Last	# Of	# Of Fixed	Units of	Tamper	Visually
Internal Id #	Manufacturer	Type	Constant	Date	Date	Tested	Test Cycle	0's	Measure	Status	Readable
43384298	NEPTUNE	WT	20	0.0000	07/23/97	7/23/1997	12/17/18	10	0	0	Gallons
43384299	NEPTUNE	WT	20	0.0000	07/23/97	7/23/1997	06/25/15	10	5	0	Gallons
1481547774	NEPTUNE	WT	20	0.0000	07/23/97	7/23/1997	04/29/08	10	5	0	Gallons
43384300	NEPTUNE	WT	20	0.0000	07/23/97	7/23/1997	11/03/08	10	5	0	Gallons
1490142804	NEPTUNE	WT	20	0.0000	07/23/97	7/23/1997	08/06/07	10	5	0	Gallons
43384301	NEPTUNE	WT	20	0.0000	07/23/97	7/23/1997	10/11/10	10	5	0	Gallons
1490189814	NEPTUNE	WT	20	0.0000	07/23/97	7/23/1997	10/26/18	10	5	0	Gallons
43384302	NEPTUNE	WT	20	0.0000	07/23/97	7/23/1997	01/06/09	10	5	0	Gallons
1490117786	NEPTUNE	WT	20	0.0000	07/23/97	7/23/1997	04/01/11	10	5	0	Gallons
43384303	NEPTUNE	WT	20	0.0000	07/23/97	7/23/1997	06/13/18	10	5	0	Gallons
1483393294	NEPTUNE	WT	20	0.0000	07/23/97	7/23/1997	08/27/08	10	5	0	Gallons
43384304	NEPTUNE	WT	20	0.0000	07/23/97	7/23/1997	06/11/18	10	5	0	Gallons
1551666392	NEPTUNE	WT	20	0.0000	07/23/97	7/23/1997	04/28/17	10	5	0	Gallons
43384305	NEPTUNE	WT	20	0.0000	07/23/97	7/23/1997	06/19/13	10	5	0	Gallons
1490174120	NEPTUNE	WT	20	0.0000	07/23/97	7/23/1997	10/05/15	10	5	0	Gallons
43384306	NEPTUNE	WT	20	0.0000	07/23/97	7/23/1997					
1487448028	NEPTUNE	WT	20	0.0000	07/23/97	7/23/1997					
43384307	NEPTUNE	WT	20	0.0000	07/23/97	7/23/1997					
1551667826	NEPTUNE	WT	20	0.0000	07/23/97	7/23/1997					
43384308	NEPTUNE	WT	20	0.0000	07/23/97	7/23/1997					
43384309	NEPTUNE	WT	20	0.0000	07/23/97	7/23/1997					
1546861260	NEPTUNE	WT	20	0.0000	07/23/97	7/23/1997					
43384310	NEPTUNE	WT	20	0.0000	07/23/97	7/23/1997					
1487116724	NEPTUNE	WT	20	0.0000	07/23/97	7/23/1997					
43384311	NEPTUNE	WT	20	0.0000	07/23/97	7/23/1997					
1486461072	NEPTUNE	WT	20	0.0000	07/23/97	7/23/1997					
43384312	NEPTUNE	WT	20	0.0000	07/23/97	7/23/1997					
1490156028	NEPTUNE	WT	20	0.0000	07/23/97	7/23/1997					
43384313	NEPTUNE	WT	20	0.0000	07/23/97	7/23/1997					
1487931890	NEPTUNE	WT	20	0.0000	07/23/97	7/23/1997					
43384314	NEPTUNE	WT	20	0.0000	07/23/97	7/23/1997					
1545509006	NEPTUNE	WT	20	0.0000	07/23/97	7/23/1997					
43384315	NEPTUNE	WT	20	0.0000	07/23/97	7/23/1997					
1563041964	NEPTUNE	WT	20	0.0000	07/23/97	7/23/1997					
43384316	NEPTUNE	WT	20	0.0000	07/23/97	7/23/1997					
1546861694	NEPTUNE	WT	20	0.0000	07/23/97	7/23/1997					
43384317	NEPTUNE	WT	20	0.0000	07/23/97	7/23/1997					
1490145002	NEPTUNE	WT	20	0.0000	07/23/97	7/23/1997					
43384318	NEPTUNE	WT	20	0.0000	07/23/97	7/23/1997					
1490179540	NEPTUNE	WT	20	0.0000	07/23/97	7/23/1997					
43384319	NEPTUNE	WT	20	0.0000	07/23/97	7/23/1997					
1490146456	NEPTUNE	WT	20	0.0000	07/23/97	7/23/1997					
43384320	NEPTUNE	WT	20	0.0000	07/23/97	7/23/1997					
1490145234	NEPTUNE	WT	20	0.0000	07/23/97	7/23/1997					

Meter #	Size	Service	Meter	Purchase	Warranty	Last	# Of	# Of Fixed	Units of	Tamper	Visually
Internal Id #	Manufacturer	Type	Constant	Date	Date	Tested	Test Cycle	0's	Measure	Status	Readable
43384321	NEPTUNE	WT	0.0000	07/23/97	7/23/1997	08/22/16	10	5	0	Gallons	
1490177068	NEPTUNE	WT	0.0000	07/23/97	7/23/1997	10/08/08	10	5	0	Gallons	
43384322	NEPTUNE	WT	0.0000	07/23/97	7/23/1997	11/01/12	10	5	0	Gallons	
1490187350	NEPTUNE	WT	0.0000	07/23/97	7/23/1997	10/03/08	10	5	0	Gallons	
43384323	NEPTUNE	WT	0.0000	07/23/97	7/23/1997	08/01/18	10	5	0	Gallons	
1485370468	NEPTUNE	WT	0.0000	07/23/97	7/23/1997	11/01/18	10	5	0	Gallons	
43384324	NEPTUNE	WT	0.0000	07/23/97	7/23/1997	04/15/09	10	5	0	Gallons	
1490194372	NEPTUNE	WT	0.0000	07/23/97	7/23/1997	09/22/11	10	5	0	Gallons	
43384325	NEPTUNE	WT	0.0000	07/23/97	7/23/1997	02/07/11	10	5	0	Gallons	
1549644526	NEPTUNE	WT	0.0000	07/23/97	7/23/1997	12/17/18	10	5	0	Gallons	
43384326	NEPTUNE	WT	0.0000	09/17/97	9/17/1997	11/01/18	10	5	0	Gallons	
1551703252	NEPTUNE	WT	0.0000	09/17/97	9/17/1997	07/18/12	10	5	0	Gallons	
43384327	NEPTUNE	WT	0.0000	09/17/97	9/17/1997	01/06/17	10	5	0	Gallons	
1490168346	NEPTUNE	WT	0.0000	09/17/97	9/17/1997	10/23/14	10	5	0	Gallons	
43384328	NEPTUNE	WT	0.0000	09/17/97	9/17/1997	10/27/14	10	5	0	Gallons	
1490148338	NEPTUNE	WT	0.0000	09/17/97	9/17/1997	10/30/12	10	5	0	Gallons	
43384329	NEPTUNE	WT	0.0000	09/17/97	9/17/1997	07/18/12	10	5	0	Gallons	
1490139736	NEPTUNE	WT	0.0000	09/17/97	9/17/1997	07/14/11	10	5	0	Gallons	
43384330	NEPTUNE	WT	0.0000	09/17/97	9/17/1997	08/16/05	10	5	0	Gallons	
1490189498	NEPTUNE	WT	0.0000	09/17/97	9/17/1997	07/14/11	10	5	0	Gallons	
43384331	NEPTUNE	WT	0.0000	09/17/97	9/17/1997	07/14/11	10	5	0	Gallons	
1490150588	NEPTUNE	WT	0.0000	09/17/97	9/17/1997	07/14/11	10	5	0	Gallons	
43537496	NEPTUNE	WT	0.0000	09/17/97	9/17/1997	07/14/11	10	5	0	Gallons	
43537497	NEPTUNE	WT	0.0000	09/17/97	9/17/1997	07/14/11	10	5	0	Gallons	
1483714866	NEPTUNE	WT	0.0000	09/17/97	9/17/1997	08/16/05	10	5	0	Gallons	
43537498	NEPTUNE	WT	0.0000	09/17/97	9/17/1997	12/17/18	10	5	0	Gallons	
1490140904	NEPTUNE	WT	0.0000	09/17/97	9/17/1997	11/01/18	10	5	0	Gallons	
43537499	NEPTUNE	WT	0.0000	09/17/97	9/17/1997	07/18/12	10	5	0	Gallons	
1540842838	NEPTUNE	WT	0.0000	09/17/97	9/17/1997	07/18/12	10	5	0	Gallons	
43537500	NEPTUNE	WT	0.0000	09/17/97	9/17/1997	07/18/12	10	5	0	Gallons	
1551807742	NEPTUNE	WT	0.0000	09/17/97	9/17/1997	07/18/12	10	5	0	Gallons	
43537501	NEPTUNE	WT	0.0000	09/17/97	9/17/1997	07/18/12	10	5	0	Gallons	
1551809198	NEPTUNE	WT	0.0000	09/17/97	9/17/1997	07/18/12	10	5	0	Gallons	
43537502	NEPTUNE	WT	0.0000	09/17/97	9/17/1997	07/18/12	10	5	0	Gallons	
1490149730	NEPTUNE	WT	0.0000	09/17/97	9/17/1997	07/18/12	10	5	0	Gallons	
43537503	NEPTUNE	WT	0.0000	09/17/97	9/17/1997	07/18/12	10	5	0	Gallons	
1545046906	NEPTUNE	WT	0.0000	09/17/97	9/17/1997	07/18/12	10	5	0	Gallons	
43537504	NEPTUNE	WT	0.0000	09/17/97	9/17/1997	07/18/12	10	5	0	Gallons	
1490145284	NEPTUNE	WT	0.0000	09/17/97	9/17/1997	07/18/12	10	5	0	Gallons	
43537505	NEPTUNE	WT	0.0000	09/17/97	9/17/1997	07/18/12	10	5	0	Gallons	
1490150560	NEPTUNE	WT	0.0000	09/17/97	9/17/1997	07/18/12	10	5	0	Gallons	
43537506	NEPTUNE	WT	0.0000	09/17/97	9/17/1997	07/18/12	10	5	0	Gallons	
1490175156	NEPTUNE	WT	0.0000	09/17/97	9/17/1997	07/18/12	10	5	0	Gallons	
43537507	NEPTUNE	WT	0.0000	09/17/97	9/17/1997	07/18/12	10	5	0	Gallons	
1486294132	NEPTUNE	WT	0.0000	09/17/97	9/17/1997	07/18/12	10	5	0	Gallons	

Meter #	Size	Service	Meter	Purchase	Warranty	Last	# Of	# Of Fixed	Units of	Tamper	
Internal Id #	Manufacturer	Type	Constant	Date	Date	Tested	Test Cycle	0's	Measure	Status	
							Dials			Visually	
										Readable	
43537508	NEPTUNE	WT	0.0000	09/17/97	9/17/1997	06/12/18	10	5	0	Gallons	
1547968010	NEPTUNE	WT	0.0000	09/17/97	9/17/1997	03/25/11	10	5	0	Gallons	
43537509	NEPTUNE	WT	0.0000	09/17/97	9/17/1997	09/21/09	10	5	0	Gallons	
1483709304	NEPTUNE	WT	0.0000	09/17/97	9/17/1997	08/21/08	10	5	0	Gallons	
43537510	NEPTUNE	WT	0.0000	09/17/97	9/17/1997	04/08/19	10	5	0	Gallons	
1481601258	NEPTUNE	WT	0.0000	09/17/97	9/17/1997	12/17/15	10	5	0	Gallons	
43537511	NEPTUNE	WT	0.0000	09/17/97	9/17/1997	04/04/14	10	5	0	Gallons	
1490146458	NEPTUNE	WT	0.0000	09/17/97	9/17/1997	06/10/08	10	5	0	Gallons	
43537512	NEPTUNE	WT	0.0000	09/17/97	9/17/1997	02/27/13	10	5	0	Gallons	
1562497056	NEPTUNE	WT	0.0000	09/17/97	9/17/1997	01/04/13	10	5	0	Gallons	
43537513	NEPTUNE	WT	0.0000	09/17/97	9/17/1997	05/09/17	10	5	0	Gallons	
1490145226	NEPTUNE	WT	0.0000	09/17/97	9/17/1997	11/10/15	10	5	0	Gallons	
43537514	NEPTUNE	WT	0.0000	09/17/97	9/17/1997	10/11/13	10	5	0	Gallons	
1471246748	NEPTUNE	WT	0.0000	09/17/97	9/17/1997	07/13/12	10	5	0	Gallons	
43537515	NEPTUNE	WT	0.0000	09/17/97	9/17/1997	04/10/18	10	5	0	Gallons	
1490177466	NEPTUNE	WT	0.0000	09/17/97	9/17/1997	04/10/18	10	5	0	Gallons	
43537516	NEPTUNE	WT	0.0000	09/17/97	9/17/1997	07/13/12	10	5	0	Gallons	
1490150034	NEPTUNE	WT	0.0000	09/17/97	9/17/1997	05/02/19	10	5	0	Gallons	
43537517	NEPTUNE	WT	0.0000	09/17/97	9/17/1997	01/04/13	10	5	0	Gallons	
1485536600	NEPTUNE	WT	0.0000	09/17/97	9/17/1997	02/27/13	10	5	0	Gallons	
43537518	NEPTUNE	WT	0.0000	09/17/97	9/17/1997	01/04/13	10	5	0	Gallons	
43537519	NEPTUNE	WT	0.0000	09/17/97	9/17/1997	01/04/13	10	5	0	Gallons	
1490189714	NEPTUNE	WT	0.0000	09/17/97	9/17/1997	02/27/13	10	5	0	Gallons	
43537520	NEPTUNE	WT	0.0000	09/17/97	9/17/1997	01/04/13	10	5	0	Gallons	
1482350630	NEPTUNE	WT	0.0000	09/17/97	9/17/1997	01/04/13	10	5	0	Gallons	
43537521	NEPTUNE	WT	0.0000	09/17/97	9/17/1997	01/04/13	10	5	0	Gallons	
1490177614	NEPTUNE	WT	0.0000	09/17/97	9/17/1997	02/27/13	10	5	0	Gallons	
43537522	NEPTUNE	WT	0.0000	09/17/97	9/17/1997	02/27/13	10	5	0	Gallons	
1490149978	NEPTUNE	WT	0.0000	09/17/97	9/17/1997	05/09/17	10	5	0	Gallons	
43537523	NEPTUNE	WT	0.0000	09/17/97	9/17/1997	12/18/15	10	5	0	Gallons	
1540773002	NEPTUNE	WT	0.0000	09/17/97	9/17/1997	01/28/13	10	5	0	Gallons	
43537524	NEPTUNE	WT	0.0000	09/17/97	9/17/1997	06/12/09	10	5	0	Gallons	
1545458698	NEPTUNE	WT	0.0000	09/17/97	9/17/1997	06/12/09	10	5	0	Gallons	
43537525	NEPTUNE	WT	0.0000	09/17/97	9/17/1997	06/19/13	10	5	0	Gallons	
1490189632	NEPTUNE	WT	0.0000	09/17/97	9/17/1997	12/13/07	10	5	0	Gallons	
43537526	NEPTUNE	WT	0.0000	09/17/97	9/17/1997	10/10/12	10	5	0	Gallons	
1481257404	NEPTUNE	WT	0.0000	09/17/97	9/17/1997	04/01/16	10	5	0	Gallons	
43537527	NEPTUNE	WT	0.0000	09/17/97	9/17/1997	04/01/16	10	5	0	Gallons	
1486734078	NEPTUNE	WT	0.0000	09/17/97	9/17/1997	04/01/16	10	5	0	Gallons	
43537528	NEPTUNE	WT	0.0000	09/17/97	9/17/1997	04/01/16	10	5	0	Gallons	
1490177344	NEPTUNE	WT	0.0000	09/17/97	9/17/1997	04/01/16	10	5	0	Gallons	
43537529	NEPTUNE	WT	0.0000	09/17/97	9/17/1997	04/01/16	10	5	0	Gallons	
1486131764	NEPTUNE	WT	0.0000	09/17/97	9/17/1997	04/01/16	10	5	0	Gallons	
43537530	NEPTUNE	WT	0.0000	09/17/97	9/17/1997	04/01/16	10	5	0	Gallons	
1490166048	NEPTUNE	WT	0.0000	09/17/97	9/17/1997	04/01/16	10	5	0	Gallons	

Meter #	Size	Service	Meter	Purchase	Warranty	Last	# Of	# Of Fixed	Units of	Tamper		
Internal Id #	Manufacturer	Type	Constant	Date	Date	Tested	Test Cycle	0's	Measure	Status		
		Rating					Dials			Visually		
										Readable		
43537531	NEPTUNE	WT	20	0.0000	09/17/97	9/17/1997	06/26/15	10	5	0	Gallons	
1487927144	NEPTUNE	WT	20	0.0000	09/17/97	9/17/1997	09/24/08	10	5	0	Gallons	
43537532	NEPTUNE	WT	20	0.0000	09/17/97	9/17/1997	10/31/08	10	5	0	Gallons	
1490187800	NEPTUNE	WT	20	0.0000	09/17/97	9/17/1997	10/22/08	10	5	0	Gallons	
43537533	NEPTUNE	WT	20	0.0000	09/17/97	9/17/1997	03/09/12	10	5	0	Gallons	
1490187814	NEPTUNE	WT	20	0.0000	09/17/97	9/17/1997	06/06/18	10	5	0	Gallons	
43537534	NEPTUNE	WT	20	0.0000	09/17/97	9/17/1997	01/05/17	10	5	0	Gallons	
1490189604	NEPTUNE	WT	20	0.0000	09/17/97	9/17/1997	04/01/16	10	5	0	Gallons	
43537535	NEPTUNE	WT	20	0.0000	09/17/97	9/17/1997	05/24/10	10	5	0	Gallons	
1490195838	NEPTUNE	WT	20	0.0000	09/17/97	9/17/1997	02/06/04	10	5	0	Gallons	
43537536	NEPTUNE	WT	20	0.0000	09/17/97	9/17/1997	03/28/11	10	5	0	Gallons	
1487103516	NEPTUNE	WT	20	0.0000	09/17/97	9/17/1997	09/18/18	10	5	0	Gallons	
43537537	NEPTUNE	WT	20	0.0000	09/17/97	9/17/1997	06/25/08	10	5	0	Gallons	
1484590784	NEPTUNE	WT	20	0.0000	09/17/97	9/17/1997	04/26/19	10	5	0	Gallons	
43537538	NEPTUNE	WT	20	0.0000	09/17/97	9/17/1997	09/18/18	10	5	0	Gallons	
1490154838	NEPTUNE	WT	20	0.0000	09/17/97	9/17/1997	09/18/18	10	5	0	Gallons	
43537539	NEPTUNE	WT	20	0.0000	09/17/97	9/17/1997	09/18/18	10	5	0	Gallons	
1545066450	NEPTUNE	WT	20	0.0000	09/17/97	9/17/1997	09/18/18	10	5	0	Gallons	
43537540	NEPTUNE	WT	20	0.0000	09/17/97	9/17/1997	09/18/18	10	5	0	Gallons	
1471526860	NEPTUNE	WT	20	0.0000	09/17/97	9/17/1997	09/18/18	10	5	0	Gallons	
43537541	NEPTUNE	WT	20	0.0000	09/17/97	9/17/1997	09/18/18	10	5	0	Gallons	
1490140040	NEPTUNE	WT	20	0.0000	09/17/97	9/17/1997	09/18/18	10	5	0	Gallons	
43537542	NEPTUNE	WT	20	0.0000	09/17/97	9/17/1997	09/18/18	10	5	0	Gallons	
1471162844	NEPTUNE	WT	20	0.0000	09/17/97	9/17/1997	09/18/18	10	5	0	Gallons	
43537543	NEPTUNE	WT	20	0.0000	09/17/97	9/17/1997	09/18/18	10	5	0	Gallons	
1552115918	NEPTUNE	WT	20	0.0000	09/17/97	9/17/1997	09/18/18	10	5	0	Gallons	
43537544	NEPTUNE	WT	20	0.0000	09/17/97	9/17/1997	09/18/18	10	5	0	Gallons	
1551831016	NEPTUNE	WT	20	0.0000	09/17/97	9/17/1997	09/18/18	10	5	0	Gallons	
43537545	NEPTUNE	WT	20	0.0000	09/17/97	9/17/1997	09/18/18	10	5	0	Gallons	
1490145236	NEPTUNE	WT	20	0.0000	09/17/97	9/17/1997	09/18/18	10	5	0	Gallons	
43598140	NEPTUNE	WT	20	0.0000	09/22/97	9/22/1997	02/06/04	10	5	0	Gallons	
1490148598	NEPTUNE	WT	20	0.0000	09/22/97	9/22/1997	03/12/09	10	5	0	Gallons	
43598141	NEPTUNE	WT	20	0.0000	09/22/97	9/22/1997	03/28/11	10	5	0	Gallons	
1490159876	NEPTUNE	WT	20	0.0000	09/22/97	9/22/1997	03/12/09	10	5	0	Gallons	
43598142	NEPTUNE	WT	20	0.0000	09/22/97	9/22/1997	03/12/09	10	5	0	Gallons	
1490145130	NEPTUNE	WT	20	0.0000	09/22/97	9/22/1997	03/12/09	10	5	0	Gallons	
43598143	NEPTUNE	WT	20	0.0000	09/22/97	9/22/1997	02/06/13	10	5	0	Gallons	
1486319332	NEPTUNE	WT	20	0.0000	09/22/97	9/22/1997	02/06/13	10	5	0	Gallons	
43598144	NEPTUNE	WT	20	0.0000	09/22/97	9/22/1997	10/31/13	10	5	0	Gallons	
1490146768	NEPTUNE	WT	20	0.0000	09/22/97	9/22/1997	10/26/06	10	5	0	Gallons	
43598145	NEPTUNE	WT	20	0.0000	09/22/97	9/22/1997	11/21/16	10	5	0	Gallons	
1483407278	NEPTUNE	WT	20	0.0000	09/22/97	9/22/1997	10/26/06	10	5	0	Gallons	
43598146	NEPTUNE	WT	20	0.0000	09/22/97	9/22/1997	11/09/11	10	5	0	Gallons	
1484696906	NEPTUNE	WT	20	0.0000	09/22/97	9/22/1997	11/09/11	10	5	0	Gallons	

Meter #	Size	Service	Meter	Purchase	Warranty	Last	# Of	# Of Fixed	Units of	Tamper	
Internal Id #	Manufacturer	Type	Constant	Date	Date	Tested	Test Cycle	0's	Measure	Status	
							Dials			Visually	
										Readable	
43598148	NEPTUNE	WT	0.0000	09/22/97	9/22/1997	04/29/08	10	5	0	Gallons	
1490148596	NEPTUNE	WT	0.0000	09/22/97	9/22/1997	10/08/08	10	5	0	Gallons	
43598149	NEPTUNE	WT	0.0000	09/22/97	9/22/1997	10/25/05	10	5	0	Gallons	
1484591100	NEPTUNE	WT	0.0000	09/22/97	9/22/1997	07/13/05	10	5	0	Gallons	
43598150	NEPTUNE	WT	0.0000	09/22/97	9/22/1997	07/02/08	10	5	0	Gallons	
1490174168	NEPTUNE	WT	0.0000	09/22/97	9/22/1997	08/11/08	10	5	0	Gallons	
43598151	NEPTUNE	WT	0.0000	09/22/97	9/22/1997	10/31/13	10	5	0	Gallons	
1490151490	NEPTUNE	WT	0.0000	09/22/97	9/22/1997	10/01/08	10	5	0	Gallons	
43598152	NEPTUNE	WT	0.0000	09/22/97	9/22/1997	06/08/18	10	5	0	Gallons	
1490140090	NEPTUNE	WT	0.0000	09/22/97	9/22/1997	12/01/15	10	5	0	Gallons	
43598153	NEPTUNE	WT	0.0000	09/22/97	9/22/1997	08/05/08	10	5	0	Gallons	
1486825036	NEPTUNE	WT	0.0000	09/22/97	9/22/1997	03/08/12	10	5	0	Gallons	
43598154	NEPTUNE	WT	0.0000	09/22/97	9/22/1997	10/31/13	10	5	0	Gallons	
1490140035	NEPTUNE	WT	0.0000	09/22/97	9/22/1997	08/07/08	10	5	0	Gallons	
43598155	NEPTUNE	WT	0.0000	09/22/97	9/22/1997	09/10/15	10	5	0	Gallons	
1490194388	NEPTUNE	WT	0.0000	09/22/97	9/22/1997	09/26/08	10	5	0	Gallons	
43598156	NEPTUNE	WT	0.0000	09/22/97	9/22/1997	07/31/09	10	5	0	Gallons	
1540690928	NEPTUNE	WT	0.0000	09/22/97	9/22/1997	08/03/07	10	5	0	Gallons	
43598157	NEPTUNE	WT	0.0000	09/22/97	9/22/1997	08/08/08	10	5	0	Gallons	
1490168098	NEPTUNE	WT	0.0000	09/22/97	9/22/1997	08/08/08	10	5	0	Gallons	
43598158	NEPTUNE	WT	0.0000	09/22/97	9/22/1997	06/12/18	10	5	0	Gallons	
1490144860	NEPTUNE	WT	0.0000	09/22/97	9/22/1997	06/12/18	10	5	0	Gallons	
43598159	NEPTUNE	WT	0.0000	09/22/97	9/22/1997	06/12/18	10	5	0	Gallons	
1550407794	NEPTUNE	WT	0.0000	09/22/97	9/22/1997	06/12/18	10	5	0	Gallons	
43598160	NEPTUNE	WT	0.0000	09/22/97	9/22/1997	06/12/18	10	5	0	Gallons	
1490148342	NEPTUNE	WT	0.0000	09/22/97	9/22/1997	06/12/18	10	5	0	Gallons	
43598161	NEPTUNE	WT	0.0000	09/22/97	9/22/1997	06/12/18	10	5	0	Gallons	
1490146630	NEPTUNE	WT	0.0000	09/22/97	9/22/1997	06/12/18	10	5	0	Gallons	
43598162	NEPTUNE	WT	0.0000	09/22/97	9/22/1997	03/08/12	10	5	0	Gallons	
1485321604	NEPTUNE	WT	0.0000	09/22/97	9/22/1997	03/08/12	10	5	0	Gallons	
43598163	NEPTUNE	WT	0.0000	09/22/97	9/22/1997	08/07/08	10	5	0	Gallons	
1490140042	NEPTUNE	WT	0.0000	09/22/97	9/22/1997	08/07/08	10	5	0	Gallons	
43598164	NEPTUNE	WT	0.0000	09/22/97	9/22/1997	09/10/15	10	5	0	Gallons	
1471526926	NEPTUNE	WT	0.0000	09/22/97	9/22/1997	09/26/08	10	5	0	Gallons	
43598165	NEPTUNE	WT	0.0000	09/22/97	9/22/1997	09/26/08	10	5	0	Gallons	
1490177616	NEPTUNE	WT	0.0000	09/22/97	9/22/1997	07/31/09	10	5	0	Gallons	
43598166	NEPTUNE	WT	0.0000	09/22/97	9/22/1997	07/31/09	10	5	0	Gallons	
1481601524	NEPTUNE	WT	0.0000	09/22/97	9/22/1997	09/04/07	10	5	0	Gallons	
43598167	NEPTUNE	WT	0.0000	09/22/97	9/22/1997	08/03/07	10	5	0	Gallons	
1471509774	NEPTUNE	WT	0.0000	09/22/97	9/22/1997	08/03/07	10	5	0	Gallons	
43598168	NEPTUNE	WT	0.0000	09/22/97	9/22/1997	08/08/08	10	5	0	Gallons	
1487745678	NEPTUNE	WT	0.0000	09/22/97	9/22/1997	08/08/08	10	5	0	Gallons	
43598169	NEPTUNE	WT	0.0000	09/22/97	9/22/1997	08/08/08	10	5	0	Gallons	
1490139898	NEPTUNE	WT	0.0000	09/22/97	9/22/1997	09/21/09	10	5	0	Gallons	
43598170	NEPTUNE	WT	0.0000	09/22/97	9/22/1997	09/21/09	10	5	0	Gallons	
1481978052	NEPTUNE	WT	0.0000	09/22/97	9/22/1997	09/21/09	10	5	0	Gallons	

Meter #	Size	Service	Meter	Purchase	Warranty	Last	# Of	# Of Fixed	Units of	Tamper	
Internal Id #	Manufacturer	Type	Constant	Date	Date	Tested	Test Cycle	0's	Measure	Status	
		Rating					Dials			Visually	
										Readable	
43598171	NEPTUNE	WT	0.0000	09/22/97	9/22/1997	07/06/15	10	5	0	Gallons	
1487778850	NEPTUNE	WT	0.0000	09/22/97	9/22/1997	12/02/15	10	5	0	Gallons	
43598172	NEPTUNE	WT	0.0000	09/22/97	9/22/1997	08/15/16	10	5	0	Gallons	
1483791656	NEPTUNE	WT	0.0000	09/22/97	9/22/1997	09/11/08	10	5	0	Gallons	
43598173	NEPTUNE	WT	0.0000	09/22/97	9/22/1997	12/13/07	10	5	0	Gallons	
1542539122	NEPTUNE	WT	0.0000	09/22/97	9/22/1997	10/05/15	10	5	0	Gallons	
43598174	NEPTUNE	WT	0.0000	09/22/97	9/22/1997	04/09/19	10	5	0	Gallons	
1490140016	NEPTUNE	WT	0.0000	09/22/97	9/22/1997	09/10/07	10	5	0	Gallons	
43598175	NEPTUNE	WT	0.0000	09/22/97	9/22/1997	10/10/13	10	5	0	Gallons	
1490140642	NEPTUNE	WT	0.0000	09/22/97	9/22/1997	09/22/08	10	5	0	Gallons	
43598176	NEPTUNE	WT	0.0000	09/22/97	9/22/1997	11/19/15	10	5	0	Gallons	
1490118809	NEPTUNE	WT	0.0000	09/22/97	9/22/1997	09/22/08	10	5	0	Gallons	
43598177	NEPTUNE	WT	0.0000	09/22/97	9/22/1997	09/22/08	10	5	0	Gallons	
1562512920	NEPTUNE	WT	0.0000	09/22/97	9/22/1997	10/14/08	10	5	0	Gallons	
43598178	NEPTUNE	WT	0.0000	09/22/97	9/22/1997	12/17/15	10	5	0	Gallons	
1487928330	NEPTUNE	WT	0.0000	09/22/97	9/22/1997	01/10/13	10	5	0	Gallons	
43598179	NEPTUNE	WT	0.0000	09/22/97	9/22/1997	09/22/08	10	5	0	Gallons	
1490138802	NEPTUNE	WT	0.0000	09/22/97	9/22/1997	09/22/08	10	5	0	Gallons	
43598180	NEPTUNE	WT	0.0000	09/22/97	9/22/1997	09/22/08	10	5	0	Gallons	
1486319094	NEPTUNE	WT	0.0000	09/22/97	9/22/1997	09/22/08	10	5	0	Gallons	
43598181	NEPTUNE	WT	0.0000	09/22/97	9/22/1997	09/22/08	10	5	0	Gallons	
1490145368	NEPTUNE	WT	0.0000	09/22/97	9/22/1997	09/22/08	10	5	0	Gallons	
43598182	NEPTUNE	WT	0.0000	09/22/97	9/22/1997	09/22/08	10	5	0	Gallons	
1490167997	NEPTUNE	WT	0.0000	09/22/97	9/22/1997	09/22/08	10	5	0	Gallons	
43598183	NEPTUNE	WT	0.0000	09/22/97	9/22/1997	09/22/08	10	5	0	Gallons	
1490154258	NEPTUNE	WT	0.0000	09/22/97	9/22/1997	09/22/08	10	5	0	Gallons	
43598184	NEPTUNE	WT	0.0000	09/22/97	9/22/1997	09/22/08	10	5	0	Gallons	
1490167966	NEPTUNE	WT	0.0000	09/22/97	9/22/1997	09/22/08	10	5	0	Gallons	
43598185	NEPTUNE	WT	0.0000	09/22/97	9/22/1997	09/22/08	10	5	0	Gallons	
43598186	NEPTUNE	WT	0.0000	09/22/97	9/22/1997	09/22/08	10	5	0	Gallons	
1483714040	NEPTUNE	WT	0.0000	09/22/97	9/22/1997	09/22/08	10	5	0	Gallons	
43598187	NEPTUNE	WT	0.0000	09/22/97	9/22/1997	09/22/08	10	5	0	Gallons	
1551875746	NEPTUNE	WT	0.0000	09/22/97	9/22/1997	09/22/08	10	5	0	Gallons	
43598188	NEPTUNE	WT	0.0000	09/22/97	9/22/1997	09/22/08	10	5	0	Gallons	
1483975556	NEPTUNE	WT	0.0000	09/22/97	9/22/1997	09/22/08	10	5	0	Gallons	
43598189	NEPTUNE	WT	0.0000	09/22/97	9/22/1997	09/22/08	10	5	0	Gallons	
1490187116	NEPTUNE	WT	0.0000	09/22/97	9/22/1997	09/22/08	10	5	0	Gallons	
43862717	NEPTUNE	WT	0.0000	09/22/97	9/22/1997	09/22/08	10	5	0	Gallons	
1481553906	NEPTUNE	WT	0.0000	09/22/97	9/22/1997	09/22/08	10	5	0	Gallons	
43862718	NEPTUNE	WT	0.0000	09/22/97	9/22/1997	09/22/08	10	5	0	Gallons	
1430217446	NEPTUNE	WT	0.0000	09/22/97	9/22/1997	09/22/08	10	5	0	Gallons	
43862719	NEPTUNE	WT	0.0000	09/22/97	9/22/1997	09/22/08	10	5	0	Gallons	
1490147712	NEPTUNE	WT	0.0000	09/22/97	9/22/1997	09/22/08	10	5	0	Gallons	
43862720	NEPTUNE	WT	0.0000	09/22/97	9/22/1997	09/22/08	10	5	0	Gallons	
1490145972	NEPTUNE	WT	0.0000	09/22/97	9/22/1997	09/22/08	10	5	0	Gallons	

Meter #	Size	Service	Meter	Purchase	Last	# Of	# Of Fixed	Units of	Tamper		
Internal Id #	Manufacturer	Type	Constant	Date	Tested	Test Cycle	0's	Measure	Status		
		Rating		Warranty		Dials			Visually		
				Date					Readable		
43862721	NEPTUNE	WT 20	0.0000	03/02/98	3/2/1998	11/13/08	10	5	0	Gallons	
1490126398	NEPTUNE	WT 20	0.0000	03/02/98	3/2/1998	01/31/13	10	5	0	Gallons	
43862722	NEPTUNE	WT 20	0.0000	03/02/98	3/2/1998	01/29/08	10	5	0	Gallons	
1486455080	NEPTUNE	WT 20	0.0000	03/02/98	3/2/1998	09/04/18	10	5	0	Gallons	
43862723	NEPTUNE	WT 20	0.0000	03/02/98	3/2/1998	10/01/08	10	5	0	Gallons	
1490151061	NEPTUNE	WT 20	0.0000	03/02/98	3/2/1998	11/02/18	10	5	0	Gallons	
43862724	NEPTUNE	WT 20	0.0000	03/02/98	3/2/1998	10/22/14	10	5	0	Gallons	
1550411740	NEPTUNE	WT 20	0.0000	03/02/98	3/2/1998	08/30/15	10	5	0	Gallons	
43862725	NEPTUNE	WT 20	0.0000	03/02/98	3/2/1998	10/22/14	10	5	0	Gallons	
1490177632	NEPTUNE	WT 20	0.0000	03/02/98	3/2/1998	09/13/07	10	5	0	Gallons	
43862726	NEPTUNE	WT 20	0.0000	03/02/98	3/2/1998	04/21/16	10	5	0	Gallons	
1490178582	NEPTUNE	WT 20	0.0000	03/02/98	3/2/1998	07/18/14	10	5	0	Gallons	
43862727	NEPTUNE	WT 20	0.0000	03/02/98	3/2/1998	08/08/08	10	5	0	Gallons	
1551817418	NEPTUNE	WT 20	0.0000	03/02/98	3/2/1998	10/09/08	10	5	0	Gallons	
43862728	NEPTUNE	WT 20	0.0000	03/02/98	3/2/1998	03/02/09	10	5	0	Gallons	
1487938256	NEPTUNE	WT 20	0.0000	03/02/98	3/2/1998	09/16/10	10	5	0	Gallons	
43862729	NEPTUNE	WT 20	0.0000	03/02/98	3/2/1998	10/22/14	10	5	0	Gallons	
1487737442	NEPTUNE	WT 20	0.0000	03/02/98	3/2/1998	10/23/14	10	5	0	Gallons	
43862730	NEPTUNE	WT 20	0.0000	03/02/98	3/2/1998	08/08/08	10	5	0	Gallons	
1471530400	NEPTUNE	WT 20	0.0000	03/02/98	3/2/1998	07/18/14	10	5	0	Gallons	
43862731	NEPTUNE	WT 20	0.0000	03/02/98	3/2/1998	03/02/98	10	5	0	Gallons	
1490159970	NEPTUNE	WT 20	0.0000	03/02/98	3/2/1998	03/02/98	10	5	0	Gallons	
43862732	NEPTUNE	WT 20	0.0000	03/02/98	3/2/1998	03/02/98	10	5	0	Gallons	
1487950928	NEPTUNE	WT 20	0.0000	03/02/98	3/2/1998	03/02/98	10	5	0	Gallons	
43862733	NEPTUNE	WT 20	0.0000	03/02/98	3/2/1998	03/02/98	10	5	0	Gallons	
1490177916	NEPTUNE	WT 20	0.0000	03/02/98	3/2/1998	03/02/98	10	5	0	Gallons	
43862734	NEPTUNE	WT 20	0.0000	03/02/98	3/2/1998	03/02/98	10	5	0	Gallons	
1490140080	NEPTUNE	WT 20	0.0000	03/02/98	3/2/1998	03/02/98	10	5	0	Gallons	
43862735	NEPTUNE	WT 20	0.0000	03/02/98	3/2/1998	03/02/98	10	5	0	Gallons	
1490163032	NEPTUNE	WT 20	0.0000	03/02/98	3/2/1998	03/02/98	10	5	0	Gallons	
43862736	NEPTUNE	WT 20	0.0000	03/02/98	3/2/1998	03/02/98	10	5	0	Gallons	
1490146619	NEPTUNE	WT 20	0.0000	03/02/98	3/2/1998	03/02/98	10	5	0	Gallons	
43862737	NEPTUNE	WT 20	0.0000	03/02/98	3/2/1998	03/02/98	10	5	0	Gallons	
1483405802	NEPTUNE	WT 20	0.0000	03/02/98	3/2/1998	03/02/98	10	5	0	Gallons	
43862738	NEPTUNE	WT 20	0.0000	03/02/98	3/2/1998	03/02/98	10	5	0	Gallons	
1470916966	NEPTUNE	WT 20	0.0000	03/02/98	3/2/1998	03/02/98	10	5	0	Gallons	
43862739	NEPTUNE	WT 20	0.0000	03/02/98	3/2/1998	03/02/98	10	5	0	Gallons	
1545089552	NEPTUNE	WT 20	0.0000	03/02/98	3/2/1998	03/02/98	10	5	0	Gallons	
43862740	NEPTUNE	WT 20	0.0000	03/02/98	3/2/1998	03/02/98	10	5	0	Gallons	
1543646280	NEPTUNE	WT 20	0.0000	03/02/98	3/2/1998	03/02/98	10	5	0	Gallons	
43862741	NEPTUNE	WT 20	0.0000	03/02/98	3/2/1998	03/02/98	10	5	0	Gallons	
1481553696	NEPTUNE	WT 20	0.0000	03/02/98	3/2/1998	03/02/98	10	5	0	Gallons	
43862742	NEPTUNE	WT 20	0.0000	03/02/98	3/2/1998	03/02/98	10	5	0	Gallons	
1490167698	NEPTUNE	WT 20	0.0000	03/02/98	3/2/1998	03/02/98	10	5	0	Gallons	
43862743	NEPTUNE	WT 20	0.0000	03/02/98	3/2/1998	03/02/98	10	5	0	Gallons	
1490160526	NEPTUNE	WT 20	0.0000	03/02/98	3/2/1998	03/02/98	10	5	0	Gallons	

Meter #	Size	Service	Meter	Purchase	Warranty	Last	# Of	# Of Fixed	Units of	Tamper	
Internal Id #	Manufacturer	Type	Constant	Date	Date	Tested	Test Cycle	0's	Measure	Status	
		Rating					Dials			Visually	
										Readable	
43862744	NEPTUNE	WT	0.0000	03/02/98	3/2/1998	10/29/15	10	5	0	Gallons	
1540820980	NEPTUNE	WT	0.0000	03/02/98	3/2/1998	08/01/13	10	5	0	Gallons	
43862745	NEPTUNE	WT	0.0000	03/02/98	3/2/1998	01/19/05	10	5	0	Gallons	
1471509412	NEPTUNE	WT	0.0000	03/02/98	3/2/1998	11/12/13	10	5	0	Gallons	
43862746	NEPTUNE	WT	0.0000	03/02/98	3/2/1998	10/13/08	10	5	0	Gallons	
1490195984	NEPTUNE	WT	0.0000	03/02/98	3/2/1998	10/27/15	10	5	0	Gallons	
43862747	NEPTUNE	WT	0.0000	03/02/98	3/2/1998	10/08/08	10	5	0	Gallons	
1490148288	NEPTUNE	WT	0.0000	03/02/98	3/2/1998	10/01/08	10	5	0	Gallons	
43862748	NEPTUNE	WT	0.0000	03/02/98	3/2/1998	11/10/15	10	5	0	Gallons	
1483966824	NEPTUNE	WT	0.0000	03/02/98	3/2/1998	10/30/18	10	5	0	Gallons	
43862749	NEPTUNE	WT	0.0000	03/02/98	3/2/1998	09/11/07	10	5	0	Gallons	
1490150744	NEPTUNE	WT	0.0000	03/02/98	3/2/1998	04/10/14	10	5	0	Gallons	
43862750	NEPTUNE	WT	0.0000	03/02/98	3/2/1998	02/02/10	10	5	0	Gallons	
1487201360	NEPTUNE	WT	0.0000	03/06/98	3/6/1998	05/11/98	10	5	0	Gallons	
43862751	NEPTUNE	WT	0.0000	03/06/98	3/6/1998	09/09/16	10	5	0	Gallons	
1490154900	NEPTUNE	WT	0.0000	03/06/98	3/6/1998	10/01/15	10	5	0	Gallons	
43862752	NEPTUNE	WT	0.0000	03/06/98	3/6/1998	02/14/17	10	5	0	Gallons	
1540777186	NEPTUNE	WT	0.0000	03/06/98	3/6/1998	11/13/08	10	5	0	Gallons	
43862753	NEPTUNE	WT	0.0000	03/06/98	3/6/1998	05/04/98	10	0	0	Gallons	
1490147750	NEPTUNE	WT	0.0000	03/06/98	3/6/1998	02/02/10	10	5	0	Gallons	
43862754	NEPTUNE	WT	0.0000	03/06/98	3/6/1998	05/14/14	10	5	0	Gallons	
1550403478	NEPTUNE	WT	0.0000	03/06/98	3/6/1998	09/09/16	10	5	0	Gallons	
43862755	NEPTUNE	WT	0.0000	03/02/98	3/2/1998	04/10/14	10	5	0	Gallons	
1471530445	NEPTUNE	WT	0.0000	03/02/98	3/2/1998	02/02/10	10	5	0	Gallons	
43862756	NEPTUNE	WT	0.0000	03/02/98	3/2/1998	04/10/14	10	5	0	Gallons	
1547956978	NEPTUNE	WT	0.0000	03/02/98	3/2/1998	02/02/10	10	5	0	Gallons	
43865851	NEPTUNE	WT	0.0000	03/02/98	3/2/1998	02/02/10	10	5	0	Gallons	
44256609	NEPTUNE	WT	0.0000	03/06/98	3/6/1998	05/11/98	10	5	0	Gallons	
1490141832	NEPTUNE	WT	0.0000	03/06/98	3/6/1998	05/14/14	10	5	0	Gallons	
44296609	NEPTUNE	WT	0.0000	03/06/98	3/6/1998	09/09/16	10	5	0	Gallons	
44296610	NEPTUNE	WT	0.0000	03/06/98	3/6/1998	10/01/15	10	5	0	Gallons	
1490155184	NEPTUNE	WT	0.0000	03/06/98	3/6/1998	02/14/17	10	5	0	Gallons	
44296611	NEPTUNE	WT	0.0000	03/06/98	3/6/1998	11/13/08	10	5	0	Gallons	
1471613624	NEPTUNE	WT	0.0000	03/06/98	3/6/1998	05/04/98	10	0	0	Gallons	
44296612	NEPTUNE	WT	0.0000	03/06/98	3/6/1998	02/02/10	10	5	0	Gallons	
1540775732	NEPTUNE	WT	0.0000	03/06/98	3/6/1998	02/02/10	10	5	0	Gallons	
44296613	NEPTUNE	WT	0.0000	03/06/98	3/6/1998	05/14/14	10	5	0	Gallons	
1545536710	NEPTUNE	WT	0.0000	03/06/98	3/6/1998	09/09/16	10	5	0	Gallons	
44296614	NEPTUNE	WT	0.0000	03/06/98	3/6/1998	10/01/15	10	5	0	Gallons	
1490168434	NEPTUNE	WT	0.0000	03/06/98	3/6/1998	02/14/17	10	5	0	Gallons	
44296615	NEPTUNE	WT	0.0000	03/06/98	3/6/1998	11/13/08	10	5	0	Gallons	
44296616	NEPTUNE	WT	0.0000	03/06/98	3/6/1998	05/04/98	10	0	0	Gallons	
1482358082	NEPTUNE	WT	0.0000	03/06/98	3/6/1998	02/02/10	10	5	0	Gallons	

Meter #	Size	Service	Meter	Purchase	Warranty	Last	# Of	# Of	Units of	Tamper		
Internal Id #	Manufacturer	Type	Constant	Date	Date	Tested	Diags	Fixed	Measure	Status		
								0's		Visually		
										Readable		
44296617	NEPTUNE	WT	20	0.0000	03/06/98	3/6/1998	07/15/09	10	5	0	Gallons	
1481575626	NEPTUNE	WT	20	0.0000	03/06/98	3/6/1998	10/15/10	10	5	0	Gallons	
44296618	NEPTUNE	WT	20	0.0000	07/02/98	7/2/1998	09/25/08	10	5	0	Gallons	
1483413346	NEPTUNE	WT	20	0.0000	07/02/98	7/2/1998	09/04/08	10	5	0	Gallons	
44296640	NEPTUNE	WT	20	0.0000	07/02/98	7/2/1998	06/12/09	10	5	0	Gallons	
1490187238	NEPTUNE	WT	20	0.0000	07/02/98	7/2/1998	04/28/11	10	5	0	Gallons	
44296641	NEPTUNE	WT	20	0.0000	07/02/98	7/2/1998	04/12/11	10	5	0	Gallons	
1490194400	NEPTUNE	WT	20	0.0000	07/02/98	7/2/1998	03/02/09	10	5	0	Gallons	
44296642	NEPTUNE	WT	20	0.0000	07/02/98	7/2/1998	05/18/16	10	5	0	Gallons	
1490177010	NEPTUNE	WT	20	0.0000	07/02/98	7/2/1998	12/02/15	10	5	0	Gallons	
44296643	NEPTUNE	WT	20	0.0000	07/02/98	7/2/1998	03/15/19	10	5	0	Gallons	
1483975488	NEPTUNE	WT	20	0.0000	07/02/98	7/2/1998	01/15/09	10	5	0	Gallons	
44296644	NEPTUNE	WT	20	0.0000	07/02/98	7/2/1998	10/30/08	10	5	0	Gallons	
1490159792	NEPTUNE	WT	20	0.0000	07/02/98	7/2/1998	10/17/08	10	5	0	Gallons	
44296645	NEPTUNE	WT	20	0.0000	07/02/98	7/2/1998	10/31/08	10	5	0	Gallons	
1490173380	NEPTUNE	WT	20	0.0000	07/02/98	7/2/1998	02/24/09	10	5	0	Gallons	
44296646	NEPTUNE	WT	20	0.0000	07/02/98	7/2/1998	08/21/08	10	5	0	Gallons	
1481564776	NEPTUNE	WT	20	0.0000	07/02/98	7/2/1998	04/04/14	10	5	0	Gallons	
44296647	NEPTUNE	WT	20	0.0000	07/02/98	7/2/1998	09/24/08	10	5	0	Gallons	
1490172974	NEPTUNE	WT	20	0.0000	07/02/98	7/2/1998	02/24/09	10	5	0	Gallons	
44296648	NEPTUNE	WT	20	0.0000	07/02/98	7/2/1998	03/15/19	10	5	0	Gallons	
1490148315	NEPTUNE	WT	20	0.0000	07/02/98	7/2/1998	01/15/09	10	5	0	Gallons	
44296649	NEPTUNE	WT	20	0.0000	07/02/98	7/2/1998	10/30/08	10	5	0	Gallons	
1545536360	NEPTUNE	WT	20	0.0000	07/02/98	7/2/1998	10/17/08	10	5	0	Gallons	
44296650	NEPTUNE	WT	20	0.0000	07/02/98	7/2/1998	10/31/08	10	5	0	Gallons	
1487150550	NEPTUNE	WT	20	0.0000	07/02/98	7/2/1998	02/28/11	10	5	0	Gallons	
44296651	NEPTUNE	WT	20	0.0000	07/02/98	7/2/1998	04/12/11	10	5	0	Gallons	
1490151512	NEPTUNE	WT	20	0.0000	07/02/98	7/2/1998	03/02/09	10	5	0	Gallons	
44296652	NEPTUNE	WT	20	0.0000	07/02/98	7/2/1998	05/18/16	10	5	0	Gallons	
1562463232	NEPTUNE	WT	20	0.0000	07/02/98	7/2/1998	12/02/15	10	5	0	Gallons	
44296653	NEPTUNE	WT	20	0.0000	07/02/98	7/2/1998	03/15/19	10	5	0	Gallons	
1487958210	NEPTUNE	WT	20	0.0000	07/02/98	7/2/1998	01/15/09	10	5	0	Gallons	
44296654	NEPTUNE	WT	20	0.0000	07/02/98	7/2/1998	10/30/08	10	5	0	Gallons	
1490172522	NEPTUNE	WT	20	0.0000	07/02/98	7/2/1998	10/17/08	10	5	0	Gallons	
44296655	NEPTUNE	WT	20	0.0000	07/02/98	7/2/1998	10/31/08	10	5	0	Gallons	
1490194428	NEPTUNE	WT	20	0.0000	07/02/98	7/2/1998	02/28/11	10	5	0	Gallons	
44296656	NEPTUNE	WT	20	0.0000	07/02/98	7/2/1998	04/12/11	10	5	0	Gallons	
1490147618	NEPTUNE	WT	20	0.0000	07/02/98	7/2/1998	03/02/09	10	5	0	Gallons	
44296657	NEPTUNE	WT	20	0.0000	07/02/98	7/2/1998	05/18/16	10	5	0	Gallons	
1490163668	NEPTUNE	WT	20	0.0000	07/02/98	7/2/1998	12/02/15	10	5	0	Gallons	
44296658	NEPTUNE	WT	20	0.0000	07/02/98	7/2/1998	03/15/19	10	5	0	Gallons	
1490150242	NEPTUNE	WT	20	0.0000	07/02/98	7/2/1998	01/15/09	10	5	0	Gallons	
44296659	NEPTUNE	WT	20	0.0000	07/02/98	7/2/1998	10/30/08	10	5	0	Gallons	
1490147936	NEPTUNE	WT	20	0.0000	07/02/98	7/2/1998	10/17/08	10	5	0	Gallons	
44296660	NEPTUNE	WT	20	0.0000	07/02/98	7/2/1998	10/31/08	10	5	0	Gallons	
1490177612	NEPTUNE	WT	20	0.0000	07/02/98	7/2/1998	02/24/09	10	5	0	Gallons	

Meter #	Size	Service	Meter	Purchase	Warranty	Last	# Of	# Of	Units of	Tamper	
Internal Id #	Manufacturer	Type	Constant	Date	Date	Tested	Test Cycle	Fixed	Measure	Status	
		Rating					Diags	0's		Visually	
										Readable	
44296661	NEPTUNE	WT	0.0000	07/02/98	7/2/1998	10/01/08	10	5	0	Gallons	
1490187904	NEPTUNE	WT	0.0000	07/02/98	7/2/1998	10/01/15	10	5	0	Gallons	
44296662	NEPTUNE	WT	0.0000	07/02/98	7/2/1998	10/09/08	10	5	0	Gallons	
1551712794	NEPTUNE	WT	0.0000	07/02/98	7/2/1998	09/02/98	10	0	0	Gallons	
44296663	NEPTUNE	WT	0.0000	07/02/98	7/2/1998	04/15/09	10	5	0	Gallons	
1490194386	NEPTUNE	WT	0.0000	07/02/98	7/2/1998	04/10/14	10	5	0	Gallons	
44296664	NEPTUNE	WT	0.0000	07/02/98	7/2/1998	09/24/08	10	5	0	Gallons	
44296665	NEPTUNE	WT	0.0000	07/02/98	7/2/1998	10/30/13	10	5	0	Gallons	
1490177238	NEPTUNE	WT	0.0000	07/02/98	7/2/1998	10/22/08	10	5	0	Gallons	
44296666	NEPTUNE	WT	0.0000	07/02/98	7/2/1998	06/18/13	10	5	0	Gallons	
1490112554	NEPTUNE	WT	0.0000	07/02/98	7/2/1998	06/02/92	10	0	0	Gallons	
44296667	NEPTUNE	WT	0.0000	07/02/98	7/2/1998	02/01/11	10	5	0	Gallons	
1490167432	NEPTUNE	WT	0.0000	07/02/98	7/2/1998	04/13/17	10	5	0	Gallons	
44296668	NEPTUNE	WT	0.0000	07/02/98	7/2/1998	04/13/17	10	5	0	Gallons	
1490145970	NEPTUNE	WT	0.0000	07/02/98	7/2/1998	04/13/17	10	5	0	Gallons	
44296669	NEPTUNE	WT	0.0000	07/02/98	7/2/1998	04/13/17	10	5	0	Gallons	
1490187112	NEPTUNE	WT	0.0000	07/02/98	7/2/1998	04/11/13	10	5	0	Gallons	
44296670	NEPTUNE	WT	0.0000	07/02/98	7/2/1998	06/30/15	10	5	0	Gallons	
1545529944	NEPTUNE	WT	0.0000	07/02/98	7/2/1998	06/18/13	10	5	0	Gallons	
44296671	NEPTUNE	WT	0.0000	07/02/98	7/2/1998	06/02/92	10	0	0	Gallons	
1486320216	NEPTUNE	WT	0.0000	07/02/98	7/2/1998	06/02/92	10	0	0	Gallons	
44296672	NEPTUNE	WT	0.0000	07/02/98	7/2/1998	06/02/92	10	0	0	Gallons	
1481554070	NEPTUNE	WT	0.0000	07/02/98	7/2/1998	06/02/92	10	0	0	Gallons	
44296673	NEPTUNE	WT	0.0000	07/02/98	7/2/1998	06/02/92	10	0	0	Gallons	
1486729650	NEPTUNE	WT	0.0000	07/02/98	7/2/1998	06/02/92	10	0	0	Gallons	
44296674	NEPTUNE	WT	0.0000	07/02/98	7/2/1998	06/02/92	10	0	0	Gallons	
1486731772	NEPTUNE	WT	0.0000	07/02/98	7/2/1998	06/02/92	10	0	0	Gallons	
44467918	NEPTUNE	WT	0.0000	07/02/98	7/2/1998	06/02/92	10	0	0	Gallons	
44723076	NEPTUNE	WT	0.0000	07/02/98	7/2/1998	06/02/92	10	0	0	Gallons	
44723700	NEPTUNE	WT	0.0000	07/02/98	7/2/1998	02/03/06	10	5	0	Gallons	
1471480184	NEPTUNE	WT	0.0000	07/02/98	7/2/1998	10/29/13	10	5	0	Gallons	
44723701	NEPTUNE	WT	0.0000	07/02/98	7/2/1998	11/10/08	10	5	0	Gallons	
1490151412	NEPTUNE	WT	0.0000	07/02/98	7/2/1998	07/12/18	10	5	0	Gallons	
44723702	NEPTUNE	WT	0.0000	07/02/98	7/2/1998	07/12/18	10	5	0	Gallons	
1490145394	NEPTUNE	WT	0.0000	07/02/98	7/2/1998	07/12/18	10	5	0	Gallons	
44723703	NEPTUNE	WT	0.0000	07/02/98	7/2/1998	07/08/09	10	5	0	Gallons	
1490180648	NEPTUNE	WT	0.0000	07/02/98	7/2/1998	09/04/18	10	5	0	Gallons	
44723704	NEPTUNE	WT	0.0000	07/02/98	7/2/1998	03/25/04	10	5	0	Gallons	
1490156002	NEPTUNE	WT	0.0000	07/02/98	7/2/1998	03/25/04	10	5	0	Gallons	
44723705	NEPTUNE	WT	0.0000	07/02/98	7/2/1998	03/25/04	10	5	0	Gallons	
1550404150	NEPTUNE	WT	0.0000	07/02/98	7/2/1998	03/25/04	10	5	0	Gallons	
44723706	NEPTUNE	WT	0.0000	07/02/98	7/2/1998	03/25/04	10	5	0	Gallons	
1471488918	NEPTUNE	WT	0.0000	07/02/98	7/2/1998	03/25/04	10	5	0	Gallons	

Meter #	Size	Service	Meter	Purchase	Warranty	Last	# Of	# Of	Units of	Tamper		
Internal Id #	Manufacturer	Type	Constant	Date	Date	Tested	Fixed	Fixed	Measure	Status		
							0's	0's		Visually		
										Readable		
44723707	NEPTUNE	WT	20	0.0000	07/02/98	7/2/1998	09/17/18	10	5	0	Gallons	
1550404422	NEPTUNE	WT	20	0.0000	07/02/98	7/2/1998	02/25/00	10	0	0	Gallons	
44723708	NEPTUNE	WT	20	0.0000	07/02/98	7/2/1998	08/29/08	10	5	0	Gallons	
44723709	NEPTUNE	WT	20	0.0000	07/02/98	7/2/1998	05/21/15	10	5	0	Gallons	
1551688550	NEPTUNE	WT	20	0.0000	07/02/98	7/2/1998	05/03/11	10	5	0	Gallons	
44723710	NEPTUNE	WT	20	0.0000	07/02/98	7/2/1998	04/08/14	10	5	0	Gallons	
1487767926	Neptune	WT	20	0.0000	07/02/98	7/2/1998	09/25/08	10	5	0	Gallons	
44723711	NEPTUNE	WT	20	0.0000	07/02/98	7/2/1998	04/15/09	10	5	0	Gallons	
1490134088	NEPTUNE	WT	20	0.0000	07/02/98	7/2/1998	01/05/18	10	5	0	Gallons	
44723712	NEPTUNE	WT	20	0.0000	07/02/98	7/2/1998	07/12/18	10	5	0	Gallons	
1490177850	NEPTUNE	WT	20	0.0000	07/02/98	7/2/1998	05/16/19	10	5	0	Gallons	
44723713	NEPTUNE	WT	20	0.0000	07/02/98	7/2/1998	07/12/18	10	5	0	Gallons	
1490178290	NEPTUNE	WT	20	0.0000	07/02/98	7/2/1998	04/15/09	10	5	0	Gallons	
44723714	NEPTUNE	WT	20	0.0000	07/02/98	7/2/1998	04/15/09	10	5	0	Gallons	
1490155366	NEPTUNE	WT	20	0.0000	07/02/98	7/2/1998	06/25/15	10	5	0	Gallons	
44733485	NEPTUNE	WT	20	0.0000	09/10/98	9/10/1998	05/16/19	10	5	0	Gallons	
1545460298	NEPTUNE	WT	20	0.0000	09/10/98	9/10/1998	04/28/14	10	5	0	Gallons	
44733486	NEPTUNE	WT	20	0.0000	09/10/98	9/10/1998	07/12/18	10	5	0	Gallons	
1487940162	NEPTUNE	WT	20	0.0000	09/10/98	9/10/1998	03/27/07	10	5	0	Gallons	
44733487	NEPTUNE	WT	20	0.0000	09/10/98	9/10/1998	07/12/18	10	5	0	Gallons	
1471510776	NEPTUNE	WT	20	0.0000	09/10/98	9/10/1998	05/16/19	10	5	0	Gallons	
44733488	NEPTUNE	WT	20	0.0000	09/10/98	9/10/1998	07/12/18	10	5	0	Gallons	
1487362914	NEPTUNE	WT	20	0.0000	09/10/98	9/10/1998	05/16/19	10	5	0	Gallons	
44733489	NEPTUNE	WT	20	0.0000	09/10/98	9/10/1998	07/12/18	10	5	0	Gallons	
1490151363	NEPTUNE	WT	20	0.0000	09/10/98	9/10/1998	05/16/19	10	5	0	Gallons	
44733490	NEPTUNE	WT	20	0.0000	09/10/98	9/10/1998	07/12/18	10	5	0	Gallons	
1552116158	NEPTUNE	WT	20	0.0000	09/10/98	9/10/1998	05/16/19	10	5	0	Gallons	
44733491	NEPTUNE	WT	20	0.0000	09/10/98	9/10/1998	07/12/18	10	5	0	Gallons	
1551701280	NEPTUNE	WT	20	0.0000	09/10/98	9/10/1998	05/16/19	10	5	0	Gallons	
44733492	NEPTUNE	WT	20	0.0000	09/10/98	9/10/1998	05/16/19	10	5	0	Gallons	
1562872626	NEPTUNE	WT	20	0.0000	09/10/98	9/10/1998	06/17/13	10	5	0	Gallons	
44733493	NEPTUNE	WT	20	0.0000	09/10/98	9/10/1998	05/27/09	10	5	0	Gallons	
1481547466	NEPTUNE	WT	20	0.0000	09/10/98	9/10/1998	06/17/13	10	5	0	Gallons	
44733494	NEPTUNE	WT	20	0.0000	09/10/98	9/10/1998	05/03/11	10	5	0	Gallons	
1471254388	NEPTUNE	WT	20	0.0000	09/10/98	9/10/1998	02/27/09	10	5	0	Gallons	
44733495	NEPTUNE	WT	20	0.0000	09/10/98	9/10/1998	11/16/15	10	5	0	Gallons	
1471247380	NEPTUNE	WT	20	0.0000	09/10/98	9/10/1998	09/05/08	10	5	0	Gallons	
44733496	NEPTUNE	WT	20	0.0000	09/10/98	9/10/1998	09/05/08	10	5	0	Gallons	
1483968218	NEPTUNE	WT	20	0.0000	09/10/98	9/10/1998	09/05/08	10	5	0	Gallons	
44733497	NEPTUNE	WT	20	0.0000	09/10/98	9/10/1998	09/05/08	10	5	0	Gallons	
1490138084	NEPTUNE	WT	20	0.0000	09/10/98	9/10/1998	09/05/08	10	5	0	Gallons	
44733498	NEPTUNE	WT	20	0.0000	09/10/98	9/10/1998	09/05/08	10	5	0	Gallons	
1490173690	NEPTUNE	WT	20	0.0000	09/10/98	9/10/1998	09/05/08	10	5	0	Gallons	
44733499	NEPTUNE	WT	20	0.0000	09/10/98	9/10/1998	09/05/08	10	5	0	Gallons	
1490177176	NEPTUNE	WT	20	0.0000	09/10/98	9/10/1998	09/05/08	10	5	0	Gallons	

Meter #	Size	Service	Meter	Purchase	Warranty	Last	# Of	# Of Fixed	Units of	Tamper	Visually
Internal Id #	Manufacturer	Type	Constant	Date	Date	Tested	Test Cycle	0's	Measure	Status	Readable
44733500	NEPTUNE	WT	0.0000	09/10/98	9/10/1998	08/22/16	10	5	0	Gallons	
1490122870	NEPTUNE	WT	0.0000	09/10/98	9/10/1998	10/10/08	10	5	0	Gallons	
44733501	NEPTUNE	WT	0.0000	09/10/98	9/10/1998	12/21/15	10	5	0	Gallons	
1490155756	NEPTUNE	WT	0.0000	09/10/98	9/10/1998	03/13/07	10	5	0	Gallons	
44733502	NEPTUNE	WT	0.0000	09/10/98	9/10/1998	06/12/18	10	5	0	Gallons	
1490176870	NEPTUNE	WT	0.0000	05/07/91	5/7/1991	10/07/08	10	0	0	Gallons	
44733503	NEPTUNE	WT	0.0000	01/15/99	1/15/1999	04/06/05	10	5	0	Gallons	
1490179312	NEPTUNE	WT	0.0000	01/15/99	1/15/1999	02/14/12	10	5	0	Gallons	
44733504	NEPTUNE	WT	0.0000	01/15/99	1/15/1999	07/02/18	10	5	0	Gallons	
1547972568	NEPTUNE	WT	0.0000	01/15/99	1/15/1999	01/05/17	10	5	0	Gallons	
44811856	NEPTUNE	WT	0.0000	01/15/99	1/15/1999	03/09/12	10	5	0	Gallons	
45045580	NEPTUNE	WT	0.0000	01/15/99	1/15/1999	12/17/15	10	5	0	Gallons	
149012552	NEPTUNE	WT	0.0000	01/15/99	1/15/1999	04/29/08	10	5	0	Gallons	
45045581	NEPTUNE	WT	0.0000	01/15/99	1/15/1999	09/11/08	10	5	0	Gallons	
1485314736	NEPTUNE	WT	0.0000	01/15/99	1/15/1999	10/24/07	10	5	0	Gallons	
45045582	NEPTUNE	WT	0.0000	01/15/99	1/15/1999	10/02/08	10	5	0	Gallons	
1547970794	NEPTUNE	WT	0.0000	01/15/99	1/15/1999	10/02/08	10	5	0	Gallons	
45045583	NEPTUNE	WT	0.0000	01/15/99	1/15/1999	10/02/08	10	5	0	Gallons	
1545019314	NEPTUNE	WT	0.0000	01/15/99	1/15/1999	10/02/08	10	5	0	Gallons	
45045584	NEPTUNE	WT	0.0000	01/15/99	1/15/1999	10/02/08	10	5	0	Gallons	
1471533856	NEPTUNE	WT	0.0000	01/15/99	1/15/1999	10/02/08	10	5	0	Gallons	
45045585	NEPTUNE	WT	0.0000	01/15/99	1/15/1999	10/02/08	10	5	0	Gallons	
1547962104	NEPTUNE	WT	0.0000	01/15/99	1/15/1999	10/02/08	10	5	0	Gallons	
45045586	NEPTUNE	WT	0.0000	01/15/99	1/15/1999	10/02/08	10	5	0	Gallons	
1550396406	NEPTUNE	WT	0.0000	01/15/99	1/15/1999	10/02/08	10	5	0	Gallons	
45045587	NEPTUNE	WT	0.0000	01/15/99	1/15/1999	10/02/08	10	5	0	Gallons	
1542512892	NEPTUNE	WT	0.0000	01/15/99	1/15/1999	10/02/08	10	5	0	Gallons	
45045588	NEPTUNE	WT	0.0000	01/15/99	1/15/1999	10/02/08	10	5	0	Gallons	
1490133936	NEPTUNE	WT	0.0000	01/15/99	1/15/1999	10/02/08	10	5	0	Gallons	
45045589	NEPTUNE	WT	0.0000	01/15/99	1/15/1999	10/02/08	10	5	0	Gallons	
1490194642	NEPTUNE	WT	0.0000	01/15/99	1/15/1999	10/02/08	10	5	0	Gallons	
45045590	NEPTUNE	WT	0.0000	01/15/99	1/15/1999	10/02/08	10	5	0	Gallons	
1471526941	NEPTUNE	WT	0.0000	01/15/99	1/15/1999	10/02/08	10	5	0	Gallons	
45045591	NEPTUNE	WT	0.0000	01/15/99	1/15/1999	10/02/08	10	5	0	Gallons	
1490179084	NEPTUNE	WT	0.0000	01/15/99	1/15/1999	10/02/08	10	5	0	Gallons	
45045592	NEPTUNE	WT	0.0000	01/15/99	1/15/1999	10/02/08	10	5	0	Gallons	
1490148471	NEPTUNE	WT	0.0000	01/15/99	1/15/1999	10/02/08	10	5	0	Gallons	
45045593	NEPTUNE	WT	0.0000	01/15/99	1/15/1999	10/02/08	10	5	0	Gallons	
1487745820	NEPTUNE	WT	0.0000	01/15/99	1/15/1999	10/02/08	10	5	0	Gallons	
45045594	NEPTUNE	WT	0.0000	01/15/99	1/15/1999	10/02/08	10	5	0	Gallons	
1490145764	NEPTUNE	WT	0.0000	01/15/99	1/15/1999	10/02/08	10	5	0	Gallons	
45045595	NEPTUNE	WT	0.0000	01/15/99	1/15/1999	10/02/08	10	5	0	Gallons	
1490132260	NEPTUNE	WT	0.0000	01/15/99	1/15/1999	10/02/08	10	5	0	Gallons	
45045596	NEPTUNE	WT	0.0000	01/15/99	1/15/1999	10/02/08	10	5	0	Gallons	
1490148592	NEPTUNE	WT	0.0000	01/15/99	1/15/1999	10/02/08	10	5	0	Gallons	

Meter #	Size	Service	Meter	Purchase	Warranty	Last	# Of	# Of Fixed	Units of	Tamper
Internal Id #	Manufacturer	Type	Constant	Date	Date	Tested	Test Cycle	0's	Measure	Status
							Dials			Visually
										Readable
45045597	NEPTUNE	WT	0.0000	01/15/99	1/15/1999	01/17/18	10	5	0	Gallons
1546682212	NEPTUNE	WT	0.0000	01/15/99	1/15/1999	09/24/08	10	5	0	Gallons
45045598	NEPTUNE	WT	0.0000	01/15/99	1/15/1999	09/26/08	10	5	0	Gallons
1490163013	NEPTUNE	WT	0.0000	01/15/99	1/15/1999	02/24/12	10	5	0	Gallons
45045599	NEPTUNE	WT	0.0000	01/15/99	1/15/1999	01/08/10	10	5	0	Gallons
1490176576	NEPTUNE	WT	0.0000	01/15/99	1/15/1999	05/29/08	10	5	0	Gallons
45045600	NEPTUNE	WT	0.0000	01/15/99	1/15/1999	04/01/11	10	5	0	Gallons
1490176890	NEPTUNE	WT	0.0000	01/15/99	1/15/1999	02/14/12	10	5	0	Gallons
45045601	NEPTUNE	WT	0.0000	01/15/99	1/15/1999	02/14/12	10	5	0	Gallons
1490145308	NEPTUNE	WT	0.0000	01/15/99	1/15/1999	02/14/12	10	5	0	Gallons
45045602	NEPTUNE	WT	0.0000	01/15/99	1/15/1999	02/14/12	10	5	0	Gallons
1490170280	NEPTUNE	WT	0.0000	01/15/99	1/15/1999	02/14/12	10	5	0	Gallons
45045603	NEPTUNE	WT	0.0000	01/15/99	1/15/1999	02/14/12	10	5	0	Gallons
1490145703	NEPTUNE	WT	0.0000	01/15/99	1/15/1999	02/14/12	10	5	0	Gallons
45045604	NEPTUNE	WT	0.0000	01/15/99	1/15/1999	02/14/12	10	5	0	Gallons
1483711672	NEPTUNE	WT	0.0000	01/15/99	1/15/1999	02/14/12	10	5	0	Gallons
45045605	NEPTUNE	WT	0.0000	01/15/99	1/15/1999	02/14/12	10	5	0	Gallons
1547965658	NEPTUNE	WT	0.0000	01/15/99	1/15/1999	02/14/12	10	5	0	Gallons
45045606	NEPTUNE	WT	0.0000	01/15/99	1/15/1999	02/14/12	10	5	0	Gallons
1490146260	NEPTUNE	WT	0.0000	01/15/99	1/15/1999	02/14/12	10	5	0	Gallons
45045607	NEPTUNE	WT	0.0000	01/15/99	1/15/1999	02/14/12	10	5	0	Gallons
1490147008	NEPTUNE	WT	0.0000	01/15/99	1/15/1999	02/14/12	10	5	0	Gallons
45045608	NEPTUNE	WT	0.0000	01/15/99	1/15/1999	02/14/12	10	5	0	Gallons
1490152014	NEPTUNE	WT	0.0000	01/15/99	1/15/1999	02/14/12	10	5	0	Gallons
45045609	NEPTUNE	WT	0.0000	01/15/99	1/15/1999	02/14/12	10	5	0	Gallons
1490146460	NEPTUNE	WT	0.0000	01/15/99	1/15/1999	02/14/12	10	5	0	Gallons
45074758	NEPTUNE	WT	0.0000	01/15/99	1/15/1999	02/14/12	10	5	0	Gallons
45122460	NEPTUNE	WT	0.0000	03/01/99	3/1/1999	11/18/08	10	5	0	Gallons
1490156084	NEPTUNE	WT	0.0000	03/01/99	3/1/1999	07/18/12	10	5	0	Gallons
45122461	NEPTUNE	WT	0.0000	03/01/99	3/1/1999	11/22/13	10	5	0	Gallons
1485314936	NEPTUNE	WT	0.0000	03/01/99	3/1/1999	11/09/15	10	5	0	Gallons
45122462	NEPTUNE	WT	0.0000	03/01/99	3/1/1999	09/25/08	10	5	0	Gallons
1487145584	NEPTUNE	WT	0.0000	03/01/99	3/1/1999	09/25/08	10	5	0	Gallons
45122463	NEPTUNE	WT	0.0000	03/01/99	3/1/1999	10/31/08	10	5	0	Gallons
1471522690	NEPTUNE	WT	0.0000	03/01/99	3/1/1999	01/28/16	10	5	0	Gallons
45122464	NEPTUNE	WT	0.0000	03/01/99	3/1/1999	01/28/16	10	5	0	Gallons
1490148730	NEPTUNE	WT	0.0000	03/01/99	3/1/1999	01/28/16	10	5	0	Gallons
45122465	NEPTUNE	WT	0.0000	03/01/99	3/1/1999	01/28/16	10	5	0	Gallons
1490180094	NEPTUNE	WT	0.0000	03/01/99	3/1/1999	01/28/16	10	5	0	Gallons
45122466	NEPTUNE	WT	0.0000	03/01/99	3/1/1999	01/28/16	10	5	0	Gallons
1490189786	NEPTUNE	WT	0.0000	03/01/99	3/1/1999	01/28/16	10	5	0	Gallons
45122467	NEPTUNE	WT	0.0000	03/01/99	3/1/1999	01/28/16	10	5	0	Gallons
1486135452	NEPTUNE	WT	0.0000	03/01/99	3/1/1999	01/28/16	10	5	0	Gallons
45122468	NEPTUNE	WT	0.0000	03/01/99	3/1/1999	01/28/16	10	5	0	Gallons

Meter #	Size	Service	Meter	Purchase	Warranty	Last	# Of	# Of	Units of	Tamper	
Internal Id #	Manufacturer	Type	Constant	Date	Date	Tested	Test Cycle	Fixed	Measure	Status	
							Dials	0's		Visually	
										Readable	
45122469	NEPTUNE	WT	0.0000	03/01/99	3/1/1999	05/14/14	10	5	0	Gallons	
1487417458	NEPTUNE	WT	0.0000	03/01/99	3/1/1999	04/16/19	10	5	0	Gallons	
45122470	NEPTUNE PROREAD	WT	0.0000	03/01/99	3/1/1999	10/23/14	10	5	0	Gallons	
1562505388	NEPTUNE	WT	0.0000	03/01/99	3/1/1999	02/23/09	10	5	0	Gallons	
45122471	NEPTUNE	WT	0.0000	03/01/99	3/1/1999	11/09/15	10	5	0	Gallons	
1490145900	NEPTUNE	WT	0.0000	03/01/99	3/1/1999	08/23/10	10	5	0	Gallons	
45122472	NEPTUNE	WT	0.0000	03/01/99	3/1/1999	09/13/11	10	5	0	Gallons	
1490163507	NEPTUNE	WT	0.0000	03/01/99	3/1/1999	03/09/12	10	5	0	Gallons	
45122473	NEPTUNE	WT	0.0000	03/01/99	3/1/1999	01/05/17	10	5	0	Gallons	
1483406116	NEPTUNE	WT	0.0000	03/01/99	3/1/1999	08/20/08	10	0	0	Gallons	
45122474	NEPTUNE	WT	0.0000	03/01/99	3/1/1999	09/06/07	10	5	0	Gallons	
1545280808	NEPTUNE	WT	0.0000	03/01/99	3/1/1999	10/31/08	10	5	0	Gallons	
45122475	NEPTUNE	WT	0.0000	03/01/99	3/1/1999	07/07/15	10	5	0	Gallons	
1490194900	NEPTUNE	WT	0.0000	03/01/99	3/1/1999	07/18/91	10/25/07	10	0	Gallons	
45122476	NEPTUNE	WT	0.0000	03/01/99	3/1/1999	07/22/91	10/07/08	10	0	Gallons	
1484591654	NEPTUNE	WT	0.0000	07/05/91	7/5/1991	04/13/04	10	0	0	Gallons	
45122477	NEPTUNE	WT	0.0000	04/12/99	4/12/1999	07/07/15	10	5	0	Gallons	
1545020628	NEPTUNE	WT	0.0000	04/12/99	4/12/1999	09/04/18	10	5	0	Gallons	
45122478	NEPTUNE	WT	0.0000	04/12/99	4/12/1999	06/02/08	10	5	0	Gallons	
45122479	NEPTUNE	WT	0.0000	04/12/99	4/12/1999	10/15/12	10	5	0	Gallons	
1490177630	NEPTUNE	WT	0.0000	04/12/99	4/12/1999	09/23/16	10	5	0	Gallons	
45221739	NEPTUNE	WT	0.0000	04/12/99	4/12/1999	01/05/10	10	5	0	Gallons	
45221745	NEPTUNE	WT	0.0000	04/12/99	4/12/1999	06/24/11	10	5	0	Gallons	
45221749	NEPTUNE	WT	0.0000	04/12/99	4/12/1999						
45851939	NEPTUNE	WT	0.0000	04/12/99	4/12/1999						
1490189818	NEPTUNE	WT	0.0000	04/12/99	4/12/1999						
45851940	NEPTUNE	WT	0.0000	04/12/99	4/12/1999						
1487938204	NEPTUNE	WT	0.0000	04/12/99	4/12/1999						
45851941	NEPTUNE	WT	0.0000	04/12/99	4/12/1999						
1549651926	NEPTUNE	WT	0.0000	04/12/99	4/12/1999						
45851942	NEPTUNE	WT	0.0000	04/12/99	4/12/1999						
1490144998	NEPTUNE	WT	0.0000	04/12/99	4/12/1999						
45851943	NEPTUNE	WT	0.0000	04/12/99	4/12/1999						
1486132814	NEPTUNE	WT	0.0000	04/12/99	4/12/1999						
45851944	NEPTUNE RADIO	WT	0.0000	04/12/99	4/12/1999						
1542545098	NEPTUNE	WT	0.0000	04/12/99	4/12/1999						
45851945	NEPTUNE	WT	0.0000	04/12/99	4/12/1999						
1490144898	NEPTUNE	WT	0.0000	04/12/99	4/12/1999						
45851946	NEPTUNE	WT	0.0000	04/12/99	4/12/1999						
1486676016	NEPTUNE	WT	0.0000	04/12/99	4/12/1999						
45851947	NEPTUNE	WT	0.0000	04/12/99	4/12/1999						
1542562796	NEPTUNE	WT	0.0000	04/12/99	4/12/1999						

Meter #	Size	Service	Meter	Purchase	Warranty	Last	# Of	# Of Fixed	Units of	Tamper	
Internal Id #	Manufacturer	Type	Constant	Date	Date	Tested	Test Cycle	0's	Measure	Status	
		Rating					Dials			Visually	
										Readable	
45851948	NEPTUNE	WT	0.0000	04/12/99	4/12/1999	08/17/11	10	5	0	Gallons	
1484465894	NEPTUNE	WT	0.0000	04/12/99	4/12/1999	03/08/07	10	5	0	Gallons	
45851949	NEPTUNE	WT	0.0000	04/12/99	4/12/1999	09/23/08	10	5	0	Gallons	
1471247880	NEPTUNE	WT	0.0000	04/12/99	4/12/1999	12/01/03	10	5	0	Gallons	
45851950	NEPTUNE	WT	0.0000	04/12/99	4/12/1999	09/13/07	10	5	0	Gallons	
1490142134	NEPTUNE	WT	0.0000	04/12/99	4/12/1999	10/17/08	10	5	0	Gallons	
45851951	NEPTUNE	WT	0.0000	04/12/99	4/12/1999	11/18/08	10	5	0	Gallons	
1471531102	NEPTUNE	WT	0.0000	04/12/99	4/12/1999	05/13/19	10	0	0	Gallons	
45851952	NEPTUNE	WT	0.0000	04/12/99	4/12/1999	05/09/17	10	5	0	Gallons	
1490159972	NEPTUNE	WT	0.0000	04/12/99	4/12/1999	10/14/08	10	5	0	Gallons	
45851953	NEPTUNE	WT	0.0000	04/12/99	4/12/1999	12/15/15	10	5	0	Gallons	
1490175466	NEPTUNE	WT	0.0000	04/12/99	4/12/1999	08/17/11	10	5	0	Gallons	
45851954	NEPTUNE	WT	0.0000	04/12/99	4/12/1999	08/01/13	10	5	0	Gallons	
1490189756	NEPTUNE	WT	0.0000	04/12/99	4/12/1999	02/16/18	10	5	0	Gallons	
45851955	NEPTUNE	WT	0.0000	04/12/99	4/12/1999	05/06/08	10	5	0	Gallons	
45851956	NEPTUNE	WT	0.0000	04/12/99	4/12/1999	11/09/15	10	5	0	Gallons	
1545520972	NEPTUNE	WT	0.0000	04/12/99	4/12/1999	10/22/14	10	5	0	Gallons	
45851957	NEPTUNE	WT	0.0000	04/12/99	4/12/1999	12/04/08	10	5	0	Gallons	
1490154748	NEPTUNE	WT	0.0000	04/12/99	4/12/1999	09/05/07	10	5	0	Gallons	
45851958	NEPTUNE	WT	0.0000	04/12/99	4/12/1999	11/14/08	10	5	0	Gallons	
1430219022	NEPTUNE	WT	0.0000	04/12/99	4/12/1999	10/30/08	10	5	0	Gallons	
46123953	NEPTUNE	WT	0.0000	04/12/99	4/12/1999	05/16/07	10	5	0	Gallons	
1490188278	NEPTUNE	WT	0.0000	04/12/99	4/12/1999						
46123954	NEPTUNE	WT	0.0000	04/12/99	4/12/1999						
1490145444	NEPTUNE	WT	0.0000	04/12/99	4/12/1999						
46123955	NEPTUNE	WT	0.0000	04/12/99	4/12/1999						
1546679998	NEPTUNE	WT	0.0000	04/12/99	4/12/1999						
46123956	NEPTUNE	WT	0.0000	04/12/99	4/12/1999						
1490149705	NEPTUNE	WT	0.0000	04/12/99	4/12/1999						
46123957	NEPTUNE	WT	0.0000	04/12/99	4/12/1999						
1471476732	NEPTUNE	WT	0.0000	04/12/99	4/12/1999						
46123958	NEPTUNE	WT	0.0000	04/12/99	4/12/1999						
1490176848	NEPTUNE	WT	0.0000	04/12/99	4/12/1999						
46123959	NEPTUNE	WT	0.0000	04/12/99	4/12/1999						
1490177122	NEPTUNE	WT	0.0000	04/12/99	4/12/1999						
46123960	NEPTUNE	WT	0.0000	04/12/99	4/12/1999						
1490145512	NEPTUNE	WT	0.0000	04/12/99	4/12/1999						
46123961	NEPTUNE	WT	0.0000	04/12/99	4/12/1999						
1490145974	NEPTUNE	WT	0.0000	04/12/99	4/12/1999						
46123962	NEPTUNE	WT	0.0000	04/12/99	4/12/1999						
1490146244	NEPTUNE	WT	0.0000	04/12/99	4/12/1999						
46123963	NEPTUNE	WT	0.0000	04/12/99	4/12/1999						
1490194468	NEPTUNE	WT	0.0000	04/12/99	4/12/1999						
46123964	NEPTUNE	WT	0.0000	04/12/99	4/12/1999						
1490180066	NEPTUNE	WT	0.0000	04/12/99	4/12/1999						

Meter #	Size	Service	Meter	Purchase	Warranty	Last	# Of	# Of Fixed	Units of	Tamper	Visually
Internal Id #	Manufacturer	Type	Constant	Date	Date	Tested	Test Cycle	0's	Measure	Status	Readable
46123965	NEPTUNE	WT	0.0000	06/04/99	6/4/1999	11/04/08	10	5	0	Gallons	
1490146384	NEPTUNE	WT	0.0000	06/04/99	6/4/1999	03/03/09	10	5	0	Gallons	
46123966	NEPTUNE	WT	0.0000	06/04/99	6/4/1999	02/23/09	10	5	0	Gallons	
1490159918	NEPTUNE	WT	0.0000	06/04/99	6/4/1999	11/24/08	10	5	0	Gallons	
46123967	NEPTUNE	WT	0.0000	06/04/99	6/4/1999	07/31/08	10	5	0	Gallons	
1490172774	NEPTUNE	WT	0.0000	06/04/99	6/4/1999	01/03/17	10	5	0	Gallons	
46123968	NEPTUNE	WT	0.0000	06/04/99	6/4/1999	11/11/15	10	5	0	Gallons	
1490145474	NEPTUNE	WT	0.0000	06/04/99	6/4/1999	09/29/08	10	5	0	Gallons	
46123969	NEPTUNE	WT	0.0000	06/04/99	6/4/1999	09/29/08	10	5	0	Gallons	
1487772114	NEPTUNE	WT	0.0000	06/04/99	6/4/1999	01/11/13	10	5	0	Gallons	
46123970	NEPTUNE	WT	0.0000	06/04/99	6/4/1999	11/13/08	10	5	0	Gallons	
1545021100	NEPTUNE	WT	0.0000	06/04/99	6/4/1999	10/01/08	10	5	0	Gallons	
46123971	NEPTUNE	WT	0.0000	06/04/99	6/4/1999	11/02/18	10	5	0	Gallons	
1540777246	NEPTUNE	WT	0.0000	06/04/99	6/4/1999	07/29/99	10	5	0	Gallons	
46123972	NEPTUNE	WT	0.0000	06/04/99	6/4/1999	02/23/09	10	5	0	Gallons	
1490178184	NEPTUNE	WT	0.0000	06/04/99	6/4/1999	06/15/16	10	5	0	Gallons	
46123973	NEPTUNE	WT	0.0000	06/04/99	6/4/1999	10/30/08	10	5	0	Gallons	
1490173452	NEPTUNE	WT	0.0000	06/04/99	6/4/1999	05/27/08	10	5	0	Gallons	
46123974	NEPTUNE	WT	0.0000	06/04/99	6/4/1999	05/20/19	10	0	0	Gallons	
1490155316	NEPTUNE	WT	0.0000	06/04/99	6/4/1999	11/13/15	10	5	0	Gallons	
46123975	NEPTUNE	WT	0.0000	06/04/99	6/4/1999	11/13/08	10	5	0	Gallons	
1490178752	NEPTUNE	WT	0.0000	06/04/99	6/4/1999	10/13/08	10	5	0	Gallons	
46123976	NEPTUNE	WT	0.0000	06/04/99	6/4/1999	10/01/08	10	5	0	Gallons	
1551830262	NEPTUNE	WT	0.0000	06/04/99	6/4/1999	07/29/99	10	5	0	Gallons	
46123977	NEPTUNE	WT	0.0000	06/04/99	6/4/1999	06/15/16	10	5	0	Gallons	
1490166174	NEPTUNE	WT	0.0000	06/04/99	6/4/1999	10/30/08	10	5	0	Gallons	
46123978	NEPTUNE	WT	0.0000	06/04/99	6/4/1999	05/27/08	10	5	0	Gallons	
1485360446	NEPTUNE	WT	0.0000	06/04/99	6/4/1999	05/20/19	10	0	0	Gallons	
46123979	NEPTUNE	WT	0.0000	06/04/99	6/4/1999	11/13/08	10	5	0	Gallons	
1490194484	NEPTUNE	WT	0.0000	06/04/99	6/4/1999	10/01/08	10	5	0	Gallons	
46123980	NEPTUNE	WT	0.0000	06/04/99	6/4/1999	07/29/99	10	5	0	Gallons	
1490189500	NEPTUNE	WT	0.0000	06/04/99	6/4/1999	06/15/16	10	5	0	Gallons	
46267130	NEPTUNE	WT	0.0000	06/04/99	6/4/1999	10/30/08	10	5	0	Gallons	
1490163506	NEPTUNE	WT	0.0000	06/04/99	6/4/1999	05/27/08	10	5	0	Gallons	
46267131	NEPTUNE	WT	0.0000	06/04/99	6/4/1999	05/20/19	10	0	0	Gallons	
1490141856	NEPTUNE	WT	0.0000	06/04/99	6/4/1999	11/13/15	10	5	0	Gallons	
46267132	NEPTUNE	WT	0.0000	06/04/99	6/4/1999	10/30/08	10	5	0	Gallons	
1487952692	NEPTUNE	WT	0.0000	06/04/99	6/4/1999	05/27/08	10	5	0	Gallons	
46267133	NEPTUNE	WT	0.0000	06/04/99	6/4/1999	05/20/19	10	0	0	Gallons	
1490174416	NEPTUNE	WT	0.0000	06/04/99	6/4/1999	11/13/15	10	5	0	Gallons	
46267134	NEPTUNE	WT	0.0000	06/04/99	6/4/1999	10/30/08	10	5	0	Gallons	
1484694086	NEPTUNE	WT	0.0000	06/04/99	6/4/1999	05/27/08	10	5	0	Gallons	
46267135	NEPTUNE	WT	0.0000	06/04/99	6/4/1999	05/20/19	10	0	0	Gallons	
46267136	NEPTUNE	WT	0.0000	06/04/99	6/4/1999	11/13/15	10	5	0	Gallons	
1430219706	NEPTUNE	WT	0.0000	06/04/99	6/4/1999	10/30/08	10	5	0	Gallons	

Meter #	Size	Service	Meter	Purchase	Warranty	Last	# Of	# Of	Units of	Tamper	
Internal Id #	Manufacturer	Type	Constant	Date	Date	Tested	Test Cycle	Fixed	Measure	Status	
							Dials	0's		Visually	
										Readable	
46267137	NEPTUNE	WT	0.0000	06/04/99	6/4/1999	06/12/09	10	5	0	Gallons	
1490156096	NEPTUNE	WT	0.0000	06/04/99	6/4/1999	11/01/07	10	5	0	Gallons	
46267138	NEPTUNE	WT	0.0000	06/04/99	6/4/1999	02/06/04	10	5	0	Gallons	
1490194532	NEPTUNE RADIO	WT	0.0000	06/04/99	6/4/1999	07/13/12	10	5	0	Gallons	
46267139	NEPTUNE	WT	0.0000	06/04/99	6/4/1999	10/12/10	10	5	0	Gallons	
1470901780	NEPTUNE	WT	0.0000	06/04/99	6/4/1999	09/18/08	10	5	0	Gallons	
46267140	NEPTUNE	WT	0.0000	06/04/99	6/4/1999	08/04/10	10	5	0	Gallons	
1485538796	NEPTUNE	WT	0.0000	06/04/99	6/4/1999	01/03/17	10	5	0	Gallons	
46267141	NEPTUNE	WT	0.0000	06/04/99	6/4/1999	10/01/15	10	5	0	Gallons	
1490145220	NEPTUNE	WT	0.0000	06/04/99	6/4/1999	08/07/08	10	5	0	Gallons	
46267142	NEPTUNE	WT	0.0000	06/04/99	6/4/1999	07/16/09	10	5	0	Gallons	
1490177368	NEPTUNE	WT	0.0000	06/04/99	6/4/1999	07/18/12	10	5	0	Gallons	
46267143	NEPTUNE	WT	0.0000	06/04/99	6/4/1999	04/10/18	10	5	0	Gallons	
1483798952	NEPTUNE	WT	0.0000	06/04/99	6/4/1999	01/25/13	10	5	0	Gallons	
46267144	NEPTUNE	WT	0.0000	06/04/99	6/4/1999	08/07/08	10	5	0	Gallons	
1545041148	NEPTUNE	WT	0.0000	06/04/99	6/4/1999	11/11/08	10	5	0	Gallons	
46267145	NEPTUNE	WT	0.0000	06/04/99	6/4/1999	07/16/09	10	5	0	Gallons	
1490117332	NEPTUNE	WT	0.0000	06/04/99	6/4/1999	10/06/08	10	5	0	Gallons	
46267146	NEPTUNE	WT	0.0000	06/04/99	6/4/1999	02/09/10	10	5	0	Gallons	
1487739728	NEPTUNE	WT	0.0000	06/04/99	6/4/1999	06/11/18	10	5	0	Gallons	
46267147	NEPTUNE	WT	0.0000	06/04/99	6/4/1999	02/01/11	10	5	0	Gallons	
1490147906	NEPTUNE	WT	0.0000	06/04/99	6/4/1999	09/11/09	10	5	0	Gallons	
46267148	NEPTUNE	WT	0.0000	06/04/99	6/4/1999	10/22/14	10	5	0	Gallons	
1490145230	NEPTUNE	WT	0.0000	06/04/99	6/4/1999	07/30/99	7/30/1999	10/21/15	10	0	0
46267149	NEPTUNE	WT	0.0000	06/04/99	6/4/1999	07/30/99	7/30/1999	10/21/15	10	0	0
1490144908	NEPTUNE	WT	0.0000	06/04/99	6/4/1999	07/30/99	7/30/1999	10/21/15	10	0	0
46267150	NEPTUNE	WT	0.0000	06/04/99	6/4/1999	07/30/99	7/30/1999	10/21/15	10	0	0
1485550204	NEPTUNE	WT	0.0000	06/04/99	6/4/1999	07/30/99	7/30/1999	10/21/15	10	0	0
46267151	NEPTUNE	WT	0.0000	06/04/99	6/4/1999	07/30/99	7/30/1999	10/21/15	10	0	0
1490168148	NEPTUNE	WT	0.0000	06/04/99	6/4/1999	07/30/99	7/30/1999	10/21/15	10	0	0
46407216	NEPTUNE	WT	0.0000	06/04/99	6/4/1999	07/30/99	7/30/1999	10/21/15	10	0	0
1490194194	NEPTUNE	WT	0.0000	06/04/99	6/4/1999	07/30/99	7/30/1999	10/21/15	10	0	0
46407217	NEPTUNE	WT	0.0000	06/04/99	6/4/1999	07/30/99	7/30/1999	10/21/15	10	0	0
1490155400	NEPTUNE	WT	0.0000	06/04/99	6/4/1999	07/30/99	7/30/1999	10/21/15	10	0	0
46407218	NEPTUNE	WT	0.0000	06/04/99	6/4/1999	07/30/99	7/30/1999	10/21/15	10	0	0
1482331420	NEPTUNE	WT	0.0000	06/04/99	6/4/1999	07/30/99	7/30/1999	10/21/15	10	0	0
46407219	NEPTUNE	WT	0.0000	06/04/99	6/4/1999	07/30/99	7/30/1999	10/21/15	10	0	0
1483707806	NEPTUNE	WT	0.0000	06/04/99	6/4/1999	07/30/99	7/30/1999	10/21/15	10	0	0
46407220	NEPTUNE	WT	0.0000	06/04/99	6/4/1999	07/30/99	7/30/1999	10/21/15	10	0	0
1483704696	NEPTUNE	WT	0.0000	06/04/99	6/4/1999	07/30/99	7/30/1999	10/21/15	10	0	0
46407221	NEPTUNE	WT	0.0000	06/04/99	6/4/1999	07/30/99	7/30/1999	10/21/15	10	0	0
1490155068	NEPTUNE	WT	0.0000	06/04/99	6/4/1999	07/30/99	7/30/1999	10/21/15	10	0	0
46407222	NEPTUNE	WT	0.0000	06/04/99	6/4/1999	07/30/99	7/30/1999	10/21/15	10	0	0
1487737408	NEPTUNE	WT	0.0000	06/04/99	6/4/1999	07/30/99	7/30/1999	10/21/15	10	0	0
46407223	NEPTUNE	WT	0.0000	06/04/99	6/4/1999	07/30/99	7/30/1999	10/21/15	10	0	0

Meter #	Size	Service	Meter	Purchase	Warranty	Last	# Of	# Of Fixed	Units of	Tamper	
Internal Id #	Manufacturer	Type	Constant	Date	Date	Tested	Diags	0's	Measure	Status	Visually Readable
46407224	NEPTUNE	WT	0.0000	07/30/99	7/30/1999	10/01/08	10	5	0	Gallons	
1490163842	NEPTUNE	WT	0.0000	07/30/99	7/30/1999	10/31/08	10	5	0	Gallons	
46407225	NEPTUNE	WT	0.0000	07/30/99	7/30/1999	01/25/13	10	5	0	Gallons	
1490194574	NEPTUNE	WT	0.0000	07/30/99	7/30/1999	10/17/08	10	5	0	Gallons	
46407226	NEPTUNE	WT	0.0000	07/30/99	7/30/1999	07/05/07	10	5	0	Gallons	
1486453036	NEPTUNE	WT	0.0000	07/30/99	7/30/1999	09/16/10	10	5	0	Gallons	
46407227	NEPTUNE	WT	0.0000	07/30/99	7/30/1999	07/05/07	10	5	0	Gallons	
1490176036	NEPTUNE	WT	0.0000	07/30/99	7/30/1999	07/05/07	10	5	0	Gallons	
46407228	NEPTUNE	WT	0.0000	07/30/99	7/30/1999	07/05/07	10	5	0	Gallons	
1490144862	NEPTUNE	WT	0.0000	07/30/99	7/30/1999	07/05/07	10	5	0	Gallons	
46407229	NEPTUNE	WT	0.0000	07/30/99	7/30/1999	04/28/17	10	5	0	Gallons	
1490151610	NEPTUNE	WT	0.0000	07/30/99	7/30/1999	09/19/08	10	0	0	Gallons	
46407230	NEPTUNE	WT	0.0000	07/30/99	7/30/1999	07/05/07	10	5	0	Gallons	
1471629141	NEPTUNE	WT	0.0000	07/30/99	7/30/1999	10/30/08	10	5	0	Gallons	
46407231	NEPTUNE	WT	0.0000	07/30/99	7/30/1999	04/28/17	10	5	0	Gallons	
1490174092	NEPTUNE	WT	0.0000	07/30/99	7/30/1999	05/10/19	10	0	0	Gallons	
46407232	NEPTUNE	WT	0.0000	07/30/99	7/30/1999	02/27/13	10	5	0	Gallons	
1545505568	NEPTUNE	WT	0.0000	07/30/99	7/30/1999	09/28/16	10	5	0	Gallons	
46407233	NEPTUNE	WT	0.0000	07/30/99	7/30/1999	02/27/13	10	5	0	Gallons	
46407234	NEPTUNE	WT	0.0000	07/30/99	7/30/1999	10/24/14	10	5	0	Gallons	
1490150306	NEPTUNE	WT	0.0000	07/30/99	7/30/1999	05/10/19	10	0	0	Gallons	
46407235	NEPTUNE	WT	0.0000	07/30/99	7/30/1999	02/27/13	10	5	0	Gallons	
1486682368	NEPTUNE	WT	0.0000	08/03/99	8/3/1999	09/28/16	10	5	0	Gallons	
46407246	NEPTUNE	WT	0.0000	08/03/99	8/3/1999	10/08/08	10	5	0	Gallons	
1486682368	NEPTUNE	WT	0.0000	08/03/99	8/3/1999	02/27/13	10	5	0	Gallons	
46407247	NEPTUNE	WT	0.0000	08/03/99	8/3/1999	02/27/13	10	5	0	Gallons	
1542524188	NEPTUNE	WT	0.0000	08/03/99	8/3/1999	07/17/18	10	5	0	Gallons	
46407248	NEPTUNE	WT	0.0000	08/03/99	8/3/1999	07/17/18	10	5	0	Gallons	
1490163512	NEPTUNE	WT	0.0000	08/03/99	8/3/1999	06/16/17	10	5	0	Gallons	
46407249	NEPTUNE	WT	0.0000	08/03/99	8/3/1999	06/16/17	10	5	0	Gallons	
1486318908	NEPTUNE	WT	0.0000	08/03/99	8/3/1999	02/22/17	10	5	0	Gallons	
46407250	NEPTUNE	WT	0.0000	08/03/99	8/3/1999	02/22/17	10	5	0	Gallons	
46407251	NEPTUNE	WT	0.0000	08/03/99	8/3/1999	09/17/08	10	5	0	Gallons	
1490149992	NEPTUNE	WT	0.0000	08/03/99	8/3/1999	09/17/08	10	5	0	Gallons	
46407252	NEPTUNE	WT	0.0000	08/03/99	8/3/1999	01/07/15	10	5	0	Gallons	
1490147234	NEPTUNE	WT	0.0000	08/03/99	8/3/1999	01/07/15	10	5	0	Gallons	
46407253	NEPTUNE	WT	0.0000	08/03/99	8/3/1999	01/07/15	10	5	0	Gallons	
1563018850	NEPTUNE	WT	0.0000	08/03/99	8/3/1999	01/07/15	10	5	0	Gallons	
46504701	NEPTUNE	WT	0.0000	08/03/99	8/3/1999	01/07/15	10	5	0	Gallons	
46504769	NEPTUNE	WT	0.0000	08/03/99	8/3/1999	01/07/15	10	5	0	Gallons	
1490175198	NEPTUNE	WT	0.0000	08/03/99	8/3/1999	01/07/15	10	5	0	Gallons	
46504770	NEPTUNE	WT	0.0000	08/03/99	8/3/1999	01/07/15	10	5	0	Gallons	
1487103634	NEPTUNE	WT	0.0000	08/03/99	8/3/1999	01/07/15	10	5	0	Gallons	

Meter #	Size	Service	Meter	Purchase	Warranty	Last	# Of	# Of	Units of	Tamper	
Internal Id #	Manufacturer	Type	Constant	Date	Date	Tested	Test Cycle	Fixed	Measure	Status	
							Dials	0's		Visually	
										Readable	
46504771	NEPTUNE	WT	0.0000	08/03/99	8/3/1999	04/11/14	10	5	0	Gallons	
1490155032	NEPTUNE	WT	0.0000	08/03/99	8/3/1999	11/03/08	10	5	0	Gallons	
46504772	NEPTUNE	WT	0.0000	08/03/99	8/3/1999	10/14/08	10	5	0	Gallons	
1490189692	NEPTUNE	WT	0.0000	08/03/99	8/3/1999	12/03/08	10	5	0	Gallons	
46504773	NEPTUNE	WT	0.0000	08/03/99	8/3/1999	02/01/11	10	5	0	Gallons	
1490148820	NEPTUNE	WT	0.0000	08/03/99	8/3/1999	09/24/08	10	5	0	Gallons	
46504774	NEPTUNE	WT	0.0000	08/03/99	8/3/1999	12/02/08	10	5	0	Gallons	
1487150154	NEPTUNE	WT	0.0000	08/03/99	8/3/1999	10/29/08	10	5	0	Gallons	
46504775	NEPTUNE	WT	0.0000	08/03/99	8/3/1999	04/03/14	10	5	0	Gallons	
1483405412	NEPTUNE	WT	0.0000	08/03/99	8/3/1999	12/14/07	10	5	0	Gallons	
46504776	NEPTUNE	WT	0.0000	08/03/99	8/3/1999	09/09/15	10	5	0	Gallons	
1490178398	NEPTUNE	WT	0.0000	08/03/99	8/3/1999	05/10/19	10	0	0	Gallons	
46504777	NEPTUNE	WT	0.0000	08/03/99	8/3/1999	10/11/12	10	5	0	Gallons	
1410249794	NEPTUNE	WT	0.0000	08/03/99	8/3/1999	04/16/19	10	5	0	Gallons	
46504778	NEPTUNE	WT	0.0000	08/03/99	8/3/1999	12/14/07	10	5	0	Gallons	
1490150150	NEPTUNE	WT	0.0000	08/03/99	8/3/1999	09/04/18	10	5	0	Gallons	
46504779	NEPTUNE	WT	0.0000	08/03/99	8/3/1999	09/04/18	10	5	0	Gallons	
1550412226	NEPTUNE	WT	0.0000	08/03/99	8/3/1999	12/01/15	10	5	0	Gallons	
46504780	NEPTUNE	WT	0.0000	08/03/99	8/3/1999	05/10/19	10	0	0	Gallons	
1484696290	NEPTUNE	WT	0.0000	08/03/99	8/3/1999	04/03/14	10	5	0	Gallons	
46504781	NEPTUNE	WT	0.0000	08/03/99	8/3/1999	05/10/19	10	0	0	Gallons	
1487419654	NEPTUNE	WT	0.0000	08/03/99	8/3/1999	05/10/19	10	0	0	Gallons	
46504782	NEPTUNE	WT	0.0000	08/03/99	8/3/1999	10/11/12	10	5	0	Gallons	
46504783	NEPTUNE	WT	0.0000	08/03/99	8/3/1999	04/16/19	10	5	0	Gallons	
1486133908	NEPTUNE	WT	0.0000	08/03/99	8/3/1999	12/14/07	10	5	0	Gallons	
46504784	NEPTUNE	WT	0.0000	08/03/99	8/3/1999	09/09/15	10	5	0	Gallons	
1562518256	NEPTUNE	WT	0.0000	08/03/99	8/3/1999	05/10/19	10	0	0	Gallons	
46504785	NEPTUNE	WT	0.0000	08/03/99	8/3/1999	12/14/07	10	5	0	Gallons	
1490138770	NEPTUNE	WT	0.0000	08/03/99	8/3/1999	12/02/08	10	5	0	Gallons	
46504786	NEPTUNE	WT	0.0000	08/03/99	8/3/1999	10/01/15	10	5	0	Gallons	
1490177450	NEPTUNE	WT	0.0000	08/03/99	8/3/1999	09/25/08	10	5	0	Gallons	
46504787	NEPTUNE	WT	0.0000	08/03/99	8/3/1999	11/10/15	10	5	0	Gallons	
1540656252	NEPTUNE	WT	0.0000	08/03/99	8/3/1999	11/10/15	10	5	0	Gallons	
46504788	NEPTUNE	WT	0.0000	08/03/99	8/3/1999	09/09/15	10	5	0	Gallons	
1490187234	NEPTUNE	WT	0.0000	08/03/99	8/3/1999	12/13/07	10	5	0	Gallons	
46504789	NEPTUNE	WT	0.0000	08/03/99	8/3/1999	10/26/06	10	5	0	Gallons	
1540772730	NEPTUNE	WT	0.0000	08/03/99	8/3/1999	10/26/06	10	5	0	Gallons	
46504790	NEPTUNE	WT	0.0000	08/03/99	8/3/1999	10/26/06	10	5	0	Gallons	
1487944608	NEPTUNE	WT	0.0000	08/03/99	8/3/1999	10/26/06	10	5	0	Gallons	
46504821	NEPTUNE	WT	0.0000	08/03/99	8/3/1999	10/26/06	10	5	0	Gallons	
1490124318	NEPTUNE	WT	0.0000	08/03/99	8/3/1999	10/26/06	10	5	0	Gallons	
46504822	Neptune	WT	0.0000	10/07/99	10/7/1999	05/12/08	10	5	0	Gallons	
1490146998	Neptune	WT	0.0000	10/07/99	10/7/1999	05/12/08	10	5	0	Gallons	
46504823	NEPTUNE	WT	0.0000	10/07/99	10/7/1999	05/12/08	10	5	0	Gallons	
1490131844	NEPTUNE	WT	0.0000	10/07/99	10/7/1999	05/12/08	10	5	0	Gallons	

Meter #	Size	Service	Meter	Purchase	Warranty	Last	# Of	# Of	Units of	Tamper	
Internal Id #	Manufacturer	Type	Constant	Date	Date	Tested	Diags	Fixed	Measure	Status	
								0's		Visually	
										Readable	
46504824	NEPTUNE	WT	0.0000	10/07/99	10/07/1999	09/30/08	10	5	0	Gallons	
1481553888	NEPTUNE	WT	0.0000	10/07/99	10/07/1999	02/01/11	10	5	0	Gallons	
46504825	NEPTUNE	WT	0.0000	10/07/99	10/07/1999	11/14/14	10	5	0	Gallons	
1487738154	NEPTUNE	WT	0.0000	10/07/99	10/07/1999	09/17/08	10	5	0	Gallons	
46504826	NEPTUNE	WT	0.0000	10/07/99	10/07/1999	09/17/08	10	5	0	Gallons	
1490145446	NEPTUNE RADIO	WT	0.0000	10/07/99	10/07/1999	07/12/05	10	5	0	Gallons	
46504827	NEPTUNE	WT	0.0000	10/07/99	10/07/1999	09/04/08	10	5	0	Gallons	
1487941502	NEPTUNE	WT	0.0000	10/07/99	10/07/1999	11/05/18	10	5	0	Gallons	
46504828	NEPTUNE	WT	0.0000	10/07/99	10/07/1999	12/01/08	10	5	0	Gallons	
1490176700	NEPTUNE	WT	0.0000	10/07/99	10/07/1999	08/07/08	10	5	0	Gallons	
46569475	NEPTUNE	WT	0.0000	10/07/99	10/07/1999	12/02/08	10	5	0	Gallons	
1490163496	NEPTUNE	WT	0.0000	10/07/99	10/07/1999	11/29/07	10	5	0	Gallons	
46569476	NEPTUNE	WT	0.0000	10/07/99	10/07/1999	10/01/15	10	5	0	Gallons	
1490167536	NEPTUNE	WT	0.0000	10/07/99	10/07/1999	08/18/11	10	5	0	Gallons	
46569477	NEPTUNE	WT	0.0000	10/07/99	10/07/1999	11/09/18	10	5	0	Gallons	
1551825314	NEPTUNE	WT	0.0000	10/07/99	10/07/1999	10/24/08	10	5	0	Gallons	
46569478	NEPTUNE	WT	0.0000	10/07/99	10/07/1999	03/18/11	10	5	0	Gallons	
1562470614	NEPTUNE	WT	0.0000	10/07/99	10/07/1999	03/18/11	10	5	0	Gallons	
46569479	NEPTUNE	WT	0.0000	10/07/99	10/07/1999	03/18/11	10	5	0	Gallons	
1490194492	NEPTUNE	WT	0.0000	10/07/99	10/07/1999	03/18/11	10	5	0	Gallons	
46569480	NEPTUNE	WT	0.0000	10/07/99	10/07/1999	03/18/11	10	5	0	Gallons	
1490189782	NEPTUNE	WT	0.0000	10/07/99	10/07/1999	03/18/11	10	5	0	Gallons	
46569481	NEPTUNE	WT	0.0000	10/07/99	10/07/1999	03/18/11	10	5	0	Gallons	
1487200306	NEPTUNE	WT	0.0000	10/07/99	10/07/1999	03/18/11	10	5	0	Gallons	
46569482	NEPTUNE	WT	0.0000	10/07/99	10/07/1999	03/18/11	10	5	0	Gallons	
1490173728	NEPTUNE	WT	0.0000	10/07/99	10/07/1999	03/18/11	10	5	0	Gallons	
46569483	NEPTUNE	WT	0.0000	10/07/99	10/07/1999	03/18/11	10	5	0	Gallons	
1490146308	NEPTUNE	WT	0.0000	10/07/99	10/07/1999	03/18/11	10	5	0	Gallons	
46569484	NEPTUNE	WT	0.0000	10/07/99	10/07/1999	03/18/11	10	5	0	Gallons	
1487118050	NEPTUNE	WT	0.0000	10/07/99	10/07/1999	03/18/11	10	5	0	Gallons	
46569485	NEPTUNE	WT	0.0000	10/07/99	10/07/1999	03/18/11	10	5	0	Gallons	
1490123446	NEPTUNE	WT	0.0000	10/07/99	10/07/1999	03/18/11	10	5	0	Gallons	
46569486	NEPTUNE	WT	0.0000	10/07/99	10/07/1999	03/18/11	10	5	0	Gallons	
1490177236	NEPTUNE	WT	0.0000	10/07/99	10/07/1999	03/18/11	10	5	0	Gallons	
46569487	NEPTUNE	WT	0.0000	10/07/99	10/07/1999	03/18/11	10	5	0	Gallons	
1540774732	NEPTUNE	WT	0.0000	10/07/99	10/07/1999	03/18/11	10	5	0	Gallons	
46569488	NEPTUNE	WT	0.0000	10/07/99	10/07/1999	03/18/11	10	5	0	Gallons	
1545270120	NEPTUNE	WT	0.0000	10/07/99	10/07/1999	03/18/11	10	5	0	Gallons	
46569489	NEPTUNE	WT	0.0000	10/07/99	10/07/1999	03/18/11	10	5	0	Gallons	
1551804346	NEPTUNE	WT	0.0000	10/07/99	10/07/1999	03/18/11	10	5	0	Gallons	
46569490	NEPTUNE	WT	0.0000	10/07/99	10/07/1999	03/18/11	10	5	0	Gallons	
1487738142	NEPTUNE	WT	0.0000	10/07/99	10/07/1999	03/18/11	10	5	0	Gallons	
46569491	NEPTUNE	WT	0.0000	10/07/99	10/07/1999	03/18/11	10	5	0	Gallons	
1490147176	NEPTUNE	WT	0.0000	10/07/99	10/07/1999	03/18/11	10	5	0	Gallons	
46569492	NEPTUNE	WT	0.0000	10/07/99	10/07/1999	03/18/11	10	5	0	Gallons	
1483715790	NEPTUNE	WT	0.0000	10/07/99	10/07/1999	03/18/11	10	5	0	Gallons	

Meter #	Size	Service	Meter	Purchase	Warranty	Last	# Of	# Of	Units of	Tamper
Internal Id #	Manufacturer	Type	Constant	Date	Date	Tested	Test Cycle	Fixed	Measure	Status
							Dials	0's		Visually
		Rating								Readable
46569493	NEPTUNE	WT	0.0000	10/07/99	10/07/1999	01/04/08	10	5	0	Gallons
1490136332	NEPTUNE	WT	0.0000	10/07/99	10/07/1999	06/12/12	10	5	0	Gallons
46569494	NEPTUNE	WT	0.0000	10/07/99	10/07/1999	06/25/08	10	5	0	Gallons
1485528918	NEPTUNE	WT	0.0000	10/07/99	10/07/1999	10/30/13	10	5	0	Gallons
46569495	NEPTUNE	WT	0.0000	10/07/99	10/07/1999	12/04/08	10	5	0	Gallons
1490177014	NEPTUNE	WT	0.0000	12/28/99	12/28/1999	03/08/12	10	5	0	Gallons
46569496	NEPTUNE	WT	0.0000	12/28/99	12/28/1999	02/24/09	10	5	0	Gallons
1487103622	NEPTUNE	WT	0.0000	12/28/99	12/28/1999	05/14/19	10	5	0	Gallons
46932827	NEPTUNE	WT	0.0000	12/28/99	12/28/1999	04/07/14	10	5	0	Gallons
1471617265	NEPTUNE	WT	0.0000	12/28/99	12/28/1999	01/05/18	10	5	0	Gallons
46932828	NEPTUNE	WT	0.0000	12/28/99	12/28/1999	02/07/19	10	5	0	Gallons
1490161334	NEPTUNE	WT	0.0000	06/30/06	6/30/2006	05/06/15	10	5	0	Gallons
46932829	NEPTUNE	WT	0.0000	06/30/06	6/30/2006	02/07/19	10	5	0	Gallons
1490171030	NEPTUNE	WT	0.0000	08/07/95	8/7/1995	11/23/11	10	0	0	Gallons
46932830	NEPTUNE	WT	0.0000	08/07/95	8/7/1995	02/10/05	10	0	0	Gallons
1490194580	NEPTUNE	WT	0.0000	06/07/07	6/7/2007	02/07/19	10	5	0	Gallons
46932831	NEPTUNE	WT	0.0000	09/12/07	9/12/2007	07/06/09	10	5	0	Gallons
1490150104	NEPTUNE	WT	0.0000	10/22/07	10/22/2007	10/30/07	10	5	0	Gallons
46932832	NEPTUNE	WT	0.0000	02/07/08	2/7/2008	09/23/08	10	5	0	Gallons
1552116770	NEPTUNE	WT	0.0000	07/29/09	07/29/09		10	5	0	Gallons
46932833	NEPTUNE	WT	0.0000							
1546679996	NEPTUNE	WT	0.0000							
46932834	NEPTUNE	WT	0.0000							
1490146560	NEPTUNE	WT	0.0000							
48658328	NEPTUNE	WT	0.0000							
1490133124	NEPTUNE	WT	0.0000							
49650418	NEPTUNE	WT	0.0000							
1543616530	NEPTUNE	WT	0.0000							
49950839	NEPTUNE	WT	0.0000							
1490178420	NEPTUNE	WT	0.0000							
49950840	NEPTUNE	WT	0.0000							
1551702142	NEPTUNE	WT	0.0000							
50454356	NEPTUNE	WT	0.0000							
50454608	NEPTUNE	WT	0.0000							
51219155	NEPTUNE	WT	0.0000							
1546170030	NEPTUNE	WT	0.0000							
51336038	NEPTUNE	WT	0.0000							
1481257746	NEPTUNE	WT	0.0000							
51348437	NEPTUNE	WT	0.0000							
1471536174	NEPTUNE	WT	0.0000							
51443796	NEPTUNE	WT	0.0000							
1490179088	NEPTUNE	WT	0.0000							
51600052	NEPTUNE	WT	0.0000							
1490148870	NEPTUNE	WT	0.0000							

Meter #	Size	Service	Meter	Purchase	Warranty	Last	# Of	# Of Fixed	Units of	Tamper	Visually
Internal Id #	Manufacturer	Type	Constant	Date	Date	Tested	Diags	0's	Measure	Status	Readable
51600166	NEPTUNE	WT	0.0000			04/15/09	10	5	0	Gallons	
1490155594	NEPTUNE	WT	0.0000			08/19/16	10	5	0	Gallons	
51600714	NEPTUNE	WT	0.0000								
1490169036	NEPTUNE	WT	0.0000	10/08/08	10/8/2008	05/11/10	10	0	0	Gallons	
51600885	Neptune	WT	0.0000			12/05/08	10	5	0	Gallons	
51601851	Neptune	WT	0.0000								
1490167780	Neptune	WT	0.0000				10	5	0	Gallons	
51601887	Neptune	WT	0.0000								
1490144902	Neptune	WT	0.0000			06/30/05	10	5	0	Gallons	
51602192	NEPTUNE	WT	0.0000			01/17/18	10	5	0	Gallons	
1490159984	NEPTUNE	WT	0.0000			07/17/18	10	0	0	Gallons	
51603115	Neptune	WT	0.0000			05/06/08	10	5	0	Gallons	
1545902602	Neptune	WT	0.0000			10/27/15	10	5	0	Gallons	
51603533	Neptune	WT	0.0000								
51603557	NEPTUNE	WT	0.0000								
1483407316	NEPTUNE	WT	0.0000			11/14/14	10	5	0	Gallons	
51604201	NEPTUNE	WT	0.0000			01/27/04	10	5	0	Gallons	
1471521911	NEPTUNE	WT	0.0000								
51604305	Neptune	WT	0.0000			09/16/09	10	0	0	Gallons	
1490195734	Neptune	WT	0.0000								
51604620	NEPTUNE	WT	0.0000								
1471527012	NEPTUNE	WT	0.0000								
51605533	Neptune	WT	0.0000								
51700805	Neptune	WT	0.0000	11/06/08	11/6/2008	01/23/09	10	5	0	Gallons	
1490174158	Neptune	R									
52167749	Neptune	WT	0.0000	05/09/11	5/9/2011	06/28/11	10	5	0	Gallons	
1545537420	Neptune	WT	0.0000								
53286176	Neptune	WT	0.0000	08/01/98	8/1/1998	11/03/08	10	5	0	Gallons	
1490145272	Neptune Proread	WT	0.0000								
53296216	Neptune	WT	0.0000	11/17/14	11/17/2014	04/28/15	10	5	0	Gallons	
1487746948	Neptune	WT	0.0000	07/28/17	7/28/2017	08/10/17	10	5	0	Gallons	
54038265	Neptune	WT	0.0000	07/28/17	7/28/2017	08/10/17	10	5	0	Gallons	
1546299108	Neptune	WT	0.0000	07/28/17	7/28/2017	08/10/17	10	5	0	Gallons	
54061790	Neptune	WT	0.0000	05/16/95	5/16/1995	03/31/95	10	0	0	Gallons	
60007213	NEPTUNE	WT	0.0000	08/12/02	8/12/2002	08/12/02	4	7	0	Gallons	
60377582	Sensus	WT	0.0000	06/08/05	6/8/2005	09/20/12	1	0	0	Gallons	
65118349	ROCKWELL	WT	0.0000	03/11/15	3/11/2015	03/11/15	10	5	0	Gallons	
68315907	Neptune	WT	0.0000								
1487940120	Neptune	WT	0.0000								

Meter #	Size	Service	Meter	Purchase	Warranty	Last	# Of	# Of	Units of	Tamper	
Internal Id #	Manufacturer	Type	Constant	Date	Date	Tested	Test Cycle	Fixed	Measure	Status	
							Dials	0's		Visually	
		Rating								Readable	
68315908	Neptune	WT	0.0000	03/11/15	3/11/2015	09/24/15	10	5	0	Gallons	
1471617498	Neptune	WT	0.0000	03/11/15	3/11/2015	09/24/15	10	5	0	Gallons	
68315909	Neptune	WT	0.0000	03/11/15	3/11/2015	09/24/15	10	5	0	Gallons	
1471560660	Neptune	WT	0.0000	03/11/15	3/11/2015	09/24/15	10	5	0	Gallons	
68315910	Neptune	WT	0.0000	03/11/15	3/11/2015	09/24/15	10	5	0	Gallons	
1487938540	Neptune	WT	0.0000	03/11/15	3/11/2015	09/24/15	10	5	0	Gallons	
68315911	Neptune	WT	0.0000	03/11/15	3/11/2015	09/24/15	10	5	0	Gallons	
1471510058	Neptune	WT	0.0000	03/11/15	3/11/2015	09/24/15	10	5	0	Gallons	
68315912	Neptune	WT	0.0000	03/06/96	3/6/1996	10/31/06	4	0	0	Gallons	
1471482970	Neptune	WT	0.0000	05/05/99	5/5/1999	10/31/06	4	0	0	Gallons	
70012302	NEPTUNE	WT	0.0000	05/12/00	5/12/2000	09/20/13	1	6	0	Gallons	
1481977972	NEPTUNE	WT	0.0000	03/16/01	3/16/2001	04/02/01	1	0	0	Gallons	
70059053	NEPTUNE	WT	0.0000	08/02/00	8/2/2000	06/29/01	2	0	0	Gallons	
70064466	NEPTUNE	WT	0.0000	07/02/01	7/2/2001	07/09/01	2	6	0	Gallons	
1481256298	NEPTUNE	WT	0.0000	10/01/03	10/1/2003	03/05/09	1	6	0	Gallons	
70078799	NEPTUNE	WT	0.0000	09/07/12			4	6	0	Gallons	
70079061	NEPTUNE	WT	0.0000	05/20/04			4	6	0	Gallons	
70090172	Neptune	WT	0.0000	02/15/05	2/15/2005	03/23/09	2	0	0	Gallons	
1549659040	Neptune	WT	0.0000	02/15/05	2/15/2005	04/01/05	2	0	0	Gallons	
70108316	NEPTUNE	WT	0.0000	02/15/05	2/15/2005	04/06/05	2	7	0	Gallons	
1490116660	NEPTUNE	WT	0.0000	05/08/06	5/8/2006	07/03/06	2	7	0	Gallons	
70112517	NEPTUNE	WT	0.0000	02/16/11	2/16/2011	09/19/13	4	0	0	Gallons	
1490145438	NEPTUNE	TB	0.0000	02/16/11	2/16/2011	09/19/13	4	0	0	Gallons	
70124669	NEPTUNE	WT	0.0000	05/14/12	5/14/2012	10/25/12	2	0	0	Gallons	
1486721146	NEPTUNE	WT	0.0000	05/14/12	5/14/2012	10/25/12	2	0	0	Gallons	
70144075	Neptune	WT	0.0000	05/14/12	5/14/2012	10/25/12	2	0	0	Gallons	
70144078	NEPTUNE	WT	0.0000	05/14/12	5/14/2012	10/25/12	2	0	0	Gallons	
70144079	NEPTUNE	WT	0.0000	05/14/12	5/14/2012	10/25/12	2	0	0	Gallons	
1486719958	NEPTUNE	WT	0.0000	05/14/12	5/14/2012	10/25/12	2	0	0	Gallons	
70165478	NEPTUNE	WT	0.0000	09/26/13	9/26/2013	09/26/13	4	6	0	Gallons	
1470796198	NEPTUNE	WT	0.0000	09/26/13	9/26/2013	09/26/13	4	6	0	Gallons	
70232647	Neptune	WT	0.0000	09/01/14	9/1/2014		4	5	0	Gallons	
70263392	Neptune	WT	0.0000								
70263418	Neptune	WT	0.0000								
1834179916	Neptune	WT	0.0000								
70282314	Neptune	WT	0.0000								
1850536914	Neptune	TB	0.0000								
70290594	Neptune	WT	0.0000								
1852541738	Neptune	WT	0.0000								

Meter #	Size	Service	Meter	Purchase	Warranty	Last	# Of	# Of Fixed	Units of	Tamper		
Internal Id #	Manufacturer	Type	Constant	Date	Date	Tested	Diags	0's	Measure	Status	Visually Readable	
70311033	Neptune	WT	160	0.0000	07/16/15	7/16/2015	07/16/15	4	6	0	Gallons	
1487926211	Neptune	WT	20	0.0000	03/11/09		02/24/17	10	0	0	Gallons	
70315618	Sensus	WT	20	0.0000	07/01/09		02/24/17	10	0	0	Gallons	
70315619	Sensus	WT	20	0.0000	07/01/09		02/24/17	10	0	0	Gallons	
70326301	Neptune	WT	160	0.0000	05/25/16		05/25/16	4	6	0	Gallons	
1543707048	Neptune	WT	350	0.0000	11/17/16	11/17/2016		2	0	0	Gallons	
70333994	Neptune	WT	350	0.0000	11/17/16	11/17/2016		2	0	0	Gallons	
70333995	Neptune	WT	350	0.0000	11/17/16	11/17/2016		2	0	0	Gallons	
1544752128	Neptune	WT	350	0.0000	07/09/18	7/9/2018		2	0	0	Gallons	
70360602	Neptune	HP	350	0.0000	07/09/18	7/9/2018		2	0	0	Gallons	
70368704	Neptune	WT	350	0.0000	11/14/18	11/14/2018	11/14/18	2	0	0	Gallons	
70676463	Sensus	WT	20	0.0000	09/28/09		02/24/17	10	0	0	Gallons	
70676466	Sensus	WT	20	0.0000	07/01/09		02/24/17	10	0	0	Gallons	
72013153	Neptune	WT	350	0.0000	11/26/14	11/26/2014	12/12/14	2	5	0	Gallons	
1470901783	Neptune	WT	1000	0.0000	12/20/14	12/20/2014	12/20/14	1	5	0	Cubic Feet	
72013364	Neptune	WT	160	0.0000	06/12/15	6/12/2015	06/25/15	4	6	0	Gallons	
1490149721	Neptune	WT	350	0.0000	02/14/17	2/14/2017	09/27/17	2	0	0	Gallons	
72015336	Neptune	HP	1000	0.0000	12/04/18	12/4/2018	12/04/18	1	0	0	Gallons	
1490118726	Neptune	WT	20	0.0000	12/04/18	12/4/2018	12/04/18	1	0	0	Gallons	
72021928	Neptune	WT	20	0.0000	12/04/18	12/4/2018	12/04/18	1	0	0	Gallons	
72029499	Neptune	WT	20	0.0000	12/28/99	12/28/1999	07/06/05	10	5	0	Gallons	
73057668	NEPTUNE	WT	20	0.0000	12/28/99	12/28/1999	10/23/14	10	5	0	Gallons	
1490146190	NEPTUNE	WT	20	0.0000	12/28/99	12/28/1999	10/23/14	10	5	0	Gallons	
73057669	NEPTUNE	WT	20	0.0000	12/28/99	12/28/1999	04/25/19	10	5	0	Gallons	
1471250604	NEPTUNE	WT	20	0.0000	12/28/99	12/28/1999	02/09/10	10	5	0	Gallons	
73057670	NEPTUNE	WT	20	0.0000	12/28/99	12/28/1999	05/01/08	10	5	0	Gallons	
1562479680	NEPTUNE	WT	20	0.0000	12/28/99	12/28/1999	10/22/08	10	5	0	Gallons	
73057671	NEPTUNE	WT	20	0.0000	12/28/99	12/28/1999	01/31/05	10	5	0	Gallons	
1490174054	NEPTUNE	WT	20	0.0000	12/28/99	12/28/1999	08/02/07	10	5	0	Gallons	
73057672	NEPTUNE	WT	20	0.0000	12/28/99	12/28/1999		10	5	0	Gallons	
1482383824	NEPTUNE	WT	20	0.0000	12/28/99	12/28/1999		10	5	0	Gallons	
73057673	NEPTUNE	WT	20	0.0000	12/28/99	12/28/1999		10	5	0	Gallons	
1490132206	NEPTUNE	WT	20	0.0000	12/28/99	12/28/1999		10	5	0	Gallons	
73057674	NEPTUNE	WT	20	0.0000	12/28/99	12/28/1999		10	5	0	Gallons	
1490151222	NEPTUNE	WT	20	0.0000	12/28/99	12/28/1999		10	5	0	Gallons	
73057675	NEPTUNE	WT	20	0.0000	12/28/99	12/28/1999		10	5	0	Gallons	
1471488916	NEPTUNE	WT	20	0.0000	12/28/99	12/28/1999		10	5	0	Gallons	

Meter #	Size	Service	Meter	Purchase	Warranty	Last	# Of	# Of Fixed	Units of	Tamper
Internal Id #	Manufacturer	Type	Constant	Date	Date	Tested	Of Cycle	0's	Measure	Status
							Diags			Visually
										Readable
73057676	NEPTUNE	WT	0.0000	12/28/99	12/28/1999	05/14/19	10	0	0	0
73057677	NEPTUNE	WT	0.0000	12/28/99	12/28/1999	03/18/11	10	5	0	0
1483715864	NEPTUNE	WT	0.0000	12/28/99	12/28/1999	10/12/10	10	5	0	0
1483714908	NEPTUNE	WT	0.0000	12/28/99	12/28/1999	10/09/08	10	5	0	0
73057679	NEPTUNE	WT	0.0000	12/28/99	12/28/1999	10/11/10	10	5	0	0
1490180078	NEPTUNE	WT	0.0000	12/28/99	12/28/1999	06/12/12	10	5	0	0
73057680	NEPTUNE	WT	0.0000	12/28/99	12/28/1999	11/14/08	10	0	0	0
1483393120	NEPTUNE	WT	0.0000	12/28/99	12/28/1999	06/12/12	10	5	0	0
73057681	NEPTUNE	WT	0.0000	12/28/99	12/28/1999	08/18/14	10	5	0	0
1485537866	NEPTUNE	WT	0.0000	12/28/99	12/28/1999	03/13/19	10	5	0	0
73057682	NEPTUNE	WT	0.0000	12/28/99	12/28/1999	01/26/11	10	5	0	0
73057683	NEPTUNE	WT	0.0000	12/28/99	12/28/1999	09/11/14	10	5	0	0
1485535180	NEPTUNE	WT	0.0000	12/28/99	12/28/1999	08/12/12	10	5	0	0
73057684	NEPTUNE	WT	0.0000	12/28/99	12/28/1999	01/25/13	10	5	0	0
1486318912	NEPTUNE	WT	0.0000	12/28/99	12/28/1999	12/03/08	10	5	0	0
73057685	NEPTUNE	WT	0.0000	12/28/99	12/28/1999	08/18/14	10	5	0	0
1490169150	NEPTUNE	WT	0.0000	12/28/99	12/28/1999	04/15/08	10	5	0	0
73057686	NEPTUNE	WT	0.0000	12/28/99	12/28/1999	09/11/14	10	5	0	0
1490195850	NEPTUNE	WT	0.0000	12/28/99	12/28/1999	03/13/19	10	5	0	0
73057687	NEPTUNE	WT	0.0000	12/28/99	12/28/1999	01/26/11	10	5	0	0
1490151060	NEPTUNE	WT	0.0000	12/28/99	12/28/1999	11/24/15	10	5	0	0
73057688	NEPTUNE	WT	0.0000	12/28/99	12/28/1999	08/03/07	10	5	0	0
1487415272	NEPTUNE	WT	0.0000	12/28/99	12/28/1999	10/31/08	10	5	0	0
73057689	NEPTUNE	WT	0.0000	12/28/99	12/28/1999	01/28/13	10	5	0	0
1487201194	NEPTUNE	WT	0.0000	12/28/99	12/28/1999	01/07/15	10	5	0	0
73057690	NEPTUNE	WT	0.0000	12/28/99	12/28/1999	11/01/07	10	5	0	0
1562461812	NEPTUNE	WT	0.0000	12/28/99	12/28/1999	04/01/16	10	5	0	0
73057691	NEPTUNE	WT	0.0000	12/28/99	12/28/1999	01/25/13	10	5	0	0
1490167952	NEPTUNE	WT	0.0000	12/28/99	12/28/1999	01/25/13	10	5	0	0
73057692	NEPTUNE	WT	0.0000	12/28/99	12/28/1999	01/25/13	10	5	0	0
1490145652	NEPTUNE	WT	0.0000	12/28/99	12/28/1999	01/25/13	10	5	0	0
73057693	NEPTUNE	WT	0.0000	12/28/99	12/28/1999	01/25/13	10	5	0	0
1471242086	NEPTUNE	WT	0.0000	12/28/99	12/28/1999	01/25/13	10	5	0	0
73057694	NEPTUNE	WT	0.0000	12/28/99	12/28/1999	01/28/13	10	5	0	0
1486322472	NEPTUNE	WT	0.0000	12/28/99	12/28/1999	01/28/13	10	5	0	0
73057695	Neptune	WT	0.0000	12/28/99	12/28/1999	01/07/15	10	5	0	0
1487116396	Neptune	WT	0.0000	12/28/99	12/28/1999	11/01/07	10	5	0	0
73057696	NEPTUNE	WT	0.0000	12/28/99	12/28/1999	11/01/07	10	5	0	0
1490178144	NEPTUNE	WT	0.0000	12/28/99	12/28/1999	11/01/07	10	5	0	0
73057697	NEPTUNE	WT	0.0000	12/28/99	12/28/1999	04/01/16	10	5	0	0
1490163532	NEPTUNE	WT	0.0000	12/28/99	12/28/1999	04/01/16	10	5	0	0
73057698	NEPTUNE	WT	0.0000	12/28/99	12/28/1999	01/25/13	10	5	0	0
1486821968	NEPTUNE	WT	0.0000	12/28/99	12/28/1999	01/25/13	10	5	0	0

Meter #	Size	Service	Meter	Purchase	Warranty	Last	# Of	# Of Fixed	Units of	Tamper
Internal Id #	Manufacturer	Type	Constant	Date	Date	Tested	Test Cycle	0's	Measure	Status
		Rating					Dials			Visually
										Readable
73057699	NEPTUNE	WT	0.0000	12/28/99	12/28/1999	07/15/09	10	5	0	Gallons
1481564730	NEPTUNE	WT	0.0000	12/28/99	12/28/1999	01/17/18	10	5	0	Gallons
73057700	NEPTUNE	WT	0.0000	12/28/99	12/28/1999	08/01/08	10	5	0	Gallons
1490146430	NEPTUNE	WT	0.0000	12/28/99	12/28/1999	10/31/13	10	5	0	Gallons
73057701	NEPTUNE	WT	0.0000	12/28/99	12/28/1999	09/27/05	10	5	0	Gallons
1490146392	NEPTUNE	WT	0.0000	12/28/99	12/28/1999	10/01/08	10	5	0	Gallons
73057702	NEPTUNE	WT	0.0000	12/28/99	12/28/1999	10/21/08	10	5	0	Gallons
1490145904	NEPTUNE	WT	0.0000	12/28/99	12/28/1999	12/01/15	10	5	0	Gallons
73057703	NEPTUNE	WT	0.0000	12/28/99	12/28/1999	01/26/11	10	5	0	Gallons
1490154860	NEPTUNE	WT	0.0000	12/28/99	12/28/1999	05/27/08	10	5	0	Gallons
73057704	NEPTUNE	WT	0.0000	12/28/99	12/28/1999	07/12/11	10	5	0	Gallons
1490187328	NEPTUNE	WT	0.0000	03/24/00	3/24/2000	05/15/08	10	5	0	Gallons
73057705	NEPTUNE	WT	0.0000	03/24/00	3/24/2000	03/09/12	10	5	0	Gallons
1490144396	NEPTUNE	WT	0.0000	03/24/00	3/24/2000	10/06/08	10	5	0	Gallons
73057706	NEPTUNE	WT	0.0000	03/24/00	3/24/2000	08/04/10	10	5	0	Gallons
1551668198	NEPTUNE	WT	0.0000	03/24/00	3/24/2000	07/12/11	10	5	0	Gallons
73057707	NEPTUNE	WT	0.0000	03/24/00	3/24/2000	10/29/15	10	5	0	Gallons
1490149516	NEPTUNE	WT	0.0000	03/24/00	3/24/2000	05/02/19	10	5	0	Gallons
73057708	NEPTUNE	WT	0.0000	03/24/00	3/24/2000	05/02/19	10	5	0	Gallons
1490147834	NEPTUNE	WT	0.0000	03/24/00	3/24/2000	05/02/19	10	5	0	Gallons
73057709	NEPTUNE	WT	0.0000	03/24/00	3/24/2000	05/02/19	10	5	0	Gallons
1490140852	NEPTUNE	WT	0.0000	03/24/00	3/24/2000	05/02/19	10	5	0	Gallons
73410325	NEPTUNE	WT	0.0000	03/24/00	3/24/2000	05/02/19	10	5	0	Gallons
1490146340	NEPTUNE	WT	0.0000	03/24/00	3/24/2000	05/02/19	10	5	0	Gallons
73410326	NEPTUNE	WT	0.0000	03/24/00	3/24/2000	05/02/19	10	5	0	Gallons
1471484462	NEPTUNE	WT	0.0000	03/24/00	3/24/2000	05/02/19	10	5	0	Gallons
73410327	NEPTUNE	WT	0.0000	03/24/00	3/24/2000	05/02/19	10	5	0	Gallons
1490155050	NEPTUNE	WT	0.0000	03/24/00	3/24/2000	05/02/19	10	5	0	Gallons
73410328	NEPTUNE	WT	0.0000	03/24/00	3/24/2000	05/02/19	10	5	0	Gallons
1490139982	NEPTUNE	WT	0.0000	03/24/00	3/24/2000	05/02/19	10	5	0	Gallons
73410329	NEPTUNE	WT	0.0000	03/24/00	3/24/2000	05/02/19	10	5	0	Gallons
1551703698	NEPTUNE	WT	0.0000	03/24/00	3/24/2000	05/02/19	10	5	0	Gallons
73410330	NEPTUNE	WT	0.0000	03/24/00	3/24/2000	05/02/19	10	5	0	Gallons
1490194522	NEPTUNE	WT	0.0000	03/24/00	3/24/2000	05/02/19	10	5	0	Gallons
73410331	NEPTUNE	WT	0.0000	03/24/00	3/24/2000	05/02/19	10	5	0	Gallons
1551876244	NEPTUNE	WT	0.0000	03/24/00	3/24/2000	05/02/19	10	5	0	Gallons
73410332	NEPTUNE	WT	0.0000	03/24/00	3/24/2000	05/02/19	10	5	0	Gallons
1547234086	NEPTUNE	WT	0.0000	03/24/00	3/24/2000	05/02/19	10	5	0	Gallons
73410333	NEPTUNE	WT	0.0000	03/24/00	3/24/2000	05/02/19	10	5	0	Gallons
1490164008	NEPTUNE	WT	0.0000	03/24/00	3/24/2000	05/02/19	10	5	0	Gallons
73410334	NEPTUNE	WT	0.0000	03/24/00	3/24/2000	05/02/19	10	5	0	Gallons
1490150106	NEPTUNE	WT	0.0000	03/24/00	3/24/2000	05/02/19	10	5	0	Gallons
73410335	NEPTUNE	WT	0.0000	03/24/00	3/24/2000	05/02/19	10	5	0	Gallons
1490156392	NEPTUNE	WT	0.0000	03/24/00	3/24/2000	05/02/19	10	5	0	Gallons
73410336	NEPTUNE	WT	0.0000	03/24/00	3/24/2000	05/02/19	10	5	0	Gallons
1490142032	NEPTUNE	WT	0.0000	03/24/00	3/24/2000	05/02/19	10	5	0	Gallons

Meter #	Size	Service	Meter	Purchase	Warranty	Last	# Of	# Of Fixed	Units of	Tamper	Visually
Internal Id #	Manufacturer	Type	Constant	Date	Date	Tested	Test Cycle	0's	Measure	Status	Readable
73410337	NEPTUNE	WT	0.0000	03/24/00	3/24/2000	06/12/09	10	5	0	Gallons	
1490196100	NEPTUNE	WT	0.0000	03/24/00	3/24/2000	03/31/04	10	0	0	Gallons	
73410338	NEPTUNE	WT	0.0000	03/24/00	3/24/2000	02/01/11	10	5	0	Gallons	
73410339	NEPTUNE	WT	0.0000	03/24/00	3/24/2000	08/19/14	10	5	0	Gallons	
1490155086	NEPTUNE	WT	0.0000	03/24/00	3/24/2000	03/26/10	10	5	0	Gallons	
73410340	NEPTUNE	WT	0.0000	03/24/00	3/24/2000	11/19/04	10	5	0	Gallons	
1487443824	NEPTUNE	WT	0.0000	03/24/00	3/24/2000		10	5	0	Gallons	
73410341	NEPTUNE	WT	0.0000	03/24/00	3/24/2000		10	5	0	Gallons	
1482355580	NEPTUNE	WT	0.0000	03/24/00	3/24/2000		10	5	0	Gallons	
73410342	NEPTUNE	WT	0.0000	03/24/00	3/24/2000		10	5	0	Gallons	
1471512222	NEPTUNE	WT	0.0000	03/24/00	3/24/2000		10	5	0	Gallons	
73410348	NEPTUNE	WT	0.0000	03/24/00	3/24/2000		10	5	0	Gallons	
1542506428	NEPTUNE	WT	0.0000	03/24/00	3/24/2000		10	5	0	Gallons	
73464167	NEPTUNE	WT	0.0000	03/24/00	3/24/2000		10	5	0	Gallons	
1551857074	NEPTUNE	WT	0.0000	03/24/00	3/24/2000		10	5	0	Gallons	
73464168	NEPTUNE	WT	0.0000	03/24/00	3/24/2000		10	5	0	Gallons	
1490146014	NEPTUNE	WT	0.0000	03/24/00	3/24/2000		10	5	0	Gallons	
73464169	NEPTUNE	WT	0.0000	03/24/00	3/24/2000		10	5	0	Gallons	
1547969630	NEPTUNE	WT	0.0000	03/24/00	3/24/2000		10	5	0	Gallons	
73464170	NEPTUNE	WT	0.0000	03/24/00	3/24/2000		10	5	0	Gallons	
1487438962	NEPTUNE	WT	0.0000	03/24/00	3/24/2000		10	5	0	Gallons	
73464171	NEPTUNE	WT	0.0000	03/24/00	3/24/2000		10	5	0	Gallons	
1490173988	NEPTUNE	WT	0.0000	03/24/00	3/24/2000		10	5	0	Gallons	
73464172	NEPTUNE	WT	0.0000	03/24/00	3/24/2000		10	5	0	Gallons	
1490187850	NEPTUNE	WT	0.0000	03/24/00	3/24/2000		10	5	0	Gallons	
73464173	NEPTUNE	WT	0.0000	03/24/00	3/24/2000		10	5	0	Gallons	
1490177456	NEPTUNE	WT	0.0000	03/24/00	3/24/2000		10	5	0	Gallons	
73464174	NEPTUNE	WT	0.0000	03/24/00	3/24/2000		10	5	0	Gallons	
1490187910	NEPTUNE	WT	0.0000	03/24/00	3/24/2000		10	5	0	Gallons	
73464175	NEPTUNE	WT	0.0000	03/24/00	3/24/2000		10	5	0	Gallons	
1490177350	NEPTUNE	WT	0.0000	03/24/00	3/24/2000		10	5	0	Gallons	
73464176	NEPTUNE	WT	0.0000	03/24/00	3/24/2000		10	5	0	Gallons	
1562478094	NEPTUNE	WT	0.0000	03/24/00	3/24/2000		10	5	0	Gallons	
73464177	NEPTUNE	WT	0.0000	03/24/00	3/24/2000		10	5	0	Gallons	
1484697534	NEPTUNE	WT	0.0000	03/24/00	3/24/2000		10	5	0	Gallons	
73464178	NEPTUNE	WT	0.0000	03/24/00	3/24/2000		10	5	0	Gallons	
1551825308	NEPTUNE	WT	0.0000	03/24/00	3/24/2000		10	5	0	Gallons	
73526870	NEPTUNE	WT	0.0000	04/28/00	4/28/2000		10	5	0	Gallons	
1490178610	NEPTUNE	WT	0.0000	04/28/00	4/28/2000		10	5	0	Gallons	
73526871	NEPTUNE	WT	0.0000	04/28/00	4/28/2000		10	5	0	Gallons	
1547938544	NEPTUNE	WT	0.0000	04/28/00	4/28/2000		10	5	0	Gallons	
73526872	NEPTUNE	WT	0.0000	04/28/00	4/28/2000		10	5	0	Gallons	
1490194360	NEPTUNE	WT	0.0000	04/28/00	4/28/2000		10	5	0	Gallons	
73526873	NEPTUNE	WT	0.0000	04/28/00	4/28/2000		10	5	0	Gallons	
1484464340	NEPTUNE	WT	0.0000	04/28/00	4/28/2000		10	5	0	Gallons	

Meter #	Size	Service	Meter	Purchase	Warranty	Last	# Of	# Of Fixed	Units of	Tamper
Internal Id #	Manufacturer	Type	Constant	Date	Date	Tested	Test Cycle	0's	Measure	Status
		Rating					Dials			Visually
										Readable
73526874	NEPTUNE	WT 20	0.0000	04/28/00	4/28/2000	09/14/07	10	5	0	Gallons
1490118256	NEPTUNE	WT 20	0.0000	04/28/00	4/28/2000	10/31/08	10	5	0	Gallons
73526875	NEPTUNE	WT 20	0.0000	04/28/00	4/28/2000	10/21/14	10	5	0	Gallons
1490189590	NEPTUNE	WT 20	0.0000	04/28/00	4/28/2000	05/30/12	10	5	0	Gallons
73526876	NEPTUNE	WT 20	0.0000	04/28/00	4/28/2000	10/09/08	10	5	0	Gallons
1471513648	NEPTUNE	WT 20	0.0000	04/28/00	4/28/2000	11/22/13	10	5	0	Gallons
73526877	NEPTUNE	WT 20	0.0000	04/28/00	4/28/2000	04/29/15	10	5	0	Gallons
1485370646	NEPTUNE	WT 20	0.0000	04/28/00	4/28/2000	09/10/15	10	5	0	Gallons
73526878	NEPTUNE	WT 20	0.0000	04/28/00	4/28/2000	04/15/09	10	5	0	Gallons
1490151418	NEPTUNE	WT 20	0.0000	04/28/00	4/28/2000	10/15/08	10	5	0	Gallons
73526879	NEPTUNE	WT 20	0.0000	04/28/00	4/28/2000	07/31/09	10	5	0	Gallons
1487134174	NEPTUNE	WT 20	0.0000	04/28/00	4/28/2000	05/16/07	10	5	0	Gallons
73526880	NEPTUNE	WT 20	0.0000	04/28/00	4/28/2000	05/27/05	10	5	0	Gallons
1487780666	NEPTUNE	WT 20	0.0000	04/28/00	4/28/2000	11/22/13	10	5	0	Gallons
73526881	NEPTUNE	WT 20	0.0000	04/28/00	4/28/2000	09/10/15	10	5	0	Gallons
1487942692	NEPTUNE	WT 20	0.0000	04/28/00	4/28/2000	04/15/09	10	5	0	Gallons
73526882	NEPTUNE	WT 20	0.0000	04/28/00	4/28/2000	10/15/08	10	5	0	Gallons
1490121922	NEPTUNE	WT 20	0.0000	04/28/00	4/28/2000	07/31/09	10	5	0	Gallons
73526883	NEPTUNE	WT 20	0.0000	04/28/00	4/28/2000	05/16/07	10	5	0	Gallons
1490194434	NEPTUNE	WT 20	0.0000	04/28/00	4/28/2000	05/27/05	10	5	0	Gallons
73526884	NEPTUNE	WT 20	0.0000	04/28/00	4/28/2000	11/22/13	10	5	0	Gallons
1471531106	NEPTUNE	WT 20	0.0000	04/28/00	4/28/2000	09/10/15	10	5	0	Gallons
73526885	NEPTUNE	WT 20	0.0000	04/28/00	4/28/2000	04/15/09	10	5	0	Gallons
1471365026	NEPTUNE	WT 20	0.0000	04/28/00	4/28/2000	10/15/08	10	5	0	Gallons
73526886	NEPTUNE	WT 20	0.0000	04/28/00	4/28/2000	07/31/09	10	5	0	Gallons
1471514254	NEPTUNE	WT 20	0.0000	04/28/00	4/28/2000	05/16/07	10	5	0	Gallons
73526887	NEPTUNE	WT 20	0.0000	04/28/00	4/28/2000	05/27/05	10	5	0	Gallons
1490172654	NEPTUNE	WT 20	0.0000	04/28/00	4/28/2000	11/22/13	10	5	0	Gallons
73605593	NEPTUNE	WT 20	0.0000	04/28/00	4/28/2000	09/10/15	10	5	0	Gallons
1481601444	NEPTUNE	WT 20	0.0000	04/28/00	4/28/2000	04/15/09	10	5	0	Gallons
73605594	NEPTUNE	WT 20	0.0000	04/28/00	4/28/2000	05/16/07	10	5	0	Gallons
1490163470	NEPTUNE	WT 20	0.0000	04/28/00	4/28/2000	05/27/05	10	5	0	Gallons
73605595	NEPTUNE	WT 20	0.0000	04/28/00	4/28/2000	11/22/13	10	5	0	Gallons
1490189526	NEPTUNE	WT 20	0.0000	04/28/00	4/28/2000	09/10/15	10	5	0	Gallons
73605596	NEPTUNE	WT 20	0.0000	04/28/00	4/28/2000	04/15/09	10	5	0	Gallons
1490148888	NEPTUNE	WT 20	0.0000	04/28/00	4/28/2000	05/16/07	10	5	0	Gallons
73605597	NEPTUNE	WT 20	0.0000	04/28/00	4/28/2000	05/27/05	10	5	0	Gallons
1483711830	NEPTUNE	WT 20	0.0000	04/28/00	4/28/2000	11/22/13	10	5	0	Gallons
73605598	NEPTUNE	WT 20	0.0000	04/28/00	4/28/2000	09/10/15	10	5	0	Gallons
1483393136	NEPTUNE	WT 20	0.0000	04/28/00	4/28/2000	04/15/09	10	5	0	Gallons
73605599	NEPTUNE	WT 20	0.0000	04/28/00	4/28/2000	05/16/07	10	5	0	Gallons
1483354816	NEPTUNE	WT 20	0.0000	04/28/00	4/28/2000	05/27/05	10	5	0	Gallons
73605600	NEPTUNE	WT 20	0.0000	04/28/00	4/28/2000	11/22/13	10	5	0	Gallons
1490151362	NEPTUNE	WT 20	0.0000	04/28/00	4/28/2000	09/10/15	10	5	0	Gallons
73605601	NEPTUNE	WT 20	0.0000	04/28/00	4/28/2000	04/15/09	10	5	0	Gallons
1550403488	NEPTUNE	WT 20	0.0000	04/28/00	4/28/2000	05/16/07	10	5	0	Gallons

Meter #	Size	Service	Meter	Purchase	Warranty	Last	# Of	# Of Fixed	Units of	Tamper	
Internal Id #	Manufacturer	Type	Constant	Date	Date	Tested	Diags	0's	Measure	Status	
		Rating								Visually	
										Readable	
73605602	NEPTUNE	WT	0.0000	04/28/00	4/28/2000	02/09/10	10	5	0	Gallons	
1471527009	NEPTUNE	WT	0.0000	04/28/00	4/28/2000	04/04/19	10	5	0	Gallons	
73605606	NEPTUNE	WT	0.0000	04/28/00	4/28/2000	04/04/19	10	5	0	Gallons	
1562450136	NEPTUNE	WT	0.0000	04/28/00	4/28/2000	04/08/19	10	5	0	Gallons	
73605607	NEPTUNE	WT	0.0000	06/09/00	6/9/2000	05/31/18	10	5	0	Gallons	
1562484114	NEPTUNE	WT	0.0000	06/09/00	6/9/2000	05/31/18	10	5	0	Gallons	
73644024	NEPTUNE	WT	0.0000	06/09/00	6/9/2000	10/31/13	10	5	0	Gallons	
1487439000	NEPTUNE	WT	0.0000	06/09/00	6/9/2000	10/31/13	10	5	0	Gallons	
73644025	NEPTUNE	WT	0.0000	06/09/00	6/9/2000	01/14/13	10	5	0	Gallons	
1490139966	NEPTUNE	WT	0.0000	06/09/00	6/9/2000	03/12/09	10	5	0	Gallons	
73644026	NEPTUNE	WT	0.0000	06/09/00	6/9/2000	12/02/15	10	5	0	Gallons	
1486688702	NEPTUNE	WT	0.0000	06/09/00	6/9/2000	01/04/13	10	5	0	Gallons	
73644027	NEPTUNE	WT	0.0000	06/09/00	6/9/2000	11/22/13	10	0	0	Gallons	
1490148434	NEPTUNE	WT	0.0000	06/09/00	6/9/2000	02/27/13	10	5	0	Gallons	
73644028	NEPTUNE	WT	0.0000	06/09/00	6/9/2000	10/31/08	10	5	0	Gallons	
1490148348	NEPTUNE	WT	0.0000	06/09/00	6/9/2000	01/05/17	10	5	0	Gallons	
73644029	NEPTUNE	WT	0.0000	06/09/00	6/9/2000	07/26/00	10	0	0	Gallons	
1486314340	NEPTUNE	WT	0.0000	06/09/00	6/9/2000	07/26/00	10	0	0	Gallons	
73644030	NEPTUNE	WT	0.0000	06/09/00	6/9/2000	05/05/17	10	5	0	Gallons	
1546681288	NEPTUNE	WT	0.0000	06/09/00	6/9/2000	10/02/08	10	5	0	Gallons	
73758894	NEPTUNE	WT	0.0000	06/09/00	6/9/2000	07/15/09	10	5	0	Gallons	
1490187860	NEPTUNE	WT	0.0000	06/09/00	6/9/2000	07/15/09	10	5	0	Gallons	
73758895	NEPTUNE	WT	0.0000	06/09/00	6/9/2000	07/15/09	10	5	0	Gallons	
1544975250	NEPTUNE	WT	0.0000	06/09/00	6/9/2000	03/08/19	10	5	0	Gallons	
73758896	NEPTUNE	WT	0.0000	06/09/00	6/9/2000	03/08/19	10	5	0	Gallons	
73758897	NEPTUNE	WT	0.0000	06/09/00	6/9/2000	10/10/08	10	5	0	Gallons	
1545520268	NEPTUNE	WT	0.0000	06/09/00	6/9/2000	04/15/16	10	5	0	Gallons	
73758898	NEPTUNE	WT	0.0000	06/09/00	6/9/2000	08/16/05	10	5	0	Gallons	
1490194512	NEPTUNE	WT	0.0000	06/09/00	6/9/2000	04/11/07	10	5	0	Gallons	
73758899	NEPTUNE	WT	0.0000	06/09/00	6/9/2000	11/14/14	10	5	0	Gallons	
1485316300	NEPTUNE	WT	0.0000	06/09/00	6/9/2000						
73758900	NEPTUNE	WT	0.0000	06/09/00	6/9/2000						
1551692146	NEPTUNE	WT	0.0000	06/09/00	6/9/2000						
73758901	NEPTUNE	WT	0.0000	06/09/00	6/9/2000						
1490144226	NEPTUNE	WT	0.0000	06/09/00	6/9/2000						
73758902	NEPTUNE	WT	0.0000	06/09/00	6/9/2000						
1563042410	NEPTUNE	WT	0.0000	06/09/00	6/9/2000						
73758903	NEPTUNE	WT	0.0000	06/09/00	6/9/2000						
1490187370	NEPTUNE	WT	0.0000	06/09/00	6/9/2000						
73758904	NEPTUNE	WT	0.0000	06/09/00	6/9/2000						
1490159430	NEPTUNE	WT	0.0000	06/09/00	6/9/2000						
73758905	NEPTUNE	WT	0.0000	06/09/00	6/9/2000						
1487750100	NEPTUNE RADIO	WT	0.0000	06/09/00	6/9/2000						

Meter #	Size	Service	Meter	Purchase	Warranty	Last	# Of	# Of	Units of	Tamper	Visually
Internal Id #	Manufacturer	Type	Constant	Date	Date	Tested	Diags	Fixed	Measure	Status	Readable
73758906	NEPTUNE	WT	0.0000	06/09/00	6/9/2000	06/09/17	10	5	0	Gallons	
1546273872	NEPTUNE	WT	0.0000	06/09/00	6/9/2000	11/19/15	10	5	0	Gallons	
73758907	NEPTUNE	WT	0.0000	06/09/00	6/9/2000	11/05/15	10	5	0	Gallons	
1430219026	NEPTUNE	WT	0.0000	06/09/00	6/9/2000	11/21/13	10	5	0	Gallons	
73758908	NEPTUNE	WT	0.0000	06/09/00	6/9/2000	11/04/08	10	5	0	Gallons	
1540687366	NEPTUNE	WT	0.0000	06/09/00	6/9/2000	10/23/14	10	5	0	Gallons	
73758909	NEPTUNE	WT	0.0000	06/09/00	6/9/2000	08/18/14	10	5	0	Gallons	
1487200422	NEPTUNE	WT	0.0000	06/09/00	6/9/2000	07/02/18	10	5	0	Gallons	
73758910	NEPTUNE	WT	0.0000	06/09/00	6/9/2000	05/05/17	10	5	0	Gallons	
1490144896	NEPTUNE	WT	0.0000	06/09/00	6/9/2000	08/18/11	10	5	0	Gallons	
73758911	NEPTUNE	WT	0.0000	06/09/00	6/9/2000	08/20/08	10	5	0	Gallons	
1490142684	NEPTUNE	WT	0.0000	06/09/00	6/9/2000	11/14/14	10	5	0	Gallons	
73758912	NEPTUNE	WT	0.0000	06/09/00	6/9/2000	02/07/11	10	5	0	Gallons	
1471516036	NEPTUNE	WT	0.0000	06/09/00	6/9/2000	05/05/17	10	5	0	Gallons	
73758913	NEPTUNE	WT	0.0000	06/09/00	6/9/2000	08/18/11	10	5	0	Gallons	
1550397812	NEPTUNE	WT	0.0000	06/09/00	6/9/2000	08/18/11	10	5	0	Gallons	
73792992	NEPTUNE	WT	0.0000	06/09/00	6/9/2000	08/18/11	10	5	0	Gallons	
1545039638	NEPTUNE	WT	0.0000	06/09/00	6/9/2000	08/18/11	10	5	0	Gallons	
73792993	NEPTUNE	WT	0.0000	06/09/00	6/9/2000	08/18/11	10	5	0	Gallons	
1490156032	NEPTUNE	WT	0.0000	06/09/00	6/9/2000	08/18/11	10	5	0	Gallons	
73792994	NEPTUNE	WT	0.0000	06/09/00	6/9/2000	08/18/11	10	5	0	Gallons	
1490124384	NEPTUNE	WT	0.0000	06/09/00	6/9/2000	08/18/11	10	5	0	Gallons	
73792995	NEPTUNE	WT	0.0000	06/09/00	6/9/2000	08/18/11	10	5	0	Gallons	
1487133254	NEPTUNE	WT	0.0000	06/09/00	6/9/2000	08/18/11	10	5	0	Gallons	
73792996	NEPTUNE	WT	0.0000	06/09/00	6/9/2000	08/18/11	10	5	0	Gallons	
1483793838	NEPTUNE	WT	0.0000	06/09/00	6/9/2000	08/18/11	10	5	0	Gallons	
73792997	NEPTUNE	WT	0.0000	06/09/00	6/9/2000	08/18/11	10	5	0	Gallons	
1471518114	NEPTUNE	WT	0.0000	06/09/00	6/9/2000	08/18/11	10	5	0	Gallons	
73792998	NEPTUNE	WT	0.0000	06/09/00	6/9/2000	08/18/11	10	5	0	Gallons	
1490189488	NEPTUNE	WT	0.0000	06/09/00	6/9/2000	08/18/11	10	5	0	Gallons	
73792999	NEPTUNE	WT	0.0000	06/09/00	6/9/2000	08/18/11	10	5	0	Gallons	
1471506030	NEPTUNE	WT	0.0000	06/09/00	6/9/2000	08/18/11	10	5	0	Gallons	
73793000	NEPTUNE	WT	0.0000	06/09/00	6/9/2000	08/18/11	10	5	0	Gallons	
1490149952	NEPTUNE	WT	0.0000	06/09/00	6/9/2000	08/18/11	10	5	0	Gallons	
73793001	Neptune	WT	0.0000	08/08/00	8/8/2000	05/10/19	10	5	0	Gallons	
1552117256	Neptune	WT	0.0000	08/08/00	8/8/2000	01/05/10	10	5	0	Gallons	
73793002	NEPTUNE	WT	0.0000	08/08/00	8/8/2000	01/27/11	10	5	0	Gallons	
1471514452	NEPTUNE	WT	0.0000	08/08/00	8/8/2000	11/30/10	10	5	0	Gallons	
73793003	NEPTUNE	WT	0.0000	08/08/00	8/8/2000	01/27/11	10	5	0	Gallons	
1490175194	NEPTUNE	WT	0.0000	08/08/00	8/8/2000	06/27/07	10	5	0	Gallons	
73793004	NEPTUNE	WT	0.0000	08/08/00	8/8/2000	08/19/11	10	5	0	Gallons	
1490132088	NEPTUNE	WT	0.0000	08/08/00	8/8/2000	08/19/11	10	5	0	Gallons	
73793005	NEPTUNE RADIO	WT	0.0000	08/08/00	8/8/2000	08/19/11	10	5	0	Gallons	
1490139922	NEPTUNE	WT	0.0000	08/08/00	8/8/2000	08/19/11	10	5	0	Gallons	
73793006	NEPTUNE	WT	0.0000	08/08/00	8/8/2000	08/19/11	10	5	0	Gallons	
1483975554	NEPTUNE	WT	0.0000	08/08/00	8/8/2000	08/19/11	10	5	0	Gallons	

Meter #	Size	Service	Meter	Purchase	Warranty	Last	# Of	# Of Fixed	Units of	Tamper	Visually
Internal Id #	Manufacturer	Type	Constant	Date	Date	Tested	Test Cycle	0's	Measure	Status	Readable
73793007	NEPTUNE	WT	0.0000	08/08/00	8/8/2000	11/02/18	10	5	0	Gallons	
1551825904	NEPTUNE	WT	0.0000	08/08/00	8/8/2000	09/04/18	10	5	0	Gallons	
73793008	NEPTUNE	WT	0.0000	08/08/00	8/8/2000	06/12/18	10	5	0	Gallons	
1550384808	NEPTUNE	WT	0.0000	08/08/00	8/8/2000	06/06/08	10	5	0	Gallons	
73793009	NEPTUNE	WT	0.0000	08/08/00	8/8/2000	11/19/08	10	5	0	Gallons	
1551689840	NEPTUNE	WT	0.0000	08/08/00	8/8/2000	03/19/09	10	0	0	Gallons	
73793010	NEPTUNE	WT	0.0000	08/08/00	8/8/2000	06/29/11	10	5	0	Gallons	
1490188743	NEPTUNE	WT	0.0000	08/08/00	8/8/2000	10/01/15	10	5	0	Gallons	
73793011	NEPTUNE	WT	0.0000	08/08/00	8/8/2000	12/03/08	10	5	0	Gallons	
1490165242	Neptune	WT	0.0000	08/08/00	8/8/2000	10/08/08	10	5	0	Gallons	
73934392	NEPTUNE	WT	0.0000	08/08/00	8/8/2000	04/21/16	10	5	0	Gallons	
73934393	NEPTUNE	WT	0.0000	08/08/00	8/8/2000	05/29/09	10	5	0	Gallons	
1483704656	NEPTUNE	WT	0.0000	08/08/00	8/8/2000	12/13/16	10	5	0	Gallons	
73934394	NEPTUNE	WT	0.0000	08/08/00	8/8/2000	04/14/07	10	5	0	Gallons	
1490140028	NEPTUNE	WT	0.0000	08/08/00	8/8/2000	09/14/07	10	5	0	Gallons	
73934395	NEPTUNE	WT	0.0000	08/08/00	8/8/2000	04/25/11	10	5	0	Gallons	
1550412934	NEPTUNE	WT	0.0000	08/08/00	8/8/2000	10/06/08	10	5	0	Gallons	
73934396	NEPTUNE	WT	0.0000	08/08/00	8/8/2000	04/25/11	10	5	0	Gallons	
1490115336	NEPTUNE	WT	0.0000	08/08/00	8/8/2000	10/06/08	10	5	0	Gallons	
73934397	NEPTUNE	WT	0.0000	08/08/00	8/8/2000	05/29/09	10	5	0	Gallons	
1490194402	NEPTUNE	WT	0.0000	08/08/00	8/8/2000	12/13/16	10	5	0	Gallons	
73934398	NEPTUNE	WT	0.0000	08/08/00	8/8/2000	04/14/07	10	5	0	Gallons	
1487955198	NEPTUNE	WT	0.0000	08/08/00	8/8/2000	09/14/07	10	5	0	Gallons	
73934399	NEPTUNE	WT	0.0000	08/08/00	8/8/2000	04/25/11	10	5	0	Gallons	
1490194460	NEPTUNE	WT	0.0000	08/08/00	8/8/2000	10/06/08	10	5	0	Gallons	
73934400	NEPTUNE	WT	0.0000	08/08/00	8/8/2000	04/25/11	10	5	0	Gallons	
1545047132	NEPTUNE	WT	0.0000	08/08/00	8/8/2000	10/06/08	10	5	0	Gallons	
73934401	NEPTUNE	WT	0.0000	08/08/00	8/8/2000	09/14/07	10	5	0	Gallons	
1481565534	NEPTUNE	WT	0.0000	08/08/00	8/8/2000	04/14/07	10	5	0	Gallons	
73934402	NEPTUNE	WT	0.0000	08/08/00	8/8/2000	04/14/07	10	5	0	Gallons	
1490133940	NEPTUNE	WT	0.0000	08/08/00	8/8/2000	08/20/08	10	5	0	Gallons	
73934403	NEPTUNE	WT	0.0000	08/08/00	8/8/2000	08/20/08	10	5	0	Gallons	
1490145242	NEPTUNE	WT	0.0000	08/08/00	8/8/2000	04/12/11	10	5	0	Gallons	
73934404	NEPTUNE	WT	0.0000	09/11/00	9/11/2000	10/08/08	10	5	0	Gallons	
1490134644	NEPTUNE	WT	0.0000	09/11/00	9/11/2000	11/15/00	10	5	0	Gallons	
74229122	NEPTUNE	WT	0.0000	09/11/00	9/11/2000	07/02/18	10	5	0	Gallons	
1490058878	NEPTUNE	WT	0.0000	09/11/00	9/11/2000	11/13/08	10	5	0	Gallons	
74229123	NEPTUNE	WT	0.0000	09/11/00	9/11/2000	07/02/18	10	5	0	Gallons	
1490194406	NEPTUNE	WT	0.0000	09/11/00	9/11/2000	03/27/07	10	5	0	Gallons	
74229124	NEPTUNE	WT	0.0000	09/11/00	9/11/2000	03/27/07	10	5	0	Gallons	
1490144842	NEPTUNE	WT	0.0000	09/11/00	9/11/2000	03/27/07	10	5	0	Gallons	
74229125	NEPTUNE	WT	0.0000	09/11/00	9/11/2000	03/27/07	10	5	0	Gallons	
1550397842	NEPTUNE	WT	0.0000	09/11/00	9/11/2000	03/27/07	10	5	0	Gallons	
74229126	NEPTUNE	WT	0.0000	09/11/00	9/11/2000	03/27/07	10	5	0	Gallons	
1490177604	NEPTUNE	WT	0.0000	09/11/00	9/11/2000	03/27/07	10	5	0	Gallons	

Meter #	Size	Service	Meter	Purchase	Warranty	Last	# Of	# Of Fixed	Units of	Tamper	
Internal Id #	Manufacturer	Type	Constant	Date	Date	Tested	Diags	0's	Measure	Status	
		Rating				Cycle				Visually	
										Readable	
74229127	NEPTUNE Proread	WT	0.0000	09/11/00	9/11/2000	10/20/08	10	5	0	Gallons	
1490152015	5/8"	WT	0.0000	09/11/00	9/11/2000	08/20/08	10	5	0	Gallons	
74229128	NEPTUNE	WT	0.0000	09/11/00	9/11/2000	11/20/13	10	5	0	Gallons	
1490173810	5/8"	WT	0.0000	09/11/00	9/11/2000	10/30/08	10	5	0	Gallons	
74229129	NEPTUNE	WT	0.0000	09/11/00	9/11/2000	05/02/16	10	5	0	Gallons	
1471631082	5/8"	WT	0.0000	09/11/00	9/11/2000	11/24/15	10	5	0	Gallons	
74229130	NEPTUNE	WT	0.0000	09/11/00	9/11/2000	02/22/17	10	5	0	Gallons	
1490174448	5/8"	WT	0.0000	09/11/00	9/11/2000	02/28/13	10	5	0	Gallons	
74229131	NEPTUNE	WT	0.0000	09/11/00	9/11/2000	06/03/11	10	5	0	Gallons	
1490138102	5/8"	WT	0.0000	09/11/00	9/11/2000	12/07/15	10	5	0	Gallons	
74229132	NEPTUNE	WT	0.0000	09/11/00	9/11/2000	04/04/17	10	5	0	Gallons	
1490187144	5/8"	WT	0.0000	09/11/00	9/11/2000	08/02/11	10	5	0	Gallons	
74229133	NEPTUNE	WT	0.0000	09/11/00	9/11/2000	09/25/08	10	5	0	Gallons	
1483709398	5/8"	WT	0.0000	09/11/00	9/11/2000	11/12/15	10	5	0	Gallons	
74229134	NEPTUNE	WT	0.0000	09/11/00	9/11/2000	11/12/15	10	5	0	Gallons	
1542561202	5/8"	WT	0.0000	09/11/00	9/11/2000	02/22/17	10	5	0	Gallons	
74229135	NEPTUNE	WT	0.0000	09/11/00	9/11/2000	02/22/17	10	5	0	Gallons	
1490179542	5/8"	WT	0.0000	09/11/00	9/11/2000	02/22/17	10	5	0	Gallons	
74229136	NEPTUNE	WT	0.0000	09/11/00	9/11/2000	02/22/17	10	5	0	Gallons	
1430219444	5/8"	WT	0.0000	09/11/00	9/11/2000	02/22/17	10	5	0	Gallons	
74229137	NEPTUNE	WT	0.0000	09/11/00	9/11/2000	02/22/17	10	5	0	Gallons	
1490169114	5/8"	WT	0.0000	09/11/00	9/11/2000	02/22/17	10	5	0	Gallons	
74229138	NEPTUNE	WT	0.0000	09/11/00	9/11/2000	02/22/17	10	5	0	Gallons	
1430217384	5/8"	WT	0.0000	09/11/00	9/11/2000	02/22/17	10	5	0	Gallons	
74229139	NEPTUNE	WT	0.0000	09/11/00	9/11/2000	02/22/17	10	5	0	Gallons	
1545536560	5/8"	WT	0.0000	09/11/00	9/11/2000	02/22/17	10	5	0	Gallons	
74229140	NEPTUNE RADIO	WT	0.0000	09/11/00	9/11/2000	02/22/17	10	5	0	Gallons	
1490177460	5/8"	WT	0.0000	09/11/00	9/11/2000	02/22/17	10	5	0	Gallons	
74229141	NEPTUNE	WT	0.0000	09/11/00	9/11/2000	02/22/17	10	5	0	Gallons	
1490140038	5/8"	WT	0.0000	09/11/00	9/11/2000	02/22/17	10	5	0	Gallons	
74229142	NEPTUNE	WT	0.0000	09/11/00	9/11/2000	02/22/17	10	5	0	Gallons	
1486720590	5/8"	WT	0.0000	09/11/00	9/11/2000	02/22/17	10	5	0	Gallons	
74229143	NEPTUNE	WT	0.0000	09/11/00	9/11/2000	02/22/17	10	5	0	Gallons	
1490194462	5/8"	WT	0.0000	09/11/00	9/11/2000	02/22/17	10	5	0	Gallons	
74249645	NEPTUNE	WT	0.0000	09/11/00	9/11/2000	02/22/17	10	5	0	Gallons	
1545041228	5/8"	WT	0.0000	09/11/00	9/11/2000	02/22/17	10	5	0	Gallons	
74249646	NEPTUNE	WT	0.0000	09/11/00	9/11/2000	02/22/17	10	5	0	Gallons	
1552108986	5/8"	WT	0.0000	09/11/00	9/11/2000	02/22/17	10	5	0	Gallons	
74249647	NEPTUNE	WT	0.0000	09/11/00	9/11/2000	02/22/17	10	5	0	Gallons	
1490148800	5/8"	WT	0.0000	09/11/00	9/11/2000	02/22/17	10	5	0	Gallons	
74249648	NEPTUNE	WT	0.0000	09/11/00	9/11/2000	02/22/17	10	5	0	Gallons	
1490140056	5/8"	WT	0.0000	09/11/00	9/11/2000	02/22/17	10	5	0	Gallons	
74249649	NEPTUNE	WT	0.0000	09/11/00	9/11/2000	02/22/17	10	5	0	Gallons	
1490194526	5/8"	WT	0.0000	09/11/00	9/11/2000	02/22/17	10	5	0	Gallons	
74249650	NEPTUNE	WT	0.0000	09/11/00	9/11/2000	02/22/17	10	5	0	Gallons	
1490187252	5/8"	WT	0.0000	09/11/00	9/11/2000	02/22/17	10	5	0	Gallons	

Meter #	Size	Service	Meter	Purchase	Warranty	Last	# Of	# Of Fixed	Units of	Tamper		
Internal Id #	Manufacturer	Type	Constant	Date	Date	Tested	Test Cycle	0's	Measure	Status		
		Rating					Dials			Visually		
										Readable		
74249651	NEPTUNE	WT	20	0.0000	09/11/00	9/11/2000	08/18/11	10	5	0	Gallons	
1490176746	NEPTUNE	WT	20	0.0000	09/11/00	9/11/2000	10/08/08	10	5	0	Gallons	
74249652	NEPTUNE	WT	20	0.0000	11/17/00	11/17/2000		10	0	0	Gallons	
1490194498	NEPTUNE	WT	20	0.0000	11/17/00	11/17/2000		10	0	0	Gallons	
74438033	NEPTUNE	WT	20	0.0000	11/17/00	11/17/2000	03/03/10	10	5	0	Gallons	
74493935	NEPTUNE	WT	20	0.0000	11/17/00	11/17/2000	05/13/19	10	0	0	Gallons	
1490187301	NEPTUNE	WT	20	0.0000	11/17/00	11/17/2000	11/29/07	10	5	0	Gallons	
74493936	NEPTUNE	WT	20	0.0000	11/17/00	11/17/2000		10	5	0	Gallons	
74493937	NEPTUNE	WT	20	0.0000	11/17/00	11/17/2000	08/02/07	10	5	0	Gallons	
1490169006	NEPTUNE	WT	20	0.0000	11/17/00	11/17/2000	06/02/08	10	5	0	Gallons	
74493938	NEPTUNE	WT	20	0.0000	11/17/00	11/17/2000	10/02/08	10	5	0	Gallons	
1471488917	NEPTUNE	WT	20	0.0000	11/17/00	11/17/2000	10/02/08	10	5	0	Gallons	
74493939	NEPTUNE	WT	20	0.0000	11/17/00	11/17/2000	06/02/08	10	5	0	Gallons	
1490173928	NEPTUNE	WT	20	0.0000	11/17/00	11/17/2000	10/08/08	10	5	0	Gallons	
74493940	NEPTUNE	WT	20	0.0000	11/17/00	11/17/2000		10	5	0	Gallons	
1490147108	NEPTUNE	WT	20	0.0000	11/17/00	11/17/2000	07/17/15	10	5	0	Gallons	
74493941	NEPTUNE	WT	20	0.0000	11/17/00	11/17/2000	09/02/08	10	5	0	Gallons	
1490149976	NEPTUNE	WT	20	0.0000	11/17/00	11/17/2000	09/04/08	10	5	0	Gallons	
74493942	NEPTUNE	WT	20	0.0000	11/17/00	11/17/2000	09/02/08	10	5	0	Gallons	
1490156390	NEPTUNE	WT	20	0.0000	11/17/00	11/17/2000	09/02/08	10	5	0	Gallons	
74493943	NEPTUNE	WT	20	0.0000	11/17/00	11/17/2000	09/02/08	10	5	0	Gallons	
1550397664	NEPTUNE	WT	20	0.0000	11/17/00	11/17/2000	09/04/08	10	5	0	Gallons	
74624792	NEPTUNE	WT	20	0.0000	11/17/00	11/17/2000	09/04/08	10	5	0	Gallons	
1540774948	NEPTUNE	WT	20	0.0000	11/17/00	11/17/2000	09/04/08	10	5	0	Gallons	
74624793	NEPTUNE	WT	20	0.0000	11/17/00	11/17/2000	09/04/08	10	5	0	Gallons	
1546680660	NEPTUNE	WT	20	0.0000	11/17/00	11/17/2000	09/04/08	10	5	0	Gallons	
74624794	NEPTUNE	WT	20	0.0000	11/17/00	11/17/2000	09/04/08	10	5	0	Gallons	
1490177610	NEPTUNE	WT	20	0.0000	11/17/00	11/17/2000	09/04/08	10	5	0	Gallons	
74624795	NEPTUNE	WT	20	0.0000	11/17/00	11/17/2000	06/18/13	10	5	0	Gallons	
1551684080	NEPTUNE	WT	20	0.0000	11/17/00	11/17/2000	11/20/13	10	5	0	Gallons	
74624796	NEPTUNE	WT	20	0.0000	11/17/00	11/17/2000	11/21/13	10	5	0	Gallons	
1486720816	NEPTUNE	WT	20	0.0000	11/17/00	11/17/2000	04/09/14	10	5	0	Gallons	
74624797	NEPTUNE	WT	20	0.0000	11/17/00	11/17/2000	08/27/08	10	5	0	Gallons	
1549687396	NEPTUNE	WT	20	0.0000	11/17/00	11/17/2000		10	0	0	Gallons	
74624798	NEPTUNE	WT	20	0.0000	11/17/00	11/17/2000		10	0	0	Gallons	
1490140130	NEPTUNE	WT	20	0.0000	11/17/00	11/17/2000		10	0	0	Gallons	
74624799	NEPTUNE	WT	20	0.0000	11/17/00	11/17/2000		10	0	0	Gallons	
1490134466	NEPTUNE	WT	20	0.0000	11/17/00	11/17/2000		10	0	0	Gallons	
74624800	NEPTUNE	WT	20	0.0000	11/17/00	11/17/2000		10	0	0	Gallons	
1490148828	NEPTUNE	WT	20	0.0000	11/17/00	11/17/2000		10	0	0	Gallons	
74624801	NEPTUNE	WT	20	0.0000	11/17/00	11/17/2000		10	0	0	Gallons	
74624802	NEPTUNE	WT	20	0.0000	11/17/00	11/17/2000		10	0	0	Gallons	
1471226736	NEPTUNE	WT	20	0.0000	11/17/00	11/17/2000		10	0	0	Gallons	

Meter #	Size	Service	Meter	Purchase	Warranty	Last	# Of	# Of	Units of	Tamper
Internal Id #	Manufacturer	Type	Constant	Date	Date	Tested	Diags	Fixed	Measure	Status
		Rating				Cycle		0's		Visually
										Readable
74624803	NEPTUNE	WT 20	0.0000	11/17/00	11/17/2000	10/21/08 10	5	0	Gallons	
1490189633	NEPTUNE	WT 20	0.0000	11/17/00	11/17/2000	11/30/10 10	5	0	Gallons	
74624804	NEPTUNE	WT 20	0.0000	11/17/00	11/17/2000	03/08/12 10	5	0	Gallons	
1484588682	NEPTUNE	WT 20	0.0000	11/17/00	11/17/2000	09/17/08 10	5	0	Gallons	
74624805	NEPTUNE	WT 20	0.0000	11/17/00	11/17/2000	03/16/01 10	5	0	Gallons	
1490165016	NEPTUNE	WT 20	0.0000	11/17/00	11/17/2000	05/22/19 10	0	0	Gallons	
74624806	NEPTUNE	WT 20	0.0000	11/17/00	11/17/2000	11/10/08 10	5	0	Gallons	
1490177500	NEPTUNE	WT 20	0.0000	11/17/00	11/17/2000	02/09/10 10	5	0	Gallons	
74624807	NEPTUNE	WT 20	0.0000	11/17/00	11/17/2000	08/01/08 10	5	0	Gallons	
1490173812	NEPTUNE	WT 20	0.0000	11/17/00	11/17/2000	02/09/10 10	5	0	Gallons	
74624808	NEPTUNE	WT 20	0.0000	11/17/00	11/17/2000	02/01/17 10	5	0	Gallons	
74624809	NEPTUNE	WT 20	0.0000	11/17/00	11/17/2000	01/30/17 10	5	0	Gallons	
1490145080	NEPTUNE	WT 20	0.0000	11/17/00	11/17/2000	01/30/17 10	5	0	Gallons	
74624810	NEPTUNE	WT 20	0.0000	11/17/00	11/17/2000	08/01/08 10	5	0	Gallons	
1471480185	NEPTUNE	WT 20	0.0000	11/17/00	11/17/2000	02/09/10 10	5	0	Gallons	
74624811	NEPTUNE	WT 20	0.0000	11/17/00	11/17/2000	02/09/10 10	5	0	Gallons	
1482358054	NEPTUNE	WT 20	0.0000	11/17/00	11/17/2000	02/01/17 10	5	0	Gallons	
74696053	Neptune	WT 20	0.0000	07/01/01		01/30/17 10	5	0	Gallons	
1545047880	Neptune	WT 20	0.0000	07/01/01		01/30/17 10	5	0	Gallons	
74696054	Neptune	WT 20	0.0000	07/01/01		01/30/17 10	5	0	Gallons	
1545066926	Neptune	WT 20	0.0000	07/01/01		01/30/17 10	5	0	Gallons	
74696055	Neptune	WT 20	0.0000	07/01/01		01/30/17 10	5	0	Gallons	
1490177042	Neptune	WT 20	0.0000	07/01/01		01/30/17 10	5	0	Gallons	
74696056	Neptune	WT 20	0.0000	07/01/01		01/30/17 10	5	0	Gallons	
1545075626	Neptune	WT 20	0.0000	07/01/01		01/30/17 10	5	0	Gallons	
74696057	Neptune	WT 20	0.0000	07/01/01		01/30/17 10	5	0	Gallons	
1490148276	Neptune	WT 20	0.0000	07/01/01		01/30/17 10	5	0	Gallons	
74696058	Neptune	WT 20	0.0000	07/01/01		01/30/17 10	5	0	Gallons	
1545066378	Neptune	WT 20	0.0000	07/01/01		01/30/17 10	5	0	Gallons	
74696059	Neptune	WT 20	0.0000	07/01/01		01/30/17 10	5	0	Gallons	
1545089652	Neptune	WT 20	0.0000	07/01/01		01/30/17 10	5	0	Gallons	
74696060	Neptune	WT 20	0.0000	07/01/01		01/30/17 10	5	0	Gallons	
1545068660	Neptune	WT 20	0.0000	07/01/01		02/03/17 10	5	0	Gallons	
74696061	Neptune	WT 20	0.0000	07/01/01		06/18/13 10	5	0	Gallons	
1545075518	Neptune	WT 20	0.0000	07/01/01		01/25/13 10	5	0	Gallons	
74696062	Neptune	WT 20	0.0000	07/01/01		03/25/04 10	5	0	Gallons	
1490132166	NEPTUNE	WT 20	0.0000	03/12/01	3/12/2001	10/24/08 10	5	0	Gallons	
74786761	NEPTUNE	WT 20	0.0000	03/12/01	3/12/2001	03/25/04 10	5	0	Gallons	
1486706856	NEPTUNE	WT 20	0.0000	03/12/01	3/12/2001	03/25/04 10	5	0	Gallons	
74786762	NEPTUNE	WT 20	0.0000	03/12/01	3/12/2001	03/25/04 10	5	0	Gallons	
1490141120	NEPTUNE	WT 20	0.0000	03/12/01	3/12/2001	03/25/04 10	5	0	Gallons	
74786763	NEPTUNE	WT 20	0.0000	03/12/01	3/12/2001	03/25/04 10	5	0	Gallons	
1490155378	NEPTUNE	WT 20	0.0000	03/12/01	3/12/2001	03/25/04 10	5	0	Gallons	
74786764	NEPTUNE	WT 20	0.0000	03/12/01	3/12/2001	03/25/04 10	5	0	Gallons	
1490132208	NEPTUNE	WT 20	0.0000	03/12/01	3/12/2001	03/25/04 10	5	0	Gallons	

Meter #	Size	Service	Meter	Purchase	Warranty	Last	# Of	# Of Fixed	Units of	Tamper
Internal Id #	Manufacturer	Type	Constant	Date	Date	Tested	Test Cycle	0's	Measure	Status
		Rating					Dials			Visually
										Readable
74842268	NEPTUNE	WT	0.0000	03/12/01	3/12/2001	04/27/01	10	5	0	Gallons
1490140882	NEPTUNE	WT	0.0000	03/12/01	3/12/2001	07/14/11	10	5	0	Gallons
74842269	NEPTUNE	WT	0.0000	03/12/01	3/12/2001	11/22/13	10	5	0	Gallons
1471509388	NEPTUNE	WT	0.0000	03/12/01	3/12/2001	10/17/08	10	5	0	Gallons
74842270	NEPTUNE	WT	0.0000	03/12/01	3/12/2001	06/22/18	10	5	0	Gallons
1487149996	NEPTUNE	WT	0.0000	03/12/01	3/12/2001	12/18/15	10	5	0	Gallons
74842271	NEPTUNE	WT	0.0000	03/12/01	3/12/2001	06/22/18	10	5	0	Gallons
1490187145	NEPTUNE	WT	0.0000	03/12/01	3/12/2001	07/05/07	10	5	0	Gallons
74842272	NEPTUNE	WT	0.0000	03/12/01	3/12/2001	07/02/08	10	5	0	Gallons
1547956866	NEPTUNE	WT	0.0000	03/12/01	3/12/2001	04/15/08	10	5	0	Gallons
74842273	NEPTUNE	WT	0.0000	03/12/01	3/12/2001	07/02/08	10	5	0	Gallons
1540773804	NEPTUNE	WT	0.0000	03/12/01	3/12/2001	06/30/05	10	5	0	Gallons
74842274	NEPTUNE	WT	0.0000	03/12/01	3/12/2001	08/06/07	10	5	0	Gallons
1490148909	NEPTUNE	WT	0.0000	03/12/01	3/12/2001	06/27/07	10	5	0	Gallons
74842275	NEPTUNE	WT	0.0000	03/12/01	3/12/2001	04/10/18	10	5	0	Gallons
1490174112	NEPTUNE	WT	0.0000	03/12/01	3/12/2001	09/09/16	10	5	0	Gallons
74842276	NEPTUNE	WT	0.0000	03/12/01	3/12/2001	11/04/16	10	5	0	Gallons
1490148908	NEPTUNE	WT	0.0000	03/12/01	3/12/2001	10/01/15	10	5	0	Gallons
74842277	NEPTUNE	WT	0.0000	03/12/01	3/12/2001	09/19/08	10	5	0	Gallons
1490155376	NEPTUNE	WT	0.0000	03/12/01	3/12/2001	06/12/12	10	5	0	Gallons
74842278	NEPTUNE	WT	0.0000	03/12/01	3/12/2001	09/24/07	10	5	0	Gallons
1490135936	NEPTUNE	WT	0.0000	03/12/01	3/12/2001					
74842279	NEPTUNE	WT	0.0000	03/12/01	3/12/2001					
1471383064	NEPTUNE	WT	0.0000	03/12/01	3/12/2001					
74842280	NEPTUNE	WT	0.0000	03/12/01	3/12/2001					
1490139842	NEPTUNE	WT	0.0000	03/12/01	3/12/2001					
74842281	NEPTUNE	WT	0.0000	03/12/01	3/12/2001					
1490141248	NEPTUNE	WT	0.0000	03/12/01	3/12/2001					
74842282	NEPTUNE	WT	0.0000	03/12/01	3/12/2001					
1483711734	NEPTUNE	WT	0.0000	03/12/01	3/12/2001					
74842283	NEPTUNE	WT	0.0000	03/12/01	3/12/2001					
1490140014	NEPTUNE	WT	0.0000	03/12/01	3/12/2001					
74842284	NEPTUNE	WT	0.0000	03/12/01	3/12/2001					
1540686262	NEPTUNE	WT	0.0000	03/12/01	3/12/2001					
74842285	NEPTUNE	WT	0.0000	03/12/01	3/12/2001					
1542514872	NEPTUNE	WT	0.0000	03/12/01	3/12/2001					
74842286	NEPTUNE	WT	0.0000	03/12/01	3/12/2001					
1490143266	NEPTUNE	WT	0.0000	03/12/01	3/12/2001					
74842287	NEPTUNE	WT	0.0000	03/12/01	3/12/2001					
1490176702	NEPTUNE	WT	0.0000	03/12/01	3/12/2001					
74842288	NEPTUNE	WT	0.0000	03/12/01	3/12/2001					
1490194464	NEPTUNE	WT	0.0000	03/12/01	3/12/2001					
74842289	NEPTUNE	WT	0.0000	03/12/01	3/12/2001					
1485371262	NEPTUNE	WT	0.0000	03/12/01	3/12/2001					
74842290	NEPTUNE	WT	0.0000	03/12/01	3/12/2001					
1490159842	NEPTUNE	WT	0.0000	03/12/01	3/12/2001					

Meter #	Size	Service	Meter	Purchase	Warranty	Last	# Of	# Of Fixed	Units of	Tamper	
Internal Id #	Manufacturer	Type	Constant	Date	Date	Tested	Test Cycle	0's	Measure	Status	
							Diags			Visually	
										Readable	
74842291	NEPTUNE	WT	0.0000	03/12/01	3/12/2001	10/13/08	10	5	0	Gallons	
1490176742	NEPTUNE	WT	0.0000	03/12/01	3/12/2001	06/14/17	10	5	0	Gallons	
74842292	NEPTUNE	WT	0.0000	03/12/01	3/12/2001	02/10/11	10	5	0	Gallons	
1471192252	NEPTUNE	WT	0.0000	03/12/01	3/12/2001	04/09/04	10	0	0	Gallons	
74842293	NEPTUNE	WT	0.0000	06/11/01	6/11/2001	06/17/13	10	5	0	Gallons	
1490176788	NEPTUNE	WT	0.0000	06/11/01	6/11/2001	11/22/13	10	5	0	Gallons	
74900364	NEPTUNE	WT	0.0000	06/11/01	6/11/2001	11/21/13	10	5	0	Gallons	
74909201	NEPTUNE	WT	0.0000	06/11/01	6/11/2001	08/06/18	10	5	0	Gallons	
1486720062	NEPTUNE	WT	0.0000	06/11/01	6/11/2001	06/12/12	10	5	0	Gallons	
74909202	NEPTUNE	WT	0.0000	06/11/01	6/11/2001	06/14/10	10	5	0	Gallons	
1487734774	NEPTUNE	WT	0.0000	06/11/01	6/11/2001	06/14/10	10	5	0	Gallons	
74909203	NEPTUNE	WT	0.0000	06/11/01	6/11/2001	06/14/10	10	5	0	Gallons	
1487104746	NEPTUNE	WT	0.0000	06/11/01	6/11/2001	06/14/10	10	5	0	Gallons	
74909204	NEPTUNE	WT	0.0000	06/11/01	6/11/2001	06/14/10	10	5	0	Gallons	
1487150556	NEPTUNE	WT	0.0000	06/11/01	6/11/2001	06/14/10	10	5	0	Gallons	
74909205	NEPTUNE	WT	0.0000	06/11/01	6/11/2001	06/14/10	10	5	0	Gallons	
1551676286	NEPTUNE	WT	0.0000	06/11/01	6/11/2001	06/14/10	10	5	0	Gallons	
74909206	NEPTUNE	WT	0.0000	06/11/01	6/11/2001	06/14/10	10	5	0	Gallons	
1490145338	NEPTUNE	WT	0.0000	06/11/01	6/11/2001	06/14/10	10	5	0	Gallons	
74909207	NEPTUNE	WT	0.0000	06/11/01	6/11/2001	06/14/10	10	5	0	Gallons	
1545074726	NEPTUNE	WT	0.0000	06/11/01	6/11/2001	06/14/10	10	5	0	Gallons	
74909208	NEPTUNE	WT	0.0000	06/11/01	6/11/2001	06/14/10	10	5	0	Gallons	
1485377786	NEPTUNE	WT	0.0000	06/11/01	6/11/2001	06/14/10	10	5	0	Gallons	
74909209	NEPTUNE	WT	0.0000	06/11/01	6/11/2001	06/14/10	10	5	0	Gallons	
1490145448	NEPTUNE	WT	0.0000	06/11/01	6/11/2001	06/14/10	10	5	0	Gallons	
74909210	NEPTUNE	WT	0.0000	06/11/01	6/11/2001	06/14/10	10	5	0	Gallons	
1490134056	NEPTUNE	WT	0.0000	06/11/01	6/11/2001	06/14/10	10	5	0	Gallons	
74909211	NEPTUNE	WT	0.0000	06/11/01	6/11/2001	06/14/10	10	5	0	Gallons	
1490189711	NEPTUNE	WT	0.0000	06/11/01	6/11/2001	06/14/10	10	5	0	Gallons	
74909212	NEPTUNE	WT	0.0000	06/11/01	6/11/2001	06/14/10	10	5	0	Gallons	
1551849978	NEPTUNE RADIO	WT	0.0000	06/11/01	6/11/2001	06/14/10	10	5	0	Gallons	
74909213	NEPTUNE	WT	0.0000	06/11/01	6/11/2001	06/14/10	10	5	0	Gallons	
1490189700	NEPTUNE	WT	0.0000	06/11/01	6/11/2001	06/14/10	10	5	0	Gallons	
74909214	NEPTUNE	WT	0.0000	06/11/01	6/11/2001	06/14/10	10	5	0	Gallons	
1490145396	NEPTUNE	WT	0.0000	06/11/01	6/11/2001	06/14/10	10	5	0	Gallons	
74909215	NEPTUNE	WT	0.0000	06/11/01	6/11/2001	06/14/10	10	5	0	Gallons	
1490159884	NEPTUNE	WT	0.0000	06/11/01	6/11/2001	06/14/10	10	5	0	Gallons	
74909216	NEPTUNE	WT	0.0000	06/11/01	6/11/2001	06/14/10	10	5	0	Gallons	
1487116718	NEPTUNE	WT	0.0000	06/11/01	6/11/2001	06/14/10	10	5	0	Gallons	
74909217	NEPTUNE RADIO	WT	0.0000	06/11/01	6/11/2001	06/14/10	10	5	0	Gallons	
1483793126	NEPTUNE	WT	0.0000	06/11/01	6/11/2001	06/14/10	10	5	0	Gallons	
74909218	NEPTUNE	WT	0.0000	06/11/01	6/11/2001	06/14/10	10	5	0	Gallons	
1483701024	NEPTUNE	WT	0.0000	06/11/01	6/11/2001	06/14/10	10	5	0	Gallons	
74909219	NEPTUNE	WT	0.0000	06/11/01	6/11/2001	06/14/10	10	5	0	Gallons	
1483711886	NEPTUNE	WT	0.0000	06/11/01	6/11/2001	06/14/10	10	5	0	Gallons	

Meter #	Size	Service	Meter	Purchase	Warranty	Last	# Of	# Of Fixed	Units of	Tamper
Internal Id #	Manufacturer	Type	Constant	Date	Date	Tested	Test Cycle	0's	Measure	Status
		Rating					Dials			Visually
										Readable
74909220	NEPTUNE	WT 20	0.0000	06/11/01	6/11/2001	10/30/13	10	5	0	Gallons
1547967718	NEPTUNE	WT 20	0.0000	06/21/01	6/21/2001	02/02/10	10	5	0	Gallons
74909311	NEPTUNE	WT 20	0.0000	06/21/01	6/21/2001	01/04/13	10	5	0	Gallons
1482358052	NEPTUNE	WT 20	0.0000	06/21/01	6/21/2001	06/17/13	10	5	0	Gallons
74909312	NEPTUNE	WT 20	0.0000	06/21/01	6/21/2001	01/05/17	10	5	0	Gallons
1471633530	NEPTUNE	WT 20	0.0000	06/21/01	6/21/2001	11/10/15	10	5	0	Gallons
74909313	NEPTUNE	WT 20	0.0000	06/21/01	6/21/2001	12/01/15	10	5	0	Gallons
1547233194	NEPTUNE	WT 20	0.0000	06/21/01	6/21/2001	10/22/08	10	5	0	Gallons
74909314	NEPTUNE	WT 20	0.0000	06/21/01	6/21/2001	05/13/19	10	5	0	Gallons
1545037910	NEPTUNE	WT 20	0.0000	06/21/01	6/21/2001	04/21/16	10	5	0	Gallons
74909315	NEPTUNE	WT 20	0.0000	06/21/01	6/21/2001	10/11/10	10	5	0	Gallons
1540774882	NEPTUNE	WT 20	0.0000	06/21/01	6/21/2001	08/08/05	10	5	0	Gallons
74909316	NEPTUNE	WT 20	0.0000	06/21/01	6/21/2001	01/06/05	10	5	0	Gallons
1485318090	NEPTUNE	WT 20	0.0000	06/21/01	6/21/2001	02/14/17	10	5	0	Gallons
74909317	NEPTUNE	WT 20	0.0000	06/21/01	6/21/2001	02/03/11	10	5	0	Gallons
74909318	NEPTUNE RADIO	WT 20	0.0000	06/21/01	6/21/2001	06/28/07	10	5	0	Gallons
1490150142	NEPTUNE	WT 20	0.0000	06/21/01	6/21/2001					
74909319	NEPTUNE	WT 20	0.0000	06/21/01	6/21/2001					
1490188314	NEPTUNE	WT 20	0.0000	06/21/01	6/21/2001					
74909320	NEPTUNE	WT 20	0.0000	06/21/01	6/21/2001					
1471516908	NEPTUNE	WT 20	0.0000	06/21/01	6/21/2001					
74909321	NEPTUNE	WT 20	0.0000	06/21/01	6/21/2001					
1490150224	NEPTUNE	WT 20	0.0000	06/21/01	6/21/2001					
74909322	NEPTUNE	WT 20	0.0000	06/21/01	6/21/2001					
74909323	NEPTUNE	WT 20	0.0000	06/21/01	6/21/2001					
1471236338	NEPTUNE	WT 20	0.0000	06/21/01	6/21/2001					
74909324	NEPTUNE	WT 20	0.0000	06/21/01	6/21/2001					
1483414804	NEPTUNE	WT 20	0.0000	06/21/01	6/21/2001					
74909325	NEPTUNE	WT 20	0.0000	06/21/01	6/21/2001					
1490160312	NEPTUNE	WT 20	0.0000	06/21/01	6/21/2001					
74909326	NEPTUNE	WT 20	0.0000	06/21/01	6/21/2001					
1490180690	NEPTUNE	WT 20	0.0000	06/21/01	6/21/2001					
74909327	NEPTUNE RADIO	WT 20	0.0000	06/21/01	6/21/2001					
1471119716	NEPTUNE	WT 20	0.0000	06/21/01	6/21/2001					
74909328	NEPTUNE	WT 20	0.0000	06/21/01	6/21/2001					
1471137138	NEPTUNE	WT 20	0.0000	06/21/01	6/21/2001					
74909329	NEPTUNE	WT 20	0.0000	06/21/01	6/21/2001					
1545524158	NEPTUNE	WT 20	0.0000	06/21/01	6/21/2001					
74909330	NEPTUNE	WT 20	0.0000	06/21/01	6/21/2001					
1490180092	NEPTUNE	WT 20	0.0000	06/21/01	6/21/2001					
74909331	NEPTUNE	WT 20	0.0000	06/21/01	6/21/2001					
1483711620	NEPTUNE	WT 20	0.0000	06/21/01	6/21/2001					
74909332	NEPTUNE RADIO	WT 20	0.0000	06/21/01	6/21/2001					
1471215626	NEPTUNE	WT 20	0.0000	06/21/01	6/21/2001					

Meter #	Size	Service	Meter	Purchase	Warranty	Last	# Of	# Of Fixed	Units of	Tamper	
Internal Id #	Manufacturer	Type	Constant	Date	Date	Tested	Test Cycle	0's	Measure	Status	
							Dials			Visually	
										Readable	
74909333	NEPTUNE	WT	0.0000	06/21/01	6/21/2001	11/06/18	10	5	0	Gallons	
1551826806	NEPTUNE	WT	0.0000	06/21/01	6/21/2001	08/08/08	10	5	0	Gallons	
74909334	NEPTUNE	WT	0.0000	06/21/01	6/21/2001	10/28/08	10	5	0	Gallons	
1487419162	NEPTUNE	WT	0.0000	06/21/01	6/21/2001	09/04/18	10	5	0	Gallons	
74909335	NEPTUNE	WT	0.0000	06/21/01	6/21/2001	01/05/17	10	5	0	Gallons	
1490146390	NEPTUNE	WT	0.0000	06/21/01	6/21/2001	10/22/14	10	5	0	Gallons	
74909336	NEPTUNE	WT	0.0000	06/21/01	6/21/2001	08/16/08	10	5	0	Gallons	
1551703120	NEPTUNE	WT	0.0000	06/21/01	6/21/2001	08/01/08	10	5	0	Gallons	
74909337	NEPTUNE	WT	0.0000	06/21/01	6/21/2001	08/01/08	10	5	0	Gallons	
1541144110	NEPTUNE	WT	0.0000	06/21/01	6/21/2001	08/01/08	10	5	0	Gallons	
74909338	NEPTUNE RADIO	WT	0.0000	06/21/01	6/21/2001	08/16/08	10	5	0	Gallons	
1471494212	NEPTUNE	WT	0.0000	06/21/01	6/21/2001	10/03/08	10	5	0	Gallons	
74909339	NEPTUNE	WT	0.0000	06/21/01	6/21/2001	10/10/02	10	0	0	Gallons	
1490187248	NEPTUNE	WT	0.0000	06/21/01	6/21/2001	04/16/03	10	5	0	Gallons	
74909340	NEPTUNE	WT	0.0000	06/21/01	6/21/2001	07/01/14	10	5	0	Gallons	
1490194892	NEPTUNE	WT	0.0000	06/21/01	6/21/2001	05/21/15	10	5	0	Gallons	
74910361	NEPTUNE	WT	0.0000	08/13/01	8/13/2001	10/31/08	10	0	0	Gallons	
1490180390	NEPTUNE	WT	0.0000	08/13/01	8/13/2001	08/03/07	10	5	0	Gallons	
74910362	NEPTUNE	WT	0.0000	08/13/01	8/13/2001	09/10/01	10	5	0	Gallons	
74910363	NEPTUNE	WT	0.0000	08/13/01	8/13/2001	02/01/11	10	5	0	Gallons	
1490189506	NEPTUNE	WT	0.0000	08/13/01	8/13/2001	03/26/10	10	5	0	Gallons	
74910364	NEPTUNE	WT	0.0000	08/13/01	8/13/2001	09/10/01	10	5	0	Gallons	
1487438166	NEPTUNE	WT	0.0000	08/13/01	8/13/2001	09/18/01	10	0	0	Gallons	
74910365	NEPTUNE	WT	0.0000	08/13/01	8/13/2001	09/11/08	10	5	0	Gallons	
1490177602	NEPTUNE	WT	0.0000	08/13/01	8/13/2001	10/30/13	10	5	0	Gallons	
74910366	NEPTUNE	WT	0.0000	08/13/01	8/13/2001	06/02/15	10	5	0	Gallons	
74910367	NEPTUNE	WT	0.0000	08/13/01	8/13/2001	07/03/08	10	5	0	Gallons	
1490145348	NEPTUNE	WT	0.0000	08/13/01	8/13/2001	07/03/08	10	5	0	Gallons	
74910368	NEPTUNE	WT	0.0000	08/13/01	8/13/2001	07/03/08	10	5	0	Gallons	
1482278486	NEPTUNE	WT	0.0000	08/13/01	8/13/2001	07/03/08	10	5	0	Gallons	
74910369	NEPTUNE	WT	0.0000	08/13/01	8/13/2001	07/03/08	10	5	0	Gallons	
1471124678	NEPTUNE	WT	0.0000	08/13/01	8/13/2001	07/03/08	10	5	0	Gallons	
74910370	NEPTUNE	WT	0.0000	08/13/01	8/13/2001	07/03/08	10	5	0	Gallons	
1551498076	NEPTUNE	WT	0.0000	08/13/01	8/13/2001	07/03/08	10	5	0	Gallons	
74910371	NEPTUNE	WT	0.0000	08/13/01	8/13/2001	07/03/08	10	5	0	Gallons	
74910372	NEPTUNE	WT	0.0000	08/13/01	8/13/2001	07/03/08	10	5	0	Gallons	
1490166170	NEPTUNE	WT	0.0000	08/13/01	8/13/2001	07/03/08	10	5	0	Gallons	
74910373	NEPTUNE	WT	0.0000	08/13/01	8/13/2001	07/03/08	10	5	0	Gallons	
1490136082	NEPTUNE	WT	0.0000	08/13/01	8/13/2001	07/03/08	10	5	0	Gallons	
74910374	NEPTUNE	WT	0.0000	08/13/01	8/13/2001	07/03/08	10	5	0	Gallons	
1487782002	NEPTUNE	WT	0.0000	08/13/01	8/13/2001	07/03/08	10	5	0	Gallons	
75027990	NEPTUNE	WT	0.0000	08/13/01	8/13/2001	07/03/08	10	5	0	Gallons	
1487417032	Neptune Proread	WT	0.0000	05/20/08	5/20/2008	07/03/08	10	5	0	Gallons	

Meter #	Size	Service	Meter	Purchase	Warranty	Last	# Of	# Of Fixed	Units of	Tamper	Visually
Internal Id #	Manufacturer	Type	Constant	Date	Date	Tested	Test Cycle	0's	Measure	Status	Readable
75028025	Neptune	WT	0.0000	05/20/08	5/20/2008	05/30/08	10	5	0	Gallons	
1490154766	Neptune	WT	0.0000	05/20/08	5/20/2008	02/23/09	10	5	0	Gallons	
75028026	Neptune	WT	0.0000	05/20/08	5/20/2008	07/25/08	10	5	0	Gallons	
1490174446	Neptune	WT	0.0000	05/20/08	5/20/2008	07/25/08	10	5	0	Gallons	
75028169	Neptune	WT	0.0000	05/20/08	5/20/2008	07/25/08	10	5	0	Gallons	
1484700122	Neptune	WT	0.0000	05/20/08	5/20/2008	07/25/08	10	5	0	Gallons	
75028202	Neptune	WT	0.0000	05/20/08	5/20/2008	07/25/08	10	5	0	Gallons	
1490121792	Neptune	WT	0.0000	05/20/08	5/20/2008	07/25/08	10	5	0	Gallons	
75028229	Neptune Proread	WT	0.0000	05/20/08	5/20/2008	07/03/08	10	5	0	Gallons	
1484588694	Neptune Proread	R	0.0000	05/20/08	5/20/2008	02/08/12	10	5	0	Gallons	
75028277	Neptune Proread	WT	0.0000	05/20/08	5/20/2008	02/08/12	10	5	0	Gallons	
1490187844	Neptune Proread	R	0.0000	05/20/08	5/20/2008	07/03/08	10	5	0	Gallons	
75028326	Neptune Proread	WT	0.0000	05/20/08	5/20/2008	07/03/08	10	5	0	Gallons	
1490140091	Neptune Proread	WT	0.0000	05/20/08	5/20/2008	07/03/08	10	5	0	Gallons	
75034346	NEPTUNE	WT	0.0000	05/09/01	5/9/2001	09/25/08	10	5	0	Gallons	
1490177608	NEPTUNE	WT	0.0000	05/09/01	5/9/2001	09/25/08	10	5	0	Gallons	
75034347	NEPTUNE PROREAD	WT	0.0000	05/09/01	5/9/2001	10/23/08	10	5	0	Gallons	
1490174090	NEPTUNE PROREAD	WT	0.0000	05/09/01	5/9/2001	10/31/13	10	5	0	Gallons	
75034348	NEPTUNE	WT	0.0000	05/09/01	5/9/2001	11/02/18	10	5	0	Gallons	
1487117162	NEPTUNE	WT	0.0000	05/09/01	5/9/2001	09/17/15	10	5	0	Gallons	
75034349	NEPTUNE	WT	0.0000	05/09/01	5/9/2001	10/21/08	10	5	0	Gallons	
1551857442	NEPTUNE	WT	0.0000	05/09/01	5/9/2001	12/27/07	10	5	0	Gallons	
75034350	NEPTUNE	WT	0.0000	05/09/01	5/9/2001	08/18/09	10	5	0	Gallons	
1471483815	NEPTUNE	WT	0.0000	05/09/01	5/9/2001	10/17/08	10	5	0	Gallons	
75034351	NEPTUNE	WT	0.0000	05/09/01	5/9/2001	10/17/08	10	5	0	Gallons	
1490173782	NEPTUNE	WT	0.0000	05/09/01	5/9/2001	10/17/08	10	5	0	Gallons	
75034352	NEPTUNE	WT	0.0000	05/09/01	5/9/2001	10/17/08	10	5	0	Gallons	
1490187218	NEPTUNE	WT	0.0000	05/09/01	5/9/2001	10/17/08	10	5	0	Gallons	
75034353	NEPTUNE	WT	0.0000	05/09/01	5/9/2001	10/17/08	10	5	0	Gallons	
1481602346	NEPTUNE	WT	0.0000	05/09/01	5/9/2001	10/17/08	10	5	0	Gallons	
75034354	NEPTUNE	WT	0.0000	05/09/01	5/9/2001	10/17/08	10	5	0	Gallons	
1490177986	NEPTUNE	WT	0.0000	05/09/01	5/9/2001	07/08/09	10	5	0	Gallons	
75034355	NEPTUNE	WT	0.0000	05/09/01	5/9/2001	07/08/09	10	5	0	Gallons	
1490150238	NEPTUNE	WT	0.0000	05/09/01	5/9/2001	07/25/08	10	5	0	Gallons	
75052137	Neptune Proread	WT	0.0000	05/20/08	5/20/2008	07/03/08	10	5	0	Gallons	
1487411128	Neptune Proread	WT	0.0000	05/20/08	5/20/2008	07/03/08	10	5	0	Gallons	
75052158	Neptune Proread	WT	0.0000	05/20/08	5/20/2008	07/03/08	10	5	0	Gallons	
1490122101	Neptune Proread	WT	0.0000	05/20/08	5/20/2008	01/14/13	10	5	0	Gallons	
75052167	Neptune	WT	0.0000	05/20/08	5/20/2008	07/03/08	10	5	0	Gallons	
1471518770	Neptune	WT	0.0000	05/20/08	5/20/2008	07/03/08	10	5	0	Gallons	
75052210	Neptune	WT	0.0000	05/20/08	5/20/2008	11/02/18	10	5	0	Gallons	
1490122100	Neptune	WT	0.0000	05/20/08	5/20/2008	11/02/18	10	5	0	Gallons	
75052239	Neptune	WT	0.0000	05/20/08	5/20/2008	01/27/11	10	5	0	Gallons	
1551825896	NEPTUNE	WT	0.0000	05/03/01	5/3/2001	01/27/11	10	5	0	Gallons	
75152488	NEPTUNE	WT	0.0000	05/03/01	5/3/2001	01/27/11	10	5	0	Gallons	
1483414624	NEPTUNE	WT	0.0000	05/03/01	5/3/2001	01/27/11	10	5	0	Gallons	

Meter #	Size	Service	Meter	Purchase	Warranty	Last	# Of	# Of	Units of	Tamper	Visually	
Internal Id #	Manufacturer	Type	Constant	Date	Date	Tested	Test Cycle	Fixed	Measure	Status	Readable	
75152489	NEPTUNE	WT	0.0000	05/03/01	5/3/2001	10/03/08	10	5	0	0	Gallons	
1490178402	NEPTUNE	WT	0.0000	05/03/01	5/3/2001	09/23/09	10	5	0	0	Gallons	
75152490	NEPTUNE	WT	0.0000	05/03/01	5/3/2001	05/05/17	10	5	0	0	Gallons	
1490146664	NEPTUNE	WT	0.0000	05/03/01	5/3/2001	10/11/10	10	5	0	0	Gallons	
75152491	NEPTUNE	WT	0.0000	05/03/01	5/3/2001	07/07/05	10	5	0	0	Gallons	
1471650744	NEPTUNE	WT	0.0000	05/03/01	5/3/2001	11/14/14	10	5	0	0	Gallons	
75152492	NEPTUNE	WT	0.0000	05/03/01	5/3/2001	04/13/17	10	5	0	0	Gallons	
1490145336	NEPTUNE	WT	0.0000	05/03/01	5/3/2001	11/22/13	10	5	0	0	Gallons	
75152493	NEPTUNE	WT	0.0000	05/03/01	5/3/2001	09/02/11	10	5	0	0	Gallons	
1487144338	NEPTUNE	WT	0.0000	05/03/01	5/3/2001	10/12/10	10	5	0	0	Gallons	
75152494	NEPTUNE	WT	0.0000	05/03/01	5/3/2001	01/30/06	10	5	0	0	Gallons	
1471530446	NEPTUNE	WT	0.0000	05/03/01	5/3/2001	10/17/08	10	5	0	0	Gallons	
75152495	NEPTUNE	WT	0.0000	05/03/01	5/3/2001	12/18/15	10	5	0	0	Gallons	
1487738684	NEPTUNE	WT	0.0000	05/03/01	5/3/2001	09/04/18	10	5	0	0	Gallons	
75152496	NEPTUNE	WT	0.0000	05/03/01	5/3/2001	09/11/08	10	5	0	0	Gallons	
1546683240	NEPTUNE	WT	0.0000	05/03/01	5/3/2001	10/09/09	10	5	0	0	Gallons	
75152497	NEPTUNE	WT	0.0000	05/03/01	5/3/2001	08/13/01	8/13/2001	10/29/08	10	5	0	Gallons
1545513266	NEPTUNE	WT	0.0000	05/03/01	5/3/2001	08/13/01	8/13/2001	10/29/08	10	5	0	Gallons
75152498	NEPTUNE	WT	0.0000	05/03/01	5/3/2001	08/13/01	8/13/2001	10/29/08	10	5	0	Gallons
1484465266	NEPTUNE	WT	0.0000	05/03/01	5/3/2001	08/13/01	8/13/2001	10/29/08	10	5	0	Gallons
75152499	NEPTUNE	WT	0.0000	05/03/01	5/3/2001	08/13/01	8/13/2001	10/29/08	10	5	0	Gallons
1490152090	NEPTUNE	WT	0.0000	05/03/01	5/3/2001	08/13/01	8/13/2001	10/29/08	10	5	0	Gallons
75152500	NEPTUNE	WT	0.0000	05/03/01	5/3/2001	08/13/01	8/13/2001	10/29/08	10	5	0	Gallons
1490151232	NEPTUNE	WT	0.0000	05/03/01	5/3/2001	08/13/01	8/13/2001	10/29/08	10	5	0	Gallons
75152501	NEPTUNE	WT	0.0000	05/03/01	5/3/2001	08/13/01	8/13/2001	10/29/08	10	5	0	Gallons
1410242334	NEPTUNE	WT	0.0000	05/03/01	5/3/2001	08/13/01	8/13/2001	10/29/08	10	5	0	Gallons
75152502	NEPTUNE	WT	0.0000	05/03/01	5/3/2001	08/13/01	8/13/2001	10/29/08	10	5	0	Gallons
1490092358	NEPTUNE	WT	0.0000	05/03/01	5/3/2001	08/13/01	8/13/2001	10/29/08	10	5	0	Gallons
75152503	NEPTUNE	WT	0.0000	05/03/01	5/3/2001	08/13/01	8/13/2001	10/29/08	10	5	0	Gallons
1490139943	NEPTUNE	WT	0.0000	05/03/01	5/3/2001	08/13/01	8/13/2001	10/29/08	10	5	0	Gallons
75152504	NEPTUNE	WT	0.0000	05/03/01	5/3/2001	08/13/01	8/13/2001	10/29/08	10	5	0	Gallons
1490112590	NEPTUNE	WT	0.0000	05/03/01	5/3/2001	08/13/01	8/13/2001	10/29/08	10	5	0	Gallons
75152505	NEPTUNE	WT	0.0000	05/03/01	5/3/2001	08/13/01	8/13/2001	10/29/08	10	5	0	Gallons
1471567346	NEPTUNE	WT	0.0000	05/03/01	5/3/2001	08/13/01	8/13/2001	10/29/08	10	5	0	Gallons
75152506	NEPTUNE	WT	0.0000	05/03/01	5/3/2001	08/13/01	8/13/2001	10/29/08	10	5	0	Gallons
1481758430	NEPTUNE	WT	0.0000	05/03/01	5/3/2001	08/13/01	8/13/2001	10/29/08	10	5	0	Gallons
75152507	NEPTUNE	WT	0.0000	05/03/01	5/3/2001	08/13/01	8/13/2001	10/29/08	10	5	0	Gallons
1545046080	NEPTUNE	WT	0.0000	05/03/01	5/3/2001	08/13/01	8/13/2001	10/29/08	10	5	0	Gallons
75502515	NEPTUNE	WT	0.0000	05/03/01	5/3/2001	08/13/01	8/13/2001	10/29/08	10	5	0	Gallons
1543580680	NEPTUNE	WT	0.0000	05/03/01	5/3/2001	08/13/01	8/13/2001	10/29/08	10	5	0	Gallons
75502516	NEPTUNE	WT	0.0000	05/03/01	5/3/2001	08/13/01	8/13/2001	10/29/08	10	5	0	Gallons
1490166026	NEPTUNE	WT	0.0000	05/03/01	5/3/2001	08/13/01	8/13/2001	10/29/08	10	5	0	Gallons
75502517	NEPTUNE	WT	0.0000	05/03/01	5/3/2001	08/13/01	8/13/2001	10/29/08	10	5	0	Gallons
1481759296	NEPTUNE	WT	0.0000	05/03/01	5/3/2001	08/13/01	8/13/2001	10/29/08	10	5	0	Gallons
75502518	NEPTUNE	WT	0.0000	05/03/01	5/3/2001	08/13/01	8/13/2001	10/29/08	10	5	0	Gallons
1490187846	NEPTUNE	WT	0.0000	05/03/01	5/3/2001	08/13/01	8/13/2001	10/29/08	10	5	0	Gallons

Meter #	Size	Service	Meter	Purchase	Warranty	Last	# Of	# Of Fixed	Units of	Tamper	
Internal Id #	Manufacturer	Type	Constant	Date	Date	Tested	Test Cycle	0's	Measure	Status	
		Rating					Dials			Visually	
										Readable	
75502519	NEPTUNE	WT 20	0.0000	08/13/01	8/13/2001	09/25/08	10	5	0	Gallons	
1490187346	NEPTUNE	WT 20	0.0000	08/13/01	8/13/2001	06/23/15	10	5	0	Gallons	
75502520	NEPTUNE	WT 20	0.0000	08/13/01	8/13/2001	12/17/15	10	5	0	Gallons	
1487940102	NEPTUNE	WT 20	0.0000	08/13/01	8/13/2001	06/13/18	10	5	0	Gallons	
75502521	NEPTUNE	WT 20	0.0000	08/13/01	8/13/2001	04/12/11	10	5	0	Gallons	
1540774516	NEPTUNE	WT 20	0.0000	08/13/01	8/13/2001	09/04/18	10	5	0	Gallons	
75502522	NEPTUNE	WT 20	0.0000	08/13/01	8/13/2001	07/12/11	10	5	0	Gallons	
1540839948	NEPTUNE	WT 20	0.0000	08/13/01	8/13/2001	09/04/18	10	5	0	Gallons	
75502523	NEPTUNE	WT 20	0.0000	08/13/01	8/13/2001	04/12/11	10	5	0	Gallons	
1484696266	NEPTUNE	WT 20	0.0000	08/13/01	8/13/2001	06/18/13	10	5	0	Gallons	
75502524	NEPTUNE	WT 20	0.0000	08/13/01	8/13/2001	10/23/08	10	5	0	Gallons	
1487752190	NEPTUNE	WT 20	0.0000	08/13/01	8/13/2001	03/13/09	10	5	0	Gallons	
75502525	NEPTUNE	WT 20	0.0000	08/13/01	8/13/2001	06/27/07	10	5	0	Gallons	
1490121920	NEPTUNE	WT 20	0.0000	08/13/01	8/13/2001	01/05/17	10	5	0	Gallons	
75502526	NEPTUNE	WT 20	0.0000	08/13/01	8/13/2001	10/11/10	10	5	0	Gallons	
1490139954	NEPTUNE	WT 20	0.0000	08/13/01	8/13/2001	05/31/18	10	5	0	Gallons	
75502527	NEPTUNE	WT 20	0.0000	08/13/01	8/13/2001	10/11/10	10	5	0	Gallons	
1490145476	NEPTUNE	WT 20	0.0000	08/13/01	8/13/2001	06/11/18	10	5	0	Gallons	
75502528	NEPTUNE	WT 20	0.0000	08/13/01	8/13/2001	10/11/10	10	5	0	Gallons	
1490163438	NEPTUNE	WT 20	0.0000	08/13/01	8/13/2001	05/31/18	10	5	0	Gallons	
75502529	NEPTUNE	WT 20	0.0000	08/13/01	8/13/2001	10/11/10	10	5	0	Gallons	
1487928696	NEPTUNE RADIO	WT 20	0.0000	08/13/01	8/13/2001	06/11/18	10	5	0	Gallons	
75502530	NEPTUNE	WT 20	0.0000	08/13/01	8/13/2001	10/11/10	10	5	0	Gallons	
1547966732	NEPTUNE	WT 20	0.0000	08/13/01	8/13/2001	10/11/10	10	5	0	Gallons	
75502531	NEPTUNE	WT 20	0.0000	08/13/01	8/13/2001	10/11/10	10	5	0	Gallons	
1483353470	NEPTUNE	WT 20	0.0000	08/13/01	8/13/2001	10/11/10	10	5	0	Gallons	
75502532	NEPTUNE	WT 20	0.0000	08/13/01	8/13/2001	10/11/10	10	5	0	Gallons	
1490164558	NEPTUNE	WT 20	0.0000	08/13/01	8/13/2001	10/11/10	10	5	0	Gallons	
75502533	NEPTUNE	WT 20	0.0000	08/13/01	8/13/2001	10/11/10	10	5	0	Gallons	
1482807872	NEPTUNE	WT 20	0.0000	08/13/01	8/13/2001	11/05/08	10	5	0	Gallons	
75502534	NEPTUNE	WT 20	0.0000	08/13/01	8/13/2001	10/23/14	10	5	0	Gallons	
1490150410	NEPTUNE	WT 20	0.0000	08/13/01	8/13/2001	06/14/17	10	5	0	Gallons	
75502535	NEPTUNE	WT 20	0.0000	08/13/01	8/13/2001	10/14/08	10	5	0	Gallons	
1490186960	NEPTUNE	WT 20	0.0000	08/13/01	8/13/2001	07/12/11	10	5	0	Gallons	
75502536	NEPTUNE	WT 20	0.0000	08/13/01	8/13/2001	11/28/18	10	5	0	Gallons	
1490150036	NEPTUNE	WT 20	0.0000	08/13/01	8/13/2001	09/04/18	10	5	0	Gallons	
75502537	NEPTUNE	WT 20	0.0000	08/13/01	8/13/2001	07/12/11	10	5	0	Gallons	
1490156086	NEPTUNE	WT 20	0.0000	08/13/01	8/13/2001	09/04/18	10	5	0	Gallons	
75502538	NEPTUNE	WT 20	0.0000	08/13/01	8/13/2001	07/12/11	10	5	0	Gallons	
1551845710	NEPTUNE	WT 20	0.0000	08/13/01	8/13/2001	09/04/18	10	5	0	Gallons	
75502539	NEPTUNE	WT 20	0.0000	08/13/01	8/13/2001	09/04/18	10	5	0	Gallons	
1471511604	NEPTUNE	WT 20	0.0000	08/13/01	8/13/2001	04/13/10	10	5	0	Gallons	
75502540	NEPTUNE	WT 20	0.0000	08/13/01	8/13/2001	04/13/10	10	5	0	Gallons	
1550413972	NEPTUNE	WT 20	0.0000	08/13/01	8/13/2001	04/13/10	10	5	0	Gallons	
75502541	NEPTUNE	WT 20	0.0000	08/13/01	8/13/2001	04/13/10	10	5	0	Gallons	
1490140244	NEPTUNE	WT 20	0.0000	08/13/01	8/13/2001	04/13/10	10	5	0	Gallons	

Meter #	Size	Service	Meter	Purchase	Warranty	Last	# Of	# Of	Units of	Tamper	
Internal Id #	Manufacturer	Type	Constant	Date	Date	Tested	Test Cycle	Fixed	Measure	Status	
		Rating					Dials	0's		Visually	
										Readable	
75502542	NEPTUNE	WT	0.0000	08/13/01	8/13/2001	10/06/08	10	5	0	Gallons	
1490195980	NEPTUNE	WT	0.0000	08/13/01	8/13/2001	01/07/15	10	5	0	Gallons	
75502543	NEPTUNE	WT	0.0000	08/13/01	8/13/2001	04/01/11	10	5	0	Gallons	
1487954426	NEPTUNE	WT	0.0000	08/13/01	8/13/2001	10/30/08	10	5	0	Gallons	
75502544	NEPTUNE	WT	0.0000	08/13/01	8/13/2001	10/07/08	10	5	0	Gallons	
1483710588	NEPTUNE	WT	0.0000	08/13/01	8/13/2001	10/21/08	10	5	0	Gallons	
75502545	NEPTUNE	WT	0.0000	08/13/01	8/13/2001	10/07/08	10	5	0	Gallons	
1549651856	NEPTUNE	WT	0.0000	08/13/01	8/13/2001	10/21/08	10	5	0	Gallons	
75502546	NEPTUNE	WT	0.0000	08/13/01	8/13/2001	06/22/18	10	5	0	Gallons	
1490194524	NEPTUNE	WT	0.0000	08/13/01	8/13/2001	12/03/08	10	5	0	Gallons	
75502547	NEPTUNE	WT	0.0000	08/13/01	8/13/2001	10/30/08	10	5	0	Gallons	
1490189694	NEPTUNE	WT	0.0000	08/13/01	8/13/2001	08/02/18	10	5	0	Gallons	
75502548	NEPTUNE	WT	0.0000	08/13/01	8/13/2001	11/21/08	10	5	0	Gallons	
1547971118	NEPTUNE	WT	0.0000	08/13/01	8/13/2001	09/23/16	10	5	0	Gallons	
75502549	NEPTUNE	WT	0.0000	08/13/01	8/13/2001	11/19/09	10	5	0	Gallons	
1481054928	NEPTUNE	WT	0.0000	08/13/01	8/13/2001	10/02/09	10	5	0	Gallons	
75502550	NEPTUNE	WT	0.0000	08/13/01	8/13/2001	10/02/09	10	5	0	Gallons	
1490189336	NEPTUNE	WT	0.0000	08/13/01	8/13/2001	10/02/09	10	5	0	Gallons	
75505350	NEPTUNE	WT	0.0000	11/20/01	11/20/2001	03/27/09	10	5	0	Gallons	
1487423400	NEPTUNE	WT	0.0000	11/20/01	11/20/2001	11/19/09	10	5	0	Gallons	
75505351	NEPTUNE	WT	0.0000	11/20/01	11/20/2001	09/23/16	10	5	0	Gallons	
1471226734	NEPTUNE	WT	0.0000	11/20/01	11/20/2001	10/02/09	10	5	0	Gallons	
75505352	NEPTUNE	WT	0.0000	11/20/01	11/20/2001	11/21/08	10	5	0	Gallons	
1563035168	NEPTUNE	WT	0.0000	11/20/01	11/20/2001	11/21/08	10	5	0	Gallons	
75505353	NEPTUNE	WT	0.0000	11/20/01	11/20/2001	10/05/09	10	5	0	Gallons	
1483714416	NEPTUNE	WT	0.0000	11/20/01	11/20/2001	03/20/09	10	5	0	Gallons	
75505354	NEPTUNE	WT	0.0000	11/20/01	11/20/2001	10/05/09	10	5	0	Gallons	
1542574258	NEPTUNE	WT	0.0000	11/20/01	11/20/2001	10/05/09	10	5	0	Gallons	
75505355	NEPTUNE	WT	0.0000	11/20/01	11/20/2001	10/05/09	10	5	0	Gallons	
1490146462	NEPTUNE	WT	0.0000	11/20/01	11/20/2001	04/01/11	10	5	0	Gallons	
75505356	NEPTUNE	WT	0.0000	11/20/01	11/20/2001	04/01/11	10	5	0	Gallons	
1490144905	NEPTUNE	WT	0.0000	11/20/01	11/20/2001	04/01/11	10	5	0	Gallons	
75505357	NEPTUNE	WT	0.0000	11/20/01	11/20/2001	01/13/12	10	5	0	Gallons	
1481256960	NEPTUNE	WT	0.0000	11/20/01	11/20/2001	09/09/09	10	5	0	Gallons	
75505358	NEPTUNE	WT	0.0000	11/20/01	11/20/2001	09/09/09	10	5	0	Gallons	
1483966200	NEPTUNE	WT	0.0000	11/20/01	11/20/2001	04/10/18	10	5	0	Gallons	
75505359	NEPTUNE	WT	0.0000	11/20/01	11/20/2001	03/02/09	10	5	0	Gallons	
1490121794	NEPTUNE	WT	0.0000	11/20/01	11/20/2001	10/30/18	10	5	0	Gallons	
75505360	NEPTUNE	WT	0.0000	11/20/01	11/20/2001	10/30/18	10	5	0	Gallons	
1471539006	NEPTUNE	WT	0.0000	11/20/01	11/20/2001	10/30/18	10	5	0	Gallons	
75505361	NEPTUNE	WT	0.0000	11/20/01	11/20/2001	10/30/18	10	5	0	Gallons	
1546642918	NEPTUNE	WT	0.0000	11/20/01	11/20/2001	10/30/18	10	5	0	Gallons	
75505362	NEPTUNE	WT	0.0000	11/20/01	11/20/2001	10/30/18	10	5	0	Gallons	
1490174130	NEPTUNE	WT	0.0000	11/20/01	11/20/2001	10/30/18	10	5	0	Gallons	
75505363	NEPTUNE	WT	0.0000	11/20/01	11/20/2001	10/30/18	10	5	0	Gallons	
1550409156	NEPTUNE	WT	0.0000	11/20/01	11/20/2001	10/30/18	10	5	0	Gallons	

Meter #	Size	Service	Meter	Purchase	Warranty	Last	# Of	# Of Fixed	Units of	Tamper
Internal Id #	Manufacturer	Type	Constant	Date	Date	Tested	Diags	0's	Measure	Status
		Rating								Visually
										Readable
75505364	NEPTUNE	WT 20	0.0000	11/20/01	11/20/2001	11/09/18 10	5	0	Gallons	
1551807766	NEPTUNE	WT 20	0.0000	11/20/01	11/20/2001	08/19/05 10	5	0	Gallons	
75505365	NEPTUNE	WT 20	0.0000	11/20/01	11/20/2001	02/24/09 10	5	0	Gallons	
1490069032	NEPTUNE	WT 20	0.0000	11/20/01	11/20/2001	09/27/13 10	5	0	Gallons	
75505366	NEPTUNE	WT 20	0.0000	11/20/01	11/20/2001	02/28/05 10	5	0	Gallons	
1491055862	NEPTUNE	WT 20	0.0000	11/20/01	11/20/2001	04/07/17 10	5	0	Gallons	
75505367	NEPTUNE	WT 20	0.0000	11/20/01	11/20/2001	01/11/12 10	5	0	Gallons	
1490155610	NEPTUNE	WT 20	0.0000	11/20/01	11/20/2001	12/03/08 10	5	0	Gallons	
75505368	NEPTUNE	WT 20	0.0000	11/20/01	11/20/2001	12/04/08 10	5	0	Gallons	
1490156370	NEPTUNE	WT 20	0.0000	11/20/01	11/20/2001	02/21/08 10	5	0	Gallons	
75505369	NEPTUNE	WT 20	0.0000	11/20/01	11/20/2001	02/21/08 10	5	0	Gallons	
1545524264	NEPTUNE	WT 20	0.0000	11/20/01	11/20/2001	12/04/08 10	5	0	Gallons	
75505370	NEPTUNE	WT 20	0.0000	11/20/01	11/20/2001	03/01/05 10	5	0	Gallons	
1490166332	NEPTUNE	WT 20	0.0000	11/20/01	11/20/2001	11/19/08 10	5	0	Gallons	
75505371	NEPTUNE	WT 20	0.0000	11/20/01	11/20/2001	10/23/14 10	5	0	Gallons	
1490154858	NEPTUNE	WT 20	0.0000	11/20/01	11/20/2001	12/04/08 10	5	0	Gallons	
75505372	NEPTUNE	WT 20	0.0000	11/20/01	11/20/2001	12/04/08 10	5	0	Gallons	
1490147720	NEPTUNE	WT 20	0.0000	11/20/01	11/20/2001	12/04/08 10	5	0	Gallons	
75505373	NEPTUNE	WT 20	0.0000	11/20/01	11/20/2001	12/04/08 10	5	0	Gallons	
1486731804	NEPTUNE	WT 20	0.0000	11/20/01	11/20/2001	12/04/08 10	5	0	Gallons	
75505374	NEPTUNE	WT 20	0.0000	11/20/01	11/20/2001	12/04/08 10	5	0	Gallons	
1490148824	NEPTUNE	WT 20	0.0000	11/20/01	11/20/2001	12/04/08 10	5	0	Gallons	
75505375	NEPTUNE	WT 20	0.0000	11/20/01	11/20/2001	12/04/08 10	5	0	Gallons	
1486686042	NEPTUNE	WT 20	0.0000	11/20/01	11/20/2001	12/04/08 10	5	0	Gallons	
75505376	NEPTUNE	WT 20	0.0000	11/20/01	11/20/2001	12/04/08 10	5	0	Gallons	
1490173622	NEPTUNE	WT 20	0.0000	11/20/01	11/20/2001	12/04/08 10	5	0	Gallons	
75505377	NEPTUNE	WT 20	0.0000	11/20/01	11/20/2001	12/04/08 10	5	0	Gallons	
1482383829	NEPTUNE	WT 20	0.0000	11/20/01	11/20/2001	12/04/08 10	5	0	Gallons	
75505378	NEPTUNE	WT 20	0.0000	11/20/01	11/20/2001	12/04/08 10	5	0	Gallons	
1481037456	NEPTUNE	WT 20	0.0000	11/20/01	11/20/2001	12/03/08 10	5	0	Gallons	
75505379	NEPTUNE	WT 20	0.0000	11/20/01	11/20/2001	10/21/16 10	5	0	Gallons	
1490148432	NEPTUNE	WT 20	0.0000	11/20/01	11/20/2001	03/10/10 10	5	0	Gallons	
75505380	NEPTUNE	WT 20	0.0000	11/20/01	11/20/2001	12/03/08 10	5	0	Gallons	
1481553654	NEPTUNE	WT 20	0.0000	11/20/01	11/20/2001	07/25/13 10	5	0	Gallons	
75505381	NEPTUNE	WT 20	0.0000	11/20/01	11/20/2001	12/02/08 10	5	0	Gallons	
1490187430	NEPTUNE	WT 20	0.0000	11/20/01	11/20/2001	05/23/08 10	5	0	Gallons	
75505382	NEPTUNE	WT 20	0.0000	11/20/01	11/20/2001		5	0	Gallons	
1471624372	NEPTUNE	WT 20	0.0000	11/20/01	11/20/2001		5	0	Gallons	
75505383	NEPTUNE	WT 20	0.0000	11/20/01	11/20/2001		5	0	Gallons	
1471246474	NEPTUNE	WT 20	0.0000	11/20/01	11/20/2001		5	0	Gallons	
75505384	NEPTUNE	WT 20	0.0000	11/20/01	11/20/2001		5	0	Gallons	
1471516604	NEPTUNE	WT 20	0.0000	11/20/01	11/20/2001		5	0	Gallons	
75505385	NEPTUNE	WT 20	0.0000	11/20/01	11/20/2001		5	0	Gallons	
1490147950	NEPTUNE	WT 20	0.0000	11/20/01	11/20/2001		5	0	Gallons	

Meter #	Size	Service	Meter	Purchase	Warranty	Last	# Of	# Of	Units of	Tamper	
Internal Id #	Manufacturer	Type	Constant	Date	Date	Tested	Test Cycle	Fixed	Measure	Status	
							Dials	0's		Visually	
		Rating								Readable	
75505387	NEPTUNE	WT 20	0.0000	11/20/01	11/20/2001	05/11/10	10	5	0	Gallons	
1490151836	NEPTUNE	WT 20	0.0000	11/20/01	11/20/2001	12/09/16	10	5	0	Gallons	
75505388	NEPTUNE	WT 20	0.0000	11/20/01	11/20/2001	07/27/18	10	5	0	Gallons	
1487954180	NEPTUNE	WT 20	0.0000	11/20/01	11/20/2001	08/18/05	10	5	0	Gallons	
75505389	NEPTUNE	WT 20	0.0000	11/20/01	11/20/2001	02/27/09	10	5	0	Gallons	
1490148808	NEPTUNE	WT 20	0.0000	11/20/01	11/20/2001	02/27/09	10	5	0	Gallons	
75505390	NEPTUNE	WT 20	0.0000	11/20/01	11/20/2001	01/06/17	10	5	0	Gallons	
1490148670	NEPTUNE	WT 20	0.0000	11/20/01	11/20/2001	10/15/10	10	5	0	Gallons	
75505391	NEPTUNE	WT 20	0.0000	11/20/01	11/20/2001	06/27/12	10	4	0	Gallons	
1490159978	NEPTUNE	WT 20	0.0000	11/20/01	11/20/2001	01/29/08	10	5	0	Gallons	
75505392	NEPTUNE	WT 20	0.0000	11/20/01	11/20/2001	04/01/11	10	5	0	Gallons	
1490148238	NEPTUNE	WT 20	0.0000	11/20/01	11/20/2001	12/12/11	10	5	0	Gallons	
75505393	NEPTUNE	WT 20	0.0000	11/20/01	11/20/2001	06/01/09	10	0	0	Gallons	
1490139738	NEPTUNE	WT 20	0.0000	11/20/01	11/20/2001	06/11/09	10	5	0	Gallons	
75505394	NEPTUNE	WT 20	0.0000	11/20/01	11/20/2001	05/24/10	10	5	0	Gallons	
1545047714	NEPTUNE	WT 20	0.0000	11/20/01	11/20/2001	09/02/11	10	5	0	Gallons	
75505395	NEPTUNE	WT 20	0.0000	11/20/01	11/20/2001	08/12/09	10	5	0	Gallons	
1490169892	NEPTUNE	WT 20	0.0000	11/20/01	11/20/2001	06/12/09	10	5	0	Gallons	
75505396	NEPTUNE	WT 20	0.0000	11/20/01	11/20/2001	07/24/13	10	5	0	Gallons	
1490140675	NEPTUNE	WT 20	0.0000	11/20/01	11/20/2001						
75505397	NEPTUNE	WT 20	0.0000	11/20/01	11/20/2001						
1483396856	NEPTUNE	WT 20	0.0000	11/20/01	11/20/2001						
75505398	NEPTUNE	WT 20	0.0000	11/20/01	11/20/2001						
1485376600	NEPTUNE	WT 20	0.0000	11/20/01	11/20/2001						
75505399	NEPTUNE	WT 20	0.0000	11/20/01	11/20/2001						
1487966358	NEPTUNE	WT 20	0.0000	11/20/01	11/20/2001						
75505400	NEPTUNE	WT 20	0.0000	11/20/01	11/20/2001						
1490176428	NEPTUNE	WT 20	0.0000	11/20/01	11/20/2001						
75505401	NEPTUNE	WT 20	0.0000	11/20/01	11/20/2001						
1490162890	NEPTUNE	WT 20	0.0000	11/20/01	11/20/2001						
75505402	NEPTUNE	WT 20	0.0000	11/20/01	11/20/2001						
1484697334	NEPTUNE	WT 20	0.0000	11/20/01	11/20/2001						
75505403	NEPTUNE	WT 20	0.0000	11/20/01	11/20/2001						
75505404	NEPTUNE	WT 20	0.0000	11/20/01	11/20/2001						
1490146234	NEPTUNE	WT 20	0.0000	11/20/01	11/20/2001						
75505405	NEPTUNE	WT 20	0.0000	11/20/01	11/20/2001						
1481256882	NEPTUNE	WT 20	0.0000	11/20/01	11/20/2001						
75505406	NEPTUNE	WT 20	0.0000	11/20/01	11/20/2001						
1490170074	NEPTUNE	WT 20	0.0000	11/20/01	11/20/2001						
75505407	NEPTUNE	WT 20	0.0000	11/20/01	11/20/2001						
1484465818	NEPTUNE	WT 20	0.0000	11/20/01	11/20/2001						
75505408	NEPTUNE	WT 20	0.0000	11/20/01	11/20/2001						
1490161724	NEPTUNE	WT 20	0.0000	11/20/01	11/20/2001						
75505409	NEPTUNE	WT 20	0.0000	11/20/01	11/20/2001						
1490143970	NEPTUNE	WT 20	0.0000	11/20/01	11/20/2001						

Meter #	Size	Service	Meter	Purchase	Warranty	Last	# Of	# Of Fixed	Units of	Tamper	
Internal Id #	Manufacturer	Type	Constant	Date	Date	Tested	Test Cycle	0's	Measure	Status	
		Rating					Dials			Visually	
										Readable	
75505410	NEPTUNE	WT 20	0.0000	11/20/01	11/20/2001	09/09/09	10	5	0	Gallons	
1481564870	NEPTUNE	WT 20	0.0000	11/20/01	11/20/2001	06/27/12	10	5	0	Gallons	
75505411	NEPTUNE	WT 20	0.0000	11/20/01	11/20/2001	12/13/11	10	5	0	Gallons	
1485373272	NEPTUNE	WT 20	0.0000	11/20/01	11/20/2001	09/09/09	10	5	0	Gallons	
75505412	NEPTUNE	WT 20	0.0000	11/20/01	11/20/2001	04/01/11	10	5	0	Gallons	
1484696098	NEPTUNE	WT 20	0.0000	11/20/01	11/20/2001	07/13/12	10	5	0	Gallons	
75505413	NEPTUNE	WT 20	0.0000	11/20/01	11/20/2001	07/13/12	10	5	0	Gallons	
1486680746	NEPTUNE	WT 20	0.0000	11/20/01	11/20/2001	07/11/11	10	5	0	Gallons	
75505414	NEPTUNE	WT 20	0.0000	11/20/01	11/20/2001	07/11/11	10	5	0	Gallons	
1483710740	NEPTUNE	WT 20	0.0000	11/20/01	11/20/2001	06/12/12	10	5	0	Gallons	
75505415	NEPTUNE	WT 20	0.0000	11/20/01	11/20/2001	06/12/12	10	5	0	Gallons	
1485534578	NEPTUNE	WT 20	0.0000	11/20/01	11/20/2001	06/07/02	10	5	0	Gallons	
75505416	NEPTUNE	WT 20	0.0000	11/20/01	11/20/2001	12/14/07	10	5	0	Gallons	
1483710798	NEPTUNE	WT 20	0.0000	11/20/01	11/20/2001	11/22/13	10	5	0	Gallons	
75505417	NEPTUNE	WT 20	0.0000	11/20/01	11/20/2001	12/09/08	10	5	0	Gallons	
1481601718	NEPTUNE	WT 20	0.0000	11/20/01	11/20/2001	07/29/08	10	5	0	Gallons	
75505418	NEPTUNE	WT 20	0.0000	11/20/01	11/20/2001	02/22/17	10	5	0	Gallons	
1485370656	NEPTUNE	WT 20	0.0000	11/20/01	11/20/2001	03/25/10	10	5	0	Gallons	
75505419	NEPTUNE	WT 20	0.0000	11/20/01	11/20/2001	02/09/10	10	5	0	Gallons	
1484698832	NEPTUNE	WT 20	0.0000	11/20/01	11/20/2001	04/11/14	10	5	0	Gallons	
75876684	NEPTUNE	WT 20	0.0000	11/20/01	11/20/2001	10/28/08	10	5	0	Gallons	
1562471840	NEPTUNE	WT 20	0.0000	11/20/01	11/20/2001	10/03/08	10	5	0	Gallons	
75876685	NEPTUNE	WT 20	0.0000	11/20/01	11/20/2001			5	0	Gallons	
1487105908	NEPTUNE	WT 20	0.0000	11/20/01	11/20/2001			5	0	Gallons	
75876686	NEPTUNE	WT 20	0.0000	11/20/01	11/20/2001			5	0	Gallons	
1490145702	NEPTUNE	WT 20	0.0000	11/20/01	11/20/2001			5	0	Gallons	
75876687	NEPTUNE	WT 20	0.0000	11/20/01	11/20/2001			5	0	Gallons	
1490178652	NEPTUNE	WT 20	0.0000	11/20/01	11/20/2001			5	0	Gallons	
75876688	NEPTUNE	WT 20	0.0000	11/20/01	11/20/2001			5	0	Gallons	
1490173786	NEPTUNE	WT 20	0.0000	11/20/01	11/20/2001			5	0	Gallons	
75876689	NEPTUNE	WT 20	0.0000	11/20/01	11/20/2001			5	0	Gallons	
1490148316	NEPTUNE	WT 20	0.0000	11/20/01	11/20/2001			5	0	Gallons	
75876690	NEPTUNE	WT 20	0.0000	11/20/01	11/20/2001			5	0	Gallons	
1490167436	NEPTUNE	WT 20	0.0000	11/20/01	11/20/2001			5	0	Gallons	
75876691	NEPTUNE	WT 20	0.0000	11/20/01	11/20/2001			5	0	Gallons	
1482332240	NEPTUNE	WT 20	0.0000	11/20/01	11/20/2001			5	0	Gallons	
75876692	NEPTUNE	WT 20	0.0000	11/20/01	11/20/2001			5	0	Gallons	
1490146276	NEPTUNE	WT 20	0.0000	11/20/01	11/20/2001			5	0	Gallons	
75876693	NEPTUNE	WT 20	0.0000	11/20/01	11/20/2001			5	0	Gallons	
1481553800	NEPTUNE	WT 20	0.0000	11/20/01	11/20/2001			5	0	Gallons	
75876694	NEPTUNE	WT 20	0.0000	11/20/01	11/20/2001			5	0	Gallons	
1482358202	NEPTUNE	WT 20	0.0000	11/20/01	11/20/2001			5	0	Gallons	
75876695	NEPTUNE	WT 20	0.0000	11/20/01	11/20/2001			5	0	Gallons	
1490145252	NEPTUNE	WT 20	0.0000	11/20/01	11/20/2001			5	0	Gallons	
75876696	NEPTUNE	WT 20	0.0000	11/20/01	11/20/2001			5	0	Gallons	
1490179334	NEPTUNE	WT 20	0.0000	11/20/01	11/20/2001			5	0	Gallons	

Meter #	Size	Service	Meter	Purchase	Warranty	Last	# Of	# Of	Units of	Tamper	
Internal Id #	Manufacturer	Type	Constant	Date	Date	Tested	Test Cycle	Fixed	Measure	Status	
							Dials	0's		Visually	
										Readable	
75876697	NEPTUNE	WT	0.0000	11/20/01	11/20/2001	04/04/14	10	5	0	Gallons	
1490146698	NEPTUNE	WT	0.0000	11/20/01	11/20/2001	07/01/14	10	5	0	Gallons	
75876698	NEPTUNE	WT	0.0000	11/20/01	11/20/2001	08/23/16	10	5	0	Gallons	
1487437800	NEPTUNE	WT	0.0000	11/20/01	11/20/2001	08/20/02	10	5	0	Gallons	
75876699	NEPTUNE	WT	0.0000	11/20/01	11/20/2001	09/18/18	10	5	0	Gallons	
1542522744	NEPTUNE	WT	0.0000	11/20/01	11/20/2001	10/03/08	10	5	0	Gallons	
75876700	NEPTUNE	WT	0.0000	11/20/01	11/20/2001	10/26/05	10	5	0	Gallons	
1471242024	NEPTUNE	WT	0.0000	11/20/01	11/20/2001	10/03/08	10	5	0	Gallons	
75876701	NEPTUNE	WT	0.0000	11/20/01	11/20/2001	09/18/18	10	5	0	Gallons	
1490155210	NEPTUNE	WT	0.0000	11/20/01	11/20/2001	05/21/09	10	5	0	Gallons	
75876702	NEPTUNE	WT	0.0000	11/20/01	11/20/2001	11/07/18	10	5	0	Gallons	
1490167996	NEPTUNE	WT	0.0000	11/20/01	11/20/2001	08/06/02	10	5	0	Gallons	
75876703	NEPTUNE	WT	0.0000	11/20/01	11/20/2001	10/31/13	10	5	0	Gallons	
1551826814	NEPTUNE	WT	0.0000	11/20/01	11/20/2001	04/08/19	10	5	0	Gallons	
75876704	NEPTUNE	WT	0.0000	11/20/01	11/20/2001	02/11/03	10	5	0	Gallons	
1490150606	NEPTUNE	WT	0.0000	11/20/01	11/20/2001	06/12/08	10	5	0	Gallons	
75876705	NEPTUNE	WT	0.0000	11/20/01	11/20/2001	08/14/02	10	5	0	Gallons	
1551830868	NEPTUNE	WT	0.0000	11/20/01	11/20/2001	09/12/13	10	5	0	Gallons	
75876706	NEPTUNE	WT	0.0000	11/20/01	11/20/2001	08/11/16	10	5	0	Gallons	
1490149152	NEPTUNE	WT	0.0000	11/20/01	11/20/2001	07/11/11	10	5	0	Gallons	
75876707	NEPTUNE	WT	0.0000	11/20/01	11/20/2001	12/12/11	10	5	0	Gallons	
1487926922	NEPTUNE	WT	0.0000	11/20/01	11/20/2001	06/12/12	10	5	0	Gallons	
75876708	NEPTUNE	WT	0.0000	11/20/01	11/20/2001	06/12/12	10	5	0	Gallons	
1490155934	NEPTUNE	WT	0.0000	11/20/01	11/20/2001	06/12/12	10	5	0	Gallons	
75876709	NEPTUNE	WT	0.0000	11/20/01	11/20/2001	06/12/12	10	5	0	Gallons	
1487150562	NEPTUNE	WT	0.0000	11/20/01	11/20/2001	06/12/12	10	5	0	Gallons	
75876710	NEPTUNE	WT	0.0000	11/20/01	11/20/2001	06/12/12	10	5	0	Gallons	
1562453314	NEPTUNE	WT	0.0000	11/20/01	11/20/2001	06/12/12	10	5	0	Gallons	
75876711	NEPTUNE	WT	0.0000	11/20/01	11/20/2001	06/12/12	10	5	0	Gallons	
1490194518	NEPTUNE	WT	0.0000	11/20/01	11/20/2001	06/12/12	10	5	0	Gallons	
75876712	NEPTUNE	WT	0.0000	11/20/01	11/20/2001	06/12/12	10	5	0	Gallons	
1490188014	NEPTUNE	WT	0.0000	11/20/01	11/20/2001	06/12/12	10	5	0	Gallons	
75928976	NEPTUNE	WT	0.0000	11/20/01	11/20/2001	06/12/12	10	5	0	Gallons	
1490132280	NEPTUNE	WT	0.0000	11/20/01	11/20/2001	06/12/12	10	5	0	Gallons	
76044161	NEPTUNE	WT	0.0000	11/20/01	11/20/2001	06/12/12	10	5	0	Gallons	
1490152080	NEPTUNE	WT	0.0000	11/20/01	11/20/2001	06/12/12	10	5	0	Gallons	
76044162	NEPTUNE	WT	0.0000	11/20/01	11/20/2001	06/12/12	10	5	0	Gallons	
1485534880	NEPTUNE	WT	0.0000	11/20/01	11/20/2001	06/12/12	10	5	0	Gallons	
76044163	NEPTUNE	WT	0.0000	11/20/01	11/20/2001	06/12/12	10	5	0	Gallons	
1490145238	NEPTUNE	WT	0.0000	11/20/01	11/20/2001	06/12/12	10	5	0	Gallons	
76044164	NEPTUNE	WT	0.0000	11/20/01	11/20/2001	06/12/12	10	5	0	Gallons	
147153196	NEPTUNE	WT	0.0000	11/20/01	11/20/2001	06/12/12	10	5	0	Gallons	
76044165	NEPTUNE	WT	0.0000	11/20/01	11/20/2001	06/12/12	10	5	0	Gallons	
1484694718	NEPTUNE	WT	0.0000	11/20/01	11/20/2001	06/12/12	10	5	0	Gallons	
76044166	NEPTUNE	WT	0.0000	11/20/01	11/20/2001	06/12/12	10	5	0	Gallons	
1485377324	NEPTUNE	WT	0.0000	11/20/01	11/20/2001	06/12/12	10	5	0	Gallons	

Meter #	Size	Service	Meter	Purchase	Warranty	Last	# Of	# Of Fixed	Units of	Tamper		
Internal Id #	Manufacturer	Type	Constant	Date	Date	Tested	Diags	0's	Measure	Status		
										Visually		
										Readable		
76044167	NEPTUNE	WT	20	0.0000	04/12/02	4/12/2002	01/16/12	10	5	0	Gallons	
1485316922	NEPTUNE	WT	20	0.0000	04/12/02	4/12/2002	01/16/12	10	5	0	Gallons	
76044168	NEPTUNE	WT	20	0.0000	04/12/02	4/12/2002	01/17/12	10	5	0	Gallons	
1484697154	NEPTUNE	WT	20	0.0000	04/12/02	4/12/2002	03/27/09	10	5	0	Gallons	
76044169	NEPTUNE	WT	20	0.0000	04/12/02	4/12/2002	07/31/09	10	5	0	Gallons	
1484694424	NEPTUNE	WT	20	0.0000	04/12/02	4/12/2002	08/25/10	10	5	0	Gallons	
76044170	NEPTUNE	WT	20	0.0000	04/12/02	4/12/2002	10/23/14	10	5	0	Gallons	
1490174006	NEPTUNE	WT	20	0.0000	04/12/02	4/12/2002	02/27/09	10	5	0	Gallons	
76044171	NEPTUNE	WT	20	0.0000	04/12/02	4/12/2002	02/27/09	10	5	0	Gallons	
1481601388	NEPTUNE	WT	20	0.0000	04/12/02	4/12/2002	02/27/09	10	5	0	Gallons	
76044172	NEPTUNE	WT	20	0.0000	04/12/02	4/12/2002	02/27/09	10	5	0	Gallons	
1483714550	NEPTUNE	WT	20	0.0000	04/12/02	4/12/2002	02/27/09	10	5	0	Gallons	
76044173	NEPTUNE	WT	20	0.0000	04/12/02	4/12/2002	02/27/09	10	5	0	Gallons	
1487927990	NEPTUNE	WT	20	0.0000	04/12/02	4/12/2002	02/27/09	10	5	0	Gallons	
76044174	NEPTUNE	WT	20	0.0000	04/12/02	4/12/2002	02/27/09	10	5	0	Gallons	
1490177493	NEPTUNE	WT	20	0.0000	04/12/02	4/12/2002	02/27/09	10	5	0	Gallons	
76044175	NEPTUNE	WT	20	0.0000	04/12/02	4/12/2002	02/27/09	10	5	0	Gallons	
1486313342	NEPTUNE	WT	20	0.0000	04/12/02	4/12/2002	02/27/09	10	5	0	Gallons	
76044176	NEPTUNE	WT	20	0.0000	04/12/02	4/12/2002	02/27/09	10	5	0	Gallons	
1487438296	NEPTUNE	WT	20	0.0000	04/12/02	4/12/2002	02/27/09	10	5	0	Gallons	
76044177	NEPTUNE	WT	20	0.0000	04/12/02	4/12/2002	02/27/09	10	5	0	Gallons	
76044178	NEPTUNE	WT	20	0.0000	04/12/02	4/12/2002	02/27/09	10	5	0	Gallons	
1471536406	NEPTUNE	WT	20	0.0000	04/12/02	4/12/2002	02/27/09	10	5	0	Gallons	
76044179	NEPTUNE	WT	20	0.0000	04/12/02	4/12/2002	02/27/09	10	5	0	Gallons	
1545277176	NEPTUNE	WT	20	0.0000	04/12/02	4/12/2002	02/27/09	10	5	0	Gallons	
76044180	NEPTUNE	WT	20	0.0000	04/12/02	4/12/2002	02/27/09	10	5	0	Gallons	
1490187798	NEPTUNE	WT	20	0.0000	04/12/02	4/12/2002	02/27/09	10	5	0	Gallons	
76089693	NEPTUNE	WT	20	0.0000	04/12/02	4/12/2002	02/27/09	10	5	0	Gallons	
1490148236	NEPTUNE	WT	20	0.0000	04/12/02	4/12/2002	02/27/09	10	5	0	Gallons	
76089694	NEPTUNE	WT	20	0.0000	04/12/02	4/12/2002	02/27/09	10	5	0	Gallons	
1490112904	NEPTUNE	WT	20	0.0000	04/12/02	4/12/2002	02/27/09	10	5	0	Gallons	
76089695	NEPTUNE	WT	20	0.0000	04/12/02	4/12/2002	02/27/09	10	5	0	Gallons	
1487881671	NEPTUNE	WT	20	0.0000	04/12/02	4/12/2002	02/27/09	10	5	0	Gallons	
76089696	NEPTUNE	WT	20	0.0000	04/12/02	4/12/2002	02/27/09	10	5	0	Gallons	
1471192378	NEPTUNE	WT	20	0.0000	04/12/02	4/12/2002	02/27/09	10	5	0	Gallons	
76089697	NEPTUNE	WT	20	0.0000	04/12/02	4/12/2002	02/27/09	10	5	0	Gallons	
1487749426	NEPTUNE	WT	20	0.0000	04/12/02	4/12/2002	02/27/09	10	5	0	Gallons	
76089698	NEPTUNE	WT	20	0.0000	04/12/02	4/12/2002	02/27/09	10	5	0	Gallons	
1490177372	NEPTUNE	WT	20	0.0000	04/12/02	4/12/2002	02/27/09	10	5	0	Gallons	
76089699	NEPTUNE	WT	20	0.0000	04/12/02	4/12/2002	02/27/09	10	5	0	Gallons	
1471468544	NEPTUNE	WT	20	0.0000	04/12/02	4/12/2002	02/27/09	10	5	0	Gallons	
76089700	NEPTUNE	WT	20	0.0000	04/12/02	4/12/2002	02/27/09	10	5	0	Gallons	
1490145312	NEPTUNE	WT	20	0.0000	04/12/02	4/12/2002	02/27/09	10	5	0	Gallons	
76089701	NEPTUNE	WT	20	0.0000	04/12/02	4/12/2002	02/27/09	10	5	0	Gallons	
1483975522	NEPTUNE	WT	20	0.0000	04/12/02	4/12/2002	02/27/09	10	5	0	Gallons	

Meter #	Size	Service	Meter	Purchase	Warranty	Last	# Of	# Of	Units of	Tamper	
Internal Id #	Manufacturer	Type	Constant	Date	Date	Tested	Test Cycle	Fixed	Measure	Status	
							Diags	0's		Visually	
										Readable	
76089702	NEPTUNE	WT	0.0000	04/12/02	4/12/2002	07/16/12	10	5	0	Gallons	
1545460490	NEPTUNE	WT	0.0000	04/12/02	4/12/2002	10/02/09	10	5	0	Gallons	
76089703	NEPTUNE	WT	0.0000	04/12/02	4/12/2002	01/26/11	10	5	0	Gallons	
1481751744	NEPTUNE	WT	0.0000	04/12/02	4/12/2002	10/02/09	10	5	0	Gallons	
76089704	NEPTUNE	WT	0.0000	04/12/02	4/12/2002	09/09/09	10	5	0	Gallons	
1490154856	NEPTUNE	WT	0.0000	04/12/02	4/12/2002	10/02/09	10	5	0	Gallons	
76089705	NEPTUNE	WT	0.0000	04/12/02	4/12/2002	09/21/09	10	5	0	Gallons	
1490180090	NEPTUNE	WT	0.0000	04/12/02	4/12/2002	09/21/09	10	5	0	Gallons	
76089706	NEPTUNE	WT	0.0000	04/12/02	4/12/2002	06/12/09	10	5	0	Gallons	
1481558161	NEPTUNE	WT	0.0000	04/12/02	4/12/2002	07/31/09	10	5	0	Gallons	
76089707	NEPTUNE	WT	0.0000	04/12/02	4/12/2002	09/23/09	10	5	0	Gallons	
1490187232	NEPTUNE	WT	0.0000	04/12/02	4/12/2002	09/23/09	10	5	0	Gallons	
76089708	NEPTUNE	WT	0.0000	04/12/02	4/12/2002	07/31/09	10	5	0	Gallons	
1490138780	NEPTUNE	WT	0.0000	04/12/02	4/12/2002	09/09/09	10	5	0	Gallons	
76089709	NEPTUNE	WT	0.0000	04/12/02	4/12/2002	10/27/15	10	5	0	Gallons	
1481601180	NEPTUNE	WT	0.0000	04/12/02	4/12/2002	10/27/15	10	5	0	Gallons	
76089710	NEPTUNE	WT	0.0000	04/12/02	4/12/2002	04/01/11	10	5	0	Gallons	
1481558160	NEPTUNE	WT	0.0000	04/12/02	4/12/2002	09/23/09	10	5	0	Gallons	
76089711	NEPTUNE	WT	0.0000	04/12/02	4/12/2002	09/09/09	10	5	0	Gallons	
1481602348	NEPTUNE	WT	0.0000	04/12/02	4/12/2002	09/09/09	10	5	0	Gallons	
76089712	NEPTUNE	WT	0.0000	04/12/02	4/12/2002	01/27/11	10	5	0	Gallons	
1481978056	NEPTUNE	WT	0.0000	04/12/02	4/12/2002	04/01/11	10	5	0	Gallons	
76089713	NEPTUNE	WT	0.0000	04/12/02	4/12/2002	07/31/09	10	5	0	Gallons	
76089714	NEPTUNE	WT	0.0000	04/12/02	4/12/2002	10/02/09	10	5	0	Gallons	
1490176034	NEPTUNE	WT	0.0000	04/12/02	4/12/2002	10/02/09	10	5	0	Gallons	
76089715	NEPTUNE	WT	0.0000	04/12/02	4/12/2002	05/31/02	10	5	0	Gallons	
1490146636	NEPTUNE	WT	0.0000	04/12/02	4/12/2002	09/09/09	10	5	0	Gallons	
76089716	NEPTUNE	WT	0.0000	04/12/02	4/12/2002	10/23/14	10	5	0	Gallons	
1490132668	NEPTUNE	WT	0.0000	04/12/02	4/12/2002	10/23/14	10	5	0	Gallons	
76089717	NEPTUNE	WT	0.0000	04/12/02	4/12/2002	11/19/09	10	5	0	Gallons	
1471516906	NEPTUNE	WT	0.0000	04/12/02	4/12/2002	06/12/09	10	5	0	Gallons	
76089718	NEPTUNE	WT	0.0000	04/12/02	4/12/2002	10/15/10	10	5	0	Gallons	
1481600512	NEPTUNE	WT	0.0000	04/12/02	4/12/2002	05/28/02	10	5	0	Gallons	
76089719	NEPTUNE	WT	0.0000	04/12/02	4/12/2002	05/28/02	10	5	0	Gallons	
1481601618	NEPTUNE	WT	0.0000	04/12/02	4/12/2002	05/28/02	10	5	0	Gallons	
76089720	NEPTUNE	WT	0.0000	04/12/02	4/12/2002	05/28/02	10	5	0	Gallons	
76089721	NEPTUNE	WT	0.0000	04/12/02	4/12/2002	05/28/02	10	5	0	Gallons	
1482385070	NEPTUNE	WT	0.0000	04/12/02	4/12/2002	05/28/02	10	5	0	Gallons	
76089722	NEPTUNE	WT	0.0000	04/12/02	4/12/2002	05/28/02	10	5	0	Gallons	
1490150328	NEPTUNE	WT	0.0000	04/12/02	4/12/2002	05/28/02	10	5	0	Gallons	
76089723	NEPTUNE	WT	0.0000	04/12/02	4/12/2002	05/28/02	10	5	0	Gallons	
1490146090	NEPTUNE	WT	0.0000	04/12/02	4/12/2002	05/28/02	10	5	0	Gallons	
76089724	NEPTUNE	WT	0.0000	04/12/02	4/12/2002	05/28/02	10	5	0	Gallons	
1490150138	NEPTUNE	WT	0.0000	04/12/02	4/12/2002	05/28/02	10	5	0	Gallons	

Meter #	Size	Service	Meter	Purchase	Warranty	Last	# Of	# Of Fixed	Units of	Tamper	
Internal Id #	Manufacturer	Type	Constant	Date	Date	Tested	Test Cycle	0's	Measure	Status	
							Dials			Visually	
										Readable	
76089725	NEPTUNE	WT	0.0000	04/12/02	4/12/2002	10/12/10	10	5	0	Gallons	
14771520506	NEPTUNE	WT	0.0000	04/12/02	4/12/2002	04/01/11	10	5	0	Gallons	
76089726	NEPTUNE	WT	0.0000	04/12/02	4/12/2002	01/26/11	10	5	0	Gallons	
1483975678	NEPTUNE	WT	0.0000	04/12/02	4/12/2002	09/09/09	10	5	0	Gallons	
76089727	NEPTUNE	WT	0.0000	04/12/02	4/12/2002	12/12/11	10	5	0	Gallons	
1490189550	NEPTUNE	WT	0.0000	04/12/02	4/12/2002	09/23/13	10	5	0	Gallons	
76089728	NEPTUNE	WT	0.0000	04/12/02	4/12/2002	12/12/11	10	5	0	Gallons	
1486137398	NEPTUNE	WT	0.0000	04/12/02	4/12/2002	02/02/06	10	5	0	Gallons	
76089729	NEPTUNE	WT	0.0000	04/12/02	4/12/2002	07/30/18	10	5	0	Gallons	
1490148914	NEPTUNE	WT	0.0000	04/12/02	4/12/2002	01/13/12	10	5	0	Gallons	
76089730	NEPTUNE	WT	0.0000	04/12/02	4/12/2002	03/20/09	10	5	0	Gallons	
1485373278	NEPTUNE	WT	0.0000	04/12/02	4/12/2002	11/24/09	10	5	0	Gallons	
76089731	NEPTUNE	WT	0.0000	04/12/02	4/12/2002	12/02/09	10	5	0	Gallons	
1490152278	NEPTUNE	WT	0.0000	04/12/02	4/12/2002	04/07/17	10	5	0	Gallons	
76089732	NEPTUNE	WT	0.0000	04/12/02	4/12/2002	04/01/11	10	5	0	Gallons	
1490144884	NEPTUNE	WT	0.0000	04/12/02	4/12/2002	02/02/06	10	5	0	Gallons	
76089733	NEPTUNE	WT	0.0000	04/12/02	4/12/2002	01/13/12	10	5	0	Gallons	
1490174414	NEPTUNE	WT	0.0000	04/12/02	4/12/2002	07/30/18	10	5	0	Gallons	
76089734	NEPTUNE	WT	0.0000	04/12/02	4/12/2002	03/20/09	10	5	0	Gallons	
1550411722	NEPTUNE	WT	0.0000	04/12/02	4/12/2002	11/24/09	10	5	0	Gallons	
76089735	NEPTUNE	WT	0.0000	04/12/02	4/12/2002	12/02/09	10	5	0	Gallons	
1490173179	NEPTUNE	WT	0.0000	04/12/02	4/12/2002	04/07/17	10	5	0	Gallons	
76089736	NEPTUNE	WT	0.0000	04/12/02	4/12/2002	04/01/11	10	5	0	Gallons	
1490155360	NEPTUNE	WT	0.0000	04/12/02	4/12/2002	02/02/06	10	5	0	Gallons	
76089737	NEPTUNE	WT	0.0000	04/12/02	4/12/2002	07/30/18	10	5	0	Gallons	
1450198740	NEPTUNE	WT	0.0000	04/12/02	4/12/2002	01/13/12	10	5	0	Gallons	
76089738	NEPTUNE	WT	0.0000	04/12/02	4/12/2002	03/20/09	10	5	0	Gallons	
1481601204	NEPTUNE	WT	0.0000	04/12/02	4/12/2002	11/24/09	10	5	0	Gallons	
76089739	NEPTUNE	WT	0.0000	04/12/02	4/12/2002	12/02/09	10	5	0	Gallons	
1490138098	NEPTUNE	WT	0.0000	04/12/02	4/12/2002	04/07/17	10	5	0	Gallons	
76089740	NEPTUNE	WT	0.0000	04/12/02	4/12/2002	04/01/11	10	5	0	Gallons	
1490148332	NEPTUNE	WT	0.0000	04/12/02	4/12/2002	02/02/06	10	5	0	Gallons	
76089741	NEPTUNE	WT	0.0000	04/12/02	4/12/2002	07/30/18	10	5	0	Gallons	
1490148344	NEPTUNE	WT	0.0000	04/12/02	4/12/2002	01/13/12	10	5	0	Gallons	
76089742	NEPTUNE	WT	0.0000	04/12/02	4/12/2002	03/20/09	10	5	0	Gallons	
1481565284	NEPTUNE	WT	0.0000	04/12/02	4/12/2002	11/24/09	10	5	0	Gallons	
76089743	NEPTUNE	WT	0.0000	04/12/02	4/12/2002	12/02/09	10	5	0	Gallons	
1484588830	NEPTUNE	WT	0.0000	04/12/02	4/12/2002	04/07/17	10	5	0	Gallons	
76089744	NEPTUNE	WT	0.0000	04/12/02	4/12/2002	04/01/11	10	5	0	Gallons	
1490131972	NEPTUNE	WT	0.0000	04/12/02	4/12/2002	02/02/06	10	5	0	Gallons	
76089745	NEPTUNE	WT	0.0000	04/12/02	4/12/2002	07/30/18	10	5	0	Gallons	
1490176038	NEPTUNE	WT	0.0000	04/12/02	4/12/2002	01/13/12	10	5	0	Gallons	
76089746	NEPTUNE	WT	0.0000	04/12/02	4/12/2002	03/20/09	10	5	0	Gallons	
1486719324	NEPTUNE	WT	0.0000	04/12/02	4/12/2002	11/24/09	10	5	0	Gallons	
76089747	NEPTUNE	WT	0.0000	04/12/02	4/12/2002	12/02/09	10	5	0	Gallons	
1486134792	NEPTUNE	WT	0.0000	04/12/02	4/12/2002	04/07/17	10	5	0	Gallons	

Meter #	Size	Service	Meter	Purchase	Warranty	Last	# Of	# Of Fixed	Units of	Tamper	
Internal Id #	Manufacturer	Type	Constant	Date	Date	Tested	Test Cycle	0's	Measure	Status	
		Rating					Diags			Visually	
										Readable	
76089748	NEPTUNE	WT	0.0000	04/12/02	4/12/2002	07/27/11	10	5	0	Gallons	
1490134146	NEPTUNE	WT	0.0000	04/12/02	4/12/2002	12/02/08	10	5	0	Gallons	
76089749	NEPTUNE	WT	0.0000	04/12/02	4/12/2002	10/05/09	10	5	0	Gallons	
1487942628	NEPTUNE	WT	0.0000	04/12/02	4/12/2002	09/09/15	10	5	0	Gallons	
76089750	NEPTUNE	WT	0.0000	04/12/02	4/12/2002	05/12/08	10	5	0	Gallons	
1481978053	NEPTUNE	WT	0.0000	04/12/02	4/12/2002	10/11/13	10	5	0	Gallons	
76089751	NEPTUNE	WT	0.0000	04/12/02	4/12/2002	09/11/14	10	5	0	Gallons	
1487955044	NEPTUNE	WT	0.0000	04/12/02	4/12/2002	07/24/09	10	5	0	Gallons	
76089752	NEPTUNE	WT	0.0000	04/12/02	4/12/2002	07/24/09	10	5	0	Gallons	
1490119259	NEPTUNE	WT	0.0000	04/12/02	4/12/2002	07/11/11	10	5	0	Gallons	
76089753	NEPTUNE	WT	0.0000	04/12/02	4/12/2002	07/29/08	10	5	0	Gallons	
1551693090	NEPTUNE	WT	0.0000	04/12/02	4/12/2002	05/18/16	10	5	0	Gallons	
76089754	NEPTUNE	WT	0.0000	04/12/02	4/12/2002	10/23/14	10	5	0	Gallons	
1490194644	NEPTUNE	WT	0.0000	04/12/02	4/12/2002	10/01/15	10	5	0	Gallons	
76089755	NEPTUNE	WT	0.0000	04/12/02	4/12/2002	02/23/09	10	5	0	Gallons	
1490146620	NEPTUNE	WT	0.0000	04/12/02	4/12/2002	02/27/09	10	5	0	Gallons	
76089756	NEPTUNE	WT	0.0000	04/12/02	4/12/2002	06/29/11	10	5	0	Gallons	
1490145844	NEPTUNE	WT	0.0000	04/12/02	4/12/2002	01/16/13	10	5	0	Gallons	
76089757	NEPTUNE	WT	0.0000	04/12/02	4/12/2002	01/16/13	10	5	0	Gallons	
1483715840	NEPTUNE	WT	0.0000	04/12/02	4/12/2002	01/16/13	10	5	0	Gallons	
76089758	NEPTUNE	WT	0.0000	04/12/02	4/12/2002	01/16/13	10	5	0	Gallons	
1490163280	NEPTUNE	WT	0.0000	04/12/02	4/12/2002	01/16/13	10	5	0	Gallons	
76089759	NEPTUNE	WT	0.0000	04/12/02	4/12/2002	01/16/13	10	5	0	Gallons	
1490141270	NEPTUNE	WT	0.0000	04/12/02	4/12/2002	01/16/13	10	5	0	Gallons	
76089760	NEPTUNE	WT	0.0000	04/12/02	4/12/2002	01/16/13	10	5	0	Gallons	
1551876458	NEPTUNE	WT	0.0000	04/12/02	4/12/2002	01/16/13	10	5	0	Gallons	
76089761	NEPTUNE	WT	0.0000	04/12/02	4/12/2002	01/16/13	10	5	0	Gallons	
1471513237	NEPTUNE	WT	0.0000	04/12/02	4/12/2002	01/16/13	10	5	0	Gallons	
76089762	NEPTUNE	WT	0.0000	04/12/02	4/12/2002	01/16/13	10	5	0	Gallons	
1490146216	NEPTUNE	WT	0.0000	04/12/02	4/12/2002	01/16/13	10	5	0	Gallons	
76089763	NEPTUNE	WT	0.0000	04/12/02	4/12/2002	01/16/13	10	5	0	Gallons	
1410249816	NEPTUNE	WT	0.0000	04/12/02	4/12/2002	01/16/13	10	5	0	Gallons	
76089764	NEPTUNE	WT	0.0000	04/12/02	4/12/2002	01/16/13	10	5	0	Gallons	
1484588714	NEPTUNE	WT	0.0000	04/12/02	4/12/2002	01/16/13	10	5	0	Gallons	
76089765	NEPTUNE	WT	0.0000	04/12/02	4/12/2002	01/16/13	10	5	0	Gallons	
1484590792	NEPTUNE	WT	0.0000	04/12/02	4/12/2002	01/16/13	10	5	0	Gallons	
76089766	NEPTUNE	WT	0.0000	04/12/02	4/12/2002	01/16/13	10	5	0	Gallons	
1485370988	NEPTUNE	WT	0.0000	04/12/02	4/12/2002	01/16/13	10	5	0	Gallons	
76089767	NEPTUNE	WT	0.0000	04/12/02	4/12/2002	01/16/13	10	5	0	Gallons	
1490150604	NEPTUNE	WT	0.0000	04/12/02	4/12/2002	01/16/13	10	5	0	Gallons	
76089768	NEPTUNE	WT	0.0000	04/12/02	4/12/2002	01/16/13	10	5	0	Gallons	
1490150618	NEPTUNE	WT	0.0000	04/12/02	4/12/2002	01/16/13	10	5	0	Gallons	
76089769	NEPTUNE	WT	0.0000	04/12/02	4/12/2002	01/16/13	10	5	0	Gallons	
1471526940	NEPTUNE	WT	0.0000	04/12/02	4/12/2002	01/16/13	10	5	0	Gallons	
76089770	NEPTUNE	WT	0.0000	04/12/02	4/12/2002	01/16/13	10	5	0	Gallons	
1486453088	NEPTUNE	WT	0.0000	04/12/02	4/12/2002	01/16/13	10	5	0	Gallons	

Meter #	Size	Service	Meter	Purchase	Warranty	Last	# Of	# Of Fixed	Units of	Tamper	
Internal Id #	Manufacturer	Type	Constant	Date	Date	Tested	Test Cycle	0's	Measure	Status	
		Rating					Dials			Visually	
										Readable	
76089771	NEPTUNE	WT	0.0000	04/12/02	4/12/2002	07/18/12	10	5	0	Gallons	
1485535264	NEPTUNE	WT	0.0000	04/12/02	4/12/2002	03/19/08	10	5	0	Gallons	
76089772	NEPTUNE	WT	0.0000	04/12/02	4/12/2002	09/01/10	10	5	0	Gallons	
1471242084	NEPTUNE	WT	0.0000	04/12/02	4/12/2002	10/08/08	10	5	0	Gallons	
76106119	NEPTUNE	WT	0.0000	04/12/02	4/12/2002	03/27/09	10	5	0	Gallons	
1482981200	NEPTUNE	WT	0.0000	04/12/02	4/12/2002	04/07/09	10	5	0	Gallons	
76106120	NEPTUNE	WT	0.0000	04/12/02	4/12/2002	09/11/09	10	5	0	Gallons	
1490091324	NEPTUNE	WT	0.0000	04/12/02	4/12/2002	08/22/16	10	5	0	Gallons	
76106121	NEPTUNE	WT	0.0000	04/12/02	4/12/2002	11/22/13	10	5	0	Gallons	
1490145339	NEPTUNE	WT	0.0000	04/12/02	4/12/2002	04/21/09	10	5	0	Gallons	
76106122	NEPTUNE	WT	0.0000	04/12/02	4/12/2002	04/29/08	10	5	0	Gallons	
1490148172	NEPTUNE	WT	0.0000	04/12/02	4/12/2002	04/21/09	10	5	0	Gallons	
76106123	NEPTUNE	WT	0.0000	04/12/02	4/12/2002	04/21/09	10	5	0	Gallons	
1490138772	NEPTUNE	WT	0.0000	04/12/02	4/12/2002	04/21/09	10	5	0	Gallons	
76106124	NEPTUNE	WT	0.0000	04/12/02	4/12/2002	04/21/09	10	5	0	Gallons	
1490146450	NEPTUNE	WT	0.0000	04/12/02	4/12/2002	04/21/09	10	5	0	Gallons	
76106125	NEPTUNE	WT	0.0000	04/12/02	4/12/2002	04/21/09	10	5	0	Gallons	
1490177474	NEPTUNE	WT	0.0000	04/12/02	4/12/2002	04/21/09	10	5	0	Gallons	
76106126	NEPTUNE	WT	0.0000	04/12/02	4/12/2002	04/21/09	10	5	0	Gallons	
1490159940	NEPTUNE	WT	0.0000	04/12/02	4/12/2002	04/21/09	10	5	0	Gallons	
76106127	NEPTUNE	WT	0.0000	04/12/02	4/12/2002	04/21/09	10	5	0	Gallons	
1490173596	NEPTUNE	WT	0.0000	04/12/02	4/12/2002	04/21/09	10	5	0	Gallons	
76106128	NEPTUNE	WT	0.0000	04/12/02	4/12/2002	04/21/09	10	5	0	Gallons	
1485370596	NEPTUNE	WT	0.0000	04/12/02	4/12/2002	04/21/09	10	5	0	Gallons	
76106129	NEPTUNE	WT	0.0000	04/12/02	4/12/2002	04/21/09	10	5	0	Gallons	
1490156204	NEPTUNE	WT	0.0000	04/12/02	4/12/2002	04/21/09	10	5	0	Gallons	
76106130	NEPTUNE	WT	0.0000	04/12/02	4/12/2002	04/21/09	10	5	0	Gallons	
1490145442	NEPTUNE	WT	0.0000	04/12/02	4/12/2002	04/21/09	10	5	0	Gallons	
76106131	NEPTUNE	WT	0.0000	04/12/02	4/12/2002	04/21/09	10	5	0	Gallons	
1486134550	NEPTUNE	WT	0.0000	04/12/02	4/12/2002	04/21/09	10	5	0	Gallons	
76106132	NEPTUNE	WT	0.0000	04/12/02	4/12/2002	04/21/09	10	5	0	Gallons	
1490140380	NEPTUNE	WT	0.0000	04/12/02	4/12/2002	04/21/09	10	5	0	Gallons	
76106133	NEPTUNE	WT	0.0000	04/12/02	4/12/2002	08/22/16	10	5	0	Gallons	
1542529768	NEPTUNE	WT	0.0000	04/12/02	4/12/2002	11/22/13	10	5	0	Gallons	
76106134	NEPTUNE	WT	0.0000	04/12/02	4/12/2002	08/29/08	10	5	0	Gallons	
1490146124	NEPTUNE	WT	0.0000	04/12/02	4/12/2002	01/28/13	10	5	0	Gallons	
76106135	NEPTUNE	WT	0.0000	04/12/02	4/12/2002	10/30/13	10	5	0	Gallons	
1490150112	NEPTUNE	WT	0.0000	04/12/02	4/12/2002	07/02/08	10	5	0	Gallons	
76106136	NEPTUNE	WT	0.0000	04/12/02	4/12/2002	07/02/08	10	5	0	Gallons	
1490150136	NEPTUNE	WT	0.0000	04/12/02	4/12/2002	07/02/08	10	5	0	Gallons	
76106137	NEPTUNE	WT	0.0000	04/12/02	4/12/2002	07/02/08	10	5	0	Gallons	
1487148778	NEPTUNE	WT	0.0000	04/12/02	4/12/2002	07/02/08	10	5	0	Gallons	
76106138	NEPTUNE	WT	0.0000	04/12/02	4/12/2002	07/02/08	10	5	0	Gallons	
1490146386	NEPTUNE	WT	0.0000	04/12/02	4/12/2002	07/02/08	10	5	0	Gallons	
76106139	NEPTUNE	WT	0.0000	04/12/02	4/12/2002	07/02/08	10	5	0	Gallons	
1490141844	NEPTUNE	WT	0.0000	04/12/02	4/12/2002	07/02/08	10	5	0	Gallons	

Meter #	Size	Service	Meter	Purchase	Warranty	Last	# Of	# Of Fixed	Units of	Tamper	
Internal Id #	Manufacturer	Type	Constant	Date	Date	Tested	Test Cycle	0's	Measure	Status	
							Dials			Visually	
										Readable	
76106140	NEPTUNE	WT	0.0000	04/12/02	4/12/2002	04/15/09	10	5	0	Gallons	
1490159914	NEPTUNE	WT	0.0000	04/12/02	4/12/2002	12/01/15	10	5	0	Gallons	
76106141	NEPTUNE	WT	0.0000	04/12/02	4/12/2002	10/29/15	10	5	0	Gallons	
1487746508	NEPTUNE	WT	0.0000	04/12/02	4/12/2002	04/15/09	10	5	0	Gallons	
76106142	NEPTUNE	WT	0.0000	04/12/02	4/12/2002	10/01/15	10	5	0	Gallons	
1540686834	NEPTUNE	WT	0.0000	04/12/02	4/12/2002	10/01/15	10	5	0	Gallons	
76106143	NEPTUNE	WT	0.0000	04/12/02	4/12/2002	11/12/18	10	5	0	Gallons	
1490156012	NEPTUNE	WT	0.0000	04/12/02	4/12/2002	01/21/05	10	5	0	Gallons	
76106144	NEPTUNE	WT	0.0000	04/12/02	4/12/2002	08/02/18	10	5	0	Gallons	
1490152066	NEPTUNE	WT	0.0000	04/12/02	4/12/2002	10/06/15	10	5	0	Gallons	
76106145	NEPTUNE	WT	0.0000	04/12/02	4/12/2002	03/22/11	10	5	0	Gallons	
1551806904	NEPTUNE	WT	0.0000	04/12/02	4/12/2002	03/05/09	10	5	0	Gallons	
76106146	NEPTUNE	WT	0.0000	04/12/02	4/12/2002	09/17/09	10	5	0	Gallons	
1490140538	NEPTUNE	WT	0.0000	04/12/02	4/12/2002	11/13/15	10	5	0	Gallons	
76106147	NEPTUNE	WT	0.0000	04/12/02	4/12/2002	08/27/08	10	5	0	Gallons	
1540777236	NEPTUNE	WT	0.0000	04/12/02	4/12/2002	06/12/18	10	5	0	Gallons	
76106148	NEPTUNE	WT	0.0000	04/12/02	4/12/2002	04/26/19	10	5	0	Gallons	
1550413974	NEPTUNE	WT	0.0000	04/12/02	4/12/2002	04/21/09	10	5	0	Gallons	
76106149	NEPTUNE	WT	0.0000	04/12/02	4/12/2002	04/11/14	10	5	0	Gallons	
1490178566	NEPTUNE	WT	0.0000	04/12/02	4/12/2002	05/03/11	10	5	0	Gallons	
76106150	NEPTUNE	WT	0.0000	04/12/02	4/12/2002						
1551860966	NEPTUNE	WT	0.0000	04/12/02	4/12/2002						
76106151	NEPTUNE	WT	0.0000	04/12/02	4/12/2002						
1490132866	NEPTUNE	WT	0.0000	04/12/02	4/12/2002						
76106152	NEPTUNE	WT	0.0000	04/12/02	4/12/2002						
1490159746	NEPTUNE	WT	0.0000	04/12/02	4/12/2002						
76106153	NEPTUNE	WT	0.0000	04/12/02	4/12/2002						
1481972232	NEPTUNE	WT	0.0000	04/12/02	4/12/2002						
76106154	NEPTUNE	WT	0.0000	04/12/02	4/12/2002						
1547966948	NEPTUNE	WT	0.0000	04/12/02	4/12/2002						
76106155	NEPTUNE	WT	0.0000	04/12/02	4/12/2002						
1490146248	NEPTUNE	WT	0.0000	04/12/02	4/12/2002						
76106156	NEPTUNE	WT	0.0000	04/12/02	4/12/2002						
1490150116	NEPTUNE	WT	0.0000	04/12/02	4/12/2002						
76106157	NEPTUNE	WT	0.0000	04/12/02	4/12/2002						
1543651412	NEPTUNE	WT	0.0000	04/12/02	4/12/2002						
76106158	NEPTUNE	WT	0.0000	04/12/02	4/12/2002						
1552116164	NEPTUNE	WT	0.0000	04/12/02	4/12/2002						
76106159	NEPTUNE	WT	0.0000	04/12/02	4/12/2002						
1490159790	NEPTUNE	WT	0.0000	04/12/02	4/12/2002						
76106160	NEPTUNE	WT	0.0000	04/12/02	4/12/2002						
1487116408	NEPTUNE	WT	0.0000	04/12/02	4/12/2002						
76106161	NEPTUNE	WT	0.0000	04/12/02	4/12/2002						
1490140884	NEPTUNE	WT	0.0000	04/12/02	4/12/2002						
76106162	NEPTUNE	WT	0.0000	04/12/02	4/12/2002						
1483975668	NEPTUNE	WT	0.0000	04/12/02	4/12/2002						

Meter #	Size	Service	Meter	Purchase	Warranty	Last	# Of	# Of Fixed	Units of	Tamper	
Internal Id #	Manufacturer	Type	Constant	Date	Date	Tested	Diags	0's	Measure	Status	
		Rating								Visually	
										Readable	
76106163	NEPTUNE	WT	0.0000	04/12/02	4/12/2002	04/11/14	10	5	0	Gallons	
1487147090	NEPTUNE	WT	0.0000	04/12/02	4/12/2002	10/29/08	10	5	0	Gallons	
76106164	NEPTUNE	WT	0.0000	04/12/02	4/12/2002	12/18/15	10	5	0	Gallons	
1490173378	NEPTUNE	WT	0.0000	04/12/02	4/12/2002	11/22/13	10	5	0	Gallons	
76106165	NEPTUNE	WT	0.0000	04/12/02	4/12/2002	10/09/08	10	5	0	Gallons	
1490144228	NEPTUNE	WT	0.0000	04/12/02	4/12/2002	05/02/19	10	5	0	Gallons	
76106166	NEPTUNE	WT	0.0000	04/12/02	4/12/2002	04/01/11	10	5	0	Gallons	
1487418506	NEPTUNE	WT	0.0000	04/09/02	4/9/2002	06/18/09	10	5	0	Gallons	
76106167	NEPTUNE	WT	0.0000	04/09/02	4/9/2002	12/02/09	10	5	0	Gallons	
1490194438	NEPTUNE	WT	0.0000	04/09/02	4/9/2002	03/03/09	10	5	0	Gallons	
76106168	NEPTUNE	WT	0.0000	04/09/02	4/9/2002	06/01/09	10	5	0	Gallons	
1490178564	NEPTUNE	WT	0.0000	04/09/02	4/9/2002	09/08/09	10	5	0	Gallons	
76551966	NEPTUNE	WT	0.0000	04/09/02	4/9/2002	10/27/15	10	5	0	Gallons	
1551876672	NEPTUNE	WT	0.0000	04/09/02	4/9/2002	07/31/09	10	5	0	Gallons	
76551967	NEPTUNE	WT	0.0000	04/09/02	4/9/2002	12/02/09	10	5	0	Gallons	
1546647932	NEPTUNE	WT	0.0000	04/09/02	4/9/2002	03/02/09	10	5	0	Gallons	
76551968	NEPTUNE	WT	0.0000	04/09/02	4/9/2002	06/18/09	10	5	0	Gallons	
1483704580	NEPTUNE	WT	0.0000	04/09/02	4/9/2002	11/17/04	10	0	0	Gallons	
76551969	NEPTUNE	WT	0.0000	04/09/02	4/9/2002	08/24/16	10	5	0	Gallons	
1481553308	NEPTUNE	WT	0.0000	04/09/02	4/9/2002	06/12/09	10	5	0	Gallons	
76551970	NEPTUNE	WT	0.0000	04/09/02	4/9/2002	03/03/09	10	5	0	Gallons	
1490155062	NEPTUNE	WT	0.0000	04/09/02	4/9/2002	03/02/09	10	5	0	Gallons	
76551971	NEPTUNE	WT	0.0000	04/09/02	4/9/2002	06/01/09	10	5	0	Gallons	
76551972	NEPTUNE	WT	0.0000	04/09/02	4/9/2002	09/08/09	10	5	0	Gallons	
1490148607	NEPTUNE	WT	0.0000	04/09/02	4/9/2002	10/27/15	10	5	0	Gallons	
76551973	NEPTUNE	WT	0.0000	04/09/02	4/9/2002	07/31/09	10	5	0	Gallons	
1471255394	NEPTUNE	WT	0.0000	04/09/02	4/9/2002	12/02/09	10	5	0	Gallons	
76551974	NEPTUNE	WT	0.0000	04/09/02	4/9/2002	03/02/09	10	5	0	Gallons	
1490145434	NEPTUNE	WT	0.0000	04/09/02	4/9/2002	06/01/09	10	5	0	Gallons	
76551975	NEPTUNE	WT	0.0000	04/09/02	4/9/2002	09/08/09	10	5	0	Gallons	
1490174122	NEPTUNE	WT	0.0000	04/09/02	4/9/2002	10/27/15	10	5	0	Gallons	
76551976	NEPTUNE	WT	0.0000	04/09/02	4/9/2002	07/31/09	10	5	0	Gallons	
1481257570	NEPTUNE	WT	0.0000	04/09/02	4/9/2002	12/02/09	10	5	0	Gallons	
76551977	NEPTUNE	WT	0.0000	04/09/02	4/9/2002	03/02/09	10	5	0	Gallons	
1490152242	NEPTUNE	WT	0.0000	04/09/02	4/9/2002	06/18/09	10	5	0	Gallons	
76551978	NEPTUNE	WT	0.0000	04/09/02	4/9/2002	03/02/09	10	5	0	Gallons	
1487748186	NEPTUNE	WT	0.0000	04/09/02	4/9/2002	06/18/09	10	5	0	Gallons	
76551979	NEPTUNE	WT	0.0000	04/09/02	4/9/2002	10/27/15	10	5	0	Gallons	
1481600734	NEPTUNE	WT	0.0000	04/09/02	4/9/2002	07/31/09	10	5	0	Gallons	
76551980	NEPTUNE	WT	0.0000	04/09/02	4/9/2002	09/08/09	10	5	0	Gallons	
1547961446	NEPTUNE	WT	0.0000	04/09/02	4/9/2002	10/27/15	10	5	0	Gallons	
76551981	NEPTUNE	WT	0.0000	04/09/02	4/9/2002	07/31/09	10	5	0	Gallons	
1481601176	NEPTUNE	WT	0.0000	04/09/02	4/9/2002	09/14/09	10	5	0	Gallons	
76551982	NEPTUNE	WT	0.0000	04/09/02	4/9/2002	09/14/09	10	5	0	Gallons	
1481601406	NEPTUNE	WT	0.0000	04/09/02	4/9/2002	09/14/09	10	5	0	Gallons	

Meter #	Size	Service	Meter	Purchase	Warranty	Last	# Of	# Of	Units of	Tamper	
Internal Id #	Manufacturer	Type	Constant	Date	Date	Tested	Diags	Fixed	Measure	Status	
		Rating						0's		Visually	
										Readable	
76551983	NEPTUNE	WT	0.0000	04/09/02	4/9/2002	12/02/15	10	5	0	Gallons	
1486131904	NEPTUNE	WT	0.0000	04/09/02	4/9/2002	01/13/12	10	5	0	Gallons	
76551984	NEPTUNE	WT	0.0000	04/09/02	4/9/2002	06/18/09	10	5	0	Gallons	
1490145902	NEPTUNE	WT	0.0000	04/09/02	4/9/2002	12/12/11	10	5	0	Gallons	
76551985	NEPTUNE	WT	0.0000	04/09/02	4/9/2002	10/15/10	10	5	0	Gallons	
1481553682	NEPTUNE	WT	0.0000	04/09/02	4/9/2002	10/26/18	10	5	0	Gallons	
76551986	NEPTUNE	WT	0.0000	04/09/02	4/9/2002	05/03/11	10	5	0	Gallons	
1471637544	NEPTUNE	WT	0.0000	04/09/02	4/9/2002	09/23/08	10	5	0	Gallons	
76551987	NEPTUNE	WT	0.0000	04/09/02	4/9/2002	02/20/08	10	5	0	Gallons	
1483414638	NEPTUNE	WT	0.0000	04/09/02	4/9/2002	10/31/12	10	5	0	Gallons	
76551988	NEPTUNE	WT	0.0000	04/09/02	4/9/2002	06/06/13	10	5	0	Gallons	
1551700832	NEPTUNE	WT	0.0000	04/09/02	4/9/2002	07/31/09	10	5	0	Gallons	
76551989	NEPTUNE	WT	0.0000	04/09/02	4/9/2002	08/08/08	10	5	0	Gallons	
1490150657	NEPTUNE	WT	0.0000	04/09/02	4/9/2002	06/01/09	10	5	0	Gallons	
76551990	NEPTUNE	WT	0.0000	04/09/02	4/9/2002	03/13/06	10	5	0	Gallons	
1483966424	NEPTUNE	WT	0.0000	04/09/02	4/9/2002	02/24/09	10	5	0	Gallons	
76551991	NEPTUNE	WT	0.0000	04/09/02	4/9/2002	01/27/11	10	5	0	Gallons	
1487945846	NEPTUNE	WT	0.0000	04/09/02	4/9/2002	09/23/08	10	5	0	Gallons	
76551992	NEPTUNE	WT	0.0000	04/09/02	4/9/2002	11/21/08	10	5	0	Gallons	
1490187368	NEPTUNE	WT	0.0000	04/09/02	4/9/2002	02/24/09	10	5	0	Gallons	
76551993	NEPTUNE	WT	0.0000	04/09/02	4/9/2002	03/13/06	10	5	0	Gallons	
1490148304	NEPTUNE	WT	0.0000	04/09/02	4/9/2002	06/06/13	10	5	0	Gallons	
76551994	NEPTUNE	WT	0.0000	04/09/02	4/9/2002	10/31/12	10	5	0	Gallons	
1490171786	NEPTUNE	WT	0.0000	04/09/02	4/9/2002	07/31/09	10	5	0	Gallons	
76551995	NEPTUNE	WT	0.0000	04/09/02	4/9/2002	08/08/08	10	5	0	Gallons	
1490155386	NEPTUNE	WT	0.0000	04/09/02	4/9/2002	06/01/09	10	5	0	Gallons	
76551996	NEPTUNE	WT	0.0000	04/09/02	4/9/2002	03/13/06	10	5	0	Gallons	
1545219532	NEPTUNE	WT	0.0000	04/09/02	4/9/2002	02/24/09	10	5	0	Gallons	
76551997	NEPTUNE	WT	0.0000	04/09/02	4/9/2002	01/27/11	10	5	0	Gallons	
1490177514	NEPTUNE	WT	0.0000	04/09/02	4/9/2002	09/23/08	10	5	0	Gallons	
76551998	NEPTUNE	WT	0.0000	04/09/02	4/9/2002	11/21/08	10	5	0	Gallons	
1490147088	NEPTUNE	WT	0.0000	04/09/02	4/9/2002	02/24/09	10	5	0	Gallons	
76551999	NEPTUNE	WT	0.0000	04/09/02	4/9/2002	03/13/06	10	5	0	Gallons	
1481601576	NEPTUNE	WT	0.0000	04/09/02	4/9/2002	06/06/13	10	5	0	Gallons	
76552000	NEPTUNE	WT	0.0000	04/09/02	4/9/2002	07/31/09	10	5	0	Gallons	
1490145878	NEPTUNE	WT	0.0000	04/09/02	4/9/2002	08/08/08	10	5	0	Gallons	
76552001	NEPTUNE	WT	0.0000	04/09/02	4/9/2002	06/01/09	10	5	0	Gallons	
1490148602	NEPTUNE	WT	0.0000	04/09/02	4/9/2002	03/13/06	10	5	0	Gallons	
76552002	NEPTUNE	WT	0.0000	04/09/02	4/9/2002	02/24/09	10	5	0	Gallons	
1487763096	NEPTUNE	WT	0.0000	04/09/02	4/9/2002	01/26/11	10	5	0	Gallons	
76552003	NEPTUNE	WT	0.0000	04/09/02	4/9/2002	09/23/08	10	5	0	Gallons	
1490156076	NEPTUNE	WT	0.0000	04/09/02	4/9/2002	11/21/08	10	5	0	Gallons	
76552004	NEPTUNE	WT	0.0000	04/09/02	4/9/2002	02/24/18	10	5	0	Gallons	
1483711876	NEPTUNE	WT	0.0000	04/09/02	4/9/2002	06/18/09	10	5	0	Gallons	
76552005	NEPTUNE	WT	0.0000	04/09/02	4/9/2002	10/15/10	10	5	0	Gallons	
1490145484	NEPTUNE	WT	0.0000	04/09/02	4/9/2002	05/03/11	10	5	0	Gallons	

Meter #	Size	Service	Meter	Purchase	Warranty	Last	# Of	# Of Fixed	Units of	Tamper	
Internal Id #	Manufacturer	Type	Constant	Date	Date	Tested	Diags	0's	Measure	Status	
										Visually	
										Readable	
76552006	NEPTUNE	WT	0.0000	04/09/02	4/9/2002	07/31/09	10	5	0	Gallons	
1490173998	NEPTUNE	WT	0.0000	04/09/02	4/9/2002	10/05/09	10	5	0	Gallons	
76552007	NEPTUNE	WT	0.0000	04/09/02	4/9/2002	09/10/09	10	5	0	Gallons	
1481601384	NEPTUNE	WT	0.0000	04/09/02	4/9/2002	05/28/02	10	0	0	Gallons	
76552008	NEPTUNE	WT	0.0000	04/09/02	4/9/2002	09/23/09	10	5	0	Gallons	
1490144156	NEPTUNE	WT	0.0000	04/09/02	4/9/2002	07/22/13	10	5	0	Gallons	
76552009	NEPTUNE	WT	0.0000	04/09/02	4/9/2002	09/14/09	10	5	0	Gallons	
76552010	NEPTUNE	WT	0.0000	04/09/02	4/9/2002	07/22/13	10	5	0	Gallons	
1481601342	NEPTUNE	WT	0.0000	04/09/02	4/9/2002	09/14/09	10	5	0	Gallons	
76552011	NEPTUNE	WT	0.0000	04/09/02	4/9/2002	01/26/11	10	5	0	Gallons	
1486720068	NEPTUNE	WT	0.0000	04/09/02	4/9/2002	07/02/18	10	5	0	Gallons	
76552012	NEPTUNE	WT	0.0000	04/09/02	4/9/2002	05/29/03	10	0	0	Gallons	
1490194444	NEPTUNE	WT	0.0000	04/09/02	4/9/2002	02/10/17	10	5	0	Gallons	
76552013	NEPTUNE	WT	0.0000	04/09/02	4/9/2002	02/03/17	10	5	0	Gallons	
1483414636	NEPTUNE	WT	0.0000	04/09/02	4/9/2002	01/30/17	10	5	0	Gallons	
76552014	NEPTUNE	WT	0.0000	04/09/02	4/9/2002	02/10/17	10	5	0	Gallons	
1487745516	NEPTUNE	WT	0.0000	04/09/02	4/9/2002	01/30/17	10	5	0	Gallons	
76552015	NEPTUNE	WT	0.0000	04/09/02	4/9/2002	02/06/17	10	5	0	Gallons	
1550394562	NEPTUNE	WT	0.0000	04/09/02	4/9/2002	02/06/17	10	5	0	Gallons	
76603404	Neptune	WT	0.0000	05/01/02		01/30/17	10	5	0	Gallons	
76603405	Neptune	WT	0.0000	05/01/02		01/30/17	10	5	0	Gallons	
1545075598	Neptune	WT	0.0000	04/01/02		02/03/17	10	5	0	Gallons	
76603406	Neptune	WT	0.0000	06/01/02		01/30/17	10	5	0	Gallons	
1487935382	Neptune	WT	0.0000	01/27/16		02/10/17	10	5	0	Gallons	
76603407	Neptune	WT	0.0000	05/01/02		01/30/17	10	5	0	Gallons	
1545066898	Neptune	WT	0.0000	05/01/02		01/30/17	10	5	0	Gallons	
76603408	Neptune	WT	0.0000	05/01/02		01/30/17	10	5	0	Gallons	
1490140148	Neptune	WT	0.0000	05/01/02		02/06/17	10	5	0	Gallons	
76603409	Neptune	WT	0.0000	05/01/02		01/30/17	10	5	0	Gallons	
1545039620	Neptune	WT	0.0000	05/01/02		01/30/17	10	5	0	Gallons	
76603410	Neptune	WT	0.0000	05/01/02		01/30/17	10	5	0	Gallons	
1545045232	Neptune	WT	0.0000	05/01/02		02/06/17	10	5	0	Gallons	
76603411	Neptune	WT	0.0000	05/01/02		02/06/17	10	5	0	Gallons	
1490167630	Neptune	WT	0.0000	05/01/02		01/30/17	10	5	0	Gallons	
76603412	Neptune	WT	0.0000	05/01/02		01/30/17	10	5	0	Gallons	
1490171740	Neptune	WT	0.0000	05/01/02		02/06/17	10	5	0	Gallons	
76603413	Neptune	WT	0.0000	12/05/02	12/5/2002	12/18/02	10	5	0	Gallons	
1545506112	NEPTUNE	WT	0.0000	12/05/02	12/5/2002	03/09/12	10	5	0	Gallons	
77221508	NEPTUNE	WT	0.0000	12/05/02	12/5/2002	09/28/15	10	5	0	Gallons	
1490140032	NEPTUNE	WT	0.0000	12/05/02	12/5/2002			5	0	Gallons	
77221509	NEPTUNE	WT	0.0000	12/05/02	12/5/2002			5	0	Gallons	
1487935288	NEPTUNE	WT	0.0000	12/05/02	12/5/2002			5	0	Gallons	
77221510	NEPTUNE	WT	0.0000	12/05/02	12/5/2002			5	0	Gallons	
1490139718	NEPTUNE	WT	0.0000	12/05/02	12/5/2002			5	0	Gallons	

Meter #	Size	Service	Meter	Purchase	Warranty	Last	# Of	# Of Fixed	Units of	Tamper	Visually
Internal Id #	Manufacturer	Type	Constant	Date	Date	Tested	Test Cycle	0's	Measure	Status	Readable
77221511	NEPTUNE	WT	0.0000	12/05/02	12/5/2002	12/18/02	10	0	Gallons		
77221512	NEPTUNE	WT	0.0000	12/05/02	12/5/2002	02/10/11	10	5	Gallons		
1487749432	NEPTUNE	WT	0.0000	12/05/02	12/5/2002	01/01/15	10	5	Gallons		
77221513	NEPTUNE	WT	0.0000	12/05/02	12/5/2002	02/24/12	10	5	Gallons		
1490144120	NEPTUNE	WT	0.0000	12/05/02	12/5/2002	10/25/05	10	5	Gallons		
77221514	NEPTUNE	WT	0.0000	12/05/02	12/5/2002	12/06/13	10	5	Gallons		
1490194536	NEPTUNE	WT	0.0000	12/05/02	12/5/2002	12/27/07	10	5	Gallons		
77221515	NEPTUNE	WT	0.0000	12/05/02	12/5/2002	11/01/12	10	5	Gallons		
1490155380	NEPTUNE	WT	0.0000	12/05/02	12/5/2002	07/16/09	10	5	Gallons		
77221516	NEPTUNE	WT	0.0000	12/05/02	12/5/2002	03/08/19	10	5	Gallons		
1487131374	NEPTUNE	WT	0.0000	12/05/02	12/5/2002	09/23/16	10	5	Gallons		
77221517	NEPTUNE	WT	0.0000	12/05/02	12/5/2002	03/15/19	10	5	Gallons		
1490146388	NEPTUNE	WT	0.0000	12/05/02	12/5/2002	10/01/15	10	5	Gallons		
77221518	NEPTUNE	WT	0.0000	12/05/02	12/5/2002	05/13/05	10	5	Gallons		
1490150244	NEPTUNE	WT	0.0000	12/05/02	12/5/2002	12/09/13	10	5	Gallons		
77221519	NEPTUNE	WT	0.0000	12/05/02	12/5/2002	11/25/13	10	5	Gallons		
1490177174	NEPTUNE	WT	0.0000	12/05/02	12/5/2002	05/20/05	10	0	Gallons		
77221520	NEPTUNE	WT	0.0000	12/05/02	12/5/2002	12/18/02	10	0	Gallons		
1551540166	NEPTUNE	WT	0.0000	12/05/02	12/5/2002	12/18/02	10	0	Gallons		
77221521	NEPTUNE	WT	0.0000	12/05/02	12/5/2002	12/18/02	10	0	Gallons		
1487419656	NEPTUNE	WT	0.0000	12/05/02	12/5/2002	12/18/02	10	0	Gallons		
77221522	NEPTUNE	WT	0.0000	12/05/02	12/5/2002	12/18/02	10	0	Gallons		
1471383172	NEPTUNE	WT	0.0000	12/05/02	12/5/2002	12/18/02	10	0	Gallons		
77221523	NEPTUNE	WT	0.0000	12/05/02	12/5/2002	12/18/02	10	0	Gallons		
1562489998	NEPTUNE	WT	0.0000	12/05/02	12/5/2002	12/18/02	10	0	Gallons		
77221524	NEPTUNE	WT	0.0000	12/05/02	12/5/2002	12/18/02	10	0	Gallons		
1487942978	NEPTUNE	WT	0.0000	12/05/02	12/5/2002	12/18/02	10	0	Gallons		
77221525	NEPTUNE	WT	0.0000	12/05/02	12/5/2002	12/18/02	10	0	Gallons		
1490142392	NEPTUNE	WT	0.0000	12/05/02	12/5/2002	12/18/02	10	0	Gallons		
77221526	NEPTUNE	WT	0.0000	12/05/02	12/5/2002	12/18/02	10	0	Gallons		
1487131862	NEPTUNE	WT	0.0000	12/05/02	12/5/2002	12/18/02	10	0	Gallons		
77221527	NEPTUNE	WT	0.0000	12/05/02	12/5/2002	12/18/02	10	0	Gallons		
1487105902	NEPTUNE	WT	0.0000	12/05/02	12/5/2002	12/18/02	10	0	Gallons		
77229133	NEPTUNE	WT	0.0000	12/05/02	12/5/2002	12/18/02	10	0	Gallons		
77362956	NEPTUNE	WT	0.0000	12/05/02	12/5/2002	12/18/02	10	0	Gallons		
77362957	NEPTUNE	WT	0.0000	12/05/02	12/5/2002	12/18/02	10	0	Gallons		
1490195738	NEPTUNE	WT	0.0000	12/05/02	12/5/2002	12/18/02	10	0	Gallons		
77362958	NEPTUNE	WT	0.0000	12/05/02	12/5/2002	12/18/02	10	0	Gallons		
1490177340	NEPTUNE	WT	0.0000	12/05/02	12/5/2002	12/18/02	10	0	Gallons		
77362959	NEPTUNE	WT	0.0000	12/05/02	12/5/2002	12/18/02	10	0	Gallons		
1487363204	NEPTUNE	WT	0.0000	12/05/02	12/5/2002	12/18/02	10	0	Gallons		
77362960	NEPTUNE	WT	0.0000	12/05/02	12/5/2002	12/18/02	10	0	Gallons		
1481055438	NEPTUNE	WT	0.0000	12/05/02	12/5/2002	12/18/02	10	0	Gallons		

Meter #	Size	Service	Meter	Purchase	Warranty	Last	# Of	# Of Fixed	Units of	Tamper	
Internal Id #	Manufacturer	Type	Constant	Date	Date	Tested	Diags	0's	Measure	Status	Visually Readable
77362961	NEPTUNE	WT	0.0000	12/05/02	12/5/2002	12/11/02	10	5	0	Gallons	
1490195634	NEPTUNE	WT	0.0000	12/05/02	12/5/2002	06/13/18	10	5	0	Gallons	
77362962	NEPTUNE	WT	0.0000	12/05/02	12/5/2002	12/19/02	10	5	0	Gallons	
1487763090	NEPTUNE	WT	0.0000	12/05/02	12/5/2002	06/19/18	10	5	0	Gallons	
77362963	NEPTUNE	WT	0.0000	12/05/02	12/5/2002	06/12/18	10	5	0	Gallons	
1490163502	NEPTUNE	WT	0.0000	12/05/02	12/5/2002	07/31/08	10	5	0	Gallons	
77362964	NEPTUNE	WT	0.0000	12/05/02	12/5/2002	07/31/09	10	5	0	Gallons	
1550399222	NEPTUNE	WT	0.0000	12/05/02	12/5/2002	03/25/11	10	5	0	Gallons	
77362965	NEPTUNE	WT	0.0000	12/05/02	12/5/2002	12/11/02	10	5	0	Gallons	
1550398896	NEPTUNE	WT	0.0000	12/05/02	12/5/2002	12/18/02	10	5	0	Gallons	
77362966	NEPTUNE	WT	0.0000	12/05/02	12/5/2002	11/17/13	10	5	0	Gallons	
1490172784	NEPTUNE	WT	0.0000	12/05/02	12/5/2002	11/11/12	10	5	0	Gallons	
77362967	NEPTUNE	WT	0.0000	12/05/02	12/5/2002	05/04/10	10	5	0	Gallons	
1490146277	NEPTUNE	WT	0.0000	12/05/02	12/5/2002	02/02/11	10	5	0	Gallons	
77362968	NEPTUNE	WT	0.0000	12/05/02	12/5/2002						
1471529362	NEPTUNE	WT	0.0000	12/05/02	12/5/2002						
77362969	NEPTUNE	WT	0.0000	12/05/02	12/5/2002						
1487438392	NEPTUNE	WT	0.0000	12/05/02	12/5/2002						
77362970	NEPTUNE	WT	0.0000	12/05/02	12/5/2002						
1471246480	NEPTUNE	WT	0.0000	12/05/02	12/5/2002						
77362971	NEPTUNE	WT	0.0000	12/05/02	12/5/2002						
1481547298	NEPTUNE	WT	0.0000	12/05/02	12/5/2002						
77362972	NEPTUNE	WT	0.0000	12/05/02	12/5/2002						
1490194416	NEPTUNE	WT	0.0000	12/05/02	12/5/2002						
77362973	NEPTUNE	WT	0.0000	12/05/02	12/5/2002						
1490177518	NEPTUNE	WT	0.0000	12/05/02	12/5/2002						
77362974	NEPTUNE	WT	0.0000	12/05/02	12/5/2002						
1490145355	NEPTUNE	WT	0.0000	12/05/02	12/5/2002						
77362975	NEPTUNE	WT	0.0000	12/05/02	12/5/2002						
1490147948	NEPTUNE	WT	0.0000	12/05/02	12/5/2002						
77362976	NEPTUNE	WT	0.0000	12/05/02	12/5/2002						
1490132302	NEPTUNE	WT	0.0000	12/05/02	12/5/2002						
77362977	NEPTUNE	WT	0.0000	12/05/02	12/5/2002						
1490140142	NEPTUNE	WT	0.0000	12/05/02	12/5/2002						
77362978	NEPTUNE	WT	0.0000	12/05/02	12/5/2002						
1471531190	NEPTUNE	WT	0.0000	12/05/02	12/5/2002						
77362979	NEPTUNE	WT	0.0000	12/05/02	12/5/2002						
1486677814	NEPTUNE	WT	0.0000	12/05/02	12/5/2002						
77362980	NEPTUNE	WT	0.0000	12/05/02	12/5/2002						
1490185732	NEPTUNE	WT	0.0000	12/05/02	12/5/2002						
77362981	NEPTUNE	WT	0.0000	12/05/02	12/5/2002						
1486458762	NEPTUNE	WT	0.0000	12/05/02	12/5/2002						
77362982	NEPTUNE	WT	0.0000	12/05/02	12/5/2002						
1471192384	NEPTUNE	WT	0.0000	12/05/02	12/5/2002						
77362983	NEPTUNE	WT	0.0000	12/05/02	12/5/2002						
1471514450	NEPTUNE	WT	0.0000	12/05/02	12/5/2002						

Meter #	Size	Service	Meter	Purchase	Warranty	Last	# Of	# Of Fixed	Units of	Tamper	Visually
Internal Id #	Manufacturer	Type	Constant	Date	Date	Tested	Test Cycle	0's	Measure	Status	Readable
77362984	NEPTUNE	WT	0.0000	12/05/02	12/5/2002	02/01/11	10	5	0	Gallons	
1490140004	NEPTUNE	WT	0.0000	12/05/02	12/5/2002	08/03/07	10	5	0	Gallons	
77362985	NEPTUNE	WT	0.0000	12/03/02	12/3/2002	10/13/08	10	5	0	Gallons	
1471470050	NEPTUNE	WT	0.0000	12/03/02	12/3/2002	06/19/13	10	5	0	Gallons	
77362996	NEPTUNE	WT	0.0000	12/03/02	12/3/2002	05/16/19	10	0	0	Gallons	
1490176411	NEPTUNE	WT	0.0000	12/03/02	12/3/2002	12/18/02	10	5	0	Gallons	
77362997	NEPTUNE	WT	0.0000	12/03/02	12/3/2002	07/09/09	10	5	0	Gallons	
1486734210	NEPTUNE	WT	0.0000	12/03/02	12/3/2002	09/19/16	10	5	0	Gallons	
77362998	NEPTUNE	WT	0.0000	12/03/02	12/3/2002	10/29/08	10	5	0	Gallons	
77362999	NEPTUNE	WT	0.0000	12/03/02	12/3/2002	02/01/11	10	5	0	Gallons	
1490149726	NEPTUNE	WT	0.0000	12/03/02	12/3/2002	10/30/18	10	5	0	Gallons	
77363000	NEPTUNE	WT	0.0000	12/03/02	12/3/2002	09/03/08	10	5	0	Gallons	
1481565426	NEPTUNE	WT	0.0000	12/03/02	12/3/2002	08/23/16	10	5	0	Gallons	
77363001	NEPTUNE	WT	0.0000	12/03/02	12/3/2002	05/12/08	10	5	0	Gallons	
1542429916	NEPTUNE	WT	0.0000	12/03/02	12/3/2002	04/28/11	10	5	0	Gallons	
77363002	NEPTUNE	WT	0.0000	12/03/02	12/3/2002	12/18/02	10	5	0	Gallons	
1490180724	NEPTUNE	WT	0.0000	12/03/02	12/3/2002	01/10/13	10	5	0	Gallons	
77363003	NEPTUNE	WT	0.0000	12/03/02	12/3/2002	09/03/08	10	5	0	Gallons	
1490146232	NEPTUNE	WT	0.0000	12/03/02	12/3/2002	04/28/11	10	5	0	Gallons	
77363004	NEPTUNE	WT	0.0000	12/03/02	12/3/2002	08/23/16	10	5	0	Gallons	
1471214566	NEPTUNE	WT	0.0000	12/03/02	12/3/2002	05/12/08	10	5	0	Gallons	
77363005	NEPTUNE	WT	0.0000	12/03/02	12/3/2002	04/28/11	10	5	0	Gallons	
1490176634	NEPTUNE	WT	0.0000	12/03/02	12/3/2002	12/18/02	10	5	0	Gallons	
77363006	NEPTUNE	WT	0.0000	12/03/02	12/3/2002	01/10/13	10	5	0	Gallons	
1484570810	NEPTUNE	WT	0.0000	12/03/02	12/3/2002	09/03/08	10	5	0	Gallons	
77363007	NEPTUNE	WT	0.0000	12/03/02	12/3/2002	08/23/16	10	5	0	Gallons	
1483703472	NEPTUNE	WT	0.0000	12/03/02	12/3/2002	05/12/08	10	5	0	Gallons	
77363008	NEPTUNE	WT	0.0000	12/03/02	12/3/2002	04/28/11	10	5	0	Gallons	
1490168992	NEPTUNE	WT	0.0000	12/03/02	12/3/2002	12/18/02	10	5	0	Gallons	
77363009	NEPTUNE	WT	0.0000	12/03/02	12/3/2002	01/10/13	10	5	0	Gallons	
1486131768	NEPTUNE	WT	0.0000	12/03/02	12/3/2002	09/03/08	10	5	0	Gallons	
77363010	NEPTUNE	WT	0.0000	12/03/02	12/3/2002	08/23/16	10	5	0	Gallons	
1490119258	NEPTUNE	WT	0.0000	12/03/02	12/3/2002	05/12/08	10	5	0	Gallons	
77363011	NEPTUNE	WT	0.0000	12/03/02	12/3/2002	04/28/11	10	5	0	Gallons	
1490187062	NEPTUNE	WT	0.0000	12/03/02	12/3/2002	12/18/02	10	5	0	Gallons	
77363012	NEPTUNE	WT	0.0000	12/03/02	12/3/2002	01/10/13	10	5	0	Gallons	
1483708986	NEPTUNE	WT	0.0000	12/03/02	12/3/2002	09/03/08	10	5	0	Gallons	
77363013	NEPTUNE	WT	0.0000	12/03/02	12/3/2002	08/23/16	10	5	0	Gallons	
1490151830	NEPTUNE	WT	0.0000	12/03/02	12/3/2002	05/12/08	10	5	0	Gallons	
77363014	NEPTUNE	WT	0.0000	12/03/02	12/3/2002	04/28/11	10	5	0	Gallons	
1551705634	NEPTUNE	WT	0.0000	12/03/02	12/3/2002	12/18/02	10	5	0	Gallons	
77363015	NEPTUNE	WT	0.0000	12/03/02	12/3/2002	01/10/13	10	5	0	Gallons	
1490185100	NEPTUNE	WT	0.0000	12/03/02	12/3/2002	09/03/08	10	5	0	Gallons	
77363016	NEPTUNE	WT	0.0000	12/03/02	12/3/2002	08/23/16	10	5	0	Gallons	
1547967728	NEPTUNE	WT	0.0000	12/03/02	12/3/2002	05/12/08	10	5	0	Gallons	

Meter #	Size	Service	Meter	Purchase	Warranty	Last	# Of	# Of Fixed	Units of	Tamper
Internal Id #	Manufacturer	Type	Constant	Date	Date	Tested	Test Cycle	0's	Measure	Status
		Rating					Dials			Visually
										Readable
77363017	NEPTUNE	WT 20	0.0000	12/03/02	12/3/2002	05/23/03	10	5	0	Gallons
1490141847	NEPTUNE	WT 20	0.0000	12/03/02	12/3/2002	02/10/11	10	5	0	Gallons
77363018	NEPTUNE	WT 20	0.0000	12/03/02	12/3/2002	08/17/11	10	5	0	Gallons
1483413036	NEPTUNE	WT 20	0.0000	12/03/02	12/3/2002	07/24/13	10	5	0	Gallons
77363019	NEPTUNE	WT 20	0.0000	12/03/02	12/3/2002	11/05/08	10	5	0	Gallons
1482905208	NEPTUNE	WT 20	0.0000	12/03/02	12/3/2002	07/08/09	10	5	0	Gallons
77363020	NEPTUNE	WT 20	0.0000	12/03/02	12/3/2002	10/31/14	10	5	0	Gallons
1471489268	NEPTUNE	WT 20	0.0000	12/03/02	12/3/2002	05/06/08	10	5	0	Gallons
77363021	NEPTUNE	WT 20	0.0000	12/03/02	12/3/2002	06/13/17	10	5	0	Gallons
1490187298	NEPTUNE	WT 20	0.0000	12/03/02	12/3/2002	10/26/05	10	5	0	Gallons
77363022	NEPTUNE	WT 20	0.0000	12/03/02	12/3/2002	09/17/08	10	5	0	Gallons
1490156024	NEPTUNE	WT 20	0.0000	12/03/02	12/3/2002	10/01/15	10	5	0	Gallons
77363023	NEPTUNE	WT 20	0.0000	12/03/02	12/3/2002	08/11/11	10	5	0	Gallons
1487745036	NEPTUNE	WT 20	0.0000	12/03/02	12/3/2002	07/09/14	10	5	0	Gallons
77363024	NEPTUNE	WT 20	0.0000	12/03/02	12/3/2002	05/21/03	10	5	0	Gallons
1546355344	NEPTUNE	WT 20	0.0000	12/03/02	12/3/2002	12/13/16	10	5	0	Gallons
77363025	NEPTUNE	WT 20	0.0000	12/03/02	12/3/2002	09/04/18	10	5	0	Gallons
1490119398	NEPTUNE	WT 20	0.0000	12/03/02	12/3/2002	01/04/16	10	5	0	Gallons
77415005	NEPTUNE	WT 20	0.0000	12/03/02	12/3/2002	08/22/08	10	5	0	Gallons
1490173618	NEPTUNE	WT 20	0.0000	12/03/02	12/3/2002	03/09/12	10	5	0	Gallons
77415006	NEPTUNE	WT 20	0.0000	12/03/02	12/3/2002					
1490181010	NEPTUNE	WT 20	0.0000	12/03/02	12/3/2002					
77415007	NEPTUNE	WT 20	0.0000	12/03/02	12/3/2002					
1487200496	NEPTUNE	WT 20	0.0000	12/03/02	12/3/2002					
77415008	NEPTUNE	WT 20	0.0000	12/03/02	12/3/2002					
1490148272	NEPTUNE	WT 20	0.0000	12/03/02	12/3/2002					
77415009	NEPTUNE	WT 20	0.0000	12/03/02	12/3/2002					
1483793870	NEPTUNE	WT 20	0.0000	12/03/02	12/3/2002					
77415010	NEPTUNE	WT 20	0.0000	12/03/02	12/3/2002					
1487757398	NEPTUNE	WT 20	0.0000	12/03/02	12/3/2002					
77415011	NEPTUNE	WT 20	0.0000	12/03/02	12/3/2002					
1490154910	NEPTUNE	WT 20	0.0000	12/03/02	12/3/2002					
77415012	NEPTUNE	WT 20	0.0000	12/03/02	12/3/2002					
1490142438	NEPTUNE	WT 20	0.0000	12/03/02	12/3/2002					
77415013	NEPTUNE	WT 20	0.0000	12/03/02	12/3/2002					
1545227390	NEPTUNE	WT 20	0.0000	12/03/02	12/3/2002					
77415014	NEPTUNE	WT 20	0.0000	12/03/02	12/3/2002					
1490177998	NEPTUNE	WT 20	0.0000	12/03/02	12/3/2002					
77415015	NEPTUNE	WT 20	0.0000	12/03/02	12/3/2002					
1550399228	NEPTUNE	WT 20	0.0000	12/03/02	12/3/2002					
77415016	NEPTUNE	WT 20	0.0000	12/03/02	12/3/2002					
1547966718	NEPTUNE	WT 20	0.0000	12/03/02	12/3/2002					
77415017	NEPTUNE	WT 20	0.0000	12/03/02	12/3/2002					
1490178108	NEPTUNE	WT 20	0.0000	12/03/02	12/3/2002					
77415018	NEPTUNE	WT 20	0.0000	12/03/02	12/3/2002					
1484593064	NEPTUNE	WT 20	0.0000	12/03/02	12/3/2002					

Meter #	Size	Service	Meter	Purchase	Warranty	Last	# Of	# Of Fixed	Units of	Tamper	Visually
Internal Id #	Manufacturer	Type	Constant	Date	Date	Tested	Test Cycle	0's	Measure	Status	Readable
77415019	NEPTUNE	WT	0.0000	12/03/02	12/31/2002	10/14/08	10	5	0	Gallons	
1490189764	NEPTUNE	WT	0.0000	12/03/02	12/31/2002	12/17/18	10	5	0	Gallons	
77415020	NEPTUNE	WT	0.0000	12/03/02	12/31/2002	07/31/08	10	5	0	Gallons	
1551699652	NEPTUNE	WT	0.0000	12/03/02	12/31/2002	05/02/16	10	5	0	Gallons	
77415021	NEPTUNE	WT	0.0000	12/03/02	12/31/2002	01/11/13	10	5	0	Gallons	
1490172785	NEPTUNE	WT	0.0000	12/03/02	12/31/2002	04/15/09	10	5	0	Gallons	
77415022	NEPTUNE	WT	0.0000	12/03/02	12/31/2002	04/27/17	10	5	0	Gallons	
1490177634	NEPTUNE	WT	0.0000	12/03/02	12/31/2002	03/24/03	10	5	0	Gallons	
77415023	NEPTUNE	WT	0.0000	12/03/02	12/31/2002	03/24/03	10	5	0	Gallons	
1486461930	NEPTUNE	WT	0.0000	12/03/02	12/31/2002	11/19/15	10	5	0	Gallons	
77415024	NEPTUNE	WT	0.0000	12/03/02	12/31/2002	03/24/03	10	5	0	Gallons	
1483973624	NEPTUNE	WT	0.0000	12/03/02	12/31/2002	03/24/03	10	5	0	Gallons	
77494298	NEPTUNE	WT	0.0000	12/19/02	12/19/2002	09/17/11	10	5	0	Gallons	
1546640854	NEPTUNE	WT	0.0000	12/19/02	12/19/2002	03/24/03	10	5	0	Gallons	
77494299	NEPTUNE	WT	0.0000	12/19/02	12/19/2002	03/24/03	10	5	0	Gallons	
1430213888	NEPTUNE	WT	0.0000	12/19/02	12/19/2002	03/24/03	10	5	0	Gallons	
77494300	NEPTUNE	WT	0.0000	12/19/02	12/19/2002	03/24/03	10	5	0	Gallons	
1490159574	NEPTUNE	WT	0.0000	12/19/02	12/19/2002	03/24/03	10	5	0	Gallons	
77494301	NEPTUNE	WT	0.0000	12/19/02	12/19/2002	03/24/03	10	5	0	Gallons	
1490118808	NEPTUNE	WT	0.0000	12/19/02	12/19/2002	03/24/03	10	5	0	Gallons	
77494302	NEPTUNE	WT	0.0000	12/19/02	12/19/2002	03/24/03	10	5	0	Gallons	
1540770374	NEPTUNE	WT	0.0000	12/19/02	12/19/2002	03/24/03	10	5	0	Gallons	
77494303	NEPTUNE	WT	0.0000	12/19/02	12/19/2002	03/24/03	10	5	0	Gallons	
1483354596	NEPTUNE	WT	0.0000	12/19/02	12/19/2002	03/24/03	10	5	0	Gallons	
77494304	NEPTUNE	WT	0.0000	12/19/02	12/19/2002	03/24/03	10	5	0	Gallons	
1490155058	NEPTUNE	WT	0.0000	12/19/02	12/19/2002	03/24/03	10	5	0	Gallons	
77494305	NEPTUNE	WT	0.0000	12/19/02	12/19/2002	03/24/03	10	5	0	Gallons	
1487954336	NEPTUNE	WT	0.0000	12/19/02	12/19/2002	03/24/03	10	5	0	Gallons	
77494306	NEPTUNE	WT	0.0000	12/19/02	12/19/2002	03/24/03	10	5	0	Gallons	
1490147510	NEPTUNE	WT	0.0000	12/19/02	12/19/2002	03/24/03	10	5	0	Gallons	
77494307	NEPTUNE	WT	0.0000	12/19/02	12/19/2002	03/24/03	10	5	0	Gallons	
1487737378	NEPTUNE	WT	0.0000	12/19/02	12/19/2002	03/24/03	10	5	0	Gallons	
77494308	NEPTUNE	WT	0.0000	12/19/02	12/19/2002	03/24/03	10	5	0	Gallons	
1481554152	NEPTUNE	WT	0.0000	12/19/02	12/19/2002	03/24/03	10	5	0	Gallons	
77494309	NEPTUNE	WT	0.0000	12/19/02	12/19/2002	03/24/03	10	5	0	Gallons	
1490139874	NEPTUNE	WT	0.0000	12/19/02	12/19/2002	03/24/03	10	5	0	Gallons	
77494310	NEPTUNE	WT	0.0000	12/19/02	12/19/2002	03/24/03	10	5	0	Gallons	
1490145846	NEPTUNE	WT	0.0000	12/19/02	12/19/2002	03/24/03	10	5	0	Gallons	
77494311	NEPTUNE	WT	0.0000	12/19/02	12/19/2002	03/24/03	10	5	0	Gallons	
1545047094	NEPTUNE	WT	0.0000	12/19/02	12/19/2002	03/24/03	10	5	0	Gallons	
77494312	NEPTUNE	WT	0.0000	12/19/02	12/19/2002	03/24/03	10	5	0	Gallons	
1490155118	NEPTUNE	WT	0.0000	12/19/02	12/19/2002	03/24/03	10	5	0	Gallons	
77494313	NEPTUNE	WT	0.0000	12/19/02	12/19/2002	03/24/03	10	5	0	Gallons	
1490145450	NEPTUNE	WT	0.0000	12/19/02	12/19/2002	03/24/03	10	5	0	Gallons	
77494314	NEPTUNE	WT	0.0000	12/19/02	12/19/2002	03/24/03	10	5	0	Gallons	
1490169000	NEPTUNE	WT	0.0000	12/19/02	12/19/2002	03/24/03	10	5	0	Gallons	

Meter #	Size	Service	Meter	Purchase	Warranty	Last	# Of	# Of Fixed	Units of	Tamper
Internal Id #	Manufacturer	Type	Constant	Date	Date	Tested	Test Cycle	0's	Measure	Status
		Rating					Dials			Visually
										Readable
77494315	NEPTUNE	WT 20	0.0000	12/19/02	12/19/2002	04/10/03	10	5	0	Gallons
1490177348	NEPTUNE	WT 20	0.0000	12/19/02	12/19/2002	10/14/08	10	5	0	Gallons
77494316	NEPTUNE	WT 20	0.0000	12/19/02	12/19/2002	05/09/08	10	5	0	Gallons
1490176410	NEPTUNE	WT 20	0.0000	12/19/02	12/19/2002	10/22/14	10	5	0	Gallons
77494317	NEPTUNE	WT 20	0.0000	12/19/02	12/19/2002	05/05/17	10	5	0	Gallons
1490148606	NEPTUNE	WT 20	0.0000	12/19/02	12/19/2002	04/01/16	10	5	0	Gallons
77494318	NEPTUNE	WT 20	0.0000	12/19/02	12/19/2002	09/15/03	10	5	0	Gallons
1471587766	NEPTUNE	WT 20	0.0000	12/19/02	12/19/2002	09/24/08	10	5	0	Gallons
77494319	NEPTUNE	WT 20	0.0000	12/19/02	12/19/2002	09/03/03	10	5	0	Gallons
1545884158	NEPTUNE	WT 20	0.0000	12/19/02	12/19/2002	02/22/18	10	5	0	Gallons
77494320	NEPTUNE	WT 20	0.0000	12/19/02	12/19/2002	03/12/09	10	5	0	Gallons
1490156108	NEPTUNE	WT 20	0.0000	12/19/02	12/19/2002	12/19/02	10	5	0	Gallons
77494321	NEPTUNE	WT 20	0.0000	12/19/02	12/19/2002	12/19/02	10	5	0	Gallons
1490140780	NEPTUNE	WT 20	0.0000	12/19/02	12/19/2002	10/31/13	10	5	0	Gallons
77494322	NEPTUNE	WT 20	0.0000	12/19/02	12/19/2002	02/24/09	10	5	0	Gallons
1542521692	NEPTUNE	WT 20	0.0000	12/19/02	12/19/2002	04/07/17	10	5	0	Gallons
77494323	NEPTUNE	WT 20	0.0000	12/19/02	12/19/2002	01/03/17	10	5	0	Gallons
1490132282	NEPTUNE	WT 20	0.0000	12/19/02	12/19/2002	02/11/03	10	5	0	Gallons
77494324	NEPTUNE	WT 20	0.0000	12/19/02	12/19/2002	11/22/13	10	5	0	Gallons
1490177506	NEPTUNE	WT 20	0.0000	12/19/02	12/19/2002	05/10/19	10	5	0	Gallons
77494325	NEPTUNE	WT 20	0.0000	12/19/02	12/19/2002	02/28/13	10	5	0	Gallons
1546679590	NEPTUNE	WT 20	0.0000	12/19/02	12/19/2002					
77494326	NEPTUNE	WT 20	0.0000	12/19/02	12/19/2002					
1485359234	NEPTUNE	WT 20	0.0000	12/19/02	12/19/2002					
77494327	NEPTUNE	WT 20	0.0000	12/19/02	12/19/2002					
1542409458	NEPTUNE	WT 20	0.0000	12/19/02	12/19/2002					
77494328	NEPTUNE	WT 20	0.0000	12/19/02	12/19/2002					
1490145288	NEPTUNE	WT 20	0.0000	12/19/02	12/19/2002					
77494329	NEPTUNE	WT 20	0.0000	12/19/02	12/19/2002					
1490178630	NEPTUNE	WT 20	0.0000	12/19/02	12/19/2002					
77494330	NEPTUNE	WT 20	0.0000	12/19/02	12/19/2002					
1490173784	NEPTUNE	WT 20	0.0000	12/19/02	12/19/2002					
77494331	NEPTUNE	WT 20	0.0000	12/19/02	12/19/2002					
1545537994	NEPTUNE	WT 20	0.0000	12/19/02	12/19/2002					
77494332	NEPTUNE	WT 20	0.0000	12/19/02	12/19/2002					
1545044720	NEPTUNE	WT 20	0.0000	12/19/02	12/19/2002					
77494333	NEPTUNE	WT 20	0.0000	12/19/02	12/19/2002					
1471509090	NEPTUNE	WT 20	0.0000	12/19/02	12/19/2002					
77494334	NEPTUNE	WT 20	0.0000	12/19/02	12/19/2002					
1471142720	NEPTUNE	WT 20	0.0000	12/19/02	12/19/2002					
77494335	NEPTUNE	WT 20	0.0000	12/19/02	12/19/2002					
1490177920	NEPTUNE	WT 20	0.0000	12/19/02	12/19/2002					
77494336	NEPTUNE	WT 20	0.0000	12/19/02	12/19/2002					
1552113824	NEPTUNE	WT 20	0.0000	12/19/02	12/19/2002					
77494337	NEPTUNE	WT 20	0.0000	12/19/02	12/19/2002					
1490119394	NEPTUNE	WT 20	0.0000	12/19/02	12/19/2002					

Meter #	Size	Service	Meter	Purchase	Warranty	Last	# Of	# Of Fixed	Units of	Tamper	Visually
Internal Id #	Manufacturer	Type	Constant	Date	Date	Tested	Diags	0's	Measure	Status	Readable
77494338	NEPTUNE	WT	0.0000	12/19/02	12/19/2002	07/26/11	10	5	0	Gallons	
1483713248	NEPTUNE	WT	0.0000	12/19/02	12/19/2002	12/11/13	10	5	0	Gallons	
77494339	NEPTUNE	WT	0.0000	12/19/02	12/19/2002	07/28/10	10	5	0	Gallons	
1490133674	NEPTUNE	WT	0.0000	12/19/02	12/19/2002	03/24/03	10	5	0	Gallons	
77494340	NEPTUNE	WT	0.0000	12/19/02	12/19/2002	09/11/06	10	5	0	Gallons	
1483414404	NEPTUNE RADIO	WT	0.0000	12/19/02	12/19/2002	04/04/03	10	0	0	Gallons	
77494341	NEPTUNE	WT	0.0000	12/19/02	12/19/2002	03/27/03	10	5	0	Gallons	
1471142716	NEPTUNE	WT	0.0000	12/19/02	12/19/2002	09/21/09	10	5	0	Gallons	
77494342	NEPTUNE	WT	0.0000	12/19/02	12/19/2002	06/12/18	10	5	0	Gallons	
1487103628	NEPTUNE	WT	0.0000	12/19/02	12/19/2002	10/01/03	10	5	0	Gallons	
77494343	NEPTUNE	WT	0.0000	12/19/02	12/19/2002	06/18/13	10	5	0	Gallons	
1481601713	NEPTUNE	WT	0.0000	12/19/02	12/19/2002	10/29/12	10	5	0	Gallons	
77494344	NEPTUNE	WT	0.0000	12/19/02	12/19/2002	04/07/14	10	5	0	Gallons	
77494345	NEPTUNE	WT	0.0000	12/19/02	12/19/2002	04/07/14	10	5	0	Gallons	
1490187214	NEPTUNE	WT	0.0000	12/19/02	12/19/2002	03/27/03	10	5	0	Gallons	
77494346	NEPTUNE	WT	0.0000	12/19/02	12/19/2002	03/27/03	10	5	0	Gallons	
1490139650	NEPTUNE	WT	0.0000	12/19/02	12/19/2002	03/24/03	10	5	0	Gallons	
77494347	NEPTUNE	WT	0.0000	12/19/02	12/19/2002	06/12/18	10	5	0	Gallons	
1471485256	NEPTUNE	WT	0.0000	12/19/02	12/19/2002	04/07/14	10	5	0	Gallons	
77494348	NEPTUNE	WT	0.0000	12/19/02	12/19/2002	09/21/09	10	5	0	Gallons	
1490173435	NEPTUNE	WT	0.0000	12/19/02	12/19/2002	11/12/14	10	5	0	Gallons	
77494349	NEPTUNE	WT	0.0000	12/19/02	12/19/2002	06/12/18	10	5	0	Gallons	
1490159950	NEPTUNE	WT	0.0000	12/19/02	12/19/2002	06/12/18	10	5	0	Gallons	
77494350	NEPTUNE	WT	0.0000	12/19/02	12/19/2002	06/12/18	10	5	0	Gallons	
1546862948	NEPTUNE	WT	0.0000	12/19/02	12/19/2002	04/07/14	10	5	0	Gallons	
77494351	NEPTUNE	WT	0.0000	12/19/02	12/19/2002	04/07/14	10	5	0	Gallons	
1490148134	NEPTUNE	WT	0.0000	12/19/02	12/19/2002	10/01/03	10	5	0	Gallons	
77494352	NEPTUNE	WT	0.0000	12/19/02	12/19/2002	10/01/03	10	5	0	Gallons	
1490122092	NEPTUNE	WT	0.0000	12/19/02	12/19/2002	06/18/13	10	5	0	Gallons	
77494353	NEPTUNE	WT	0.0000	12/19/02	12/19/2002	10/29/12	10	5	0	Gallons	
1490140934	NEPTUNE	WT	0.0000	12/19/02	12/19/2002	10/29/12	10	5	0	Gallons	
77494354	NEPTUNE	WT	0.0000	12/19/02	12/19/2002	10/29/12	10	5	0	Gallons	
1486456206	NEPTUNE	WT	0.0000	12/19/02	12/19/2002	10/26/05	10	5	0	Gallons	
77494355	NEPTUNE	WT	0.0000	12/19/02	12/19/2002	12/11/13	10	5	0	Gallons	
1490169104	NEPTUNE	WT	0.0000	12/19/02	12/19/2002	04/25/17	10	5	0	Gallons	
77494356	NEPTUNE	WT	0.0000	12/19/02	12/19/2002	03/15/19	10	5	0	Gallons	
1490148368	NEPTUNE	WT	0.0000	12/19/02	12/19/2002	05/19/15	10	5	0	Gallons	
77494357	NEPTUNE	WT	0.0000	12/19/02	12/19/2002	08/09/13	10	5	0	Gallons	
1547939312	NEPTUNE	WT	0.0000	12/19/02	12/19/2002	08/09/13	10	5	0	Gallons	
77494358	NEPTUNE	WT	0.0000	12/19/02	12/19/2002	08/09/13	10	5	0	Gallons	
1562454248	NEPTUNE	WT	0.0000	12/19/02	12/19/2002	08/09/13	10	5	0	Gallons	
77494359	NEPTUNE	WT	0.0000	12/19/02	12/19/2002	08/09/13	10	5	0	Gallons	
1487777032	NEPTUNE	WT	0.0000	12/19/02	12/19/2002	08/09/13	10	5	0	Gallons	
77494360	NEPTUNE	WT	0.0000	12/19/02	12/19/2002	08/09/13	10	5	0	Gallons	
1487133630	NEPTUNE	WT	0.0000	12/19/02	12/19/2002	08/09/13	10	5	0	Gallons	

Meter #	Size	Service	Meter	Purchase	Warranty	Last	# Of	# Of Fixed	Units of	Tamper			
Internal Id #	Manufacturer	Type	Constant	Date	Date	Tested	Diags	0's	Measure	Status	Visually Readable		
77494361	NEPTUNE	WT	20	0.0000	12/19/02	12/19/2002	06/28/05	10	5	0	0	Gallons	
77494362	NEPTUNE	WT	20	0.0000	12/19/02	12/19/2002	03/15/12	10	5	0	0	Gallons	
1484591634	NEPTUNE	WT	20	0.0000	12/19/02	12/19/2002	06/11/18	10	5	0	0	Gallons	
77494363	NEPTUNE	WT	20	0.0000	12/19/02	12/19/2002	10/22/14	10	5	0	0	Gallons	
1490177386	NEPTUNE	WT	20	0.0000	12/19/02	12/19/2002	01/03/17	10	5	0	0	Gallons	
77494364	NEPTUNE	WT	20	0.0000	12/19/02	12/19/2002	07/16/09	10	5	0	0	Gallons	
1487962010	NEPTUNE	WT	20	0.0000	12/19/02	12/19/2002	02/14/12	10	5	0	0	Gallons	
77494365	NEPTUNE	WT	20	0.0000	12/19/02	12/19/2002	02/25/10	10	5	0	0	Gallons	
1542518610	NEPTUNE	WT	20	0.0000	12/19/02	12/19/2002	11/25/13	10	5	0	0	Gallons	
77494366	NEPTUNE	WT	20	0.0000	12/19/02	12/19/2002	09/01/10	10	5	0	0	Gallons	
1547961870	NEPTUNE	WT	20	0.0000	12/19/02	12/19/2002	08/29/03	10	5	0	0	Gallons	
77494367	NEPTUNE	WT	20	0.0000	12/19/02	12/19/2002	03/01/13	10	5	0	0	Gallons	
1410185530	NEPTUNE	WT	20	0.0000	12/19/02	12/19/2002	10/18/10	10	5	0	0	Gallons	
77494368	NEPTUNE	WT	20	0.0000	12/19/02	12/19/2002	09/16/10	10	5	0	0	Gallons	
1490159960	NEPTUNE	WT	20	0.0000	12/19/02	12/19/2002	06/12/18	10	5	0	0	Gallons	
77494369	NEPTUNE	WT	20	0.0000	12/19/02	12/19/2002	08/15/03	10	5	0	0	Gallons	
1471640186	NEPTUNE RADIO	WT	20	0.0000	12/19/02	12/19/2002	09/01/10	10	5	0	0	Gallons	
77494370	NEPTUNE	WT	20	0.0000	12/19/02	12/19/2002	06/12/18	10	5	0	0	Gallons	
1482980400	NEPTUNE	WT	20	0.0000	12/19/02	12/19/2002	03/01/13	10	5	0	0	Gallons	
77494371	NEPTUNE	WT	20	0.0000	12/19/02	12/19/2002	10/18/10	10	5	0	0	Gallons	
1490187604	NEPTUNE	WT	20	0.0000	12/19/02	12/19/2002	09/16/10	10	5	0	0	Gallons	
77494372	NEPTUNE	WT	20	0.0000	12/19/02	12/19/2002	03/01/13	10	5	0	0	Gallons	
1490142474	NEPTUNE	WT	20	0.0000	12/19/02	12/19/2002	06/12/18	10	5	0	0	Gallons	
77494373	NEPTUNE	WT	20	0.0000	12/19/02	12/19/2002	09/16/10	10	5	0	0	Gallons	
1546861382	NEPTUNE	WT	20	0.0000	12/19/02	12/19/2002	03/01/13	10	5	0	0	Gallons	
77494374	NEPTUNE	WT	20	0.0000	12/19/02	12/19/2002	10/18/10	10	5	0	0	Gallons	
1490145762	NEPTUNE	WT	20	0.0000	12/19/02	12/19/2002	06/12/18	10	5	0	0	Gallons	
77494375	NEPTUNE	WT	20	0.0000	12/19/02	12/19/2002	03/01/13	10	5	0	0	Gallons	
1486459770	NEPTUNE	WT	20	0.0000	12/19/02	12/19/2002	09/16/10	10	5	0	0	Gallons	
77494376	NEPTUNE	WT	20	0.0000	12/19/02	12/19/2002	06/12/18	10	5	0	0	Gallons	
1471514448	NEPTUNE	WT	20	0.0000	12/19/02	12/19/2002	03/01/13	10	5	0	0	Gallons	
77494377	NEPTUNE	WT	20	0.0000	12/19/02	12/19/2002	10/18/10	10	5	0	0	Gallons	
1483412314	NEPTUNE	WT	20	0.0000	12/19/02	12/19/2002	09/16/10	10	5	0	0	Gallons	
77494378	NEPTUNE	WT	20	0.0000	12/19/02	12/19/2002	06/12/18	10	5	0	0	Gallons	
1471535170	NEPTUNE	WT	20	0.0000	12/19/02	12/19/2002	03/01/13	10	5	0	0	Gallons	
77494379	NEPTUNE	WT	20	0.0000	12/19/02	12/19/2002	09/16/10	10	5	0	0	Gallons	
1490140396	NEPTUNE	WT	20	0.0000	12/19/02	12/19/2002	06/12/18	10	5	0	0	Gallons	
77494380	NEPTUNE	WT	20	0.0000	12/19/02	12/19/2002	03/01/13	10	5	0	0	Gallons	
1486732922	NEPTUNE	WT	20	0.0000	12/19/02	12/19/2002	09/16/10	10	5	0	0	Gallons	
77494381	NEPTUNE	WT	20	0.0000	12/19/02	12/19/2002	06/12/18	10	5	0	0	Gallons	
1490156004	NEPTUNE	WT	20	0.0000	12/19/02	12/19/2002	03/01/13	10	5	0	0	Gallons	
77494382	NEPTUNE	WT	20	0.0000	12/19/02	12/19/2002	09/16/10	10	5	0	0	Gallons	
1487775232	NEPTUNE	WT	20	0.0000	12/19/02	12/19/2002	06/12/18	10	5	0	0	Gallons	
77494383	NEPTUNE	WT	20	0.0000	12/19/02	12/19/2002	03/01/13	10	5	0	0	Gallons	
1471247382	NEPTUNE	WT	20	0.0000	12/19/02	12/19/2002	09/16/10	10	5	0	0	Gallons	

Meter #	Size	Service	Meter	Purchase	Warranty	Last	# Of	# Of Fixed	Units of	Tamper	Visually
Internal Id #	Manufacturer	Type	Constant	Date	Date	Tested	Diags	0's	Measure	Status	Readable
77494384	NEPTUNE	WT	0.0000	12/19/02	12/19/2002	06/06/18	10	5	0	Gallons	
1549692746	NEPTUNE	WT	0.0000	12/19/02	12/19/2002	04/15/16	10	5	0	Gallons	
77494385	NEPTUNE	WT	0.0000	12/19/02	12/19/2002	10/17/08	10	5	0	Gallons	
1490186230	NEPTUNE	WT	0.0000	12/19/02	12/19/2002	02/25/03	10	5	0	Gallons	
77494386	NEPTUNE	WT	0.0000	12/19/02	12/19/2002	09/12/11	10	5	0	Gallons	
1490146306	NEPTUNE	WT	0.0000	12/19/02	12/19/2002	08/02/13	10	5	0	Gallons	
77494387	NEPTUNE	WT	0.0000	12/19/02	12/19/2002	10/08/08	10	5	0	Gallons	
1490167968	NEPTUNE	WT	0.0000	12/19/02	12/19/2002	10/09/12	10	5	0	Gallons	
77494388	NEPTUNE	WT	0.0000	12/19/02	12/19/2002	12/07/15	10	5	0	Gallons	
1490166144	NEPTUNE	WT	0.0000	12/19/02	12/19/2002	12/07/15	10	5	0	Gallons	
77494389	NEPTUNE	WT	0.0000	12/19/02	12/19/2002	10/09/09	10	5	0	Gallons	
1482981114	NEPTUNE	WT	0.0000	12/19/02	12/19/2002	09/19/16	10	5	0	Gallons	
77494390	NEPTUNE	WT	0.0000	12/19/02	12/19/2002	09/18/18	10	5	0	Gallons	
1490180079	NEPTUNE	WT	0.0000	12/19/02	12/19/2002	02/25/03	10	5	0	Gallons	
77494391	NEPTUNE	WT	0.0000	12/19/02	12/19/2002	02/17/17	10	5	0	Gallons	
1490118770	NEPTUNE	WT	0.0000	12/19/02	12/19/2002	12/02/15	10	5	0	Gallons	
77494392	NEPTUNE	WT	0.0000	12/19/02	12/19/2002	04/08/14	10	5	0	Gallons	
1490123032	NEPTUNE	WT	0.0000	12/19/02	12/19/2002	02/14/12	10	5	0	Gallons	
77494393	NEPTUNE	WT	0.0000	12/19/02	12/19/2002	01/06/17	10	5	0	Gallons	
1490169148	NEPTUNE	WT	0.0000	12/19/02	12/19/2002						
77494394	NEPTUNE	WT	0.0000	12/19/02	12/19/2002						
1490168405	NEPTUNE	WT	0.0000	12/19/02	12/19/2002						
77494395	NEPTUNE	WT	0.0000	12/19/02	12/19/2002						
1540773798	NEPTUNE	WT	0.0000	12/19/02	12/19/2002						
77494396	NEPTUNE	WT	0.0000	12/19/02	12/19/2002						
1545036778	NEPTUNE	WT	0.0000	12/19/02	12/19/2002						
77494397	NEPTUNE	WT	0.0000	12/19/02	12/19/2002						
1490154836	NEPTUNE	WT	0.0000	12/19/02	12/19/2002						
77494398	NEPTUNE	WT	0.0000	12/19/02	12/19/2002						
1471255134	NEPTUNE	WT	0.0000	12/19/02	12/19/2002						
77494399	NEPTUNE	WT	0.0000	12/19/02	12/19/2002						
1551822470	NEPTUNE	WT	0.0000	12/19/02	12/19/2002						
77494400	NEPTUNE	WT	0.0000	12/19/02	12/19/2002						
1487415086	NEPTUNE	WT	0.0000	12/19/02	12/19/2002						
77494401	NEPTUNE	WT	0.0000	12/19/02	12/19/2002						
1490147918	NEPTUNE	WT	0.0000	12/19/02	12/19/2002						
77494402	NEPTUNE	WT	0.0000	12/19/02	12/19/2002						
1490167704	NEPTUNE	WT	0.0000	12/19/02	12/19/2002						
77494403	NEPTUNE	WT	0.0000	12/19/02	12/19/2002						
1490187260	NEPTUNE	WT	0.0000	12/19/02	12/19/2002						
77494404	NEPTUNE	WT	0.0000	12/19/02	12/19/2002						
1481601628	NEPTUNE	WT	0.0000	12/19/02	12/19/2002						
77494405	NEPTUNE	WT	0.0000	12/19/02	12/19/2002						
1485382946	NEPTUNE	WT	0.0000	12/19/02	12/19/2002						
77494406	NEPTUNE	WT	0.0000	12/19/02	12/19/2002						
1545066242	NEPTUNE	WT	0.0000	12/19/02	12/19/2002						

Meter #	Size	Service	Meter	Purchase	Warranty	Last	# Of	# Of Fixed	Units of	Tamper
Internal Id #	Manufacturer	Type	Constant	Date	Date	Tested	Diags	0's	Measure	Status
		Rating				Cycle				Visually
										Readable
77494407	NEPTUNE	WT	0.0000	12/19/02	12/19/2002	10/30/13	10	5	0	Gallons
1490148534	NEPTUNE	WT	0.0000	12/19/02	12/19/2002	08/01/13	10	5	0	Gallons
77494408	NEPTUNE	WT	0.0000	12/19/02	12/19/2002	01/04/13	10	5	0	Gallons
1486713830	NEPTUNE	WT	0.0000	12/19/02	12/19/2002	11/17/04	10	5	0	Gallons
77494409	NEPTUNE	WT	0.0000	12/19/02	12/19/2002	12/11/13	10	5	0	Gallons
1486677510	NEPTUNE	WT	0.0000	12/19/02	12/19/2002	08/01/13	10	0	0	Gallons
77494410	NEPTUNE	WT	0.0000	12/19/02	12/19/2002	08/01/13	10	0	0	Gallons
1471246478	NEPTUNE	WT	0.0000	12/19/02	12/19/2002	09/02/11	10	5	0	Gallons
77494411	NEPTUNE	WT	0.0000	12/19/02	12/19/2002	10/09/12	10	5	0	Gallons
1487374064	NEPTUNE	WT	0.0000	12/19/02	12/19/2002	10/31/08	10	5	0	Gallons
77494412	NEPTUNE	WT	0.0000	12/19/02	12/19/2002	10/09/12	10	5	0	Gallons
77494413	NEPTUNE	WT	0.0000	12/19/02	12/19/2002	10/26/18	10	5	0	Gallons
1484465590	NEPTUNE	WT	0.0000	12/19/02	12/19/2002	06/24/03	10	5	0	Gallons
77494414	NEPTUNE	WT	0.0000	12/19/02	12/19/2002	07/14/03	10	5	0	Gallons
1490171736	NEPTUNE	WT	0.0000	12/19/02	12/19/2002	09/23/16	10	5	0	Gallons
77494415	NEPTUNE	WT	0.0000	12/19/02	12/19/2002	04/27/17	10	5	0	Gallons
1490156198	NEPTUNE	WT	0.0000	12/19/02	12/19/2002	04/10/14	10	5	0	Gallons
77494416	NEPTUNE	WT	0.0000	12/19/02	12/19/2002	06/24/03	10	5	0	Gallons
1486135450	NEPTUNE	WT	0.0000	12/19/02	12/19/2002	07/14/03	10	5	0	Gallons
77494417	NEPTUNE	WT	0.0000	12/19/02	12/19/2002	09/03/08	10	5	0	Gallons
1550409908	NEPTUNE	WT	0.0000	12/19/02	12/19/2002	09/03/08	10	5	0	Gallons
77494418	NEPTUNE	WT	0.0000	12/19/02	12/19/2002	06/24/03	10	5	0	Gallons
1490194382	NEPTUNE	WT	0.0000	12/19/02	12/19/2002	07/14/03	10	5	0	Gallons
77494419	NEPTUNE	WT	0.0000	12/19/02	12/19/2002	06/24/03	10	5	0	Gallons
1490188040	NEPTUNE	WT	0.0000	12/19/02	12/19/2002	07/14/03	10	5	0	Gallons
77494420	NEPTUNE	WT	0.0000	12/19/02	12/19/2002	06/24/03	10	5	0	Gallons
1490194566	NEPTUNE	WT	0.0000	12/19/02	12/19/2002	07/14/03	10	5	0	Gallons
77494421	NEPTUNE	WT	0.0000	12/19/02	12/19/2002	09/23/16	10	5	0	Gallons
1490148334	NEPTUNE	WT	0.0000	12/19/02	12/19/2002	04/26/19	10	5	0	Gallons
77494422	NEPTUNE	WT	0.0000	12/19/02	12/19/2002	04/27/17	10	5	0	Gallons
1542520986	NEPTUNE	WT	0.0000	12/19/02	12/19/2002	10/30/08	10	5	0	Gallons
77494423	NEPTUNE	WT	0.0000	12/19/02	12/19/2002	05/06/16	10	5	0	Gallons
1545458972	NEPTUNE	WT	0.0000	12/19/02	12/19/2002	06/18/13	10	5	0	Gallons
77494424	NEPTUNE	WT	0.0000	12/19/02	12/19/2002	09/18/18	10	5	0	Gallons
1552116780	NEPTUNE	WT	0.0000	12/19/02	12/19/2002	09/18/18	10	5	0	Gallons
77494425	NEPTUNE	WT	0.0000	12/19/02	12/19/2002	06/18/13	10	5	0	Gallons
1490189562	NEPTUNE	WT	0.0000	12/19/02	12/19/2002	06/18/13	10	5	0	Gallons
77494426	NEPTUNE	WT	0.0000	12/19/02	12/19/2002	09/18/18	10	5	0	Gallons
1547221598	NEPTUNE	WT	0.0000	12/19/02	12/19/2002	04/08/03	10	5	0	Gallons
77494427	NEPTUNE	WT	0.0000	12/19/02	12/19/2002	04/08/03	10	5	0	Gallons
1490155664	NEPTUNE	WT	0.0000	12/19/02	12/19/2002	04/08/03	10	5	0	Gallons
77494428	NEPTUNE	WT	0.0000	12/19/02	12/19/2002	04/08/03	10	5	0	Gallons
1549660380	NEPTUNE	WT	0.0000	12/19/02	12/19/2002	04/08/03	10	5	0	Gallons
77494429	NEPTUNE	WT	0.0000	12/19/02	12/19/2002	04/08/03	10	5	0	Gallons
1490168000	NEPTUNE	WT	0.0000	12/19/02	12/19/2002	04/08/03	10	5	0	Gallons

Meter #	Size	Service	Meter	Purchase	Warranty	Last	# Of	# Of Fixed	Units of	Tamper	Visually
Internal Id #	Manufacturer	Type	Constant	Date	Date	Tested	Diags	0's	Measure	Status	Readable
77494430	NEPTUNE	WT	0.0000	12/19/02	12/19/2002	10/30/12	10	5	0	Gallons	
1490189144	NEPTUNE	WT	0.0000	12/19/02	12/19/2002	04/08/03	10	5	0	Gallons	
77494431	NEPTUNE	WT	0.0000	12/19/02	12/19/2002	08/29/08	10	5	0	Gallons	
1490145880	NEPTUNE	WT	0.0000	12/19/02	12/19/2002	07/31/09	10	5	0	Gallons	
77494432	NEPTUNE	WT	0.0000	12/19/02	12/19/2002	06/20/03	10	5	0	Gallons	
1490187348	NEPTUNE	WT	0.0000	12/19/02	12/19/2002	04/08/03	10	5	0	Gallons	
1490188742	NEPTUNE	WT	0.0000	12/19/02	12/19/2002	07/10/15	10	5	0	Gallons	
77494433	NEPTUNE	WT	0.0000	12/19/02	12/19/2002	10/29/13	10	5	0	Gallons	
1471521807	NEPTUNE	WT	0.0000	12/19/02	12/19/2002	07/24/13	10	5	0	Gallons	
77494434	NEPTUNE	WT	0.0000	12/19/02	12/19/2002	02/24/03	10	5	0	Gallons	
1490169034	NEPTUNE	WT	0.0000	12/19/02	12/19/2002	08/01/08	10	5	0	Gallons	
77494436	NEPTUNE	WT	0.0000	12/19/02	12/19/2002	02/18/15	10	5	0	Gallons	
1487938682	NEPTUNE	WT	0.0000	12/19/02	12/19/2002	03/21/03	10	5	0	Gallons	
77494437	NEPTUNE	WT	0.0000	12/19/02	12/19/2002	02/18/15	10	5	0	Gallons	
1471627374	NEPTUNE	WT	0.0000	12/19/02	12/19/2002	03/21/03	10	5	0	Gallons	
77494438	NEPTUNE	WT	0.0000	12/19/02	12/19/2002	02/18/15	10	5	0	Gallons	
1487105308	NEPTUNE	WT	0.0000	12/19/02	12/19/2002	03/21/03	10	5	0	Gallons	
77494439	NEPTUNE	WT	0.0000	12/19/02	12/19/2002	02/24/03	10	5	0	Gallons	
1490145342	NEPTUNE	WT	0.0000	12/19/02	12/19/2002	04/14/09	10	5	0	Gallons	
77494440	NEPTUNE	WT	0.0000	12/19/02	12/19/2002	03/26/10	10	5	0	Gallons	
1490139156	NEPTUNE	WT	0.0000	12/19/02	12/19/2002	02/18/15	10	5	0	Gallons	
77494441	NEPTUNE	WT	0.0000	12/19/02	12/19/2002	03/21/03	10	5	0	Gallons	
1490149810	NEPTUNE	WT	0.0000	12/19/02	12/19/2002	02/18/15	10	5	0	Gallons	
77494442	NEPTUNE	WT	0.0000	12/19/02	12/19/2002	03/21/03	10	5	0	Gallons	
1482362914	NEPTUNE	WT	0.0000	12/19/02	12/19/2002	02/18/15	10	5	0	Gallons	
77494443	NEPTUNE	WT	0.0000	12/19/02	12/19/2002	03/21/03	10	5	0	Gallons	
1490178148	NEPTUNE	WT	0.0000	12/19/02	12/19/2002	02/18/15	10	5	0	Gallons	
77494444	NEPTUNE	WT	0.0000	12/19/02	12/19/2002	02/18/15	10	5	0	Gallons	
1490141124	NEPTUNE	WT	0.0000	12/19/02	12/19/2002	02/18/15	10	5	0	Gallons	
77494445	NEPTUNE	WT	0.0000	12/19/02	12/19/2002	03/21/03	10	5	0	Gallons	
1490173906	NEPTUNE	WT	0.0000	12/19/02	12/19/2002	06/15/09	10	0	0	Gallons	
77494446	NEPTUNE	WT	0.0000	12/19/02	12/19/2002	06/15/09	10	0	0	Gallons	
1490154754	NEPTUNE	WT	0.0000	12/19/02	12/19/2002	01/12/16	10	5	0	Gallons	
77494447	NEPTUNE	WT	0.0000	12/19/02	12/19/2002	06/25/15	10	5	0	Gallons	
1563282164	NEPTUNE	WT	0.0000	12/19/02	12/19/2002	05/19/15	10	5	0	Gallons	
77494449	NEPTUNE	WT	0.0000	12/19/02	12/19/2002	11/12/15	10	5	0	Gallons	
1487927418	NEPTUNE	WT	0.0000	12/19/02	12/19/2002	01/03/17	10	5	0	Gallons	
77494450	NEPTUNE	WT	0.0000	12/19/02	12/19/2002	01/03/17	10	5	0	Gallons	
1490154398	NEPTUNE	WT	0.0000	12/19/02	12/19/2002	01/03/17	10	5	0	Gallons	
77494451	NEPTUNE	WT	0.0000	12/19/02	12/19/2002	01/03/17	10	5	0	Gallons	
1486320270	NEPTUNE	WT	0.0000	12/19/02	12/19/2002	01/03/17	10	5	0	Gallons	
77494452	NEPTUNE	WT	0.0000	12/19/02	12/19/2002	01/03/17	10	5	0	Gallons	
1545075612	NEPTUNE	WT	0.0000	12/19/02	12/19/2002	01/03/17	10	5	0	Gallons	

Meter #	Size	Service	Meter	Purchase	Warranty	Last	# Of	# Of	Units of	Tamper	
Internal Id #	Manufacturer	Type	Constant	Date	Date	Tested	Test Cycle	Fixed	Measure	Status	
							Dials	0's		Visually	
										Readable	
77494453	NEPTUNE	WT	0.0000	12/19/02	12/19/2002	08/27/08	10	5	0	Gallons	
1490150812	NEPTUNE	WT	0.0000	12/19/02	12/19/2002	09/29/08	10	5	0	Gallons	
77494454	Neptune	WT	0.0000	12/19/02	12/19/2002	06/23/03	10	5	0	Gallons	
1490194902	NEPTUNE	WT	0.0000	12/19/02	12/19/2002	06/26/03	10	5	0	Gallons	
77494455	NEPTUNE	WT	0.0000	12/19/02	12/19/2002	11/06/15	10	5	0	Gallons	
1490177194	NEPTUNE	WT	0.0000	12/19/02	12/19/2002	10/11/10	10	5	0	Gallons	
77494456	NEPTUNE	WT	0.0000	12/19/02	12/19/2002	05/02/16	10	5	0	Gallons	
1490123750	NEPTUNE	WT	0.0000	12/19/02	12/19/2002	04/02/03	10	5	0	Gallons	
77494457	NEPTUNE	WT	0.0000	12/19/02	12/19/2002	07/31/13	10	5	0	Gallons	
1471514288	NEPTUNE	WT	0.0000	12/19/02	12/19/2002	10/18/07	10	5	0	Gallons	
77494458	NEPTUNE	WT	0.0000	12/19/02	12/19/2002	10/01/15	10	5	0	Gallons	
1483714440	NEPTUNE	WT	0.0000	12/19/02	12/19/2002	10/30/13	10	5	0	Gallons	
77494459	NEPTUNE	WT	0.0000	12/19/02	12/19/2002	12/09/13	10	5	0	Gallons	
1490145708	NEPTUNE	WT	0.0000	12/19/02	12/19/2002	12/12/06	10	5	0	Gallons	
77494460	NEPTUNE	WT	0.0000	12/19/02	12/19/2002	10/18/07	10	5	0	Gallons	
1471518112	NEPTUNE	WT	0.0000	12/19/02	12/19/2002	10/11/10	10	5	0	Gallons	
77494461	NEPTUNE	WT	0.0000	12/19/02	12/19/2002	03/31/03	10	5	0	Gallons	
1490173806	NEPTUNE	WT	0.0000	12/19/02	12/19/2002	05/14/19	10	0	0	Gallons	
77494462	NEPTUNE	WT	0.0000	12/19/02	12/19/2002	12/09/13	10	5	0	Gallons	
77494463	NEPTUNE	WT	0.0000	12/19/02	12/19/2002	12/12/06	10	5	0	Gallons	
1490139946	NEPTUNE	WT	0.0000	12/19/02	12/19/2002	10/11/10	10	5	0	Gallons	
77494464	NEPTUNE	WT	0.0000	12/19/02	12/19/2002	10/18/07	10	5	0	Gallons	
1490173172	NEPTUNE	WT	0.0000	12/19/02	12/19/2002	10/01/15	10	5	0	Gallons	
77494465	NEPTUNE	WT	0.0000	12/19/02	12/19/2002	10/30/13	10	5	0	Gallons	
1487748398	NEPTUNE	WT	0.0000	12/19/02	12/19/2002	12/09/13	10	5	0	Gallons	
77494466	NEPTUNE	WT	0.0000	12/19/02	12/19/2002	12/12/06	10	5	0	Gallons	
1490196102	NEPTUNE	WT	0.0000	12/19/02	12/19/2002	10/18/07	10	5	0	Gallons	
77494467	NEPTUNE	WT	0.0000	12/19/02	12/19/2002	10/11/10	10	5	0	Gallons	
1490151414	NEPTUNE	WT	0.0000	12/19/02	12/19/2002	10/30/13	10	5	0	Gallons	
77494468	NEPTUNE	WT	0.0000	12/19/02	12/19/2002	12/09/13	10	5	0	Gallons	
1490122807	NEPTUNE	WT	0.0000	12/19/02	12/19/2002	12/12/06	10	5	0	Gallons	
77494469	NEPTUNE	WT	0.0000	12/19/02	12/19/2002	10/18/07	10	5	0	Gallons	
1490146054	NEPTUNE	WT	0.0000	12/19/02	12/19/2002	10/11/10	10	5	0	Gallons	
77494470	NEPTUNE	WT	0.0000	12/19/02	12/19/2002	10/30/13	10	5	0	Gallons	
1490145430	NEPTUNE	WT	0.0000	12/19/02	12/19/2002	12/09/13	10	5	0	Gallons	
77494471	NEPTUNE	WT	0.0000	12/19/02	12/19/2002	12/12/06	10	5	0	Gallons	
1471513230	NEPTUNE	WT	0.0000	12/19/02	12/19/2002	10/18/07	10	5	0	Gallons	
77494472	NEPTUNE	WT	0.0000	12/19/02	12/19/2002	10/11/10	10	5	0	Gallons	
1490114146	NEPTUNE	WT	0.0000	12/19/02	12/19/2002	10/30/13	10	5	0	Gallons	
77494473	NEPTUNE	WT	0.0000	12/19/02	12/19/2002	12/09/13	10	5	0	Gallons	
1562512714	NEPTUNE	WT	0.0000	12/19/02	12/19/2002	12/12/06	10	5	0	Gallons	
77494474	NEPTUNE	WT	0.0000	12/19/02	12/19/2002	10/18/07	10	5	0	Gallons	
1490134486	NEPTUNE	WT	0.0000	12/19/02	12/19/2002	10/11/10	10	5	0	Gallons	
77494475	NEPTUNE	WT	0.0000	12/19/02	12/19/2002	10/30/13	10	5	0	Gallons	
1490146264	NEPTUNE	WT	0.0000	12/19/02	12/19/2002	12/09/13	10	5	0	Gallons	

Meter #	Size	Service	Meter	Purchase	Warranty	Last	# Of	# Of Fixed	Units of	Tamper	Visually
Internal Id #	Manufacturer	Type	Constant	Date	Date	Tested	Diags	0's	Measure	Status	Readable
77494476	NEPTUNE	WT	0.0000	12/19/02	12/19/2002	11/22/13	10	5	0	Gallons	
1487105420	NEPTUNE	WT	0.0000	12/19/02	12/19/2002	10/01/08	10	5	0	Gallons	
77494477	NEPTUNE	WT	0.0000	12/19/02	12/19/2002	02/25/10	10	5	0	Gallons	
1490168210	NEPTUNE	WT	0.0000	12/19/02	12/19/2002	03/08/04	10	5	0	Gallons	
77494478	NEPTUNE	WT	0.0000	12/19/02	12/19/2002	09/19/16	10	5	0	Gallons	
1490179086	NEPTUNE	WT	0.0000	12/19/02	12/19/2002	04/08/19	10	5	0	Gallons	
77494479	NEPTUNE	WT	0.0000	12/19/02	12/19/2002	09/01/10	10	5	0	Gallons	
1471516904	NEPTUNE	WT	0.0000	12/19/02	12/19/2002	08/02/13	10	5	0	Gallons	
77494480	NEPTUNE	WT	0.0000	12/19/02	12/19/2002	02/20/09	10	5	0	Gallons	
1471483192	NEPTUNE	WT	0.0000	12/19/02	12/19/2002	05/08/03	10	5	0	Gallons	
77494481	NEPTUNE	WT	0.0000	12/19/02	12/19/2002	05/08/03	10	5	0	Gallons	
1562453584	NEPTUNE	WT	0.0000	12/19/02	12/19/2002	06/20/03	10	5	0	Gallons	
77494482	NEPTUNE	WT	0.0000	12/19/02	12/19/2002	10/26/15	10	5	0	Gallons	
1490173874	NEPTUNE	WT	0.0000	12/19/02	12/19/2002	01/21/13	10	5	0	Gallons	
77494483	NEPTUNE	WT	0.0000	12/19/02	12/19/2002	08/18/14	10	5	0	Gallons	
1490174152	NEPTUNE	WT	0.0000	12/19/02	12/19/2002	05/28/09	10	5	0	Gallons	
77494484	NEPTUNE	WT	0.0000	12/19/02	12/19/2002	07/27/18	10	5	0	Gallons	
1486722622	NEPTUNE	WT	0.0000	12/19/02	12/19/2002	04/25/11	10	5	0	Gallons	
77494485	NEPTUNE	WT	0.0000	12/19/02	12/19/2002	07/18/03	10	5	0	Gallons	
1471528348	NEPTUNE	WT	0.0000	12/19/02	12/19/2002	08/02/07	10	5	0	Gallons	
77494486	NEPTUNE	WT	0.0000	12/19/02	12/19/2002	04/04/14	10	5	0	Gallons	
1490187030	NEPTUNE	WT	0.0000	12/19/02	12/19/2002	04/04/14	10	5	0	Gallons	
77494487	NEPTUNE	WT	0.0000	12/19/02	12/19/2002	04/04/14	10	5	0	Gallons	
1550408590	NEPTUNE	WT	0.0000	12/19/02	12/19/2002	04/04/14	10	5	0	Gallons	
77494488	NEPTUNE	WT	0.0000	12/19/02	12/19/2002	04/04/14	10	5	0	Gallons	
1470901778	NEPTUNE	WT	0.0000	12/19/02	12/19/2002	04/04/14	10	5	0	Gallons	
77494489	NEPTUNE	WT	0.0000	12/19/02	12/19/2002	04/04/14	10	5	0	Gallons	
1471521806	NEPTUNE	WT	0.0000	12/19/02	12/19/2002	04/04/14	10	5	0	Gallons	
77494490	NEPTUNE	WT	0.0000	12/19/02	12/19/2002	04/04/14	10	5	0	Gallons	
1540589504	NEPTUNE	WT	0.0000	12/19/02	12/19/2002	04/04/14	10	5	0	Gallons	
77494491	NEPTUNE	WT	0.0000	12/19/02	12/19/2002	04/04/14	10	5	0	Gallons	
1486318910	NEPTUNE	WT	0.0000	12/19/02	12/19/2002	04/04/14	10	5	0	Gallons	
77494492	NEPTUNE	WT	0.0000	12/19/02	12/19/2002	04/04/14	10	5	0	Gallons	
1490155596	NEPTUNE	WT	0.0000	12/19/02	12/19/2002	04/04/14	10	5	0	Gallons	
77494493	NEPTUNE	WT	0.0000	12/19/02	12/19/2002	04/04/14	10	5	0	Gallons	
1487444112	NEPTUNE	WT	0.0000	12/19/02	12/19/2002	04/04/14	10	5	0	Gallons	
77494494	NEPTUNE	WT	0.0000	12/19/02	12/19/2002	04/04/14	10	5	0	Gallons	
1483414412	NEPTUNE	WT	0.0000	12/19/02	12/19/2002	04/04/14	10	5	0	Gallons	
77494495	NEPTUNE	WT	0.0000	12/19/02	12/19/2002	04/04/14	10	5	0	Gallons	
1490195740	NEPTUNE	WT	0.0000	12/19/02	12/19/2002	04/04/14	10	5	0	Gallons	
77494496	NEPTUNE	WT	0.0000	12/19/02	12/19/2002	04/04/14	10	5	0	Gallons	
1487955178	NEPTUNE	WT	0.0000	12/19/02	12/19/2002	04/04/14	10	5	0	Gallons	
77494497	NEPTUNE	WT	0.0000	12/19/02	12/19/2002	04/04/14	10	5	0	Gallons	
1471483813	NEPTUNE	WT	0.0000	12/19/02	12/19/2002	04/04/14	10	5	0	Gallons	
77494498	NEPTUNE	WT	0.0000	12/19/02	12/19/2002	04/04/14	10	5	0	Gallons	
1490139780	NEPTUNE	WT	0.0000	12/19/02	12/19/2002	04/04/14	10	5	0	Gallons	

Meter #	Size	Service	Meter	Purchase	Warranty	Last	# Of	# Of Fixed	Units of	Tamper	
Internal Id #	Manufacturer	Type	Constant	Date	Date	Tested	Diags	0's	Measure	Status	Visually Readable
77494499	NEPTUNE	WT	0.0000	12/19/02	12/19/2002	09/15/03	10	5	0	Gallons	
1490151424	NEPTUNE	WT	0.0000	12/19/02	12/19/2002	05/16/07	10	5	0	Gallons	
77494500	NEPTUNE	WT	0.0000	12/19/02	12/19/2002	10/29/15	10	5	0	Gallons	
1490139084	NEPTUNE	WT	0.0000	12/19/02	12/19/2002	09/12/11	10	5	0	Gallons	
77494501	NEPTUNE	WT	0.0000	12/19/02	12/19/2002	09/30/03	10	5	0	Gallons	
1490144906	NEPTUNE	WT	0.0000	12/19/02	12/19/2002	08/18/14	10	5	0	Gallons	
77494502	NEPTUNE	WT	0.0000	12/19/02	12/19/2002	04/07/14	10	5	0	Gallons	
1490146996	NEPTUNE	WT	0.0000	12/19/02	12/19/2002	08/19/14	10	5	0	Gallons	
77494503	NEPTUNE	WT	0.0000	12/19/02	12/19/2002	11/03/08	10	5	0	Gallons	
1471248752	NEPTUNE	WT	0.0000	12/19/02	12/19/2002	11/22/13	10	5	0	Gallons	
77494504	NEPTUNE	WT	0.0000	12/19/02	12/19/2002	02/21/03	10	5	0	Gallons	
1490144882	NEPTUNE	WT	0.0000	12/19/02	12/19/2002	06/17/13	10	5	0	Gallons	
77494505	NEPTUNE	WT	0.0000	12/19/02	12/19/2002	08/05/11	10	5	0	Gallons	
1487444362	NEPTUNE	WT	0.0000	12/19/02	12/19/2002	01/05/17	10	5	0	Gallons	
77494506	NEPTUNE	WT	0.0000	12/19/02	12/19/2002	03/02/12	10	5	0	Gallons	
1490156022	NEPTUNE	WT	0.0000	12/19/02	12/19/2002	07/31/09	10	5	0	Gallons	
77494507	NEPTUNE	WT	0.0000	12/19/02	12/19/2002	10/06/08	10	5	0	Gallons	
77494508	NEPTUNE	WT	0.0000	12/19/02	12/19/2002	09/27/10	10	5	0	Gallons	
1487147108	NEPTUNE	WT	0.0000	12/19/02	12/19/2002	04/03/03	10	5	0	Gallons	
77494509	NEPTUNE	WT	0.0000	12/19/02	12/19/2002	03/26/10	10	5	0	Gallons	
1487955332	NEPTUNE	WT	0.0000	12/19/02	12/19/2002						
77494510	NEPTUNE	WT	0.0000	12/19/02	12/19/2002						
1490177472	NEPTUNE	WT	0.0000	12/19/02	12/19/2002						
77494511	NEPTUNE	WT	0.0000	12/19/02	12/19/2002						
1471521910	NEPTUNE	WT	0.0000	12/19/02	12/19/2002						
77494512	NEPTUNE	WT	0.0000	12/19/02	12/19/2002						
1486720774	NEPTUNE	WT	0.0000	12/19/02	12/19/2002						
77494513	NEPTUNE	WT	0.0000	12/19/02	12/19/2002						
1484697160	NEPTUNE	WT	0.0000	12/19/02	12/19/2002						
77494514	NEPTUNE	WT	0.0000	12/19/02	12/19/2002						
1549658496	NEPTUNE	WT	0.0000	12/19/02	12/19/2002						
77494515	NEPTUNE	WT	0.0000	12/19/02	12/19/2002						
1545018830	NEPTUNE	WT	0.0000	12/19/02	12/19/2002						
77494516	NEPTUNE	WT	0.0000	12/19/02	12/19/2002						
1481601712	NEPTUNE	WT	0.0000	12/19/02	12/19/2002						
77494517	NEPTUNE	WT	0.0000	12/19/02	12/19/2002						
1490194494	NEPTUNE	WT	0.0000	12/19/02	12/19/2002						
77494518	NEPTUNE	WT	0.0000	12/19/02	12/19/2002						
1487437816	NEPTUNE	WT	0.0000	12/19/02	12/19/2002						
77494519	NEPTUNE	WT	0.0000	12/19/02	12/19/2002						
1482897218	NEPTUNE	WT	0.0000	12/19/02	12/19/2002						
77494520	NEPTUNE	WT	0.0000	12/19/02	12/19/2002						
1490132666	NEPTUNE	WT	0.0000	12/19/02	12/19/2002						
77494521	NEPTUNE	WT	0.0000	12/19/02	12/19/2002						
1482278600	NEPTUNE	WT	0.0000	12/19/02	12/19/2002						

Meter #	Size	Service	Meter	Purchase	Warranty	Last	# Of	# Of Fixed	Units of	Tamper	Visually
Internal Id #	Manufacturer	Type	Constant	Date	Date	Tested	Diags	0's	Measure	Status	Readable
77494522	NEPTUNE	WT	0.0000	12/19/02	12/19/2002	03/24/11	10	5	0	Gallons	
1483719072	NEPTUNE	WT	0.0000	12/19/02	12/19/2002	05/09/08	10	5	0	Gallons	
77494523	NEPTUNE	WT	0.0000	12/19/02	12/19/2002	05/27/08	10	5	0	Gallons	
1484694512	NEPTUNE	WT	0.0000	12/19/02	12/19/2002	10/31/13	10	5	0	Gallons	
77494524	NEPTUNE	WT	0.0000	12/19/02	12/19/2002	04/03/03	10	5	0	Gallons	
1490141533	NEPTUNE	WT	0.0000	12/19/02	12/19/2002	09/18/08	10	5	0	Gallons	
77494525	NEPTUNE	WT	0.0000	12/19/02	12/19/2002	02/26/03	10	5	0	Gallons	
1490140138	NEPTUNE	WT	0.0000	12/19/02	12/19/2002	02/26/03	10	5	0	Gallons	
77494526	NEPTUNE	WT	0.0000	12/19/02	12/19/2002	11/10/08	10	5	0	Gallons	
1490146393	NEPTUNE	WT	0.0000	12/19/02	12/19/2002	02/26/03	10	5	0	Gallons	
77494527	NEPTUNE	WT	0.0000	12/19/02	12/19/2002	02/26/03	10	5	0	Gallons	
1490194374	NEPTUNE	WT	0.0000	12/19/02	12/19/2002	10/31/08	10	5	0	Gallons	
77494528	NEPTUNE	WT	0.0000	12/19/02	12/19/2002	02/26/03	10	5	0	Gallons	
1490168142	NEPTUNE	WT	0.0000	12/19/02	12/19/2002	02/26/03	10	5	0	Gallons	
77494529	NEPTUNE	WT	0.0000	12/19/02	12/19/2002	02/26/03	10	5	0	Gallons	
1490148830	NEPTUNE	WT	0.0000	12/19/02	12/19/2002	02/26/03	10	5	0	Gallons	
77494530	NEPTUNE	WT	0.0000	12/19/02	12/19/2002	10/31/08	10	5	0	Gallons	
1490150590	NEPTUNE	WT	0.0000	12/19/02	12/19/2002	02/26/03	10	5	0	Gallons	
77494531	NEPTUNE	WT	0.0000	12/19/02	12/19/2002	02/03/11	10	5	0	Gallons	
1490176654	NEPTUNE	WT	0.0000	12/19/02	12/19/2002	01/29/15	10	5	0	Gallons	
77494532	NEPTUNE	WT	0.0000	12/19/02	12/19/2002	12/09/15	10	5	0	Gallons	
1450197020	NEPTUNE	WT	0.0000	12/19/02	12/19/2002	06/15/09	10	5	0	Gallons	
77494533	NEPTUNE	WT	0.0000	12/19/02	12/19/2002	08/01/13	10	5	0	Gallons	
1490148256	NEPTUNE	WT	0.0000	12/19/02	12/19/2002	05/01/08	10	5	0	Gallons	
77494534	NEPTUNE	WT	0.0000	12/19/02	12/19/2002	05/27/08	10	5	0	Gallons	
1490146618	NEPTUNE	WT	0.0000	12/19/02	12/19/2002	03/25/11	10	5	0	Gallons	
77494535	NEPTUNE	WT	0.0000	12/19/02	12/19/2002	05/02/16	10	5	0	Gallons	
1487749610	NEPTUNE	WT	0.0000	12/19/02	12/19/2002	09/13/06	10	5	0	Gallons	
77494536	NEPTUNE	WT	0.0000	12/19/02	12/19/2002	01/04/16	10	5	0	Gallons	
1490165136	NEPTUNE	WT	0.0000	12/19/02	12/19/2002	01/04/16	10	5	0	Gallons	
77494537	NEPTUNE	WT	0.0000	12/19/02	12/19/2002	01/04/16	10	5	0	Gallons	
1490144144	NEPTUNE	WT	0.0000	12/19/02	12/19/2002	01/04/16	10	5	0	Gallons	
77494538	NEPTUNE	WT	0.0000	12/19/02	12/19/2002	01/04/16	10	5	0	Gallons	
1490148470	NEPTUNE	WT	0.0000	12/19/02	12/19/2002	01/04/16	10	5	0	Gallons	
77494539	NEPTUNE	WT	0.0000	12/19/02	12/19/2002	01/04/16	10	5	0	Gallons	
1490143026	NEPTUNE	WT	0.0000	12/19/02	12/19/2002	01/04/16	10	5	0	Gallons	
77494540	NEPTUNE	WT	0.0000	12/19/02	12/19/2002	01/04/16	10	5	0	Gallons	
1483719348	NEPTUNE	WT	0.0000	12/19/02	12/19/2002	01/04/16	10	5	0	Gallons	
77494541	NEPTUNE	WT	0.0000	12/19/02	12/19/2002	01/04/16	10	5	0	Gallons	
1490144250	NEPTUNE	WT	0.0000	12/19/02	12/19/2002	01/04/16	10	5	0	Gallons	
77494542	NEPTUNE	WT	0.0000	12/19/02	12/19/2002	01/04/16	10	5	0	Gallons	
1490177922	NEPTUNE	WT	0.0000	12/19/02	12/19/2002	01/04/16	10	5	0	Gallons	
77494543	NEPTUNE	WT	0.0000	12/19/02	12/19/2002	01/04/16	10	5	0	Gallons	
1481554072	NEPTUNE	WT	0.0000	12/19/02	12/19/2002	01/04/16	10	5	0	Gallons	
77494544	NEPTUNE	WT	0.0000	12/19/02	12/19/2002	01/04/16	10	5	0	Gallons	
1540775928	NEPTUNE	WT	0.0000	12/19/02	12/19/2002	01/04/16	10	5	0	Gallons	

Meter #	Size	Service	Meter	Purchase	Warranty	Last	# Of	# Of Fixed	Units of	Tamper	
Internal Id #	Manufacturer	Type	Constant	Date	Date	Tested	Diags	0's	Measure	Status	
										Visually	
		Rating								Readable	
77494545	NEPTUNE	WT 20	0.0000	12/19/02	12/19/2002	04/12/19	10	0	0	Gallons	
77494546	NEPTUNE	WT 20	0.0000	12/19/02	12/19/2002	06/13/17	10	5	0	Gallons	
1546301208	NEPTUNE	WT 20	0.0000	12/19/02	12/19/2002	10/30/13	10	5	0	Gallons	
77494547	NEPTUNE	WT 20	0.0000	12/19/02	12/19/2002	11/09/18	10	5	0	Gallons	
1490144122	NEPTUNE	WT 20	0.0000	12/19/02	12/19/2002	03/31/03	10	5	0	Gallons	
77494548	NEPTUNE	WT 20	0.0000	12/19/02	12/19/2002	10/12/10	10	5	0	Gallons	
1551849420	NEPTUNE	WT 20	0.0000	12/19/02	12/19/2002	10/29/13	10	5	0	Gallons	
77494549	NEPTUNE	WT 20	0.0000	12/19/02	12/19/2002	06/13/18	10	5	0	Gallons	
1490187372	NEPTUNE	WT 20	0.0000	12/19/02	12/19/2002	09/18/11	10	5	0	Gallons	
77494550	NEPTUNE	WT 20	0.0000	12/19/02	12/19/2002	12/02/15	10	5	0	Gallons	
1483413962	NEPTUNE	WT 20	0.0000	12/19/02	12/19/2002	02/09/10	10	5	0	Gallons	
77494551	NEPTUNE	WT 20	0.0000	12/19/02	12/19/2002	06/13/18	10	5	0	Gallons	
1487199134	NEPTUNE	WT 20	0.0000	12/19/02	12/19/2002	04/13/16	10	5	0	Gallons	
77494552	NEPTUNE	WT 20	0.0000	12/19/02	12/19/2002	09/23/16	10	5	0	Gallons	
1486458918	NEPTUNE	WT 20	0.0000	12/19/02	12/19/2002	07/28/06	10	0	0	Gallons	
77494553	NEPTUNE	WT 20	0.0000	12/19/02	12/19/2002	06/17/13	10	5	0	Gallons	
1490188016	NEPTUNE	WT 20	0.0000	12/19/02	12/19/2002	02/08/12	10	5	0	Gallons	
77494554	NEPTUNE	WT 20	0.0000	12/19/02	12/19/2002	10/31/13	10	5	0	Gallons	
1490145254	NEPTUNE	WT 20	0.0000	12/19/02	12/19/2002	07/09/09	10	5	0	Gallons	
77494555	NEPTUNE	WT 20	0.0000	12/19/02	12/19/2002	10/31/13	10	5	0	Gallons	
1482356246	NEPTUNE	WT 20	0.0000	12/19/02	12/19/2002	07/09/09	10	5	0	Gallons	
77494556	NEPTUNE	WT 20	0.0000	12/19/02	12/19/2002	06/13/17	10	5	0	Gallons	
1540855254	NEPTUNE	WT 20	0.0000	12/19/02	12/19/2002	02/08/12	10	5	0	Gallons	
77494557	NEPTUNE	WT 20	0.0000	12/19/02	12/19/2002	04/13/16	10	5	0	Gallons	
1490154902	NEPTUNE	WT 20	0.0000	12/19/02	12/19/2002	07/09/09	10	5	0	Gallons	
77494558	NEPTUNE	WT 20	0.0000	12/19/02	12/19/2002	07/09/09	10	5	0	Gallons	
1486687168	NEPTUNE	WT 20	0.0000	12/19/02	12/19/2002	07/28/06	10	0	0	Gallons	
77494559	NEPTUNE	WT 20	0.0000	12/19/02	12/19/2002	06/17/13	10	5	0	Gallons	
77494560	NEPTUNE RADIO	WT 20	0.0000	12/19/02	12/19/2002	02/08/12	10	5	0	Gallons	
1486719964	NEPTUNE RADIO	WT 20	0.0000	12/19/02	12/19/2002	02/08/12	10	5	0	Gallons	
77494561	NEPTUNE RADIO	WT 20	0.0000	12/19/02	12/19/2002	07/09/09	10	5	0	Gallons	
1484697056	NEPTUNE	WT 20	0.0000	12/19/02	12/19/2002	07/09/09	10	5	0	Gallons	
77494562	NEPTUNE	WT 20	0.0000	12/19/02	12/19/2002	10/31/13	10	5	0	Gallons	
1487754536	NEPTUNE	WT 20	0.0000	12/19/02	12/19/2002	10/29/08	10	5	0	Gallons	
77494563	NEPTUNE	WT 20	0.0000	12/19/02	12/19/2002	10/29/08	10	5	0	Gallons	
1490133128	NEPTUNE	WT 20	0.0000	12/19/02	12/19/2002	11/13/08	10	5	0	Gallons	
77494564	NEPTUNE	WT 20	0.0000	12/19/02	12/19/2002	03/21/03	10	5	0	Gallons	
1545233690	NEPTUNE	WT 20	0.0000	12/19/02	12/19/2002	03/21/03	10	5	0	Gallons	
77494565	NEPTUNE	WT 20	0.0000	12/19/02	12/19/2002	03/21/03	10	5	0	Gallons	
1490187848	NEPTUNE	WT 20	0.0000	12/19/02	12/19/2002	03/21/03	10	5	0	Gallons	
77494566	NEPTUNE	WT 20	0.0000	12/19/02	12/19/2002	03/21/03	10	5	0	Gallons	
1549663054	NEPTUNE	WT 20	0.0000	12/19/02	12/19/2002	03/21/03	10	5	0	Gallons	
77494567	NEPTUNE	WT 20	0.0000	12/19/02	12/19/2002	03/21/03	10	5	0	Gallons	
1481557928	NEPTUNE	WT 20	0.0000	12/19/02	12/19/2002	03/21/03	10	5	0	Gallons	

Meter #	Size	Service	Meter	Purchase	Warranty	Last	# Of	# Of Fixed	Units of	Tamper	Visually
Internal Id #	Manufacturer	Type	Constant	Date	Date	Tested	Of Dials	0's	Measure	Status	Readable
77494568	NEPTUNE	WT	0.0000	12/19/02	12/19/2002	10/06/03	10	0	Gallons		
77494569	NEPTUNE	WT	0.0000	12/19/02	12/19/2002	09/22/11	10	5	Gallons		
1546683232	NEPTUNE	WT	0.0000	12/19/02	12/19/2002	02/28/13	10	5	Gallons		
77494570	NEPTUNE	WT	0.0000	12/19/02	12/19/2002	12/06/13	10	5	Gallons		
1486686612	NEPTUNE	WT	0.0000	12/19/02	12/19/2002	04/15/09	10	5	Gallons		
77494571	NEPTUNE	WT	0.0000	12/19/02	12/19/2002	06/20/14	10	5	Gallons		
1487123920	NEPTUNE	WT	0.0000	12/19/02	12/19/2002	09/30/03	10	5	Gallons		
77494572	NEPTUNE	WT	0.0000	12/19/02	12/19/2002	06/15/09	10	5	Gallons		
1490148910	NEPTUNE	WT	0.0000	12/19/02	12/19/2002	09/30/03	10	5	Gallons		
77494573	NEPTUNE	WT	0.0000	12/19/02	12/19/2002	06/15/09	10	5	Gallons		
1490180688	NEPTUNE	WT	0.0000	12/19/02	12/19/2002	09/17/08	10	5	Gallons		
77494574	NEPTUNE	WT	0.0000	12/19/02	12/19/2002	11/22/13	10	5	Gallons		
1490151062	NEPTUNE	WT	0.0000	12/19/02	12/19/2002	04/09/19	10	5	Gallons		
77494575	NEPTUNE	WT	0.0000	12/19/02	12/19/2002	06/25/15	10	5	Gallons		
1551701376	NEPTUNE	WT	0.0000	12/19/02	12/19/2002	04/09/19	10	5	Gallons		
77494576	NEPTUNE	WT	0.0000	12/19/02	12/19/2002	06/25/15	10	5	Gallons		
1490132598	NEPTUNE	WT	0.0000	12/19/02	12/19/2002	06/25/15	10	5	Gallons		
77494577	NEPTUNE	WT	0.0000	12/19/02	12/19/2002	06/25/15	10	5	Gallons		
1490177580	NEPTUNE	WT	0.0000	12/19/02	12/19/2002	06/25/15	10	5	Gallons		
77494578	NEPTUNE	WT	0.0000	12/19/02	12/19/2002	06/25/15	10	5	Gallons		
1490163012	NEPTUNE	WT	0.0000	12/19/02	12/19/2002	06/25/15	10	5	Gallons		
77494579	NEPTUNE	WT	0.0000	12/19/02	12/19/2002	06/25/15	10	5	Gallons		
1490180080	NEPTUNE	WT	0.0000	12/19/02	12/19/2002	06/25/15	10	5	Gallons		
77494580	NEPTUNE	WT	0.0000	12/19/02	12/19/2002	06/25/15	10	5	Gallons		
1487928578	NEPTUNE	WT	0.0000	12/19/02	12/19/2002	06/25/15	10	5	Gallons		
77494581	NEPTUNE	WT	0.0000	12/19/02	12/19/2002	06/25/15	10	5	Gallons		
1562519238	NEPTUNE	WT	0.0000	12/19/02	12/19/2002	06/25/15	10	5	Gallons		
77494582	NEPTUNE	WT	0.0000	12/19/02	12/19/2002	06/25/15	10	5	Gallons		
1490150610	NEPTUNE RADIO	WT	0.0000	12/19/02	12/19/2002	06/25/15	10	5	Gallons		
77494583	NEPTUNE	WT	0.0000	12/19/02	12/19/2002	06/25/15	10	5	Gallons		
1490058882	NEPTUNE	WT	0.0000	12/19/02	12/19/2002	06/25/15	10	5	Gallons		
77494584	NEPTUNE	WT	0.0000	12/19/02	12/19/2002	06/25/15	10	5	Gallons		
1490156226	NEPTUNE	WT	0.0000	12/19/02	12/19/2002	06/25/15	10	5	Gallons		
77494585	NEPTUNE	WT	0.0000	12/19/02	12/19/2002	06/25/15	10	5	Gallons		
1487928522	NEPTUNE	WT	0.0000	12/19/02	12/19/2002	06/25/15	10	5	Gallons		
77494586	NEPTUNE	WT	0.0000	12/19/02	12/19/2002	06/25/15	10	5	Gallons		
1490142434	NEPTUNE	WT	0.0000	12/19/02	12/19/2002	06/25/15	10	5	Gallons		
77494587	NEPTUNE	WT	0.0000	12/19/02	12/19/2002	06/25/15	10	5	Gallons		
1487116712	NEPTUNE	WT	0.0000	12/19/02	12/19/2002	06/25/15	10	5	Gallons		
77494588	NEPTUNE	WT	0.0000	12/19/02	12/19/2002	06/25/15	10	5	Gallons		
1490146718	NEPTUNE	WT	0.0000	12/19/02	12/19/2002	06/25/15	10	5	Gallons		
77494589	NEPTUNE	WT	0.0000	12/19/02	12/19/2002	06/25/15	10	5	Gallons		
1490145436	NEPTUNE	WT	0.0000	12/19/02	12/19/2002	06/25/15	10	5	Gallons		
77494590	NEPTUNE	WT	0.0000	12/19/02	12/19/2002	06/25/15	10	5	Gallons		
1486731970	NEPTUNE	WT	0.0000	12/19/02	12/19/2002	06/25/15	10	5	Gallons		

Meter #	Size	Service	Meter	Purchase	Warranty	Last	# Of	# Of Fixed	Units of	Tamper
Internal Id #	Manufacturer	Type	Constant	Date	Date	Tested	Test Cycle	0's	Measure	Status
		Rating					Dials			Visually
										Readable
77494591	NEPTUNE	WT	0.0000	12/19/02	12/19/2002	04/16/15	10	5	0	Gallons
1486716094	NEPTUNE	WT	0.0000	12/19/02	12/19/2002	10/06/08	10	5	0	Gallons
77494592	NEPTUNE	WT	0.0000	12/19/02	12/19/2002	04/03/03	10	5	0	Gallons
1490194188	NEPTUNE	WT	0.0000	12/19/02	12/19/2002	11/23/11	10	5	0	Gallons
77494593	NEPTUNE	WT	0.0000	12/19/02	12/19/2002	11/12/15	10	5	0	Gallons
1490142394	NEPTUNE	WT	0.0000	12/19/02	12/19/2002	12/17/15	10	5	0	Gallons
77494594	NEPTUNE	WT	0.0000	12/19/02	12/19/2002	07/07/15	10	5	0	Gallons
1487437358	NEPTUNE	WT	0.0000	10/01/16		02/24/17	10	0	0	Gallons
77494595	NEPTUNE	WT	0.0000	04/19/04	4/19/2004	09/24/08	10	5	0	Gallons
1490155292	NEPTUNE	WT	0.0000	04/19/04	4/19/2004	02/16/18	10	5	0	Gallons
77494596	NEPTUNE	WT	0.0000	04/19/04	4/19/2004	10/30/08	10	5	0	Gallons
1486460152	NEPTUNE	WT	0.0000	04/19/04	4/19/2004	10/28/16	10	5	0	Gallons
77494597	NEPTUNE	WT	0.0000	04/19/04	4/19/2004	10/29/12	10	5	0	Gallons
1487940410	NEPTUNE	WT	0.0000	04/19/04	4/19/2004	02/10/11	10	5	0	Gallons
77781569	Sensus	WT	0.0000	04/19/04	4/19/2004	04/15/08	10	5	0	Gallons
78388595	NEPTUNE	WT	0.0000	04/19/04	4/19/2004	04/10/19	10	5	0	Gallons
1490195394	NEPTUNE	WT	0.0000	04/19/04	4/19/2004	02/16/18	10	5	0	Gallons
78388596	NEPTUNE	WT	0.0000	04/19/04	4/19/2004	10/30/08	10	5	0	Gallons
1546684008	NEPTUNE	WT	0.0000	04/19/04	4/19/2004	10/28/16	10	5	0	Gallons
78388597	NEPTUNE	WT	0.0000	04/19/04	4/19/2004	10/30/08	10	5	0	Gallons
1471536462	NEPTUNE	WT	0.0000	04/19/04	4/19/2004	02/10/11	10	5	0	Gallons
78388598	NEPTUNE	WT	0.0000	04/19/04	4/19/2004	04/10/19	10	5	0	Gallons
1490112592	NEPTUNE	WT	0.0000	04/19/04	4/19/2004	04/15/08	10	5	0	Gallons
78388599	NEPTUNE	WT	0.0000	04/19/04	4/19/2004	10/28/16	10	5	0	Gallons
1562447824	NEPTUNE	WT	0.0000	04/19/04	4/19/2004	10/28/16	10	5	0	Gallons
78388600	NEPTUNE	WT	0.0000	04/19/04	4/19/2004	10/29/12	10	5	0	Gallons
1490173326	NEPTUNE	WT	0.0000	04/19/04	4/19/2004	02/10/11	10	5	0	Gallons
78388601	NEPTUNE	WT	0.0000	04/19/04	4/19/2004	04/10/19	10	5	0	Gallons
1490145914	NEPTUNE	WT	0.0000	04/19/04	4/19/2004	04/15/08	10	5	0	Gallons
78388602	NEPTUNE	WT	0.0000	04/19/04	4/19/2004	10/28/16	10	5	0	Gallons
1490189750	NEPTUNE	WT	0.0000	04/19/04	4/19/2004	02/10/11	10	5	0	Gallons
78554467	NEPTUNE	WT	0.0000	03/25/04	3/25/2004	09/18/18	10	5	0	Gallons
1549652294	NEPTUNE	WT	0.0000	03/25/04	3/25/2004	04/05/04	10	5	0	Gallons
78554468	NEPTUNE	WT	0.0000	03/25/04	3/25/2004	10/21/14	10	5	0	Gallons
1471485260	NEPTUNE	WT	0.0000	03/25/04	3/25/2004	04/12/19	10	5	0	Gallons
78554469	NEPTUNE	WT	0.0000	03/25/04	3/25/2004	04/05/04	10	5	0	Gallons
1471512566	NEPTUNE	WT	0.0000	03/25/04	3/25/2004	04/05/04	10	5	0	Gallons
78554470	NEPTUNE RADIO	WT	0.0000	03/25/04	3/25/2004	04/05/04	10	5	0	Gallons
1563041860	NEPTUNE RADIO	WT	0.0000	03/25/04	3/25/2004	04/05/04	10	5	0	Gallons
78554471	NEPTUNE RADIO	WT	0.0000	03/25/04	3/25/2004	04/05/04	10	5	0	Gallons
1471516022	NEPTUNE RADIO	WT	0.0000	03/25/04	3/25/2004	04/05/04	10	5	0	Gallons
78554472	NEPTUNE	WT	0.0000	03/25/04	3/25/2004	04/05/04	10	5	0	Gallons
1482896742	NEPTUNE	WT	0.0000	03/25/04	3/25/2004	04/05/04	10	5	0	Gallons
78554473	NEPTUNE	WT	0.0000	03/25/04	3/25/2004	04/05/04	10	5	0	Gallons
1471528350	NEPTUNE	WT	0.0000	03/25/04	3/25/2004	04/05/04	10	5	0	Gallons

Meter #	Size	Service	Meter	Purchase	Warranty	Last	# Of	# Of Fixed	Units of	Tamper	
Internal Id #	Manufacturer	Type	Constant	Date	Date	Tested	Diags	0's	Measure	Status	
		Rating								Visually	
										Readable	
78554474	NEPTUNE	WT 20	0.0000	03/25/04	3/25/2004	07/10/14	10	5	0	Gallons	
1487443818	NEPTUNE	WT 20	0.0000	03/25/04	3/25/2004	10/01/15	10	5	0	Gallons	
78554475	NEPTUNE	WT 20	0.0000	03/25/04	3/25/2004	04/04/14	10	5	0	Gallons	
1487940666	NEPTUNE RADIO	WT 20	0.0000	03/25/04	3/25/2004	08/10/11	10	5	0	Gallons	
78554476	NEPTUNE	WT 20	0.0000	03/25/04	3/25/2004	04/05/04	10	5	0	Gallons	
1490140012	NEPTUNE	WT 20	0.0000	10/14/03	10/14/2003	10/09/08	10	5	0	Gallons	
78554477	NEPTUNE	WT 20	0.0000	10/14/03	10/14/2003	01/21/04	10	5	0	Gallons	
1483792350	NEPTUNE	WT 20	0.0000	10/14/03	10/14/2003	01/16/18	10	5	0	Gallons	
78554478	NEPTUNE	WT 20	0.0000	10/14/03	10/14/2003	09/09/11	10	5	0	Gallons	
1471595636	NEPTUNE	WT 20	0.0000	10/14/03	10/14/2003	07/25/13	10	5	0	Gallons	
78762121	NEPTUNE	WT 20	0.0000	10/14/03	10/14/2003	02/15/19	10	5	0	Gallons	
1490177923	NEPTUNE	WT 20	0.0000	10/14/03	10/14/2003	02/08/13	10	5	0	Gallons	
78762122	NEPTUNE	WT 20	0.0000	10/14/03	10/14/2003	09/22/08	10	5	0	Gallons	
1471470054	NEPTUNE RADIO	WT 20	0.0000	10/14/03	10/14/2003	06/26/15	10	5	0	Gallons	
78762123	NEPTUNE	WT 20	0.0000	10/14/03	10/14/2003	01/05/18	10	5	0	Gallons	
1487749420	NEPTUNE	WT 20	0.0000	10/14/03	10/14/2003	01/20/05	10	5	0	Gallons	
78762124	NEPTUNE	WT 20	0.0000	10/14/03	10/14/2003	03/13/19	10	5	0	Gallons	
1484465896	NEPTUNE	WT 20	0.0000	10/14/03	10/14/2003	05/31/18	10	5	0	Gallons	
78762125	NEPTUNE	WT 20	0.0000	10/14/03	10/14/2003	01/07/15	10	5	0	Gallons	
1471450350	NEPTUNE	WT 20	0.0000	10/14/03	10/14/2003	01/29/15	10	5	0	Gallons	
78762126	NEPTUNE	WT 20	0.0000	10/14/03	10/14/2003	12/01/03	10	5	0	Gallons	
1490145354	NEPTUNE	WT 20	0.0000								
78762127	NEPTUNE	WT 20	0.0000								
1487950483	NEPTUNE	WT 20	0.0000								
78762128	NEPTUNE	WT 20	0.0000								
1490156386	NEPTUNE	WT 20	0.0000								
78762129	NEPTUNE	WT 20	0.0000								
1485316926	NEPTUNE	WT 20	0.0000								
78762130	NEPTUNE	WT 20	0.0000								
1546681552	NEPTUNE RADIO	WT 20	0.0000								
78762131	NEPTUNE	WT 20	0.0000								
1549678124	NEPTUNE	WT 20	0.0000								
78762132	NEPTUNE	WT 20	0.0000								
1540772840	NEPTUNE	WT 20	0.0000								
78762133	NEPTUNE	WT 20	0.0000								
1562492892	NEPTUNE	WT 20	0.0000								
78762134	NEPTUNE RADIO	WT 20	0.0000								
1471137145	Neptune Proread	WT 20	0.0000								
78762136	NEPTUNE RADIO	WT 20	0.0000								
1490148456	NEPTUNE	WT 20	0.0000								
78762137	NEPTUNE RADIO	WT 20	0.0000								
1487746520	NEPTUNE	WT 20	0.0000								
78762138	NEPTUNE	WT 20	0.0000								
1490194394	NEPTUNE	WT 20	0.0000								

Meter #	Size	Service	Meter	Purchase	Warranty	Last	# Of	# Of Fixed	Units of	Tamper	
Internal Id #	Manufacturer	Type	Constant	Date	Date	Tested	Diags	0's	Measure	Status	
										Visually	
										Readable	
78762139	5/8"	WT	0.0000	10/14/03	10/14/2003	05/18/16	10	5	0	Gallons	
1547229852	NEPTUNE RADIO										
78762140	5/8"	WT	0.0000	10/14/03	10/14/2003	06/18/13	10	5	0	Gallons	
1486687230	NEPTUNE RADIO										
78762141	5/8"	WT	0.0000	10/14/03	10/14/2003	05/28/05	10	0	0	Gallons	
	NEPTUNE										
78762142	5/8"	WT	0.0000	10/14/03	10/14/2003	12/18/03	10	5	0	Gallons	
1490146706	NEPTUNE										
78762143	5/8"	WT	0.0000	10/14/03	10/14/2003	04/11/14	10	5	0	Gallons	
1486732878	NEPTUNE										
78762144	5/8"	WT	0.0000	10/14/03	10/14/2003	12/03/04	10	5	0	Gallons	
1471530442	NEPTUNE										
78762145	5/8"	WT	0.0000	10/14/03	10/14/2003	06/18/13	10	5	0	Gallons	
1486720802	NEPTUNE										
78762146	5/8"	WT	0.0000	10/14/03	10/14/2003	05/10/19	10	5	0	Gallons	
1552109304	NEPTUNE										
78762147	5/8"	WT	0.0000	10/14/03	10/14/2003	12/18/03	10	5	0	Gallons	
1490194384	NEPTUNE										
78762148	5/8"	WT	0.0000	10/14/03	10/14/2003	11/04/08	10	5	0	Gallons	
1490148466	NEPTUNE										
78762149	5/8"	WT	0.0000	10/14/03	10/14/2003	01/11/13	10	5	0	Gallons	
1486457174	NEPTUNE										
78762150	5/8"	WT	0.0000	10/14/03	10/14/2003	02/05/10	10	5	0	Gallons	
1542575536	NEPTUNE										
78762151	5/8"	WT	0.0000	10/14/03	10/14/2003	09/27/05	10	5	0	Gallons	
1490174004	NEPTUNE										
78762152	5/8"	WT	0.0000	10/14/03	10/14/2003	05/22/19	10	0	0	Gallons	
	NEPTUNE										
78762153	5/8"	WT	0.0000	10/14/03	10/14/2003	06/29/15	10	5	0	Gallons	
1487945302	NEPTUNE										
78762154	5/8"	WT	0.0000	10/14/03	10/14/2003	06/30/05	10	5	0	Gallons	
1490177196	NEPTUNE										
78762155	5/8"	WT	0.0000	10/14/03	10/14/2003	06/24/05	10	5	0	Gallons	
1487955257	NEPTUNE										
78762156	5/8"	WT	0.0000	10/14/03	10/14/2003	07/12/05	10	0	0	Gallons	
	NEPTUNE										
78762157	5/8"	WT	0.0000	10/14/03	10/14/2003	06/30/05	10	5	0	Gallons	
1490155030	NEPTUNE										
78762158	5/8"	WT	0.0000	10/14/03	10/14/2003	06/28/05	10	5	0	Gallons	
1471512534	NEPTUNE										
78762159	5/8"	WT	0.0000	10/14/03	10/14/2003	05/13/19	10	0	0	Gallons	
	NEPTUNE										
78762160	5/8"	WT	0.0000	10/14/03	10/14/2003	08/19/16	10	5	0	Gallons	
1490149962	NEPTUNE										
78762161	5/8"	WT	0.0000	10/14/03	10/14/2003	11/14/14	10	5	0	Gallons	
1490148308	NEPTUNE										

Meter #	Internal Id #	Size	Manufacturer	Service Type	Rating	Meter Constant	Purchase Date	Warranty Date	Last Tested	Test Cycle	# Of Diags	# Of Fixed 0's	Units of Measure	Tamper Status	Visually Readable
78762162	1562506786	5/8"	NEPTUNE	WT	20	0.0000	10/14/03	10/14/2003	11/09/18	10	5	0	Gallons		
78762163	1546683242	5/8"	NEPTUNE	WT	20	0.0000	10/14/03	10/14/2003	04/21/16	10	5	0	Gallons		
78762164	1551723450	5/8"	NEPTUNE	WT	20	0.0000	10/14/03	10/14/2003	07/10/15	10	5	0	Gallons		
78762165	1543651908	5/8"	NEPTUNE	WT	20	0.0000	10/14/03	10/14/2003	04/13/16	10	5	0	Gallons		
78762166	1481553692	5/8"	NEPTUNE	WT	20	0.0000	10/14/03	10/14/2003	06/13/07	10	5	0	Gallons		
78762167	1490145758	5/8"	NEPTUNE	WT	20	0.0000	10/14/03	10/14/2003	04/07/14	10	5	0	Gallons		
78762168	1490174174	5/8"	NEPTUNE	WT	20	0.0000	10/14/03	10/14/2003	03/15/04	10	5	0	Gallons		
78762169	1540774076	5/8"	NEPTUNE	WT	20	0.0000	10/14/03	10/14/2003	11/10/15	10	5	0	Gallons		
78762170	1490173762	5/8"	NEPTUNE RADIO	WT	20	0.0000	10/14/03	10/14/2003	06/27/07	10	5	0	Gallons		
78766156	1490148210	5/8"	NEPTUNE	WT	20	0.0000	10/14/03	10/14/2003	07/12/05	10	5	0	Gallons		
79385505		5/8"	NEPTUNE	WT	20	0.0000	04/19/04	4/19/2004		10	0	0	Gallons		
79385506		5/8"	NEPTUNE	WT	20	0.0000	04/19/04	4/19/2004		10	0	0	Gallons		
79385507		5/8"	NEPTUNE	WT	20	0.0000	04/19/04	4/19/2004		10	0	0	Gallons		
79385508		5/8"	NEPTUNE	WT	20	0.0000	04/19/04	4/19/2004		10	0	0	Gallons		
79385509		5/8"	NEPTUNE	WT	20	0.0000	04/19/04	4/19/2004		10	0	0	Gallons		
79385510		5/8"	NEPTUNE	WT	20	0.0000	04/19/04	4/19/2004		10	0	0	Gallons		
79385511		5/8"	NEPTUNE	WT	20	0.0000	04/19/04	4/19/2004		10	0	0	Gallons		
79385512		5/8"	NEPTUNE	WT	20	0.0000	04/19/04	4/19/2004		10	0	0	Gallons		
79385513	1551806920	5/8"	NEPTUNE	WT	20	0.0000	04/19/04	4/19/2004	11/12/18	10	5	0	Gallons		
79385514	1487763204	5/8"	NEPTUNE	WT	20	0.0000	04/19/04	4/19/2004	04/28/04	10	5	0	Gallons		
79385515	1542551996	5/8"	NEPTUNE	WT	20	0.0000	04/19/04	4/19/2004	05/04/04	10	5	0	Gallons		
79385516	1483405750	5/8"	NEPTUNE	WT	20	0.0000	04/19/04	4/19/2004	11/30/10	10	5	0	Gallons		
79385517	1486135526	5/8"	NEPTUNE	WT	20	0.0000	04/19/04	4/19/2004	11/11/15	10	5	0	Gallons		

Meter #	Size	Service	Meter	Purchase	Warranty	Last	# Of	# Of Fixed	Units of	Tamper	
Internal Id #	Manufacturer	Type	Constant	Date	Date	Tested	Test Cycle	0's	Measure	Status	
							Dials			Visually	
										Readable	
79385518	NEPTUNE	WT	0.0000	04/19/04	4/19/2004	06/19/13	10	5	0	Gallons	
1486732088	NEPTUNE	WT	0.0000	04/19/04	4/19/2004	05/11/04	10	5	0	Gallons	
79385519	NEPTUNE	WT	0.0000	04/19/04	4/19/2004	06/01/04	10	5	0	Gallons	
1490189784	NEPTUNE	WT	0.0000	04/19/04	4/19/2004	11/12/18	10	5	0	Gallons	
79385520	NEPTUNE	WT	0.0000	04/19/04	4/19/2004	06/24/14	10	5	0	Gallons	
1490177790	NEPTUNE	WT	0.0000	04/19/04	4/19/2004	05/11/04	10	5	0	Gallons	
79385521	NEPTUNE	WT	0.0000	04/19/04	4/19/2004	03/15/12	10	5	0	Gallons	
1551813340	NEPTUNE	WT	0.0000	04/19/04	4/19/2004	05/04/04	10	5	0	Gallons	
79385522	NEPTUNE	WT	0.0000	04/19/04	4/19/2004	04/04/19	10	5	0	Gallons	
1430213918	NEPTUNE	WT	0.0000	04/19/04	4/19/2004	05/04/04	10	5	0	Gallons	
79385523	NEPTUNE	WT	0.0000	04/19/04	4/19/2004	05/05/04	10	5	0	Gallons	
1490155642	NEPTUNE	WT	0.0000	04/19/04	4/19/2004	05/05/04	10	5	0	Gallons	
79385524	NEPTUNE	WT	0.0000	04/19/04	4/19/2004	05/04/04	10	5	0	Gallons	
1485271482	NEPTUNE	WT	0.0000	04/19/04	4/19/2004	05/04/04	10	5	0	Gallons	
79385525	NEPTUNE	WT	0.0000	04/19/04	4/19/2004	05/04/04	10	5	0	Gallons	
1483720112	NEPTUNE	WT	0.0000	04/19/04	4/19/2004	05/05/04	10	5	0	Gallons	
79385526	NEPTUNE	WT	0.0000	04/19/04	4/19/2004	05/05/04	10	5	0	Gallons	
1562498322	NEPTUNE	WT	0.0000	04/19/04	4/19/2004	06/11/13	10	5	0	Gallons	
79385527	NEPTUNE	WT	0.0000	04/19/04	4/19/2004	07/16/09	10	5	0	Gallons	
1471535108	NEPTUNE	WT	0.0000	04/19/04	4/19/2004	05/04/04	10	5	0	Gallons	
79385528	NEPTUNE	WT	0.0000	04/19/04	4/19/2004	10/28/15	10	5	0	Gallons	
1471531230	NEPTUNE	WT	0.0000	04/19/04	4/19/2004	05/25/04	10	5	0	Gallons	
79385529	NEPTUNE	WT	0.0000	04/19/04	4/19/2004	06/11/13	10	5	0	Gallons	
1487752268	NEPTUNE	WT	0.0000	04/19/04	4/19/2004	05/25/04	10	5	0	Gallons	
79385530	NEPTUNE	WT	0.0000	04/19/04	4/19/2004	05/05/17	10	5	0	Gallons	
79385531	NEPTUNE	WT	0.0000	04/19/04	4/19/2004	04/07/17	10	5	0	Gallons	
1481564940	NEPTUNE	WT	0.0000	04/19/04	4/19/2004	01/30/13	10	5	0	Gallons	
79385532	NEPTUNE	WT	0.0000	04/19/04	4/19/2004	05/25/04	10	5	0	Gallons	
1486438712	NEPTUNE	WT	0.0000	04/19/04	4/19/2004	05/25/04	10	5	0	Gallons	
79385533	NEPTUNE	WT	0.0000	04/19/04	4/19/2004	05/25/04	10	5	0	Gallons	
1490132262	NEPTUNE	WT	0.0000	04/19/04	4/19/2004	05/25/04	10	5	0	Gallons	
79385534	NEPTUNE	WT	0.0000	04/19/04	4/19/2004	05/25/04	10	5	0	Gallons	
1545536564	NEPTUNE	WT	0.0000	04/19/04	4/19/2004	05/25/04	10	5	0	Gallons	
79385535	NEPTUNE	WT	0.0000	04/19/04	4/19/2004	05/25/04	10	5	0	Gallons	
1471516026	NEPTUNE	WT	0.0000	04/19/04	4/19/2004	05/25/04	10	5	0	Gallons	
79385536	NEPTUNE	WT	0.0000	04/19/04	4/19/2004	11/22/13	10	5	0	Gallons	
1490187425	NEPTUNE	WT	0.0000	04/19/04	4/19/2004	06/02/04	10	5	0	Gallons	
79385537	NEPTUNE	WT	0.0000	04/19/04	4/19/2004	05/14/04	10	5	0	Gallons	
1490144846	NEPTUNE	WT	0.0000	04/19/04	4/19/2004	05/18/04	10	5	0	Gallons	
79385538	NEPTUNE	WT	0.0000	04/19/04	4/19/2004	05/18/04	10	5	0	Gallons	
79385539	NEPTUNE	WT	0.0000	04/19/04	4/19/2004	05/18/04	10	5	0	Gallons	
1490144910	NEPTUNE	WT	0.0000	04/19/04	4/19/2004	05/18/04	10	5	0	Gallons	
79385540	NEPTUNE	WT	0.0000	04/19/04	4/19/2004	05/18/04	10	5	0	Gallons	
1484697646	NEPTUNE	WT	0.0000	04/19/04	4/19/2004	05/18/04	10	5	0	Gallons	

Meter #	Size	Service	Meter	Purchase	Warranty	Last	# Of	# Of Fixed	Units of	Tamper	
Internal Id #	Manufacturer	Type	Constant	Date	Date	Tested	Test Cycle	0's	Measure	Status	
							Diags			Visually	
										Readable	
79385541	NEPTUNE	WT	0.0000	04/19/04	4/19/2004	07/31/13	10	5	0	Gallons	
1471486588	NEPTUNE	WT	0.0000	04/19/04	4/19/2004	05/14/04	10	5	0	Gallons	
79385542	NEPTUNE	WT	0.0000	04/19/04	4/19/2004	05/14/04	10	5	0	Gallons	
1490166194	NEPTUNE	WT	0.0000	04/19/04	4/19/2004	05/14/04	10	5	0	Gallons	
79385543	NEPTUNE	WT	0.0000	04/19/04	4/19/2004	12/02/15	10	5	0	Gallons	
1490176748	NEPTUNE	WT	0.0000	04/19/04	4/19/2004	09/17/18	10	5	0	Gallons	
79385544	NEPTUNE	WT	0.0000	04/27/04	4/27/2004	09/17/18	10	5	0	Gallons	
1490194418	NEPTUNE	WT	0.0000	04/27/04	4/27/2004	11/14/14	10	5	0	Gallons	
79425849	NEPTUNE	WT	0.0000	04/27/04	4/27/2004	05/04/04	10	5	0	Gallons	
1550404846	NEPTUNE	WT	0.0000	04/27/04	4/27/2004	05/04/04	10	5	0	Gallons	
79425850	NEPTUNE	WT	0.0000	04/27/04	4/27/2004	05/04/04	10	5	0	Gallons	
1487763198	NEPTUNE	WT	0.0000	04/27/04	4/27/2004	05/04/04	10	5	0	Gallons	
79425851	NEPTUNE	WT	0.0000	04/27/04	4/27/2004	05/04/04	10	5	0	Gallons	
1471511188	NEPTUNE	WT	0.0000	04/27/04	4/27/2004	05/04/04	10	5	0	Gallons	
79425852	NEPTUNE	WT	0.0000	04/27/04	4/27/2004	05/04/04	10	5	0	Gallons	
1490168350	NEPTUNE	WT	0.0000	04/27/04	4/27/2004	05/31/18	10	5	0	Gallons	
79425853	NEPTUNE	WT	0.0000	04/27/04	4/27/2004	05/04/04	10	5	0	Gallons	
1547221842	NEPTUNE	WT	0.0000	04/27/04	4/27/2004	05/04/04	10	5	0	Gallons	
79425854	NEPTUNE	WT	0.0000	04/27/04	4/27/2004	06/02/08	10	5	0	Gallons	
1471511189	NEPTUNE	WT	0.0000	04/27/04	4/27/2004	11/08/11	10	0	0	Gallons	
79425855	NEPTUNE	WT	0.0000	04/27/04	4/27/2004	08/31/11	10	5	0	Gallons	
1483704212	NEPTUNE	WT	0.0000	04/27/04	4/27/2004	08/22/16	10	5	0	Gallons	
79425856	NEPTUNE	WT	0.0000	04/27/04	4/27/2004	01/06/17	10	5	0	Gallons	
79425857	NEPTUNE	WT	0.0000	04/27/04	4/27/2004	10/09/12	10	5	0	Gallons	
1484466318	NEPTUNE	WT	0.0000	04/27/04	4/27/2004	11/11/15	10	5	0	Gallons	
79425858	NEPTUNE	WT	0.0000	04/27/04	4/27/2004	09/18/18	10	5	0	Gallons	
1490148684	NEPTUNE	WT	0.0000	04/27/04	4/27/2004	01/03/17	10	5	0	Gallons	
79425859	NEPTUNE	WT	0.0000	04/27/04	4/27/2004	01/03/17	10	5	0	Gallons	
1545047178	NEPTUNE	WT	0.0000	04/27/04	4/27/2004	01/03/17	10	5	0	Gallons	
79425860	NEPTUNE	WT	0.0000	04/27/04	4/27/2004	09/18/18	10	5	0	Gallons	
1490119060	NEPTUNE	WT	0.0000	04/27/04	4/27/2004	05/13/19	10	0	0	Gallons	
79425861	NEPTUNE	WT	0.0000	04/27/04	4/27/2004	05/13/19	10	0	0	Gallons	
1550403438	NEPTUNE	WT	0.0000	04/27/04	4/27/2004	07/09/14	10	5	0	Gallons	
79425862	NEPTUNE	WT	0.0000	04/27/04	4/27/2004	07/09/14	10	5	0	Gallons	
1545075136	NEPTUNE	WT	0.0000	04/27/04	4/27/2004	03/02/09	10	5	0	Gallons	
79425863	NEPTUNE	WT	0.0000	04/27/04	4/27/2004	03/02/09	10	5	0	Gallons	
1550396618	NEPTUNE	WT	0.0000	04/27/04	4/27/2004	03/02/09	10	5	0	Gallons	
79425864	NEPTUNE	WT	0.0000	04/27/04	4/27/2004	03/02/09	10	5	0	Gallons	
1490189560	NEPTUNE	WT	0.0000	04/27/04	4/27/2004	03/02/09	10	5	0	Gallons	
79425865	NEPTUNE	WT	0.0000	04/27/04	4/27/2004	03/02/09	10	5	0	Gallons	
79425866	NEPTUNE	WT	0.0000	04/27/04	4/27/2004	03/02/09	10	5	0	Gallons	
1487438390	NEPTUNE	WT	0.0000	04/27/04	4/27/2004	03/02/09	10	5	0	Gallons	
79425867	NEPTUNE	WT	0.0000	04/27/04	4/27/2004	03/02/09	10	5	0	Gallons	
1487958524	NEPTUNE	WT	0.0000	04/27/04	4/27/2004	03/02/09	10	5	0	Gallons	

Meter #	Size	Service	Meter	Purchase	Warranty	Last	# Of	# Of Fixed	Units of	Tamper	
Internal Id #	Manufacturer	Type	Constant	Date	Date	Tested	Test Cycle	0's	Measure	Status	
		Rating					Dials			Visually	
										Readable	
79425868	NEPTUNE	WT	0.0000	04/27/04	4/27/2004	05/04/04	10	5	0	Gallons	
1471509092	NEPTUNE	WT	0.0000	04/27/04	4/27/2004	05/04/04	10	5	0	Gallons	
79425869	NEPTUNE	WT	0.0000	04/27/04	4/27/2004	08/15/11	10	5	0	Gallons	
1471470052	NEPTUNE	WT	0.0000	04/27/04	4/27/2004	11/14/14	10	5	0	Gallons	
79425870	NEPTUNE	WT	0.0000	04/27/04	4/27/2004	10/11/10	10	5	0	Gallons	
1484465814	NEPTUNE	WT	0.0000	04/27/04	4/27/2004	06/02/08	10	5	0	Gallons	
79425871	NEPTUNE	WT	0.0000	04/27/04	4/27/2004	04/04/17	10	5	0	Gallons	
1490189588	NEPTUNE	WT	0.0000	04/27/04	4/27/2004						
79425872	NEPTUNE	WT	0.0000	04/27/04	4/27/2004						
1483393122	NEPTUNE	WT	0.0000	04/27/04	4/27/2004						
79425873	NEPTUNE	WT	0.0000	08/01/04	01/30/17						
1471621032	NEPTUNE	WT	0.0000	08/01/04	02/09/17						
79425874	NEPTUNE	WT	0.0000	06/25/04	6/25/2004						
1490138771	NEPTUNE	WT	0.0000	06/25/04	6/25/2004						
79501913	Neptune	WT	0.0000	06/25/04	6/25/2004						
1545089686	Neptune	WT	0.0000	06/25/04	6/25/2004						
79554322	Neptune	WT	0.0000	06/25/04	6/25/2004						
1490146774	Neptune	WT	0.0000	06/25/04	6/25/2004						
79555724	NEPTUNE	WT	0.0000	06/25/04	6/25/2004						
79555725	NEPTUNE	WT	0.0000	06/25/04	6/25/2004						
1490147970	NEPTUNE	WT	0.0000	06/25/04	6/25/2004						
79555726	NEPTUNE	WT	0.0000	06/25/04	6/25/2004						
1547219816	NEPTUNE	WT	0.0000	06/25/04	6/25/2004						
79555727	NEPTUNE	WT	0.0000	06/25/04	6/25/2004						
1484446268	NEPTUNE	WT	0.0000	06/25/04	6/25/2004						
79555728	NEPTUNE	WT	0.0000	06/25/04	6/25/2004						
1490159958	NEPTUNE	WT	0.0000	06/25/04	6/25/2004						
79555729	NEPTUNE	WT	0.0000	06/25/04	6/25/2004						
1471137144	NEPTUNE	WT	0.0000	06/25/04	6/25/2004						
79555730	NEPTUNE	WT	0.0000	06/25/04	6/25/2004						
1490174172	NEPTUNE	WT	0.0000	06/25/04	6/25/2004						
79555731	NEPTUNE	WT	0.0000	06/25/04	6/25/2004						
1490167482	NEPTUNE	WT	0.0000	06/25/04	6/25/2004						
79555732	NEPTUNE	WT	0.0000	06/25/04	6/25/2004						
1490195392	NEPTUNE	WT	0.0000	06/25/04	6/25/2004						
79555733	NEPTUNE	WT	0.0000	06/25/04	6/25/2004						
1490142910	NEPTUNE	WT	0.0000	06/25/04	6/25/2004						
79555734	NEPTUNE	WT	0.0000	06/25/04	6/25/2004						
1490148302	NEPTUNE	WT	0.0000	06/25/04	6/25/2004						
79555735	NEPTUNE	WT	0.0000	06/25/04	6/25/2004						
1482896816	NEPTUNE	WT	0.0000	06/25/04	6/25/2004						
79555736	NEPTUNE	WT	0.0000	06/25/04	6/25/2004						
1486715298	NEPTUNE	WT	0.0000	06/25/04	6/25/2004						
79555737	NEPTUNE	WT	0.0000	06/25/04	6/25/2004						
1490159938	NEPTUNE	WT	0.0000	06/25/04	6/25/2004						

Meter #	Size	Service	Meter	Purchase	Warranty	Last	# Of	# Of	Units of	Tamper	
Internal Id #	Manufacturer	Type	Constant	Date	Date	Tested	Test Cycle	Fixed	Measure	Status	
							Dials	0's		Visually	
										Readable	
79555738	NEPTUNE	WT	0.0000	06/25/04	6/25/2004	07/03/17	10	0	0	Gallons	
79555739	NEPTUNE	WT	0.0000	06/25/04	6/25/2004	01/30/13	10	5	0	Gallons	
1540773348	NEPTUNE	WT	0.0000	06/25/04	6/25/2004	07/06/04	10	5	0	Gallons	
79555740	NEPTUNE	WT	0.0000	06/25/04	6/25/2004	11/09/15	10	5	0	Gallons	
1490187862	NEPTUNE	WT	0.0000	06/25/04	6/25/2004	11/01/18	10	5	0	Gallons	
79555741	NEPTUNE	WT	0.0000	06/25/04	6/25/2004	07/21/04	10	5	0	Gallons	
1490141834	NEPTUNE	WT	0.0000	06/25/04	6/25/2004	07/21/04	10	5	0	Gallons	
79555742	NEPTUNE	WT	0.0000	06/25/04	6/25/2004	07/21/04	10	5	0	Gallons	
1551700736	NEPTUNE	WT	0.0000	06/25/04	6/25/2004	07/21/04	10	5	0	Gallons	
79555743	NEPTUNE	WT	0.0000	06/25/04	6/25/2004	07/21/04	10	5	0	Gallons	
1490154898	NEPTUNE	WT	0.0000	06/25/04	6/25/2004	07/21/04	10	5	0	Gallons	
79555744	NEPTUNE	WT	0.0000	06/25/04	6/25/2004	07/21/04	10	5	0	Gallons	
1490163436	NEPTUNE	WT	0.0000	06/25/04	6/25/2004	07/21/04	10	5	0	Gallons	
79555745	NEPTUNE	WT	0.0000	06/25/04	6/25/2004	10/06/15	10	5	0	Gallons	
1490155692	NEPTUNE	WT	0.0000	06/25/04	6/25/2004	07/20/04	10	5	0	Gallons	
79555746	NEPTUNE	WT	0.0000	06/25/04	6/25/2004	07/20/04	10	5	0	Gallons	
1487424704	NEPTUNE	WT	0.0000	06/25/04	6/25/2004	07/20/04	10	5	0	Gallons	
79555747	NEPTUNE	WT	0.0000	06/25/04	6/25/2004	07/20/04	10	5	0	Gallons	
1490187148	NEPTUNE	WT	0.0000	07/01/04		07/02/04	10	0	0	Gallons	
79754317	Neptune	WT	0.0000	07/01/04		02/07/17	10	5	0	Gallons	
79754318	Neptune	WT	0.0000	07/01/04		01/31/17	10	5	0	Gallons	
1547953310	Neptune	WT	0.0000	07/01/04		02/01/17	10	5	0	Gallons	
79754319	Neptune	WT	0.0000	07/01/04		04/10/18	10	5	0	Gallons	
1545073734	Neptune	WT	0.0000	08/01/04		01/30/17	10	5	0	Gallons	
79754320	Neptune	WT	0.0000	08/01/04		02/02/17	10	5	0	Gallons	
1545047676	Neptune	WT	0.0000	08/01/04		01/31/17	10	5	0	Gallons	
79754321	Neptune	WT	0.0000	07/01/04		04/04/19	10	5	0	Gallons	
1490146270	Neptune	WT	0.0000	07/01/04		07/21/04	10	5	0	Gallons	
79754323	Neptune	WT	0.0000	07/01/04		02/02/17	10	5	0	Gallons	
1545064574	Neptune	WT	0.0000	07/01/04		04/10/18	10	5	0	Gallons	
79754324	Neptune	WT	0.0000	08/01/04		02/02/17	10	5	0	Gallons	
1546681956	Neptune	WT	0.0000	08/01/04		02/02/17	10	5	0	Gallons	
79754325	Neptune	WT	0.0000	07/19/04	7/19/2004	04/04/19	10	5	0	Gallons	
1545046858	NEPTUNE	WT	0.0000	07/19/04	7/19/2004	06/24/05	10	5	0	Gallons	
79754597	NEPTUNE	WT	0.0000	07/19/04	7/19/2004	05/26/05	10	5	0	Gallons	
1562447818	NEPTUNE	WT	0.0000	07/19/04	7/19/2004	06/20/14	10	5	0	Gallons	
79754598	NEPTUNE	WT	0.0000	07/19/04	7/19/2004	06/20/14	10	5	0	Gallons	
1490155693	NEPTUNE	WT	0.0000	07/19/04	7/19/2004	06/20/14	10	5	0	Gallons	
79754599	NEPTUNE	WT	0.0000	07/19/04	7/19/2004	06/20/14	10	5	0	Gallons	
1490140394	NEPTUNE	WT	0.0000	07/19/04	7/19/2004	06/20/14	10	5	0	Gallons	
79754600	NEPTUNE	WT	0.0000	07/19/04	7/19/2004	06/20/14	10	5	0	Gallons	
1490169032	NEPTUNE	WT	0.0000	07/19/04	7/19/2004	06/20/14	10	5	0	Gallons	
79754601	NEPTUNE	WT	0.0000	07/19/04	7/19/2004	06/20/14	10	5	0	Gallons	
1490173590	NEPTUNE	WT	0.0000	07/19/04	7/19/2004	06/20/14	10	5	0	Gallons	

Meter #	Size	Service	Meter	Purchase	Warranty	Last	# Of	# Of Fixed	Units of	Tamper	
Internal Id #	Manufacturer	Type	Constant	Date	Date	Tested	Test Cycle	0's	Measure	Status	
							Dials			Visually	
										Readable	
79754602	NEPTUNE	WT	0.0000	07/19/04	7/19/2004	10/01/15	10	5	0	Gallons	
1540671306	NEPTUNE	WT	0.0000	07/19/04	7/19/2004	06/30/14	10	5	0	Gallons	
79754603	NEPTUNE	WT	0.0000	07/19/04	7/19/2004	12/02/15	10	5	0	Gallons	
1487438172	NEPTUNE	WT	0.0000	07/19/04	7/19/2004	08/05/04	10	5	0	Gallons	
79754604	NEPTUNE	WT	0.0000	07/19/04	7/19/2004	12/09/15	10	5	0	Gallons	
1490187832	NEPTUNE	WT	0.0000	07/19/04	7/19/2004	07/09/14	10	5	0	Gallons	
79754605	NEPTUNE	WT	0.0000	07/19/04	7/19/2004	08/05/04	10	5	0	Gallons	
1490155618	NEPTUNE	WT	0.0000	07/19/04	7/19/2004	08/05/04	10	5	0	Gallons	
79754606	NEPTUNE	WT	0.0000	07/19/04	7/19/2004	07/09/14	10	5	0	Gallons	
1470256836	NEPTUNE	WT	0.0000	07/19/04	7/19/2004	08/05/04	10	5	0	Gallons	
79754607	NEPTUNE	WT	0.0000	07/19/04	7/19/2004	10/02/15	10	5	0	Gallons	
1487444364	NEPTUNE	WT	0.0000	07/19/04	7/19/2004	08/05/04	10	5	0	Gallons	
79754608	NEPTUNE	WT	0.0000	07/19/04	7/19/2004	08/05/04	10	5	0	Gallons	
1490148514	NEPTUNE	WT	0.0000	07/19/04	7/19/2004	08/05/04	10	5	0	Gallons	
79754609	NEPTUNE	WT	0.0000	07/19/04	7/19/2004	11/06/18	10	5	0	Gallons	
1490159894	NEPTUNE	WT	0.0000	07/19/04	7/19/2004	08/05/04	10	5	0	Gallons	
79754610	NEPTUNE	WT	0.0000	07/19/04	7/19/2004	08/05/04	10	5	0	Gallons	
1540777182	NEPTUNE	WT	0.0000	07/19/04	7/19/2004	05/10/19	10	0	0	Gallons	
79754611	NEPTUNE	WT	0.0000	07/19/04	7/19/2004	05/02/19	10	5	0	Gallons	
1471236282	NEPTUNE	WT	0.0000	07/19/04	7/19/2004	11/05/15	10	5	0	Gallons	
79754612	NEPTUNE	WT	0.0000	07/19/04	7/19/2004	08/05/04	10	5	0	Gallons	
79754613	NEPTUNE	WT	0.0000	07/19/04	7/19/2004	12/01/15	10	5	0	Gallons	
1552169154	NEPTUNE	WT	0.0000	07/19/04	7/19/2004	02/15/19	10	5	0	Gallons	
79754614	NEPTUNE	WT	0.0000	07/19/04	7/19/2004	11/06/18	10	5	0	Gallons	
1551820688	NEPTUNE	WT	0.0000	07/19/04	7/19/2004	08/05/04	10	5	0	Gallons	
79754615	NEPTUNE	WT	0.0000	07/19/04	7/19/2004	11/05/15	10	5	0	Gallons	
1490159846	NEPTUNE	WT	0.0000	07/19/04	7/19/2004	11/05/15	10	5	0	Gallons	
79754616	NEPTUNE	WT	0.0000	07/19/04	7/19/2004	11/30/15	10	5	0	Gallons	
1490138778	NEPTUNE	WT	0.0000	07/19/04	7/19/2004	12/01/15	10	5	0	Gallons	
79770033	NEPTUNE RADIO	WT	0.0000	07/26/04	7/26/2004	02/15/19	10	5	0	Gallons	
1450198738	NEPTUNE RADIO	WT	0.0000	07/26/04	7/26/2004	12/01/15	10	5	0	Gallons	
79770034	NEPTUNE RADIO	WT	0.0000	07/26/04	7/26/2004	05/25/17	10	5	0	Gallons	
1562471844	NEPTUNE RADIO	WT	0.0000	07/26/04	7/26/2004	08/24/10	10	5	0	Gallons	
79770035	NEPTUNE RADIO	WT	0.0000	07/26/04	7/26/2004	11/21/16	10	5	0	Gallons	
1487945748	NEPTUNE RADIO	WT	0.0000	07/26/04	7/26/2004	08/24/10	10	5	0	Gallons	
79770036	NEPTUNE RADIO	WT	0.0000	07/26/04	7/26/2004	05/25/17	10	5	0	Gallons	
1430213724	NEPTUNE RADIO	WT	0.0000	07/26/04	7/26/2004	08/24/10	10	5	0	Gallons	
79770037	NEPTUNE RADIO	WT	0.0000	07/26/04	7/26/2004	11/21/16	10	5	0	Gallons	
1542514584	NEPTUNE RADIO	WT	0.0000	07/26/04	7/26/2004	08/24/10	10	5	0	Gallons	
79770038	NEPTUNE RADIO	WT	0.0000	07/26/04	7/26/2004	08/24/10	10	5	0	Gallons	
1430219828	NEPTUNE RADIO	WT	0.0000	07/26/04	7/26/2004	08/24/10	10	5	0	Gallons	
79770039	NEPTUNE RADIO	WT	0.0000	07/26/04	7/26/2004	08/24/10	10	5	0	Gallons	
1542449548	NEPTUNE RADIO	WT	0.0000	07/26/04	7/26/2004	08/24/10	10	5	0	Gallons	
79770040	NEPTUNE RADIO	WT	0.0000	07/26/04	7/26/2004	08/24/10	10	5	0	Gallons	
1490140644	NEPTUNE RADIO	WT	0.0000	07/26/04	7/26/2004	01/30/13	10	5	0	Gallons	

Meter #	Size	Service	Meter	Purchase	Warranty	Last	# Of	# Of	Units of	Tamper	
Internal Id #	Manufacturer	Type	Constant	Date	Date	Tested	Diags	Fixed	Measure	Status	
								0's		Visually	
										Readable	
79770041	NEPTUNE RADIO	WT	0.0000	07/26/04	7/26/2004	04/04/16	10	0	0	Gallons	
79770042	NEPTUNE RADIO	WT	0.0000	07/26/04	7/26/2004	05/13/19	10	0	0	Gallons	
79770043	NEPTUNE RADIO	WT	0.0000	07/26/04	7/26/2004	11/02/18	10	5	0	Gallons	
1551800834	NEPTUNE RADIO	WT	0.0000	07/26/04	7/26/2004	09/11/14	10	5	0	Gallons	
79770044	NEPTUNE RADIO	WT	0.0000	07/26/04	7/26/2004	06/29/10	10	5	0	Gallons	
1483718984	NEPTUNE RADIO	WT	0.0000	07/26/04	7/26/2004	10/01/15	10	5	0	Gallons	
79770045	NEPTUNE RADIO	WT	0.0000	07/26/04	7/26/2004	06/02/10	10	5	0	Gallons	
1430214386	NEPTUNE RADIO	WT	0.0000	07/26/04	7/26/2004	08/22/16	10	5	0	Gallons	
79770046	NEPTUNE RADIO	WT	0.0000	07/26/04	7/26/2004	09/08/06	10	5	0	Gallons	
1471530440	NEPTUNE RADIO	WT	0.0000	07/26/04	7/26/2004	11/25/15	10	5	0	Gallons	
79770047	NEPTUNE RADIO	WT	0.0000	07/26/04	7/26/2004	08/22/16	10	5	0	Gallons	
1483679832	NEPTUNE RADIO	WT	0.0000	07/26/04	7/26/2004	10/23/14	10	5	0	Gallons	
79770048	NEPTUNE RADIO	WT	0.0000	07/26/04	7/26/2004	08/22/16	10	5	0	Gallons	
1487488280	NEPTUNE RADIO	WT	0.0000	07/26/04	7/26/2004	08/22/16	10	5	0	Gallons	
79770049	NEPTUNE RADIO	WT	0.0000	07/26/04	7/26/2004	09/08/06	10	5	0	Gallons	
1542539186	NEPTUNE RADIO	WT	0.0000	07/26/04	7/26/2004	09/08/06	10	5	0	Gallons	
79770050	NEPTUNE RADIO	WT	0.0000	07/26/04	7/26/2004	11/25/15	10	5	0	Gallons	
1430214392	NEPTUNE RADIO	WT	0.0000	07/26/04	7/26/2004	12/01/15	10	5	0	Gallons	
79770051	NEPTUNE RADIO	WT	0.0000	07/26/04	7/26/2004	08/22/16	10	5	0	Gallons	
1543616970	NEPTUNE RADIO	WT	0.0000	07/26/04	7/26/2004	08/22/16	10	5	0	Gallons	
79770052	NEPTUNE RADIO	WT	0.0000	07/26/04	7/26/2004	08/22/16	10	5	0	Gallons	
1483715726	NEPTUNE RADIO	WT	0.0000	07/26/04	7/26/2004	01/03/17	10	5	0	Gallons	
79770053	NEPTUNE RADIO	WT	0.0000	07/26/04	7/26/2004	01/05/17	10	5	0	Gallons	
1545038472	NEPTUNE RADIO	WT	0.0000	07/26/04	7/26/2004	01/04/16	10	5	0	Gallons	
79770054	NEPTUNE RADIO	WT	0.0000	07/26/04	7/26/2004	01/04/16	10	5	0	Gallons	
1471646064	NEPTUNE RADIO	WT	0.0000	07/26/04	7/26/2004	04/04/16	10	5	0	Gallons	
79770055	NEPTUNE RADIO	WT	0.0000	07/26/04	7/26/2004	04/04/16	10	5	0	Gallons	
1544975680	NEPTUNE RADIO	WT	0.0000	07/26/04	7/26/2004	04/04/16	10	5	0	Gallons	
79770056	NEPTUNE RADIO	WT	0.0000	07/26/04	7/26/2004	04/04/16	10	5	0	Gallons	
1470254894	NEPTUNE RADIO	WT	0.0000	07/26/04	7/26/2004	04/04/16	10	5	0	Gallons	
79770057	NEPTUNE RADIO	WT	0.0000	07/26/04	7/26/2004	04/26/19	10	5	0	Gallons	
1543633938	NEPTUNE RADIO	WT	0.0000	07/26/04	7/26/2004	04/26/19	10	5	0	Gallons	
79770058	NEPTUNE RADIO	WT	0.0000	07/26/04	7/26/2004	04/26/19	10	5	0	Gallons	
1547226048	NEPTUNE RADIO	WT	0.0000	07/26/04	7/26/2004	04/26/19	10	5	0	Gallons	
79770059	NEPTUNE RADIO	WT	0.0000	07/26/04	7/26/2004	06/23/07	10	5	0	Gallons	
1486135524	NEPTUNE RADIO	WT	0.0000	07/26/04	7/26/2004	06/23/07	10	5	0	Gallons	
79770060	NEPTUNE RADIO	WT	0.0000	07/26/04	7/26/2004	07/28/16	10	5	0	Gallons	
1551952734	NEPTUNE RADIO	WT	0.0000	07/26/04	7/26/2004	07/28/16	10	5	0	Gallons	
79770061	NEPTUNE RADIO	WT	0.0000	07/26/04	7/26/2004	11/02/18	10	5	0	Gallons	
1545526544	NEPTUNE RADIO	WT	0.0000	07/26/04	7/26/2004	06/23/16	10	5	0	Gallons	
79770062	NEPTUNE RADIO	WT	0.0000	07/26/04	7/26/2004	06/23/16	10	5	0	Gallons	
1551805460	NEPTUNE RADIO	WT	0.0000	07/26/04	7/26/2004	06/23/16	10	5	0	Gallons	
79770063	NEPTUNE RADIO	WT	0.0000	07/26/04	7/26/2004	06/23/16	10	5	0	Gallons	
1543646360	NEPTUNE RADIO	WT	0.0000	07/26/04	7/26/2004	06/23/16	10	5	0	Gallons	

Meter #	Size	Service	Meter	Purchase	Warranty	Last	# Of	# Of Fixed	Units of	Tamper	Visually
Internal Id #	Manufacturer	Type	Constant	Date	Date	Tested	Test Cycle	0's	Measure	Status	Readable
79770064	NEPTUNE RADIO	WT	0.0000	07/26/04	7/26/2004	07/18/16	10	5	0	Gallons	
1490156200	NEPTUNE RADIO	WT	0.0000	07/26/04	7/26/2004	06/21/16	10	5	0	Gallons	
79770065	NEPTUNE RADIO	WT	0.0000	07/26/04	7/26/2004	05/05/16	10	5	0	Gallons	
1490139776	NEPTUNE RADIO	WT	0.0000	07/26/04	7/26/2004	04/13/16	10	5	0	Gallons	
79770066	NEPTUNE RADIO	WT	0.0000	07/26/04	7/26/2004	09/04/18	10	5	0	Gallons	
1542516042	NEPTUNE RADIO	WT	0.0000	07/26/04	7/26/2004	12/01/15	10	5	0	Gallons	
79770067	NEPTUNE RADIO	WT	0.0000	07/26/04	7/26/2004	04/01/14	10	5	0	Gallons	
1543646296	NEPTUNE RADIO	WT	0.0000	07/26/04	7/26/2004	11/30/15	10	5	0	Gallons	
79770068	NEPTUNE RADIO	WT	0.0000	07/26/04	7/26/2004	11/30/15	10	5	0	Gallons	
1550410790	NEPTUNE RADIO	WT	0.0000	07/26/04	7/26/2004	12/01/15	10	5	0	Gallons	
79770069	NEPTUNE RADIO	WT	0.0000	07/26/04	7/26/2004	05/05/17	10	5	0	Gallons	
1486320182	NEPTUNE RADIO	WT	0.0000	07/26/04	7/26/2004	11/30/15	10	5	0	Gallons	
79770070	NEPTUNE RADIO	WT	0.0000	07/26/04	7/26/2004	11/30/15	10	5	0	Gallons	
1563282612	NEPTUNE RADIO	WT	0.0000	07/26/04	7/26/2004	11/30/15	10	5	0	Gallons	
79770071	NEPTUNE RADIO	WT	0.0000	07/26/04	7/26/2004	04/01/14	10	5	0	Gallons	
1487145908	NEPTUNE RADIO	WT	0.0000	07/26/04	7/26/2004	11/30/15	10	5	0	Gallons	
79770072	NEPTUNE RADIO	WT	0.0000	07/26/04	7/26/2004	11/30/15	10	5	0	Gallons	
1487104464	NEPTUNE RADIO	WT	0.0000	07/26/04	7/26/2004	11/30/15	10	5	0	Gallons	
79770073	NEPTUNE RADIO	WT	0.0000	07/26/04	7/26/2004	11/30/15	10	5	0	Gallons	
1486825316	NEPTUNE RADIO	WT	0.0000	07/26/04	7/26/2004	05/05/17	10	5	0	Gallons	
79770074	NEPTUNE RADIO	WT	0.0000	07/26/04	7/26/2004	11/25/15	10	5	0	Gallons	
1545527174	NEPTUNE RADIO	WT	0.0000	07/26/04	7/26/2004	11/30/15	10	5	0	Gallons	
79770075	NEPTUNE RADIO	WT	0.0000	07/26/04	7/26/2004	11/30/15	10	5	0	Gallons	
1486825300	NEPTUNE RADIO	WT	0.0000	07/26/04	7/26/2004	11/02/18	10	5	0	Gallons	
79770076	NEPTUNE RADIO	WT	0.0000	07/26/04	7/26/2004	10/27/14	10	5	0	Gallons	
1542513530	NEPTUNE RADIO	WT	0.0000	07/26/04	7/26/2004	12/01/15	10	5	0	Gallons	
79770077	NEPTUNE RADIO	WT	0.0000	07/26/04	7/26/2004	11/02/18	10	5	0	Gallons	
1487749640	NEPTUNE RADIO	WT	0.0000	07/26/04	7/26/2004	09/09/11	10	5	0	Gallons	
79770078	NEPTUNE RADIO	WT	0.0000	07/26/04	7/26/2004	09/09/11	10	5	0	Gallons	
1551827192	NEPTUNE RADIO	WT	0.0000	07/26/04	7/26/2004	05/03/11	10	5	0	Gallons	
79770079	NEPTUNE RADIO	WT	0.0000	07/26/04	7/26/2004	05/03/11	10	5	0	Gallons	
1545903116	NEPTUNE RADIO	WT	0.0000	07/26/04	7/26/2004	05/06/19	10	5	0	Gallons	
79770080	NEPTUNE RADIO	WT	0.0000	07/26/04	7/26/2004	11/03/04	10	5	0	Gallons	
1483407280	NEPTUNE RADIO	WT	0.0000	07/26/04	7/26/2004	07/01/15	10	0	0	Gallons	
79770081	NEPTUNE RADIO	WT	0.0000	07/26/04	7/26/2004		10	0	0	Gallons	
1470901396	NEPTUNE RADIO	WT	0.0000	07/26/04	7/26/2004		10	0	0	Gallons	
79770082	NEPTUNE RADIO	WT	0.0000	07/26/04	7/26/2004		10	0	0	Gallons	
79770084	NEPTUNE RADIO	WT	0.0000	07/26/04	7/26/2004		10	0	0	Gallons	
1490145268	NEPTUNE RADIO	WT	0.0000	07/26/04	7/26/2004		10	0	0	Gallons	
79790109	NEPTUNE RADIO	WT	0.0000	07/26/04	7/26/2004		10	0	0	Gallons	
1552110694	NEPTUNE RADIO	WT	0.0000	07/26/04	7/26/2004		10	0	0	Gallons	
79790110	NEPTUNE RADIO	WT	0.0000	07/26/04	7/26/2004		10	0	0	Gallons	
1490146999	NEPTUNE RADIO	WT	0.0000	07/26/04	7/26/2004		10	0	0	Gallons	
79790111	NEPTUNE RADIO	WT	0.0000	07/26/04	7/26/2004		10	0	0	Gallons	

Meter #	Size	Service	Meter	Purchase	Warranty	Last	# Of	# Of	Units of	Tamper	
Internal Id #	Manufacturer	Type	Constant	Date	Date	Tested	Test Cycle	Fixed	Measure	Status	
							Diags	0's		Visually	
										Readable	
79790112	NEPTUNE	WT	0.0000	07/20/04	7/20/2004	11/10/04	10	5	0	Gallons	
1490168916	NEPTUNE	WT	0.0000	07/20/04	7/20/2004	11/12/15	10	5	0	Gallons	
79790113	NEPTUNE	WT	0.0000	07/20/04	7/20/2004	11/18/04	10	5	0	Gallons	
1563058858	NEPTUNE	WT	0.0000	07/20/04	7/20/2004	06/19/13	10	5	0	Gallons	
79790114	NEPTUNE	WT	0.0000	07/20/04	7/20/2004	09/27/07	10	5	0	Gallons	
1490139088	NEPTUNE	WT	0.0000	07/20/04	7/20/2004	11/10/15	10	5	0	Gallons	
79790115	NEPTUNE	WT	0.0000	07/20/04	7/20/2004	09/09/16	10	5	0	Gallons	
1490188312	NEPTUNE	WT	0.0000	07/20/04	7/20/2004	06/23/16	10	5	0	Gallons	
79790116	NEPTUNE	WT	0.0000	07/20/04	7/20/2004	12/16/04	10	5	0	Gallons	
1490145494	NEPTUNE	WT	0.0000	07/20/04	7/20/2004	12/22/04	10	5	0	Gallons	
79790117	NEPTUNE	WT	0.0000	07/20/04	7/20/2004	09/13/04	10	5	0	Gallons	
1486686606	NEPTUNE	WT	0.0000	07/20/04	7/20/2004	09/09/04	10	5	0	Gallons	
79790118	NEPTUNE	WT	0.0000	07/20/04	7/20/2004	11/31/14	10	5	0	Gallons	
1471651018	NEPTUNE	WT	0.0000	07/20/04	7/20/2004	11/01/18	10	5	0	Gallons	
79790119	NEPTUNE	WT	0.0000	07/20/04	7/20/2004	09/06/11	10	5	0	Gallons	
1542576406	NEPTUNE	WT	0.0000	07/20/04	7/20/2004	12/16/04	10	5	0	Gallons	
79790120	NEPTUNE	WT	0.0000	07/20/04	7/20/2004	12/31/04	10	5	0	Gallons	
1490163706	NEPTUNE	WT	0.0000	07/20/04	7/20/2004	11/13/14	10	5	0	Gallons	
79790121	NEPTUNE	WT	0.0000	07/20/04	7/20/2004	11/01/18	10	5	0	Gallons	
1551850788	NEPTUNE	WT	0.0000	07/20/04	7/20/2004	11/13/14	10	5	0	Gallons	
79790122	NEPTUNE	WT	0.0000	07/20/04	7/20/2004	12/16/04	10	5	0	Gallons	
1487746740	NEPTUNE	WT	0.0000	07/20/04	7/20/2004	12/22/04	10	5	0	Gallons	
79790123	NEPTUNE	WT	0.0000	07/20/04	7/20/2004	09/13/04	10	5	0	Gallons	
1490114774	NEPTUNE	WT	0.0000	07/20/04	7/20/2004	09/09/04	10	5	0	Gallons	
79790124	NEPTUNE	WT	0.0000	07/20/04	7/20/2004	12/16/04	10	5	0	Gallons	
1490155688	NEPTUNE	WT	0.0000	07/20/04	7/20/2004	12/31/04	10	5	0	Gallons	
79790125	NEPTUNE	WT	0.0000	07/20/04	7/20/2004	11/01/18	10	5	0	Gallons	
1471236342	NEPTUNE	WT	0.0000	07/20/04	7/20/2004	12/16/04	10	5	0	Gallons	
79790126	NEPTUNE	WT	0.0000	07/20/04	7/20/2004	12/22/04	10	5	0	Gallons	
1490177476	NEPTUNE	WT	0.0000	07/20/04	7/20/2004	09/13/04	10	5	0	Gallons	
79790127	NEPTUNE	WT	0.0000	07/20/04	7/20/2004	09/09/04	10	5	0	Gallons	
1471520794	NEPTUNE	WT	0.0000	07/20/04	7/20/2004	11/13/04	10	5	0	Gallons	
79790128	NEPTUNE	WT	0.0000	07/20/04	7/20/2004	11/31/14	10	5	0	Gallons	
1487103692	NEPTUNE	WT	0.0000	07/20/04	7/20/2004	11/01/18	10	5	0	Gallons	
79790129	NEPTUNE	WT	0.0000	07/20/04	7/20/2004	12/16/04	10	5	0	Gallons	
1483336608	NEPTUNE	WT	0.0000	07/20/04	7/20/2004	12/22/04	10	5	0	Gallons	
79790130	NEPTUNE	WT	0.0000	07/20/04	7/20/2004	09/13/04	10	5	0	Gallons	
1552147000	NEPTUNE	WT	0.0000	07/20/04	7/20/2004	09/09/04	10	5	0	Gallons	
79790131	NEPTUNE	WT	0.0000	07/20/04	7/20/2004	12/16/04	10	5	0	Gallons	
1471530792	NEPTUNE RADIO	WT	0.0000	07/20/04	7/20/2004	11/13/04	10	5	0	Gallons	
79790132	NEPTUNE	WT	0.0000	07/20/04	7/20/2004	11/01/18	10	5	0	Gallons	
1490154896	NEPTUNE	WT	0.0000	07/20/04	7/20/2004	12/16/04	10	5	0	Gallons	
79790133	NEPTUNE	WT	0.0000	07/20/04	7/20/2004	12/22/04	10	5	0	Gallons	
1490148314	NEPTUNE	WT	0.0000	07/20/04	7/20/2004	09/13/04	10	5	0	Gallons	
79790134	NEPTUNE	WT	0.0000	07/20/04	7/20/2004	09/09/04	10	5	0	Gallons	
1490147930	NEPTUNE	WT	0.0000	07/20/04	7/20/2004	11/13/04	10	5	0	Gallons	

Meter #	Size	Service	Meter	Purchase	Warranty	Last	# Of	# Of Fixed	Units of	Tamper	Visually
Internal Id #	Manufacturer	Type	Constant	Date	Date	Tested	Test Cycle	0's	Measure	Status	Readable
79790135	NEPTUNE	WT	0.0000	07/20/04	7/20/2004	12/09/16	10	5	0	Gallons	
1545046616	NEPTUNE	WT	0.0000	07/20/04	7/20/2004	05/26/05	10	5	0	Gallons	
79790136	NEPTUNE	WT	0.0000	07/20/04	7/20/2004	08/01/18	10	5	0	Gallons	
1490194592	NEPTUNE	WT	0.0000	07/20/04	7/20/2004	11/23/04	10	5	0	Gallons	
79790137	NEPTUNE	WT	0.0000	07/20/04	7/20/2004	08/03/07	10	5	0	Gallons	
1550396604	NEPTUNE	WT	0.0000	07/20/04	7/20/2004	10/20/04	10	5	0	Gallons	
79790138	NEPTUNE	WT	0.0000	07/20/04	7/20/2004	12/09/16	10	5	0	Gallons	
1490145848	NEPTUNE	WT	0.0000	07/20/04	7/20/2004	09/13/04	10	5	0	Gallons	
79790139	NEPTUNE	WT	0.0000	07/20/04	7/20/2004	08/26/05	10	5	0	Gallons	
1490163534	NEPTUNE	WT	0.0000	07/20/04	7/20/2004	10/25/04	10	5	0	Gallons	
79790140	NEPTUNE	WT	0.0000	07/20/04	7/20/2004	10/25/04	10	5	0	Gallons	
1490155662	NEPTUNE	WT	0.0000	07/20/04	7/20/2004	10/25/04	10	5	0	Gallons	
79790141	NEPTUNE	WT	0.0000	07/20/04	7/20/2004	10/25/04	10	5	0	Gallons	
1545075508	NEPTUNE	WT	0.0000	07/20/04	7/20/2004	09/15/04	10	5	0	Gallons	
79790142	NEPTUNE	WT	0.0000	07/20/04	7/20/2004	09/27/04	10	5	0	Gallons	
1471517844	NEPTUNE	WT	0.0000	07/20/04	7/20/2004	09/13/04	10	5	0	Gallons	
79790143	NEPTUNE	WT	0.0000	07/20/04	7/20/2004	10/25/04	10	5	0	Gallons	
1490194516	NEPTUNE	WT	0.0000	07/20/04	7/20/2004	10/25/04	10	5	0	Gallons	
79790144	NEPTUNE	WT	0.0000	07/20/04	7/20/2004	10/25/04	10	5	0	Gallons	
1490155856	NEPTUNE	WT	0.0000	07/20/04	7/20/2004	11/13/14	10	5	0	Gallons	
79790145	NEPTUNE	WT	0.0000	07/20/04	7/20/2004	10/29/15	10	5	0	Gallons	
1487732956	NEPTUNE	WT	0.0000	07/20/04	7/20/2004	08/26/05	10	5	0	Gallons	
79790146	NEPTUNE	WT	0.0000	07/20/04	7/20/2004	10/25/04	10	5	0	Gallons	
1490167982	NEPTUNE	WT	0.0000	07/20/04	7/20/2004	10/25/04	10	5	0	Gallons	
79790147	NEPTUNE	WT	0.0000	07/20/04	7/20/2004	10/25/04	10	5	0	Gallons	
1490148826	NEPTUNE	WT	0.0000	07/20/04	7/20/2004	10/25/04	10	5	0	Gallons	
79790148	NEPTUNE	WT	0.0000	07/20/04	7/20/2004	10/25/04	10	5	0	Gallons	
1490148850	NEPTUNE	WT	0.0000	07/20/04	7/20/2004	10/25/04	10	5	0	Gallons	
79790149	NEPTUNE	WT	0.0000	07/20/04	7/20/2004	10/25/04	10	5	0	Gallons	
1471236288	NEPTUNE	WT	0.0000	07/20/04	7/20/2004	10/25/04	10	5	0	Gallons	
79790150	NEPTUNE	WT	0.0000	07/20/04	7/20/2004	10/25/04	10	5	0	Gallons	
1490123696	NEPTUNE	WT	0.0000	07/20/04	7/20/2004	10/16/07	10	5	0	Gallons	
79790151	NEPTUNE	WT	0.0000	07/20/04	7/20/2004	01/25/13	10	5	0	Gallons	
1471489270	NEPTUNE	WT	0.0000	07/20/04	7/20/2004	12/09/15	10	5	0	Gallons	
79790152	NEPTUNE	WT	0.0000	07/20/04	7/20/2004	10/07/04	10	5	0	Gallons	
1490150746	NEPTUNE	WT	0.0000	07/20/04	7/20/2004	10/07/04	10	5	0	Gallons	
79790153	NEPTUNE	WT	0.0000	07/20/04	7/20/2004	10/07/04	10	5	0	Gallons	
1487753772	NEPTUNE	WT	0.0000	07/20/04	7/20/2004	10/07/04	10	5	0	Gallons	
79790154	NEPTUNE	WT	0.0000	07/20/04	7/20/2004	10/07/04	10	5	0	Gallons	
1490173738	NEPTUNE	WT	0.0000	07/20/04	7/20/2004	10/07/04	10	5	0	Gallons	
79790155	NEPTUNE	WT	0.0000	07/20/04	7/20/2004	10/07/04	10	5	0	Gallons	
1471516024	NEPTUNE	WT	0.0000	07/20/04	7/20/2004	10/07/04	10	5	0	Gallons	
79790156	NEPTUNE	WT	0.0000	07/20/04	7/20/2004	08/16/04	10	5	0	Gallons	
1484588692	NEPTUNE	WT	0.0000	07/20/04	7/20/2004	08/16/04	10	5	0	Gallons	
79790157	NEPTUNE	WT	0.0000	07/20/04	7/20/2004	08/16/04	10	5	0	Gallons	
1490187998	NEPTUNE	WT	0.0000	07/20/04	7/20/2004	08/16/04	10	5	0	Gallons	

Meter #	Size	Service	Meter	Purchase	Warranty	Last	# Of	# Of	Units of	Tamper	
Internal Id #	Manufacturer	Type	Constant	Date	Date	Tested	Diags	Fixed	Measure	Status	
								0's		Visually	
										Readable	
79790158	NEPTUNE	WT	0.0000	07/20/04	7/20/2004	04/08/19	10	5	0	Gallons	
1562518638	NEPTUNE	WT	0.0000	07/20/04	7/20/2004	02/16/18	10	5	0	Gallons	
79790159	NEPTUNE	WT	0.0000	07/20/04	7/20/2004	08/20/04	10	5	0	Gallons	
1547245874	NEPTUNE	WT	0.0000	07/20/04	7/20/2004	06/09/17	10	5	0	Gallons	
79790160	NEPTUNE	WT	0.0000	07/20/04	7/20/2004	08/30/11	10	5	0	Gallons	
1490148538	NEPTUNE	WT	0.0000	07/20/04	7/20/2004	04/10/19	10	5	0	Gallons	
79790161	NEPTUNE	WT	0.0000	07/20/04	7/20/2004	12/05/18	10	5	0	Gallons	
1545279720	NEPTUNE	WT	0.0000	07/20/04	7/20/2004	08/31/04	10	5	0	Gallons	
79790162	NEPTUNE	WT	0.0000	07/20/04	7/20/2004	11/05/18	10	5	0	Gallons	
1490147952	NEPTUNE	WT	0.0000	07/20/04	7/20/2004	01/09/06	10	5	0	Gallons	
79790163	NEPTUNE	WT	0.0000	07/20/04	7/20/2004	05/10/19	10	5	0	Gallons	
1562484988	NEPTUNE	WT	0.0000	07/20/04	7/20/2004	09/14/11	10	5	0	Gallons	
79790164	NEPTUNE	WT	0.0000	07/20/04	7/20/2004	11/15/04	10	5	0	Gallons	
1545225834	NEPTUNE	WT	0.0000	07/20/04	7/20/2004	04/17/19	10	5	0	Gallons	
79790165	NEPTUNE	WT	0.0000	07/20/04	7/20/2004	04/17/19	10	5	0	Gallons	
1490148886	NEPTUNE	WT	0.0000	07/20/04	7/20/2004	04/17/19	10	5	0	Gallons	
79790166	NEPTUNE	WT	0.0000	07/20/04	7/20/2004	04/17/19	10	5	0	Gallons	
1551825318	NEPTUNE	WT	0.0000	07/20/04	7/20/2004	04/17/19	10	5	0	Gallons	
79790167	NEPTUNE	WT	0.0000	07/20/04	7/20/2004	04/17/19	10	5	0	Gallons	
1490148280	NEPTUNE	WT	0.0000	07/20/04	7/20/2004	04/17/19	10	5	0	Gallons	
79790168	NEPTUNE	WT	0.0000	07/20/04	7/20/2004	04/17/19	10	5	0	Gallons	
1471526938	NEPTUNE	WT	0.0000	07/20/04	7/20/2004	04/17/19	10	5	0	Gallons	
79790169	NEPTUNE	WT	0.0000	07/20/04	7/20/2004	04/17/19	10	5	0	Gallons	
1562489986	NEPTUNE	WT	0.0000	07/20/04	7/20/2004	04/17/19	10	5	0	Gallons	
79790170	NEPTUNE	WT	0.0000	07/20/04	7/20/2004	04/17/19	10	5	0	Gallons	
1490159948	NEPTUNE	WT	0.0000	07/20/04	7/20/2004	04/17/19	10	5	0	Gallons	
79790171	NEPTUNE	WT	0.0000	07/20/04	7/20/2004	04/17/19	10	5	0	Gallons	
1471494208	NEPTUNE	WT	0.0000	07/20/04	7/20/2004	04/17/19	10	5	0	Gallons	
79790172	NEPTUNE	WT	0.0000	07/20/04	7/20/2004	04/17/19	10	5	0	Gallons	
1551952132	NEPTUNE	WT	0.0000	07/20/04	7/20/2004	04/17/19	10	5	0	Gallons	
79790173	NEPTUNE	WT	0.0000	07/20/04	7/20/2004	04/17/19	10	5	0	Gallons	
1484466302	NEPTUNE	WT	0.0000	07/20/04	7/20/2004	04/17/19	10	5	0	Gallons	
79790174	NEPTUNE	WT	0.0000	07/20/04	7/20/2004	04/17/19	10	5	0	Gallons	
1490156374	NEPTUNE	WT	0.0000	07/20/04	7/20/2004	04/17/19	10	5	0	Gallons	
79790175	NEPTUNE	WT	0.0000	07/20/04	7/20/2004	04/17/19	10	5	0	Gallons	
1490118743	NEPTUNE	WT	0.0000	07/20/04	7/20/2004	04/17/19	10	5	0	Gallons	
79790176	NEPTUNE	WT	0.0000	07/20/04	7/20/2004	04/17/19	10	5	0	Gallons	
1487738148	NEPTUNE	WT	0.0000	07/20/04	7/20/2004	04/17/19	10	5	0	Gallons	
79790177	NEPTUNE	WT	0.0000	07/20/04	7/20/2004	04/17/19	10	5	0	Gallons	
1490118742	NEPTUNE	WT	0.0000	07/20/04	7/20/2004	04/17/19	10	5	0	Gallons	
79790178	NEPTUNE	WT	0.0000	07/20/04	7/20/2004	04/17/19	10	5	0	Gallons	
1490147177	NEPTUNE	WT	0.0000	07/20/04	7/20/2004	04/17/19	10	5	0	Gallons	
79790179	NEPTUNE	WT	0.0000	07/20/04	7/20/2004	04/17/19	10	5	0	Gallons	
1490145344	NEPTUNE	WT	0.0000	07/20/04	7/20/2004	04/17/19	10	5	0	Gallons	
79790180	NEPTUNE	WT	0.0000	07/20/04	7/20/2004	04/17/19	10	5	0	Gallons	
1490135282	NEPTUNE	WT	0.0000	07/20/04	7/20/2004	04/17/19	10	5	0	Gallons	

Meter #	Size	Service	Meter	Purchase	Warranty	Last	# Of	# Of Fixed	Units of	Tamper	Visually
Internal Id #	Manufacturer	Type	Constant	Date	Date	Tested	Test Cycle	0's	Measure	Status	Readable
79790181	NEPTUNE	WT	0.0000	07/20/04	7/20/2004	10/12/04	10	5	0	Gallons	
1477521822	NEPTUNE	WT	0.0000	07/20/04	7/20/2004	07/10/15	10	5	0	Gallons	
79790182	NEPTUNE	WT	0.0000	07/20/04	7/20/2004	10/12/04	10	5	0	Gallons	
1487940660	NEPTUNE	WT	0.0000	07/20/04	7/20/2004	10/12/04	10	5	0	Gallons	
79790183	NEPTUNE	WT	0.0000	07/20/04	7/20/2004	10/12/04	10	5	0	Gallons	
1477513646	NEPTUNE	WT	0.0000	07/20/04	7/20/2004	10/12/04	10	5	0	Gallons	
79790184	NEPTUNE	WT	0.0000	07/20/04	7/20/2004	10/12/04	10	5	0	Gallons	
1471521826	NEPTUNE	WT	0.0000	07/20/04	7/20/2004	05/04/17	10	5	0	Gallons	
79790185	NEPTUNE	WT	0.0000	07/20/04	7/20/2004	02/04/05	10	5	0	Gallons	
1477536180	NEPTUNE	WT	0.0000	07/20/04	7/20/2004	08/06/04	10	5	0	Gallons	
79790186	NEPTUNE	WT	0.0000	07/20/04	7/20/2004	08/06/04	10	5	0	Gallons	
1545894190	NEPTUNE	WT	0.0000	07/20/04	7/20/2004	11/10/15	10	5	0	Gallons	
79790187	NEPTUNE	WT	0.0000	07/20/04	7/20/2004	09/27/10	10	5	0	Gallons	
1490141118	NEPTUNE	WT	0.0000	07/20/04	7/20/2004	11/02/18	10	5	0	Gallons	
79790188	NEPTUNE	WT	0.0000	07/20/04	7/20/2004	01/03/17	10	5	0	Gallons	
1490155052	NEPTUNE	WT	0.0000	07/20/04	7/20/2004	02/02/10	10	5	0	Gallons	
79790189	NEPTUNE	WT	0.0000	07/20/04	7/20/2004	10/23/14	10	5	0	Gallons	
1490151562	NEPTUNE	WT	0.0000	07/20/04	7/20/2004	10/23/14	10	5	0	Gallons	
79790190	NEPTUNE	WT	0.0000	07/20/04	7/20/2004	10/23/14	10	5	0	Gallons	
1490149746	NEPTUNE	WT	0.0000	07/20/04	7/20/2004	10/23/14	10	5	0	Gallons	
79790191	NEPTUNE	WT	0.0000	07/20/04	7/20/2004	10/23/14	10	5	0	Gallons	
1490154872	NEPTUNE	WT	0.0000	07/20/04	7/20/2004	10/23/14	10	5	0	Gallons	
79790192	NEPTUNE	WT	0.0000	07/20/04	7/20/2004	10/23/14	10	5	0	Gallons	
1471248046	NEPTUNE	WT	0.0000	07/20/04	7/20/2004	10/23/14	10	5	0	Gallons	
79790193	NEPTUNE	WT	0.0000	07/20/04	7/20/2004	10/23/14	10	5	0	Gallons	
1551827648	NEPTUNE	WT	0.0000	07/20/04	7/20/2004	10/23/14	10	5	0	Gallons	
79790194	NEPTUNE	WT	0.0000	07/20/04	7/20/2004	10/23/14	10	5	0	Gallons	
1551827494	NEPTUNE	WT	0.0000	07/20/04	7/20/2004	10/23/14	10	5	0	Gallons	
79790195	NEPTUNE	WT	0.0000	07/20/04	7/20/2004	10/23/14	10	5	0	Gallons	
1545038580	NEPTUNE	WT	0.0000	07/20/04	7/20/2004	10/23/14	10	5	0	Gallons	
79790196	NEPTUNE	WT	0.0000	07/20/04	7/20/2004	10/23/14	10	5	0	Gallons	
1490156080	NEPTUNE	WT	0.0000	07/20/04	7/20/2004	10/23/14	10	5	0	Gallons	
79790197	NEPTUNE	WT	0.0000	07/20/04	7/20/2004	10/23/14	10	5	0	Gallons	
1490186966	NEPTUNE	WT	0.0000	07/20/04	7/20/2004	10/23/14	10	5	0	Gallons	
79790198	NEPTUNE	WT	0.0000	07/20/04	7/20/2004	10/23/14	10	5	0	Gallons	
1546346490	NEPTUNE	WT	0.0000	07/20/04	7/20/2004	10/23/14	10	5	0	Gallons	
79790199	NEPTUNE	WT	0.0000	07/20/04	7/20/2004	10/23/14	10	5	0	Gallons	
1490155120	NEPTUNE	WT	0.0000	07/20/04	7/20/2004	10/23/14	10	5	0	Gallons	
79790200	NEPTUNE	WT	0.0000	07/20/04	7/20/2004	10/23/14	10	5	0	Gallons	
1487103640	NEPTUNE	WT	0.0000	07/20/04	7/20/2004	10/23/14	10	5	0	Gallons	
79790201	NEPTUNE	WT	0.0000	07/20/04	7/20/2004	10/23/14	10	5	0	Gallons	
1471520796	NEPTUNE	WT	0.0000	07/20/04	7/20/2004	10/23/14	10	5	0	Gallons	
79790202	NEPTUNE	WT	0.0000	07/20/04	7/20/2004	10/23/14	10	5	0	Gallons	
1471512906	NEPTUNE	WT	0.0000	07/20/04	7/20/2004	10/23/14	10	5	0	Gallons	
79790203	NEPTUNE	WT	0.0000	07/20/04	7/20/2004	10/23/14	10	5	0	Gallons	
1545884098	NEPTUNE	WT	0.0000	07/20/04	7/20/2004	10/23/14	10	5	0	Gallons	

Meter #	Size	Service	Meter	Purchase	Warranty	Last	# Of	# Of Fixed	Units of	Tamper	Visually
Internal Id #	Manufacturer	Type	Constant	Date	Date	Tested	Test Cycle	0's	Measure	Status	Readable
79790204	NEPTUNE	WT	0.0000	07/20/04	7/20/2004	10/28/15	10	5	0	Gallons	
1490116662	NEPTUNE	WT	0.0000	07/20/04	7/20/2004	11/18/04	10	5	0	Gallons	
79790205	NEPTUNE	WT	0.0000	07/20/04	7/20/2004	04/25/19	10	5	0	Gallons	
1490149086	NEPTUNE	WT	0.0000	07/20/04	7/20/2004	11/18/04	10	5	0	Gallons	
79790206	NEPTUNE	WT	0.0000	07/20/04	7/20/2004	09/17/15	10	5	0	Gallons	
1562498284	NEPTUNE	WT	0.0000	07/20/04	7/20/2004	11/01/18	10	5	0	Gallons	
79790207	NEPTUNE	WT	0.0000	07/20/04	7/20/2004	11/15/04	10	5	0	Gallons	
1490143202	NEPTUNE	WT	0.0000	07/20/04	7/20/2004	02/17/05	10	5	0	Gallons	
79790208	NEPTUNE	WT	0.0000	07/20/04	7/20/2004	02/23/05	10	5	0	Gallons	
1487940774	NEPTUNE	WT	0.0000	07/20/04	7/20/2004	08/10/16	10	5	0	Gallons	
79790209	NEPTUNE	WT	0.0000	07/20/04	7/20/2004	01/12/05	10	5	0	Gallons	
1551827022	NEPTUNE	WT	0.0000	07/20/04	7/20/2004	02/08/05	10	5	0	Gallons	
79790210	NEPTUNE	WT	0.0000	07/20/04	7/20/2004	01/05/05	10	5	0	Gallons	
1490155048	NEPTUNE	WT	0.0000	07/20/04	7/20/2004	02/09/05	10	5	0	Gallons	
79790211	NEPTUNE	WT	0.0000	07/20/04	7/20/2004	02/08/05	10	5	0	Gallons	
1490171550	NEPTUNE	WT	0.0000	07/20/04	7/20/2004	02/08/05	10	5	0	Gallons	
79790212	NEPTUNE	WT	0.0000	07/20/04	7/20/2004	02/17/05	10	5	0	Gallons	
1490159924	NEPTUNE	WT	0.0000	07/20/04	7/20/2004	05/27/05	10	5	0	Gallons	
79790213	NEPTUNE	WT	0.0000	07/20/04	7/20/2004	04/28/11	10	5	0	Gallons	
1490155762	NEPTUNE	WT	0.0000	07/20/04	7/20/2004	10/04/12	10	5	0	Gallons	
79790214	NEPTUNE	WT	0.0000	07/20/04	7/20/2004	02/23/05	10	5	0	Gallons	
1483715856	NEPTUNE	WT	0.0000	07/20/04	7/20/2004	02/08/05	10	5	0	Gallons	
79790215	NEPTUNE	WT	0.0000	07/20/04	7/20/2004	02/08/05	10	5	0	Gallons	
1490145866	NEPTUNE	WT	0.0000	07/20/04	7/20/2004	02/08/05	10	5	0	Gallons	
79790216	NEPTUNE	WT	0.0000	07/20/04	7/20/2004	02/08/05	10	5	0	Gallons	
1490162656	NEPTUNE	WT	0.0000	07/20/04	7/20/2004	02/08/05	10	5	0	Gallons	
79790217	NEPTUNE	WT	0.0000	07/20/04	7/20/2004	02/08/05	10	5	0	Gallons	
1471526928	NEPTUNE	WT	0.0000	07/20/04	7/20/2004	01/05/05	10	5	0	Gallons	
79790218	NEPTUNE	WT	0.0000	07/20/04	7/20/2004	01/05/05	10	5	0	Gallons	
1490159906	NEPTUNE	WT	0.0000	07/20/04	7/20/2004	08/10/16	10	5	0	Gallons	
79790219	NEPTUNE	WT	0.0000	07/20/04	7/20/2004	01/12/05	10	5	0	Gallons	
1542402568	NEPTUNE	WT	0.0000	07/20/04	7/20/2004	01/12/05	10	5	0	Gallons	
79790220	NEPTUNE	WT	0.0000	07/20/04	7/20/2004	01/05/05	10	5	0	Gallons	
1545739156	NEPTUNE	WT	0.0000	07/20/04	7/20/2004	01/05/05	10	5	0	Gallons	
79790221	NEPTUNE	WT	0.0000	07/20/04	7/20/2004	10/30/13	10	5	0	Gallons	
1490150808	NEPTUNE	WT	0.0000	07/20/04	7/20/2004	08/20/04	10	5	0	Gallons	
79790222	NEPTUNE	WT	0.0000	07/20/04	7/20/2004	08/20/04	10	5	0	Gallons	
1490146318	NEPTUNE	WT	0.0000	07/20/04	7/20/2004	08/20/04	10	5	0	Gallons	
79790223	NEPTUNE	WT	0.0000	07/20/04	7/20/2004	08/20/04	10	5	0	Gallons	
1490148686	NEPTUNE	WT	0.0000	07/20/04	7/20/2004	08/20/04	10	5	0	Gallons	
79790224	NEPTUNE	WT	0.0000	07/20/04	7/20/2004	08/20/04	10	5	0	Gallons	
1490151646	NEPTUNE	WT	0.0000	07/20/04	7/20/2004	08/20/04	10	5	0	Gallons	
79790225	NEPTUNE	WT	0.0000	07/20/04	7/20/2004	08/20/04	10	5	0	Gallons	
1490156368	NEPTUNE	WT	0.0000	07/20/04	7/20/2004	11/09/15	10	5	0	Gallons	
79790226	NEPTUNE	WT	0.0000	07/20/04	7/20/2004	11/09/15	10	5	0	Gallons	
1490155714	NEPTUNE	WT	0.0000	07/20/04	7/20/2004	11/09/15	10	5	0	Gallons	

Meter #	Size	Service	Meter	Purchase	Warranty	Last	# Of	# Of Fixed	Units of	Tamper	Visually
Internal Id #	Manufacturer	Type	Constant	Date	Date	Tested	Test Cycle	0's	Measure	Status	Readable
79790227	NEPTUNE	WT	0.0000	07/20/04	7/20/2004	12/13/16	10	5	0	Gallons	
1545041580	NEPTUNE	WT	0.0000	07/20/04	7/20/2004	11/12/08	10	5	0	Gallons	
79790228	NEPTUNE	WT	0.0000	07/20/04	7/20/2004	01/14/05	10	5	0	Gallons	
1490151420	NEPTUNE	WT	0.0000	07/20/04	7/20/2004	01/14/05	10	5	0	Gallons	
79790229	NEPTUNE	WT	0.0000	07/20/04	7/20/2004	01/14/05	10	5	0	Gallons	
1471533858	NEPTUNE	WT	0.0000	07/20/04	7/20/2004	01/17/05	10	5	0	Gallons	
79790230	NEPTUNE	WT	0.0000	07/20/04	7/20/2004	08/06/18	10	5	0	Gallons	
1471510264	NEPTUNE	WT	0.0000	07/20/04	7/20/2004	06/09/17	10	5	0	Gallons	
79790231	NEPTUNE	WT	0.0000	07/20/04	7/20/2004	04/03/14	10	5	0	Gallons	
1471511948	NEPTUNE	WT	0.0000	07/20/04	7/20/2004	01/25/05	10	5	0	Gallons	
79790232	NEPTUNE	WT	0.0000	07/20/04	7/20/2004	08/29/13	10	5	0	Gallons	
1550409044	NEPTUNE	WT	0.0000	07/20/04	7/20/2004	10/19/04	10	5	0	Gallons	
79790233	NEPTUNE	WT	0.0000	07/20/04	7/20/2004	10/30/18	10	5	0	Gallons	
1540686846	NEPTUNE	WT	0.0000	07/20/04	7/20/2004	09/01/04	10	5	0	Gallons	
79790234	NEPTUNE	WT	0.0000	07/20/04	7/20/2004	01/30/06	10	5	0	Gallons	
1490149084	NEPTUNE	WT	0.0000	07/20/04	7/20/2004	12/13/16	10	5	0	Gallons	
79790235	NEPTUNE	WT	0.0000	07/20/04	7/20/2004	11/09/15	10	5	0	Gallons	
1471511186	NEPTUNE	WT	0.0000	07/20/04	7/20/2004	08/25/04	10	5	0	Gallons	
79790236	NEPTUNE	WT	0.0000	07/20/04	7/20/2004	09/01/04	10	5	0	Gallons	
1471494210	NEPTUNE	WT	0.0000	07/20/04	7/20/2004	10/19/04	10	5	0	Gallons	
79790237	NEPTUNE	WT	0.0000	07/20/04	7/20/2004	10/30/18	10	5	0	Gallons	
1490151310	NEPTUNE	WT	0.0000	07/20/04	7/20/2004	09/01/04	10	5	0	Gallons	
79790238	NEPTUNE	WT	0.0000	07/20/04	7/20/2004	12/13/16	10	5	0	Gallons	
1545046682	NEPTUNE	WT	0.0000	07/20/04	7/20/2004	01/30/06	10	5	0	Gallons	
79790239	NEPTUNE	WT	0.0000	07/20/04	7/20/2004	10/30/18	10	5	0	Gallons	
1490141561	NEPTUNE	WT	0.0000	07/20/04	7/20/2004	09/01/04	10	5	0	Gallons	
79790240	NEPTUNE	WT	0.0000	07/20/04	7/20/2004	10/19/04	10	5	0	Gallons	
1490168342	NEPTUNE	WT	0.0000	07/20/04	7/20/2004	10/19/04	10	5	0	Gallons	
79790241	NEPTUNE	WT	0.0000	07/20/04	7/20/2004	08/29/13	10	5	0	Gallons	
1550396396	NEPTUNE	WT	0.0000	07/20/04	7/20/2004	10/19/04	10	5	0	Gallons	
79790242	NEPTUNE	WT	0.0000	07/20/04	7/20/2004	10/19/04	10	5	0	Gallons	
1471533254	NEPTUNE	WT	0.0000	07/20/04	7/20/2004	10/19/04	10	5	0	Gallons	
79790243	NEPTUNE	WT	0.0000	07/20/04	7/20/2004	10/19/04	10	5	0	Gallons	
1471485262	NEPTUNE	WT	0.0000	07/20/04	7/20/2004	10/19/04	10	5	0	Gallons	
79790244	NEPTUNE	WT	0.0000	07/20/04	7/20/2004	10/19/04	10	5	0	Gallons	
1471511944	NEPTUNE	WT	0.0000	07/20/04	7/20/2004	05/11/10	10	5	0	Gallons	
79790245	NEPTUNE	WT	0.0000	07/20/04	7/20/2004	05/11/10	10	5	0	Gallons	
1471516032	NEPTUNE	WT	0.0000	07/20/04	7/20/2004	01/27/05	10	5	0	Gallons	
79790246	NEPTUNE	WT	0.0000	07/20/04	7/20/2004	10/19/04	10	5	0	Gallons	
1471476932	NEPTUNE	WT	0.0000	07/20/04	7/20/2004	05/11/10	10	5	0	Gallons	
79790247	NEPTUNE	WT	0.0000	07/20/04	7/20/2004	01/27/05	10	5	0	Gallons	
1490138034	NEPTUNE	WT	0.0000	07/20/04	7/20/2004	10/27/04	10	5	0	Gallons	
79790248	NEPTUNE	WT	0.0000	07/20/04	7/20/2004	10/27/04	10	5	0	Gallons	
1484588762	NEPTUNE	WT	0.0000	07/20/04	7/20/2004	10/27/04	10	5	0	Gallons	
79790249	NEPTUNE	WT	0.0000	07/20/04	7/20/2004	10/27/04	10	5	0	Gallons	
1490159532	NEPTUNE	WT	0.0000	07/20/04	7/20/2004	10/27/04	10	5	0	Gallons	

Meter #	Size	Service	Meter	Purchase	Warranty	Last	# Of	# Of	Units of	Tamper	Visually
Internal Id #	Manufacturer	Type	Constant	Date	Date	Tested	Test Cycle	Fixed	Measure	Status	Readable
79790250	NEPTUNE	WT	0.0000	07/20/04	7/20/2004	08/31/11	10	5	0	Gallons	
1490145206	NEPTUNE	WT	0.0000	07/20/04	7/20/2004	10/06/04	10	5	0	Gallons	
79790251	NEPTUNE	WT	0.0000	07/20/04	7/20/2004	10/06/04	10	5	0	Gallons	
1471215628	NEPTUNE	WT	0.0000	07/20/04	7/20/2004	10/06/04	10	5	0	Gallons	
79790252	NEPTUNE	WT	0.0000	07/20/04	7/20/2004	10/08/04	10	5	0	Gallons	
1471518440	NEPTUNE	WT	0.0000	07/20/04	7/20/2004	10/04/12	10	5	0	Gallons	
79790253	NEPTUNE	WT	0.0000	07/20/04	7/20/2004	10/06/04	10	5	0	Gallons	
1545534842	NEPTUNE	WT	0.0000	07/20/04	7/20/2004	10/06/04	10	5	0	Gallons	
79790254	NEPTUNE	WT	0.0000	07/20/04	7/20/2004	10/06/04	10	5	0	Gallons	
1490144228	NEPTUNE	WT	0.0000	07/20/04	7/20/2004	10/06/04	10	5	0	Gallons	
79790255	NEPTUNE	WT	0.0000	07/20/04	7/20/2004	05/25/17	10	5	0	Gallons	
1471472662	NEPTUNE	WT	0.0000	07/20/04	7/20/2004	10/06/04	10	5	0	Gallons	
79790256	NEPTUNE	WT	0.0000	07/20/04	7/20/2004	10/06/04	10	5	0	Gallons	
1545506252	NEPTUNE	WT	0.0000	07/20/04	7/20/2004	10/06/04	10	5	0	Gallons	
79790257	NEPTUNE	WT	0.0000	07/20/04	7/20/2004	10/06/04	10	5	0	Gallons	
1471511946	NEPTUNE	WT	0.0000	07/20/04	7/20/2004	12/16/04	10	5	0	Gallons	
79790258	NEPTUNE	WT	0.0000	07/20/04	7/20/2004	12/16/04	10	5	0	Gallons	
1486731878	NEPTUNE	WT	0.0000	07/20/04	7/20/2004	12/16/04	10	5	0	Gallons	
79790259	NEPTUNE	WT	0.0000	07/20/04	7/20/2004	12/16/04	10	5	0	Gallons	
1490149148	NEPTUNE	WT	0.0000	07/20/04	7/20/2004	12/16/04	10	5	0	Gallons	
79790260	NEPTUNE	WT	0.0000	07/20/04	7/20/2004	11/06/15	10	5	0	Gallons	
1490166136	NEPTUNE	WT	0.0000	07/20/04	7/20/2004	12/16/04	10	5	0	Gallons	
79790261	NEPTUNE	WT	0.0000	07/20/04	7/20/2004	12/16/04	10	5	0	Gallons	
1487116390	NEPTUNE	WT	0.0000	07/20/04	7/20/2004	12/16/04	10	5	0	Gallons	
79790262	NEPTUNE	WT	0.0000	07/20/04	7/20/2004	12/22/04	10	5	0	Gallons	
1486821412	NEPTUNE	WT	0.0000	07/20/04	7/20/2004	12/16/04	10	5	0	Gallons	
79790263	NEPTUNE	WT	0.0000	07/20/04	7/20/2004	12/22/04	10	5	0	Gallons	
1471193734	NEPTUNE	WT	0.0000	07/20/04	7/20/2004	12/22/04	10	5	0	Gallons	
79790264	NEPTUNE	WT	0.0000	07/20/04	7/20/2004	11/13/04	10	5	0	Gallons	
1490159926	NEPTUNE	WT	0.0000	07/20/04	7/20/2004	12/13/04	10	5	0	Gallons	
79790265	NEPTUNE	WT	0.0000	07/20/04	7/20/2004	12/13/04	10	5	0	Gallons	
1471486584	NEPTUNE	WT	0.0000	07/20/04	7/20/2004	12/13/04	10	5	0	Gallons	
79790266	NEPTUNE	WT	0.0000	07/20/04	7/20/2004	12/13/04	10	5	0	Gallons	
1482384958	NEPTUNE	WT	0.0000	07/20/04	7/20/2004	12/13/04	10	5	0	Gallons	
79790267	NEPTUNE	WT	0.0000	07/20/04	7/20/2004	12/22/04	10	5	0	Gallons	
1490156376	NEPTUNE	WT	0.0000	07/20/04	7/20/2004	11/22/13	10	5	0	Gallons	
79790268	NEPTUNE	WT	0.0000	07/20/04	7/20/2004	12/22/04	10	5	0	Gallons	
1487132278	NEPTUNE	WT	0.0000	07/20/04	7/20/2004	12/22/04	10	5	0	Gallons	
79790269	NEPTUNE	WT	0.0000	07/20/04	7/20/2004	05/26/17	10	5	0	Gallons	
1490068870	NEPTUNE	WT	0.0000	07/20/04	7/20/2004	04/26/19	10	5	0	Gallons	
79790270	NEPTUNE	WT	0.0000	07/20/04	7/20/2004	04/26/19	10	5	0	Gallons	
1545460562	NEPTUNE	WT	0.0000	07/20/04	7/20/2004	03/13/19	10	5	0	Gallons	
79790271	NEPTUNE	WT	0.0000	07/20/04	7/20/2004			5	0	Gallons	
1552117996	NEPTUNE	WT	0.0000	07/20/04	7/20/2004			5	0	Gallons	
79790272	NEPTUNE	WT	0.0000	07/20/04	7/20/2004			5	0	Gallons	
1562484540	NEPTUNE	WT	0.0000	07/20/04	7/20/2004			5	0	Gallons	

Meter #	Size	Service	Meter	Purchase	Warranty	Last	# Of	# Of Fixed	Units of	Tamper	
Internal Id #	Manufacturer	Type	Constant	Date	Date	Tested	Test Cycle	0's	Measure	Status	
		Rating					Dials			Visually	
										Readable	
79790273	NEPTUNE	WT	0.0000	07/20/04	7/20/2004	11/08/11	10	5	0	Gallons	
1484697120	NEPTUNE	WT	0.0000	07/20/04	7/20/2004	11/24/04	10	5	0	Gallons	
79790274	NEPTUNE	WT	0.0000	07/20/04	7/20/2004	01/03/17	10	5	0	Gallons	
1490148804	Neptune	WT	0.0000	07/20/04	7/20/2004	11/24/04	10	5	0	Gallons	
79790275	NEPTUNE	WT	0.0000	07/20/04	7/20/2004	02/23/17	10	5	0	Gallons	
1545047016	NEPTUNE	WT	0.0000	07/20/04	7/20/2004	06/18/13	10	5	0	Gallons	
79790276	NEPTUNE	WT	0.0000	07/20/04	7/20/2004	01/04/18	10	5	0	Gallons	
1490159920	NEPTUNE	WT	0.0000	07/20/04	7/20/2004	02/22/17	10	5	0	Gallons	
79790277	NEPTUNE	WT	0.0000	07/20/04	7/20/2004	05/26/17	10	5	0	Gallons	
1545534952	NEPTUNE	WT	0.0000	07/20/04	7/20/2004	01/05/05	10	5	0	Gallons	
79790278	NEPTUNE	WT	0.0000	07/20/04	7/20/2004	01/03/17	10	5	0	Gallons	
1545233580	NEPTUNE	WT	0.0000	07/20/04	7/20/2004	05/22/04	10	5	0	Gallons	
79790279	NEPTUNE	WT	0.0000	07/20/04	7/20/2004	11/18/04	10	5	0	Gallons	
1490167774	NEPTUNE	WT	0.0000	07/20/04	7/20/2004	02/22/17	10	5	0	Gallons	
79790280	NEPTUNE	WT	0.0000	07/20/04	7/20/2004	02/22/17	10	5	0	Gallons	
1490150318	NEPTUNE	WT	0.0000	07/20/04	7/20/2004	02/22/17	10	5	0	Gallons	
79790281	NEPTUNE	WT	0.0000	07/20/04	7/20/2004	02/22/17	10	5	0	Gallons	
1487145226	NEPTUNE	WT	0.0000	07/20/04	7/20/2004	02/22/17	10	5	0	Gallons	
79790282	NEPTUNE	WT	0.0000	07/20/04	7/20/2004	02/22/17	10	5	0	Gallons	
1471521914	NEPTUNE	WT	0.0000	07/20/04	7/20/2004	02/22/17	10	5	0	Gallons	
79790283	NEPTUNE	WT	0.0000	07/20/04	7/20/2004	02/22/17	10	5	0	Gallons	
1470901394	NEPTUNE	WT	0.0000	07/20/04	7/20/2004	02/22/17	10	5	0	Gallons	
79790284	NEPTUNE	WT	0.0000	07/20/04	7/20/2004	05/25/17	10	5	0	Gallons	
1545241186	NEPTUNE	WT	0.0000	07/20/04	7/20/2004	01/03/17	10	5	0	Gallons	
79790285	NEPTUNE	WT	0.0000	07/20/04	7/20/2004	05/22/13	10	5	0	Gallons	
1486672590	Neptune	WT	0.0000	07/20/04	7/20/2004	05/25/17	10	5	0	Gallons	
79790286	NEPTUNE	WT	0.0000	07/20/04	7/20/2004	01/03/17	10	5	0	Gallons	
1490150596	NEPTUNE	WT	0.0000	07/20/04	7/20/2004	02/22/04	10	5	0	Gallons	
79790287	NEPTUNE	WT	0.0000	07/20/04	7/20/2004	02/22/04	10	5	0	Gallons	
1490163533	NEPTUNE	WT	0.0000	07/20/04	7/20/2004	01/03/17	10	5	0	Gallons	
79790288	NEPTUNE	WT	0.0000	07/20/04	7/20/2004	01/03/17	10	5	0	Gallons	
1545023140	NEPTUNE	WT	0.0000	07/20/04	7/20/2004	12/22/04	10	5	0	Gallons	
79790289	NEPTUNE	WT	0.0000	07/20/04	7/20/2004	12/31/04	10	5	0	Gallons	
1490150570	NEPTUNE	WT	0.0000	07/20/04	7/20/2004	12/13/04	10	5	0	Gallons	
79790290	NEPTUNE	WT	0.0000	07/20/04	7/20/2004	12/13/04	10	5	0	Gallons	
1490150330	NEPTUNE	WT	0.0000	07/20/04	7/20/2004	12/13/04	10	5	0	Gallons	
79790291	NEPTUNE	WT	0.0000	07/20/04	7/20/2004	12/13/04	10	5	0	Gallons	
1490134144	NEPTUNE	WT	0.0000	07/20/04	7/20/2004	12/13/04	10	5	0	Gallons	
79790292	NEPTUNE	WT	0.0000	07/20/04	7/20/2004	12/13/04	10	5	0	Gallons	
1490150810	NEPTUNE	WT	0.0000	07/20/04	7/20/2004	12/13/04	10	5	0	Gallons	
79790293	NEPTUNE	WT	0.0000	07/20/04	7/20/2004	12/13/04	10	5	0	Gallons	
1490163500	NEPTUNE	WT	0.0000	07/20/04	7/20/2004	12/13/04	10	5	0	Gallons	
79790294	NEPTUNE	WT	0.0000	07/20/04	7/20/2004	05/22/19	10	0	0	Gallons	
1490138112	NEPTUNE	WT	0.0000	07/20/04	7/20/2004			0	0	Gallons	
79790295	NEPTUNE	WT	0.0000	07/20/04	7/20/2004			0	0	Gallons	

Meter #	Size	Service	Meter	Purchase	Warranty	Last	# Of	# Of	Units of	Tamper	Visually
Internal Id #	Manufacturer	Type	Constant	Date	Date	Tested	Diags	Fixed	Measure	Status	Readable
79790296	NEPTUNE	WT	0.0000	07/20/04	7/20/2004	11/01/18	10	5	0	0	Gallons
1551807792	NEPTUNE	WT	0.0000	07/20/04	7/20/2004	12/22/04	10	5	0	0	Gallons
79790297	NEPTUNE	WT	0.0000	07/20/04	7/20/2004	02/08/05	10	5	0	0	Gallons
1490176626	NEPTUNE	WT	0.0000	07/20/04	7/20/2004	12/31/04	10	5	0	0	Gallons
79790298	NEPTUNE	WT	0.0000	07/20/04	7/20/2004	08/19/16	10	5	0	0	Gallons
1471510774	NEPTUNE	WT	0.0000	07/20/04	7/20/2004	03/12/09	10	5	0	0	Gallons
79790299	NEPTUNE	WT	0.0000	07/20/04	7/20/2004	11/16/04	10	5	0	0	Gallons
1490132470	NEPTUNE	WT	0.0000	07/20/04	7/20/2004	06/30/15	10	5	0	0	Gallons
79790300	NEPTUNE	WT	0.0000	07/20/04	7/20/2004	10/15/08	10	5	0	0	Gallons
1550403642	NEPTUNE	WT	0.0000	07/20/04	7/20/2004	04/10/18	10	5	0	0	Gallons
79790301	NEPTUNE RADIO	WT	0.0000	07/20/04	7/20/2004	04/10/18	10	5	0	0	Gallons
1471530750	NEPTUNE	WT	0.0000	07/20/04	7/20/2004	06/30/15	10	5	0	0	Gallons
79790302	NEPTUNE	WT	0.0000	07/20/04	7/20/2004	10/15/08	10	5	0	0	Gallons
1550399210	NEPTUNE	WT	0.0000	07/20/04	7/20/2004	04/10/18	10	5	0	0	Gallons
79790303	NEPTUNE	WT	0.0000	07/20/04	7/20/2004	04/10/18	10	5	0	0	Gallons
1490156394	NEPTUNE	WT	0.0000	07/20/04	7/20/2004	06/30/15	10	5	0	0	Gallons
79790304	NEPTUNE	WT	0.0000	07/20/04	7/20/2004	10/15/08	10	5	0	0	Gallons
1490187826	NEPTUNE	WT	0.0000	07/20/04	7/20/2004	04/10/18	10	5	0	0	Gallons
79790305	NEPTUNE	WT	0.0000	07/20/04	7/20/2004	06/30/15	10	5	0	0	Gallons
1487937210	NEPTUNE	WT	0.0000	07/20/04	7/20/2004	11/16/04	10	5	0	0	Gallons
79790306	NEPTUNE	WT	0.0000	07/20/04	7/20/2004	11/16/04	10	5	0	0	Gallons
1471544780	NEPTUNE	WT	0.0000	07/20/04	7/20/2004	08/10/11	10	5	0	0	Gallons
80863788	NEPTUNE RADIO	WT	0.0000	04/11/05	4/11/2005	05/24/05	10	5	0	0	Gallons
1545527096	NEPTUNE RADIO	WT	0.0000	04/11/05	4/11/2005	05/24/05	10	5	0	0	Gallons
80863789	NEPTUNE RADIO	WT	0.0000	04/11/05	4/11/2005	02/27/07	10	5	0	0	Gallons
1483710538	NEPTUNE RADIO	WT	0.0000	04/11/05	4/11/2005	10/05/15	10	5	0	0	Gallons
80863790	NEPTUNE PROREAD	WT	0.0000	04/11/05	4/11/2005	04/21/16	10	5	0	0	Gallons
1490148806	NEPTUNE	WT	0.0000	04/11/05	4/11/2005	05/25/05	10	5	0	0	Gallons
80863791	NEPTUNE RADIO	WT	0.0000	04/11/05	4/11/2005	05/25/05	10	5	0	0	Gallons
1481601572	NEPTUNE RADIO	WT	0.0000	04/11/05	4/11/2005	05/25/05	10	5	0	0	Gallons
80863792	NEPTUNE RADIO	WT	0.0000	04/11/05	4/11/2005	05/25/05	10	5	0	0	Gallons
1450198674	NEPTUNE RADIO	WT	0.0000	04/11/05	4/11/2005	05/25/05	10	5	0	0	Gallons
80863793	NEPTUNE RADIO	WT	0.0000	04/11/05	4/11/2005	05/25/05	10	5	0	0	Gallons
1450194998	NEPTUNE RADIO	WT	0.0000	04/11/05	4/11/2005	05/25/05	10	5	0	0	Gallons
80863794	NEPTUNE RADIO	WT	0.0000	04/11/05	4/11/2005	05/25/05	10	5	0	0	Gallons
1486316460	NEPTUNE RADIO	WT	0.0000	04/11/05	4/11/2005	05/25/05	10	5	0	0	Gallons
80863795	NEPTUNE RADIO	WT	0.0000	04/11/05	4/11/2005	05/25/05	10	5	0	0	Gallons
1450185100	NEPTUNE RADIO	WT	0.0000	04/11/05	4/11/2005	05/25/05	10	5	0	0	Gallons
80863796	NEPTUNE RADIO	WT	0.0000	04/11/05	4/11/2005	05/25/05	10	5	0	0	Gallons
1545245188	NEPTUNE RADIO	WT	0.0000	04/11/05	4/11/2005	05/25/05	10	5	0	0	Gallons
80863797	NEPTUNE RADIO	WT	0.0000	04/11/05	4/11/2005	05/25/05	10	5	0	0	Gallons
1487146914	NEPTUNE RADIO	WT	0.0000	04/11/05	4/11/2005	11/14/14	10	5	0	0	Gallons
80863798	NEPTUNE RADIO	WT	0.0000	04/11/05	4/11/2005	05/25/05	10	5	0	0	Gallons
1487745540	NEPTUNE RADIO	WT	0.0000	04/11/05	4/11/2005	05/25/05	10	5	0	0	Gallons
80863799	NEPTUNE RADIO	WT	0.0000	04/11/05	4/11/2005	05/25/05	10	5	0	0	Gallons
1543588092	NEPTUNE RADIO	WT	0.0000	04/11/05	4/11/2005	05/25/05	10	5	0	0	Gallons

Meter #	Size	Service	Meter	Purchase	Warranty	Last	# Of	# Of Fixed	Units of	Tamper	
Internal Id #	Manufacturer	Type	Constant	Date	Date	Tested	Test Cycle	0's	Measure	Status	
							Diags			Visually	
		Rating								Readable	
80863800	5/8"	WT	0.0000	04/11/05	4/11/2005	08/22/16	10	5	0	Gallons	
14771533860	NEPTUNE RADIO										
80863801	5/8"	WT	0.0000	04/11/05	4/11/2005	04/19/05	10	5	0	Gallons	
1490147908	NEPTUNE RADIO										
80863802	5/8"	WT	0.0000	04/11/05	4/11/2005	05/09/17	10	5	0	Gallons	
1545536706	NEPTUNE RADIO										
80863803	5/8"	WT	0.0000	04/11/05	4/11/2005	04/21/16	10	5	0	Gallons	
1483718986	NEPTUNE RADIO										
80863804	5/8"	WT	0.0000	04/11/05	4/11/2005	05/03/16	10	5	0	Gallons	
14771520508	NEPTUNE RADIO										
80863805	5/8"	WT	0.0000	04/11/05	4/11/2005	05/02/16	10	5	0	Gallons	
1490178568	NEPTUNE RADIO										
80863806	5/8"	WT	0.0000	04/11/05	4/11/2005	08/22/16	10	5	0	Gallons	
1490140034	NEPTUNE										
80863807	5/8"	WT	0.0000	04/11/05	4/11/2005	05/25/05	10	5	0	Gallons	
1450200562	NEPTUNE RADIO										
80863808	5/8"	WT	0.0000	04/11/05	4/11/2005	05/25/05	10	5	0	Gallons	
1545902606	NEPTUNE RADIO										
80863809	5/8"	WT	0.0000	04/11/05	4/11/2005	05/25/05	10	5	0	Gallons	
1470248150	NEPTUNE RADIO										
80863810	5/8"	WT	0.0000	04/11/05	4/11/2005	05/25/05	10	5	0	Gallons	
1470255270	NEPTUNE RADIO										
80863811	5/8"	WT	0.0000	04/11/05	4/11/2005	05/25/05	10	5	0	Gallons	
1486822624	NEPTUNE RADIO										
80863812	5/8"	WT	0.0000	04/11/05	4/11/2005	12/09/16	10	5	0	Gallons	
1546679748	NEPTUNE RADIO										
80863813	5/8"	WT	0.0000	04/11/05	4/11/2005	11/12/18	10	0	0	Gallons	
	NEPTUNE RADIO										
80863814	5/8"	WT	0.0000	04/11/05	4/11/2005	05/10/19	10	0	0	Gallons	
	NEPTUNE RADIO										
80863815	5/8"	WT	0.0000	04/11/05	4/11/2005	05/24/05	10	5	0	Gallons	
1487150574	NEPTUNE RADIO										
80863816	5/8"	WT	0.0000	04/11/05	4/11/2005	05/23/05	10	5	0	Gallons	
1487146034	NEPTUNE RADIO										
80863817	5/8"	WT	0.0000	04/11/05	4/11/2005	01/06/17	10	5	0	Gallons	
1545046856	NEPTUNE RADIO										
80863818	5/8"	WT	0.0000	04/11/05	4/11/2005	03/13/19	10	5	0	Gallons	
1562498326	NEPTUNE RADIO										
80863819	5/8"	WT	0.0000	04/11/05	4/11/2005	04/20/16	10	5	0	Gallons	
1450198736	NEPTUNE RADIO										
80863820	5/8"	WT	0.0000	04/11/05	4/11/2005	06/23/16	10	5	0	Gallons	
1490155056	NEPTUNE RADIO										
80863821	5/8"	WT	0.0000	04/11/05	4/11/2005	10/17/13	10	5	0	Gallons	
1481601490	NEPTUNE RADIO										
80863822	5/8"	WT	0.0000	04/11/05	4/11/2005	05/27/16	10	5	0	Gallons	
1542525480	NEPTUNE RADIO										

Meter #	Size	Service	Meter	Purchase	Warranty	Last	# Of	# Of Fixed	Units of	Tamper	
Internal Id #	Manufacturer	Type	Constant	Date	Date	Tested	Diags	0's	Measure	Status	Visually Readable
80863823	NEPTUNE RADIO	WT	0.0000	04/11/05	4/11/2005	06/15/16	10	5	0	Gallons	
1487955398	5/8"	WT	0.0000	04/11/05	4/11/2005	08/31/16	10	5	0	Gallons	
80863824	NEPTUNE RADIO	WT	0.0000	04/11/05	4/11/2005	05/25/05	10	5	0	Gallons	
1562460992	5/8"	WT	0.0000	04/11/05	4/11/2005	05/25/05	10	5	0	Gallons	
80863825	NEPTUNE RADIO	WT	0.0000	04/11/05	4/11/2005	05/25/05	10	5	0	Gallons	
1450196862	5/8"	WT	0.0000	04/11/05	4/11/2005	05/25/05	10	5	0	Gallons	
80863826	NEPTUNE RADIO	WT	0.0000	04/11/05	4/11/2005	05/25/05	10	5	0	Gallons	
1450196412	5/8"	WT	0.0000	04/11/05	4/11/2005	05/25/05	10	5	0	Gallons	
80863827	NEPTUNE RADIO	WT	0.0000	04/11/05	4/11/2005	05/25/05	10	5	0	Gallons	
1545273740	5/8"	WT	0.0000	04/11/05	4/11/2005	05/25/05	10	5	0	Gallons	
80863828	NEPTUNE RADIO	WT	0.0000	04/11/05	4/11/2005	05/25/05	10	5	0	Gallons	
1483413032	5/8"	WT	0.0000	04/11/05	4/11/2005	02/15/19	10	5	0	Gallons	
80863829	NEPTUNE RADIO	WT	0.0000	04/11/05	4/11/2005	05/10/19	10	0	0	Gallons	
1562460170	5/8"	WT	0.0000	04/11/05	4/11/2005	05/27/16	10	5	0	Gallons	
80863830	NEPTUNE RADIO	WT	0.0000	04/11/05	4/11/2005	08/10/16	10	5	0	Gallons	
80863831	NEPTUNE RADIO	WT	0.0000	04/11/05	4/11/2005	06/20/14	10	5	0	Gallons	
1490144880	5/8"	WT	0.0000	04/11/05	4/11/2005	09/22/16	10	5	0	Gallons	
80863832	NEPTUNE RADIO	WT	0.0000	04/11/05	4/11/2005	06/19/18	10	5	0	Gallons	
1490177048	5/8"	WT	0.0000	04/11/05	4/11/2005	07/18/16	10	5	0	Gallons	
80863833	NEPTUNE RADIO	WT	0.0000	04/11/05	4/11/2005	07/18/16	10	5	0	Gallons	
1490150612	5/8"	WT	0.0000	04/11/05	4/11/2005	09/17/15	10	5	0	Gallons	
80863834	NEPTUNE RADIO	WT	0.0000	04/11/05	4/11/2005	07/18/16	10	5	0	Gallons	
1542520998	5/8"	WT	0.0000	04/11/05	4/11/2005	06/19/18	10	5	0	Gallons	
80863835	NEPTUNE RADIO	WT	0.0000	04/11/05	4/11/2005	07/18/16	10	5	0	Gallons	
1487778710	5/8"	WT	0.0000	04/11/05	4/11/2005	07/18/16	10	5	0	Gallons	
80863836	NEPTUNE RADIO	WT	0.0000	04/11/05	4/11/2005	07/18/16	10	5	0	Gallons	
1547233706	5/8"	WT	0.0000	04/11/05	4/11/2005	09/17/15	10	5	0	Gallons	
80863837	NEPTUNE RADIO	WT	0.0000	04/11/05	4/11/2005	07/18/16	10	5	0	Gallons	
1543616468	5/8"	WT	0.0000	04/11/05	4/11/2005	07/18/16	10	5	0	Gallons	
80863838	NEPTUNE RADIO	WT	0.0000	04/11/05	4/11/2005	07/18/16	10	5	0	Gallons	
1487939742	5/8"	WT	0.0000	04/11/05	4/11/2005	01/05/17	10	5	0	Gallons	
80863839	NEPTUNE RADIO	WT	0.0000	04/11/05	4/11/2005	12/13/16	10	5	0	Gallons	
1545020866	5/8"	WT	0.0000	04/11/05	4/11/2005	05/06/16	10	5	0	Gallons	
80863840	NEPTUNE RADIO	WT	0.0000	04/11/05	4/11/2005	04/20/16	10	5	0	Gallons	
1545047120	5/8"	WT	0.0000	04/11/05	4/11/2005	04/21/16	10	5	0	Gallons	
80863841	NEPTUNE RADIO	WT	0.0000	04/11/05	4/11/2005	08/02/18	10	5	0	Gallons	
1545047086	5/8"	WT	0.0000	04/11/05	4/11/2005						
80863842	NEPTUNE RADIO	WT	0.0000	04/11/05	4/11/2005						
1542558650	5/8"	WT	0.0000	04/11/05	4/11/2005						
80863843	NEPTUNE RADIO	WT	0.0000	04/11/05	4/11/2005						
1450198652	5/8"	WT	0.0000	04/11/05	4/11/2005						
80863844	NEPTUNE RADIO	WT	0.0000	04/11/05	4/11/2005						
1490149740	5/8"	WT	0.0000	04/11/05	4/11/2005						
80863845	NEPTUNE RADIO	WT	0.0000	04/11/05	4/11/2005						
1549663064	5/8"	WT	0.0000	04/11/05	4/11/2005						

Meter #	Size	Service	Meter	Purchase	Warranty	Last	# Of	# Of Fixed	Units of	Tamper	
Internal Id #	Manufacturer	Type	Constant	Date	Date	Tested	Diags	0's	Measure	Status	Visually Readable
80863846	5/8"	WT	0.0000	04/11/05	4/11/2005	04/21/16	10	5	0	Gallons	
1486453022	NEPTUNE RADIO										
80863847	5/8"	WT	0.0000	04/11/05	4/11/2005	11/15/15	10	5	0	Gallons	
1487415930	NEPTUNE RADIO										
80863848	5/8"	WT	0.0000	04/11/05	4/11/2005	01/17/18	10	5	0	Gallons	
1490177600	NEPTUNE RADIO										
80863849	5/8"	WT	0.0000	04/11/05	4/11/2005	09/22/16	10	5	0	Gallons	
1490150360	NEPTUNE RADIO										
80863850	5/8"	WT	0.0000	04/11/05	4/11/2005	05/24/05	10	5	0	Gallons	
1545268528	NEPTUNE RADIO										
80863851	5/8"	WT	0.0000	04/11/05	4/11/2005	08/22/16	10	5	0	Gallons	
1487946300	NEPTUNE RADIO										
80863852	5/8"	WT	0.0000	04/11/05	4/11/2005	05/24/05	10	5	0	Gallons	
1490138748	NEPTUNE RADIO										
80863853	5/8"	WT	0.0000	04/11/05	4/11/2005	07/17/18	10	5	0	Gallons	
1551874036	NEPTUNE RADIO										
80863854	5/8"	WT	0.0000	04/11/05	4/11/2005	12/13/16	10	5	0	Gallons	
1545047654	NEPTUNE RADIO										
80863855	5/8"	WT	0.0000	04/11/05	4/11/2005	05/24/05	10	5	0	Gallons	
1545280026	NEPTUNE RADIO										
80863856	5/8"	WT	0.0000	04/11/05	4/11/2005	05/24/05	10	5	0	Gallons	
1487752238	NEPTUNE RADIO										
80863857	5/8"	WT	0.0000	04/11/05	4/11/2005	05/24/05	10	5	0	Gallons	
1490178382	NEPTUNE RADIO										
80863858	5/8"	WT	0.0000	04/11/05	4/11/2005	08/02/18	10	5	0	Gallons	
1550384754	NEPTUNE RADIO										
80863859	5/8"	WT	0.0000	04/11/05	4/11/2005	09/19/16	10	5	0	Gallons	
1542521514	NEPTUNE RADIO										
80863860	5/8"	WT	0.0000	04/11/05	4/11/2005	10/09/09	10	5	0	Gallons	
1487919560	NEPTUNE RADIO										
80863861	5/8"	WT	0.0000	04/11/05	4/11/2005	02/22/10	10	5	0	Gallons	
1450051926	NEPTUNE RADIO										
80863862	5/8"	WT	0.0000	04/11/05	4/11/2005	07/17/13	10	5	0	Gallons	
1471119718	NEPTUNE RADIO										
80863863	5/8"	WT	0.0000	04/11/05	4/11/2005	05/31/05	10	5	0	Gallons	
1450197610	NEPTUNE RADIO										
80863864	5/8"	WT	0.0000	04/11/05	4/11/2005	08/01/18	10	5	0	Gallons	
1547968394	NEPTUNE RADIO										
80863865	5/8"	WT	0.0000	04/11/05	4/11/2005	08/22/16	10	5	0	Gallons	
1542576132	NEPTUNE RADIO										
80863866	5/8"	WT	0.0000	04/11/05	4/11/2005	05/06/19	10	5	0	Gallons	
1552149634	NEPTUNE RADIO										
80863867	5/8"	WT	0.0000	04/11/05	4/11/2005	04/01/16	10	5	0	Gallons	
1543646488	NEPTUNE RADIO										
80863868	5/8"	WT	0.0000	04/11/05	4/11/2005	06/23/16	10	5	0	Gallons	
1543646506	NEPTUNE RADIO										

Meter #	Size	Service	Meter	Purchase	Warranty	Last	# Of	# Of Fixed	Units of	Tamper	
Internal Id #	Manufacturer	Type	Constant	Date	Date	Tested	Test Cycle	0's	Measure	Status	
										Visually	
										Readable	
80863869	NEPTUNE RADIO	WT	0.0000	04/11/05	4/11/2005	05/06/16	10	5	0	Gallons	
1490177918	NEPTUNE RADIO	WT	0.0000	04/11/05	4/11/2005	09/16/10	10	5	0	Gallons	
80863870	NEPTUNE RADIO	WT	0.0000	04/11/05	4/11/2005	06/15/16	10	5	0	Gallons	
1490146432	NEPTUNE RADIO	WT	0.0000	04/11/05	4/11/2005	05/25/05	10	5	0	Gallons	
80863871	NEPTUNE RADIO	WT	0.0000	04/11/05	4/11/2005	05/25/05	10	5	0	Gallons	
1487953318	NEPTUNE RADIO	WT	0.0000	04/11/05	4/11/2005	05/25/05	10	5	0	Gallons	
80863872	NEPTUNE RADIO	WT	0.0000	04/11/05	4/11/2005	05/25/05	10	5	0	Gallons	
1450197064	NEPTUNE RADIO	WT	0.0000	04/11/05	4/11/2005	05/25/05	10	5	0	Gallons	
80863873	NEPTUNE RADIO	WT	0.0000	04/11/05	4/11/2005	05/25/05	10	5	0	Gallons	
1450194188	NEPTUNE RADIO	WT	0.0000	04/11/05	4/11/2005	05/25/05	10	5	0	Gallons	
80863874	NEPTUNE RADIO	WT	0.0000	04/11/05	4/11/2005	05/25/05	10	5	0	Gallons	
1543646324	NEPTUNE RADIO	WT	0.0000	04/11/05	4/11/2005	05/14/19	10	0	0	Gallons	
80863875	NEPTUNE RADIO	WT	0.0000	04/11/05	4/11/2005	05/25/05	10	5	0	Gallons	
80863876	NEPTUNE RADIO	WT	0.0000	04/11/05	4/11/2005	05/25/05	10	5	0	Gallons	
1486822936	NEPTUNE RADIO	WT	0.0000	04/11/05	4/11/2005	05/25/05	10	5	0	Gallons	
80863877	NEPTUNE RADIO	WT	0.0000	04/11/05	4/11/2005	05/25/05	10	5	0	Gallons	
1450200680	NEPTUNE RADIO	WT	0.0000	04/11/05	4/11/2005	05/25/05	10	5	0	Gallons	
80863878	NEPTUNE RADIO	WT	0.0000	04/11/05	4/11/2005	05/25/05	10	5	0	Gallons	
1470252870	NEPTUNE RADIO	WT	0.0000	04/11/05	4/11/2005	05/25/05	10	5	0	Gallons	
80863879	NEPTUNE RADIO	WT	0.0000	04/11/05	4/11/2005	05/25/05	10	5	0	Gallons	
1450197758	NEPTUNE RADIO	WT	0.0000	04/11/05	4/11/2005	05/25/05	10	5	0	Gallons	
80863880	NEPTUNE RADIO	WT	0.0000	04/11/05	4/11/2005	05/25/05	10	5	0	Gallons	
1487754500	NEPTUNE RADIO	WT	0.0000	04/11/05	4/11/2005	05/13/19	10	0	0	Gallons	
80863881	NEPTUNE RADIO	WT	0.0000	04/11/05	4/11/2005	01/03/17	10	5	0	Gallons	
80863882	NEPTUNE RADIO	WT	0.0000	04/11/05	4/11/2005	05/25/05	10	5	0	Gallons	
1545018386	NEPTUNE RADIO	WT	0.0000	04/11/05	4/11/2005	05/25/05	10	5	0	Gallons	
80863883	NEPTUNE RADIO	WT	0.0000	04/11/05	4/11/2005	05/02/16	10	5	0	Gallons	
1481256392	NEPTUNE RADIO	WT	0.0000	04/11/05	4/11/2005	04/20/16	10	5	0	Gallons	
80863884	NEPTUNE RADIO	WT	0.0000	04/11/05	4/11/2005	04/20/16	10	5	0	Gallons	
1545845404	NEPTUNE RADIO	WT	0.0000	04/11/05	4/11/2005	12/09/16	10	5	0	Gallons	
80863885	NEPTUNE RADIO	WT	0.0000	04/11/05	4/11/2005	05/25/05	10	5	0	Gallons	
1450196658	NEPTUNE RADIO	WT	0.0000	04/11/05	4/11/2005	05/25/05	10	5	0	Gallons	
80863886	NEPTUNE RADIO	WT	0.0000	04/11/05	4/11/2005	05/25/05	10	5	0	Gallons	
1487757482	NEPTUNE RADIO	WT	0.0000	04/11/05	4/11/2005	05/25/05	10	5	0	Gallons	
80863887	NEPTUNE RADIO	WT	0.0000	04/11/05	4/11/2005	05/25/05	10	5	0	Gallons	
1545046574	NEPTUNE RADIO	WT	0.0000	04/11/05	4/11/2005	05/25/05	10	5	0	Gallons	
80914222	Neptune	WT	1,000.0000				4	5	0	Gallons	
81345383	Neptune	WT	0.0000	03/01/07		02/07/17	10	5	0	Gallons	
1490155090	Neptune	WT	0.0000	09/01/05		02/09/17	10	5	0	Gallons	
81345384	Neptune	WT	0.0000	10/01/05		01/31/17	10	5	0	Gallons	
1490145496	Neptune	WT	0.0000								
81345385	Neptune	WT	0.0000								
1545087068	Neptune	WT	0.0000								

Meter #	Size	Service	Meter	Purchase	Warranty	Last	# Of	# Of Fixed	Units of	Tamper	
Internal Id #	Manufacturer	Type	Constant	Date	Date	Tested	Diags	0's	Measure	Status	Visually Readable
81345386	Neptune	WT	0.0000	10/01/05	02/02/17	10	5	0	Gallons		
1545046600	Neptune	WT	0.0000	10/01/05	02/02/17	10	5	0	Gallons		
81345387	Neptune	WT	0.0000	09/01/05	01/30/17	10	5	0	Gallons		
1490154862	Neptune	WT	0.0000	09/01/05	01/30/17	10	5	0	Gallons		
81345388	Neptune	WT	0.0000	09/01/05	01/30/17	10	5	0	Gallons		
1545047330	Neptune	WT	0.0000	09/01/05	02/09/17	10	5	0	Gallons		
81345389	Neptune	WT	0.0000	09/01/05	07/26/05	10	5	0	Gallons		
1545075538	Neptune	WT	0.0000	09/01/05	02/02/17	10	5	0	Gallons		
81345391	Neptune	WT	0.0000	09/01/05	02/02/17	10	5	0	Gallons		
1545536718	Neptune	WT	0.0000	09/01/05	02/02/17	10	5	0	Gallons		
81345392	Neptune	WT	0.0000	09/01/05	02/02/17	10	5	0	Gallons		
1490163758	Neptune	WT	0.0000	09/01/05	02/02/17	10	5	0	Gallons		
81345393	Neptune	WT	0.0000	09/01/05	02/02/17	10	5	0	Gallons		
1545026074	Neptune	WT	0.0000	09/01/05	02/06/17	10	5	0	Gallons		
81345394	Neptune	WT	0.0000	09/01/05	02/06/17	10	5	0	Gallons		
1487945766	Neptune	WT	0.0000	09/01/05	01/31/17	10	5	0	Gallons		
81345395	Neptune	WT	0.0000	09/01/05	02/02/17	10	5	0	Gallons		
1545075152	Neptune	WT	0.0000	09/01/05	02/06/17	10	5	0	Gallons		
81345396	Neptune	WT	0.0000	09/01/05	02/06/17	10	5	0	Gallons		
1545087056	Neptune	WT	0.0000	09/01/05	02/06/17	10	5	0	Gallons		
81345397	Neptune	WT	0.0000	09/22/05	04/04/14	10	5	0	Gallons		
1542530370	Neptune	WT	0.0000	09/22/05	05/04/17	10	5	0	Gallons		
81579574	NEPTUNE	WT	0.0000	09/22/05	09/22/2005	10/24/05	10	5	0	Gallons	
1490174096	NEPTUNE	WT	0.0000	09/22/05	09/22/2005	06/15/10	10	5	0	Gallons	
81579575	NEPTUNE	WT	0.0000	09/22/05	09/22/2005	06/15/10	10	5	0	Gallons	
1546647804	NEPTUNE	WT	0.0000	09/22/05	09/22/2005	06/15/10	10	5	0	Gallons	
81579576	NEPTUNE	WT	0.0000	09/22/05	09/22/2005	06/15/10	10	5	0	Gallons	
1490155686	NEPTUNE	WT	0.0000	09/22/05	09/22/2005	06/15/10	10	5	0	Gallons	
81579577	NEPTUNE	WT	0.0000	09/22/05	09/22/2005	06/15/10	10	5	0	Gallons	
1490141592	NEPTUNE	WT	0.0000	09/22/05	09/22/2005	06/15/10	10	5	0	Gallons	
81579578	NEPTUNE	WT	0.0000	09/22/05	09/22/2005	06/15/10	10	5	0	Gallons	
1551860006	NEPTUNE	WT	0.0000	09/22/05	09/22/2005	06/15/10	10	5	0	Gallons	
81579579	NEPTUNE	WT	0.0000	09/22/05	09/22/2005	06/15/10	10	5	0	Gallons	
1551825900	NEPTUNE	WT	0.0000	09/22/05	09/22/2005	06/15/10	10	5	0	Gallons	
81579580	NEPTUNE	WT	0.0000	09/22/05	09/22/2005	06/15/10	10	5	0	Gallons	
1483413978	NEPTUNE	WT	0.0000	09/22/05	09/22/2005	06/15/10	10	5	0	Gallons	
81579581	NEPTUNE	WT	0.0000	09/22/05	09/22/2005	06/15/10	10	5	0	Gallons	
1483393124	NEPTUNE	WT	0.0000	09/22/05	09/22/2005	06/15/10	10	5	0	Gallons	
81579582	NEPTUNE	WT	0.0000	09/22/05	09/22/2005	06/15/10	10	5	0	Gallons	
1549652702	NEPTUNE	WT	0.0000	09/22/05	09/22/2005	06/15/10	10	5	0	Gallons	
81579583	NEPTUNE	WT	0.0000	09/22/05	09/22/2005	06/15/10	10	5	0	Gallons	
1547229060	NEPTUNE	WT	0.0000	09/22/05	09/22/2005	06/15/10	10	5	0	Gallons	
81579584	NEPTUNE	WT	0.0000	09/22/05	09/22/2005	06/15/10	10	5	0	Gallons	
1490145478	NEPTUNE	WT	0.0000	09/22/05	09/22/2005	06/15/10	10	5	0	Gallons	
81579585	NEPTUNE	WT	0.0000	09/22/05	09/22/2005	06/15/10	10	5	0	Gallons	
1551827644	NEPTUNE	WT	0.0000	09/22/05	09/22/2005	06/15/10	10	5	0	Gallons	

Meter #	Size	Service	Meter	Purchase	Warranty	Last	# Of	# Of Fixed	Units of	Tamper	
Internal Id #	Manufacturer	Type	Constant	Date	Date	Tested	Diags	0's	Measure	Status	Visually Readable
81579586	NEPTUNE	WT	0.0000	09/22/05	9/22/2005	02/22/17	10	5	0	Gallons	
1471515442	NEPTUNE	WT	0.0000	09/22/05	9/22/2005	11/18/05	10	5	0	Gallons	
81579587	NEPTUNE	WT	0.0000	09/22/05	9/22/2005	11/21/05	10	5	0	Gallons	
1490167670	NEPTUNE	WT	0.0000	09/22/05	9/22/2005	05/04/17	10	5	0	Gallons	
81579588	NEPTUNE	WT	0.0000	09/22/05	9/22/2005	04/26/19	10	5	0	Gallons	
1490163424	NEPTUNE	WT	0.0000	09/22/05	9/22/2005	11/28/05	10	5	0	Gallons	
81579589	NEPTUNE	WT	0.0000	09/22/05	9/22/2005	10/27/05	10	5	0	Gallons	
1545232766	NEPTUNE	WT	0.0000	09/22/05	9/22/2005	10/27/05	10	5	0	Gallons	
81579590	NEPTUNE	WT	0.0000	09/22/05	9/22/2005	05/10/17	10	5	0	Gallons	
1551750410	NEPTUNE	WT	0.0000	09/22/05	9/22/2005	10/17/05	10	5	0	Gallons	
81579591	NEPTUNE	WT	0.0000	09/22/05	9/22/2005	10/20/05	10	5	0	Gallons	
1471236324	NEPTUNE	WT	0.0000	09/22/05	9/22/2005	10/20/05	10	5	0	Gallons	
81579592	NEPTUNE	WT	0.0000	09/22/05	9/22/2005	10/27/05	10	5	0	Gallons	
1490163708	NEPTUNE	WT	0.0000	09/22/05	9/22/2005	10/27/05	10	5	0	Gallons	
81579593	NEPTUNE	WT	0.0000	09/22/05	9/22/2005	10/27/05	10	5	0	Gallons	
1545527276	NEPTUNE	WT	0.0000	09/22/05	9/22/2005	10/11/05	10	5	0	Gallons	
81579594	NEPTUNE	WT	0.0000	09/22/05	9/22/2005	10/11/05	10	5	0	Gallons	
1481545892	NEPTUNE	WT	0.0000	09/22/05	9/22/2005	10/17/05	10	5	0	Gallons	
81579595	NEPTUNE	WT	0.0000	09/22/05	9/22/2005	10/17/05	10	5	0	Gallons	
1545047860	NEPTUNE	WT	0.0000	09/22/05	9/22/2005	10/20/05	10	5	0	Gallons	
81579596	NEPTUNE	WT	0.0000	09/22/05	9/22/2005	10/20/05	10	5	0	Gallons	
1487738160	NEPTUNE	WT	0.0000	09/22/05	9/22/2005	10/20/05	10	5	0	Gallons	
81579597	NEPTUNE	WT	0.0000	09/22/05	9/22/2005	10/11/05	10	5	0	Gallons	
1490150118	NEPTUNE	WT	0.0000	09/22/05	9/22/2005	10/17/05	10	5	0	Gallons	
81579598	NEPTUNE	WT	0.0000	09/22/05	9/22/2005	10/17/05	10	5	0	Gallons	
1481555162	NEPTUNE	WT	0.0000	09/22/05	9/22/2005	10/17/05	10	5	0	Gallons	
81579599	NEPTUNE	WT	0.0000	09/22/05	9/22/2005	10/17/05	10	5	0	Gallons	
81579600	NEPTUNE	WT	0.0000	09/22/05	9/22/2005	10/17/05	10	5	0	Gallons	
1481547898	NEPTUNE	WT	0.0000	09/22/05	9/22/2005	11/05/15	10	5	0	Gallons	
81579601	NEPTUNE	WT	0.0000	09/22/05	9/22/2005	04/26/19	10	5	0	Gallons	
1490155072	NEPTUNE	WT	0.0000	09/22/05	9/22/2005	01/06/17	10	5	0	Gallons	
81579602	NEPTUNE	WT	0.0000	09/22/05	9/22/2005	01/06/17	10	5	0	Gallons	
1546641950	NEPTUNE	WT	0.0000	09/22/05	9/22/2005	11/01/18	10	5	0	Gallons	
81579603	NEPTUNE	WT	0.0000	09/22/05	9/22/2005	01/24/06	10	5	0	Gallons	
1552115926	NEPTUNE	WT	0.0000	09/22/05	9/22/2005	01/24/06	10	5	0	Gallons	
81579604	NEPTUNE	WT	0.0000	09/22/05	9/22/2005	01/30/06	10	5	0	Gallons	
1551859486	NEPTUNE	WT	0.0000	09/22/05	9/22/2005	01/03/17	10	5	0	Gallons	
81579605	NEPTUNE	WT	0.0000	09/22/05	9/22/2005	01/24/06	10	5	0	Gallons	
1490155576	NEPTUNE	WT	0.0000	09/22/05	9/22/2005	01/03/17	10	5	0	Gallons	
81579606	NEPTUNE	WT	0.0000	09/22/05	9/22/2005	01/03/17	10	5	0	Gallons	
1481545878	NEPTUNE	WT	0.0000	09/22/05	9/22/2005	01/24/06	10	5	0	Gallons	
81579607	NEPTUNE	WT	0.0000	09/22/05	9/22/2005	01/03/17	10	5	0	Gallons	
1545018422	NEPTUNE	WT	0.0000	09/22/05	9/22/2005	01/24/06	10	5	0	Gallons	
81579608	NEPTUNE	WT	0.0000	09/22/05	9/22/2005	01/24/06	10	5	0	Gallons	
1490173764	NEPTUNE	WT	0.0000	09/22/05	9/22/2005	01/24/06	10	5	0	Gallons	

Meter #	Size	Service	Meter	Purchase	Warranty	Last	# Of	# Of Fixed	Units of	Tamper	
Internal Id #	Manufacturer	Type	Constant	Date	Date	Tested	Diags	0's	Measure	Status	Visually Readable
81579609	NEPTUNE	WT	0.0000	09/22/05	9/22/2005	01/24/06	10	5	0	Gallons	
1490173886	NEPTUNE	WT	0.0000	09/22/05	9/22/2005	10/07/05	10	5	0	Gallons	
81579610	NEPTUNE	WT	0.0000	09/22/05	9/22/2005	10/10/05	10	5	0	Gallons	
1481554024	NEPTUNE	WT	0.0000	09/22/05	9/22/2005	07/29/08	10	5	0	Gallons	
81579611	NEPTUNE	WT	0.0000	09/22/05	9/22/2005	01/05/18	10	5	0	Gallons	
1490177596	NEPTUNE	WT	0.0000	09/22/05	9/22/2005	09/10/15	10	5	0	Gallons	
81579612	NEPTUNE	WT	0.0000	09/22/05	9/22/2005	10/21/05	10	5	0	Gallons	
1490144128	NEPTUNE	WT	0.0000	09/22/05	9/22/2005	10/11/05	10	5	0	Gallons	
81579613	NEPTUNE	WT	0.0000	09/22/05	9/22/2005	05/10/19	10	5	0	Gallons	
1546683586	NEPTUNE	WT	0.0000	09/22/05	9/22/2005	12/07/05	10	5	0	Gallons	
81579614	NEPTUNE	WT	0.0000	09/22/05	9/22/2005	11/09/18	10	5	0	Gallons	
1487938198	NEPTUNE	WT	0.0000	09/22/05	9/22/2005	12/01/15	10	5	0	Gallons	
81579615	NEPTUNE	WT	0.0000	09/22/05	9/22/2005	10/11/05	10	5	0	Gallons	
1490185546	NEPTUNE	WT	0.0000	09/22/05	9/22/2005	04/10/19	10	5	0	Gallons	
81579616	NEPTUNE	WT	0.0000	09/22/05	9/22/2005	04/26/19	10	5	0	Gallons	
1545021816	NEPTUNE	WT	0.0000	09/22/05	9/22/2005	10/18/05	10	5	0	Gallons	
81579617	NEPTUNE	WT	0.0000	09/22/05	9/22/2005	10/18/05	10	5	0	Gallons	
81579618	NEPTUNE	WT	0.0000	09/22/05	9/22/2005	10/11/05	10	5	0	Gallons	
1481557894	NEPTUNE	WT	0.0000	09/22/05	9/22/2005	04/10/19	10	5	0	Gallons	
81579619	NEPTUNE	WT	0.0000	09/22/05	9/22/2005	04/10/19	10	5	0	Gallons	
1562504876	NEPTUNE	WT	0.0000	09/22/05	9/22/2005	04/26/19	10	5	0	Gallons	
81579620	NEPTUNE	WT	0.0000	09/22/05	9/22/2005	11/09/18	10	5	0	Gallons	
1552116290	NEPTUNE	WT	0.0000	09/22/05	9/22/2005	12/01/15	10	5	0	Gallons	
81579621	NEPTUNE	WT	0.0000	09/22/05	9/22/2005	12/07/05	10	5	0	Gallons	
1551807780	NEPTUNE	WT	0.0000	09/22/05	9/22/2005	12/01/15	10	5	0	Gallons	
81579622	NEPTUNE	WT	0.0000	09/22/05	9/22/2005	12/01/15	10	5	0	Gallons	
1490180046	NEPTUNE	WT	0.0000	09/22/05	9/22/2005	12/07/05	10	5	0	Gallons	
81579623	NEPTUNE	WT	0.0000	09/22/05	9/22/2005	12/07/05	10	5	0	Gallons	
1490162048	NEPTUNE	WT	0.0000	09/22/05	9/22/2005	11/01/18	10	5	0	Gallons	
81579624	NEPTUNE	WT	0.0000	09/22/05	9/22/2005	12/01/05	10	5	0	Gallons	
1551807028	NEPTUNE	WT	0.0000	09/22/05	9/22/2005	01/04/06	10	5	0	Gallons	
81579625	NEPTUNE	WT	0.0000	09/22/05	9/22/2005	12/20/05	10	5	0	Gallons	
1471210488	NEPTUNE	WT	0.0000	09/22/05	9/22/2005	12/01/05	10	5	0	Gallons	
81579626	NEPTUNE	WT	0.0000	09/22/05	9/22/2005	10/19/05	10	5	0	Gallons	
1490163836	NEPTUNE	WT	0.0000	09/22/05	9/22/2005	10/19/05	10	5	0	Gallons	
81579627	NEPTUNE	WT	0.0000	09/22/05	9/22/2005	10/18/05	10	5	0	Gallons	
81579628	NEPTUNE	WT	0.0000	09/22/05	9/22/2005	10/18/05	10	5	0	Gallons	
1481554200	NEPTUNE	WT	0.0000	09/22/05	9/22/2005	10/18/05	10	5	0	Gallons	
81579629	NEPTUNE	WT	0.0000	09/22/05	9/22/2005	10/18/05	10	5	0	Gallons	
1490150189	NEPTUNE	WT	0.0000	09/22/05	9/22/2005	10/19/05	10	5	0	Gallons	
81579630	NEPTUNE	WT	0.0000	09/22/05	9/22/2005	10/18/05	10	5	0	Gallons	
1481554196	NEPTUNE	WT	0.0000	09/22/05	9/22/2005	10/18/05	10	5	0	Gallons	
81579631	NEPTUNE	WT	0.0000	09/22/05	9/22/2005	10/18/05	10	5	0	Gallons	
1490113891	NEPTUNE	WT	0.0000	09/22/05	9/22/2005	10/18/05	10	5	0	Gallons	

Meter #	Size	Service	Meter	Purchase	Warranty	Last	# Of	# Of Fixed	Units of	Tamper	
Internal Id #	Manufacturer	Type	Constant	Date	Date	Tested	Diags	0's	Measure	Status	Visually Readable
81579632	NEPTUNE	WT	0.0000	09/22/05	9/22/2005	10/18/05	10	5	0	Gallons	
1490113890	NEPTUNE	WT	0.0000	09/22/05	9/22/2005	10/18/05	10	5	0	Gallons	
81579633	NEPTUNE	WT	0.0000	09/22/05	9/22/2005	10/18/05	10	5	0	Gallons	
1490150188	NEPTUNE	WT	0.0000	09/22/05	9/22/2005	09/10/15	10	5	0	Gallons	
81579634	NEPTUNE	WT	0.0000	09/22/05	9/22/2005	10/20/05	10	5	0	Gallons	
1487959620	NEPTUNE	WT	0.0000	09/22/05	9/22/2005	10/20/05	10	5	0	Gallons	
81579635	NEPTUNE	WT	0.0000	09/22/05	9/22/2005	05/10/19	10	5	0	Gallons	
1545270038	NEPTUNE	WT	0.0000	09/22/05	9/22/2005	10/18/10	10	5	0	Gallons	
81579636	NEPTUNE	WT	0.0000	09/22/05	9/22/2005	10/26/05	10	5	0	Gallons	
1552117948	NEPTUNE	WT	0.0000	09/22/05	9/22/2005	10/24/05	10	5	0	Gallons	
81579637	NEPTUNE	WT	0.0000	09/22/05	9/22/2005	12/14/05	10	5	0	Gallons	
1483354604	NEPTUNE	WT	0.0000	09/22/05	9/22/2005	12/30/05	10	5	0	Gallons	
81579638	NEPTUNE	WT	0.0000	09/22/05	9/22/2005	04/01/16	10	5	0	Gallons	
1481555298	NEPTUNE	WT	0.0000	09/22/05	9/22/2005	04/26/19	10	5	0	Gallons	
81579639	NEPTUNE	WT	0.0000	09/22/05	9/22/2005	11/08/05	10	5	0	Gallons	
1481553910	NEPTUNE	WT	0.0000	09/22/05	9/22/2005	12/30/05	10	5	0	Gallons	
81579640	NEPTUNE	WT	0.0000	09/22/05	9/22/2005	12/30/05	10	5	0	Gallons	
81579641	NEPTUNE	WT	0.0000	09/22/05	9/22/2005	05/10/19	10	5	0	Gallons	
1490167700	Neptune	WT	0.0000	09/22/05	9/22/2005	08/18/09	10	5	0	Gallons	
81579642	Neptune	WT	0.0000	09/22/05	9/22/2005	04/01/16	10	5	0	Gallons	
1552116276	Neptune	WT	0.0000	09/22/05	9/22/2005	12/30/05	10	5	0	Gallons	
81579643	NEPTUNE	WT	0.0000	09/22/05	9/22/2005	11/08/05	10	5	0	Gallons	
1481601632	NEPTUNE	WT	0.0000	09/22/05	9/22/2005	04/01/16	10	5	0	Gallons	
81579644	NEPTUNE	WT	0.0000	09/22/05	9/22/2005	04/01/16	10	5	0	Gallons	
1490134982	NEPTUNE	WT	0.0000	09/22/05	9/22/2005	04/26/19	10	5	0	Gallons	
81579645	NEPTUNE	WT	0.0000	09/22/05	9/22/2005	04/01/16	10	5	0	Gallons	
1490167701	NEPTUNE	WT	0.0000	09/22/05	9/22/2005	04/26/19	10	5	0	Gallons	
81579646	NEPTUNE	WT	0.0000	09/22/05	9/22/2005	04/01/16	10	5	0	Gallons	
1490151038	NEPTUNE	WT	0.0000	09/22/05	9/22/2005	04/26/19	10	5	0	Gallons	
81579647	NEPTUNE	WT	0.0000	09/22/05	9/22/2005	05/19/06	10	5	0	Gallons	
1552116380	NEPTUNE	WT	0.0000	09/22/05	9/22/2005	10/30/13	10	5	0	Gallons	
81579648	NEPTUNE	WT	0.0000	09/22/05	9/22/2005	01/03/17	10	5	0	Gallons	
1545038588	NEPTUNE	WT	0.0000	09/22/05	9/22/2005	01/03/17	10	5	0	Gallons	
81579649	NEPTUNE	WT	0.0000	09/22/05	9/22/2005	05/19/06	10	5	0	Gallons	
1490144252	NEPTUNE	WT	0.0000	09/22/05	9/22/2005	10/30/13	10	5	0	Gallons	
81579650	NEPTUNE	WT	0.0000	09/22/05	9/22/2005	01/05/06	10	5	0	Gallons	
1487199796	NEPTUNE	WT	0.0000	09/22/05	9/22/2005	01/05/06	10	5	0	Gallons	
81579651	NEPTUNE	WT	0.0000	09/22/05	9/22/2005	04/08/19	10	5	0	Gallons	
1490141276	NEPTUNE	WT	0.0000	09/22/05	9/22/2005	02/09/12	10	5	0	Gallons	
81579652	NEPTUNE RADIO	WT	0.0000	09/22/05	9/22/2005	02/09/12	10	5	0	Gallons	
1562469392	NEPTUNE	WT	0.0000	09/22/05	9/22/2005	10/17/05	10	5	0	Gallons	
81579653	NEPTUNE	WT	0.0000	09/22/05	9/22/2005	10/17/05	10	5	0	Gallons	
1490138764	NEPTUNE	WT	0.0000	09/22/05	9/22/2005	10/17/05	10	5	0	Gallons	
81579654	NEPTUNE	WT	0.0000	09/22/05	9/22/2005	10/17/05	10	5	0	Gallons	
1490155670	NEPTUNE	WT	0.0000	09/22/05	9/22/2005	10/17/05	10	5	0	Gallons	

Meter #	Size	Service	Meter	Purchase	Warranty	Last	# Of	# Of Fixed	Units of	Tamper	Visually
Internal Id #	Manufacturer	Type	Constant	Date	Date	Tested	Diags	0's	Measure	Status	Readable
81579655	NEPTUNE	WT	0.0000	09/22/05	9/22/2005	07/10/15	10	5	0	Gallons	
1487438420	NEPTUNE	WT	0.0000	09/22/05	9/22/2005	06/08/18	10	5	0	Gallons	
81579666	NEPTUNE	WT	0.0000	09/22/05	9/22/2005	10/24/05	10	5	0	Gallons	
1490176694	NEPTUNE	WT	0.0000	09/22/05	9/22/2005	10/21/05	10	5	0	Gallons	
81579657	NEPTUNE	WT	0.0000	09/22/05	9/22/2005	10/21/05	10	5	0	Gallons	
1481547908	NEPTUNE	WT	0.0000	09/22/05	9/22/2005	10/21/05	10	5	0	Gallons	
81579658	NEPTUNE	WT	0.0000	09/22/05	9/22/2005	10/21/05	10	5	0	Gallons	
1490156006	NEPTUNE	WT	0.0000	09/22/05	9/22/2005	07/12/10	10	5	0	Gallons	
81579659	NEPTUNE	WT	0.0000	09/22/05	9/22/2005	10/27/05	10	5	0	Gallons	
1490147892	NEPTUNE	WT	0.0000	09/22/05	9/22/2005	03/15/19	10	5	0	Gallons	
81579660	NEPTUNE	WT	0.0000	09/22/05	9/22/2005	10/25/05	10	5	0	Gallons	
1482905306	NEPTUNE	WT	0.0000	09/22/05	9/22/2005	11/12/05	10	5	0	Gallons	
81579661	NEPTUNE	WT	0.0000	09/22/05	9/22/2005	04/18/16	10	5	0	Gallons	
1490148476	NEPTUNE	WT	0.0000	09/22/05	9/22/2005	03/15/19	10	5	0	Gallons	
81579662	NEPTUNE	WT	0.0000	09/22/05	9/22/2005	10/25/05	10	5	0	Gallons	
1562512926	NEPTUNE	WT	0.0000	09/22/05	9/22/2005	11/12/05	10	5	0	Gallons	
81579663	NEPTUNE	WT	0.0000	09/22/05	9/22/2005	11/12/05	10	5	0	Gallons	
1490145760	NEPTUNE	WT	0.0000	09/22/05	9/22/2005	04/18/16	10	5	0	Gallons	
81579664	NEPTUNE	WT	0.0000	09/22/05	9/22/2005	05/25/17	10	5	0	Gallons	
1471535172	NEPTUNE	WT	0.0000	09/22/05	9/22/2005	11/03/17	10	5	0	Gallons	
81579665	NEPTUNE	WT	0.0000	09/22/05	9/22/2005	11/03/05	10	5	0	Gallons	
1543652700	NEPTUNE	WT	0.0000	09/22/05	9/22/2005	11/03/05	10	5	0	Gallons	
81579666	NEPTUNE	WT	0.0000	09/22/05	9/22/2005	05/15/19	10	0	0	Gallons	
1545047336	NEPTUNE	WT	0.0000	09/22/05	9/22/2005	11/07/05	10	5	0	Gallons	
81579667	NEPTUNE	WT	0.0000	09/22/05	9/22/2005	11/17/05	10	5	0	Gallons	
1490184684	NEPTUNE	WT	0.0000	09/22/05	9/22/2005	11/09/11	10	5	0	Gallons	
81579668	NEPTUNE	WT	0.0000	09/22/05	9/22/2005	11/03/05	10	5	0	Gallons	
1490167778	NEPTUNE	WT	0.0000	09/22/05	9/22/2005	11/03/05	10	5	0	Gallons	
81579669	NEPTUNE	WT	0.0000	09/22/05	9/22/2005	11/03/05	10	5	0	Gallons	
1490152076	NEPTUNE	WT	0.0000	09/22/05	9/22/2005	05/15/19	10	0	0	Gallons	
81579670	NEPTUNE	WT	0.0000	09/22/05	9/22/2005	11/07/05	10	5	0	Gallons	
1490138516	NEPTUNE	WT	0.0000	09/22/05	9/22/2005	11/07/05	10	5	0	Gallons	
81579672	NEPTUNE	WT	0.0000	09/22/05	9/22/2005	11/17/05	10	5	0	Gallons	
1490163702	NEPTUNE	WT	0.0000	09/22/05	9/22/2005	11/09/11	10	5	0	Gallons	
81579673	NEPTUNE	WT	0.0000	09/22/05	9/22/2005	11/17/05	10	5	0	Gallons	
1484700048	NEPTUNE	WT	0.0000	09/22/05	9/22/2005	11/17/05	10	5	0	Gallons	
81579674	NEPTUNE	WT	0.0000	09/22/05	9/22/2005	11/17/05	10	5	0	Gallons	
1490167666	NEPTUNE	WT	0.0000	09/22/05	9/22/2005	11/17/05	10	5	0	Gallons	
81579675	NEPTUNE	WT	0.0000	09/22/05	9/22/2005	11/03/05	10	5	0	Gallons	
1490149618	NEPTUNE	WT	0.0000	09/22/05	9/22/2005	11/03/05	10	5	0	Gallons	
81579676	NEPTUNE	WT	0.0000	09/22/05	9/22/2005	11/03/05	10	5	0	Gallons	
1490133942	NEPTUNE	WT	0.0000	09/22/05	9/22/2005	11/01/05	10	5	0	Gallons	
81579677	NEPTUNE	WT	0.0000	09/22/05	9/22/2005	11/01/05	10	5	0	Gallons	
1490132958	NEPTUNE	WT	0.0000	09/22/05	9/22/2005	11/01/05	10	5	0	Gallons	

Meter #	Size	Service	Meter	Purchase	Warranty	Last	# Of	# Of	Units of	Tamper
Internal Id #	Manufacturer	Type	Constant	Date	Date	Tested	Test Cycle	Fixed	Measure	Status
							Dials	0's		Visually
		Rating								Readable
81579678	NEPTUNE	WT	0.0000	09/22/05	9/22/2005	02/15/06	10	5	0	Gallons
1490134468	NEPTUNE	WT	0.0000	01/27/06	1/27/2006	03/31/06	10	5	0	Gallons
82072535	NEPTUNE	WT	0.0000	01/27/06	1/27/2006	12/09/15	10	5	0	Gallons
1490150352	NEPTUNE	WT	0.0000	01/27/06	1/27/2006	03/28/06	10	5	0	Gallons
82072536	NEPTUNE	WT	0.0000	01/27/06	1/27/2006	04/04/06	10	5	0	Gallons
1543651832	NEPTUNE	WT	0.0000	01/27/06	1/27/2006	12/13/16	10	5	0	Gallons
82072537	NEPTUNE	WT	0.0000	01/27/06	1/27/2006	04/05/06	10	5	0	Gallons
1490156366	NEPTUNE	WT	0.0000	01/27/06	1/27/2006	03/22/06	10	5	0	Gallons
82072538	NEPTUNE	WT	0.0000	01/27/06	1/27/2006	03/22/06	10	5	0	Gallons
1490155848	NEPTUNE	WT	0.0000	01/27/06	1/27/2006	03/22/06	10	5	0	Gallons
82072539	NEPTUNE	WT	0.0000	01/27/06	1/27/2006	03/22/06	10	5	0	Gallons
1545046358	NEPTUNE	WT	0.0000	01/27/06	1/27/2006	04/21/16	10	5	0	Gallons
82072540	NEPTUNE	WT	0.0000	01/27/06	1/27/2006	03/22/06	10	5	0	Gallons
1490139722	NEPTUNE	WT	0.0000	01/27/06	1/27/2006	03/22/06	10	5	0	Gallons
82072541	NEPTUNE	WT	0.0000	01/27/06	1/27/2006	03/22/06	10	5	0	Gallons
1490154742	NEPTUNE	WT	0.0000	01/27/06	1/27/2006	03/22/06	10	5	0	Gallons
82072542	NEPTUNE	WT	0.0000	01/27/06	1/27/2006	03/22/06	10	5	0	Gallons
82072543	NEPTUNE	WT	0.0000	01/27/06	1/27/2006	05/05/09	10	5	0	Gallons
1490114770	NEPTUNE	WT	0.0000	01/27/06	1/27/2006	04/17/06	10	5	0	Gallons
82072544	NEPTUNE	WT	0.0000	01/27/06	1/27/2006	08/01/18	10	5	0	Gallons
1485505468	NEPTUNE	WT	0.0000	01/27/06	1/27/2006	03/22/06	10	5	0	Gallons
82072545	NEPTUNE	WT	0.0000	01/27/06	1/27/2006	03/22/06	10	5	0	Gallons
1490154743	NEPTUNE	WT	0.0000	01/27/06	1/27/2006	03/22/06	10	5	0	Gallons
82072546	NEPTUNE	WT	0.0000	01/27/06	1/27/2006	05/05/09	10	5	0	Gallons
82072547	NEPTUNE	WT	0.0000	01/27/06	1/27/2006	05/05/09	10	5	0	Gallons
1490163870	NEPTUNE	WT	0.0000	01/27/06	1/27/2006	08/01/18	10	5	0	Gallons
82072548	NEPTUNE	WT	0.0000	01/27/06	1/27/2006	03/22/06	10	5	0	Gallons
1550399722	NEPTUNE	WT	0.0000	01/27/06	1/27/2006	03/22/06	10	5	0	Gallons
82072549	NEPTUNE	WT	0.0000	01/27/06	1/27/2006	03/22/06	10	5	0	Gallons
1490150114	NEPTUNE	WT	0.0000	01/27/06	1/27/2006	12/13/16	10	5	0	Gallons
82072550	NEPTUNE	WT	0.0000	01/27/06	1/27/2006	03/20/06	10	5	0	Gallons
1486825252	NEPTUNE	WT	0.0000	01/27/06	1/27/2006	11/04/08	10	5	0	Gallons
82072551	NEPTUNE	WT	0.0000	01/27/06	1/27/2006	03/17/06	10	5	0	Gallons
1545524110	NEPTUNE	WT	0.0000	01/27/06	1/27/2006	08/01/18	10	5	0	Gallons
82072552	NEPTUNE	WT	0.0000	01/27/06	1/27/2006	08/01/18	10	5	0	Gallons
1490148386	NEPTUNE	WT	0.0000	01/27/06	1/27/2006	08/06/18	10	5	0	Gallons
82072553	NEPTUNE	WT	0.0000	01/27/06	1/27/2006	03/15/06	10	5	0	Gallons
1490154770	NEPTUNE	WT	0.0000	01/27/06	1/27/2006	03/15/06	10	5	0	Gallons
82072554	NEPTUNE	WT	0.0000	01/27/06	1/27/2006	08/06/18	10	5	0	Gallons
1490138776	NEPTUNE	WT	0.0000	01/27/06	1/27/2006	08/06/18	10	5	0	Gallons
82072555	NEPTUNE	WT	0.0000	01/27/06	1/27/2006	03/15/06	10	5	0	Gallons
1490187426	NEPTUNE	WT	0.0000	01/27/06	1/27/2006	03/15/06	10	5	0	Gallons
82072556	NEPTUNE	WT	0.0000	01/27/06	1/27/2006	03/15/06	10	5	0	Gallons
1490141996	NEPTUNE	WT	0.0000	01/27/06	1/27/2006	03/15/06	10	5	0	Gallons

Meter #	Size	Service	Meter	Purchase	Warranty	Last	# Of	# Of Fixed	Units of	Tamper	
Internal Id #	Manufacturer	Type	Constant	Date	Date	Tested	Diags	0's	Measure	Status	
		Rating								Visually	
										Readable	
82072557	NEPTUNE	WT	0.0000	01/27/06	1/27/2006	03/22/06	10	5	0	Gallons	
1490167784	NEPTUNE	WT	0.0000	01/27/06	1/27/2006	03/15/06	10	5	0	Gallons	
82072558	NEPTUNE	WT	0.0000	01/27/06	1/27/2006	03/27/06	10	5	0	Gallons	
1490145364	NEPTUNE	WT	0.0000	01/27/06	1/27/2006	10/30/13	10	5	0	Gallons	
82072559	NEPTUNE	WT	0.0000	01/27/06	1/27/2006	04/05/06	10	5	0	Gallons	
1490156078	NEPTUNE	WT	0.0000	01/27/06	1/27/2006	03/29/06	10	5	0	Gallons	
82072560	NEPTUNE	WT	0.0000	01/27/06	1/27/2006	11/10/15	10	5	0	Gallons	
1490159478	NEPTUNE	WT	0.0000	01/27/06	1/27/2006	04/04/06	10	5	0	Gallons	
82072561	NEPTUNE	WT	0.0000	01/27/06	1/27/2006	04/08/19	10	5	0	Gallons	
1490151564	NEPTUNE	WT	0.0000	01/27/06	1/27/2006	04/04/06	10	5	0	Gallons	
82072562	NEPTUNE	WT	0.0000	01/27/06	1/27/2006	04/08/19	10	5	0	Gallons	
1490155070	NEPTUNE	WT	0.0000	01/27/06	1/27/2006	04/03/18	10	5	0	Gallons	
82072563	NEPTUNE	WT	0.0000	01/27/06	1/27/2006	04/11/06	10	5	0	Gallons	
1487953024	NEPTUNE	WT	0.0000	01/27/06	1/27/2006	04/11/06	10	5	0	Gallons	
82072564	NEPTUNE	WT	0.0000	01/27/06	1/27/2006	04/04/06	10	5	0	Gallons	
1490151224	NEPTUNE	WT	0.0000	01/27/06	1/27/2006	04/08/19	10	5	0	Gallons	
82072565	NEPTUNE	WT	0.0000	01/27/06	1/27/2006	04/03/18	10	5	0	Gallons	
1562509198	NEPTUNE	WT	0.0000	01/27/06	1/27/2006	04/05/06	10	5	0	Gallons	
82072566	NEPTUNE	WT	0.0000	01/27/06	1/27/2006	04/11/06	10	5	0	Gallons	
1490142132	NEPTUNE	WT	0.0000	01/27/06	1/27/2006	04/05/06	10	5	0	Gallons	
82072567	NEPTUNE	WT	0.0000	01/27/06	1/27/2006	04/03/106	10	5	0	Gallons	
1490148436	NEPTUNE	WT	0.0000	01/27/06	1/27/2006	04/11/06	10	5	0	Gallons	
82072568	NEPTUNE	WT	0.0000	01/27/06	1/27/2006	04/20/06	10	5	0	Gallons	
1490135224	NEPTUNE	WT	0.0000	01/27/06	1/27/2006	03/17/06	10	5	0	Gallons	
82072569	NEPTUNE	WT	0.0000	01/27/06	1/27/2006	04/07/06	10	5	0	Gallons	
1490155226	NEPTUNE	WT	0.0000	01/27/06	1/27/2006	06/12/18	10	5	0	Gallons	
82072570	NEPTUNE	WT	0.0000	01/27/06	1/27/2006	03/20/06	10	5	0	Gallons	
1471468548	NEPTUNE	WT	0.0000	01/27/06	1/27/2006	03/17/06	10	5	0	Gallons	
82072571	NEPTUNE	WT	0.0000	01/27/06	1/27/2006	04/07/06	10	5	0	Gallons	
1490145906	NEPTUNE	WT	0.0000	01/27/06	1/27/2006	06/12/18	10	5	0	Gallons	
82072572	NEPTUNE	WT	0.0000	01/27/06	1/27/2006	03/20/06	10	5	0	Gallons	
1547959476	NEPTUNE	WT	0.0000	01/27/06	1/27/2006	06/30/15	10	5	0	Gallons	
82072573	NEPTUNE	WT	0.0000	01/27/06	1/27/2006	07/29/10	10	5	0	Gallons	
1487951656	NEPTUNE	WT	0.0000	01/27/06	1/27/2006	03/24/06	10	5	0	Gallons	
82072574	NEPTUNE	WT	0.0000	01/27/06	1/27/2006	03/20/06	10	5	0	Gallons	
1490159850	NEPTUNE	WT	0.0000	01/27/06	1/27/2006	07/29/10	10	5	0	Gallons	
82072575	NEPTUNE	WT	0.0000	01/27/06	1/27/2006	03/24/06	10	5	0	Gallons	
1487927192	NEPTUNE	WT	0.0000	01/27/06	1/27/2006	03/20/06	10	5	0	Gallons	
82072576	NEPTUNE	WT	0.0000	01/27/06	1/27/2006	03/20/06	10	5	0	Gallons	
1483393528	NEPTUNE	WT	0.0000	01/27/06	1/27/2006	03/24/06	10	5	0	Gallons	
82072577	NEPTUNE	WT	0.0000	01/27/06	1/27/2006	03/20/06	10	5	0	Gallons	
1490149080	NEPTUNE	WT	0.0000	01/27/06	1/27/2006	03/20/06	10	5	0	Gallons	
82072578	NEPTUNE	WT	0.0000	01/27/06	1/27/2006	03/20/06	10	5	0	Gallons	
1490155600	NEPTUNE	WT	0.0000	01/27/06	1/27/2006	03/20/06	10	5	0	Gallons	
82072579	NEPTUNE	WT	0.0000	01/27/06	1/27/2006	10/22/14	10	5	0	Gallons	
1487942352	NEPTUNE	WT	0.0000	01/27/06	1/27/2006	10/22/14	10	5	0	Gallons	

Meter #	Size	Service	Meter	Purchase	Warranty	Last	# Of	# Of Fixed	Units of	Tamper	
Internal Id #	Manufacturer	Type	Constant	Date	Date	Tested	Test Cycle	0's	Measure	Status	
							Diags			Visually	
										Readable	
82072580	NEPTUNE	WT	0.0000	01/27/06	1/27/2006	08/22/16	10	5	0	Gallons	
1490148372	NEPTUNE	WT	0.0000	01/27/06	1/27/2006	12/02/15	10	5	0	Gallons	
82072581	NEPTUNE	WT	0.0000	01/27/06	1/27/2006	03/16/06	10	5	0	Gallons	
1490189284	NEPTUNE	WT	0.0000	01/27/06	1/27/2006	02/27/06	10	5	0	Gallons	
82072582	NEPTUNE	WT	0.0000	01/27/06	1/27/2006	05/10/17	10	5	0	Gallons	
1490122866	NEPTUNE	WT	0.0000	01/27/06	1/27/2006	02/28/06	10	5	0	Gallons	
82072583	NEPTUNE	WT	0.0000	01/27/06	1/27/2006	02/28/06	10	5	0	Gallons	
1490137816	NEPTUNE	WT	0.0000	01/27/06	1/27/2006	02/28/06	10	5	0	Gallons	
82072584	NEPTUNE	WT	0.0000	05/23/06	5/23/2006	07/20/06	10	5	0	Gallons	
1490150608	NEPTUNE	WT	0.0000	05/23/06	5/23/2006	07/20/06	10	5	0	Gallons	
82644297	NEPTUNE RADIO	WT	0.0000	05/23/06	5/23/2006	07/20/06	10	5	0	Gallons	
1471476734	NEPTUNE RADIO	WT	0.0000	05/23/06	5/23/2006	07/20/06	10	5	0	Gallons	
82644298	NEPTUNE	WT	0.0000	05/23/06	5/23/2006	06/03/09	10	5	0	Gallons	
1540768062	NEPTUNE	WT	0.0000	05/23/06	5/23/2006	08/21/06	10	5	0	Gallons	
82644299	NEPTUNE	WT	0.0000	05/23/06	5/23/2006	07/21/06	10	5	0	Gallons	
1490134150	NEPTUNE	WT	0.0000	05/23/06	5/23/2006	07/21/06	10	5	0	Gallons	
82644300	NEPTUNE	WT	0.0000	05/23/06	5/23/2006	07/21/06	10	5	0	Gallons	
1490155764	NEPTUNE	WT	0.0000	05/23/06	5/23/2006	07/21/06	10	5	0	Gallons	
82644301	NEPTUNE RADIO	WT	0.0000	05/23/06	5/23/2006	07/11/06	10	5	0	Gallons	
1471514158	NEPTUNE	WT	0.0000	05/23/06	5/23/2006	04/17/19	10	5	0	Gallons	
82644302	NEPTUNE	WT	0.0000	05/23/06	5/23/2006	04/17/19	10	5	0	Gallons	
1490149088	NEPTUNE	WT	0.0000	05/23/06	5/23/2006	04/17/19	10	5	0	Gallons	
82644303	NEPTUNE	WT	0.0000	05/23/06	5/23/2006	04/17/19	10	5	0	Gallons	
1490132084	NEPTUNE	WT	0.0000	05/23/06	5/23/2006	04/17/19	10	5	0	Gallons	
82644304	NEPTUNE	WT	0.0000	05/23/06	5/23/2006	04/17/19	10	5	0	Gallons	
1486713824	NEPTUNE	WT	0.0000	05/23/06	5/23/2006	04/17/19	10	5	0	Gallons	
82644305	NEPTUNE RADIO	WT	0.0000	05/23/06	5/23/2006	04/17/19	10	5	0	Gallons	
1471131050	NEPTUNE	WT	0.0000	05/23/06	5/23/2006	04/17/19	10	5	0	Gallons	
82644306	NEPTUNE	WT	0.0000	05/23/06	5/23/2006	04/17/19	10	5	0	Gallons	
1563034150	NEPTUNE	WT	0.0000	05/23/06	5/23/2006	07/20/06	10	5	0	Gallons	
82644307	NEPTUNE	WT	0.0000	05/23/06	5/23/2006	07/20/06	10	5	0	Gallons	
1490194490	NEPTUNE	WT	0.0000	05/23/06	5/23/2006	07/17/06	10	5	0	Gallons	
82644308	NEPTUNE	WT	0.0000	05/23/06	5/23/2006	06/28/06	10	5	0	Gallons	
1490122374	NEPTUNE	WT	0.0000	05/23/06	5/23/2006	06/28/06	10	5	0	Gallons	
82644309	NEPTUNE	WT	0.0000	05/23/06	5/23/2006	06/27/06	10	5	0	Gallons	
1490154874	NEPTUNE	WT	0.0000	05/23/06	5/23/2006	06/29/06	10	5	0	Gallons	
82644310	NEPTUNE	WT	0.0000	05/23/06	5/23/2006	06/23/15	10	5	0	Gallons	
1490169118	NEPTUNE	WT	0.0000	05/23/06	5/23/2006	06/29/06	10	5	0	Gallons	
82644311	NEPTUNE	WT	0.0000	05/23/06	5/23/2006	06/28/06	10	5	0	Gallons	
1486462232	NEPTUNE	WT	0.0000	05/23/06	5/23/2006	06/28/06	10	5	0	Gallons	
82644312	NEPTUNE	WT	0.0000	05/23/06	5/23/2006	06/28/06	10	5	0	Gallons	
1471526002	NEPTUNE	WT	0.0000	05/23/06	5/23/2006	06/28/06	10	5	0	Gallons	
82644313	NEPTUNE	WT	0.0000	05/23/06	5/23/2006	06/28/06	10	5	0	Gallons	
1490148168	NEPTUNE	WT	0.0000	05/23/06	5/23/2006	07/08/06	10	5	0	Gallons	
82644314	NEPTUNE	WT	0.0000	05/23/06	5/23/2006	07/08/06	10	5	0	Gallons	
1490142830	NEPTUNE	WT	0.0000	05/23/06	5/23/2006	07/08/06	10	5	0	Gallons	

Meter #	Size	Service	Meter	Purchase	Warranty	Last	# Of	# Of Fixed	Units of	Tamper	
Internal Id #	Manufacturer	Type	Constant	Date	Date	Tested	Test Cycle	0's	Measure	Status	
		Rating					Dials			Visually	
										Readable	
82644315	NEPTUNE	WT 20	0.0000	05/23/06	5/23/2006	07/24/06	10	5	0	Gallons	
1471254350	NEPTUNE	WT 20	0.0000	05/23/06	5/23/2006	08/23/06	10	5	0	Gallons	
82644316	NEPTUNE	WT 20	0.0000	05/23/06	5/23/2006	11/08/11	10	5	0	Gallons	
1490144794	NEPTUNE	WT 20	0.0000	05/23/06	5/23/2006	07/28/06	10	0	0	Gallons	
82644317	NEPTUNE	WT 20	0.0000	05/23/06	5/23/2006	08/09/06	10	5	0	Gallons	
1484696272	NEPTUNE	WT 20	0.0000	05/23/06	5/23/2006	07/06/06	10	5	0	Gallons	
82644318	NEPTUNE	WT 20	0.0000	05/23/06	5/23/2006	07/11/06	10	5	0	Gallons	
82644319	NEPTUNE	WT 20	0.0000	05/23/06	5/23/2006	07/06/06	10	5	0	Gallons	
1490187344	NEPTUNE	WT 20	0.0000	05/23/06	5/23/2006	07/06/06	10	5	0	Gallons	
82644320	NEPTUNE	WT 20	0.0000	05/23/06	5/23/2006	07/06/06	10	5	0	Gallons	
1490167668	NEPTUNE	WT 20	0.0000	05/23/06	5/23/2006	07/06/06	10	5	0	Gallons	
82644321	NEPTUNE	WT 20	0.0000	05/23/06	5/23/2006	07/06/06	10	5	0	Gallons	
1490159882	NEPTUNE	WT 20	0.0000	05/23/06	5/23/2006	07/06/06	10	5	0	Gallons	
82644322	NEPTUNE	WT 20	0.0000	05/23/06	5/23/2006	07/06/06	10	5	0	Gallons	
1484695328	NEPTUNE	WT 20	0.0000	05/23/06	5/23/2006	07/06/06	10	5	0	Gallons	
82644323	NEPTUNE	WT 20	0.0000	05/23/06	5/23/2006	07/06/06	10	5	0	Gallons	
1490155028	NEPTUNE	WT 20	0.0000	05/23/06	5/23/2006	07/11/06	10	5	0	Gallons	
82644324	NEPTUNE	WT 20	0.0000	05/23/06	5/23/2006	04/18/07	10	5	0	Gallons	
1471226732	NEPTUNE	WT 20	0.0000	05/23/06	5/23/2006	06/15/06	10	5	0	Gallons	
82644325	NEPTUNE	WT 20	0.0000	05/23/06	5/23/2006	06/29/06	10	5	0	Gallons	
1487414714	NEPTUNE	WT 20	0.0000	05/23/06	5/23/2006	06/15/06	10	5	0	Gallons	
82644326	NEPTUNE	WT 20	0.0000	05/23/06	5/23/2006	06/21/06	10	5	0	Gallons	
1484696100	NEPTUNE	WT 20	0.0000	05/23/06	5/23/2006	06/21/06	10	5	0	Gallons	
82644327	NEPTUNE	WT 20	0.0000	05/23/06	5/23/2006	06/21/06	10	5	0	Gallons	
1471242020	NEPTUNE	WT 20	0.0000	05/23/06	5/23/2006	06/21/06	10	5	0	Gallons	
82644328	NEPTUNE	WT 20	0.0000	05/23/06	5/23/2006	06/21/06	10	5	0	Gallons	
1490147751	NEPTUNE	WT 20	0.0000	05/23/06	5/23/2006	06/21/06	10	5	0	Gallons	
82644329	NEPTUNE	WT 20	0.0000	05/23/06	5/23/2006	06/21/06	10	5	0	Gallons	
82644330	NEPTUNE	WT 20	0.0000	05/23/06	5/23/2006	06/23/06	10	5	0	Gallons	
1490156222	NEPTUNE	WT 20	0.0000	05/23/06	5/23/2006	05/02/19	10	5	0	Gallons	
82644331	NEPTUNE	WT 20	0.0000	05/23/06	5/23/2006	08/03/06	10	5	0	Gallons	
1490135976	NEPTUNE	WT 20	0.0000	05/23/06	5/23/2006	07/24/06	10	5	0	Gallons	
82644332	NEPTUNE	WT 20	0.0000	05/23/06	5/23/2006	06/20/06	10	5	0	Gallons	
1490145078	NEPTUNE	WT 20	0.0000	05/23/06	5/23/2006	07/24/06	10	5	0	Gallons	
82644333	NEPTUNE	WT 20	0.0000	05/23/06	5/23/2006	06/21/06	10	5	0	Gallons	
1490140910	NEPTUNE	WT 20	0.0000	05/23/06	5/23/2006	06/21/06	10	5	0	Gallons	
82644334	NEPTUNE	WT 20	0.0000	05/23/06	5/23/2006	06/21/06	10	5	0	Gallons	
1490134168	NEPTUNE	WT 20	0.0000	05/23/06	5/23/2006	06/20/06	10	5	0	Gallons	
82644336	NEPTUNE	WT 20	0.0000	05/23/06	5/23/2006	06/20/06	10	5	0	Gallons	
1490159956	NEPTUNE	WT 20	0.0000	05/23/06	5/23/2006	06/20/06	10	5	0	Gallons	
82644337	NEPTUNE	WT 20	0.0000	05/23/06	5/23/2006	06/20/06	10	5	0	Gallons	
1471246746	NEPTUNE	WT 20	0.0000	05/23/06	5/23/2006	06/20/06	10	5	0	Gallons	
82644338	NEPTUNE	WT 20	0.0000	05/23/06	5/23/2006	06/20/06	10	5	0	Gallons	
1471513236	NEPTUNE	WT 20	0.0000	05/23/06	5/23/2006	06/20/06	10	5	0	Gallons	

Meter #	Size	Service	Meter	Purchase	Warranty	Last	# Of	# Of	Units of	Tamper
Internal Id #	Manufacturer	Type	Constant	Date	Date	Tested	Test Cycle	Fixed	Measure	Status
		Rating					Dials	0's		Visually
										Readable
82644339	NEPTUNE	WT 20	0.0000	05/23/06	5/23/2006	08/04/06	10	0	Gallons	
82644340	NEPTUNE	WT 20	0.0000	05/23/06	5/23/2006	08/18/06	10	0	Gallons	
1471513520	NEPTUNE	WT 20	0.0000	05/23/06	5/23/2006	08/02/06	10	0	Gallons	
82644341	NEPTUNE	WT 20	0.0000	05/23/06	5/23/2006	11/24/09	10	0	Gallons	
1490145208	NEPTUNE	WT 20	0.0000	05/23/06	5/23/2006	06/12/18	10	0	Gallons	
82644342	NEPTUNE	WT 20	0.0000	05/23/06	5/23/2006	07/31/06	10	0	Gallons	
1490131838	NEPTUNE	WT 20	0.0000	05/23/06	5/23/2006	11/11/13	10	0	Gallons	
82644343	NEPTUNE	WT 20	0.0000	05/23/06	5/23/2006	10/04/06	10	0	Gallons	
1490147616	NEPTUNE	WT 20	0.0000	05/23/06	5/23/2006	08/04/11	10	0	Gallons	
82644344	NEPTUNE	WT 20	0.0000	05/23/06	5/23/2006	09/26/06	10	0	Gallons	
1490159874	NEPTUNE	WT 20	0.0000	09/07/06	9/7/2006	09/19/06	10	0	Gallons	
82644345	NEPTUNE	WT 20	0.0000	09/07/06	9/7/2006	09/22/06	10	0	Gallons	
1546861002	NEPTUNE	WT 20	0.0000	09/07/06	9/7/2006	11/10/15	10	0	Gallons	
82644346	NEPTUNE	WT 20	0.0000	09/07/06	9/7/2006	10/03/06	10	0	Gallons	
1486703646	NEPTUNE	WT 20	0.0000	09/07/06	9/7/2006	09/26/06	10	0	Gallons	
82983560	NEPTUNE	WT 20	0.0000	09/07/06	9/7/2006	09/26/06	10	0	Gallons	
1490150312	NEPTUNE	WT 20	0.0000	09/07/06	9/7/2006	09/26/06	10	0	Gallons	
82983561	NEPTUNE	WT 20	0.0000	09/07/06	9/7/2006	09/26/06	10	0	Gallons	
1491271898	NEPTUNE	WT 20	0.0000	09/07/06	9/7/2006	09/26/06	10	0	Gallons	
82983562	NEPTUNE	WT 20	0.0000	09/07/06	9/7/2006	09/26/06	10	0	Gallons	
1490121796	NEPTUNE	WT 20	0.0000	09/07/06	9/7/2006	09/26/06	10	0	Gallons	
82983563	NEPTUNE	WT 20	0.0000	09/07/06	9/7/2006	09/26/06	10	0	Gallons	
1490169890	NEPTUNE	WT 20	0.0000	09/07/06	9/7/2006	09/26/06	10	0	Gallons	
82983564	NEPTUNE	WT 20	0.0000	09/07/06	9/7/2006	09/26/06	10	0	Gallons	
1430213874	NEPTUNE	WT 20	0.0000	09/07/06	9/7/2006	09/26/06	10	0	Gallons	
82983565	NEPTUNE	WT 20	0.0000	09/07/06	9/7/2006	09/26/06	10	0	Gallons	
1490146012	NEPTUNE	WT 20	0.0000	09/07/06	9/7/2006	09/26/06	10	0	Gallons	
82983566	NEPTUNE	WT 20	0.0000	09/07/06	9/7/2006	09/26/06	10	0	Gallons	
1490141796	NEPTUNE	WT 20	0.0000	09/07/06	9/7/2006	09/26/06	10	0	Gallons	
82983567	NEPTUNE	WT 20	0.0000	09/07/06	9/7/2006	09/26/06	10	0	Gallons	
1471529284	NEPTUNE	WT 20	0.0000	09/07/06	9/7/2006	09/26/06	10	0	Gallons	
82983568	NEPTUNE	WT 20	0.0000	09/07/06	9/7/2006	09/26/06	10	0	Gallons	
1490174154	NEPTUNE	WT 20	0.0000	09/07/06	9/7/2006	09/26/06	10	0	Gallons	
82983569	NEPTUNE	WT 20	0.0000	09/07/06	9/7/2006	09/26/06	10	0	Gallons	
1471192382	NEPTUNE	WT 20	0.0000	09/07/06	9/7/2006	09/26/06	10	0	Gallons	
82983570	NEPTUNE	WT 20	0.0000	09/07/06	9/7/2006	09/26/06	10	0	Gallons	
1481553656	NEPTUNE	WT 20	0.0000	09/07/06	9/7/2006	09/26/06	10	0	Gallons	
82983571	NEPTUNE	WT 20	0.0000	09/07/06	9/7/2006	09/26/06	10	0	Gallons	
1471226730	NEPTUNE	WT 20	0.0000	09/07/06	9/7/2006	09/26/06	10	0	Gallons	
83227319	NEPTUNE	WT 20	0.0000	09/07/06	9/7/2006	09/26/06	10	0	Gallons	
1487776904	NEPTUNE	WT 20	0.0000	09/07/06	9/7/2006	09/26/06	10	0	Gallons	
83227320	NEPTUNE	WT 20	0.0000	09/07/06	9/7/2006	09/26/06	10	0	Gallons	
1490139944	NEPTUNE	WT 20	0.0000	09/07/06	9/7/2006	09/26/06	10	0	Gallons	
83227321	NEPTUNE	WT 20	0.0000	09/07/06	9/7/2006	09/26/06	10	0	Gallons	
1490142476	NEPTUNE	WT 20	0.0000	09/07/06	9/7/2006	09/26/06	10	0	Gallons	

Meter #	Size	Service	Meter	Purchase	Warranty	Last	# Of	# Of	Units of	Tamper	
Internal Id #	Manufacturer	Type	Constant	Date	Date	Tested	Test Cycle	Fixed	Measure	Status	
								0's		Visually	
		Rating					Dials			Readable	
83227322	NEPTUNE	WT 20	0.0000	08/25/06	8/25/2006	10/23/06	10	0	0	Gallons	
83227323	NEPTUNE	WT 20	0.0000	08/25/06	8/25/2006	11/20/06	10	5	0	Gallons	
83227324	NEPTUNE	WT 20	0.0000	08/25/06	8/25/2006	11/06/06	10	5	0	Gallons	
1471476934	NEPTUNE	WT 20	0.0000	08/25/06	8/25/2006	08/17/09	10	5	0	Gallons	
1481600974	NEPTUNE	WT 20	0.0000	08/25/06	8/25/2006	11/20/06	10	5	0	Gallons	
83227326	NEPTUNE	WT 20	0.0000	08/25/06	8/25/2006	11/20/06	10	5	0	Gallons	
1490163440	NEPTUNE	WT 20	0.0000	08/25/06	8/25/2006	11/20/06	10	5	0	Gallons	
83227327	NEPTUNE	WT 20	0.0000	08/25/06	8/25/2006	11/20/06	10	5	0	Gallons	
1490163441	NEPTUNE	WT 20	0.0000	08/25/06	8/25/2006	10/17/06	10	5	0	Gallons	
83227328	NEPTUNE	WT 20	0.0000	08/25/06	8/25/2006		10	0	0	Gallons	
83227329	NEPTUNE	WT 20	0.0000	08/25/06	8/25/2006	12/14/07	10	5	0	Gallons	
1490177492	NEPTUNE	WT 20	0.0000	08/25/06	8/25/2006	12/21/06	10	5	0	Gallons	
83227330	NEPTUNE	WT 20	0.0000	08/25/06	8/25/2006	10/31/06	10	5	0	Gallons	
1490141252	NEPTUNE	WT 20	0.0000	08/25/06	8/25/2006	10/17/06	10	5	0	Gallons	
83227331	NEPTUNE	WT 20	0.0000	08/25/06	8/25/2006		10	5	0	Gallons	
1490167817	NEPTUNE	WT 20	0.0000	08/25/06	8/25/2006		10	5	0	Gallons	
83227332	NEPTUNE	WT 20	0.0000	08/25/06	8/25/2006	10/24/06	10	5	0	Gallons	
1490167816	NEPTUNE	WT 20	0.0000	08/25/06	8/25/2006	10/30/06	10	5	0	Gallons	
83227333	NEPTUNE	WT 20	0.0000	08/25/06	8/25/2006	10/23/06	10	5	0	Gallons	
1483401906	NEPTUNE	WT 20	0.0000	08/25/06	8/25/2006	10/31/06	10	5	0	Gallons	
83227334	NEPTUNE	WT 20	0.0000	08/25/06	8/25/2006	10/23/06	10	5	0	Gallons	
1487200410	NEPTUNE	WT 20	0.0000	08/25/06	8/25/2006	10/31/06	10	5	0	Gallons	
83227335	NEPTUNE	WT 20	0.0000	08/25/06	8/25/2006	10/23/06	10	5	0	Gallons	
1490154740	NEPTUNE	WT 20	0.0000	08/25/06	8/25/2006	10/31/06	10	5	0	Gallons	
83227336	NEPTUNE	WT 20	0.0000	08/25/06	8/25/2006	10/11/13	10	5	0	Gallons	
1490141840	NEPTUNE	WT 20	0.0000	08/25/06	8/25/2006	12/06/06	10	5	0	Gallons	
83227337	NEPTUNE	WT 20	0.0000	08/25/06	8/25/2006	12/14/06	10	5	0	Gallons	
1471227876	NEPTUNE	WT 20	0.0000	08/25/06	8/25/2006	12/15/06	10	5	0	Gallons	
83227338	NEPTUNE	WT 20	0.0000	08/25/06	8/25/2006	02/22/10	10	5	0	Gallons	
1490168912	NEPTUNE	WT 20	0.0000	08/25/06	8/25/2006	12/07/15	10	5	0	Gallons	
83227339	NEPTUNE	WT 20	0.0000	08/25/06	8/25/2006	12/07/15	10	5	0	Gallons	
1490173210	NEPTUNE	WT 20	0.0000	08/25/06	8/25/2006	12/07/15	10	5	0	Gallons	
83227340	NEPTUNE	WT 20	0.0000	08/25/06	8/25/2006	12/07/15	10	5	0	Gallons	
1490146356	NEPTUNE	WT 20	0.0000	08/25/06	8/25/2006	12/07/15	10	5	0	Gallons	
83227341	NEPTUNE	WT 20	0.0000	08/25/06	8/25/2006	12/07/15	10	5	0	Gallons	
1490156134	NEPTUNE	WT 20	0.0000	08/25/06	8/25/2006	12/07/15	10	5	0	Gallons	
83227342	NEPTUNE	WT 20	0.0000	08/25/06	8/25/2006	12/07/15	10	5	0	Gallons	
1487938588	NEPTUNE	WT 20	0.0000	08/25/06	8/25/2006	12/07/15	10	5	0	Gallons	
83397605	NEPTUNE RADIO READ	WT 20	0.0000	09/19/06	9/19/2006	10/27/15	10	5	0	Gallons	
1540833878	NEPTUNE RADIO READ	WT 20	0.0000	09/19/06	9/19/2006	08/22/16	10	0	0	Gallons	
83397606	NEPTUNE RADIO READ	WT 20	0.0000	09/19/06	9/19/2006	08/22/16	10	0	0	Gallons	

Meter #	Size	Service	Meter	Purchase	Warranty	Last	# Of	# Of	Units of	Tamper	Visually
Internal Id #	Manufacturer	Type	Constant	Date	Date	Tested	Test Cycle	Fixed	Measure	Status	Readable
83397607	NEPTUNE RADIO READ	WT	0.0000	09/19/06	9/19/2006	07/02/18	10	5	0	Gallons	
1547971784	NEPTUNE RADIO READ	WT	0.0000	09/19/06	9/19/2006	07/10/14	10	5	0	Gallons	
83397608	NEPTUNE RADIO READ	WT	0.0000	09/19/06	9/19/2006	11/22/06	10	5	0	Gallons	
1487448030	NEPTUNE RADIO READ	WT	0.0000	09/19/06	9/19/2006	11/22/06	10	5	0	Gallons	
83397609	NEPTUNE RADIO READ	WT	0.0000	09/19/06	9/19/2006	11/22/06	10	5	0	Gallons	
1471365028	NEPTUNE RADIO READ	WT	0.0000	09/19/06	9/19/2006	11/22/06	10	5	0	Gallons	
83397610	NEPTUNE RADIO	WT	0.0000	09/19/06	9/19/2006	12/18/06	10	5	0	Gallons	
1471130432	NEPTUNE RADIO	WT	0.0000	09/19/06	9/19/2006	12/18/06	10	5	0	Gallons	
83397611	NEPTUNE RADIO READ	WT	0.0000	09/19/06	9/19/2006	11/27/06	10	5	0	Gallons	
1471376084	NEPTUNE RADIO READ	WT	0.0000	09/19/06	9/19/2006	11/27/06	10	5	0	Gallons	
83397612	NEPTUNE RADIO	WT	0.0000	09/19/06	9/19/2006	12/18/06	10	5	0	Gallons	
83397613	NEPTUNE RADIO	WT	0.0000	09/19/06	9/19/2006	11/27/06	10	5	0	Gallons	
1471372610	NEPTUNE RADIO	WT	0.0000	09/19/06	9/19/2006	12/18/06	10	5	0	Gallons	
83397614	NEPTUNE RADIO READ	WT	0.0000	09/19/06	9/19/2006	11/27/06	10	5	0	Gallons	
1471378416	NEPTUNE RADIO READ	WT	0.0000	09/19/06	9/19/2006	11/27/06	10	5	0	Gallons	
83397615	NEPTUNE RADIO	WT	0.0000	09/19/06	9/19/2006	12/18/06	10	5	0	Gallons	
1471172570	NEPTUNE RADIO	WT	0.0000	09/19/06	9/19/2006	12/18/06	10	5	0	Gallons	
83397616	NEPTUNE RADIO READ	WT	0.0000	09/19/06	9/19/2006	10/21/16	10	5	0	Gallons	
1471377514	NEPTUNE RADIO READ	WT	0.0000	09/19/06	9/19/2006	11/27/06	10	5	0	Gallons	
83397617	NEPTUNE RADIO READ	WT	0.0000	09/19/06	9/19/2006	11/27/06	10	5	0	Gallons	
1483714878	NEPTUNE RADIO	WT	0.0000	09/19/06	9/19/2006	11/27/06	10	5	0	Gallons	
83397618	NEPTUNE RADIO	WT	0.0000	09/19/06	9/19/2006	10/28/16	10	5	0	Gallons	
1471373570	NEPTUNE RADIO	WT	0.0000	09/19/06	9/19/2006	11/27/06	10	5	0	Gallons	
83397619	NEPTUNE RADIO	WT	0.0000	09/19/06	9/19/2006	11/27/06	10	5	0	Gallons	
1471376990	NEPTUNE RADIO	WT	0.0000	09/19/06	9/19/2006	11/27/06	10	5	0	Gallons	
83397620	NEPTUNE RADIO	WT	0.0000	09/19/06	9/19/2006	11/27/06	10	5	0	Gallons	
1542544230	NEPTUNE RADIO	WT	0.0000	09/19/06	9/19/2006	11/27/06	10	5	0	Gallons	
83397621	NEPTUNE RADIO	WT	0.0000	09/19/06	9/19/2006	11/27/06	10	5	0	Gallons	
1471072000	NEPTUNE RADIO	WT	0.0000	09/19/06	9/19/2006	11/27/06	10	5	0	Gallons	
83397622	NEPTUNE RADIO	WT	0.0000	09/19/06	9/19/2006	11/27/06	10	5	0	Gallons	
1471374280	NEPTUNE RADIO	WT	0.0000	09/19/06	9/19/2006	11/28/06	10	5	0	Gallons	
83397623	NEPTUNE RADIO	WT	0.0000	09/19/06	9/19/2006	11/28/06	10	5	0	Gallons	
1471377520	NEPTUNE RADIO	WT	0.0000	09/19/06	9/19/2006	11/28/06	10	5	0	Gallons	
83397624	NEPTUNE RADIO	WT	0.0000	09/19/06	9/19/2006	11/28/06	10	5	0	Gallons	
1471374276	NEPTUNE RADIO	WT	0.0000	09/19/06	9/19/2006	06/22/18	10	5	0	Gallons	
83397625	NEPTUNE RADIO	WT	0.0000	09/19/06	9/19/2006	11/28/06	10	5	0	Gallons	
1481553794	NEPTUNE RADIO	WT	0.0000	09/19/06	9/19/2006	11/28/06	10	5	0	Gallons	
83397626	NEPTUNE RADIO	WT	0.0000	09/19/06	9/19/2006	11/28/06	10	5	0	Gallons	
1487419956	NEPTUNE RADIO	WT	0.0000	09/19/06	9/19/2006	11/28/06	10	5	0	Gallons	
83397627	NEPTUNE RADIO	WT	0.0000	09/19/06	9/19/2006	11/28/06	10	5	0	Gallons	
1471383200	NEPTUNE RADIO	WT	0.0000	09/19/06	9/19/2006	11/28/06	10	5	0	Gallons	
83397628	NEPTUNE RADIO	WT	0.0000	09/19/06	9/19/2006	11/28/06	10	5	0	Gallons	
1471383272	NEPTUNE RADIO	WT	0.0000	09/19/06	9/19/2006	10/17/13	10	5	0	Gallons	
83397629	NEPTUNE RADIO READ	WT	0.0000	09/19/06	9/19/2006	10/17/13	10	5	0	Gallons	
1471426604	NEPTUNE RADIO READ	WT	0.0000	09/19/06	9/19/2006	10/17/13	10	5	0	Gallons	

Meter #	Size	Service	Meter	Purchase	Warranty	Last	# Of	# Of Fixed	Units of	Tamper	
Internal Id #	Manufacturer	Type	Constant	Date	Date	Tested	Test Cycle	0's	Measure	Status	
							Dials			Visually	
										Readable	
83397630	5/8"	WT	0.0000	09/19/06	9/19/2006	01/26/07	10	5	0	Gallons	
1471264884	NEPTUNE RADIO READ										
83397631	5/8"	WT	0.0000	09/19/06	9/19/2006	01/26/07	10	5	0	Gallons	
1471153070	NEPTUNE RADIO READ										
83397632	5/8"	WT	0.0000	09/19/06	9/19/2006	12/20/06	10	5	0	Gallons	
1471129976	NEPTUNE RADIO READ										
83397633	5/8"	WT	0.0000	09/19/06	9/19/2006	01/26/07	10	5	0	Gallons	
1547236834	NEPTUNE RADIO READ										
83397634	5/8"	WT	0.0000	09/19/06	9/19/2006	01/26/07	10	5	0	Gallons	
1487926864	NEPTUNE RADIO READ										
83397635	5/8"	WT	0.0000	09/19/06	9/19/2006	01/26/07	10	5	0	Gallons	
1471376166	NEPTUNE RADIO READ										
83397636	5/8"	WT	0.0000	09/19/06	9/19/2006	01/25/07	10	5	0	Gallons	
1471394742	NEPTUNE RADIO READ										
83397637	5/8"	WT	0.0000	09/19/06	9/19/2006	07/17/18	10	5	0	Gallons	
1549652700	NEPTUNE RADIO READ										
83397638	5/8"	WT	0.0000	09/19/06	9/19/2006	01/25/07	10	5	0	Gallons	
1471411522	NEPTUNE RADIO READ										
83397639	5/8"	WT	0.0000	09/19/06	9/19/2006	01/26/07	10	0	0	Gallons	
	NEPTUNE RADIO READ										
83397640	5/8"	WT	0.0000	09/19/06	9/19/2006	01/25/07	10	5	0	Gallons	
1471376988	NEPTUNE RADIO READ										
83397641	5/8"	WT	0.0000	09/19/06	9/19/2006	12/19/06	10	5	0	Gallons	
1470872542	NEPTUNE RADIO READ										
83397642	5/8"	WT	0.0000	09/19/06	9/19/2006	12/19/06	10	5	0	Gallons	
1484588680	NEPTUNE RADIO READ										
83397643	5/8"	WT	0.0000	09/19/06	9/19/2006	12/19/06	10	5	0	Gallons	
1471426756	NEPTUNE RADIO READ										
83397644	5/8"	WT	0.0000	09/19/09	9/19/2009	12/19/06	10	5	0	Gallons	
1487752064	NEPTUNE RADIO READ										
83397645	5/8"	WT	0.0000	09/19/06	9/19/2006	05/31/18	10	5	0	Gallons	
1547962452	NEPTUNE RADIO READ										
83397646	5/8"	WT	0.0000	09/19/06	9/19/2006	10/01/08	10	5	0	Gallons	
1471372614	NEPTUNE RADIO READ										
83397647	5/8"	WT	0.0000	09/19/06	9/19/2006	03/29/10	10	5	0	Gallons	
1545267096	NEPTUNE RADIO READ										
83397648	5/8"	WT	0.0000	09/19/06	9/19/2006	12/18/06	10	5	0	Gallons	
1471383270	NEPTUNE RADIO READ										
83397649	5/8"	WT	0.0000	09/19/06	9/19/2006	12/20/06	10	5	0	Gallons	
1471383196	NEPTUNE RADIO READ										
83397650	5/8"	WT	0.0000	09/19/06	9/19/2006	12/19/06	10	5	0	Gallons	
1470990258	NEPTUNE RADIO READ										
83397651	5/8"	WT	0.0000	09/19/06	9/19/2006	11/28/06	10	5	0	Gallons	
1471372616	NEPTUNE RADIO										
83397652	5/8"	WT	0.0000	09/19/06	9/19/2006	12/18/06	10	5	0	Gallons	
1471426752	NEPTUNE RADIO READ										

Meter #	Size	Service	Meter	Purchase	Warranty	Last	# Of	# Of	Units of	Tamper	
Internal Id #	Manufacturer	Type	Constant	Date	Date	Tested	Test Cycle	Fixed	Measure	Status	
							Diags	0's		Visually	
										Readable	
83397653	5/8"	WT	0.0000	09/19/06	9/19/2006	12/20/06	10	5	0	Gallons	
1547229858	NEPTUNE RADIO READ										
83397654	5/8"	WT	0.0000	09/19/06	9/19/2006	12/20/06	10	5	0	Gallons	
1471376916	NEPTUNE RADIO READ										
83397655	5/8"	WT	0.0000	09/19/06	9/19/2006	12/20/06	10	5	0	Gallons	
1471392260	NEPTUNE RADIO READ										
83397656	5/8"	WT	0.0000	09/19/06	9/19/2006	05/16/19	10	0	0	Gallons	
83397657	NEPTUNE RADIO READ										
1487954202	5/8"	WT	0.0000	09/19/06	9/19/2006	07/28/10	10	5	0	Gallons	
83397658	NEPTUNE RADIO READ										
1481342796	5/8"	WT	0.0000	09/19/06	9/19/2006	04/23/09	10	5	0	Gallons	
83397659	NEPTUNE RADIO READ										
1563006854	5/8"	WT	0.0000	09/19/06	9/19/2006	07/20/18	10	5	0	Gallons	
83397660	NEPTUNE RADIO READ										
1549663744	5/8"	WT	0.0000	09/19/06	9/19/2006	07/17/18	10	5	0	Gallons	
83397661	NEPTUNE RADIO READ										
1471383062	5/8"	WT	0.0000	09/19/06	9/19/2006	01/26/07	10	5	0	Gallons	
83397662	NEPTUNE RADIO READ										
1471378414	5/8"	WT	0.0000	09/19/06	9/19/2006	01/26/07	10	5	0	Gallons	
83397663	NEPTUNE RADIO READ										
1471383194	5/8"	WT	0.0000	09/19/06	9/19/2006	01/26/07	10	5	0	Gallons	
83397664	NEPTUNE RADIO READ										
1471364370	5/8"	WT	0.0000	09/19/06	9/19/2006	07/17/18	10	5	0	Gallons	
83397665	NEPTUNE RADIO READ										
1551689454	5/8"	WT	0.0000	09/19/06	9/19/2006	01/25/07	10	5	0	Gallons	
83397666	NEPTUNE RADIO READ										
1471393446	5/8"	WT	0.0000	09/19/06	9/19/2006	01/25/07	10	5	0	Gallons	
83397667	NEPTUNE RADIO READ										
1471372282	5/8"	WT	0.0000	09/19/06	9/19/2006	01/25/07	10	5	0	Gallons	
83397668	NEPTUNE RADIO READ										
1543619810	5/8"	WT	0.0000	09/19/06	9/19/2006	01/25/07	10	5	0	Gallons	
83397669	NEPTUNE RADIO READ										
1471383060	5/8"	WT	0.0000	09/19/06	9/19/2006	01/25/07	10	5	0	Gallons	
83397670	NEPTUNE RADIO READ										
1470916932	5/8"	WT	0.0000	09/19/06	9/19/2006	11/27/06	10	5	0	Gallons	
83397671	NEPTUNE RADIO										
1471411526	5/8"	WT	0.0000	09/19/06	9/19/2006	08/04/10	10	5	0	Gallons	
83397672	NEPTUNE RADIO										
1471364372	5/8"	WT	0.0000	09/19/06	9/19/2006	11/22/06	10	5	0	Gallons	
83397673	NEPTUNE RADIO										
1471392052	5/8"	WT	0.0000	09/19/06	9/19/2006	10/01/15	10	5	0	Gallons	
83397674	NEPTUNE RADIO										
1490173876	5/8"	WT	0.0000	09/19/06	9/19/2006	10/01/15	10	5	0	Gallons	
83397675	NEPTUNE RADIO READ										
	5/8"	WT	0.0000				10	0	0	Gallons	

Meter #	Size	Service	Meter	Purchase	Warranty	Last	# Of	# Of	Units of	Tamper	
Internal Id #	Manufacturer	Type	Constant	Date	Date	Tested	Test Cycle	Fixed	Measure	Status	
							Dials	0's		Visually	
										Readable	
83498853	Neptune	WT	0.0000	02/01/07		12/01/06	10	0	0	Gallons	
83498854	Neptune	WT	0.0000	02/01/07		12/01/06	10	0	0	Gallons	
83498855	Neptune	WT	0.0000	02/01/07		02/02/17	10	5	0	Gallons	
1545041578	Neptune	WT	0.0000	02/01/07		12/01/06	10	5	0	Gallons	
83498856	Neptune	WT	0.0000	02/01/07		02/03/17	10	5	0	Gallons	
1545047990	Neptune	WT	0.0000	02/01/07		12/05/06	10	0	0	Gallons	
83498857	Neptune	WT	0.0000	02/01/07		02/07/17	10	5	0	Gallons	
1545075610	Neptune	WT	0.0000	02/01/07		01/31/17	10	5	0	Gallons	
83498858	Neptune	WT	0.0000	02/01/07		06/08/18	10	5	0	Gallons	
83498859	Neptune	WT	0.0000	02/01/07		02/07/17	10	5	0	Gallons	
1542522648	Neptune	WT	0.0000	02/01/07		02/10/17	10	5	0	Gallons	
83498860	Neptune	WT	0.0000	02/01/07		01/31/17	10	5	0	Gallons	
1490139684	Neptune	WT	0.0000	02/01/07		06/08/18	10	5	0	Gallons	
83498862	Neptune	WT	0.0000	02/01/07		02/07/17	10	5	0	Gallons	
1545052896	Neptune	WT	0.0000	02/01/07		01/01/07	10	0	0	Gallons	
83632259	Neptune	WT	0.0000	02/01/07		02/07/17	10	5	0	Gallons	
1546336918	Neptune	WT	0.0000	02/01/07		02/07/17	10	5	0	Gallons	
83632261	Neptune	WT	0.0000	02/01/07		02/07/17	10	5	0	Gallons	
1490123926	Neptune	WT	0.0000	02/01/07		01/01/07	10	0	0	Gallons	
83632262	Neptune	WT	0.0000	02/01/07		01/01/07	10	0	0	Gallons	
83948204	NEPTUNE RADIO	WT	0.0000	12/21/06	12/21/2006	05/31/18	10	5	0	Gallons	
1487762400	NEPTUNE RADIO	WT	0.0000	12/21/06	12/21/2006	07/20/18	10	5	0	Gallons	
83948205	NEPTUNE RADIO	WT	0.0000	12/21/06	12/21/2006	08/21/07	10	5	0	Gallons	
1549663056	NEPTUNE RADIO	WT	0.0000	12/21/06	12/21/2006	08/21/07	10	5	0	Gallons	
83948206	NEPTUNE RADIO	WT	0.0000	12/21/06	12/21/2006	08/21/07	10	5	0	Gallons	
1471629288	NEPTUNE RADIO	WT	0.0000	12/21/06	12/21/2006	08/21/07	10	5	0	Gallons	
83948207	NEPTUNE RADIO	WT	0.0000	12/21/06	12/21/2006	08/21/07	10	5	0	Gallons	
1471563936	NEPTUNE RADIO	WT	0.0000	12/21/06	12/21/2006	08/21/07	10	5	0	Gallons	
83948208	NEPTUNE RADIO	WT	0.0000	12/21/06	12/21/2006	08/21/07	10	5	0	Gallons	
1471630478	NEPTUNE RADIO	WT	0.0000	12/21/06	12/21/2006	08/21/07	10	5	0	Gallons	
83948209	NEPTUNE RADIO	WT	0.0000	12/21/06	12/21/2006	08/20/07	10	5	0	Gallons	
1471627688	NEPTUNE RADIO	WT	0.0000	12/21/06	12/21/2006	08/20/07	10	5	0	Gallons	
83948210	NEPTUNE RADIO	WT	0.0000	12/21/06	12/21/2006	08/20/07	10	5	0	Gallons	
1471632368	NEPTUNE RADIO	WT	0.0000	12/21/06	12/21/2006	08/20/07	10	5	0	Gallons	
83948211	NEPTUNE RADIO	WT	0.0000	12/21/06	12/21/2006	08/20/07	10	5	0	Gallons	
1471629292	NEPTUNE RADIO	WT	0.0000	12/21/06	12/21/2006	08/20/07	10	5	0	Gallons	
83948212	NEPTUNE RADIO	WT	0.0000	12/21/06	12/21/2006	10/21/16	10	5	0	Gallons	
1471564900	NEPTUNE RADIO	WT	0.0000	12/21/06	12/21/2006	05/08/09	10	5	0	Gallons	
83948213	NEPTUNE RADIO	WT	0.0000	12/21/06	12/21/2006	05/08/09	10	5	0	Gallons	
1490194646	NEPTUNE RADIO	WT	0.0000	12/21/06	12/21/2006	05/08/09	10	5	0	Gallons	
83948214	NEPTUNE RADIO	WT	0.0000	12/21/06	12/21/2006	05/08/09	10	5	0	Gallons	
1483704460	NEPTUNE RADIO	WT	0.0000	12/21/06	12/21/2006	05/08/09	10	5	0	Gallons	

Meter #	Size	Service	Meter	Purchase	Warranty	Last	# Of	# Of	Units of	Tamper
Internal Id #	Manufacturer	Type	Constant	Date	Date	Tested	Test Cycle	Fixed	Measure	Status
							Dials	0's		Visually
		Rating								Readable
83948215	NEPTUNE RADIO	WT	0.0000	12/21/06	12/21/2006	08/20/07	10	5	0	Gallons
1471616208	5/8"	WT	0.0000	12/21/06	12/21/2006	05/17/19	10	0	0	Gallons
83948216	NEPTUNE RADIO	WT	0.0000	12/21/06	12/21/2006	08/20/07	10	5	0	Gallons
83948217	5/8"	WT	0.0000	12/21/06	12/21/2006	08/20/07	10	5	0	Gallons
1471562480	NEPTUNE RADIO	WT	0.0000	12/21/06	12/21/2006	08/20/07	10	5	0	Gallons
83948218	5/8"	WT	0.0000	12/21/06	12/21/2006	08/20/07	10	5	0	Gallons
1471627174	NEPTUNE RADIO	WT	0.0000	12/21/06	12/21/2006	08/17/07	10	5	0	Gallons
83948219	5/8"	WT	0.0000	12/21/06	12/21/2006	08/17/07	10	5	0	Gallons
1471627170	NEPTUNE RADIO	WT	0.0000	12/21/06	12/21/2006	08/17/07	10	5	0	Gallons
83948220	5/8"	WT	0.0000	12/21/06	12/21/2006	08/17/07	10	5	0	Gallons
1471629290	NEPTUNE RADIO	WT	0.0000	12/21/06	12/21/2006	08/17/07	10	5	0	Gallons
83948221	5/8"	WT	0.0000	12/21/06	12/21/2006	08/20/07	10	5	0	Gallons
1471567928	NEPTUNE RADIO	WT	0.0000	12/21/06	12/21/2006	08/20/07	10	5	0	Gallons
83948222	5/8"	WT	0.0000	12/21/06	12/21/2006	08/20/07	10	5	0	Gallons
1471551236	NEPTUNE RADIO	WT	0.0000	12/21/06	12/21/2006	08/20/07	10	5	0	Gallons
83948223	5/8"	WT	0.0000	12/21/06	12/21/2006	08/20/07	10	5	0	Gallons
1487752870	NEPTUNE RADIO	WT	0.0000	12/21/06	12/21/2006	07/17/18	10	5	0	Gallons
83948224	5/8"	WT	0.0000	12/21/06	12/21/2006	08/20/07	10	5	0	Gallons
1486135530	NEPTUNE RADIO	WT	0.0000	12/21/06	12/21/2006	08/20/07	10	5	0	Gallons
83948225	5/8"	WT	0.0000	12/21/06	12/21/2006	08/20/07	10	5	0	Gallons
1471649996	NEPTUNE RADIO	WT	0.0000	12/21/06	12/21/2006	06/12/18	10	5	0	Gallons
83948226	5/8"	WT	0.0000	12/21/06	12/21/2006	08/21/07	10	5	0	Gallons
1547966738	NEPTUNE RADIO	WT	0.0000	12/21/06	12/21/2006	08/21/07	10	5	0	Gallons
83948227	5/8"	WT	0.0000	12/21/06	12/21/2006	08/21/07	10	5	0	Gallons
1471659876	NEPTUNE RADIO	WT	0.0000	12/21/06	12/21/2006	08/21/07	10	5	0	Gallons
83948228	5/8"	WT	0.0000	12/21/06	12/21/2006	08/21/07	10	5	0	Gallons
1471652120	NEPTUNE RADIO	WT	0.0000	12/21/06	12/21/2006	08/21/07	10	5	0	Gallons
83948229	5/8"	WT	0.0000	12/21/06	12/21/2006	08/21/07	10	5	0	Gallons
1471622852	NEPTUNE RADIO	WT	0.0000	12/21/06	12/21/2006	08/21/07	10	5	0	Gallons
83948230	5/8"	WT	0.0000	12/21/06	12/21/2006	08/21/07	10	5	0	Gallons
1471569020	NEPTUNE RADIO	WT	0.0000	12/21/06	12/21/2006	10/21/15	10	5	0	Gallons
83948231	5/8"	WT	0.0000	12/21/06	12/21/2006	08/21/07	10	5	0	Gallons
1471650746	NEPTUNE RADIO	WT	0.0000	12/21/06	12/21/2006	08/21/07	10	5	0	Gallons
83948232	5/8"	WT	0.0000	12/21/06	12/21/2006	10/21/15	10	5	0	Gallons
1547961028	NEPTUNE RADIO	WT	0.0000	12/21/06	12/21/2006	08/21/07	10	5	0	Gallons
83948233	5/8"	WT	0.0000	12/21/06	12/21/2006	08/21/07	10	5	0	Gallons
1471567932	NEPTUNE RADIO	WT	0.0000	12/21/06	12/21/2006	09/04/07	10	5	0	Gallons
83948234	5/8"	WT	0.0000	12/21/06	12/21/2006	09/25/07	10	5	0	Gallons
1471648814	NEPTUNE RADIO	WT	0.0000	12/21/06	12/21/2006	03/26/10	10	0	0	Gallons
83948235	5/8"	WT	0.0000	12/21/06	12/21/2006	09/25/07	10	5	0	Gallons
83948236	NEPTUNE RADIO	WT	0.0000	12/21/06	12/21/2006	08/17/09	10	5	0	Gallons
1471571236	5/8"	WT	0.0000	12/21/06	12/21/2006	08/17/09	10	5	0	Gallons
83948237	NEPTUNE RADIO	WT	0.0000	12/21/06	12/21/2006	08/17/09	10	5	0	Gallons
1471634822	5/8"	WT	0.0000	12/21/06	12/21/2006	08/17/09	10	5	0	Gallons

Meter #	Size	Service	Meter	Purchase	Warranty	Last	# Of	# Of Fixed	Units of	Tamper	
Internal Id #	Manufacturer	Type	Constant	Date	Date	Tested	Diags	0's	Measure	Status	Visually Readable
83948238	5/8"	WT	0.0000	12/21/06	12/21/2006	09/04/07	10	5	0	Gallons	
1471630964	NEPTUNE RADIO										
83948239	5/8"	WT	0.0000	12/21/06	12/21/2006	09/04/07	10	5	0	Gallons	
1471615710	NEPTUNE RADIO										
83948240	5/8"	WT	0.0000	12/21/06	12/21/2006	09/26/12	10	5	0	Gallons	
1490186232	NEPTUNE RADIO										
83948241	5/8"	WT	0.0000	12/21/06	12/21/2006	08/02/18	10	5	0	Gallons	
1549646184	NEPTUNE RADIO										
83948242	5/8"	WT	0.0000	12/21/06	12/21/2006	05/17/19	10	0	0	Gallons	
	NEPTUNE RADIO										
83948243	5/8"	WT	0.0000	12/21/06	12/21/2006	10/03/07	10	5	0	Gallons	
1471627430	NEPTUNE RADIO										
83948244	5/8"	WT	0.0000	12/21/06	12/21/2006	10/03/07	10	5	0	Gallons	
1481601624	NEPTUNE RADIO										
83948245	5/8"	WT	0.0000	12/21/06	12/21/2006	10/03/07	10	5	0	Gallons	
1471638526	NEPTUNE RADIO										
83948246	5/8"	WT	0.0000	12/21/06	12/21/2006	08/30/11	10	5	0	Gallons	
1487738672	NEPTUNE RADIO										
83948247	5/8"	WT	0.0000	12/21/06	12/21/2006	09/04/07	10	5	0	Gallons	
1471616656	NEPTUNE RADIO										
83948248	5/8"	WT	0.0000	12/21/06	12/21/2006	04/03/14	10	5	0	Gallons	
1471639918	NEPTUNE RADIO										
83948249	5/8"	WT	0.0000	12/21/06	12/21/2006	08/29/07	10	5	0	Gallons	
1471538000	NEPTUNE RADIO										
83948250	5/8"	WT	0.0000	12/21/06	12/21/2006	08/29/07	10	5	0	Gallons	
1542532892	NEPTUNE RADIO										
83948251	5/8"	WT	0.0000	12/21/06	12/21/2006	08/29/07	10	5	0	Gallons	
1471563124	NEPTUNE RADIO										
83948252	5/8"	WT	0.0000	12/21/06	12/21/2006	10/03/07	10	5	0	Gallons	
1471627172	NEPTUNE RADIO										
83948253	5/8"	WT	0.0000	12/21/06	12/21/2006	10/26/07	10	5	0	Gallons	
1471571234	NEPTUNE RADIO										
83948254	5/8"	WT	0.0000	12/21/06	12/21/2006	06/13/18	10	5	0	Gallons	
1550405654	NEPTUNE RADIO										
83948255	5/8"	WT	0.0000	12/21/06	12/21/2006	10/03/07	10	5	0	Gallons	
1471633662	NEPTUNE RADIO										
83948256	5/8"	WT	0.0000	12/21/06	12/21/2006	08/01/18	10	5	0	Gallons	
1550385036	NEPTUNE RADIO										
83948257	5/8"	WT	0.0000	12/21/06	12/21/2006	06/23/16	10	5	0	Gallons	
1490173472	NEPTUNE RADIO										
83948258	5/8"	WT	0.0000	12/21/06	12/21/2006	03/27/07	10	5	0	Gallons	
1471645576	NEPTUNE RADIO										
83948259	5/8"	WT	0.0000	12/21/06	12/21/2006	03/27/07	10	5	0	Gallons	
1471550730	NEPTUNE RADIO										
83948260	5/8"	WT	0.0000	12/21/06	12/21/2006	03/27/07	10	5	0	Gallons	
1471618002	NEPTUNE RADIO										

Meter #	Size	Service	Meter	Purchase	Warranty	Last	# Of	# Of	Units of	Tamper	
Internal Id #	Manufacturer	Type	Constant	Date	Date	Tested	Test Cycle	Fixed	Measure	Status	
								0's		Visually	
										Readable	
83948261	5/8"	WT	0.0000	12/21/06	12/21/2006	07/05/10	10	5	0	Gallons	
1471633558	NEPTUNE RADIO										
83948262	5/8"	WT	0.0000	12/21/06	12/21/2006	03/27/07	10	5	0	Gallons	
1471627694	NEPTUNE RADIO										
83948263	5/8"	WT	0.0000	12/21/06	12/21/2006	03/27/07	10	5	0	Gallons	
1471568642	NEPTUNE RADIO										
83948264	5/8"	WT	0.0000	12/21/06	12/21/2006	06/15/07	10	5	0	Gallons	
1471560994	NEPTUNE RADIO										
83948265	5/8"	WT	0.0000	12/21/06	12/21/2006	06/15/07	10	5	0	Gallons	
1471538120	NEPTUNE RADIO										
83948266	5/8"	WT	0.0000	12/21/06	12/21/2006	06/18/07	10	5	0	Gallons	
1471568576	NEPTUNE RADIO										
83948267	5/8"	WT	0.0000	12/21/06	12/21/2006	06/18/07	10	5	0	Gallons	
1471549274	NEPTUNE RADIO										
83948268	5/8"	WT	0.0000	12/21/06	12/21/2006	06/15/07	10	5	0	Gallons	
1471549820	NEPTUNE RADIO										
83948269	5/8"	WT	0.0000	12/21/06	12/21/2006	06/15/07	10	5	0	Gallons	
1471563698	NEPTUNE RADIO										
83948270	5/8"	WT	0.0000	12/21/06	12/21/2006	03/26/07	10	5	0	Gallons	
1490194500	NEPTUNE RADIO										
83948271	5/8"	WT	0.0000	12/21/06	12/21/2006	03/02/12	10	5	0	Gallons	
1490149742	NEPTUNE RADIO										
83948272	5/8"	WT	0.0000	12/21/06	12/21/2006	06/15/07	10	5	0	Gallons	
1471567146	NEPTUNE RADIO										
83948273	5/8"	WT	0.0000	12/21/06	12/21/2006	10/06/15	10	0	0	Gallons	
	NEPTUNE RADIO										
83948274	5/8"	WT	0.0000	12/21/06	12/21/2006	06/07/07	10	5	0	Gallons	
1471571100	NEPTUNE RADIO										
83948275	5/8"	WT	0.0000	12/21/06	12/21/2006	06/07/07	10	5	0	Gallons	
1471566922	NEPTUNE RADIO										
83948276	5/8"	WT	0.0000	12/21/06	12/21/2006	08/01/07	10	5	0	Gallons	
1471567200	NEPTUNE RADIO										
83948277	5/8"	WT	0.0000	12/21/06	12/21/2006	08/01/07	10	5	0	Gallons	
1483354598	NEPTUNE RADIO										
83948278	5/8"	WT	0.0000	12/21/06	12/21/2006	08/01/07	10	5	0	Gallons	
1471568802	NEPTUNE RADIO										
83948279	5/8"	WT	0.0000	12/21/06	12/21/2006	07/24/07	10	5	0	Gallons	
1471552988	NEPTUNE RADIO										
83948280	5/8"	WT	0.0000	12/21/06	12/21/2006	07/23/07	10	5	0	Gallons	
1471553160	NEPTUNE RADIO										
83948281	5/8"	WT	0.0000	12/21/06	12/21/2006	07/23/07	10	5	0	Gallons	
1471551892	NEPTUNE RADIO										
83948282	5/8"	WT	0.0000	12/21/06	12/21/2006	02/22/18	10	5	0	Gallons	
1547236582	NEPTUNE RADIO										
83948283	5/8"	WT	0.0000	12/21/06	12/21/2006	07/26/07	10	5	0	Gallons	
1471611802	NEPTUNE RADIO										

Meter #	Size	Service	Meter	Purchase	Warranty	Last	# Of	# Of	Units of	Tamper	
Internal Id #	Manufacturer	Type	Constant	Date	Date	Tested	Test Cycle	Fixed	Measure	Status	
							Dials	0's		Visually	
										Readable	
83948284	5/8"	WT	0.0000	12/21/06	12/21/2006	07/26/07	10	5	0	Gallons	
1471650732	NEPTUNE RADIO										
83948285	5/8"	WT	0.0000	12/21/06	12/21/2006	07/12/18	10	5	0	Gallons	
1563024562	NEPTUNE RADIO										
83948286	5/8"	WT	0.0000	12/21/06	12/21/2006	06/21/07	10	5	0	Gallons	
1471652192	NEPTUNE RADIO										
83948287	5/8"	WT	0.0000	12/21/06	12/21/2006	07/23/18	10	5	0	Gallons	
1490149372	NEPTUNE RADIO										
83948288	5/8"	WT	0.0000	12/21/06	12/21/2006	06/21/07	10	5	0	Gallons	
1471536844	NEPTUNE RADIO										
83948289	5/8"	WT	0.0000	12/21/06	12/21/2006	06/21/07	10	5	0	Gallons	
1471617450	NEPTUNE RADIO										
83948290	5/8"	WT	0.0000	12/21/06	12/21/2006	06/21/07	10	5	0	Gallons	
1471624690	NEPTUNE RADIO										
83948291	5/8"	WT	0.0000	12/21/06	12/21/2006	06/21/07	10	5	0	Gallons	
1471568772	NEPTUNE RADIO										
83948292	5/8"	WT	0.0000	12/21/06	12/21/2006	06/21/07	10	5	0	Gallons	
1471623196	NEPTUNE RADIO										
83948293	5/8"	WT	0.0000	12/21/06	12/21/2006	06/21/07	10	5	0	Gallons	
1471632320	NEPTUNE RADIO										
83948294	5/8"	WT	0.0000	12/21/06	12/21/2006	06/30/15	10	5	0	Gallons	
1471566962	NEPTUNE RADIO										
83948295	5/8"	WT	0.0000	12/21/06	12/21/2006	08/01/18	10	5	0	Gallons	
1550399712	NEPTUNE RADIO										
83948296	5/8"	WT	0.0000	12/21/06	12/21/2006	07/17/18	10	5	0	Gallons	
1547220898	NEPTUNE RADIO										
83948297	5/8"	WT	0.0000	12/21/06	12/21/2006	06/12/18	10	5	0	Gallons	
1551705898	NEPTUNE RADIO										
83948298	5/8"	WT	0.0000	12/21/06	12/21/2006	10/21/16	10	5	0	Gallons	
1487772944	NEPTUNE RADIO										
83948299	5/8"	WT	0.0000	12/21/06	12/21/2006	10/26/15	10	5	0	Gallons	
1471629176	NEPTUNE RADIO										
83948300	5/8"	WT	0.0000	12/21/06	12/21/2006	03/26/07	10	5	0	Gallons	
1471615716	NEPTUNE RADIO										
83948301	5/8"	WT	0.0000	12/21/06	12/21/2006	05/12/10	10	5	0	Gallons	
1471570346	NEPTUNE RADIO										
83948302	5/8"	WT	0.0000	12/21/06	12/21/2006	03/27/07	10	5	0	Gallons	
1471560200	NEPTUNE RADIO										
83948303	5/8"	WT	0.0000	12/21/06	12/21/2006	03/27/07	10	5	0	Gallons	
1471560202	NEPTUNE RADIO										
83948304	5/8"	WT	0.0000	12/21/06	12/21/2006	07/20/18	10	5	0	Gallons	
1563010362	NEPTUNE RADIO										
83948305	5/8"	WT	0.0000	12/21/06	12/21/2006	03/27/07	10	5	0	Gallons	
1471569016	NEPTUNE RADIO										
83948306	5/8"	WT	0.0000	12/21/06	12/21/2006	03/26/07	10	5	0	Gallons	
1471643174	NEPTUNE RADIO										

Meter #	Size	Service	Meter	Purchase	Warranty	Last	# Of	# Of	Units of	Tamper	
Internal Id #	Manufacturer	Type	Constant	Date	Date	Tested	Test Cycle	Fixed	Measure	Status	
							Dials	0's		Visually	
										Readable	
83948307	NEPTUNE RADIO	WT	0.0000	12/21/06	12/21/2006	07/23/18	10	5	0	Gallons	
1551689452	5/8"										
83948308	NEPTUNE RADIO	WT	0.0000	12/21/06	12/21/2006	03/26/07	10	5	0	Gallons	
1471659662	5/8"										
83948309	NEPTUNE RADIO	WT	0.0000	12/21/06	12/21/2006		10	5	0	Gallons	
1471616298	5/8"										
83948310	NEPTUNE RADIO	WT	0.0000	12/21/06	12/21/2006	03/28/07	10	5	0	Gallons	
1471640450	5/8"										
83948311	NEPTUNE RADIO	WT	0.0000	12/21/06	12/21/2006	03/28/07	10	5	0	Gallons	
1471550288	5/8"										
83948312	NEPTUNE RADIO	WT	0.0000	12/21/06	12/21/2006	08/14/07	10	5	0	Gallons	
1471643230	5/8"										
83948313	NEPTUNE RADIO	WT	0.0000	12/21/06	12/21/2006	12/03/15	10	5	0	Gallons	
1471629136	5/8"										
83948314	NEPTUNE RADIO	WT	0.0000	12/21/06	12/21/2006	01/05/18	10	5	0	Gallons	
1546302222	5/8"										
83948315	NEPTUNE RADIO	WT	0.0000	12/21/06	12/21/2006	08/10/07	10	5	0	Gallons	
1487740136	5/8"										
83948316	NEPTUNE RADIO	WT	0.0000	12/21/06	12/21/2006	08/03/07	10	5	0	Gallons	
1471635312	5/8"										
83948317	NEPTUNE RADIO	WT	0.0000	12/21/06	12/21/2006	08/06/07	10	5	0	Gallons	
1471629140	5/8"										
83948318	NEPTUNE RADIO	WT	0.0000	12/21/06	12/21/2006	06/06/07	10	5	0	Gallons	
1484694960	5/8"										
83948319	NEPTUNE RADIO	WT	0.0000	12/21/06	12/21/2006	04/07/17	10	5	0	Gallons	
1482905304	5/8"										
83948320	NEPTUNE RADIO	WT	0.0000	12/21/06	12/21/2006		10	5	0	Gallons	
1471629138	5/8"										
83948321	NEPTUNE RADIO	WT	0.0000	12/21/06	12/21/2006	01/05/18	10	5	0	Gallons	
1490173866	5/8"										
83948322	NEPTUNE RADIO	WT	0.0000	12/21/06	12/21/2006	11/16/15	10	5	0	Gallons	
1471568818	5/8"										
83948323	NEPTUNE RADIO	WT	0.0000	12/21/06	12/21/2006	07/17/18	10	5	0	Gallons	
1547236824	5/8"										
83948324	NEPTUNE RADIO	WT	0.0000	12/21/06	12/21/2006	09/07/07	10	5	0	Gallons	
1471628262	5/8"										
83948325	NEPTUNE RADIO	WT	0.0000	12/21/06	12/21/2006	09/18/07	10	5	0	Gallons	
1487740020	5/8"										
83948326	NEPTUNE RADIO	WT	0.0000	12/21/06	12/21/2006	09/20/07	10	5	0	Gallons	
1483704422	5/8"										
83948327	NEPTUNE RADIO	WT	0.0000	12/21/06	12/21/2006	06/22/18	10	5	0	Gallons	
1550397822	5/8"										
83948328	NEPTUNE RADIO	WT	0.0000	12/21/06	12/21/2006	11/19/15	10	5	0	Gallons	
1430219670	5/8"										
83948329	NEPTUNE RADIO	WT	0.0000	12/21/06	12/21/2006	09/14/07	10	5	0	Gallons	
1487754356	5/8"										

Meter #	Size	Service	Meter	Purchase	Warranty	Last	# Of	# Of Fixed	Units of	Tamper	
Internal Id #	Manufacturer	Type	Constant	Date	Date	Tested	Diags	0's	Measure	Status	Visually Readable
83948330	5/8"	WT	0.0000	12/21/06	12/21/2006	04/12/19	10	5	0	Gallons	
1551874026	NEPTUNE RADIO										
83948331	5/8"	WT	0.0000	12/21/06	12/21/2006	08/16/07	10	5	0	Gallons	
1487780566	NEPTUNE RADIO										
83948332	5/8"	WT	0.0000	12/21/06	12/21/2006	08/16/07	10	5	0	Gallons	
1482980992	NEPTUNE RADIO										
83948333	5/8"	WT	0.0000	12/21/06	12/21/2006	07/17/18	10	5	0	Gallons	
1551684088	NEPTUNE RADIO										
83948334	5/8"	WT	0.0000	12/21/06	12/21/2006	08/16/07	10	5	0	Gallons	
1471548064	NEPTUNE RADIO										
83948335	5/8"	WT	0.0000	12/21/06	12/21/2006	07/30/18	10	5	0	Gallons	
1550410796	NEPTUNE RADIO										
83948336	5/8"	WT	0.0000	12/21/06	12/21/2006	08/29/07	10	5	0	Gallons	
1471629908	NEPTUNE RADIO										
83948337	5/8"	WT	0.0000	12/21/06	12/21/2006	05/17/19	10	5	0	Gallons	
1562827060	NEPTUNE RADIO										
83948338	5/8"	WT	0.0000	12/21/06	12/21/2006	08/21/07	10	5	0	Gallons	
1471645632	NEPTUNE RADIO										
83948339	5/8"	WT	0.0000	12/21/06	12/21/2006	09/05/13	10	5	0	Gallons	
1471603754	NEPTUNE RADIO										
83948340	5/8"	WT	0.0000	12/21/06	12/21/2006	05/24/10	10	5	0	Gallons	
1471641152	NEPTUNE RADIO										
83948341	5/8"	WT	0.0000	12/21/06	12/21/2006	08/21/07	10	5	0	Gallons	
1471638280	NEPTUNE RADIO										
83948342	5/8"	WT	0.0000	12/21/06	12/21/2006	02/27/13	10	5	0	Gallons	
1471640032	NEPTUNE RADIO										
83948343	5/8"	WT	0.0000	12/21/06	12/21/2006	08/20/07	10	5	0	Gallons	
1483412318	NEPTUNE RADIO										
83948344	5/8"	WT	0.0000	12/21/06	12/21/2006	08/21/07	10	5	0	Gallons	
1486729182	NEPTUNE RADIO										
83948345	5/8"	WT	0.0000	12/21/06	12/21/2006	06/22/18	10	5	0	Gallons	
1550395148	NEPTUNE RADIO										
83948346	5/8"	WT	0.0000	12/21/06	12/21/2006	08/20/07	10	5	0	Gallons	
1471603752	NEPTUNE RADIO										
83948347	5/8"	WT	0.0000	12/21/06	12/21/2006	08/20/07	10	5	0	Gallons	
1471615848	NEPTUNE RADIO										
83948348	5/8"	WT	0.0000	12/21/06	12/21/2006	08/21/07	10	5	0	Gallons	
1471603458	NEPTUNE RADIO										
83948349	5/8"	WT	0.0000	12/21/06	12/21/2006	08/21/07	10	5	0	Gallons	
1471629182	NEPTUNE RADIO										
83948350	5/8"	WT	0.0000	12/21/06	12/21/2006	08/21/07	10	5	0	Gallons	
1471549740	NEPTUNE RADIO										
83948351	5/8"	WT	0.0000	12/21/06	12/21/2006	08/30/07	10	5	0	Gallons	
1542560030	NEPTUNE RADIO										
83948352	5/8"	WT	0.0000	12/21/06	12/21/2006	01/03/12	10	5	0	Gallons	
1471242022	NEPTUNE RADIO										

Meter #	Size	Service	Meter	Purchase	Warranty	Last	# Of	# Of	Units of	Tamper	
Internal Id #	Manufacturer	Type	Constant	Date	Date	Tested	Diags	Fixed	Measure	Status	
								0's		Visually	
										Readable	
83948353	NEPTUNE RADIO	WT	0.0000	12/21/06	12/21/2006	08/27/07	10	5	0	Gallons	
1471642778	5/8"										
83948354	NEPTUNE RADIO	WT	0.0000	12/21/06	12/21/2006	08/16/07	10	5	0	Gallons	
1471548068	5/8"										
83948355	NEPTUNE RADIO	WT	0.0000	12/21/06	12/21/2006	11/01/18	10	5	0	Gallons	
1551804476	5/8"										
83948356	NEPTUNE RADIO	WT	0.0000	12/21/06	12/21/2006	08/22/16	10	5	0	Gallons	
1487772448	5/8"										
83948357	NEPTUNE RADIO	WT	0.0000	12/21/06	12/21/2006	08/16/07	10	5	0	Gallons	
1471638320	5/8"										
83948358	NEPTUNE RADIO	WT	0.0000	12/21/06	12/21/2006	08/16/13	10	5	0	Gallons	
1471398744	5/8"										
83948359	NEPTUNE RADIO	WT	0.0000	12/21/06	12/21/2006	08/17/07	10	5	0	Gallons	
1471634094	5/8"										
83948360	NEPTUNE RADIO	WT	0.0000	12/21/06	12/21/2006	03/23/06	10	0	0	Gallons	
	5/8"										
83948361	NEPTUNE RADIO	WT	0.0000	12/21/06	12/21/2006	12/01/08	10	5	0	Gallons	
1491333794	5/8"										
83948362	NEPTUNE RADIO	WT	0.0000	12/21/06	12/21/2006	06/20/07	10	5	0	Gallons	
1471637444	5/8"										
83948363	NEPTUNE RADIO	WT	0.0000	12/21/06	12/21/2006	03/23/07	10	5	0	Gallons	
1471637570	5/8"										
83948364	NEPTUNE RADIO	WT	0.0000	12/21/06	12/21/2006	06/21/07	10	5	0	Gallons	
1471632166	5/8"										
83948365	NEPTUNE RADIO	WT	0.0000	12/21/06	12/21/2006	03/27/07	10	5	0	Gallons	
1471638520	5/8"										
83948366	NEPTUNE RADIO	WT	0.0000	12/21/06	12/21/2006	08/16/07	10	5	0	Gallons	
1471637440	5/8"										
83948367	NEPTUNE RADIO	WT	0.0000	12/21/06	12/21/2006	08/16/07	10	5	0	Gallons	
1471638090	5/8"										
83948368	NEPTUNE RADIO	WT	0.0000	12/21/06	12/21/2006	08/16/07	10	5	0	Gallons	
1471641394	5/8"										
83948369	NEPTUNE RADIO	WT	0.0000	12/21/06	12/21/2006	08/15/07	10	0	0	Gallons	
	5/8"										
83948370	NEPTUNE RADIO	WT	0.0000	12/21/06	12/21/2006	08/15/07	10	5	0	Gallons	
1471650962	5/8"										
83948371	NEPTUNE RADIO	WT	0.0000	12/21/06	12/21/2006	08/29/10	10	5	0	Gallons	
1484696274	5/8"										
83948372	NEPTUNE RADIO	WT	0.0000	12/21/06	12/21/2006	04/01/08	10	5	0	Gallons	
1471637730	5/8"										
83948373	NEPTUNE RADIO	WT	0.0000	12/21/06	12/21/2006	04/01/08	10	5	0	Gallons	
1471640694	5/8"										
83948374	NEPTUNE RADIO	WT	0.0000	12/21/06	12/21/2006	11/12/13	10	5	0	Gallons	
1471640736	5/8"										
83948375	NEPTUNE RADIO	WT	0.0000	12/21/06	12/21/2006	06/04/14	10	5	0	Gallons	
1487437796	5/8"										

Meter #	Size	Service	Meter	Purchase	Warranty	Last	# Of	# Of Fixed	Units of	Tamper	
Internal Id #	Manufacturer	Type	Constant	Date	Date	Tested	Diags	0's	Measure	Status	Visually Readable
83948376	5/8"	WT	0.0000	12/21/06	12/21/2006	06/14/10	10	5	0	Gallons	
1490194390	NEPTUNE RADIO										
83948377	5/8"	WT	0.0000	12/21/06	12/21/2006	04/01/08	10	5	0	Gallons	
1481601716	NEPTUNE RADIO										
83948378	5/8"	WT	0.0000	12/21/06	12/21/2006	03/28/08	10	5	0	Gallons	
1471611796	NEPTUNE RADIO										
83948379	5/8"	WT	0.0000			04/01/08	10	5	0	Gallons	
1471617264	NEPTUNE RADIO										
83948380	5/8"	WT	0.0000	12/21/06	12/21/2006	10/30/18	10	5	0	Gallons	
1550406266	NEPTUNE RADIO										
83948381	5/8"	WT	0.0000	12/21/06	12/21/2006	04/01/08	10	5	0	Gallons	
1471648710	NEPTUNE RADIO										
83948382	5/8"	WT	0.0000	12/21/06	12/21/2006	04/01/08	10	5	0	Gallons	
1471539022	NEPTUNE RADIO										
83948383	5/8"	WT	0.0000	12/21/06	12/21/2006	05/11/10	10	5	0	Gallons	
1471630966	NEPTUNE RADIO										
83948384	5/8"	WT	0.0000	12/21/06	12/21/2006	03/18/08	10	5	0	Gallons	
1471631252	NEPTUNE RADIO										
83948385	5/8"	WT	0.0000	12/21/06	12/21/2006	03/18/08	10	5	0	Gallons	
1471638284	NEPTUNE RADIO										
83948386	5/8"	WT	0.0000	12/21/06	12/21/2006	03/18/08	10	5	0	Gallons	
1471561248	NEPTUNE RADIO										
83948387	5/8"	WT	0.0000	12/21/06	12/21/2006	11/01/18	10	5	0	Gallons	
1551667328	NEPTUNE RADIO										
83948388	5/8"	WT	0.0000	12/21/06	12/21/2006	03/18/08	10	5	0	Gallons	
1471567568	NEPTUNE RADIO										
83948389	5/8"	WT	0.0000	12/21/06	12/21/2006	03/18/08	10	5	0	Gallons	
1471562228	NEPTUNE RADIO										
83948390	5/8"	WT	0.0000	12/21/06	12/21/2006	04/01/08	10	5	0	Gallons	
1471611800	NEPTUNE RADIO										
83948391	5/8"	WT	0.0000	12/21/06	12/21/2006	06/29/15	10	5	0	Gallons	
1471567432	NEPTUNE RADIO										
83948392	5/8"	WT	0.0000	12/21/06	12/21/2006	04/01/08	10	5	0	Gallons	
1540773802	NEPTUNE RADIO										
83948393	5/8"	WT	0.0000	12/21/06	12/21/2006	05/09/17	10	5	0	Gallons	
1545532546	NEPTUNE RADIO										
83948394	5/8"	WT	0.0000	12/21/06	12/21/2006	11/01/18	10	5	0	Gallons	
1551810098	NEPTUNE RADIO										
83948395	5/8"	WT	0.0000	12/21/06	12/21/2006	04/01/08	10	5	0	Gallons	
1471568506	NEPTUNE RADIO										
83948396	5/8"	WT	0.0000	12/21/06	12/21/2006	10/12/12	10	5	0	Gallons	
1486456242	NEPTUNE RADIO										
83948397	5/8"	WT	0.0000	12/21/06	12/21/2006	10/01/15	10	5	0	Gallons	
1547960082	NEPTUNE RADIO										
83948398	5/8"	WT	0.0000	12/21/06	12/21/2006	07/29/10	10	5	0	Gallons	
1471604100	NEPTUNE RADIO										

Meter #	Size	Service	Meter	Purchase	Warranty	Last	# Of	# Of	Units of	Tamper
Internal Id #	Manufacturer	Type	Constant	Date	Date	Tested	Test Cycle	Fixed	Measure	Status
							Dials	0's		Visually
		Rating								Readable
83948399	5/8"	WT	0.0000	12/21/06	12/21/2006	10/22/07	10	5	0	Gallons
1487770492	NEPTUNE RADIO	R								
83948400	5/8"	WT	0.0000	12/21/06	12/21/2006	10/22/07	10	5	0	Gallons
1471603738	NEPTUNE RADIO	R								
83948401	5/8"	WT	0.0000	12/21/06	12/21/2006	10/22/07	10	5	0	Gallons
1471563012	NEPTUNE RADIO	R								
83948402	5/8"	WT	0.0000	12/21/06	12/21/2006	10/17/13	10	5	0	Gallons
1471640688	NEPTUNE RADIO	R								
83948403	5/8"	WT	0.0000	12/21/06	12/21/2006	10/27/14	10	5	0	Gallons
1487940592	NEPTUNE RADIO	R								
83948404	5/8"	WT	0.0000	12/21/06	12/21/2006	02/28/08	10	5	0	Gallons
1471562804	NEPTUNE RADIO	R								
83948405	5/8"	WT	0.0000	12/21/06	12/21/2006	04/03/08	10	5	0	Gallons
1471627726	NEPTUNE RADIO	R								
83948406	5/8"	WT	0.0000	12/21/06	12/21/2006	02/28/08	10	5	0	Gallons
1471637550	NEPTUNE RADIO	R								
83948407	5/8"	WT	0.0000	12/21/06	12/21/2006	02/28/08	10	5	0	Gallons
1471632160	NEPTUNE RADIO	R								
83948408	5/8"	WT	0.0000	12/21/06	12/21/2006	04/01/08	10	5	0	Gallons
1471624276	NEPTUNE RADIO	R								
83948409	5/8"	WT	0.0000	12/21/06	12/21/2006	04/01/08	10	5	0	Gallons
1471631072	NEPTUNE RADIO	R								
83948410	5/8"	WT	0.0000	12/21/06	12/21/2006	04/01/08	10	5	0	Gallons
1486685714	NEPTUNE RADIO	R								
83948411	5/8"	WT	0.0000	12/21/06	12/21/2006	04/01/08	10	5	0	Gallons
1471631076	NEPTUNE RADIO	R								
83948412	5/8"	WT	0.0000	12/21/06	12/21/2006	04/01/08	10	5	0	Gallons
1471629142	NEPTUNE RADIO	R								
83948413	5/8"	WT	0.0000	12/21/06	12/21/2006	04/01/08	10	5	0	Gallons
1481601522	NEPTUNE RADIO	R								
83948414	5/8"	WT	0.0000	12/21/06	12/21/2006	03/31/08	10	5	0	Gallons
1471631074	NEPTUNE RADIO	R								
83948415	5/8"	WT	0.0000	12/21/06	12/21/2006	03/31/08	10	5	0	Gallons
1471561228	NEPTUNE RADIO	R								
83948416	5/8"	WT	0.0000	12/21/06	12/21/2006	03/31/08	10	5	0	Gallons
1471550290	NEPTUNE RADIO	R								
83948417	5/8"	WT	0.0000	12/21/06	12/21/2006	06/08/10	10	5	0	Gallons
1471553188	NEPTUNE RADIO	R								
83948418	5/8"	WT	0.0000	12/21/06	12/21/2006	03/31/08	10	5	0	Gallons
1471571232	NEPTUNE RADIO	R								
83948419	5/8"	WT	0.0000	12/21/06	12/21/2006	03/31/08	10	5	0	Gallons
1471553258	NEPTUNE RADIO	R								
83948420	5/8"	WT	0.0000	12/21/06	12/21/2006	05/09/19	10	0	0	Gallons
1471638322	NEPTUNE RADIO	R								
83948421	5/8"	WT	0.0000	12/21/06	12/21/2006	04/28/08	10	5	0	Gallons
1471638322	NEPTUNE RADIO	R								

Meter #	Size	Service	Meter	Purchase	Warranty	Last	# Of	# Of Fixed	Units of	Tamper	
Internal Id #	Manufacturer	Type	Constant	Date	Date	Tested	Diags	0's	Measure	Status	Visually Readable
83948422	5/8"	WT	0.0000	12/21/06	12/21/2006	04/28/08	10	5	0	Gallons	
1471563752	NEPTUNE RADIO										
83948423	5/8"	WT	0.0000	12/21/06	12/21/2006	04/29/08	10	5	0	Gallons	
1471638094	NEPTUNE RADIO										
83948424	5/8"	WT	0.0000	12/21/06	12/21/2006	04/28/08	10	5	0	Gallons	
1471622500	NEPTUNE RADIO										
83948425	5/8"	WT	0.0000	12/21/06	12/21/2006	04/28/08	10	5	0	Gallons	
1471568820	NEPTUNE RADIO										
83948426	5/8"	WT	0.0000	12/21/06	12/21/2006	05/09/19	10	0	0	Gallons	
	NEPTUNE RADIO										
83948427	5/8"	WT	0.0000	12/21/06	12/21/2006	11/16/07	10	5	0	Gallons	
1471624272	NEPTUNE RADIO										
83948428	5/8"	WT	0.0000	12/21/06	12/21/2006	11/16/07	10	0	0	Gallons	
	NEPTUNE RADIO										
83948429	5/8"	WT	0.0000	12/21/06	12/21/2006	11/16/07	10	5	0	Gallons	
1471592124	NEPTUNE RADIO										
83948430	5/8"	WT	0.0000	12/21/06	12/21/2006	05/25/10	10	5	0	Gallons	
1545233674	NEPTUNE RADIO										
83948431	5/8"	WT	0.0000	12/21/06	12/21/2006	11/16/15	10	5	0	Gallons	
1471628260	NEPTUNE RADIO										
83948432	5/8"	WT	0.0000	12/21/06	12/21/2006	03/20/08	10	5	0	Gallons	
1471643244	NEPTUNE RADIO										
83948433	5/8"	WT	0.0000	12/21/06	12/21/2006	03/19/08	10	5	0	Gallons	
1471645732	NEPTUNE RADIO										
83948434	5/8"	WT	0.0000	12/21/06	12/21/2006	03/18/10	10	5	0	Gallons	
1471643168	NEPTUNE RADIO										
83948435	5/8"	WT	0.0000	12/21/06	12/21/2006	03/18/08	10	5	0	Gallons	
1471625810	NEPTUNE RADIO										
83948436	5/8"	WT	0.0000	12/21/06	12/21/2006	03/18/08	10	5	0	Gallons	
1471539024	NEPTUNE RADIO										
83948437	5/8"	WT	0.0000	12/21/06	12/21/2006	03/18/08	10	5	0	Gallons	
1471563008	NEPTUNE RADIO										
83948438	5/8"	WT	0.0000	12/21/06	12/21/2006	03/31/08	10	5	0	Gallons	
1471627896	NEPTUNE RADIO										
83948439	5/8"	WT	0.0000	12/21/06	12/21/2006	06/08/17	10	5	0	Gallons	
1487744982	NEPTUNE RADIO										
83948440	5/8"	WT	0.0000	12/21/06	12/21/2006	04/01/08	10	5	0	Gallons	
1471567436	NEPTUNE RADIO										
83948441	5/8"	WT	0.0000	12/21/06	12/21/2006	03/21/08	10	5	0	Gallons	
1471615454	NEPTUNE RADIO										
83948442	5/8"	WT	0.0000	12/21/06	12/21/2006	03/24/08	10	5	0	Gallons	
1482357958	NEPTUNE RADIO										
83948443	5/8"	WT	0.0000	12/21/06	12/21/2006	05/12/10	10	5	0	Gallons	
1482383794	NEPTUNE RADIO										
83948444	5/8"	WT	0.0000	12/21/06	12/21/2006	03/31/08	10	5	0	Gallons	
1471645638	NEPTUNE RADIO										

Meter #	Size	Service	Meter	Purchase	Warranty	Last	# Of	# Of	Units of	Tamper
Internal Id #	Manufacturer	Type	Constant	Date	Date	Tested	Diags	Fixed	Measure	Status
								0's		Visually
		Rating								Readable
83948445	5/8"	WT	0.0000	12/21/06	12/21/2006	03/31/08	10	5	0	Gallons
1471642042	NEPTUNE RADIO									
83948446	5/8"	WT	0.0000	12/21/06	12/21/2006	03/31/08	10	5	0	Gallons
1471615850	NEPTUNE RADIO									
83948447	5/8"	WT	0.0000	12/21/06	12/21/2006	03/31/08	10	5	0	Gallons
1471618004	NEPTUNE RADIO									
83948448	5/8"	WT	0.0000	12/21/06	12/21/2006	03/31/08	10	5	0	Gallons
1471540902	NEPTUNE RADIO									
83948449	5/8"	WT	0.0000	12/21/06	12/21/2006	03/31/08	10	5	0	Gallons
1471620960	NEPTUNE RADIO									
83948450	5/8"	WT	0.0000	12/21/06	12/21/2006	07/25/08	10	5	0	Gallons
1491038088	NEPTUNE RADIO									
83948451	5/8"	WT	0.0000	12/21/06	12/21/2006	11/21/07	10	5	0	Gallons
1471606848	NEPTUNE RADIO									
83948452	5/8"	WT	0.0000	12/21/06	12/21/2006	11/21/07	10	5	0	Gallons
1471553868	NEPTUNE RADIO									
83948453	5/8"	WT	0.0000	12/21/06	12/21/2006	11/28/07	10	5	0	Gallons
1471645886	NEPTUNE RADIO									
83948454	5/8"	WT	0.0000	12/21/06	12/21/2006	11/28/07	10	5	0	Gallons
1471636524	NEPTUNE RADIO									
83948455	5/8"	WT	0.0000	12/21/06	12/21/2006	11/21/07	10	5	0	Gallons
1471606852	NEPTUNE RADIO									
83948456	5/8"	WT	0.0000	12/21/06	12/21/2006	01/08/08	10	5	0	Gallons
1471606854	NEPTUNE RADIO									
83948457	5/8"	WT	0.0000	12/21/06	12/21/2006	11/16/07	10	5	0	Gallons
1471560308	NEPTUNE RADIO									
83948458	5/8"	WT	0.0000	12/21/06	12/21/2006	05/05/17	10	5	0	Gallons
1542397184	NEPTUNE RADIO									
83948459	5/8"	WT	0.0000	12/21/06	12/21/2006	02/22/18	10	5	0	Gallons
1546646668	NEPTUNE RADIO									
83948460	5/8"	WT	0.0000	12/21/06	12/21/2006	11/16/07	10	5	0	Gallons
1546227782	NEPTUNE RADIO									
83948461	5/8"	WT	0.0000	12/21/06	12/21/2006	05/09/19	10	0	0	Gallons
	NEPTUNE RADIO									
83948462	5/8"	WT	0.0000	12/21/06	12/21/2006	03/21/08	10	5	0	Gallons
1471550732	NEPTUNE RADIO									
83948463	5/8"	WT	0.0000	12/21/06	12/21/2006	04/12/19	10	5	0	Gallons
1551874034	NEPTUNE RADIO									
83948464	5/8"	WT	0.0000	12/21/06	12/21/2006	03/26/08	10	5	0	Gallons
1471563924	NEPTUNE RADIO									
83948465	5/8"	WT	0.0000	12/21/06	12/21/2006	02/22/08	10	5	0	Gallons
1471550096	NEPTUNE RADIO									
83948466	5/8"	WT	0.0000	12/21/06	12/21/2006	07/25/08	10	5	0	Gallons
1471561676	NEPTUNE RADIO									
83948467	5/8"	WT	0.0000	12/21/06	12/21/2006	03/26/08	10	5	0	Gallons
1471552056	NEPTUNE RADIO									

Meter #	Size	Service	Meter	Purchase	Warranty	Last	# Of	# Of	Units of	Tamper
Internal Id #	Manufacturer	Type	Constant	Date	Date	Tested	Test Cycle	Fixed	Measure	Status
							Dials	0's		Visually
		Rating								Readable
83948468	5/8"	WT	0.0000	12/21/06	12/21/2006	03/25/08	10	5	0	Gallons
1547967874	NEPTUNE RADIO									
83948469	5/8"	WT	0.0000	12/21/06	12/21/2006	03/26/10	10	5	0	Gallons
1471560452	NEPTUNE RADIO									
83948470	5/8"	WT	0.0000	12/21/06	12/21/2006	03/25/08	10	5	0	Gallons
1471560450	NEPTUNE RADIO									
83948471	5/8"	WT	0.0000	12/21/06	12/21/2006	05/06/10	10	5	0	Gallons
1471563138	NEPTUNE RADIO									
83948472	5/8"	WT	0.0000	12/21/06	12/21/2006	09/12/13	10	5	0	Gallons
1486677808	NEPTUNE RADIO									
83948473	5/8"	WT	0.0000	12/21/06	12/21/2006	03/24/08	10	5	0	Gallons
1471655704	NEPTUNE RADIO									
83948474	5/8"	WT	0.0000	12/21/06	12/21/2006	11/16/15	10	5	0	Gallons
1471566960	NEPTUNE RADIO									
83948475	5/8"	WT	0.0000	12/21/06	12/21/2006	04/01/14	10	5	0	Gallons
1490178754	NEPTUNE RADIO									
83948476	5/8"	WT	0.0000	12/21/06	12/21/2006	07/17/18	10	5	0	Gallons
1551529740	NEPTUNE RADIO									
83948477	5/8"	WT	0.0000	12/21/06	12/21/2006	11/16/07	10	5	0	Gallons
1546680736	NEPTUNE RADIO									
83948478	5/8"	WT	0.0000	12/21/06	12/21/2006	11/28/07	10	5	0	Gallons
1471550964	NEPTUNE RADIO									
83948479	5/8"	WT	0.0000	12/21/06	12/21/2006	11/28/07	10	5	0	Gallons
1471549272	NEPTUNE RADIO									
83948480	5/8"	WT	0.0000	12/21/06	12/21/2006	11/06/07	10	5	0	Gallons
1471564710	NEPTUNE RADIO									
83948481	5/8"	WT	0.0000	12/21/06	12/21/2006	11/06/07	10	5	0	Gallons
1471554784	NEPTUNE RADIO									
83948482	5/8"	WT	0.0000	12/21/06	12/21/2006	11/06/07	10	5	0	Gallons
1471549604	NEPTUNE RADIO									
83948483	5/8"	WT	0.0000	12/21/06	12/21/2006	11/06/07	10	5	0	Gallons
1545277618	NEPTUNE RADIO									
83948484	5/8"	WT	0.0000	12/21/06	12/21/2006	11/06/07	10	5	0	Gallons
1471560228	NEPTUNE RADIO									
83948485	5/8"	WT	0.0000	12/21/06	12/21/2006	11/06/07	10	5	0	Gallons
1545268540	NEPTUNE RADIO									
83948486	5/8"	WT	0.0000	12/21/06	12/21/2006	11/28/07	10	5	0	Gallons
1471625532	NEPTUNE RADIO									
83948487	5/8"	WT	0.0000	12/21/06	12/21/2006	11/28/07	10	5	0	Gallons
1471633268	NEPTUNE RADIO									
83948488	5/8"	WT	0.0000	12/21/06	12/21/2006	11/28/07	10	5	0	Gallons
1471652006	NEPTUNE RADIO									
83948489	5/8"	WT	0.0000	12/21/06	12/21/2006	11/28/07	10	5	0	Gallons
1471615856	NEPTUNE RADIO									
83948490	5/8"	WT	0.0000	12/21/06	12/21/2006	09/15/15	10	5	0	Gallons
1540678716	NEPTUNE RADIO									

Meter #	Size	Service	Meter	Purchase	Warranty	Last	# Of	# Of	Units of	Tamper
Internal Id #	Manufacturer	Type	Constant	Date	Date	Tested	Diags	Fixed	Measure	Status
								0's		Visually
		Rating								Readable
83948491	5/8"	WT	0.0000	12/21/06	12/21/2006	11/28/07	5	0	Gallons	
1471632372	NEPTUNE RADIO	R								
83948492	5/8"	WT	0.0000	12/21/06	12/21/2006	03/31/08	5	0	Gallons	
1471647366	NEPTUNE RADIO									
83948493	5/8"	WT	0.0000	12/21/06	12/21/2006	03/31/08	5	0	Gallons	
1471633660	NEPTUNE RADIO									
83948494	5/8"	WT	0.0000	12/21/06	12/21/2006	03/31/08	5	0	Gallons	
1471567388	NEPTUNE RADIO									
83948495	5/8"	WT	0.0000	12/21/06	12/21/2006	03/31/08	5	0	Gallons	
1471628596	NEPTUNE RADIO									
83948496	5/8"	WT	0.0000	12/21/06	12/21/2006	03/31/08	5	0	Gallons	
1471611596	NEPTUNE RADIO									
83948497	5/8"	WT	0.0000	12/21/06	12/21/2006	03/31/08	5	0	Gallons	
1471638176	NEPTUNE RADIO									
83948498	5/8"	WT	0.0000	12/21/06	12/21/2006	03/28/08	5	0	Gallons	
1471566920	NEPTUNE RADIO									
83948499	5/8"	WT	0.0000	12/21/06	12/21/2006	03/28/08	5	0	Gallons	
1471545024	NEPTUNE RADIO									
83948500	5/8"	WT	0.0000	12/21/06	12/21/2006	06/08/17	5	0	Gallons	
1545273484	NEPTUNE RADIO									
83948501	5/8"	WT	0.0000	12/21/06	12/21/2006	03/28/08	5	0	Gallons	
1471537360	NEPTUNE RADIO									
83948502	5/8"	WT	0.0000	12/21/06	12/21/2006	03/28/08	5	0	Gallons	
1471547874	NEPTUNE RADIO									
83948503	5/8"	WT	0.0000	12/21/06	12/21/2006	02/01/17	5	0	Gallons	
1545075590	NEPTUNE RADIO									
83948504	5/8"	WT	0.0000	12/21/06	12/21/2006	11/16/07	5	0	Gallons	
1471615826	NEPTUNE RADIO									
83948505	5/8"	WT	0.0000	12/21/06	12/21/2006	11/16/07	5	0	Gallons	
1471632370	NEPTUNE RADIO									
83948506	5/8"	WT	0.0000	12/21/06	12/21/2006	08/01/18	5	0	Gallons	
1490188020	NEPTUNE RADIO									
83948507	5/8"	WT	0.0000	12/21/06	12/21/2006	06/29/10	5	0	Gallons	
1490136008	NEPTUNE RADIO									
83948508	5/8"	WT	0.0000	12/21/06	12/21/2006	11/16/07	5	0	Gallons	
1471627720	NEPTUNE RADIO									
83948509	5/8"	WT	0.0000	12/21/06	12/21/2006	11/16/07	5	0	Gallons	
1471634820	NEPTUNE RADIO									
83948510	5/8"	WT	0.0000	12/21/06	12/21/2006	03/21/08	5	0	Gallons	
1471615828	NEPTUNE RADIO									
83948511	5/8"	WT	0.0000	12/21/06	12/21/2006	09/04/18	5	0	Gallons	
1550412168	NEPTUNE RADIO									
83948512	5/8"	WT	0.0000	12/21/06	12/21/2006	06/12/18	5	0	Gallons	
1471626006	NEPTUNE RADIO									
83948513	5/8"	WT	0.0000	12/21/06	12/21/2006	11/01/18	5	0	Gallons	
1471603740	NEPTUNE RADIO									

Meter #	Size	Service	Meter	Purchase	Warranty	Last	# Of	# Of Fixed	Units of	Tamper
Internal Id #	Manufacturer	Type	Constant	Date	Date	Tested	Test Cycle	0's	Measure	Status
							Dials			Visually
		Rating								Readable
83948514	5/8"	WT	0.0000	12/21/06	12/21/2006	09/12/11	10	5	0	Gallons
1484465264	NEPTUNE RADIO	20								
83948515	5/8"	WT	0.0000	12/21/06	12/21/2006	03/20/08	10	5	0	Gallons
1471611792	NEPTUNE RADIO	20								
83948516	5/8"	WT	0.0000	12/21/06	12/21/2006	04/01/08	10	5	0	Gallons
1471552874	NEPTUNE RADIO	20								
83948517	5/8"	WT	0.0000	12/21/07	12/21/2007	04/01/08	10	0	0	Gallons
83948518	NEPTUNE RADIO	20								
1551807026	5/8"	WT	0.0000	12/21/06	12/21/2006	11/09/18	10	5	0	Gallons
83948519	NEPTUNE RADIO	20								
1471562484	5/8"	WT	0.0000	12/21/07	12/21/2007	04/01/08	10	5	0	Gallons
83948520	NEPTUNE RADIO	20								
1540823070	5/8"	WT	0.0000	12/21/07	12/21/2007	04/01/08	10	5	0	Gallons
83948521	NEPTUNE RADIO	20								
1471553260	5/8"	WT	0.0000	12/21/06	12/21/2006	04/01/08	10	5	0	Gallons
83948522	NEPTUNE RADIO	20								
1471553820	5/8"	WT	0.0000	12/21/06	12/21/2006	04/01/08	10	5	0	Gallons
83948523	NEPTUNE RADIO	20								
1471553164	5/8"	WT	0.0000	12/21/06	12/21/2006	04/01/08	10	5	0	Gallons
83948524	NEPTUNE RADIO	20								
1471551888	5/8"	WT	0.0000	12/21/06	12/21/2006	04/01/08	10	5	0	Gallons
83948525	NEPTUNE RADIO	20								
1471568768	5/8"	WT	0.0000	12/21/06	12/21/2006	04/01/08	10	5	0	Gallons
83948526	NEPTUNE RADIO	20								
1471549818	5/8"	WT	0.0000	12/21/06	12/21/2006	04/01/08	10	5	0	Gallons
83948527	NEPTUNE RADIO	20								
1471551304	5/8"	WT	0.0000	12/21/06	12/21/2006	04/01/08	10	5	0	Gallons
83948528	NEPTUNE RADIO	20								
1490155758	5/8"	WT	0.0000	12/21/06	12/21/2006	04/01/08	10	5	0	Gallons
83948529	NEPTUNE RADIO	20								
1471567204	5/8"	WT	0.0000	12/21/06	12/21/2006	04/01/08	10	5	0	Gallons
83948530	NEPTUNE RADIO	20								
1471548506	5/8"	WT	0.0000	12/21/06	12/21/2006	04/01/08	10	5	0	Gallons
83948531	NEPTUNE RADIO	20								
1471568746	5/8"	WT	0.0000	12/21/06	12/21/2006	04/01/08	10	5	0	Gallons
83948532	NEPTUNE RADIO	20								
1471553816	5/8"	WT	0.0000	12/21/06	12/21/2006	04/01/08	10	5	0	Gallons
83948533	NEPTUNE RADIO	20								
1487741192	5/8"	WT	0.0000	12/21/06	12/21/2006	07/28/10	10	5	0	Gallons
83948534	NEPTUNE RADIO	20								
1471561960	5/8"	WT	0.0000	12/21/06	12/21/2006	04/01/08	10	5	0	Gallons
83948535	NEPTUNE RADIO	20								
83948536	5/8"	WT	0.0000	12/21/06	12/21/2006	04/01/08	10	5	0	Gallons
1471554706	NEPTUNE RADIO	20								

Meter #	Size	Service	Meter	Purchase	Warranty	Last	# Of	# Of Fixed	Units of	Tamper	
Internal Id #	Manufacturer	Type	Constant	Date	Date	Tested	Test Cycle	0's	Measure	Status	
							Dials			Visually	
										Readable	
83948537	NEPTUNE RADIO	WT	0.0000	12/21/06	12/21/2006	04/01/08	10	5	0	Gallons	
1471540048	5/8"										
83948538	NEPTUNE RADIO	WT	0.0000	12/21/06	12/21/2006	04/01/08	10	5	0	Gallons	
1471540134	5/8"										
83948539	NEPTUNE RADIO	WT	0.0000	12/21/06	12/21/2006	04/01/08	10	5	0	Gallons	
1471540046	5/8"										
83948540	NEPTUNE RADIO	WT	0.0000	12/21/06	12/21/2006	01/05/18	10	5	0	Gallons	
1471627722	5/8"										
83948541	NEPTUNE RADIO	WT	0.0000	12/21/06	12/21/2006	07/23/18	10	5	0	Gallons	
1486685154	5/8"										
83948542	NEPTUNE RADIO	WT	0.0000	12/21/06	12/21/2006	07/11/07	10	5	0	Gallons	
1471561904	5/8"										
83948543	NEPTUNE RADIO	WT	0.0000	12/21/06	12/21/2006	07/11/07	10	5	0	Gallons	
1471547872	5/8"										
83948544	NEPTUNE RADIO	WT	0.0000	12/21/06	12/21/2006	07/17/18	10	5	0	Gallons	
1550396208	5/8"										
83948545	NEPTUNE RADIO	WT	0.0000	12/21/06	12/21/2006	12/01/08	10	5	0	Gallons	
1491250506	5/8"										
83948546	NEPTUNE RADIO	WT	0.0000	12/21/06	12/21/2006	07/11/07	10	5	0	Gallons	
1471549600	5/8"										
83948547	NEPTUNE RADIO	WT	0.0000	12/21/06	12/21/2006	08/01/07	10	5	0	Gallons	
1471560284	5/8"										
83948548	NEPTUNE RADIO	WT	0.0000	12/21/06	12/21/2006	12/01/08	10	5	0	Gallons	
1491254132	5/8"										
83948549	NEPTUNE RADIO	WT	0.0000	12/21/06	12/21/2006	07/11/07	10	5	0	Gallons	
1471548504	5/8"										
83948550	NEPTUNE RADIO	WT	0.0000	12/21/06	12/21/2006	07/11/07	10	5	0	Gallons	
1471549816	5/8"										
83948551	NEPTUNE RADIO	WT	0.0000	12/21/06	12/21/2006	07/17/18	10	5	0	Gallons	
1542524028	5/8"										
83948552	NEPTUNE RADIO	WT	0.0000	12/21/06	12/21/2006	07/16/07	10	5	0	Gallons	
1471552152	5/8"										
83948553	NEPTUNE RADIO	WT	0.0000	12/21/06	12/21/2006	01/05/10	10	5	0	Gallons	
1471564716	5/8"										
83948554	NEPTUNE RADIO	WT	0.0000	12/21/06	12/21/2006	07/12/07	10	5	0	Gallons	
1471560282	5/8"										
83948555	NEPTUNE RADIO	WT	0.0000	12/21/06	12/21/2006	07/16/07	10	5	0	Gallons	
1471540136	5/8"										
83948556	NEPTUNE RADIO	WT	0.0000	12/21/06	12/21/2006	04/12/19	10	5	0	Gallons	
1551874478	5/8"										
83948557	NEPTUNE RADIO	WT	0.0000	12/21/06	12/21/2006	07/12/07	10	5	0	Gallons	
1487955028	5/8"										
83948558	NEPTUNE RADIO	WT	0.0000	12/21/06	12/21/2006	06/12/18	10	0	0	Gallons	
1471567148	5/8"										
83948559	NEPTUNE RADIO	WT	0.0000	12/21/06	12/21/2006	06/05/07	10	5	0	Gallons	
1471567148	5/8"										

Meter #	Size	Service	Meter	Purchase	Warranty	Last	# Of	# Of Fixed	Units of	Tamper	
Internal Id #	Manufacturer	Type	Constant	Date	Date	Tested	Diags	0's	Measure	Status	Visually Readable
83948560	5/8"	WT	0.0000	12/21/06	12/21/2006	01/23/18	10	5	0	Gallons	
1546680938	NEPTUNE RADIO										
83948561	5/8"	WT	0.0000	12/21/06	12/21/2006	06/05/07	10	5	0	Gallons	
1471554708	NEPTUNE RADIO										
83948562	5/8"	WT	0.0000	12/21/06	12/21/2006	05/05/16	10	5	0	Gallons	
1490179544	NEPTUNE RADIO										
83948563	5/8"	WT	0.0000	12/21/06	12/21/2006	06/05/07	10	5	0	Gallons	
1490178386	NEPTUNE RADIO										
83948564	5/8"	WT	0.0000	12/21/06	12/21/2006	04/12/19	10	5	0	Gallons	
1551873254	NEPTUNE RADIO										
83948565	5/8"	WT	0.0000	12/21/06	12/21/2006	09/21/09	10	5	0	Gallons	
1490179438	NEPTUNE RADIO										
83948566	5/8"	WT	0.0000	12/21/06	12/21/2006	06/08/10	10	5	0	Gallons	
1471562618	NEPTUNE RADIO										
83948567	5/8"	WT	0.0000	12/21/06	12/21/2006	08/01/07	10	5	0	Gallons	
1471562616	NEPTUNE RADIO										
83948568	5/8"	WT	0.0000	12/21/06	12/21/2006	08/01/07	10	5	0	Gallons	
1471650012	NEPTUNE RADIO										
83948569	5/8"	WT	0.0000	12/21/06	12/21/2006	12/01/08	10	5	0	Gallons	
1491335130	NEPTUNE RADIO										
83948570	5/8"	WT	0.0000	12/21/06	12/21/2006	06/14/10	10	5	0	Gallons	
1471629134	NEPTUNE RADIO										
83948571	5/8"	WT	0.0000	12/21/06	12/21/2006	06/29/08	10	5	0	Gallons	
1481554112	NEPTUNE RADIO										
83948572	5/8"	WT	0.0000	12/21/06	12/21/2006	06/29/08	10	5	0	Gallons	
1487894330	NEPTUNE RADIO										
83948573	5/8"	WT	0.0000	12/21/06	12/21/2006	07/23/07	10	5	0	Gallons	
1471542768	NEPTUNE RADIO										
83948574	5/8"	WT	0.0000	12/21/06	12/21/2006	07/23/07	10	5	0	Gallons	
1471546978	NEPTUNE RADIO										
83948575	5/8"	WT	0.0000	12/21/06	12/21/2006	08/02/07	10	0	0	Gallons	
	NEPTUNE RADIO										
83948576	5/8"	WT	0.0000	12/21/06	12/21/2006	06/15/07	10	5	0	Gallons	
1471538632	NEPTUNE RADIO										
83948577	5/8"	WT	0.0000	12/21/06	12/21/2006	06/11/18	10	5	0	Gallons	
1549662440	NEPTUNE RADIO										
83948578	5/8"	WT	0.0000	12/21/06	12/21/2006	06/15/07	10	5	0	Gallons	
1471542766	NEPTUNE RADIO										
83948579	5/8"	WT	0.0000	12/21/06	12/21/2006	06/15/07	10	5	0	Gallons	
1471554596	NEPTUNE RADIO										
83948580	5/8"	WT	0.0000	12/21/06	12/21/2006	06/15/07	10	5	0	Gallons	
1471570204	NEPTUNE RADIO										
83948581	5/8"	WT	0.0000	12/21/06	12/21/2006	06/22/18	10	5	0	Gallons	
1550409050	NEPTUNE RADIO										
83948582	5/8"	WT	0.0000	12/21/06	12/21/2006	07/12/18	10	5	0	Gallons	
1543651844	NEPTUNE RADIO										

Meter #	Size	Service	Meter	Purchase	Warranty	Last	# Of	# Of Fixed	Units of	Tamper
Internal Id #	Manufacturer	Type	Constant	Date	Date	Tested	Test Cycle	0's	Measure	Status
										Visually
										Readable
83948583	NEPTUNE RADIO	WT	0.0000	12/21/06	12/21/2006	10/17/07	10	5	0	Gallons
1471628002	5/8"	R								
83948584	NEPTUNE RADIO	WT	0.0000	12/21/06	12/21/2006	11/10/15	10	5	0	Gallons
1490123922	5/8"	R								
83948585	NEPTUNE RADIO	WT	0.0000	12/21/06	12/21/2006	10/17/07	10	5	0	Gallons
1471642998	5/8"	WT								
83948586	NEPTUNE RADIO	WT	0.0000	12/21/06	12/21/2006	10/17/07	10	5	0	Gallons
1471613628	5/8"	R								
83948587	NEPTUNE RADIO	WT	0.0000	12/21/06	12/21/2006	10/11/12	10	5	0	Gallons
1490142912	5/8"	R								
83948588	NEPTUNE RADIO	WT	0.0000	12/21/06	12/21/2006	03/25/14	10	5	0	Gallons
1490145114	5/8"	WT								
83948589	NEPTUNE RADIO	WT	0.0000	12/21/06	12/21/2006	08/01/07	10	5	0	Gallons
1471566908	5/8"	WT								
83948590	NEPTUNE RADIO	WT	0.0000	12/21/06	12/21/2006	08/13/07	10	5	0	Gallons
1471565480	5/8"	WT								
83948591	NEPTUNE RADIO	WT	0.0000	12/21/06	12/21/2006	08/01/07	10	5	0	Gallons
1487752474	5/8"	WT								
83948592	NEPTUNE RADIO	WT	0.0000	12/21/06	12/21/2006	06/12/18	10	5	0	Gallons
1547960366	5/8"	WT								
83948593	NEPTUNE RADIO	WT	0.0000	12/21/06	12/21/2006	04/25/17	10	5	0	Gallons
1545458998	5/8"	WT								
83948594	NEPTUNE RADIO	WT	0.0000	12/21/06	12/21/2006	05/13/19	10	0	0	Gallons
83948595	NEPTUNE RADIO	WT	0.0000	12/21/06	12/21/2006	08/01/07	10	5	0	Gallons
1471544206	5/8"	WT								
83948596	NEPTUNE RADIO	WT	0.0000	12/21/06	12/21/2006	08/01/07	10	5	0	Gallons
1471629902	5/8"	WT								
83948597	NEPTUNE RADIO	WT	0.0000	12/21/06	12/21/2006	08/01/07	10	5	0	Gallons
1471629962	5/8"	WT								
83948598	NEPTUNE RADIO	WT	0.0000	12/21/06	12/21/2006	08/01/07	10	5	0	Gallons
1471568800	5/8"	WT								
83948599	NEPTUNE RADIO	WT	0.0000	12/21/06	12/21/2006	08/01/07	10	5	0	Gallons
1471553564	5/8"	WT								
83948600	NEPTUNE RADIO	WT	0.0000	12/21/06	12/21/2006	10/19/07	10	5	0	Gallons
1471642996	5/8"	WT								
83948601	NEPTUNE RADIO	WT	0.0000	12/21/06	12/21/2006	10/19/07	10	5	0	Gallons
1471643198	5/8"	WT								
83948602	NEPTUNE RADIO	WT	0.0000	12/21/06	12/21/2006	10/22/07	10	5	0	Gallons
1471568936	5/8"	R								
83948603	NEPTUNE RADIO	WT	0.0000	12/21/06	12/21/2006	10/17/07	10	5	0	Gallons
1471621038	5/8"	WT								
83948604	NEPTUNE RADIO	WT	0.0000	12/21/06	12/21/2006	07/28/10	10	5	0	Gallons
1471629896	5/8"	WT								
83948605	NEPTUNE RADIO	WT	0.0000	12/21/06	12/21/2006	10/17/07	10	5	0	Gallons
1471632128	5/8"	WT								

Meter #	Size	Service	Meter	Purchase	Warranty	Last	# Of	# Of	Units of	Tamper
Internal Id #	Manufacturer	Type	Constant	Date	Date	Tested	Diags	Fixed	Measure	Status
								0's		Visually
		Rating								Readable
83948606	5/8"	WT	0.0000	12/21/06	12/21/2006	07/31/07	10	5	0	Gallons
1471642994	NEPTUNE RADIO									
83948607	5/8"	WT	0.0000	12/21/06	12/21/2006	07/31/07	10	5	0	Gallons
1471549602	NEPTUNE RADIO									
83948608	5/8"	WT	0.0000	12/21/06	12/21/2006	07/31/07	10	5	0	Gallons
1471571098	NEPTUNE RADIO									
83948609	5/8"	WT	0.0000	12/21/06	12/21/2006	07/31/07	10	5	0	Gallons
1471568770	NEPTUNE RADIO									
83948610	5/8"	WT	0.0000	12/21/06	12/21/2006	07/31/07	10	5	0	Gallons
1471548460	NEPTUNE RADIO									
83948611	5/8"	WT	0.0000	12/21/06	12/21/2006	07/31/07	10	5	0	Gallons
1486720730	NEPTUNE RADIO									
83948612	5/8"	WT	0.0000	12/21/06	12/21/2006	07/30/18	10	5	0	Gallons
1546642846	NEPTUNE RADIO									
83948613	5/8"	WT	0.0000	12/21/06	12/21/2006	10/02/07	10	0	0	Gallons
	NEPTUNE RADIO									
83948614	5/8"	WT	0.0000	12/21/06	12/21/2006	10/02/07	10	5	0	Gallons
1471630980	NEPTUNE RADIO									
83948615	5/8"	WT	0.0000	12/21/06	12/21/2006	10/03/07	10	5	0	Gallons
1471651020	NEPTUNE RADIO									
83948616	5/8"	WT	0.0000	12/21/06	12/21/2006	10/02/07	10	5	0	Gallons
1471624688	NEPTUNE RADIO									
83948617	5/8"	WT	0.0000	12/21/06	12/21/2006	10/11/10	10	5	0	Gallons
1549652080	NEPTUNE RADIO									
83948618	5/8"	WT	0.0000	12/21/06	12/21/2006	06/12/18	10	5	0	Gallons
1547958276	NEPTUNE RADIO									
83948619	5/8"	WT	0.0000	12/21/06	12/21/2006	07/31/07	10	5	0	Gallons
1471554304	NEPTUNE RADIO									
83948620	5/8"	WT	0.0000	12/21/06	12/21/2006	08/01/07	10	5	0	Gallons
1471563938	NEPTUNE RADIO									
83948621	5/8"	WT	0.0000	12/21/06	12/21/2006	07/31/07	10	5	0	Gallons
1471630146	NEPTUNE RADIO									
83948622	5/8"	WT	0.0000	12/21/06	12/21/2006	07/31/07	10	0	0	Gallons
	NEPTUNE RADIO									
83948623	5/8"	WT	0.0000	12/21/06	12/21/2006	07/31/07	10	5	0	Gallons
1471571274	NEPTUNE RADIO									
83948624	5/8"	WT	0.0000	12/21/06	12/21/2006	11/28/07	10	5	0	Gallons
1471630976	NEPTUNE RADIO									
83948625	5/8"	WT	0.0000	12/21/06	12/21/2006	12/01/08	10	5	0	Gallons
1491333850	NEPTUNE RADIO									
83948626	5/8"	WT	0.0000	12/21/06	12/21/2006	11/28/07	10	5	0	Gallons
1471605810	NEPTUNE RADIO									
83948627	5/8"	WT	0.0000	12/21/06	12/21/2006	04/12/19	10	5	0	Gallons
1551873954	NEPTUNE RADIO									
83948628	5/8"	WT	0.0000	12/21/06	12/21/2006	11/28/07	10	5	0	Gallons
1471571276	NEPTUNE RADIO									

Meter #	Size	Service	Meter	Purchase	Warranty	Last	# Of	# Of	Units of	Tamper
Internal Id #	Manufacturer	Type	Constant	Date	Date	Tested	Diags	Fixed	Measure	Status
								0's		Visually
		Rating								Readable
83948629	NEPTUNE RADIO	WT	0.0000	12/21/06	12/21/2006	11/28/07	10	5	0	Gallons
1471625526	NEPTUNE RADIO	R								
83948630	NEPTUNE RADIO	WT	0.0000	12/21/06	12/21/2006	07/12/10	10	5	0	Gallons
1483715318	NEPTUNE RADIO	R								
83948631	NEPTUNE RADIO	WT	0.0000	12/21/06	12/21/2006	11/19/15	10	0	0	Gallons
83948632	NEPTUNE RADIO	R								
1471571162	NEPTUNE RADIO	WT	0.0000	12/21/06	12/21/2006	11/29/07	10	5	0	Gallons
83948633	NEPTUNE RADIO	R								
1471563948	NEPTUNE RADIO	WT	0.0000	12/21/06	12/21/2006	11/29/07	10	5	0	Gallons
83948634	NEPTUNE RADIO	R								
1471564218	NEPTUNE RADIO	WT	0.0000	12/21/06	12/21/2006	11/29/07	10	5	0	Gallons
83948635	NEPTUNE RADIO	R								
1486685638	NEPTUNE RADIO	WT	0.0000	12/21/06	12/21/2006	06/29/15	10	5	0	Gallons
83948636	NEPTUNE RADIO	R								
1487881670	NEPTUNE RADIO	WT	0.0000	12/21/06	12/21/2006	10/01/15	10	5	0	Gallons
83948637	NEPTUNE RADIO	R								
1471625808	NEPTUNE RADIO	WT	0.0000	12/21/06	12/21/2006	10/03/07	10	5	0	Gallons
83948638	NEPTUNE RADIO	R								
1551825894	NEPTUNE RADIO	WT	0.0000	12/21/06	12/21/2006	11/01/18	10	5	0	Gallons
83948639	NEPTUNE RADIO	R								
1490194442	NEPTUNE RADIO	WT	0.0000	12/21/06	12/21/2006	11/10/15	10	5	0	Gallons
83948640	NEPTUNE RADIO	R								
1546647550	NEPTUNE RADIO	WT	0.0000	12/21/06	12/21/2006	12/09/16	10	5	0	Gallons
83948641	NEPTUNE RADIO	R								
1486686912	NEPTUNE RADIO	WT	0.0000	12/21/06	12/21/2006	07/23/10	10	5	0	Gallons
83948642	NEPTUNE RADIO	R								
1471613696	NEPTUNE RADIO	WT	0.0000	12/21/06	12/21/2006	10/22/07	10	5	0	Gallons
83948643	NEPTUNE RADIO	R								
1471560658	NEPTUNE RADIO	WT	0.0000	12/21/06	12/21/2006	10/22/07	10	5	0	Gallons
83948644	NEPTUNE RADIO	R								
1471629966	NEPTUNE RADIO	WT	0.0000	12/21/06	12/21/2006	10/22/07	10	5	0	Gallons
83948645	NEPTUNE RADIO	R								
1471563696	NEPTUNE RADIO	WT	0.0000	12/21/06	12/21/2006	02/27/13	10	5	0	Gallons
83948646	NEPTUNE RADIO	R								
1471647640	NEPTUNE RADIO	WT	0.0000	12/21/06	12/21/2006	10/22/07	10	5	0	Gallons
83948647	NEPTUNE RADIO	R								
1545535788	NEPTUNE RADIO	WT	0.0000	12/21/06	12/21/2006	08/08/08	10	5	0	Gallons
83948648	NEPTUNE RADIO	R								
1471613630	NEPTUNE RADIO	WT	0.0000	12/21/06	12/21/2006	08/01/07	10	5	0	Gallons
83948649	NEPTUNE RADIO	R								
1490163442	NEPTUNE RADIO	WT	0.0000	12/21/06	12/21/2006	01/04/16	10	5	0	Gallons
83948650	NEPTUNE RADIO	R								
1471566906	NEPTUNE RADIO	WT	0.0000	12/21/06	12/21/2006	08/01/07	10	5	0	Gallons
83948651	NEPTUNE RADIO	R								
1471643192	NEPTUNE RADIO	WT	0.0000	12/21/06	12/21/2006	08/01/07	10	5	0	Gallons

Meter #	Size	Service	Meter	Purchase	Warranty	Last	# Of	# Of	Units of	Tamper
Internal Id #	Manufacturer	Type	Constant	Date	Date	Tested	Test Cycle	Fixed	Measure	Status
							Dials	0's		Visually
		Rating								Readable
83948652	5/8"	WT	0.0000	12/21/06	12/21/2006	08/01/18	10	5	0	0
1550405084	NEPTUNE RADIO								Gallons	
83948653	5/8"	WT	0.0000	12/21/06	12/21/2006	08/01/07	10	5	0	0
1471612350	NEPTUNE RADIO								Gallons	
83948654	5/8"	WT	0.0000	12/21/06	12/21/2006	08/07/07	10	0	0	0
	NEPTUNE RADIO								Gallons	
83948655	5/8"	WT	0.0000	12/21/06	12/21/2006	10/01/15	10	5	0	0
1540776242	NEPTUNE RADIO								Gallons	
83948656	5/8"	WT	0.0000	12/21/06	12/21/2006	08/01/07	10	5	0	0
1490145082	NEPTUNE RADIO								Gallons	
83948657	5/8"	WT	0.0000	12/21/06	12/21/2006	08/10/07	10	5	0	0
1483715572	NEPTUNE RADIO								Gallons	
83948658	5/8"	WT	0.0000	12/21/06	12/21/2006	01/07/15	10	5	0	0
1471564642	NEPTUNE RADIO								Gallons	
83948659	5/8"	WT	0.0000	12/21/06	12/21/2006	08/29/07	10	5	0	0
1471570930	NEPTUNE RADIO								Gallons	
83948660	5/8"	WT	0.0000	12/21/06	12/21/2006	08/23/10	10	5	0	0
1471567348	NEPTUNE RADIO								Gallons	
83948661	5/8"	WT	0.0000	12/21/06	12/21/2006	07/17/18	10	0	0	0
	NEPTUNE RADIO								Gallons	
83948662	5/8"	WT	0.0000	12/21/06	12/21/2006	07/14/11	10	5	0	0
1487927186	NEPTUNE RADIO								Gallons	
83948663	5/8"	WT	0.0000	12/21/06	12/21/2006	07/31/07	10	0	0	0
	NEPTUNE RADIO								Gallons	
83948664	5/8"	WT	0.0000	12/21/06	12/21/2006	07/31/07	10	5	0	0
1471564404	NEPTUNE RADIO								Gallons	
83948665	5/8"	WT	0.0000	12/21/06	12/21/2006	09/05/13	10	5	0	0
1471542772	NEPTUNE RADIO								Gallons	
83948666	5/8"	WT	0.0000	12/21/06	12/21/2006	11/01/07	10	5	0	0
1490145654	NEPTUNE RADIO								Gallons	
83948667	5/8"	WT	0.0000	12/21/06	12/21/2006	11/02/07	10	0	0	0
	NEPTUNE RADIO								Gallons	
83948668	5/8"	WT	0.0000	12/21/06	12/21/2006	11/01/07	10	5	0	0
1471622644	NEPTUNE RADIO								Gallons	
83948669	5/8"	WT	0.0000	12/21/06	12/21/2006	10/31/07	10	5	0	0
1471646936	Neptune Radio								Gallons	
83948670	5/8"	WT	0.0000	12/21/06	12/21/2006	10/31/07	10	5	0	0
1471634158	NEPTUNE RADIO								Gallons	
83948671	5/8"	WT	0.0000	12/21/06	12/21/2006	11/06/15	10	5	0	0
1471632252	NEPTUNE RADIO								Gallons	
83948672	5/8"	WT	0.0000	12/21/06	12/21/2006	06/12/18	10	5	0	0
1487757392	NEPTUNE RADIO								Gallons	
83948673	5/8"	WT	0.0000	12/21/06	12/21/2006	10/31/07	10	5	0	0
1471640120	NEPTUNE RADIO								Gallons	
83948674	5/8"	WT	0.0000	12/21/06	12/21/2006	10/31/07	10	5	0	0
1540841364	NEPTUNE RADIO								Gallons	

Meter #	Size	Service	Meter	Purchase	Warranty	Last	# Of	# Of	Units of	Tamper
Internal Id #	Manufacturer	Type	Constant	Date	Date	Tested	Diags	Fixed	Measure	Status
								0's		Visually
		Rating								Readable
83948675	5/8"	WT	0.0000	12/21/06	12/21/2006	10/31/07	5	0	Gallons	
1471552058	NEPTUNE RADIO	R								
83948676	5/8"	WT	0.0000	12/21/06	12/21/2006	10/31/07	5	0	Gallons	
1471604142	NEPTUNE RADIO	R								
83948677	5/8"	WT	0.0000	12/21/06	12/21/2006	10/31/07	5	0	Gallons	
1471537336	NEPTUNE RADIO	R								
83948678	5/8"	WT	0.0000	12/21/06	12/21/2006	07/31/07	5	0	Gallons	
1471622556	NEPTUNE RADIO	R								
83948679	5/8"	WT	0.0000	12/21/06	12/21/2006	07/31/07	5	0	Gallons	
1471639312	NEPTUNE RADIO	R								
83948680	5/8"	WT	0.0000	12/21/06	12/21/2006	07/31/07	5	0	Gallons	
1471652000	NEPTUNE RADIO	R								
83948681	5/8"	WT	0.0000	12/21/06	12/21/2006	07/31/07	5	0	Gallons	
1471633270	NEPTUNE RADIO	R								
83948682	5/8"	WT	0.0000	12/21/06	12/21/2006	07/31/07	5	0	Gallons	
1471471994	NEPTUNE RADIO	R								
83948683	5/8"	WT	0.0000	12/21/06	12/21/2006	07/31/07	5	0	Gallons	
1471548824	NEPTUNE RADIO	R								
83948684	5/8"	WT	0.0000	12/21/06	12/21/2006	05/20/19	5	0	Gallons	
1471647340	NEPTUNE RADIO	R								
83948686	5/8"	WT	0.0000	12/21/06	12/21/2006	10/31/07	5	0	Gallons	
1490189698	NEPTUNE RADIO	R								
83948687	5/8"	WT	0.0000	12/21/06	12/21/2006	11/02/07	5	0	Gallons	
1471632250	NEPTUNE RADIO	R								
83948688	5/8"	WT	0.0000	12/21/06	12/21/2006	11/02/07	5	0	Gallons	
1471647356	NEPTUNE RADIO	R								
83948689	5/8"	WT	0.0000	12/21/06	12/21/2006	11/02/07	5	0	Gallons	
1471643972	NEPTUNE RADIO	R								
83948690	5/8"	WT	0.0000	12/21/06	12/21/2006	05/12/10	5	0	Gallons	
1471647336	NEPTUNE RADIO	R								
83948691	5/8"	WT	0.0000	12/21/06	12/21/2006	06/18/07	5	0	Gallons	
1471647342	NEPTUNE RADIO	R								
83948692	5/8"	WT	0.0000	12/21/06	12/21/2006	06/18/07	5	0	Gallons	
1471634154	NEPTUNE RADIO	R								
83948693	5/8"	WT	0.0000	12/21/06	12/21/2006	06/18/07	5	0	Gallons	
1471632326	NEPTUNE RADIO	R								
83948694	5/8"	WT	0.0000	12/21/06	12/21/2006	08/23/10	5	0	Gallons	
1471611572	NEPTUNE RADIO	R								
83948695	5/8"	WT	0.0000	12/21/06	12/21/2006	06/18/07	5	0	Gallons	
1471647360	NEPTUNE RADIO	R								
83948696	5/8"	WT	0.0000	12/21/06	12/21/2006	01/04/16	5	0	Gallons	
1410242244	NEPTUNE RADIO	R								
83948697	5/8"	WT	0.0000	12/21/06	12/21/2006	11/01/07	5	0	Gallons	
1486731778	NEPTUNE RADIO	R								

Meter #	Size	Service	Meter	Purchase	Warranty	Last	# Of	# Of	Units of	Tamper
Internal Id #	Manufacturer	Type	Constant	Date	Date	Tested	Fixed	Fixed	Measure	Status
							Diags	0's		Visually
		Rating								Readable
83948698	5/8"	WT	0.0000	12/21/06	12/21/2006	11/01/07	5	0	Gallons	
1471540904	NEPTUNE RADIO	R								
83948699	5/8"	WT	0.0000	12/21/06	12/21/2006	11/01/07	5	0	Gallons	
1471537340	NEPTUNE RADIO	R								
83948700	5/8"	WT	0.0000	12/21/06	12/21/2006	11/01/07	5	0	Gallons	
1471613030	NEPTUNE RADIO	R								
83948701	5/8"	WT	0.0000	12/21/06	12/21/2006	11/01/07	5	0	Gallons	
1471568178	NEPTUNE RADIO	R								
83948702	5/8"	WT	0.0000	12/21/06	12/21/2006	01/16/13	5	0	Gallons	
1471613322	NEPTUNE RADIO	R								
83948703	5/8"	WT	0.0000	12/21/06	12/21/2006	06/20/07	5	0	Gallons	
1471647364	NEPTUNE RADIO	R								
83948704	5/8"	WT	0.0000	12/21/06	12/21/2006	06/20/07	5	0	Gallons	
1471613320	NEPTUNE RADIO	R								
83948705	5/8"	WT	0.0000	12/21/06	12/21/2006	06/20/07	5	0	Gallons	
1471647354	NEPTUNE RADIO	R								
83948706	5/8"	WT	0.0000	12/21/06	12/21/2006	08/24/16	5	0	Gallons	
1487942524	NEPTUNE RADIO	R								
83948707	5/8"	WT	0.0000	12/21/06	12/21/2006	11/01/18	5	0	Gallons	
1551685582	NEPTUNE RADIO	R								
83948708	5/8"	WT	0.0000	12/21/06	12/21/2006	12/03/15	5	0	Gallons	
83948709	NEPTUNE RADIO	R								
83948710	5/8"	WT	0.0000	12/21/06	12/21/2006	08/01/18	5	0	Gallons	
1550409928	NEPTUNE RADIO	R								
83948711	5/8"	WT	0.0000	12/21/06	12/21/2006	09/04/07	5	0	Gallons	
1471560656	NEPTUNE RADIO	R								
83948712	5/8"	WT	0.0000	12/21/06	12/21/2006	04/25/18	5	0	Gallons	
1550385048	NEPTUNE RADIO	R								
83948713	5/8"	WT	0.0000	12/21/06	12/21/2006	09/04/07	5	0	Gallons	
1471560370	NEPTUNE RADIO	R								
83948714	5/8"	WT	0.0000	12/21/06	12/21/2006	10/17/07	5	0	Gallons	
1471640038	NEPTUNE RADIO	R								
83948715	5/8"	WT	0.0000	12/21/06	12/21/2006	07/23/18	5	0	Gallons	
1490154064	NEPTUNE RADIO	R								
83948716	5/8"	WT	0.0000	12/21/06	12/21/2006	10/04/07	5	0	Gallons	
1471540908	NEPTUNE RADIO	R								
83948717	5/8"	WT	0.0000	12/21/06	12/21/2006	03/29/10	5	0	Gallons	
1471605812	NEPTUNE RADIO	R								
83948718	5/8"	WT	0.0000	12/21/06	12/21/2006	10/17/07	5	0	Gallons	
1471569136	NEPTUNE RADIO	R								
83948719	5/8"	WT	0.0000	12/21/06	12/21/2006	10/17/07	5	0	Gallons	
1471605808	NEPTUNE RADIO	R								
83948720	5/8"	WT	0.0000	12/21/06	12/21/2006	11/29/07	5	0	Gallons	
1471549738	NEPTUNE RADIO	R								

Meter #	Size	Service	Meter	Purchase	Warranty	Last	# Of	# Of	Units of	Tamper
Internal Id #	Manufacturer	Type	Constant	Date	Date	Tested	Test Cycle	Fixed	Measure	Status
							Diags	0's		Visually
		Rating								Readable
83948721	5/8"	WT	0.0000	12/21/06	12/21/2006	11/29/07	10	5	0	Gallons
1471636652	NEPTUNE RADIO	R								
83948722	5/8"	WT	0.0000	12/21/06	12/21/2006	11/29/07	10	5	0	Gallons
1471549500	NEPTUNE RADIO	R								
83948723	5/8"	WT	0.0000	12/21/06	12/21/2006	11/29/07	10	5	0	Gallons
1471548148	NEPTUNE RADIO	R								
83948724	5/8"	WT	0.0000	12/21/06	12/21/2006	11/29/07	10	5	0	Gallons
1471537684	NEPTUNE RADIO	R								
83948725	5/8"	WT	0.0000	12/21/06	12/21/2006	11/29/07	10	5	0	Gallons
1545268524	NEPTUNE RADIO	R								
83948726	5/8"	WT	0.0000	12/21/06	12/21/2006	11/29/07	10	5	0	Gallons
1471613026	NEPTUNE RADIO	R								
83948727	5/8"	WT	0.0000	12/21/06	12/21/2006	11/29/07	10	5	0	Gallons
1471634056	NEPTUNE RADIO	R								
83948728	5/8"	WT	0.0000	12/21/06	12/21/2006	11/29/07	10	5	0	Gallons
1471550004	NEPTUNE RADIO	R								
83948729	5/8"	WT	0.0000	12/21/06	12/21/2006	11/29/07	10	5	0	Gallons
1471549664	NEPTUNE RADIO	R								
83948730	5/8"	WT	0.0000	12/21/06	12/21/2006	11/29/07	10	5	0	Gallons
1471647352	NEPTUNE RADIO	R								
83948731	5/8"	WT	0.0000	12/21/06	12/21/2006	11/29/07	10	5	0	Gallons
1471630960	NEPTUNE RADIO	R								
83948732	5/8"	WT	0.0000	12/21/06	12/21/2006	11/29/07	10	5	0	Gallons
1471650010	NEPTUNE RADIO	R								
83948733	5/8"	WT	0.0000	12/21/06	12/21/2006	01/05/17	10	5	0	Gallons
1545039850	NEPTUNE RADIO	R								
83948734	5/8"	WT	0.0000	12/21/06	12/21/2006	08/23/16	10	5	0	Gallons
1490187602	NEPTUNE RADIO	R								
83948735	5/8"	WT	0.0000	12/21/06	12/21/2006	11/29/07	10	5	0	Gallons
1545274960	NEPTUNE RADIO	R								
83948736	5/8"	WT	0.0000	12/21/06	12/21/2006	11/29/07	10	5	0	Gallons
1471564180	NEPTUNE RADIO	R								
83948737	5/8"	WT	0.0000	12/21/06	12/21/2006	11/29/07	10	5	0	Gallons
1471564486	NEPTUNE RADIO	R								
83948738	5/8"	WT	0.0000	12/21/06	12/21/2006	10/17/07	10	5	0	Gallons
1471643194	NEPTUNE RADIO	R								
83948739	5/8"	WT	0.0000	12/21/06	12/21/2006	10/17/07	10	5	0	Gallons
1471605814	NEPTUNE RADIO	R								
83948740	5/8"	WT	0.0000	12/21/06	12/21/2006	10/17/07	10	5	0	Gallons
1471639256	NEPTUNE RADIO	R								
83948741	5/8"	WT	0.0000	12/21/06	12/21/2006	10/17/07	10	5	0	Gallons
1471650748	NEPTUNE RADIO	R								
83948742	5/8"	WT	0.0000	12/21/06	12/21/2006	10/17/07	10	5	0	Gallons
1471634816	NEPTUNE RADIO	R								
83948743	5/8"	WT	0.0000	12/21/06	12/21/2006	11/05/12	10	5	0	Gallons
1486453020	NEPTUNE	R								

Meter #	Size	Service	Meter	Purchase	Warranty	Last	# Of	# Of Fixed	Units of	Tamper	Visually
Internal Id #	Manufacturer	Type	Constant	Date	Date	Tested	Test Cycle	0's	Measure	Status	Readable
83948744	5/8"	WT	0.0000	12/21/06	12/21/2006	09/20/07	10	5	0	Gallons	
1471552312	NEPTUNE RADIO										
83948745	5/8"	WT	0.0000	12/21/06	12/21/2006	09/20/07	10	5	0	Gallons	
1471624382	NEPTUNE RADIO										
83948746	5/8"	WT	0.0000	12/21/06	12/21/2006	10/01/07	10	5	0	Gallons	
1471562482	NEPTUNE RADIO										
83948747	5/8"	WT	0.0000	12/21/06	12/21/2006	10/01/07	10	5	0	Gallons	
1471634762	NEPTUNE RADIO										
83948748	5/8"	WT	0.0000	12/21/06	12/21/2006	09/20/07	10	5	0	Gallons	
1483704526	NEPTUNE RADIO										
83948749	5/8"	WT	0.0000	12/21/06	12/21/2006	02/25/10	10	5	0	Gallons	
1481554198	NEPTUNE RADIO										
83948750	5/8"	WT	0.0000	12/21/06	12/21/2006	10/19/07	10	5	0	Gallons	
1471655380	NEPTUNE RADIO										
83948751	5/8"	WT	0.0000	12/21/06	12/21/2006	10/19/07	10	5	0	Gallons	
1471655378	NEPTUNE RADIO										
83948752	5/8"	WT	0.0000	12/21/06	12/21/2006	10/19/07	10	5	0	Gallons	
1471567930	NEPTUNE RADIO										
83948753	5/8"	WT	0.0000	12/21/06	12/21/2006	10/19/07	10	5	0	Gallons	
1471652124	NEPTUNE RADIO										
83948754	5/8"	WT	0.0000	12/21/06	12/21/2006	10/18/07	10	5	0	Gallons	
1471650750	NEPTUNE RADIO										
83948755	5/8"	WT	0.0000	12/21/06	12/21/2006	10/18/07	10	5	0	Gallons	
1471628592	NEPTUNE RADIO										
83948756	5/8"	WT	0.0000	12/21/06	12/21/2006	12/20/07	10	5	0	Gallons	
1471645730	NEPTUNE RADIO										
83948757	5/8"	WT	0.0000	12/21/06	12/21/2006	12/17/07	10	5	0	Gallons	
1471624384	NEPTUNE RADIO										
83948758	5/8"	WT	0.0000	12/21/06	12/21/2006	01/08/08	10	5	0	Gallons	
1471612390	NEPTUNE RADIO										
83948759	5/8"	WT	0.0000	12/21/06	12/21/2006	10/26/18	10	5	0	Gallons	
1546862356	NEPTUNE RADIO										
83948760	5/8"	WT	0.0000	12/21/06	12/21/2006	05/16/19	10	5	0	Gallons	
1471131052	NEPTUNE RADIO										
83948761	5/8"	WT	0.0000	12/21/06	12/21/2006	09/10/15	10	5	0	Gallons	
1470255192	NEPTUNE RADIO										
83948762	5/8"	WT	0.0000	12/21/06	12/21/2006	11/29/07	10	5	0	Gallons	
1471604944	NEPTUNE RADIO										
83948763	5/8"	WT	0.0000	12/21/06	12/21/2006	05/09/19	10	0	0	Gallons	
	NEPTUNE RADIO										
83948764	5/8"	WT	0.0000	12/21/06	12/21/2006	12/04/07	10	5	0	Gallons	
1471547490	NEPTUNE RADIO										
83948765	5/8"	WT	0.0000	12/21/06	12/21/2006	11/29/07	10	5	0	Gallons	
1471633938	NEPTUNE RADIO										
83948766	5/8"	WT	0.0000	12/21/06	12/21/2006	03/12/09	10	5	0	Gallons	
1471648820	NEPTUNE RADIO										

Meter #	Size	Service	Meter	Purchase	Warranty	Last	# Of	# Of Fixed	Units of	Tamper
Internal Id #	Manufacturer	Type	Constant	Date	Date	Tested	Test Cycle	0's	Measure	Status
							Dials			Visually
		Rating								Readable
83948767	5/8"	WT	0.0000	12/21/06	12/21/2006	08/27/13	10	5	0	Gallons
1483707658	NEPTUNE RADIO									
83948768	5/8"	WT	0.0000	12/21/06	12/21/2006	11/09/18	10	5	0	Gallons
1446852144	NEPTUNE RADIO	R								
83948769	5/8"	WT	0.0000	12/21/06	12/21/2006	10/04/07	10	5	0	Gallons
1471633942	NEPTUNE RADIO									
83948770	5/8"	WT	0.0000	12/21/06	12/21/2006	09/14/09	10	5	0	Gallons
1471641738	NEPTUNE RADIO									
83948771	5/8"	WT	0.0000	12/21/06	12/21/2006	10/15/07	10	5	0	Gallons
1471645986	NEPTUNE RADIO	R								
83948772	5/8"	WT	0.0000	12/21/06	12/21/2006	10/17/07	10	5	0	Gallons
1471617500	NEPTUNE RADIO	R								
83948773	5/8"	WT	0.0000	12/21/06	12/21/2006	10/17/07	10	5	0	Gallons
1471623072	NEPTUNE RADIO	R								
83948774	5/8"	WT	0.0000	12/21/06	12/21/2006	06/08/10	10	5	0	Gallons
1471647414	NEPTUNE RADIO	R								
83948775	5/8"	WT	0.0000	12/21/06	12/21/2006	01/24/08	10	5	0	Gallons
1471617270	NEPTUNE RADIO	R								
83948776	5/8"	WT	0.0000	12/21/06	12/21/2006	12/26/07	10	5	0	Gallons
1471624374	NEPTUNE RADIO	R								
83948777	5/8"	WT	0.0000	12/21/06	12/21/2006	04/18/08	10	5	0	Gallons
1471550504	NEPTUNE RADIO									
83948778	5/8"	WT	0.0000	12/21/06	12/21/2006	04/01/08	10	5	0	Gallons
1471570348	NEPTUNE RADIO									
83948779	5/8"	WT	0.0000	12/21/06	12/21/2006	01/07/08	10	5	0	Gallons
1471641970	NEPTUNE RADIO	R								
83948780	5/8"	WT	0.0000	12/21/06	12/21/2006	11/06/15	10	5	0	Gallons
1490147578	NEPTUNE RADIO	R								
83948781	5/8"	WT	0.0000	12/21/06	12/21/2006	10/26/07	10	5	0	Gallons
1542574632	NEPTUNE RADIO	R								
83948782	5/8"	WT	0.0000	12/21/06	12/21/2006	10/29/07	10	5	0	Gallons
1471624390	NEPTUNE RADIO	R								
83948783	5/8"	WT	0.0000	12/21/06	12/21/2006	10/17/07	10	5	0	Gallons
1471624388	NEPTUNE RADIO									
83948784	5/8"	WT	0.0000	12/21/06	12/21/2006	10/26/07	10	5	0	Gallons
1471650960	NEPTUNE RADIO	R								
83948785	5/8"	WT	0.0000	12/21/06	12/21/2006	08/27/13	10	5	0	Gallons
1471552876	NEPTUNE RADIO	R								
83948786	5/8"	WT	0.0000	12/21/06	12/21/2006	10/18/07	10	5	0	Gallons
1471617424	NEPTUNE RADIO	R								
83948787	5/8"	WT	0.0000	12/21/06	12/21/2006	10/18/07	10	5	0	Gallons
1545225630	NEPTUNE RADIO									
83948788	5/8"	WT	0.0000	12/21/06	12/21/2006	11/06/18	10	5	0	Gallons
1471551844	NEPTUNE RADIO									
83948789	5/8"	WT	0.0000	12/21/06	12/21/2006	10/31/07	10	5	0	Gallons
1471539468	NEPTUNE RADIO	R								

Meter #	Size	Service	Meter	Purchase	Warranty	Last	# Of	# Of Fixed	Units of	Tamper	Visually
Internal Id #	Manufacturer	Type	Constant	Date	Date	Tested	Diags	0's	Measure	Status	Readable
83948790	5/8"	WT	0.0000	12/21/06	12/21/2006	02/02/15	10	5	0	Gallons	
1487955404	NEPTUNE RADIO										
83948791	5/8"	WT	0.0000	12/21/06	12/21/2006	10/18/07	10	5	0	Gallons	
1471551842	NEPTUNE RADIO										
83948792	5/8"	WT	0.0000	12/21/06	12/21/2006	12/03/15	10	5	0	Gallons	
1471564894	NEPTUNE RADIO										
83948793	5/8"	WT	0.0000	12/21/06	12/21/2006	12/02/15	10	5	0	Gallons	
1471624386	NEPTUNE RADIO										
83948794	5/8"	WT	0.0000	12/21/06	12/21/2006	02/26/08	10	5	0	Gallons	
1471537652	NEPTUNE RADIO										
83948795	5/8"	WT	0.0000	12/21/06	12/21/2006	01/28/08	10	5	0	Gallons	
1471571176	NEPTUNE RADIO										
83948796	5/8"	WT	0.0000	12/21/06	12/21/2006	02/28/08	10	5	0	Gallons	
1471652002	NEPTUNE RADIO										
83948797	5/8"	WT	0.0000	12/21/06	12/21/2006	03/18/08	10	5	0	Gallons	
1471604948	NEPTUNE RADIO										
83948798	5/8"	WT	0.0000	12/21/06	12/21/2006	08/30/07	10	5	0	Gallons	
1471655050	NEPTUNE RADIO										
83948799	5/8"	WT	0.0000	12/21/06	12/21/2006	08/30/07	10	5	0	Gallons	
1471566752	NEPTUNE RADIO										
83948800	5/8"	WT	0.0000	12/21/06	12/21/2006	08/30/07	10	5	0	Gallons	
1471643196	NEPTUNE RADIO										
83948801	5/8"	WT	0.0000	12/21/06	12/21/2006	08/30/07	10	5	0	Gallons	
1471553444	NEPTUNE RADIO										
83948802	5/8"	WT	0.0000	12/21/06	12/21/2006	08/30/07	10	5	0	Gallons	
1483354594	NEPTUNE RADIO										
83948803	5/8"	WT	0.0000	12/21/06	12/21/2006	08/30/07	10	5	0	Gallons	
1471611804	NEPTUNE RADIO										
83948804	5/8"	WT	0.0000	12/21/06	12/21/2006	11/07/13	10	5	0	Gallons	
1486134126	NEPTUNE RADIO										
83948805	5/8"	WT	0.0000	12/21/06	12/21/2006	08/20/07	10	5	0	Gallons	
1471616212	NEPTUNE RADIO										
83948806	5/8"	WT	0.0000	12/21/06	12/21/2006	08/20/07	10	5	0	Gallons	
1471547492	NEPTUNE RADIO										
83948807	5/8"	WT	0.0000	12/21/06	12/21/2006	08/17/07	10	5	0	Gallons	
1471568816	NEPTUNE RADIO										
83948808	5/8"	WT	0.0000	12/21/06	12/21/2006	08/17/07	10	5	0	Gallons	
1471562932	NEPTUNE RADIO										
83948809	5/8"	WT	0.0000	12/21/06	12/21/2006	08/20/07	10	5	0	Gallons	
1471618000	NEPTUNE RADIO										
83948810	5/8"	WT	0.0000	12/21/06	12/21/2006	08/29/07	10	5	0	Gallons	
1471620534	NEPTUNE RADIO										
83948811	5/8"	WT	0.0000	12/21/06	12/21/2006	08/29/07	10	5	0	Gallons	
1471625614	NEPTUNE RADIO										
83948812	5/8"	WT	0.0000	12/21/06	12/21/2006	08/29/07	10	5	0	Gallons	
1471616658	NEPTUNE RADIO										

Meter #	Size	Service	Meter	Purchase	Warranty	Last	# Of	# Of	Units of	Tamper
Internal Id #	Manufacturer	Type	Constant	Date	Date	Tested	Test Cycle	Fixed	Measure	Status
							Dials	0's		Visually
		Rating								Readable
83948813	NEPTUNE RADIO	WT	0.0000	12/21/06	12/21/2006	07/30/13	10	5	0	Gallons
1490144858	5/8"									
83948814	NEPTUNE RADIO	WT	0.0000	12/21/06	12/21/2006	06/22/18	10	5	0	Gallons
1549646700	5/8"									
83948815	NEPTUNE RADIO	WT	0.0000	12/21/06	12/21/2006	08/29/07	10	5	0	Gallons
1471568180	5/8"									
83948816	NEPTUNE RADIO	WT	0.0000	12/21/06	12/21/2006	10/17/13	10	5	0	Gallons
1471631254	5/8"									
83948817	NEPTUNE RADIO	WT	0.0000	12/21/06	12/21/2006	09/25/07	10	5	0	Gallons
1483716078	5/8"									
83948818	NEPTUNE RADIO	WT	0.0000	12/21/06	12/21/2006	03/26/10	10	5	0	Gallons
1483414634	5/8"									
83948819	NEPTUNE RADIO	WT	0.0000	12/21/06	12/21/2006	06/06/18	10	0	0	Gallons
83948820	5/8"									
1551750966	NEPTUNE RADIO	WT	0.0000	12/21/06	12/21/2006	09/04/07	10	5	0	Gallons
83948821	5/8"									
1471638178	NEPTUNE RADIO	WT	0.0000	12/21/06	12/21/2006	09/04/07	10	5	0	Gallons
83948822	5/8"									
1552147026	NEPTUNE RADIO	WT	0.0000	12/21/06	12/21/2006	05/02/19	10	5	0	Gallons
83948823	5/8"									
1471631120	NEPTUNE RADIO	WT	0.0000	12/21/06	12/21/2006	01/04/08	10	5	0	Gallons
83948824	5/8"									
1471550098	NEPTUNE RADIO	WT	0.0000	12/21/06	12/21/2006	04/03/08	10	5	0	Gallons
83948825	5/8"									
1471638182	NEPTUNE RADIO	WT	0.0000	12/21/06	12/21/2006	01/07/08	10	5	0	Gallons
83948826	5/8"									
1471633528	NEPTUNE RADIO	WT	0.0000	12/21/06	12/21/2006	02/14/08	10	5	0	Gallons
83948827	5/8"									
1471618006	NEPTUNE RADIO	WT	0.0000	12/21/06	12/21/2006	02/15/08	10	5	0	Gallons
83948828	5/8"									
1471542812	NEPTUNE RADIO	WT	0.0000	12/21/06	12/21/2006	10/02/07	10	5	0	Gallons
83948829	5/8"									
1471626024	NEPTUNE RADIO	WT	0.0000	12/21/06	12/21/2006	10/02/07	10	5	0	Gallons
83948830	5/8"									
1471629180	NEPTUNE RADIO	WT	0.0000	12/21/06	12/21/2006	10/02/07	10	5	0	Gallons
83948831	5/8"									
1471548964	NEPTUNE RADIO	WT	0.0000	12/21/06	12/21/2006	10/02/07	10	5	0	Gallons
83948832	5/8"									
1540815060	NEPTUNE RADIO	WT	0.0000	12/21/06	12/21/2006	10/21/15	10	5	0	Gallons
83948833	5/8"									
1490151186	NEPTUNE RADIO	WT	0.0000	12/21/06	12/21/2006	06/04/14	10	5	0	Gallons
83948834	5/8"									
1471544498	NEPTUNE RADIO	WT	0.0000	12/21/06	12/21/2006	10/02/07	10	5	0	Gallons
83948835	5/8"									
1471563010	NEPTUNE RADIO	WT	0.0000	12/21/06	12/21/2006	10/02/07	10	5	0	Gallons

Meter #	Size	Service	Meter	Purchase	Warranty	Last	# Of	# Of	Units of	Tamper
Internal Id #	Manufacturer	Type	Constant	Date	Date	Tested	Of Fixed	Of Fixed	Measure	Status
							0's	0's		Visually
		Rating								Readable
83948836	5/8"	WT	0.0000	12/21/06	12/21/2006	10/02/07	5	0	Gallons	
14771617266	NEPTUNE RADIO	WT	0.0000	12/21/06	12/21/2006	10/02/07	5	0	Gallons	
83948837	5/8"	WT	0.0000	12/21/06	12/21/2006	10/02/07	5	0	Gallons	
1471551532	NEPTUNE RADIO	WT	0.0000	12/21/06	12/21/2006	06/08/18	5	0	Gallons	
83948838	5/8"	WT	0.0000	12/21/06	12/21/2006	10/02/07	5	0	Gallons	
1547967888	NEPTUNE RADIO	WT	0.0000	12/21/06	12/21/2006	10/02/07	5	0	Gallons	
83948839	5/8"	WT	0.0000	12/21/06	12/21/2006	08/30/07	5	0	Gallons	
1471621014	NEPTUNE RADIO	WT	0.0000	12/21/06	12/21/2006	08/30/07	5	0	Gallons	
83948840	5/8"	WT	0.0000	12/21/06	12/21/2006	08/30/07	5	0	Gallons	
1471563146	NEPTUNE RADIO	WT	0.0000	12/21/06	12/21/2006	08/30/07	5	0	Gallons	
83948841	5/8"	WT	0.0000	12/21/06	12/21/2006	08/30/07	5	0	Gallons	
1483704594	NEPTUNE RADIO	WT	0.0000	12/21/06	12/21/2006	05/17/19	5	0	Gallons	
83948842	5/8"	WT	0.0000	12/21/06	12/21/2006	08/30/07	5	0	Gallons	
1542556604	NEPTUNE RADIO	WT	0.0000	12/21/06	12/21/2006	08/30/07	5	0	Gallons	
83948843	5/8"	WT	0.0000	12/21/06	12/21/2006	09/04/07	5	0	Gallons	
83948844	NEPTUNE RADIO	WT	0.0000	12/21/06	12/21/2006	09/04/07	5	0	Gallons	
14771633532	5/8"	WT	0.0000	12/21/06	12/21/2006	08/30/07	5	0	Gallons	
83948845	NEPTUNE RADIO	WT	0.0000	12/21/06	12/21/2006	08/30/07	5	0	Gallons	
1471627692	5/8"	WT	0.0000	12/21/06	12/21/2006	09/04/07	5	0	Gallons	
83948846	NEPTUNE RADIO	WT	0.0000	12/21/06	12/21/2006	09/04/07	5	0	Gallons	
1471551530	5/8"	WT	0.0000	12/21/06	12/21/2006	09/04/07	5	0	Gallons	
83948847	NEPTUNE RADIO	WT	0.0000	12/21/06	12/21/2006	08/20/07	5	0	Gallons	
1471568640	5/8"	WT	0.0000	12/21/06	12/21/2006	09/04/07	5	0	Gallons	
83948848	NEPTUNE RADIO	WT	0.0000	12/21/06	12/21/2006	09/04/07	5	0	Gallons	
1471539036	5/8"	WT	0.0000	12/21/06	12/21/2006	09/04/07	5	0	Gallons	
83948849	NEPTUNE RADIO	WT	0.0000	12/21/06	12/21/2006	08/20/07	5	0	Gallons	
1471537998	5/8"	WT	0.0000	12/21/06	12/21/2006	09/04/07	5	0	Gallons	
83948850	NEPTUNE RADIO	WT	0.0000	12/21/06	12/21/2006	09/04/07	5	0	Gallons	
1471567138	5/8"	WT	0.0000	12/21/06	12/21/2006	07/09/09	5	0	Gallons	
83948851	NEPTUNE RADIO	WT	0.0000	12/21/06	12/21/2006	10/02/07	5	0	Gallons	
1471538004	5/8"	WT	0.0000	12/21/06	12/21/2006	10/02/07	5	0	Gallons	
83948852	NEPTUNE RADIO	WT	0.0000	12/21/06	12/21/2006	10/02/07	5	0	Gallons	
1487150568	5/8"	WT	0.0000	12/21/06	12/21/2006	05/04/16	5	0	Gallons	
83948853	NEPTUNE RADIO	WT	0.0000	12/21/06	12/21/2006	10/02/07	5	0	Gallons	
1471552060	5/8"	WT	0.0000	12/21/06	12/21/2006	10/02/07	5	0	Gallons	
83948854	NEPTUNE RADIO	WT	0.0000	12/21/06	12/21/2006	02/02/17	5	0	Gallons	
1549659140	5/8"	WT	0.0000	12/21/06	12/21/2006	10/01/07	5	0	Gallons	
83948855	NEPTUNE RADIO	WT	0.0000	12/21/06	12/21/2006	10/01/07	5	0	Gallons	
1471548146	5/8"	WT	0.0000	12/21/06	12/21/2006	10/03/07	5	0	Gallons	
83948856	NEPTUNE RADIO	WT	0.0000	12/21/06	12/21/2006	10/03/07	5	0	Gallons	
1471603664	5/8"	WT	0.0000	12/21/06	12/21/2006	10/03/07	5	0	Gallons	
83948857	NEPTUNE RADIO	WT	0.0000	12/21/06	12/21/2006	10/03/07	5	0	Gallons	
1471537012	5/8"	WT	0.0000	12/21/06	12/21/2006	10/03/07	5	0	Gallons	
83948858	NEPTUNE RADIO	WT	0.0000	12/21/06	12/21/2006	10/03/07	5	0	Gallons	
1471548144	5/8"	WT	0.0000	12/21/06	12/21/2006	10/03/07	5	0	Gallons	

Meter #	Size	Service	Meter	Purchase	Warranty	Last	# Of	# Of	Units of	Tamper
Internal Id #	Manufacturer	Type	Constant	Date	Date	Tested	Test Cycle	Fixed	Measure	Status
							Diags	0's		Visually
		Rating								Readable
83948859	NEPTUNE RADIO	WT	0.0000	12/21/06	12/21/2006	10/03/07	10	5	0	Gallons
1471538812	5/8"									
83948860	NEPTUNE RADIO	WT	0.0000	12/21/06	12/21/2006	10/03/07	10	5	0	Gallons
1471549496	5/8"									
83948861	NEPTUNE RADIO	WT	0.0000	12/21/06	12/21/2006	05/31/18	10	5	0	Gallons
1549693450	5/8"									
83948862	NEPTUNE RADIO	WT	0.0000	12/21/06	12/21/2006	07/09/14	10	5	0	Gallons
1490164670	5/8"									
83948863	NEPTUNE RADIO	WT	0.0000	12/21/06	12/21/2006	10/03/07	10	5	0	Gallons
1471553730	5/8"									
83948864	NEPTUNE RADIO	WT	0.0000	12/21/06	12/21/2006	10/17/07	10	5	0	Gallons
1471564200	5/8"									
83948865	NEPTUNE RADIO	WT	0.0000	12/21/06	12/21/2006	10/17/07	10	5	0	Gallons
1486132836	5/8"									
83948866	NEPTUNE RADIO	WT	0.0000	12/21/06	12/21/2006	10/17/07	10	5	0	Gallons
1546274596	5/8"									
83948867	NEPTUNE RADIO	WT	0.0000	12/21/06	12/21/2006	10/17/07	10	5	0	Gallons
1471564202	5/8"									
83948868	NEPTUNE RADIO	WT	0.0000	12/21/06	12/21/2006	10/17/07	10	5	0	Gallons
1471539030	5/8"									
83948869	NEPTUNE RADIO	WT	0.0000	12/21/06	12/21/2006	10/17/07	10	5	0	Gallons
1471562930	5/8"									
83948870	NEPTUNE RADIO	WT	0.0000	12/21/06	12/21/2006	10/17/07	10	5	0	Gallons
1471595990	5/8"									
83948871	NEPTUNE RADIO	R	0.0000	12/21/06	12/21/2006	10/26/07	10	5	0	Gallons
1471612916	5/8"									
83948872	NEPTUNE RADIO	WT	0.0000	12/21/06	12/21/2006	10/26/07	10	5	0	Gallons
1471612422	5/8"									
83948873	NEPTUNE RADIO	R	0.0000	12/21/06	12/21/2006	07/09/14	10	5	0	Gallons
1487413472	5/8"									
83948874	NEPTUNE RADIO	WT	0.0000	12/21/06	12/21/2006	10/04/07	10	5	0	Gallons
1471608626	5/8"									
83948875	NEPTUNE RADIO	WT	0.0000	12/21/06	12/21/2006	10/04/07	10	5	0	Gallons
1471601504	5/8"									
83948876	NEPTUNE RADIO	WT	0.0000	01/02/07	1/21/2007	10/19/07	10	5	0	Gallons
1471633264	5/8"									
83948877	NEPTUNE RADIO	WT	0.0000	12/21/06	12/21/2006	10/19/07	10	5	0	Gallons
1471544464	5/8"									
83948878	NEPTUNE RADIO	WT	0.0000	12/21/06	12/21/2006	07/20/18	10	5	0	Gallons
1551702750	5/8"									
83948879	NEPTUNE RADIO	WT	0.0000	12/21/06	12/21/2006	06/08/17	10	5	0	Gallons
1471551808	5/8"									
83948880	NEPTUNE RADIO	WT	0.0000	12/21/06	12/21/2006	10/19/07	10	5	0	Gallons
1471553866	5/8"									
83948881	NEPTUNE RADIO	WT	0.0000	12/21/07	12/21/2007	10/19/07	10	5	0	Gallons
1471621010	5/8"									

Meter #	Size	Service	Meter	Purchase	Warranty	Last	# Of	# Of Fixed	Units of	Tamper	Visually
Internal Id #	Manufacturer	Type	Constant	Date	Date	Tested	Test Cycle	0's	Measure	Status	Readable
83948882	5/8"	WT	0.0000	12/21/06	12/21/2006	10/26/07	10	5	0	0	
1471616660	NEPTUNE RADIO	R							Gallons		
83948883	5/8"	WT	0.0000	12/21/06	12/21/2006	10/26/07	10	5	0	0	
1471625522	NEPTUNE RADIO	R							Gallons		
83948884	5/8"	WT	0.0000	12/21/06	12/21/2006	09/05/13	10	5	0	0	
1471620530	NEPTUNE RADIO	R							Gallons		
83948885	5/8"	WT	0.0000	12/21/06	12/21/2006	10/26/07	10	5	0	0	
1471548960	NEPTUNE RADIO	R							Gallons		
83948886	5/8"	WT	0.0000	12/21/06	12/21/2006	10/26/07	10	5	0	0	
1471612420	NEPTUNE RADIO	R							Gallons		
83948887	5/8"	WT	0.0000	12/21/06	12/21/2006	10/26/07	10	5	0	0	
1471638818	NEPTUNE RADIO	R							Gallons		
83948888	5/8"	WT	0.0000	12/21/06	12/21/2006	11/06/07	10	5	0	0	
1471632042	NEPTUNE RADIO	R							Gallons		
83948889	5/8"	WT	0.0000	12/21/06	12/21/2006	11/06/07	10	5	0	0	
1471638816	NEPTUNE RADIO	R							Gallons		
83948890	5/8"	WT	0.0000	12/21/06	12/21/2006	11/06/07	10	5	0	0	
1471632040	NEPTUNE RADIO	R							Gallons		
83948891	5/8"	WT	0.0000	12/21/07	12/21/2007	11/06/07	10	5	0	0	
1471620828	NEPTUNE RADIO	R							Gallons		
83948892	5/8"	WT	0.0000	12/21/06	12/21/2006	11/06/07	10	5	0	0	
1551700738	NEPTUNE RADIO	R							Gallons		
83948893	5/8"	WT	0.0000	12/21/06	12/21/2006	11/06/07	10	5	0	0	
1471595986	NEPTUNE RADIO	R							Gallons		
83948894	5/8"	WT	0.0000	12/21/06	12/21/2006	10/22/07	10	5	0	0	
1471600744	NEPTUNE RADIO	R							Gallons		
83948895	5/8"	WT	0.0000	12/21/07	12/21/2007	10/22/07	10	5	0	0	
1483354728	NEPTUNE RADIO	R							Gallons		
83948896	5/8"	WT	0.0000	12/21/06	12/21/2006	10/22/07	10	5	0	0	
1471615556	NEPTUNE RADIO	R							Gallons		
83948897	5/8"	WT	0.0000	12/21/07	12/21/2007	10/22/07	10	5	0	0	
1471620826	NEPTUNE RADIO	R							Gallons		
83948898	5/8"	WT	0.0000	12/21/06	12/21/2006	10/22/07	10	5	0	0	
1471638820	NEPTUNE RADIO	R							Gallons		
83948899	5/8"	WT	0.0000	12/21/06	12/21/2006	10/22/07	10	5	0	0	
1471647408	NEPTUNE RADIO	R							Gallons		
83948900	5/8"	WT	0.0000	12/21/06	12/21/2006	03/22/07	10	5	0	0	
1471641736	NEPTUNE RADIO	R							Gallons		
83948901	5/8"	WT	0.0000	12/21/07	12/21/2007	03/22/07	10	5	0	0	
1471615558	NEPTUNE RADIO	R							Gallons		
83948902	5/8"	WT	0.0000	12/21/06	12/21/2006	03/22/07	10	5	0	0	
1471642036	NEPTUNE RADIO	R							Gallons		
83948903	5/8"	WT	0.0000	12/21/06	12/21/2006	08/04/10	10	5	0	0	
1471612860	NEPTUNE RADIO	R							Gallons		
84891249	5/8"	WT	0.0000	07/13/07	7/13/2007	05/23/08	10	5	0	0	
1490132172	Neptune Radio	R							Gallons		

Meter #	Size	Service	Meter	Purchase	Warranty	Last	# Of	# Of Fixed	Units of	Tamper
Internal Id #	Manufacturer	Type	Constant	Date	Date	Tested	Test Cycle	0's	Measure	Status
							Dials			Visually
										Readable
84891250	Neptune Radio	WT	0.0000	07/13/07	7/13/2007	05/23/08	10	5	0	Gallons
1490123000	5/8" Neptune Radio	R								
84891251	Neptune Radio	WT	0.0000	07/13/07	7/13/2007	12/01/08	10	0	0	Gallons
84891252	5/8" Neptune Radio	R								
1486715702	Neptune Radio	WT	0.0000	07/13/07	7/13/2007	05/23/08	10	5	0	Gallons
84891253	5/8" Neptune Radio	R								
1490155362	Neptune Radio	WT	0.0000	07/13/07	7/13/2007	05/23/08	10	5	0	Gallons
84891254	5/8" Neptune Radio	R								
1490133144	Neptune Radio	WT	0.0000	07/13/07	7/13/2007	05/23/08	10	5	0	Gallons
84891255	5/8" Neptune Radio	R								
1490122946	Neptune Radio	WT	0.0000	07/13/07	7/13/2007	04/30/08	10	5	0	Gallons
84891256	5/8" Neptune Radio	R								
1490123044	Neptune Radio	WT	0.0000	07/13/07	7/13/2007	03/08/19	10	5	0	Gallons
84891257	5/8" Neptune Radio	R								
84891258	5/8" Neptune Radio	WT	0.0000	07/13/07	7/13/2007	05/24/10	10	0	0	Gallons
1551703552	Neptune Radio	R								
84891259	5/8" Neptune Radio	WT	0.0000	07/13/07	7/13/2007	04/30/08	10	5	0	Gallons
1490132108	Neptune Radio	R								
84891260	5/8" Neptune Radio	WT	0.0000	07/13/07	7/13/2007	04/30/08	10	5	0	Gallons
1486134840	5/8" Neptune Radio	R								
84891261	5/8" Neptune Radio	WT	0.0000	07/13/07	7/13/2007	11/10/14	10	5	0	Gallons
1487105926	Neptune Radio	R								
84891262	5/8" Neptune Radio	WT	0.0000	07/13/07	7/13/2007	04/25/11	10	5	0	Gallons
1483966886	Neptune Radio	R								
84891263	5/8" Neptune Radio	WT	0.0000	07/13/07	7/13/2007	06/12/18	10	5	0	Gallons
1547960052	Neptune Radio	R								
84891264	5/8" Neptune Radio	WT	0.0000	07/13/07	7/13/2007	04/16/08	10	5	0	Gallons
1490124538	Neptune Radio	R								
84891265	5/8" Neptune Radio	WT	0.0000	07/13/07	7/13/2007	05/28/09	10	5	0	Gallons
1490138782	Neptune Radio	R								
84891266	5/8" Neptune Radio	WT	0.0000	07/13/07	7/13/2007	06/16/08	10	5	0	Gallons
1551673648	Neptune Radio	R								
84891267	5/8" Neptune Radio	WT	0.0000	07/13/07	7/13/2007	06/06/13	10	5	0	Gallons
1490164006	Neptune Radio	R								
84891268	5/8" Neptune Radio	WT	0.0000	07/13/07	7/13/2007	06/10/08	10	5	0	Gallons
1551685328	Neptune Radio	R								
84891269	5/8" Neptune Radio	WT	0.0000	07/13/07	7/13/2007	06/10/08	10	5	0	Gallons
1490133842	Neptune Radio	R								
84891270	5/8" Neptune Radio	WT	0.0000	07/13/07	7/13/2007	06/11/08	10	5	0	Gallons
1490142016	Neptune Radio	R								
84891271	5/8" Neptune Radio	WT	0.0000	07/13/07	7/13/2007	06/11/08	10	5	0	Gallons
1490135240	Neptune Radio	R								
84891272	5/8" Neptune Radio	WT	0.0000	07/13/07	7/13/2007	08/23/10	10	5	0	Gallons
1490112952	Neptune Radio	R								

Meter #	Size	Service	Meter	Purchase	Warranty	Last	# Of	# Of Fixed	Units of	Tamper
Internal Id #	Manufacturer	Type	Constant	Date	Date	Tested	Test Cycle	0's	Measure	Status
							Dials			Visually
		Rating								Readable
84891273	5/8"	WT	0.0000	07/13/07	7/13/2007	06/05/08	10	5	0	Gallons
1490123868	Neptune Radio	R								
84891274	5/8"	WT	0.0000	07/13/07	7/13/2007	05/29/08	10	5	0	Gallons
1490151282	Neptune Radio	R								
84891275	5/8"	WT	0.0000	07/13/07	7/13/2007	05/29/08	10	5	0	Gallons
1490117726	Neptune Radio	R								
84891276	5/8"	WT	0.0000	07/13/07	7/13/2007	05/13/08	10	5	0	Gallons
1490154362	Neptune Radio	R								
84891277	5/8"	WT	0.0000	07/13/07	7/13/2007	05/19/08	10	5	0	Gallons
1490150278	Neptune Radio	R								
84891278	5/8"	WT	0.0000	07/13/07	7/13/2007	06/13/18	10	5	0	Gallons
1487750012	Neptune Radio	R								
84891279	5/8"	WT	0.0000	07/13/07	7/13/2007	04/30/08	10	5	0	Gallons
1490155888	Neptune Radio	R								
84891280	5/8"	WT	0.0000	07/13/07	7/13/2007	04/12/19	10	5	0	Gallons
1551851892	Neptune Radio	R								
84891281	5/8"	WT	0.0000	07/13/07	7/13/2007	04/30/08	10	5	0	Gallons
1490142976	Neptune Radio	R								
84891282	5/8"	WT	0.0000	07/13/07	7/13/2007	04/30/08	10	5	0	Gallons
1490147986	Neptune Radio	R								
84891283	5/8"	WT	0.0000	07/13/07	7/13/2007	04/30/08	10	5	0	Gallons
1484697244	Neptune Radio	R								
84891284	5/8"	WT	0.0000	07/13/07	7/13/2007	04/30/08	10	5	0	Gallons
1490123378	Neptune Radio	R								
84891285	5/8"	WT	0.0000	07/13/07	7/13/2007	04/03/08	10	5	0	Gallons
1490116588	Neptune Radio	R								
84891286	5/8"	WT	0.0000	07/13/07	7/13/2007	04/11/08	10	5	0	Gallons
1490133698	Neptune Radio	R								
84891287	5/8"	WT	0.0000	07/13/07	7/13/2007	04/03/08	10	5	0	Gallons
1490123376	Neptune Radio	R								
84891288	5/8"	WT	0.0000	07/13/07	7/13/2007	04/01/08	10	5	0	Gallons
1490123248	Neptune Radio	R								
84891289	5/8"	WT	0.0000	07/13/07	7/13/2007	05/11/10	10	5	0	Gallons
1490115740	Neptune Radio	R								
84891290	5/8"	WT	0.0000	07/13/07	7/13/2007	04/03/08	10	5	0	Gallons
1490134024	Neptune Radio	R								
84891291	5/8"	WT	0.0000	07/13/07	7/13/2007	04/29/08	10	5	0	Gallons
1490115086	Neptune Radio	R								
84891292	5/8"	WT	0.0000	07/13/07	7/13/2007	04/29/08	10	0	0	Gallons
	Neptune Radio	R								
84891293	5/8"	WT	0.0000	07/13/07	7/13/2007	04/29/08	10	5	0	Gallons
1490115492	Neptune Radio	R								
84891294	5/8"	WT	0.0000	07/13/07	7/13/2007	04/30/08	10	5	0	Gallons
1490133586	Neptune Radio	R								
84891295	5/8"	WT	0.0000	07/13/07	7/13/2007	04/30/08	10	5	0	Gallons
1490132450	Neptune Radio	R								

Meter #	Size	Service	Meter	Purchase	Warranty	Last	# Of	# Of Fixed	Units of	Tamper
Internal Id #	Manufacturer	Type	Constant	Date	Date	Tested	Test Cycle	0's	Measure	Status
							Diags			Visually
		Rating								Readable
84891296	5/8"	WT	0.0000	07/13/07	7/13/2007	04/30/08	10	5	0	Gallons
1490133974	Neptune Radio	R								
84891297	5/8"	WT	0.0000	07/13/07	7/13/2007	05/15/08	10	5	0	Gallons
1490122198	Neptune Radio	R								
84891298	5/8"	WT	0.0000	07/13/07	7/13/2007	05/15/08	10	5	0	Gallons
1490122200	Neptune Radio	R								
84891299	5/8"	WT	0.0000	07/13/07	7/13/2007	05/15/08	10	5	0	Gallons
1490132080	Neptune Radio	R								
84891300	5/8"	WT	0.0000	07/13/07	7/13/2007	05/15/08	10	5	0	Gallons
1490117354	Neptune Radio	R								
84891301	5/8"	WT	0.0000	07/13/07	7/13/2007	04/03/14	10	5	0	Gallons
1487438452	Neptune Radio	R								
84891302	5/8"	WT	0.0000	07/13/07	7/13/2007	05/15/08	10	5	0	Gallons
1490139474	Neptune Radio	R								
84891303	5/8"	WT	0.0000	07/13/07	7/13/2007	04/27/17	10	5	0	Gallons
1481554046	Neptune Radio	R								
84891304	5/8"	WT	0.0000	07/13/07	7/13/2007	07/17/18	10	5	0	Gallons
1551703250	Neptune Radio	R								
84891305	5/8"	WT	0.0000	07/13/07	7/13/2007	05/21/08	10	5	0	Gallons
1490112900	Neptune Radio	R								
84891306	5/8"	WT	0.0000	07/13/07	7/13/2007	05/21/08	10	5	0	Gallons
1490133906	Neptune Radio	R								
84891307	5/8"	WT	0.0000	07/13/07	7/13/2007	05/21/08	10	5	0	Gallons
1490155186	Neptune Radio	R								
84891308	5/8"	WT	0.0000	07/13/07	7/13/2007	03/02/16	10	5	0	Gallons
1490154354	Neptune Radio	R								
84891309	5/8"	WT	0.0000	07/13/07	7/13/2007	08/15/16	10	5	0	Gallons
1542523244	Neptune Radio	R								
84891310	5/8"	WT	0.0000	07/13/07	7/13/2007	10/22/14	10	5	0	Gallons
1487376378	Neptune Radio	R								
84891311	5/8"	WT	0.0000	07/13/07	7/13/2007	06/02/08	10	5	0	Gallons
1490154406	Neptune Radio	R								
84891312	5/8"	WT	0.0000	07/13/07	7/13/2007	10/01/15	10	5	0	Gallons
1471566578	Neptune Radio	R								
84891313	5/8"	WT	0.0000	07/13/07	7/13/2007	06/02/08	10	5	0	Gallons
1490146068	Neptune Radio	R								
84891314	5/8"	WT	0.0000	07/13/07	7/13/2007	06/02/08	10	5	0	Gallons
1490115068	Neptune Radio	R								
84891315	5/8"	WT	0.0000	07/13/07	7/13/2007	08/06/08	10	5	0	Gallons
1490154536	Neptune Radio	R								
84891316	5/8"	WT	0.0000	07/13/07	7/13/2007	08/05/11	10	5	0	Gallons
1484465238	Neptune Radio	R								
84891317	5/8"	WT	0.0000	07/13/07	7/13/2007	12/17/18	10	5	0	Gallons
1545239398	Neptune Radio	R								
84891318	5/8"	WT	0.0000	07/13/07	7/13/2007	02/09/10	10	5	0	Gallons
1482362912	Neptune Radio	R								

Meter #	Size	Service	Meter	Purchase	Warranty	Last	# Of	# Of Fixed	Units of	Tamper
Internal Id #	Manufacturer	Type	Constant	Date	Date	Tested	Test Cycle	0's	Measure	Status
							Dials			Visually
		Rating								Readable
84891319	Neptune Radio	WT	0.0000	07/13/07	7/13/2007	08/07/08	10	5	0	Gallons
1490154298	5/8" Neptune Radio	R								
84891320	Neptune Radio	WT	0.0000	07/13/07	7/13/2007	06/26/15	10	5	0	Gallons
1487940540	5/8" Neptune Radio	R								
84891321	Neptune Radio	WT	0.0000	07/13/07	7/13/2007	08/04/08	10	5	0	Gallons
1490154350	5/8" Neptune Radio	R								
84891322	Neptune Radio	WT	0.0000	07/13/07	7/13/2007	08/04/08	10	5	0	Gallons
1490148672	5/8" Neptune Radio	R								
84891323	Neptune Radio	WT	0.0000	07/13/07	7/13/2007	08/04/08	10	5	0	Gallons
1490138746	5/8" Neptune Radio	R								
84891324	Neptune Radio	WT	0.0000	07/13/07	7/13/2007	08/04/08	10	5	0	Gallons
1490145030	5/8" Neptune Radio	R								
84891325	Neptune Radio	WT	0.0000	07/13/07	7/13/2007	08/04/08	10	5	0	Gallons
1490154400	5/8" Neptune Radio	R								
84891326	Neptune Radio	WT	0.0000	07/13/07	7/13/2007	08/04/08	10	5	0	Gallons
1490148744	5/8" Neptune Radio	R								
84891327	Neptune Radio	WT	0.0000	07/13/07	7/13/2007	04/24/08	10	5	0	Gallons
1487746070	5/8" Neptune Radio	R								
84891328	Neptune Radio	WT	0.0000	07/13/07	7/13/2007	04/21/08	10	5	0	Gallons
1490141242	5/8" Neptune Radio	R								
84891329	Neptune Radio	WT	0.0000	07/13/07	7/13/2007	04/28/08	10	5	0	Gallons
1490151106	5/8" Neptune Radio	R								
84891330	Neptune Radio	WT	0.0000	07/13/07	7/13/2007	08/30/11	10	5	0	Gallons
1484695048	5/8" Neptune Radio	R								
84891331	Neptune Radio	WT	0.0000	07/13/07	7/13/2007	01/16/14	10	5	0	Gallons
1490141626	5/8" Neptune Radio	R								
84891332	Neptune Radio	WT	0.0000	07/13/07	7/13/2007	04/29/08	10	5	0	Gallons
1490154360	5/8" Neptune Radio	R								
84891333	Neptune Radio	WT	0.0000	07/13/07	7/13/2007	06/02/08	10	5	0	Gallons
1490155134	5/8" Neptune Radio	R								
84891334	Neptune Radio	WT	0.0000	07/13/07	7/13/2007	06/02/08	10	5	0	Gallons
1490142350	5/8" Neptune Radio	R								
84891335	Neptune Radio	WT	0.0000	07/13/07	7/13/2007	05/30/08	10	5	0	Gallons
1490155154	5/8" Neptune Radio	R								
84891336	Neptune Radio	WT	0.0000	07/13/07	7/13/2007	05/30/08	10	5	0	Gallons
1490132622	5/8" Neptune Radio	R								
84891337	Neptune Radio	WT	0.0000	07/13/07	7/13/2007	10/20/10	10	5	0	Gallons
1490154630	5/8" Neptune Radio	R								
84891338	Neptune Radio	WT	0.0000	07/13/07	7/13/2007	05/30/08	10	5	0	Gallons
1490154326	5/8" Neptune Radio	R								
84891339	Neptune Radio	WT	0.0000	07/13/07	7/13/2007	06/17/08	10	5	0	Gallons
1490155196	5/8" Neptune Radio	R								
84891340	Neptune Radio	WT	0.0000	07/13/07	7/13/2007	07/28/10	10	5	0	Gallons
1490154402	5/8" Neptune Radio	R								
84891341	Neptune Radio	WT	0.0000	07/13/07	7/13/2007	06/17/08	10	5	0	Gallons
1490154328	5/8" Neptune Radio	R								

Meter #	Size	Service	Meter	Purchase	Warranty	Last	# Of	# Of Fixed	Units of	Tamper	
Internal Id #	Manufacturer	Type	Constant	Date	Date	Tested	Test Cycle	0's	Measure	Status	
										Visually	
										Readable	
84891342	5/8"	WT	0.0000	07/13/07	7/13/2007	06/16/08	10	5	0	Gallons	
1490152958	Neptune Radio	R									
84891343	5/8"	WT	0.0000	07/13/07	7/13/2007	06/16/08	10	5	0	Gallons	
1490141354	Neptune Radio	R									
84891344	5/8"	WT	0.0000	07/13/07	7/13/2007	06/17/08	10	5	0	Gallons	
1490133536	Neptune Radio	R									
84891345	5/8"	WT	0.0000	07/13/07	7/13/2007	04/02/08	10	5	0	Gallons	
1490095038	Neptune Radio	R									
84891346	5/8"	WT	0.0000	07/13/07	7/13/2007	10/01/15	10	5	0	Gallons	
1490150470	Neptune Radio	R									
84891347	5/8"	WT	0.0000	07/13/07	7/13/2007	04/02/08	10	5	0	Gallons	
1490151854	Neptune Radio	R									
84891348	5/8"	WT	0.0000	07/13/07	7/13/2007	04/02/08	10	5	0	Gallons	
1490154358	Neptune Radio	R									
84891349	5/8"	WT	0.0000	07/13/07	7/13/2007	10/27/14	10	5	0	Gallons	
1487932970	Neptune Radio	R									
84891350	5/8"	WT	0.0000	07/13/07	7/13/2007	04/02/08	10	5	0	Gallons	
1550396200	Neptune Radio	R									
84891351	5/8"	WT	0.0000	07/13/07	7/13/2007	12/02/15	10	5	0	Gallons	
1490142378	Neptune Radio	R									
84891352	5/8"	WT	0.0000	07/13/07	7/13/2007	08/01/08	10	5	0	Gallons	
1490122072	Neptune Radio	R									
84891353	5/8"	WT	0.0000	07/13/07	7/13/2007	06/29/15	10	5	0	Gallons	
1490132536	Neptune Radio	R									
84891354	5/8"	WT	0.0000	07/13/07	7/13/2007	08/01/08	10	5	0	Gallons	
1547221142	Neptune Radio	R									
84891355	5/8"	WT	0.0000	07/13/07	7/13/2007	08/01/08	10	5	0	Gallons	
1490160326	Neptune Radio	R									
84891356	5/8"	WT	0.0000	07/13/07	7/13/2007	11/01/18	10	5	0	Gallons	
1551825912	Neptune Radio	R									
84891357	5/8"	WT	0.0000	07/13/07	7/13/2007	06/03/08	10	5	0	Gallons	
1490136366	Neptune Radio	R									
84891358	5/8"	WT	0.0000	07/13/07	7/13/2007	10/26/18	10	5	0	Gallons	
1490142506	Neptune Radio	R									
84891359	5/8"	WT	0.0000	07/13/07	7/13/2007	06/03/08	10	5	0	Gallons	
1490141578	Neptune Radio	R									
84891360	5/8"	WT	0.0000	07/13/07	7/13/2007	06/05/08	10	5	0	Gallons	
1490153102	Neptune Radio	R									
84891361	5/8"	WT	0.0000	07/13/07	7/13/2007	06/04/08	10	5	0	Gallons	
1490140110	Neptune Radio	R									
84891362	5/8"	WT	0.0000	07/13/07	7/13/2007	06/03/08	10	5	0	Gallons	
1487752112	Neptune Radio	R									
84891363	5/8"	WT	0.0000	07/13/07	7/13/2007	04/28/17	10	5	0	Gallons	
1450201030	Neptune Radio	R									
84891364	5/8"	WT	0.0000	07/13/07	7/13/2007	06/08/18	10	5	0	Gallons	
1547965850	Neptune Radio	R									

Meter #	Size	Service	Meter	Purchase	Warranty	Last	# Of	# Of Fixed	Units of	Tamper	
Internal Id #	Manufacturer	Type	Constant	Date	Date	Tested	Test Cycle	0's	Measure	Status	
							Dials			Visually	
		Rating								Readable	
84891365	5/8"	WT	0.0000	07/13/07	7/13/2007	08/11/08	10	5	0	Gallons	
1490140112	Neptune Radio	R									
84891366	5/8"	WT	0.0000	07/13/07	7/13/2007	06/12/08	10	5	0	Gallons	
1490141444	Neptune Radio	R									
84891367	5/8"	WT	0.0000	07/13/07	7/13/2007	06/12/08	10	5	0	Gallons	
1490116598	Neptune Radio	R									
84891368	5/8"	WT	0.0000	07/13/07	7/13/2007		10	5	0	Gallons	
1490160380	Neptune Radio	R									
84891369	5/8"	WT	0.0000	07/13/07	7/13/2007	07/25/13	10	5	0	Gallons	
1490144222	Neptune Radio	R									
84891370	5/8"	WT	0.0000	07/13/07	7/13/2007	07/17/08	10	5	0	Gallons	
1490141604	Neptune Radio	R									
84891371	5/8"	WT	0.0000	07/13/07	7/13/2007	08/04/08	10	5	0	Gallons	
1490138846	Neptune Radio	R									
84891372	5/8"	WT	0.0000	07/13/07	7/13/2007	06/20/08	10	5	0	Gallons	
1490152246	Neptune Radio	R									
84891373	5/8"	WT	0.0000	07/13/07	7/13/2007	12/02/15	10	5	0	Gallons	
1490141254	Neptune Radio	R									
84891374	5/8"	WT	0.0000	07/13/07	7/13/2007	04/01/14	10	5	0	Gallons	
1490143960	Neptune Radio	R									
84891375	5/8"	WT	0.0000	07/13/07	7/13/2007	06/03/08	10	5	0	Gallons	
1490116824	Neptune Radio	R									
84891376	5/8"	WT	0.0000	07/13/07	7/13/2007	06/03/08	10	5	0	Gallons	
1540847100	Neptune Radio	R									
84891377	5/8"	WT	0.0000	07/13/07	7/13/2007	06/03/08	10	5	0	Gallons	
1490133538	Neptune Radio	R									
84891378	5/8"	WT	0.0000	07/13/07	7/13/2007	10/01/08	10	5	0	Gallons	
1490189710	Neptune Radio	R									
84891379	5/8"	WT	0.0000	07/13/07	7/13/2007	06/04/08	10	5	0	Gallons	
1490118716	Neptune Radio	R									
84891380	5/8"	WT	0.0000	07/13/07	7/13/2007	06/05/08	10	5	0	Gallons	
1490116320	Neptune Radio	R									
84891381	5/8"	WT	0.0000	07/13/07	7/13/2007	04/16/08	10	5	0	Gallons	
1490151008	Neptune Radio	R									
84891382	5/8"	WT	0.0000	07/13/07	7/13/2007	04/16/08	10	5	0	Gallons	
1490132870	Neptune Radio	R									
84891383	5/8"	WT	0.0000	07/13/07	7/13/2007	04/16/08	10	5	0	Gallons	
1490139460	Neptune Radio	R									
84891384	5/8"	WT	0.0000	07/13/07	7/13/2007	01/17/18	10	5	0	Gallons	
1546712224	Neptune Radio	R									
84891385	5/8"	WT	0.0000	07/13/07	7/13/2007	04/10/08	10	5	0	Gallons	
1545259838	Neptune Radio	R									
84891386	5/8"	WT	0.0000	07/13/07	7/13/2007	04/30/15	10	5	0	Gallons	
1490165594	Neptune Radio	R									
84891387	5/8"	WT	0.0000	07/13/07	7/13/2007	06/13/18	10	5	0	Gallons	
1487950394	Neptune Radio	R									

Meter #	Size	Service	Meter	Purchase	Warranty	Last	# Of	# Of Fixed	Units of	Tamper	
Internal Id #	Manufacturer	Type	Constant	Date	Date	Tested	Test Cycle	0's	Measure	Status	Visually Readable
84891388	5/8"	WT	0.0000	07/13/07	7/13/2007	04/02/08	10	5	0	Gallons	
1487928584	Neptune Radio	R									
84891389	5/8"	WT	0.0000	07/13/07	7/13/2007	04/02/08	10	5	0	Gallons	
1490115938	Neptune Radio	R									
84891390	5/8"	WT	0.0000	07/13/07	7/13/2007	04/08/08	10	5	0	Gallons	
1545505844	Neptune Radio	R									
84891391	5/8"	WT	0.0000	07/13/07	7/13/2007	04/03/08	10	5	0	Gallons	
1490121220	Neptune Radio	R									
84891392	5/8"	WT	0.0000	07/13/07	7/13/2007	04/12/11	10	0	0	Gallons	
	Neptune Radio	R									
84891393	5/8"	WT	0.0000	07/13/07	7/13/2007	06/03/08	10	5	0	Gallons	
1490139472	Neptune Radio	R									
84891394	5/8"	WT	0.0000	07/13/07	7/13/2007	06/02/08	10	5	0	Gallons	
1490133972	Neptune Radio	R									
84891395	5/8"	WT	0.0000	07/13/07	7/13/2007	06/08/18	10	5	0	Gallons	
1547953646	Neptune Radio	R									
84891396	5/8"	WT	0.0000	07/13/07	7/13/2007	06/02/08	10	5	0	Gallons	
1490115742	Neptune Radio	R									
84891397	5/8"	WT	0.0000	07/13/07	7/13/2007	06/02/08	10	5	0	Gallons	
1490132562	Neptune Radio	R									
84891398	5/8"	WT	0.0000	07/13/07	7/13/2007	06/02/08	10	5	0	Gallons	
1490117700	Neptune Radio	R									
84891399	5/8"	WT	0.0000	07/13/07	7/13/2007	06/03/08	10	5	0	Gallons	
1490132998	Neptune Radio	R									
84891400	5/8"	WT	0.0000	07/13/07	7/13/2007	06/03/08	10	5	0	Gallons	
1490139464	Neptune Radio	R									
84891401	5/8"	WT	0.0000	07/13/07	7/13/2007	06/03/08	10	5	0	Gallons	
1490132072	Neptune Radio	R									
84891402	5/8"	WT	0.0000	07/13/07	7/13/2007	06/03/08	10	5	0	Gallons	
1490133874	Neptune Radio	R									
84891403	5/8"	WT	0.0000	07/13/07	7/13/2007	07/10/14	10	5	0	Gallons	
1487446556	Neptune Radio	R									
84891404	5/8"	WT	0.0000	07/13/07	7/13/2007	06/03/08	10	5	0	Gallons	
1490136282	Neptune Radio	R									
84891405	5/8"	WT	0.0000	07/13/07	7/13/2007	04/17/08	10	0	0	Gallons	
	Neptune Radio	R									
84891406	5/8"	WT	0.0000	07/13/07	7/13/2007	04/03/08	10	5	0	Gallons	
1490145036	Neptune Radio	R									
84891407	5/8"	WT	0.0000	07/13/07	7/13/2007	04/05/08	10	5	0	Gallons	
1490145614	Neptune Radio	R									
84891408	5/8"	WT	0.0000	07/13/07	7/13/2007	04/21/08	10	5	0	Gallons	
1490142384	Neptune Radio	R									
84891409	5/8"	WT	0.0000	07/13/07	7/13/2007	04/17/08	10	5	0	Gallons	
1490154432	Neptune Radio	R									
84891410	5/8"	WT	0.0000	07/13/07	7/13/2007	04/10/08	10	5	0	Gallons	
1490141966	Neptune Radio	R									

Meter #	Size	Service	Meter	Purchase	Warranty	Last	# Of	# Of Fixed	Units of	Tamper
Internal Id #	Manufacturer	Type	Constant	Date	Date	Tested	Test Cycle	0's	Measure	Status
							Dials			Visually
		Rating								Readable
84891411	5/8"	WT	0.0000	07/13/07	7/13/2007	04/29/08	10	5	0	Gallons
1490142380	Neptune Radio	R								
84891412	5/8"	WT	0.0000	07/13/07	7/13/2007	04/29/08	10	5	0	Gallons
1490136952	Neptune Radio	R								
84891413	5/8"	WT	0.0000	07/13/07	7/13/2007	05/01/08	10	5	0	Gallons
1490155202	Neptune Radio	R								
84891414	5/8"	WT	0.0000	07/13/07	7/13/2007	02/09/10	10	5	0	Gallons
1471509387	Neptune Radio	R								
84891415	5/8"	WT	0.0000	07/13/07	7/13/2007	10/19/10	10	5	0	Gallons
1410249796	Neptune Radio	R								
84891416	5/8"	WT	0.0000	07/13/07	7/13/2007	05/01/08	10	5	0	Gallons
1490123048	Neptune Radio	R								
84891417	5/8"	WT	0.0000	07/13/07	7/13/2007	10/29/14	10	5	0	Gallons
1490154894	Neptune Radio	R								
84891418	5/8"	WT	0.0000	07/13/07	7/13/2007	04/16/08	10	5	0	Gallons
1490132066	Neptune Radio	R								
84891419	5/8"	WT	0.0000	07/13/07	7/13/2007	04/16/08	10	5	0	Gallons
1490146314	Neptune Radio	R								
84891420	5/8"	WT	0.0000	07/13/07	7/13/2007	04/16/08	10	5	0	Gallons
1490135566	Neptune Radio	R								
84891421	5/8"	WT	0.0000	07/13/07	7/13/2007	04/16/08	10	5	0	Gallons
1486721048	Neptune Radio	R								
84891422	5/8"	WT	0.0000	07/13/07	7/13/2007	05/11/10	10	5	0	Gallons
1490118070	Neptune Radio	R								
84891423	5/8"	WT	0.0000	07/13/07	7/13/2007	06/06/08	10	5	0	Gallons
1490149642	Neptune Radio	R								
84891424	5/8"	WT	0.0000	07/13/07	7/13/2007	06/06/08	10	5	0	Gallons
1490133854	Neptune Radio	R								
84891425	5/8"	WT	0.0000	07/13/07	7/13/2007	06/09/08	10	5	0	Gallons
1490132096	Neptune Radio	R								
84891426	5/8"	WT	0.0000	07/13/07	7/13/2007	06/09/08	10	0	0	Gallons
	Neptune Radio	R								
84891427	5/8"	WT	0.0000	07/13/07	7/13/2007	02/22/17	10	5	0	Gallons
1490150010	Neptune Radio	R								
84891428	5/8"	WT	0.0000	07/13/07	7/13/2007	07/17/18	10	0	0	Gallons
	Neptune Radio	R								
84891429	5/8"	WT	0.0000	07/13/07	7/13/2007	07/20/18	10	5	0	Gallons
1546679736	Neptune Radio	R								
84891430	5/8"	WT	0.0000	07/13/07	7/13/2007	04/18/08	10	5	0	Gallons
1490167244	Neptune Radio	R								
84891431	5/8"	WT	0.0000	07/13/07	7/13/2007	04/18/08	10	5	0	Gallons
1490155192	Neptune Radio	R								
84891432	5/8"	WT	0.0000	07/13/07	7/13/2007	04/18/08	10	5	0	Gallons
1490116594	Neptune Radio	R								
84891433	5/8"	WT	0.0000	07/13/07	7/13/2007	04/12/19	10	5	0	Gallons
1563033530	Neptune Radio	R								

Meter #	Size	Service	Meter	Purchase	Warranty	Last	# Of	# Of Fixed	Units of	Tamper	
Internal Id #	Manufacturer	Type	Constant	Date	Date	Tested	Test Cycle	0's	Measure	Status	
										Visually	
										Readable	
84891434	5/8"	WT	0.0000	07/13/07	7/13/2007	04/18/08	10	5	0	Gallons	
1490151204	Neptune Radio	R									
84891435	5/8"	WT	0.0000	07/13/07	7/13/2007	04/25/08	10	5	0	Gallons	
1490132864	Neptune Radio	R									
84891436	5/8"	WT	0.0000	07/13/07	7/13/2007	04/25/08	10	5	0	Gallons	
1490122806	Neptune Radio	R									
84891437	5/8"	WT	0.0000	07/13/07	7/13/2007	10/30/18	10	5	0	Gallons	
1551685048	Neptune Radio	R									
84891438	5/8"	WT	0.0000	07/13/07	7/13/2007	04/25/08	10	5	0	Gallons	
1490153112	Neptune Radio	R									
84891439	5/8"	WT	0.0000	07/13/07	7/13/2007	04/25/08	10	5	0	Gallons	
1490160290	Neptune Radio	R									
84891440	5/8"	WT	0.0000	07/13/07	7/13/2007	04/28/08	10	5	0	Gallons	
1490152244	Neptune Radio	R									
84891441	5/8"	WT	0.0000	07/13/07	7/13/2007	06/09/08	10	5	0	Gallons	
1490152334	Neptune Radio	R									
84891442	5/8"	WT	0.0000	07/13/07	7/13/2007	06/09/08	10	5	0	Gallons	
1490119080	Neptune Radio	R									
84891443	5/8"	WT	0.0000	07/13/07	7/13/2007	06/10/08	10	5	0	Gallons	
1490150258	Neptune Radio	R									
84891444	5/8"	WT	0.0000	07/13/07	7/13/2007	12/02/15	10	5	0	Gallons	
1490144022	Neptune Radio	R									
84891445	5/8"	WT	0.0000	07/13/07	7/13/2007	06/22/18	10	5	0	Gallons	
1546860834	Neptune Radio	R									
84891446	5/8"	WT	0.0000	07/13/07	7/13/2007	06/10/08	10	5	0	Gallons	
1490119232	Neptune Radio	R									
84891447	5/8"	WT	0.0000	07/13/07	7/13/2007	07/29/08	10	5	0	Gallons	
1490155138	Neptune Radio	R									
84891448	5/8"	WT	0.0000	07/13/07	7/13/2007	07/29/08	10	5	0	Gallons	
1490154948	Neptune Radio	R									
84891449	5/8"	WT	0.0000	07/13/07	7/13/2007	07/29/08	10	5	0	Gallons	
1490116568	Neptune Radio	R									
84891450	5/8"	WT	0.0000	07/13/07	7/13/2007	07/29/08	10	5	0	Gallons	
1490160268	Neptune Radio	R									
84891451	5/8"	WT	0.0000	07/13/07	7/13/2007	10/30/18	10	5	0	Gallons	
1551521144	Neptune Radio	R									
84891452	5/8"	WT	0.0000	07/13/07	7/13/2007	07/29/08	10	5	0	Gallons	
1490116566	Neptune Radio	R									
84891453	5/8"	WT	0.0000	07/13/07	7/13/2007	07/28/08	10	5	0	Gallons	
1490141964	Neptune Radio	R									
84891454	5/8"	WT	0.0000	07/13/07	7/13/2007	07/24/08	10	5	0	Gallons	
1490123936	Neptune Radio	R									
84891455	5/8"	WT	0.0000	07/13/07	7/13/2007	07/28/08	10	5	0	Gallons	
1490154532	Neptune Radio	R									
84891456	5/8"	WT	0.0000	07/13/07	7/13/2007	07/25/08	10	5	0	Gallons	
1490155194	Neptune Radio	R									

Meter #	Size	Service	Meter	Purchase	Warranty	Last	# Of	# Of Fixed	Units of	Tamper
Internal Id #	Manufacturer	Type	Constant	Date	Date	Tested	Test Cycle	0's	Measure	Status
							Diags			Visually
		Rating								Readable
84891457	5/8"	WT	0.0000	07/13/07	7/13/2007	07/28/08	10	5	0	Gallons
1490140106	Neptune Radio	R								
84891458	5/8"	WT	0.0000	07/13/07	7/13/2007	07/28/08	10	5	0	Gallons
1486673986	Neptune Radio	R								
84891459	5/8"	WT	0.0000	07/13/07	7/13/2007	09/26/13	10	5	0	Gallons
1490116564	Neptune Radio	R								
84891460	5/8"	WT	0.0000	07/13/07	7/13/2007	07/28/08	10	5	0	Gallons
1490160386	Neptune Radio	R								
84891461	5/8"	WT	0.0000	07/13/07	7/13/2007	07/28/08	10	5	0	Gallons
1490140666	Neptune Radio	R								
84891462	5/8"	WT	0.0000	07/13/07	7/13/2007	07/29/08	10	5	0	Gallons
1490117746	Neptune Radio	R								
84891463	5/8"	WT	0.0000	07/13/07	7/13/2007	07/28/08	10	5	0	Gallons
1487417402	Neptune Radio	R								
84891464	5/8"	WT	0.0000	07/13/07	7/13/2007	07/28/08	10	5	0	Gallons
1490132816	Neptune Radio	R								
84891465	5/8"	WT	0.0000	07/13/07	7/13/2007	05/19/08	10	5	0	Gallons
1490116592	Neptune Radio	R								
84891466	5/8"	WT	0.0000	07/13/07	7/13/2007	05/19/08	10	5	0	Gallons
1490136364	Neptune Radio	R								
84891467	5/8"	WT	0.0000	07/13/07	7/13/2007	05/19/08	10	5	0	Gallons
1490141544	Neptune Radio	R								
84891468	5/8"	WT	0.0000	07/13/07	7/13/2007	12/03/15	10	5	0	Gallons
1490136308	Neptune Radio	R								
84891469	5/8"	WT	0.0000	07/13/07	7/13/2007	05/19/08	10	5	0	Gallons
1490154628	Neptune Radio	R								
84891470	5/8"	WT	0.0000	07/13/07	7/13/2007	05/19/08	10	5	0	Gallons
1490116826	Neptune Radio	R								
84891471	5/8"	WT	0.0000	07/13/07	7/13/2007	06/10/08	10	5	0	Gallons
1490141546	Neptune Radio	R								
84891472	5/8"	WT	0.0000	07/13/07	7/13/2007	05/31/18	10	5	0	Gallons
1547233752	Neptune Radio	R								
84891473	5/8"	WT	0.0000	07/13/07	7/13/2007	10/23/14	10	5	0	Gallons
1563217144	Neptune Radio	R								
84891474	5/8"	WT	0.0000	07/13/07	7/13/2007	06/10/08	10	5	0	Gallons
1490116596	Neptune Radio	R								
84891475	5/8"	WT	0.0000	07/13/07	7/13/2007	06/16/08	10	5	0	Gallons
1490122352	Neptune Radio	R								
84891476	5/8"	WT	0.0000	07/13/07	7/13/2007	12/02/15	10	5	0	Gallons
1490141036	Neptune Radio	R								
84891477	5/8"	WT	0.0000	07/13/07	7/13/2007	06/15/10	10	5	0	Gallons
1490160502	Neptune Radio	R								
84891478	5/8"	WT	0.0000	07/13/07	7/13/2007	06/05/08	10	5	0	Gallons
1490167276	Neptune Radio	R								
84891479	5/8"	WT	0.0000	07/13/07	7/13/2007	09/13/13	10	5	0	Gallons
1490144286	Neptune Radio	R								

Meter #	Size	Service	Meter	Purchase	Warranty	Last	# Of	# Of Fixed	Units of	Tamper	
Internal Id #	Manufacturer	Type	Constant	Date	Date	Tested	Test Cycle	0's	Measure	Status	Visually Readable
84891480	Neptune Radio	WT	0.0000	07/13/07	7/13/2007	06/06/08	10	5	0	Gallons	
1490141582	5/8" Neptune Radio	R									
84891481	5/8" Neptune Radio	WT	0.0000	07/13/07	7/13/2007	06/06/08	10	5	0	Gallons	
1490167304	5/8" Neptune Radio	R									
84891482	5/8" Neptune Radio	WT	0.0000	07/13/07	7/13/2007	09/13/13	10	5	0	Gallons	
1487438364	5/8" Neptune Radio	R									
84891483	5/8" Neptune Radio	WT	0.0000	07/13/07	7/13/2007	07/29/08	10	5	0	Gallons	
1490153042	5/8" Neptune Radio	R									
84891484	5/8" Neptune Radio	WT	0.0000	07/13/07	7/13/2007	07/29/08	10	5	0	Gallons	
1487959884	5/8" Neptune Radio	R									
84891485	5/8" Neptune Radio	WT	0.0000	07/13/07	7/13/2007	07/29/08	10	5	0	Gallons	
1490167290	5/8" Neptune Radio	R									
84891486	5/8" Neptune Radio	WT	0.0000	07/13/07	7/13/2007	07/29/08	10	5	0	Gallons	
1490167626	5/8" Neptune Radio	R									
84891487	5/8" Neptune Radio	WT	0.0000	07/13/07	7/13/2007	07/29/08	10	5	0	Gallons	
1490145402	5/8" Neptune Radio	R									
84891488	5/8" Neptune Radio	WT	0.0000	07/13/07	7/13/2007	07/29/08	10	5	0	Gallons	
1490166986	5/8" Neptune Radio	R									
84891489	5/8" Neptune Radio	WT	0.0000	07/13/07	7/13/2007	06/05/08	10	5	0	Gallons	
1490167624	5/8" Neptune Radio	R									
84891490	5/8" Neptune Radio	WT	0.0000	07/13/07	7/13/2007	08/29/10	10	5	0	Gallons	
1490166492	5/8" Neptune Radio	R									
84891491	5/8" Neptune Radio	WT	0.0000	07/13/07	7/13/2007	12/03/15	10	5	0	Gallons	
1490154372	5/8" Neptune Radio	R									
84891492	5/8" Neptune Radio	WT	0.0000	07/13/07	7/13/2007	06/04/08	10	5	0	Gallons	
1490161870	5/8" Neptune Radio	R									
84891493	5/8" Neptune Radio	WT	0.0000	07/13/07	7/13/2007	06/05/08	10	5	0	Gallons	
1490149766	5/8" Neptune Radio	R									
84891494	5/8" Neptune Radio	WT	0.0000	07/13/07	7/13/2007	06/05/08	10	5	0	Gallons	
1490149614	5/8" Neptune Radio	R									
84891495	5/8" Neptune Radio	WT	0.0000	07/13/07	7/13/2007	04/22/08	10	5	0	Gallons	
1545268526	5/8" Neptune Radio	R									
84891496	5/8" Neptune Radio	WT	0.0000	07/13/07	7/13/2007	05/02/19	10	5	5	Gallons	
1552150866	5/8" Neptune Radio	R									
84891497	5/8" Neptune Radio	WT	0.0000	07/13/07	7/13/2007	04/22/08	10	5	0	Gallons	
1490160320	5/8" Neptune Radio	R									
84891498	5/8" Neptune Radio	WT	0.0000	07/13/07	7/13/2007	04/22/08	10	5	0	Gallons	
1490154352	5/8" Neptune Radio	R									
84891499	5/8" Neptune Radio	WT	0.0000	07/13/07	7/13/2007	04/22/08	10	5	0	Gallons	
1490152338	5/8" Neptune Radio	R									
84891500	5/8" Neptune Radio	WT	0.0000	07/13/07	7/13/2007	04/22/08	10	5	0	Gallons	
1490140664	5/8" Neptune Radio	R									
84891501	5/8" Neptune Radio	WT	0.0000	07/13/07	7/13/2007		10	0	0	Gallons	
84891502	5/8" Neptune Radio	R									
	5/8" Neptune Radio	WT	0.0000	07/13/07	7/13/2007		10	0	0	Gallons	

Meter #	Size	Service	Meter	Purchase	Warranty	Last	# Of	# Of Fixed	Units of	Tamper
Internal Id #	Manufacturer	Type	Constant	Date	Date	Tested	Test Cycle	0's	Measure	Status
							Diags			Visually
										Readable
84891503	5/8"	WT	0.0000	07/13/07	7/13/2007	08/07/08	10	5	0	Gallons
1490160318	Neptune Radio	R								
84891504	5/8"	WT	0.0000	07/13/07	7/13/2007		10	0	0	Gallons
	Neptune Radio	R								
84891505	5/8"	WT	0.0000	07/13/07	7/13/2007	08/04/08	10	5	0	Gallons
1490194430	Neptune Radio	R								
84891506	5/8"	WT	0.0000	07/13/07	7/13/2007	08/01/08	10	5	0	Gallons
1490149632	Neptune Radio	R								
84891507	5/8"	WT	0.0000	07/13/07	7/13/2007	11/01/12	10	5	0	Gallons
1471553954	Neptune Radio	R								
84891508	5/8"	WT	0.0000	07/13/07	7/13/2007	04/23/08	10	5	0	Gallons
1490152336	Neptune Radio	R								
84891509	5/8"	WT	0.0000	07/13/07	7/13/2007	05/04/16	10	5	0	Gallons
1542535914	Neptune Radio	R								
84891510	5/8"	WT	0.0000	07/13/07	7/13/2007	04/23/08	10	5	0	Gallons
1490145618	Neptune Radio	R								
84891511	5/8"	WT	0.0000	07/13/07	7/13/2007	07/17/18	10	5	0	Gallons
1563018896	Neptune Radio	R								
84891512	5/8"	WT	0.0000	07/13/07	7/13/2007	04/23/08	10	5	0	Gallons
1490149690	Neptune Radio	R								
84891513	5/8"	WT	0.0000	07/13/07	7/13/2007	04/22/08	10	5	0	Gallons
1490167136	Neptune Radio	R								
84891514	5/8"	WT	0.0000	07/13/07	7/13/2007	04/22/08	10	5	0	Gallons
1542550098	Neptune Radio	R								
84891515	5/8"	WT	0.0000	07/13/07	7/13/2007	06/06/18	10	5	0	Gallons
1547937522	Neptune Radio	R								
84891516	5/8"	WT	0.0000	07/13/07	7/13/2007	04/22/08	10	5	0	Gallons
1490142334	Neptune Radio	R								
84891517	5/8"	WT	0.0000	07/13/07	7/13/2007	04/22/08	10	5	0	Gallons
1490142470	Neptune Radio	R								
84891518	5/8"	WT	0.0000	07/13/07	7/13/2007	04/22/08	10	5	0	Gallons
1490160524	Neptune Radio	R								
84891519	5/8"	WT	0.0000	07/13/07	7/13/2007	08/04/08	10	5	0	Gallons
1490168138	Neptune Radio	R								
84891520	5/8"	WT	0.0000	07/13/07	7/13/2007	04/01/14	10	5	0	Gallons
1490113132	Neptune Radio	R								
84891521	5/8"	WT	0.0000	07/13/07	7/13/2007	04/16/09	10	5	0	Gallons
1490159836	Neptune Radio	R								
84891522	5/8"	WT	0.0000	07/13/07	7/13/2007	08/04/08	10	5	0	Gallons
1490141012	Neptune Radio	R								
84891523	5/8"	WT	0.0000	07/13/07	7/13/2007	04/16/15	10	5	0	Gallons
1490141322	Neptune Radio	R								
84891524	5/8"	WT	0.0000	07/13/07	7/13/2007	08/04/08	10	5	0	Gallons
1542533168	Neptune Radio	R								
84891525	5/8"	WT	0.0000	07/13/07	7/13/2007	04/22/08	10	5	0	Gallons
1490135682	Neptune Radio	R								

Meter #	Size	Service	Meter	Purchase	Warranty	Last	# Of	# Of Fixed	Units of	Tamper	
Internal Id #	Manufacturer	Type	Constant	Date	Date	Tested	Test Cycle	0's	Measure	Status	Visually Readable
84891526	5/8"	WT	0.0000	07/13/07	7/13/2007	04/22/08	10	5	0	Gallons	
1490150262	Neptune Radio	R									
84891527	5/8"	WT	0.0000	07/13/07	7/13/2007	04/22/08	10	5	0	Gallons	
1490150948	Neptune Radio	R									
84891528	5/8"	WT	0.0000	07/13/07	7/13/2007	04/22/08	10	5	0	Gallons	
1490141880	Neptune Radio	R									
84891529	5/8"	WT	0.0000	07/13/07	7/13/2007	04/22/08	10	5	0	Gallons	
1490151144	Neptune Radio	R									
84891530	5/8"	WT	0.0000	07/13/07	7/13/2007	04/22/08	10	5	0	Gallons	
1490132310	Neptune Radio	R									
84891531	5/8"	WT	0.0000	07/13/07	7/13/2007	05/13/08	10	5	0	Gallons	
1490166570	Neptune Radio	R									
84891532	5/8"	WT	0.0000	07/13/07	7/13/2007	05/14/08	10	5	0	Gallons	
1490138626	Neptune Radio	R									
84891533	5/8"	WT	0.0000	07/13/07	7/13/2007	05/06/08	10	5	0	Gallons	
1490132650	Neptune Radio	R									
84891534	5/8"	WT	0.0000	07/13/07	7/13/2007	05/15/08	10	5	0	Gallons	
1490138798	Neptune Radio	R									
84891535	5/8"	WT	0.0000	07/13/07	7/13/2007	05/15/08	10	5	0	Gallons	
1490147988	Neptune Radio	R									
84891536	5/8"	WT	0.0000	07/13/07	7/13/2007	10/28/16	10	5	0	Gallons	
1471512572	Neptune Radio	R									
84891537	5/8"	WT	0.0000	07/13/07	7/13/2007	05/21/15	10	5	0	Gallons	
1490123828	Neptune Radio	R									
84891538	5/8"	WT	0.0000	07/13/07	7/13/2007	12/17/18	10	5	0	Gallons	
1551675350	Neptune Radio	R									
84891539	5/8"	WT	0.0000	07/13/07	7/13/2007	04/22/08	10	5	0	Gallons	
1490147538	Neptune Radio	R									
84891540	5/8"	WT	0.0000	07/13/07	7/13/2007	04/22/08	10	5	0	Gallons	
1490141714	Neptune Radio	R									
84891541	5/8"	WT	0.0000	07/13/07	7/13/2007	04/22/08	10	5	0	Gallons	
1490152360	Neptune Radio	R									
84891542	5/8"	WT	0.0000	07/13/07	7/13/2007	04/22/08	10	5	0	Gallons	
1490151146	Neptune Radio	R									
84891543	5/8"	WT	0.0000	07/13/07	7/13/2007	06/11/08	10	5	0	Gallons	
1471633494	Neptune Radio	R									
84891544	5/8"	WT	0.0000	07/13/07	7/13/2007	01/30/13	10	5	0	Gallons	
15479558262	Neptune Radio	R									
84891545	5/8"	WT	0.0000	07/13/07	7/13/2007	08/06/18	10	5	0	Gallons	
1490160296	Neptune Radio	R									
84891546	5/8"	WT	0.0000	07/13/07	7/13/2007	04/15/19	10	5	0	Gallons	
1551870220	Neptune Radio	R									
84891547	5/8"	WT	0.0000	07/13/07	7/13/2007	06/16/08	10	5	0	Gallons	
1490139444	Neptune Radio	R									
84891548	5/8"	WT	0.0000	07/13/07	7/13/2007	05/31/18	10	5	0	Gallons	
1549651814	Neptune Radio	R									

Meter #	Size	Service	Meter	Purchase	Warranty	Last	# Of	# Of Fixed	Units of	Tamper	
Internal Id #	Manufacturer	Type	Constant	Date	Date	Tested	Test Cycle	0's	Measure	Status	Visually Readable
84891549	5/8"	WT	0.0000	07/13/07	7/13/2007	10	5	0	Gallons		
1490123056	Neptune Radio	R									
84891550	5/8"	WT	0.0000	07/13/07	7/13/2007	10/06/08	10	5	0	Gallons	
1490132822	Neptune Radio	R									
84891551	5/8"	WT	0.0000	07/13/07	7/13/2007	07/11/08	10	0	0	Gallons	
	Neptune Radio	R									
84891552	5/8"	WT	0.0000	07/13/07	7/13/2007	06/13/08	10	5	0	Gallons	
1490122236	Neptune Radio	R									
84891553	5/8"	WT	0.0000	07/13/07	7/13/2007	06/26/08	10	5	0	Gallons	
1490123026	Neptune Radio	R									
84891554	5/8"	WT	0.0000	07/13/07	7/13/2007	06/26/08	10	5	0	Gallons	
1490131966	Neptune Radio	R									
84891555	5/8"	WT	0.0000	07/13/07	7/13/2007	06/17/08	10	5	0	Gallons	
1490132102	Neptune Radio	R									
84891556	5/8"	WT	0.0000	07/13/07	7/13/2007	06/17/08	10	5	0	Gallons	
1487737828	Neptune Radio	R									
84891557	5/8"	WT	0.0000	07/13/07	7/13/2007	06/17/08	10	5	0	Gallons	
1490139834	Neptune Radio	R									
84891558	5/8"	WT	0.0000	07/13/07	7/13/2007	06/17/08	10	5	0	Gallons	
1490147990	Neptune Radio	R									
84891559	5/8"	WT	0.0000	07/13/07	7/13/2007	06/17/08	10	5	0	Gallons	
1490124432	Neptune Radio	R									
84891560	5/8"	WT	0.0000	07/13/07	7/13/2007	06/17/08	10	5	0	Gallons	
1490122948	Neptune Radio	R									
84891561	5/8"	WT	0.0000	07/13/07	7/13/2007	06/29/10	10	5	0	Gallons	
1490122922	Neptune Radio	R									
84891562	5/8"	WT	0.0000	07/13/07	7/13/2007	06/04/08	10	5	0	Gallons	
1551684096	Neptune Radio	R									
84891563	5/8"	WT	0.0000	07/13/07	7/13/2007	06/04/08	10	5	0	Gallons	
1490155150	Neptune Radio	R									
84891564	5/8"	WT	0.0000	07/13/07	7/13/2007	06/04/08	10	5	0	Gallons	
1490151864	Neptune Radio	R									
84891565	5/8"	WT	0.0000	07/13/07	7/13/2007	02/26/10	10	5	0	Gallons	
1490163498	Neptune Radio	R									
84891566	5/8"	WT	0.0000	07/13/07	7/13/2007	06/04/08	10	5	0	Gallons	
1490150402	Neptune Radio	R									
84891567	5/8"	WT	0.0000	07/13/07	7/13/2007	08/01/08	10	5	0	Gallons	
1490123042	Neptune Radio	R									
84891568	5/8"	WT	0.0000	07/13/07	7/13/2007	08/01/08	10	5	0	Gallons	
1490133870	Neptune Radio	R									
84891569	5/8"	WT	0.0000	07/13/07	7/13/2007	07/02/18	10	5	0	Gallons	
1547233884	Neptune Radio	R									
84891570	5/8"	WT	0.0000	07/13/07	7/13/2007	07/31/08	10	0	0	Gallons	
	Neptune Radio	R									
84891571	5/8"	WT	0.0000	07/13/07	7/13/2007	07/31/08	10	0	0	Gallons	
	Neptune Radio	R									

Meter #	Size	Service	Meter	Purchase	Warranty	Last	# Of	# Of Fixed	Units of	Tamper	
Internal Id #	Manufacturer	Type	Constant	Date	Date	Tested	Test Cycle	0's	Measure	Status	
							Diags			Visually	
		Rating								Readable	
84891572	5/8"	WT	0.0000	07/13/07	7/13/2007	08/01/08	10	5	0	Gallons	
1490132848	Neptune Radio	R									
84891573	5/8"	WT	0.0000	07/13/07	7/13/2007	05/19/08	10	5	0	Gallons	
1490132972	Neptune Radio	R									
84891574	5/8"	WT	0.0000	07/13/07	7/13/2007	05/19/08	10	5	0	Gallons	
1487755780	Neptune Radio	R									
84891575	5/8"	WT	0.0000	07/13/07	7/13/2007	05/19/08	10	5	0	Gallons	
1490122804	Neptune Radio	R									
84891576	5/8"	WT	0.0000	07/13/07	7/13/2007	05/20/08	10	5	0	Gallons	
1490154296	Neptune Radio	R									
84891577	5/8"	WT	0.0000	07/13/07	7/13/2007	05/19/08	10	5	0	Gallons	
1481601800	Neptune Radio	R									
84891578	5/8"	WT	0.0000	07/13/07	7/13/2007	12/03/15	10	5	0	Gallons	
1490136178	Neptune Radio	R									
84891579	5/8"	WT	0.0000	07/13/07	7/13/2007	06/02/08	10	5	0	Gallons	
1490139150	Neptune Radio	R									
84891580	5/8"	WT	0.0000	07/13/07	7/13/2007	06/02/08	10	5	0	Gallons	
1490123052	Neptune Radio	R									
84891581	5/8"	WT	0.0000	07/13/07	7/13/2007	06/02/08	10	5	0	Gallons	
1490154336	Neptune Radio	R									
84891582	5/8"	WT	0.0000	07/13/07	7/13/2007	06/02/08	10	5	0	Gallons	
1490113130	Neptune Radio	R									
84891583	5/8"	WT	0.0000	07/13/07	7/13/2007	06/02/08	10	5	0	Gallons	
1490122208	Neptune Radio	R									
84891584	5/8"	WT	0.0000	07/13/07	7/13/2007	06/02/08	10	5	0	Gallons	
1490139210	Neptune Radio	R									
84891585	5/8"	WT	0.0000	07/13/07	7/13/2007	08/22/08	10	5	0	Gallons	
1490150886	Neptune Radio	R									
84891586	5/8"	WT	0.0000	07/13/07	7/13/2007	08/22/08	10	5	0	Gallons	
1490160398	Neptune Radio	R									
84891587	5/8"	WT	0.0000	07/13/07	7/13/2007	06/02/10	10	5	0	Gallons	
1482384938	Neptune Radio	R									
84891588	5/8"	WT	0.0000	07/13/07	7/13/2007	08/22/08	10	5	0	Gallons	
1490133992	Neptune Radio	R									
84891589	5/8"	WT	0.0000	07/13/07	7/13/2007	08/22/08	10	5	0	Gallons	
1490139214	Neptune Radio	R									
84891590	5/8"	WT	0.0000	07/13/07	7/13/2007	08/22/08	10	5	0	Gallons	
1490139462	Neptune Radio	R									
84891591	5/8"	WT	0.0000	07/13/07	7/13/2007	08/24/16	10	5	0	Gallons	
1490188310	Neptune Radio	R									
84891592	5/8"	WT	0.0000	07/13/07	7/13/2007	09/23/08	10	5	0	Gallons	
1490132564	Neptune Radio	R									
84891593	5/8"	WT	0.0000	07/13/07	7/13/2007	09/24/08	10	5	0	Gallons	
1490150424	Neptune Radio	R									
84891594	5/8"	WT	0.0000	07/13/07	7/13/2007	09/23/08	10	5	0	Gallons	
1490154318	Neptune Radio	R									

Meter #	Size	Service	Meter	Purchase	Warranty	Last	# Of	# Of Fixed	Units of	Tamper	
Internal Id #	Manufacturer	Type	Constant	Date	Date	Tested	Test Cycle	0's	Measure	Status	Visually Readable
84891595	5/8"	WT	0.0000	07/13/07	7/13/2007	09/23/08	10	5	0	Gallons	
1490141910	Neptune Radio	R									
84891596	5/8"	WT	0.0000	07/13/07	7/13/2007	09/24/08	10	5	0	Gallons	
1490151932	Neptune Radio	R									
84891597	5/8"	WT	0.0000	07/13/07	7/13/2007	09/22/11	10	5	0	Gallons	
1490094596	Neptune Radio	R									
84891598	5/8"	WT	0.0000	07/13/07	7/13/2007	08/18/08	10	5	0	Gallons	
1490147992	Neptune Radio	R									
84891599	5/8"	WT	0.0000	07/13/07	7/13/2007	08/20/08	10	5	0	Gallons	
1490151688	Neptune Radio	R									
84891600	5/8"	WT	0.0000	07/13/07	7/13/2007	08/27/08	10	5	0	Gallons	
1490150906	Neptune Radio	R									
84891601	5/8"	WT	0.0000	07/13/07	7/13/2007	08/26/08	10	5	0	Gallons	
1490147648	Neptune Radio	R									
84891602	5/8"	WT	0.0000	07/13/07	7/13/2007	08/22/08	10	5	0	Gallons	
1490151882	Neptune Radio	R									
84891603	5/8"	WT	0.0000	07/13/07	7/13/2007	02/02/15	10	5	0	Gallons	
1487954346	Neptune Radio	R									
84891604	5/8"	WT	0.0000	07/13/07	7/13/2007	04/12/19	10	5	0	Gallons	
1551874270	Neptune Radio	R									
84891605	5/8"	WT	0.0000	07/13/07	7/13/2007	08/26/08	10	5	0	Gallons	
1542549628	Neptune Radio	R									
84891606	5/8"	WT	0.0000	07/13/07	7/13/2007	09/11/08	10	5	0	Gallons	
1490147544	Neptune Radio	R									
84891607	5/8"	WT	0.0000	07/13/07	7/13/2007	04/03/14	10	5	0	Gallons	
1490148180	Neptune Radio	R									
84891608	5/8"	WT	0.0000	07/13/07	7/13/2007	01/02/09	10	5	0	Gallons	
1490124230	Neptune Radio	R									
84891609	5/8"	WT	0.0000	07/13/07	7/13/2007	09/19/08	10	5	0	Gallons	
1490150958	Neptune Radio	R									
84891610	5/8"	WT	0.0000	07/13/07	7/13/2007	09/19/08	10	5	0	Gallons	
1490151880	Neptune Radio	R									
84891611	5/8"	WT	0.0000	07/13/07	7/13/2007	09/19/08	10	5	0	Gallons	
1487938670	Neptune Radio	R									
84891612	5/8"	WT	0.0000	07/13/07	7/13/2007	04/01/16	10	5	0	Gallons	
1490151244	Neptune Radio	R									
84891613	5/8"	WT	0.0000	07/13/07	7/13/2007	09/03/08	10	5	0	Gallons	
1490149916	Neptune Radio	R									
84891614	5/8"	WT	0.0000	07/13/07	7/13/2007	06/14/17	10	5	0	Gallons	
1546209794	Neptune Radio	R									
84891615	5/8"	WT	0.0000	07/13/07	7/13/2007	05/27/08	10	5	0	Gallons	
1490140424	Neptune Radio	R									
84891616	5/8"	WT	0.0000	07/13/07	7/13/2007	05/27/08	10	5	0	Gallons	
1490119430	Neptune Radio	R									
84891617	5/8"	WT	0.0000	07/13/07	7/13/2007	05/27/08	10	5	0	Gallons	
1490150932	Neptune Radio	R									

Meter #	Size	Service	Meter	Purchase	Warranty	Last	# Of	# Of	Units of	Tamper	
Internal Id #	Manufacturer	Type	Constant	Date	Date	Tested	Test Cycle	Fixed	Measure	Status	
							Diags	0's		Visually	
		Rating								Readable	
84891618	5/8"	WT	0.0000	07/13/07	7/13/2007	05/27/08	10	5	0	Gallons	
1484695310	Neptune Radio	R									
84891619	5/8"	WT	0.0000	07/13/07	7/13/2007	04/12/19	10	5	0	Gallons	
1563042538	Neptune Radio	R									
84891620	5/8"	WT	0.0000	07/13/07	7/13/2007	05/27/08	10	5	0	Gallons	
1490160400	Neptune Radio	R									
84891621	5/8"	WT	0.0000	07/13/07	7/13/2007	06/02/08	10	5	0	Gallons	
1490160462	Neptune Radio	R									
84891622	5/8"	WT	0.0000	07/13/07	7/13/2007	06/02/08	10	5	0	Gallons	
1490123412	Neptune Radio	R									
84891623	5/8"	WT	0.0000	07/13/07	7/13/2007	06/02/08	10	5	0	Gallons	
1490160402	Neptune Radio	R									
84891624	5/8"	WT	0.0000	07/13/07	7/13/2007	05/30/08	10	5	0	Gallons	
1490123090	Neptune Radio	R									
84891625	5/8"	WT	0.0000	07/13/07	7/13/2007	06/02/08	10	5	0	Gallons	
1490142266	Neptune Radio	R									
84891626	5/8"	WT	0.0000	07/13/07	7/13/2007	06/02/08	10	5	0	Gallons	
1490131984	Neptune Radio	R									
84891627	5/8"	WT	0.0000	07/13/07	7/13/2007	10/23/08	10	5	0	Gallons	
1490150026	Neptune Radio	R									
84891628	5/8"	WT	0.0000	07/13/07	7/13/2007	10/11/12	10	5	0	Gallons	
1486686058	Neptune Radio	R									
84891629	5/8"	WT	0.0000	07/13/07	7/13/2007	10/20/08	10	5	0	Gallons	
1490132512	Neptune Radio	R									
84891630	5/8"	WT	0.0000	07/13/07	7/13/2007	10/24/08	10	5	0	Gallons	
1490123046	Neptune Radio	R									
84891631	5/8"	WT	0.0000	07/13/07	7/13/2007	11/07/08	10	5	0	Gallons	
1490151134	Neptune Radio	R									
84891632	5/8"	WT	0.0000	07/13/07	7/13/2007	04/01/10	10	5	0	Gallons	
1490150912	Neptune Radio	R									
84891633	5/8"	WT	0.0000	07/13/07	7/13/2007	04/27/09	10	5	0	Gallons	
1490152272	Neptune Radio	R									
84891634	5/8"	WT	0.0000	07/13/07	7/13/2007	04/07/09	10	5	0	Gallons	
1490154458	Neptune Radio	R									
84891635	5/8"	WT	0.0000	07/13/07	7/13/2007	04/28/09	10	5	0	Gallons	
1490151878	Neptune Radio	R									
84891636	5/8"	WT	0.0000	07/13/07	7/13/2007	04/28/09	10	5	0	Gallons	
1490151004	Neptune Radio	R									
84891637	5/8"	WT	0.0000	07/13/07	7/13/2007	06/12/18	10	5	0	Gallons	
1546644076	Neptune Radio	R									
84891638	5/8"	WT	0.0000	07/13/07	7/13/2007	03/11/09	10	5	0	Gallons	
1490150888	Neptune Radio	R									
84891639	5/8"	WT	0.0000	07/13/07	7/13/2007	09/29/08	10	5	0	Gallons	
1490122590	Neptune Radio	R									
84891640	5/8"	WT	0.0000	07/13/07	7/13/2007	05/21/09	10	5	0	Gallons	
1490150920	Neptune Radio	R									

Meter #	Size	Service	Meter	Purchase	Warranty	Last	# Of	# Of Fixed	Units of	Tamper	
Internal Id #	Manufacturer	Type	Constant	Date	Date	Tested	Test Cycle	0's	Measure	Status	
							Dials			Visually	
										Readable	
84891641	5/8"	WT	0.0000	07/13/07	7/13/2007	10/01/08	10	5	0	Gallons	
1490142022	Neptune Radio	R									
84891642	5/8"	WT	0.0000	07/13/07	7/13/2007	09/26/08	10	5	0	Gallons	
1490160362	Neptune Radio	R									
84891643	5/8"	WT	0.0000	07/13/07	7/13/2007		10	5	0	Gallons	
1490133836	Neptune Radio	R									
84891644	5/8"	WT	0.0000	07/13/07	7/13/2007	09/25/08	10	5	0	Gallons	
1490140864	Neptune Radio	R									
84891645	5/8"	WT	0.0000	07/13/07	7/13/2007	05/28/08	10	5	0	Gallons	
1490118060	Neptune Radio	R									
84891646	5/8"	WT	0.0000	07/13/07	7/13/2007	05/28/08	10	5	0	Gallons	
1490132106	Neptune Radio	R									
84891647	5/8"	WT	0.0000	07/13/07	7/13/2007	05/28/08	10	5	0	Gallons	
1490115090	Neptune Radio	R									
84891648	5/8"	WT	0.0000	07/13/07	7/13/2007	05/28/08	10	5	0	Gallons	
1490123318	Neptune Radio	R									
84891649	5/8"	WT	0.0000	07/13/07	7/13/2007	05/28/08	10	5	0	Gallons	
1490122260	Neptune Radio	R									
84891650	5/8"	WT	0.0000	07/13/07	7/13/2007	05/28/08	10	5	0	Gallons	
1490122282	Neptune Radio	R									
84891651	5/8"	WT	0.0000	07/13/07	7/13/2007	11/05/08	10	5	0	Gallons	
1490133792	Neptune Radio	R									
84891652	5/8"	WT	0.0000	07/13/07	7/13/2007	11/04/08	10	5	0	Gallons	
1490123094	Neptune Radio	R									
84891653	5/8"	WT	0.0000	07/13/07	7/13/2007	10/30/18	10	5	0	Gallons	
1550418060	Neptune Radio	R									
84891654	5/8"	WT	0.0000	07/13/07	7/13/2007	11/04/08	10	5	0	Gallons	
1490133840	Neptune Radio	R									
84891655	5/8"	WT	0.0000	07/13/07	7/13/2007	11/07/08	10	5	0	Gallons	
1490133830	Neptune Radio	R									
84891656	5/8"	WT	0.0000	07/13/07	7/13/2007	11/07/08	10	5	0	Gallons	
1490138620	Neptune Radio	R									
84891657	5/8"	WT	0.0000	07/13/07	7/13/2007	01/23/09	10	5	0	Gallons	
1490133880	Neptune Radio	R									
84891658	5/8"	WT	0.0000	07/13/07	7/13/2007	11/12/14	10	5	0	Gallons	
1490133968	Neptune Radio	R									
84891659	5/8"	WT	0.0000	07/13/07	7/13/2007	02/09/09	10	5	0	Gallons	
1490121928	Neptune Radio	R									
84891660	5/8"	WT	0.0000	07/13/07	7/13/2007	01/05/09	10	5	0	Gallons	
1490134640	Neptune Radio	R									
84891661	5/8"	WT	0.0000	07/13/07	7/13/2007	01/21/09	10	5	0	Gallons	
1490122916	Neptune Radio	R									
84891662	5/8"	WT	0.0000	07/13/07	7/13/2007	10/12/13	10	5	0	Gallons	
1482896780	Neptune Radio	R									
84891663	5/8"	WT	0.0000	07/13/07	7/13/2007	03/12/09	10	5	0	Gallons	
1490144904	Neptune Radio	R									

Meter #	Size	Service	Meter	Purchase	Warranty	Last	# Of	# Of Fixed	Units of	Tamper	
Internal Id #	Manufacturer	Type	Constant	Date	Date	Tested	Test Cycle	0's	Measure	Status	Visually Readable
84891664	5/8"	WT	0.0000	07/13/07	7/13/2007	12/09/15	10	5	0	Gallons	
1487928276	Neptune Radio	R									
84891665	5/8"	WT	0.0000	07/13/07	7/13/2007	05/23/08	10	5	0	Gallons	
1547239488	Neptune Radio	R									
84891666	5/8"	WT	0.0000	07/13/07	7/13/2007	05/22/08	10	5	0	Gallons	
1542512924	Neptune Radio	R									
84891667	5/8"	WT	0.0000	07/13/07	7/13/2007	05/22/08	10	5	0	Gallons	
1490122046	Neptune Radio	R									
84891668	5/8"	WT	0.0000	07/13/07	7/13/2007	05/22/08	10	5	0	Gallons	
1490119076	Neptune Radio	R									
84891669	5/8"	WT	0.0000	07/13/07	7/13/2007	05/16/08	10	5	0	Gallons	
1490131968	Neptune Radio	R									
84891670	5/8"	WT	0.0000	07/13/07	7/13/2007	05/16/08	10	5	0	Gallons	
1490123054	Neptune Radio	R									
84891671	5/8"	WT	0.0000	07/13/07	7/13/2007	12/04/15	10	5	0	Gallons	
1490122950	Neptune Radio	R									
84891672	5/8"	WT	0.0000	07/13/07	7/13/2007	05/16/08	10	5	0	Gallons	
1490117500	Neptune Radio	R									
84891673	5/8"	WT	0.0000	07/13/07	7/13/2007	05/16/08	10	5	0	Gallons	
1490122996	Neptune Radio	R									
84891674	5/8"	WT	0.0000	07/13/07	7/13/2007	05/16/08	10	5	0	Gallons	
1490122962	Neptune Radio	R									
84891675	5/8"	WT	0.0000	07/13/07	7/13/2007	05/07/08	10	5	0	Gallons	
1490118058	Neptune Radio	R									
84891676	5/8"	WT	0.0000	07/13/07	7/13/2007	05/06/08	10	5	0	Gallons	
1490122998	Neptune Radio	R									
84891677	5/8"	WT	0.0000	07/13/07	7/13/2007	12/17/18	10	5	0	Gallons	
1551689844	Neptune Radio	R									
84891678	5/8"	WT	0.0000	07/13/07	7/13/2007	11/21/07	10	5	0	Gallons	
1490123096	Neptune Radio	R									
84897743	5/8"	WT	0.0000	07/13/07	7/13/2007	08/02/18	10	5	0	Gallons	
1550409162	Neptune Radio	R									
84897744	5/8"	WT	0.0000	07/13/07	7/13/2007	04/15/08	10	5	0	Gallons	
1490154640	Neptune Radio	R									
84897745	5/8"	WT	0.0000	07/13/07	7/13/2007	04/16/08	10	5	0	Gallons	
1490164466	Neptune Radio	R									
84897746	5/8"	WT	0.0000	07/13/07	7/13/2007	04/15/08	10	5	0	Gallons	
1490145616	Neptune Radio	R									
84897747	5/8"	WT	0.0000	07/13/07	7/13/2007	04/16/08	10	5	0	Gallons	
1490145980	Neptune Radio	R									
84897748	5/8"	WT	0.0000	07/13/07	7/13/2007	04/16/08	10	5	0	Gallons	
1490160422	Neptune Radio	R									
84897749	5/8"	WT	0.0000	07/13/07	7/13/2007	04/15/08	10	5	0	Gallons	
1490162390	Neptune Radio	R									
84897750	5/8"	WT	0.0000	07/13/07	7/13/2007	04/15/08	10	5	0	Gallons	
1490162172	Neptune Radio	R									

Meter #	Size	Service	Meter	Purchase	Warranty	Last	# Of	# Of Fixed	Units of	Tamper	
Internal Id #	Manufacturer	Type	Constant	Date	Date	Tested	Test Cycle	0's	Measure	Status	
							Dials			Visually	
										Readable	
84897751	5/8"	WT	0.0000	07/13/07	7/13/2007	09/15/15	10	5	0	Gallons	
1490152788	Neptune Radio	R									
84897752	5/8"	WT	0.0000	07/13/07	7/13/2007	11/17/15	10	5	0	Gallons	
1490160176	Neptune Radio	R									
84897753	5/8"	WT	0.0000	07/13/07	7/13/2007	04/15/08	10	5	0	Gallons	
1545221228	Neptune Radio	R									
84897754	5/8"	WT	0.0000	07/13/07	7/13/2007	07/19/18	10	5	0	Gallons	
1551691108	Neptune Radio	R									
84897755	5/8"	WT	0.0000	07/13/07	7/13/2007	04/18/08	10	5	0	Gallons	
1483974968	Neptune Radio	R									
84897756	5/8"	WT	0.0000	07/13/07	7/13/2007	04/18/08	10	5	0	Gallons	
1490149298	Neptune Radio	R									
84897757	5/8"	WT	0.0000	07/13/07	7/13/2007	05/12/10	10	5	0	Gallons	
1471647358	Neptune Radio	R									
84897758	5/8"	WT	0.0000	07/13/07	7/13/2007	04/18/08	10	5	0	Gallons	
1490163156	Neptune Radio	R									
84897759	5/8"	WT	0.0000	07/13/07	7/13/2007	04/18/08	10	5	0	Gallons	
1490149284	Neptune Radio	R									
84897760	5/8"	WT	0.0000	07/13/07	7/13/2007	04/18/08	10	5	0	Gallons	
1484465316	Neptune Radio	R									
84897761	5/8"	WT	0.0000	07/13/07	7/13/2007	04/27/17	10	5	0	Gallons	
1545220660	Neptune Radio	R									
84897762	5/8"	WT	0.0000	07/13/07	7/13/2007	04/21/08	10	5	0	Gallons	
1490123920	Neptune Radio	R									
84897763	5/8"	WT	0.0000	07/13/07	7/13/2007	04/21/08	10	5	0	Gallons	
1490160972	Neptune Radio	R									
84897764	5/8"	WT	0.0000	07/13/07	7/13/2007	09/04/18	10	5	0	Gallons	
1550413978	Neptune Radio	R									
84897765	5/8"	WT	0.0000	07/13/07	7/13/2007	04/21/08	10	5	0	Gallons	
1490162634	Neptune Radio	R									
84897766	5/8"	WT	0.0000	07/13/07	7/13/2007	04/21/08	10	5	0	Gallons	
1490162490	Neptune Radio	R									
84897767	5/8"	WT	0.0000	07/13/07	7/13/2007	04/18/08	10	5	0	Gallons	
1490152196	Neptune Radio	R									
84897768	5/8"	WT	0.0000	07/13/07	7/13/2007	04/18/08	10	5	0	Gallons	
1490159982	Neptune Radio	R									
84897769	5/8"	WT	0.0000	07/13/07	7/13/2007	09/28/16	10	5	0	Gallons	
1542518608	Neptune Radio	R									
84897770	5/8"	WT	0.0000	07/13/07	7/13/2007	04/18/08	10	5	0	Gallons	
1490113110	Neptune Radio	R									
84897771	5/8"	WT	0.0000	07/13/07	7/13/2007	04/18/08	10	5	0	Gallons	
1490161848	Neptune Radio	R									
84897772	5/8"	WT	0.0000	07/13/07	7/13/2007	04/18/08	10	5	0	Gallons	
1490162884	Neptune Radio	R									
84897773	5/8"	WT	0.0000	07/13/07	7/13/2007	04/18/08	10	5	0	Gallons	
1490166718	Neptune Radio	R									

Meter #	Size	Service	Meter	Purchase	Warranty	Last	# Of	# Of	Units of	Tamper	
Internal Id #	Manufacturer	Type	Constant	Date	Date	Tested	Test Cycle	Fixed	Measure	Status	
							Dials	0's		Visually	
		Rating								Readable	
84897774	5/8"	WT	0.0000	07/13/07	7/13/2007	04/18/08	10	5	0	Gallons	
1490160284	Neptune Radio	R									
84897775	5/8"	WT	0.0000	07/13/07	7/13/2007	11/11/15	10	5	0	Gallons	
1487750104	Neptune Radio	R									
84897776	5/8"	WT	0.0000	07/13/07	7/13/2007	02/09/12	10	5	0	Gallons	
1490144966	Neptune Radio	R									
84897777	5/8"	WT	0.0000	07/13/07	7/13/2007	04/18/08	10	5	0	Gallons	
1551527250	Neptune Radio	R									
84897778	5/8"	WT	0.0000	07/13/07	7/13/2007	04/18/08	10	5	0	Gallons	
1471550162	Neptune Radio	R									
84897779	5/8"	WT	0.0000	07/13/07	7/13/2007	04/18/08	10	5	0	Gallons	
1490150498	Neptune Radio	R									
84897780	5/8"	WT	0.0000	07/13/07	7/13/2007	10/31/14	10	5	0	Gallons	
1490115744	Neptune Radio	R									
84897781	5/8"	WT	0.0000	07/13/07	7/13/2007	12/13/16	10	5	0	Gallons	
1545046890	Neptune Radio	R									
84897782	5/8"	WT	0.0000	07/13/07	7/13/2007	04/21/08	10	5	0	Gallons	
1490149402	Neptune Radio	R									
84897783	5/8"	WT	0.0000	07/13/07	7/13/2007	04/21/08	10	5	0	Gallons	
1490154760	Neptune Radio	R									
84897784	5/8"	WT	0.0000	07/13/07	7/13/2007	04/21/08	10	5	0	Gallons	
1490153130	Neptune Radio	R									
84897785	5/8"	WT	0.0000	07/13/07	7/13/2007	05/07/08	10	5	0	Gallons	
1490163248	Neptune Radio	R									
84897786	5/8"	WT	0.0000	07/13/07	7/13/2007	05/07/08	10	5	0	Gallons	
1490160228	Neptune Radio	R									
84897787	5/8"	WT	0.0000	07/13/07	7/13/2007	05/07/08	10	5	0	Gallons	
1490160912	Neptune Radio	R									
84897788	5/8"	WT	0.0000	07/13/07	7/13/2007	05/07/08	10	5	0	Gallons	
1490149030	Neptune Radio	R									
84897789	5/8"	WT	0.0000	07/13/07	7/13/2007	05/07/08	10	5	0	Gallons	
1490151402	Neptune Radio	R									
84897790	5/8"	WT	0.0000	07/13/07	7/13/2007	05/07/08	10	5	0	Gallons	
1490152994	Neptune Radio	R									
84897791	5/8"	WT	0.0000	07/13/07	7/13/2007	05/06/08	10	5	0	Gallons	
1490163762	Neptune Radio	R									
84897792	5/8"	WT	0.0000	07/13/07	7/13/2007	05/06/08	10	5	0	Gallons	
1490153806	Neptune Radio	R									
84897793	5/8"	WT	0.0000	07/13/07	7/13/2007	05/06/08	10	5	0	Gallons	
1490060390	Neptune Radio	R									
84897794	5/8"	WT	0.0000	07/13/07	7/13/2007	06/08/18	10	5	0	Gallons	
1547957328	Neptune Radio	R									
84897795	5/8"	WT	0.0000	07/13/07	7/13/2007	04/28/17	10	5	0	Gallons	
1471529350	Neptune Radio	R									
84897796	5/8"	WT	0.0000	07/13/07	7/13/2007	05/06/08	10	5	0	Gallons	
1490145174	Neptune Radio	R									

Meter #	Size	Service	Meter	Purchase	Warranty	Last	# Of	# Of Fixed	Units of	Tamper	
Internal Id #	Manufacturer	Type	Constant	Date	Date	Tested	Test Cycle	0's	Measure	Status	
							Dials			Visually	
										Readable	
84897797	5/8"	WT	0.0000	07/13/07	7/13/2007	12/13/16	10	5	0	Gallons	
1545047720	Neptune Radio	R									
84897798	5/8"	WT	0.0000	07/13/07	7/13/2007	05/05/08	10	5	0	Gallons	
1487954288	Neptune Radio	R									
84897799	5/8"	WT	0.0000	07/13/07	7/13/2007	04/12/11	10	5	0	Gallons	
1490163164	Neptune Radio	R									
84897800	5/8"	WT	0.0000	07/13/07	7/13/2007	08/23/16	10	5	0	Gallons	
1486134938	Neptune Radio	R									
84897801	5/8"	WT	0.0000	07/13/07	7/13/2007	05/05/08	10	5	0	Gallons	
1490153304	Neptune Radio	R									
84897802	5/8"	WT	0.0000	07/13/07	7/13/2007	08/18/14	10	5	0	Gallons	
1487448774	Neptune Radio	R									
84897803	5/8"	WT	0.0000	07/13/07	7/13/2007	05/06/08	10	5	0	Gallons	
1490152836	Neptune Radio	R									
84897804	5/8"	WT	0.0000	07/13/07	7/13/2007	05/06/08	10	5	0	Gallons	
1490152700	Neptune Radio	R									
84897805	5/8"	WT	0.0000	07/13/07	7/13/2007	05/06/08	10	5	0	Gallons	
1490160134	Neptune Radio	R									
84897806	5/8"	WT	0.0000	07/13/07	7/13/2007	05/06/08	10	5	0	Gallons	
1490153986	Neptune Radio	R									
84897807	5/8"	WT	0.0000	07/13/07	7/13/2007	05/06/08	10	5	0	Gallons	
1490162722	Neptune Radio	R									
84897808	5/8"	WT	0.0000	07/13/07	7/13/2007	05/06/08	10	5	0	Gallons	
1490162666	Neptune Radio	R									
84897809	5/8"	WT	0.0000	07/13/07	7/13/2007	04/29/08	10	5	0	Gallons	
1490167944	Neptune Radio	R									
84897810	5/8"	WT	0.0000	07/13/07	7/13/2007	04/29/08	10	5	0	Gallons	
1490146422	Neptune Radio	R									
84897811	5/8"	WT	0.0000	07/13/07	7/13/2007	04/29/08	10	5	0	Gallons	
1490164052	Neptune Radio	R									
84897812	5/8"	WT	0.0000	07/13/07	7/13/2007	12/09/16	10	5	0	Gallons	
1490168002	Neptune Radio	R									
84897813	5/8"	WT	0.0000	07/13/07	7/13/2007	04/29/08	10	5	0	Gallons	
1490153194	Neptune Radio	R									
84897814	5/8"	WT	0.0000	07/13/07	7/13/2007	04/28/08	10	5	0	Gallons	
1490153340	Neptune Radio	R									
84897815	5/8"	WT	0.0000	07/13/07	7/13/2007	04/29/08	10	5	0	Gallons	
1484700124	Neptune Radio	R									
84897816	5/8"	WT	0.0000	07/13/07	7/13/2007	04/29/08	10	5	0	Gallons	
1490154756	Neptune Radio	R									
84897817	5/8"	WT	0.0000	07/13/07	7/13/2007	04/29/08	10	5	0	Gallons	
1490149340	Neptune Radio	R									
84897818	5/8"	WT	0.0000	07/13/07	7/13/2007	04/29/08	10	5	0	Gallons	
1490162540	Neptune Radio	R									
84897819	5/8"	WT	0.0000	07/13/07	7/13/2007	04/29/08	10	5	0	Gallons	
1490162174	Neptune Radio	R									

Meter #	Size	Service	Meter	Purchase	Warranty	Last	# Of	# Of Fixed	Units of	Tamper	
Internal Id #	Manufacturer	Type	Constant	Date	Date	Tested	Test Cycle	0's	Measure	Status	Visually Readable
84897820	5/8"	WT	0.0000	07/13/07	7/13/2007	04/29/08	10	5	0	Gallons	
1490162492	Neptune Radio	R									
84897821	5/8"	WT	0.0000	07/13/07	7/13/2007	05/12/10	10	5	0	Gallons	
1483407314	Neptune Radio	R									
84897822	5/8"	WT	0.0000	07/13/07	7/13/2007	05/06/08	10	5	0	Gallons	
1490163228	Neptune Radio	R									
84897823	5/8"	WT	0.0000	07/13/07	7/13/2007	05/06/08	10	5	0	Gallons	
1490162354	Neptune Radio	R									
84897824	5/8"	WT	0.0000	07/13/07	7/13/2007	02/22/17	10	5	0	Gallons	
1481547464	Neptune Radio	R									
84897825	5/8"	WT	0.0000	07/13/07	7/13/2007	05/12/10	10	5	0	Gallons	
1490154658	Neptune Radio	R									
84897826	5/8"	WT	0.0000	07/13/07	7/13/2007	05/18/16	10	5	0	Gallons	
1470254922	Neptune Radio	R									
84897827	5/8"	WT	0.0000	07/13/07	7/13/2007	09/04/18	10	5	0	Gallons	
1550386200	Neptune Radio	R									
84897828	5/8"	WT	0.0000	07/13/07	7/13/2007	04/23/08	10	0	0	Gallons	
	Neptune Radio	R									
84897829	5/8"	WT	0.0000	07/13/07	7/13/2007	04/23/08	10	5	0	Gallons	
1490162716	Neptune Radio	R									
84897830	5/8"	WT	0.0000	07/13/07	7/13/2007	04/23/08	10	5	0	Gallons	
1490154642	Neptune Radio	R									
84897831	5/8"	WT	0.0000	07/13/07	7/13/2007	10/01/13	10	5	0	Gallons	
1490150246	Neptune Radio	R									
84897832	5/8"	WT	0.0000	07/13/07	7/13/2007	04/23/08	10	5	0	Gallons	
1490160330	Neptune Radio	R									
84897833	5/8"	WT	0.0000	07/13/07	7/13/2007	05/16/08	10	5	0	Gallons	
1490162330	Neptune Radio	R									
84897834	5/8"	WT	0.0000	07/13/07	7/13/2007	05/20/08	10	5	0	Gallons	
1490141776	Neptune Radio	R									
84897835	5/8"	WT	0.0000	07/13/07	7/13/2007	05/20/08	10	5	0	Gallons	
1490152072	Neptune Radio	R									
84897836	5/8"	WT	0.0000	07/13/07	7/13/2007	05/08/08	10	5	0	Gallons	
1490168324	Neptune Radio	R									
84897837	5/8"	WT	0.0000	07/13/07	7/13/2007	05/09/08	10	5	0	Gallons	
1490153762	Neptune Radio	R									
84897838	5/8"	WT	0.0000	07/13/07	7/13/2007	06/06/13	10	5	0	Gallons	
1490164674	Neptune Radio	R									
84897839	5/8"	WT	0.0000	07/13/07	7/13/2007	04/29/08	10	5	0	Gallons	
1490163202	Neptune Radio	R									
84897840	5/8"	WT	0.0000	07/13/07	7/13/2007	06/02/15	10	5	0	Gallons	
1487777486	Neptune Radio	R									
84897841	5/8"	WT	0.0000	07/13/07	7/13/2007	04/29/08	10	5	0	Gallons	
1490161780	Neptune Radio	R									
84897842	5/8"	WT	0.0000	07/13/07	7/13/2007	04/29/08	10	5	0	Gallons	
1490160830	Neptune Radio	R									

Meter #	Size	Service	Meter	Purchase	Warranty	Last	# Of	# Of Fixed	Units of	Tamper	
Internal Id #	Manufacturer	Type	Constant	Date	Date	Tested	Test Cycle	0's	Measure	Status	
							Dials			Visually	
		Rating								Readable	
84897843	5/8" Neptune Radio	WT 20	0.0000	07/13/07	7/13/2007	04/29/08	10	5	0	Gallons	
1490161536	5/8" Neptune Radio	WT 20	0.0000	07/13/07	7/13/2007	04/29/08	10	5	0	Gallons	
84897844	5/8" Neptune Radio	WT 20	0.0000	07/13/07	7/13/2007	04/29/08	10	5	0	Gallons	
1490160420	5/8" Neptune Radio	WT 20	0.0000	07/13/07	7/13/2007	05/05/08	10	5	0	Gallons	
84897845	5/8" Neptune Radio	WT 20	0.0000	07/13/07	7/13/2007	05/05/08	10	5	0	Gallons	
1490160808	5/8" Neptune Radio	WT 20	0.0000	07/13/07	7/13/2007	05/05/08	10	5	0	Gallons	
84897846	5/8" Neptune Radio	WT 20	0.0000	07/13/07	7/13/2007	05/05/08	10	5	0	Gallons	
1490148788	5/8" Neptune Radio	WT 20	0.0000	07/13/07	7/13/2007	05/05/08	10	5	0	Gallons	
84897847	5/8" Neptune Radio	WT 20	0.0000	07/13/07	7/13/2007	05/05/08	10	5	0	Gallons	
1490162648	5/8" Neptune Radio	WT 20	0.0000	07/13/07	7/13/2007	12/02/15	10	5	0	Gallons	
84897848	5/8" Neptune Radio	WT 20	0.0000	07/13/07	7/13/2007	05/05/08	10	5	0	Gallons	
1490160158	5/8" Neptune Radio	WT 20	0.0000	07/13/07	7/13/2007	05/05/08	10	5	0	Gallons	
84897849	5/8" Neptune Radio	WT 20	0.0000	07/13/07	7/13/2007	05/05/08	10	5	0	Gallons	
1490161670	5/8" Neptune Radio	WT 20	0.0000	07/13/07	7/13/2007	05/05/08	10	5	0	Gallons	
84897850	5/8" Neptune Radio	WT 20	0.0000	07/13/07	7/13/2007	05/05/08	10	5	0	Gallons	
1490148036	5/8" Neptune Radio	WT 20	0.0000	07/13/07	7/13/2007	05/07/08	10	5	0	Gallons	
84897851	5/8" Neptune Radio	WT 20	0.0000	07/13/07	7/13/2007	05/07/08	10	5	0	Gallons	
1490146690	5/8" Neptune Radio	WT 20	0.0000	07/13/07	7/13/2007	04/30/08	10	5	0	Gallons	
84897852	5/8" Neptune Radio	WT 20	0.0000	07/13/07	7/13/2007	04/30/08	10	5	0	Gallons	
1490145786	5/8" Neptune Radio	WT 20	0.0000	07/13/07	7/13/2007	04/30/08	10	5	0	Gallons	
84897853	5/8" Neptune Radio	WT 20	0.0000	07/13/07	7/13/2007	04/30/08	10	5	0	Gallons	
1490160852	5/8" Neptune Radio	WT 20	0.0000	07/13/07	7/13/2007	07/12/10	10	5	0	Gallons	
84897854	5/8" Neptune Radio	WT 20	0.0000	07/13/07	7/13/2007	04/30/08	10	5	0	Gallons	
1490152974	5/8" Neptune Radio	WT 20	0.0000	07/13/07	7/13/2007	04/30/08	10	5	0	Gallons	
84897855	5/8" Neptune Radio	WT 20	0.0000	07/13/07	7/13/2007	04/30/08	10	5	0	Gallons	
1483407044	5/8" Neptune Radio	WT 20	0.0000	07/13/07	7/13/2007	04/30/08	10	5	0	Gallons	
84897856	5/8" Neptune Radio	WT 20	0.0000	07/13/07	7/13/2007	04/30/08	10	5	0	Gallons	
1490162198	5/8" Neptune Radio	WT 20	0.0000	07/13/07	7/13/2007	04/30/08	10	5	0	Gallons	
84897857	5/8" Neptune Radio	WT 20	0.0000	07/13/07	7/13/2007	04/30/08	10	5	0	Gallons	
1490152466	5/8" Neptune Radio	WT 20	0.0000	07/13/07	7/13/2007	04/30/08	10	5	0	Gallons	
84897858	5/8" Neptune Radio	WT 20	0.0000	07/13/07	7/13/2007	04/30/08	10	5	0	Gallons	
1490160882	5/8" Neptune Radio	WT 20	0.0000	07/13/07	7/13/2007	04/30/08	10	5	0	Gallons	
84897859	5/8" Neptune Radio	WT 20	0.0000	07/13/07	7/13/2007	04/30/08	10	5	0	Gallons	
1490152892	5/8" Neptune Radio	WT 20	0.0000	07/13/07	7/13/2007	04/29/08	10	5	0	Gallons	
84897860	5/8" Neptune Radio	WT 20	0.0000	07/13/07	7/13/2007	04/29/08	10	5	0	Gallons	
84897861	5/8" Neptune Radio	WT 20	0.0000	07/13/07	7/13/2007	04/29/08	10	5	0	Gallons	
1490162502	5/8" Neptune Radio	WT 20	0.0000	07/13/07	7/13/2007	04/29/08	10	5	0	Gallons	
84897862	5/8" Neptune Radio	WT 20	0.0000	07/13/07	7/13/2007	04/29/08	10	5	0	Gallons	
1490149094	5/8" Neptune Radio	WT 20	0.0000	07/13/07	7/13/2007	05/01/08	10	5	0	Gallons	
84897863	5/8" Neptune Radio	WT 20	0.0000	07/13/07	7/13/2007	05/01/08	10	5	0	Gallons	
1490148552	5/8" Neptune Radio	WT 20	0.0000	07/13/07	7/13/2007	05/01/08	10	5	0	Gallons	
84897864	5/8" Neptune Radio	WT 20	0.0000	07/13/07	7/13/2007	05/01/08	10	5	0	Gallons	
84897865	5/8" Neptune Radio	WT 20	0.0000	07/13/07	7/13/2007	05/01/08	10	5	0	Gallons	
1490162882	5/8" Neptune Radio	WT 20	0.0000	07/13/07	7/13/2007	05/01/08	10	5	0	Gallons	

Meter #	Size	Service	Meter	Purchase	Warranty	Last	# Of	# Of	Units of	Tamper	
Internal Id #	Manufacturer	Type	Constant	Date	Date	Tested	Test Cycle	Fixed	Measure	Status	
							Dials	0's		Visually	
		Rating								Readable	
84897866	5/8"	WT	0.0000	07/13/07	7/13/2007	05/02/08	10	5	0	Gallons	
1490162194	Neptune Radio	R									
84897867	5/8"	WT	0.0000	07/13/07	7/13/2007	05/02/08	10	5	0	Gallons	
1490160886	Neptune Radio	R									
84897868	5/8"	WT	0.0000	07/13/07	7/13/2007	05/02/08	10	5	0	Gallons	
1540776042	Neptune Radio	R									
84897869	5/8"	WT	0.0000	07/13/07	7/13/2007	04/29/08	10	5	0	Gallons	
1490162982	Neptune Radio	R									
84897870	5/8"	WT	0.0000	07/13/07	7/13/2007	04/29/08	10	5	0	Gallons	
1490150172	Neptune Radio	R									
84897871	5/8"	WT	0.0000	07/13/07	7/13/2007	04/29/08	10	5	0	Gallons	
1490161832	Neptune Radio	R									
84897872	5/8"	WT	0.0000	07/13/07	7/13/2007	06/19/18	10	5	0	Gallons	
1549679120	Neptune Radio	R									
84897873	5/8"	WT	0.0000	07/13/07	7/13/2007	04/29/08	10	5	0	Gallons	
1490160736	Neptune Radio	R									
84897874	5/8"	WT	0.0000	07/13/07	7/13/2007	04/29/08	10	5	0	Gallons	
1490162446	Neptune Radio	R									
84897875	5/8"	WT	0.0000	07/13/07	7/13/2007	02/10/15	10	5	0	Gallons	
1471480186	Neptune Radio	R									
84897876	5/8"	WT	0.0000	07/13/07	7/13/2007	04/23/08	10	5	0	Gallons	
1490154964	Neptune Radio	R									
84897877	5/8"	WT	0.0000	07/13/07	7/13/2007	04/23/08	10	5	0	Gallons	
1471513518	Neptune Radio	R									
84897878	5/8"	WT	0.0000	07/13/07	7/13/2007	10/27/15	10	5	0	Gallons	
1540686826	Neptune Radio	R									
84897879	5/8"	WT	0.0000	07/13/07	7/13/2007	04/23/08	10	5	0	Gallons	
1490162302	Neptune Radio	R									
84897880	5/8"	WT	0.0000	07/13/07	7/13/2007	04/23/08	10	5	0	Gallons	
1490149542	Neptune Radio	R									
84897881	5/8"	WT	0.0000	07/13/07	7/13/2007	05/08/08	10	5	0	Gallons	
1490154980	Neptune Radio	R									
84897882	5/8"	WT	0.0000	07/13/07	7/13/2007	05/08/08	10	5	0	Gallons	
1490152790	Neptune Radio	R									
84897883	5/8"	WT	0.0000	07/13/07	7/13/2007	05/08/08	10	5	0	Gallons	
1490161192	Neptune Radio	R									
84897884	5/8"	WT	0.0000	07/13/07	7/13/2007	10/29/18	10	5	0	Gallons	
1551703592	Neptune Radio	R									
84897885	5/8"	WT	0.0000	07/13/07	7/13/2007	05/08/08	10	5	0	Gallons	
1490154976	Neptune Radio	R									
84897886	5/8"	WT	0.0000	07/13/07	7/13/2007	05/08/08	10	5	0	Gallons	
1490161496	Neptune Radio	R									
84897887	5/8"	WT	0.0000	07/13/07	7/13/2007	04/29/08	10	5	0	Gallons	
1545532244	Neptune Radio	R									
84897888	5/8"	WT	0.0000	07/13/07	7/13/2007	04/29/08	10	5	0	Gallons	
1490149024	Neptune Radio	R									

Meter #	Size	Service	Meter	Purchase	Warranty	Last	# Of	# Of Fixed	Units of	Tamper	
Internal Id #	Manufacturer	Type	Constant	Date	Date	Tested	Test Cycle	0's	Measure	Status	
							Dials			Visually	
		Rating								Readable	
84897889	5/8"	WT	0.0000	07/13/07	7/13/2007	04/29/08	10	5	0	Gallons	
1490119344	Neptune Radio	R									
84897890	5/8"	WT	0.0000	07/13/07	7/13/2007	03/10/10	10	5	0	Gallons	
1490152658	Neptune Radio	R									
84897891	5/8"	WT	0.0000	07/13/07	7/13/2007	10/28/16	10	5	0	Gallons	
1490154076	Neptune Radio	R									
84897892	5/8"	WT	0.0000	07/13/07	7/13/2007	04/29/08	10	5	0	Gallons	
1490160648	Neptune Radio	R									
84897893	5/8"	WT	0.0000	07/13/07	7/13/2007	04/23/08	10	5	0	Gallons	
1490148610	Neptune Radio	R									
84897894	5/8"	WT	0.0000	07/13/07	7/13/2007	08/22/16	10	5	0	Gallons	
1542459344	Neptune Radio	R									
84897895	5/8"	WT	0.0000	07/13/07	7/13/2007	04/23/08	10	5	0	Gallons	
1490133960	Neptune Radio	R									
84897896	5/8"	WT	0.0000	07/13/07	7/13/2007	05/05/08	10	5	0	Gallons	
1490155624	Neptune Radio	R									
84897897	5/8"	WT	0.0000	07/13/07	7/13/2007	04/11/14	10	5	0	Gallons	
1490177510	Neptune Radio	R									
84897898	5/8"	WT	0.0000	07/13/07	7/13/2007	10/01/13	10	5	0	Gallons	
1490152642	Neptune Radio	R									
84897899	5/8"	WT	0.0000	07/13/07	7/13/2007	03/02/16	10	5	0	Gallons	
1542523218	Neptune Radio	R									
84897900	5/8"	WT	0.0000	07/13/07	7/13/2007	04/29/08	10	5	0	Gallons	
1487749414	Neptune Radio	R									
84897901	5/8"	WT	0.0000	07/13/07	7/13/2007	04/29/08	10	5	0	Gallons	
1490149208	Neptune Radio	R									
84897902	5/8"	WT	0.0000	07/13/07	7/13/2007	05/01/08	10	5	0	Gallons	
1490153746	Neptune Radio	R									
84897903	5/8"	WT	0.0000	07/13/07	7/13/2007	05/01/08	10	5	0	Gallons	
1490161316	Neptune Radio	R									
84897904	5/8"	WT	0.0000	07/13/07	7/13/2007	08/22/16	10	5	0	Gallons	
1490132296	Neptune Radio	R									
84897905	5/8"	WT	0.0000	07/13/07	7/13/2007	06/12/18	10	5	0	Gallons	
1471645636	Neptune Radio	R									
84897906	5/8"	WT	0.0000	07/13/07	7/13/2007	09/28/07	10	5	0	Gallons	
1490160570	Neptune Radio	R									
84897907	5/8"	WT	0.0000	07/13/07	7/13/2007	10/09/09	10	5	0	Gallons	
1481601412	Neptune Radio	R									
84897908	5/8"	WT	0.0000	07/13/07	7/13/2007	05/13/08	10	5	0	Gallons	
1490162998	Neptune Radio	R									
84897909	5/8"	WT	0.0000	07/13/07	7/13/2007	05/13/08	10	5	0	Gallons	
1490153158	Neptune Radio	R									
84897910	5/8"	WT	0.0000	07/13/07	7/13/2007	05/13/08	10	5	0	Gallons	
1490153022	Neptune Radio	R									
84897911	5/8"	WT	0.0000	07/13/07	7/13/2007	12/03/15	10	5	0	Gallons	
1490160618	Neptune Radio	R									

Meter #	Size	Service	Meter	Purchase	Warranty	Last	# Of	# Of Fixed	Units of	Tamper
Internal Id #	Manufacturer	Type	Constant	Date	Date	Tested	Test Cycle	0's	Measure	Status
							Dials			Visually
		Rating								Readable
84897912	5/8"	WT	0.0000	07/13/07	7/13/2007	05/30/08	10	5	0	Gallons
1490149510	Neptune Radio	R								
84897913	5/8"	WT	0.0000	07/13/07	7/13/2007	10/26/18	10	5	0	Gallons
1550410792	Neptune Radio	R								
84897914	5/8"	WT	0.0000	07/13/07	7/13/2007	02/10/15	10	5	0	Gallons
1490121924	Neptune Radio	R								
84897915	5/8"	WT	0.0000	07/13/07	7/13/2007	06/09/08	10	5	0	Gallons
1490155010	Neptune Radio	R								
84897916	5/8"	WT	0.0000	07/13/07	7/13/2007	10/04/12	10	5	0	Gallons
1490152756	Neptune Radio	R								
84897917	5/8"	WT	0.0000	07/13/07	7/13/2007	05/20/08	10	5	0	Gallons
1490164672	Neptune Radio	R								
84897918	5/8"	WT	0.0000	07/13/07	7/13/2007	05/20/08	10	5	0	Gallons
1490164728	Neptune Radio	R								
84897919	5/8"	WT	0.0000	07/13/07	7/13/2007	05/20/08	10	5	0	Gallons
1490149314	Neptune Radio	R								
84897920	5/8"	WT	0.0000	07/13/07	7/13/2007	11/16/15	10	5	0	Gallons
1490058880	Neptune Radio	R								
84897921	5/8"	WT	0.0000	07/13/07	7/13/2007	05/21/08	10	5	0	Gallons
1490167478	Neptune Radio	R								
84897922	5/8"	WT	0.0000	07/13/07	7/13/2007	05/20/08	10	0	0	Gallons
	Neptune Radio	R								
84897923	5/8"	WT	0.0000	07/13/07	7/13/2007	05/21/08	10	5	0	Gallons
1490163038	Neptune Radio	R								
84897924	5/8"	WT	0.0000	07/13/07	7/13/2007	05/21/08	10	5	0	Gallons
1490163982	Neptune Radio	R								
84897925	5/8"	WT	0.0000	07/13/07	7/13/2007	05/30/08	10	5	0	Gallons
1490163676	Neptune Radio	R								
84897926	5/8"	WT	0.0000	07/13/07	7/13/2007	10/27/15	10	5	0	Gallons
1471628000	Neptune Radio	R								
84897927	5/8"	WT	0.0000	07/13/07	7/13/2007	05/23/08	10	5	0	Gallons
1490151650	Neptune Radio	R								
84897928	5/8"	WT	0.0000	07/13/07	7/13/2007	02/27/13	10	5	0	Gallons
1486319690	Neptune Radio	R								
84897929	5/8"	WT	0.0000	07/13/07	7/13/2007	05/15/08	10	5	0	Gallons
1490162590	Neptune Radio	R								
84897930	5/8"	WT	0.0000	07/13/07	7/13/2007	02/16/17	10	5	0	Gallons
1490132304	Neptune Radio	R								
84897931	5/8"	WT	0.0000	07/13/07	7/13/2007	05/15/08	10	5	0	Gallons
1490154304	Neptune Radio	R								
84897932	5/8"	WT	0.0000	07/13/07	7/13/2007	05/15/08	10	5	0	Gallons
1490162872	Neptune Radio	R								
84897933	5/8"	WT	0.0000	07/13/07	7/13/2007	05/15/08	10	5	0	Gallons
1490162494	Neptune Radio	R								
84897934	5/8"	WT	0.0000	07/13/07	7/13/2007	10/15/12	10	5	0	Gallons
1490124382	Neptune Radio	R								

Meter #	Size	Service	Meter	Purchase	Warranty	Last	# Of	# Of Fixed	Units of	Tamper	
Internal Id #	Manufacturer	Type	Constant	Date	Date	Tested	Test Cycle	0's	Measure	Status	
							Dials			Visually	
		Rating								Readable	
84897935	5/8"	WT	0.0000	07/13/07	7/13/2007	05/31/18	10	5	0	Gallons	
1546683222	Neptune Radio	R									
84897936	5/8"	WT	0.0000	07/13/07	7/13/2007	05/29/08	10	5	0	Gallons	
1490162170	Neptune Radio	R									
84897937	5/8"	WT	0.0000	07/13/07	7/13/2007	01/06/17	10	5	0	Gallons	
1471242018	Neptune Radio	R									
84897938	5/8"	WT	0.0000	07/13/07	7/13/2007	05/29/08	10	5	0	Gallons	
1490153372	Neptune Radio	R									
84897939	5/8"	WT	0.0000	07/13/07	7/13/2007	05/29/08	10	5	0	Gallons	
1490160126	Neptune Radio	R									
84897940	5/8"	WT	0.0000	07/13/07	7/13/2007	05/29/08	10	5	0	Gallons	
1490132644	Neptune Radio	R									
84897941	5/8"	WT	0.0000	07/13/07	7/13/2007	05/16/08	10	5	0	Gallons	
1486686140	Neptune Radio	R									
84897942	5/8"	WT	0.0000	07/13/07	7/13/2007	05/16/08	10	5	0	Gallons	
1490149438	Neptune Radio	R									
84897943	5/8"	WT	0.0000	07/13/07	7/13/2007	05/16/08	10	5	0	Gallons	
1490154114	Neptune Radio	R									
84897944	5/8"	WT	0.0000	07/13/07	7/13/2007	06/14/10	10	5	0	Gallons	
1490154128	Neptune Radio	R									
84897945	5/8"	WT	0.0000	07/13/07	7/13/2007	05/16/08	10	5	0	Gallons	
1490162008	Neptune Radio	R									
84897946	5/8"	WT	0.0000	07/13/07	7/13/2007	05/16/08	10	5	0	Gallons	
1490162860	Neptune Radio	R									
84897947	5/8"	WT	0.0000	07/13/07	7/13/2007	09/04/08	10	5	0	Gallons	
1490160916	Neptune Radio	R									
84897948	5/8"	WT	0.0000	07/13/07	7/13/2007	09/23/16	10	5	0	Gallons	
1542534302	Neptune Radio	R									
84897949	5/8"	WT	0.0000	07/13/07	7/13/2007	08/28/08	10	5	0	Gallons	
1490148972	Neptune Radio	R									
84897950	5/8"	WT	0.0000	07/13/07	7/13/2007	09/04/08	10	0	0	Gallons	
	Neptune Radio	R									
84897951	5/8"	WT	0.0000	07/13/07	7/13/2007	02/17/17	10	5	0	Gallons	
1490160566	Neptune Radio	R									
84897952	5/8"	WT	0.0000	07/13/07	7/13/2007	09/05/08	10	5	0	Gallons	
1490162852	Neptune Radio	R									
84897953	5/8"	WT	0.0000	07/13/07	7/13/2007	03/19/12	10	5	0	Gallons	
1486459174	Neptune Radio	R									
84897954	5/8"	WT	0.0000	07/13/07	7/13/2007	05/27/08	10	5	0	Gallons	
1490167826	Neptune Radio	R									
84897955	5/8"	WT	0.0000	07/13/07	7/13/2007	09/11/14	10	5	0	Gallons	
1487443174	Neptune Radio	R									
84897956	5/8"	WT	0.0000	07/13/07	7/13/2007	05/27/08	10	5	0	Gallons	
1490148612	Neptune Radio	R									
84897957	5/8"	WT	0.0000	07/13/07	7/13/2007	05/27/08	10	5	0	Gallons	
1490163226	Neptune Radio	R									

Meter #	Size	Service	Meter	Purchase	Warranty	Last	# Of	# Of Fixed	Units of	Tamper	
Internal Id #	Manufacturer	Type	Constant	Date	Date	Tested	Test Cycle	0's	Measure	Status	Visually Readable
84897958	5/8"	WT	0.0000	07/13/07	7/13/2007	05/27/08	10	5	0	Gallons	
1490168202	Neptune Radio	R									
84897959	5/8"	WT	0.0000	07/13/07	7/13/2007	06/12/18	10	5	0	Gallons	
1547966246	Neptune Radio	R									
84897960	5/8"	WT	0.0000	07/13/07	7/13/2007	06/28/10	10	5	0	Gallons	
1482897342	Neptune Radio	R									
84897961	5/8"	WT	0.0000	07/13/07	7/13/2007	05/15/08	10	5	0	Gallons	
1486137450	Neptune Radio	R									
84897962	5/8"	WT	0.0000	07/13/07	7/13/2007	05/15/08	10	5	0	Gallons	
1490160820	Neptune Radio	R									
84897963	5/8"	WT	0.0000	07/13/07	7/13/2007	05/15/08	10	5	0	Gallons	
1490154060	Neptune Radio	R									
84897964	5/8"	WT	0.0000	07/13/07	7/13/2007	05/15/08	10	5	0	Gallons	
1490164714	Neptune Radio	R									
84897965	5/8"	WT	0.0000	07/13/07	7/13/2007	05/02/08	10	5	0	Gallons	
1487952318	Neptune Radio	R									
84897966	5/8"	WT	0.0000	07/13/07	7/13/2007	05/02/08	10	5	0	Gallons	
1490146406	Neptune Radio	R									
84897967	5/8"	WT	0.0000	07/13/07	7/13/2007	05/02/08	10	5	0	Gallons	
1490166098	Neptune Radio	R									
84897968	5/8"	WT	0.0000	07/13/07	7/13/2007	05/02/08	10	0	0	Gallons	
84897969	Neptune Radio	R									
1490164688	5/8"	WT	0.0000	07/13/07	7/13/2007	05/02/08	10	5	0	Gallons	
84897970	Neptune Radio	R									
1490161612	5/8"	WT	0.0000	07/13/07	7/13/2007	05/02/08	10	5	0	Gallons	
84897971	Neptune Radio	R									
1490149444	5/8"	WT	0.0000	07/13/07	7/13/2007	05/30/08	10	5	0	Gallons	
84897972	Neptune Radio	R									
1487417030	5/8"	WT	0.0000	07/13/07	7/13/2007	06/04/14	10	5	0	Gallons	
84897973	Neptune Radio	R									
1490162836	5/8"	WT	0.0000	07/13/07	7/13/2007	05/29/08	10	5	0	Gallons	
84897974	Neptune Radio	R									
1490148798	5/8"	WT	0.0000	07/13/07	7/13/2007	05/29/08	10	5	0	Gallons	
84897975	Neptune Radio	R									
1490160154	5/8"	WT	0.0000	07/13/07	7/13/2007	05/29/08	10	5	0	Gallons	
84897976	Neptune Radio	R									
1490162536	5/8"	WT	0.0000	07/13/07	7/13/2007	05/29/08	10	5	0	Gallons	
84897977	Neptune Radio	R									
1490152512	5/8"	WT	0.0000	07/13/07	7/13/2007	12/04/15	10	5	0	Gallons	
84897978	Neptune Radio	R									
1490149306	5/8"	WT	0.0000	07/13/07	7/13/2007	05/01/08	10	5	0	Gallons	
84897979	Neptune Radio	R									
1490152652	5/8"	WT	0.0000	07/13/07	7/13/2007	05/01/08	10	5	0	Gallons	
84897980	Neptune Radio	R									
1490163140	5/8"	WT	0.0000	07/13/07	7/13/2007	05/01/08	10	5	0	Gallons	
	Neptune Radio	R									

Meter #	Size	Service	Meter	Purchase	Warranty	Last	# Of	# Of Fixed	Units of	Tamper	
Internal Id #	Manufacturer	Type	Constant	Date	Date	Tested	Test Cycle	0's	Measure	Status	
							Dials			Visually	
		Rating								Readable	
84897981	5/8"	WT	0.0000	07/13/07	7/13/2007	05/01/08	10	5	0	Gallons	
1490145982	Neptune Radio	R									
84897982	5/8"	WT	0.0000	07/13/07	7/13/2007	05/01/08	10	5	0	Gallons	
1487950482	Neptune Radio	R									
84897983	5/8"	WT	0.0000	07/13/07	7/13/2007	05/15/08	10	5	0	Gallons	
1490154726	Neptune Radio	R									
84897984	5/8"	WT	0.0000	07/13/07	7/13/2007	05/15/08	10	5	0	Gallons	
1490163694	Neptune Radio	R									
84897985	5/8"	WT	0.0000	07/13/07	7/13/2007	05/15/08	10	5	0	Gallons	
1490164468	Neptune Radio	R									
84897986	5/8"	WT	0.0000	07/13/07	7/13/2007	05/20/08	10	5	0	Gallons	
1490152894	Neptune Radio	R									
84897987	5/8"	WT	0.0000	07/13/07	7/13/2007	05/15/08	10	5	0	Gallons	
1490163304	Neptune Radio	R									
84897988	5/8"	WT	0.0000	07/13/07	7/13/2007	05/15/08	10	5	0	Gallons	
1490153988	Neptune Radio	R									
84897989	5/8"	WT	0.0000	07/13/07	7/13/2007	12/17/18	10	5	0	Gallons	
1490164730	Neptune Radio	R									
84897990	5/8"	WT	0.0000	07/13/07	7/13/2007	10/30/13	10	5	0	Gallons	
1490138808	Neptune Radio	R									
84897991	5/8"	WT	0.0000	07/13/07	7/13/2007	05/29/08	10	5	0	Gallons	
1490145416	Neptune Radio	R									
84897992	5/8"	WT	0.0000	07/13/07	7/13/2007	05/28/08	10	5	0	Gallons	
1490161258	Neptune Radio	R									
84897993	5/8"	WT	0.0000	07/13/07	7/13/2007	05/28/08	10	5	0	Gallons	
1490160748	Neptune Radio	R									
84897994	5/8"	WT	0.0000	07/13/07	7/13/2007	05/29/08	10	5	0	Gallons	
1490161906	Neptune Radio	R									
84897995	5/8"	WT	0.0000	07/13/07	7/13/2007	06/16/14	10	5	0	Gallons	
1490159954	Neptune Radio	R									
84897996	5/8"	WT	0.0000	07/13/07	7/13/2007	05/29/08	10	5	0	Gallons	
1490155014	Neptune Radio	R									
84897997	5/8"	WT	0.0000	07/13/07	7/13/2007	05/30/08	10	5	0	Gallons	
1490146692	Neptune Radio	R									
84897998	5/8"	WT	0.0000	07/13/07	7/13/2007	05/30/08	10	5	0	Gallons	
1490161064	Neptune Radio	R									
84897999	5/8"	WT	0.0000	07/13/07	7/13/2007	05/30/08	10	5	0	Gallons	
1490149118	Neptune Radio	R									
84898000	5/8"	WT	0.0000	07/13/07	7/13/2007	06/02/08	10	5	0	Gallons	
1490148978	Neptune Radio	R									
84898001	5/8"	WT	0.0000	07/13/07	7/13/2007	05/28/08	10	5	0	Gallons	
1490160896	Neptune Radio	R									
84898002	5/8"	WT	0.0000	07/13/07	7/13/2007	05/28/08	10	5	0	Gallons	
1490149122	Neptune Radio	R									
84898003	5/8"	WT	0.0000	07/13/07	7/13/2007	05/28/08	10	5	0	Gallons	
1490160336	Neptune Radio	R									

Meter #	Size	Service	Meter	Purchase	Warranty	Last	# Of	# Of	Units of	Tamper	
Internal Id #	Manufacturer	Type	Constant	Date	Date	Tested	Test Cycle	Fixed	Measure	Status	
							Diags	0's		Visually	
		Rating								Readable	
84898004	5/8"	WT	0.0000	07/13/07	7/13/2007	05/28/08	10	5	0	Gallons	
1490149488	Neptune Radio	R									
84898005	5/8"	WT	0.0000	07/13/07	7/13/2007	05/28/08	10	5	0	Gallons	
1490162892	Neptune Radio	R									
84898006	5/8"	WT	0.0000	07/13/07	7/13/2007	05/28/08	10	5	0	Gallons	
1490155114	Neptune Radio	R									
84898007	5/8"	WT	0.0000	07/13/07	7/13/2007	05/29/08	10	5	0	Gallons	
1490155248	Neptune Radio	R									
84898008	5/8"	WT	0.0000	07/13/07	7/13/2007	05/28/08	10	5	0	Gallons	
1486687382	Neptune Radio	R									
84898009	5/8"	WT	0.0000	07/13/07	7/13/2007	04/24/17	10	5	0	Gallons	
1471131056	Neptune Radio	R									
84898010	5/8"	WT	0.0000	07/13/07	7/13/2007	05/18/16	10	5	0	Gallons	
1486823174	Neptune Radio	R									
84898011	5/8"	WT	0.0000	07/13/07	7/13/2007	06/03/08	10	5	0	Gallons	
1490153226	Neptune Radio	R									
84898012	5/8"	WT	0.0000	07/13/07	7/13/2007	07/12/10	10	5	0	Gallons	
1490154662	Neptune Radio	R									
84898013	5/8"	WT	0.0000	07/13/07	7/13/2007	05/15/08	10	5	0	Gallons	
1490154112	Neptune Radio	R									
84898014	5/8"	WT	0.0000	07/13/07	7/13/2007	05/15/08	10	5	0	Gallons	
1490132306	Neptune Radio	R									
84898015	5/8"	WT	0.0000	07/13/07	7/13/2007	05/15/08	10	5	0	Gallons	
1490142278	Neptune Radio	R									
84898016	5/8"	WT	0.0000	07/13/07	7/13/2007	09/04/18	10	5	0	Gallons	
1550413986	Neptune Radio	R									
84898017	5/8"	WT	0.0000	07/13/07	7/13/2007	05/15/08	10	5	0	Gallons	
1490163158	Neptune Radio	R									
84898018	5/8"	WT	0.0000	07/13/07	7/13/2007	05/15/08	10	5	0	Gallons	
1490161352	Neptune Radio	R									
84898019	5/8"	WT	0.0000	07/13/07	7/13/2007	05/21/08	10	5	0	Gallons	
1490150274	Neptune Radio	R									
84898020	5/8"	WT	0.0000	07/13/07	7/13/2007	05/21/08	10	5	0	Gallons	
1483414574	Neptune Radio	R									
84898021	5/8"	WT	0.0000	07/13/07	7/13/2007	05/30/08	10	5	0	Gallons	
1490163262	Neptune Radio	R									
84898022	5/8"	WT	0.0000	07/13/07	7/13/2007	05/05/08	10	5	0	Gallons	
1490161444	Neptune Radio	R									
84898023	5/8"	WT	0.0000	07/13/07	7/13/2007	05/05/08	10	5	0	Gallons	
1490163214	Neptune Radio	R									
84898024	5/8"	WT	0.0000	07/13/07	7/13/2007	05/21/08	10	5	0	Gallons	
1490145414	Neptune Radio	R									
84898025	5/8"	WT	0.0000	07/13/07	7/13/2007	07/21/08	10	5	0	Gallons	
1490149392	Neptune Radio	R									
84898026	5/8"	WT	0.0000	07/13/07	7/13/2007	09/04/18	10	5	0	Gallons	
1550399696	Neptune Radio	R									

Meter #	Size	Service	Meter	Purchase	Warranty	Last	# Of	# Of Fixed	Units of	Tamper	
Internal Id #	Manufacturer	Type	Constant	Date	Date	Tested	Test Cycle	0's	Measure	Status	
							Dials			Visually	
		Rating								Readable	
84898027	5/8"	WT	0.0000	07/13/07	7/13/2007	07/21/08	10	5	0	Gallons	
1490149120	Neptune Radio	R									
84898028	5/8"	WT	0.0000	07/13/07	7/13/2007	08/23/16	10	5	0	Gallons	
1546322162	Neptune Radio	R									
84898029	5/8"	WT	0.0000	07/13/07	7/13/2007	07/24/08	10	5	0	Gallons	
1490114076	Neptune Radio	R									
84898030	5/8"	WT	0.0000	07/13/07	7/13/2007	01/23/18	10	5	0	Gallons	
1546647872	Neptune Radio	R									
84898031	5/8"	WT	0.0000	07/13/07	7/13/2007	09/11/14	10	5	0	Gallons	
1487444136	Neptune Radio	R									
84898032	5/8"	WT	0.0000	07/13/07	7/13/2007	05/21/08	10	5	0	Gallons	
1490154034	Neptune Radio	R									
84898033	5/8"	WT	0.0000	07/13/07	7/13/2007	05/21/08	10	5	0	Gallons	
1490148718	Neptune Radio	R									
84898034	5/8"	WT	0.0000	07/13/07	7/13/2007	05/21/08	10	5	0	Gallons	
1490153354	Neptune Radio	R									
84898035	5/8"	WT	0.0000	07/13/07	7/13/2007	05/21/08	10	5	0	Gallons	
1490161246	Neptune Radio	R									
84898036	5/8"	WT	0.0000	07/13/07	7/13/2007	05/21/08	10	5	0	Gallons	
1484696786	Neptune Radio	R									
84948898	5/8"	WT	0.0000	07/13/07	7/13/2007	04/21/08	10	5	0	Gallons	
1490219156	Neptune Radio	R									
84948899	5/8"	WT	0.0000	07/13/07	7/13/2007	04/21/08	10	5	0	Gallons	
1490223198	Neptune Radio	R									
84948900	5/8"	WT	0.0000	07/13/07	7/13/2007	04/21/08	10	5	0	Gallons	
1490222802	Neptune Radio	R									
84948901	5/8"	WT	0.0000	07/13/07	7/13/2007	06/03/10	10	5	0	Gallons	
1490150568	Neptune Radio	R									
84948902	5/8"	WT	0.0000	07/13/07	7/13/2007	01/06/17	10	5	0	Gallons	
1490223134	Neptune Radio	R									
84948903	5/8"	WT	0.0000	07/13/07	7/13/2007	04/21/08	10	5	0	Gallons	
1490224890	Neptune Radio	R									
85370662	5/8"	WT	0.0000	01/03/08	1/3/2008	09/15/15	10	5	0	Gallons	
1487771166	Neptune	R									
85370663	5/8"	WT	0.0000	01/03/08	1/3/2008	05/29/08	10	5	0	Gallons	
1471552314	Neptune	R									
85370664	5/8"	WT	0.0000	01/03/08	1/3/2008	05/29/08	10	5	0	Gallons	
1490460752	Neptune	R									
85370665	5/8"	WT	0.0000	01/03/08	1/3/2008	05/29/08	10	5	0	Gallons	
1490479002	Neptune	R									
85370666	5/8"	WT	0.0000	01/03/08	1/3/2008	05/30/08	10	5	0	Gallons	
1490478240	Neptune Radio	R									
85370667	5/8"	WT	0.0000	01/03/08	1/3/2008	09/10/15	10	5	0	Gallons	
1487777066	Neptune	R									
85370668	5/8"	WT	0.0000	01/03/08	1/3/2008	06/08/18	10	5	0	Gallons	
1549682220	Neptune Radio	R									

Meter #	Size	Service	Meter	Purchase	Warranty	Last	# Of	# Of	Units of	Tamper	
Internal Id #	Manufacturer	Type	Constant	Date	Date	Tested	Test Cycle	Fixed	Measure	Status	
								0's		Visually	
										Readable	
85370669	Neptune Radio	WT	0.0000	01/03/08	1/3/2008	05/10/19	10	0	0	Gallons	
85370670	Neptune Radio	WT	0.0000	01/03/08	1/3/2008	04/17/19	10	5	0	Gallons	
1563013696	Neptune Radio	R	0.0000	09/09/09	9/9/2009	09/17/09	10	0	0	Gallons	
87869770	Neptune	WT	0.0000	10/28/92		02/17/17	10	0	0	Gallons	
92104766	Badger	WT	0.0000	10/28/92		02/17/17	10	0	0	Gallons	
92104780	Badger	WT	0.0000	10/28/92		02/17/17	10	0	0	Gallons	
92104781	Badger	WT	0.0000	10/28/92		02/27/17	10	0	0	Gallons	
92190228	Neptune	WT	0.0000	06/25/13	6/25/2013	09/18/17	10	5	0	Gallons	
1546680006	Neptune	WT	0.0000	06/25/13	6/25/2013		10	0	0	Gallons	
93317326	Neptune	WT	0.0000	06/25/13	6/25/2013		10	0	0	Gallons	
93317327	Neptune	WT	0.0000	06/25/13	6/25/2013		10	5	0	Gallons	
1545534882	Neptune	WT	0.0000	06/25/13	6/25/2013	02/15/13	10	5	0	Gallons	
93317328	Neptune	WT	0.0000	06/25/13	6/25/2013	02/15/13	10	5	0	Gallons	
1487445940	Neptune	WT	0.0000	06/25/13	6/25/2013		10	5	0	Gallons	
93317329	Neptune	WT	0.0000	06/25/13	6/25/2013		10	5	0	Gallons	
1545220998	Neptune	WT	0.0000	02/15/13	2/15/2013	07/02/14	10	5	0	Gallons	
93317330	Neptune	WT	0.0000	06/25/13	6/25/2013	02/15/13	10	5	0	Gallons	
1490180200	Neptune	WT	0.0000	06/25/13	6/25/2013	02/15/13	10	5	0	Gallons	
93317331	Neptune	WT	0.0000	06/25/13	6/25/2013	02/15/13	10	5	0	Gallons	
1487424422	Neptune	WT	0.0000	06/25/13	6/25/2013	08/18/17	10	5	0	Gallons	
93317332	Neptune	WT	0.0000	06/25/13	6/25/2013	02/15/13	10	5	0	Gallons	
1487446640	Neptune	WT	0.0000	06/25/13	6/25/2013		10	5	0	Gallons	
93317333	Neptune	WT	0.0000	06/25/13	6/25/2013		10	5	0	Gallons	
1545220996	Neptune	WT	0.0000	06/25/13	6/25/2013		10	5	0	Gallons	
93317334	Neptune	WT	0.0000	06/25/13	6/25/2013		10	5	0	Gallons	
1490149990	Neptune	WT	0.0000	06/25/13	6/25/2013	02/15/13	10	5	0	Gallons	
93317335	Neptune	WT	0.0000	06/25/13	6/25/2013	02/15/13	10	5	0	Gallons	
1487443170	Neptune	WT	0.0000	03/06/14	3/6/2014	07/14/14	10	5	0	Gallons	
94855915	Neptune	WT	0.0000	03/06/14	3/6/2014	07/14/14	10	5	0	Gallons	
1487200364	Neptune	WT	0.0000	03/06/14	3/6/2014	07/11/14	10	5	0	Gallons	
94855916	Neptune	WT	0.0000	03/06/14	3/6/2014	07/14/14	10	5	0	Gallons	
1487200266	Neptune	WT	0.0000	03/06/14	3/6/2014	07/14/14	10	5	0	Gallons	
94855917	Neptune	WT	0.0000	03/06/14	3/6/2014	07/11/14	10	5	0	Gallons	
1481555304	Neptune	WT	0.0000	03/06/14	3/6/2014	07/14/14	10	5	0	Gallons	
94855918	Neptune	WT	0.0000	03/06/14	3/6/2014	07/14/14	10	5	0	Gallons	
1487198898	Neptune	WT	0.0000	03/06/14	3/6/2014	07/14/14	10	5	0	Gallons	
94855919	Neptune	WT	0.0000	03/06/14	3/6/2014	07/14/14	10	5	0	Gallons	
1487200484	Neptune	WT	0.0000	03/06/14	3/6/2014	12/02/15	10	5	0	Gallons	
94855920	Neptune	WT	0.0000	03/06/14	3/6/2014	12/02/15	10	5	0	Gallons	
1484591014	Neptune	WT	0.0000	03/06/14	3/6/2014	12/02/15	10	5	0	Gallons	

Meter #	Size	Service	Meter	Purchase	Warranty	Last	# Of	# Of	Units of	Tamper	
Internal Id #	Manufacturer	Type	Constant	Date	Date	Tested	Test Cycle	Fixed	Measure	Status	
							Dials	0's		Visually	
										Readable	
94855921	5/8"	WT	0.0000	03/06/14	3/6/2014	07/14/14	10	5	0	Gallons	
1487207584	5/8"	WT	0.0000	03/06/14	3/6/2014	07/09/14	10	5	0	Gallons	
94855922	Neptune	WT	0.0000	07/15/14	7/15/2014	07/15/14	10	5	0	Gallons	
1485380438	5/8	WT	0.0000	03/06/14	3/6/2014	07/14/14	10	5	0	Gallons	
94974224	Neptune	WT	0.0000	03/06/14	3/6/2014	07/14/14	10	5	0	Gallons	
1487199838	5/8"	WT	0.0000	03/06/14	3/6/2014	07/14/14	10	5	0	Gallons	
94974225	Neptune	WT	0.0000	03/06/14	3/6/2014	07/14/14	10	5	0	Gallons	
1487200272	5/8"	WT	0.0000	03/06/14	3/6/2014	07/14/14	10	5	0	Gallons	
94974226	Neptune	WT	0.0000	03/06/14	3/6/2014	07/14/14	10	5	0	Gallons	
148720182	5/8"	WT	0.0000	03/06/14	3/6/2014	07/14/14	10	5	0	Gallons	
94974227	Neptune	WT	0.0000	11/16/93			10	0	0	Gallons	
1487199806	5/8"	WT	0.0000	03/16/01	3/16/2001		1	0	0	Gallons	
Rockwell	Rockwell	WT	0.0000	08/02/00	8/2/2000		2	0	0	Gallons	
70078799h	Neptune	WT	0.0000	01/02/14	1/2/2014		2	0	0	Gallons	
70079061h	Neptune	WT	0.0000	01/02/14	1/2/2014		2	0	0	Gallons	
70285724h	Neptune	WT	0.0000	01/02/14	1/2/2014	01/02/14	2	0	0	Gallons	
70285724L	Neptune	WT	0.0000	07/16/15	7/16/2015		4	5	0	Gallons	
70311033h	Neptune	WT	0.0000	11/08/16	11/8/2016		2	6	0	Gallons	
1487926210	Neptune	WT	0.0000	11/26/14	11/26/2014		2	6	0	Gallons	
70333995h	Neptune	WT	0.0000	02/20/14	2/20/2015		1	6	0	Cubic Feet	
1544748724	Neptune	WT	0.0000								
72013153h	Neptune	WT	0.0000								
1470901782	Neptune	WT	0.0000								
72013364h	Neptune	WT	0.0000								
1490149720	Neptune	WT	0.0000								
Total Meters								5,672			

BIG SANDY WATER DISTRICT

**Response to Commission Staff's Request for Information Dated May 3, 2019
Case No. 2019-00041**

Question No. 8

Responding Witness: Joseph F. Sisler

Q-8. Provide the water utility's closest approximate number of service lines and transmission and distribution lines that were made with Blu-Max tubing within its distribution system and the dates they were installed.

A-8. Big Sandy Water District has identified approximately 1,220 service lines containing Blu-Max tubing from prior construction projects and proposes to replace those service lines as part of Phase V – Water System Improvements Project. A copy of the bid form for Contract H-1 of this Project, which pertains to the replacement of service lines, is attached to this Response.

The service lines to be replaced were installed as part of construction projects that occurred between 1982 and 1991.

Big Sandy Water District is not aware of any distribution or transmission mains being constructed with Blu-Max tubing.

BID FORM

BIG SANDY WATER DISTRICT

CONTRACT NO. "H-1" PHASE V – WATER SYSTEM IMPROVEMENTS

(Stream Crossing Replacements, Service Line Replacements, etc.)

BIDDER'S PROPOSAL

Proposal of _____ (hereinafter called "BIDDER"), organized and existing under the laws of the State of _____, doing business as (a partnership, or a corporation, or an individual) _____, to **Big Sandy Water District** (hereinafter called "OWNER").

In compliance with the Advertisement for Bids, BIDDER hereby proposes to furnish all equipment, materials, and labor for the work required to construct the **Contract No. "H-1" Phase V – Water System Improvements (Stream Crossing Replacements, Service Line Replacements, etc.)** in strict accordance with the Contract Documents, within the time set forth therein, and at the prices stated below.

BID SCHEDULE

ITEM NO.	ITEM DESCRIPTION	UNIT QUANTITY	UNIT COST	TOTAL COST
----------	------------------	---------------	-----------	------------

STREAM CROSSING REPLACEMENTS

1	8" HDPE DR9 (IPS) Waterline - Horizontal Directional Drill (HDD)	350	LF	
2	6" HDPE DR9 (IPS) Waterline - Horizontal Directional Drill (HDD)	575	LF	
3	1" 250 PSI HDPE Service Line - Horizontal Directional Drill (HDD) (S.R. 581)	100	LF	
4	12" Steel Casing - Bore & Jack w/6" Waterline (S.R. 581)	70	LF	
5	Proposed ¾" Service Line 250 PSI Polyethylene (S.R. 581)	25	LF	
6	6" PVC CL 250 Waterline	1050	LF	
7	3" PVC CL 250 Waterline	400	LF	
8	6" Gate Valve	8	EA	
9	3" Gate Valve	11	EA	
10	Leak Detector Assembly	5	EA	
11	Blow-Off Assembly	5	EA	
12	Tie New 6" to Ex. 6" PVC	4	EA	
13	Tie New 3" to Ex. 3" PVC	6	EA	

Continued on next page ...

ITEM NO.	ITEM DESCRIPTION	UNIT QUANTITY		UNIT COST	TOTAL COST
14	Tie New ¾" Service Line to Ex. ¾" Service Line	2	EA		
15	Re-Connect Ex. Meter (S.R. 581)	1	EA		
16	6" End Cap	6	EA		
17	3" End Cap	4	EA		
18	Fiberglass Markers (Stream Crossings)	12	EA		

SERVICE LINE REPLACEMENTS

Due to the complexity of items 19 thru 23, Bidders should review the Basis of Payment (Section 01740)

Also, listing of ALL replacement services are listed at rear of Specification Section 15080.

19	Replacement Service Line - ¾" 250 PSI Polyethylene – for meters on Short Side of watermain less than 30 L.F. shall be Open Cut (Approx. 697 Services)	9,000	LF		
20	Replacement Service Line - ¾" 250 PSI Polyethylene for meters on Short or Long Side of watermain from 30 L.F. to 100 L.F. shall be by Trenchless Service Line Replacement Tool	18,600	LF		
21	Replacement Service Line - ¾" 250 PSI Polyethylene for meters on Short Side of watermain over 100 L.F. shall be by Horizontal Directional Drill (HDD)	13,500	LF		
22	Replacement Service Line - 1" 250 PSI Polyethylene – Short/Long Side of watermain shall be Horizontal Directional Drill (HDD) (Approx. 10 Services)	5,900	LF		
23	Reconnect Meters ¾"- 1" – Short and Long Side	1220	EA		

CARSON LANE – LINE REPLACEMENT/UPGRADE

24	2" HDPE DR11 Waterline (Horizontal Directional Drill) @ U.S. 60	75	LF		
25	2" CL 250 PVC Waterline	300	LF		
26	2" Gate Valve	1	EA		
27	2" Blow-off Assembly	1	EA		
28	Tie New 2" to Ex. 6" Waterline	1	EA		
TOTAL ITEMS BID (1 – 28)					

BIDDER agrees to perform all of the Work described in the Specifications and shown on the Plans for the bid price of : _____ Dollars and _____ Cents (\$ _____). Amount shall be shown in both words and figures. The Unit Price shall govern. The Owner will make corrections in extensions and additions to determine the Total Bid Amount for Award.

No bid will be considered unless all **Items 1 thru 28** in the Bid Schedule are priced, and only one contract will be awarded.

The quantities of each item on the bid, as finally ascertained at the close of the contract, will determine the total payments to accrue under the contract.

No bid will be considered unless all items in the Bid Schedule are priced, and only one contract will be awarded.

The bid will be awarded in the aggregate total of the Bid Schedule. The above price shall include all labor, materials, overhead, profit, insurance, and other costs necessary to cover the finished work of the several kinds called for including incidentals not set out as specific bid items and in accordance with **Basis for Payment (Section 01740 of Specifications)**. The price per foot for pipe installation includes all labor, materials, excavation backfill, clean-up, seeding, testing etc., for a finished product.

By submission of this Bid, the BIDDER certifies, and in the case of a joint Bid, each party thereto certifies as to its own organization, that this Bid has been arrived at independently, without consultation, communication, or agreement as to any matter relating to this bid, with any other BIDDER or with any competitor.

BIDDER hereby agrees to commence work under this Contract on or before a date to be specified in the Notice to Proceed and to fully complete the project within 210 consecutive calendar days thereafter. BIDDER further agrees to pay as liquidated damages, the sum of **\$ 500.00** for each consecutive calendar day thereafter.

Accompanying this Proposal is a certified check or standard Bid Bond in the sum of _____ Dollars (\$ _____) in accordance with the Information for Bidders to the OWNER that the amount of the bid security deposited with this Bid fairly and reasonably represents the amount of damages the OWNER will suffer due to the failure of this BIDDER to fulfill his agreements as provided in this Proposal.

BIDDER acknowledges receipt of the following Addenda:

Addenda #1	Dated _____	Addenda #5	Dated _____
Addenda #2	Dated _____	Addenda #6	Dated _____
Addenda #3	Dated _____	Addenda #7	Dated _____
Addenda #4	Dated _____	Addenda #8	Dated _____

BIDDER agrees that the OWNER reserves the right to delete the whole or any part of the Project from the Contract.

BIDDER understands that the OWNER reserves the right to reject any or all Bids and to waive any informalities in the Bidding.

BIDDER agrees that this Bid shall be good and may not be withdrawn for a period of 90 (ninety) calendar days after the actual date of bid opening.

Within ten (10) calendar days after receiving written notice of the acceptance of this Bid by the OWNER, the Bidder will execute and deliver to the OWNER 6 (six) copies of the Agreement and such other required Contract Documents.

BIDDER: _____ ADDRESS: _____

BY: _____ DATE SIGNED: _____

TYPED NAME: _____ PHONE NO.: _____

TITLE: _____ FAX NO.: _____

(Seal - If bid is by a corporation)

BIG SANDY WATER DISTRICT

**Response to Commission Staff's Request for Information Dated May 3, 2019
Case No. 2019-00041**

Question No. 9

Responding Witness: Teresa Brown

- Q-9. State whether the water utility has considered hiring a consulting firm for leak detection rather than using in-house labor, and if not explain why not.**
- A-9. Big Sandy Water District's Board of Commissioners has discussed retaining a consulting firm to perform leak detection services.

BIG SANDY WATER DISTRICT

**Response to Commission Staff's Request for Information Dated May 3, 2019
Case No. 2019-00041**

Question No. 10

Responding Witness: Teresa Brown

Q-10. State whether an employee dedicated to leak detection would be a worthwhile investment for the water utility, and if not state why not.

A-10. Big Sandy Water District agrees that an employee dedicated to leak detection would be a worthwhile investment.

BIG SANDY WATER DISTRICT

Response to Commission Staff's Request for Information Dated May 3, 2019 Case No. 2019-00041

Question No. 11

Responding Witnesses: Teresa Brown, James Blanton, Sherman McDaniels

Q-11. Refer to the water utility's response to Commission Order of March 12, 2019, Appendix C (March 12 Order), Item 8. Provide a copy of the most recent written and completed inspection report done at the water utility's plant, pump, and storage facilities. If no written and completed inspection report exists, then state in specific detail all tasks performed by the water utility during the water utility's most recent inspection of its plant, pump, and storage facilities.

A-11. Big Sandy Water District does not operate a water treatment plant. A copy of internal inspections of Big Sandy Water District's pump stations are attached as Attachment 11A. Liquid Engineering inspected Big Sandy Water District's storage tanks in November 2016. The reports of these inspections are attached as Attachment 11B. As part of its Phase V – Water System Improvements Project, Big Sandy Water District recently issued a request for bids on a contract for the painting and repair of its water storage tanks to correct the deficiencies noted in these reports. See Attachment 11C for a description of the proposed repairs.

July 10th

Pump Station Inspection

RT. 538 PAGE 1 of 11
B.S.

Type: Centrifugal Pump () Axial Flow Pump
 () Vertical Turbine Pump () Immersible Pump

Location: RT. 538 Cattlesburg, KyNumber of pumps in station: DuplexSize motor: 40 H.P. Rating of pump: 700 gpmYear pump station was constructed: 20141. Any visible signs of wear and tear or problem? () Yes No

If yes, explain: _____

2. Are there any coupling alignment problems? () Yes No

If yes, explain: _____

a. Does coupling require grease? () Yes No3. Have bearings been greased? Yes () No4. Is there sufficient packing? Yes () No5. Are there any violations? () Yes No

a. Are all hold-down bolts on pumps and motors tightened properly?

 Yes () No6. Is there an excessive noise from the pump? () Yes No7. Is there any repainting needed? () Yes No8. Are there any visible signs of corrosion? () Yes No

If yes, where: _____

9. Will one pump meet the demand from customers for water service?

 Yes () No10. Do both pumps need to be operated together? () Yes No11. Is there a written inspection record of the pump station? () Yes No

If yes, how often: _____

July 10th

Pump Station Inspection

SED Gap PAGE 3 of 11

Type: Centrifugal Pump Axial Flow Pump
 Vertical Turbine Pump Immersible Pump

Location: RT 32 Louisa Ky

Number of pumps in station: Duplex

Size motor: 20 Rating of pump: 150 gpm

Year pump station was constructed: 2000

1. Any visible signs of wear and tear or problem? Yes No

If yes, explain: _____

2. Are there any coupling alignment problems? Yes No

If yes, explain: _____

a. Does coupling require grease? Yes No

3. Have bearings been greased? Yes No

4. Is there sufficient packing? Yes No

5. Are there any violations? Yes No

a. Are all hold-down bolts on pumps and motors tightened properly?

Yes No

6. Is there an excessive noise from the pump? Yes No

7. Is there any repainting needed? Yes No

8. Are there any visible signs of corrosion? Yes No

If yes, where: _____

9. Will one pump meet the demand from customers for water service?

Yes No

10. Do both pumps need to be operated together? Yes No

11. Is there a written inspection record of the pump station? Yes No

If yes, how often: _____

July 10th

Pump Station Inspection

COALTON B.S.

PAGE 3 of 11

Type: () Centrifugal Pump () Axial Flow Pump
 () Vertical Turbine Pump () Immersible Pump

Location: RT. 160 Rush, Ky

Number of pumps in station: _____

Size motor: 25 H.P. Rating of pump: 200 gpmYear pump station was constructed: 20021. Any visible signs of wear and tear or problem? () Yes No

If yes, explain: _____

2. Are there any coupling alignment problems? () Yes No

If yes, explain: _____

a. Does coupling require grease? () Yes No3. Have bearings been greased? Yes () No4. Is there sufficient packing? Yes () No5. Are there any violations? () Yes No

a. Are all hold-down bolts on pumps and motors tightened properly?

 Yes () No6. Is there an excessive noise from the pump? () Yes No7. Is there any repainting needed? Yes () No8. Are there any visible signs of corrosion? () Yes No

If yes, where: _____

9. Will one pump meet the demand from customers for water service?

 Yes () No10. Do both pumps need to be operated together? () Yes No11. Is there a written inspection record of the pump station? () Yes No

If yes, how often: _____

July 10th

Pump Station Inspection

BURNAUGH B.S
PAGE 4 of 11

Type: () Centrifugal Pump () Axial Flow Pump
() Vertical Turbine Pump () Immersible Pump

Location: Old RT. 23 Buchanan, Ky

Number of pumps in station: Simplex

Size motor: 25 H.P. Rating of pump: 200 gpm

Year pump station was constructed: 1995

1. Any visible signs of wear and tear or problem? () Yes No

If yes, explain: _____

2. Are there any coupling alignment problems? () Yes No

If yes, explain: _____

a. Does coupling require grease? () Yes No

3. Have bearings been greased? Yes () No

4. Is there sufficient packing? Yes () No

5. Are there any violations? () Yes No

a. Are all hold-down bolts on pumps and motors tightened properly?

Yes () No

6. Is there an excessive noise from the pump? () Yes No

7. Is there any repainting needed? () Yes No

8. Are there any visible signs of corrosion? () Yes No

If yes, where: _____

9. Will one pump meet the demand from customers for water service?

Yes () No

10. Do both pumps need to be operated together? () Yes No

11. Is there a written inspection record of the pump station? () Yes No

If yes, how often: _____

July 10th

Pump Station Inspection

Type: () Centrifugal Pump () Axial Flow Pump
() Vertical Turbine Pump () Immersible Pump

Location: Raven Rock Rd Louisa, Ky

Number of pumps in station: Duplex

Size motor: 3 H.P. Rating of pump: 40 gpm

Year pump station was constructed: 2010

1. Any visible signs of wear and tear or problem? () Yes (X) No

If yes, explain: _____

2. Are there any coupling alignment problems? () Yes (X) No

If yes, explain: _____

a. Does coupling require grease? () Yes (X) No

3. Have bearings been greased? (X) Yes () No

4. Is there sufficient packing? () Yes (X) No

5. Are there any violations? () Yes (X) No

a. Are all hold-down bolts on pumps and motors tightened properly?

(X) Yes () No

6. Is there an excessive noise from the pump? () Yes (X) No

7. Is there any repainting needed? () Yes (X) No

8. Are there any visible signs of corrosion? () Yes (X) No

If yes, where: _____

9. Will one pump meet the demand from customers for water service?

(X) Yes () No

10. Do both pumps need to be operated together? () Yes (X) No

11. Is there a written inspection record of the pump station? () Yes (X) No

If yes, how often: _____

July 10th

Pump Station Inspection

Type: () Centrifugal Pump () Axial Flow Pump
() Vertical Turbine Pump () Immersible Pump

Location: Fullers Ridge @ Luise, Ky

Number of pumps in station: Duplex

Size motor: 7.5 H.P. Rating of pump: 60 gpm

Year pump station was constructed: 1995

1. Any visible signs of wear and tear or problem? () Yes (X) No

If yes, explain: _____

2. Are there any coupling alignment problems? () Yes (X) No

If yes, explain: _____

a. Does coupling require grease? () Yes (X) No

3. Have bearings been greased? (X) Yes () No

4. Is there sufficient packing? () Yes (X) No

5. Are there any violations? () Yes (X) No

a. Are all hold-down bolts on pumps and motors tightened properly?

(X) Yes () No

6. Is there an excessive noise from the pump? () Yes (X) No

7. Is there any repainting needed? () Yes (X) No

8. Are there any visible signs of corrosion? () Yes (X) No

If yes, where: _____

9. Will one pump meet the demand from customers for water service?

(X) Yes () No

10. Do both pumps need to be operated together? () Yes (X) No

11. Is there a written inspection record of the pump station? () Yes (X) No

If yes, how often: _____

July 10th

Pump Station Inspection

Type: () Centrifugal Pump () Axial Flow Pump
() Vertical Turbine Pump () Immersible Pump

Location: Bolt Foxk Road

Number of pumps in station: Duplex

Size motor: 7.5 H.P. Rating of pump: 600 gpm

Year pump station was constructed: 2000

1. Any visible signs of wear and tear or problem? (X) Yes () No

If yes, explain: pump station is in process of being replaced

2. Are there any coupling alignment problems? () Yes (X) No

If yes, explain:

a. Does coupling require grease? () Yes (X) No

3. Have bearings been greased? (X) Yes () No

4. Is there sufficient packing? (X) Yes () No

5. Are there any violations? () Yes (X) No

a. Are all hold-down bolts on pumps and motors tightened properly? (X) Yes () No

6. Is there an excessive noise from the pump? () Yes (X) No

7. Is there any repainting needed? () Yes (X) No

8. Are there any visible signs of corrosion? () Yes (X) No

If yes, where:

9. Will one pump meet the demand from customers for water service? (X) Yes () No

10. Do both pumps need to be operated together? () Yes (X) No

11. Is there a written inspection record of the pump station? () Yes (X) No
If yes, how often:

July 10th

Pump Station Inspection Quarry Br. B.S. 11

Type: Centrifugal Pump Axial Flow Pump
 Vertical Turbine Pump Immersible Pump

Location: NEBO RD. Lawrence Co. KyNumber of pumps in station: SimplexSize motor: 10 H.P. Rating of pump: 96 gpmYear pump station was constructed: 19951. Any visible signs of wear and tear or problem? Yes No

If yes, explain: _____

2. Are there any coupling alignment problems? Yes No

If yes, explain: _____

a. Does coupling require grease? Yes No3. Have bearings been greased? Yes No4. Is there sufficient packing? Yes No5. Are there any violations? Yes No

a. Are all hold-down bolts on pumps and motors tightened properly?

 Yes No6. Is there an excessive noise from the pump? Yes No7. Is there any repainting needed? Yes No8. Are there any visible signs of corrosion? Yes No

If yes, where: _____

9. Will one pump meet the demand from customers for water service?

 Yes No10. Do both pumps need to be operated together? Yes No11. Is there a written inspection record of the pump station? Yes No

If yes, how often: _____

July 10th

Pump Station Inspection

Type: () Centrifugal Pump () Axial Flow Pump
() Vertical Turbine Pump () Immersible Pump

Location: Friendship Rd Cattsburg, Ky

Number of pumps in station: Duplex

Size motor: 40 Rating of pump: 250 gpm

Year pump station was constructed: 1981

1. Any visible signs of wear and tear or problem? () Yes (X) No

If yes, explain: _____

2. Are there any coupling alignment problems? () Yes (X) No

If yes, explain: _____

a. Does coupling require grease? () Yes (X) No

3. Have bearings been greased? (X) Yes () No

4. Is there sufficient packing? () Yes (X) No

5. Are there any violations? () Yes (X) No

a. Are all hold-down bolts on pumps and motors tightened properly?

(X) Yes () No

6. Is there an excessive noise from the pump? () Yes (X) No

7. Is there any repainting needed? () Yes (X) No

8. Are there any visible signs of corrosion? () Yes (X) No

If yes, where: _____

9. Will one pump meet the demand from customers for water service?

(X) Yes () No

10. Do both pumps need to be operated together? () Yes (X) No

11. Is there a written inspection record of the pump station? () Yes (X) No

If yes, how often: _____

July 10th

Pump Station Inspection

Deep Hole Rd PAGE 10 of 11

Type: () Centrifugal Pump () Axial Flow Pump
() Vertical Turbine Pump () Immersible Pump

Location: Deep Hole Rd Louisa, Ky

Number of pumps in station: Simplex

Size motor: 2 H.P. Rating of pump: 20 gpm

Year pump station was constructed: 2007

1. Any visible signs of wear and tear or problem? () Yes (X) No
If yes, explain: _____

2. Are there any coupling alignment problems? () Yes (X) No
If yes, explain: _____

a. Does coupling require grease? () Yes (X) No

3. Have bearings been greased? (X) Yes () No

4. Is there sufficient packing? (X) Yes () No

5. Are there any violations? () Yes () No

a. Are all hold-down bolts on pumps and motors tightened properly?
(X) Yes () No

6. Is there an excessive noise from the pump? () Yes (X) No

7. Is there any repainting needed? () Yes (X) No

8. Are there any visible signs of corrosion? () Yes (X) No

If yes, where: _____

9. Will one pump meet the demand from customers for water service?
(X) Yes () No

10. Do both pumps need to be operated together? () Yes (X) No

11. Is there a written inspection record of the pump station? () Yes (X) No
If yes, how often: _____

Pump Station Inspection

Point Section B.S. PAGE 11 of 21

Type: () Centrifugal Pump () Axial Flow Pump
() Vertical Turbine Pump () Immersible Pump

Location: South of Louisa Ky RT3

Number of pumps in station: Duplex

Size motor: 15 H.P. Rating of pump: 100 gpm

Year pump station was constructed: 1998

1. Any visible signs of wear and tear or problem? Yes () No

If yes, explain: piping is going to need

To Be changed out in station

2. Are there any coupling alignment problems? () Yes No

If yes, explain: _____

a. Does coupling require grease? () Yes No

3. Have bearings been greased? Yes () No

4. Is there sufficient packing? () Yes No

5. Are there any violations? () Yes No

a. Are all hold-down bolts on pumps and motors tightened properly?

Yes () No

6. Is there an excessive noise from the pump? () Yes No

7. Is there any repainting needed? () Yes No

8. Are there any visible signs of corrosion? () Yes No

If yes, where: _____

9. Will one pump meet the demand from customers for water service?

Yes () No

10. Do both pumps need to be operated together? () Yes No

11. Is there a written inspection record of the pump station? () Yes No

If yes, how often: _____

Liquid Engineering Corporation

Steel Potable Water Reservoir Inspection Report

Job Number: 50463

Utility: BIG SANDY WATER DISTRICT

Tank: CUNNINGHAM HILL 75KG

Inspector: ERIK POTTER

Dive Controller: MEG BUTAK

Date: 11/14/2016

AMERICAN WATER WORKS ASSOCIATION
ANSI/AWWA M42 / D101-53

SSPC Legend		NACE Legend		AWS Legend	
Grade	Description	Grade	Description	Grade	Description
10	No Rusting, or <0.01% of surface is rusted	A	None	L	Satisfactory
9	Minor rusting, or <0.03% of surface is rusted	B	Uniform Surface Corrosion	M	Spatter
8	Isolated rust, <.01% of surface is rusted	C	Pitting	N	Porosity
7	Isolated rust, <.03% of surface is rusted	D	Concentration Cell Corrosion	O	Convexity / Concavity
6	Extensive rusting, <1% of surface is rusted	E	Galvanic Corrosion	P	Cracks
5	Approximately 3% of the surface is rusted	F	Stress Corrosion Cracking	Q	Inclusions
4	Approximately 10% of the surface is rusted	G	Erosion Corrosion	R	Incomplete Fusion
3	Approximately 17% of the surface is rusted	H	Intergranular Corrosion	S	Incomplete Penetration
2	Approximately 33% of the surface is rusted	I	Dealloying	T	Undercut
1	Approximately 50% of the surface is rusted			U	Underfill
0	Approximately 100% of the surface is rusted			V	Overlap
				W	Unable to evaluate

QUADRANT 1 QUADRANT 2 QUADRANT 3 QUADRANT 4

INTERIOR RESERVOIR ROOF

	SSPC	NACE	AWS	SSPC	NACE	AWS	SSPC	NACE	AWS	SSPC	NACE	AWS
Vents	8	B	L	N/A	N/A	N/A	N/A	N/A	N/A	N/A	N/A	N/A
Roof Panels	8	B	L	8	B	L	8	B	L	8	B	L
Roof Support	N/A	N/A	N/A	N/A	N/A	N/A	N/A	N/A	N/A	N/A	N/A	N/A
Roof Gaskets	N/A	N/A	N/A	N/A	N/A	N/A	N/A	N/A	N/A	N/A	N/A	N/A
Painting Ring	N/A	N/A	N/A	N/A	N/A	N/A	N/A	N/A	N/A	N/A	N/A	N/A

Overall Coating Rating Good Average Blister Diameter NONE Average Pit Depth NONE
 Coating Deficiencies: Blistering Delamination Chalking Checking Cracking Growth Pinholes Staining Sags/Runs

INTERIOR RESERVOIR WALLS

	SSPC	NACE	AWS	SSPC	NACE	AWS	SSPC	NACE	AWS	SSPC	NACE	AWS
Wall to Roof weld	8	B	L	8	B	L	8	B	L	8	B	L
Lower Ring Panels	2	B,D	L	2	B,D	L	2	B,D	L	2	B,D	L
Middle Ring Panels	1	B,D,H	L	1	B,D,H	L	1	B,D,H	L	1	B,D,H	L
Upper Ring Panels	8	B	L	8	B	L	8	B	L	8	B	L
Interior Ladder	N/A	N/A	N/A	N/A	N/A	N/A	N/A	N/A	N/A	N/A	N/A	N/A

Overall Coating Rating Good Average Blister Diameter 3/8" Average Pit Depth 1/16"
 Coating Deficiencies: Blistering Delamination Chalking Checking Cracking Growth Pinholes Staining Sags/Runs

INTERIOR RESERVOIR FLOOR

	SSPC	NACE	AWS	SSPC	NACE	AWS	SSPC	NACE	AWS	SSPC	NACE	AWS
Perimeter Weld	5	B,D	L	5	B,D	L	5	B,D	L	5	B,D	L
Floor Panels	5	B,D	L	5	B,D	L	5	B,D	L	5	B,D	L

Overall Coating Rating Good Average Blister Diameter 1/4" Average Pit Depth 1/8"
 Coating Deficiencies: Blistering Delamination Chalking Checking Cracking Growth Pinholes Staining Sags/Runs

DISCLAIMER

Liquid Engineering does not provide consulting engineering services. Unless otherwise noted, the findings contained in this report were neither prepared nor reviewed by a licensed Professional Engineer, but are based on experience, training and visual examination of the Dive Maintenance Technician

Liquid Engineering Corporation

Steel Potable Water Reservoir Inspection Report

Job Number: 50463

Utility: BIG SANDY WATER DISTRICT

Tank: CUNNINGHAM HILL 75KG

Inspector: ERIK POTTER

Dive Controller: MEG BUTAK

Date: 11/14/2016

QUADRANT 1	QUADRANT 2	QUADRANT 3	QUADRANT 4
------------	------------	------------	------------

~~INTERIOR RESERVOIR SUPPORT COLUMNS~~

	SSPC	NACE	AWS	SSPC	NACE	AWS	SSPC	NACE	AWS	SSPC	NACE	AWS
Column Structures	N/A	N/A	N/A	N/A	N/A	N/A	N/A	N/A	N/A	N/A	N/A	N/A
Column Bases	N/A	N/A	N/A	N/A	N/A	N/A	N/A	N/A	N/A	N/A	N/A	N/A
Column to Roof	N/A	N/A	N/A	N/A	N/A	N/A	N/A	N/A	N/A	N/A	N/A	N/A

Overall Coating Rating ---- Average Blister Diameter Average Pit Depth
 Coating Deficiencies: Blistering Delamination Chalking Checking Cracking Growth Pinholes Staining Sags/Runs

INTERIOR RESERVOIR PLUMBING COMPONENTS

	SSPC	NACE	AWS	SSPC	NACE	AWS	SSPC	NACE	AWS	SSPC	NACE	AWS
Inlet Plumbing	B	B	L	N/A	N/A	N/A	N/A	N/A	N/A	N/A	N/A	N/A
Outlet Plumbing	N/A	N/A	N/A	B	D	L	N/A	N/A	N/A	N/A	N/A	N/A
Manways	N/A	N/A	N/A	5	D	L	N/A	N/A	N/A	4	D	L
Floor Drains	N/A	N/A	N/A	N/A	N/A	N/A	3	D	L	N/A	N/A	N/A
Interior Overflow	N/A	N/A	N/A	B	B	L	N/A	N/A	N/A	N/A	N/A	N/A

EXTERIOR RESERVOIR ROOF

	SSPC	NACE	AWS	SSPC	NACE	AWS	SSPC	NACE	AWS	SSPC	NACE	AWS
Vents	7	B	L	N/A	N/A	N/A	N/A	N/A	N/A	N/A	N/A	N/A
Roof Panels	9	B	L	9	B	L	9	B	L	9	B	L
Access Hatches	8	B	L	N/A	N/A	N/A	N/A	N/A	N/A	N/A	N/A	N/A

Overall Coating Rating Good Average Blister Diameter NONE Average Pit Depth NONE
 Coating Deficiencies: Blistering Delamination Chalking Checking Cracking Growth Pinholes Staining Sags/Runs

EXTERIOR RESERVOIR WALLS

	SSPC	NACE	AWS	SSPC	NACE	AWS	SSPC	NACE	AWS	SSPC	NACE	AWS
Wall to Roof Weld	8	B	L	8	B	L	8	B	L	8	B	L
Lower Ring Panels	9	B	L	9	B	L	9	B	L	9	B	L
Mid Ring Panels	9	B	L	9	B	L	9	B	L	9	B	L
Upper Ring Panels	9	B	L	9	B	L	9	B	L	9	B	L
Exterior Overflow	N/A	N/A	N/A	N/A	N/A	N/A	N/A	N/A	N/A	N/A	N/A	N/A

Overall Coating Rating Good Average Blister Diameter NONE Average Pit Depth NONE
 Coating Deficiencies: Blistering Delamination Chalking Checking Cracking Growth Pinholes Staining Sags/Runs

FOOTINGS / FOUNDATION

Footings / Foundations: Satisfactory Cracking Spalling Erosion/Exposed Aggregate
 Anchor Bolts: Satisfactory Loose Rusted Corroded (If excessive) Diameter =

~~TOWER SUPPORT STRUCTURES~~

Tower Legs/Columns: Satisfactory <input type="checkbox"/>	Alignment ----	Settling ----	Rust /Corrosion ----
Riser Pipe: Satisfactory <input type="checkbox"/>	Alignment ----	Frost Casing ----	Rust /Corrosion ----
Rods & Turnbuckles: Satisfactory <input type="checkbox"/>	Turnbuckle Tension ----	Rod Tension ----	Cotter Pins/Rod Nuts ----
Leg shoes/Brackets: Satisfactory <input type="checkbox"/>	Coating ----	Rust/Corrosion ----	Pitting/Cracking ----

DISCLAIMER

Liquid Engineering does not provide consulting engineering services. Unless otherwise noted, the findings contained in this report were neither prepared nor reviewed by a licensed Professional Engineer, but are based on experience, training and visual examination of the Dive Maintenance Technician

Liquid Engineering Corporation
Potable Water Reservoir Contamination, Health and Safety Report

Job Number: 50463

Utility: BIG SANDY WATER DISTRICT

Tank: CUNNINGHAM HILL 75KG

Inspector: ERIK POTTER

Dive Controller: MEG BUTAK

Date: 11/14/2016

Complies With: AWWA • OSHA • ANSI • NIOSH • NAVFAC • NFPAC

CONTAMINATION & HEALTH

Air Vents	Type: MUSHROOM	#: 1	Screen Condition(s): Good	
Hatches	Type: Square	#: 1	Secured Properly: Yes	Properly Sealed: Yes
Exterior Overflow	Flapper: Yes	Screen: Yes	Gasket: Yes	Condition: Good
Cathodic Covers	In- Place: ----	#:	Gasket: ----	Properly Sealed: ----
Roof to Wall Joint	Welded: Yes	Properly Sealed: Yes		
Roof Integrity	Holes: No	Cracking: No	Standing Water: No	
Wall Integrity	Holes: No	Cracking: No		
Manway Integrity	Leaks: No	Condition: Good		
Water Clarity	General Appearance: CLEAR		Odor: NONE	
Floating Surface Debris	Type: NONE		Source: N/A	
Hypalon Floating Cover	Condition: ----	Holes: ----	Tears: ----	
Telemetry Penetrations	Properly Sealed: ----			

FACILITY SAFETY COMPLIANCE

Exterior Ladder

Overall Ladder	Condition: Good	#: 1	Offset Landing: No	Height: 48'
Vandal Guard	Present: No	Vandal Guard Locked: ----		
Ladder Rails & Rungs	Condition: Good	Missing/Damaged Rungs: No		
Rung Spacing & Depth	Spacing: 12 in. (max 12")	Toe Depth: 10 in. (min 7")		
Rail Spacing & Size	Width: 2 in. (min 2")	Thickness: .375 in. (min 1/4")	Rail to Rail: 15.5 in. (min 16")	
Safety Climb System	Type: None	Condition: ----		
Number & Locations	Wall: 1	Leg:	Roof:	Riser Pipe: Other:
Ladder Attachments				

Manways

Type and size	Type: Round	#: 2	Size: 24 inches (24" - 18"x22" min)
Support Structure	Type: Bolted	Condition: Good	
Number & Locations	Wall: 2	Roof:	Riser Pipe: Other:

Hatches

Hatch Type & Size	Type: Square	#: 1	Size: 24x24 in. (24" - 24"x15" min)
Hatch & Lid Lip Height	Hatch: 5 in. (min 4")	Lid: 2 in. (min 2")	

Balconies & Railing

Deck / Walkways	Condition: Good	Width: 18"	
Hand Rails	Condition: Good	Height: 43 in. (min 42")	No. Rails: 2 (min 2)
Toe Rail	Condition: Good	Height: ---- in. (min 4")	
Welds / Attachments	Condition: Good		

Roof

Safety Tie-Off Points	Condition: Good	#: 5+
Antennas	Type: ----	#: ----

DISCLAIMER

Liquid Engineering does not provide consulting engineering services. Unless otherwise noted, the findings contained in this report were neither prepared nor reviewed by a licensed Professional Engineer, but are based on experience, training and visual examination of the Dive Maintenance Technician

Liquid Engineering Corporation
Circular Tank Diagram / Information Worksheet

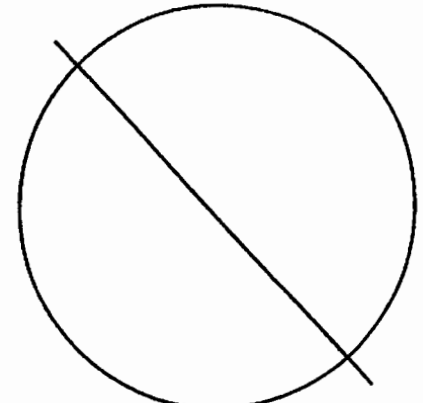
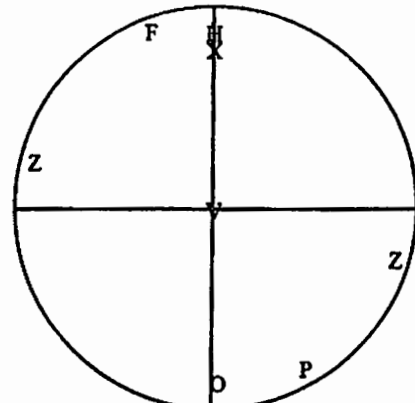
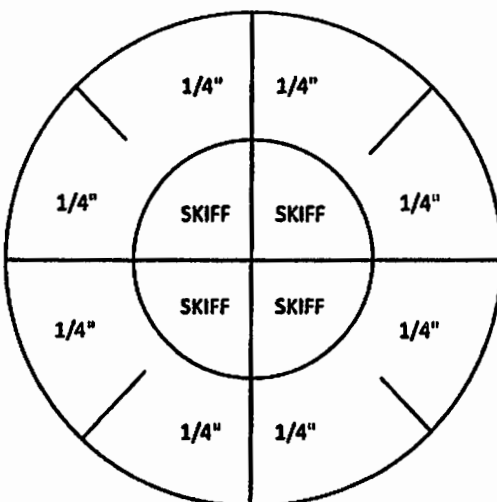
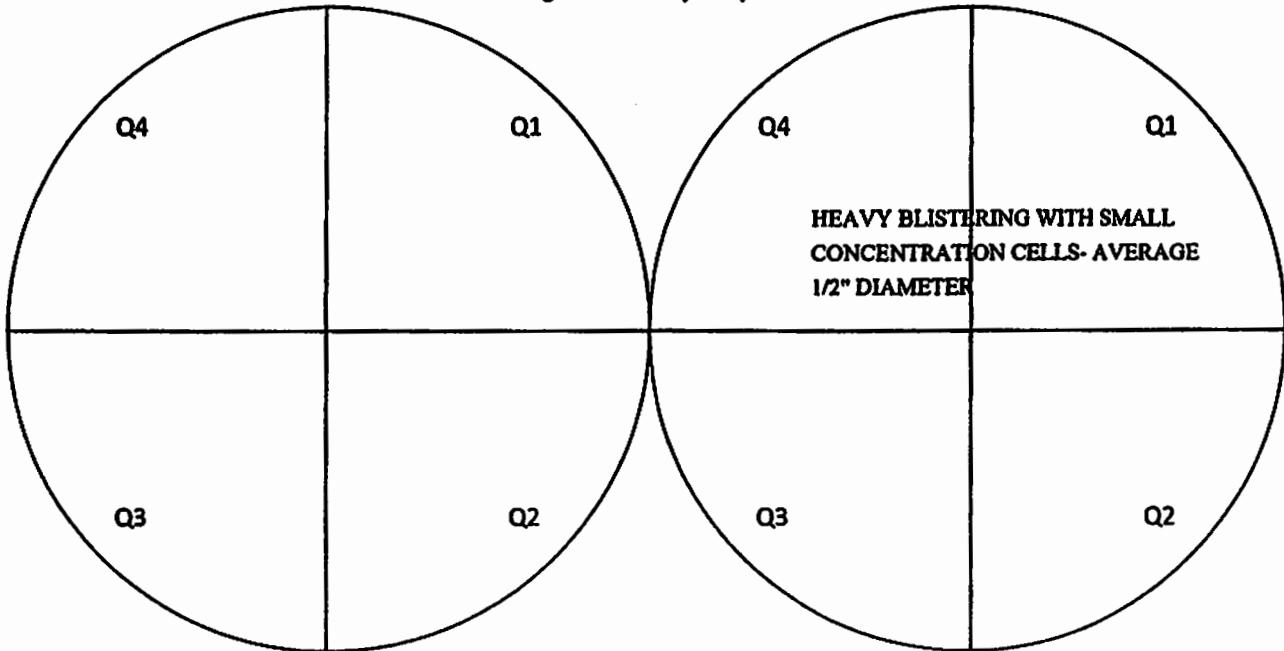
Job Number 50463

Utility Name BIG SANDY WATER DISTRICT

Tank Name CUNNINGHAM HILL 75KG

Quadrant 1	Quadrant 2	Quadrant 3	Quadrant 4
HEAVY BLISTERING WITH CONCENTRATION CELL CORROSION AS WELL AS INTERGRANULAR CORROSION ON WELDS AND PANELS			

ROOF **Testing and Discrepancy Locations** **FLOOR**



Plumbing & Structure location
 Plumbing and structure codes
 O=Outlet X=Inlet Z=Manway
 V=Vent D=Drain S=Sump
 L=Ladder H=Hatch P=Overflow
 F=Float Level Indicator
 T=Telemetry

Column Placement

Type of Column ○ □ I

Base Structure [] [] [] []

Top Structure [] [] [] []

Column Construction -----

Sediment Depth Measurements
 Average Sediment Depth = The sum of all measurements taken, divided by the number of measurements taken

Avg. Depth	Cubic Yardage	Sediment Type

DISCLAIMER

Liquid Engineering does not provide consulting engineering services. Unless otherwise noted, the findings contained in this report were neither prepared nor reviewed by a licensed Professional Engineer, but are based on experience, training and visual examination of the Divo Maintenance Technician

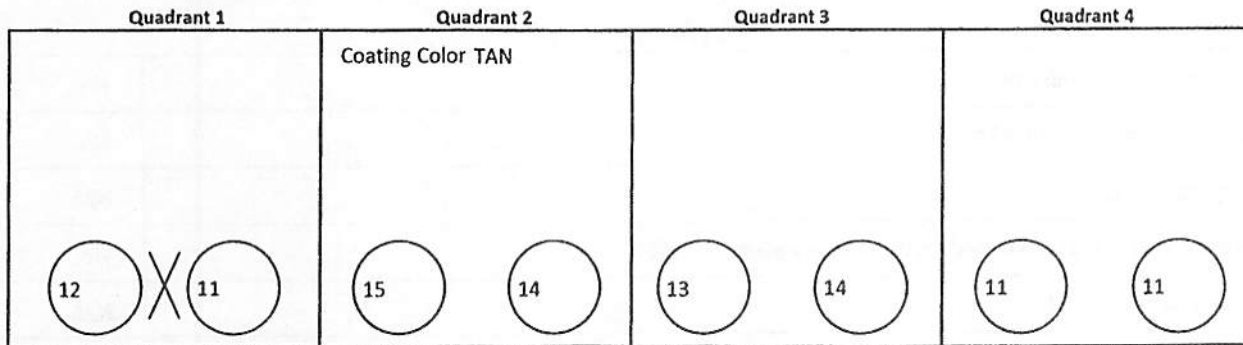
Liquid Engineering Corporation

Circular Tank Diagram / NDT DFT Coating Adhesion Presence of lead

Job Number 50463

Utility Name BIG SANDY WATER DISTRICT

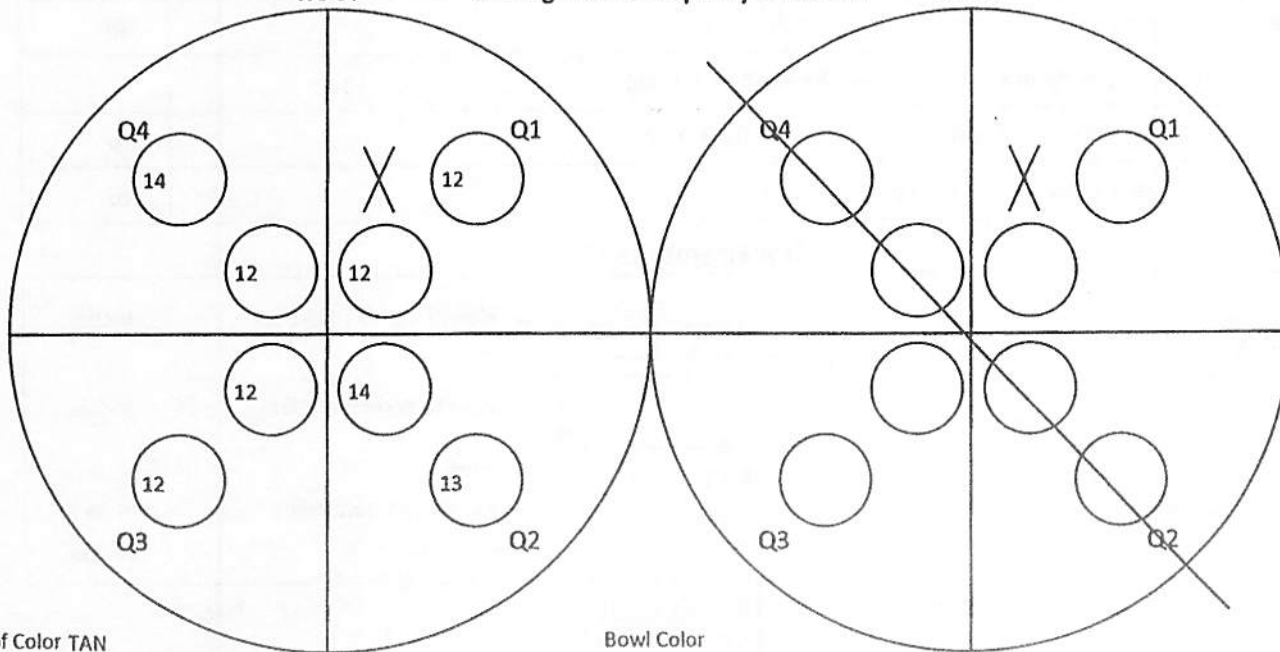
Tank Name CUNNINGHAM HILL 75KG



ROOF

Testing and Discrepancy Locations

BOWL



Roof Color TAN

Bowl Color

DISCLAIMER

Liquid Engineering does not provide consulting engineering services. Unless otherwise noted, the findings contained in this report were neither prepared nor reviewed by a licensed Professional Engineer, but are based on experience, training and visual examination of the Dive Maintenance Technician

Liquid Engineering Corporation
Steel Potable Water Reservoir Security / Measurement Worksheet

Job Number 50463

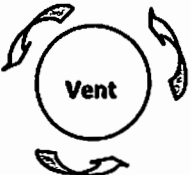
Utility Name BIG SANDY WATER DISTRICT

Tank Name CUNNINGHAM HILL 75KG

Security

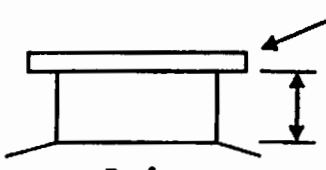
Is the area surrounding the tank well lit?	No
Is the tank surrounded by a Security Fence?	No
Are the access gates locked?	N/A
Is the tank equipped with a Vandal Guard on the primary access ladder?	No
If so, is the Vandal Guard locked?	N/A
Are the vents equipped with security vent shrouds?	No
Are all of the hatches equipped with electronic monitoring devices?	No
Are the external plumbing components housed in a secure vault or out-building?	Yes
Does the surrounding geography of the tank obscure it from public view?	No
Does the exterior of the tank show signs of trespass?	No

Measurements



Vent

Outside Circumference
65 Inches



Roof

Flange Metal Thickness Inches

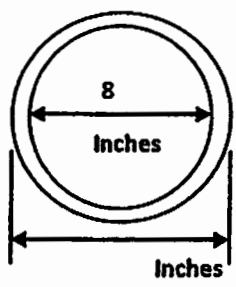
Roof to Screen or Flange 11 Inches

Flange No

Number of Bolt Holes Inches

Size of Bolts Inches

Inlet

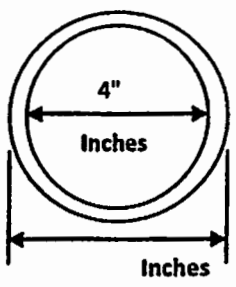


8
Inches

Inlet Riser
Inches

Floor

Outlet

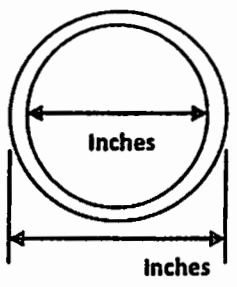


4"
Inches

Outlet Riser
6"
Inches

Floor

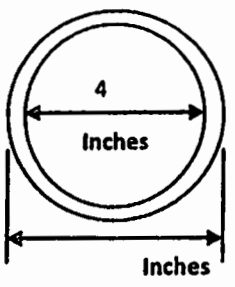
Drain



Inches

Inches

Overflow



4
Inches

Overflow Wall

47'
Feet/Inches

Inches

Floor

DISCLAIMER

Liquid Engineering does not provide consulting engineering services. Unless otherwise noted, the findings contained in this report were neither prepared nor reviewed by a licensed Professional Engineer, but are based on experience, training and visual examination of the Dive Maintenance Technician

Liquid Engineering Corporation
Steel Potable Water Reservoir Immediate Needs Assessment

Job Number: 50463

Utility: BIG SANDY WATER DISTRICT

Tank: CUNNINGHAM HILL 75KG

Inspector: ERIK POTTER

Dive Controller: MEG BUTAK

Date: 11/14/2016

1. Health and Safety Items

- Safety Climb System Installation:
 Vent Screen Repairs:

2. Testing Items

- Dye Testing for Leak Evaluation:
 Presence of Lead Test (Interior/Exterior):

3. Destructive Testing Items

- % of Lead Test (Interior/Exterior) (*Coating samples are removed for laboratory analysis*)
 Coating Adhesion Test (Interior/Exterior):

Specific written authorization required to perform destructive testing. Destructive tests include touch-up of coating system.

4. Repair Items

- Epoxy Coating Repairs:
 Temporary Leak Repairs:
 Float Operated Level Indicator Repairs / Maintenance:
 Hypalon Repairs:

5. Security Related Items (*Critical security upgrade information is immediately available*)

- Tank vents are not equipped with a security vent shroud:
 Tank hatches are not equipped with a security hatch locking device:
 Tank perimeter not adequately secured:

The above mentioned additional work is considered immediately necessary and is recommended to be completed. Some items may be completed in conjunction with work currently being performed while the crew is on site.

Reservoir Inspection Condition Supplemental

CLEAN AND INSPECT EVERY 3-5 YEARS

FLOOR- SOME BLISTERING OF THE COATING WITH SMALL CONCENTRATION CELLS. PITTING WAS CHECKED ON TWO SEPERATE CELLS WITH ONE READING 3/16" AND THE OTHER 3/32" METAL LOSS.

WALLS- HEAVY BLISTERING WITH CONCENTRATION CELL CORROSION AS WELL AS INTERGRANULAR CORROSION ON WELDS AND PANELS. SOME WELDS HAVE HEAVY INTERGRANULAR CORROSION ABOUT 30' FROM BOTTOM THAT COULD BE A STRUCTURAL THREAT. LOWER WALLS HAVE HEAVY BLISTERING WITH SMALL CONCENTRATION CELLS.

ROOF- LIGHT SURFACE CORROSION ON WELD SEAMS AND ROOF TO WALL SEAM.

INLET- LIGHT SURFACE CORROSION ON THE UPPER PORTION OF THE PIPE NEAR THE J-TUBE.

OUTLET- SOME CONCENTRATION CELL CORROSION ON THE LIP AS WELL AS THE RISER AROUND THE OUTLET.

MANWAYS- HEAVY CONCENTRATION CELL CORROSION ON THE LIP WITH UP TO 1/2" METAL LOSS ON EDGE.

VENT- LIGHT SURFACE CORROSION AROUND THE VENT PENETRATION. SCREEN IS INTACT AND IN GOOD CONDITION.

OVERFLOW- MINIMAL SURFACE CORROSION WITH SOME BLEEDING.

DISCLAIMER

Liquid Engineering does not provide consulting engineering services. Unless otherwise noted, the findings contained in this report were neither prepared nor reviewed by a licensed Professional Engineer, but are based on experience, training and visual examination of the Dive Maintenance Technician

Liquid Engineering Corporation

Steel Potable Water Reservoir Inspection Report

Job Number: 50463

Utility: BIG SANDY WATER DISTRICT

Tank: QUARRY BRANCH 75KG

Inspector: ERIK POTTER

Dive Controller: MEG BUTAK

Date: 11/12/2016

**AMERICAN WATER WORKS ASSOCIATION
ANSI/AWWA M42 / D101-53**

SSPC Legend		NACE Legend		AWS Legend	
Grade	Description	Grade	Description	Grade	Description
10	No Rusting, or <0.01% of surface is rusted	A	None	L	Satisfactory
9	Minor rusting, or <0.03% of surface is rusted	B	Uniform Surface Corrosion	M	Spatter
8	Isolated rust, <.01% of surface is rusted	C	Pitting	N	Porosity
7	Isolated rust, <.03% of surface is rusted	D	Concentration Cell Corrosion	O	Convexity / Concavity
6	Extensive rusting, <1% of surface is rusted	E	Galvanic Corrosion	P	Cracks
5	Approximately 3% of the surface is rusted	F	Stress Corrosion Cracking	Q	Inclusions
4	Approximately 10% of the surface is rusted	G	Erosion Corrosion	R	Incomplete Fusion
3	Approximately 17% of the surface is rusted	H	Intergranular Corrosion	S	Incomplete Penetration
2	Approximately 33% of the surface is rusted	I	Dealloying	T	Undercut
1	Approximately 50% of the surface is rusted			U	Underfill
0	Approximately 100% of the surface is rusted			V	Overlap
				W	Unable to evaluate

QUADRANT 1 QUADRANT 2 QUADRANT 3 QUADRANT 4

INTERIOR RESERVOIR ROOF

	SSPC	NACE	AWS	SSPC	NACE	AWS	SSPC	NACE	AWS	SSPC	NACE	AWS
Vents	7	B	L	N/A	N/A	N/A	N/A	N/A	N/A	N/A	N/A	N/A
Roof Panels	8	B	L	8	B	L	8	B	L	8	B	N/A
Roof Support	N/A	N/A	N/A	N/A	N/A	N/A	N/A	N/A	N/A	N/A	N/A	N/A
Roof Gaskets	N/A	N/A	N/A	N/A	N/A	N/A	N/A	N/A	N/A	N/A	N/A	N/A
Painting Ring	N/A	N/A	N/A	N/A	N/A	N/A	N/A	N/A	N/A	N/A	N/A	N/A

Overall Coating Rating **Good** Average Blister Diameter **NONE** Average Pit Depth **NONE**
 Coating Deficiencies: Blistering Delamination Chalking Checking Cracking Growth Pinholes Staining Sags/Runs

INTERIOR RESERVOIR WALLS

	SSPC	NACE	AWS	SSPC	NACE	AWS	SSPC	NACE	AWS	SSPC	NACE	AWS
Wall to Roof weld	3	B	L	3	B	L	3	B	L	3	B	L
Lower Ring Panels	2	B,D	L	4	B,D	L	2	B,D	L	2	B,D	L
Middle Ring Panels	3	B,D	L	3	B,D	L	3	B,D	L	3	B,D	L
Upper Ring Panels	4	B	L	2	B	L	4	B	L	4	B	L
Interior Ladder	5	D	L	N/A	N/A	N/A	N/A	N/A	N/A	N/A	N/A	N/A

Overall Coating Rating **Good** Average Blister Diameter **1/2"** Average Pit Depth **< 1/16"**
 Coating Deficiencies: Blistering Delamination Chalking Checking Cracking Growth Pinholes Staining Sags/Runs

INTERIOR RESERVOIR FLOOR

	SSPC	NACE	AWS	SSPC	NACE	AWS	SSPC	NACE	AWS	SSPC	NACE	AWS
Perimeter Weld	3	B,D	L	3	B,D	L	3	B,D	L	3	B,D	L
Floor Panels	3	B,D	L	3	N/A	L	3	B,D	L	3	B,D	L

Overall Coating Rating **Good** Average Blister Diameter **1/4"** Average Pit Depth **NONE**
 Coating Deficiencies: Blistering Delamination Chalking Checking Cracking Growth Pinholes Staining Sags/Runs

DISCLAIMER

Liquid Engineering does not provide consulting engineering services. Unless otherwise noted, the findings contained in this report were neither prepared nor reviewed by a licensed Professional Engineer, but are based on experience, training and visual examination of the Dive Maintenance Technician

Liquid Engineering Corporation
Steel Potable Water Reservoir Inspection Report

Job Number: 50463
Inspector: ERIK POTTER

Utility: BIG SANDY WATER DISTRICT
Dive Controller: MEG BUTAK

Tank: QUARRY BRANCH 75KG
Date: 11/12/2016

QUADRANT 1	QUADRANT 2	QUADRANT 3	QUADRANT 4
------------	------------	------------	------------

~~INTERIOR RESERVOIR SUPPORT COLUMNS~~

	SSPC	NACE	AWS	SSPC	NACE	AWS	SSPC	NACE	AWS	SSPC	NACE	AWS
Column Structures	N/A	N/A	N/A	N/A	N/A	N/A	N/A	N/A	N/A	N/A	N/A	N/A
Column Bases	N/A	N/A	N/A	N/A	N/A	N/A	N/A	N/A	N/A	N/A	N/A	N/A
Column to Roof	N/A	N/A	N/A	N/A	N/A	N/A	N/A	N/A	N/A	N/A	N/A	N/A

Overall Coating Rating ---- Average Blister Diameter Average Pit Depth
Coating Deficiencies: Blistering Delamination Chalking Checking Cracking Growth Pinholes Staining Sags/Runs

INTERIOR RESERVOIR PLUMBING COMPONENTS

	SSPC	NACE	AWS	SSPC	NACE	AWS	SSPC	NACE	AWS	SSPC	NACE	AWS
Inlet Plumbing	5	B,D	L	N/A	N/A	N/A	N/A	N/A	N/A	N/A	N/A	N/A
Outlet Plumbing	5	B,D	L	N/A	N/A	N/A	N/A	N/A	N/A	N/A	N/A	N/A
Manways	3	B,D	L	N/A	N/A	N/A	2	B,D	L	N/A	N/A	N/A
Floor Drains	N/A	N/A	N/A	3	B,D	L	N/A	N/A	N/A	N/A	N/A	N/A
Interior Overflow	N/A	N/A	N/A	5	B,H	L	N/A	N/A	N/A	N/A	N/A	N/A

EXTERIOR RESERVOIR ROOF

	SSPC	NACE	AWS	SSPC	NACE	AWS	SSPC	NACE	AWS	SSPC	NACE	AWS
Vents	6	B	L	N/A	N/A	N/A	N/A	N/A	N/A	N/A	N/A	N/A
Roof Panels	8	B	L	8	B	L	8	B	L	8	B	L
Access Hatches	7	B	L	N/A	N/A	N/A	N/A	N/A	N/A	N/A	N/A	N/A

Overall Coating Rating Good Average Blister Diameter NONE Average Pit Depth NONE
Coating Deficiencies: Blistering Delamination Chalking Checking Cracking Growth Pinholes Staining Sags/Runs

EXTERIOR RESERVOIR WALLS

	SSPC	NACE	AWS	SSPC	NACE	AWS	SSPC	NACE	AWS	SSPC	NACE	AWS
Wall to Roof Weld	9	B	L	9	B	L	9	B	L	9	B	L
Lower Ring Panels	8	B	L	8	B	L	8	B	L	8	B	L
Mid Ring Panels	9	B	L	9	B	L	9	B	L	9	B	L
Upper Ring Panels	9	B	L	9	B	L	9	B	L	9	B	L
Exterior Overflow	N/A	N/A	N/A	8	B	L	N/A	N/A	N/A	N/A	N/A	N/A

Overall Coating Rating Good Average Blister Diameter NONE Average Pit Depth NONE
Coating Deficiencies: Blistering Delamination Chalking Checking Cracking Growth Pinholes Staining Sags/Runs

FOOTINGS / FOUNDATION

Footings / Foundations: Satisfactory <input checked="" type="checkbox"/>	Cracking <input type="checkbox"/>	Spalling <input type="checkbox"/>	Erosion/Exposed Aggregate <input type="checkbox"/>
Anchor Bolts: Satisfactory <input checked="" type="checkbox"/>	Loose <input type="checkbox"/>	Rusted Corroded <input checked="" type="checkbox"/>	(If excessive) Diameter =

~~TOWER SUPPORT STRUCTURES~~

Tower Legs/Columns: Satisfactory <input type="checkbox"/>	Alignment ----	Settling ----	Rust /Corrosion ----
Riser Pipe: Satisfactory <input type="checkbox"/>	Alignment ----	Frost Casing ----	Rust /Corrosion ----
Rods & Turnbuckles: Satisfactory <input type="checkbox"/>	Turnbuckle Tension ----	Rod Tension ----	Cotter Pins/Rod Nuts ----
Leg shoes/Brackets: Satisfactory <input type="checkbox"/>	Coating ----	Rust/Corrosion ----	Pitting/Cracking ----

DISCLAIMER

Liquid Engineering does not provide consulting engineering services. Unless otherwise noted, the findings contained in this report were neither prepared nor reviewed by a licensed Professional Engineer, but are based on experience, training and visual examination of the Dive Maintenance Technician

Liquid Engineering Corporation
Potable Water Reservoir Contamination, Health and Safety Report

Job Number: 50463
Inspector: ERIK POTTER

Utility: BIG SANDY WATER DISTRICT
Dive Controller: MEG BUTAK

Tank: QUARRY BRANCH 75KG
Date: 11/12/2016

Complies With: AWWA • OSHA • ANSI • NIOSH • NAVFAC • NFPAC

CONTAMINATION & HEALTH

Air Vents	Type: MUSHROOM	#: 1	Screen Condition(s): Good
Hatches	Type: Square	#: 1	Secured Properly: Yes Properly Sealed: Yes
Exterior Overflow	Flapper: Yes	Screen: No	Gasket: No Condition: Good
Cathodic Covers	In- Place: ----	#:	Gasket: ---- Properly Sealed: ----
Roof to Wall Joint	Welded: Yes	Properly Sealed: Yes	
Roof Integrity	Holes: No	Cracking: No	Standing Water: No
Wall Integrity	Holes: No	Cracking: No	
Manway Integrity	Leaks: No	Condition: Good	
Water Clarity	General Appearance: CLEAR		Odor: NONE
Floating Surface Debris	Type: NONE		Source: N/A
Hypalon Floating Cover	Condition: ----	Holes: ----	Tears: ----
Telemetry Penetrations	Properly Sealed: ----		

FACILITY SAFETY COMPLIANCE

Exterior Ladder

Overall Ladder	Condition: Good	#: 1	Offset Landing: No	Height: 33'
Vandal Guard	Present: Yes	Vandal Guard Locked: Yes		
Ladder Rails & Rungs	Condition: Good	Missing/Damaged Rungs: No		
Rung Spacing & Depth	Spacing: 12 in. (max 12")	Toe Depth: 9 in. (min 7")		
Rail Spacing & Size	Width: 2 in. (min 2")	Thickness: .375 in. (min 1/4")	Rail to Rail: 15 in. (min 16")	
Safety Climb System	Type: None	Condition: ----		
Number & Locations	Wall: 1	Leg:	Roof:	Riser Pipe: Other:
Ladder Attachments				

Manways

Type and size	Type: Round	#: 2	Size: 24 inches (24" - 18"x22" min)
Support Structure	Type: Bolted	Condition: Good	
Number & Locations	Wall: 2	Roof:	Riser Pipe: Other:

Hatches

Hatch Type & Size	Type: Square	#: 1	Size: 24x24 in. (24" - 24"x15" min)
Hatch & Lid Lip Height	Hatch: 4 in. (min 4")	Lid: 2 in. (min 2")	

Balconies & Railing

Deck / Walkways	Condition: Good	Width: 74"	
Hand Rails	Condition: Good	Height: 42 in. (min 42")	No. Rails: 2 (min 2)
Toe Rail	Condition: Good	Height: --- in. (min 4")	
Welds / Attachments	Condition: Good		

Roof

Safety Tie-Off Points	Condition: Good	#: 5+
Antennas	Type: -----	#: ----

DISCLAIMER

Liquid Engineering does not provide consulting engineering services. Unless otherwise noted, the findings contained in this report were neither prepared nor reviewed by a licensed Professional Engineer, but are based on experience, training and visual examination of the Dive Maintenance Technician

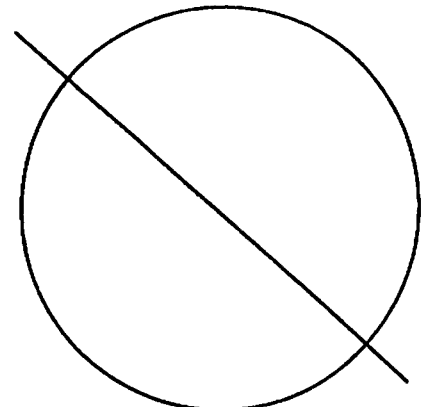
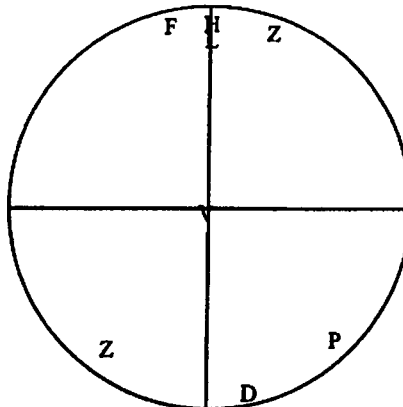
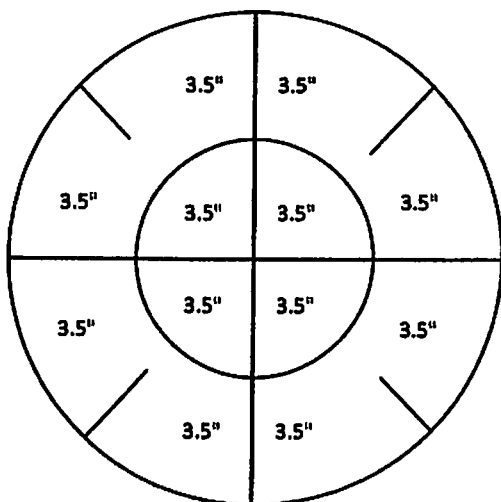
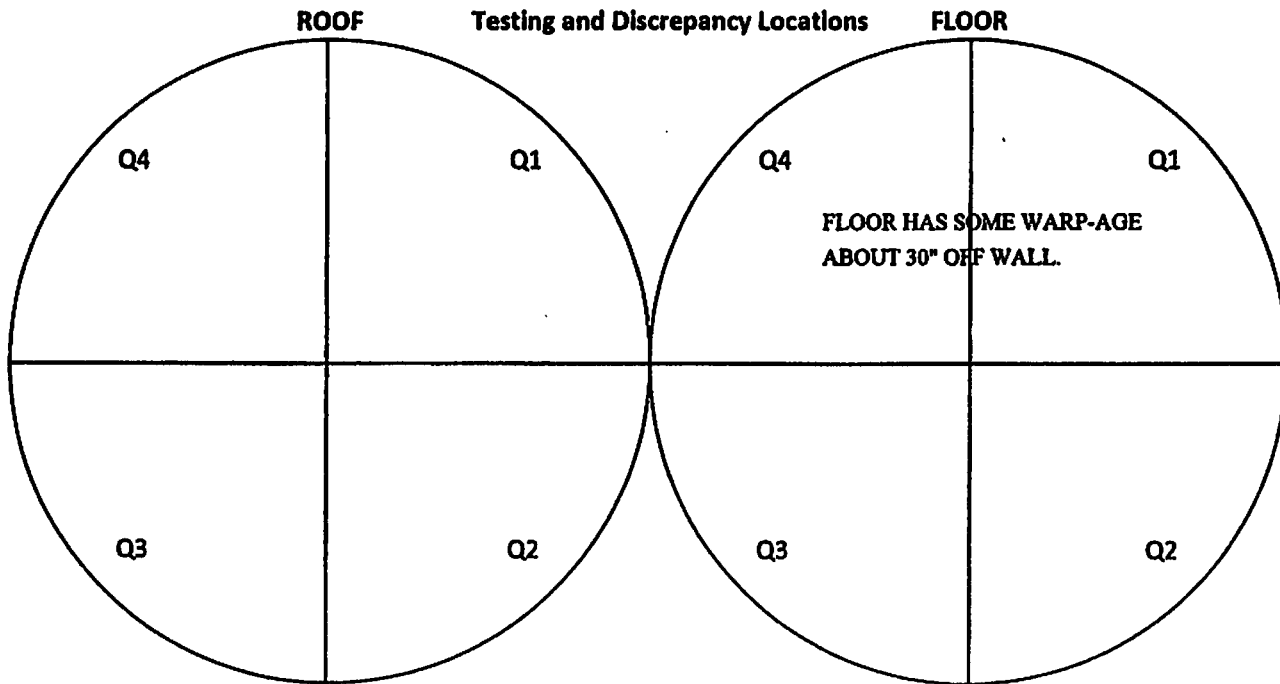
Liquid Engineering Corporation
Circular Tank Diagram / Information Worksheet

Job Number 50463

Utility Name BIG SANDY WATER DISTRICT

Tank Name QUARRY BRANCH 75KG

Quadrant 1	Quadrant 2	Quadrant 3	Quadrant 4
HEAVY CONCENTRATION CELL CORROSION AT LOWER AND MID LEVELS			



Plumbing & Structure location
 Plumbing and structure codes
 O=Outlet X=Inlet Z=Manway
 V=Vent D=Drain S=Sump
 L=Ladder H=Hatch P=Overflow
 F=Float Level Indicator
 T=Telemetry

Column Placement
 Type of Column ○ □ I
 Base Structure [] [] [] []
 Top Structure [] [] [] []
 Column Construction -----

Sediment Depth Measurements

Average Sediment Depth = The sum of all measurements taken, divided by the number of measurements taken

Avg. Depth 3.5" Cubic Yardage Sediment Type IRON

DISCLAIMER

Liquid Engineering does not provide consulting engineering services. Unless otherwise noted, the findings contained in this report were neither prepared nor reviewed by a licensed Professional Engineer, but are based on experience, training and visual examination of the Dive Maintenance Technician

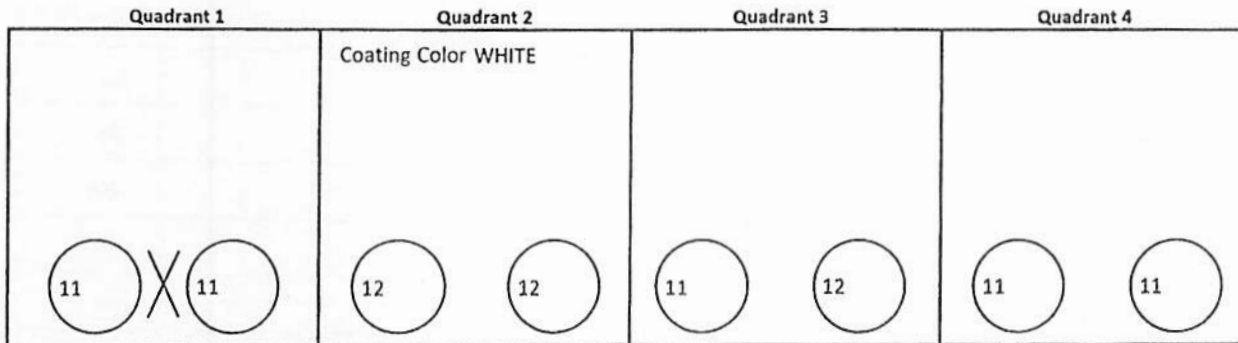
Liquid Engineering Corporation

Circular Tank Diagram / NDT DFT Coating Adhesion Presence of lead

Job Number 50463

Utility Name BIG SANDY WATER DISTRICT

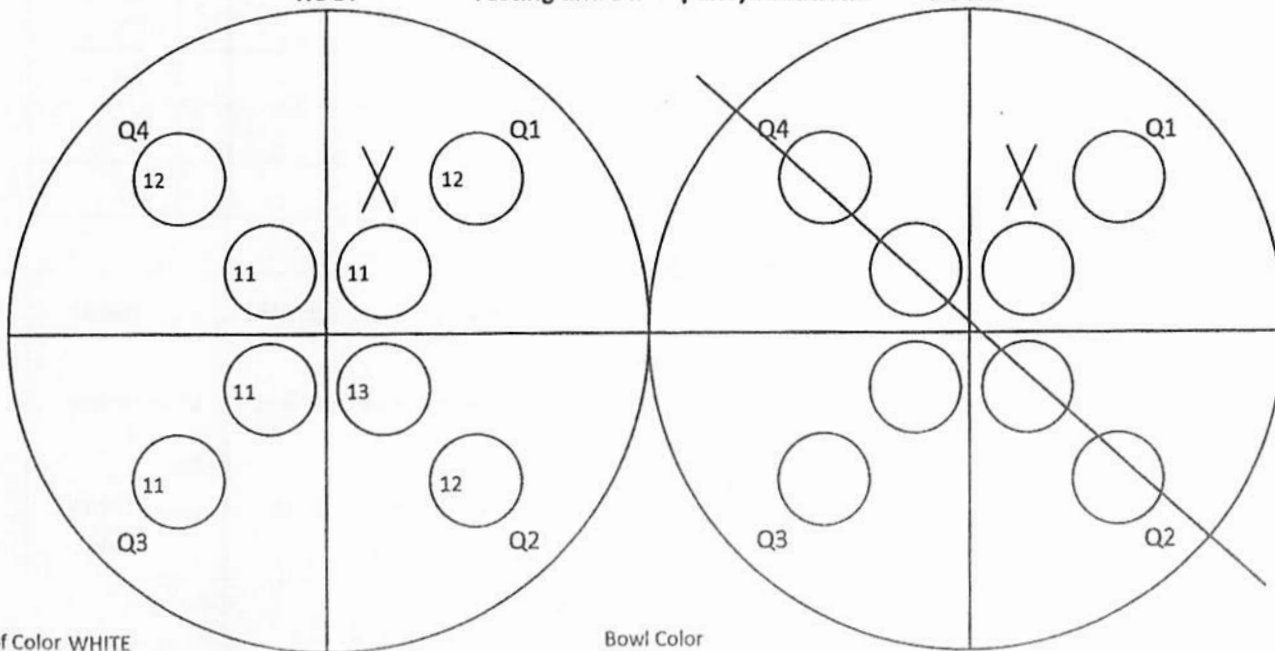
Tank Name QUARRY BRANCH 75KG



ROOF

Testing and Discrepancy Locations

BOWL



Roof Color WHITE

Bowl Color

DISCLAIMER

Liquid Engineering does not provide consulting engineering services. Unless otherwise noted, the findings contained in this report were neither prepared nor reviewed by a licensed Professional Engineer, but are based on experience, training and visual examination of the Dive Maintenance Technician

Liquid Engineering Corporation
Steel Potable Water Reservoir Security / Measurement Worksheet

Job Number 50463

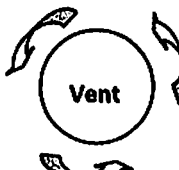
Utility Name BIG SANDY WATER DISTRICT

Tank Name QUARRY BRANCH 75KG

Security

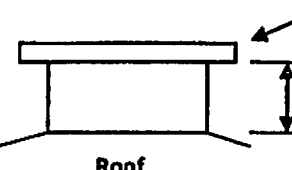
Is the area surrounding the tank well lit?	No
Is the tank surrounded by a Security Fence?	No
Are the access gates locked?	N/A
Is the tank equipped with a Vandal Guard on the primary access ladder?	Yes
If so, is the Vandal Guard locked?	Yes
Are the vents equipped with security vent shrouds?	No
Are all of the hatches equipped with electronic monitoring devices?	No
Are the external plumbing components housed in a secure vault or out-building?	Yes
Does the surrounding geography of the tank obscure it from public view?	No
Does the exterior of the tank show signs of trespass?	No

Measurements



Vent

Outside Circumference
42 Inches



Roof

Flange Metal Thickness Inches

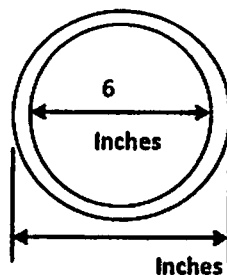
Roof to Screen or Flange 15 Inches

Flange No

Number of Bolt Holes Inches

Size of Bolts Inches

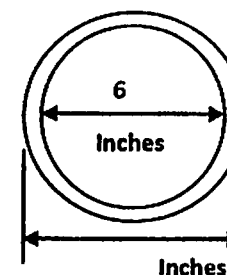
Inlet



6
Inches

6
Inches

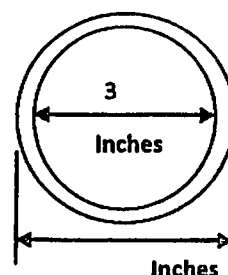
Outlet



6
Inches

6
Inches

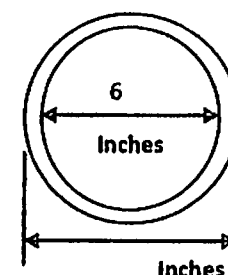
Drain



3
Inches

3
Inches

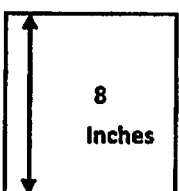
Overflow



6
Inches

6
Inches

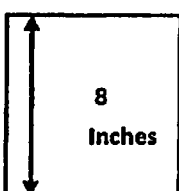
Inlet Riser



8
Inches

Floor

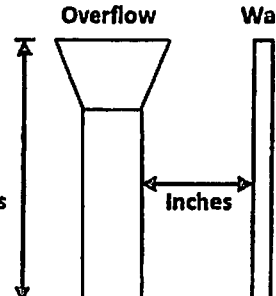
Outlet Riser



8
Inches

Floor

Overflow **Wall**



Feet/Inches

Inches

Floor

DISCLAIMER

Liquid Engineering does not provide consulting engineering services. Unless otherwise noted, the findings contained in this report were neither prepared nor reviewed by a licensed Professional Engineer, but are based on experience, training and visual examination of the Dive Maintenance Technician

Liquid Engineering Corporation
Steel Potable Water Reservoir Immediate Needs Assessment

Job Number: 50463

Utility: BIG SANDY WATER DISTRICT

Tank: QUARRY BRANCH 75KG

Inspector: ERIK POTTER

Dive Controller: MEG BUTAK

Date: 11/12/2016

1. Health and Safety Items

- Safety Climb System Installation:
- Vent Screen Repairs:

2. Testing Items

- Dye Testing for Leak Evaluation:
- Presence of Lead Test (Interior/Exterior):

3. Destructive Testing Items

- % of Lead Test (Interior/Exterior) *(Coating samples are removed for laboratory analysis)*
- Coating Adhesion Test (Interior/Exterior):

Specific written authorization required to perform destructive testing. Destructive tests include touch-up of coating system.

4. Repair Items

- Epoxy Coating Repairs:
- Temporary Leak Repairs:
- Float Operated Level Indicator Repairs / Maintenance:
- Hypalon Repairs:

5. Security Related Items *(Critical security upgrade information is immediately available)*

- Tank vents are not equipped with a security vent shroud:
- Tank hatches are not equipped with a security hatch locking device:
- Tank perimeter not adequately secured:

The above mentioned additional work is considered immediately necessary and is recommended to be completed. Some items may be completed in conjunction with work currently being performed while the crew is on site.

Reservoir Inspection Condition Supplemental

CLEAN AND INSPECT EVERY 3-5 YEARS

FLOOR- HAS HEAVY CONCENTRATION CELL CORROSION IN ALL QUADRANTS. FLOOR HAS SIGNIFICANT WARPAGE ABOUT 30" OFF WALL AND COULD SUGGEST A POOR FOUNDATION.

WALLS- HEAVY CONCENTRATION CELL CORROSION AT THE LOWER AND MID LEVELS. PITTING WAS LESS THAN 1/16".

ROOF- SOME CORROSION ON THE WELD SEAMS AS WELL AS THE ROOF TO WALL SEAM.

INLET/OUTLET- SOME CONCENTRATION CELL CORROSION WITH SOME SURFACE CORROSION.

MANWAYS- PLATES SURROUNDING MANWAYS HAVE EXTENSIVE CONCENTRATION CELL CORROSION MOSTLY AROUND THE LOWER SIDE.

DISCLAIMER

Liquid Engineering does not provide consulting engineering services. Unless otherwise noted, the findings contained in this report were neither prepared nor reviewed by a licensed Professional Engineer, but are based on experience, training and visual examination of the Dive Maintenance Technician

Liquid Engineering Corporation
Steel Potable Water Reservoir Inspection Report

Job Number: 50463
 Inspector: J. FAUROT

Utility: BIG SANDY WATER DISTRICT
 Dive Controller: E. POTTER

Tank: FULLER RIDGE
 Date: 11/15/2016

AMERICAN WATER WORKS ASSOCIATION
 ANSI/AWWA M42 / D101-53

SSPC Legend		NACE Legend		AWS Legend	
Grade	Description	Grade	Description	Grade	Description
10	No Rusting, or <0.01% of surface is rusted	A	None	L	Satisfactory
9	Minor rusting, or <0.03% of surface is rusted	B	Uniform Surface Corrosion	M	Spatter
8	Isolated rust, <.01% of surface is rusted	C	Pitting	N	Porosity
7	Isolated rust, <.03% of surface is rusted	D	Concentration Cell Corrosion	O	Convexity / Concavity
6	Extensive rusting, <1% of surface is rusted	E	Galvanic Corrosion	P	Cracks
5	Approximately 3% of the surface is rusted	F	Stress Corrosion Cracking	Q	Inclusions
4	Approximately 10% of the surface is rusted	G	Erosion Corrosion	R	Incomplete Fusion
3	Approximately 17% of the surface is rusted	H	Intergranular Corrosion	S	Incomplete Penetration
2	Approximately 33% of the surface is rusted	I	Dealloying	T	Undercut
1	Approximately 50% of the surface is rusted			U	Underfill
0	Approximately 100% of the surface is rusted			V	Overlap
				W	Unable to evaluate

QUADRANT 1 QUADRANT 2 QUADRANT 3 QUADRANT 4

INTERIOR RESERVOIR ROOF

	SSPC	NACE	AWS	SSPC	NACE	AWS	SSPC	NACE	AWS	SSPC	NACE	AWS
Vents	7	H	L	N/A	N/A	N/A	N/A	N/A	N/A	N/A	N/A	N/A
Roof Panels	9	A	L	9	A	L	9	A	L	9	B	L
Roof Support	N/A	N/A	N/A	N/A	N/A	N/A	N/A	N/A	N/A	N/A	N/A	N/A
Roof Gussets	N/A	N/A	N/A	N/A	N/A	N/A	N/A	N/A	N/A	N/A	N/A	N/A
Painting Ring	N/A	N/A	N/A	N/A	N/A	N/A	N/A	N/A	N/A	N/A	N/A	N/A

Overall Coating Rating Fair Average Blister Diameter NONE Average Pit Depth NONE
 Coating Deficiencies: Blistering Delamination Chalking Checking Cracking Growth Pinholes Staining Sags/Runs

INTERIOR RESERVOIR WALLS

	SSPC	NACE	AWS	SSPC	NACE	AWS	SSPC	NACE	AWS	SSPC	NACE	AWS
Wall to Roof weld	7	H	L	7	H	L	7	H	L	7	H	L
Lower Ring Panels	8	D	L	8	D	L	8	D	L	8	D	L
Middle Ring Panels	8	D	L	8	D	L	8	D	L	8	D	L
Upper Ring Panels	9	D	L	9	D	L	9	D	L	9	D	L
Interior Ladder	6	H	L	N/A	N/A	N/A	N/A	N/A	N/A	N/A	N/A	N/A

Overall Coating Rating Poor Average Blister Diameter .25" Average Pit Depth NONE
 Coating Deficiencies: Blistering Delamination Chalking Checking Cracking Growth Pinholes Staining Sags/Runs

INTERIOR RESERVOIR FLOOR

	SSPC	NACE	AWS	SSPC	NACE	AWS	SSPC	NACE	AWS	SSPC	NACE	AWS
Perimeter Weld	8	D	L	8	D	L	8	D	L	8	D	L
Floor Panels	8	D	L	8	D	L	8	D	L	8	D	L

Overall Coating Rating Poor Average Blister Diameter .25" Average Pit Depth NONE
 Coating Deficiencies: Blistering Delamination Chalking Checking Cracking Growth Pinholes Staining Sags/Runs

DISCLAIMER

Liquid Engineering does not provide consulting engineering services. Unless otherwise noted, the findings contained in this report were neither prepared nor reviewed by a licensed Professional Engineer, but are based on experience, training and visual examination of the Dive Maintenance Technician

Liquid Engineering Corporation

Steel Potable Water Reservoir Inspection Report

Job Number: 50463

Utility: BIG SANDY WATER DISTRICT

Tank: FULLER RIDGE

Inspector: J. FAUROT

Dive Controller: E. POTTER

Date: 11/15/2016

QUADRANT 1	QUADRANT 2	QUADRANT 3	QUADRANT 4
------------	------------	------------	------------

~~INTERIOR RESERVOIR SUPPORT COLUMNS~~

	SSPC	NACE	AWS	SSPC	NACE	AWS	SSPC	NACE	AWS	SSPC	NACE	AWS
Column Structures	N/A	N/A	N/A	N/A	N/A	N/A	N/A	N/A	N/A	N/A	N/A	N/A
Column Bases	N/A	N/A	N/A	N/A	N/A	N/A	N/A	N/A	N/A	N/A	N/A	N/A
Column to Roof	N/A	N/A	N/A	N/A	N/A	N/A	N/A	N/A	N/A	N/A	N/A	N/A

Overall Coating Rating ---- Average Blister Diameter Average Pit Depth
 Coating Deficiencies: Blistering Delamination Chalking Checking Cracking Growth Pinholes Staining Sags/Runs

INTERIOR RESERVOIR PLUMBING COMPONENTS

	SSPC	NACE	AWS	SSPC	NACE	AWS	SSPC	NACE	AWS	SSPC	NACE	AWS
Inlet Plumbing	8	D	L	N/A	N/A	N/A	N/A	N/A	N/A	N/A	N/A	N/A
Outlet Plumbing	8	D	L	N/A	N/A	N/A	N/A	N/A	N/A	N/A	N/A	N/A
Manways	7	D	L	N/A	N/A	N/A	8	D	L	N/A	N/A	N/A
Floor Drains	9	D	L	N/A	N/A	N/A	N/A	N/A	N/A	N/A	N/A	N/A
Interior Overflow	N/A	N/A	N/A	N/A	N/A	N/A	N/A	N/A	N/A	N/A	N/A	N/A

EXTERIOR RESERVOIR ROOF

	SSPC	NACE	AWS	SSPC	NACE	AWS	SSPC	NACE	AWS	SSPC	NACE	AWS
Vents	8	B	L	N/A	N/A	N/A	N/A	N/A	N/A	N/A	N/A	N/A
Roof Panels	8	B	L	8	B	L	8	B	L	8	B	L
Access Hatches	8	H	L	N/A	N/A	N/A	N/A	N/A	N/A	N/A	N/A	N/A

Overall Coating Rating Fair Average Blister Diameter NONE Average Pit Depth NONE
 Coating Deficiencies: Blistering Delamination Chalking Checking Cracking Growth Pinholes Staining Sags/Runs

EXTERIOR RESERVOIR WALLS

	SSPC	NACE	AWS	SSPC	NACE	AWS	SSPC	NACE	AWS	SSPC	NACE	AWS
Wall to Roof Weld	9	A	L	9	A	L	9	A	L	9	A	L
Lower Ring Panels	7	B	L	7	B	L	7	B	L	7	B	L
Mid Ring Panels	8	B	L	8	B	L	8	B	L	8	B	L
Upper Ring Panels	9	B	L	9	B	L	9	B	L	9	B	L
Exterior Overflow	N/A	N/A	N/A	N/A	N/A	N/A	8	B	L	N/A	N/A	N/A

Overall Coating Rating Fair Average Blister Diameter NONE Average Pit Depth NONE
 Coating Deficiencies: Blistering Delamination Chalking Checking Cracking Growth Pinholes Staining Sags/Runs

FOOTINGS / FOUNDATION

Footings / Foundations: Satisfactory <input checked="" type="checkbox"/>	Cracking <input type="checkbox"/>	Spalling <input type="checkbox"/>	Erosion/Exposed Aggregate <input type="checkbox"/>
Anchor Bolts: Satisfactory <input checked="" type="checkbox"/>	Loose <input type="checkbox"/>	Rusted Corroded <input checked="" type="checkbox"/>	(If excessive) Diameter =

~~TOWER SUPPORT STRUCTURES~~

Tower Legs/Columns: Satisfactory <input checked="" type="checkbox"/>	Alignment ----	Settling ----	Rust /Corrosion ----
Riser Pipe: Satisfactory <input checked="" type="checkbox"/>	Alignment ----	Frost Casing ----	Rust /Corrosion ----
Rods & Turnbuckles: Satisfactory <input checked="" type="checkbox"/>	Turnbuckle Tension ----	Rod Tension ----	Cotter Pins/Rod Nuts ----
Leg shoes/Brackets: Satisfactory <input checked="" type="checkbox"/>	Coating ----	Rust/Corrosion ----	Pitting/Cracking ----

DISCLAIMER

Liquid Engineering does not provide consulting engineering services. Unless otherwise noted, the findings contained in this report were neither prepared nor reviewed by a licensed Professional Engineer, but are based on experience, training and visual examination of the Dive Maintenance Technician

Liquid Engineering Corporation
Potable Water Reservoir Contamination, Health and Safety Report

Job Number: 50463

Utility: BIG SANDY WATER DISTRICT

Tank: FULLER RIDGE

Inspector: J. FAUROT

Dive Controller: E. POTTER

Date: 11/15/2016

Complies With: AWWA • OSHA • ANSI • NIOSH • NAVFAC • NFPAC

CONTAMINATION & HEALTH

Air Vents	Type: MUSHROOM	#: 1	Screen Condition(s): Fair	
Hatches	Type: Square	#: 1	Secured Properly: Yes	Properly Sealed: Yes
Exterior Overflow	Flapper: Yes	Screen: No	Gasket: No	Condition: Fair
Cathodic Covers	In- Place: ----	#:	Gasket: ----	Properly Sealed: ----
Roof to Wall Joint	Welded: Yes	Properly Sealed: Yes		
Roof Integrity	Holes: No	Cracking: No	Standing Water: No	
Wall Integrity	Holes: No	Cracking: No		
Manway Integrity	Leaks: No	Condition: Good		
Water Clarity	General Appearance: CLEAR		Odor: NONE	
Floating Surface Debris	Type: NONE		Source: N/A	
Hypalon Floating Cover	Condition: ----	Holes: ----	Tears: ----	
Telemetry Penetrations	Properly Sealed: Yes			

FACILITY SAFETY COMPLIANCE

Exterior Ladder

Overall Ladder	Condition: Good	#: 1	Offset Landing: No	Height: 32'
Vandal Guard	Present: Yes	Vandal Guard Locked: No		
Ladder Rails & Rungs	Condition: Good	Missing/Damaged Rungs: No		
Rung Spacing & Depth	Spacing: 12 in. (max 12")	Toe Depth: 8 in. (min 7")		
Rail Spacing & Size	Width: 2 in. (min 2")	Thickness: 1/4 in. (min 1/4")	Rail to Rail: 16 in. (min 16")	
Safety Climb System	Type: Rail	Condition: Good		
Number & Locations	Wall: 1	Leg:	Roof:	Riser Pipe: Other:
Ladder Attachments				

Manways

Type and size	Type: Round	#: 2	Size: 33" inches (24" - 18"x22" min)
Support Structure	Type: Bolted	Condition: Good	
Number & Locations	Wall: 2	Roof:	Riser Pipe: Other:

Hatches

Hatch Type & Size	Type: Square	#: 1	Size: 24"x24" in. (24" - 24"x15" min)
Hatch & Lid Lip Height	Hatch: 5 in. (min 4")	Lid: 2 in. (min 2")	

Balconies & Railing

Deck / Walkways	Condition: ----	Width:	
Hand Rails	Condition: Good	Height: 42 in. (min 42")	No. Rails: 2 (min 2)
Toe Rail	Condition: ----	Height: in. (min 4")	
Welds / Attachments	Condition: Good		

Roof

Safety Tie-Off Points	Condition: Good	#: 1
Antennas	Type: -----	#: 2

DISCLAIMER

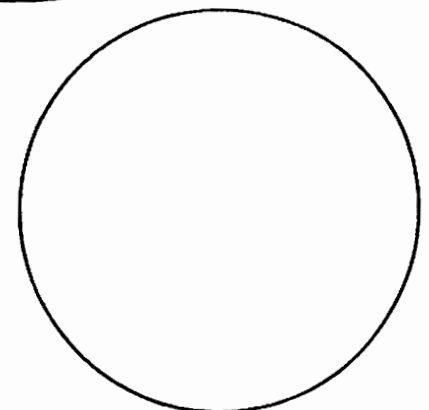
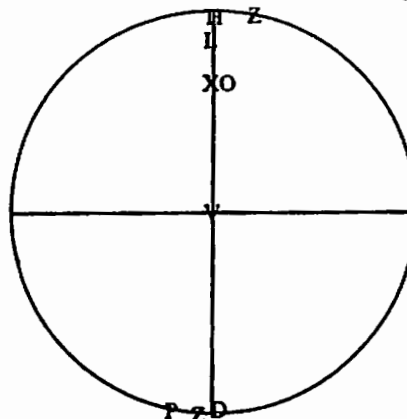
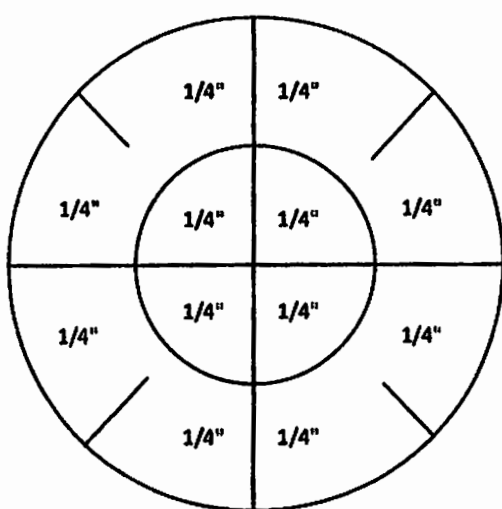
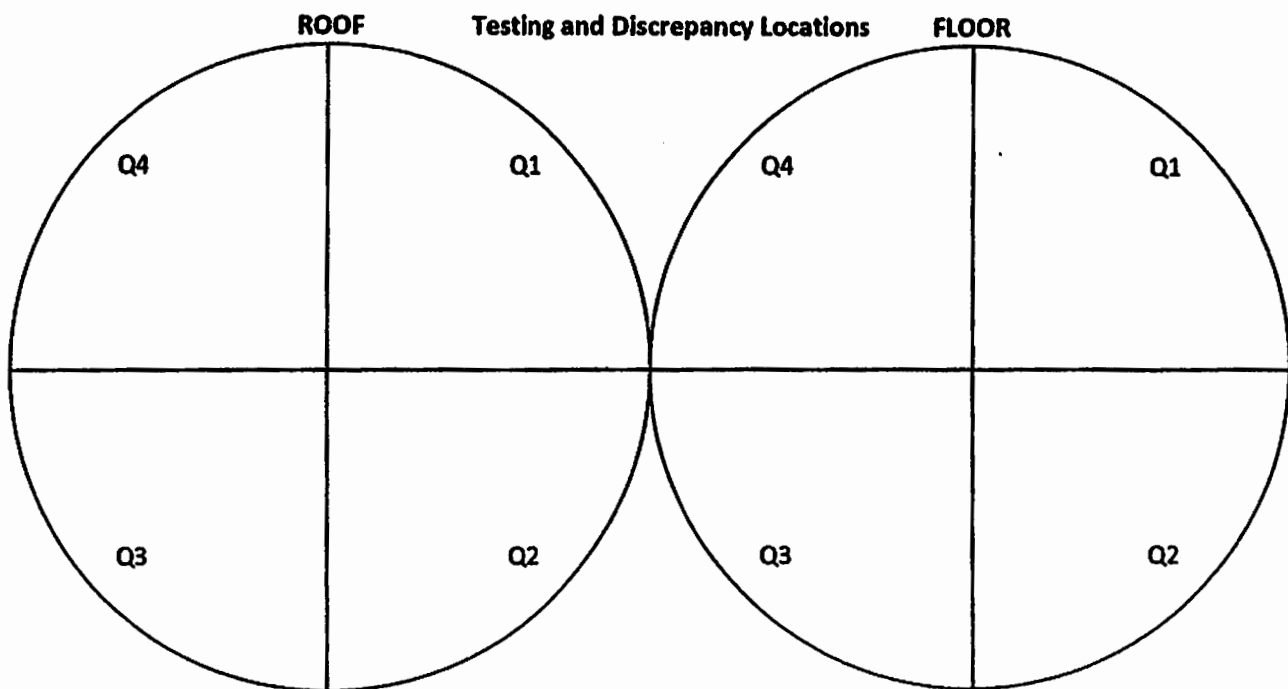
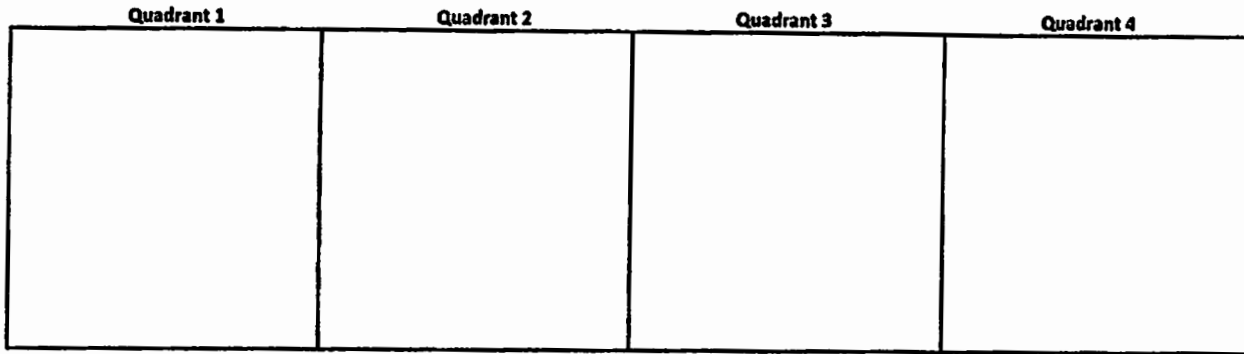
Liquid Engineering does not provide consulting engineering services. Unless otherwise noted, the findings contained in this report were neither prepared nor reviewed by a licensed Professional Engineer, but are based on experience, training and visual examination of the Dive Maintenance Technician

Liquid Engineering Corporation
Circular Tank Diagram / Information Worksheet

Job Number 50463

Utility Name BIG SANDY WATER DISTRICT

Tank Name FULLER RIDGE



Plumbing & Structure location
 Plumbing and structure codes
 O=Outlet X=Inlet Z=Manway
 V=Vent D=Drain S=Sump
 L=Ladder H=Hatch P=Overflow
 F=Float Level Indicator
 T=Telemetry

Column Placement
 Type of Column ○ □ I
 Base Structure [diagram symbols]
 Top Structure [diagram symbols]
 Column Construction -----

Sediment Depth Measurements
 Average Sediment Depth = The sum of all measurements taken,
 divided by the number of measurements taken
Avg. Depth Cubic Yardage Sediment Type

DISCLAIMER

Liquid Engineering does not provide consulting engineering services. Unless otherwise noted, the findings contained in this report were neither prepared nor reviewed by a licensed Professional Engineer, but are based on experience, training and visual examination of the Diva Maintenance Technician

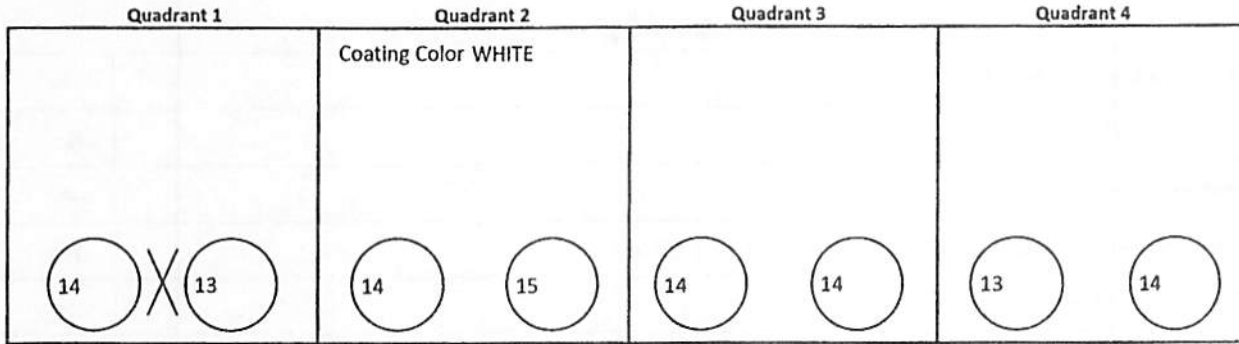
Liquid Engineering Corporation

Circular Tank Diagram / NDT DFT Coating Adhesion Presence of lead

Job Number 50463

Utility Name BIG SANDY WATER DISTRICT

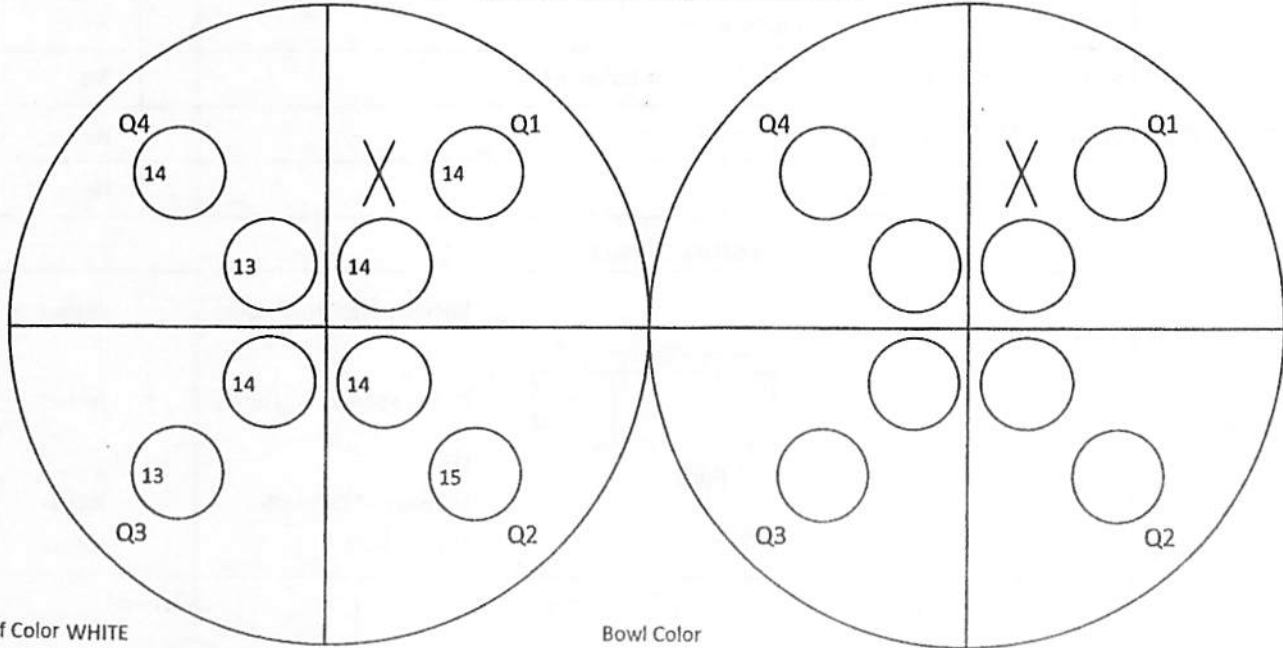
Tank Name FULLER RIDGE



ROOF

Testing and Discrepancy Locations

BOWL



Roof Color WHITE

Bowl Color

DISCLAIMER

Liquid Engineering does not provide consulting engineering services. Unless otherwise noted, the findings contained in this report were neither prepared nor reviewed by a licensed Professional Engineer, but are based on experience, training and visual examination of the Dive Maintenance Technician

Liquid Engineering Corporation
Steel Potable Water Reservoir Security / Measurement Worksheet

Job Number 50463

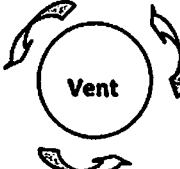
Utility Name BIG SANDY WATER DISTRICT

Tank Name FULLER RIDGE

Security

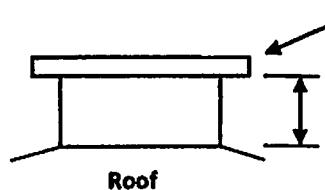
Is the area surrounding the tank well lit?	Yes
Is the tank surrounded by a Security Fence?	No
Are the access gates locked?	----
Is the tank equipped with a Vandal Guard on the primary access ladder?	Yes
If so, is the Vandal Guard locked?	No
Are the vents equipped with security vent shrouds?	No
Are all of the hatches equipped with electronic monitoring devices?	No
Are the external plumbing components housed in a secure vault or out-building?	No
Does the surrounding geography of the tank obscure it from public view?	No
Does the exterior of the tank show signs of trespass?	No

Measurements



Vent

Outside Circumference
40 Inches



Roof

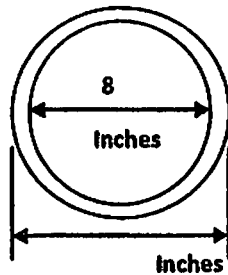
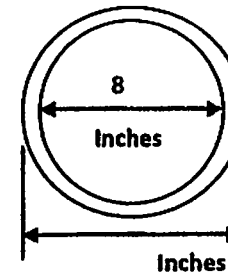
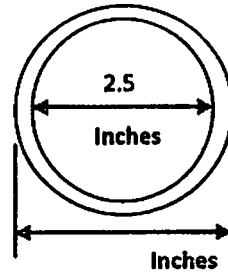
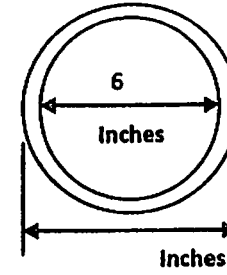
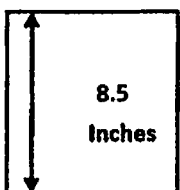
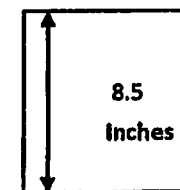
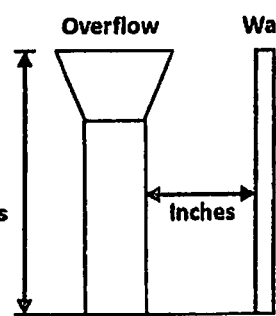
Flange Metal Thickness Inches

Roof to Screen or Flange 14 Inches

Flange ----

Number of Bolt Holes Inches

Size of Bolts Inches

Inlet	Outlet	Drain	Overflow
 <p>8 Inches</p>	 <p>8 Inches</p>	 <p>2.5 Inches</p>	 <p>6 Inches</p>
<p>Inlet Riser</p>  <p>8.5 Inches</p> <p>Floor</p>	<p>Outlet Riser</p>  <p>8.5 Inches</p> <p>Floor</p>		<p>Overflow Wall</p>  <p>Feet/Inches</p> <p>8.5 Inches</p> <p>Floor</p>

DISCLAIMER

Liquid Engineering does not provide consulting engineering services. Unless otherwise noted, the findings contained in this report were neither prepared nor reviewed by a licensed Professional Engineer, but are based on experience, training and visual examination of the Dive Maintenance Technician

Liquid Engineering Corporation
Steel Potable Water Reservoir Immediate Needs Assessment

Job Number: 50463

Utility: BIG SANDY WATER DISTRICT

Tank: FULLER RIDGE

Inspector: J. FAUROT

Dive Controller: E. POTTER

Date: 11/15/2016

1. Health and Safety Items

- Safety Climb System Installation:
- Vent Screen Repairs:

2. Testing Items

- Dye Testing for Leak Evaluation:
- Presence of Lead Test (Interior/Exterior):

3. Destructive Testing Items

- % of Lead Test (Interior/Exterior) *(Coating samples are removed for laboratory analysis)*
- Coating Adhesion Test (Interior/Exterior):

Specific written authorization required to perform destructive testing. Destructive tests include touch-up of coating system.

4. Repair Items

- Epoxy Coating Repairs:
- Temporary Leak Repairs:
- Float Operated Level Indicator Repairs / Maintenance:
- Hypalon Repairs:

5. Security Related Items *(Critical security upgrade information is immediately available)*

- Tank vents are not equipped with a security vent shroud:
- Tank hatches are not equipped with a security hatch locking device:
- Tank perimeter not adequately secured:

The above mentioned additional work is considered immediately necessary and is recommended to be completed. Some items may be completed in conjunction with work currently being performed while the crew is on site.

Reservoir Inspection Condition Supplemental

CLEAN AND INSPECT EVERY 3-5 YEARS

FLOOR: CRACKING IN COATING AND CONCENTRATION CELL CORROSION IN ALL 4 QUADRENTS.

INLET/OUTLET: HEAVY CONCENTRATION CELLS ON INSIDE OF PLUMBING. CRACKING IN COATING AND CONCENTRATION CELLS ON OUTSIDE.

MANWAYS: CRACKING IN COATING AND CONCENTRATION CELL CORROSION. 1/8" METAL LOSS. GASKET IN GOOD CONDITION.

WALLS: CRACKING AND PINHOLES IN COATING. CONCENTRATION CELL CORROSION IN ALL 4 QUADRENTS.

ROOF: LIGHT CORROSION ON WELDS.

OVERFLOW: DELAMINATION OF COATING. INTERGRANULAR CORROSION.

VENTS: CRACKING OF COATING. INTERGRANULAR CORROSION.

HATCH: INTERGRANULAR CORROSION.

INTERIOR LADDER: DELAMINATION AND INTERGRANULAR CORROSION.

DISCLAIMER

Liquid Engineering does not provide consulting engineering services. Unless otherwise noted, the findings contained in this report were neither prepared nor reviewed by a licensed Professional Engineer, but are based on experience, training and visual examination of the Dive Maintenance Technician

Liquid Engineering Corporation

Steel Potable Water Reservoir Inspection Report

Job Number: 50463

Utility: BIG SANDY WATER DISTRICT

Tank: RUSH HILL 137KG

Inspector: M BUTAK

Dive Controller: E. POTTER

Date: 11/14/2016

AMERICAN WATER WORKS ASSOCIATION
ANSI/AWWA M42 / D101-53

SSPC Legend		NACE Legend		AWS Legend	
Grade	Description	Grade	Description	Grade	Description
10	No Rusting, or <0.01% of surface is rusted	A	None	L	Satisfactory
9	Minor rusting, or <0.03% of surface is rusted	B	Uniform Surface Corrosion	M	Spatter
8	Isolated rust, <.01% of surface is rusted	C	Pitting	N	Porosity
7	Isolated rust, <.03% of surface is rusted	D	Concentration Cell Corrosion	O	Convexity / Concavity
6	Extensive rusting, <1% of surface is rusted	E	Galvanic Corrosion	P	Cracks
5	Approximately 3% of the surface is rusted	F	Stress Corrosion Cracking	Q	Inclusions
4	Approximately 10% of the surface is rusted	G	Erosion Corrosion	R	Incomplete Fusion
3	Approximately 17% of the surface is rusted	H	Intergranular Corrosion	S	Incomplete Penetration
2	Approximately 33% of the surface is rusted	I	Dealloying	T	Undercut
1	Approximately 50% of the surface is rusted			U	Underfill
0	Approximately 100% of the surface is rusted			V	Overlap
				W	Unable to evaluate

QUADRANT 1 QUADRANT 2 QUADRANT 3 QUADRANT 4

INTERIOR RESERVOIR ROOF

	SSPC	NACE	AWS	SSPC	NACE	AWS	SSPC	NACE	AWS	SSPC	NACE	AWS
Vents	6	B,H	L	N/A	N/A	N/A	N/A	N/A	N/A	N/A	N/A	N/A
Roof Panels	7	B	L	8	B	L	8	B	L	8	B	L
Roof Support	N/A	N/A	N/A	N/A	N/A	N/A	N/A	N/A	N/A	N/A	N/A	N/A
Roof Gusssets	N/A	N/A	N/A	N/A	N/A	N/A	N/A	N/A	N/A	N/A	N/A	N/A
Painting Ring	N/A	N/A	N/A	N/A	N/A	N/A	N/A	N/A	N/A	N/A	N/A	N/A

Overall Coating Rating Good Average Blister Diameter NONE Average Pit Depth NONE
 Coating Deficiencies: Blistering Delamination Chalking Checking Cracking Growth Pinholes Staining Sags/Runs

INTERIOR RESERVOIR WALLS

	SSPC	NACE	AWS	SSPC	NACE	AWS	SSPC	NACE	AWS	SSPC	NACE	AWS
Wall to Roof weld	2	B,H	L	2	B,H	L	2	B,H	L	2	B,H	L
Lower Ring Panels	7	B,D	N/A*	7	B,D	N/A*	7	B,D	N/A*	7	B,D	N/A*
Middle Ring Panels	6	B,H	N/A*	6	B,H	N/A*	6	B,H	N/A*	6	B,H	N/A*
Upper Ring Panels	6	B,H	N/A*	6	B,H	N/A*	6	B,H	N/A*	6	B,H	N/A*
Interior Ladder	5	H	L	N/A	N/A	N/A	N/A	N/A	N/A	N/A	N/A	N/A

Overall Coating Rating Fair Average Blister Diameter NONE Average Pit Depth
 Coating Deficiencies: Blistering Delamination Chalking Checking Cracking Growth Pinholes Staining Sags/Runs

INTERIOR RESERVOIR FLOOR

	SSPC	NACE	AWS	SSPC	NACE	AWS	SSPC	NACE	AWS	SSPC	NACE	AWS
Perimeter Weld	7	D	L	7	D	L	7	D	L	7	D	L
Floor Panels	8	D	L	8	D	L	8	D	L	8	D	L

Overall Coating Rating Good Average Blister Diameter NONE Average Pit Depth 3/16"
 Coating Deficiencies: Blistering Delamination Chalking Checking Cracking Growth Pinholes Staining Sags/Runs

DISCLAIMER

Liquid Engineering does not provide consulting engineering services. Unless otherwise noted, the findings contained in this report were neither prepared nor reviewed by a licensed Professional Engineer, but are based on experience, training and visual examination of the Dive Maintenance Technician

Liquid Engineering Corporation
Steel Potable Water Reservoir Inspection Report

Job Number: 50463
 Inspector: M BUTAK

Utility: BIG SANDY WATER DISTRICT
 Dive Controller: E. POTTER

Tank: RUSH HILL 137KG
 Date: 11/14/2016

QUADRANT 1	QUADRANT 2	QUADRANT 3	QUADRANT 4
------------	------------	------------	------------

~~INTERIOR RESERVOIR SUPPORT COLUMNS~~

	SSPC	NACE	AWS	SSPC	NACE	AWS	SSPC	NACE	AWS	SSPC	NACE	AWS
Column Structures	N/A	N/A	N/A	N/A	N/A	N/A	N/A	N/A	N/A	N/A	N/A	N/A
Column Bases	N/A	N/A	N/A	N/A	N/A	N/A	N/A	N/A	N/A	N/A	N/A	N/A
Column to Roof	N/A	N/A	N/A	N/A	N/A	N/A	N/A	N/A	N/A	N/A	N/A	N/A

Overall Coating Rating ---- Average Blister Diameter Average Pit Depth
 Coating Deficiencies: Blistering Delamination Chalking Checking Cracking Growth Pinholes Staining Sags/Runs

INTERIOR RESERVOIR PLUMBING COMPONENTS

	SSPC	NACE	AWS	SSPC	NACE	AWS	SSPC	NACE	AWS	SSPC	NACE	AWS
Inlet Plumbing	N/A	N/A	N/A	6	D	L	N/A	N/A	N/A	N/A	N/A	N/A
Outlet Plumbing	6	D	L	N/A	N/A	N/A	N/A	N/A	N/A	N/A	N/A	N/A
Manways	N/A	N/A	N/A	7	D	L	N/A	N/A	N/A	7	D	L
Floor Drains	N/A	N/A	N/A	N/A	N/A	N/A	N/A	N/A	N/A	N/A	N/A	N/A
Interior Overflow	N/A	N/A	N/A	N/A	N/A	N/A	N/A	N/A	N/A	N/A	N/A	N/A

EXTERIOR RESERVOIR ROOF

	SSPC	NACE	AWS	SSPC	NACE	AWS	SSPC	NACE	AWS	SSPC	NACE	AWS
Vents	8	B	L	N/A	N/A	N/A	N/A	N/A	N/A	N/A	N/A	N/A
Roof Panels	9	B	L	9	B	L	9	B	L	9	B	L
Access Hatches	6	H	L	N/A	N/A	N/A	N/A	N/A	N/A	N/A	N/A	N/A

Overall Coating Rating Fair Average Blister Diameter .5" Average Pit Depth NONE
 Coating Deficiencies: Blistering Delamination Chalking Checking Cracking Growth Pinholes Staining Sags/Runs

EXTERIOR RESERVOIR WALLS

	SSPC	NACE	AWS	SSPC	NACE	AWS	SSPC	NACE	AWS	SSPC	NACE	AWS
Wall to Roof Weld	9	B	L	9	B	L	9	B	L	9	B	L
Lower Ring Panels	9	B	L	9	B	L	9	B	L	9	B	L
Mid Ring Panels	8	B	L	9	B	L	9	B	L	8	B	L
Upper Ring Panels	9	B	L	9	B	L	9	B	L	9	B	L
Exterior Overflow	N/A	N/A	N/A	N/A	N/A	N/A	9	B	L	N/A	N/A	N/A

Overall Coating Rating Good Average Blister Diameter NONE Average Pit Depth NONE
 Coating Deficiencies: Blistering Delamination Chalking Checking Cracking Growth Pinholes Staining Sags/Runs

FOOTINGS / FOUNDATION

Footings / Foundations: Satisfactory <input checked="" type="checkbox"/>	Cracking <input type="checkbox"/>	Spalling <input type="checkbox"/>	Erosion/Exposed Aggregate <input type="checkbox"/>
Anchor Bolts: Satisfactory <input checked="" type="checkbox"/>	Loose <input type="checkbox"/>	Rusted Corroded <input type="checkbox"/>	(If excessive) Diameter =

~~TOWER SUPPORT STRUCTURES~~

Tower Legs/Columns: Satisfactory <input type="checkbox"/>	Alignment ----	Settling ----	Rust/Corrosion ----
Riser Pipe: Satisfactory <input type="checkbox"/>	Alignment ----	Frost Casing ----	Rust/Corrosion ----
Rods & Turnbuckles: Satisfactory <input type="checkbox"/>	Turnbuckle Tension ----	Rod Tension ----	Cotter Pins/Rod Nuts ----
Leg shoes/Brackets: Satisfactory <input type="checkbox"/>	Coating ----	Rust/Corrosion ----	Pitting/Cracking ----

DISCLAIMER

Liquid Engineering does not provide consulting engineering services. Unless otherwise noted, the findings contained in this report were neither prepared nor reviewed by a licensed Professional Engineer, but are based on experience, training and visual examination of the Dive Maintenance Technician

Liquid Engineering Corporation
Potable Water Reservoir Contamination, Health and Safety Report

Job Number: 50463
Inspector: M BUTAK

Utility: BIG SANDY WATER DISTRICT
Dive Controller: E. POTTER

Tank: RUSH HILL 137KG
Date: 11/14/2016

Complies With: AWWA • OSHA • ANSI • NIOSH • NAVFAC • NFPAC

CONTAMINATION & HEALTH

Air Vents	Type: MUSHROOM	#: 1	Screen Condition(s): Good	
Hatches	Type: Square	#: 1	Secured Properly: Yes	Properly Sealed: No
Exterior Overflow	Flapper: No	Screen: Yes	Gasket: No	Condition: Good
Cathodic Covers	In- Place: Yes	#: 6	Gasket: No	Properly Sealed: No
Roof to Wall Joint	Welded: Yes	Properly Sealed: Yes		
Roof Integrity	Holes: No	Cracking: No	Standing Water: No	
Wall Integrity	Holes: No	Cracking: No		
Manway Integrity	Leaks: No	Condition: Good		
Water Clarity	General Appearance: CLEAR		Odor: NONE	
Floating Surface Debris	Type: NONE		Source: N/A	
Hypalon Floating Cover	Condition: ----	Holes: ----	Tears: ----	
Telemetry Penetrations	Properly Sealed: ----			

FACILITY SAFETY COMPLIANCE

Exterior Ladder

Overall Ladder	Condition: Good	#: 1	Offset Landing: No	Height: 72'
Vandal Guard	Present: Yes	Vandal Guard Locked: No		
Ladder Rails & Rungs	Condition: Good	Missing/Damaged Rungs: No		
Rung Spacing & Depth	Spacing: 12 in. (max 12")	Toe Depth: 9 in. (min 7")		
Rail Spacing & Size	Width: 2.25 in. (min 2")	Thickness: .25 in. (min 1/4")	Rail to Rail: 19 in. (min 16")	
Safety Climb System	Type: Cage	Condition: Good		
Number & Locations	Wall: 1	Leg:	Roof:	Riser Pipe: Other:
Ladder Attachments				

Manways

Type and size	Type: Round	#: 2	Size: 38" inches (24" - 18"x22" min)
Support Structure	Type: Bolted	Condition: Good	
Number & Locations	Wall: 2	Roof:	Riser Pipe: Other:

Hatches

Hatch Type & Size	Type: Square	#: 1	Size: 24"x24" in. (24" - 24"x15" min)
Hatch & Lid Lip Height	Hatch: 5" in. (min 4")	Lid: 1.25" in. (min 2")	

Balconies & Railing

Deck / Walkways	Condition: ----	Width:	
Hand Rails	Condition: Good	Height: 42 in. (min 42")	No. Rails: 2 (min 2)
Toe Rail	Condition: Good	Height: 7 in. (min 4")	
Welds / Attachments	Condition: Good		

Roof

Safety Tie-Off Points	Condition: Good	#: 2
Antennas	Type: -----	#: 3

DISCLAIMER

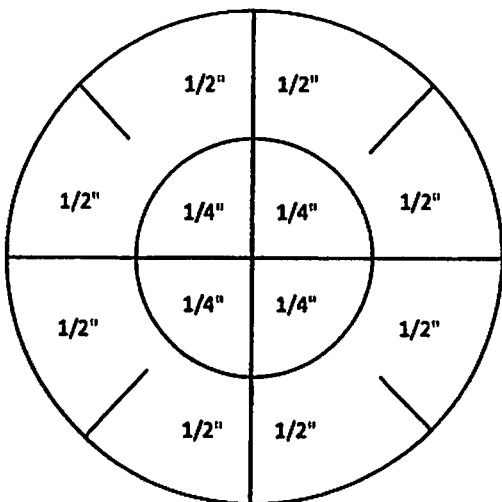
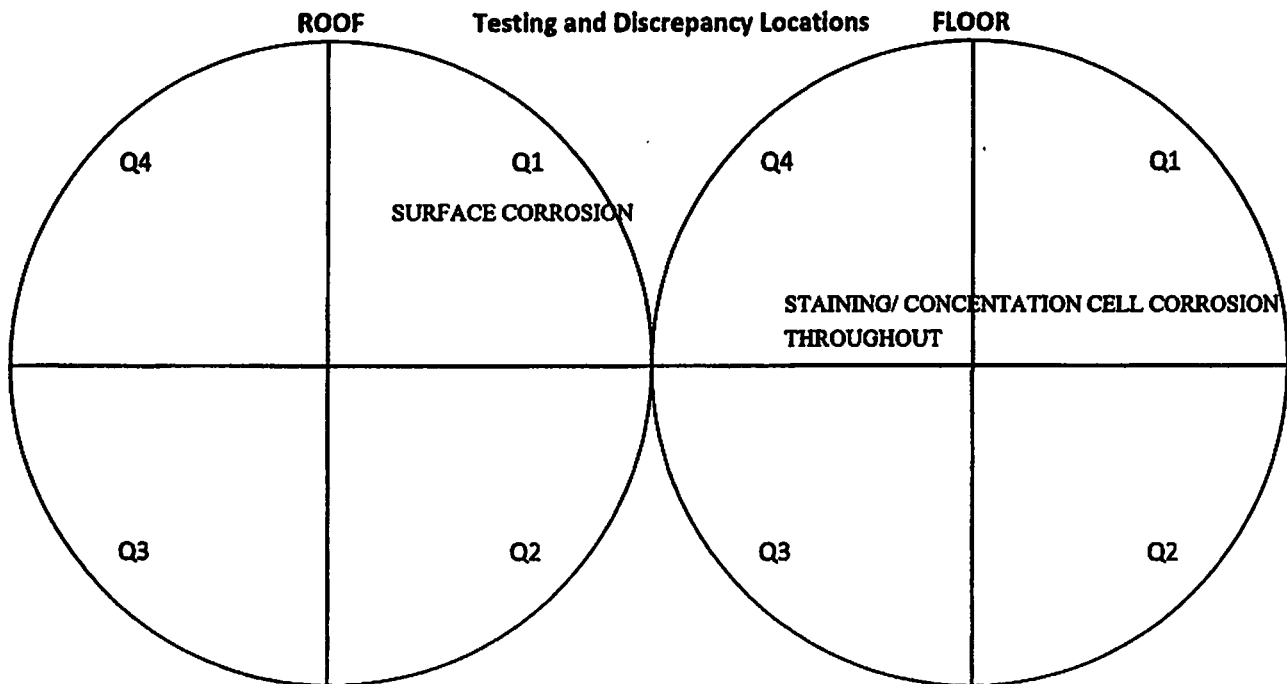
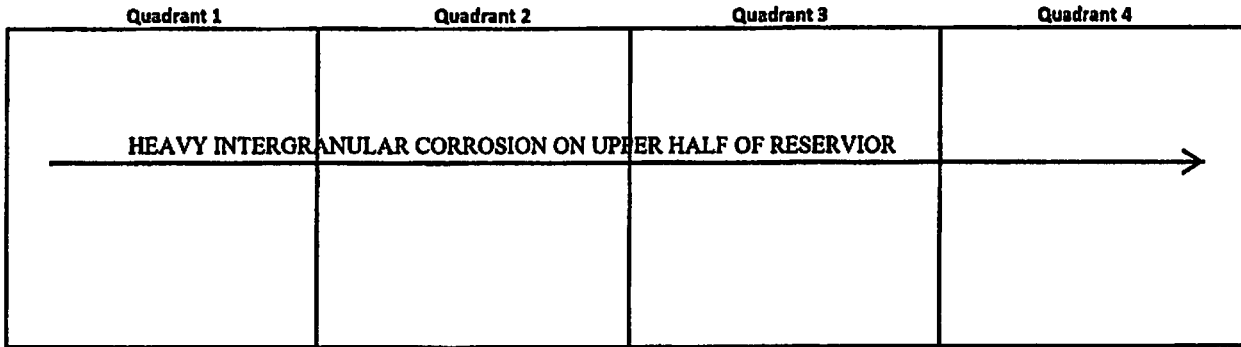
Liquid Engineering does not provide consulting engineering services. Unless otherwise noted, the findings contained in this report were neither prepared nor reviewed by a licensed Professional Engineer, but are based on experience, training and visual examination of the Dive Maintenance Technician

Liquid Engineering Corporation
Circular Tank Diagram / Information Worksheet

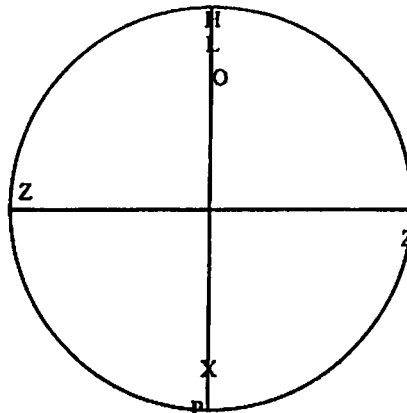
Job Number 50463

Utility Name BIG SANDY WATER DISTRICT

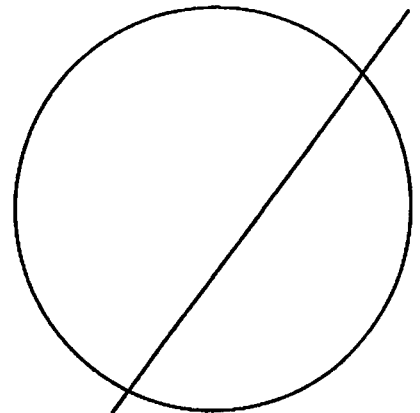
Tank Name RUSH HILL 137KG



Sediment Depth Measurements
 Average Sediment Depth = The sum of all measurements taken, divided by the number of measurements taken
 Avg. Depth 3/8" Cubic Yardage Sediment Type IRON/CLAY



Plumbing & Structure location
 Plumbing and structure codes
 O=Outlet X=Inlet Z=Manway
 V=Vent D=Drain S=Sump
 L=Ladder H=Hatch P=Overflow
 F=Float Level Indicator
 T=Telemetry



Column Placement
 Type of Column ○ □ I
 Base Structure ㄱ ㄴ ㄷ ㄹ
 Top Structure ㄱ ㄴ ㄷ ㄹ
 Column Construction -----

DISCLAIMER

Liquid Engineering does not provide consulting engineering services. Unless otherwise noted, the findings contained in this report were neither prepared nor reviewed by a licensed Professional Engineer, but are based on experience, training and visual examination of the Dive Maintenance Technician

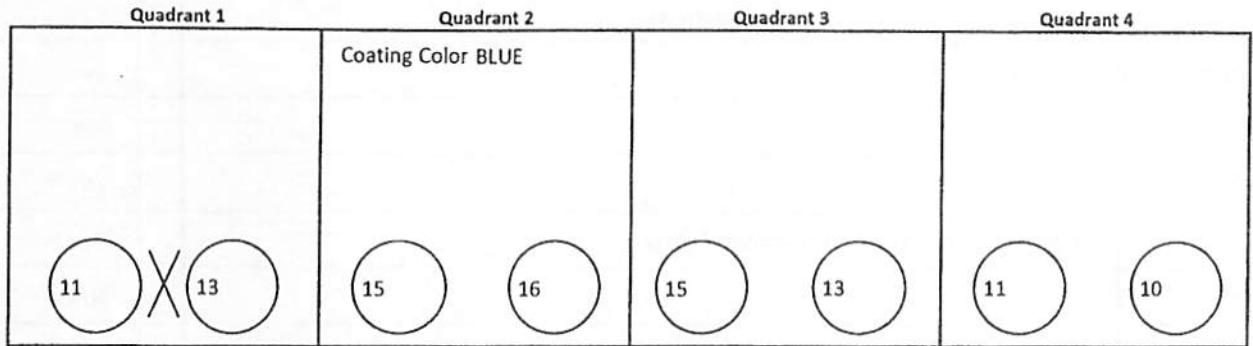
Liquid Engineering Corporation

Circular Tank Diagram / NDT DFT Coating Adhesion Presence of lead

Job Number 50463

Utility Name BIG SANDY WATER DISTRICT

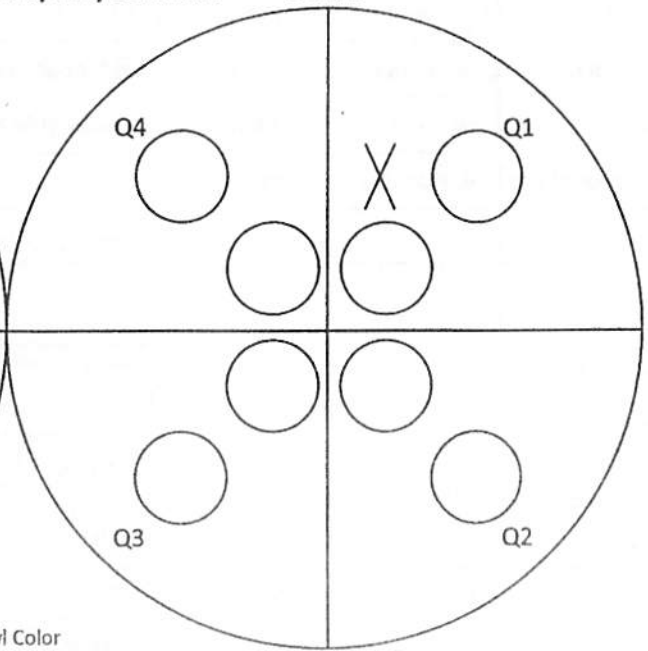
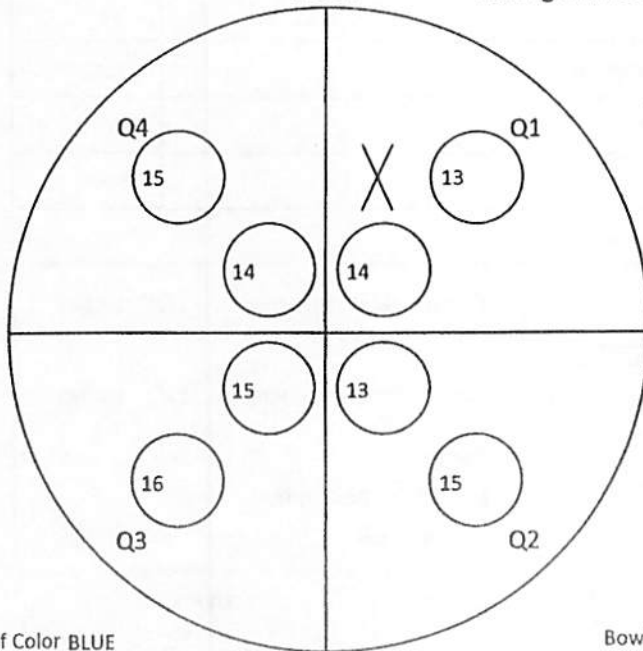
Tank Name RUSH HILL 137KG



ROOF

Testing and Discrepancy Locations

BOWL



Roof Color BLUE

Bowl Color

DISCLAIMER

Liquid Engineering does not provide consulting engineering services. Unless otherwise noted, the findings contained in this report were neither prepared nor reviewed by a licensed Professional Engineer, but are based on experience, training and visual examination of the Dive Maintenance Technician

Liquid Engineering Corporation
Steel Potable Water Reservoir Security / Measurement Worksheet

Job Number 50463

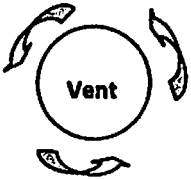
Utility Name BIG SANDY WATER DISTRICT

Tank Name RUSH HILL 137KG

Security

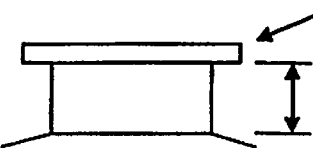
Is the area surrounding the tank well lit?	Yes
Is the tank surrounded by a Security Fence?	Yes
Are the access gates locked?	Yes
Is the tank equipped with a Vandal Guard on the primary access ladder?	Yes
If so, is the Vandal Guard locked?	N/A
Are the vents equipped with security vent shrouds?	No
Are all of the hatches equipped with electronic monitoring devices?	No
Are the external plumbing components housed in a secure vault or out-building?	Yes
Does the surrounding geography of the tank obscure it from public view?	No
Does the exterior of the tank show signs of trespass?	Yes

Measurements



Vent

Outside Circumference
43 Inches



Roof

Flange Metal Thickness 1/2" Inches

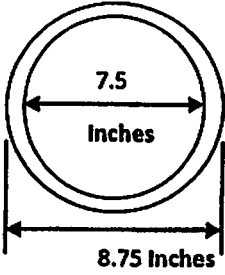
Roof to Screen or Flange 12" Inches

Flange Yes

Number of Bolt Holes 6

Size of Bolts .75 Inches

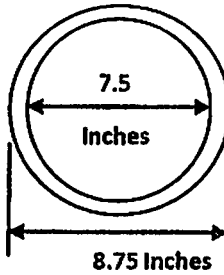
Inlet



7.5 Inches

8.75 Inches

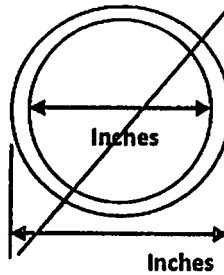
Outlet



7.5 Inches

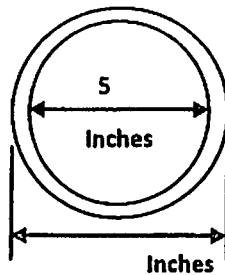
8.75 Inches

Drain



Inches

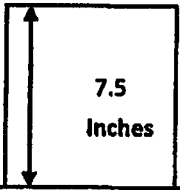
Overflow



5 Inches

8.75 Inches

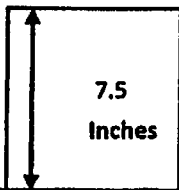
Inlet Riser



7.5 Inches

Floor

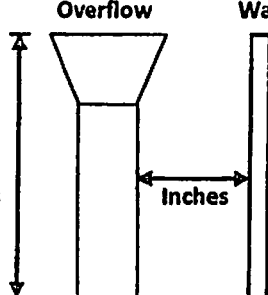
Outlet Riser



7.5 Inches

Floor

Overflow



70' Feet/Inches

8 Inches

Floor

DISCLAIMER

Liquid Engineering does not provide consulting engineering services. Unless otherwise noted, the findings contained in this report were neither prepared nor reviewed by a licensed Professional Engineer, but are based on experience, training and visual examination of the Dive Maintenance Technician

Liquid Engineering Corporation
Steel Potable Water Reservoir Immediate Needs Assessment

Job Number: 50463
Inspector: M BUTAK

Utility: BIG SANDY WATER DISTRICT
Dive Controller: E. POTTER

Tank: RUSH HILL 137KG
Date: 11/14/2016

1. Health and Safety Items

- Safety Climb System Installation:
- Vent Screen Repairs:

2. Testing Items

- Dye Testing for Leak Evaluation:
- Presence of Lead Test (Interior/Exterior):

3. Destructive Testing Items

- % of Lead Test (Interior/Exterior) (Coating samples are removed for laboratory analysis)
- Coating Adhesion Test (Interior/Exterior):

Specific written authorization required to perform destructive testing. Destructive tests include touch-up of coating system.

4. Repair Items

- Epoxy Coating Repairs:
- Temporary Leak Repairs:
- Float Operated Level Indicator Repairs / Maintenance:
- Hypalon Repairs:

5. Security Related Items (Critical security upgrade information is immediately available)

- Tank vents are not equipped with a security vent shroud:
- Tank hatches are not equipped with a security hatch locking device:
- Tank perimeter not adequately secured:

The above mentioned additional work is considered immediately necessary and is recommended to be completed. Some items may be completed in conjunction with work currently being performed while the crew is on site.

Reservoir Inspection Condition Supplemental

CLEAN AND INSPECT EVERY 3-5 YEARS

N/A* WELDS: WELD SEAMS HAVE UNEVEN EDGES THAT PROTRUDE APPROXIMATELY 1/8" OFF OF WALLS. PROPER COATING IN THESE SEAMS WOULD BE DIFFICULT IF NOT IMPOSSIBLE. WELD SEAMS ON BOTTOM ARE COLLECTING SEDIMENT AND SHOWING LARGE STRETCHES OF CONCENTRATION CELL CORROSION WITH LIKELYHOOD OF METAL LOSS THAT IS DIFFICULT TO MEASURE DUE TO LOCATION. WELD SEAMS ON UPPER HALF OF RESERVIOR SHOW HEAVY INTERGRANULAR CORROSION AND ARE FLAKING OFF LARGE AMOUNTS OF CORRODED METAL. THE AMOUNT OF CORROSION/ METAL LOSS IN THESE AREAS MAKE THE STRUCTURAL INTEGRITY OF THE RESERVIOR QUESTIONABLE.

FLOOR: FLOOR SHOWS SPORATIC CONCENTRATION CELL CORROSION. PITTING MEASURED AT 3/16". TWO 6" STRETCHES OF CONCENTRATION CELL CORROSION ON FLOOR TO WALL SEAMS SHOW HEAVY CRACKS UNDERNEATH. POSSIBILITY OF LEAKING IN THE FUTURE. OVERALL FLOOR PANELS IN GOOD CONDITION WITH FEW NOTABLE DISCREPENCIES.

WALLS: HEAVY INTERGRANULAR CORROSION ON UPPER HALF OF RESERVIOR. MOST CONCERNING DISCREPENCIES NOTED ABOVE ON WELD SEAM NOTES.

ROOF: HEAVY INTERGRANULAR CORROSION ON ROOF TO WALL SEAM. SOME CORROSION ON ROOF SEAMS AS WELL WITH SLIGHT SURFACE CORROSION ON PANELS. SMALL BREACH IN 6 O CLOCK CATHODIC CAP. REPAIR JFF

PLUMBING: HEAVY CONCENTRATION CELL CORROSION ON INTERIOR OF BOTH INLET AND OUTLET. INTERIOR OVERFLOW SHOWS INTERGRANULAR CORROSION ON PIPE.

MANWAY: BOTH MANWAYS SHOW CONCENTRATION CELL CORROSION ON LIP AND INTERIOR OF PIPE, CLOSE TO GASKET. GASKET IS BEGINNING TO BREAK DOWN. NO LEAKING NOTED. REPLACE

DISCLAIMER

Liquid Engineering does not provide consulting engineering services. Unless otherwise noted, the findings contained in this report were neither prepared nor reviewed by a licensed Professional Engineer, but are based on experience, training and visual examination of the Dive Maintenance Technician

Liquid Engineering Corporation

Steel Potable Water Reservoir Inspection Report

Job Number: 50463

Utility: BIG SANDY WATER DISTRICT

Tank: BOWLING DRIVE 216KG

Inspector: J. FAUROT

Dive Controller: E. POTTER

Date: 11/13/2016

AMERICAN WATER WORKS ASSOCIATION
ANSI/AWWA M42 / D101-53

SSPC Legend		NACE Legend		AWS Legend	
Grade	Description	Grade	Description	Grade	Description
10	No Rusting, or <0.01% of surface is rusted	A	None	L	Satisfactory
9	Minor rusting, or <0.03% of surface is rusted	B	Uniform Surface Corrosion	M	Spatter
8	Isolated rust, <0.01% of surface is rusted	C	Pitting	N	Porosity
7	Isolated rust, <0.03% of surface is rusted	D	Concentration Cell Corrosion	O	Convexity / Concavity
6	Extensive rusting, <1% of surface is rusted	E	Galvanic Corrosion	P	Cracks
5	Approximately 3% of the surface is rusted	F	Stress Corrosion Cracking	Q	Inclusions
4	Approximately 10% of the surface is rusted	G	Erosion Corrosion	R	Incomplete Fusion
3	Approximately 17% of the surface is rusted	H	Intergranular Corrosion	S	Incomplete Penetration
2	Approximately 33% of the surface is rusted	I	Dealloying	T	Undercut
1	Approximately 50% of the surface is rusted			U	Underfill
0	Approximately 100% of the surface is rusted			V	Overlap
				W	Unable to evaluate

QUADRANT 1 QUADRANT 2 QUADRANT 3 QUADRANT 4

INTERIOR RESERVOIR ROOF

	SSPC	NACE	AWS	SSPC	NACE	AWS	SSPC	NACE	AWS	SSPC	NACE	AWS
Vents	7	H	L	N/A	N/A	N/A	N/A	N/A	N/A	N/A	N/A	N/A
Roof Panels	8	B	L	8	B	L	8	B	L	8	B	L
Roof Support	8	H	L	8	H	L	8	H	L	8	H	L
Roof Gussets	N/A	N/A	N/A	N/A	N/A	N/A	N/A	N/A	N/A	N/A	N/A	N/A
Painting Ring	N/A	N/A	N/A	N/A	N/A	N/A	N/A	N/A	N/A	N/A	N/A	N/A

Overall Coating Rating Fair Average Blister Diameter NONE Average Pit Depth NONE
 Coating Deficiencies: Blistering Delamination Chalking Checking Cracking Growth Pinholes Staining Sags/Runs

INTERIOR RESERVOIR WALLS

	SSPC	NACE	AWS	SSPC	NACE	AWS	SSPC	NACE	AWS	SSPC	NACE	AWS
Wall to Roof weld	8	B	L	8	B	L	8	B	L	8	B	L
Lower Ring Panels	8	D	M	8	D	M	8	D	M	8	D	M
Middle Ring Panels	8	D	M	8	D	M	8	D	M	8	D	M
Upper Ring Panels	9	A	L	9	A	L	9	A	L	9	A	L
Interior Ladder	7	DH	L	N/A	N/A	N/A	N/A	N/A	N/A	N/A	N/A	N/A

Overall Coating Rating Good Average Blister Diameter NONE Average Pit Depth NONE
 Coating Deficiencies: Blistering Delamination Chalking Checking Cracking Growth Pinholes Staining Sags/Runs

INTERIOR RESERVOIR FLOOR

	SSPC	NACE	AWS	SSPC	NACE	AWS	SSPC	NACE	AWS	SSPC	NACE	AWS
Perimeter Weld	9	A	L	9	A	L	9	A	L	9	A	L
Floor Panels	9	A	L	9	A	L	9	A	L	9	A	L

Overall Coating Rating Good Average Blister Diameter NONE Average Pit Depth NONE
 Coating Deficiencies: Blistering Delamination Chalking Checking Cracking Growth Pinholes Staining Sags/Runs

DISCLAIMER

Liquid Engineering does not provide consulting engineering services. Unless otherwise noted, the findings contained in this report were neither prepared nor reviewed by a licensed Professional Engineer, but are based on experience, training and visual examination of the Dive Maintenance Technician

Liquid Engineering Corporation

Steel Potable Water Reservoir Inspection Report

Job Number: 50463

Utility: BIG SANDY WATER DISTRICT

Tank: BOWLING DRIVE 216KG

Inspector: J. FAUROT

Dive Controller: E. POTTER

Date: 11/13/2016

QUADRANT 1	QUADRANT 2	QUADRANT 3	QUADRANT 4
------------	------------	------------	------------

~~INTERIOR RESERVOIR SUPPORT COLUMNS~~

	SSPC			NACE			AWS		
Column Structures	N/A	N/A	N/A	N/A	N/A	N/A	N/A	N/A	N/A
Column Bases	N/A	N/A	N/A	N/A	N/A	N/A	N/A	N/A	N/A
Column to Roof	N/A	N/A	N/A	N/A	N/A	N/A	N/A	N/A	N/A

Overall Coating Rating ---- Average Blister Diameter Average Pit Depth
 Coating Deficiencies: Blistering Delamination Chalking Checking Cracking Growth Pinholes Staining Sags/Runs

~~INTERIOR RESERVOIR PLUMBING COMPONENTS~~

	SSPC			NACE			AWS		
Inlet Plumbing	8	D	L	N/A	N/A	N/A	N/A	N/A	N/A
Outlet Plumbing	8	D	L	N/A	N/A	N/A	N/A	N/A	N/A
Manways	6	D	L	N/A	N/A	N/A	8	D	L
Floor Drains	8	D	L	N/A	N/A	N/A	N/A	N/A	N/A
Interior Overflow	8	H	L	N/A	N/A	N/A	N/A	N/A	N/A

~~EXTERIOR RESERVOIR ROOF~~

	SSPC			NACE			AWS		
Vents	9	B	L	N/A	N/A	N/A	N/A	N/A	N/A
Roof Panels	9	B	L	9	B	L	9	B	L
Access Hatches	8	H	L	N/A	N/A	N/A	N/A	N/A	N/A

Overall Coating Rating Fair Average Blister Diameter NONE Average Pit Depth NONE
 Coating Deficiencies: Blistering Delamination Chalking Checking Cracking Growth Pinholes Staining Sags/Runs

~~EXTERIOR RESERVOIR WALLS~~

	SSPC			NACE			AWS		
Wall to Roof Weld	9	A	L	9	A	L	9	A	L
Lower Ring Panels	9	B	L	9	B	L	9	B	L
Mid Ring Panels	9	B	L	9	B	L	9	B	L
Upper Ring Panels	9	B	L	9	B	L	9	B	L
Exterior Overflow	9	B	L	N/A	N/A	N/A	N/A	N/A	N/A

Overall Coating Rating Fair Average Blister Diameter NONE Average Pit Depth NONE
 Coating Deficiencies: Blistering Delamination Chalking Checking Cracking Growth Pinholes Staining Sags/Runs

~~FOOTINGS / FOUNDATION~~

Footings / Foundations: Satisfactory <input checked="" type="checkbox"/>	Cracking <input checked="" type="checkbox"/>	Spalling <input type="checkbox"/>	Erosion/Exposed Aggregate <input type="checkbox"/>
Anchor Bolts: Satisfactory <input checked="" type="checkbox"/>	Loose <input type="checkbox"/>	Rusted Corroded <input type="checkbox"/>	(If excessive) Diameter =

~~TOWER SUPPORT STRUCTURES~~

Tower Legs/Columns: Satisfactory <input type="checkbox"/>	Alignment ----	Settling ----	Rust /Corrosion ----
Riser Pipe: Satisfactory <input type="checkbox"/>	Alignment ----	Frost Casing ----	Rust /Corrosion ----
Rods & Turnbuckles: Satisfactory <input type="checkbox"/>	Turnbuckle Tension ----	Rod Tension ----	Cotter Pins/Rod Nuts ----
Leg shoes/Brackets: Satisfactory <input type="checkbox"/>	Coating ----	Rust/Corrosion ----	Pitting/Cracking ----

DISCLAIMER

Liquid Engineering does not provide consulting engineering services. Unless otherwise noted, the findings contained in this report were neither prepared nor reviewed by a licensed Professional Engineer, but are based on experience, training and visual examination of the Dive Maintenance Technician

Liquid Engineering Corporation

Potable Water Reservoir Contamination, Health and Safety Report

Job Number: 50463

Utility: BIG SANDY WATER DISTRICT

Tank: BOWLING DRIVE 216KG

Inspector: J. FAUROT

Dive Controller: E. POTTER

Date: 11/13/2016

Complies With: AWWA • OSHA • ANSI • NIOSH • NAVFAC • NFPAC

CONTAMINATION & HEALTH

Air Vents	Type: MUSHROOM	#: 1	Screen Condition(s): Good	
Hatches	Type: Square	#: 1	Secured Properly: Yes	Properly Sealed: Yes
Exterior Overflow	Flapper: Yes	Screen: No	Gasket: No	Condition: Good
Cathodic Covers	In- Place: ----	#: ----	Gasket: ----	Properly Sealed: ----
Roof to Wall Joint	Welded: Yes	Properly Sealed: Yes		
Roof Integrity	Holes: No	Cracking: No	Standing Water: No	
Wall Integrity	Holes: No	Cracking: No		
Manway Integrity	Leaks: No	Condition: Good		
Water Clarity	General Appearance: CLEAR		Odor: NONE	
Floating Surface Debris	Type: NONE		Source: N/A	
Hypalon Floating Cover	Condition: ----	Holes: ----	Tears: ----	
Telemetry Penetrations	Properly Sealed: No			

FACILITY SAFETY COMPLIANCE

Exterior Ladder

Overall Ladder	Condition: Good	#: 1	Offset Landing: No	Height: 65'
Vandal Guard	Present: No	Vandal Guard Locked: ----		
Ladder Rails & Rungs	Condition: Good	Missing/Damaged Rungs: No		
Rung Spacing & Depth	Spacing: 12 in. (max 12")	Toe Depth: 8 in. (min 7")		
Rail Spacing & Size	Width: 2.5 in. (min 2")	Thickness: .25 in. (min 1/4")	Rail to Rail: 16 in. (min 16")	
Safety Climb System	Type: Cable	Condition: Good		
Number & Locations	Wall: 1	Leg:	Roof:	Riser Pipe: Other:
Ladder Attachments				

Manways

Type and size	Type: Round	#: 2	Size: 25" inches (24" - 18"x22" min)
Support Structure	Type: Bolted	Condition: Good	
Number & Locations	Wall: 2	Roof:	Riser Pipe: Other:

Hatches

Hatch Type & Size	Type: Square	#: 1	Size: 24"X24" in. (24" - 24"x15" min)
Hatch & Lid Lip Height	Hatch: 6 in. (min 4")	Lid: 2 in. (min 2")	

Balconies & Railing

Deck / Walkways	Condition: ----	Width:	
Hand Rails	Condition: Good	Height: 42 in. (min 42")	No. Rails: 2 (min 2)
Toe Rail	Condition: Good	Height: 5 in. (min 4")	
Welds / Attachments	Condition: Good		

Roof

Safety Tie-Off Points	Condition: Good	#: 2
Antennas	Type: ----	#: 1

DISCLAIMER

Liquid Engineering does not provide consulting engineering services. Unless otherwise noted, the findings contained in this report were neither prepared nor reviewed by a licensed Professional Engineer, but are based on experience, training and visual examination of the Dive Maintenance Technician

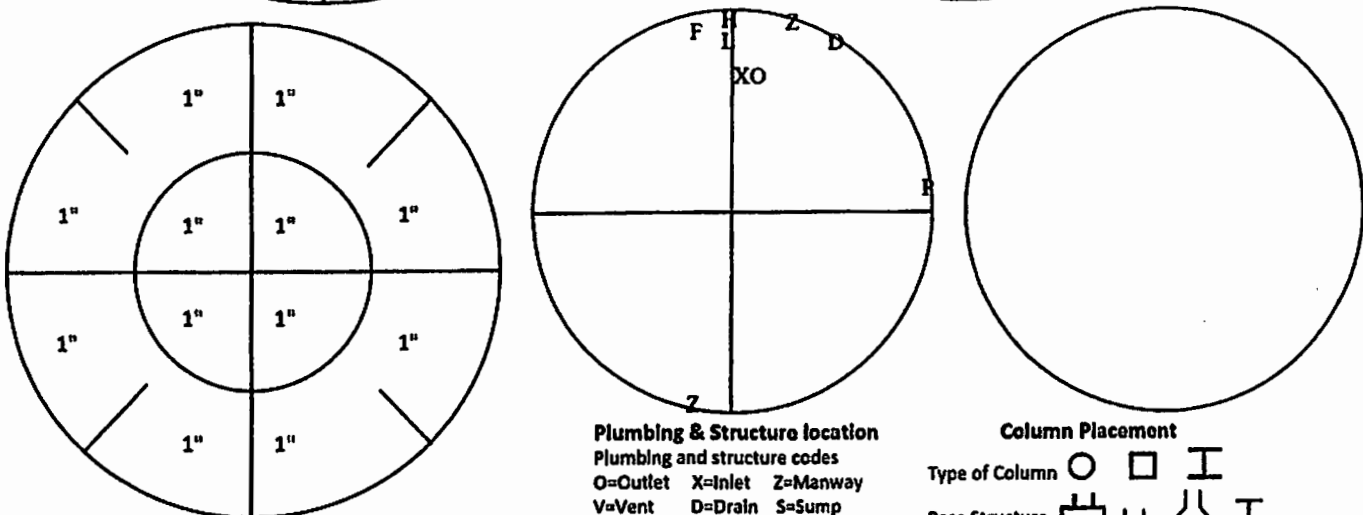
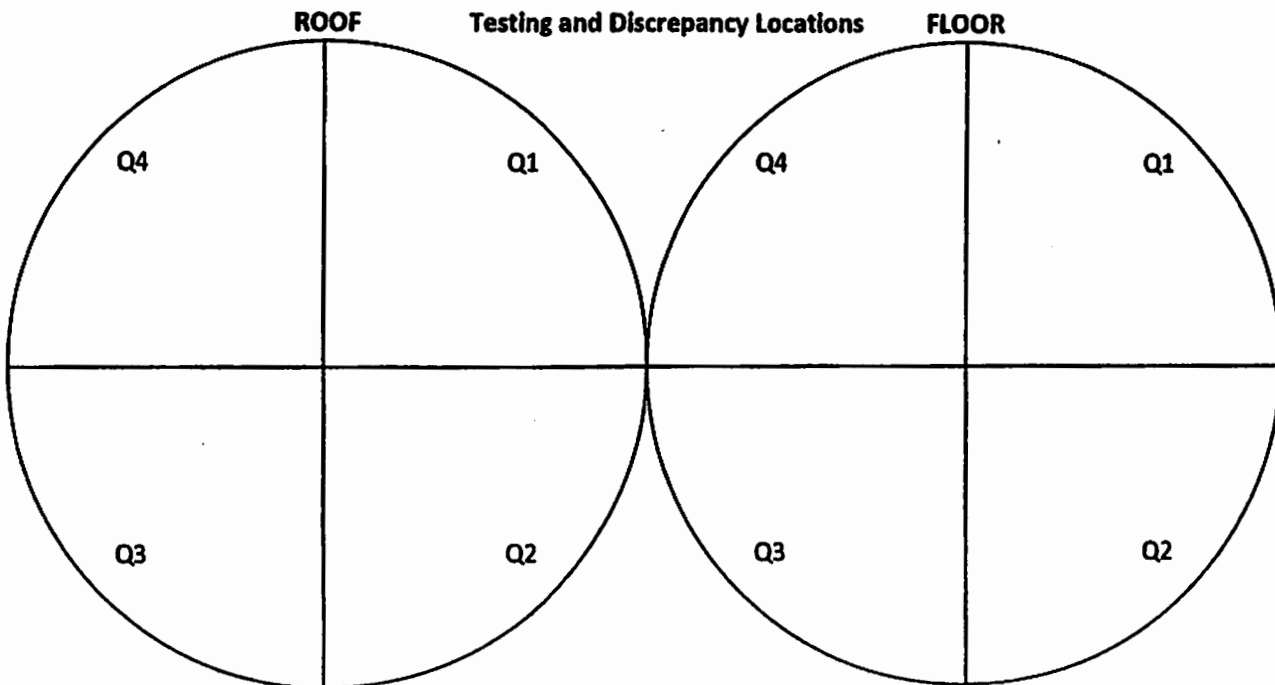
Liquid Engineering Corporation
Circular Tank Diagram / Information Worksheet

Job Number 50463

Utility Name BIG SANDY WATER DISTRICT

Tank Name BOWLING DRIVE 216KG

Quadrant 1	Quadrant 2	Quadrant 3	Quadrant 4



Plumbing & Structure location
 Plumbing and structure codes
 O=Outlet X=Inlet Z=Manway
 V=Vent D=Drain S=Sump
 L=Ladder H=Hatch P=Overflow
 F=Float Level Indicator
 T=Telemetry

Column Placement
 Type of Column ○ □ I
 Base Structure [diagrams of base structures]
 Top Structure [diagrams of top structures]
 Column Construction -----

Sediment Depth Measurements

Average Sediment Depth = The sum of all measurements taken, divided by the number of measurements taken

Avg. Depth Cubic Yardage Sediment Type

DISCLAIMER

Liquid Engineering does not provide consulting engineering services. Unless otherwise noted, the findings contained in this report were neither prepared nor reviewed by a licensed Professional Engineer, but are based on experience, training and visual examination of the Dive Maintenance Technician

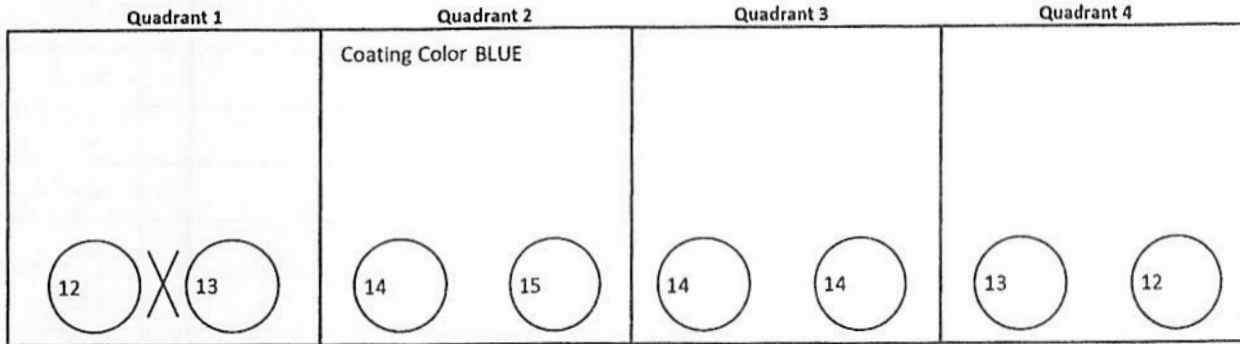
Liquid Engineering Corporation

Circular Tank Diagram / NDT DFT Coating Adhesion Presence of lead

Job Number 50463

Utility Name BIG SANDY WATER DISTRICT

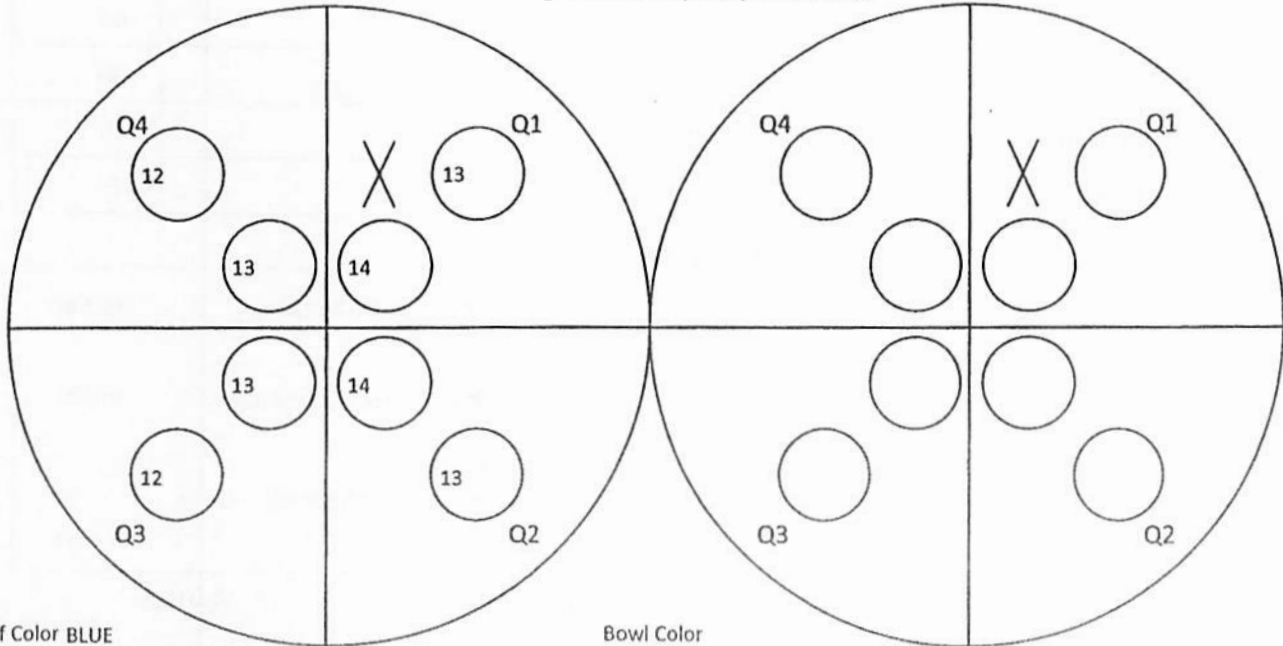
Tank Name BOWLING DRIVE 216KG



ROOF

Testing and Discrepancy Locations

BOWL



Roof Color BLUE

Bowl Color

DISCLAIMER

Liquid Engineering does not provide consulting engineering services. Unless otherwise noted, the findings contained in this report were neither prepared nor reviewed by a licensed Professional Engineer, but are based on experience, training and visual examination of the Dive Maintenance Technician

Liquid Engineering Corporation
Steel Potable Water Reservoir Security / Measurement Worksheet

Job Number 50463

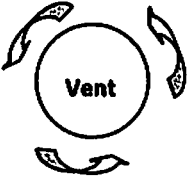
Utility Name BIG SANDY WATER DISTRICT

Tank Name BOWLING DRIVE 216KG

Security

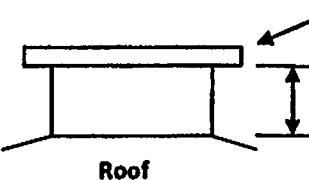
Is the area surrounding the tank well lit?	Yes
Is the tank surrounded by a Security Fence?	No
Are the access gates locked?	N/A
Is the tank equipped with a Vandal Guard on the primary access ladder?	No
If so, is the Vandal Guard locked?	N/A
Are the vents equipped with security vent shrouds?	No
Are all of the hatches equipped with electronic monitoring devices?	No
Are the external plumbing components housed in a secure vault or out-building?	Yes
Does the surrounding geography of the tank obscure it from public view?	No
Does the exterior of the tank show signs of trespass?	No

Measurements



Vent

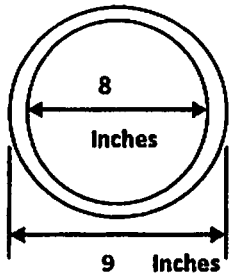
Outside Circumference
44 Inches



Roof

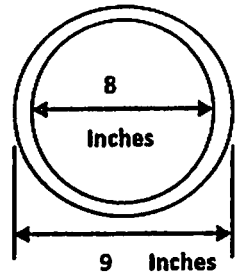
Flange Metal Thickness	Inches
Roof to Screen or Flange	8 Inches
Flange	Yes
Number of Bolt Holes	8
Size of Bolts	1 Inches

Inlet



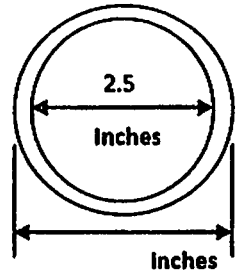
8 Inches
9 Inches

Outlet



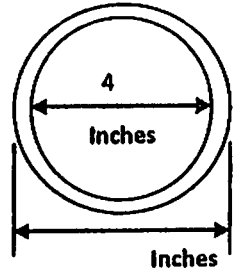
8 Inches
9 Inches

Drain



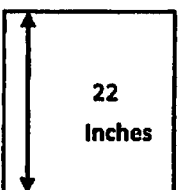
2.5 Inches

Overflow



4 Inches

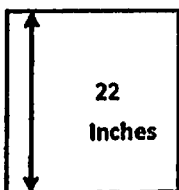
Inlet Riser



22 Inches

Floor

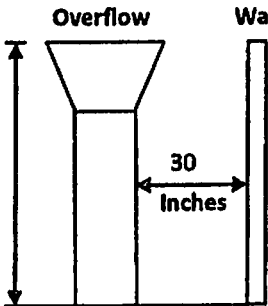
Outlet Riser



22 Inches

Floor

Overflow



30 Inches

Floor

DISCLAIMER

Liquid Engineering does not provide consulting engineering services. Unless otherwise noted, the findings contained in this report were neither prepared nor reviewed by a licensed Professional Engineer, but are based on experience, training and visual examination of the Dive Maintenance Technician

Liquid Engineering Corporation
Steel Potable Water Reservoir Immediate Needs Assessment

Job Number: 50463

Utility: BIG SANDY WATER DISTRICT

Tank: BOWLING DRIVE 216KG

Inspector: J. FAUROT

Dive Controller: E. POTTER

Date: 11/13/2016

1. Health and Safety Items

- Safety Climb System Installation:
- Vent Screen Repairs:

2. Testing Items

- Dye Testing for Leak Evaluation:
- Presence of Lead Test (Interior/Exterior):

3. Destructive Testing Items

- % of Lead Test (Interior/Exterior) *(Coating samples are removed for laboratory analysis)*
- Coating Adhesion Test (Interior/Exterior):

Specific written authorization required to perform destructive testing. Destructive tests include touch-up of coating system.

4. Repair Items

- Epoxy Coating Repairs:
- Temporary Leak Repairs:
- Float Operated Level Indicator Repairs / Maintenance:
- Hypalon Repairs:

5. Security Related Items *(Critical security upgrade information is immediately available)*

- Tank vents are not equipped with a security vent shroud:
- Tank hatches are not equipped with a security hatch locking device:
- Tank perimeter not adequately secured:

The above mentioned additional work is considered immediately necessary and is recommended to be completed. Some items may be completed in conjunction with work currently being performed while the crew is on site.

Reservoir Inspection Condition Supplemental

CLEAN AND INSPECT EVERY 3-5 YEARS

FLOORS: GOOD CONDITION. LIGHT STAINING.

INLET/OUTLET: CONCENTRATION CELL CORROSION.

FLOAT LEVEL: EYES ON FLOOR BRACKET ARE BROKEN CONCENTRATION CELL CORROSION ON REMAINING BRACKET. WIRES IN GOOD CONDITION.

WALLS: LOWER 2/3 OF TANK HAVE CONCENTRATION CELL CORROSION ON HORIZONTAL WELD SEAMS. UPPER 1/3 IN GOOD CONDITION.

WALL TO ROOF WELD: UNIFORM SURFACE CORROSION.

ROOF PANELS: UNIFORM SURFACE CORROSION ON WELD SEAMS.

ROOF SUPPORTS: UNIFORM SURFACE CORROSION.

OVERFLOW: DELAMINATION AND INTERGRANULAR CORROSION ON UPPER SIDE OF PIPE.

VENT: INTERGRANULAR CORROSION ON HARDWARE. SCREEN IN GOOD CONDITION.

REPAIR TO BE DONE JJA

DISCLAIMER

Liquid Engineering does not provide consulting engineering services. Unless otherwise noted, the findings contained in this report were neither prepared nor reviewed by a licensed Professional Engineer, but are based on experience, training and visual examination of the Dive Maintenance Technician

Liquid Engineering Corporation

Steel Potable Water Reservoir Inspection Report

Job Number: 50463

Utility: BIG SANDY WATER DISTRICT

Tank: US 23 B

STEEL

Inspector: M BUTAK

Dive Controller: J FAUROT

Date: 11/12/2016

AMERICAN WATER WORKS ASSOCIATION
ANSI/AWWA M42 / D101-53

SSPC Legend		NACE Legend		AWS Legend	
Grade	Description	Grade	Description	Grade	Description
10	No Rusting, or <0.01% of surface is rusted	A	None	L	Satisfactory
9	Minor rusting, or <0.03% of surface is rusted	B	Uniform Surface Corrosion	M	Spatter
8	Isolated rust, <.01% of surface is rusted	C	Pitting	N	Porosity
7	Isolated rust, <.03% of surface is rusted	D	Concentration Cell Corrosion	O	Convexity / Concavity
6	Extensive rusting, <1% of surface is rusted	E	Galvanic Corrosion	P	Cracks
5	Approximately 3% of the surface is rusted	F	Stress Corrosion Cracking	Q	Inclusions
4	Approximately 10% of the surface is rusted	G	Erosion Corrosion	R	Incomplete Fusion
3	Approximately 17% of the surface is rusted	H	Intergranular Corrosion	S	Incomplete Penetration
2	Approximately 33% of the surface is rusted	I	Dealloying	T	Undercut
1	Approximately 50% of the surface is rusted			U	Underfill
0	Approximately 100% of the surface is rusted			V	Overlap
				W	Unable to evaluate

QUADRANT 1 QUADRANT 2 QUADRANT 3 QUADRANT 4

INTERIOR RESERVOIR ROOF

	SSPC	NACE	AWS	SSPC	NACE	AWS	SSPC	NACE	AWS	SSPC	NACE	AWS
Vents	10	A	N/A	N/A	N/A	N/A	N/A	N/A	N/A	N/A	N/A	N/A
Roof Panels	10	A	N/A	10	A	N/A	10	A	N/A	10	A	N/A
Roof Support	N/A	N/A	N/A	N/A	N/A	N/A	N/A	N/A	N/A	N/A	N/A	N/A
Roof Gussets	N/A	N/A	N/A	N/A	N/A	N/A	N/A	N/A	N/A	N/A	N/A	N/A
Painting Ring	N/A	N/A	N/A	N/A	N/A	N/A	N/A	N/A	N/A	N/A	N/A	N/A

Overall Coating Rating Good Average Blister Diameter NONE Average Pit Depth NONE
 Coating Deficiencies: Blistering Delamination Chalking Checking Cracking Growth Pinholes Staining Sags/Runs

INTERIOR RESERVOIR WALLS

	SSPC	NACE	AWS	SSPC	NACE	AWS	SSPC	NACE	AWS	SSPC	NACE	AWS
Wall to Roof weld	8	B	N/A	8	B	N/A	8	B	N/A	8	B	N/A
Lower Ring Panels	7	D	N/A	7	D	N/A	7	D	N/A	7	D	N/A
Middle Ring Panels	7	D	N/A	7	D	N/A	7	D	N/A	7	D	N/A
Upper Ring Panels	8	D	N/A	8	D	N/A	8	D	N/A	8	D	N/A
Interior Ladder	N/A	N/A	N/A	N/A	N/A	N/A	N/A	N/A	N/A	N/A	N/A	N/A

Overall Coating Rating Good Average Blister Diameter NONE Average Pit Depth 1/4"
 Coating Deficiencies: Blistering Delamination Chalking Checking Cracking Growth Pinholes Staining Sags/Runs

INTERIOR RESERVOIR FLOOR

	SSPC	NACE	AWS	SSPC	NACE	AWS	SSPC	NACE	AWS	SSPC	NACE	AWS
Perimeter Weld	N/A	N/A	N/A	N/A	N/A	N/A	N/A	N/A	N/A	N/A	N/A	N/A
Floor Panels	N/A	N/A	N/A	N/A	N/A	N/A	N/A	N/A	N/A	N/A	N/A	N/A

Overall Coating Rating Good Average Blister Diameter NONE Average Pit Depth NONE
 Coating Deficiencies: Blistering Delamination Chalking Checking Cracking Growth Pinholes Staining Sags/Runs

DISCLAIMER

Liquid Engineering does not provide consulting engineering services. Unless otherwise noted, the findings contained in this report were neither prepared nor reviewed by a licensed Professional Engineer, but are based on experience, training and visual examination of the Dive Maintenance Technician

Liquid Engineering Corporation

Steel Potable Water Reservoir Inspection Report

Job Number: 50463
Inspector: M BUTAK

Utility: BIG SANDY WATER DISTRICT
Dive Controller: J FAUROT

Tank: US 23 B
Date: 11/12/2016

QUADRANT 1	QUADRANT 2	QUADRANT 3	QUADRANT 4
------------	------------	------------	------------

~~INTERIOR RESERVOIR SUPPORT COLUMNS~~

	SSPC	NACE	AWS	SSPC	NACE	AWS	SSPC	NACE	AWS	SSPC	NACE	AWS
Column Structures	N/A	N/A	N/A	N/A	N/A	N/A	N/A	N/A	N/A	N/A	N/A	N/A
Column Bases	N/A	N/A	N/A	N/A	N/A	N/A	N/A	N/A	N/A	N/A	N/A	N/A
Column to Roof	N/A	N/A	N/A	N/A	N/A	N/A	N/A	N/A	N/A	N/A	N/A	N/A

Overall Coating Rating ---- Average Blister Diameter Average Pit Depth
Coating Deficiencies: Blistering Delamination Chalking Checking Cracking Growth Pinholes Staining Sags/Runs

INTERIOR RESERVOIR PLUMBING COMPONENTS

	SSPC	NACE	AWS	SSPC	NACE	AWS	SSPC	NACE	AWS	SSPC	NACE	AWS
Inlet Plumbing	6	B,D	N/A	N/A	N/A	N/A	N/A	N/A	N/A	N/A	N/A	N/A
Outlet Plumbing	N/A	N/A	N/A	7	B,D	N/A	N/A	N/A	N/A	N/A	N/A	N/A
Manways	N/A	N/A	N/A	N/A	N/A	N/A	N/A	N/A	N/A	6	B,D	N/A
Floor Drains	N/A	N/A	N/A	N/A	N/A	N/A	N/A	N/A	N/A	N/A	N/A	N/A
Interior Overflow	N/A	N/A	N/A	N/A	N/A	N/A	N/A	N/A	N/A	9	B	N/A

EXTERIOR RESERVOIR ROOF

	SSPC	NACE	AWS	SSPC	NACE	AWS	SSPC	NACE	AWS	SSPC	NACE	AWS
Vents	10	A	N/A	N/A	N/A	N/A	N/A	N/A	N/A	N/A	N/A	N/A
Roof Panels	10	A	N/A	10	A	N/A	10	A	N/A	10	A	N/A
Access Hatches	10	A	N/A	N/A	N/A	N/A	N/A	N/A	N/A	N/A	N/A	N/A

Overall Coating Rating Good Average Blister Diameter NONE Average Pit Depth NONE
Coating Deficiencies: Blistering Delamination Chalking Checking Cracking Growth Pinholes Staining Sags/Runs

EXTERIOR RESERVOIR WALLS

	SSPC	NACE	AWS	SSPC	NACE	AWS	SSPC	NACE	AWS	SSPC	NACE	AWS
Wall to Roof Weld	9	B	N/A	9	B	N/A	9	B	N/A	9	B	N/A
Lower Ring Panels	9	B	N/A	9	B	N/A	9	B	N/A	9	B	N/A
Mid Ring Panels	9	B	N/A	9	B	N/A	9	B	N/A	9	B	N/A
Upper Ring Panels	9	B	N/A	9	B	N/A	9	B	N/A	9	B	N/A
Exterior Overflow	N/A	N/A	N/A	N/A	N/A	N/A	N/A	N/A	N/A	10	B	N/A

Overall Coating Rating Good Average Blister Diameter NONE Average Pit Depth NONE
Coating Deficiencies: Blistering Delamination Chalking Checking Cracking Growth Pinholes Staining Sags/Runs

FOOTINGS / FOUNDATION

Footings / Foundations: Satisfactory <input checked="" type="checkbox"/>	Cracking <input type="checkbox"/>	Spalling <input type="checkbox"/>	Erosion/Exposed Aggregate <input type="checkbox"/>
Anchor Bolts: Satisfactory <input checked="" type="checkbox"/>	Loose <input type="checkbox"/>	Rusted Corroded <input type="checkbox"/>	(If excessive) Diameter =

~~TOWER SUPPORT STRUCTURES~~

Tower Legs/Columns: Satisfactory <input type="checkbox"/>	Alignment ----	Settling ----	Rust/Corrosion ----
Riser Pipe: Satisfactory <input type="checkbox"/>	Alignment ----	Frost Casing ----	Rust/Corrosion ----
Rods & Turnbuckles: Satisfactory <input type="checkbox"/>	Turnbuckle Tension ----	Rod Tension ----	Cotter Pins/Rod Nuts ----
Leg shoes/Brackets: Satisfactory <input type="checkbox"/>	Coating ----	Rust/Corrosion ----	Pitting/Cracking ----

DISCLAIMER

Liquid Engineering does not provide consulting engineering services. Unless otherwise noted, the findings contained in this report were neither prepared nor reviewed by a licensed Professional Engineer, but are based on experience, training and visual examination of the Dive Maintenance Technician

Liquid Engineering Corporation
Potable Water Reservoir Contamination, Health and Safety Report

Job Number: 50463
Inspector: M BUTAK

Utility: BIG SANDY WATER DISTRICT
Dive Controller: J FAUROT

Tank: US 23 B
Date: 11/12/2016

Complies With: AWWA • OSHA • ANSI • NIOSH • NAVFAC • NFPAC

CONTAMINATION & HEALTH

Air Vents	Type: MUSHROOM	#: ----	Screen Condition(s): Good
Hatches	Type: Square	#: 1	Secured Properly: Yes Properly Sealed: Yes
Exterior Overflow	Flapper: ----	Screen: ----	Gasket: ---- Condition: Good
Cathodic Covers	In-Place: ----	#: ----	Gasket: ---- Properly Sealed: ----
Roof to Wall Joint	Welded: No	Properly Sealed: Yes	
Roof Integrity	Holes: No	Cracking: No	Standing Water: No
Wall Integrity	Holes: No	Cracking: No	
Manway Integrity	Leaks: No	Condition: Good	
Water Clarity	General Appearance: CLEAR		Odor: NONE
Floating Surface Debris	Type: NONE		Source: N/A
Hypalon Floating Cover	Condition: ----	Holes: ----	Tears: ----
Telemetry Penetrations	Properly Sealed: Yes		

FACILITY SAFETY COMPLIANCE

Exterior Ladder

Overall Ladder	Condition: Good	#: 1	Offset Landing: Yes	Height: 37"
Vandal Guard	Present: None	Vandal Guard Locked: ----		
Ladder Rails & Rungs	Condition: Good	Missing/Damaged Rungs: No		
Rung Spacing & Depth	Spacing: 11" in. (max 12")	Toe Depth: 8" in. (min 7")		
Rail Spacing & Size	Width: 2" in. (min 2")	Thickness: 1.5" in. (min 1/4")	Rail to Rail: 17.5" in. (min 16")	
Safety Climb System	Type: Cage	Condition: Good		
Number & Locations	Wall: 1	Leg:	Roof:	Riser Pipe: Other:
Ladder Attachments				

Manways

Type and size	Type: Round	#: 1	Size: 30" inches (24" - 18"x22" min)
Support Structure	Type: Bolted	Condition: Good	
Number & Locations	Wall: 1	Roof:	Riser Pipe: Other:

Hatches

Hatch Type & Size	Type: Square	#: 1	Size: 30X30" in. (24" - 24"x15" min)
Hatch & Lid Lip Height	Hatch: 3.5" in. (min 4")	Lid: 2" in. (min 2")	

Balconies & Railing

Deck / Walkways	Condition: Good	Width: 30"	
Hand Rails	Condition: Good	Height: 43" in. (min 42")	No. Rails: 2 (min 2)
Toe Rail	Condition: Good	Height: 4.5" in. (min 4")	
Welds / Attachments	Condition: Good		

Roof

Safety Tie-Off Points	Condition: Good	#: 8
Antennas	Type: ----	#: ----

DISCLAIMER

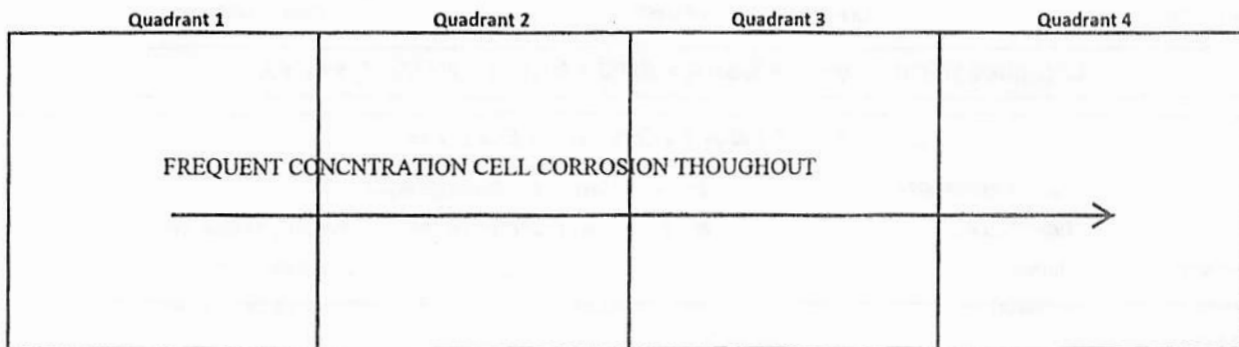
Liquid Engineering does not provide consulting engineering services. Unless otherwise noted, the findings contained in this report were neither prepared nor reviewed by a licensed Professional Engineer, but are based on experience, training and visual examination of the Dive Maintenance Technician

Liquid Engineering Corporation
Circular Tank Diagram / Information Worksheet

Job Number 50463

Utility Name BIG SANDY WATER DISTRICT

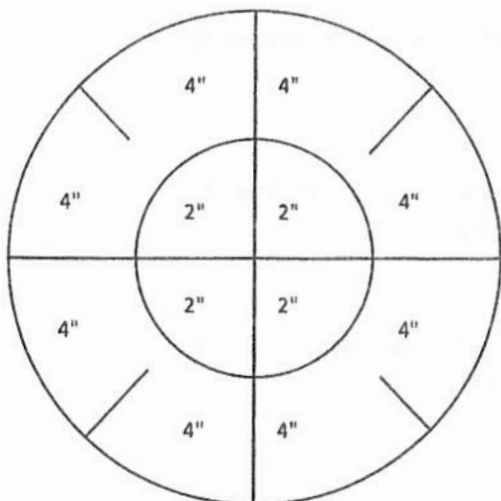
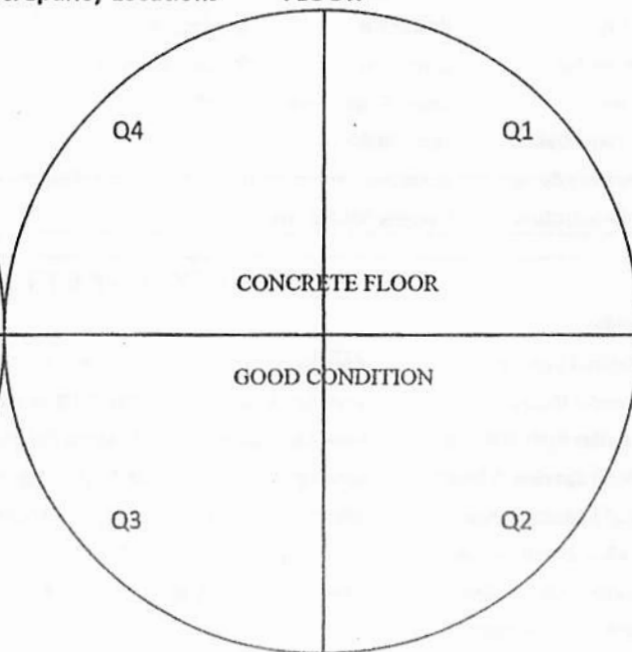
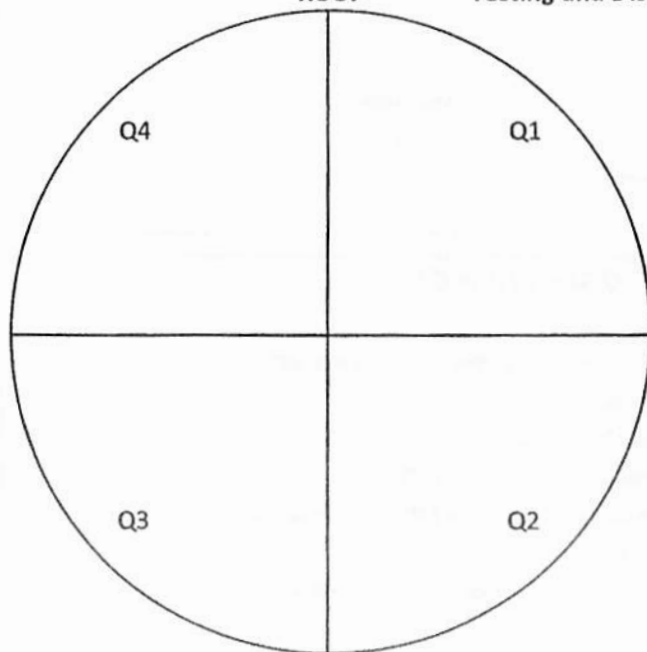
Tank Name US 23 B



ROOF

Testing and Discrepancy Locations

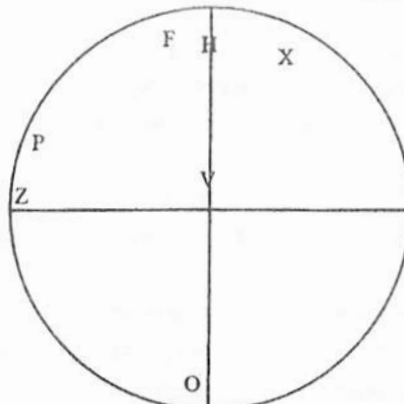
FLOOR



Sediment Depth Measurements

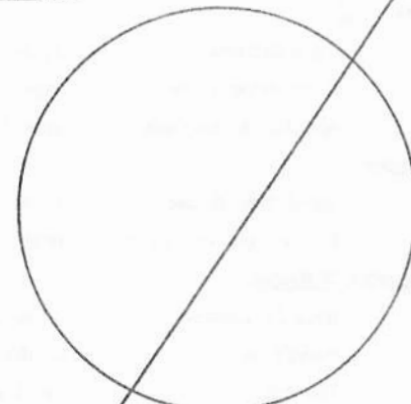
Average Sediment Depth = The sum of all measurements taken, divided by the number of measurements taken

Avg. Depth Cubic Yardage Sediment Type IRON/FLOCULANT



Plumbing & Structure location

Plumbing and structure codes
 O=Outlet X=Inlet Z=Manway
 V=Vent D=Drain S=Sump
 L=Ladder H=Hatch P=Overflow
 F=Float Level Indicator
 T=Telemetry



Column Placement

Type of Column ○ □ I
 Base Structure
 Top Structure
 Column Construction -----

DISCLAIMER

Liquid Engineering does not provide consulting engineering services. Unless otherwise noted, the findings contained in this report were neither prepared nor reviewed by a licensed Professional Engineer, but are based on experience, training and visual examination of the Dive Maintenance Technician

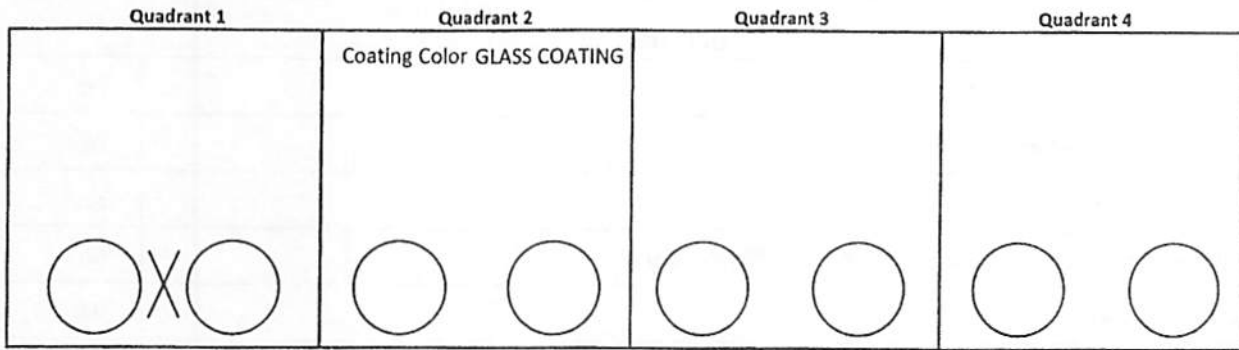
Liquid Engineering Corporation

Circular Tank Diagram / NDT DFT Coating Adhesion Presence of lead

Job Number 50463

Utility Name BIG SANDY WATER DISTRICT

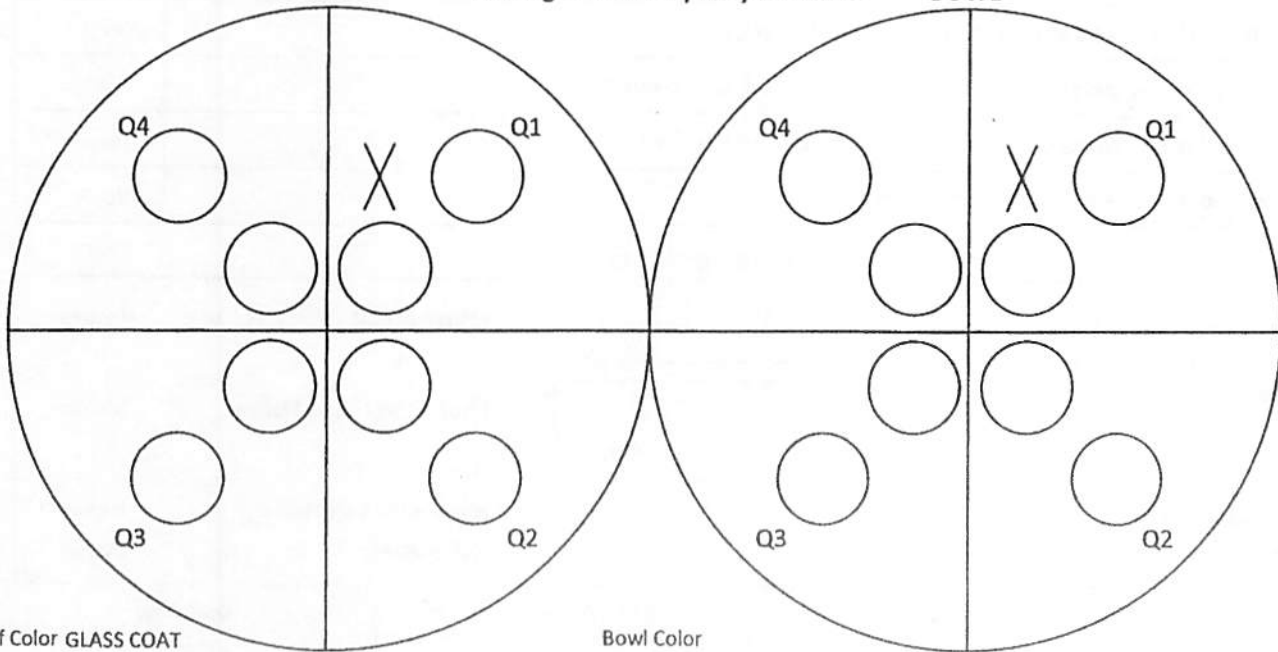
Tank Name US 23 B



ROOF

Testing and Discrepancy Locations

BOWL



Roof Color GLASS COAT

Bowl Color

DISCLAIMER

Liquid Engineering does not provide consulting engineering services. Unless otherwise noted, the findings contained in this report were neither prepared nor reviewed by a licensed Professional Engineer, but are based on experience, training and visual examination of the Dive Maintenance Technician

©Copyright 1998 - 2009 Liquid Engineering Corporation - All rights reserved

Liquid Engineering Corporation
Steel Potable Water Reservoir Security / Measurement Worksheet

Job Number 50463

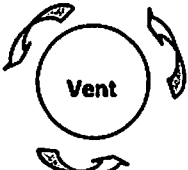
Utility Name BIG SANDY WATER DISTRICT

Tank Name US 23 B

Security

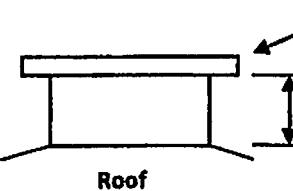
Is the area surrounding the tank well lit?	Yes
Is the tank surrounded by a Security Fence?	Yes
Are the access gates locked?	Yes
Is the tank equipped with a Vandal Guard on the primary access ladder?	No
If so, is the Vandal Guard locked?	N/A
Are the vents equipped with security vent shrouds?	No
Are all of the hatches equipped with electronic monitoring devices?	No
Are the external plumbing components housed in a secure vault or out-building?	Yes
Does the surrounding geography of the tank obscure it from public view?	Yes
Does the exterior of the tank show signs of trespass?	No

Measurements



Vent

Outside Circumference
70" Inches



Roof

Flange Metal Thickness Inches

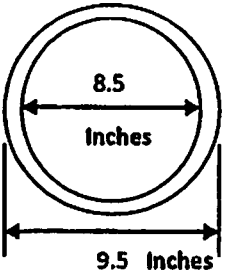
Roof to Screen or Flange 9" Inches

Flange ----

Number of Bolt Holes Inches

Size of Bolts Inches

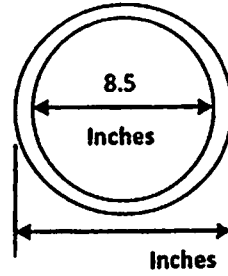
Inlet



8.5
Inches

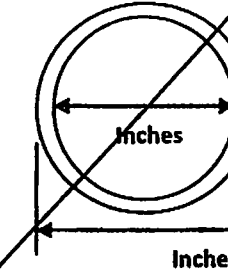
9.5 Inches

Outlet



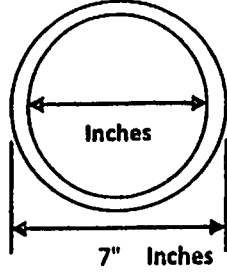
8.5
Inches

Drain



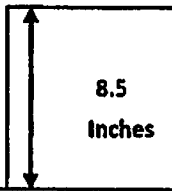
Inches

Overflow



7" Inches

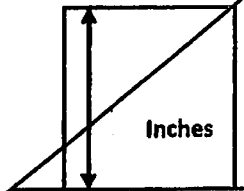
Inlet Riser



8.5
Inches

Floor

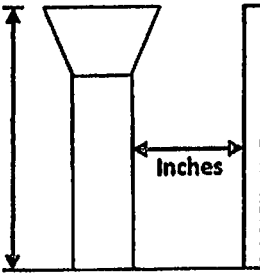
Outlet Riser



Inches

Floor

Overflow **Wall**



35'
Feet/Inches

Inches

Floor

DISCLAIMER

Liquid Engineering does not provide consulting engineering services. Unless otherwise noted, the findings contained in this report were neither prepared nor reviewed by a licensed Professional Engineer, but are based on experience, training and visual examination of the Dive Maintenance Technician

Liquid Engineering Corporation
Steel Potable Water Reservoir Immediate Needs Assessment

Job Number: 50463
Inspector: M BUTAK

Utility: BIG SANDY WATER DISTRICT
Dive Controller: J FAUROT

Tank: US 23 B
Date: 11/12/2016

1. Health and Safety Items

- Safety Climb System Installation:
- Vent Screen Repairs:

2. Testing Items

- Dye Testing for Leak Evaluation:
- Presence of Lead Test (Interior/Exterior):

3. Destructive Testing Items

- % of Lead Test (Interior/Exterior) *(Coating samples are removed for laboratory analysis)*
- Coating Adhesion Test (Interior/Exterior):

Specific written authorization required to perform destructive testing. Destructive tests include touch-up of coating system.

4. Repair Items

- Epoxy Coating Repairs: HEAVY METAL LOSS ON PANEL EDGES IN ALL 4 QUADRANTS. UP TO AND AROUND BOLTS IN SOME PLACES.
- Temporary Leak Repairs:
- Float Operated Level Indicator Repairs / Maintenance:
- Hypalon Repairs:

5. Security Related Items *(Critical security upgrade information is immediately available)*

- Tank vents are not equipped with a security vent shroud:
- Tank hatches are not equipped with a security hatch locking device:
- Tank perimeter not adequately secured:

The above mentioned additional work is considered immediately necessary and is recommended to be completed. Some items may be completed in conjunction with work currently being performed while the crew is on site.

Reservoir Inspection Condition Supplemental

CLEAN AND INSPECT EVERY 3-5 YEARS

FLOOR: CONCRETE FLOOR SHOWS STAINING, NO NOTABLE DISCREPENCIES. OVERALL GOOD CONDITON.

WALLS: PANEL EDGES SHOW HEAVY CONCENTRATION CELL CORROSION. HEAVY METAL LOSS WAS NOTED ON VIDEO. UP TO 1/4" PITTING, SOME METAL LOSS IS WORKING UP TO BOLTS ON INTERIOR. HIGH LIKELYHOOD OF LEAKING IN THE FUTURE. EPOXY REPAIRS ARE RECOMENDED AS SOON AS POSSIBLE. PANELS ARE IN OTHERWISE GOOD CONDITION. SOME CORROSION ON TOP ROW OF BOLTS AROUND PERIMETER OF RESERVIOR.

ROOF: NO NOTABLE DISCREPENCIES. SOME STAINING. PENETRATIONS ARE IN GOOD CONDITION. SMALL HOLE AT THE TOP OF VENT, COULD BE EASILY SEALED.

PLUMBING: HEAVY CONCNRATION CELLS ON EXTERIOR OF INLET AND OUTLET. BOTH APPEAR TO BE FREE AND CLEAR OF BLOCKAGE. INTERIOR OVERFLOR STRUCTURE SHOWS SOME SURFACE CORROSION ON BOLTS, BUT APPEARS TO BE IN GOOD CONDITION.

MANWAY: HEAVY CONCNRATION CELL CORROSION AROUND LIP OF INTERIOR MANWAY. NO SIGNS OF LEAKING, APPEARS TO BE IN FAIR CONDITION.

ANODES: ALL ANODES IN RESERVIOR ARE ENTIRELY DEPLETED. REPLACEMENT RECOMENDED AS SOON AS POSSIBLE.

TO BE DONE JSA

TO BE DONE JSA

DISCLAIMER

Liquid Engineering does not provide consulting engineering services. Unless otherwise noted, the findings contained in this report were neither prepared nor reviewed by a licensed Professional Engineer, but are based on experience, training and visual examination of the Dive Maintenance Technician

Liquid Engineering Corporation
Steel Potable Water Reservoir Inspection Report

Job Number: 50463
Inspector: J. FAUROT

Utility: BIG SANDY WATER DISTRICT
Dive Controller: E.POTTER

Tank: US 23 A 300KG
Date: 11/12/2016

AMERICAN WATER WORKS ASSOCIATION
ANSI/AWWA M42 / D101-53

SSPC Legend		NACE Legend		AWS Legend	
Grade	Description	Grade	Description	Grade	Description
10	No Rusting, or <0.01% of surface is rusted	A	None	L	Satisfactory
9	Minor rusting, or <0.03% of surface is rusted	B	Uniform Surface Corrosion	M	Spatter
8	Isolated rust, <.01% of surface is rusted	C	Pitting	N	Porosity
7	Isolated rust, <.03% of surface is rusted	D	Concentration Cell Corrosion	O	Convexity / Concavity
6	Extensive rusting, <1% of surface is rusted	E	Galvanic Corrosion	P	Cracks
5	Approximately 3% of the surface is rusted	F	Stress Corrosion Cracking	Q	Inclusions
4	Approximately 10% of the surface is rusted	G	Erosion Corrosion	R	Incomplete Fusion
3	Approximately 17% of the surface is rusted	H	Intergranular Corrosion	S	Incomplete Penetration
2	Approximately 33% of the surface is rusted	I	Dealloying	T	Undercut
1	Approximately 50% of the surface is rusted			U	Underfill
0	Approximately 100% of the surface is rusted			V	Overlap
				W	Unable to evaluate

QUADRANT 1 QUADRANT 2 QUADRANT 3 QUADRANT 4

INTERIOR RESERVOIR ROOF

	SSPC	NACE	AWS	SSPC	NACE	AWS	SSPC	NACE	AWS	SSPC	NACE	AWS
Vents	8	B	L	N/A	N/A	N/A	N/A	N/A	N/A	N/A	N/A	N/A
Roof Panels	7	B	L	7	B	L	7	B	L	7	B	L
Roof Support	7	B	L	7	B	L	7	B	L	7	B	L
Roof Gussets	N/A	N/A	N/A	N/A	N/A	N/A	N/A	N/A	N/A	N/A	N/A	N/A
Painting Ring	N/A	N/A	N/A	N/A	N/A	N/A	N/A	N/A	N/A	N/A	N/A	N/A

Overall Coating Rating Good Average Blister Diameter NONE Average Pit Depth NONE
Coating Deficiencies: Blistering Delamination Chalking Checking Cracking Growth Pinholes Staining Sags/Runs

INTERIOR RESERVOIR WALLS

	SSPC	NACE	AWS	SSPC	NACE	AWS	SSPC	NACE	AWS	SSPC	NACE	AWS
Wall to Roof weld	7	BD	L	7	BD	L	7	BD	L	7	BD	L
Lower Ring Panels	9	A	L	9	A	L	9	A	L	9	A	L
Middle Ring Panels	9	A	L	9	A	L	9	A	L	9	A	L
Upper Ring Panels	9	A	L	9	A	L	9	A	L	9	A	L
Interior Ladder	7	DH	L	N/A	N/A	N/A	N/A	N/A	N/A	N/A	N/A	N/A

Overall Coating Rating Good Average Blister Diameter NONE Average Pit Depth NONE
Coating Deficiencies: Blistering Delamination Chalking Checking Cracking Growth Pinholes Staining Sags/Runs

INTERIOR RESERVOIR FLOOR

	SSPC	NACE	AWS	SSPC	NACE	AWS	SSPC	NACE	AWS	SSPC	NACE	AWS
Perimeter Weld	9	A	L	9	A	L	9	A	L	9	A	L
Floor Panels	9	A	L	9	A	L	9	A	L	9	A	L

Overall Coating Rating Good Average Blister Diameter 1/8" Average Pit Depth NONE
Coating Deficiencies: Blistering Delamination Chalking Checking Cracking Growth Pinholes Staining Sags/Runs

DISCLAIMER

Liquid Engineering does not provide consulting engineering services. Unless otherwise noted, the findings contained in this report were neither prepared nor reviewed by a licensed Professional Engineer, but are based on experience, training and visual examination of the Dive Maintenance Technician

Liquid Engineering Corporation

Steel Potable Water Reservoir Inspection Report

Job Number: 50463

Utility: BIG SANDY WATER DISTRICT

Tank: US 23 A 300KG

Inspector: J. FAUROT

Dive Controller: E.POTTER

Date: 11/12/2016

QUADRANT 1	QUADRANT 2	QUADRANT 3	QUADRANT 4
------------	------------	------------	------------

INTERIOR RESERVOIR SUPPORT COLUMNS

	SSPC	NACE	AWS	SSPC	NACE	AWS	SSPC	NACE	AWS	SSPC	NACE	AWS
Column Structures	8	D	L	N/A	N/A	N/A	N/A	N/A	N/A	N/A	N/A	N/A
Column Bases	7	D	L	N/A	N/A	N/A	N/A	N/A	N/A	N/A	N/A	N/A
Column to Roof	8	B	L	N/A	N/A	N/A	N/A	N/A	N/A	N/A	N/A	N/A

Overall Coating Rating Fair
 Average Blister Diameter
 Average Pit Depth
 Coating Deficiencies: Blistering Delamination Chalking Checking Cracking Growth Pinholes Staining Sags/Runs

INTERIOR RESERVOIR PLUMBING COMPONENTS

	SSPC	NACE	AWS	SSPC	NACE	AWS	SSPC	NACE	AWS	SSPC	NACE	AWS
Inlet Plumbing	8	D	L	N/A	N/A	N/A	N/A	N/A	N/A	N/A	N/A	N/A
Outlet Plumbing	8	D	L	N/A	N/A	N/A	N/A	N/A	N/A	N/A	N/A	N/A
Manways	N/A	N/A	N/A	8	D	L	N/A	N/A	N/A	7	D	L
Floor Drains	9	A	L	N/A	N/A	N/A	N/A	N/A	N/A	N/A	N/A	N/A
Interior Overflow	7	H	L	N/A	N/A	N/A	N/A	N/A	N/A	N/A	N/A	N/A

EXTERIOR RESERVOIR ROOF

	SSPC	NACE	AWS	SSPC	NACE	AWS	SSPC	NACE	AWS	SSPC	NACE	AWS
Vents	8	A	L	N/A	N/A	N/A	N/A	N/A	N/A	N/A	N/A	N/A
Roof Panels	8	A	L	8	A	L	8	A	L	8	B	L
Access Hatches	6	H	L	N/A	N/A	N/A	N/A	N/A	N/A	N/A	N/A	N/A

Overall Coating Rating Good
 Average Blister Diameter NONE
 Average Pit Depth NONE
 Coating Deficiencies: Blistering Delamination Chalking Checking Cracking Growth Pinholes Staining Sags/Runs

EXTERIOR RESERVOIR WALLS

	SSPC	NACE	AWS	SSPC	NACE	AWS	SSPC	NACE	AWS	SSPC	NACE	AWS
Wall to Roof Weld	9	A	L	9	A	L	9	A	L	9	A	L
Lower Ring Panels	9	A	L	9	A	L	9	A	L	9	A	L
Mid Ring Panels	9	A	L	9	A	L	9	A	L	9	A	L
Upper Ring Panels	9	A	L	9	A	L	9	A	L	9	A	L
Exterior Overflow	9	A	L	N/A	N/A	N/A	N/A	N/A	N/A	N/A	N/A	N/A

Overall Coating Rating Good
 Average Blister Diameter NONE
 Average Pit Depth NONE
 Coating Deficiencies: Blistering Delamination Chalking Checking Cracking Growth Pinholes Staining Sags/Runs

FOOTINGS / FOUNDATION

Footings / Foundations: Satisfactory <input checked="" type="checkbox"/>	Cracking <input type="checkbox"/>	Spalling <input type="checkbox"/>	Erosion/Exposed Aggregate <input type="checkbox"/>
Anchor Bolts: Satisfactory <input type="checkbox"/>	Loose <input type="checkbox"/>	Rusted Corroded <input type="checkbox"/>	(If excessive) Diameter =

TOWER SUPPORT STRUCTURES

Tower Legs/Columns: Satisfactory <input type="checkbox"/>	Alignment ----	Settling ----	Rust /Corrosion ----
Riser Pipe: Satisfactory <input type="checkbox"/>	Alignment ----	Frost Casing ----	Rust /Corrosion ----
Rods & Turnbuckles: Satisfactory <input type="checkbox"/>	Turnbuckle Tension ----	Rod Tension ----	Cotter Pins/Rod Nuts ----
Leg shoes/Brackets: Satisfactory <input type="checkbox"/>	Coating ----	Rust/Corrosion ----	Pitting/Cracking ----

DISCLAIMER

Liquid Engineering does not provide consulting engineering services. Unless otherwise noted, the findings contained in this report were neither prepared nor reviewed by a licensed Professional Engineer, but are based on experience, training and visual examination of the Dive Maintenance Technician

Liquid Engineering Corporation
Potable Water Reservoir Contamination, Health and Safety Report

Job Number: 50463
Inspector: J. FAUROT

Utility: BIG SANDY WATER DISTRICT
Dive Controller: E.POTTER

Tank: US 23 A 300KG
Date: 11/12/2016

Complies With: AWWA • OSHA • ANSI • NIOSH • NAVFAC • NFPAC

CONTAMINATION & HEALTH

Air Vents	Type: MUSHROOM	#: 1	Screen Condition(s): Good	
Hatches	Type: Square	#: 1	Secured Properly: Yes	Properly Sealed: Yes
Exterior Overflow	Flapper: Yes	Screen: No	Gasket: Yes	Condition: Good
Cathodic Covers	In- Place: ----	#:	Gasket: ----	Properly Sealed: ----
Roof to Wall Joint	Welded: Yes	Properly Sealed: Yes		
Roof Integrity	Holes: Yes	Cracking: No	Standing Water: Yes	
Wall Integrity	Holes: No	Cracking: No		
Manway Integrity	Leaks: No	Condition: Good		
Water Clarity	General Appearance: CLEAR		Odor: NONE	
Floating Surface Debris	Type: NONE		Source: N/A	
Hypalon Floating Cover	Condition: ----	Holes: ----	Tears: ----	
Telemetry Penetrations	Properly Sealed: ----			

FACILITY SAFETY COMPLIANCE

Exterior Ladder

Overall Ladder	Condition: Good	#: 1	Offset Landing: No	Height: 33'
Vandal Guard	Present: Yes	Vandal Guard Locked: No		
Ladder Rails & Rungs	Condition: Good	Missing/Damaged Rungs: No		
Rung Spacing & Depth	Spacing: 12 in. (max 12")	Toe Depth: 8 in. (min 7")		
Rail Spacing & Size	Width: 2.5 in. (min 2")	Thickness: .25 in. (min 1/4")	Rail to Rail: 16 in. (min 16")	
Safety Climb System	Type: Cable	Condition: Good		
Number & Locations	Wall: 1	Leg:	Roof:	Riser Pipe: Other:
Ladder Attachments				

Manways

Type and size	Type: Round	#: 2	Size: 33" inches (24" - 18"x22" min)
Support Structure	Type: Bolted	Condition: Fair	
Number & Locations	Wall: 2	Roof:	Riser Pipe: Other:

Hatches

Hatch Type & Size	Type: Square	#: 1	Size: 24"x24" in. (24" - 24"x15" min)
Hatch & Lid Lip Height	Hatch: 5.5 in. (min 4")	Lid: 2	in. (min 2")

Balconies & Railing

Deck / Walkways	Condition: ----	Width:	
Hand Rails	Condition: Good	Height: 42 in. (min 42")	No. Rails: 2 (min 2)
Toe Rail	Condition: Good	Height: 4 in. (min 4")	
Welds / Attachments	Condition: Good		

Roof

Safety Tie-Off Points	Condition: Good	#: 5+
Antennas	Type: ----	#: 2

DISCLAIMER

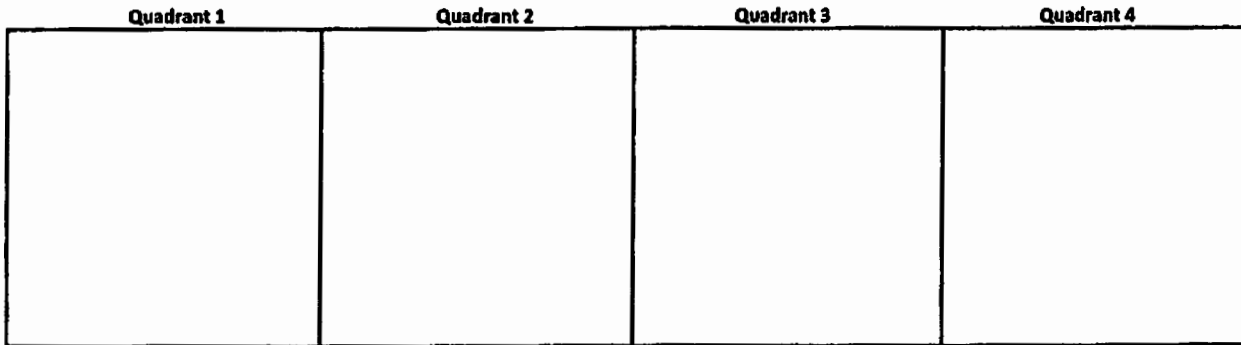
Liquid Engineering does not provide consulting engineering services. Unless otherwise noted, the findings contained in this report were neither prepared nor reviewed by a licensed Professional Engineer, but are based on experience, training and visual examination of the Dive Maintenance Technician

Liquid Engineering Corporation
Circular Tank Diagram / Information Worksheet

Job Number 50463

Utility Name BIG SANDY WATER DISTRICT

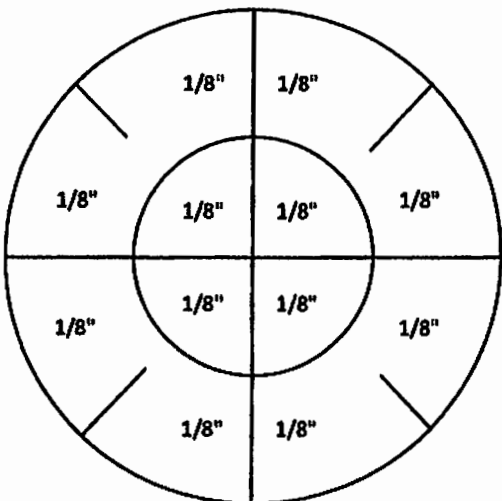
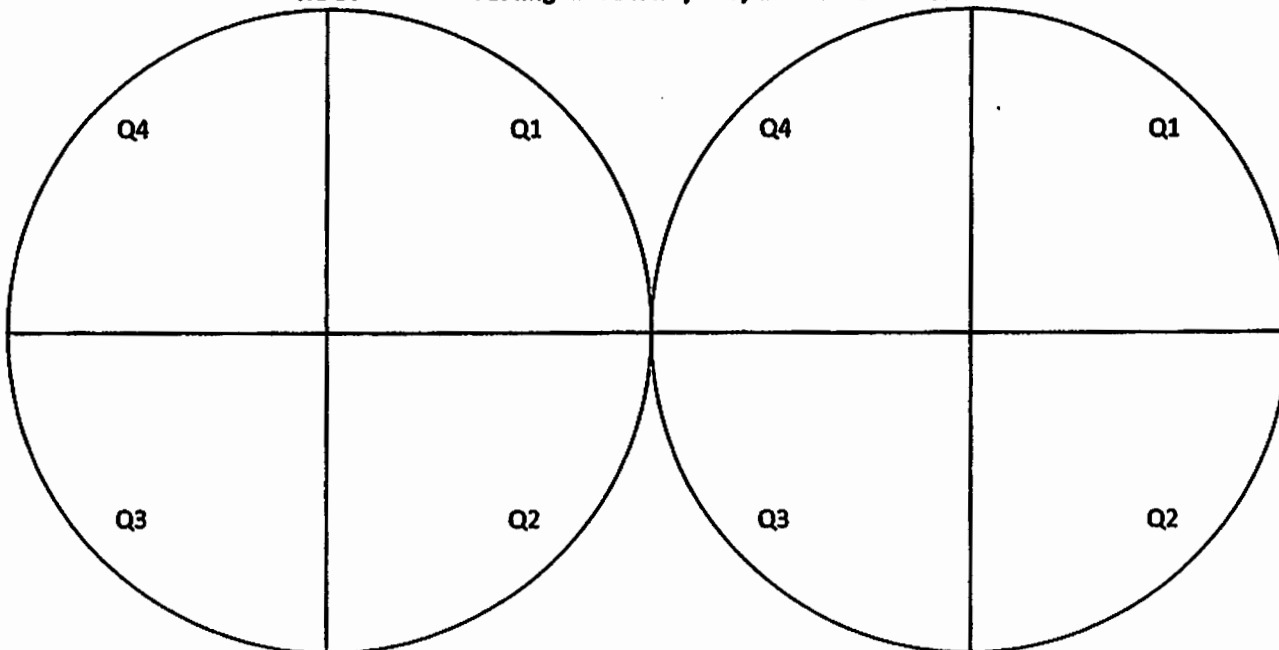
Tank Name US 23 A 300KG



ROOF

Testing and Discrepancy Locations

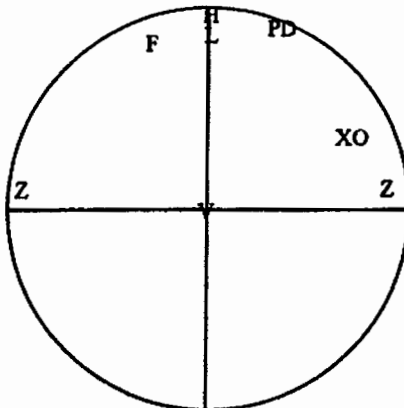
FLOOR



Sediment Depth Measurements

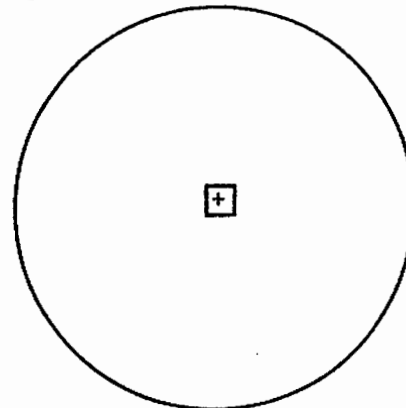
Average Sediment Depth = The sum of all measurements taken, divided by the number of measurements taken

Avg. Depth 1/8" Cubic Yardage Sediment Type IRON



Plumbing & Structure location

Plumbing and structure codes
 O=Outlet X=Inlet Z=Manway
 V=Vent D=Drain S=Sump
 L=Ladder H=Hatch P=Overflow
 F=Float Level Indicator
 T=Telemetry



Column Placement

Type of Column ○ □ ⊞
 Base Structure ⊞ ⊞ ⊞ ⊞
 Top Structure ⊞ ⊞ ⊞ ⊞
 Column Construction Steel

DISCLAIMER

Liquid Engineering does not provide consulting engineering services. Unless otherwise noted, the findings contained in this report were neither prepared nor reviewed by a licensed Professional Engineer, but are based on experience, training and visual examination of the Dive Maintenance Technician

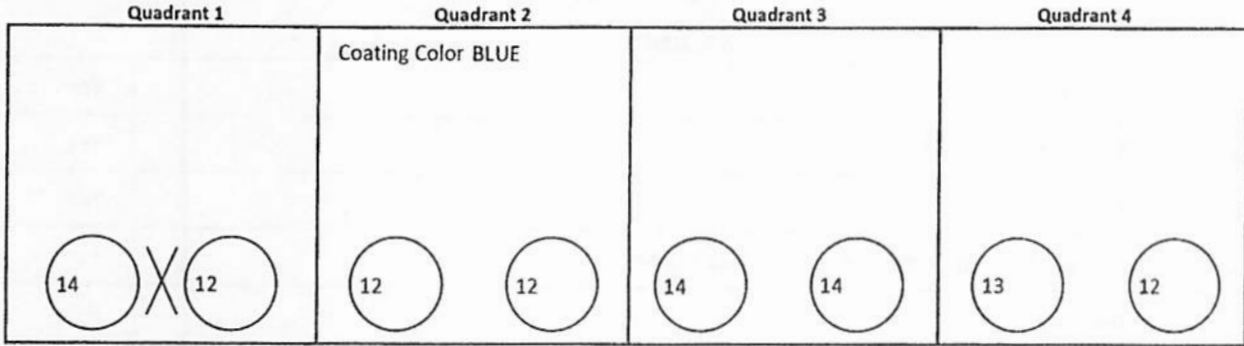
Liquid Engineering Corporation

Circular Tank Diagram / NDT DFT Coating Adhesion Presence of lead

Job Number 50463

Utility Name BIG SANDY WATER DISTRICT

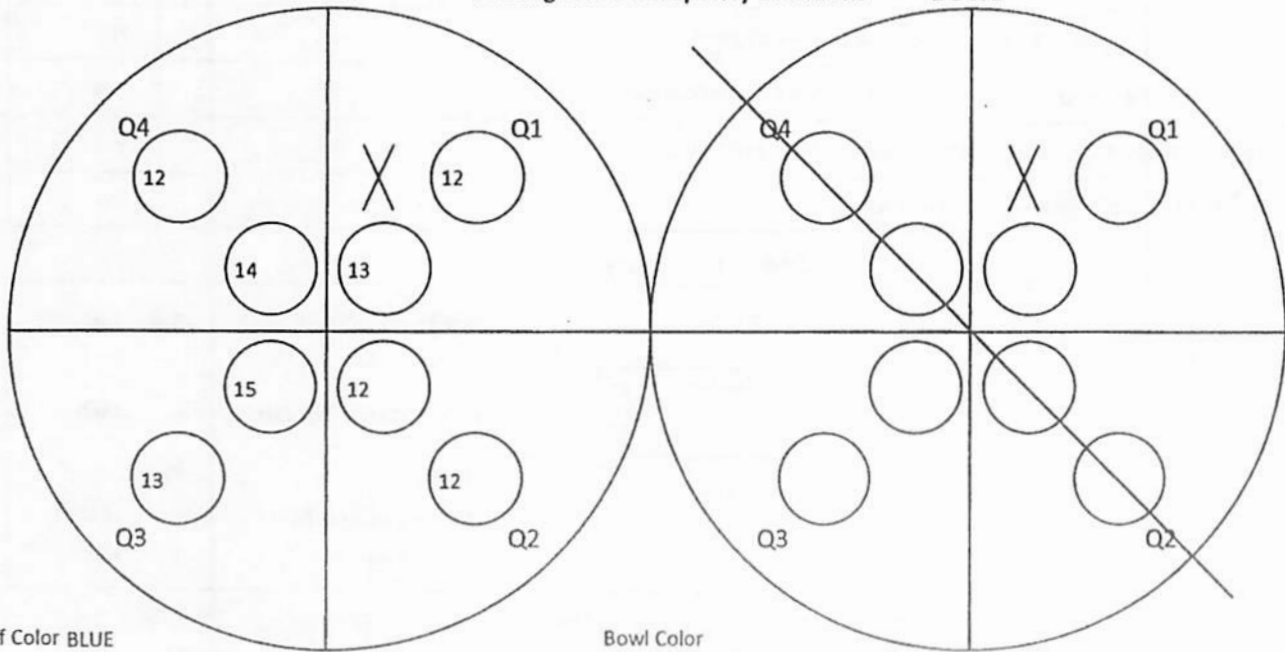
Tank Name US 23 A 300KG



ROOF

Testing and Discrepancy Locations

BOWL



Roof Color BLUE

Bowl Color

DISCLAIMER

Liquid Engineering does not provide consulting engineering services. Unless otherwise noted, the findings contained in this report were neither prepared nor reviewed by a licensed Professional Engineer, but are based on experience, training and visual examination of the Dive Maintenance Technician

Liquid Engineering Corporation

Steel Potable Water Reservoir Security / Measurement Worksheet

Job Number 50463

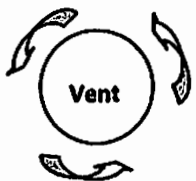
Utility Name BIG SANDY WATER DISTRICT

Tank Name US 23 A 300KG

Security

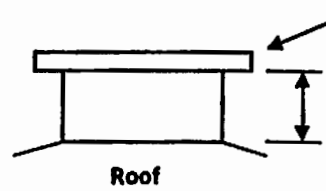
Is the area surrounding the tank well lit?	Yes
Is the tank surrounded by a Security Fence?	Yes
Are the access gates locked?	Yes
Is the tank equipped with a Vandal Guard on the primary access ladder?	Yes
If so, is the Vandal Guard locked?	N/A
Are the vents equipped with security vent shrouds?	No
Are all of the hatches equipped with electronic monitoring devices?	No
Are the external plumbing components housed in a secure vault or out-building?	Yes
Does the surrounding geography of the tank obscure it from public view?	Yes
Does the exterior of the tank show signs of trespass?	No

Measurements



Vent

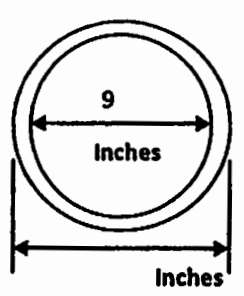
Outside Circumference
45 Inches



Roof

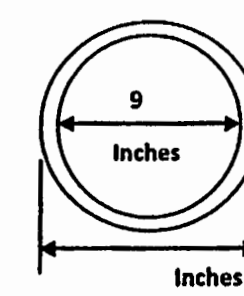
Flange Metal Thickness	3/8	Inches
Roof to Screen or Flange	8	Inches
Flange	Yes	
Number of Bolt Holes	8	Inches
Size of Bolts	1	Inches

Inlet



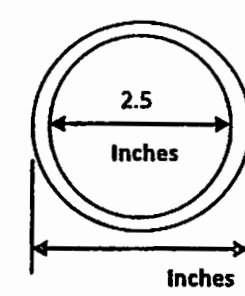
9
Inches

Outlet



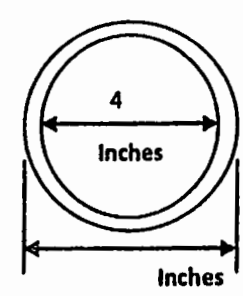
9
Inches

Drain



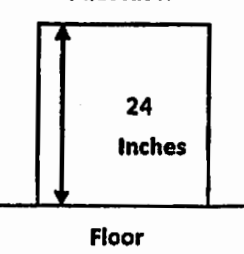
2.5
Inches

Overflow



4
Inches

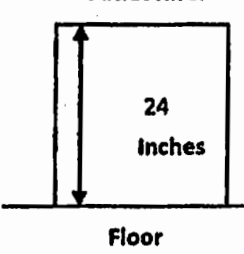
Inlet Riser



24
Inches

Floor

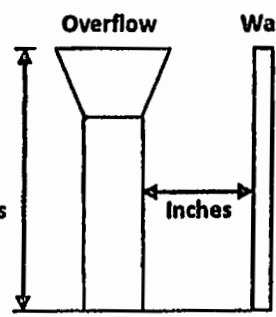
Outlet Riser



24
Inches

Floor

Overflow **Wall**



24
Inches

Floor

DISCLAIMER

Liquid Engineering does not provide consulting engineering services. Unless otherwise noted, the findings contained in this report were neither prepared nor reviewed by a licensed Professional Engineer, but are based on experience, training and visual examination of the Dive Maintenance Technician

Liquid Engineering Corporation
Steel Potable Water Reservoir Immediate Needs Assessment

Job Number: 50463

Utility: BIG SANDY WATER DISTRICT

Tank: US 23 A 300KG

Inspector: J. FAUROT

Dive Controller: E.POTTER

Date: 11/12/2016

1. Health and Safety Items

- Safety Climb System Installation: INTERIOR LADDER SAFETY CABLE IS NOT INTACT
- Vent Screen Repairs:

2. Testing Items

- Dye Testing for Leak Evaluation:
- Presence of Lead Test (Interior/Exterior):

3. Destructive Testing Items

- % of Lead Test (Interior/Exterior) *(Coating samples are removed for laboratory analysis)*
- Coating Adhesion Test (Interior/Exterior):

Specific written authorization required to perform destructive testing. Destructive tests include touch-up of coating system.

4. Repair Items

- Epoxy Coating Repairs:
- Temporary Leak Repairs:
- Float Operated Level Indicator Repairs / Maintenance:
- Hypalon Repairs:

5. Security Related Items *(Critical security upgrade information is immediately available)*

- Tank vents are not equipped with a security vent shroud:
- Tank hatches are not equipped with a security hatch locking device:
- Tank perimeter not adequately secured:

The above mentioned additional work is considered immediately necessary and is recommended to be completed. Some items may be completed in conjunction with work currently being performed while the crew is on site.

Reservoir Inspection Condition Supplemental

CLEAN AND INSPECT EVERY 3-5 YEARS

FLOOR: POSSIBLE BLISTERING, AREAS TESTED WERE NOT SOFT AND DID NOT CRACK, POSSIBLE PAINT DRIPS. NO CORROSION.

INLET/OUTLET: MINOR CONCENTRATION CELL CORROSION.

MANWAYS: CONCENTRATION CELL CORROSION. 4TH QUADRENT HAS CORROSION NEXT TO GASKET MATERIAL.

COLUMN: HEAVY CONCENTRATION CELL CORROSION ON BASE. CONCENTRATION CELL CORROSION ON COLUMN.

WALLS: HEAVY SAGGING AND RUNNING IN COATING, BUT NO DEFICIENCIES OR CORROSION.

ROOF SUPPORTS: UNIFORM SURFACE CORROSION.

ROOF PANELS: UNIFORM SURFACE CORROSION. HEAVIER ON WELD SEAMS. 2 PENETRATION POINTS ALLOWING IN LIGHT.

WALL TO ROOF WELD: HEAVY CONCENTRATION CELL CORROSION.

TO BE REPAIRED
JFS

DISCLAIMER

Liquid Engineering does not provide consulting engineering services. Unless otherwise noted, the findings contained in this report were neither prepared nor reviewed by a licensed Professional Engineer, but are based on experience, training and visual examination of the Dive Maintenance Technician

BID FORM**BIG SANDY WATER DISTRICT****CONTRACT NO. "F-1" – WATER TANK PAINTING & REPAIRS****BIDDER'S PROPOSAL**

Proposal of _____ (hereinafter called "BIDDER"), organized and existing under the laws of the State of _____, doing business as (a partnership, or a corporation, or an individual) _____, to Big Sandy Water District (hereinafter called "OWNER").

In compliance with the Advertisement for Bids, BIDDER hereby proposes to furnish all equipment, materials, and labor for the work required to construct the Contract No. "F-1" – Water Tank Painting & Repairs in strict accordance with the Contract Documents, within the time set forth therein, and at the prices stated below.

BID SCHEDULE

ITEM NO.	ITEM DESCRIPTION	UNIT QUANTITY		UNIT COST	TOTAL COST
1	Sandblasting & Painting – 23,500 gallon steel ground storage tank (Fuller Ridge)	1	EA.		
2	Sandblasting & Painting - 40,600 gallon steel ground storage tank (Cunningham Hill)	1	EA.		
3	Sandblasting & Painting - 75,000 gallon steel ground storage tank (Quarry Branch)	1	EA.		
4	Sandblasting & Painting - 137,000 gallon steel ground storage tank (Rush Hill)	1	EA.		
5	Sandblasting & Painting - 216,000 gallon steel ground storage tank (Bowling Drive)	1	EA.		
6	Sandblasting & Painting - 106,000 gallon steel ground storage tank (Buchanan)	1	EA.		
7	Sandblasting & Painting - 300,000 gallon steel ground storage tank (U.S. 23)	1	EA.		

See Liquid Engineering Report @ Section 09900 of Specifications

8	Misc. Repairs/Caulking - 360,000 gallon (glass lined) ground storage tank (U.S. 23)	1	EA.		
9	General Grinding (as needed – Rush Hill Tank)	20	Man - Hour		
10	Welding Seams (as needed – Rush Hill Tank)	40	L.F.		
11	Pit Filler (as needed – Rush Hill Tank)	5	GAL.		
12	Pit Welding (as needed – Rush Hill Tank)	20	Pits		
13	Seam Rolling w/extra coat of epoxy (as needed – Rush Hill Tank)	100	L.F.		
14	Quarry Branch Tank (review & recommend floor warpage repair)	1	L.S.		
TOTAL ITEMS BID (1 – 14)					

BIG SANDY WATER DISTRICT

**Response to Commission Staff's Request for Information Dated May 3, 2019
Case No. 2019-00041**

Question No. 12

Responding Witnesses: Teresa Brown, James Blanton, Sherman McDaniels

Q-12. Refer to the water utility's response to the March 12 Order, Item 14.

- a. Provide the cost and purchase date of all equipment the water utility identified in its response.**
- b. State how frequently the identified leak detection equipment items are utilized by the water utility.**

- A-12. a. No equipment was identified in the Response to Item 14 of the Commission's Order of March 12, 2019.
- b. Not applicable.

BIG SANDY WATER DISTRICT

**Response to Commission Staff's Request for Information Dated May 3, 2019
Case No. 2019-00041**

Question No. 13

Responding Witness: Teresa Brown

- Q-13. Refer to the water utility's response to the March 12 Order, Item 16. For water utilities that responded that they have no written policy to identify errors that result in missed customer billings or under billings of customer accounts, state whether writing and adopting a formal written policy regarding this would be considered by its board of commissioners or directors, and if not state why not.**
- A-13. Big Sandy Water District has procedures to identify errors causing missed customer billings or under billings of customer accounts, but they are not in writing. Big Sandy Water District's Board of Commissioners is willing to consider the adoption of a written policy and procedures to identify errors resulting in missed customer billings or underbillings.

BIG SANDY WATER DISTRICT

**Response to Commission Staff's Request for Information Dated May 3, 2019
Case No. 2019-00041**

Question No. 14

Responding Witness: Teresa Brown

Q-14. Refer to the water utility's response to the March 12 Order, Item 17. For water utilities that responded that they cannot accurately verify through testing how much water they produce at their water treatment plant, state how the water utility can accurately assess its water loss with an unverified production meter.

A-14. Not applicable.

BIG SANDY WATER DISTRICT

**Response to Commission Staff's Request for Information Dated May 3, 2019
Case No. 2019-00041**

Question No. 15

Responding Witnesses: Bobbi Burton, Teresa Brown

Q-15. Refer to the water utility's response to the March 12 Order, Item 18.

- a. For water utilities that provided test results and had master meters that failed tests, state whether those master meters were replaced or repaired and provide the dates when they were replaced or repaired.**
- b. For water utilities that could not provide test results, provide any previous test results of the water utility's master meters or those from the wholesale provider from any previous date.**

A-15. a. Not applicable.

- b. As noted in its Response to Item 18 of the Order of March 12, 2019, Big Sandy Water District has requested but not received the results of tests performed on the master meter that the City of Kenova uses to furnish water to Big Sandy Water District. Kenova has requested a copy of the results of the last test performed on its meter and has agreed to provide Big Sandy Water District a copy upon its receipt. Big Sandy Water District will supplement this response upon receipt of that test.

On March 25, 2019, the City of Ashland replaced the master meter serving Big Sandy Water District. Big Sandy Water District has requested that this meter be tested, but has yet to receive an affirmative response to this request. A copy of the results of the test performed on the Ashland master meter currently serving Big Sandy Water District prior to shipment from the factory is attached to this Response.

Island 538 B.P.S

Replaced
3/25/19



6 In. TRU/FLO

TEST	GPM	Test %
1	1400	100.76
2	50	101.14
3	16	99.39
4	20	99.57
5	24	99.59
6	28	101.94
7	32	101.25
8	36	101.10
9	3	100.09
10	.75	99.93

1000 Gal. Procoder

Temperature: 69 ✓

Hydro. Test: _____

Reg. Verification _____ ✓

CHANGE GEARS

Turbine: 30/26

Disk: 38/33

Positon: 3

Clock #: 4424

12/04/18 8:25 AM

72029499



13759-321



Series Num



2120418004

BIG SANDY WATER DISTRICT

**Response to Commission Staff's Request for Information Dated May 3, 2019
Case No. 2019-00041**

Question No. 16

Responding Witnesses: Bobbi Burton, Teresa Brown

- Q-16. Refer to the water utility's response to the March 12 Order, Item 19. Provide the total number of customer meters that are greater than ten years old that a water utility currently has in service, if any, and provide any previous tests for each of these meters. If the meter has not been tested, please state in the affirmative and state why it has not been tested.**
- A-16. Big Sandy Water District is not currently able to provide the requested information. Its meter records do not currently permit an accurate statement of the number of active customer meters that have been in service for more than 10 years. It is reviewing its records in an effort to eliminate discrepancies and improve their accuracy. It will supplement this Response prior to the scheduled hearing in this matter.

BIG SANDY WATER DISTRICT

**Response to Commission Staff's Request for Information Dated May 3, 2019
Case No. 2019-00041**

Question No. 17

Responding Witness: James Blanton

Q-17. Refer to the water utility's response to the March 12 Order, Item 22. For water utilities that do not utilize supervisory control and data acquisition (SCADA) technology within its system, state the reasons why the water utility does not utilize SCADA technology within its system.

A-17. In its Response to Item 12 of the Order of March 12, 2019, Big Sandy Water District incorrectly stated that it lacks SCADA technology. It uses SCADA technology that permits remote control and operation of the District's pumps.

BIG SANDY WATER DISTRICT

**Response to Commission Staff's Request for Information Dated May 3, 2019
Case No. 2019-00041**

Question No. 18

Responding Witness: James Blanton

Q-18. Refer to the water utility's response to the March 12 Order, Item 23. For water utilities that do not utilize telemetry within its system, state the reasons why the water utility does not utilize telemetry within its system.

A-18. Not Applicable.

BIG SANDY WATER DISTRICT

**Response to Commission Staff's Request for Information Dated May 3, 2019
Case No. 2019-00041**

Question No. 19

Responding Witnesses: James Blanton, Sherman Daniels

Q-19. Refer to the water utility's response to the March 12 Order, Item 26.

- a. For water utilities that currently utilize master meter zones in leak detection, state how the data from the zone meters is used to reduce water loss and whether the water utility has a sufficient number of zone meters to monitor its entire system.**
- b. For water utilities that currently do not utilize master meter zones in leak detection, state with specific detail whether doing so would assist in the water utility's water loss reduction efforts or why it would not.**

A-19. a. Big Sandy Water District takes daily readings of each master meter and determines water usage within the zone. If water usage has significantly increased, the District assumes a leak has occurred and proceeds to search for the leak.

Big Sandy Water District has a sufficient number of zone meters to monitor its system.

- b. Not applicable.

BIG SANDY WATER DISTRICT

**Response to Commission Staff's Request for Information Dated May 3, 2019
Case No. 2019-00041**

Question No. 20

Responding Witness: Teresa Brown

Q-20. Refer to the water utility's response to the March 12 Order, Item 31.

- a. Provide the approximate hourly rate for the water utility's general manager/superintendent for the calendar years 2017 and 2018 utilizing actual hours worked, or if by salary by dividing the monthly salary by the standard 173.3 hours worked per month.**
- b. Provide the job title and job description for the general manager/superintendent from the water utility's handbook, if such a handbook exists. If the water utility does not currently have a handbook, provide the job title and a detailed job description for the general manager/superintendent that includes job duties.**

- A-20. a. Big Sandy Water District did not employ a general manager in 2017 or 2018. It has a maintenance supervisor and an office manager. The maintenance supervisor is responsible for system operations. The office manager is responsible for customer relations and billing.
- b. Not applicable.

BIG SANDY WATER DISTRICT

**Response to Commission Staff's Request for Information Dated May 3, 2019
Case No. 2019-00041**

Question No. 21

Responding Witness: James Blanton

- Q-21. Refer to the water utility's response to the March 12 Order, Item 35. For water utilities that have not mapped their distribution area for service lines and connections, provide specific detail of the process of how the water utility locates its service lines and connections.**
- a. State the process for water utility responses to 811 calls for line locates.**
 - b. Provide an approximate date of completion for the water utility to map their entire distribution system for service lines and connections.**
- A-21.
- a. Within 24 to 48 hours of the request, District personnel examine the as-built plans and then mark the service connection with blue flags or blue paint.
 - b. Big Sandy Water District currently lacks the funding necessary to map its distribution system for service connections. It does not have an approximate date when funding may be secured.

BIG SANDY WATER DISTRICT

**Response to Commission Staff's Request for Information Dated May 3, 2019
Case No. 2019-00041**

Question No. 22

Responding Witness: James Blanton

Q-22. Refer to the water utility's response to the March 12 Order, Item 37a. For water utilities that have not requested prosecution of water theft (a.k.a. theft of services) by either the county attorney or commonwealth attorney's office, state the reasons why such requests have not been made.

A-22. Not applicable.

BIG SANDY WATER DISTRICT

**Response to Commission Staff's Request for Information Dated May 3, 2019
Case No. 2019-00041**

Question No. 23

Responding Witnesses: Teresa Brown, Bobbi Burton

- Q-23. Refer to the water utility's response to the March 12 Order, Item 38. For a water utility that has stated in the affirmative that a leak adjustment is permitted, provide the current leak adjustment rate and applicable tariff page from the water utility's tariff on file with the Commission.**
- A-23. Big Sandy Water District's tariff provides: "The leak adjustment rate shall be the last step in the declining block rate design of the utility's general water rate as set forth in its approved tariff on file with the PSC." For customers located in Division 1, the leak adjustment rate is \$5.42 per 1,000 gallons. For customers located in Division 2, the leak adjustment rate is \$6.39 per 1,000 gallons. The applicable pages from Big Sandy Water District's tariff are attached to this response.

FOR Boyd, Carter, Johnson & Lawrence Counties
Community, Town, or City

P.S.C. NO. 1

1st Revised SHEET NO. 8

Big Sandy Water District
(Name of Utility)

CANCELLING P.S.C. KY NO 1

Original SHEET NO 8

RULES & REGS

E. Leak Adjustments:

PSC Rules and Regulations do not require a utility to offer a leak adjustment although a utility may choose to offer such a policy. This utility chooses to offer a leak adjustment under the following conditions:

1. The customer must request a leak adjustment in writing to the utility.
2. The customer must provide a plumber's statement or other proof showing the leak has been repaired.
3. The customer bill will be based on two components. The first step will be to calculate the customer's average monthly usage over a three-month period. The second step will be to deduct the customer's average monthly usage (as calculated above) from the total amount of water that passed through the meter. The usage calculated in step one will be billed at the utility's regular rates, while the remaining usage will be charged at the per thousand gallon leak adjustment rate as set forth in this tariff. All water passing through the meter must be accounted and paid for by the customer. Therefore, the customer will owe the amount of his/her average bill plus the per thousand gallon leak adjustment rate for the remainder of the water that passes through the meter.
4. If meter reading are not available for an entire three-month period, the water bill will be estimated by the utility, subject to an upward or downward adjustment once a three-month average of actual meter reading can be calculated.
5. Only one leak adjustment will be made per customer during any given one-year period.
6. Wholesale customers are not eligible for this Leak Adjustment Policy.
7. The leak adjustment rate shall be the last step in the declining block rate design of the utility's general water rate as set forth in its approved tariff on file with the PSC.

DATE OF ISSUE 07/23/2009

DATE OF EFFECTIVE 09/01/2009

ISSUED BY Paul S. Thomas

TITLE CHAIRMAN

BY AUTHORITY OF ORDER OF THE PUBLIC SERVICE COMMISSION

IN CASE NO. n/a DATED n/a

PUBLIC SERVICE COMMISSION
OF KENTUCKY
EFFECTIVE
7/14/2009
PURSUANT TO 807 KAR 5:011
SECTION 9 (1)

By [Signature]
Executive Director

BIG SANDY WATER DISTRICT

**Response to Commission Staff's Request for Information Dated May 3, 2019
Case No. 2019-00041**

Question No. 24

Responding Witnesses: Teresa Brown, James Blanton

Q-24. Refer to the water utility's response to the March 12 Order, Item 44. For utilities that responded that they currently do not have flushing equipment, state whether its board of commissioners or directors has ever discussed the purchase of flushing equipment to improve the water utility's system. Provide any applicable board minutes as an attachment to this request.

A-24. Big Sandy Water District currently flushes its water mains at flush hydrants. No other equipment is necessary. The District has experimented with the use of automatic flush valves but experienced problems with the valves becoming stuck in the open position.

A search of the written board minutes of Big Sandy Water District Board of Commissioners meetings failed to uncover any discussions regarding flushing equipment.