

MATCH LINE 23+50 SEE SHEET 85

MATCH LINE 37+00 SEE SHEET 87



DATE:	
NO.	
REVISIONS	

GRAVITY SEWER PLAN AND PROFILE
LINE R STA. 23+50 TO STA. 37+00
CONTRACT 4-2017

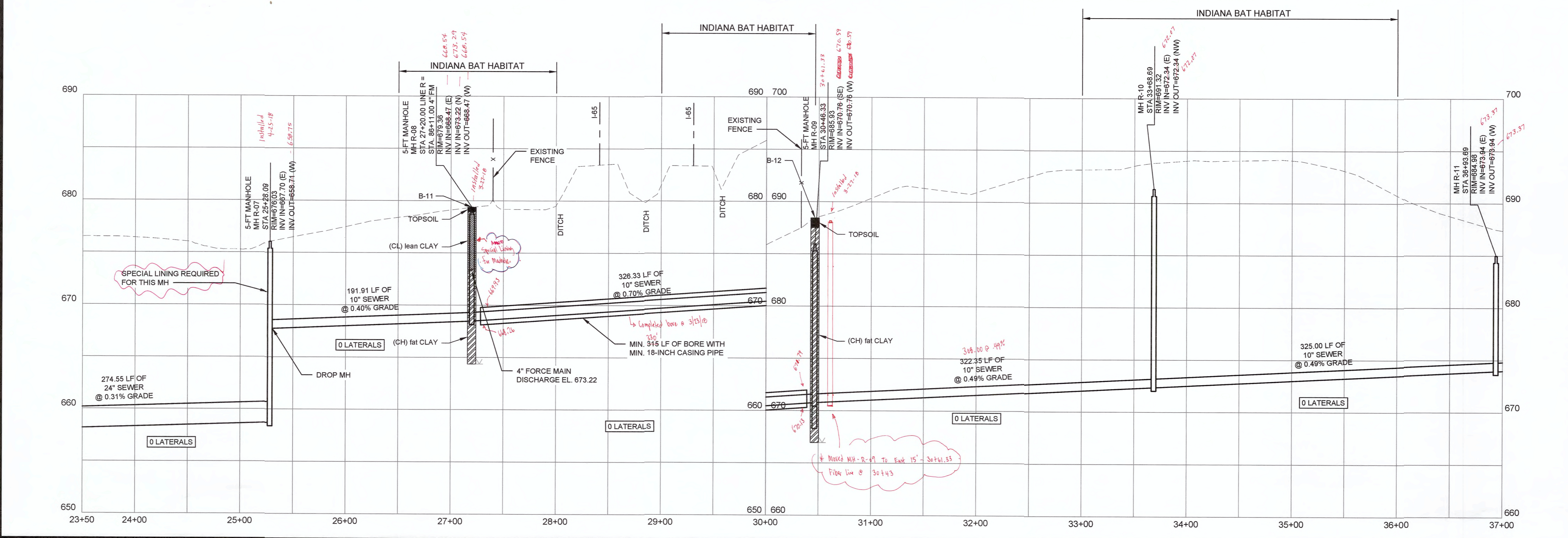
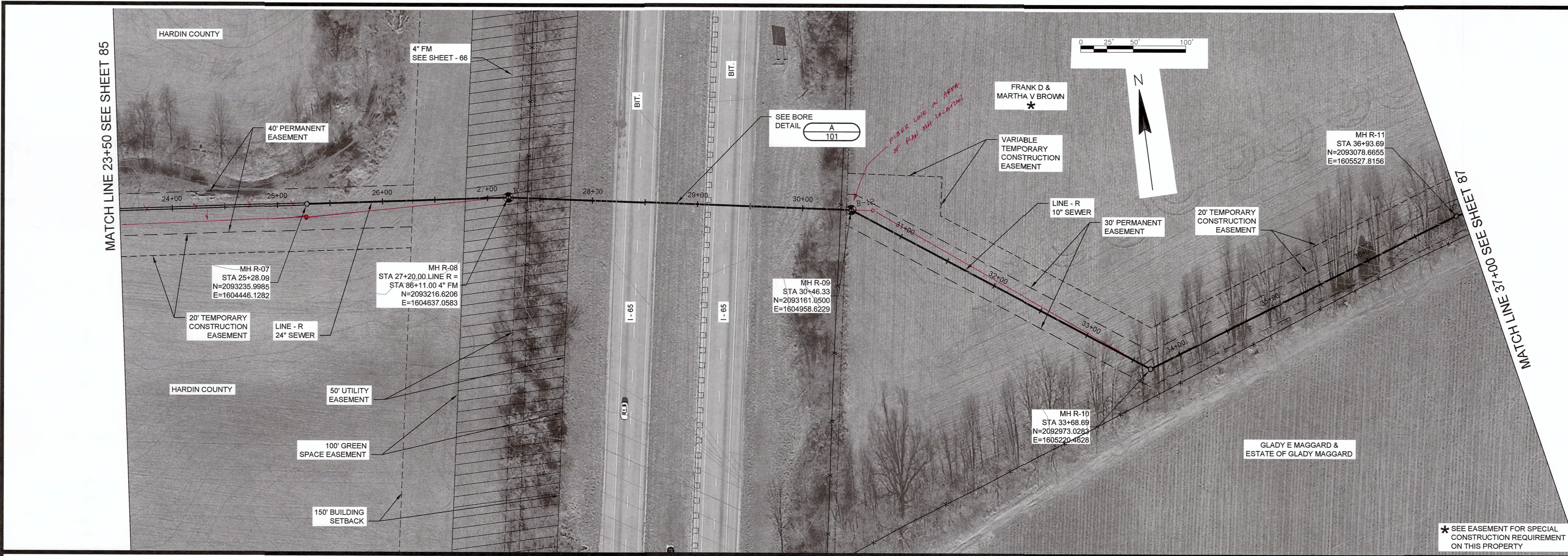
NOLIN RIVER WATERSHED SEWER INFRASTRUCTURE
 HARDIN COUNTY WATER DISTRICT NO. 2
 HARDIN COUNTY, KENTUCKY

JOB NO.
5980.020

PROJECT MGR.
MAS



SHEET
86





DATE:	
REVISIONS	
NO.	

GRAVITY SEWER PLAN AND PROFILE
LINE R STA. 37+00 TO STA. 50+50
CONTRACT 4-2017

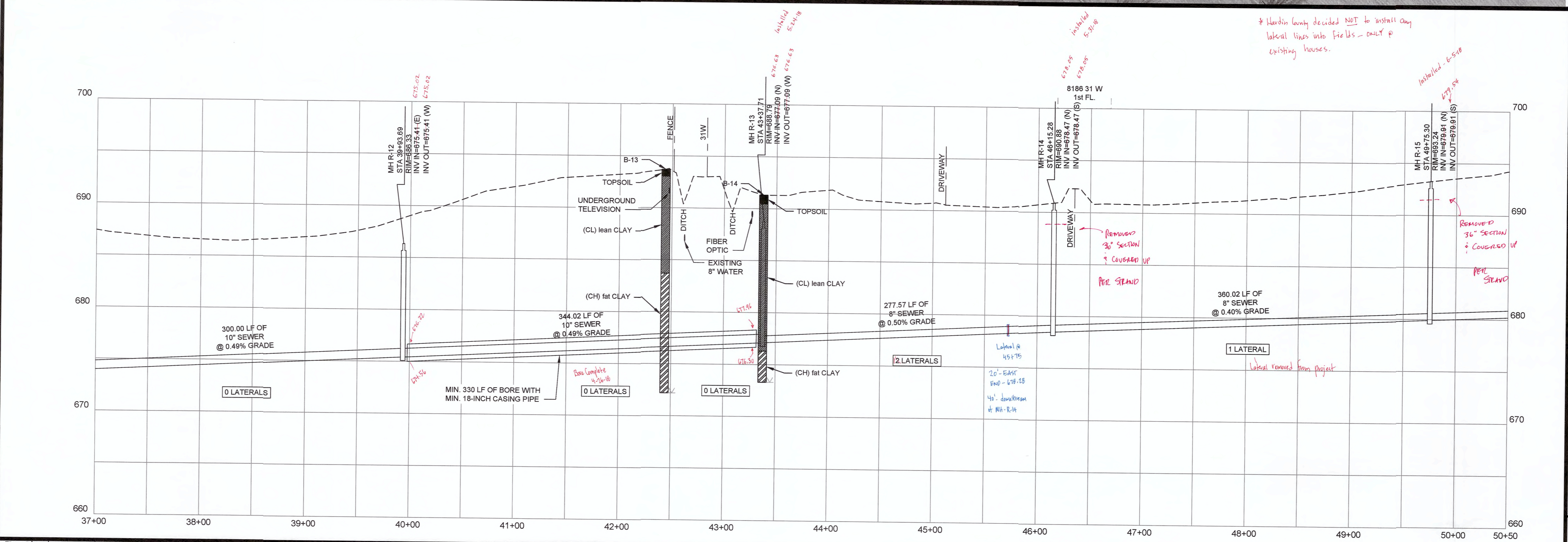
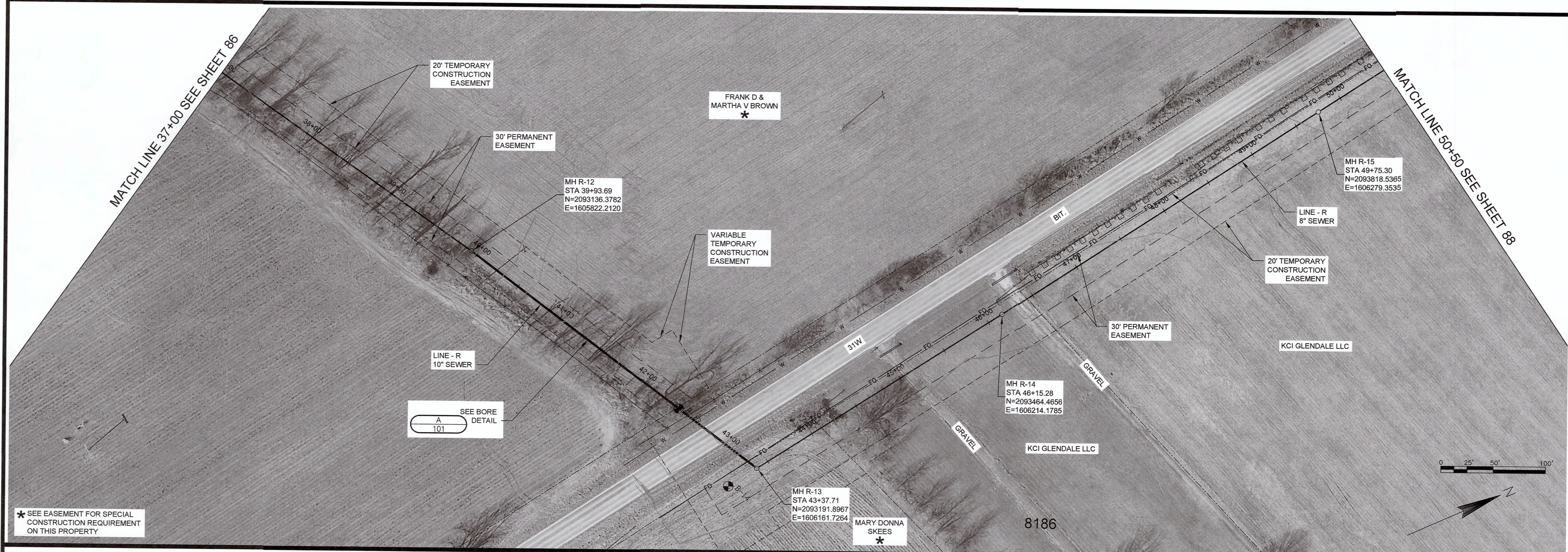
NOLIN RIVER WATERSHED SEWER INFRASTRUCTURE
 HARDIN COUNTY WATER DISTRICT NO. 2
 HARDIN COUNTY, KENTUCKY

JOB NO.
5980.020

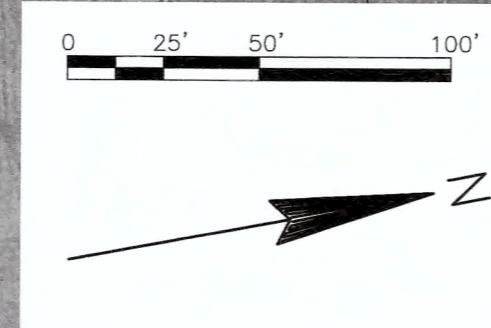
PROJECT MGR.
MAS



SHEET
87



NOTE: CONTRACTOR SHALL BORE
 LATERALS TO BUILDINGS BEING
 SERVED WEST OF 31W.
 SEE SPECIFICATIONS.



MATCH LINE 50+50 SEE SHEET 87

MATCH LINE 64+00 SEE SHEET 89



NO.	REVISIONS	DATE

GRAVITY SEWER PLAN AND PROFILE
LINE R STA. 50+50 TO STA. 64+00
CONTRACT 4-2017

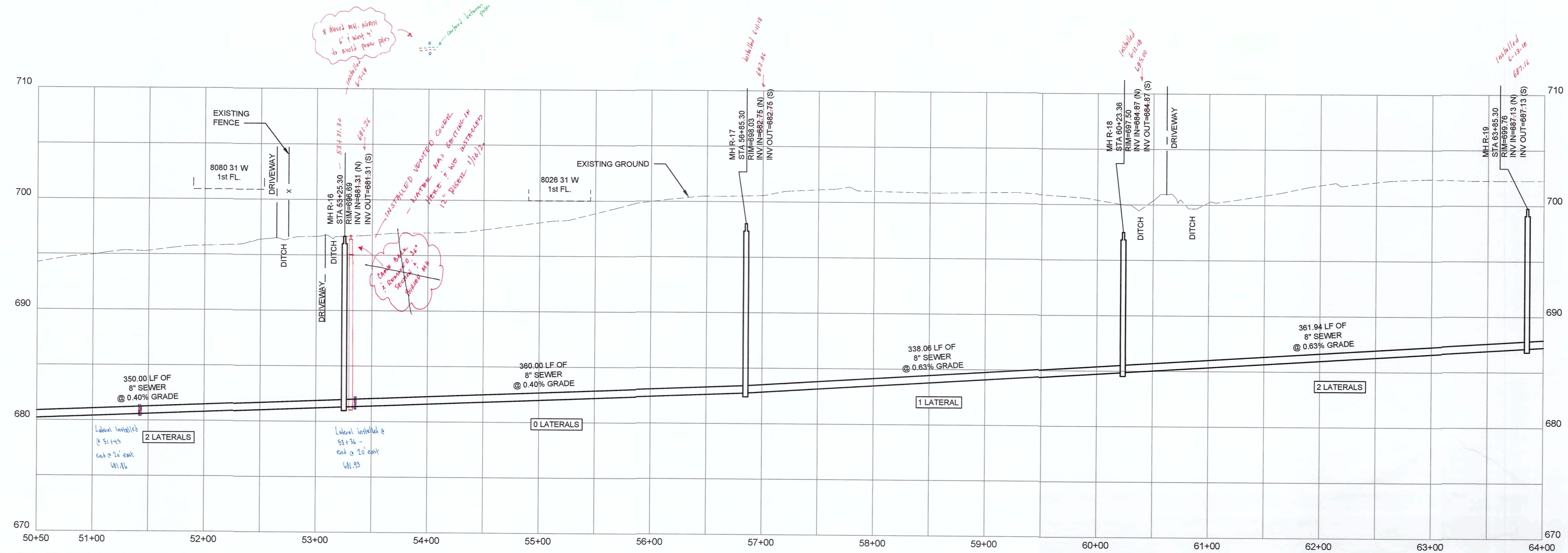
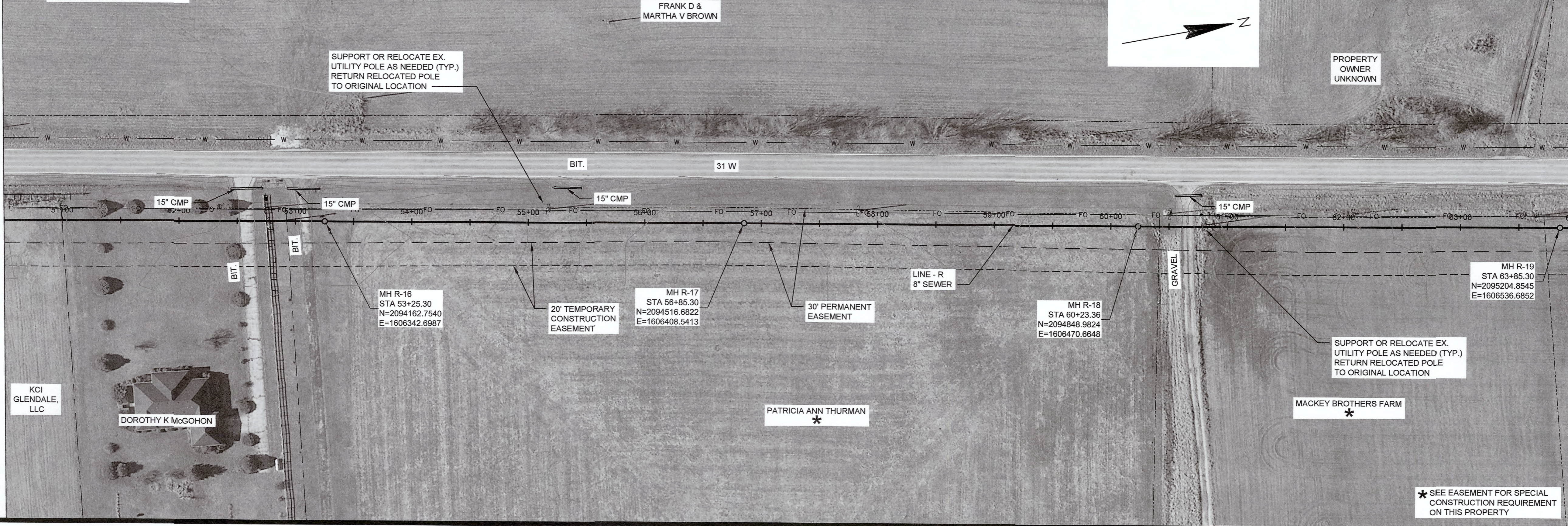
NOLIN RIVER WATERSHED SEWER INFRASTRUCTURE
 HARDIN COUNTY WATER DISTRICT NO. 2
 HARDIN COUNTY, KENTUCKY

JOB NO.
 5980.020

PROJECT MGR.
 MAS



SHEET
 88



NOTE: CONTRACTOR SHALL BORE
LATERALS TO BUILDINGS BEING
SERVED WEST OF 31W.
SEE SPECIFICATIONS.

WILLIAM M &
JUDY K HUDSON

PROPERTY
OWNER
UNKNOWN

BOBBY SHARP

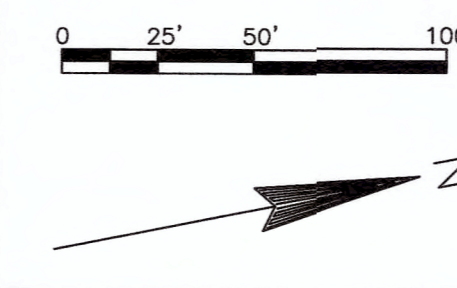
BOBBY GENE SHARP

RODNEY T &
DEBORAH A SHARP

MICHAEL W &
CATHERINE M HAZZARD

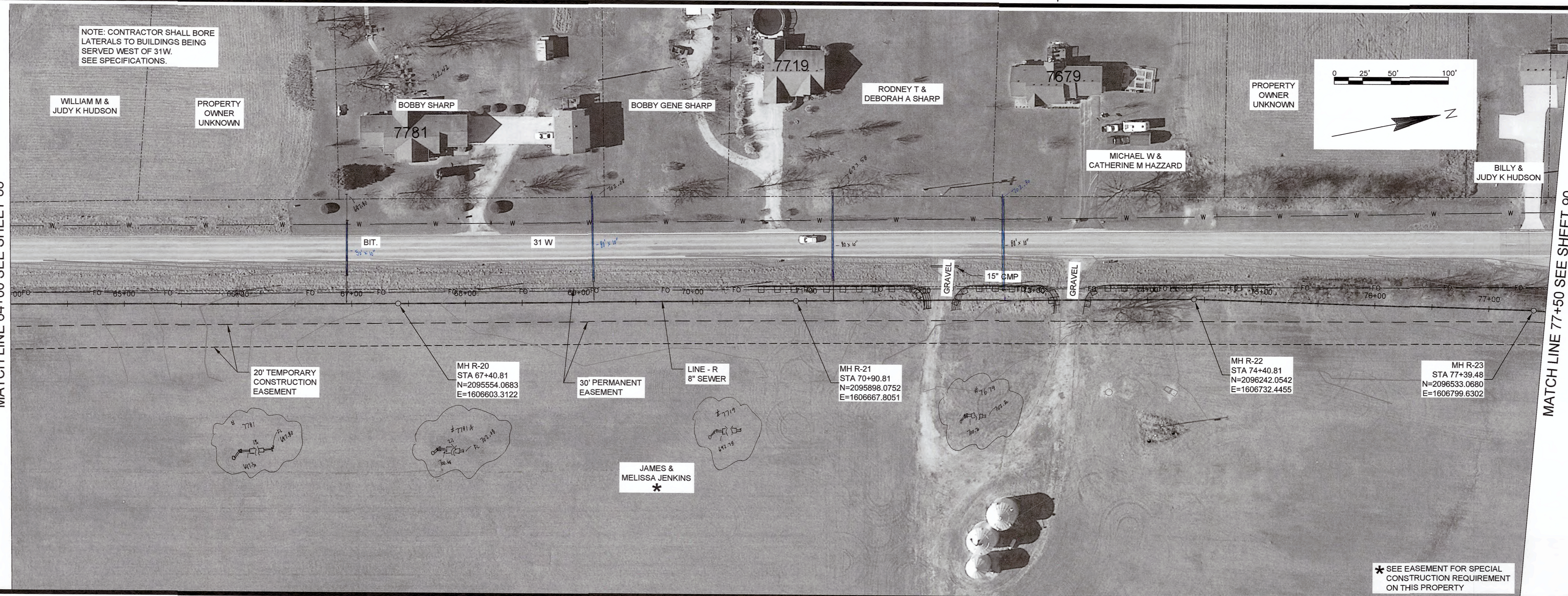
PROPERTY
OWNER
UNKNOWN

BILLY &
JUDY K HUDSON



MATCH LINE 64+00 SEE SHEET 88

MATCH LINE 77+50 SEE SHEET 90



* SEE EASEMENT FOR SPECIAL
CONSTRUCTION REQUIREMENT
ON THIS PROPERTY



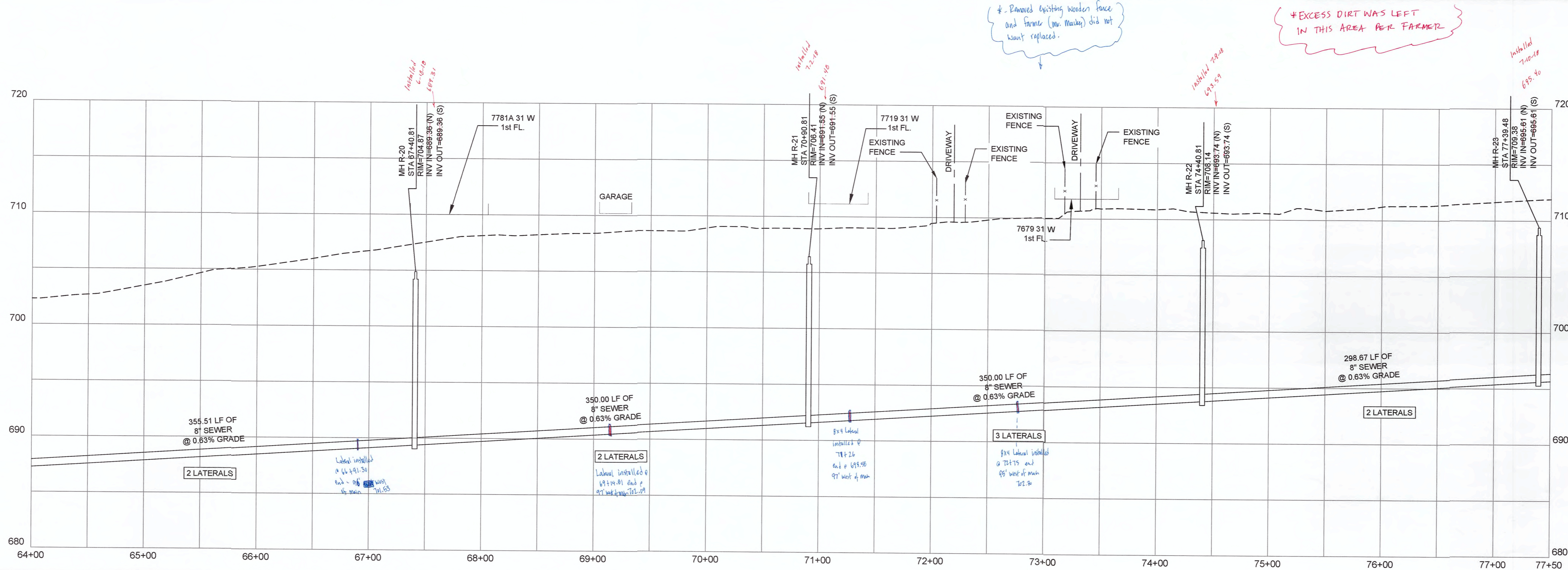
NO.	REVISIONS	DATE:

GRAVITY SEWER PLAN AND PROFILE
LINE R STA. 64+00 TO STA. 77+50
CONTRACT 4-2017
 NOLIN RIVER WATERSHED SEWER INFRASTRUCTURE
 HARDIN COUNTY WATER DISTRICT NO. 2
 HARDIN COUNTY, KENTUCKY

JOB NO.
5980.020
PROJECT MGR.
MAS



SHEET
89

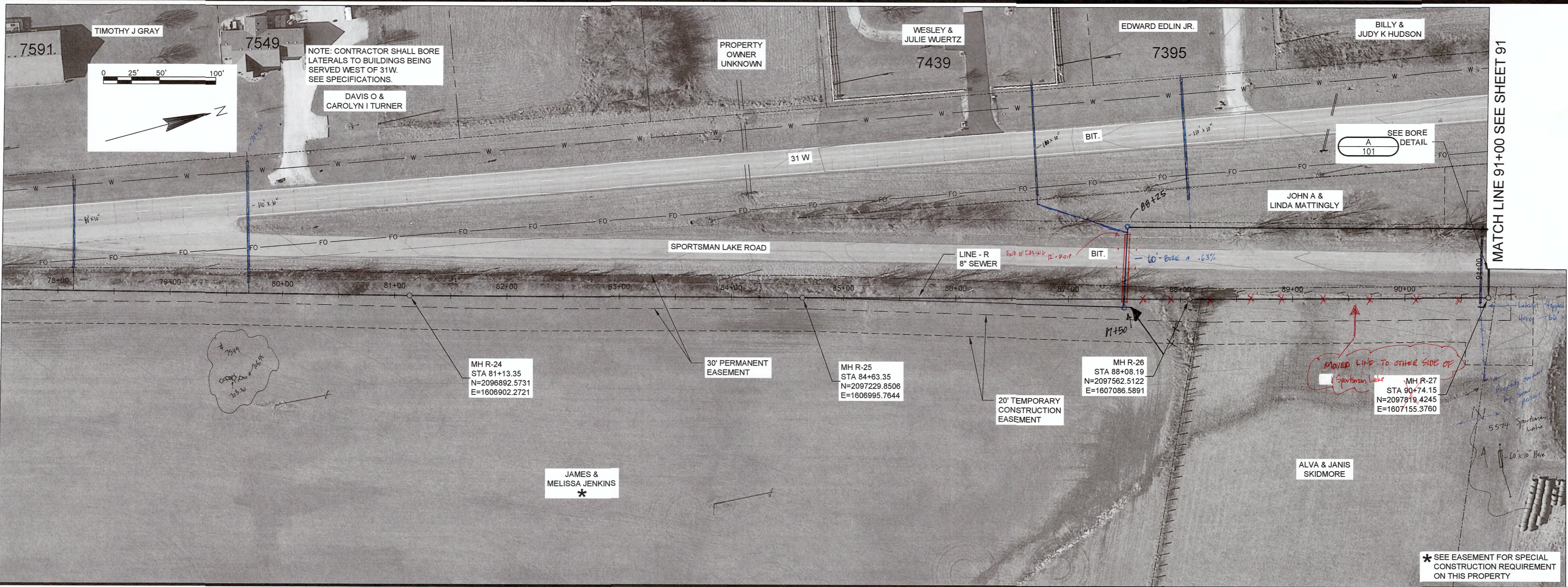


* Removed existing wooden fence
and farmer (Mr. Males) did not
want replaced.

* EXCESS DIRT WAS LEFT
IN THIS AREA PER FARMER

MATCH LINE 77+50 SEE SHEET 89

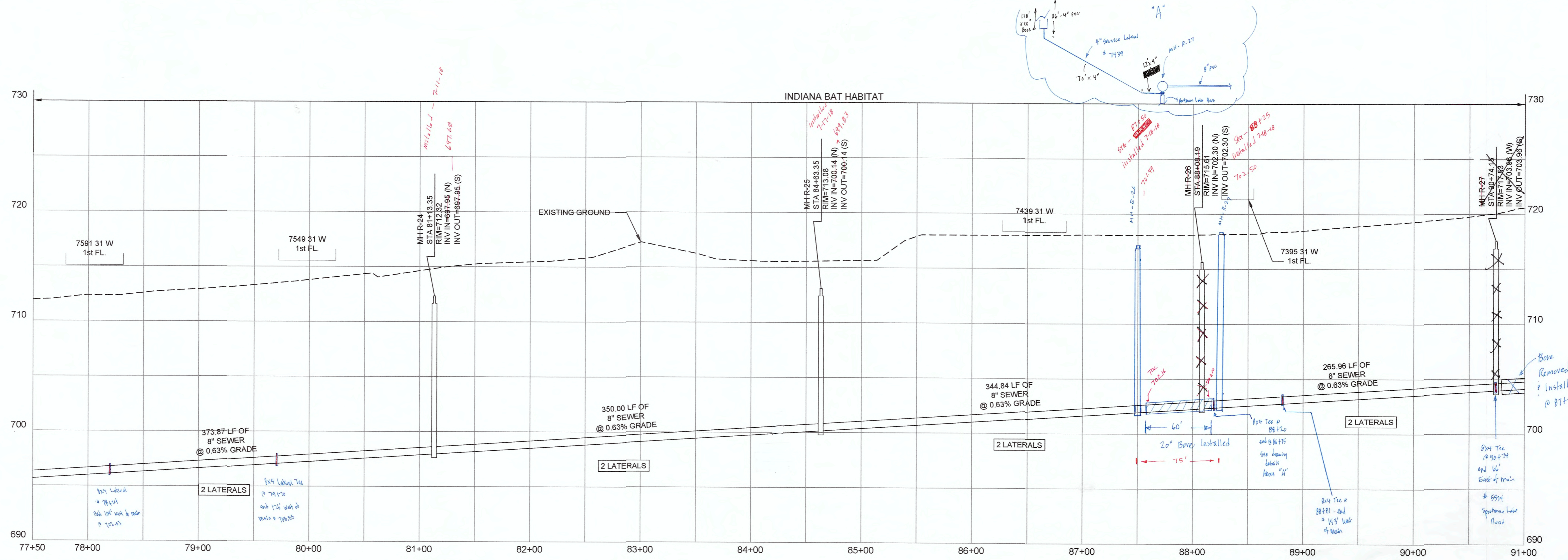
MATCH LINE 91+00 SEE SHEET 91



NO.	REVISIONS	DATE

GRAVITY SEWER PLAN AND PROFILE
LINE R STA. 77+50 TO STA. 91+00
CONTRACT 4-2017

NOLIN RIVER WATERSHED SEWER INFRASTRUCTURE
 HARDIN COUNTY WATER DISTRICT NO. 2
 HARDIN COUNTY, KENTUCKY

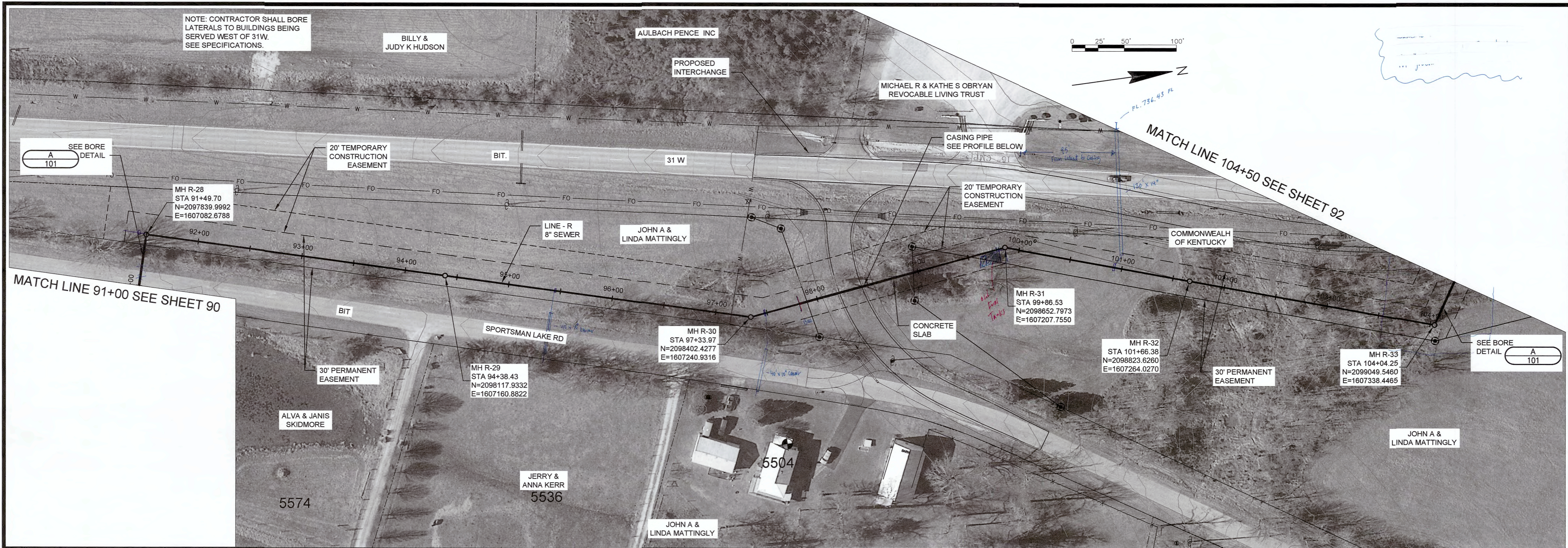


JOB NO.
5980.020

PROJECT MGR.
MAS



SHEET
90

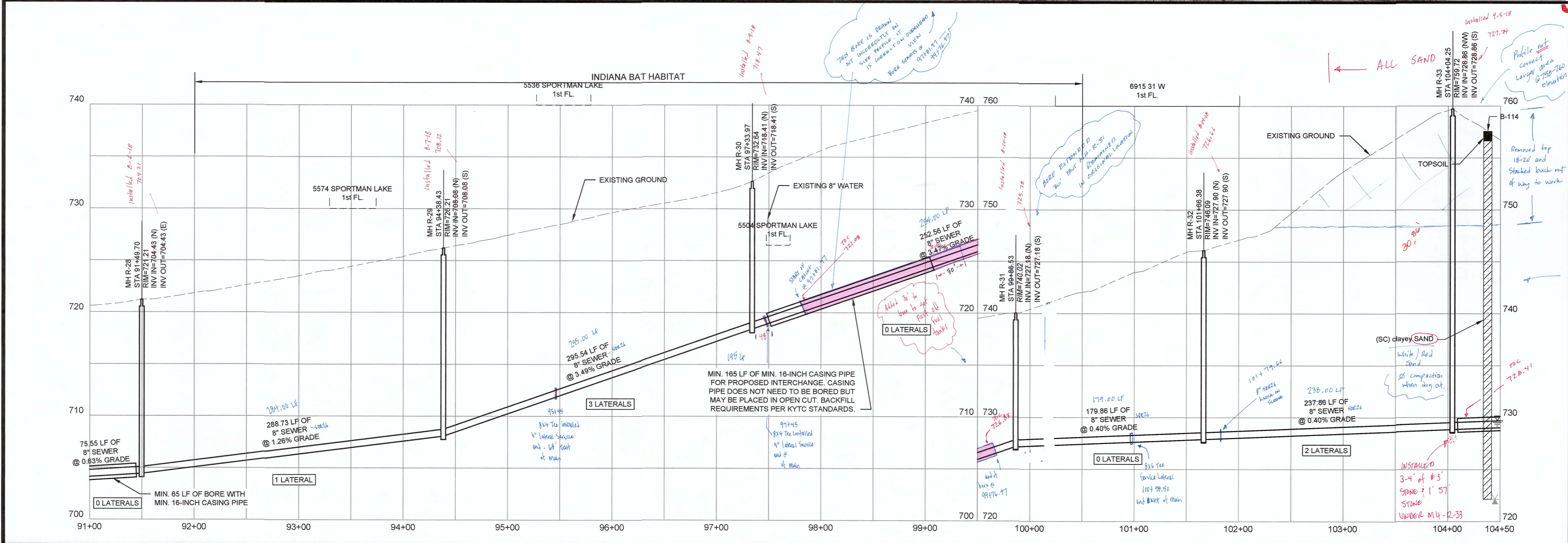


STATE OF KENTUCKY
 MARK A. SNEVE
 18511
 8/15/17

DATE: _____

REVISIONS

NO.	



GRAVITY SEWER PLAN AND PROFILE
LINE R STA. 91+00 TO STA. 104+50
CONTRACT 4-2017

NOLIN RIVER WATERSHED SEWER INFRASTRUCTURE
 HARDIN COUNTY WATER DISTRICT NO. 2
 HARDIN COUNTY, KENTUCKY

- Replaced all soil (sand) and re-graded to correct elevation - when work was finished.

JOB NO.
5980.020

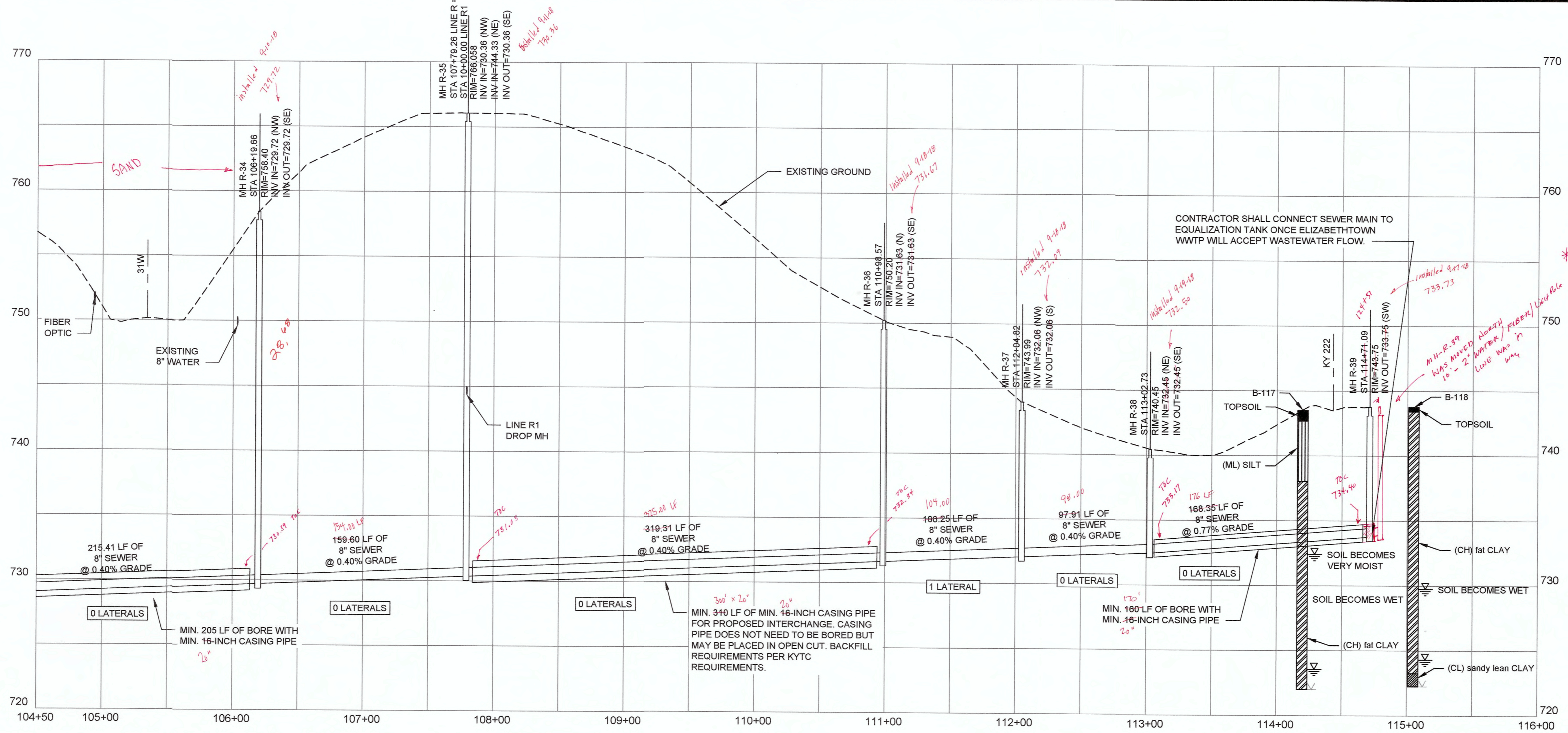
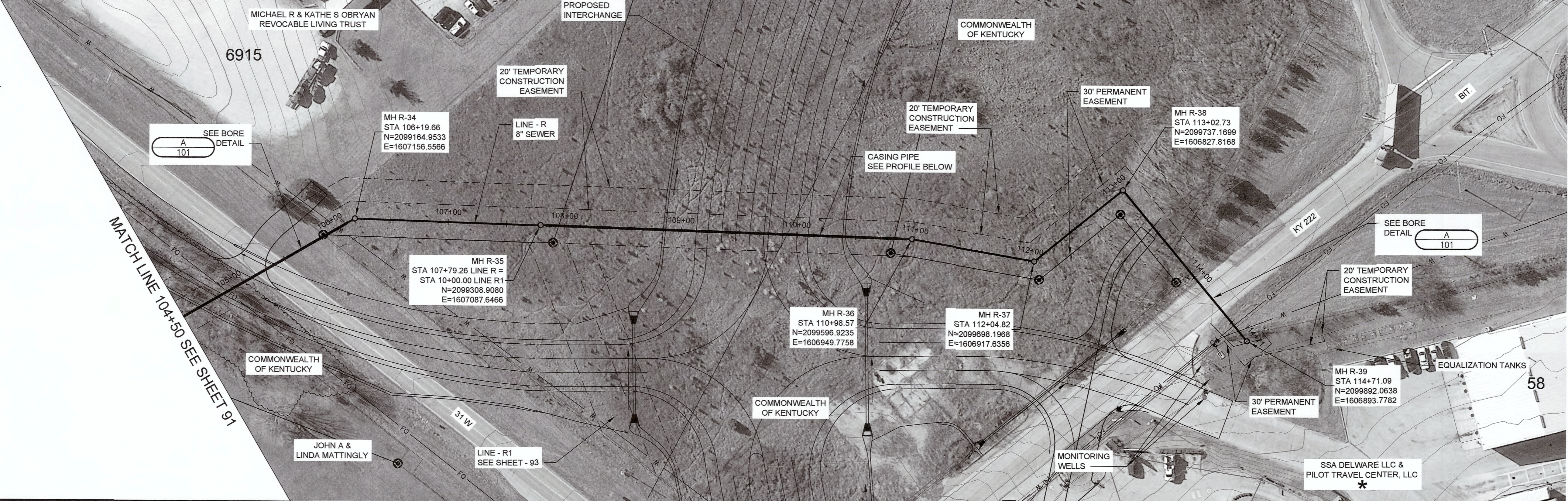
PROJECT MGR.
MAS

SA STRAND ASSOCIATES

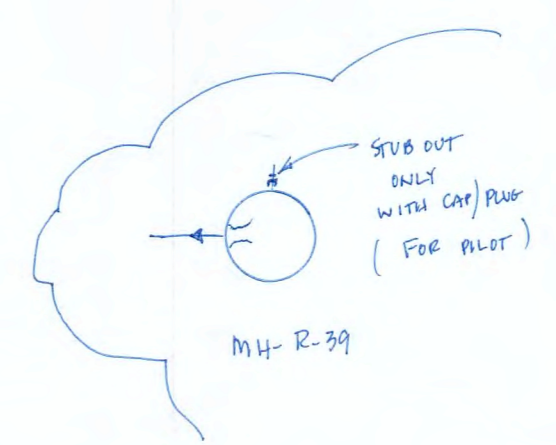
SHEET
91



* SEE EASEMENT FOR SPECIAL CONSTRUCTION REQUIREMENT ON THIS PROPERTY



* MH-R-39 -
 Twin States installed Manhole and Pilot [redacted] elected to bring their sewer and connected to the new manhole.



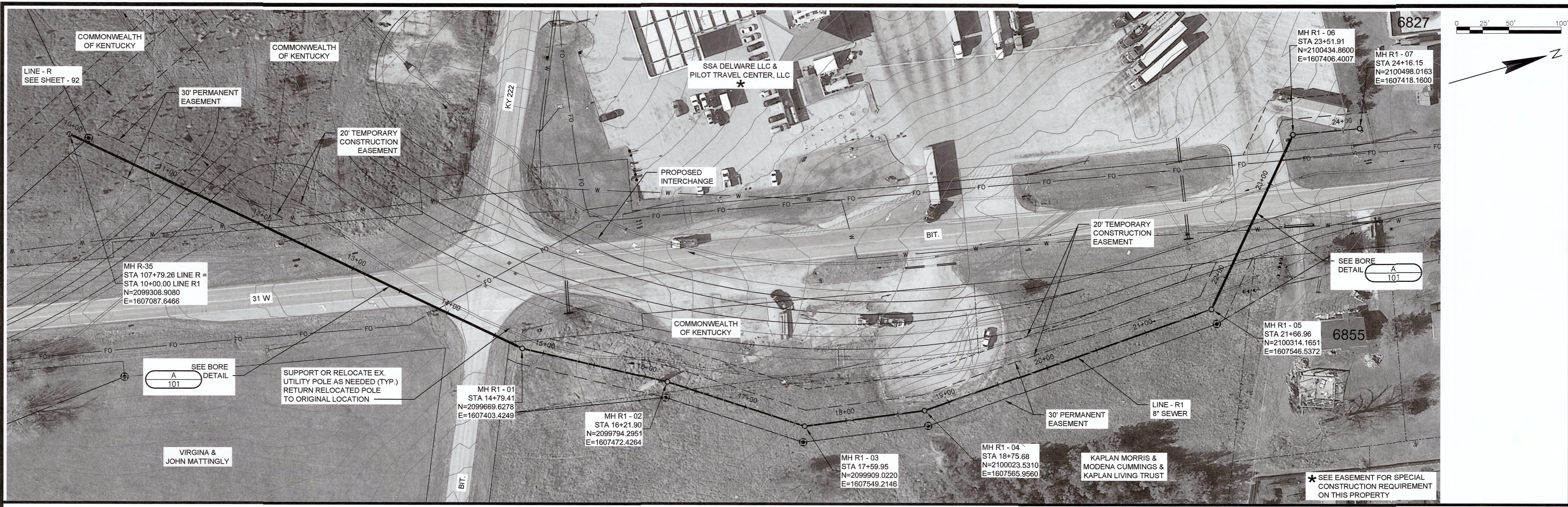
DATE	REVISIONS	NO.

GRAVITY SEWER PLAN AND PROFILE
LINE R STA. 104+50 TO STA. 114+71.09
CONTRACT 4-2017
 NOLIN RIVER WATERSHED SEWER INFRASTRUCTURE
 HARDIN COUNTY WATER DISTRICT NO. 2
 HARDIN COUNTY, KENTUCKY

JOB NO.
 5980.020
 PROJECT MGR.
 MAS

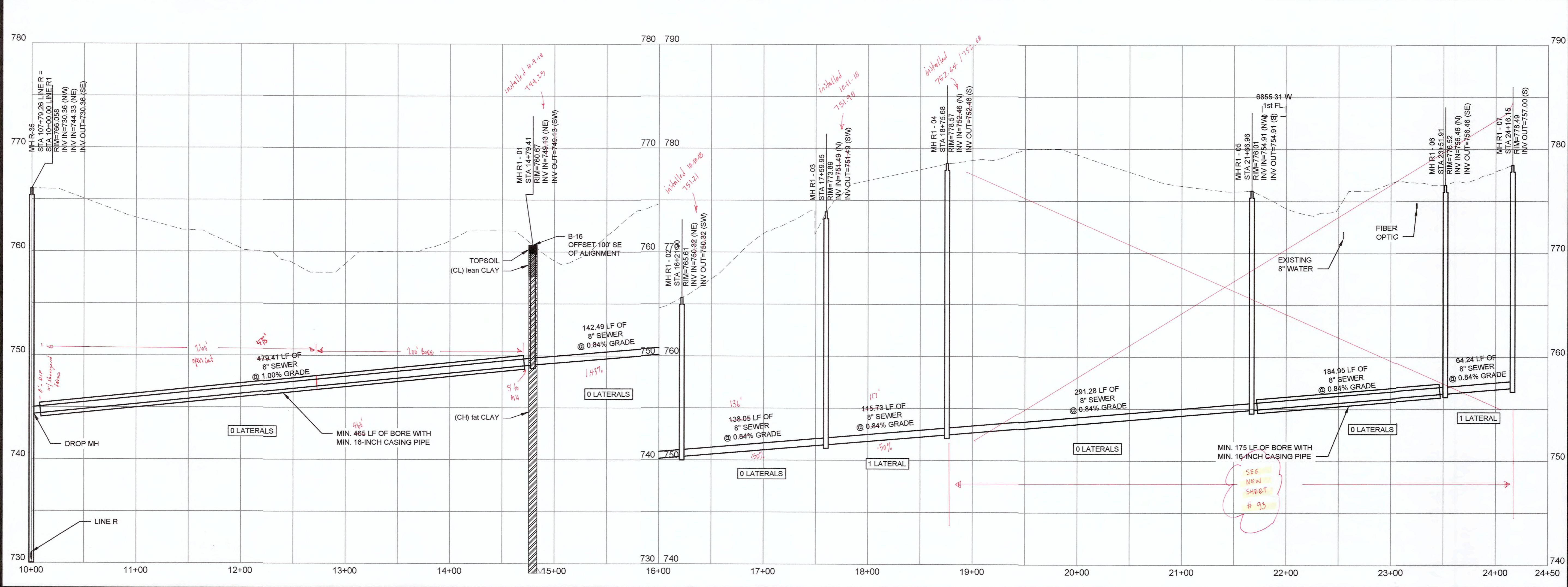


SHEET
 92



STATE OF KENTUCKY
 MARK A. SNEVE
 18511
 8/15/17

DATE:	
REVISIONS:	
NO.:	

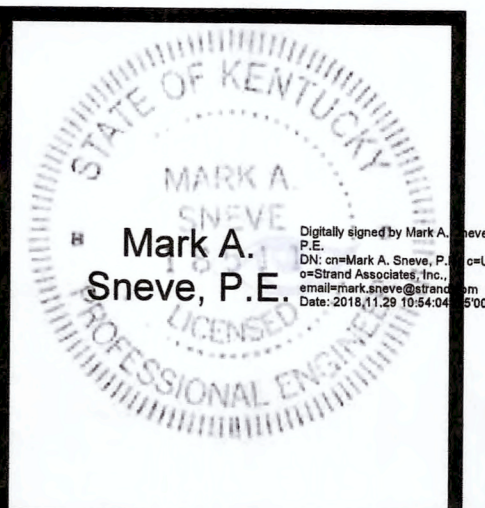
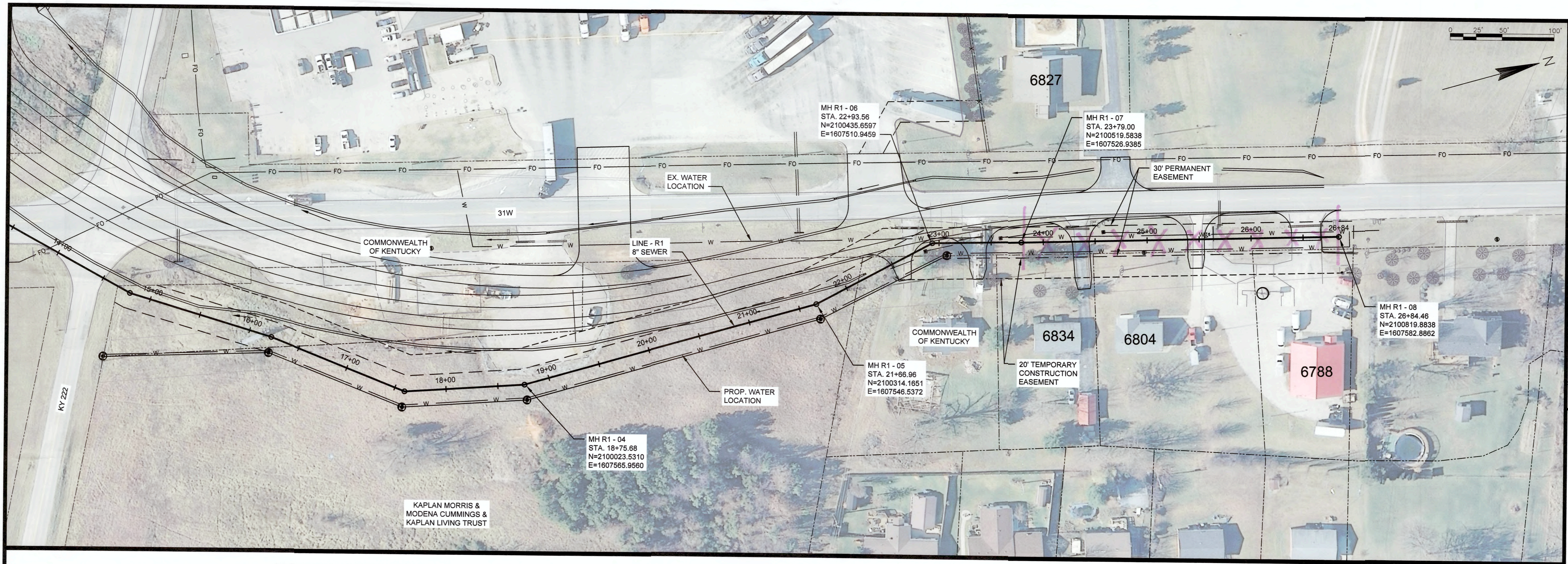


GRAVITY SEWER PLAN AND PROFILE
LINE R1 STA. 10+00 TO STA. 24+16.15
CONTRACT 4-2017
 NOLIN RIVER WATERSHED SEWER INFRASTRUCTURE
 HARDIN COUNTY WATER DISTRICT NO. 2
 HARDIN COUNTY, KENTUCKY

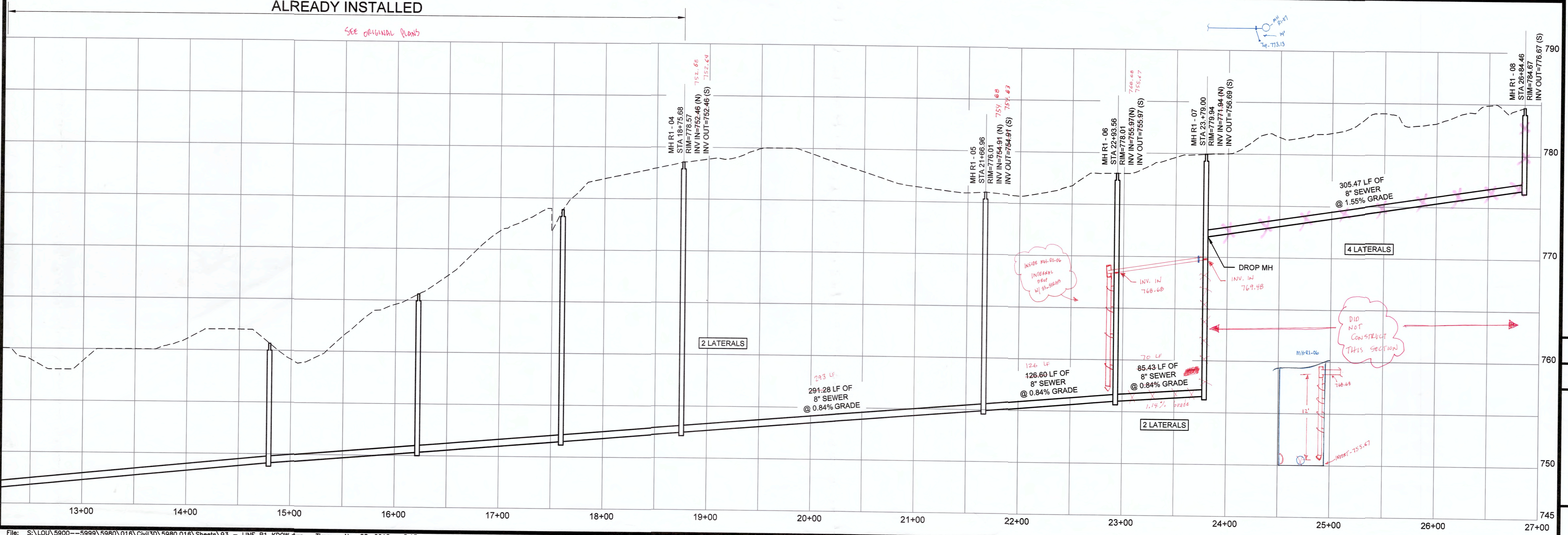
JOB NO.
 5980.020
 PROJECT MGR.
 MAS



SHEET
 93



NO.	REVISIONS	DATE



GRAVITY SEWER PLAN AND PROFILE
LINE R1 STA. 10+00 TO STA. 26+84.46
CONTRACT 4-2017

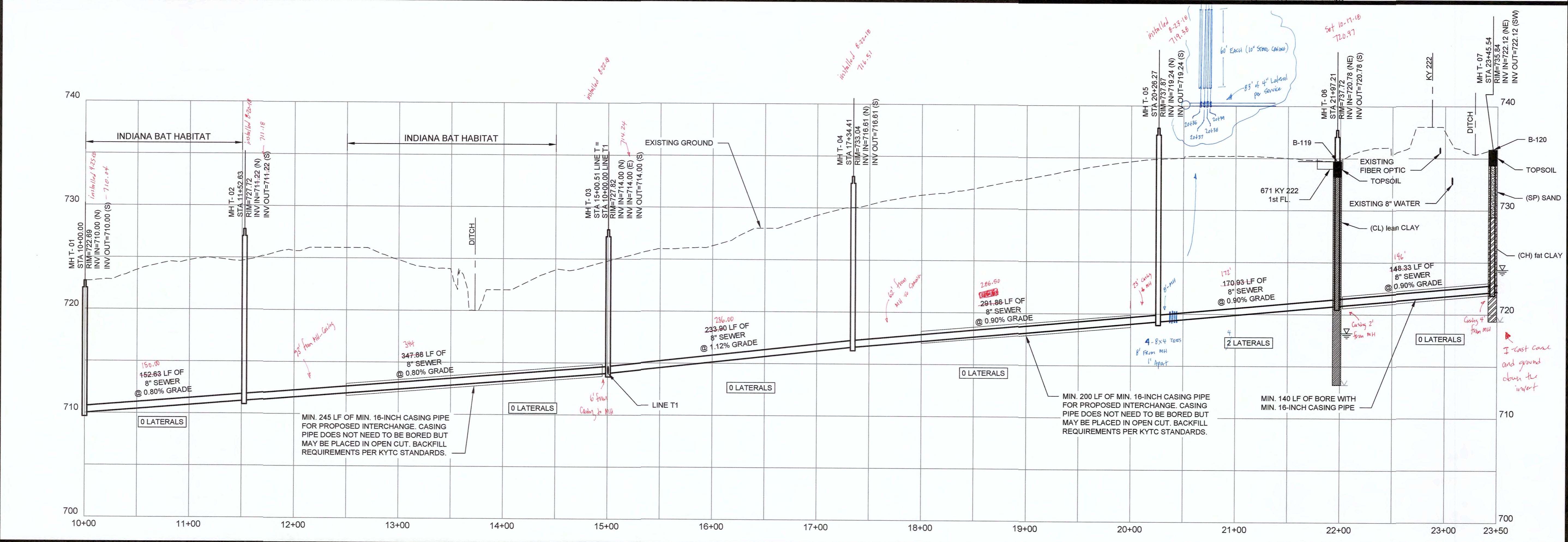
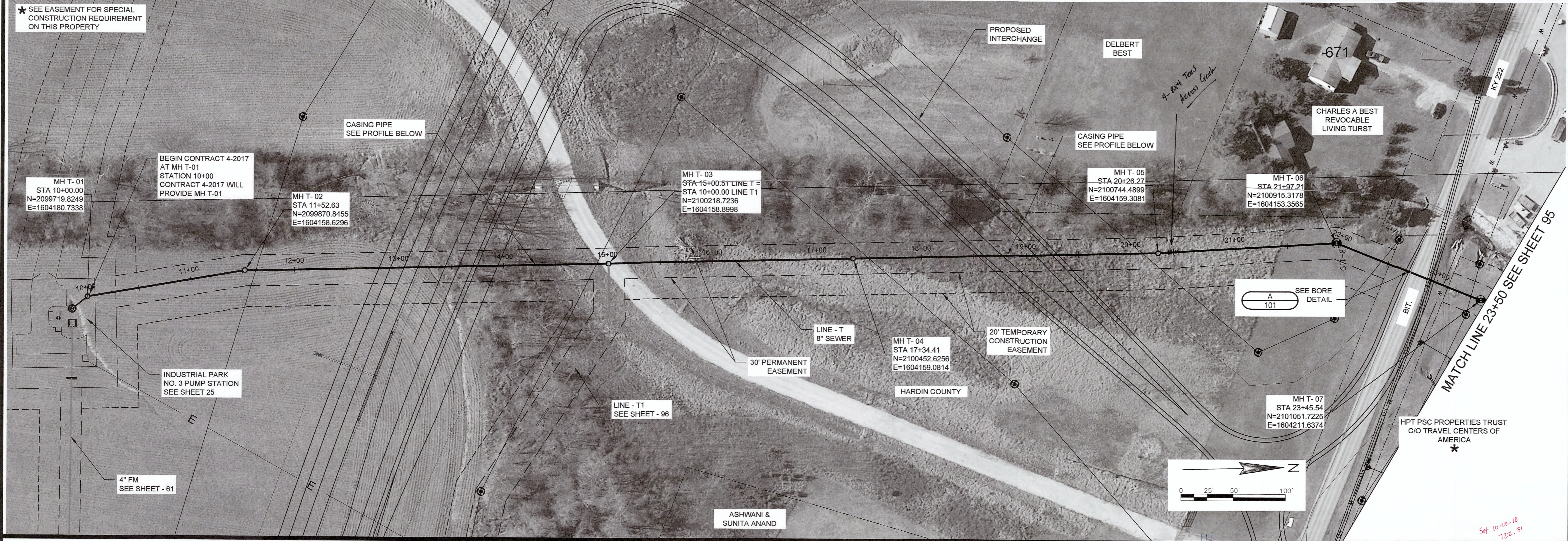
NOLIN RIVER WATERSHED SEWER INFRASTRUCTURE
 HARDIN COUNTY WATER DISTRICT NO. 2
 HARDIN COUNTY, KENTUCKY

JOB NO.
5980.020

PROJECT MGR.
MAS

STRAND ASSOCIATES®

SHEET
93



STATE OF KENTUCKY
 MARK A. SNEVE
 18511
 PROFESSIONAL ENGINEER
 LICENSE NO. 18511
 DATE: 8/15/17

NO.	REVISIONS

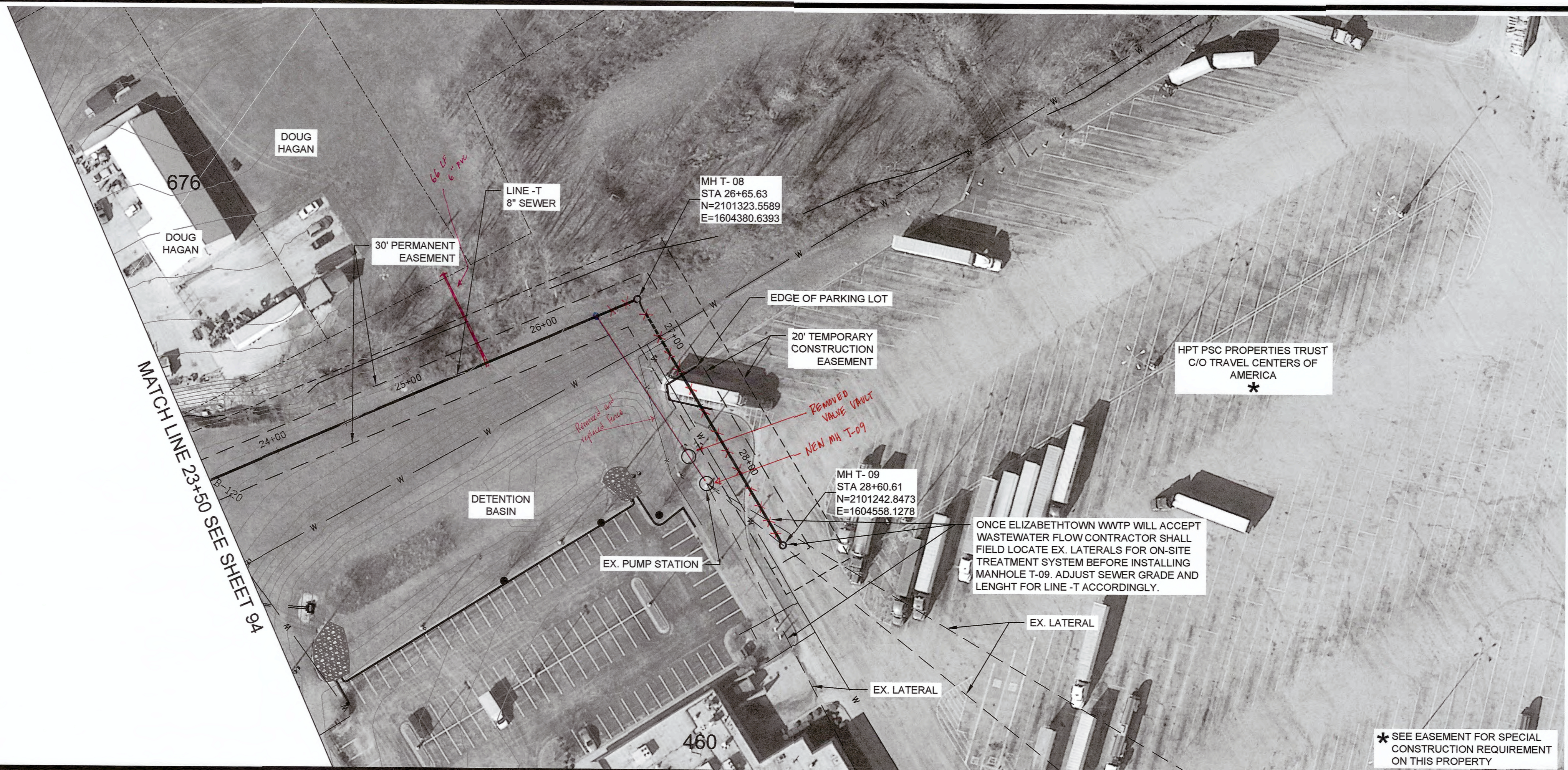
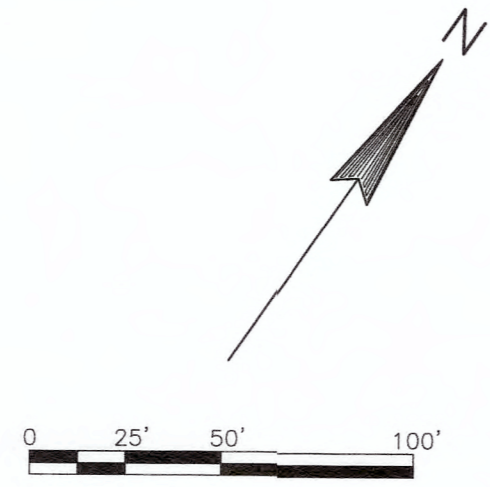
GRAVITY SEWER PLAN AND PROFILE
LINE T STA. 10+00 TO STA. 23+50
CONTRACT 4-2017

NOLIN RIVER WATERSHED SEWER INFRASTRUCTURE
 HARDIN COUNTY WATER DISTRICT NO. 2
 HARDIN COUNTY, KENTUCKY

JOB NO. 5980.020
 PROJECT MGR. MAS

STRAND ASSOCIATES

SHEET 94



DATE:

REVISIONS

NO.	DESCRIPTION

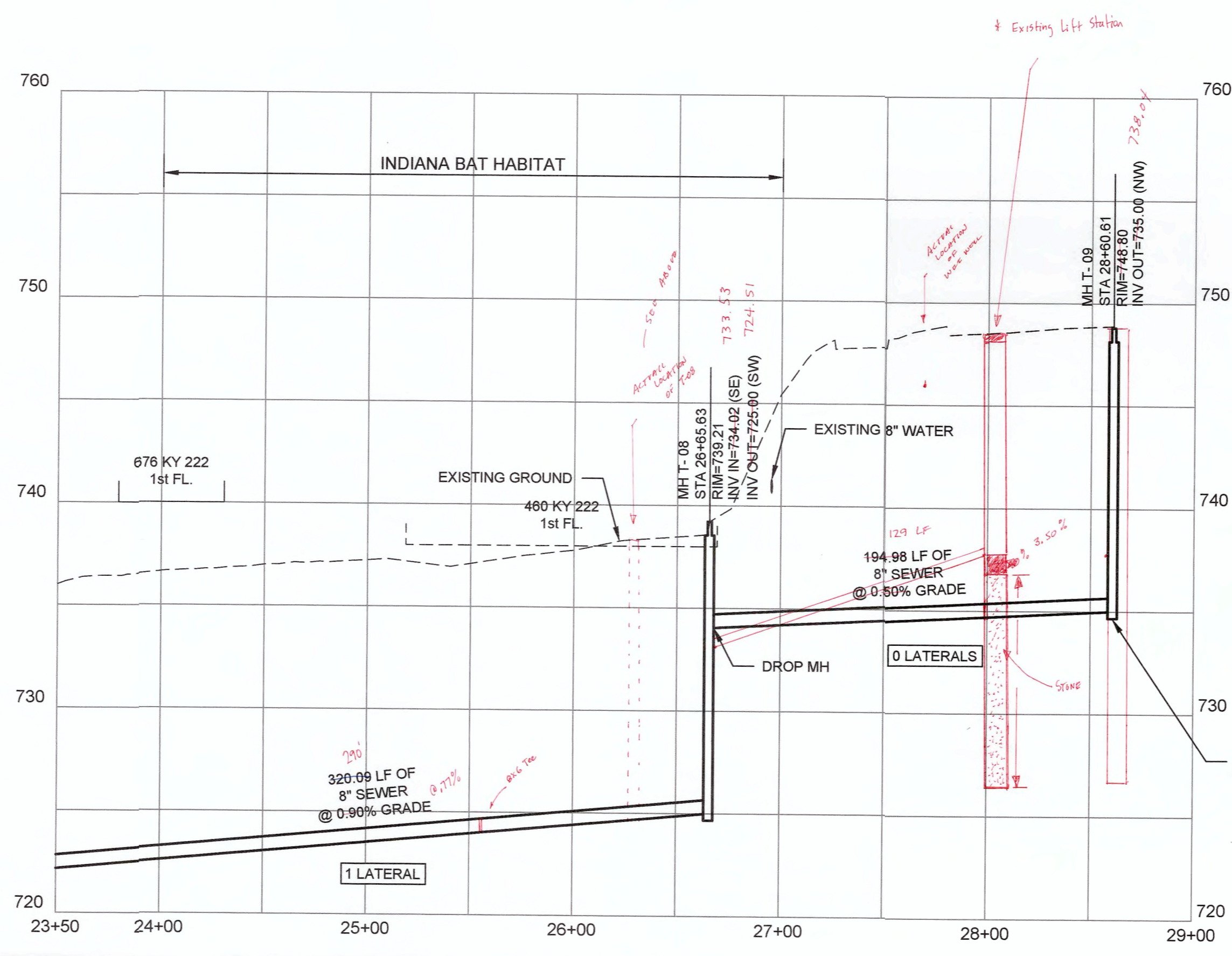
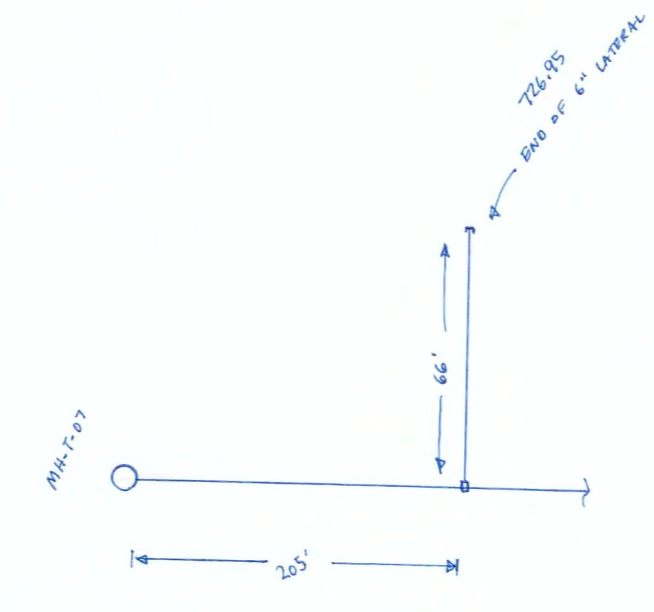
GRAVITY SEWER PLAN AND PROFILE
LINE T STA. 23+50 TO STA. 28+60.61
CONTRACT 4-2017

NOLIN RIVER WATERSHED SEWER INFRASTRUCTURE
 HARDIN COUNTY WATER DISTRICT NO. 2
 HARDIN COUNTY, KENTUCKY

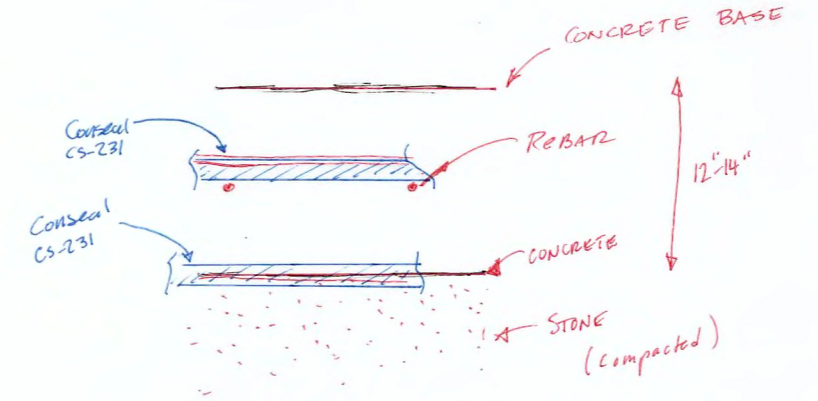
JOB NO. 5980.020
 PROJECT MGR. MAS

STRAND ASSOCIATES

SHEET 95



- Removed existing valve vault and returned piping to Petro
- Reworked existing lift station - wet well and made it MH-T-09
- Removed all pumps and piping and returned to Petro
- Pressure washed walls
- Filled bottom sections with stone and compacted up to approx. 737.00
- Used (2) runs of ConSeal CS-231
- Drilled in rebar and cross layered across entire wet well
- poured 12-14" of concrete to form new invert @ elevation 730.04



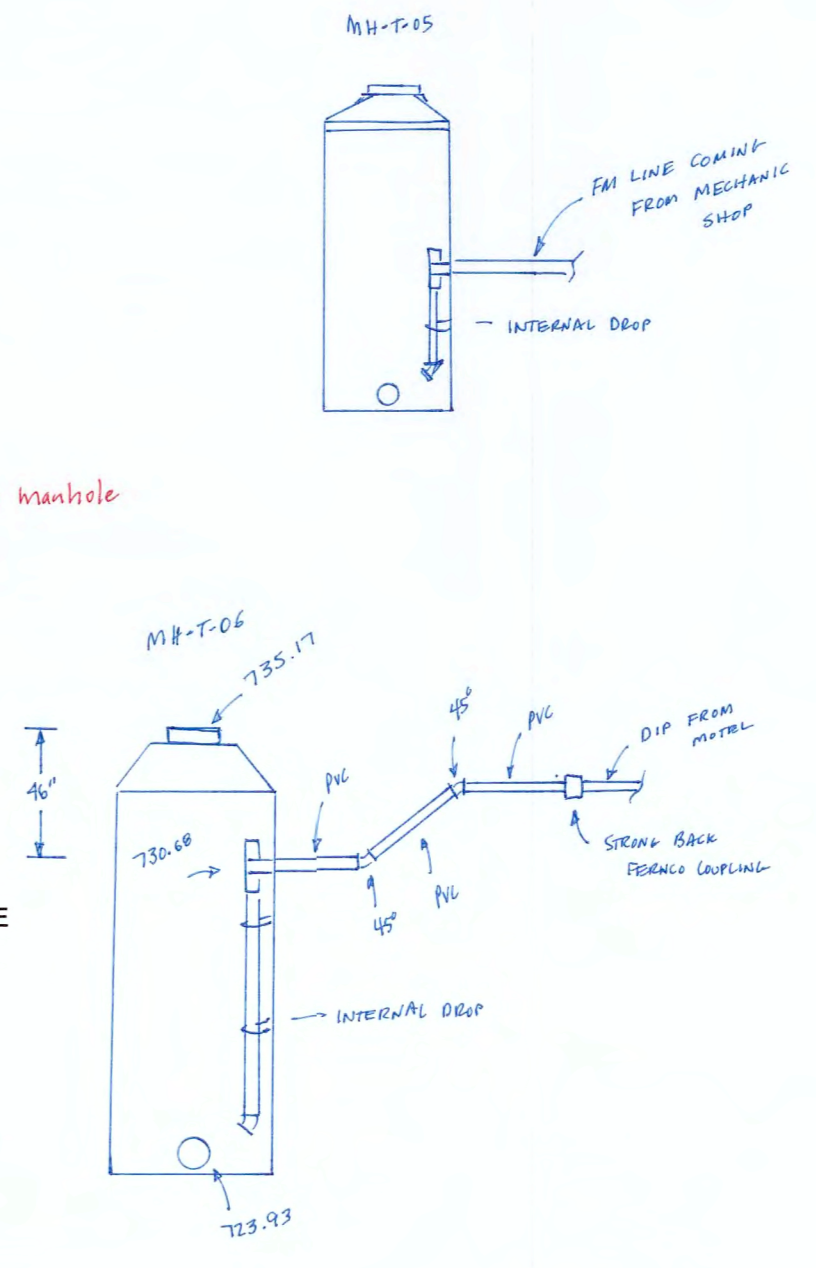
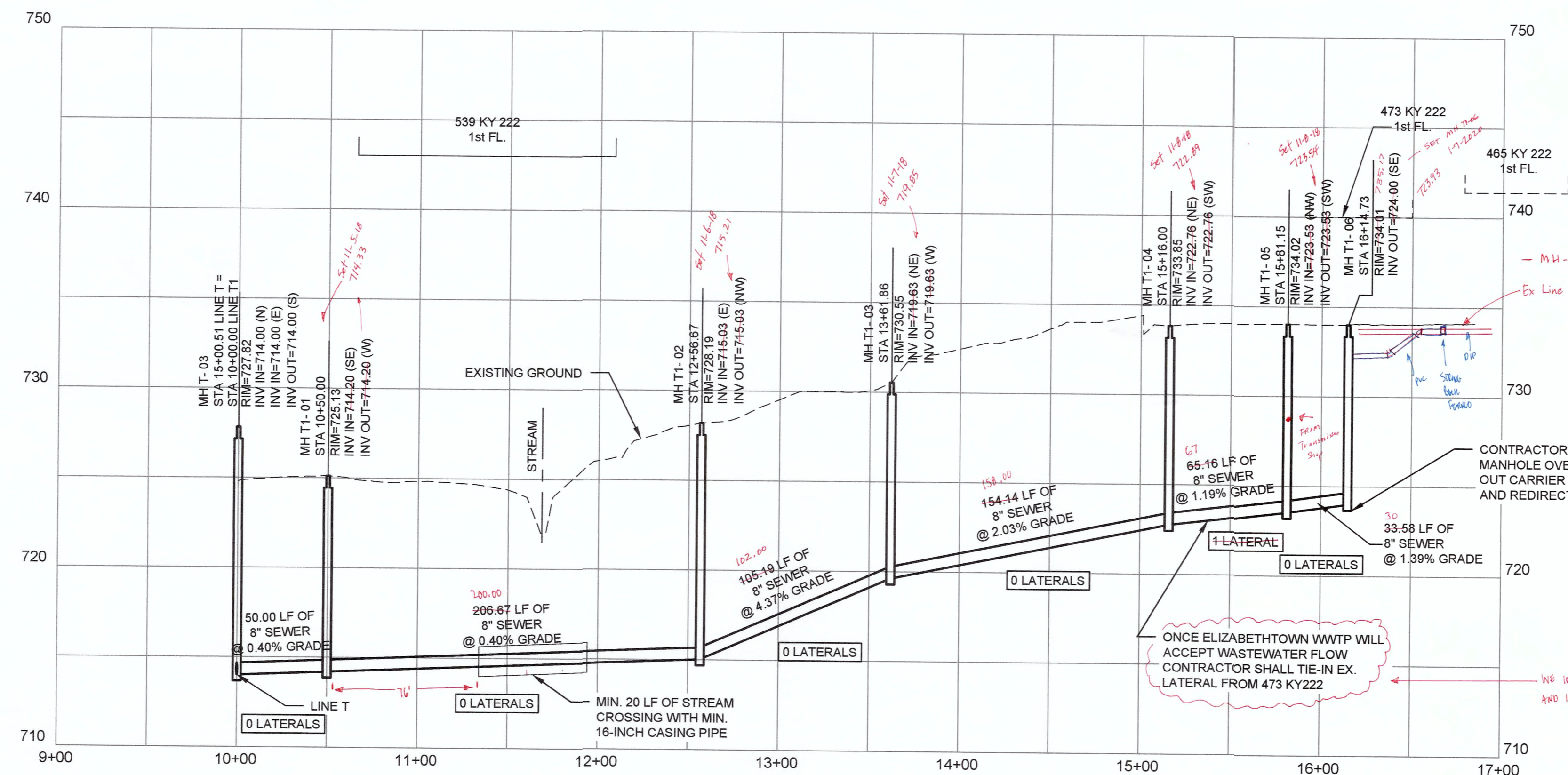
CONTRACTOR SHALL INSTALL DOGHOUSE MANHOLE OVER LATERAL AND CUT OUT CARRIER PIPE INSIDE MANHOLE



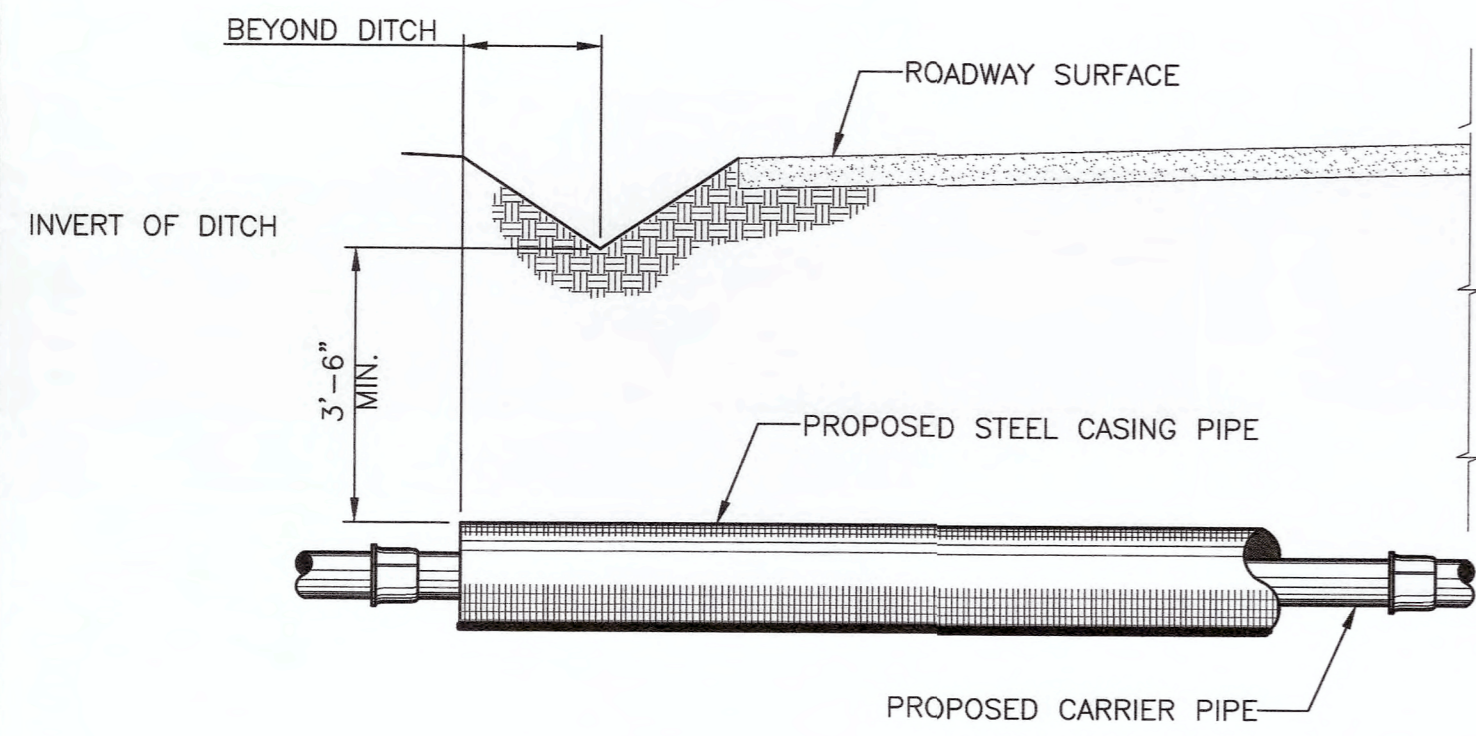
STATE OF KENTUCKY
 MARK A. SNEVE
 18511
 PROFESSIONAL ENGINEER
 8/15/17

NO.	REVISIONS	DATE:

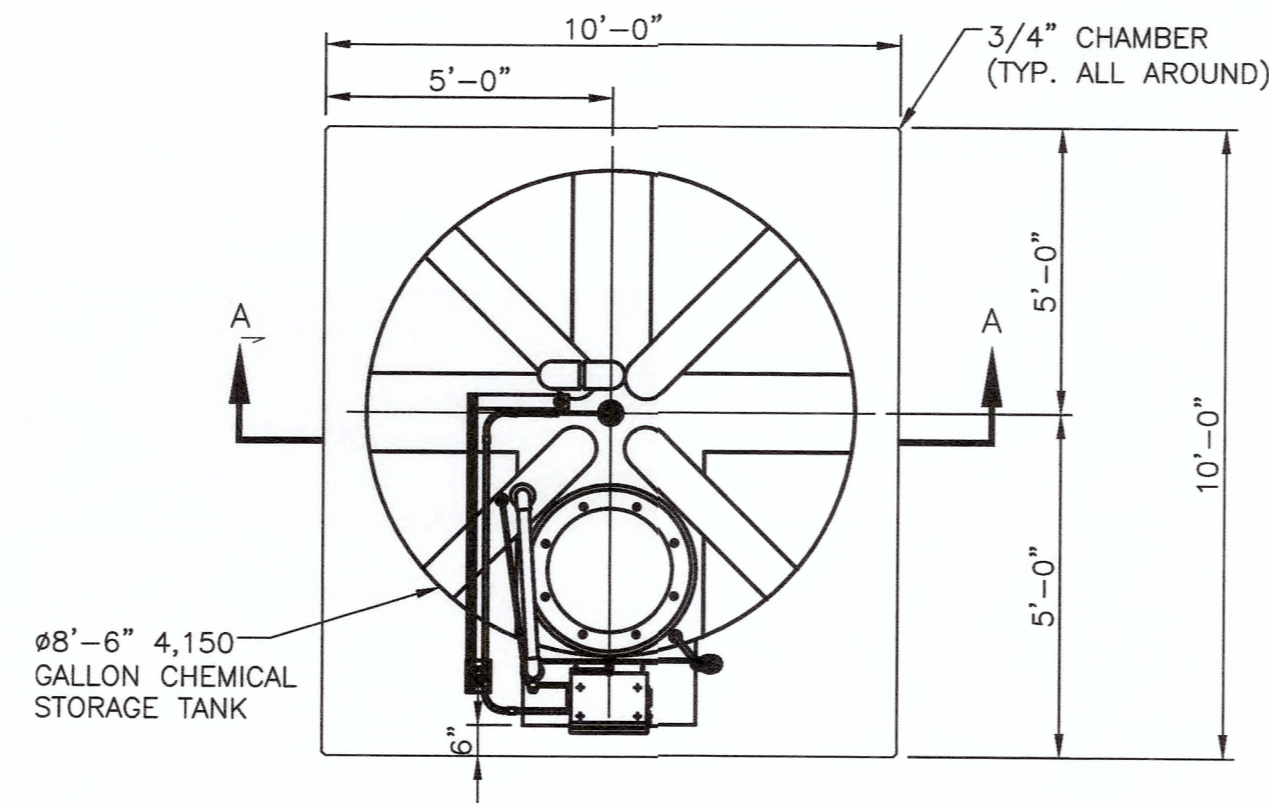
GRAVITY SEWER PLAN AND PROFILE
LINE T1 STA. 10+00 TO STA. 16+14.73
CONTRACT 4-2017
 NOLIN RIVER WATERSHED SEWER INFRASTRUCTURE
 HARDIN COUNTY WATER DISTRICT NO. 2
 HARDIN COUNTY, KENTUCKY



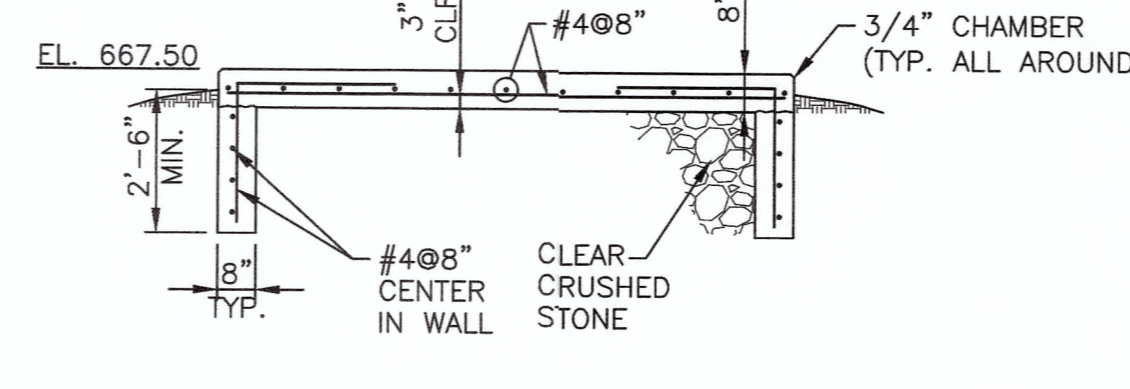
NOTE: PROPOSED HIGHWAY BORES SHALL BE DONE IN ACCORDANCE WITH ALL KYTC REQUIREMENTS FOR MATERIALS, METHODS, AND LOCATIONS.



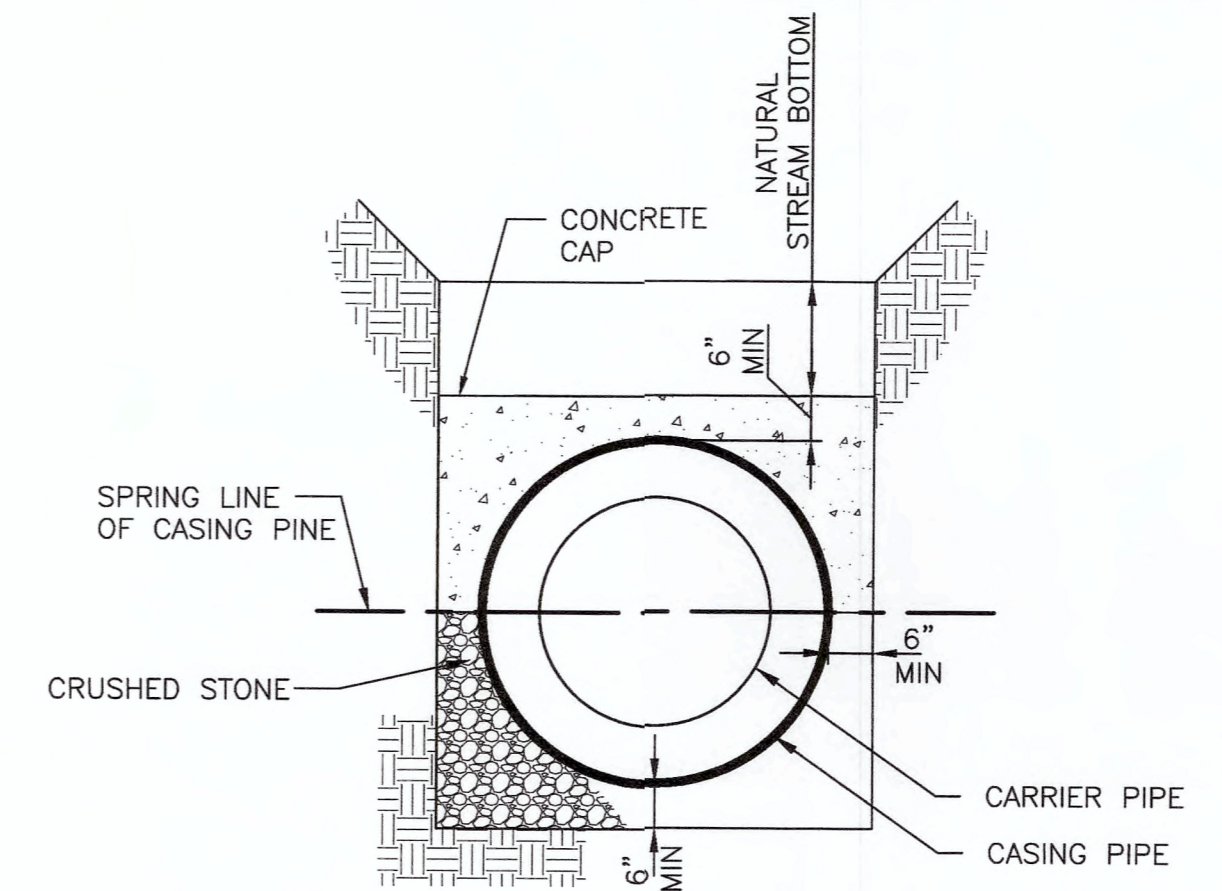
A TYPICAL HIGHWAY BORE DETAIL
101 NO SCALE



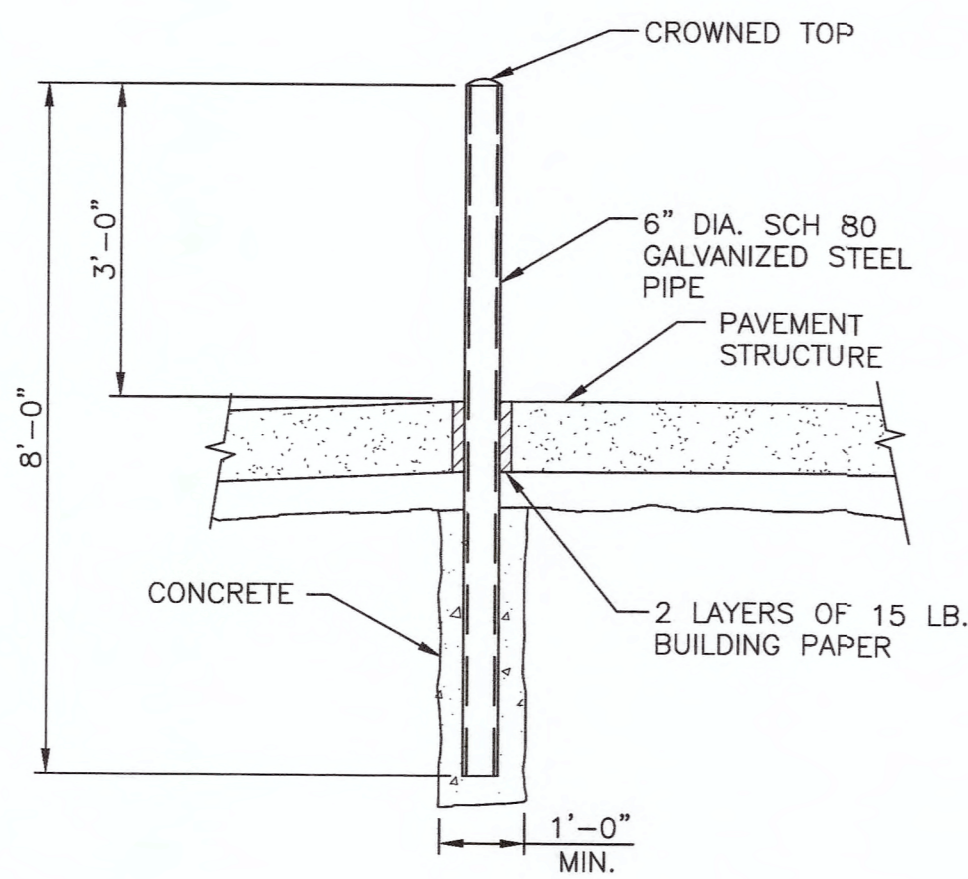
B BIOXIDE TANK SLAB DETAIL
101 NO SCALE



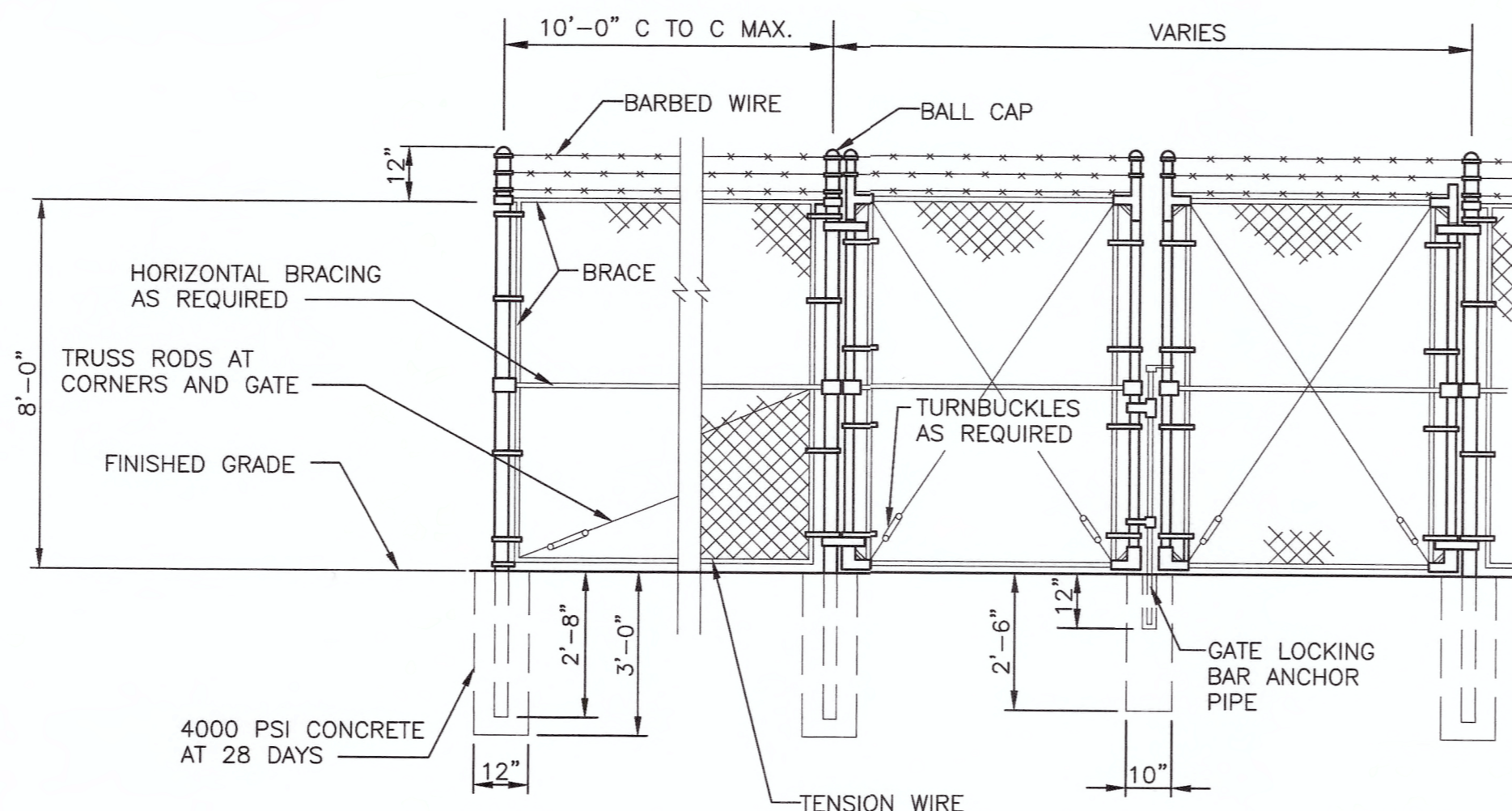
SECTION A-A



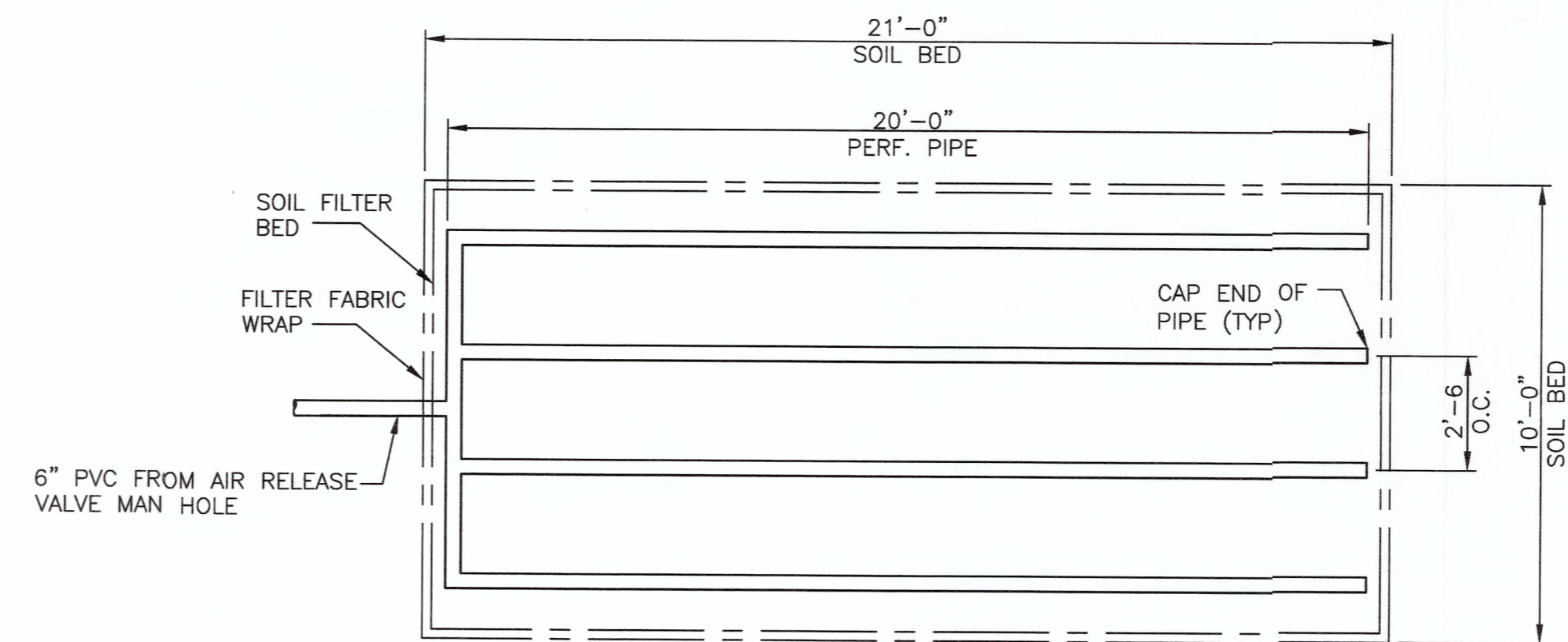
C STREAM CROSSING DETAIL
101 NO SCALE



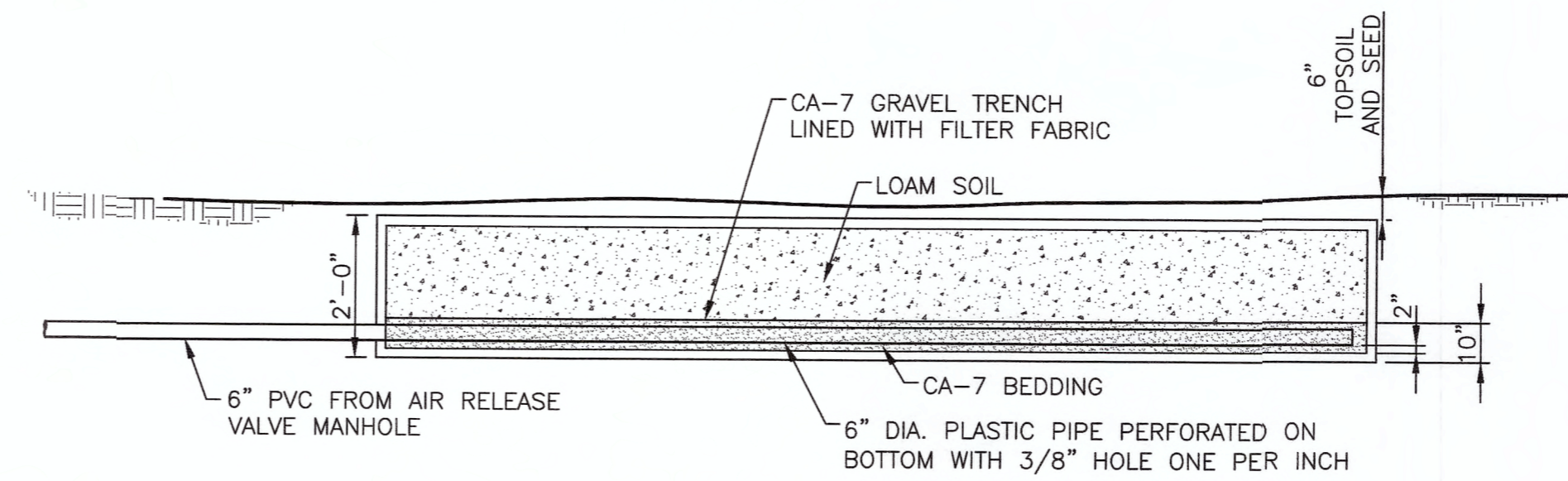
D GUARD POST
101 NO SCALE



E CHAIN LINK FENCE AND SWING GATE
101 NO SCALE



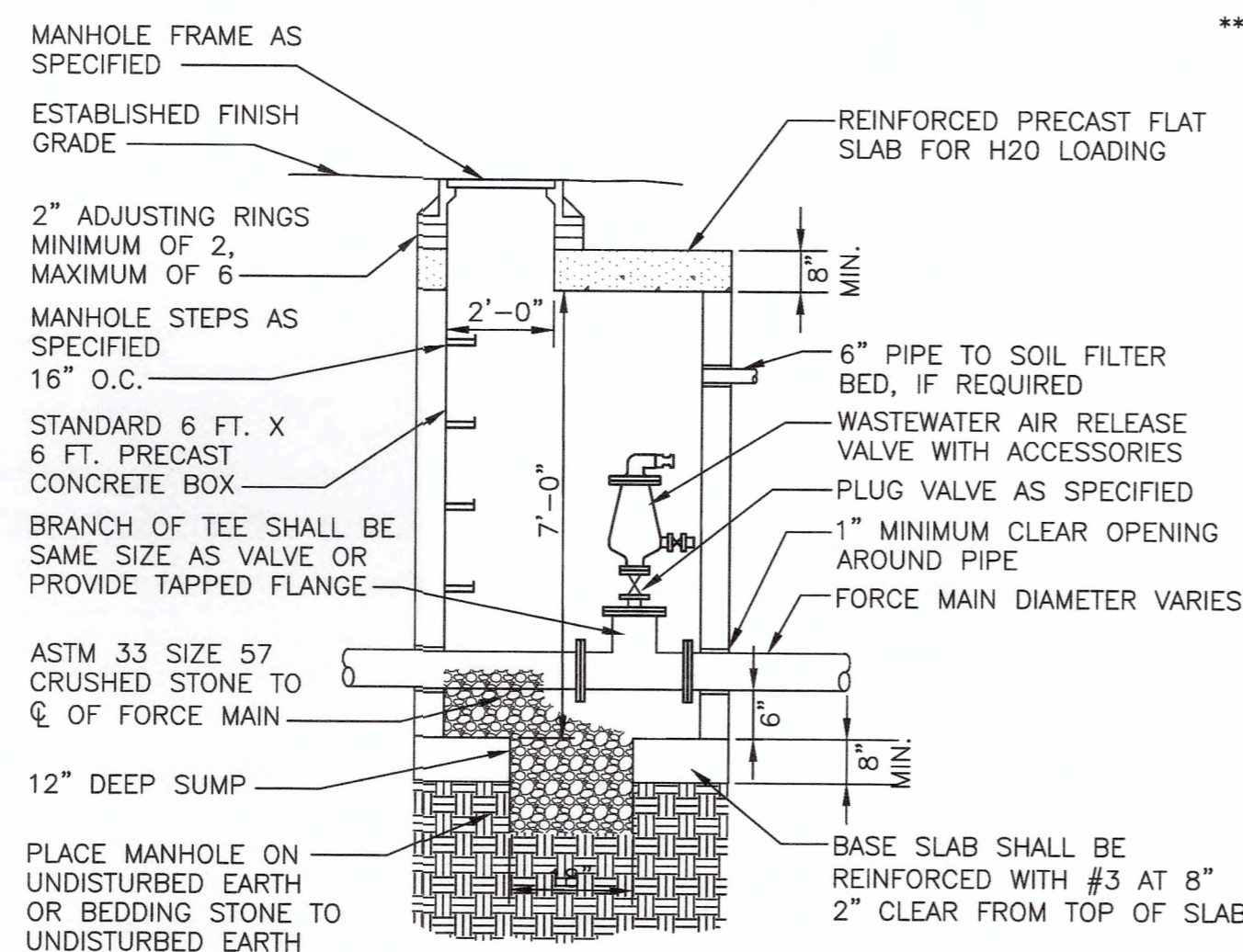
SOIL FILTER BED PLAN



SOIL FILTER BED SECTION

NOTE: LOCATE FILTER BED ENTIRELY WITHIN PERMANENT EASEMENT.

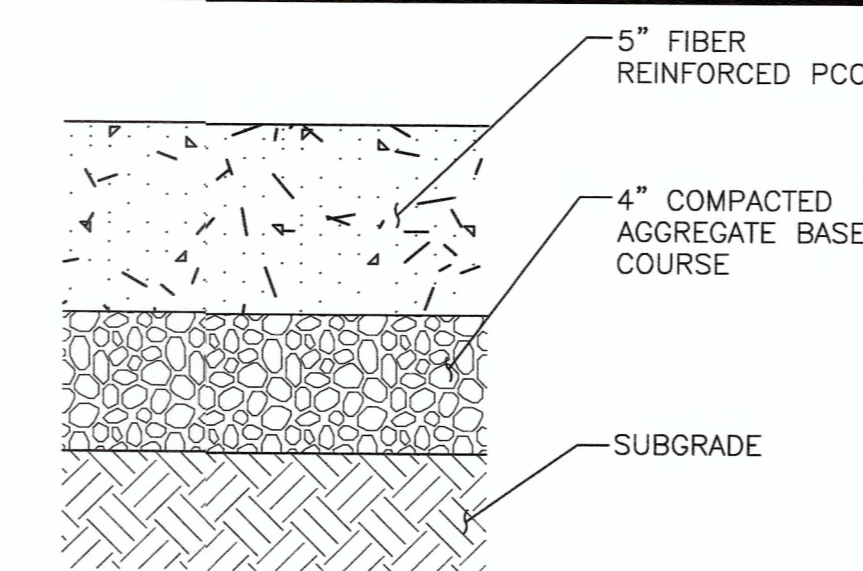
F SOIL FILTER BED DETAIL
101 NO SCALE



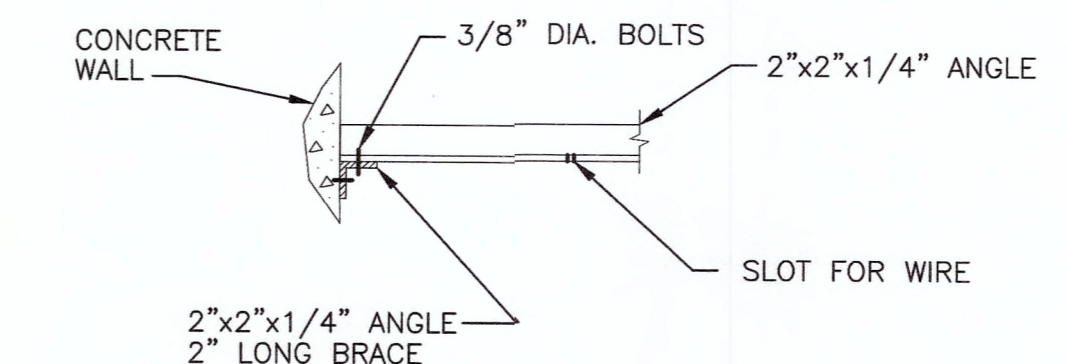
G AIR RELEASE VACUUM VALVE MANHOLE
101 NO SCALE

** FOR SINGLE FORCE MAIN LOCATION, FOR DUAL FORCE MAIN LOCATION, PROVIDE 8-FT BY 6-FT PRECAST CONCRETE BOX. FOR TRIPLE FORCE MAIN LOCATIONS, PROVIDE 14-FT BY 6-FT CAST IN PLACE CONCRETE VAULT PER

B 103



J CONCRETE SIDEWALK
101 NO SCALE



K TYPICAL ANCHOR BRACE CONNECTION
101 NO SCALE



NO.	REVISIONS	DATE:

STANDARD DETAILS
CONTRACTS 1-2017, 2-2017, 3-2017, AND 4-2017
NOLIN RIVER WATERSHED SEWER INFRASTRUCTURE
HARDIN COUNTY WATER DISTRICT NO. 2
HARDIN COUNTY, KENTUCKY

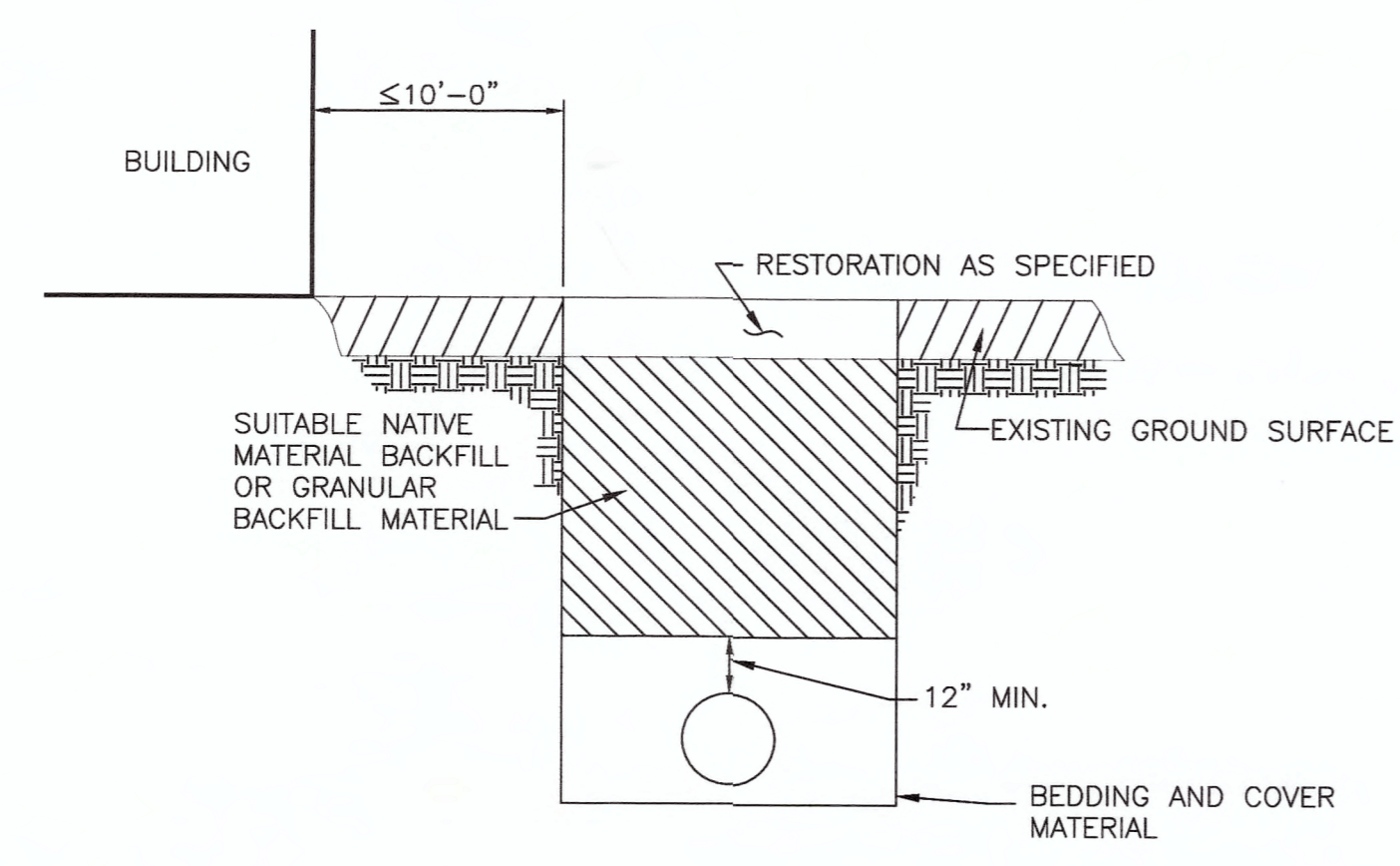
JOB NO.
5980.020
PROJECT MGR.
MAS



SHEET
101

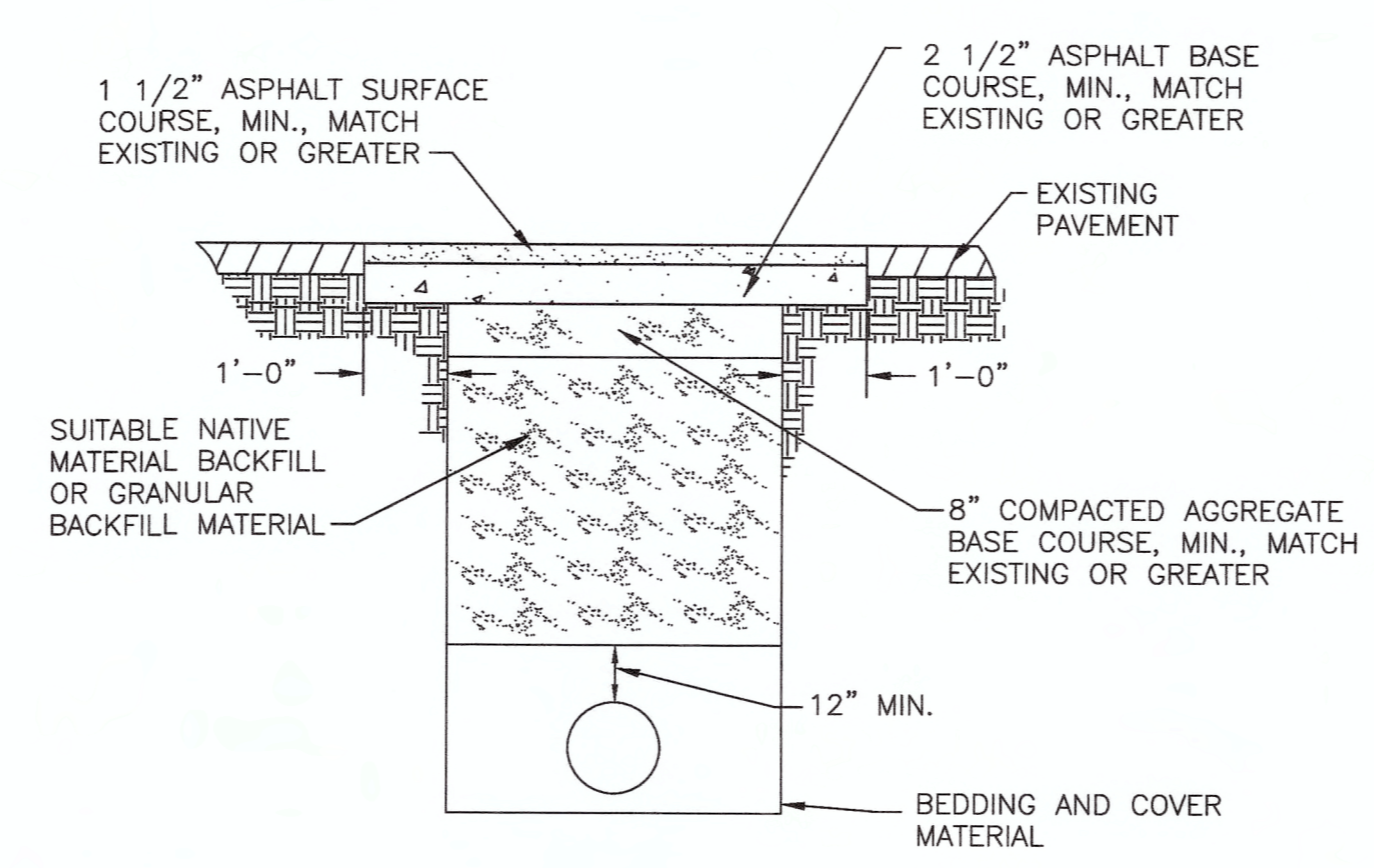


DATE:	
REVISIONS	
NO.	



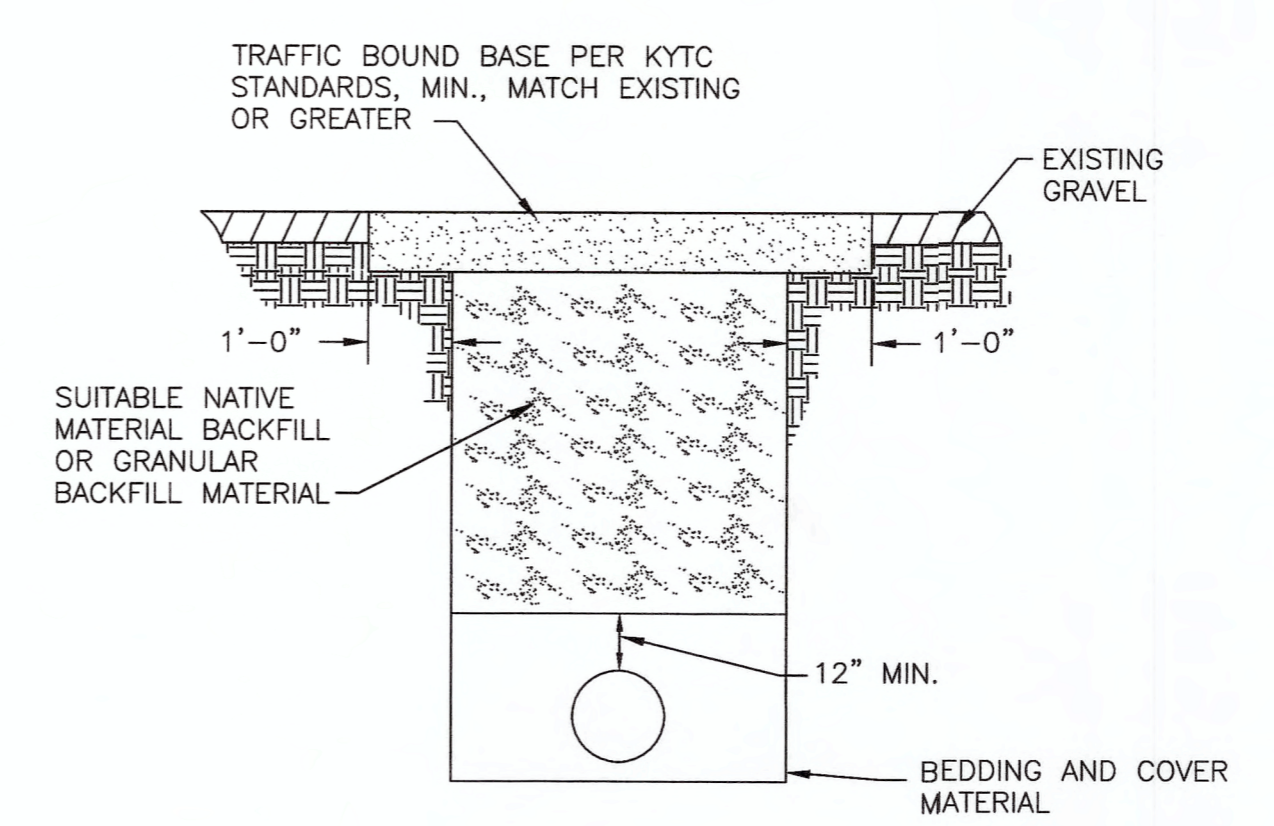
CLASS 1 COMPACTION
NO SCALE

- SPECIFIED BACKFILL SHALL BE INSTALLED AND COMPACTED IN ACCORDANCE WITH THE PROJECT SPECIFICATIONS.



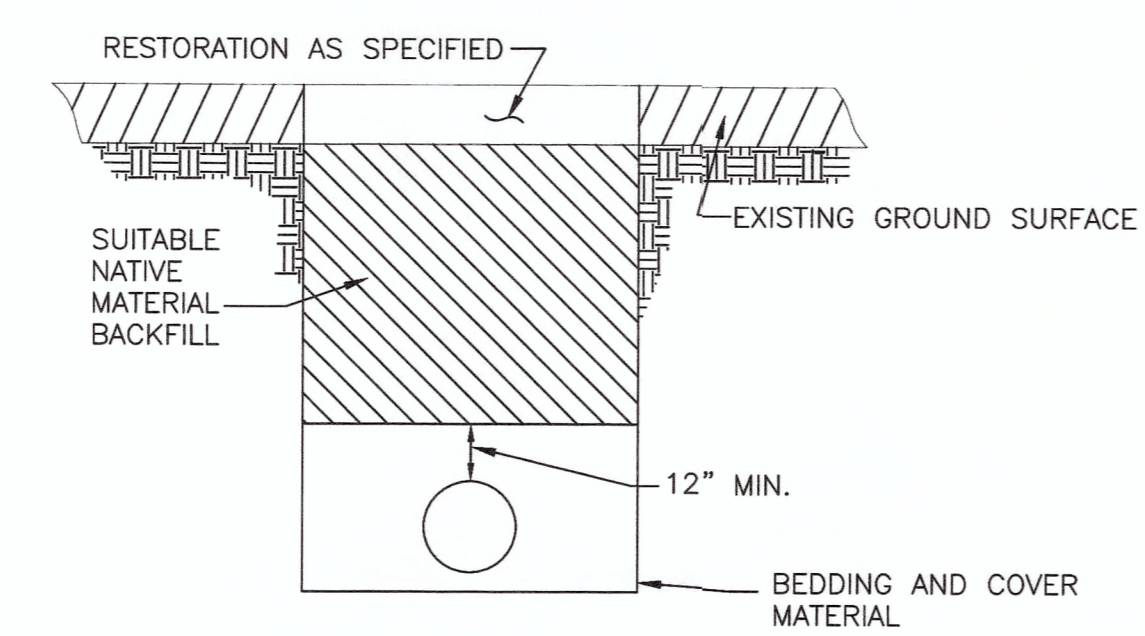
CLASS 2 COMPACTION - PAVEMENT
NO SCALE

- EDGES OF THE EXISTING PAVEMENT SHALL BE CUT VERTICAL AND TRIMMED TO PROVIDE A STRAIGHT LINE JUNCTURE BETWEEN EXISTING AND NEW PAVEMENT. NO RAGGED EDGES SHALL BE PERMITTED.
- SPECIFIED BACKFILL SHALL BE INSTALLED AND COMPACTED IN ACCORDANCE WITH THE PROJECT SPECIFICATIONS.
- VERTICAL FACES OF EXISTING ASPHALT PAVEMENT AND THE SUBBASE SHALL BE CLEANED AND COATED WITH BITUMINOUS MATERIAL IN ACCORDANCE WITH KYTC STANDARDS.
- SURFACE JOINTS SHALL BE SEALED BY AN APPLICATION OF BITUMINOUS MATERIAL.



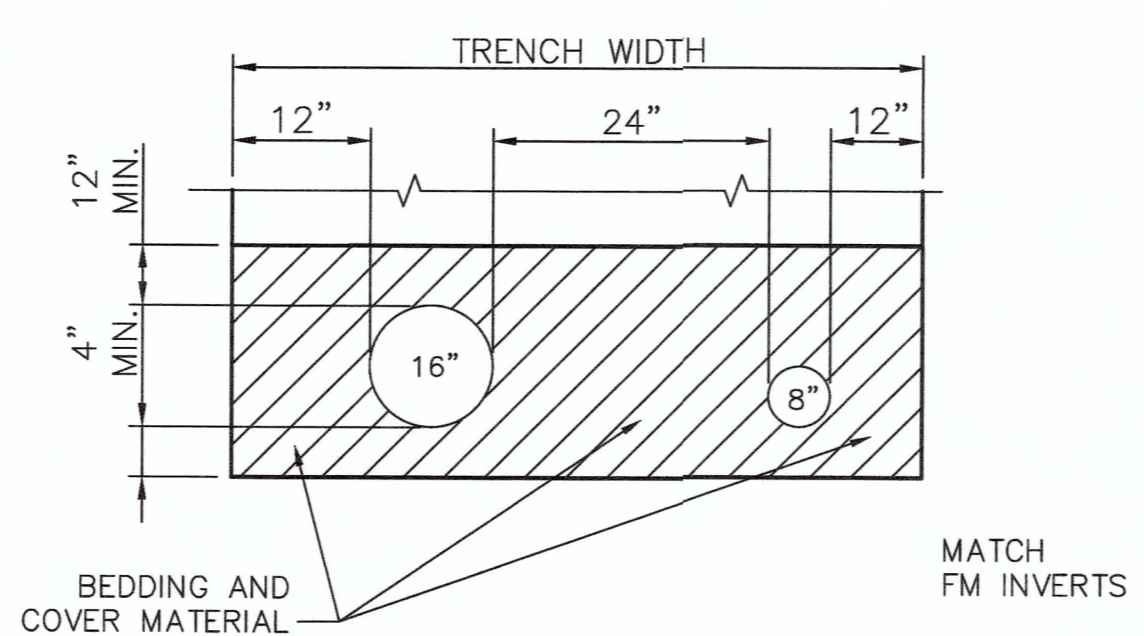
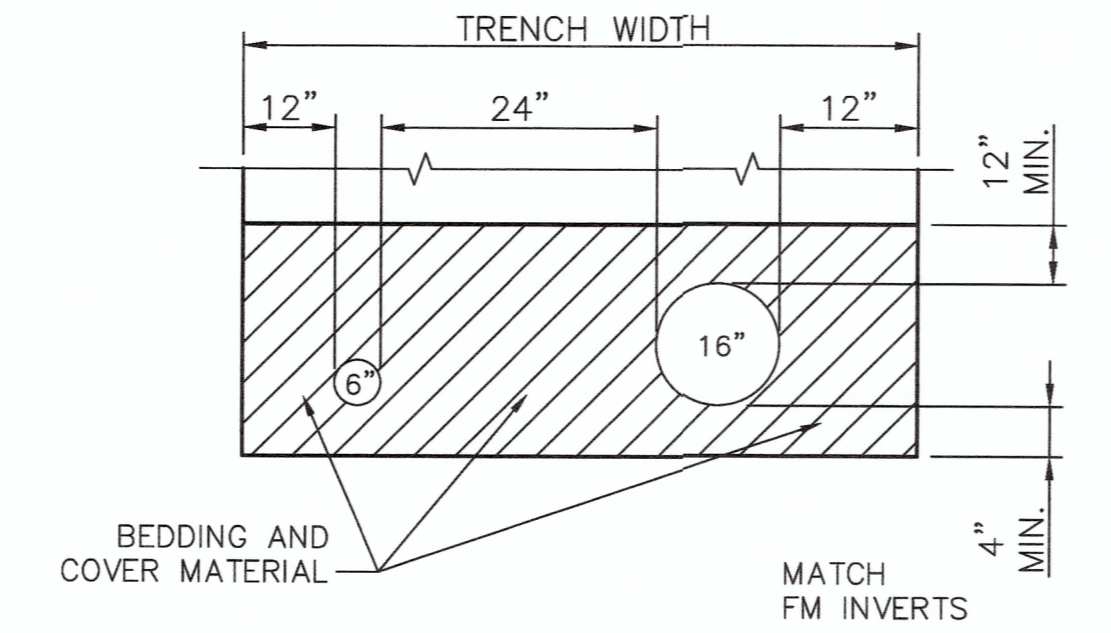
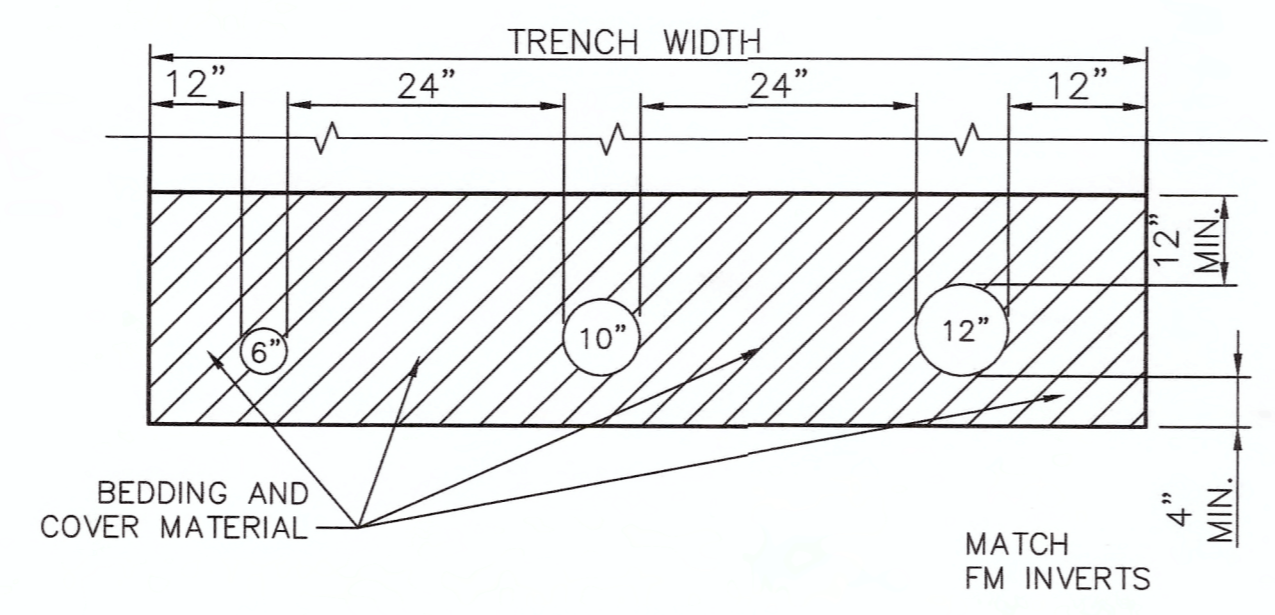
CLASS 2 COMPACTION - GRAVEL
NO SCALE

- SPECIFIED BACKFILL SHALL BE INSTALLED AND COMPACTED IN ACCORDANCE WITH THE PROJECT SPECIFICATIONS.



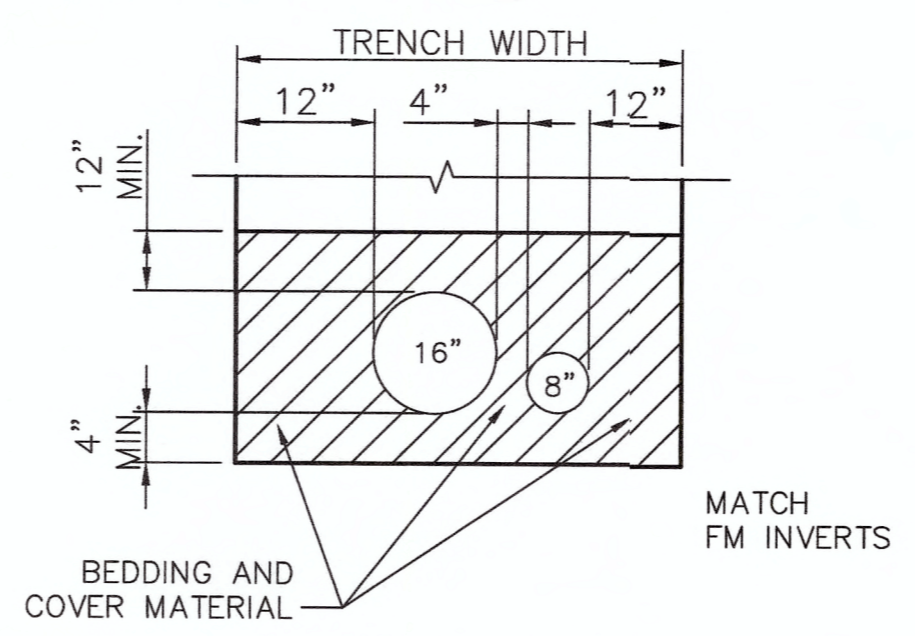
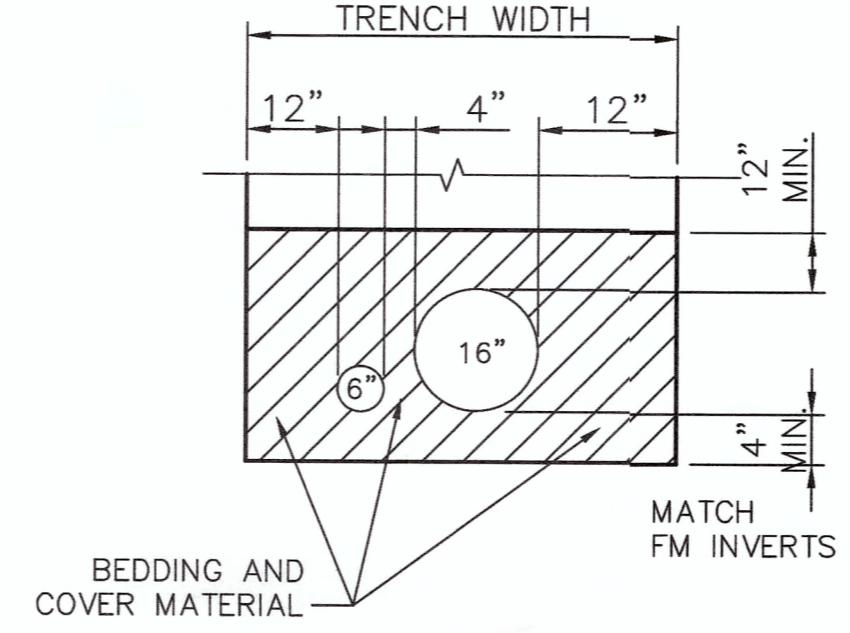
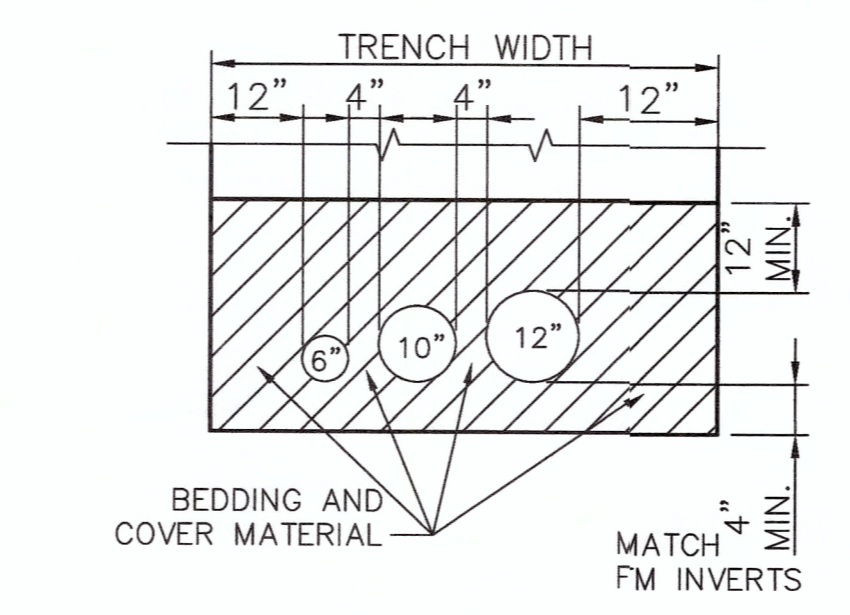
NATIVE MATERIAL COMPACTION
NO SCALE

- SPECIFIED BACKFILL SHALL BE INSTALLED AND COMPACTED IN ACCORDANCE WITH THE PROJECT SPECIFICATIONS.
- SEE SPECIFICATIONS FOR WHEN ALLOWED.



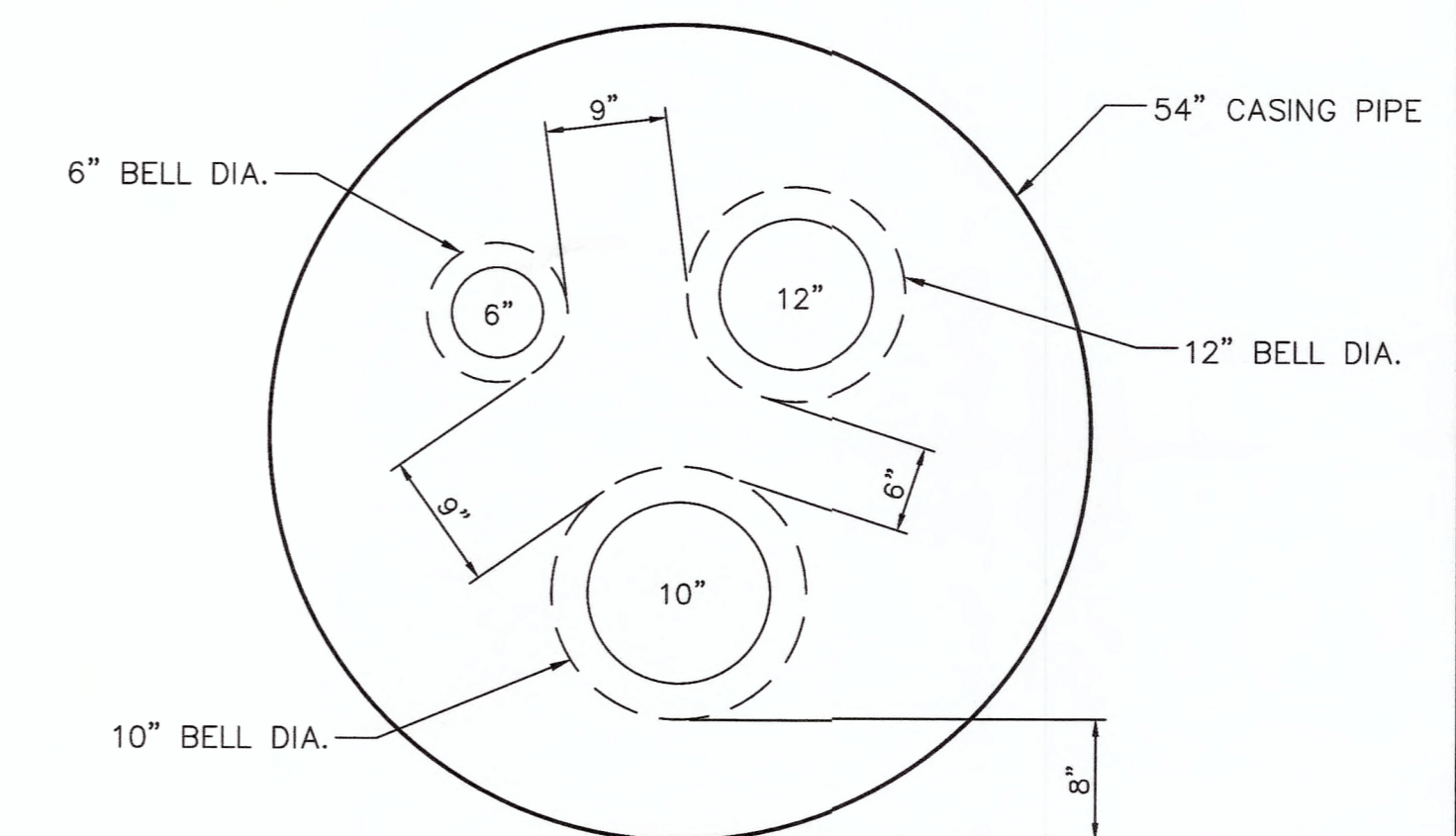
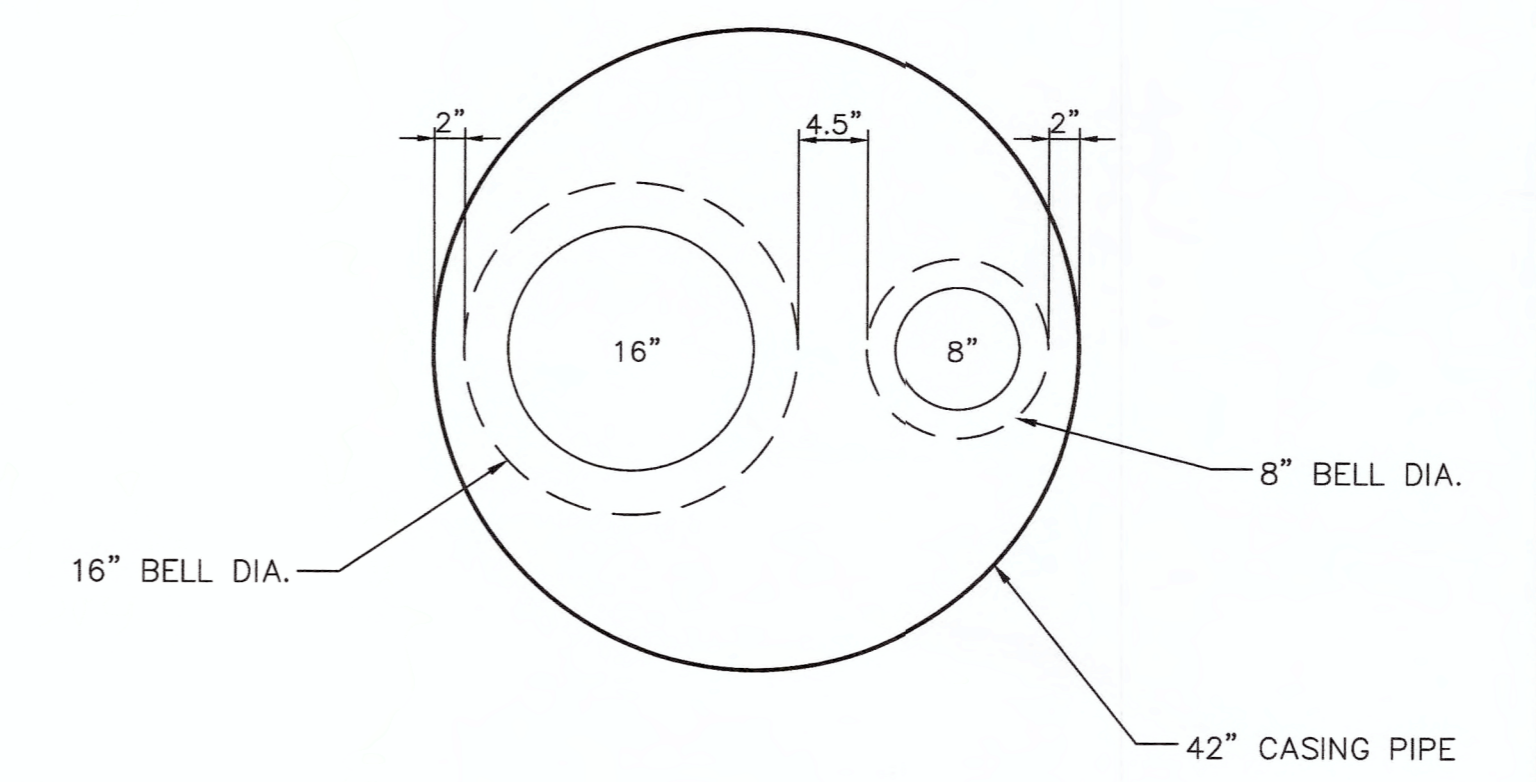
TYPICAL FORCE MAIN PIPE INSTALLATION CROSS SECTION
NO SCALE

NOTE: MINIMUM COVER IS 42-INCHES. SEE DRAWINGS FOR DEPTH AND SLOPE REQUIREMENTS TYPICAL.



FORCE MAIN PIPE INSTALLATION CROSS SECTION ADJACENT TO CASING PIPE
NO SCALE

NOTE: MINIMUM COVER IS 42-INCHES. SEE DRAWINGS FOR DEPTH AND SLOPE REQUIREMENTS TYPICAL.



BORE CROSS SECTION
NO SCALE

CROSS SECTION DETAILS
CONTRACTS 1-2017, 2-2017, 3-2017, AND 4-2017

NOLIN RIVER WATERSHED SEWER INFRASTRUCTURE
HARDIN COUNTY WATER DISTRICT NO. 2
HARDIN COUNTY, KENTUCKY

JOB NO.
5980.020
PROJECT MGR.
MAS



SHEET
112