

2007 WATER SYSTEM IMPROVEMENTS

MONROE COUNTY WATER DISTRICT

CONTRACT IIIB - PHASE IX - ELEVATED WATER STORAGE TANK

MARK WILLIAMS - CHAIRMAN

JOHN THOMPSON - SECRETARY

DR. KENNETH CRABTREE - COMMISSIONER

MIKE EMBERTON - COMMISSIONER

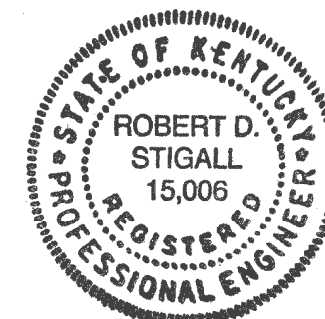
JOHNNY MILLER - COMMISSIONER

RICK ROSS - MANAGER

STIGALL ENGINEERING ASSOCIATES, INC.
CONSULTING ENGINEERS

4117 HILLSBORO PIKE - SUITE 206
NASHVILLE, TENNESSEE 37215

MAY 2008

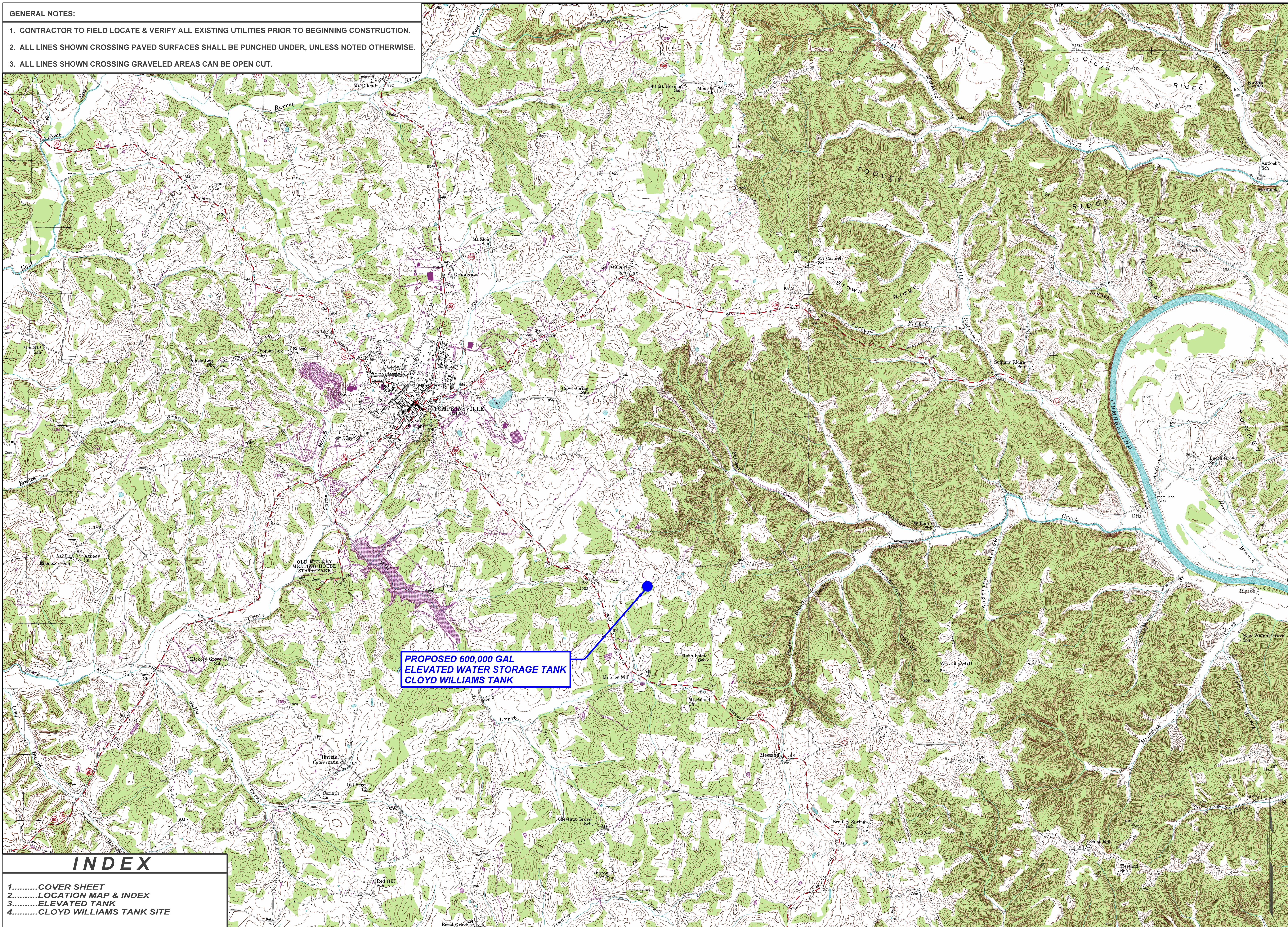


PROJECT NO. 0323

REVISED : JULY 2015

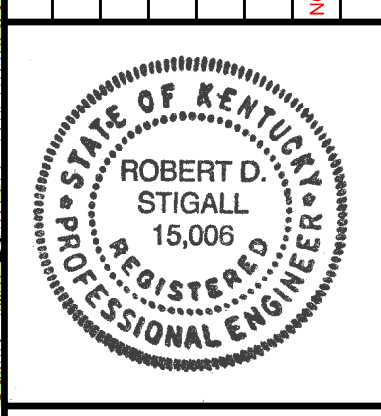
GENERAL NOTES:

1. CONTRACTOR TO FIELD LOCATE & VERIFY ALL EXISTING UTILITIES PRIOR TO BEGINNING CONSTRUCTION.
2. ALL LINES SHOWN CROSSING PAVED SURFACES SHALL BE PUNCHED UNDER, UNLESS NOTED OTHERWISE.
3. ALL LINES SHOWN CROSSING GRAVELED AREAS CAN BE OPEN CUT.



STIGALL ENGINEERING ASSOCIATES, INC.
 111 HARRISON AVE., SUITE 200
 NASHVILLE, TENNESSEE 37219
 TELEPHONE: (615) 462-7519
 FACSIMILE: (615) 462-7517

| NO. | DESCRIPTION | DATE | BY |
|-----|-------------|------|----|
| | | | |
| | | | |
| | | | |
| | | | |

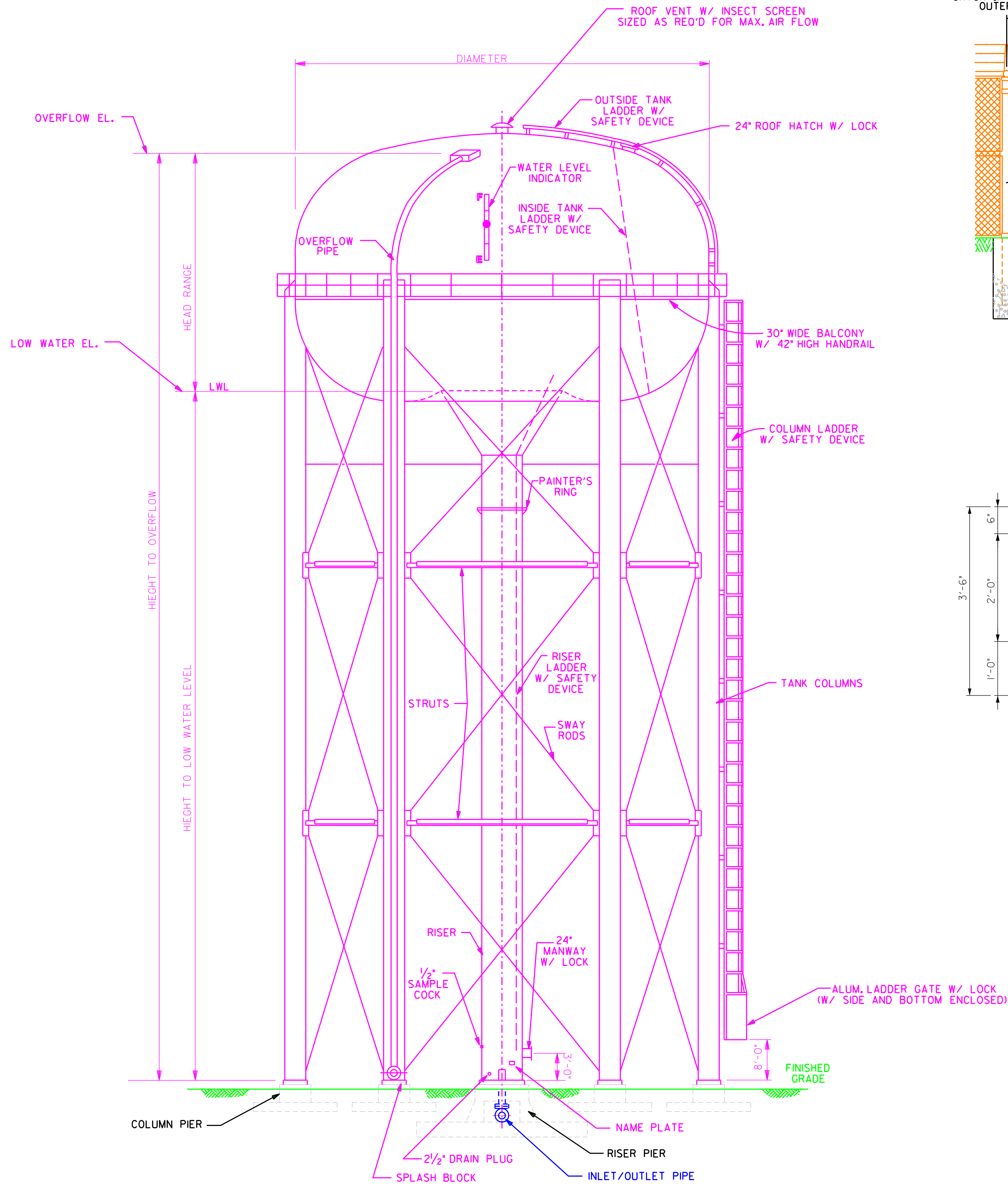


**2007 WATER SYSTEM IMPROVEMENTS
 MONROE COUNTY WATER DISTRICT
 CONTRACT IIB-PHASE IX-WATER STORAGE TANKS
 LOCATION MAP & INDEX**

| | |
|-----------------|---------------|
| DESIGNED: | RDS |
| DRAWN: | RLP |
| CHECKED: | RDS |
| APPROVED: | RDS |
| DATE: | JULY 2015 |
| SCALE: | 1" = 2000' |
| SHEET NO. | 2 of 4 |
| SEA PROJECT NO. | 0323 |

INDEX

- 1.....COVER SHEET
- 2.....LOCATION MAP & INDEX
- 3.....ELEVATED TANK
- 4.....CLOYD WILLIAMS TANK SITE

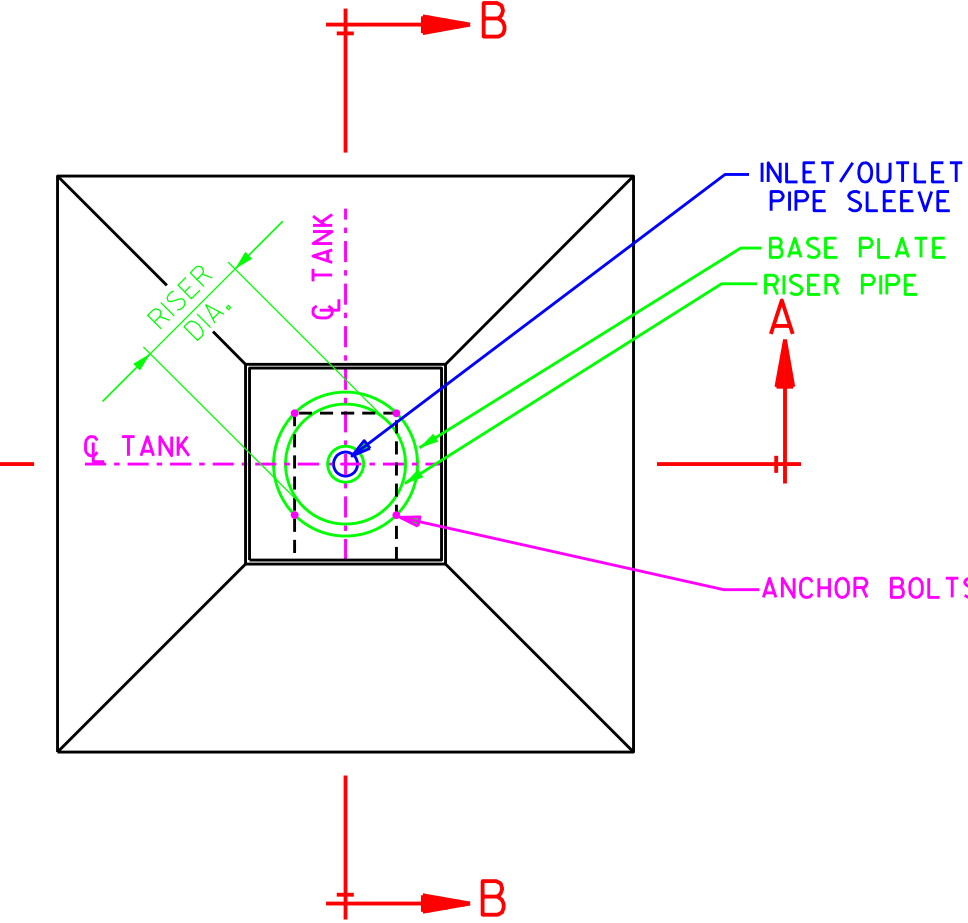


ELEVATED TANK ELEVATION
NO SCALE

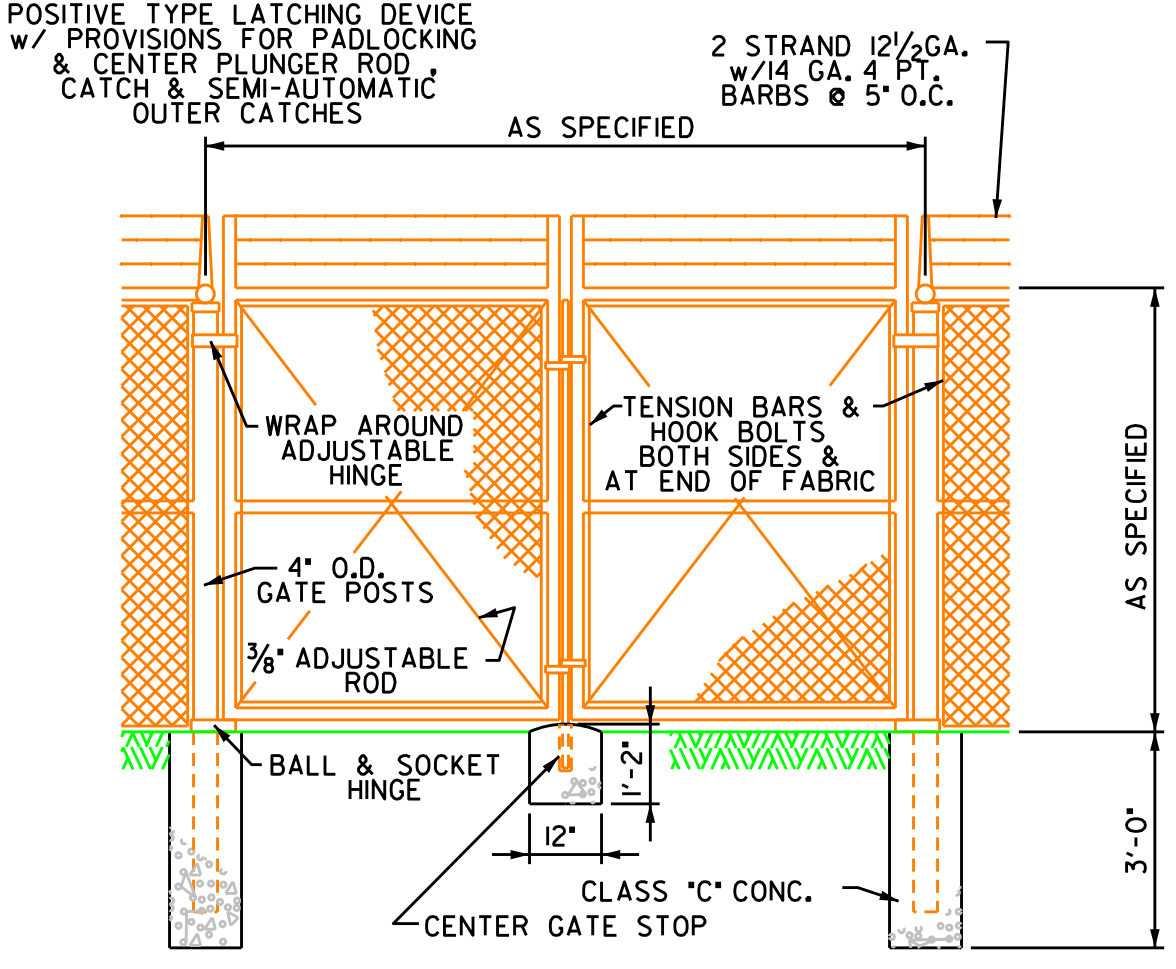
| TANK DATA | |
|---------------------------|----------------|
| | CLOYD WILLIAMS |
| SIZE OF TANK (GALLONS) | 600,000 |
| OVERFLOW ELEVATION | 1119.00 |
| LOW WATER ELEVATION (LWL) | 1082.50 |
| TOP OF PIER ELEVATION | 999.00 |
| HEIGHT TO OVERFLOW | 120'-0" |
| HEIGHT TO LOW WATER LEVEL | 83'-6" |
| DIAMETER | 56'-0" |
| HEAD RANGE | 36'-6" |
| OVERFLOW PIPE SIZE | 8" |
| ROOF VENT SIZED FOR | PER MFG. |
| SEISMIC ZONE | PER SPECS |
| SNOW LOAD | PER SPECS |
| WIND LOAD | PER SPECS |
| INLET/OUTLET PIPE SLEEVE | 18" |
| INLET/OUTLET PIPE SIZE | 16" |
| FINISHED GRADE ELEVATION | 998.50 |
| NO. OF COLUMN PIERS | PER MANUF. |

GENERAL NOTES

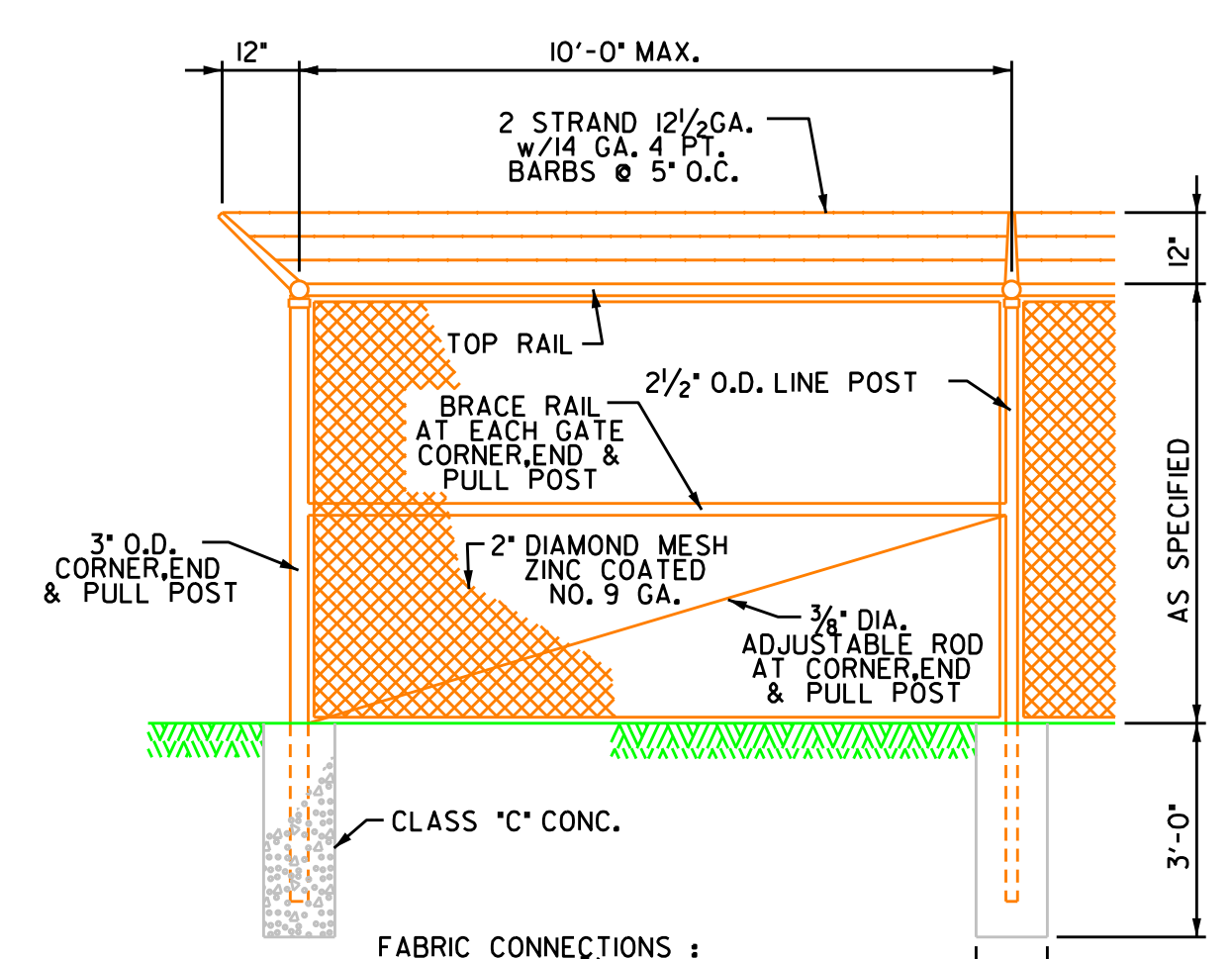
- ALL WORK SHALL BE DONE IN ACCORDANCE WITH THE LATEST REVISIONS OF AWWA D-100 AND ALL FEDERAL, STATE & LOCAL CODES.
- THE TANK AND FOUNDATIONS DRAWINGS SUBMITTED BY MANUFACTURER SHALL BE STAMPED BY A LICENCED ENGINEER FROM THE STATE IN WHICH THE TANK IS TO BE BUILT.
- THE FOUNDATION SHALL BE DESIGNED PER THE SOIL BEARING REPORT PREPARED BY CONTRACTOR (SEE SPEC.)
- ALL LOCKS FOR FENCE GATE, LADDER GATES, MANWAYS, ETC. TO BE KEYPED ALIKE.
- THE CONTRACTOR SHALL MEET WITH THE OWNER AND ENGINEER TO PERFORM AN 11th MONTH INSPECTION.



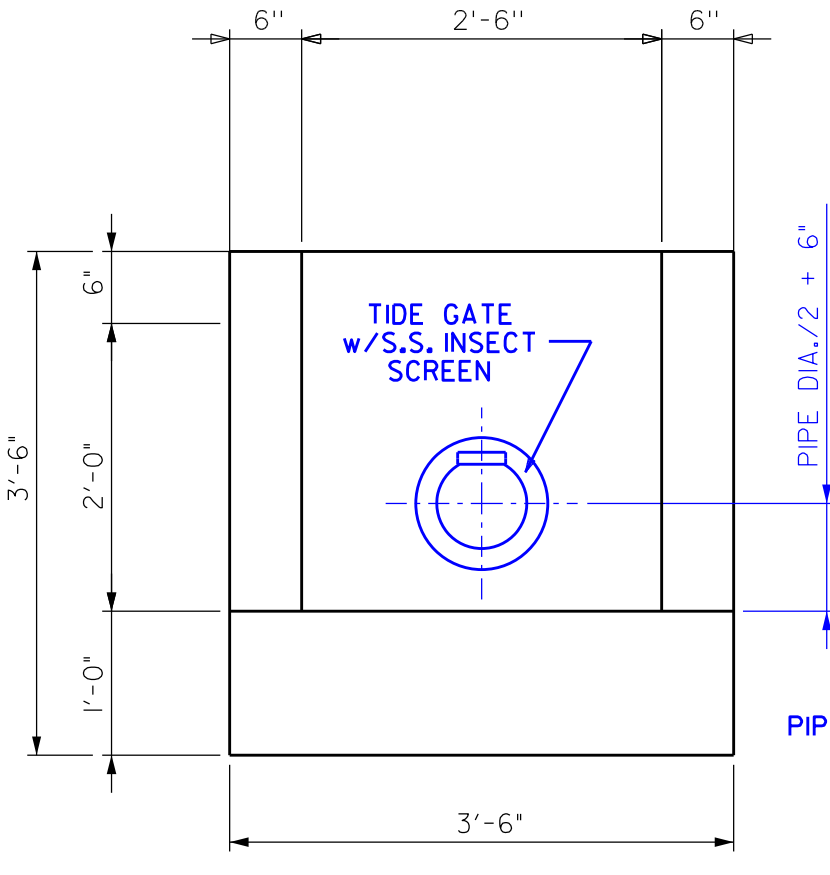
RISER PIER PLAN
NO SCALE



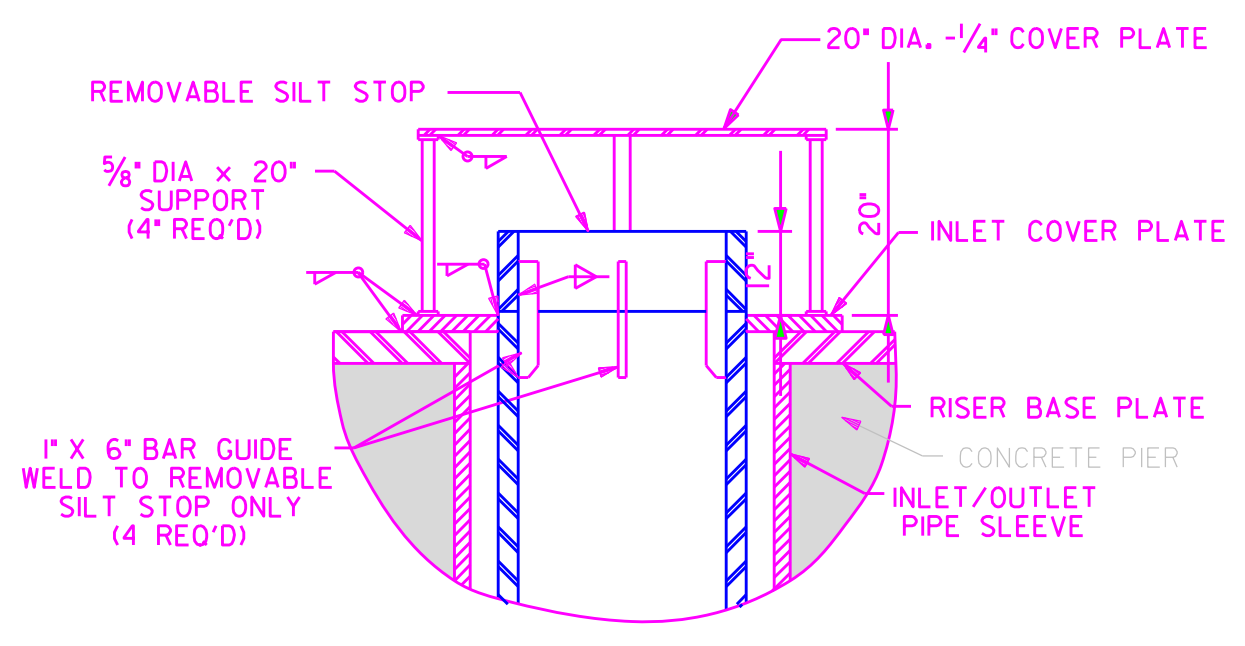
FENCE GATE DETAIL
NO SCALE



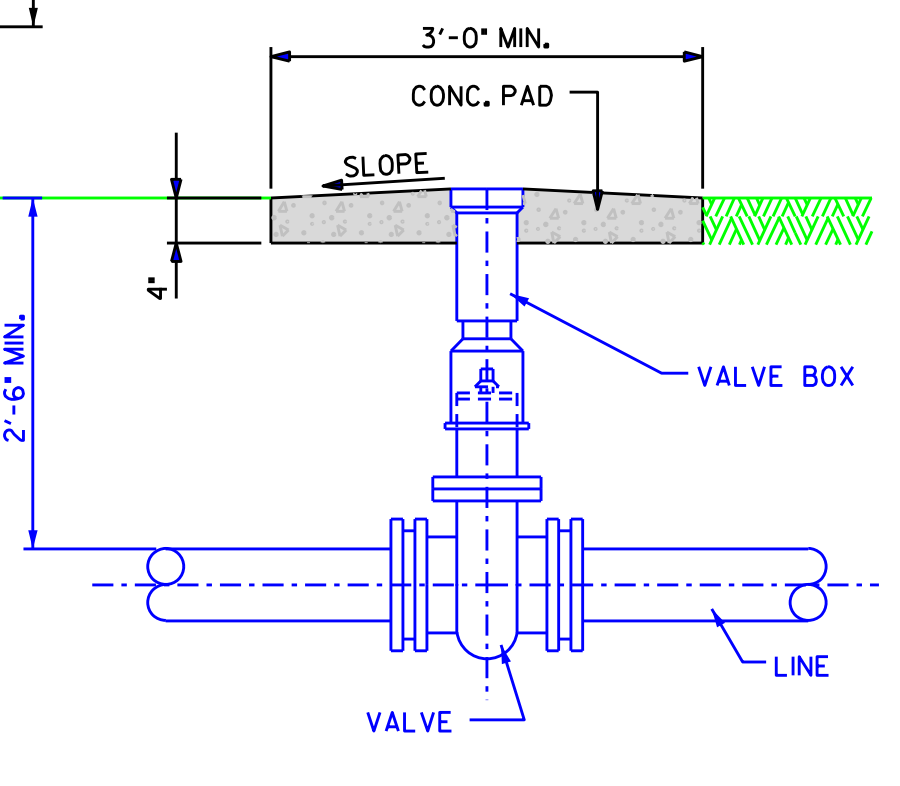
FENCE DETAIL
NO SCALE



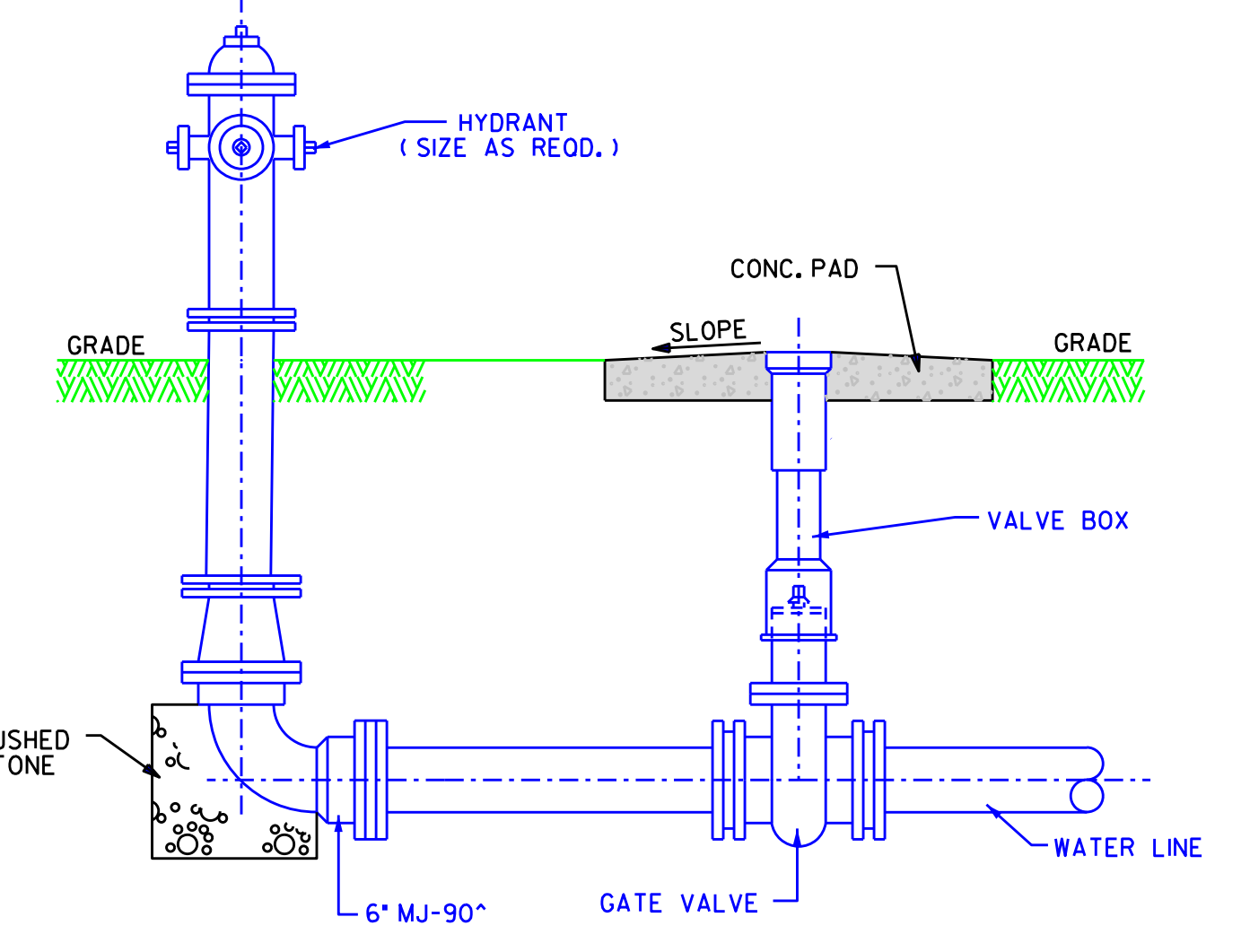
HEADWALL DETAIL
NO SCALE



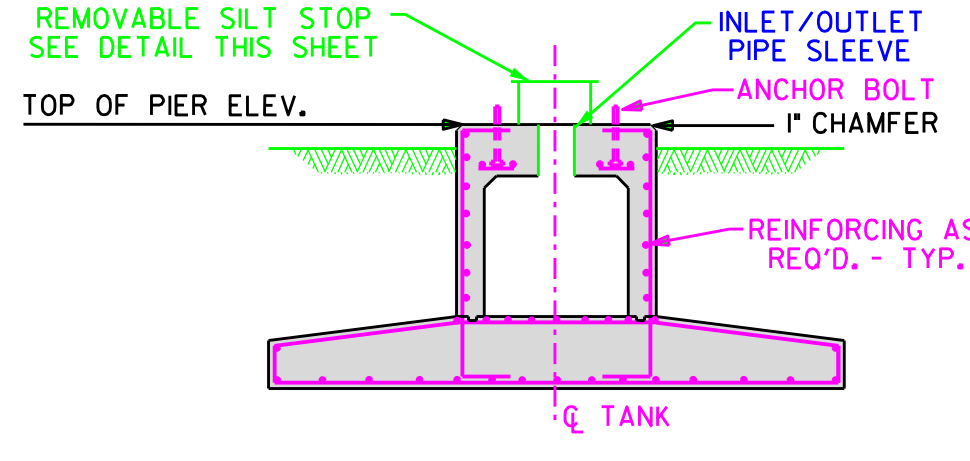
REMOVABLE SILT STOP - DETAIL
NO SCALE



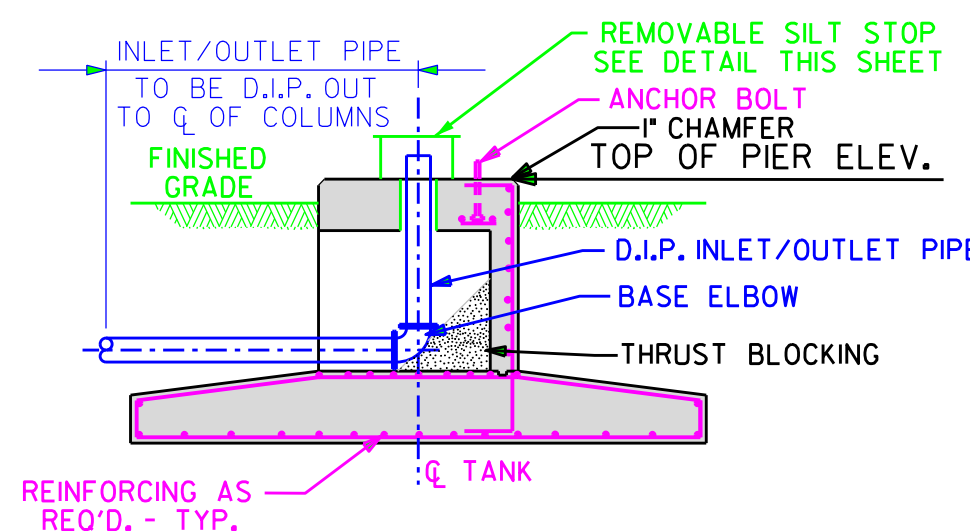
TYPICAL VALVE SETTING DETAIL
NO SCALE



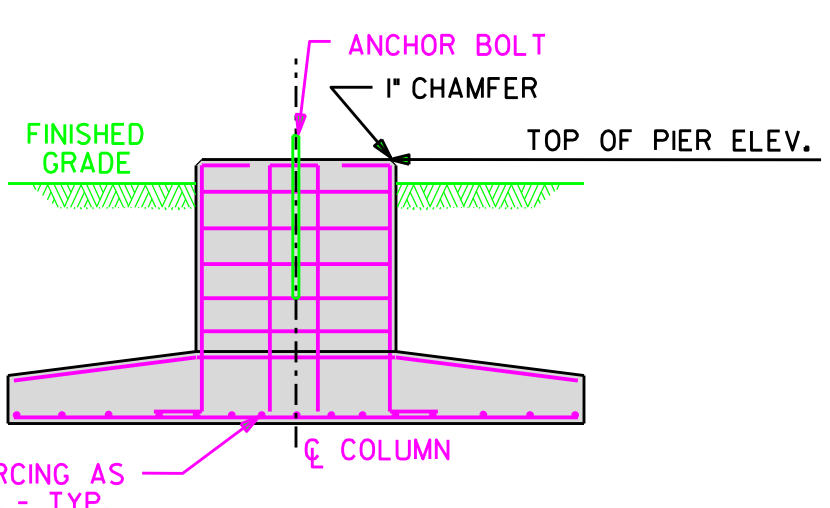
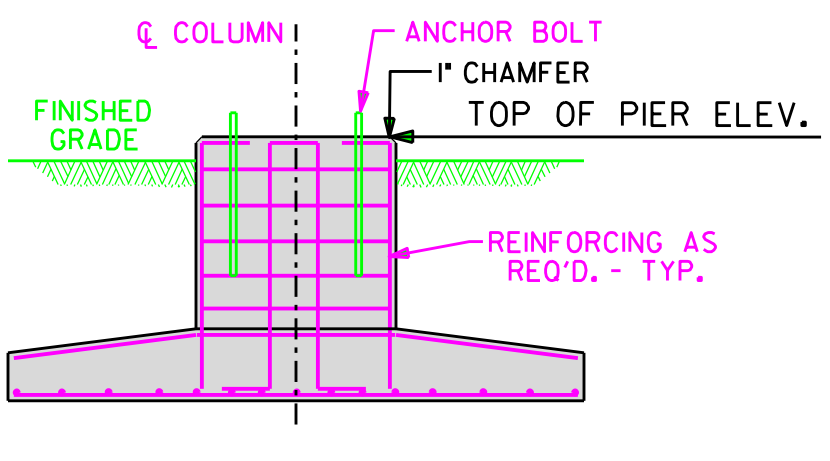
TYPICAL HYDRANT SETTING DETAIL
NO SCALE



SECTION A-A
NO SCALE

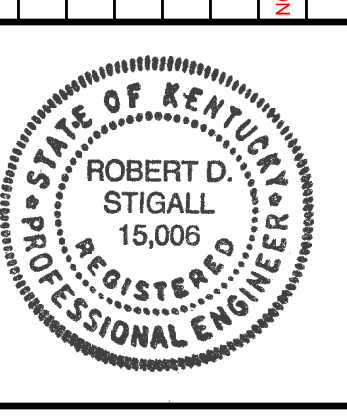


SECTION B-B
NO SCALE



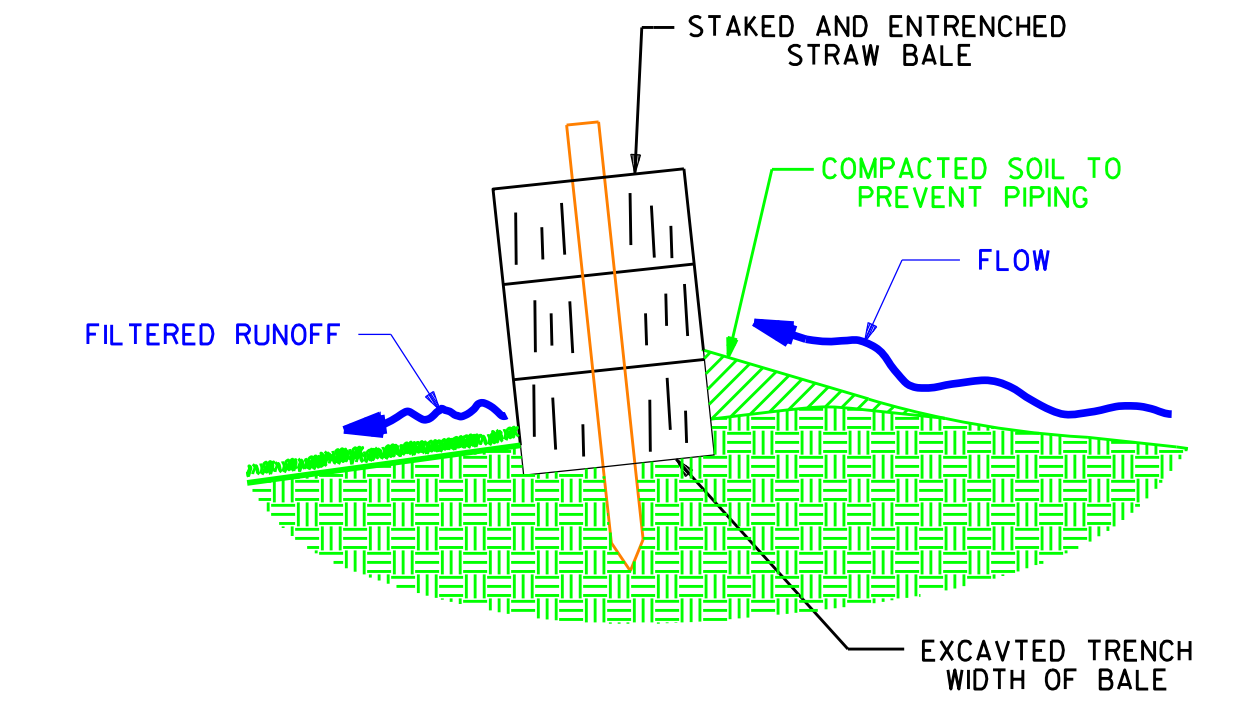
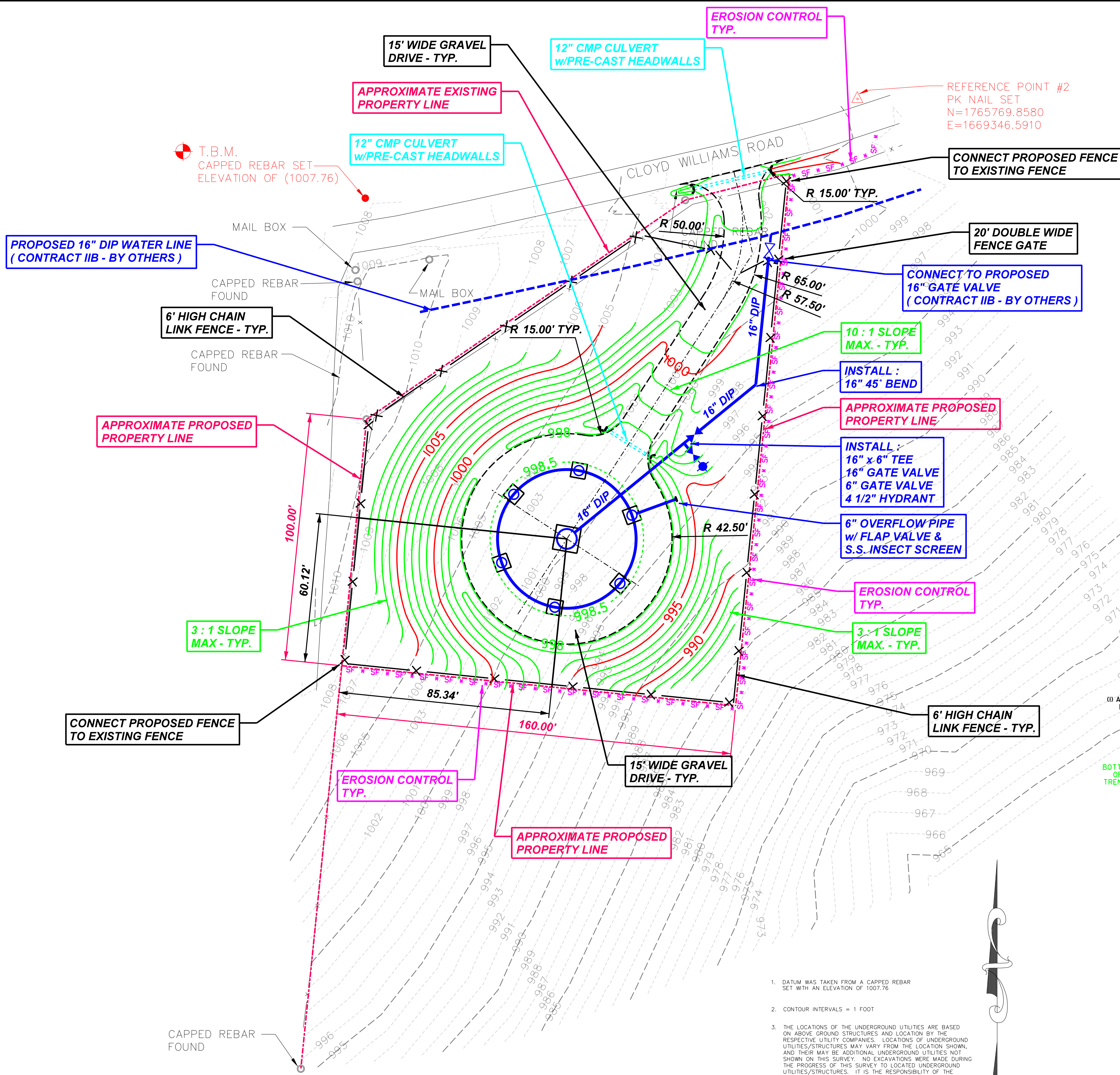
COLUMN PIER SECTION
NO SCALE

| NO. | DESCRIPTION | REVISIONS | DATE | BY |
|-----|-------------|-----------|------|----|
| | | | | |

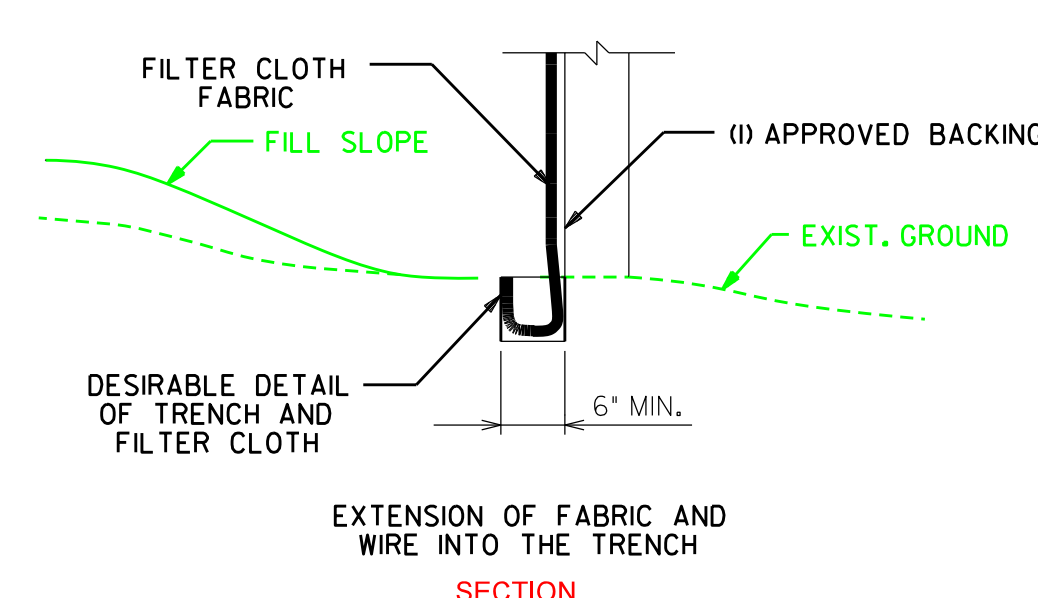
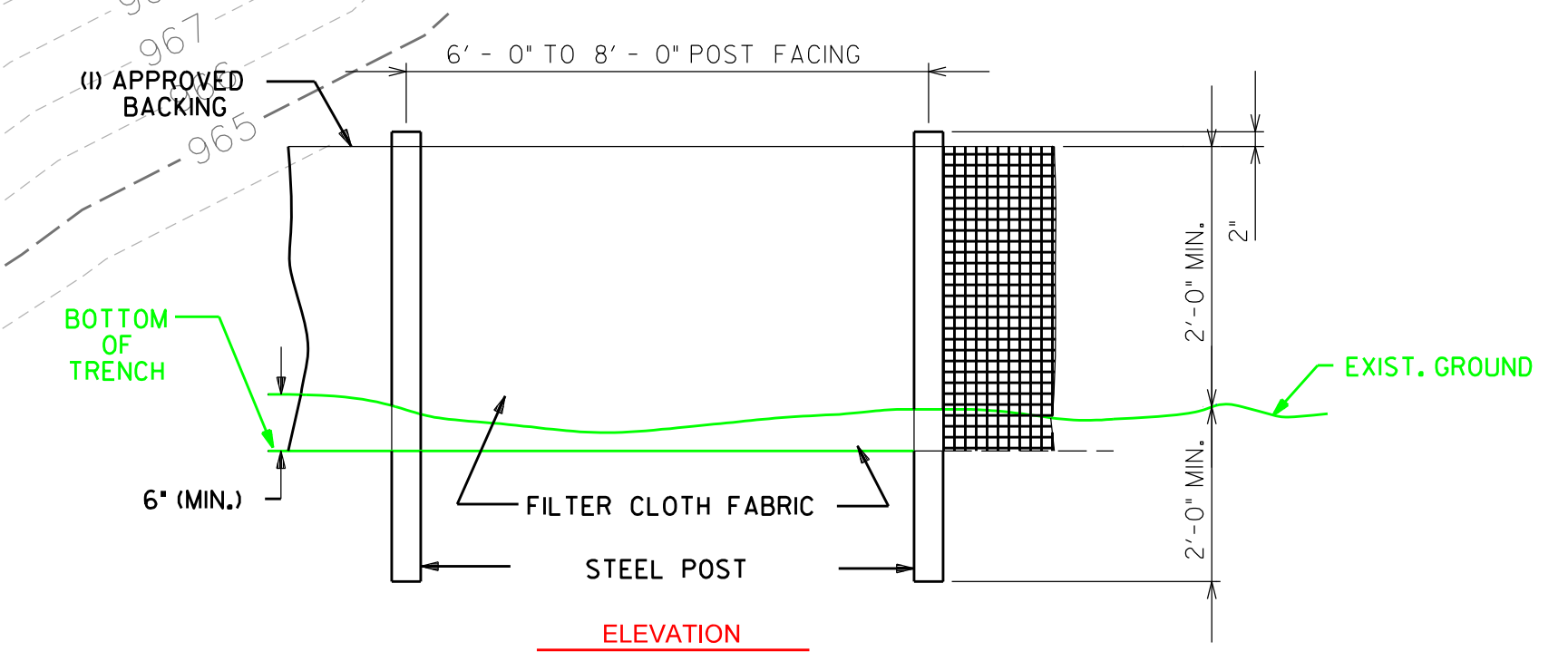


2007 WATER SYSTEM IMPROVEMENTS
MONROE COUNTY WATER DISTRICT
CONTRACT IIB-PHASE IX-WATER STORAGE TANKS
ELEVATED STORAGE TANK

| | |
|----------|-----------|
| DESIGNED | RDS |
| DRAWN | RLP |
| CHECKED | RDS |
| APPROVED | RDS |
| DATE: | JULY 2015 |
| SCALE: | AS SHOWN |



STRAW BALE BARRIER
SCALE: 1/2" = 1'-0"



NOTE:
1) FILTER CLOTH SHALL MEET THE REQUIREMENTS OF SECTION 209 OF THE STANDARD SPECIFICATIONS. (TDOT)
2) A PREASSEMBLED SILT FENCE MEETING THE REQUIREMENTS OF THIS DRAWING IS ACCEPTABLE IN LIEU OF A FIELD CONSTRUCTED SILT FENCE.

SILT FENCE DETAIL
SCALE: 1/2" = 1'-0"

1. DATUM WAS TAKEN FROM A CAPPED REBAR SET WITH AN ELEVATION OF 1007.76
2. CONTOUR INTERVALS = 1 FOOT
3. THE LOCATIONS OF THE UNDERGROUND UTILITIES ARE BASED ON ABOVE GROUND STRUCTURES AND LOCATION BY THE RESPECTIVE UTILITY COMPANIES. LOCATIONS OF UNDERGROUND UTILITIES/STRUCTURES MAY VARY FROM THE LOCATION SHOWN, AND THERE MAY BE ADDITIONAL UNDERGROUND UTILITIES NOT SHOWN ON THIS SURVEY. NO EXCAVATIONS WERE MADE DURING THE PROGRESS OF THIS SURVEY TO LOCATED UNDERGROUND UTILITIES/STRUCTURES. IT IS THE RESPONSIBILITY OF THE CONTRACTOR TO MAINTAIN THE INTEGRITY OF ALL UNDERGROUND UTILITIES/STRUCTURES.

STIGALL ENGINEERING ASSOCIATES, INC.
TELEPHONE: (615) 482-7515
FACSIMILE: (615) 482-5117

441 HALLS BROS. BLDG., SUITE 206
NASHVILLE, TENNESSEE 37219

| NO. | DESCRIPTION | DATE | BY |
|-----|-------------|------|----|
| | | | |
| | | | |
| | | | |
| | | | |
| | | | |
| | | | |

ROBERT D. STIGALL
15,006
REGISTERED
PROFESSIONAL ENGINEER

**2007 WATER SYSTEM IMPROVEMENTS
MONROE COUNTY WATER DISTRICT
CONTRACT IIB-PHASE IX-WATER STORAGE TANKS
CLOYD WILLIAMS TANK**

| | |
|------------------|---------------|
| DESIGNED: | RDS |
| DRAWN: | RLP |
| CHECKED: | RDS |
| APPROVED: | RDS |
| DATE: | JULY 2015 |
| SCALE: | 1" = 20' |
| SHEET NO.: | 4 of 4 |
| SEA PROJECT NO.: | 0323 |