

LEGEND

- ===== 4" WATER MAIN
- ===== 6" WATER MAIN
- ===== 8" WATER MAIN
- ⊙ = VALVE ⊗ = FIRE HYDRANT
- Ⓜ = METER ⊠ = METER INSIDE
- = UTILITY POLE ⊙ = LAMP POST

P-5

REC-564

NORTHERN KENTUCKY WATER DISTRICT LOCATION MAPS		
DIXON ROAD		
DRAWN BY: SAR	REVISED DATE	SCALE: 1" = 50'
TRACED BY: SAR		DATE: 6-5-13
CHECKED BY: TIM K		DRAWING NO.
FIELD BOOK NO. 142		2335

LEGEND

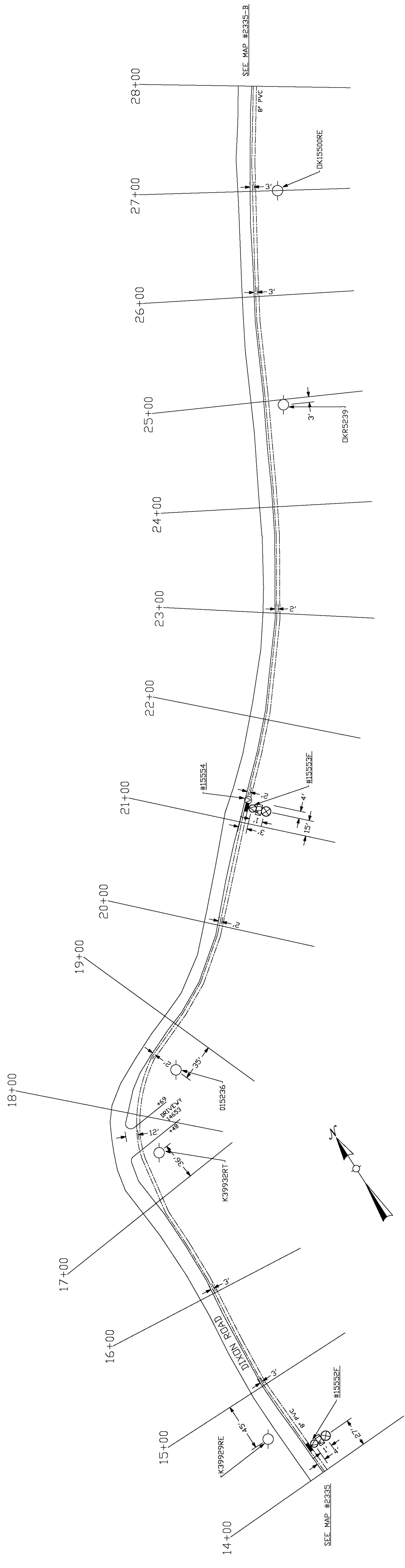
- ===== 4" WATER MAIN
- ===== 6" WATER MAIN
- ===== 8" WATER MAIN

- ⊕ = VALVE
- ⊗ = FIRE HYDRANT
- Ⓜ = METER
- Ⓜ = METER INSIDE
- = UTILITY POLE
- ⊙ = LAMP POST

P-5

REC-564

NORTHERN KENTUCKY WATER DISTRICT LOCATION MAPS		
DIXON ROAD		
DRAWN BY: SAR	REVISED DATE	SCALE: 1" = 50'
TRACED BY: SAR		DATE: 6-5-13
CHECKED BY: TIM K		DRAWING NO.
FIELD BOOK NO. 142		2335-A



LEGEND

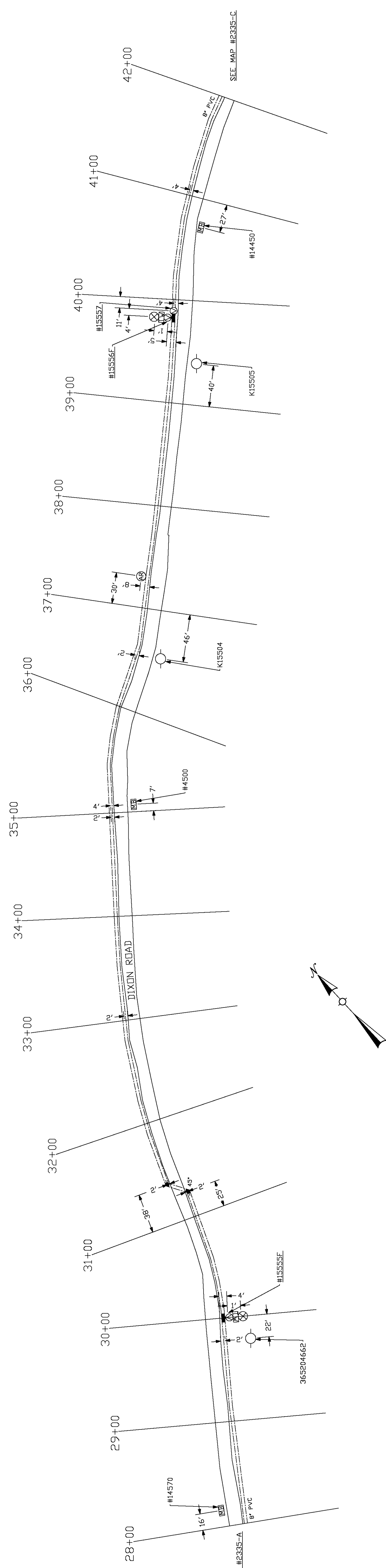
- ===== 4" WATER MAIN
- ===== 6" WATER MAIN
- ===== 8" WATER MAIN

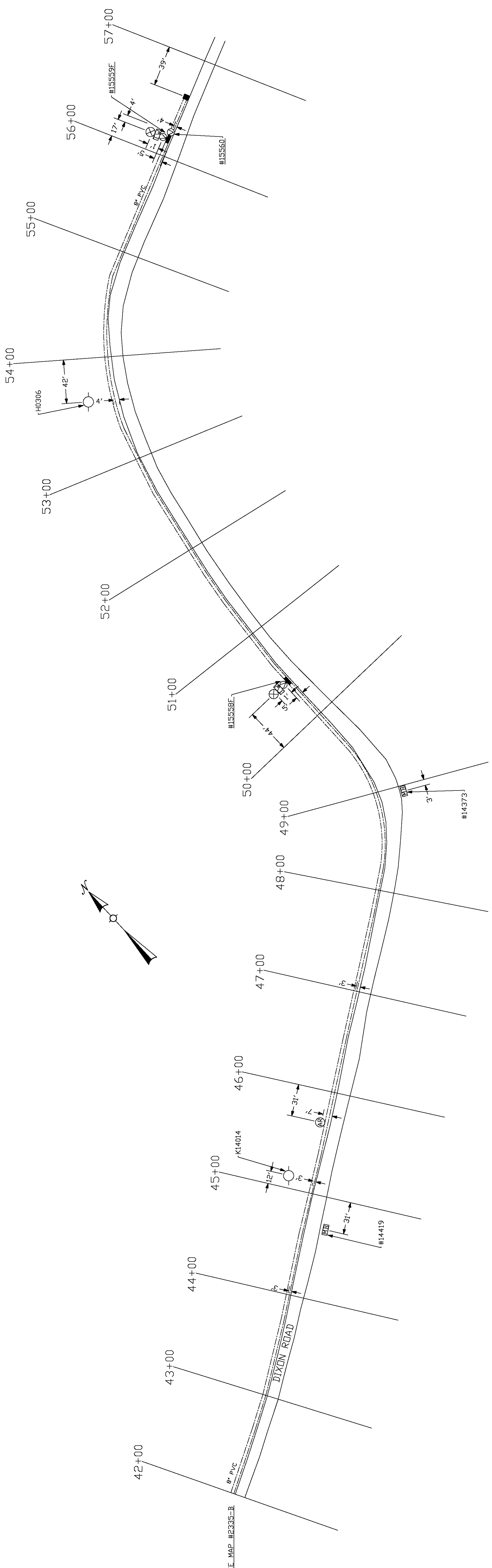
- ⊕ = VALVE ⊗ = FIRE HYDRANT
- Ⓜ = METER ⊠ = METER INSIDE
- = UTILITY POLE ⊙ = LAMP POST

P-5

REC-564

NORTHERN KENTUCKY WATER DISTRICT LOCATION MAPS		
DIXON ROAD		
DRAWN BY: SAR	REVISED DATE	SCALE: 1" = 50'
TRACED BY: SAR		DATE: 6-5-13
CHECKED BY: TIM K		DRAWING NO.
FIELD BOOK NO. 142		2335-B



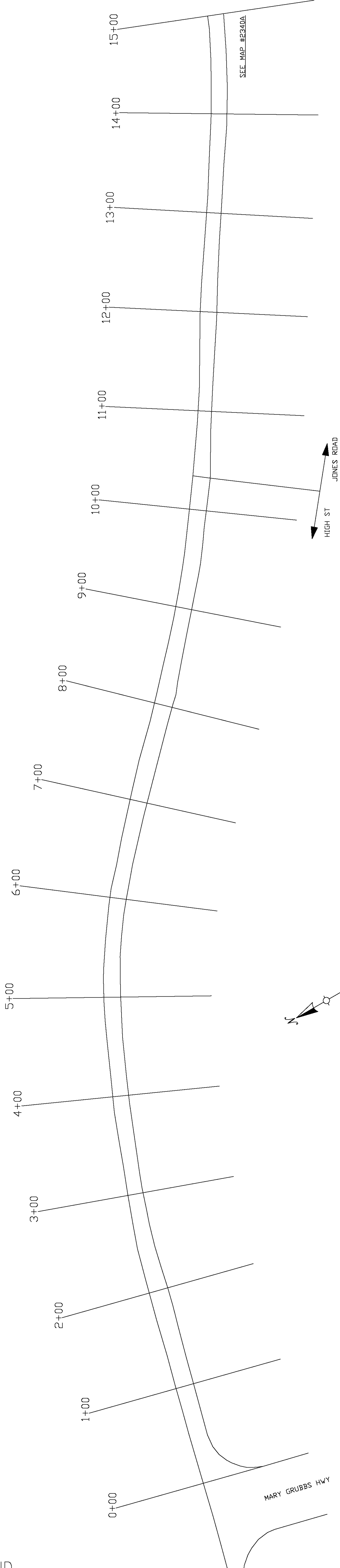


LEGEND

- ===== 4" WATER MAIN
- ===== 6" WATER MAIN
- ===== 8" WATER MAIN
- ⊕ = VALVE ⊗ = FIRE HYDRANT
- Ⓜ = METER ⊠ = METER INSIDE
- = UTILITY POLE ⊙ = LAMP POST

P-5		REC-564	
NORTHERN KENTUCKY WATER DISTRICT LOCATION MAPS			
DIXON ROAD			
DRAWN BY: SAR	REVISED DATE	SCALE: 1" = 50'	
TRACED BY: SAR		DATE: 5-6-13	
CHECKED BY: TIM K		DRAWING NO.	
FIELD BOOK NO. 142		2335-C	

SEE MAP #2335-B

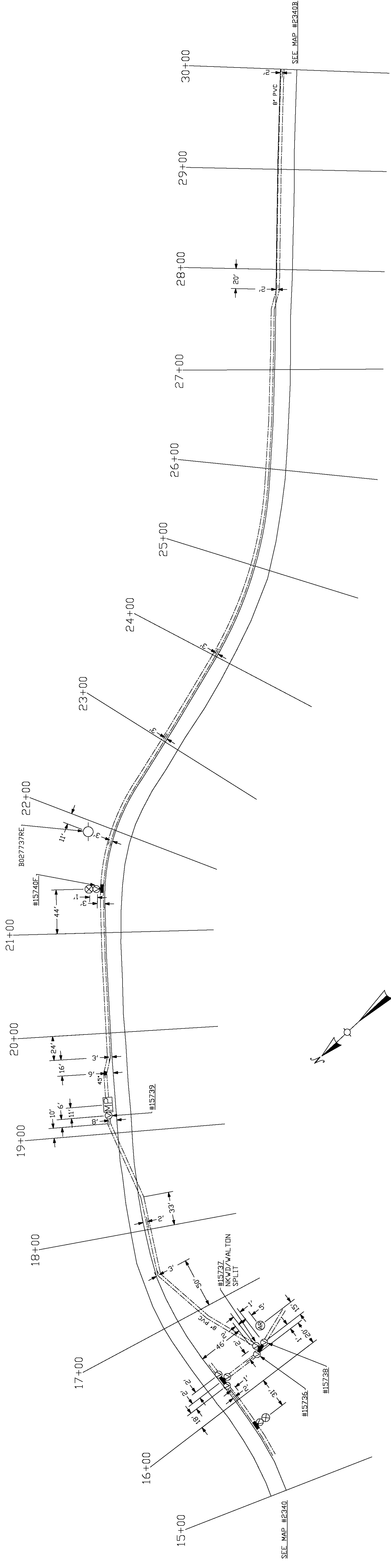


LEGEND

- ===== 4" WATER MAIN
- ===== 6" WATER MAIN
- ===== 8" WATER MAIN

- ⊕ = VALVE
- ⊗ = FIRE HYDRANT
- Ⓜ = METER
- Ⓜ = METER INSIDE
- = UTILITY POLE
- ⊙ = LAMP POST

M-7 REC-564		
NORTHERN KENTUCKY WATER DISTRICT LOCATION MAPS		
JONES ROAD		
DRAWN BY: SAR	REVISED DATE	SCALE: 1" = 50'
TRACED BY: SAR		DATE: 1-9-14
CHECKED BY: TK		DRAWING NO.
FIELD BOOK NO. 144		2340



LEGEND

- ===== 4" WATER MAIN
- ===== 6" WATER MAIN
- ===== 8" WATER MAIN

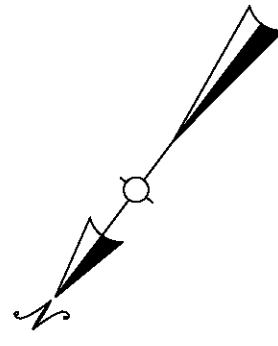
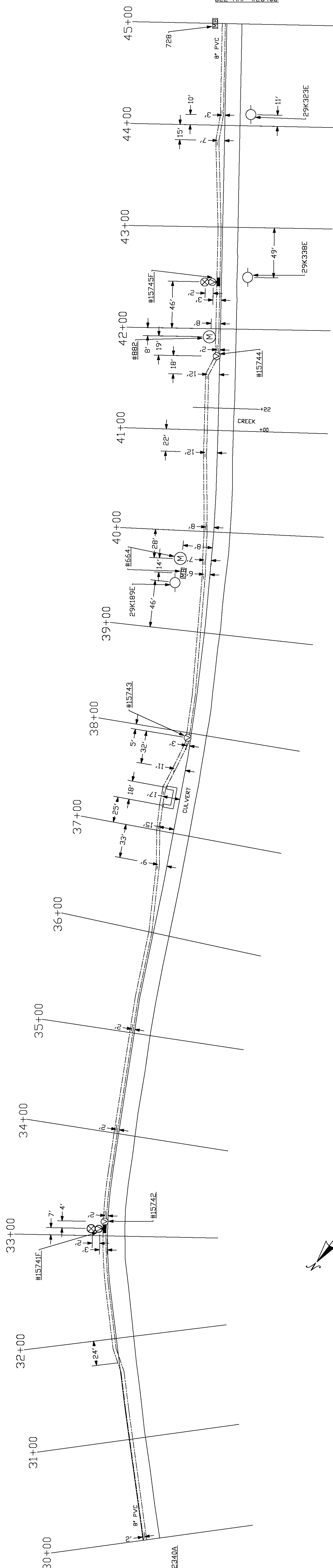
- ⊕ = VALVE ⊗ = FIRE HYDRANT
- Ⓜ = METER ⊠ = METER INSIDE
- = UTILITY POLE ⊙ = LAMP POST

M-7

REC-564

NORTHERN KENTUCKY WATER DISTRICT LOCATION MAPS		
JONES ROAD		
DRAWN BY: SAR	REVISED DATE:	SCALE: 1" = 50'
TRACED BY: SAR		DATE: 1-9-14
CHECKED BY: TK		DRAWING NO.
FIELD BOOK NO. 144		2340A

SEE MAP #2340C

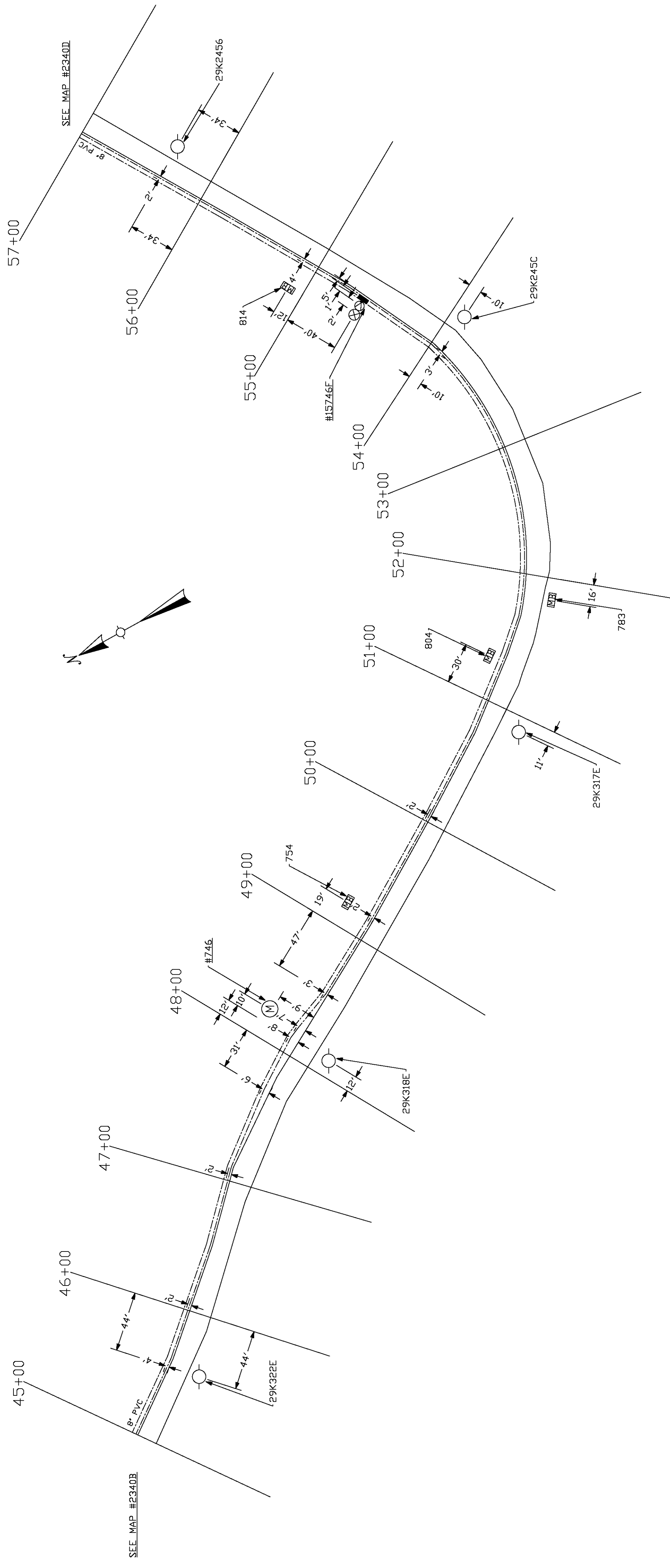


LEGEND

- ===== 4" WATER MAIN
- ===== 6" WATER MAIN
- ===== 8" WATER MAIN
- MB = MAIL BOX
- V = VALVE
- H = FIRE HYDRANT
- M = METER
- MI = METER INSIDE
- UP = UTILITY POLE
- LP = LAMP POST

M-7 REC-564

NORTHERN KENTUCKY WATER DISTRICT LOCATION MAPS		
JONES ROAD		
DRAWN BY: SAR	REVISED DATE	SCALE: 1" = 50'
TRACED BY: SAR		DATE: 1-9-14
CHECKED BY: TK		DRAWING NO.
FIELD BOOK NO. 144		2340B



LEGEND

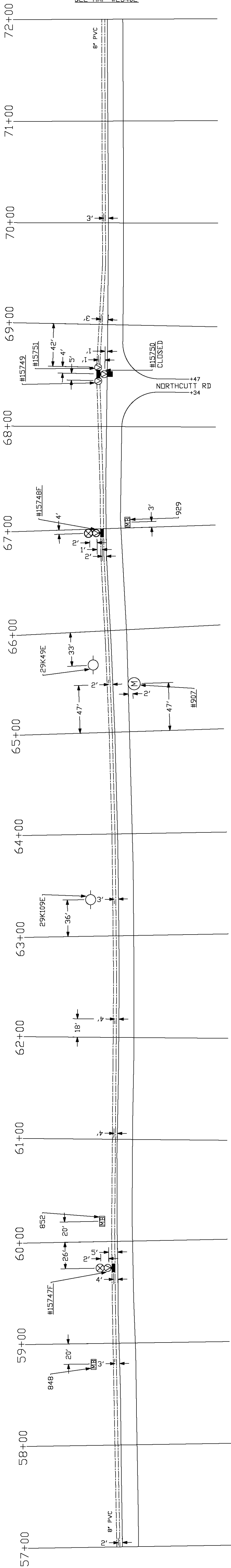
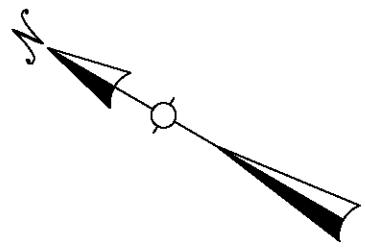
- ===== 4" WATER MAIN
- ===== 6" WATER MAIN
- ===== 8" WATER MAIN

- MB = MAIL BOX
- V = VALVE
- M = METER
- = UTILITY POLE
- ⊗ = FIRE HYDRANT
- Ⓜ = METER INSIDE
- ⊙ = LAMP POST

M-7 REC-564

NORTHERN KENTUCKY WATER DISTRICT LOCATION MAPS		
JONES ROAD		
DRAWN BY: SAR	REVISED DATE	SCALE: 1" = 50'
TRACED BY: SAR		DATE: 1-9-14
CHECKED BY: TK		DRAWING NO.
FIELD BOOK NO. 144		2340C

SEE MAP #2340E



SEE MAP #2340C

LEGEND

- ===== 4" WATER MAIN
- ===== 6" WATER MAIN
- ===== 8" WATER MAIN
- ☐ = MAIL BOX
- ⊙ = VALVE
- ⊗ = FIRE HYDRANT
- Ⓜ = METER
- Ⓜ = METER INSIDE
- = UTILITY POLE
- ⊙ = LAMP POST

M-7

REC-564

NORTHERN KENTUCKY WATER DISTRICT
LOCATION MAPS

JONES ROAD

DRAWN BY: SAR
 TRACED BY: SAR
 CHECKED BY: TK

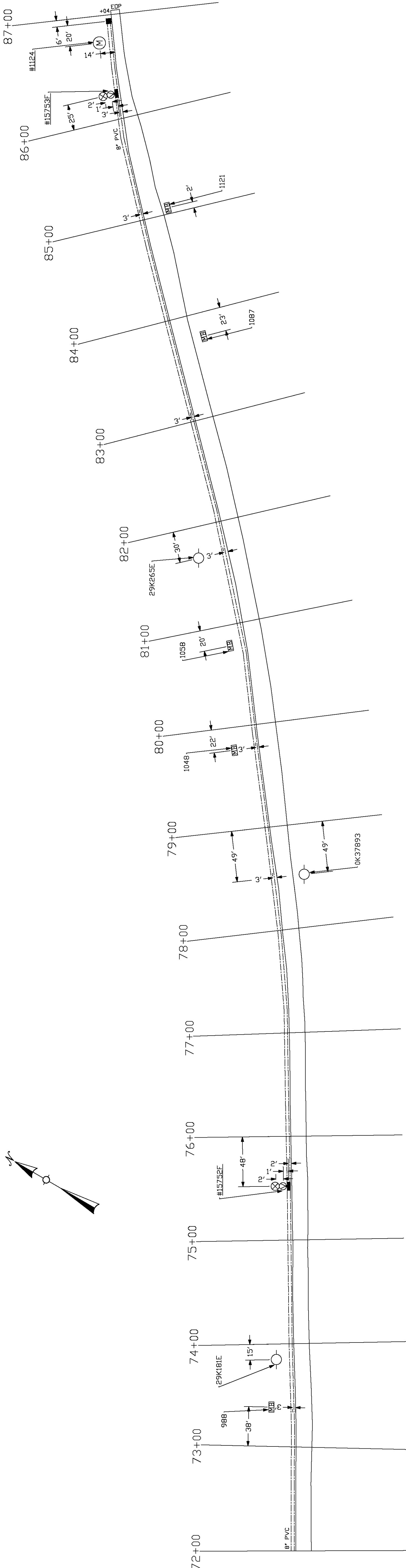
REVISED DATE

SCALE: 1" = 50'
 DATE: 1-9-14

FIELD BOOK NO. 144

DRAWING NO.

2340D



LEGEND

- ===== 4" WATER MAIN
- ===== 6" WATER MAIN
- ===== 8" WATER MAIN

- MB = MAIL BOX
- V = VALVE
- FH = FIRE HYDRANT
- M = METER
- MI = METER INSIDE
- UP = UTILITY POLE
- LP = LAMP POST

M-7 REC-564

NORTHERN KENTUCKY WATER DISTRICT LOCATION MAPS		
JONES ROAD		
DRAWN BY: SAR	REVISED DATE	SCALE: 1" = 50'
TRACED BY: SAR		DATE: 1-9-14
CHECKED BY: TK		DRAWING NO.
FIELD BOOK NO. 144		2340E