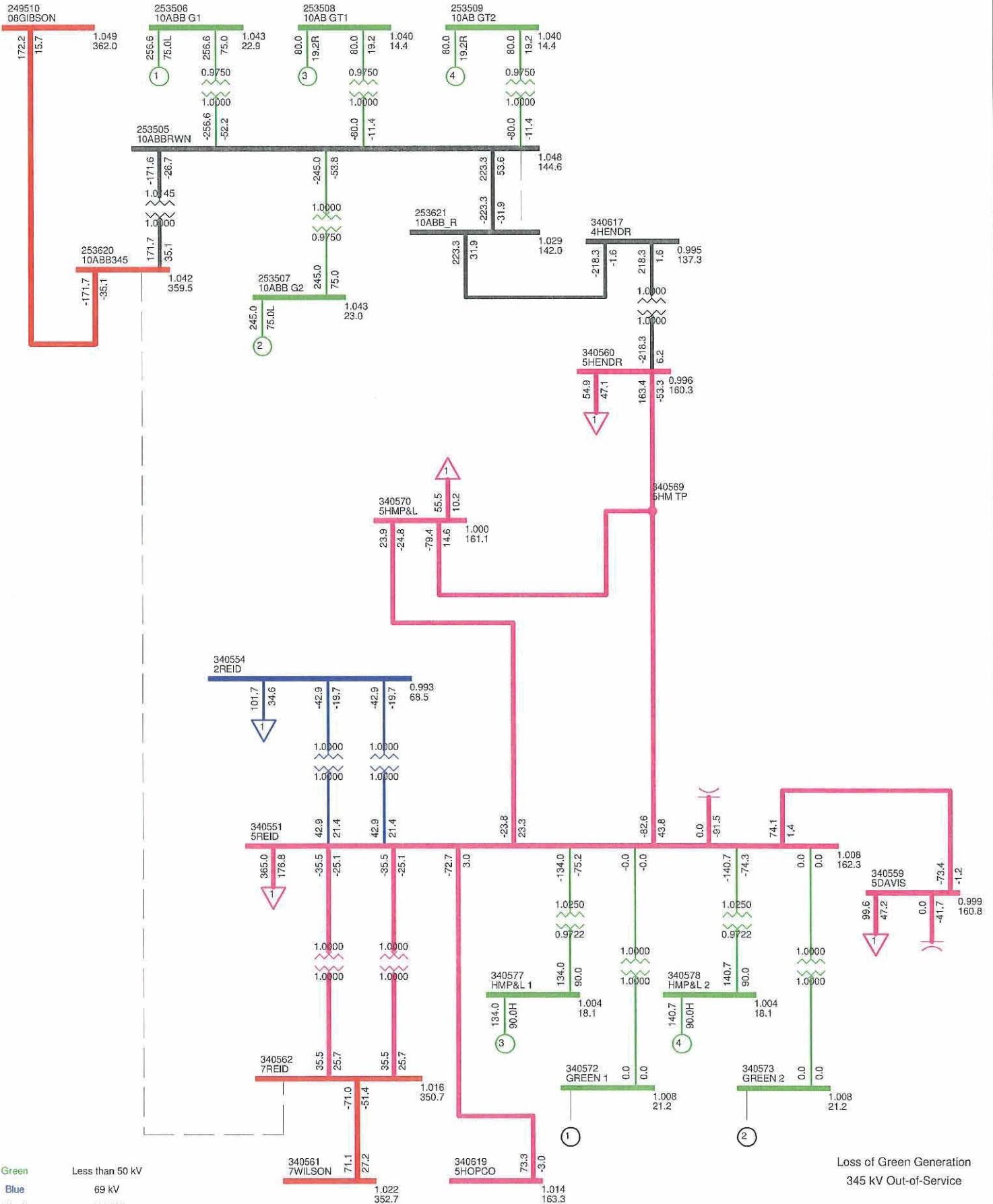


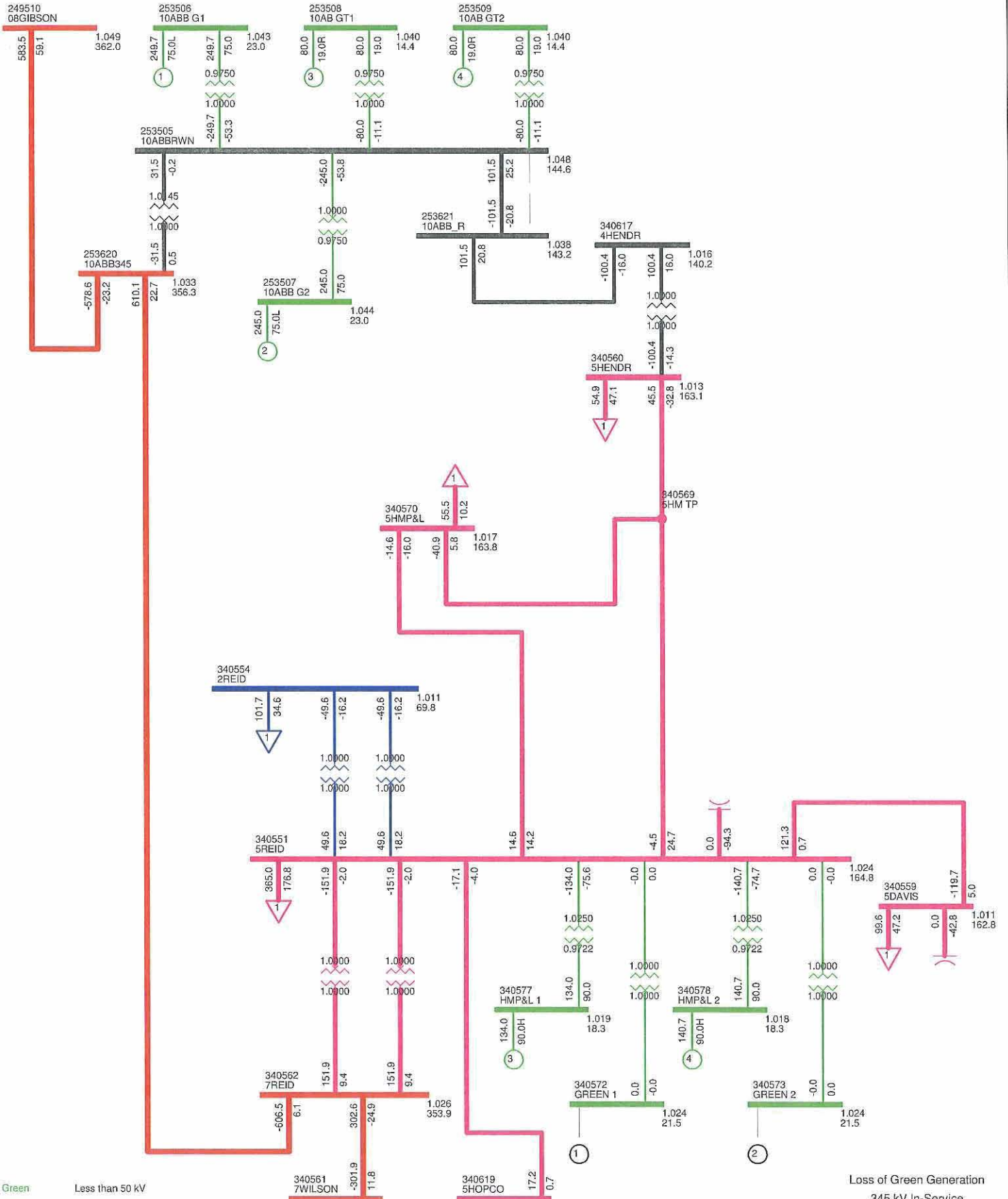
- Green Less than 50 kV
- Blue 69 kV
- Black 138 kV
- Pink 161 kV
- Red 345 kV

Loss of AB Brown Generation
345 kV In-Service



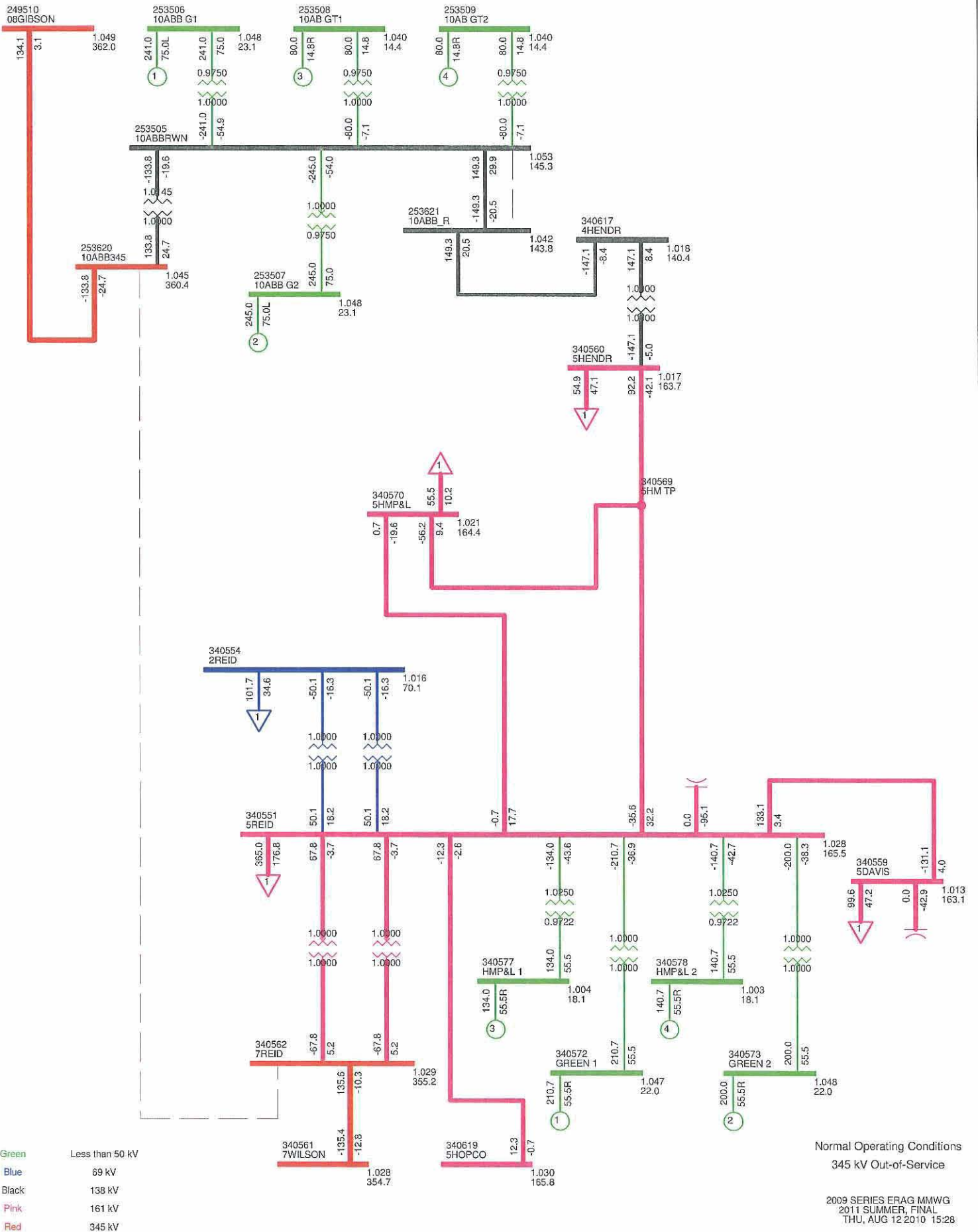
- Green Less than 50 kV
- Blue 69 kV
- Black 138 kV
- Pink 161 kV
- Red 345 kV

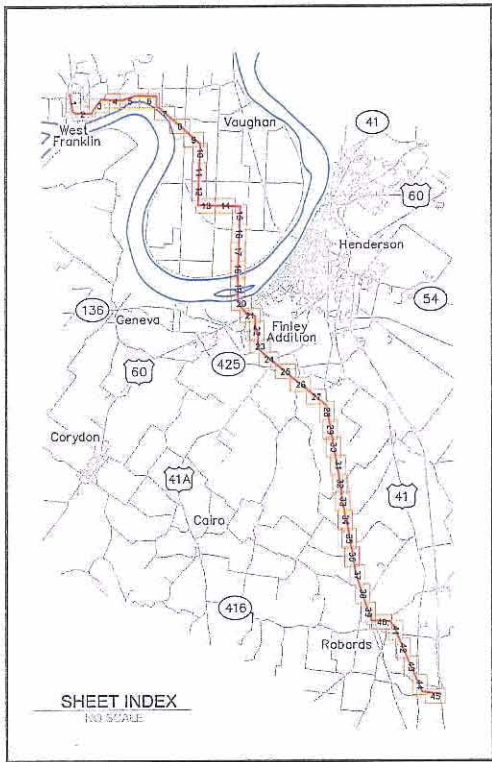
Loss of Green Generation
345 kV Out-of-Service



- Green Less than 50 kV
- Blue 69 kV
- Black 138 kV
- Pink 161 kV
- Red 345 kV

Loss of Green Generation
345 kV In-Service

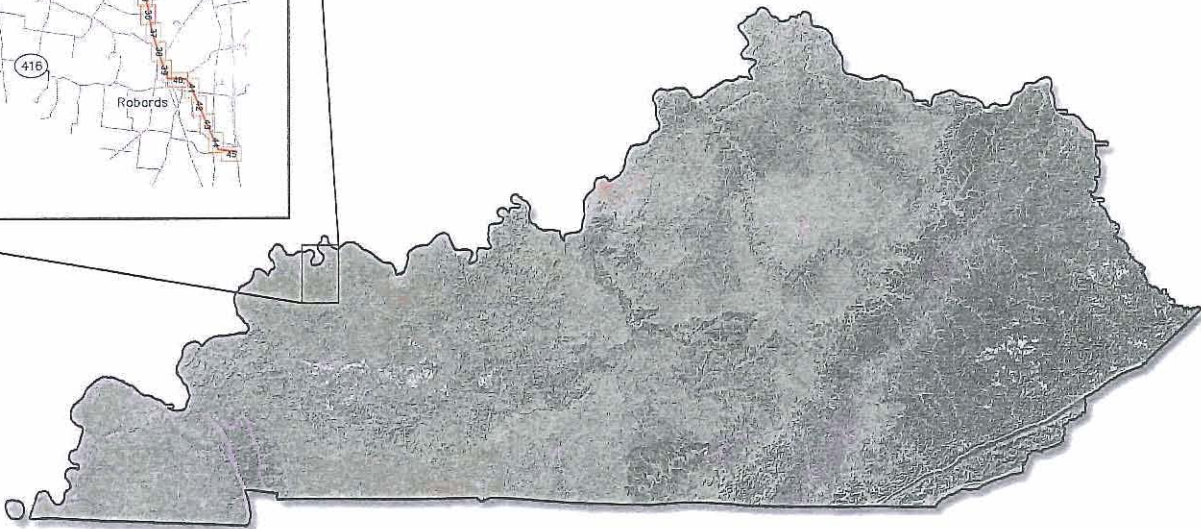




A.B. BROWN - ROBERT A. REID

345kV TRANSMISSION LINE

INTERCONNECTION PROJECT
 HENDERSON, KENTUCKY



INDEX OF DRAWINGS	
Sht. No.	Description
CS	COVER SHEET
19	COLOR PLAN SHEET - STA. 595+00 TO STA. 597+00
20	COLOR PLAN SHEET - STA. 597+00 TO STA. 620+00
21	COLOR PLAN SHEET - STA. 620+00 TO STA. 841+00
22	COLOR PLAN SHEET - STA. 641+00 TO STA. 671+00
23	COLOR PLAN SHEET - STA. 671+00 TO STA. 695+00
24	COLOR PLAN SHEET - STA. 695+00 TO STA. 727+00
25	COLOR PLAN SHEET - STA. 727+00 TO STA. 758+00
26	COLOR PLAN SHEET - STA. 758+00 TO STA. 792+00
27	COLOR PLAN SHEET - STA. 792+00 TO STA. 819+00
28	COLOR PLAN SHEET - STA. 819+00 TO STA. 852+00
29	COLOR PLAN SHEET - STA. 852+00 TO STA. 880+00
30	COLOR PLAN SHEET - STA. 880+00 TO STA. 909+00
31	COLOR PLAN SHEET - STA. 908+00 TO STA. 939+00
32	COLOR PLAN SHEET - STA. 939+00 TO STA. 969+00
33	COLOR PLAN SHEET - STA. 969+00 TO STA. 999+00
34	COLOR PLAN SHEET - STA. 999+00 TO STA. 1028+00
35	COLOR PLAN SHEET - STA. 1028+00 TO STA. 1059+00
36	COLOR PLAN SHEET - STA. 1059+00 TO STA. 1077+00
37	COLOR PLAN SHEET - STA. 1087+00 TO STA. 1117+00
38	COLOR PLAN SHEET - STA. 1117+00 TO STA. 1148+00
39	COLOR PLAN SHEET - STA. 1148+00 TO STA. 1181+00
40	COLOR PLAN SHEET - STA. 1181+00 TO STA. 1209+00
41	COLOR PLAN SHEET - STA. 1209+00 TO STA. 1241+00
42	COLOR PLAN SHEET - STA. 1241+00 TO STA. 1273+00
43	COLOR PLAN SHEET - STA. 1273+00 TO STA. 1303+00
44	COLOR PLAN SHEET - STA. 1303+00 TO STA. 1340+00
45	COLOR PLAN SHEET - STA. 1346+00 TO STA. 1382+15.98 END
50	STRUCTURE DETAIL SHEET

NO.	DATE	REVISION	DRAWN	CHECKED	DATE
1	September 2009	Alignment Shift	MAH	SPS	
2	May 2010	Final Review	MAH	SPS	
3	July 2010	Horizontal Datum Shift	BLF	SPS	



Architecture • Engineering • Planning
 815 West Market Street, Suite 300 Louisville, Kentucky 40202
 Phone: 502-585-2922 Fax: 502-992-0605 Internet: www.qk4.com
 Kentucky • Indiana • Georgia • West Virginia • Tennessee