

VIA E-FILING AND REGULAR MAIL

September 28, 2005

Elizabeth O'Donnell
Executive Director
Kentucky State Board on Electric
Generation and Transmission Siting
211 Sower Boulevard
Frankfort, Kentucky 40602-0615

RE: Joint Application of the Illinois Municipal Electric Agency and the Indiana Municipal Power Agency for Approval to be a 25% Partner in the Construction of a 750 Megawatt Addition to the Existing Trimble County Generating Facility in Trimble County, Kentucky
Siting Board Case No. 2005-00152

Dear Ms. O'Donnell:

Enclosed please find and accept for filing the original and ten (10) copies of Louisville Gas and Electric Company's and Kentucky Utilities Company's response to the Post-Hearing Data Request dated September 19, 2005 in the above-referenced case. An electronic copy of this filing has been posted to the Commission's Electronic Filing Center.

The attached electronically filed documents are a true representation of the original documents that have been filed with the Commission.

Very truly yours,



John Wolfram
Manager, Regulatory Affairs

Attachments
cc: Parties of Record

COMMONWEALTH OF KENTUCKY
BEFORE THE KENTUCKY STATE BOARD ON
ELECTRIC GENERATION AND TRANSMISSION SITING

In the Matter of:

JOINT APPLICATION OF THE ILLINOIS)
MUNICIPAL ELECTRIC AGENCY AND THE)
INDIANA MUNICIPAL POWER AGENCY FOR) CASE NO. 2005-00152
APPROVAL TO BE A 25% PARTNER IN THE)
CONSTRUCTION OF A 750 MEGAWATT)
ADDITION TO THE EXISTING TRIMBLE)
COUNTY GENERATING FACILITY IN)
TRIMBLE COUNTY, KENTUCKY)

RESPONSE OF
LOUISVILLE GAS AND ELECTRIC COMPANY
AND
KENTUCKY UTILITIES COMPANY
TO COMMISSION STAFF'S
POST-HEARING DATA REQUEST
DATED SEPTEMBER 19, 2005

FILED: September 28, 2005

**LOUISVILLE GAS AND ELECTRIC COMPANY
KENTUCKY UTILITIES COMPANY**

CASE NO. 2005-00152

**Response to Commission Staff's
Post-Hearing Data Request
Dated September 19, 2005**

Question No. 1

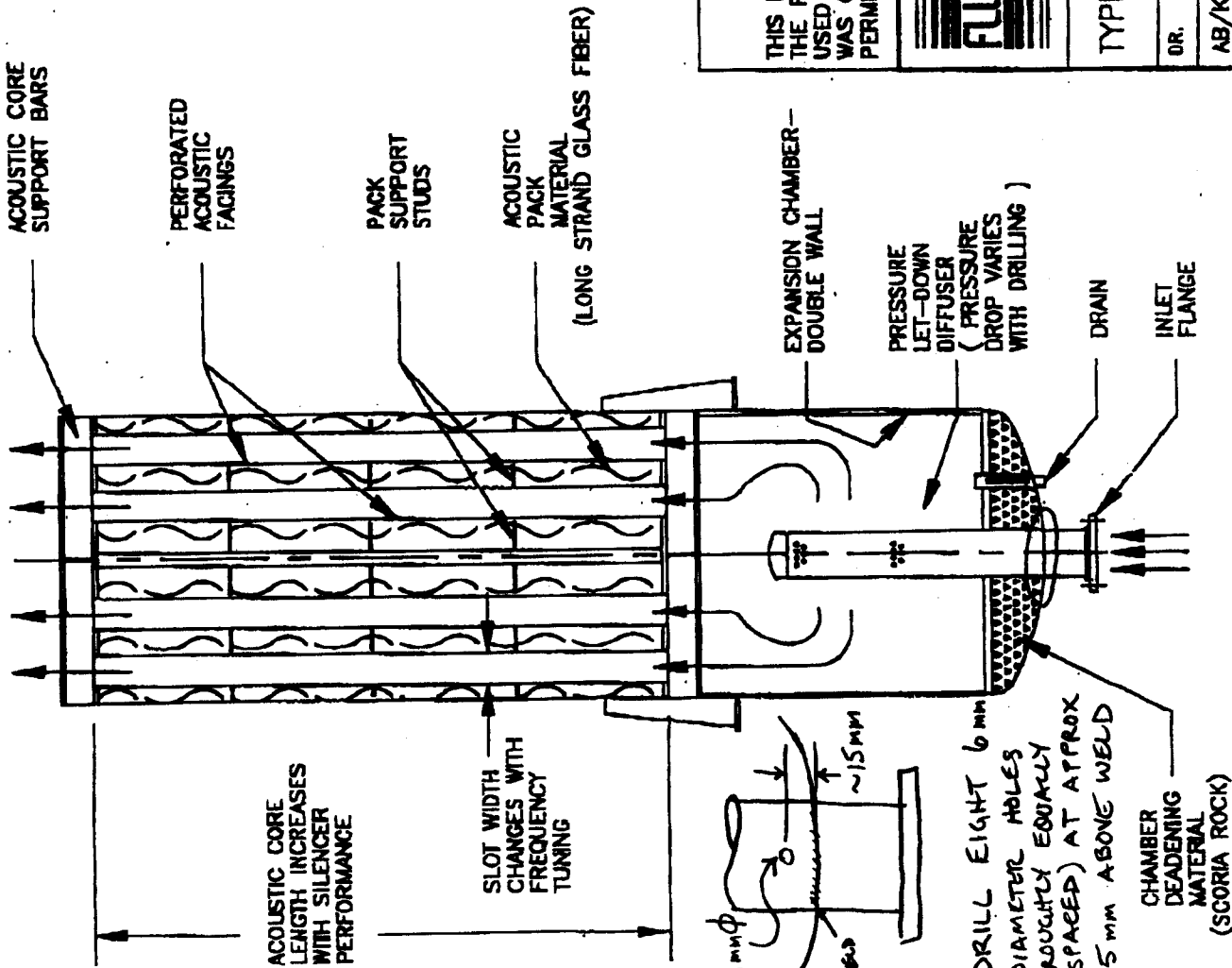
Responding Witness: John N. Voyles

Q-1. What if any technologies, other than those already installed at the Trimble County Generating Station, are available to further dampen the noise from planned steam blows in connection with the commissioning of TC2?

A-1. In accordance with LG&E Energy's original Request for Proposals ("RFP"), TC2 commissioning steam blows will be dampened through the use of a silencer similar to that shown in page 1 of 2 of the attachment. The use of this type of silencer is estimated to reduce the steam blow decibel levels from an un-attenuated noise level of approximately 125 dB(A) at 50 feet to approximately 105dB(A) at 50 feet. Accordingly, the estimated contribution of steam blow to the noise level at the closest residence is predicted to be less than 40 dBA.

In addition to the commissioning steam blows and in accordance with LG&E Energy's RFP, TC2 will also utilize silencers on its main steam safety releases to reduce the noise from the station during operation once the unit has been commissioned. The attached diagram, page 2 of 2, shows a typical silencer utilized on these type of discharges.

NO SCALE



PROPRIETARY INFORMATION

THIS DRAWING INCLUDES PROPRIETARY INFORMATION OF THE FLUID KINETICS CORPORATION AND MAY NOT BE USED FOR PURPOSES OTHER THAN THAT FOR WHICH IT WAS ORIGINALLY FURNISHED EXCEPT WITH WRITTEN PERMISSION OF FLUID KINETICS CORPORATION.

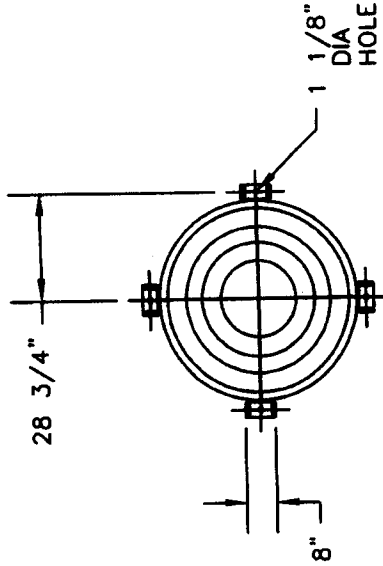
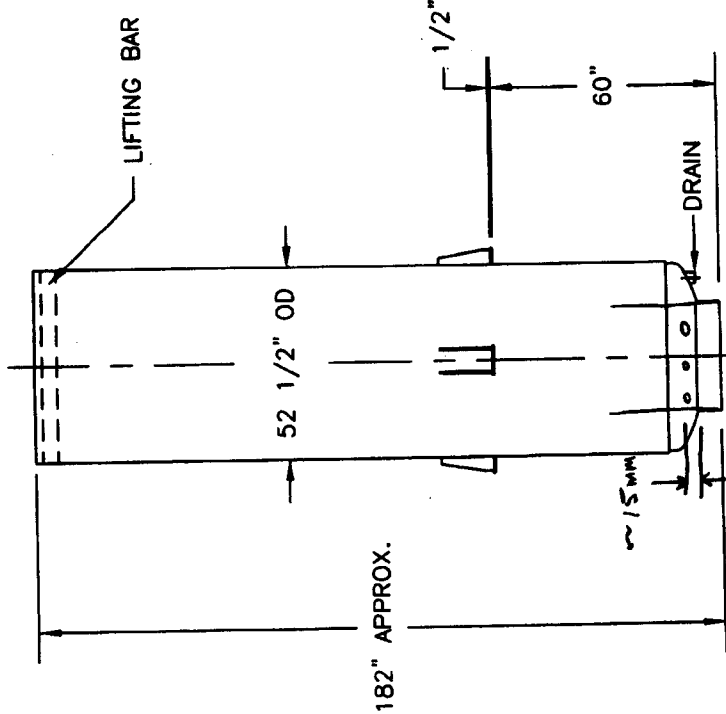


FLUID KINETICS CORPORATION
VENTURA, CALIFORNIA

TYPICAL VENT SILENCER CROSS SECTION

DR. DATE 1/22/90 DRAWING NO.

AB/KB 19880135



FROM INSIDE NOZZLE,
DRILL Ø - 6mm φ
HOLES JUST ABOVE
NOZZLE
AND HEAD (~15mm) TO
ALLOW WATER TO DRAIN
FROM SILENCER HEAD INTO VENT STACK

TOP VIEW

FRONT ELEVATION

DESIGN CONDITIONS	SERVICE	DRAINS VENT STACK	FLUID	STEAM	PROJECT INFORMATION	CUSTOMER: BECHTEL CUST. REF.: MILLMERRAN POWER TAG NO.: 85 dBA @ 1 METER P.O.#:
SILCR. S	FLOW RATE	92287 lb/hr	MOLECULAR WT.	18		
CONN. S	VALVE INLET	P1: 884.7 psi(o)	TEMPERATURE	770F	 FLUID KINETICS CORPORATION VENTURA, CALIFORNIA	
SPEC. S	SILCR. INLET	P2: 15.0 psi(o)	PRESSURE DROP	0.3 psi		
MATERIAL	SILCR. OUTLET	P3: 14.7 psi(o)	SAFETY VALVE SERVICE:	<input type="checkbox"/> NO <input type="checkbox"/> YES	MODEL BOS 52-120-728	
	INLET	30" SCH STD PIPE (BFW)	IF YES, SPECIFY VALVE DISCHARGE SYSTEM:	<input type="checkbox"/> CLOSED <input type="checkbox"/> VERIFY PRESSURE DROP		
	OUTLET	VENT TO ATMOSPHERE	<input type="checkbox"/> OPEN (DRIP PAN) -- SUBMIT PIPING DETAILS		DR. CP	
	DRAIN	2" NPT CPLG	MAT'L: CARBON STEEL		DATE	
	SHELL	THK: 3/16"	MAT'L: CARBON STEEL		03/04/02	
	HEAD	THK: 3/16"	MAT'L: CARBON STEEL		DRAWING NO.	
	FACINGS	THK: 14 GA.	MAT'L: SA105 (FLANGE), SA106B/SA53B (DIFFUSER)		2270151A	
	INLET	THK: 0.250"	MAT'L: LONG STRAND GLASS FIBER		REV.	
	PACKING	THK: 6 LB/FT3	PRIME: CARBOZINC 11, 2-3 MILS DFT*		-	
SANDBLAST	SSPC-SP 10	EXT. FINISH	FINISH: THERMALINE 4700 HI-TEMP AL 1-1.5 MILS DFT*			
WEIGHT	4,063 lbs		*AVERAGE MIL READING			

