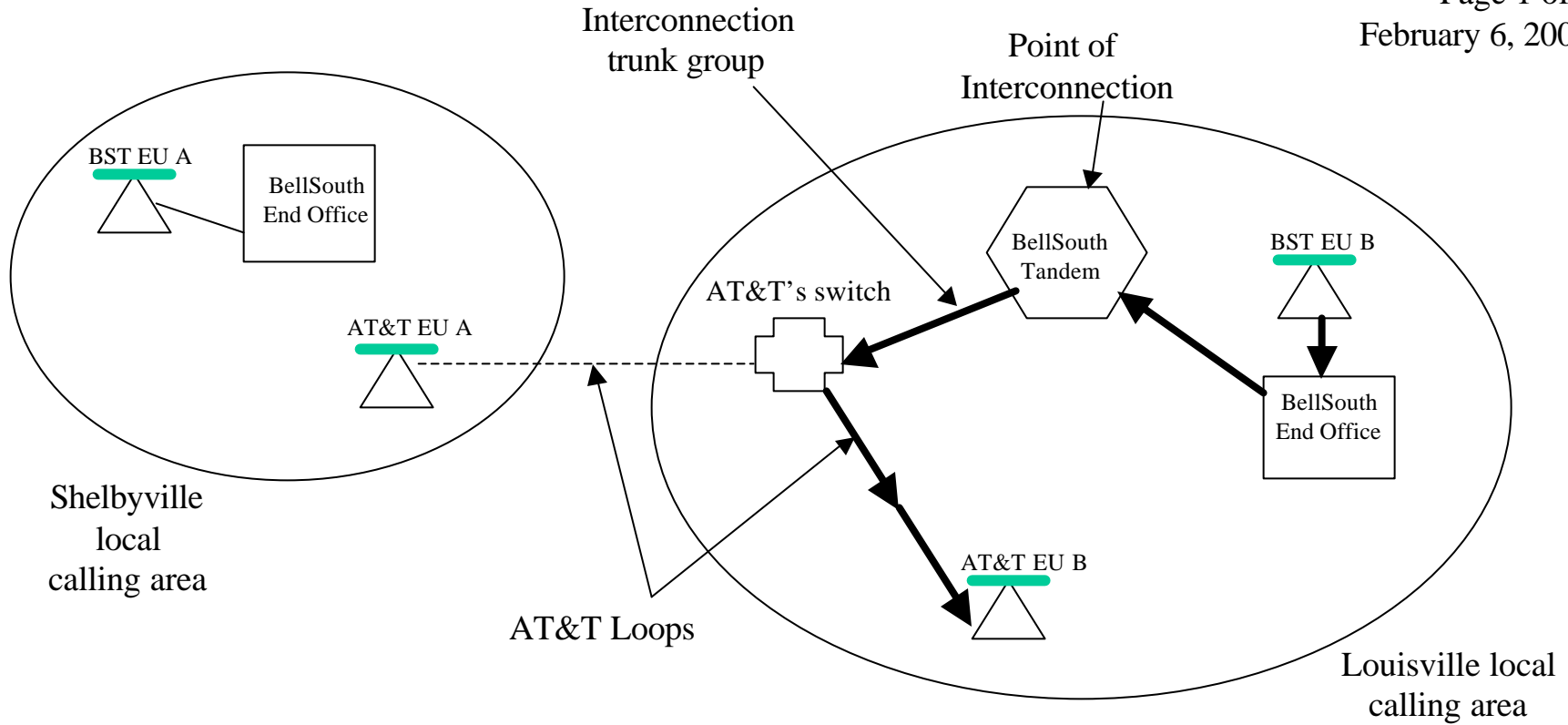
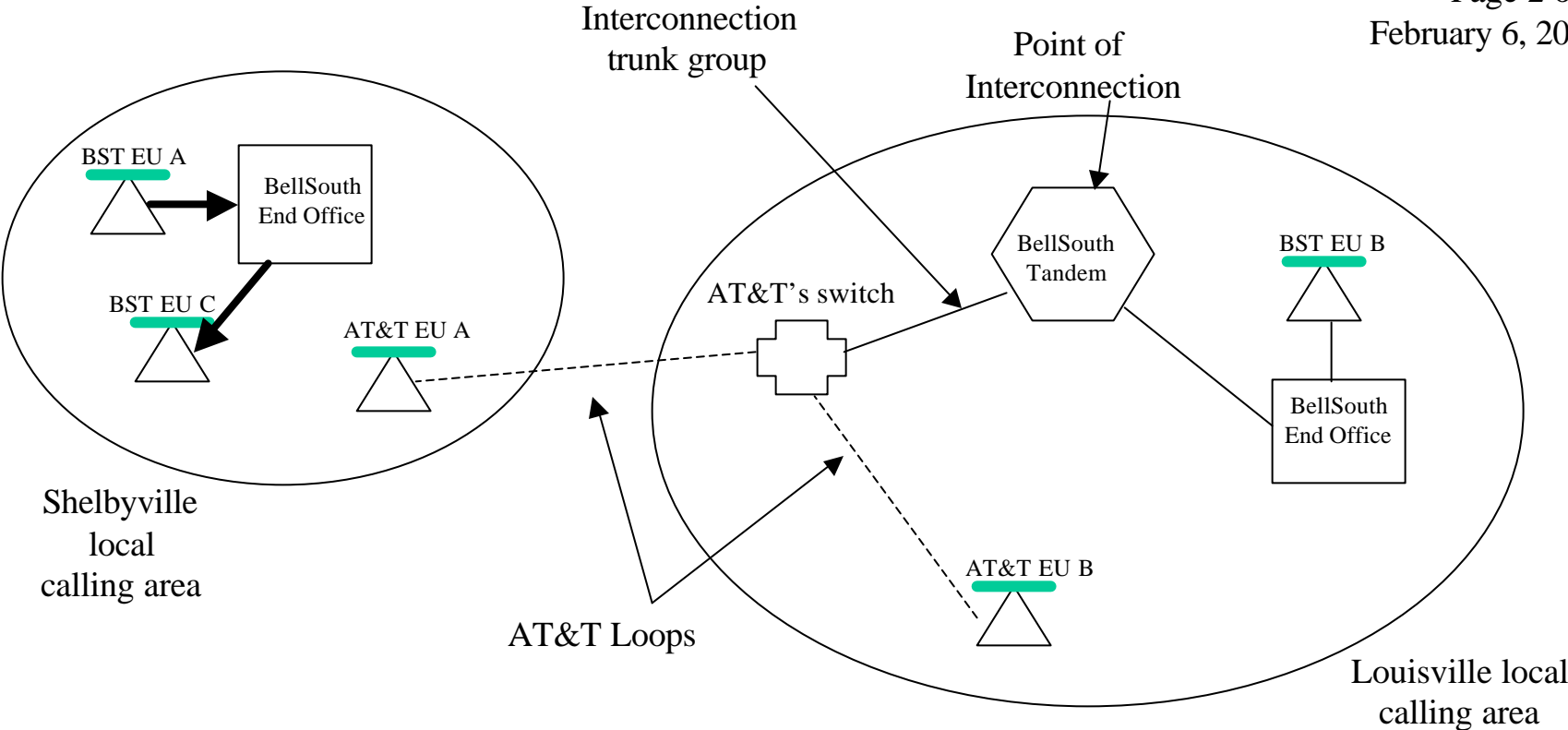


Local Call from Louisville BST EU to Louisville AT&T EU



Local Call from Shelbyville BST EU to Shelbyville BST EU



Local Call from Shelbyville BST EU to Shelbyville AT&T EU

BellSouth Telecommunications Inc.
 Kentucky PSC Case No. 2000-465
 Exhibit JAR-2
 Page 3 of 3
 February 6, 2001

